



**PROLINE RIGID TRANSMISSION LINE**  
PRODUCT CATALOG 2015





Unitized Constant Impedance Combiner & Patch Panel



**JAMPRO ANTENNAS, INC.— Your Partner for DTV-DVB-T & HD Radio Solutions-** the oldest, most experienced broadcast antenna company in North America with over 50 years of experience providing “Complete Turnkey Broadcast Systems.”

## **ABOUT JAMPRO**

Jampro Antennas Inc., established in 1954 to answer the need for high quality broadcast systems with a cost effective solution. Jampro is a leading supplier of antennas, combiners & filters, towers and RF components for every application in the broadcast industry. Reputed for innovation and customization, Jampro builds each system to the specifications of each individual broadcaster. From the first system delivered to those installed today, Jampro is committed to consistent performance and quality founded on solid engineering. Today over 25,000 broadcasters worldwide benefit from the quality and performance provided by Jampro systems.

## **CONTINUING THE TRADITION**

- Engineering and manufacturing broadband multi channel systems for UHF/VHF/FM since 1967 and delivered more than 200 systems in the last 5 years.
- Delivered and installed the highest power broadband UHF systems including antennas, combiners, transmission line, and towers in Asia. One system rated for 320kW and three others operate at 240kW, 260kW, and 280kW.
- Major supplier for common transmission infrastructure projects in India. Supplying more than 75% of equipment for phase 1 and the largest number of sites for phase 2.
- True pioneer in the development and introduction of “Circular Polarization to TV.” Delivering 1st circularly polarized TV Antenna in the world and 1st 5MW circularly polarized UHF system.
- Fully staffed with experienced engineers worldwide to perform field and installation services.
- Jampro Antennas (Canada), Inc. established to better serve the Canadian and International market.
- Jampro acquires iconic European antenna supplier, ADBL (Alan Dick Broadcast Ltd), to cover the needs of broadcasters worldwide. More information about ADBL can be found on their website at [www.AlanDickBroadcast.com](http://www.AlanDickBroadcast.com).
- Regional offices located in Latin America, Asia, USA (California, Mid-West & Texas), Canada, and the United Kingdom.

**For more information visit [www.JAMPRO.com](http://www.JAMPRO.com)**

# **RIGID TRANSMISSION LINE**

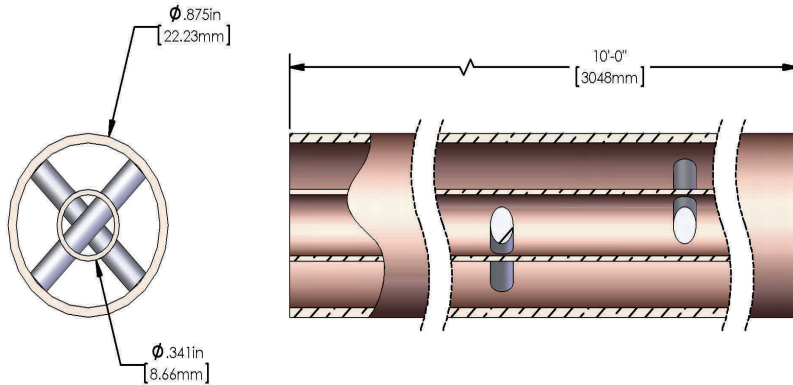
## **7/8" Rigid Transmission Line & Components**

All dimensions are typical and can vary.



# RIGID TRANSMISSION LINE

## 7/8" Rigid Transmission Line & Components

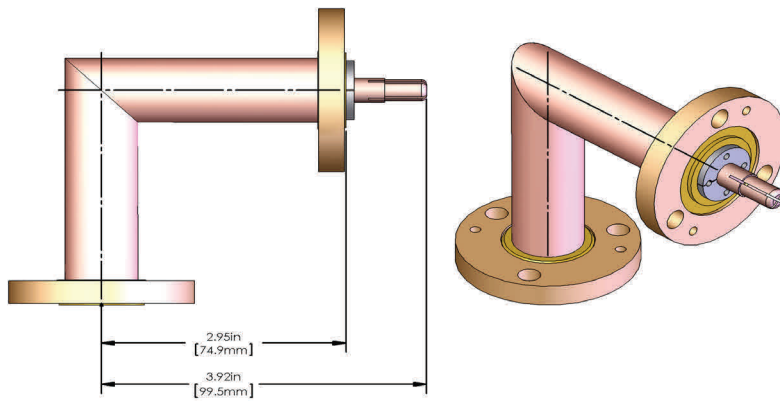


### 7/8" 10ft. Line Section

**Part # 078-50-001** (pictured)  
Unflanged, Flush cut

**Part # 078-50-002**  
Flanged One End, Flush cut

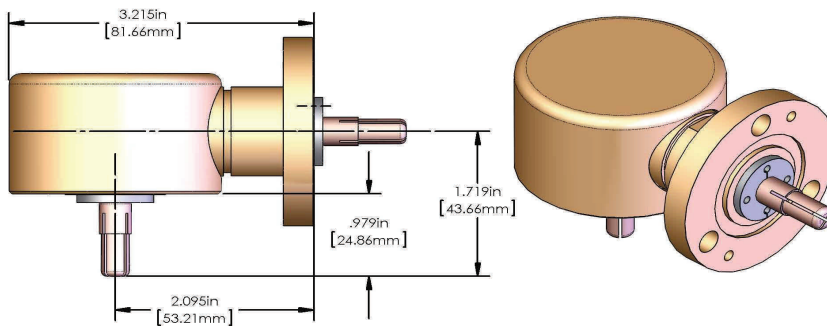
**Part # 078-50-003**  
Flanged Both Ends, Cut back  
5.482—6.053lbs approx.



### 7/8" 90 Degree Elbow

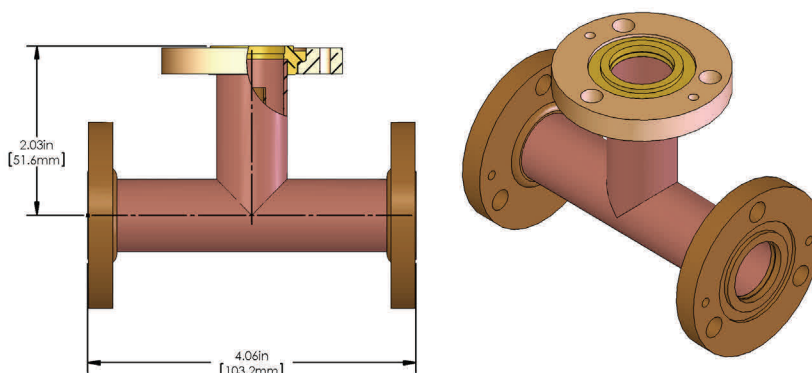
**Part # 078-50-050** (pictured)  
Flanged  
1.129lbs approx.

**Part # 078-50-051**  
Unflanged  
0.289lbs approx.



### 7/8" Compact Elbow Assembly

**Part # 078-50-052**  
0.957lbs approx.

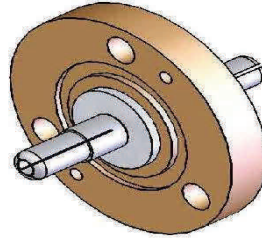
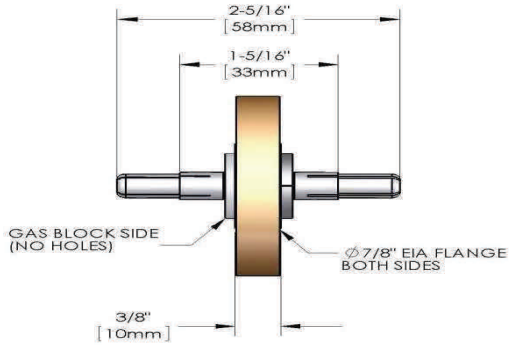


### 7/8" Tee Assembly

**Part # 078-50-060**  
Flanged  
1.130lbs approx.

# RIGID TRANSMISSION LINE

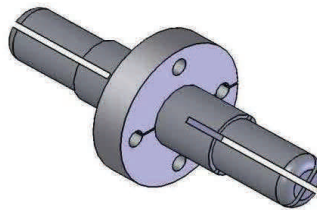
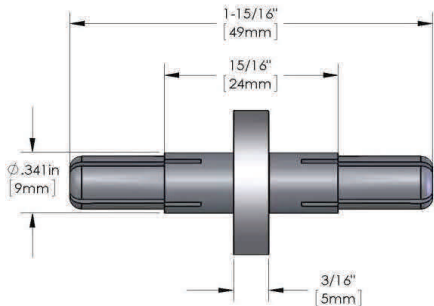
## 7/8" Rigid Transmission Line & Components



### 7/8" Gas Barrier

Part # 078-50-065

0.392lbs approx.

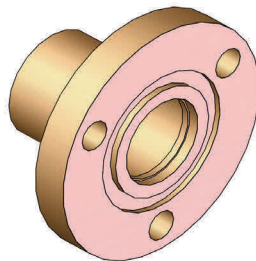
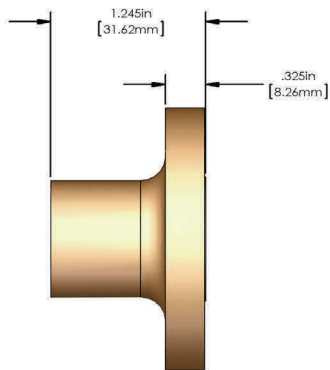


### 7/8" Anchor Insulator Connector

Part # 078-50-100

Bullet

0.045lbs approx.



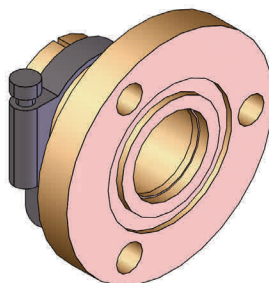
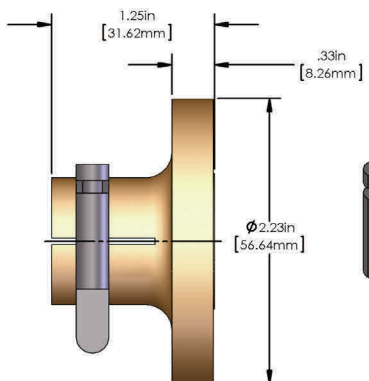
### 7/8" Field Flange

Part # 078-50-105

soft solder

Includes: silicone, solder, & hardware kit.

0.509lbs approx.



### 7/8" Field Flange

Part # 078-50-110

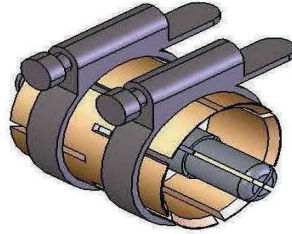
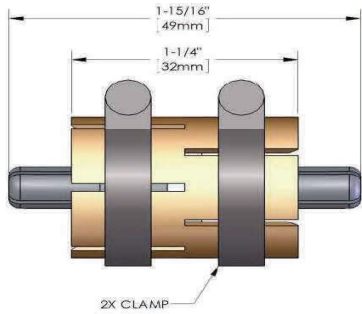
Clamp Type

0.378lbs approx.



# RIGID TRANSMISSION LINE

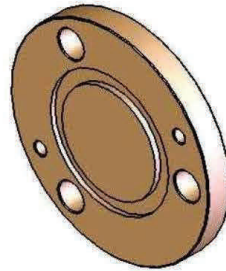
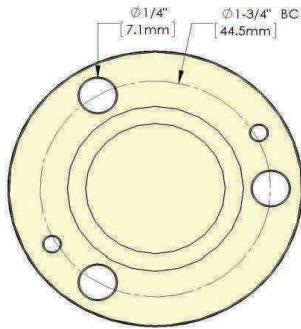
## 7/8" Rigid Transmission Line & Components



### 7/8" Unpressurized Coupling

**Part # 078-50-115** (pictured)  
With Inner Conductor  
0.150lbs approx.

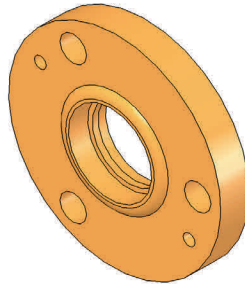
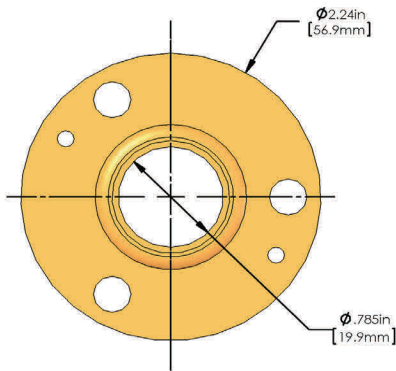
**Part # 078-50-120**  
Without Inner Conductor  
0.108lbs approx.



### 7/8" Cover Plate

**Part # 078-50-130**

0.28lbs approx.



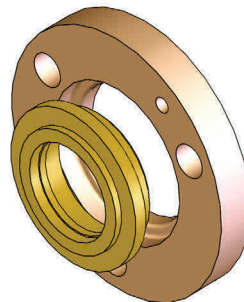
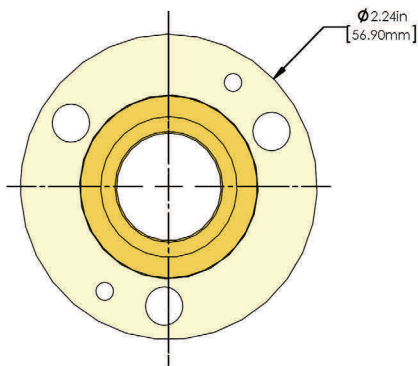
### 7/8" Fixed Flange

**Part # 078-50-140**

Silver braze or solder option available.

Includes: silver braze insert ring.

0.435lbs approx.



### 7/8" Swivel Flange

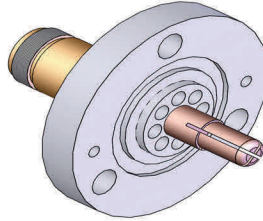
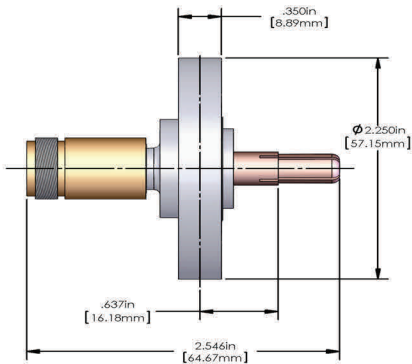
**Part # 078-50-145**

2 Part Weld On

0.441lbs approx.

# RIGID TRANSMISSION LINE

## 7/8" Rigid Transmission Line & Components

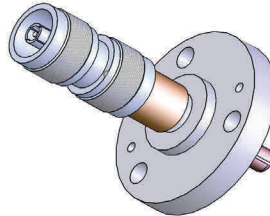
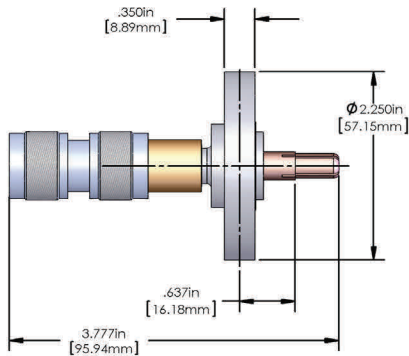


### Reducer, 7/8" to Type N

**Part # 078-50-300**

7/8" Fl. Male to Type N Male

0.218lbs approx.

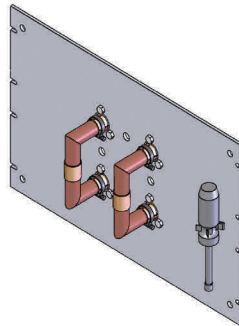
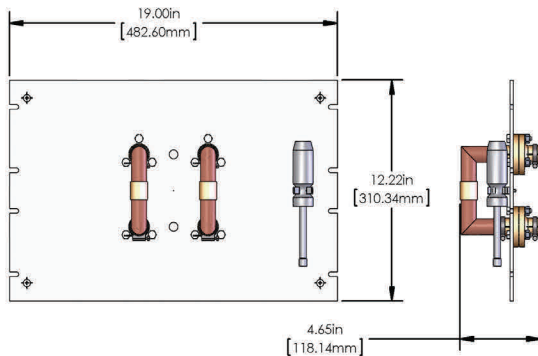


### Reducer, 7/8" to Type N

**Part # 078-50-305**

7/8" Fl. Male to Type N Female

0.363lbs approx.



### 7/8" 4-Port Patch Panel

**Part # 078-50-240**

With 2 "U" Links

Specify interlock switch option upon ordering

12.536lbs approx.

## Additional Patch Panels Available

**Part # 078-50-231**

7/8" 3-Port Patch Panel With 1 Quick Release "U" Link

**Part # 078-50-251**

7/8" 5-Port Patch Panel With 2 Quick Release "U" Links

**Part # 078-50-261**

7/8" 6-Port Patch Panel With 2 Quick Release "U" Links

**Part # 078-50-271**

7/8" 7-Port Patch Panel With 3 Quick Release "U" Links

\*Specify interlock switch option upon ordering. Specifications available upon request



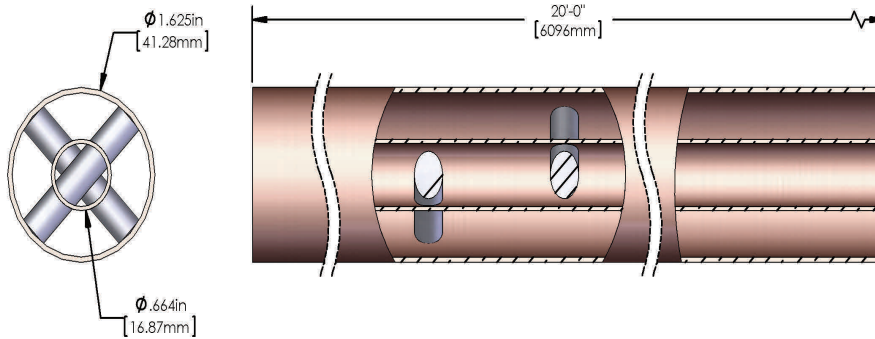
# **RIGID TRANSMISSION LINE**

## **1-5/8" Rigid Transmission Line & Components**

All dimensions are typical and can vary.

# RIGID TRANSMISSION LINE

## 1-5/8" Rigid Transmission Line & Components



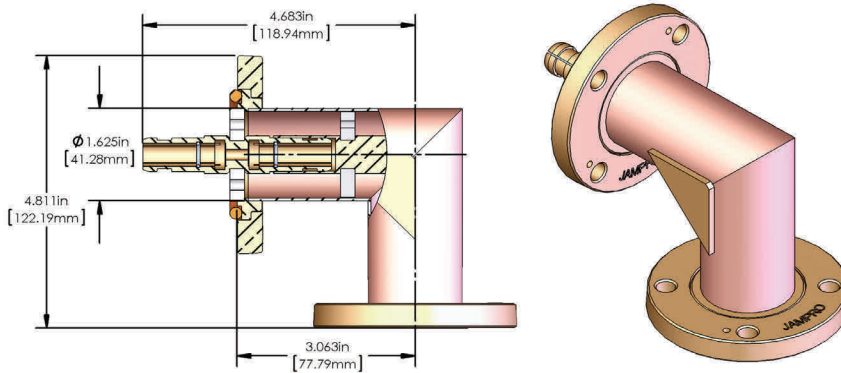
### 1-5/8" 20 ft. line Section

**Part # 158-50-001**  
Unflanged (pictured)

**Part # 158-50-002**  
Flanged one end

**Part # 158-50-003**  
Flanged both ends

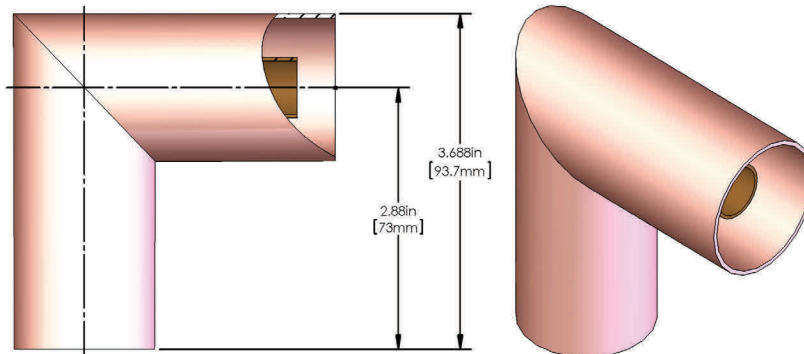
24.550-26.22lbs approx.



### 1-5/8" 90 Degree Elbow

**Part # 158-50-050** (pictured)  
Flanged, Reinforced  
3.025lbs approx

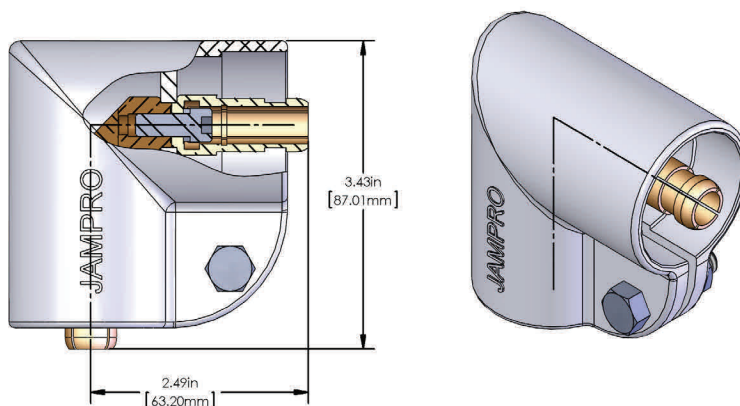
**Part # 15850-055**  
Flanged, Unequal Leg  
3.294lbs approx.



### 1-5/8" 90 Degree Elbow

**Part # 158-50-051** (pictured)  
Unflanged

0.736lbs approx.



### 1-5/8" 90 Degree Elbow

**Part # 158-50-052**

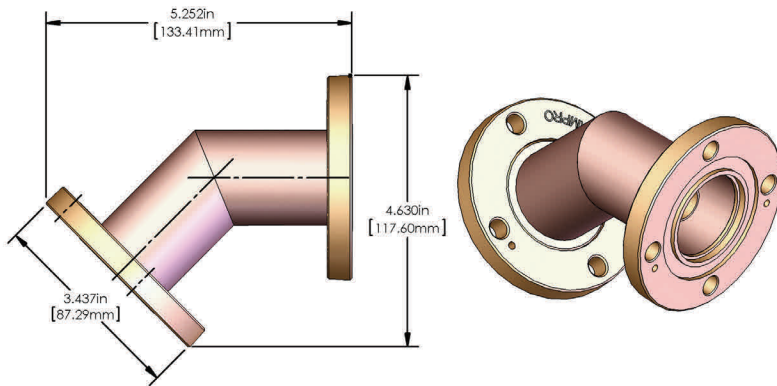
Unflanged with Integrated  
Couplings

0.845lbs approx.



# RIGID TRANSMISSION LINE

## 1-5/8" Rigid Transmission Line & Components



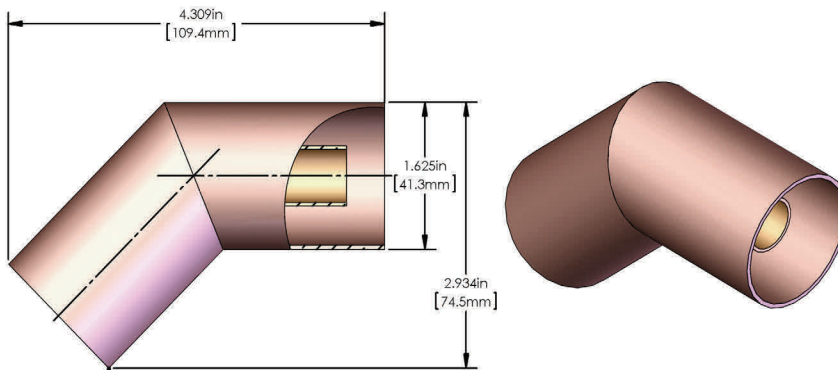
### 1-5/8" 45 Degree Elbow

Part # 158-50-053

Flanged

Includes: 1 bullet

2.276lbs approx.

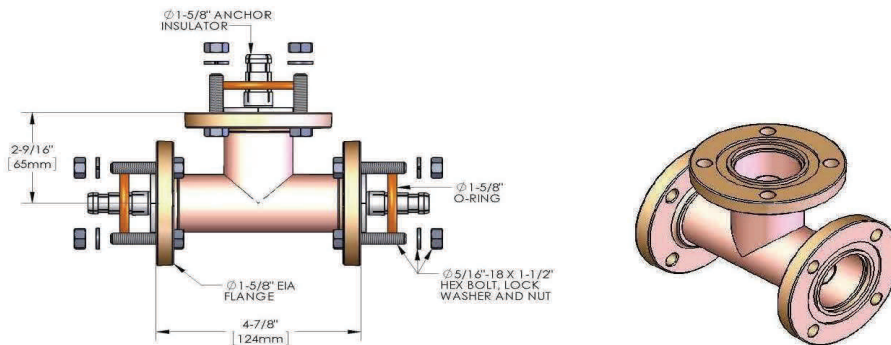


### 1-5/8" 45 degree Elbow

Part # 158-50-054

Unflanged

0.523lbs approx.

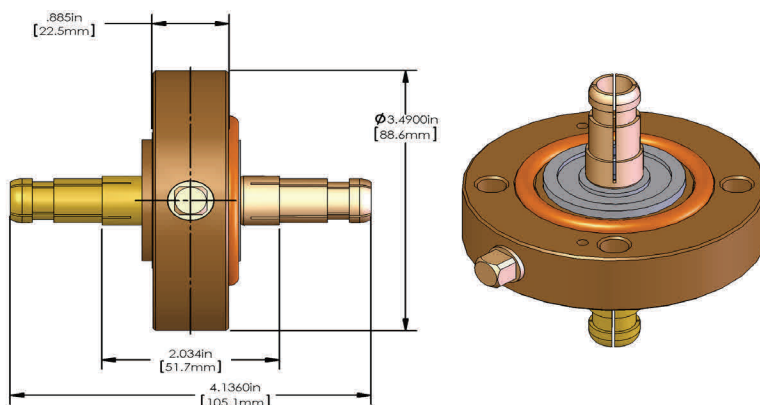


### 1-5/8" Tee Assembly

Part # 158-50-060

Available flanged & unflanged

4.718lbs approx.



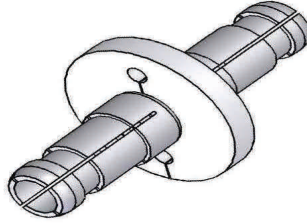
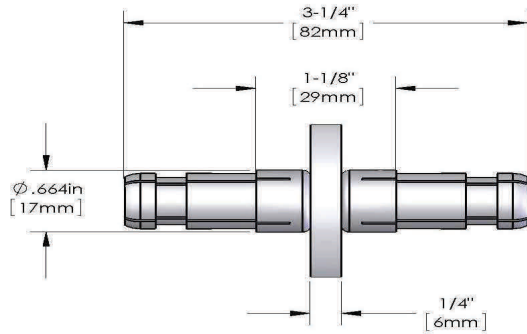
### 1-5/8" Gas Barrier

Part # 158-50-065

2.140lbs approx.

# RIGID TRANSMISSION LINE

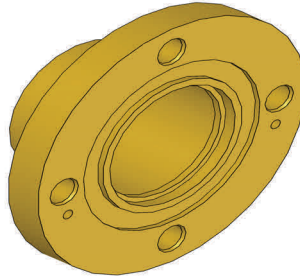
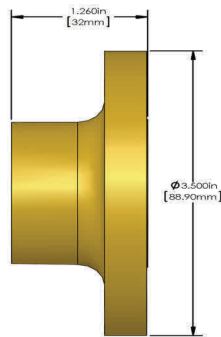
## 1-5/8" Rigid Transmission Line & Components



### 1-5/8" Anchor Insulator Connector

Part # 158-50-100

0.155lbs approx.

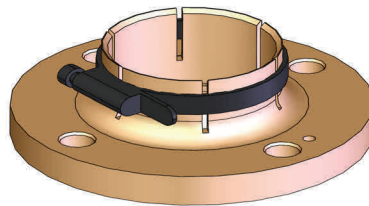
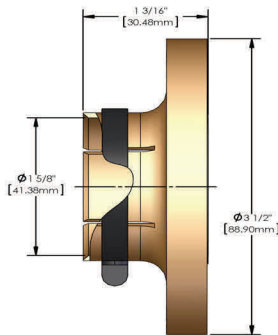


### 1-5/8" Field Flange

Part # 158-50-105

Includes: silicone, solder, & hardware kit.

1.247lbs approx.

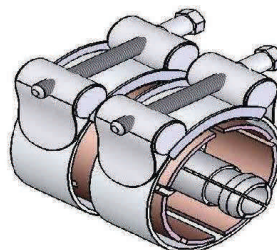
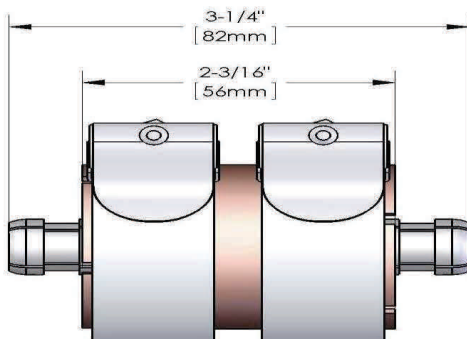


### 1-5/8" Field Flange

Part # 158-50-110

Clamp Type

0.968lbs approx.



### 1-5/8" Unpressurized Coupling

Part # 158-50-115

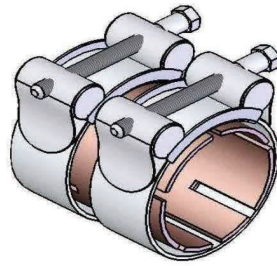
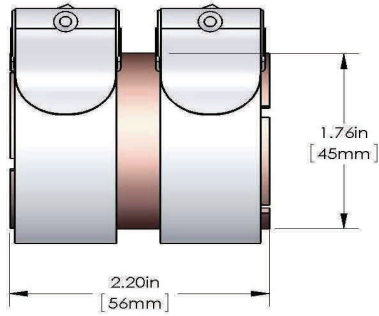
With Inner Conductor

0.362lbs approx.



# RIGID TRANSMISSION LINE

## 1-5/8" Rigid Transmission Line & Components

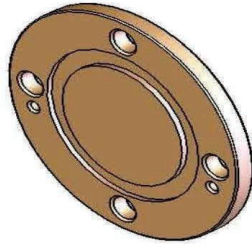
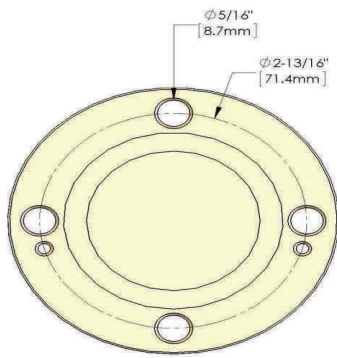


### 1-5/8" Unpressurized Coupling

Part # 158-50-120

Without Inner Conductor

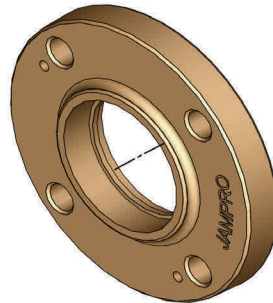
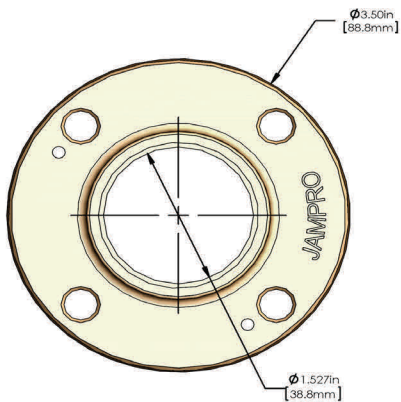
0.207lbs approx.



### 1-5/8" Cover Plate

Part # 158-50-130

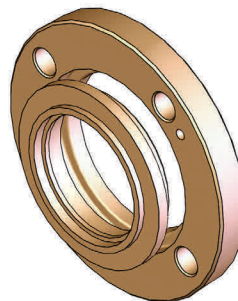
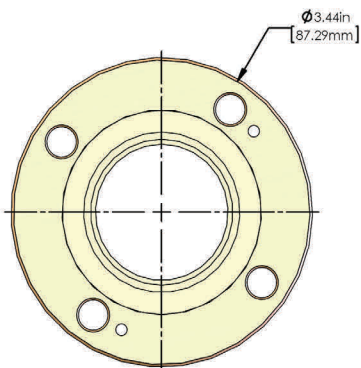
0.67lbs approx.



### 1-5/8" Fixed Flange

Part # 158-50-140

1.195lbs approx.



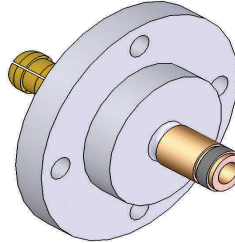
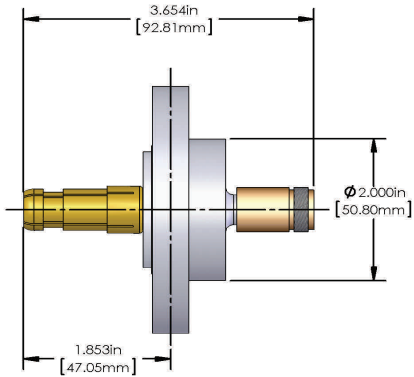
### 1-5/8" Swivel Flange

Part # 158-50-145

1.170lbs approx.

# RIGID TRANSMISSION LINE

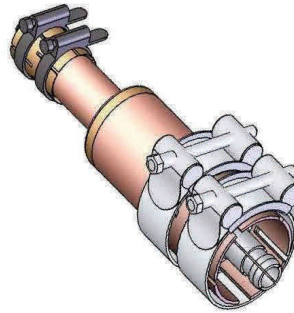
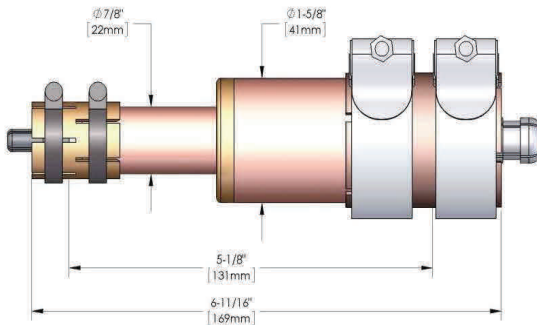
## 1-5/8" Rigid Transmission Line & Components



### Reducer, 1-5/8" to Type N

**Part # 158-50-300** (pictured)  
1-5/8" Male Flange to Type N Female  
0.886lbs approx.

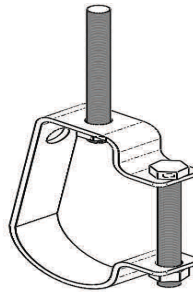
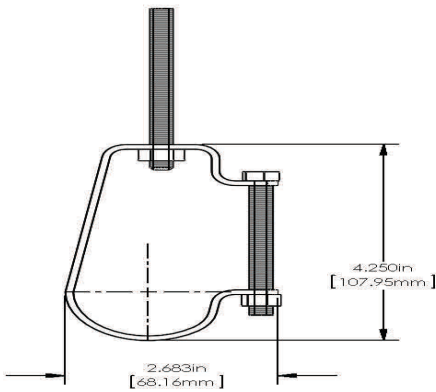
**Part # 158-50-305**  
1-5/8" Male Flange to Type N Male  
0.775lbs approx.



### Reducer, 1-5/8" to 7/8"

**Part # 158-50-315** (pictured)  
1-5/8" Male to 7/8" Male, Unflanged with Couplings  
1.131lbs approx.

**Part # 158-50-325**  
1-5/8" Female to 7/8" Male, Flanged  
2.274lbs approx.

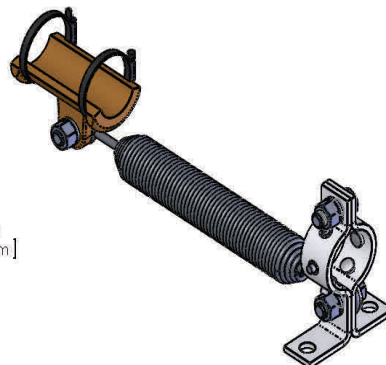
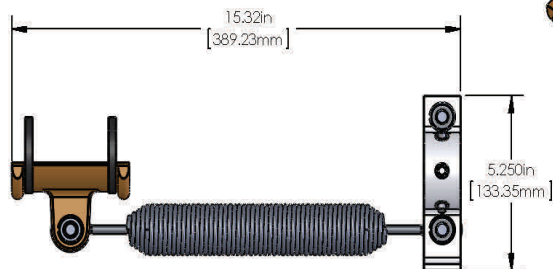


### 1-5/8" Indoor Horizontal Hangers

**Part # 158-50-502**

Single Line

0.35lbs approx.



### 1-5/8" Spring Hanger

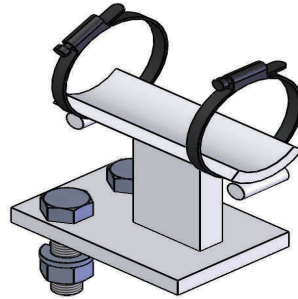
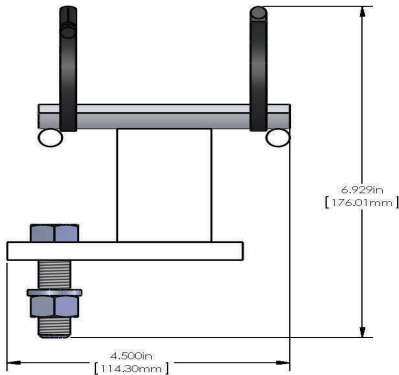
**Part # 158-50-507**

Single Line Vertical

3.921lbs approx.

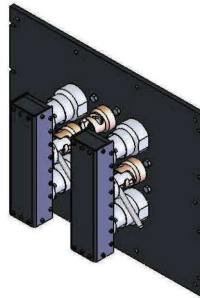
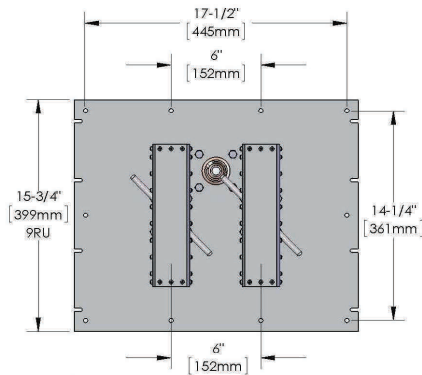
# RIGID TRANSMISSION LINE

## 1-5/8" Rigid Transmission Line & Components



### 1-5/8" Fixed Hanger

Part # 158-50-508

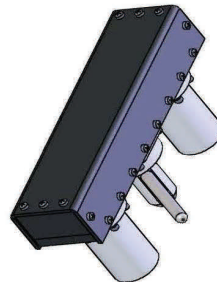
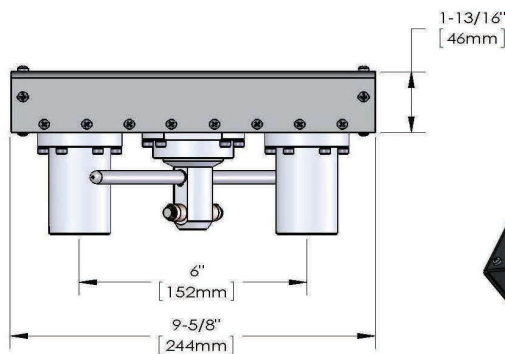


### 1-5/8" 4-Port Patch Panel

Part # 158-50-242 (pictured)  
2 Quick Release "U" Links

Part # 158-50-240  
2 "U" Links

19.539- 27.354 lbs approx.



### 1-5/8" U-Link

Part # 158-50-296 (pictured)  
Quick Release U-Link

Part # 158-50-298  
U-Link

1.552-1.952lbs approx.

## Additional Patch Panels Available

### Part # 158-50-232

1-5/8" 3-Port Patch Panel With 1 Quick Release "U" Link

### Part # 158-50-252

1-5/8" 5-Port Patch Panel With 2 Quick Release "U" Links

### Part # 158-50-262

1-5/8" 6-Port Patch Panel With 2 Quick Release "U" Links

### Part # 158-50-272

1-5/8" 7-Port Patch Panel With 3 Quick Release "U" Links

\*Specify interlock switch option upon ordering patch panels. Specifications/drawings available upon request



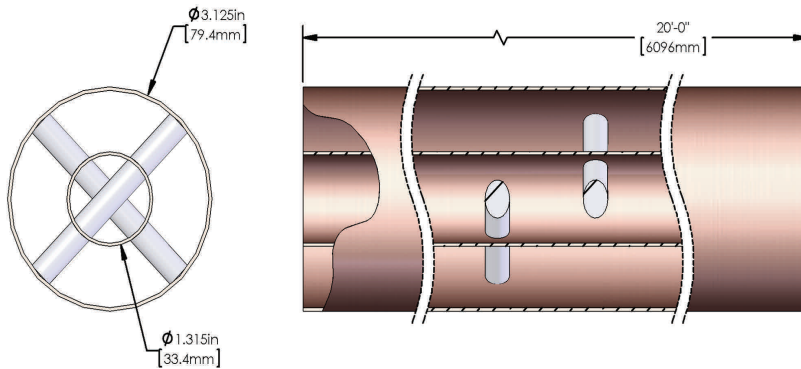
# **RIGID TRANSMISSION LINE**

## **3-1/8" Rigid Transmission Line & Components**

All dimensions are typical and can vary.

# RIGID TRANSMISSION LINE

## 3-1/8" Rigid Transmission Line & Components



### 3-1/8" 20 ft. Line Section

**Part # 318-50-001** (pictured)

Unflanged

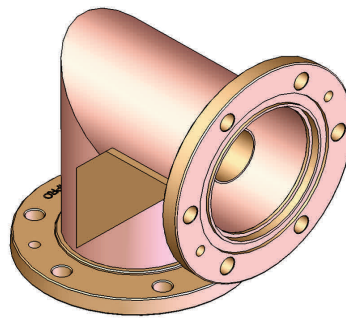
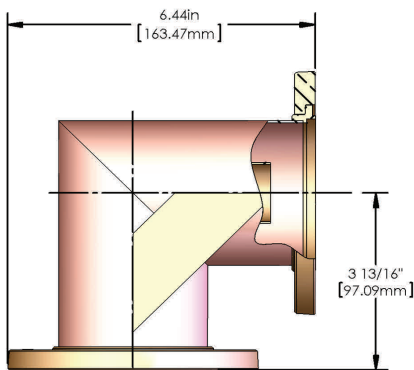
**Part # 318-50-002**

Flanged 1 end

**Part # 318-50-003**

Flanged both ends

49.602-52.722lbs approx.



### 3-1/8" 90 degree Elbow

**Part # 318-50-050** (pictured)

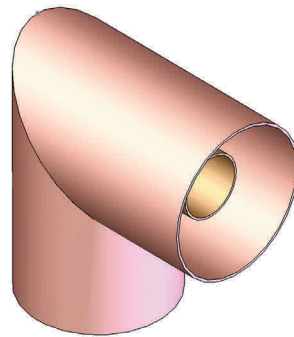
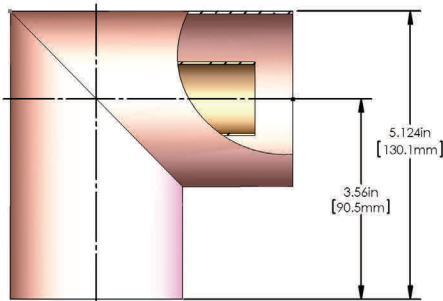
**Flanged Reinforced**

7.071lbs approx.

**Part # 318-50-055**

Unequal Leg Flanged

10.935lbs approx.

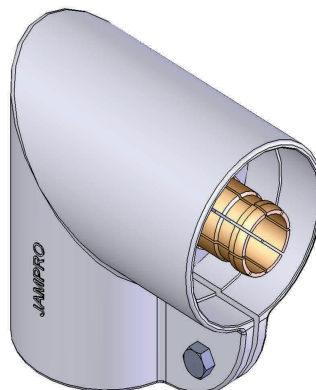
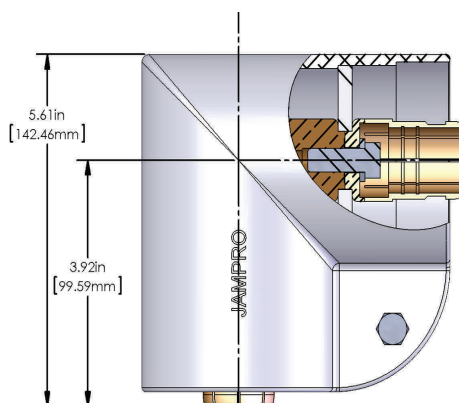


### 3-1/8" 90 degree Elbow

**Part # 318-50-051** (pictured)

Unflanged

2.071lbs approx.



### 3-1/8" Aluminum Elbow

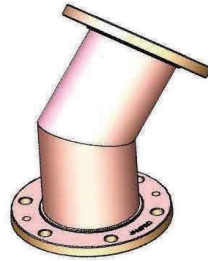
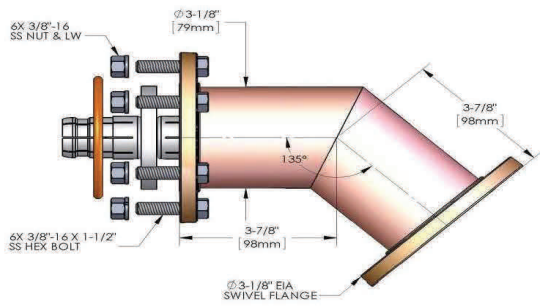
**Part # 318-50-052**

Unflanged with Integrated Couplings

3.333lbs approx.

# RIGID TRANSMISSION LINE

## 3-1/8" Rigid Transmission Line & Components

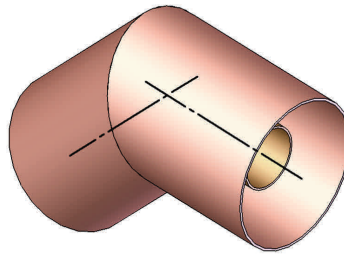
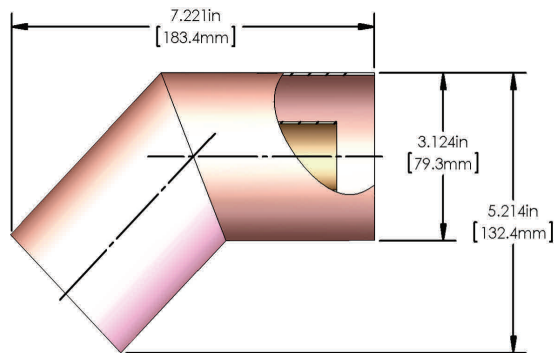


### 3-1/8" 45 degree Elbow

Part # 318-50-053

Flanged

6.79lbs approx.

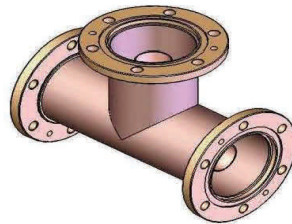
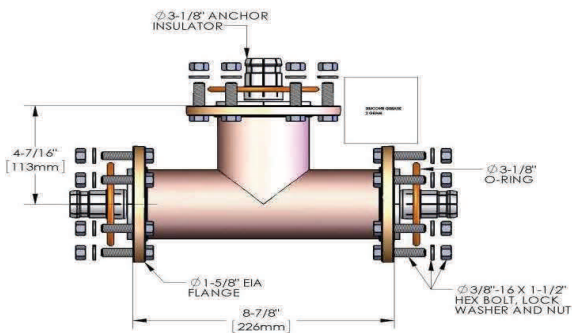


### 3-1/8" 45 degree Elbow

Part # 318-50-054

Unflanged

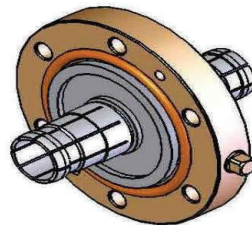
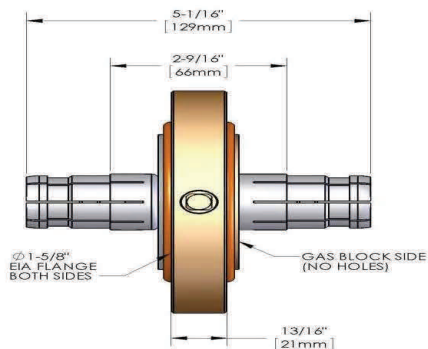
2.266lbs approx.



### 3-1/8" Tee Assembly

Part # 318-50-060

11.157lbs approx.



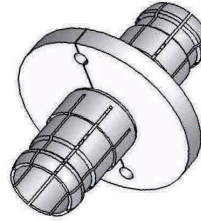
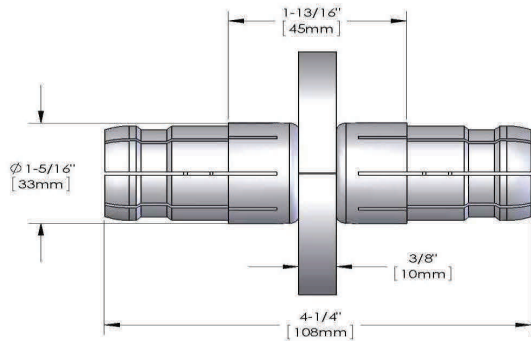
### 3-1/8" Gas Barrier

Part # 318-50-065

4.169lbs approx.

# RIGID TRANSMISSION LINE

## 3-1/8" Rigid Transmission Line & Components

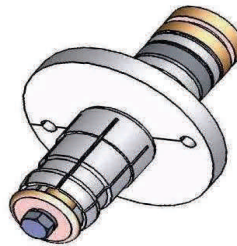
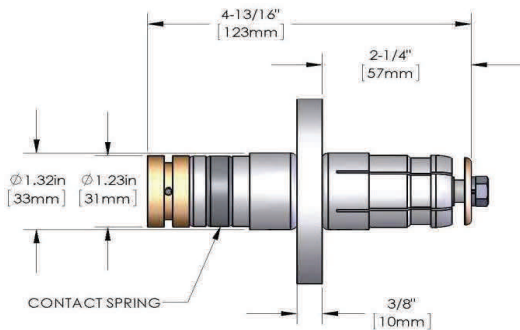


### 3-1/8" Anchor Insulator Connector - Bullet

Part # 318-50-100

Bullet

0.654lbs

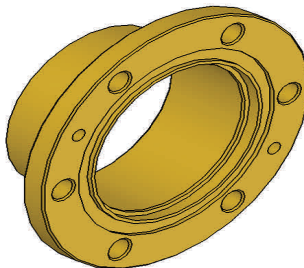
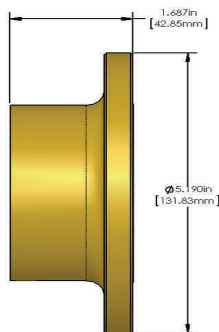


### 3-1/8" Anchor Insulator Connector

Part # 318-50-101

Expansion

1.421lbs approx.

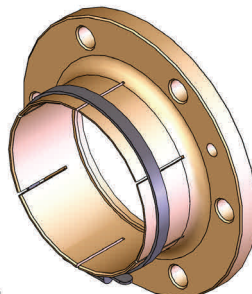
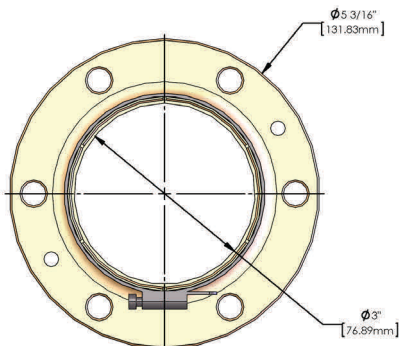


### 3-1/8" Field Flange

Part # 318-50-105

Includes: silicone, solder, & hardware kit.

2.338lbs approx.



### 3-1/8" Field Flange

Part # 318-50-110

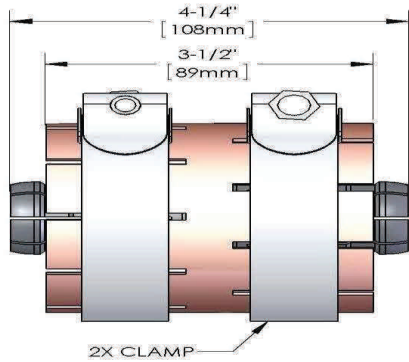
Clamp Type

2.345lbs



# RIGID TRANSMISSION LINE

## 3-1/8" Rigid Transmission Line & Components

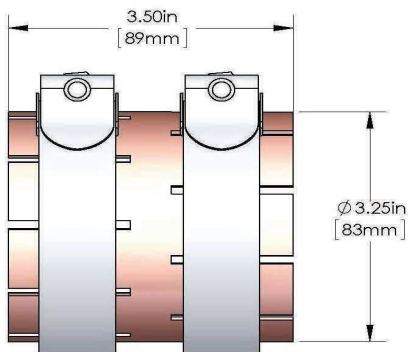


### 3-1/8" Unpressurized Coupling

Part # 318-50-115

With Inner Conductor

1.168lbs approx.

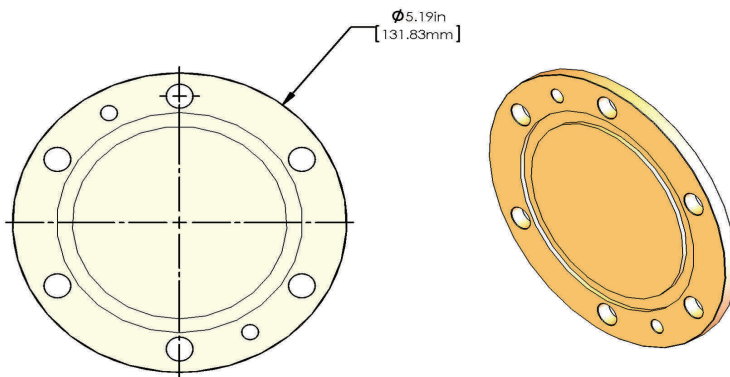


### 3-1/8" Unpressurized Coupling

Part # 318-50-120

Without Inner Conductor

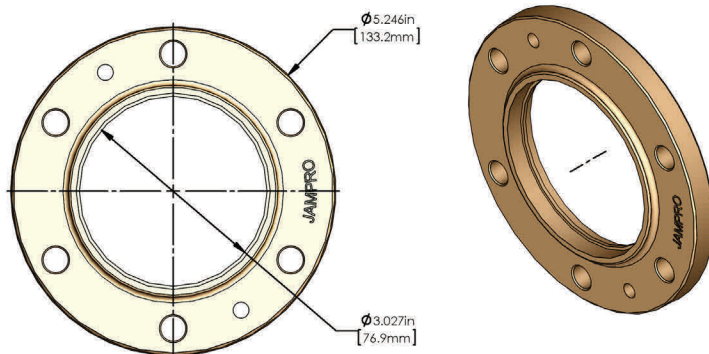
0.622lbs approx.



### 3-1/8" Cover Plate

Part # 318-50-130

2.088lbs approx.



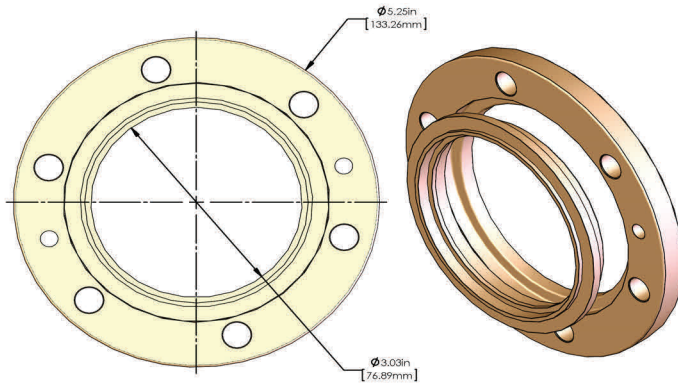
### 3-1/8" Fixed Flange

Part # 318-50-140

1.641lbs approx.

# RIGID TRANSMISSION LINE

## 3-1/8" Rigid Transmission Line & Components

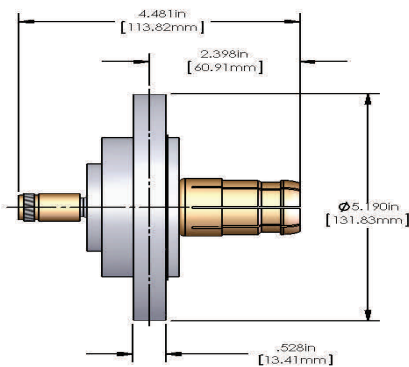


### 3-1/8" Swivel Flange

Part # 318-50-145

2 Part Solder On

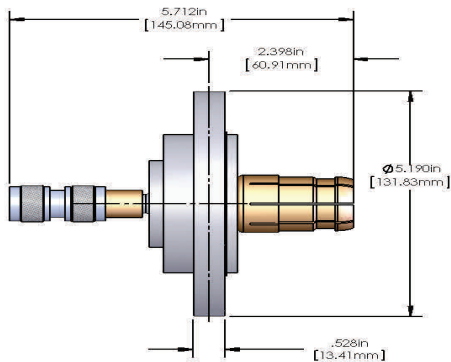
1.637lbs approx.



### Reducer, 3-1/8" Male to Type-N Female

Part # 318-50-300

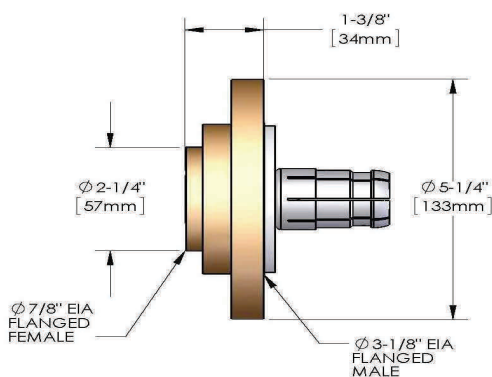
1.640lbs approx.



### Reducer, 3-1/8" Male to Type-N Male

Part # 318-50-305

1.785lbs approx.



### Reducer, 3-1/8" Male to 7/8" Female

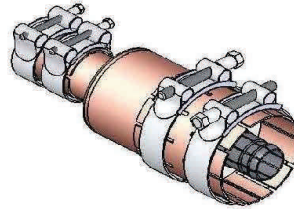
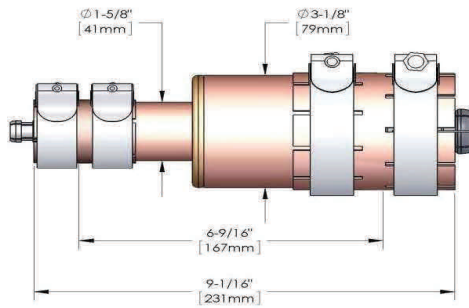
Part # 318-50-310

Flanged (FM Band Only)

4.393lbs approx.

# RIGID TRANSMISSION LINE

## 3-1/8" Rigid Transmission Line & Components

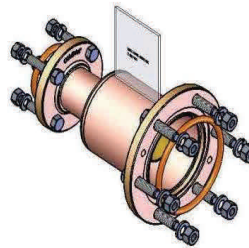
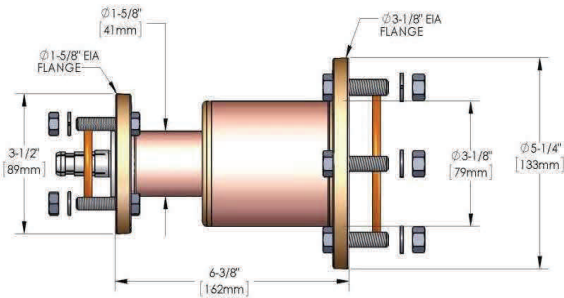


### Reducer, 3-1/8" Male to 1-5/8" Male

**Part # 318-50-315**

Unflanged with Couplings

3.754lbs approx.

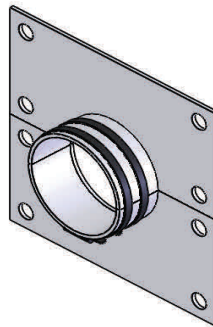
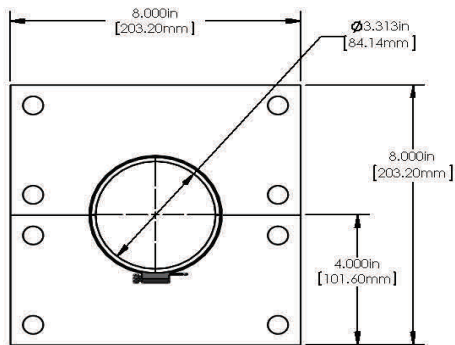


### Reducer, 3-1/8" Female to 1-5/8" Male

**Part # 318-50-325**

Flanged

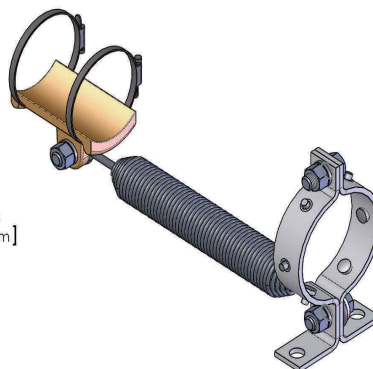
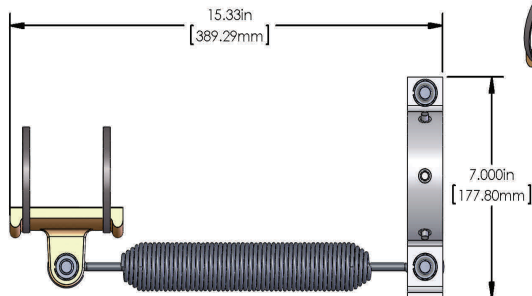
5.781lbs approx.



### 3-1/8" Wall Anchor Plate

**Part # 318-50-500**

2.557lbs approx.



### 3-1/8" Spring Hanger

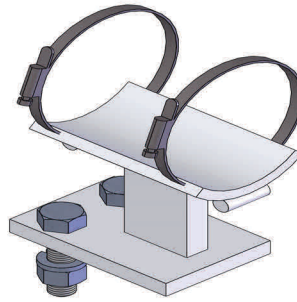
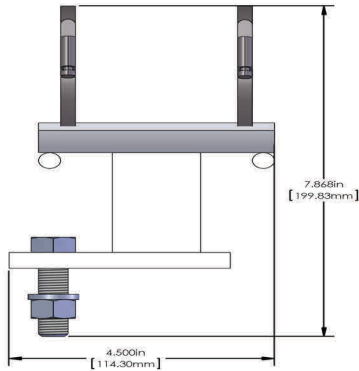
**Part # 318-50-535**

Single Line Vertical

4.358lbs approx.

# RIGID TRANSMISSION LINE

## 3-1/8" Rigid Transmission Line & Components

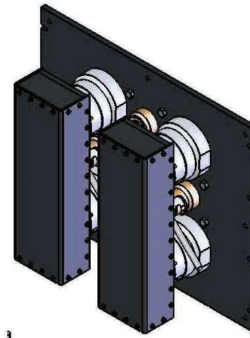
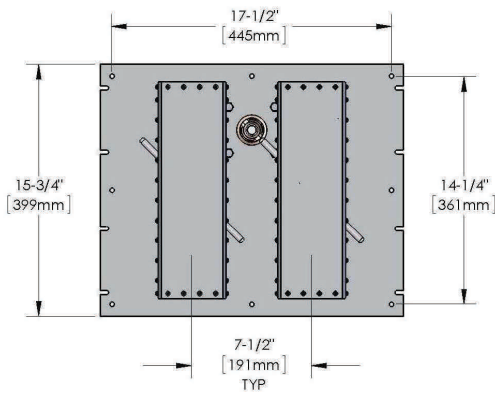


### 3-1/8" Fixed Hanger

**Part # 318-50-540**

Single Line Tower Top

2.782lbs approx.



### 3-1/8" 4-Port Patch Panel

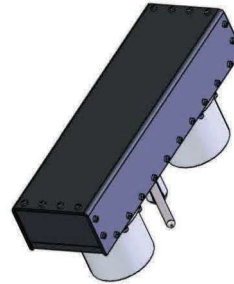
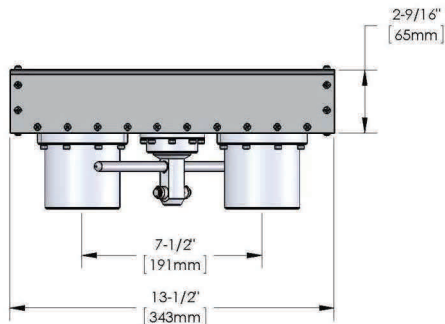
**Part # 318-50-241** (pictured)

2 Quick Release "U" Links

**Part # 318-50-240**

2 "U" Links

37.988-45.791lbs approx.



### 3-1/8" U-Link

**Part # 318-50-296** (pictured)

Quick Release U-Link

6.344lbs approx.

**Part # 318-50-298**

U-Link

5.515lbs approx.

## Additional Patch Panels Available

**Part # 318-50-231**

**3-1/8" 3-Port Patch Panel** With 1 Quick Release "U" Link

**Part # 318-50-251**

**3-1/8" 5-Port Patch Panel** With 2 Quick Release "U" Links

**Part # 318-50-261**

**3-1/8" 6-Port Patch Panel** With 2 Quick Release "U" Links

**Part # 318-50-271**

**3-1/8" 7-Port Patch Panel** With 3 Quick Release "U" Links

\*Specify interlock switch option upon ordering patch panels. Specifications/drawings available upon request



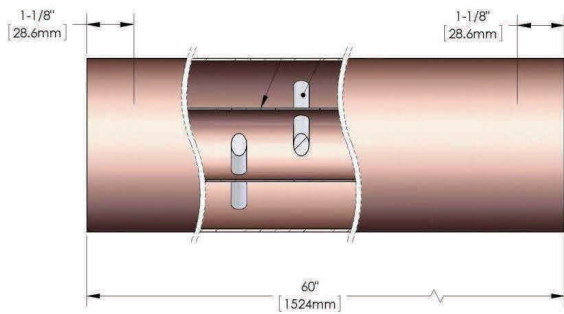
# **RIGID TRANSMISSION LINE**

## **4-1/16" Rigid Transmission Line & Components**

All dimensions are typical and can vary.

# RIGID TRANSMISSION LINE

## 4-1/16" Rigid Transmission Line & Components

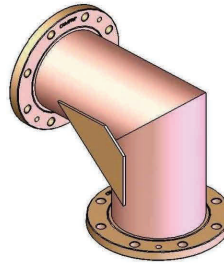
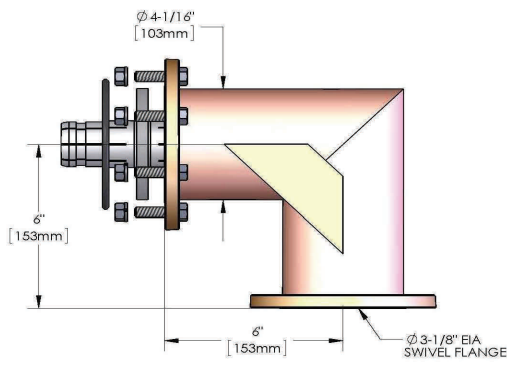


### 4-1/16" 20 ft. Line

**Part # 416-50-001** (pictured)  
Unflanged

**Part # 416-50-002**  
Flanged 1 end

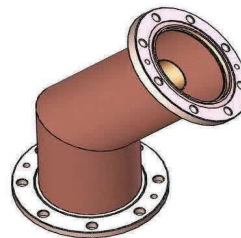
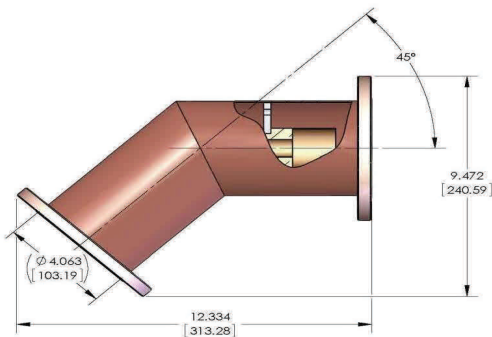
**Part # 416-50-003** Flanged  
both ends  
77.536-86.720lbs approx.



### 4-1/16" 90 Degree Elbow

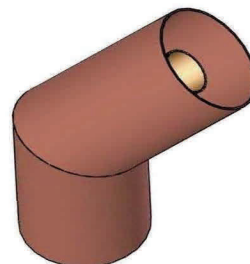
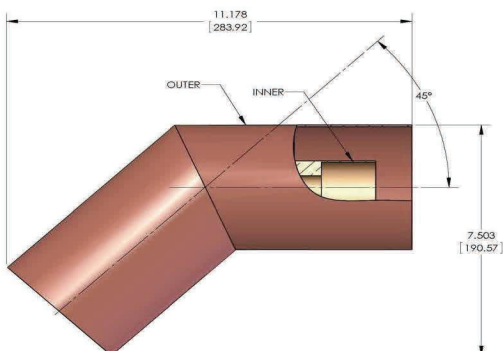
**Part # 416-50-050** (pictured)  
Flanged  
12.460lbs approx.

**Part # 416-50-051**  
Unflanged  
5.326lbs approx.



### 4-1/16" 45 Degree Elbow

**Part # 416-50-053** (pictured)  
Flanged  
11.257lbs approx.

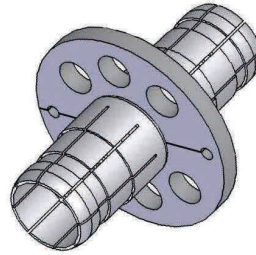
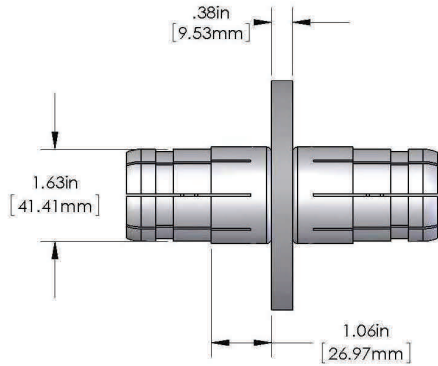


### 4-1/16" 45 Degree Elbow

**Part # 416-50-054** (pictured)  
Unflanged  
6.853lbs approx.

# RIGID TRANSMISSION LINE

## 4-1/16" Rigid Transmission Line & Components

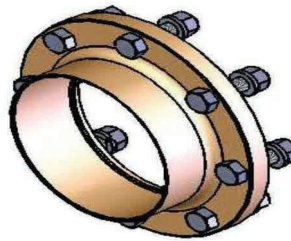
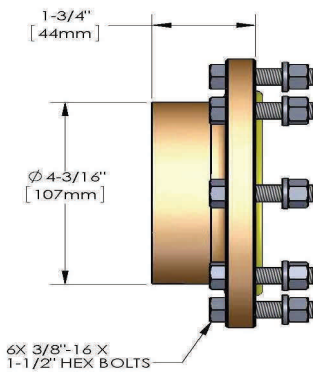


### 4-1/16" Anchor Insulator Connector - Bullet

Part # 416-50-100

Bullet

1.148lbs

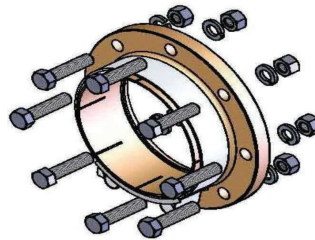
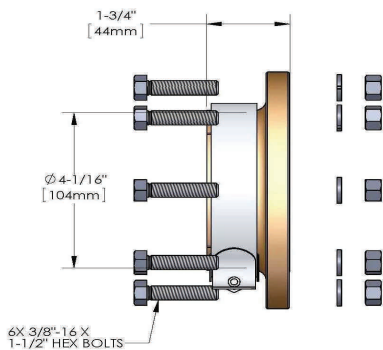


### 4-1/6" Field Flange

Part # 416-50-105

Includes: silicone, solder, & hardware kit.

3.536lbs approx.

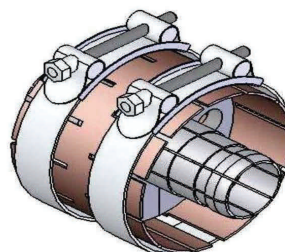
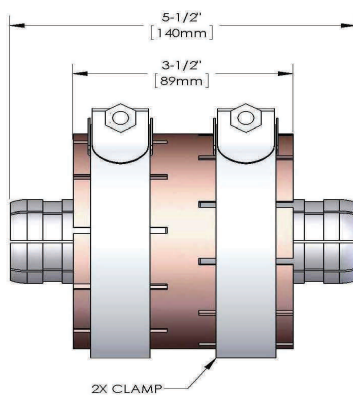


### 4-1/16" Field Flange

Part # 416-50-110

Clamp Type

2.454lbs



### 4-1/16" Unpressurized Coupling

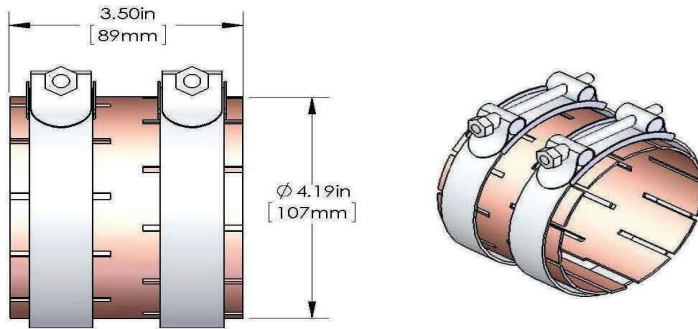
Part # 416-50-115

With Inner Conductor

1.925lbs approx.

# RIGID TRANSMISSION LINE

## 4-1/16" Rigid Transmission Line & Components

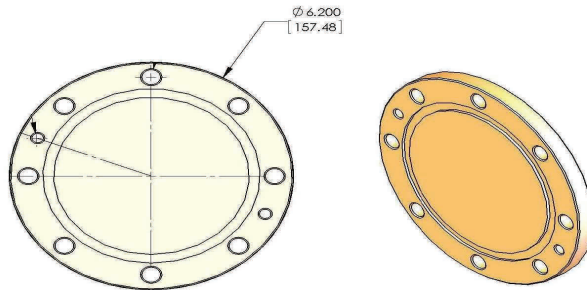


### 4-1/16" Unpressurized Coupling

Part # 416-50-120

Without Inner Conductor

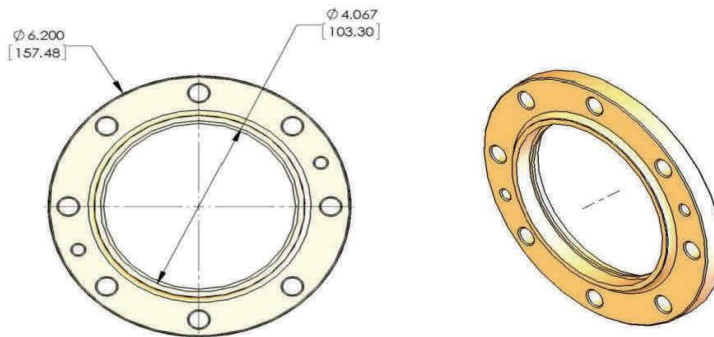
0.808lbs approx.



### 4-1/16" Cover Plate

Part # 416-50-130

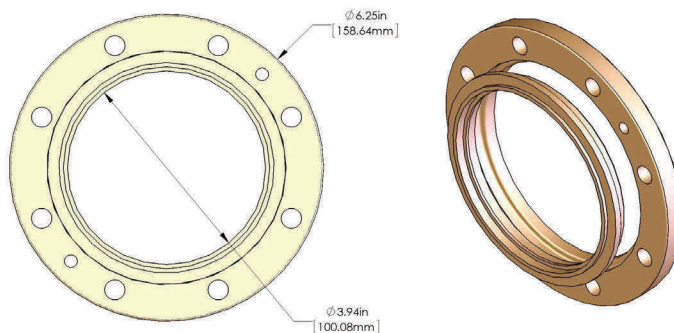
4.11lbs approx.



### 4-1/16" Fixed Flange

Part # 416-50-140

2.31lbs approx.



### 4-1/16" Swivel Flange

Part # 416-50-145

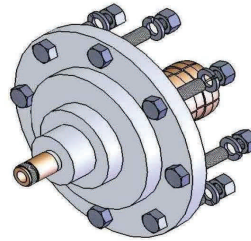
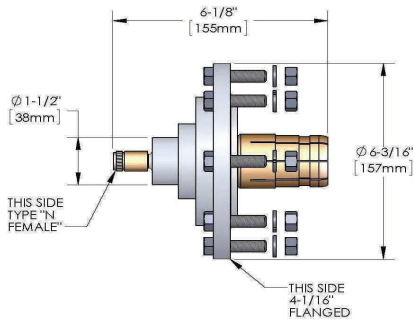
2 Part Solder On

2.20lbs approx.



# RIGID TRANSMISSION LINE

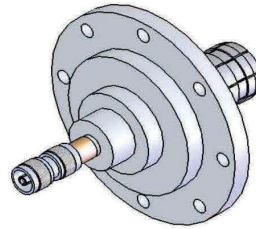
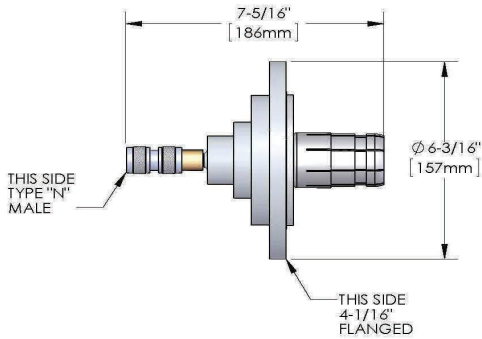
## 4-1/16" Rigid Transmission Line & Components



### Reducer, 4-1/16" Male to Type-N Female

Part # 416-50-300

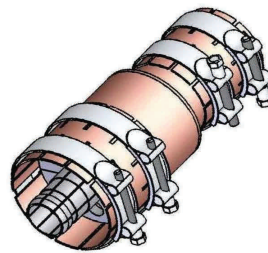
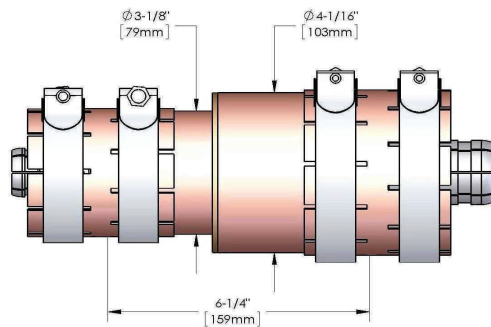
3.314lbs approx.



### Reducer, 4-1/16" Male to Type-N Male

Part # 416-50-305

2.723lbs approx.

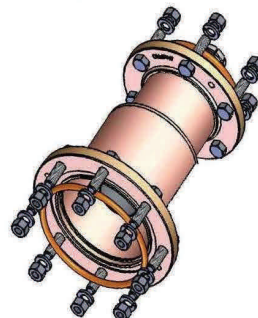
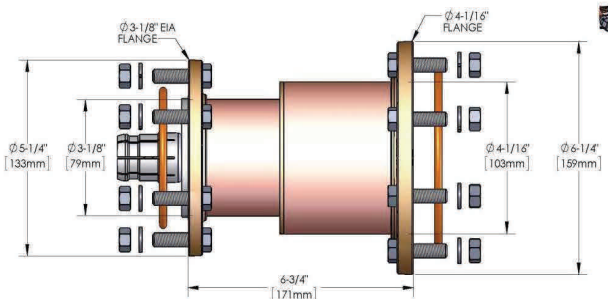


### Reducer, 4-1/16" Male to 3-1/8" Male

Part # 416-50-330

Unflanged with Couplings

5.474lbs approx.



### Reducer, 4-1/16" Female to 3-1/8" Male

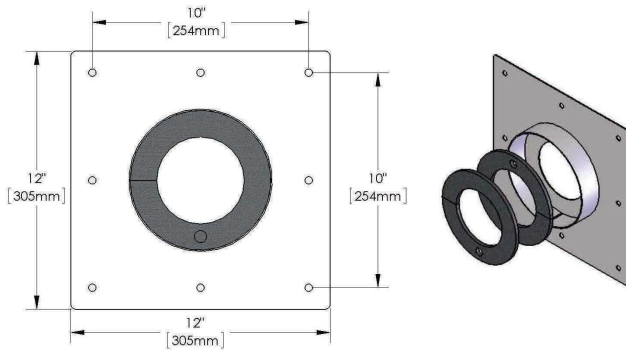
Part # 416-50-340

Flanged

8.476lbs approx.

# RIGID TRANSMISSION LINE

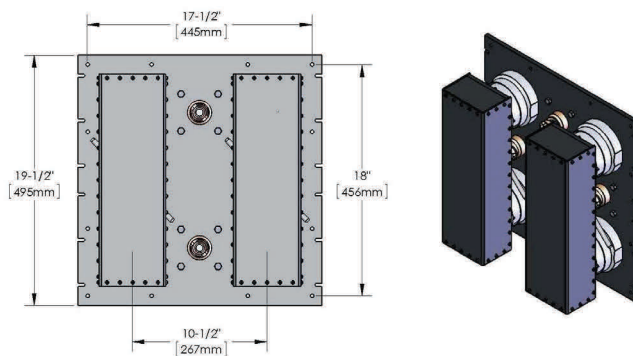
## 4-1/16" Rigid Transmission Line & Components



### 4-1/16" Wall Anchor Plate

Part # 416-50-500

3.571lbs approx.

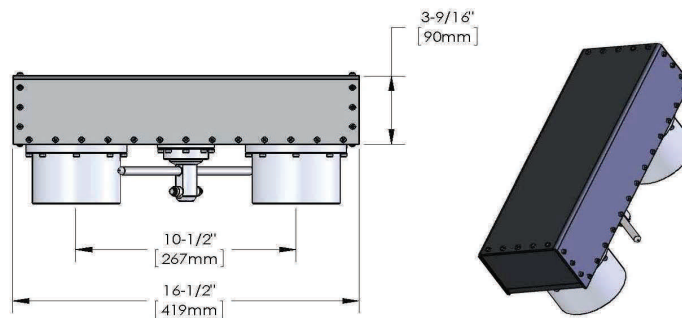


### 4-1/16" 4-Port Patch Panel

Part # 416-50-241 (pictured)

2 Quick Release "U" Links

51.564lbs approx.



### 4-1/16" U-Link

Part # 416-50-296 (pictured)

Quick Release U-Link

5.515lbs approx.

Part # 416-50-298

U-Link

10.709lbs approx.

## Additional Patch Panels Available

Part # 416-50-231

4-1/16" 3-Port Patch Panel With 1 Quick Release "U" Link

Part # 416-50-251

4-1/16" 5-Port Patch Panel With 2 Quick Release "U" Links

Part # 416-50-261

4-1/16" 6-Port Patch Panel With 2 Quick Release "U" Links

Part # 416-50-271

4-1/16" 7-Port Patch Panel With 3 Quick Release "U" Links

\*Specify interlock switch option upon ordering patch panels. Specifications/drawings available upon request

# **RIGID TRANSMISSION LINE**

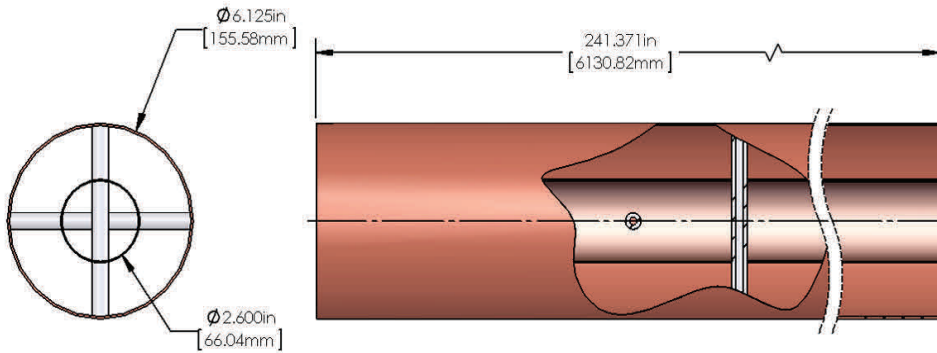
## **6-1/8" Rigid Transmission Line & Components**

All dimensions are typical and can vary.

50 OHM shown | 75 OHM available

# RIGID TRANSMISSION LINE

## 6-1/8" Rigid Transmission Line & Components



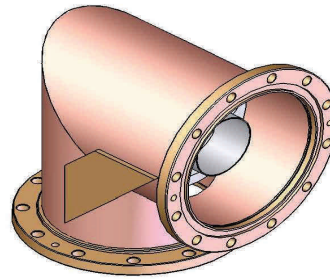
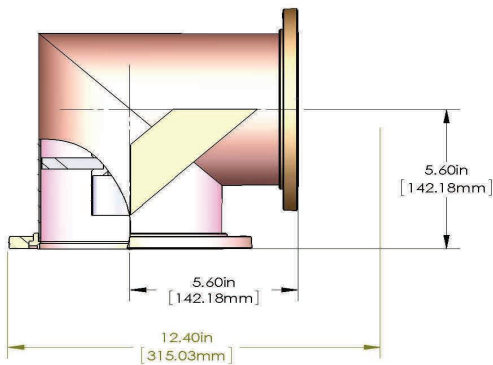
### 6-1/8" 20 ft. Line Section

**Part # 618-50-001** (pictured)  
Unflanged

**Part # 618-50-002**  
Flanged 1 end

**Part # 618-50-003** Flanged  
both ends

130.295-139.020lbs approx.



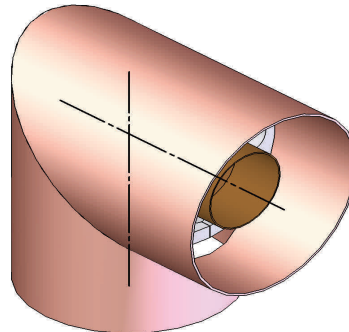
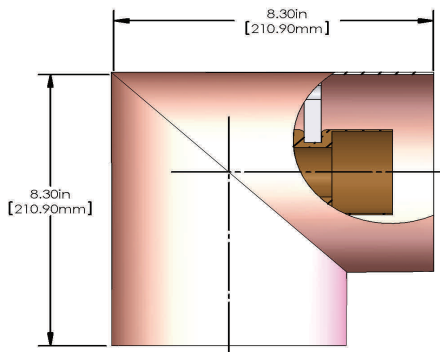
### 6-1/8" 90 degree Elbow

**Part # 618-50-050** (pictured)  
Flanged Reinforced

**Part # 618-50-052**  
Broadband, Flanged,  
Reinforced

**Part # 618-50-055**  
Flanged unequal leg

19.704-42.289lbs approx.

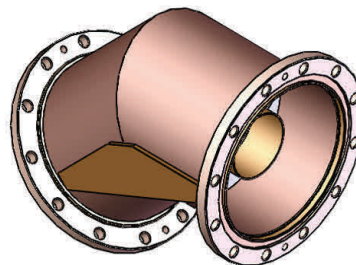
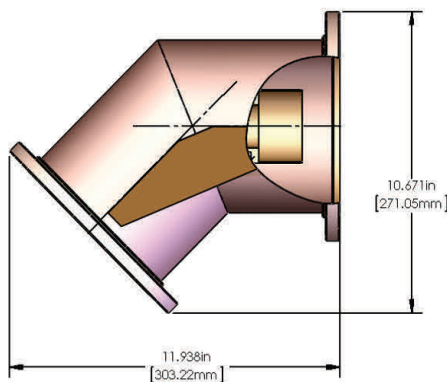


### 6-1/8" 90 degree Elbow

**Part # 618-50-051**

Unflanged

10.115lbs approx.



### 6-1/8" 45 Degree Elbow

**Part # 618-50-053**

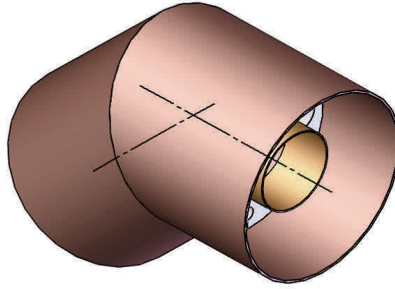
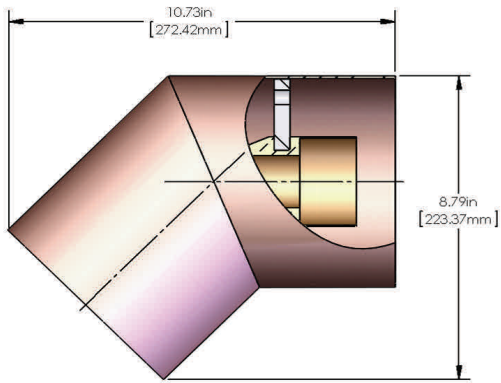
Flanged

17.403lbs approx.



# RIGID TRANSMISSION LINE

## 6-1/8" Rigid Transmission Line & Components

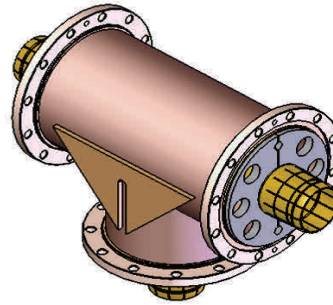
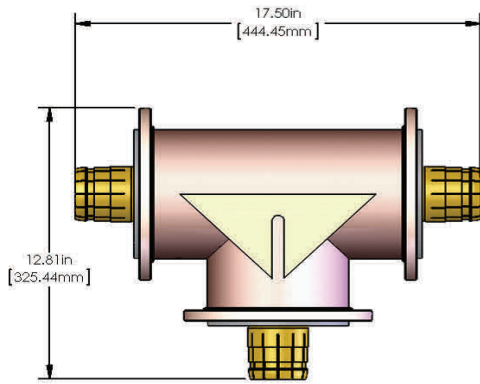


### 6-1/8" 45 degree Elbow

Part # 618-50-054

Unflanged

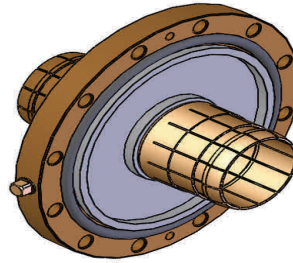
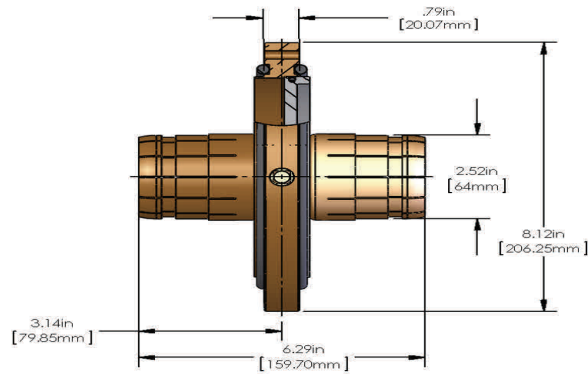
10.012lbs approx.



### 6-1/8" Tee Assembly

Part # 618-50-060

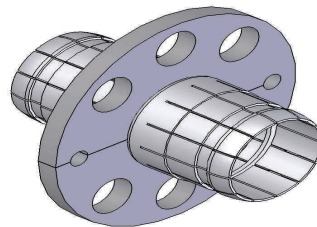
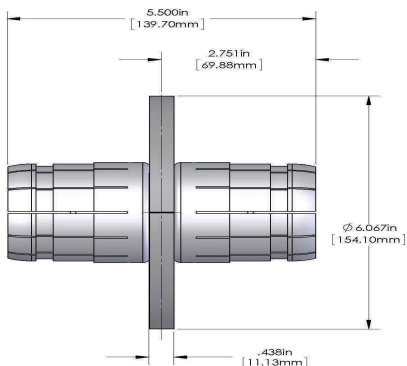
30.798lbs approx.



### 6-1/8" Gas Barrier

Part # 618-50-065

8.608lbs approx.



### 6-1/8" Anchor Insulator Connector

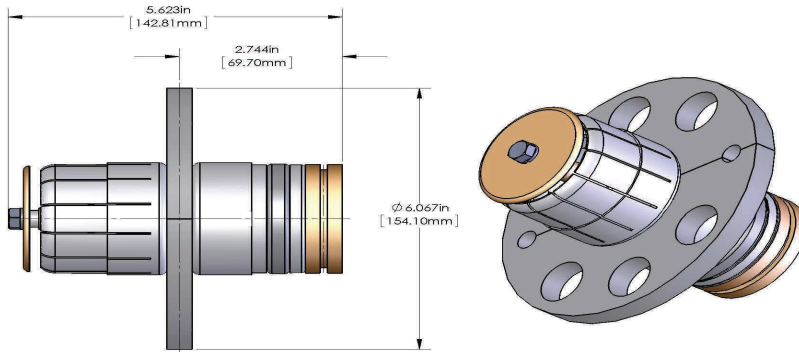
Part # 618-50-100

Bullet

2.576lbs approx.

# RIGID TRANSMISSION LINE

## 6-1/8" Rigid Transmission Line & Components

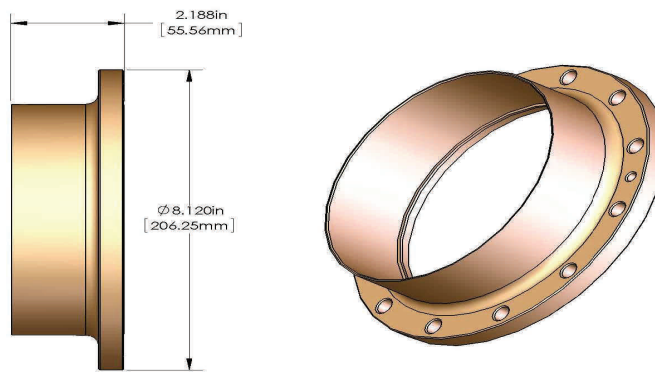


### 6-1/8" Anchor Insulator Connector—Expansion

Part # 618-50-101

Expansion

4.335lbs approx.

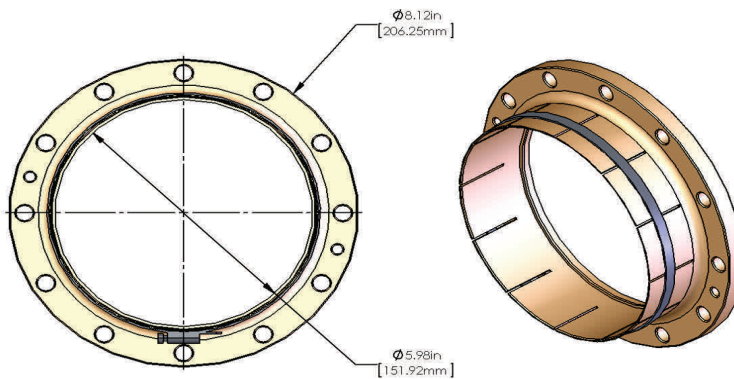


### 6-1/8" Field Flange

Part # 618-50-105

Soft Solder

4.944lbs approx.

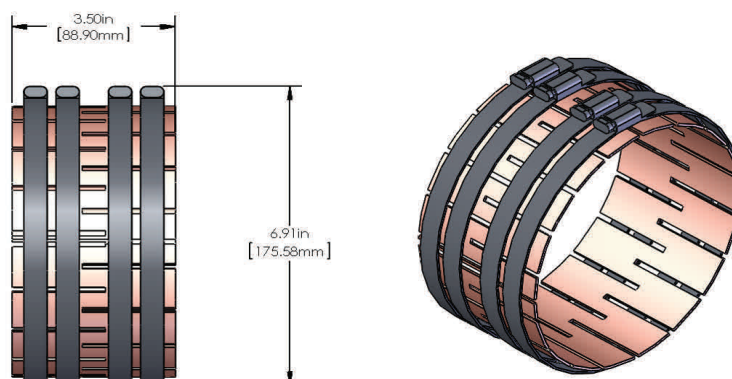


### 6-1/8" Field Flange

Part # 618-50-110

Clamp Type

4.917lbs approx.



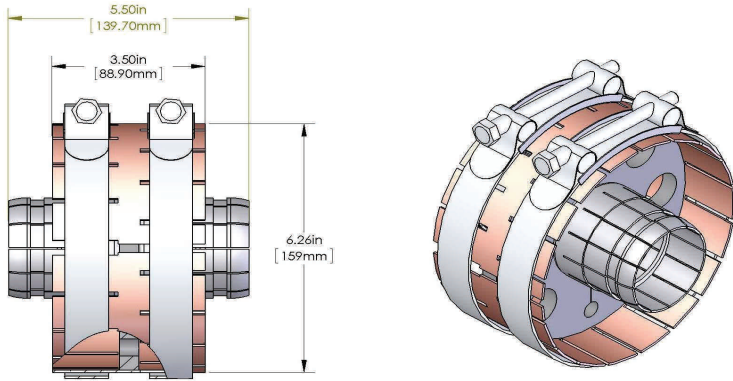
### 6-1/8" Unpressurized Coupling

Part # 618-50-115

Without Inner Conductor

# RIGID TRANSMISSION LINE

## 6-1/8" Rigid Transmission Line & Components

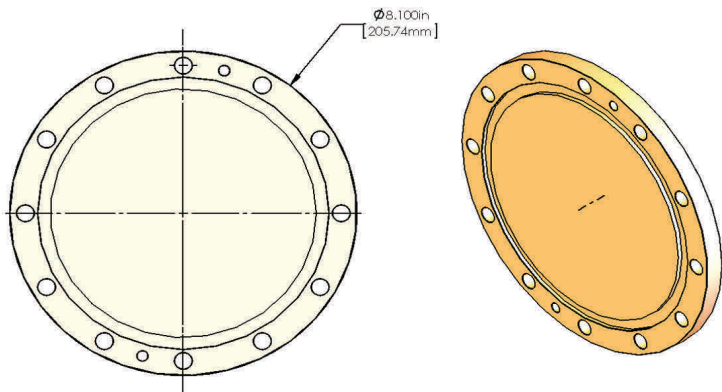


### 6-1/8" Unpressurized Coupling

Part # 618-50-120

With Inner Conductor

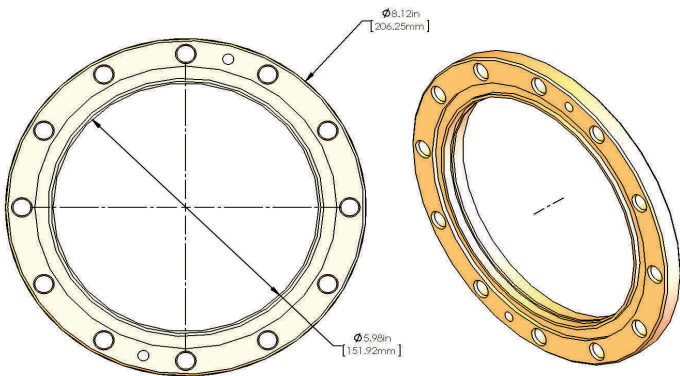
4.548lbs approx.



### 6-1/8" Cover Plate

Part # 618-50-130

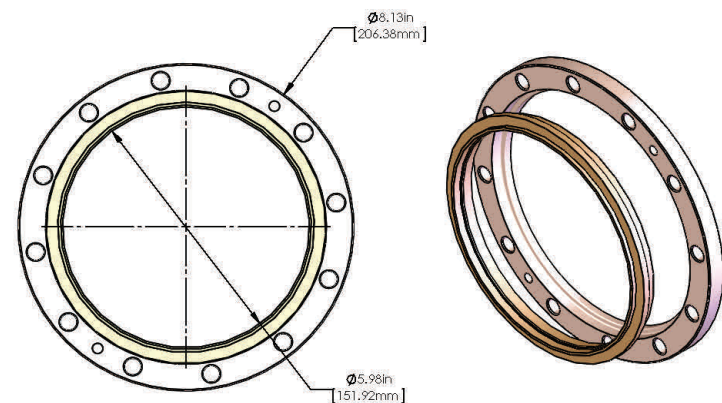
7.43lbs approx.



### 6-1/8" Fixed Flange

Part # 618-50-140

3.04lbs approx.



### 6-1/8" Swivel Flange

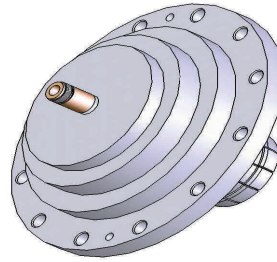
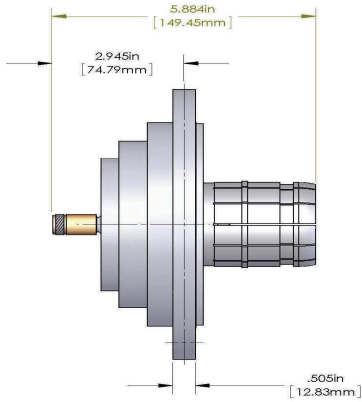
Part # 618-50-145

2 Part Solder On

3.046lbs

# RIGID TRANSMISSION LINE

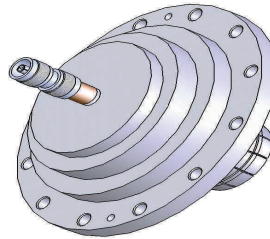
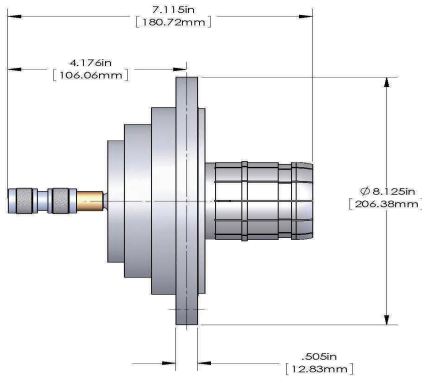
## 6-1/8" Rigid Transmission Line & Components



### Reducer, 6-1/8" to Type-N

**Part # 618-50-300**

6-1/8" Fl. Male to Type-N Female

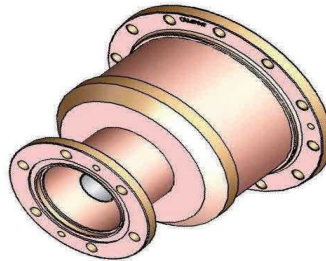
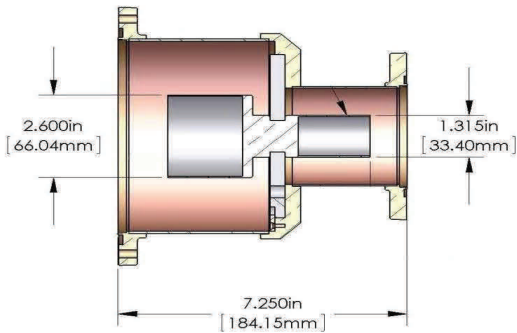


### Reducer, 6-1/8" to Type-N Male

**Part # 618-50-305**

6-1/8" Fl. Male to Type-N Male

5.881lbs approx.



### Reducer, 6-1/8" to 3-1/8"

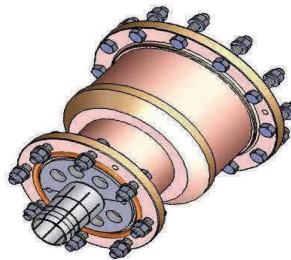
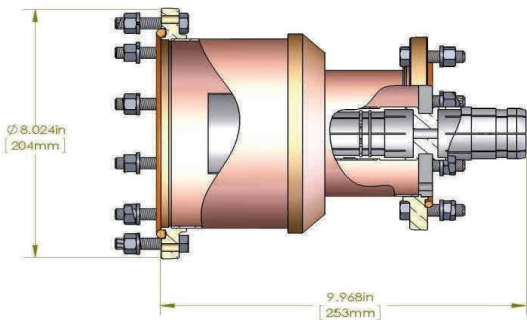
**Part # 618-50-310**

6-1/8" Fl. Female to 3-1/8" Fl. Male

**Part # 618-50-315**

6-1/8" Unfl. Male to 3-1/8" Unfl. Male

9.175lbs approx.



### Reducer, 6-1/8" to

**Part # 618-50-325**

6-1/8" Fl. Female to 4-1/16" Fl. Male

**Part # 618-50-330**

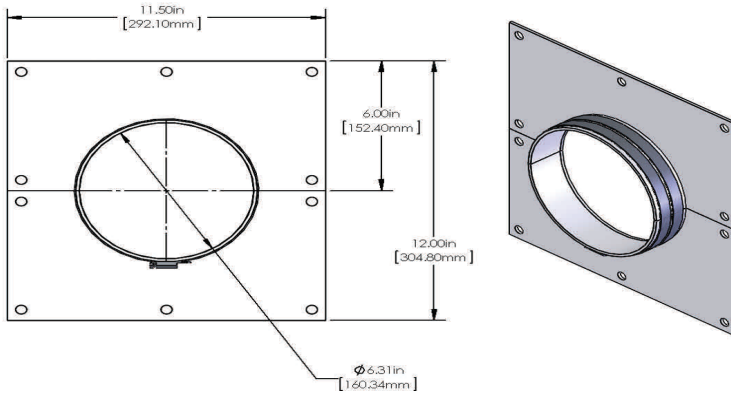
6-1/8" Unfl. Male to 4-1/16" Unfl. Male

14.866lbs approx.



# RIGID TRANSMISSION LINE

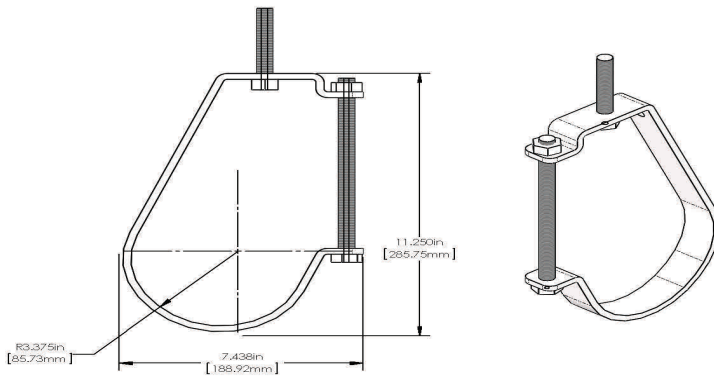
## 6-1/8" Rigid Transmission Line & Components



### 6-1/8" Wall Anchor Plate

Part # 618-50-500

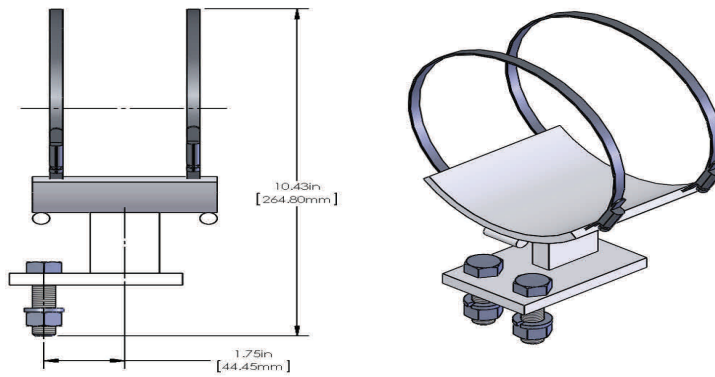
5.152lbs approx.



### 6-1/8" Indoor Horizontal Hanger

Part # 618-50-505

Single Line

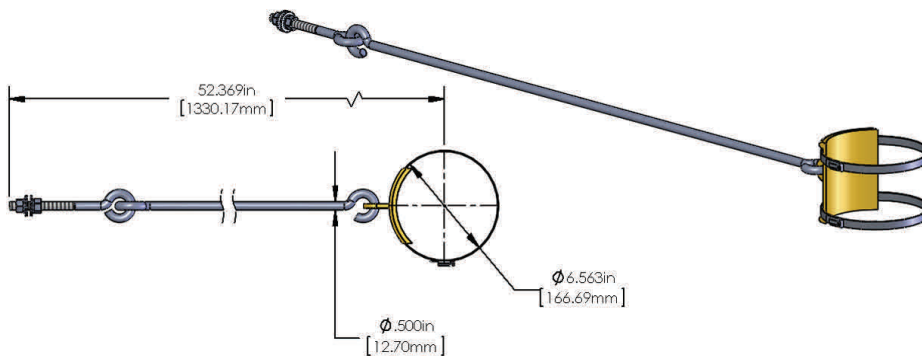


### 6-1/8" Fixed Hanger

Part # 618-50-515

Single Line

3.453lbs approx.



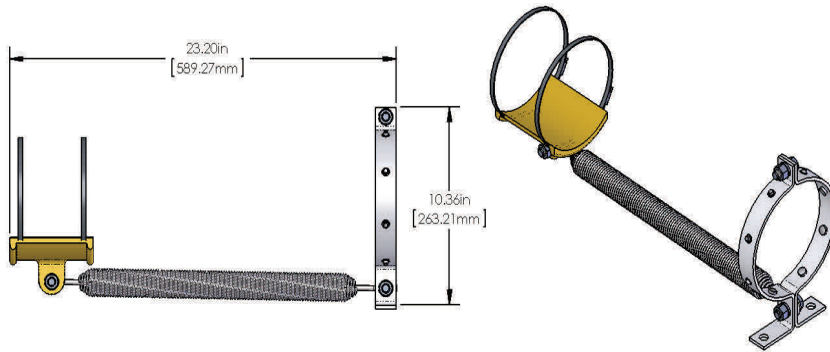
### 6-1/8" Lateral Brace

Part # 618-50-520

5.558lbs approx.

# RIGID TRANSMISSION LINE

## 6-1/8" Rigid Transmission Line & Components

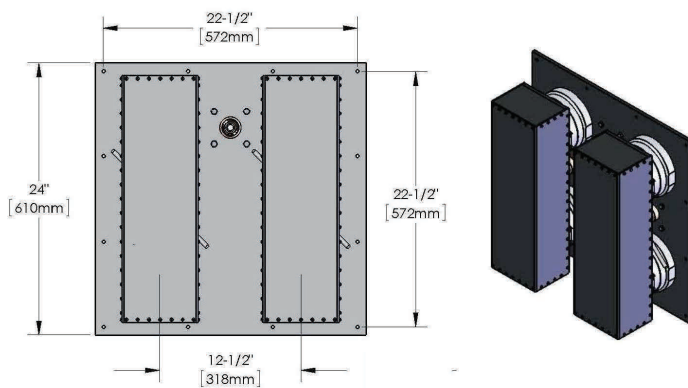


### 6-1/8" Spring Hanger

**Part # 618-50-525**

Single Line, Vertical

8.613lbs approx.



### 6-1/8" 4-Port Patch Panel

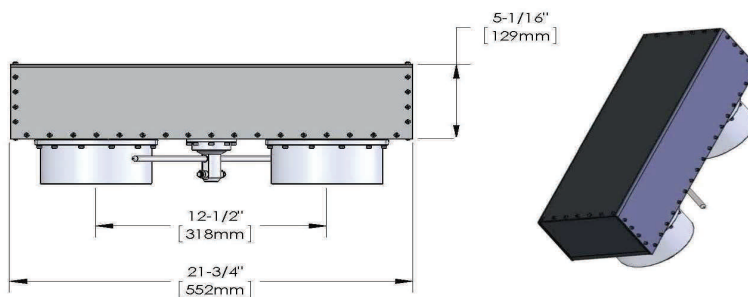
**Part # 618-50-241** (pictured)

2 Quick Release "U" Links

**Part # 618-50-240**

2 "U" Links

118.958lbs approx.



### 6-1/8" U-Link

**Part # 618-50-296** (pictured)

Quick Release U-Link

**Part # 618-50-298**

U-Link

25.91lbs approx.

## Additional Patch Panels Available

### **Part # 618-50-231**

6-1/8" 3-Port Patch Panel With 1 Quick Release "U" Link

### **Part # 618-50-251**

6-1/8" 5-Port Patch Panel With 2 Quick Release "U" Links

### **Part # 618-50-261**

6-1/8" 6-Port Patch Panel With 2 Quick Release "U" Links

### **Part # 618-50-271**

6-1/8" 7-Port Patch Panel With 3 Quick Release "U" Links

\*Specify interlock switch option upon ordering patch panel. Specifications/drawings available upon request

# COMPONENTS

\*All dimensions are typical and can vary.

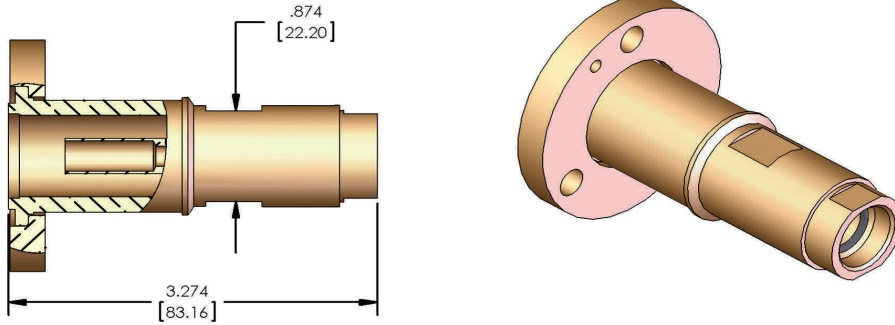
# COMPONENTS

## Connectors

### RCTK 120

7/8" Connector for 1/2" Andrew Foam Transmission Line

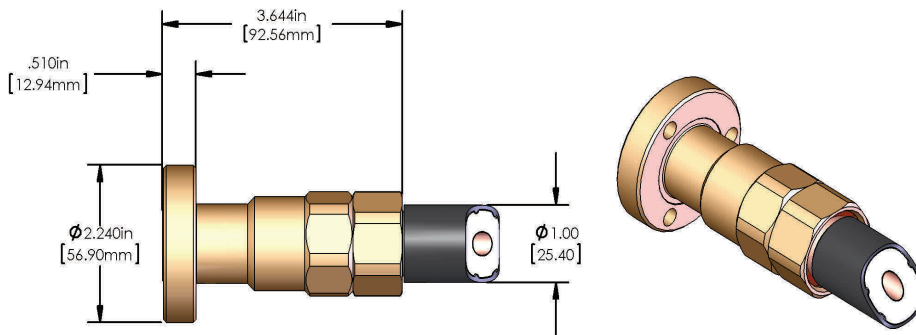
\*Gas block available



### RCTK 130

7/8" Connector for 7/8" Andrew Foam Transmission Line

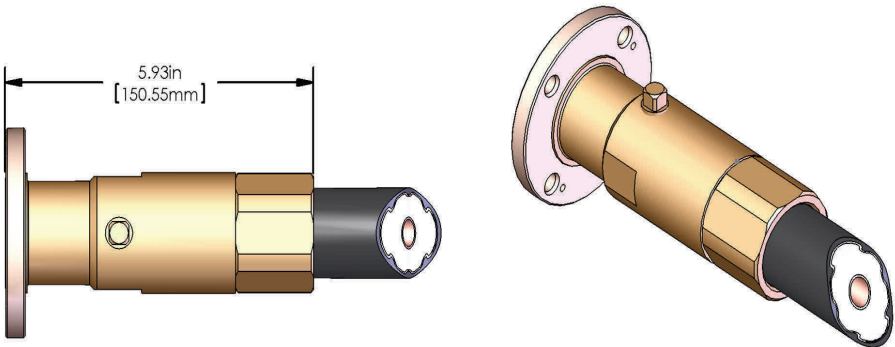
\*Gas block or Gas pass available



### RCTK 240

1-5/8" Connector for 1-1/4" Andrew Foam Transmission Line

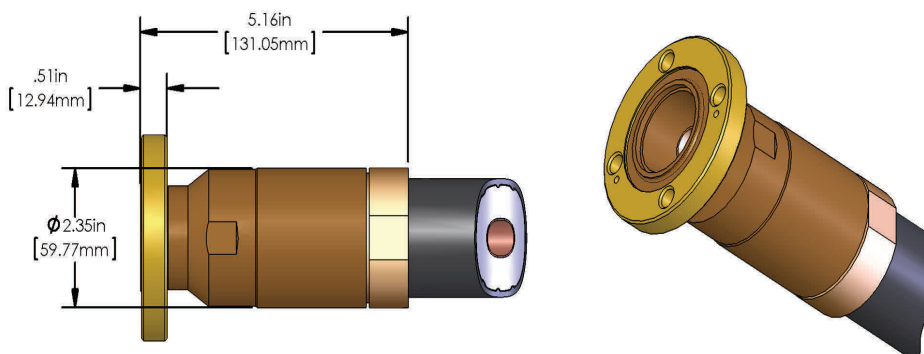
\*Gas block or Gas pass available



### RCTK 250

1-5/8" Connector for 1-5/8" Andrew Foam Transmission Line

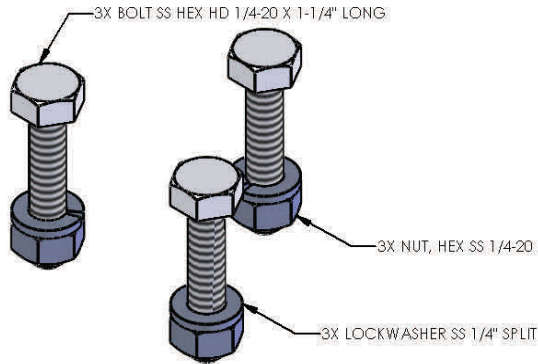
\*Gas block or Gas pass available





# COMPONENTS

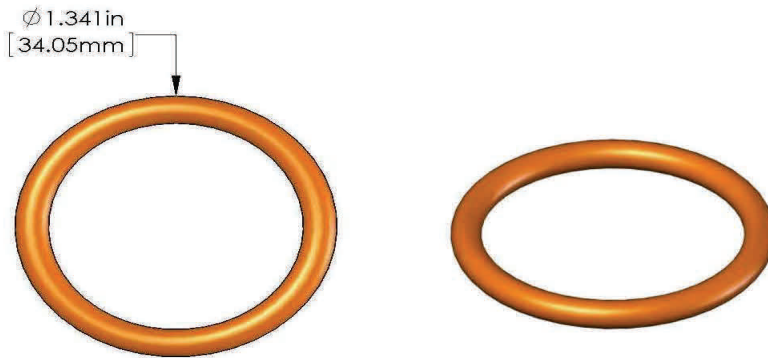
## Accessories



### 7/8" Hardware Set

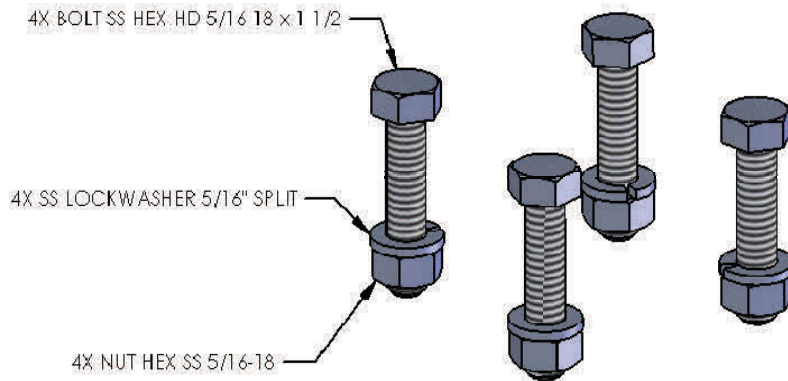
Part # 078-50-125

0.110lbs approx.



### 7/8" Silicone O-Ring

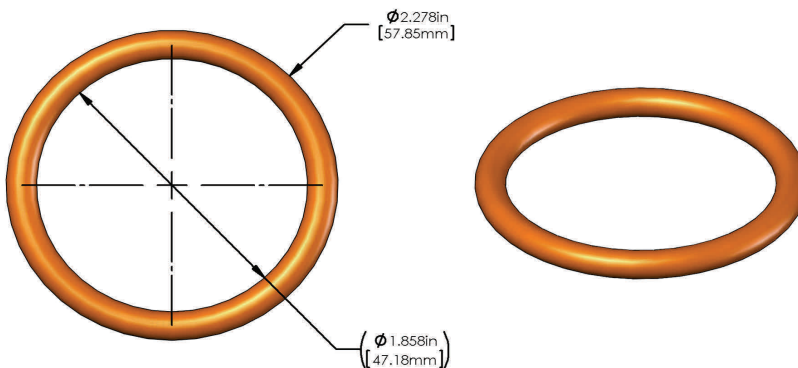
Part # 078-50-135



### 1-5/8" Hardware Set

Part # 158-50-125

0.253lbs approx.

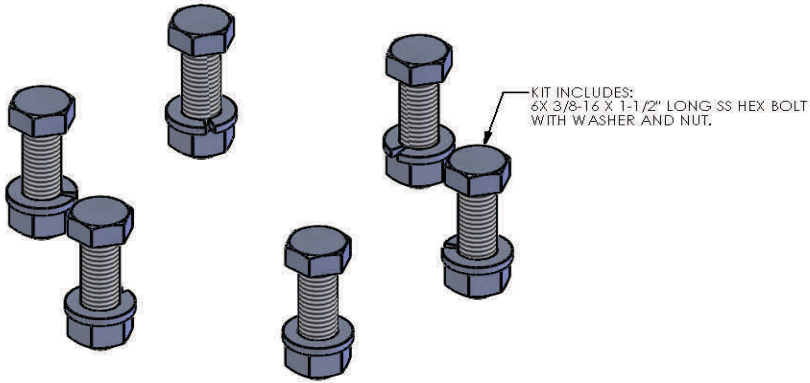


### 1-5/8" Silicone O-Ring

Part # 158-50-135

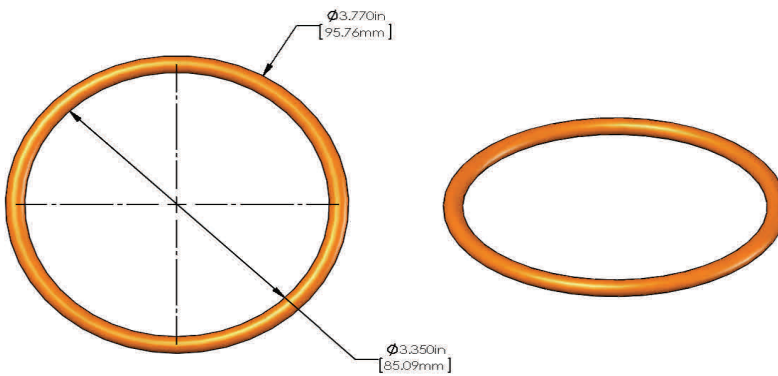
# COMPONENTS

## Accessories



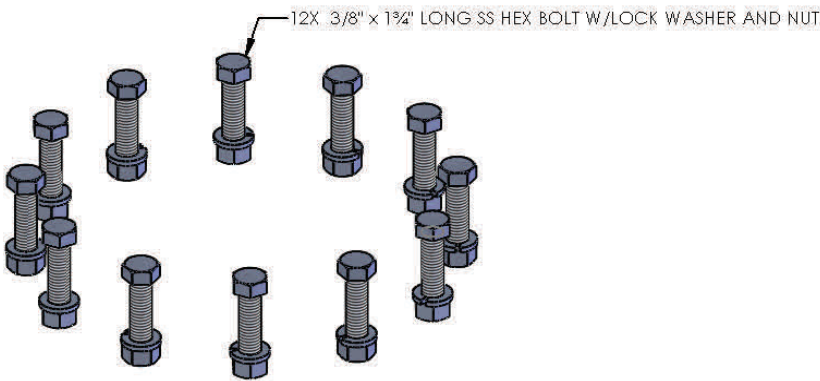
### 3-1/8" Hardware Set

Part # 318-50-125



### 3-1/8" Silicone O-Ring

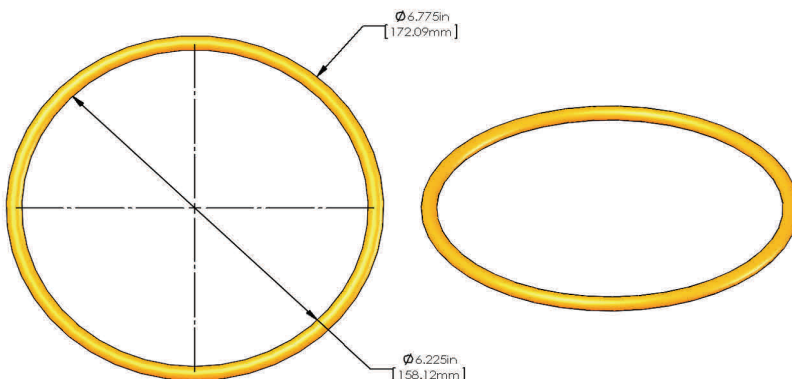
Part # 318-50-135



### 6-1/8" Hardware Set

Part # 618-50-125

1.201lbs approx.



### 6-1/8" Silicone O-Ring

Part # 618-50-135





## **PRODUCTS & SERVICES**

### **Antennas**

- UHF
- VHF
- FM

### **Combiners/Filters**

- UHF
- VHF
- FM

### **Transmission Line**

- Rigid Line
- Coaxial cable
- Waveguide

### **Towers**

***JAMPRO.com***







# When You Want More Than Just an Antenna

## CONTACT JAMPRO

**Main Headquarters:** 6340 Sky Creek Drive, Sacramento, California 95828, USA

**Telephone:** +1 (916) 383-1177 or Toll Free 1 (866) 452-6770

**Fax:** +1 (916) 383-1182

**Email:** [Jampro@Jampro.com](mailto:Jampro@Jampro.com) or [Jampro.Antennas@gmail.com](mailto:Jampro.Antennas@gmail.com)

**Website:** [www.JAMPRO.com](http://www.JAMPRO.com)

## CONTACT ALANDICK

**Main Headquarters:** Unit 1 Bay 2, Andoversford Industrial Estate, Cheltenham, Glos GL54 4LB

**Telephone:** +44 1242 820972

**Email:** [info@alandickbroadcast.com](mailto:info@alandickbroadcast.com) or [alandickbroadcast@gmail.com](mailto:alandickbroadcast@gmail.com)

**Website:** [www.ALANDICKBROADCAST.com](http://www.ALANDICKBROADCAST.com)

