

INSTALLATION AND SERVICE DIVISION

RCA MANUFACTURING CO., INC.

CAMDEN, N. J.

CLASSIFICATION: Technical - Photophone - Loudspeakers	DATE May 6, 1937
SUBJECT: LOUDSPEAKER MECHANISMS	NUMBER 2C2-2.2
TO: B-1, B-2, B-3, C-7, D-7, G-1, G-2, H-7	SECOND EDITION

Superseding 2C2-2.2
Issued 4/21/36

LOUDSPEAKER MECHANISMS

- MI-1425A - 100 v. field, 15-ohm voice coil, 6" paper cone. Used in 37", 60", and 10 ft. directional baffles, also doublets and triplets.
- MI-1428 - Cancelled. See MI-1428A.
- MI-1428A - 13 v., 18 watt field, 4-ohm voice coil, fibre diaphragm. Two of these units used in the MI-1464, 1465, 1466, and 1467 high frequency cellular horns. This unit now superseded by MI-1428B.
- MI-1428B - Same as MI-1428A, except has 15 slot throat. See SL-2C2-2.3 for complete instructions.
- MI-1429 - Lansing Manufacturing Company, Model 15X29. Self-contained, 110-volt field supply, to operate on 110 volt a.c., using RCA-80 rectifier. 8-ohm voice coil, paper cone. Can be used in MI-1456 low frequency baffles. Finished in black. Has metal carrying handle.
- MI-1430 - Same as MI-1425A except has 13-volt field.
- MI-1431 - Same as MI-1430 except extra framework added to take an 8-inch, 15-ohm cone for low frequency reproduction. Used in MI-1454 low frequency baffle, and, with MI-1482 adaptor, can be used in MI-1456 baffle.
- MI-1432A* - 13 volt, 18 watt field, 30-ohm voice coil, 12" paper cone. For use in MI-1456 low frequency baffles. See SL-2C2-2.4 for detailed information.
- MI-1433 - Magnavox. 100-volt, 10 watt field, 15-ohm voice coil, 10-inch paper cone. Marked "MAXER." For use in small low frequency baffle, MI-1457. Mount with terminal strips uppermost (two outside terminals are field and two inside voice, on the upper strip).
- MI-1434 - Lansing Manufacturing Company, same as MI-1429, except field supply removed, and 13-volt field substituted. Used in MI-1456 until stock exhausted.

NOTE: For tabulation of above information see page 8.

**NOTE: Matching impedance for MI-1432-A voice coil was formerly 60 ohms.*

- MI-1435 - 13 v., 26 watt field, 25-ohm voice coil, 3" aluminum diaphragm. RCA manufactured Lansing type high frequency mechanism similar in application to MI-1428A except built to meet M-G-M specifications. Use as high frequency unit in MI-1464, MI-1465, MI-1467. Return to Camden or Hollywood on RA for replacement or adjustment of cone. Round, black-finished case with carrying handle and pipe coupling. Phase with 1.5 v. battery and tissue paper across mouth of tapered throat.
- MI-1436 - Same as MI-1433 except 13 v. field. First purchase has cone glued to dishpan. Later purchases will have screws and bolts.
- MI-1437 - First made for Manhattan Opera House with 100 volt field and known as MI-1428. Now has 13 v., 18 watt field, 4-ohm voice coil. Exposed mechanism - eight hole throat, for use only with MI-1461 cellular 45 degree horn. To be replaced at later date with MI-1428A or MI-1435 and corresponding baffles. Uses terminal block for voice coil and polarized receptacle for field.
- MI-1438 - First made for Manhattan Opera House with 100 volt field and known as MI-1432 (now obsolete). Now has 13 v., 18 watt field, 10-ohm voice coil, 12" paper cone. Used in MI-1456 low frequency baffle. Uses terminal block for V.C. and polarized receptacle for field coil. To be replaced at later date with MI-1434 or MI-1432A.
- MI-1443 - Same as MI-1428B, except has 115 volt field. See SL-2C2-2.3.
- MI-1444 - Same as MI-1432A, except has 115 volt field. See SL-2C2-2.4.

BAFFLES

- MI-1453 - High frequency baffle, center section of triplet. Use MI-1425A or MI-1430 mechanism.
- MI-1454 - Low frequency baffle, originally furnished with doublet and triplet speaker combinations. Use two MI-1431 mechanisms side by side.
- MI-1456 - Low frequency baffle for use in combination with cellular high frequency horns or triplet center sections MI-1453. Use with two MI-1434 or MI-1432A units, mounted one above the other. First 150 will have 12" mounting holes to accommodate either unit. Or use two MI-1431 units with MI-1482 adaptor.
- MI-1457 - Small low frequency baffle for use in combination with MI-1453 triplet section. Uses MI-1433 or MI-1436 units.
- MI-1458 - Stand and baffles for M-G-M speaker arrangement. Not yet a stock item.
- MI-1461 - Sixteen cell, 45 degree high frequency horn with 8-hole throat. Use only with MI-1437 unit. First made for Manhattan Opera House. To be replaced later with MI-1464.

- MI-1464 - 9 cell 52-1/2 degree horn using two MI-1428A or MI-1435.
 MI-1465 - 12 cell 70 degree horn using two MI-1428A or MI-1435..
 MI-1466 - 15 cell 87-1/2 degree horn using two MI-1428A or MI-1435.
 MI-1467 - 18 cell 105 degree horn using two MI-1428A or MI-1435.
 MI-1469 - Similar to MI-1453 except 9 cells provided in throat.
 MI-1482 - Adaptor for using two MI-1431 units in MI-1456 baffle.

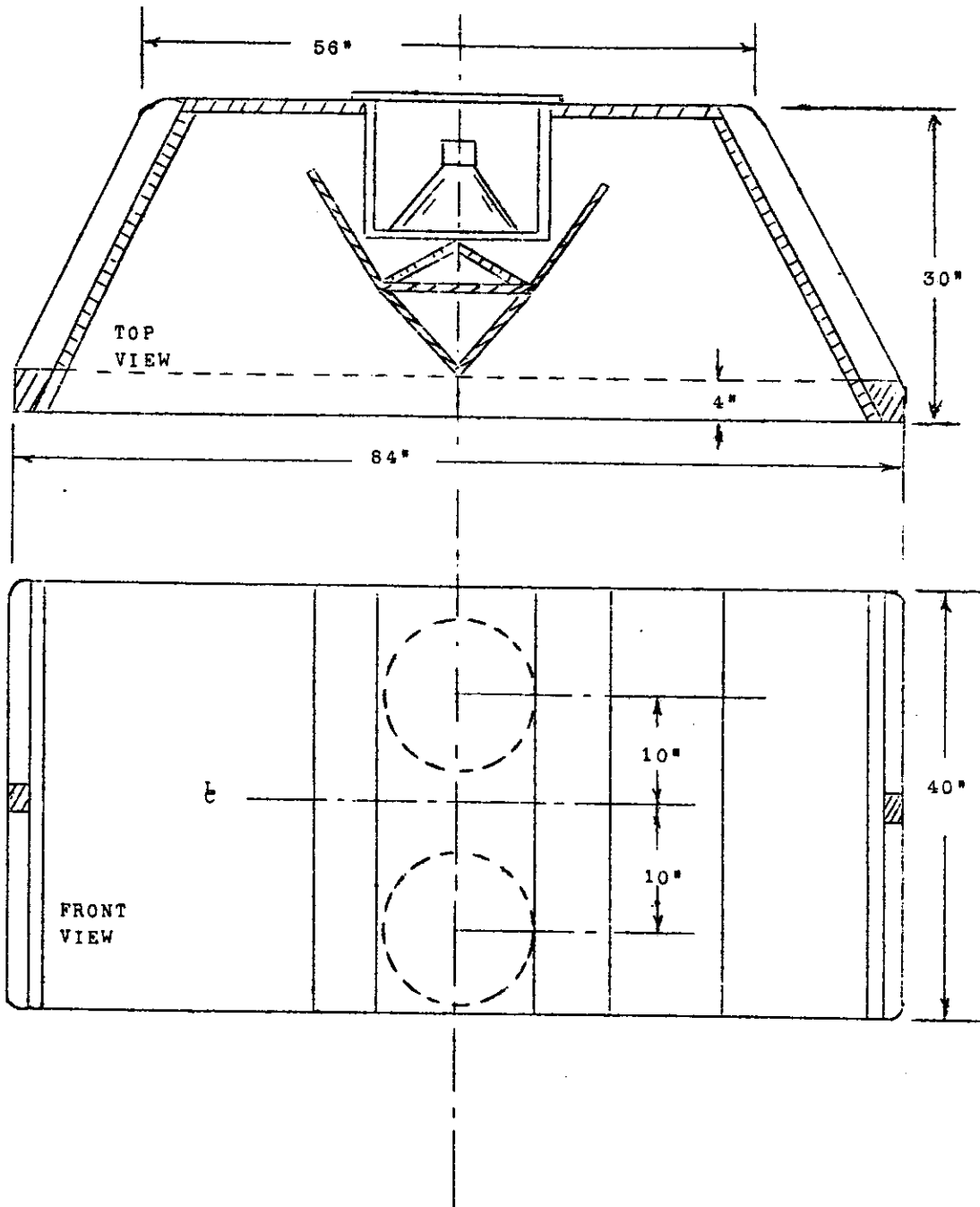


Figure 1 - MI-1456 Baffle Dimensions

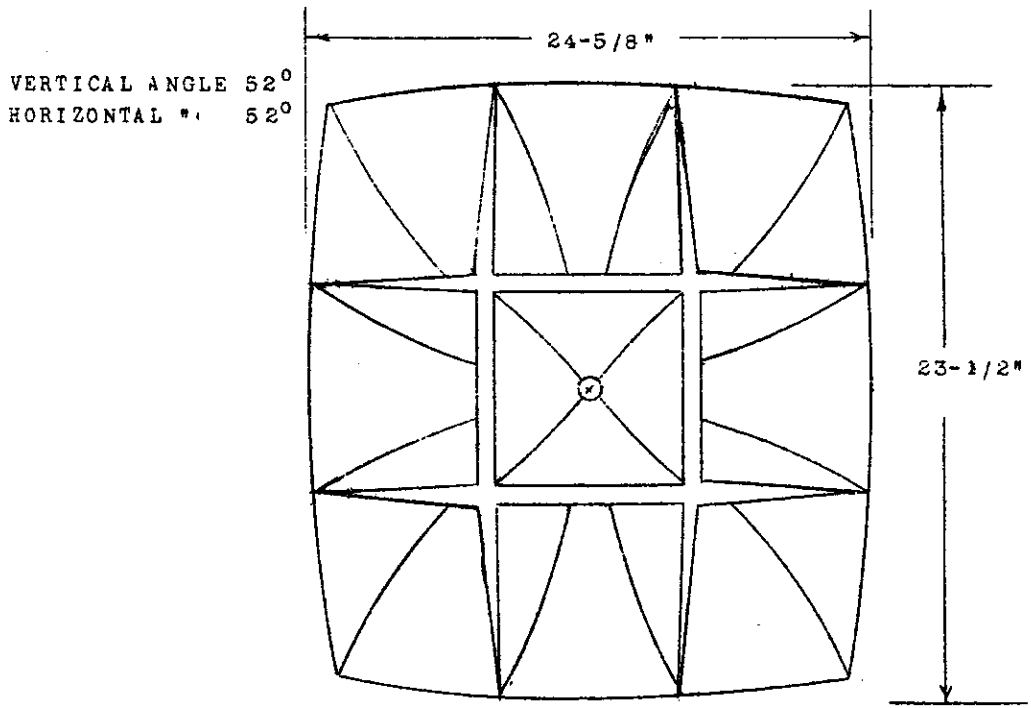
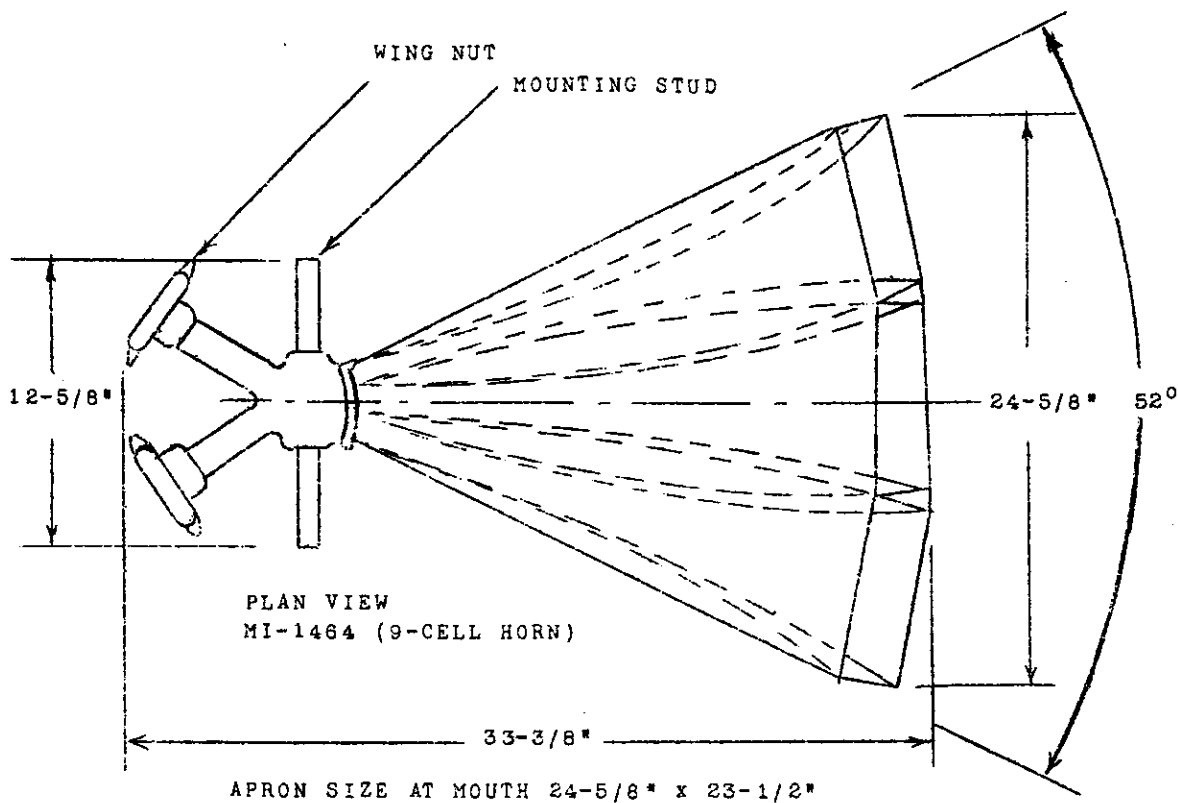


Figure 2 - MI-1464 - Front View
(9-Cell Horn)

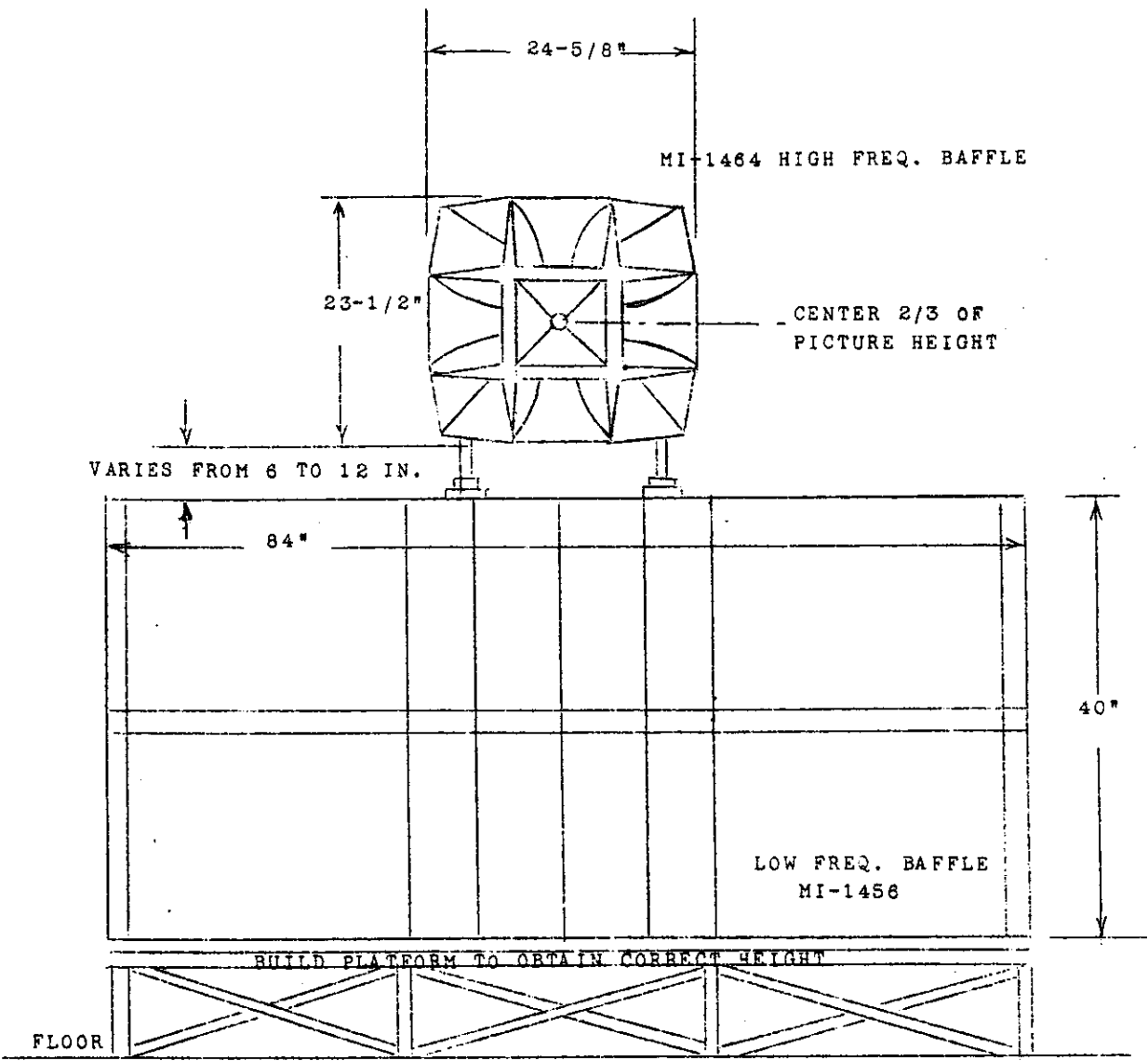


Figure 3 - MI-1464 AND MI-1456 - Front View

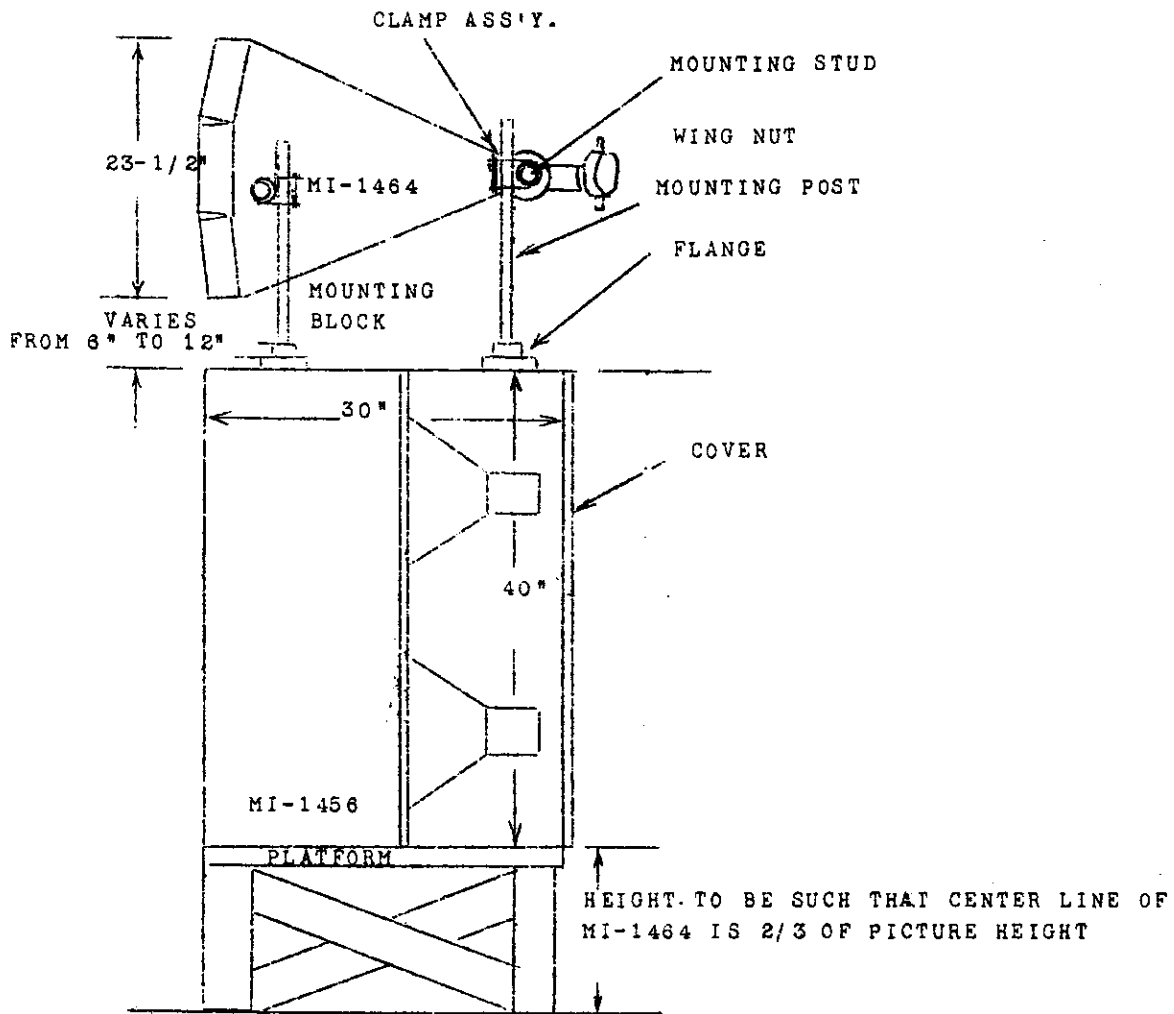


Figure 4 - MI-1464 AND MI-1456 - Side View

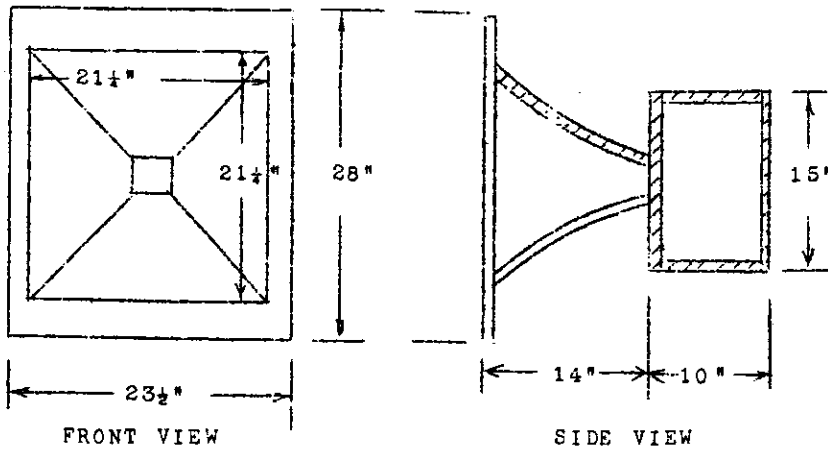


Figure 5 - MI-1453 - High Frequency Baffle Dimensions

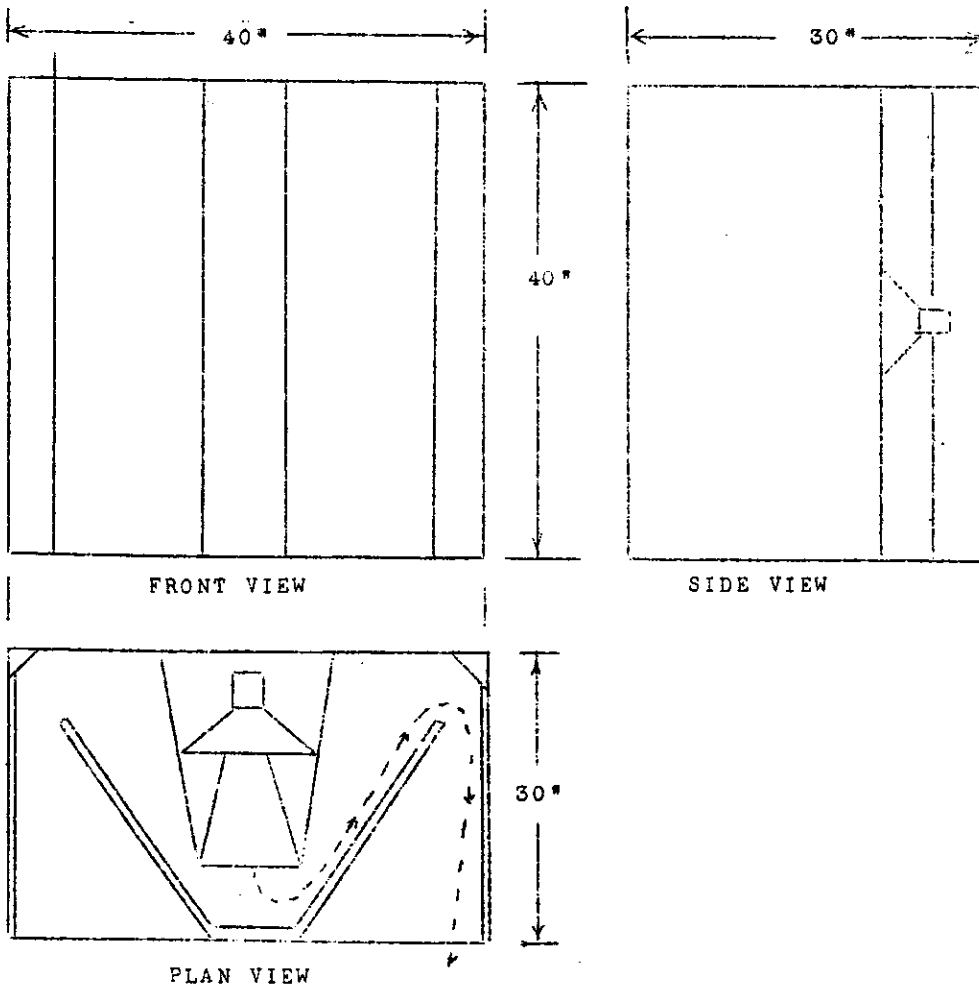


Figure 6 - MI-1457 - Low Frequency Baffle Dimensions

	PG-105	PG-115	PG-116	PG-117	PG-118
L.F. BAFFLE	MI-1457	MI-1457	MI-1457	MI-1456	MI-1456
L.F. MECHANISM	MI-1433	MI-1436	MI-1436	2-MI-1432A OR MI-1444	4-MI-1432A OR MI-1444
FIELD VOLTS	100 V.	13 V.	13 V.	13 OR 115 V.	13 OR 115 V.
FIELD RES.	900 OHMS	8.5 OHMS	8.5 OHMS	8.5 OR 678 OHMS	8.5 OR 678 OHMS
V.C. IMP.	15 OHMS	15 OHMS	15 OHMS	30 OHMS	30 OHMS
H.F. BAFFLE	MI-1453 OR MI-1469	MI-1453 OR MI-1469	MI-1453 OR MI-1469	MI-1464 OR MI- 1465 OR MI-1466 OR MI-1467	MI-1464 OR MI- 1465 OR MI-1466 OR MI-1467
H.F. MECHANISM	MI-1425A	MI-1430	MI-1430	MI-1428B OR MI-1443	MI-1428B OR MI-1443
FIELD VOLTS	100 V.	13 V.	13 V.	13 V. 115 V.	13 V. 115 V.
FIELD RES.	900 OHMS	8.5 OHMS	8.5 OHMS	8.5 OHMS 678 OHMS	8.5 OHMS 678 OHMS
V.C. IMP.	15 OHMS	15 OHMS	15 OHMS	4 OHMS 4 OHMS	4 OHMS 4 OHMS
FILTER MI	MI-1484	MI-1484	MI-1484	MI-1483A	MI-1483A