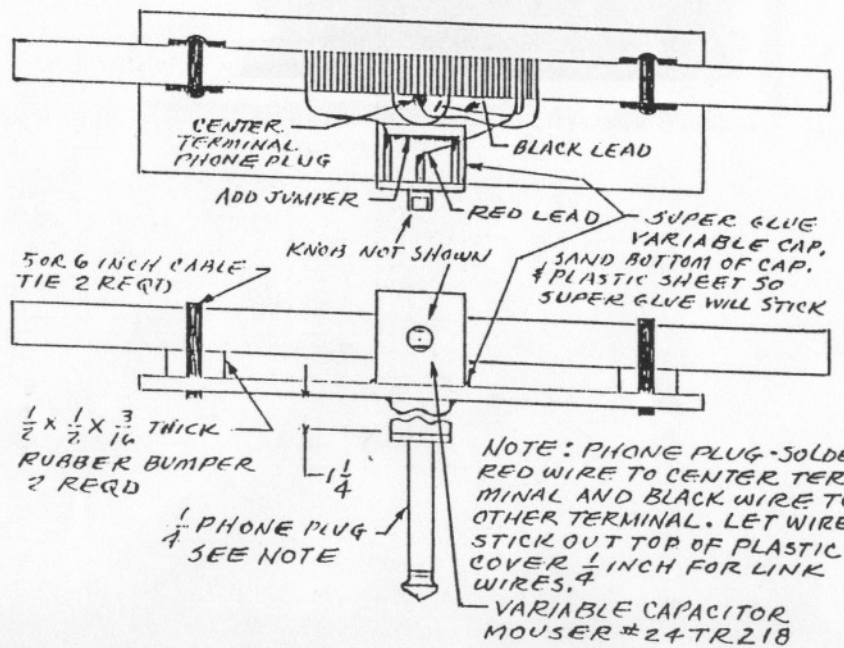
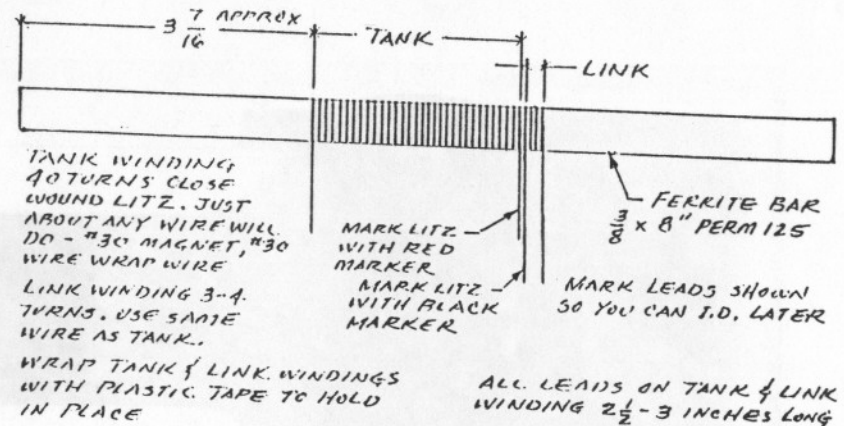
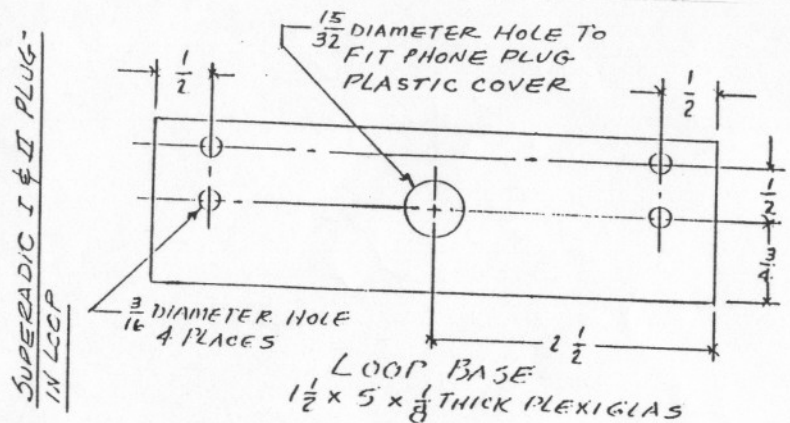
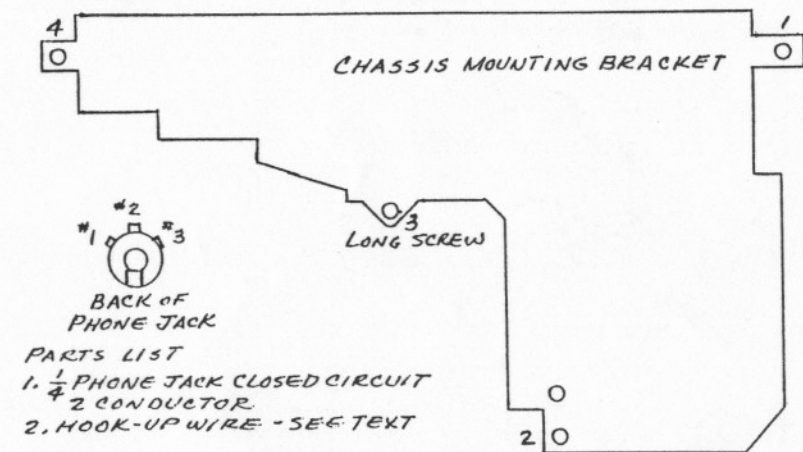
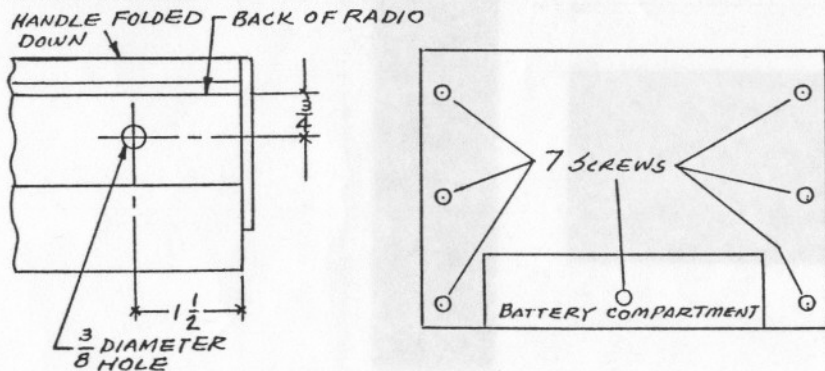


GE SUPERADIO I & II PLUG-IN LOOP MODIFICATION - RALPH SANSENERINO

This modification will improve the Superadio. The first thing you will do is take a pair of pliers and pull the silver knob off of the "On - Off" switch. Put some plastic tape on the knob so you do not mar it. Next push the colored button down so the switch is in the "On" position. You are doing this so you will not damage the switch when you remove the front cover. Take my word for it the switch does damage. Next you will drill a 3/8 diameter hole in the top of the case. See sketch. Be careful just break thru the case with the drill. Next you will remove the front of the radio. Remove big tuning knob, treble, bass, loudness knobs. I used 2 small screwdrivers to pry the knobs off, one on each side of the knob and gently pry up. Put plastic tape on shanks of the screwdrivers so they will not mar cabinet. Lay radio face down on a soft towel and remove 7 screws. See sketch. Turn radio over and remove front cover, unsolder 2 speaker wires. Next remove 4 screws holding chassis mounting bracket. See sketch. Next you will prepare the phone jack, solder a 6 inch piece of black hookup wire #24 - #28 to lug #1. Solder a 6 inch piece of red hookup wire #24 - #28 to lug #3. Next install phone jack in 3/8 hole you drilled. Install with lugs facing front toward you for ease of soldering. Lift chassis mounting bracket and unsolder lead from internal antenna to Q5 and C29. Solder the red wire from phone jack to the spot you just unsoldered the internal antenna lead. Next solder the black lead to the junction R13 and C28, there is another internal antenna lead at this spot. Next solder the first internal antenna lead you unsoldered to lug #2 on the phone jack. Re-install chassis mounting bracket with 4 screws. Re-solder speaker wires. Re-install 7 screws that hold case together. Re-install all knobs.



M59-2-2

### TUNER BOARD

