



★ ★ ★ DX MONITOR ★ ★ ★

PUBLISHED BY
THE INTERNATIONAL RADIO CLUB OF AMERICA

----- Saturday, November 11, 1972 Membership 470 VOLUME TEN NUMBER 7 -----

TIMES in DX Monitor: Domestic sections: ELT. DX Worldwide: Greenwich Mean Time.

Pres.: Percy Kesteven - 13112 134th St. - Edmonton, Alta. CANADA T5L 1V8. 403-454-8278.

HQ (Pub.): Don Erickson - 6059 Essex St. - Riverside, CA 92504. 714-687-5910.

Membership Dues: \$13 air mail, \$9.50 first class, \$6.50 third class. Mail to HQ.

Bulletin Schedule: Weekly 4/7/73. Bulletin dates: 11/18, 25; Dec. 2, 9, 16, 23, 30.

SABA ON THE AIR Via a phone call from Ronald Schatz, some useful information on a new DX country. See page DXWW-9 for more information. Robert L.

Neal, Jr., Forbestown, Calif., and your publisher continue to hear carrier on freq.;

Mike Levintow, NRC, suggests PJA5 OC. If you get any info, pse advise HQ. 1435 kHz.

DX Meeting Randy Seaver and wife, Linda, will be host and hostess for the Third Annual San Diego Thanksgiving DX Meeting. Randy's address is 755 Coleman Ct., Imperial Beach, CA 92032. The phone number is (714) 429-3992. Meeting is on Sat., Nov. 25, Thanksgiving weekend, and will start 1 PM PST and last through the evening.

DX Calendar

| | | | | | | | |
|--------------|------------|-------------|------|----------------------|----------|----|--------------------|
| Mon. ----- | 0300-0330 | KLEB | 1600 | Golden Meadow, LA | 1kw | D1 | NRC/Ernest Cooper |
| Mon. ----- | 0330-0400 | WJNG | 1600 | Sag Harbor, NY | 500w | D1 | NRC/Ernest Cooper |
| Mon. Nov. 20 | 0005-0500 | WCHL | 1360 | Chapel Hill, NC | 1kw | U2 | NRC/Wes Boyd |
| Sun. 26 | 0000-???? | WJVA | 1580 | South Bend, IN | 1kw | D1 | NRC/Chris Cross |
| Mon. 27 | 0300-0330 | KDWB | 630 | St. Paul, MN | 500w/5kw | U3 | IRCA/Gary Timm |
| | 0330-0400 | WAVN | 1220 | Stillwater, MN | 361w/5kw | D1 | IRCA/Gary Timm |
| | 0330-0400 | KTGO | 1090 | Tioga, ND | 250w | D1 | NRC/Carl D. |
| Mon. Dec. 4 | 0130-0200 | WBIR | 1240 | Knoxville, TN | 1kw | U1 | NNRC/Jim Lovell |
| | 0200-0300 | WSPR | 1270 | Springfield, MA | 5kw | U3 | NRC/Wes Boyd |
| Mon. 11 | 0300-0330 | WVWM | 1090 | Wilmington, OH | 1kw | D3 | NRC/Ernie Cooper |
| Tue. 12 | 0430-0500 | WPAD | 1450 | Paducah, KY | 1kw | U1 | NNRC/Jim Lovell |
| Mon. 18 | 0200-???? | KNOE | 540 | Monroe, LA | 5kw | U4 | NNRC/Gene V. |
| | 0200-???? | WCWC | 1600 | Ripon, WI | 5kw | U4 | NNRC/Gene V. |
| | 0330-???? | WEKR | 1240 | Fayetteville, TN | 1kw | U1 | NNRC/Jim Lovell |
| Mon. 25 | 0100-???? | WLIK | 1270 | Newport, TN | 5kw | U2 | NNRC/Jim Lovell |
| late Dec. -- | | WSBS | 860 | Great Barrington, MA | 250w | D1 | NRC/Wes Boyd |
| Mon. Jan. 8 | 0000-0530 | WGNG | 550 | Pawtucket, RI | 1kw | U2 | NNRC/IRCA-TRS/SS |
| Sun. 14 | 0130-0400a | WJDX | 620 | Jackson, MS | 5kw/1kw | U2 | NNRC/Gene V. |
| Mon. Feb. 12 | 0100-0200 | <u>KOTA</u> | 1380 | Rapid City, SD | 5kw | U2 | NNRC/Gene V. |
| | 0200-???? | <u>KWHN</u> | 1320 | Fort Smith, AR | 5kw | U2 | NNRC/Gene V. |
| Tue. 13 | 0400-0500 | <u>KGHL</u> | 790 | Billings, MT | 5kw | U2 | NNRC/Gene V. |
| Sat. 24 | 0300-???? | <u>KLCL</u> | 1470 | Lake Charles, LA | 5kw | U2 | NNRC/Gene V. |
| Mon. Apr. 2 | 0200-???? | <u>WRAN</u> | 1510 | Dover, NJ | 10kw | U4 | NNRC/Gene V. |
| May/June | 0100-0600 | <u>WCER</u> | 1390 | Charlotte, MI | 5kw | D3 | IRCA/Dave Faulkner |

Write-ups, CPC Results, and Flash Tips are on bottom page DXWW-9 and DXWW-10.

TABLE OF CONTENTS

| | | |
|-------------------|-----------------------------|--------------------------------|
| EDXR - 4 thru 6 | DX Worldwide - 9 pages | SPR-4 Review - Fischer - 17-20 |
| EDXF - 7 and 8 | Financial Report - 2 | 2' Direct-Coupled Loop plans, |
| CDXR - 9 | President's Report - 3 | Ralph Sanserino - 21-24 |
| CDXF - 10 and 11 | WDXF - bottom page 13 | Geomagnetic Indices, NMPs, CPC |
| WDXR - 12 thru 16 | Broadcasting Info - page 11 | Results and Write-ups DXWW-10 |

IRCA Financial ReportBALANCE SHEET AS OF AUGUST 31, 1972Assets

| | |
|-------------------------------------------------------------|-----------------------|
| Cash | \$ 75 |
| Savings accounts | 1,859 |
| Advances to Publisher for postage and supplies | 795 |
| Publishing, administrative and editorial supplies | 372 |
| IRCA foreign logs | 254 |
| Achievement certificates and supplies | 115 |
| Total current assets | <u>3,470</u> |
| Mimeograph machines, less accumulated depreciation of \$401 | 946 |
| Total Assets | <u><u>\$4,416</u></u> |

Liabilities and Net Worth

| | |
|------------------------------------------|-----------------------|
| Deferred memberships | \$2,430 |
| Accrued expenses | 35 |
| Total current liabilities | <u>2,465</u> |
| Retained earnings- | |
| Appropriated for foreign membership fund | 4 |
| Unappropriated: Balance, August 31, 1971 | \$1,874 |
| Net income, year ended August 31, 1972 | <u>73</u> |
| Total net worth | <u>1,951</u> |
| Total Liabilities and Net Worth | <u><u>\$4,416</u></u> |

INCOME STATEMENT

| <u>Income</u> | Fiscal Year Ended | |
|--------------------------------------------------------------|-------------------|----------------|
| | 1972 | 1971 |
| Dues | \$3,930 | \$3,696 |
| Auction proceeds | 294 | 235 |
| Interest on savings accounts | 121 | 95 |
| Achievement award sales | 39 | 39 |
| Excess of convention registration fees over expenses | 85 | -- |
| Donations | 7 | 10 |
| Other | 13 | 18 |
| Total Income | <u>4,489</u> | <u>4,093</u> |
| <u>Expenses</u> | | |
| Postage | 2,808 | 1,914 |
| Publishing supplies used | 1,149 | 833 |
| Depreciation expense, mimeograph machines | 185 | 33 |
| Editors' expenses | 139 | 113 |
| President's expense | 50 | -- |
| Cost of sales, achievement awards | 29 | 22 |
| Devaluation charge on sale of <u>World Radio TV Handbook</u> | 13 | -- |
| ANARC expense | 14 | 18 |
| Secretary-Treasurer's Expense | 9 | 8 |
| TVA expense | 9 | 16 |
| Bulletin exchange expense | 7 | -- |
| Filing fees, Colorado Secretary of State | 10 | 5 |
| Bad debt expense (recoveries) | (7) | 30 |
| Other | 1 | 7 |
| Total Expenses | <u>4,416</u> | <u>2,999</u> |
| Net Income | <u>\$ 73</u> | <u>\$1,094</u> |

To the best of my knowledge, the above statements were prepared accurately and completely, in accordance with generally accepted accounting principles, consistently applied. --Larry Godwin, Secretary-Treasurer, 24 September 1972.

Recent Board of Directors Activity

| <u>Proposal</u> | <u>Erickson</u> | <u>Evans</u> | <u>Hauser</u> | <u>Northam</u> | <u>Wood</u> | <u>Worst</u> | <u>Result</u> |
|-----------------|---------------------------------------------------------------------------|--------------|---------------|----------------|-------------|--------------|---------------|
| 5.2-1 | F | F | F | F | F | F | PASSED |
| 5.2-2 | O | O | O | O | O | O | DEFEATED |
| 5.2-3 | THIS PROPOSAL WILL BE VOTED ON BY THE BOARD OF DIRECTORS IN JANUARY 1973. | | | | | | |
| 5.2-4 | F | F | F | F | F | F | PASSED |

Key to Symbols: O=Opposed; F= Favor; A=Abstain

Board of Directors: Donald E. Erickson, Richard C. Evans, Glenn Hauser,
Michael B. Northam. Dr. Richard E. Wood, Michael G. Worst

- 5.2-1 Confirm the appointment of John Zondlo as Central DX Forum Editor.
5.2-2 Approve a free subscription to Handicapped Aid Program (HAP, c/o Gene Moser, 6805 Woodland Ct., Coloma, MI 49038. Submitted 6 September 1972 by Father Jack Pejza.
5.2-3 See October 21, 1972 DX Monitor, page 6.
5.2-4 Approve the Financial Report for August 31, 1972. Submitted 28 September 1972 by Larry B. Godwin.

TEMP. GYDXR ED.: Mike Hogan, pending BoD approval is new Graveyard DX Records Editor.

Father Jack received a letter from an organization calling itself HAP (letters not explained). Some of the Directors and myself were unaware of what the initials stood for. Naturally, those Directors opposed such a subscription. Those Directors who did know opposed the exchange because of the large amount of material the IRCA publishes, because of the tone of the request letter, and because one felt that an information sheet on the IRCA would be a more effective means of acquainting Handicapped with our hobby.

Correction

September 23, 1972 DX Monitor page 2 President's Report contained the statement that "Don Erickson is appointed Temporary Eastern DX Forum Editor." That statement should have read Temporary Eastern DX Roundup Editor. My apologies for any inconvenience this mistake may have caused.

TEMP. EDXR EDITOR: Nancy Gantzer is appointed Temporary Eastern DX Roundup Editor, pending Board approval.

TEMP. STANDBY EDITOR: Carol Schweiger is appointed Temporary Standby Editor, pending Board approval, Effective immediately, Carol will handle the Western DX Forum Editorship pending appointment of a permanent editor. Send reports to her at 41 Lawndale Road, Stoneham, Massachusetts 02180.

CONVENTION BIDS: Have been received from Hammond, Indiana and San Jose, California. After Board approval a referendum will be submitted to the general membership, hopefully in early December.

Positions Available (Apply on the IRCA Application Form, page 5/6, 9/23/72 DXM)

Bob Jacoby has resigned as Western DX Forum Editor as a new job does not allow sufficient time. Closing date for receipt of applications is December 8, 1972.

A reminder again that the Questions and Answers Editorship is open. See 10/21/72 DX Monitor for details. Closing date is November 30, 1972.

Miscellaneous

Don Erickson and I are in frequent contact by telephone. Often Don makes temporary preliminary announcements, pending a President's Report. The reason for any later change is due to changed conditions between talking with Don and typing up the stencils. This mode of communications is effective, if a bit expensive. (You should see my phone bill, hi.)

Respectfully submitted,
November 8, 1972

Percy R. Kesteven
Percy R. Kesteven, President

New Temp. Editor: Miss Nancy Gantzer - 67 Liberty St. - Fredonia, NY 14063.

Nancy has been appointed to the EDXR editorship by Percy Kesteven (see President's Report this issue) and will be the permanent EDXR editor.

Deadline: Temporarily, deadline is Thursday. This might be moved if Nancy's sked and mail service permits; however, Thurs. is likely to remain until after Christmas mail rush is ended (and service would indicate it has started!).

Guidelines: Nancy will naturally establish her own policies but among the definitely required items are initials (3) after each item; the frequency, call, state or prov., and city of license; date and time in EST; double-spacing between stns; and prompt submission of all items.

Contributors this issue:

- (BLC) Brian L. Cartwright - 106 Leila Street - Johnstown, PA 15905
Channel Master 6436-A built-in loopstick
- (WBF) Bill Fedit - 8708 Contee Rd., Apt. 14 - Laurel, MD 20810 HQ140X, SM-1
- (LVF) Larry V. Flegle - 1004 E. Powhatan - Tampa, FL 33604 DX-120, 4' box loop
- (JMH) Jeff Hodge - Booth Hall Box 127 - 505 Comstock Avenue - Syracuse, NY 13210
Realistic DX-150A SM-1
- (GWJ) George W. Jensen - 4604 Anntana Avenue - Baltimore, MD 21206 Zenith portable
- (RCM) Rich Mayhew - 266 Dufferin Road - Valleyfield, P.Q. CANADA
- (GEM) George Mihalik - 209 James Street - Blasdell, NY 14219 Welcome, George!
Realistic DX-120 IRCA Spiral Loop
- (ALN) Allen Napier - 319 W. Comanche Avenue - Tampa, FL 33604
Sears Wayfarer 4' box loop
- (MGV) Martin Vankuilenburg - 284 Perrin - Laval, P.Q. CANADA Stony TFM-1600W

Are you ladies and gentlemen going to give Nancy your whole-hearted support? Don't show any mercy; get those reports in and give her a real job--she's prepared!

- 540 WDAK GA Columbus 11/2 RR poor u/unID 'furriner' 0435-0450; TC 0438. (BLC)
- 550 WGNG RI Pawtucket 11/6 0357 testing w/mx & IDs 0400 & 0402 before fading out.
They were just barely above the background level. (JMH)
- 560 WIND IL Chicago fair-poor w/ID 0330 11/2 o/WPIL for a change. (RCM) (RCM)/
CJKL ONT Kirkland Lake presumed the one here w/election returns 0125 10/31. /
WQAM FL Miami Beach 11/2 RR good 0450-0520; nx 0455-0600; many IDs.
All alone. (BLC) (Nx 0455-0500? ed.)
- 580 WIBW KS Topeka 11/6 0413 w/C&W mx & ads for a "Football Guide." Good strength
as this seemed to be a good night for midwest DX. (JMH)
- WTAG MA Worcester w/PSA for Worcester Toastmasters Club 2233 10/21. (MGV)
- 590 WOW NE Omaha 11/6 0318-0332 tune-out. Good w/pop mx & nx 0330. (JMH)
- 620 WETE TN Knoxville wk mixed w/WHEN; nx, wx, ID, then s/off amt & SSB
0102-0106 EDT 10/29. (RCM)
- 660 WNBC NY New York fair but an image from CKLM-1570 messed it all up. Does
anybody else have this problem or is it my rx? 10/21. (MGV) Images
and spurs may or may not be the fault of your rx depending on
what causes them. A true image is the result of a rx's failure to
attenuate (weaken) the spurious signal. Your NMP contains the DX
Booklet with a good article on the subject and your NMP will be in
the mail about the time you read this. (DEE)
- 710 CJRN ONT Niagara Falls good u/strong WOR w/ER (election returns), ID & TC 2130
10/30. Finally hrd after freq. change from 1600. (RCM)
- 740 KRMG OK Tulsa 11/2 0200 wk but 100% copy; ID & nx. (GEM)
- 790 WLBE FL Leesburg-Eustis 11/2 1726-1729 w/stock report for 1st Natl Bank of
Eustis; promo for WLBE-FM 106.7 & pwr/pattern change and gone
completely; normally dominant WTAR gone entirely in severely auroral
cx; WFUN noted in background. (WBF) 11/1 RR poor u/WTAR & unID TT
(prob. WGRA) 0130-0150; several IDs. (BLC)
- WFUN FL Miami 11/6 0203 w/ID in mess. (GEM) (Licensed South Miami) 11/2 1727
noted faintly in background w/RR format, call, and tele # in South
Miami while monitoring WLBE. (WBF)

November 11, 1972

EASTERN DX ROUNDUP

Page 5

- 790 WQXI GA Atlanta 11/2 0150 w/CHIC nulled, ID as Q-X-I. (GEM)
unID ?? 11/6 0115-0140 w/mx from the 1930's; Glen Miller, Ethel Merman, etc.
Said it was weekly; help? (GEM)
- 820 WOSU OH Columbus 10/29 1755-1759 fair sig w/end of "Firing Line." (ALN)
- 850 WEAT FL West Palm Beach noted 11/7 0041-0050+ w/C&W mx, Weatherscope and SIDs,
PSAs. Signal fair w/QRN from unIDs. (GWJ)
- 860 KOSE AR Osceola 11/1 1759 fair w/ s/off o/u WDMG & others; had promo for FM
at 98.1 MHz; Osceola is in NE Arkansas. (WBF)
- 910 KLCN? AR Blytheville 10/31 s/off fair u/WSBA & others; did not catch QTH but
was only D1 5kw 'K' in that direction. (BLC)
- WGAF GA Valdosta 11/4 1948-2000 w/ads, RR mx, gud signal. (LVF)
- 920 KARN AR Little Rock 11/4 1856-1945 w/ads, RR on Charlie Scarborough Show,
good sig. (LVF)
- CKCY ONT Sault Ste. Marie fair w/contest promo about the last tele # spelling
L-O-V-E. IDed "More to Love on CKCY and More on CKCY to Love."
0029 10/28. (MGV)
- 930 WWNH NH Rochester fair w/H.S. FB, Manchester W. vs Dover 1950 10/28. No sign
of WBEN. (MGV)
- WLLL VA Lynchburg good sigs on ET o/WBEN, 1000 cps TT noted at tune-in 0205,
ID 0213 end of ET 11/2. (RCM)
- 940 WMAZ GA Macon 10/31 ID & nx good 0600 right after pattern/pwr change, before
CBM s/on. IDs as, 'WMAZ, in beautiful downtown Macon.' (BLC)
- WCPC MS Houston 11/4 RR & contest promo good 1831. Was conducting popularity
poll of recording artists. (BLC)
- 950 WGTA GA Summerville 11/1 1730 not too strong, but atop QRM w/ s/off annmt &
mention of Tri-State Broadcasting ownership. (WBF)
- WAGG TN Franklin 11/1 1737-1743 good w/MoR mx pgm w/"Moon River" theme mx to
s/off; anthem used was "America the Beautiful." (WBF)
- 960 WEAV NY Plattsburgh good s/off 0000 w/SSB; anncr ended pgm w/"...till tomorrow,
love and kisses." 10/21. (MGV)
- 1000 KTOK OK Oklahoma City 11/6 0330-0400 w/network nx, ads, fair sig. (LVF)
- CKBW NS Bridgewater fair w/nx & wx 1600-1605, then RR mx. Strong sig about
1615, ID & TC 1617. Good til 1700 when U.S. stns took over freq.
Best bet for this stn is about 1 hr before LSS (on EC), as PA NY
day stns are in daylight. 10/29. (RCM)
- 1050 WPAG MI Ann Arbor 10/31 ID poor thru jumble 0650 w/what sounded like a few
spots. (BLC)
- 1060 WNOE LA New Orleans 11/6 1746-1759 w/exc sigs; no sign of KYW. (GEM)
- 1080 KRLD TX Dallas 11/5 0225 w/WTIC nulled, multiple IDs. (GEM)
- 1220 KVSA AR McGehee 11/2 1748-1759 w/nx & ID 1750, then into local nx; s/off 1759
w/SSB; no WGAR & powerful Cuban was easily nulled. (WBF)
- WKTZ FL Arlington 11/3 1728-1730 amid much QRM including weak WGAR back in
tonight, w/promo for TV-17 in Jacksonville, clear ID for this &
WKTZ-FM 96.1 in Jacksonville & into s/off format. (WBF)
- WCLB GA Camilla 11/3 1732-1744 w/RR format & mention of call amid bad hets;
noted vy weakly at s/off but copy impossible at that time. (WBF)
- 1270 WXYZ MI Detroit fair w/"The Beatles Story" by the BBC, 2230 10/27; CBM also
has this pgm Sundays 1500. (MGV)
- WLIK TN Newport 11/3 RR good 1840 w/WXYZ nulled; many polit. spots. (BLC)
- unID ?? 11/6 0230-0315 weak fading o/CMJG occasionally, W call, RR, CST TCs;
many mentions of the "Twin Cities"; not KFJZ, looped N. (ALN)
- 1280 WKST PA New Castle 11/6 0250-0315 good strength but faded o/u CMHM; actually
strong at times, progressive RR w/many IDs. (ALN)
- 1290 WHGR MI Houghton Lake noted tent. on 11/7 test w/low pitched carrier & occ.
tone tricks??? 0000-13 fade-out. Fading bad as well as QRM from
WDIO Dayton. No real IDs heard. (GWJ)
- WEYE NC Sanford 11/3 1715 w/ s/off, apparently w/no anthem; much QRM,
including WFBG & WFIG. (WBF)
- 1300 WRBC MS Jackson 11/1 RR & Top 40 good o/WFBR 1815-1830; several SIDs and IDs,
rarely mentioned Jackson. (BLC)

- 1300 WERE OH Cleveland 11/2 0122 o/u WFBR, w/WFBR nulled. (GEM)
- 1310 WIFE IN Indianapolis 11/6 0238-0245 weak but easily read, RR o/u WEEL, WISE off. (ALN)
- KNOX ND Grand Forks strong-weak on r/c-TT 0105-0130 11/6, then s/off anmt. KNOX ID hrd a few times at 0130 in s/off anmt but most of anmt was wiped out by CKOY QRM. 2nd time hrd; 2nd time unable to get a good copy for report! (RCM)
- WEEL VA Fairfax 11/6 0238-0245 poor-fair w/RR o/WIFE; nx 0245. (ALN)
- 1320 WOIC SC Columbia 10/31 SID poor way u/WJAS 1845; consisted of call & QTH. (BLC)
- KXYZ TX Houston 11/6 0232-0237 good w/"Perspective," ID at 0237, WVOJ nulled.
- CKEC NS New Glasgow good strength 11/6 0438-0451 when CKKW began to cover. C&W mx w/several TCs. (JMH)
- 1330 WJPR MS Greenville 11/6 0229-0230 super-strong, has been AN last few MMs; ID then nx, no QRM. (ALN) 11/6 0250-0315 w/1 spot, easy MoR mx, sounds automated; in like a local. (LVF)
- WEVD NY New York fair w/a Latin sound in mx. Plain s/off 0100; s/on Sunday 1100 10/29. (MGV)
- 1340 CKOX ONT Woodstock on late w/ER, spot & ID 0105 10/31, fair to good o/QRM w/spot, ID, then into mess, never to be hrd again. (RCM) (RCM)
- 1350 C??? ONT Either CHOV or CKLB on late w/ER, fair-good o/u WSLR 0050. 10/31.
- CJLM PQ Joliette good w/mx 1310 10/8. ID: "...la station de lanaudiere." Their v/1 says pwr increased 9/12 from 1kw to 10kw. (MGV)
- 1360 WFFF MS Columbia 11/3 r/c fair o/u WDRC 0230; 10th MS in 3 mo's. (BLC)
- WCHL NC Chapel Hill 11/6 0220-0227 good sig w/slight fading, RR o/KRYS, WKAT off. (ALN) See CPC program sked for 11/20-ed.
- WIXZ PA McKeesport 11/2 0105 w/RR mx, vy gud sigs. (GEM)
- 1370 CFLV PQ Valleyfield; in case anyone has hrd OCs on 1370 lately, there's a chance it's my #1 pest; been testing lately, any night of the week. Usual s/off is 0030, 0100 SM. (RCM)
- 1380 WYNK LA Baton Rouge 11/2 s/off fair thru jumble 1830; log change as pwr/pattern given as D3 5kw. (BLC)
- 1390 WYXI TN Athens 11/2 r/c poor u/WNUS & WFBL 0227. (BLC)
- 1400 WELK VA Charlottesville 11/2 ET ending 0300 w/IDs every 15 min.; pgm was hrd RR; 1st time hrd on this freq. (BLC) From 1010 kHz-ed.
- WWOC VA Portsmouth 11/2 pop good all night o/u WELK ET, 0230-0300. No WYSL for a change. (BLC)
- 1420 WOC IA Davenport 11/3 "The World Tomorrow" pr u/WHK 2324. ID 2330. (BLC)
- 1430 WENE NY Endicott good o/CKFH-WIRE QRM w/s/off anmt 0059, then SSB; off by 0100 11/6. (RCM)
- KELI OK Tulsa 11/6 0200-0219 w/nx, RR mx, gud sig, slight unk QRM. (LVF)
- 1440 WHHY AL Montgomery 11/2 RR good, all alone 0351-0415. IDs between every record. (BLC)
- 1450 WTCO KY Campbellsville 11/2 r/c fair o/u WPAR 0330-0345. Gave some pretty detailed IDs every 5 min's. (BLC)
- WENZ VA Highland Springs 11/2 ID & pop exc. at peak 0330. 1st time here. (BLC)
- WLPM VA Suffolk 11/2 ID fair thru jumble 0335, faded off. (BLC)
- WPAR WV Parkersburg 11/2 good w/C&W 0320-0330; ann'd some contest too. (BLC)
- 1460 WRAD VA Radford noted 11/7 w/ f/c & OC 0108-0110 w/specific ID 0109; signal poor-fair. (GWJ)
- 1520 WSVL IN Shelbyville 11/2 r/c fair o/u WKBW 0340-0345. (BLC)
- 1540 WKCB KY Hindman 11/2 r/c poor u/KXEL; caught call during ID, no QTH, and NRC Log does not list it. (BLC) NA R-TV Stn Guide 8th ed. does-ed.
- 1580 KBGO TX Waco 10/31 mx poor w/bad copy; only 1 audible on freq. SID 1855. (BLC)
- 1590 WISZ MD Glen Burnie faded in fair-good w/ID, RR mx, 2350 11/2 o/u WAKR & WQQW QRM after. (RCM)
- KYOK TX Houston 10/30 0137-0145 vy strong, all alone w/soul mx. (ALN)
- 1600 WWRL NY New York 10/30 0132-0136; poor but easily read, soul mx, no major QRM. (ALN)

Fine job fellows--everyone initialed every item & followed directions well. Tip: how about distinguishing between signal strength and readability--poor isn't always weak.

November 11, 1972

EASTERN DX FORUM

Page 7

Editor: Bruce R Heimburger - 1710 Cambridge - Ann Arbor, MI 48104

Deadlines: Fridays. Typing never started until Fri. nite.

=====
Fred Precht1 - 6128 Glade Ave - Cincinnati, OH 45230

Greetings everyone. Vacation this year took me to the Pacific NW. Had a pleasant visit w/Mike Northam in Portland, the only member I had occasion to meet on this trip. I want to extend my compliments to stn CKWX-1130 Vancouver for the enjoyment I derived out of listening to them. The really good music by such great bands of bygone years as Glen Miller, Artie Shaw, Benny Goodman & Tommy Dorsey. This sure was a pleasant change from the general run-of-the-mill "music" that they play now, on radio. DX has been good here in recent weeks, but nothing new to speak of. Everything has been heard before. The only new stns hrd since last spring are WHEX-1580 hrd in June & WASP-1130 hrd @1815 on 10/18. Verie count up 2 w/WHEX & WWOD received. Drove down to Lexington 10/29 to visit Hank Ward, & experimented w/some daytime DX on my Zenith T.O. I was surprised to hear WSB in Lexington during the day. Although only slightly over 300 mi., ground wave conductivity is poor through S. KY, TN, & N. GA, only 2-3-4 units. This, of course, was w/using Hank's loop. However, I was able to hear WJR, WMAQ, WGN, WBEM, & WLS w/out the loop, & WJR was quite strong. WJR is also slightly over 300 mi. from Lexington, but ground wave conductivity to the north is better, 8-10 units. 73s.

George Mihalik - 209 James St. - Blasdell, NY 14219

Greetings to everyone from here in W. NY. First of all I would like to thank Jerry Monroe for the help on reviving my BCB DXing. I have been BCB DXing on and off for about 2 yrs, for over 150 stns & 30 some states. QSLs only from 9 of them though. Three weeks ago I talked to Jerry via Ham radio (WN2CQR & me WN2MIL) & the bug of BCB DXing just hit me head on. Within 4 days I had a loop built (IRCA spiral) & my realistic DX-120 was warmed up for DX- reception: WHWB, WHEB, WPIT, WEDO, CKWX among others, too numerous to name. Best DX so far has been Jamaica 750 kHz. To you people in ham radio, you should know what elmer is, & my thinking is Jerry is the best Elmer anyone ever had. BCB DXing is great!!! 73s fer now. (Welcome George-Brh)

Jim Poterba - 949 Queens Dr. - Yardley, PA 19067

Greetings. TAs have been fairly strong here, & quite regular, some of the best catches being Rabat-818 on increased power & Oran-548. RNE-737 has been strong almost every night. KPCA-1580 noted 10/24 s/off - called PD and the next day, (I somehow managed to hear them again), the last annmt was "...if you're hearing us someplace far away, call us at..." KTUF-1580, Tempe, AZ noted next night for new state, called CE on this one - sig was o/CPJ!! A few new veries: v/qWFBC, WBEL, KFI after 10 mos., v/l WEXT WSHN WRUN WFLO WMNA WMOO WRVK WCRL WBTX WTUX WJAX KYMN. KYMN is for DX Test. Bill Coleman: KRMG veried form letter for me, but it did take a follow up. Tom Sundstrom: Next time you're up at the WTTM tx, why not stop in? For anyone interested, I'm about 1½ mi S. of WTTM, 1½ mi from Yardley exit of I-95. Hence, ruination of 910-930 for evening DX - one consolation is that the AN show didn't work out. Both WCBS & WLS were off MM 10/23, WLS running TT most of morning, WCBS TT & OC. 73s for now.

Gregory Spencer - 700 Clark St. - Martins Ferry, OH 43935

Hi! Just logged state #23 KGLC OK. Thanks Cathy for your letter. Just received sample bulletins from NNRC and WFTDA but IRCA is still # 1 on my list. I have some foreign loggings and don't know how to identify them. (If you don't have one, get ahold of a World Radio TV Handbook-Brh) Anyone who could help please write. Recent veries v/q-WWVA WRVA WSUN WSPA WGST, v/l-WPDX WFNC(test) CFGM WTAE WAMO. Would enjoy hearing from any DXer. Till later 73s and keep the faith.

=====

Tim Saltmarsh - 33 Fowler St. - Penacook, NH 03301

Have a lot to say & no time to say $\frac{1}{2}$ of what I want to. First, I am strongly against the FBIS (alias CIA) getting our bulletin at all, so what if they publish a booklet on stns, the stuff wasn't compiled in the first place for DXers, I can just imagine how they got their info on some of the stns. Second, could someone on the BoD please explain why they didn't "approve" of Shel Swartz as EDXR editor, he handled the DXMs biggest column perfectly. Next, RVM: When my last report was written I wasn't aware that stns get samples only by request, sorry. Daytime Cx are really something else lately, CN & RI have fantastic openings that never came in before. Bill Harang: I will get a tape off to you soon (If I can find the time, hi.). Hope we have a mini-convention this spring in Boston, would like to meet all you radio nuts. Better s/off now, would like to hear any other views on the FBIS. 73s

Raymond Arruda - 6 Wilbur Ave. - N. Dartmouth, MA 02747

Hi everyone. Have not reported in some time & have not DXed much, but hope to get going as we approach the heart of another season. The only veries from this summer are WCNG & WAMB for Test late last year. On MM 10/30 WTWB was hrd weakly u/CKLM w/a definite ID at s/on but I just couldn't muster up enough details for a report. WSJM was not hrd & WSPA not tried. Totals here after nine years of DXing are 807/350, 42/42, 8/7. So many stns are NSP up this way now which makes MM DX sessions more difficult. Few DX Tests get up here clearly anymore. Three out of four of the local stns in this area are AN MM & just a few years ago all four were silent MM. Just makes DXing that much more of a challenge, I guess but many good DXers in IRCA alone are losing interest in the hobby because of this.

George W. Jensen - 4604 Anntana Ave. - Baltimore, MD 21206

Cx here have been strange lately w/over 30 now loggings in a 3 nite period, w/Ark. as new state #34 hrd along w/several new LAs. Item 109 of the BoD Acts. is a puzzler and I tend to agree w/Dr. Wood but also realize that the FBIS does provide a limited service to some DXers. Comment made about Mexican stns and Cubans being included in the local sectional reports seems rational as they are hrd quite commonly in many areas. DXWV could devote itself more in that matter to those many other LAs, TAs, & TPs that come in. Some recent veries are as follows v/q-CHUM WCBG WKEG, CBNM(From St. Johns), CFRA CBJ WADO; v/l-WKVA, WJTN WWBZ WMTR WGAI WSUF WCHE; v/f-WTAE WWOL WPDY WCDL WCRV; v/r-WHOM; v/m-WBSC; v/ppl-WHHH (from Wes Boyd). According to Pacific Island Monthly 9/72- R. Noumea, New Caledonia now operates 16 hours continuous. SW freqs. are 7170 & 11825, do not know BCB freqs. or powers.

Jerry Monroe - 1030 Bonnie Lake Dr. - Alden, NY 14004

Greetings. Well the season has begun. A good number of TAs in, in Oct. Drat! I wish their audio was as good as their carrier. Two new members from W. NY are Josh Hill & George Mihalik. Hope they report often. KOB sent me a card saying they couldn't verify...lack of info. I hrd their tent. s/off "...at 50000 watts on 770" that's all, so I figure it had to be them since WABC's s/off was earlier. State #46 hrd, KTUF SSS, very strong, in auroral cx. No sign of normally dominant CBJ. Veries here include WFNC, KCBS WHWB CBU CFAM WENR WKEN. Easterners, WHWB-1000 veries in less than 10 days & is hrd before WCFL starts coming in. R&r format. Good bet for this state. Well, hope to report more often this season & I hope to hear more from the local guys here. 73s

Martin Vankuilenburg - 284 Perrin - Laval, Quebec

Hello again. Not much DX around here but a few things have happened. Made several new driends, & what a coincidence, Richard Mayhew goes to the same school. CFAC-960 veried in three days w/rp. Now that is service! WFEA etc. take note, hi. Also from WFNC-940, CJLM-1350, & SPD-1370. That's 8 prov. veried, now where are those other two? 73

EDITOR: Richard C. Evans - Box 2048 - Gary, Indiana - 46409

 560 TX KLVI Beaumont, ID 2230 10/25 as "Serving Golden Triangle, KLVI" and into RR Mx. KWTO nulled. (DR)
 590 GA WPLO Atlanta, Fair w/CMW w/Nx and ID 0129 10/30. (DR)
 600 TX KROD El Paso, Excellent w/s/off after Nx, Wx, 0200 10/30. Only 2nd time hrd here; do they verie? (KDF)
 610 NM KGGM Albuquerque, Hrd w/CBS Nx & ID u/WDAF 2100 10/19. (DR)
 650 HA KORL Honolulu, Hrd good w/call in pgm and mention of Honolulu 0316 MM 10/30. 1st time this season (DR)
 690 AL WVOK Birmingham, Exc. w/Dixie at s/of 1915 10/28. (SW)
 FL WAPE Jacksonville, Strong w/Top 40 and phone request # given 0206, some CMBC QRM 10/30 (KDF)
 810 WI WDMP Dodgeville, fair on tip from RSK at s/on o/WGY and UNID 0715 with no SSB 10/27 (KDF)
 910 NC WLAS Jacksonville, on top of frequency w/C&W Mx, many spots 0632 10/25 (DP)
 920 MN KHDL Faribault, Poor from 2006-2014 w/Polka Mx 10/28 (SW) Fair-good w/Polka Mx 2001-2017 w/WOKY nulled, some KARN/WMMN/CKCY QRM 10/28 (KDF)
 NM KQEO Albuquerque, s/off MM 10/30 0203 w/no anthem leaving KERP on top of frequency. (DR)
 WI WOKY Milwaukee, 10/29 0950-1000, WBAA off (MH) (Yes-rce)
 930 IL WTAD Quincy, exc. o/WKY w/MoR 0045 10/29. (DP)
 MO KWOC Poplar Bluff, xInt o/unID at s/on w/non-vocal SSB and announcement 0700 10/25 (DP)
 WV WGNT Huntington, 1700-1710 w/NBC Monitor Nx 10/29 (MH)
 1060 PA KYW Philadelphia, In fair w/Nx and ID 0100 10/25 in null of WNOE (DR)
 1070 WV WCIR Beckley, 0628-0632 10/30, news (MH)
 1130 BC CKWX Vancouver, fair w/Hawaiian Mx then 0300 ID as B.C. station of the year CKWX Radio 1130, 10/30 (FSM)
 1240 OK KOKL Okmulgee, Fair w/"KOKL Nx on hour" 1700 10/27 with heavy QRM from KVSO/KADS (DR)
 1290 OH WHIO Dayton, Hrd w/Wx and ID u/KOIL 2130 10/19. (DR)
 1360 AR KFFA Helena, poor w/Drug Facts from Helena Kiwanis Club 2010, 10/26 (SW)
 MD WEBB Baltimore, good o/WSAI/WBAY w/son 0600 10/25 (DP)
 1380 IN WMEE Fort Wayne, in w/"Mayor's Report" pgm 0300-0400 MM 10/30. ID 0400 sure sounded like WMEE, but listed in NRC log as WKJG. A Call Change? (DR) (Yes-rce)
 TX KTSM El Paso, Hrd o/KSWO/KWK w/NBC Nx 2200 10/25 (DR)
 1400 OK KNOR Norman, Now has "Wolfman Jack" nightly 2300-0200 (DR)
 1410 TX KEAN Bowie, Barely audible days in null of KNOR. 500w D3, plays RR & carries TSN news at :55 (DR)
 1430 UT KLO Ogden, in w/Ai Nx and ID 0300 EST SM 10/29. Rough copy w/KELI-KOST (DR)
 1570 FL WTWB Auburndale, Thought hrd "WTWB" mentioned 0102 MM 10/30, but too much XERF for more. (DR)
 1580 GA WCLS Columbus, In w/TC, ID, and rr 2140 10/25 o/u KLOU/KBGO/XEDM. Didn't verify several years ago. (DR)
 NM KZIA Albuquerque, Surely one mentioning Albuquerque in s/off o/XEDM and QRM 2030 10/19 (DR)
 1600 WI WCWC Ripon, good o/u WWRL w/s/off, no SSB 0100 10/30. (DP)

A TIP OF THE HAT THIS WEEK TO:

KDF - KARL FORTH, 630 South Ardmore, Villa Park, Ill. 60181
 MH - MIKE HOGAN, 4811 Euclid, East Chicago, Indiana 46312
 FSM - FRANK S. McCOY, Box 22374 LSU, Baton Rouge, Louisiana 70803
 DP - DAVID PETERSON, 800 Humboldt, Winnetka, Illinois 60093
 DR - DAVE ROGERS, 623½ Kansas, Norman, Oklahoma 73069
 SW - STEVE WAYMAN, 12 East Oak, Villa Park, Illinois 60181

November 11, 1972

CENTRAL DX FORUM

Page 10

editor: John Zondlo - Palmer Hall Box 113 - Muncie, Indiana 47306
deadline: every Thursday. NOTICE--for the 11/25 and 12/2 issues,
send reports to me at 6617 Maryland, Hammond, Indiana 46323. During
this period I'll be there for Thanksgiving vacation.

David Peterson - 800 Humboldt Ave. - Winnetka, IL 60093

Hi. DX is really picking up lately; I've added two new states in a week. Latest DX includes WDEL- 1150, KRDS-1190, WMBA-1460, and WCFR-1480. (David, this belongs in rec's column. After this it will be cut from the Forum-JZ) Verics since last report: v/q- WFLI WAIT WBAL (1st MD veried) KCRG, v/l WLUV (took 7 months) WTSO+CM KYMN+CM WDEL (1st DE veried) WMBA (Says I'm their most distant reception) v/r- WTTS WMUS+SC v/f- WKAN WPJD+religious pamphlet v/cm- WAOP. Totals: 496/241, 41/39, 6/6, 6/2. Looks like a good season ahead. 73's.

Jim Meyerson - 7429 Teasdale Ave. - University City, MO 63130

Greetings everyone. I am relatively new to the club (I joined in July), so I thought I might as well introduce myself. I'm 16, a junior at University City High, and somewhat new at DXing. My first reception report was sent to WLS (my favorite station) on July 4th of this year. Since then I have sent out over 200 more reports. My totals are 167/138 received (???-JZ), 30/30 states, and 4/4 provinces. If somebody in the St. Louis area would like to correspond with me, I would be glad to return the favor. I'm looking forward to a productive winter. Bye now. 73s and good DX. (Welcome to the club, Jim, report often. IRCA has several members in/by St. Louis, and I'm sure they'll help you in any way possible-JZ).

Mike Hogan - 4811 Euclid Ave. - East Chicago, IN 46312

I have hit a new low for the number of days in a row without logging a new station, but while this was happening, I received some verics: KYW WGST WIBC WOW WBT WSM. Hope everyone has a fine DX season.

John Tull - 5539 Oak - Kansas City, MO 64113

Just received the DX Monitor for 10-21. The DX Worldwide was just too much. I haven't got a TA yet and there were page after page of TA's. Hope is on the horizon tho. I am trying to convince the wife on a new rx. She is a much better talker as witnessed by 3 new winter coats for the children and one for her. Well there is always Christmas. I have just given up on the 54 inch loopstick, seems like some nut dropped it and ferrite rods don't bounce. Good DX to you from the land of the fumble fingered.

Keith Mchl - 1320 SW Broad St. - Des Moines, IA 50315

Hi gang, and especially to our new editor. Not much DX here, working nights kinda takes the energy out of me but I'm always up on MM's. I plan on buying the NRC pattern book and a new (used) rx. It is the forerunner of the HRO series. I've almost got one of my co-workers hooked on BCB DX, now I have to get him to join IRCA! KSTP sent me two verics for the price of one report, the report is dated 7/3 and the QSL's are dated 7/18 and 9/20. Latest verics are v/q- KFEQ WOWO CKLW KSTP WKBW WBZ CFRB. v/l- KLEU. v/ppc- KBAB. In one of the next two issues of DXM I'll list all my 71/72 verics so till next time 73's

John Zondlo - Palmer Hall Box 113 - Muncie, IN 47306

Greetings everyone, and hope that DX is shaping up for all of you out there. Things have been rather slow here, with MM not being as good as they usually are. Much aurora has been noticed lately, just wish it would do something to TV-FM DX, hi. Note that WBAT Marion IN 1400 is now AN-6 again. They had a problem in finding someone for the all night shift until a good friend of mine by the name of Steve Shields filled the bill. Noticed a letter from Tom Sundstrom in one of the latest issues of the Hockey News. I'm sure all of the readers really appreciate your efforts in listing the stations broadcasting NHL games. Keep up the good support and remember--Hammond in '73.

Robert Kramer - 3406 W. Pierce - Chicago, IL 60651

Greetings: The WTWB DX test made it here, though it wasn't very readable because of CHLO. I don't think WSJM ever came on, cause they are my daytime dominant and there was no sign of anything strong on 1400. JZ did you ever get KGEM veried? (no, even talked to someone at the station about it, but no verie). All they sent me was a letter telling me they don't have any bumper stickers, but I counted it as a verie anyway. Another good verie since last time, CBU-690 for province no. 8. Does anybody know if KRKO veries? (sure does, check w/rce if you need v/s-JZ). I only need 80 stations to reach the 1,000 heard mark. I should reach it by the end of January. Well I hope everybody had a happy Halloween. Well I've got to go cut the grass so I'll see you next time. 73-THE BIG RK IN THE MIDWEST

Tim Holderle - 7845 Morgan Ford - St. Louis, MO 63123

I haven't reported to CDXF for some time now, so I guess a quick re-intro is in order. I'm 18, a freshman at St. Louis U. and have been DXing since '70. Totals so far are 178/49, 31/26 states. I intend on bringing those totals up a lot during the coming winter. We have a new station on FM here in St. Louis; KSLQ 98.1 (formerly KRCH- JZ). It is a compromise between AM type rock and underground FM, it plays a bit of both. Haven't sent out any verie reports in a while but my latest verie was KVOO which took one year and 2 months to get here... That's the longest I've waited yet. Here's hoping this is going to be a big season for DX. 73's and best of DX to all.

#####

ATTENTION EDITORS Editors who use stencils without plastic film are reminded that it is very important that the keys (particularly 'o' 'o' 'e' 'a') be cleaned regularly, preferably before every issue. Even those using plastic film stencils must clean keys if they do any typing with a ribbon between the ribbon and ink gets into the keys.

Broadcasting Information (as compiled by Mike Worst) October 30 issue & CRTG

| | | | | | |
|------|------|--------|--------|-------------------------------------------|--------------|
| KBAT | 680 | 50kw-D | 10kw-N | San Antonio, Texas | granted KKYX |
| KPHO | 910 | 5kw | | Phoenix, Arizona | granted KJJJ |
| new | 990 | 40w | | Maniwaki, Quebec | CP |
| new | 1170 | 10kw-D | 5kw-N | Red Deer, Alberta | CP |
| new | 1230 | 1kw-D | 500w-N | Fort McMurray, Alberta | CP |
| new | 1340 | 1kw-D | 250w-N | Brooks, Alberta | CP |
| | | | | CJDV 910 Drumheller is the mother station | |
| KHAT | 1480 | 500w-D | | Phoenix, Arizona | granted KPHX |
| WTNW | 1530 | 5kw-D | DA-CH | Chapel Hill, N.C. | granted WRBX |
| KFKF | 1540 | 1kw | | Bellevue, Washington | granted KBES |

APPOINTMENTS See this issue's President's Report for two appointments. It is your publisher's feeling that the use of "Temporary" is misleading and incorrect. It has been past procedure to make a temporary appointment when someone is appointed prior to a final decision on an editorship. Then when volunteers have been received, there is a final appointment of either the same editor or someone else. Some appointments are temporary with no intention of making them permanent such as Percy's appointment of himself to the CPC chairmanship last winter. In the case of Nancy Gantzer's appointment to EDXR and Carol Schweiger's appointment to Standby Editor, these are final appointments though both remain temporary editors until the Board approval is final. Nancy plans to stay with EDXR at least through this season and Carol will presumably do the same. Now that we have temporary or permanent editors for all sections, it is time to find some back-up editors. Are you willing to assume duties of an editorship should there be a resignation suddenly? If so, send Percy a form with position listed as (Back-up), e.g., CDXR (Back-up). If you've already sent a form for something else, let PRK know you're willing for B-u.

Typist: Andrew Hecker, P.O. BOX 835, Saratoga, CA 95070

Supporters:

GA Gene Allen, 134 Bret Harte Way, Vallejo CA 94590
 CAB Credo A. Bisquera, 86-123 Kakaiapola St., Waianae HI 95792, ARB, Sanser? loop
 BH Bill Harang, 811 Nevada Ave., San Jose, CA 95114?, Lafayette HA-63A, ?!*@#? LW
 AH Andrew Hecker, P.O. BOX 835, Saratoga CA 95070, Candle SS-18+MM's ARB, SM-1(MM's)
 MM Mike McCullough, 5240 Rhonda Dr., San Jose, CA 95129, ARB, S-19 w/ARB Q5, SM-1
 BP Bruce Partzer, 14056 5th Ave. S, Seattle WA 98168
 PJW Paul Welka, 15340 Union Ave. San Jose, CA 95125, HQ-145 w/Q5

620 CKCK Sas Regina NX & WX 0402 (0102) 10/2 (GA)
 WSUN FL St. Petersburg WX-KGW on (no mod.) 0405 (0105) 10/2 (GA)
 650 KORL HI Honolulu s/on SSB 0600 (0300) (???) 9/27 (GA)
 660 WNBC NY New York r/s ann 0632 (0332) 9/30 (GA) /10/25 (MM)
 670 WMAQ IL Chicago NX-slop from KNBR 0637 (0337) 9/30 (GA) Mixing w/KBOI,
 880 KRVN NB Lexington M/M 10/23 0637 (0337) w/"Freedom Talk" #97, spot "HLH
 Drugs," nx, ID, TC & wx. New Good Reception (CAB)
 910 KCJB ND Minot ann 0500 (0200) -QRM KPHO 7 XEAO 10/2 (GA) / (AH)(MM)(PJW)
 950 WSPA SC Spartanburg, with mx, and SC statewide gas spot, should make DX/
 970 KBEE CA Modesto S8 RS 1442 (1142) 9/28 (GA)
 KPUA HI Hilo, in mess with wx, talk, ID's galore, SID, rr mx.0500 (0200);
 IO/23 (AH),(MM),&(PJW). (a large DX meeting at MM's, hi-AH)
 WFLA FL Tampa, also in mess, in/out w/ talk, ID's, PSA, 0500 (0200) s/on
 NA, announcements, to nx. (AH),(MM),(PJW)
 1050 CHUM Ont Toronto n/x 0703 (0403) 10/14 (GA)
 1080 KHAI HI Honolulu r/s code calls in QRM(?) 0308 (0008) 10/16(GA)
 KRLD TX Dallas m/m 10/23 0603 (0303) w/nx, wx, ID & spot for "Harold
 Johnson Bar-B-Q Chicken" & TC, Also New fair reception (CAB)
 1100 WKYC OH Cleveland r/s 0705 (0405) 10/16 (GA)
 1150 KAGO OR Klamath Falls r/s KPLS nulled 1230 (0930) 10/18 (GA)
 1180 WHAM NY Rochester r/s 0710 (0410) 10/16 (GA)
 1250 KTMS CA Santa Barbara KTW nulled 0445 (0145) 10/2 (GA)
 1280 WDSU LA New Orleans poor w/ID & NBC nx way u/ KIT 0100 (2200) 9/30 (BP)
 1310 KEIN MT Greatfalls ex-KKGF noted using these calls 0230 (2330) 10/14
 w/rr. Believe slogan is "KEEN" & may be AN, as on later than
 KKGF's old 0230 (2330) s/off (BP)
 1340 KDEN CO Denver in good o/KIST w/ID 10/23 0740 (0440) (BH) / (BH)
 1350 KABQ NM Albuquerque in good o/KKAM w/SS format & EE ID. 10/23 0730(0430) /
 1380 WMEE IN Ft. Wayne incredibly enough was ATOP nulled local KRKO 0237(1337)
 10/7 w/local ads, wx & Drake rr. Gleefully reported (BP)
 1390 KBLW UT Logan s/off vocal SSB 0302 (0002) 10/7 annd. 0800 (0500) s/on(BP)
 1440 WBCM MI Bay City atop w/spot for snowmobile dealer 0707 (0407) 10/9 (BP)
 CFGO Ont Ottawa fair w/rr 0510-0558 10/9 w/JJ QRM (0210-0258)(BP)
 KPUR TX Amarillo s/on no anthem 0600 (0300) 10/9 Semi-dominant for the
 next hour or so w/rr & 20-20 nx (BP)
 1530 KMAM MO Butler religious 0522-0529 (0222-0229) 10/2 QRM from unknown TT
 Russian slop from 1529 No sign of KCGO (GA)
 1540 KBES WA Bellevue ex-KKGF began using these calls 0830 (0530) 9/18. Sked
 is 0830-0300 (0530-0000) & format is untempo MoR w/personality
 emphasis (BP)
 1560 WSDL LA Slidell s/on //WDSL?-105.3 0700 (0400) 10/8 u/WRIN (BP)
 KGHO WA Hoquiam good on DX Test 9/25 0300-0400+ (0000-0100) & and Bill
 Hardy at the mike (BP)
 WRIN IN Rensselaer s/on vocal SSB 0700 (0400) 10/1.10/7,10/8. They're
 getting to be a real pest here, hi (BP)
 KRCB IA Council Bluffs s/on no anthem 0700 (0400) 9/24 (BP)

November 11, 1972

Page 13

Western DX Roundup

Typist: Andrew Hecker, P.O. BOX 835, Saratoga, CA 95070

1560 WQXR NY New York s/on into SSB 0557 (0257) 10/7 (BP)
UNID ?? SSE s/on 0630 (0330) 10/7 u/WDXR. In out u/WDXR for the next half
hour or so w/cw/ Who dis? (BP)

----- (cut along the dotted line) -----

The San Jose 1973 convention bid has been placed, it's now up to you out there to get it to the west coast. EC members, you can return our favor of giving you the Toledo convention to be fair. RWJ-sorry, got word of your report by phone too late to print, but, you can call [(408)867-1631 if you wish. If you pay for your calls, tell me when to keep people away from it.

CA-I was talking about a short in the meter that arced, causing much static to my radio, and much discomfort to my ear. PP-and all others-I am not setting an example for San Jose, I am an example of San Jose.

I actually got a bulletin near time. Got 10/7, and 10/21 on the same day (10/25). I would like some comments for the collum, by average members, specifically my censorship policy. If you want things to be cut, I'll be glad to cut yours, hi. I must apologize to PJW, I misinterpreted his comment on censorship. Be fair, B-12? 73 Remember...

S A N J O S E I N 1 9 7 3

=====

Western DX Forum

New Temporary WDXF Editor: Carol Schweiger - 41 Lawndale Rd. - Stoneham, MA 02180.

Deadline: Thursday, 9 days before date of publication. Subject to change.

Guidelines: Include your full name and address on the report and double-space.

NOTE: Bob Jacoby's schedule is quite hectic and it has been impossible to reach him by phone to find out where some recent DXF reports are. If yours has not been printed, please advise DEE. Here are two reports that have been forwarded: -DEE

Greg Allinson - 407 40th Avenue - San Francisco, CA 94121

Hi, as you can see I've moved again, the 3rd time in 3 mo's. This time it is more permanent. Now working at Hunter's Point Navy Yard in CPO club. Just remembered that Oct. marks the anniv. of my beginning serious DXing. It's been a year now and I've learned a lot in it. Plan on starting my heard list from scratch since I'm 300 mi. from Susanville but will keep my verified. Moved from Susanville with 211/54. Most DX hrd here is many of the regulars but too many local SFers. After waiting 9 mo's & 3 ltrs, KGYN finally veried w/ not 1, but 2 QSLs in 3 days, hi; one extreme to the other. See where Jerry Thatcher is (was-DEE) going to Turkey in Jan; I lived there for 2 yrs and although I wasn't into DXing then, I did turn the dials every so often and it was lousy. New Phone # is 415-386-0249. Hope to be contacting the Bay Area DXers one of these days, so might pick up some tips. Hope everyone has a good DX season. 73 & Peace.

Mike McCullough - 5240 Rhonda Dr. - San Jose, CA 95129

Hi, DX picking up w/the TPs starting to come in. Enjoyed the 9/9 DXM. My vacation in the Intermountain West was fantastic; DX was very good in all places I stayed except N. Yellowstone Lake, I had all WC stns coming in, but in Yellowstone it was midwest stns all the way; got to see KSL studios, very impressive; they now have a Nitecap network, stns unknown. For tapesponders, I have 1/2-1 hr tapes of KSJA, a local pirate DMer. Send cassette. -- DX cx picking up-see DXR/DXWW. TAs hit WC 10/3. As of Xmas, I will have a new t/r, the Realistic CTR-9; no DX test hrd as of 10/9. I am now using my ARB rx as a Q5er for my Halli S-19; it works better than my ARB alone. I am selling my Halli S-19 for \$20; for more info, write. In the BBC documentary of the Beatles, they had a WABC jingle made by the Beatles. Don't forget KWYS f/c on 11/27, a MM. Paul Welka is back in SJ for-good. 73's and gud DX & remember that San Jose in 74!!! (Two reports combined).

The above complete all reports forwarded by Bob Jacoby, to date. Only one further report received for this issue (actually received for issue of 11/18 but may appear elsewhere). Please mail your reports directly to Carol Schweiger now. -DEE

Typist: Andrew Hecker, P.O. BOX 835, Saratoga, CA 95070

Supporters:

AH Andrew Hecker, P.O. BOX 835, Saratoga, CA 95070, Candle SS-18

RWJ Royal W. Jaynes, 1057 W. Hilliard Lane, Eugene, OR 97402

MM Mike McCullough, 5240 Rhonda Dr. San Jose, CA 95129, ARB, S-19+ARB Q5, SM-1

PM Patrick Martin, Warrenton, OR

FJP Father Jack Pejza, 3266 Nutmeg St. San Diego, CA 92104, HQ-180A, 2 1/2' Sanser?

- 540 KNOE LA Monroe, Pop mx, TC's w/nx, s& wx at 0455 Sta. ID at 0500. Hrd from 0430 til 0500, Oct. 22. (RWJ)
- 550 KMVI HI Wailuku, 0405 til 0415 til 0420 (?) Score theb (?) 9 to 0 favor of Rainbows over Mont. Add for Goodyear tires (RWJ) (??)
- 580 KFXD ID Nampa in very good in the null of KMJ w/RR and ID no static/slop 2000 10/30 (MM)
- 590 KUGN OR Eugene in fair to non-existent during the daytime mixing or u/KTHO that means that winter is coming (MM)
- 670 KBOI ID Boise in poor all day u/KNBR slop 10/29 (MM) * (MM)
- 740 WBAM AL Montgomery in fair o/u/KTRH's partial null w/RR ID, TC, and AL beef ad for WBAM, (yes, for WBAM) 0652 10/30 according to SR-SS map, they aren't supposed to be on until 0715! much wanted stn*
- 750 KXL OR Portland in all day in semi null of KCBS slop fair sig w/wall to wall mx(MM)
- 790 KBRV ID Soda Springs in fair to good w/KABC nulled w/wrap up of sx scores and ID 1925 10/29
- 850 WYDE? AL Birmingham TENT the one w/sort mx and CST TC mixing w/CJJC all u/ KOA OC 0655 10/30 (MM) *(MM)*(MM)
- 910 KJJJ AZ Pheonix in fair in the null of KNEW and mention of lowering ant., but I think he meant to say lowering power 2000 10/29 (ex-KPHO)*
- CKJC BCo Kamloops in poor to good in KNEW null w/RR rel. IDs and TC 0215-0850 10/21 I went to sleep listening to them, (what sleep I got)*
- 940 KIOA IA Des Moines 0732 thru 0750 Station ID MX, AD for Volkswagon and Muffler Clinic NX and Comedy Record 10 23 (RWJ)
- KGRL OR Bend in fair mixing w/KFRE, KBRE w/RR and ID saying the nx is next, 2057 10/26 (MM)
- KBRE UT Cedar City in very good o/KFRE w/spot for Halloween party, wx, TC and political spot 1946 10/31 (MM) *day (MM)*(MM)
- 950 XEGM BCa Tijuana in fair to poor w/slight to no slop from KABL, in every*
- 960 KAVR CA Apple Valley in fair in the null of local KABL w/s/off 2018 10/30*
- 970 UNID ?? w/wx and a farm report, temps that were mentioned were in the 40's 0555 10/30 looped to the east (MM)
- 1000 KMLO CA Vista in fair to poor w/ID spot and RR in slight null of KOMO, little slop from KSAY 1950 10/31 (MM)
- WVOV AL Huntsville 10/23, 0753-0800 wx, nx, sta ID blocked out 0800 by KOMO (RWJ)
- 1010 KLRA AR Little Rock in fair mixing w/KDJW w/C&W ID wx and another ID, 0717 10/30, no sign of KCMJ, I hope they have decided on a SP (MM)
- 1040 KHVH HI Honolulu face the Nation Pgm w/ Secretary of Defense
:-AH) Spot for Goodwill Industries Stn ID at 0600 Heard for 15 minutes from 0545 til 0600 (RWJ) 10/22
- 1080 KRLD TX Dallas 0550 til 0639 wx nx Sta ID Ads for Ana scin and Mily Way Candy (??) (RWJ) (both KRLD & KFAB 10/23, please put dates in rpts)
- 1110 KFAB NB Omaha 0615 EDT thru 0624 wx, farm nx, sta ID, TC and Relig pgm (RWJ)
- 1130 KWKH LA Shreveport take note, they are still using these calls as of 10/30 MM, BH-get a direct line (MM) (BH told MM he heard KWKH as something else, it was well distorted on his tape, support BH's t/r fund-AH)
- KSDO CA San Diego in good w/nx and ID o/CKWX and in null of KLOK hash 1950 10/30 is KSDO all nx? (MM)
- 1250 KTW WA Seattle noted off 10/23 and 10/30, have they started a SP? (MM)

Typist: Andrew Hecker, P.O. BOX 835, Saratoga, CA 95070

1260 CFRN AB Edmonton in good in the null of local KYA, w/nx,wx, and ID 2034 10/31 rare for anything to get thru KYA on SSS (MM)

1270 KFJZ TX Ft. Worth under carrier, 0533 on 10/23 wx report (PM)

1290 WHIO OH Dayton with headline nx, at 0530, on 10/23 Mostly OH nx (PM)

1310 WRR TX Dallas in the clear at 0556, 10/23 with MOR, good sigs as ever (PM)

1350 UNID ?? With talk show (telephone type) mixing under KIVM, at 0522, On 10/23 Ideas??? (WEMB-AH) (PM)

WLOU?? KY Louisville??? with call letter ID, that sound like that, soul format at 0504 on 10/23 Ideas??? (PM)

KABQ NM Albuquerque noted w/change of s/on from 0800 to 0700 MMs (MM) in SS

1360 WSAI OH Cincinnati w/ET, with TT and ID's Under & over others at 0425, on 10/23. Haven't heard this one since 1965 (PM)

KRYS TX Corpus Christi with ID & WX, RR format, at 0340, on 10/23. Jingle "The 24 Hour Voice of the Gulf Coast." (PM)

1380 KTSM TX El Paso MoR, TC for MDT, PSA 0145 10/9 EDT (FJP)

1400 KRE CA Berkley statement only KRE Berkley on the air for Equipment Test 0453 EDT 10/23 (RWJ)

1410 KPAM OR Portland in good o/others w/RR and Datsun spot and wx, ID 2018-19 10/31 (MM)

1440 KEYS TX Corpus Christi w/nx at 0500, on 10/23 mixed with JOWF (?) and others... (PM)

1480 KRED CA Eureka, 10/23 0715 EDT, weather, local spot. Good (FJP)

1500 KXRX CA San Jose lately has been occasionally giving SS IDs, stn. says it is a gimmick (A shock treatment for DXers-AH) (MM)

1510 WLAC TN Nashville, end of religious pgm, 0630 EDT, 10/23, weather, news, PSA for savings bonds (FJP)

1540 KBES WA Bellevue in poor to fair w/nx and ID in semi null of KPOL 2025 10/31 (ex-KFKF) (MM)

1550 KGMO MO Cape Girardeau, ET with TTs of various tones, ID 0617 10/23 (FJP)

1560 UNID ?? stn w/s/off, w/NA 2000 10/31, I know that it was not KPMC/KDFL/KGHO so who 's it? (MM)

KDFL WA Summer in poor w/soft mx TC and ID on SS/in null of KPMC, 2021 10/30 rare (MM)

1600 UNID ?? Unid C&W station, mixing with KLAQ, KASH was off for a change, TC in PDT, at 0438, On 10/23. Ideas??? KWOW??? (Yes-AH) Haven't heard KWOW in years (PM) KWOW no longer C&W-DEE

----- (cut along the dotted line) -----

Greetings from the haven of Captian Crunch... Too busy to DX, but I've received, 1st in a long time KARN (marked as KARK-FM). MM said he could send me more, I don't think I could stand another hour with this typewriter, regular one got tangled up, if you can imagine it. As for the convention, the EC has a convention, and the WC will be neglected entirely if San Jose doesn't win. We wouldn't have considered the change without the NRC giving the ECers a chance to go to a convention. Sorry for the missed issue, but DEE wants me to become a conformist with the stencils, now the WDXR will look just like all those other collums. Speaking of all those other collums, MM is wondering where 3, three, of his DXF's are, or were. Could it be a victim of the same correction fluid bottle that I am getting victimized by??? So much too much from here. 73. Remember... SAN JOSE IN 1973

DEE's reply to above: Two of the three mentioned DXFs were forwarded by Bob Jacoby; neither was double-spaced. While I don't particularly mind the failure to double-space, when time or space runs out, those who follow instructions get priority. Those two DXFs will probably appear this issue. Members should not feel bound to double-space DXFs if they have a religious commitment not to; but don't be surprised when the editor follows the EP and either returns it (something I choose not to do) or uses it as convenient for filler material. As for censorship of WDXR reports, I've taken exactly one (1) word written by any reporter from the stencils.

SUPPORT YOUR DX ROUNDUP - REPORT REGULARLY - DX ROUNDUP REPORTING FORMS COMING SOON

November 18-1972

Western DX Roundup

11/11 DXM Page 16

Typist: Andrew Hecker, P.O. BOX 835, Saratoga, CA 95070

This stencil intended for next issue but received in time for this issue-DEE

Supporters:

CAB Credo A. Bisquera, 86-123 Kakaiapola St., Waianae, HI 96792, ARB, Sanser? loop
DGC Dave Christensen, 3434 39th Street W, Seattle WA 98199, SX-130, SM-1
AH Andrew Hecker, P.O. BOX 835, Saratoga, CA 95070, Candle SS-18, (no DX or LW)
MM Mike McCullough, 5240 Rhonda Dr., San Jose, CA 95129, ARB, S-19 w/ARB Q5, SM-1
PJW Paul Welka, Forgot # Union Avenue, San Jose, CA, HO-145 w/Q5, via phone

550 KRAI CO Craig 0559 s/on o/usually dominant KBOW also w/s/on, UPI audio nx followed, very good sigs (DGC)
610 CKYL Alb Peace River o/KFRC & KONA & CHNL w/RR & spot for Pepsi contest, 0223 10/29. First time not hrd on s/off, but on RS (DGC)
620 WSUN FL St. Petersburg in fair all alone w/soft mx, IDs, and TCs on the Midnite sun 0421 (0121) 11/6 (MM)
630 KIDD CA Monterey w/ID ("KIDD, Monterey, the stn that brings you all the action") & then FB. Good sigs in KIDO null 0100 11/5 (DGC)
730 CKLG BCo Vancouver-10/30, 0341, w/rock Music, time check, and ID given. Some static, reception good (CAB)
960 KOVO UT Provo 2112 10/28 w/spot or PSA then "For the fun of it, KOVO" jingle w/rock. QRM from KJR, CFAC and KALE; KOVO quickly faded out (DGC)
970 KAYT ID Rupert in fair to good w/XEs looped w/C&W and political spots after every song, 0808-0828 (0508-0528) when the heater s/on only 12 more stns for ID date 11/6 (MM) (?-AH)
990 KRKT OR Albany in good w/et w/RR and phone calls, one from me 0400-0600 (0100-0300)-11/6 (MM)
1010 KCMJ CA Palm Springs noted off past few MMs (MM)
1020 KGBS CA Los Angeles-10/30, 0427, with "Perspective", spot for the Navy and nxs, good reception (CAB)
1070 CFAX BCo Victoria in good in null of KNX, who nulled easily as if on 10KW?, maybe the strike produced some other troubles they won't tell, 11/6, 0437 (0137)(AH) who can call it DX?
1130 CKWX BCo Vancouver-10/30 M/M 0514, with mx and local KLEI off, ID given, some QRN (?-AH), fair reception (CAB)
1230 KGEK CO Sterling fair w/nx at 0600 (0300) SM 10/30 (PJW)
1310 KEIN MT Great Falls in good w/RR and ID, (ex-KKGF) 0734 (0434) 11/6 (MM)
1330 KWWL IA Waterloo in poor to fair u/KFAC w/RR and ID as KWWL Waterloo, 0730 (0430) 11/6 (MM) / (MM)
1360 KOHU OR Hermiston in fair w/C&W-MoR and ID w/KGB looped 2000(1700) 11/8/
1380 KOTA SD Rapid City in fair on s/on which is a change from 0657 (0357), 0700 (0400) 11/6 (MM)
1400 KDTA CO Delta, poor in mess at 0415(0115) 11/1 WM (PJW)
1480 KPHX AZ Pheonix in fair in the null of KRED w/s/on on PSA power, 0758(0458) 11/6 (ex-KHAT) (MM)

----- (cut along the dotted line) -----

Well the election is over, so the po-litical spots will quit filling our ears, now we will get the same old lies (via Tonight Show). Lets not turn this year into a total loss. Where is everyone's reports (I hope they're not lost in my room). If your report didn't get printed, there are two possibilities; 1) lost in my room, solution, re-submit the report, and cross your fingers, or 2) they were typed and cut somewhere near San Berdino (hi). That is happening too often, solution, put pressure on the censor. Apparently it doesn't seem logical to some of the EC members, why we think we should have the convention. The WC is a convention going area. If we can't go to an IRCA convention (which more people have gone to than any other IRCA convention) we go to a NRC convention (as many did at Sacto-71). This year, if the EC wins, the WC will have nowhere to go. The EC can tell the WC where to go by their vote, nowhere or San Jose. This is why I say be fair, B-12?.... Come to San Jose, and find out what a low-rider really is... We even plan DXing at a DX club convention.

REMEMBER S A N J O S E I N 1 9 7 3, 1 9 7 3, 1 9 7 3, 7 3

SPR4 Review

---Robert E. Fischer, P. O. Box 94, Newark, Delaware 19711

1. SENSITIVITY Two SPR4 receivers, serial numbers 1443 and 201, were compared with a 1970 model HQ-180AC and a realigned National NC-183D. Both tube receivers were known to be in peak operating condition. Antennas used were a 100 foot long wire and the SM-2. The two SPR4's proved to be just as sensitive as the tube receivers. #1443 had slightly greater sensitivity and slightly lower internal noise than did #201. John had some trouble with noisy mixer transistors in #201 shortly after the warranty expired. The manufacturer made the repairs and paid shipping charges...at no cost to John (Wederbrand). He said the company was most co-operative.

A Canadian DXer reports that the very expensive Collins 51S1 and 651S1 receivers are no more sensitive on the BCB than the HQ-180 (and, therefore, no more sensitive than the SPR4). (Refer to IRCA DX Monitor, p. 13, Aug. 12, 1972 issue). Receiver specifications on BCB sensitivity were given as:

| Receiver | Signal required for 10 dB S+N/N (AM) |
|------------------------------------|--------------------------------------|
| Collins 51S1 with preselector | 5 microvolts on BCB |
| Collins 651S1 | 10 microvolts on BCB |
| HQ-180A | 1-1.5 microvolts typically |
| Drake SPR-4 (manufacturer's specs) | 0.5 microvolts all bands MW, SW |

In my opinion, the two SPR-4's reviewed easily meet the manufacturer's specifications. I might add that the receivers were compared on the SW bands as well as on the BCB.

To get good long wave reception with the SPR-4, the antenna impedance must be matched exactly to the receiver input using an electrical pi network device.

2. SELECTIVITY Using the 1000 kHz calibration signal, plots of the receiver selectivity were made by first calibrating the receiver to exactly 1000 kHz, then switching the receiver to the AM, CW, USB and LSB modes and taking S-meter readings at 200 Hz intervals. This receiver has a crystal filter in the 5645 kHz 1st IF and an LC filter in the 2nd IF (50 kHz). The results were shown in four graphs (see note at end of article-DEE). In terms of selectivity, the most significant finding was the very steep slopes of the SSB and AM filters, giving the receiver excellent deep skirt selectivity even though the filter was 4.9 kHz wide on the top for the AM function. The shape factor of the AM filter was 1.4 which is nearly as good as a mechanical filter. The slope of the selectivity curve is considerably sharper than that for the corresponding 6 dB selectivity in the HQ-180A receiver. The graphs shown are for SPR #1443. Briefly, the receiver's deep skirt selectivity was found to be much better than the manufacturer's specifications.

| MODE | MANUFACTURERS SPECS - BANDWIDTH | | SPR-4 #1443 ACTUAL SELECTIVITY | |
|------|---------------------------------|----------|--------------------------------|----------|
| | at 6 dB | at 60 dB | at 6 dB | at 60 dB |
| AM | 4.8 kHz | 10.0 kHz | 4.9 kHz | 6.8 kHz |
| USB | 2.4 kHz | 7.2 kHz | 2.5 kHz | 4.5 kHz |
| LSB | 2.4 kHz | 7.2 kHz | 2.7 kHz | 4.9 kHz |
| CW | 0.4 kHz | 2.7 kHz | 0.6 kHz | 1.7 kHz |

Of course, one should realize that AM signals on the BCB are much sloppier than the one generated by the crystal calibrator, which puts out about a 15-20 dB over S-9 sig on most bands.

In brief, the AM filter is quite broad at the top but it has steep slopes. Double peaks were noted on both #201 and #1443. On #201, the variation was about 2 dB, and on #1443, it was about 4 dB. The peaks have no significance in actual receiver operation.

3. DIAL ACCURACY Calibration is accomplished by switching the receiver to SSB or CW mode and tuning for zero beat on the 100 kHz harmonics. The dial can be slipped so that the receiver can be calibrated exactly. (continued)

3. DIAL ACCURACY (cont'd) On set #201, the dial accuracy was within 200 Hz when calibrated at the nearest 100 kHz harmonic. Maximum error over the 500 kHz band was 1 kHz without resetting the calibration.

On SPR-4 #1443, the VFO was almost perfectly linear. Dial accuracy was within 100 Hz (and typically zero, or 50 Hz) when calibrated at the nearest 100 kHz harmonic. Maximum error over the 500 kHz was only 100 Hz without having to reset the calibration. I doubt if a receiver could be calibrated better than this!

The two relative maxima in the crystal filter do not interfere with calibration or determining the exact frequency (to 100 Hz or less) of an unknown station. I might add that all crystal filters (except very expensive ones) probably have a few maxima and minima.

In switching from one band to another, the maximum change in calibration (1.1 kHz) was on the 11.5 MHz band. The drift for the other bands was: 9.5 MHz: 800 Hz; 6 MHz: 400 Hz; 15 MHz: 200 Hz; 17.5 MHz: 200 Hz; 0.2, 0.5, 1.0, 1.5, and 21.5 MHz: Zero. 7 MHz: 100 Hz.

4. S METER The meter works well. It produces a noticeable deflection on a weak signal but does not pin except on extremely strong signals. Meter needle deflection is roughly a function of the logarithm of signal strength (the meter has a wide dynamic range). It gives very true indications of the relative strength of signals. On many receivers, including the HQ-180 and the DX-150, almost any substantial signal will pin the meter. I do not consider this to be very useful; after all, the function of an S meter should be to measure signal strength!

5. IMAGE REJECTION The SPR-4 is free of images. No cross modulation was observed when tuning to a 50,000 watt station 4 miles from John's home near Philadelphia, using a 100 foot long wire or the Space Magnet.

6. BIRDIES The SPR-4 does have some. They are not operationally significant. On #1443, only 3 major birdies were found on the 0.2, 0.5, 1.0, 1.5, 6.0, 7.0, 9.5, 11.5, 15.0, 17.5, and 21.5 MHz bands, the only bands I have on this receiver. These birdies were at 9698, 9963, and 15334 kHz. The 9963 kHz birdie measured out at S-9 on SSB and S-8 on AM. The other 2 birdies did not produce an S meter reading. Besides these, a few other very weak spurs were found. Only the nominal 500 kHz ranges, plus or minus 50 kHz on the ends of each band, was considered. John reports there are some birdies on the 4.5 and 5.0 bands, with one on 4973 kHz being very strong. The birdies tune out sharply and I do not consider them to be a handicap to reception.

7. NOISE LIMITER Each noise blanker must be aligned to match the receiver in which it is installed. This is not a difficult process. John aligned the noise blanker in his set and discovered that LORAN impulse type noise was reduced by as much as 40 dB.

8. NOTCH FILTER The filter must be tuned carefully because of the very sharp null. Null depth ranged from 38 to 68+ dB on SSB and CW, and was typically 65 dB or more on the AM function. John reports that the HQ-180A notch filter is slightly more effective but the SPR-4 filter seems to be able to get the job done.

9. AGC RESPONSE TIME Without the noise blanker operating, a strong noise pulse may cut out the audio for $\frac{1}{2}$ to 1 second, because of the slow AGC response time in the AM mode. When the noise blanker is operating properly, the AGC should be affected only by a received signal and not by the noise pulses. I have not had the adjustment made in the blanker in my set, so I cannot comment on this at the present time.

(continued)

10. AUDIO The audio quality was judged to be good. The MS-4 speaker yielded somewhat better low frequency response than the one built into the set, on a qualitative judgement.

The RF gain switch, when set at zero, caused the S meter reading to jump to 60 dB over S-9. This is due to circuitry design. S meters on some Collins receivers behave similarly. I don't consider this important because when I listen I do not set the RF gain to zero, and I don't think anybody else would either.

The volume control, when set at the minimum volume setting, does not shut off the audio completely. Again, I have no qualms about this.

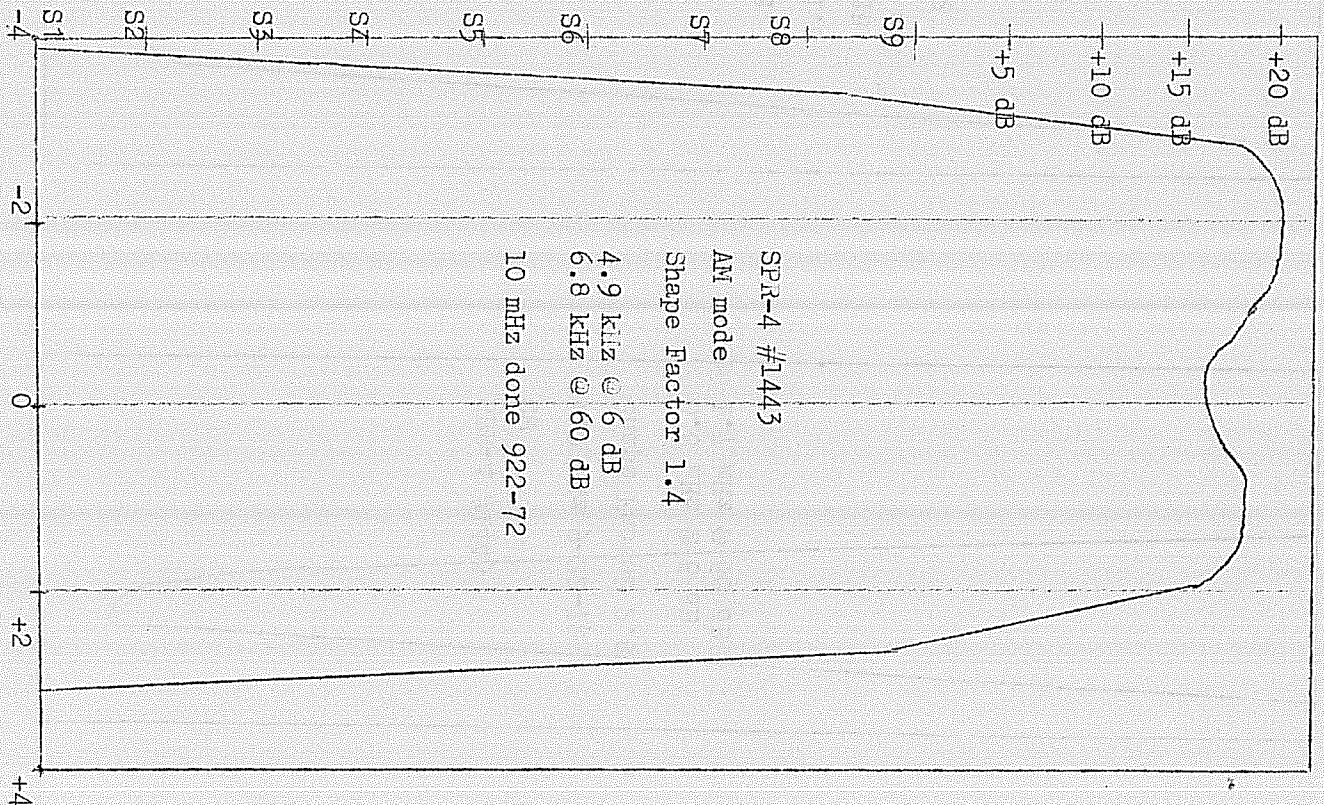
11. FINAL COMMENTS In light of our experiences with these two receivers, we believe the SPR-4 is an excellent receiver and probably the best receiver available in its price range. The SPR-4 reviewed by Mr. Ernest Behr in DX NEWS undoubtedly does not measure up to other SPR-4's. It is unfortunate that a few "lemons" did escape the factory. One could hope for a narrow AM filter, but, even without this, the SPR-4 does quite well. Of course, reception of splits very close to strong domestic stations may be difficult.

The SPR's strong points are, in review, excellent frequency stability, very accurate dial calibration and frequency determination, high sensitivity, excellent signal handling capability and image rejection, and a good S metering system, as well as excellent deep skirt selectivity.

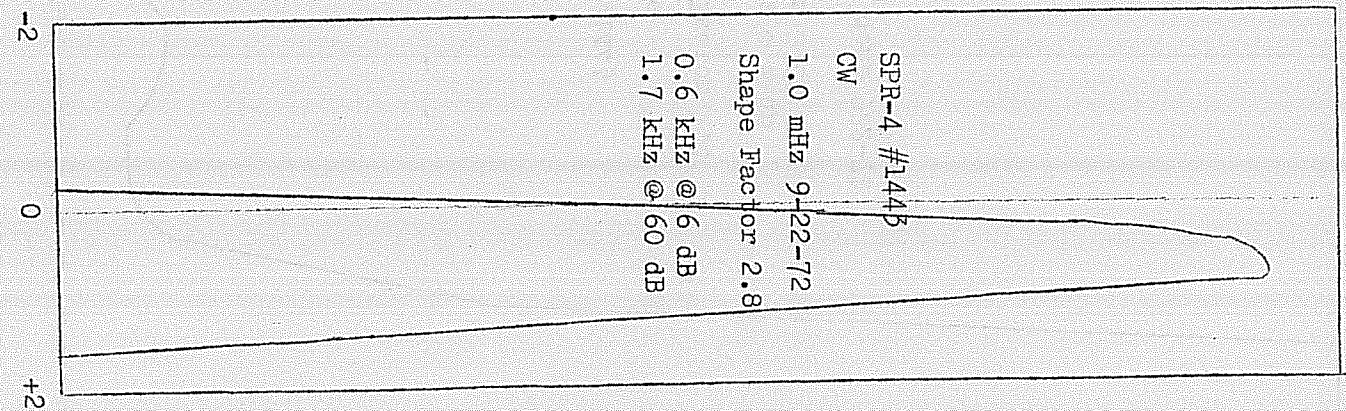
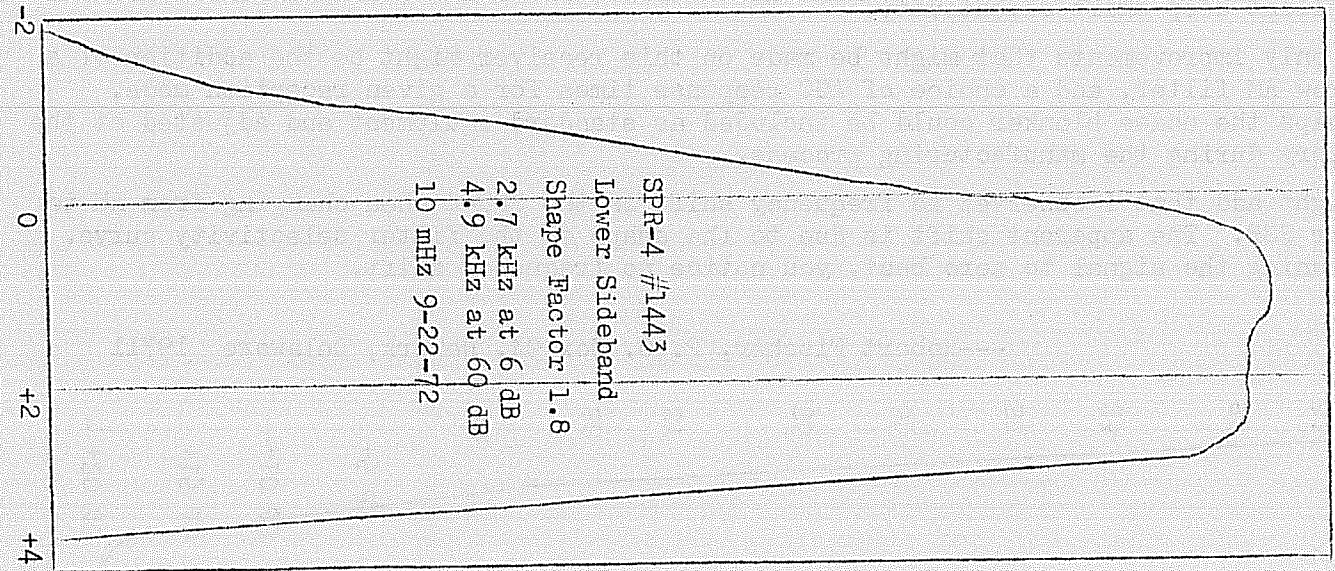
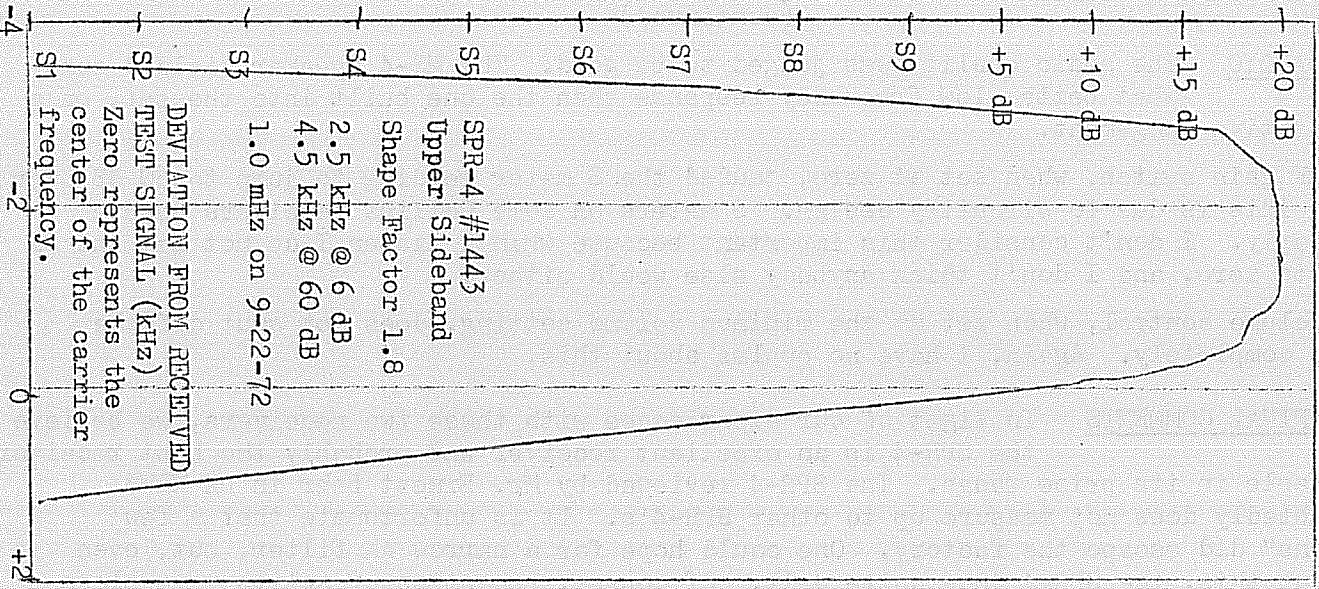
The only improvements that might be made on this receiver might be the addition of a narrow AM filter, and a choice of AGC response times for a given reception mode. Perhaps the noise blanker could be included as standard equipment and adjusted at the factory during the manufacturing process.

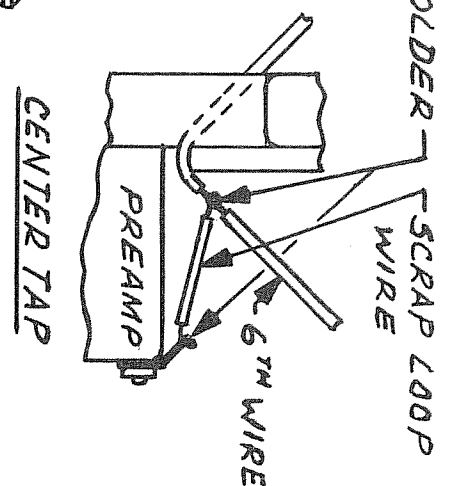
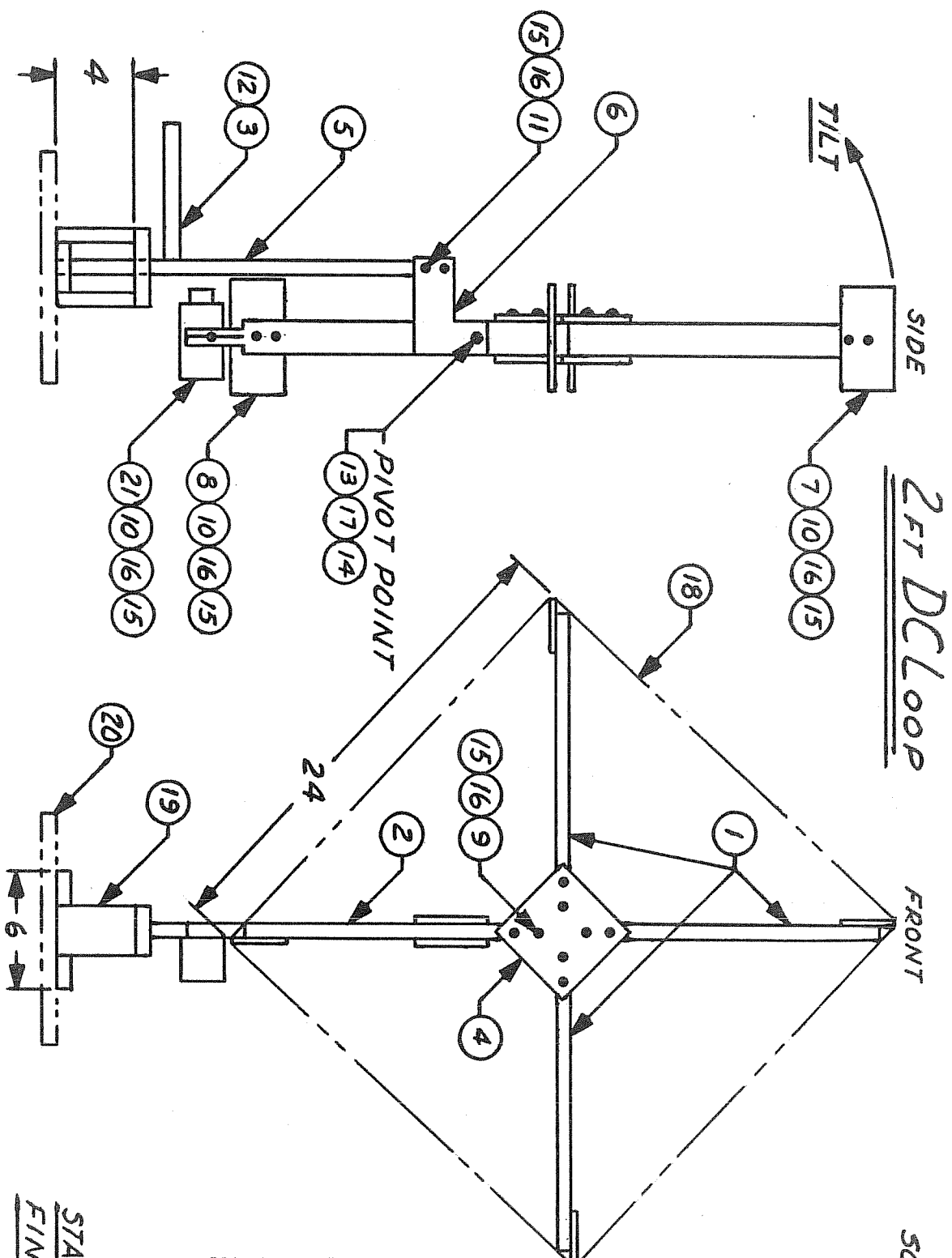
I might add that I observed no frequency shift in the SPR-4 when changing from AM to CW or SSB. The apparent shift is due to the shape of the filter selectivity curve. By tuning the signal to zero beat, you notice no frequency shift.

---Robert Fischer, P. O. Box 94, Newark, Delaware 19711

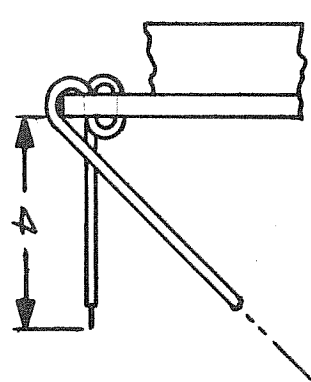


November 11, 1972





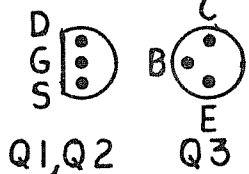
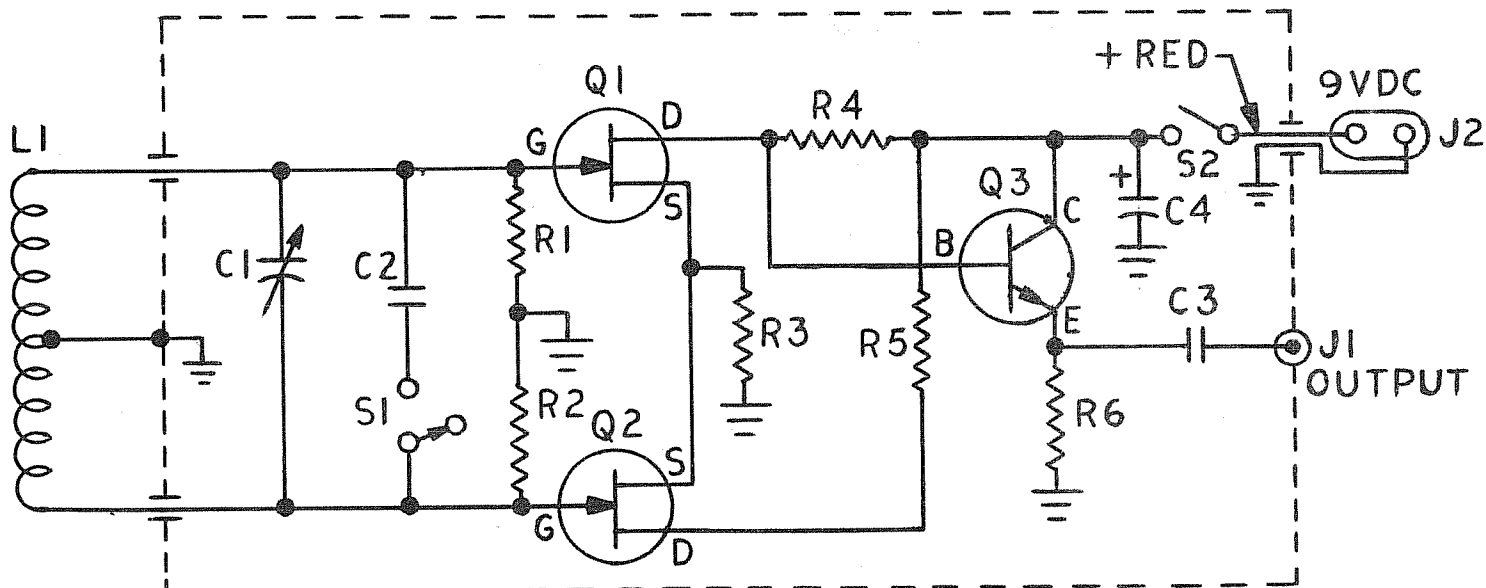
NOTE: DO NOT CUT THRU STRANDS WHEN STRIPPING WIRE.



| NO. | DESC | QTY | NO. | DESC | QTY | NO. | DESC | QTY | NO. | DESC | QTY |
|-----|---------------|-----|-----|-------------------------|-----|-----|--------------------------------------|-----|-----|------------------|-----|
| 1 | ARM | 3 | 8 | WIRE SUPPORT | 1 | 15 | *10 HEX NUT | 19 | 21 | PREAMP ASSEMBLY | 1 |
| 2 | ARM | 1 | 9 | *10 RD HD SCREW X 3 | 8 | 16 | *10 FLAT WASHER | 37 | | 10R 2 FET | 1 |
| 3 | HANDLE | 1 | 10 | *10 RD HD SCREW X 1 1/4 | 9 | 17 | 1/4 FLAT WASHER | 1 | | OPTIONAL POINTER | 1 |
| 4 | ARM SUPPORT | 2 | 11 | *10 RD HD SCREW X 2 | 2 | 18 | 18 AWG STRAND. 85 FT BASE, MAKE FROM | | | 360° PROTRACTOR | 1 |
| 5 | SUPPORT | 1 | 12 | *8 WOOD SCREW X 2 1/2 | 1 | 19 | 1 X 4 X 20 | 1 | | | |
| 6 | PIVOT SUPPORT | 2 | 13 | 1/4-20 STOVE BOLT X 2 | 1 | | 1 X 1/2 X 20 (NOT IN KIT) | 1 | | | |
| 7 | WIRE SUPPORT | 3 | 14 | 1/4-20 WING NUT | 1 | 20 | | | | | |

RS

DIFFERENTIAL BALANCED
PREAMP
W/EMITTER FOLLOWER OUTPUT



\perp CHASSIS
= GROUND

K=1000

DOTTED LINE INDICATES MINI BOX

C1-365 PF VAR CAP.

C2-330 PF CAP.

C3-.01 UF CAP.

J1- PHONO JACK

J2-9 volt BATT SNAP

LI-10 TURN LOOP

C4-100UF 15V CAP.

Q1,Q2-2N3819 FET, MATCHED

Q3-2N3646 NPN

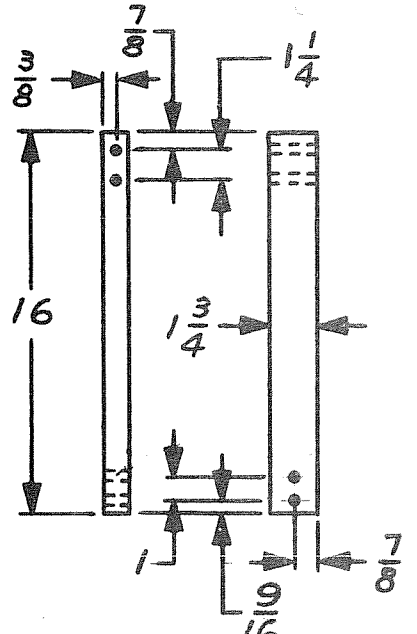
R1,R2-100K OPTIONAL-NOT REQD

R3-1K

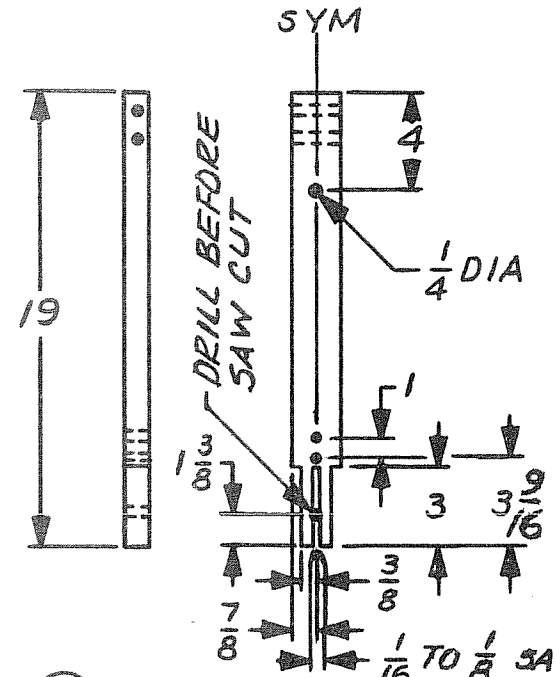
R4,R5-4.7 K

R6-2.2 K

S1,S2-SPST SWITCH



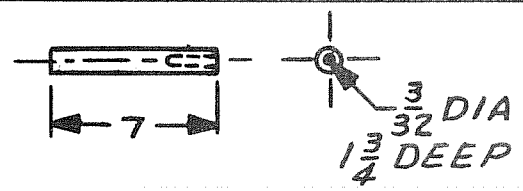
① ARM - 3 REQD
 MATL: $\frac{3}{4} \times 1 \frac{3}{4}$ PINE



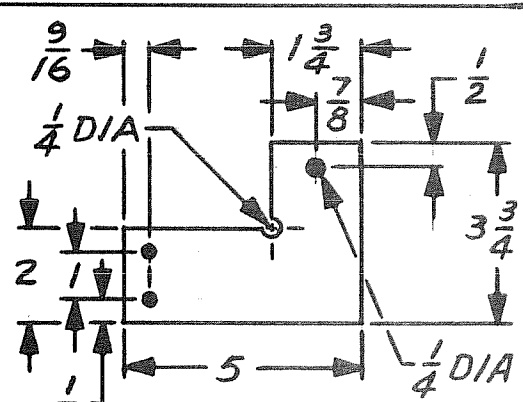
② ARM - 1 REQD
 MATL & DIMENSIONS NOT SHOWN SAME AS ①

ALL DIMENSIONS ARE INCHES.
 ALL HOLES $\frac{1}{32}$ DIA, EXCEPT AS NOTED.

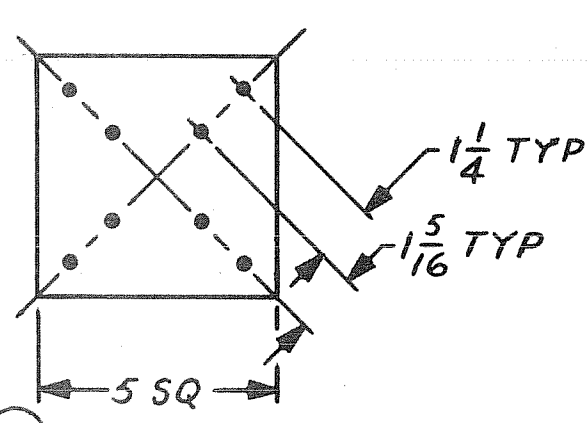
2 FT DC LOOP-FRAME DETAILS
 2-71, REV. 5-72
 RS



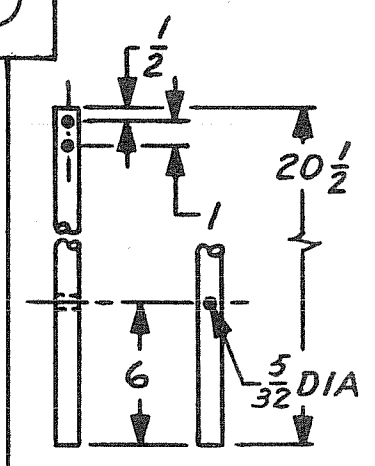
③ HANDLE - 1 REQD
 MATL: $\frac{7}{8}$ DOWEL



⑥ PIVOT SUPPORT
 2 REQD, MATL: $\frac{3}{8}$ PLYWOOD

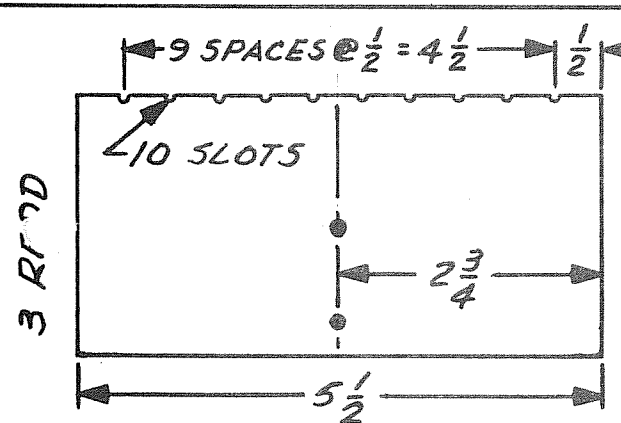


④ ARM SUPPORT - 2 REQD
 MATL: $\frac{3}{8}$ PLYWOOD

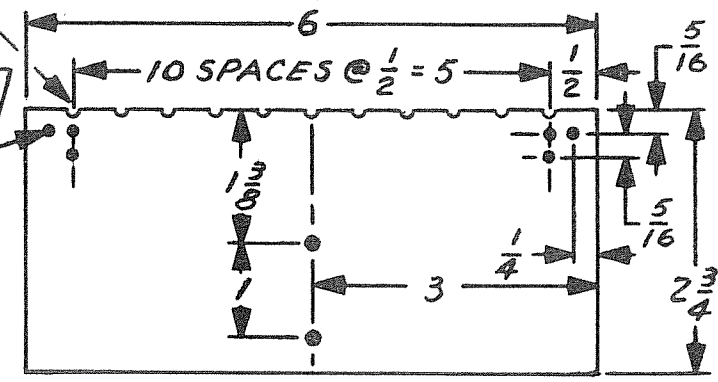


⑤ SUPPORT
 1 REQD
 MATL: $\frac{7}{8}$ DOWEL

$\frac{1}{32}$ - $\frac{1}{16}$ DEEP, SHAPE OPTIONAL, HOLD $\frac{1}{2}$ SPACING 11 SLOTS



⑦ WIRE SUPPORT
 MATL & DIMENSIONS NOT SHOWN SAME AS ⑧, OMIT SMALL HOLES



⑧ WIRE SUPPORT - 1 REQD
 MATL: $\frac{1}{4}$ TEMPERED MASONITE

LOOP INSTRUCTIONS

The assembly drawing is self explanatory, follow it and you should have no trouble putting the loop together. Take your time and the end product will be a fine performing loop. The following are a few tips for the kit assembler and the do it yourself loop builder.

FRAME — Assemble the 4 arms with the 2 arm supports, tighten all nuts finger tight. Using a square or a right angle, true up the arms, starting with the vertical arm item 2 and one of the horizontal arms work around the frame truing up the arms and tightening down on the nuts a little more. After making sure the frame is straight horizontally and vertically, tighten nuts until the washers bite into the plywood.

WIRE — See sketch on assembly drawing for start of wire wrap. Hold wire tight when ending wrap and going thru small holes, wire will tend to slip back on you. DO NOT cut any of the strands when stripping wire. For loops using the 2 FET preamp see sketch on assembly drawing for center tap on 6th wire. Make center tap from scrap loop wire. Omit the center tap when using a 1 FET preamp.

PREAMP — Pull preamp apart, mount back on frame with screw, washer and nut supplied. Re-assemble preamp and solder center tap of loop to solder lug on preamp. The 2 gold terminals supplied with preamp get soldered to each end of the loop and mate with terminals on preamp. Trim loop ends to suit, DO NOT cut any of the strands when stripping wire.

CABLE — Supplied with preamp. I must know make of receiver and antenna terminal type, phono, screw type, etc. On receivers with screw terminals the center conductor of cable goes to 'A1' antenna terminal and copper braid goes to 'Ground', copper braid must be grounded. Plug other end of cable into jack marked 'OUT' on preamp.

OPERATION — With preamp power switch in 'OFF' position install battery. With preamp range switch on 'HI' preamp will tune from 730 to 1600 kcs, in the 'LO' position preamp will tune from 540 to 740 kcs. Tune receiver to 1600, tune preamp for a peak on 1600, you will note a sharp increase in signal strength or back ground noise when the peak is reached. The low end can be peaked in the same manner. Make sure preamp is TUNED to correct freq.

NULLING — This takes 'TIME', 'PATIENCE' and 'PRACTICE', so go 'SLOWLY'. Many stations can be nulled by pointing the front or back of the loop at the station to be nulled, loop at 'O' tilt, on stronger stations tilt the loop 15—25 degrees and point the front of the loop at the station, check null depth on receivers meter, rotate loop 180 degrees and point back of loop at station, check null depth, using the position with the deepest null (lowest meter reading), move loop back and forth slowly, at the same time adjust the tilt slowly, usually 'up' for a local and 'down' for a distant station. GO SLOWLY. If you have a strong local that slops over on adjacent freqs, put the sloppy one in the deepest null possible, tune receiver and preamp to freq desired trying not to move loop while tuning preamp, this will take care of the slop. When nulling a extra strong local or semi-local try picking a time when they're transmitting voice (talk), this will be the easiest time to null them. If a station uses a directional antenna pattern your location in regards to this pattern will have a lot to do with your ability to null or log the station.

AIDS — IRCA Foreign Log, NRC Domestic and Latin American Logs, NRC Directional Antenna Patterns, WRTH and the 'BFO' on your receiver if so equipped.

73's — — Good DX

Ralph
Ralph

Ralph Sanserino, 8422 Crane Circle, Huntington Beach, CA 92646.
Please include return postage, a stamp will do.

Editor: Father Jack Pejza, 3266 Nutmeg St., San Diego, Calif. 92104. Deadlines-- Fridays, eight days before publication. SPECIAL DEADLINE FOR DEC. 9 ISSUE-- Nov. 30 (Thursday). Use GMT (EST + 5 hours) in reports, one side of page, preferably typed by frequency and section. Telephones: 714-282-0076 or 714-282-2184.

=====

Geomagnetic Indices

Oct. 25-31 5 9 7 8 21 15 21

Unsettled geomagnetic activity began early on 10/29 and continued through midday on the 30th. A major disturbance started at 1655 GMT 10/31 and became severely disturbed about 2000 GMT.

Listeners' Loggings--Latin America (This first, just to change things around a bit)

- 540 HJKA Colombia, Bogota, Radio Horizonte noted 10/23 0808 giving TCs as "hora Horizonte". (AMG,E)
- 560 ... Guyana, Georgetown, heard 0837-0843 with guitar IS; s/on 0843 with NA; announcements 0845 and into Hindi-type music 0846 10/23. There was no sign of it MM 10/16 when I listened during the same times. (AMG,E)
- 600 HJHJ Colombia, Barranquilla noted with R. Libertad ID in WICC null 0250 10/23 and into a mambo. Too much WICC for a report. (AMG,E)
- 615 ??? UnID SS heard with long commentary 0320 10/23; too much WVNJ slop killed it. YNM used to be here but they were repaorted on 620 last year. Who? (AMG,E) (Only thing which also has been listed here is HCMJ1, Emisora Gran Colombia in Quito, with 1 kilowatt. Ed)
- 625TIRICA Costa Rica, San Jose first heard 0255 10/23 with ID over music as "Omega" a la Titania-825 style of IDing. Later at 0350 it was noted with very good signal and lengthy SID. (AMG,E)
- 640 HJBJ Colombia, Santa Marta fair with CMQ nulled, but QRM from KFI and possibly YVQO. This on 11/1 at 0435. (LMA,E)
- 640 YVQO Venezuela, Puerto la Cruz with Ondas Portenas IDs after each record on 10/12 0506. No sign of HJBJ with CMQ nulled. New here and reported. (LMA,E)
- 650XETNT Mexico, Los Mochis, Son. good signal and no QRM 1220-1227 11/2, with many ads and typical music. (RNA,C)
- 670 CMKP Cuba, San Pedro de Cacocum, fair signal with QRM by WMAQ and UnID SS station at 1055-1113 11/2, with SS talking and "Radio Progreso de la Habana, Cuba" ID. (RNA,C)
- +ID 0831 10/9 as Radio Enciclopedia, instrumental music //690 and 880.(DO,C)
- 675 TIJC Costa Rica, San Jose heard with ID ?Sonora...la emisora de San Jose, Costa Rica? during s/off announcement; s/off with NA 0559 10/23. Be careful here, as YND reported here with 0600 s/off also. (AMG,E)
- 680 HJ?? Colombia??"R. Nacional de Colombia" heard on 11/1 at 0507 s/off. Heard here last year with very strong signals, but still no clue as to location. Can someone clear this up; not in WRTH. (LMA,E) (Listed as HJAQ, R. Miramar, Cartagena, usually slightly high in frequency. Listed as AN in NRC LA Log. Ed)
- 690 XETRA Mexico, Tijuana, B.C. with "Beautiful XETRA Music" at 0817-0832 11/2, with a good signal and KEOS QRM. First time I heard either KEOS or XETRA here. (RNA,C)
- 690 CMBC Cuba,Habana, poor signal and XETRA QRM, with easy listeneing music and R, Enciclopedia ID at 0807-0817 11/2. Audible only when KGGF is off.(RNA,C)
- 700 TIHB Costa Rica, San Jose, poor signal and WLW QRM at 0759-0807 11/2; with LA music and "R. Reloj" ID. (RNA,C)
- 715 HRTV Honduras, Tegucigalpa, R. Caribe noted with good signal 10/25 at 0414. Cerveza spot, ID and Latin music. Only up for about two minutes, then back in the 710-720 slop. (AM,E)
- 720 CMGN Cuba, Colon, excellent signal and QRM by QGN and an UnID LA station, 0835-0857 11/2, with men talking in SS. (RNA,C)
- 720 HJAN Colombia, Barranquilla on 10/27 0503 s/off with Cuban. Poor signals, and no chance to report this one. Got several IDs though. (LMA,E)
- The IRCA Foreign Log can help you ID those Spanish stations you hear. Get your copy for only \$2.75...Put it on your list of Christmas gifts.

- 725 SRS Surinam, Paramaribo Good signals lately many nights. On 10/1 they had uninterrupted instrumental music from 0305 to 0330 s/off. On 10/31 heard talk in DD at 0220. All programming I've heard has been in DD, although they probably broadcast in other languages (LMA,E) (Such as Hindi. Ed)
+Good 10/25 with EE vocal ending 0323, then news in DD 0323-0328, then NA? and s/off 0330 although carrier was still on at 0335. (DR,C)
- 730 XEX Mexico, D.F. good signals with ID at 0452 10/25 as "XEX, La Voz de Mexico" (DO,C)
- 730 HJCU Colombia, Bogota, fair signal with QRM by WJR and an UnID LA station; 0857-0907 11/2, with Mexican style music and "Radio Melodia" ID and "Mexico en Colombia: announcements. First Colombian station heard here. Country #12. (RNA,C)
- 750 YNX Nicaragua, Managua good signal with Latin pop, Radio Equis IDs, ads, 0205 10/26. (DW,W)
+Over WSB for a short time 0305-0315 11/1, with LA upbeat music; fast SS; basketball game on WSB was covered up at times. Almost the same direction from Kansas City. (JT,C)
- 750 ??? UnID LA station with good signal and WSB QRM. Heard at 1129-1150 11/2, with typical LA music and SS talk. Faded at 1150 before I could ID it. (RNA,C) (Could be YNX, Richard, which I believe is on by that time; or HJDK. Ed)
- 760 CMCI Cuba, Habana with continuous news in SS and a TC every minute; "R. Reloj Nacional" ID. Heard 0907-0917 11/2, with good signal and QRM from WJR and UnID LA station. (RNA,C)
- 760 ??? UnID SS, at least 3 here in WJR null 0340-0355 11/1; one with LA music, two with SS talk; one in for a few minutes, then another. Weird. (JT,C)
- 764 YSKL El Salvador, San Salvador? 0335-0350 11/1, man in SS speech, very excited, low level, shallow audio. Later another man with comments. Short beep every minute. Chimes before beep at 45 after the hour. If their program was as well modulated as their time beeps, this would be a snap. (JT,C) (The pips makes this sound like the Cuban on 760, John. Keep checking. Ed)
- 770 HJKH Colombia, Bogota, R. Tequendama, in SS with rock music and TC between each record. Heard with good signal and QRM by KOB and UnID LA station (no WABC) at 0918-0945 11/2. (RNA,C)
- 770.8a Costa Rica, San Jose. Audio just possible. One heck of a het. SS speech TIW? fast. Fades every 4-7 minutes, 0410-0425 11/1. Coast Rica mentioned 4-5 times. Lost modulation at 0425. (JT,C) (TIW listed on 775 in WRTH; the Cuban is the usual drifter in this vicinity. Ed)
- 800 PJB Netherlands Antilles, Bonaire 0440-0445 11/1 Alliance Hour, religious program. This is not what I call DX, as they are into Kansas City every night year round. If you are just starting out in DXing, try this one. (JT,C)
+Trans World Radio in EE with religious music 1005-1008 11/2. Excellent signal and CKLW QRM. (RNA,C)
- 810 HJCY Colombia, Bogota, fair with KCMO QRM, at 0949-1000 11/2, with LA music, many ads; frequent "Buenos Dias" announcements and "R. Sutatenza" ID. (RNA,C)
- 810 CMJE Cuba, Camaguey heard with R. Enciclopedia IDs 0828 10/23 with WGY off; with WGY off on a MM, I had hoped for something better, but... (AMG,E)
- 823 TGTO Guatemala, Guatemala, My UnID here is this one, R. Internacional. Does not have as good a signal as they had last season. 823.5a. (AM,E)
- 823 ??? UnID 10/29 0325-0345 just a het with 1-2 kHz tone resulting from station on 825; only 1-2 minutes of audio; SS just not good enough for a positive ID. Costa Rica? (JT,C) (See Al Merriman's report above, TIOS is on about 825. Ed)
- 825 ??? UnID 10/29 0347-0405, music program, some EE records; man and woman announcers in SS; signal level just too low for ID. (JT,C) (TIOS. Ed)
- 830 HIJB Dominican Republic, Santo Domingo loud and clear with a superb signal 0930 10/16. Had rock up to 0930 ID, "Primera Radiodifusora de Republica Dominicana." WCCO no trouble. Probably loudest D.R. here, better than the 540 one. (QKB,E)
+Heard here with a NY accented SS announcer and lively SS dancing music fighting WCCO 0746-0505 (?? Ed) 10/23. Mentions of "aqui en la Republica Dominicana" were heard. (AMG,E)

- 830 ??? UnID LAs, 2 under WCCO at 1009-1033 11/2, with weak/fair signals. Both had plenty of SS talk and music, faded by 1033. (RNA,C) (Cuba and D.R.?Ed)
- 834 ... British Honduras, Belize very good level 10/29 0410-0435, EE all the way sounded just like a US rocker. 11/1 0450-0501, music. News, then IDs as R. Belize from the new nation of Belize in the Caribbean. 0504 TC and invocation. 0506 s/off giving MW and SW frequencies. NA at 0507. (JT,C)
- 855 PJC5 Netherlands Antilles, Curacao very good 11/2 0310. US pop tunes in DD. All programming in DD. (LMA,E)
- 860 HILR Dominican Republic, Santo Domingo, R. Clarin heard with excellent signals at 0700 10/29. (CMS,E)
- 880 CM.. Cuba, heard with R. Enciclopedia ID when WCBS cut their OC briefly at 0750 10/23. (AMG,E)
- 890 HJCE Colombia, Bogota heard 0829-0834 10/30 with ID, "R. Cinco...en Bogota." Poor signal, unreadable with KNEW slop. (RAK,W)
- 900 XEW Mexico, D.F. Booming in S9+20db 0121 10/19, then signal dropped abruptly to S6, then back up to S9+20 0123. Working on Transmitter? ID at 0130 as "XEW desde el capital del pais." (DR,C)
- 925 PJA6 Netherlands Antilles, Aruba, 10/31 0035-0130, religious vocal music, most correctEE TCs, s/off at 0130; last year's s/off was 0100. (JT,C)
- 940 XEQ Mexico, D.F. has had a fantastic signal here many mornings this fall. They were fairly regular in the past but never this strong. Wonder if a power increase or new antenna. (AM,E)
- 960 HJHN Colombia, Bogota, "R. Sutatenza" giving a list of stations 0900 10/16 over my local CKWS s/on. (QKB,E)
- 990 XEER Mexico, Ciudad Cuauhtemoc, Chih. still doing well on 1980, 2nd harmonic, noted in passing 10/29 at 0108 with SS music. (GH,C)
- 1000 HJAJ Colombia, Cartagena, potent 0822 10/16 with several "Radio Cadena Nacional" IDs, plus many mentions of Colombia. The show was sponsored by "Internacionale", likely a product for cars, since there was much horn tooting. IRCA Foreign Log really helped me for this one as my other logs had the Colombian on 1000 inactive. (QKB,E)
- 1020 YVMX Venezuela, Maracaibo fair with "Calendario" 0850 10/16. Dunno where the usual dominant Colombian was. 0800-0900 is a fruitful time for LA s/ons. (QKB,E)
- 1030 XEQR Mexico, D.F. excellent signal and slight WBZ QRM 0136-0241 10/19 with frequent ads and typical music. (RNA,C)
- 1035 4VEF Haiti, Cap Haitien 1045-1100 tuneout 10/28, SS religious program, EE ID at 1100 by man. Gave frequencies on SW and MW. (DW,W)
- 1040 HJAI Colombia, Barranquilla in strong SM 10/29 0740 with ID as R. Tropical. WHO off, of course. (DR,C)
- 1045 TGSL Guatemala, Santa Lucia Cotzumalguapa, R. Sol again heard on 2090, 2nd harmonic, as last year, although nobody has reported it yet on 1045. 10/29 0100-0105, ID as 1050 kHz. s/off 0307. (GH,C)
- 1050 XECN Mexico, Irapuato, Gto. new harmonic on 2160, 10/29 0101 with Mexican PSA, ID, US rock, 0107 s/off. to return at 6:57 AM; 1000 watts power. (GH,C)
- 1080 YVQJ Venezuela, Barcelona, R. Barcelona IDs at 0400 s/off on 10/27. (LMA,E)
- 1100 YNQ Nicaragua, Managua, La Lider noted again on 2200 kHz 10/20 0102, with SS talk. (GH,C)
- 1110 XERCN Mexico, D.F. heard many nights with KFAB with many songs, IDs as "RCN" after each song. This particular log on 10/26 0400. (LMA,E)
 +Outstanding signal 10/26 0210-0235, McR SS music, some spots, good IDs, no US stations here. NO KFAB (must have had transmitter trouble). (JT,C)
 +May be the source of signal on 6659x kHz heard 10/3- at 1248; RCN jingle. Known to be harmonic producer. (GH,C)
- 1110 XEWR Mexico, Ciudad Juarez, Chih. ID as "XEWR, Juarez, Chih, buenos noces" 0200 10/12. Well after LSS, XEWR listed as daytimer only. What gives? (DR,C)
 (Listed in RFS List as 1200-0300. GMT. Ed)
- 1110 YVXR Venezuela, Valencia, R. Mia is AN, noted 10/18 0515 with WBT off. A mixture of Latin and US music, including "Burning Love" by Elvis. Only ID heard was at 0530. (AM,E)

- 1115 YNP Nicaragua, Leon, R. Circuito is probably the UnID noted in 10/21 DXWW. This station is heard here at times with a fair signal when WBT slop not too strong. There was a Colombian here last season but not noted this year. (AM,E)
 +A pleasant surprise to hear YNL 10/25 0336-0401 s/off. IDas R. Circuito. //YNP on 1080 I believe. Heard again as early as 0030 10/26. (LMA,E) (Lis- once in WRTH as YNL, all other listings are as YNP. Ed)
- 1115 HJGH Colombia, Bogota heard immediately after YNL s/off on 10/25 0404. Not as good a signal as was YNL. EST TCs. Not enough for a report. (LMA,E)
- 1125 ??? UnID SS talking 0301 10/23; good at times but couldn't make through WNEW sidebands. TIGPH? (AMG,E) (Now TISRHB, I believe. Ed)
- 1140CB114? Chile, Santiago, 0137-0205 10/26 in WRVA null. First thought this was XEMR but South America was mentioned several times during ID times. This frequency is a real mishmash of QRM. Several SS stations about equal in level. (JT,C)
- 1140 XEMR Mexico, Monterrey, N.L., good signal and UnID QRM, 0111-0122 10/19 with ads and pop music. (RNA,C)
 +Noted as customary on 2280 kHz with "M-R" ID at 0029 10/30. (GH,C)
- 1144 ??? UnID 0115-0131 10/26, Loops to LA, peaked to good levels, but no audio. (JT,C) (HRQN, Honduras? Ed)
- 1155 YSCF El Salvador, La Union, heard with ID as "Y-S-C-F, Ondas Orientales" 0144 10/23; MoR music. (AMG,E) (Also listed as San Miguel. Ed)
- 1160 HIBG Dominican Republic, Santiago heard with s/off announcements and NA 0330 10/23. IDs as "Radiolandia en el doce de su radio y ahora con 5000 vatios de potencia." Clobbered KSL. (AMG,E)
 +Noted here at 0730 10/29 about even with KSL. Don't know if HIBG is AN regularly as previously heard them s/off about 0430. (CMS,E)
- 1160 ??? UnID "R. Vandica" or something sounding like this here 10/23 at 0430. (LMA, E). ("Radiolandia, perhaps? Ed)
- 1180 PRE3 Brazil, Rio de Janeiro, R. Globo monitored periodically between 0715-0800 10/29 fighting it out with the Cuban jammer (which bears an uncomfortable resemblance to the "thing" on 1106, hi). R. Globo incidentally transmits from its own Gates equipped island in Rio harbor. (CMS,E)
- 1190 XEPZ Mexico, Ciudad Juarez, Chih. with typical music and "R. Mexicana" ID at 1213-1218 11/2, with an excellent signal and slight KLIF QRM. (RNA,C)
- 1225 TIBB Costa Rica, Cartago IDs over music as "BB" sometimes as "Radio BB" and has been heard frequently with ads for "Banco Popular". MM 10/23. (AMG,E)
- 1260 CMCI Cuba, Havana assumed the R. Reloj Nacional station heard atop domestics 0305 10/23 //1269.5. (AMG,E) (CMCI is on 760, Angel. This is CMAG, 1 kw, or CMKA, 250 watts. Ed)
- 1325 TIJG Costa Rica, Liberia heard 0310 10/23 with mentions of Costa Rica. Played "Popcorn" which is a very popular selection on TIBB-1225. I think this was my UnID of last week. TCs would agree. (AMG,E) (Listed in NRC LA Log as TIRG or TIJG. Ed)
 +Continuous rapid-fire SS by man 10/31 0035, till shortly past 0100; then brief mention of "Radio Columbia" slogan; better ID at 0110 ran "...Liberia, Costa Rica, Columbia..." and then into radio drama. Had a bad het from weaker signal about 600 Hz lower which was probably the Colombian, since the bearing was about correct. (WBF,E)
- 1375 TIMAR Costa Rica, Limon 10/31 0005-0025 with talk in SS mentioning C.R. "provincias" including Puntarenas and Limon; then upbeat LA music with many ads interspersed; slogan is "Monumental" and "Radio Monumental" Satel slogan mentioned in NRC LA Log was not heard. (WBF,E)
- 1440 HJEK Colombia, Tulua, R. Reloj de Tulua presumed the one on 2880 with SS music at 0450 10/29. (GH,C)
- 1454½ Nicaragua, Jinotega, still no ID heard but station on 2909 was IDed thus YNTJ? last season. 10/29 0117 SS announcements and music. (GH,C)
- 1469a CM.. Cuba station here causing strong het on 1470 is a Cuban. Strong on 10/18 at 0300 with sports event of some kind. Probablay CMGE, Cardenas, (AM,E)

- 1470 XESM Mexico, D.F. harmonic on 2940 kHz 10/20 at 0445 with La Hora Nacional. (GH,C)
 1500 XEPN Mexico, Piedras Negras, Veracruz, apparently new station. Heard on 3000 kHz with fair strength; audio distortion, 0030 10/30 with ID, music; several IDs, "pruebas" announcements 0043 onward; 0102 s/off. 0103 off. May be correct ID for last week's 3000 kHz logging, but am not certain. (GH,C)
 1550 HJZI Colombia, Bogota, R. Fantasiz excellent 0730 10/23 with light music. (AMG)
 1550 XEBG Mexico, Tijuana, B.C. over/under KKHI with a weak signal. 0727-0759 10/30 with soul music, SS ID and EE ads for the San Diego area. (RNA,C)
 1590 XE?? Mexico? weak audio heard on 3180 kHz similar to last December, 10/29 0156 with LA music. (GH,C)
 1600 HIFA Dominican Republic, Santo Domingo, La Voz de las Fuerzas Armadas logged at 0235 and 0335 10/25, 0328 10/26 and 0305 10/27. On each occasion, ID was accomplished by checking with //4825. MW was best 10/27 when HIFA came in about equal with WWRL for a few minutes. (CMS,E)

Trans-Pacific

- 650 KORL Hawaii, Honolulu good with talk program 0920 10/23 gave list of DJs used during the day, telephone number 923-0255, listening time 0915-0930. (DO,C)
 +In good for first time this season 0816 MM 10/3- with call-in program and mentions of Honolulu. (DR,C)
 720 KUAI Hawaii, Eleele good 0936 10/15 with WGN nulled, MoR music, ID as "Kuai, 720 in Hawaii". (DO,C)
 745 HLK? South Korea tentative. Good signals here, man in KK 1345 10/30; same weird music heard till 1403 put KXL slop severe at 1400 s/cn. This on 10/30 and 10/31 at 1340. This station // Korean on 890. Thought I heard HLK? ID. Needs more checks. This much stronger than UnID previous reported one on 745. (DW,W)
 760 ... China, Man in CC 1407 10/26 about S6. (DW,W)
 780 ??? UnID under KCRL 10/30 0747 with male in EE talking about industrial relations. I will have trouble distinguishing between and Aussie and NZ accent. Poor reception. (CAB, Hawaii) (20 kw 4YA seems more likely. Ed)
 840 JOQK Japan, Niigata, man in JJ, announcements 1457 10/27, 1500 anthem. 1501 ID as JOQK. Then chimes. (DW,W)
 870 JOGB Japan, Kumamoto, NHK2. Monitored 1027-1040 10/30, with weak signal with WWL looped. EE lessons with man (also woman at first) //770. Returned to it 1311-1316, this time good signal, man in JJ with weak QRM from WWL. No change to EE lessons at 1315. (AWP,W) (JOLB, Fukuoka, still here per NRC)
 +Fukuoka heard 1320-1330 10/30 (GOAT XV) 1320 woman "Nippon Hoso Kyokai" man in JJ; strength 0-4/5; readability 0-4/5 with fading and some WWL QRM. (RAK,W)
 877.5 ... North Korea, Wcnzan fair/good 1014-1021 10/30 with march music and woman in KK, 1017 talk only, 1021 getting weak. Listened again 1305-1310, man and woman in KK with good signal. (AWP,W)
 +On 877.4 1023-1028 10/30 (GOAT XIV) man and woman, singing in CC?, woman talking as faded. 1026 chorus Oriental style. Frequency measured by measuring het at 2600 Hz and assuming het is against 880 kHz. At 1101 heard unusual IS: 4 chords ascending on celeste (?). 1302-1309 woman or man talking. QRM from KRVN slop and 2600 Hz. het. (RAK,W)
 880 ... China, Urumchi, I assume, was in 1403-1415 10/30. Very strong carrier looping TP made me hang in there a while, and sure enough, weak CC audio made its appearance at 1410 and continued, accompanied still by extraordinary carrier. KRVN was looped. (AWP,W)
 890 JOHK Japan, Sendai, NHK1 was in 1100-1108 10/30. NHK pips heard on the hour. Only bits and pieces were able to make it through the KNEW slop and looped WLS and much other garbage. 20 kw at 5000 miles is not much of a match for all the garbage, hi. 1353-1403 was a better time slot with WLS considerably dropped in signal (LSR) and KNEW playing softer stuff. NHK pips on the hour and man in JJ; weak to moderate signal. (AWP,W)

- 890 JOHK+Tentatively the one heard 1349-1359 10/30 with man and woman singing opera. 1351 woman talking in JJ?, 1353 music "Jesus Christ Superstar" to 1359 with several fades. Strength 0-4/5; read. 0-2/5 with QRM from KNEW slop and UnID station and static. (RAK,W)
- 890 HLKB South Korea. Pusan, KBS was in under JOHK and mixing 1358-1403 10/30. Woman in KK which contrasted nicely with man on the Jap. Korea not that much farther away and more power--you'd think the Korean would cover the Jap, but that rarely happens for some reason. (AWP,W)
- 890 AFRS Alaska, Adak? 1335-1340 10/30 with music from West Side Story. Very poor signal behind another UnID station (Fiji?). (RAK,W)
- 890 ??? Fiji (except that Fiji not supposed to be on at this time)?? heard 1332 1349 10/30. 1332 woman talking, oriental music, flutes and chorus (processional?) 1344 faded in rapidly with loud wailing flute-like instrument (recorded?) 1345 Classical music (renaissance flavor, like theme of BBC's "Elizabeth R".) Man over with "Kay-tond-hong". Renaissance music continued with announcements over. "KRA en-nay CA-NA (pause) FEE-JEE". Then men in conversation. Language sounds: "SONG-DUNG-GUN" and many words starting with "gah". Sample sentence: "Young don ga-done' ga-dum". Any ideas, anyone? (RAK,W)
- 890 ??? UnID with first two bars of "Bye Bye Blackbird" on chimes or glockenspiel at 1428 10/30. Used as IS? (RAK,W)
- 890 ??? UnID with four minutes of pips 1429-1433 10/30. Each pip plus reverb takes one second with 7 seconds between each. In noise. (RAK,W)
- 940 ??? UnID 10/30 0915. Thailand? Oriental music, male vocalist, with local KAHU off. Fair reception. (CAB,Hawaii)
- 967 ??? South Korea? Two men in KK, band music 1130 then gal in KK. Good signal 10/28. (DW,W)
- 1020 ??? UnID heard 0830-0900 10/15 mostly talk in UnID language, direction about SSW. Is Tonga in EE at this time? Couldn't get anything from the tape either. (DO,C) (In EE at this time per WRTH. Ed)
- 1040 KHVH Hawaii, Honolulu talk show ending 0802 10/15, ID as "In Honolulu hear CBS only on KHVH"; by 0809 they were back into the talk show "Viewpoint", good signals 0818-0820. (D),C)
- 1250 ??? Australia? New Zealand? 10/30 0945, news report in EE with good reception. (CAB, Hawaii)
- 1420 JORF Japan, Yokahama, 10/30 1025, interview in JJ, two males followed by Joan Baez selection. Local KCCN off; reception good. (CAB,Hawaii)
- 1580 ... Thailand, Ban-Phachi, Voice of Free Asia, getting to be a regular. Heard several times during MM 10/30, during RTG program, VOA EE program, and VOA Lao program, all in accord with WRTH schedule. We get a break on standard time since KDAY s/on is delayed one hour now. (AWP,W)

Trans-Atlantic (last but not least)

- 254 ... Algeria, Tipaza, fair level 10/28 2250 tune-in with FF language program (not //533 or 548). S/off with anthem at 0000. (WG,E)
- 529 ... Algeria, Ain Beida weak but audible on 10/27 at 0047 with chanting by a man in AA, along with instrumental music. At s/off, woman ID in both AA and FF, and then anthem. TA #3. (RVM,E)
- 548 ... Algeria, Oran I monitored 2254 10/15-0030 10/16 with excellent signals. Female in AA interspersed with AA chanting. (AMG,E)
- 818 ... Morocco, Rabat excellent 10/15 2245; noted also 0610 10/16 under Andorra with usual AA chanting. (AMG,E)
- 818 ... Andorra, La Vieja, Sud Radio, in very good 10/25, playing US pop music at 0140, with FF IDs by a woman. No fades, no QRM. I had lots of room between WGY and WBAP. At 0220, an interesting FF ID with music and the whole works. Tuned back at 0230 and I came back at 0330 and there was talk in SS. No IDs heard in SS. Still Andorra? Whole schedule doesn't agree with WRTH. TA#2. (RVM,E)
- (Supposed to be off at this time, per WRTH and NRC TA Log. Ed)

- 827 ... Morocco, Oujda presumed the station with AA chanting 0646-0651 10/16. The weakest of the Moroccan stations heard. (AMG,E)
- 1034 CSB2 Portugal, Porto 10/30 0440-0448 with S9+ level; with light pop vocals and talk in PP; may have had SAH also, but much WZZ slop moved the S-meter too much to be sure; 10/30 was not too good a TA MM here. (WBF,E)
- 1196 ... Morocco, Agadir 10/20 2231-2250 at a surprising S7 level with native music and flute-like and string instruments and some chanting; later had slow talk in AA-sounding lingo by man; looped about 70°; and splatter from WOWO made copy rough; this one was actually better than 935 at this time. (WBF,E)
- 1205 ORTF France, Bordeaux 10/30 0425-0431 with TT to 0429; then La Marseillaise, s/on, and into talk in FF; S7 at times. (WBF,E)
- +S/on with NA 0430 10/23. Gabon is too much to hope for, I guess. (AMG,E)
- 1232 ... Morocco, Tangier presumed the station with AA chanting 10/16 0429-0701. Tape sent with comparisons of 818/827/1232 outlets. (AMG,E)
- 1286 ??? UnID TA in wierd language 0627 10/16. Isn't this too late for the Czech? (AMG,E)
- 1313 RNE Spain, Zaragoza heard here with pips and into music 0200 10/16. No sign of Norway. (AMG,E)
- 1349 ... Mauritania, Nouakchott, first heard MM 10/16 0707-0712 very weak with AA chanting. At 0700 10/23 a carrier evidently came on as the het became real bad at that time; 0701 AA chanting popped through surprisingly clear. No announcements noted before the chanting was noticed, seemed like the chanting was the beginning of the broadcast. Clobbered by WSLR at 0704 but back in briefly 0714 with man in FF. This has to be one of my best catches. (AMG)
- 1385 ECS11 Spain, Madrid finally heard with SS guitar music 0430 10/16 with female IDing as "Desde R. Centro"; outstanding 10/23 at 0510 with R. Centro IDs. I think this one can make it to the West Coast. (AMG,E)
- 1439 ... Luxembourg, Marnach. At 0520 10/15 you could barely detect a het from the US domestics on 1440! I think program was in GG. (AMG,E)
- 1502 EAK. Spain, Sevilla/Granada, one of these two was heard 0611-0635 10/23. I have one R. Popular ID on tape and several mentions of "el correo de Andalucia". Of the EAKs listed, only these two are in Andalucia. Inquiry being sent to HQs in Madrid. Female announcer most of the time, but there was an occasional announcement by a man. (AMG,E)
- 1525 ... China, Sinkiang province. Fair/good level 10/22 at 2300 with 2 minutes of IS interspersed with several "Goverit Pekin" IDs. Signal was not nearly as good as on 10/13. (WG,E)
- 1546 BBC Great Britain, UnID BBC local 10/26 fair level at 2245 tune-in but poor level by 2330 tune-out. Pop vocals and big band selections to 2300. ID on hour (which I missed), 5 minutes of news followed by more popular music. (WG,E)
- 1578 CSB5 Portugal, Porto, with many mentions of Portugal, man/female alternating in announcements and pop music 0430 10/23. (AMG,E)

Overlooked:

- 683 RNE Spain, Sevilla 10/30 with very nice signal with excellent audio with guy and gal talking in SS; also had clear "Radio Nacional de Espana" ID for tape at 2330. (WBF,E)
- 1106 ... Egypt. Re my loggings of 9/6-7, the following response appeared in the Great Necl DX Newsletter: "The GNDXN editor detected it also, during the early morning Hebrew transmission. It is our firm belief, however, that this tone comes from Cairo, as the 0330 s/on was once heard, and the frequency was totally blank until just before the Hebrew began--R. Cairo's carrier came on with the hum. Whether or not there is anything 'clandestine' about this is questionable; could the Egyptians have such a loud carrier hum problem every day?...Cairo has this Hebrew service in the evening also...but it is the powerful morning transmissions that the station hopes to pick up an awakening music-oriented audience, guiding it toward the news at half-past the hour. And all the time there's that unmistakable hum--but it's not an Israeli one." The GNDXN editor, incidentally, has done(cont.)

1106 cont. considerable monitoring from Israel itself. Shortly after logging the "hum" on 1106 kHz, the following query was dispatched to the Israel Broadcasting Authority: "On 6 and 7 Sept. 1972 I heard what I believe is your counter broadcast at 2356 GMT when it was transmitting very low pitched audio on 1106 kc. It was putting in here a good signal with some sideband interference. I would appreciate it very much if you would confirm or deny that the transmission comes from Israel." To which I have now received the following incredible reply by Eileen Hyman, Assistant to the Director, Overseas Department, IBA, "Thank you for your reception-report. The transmissions which you heard may be an 'harmonic' of our broadcast on 11760. However, as you give us no programme details and do not mention the language of the broadcasts we regret that we cannot confirm your report." I am inclined to believe that GNDXN is right and that IBA's reply is simply a case of bureaucratic incompetence. Or is there really more to this than meets the eye? (CMS,E) (I would tend to agree with IBA, Stan, that your report really didn't spell out what kind of broadcast or "hum" you heard. Ed)

Verifications

- 750 YNX Nicaragua, Managua, sent a nice detailed letter in SS. Took 2 weeks, and they were sorry for the delay! Also they sent a colorful pennant and 2 postcards, for 2 IRCs and used US postage stamps. V/s Lily Chang de Cano. They request more reports. (RVM,E)
- 770 HJKH Colombia, Bogota, special delivery v/1 from German Tobon Martinez, Gerente. Transmitter is a Czech "Tolsa" rated at 30 kw. (AMG,E)
- 914 EAJ2 Spain, Madrid v/q for f/up, no v/s. Power is 20 kw into a 120 meter vertical (AMG,E)
- 970 KIAK Alaska, Fairbanks sent v/1 from C.E. John Lynn for reception of test on 9/4 0844-0914. First and only report so far from lower 48 states. RS is 1500-1000 daily. Address is 543½ Second St., Fairbanks, Alaska 99701. (DGM,W) (Gene sent the letter, which indicates the station is owned and operated by Big Country Radio, which also operates KYAK-650 in Anchorage. Transmitter is a Gates BC-5H. Began regular programming on 9/18/72. Ed)
- 1320 WUNO Puerto Rico, Rio Piedras, v/1 for f/up of 12/70 reception, from Valentin Motanez, Engineer, who confirmed my tape. (AMG,E)

Reporters-- listed by first initial

- AM Alan Merriman, Fairfax, Va. (6)
- AMG Angel Garcia, Flushing, N.Y. HQ-180AC, S,-1 (31)
- AWP Art Peterson, San Pablo, Calif. (6) HQ-180 SM-1
- CAB Credo Bisquera, Waianae, Hawaii, ARB, Sanserino loop (4)
- CMS C.M. Stanbury II, Crystal Beach, Ont. (5)
- DGM Gene Mattocks, Yuba City, Calif. (1)
- DO David Oliphant, Medicine Hat, Alberta (6) Sony TFM1000-WB, SM-1 (6)
- DR Dave Rogers, Norman, Kansas HQ-145A, 4' loop (5)
- DW Dave Williams, Astoria, Ore. (6) 75S3C, SM-1, SPR4, 300' LW
- GH GTenn Hauser, Franklin, TX, (temporarily), HQ160, 50' lw (11)
- JT John Tull, Kansas City, Mo. (13)
- LMA Larry Abraham, Bridgeport, Mich. HQ180AC, SM-1 (11)
- RAK Bob Karchevski, Daly City, Calif. (8)
- RVM Randy Minnehan, Columbus, Ohio (3) DX150A, 65' LW N-S
- RNA Richard Allen, Billings, Okla. (17), Pioneer SX300T, 50 cm loop
- WBF Bill Feidt, Laurel, Md. (6), HQ140X, SM-1
- WG Bill Grant, Worcester, Mass. (3)

England At least 6 applicants are planning to file for the commercial general entertainment station in London on 1546 kHz, but there is at least some slight trouble ahead for this project. The Independent Broadcast Authority, which hands out the licenses, has brought in a firm of San Francisco consultants to help install the highly directional antennas, but because these involve 4 or 5 200 foot towers on about 5 acres of land per array, local authorities are turning down planning applications. (C.M. Stanbury II)

International Waters Radio Northsea International has not used 1562 kHz since 0900 October 1. RNI apologized for this saying they left the air at 0900 but it wasn't their (RNI,II) fault. Since then a much weaker signal has been on there all day every day with continuous music and announcements of Radio Veronica's new frequency. It looks as though RNI and Veronica have fallen out again with the latter now engaged in a channel "blocking" operation. A reliable listener from Norfolk reports that from there, the radiation pattern on 1562 change-over day, Sept. 30, was totally different from Veronica's previous signal on the frequency, and he suggests that Veronica's close was carried out via RNI's standby transmitter, while Veronica adjusted their own unit to 557. The present transmitter on 1562 is certainly not Veronica's old one; it is weaker in London, has rather poor modulation, and drifts some. (C.M. Stanbury II)

Cuban Verifications

A few comments to add to Joe Markewicz's notes on Cuban verifications--the seven Cuban veries I have were all signed by L. Miranda of the Dept. of Foreign Relations, Apartado 60-17, Havana. He will also verify English reports and will reply in English. He appreciated stamps or postcards or pictures of the countryside. In return you'll get an industrial magazine after about 4 months but your verie will take a maximum of 10 months, even though the reports are sent airmail both ways. (Quentin K. Brown)

Comments on the IRCA Foreign Log

"Please send me two copies of the new IRCA Foreign Log. I recently visited Bill Feidt's place and got a look at his copy of the foreign log; sure is a beauty." (Jim Herkimer)

"Received the Foreign Log and it sure is a dandy." (Arnold Retzlaff)

"You can quote me as saying that the IRCA Foreign Log is a must. The receptions of Guyana-560 and Mauritania-1349 can be attributed to the log; as far as I'm concerned, it's already paid for itself. It also makes interesting reading." (Angel Garcia)

"Received my IRCA Foreign Log and it is worth its weight in gold. Thank you very much for publishing it. The Log proved to be very valuable the first time that I used it this morning as most of the above loggings show." (Richard Allen)

You can obtain your copy of the IRCA Foreign Log for only \$2.75 by sending a check or money order (no cash please) made out to IRCA, to Father Jack Pejza, 3266 Nutmeg St., San Diego, Calif. 92104.

FJP The best made plans, etc. Set the alarm for 2 AM MM 10/30, and the next thing I knew it was 5 AM. Got up for a while, but nothing extraordinary noted then. Conditions certainly have changed from the first week of October; notice that all the TAs reported above were southern Mediterranean. Bill Grant notes that conditions were close to normal for the first time this DX season the last few days of October. Alan Merriman hopes that the good conditions return in November for a week or so before the Midwinter Anomaly returns. Please note that the deadline for the 12/9 issue will be 11/30--Thursday. I will be away that weekend at a meeting. For DXers in the West, would you be interested in having the ANARC Convention here this summer? If so, let me know. For those on CROP (Committee to Re-Evaluate Offset Printing), I hope to have some information for you soon. I have been very busy with all kinds of things (teaching, taking a couple classes at San Diego State, committees, etc.), but I hope to get cracking on this soon. 73

+ + + + + + + + + + + + + + + + + + + + + + + + + + + + + + + + + + +

Flash Tip from Ronald Schatz By phone, Ron advises that a new station is on the air from Saba, an island about 50 miles from Sint Maartin. The station has been heard with good signals in Miami, operating on a frequency of 1435 kHz. According to RFS, Radio Saba, PJF7, broadcasts in accented English and has been on the air for at least two weeks. If you hear this station, please drop a flash tip note to DEE, c/o HQ. A carrier is heard after 0700 GMT here in Riverside with a generally E-W bearing; however, not a trace of audio has been heard. See also LA and TP sections of the IRCA Foreign Log! -DEE

November 11, 1972

Publishing Assistant Many thanks to Frank Merrill who, on his West Coast, stopped by Toyland (IRCA HQ and DEE's residence) and provided his help in getting out the 10/21 DXM, as well as transporting the bulletins to the PO, the earliest mailing so far this season.

New Member Packets Too much has been said and too little done about NMPs but the end is near; your publisher is taking a week off from work and will produce the necessary hundred NMPs and have them in the mail by the 18th. The postage alone will be \$100, each NMP weighing almost a pound. During the same week, the much-wanted paper jogger is being installed. It will not suddenly make publishing any faster but it will save valuable minutes on publishing night (more sleep!) and will help reduce blanks in your bulletin. While no member has reported a blank in a year or so, I can't help feeling some have gotten through, particularly during the July 1972 issue when the new mimeograph was installed without proper adjustment of the feed. ONE DOLLAR (U.S. or Canadian) to the first 2 members who produce legitimate blank pages found in any 1972 DXM. Doesn't include offset printed stuff which sometimes is run blank or any page deliberately left blank (almost always indicated). Your buck will be accompanied by the replacement page. Any takers? Mail only to HQ. -DEE

Geomagnetic Indices The A_{Fr} values for the week of Nov. 1 through 7 are as follows:

54 24 08 03 02 08 07

The severe geomagnetic disturbance which began at 1655 GMT on 31 Oct. persisted until 1200 GMT 3 Nov. Storm A-Index was 54. Geomagnetic activity is expected to be unsettled 9 to 10 and 15 Nov. If you would like to be placed on the FREE air mail subscriber list to receive indices (normally on Friday or Sat), you need only write to: U.S. Dept. of Commerce, Off. of Telecommunications, Inst for Telecommunications Sciences, Telecommunications Services Center, Boulder, Colorado 80302 and request "Weekly Radio Telecommunications Forecast". However, don't expect the info to clue you in on outstanding TA cx; you really should get it directly from WWV at 18 minutes after the hour if you're going to be current. But the "Weekly R-T Forecast" is very useful when combined with daily listening to indices on WWV and actual observation of selected TA frequencies.

CPC Results - Flash Tips WHGR heard w/good sig using TT o/others 0000-0015 EST 11/7 /by Don Eggert---
Tues. as sked. See also GWJ's rpt of tent. reception in EDXR. +++ KBRX was hrd 0303-0334 EST by Bob Neal, TT used. Skip Dabelstein, who arranged same, hrd it with S9+10 dB at 150 miles. Larry Flegle reports too much WSMB QRM that morning, 11/6. +++ Brian Cartwright notes that WJVA was hrd 10/23 testing from 0000-???? with 1000 cycle tone & pop records, NOT per sked. The exact dates for WJVA NRC are quite uncertain because the letter received indicated 'last' SM but might have actually meant 4th MM. +++ See last page, DXWW-9, for Ron Schatz's tip on R. Saba in accented EEE on 1430 kHz; brand new station from a new country.

Renewals Please continue to send renewals early and if you are planning on dropping out of IRCA at your expiration, when that time comes a note to that effect would really be appreciated so I don't have to worry that possibly your renewal got lost in the mail. When you see a line through your exp. date (EXP-3/10/72-V9N25), that tells you that your renewal has been received and a new label will follow sooner or later.

News clippings With space running out, these two items from 11/3 and 11/6 Wall St. J., "...changes, which take effect Dec. 15, permit station ID at a natural program break, as close to the hour as feasible....currently, radio stns must ID within 2 min's of the hr and 1/2-hr." +++ "....FCC...'hopes' to end by 1/1/73 a freeze it imposed in mid-68 on the granting of new AM radio stn licenses....there are currently 4375 AM stns in the U.S."

CPC Write-ups

KLEB & WLNG to be on the air the MM when WWRL leaves its normal NSP sked. WCHL will use ND pattern 0005-0400 and DA to SW 0400-0500. Top 40 mx will be played and rpts go to: Mr. Rick Edwards, Engr-Mgr, WCHL, Durham Rd., Chapel Hill, NC 27514. KTGO reports to: CE, KTGO, Box 456, Tioga, ND 58852. KDWB rpts to: Mr. Bill Dorweiler, CE, KDWB, Box 7630, St. Paul, MN 55119. WAVN rpts to: Mr. Reynold P. Lark, CE, WAVN, 127 S. Water St., Stillwater, MN 55082. Verie by prepared postcard only!