



DX MONITOR



PUBLISHED BY
THE INTERNATIONAL RADIO CLUB OF AMERICA

VOLUME 13

NO. 34

WHOLE NO. 417

AUGUST 7, 1976

.....**FLASH TIP**.....

From James Hopkins, Pitman, NJ: WNOX-990 says they conduct their PoP the 1st week of March, "preferably we begin at Sunday midnight. We try to run a semi-annual proof the first Sunday at midnight in September." So they could possibly be off during that time.

Greetings to all:

Here are the results of the election for the Ted Vasilopoulos Award

PHIL BYTHEWAY:- 37
JOHN ZONDLO:- 28
RICK HEALD:- 26
NANCY HARDY:- 19
WRITE-INS:- 9
TOTAL VOTES CAST:119

Each of the following received one vote apiece in the write-ins:-

LARRY FLEGLE
BILL HARANG
ALBERT S. LOBEL
MIKE MITOCK
GORDON P. NELSON
RONALD F. SCHATZ
DAN SYS
MIKE WURST

The winner is PHIL BYTHEWAY

CONGRATULATIONS!

Submitted 8-1-76

G. W. JENSEN

The Inside Story —

EDXR - - - - 421	EDXF - - - - 422, 423
CDXR - - - - 421	WDXF - - - - 423, 424
WDXR - - - - 421, 422	
DXWW - - - - 425, 426	DXWW II - - - - 426, 427
Ad-Visor - - - - 438	
ANARC Almanac - - - - 428	
Broadcasting Information - - - - 428	
Canadian Family Life - It's Twins! - - - - 435	
Condition of Frequencies List - - - - 429, 430	
Convention Schedule and Information - - - - 420	
The Good Old Days of Radio - - - - 430	
IRCA Planning Survey - - - - (437)	
NBC News and Information Service - - - - 428	
New Members - - - - 420	
The Paul Harvey List - - - - 431, 432	
Precision Frequency Measurement, Part 3 - - - - 433 - 435	
President's Report - - - - 424	
Subject Index to Volume 13 - - - - 436	



LAST CALL

SAN FRANCISCO

AUGUST 13-14-15

The place: The Raphael, 386 Geary Street, Downtown San Francisco. The time: Friday, August 13, starting at 6:00 pm and going until 6:00 pm Sunday, August 15.

Since it's the IRCA Convention, this will be a medium-wave BCB DXers meeting. Dig through your DX shack for some old stuff to be auctioned off - all proceeds from the auction will go directly to IRCA. Bring receivers, antennas, QSL cards, verifications, displays, tapes, books, club bulletins, money, headphones, logbook, and yourself!

For more information, contact Rick Heald, 840 Warfield, #6, Oakland, CA 94610. Phone number is 415-626-3400.

SEE YOU IN SAN FRANCISCO!!!

For Convention schedule and info, see page 420.



ATTENTION! ATTENTION!

We are proud to announce the fifth edition of the IRCA Foreign Log. It is currently in preparation, and is expected to be printed before the beginning of September. Last season was a great season foreign-wise, one of the highlights being a big boom in Atlantic DX at the beginning of the season. A large Pan American section will also be featured. In addition, articles for the beginner will lead off each section, and there is a comprehensive listing of all countries heard with the frequencies that they were heard on.

Volume 5, like its predecessors, contains a whole season's worth of DX loggings. Arranged in a format similar to DXWW, the Foreign Log includes all the loggings reported from July 1975 to June 1976 in DXWW and DXWW II.

This year's edition is being retyped by Mike and myself and being printed in the same manner as volumes one and two, namely the 5 1/2 X 8 1/2 size booklet format, stapled in the middle.

Since we will do the collating on this volume, we are able to offer Foreign Log 5 for the same price as Foreign Log 4, namely \$4.00 to IRCA members (\$4.25 to non-members.)

Once again, we will be offering a pre-publication price of \$3.75 to IRCA members only, the offer being good until we announce its release sometime in September.

We're hoping that by making Foreign Log 5 available early in the DX season, it will provide an invaluable aid to the novice, as well as the seasoned DXer, during the entire '76-'77 season.

Convention Schedule

Friday-August 13

Get acquainted evening. A time to socialize and get to know your fellow DXers.

Want to see a real BB team? The Oakland A's, of course. They will be playing Boston that evening. We will go if there are enough interested. BART roundtrip is \$2.10. Bleachers are \$2.00, reserved seats start at \$4.00. Beer is 60¢ & 90¢. Hot Dogs are 60¢.

DXpedition to ECRs place. Five or less people please.

Saturday-August 14

Softball game gets the day started. Then lunch and cleanup time (not necessarily in that order) until early PM.

Guest speakers on wide range of DX subjects, with a special appearance from Mr. Brown, from the San Francisco FCC Field Office. Topics will include: Superpower XRs, Violations, Big-business vs small stn owner, International broadcasting, Propagation, etc. (I promise to be kind about we-all-know-who, hi)

Our banquet is tonight at 1900. It will be unique. Guest speaker will be John Cameron, CE of KNBR 680. (Again, we will all be kind, hi). Following will be the business meeting, and the moment you've all been waiting for, the IRCA Annual Auction, hosted by the infamous Eric Rittenhouse, guaranteed to be funnier than Mary Hartman, Mary Hartman. For those who wish, Don Kaskey and Charles Wolff will host SMALL groups wishing to DX a Sunday morning in the Bay Area.

Sunday-August 15

Real early, like 0000, we will split off into small groups for DXpeditions. Don Kaskey, and Charles Wolff have offered their places for small groups who wish to DX.

Sunday morning at a more reasonable hour, like 1000, we will board our ferry for the trip to Alcatraz Island and a tour of Alcatraz.

Later, like after lunch, a general gathering in the meeting room, for general B.S., et al.

We have a jam-packed Convention planned. Hope to see you there. -----RtH-----

Rick Evans, Ed Krejny, Dave Williams, Bill Block, Nick Hall-Patch, Frank Aden, Brian Scully, John Clements, Don Erickson, Mike Hardester, Grant Manning, Bruce Portzer, and the BARFans will all be there at the 1976 IRCA Convention in everybody's favourite city, San Francisco will be there, will you?

IRCA CONVENTION IRCA CONVENTION IRCA CONVENTION IRCA

How To Get There

- By Air** - From San Francisco International Airport, Airport Limo (bus) every 15 min, \$1.25 ea way, 30 min drive time to Downtown Terminal Walk half block East to Mason, then 1 blk up Hill (North) to Geary. (Hotel Raphael at Geary & Mason).
- By Bus** - From Greyhound (7th between Mission & Market) Take streetcar on Market (destination: Terminal) to Powell St (cablecars), transfer to cablecar get off at Geary and walk 1 blk West to Mason, or walk up the 4 blks from Market. (Fare: 25¢ exact change, get transfer upon boarding streetcar).
- By Train-AMTRAK**, Continental Trailways, and AC Transit (latter from Eastbay) all terminate at the Eastbay Terminal. Take #38 Geary Bus (same area where the 5 streetcar lines congregate) to Geary & Mason. #38 line runs every 5 min and takes 10 min to hotel.
- By S.P.** - From S.P. Commuter Depot, take #30 Stockton bus (every 5 min) to Geary, and either transfer to #38 Geary, or walk the 4 blks West to Geary & Mason.

By Car - From the North. Hwy 101 becomes Van Ness Ave. Left onto Post or O'Farrell to Leavenworth, to Temple Garage, Geary & Leavenworth.

From South. Hwy 101 (The "Bloody Bayshore") 5th/6th Sts Exit. Up 6th St (ignore all the wins and bums) continue across Market on Taylor St, left at Geary, to Temple Garage. (Look for KBHK-TV one blk before Geary).

From East. Across Bay Bridge, take 4th Street Exit. Up to 6th St, and proceed as above.

If any problems should arise, please feel free to call the Hotel Raphael at: (415) 986-2000. If early in the day ask for Don Kaskey, later on, (late afternoon), ECR will assist you, and we all will be ther after a-bout 1800 PDT.

*** NEW MEMBERS *** from Phil Bytheway

Timothy P. Miller, 1N 320 Arnold Ave., Glen Ellyn, IL 60137 (rejoin)

David B. Gibson, Jr., 1200 Westfield St., Pittsburgh, PA 15216
Bruce McFadden, 8264-B S. Yorktown Ct., Tulsa, OK 74136 (rejoin)

Address Changes:

Charles A. Wolff, 2025 Francisco, Apt I, Berkeley, CA 94709

Richard Dale, Route 1, Box 109A, Urbana, MO 65767

John N. Sampson, 52 Delwick Lane, New Providence, NJ 07974

Ted Wilson, 1001 Stamarack Dr., Apt 1, Fullerton, CA 92632

Jim Nall, 175 N. Keats Ave., # 2, Louisville, KY 40206

Garry C. Eckart, 100 Erial Rd., Clementon, NJ 08021

Walter D. Moore, Jr., M.D., P.O. Box 783, League City, TX 77573

Renewals:

Dennis Bednarz, Steve Moss, Dr. John S. Evans, Bill Coleman, Jr., Richard Eckman, O.P. Ferrell, Dewaine Anderson, Gary Parton.

It seems that quite a few folks are moving this summer as shown above. So, there'll be quite a few starting a new set of totals for their DX activities. Should any of these members move into your area of the country, why not get in contact with them and help them get started in DXing there!!

Apparently, some folks think that these comments come from Mike, our editor-in-chief. Well, they come from me--your publisher-membership coordinator and give me a chance to say a few things that I am doing, will be doing etc. I thought you'd note the different typewriters, as Mike's is quite a bit different (he does Flash Tips, Broadcasting Information, etc.)

Overseas member Bjarne Hansen writes: "I'd like to contribute to DXWW, but I don't want to be the only overseas contributor!" I sure hope he changes his mind, as I personally enjoy reading from Denzil Baker in South Africa, and would certainly like to see more on DXing around the world.

I certainly have appreciated the comments received so far about our first year handling DX Monitor, any and all are still welcome and not ignored by SPC. Lets all make Volume 14 the best year yet. I've enjoyed my position this past year - pb.

La Opinion, Los Angeles, Calif.
18 de Julio de 1976

Indonesia se anexó Timor

YAKARTA, 17 de julio (P)—La mitad oriental de la isla de Timor, que durante 400 años fue colonia portuguesa, fue asimilada hoy oficialmente por Indonesia como su 27a. provincia, apenas 11 meses después que el pequeño territorio del Océano Indico fue sacudido por una guerra civil.

El presidente Suharto, en una sencilla ceremonia en su oficina presidencial de Yakarta, ratificó el documento legal aprobado por el parlamento a principios de semana, y nombró a Arnaldo Ros Reis Araujo como primer gobernador indonesio del territorio, ya Francisco Lopes da Cruz como vice gobernador.

Araujo tomará posesión de su cargo oficialmente el tres de agosto en Dili, capital del territorio.

En un breve mensaje, Suharto comentó que la tarea principal en Timor oriental es la consolidación de la situación y la afirmación de la estabilidad de modo que se pueda empezar en firme el gobierno y el desarrollo de la provincia.

Suharto pidió al gobierno de Timor oriental que formule un programa de emergencia a corto plazo para el desarrollo, con la ayuda de expertos de Yakarta.

Afirmó que la educación y la salud pública recibirán atención especial por parte del gobierno y que se ofrecerían cursos especiales de entrenamiento a los habitantes de la región.

Dio a conocer luego su plan de pedirle a la Cruz Roja Indonesia que prepare el posible regreso a su país de los portugueses que así deseen hacerlo.

**eastern dx
roundup**

Editor: Mike Milack,
BOX 533
Lorain, OH 44052

DEADLINES: 8/23; 9/6; 9/20; 10/4
ALL TIMES ARE EDT!

- 540 CBEF ON, WINDSOR 7/18,19,20, appears to be a nightly regular in North Bay, in fact, puts in a local-like signal at night, but there is no trace of it in the daytime! (mrm-ON)
- 600 CHCH ON, NORTH BAY The local station, and almost the only MW station audible in the daytime, with the exception of the stations in Sudbury. Programs rr mx, and IDs w/jingles and SIDs identical to WGAR in Cleveland. The all night DJ is Al Russell. (mrm-ON)
- 940 WJWD PA, LEBANON noted on air w/ r/s type of test. On air w/ r/s on 7/12, New/Country mx. lkw-D sig good in this area. Test was all day 7/4. (GWJ-MD)
- 1090 CKKW ON, KITCHENER Surprisingly weak at night, and a no-show in the daytime. Quite odd. (mrm-ON)
- 1220 WGAR OH, CLEVELAND good quality signal nightly, fighting w/CHSC. This and WWWE the only OH stations hrd. (mrm-ON)
- 1440 CFGO ON, OTTAWA 7/21 for 15 minutes, 0115-0130 fighting with, then fade out to WCHB. (mrm-ON)
- 1470 CFOX PQ, POINTE CLAIRE 7/21 0015-0108 w/ rock mx and "Olympic City Weather", many "see-fox" IDs, and "The season of the fox". Bad cx w/thunderstorm. (mrm-ON)
- 1500 WDEE MI, DETROIT 7/18 2110-2126 poor thru static w/talk show about CB radio. appears to be a nightly reg. (Mrm-ON)

BROUGHT TO YOU BY:

GWJ- George Jensen/4604 Anntana Ave., Baltimore, MD 21206/
mrm- Ye Editor/on vacation, North Bay, ON/ Sony TFM-8000W w/built in loop

Looks like it's a good thing I did DX while on vacation! However, if cx around the Eastern US are anything like they were up in North Bay, I can understand it! 73 'til next month!

**central dx
roundup**

Richard C. Evans
P.O. Box 392
New Buffalo, Mich. 49117

OF SPECIAL INTEREST:

- 1250 WEMP WI Milwaukee, new format is automated MoR except 0700-1100 and 1600-2200 Mon-Fri when they are live top 40. Also is now a Mutual affiliate although most newscasts are local. (RAL)
- 1360 WGEE WI Green Bay, now 24 hours SP MM 0107-0545. (RAL)
- 600 CFQC SAS Saskatoon, fair SM 7/18 0530 w/R&R, "QC" promos. WMT apparently off. (RAL)
- 810 CKJS MAN Winnipeg, fair thru unid TT w/KCMO nulled 6/21 0140 w/MoR in EE, WX. (RAL)
- 940 WJOR MI South Haven, 7/14 1308 easy listening, SID had a lot of QRM from WJPC. (ML)
- 960 WSBT IN South Bend, 1258 7/14 heavy QRM from from WITY-980 and WJPC-950. (ML)
- 1070 CHOK ONT Sarnia, noted 0144 6/27 w/AN C&W show. DJ mentioned that show is not on MM, so perhaps they have a MM SP. (RAL)
- 1150 CKX MAN Brandon, fair thru CKOC 0204 6/21 w/ Pizza ad, C&W. (RAL)
- 1240 WSBC IL Chicago, fair 0029 6/7 w/SS pgm, EE ID, WOMT off. (RAL)
- WCBY MI Cheboygan, fair thru WSBC 6/7 0036 w/end of Tigers BB, local AM-FM ID at start of postgame show. (RAL)

- 1250 CBOF ONT Ottawa, fair-poor mixing w/CKOM/CHSM MM 7/19 0403. I hrd what I'm pretty sure was a "CBOF" ID in FF. Then went into mx that was // to CBF-690 and CJBC-860. Apparently, these CBC FF network stns are now AN. Hopefully, this is just temporarily because of the Olympics. (RAL)
- CKOM SAS Saskatoon, fair-good MM 7/19 0218 w/ R&R, request line mentions, several ads, WEMP/WREN off and WTAE testing. Slight CHSM QRM and no sig of CHWO (RAL)
- 1300 WLOT WI Marinette, fair in moderate QRM with automated R&R, mentions of "Twin-Cities" 2136 6/4. (RAL)
- 1310 CFGM ONT Richmond Hill, fair 0115 6/5 w/C&W "Canada's Country Giant" promo. (RAL)
- 1330 WEAU IL Evanston, fair w/s/on 0630 7/11. WHBL off. (RAL)
- 1370 WWAM MI Cadillac, fair in QRM 6/3 0614 w/Wx, ID. (RAL)
- 1400 WKNR MI Battle Creek, poor in heavy GY QRM w/SID, R&R, Nx 0549 6/10. (RAL)
- 1440 WDOU MI Dowagiac, fair thru QRM w/s/on 0603 6/10. (RAL)
- 1470 WHUT IN Anderson, fair 6/7 2115 w/s/off mentioning FM. Local WBKV s/off is 2000 in summer. (RAL)
- 1510 CKOT ONT Tillsonburg, poor u/WLAC 0631 6/3 w/AM-FM ID. (RAL)
- 1560 KOYX MO Joplin, "The stn with power", SSB then s/off. Came on in after WBEE-1570 s/off. 7/13 2050. (ML)
- WOXR NY New York, haven't hrd this one for a long time. Had a Gilbert & Sullivan opera on. 7/13. (ML)
- 1570 CKLM PQ Montreal, 1st time hrd here. playing r/b "Roll Over Beethoven". 7/13 2100. (ML)
- WBEE IL Harvey, fair w/s/on 0700 7/11. Mixing w/another stn, probably WAPL. (RAL)
- 1590*WHPY*NC Clayton, fair thru WAKR & others w/ test, ID 0118 6/21. No TT hrd. (RAL)
- 1600 KLAQ CO Lakewood, poor 7/19 0300 w/ID for AM-FM. KATZ nulled and both KCRG/WWRL off at the same time. (RAL)
- KCRG IA Cedar Rapids, noted s/off 0110 6/25. Perhaps no longer NSP. (RAL)
- *WINX*MD Rockville, poor 7/19 0302 in KATZ null but c/KLAQ w/ID on ET. Nothing else heard. (RAL)
- *WWRL*NY New York, good o/KATZ 0310 7/19, w/ID as ET, OC. Apparently on day pattern. (RAL)

A TIP OF THE HAT THIS WEEK TO:

- ML - MARSHALL "MARTY" LILLIE, 147 South Main St., Bourbonnais, Illinois 60914
- RAL - BOB LAZAR, 1109 Niesen Road, Port Washington, Wisconsin 53074

NANCY HARDY, Editor
2301 PACIFIC AVE.

western dx roundup

ABERDEEN, WA 98520

ALL TIMES ARE EASTERN LOCAL

NOTE REVISED DEADLINES, ALL FRIDAYS:

August 27, Sept. 10, Sept. 24, Oct. 8, and each Friday thereafter.

REPORTERS FOR THIS ISSUE:

- (JAB) Jeff Brasier-10341 Shirley Ave.-Northridge, CA Hammarlund HQ-129-X, pre-amped 91326 loop
- (BLH) Brett Hanavan-845 First Ave.-Chula Vista, CA SPR-4, HQ-180, Sanserino loop, 92011 Dymek DA5, 100' & 50' longwires
- (JFO) Jon Orren-529 N.E. 83rd St.-Seattle, WA 98115 Realistic DX-160, SM-1

- 540 CBK SK, Regina 7/20 0300 s/off one hour later than normal. Schedule change?(JFO)
- 600 KROD TX, El Paso heard fair 6/25 0709-0728 w/MOR mx, pollution PSA. KOGO off for first time in 4 years. KOGO back on 0728 after "transmitter adjustments". (JAB-CA)

- 730 KSVN UT, Ogden s/on 0800 6/23 no SSB. Good w/KMPC slop. Into C&W, gone by 0810. (JAB-CA)
- 860 KWHO UT, Salt Lake City 6/27 s/on 0801, America the Beautiful 0803, then into classical mx until KBMO s/on 0807. Fair w/heavy summer static. (JAB-CA)
- 875 CJDV AB, Drumheller 7/11 0328 C&Wish relig. mx, talk, ID. Had transmitter problems w/radiation spurs on 875 khz & 945 khz. Fundamental frequency is 910 khz. (JFO)
- 890 KEYE OK, Oklahoma City 6/20 0713-0730 C&W mx good w/WLS gone. Heavy static as usual. (JAB-CA)
- 950 KSEL TX, Lubbock poor u/KIMN 7/12 0515-0548 w/XEGM off. Rock music. (JAB-CA)
- 960 KAYK UT, Provo 6/28 0435 strong in CFAC null w/K-96 ID, rr. Ex-KOVO. (JFO-WA)
- 990 KRKS CO, Denver 6/20 s/on 0730 o/KMIN w/KKIS off. (JAB-CA)
- 1050 KUPK KS, Garden City here most mornings w/XEG 0730 or so. Loud 6/23. (JAB-CA)
- 1050 KCAS TX, Slaton probably the one here 7/8 w/Texas news 0747, gone by 0800. (JAB-CA)
- 1220 CJOC AB, Lethbridge 7/19 0213 clear o/XEB w/rr mx, infrequent ads. (BLH-CA)
- 1230 KAAA AZ, Kingman 7/18 2310 gave phone number for something in Kingman. "Now back to more music on K-Triple A." Easy listening mx. KSON-1240 splash nulled. (BLH-CA)
- 1230 *KINO* AZ, Winslow 7/6 0321-0330 very poor on r/c w/TT. (JAB-CA)
- 1240 KXLE WA, Ellensburg 7/13 0308 s/off w/SSB. (JFO)
- 1250 KIKZ TX, Seminole 6/23 0705-0735 Texas nx, farm reports and wx. Many spots. Fair o/KYAC. (JAB-CA)
- 1260 KTBE ID, Idaho Falls s/on 0800 7/8 w/SSB. Into ABC Info. nx, KGIL OC 0804. Good w/KYA, KVSF. (JAB-CA)
- 1290 WHIO OH, Dayton 6/21 0400 surfaced faintly w/ID, CBS nx. KMPS just returned to air a few seconds before, w/mucho slop. (JFO)
- 1310 KTKR CA, Taft 6/7 w/s/off 2315, o/KBUZ, KDIA. (JAB-CA)
- 1310 KEIN MT, Great Falls on AN 7/12 w/rr mx, NBC nx. 0345-0401+. Very good o/KBUZ. (JAB-CA)
- 1320 KAWC AZ, Yuma 6/7 w/easy listening mx 2230-2244 s/off. Poor w/KCRA, KCPX and KFAC slop. (JAB-CA)
- 1320 KUDE CA, Oceanside very poor u/KCPX 7/12 w/Beatles song and a spot 0310. (JAB-CA)
- 1330 KLBS CA, Los Banos 6/18 2248 w/Paul McCartney mx. Then a promo for some kind of contest. Call given only once during promo. Usually dominant KFAC not audible. New. (BLH-CA)
- 1330 KVKM TX, Monahans 7/18 2243 w/ad for a tire company in Odessa, Texas. Into what seemed to be polka mx. (BLH-CA)
- 1340 KWXY CA, Cathedral City 6/13 w/nx 0245, then into easy listening mx until 0300 s/off w/SSB. Poor o/u KBAA super-pest. (JAB)
- 1340 KIHR OR, Hood River 7/10 0258 $\frac{1}{2}$ s/off w/o SSB surfaced strongly o/others. (JFO-WA)
- 1340 CKDV AB, Brooks //CJDV 7/10 0334 w/C&W-ish style religion songs. (JFO-WA) (Isn't this now CKBR?-NH)
- 1340 unID BC? who had CBC nx here at 0259 7/10? (JFO-WA)
- 1400 *KVOY* AZ, Yuma 7/12 ending ET 0437. (JAB-CA)
- 1400 *KAAP* CA, Santa Paula tests here every MM after 0300 s/off. TT or rr mx. (JAB-CA)
- 1400 KRPL ID, Moscow s/off 7/12 0401 on clear channel. No KBMI, Canadians interference. Strong signal. (JFO-WA)
- 1400 *KBMI* NV, Henderson off but ETing 7/12 0300-0500+. Only KSLY on RS, channel really dead. (JAB-CA)
- 1420 KUJ WA, Walla Walla noted 7/5 0325 w/s/off annct. which is short and curtsey. The kilocycles and watts are not being shaken out of bed anymore. Mentioned return to air at 5am. What happened to "The Valley of the Double Wallas"? (JFO-WA)
- 1430 WIRE IN, Indianapolis 7/18 0417 C&W mx, time check. Fair to strong o/u WLL. KOSI either very weak or off. (JFO-WA)
- 1430 WIL MO, St. Louis 7/18 0410 rr mx, ID, o/u WIRE. Sports at 0415. Fair signal. (JFO)
- 1430 unID 7/12 0300 faint s/off annct. w/o SSB after KARM s/off. Too weak to be KLO as they are 5 kw. Call sounds like KHJL.
- 1440 KKXL ND, Grand Forks 6/28 0406 weak to fair signal o/KEWI, KPUR, WHHY w/rr mx, annct. ID. (JFO-WA)
- 1440 CJOI AB, Wetaskiwin 6/7 w/nx then s/off 0305 o/CFCP. (JAB-CA)
- 1490 KTOB CA, Petaluma finally 7/8 w/s/on 0830, then SSB. Into mx and lost 0835. (JAB-CA)
- 1560 KOYX MO, Joplin finally 6/20 w/MOR mx 0601, ID, then into ABC "Perspective". Very good o/KKAA pest. (JAB-CA)
- 1580 KNIX AZ, Tempe 7/16 2234 in KDAY null for call change. C&W mx. (BLH-CA)

In case you missed it at the beginning of the column, WDXR deadlines are being changed to Fridays. The reason being the Post Office. If I don't mail WDXR before 5:15pm on Saturday the column has a very good chance of arriving in Seattle on Thursday (too late for the bulletin). Our mail is delivered here between 2:30-3pm on Saturday. That gives me only about two hours to edit any reports that come in Saturdays mail, plus typing up WDXR. It usually takes 1-2 hours to type the column, but if it runs longer it may take up to five hours. As a result, I'm changing the deadline for material for WDXR to Fridays. If you send MM DX catches in either Mondays or Tuesdays mail, it should reach me by Friday. 73

~~~~~ John Zondlo  
**eastern dx forum** 6617 Maryland  
 ~~~~~ Hammond, IN 46323

Phil Boersma-15570 Cleveland-Spring Lake, MI 49456

No, I didn't die. I just got out of the Navy (honorably). I was too weird for 'em, hi. Anyway, I'm now attending Specs Howard School of Broadcasting in Southfield, Mich. Yesterday (July 10) JCK stopped by the house, on his way up north (hope he caught lots of fish!). It was nice talking with Charley about DX and radio. Bill Boonstra (the other half of the Boon-Boer Bros., as Charley calls us) was home, so he came, too. Thing learned in Detroit dept.: Rumor has it that CKLW may go to C&W or MoR before 1977. They have been getting zonked in the ratings by FMers like WDRQ and WRIF. 73s.

Bernard Schulze-26 Underhill Drive, Apt. 1102-Don Mills, ON M3A 2J4

Hi everyone. I'm new to this club so I will give an intro to start me off. I'm 17 and in Grade 12 at Victoria Park S.S. here in Don Mills (which is a suburb of Toronto) and my three favorite stations I listen to are, in order of preference, CFRB, WBNY-FM, and WDCX-FM, the latter two from Buffalo, NY. I have been BCB DXing now since the spring of '74, but seriously since the fall of that same year, when I bought myself a Grundig 700 portable radio which, in my opinion, is a fantastic radio. So far it has pulled in 664 BCB stations and my current totals are 664/50 stations, 40/10 states, 10/4 provinces, and 16/0(?-jz) countries. The number of veries is low, however, I hope to start writing more often now, time permitting. Lately I have also started taping my rare and new stations and this has proven to be much more convenient for me since it allows me to replay the ID over again if I didn't catch it the first time. It also serves as a good proof if I heard a certain station. Building myself a simple loop antenna should be my next project in improving receptions, since the only antenna I (rarely) use is just an aluminum wire running up into our attic. I am also mostly after BCB stations in Canada, especially those in Ontario. Of Ontario's 104 stations, I have heard 92 of them and I'm also surprised that not many members have heard all of our ten provinces, but then, most members are not Canadians, hi. Among my best catches are CJGX-940, CBZ-970, CKSM-1220, KXLF-1370, and WEIR-1430. Lastly, I am really glad I

chose and then joined this club because it has some great guys making this club function (and some great members, too). The DX Monitor's and the beginners booklet have made a notable improvement with my DX'ing and, therefore, this has led to many new stations. Once again, thank you everyone for making this such a fine club and I hope I will remember to contribute often in the coming months. Good DX'ing to everyone and 73, Bernie. (Sorry about not getting this report in earlier, Bernie. Somehow it got lost in the paper shuffle, hi-jz)

James Hopkins-29 Grandview Ave.-Pitman, NJ 08071
I thought I'd write, since I haven't written for a long time. DX has not been good this year. Haven't had much time for DXing this year, because of school work, and other factors. I did do some CPC writing this year, but I was not happy with the results. I hope I can do better next year. I think next season could be THE year for CPC TESTS for the IRCA. Why doesn't the IRCA set up a flash-alert service like the NRC for late tests, and silent periods of NSP stations? Also, why don't we all support the CPC and set up some tests? It's very easy, and the best way to hear wanted stations. In a letter back from WMGS-730, they want to go 24 hours. They have talked with FCC officials in Detroit, MI, and they were assured that there was no way WMGS would put a 5 mv/m signal on the Mexican border (the FCC rules state that a station shall not exceed 5 mv/m signal groundwave or 10% skywave signal on the Mexican border). They also know about CHYR. During pre-sunrise operation their signals mix in the middle of Lake Erie. Can't make it to San Francisco, but may make it to Louisville. Recent veries include WFAD, WSGO, HILR, WAHT, and WFMJ. Well, until next time 73s.

Garry C. Eckert-6000 Rivers Ave., Lot 255-Charleston, SC 29405

This is my first report to the IRCA so here's an intro. I'm 20 years old, I've been in the Navy for nearly three years, and have been "officially" DXing since January '75. My receivers are the Realistic DX-160 and the Realistic TRF. My "main" antenna is the SM-1. I have received 333 stations, 167 from this location. My veries are few, as I don't send for many. They are as follows: WTNT, R. Nederlands, WOGO, WTOG, WHO, WSIX, WQOK, WMBR, and PJB. In two months I will receive a discharge from the Navy and move to Clementon NJ with in-laws. Best DXing and 73's.

=====

**Western
dx forum!**

=====

EDITOR: RICK HEALD
840 WARFIELD AVE., #6
OAKLAND, CA. 94610

BILL HARANG-811 NEVADA AVENUE-SAN JOSE, CA. 95125
+++++

Karl Raymond is absolutely right about KBRTs FM stn (KBIG-FM) having their FM XR on Mt. Wilson. In fact, most of the L.A. FM stns have their XRs on Mt. Wilson. In the Apr/May 1975 Arbitron rating (persons 12+) from Mon-Sun 0600-0000 (avg) KFRC was #1 w/8.1 shares, KGO was 2nd w/8.0, KCBS was 3rd w/6.8, and in 4th place was KSFO w/6.3. KIOI had 3.2 and KIQI had 1.2. In a K-101 Editorial aired late June, James Gabbert said, "In our society today (and all too often), we expect the govt to solve our problems. If we can't get a job, we expect the govt to take care of us--guarantee a job or guarantee a minimum wage. We expect the govt to protect us against unscrupulous businesses because we're dumb and can't think for ourselves." Later on in the editorial, he said, "We probably know that radio and television are regulated by the Federal Communications Commission (which is part of the executive branch of the govt). We operate on three yr licenses which cease to exist every 3 yrs. Because of this, many broadcasters consciously or unconsciously toll the government's line, don't make waves. Now listen to this, for the first time in 42 yrs, the Federal Communications Commission has imposed its news judgement on top of that of a broadcasters' and ordered this broadcaster to broadcaster to broadcast a program on a specific

topic. The govt is telling a broadcaster what news to cover. The broadcaster in this case is a tiny stn in a small city in W. VA. And as a result, is not likely to appeal the FCC ruling (despite the fact that the decision is one of the most far-reaching the agency has made). Now this stn did not involve itself in the strip mining controversy. The govt has said, you have to do this. What bothers me is the precedent of the govt telling radio broadcasters what they should and should not broadcast. Now think about it for a minute. There's just a handful of major newspapers in the Bay Area, yet there are o/70 radio stns. Shouldn't the 1st Amendment apply to electronic journalism?" Recent DXer Reports have covered: Maps and Their Importance to DXing, Tucson Stns., SF Stns., The 27 Day Sunspot Cycle, How a Radio Stn Studio Sound Gets To The XR, Broadcasting in Canada, Call Letters, and the SPC.

CHARLES A. WOLFF-2025 FRANCISCO #1-BERKELEY, CA 94709
+++++
Hi all!! Note the new address; it's about 3 blks from where I work (State Dept of Health), as opposed to Castro Valley, which is about 23 mi away. First DX from this place was MM July 5. Seem to have an excellent shot to the North - KAYO killing KIIS, CFAX and CFGN in strong. Should have a great shot at Alaska this Fall. S.F. stns aren't too bad, except for KFRC which is about as strong as KNBR. (What ya'all want for a mile, hi-Rth) Good openings to HI also, as KIKI, KGU, and KHVH all heard in first couple days here. Stuff to the East is weaker than it was in Castro Valley, but shouldn't be real tough; several Eastern stns noted in clear so far. Hope to see lots of people at IRCA '76 IN SAN FRANCISCO!!!!!!!!!!!!!!!!!!!!

NICK HALL-PATCH-3272 ALDER ST-VICTORIA, BC V8X 1P2
+++++
First off, a public thank you to Albert Lobel who recently obtained some J.W. Miller coils for me--my local emporium had them backordered for 6 months. ASL got them in a couple of weeks. (Amazing what you can get in TJ, ONLY KIDDING, hi-Rth). Hopefully I can soon get going on the FET preamp for my loop now that I've got the necessary parts. My poor receiver is in a state of flux (i.e. little pieces), as I'm changing it from a 2 RF, 2 IF communications rx to a more BCB oriented rig. When finished, it should have one RF and 3 IF stages w/provision for plugging in one or even two mechanical filters if things get really bad. There will be precious little similarity to the original HRO and I've got high hopes for the Fall, provided the rebuilding gets finished in time! Due to this project and full time labour in the gardens of the rich, no DX has appeared for the last 6 weeks! I've even taken to sleeping thru MMs-for shame! Did my bit for the membership committee awhile ago and resulted in a big zero. Two local CEs did not deign to reply to my (I thought anyway) polite request. (Call them, reminding them of the letters, like a DX f/up-Rth). The third replied, they said they had a few reports from CA., but named no names and didn't reply to a f/up. Maybe some of the up-Island stns will be more interested. Noticed in the latest NRC DX News that semi-locals KITN 920 and KGAR 1550 are going fulltime, just what I need--not NSP please! Finally, hope to see many of you in S.F.,----- I'll get there on somebody's wheels even if it's Greyhound's. 73 and hope you got time for DX, even if there's no DX to be had. (Really looking forward to meeting you at IRCA Convention-San Francisco-Rth)

BRETT HANAVAN-845 1st AVE-CHULA VISTA, CA. 92011
+++++
DX slowed down for me in late June and most of July, w/school activities, vacation travel, lousy conditions and a steady electrical buzz. As a matter of fact, not one new stn was logged in June. In May, 2 new one were logged, KPOK 1330 & KERE 710. Three in July, KNIX 1580 KLSB 1330 & KHEP 1280. On 6/22 my family and I traveled by car up North through OR & WA spending 1 day sightseeing in Vancouver, BC. Then back South through ID, UT, WY, CO, & KS, finally ending up at my Grandparents home in Pineville, MO. The SPR4, TRF (for which I recvd for my 15th birthday), and Dymek DA5 were all taken along. The first 2 nites of the trip, my Dad and I attempted to DX from motels in Sacramento, and in Salem, OR. But the TVI and an electrical buzz, both nite were too overwhelming. My Dad and I did go on to log 68 stns in addition to our 280 last yr in Pineville. Pineville, which is a small town of 454 people, in SW MO, seems to be a pretty decent place to DX from. The closest stn is roughly about 20 mi away.

KAMO 1390 Rogers, AR 1kw day only. Strangely enough, it did not produce the strongest signal. The strongest signal came from KGGF 690 a 10kw'er about 70 mi away put in the strongest signal. It was about 42db o/s/9 on the SPR4. 73 and don't let the Summer conditions get you down.

ERIC RITTENHOUSE-77 LINARIA WY-MENLO PARK, CA 94025
 + + + + +
 Seems that it's been about three months since I've Appeared in these pages! To those who worried; I was Not abducted by the SLA and held in a 2x2 hefty bag in Fresno. Actually I was engaged in schoolwork w/a Rather large dose of Spring goofing off thrown in, And DXing unfortunately, had to take a back seat. Not able to make the recent SCADS thing, though it was Close. Coincidentally, I was in LA that weekend, but It was impossible for me to get to Tustin. I had come South to visit w/YL in N. LA, that weekend, but had no Car and little spare time. I will try for the next One, as my spies tell me it was great. If I get a job In the next week, I might make Louisville. Up to now, No luck on jobs, but there's always McDonald's. As for our own SF Convention, remember that it's now, Up sooner than you think. It'll be great; plans have Gone smoothly, we've already had lots of inquiries. Under extreme duress, ECR has been hoodwinked, being Some sort of auctioneer (Can I possibly top BARF II?) That should be good for a few laughs, hi. In any case, '76 should be best Convention in yrs., so bring your 7 ft loop and yourself to SF Aug 13, 14, 15. Even a 6 ft loop will do. Until then, 73 and good DX de ECR..

RICH SEGALAS-P.O. BOX 26254-SAN FRANCISCO, CA 94126
 + + + + +
 Greetings, people. As you must know by now (but, just in case you don't), the Convention is next week, right here in beautiful SAN FRANCISCO. Are you coming? If you read Eric Rittenhouse's Forum in a different way you'll find that he left you a message. DX has been non-existent lately. Nothing seems to want to come this way. I wasn't even going to send in a Forum, but I received a threatening phone call from ye old editor. (Slightly persuasive, as I care to call it, hi. And watch it w/that "old" business too, hi-RtH) Well, I hope to see you all next week. REMEMBER, THAT'S SAN FRANCISCO, THE HOTEL RAPHAEL, AUGUST 13, 14, 15. GOT IT? (Polks, Rich has yet to send me a Forum. He drops them by the office on his way home. Hi Rich-RtH)

KARL N. RAYMOND-P.O. BOX 947-LAWNDALE, CA. 90260
 + + + + +
 Well, I hit an all time low in getting a verie, KVSL 1450 didn't even return my prepared card for their FC. Inefficient? But, I found out where some of the mail goes to, sent in a report to KROQ Burbank, then called the stn several weeks later and asked them if they would receive it if it was addressed to Burbank and they said "no". So the P.O. really goofed on that one, didn't even return my letter. Rick, I'm sorry I didn't get a chance to me you at the ANARC Convention. (Likewise. Parents in town precluded a trip to L.A. Coming to S.F.?-RtH). Saw Mort Meehan there, 1st time in 14 months. Also, met Jim Hill of Palos Verdes and Randy Seaver and Mike Hardester from San Diego area. Have been DXing on MM. Picked up EC and 1st "W" call since the 50's, except for WCBS on a clear channel 2 or 3 yrs ago, WRHC Coral Gables, FL on 1550 kc/s. (They really send in a nice little signal-RtH). WOKJ was also on there, took log on them the follow-MM. They gave phone #, but every time I dialed I got a busy signal or else they didn't answer. Received verie, a form letter, but nice, w/all data one would want on it from KCTA 1030, no sign/on of KTWO noted. They may be coming on later. (What time, Karl-RtH). WOKY appeared to be AN. Heard KPUR on 1440, but no answer. Will try next MM for KGBT 1530 & KENN 1390. (The latter has Navajo early morning after s/on-RtH). Today's quiz, what was the former call of KMPC and what city were they in? Correct answer next month. And no, I neglected to verify them. The new Yaesu-FRG-7 looks like a winner, if the price isn't too prohibitive by the time it comes out. Haven't got the phone # of their offices in Paramount, but will try to get it. A word to the well informed is sufficient, KGBS 1020 will go "rock" sometime in the Fall when they get all their towers up and will change AM & FM calls then. Get 'em while you have a chance. Be seein' you next month. (KMPC was Beverly Hills-RtH) From a postcard from Karl Raymond, the following: KECA's former call was KPLA. They were both on 1430 kc/s. Then KECA moved to 790 after KEHE and KELW

folded. KFSG (4 Square Gospel) was stn that shared w/KRKD. I missed verifying them by less than 30 days. Before that, KRKD was KMCS and before that KMIC, both in Inglewood, KFSG & KRKD were both on 1150, probably 1120 kc/s in the older days of radio. 73

RICK HEADL-840 WARFIELD AVENUE #6-OAKLAND, CA.94610
 + + + + +
 Convention fever has swept the Bay Area Radio Freaks. More or less, hi. I agree w/Wolff, cx are really favouring the North. Now only if AK wasn't in daylight most of the time. I had CKOK burying XEROX couple wks back. However, try for SRS, around 0330-0430 PDT and 0300-0500 PDT for Anchorage and Fairbanks, respectively. Juneau does have some darkness all Summer. You might try around 0500-0600 PDT for them. Have noticed that my Wedge really does a job on KYA 1260. Their XR only 13 km from here, 10 km o/water. CFRN really doing a job on KYA. Whilst listening to my favourite, KEEN, got beautiful ID from KREL. Both last nite, 28 July. As for the Convention, please PLEASE bring your items for the auction. Eric has really been practicing for this auspicious (or is that suspicious, hi) event. Money, of course, goes direct to the IRCA account. A real treat to have Mr. Brown from the local FCC office, that's set for 1500 Saturday. Many other speakers on virtually all topics of DX. Sunday, after the Alcatraz tour, a time to gather to BS or whatever. There will be small DXpeditions to various members' homes for those who wish to DX. Locals, pls bring as much equipment as you can. To all, bring your veries, and whatever DX gear you wish to display and/or use. I know there's much to be said, most of the key info in the Activities Schedule. I'll probably think of a million things after I post this. Hey gang, go back & read Eric's Forum again. But read in a different direction, he does indeed have a message. Now for the clincher, ye ed is moving again!! Yes, again. Valid reasons this time, hi. Rent is going up, neighborhood is starting to decline, I'm getting sick and tired of the commuting (tho I get a charge seeing KIQI, KABL, KDIA, KRE, KFRC and KEST twice daily, hi), and a HNL developing here. I'll be about 1 1/2 km S of Don Kaskey, & 3 km from the blue Pacific (I can see the ocean from the apt.). So, new address, effective 01 September: 1581-20th Avenue, San Francisco, CA. 94122. I will get a phone, all mail will be forwarded. I hate moving, maybe this will be the last for a long time. Well, see everyone at the end of the week in SAN FRANCISCO. 73..

president's REPORT

RECENT BOARD OF DIRECTORS ACTIVITIES:

| PROPOSAL: | RLF | NH | GM | FJP | BP | RFS | JZ | RESULT |
|-----------|-----|----|----|-----|----|-----|----|--------|
| 7.1-35 | F | F | F | F | F | A | O | PASSED |
| 7.1-36 | F | F | F | F | F | A | F | PASSED |
| 7.1-37 | F | F | F | F | F | A | F | PASSED |
| 7.1-38 | F | F | F | F | F | A | O | PASSED |

DIRECTORS: Robert Foxworth, Nancy Hardy, Grant Manning, Father Jack Pejza, Bruce Portzer, Ronald Schatz, John Zondlo.

PROPOSALS:

- 7.1-35 Approve a survey questionnaire. Submitted by Ronald F. Schatz.
- 7.1-36 Approve Six months financial report. Submitted by Mike Worst.
- 7.1-37 Reconfirm Rob Keeney as CPC Chairman.
- 7.1-38 Put KDWN-720 on the membership list in exchange for the weekly program. Submitted by Bill Harang.

The survey questionnaire, mentioned above, is to find out member preferences on different aspects of DX Monitor and the club, as well as finding out a "profile" of the average member.

Will those interested in placing a bid for hosting the 1977 IRCA convention send me a note or postcard. I would like to get these taken care of faster than we did last year.

Respectfully submitted,

Richard C. Evans

July 10, 1976

Richard C. Evans
 P. O. Box 392
 New Buffalo, Mich. 49117

DX
Worldwide



BRUCE PORTZER,
Editor

All times GMT/UTC
Deadlines 8/28, 9/11

7021 Sand Point Way NE, #215 - Seattle, WA 98115 - 206-522-2521

Greetings. Summer DX marches on with a couple of bright spots. TAs are still being logged and there's a juicy logging of Tahiti-740 this time. Also the following:

CAYMAN ISLAND. Per a letter from Radio Cayman, the station said they would start testing on 1555 by July 19 and would hopefully be on the air by the end of July. No mention was made of the 1205 kHz outlet listed in WRTVH. (Rob Keeney) As of 7/31, no rpts of them have been rxd here so I would guess that either they've been testing only during the day or else are still having problems (ed).

ATLANTIC DX ROUNDUP

- 611 ? UNID, Morocco the most likely source of fair strength carrier 0421 7/5. (Connolly, MA)
- 665 PORTUGAL, Lisboa creaming WNBC w/talk on car rx at North River/Rte 3, Marshfield, 0030 7/10. (Connolly, MA)
- 764 SENEGAL, Dakar in w/strong het against WABC 2350 7/9. (Connolly, MA)
- 773 SPAIN, Synchronized outlets fair w/man in SS 0415 7/5. (Connolly, MA)
- 1187 INTERNATIONAL WATERS, R. Caroline fair w/piano jazz o/TGT het 0205 7/7. (Connolly, MA)
- 1439 LUXEMBOURG, Marnarch peaking up well w/fast-talk American accented EE DJ, then Stylistics-type soul mx "Let's put it all Together" 0037 7/11. Faded later. (Connolly)
- 1502 ? UNID, EE, rock show, sounded like BEC, poor-fair 0045 7/11. (Connolly, MA)
- 1529 VATICAN CITY, Vatican R. poor w/cl mx, 2 low hets present as well as het from 1530 0055 7/11. (Connolly, MA)
- 1538 W. GERMANY, Mainflingen DIE fair, S-8, w/m&w in GG, WPTR milled, 0100 7/11. (Connolly, MA)
- 1554 FRANCE, Nice, xInt w/vocals & fast FF talk, jazz & disco-oriented show, 0315. Maxine Nightingale record "Back to Where We Started From" 0318 6/28. Best TA at the time. (Connolly, MA)
- 1586 W. GERMANY, Langenberg good peaking at S9+10, man in GG w/mx 0103 7/11. (Connolly, MA)
- 1602 W. GERMANY, Munich fair in 1600 slop, GG mx rpt, not sure if 7/1586 0104 7/11. (Connolly, MA)

PAN AMERICAN DX ROUNDUP

- 545 DOMINICA, R. Jumbo very good, well o/QRN w/Reggae show & FF talk, most songs in EE 0110-0115 7/11. Some sort of coastal enhancement here as this stn is never hrd this well in west suburbs of Boston. (Connolly, MA)
- 555 ST. KITTS, Basseterre, ZIZ good w/up tempo reggae song "I Don't Know", S9+10 0117 7/11. (Connolly, MA)
- 590 CUBA, San Antonio de las Vegas, CMW fair-good behind WEET, SS //600 0447 7/10. (Connolly, MA)
- 595 DOMINICA, Roseau fair in QRN, S9, w/steel band mx, then fast talk DJ, did not sound like EE 0121 7/11. (Connolly, MA)
- 600 CUBA, San German, CMKV xInt w/m&w in SS //590 0446 7/10. Dominant w/SS talk about workers 0525 7/11. (Connolly)
- 630 CUBA, Santa Clara, CMHQ audible in mull of WPRO //640 0445 7/10. (Connolly, MA)
- 640 VENEZUELA, Puerto La Cruz, YVQO good w/Ondas Portena ID & talk about Puerto La Cruz, atop growl of low hets & other SS audio 0130 7/11. (Connolly, MA)
- 645 PARAGUAY, Coronel Oviedo fair w/SS talk 0420 7/5. (Connolly, MA)
- 650 DOMINICAN REPUBLIC, Santo Domingo, HIAT dominant w/ID as R. Universal, SS ads, electronic sounds, pseudo-interview w/person on the street along the lines of "What's Your Favorite Radio Station?" "R. Universal, of Course" says the person 0527 7/11. Other IA prob R. Vision, rising atop briefly 0528, no WSM. (Connolly)
- 660 MEXICO, Mexico, DF, XERPM 0530 6/17 usuals, tho better on MW tuner pr. 0450 6/24 back to good levels touching S7 w/usual whelps on whizbang. (Newell, BC)
- 710 MEXICO, Cuahatemoc, XEDP is evidently the call of this stn. previously rptd by yours truly as XEVB. Often

- 720 CUBA, Colon, CMGN totally dominant, loud w/LV de Cuba ID, pompous march 0530 7/11. (Connolly, MA)
- 725 SURINAM, Paramaribo, SRS at monstrous level, S9+55, killing adjacent domestics & IAs audible in 16 kHz bandwidth, had "Let Me Roll it to You" by George Harrison at 0133, DD talk & ID 0447 7/7. (Connolly)
- 730 COLOMBIA, Bogota, HJCU good o/u KCAC o/presumed Cuban, good R. Melodia ID by man in SS, then up tempo LA dance mx 0440 7/10. (Connolly, MA)
- 735 ECUADOR, Quito, HCBG1 fair-good w/romantic SS vocal 0150 7/11. (Connolly, MA)
- 750 NICARAGUA, Managua, YHX 1053 6/17 boosts to S9+25 w/Nicaragua mentions & TC's, good. (Newell, BC)
- 760 COLOMBIA, Barranquilla, HJAJ good w/soul-style SS vocal w/brassy instrumentation, then LV de Barranquilla ID by man in SS 0435 7/10. (Connolly, MA)
- 775 COSTA RICA, San Jose, TIW, R. Uno fair w/"SWAT" theme 0152 7/11. (Connolly, MA)
- 780 CUBA, Camaguey, CMGN good w/m&w in SS, talk about Angola way o/WBBM 0433 7/10. Noted wobbling around 785 kHz 0435 6/27. (Connolly, MA)
- 800 NETHERLANDS ANTILLES, Bonaire, PJB strong w/Christian hymns, pgm had male anor in EE o/u CKLW 0432 7/10. No sign of 600 kw Brazillian so assume not on yet. (MC-MA)
- 810 COLOMBIA, Bogota, HJCY way o/WGY, S9+40 w/festive SS mx having xylophone, drum & brass accompaniment, then ment of Colombia 0137 7/11. (Connolly, MA)
- 820 COLOMBIA, Cali, HJED xInt w/slow SS vocal, Morocco-BTB het present, 0431 7/10. (Connolly, MA)
- 825 COSTA RICA, San Jose, TIOS good w/"Don't Want to be Lonely" (Soul song), then slow SS c&w vocal, Connie Francis style & superimposed Titania automated ID by woman, low ear grinding het from Panama 0203 7/11. (Connolly, MA) --- varied levels at 0427 6/19, 0507 7/11, 0700 7/17 w/same format of romantics & IDs between disc skippings. (Newell, BC)
- 834 BELIZE, Belize, R. Belize varied levels 0447 6/19, 0507 6/21 fair, 0447 6/24 poor, upholding N.A. style. (Newell, BC) --- good w/woman in accented EE who read off listeners names, then a mushy Mat Morrow-style vocal was played 0430 7/10. (Connolly, MA)
- 840 ? UNID, Haiti a possibility but WRTH gives 0100 s/off time. Non-stop FF talk o/SSer 0210 7/11. (Connolly)
- 870 ARGENTINA, Buenos Aires, IRA likely as the SSer w/frequent ments of Argentina & a wide variety of mx including jazz, SS guitar, & both slow & fast SS vocals, sig poor-fair o/u Cuba's non-stop SS talk, both atop WWL which surfaced briefly w/EE talk. QRN a problem. Monitored 0535-0555 7/11. (Connolly, MA)
- 890 COLOMBIA, Bogota, HJCE fair in QRN o/u WLS w/slow SS vocal 0603 7/11. (Connolly, MA)
- 950 MEXICO, Nueva Rosita, XEYJ fair in the QRN 0401 7/9 w/Full ID "R. Noventa y Cinco" slogan & ment of 1000 watts. (Kemper, CO)
- 990 MEXICO, La Paz, XEZH noted 0645 6/28 3/inst EL mx & Full ID, in the clear w/rather weak sig. (Kemper, CO)
- 1005 COLOMBIA, Neiva, R. Colosal, 7/25 0929 w/2 IDs at 0930 in SS. XInt sig, best ever from Colosal, a steady ST. Some trouble from KOMO-1000. (Hanavan, CA) --- unbelievably strong 0748 7/26 w/ID & up tempo SS mx. So strong they were almost as strong as KGBS! (Portzer, WA)
- 1010 PERU, Lima, R. America, surfaced briefly w/"OAZHU" ID 0911 7/26 w/QRN from CFRB/XEHL/WINS & Colosal slop. (Portzer, WA)
- 1010 MEXICO, Guadalajara, XEHL 0430 6/22 ID for refund stn; don't know how I lost track of them. (Newell, BC)
- 1020 VENEZUELA, Asuncion, YVRS u/KDKA w/lively IA mx 0451 7/10. (Connolly, MA)
- 1040 COLOMBIA, Barranquilla, HJAI fair atop mass of low hets w/R. Tropical ID, then slow SS male vocal 0447 7/11. (Connolly, MA)
- 1070 COLOMBIA, Barranquilla, HJAG bodacious w/fast IA vocal mx & flute accompaniment 0453 7/10; low het present. (Connolly, MA)
- 1090 ? UNID, YV or HJ, SS mx u/WBAL hitting good peaks but no IDs extractable 0444 7/11. (Connolly, MA)
- 1100 ? UNID, Colombia possibly the SS mx stn o/u WWWE 0454 7/10. (Connolly, MA)
- 1170 COLOMBIA, Cartagena, HJNW fair/good w/SS "portena" mx, LV de Heroica ID, 0431 7/11. Dominant o/growl of hets. (Connolly, MA)
- 1180 CHILE, Santiago, CBLL8, coming in strong 7/2 1059-1115 mixing w/XEPR. Hrd one R. Portales ID, but later found out tape recorder wasn't hooked up. Mx & talk. (Pejza, CA)
- 1200 VENEZUELA, Caracas, YVOZ xInt w/brassy IA mx, Radio Tiempo ID 0434 7/11. (Connolly, MA)
- 1265 ST. KITTS, Basseterre, R. Paradise good w/EE female vocal 0217 7/11. (Connolly, MA) --- EE rlgls show 0920 7/26 w/man talking. Mx at 0930, then seemed to



go into another pgm. No ID hrd due to KYA/KYAC slop. (Bytheway,WA)
1419 CUBA, Baracoa, CMDX fair 0200 7/7. (Connelly,MA)

PACIFIC DX ROUNDUP

- 660 t NEW ZEALAND, Auckland, 2YC 1150 6/17 average levels w/diets of classics. Obnoxiously timed s/off after fade down. (Newell,BC)
- 740 TAHITI, Papeete, listed 20 kw, hrd MM 7/5 0719-0730 s/off w/pgm //6135 SW. At 0719, some FF talk (nx?) punctuated by 2 gongs between items; at the end, a series of 10-12 notes on a flute-like inst, then non-Polynesian mx (vocal group like Brazil 76 & a horn instrumental) to 0728 when some more FF, a Polynesian song & Le Marseillaise at 0729, then off. This was hrd w/KCBS OC mull'd & a bad buzz (XTRA related?). At 0728, KCBS OC went off just at the end of the mx & the FF talk was identifiable. 10 secg later, KBMT-Avalon put their OC on (mull'd about 15⁰ w of KCBS). The last 10 mins of prmng seems to be repeated each day as 6135 was logged on 7/6 w/nearly identical pgm. The 0730 s/off tip was seen in SPEEDX last month. KCBS is off MM only after midnight P1P. Tahiti is only 4000 miles from SD on a bearing of 217°, almost 90° to SF. New country & a most welcome catch. (Seaver,CA) (Also keep in mind that they're possible only during DST---after we go back to std time they'll s/off at 11:30. Great catch, Randy! bp)
- 844 GILBERT ISLANDS, Tarawa, VSZ1 7/25 0947. More than likely the carrier noted here next to WHAS. After hearing WKIE-1385 figured I'd give this one a try. (Hanavan,CA)
- 1385 PHOENIX ISLANDS, Canton Island, WKIE 7/25 barely audible thru KGER-1390 & KTOM-1380. (Hanavan,CA)(time?)
- 1510 AUSTRALIA, Newcastle, 2NA hrd 1115-1200 SM 7/18 w/KGA off. Had piano mx 1122, man w/many ments of ABC at 1128, pgm & YL ancr interspersed w/man & mx 1130. 6 pips at 1200. (Bytheway,WA)
- 1550 AUSTRALIA, Rockhampton, hQD hrd 7/5 0800 w/6 pips, short fanfare, & "Here is the nx from ABC..." This is usually the first Aussie hrd MM's due to high & open freq. (Seaver,CA)

DOMESTIC "CURSES" ROUNDUP

- 875.8 ALBERTA, Drumheller, CJDV has been putting out loud distorted audio here & on 944.2 for the past month or so. First noted by Bytheway at 1035 7/10, & has subsequently been hrd by other Seattle DXers & Derek Ford. Programming is automated c/w w/anmts after every 3rd song, interspersed w/occasional IDs & PSAs. Very strong for a spur---equal to or better than WLS at times here in Seattle. Hope no one gets confused & thinks they've hrd N. Korea, hi. (Portzter, et al,WA)

REPORT FROM SOUTH AFRICA

Denzil Baker in Durban sends in the following tips:

- 602 REUNION, St. Denis, France Region 3 hrd here 6/25 at 0325 w/mx & anmts in PP.
- 680 AUSTRALIA, Busselton, 6BS (ABC) hrd 6/19 w/pgm // 6WF at 1445 w/good sig w/QRN.
- 720 AUSTRALIA, Perth, 6WF hrd w/show songs 6/19 1443 w/good sig & QRN.
- 737 MOZAMBIQUE, Maputo, R. Mozambique 6/20 1800 w/nx & commentary in EE directed to Rhodesia & S. Africa. Was noted w/strong QRM de IBA Qualima on same freq.
- 737 ISRAEL, Quademia, IBA hrd 6/20 1800 w/nx in EE read by OM w/American accent. Hrd u/R. Mozambique but at times o/Mozambique.
- 836 MOZAMBIQUE, Chimoiro, R. Mozambique (Emis. Regional de Chimoiro) has been hrd w/local mx & anmts in Ver-nacular 6/20 1518. WRTH lists sked as 1600-2000. Has also been hrd 0406 w/nx in PP relayed from Maputo.
- 890 RHODESIA, Salisbury, RBC African service was hrd on 6/25 at 0347 w/world nx in Mdebele w/a good sig w/good sig w/slight QRN.
- 930 MONTSERRAT, R. Antilles has been hrd 6/20 0445 w/IA mx & anmts in SS. Xlnt sig w/QRN. Has been noted to fade out & vy rapidly at about 0500. This is about 20 mins after ISR.
- 1000 AUSTRALIA, Perth, 6PM was noted 6/19 1440 w/comm's, pop mx & ID, good at times w/deep fades. Aussie stns have been hrd irreg this season w/poorer quality than last seasons.

- 1010 USA, New York, WINS has been hrd here fairly regularly & on 6/20 0420 w/nx, sports, time checks w/poor sigs the good at times.
- 1088 ANGOLA, Luanda, R. Mac de Republica Angola has been noted w/ s/on & NA in PP 0400 w/xlnt sig. Apparently this stn has changed its name & s/on times. WRTH lists s/on for Emis Oficial as 0500. Further monitoring is req'd to determine s/off times.
- 1140 PHILIPPINES, PoroPt., VOA is being hrd here regularly until closedown at 1500 w/nx, commentary in Vietnamese. Sig strength has been fair-good.
- 1241 RHODESIA, Bulawayo, R. Malopos hrd 6/20 at 2005 has been observed to be relaying General Service 2000-2100 Sundays. Further monitoring is req'd to check if R. Matapos regularly relays General Svc before closedown. R. Matapos is named after the range of hills near Bulawayo.
- 1259 GREECE, Rhodesia, VOA relay has been hrd here 6/25 0331 w/"Breakfast Show" in EE w/poor sig w/het.
- 1376 SWAZILAND, Mbabane, Swazi Commercial R. was noted here 6/20 0500 w/ s/on in EE followed by nx & rlgs pgm. Xlnt sig. Ancr gave freq of SW outlet but not MW outlet.
- 1376 SWAZILAND, Mbabane, R. Truro is hrd here regularly fading in at about 1455 w/Indian mx & comm's & anmts in EE. Sig strength is xlnt at all times. R. Truro is a division of Swazi Comm R. & is beamed to the Indian population of S. Sfrica & neighboring countries. Xmsn usually ends at about 1630 or 1700.
- 1570 t MEXICO, Cd. Acuña, XERF hrd here 6/25 0329 w/rlgs pgm in EE. I must regard this as a tent logging as reception was pocr & sig very weak. No ID was hrd.

CONTRIBUTORS

Denzil Baker, Durban, S. Africa; Trio 9R95DS, Baker Special ant Phil Bytheway, Seattle, WA; HQ-150, Wedge/SM-1/Longwire Mark Connelly, West Yarmouth, MA; R-390A, 2 120' LWS w/tuner Brett Hanavan, Chula Vista, CA; SPR-4, HQ-180C, Sanserino lp Rob Keeney, Lawrence, KS
Ralph Kemper, Grand Junction, CO; Norelco portable R. Colin Newell, Victoria, BC; DX-150B, LW
Father Jack Pejza, Modesto, CA; SPR-4, Sanserino loop Bruce Portzter, Seattle, WA; HQ-180A, SM-2
Randy Seaver, Chula Vista, CA; HQ-180A, Sanserino loop



CHARLES A. TAYLOR, Editor
939 EASTERN AVE.
INDIANAPOLIS, IN 46201

DXWW II No. 46. Phone 317-638-4166, 0100-0300Z weekdays and Saturdays; 1300-0300Z Sundays.

The Taylors plan a move to a new QRA within the next month, one that is only a block and a half from here; consequently, a new phone number will be shown. Any mail that is directed to 939 Eastern will be received undelayed.

With no further ado, we turn to News from the World of DX:

ARGENTINA (MWN) R. Argentina, Buenos Aires, on 1110 is sked 0800-0600Z. R. Rio Gallegos, 680 kHz, is now 30 kW (Roberto Iglesias, Buenos Aires).

BRASIL (MWN) R. Cultura, Caxias do Sul, 1370 kHz, is the new name for Emisoras Reunidas. R. Clube Paranaense on 1440 kHz, has new call sign ZYE350 and is 24 hours (Roberto Iglesias). (SCDX) Two new transmitters for MW have been installed at Rodeador (55 km from Brasilia) for R. Nacional de Brasil (Mike Gaito, Medina, Ohio, U.S.A.). Scuz please, those are 300 kW; also believe one is 800 kHz. (cat)

CHILE (MWN) R. Presidente Balmaceda seems definitely to have been closed by the Chilean government for political reasons. New is R. Libertad, Curico, 1480 kHz, signoff 0500Z. Address is Casilla 757, Curico (Roberto Iglesias, Buenos Aires).

INDONESIA (SWNS) On VII/22/75, Harris (formerly Gates) concluded a mammoth contract with the Djakarta government. It is made up of 36 individual radio systems located in 43 different communities. The equipment consists of three 50-kW, MW transmitters; one 50-kW, SW transmitter; one 10-kW, FM transmitter, 21 10-kW, MW transmitters, and 11 shortwave or tropical band 10-kW

transmitters, plus antenna towers, diesel generators, and support equipment including 50-Watt FM, studio-transmitter links. All sites will operate on diesel generator power as there is inadequate commercial power available at the moment. Commissioning of sites was scheduled to begin in January and continue through August of this year. An Indonesia company, Intermetronics, was subcontracted for the inland transportation, installation and commissioning part of the contract.

HOLLAND (MWN) Holland has allocated two extra channels 1395 and 173 (sharing with Belgium). R. Nederland may have use of the channels in evenings. (Mike Barraclough) Sweden Calling DXers says that on 5.1.76, R. STAD on R. Amsterdam opened on 1250 from 1600 to 1800Z. Midday programmes are due; Distance gives address of Luykenstraat, 38, Amsterdam.

INTERNATIONAL WATERS (MWN) The Voice of Peace is on 1540 kHz with 50 kW and is on a 24-hour daily schedule and is a non-profit-making station dedicated to fostering a closer understanding between Arabs and Israelis and to furthering the cause of peace in the Middle East. Income is derived from advertising revenues and excess profits are donated to charities whose aim is the promotion of peaceful coexistence. The address is The Voice of Peace, Postbox 4399, Tel Aviv, Israel (Arthur Cushen). (SCDX) Radio Caroline has put a 10-kW transmitter into operation on 1562 kHz. From May 15, Radio Caroline is broadcasting in English 24 hours a day on 1562 kHz with an album music programme format, with 1187 kHz in parallel at 1800-0500Z. At 0500-1800Z, the 1187-kHz outlet broadcasts the Dutch/Flemish programmes of Radio Mi Amigo.

IRELAND (SCDX 1380) It appears that both of the new 250-kW transmitters at Tullamore, which were recently put into operation on 566 kHz, have been taken off the air. No signal has been received in Scotland in the last couple of weeks. (Stewart Fenwick, Clackmannon, Scotland)

ISRAEL (SCDX 1370) A new 200-kW, MW transmitter is operating on 529 kHz, used from 1700-1900Z for Hebrew commercial programmes. (Berd Blumann, Tel Aviv)

ITALY (MWN) New stations are: (539 kHz) Cagliari (17 kW), Bolzano (8 kW), Catania (4 kW); (652 kHz) Bari (30 kW), Pisa (20 kW), Ancena, Aosta and Bolzano (4 kW). Rome is 710 (20 kW), Naples is 773 (20 kW). Reggio on 800 (4 kW) (E.B.U.)

LIBYA (MWN) A new superpowered station is noted on 827 in Arabic with music and announcements with occasional test tones. (Richard Ginbey via SCDX)

LIECHTENSTEIN (MWN) Liechtenstein has been granted a channel of 1386 kHz for an output of 500 kW, but this does not necessarily mean that there will be a station in the next few years. The assignment has been granted by the ITU Conference, but the agreement has not yet been signed by Albania, Malta, Oman and Burundi. (M.B. and SCDX)

SOUTH AFRICA SABC is believed to be closing Afrikaans, English and Radio 5 medium wave outlets on June 30, 1977. These are to be broadcast on shortwave. SABC is also believed to be installing low-powered FM transmitters in South West Africa. I am awaiting confirmation from SABC on these items. (Denzil V. Baker, Durban, R. of S. Africa)

SPAIN (MWN) EFE57, Pamplona, is now on 1140 (ex-1150). (EBU)

SYRIA (MWN) Deir el Zor (60 kW) has moved to 953 from 960. (EBU)

UNITED KINGDOM (MWN) The Daily Telegraph (23.1.76) reported that the Independent Broadcasting Authority might apply for what is now a BBC frequency. This is from IBA director of Broadcasting, John Thompson, who argues that since all radio wavelengths are in the process of being reallocated by the ITU, then Britain's share is back in the melting pot. Thus, there is no intrinsic reason why the BBC should get all its present wavelengths back. In view of the BBC's present financial state, it would be "perfectly imaginable" for one of the present BBC networks—possibly Radio 1 or 2 to be "restructured on a commercial basis". No favour to the suggestion can be expected from the BBC and the Home Office is not very likely to see things this way.

(SCDX) The correct address of the new station Downtown Radio, Belfast, broadcasting on 1025 kHz, is Kiltanga Radio Center, P.O. Box 293, Newtownards, Co. Down, N. Ireland.

URUGUAY (SCDX) CX10, R. Ariel, Montevideo, 730 kHz, has changed its name to Radio Continente. (H.A. Nigro, N.E. Dorrey, Buenos Aires)

Sources and Reporters for the preceding: Denzil V. Baker, 4 Emlyn, 18 Noble Road, Durban 4001, R. of South Africa; MWN, Medium Wave News of the Medium Wave Circle, The Avenue, York YO3 6AS, Great Britain;

SCDX, Sweden Calling DXers, Radio Sweden, S-105 10 Stockholm, Sweden.

International DX Forum

Denzil V. Baker, 4 Emlyn, 18 Noble Rd., Durban 4001, South Africa Greetings from South Africa DX conditions on the MW band are unusually poor for this time of year. In addition, a new menace has hit the SA DX scene—TVI. While tough legislation has cut down on TVI, it is still a problem. Actual TV programming is from 1600 GMT to 2100 GMT every day except Saturday when it is from 1300 GMT to 2100 GMT. In fact, we have 24 hour TV as the test pattern is on when no actual programming is shown. While the test pattern is on, the local regional FM radio service (R. Port Natal) is relayed with the result some people leave their TV set on as a radio!! Legislation has improved reception somewhat as all electrical appliances, motor car ignition systems, etc., must now be suppressed so as not to interfere with TV reception. This means all these appliances etc don't create so much havoc with radio reception. Rig here now consists only of Trio 9R59DS. Got rid of my Bartlow-Wadley XCR 30 as I was not using it. However I am thinking of buying a new receiver possibly the new Kenwood QR666 or one of Drake models, depending on prices. On the personal side, I am 38 years, still a bachelor. Am still employed as a clerk in the Post Office but am considering a job change. DX-wise, I haven't done any serious DXing for about 8 months due to salt mines and other personal affairs. However, I will be on leave from work for four months in June so should get some DX done. Am still taking an active part in South African DX Club and IRCA. In IRCA affairs, feel that IRCA is one of the best around and would feel sad at not being able to continue membership. I have made many friends in IRCA and hope to make many more. I had hoped to attend the Convention in Frisco this year but ran into financial problems (we have inflation here too) and problems at work etc. Anyway hope to send the organizers some junk to auction off for club funds and perhaps a phone call or cassette tape to be played for all present. If I can't be there in person, I will be there in spirit. For those who collect beer cans, etc will offer to send a selection of cans (or other items) in exchange for U.S. newspapers, magazines, maps or what have you. To those nuts who would like to talk with me personally, a cassette will be welcome or a phone call appreciated. Phone number here is (AG 031) 341382 (you will have to find out the international and country codes from your telephone company). Phone calls accepted from 1600 to 2000 GMT weekdays, 1000 to 2200 GMT Saturdays and 0700 to 2000 GMT Sundays. A direct-dialling stem between USA-SA has been in operation for 6 months now, so dear friends phone me. Tot siens vriende de Denzil. (Our thanks to Denzil for the offers and who will take him up on a phone call to SA. I cannot at the present as the 638 prefix here in Indianapolis cannot yet dial into the IDDD system. with our projected move soon, we may request a 635-prefix number which can dial into IDDD; or wait till 638 is interconnected. cat)

And that completes another number of DXWW II. We hope to be with you next month. 73 de *Charlie*

Two items by C.M. Stanbury II deleted under provision of the Editorial Policy, part III E5. (MGW)



Happenings in the Association of North American Radio Clubs
 Executive Secretary: Dave Browne, 557 N. Madison Ave., Pasadena, CA 91101. IRCA Representatives: Rick Evans, John Zondlo, Father Jack Pejza.

Summer get-togethers and conventions:

Aug. 13-15 IRCA, Hotel Rafael, 386 Geary Ave., San Francisco, CA. See information elsewhere in this issue. Contact Rick Heald, 840 Warfield, #6, Oakland, CA 94610 (415)626-3400.

Aug. 21-22 Ohio Weekend DX Seminar, Imperial House, Canton, OH, sponsored by Miami Valley DX Club. Contact Bob Beck, 1102, Delverne Ave., SW, Canton, OH 44710.

Aug. 22 Great Lakes DX Association, Lansing, MI. Contact Bill Whitacre, 2609 Devonshire, Lansing, MI 48910. (517)482-7996.

Sept. 3-5 National Radio Club, Holiday Inn Southeast, Louisville, KY. Contact Wayne Murphy, 1411 Phyllis Ave., Louisville, KY 40215.

Ontario DX Association has been voted as a full member of ANARC.

Nominations for the ANARC Executive Secretary are now open. He is elected by the ANARC Representatives for a two-year term. The election is scheduled for Oct. 20. Nominations will close on Sept. 4.

Advance notice is given on opportunities to bid on the site of the 1977 ANARC Convention. Nominations will close Sept. 4, 1976.

European Happenings— 70 participants from 15 countries attended the 10th annual European DX Council meeting at Hilversum, Holland May 26-30. A World DX Federation, linking all the continents, has been suggested.

Total Solar Eclipse Radio Propagation monitoring—Dr. David Meisel, Dept. of Physics and Astronomy, State University College, Geneseo, NY 14454, is requesting chart records or other documentation on Radio Tanzania and the four stations of the Australian Broadcasting Commission on shortwave during the eclipse of Oct. 23, 1976. For data on the monitoring periods and frequencies, send return postage, or SASE, to Dr. Meisel.

The FCC has approved rules to limit more sharply the duplication of community owned FM and AM stations in the same city. Effective May 1977, if either the AM or FM is licensed to a city of over 100,000, the FM station can't duplicate more than 25% of the average week's programming. For communities between 25,000 and 100,000, duplication can't be over 50%.

TAB Books, Blue Ridge Summit, PA 17214 has just released its 1976 catalog, free.

BROADCASTING

INFORMATION

(as compiled by Mike Worst)

| | Day | Nite | | |
|------|------|-------|-----------------------|-----------------------|
| WMGS | 730 | 1000 | Bowling Green, OH | requests WJYM |
| KGPD | 790 | 500 | Clovis, CA | granted KXQR |
| | | | not on the air | ND from DA-D |
| KUZZ | 800 | 250 | Bakersfield, CA | requests KHIS |
| WEDO | 810 | 1000 | McKeesport, PA | to McKeesport - |
| | | | | Pittsburgh |
| KITN | 920 | 1000 | Olympia, WA | to lkw-D, 500w-N |
| | | | | DA-N |
| WNAL | 940 | 250 | Nelsonville, OH | CP cancelled |
| WHVW | 950 | 500 | Hyde Park, NY | granted WHPN |
| new | 1010 | 5000 | Brush, CO | " KCMP |
| WUDO | 1010 | 250 | Lewisburg, PA | requests WTGC |
| WKZE | 1030 | 10000 | San Juan, PR | " WOSO |
| WQYK | 1110 | 10000 | Tampa, FL | granted WTIS |
| KDEF | 1150 | 5000 | Albuquerque, NM | " KNEWZ |
| KPUG | 1170 | 5000 | Bellingham, WA | 10kw-D, 5kw-N, DA-N |
| new | 1230 | 1000 | Steamboat Springs, CO | req. KBCR |
| WMOU | 1230 | 1000 | Berlin, NH | renewal denied |
| WKDA | 1240 | 1000 | Nashville, TN | requests WNIM |
| WSUX | 1280 | 1000 | Seaford, DE | granted WSFD |
| WIFE | 1310 | 5000 | Indianapolis, IN | new owners |
| new | 1320 | 500 | Port Gibson, MS | requests WPGR |
| KMTI | 1340 | 1000 | Manti, UT | start operation |
| KPOR | 1370 | 1000 | Quincy, WA | requests KWNC |
| WGSE | 1380 | 5000 | New Bern, NC | " WBIC |
| WTNL | 1390 | 500 | Reidsville, GA | start operation |
| KEGL | 1430 | 1000 | Santa Clara, CA | granted KNTA |
| new | 1430 | 1000 | Mayfield, KY | requests WYMC |
| WLPW | 1450 | 1000 | Suffolk, VA | " WFOG |
| WSIB | 1490 | 500 | Beaufort, SC | to operate to 10-1-76 |
| WKBX | 1500 | 10000 | Winston-Salem, NC | requests WURL |
| new | 1520 | 250 | Port Gibson, MS | " WKPG |
| WANR | 1520 | 1000 | Toledo, OH | " WGOR |
| WIAD | 1530 | 50000 | Jacksonville, FL | granted WCRJ |
| KNIE | 1530 | 10000 | Cheyenne, WY | " KRNK |
| KGAR | 1550 | 1000 | Vancouver, WA | to 10kw, DA-N |
| new | 1560 | 250 | Ellijay, GA | CP |
| new | 1560 | 1000 | Iowa City, IA | granted KCJJ |
| new | 1570 | 250 | Hardy, AR | requests KSRB |
| WHEL | 1570 | 1000 | New Albany, IN | granted WOBBS |
| WLBQ | 1570 | 250 | Morgantown, KY | start operation |
| WPPC | 1570 | 1000 | Penuelas, PR | " " |
| new | 1590 | 1000 | White Castle, LA | CP |
| WEEZ | 1590 | 1000 | Chester, PA | requests WQIQ |

From the June 28 to July 26, 1976 issues of Broadcasting.

Electronic Design. 14, July 5, 1976 via Bruce Portzer
Commerce Dept. opposes FCC's clear-channel plan

The Commerce Dept.'s Office of Telecommunications has announced its opposition to a proposal by the Federal Communications Commission to increase the permissible power level of clear-channel AM stations from 50,000 W to 750,000 W. The FCC's objective is to improve nighttime service in poor-reception areas.

The Office of Telecommunications is against the move because of the interference problems it believes so much power may create. According to research conducted by the Office's Institute for Telecommunication Sciences at Boulder, CO, radio waves of 500,000 W can modify certain regions of the ionosphere sufficiently to cause cross-modulation, scattering and fading. Before allowing stations to broadcast at such power levels, the office recommends field tests.

FCC Denies Petition by Poor People's Radio

Washington

The Federal Communications Commission rejected yesterday a petition by Poor People's Radio Inc. to allow the creation of low-power AM-radio stations for use on a non-profit basis.

But the commission suggested Poor People's Radio might consider the educational portion of the FM band, where such lowpower operations are permitted.

The commission noted that Poor People's Radio already owned such a station in San Francisco. *

The FCC said that a proceeding is under way to explore the need

for change in the rules applicable to educational operations — including those with low power — and that Poor People's Radio might wish to join in that proceeding.

The purpose of the proposed stations would be to offer broadcasts of an educational nature, Poor People's Radio said. The petition for such stations in the AM band did not explain how the establishment of such stations would serve the public interest, the FCC stated.

In addition, it said, treaty requirements with other nations governing the use of standard broadcast frequencies would appear to preclude the creation of such stations. Associated Press

NBC NEWS & INFORMATION SERVICE (NNIS) AFFILIATES

As compiled by Bruce Portzer

Source: Broadcasting, June 21, 1976

| | | | |
|------|--------------------------------|------|-------------------------|
| 620 | WLEZ, Bangor, ME | 1330 | WMEN Tallahassee, FL |
| 630 | KOH, Reno, NV | 1340 | WBRE, Wilkes-Barre, PA |
| 710 | KURV, Edinburg, TX | | WRIT, Milwaukee, WI |
| 790 | KSPD, Boise, ID | 1350 | WKLX, Portsmouth, VA |
| | WEAN, Providence, RI | 1360 | KRUX, Glendale, AZ |
| 910 | WRNL, Richmond, VA | 1380 | KUDL, Overland Pk., KS |
| 940 | WINZ, Miami, FL | | KTSM, El Paso, TX |
| 950 | WHVW, Hyde Park, NY | 1400 | KAAP, Santa Paula, CA |
| 960 | KIAD, Klamath Falls, OR | | WABY, Albany, NY |
| 970 | WCSH, Portland, ME | | KBML, Henderson, NV |
| 980 | WRC, Washington, DC | 1410 | WPOP, Hartford, CN |
| 1040 | KHVV, Honolulu, HI | | KWBB, Wichita, KS |
| 1050 | KMYO, Little Rock, AR | 1430 | KARM, Fresno, CA |
| 1090 | WBAL, Baltimore, MD | 1450 | WILM, Wilmington, DE |
| 1130 | WCAR, Detroit, MI | 1460 | KROW, Dallas, OR |
| 1220 | WQSA, Sarasota, FL | 1480 | WMAX, Grand Rapids, MI |
| 1230 | KSPC, Spokane, WA | | KJOE, Shreveport, LA |
| | KVOC, Casper, WY | 1490 | KLNG, Omaha, NB |
| 1240 | KRDO, Colorado Springs, CO | 1520 | KYXL, Oregon City, OR |
| | WBIR, Knoxville, TN | 1530 | KFBK, Sacramento, CA |
| 1260 | WBUD, Trenton, NJ | 1540 | KRXV, Ft. Worth, TX |
| 1270 | KGUY, Palm Desert, CA | 1590 | WNTS, Indianapolis, IN |
| 1280 | WWTG, Minneapolis-St. Paul, MN | | KEND, Lubbock, TX |
| | KWMS, Salt Lake City, UT | 1600 | WPOM, Riviera Beach, FL |
| 1300 | WRBC, Jackson, MS | | KASH, Eugene, OR |
| | WBER, Cleveland, OH | | |
| 1310 | WRR, Dallas, TX | | |

A couple of the above may be in doubt as the NNIS may be carried on the FM outlet rather than the AM of the same call. Send any additions/corrections/changes to HQ.

San Francisco Chronicle,
 July 21, 1976
 Submitted by:
 Vern Naxham
 San Francisco, Ca.

* KPOO, 89.5 FM

CONDITION OF FREQUENCIES LIST

Editor: H John Clements, 11425 Albers St #5, North Hollywood, CA 91601

| FREQ | CALL | STATE | OFF | ON | FREQ | CALL | STATE | OFF | ON |
|------|------------------------------|-----------------------|-----------------------------------|----------------------------------|------|------------------------------|----------------------|---|-----------------------|
| | | | | | 1030 | KTWO | WY | MM | |
| | | | | | 1040 | WHO | IA | SM | |
| | | | | | 1050 | XED | NL | NSP | |
| 550 | KOY
KTSA
KSD | AZ
TX
MO | NSP
NSP
MM | | 1060 | KUPD
CFCN | AZ
ALTA | NSP
NSP | |
| 560 | KLZ
WIND | CO
IL | NSP
0325 | 0600 MM | 1070 | KNX
CFAX
KWISO | CA
BC
WI | 1st MM
NSP
0100 | 0700 SM |
| 570 | KLUB
KLAC
WFAA | UT
CA
TX | NSP
NSP
NSP | | 1080 | KRLD | TX | MM | |
| 580 | WIBW | KS | NSP | | 1090 | XEPRS | BCN | NSP | |
| 590 | WOW | NE | NSP | | 1110 | KFAB | NE | NSP | |
| 600 | KOGO
CFQC | CA
SASK | NSP
AN | | 1120 | KMOX | MO | NSP | |
| 610 | KRKE | NM | NSP | | 1130 | KWKH
CKWX
WISN | LA
BC
WI | MM
NSP
0200 | 0600 MM |
| 620 | CKCK
KTAR
WTMJ | SASK
AZ
WI | NSP
SM
0300
0300
0200 | 0600 Daily
0700 SM
0600 MM | 1140 | KGEM
KRAK
CKXL | ID
CA
ALTA | MM
MM
NSP | |
| 630 | KHOW
KXOK | CO
MO | NSP
MM | | 1150 | KDEF | NM | NSP | |
| 680 | KNBR | CA | NSP | | 1160 | KSL | UT | NSP | |
| 690 | XETRA | BCN | NSP | | 1170 | KVOO | OK | 2nd MM | |
| 710 | KERE | CO | NSP | | 1190 | KRDS
KEX | AZ
OR | NSP
SM | |
| 730 | XEX | DF | AN | | 1200 | WOAI | TX | MM | |
| 740 | KCBS
KRMG | CA
OK | MM
SM & MM | | 1220 | CJOC
XED | ALTA
DF | NSP
MM | |
| 770 | KOB | NM | NSP | | 1230 | KDZA
KRSY
KRIZ
KEXO | CO
NM
AZ
CO | NSP
NSP
NSP
0300 daily
0200 MM
0100 daily
0000 MM | |
| 790 | KGHL
KAEC | MT
CA | MM
NSP | | | WCLO | WI | | |
| 800 | XEROK | CHIH | NSP | | 1240 | KCLV
WIBU | NM
WI | NSP
0100 daily | |
| 810 | KCMO
KGO | MO
CA | NSP
MM | | 1250 | WREN
WEMP | KS
WI | NSP
0200 | 0600 MM |
| 820 | WBAP | TX | NSP | | 1260 | KGIL
KVSF | CA
NM | 0400
0300 daily | 0830 daily |
| 850 | KOA | CO | 0215 MM | | 1270 | KFJZ | TX | NSP | |
| 890 | WLS | IL | NSP | | 1280 | KWMS | UT | NSP | |
| 910 | KPOF
KALL
XEAO
KISN | CO
UT
BCN
WA | NSP
MM
NSP
NSP | | 1290 | KOIL | NE | NSP | |
| 920 | KQEO
KORK
KXLY | NM
NV
WA | NSP
NSP
MM | | 1300 | KVOR
CJME | CO
SASK | MM
NSP | |
| 930 | KSEI
WKY | ID
OK | NSP
NSP | | 1310 | WRR
KBUZ
WIBA | TX
AZ
WI | NSP
NSP
0400
0100 | 0600 daily
0600 MM |
| 940 | KIXZ
KHOS
KIOA | TX
AZ
IA | MM
NSP
MM | | 1320 | KCPX | UT | NSP | |
| 950 | KMN | CO | NSP | | 1340 | KQIL
WRIT | CO
WI | NSP
MM | |
| 960 | KOVO | UT | NSP | | 1360 | KRUX
KXOL | AZ
TX | MM
NSP | |
| 970 | XEJ
KOOK | CHIH
MT | NSP
NSP | | 1370 | KEEN | CA | MM | |
| 980 | KFWB
KMBZ
CKRM | CA
MO
SASK | NSP
NSP
NSP | | 1380 | KTSM
KGMS
WBEL | TX
CA
IL | MM
MM
0100 | 0630 daily |
| 1000 | KOMO | WA | MM | | 1390 | WVON
KGER
KCBC | IL
CA
IA | NSP
MM
MM | |
| 1010 | KDJW | TX | MM | | | | | | |

| FREQ | CALL | STATE | OFF | ON |
|------|-----------------------|------------------|-------------------|-----------------------------|
| 1400 | KBMI
WRDB | NV
WI | NSP
0106 daily | |
| 1410 | KNAL
WIZM | TX
WI | 0100
0105 | 0700 daily
0600 MM |
| | CFUN | BC | NSP | also off daily-time unknown |
| 1420 | KSTN | CA | NSP | |
| 1430 | KELI
KLO | OK
UT | NSP
MM | |
| 1440 | KPUR
KEWI
KKXL | TX
KS
ND | MM
MM
NSP | |
| 1450 | KEYY
KNOT
KOPO | UT
AZ
AZ | NSP
NSP
NSP | |
| 1460 | KENO
KYSN | NV
CO | NSP
NSP | |
| 1480 | KBOX
KLEO
WISM | TX
KS
WI | NSP
MM
NSP | |
| 1490 | KTIQ
KAIR
XECJC | CO
AZ
CHIH | MM
NSP
NSP | |
| 1500 | KSTP | MN | NSP | |
| 1510 | WLAC | TN | NSP | |
| 1520 | KOMA | OK | 0200 MM | |
| 1530 | KFBK | CA | 0400 MM | |
| 1540 | KXEL
KXRV | IA
TX | MM
MM | |
| 1550 | KKHI
KKJO
WOKJ | CA
MO
MS | MM
MM
MM | 0500 |
| | MEVA
WLV | COAH
ONT | NSP
0000 | 0600 MM |
| | | | | also off daily-time unknown |
| 1560 | KEZL | TX | NSP | |
| 1590 | KEHE
KUUU | TX
WA | NSP
NSP | |
| 1600 | KLAK | CO | NSP | |



LARRY V. FLEGLE, Editor

The Good Old Days of Radio

25 NE 185 Terrace
N. Miami Beach, FL
33179

RADIO RECEIVERS THROUGH THE AGES

Early listeners and DXer's spent their time hovering over small crystal sets with names like Pandora, Brownie, Howe, Philmore and oatmeal box homebrews. Sets and parts were largely obtained by mailorder. Soon though, hardware stores, drug stores, and cigar stands began to stock everything from galena crystals to complete receivers. It wasn't long until several tube radio kits were offered. A leader in kit production was Atwater Kent. He introduced a line of high quality do-it-yourself "breadboard" radio components starting in 1921. He presented his famous Model 5 about the end of 1921, but concentrated on components until late 1923. Other early tube sets were Radiola, Crosley, Ware, Mu-Rad and Federal. In 1923 the big rush on the tube and parts business commenced. It still was perfectly feasible to expect a man handy with tools to make a set look and work just as good as a factory built model. In the summer of this year the portable receiver made its first appearance of any note, and several manufacturers, including Colin D. Kennedy, introduced small, compact sets for vacationing purposes. By the end of summer, the Hazeltine Neutrodyne was introduced and immediately won favor as a distance getter. 1924 saw the introduction of the superheterodyne. Set builders went wild over the superheterodyne, and anybody who couldn't hear stations from across the country were out of the picture. Several of the old time manufacturers went after the broadcast listeners business in a big way in 1925. Zenith left off with building amateur apparatus and put out some very expensive console models. AC sets were on the market in 1928 with models like the Atwater Kent Model 40 and the Crosley Gembox. The 1930's saw many cathedral models in production of general coverage communications receivers. A good set was the Sargent 8-3 All Wavecovering 15-550 meters. Memmo Silver, Ecophone, National, Hammarland, Halli crafters and RCA were among the names of manufacturers of receivers in the 1930's.

All for now. 73's from the Sunshine State

The Daily News, Durban, South Africa, July 23, 1976
via Denzil Baker

Radio Five — taking the weight. . .

TONIGHT Correspondent

THE SABC'S Radio Five, which recently increased its listenership by more than 100 percent, is expected to shoulder some of the R6 to R8-million annual radio advertising loss when commercial TV gets into gear.

Advertising agents do not attribute this solely to a natural drain off of advertising to TV, but also to an expected decrease in listenership when Radio Five changes from medium wave to short wave. "Radio Five has a rather selective listenership," an advertising agent said, "and we expect the waveband change will have a more marked effect on losing listeners than anything TV can do."

Between January and April last year the 6 to 9pm slot had a listenership of 38,300. For the same period and slot this year the listenership was 82,000, an increase of 114.4 percent.

Another important reason for listenership decrease is that the majority of young people

today have FM/Medium Wave transistor radios. There is also a big price jump between these sets and those carrying a short wave band.

Advertisers said they bought advertising time in terms of the efficiency of the media. A drop in listenership would effect this and a 15 to 20 percent loss in listeners for Radio Five might be serious.

Toronto Star, June 11, 1976

Radio waits for action on jokes

MONTREAL (CP) — Radio station CKAC has received a few complaints from the general public about its daily Newfie-joke segment, but is awaiting receipt of the specific com-

plaint from the Canada Radio-television and Telecommunications Commission (CRTC) before commenting on it. General manager Pierre Beland said the French-language Montreal station had received complaints from the Civil Liberties Union and the Rimouski Chamber of Commerce, among others. He maintains, nonetheless, that the 60-second daily segment is all in fun:

"It's been on the air for a year now and we've never meant any racism." He said broadcaster Louis-Paul Allard always warns his listeners the jokes are all in fun and that "everyone is at times a Newfie." Allard refers to himself as the "King of the Newfies." Several Montreal daily newspapers, both French and English, have criticized the show on grounds of racism in the past month.

Brought to you by Ralph Kemper, Grand Junction, Co and Bob Lazar, Madison, WI.

The purpose of the Conditions of Frequencies List is to tell you what stations are on or off the air and at what times. This will improve your DX by allowing you to plan for hearing stations as they sign on or off and by helping you narrow down possibilities by knowing who is on while you are listening. Next list in September.

Abbreviations: MM-Monday morning, SM-Sunday morning, NSP-no silent period (never signs off), AN-on after midnight but may sign off.

via Rick Heald
6 E Oakland Tribune Tues. July 20, 1976

Frederick Borton, Radio Pioneer, Dies

MIAMI (AP) — Frederick W. Borton, the man who built the first radio transmitter in Florida, is dead at the age of 86.

Mr. Borton, founder and longtime operator of WQAM, died Sunday at his Miami home.

The 50-watt transmitter that Mr. Borton put together out of

odds and ends in 1920 was licensed for operations the following year. His first call letters, WFAW, were changed to WQAM one year later.

Mr. Borton built the transmitter in a repair shop, Electrical Equipment Co., that he owned jointly with W. W. Luce.

THE (RATHER LENGTHY) PAUL HARVEY LIST

Originally appeared listed alphabetically by cities within states. Arranged in frequency order by Richard Dale. The author wishes to thank the ABC Radio Network for providing master lists.

The Monday through Friday daily show is carried by 635 stations, and is not always at noon. One broadcast was noted at 0400 EST on 1440. This listing is accurate as of August 14, 1975. The Saturday "noon" show is carried by 628 stations. Those stations not carrying the Saturday show are marked (+). The Saturday log is accurate as of August 21.

| | | | | | | | |
|-----|---------------------------|-----|-------------------------------|------|----------------------------|------------|------------------------------|
| 540 | WDAK Columbus, GA | 850 | WYDE Birmingham, AL | 990 | WHOO Orlando, FL | 1230 cont. | KEXO Grand Junction, CO |
| | KWMT Ft. Dodge, IA | | WKBZ Muskegon, MI | | WDWD Dawson, GA | | KGEK Sterling, CO |
| | KNOE Monroe, LA | | WWJC Duluth, MN | | WCRM Clare, MI | | WMAF Madison, FL |
| | WRIC Richlands, VA | | WEEU Reading, PA | | WEEB Southern Pines, NC | | KBAR Burley, ID |
| 550 | WCBI Columbus, MS | | WIVK Knoxville, TN | | KTRM Beaumont, TX | | KORT Grangeville, ID |
| | | | WUCR Sparta, TN | | KNIN Wichita Falls, TX | | WJBC Bloomington, IL |
| 560 | WGOM Marion, IN | 860 | | 1000 | | | WBOW Terre Haute, IN |
| | KWTO Springfield, MO | | KARS Belen, NM | | WIQT Horseheads, NY + | | KSLO Opelousas, LA |
| | KMON Great Falls, MT | | | | KTOK Oklahoma City, OK | | WSJR Madawaska, ME |
| | KPQ Wenatchee, WA | 880 | KRVN Lexington, NE | | WRAR Tappahannock, VA | | WCUM Cumberland, MD |
| 570 | WAAX Gadsden, AL | | | | KOMO Seattle, WA | | WSOO Sault Ste. Marie, MI |
| | KCNO Alturas, CA + | 890 | WHNC Henderson, NC | 1010 | | | WKLK Cloquet, MN |
| | WACL Waycross, GA | | | | WKQT Garyville, LA | | KGHS International Falls, MN |
| | WKYX Paducah, KY | 900 | KHOZ Harrison, AR | | WMOX Meridan, MS | | KWNO Winona, MN |
| | WMCA New York, NY | | KREH Oakdale, LA | | WCNL Newport, NH | | WHSY Hattiesburg, MS |
| 580 | WKTY La Crosse, WI | | WKXA Brunswick, ME | | WORM Savannah, TN | | KXLO Lewistown, MT |
| | | | WATK Antigo, WI | | KDJW Amarillo, TX | | KLCB Libby, MT |
| 590 | KBHS Hot Springs, AR | 910 | | 1050 | WMEV Marion, VA | | KOTS Deming, NM |
| | KTHO South Lake Tahoe, CA | | KCJB Minot, ND | | | | KYVA Gallup, NM |
| | WLVK Lexington, KY | | KALL Salt Lake City, UT | | WPAG Ann Arbor, MI | | KFUN Las Vegas, NM |
| | WOW Omaha, NE | | WNHV White River Junction, VT | | KLOH Pipestone, MN | | WFAS White Plains, NY |
| | WLVA Lynchburg, VA | | WNRL Richmond, VA | | KSIS Sedalia, MO | | WMFR High Point, NC |
| 600 | WIRB Enterprise, AL | | | | WSEN Baldwinsville, NY + | | KOOS Coos Bay, OR |
| | KSJB Jamestown, ND | 920 | KDES Palm Springs, CA | | WFSC Franklin, NC | | KYJC Medford, OR |
| 610 | KCSR Chadron, NE | | KVEC San Luis Obispo, CA | | WSKE Everett, PA | | KEEE Nacagdoches, TX |
| | WTVN Columbus, OH | | WTRS Dunnellon, FL | 1060 | | | KOAL Price, UT |
| | KVNU Logan, UT | | WGST Atlanta, GA | | WRMF Titusville, FL | | WFVA Fredericksburg, VA |
| | KONA Kennewick, WA | | WPTX Lexington Park, MD | | WMAP Monroe, NC | | WKYG Parkersburg, WV |
| 620 | KTAR Phoenix, AZ | | KWAD Wadena, MN | | | | KVOC Casper, WY |
| | WSUN St. Petersburg, FL | | WKVA Lewistown, PA | 1080 | | 1240 | |
| | KNGS Hanford, CA | | KVEL Vernal, UT | | KWJJ Portland, OR | | WOWL Florence, AL |
| | KWAL Wallace, ID | | KITN Olympia, WA | | KRLD Dallas, TX | | KBON San Bernardino, CA |
| 630 | WMAL Washington, DC | 930 | | | | | KSON San Diego, CA |
| | | | KAPR Douglas, AZ | | 1090 | | KCRT Trinidad, CO |
| | | | KAFF Flagstaff AZ | | KKYN Plainview, TX | | WDUN Gainesville, GA |
| | | | KEWA Paradise, CA | | 1100 | | KWIK Pocatello, ID |
| | | | WKCT Bowling Green, KY | | WLBB Carrollton, GA | | KAKE Wichita, KS |
| | | | WSLI Jackson, MS | | 1110 | | WINN Louisville, KY |
| | | | KYSS Missoula, MT | | KPOP Roseville, CA | | WSFC Somerset, KY |
| 680 | WCBM Baltimore, MD | | KOGA Oglalla, NE | | KCIA Humble City, NM | | KANE New Iberia, LA |
| | WNYY Rochester, NY | | WEOL Elyria, OH | | WBT Charlotte, NC | | WOCB West Yarmouth, MA |
| | | | KSDN Aberdeen, SD | | 1130 | | WMFG Hibbing, MN |
| 690 | KGGF Coffeyville, KS | 940 | | | WMGA Moultrie, GA | | WCGM Gulfport, MS |
| | WAGO Oshkosh, WI | | KFRE Fresno, CA | | WDTM Selmer, TN | | KBMY Billings, MT |
| | | | WJOR South Haven, MI | | WISN Milwaukee, WI | | KLTZ Glasgow, MT |
| | | | KVSH Valentine, NE | | 1140 | | KFOR Lincoln, NE |
| | | | KTON Belton, TX | | KNAB Burlington, CO | | KELK Elko, NV |
| | | | KADO Texarkana, TX | | KGEM Boise, ID | | WFTN Franklin, NH |
| | | | KBRE Cedar City, UT | | KSOO Sioux Falls, SD | | WJTN Jamestown, NY |
| 730 | WVIC East Lansing, MI | 950 | | | WIXC Fayetteville, TN | | WWWC Wilkesboro, NC |
| | WDOS Oneonta, NY | | KFSA Ft. Smith, AR | | 1150 | | WBBW Youngstown, OH |
| | | | KLER Orofino, ID | | KXLR North Little Rock, AR | | KFLY Corvallis, OR |
| | | | KOEL Oelwin, IA | | KSAL Salina, KS | | KQEN Roseburg, OR |
| | | | WAGM Presque Isle, ME | | KDEF Albuquerque, NM + | | WRTA Altoona, PA |
| | | | KDSX Denison-Sherman, TX | | WGBR Goldsboro, NC | | KCCR Pierre, SD |
| | | | WKAZ Charleston, WV | | WIMA Lima, OH | | KTAM Bryan, TX |
| | | | KMER Kemmerer, WY | | KIMM Rapid City, SD | | WSKI Montpelier, VT |
| 780 | WBBO Forest City, NC | 960 | | | WAXX Chippewa Falls, WI | | WTON Staunton, VA |
| | | | KMA Shenendoah, IA | | 1160 | | KXLE Ellensburg, WA |
| | | | KNEB Scottsbluff-Gering, NE | | WJJD Chicago, IL | | WKOY Bluefield, WV |
| | | | WFTC Kinston, NC | | ("flagship" station?) | | KASL Newcastle, WY |
| | | | WBEU Beaufort, SC | | 1170 | | KRAL Rawlins, WY |
| | | | KGKL San Angelo, TX | | WSNE Cumming, GA | | 1250 |
| | | | KOVO Provo-Orem, UT | | WWVA Wheeling, WV | | KHIL Willcox, AZ |
| 800 | WHOS Decatur, AL | 970 | | | 1210 | | WIZZ Streator, IL |
| | WKZI Casey, IL | | WAMD Aberdeen, MD | | WKNX Saginaw, MI | | WREN Topeka, KS |
| | KREI Farmington, MO | | KIKL Austin, TX | | 1220 | | WHSY Hattiesburg, MS |
| | WEAB Greer, SC + | | | | WCLB Camilla, GA | | WNOW York, PA |
| | WDUX Waupaca, WI | 980 | | | WBGH Hastings, MI | | 1260 |
| | | | WKLM Wilmington, NC | | WLBK Keene, NH | | KPIN Casa Grande, AZ |
| 810 | KGO San Francisco, CA | | WONE Dayton, OH + | | KDDR Oakes, ND | | WBBK Blakely, GA |
| | KWSR Rifle, CO | | WILK Wilkes-Barre, PA | | WGAR Cleveland, OH | | WJJJ Christianburg, VA |
| | WEKG Jackson, KY | | WPHG Bristol, VA + | | 1230 | | KPOW Powell, WY |
| | KCMO Kansas City, MO | | WMEK Chase City, VA | | WAUD Auburn, AL | | 1270 |
| 840 | WMOB Mobile, AL | | | | WBHP Huntsville, AL | | WGSV Guntersville, AL |
| | | | | | KINO Winslow, AZ | | WJJC Commerce, GA |
| | | | | | KPRL Paso Robles, CA | | WWCA Gary, IN |
| | | | | | KRDG Redding, CA | | WORX Madison, WI |
| | | | | | | | KSCB Liberal, KS |
| | | | | | | | WXYZ Detroit, MI |
| | | | | | | | KWEB Rochester, MN |
| | | | | | | | WCGC Belmont, NC |

1280
 WNPT Tuscaloosa, AL
 KJOY Stockton, CA
 KVOX Moorhead, MN
 WKST New Castle, PA
 WANS Anderson, SC
 KIT Yakima, WA
 WNAM Neenah, WI

1290
 KKIO Santa Barbara, CA
 WCCC Hartford, CT
 KWNS Pratt, KS
 WHGR Houghton Lake, MI
 WGLI Babylon, NY
 WHKY Hickory, NC
 WBBS Jacksonville, NC
 KUMA Pendleton, OR
 KOWB Laramie, WY

1300
 KOZE Lewiston, ID
 WTAQ La Grange, IL
 KXXO Tulsa, OK
 KACI The Dalles, OR
 KOLY Moberly, SD

1310
 WBMK West Point, GA
 KOXX Keokuk, IA
 WTTL Madisonville, KY
 KFBS Joplin, MO
 KGMT Fairbury, NE
 WTLB Utica, NY
 WISE Asheville, NC
 KNPT Newport, OR
 WDDO Chattanooga, TN
 KOYL Odessa, TX
 KBUC San Antonio, TX

1320
 KHSJ Hemet, CA
 KCRS Sacramento, CA
 WHIE Griffin, GA
 WDMJ Marquette, MI
 KXYZ Houston, TX

1330
 WFTP Ft. Pierce, FL
 WEAW Evanston, IL
 WRIE Erie, PA
 WTRO Dyersburg, TN
 WBTM Danville, VA
 WBBL Sheboygan, WI

1340
 KPGE Page, AZ
 KBRS Springdale, AR
 KDOL Mojave, CA
 KORV Oroville, CA
 KDN Denver, CO
 KVRH Salida, CO
 WROD Daytona Beach, FL
 WTYS Marianna, FL
 WFSH Valparaiso, FL
 KSKI Hailey, ID
 WJOL Joliet, IL
 WDME Dover-Foxcroft, ME
 WNBH New Bedford, MA
 WLAV Grand Rapids, MI
 WAGN Menominee, MI
 KLID Poplar Bluff, MO
 KPRK Livingston, MT
 KATL Miles City, MT
 KSID Sidney, NE
 KRAM Las Vegas, NV
 KKIT Taos, NM
 KSIL Silver City, NM
 WUSJ Lockport, NY
 WMSA Massena, NY
 WTSB Lumberton, NC
 WIZE Springfield, OH
 KTWQ Sand Springs-Tulsa, OK
 WCVI Connellsville, PA
 WSSC Sumter, SC
 KHLB Burnet, TX
 KLBK Lubbock, TX
 WKEY Covington, VA
 WHAP Hopewell, VA
 WHAR Clarksburg, WV
 WXEE Welch, WV
 KSGT Jackson, WY
 KWOR Worland, WY

1350
 WCL Peoria, IL
 WIOU Kokomo, IN

1350 cont.
 WSMB New Orleans, LA
 WSLR Akron, OH
 WWBR Windher, PA
 WDAW Darlington, SC
 WGSW Greenwood, SC
 WPDR Portage, WI

1360
 WGFA Watseka, IL
 KSCJ Sioux City, IA
 KDXI Mansfield, LA
 WLYN Lynn, MA
 WKMI Kalamazoo, MI
 KIGX McCook, NE
 KEYZ Williston, ND
 WSAI Cincinnati, OH
 KRYS Corpus Christi, TX

1370
 WWKE Ocala, FL
 WLOP Jesup, GA
 WTTS Bloomington, IN
 WELV Ellenville, NY
 KAST Astoria, OR
 KFIR Sweet Home, OR
 KFRO Longview, TX

1380
 KZUL Parker, AZ
 KTOM Salinas, CA
 WYNK Baton Rouge, LA
 WPHM Port Huron, MI
 WNLA Indianola, MS
 KUVR Holdrege, NE
 WBBX Portsmouth, NH
 KSWO Lawton, OK

1390
 WHMA Anniston, AL
 KCEY Turlock, CA
 WAPR Avon Park, FL
 KLCN Clinton, IA
 KCBC Des Moines, IA
 KENN Farmington, NM
 WTOO Bellefontaine, OH
 WMPO Middleport-Pomeroy, OH
 KCRC Enid, OK
 WLAN Lancaster, PA
 WYXI Athens, TN
 WTJS Jackson, TN

1400
 KTUC Tucson, AZ
 WSTC Stamford, CT
 WFTL Ft. Lauderdale, FL
 WULF Alma, GA
 WNEX Macon, GA
 WROZ Evansville, IN
 KVOE Emporia, KS
 WIEL Elizabethtown, KY
 KAOK Lake Charles, LA
 WIDE Biddeford, ME
 WKNR Battle Creek, MI
 KMHL Marshall, MN
 WBIP Booneville, MS
 KFRU Columbia, MO
 KSIM Sikeston, MO
 KCOW Alliance, NE
 WBRL Berlin, NH
 KTRC Santa Fe, NM
 WOND Pleasantville, NJ
 WABY Albany, NY
 WYSL Buffalo, NY
 WGBG Greensboro, NC
 WSIC Statesville, NC
 WSMY Weldon, NC
 WMAN Mansfield, OH
 WKDY Spartanburg, SC
 WHAL Shelbyville, TN
 KEBE Jacksonville, TX
 WDOT Burlington, VT
 WINC Winchester, VA
 KEDO Longview, WA
 WDUZ Green Bay, WI
 WRJN Racine, WI

1410
 KMYC Marysville, CA
 KCOL Ft. Collins, CO
 WAZY Lafayette, IN
 WDSK Cleveland, MS
 KAHL North Platte, NE
 WDOE Dunkirk, NY
 WPCC Clinton, SC
 KWYO Sheridan, WY

1420
 KTAN Sierra Vista, AZ
 WVJS Owensboro, KY
 WBEC Pittsfield, MS
 WQBC Vicksburg, MS
 WASR Wolfeboro, NH
 WCRE Cheraw, SC
 WEMB Erwin, TN
 KITI Chehalis-Centralia, WA

1430
 WQPD Lakeland, FL
 WPCF Panama City, FL
 WIRE Indianapolis, IN
 WION Ionia, MI
 WIL St. Louis, MO
 KRGI Grand Island, NE
 WENE Endicott, NY
 KGAY Salem, OR
 WWEE Memphis, TN
 KDXU St. George, UT

1440
 WHHY Montgomery, AL
 IVON Napa, CA
 WAYK Lehigh Acres, FL
 WGEM Quincy, IL
 WROK Rockford, IL
 WPGW Portland, IN

1450
 KVSJ Show Low, AZ
 KVEN Ventura, CA
 KGIW Alamosa, CO
 KYOU Greeley, CO
 WTAL Tallahassee, FL
 WCON Cornelia, GA
 KYSI Montpelier, ID
 KYET Payette, ID
 WCVS Springfield, IL
 WLYV Ft. Wayne, IN
 KSIG Crowley, LA
 KNOC Natchitoches, LA
 WLKN Lincoln, NE
 WRKD Rockland, ME
 WMAS Springfield, MA
 WMIQ Iron Mountain, MI
 WIBM Jackson, MI
 KBMW Breckinridge, MN
 WELY Ely, MN
 WCJU Columbia, MS
 WNAT Natchez, MS
 KIRX Kirksville, MO
 KONE Reno, NV
 WWSC Glens Falls, NY
 WHDL Olean, NY
 WKIP Poughkeepsie, NY
 WATA Boone, NC
 WGNL Gastonia, NC
 WMPT South Williamsport, PA
 WQSN Charleston, SC
 WMYB Myrtle Beach, SC
 WSMG Greeneville, TN
 KURA Moab, UT
 KBKW Aberdeen, WA
 WRCO Richland Center, WI
 KBBS Buffalo, WY
 KVOW Riverton, WY

1460
 WMBR Jacksonville, FL
 KDMA Montevideo, MN
 WCMB Harrisburg, PA
 WACO Waco, TX

1470
 WBIT Adel, GA
 WHUT Anderson, IN
 WLAM Lewiston, ME
 WNBW Newburyport, MS
 WKMF Flint, MI
 WTKO Ithaca, NY
 WOHO Toledo, OH
 WOXL Columbia, SC
 WINH Georgetown, SC
 KRBC Abilene, TX
 KDHN Dimmitt, TX
 WBTX Broadway-Timberville, VA
 KSEM Moses Lake, WA
 KAPS Mount Vernon, WA

1480
 K PUB Pueblo, CO
 WGSB Geneva, IL
 WKOA Hopkinsville, KY
 WIOS Tawas City-East Tawas, MI
 WLEA Hornell, NY

1480 cont.
 WHBC Canton, OH
 WTRA Latrobe, PA
 KSDR Waterton, SD

1490
 WHBB Selma, AL
 KBOL Boulder, CO
 KGUC Gunnison, CO
 WETO DeLand, FL
 WKBV Richmond, IN
 WNDU South Bend, IN
 KBUR Burlington, IA
 WDBQ Dubuque, IA
 KBAB Indianola, IA
 KRIB Mason City, IA
 WTVL Waterville, ME
 WABJ Adrian, MI
 WLRC Whitehall, MI
 KXRA Alexandria, MN
 KLGR Redwood Falls, MN
 KTRR Rolla, MO
 KDBM Dillon, MT
 WCSS Amsterdam, NY
 WFLB Fayetteville, NC
 WOHF East Liverpool, OH
 WMGW Meadville, PA
 WSDC Hartsville, SC
 WGSV Crossville, TN
 WDXL Lexington, TN
 KQTY Borger, TX
 WVEC Hampton, VA
 KTEL Walla Walla, WA
 KGOS Torrington, WY

1500
 WGIC Xenia, OH

1510
 WNLC New London, CT
 KGA Spokane, WA

1520
 WNMT Garden City, GA

1530
 WRBX Chapel Hill, NC

1540
 WLOI LaPorte, IN
 KXEL Waterloo, IA
 WIFM Elkins, NC
 WRCP Philadelphia, PA
 WMLR Hohenwald, TN
 KGBC Galveston, TX

1550
 WJIL Jacksonville, IL
 WCVL Crawfordsville, IN
 KEDD Dodge City, KS
 WSER Elkton, MD
 KGMO Cape Girardeau, MO
 WCCR Canandaigua, NY
 WYNA Raleigh, NC
 WMAD Madison, WI

1560
 WBYS Canton, IL
 WAGL Lancaster, SC

1570
 WTWB Auburndale, FL
 KMCD Fairfield, IA

1580
 WEYY Talladega, AL
 WAMW Washington, IN
 KWNT Davenport, IA
 KLUV Haynesville, LA

1590
 KCIN Victorville, CA
 WALG Albany, GA
 WTGA Thomaston, GA
 WAIK Galesburg, IL
 WISZ Glen Burnie, MD
 WSMN Nashua, NH
 WAUB Auburn, NY
 WGOO Salamanca, NY
 KTIJ Tillamook, OR
 KINT El Paso, TX

1600
 WKEN Dover, DE
 KCRG Cedar Rapids, IA
 WFRG Reidsville, NC
 WAQI Ashtabula, OH
 WTTT Tiffin, OH
 WHOL Allentown, PA
 KWEL Midland, TX

by Charles A. Taylor

continued from page 386

TYPICAL EQUIPMENT

Counters There are several models of counter currently available new at intermediate prices. It is perhaps Heath that first offered counters in kit form in a price range that made them feasible purchases for the non-professional. While competitive models have narrowed the price range, Heath counters are to be reckoned with first. Used Heath counters are becoming available at price reductions; nevertheless, the apprentice monitor may consider construction of a new kit in order to acquire some familiarity with the instrument.

The simplest Heath counter that has been available is the IB-101. The IB-101 has a cutoff frequency of 15 MHz, meaning that the counter will be unable to measure an input frequency in excess of 15 MHz. This is quite sufficient for mediumwave PFM, but is too low for direct shortwave PFM. At room temperature (25°C), the IB-101 has been observed by Ronald F. Schatz¹ to maintain a stability of 0.1 p.p.m. (or 1 Hz at 10 MHz) or better. The author's Heath IB-1101 (with a 100-MHz cutoff frequency) has a time-base stability equal to that of the IB-101. The Heath IB-1102 and IB-1103 have a temperature-compensated crystal oscillator (TCXO) time base, for somewhat greater stability. Both the IB-101 and the IB-1101 have 5 readout digits (of the gaseous discharge tube type, called "nixies"). The IB-1102 and IB-1103 both have 8 readout digits. The Heath IM-4001, which is the third-generation version of the IB-1100 and the elder IB-101, has 5 digits of the newer light-emitting diode type readout (abbreviated LED).

The Weston 1252 and the Spectronics SC-30 are listed in the brief equipment review as they appear suitable for PFM use; however, no experience has been had with them.

Digital Readouts and Scaler Switching Typical counters of lower price have 5 or 6-digit readouts, while frequencies to be measured typically have 7 or 8 significant digits. Counters are capable of reading out such frequencies by utilizing different scalars, which generate gate-time periods from the time-base frequency. If a gate-time period of 1 millisecond (abbreviated ms, meaning one-thousandth of one second) is used, the gate will be opened for one millisecond. In the case of a 1-MHz frequency which is to be measured, one thousand cycles would be passed and counted during that period and the readout would be 01.000. This would be interpreted as 1.000 MHz (and the scaler selector switch would probably be labelled "MHz" for this gating period). In the case of a frequency of exactly 1750 kHz, to measure this frequency the scaler selector switch would first be set to "1 ms" (or "MHz", depending on the switch label). In this range, the counter would read 01.750, to be interpreted as 1.750 MHz. Then, the scaler selector switch would be set to "1 sec" (or "kHz", depending on the switch label), and the readout would change to 50.000 kHz; the two most significant digits (abbreviated MSD, the digits to the extreme left) 17 having been suppressed. On a counter with 8 digits (such as the Heath IB-1102 or IB-1103), the scaler selector switch could be set immediately to "kHz", and this hypothetical 1750 kHz frequency would read out as 01750.000 kHz, to be interpreted as 1750.000 kHz.

Incidentally, some counters such as the Weston 1252 possess a feature known as leading zero blanking, meaning that the redundant zero to the extreme left in the readout 01.750 would be blanked, leaving the readout 1.750. None of the Heath counters possess this feature, and it is unnecessary once the monitor becomes accustomed to ignoring the redundant zero.

Transfer Oscillator Only three specific signal generators have been listed in the brief equipment review. Doubtless other types would serve, but these are types that are known definitely to be suitable for use as a TO.

A signal generator, for use as a TO, must have sufficient output to drive the selected counter. A signal generator which has voltage regulation incorporated into its power supply is inherently much more suit-

able because it will possess improved frequency stability. Likewise, a signal generator which includes a frequency vernier among its complement of controls is much more suitable for use as a TO because it will be more easily zero-beat against the signal of unknown frequency. If the prospective monitor decides to add voltage regulation to a signal generator that lacks it, sufficient tolerance should be allowed for resultant reduction in output. Otherwise, especially for use at shortwave frequencies, a signal generator will probably have to be optimized.

Acquisition of a BC-221 or LM frequency meter for use as a TO is probably more desirable, especially when the price of a new signal generator is weighed against that of a surplus BC-221 or LM (about \$35 to \$50). The BC-221 and the LM are built with r-f tight integrity as their variable attenuator must be the only access to the outside world, in order to maintain absolute control over the signal generated within. Once connected to a counter, however, a frequency meter's r-f tight integrity can be destroyed because the counter may unintentionally radiate the meter's signal uncontrollably. No modification that can be made to the frequency meter will overcome this difficulty. A side-step module (SSM), to be discussed in the next chapter, will provide a satisfactory solution to the problem of counter radiation.

The following is a brief review of some equipment that would be of interest to the prospective monitor:

| <u>EQUIPMENT REVIEW</u> | | | | | | | | | |
|-------------------------|-----------------------------|------------------------|-----------------------------|------------------------------------|--|---|---|--|--|
| <u>COUNTERS</u> | | | | | | | | | |
| Manufacturer and Model | sensitivity of counter (mV) | cutoff frequency (MHz) | number of digits in readout | timebase short-term stability (Hz) | temperature range over which short-term stability defined (°C) | long-term stability (p.p.m.) per period of time | price (does not include shipping and insurance) | | |
| <u>Heath</u> | | | | | | | | | |
| IB-101 | 100 | 15 | 5 | 3 | 22-37 | 3/1 mo | unk | | |
| IB-1100 | 100 | 30 | 5 | 3 | 22-37 | 3/1 mo | \$150 | | |
| IB-1101 | 50 | 100 | 5 | 3 | 17-32 | 1/1 mo | \$200 | | |
| IB-1102 | 50 | 120 | 8 | 1 | 15-50 | 1/1 yr | \$280 | | |
| IB-1103 | 50 | 180 | 8 | 1 | 15-40 | 1/1 yr | \$350 | | |
| IM-4001 | 15 | 30 | 5 | 10 | 0-50 | n.s. | \$130 | | |
| <u>Hewlett-Packard</u> | | | | | | | | | |
| 5318A | 25 | 80 | 7 | n.s. | n.s. | n.s. | \$250 | | |
| <u>Miida</u> | | | | | | | | | |
| <u>Digipet-</u> | | | | | | | | | |
| 60 | 50 | 60 | 5 | 40 | 0-40 | 1/1 yr | \$300 | | |
| <u>Weston</u> | | | | | | | | | |
| 1252 | 10 | 30 | 6 | 10 | 0-40 | 7.5/yr | \$296 | | |
| <u>Spectronics</u> | | | | | | | | | |
| SC-30 | 100 | 30 | 5 | n.s. | n.s. | n.s. | \$170 | | |

SIGNAL GENERATORS

| Manufactures & Model | maximum output(mV) | internal modulation | price (minus shipping and insurance) |
|----------------------|--------------------|---------------------|--------------------------------------|
| EICO 330 | 300 | 400 Hz | \$63 kit
\$95 wired |
| Heath IG-102 | 100 | 400 Hz | \$45 kit |
| IG-42 | 100 | n.s. | \$98 kit |

Addresses:

EICO
283 Malta Street
Brooklyn, NY 11207

Miida (via T.R.I. Corp.)
505 West Olive Avenue
Sunnyvale, CA 94086

Heath Company
Benton Harbor, MI 49022

Spectronics
1491 East 28th
Signal Hill, CA 90806

Hewlett-Packard
1501 Page Mill Road
Palo Alto, CA 94304

Weston (via Newark Electronics)
500 North Pulaski Road
Chicago, IL 60624

Listing of equipment types does not constitute an endorsement of any sort. It is suggested that a catalog be acquired from above companies to ascertain current price plus shipping information.

SIDESTEP MODULE

The Sidestep Module (SSM) was conceived as a solution to deteriorating TO stability at shortwave frequencies and to problems associated with leakage of r-f energy from counter and TO apertures and interconnections.

The SSM accepts two inputs, one from the TO and one from a source of frequency-stable, 1-MHz fundamental and harmonics (called a 1-MHz spectrum). In the SSM, the TO variable frequency is mixed with the 1-MHz spectrum to synthesize a virtual variable-frequency TO signal which interpolates between the 1-MHz spectrum points. This virtual TO signal has essentially the stability of the TO frequency, so that if a low-band TO signal is accepted as the TO input, the virtual TO signal will have essentially that stability to 30 MHz and beyond.

The SSM and its theory will be explained more fully in the following paragraphs. See the following Figure 9 for the block diagram of the SSM:

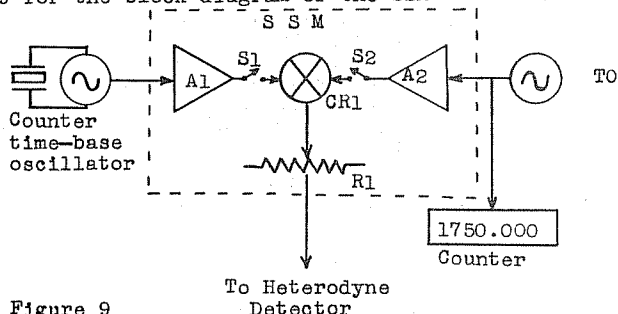


Figure 9

- A1** radio-frequency amplifier for 1-MHz spectrum
- A2** radio-frequency amplifier for TO output
- CR1** SSM radio-frequency mixer
- R1** SSM variable attenuator (used in lieu of TO variable attenuator, which is left at maximum)
- S1** 1-MHz cutout switch (when off, output of SSM is TO frequency only)
- S2** TO cutout switch (when off, output of SSM is 1-MHz spectrum only, for calibration of time base)

SSM Block Diagram The SSM has two inputs, one from the counter time-base oscillator, and one from the TO (It should be understood that accepting an output from the counter time-base oscillator has no influence on the operation of the counter. This frequency-stable 1-MHz source fortunately exists within the counter; however, a 1-MHz output from any other frequency-stable source could be used.). In the SSM, the 1-MHz spectrum is amplified by radio-frequency amp. A1 and applied to mixer CR1. Also, the output of the TO is amplified by radio-frequency amplifier A2, after which it is applied to mixer CR1, along with the amplified 1-MHz spectrum. The 1-MHz spectrum possesses harmonics of 1 MHz up to and beyond 30 MHz. The output of CR1 is a combination of frequencies: the original TO signal, the 1-MHz spectrum, and the sum-and-difference combinations of the TO frequency and all the harmonics of the 1-MHz spectrum. For example, if the TO has been set to 100 kHz, the output of CR1 is the original input frequencies, plus the sums and differences of all these frequencies:

(TO = 100 kHz) 1000 kHz ± 100 kHz = 1100 kHz, 900 kHz
 (1000-kHz spectrum fundamental, 100-kHz TO frequency)
 2000 kHz ± 100 kHz = 2100 kHz, 1900 kHz
 (2000-kHz harmonic, 100-kHz TO frequency)
 3000 kHz ± 100 kHz = 3100 kHz, 2900 kHz
 (3000-kHz harmonic, etc.)
 4000 kHz ± 100 kHz = 4100 kHz, 3900 kHz
 (4000-kHz harmonic, etc.)
and so on;

(TO = 600 kHz) 1000 kHz ± 600 kHz = 1600 kHz, 400 kHz
 2000 kHz ± 600 kHz = 2600 kHz, 1400 kHz
 3000 kHz ± 600 kHz = 3600 kHz, 2400 kHz
 4000 kHz ± 600 kHz = 4600 kHz, 3400 kHz
 5000 kHz ± 600 kHz = 5600 kHz, 4400 kHz
and so on;

(TO = 433.3 kHz) 1000 kHz ± 433.3 kHz = 1433.3 kHz, 566.7 kHz
 2000 kHz ± 433.3 kHz = 2433.3 kHz, 1566.7 kHz
 3000 kHz ± 433.3 kHz = 3433.3 kHz, 2566.7 kHz
 4000 kHz ± 433.3 kHz = 4433.3 kHz, 3566.7 kHz
 5000 kHz ± 433.3 kHz = 5433.3 kHz, 4566.7 kHz
and so on.

In a typical situation, the sum frequencies (e.g., 4000 kHz + 433.3 kHz = 4433.3 kHz) would more likely be used as the relation to the TO frequency would be the most obvious.

Additionally, the SSM provides a sidestep function (from which the module takes its name). In this function, the virtual TO frequency (which is zero-beat with the signal of unknown frequency) "sidesteps" the direct TO output, whose amplitude is relatively uncontrollable, by a factor of 1 MHz or a multiple thereof.

For example, if the monitor desires to measure a frequency of 1575 kHz; a TO frequency of 575 kHz or 2575 kHz may be used with the SSM to synthesize this 1575 kHz frequency. In both cases, the unknown frequency is sidestepped by the direct TO frequency, to avoid difficulties of swamping. Since the virtual TO frequency is synthesized solely within the SSM itself, the degree of leakage is much more controllable.

TO Stability Suppose on a particular signal generator used as a TO, the first frequency band extends from 100 to 300 kHz; the second from 300 to 1200 kHz; the third from 1200 to 3500 kHz; the fourth from 3500 to 10000 kHz, and so on. Also suppose that five full revolutions of the TO frequency control knob are necessary to cover each of these bands. The total frequency change per frequency control knob revolution would be 40 kHz on band 1; 180 kHz on band 2; 460 kHz on band 3; and 1300 kHz on band 4. It can be seen that the rate of frequency change per frequency control revolution is lowest on the first two bands. Also, the absolute frequency stability of the TO output would be greatest on these first two bands. Consequently, these same first two bands would be the most useful for making accurate PFMs because it would be easier to zero-beat the TO output with the signal of unknown frequency and to maintain that zero-beat using those two bands.

SSM OPERATION Suppose that an unidentified station, whose frequency is about 11.5 MHz, is to be PFMed. First, S1 is turned off so that the 1-MHz spectrum from the counter time base is removed, along with all the sum-and-difference frequency products of the 1-MHz spectrum and the TO frequency; leaving only the TO frequency at the output of the SSM. The TO is roughly zero-beat with the unknown frequency, and its frequency readout on the counter is recorded (assume 11,560 kHz). The TO is then set to band 1 or 2, S1 is turned on, and some combination of TO frequency and 1-MHz spectrum is mentally calculated to reach that frequency. Two options are immediately evident: the TO can be set to 560 kHz where its output will add to the 11th harmonic of the 1-MHz spectrum, to produce 11,560 kHz (11,000 kHz + 560 kHz = 11,560 kHz); or the TO can be set to 1560 kHz, where its output will add to the 10th harmonic of the 1-MHz spectrum, to produce 11,560 kHz (10,000 kHz + 1,560 kHz = 11,560 kHz). The counter, which reads out the TO frequency only, will read out 560 kHz and 1560 kHz respectively. It remains for the monitor to mentally or manually add the TO frequency to the appropriate 1-MHz harmonic (Note that other combinations are possible, e.g. 2560 + 9000 kHz; 3560 + 8000 kHz; 4560 + 7000 kHz; 12560 - 1000 kHz; 13560 - 2000 kHz; et al. But the combinations that use the lowest TO frequency are preferred.). Continuing with the example, the TO is adjusted for an accurate zero-beat with the frequency that is being measured, and the exact frequency is read out. Suppose that the counter reads out 560.056 kHz. This is mentally or manually added to 11,000.000 kHz (the 11th harmonic of 1 MHz), for 11,560.056 kHz, the exact frequency in question. This is recorded, along with the date.

CONCLUSION More specifics and comments are available concerning the circuitry and variations thereupon of an SSM, from the author. It is expected that others who are interested in applications of PFM or in assembling a PFM station, will have questions. Such questions are invited and are to be answered en masse in a sequel to this article at the earliest possible date. For more specifics concerning the SSM, send 45¢ and an SASE; likewise, questions for the projected sequel are to be sent to 939 Eastern Avenue, Indianapolis, IN 46201, U.S.A.

The author wishes to thank the IRCA's Seattle Publishing Committee, and especially Jerry Lineback of NASWA's SWC, for seeing this article into print. It is hoped that this article will arouse interest in PFM which is, after all, a tool that is useful only when used.

Notes:

1 Precision Frequency Measurement by Ronald F. Schatz (see Bibliography below)

Bibliography The following articles are recommended for further reading, especially the article Yes, SAH by Glenn Hauser, which might be considered as minimal basic reading:

- A. Yes, SAH Glenn Hauser. Describes sub-audible heterodynes, how to detect them and how to use them. (1 p.) IRCA Reprint No. T7
- B. Precision Frequency Measurement Ronald F. Schatz. Describes methods of determining the exact frequency of a station with a Heathkit IB-1101 frequency counter (2 pp.) IRCA Reprint No. T5
- C. Precision Frequency Analysis for the Mediumwave DXer Ronald F. Schatz. Describes some methods of performing Precision Frequency Measurements, and analysing the results. (2 pp.)

Items A and B above are available to non-IRCA members at 8¢ per page and an SASE, from IRCA Reprints, P.O. Box 21462, Seattle, WA 98111, U.S.A. When ordering, it is suggested that an additional 32¢ be enclosed for IRCA Reprint List No. PM-3 (4 pp.) which lists many reprints of specific or general interest to the shortwave DXer.

Item C above is available (as are the other two items) for 20¢ per page (15¢ per page for more than one reprint) and an SASE, to Charles A. Taylor. -30-

CANADIAN FAMILY LIFE -- IT'S TWINS!

by John Oldfield

(Editor's note: This is the THIRD EDITION of this list of Canadian twin stations. The first edition, along with an explanation of Canadian twins, appeared on pp. 51-52 of the 10/12/74 DXM. The second edition appeared on p. 416 of the 5/10/75 DXM. These articles have also appeared at various times in NRC's DXN.)

(m) = mother station (s) = studio and separate programs

BRITISH COLUMBIA

- *CFCP-1440(m) & CFWB-1490(s) "Coast Radio" Courtenay/Campbell River, on Vancouver Island.
- *CHWK-1270(m) & CFVR-1240(s) & CKGO-1490(s) Chilliwack/Abbotsford/Hope. FVR - Fraser Valley Radio. All have pre-timed separate IDs. CFVR has CP for 850.
- *CKEK-570(m) & CFVK-1240(s) EK-East Kootenay Radio. Granbrook/Fernie. Both join CJAT-610 Trail who hosts an AN-6 (off MM) show 12-6am local time.
- *CKKC-1390(m) & CFKC-1340(s) KC-Kootenay Country. Nelson/Creston.
- *CKXR-589(m) & CKGR-1340(s) & CKGR-1400() "XR-CR-GR" "R Country" Salmon Arm/Revelstoke/Golden. "First Voice West of the Rockies."
- *CKOK-800(m) & CKSP-1450(s) & CKOO-1240(s) & CKGF-1340(s) "OK Radio." Penticton/Summerland/Oliver-Osoyoos/Grand Forks. Okanagan-Boundary Radio. All have pre-timed separate cartridge IDs.
- *CHNL-610(m) & CJNL-1230(s) & CINL-1400() & CHNL-1-1400() "NL Radio in BC's South Central Interior." Note two twins on 1400. Kamloops/Merritt/Princeton/Clearwater. Sisters of CFNL/CKNL.
- *CKCQ-920(m) & CKWL-570(s) & CKBX-1240(s) "Cariboo Radio" Quesnel/Williams Lake/100 Mile House. CKCQ & CKWL recently switched frequencies.
- *CKPG-550(m) & CKMK-1240(s) Prince George/MacKenzie.
- *CHFG-1490 Prince George (owned by CKPG) is // CBU-690 Vancouver and is not // CKPG.
- *CFTK-590(m) & CKTK-1230(s) "TK-Terrace/Kitimat." Sisters of CHTK-560.
- *CKNL-560(m) & CFNL-590(s) "NL-Northern Lights-Alaska Highway Radio. Ft. St. John/Ft. Nelson. Sisters of CHNL Kamloops.
- *CJCI-620(m) & CIVH-1340(s) "CI-Central Interior" Prince George/Vanderhoof. Two 50-watt LPRT's: CIEJ-1480 Ft. St. James & CIFI-1450 Fraser Lake.
- *CFBV-1230(m) & CFBL-1400(s) "Trans Interior Radio" Smithers/Burns Lake. BV=Bunkley Valley; FLD=Francois L. District. CFBV feeds three 50-watt LPRT's: CHBV-1450 Houston, CKBV-1490 Hazelton, & CHLD-1480 Granisle.
- *From 10:30pm-6am PLT CJCI-620 hosts an AN network and is joined by CFBV-1230 & twins.
- *From 8-10am PLT this full "CI" Network carries "Jack Webster" // CJOR-600 (see below).
- *CJOR-600 Vancouver "Jack Webster Show" Network 8-10am PLT includes CKIQ-1150 Kelowna, CHNL-610 Kamloops and twins, & CJCI-620 Prince George and twins (see above).

*CKWX-1130 Vancouver has a short-wave parallel, CKFX.
*CBU-690 Vancouver also has a short-wave parallel, CKZU.

ALBERTA

- *CJYR-970(m) & CKYR-1450(s) "YR=Yellowhead Radio" Edson/Jasper.
- *CHEC-1090(m) & CKTA-1570(s) "Check" Radio. Lethbridge/Taber.
- *CJDV-910(m) & CKBR-1340(s) DV=Dinosaur Valley; BR=Brooks Radio. Drumheller/Brooks. CKBR is "live" most evenings.
- *CJOC-1220(m) & CJFR-1490(s) "C-jock", Pass Radio. Lethbridge/Blairmore.
- *CJOK-1230 & CFOK-1370 & CIOK-1310 "OK Radio" Ft. McMurray/Westlock/St. Paul - presently not twinned.
- *CFGN-1060 Calgary has a short-wave parallel, CFVP.

SASKATCHEWAN

- *CFSL-1190(m) & CJSL-1280(s) SL=Soc Line Weyburn/Estevan.
- *CKSW-570(m) & CJSN-1490(s) "SW-SN" "Southwest Saskatchewan Radio" Swift Current/Sh Shaunavon. CKSW-1400 has CP for 570.
- *CFNS-860 & CFRG-690 both // from CBC (French) Regina studios. Saskatoon/Gravelbourg. CFNS-860 ex-1170; CFRG ex CFRG-710 daytime/CFGR-1230 nighttime.

MANITOBA

- *CFAR-590(m) & CJAR-1240(s) AR=Arctic Radio, Flin Flon/The Pas.
- *CFAM-950(m) & CHSM-1250(s) & CJRB-1220(s) RSM=Radio Southern Manitoba. Altona/Steinbach/Boissevain.

ONTARIO

- *CFML-1170d(m) & C___-1110d(s) Cornwall/Hawkesbury. French daytimers.
- *CFOS-560(m) & C___-1490(s) Owen Sound/Port Elgin.
- *CJKL-560(m) & CJTT-1230(s) Kirkland Lake/New Liskeard.
- *CJNR-730(m) & CKNR-1340(s) Blind River/Elliott Lake.
- *CKBB-950(m) & CKCB-1400(s) Barrie/Collingwood.
- *CFCL-620(m) & CFLH-1340(s) & CFLK-1230(s) Timmins/Hearst/Kapuskasing. French.
- *CKAR-630(m) & CKAR-1-1340(s) Huntsville/Parry Sound.
- *CJBQ-800(m) & CJNH-1240(s) Belleville/Bancroft.
- *CJIC-1050(m) & CJWA-1240(s) Sault Ste. Marie/Mawa.

QUEBEC - all are French (FF)

- *CKRB-1460(m) & C___-920() St. Georges de Beauce/Lac Etchemin.
- *CKVM-710(m) & CKUT-1340(s) Ville-Marie/Temisaming.
- *CJBR-900(m) & CJEM-1450(s) Rimouski/Causapscal.
- *CJFP-1400(m) & CJAF-1240() & CHRT-1450() Riviere-du-Loop/Cabano/St.-Eleuthere.
- *CHGB-1310(m) & CHAL-1350(s) La-Pocatiere/St. Pamphile.
- *CKCN-560(m) & CIPC-710(s) Sept-Iles/Port-Cartier.
- *CBGA-1250(m) & CBGN-1340 & CBSL-1110 - presently CBC FF parallel. Matane/Ste.-Anne-des-Monts/Rimouski.
- *CJMD-1240(s) & CFED-1340(s) & CHVD-1230(s) Chibougamau/Chapais/Dolbeau. (So who's the mother station?-BH.)
- *CKRN-1400(m) & CKLS-1240(s) & CHAD-1340(s) & CKVD-900(s) Rouyn/La Sarre/Amos/Val-d'-Or.
- *CKML-610(m) & CKMC-1340() & CKSJ-1400() & CKLR-1490() Mont Laurier/Maniwaki/St.-Jovite/L'Annonciation. CKMC gets CBC via CBOF. Others via CBF.
- *CKLD-1230(m) & CFDA-1380(s) & CKTL-1420(s) & CJAN-1340 (s) & CKPL-1400(s) Victoriaville/Plessisville/Asbestos/Lac-Megantic/Thetford Mines. "Reseau de Apalaches." Usually 24 hours daily.

NEW BRUNSWICK

- *CKCK-1220(m) & CJCW-590(s) Moncton/Sussex. CJCW is live 5am-noon local time.
- *CJEM-570(m) & CKMV-1490(s) Edmundston/Grand Falls. Bi-lingual (French & English).

NOVA SCOTIA

- *CKDY-1420(s) & CKEN-1490(s) & CKAD-1350(s) & CFAB-1490(s) Digby/Kentville/Middleton/Windsor. (Another with no mother? -BH.)

NEWFOUNDLAND (AND LABRADOR)

- *CJON-930(m) & CJCR-1350(s) & CJCN-680(s) & CJOX-610(s) & CJNW-670(s) & C___-560() St. John's/Gander/Grand Falls/Grand Bank/Musgravetown/St. Anthony. Newfoundland Broadcasting.
- *VOCM-590(m) & CKGA-730() & CHCM-560(s) & CKCM-620(s) & CKVO-710(s) & CKIM-1240() St. John's/Gander/Marystown/Grand Falls/Glarenville/Baie Verte. Colonial Broadcasting.
- *CFGB-570(m) & CPGN-1230(s) & CFNW-790(s) Corner Brook/Pt. aux Basques/Point aux Choix. Humber Valley Broadcasting.

Note that this list includes only full-power twins (plus a few private LPRT's). For a list of the CBC's LPRT's see pp. 449-451, 6/14/75 DXM. See also the CBC English affiliated stations list on p. 449 of that issue, and the CBC French affiliated stations list on p. 422 of the 5/10/75 DXM. -ed.

Corrections are welcomed. Thanks to the many members of the IRCA/NRC who supplied much information.

-John Oldfield, 325 E. 14th St., North Vancouver, BC, V7L 2N7

Subject Index of DX Monitor, Volume 13
by Tim O'Hare

Regular columns are not mentioned, and volume and issue numbers are given for items that do not have page numbers.

| | | |
|--|---|----------------------------|
| A Handy Little Gadget, Tim O'Hare | - - - - | 268 |
| A Listing of Ultrastable TA Stations, GPN | - - - - | 78, 79 |
| A Little Bit of Anarchy, TW | - - - - | 66, 76, 90, 103 |
| Abbreviations | - - - - | Vol. 13, No. 12 |
| Achievement Awards report, Tom Butas | - - - - | 316 |
| After 50 Years at the Game, One DXer Learns a New Trick, Gene Martin | - - - - | 201 |
| ANARC Almanac, Father Jack Pejza 2, 50, 164, 339, 382, 428 | - - - - | |
| Another Network for All-Night (S.F.) | - - - - | 31, 183 |
| AP Radio Goes 24 Hours, Bill Hardy | - - - - | 323, 324 |
| Arizona, Spotlight on, Eric Rittenhouse | - - - - | 414 |
| Autek QF-1 review, Grant Manning | - - - - | 103 |
| Barlow-Wadley Active Antenna | - - - - | 7 |
| Canadian Family Life- It's Twins, John Oldfield | 16, 435 | |
| Canadian Stations of 1938 | - - - - | 134 |
| CARACOL Network | - - - - | 13 |
| CBS Mystery Theatre List | - - - - | 67 |
| CBS Network in 1938 | - - - - | 214 |
| Centigrade to Fahrenheit conversion chart | - - - - | 137 |
| CFOM-1340 Sale Blocked, Bill Hardy | - - - - | 20 |
| Columbus Convention Photographs | - - - - | 321 |
| Columbus Convention Report, Wayne Murphy | - - - - | 183 |
| The Complete SWL Handbook review, Tim O'Hare | - - - - | 173 |
| Condition of Frequencies List, John Clements | - - - - | 429, 430 |
| Country List 1976, Charles A. Taylor | Vol. 13, No. 33 | |
| CPC Progress Report, Rob Keeney | - - - - | 164, 410 |
| Dr. Demento (S.F.) | - - - - | 40 |
| Drake SSR-1 review, Grant Manning | - - - - | 102 |
| DX Contests | - - - - | 50, 109, 234, 363, 396 |
| DX Records | - - - - | 65, 66, 155, 300, 339, 363 |
| Earth News Radio Station List, John Bradley | - - - - | 259 |
| FCC Authorizes 2.5 kw AM-Band Assignments (S.F.) | 14, 15 | |
| FCC Superpower Proposal | - - - - | 303, 304 |
| FCC to Study "What Is A Network?," Bill Hardy | - - - - | 324 |
| Focus of the Peoples Republic of China, CAT | - - - - | 247 |
| Frequency Check List, Joseph Fela | Vol. 13, No. 16 | |
| Georgia, Spotlight on, Charley Keleher | - - - - | 360-363 |
| The Good Old Days of Radio, Larry Flegle | - 126, 191, 221, 247, 256, 268, 293, 316, 430 | |
| Groups of Daytimers, Regionals Plan to Fight "Superpower," Bill Hardy | - - - - | 374 |
| Half a Century Ago: The International Radio Week Tests, Thomas H. White | - - - - | 110, 134, 144, 156 |
| Herb Jepko Show Station List, Gregg Allinson | - - - - | 109 |
| The Ideal Receiver, John Kolb | - - - - | 17 |
| Inferential Frequency Measurement by Heterodyne Analysis, Glenn Hauser | - - - - | 79 |
| Inter-American Radio Conference, 1937 | - - - - | 110 |
| IRCA Planning Survey, Ronald F. Schatz | Vol. 13, No. 34 | |
| IRCA Reprint List No. PM-2 | - - - - | Vol. 13, No. 14 |
| Kanadian Korner, John Oldfield | - - - - | 16, 382 |
| KDKA, Larry Flegle | - - - - | 191 |
| Kentucky, Spotlight on, Charley Keleher | - - - - | 372, 375 |
| Latin-American All Nighters | - - - - | 13, 14 |
| LSCA-2 Plans, Ronald F. Schatz | - - - - | 337, 338, 349, 350 |
| Membership List, Philip Bytheway | - - - - | 325-327 |
| Mexican Broadcast Stations Notifications to the FCC | - - - - | 336 |
| Mexican State Abbreviation List | - - - - | 336 |
| Mexican Stations of 1938 | - - - - | 328 |
| The Mysterious American Air*Chexx Caper Solved, Gregg Allinson | - - - - | 271 |
| The Names for "W" and "Y" Throughout Latin America, Charles A. Taylor | - - - - | 30 |
| NBC News and Information Service list, BP | - - - - | 428 |
| NBC's News and Information Service Underway, BH | 16, 17 | |
| Nefarious Nulling Aids, Nich Hall-Patch | - - - - | 348 |
| New Medium- and Long-Wave Broadcasting Plan | - - - - | 234 |
| New Mexico, Spotlight on, Eric Rittenhouse | - - - - | 413 |
| New "Two Tone" System for the E.B.S. (S.F.) | - - - - | 335 |
| NRC Louisville Convention info | - - - - | 399 |
| NRC Night Pattern Book review (S.F.) | - - - - | 304-306 |
| Old Radio Shop, Grant Manning | - - - - | 102, 103 |
| Outline of History - IRCA Style, Mike Worst | - - - - | 320 |
| The Paul Harvey List, Richard Dale | - - - - | 431, 432 |
| Precision Frequency Analysis for the MW DXer, RFS | 73, 74 | |
| Precision Frequency Measurement in the MW and the SW Broadcasting Bands, CAT | 384-386, 433-435 | |
| Precision Frequency Monitoring Survey 29, 63, 64, 65, 80, 102, 146, 149, 195, 270, 271 | | |
| President's Report, RCE | - 121, 122, 192, 254, 374, 424 | |
| Propagation Notes, Randy Seaver | - - - - | 290 |
| Radio History - 1912 to 1937 | - - - - | 158, 159, 196, 212, 237 |
| R392 receiver review, Ralph Sanserino | - - - - | 8 |
| Regulations for Applying for BCB Awards, Tom Butas | - - - - | Vol. 13, No. 12 |

| | | |
|---|------------|------------------|
| The Rise and Fall of the Ten-Watt Voices, Charles A. Taylor | - - - - | part 3 86 |
| | - - - - | part 4 417 |
| Rock Guide | - - - - | - 91 |
| Spotlight on .. (eastern) - info, CK | - - - - | 171 |
| Spotlight on Arizona and New Mexico, ER | - - - - | 413, 414 |
| Spotlight on Georgia, Charley Keleher | - - - - | 360-363 |
| Spotlight on Kentucky, Charley Keleher | - - - - | 372, 375 |
| Spotlight on .. (western) - info, ER | - - - - | 281 |
| Subject Index to Volume 13 | - - - - | 436 |
| Sunrise and Sunset Times, Richard Dale | - Feb. 210 | |
| | - - - - | Mar. 293 |
| | - - - - | Apr. 350 |
| Sunrise, Sunset, and the Shortest Day of the Year (S.F.) | - - - - | 132 |
| Sunrise - Sunset map for December | - - - - | Vol. 13, No. 1 |
| Table of Metric Prefixes | - - - - | 353 |
| Three-Letter Ship Calls, Mike Worst | - - - - | 155 |
| The "Tobacco Network" of North Carolina, GA | - - - - | 236 |
| Trans World Radio Guam, Charles A. Taylor | - - - - | 30, 164 |
| U.S. Radio in World War Two, Gene Martin | - - - - | 322, 323 |
| Veries, Karl Forth | - - - - | 192 |
| Voice of America MW Stations | - - - - | 65 |
| The "Wedge" Loop, Charles A. Wolff | - - - - | 75 |
| The Worcester Long Distance M.W. Receiver, J.A. Worcester | - - - - | 123-125, 135-137 |
| WLW-700 Sold, Bill Hardy | - - - - | 352 |
| WWV and You, Bruce Portzer | - - - - | 257, 258 |
| The 860 "Steel-Roller" Sound, Jon Pearkins | - - - - | 15, 16 |
| 1975 Station List Updater, Charley Keleher | - - - - | 221, 222 |

Abbreviations of Authors:

| | | | |
|-----|-------------------|--------|--|
| BH | Bill Hardy | GPN | Gordon P. Nelson |
| BP | Bruce Portzer | RCE | Richard C. Evans |
| CAT | Charles A. Taylor | RFS | Ronald F. Schatz |
| CK | Charley Keleher | (S.F.) | Special Features article by Bill Hardy |
| ER | Eric Rittenhouse | | |
| GA | Gregg Allinson | TW | Thomas H. White |

National Enquirer via John Bradley

Disc Jockey's Groovy Job Pays Him \$500 a Day for Only 16 Minutes Work

By PHILIP V. BRENNAN Jr.

Larry Lujack makes \$130,000 a year ... for working only 16 minutes a day. "There's no doubt about it — it's a pretty easy job," 35-year-old Lujack of Chicago radio station WCFL told THE ENQUIRER.

"I come in for five days from 2 to 6 p.m. Every 15 minutes, I announce the time and temperature. Occasionally, I read a commercial."

Lujack owes his life on Easy Street to a binding contract that assures him about \$500 a day, \$2,500 a week until July 30, 1976.

Formerly a top disc jockey at radio station WLS in Chicago, in 1972, Lujack was lured away by station WCFL with a lucrative offer — and a noncancelable contract. They wanted him as a disc jockey.

"When I first went to work for WCFL, the station was behind in ratings," he recalled. "After a year, we were number one. But then the ratings dropped, and in March, the management decided to change the format.

"This used to be a cookin', hoogyn', smokin' rock 'n' roller. Now it's almost all automated, and plays low-key music.

"They fired all the other disc jockeys. It doesn't take any brains to figure out that they would have fired me if I hadn't had a contract. They don't need somebody making this kind of money to announce the time and temperature.

"Guilty? I don't feel the least bit guilty about taking the money. They made the decision to change the format, not me. I do absolutely the best job I can for them at what they want done."

Lujack has to be at the sta-



EASY STREET: Larry Lujack spends most of his "working" day at a Chicago radio station smoking, reading books, drinking coffee and making phone calls.

tion four hours a day, five days a week. "But big deal," he said. "Most people work eight hours a day. I can play golf every morning. I never have to think about work when I'm not here.

"At work, I read books, listen to the music, drink a lot of coffee, smoke a lot of cigarettes and make phone calls in between the times I have to give the station break, time and temperature. And every time "Theme From a Summer Place" comes on, I turn up the volume and enjoy it."

"It's not a bad job." But Lujack, married with three children, added: "I don't blow the money. We live in a nice suburban neighborhood and have two 3-year-old cars. We live very modestly."

K-FYR
Your K*FIRE Station