



DX MONITOR



PUBLISHED BY
THE INTERNATIONAL RADIO CLUB OF AMERICA

VOLUME 15

NO. 2

WHOLE NO. 453

SEPTEMBER 17, 1977

DX CALENDAR DX CALENDAR DX CALENDAR

FROM THE DX SHACK OF BRETT HANAVAN
845 First Avenue
Chula Vista, Ca. 92011

September 10, 1977

Dear Don & The Staff,

I have arranged a DX Test with KCTE in Southwest City, Missouri. Below are the details.

Call.....K C T E
Frequency.....1140
Location.....Southwest City, Missouri
Power.....250 watts ND
Date of Test....October 24, 1977
Time of Test...0630-0700 Eastern Time (0530-0600 Central)
Program.....Country & Western Instrumental
Verie Signer....Don Williams, Chief Engineer
Address.....KCTE, Box 258, Southwest City, MO 64863

KCTE

1140 KHz

P.O. BOX 258

SOUTHWEST CITY, MISSOURI

64843

FLOURISHING FACTORY FINISHING FOREIGN FEATURES....

Word from the Goodie Factory is that Foreign Log #6 is now in the process of being published. Pre-publication orders will be accepted at the Goodie Factory for \$3.75...Also available are rubber stamps, stationery, new member packets, reprints, etc. etc. Send off now to:

Prop. Phil Bytheway... I.R.C.A. Goodies
P.O. Box 17088
Seattle, WA 98107

ALL BAND DX GET-TOGETHER

There will be a DX GET-TOGETHER on Saturday October 29, 1977 at 133 S.E. 31st, Portland, Oregon from noon to ?? There will be free Beer and Pop. For more information phone: Bill Block at (503) 234-1809.

The Inside Story -

EDXR - - - - 20	EDXF - - - - 22
CDXR - - - - 20-21	WDXF - - - - 22-23-24
WDXR - - - - 21	DXWW - - - - 25-26
Advisor - - - - -30	
Broadcasting Information - - - - -28	
Contest News - - - - -28	
Flash Tips - - - - -28	
President's Report - - - - -26	
Radio Programming Notes - - - - -26	
Spl. Feature..VOA-Okinawa - - - - -24	
Spl. Feature..FRG-7 Review - - - - -27-28	
Verification Signers - - - - -29	

*** NEW MEMBERS

from Rich Segalas

Brian P. Sherwood, 221 Larch, Elmhurst, IL 60126
Matthew Shugart, 12561 Groveview St., Garden Grove, CA 92640
Ralph Kirste, 23962 Sapphire Canyon Rd., Diamond Bar, CA 91765
Margaret A. Moore, 1250 102 Ave. N, Bldg. 13 #201,
St. Petersburg, FL 33702
Rick Fineout, 1190 East Shore Drive, Ithaca, NY 14850

Renewals as of 9/9/77

Chuck Hutton, Don Kaskey, Stanford Shaw, Charles Gill, Stephen Francis

Address Changes

Rob Keeney, 428 Florida, Lawrence, KS 66044
Richard Eckman, 127 Class of 87, 3700 Spruce St., Philadelphia, PA 19174
Chuck Hutton, 1035 Latham Rd., Decatur, GA 30033
Gary Parton, 2 Clark Dr., San Mateo, CA 94401
David Legler, 362 W. Wadsworth Hall, Michigan Technological University, Houghton, MI 49931
Jim Ryan, 2211 2nd Ave N.W., Cullman, AL 35055
Ronald F. Schatz, 5651 S.W. 2 Ct. (12-106), Margate, FL 33068
John Bradley, 8989 W. 14th Ave., Lakewood, CO 80215
Steve Moss, Braiden Hall 257, Fort Collins, CO 80521

CURRENT MEMBERSHIP TOTAL::412 Members

THOUGHTS WHILE CUTTING AND PASTING....

Concerning our lead item on the front page of the 9/3/77 DX MONITOR..Things seem to have quieted down somewhat, however if you have submitted items to any editor that have not appeared as yet it would be wise to resubmit them as the original may be on some railroad siding outside Sturgis South Dakota or somewhere....We have a growing collection of interesting newspaper articles submitted by many members that we will include where space permits...P.J. Riley, 35 Wilfred St., Derby, England DE3 8GG, writes to ask if any of our members are willing to exchange Radio Station bumper stickers with him. P.J. is a collector of these dillies...KFIA-710 must be designed to cover the greater Carmichael-Fair Oaks area with hopes to penetrate even as far as Sacramento on troublefree days. I recall KMPC being received well in Sacto all day, along with KFI.

IT'S PLUG TIME.... We welcome the new BoD members but also would like to remind all of you that several of these sterling gentlemen are also Chairming several important IRCA Committees that could use your help. For example, Gregg Allinson-Membership Committee & Rob Keeney-CPC.. Gregg has been carrying on with a limited staff lately, how about some volunteers to help? This committee is extremely important in the growth & public relations of IRCA.. Our first CPC test has been arranged but Rob needs much more aid to produce a successful CPC schedule for this season. This isn't the army you know, so how about some volunteers....Write now to Gregg and/or Rob and also contribute to the other editors both regular and special..We also need more Special Features.

Gregg Allinson...919 North Kerr Ave. Wilmington NC 28401
Rob Keeney...428 Florida, Lawrence, KS 66044

**eastern dx
roundup**

Bob Curtis
17 Cobbleview Dr.,
Colchester, VT 05446

DEADLINES: 9/17; 10/3; 10/10
ALL TIMES ARE EDT.

First off my thanks to Mike Mitock for his help in getting me started as editor of EDXR. Please allow me to waive introductions. Suffice it to say I have been DX'ing the BCB for more than 50 years, and somehow managed to retain my interest. For a worthwhile column we'll need lots of reports. We look forward to a good DX season and a good response from eastern DX'ers.

- 560 KLVI TX, BEAUMONT has become a semi-regular. 8/29 almost alone with Olivia, Rich & Denver type C&W mx 0228. Also live promo for cash call contest. (GA-NC)
- 600 WICC CT, BRIDGEPORT 8/31 good w/tlk about CT state lottery. (BC-VT)
- 640 CBN NF, ST. JOHNS 9/4 good at times w/qsb, folk type mx 2245-2300 then mx. Announces "CBC Radio in Newfoundland", pronounced 'New-fund-land'. (BC-VT)
- 850 WEAT FL, WEST PALM BEACH 8/22 pesty WKIX off & despite strong WJW sig, good quality with C&W mx, SID 0100 and AM INFO NX (GA-NC)
- 850 WRUF FL, GAINESVILLE 8/29 all alone 0255 w/tlk pgm WHAPAROUND (maybe) Rap-Around, hosted by Tom Connell tlkg mostly trivia. Live ID and NBC NX on hr (GA-NC)
- 1420 WBSM MA, NEW BEDFORD 8/25 2000 fair w/nx on the hr. (BC-VT)
- 1430 WWEL MA, MEDFORD 8/26 1945 vy good w/ easy listening mx followed by s/off at 1945. (BC-VT)
- 1430 WMJR NJ, NEWARK 8/25 2019 fair with com'l for Newark w/qrm. (BC-VT)
- 1450 WTSA VT, BRATTLEBORO 8/25 2022 in and out with Red Sox BB in the mess on 1450. (BC-VT)
- 1580 KLOU LA, LAKE CHARLES 8/29 everything, incl. super-pest WCLS off so a great armchair sig w/P.Aff. pgm "Involvement" at 0019 followed by Top 40 mx w/Hot Dog Hal Moore. (GA-NC)
- 1600 WCPK VA, CHESAPEAKE 8/25 on top again as they've become dominant over even WGIV (Charlotte) of late. Inst. Muzak & old MoR vocals. (GA-NC)

// // // // // // // // // // //
BROUGHT TO YOU BY:
GA - Greg Allinson, 919 N. Kerr Ave., Wilmington, NC 28401/ Realistic TRF w/built-in lp.
BC - Bob Curtis, 17 Cobbleview Dr., Colchester, VT 05446/ SP-600 & longwire.

73 and good DX, Rob Curtis

**central dx
roundup**

Richard C. Evans
P.O. Box 392
New Buffalo, Mich. 49117

DEADLINES: 9/20 10/4 10/11 10/18 10/25 11/1

OF SPECIAL INTEREST:

- 900 KSGI KS Wichita, (x-KBUL) w/religious programming, 0900 w/KJSK nulled. (BN)
- 1010 KCMP CO Brush, new 5kw davtimer now on air w/MoR, hrd easily here. (BN)
- 1050 KBUF KS Garden City, (x-KUPK) now using new calls w/C&W format. (BN)
- 1230 KSTC CO Sterling, now using these calls, hrd daytime thru KHAS (x-KGEX). (BN)
- 1340 KDEN CO Denver, 7/25 & 7/26 in Denver noted that they are continuing their all-Nx format even without NIS. (BH)

- 1090 WBAL MD Baltimore, 8/15 0614-18. Just barely audible u/KAAY's OC w/much QSB; gave ID, "WBAL temperature 72 degrees..." this much sought after character gives me state #39. (SAM)
- 1240 KRDO CO Colorado Springs, noted 7/29 1915 while driving past their tower, has reverted to MoR format since NIS folded. (BH)
- 1220*WQSA*FL Sarasota, 8/21 0107-0201. ETing w/a surprisingly good signal; mostly alone w/slight QRN; ID very audible on the hour; this is a newie for me. (SAM)
- 1260*IL*WIBV Belleville, 8/10 0111-0201. Fair to good signal, but sometimes fighting it out w/WNDE; had 1000 cycle tones and one ID; moderate QRN (normal for summer); sends v/l. (SAM)
- WGWR NC Asheville, 8/15 0601-08. S/on w/a fair to good signal o/WNDE; s/on followed by news and then ad for 1st National Bank of Asheville; another newie. (SAM)
- 1330*WFBC*NC Greenville, 8/8 0103-32. Good to x1nt while testing w/1000 cycle tones; easily beat out the other pest of 1330 --KPH; no signs of QSB w/some QRN; sends v/q. (SAM)
- 1350 WGAD AL Gadsden, 8/25 0113-0200. X1nt to fair on RS followed by s/off; dominating the frequency & way o/WSMB; "Top 40" Mx, hosted by DJ named Carey Rich; many IDs - both live & jingle; 1st time hrd around here & rptd. (SAM)
- 1360*KNIR*LA New Iberia, 8/11 0132-46. Testing w/1000 cycle tones, their signal was coming in ffrom poor to fair; much QRN and QSB o/u KSCJ; one ID at 15 till the hour, pretty regular around here. (SAM)
- 1370*KIKS*KS Iola, 8/20 0104-11. Coming in quite good while ETing w/no QRM, QRN, and very little QSB; sends v/l. (SAM)
- 1380 KTSM TX El Paso, 8/1 in El Paso noted they are still NBC and continuing their all-Nx format even without NIS. (BH)
- 1400*KILE*TX Galveston, 8/24 0116-30. Noted again on what must be an unlisted m r/c; again, an exceptionally strong signal for a GY operation; continuous 1000-cycle TT w/ID at end of test; forget about a verie from this one. (SAM)
- 1410 KBUL KS Wichita, using new calls (x-KWBB) and C&W format AN. (BN)
- 1530 KRNK WY Cheyenne, noted OFF every time we tried for it in and around Cheyenne Sat. 7/23 thru Mon. 7/25, so it sounds like they are currently dark. (BH)
- *****
- 570 KGRT NM Las Cruces, 7/31 & 8/2 noted they are now "Great Country American" instead of "contemporary". Their groundwave gets out very well to the surrounding area - with just 5kw, they are better than XEROK-800 in many places, the latter supposedly 150kw. (BH)
- 680 KFEQ MO St. Joseph, 8/22 0207-10. Fair to poor with considerable QSB & moderate QRN; WMAQ-670 apparently off, but still unusually weak signal; Kansas state Wx, followed by Wx for the St. Joseph area - all rptd by Fred Babcock; new here and reported. (SAM)
- 920*WBOX*LA Bozalusa, 8/26 0215-0303. Good to fair on what may be newly created r/c; tt w/IDs every 5 minutes; moderate KARN QRN; although just 40 miles away, this one doesn't even make it in here that well during the day; never rptd, but will check it out again next month(SAM)
- 980 WPAG GA Perry, 8/24 0601-03. Very poor on an apparent s/on w/call-letters mentioned several times followed by what sounded like Wx; just barely punching thru WSIX & other unid QRN; much wanted & taped report sent. (SAM)
- 1090 KAAT CO Denver, 7/29 2015-2035 while camping west of Denver, noted them loud with Mutual network progs. and block religion. (BH)

*WLTC*NC*Gastonia, 8/16 0116-34. Fair to good on test using various tones; slight QSB, but not too bad; no QRM; sent me v/l. (SAM)

*WTAB*NC*Tabor City, 8/27 0107-0203. First relogging of this one in about a yr. ET w/various tones & very long periods OC; badly muffled ID shortly after the hour; good to poor signal w/much QSB & slight WSPD QRM; v/l rcvd in about two weeks. (SAM)

1390 WISK GA Americus, 8/18 0600-04. Poor to fair w/s/on; much QSB and heavy QRM from WROA; sends v/l. (SAM)

WVON IL Chicago, 8/16 off for very rare SP, leaving CHOO dominant. (KDF)

*WKIC*KY*Hazard, 8/16 0234-0315. Testing with much OC, and various tones (mostly 500, 1000, and some 5000); slight local QRN and WROA QRM very quick ID; verie sent for; (SAM) 8/16 0408 loud w/ET/ID, then TT. (KDF)

1400*KWLA*LA*Many, 8/27 0347-0406. Relogged on ET w/1000 cycle tone, apparent periods of OC & 2 IDs featuring short-counts; poor, w/IDs badly mangled by GY QRM; hrd several times before, but never reported. (SAM)

1490*WOPA*IL*Oak Park, 8/16 0219 off for rare mid-week SP, some tone, back on 0300(KDF)

1500 WKIZ FL Key West, 8/11 0156-0201. Poor sig, but xln't catch as they did their s/off after the Wx; slight QRN, much QRM from the Mexican and slight QRM from KSTP; heavy QSB; newie--verie sent for. (SAM)

1520*WDSL*NC*Mocksville, 8/17 0458-0504. Testing w/1000 tones and some Mx; QSB slight; QRM from KOMA and slight local QRN; sent v/l. (SAM)

1530*KECK*NE*Lincoln, 8/18 0134-37. Poor to good while on f/c; WCKY QRM moderate; QSB very slight; v/l sent. (SAM)

1560 WBKC OH Chardon, 8/18 0601 fair w/s/on over WBUK. (KDF)

1570 WQTW PA Latrobe, 8/18 good w/s/on. (KDF)

PER THE LIST:

4th MON: WLOP-1370 GA t (SAM) note day change
WAYX- 570 GA t (SAM) note day change

A TIP OF THE HAT THIS WEEK TO:

KDF - KARL FORTH, 630 South Ardmore, Villa Park, Illinois 60181
(Karl, have fun there in "little Egypt"-rce)

BH - BILL HARDY, 2301 Pacific Avenue, Aberdeen, Washington 98520
(on vacation in the Mountain States)

SAM - SCOTT A. MENTZER, Route Three, Tylertown, Mississippi 39667

BN - BILL NITTLER, 603 West First, McCook, Nebraska 69001

NANCY HARDY, Editor

2301 PACIFIC AVE.
ABERDEEN, WA 98520

western dx roundup

ALL TIMES ARE EASTERN LOCAL

DEADLINES: Thurs. Sept. 22, Thurs. Oct. 6

REPORTERS FOR THIS ISSUE:

(EH) Bill Hardy-2301 Pacific Ave.-Aberdeen, WA
Lafayette HE-30, 3M-1 98520

(NH) Nancy Hardy-2301 Pacific Ave.-Aberdeen, WA
Lafayette HE-30, 3M-1 98520

(RW) Robert Wien-945 Desert Isle Dr.-San Jose, CA
GE TRF Long Range Portable 95117

570 KCNO CA, Alturas 8/17 2315 in fair to good w/s/off, xmtr. two miles NE of Alturas, return to the air at 0858. (RW-CA)

610 *KPRC* CA, San Francisco 8/22 0230-0630 noted off totally except 0600-0630 w/OC & occ. TT. (RW-CA)

610 CHNL BC, Kamloops 8/22 0301, 0511 in weak at 0301 w/ID & mention of sister station CINL-1400. I picked this one up from Seattle when we were there on vacation last month. Into nx. In good 0511 w/"Let Me Be There". New. KPRC off. (RW-CA)

750 KXL OR, Portland 8/23 0646 in fair to medium w/Carpenters song, moderate KCBS-740 slop. Not noted on at this time of night before. (RW-CA)

790 KWIL OR, Albany 9/5 2228 end of religious program, ID, into wx 2229, then Mutual nx. Weak to fair w/KGMI null-ed. (NH-WA)

990 *CBW* MB, Winnipeg 8/15 0538 weak u/KKIS w/1 khz TT. (RW-CA)

1020 *KTNQ* CA, Los Angeles 8/23 0655 off all night, ID at 0655 "This is KTNQ, Los Angeles, testing." (RW-CA)

1020 KBCQ NM, Roswell 8/23 0710 this one is becoming a rarity due to "The New 10-Q" being NSP. In poor to fair w/ NM nx. KTNQ off for testing. (RW-CA)

1090 *KBOZ* MT, Bozeman 8/15 0644 in weak u/ XEPRS w/1 khz TT. (RW-CA)

1170 *KLOK* CA, San Jose noted off MX 8/22 and nights of 8/23 & 8/24. Perhaps this is not NSP anymore?! I hope so! TT'ing occasionally tho'. Three nights for testing? (RW-CA)

1170 unID 8/24 0600 unID heard very weakly u/ KCBQ, KVOO w/what sounded like GSQ, which makes it a Canadian s/on. CKGY? Or is this a new Canadian I haven't heard of yet? Not CFNS, KLOK off.(RW)

1180 WHAM NY, Rochester 8/24 0606 in fair to good w/ad for Bank of Rochester, wx, ad for Puler Pontiac of Rochester. (RW-CA)

1220 *KKAR* CA, Pomona 8/15 0400-0640 in poor to fair most of the time, in & out o/CKDA. Assorted rr mx, occasional ID's. Nice verie letter w/CE saying KKAR is moving to 1510 kHz by Nov. 1 and will boost power to 10,000 watts. There will be a new one on 1220 w/yet undecided call letters. What's gonna happen to KSOM?! (RW-CA) (Maybe owners of KKAR are buying KSOM?--NH)

1230 unID 8/24 0452 unknown ID heard in mess as KMAV? May be KLAUV, or new call of some other station? (RW-CA)

1280 *unID* 8/24 0451 unID w/1 khz TT o/u QRM, possibly KFYV. (RW-CA)

1370 *KEEN* CA, San Jose 8/22 0400-0530 noted off for testing. Only things on freq. a weak KWRM (ex.-KREL) and XEHF. (RW-CA)

1370 *unID* 8/15 0316 unID TT heard weakly w/KEEN off. Not KEEN! (RW-CA)

1380 WMEE IN, Fort Wayne 9/5 0358-0400 playing rock mx, then giving call letters twice at 0400 (did NOT say "Fort Wayne" so not a legal ID). Slogan was "WMEE - it's magic." In quite well, really, w/presumed KGMS nulled. KRKO off - tnx to Bruce Portzer for the tip about KRKO having a MM SP lately. (BH-WA)

1470 KSEM WA, Moses Lake 9/5 0437 call letters heard during MS Telethon program, another ID 0439 & into Carole King song. (NH-WA)

In case you haven't been DX'ing lately, cx are really quite good. Anytime WKBW is coming in here cx have to be good, hi. 73



WWL
1024 N. Rampart St.

THANKS FOR YOUR VERIFICATION LETTER OF JAD. 4
AS A CLEAR CHANNEL STATION, WE HOPE THAT YOU WILL ALWAYS BE ABLE TO HEAR AND ENJOY OUR PROGRAMS. WE WILL BE GLAD TO RECEIVE ANY SUGGESTIONS THAT MAY HELP TO IMPROVE OUR SERVICE TO YOU.

RADIO STATION WWL

DATE MAR. 26

Norman Hardy

eastern dx forum

John Zondlo
6617 Maryland
Hammond, IN 46323

Ron Fenton-P.O. Box 4-Cabery, IL 60919
This is my first DX Forum. To introduce myself, I am 29 years old, single, and have been DXing for about 15 years off and on. Receivers currently used for DX are various portables, including a Zenith Trans-Oceanic and a Radio Shack Astronaut 5. I hope to purchase a new receiver an an SM-2 antenna before entering the Domestic DX Contest. Being considered are the FRG-7, SSR-1, and SPR-4. In July, I attended the ANARC convention and thought the WINDX members did an excellent job. 73's

Scott Mentzer-Route #3-Tylertown, MS 39667
Greetings from the state that gave you the late Elvis and now gives you the one and only "Mississippi Test-Gambler" (not late, just a bit tardy, hi). After three months away from both home and the dials, I'm slowly but surely slipping my way back into the old groove, and getting into some kind of routine again. I sure hated to miss the big Indy affair, but at the time that was going full blast, I was heading back home from three months in "Kentucky's answer to the Siberian salt mines" (Winchester's IGA store). The work wasn't that hard, and the money wasn't all that bad, but the wierd hours didn't help the DX cause too much. Also, the lack of a decent rx and accompanying antenna system helped turn what few attempts I made into a real fiasco. (WLAP, in Lexington, ETing from all of 17 miles to the west - big catch, hi!) It's too early to tell what the new season will be like - either in terms of cx or, more importantly, time to devote to DX on a regular basis. School began a week ago (believe it or not), and I wonder if I didn't cram my schedule a bit too full, considering varsity sports and the usual hassle for grades. Oh well, might as well go out with a bang; that's right, this is my last year in "Leavenworth-South". (You know, "Big-Bear Senior" and all that kind of trash!) Veries that have piled up around here over the summer include: WGWR, WEYY, KCJJ, KTXJ, WJAZ (all v/l); KPDI (v/l & v/f); KXEN (v/f); and WBAL (v/q for state #39). For recent examples of mediocrity, see CDXR; Dad pulled in most of that garbage, I didn't, hi. Well, that's just about it, other than to say it's great to be back in touch with y'all. Let's hope the coming season is a biggie for everybody. Till next time, 73 and all the best.

Frank Colella-2184 E. 28th St.-Brooklyn, NY 11229
Hi everybody, how's DXing? I just became an IRCA member and this is my first Forum, so let me give you an intro. I am 15 years old and will be going into tenth grade at Sheepshead Bay HS. I've been DXing since January 1977 as a SW DXer, but I got bored and in July I became a MW DXer. As a SW DXer I have heard over 45 (close to 50) countries and have veries from over 25. I now DX on a Nuvox C-800 AM-FM cassette recorder. I have ordered from Edmund Scientific their ultra select antenna (anybody knows if it's any good, please tell me). I also ordered two reference books from different sources (North American Radio-TV Station Guide and NRC Domestic Log....hey, I ain't no traitor, but I need a copy and it's a pretty good book, hi!). So far I've heard over 100 stations in my short DXing period (less than 2 months) on the MW. Who says you can DX in the summer? My best catch is WBAP-820 Forth Worth TX (about 1,400 miles). I don't care if it's a 50kw clear channel, it's still a good catch, hi! To close up this one, here are some recent veries: v/q CKLW-800, CBL-740, WHAS-840; v/l WBT-1100, WCAU-1210, WFIF-1500 (CE sent me personal letter); v/c WBBM-780, WICC-600, WNIK-1350. I should be getting quite a few more. Hey, tonight's a MM (figure that one out). "73s" and Good DX.

John Zondlo-6617 Maryland-Hammond, IN 46323
Greetings. The convention trail this summer was quite enjoyable. It was good to meet DXers from different branches of the hobby at ANARC. Hope everyone who attended enjoyed the WTFDA presentation I participated in. Unfortunately, I wasn't able to make it to the WTFDA convention in Portland, but I did try. After two days on the road I wound up stranded in Laramie WY with fuel injection problems on my chocolate Rabbit. I was able to make it back home and get to Naptown the next weekend. The highlight of that convention was the Indianapolis-Denver baseball doubleheader I attended with NRCer Bob Walker, Gary Siegel, and Karl Forth. I made quite a bit of use of the putting green at the motel also, hi. The NRC's convention in Lincoln was excellently prepared and executed. My congratulations go out to host Neil Zank and his crew. Maybe next year I'll be able to make it to all four conventions. I also had a chance to visit with former IRCAN Al Ogrizovich and his wife at their home in Sioux City IA. Looks like we'll have some good sites for next year's conventions. Portland is planning on IRCA's gettogether, NRC's is a tossup between Atlanta and San Francisco, word has it that ANARC will have a bid from Boise, and WTFDA's could be in Dunkirk NY, Orlando, Louisville, Pittsburgh, or here in northwest IN. That's about it from here...see y'all later....jz

SATURDAY **western dx forum** Rick Heald
1581 20th Avenue
San Francisco, CA 94121
DEADLINES Ph: (415) 665-4201

MARK BIXBY-1627 HIGHLAND DR-NEWPORT BEACH, CA. 92660
++++
Hello all! Not much DX here due to the fact that I have only bothered to DX twice in the whole month of Aug. Only new stns here are KDIA 1310 and CFUN 1410. KIKI 830 made a nice showing on the morning of 08/07 and so I whipped up a f/up report. One the one MM that I stayed up (08/22), the only thing interesting was an OC on 1610 @ 0312 ELT. Signal strength was fair to good, and they suddenly went off @ 0318. I have no ideas on this one. For those interested in the Edmund Select-a-Tenna, there is an ad for it in the back of the Aug 77 Popular Electronics. Here's a quote from the ad, "Super Power for Any AM Radio. Antenna assist has pulled in stns 1000 mi off! No wires, no clips, grounding. Solid state--no batteries, tubes, plugs." There is a price of \$19.95 and you can pay \$24.95 for the "Ultra" model. Tim Benko informed me that he dissected his Tenna and all he found was 20ft of copper wire.... In closing, I would like to thank Scott Spalding for supplying me w/his list of stns heard in the SoCal area, not just LA based stns as per my list from the L.A. Times. 73 and good (hopefully soon to come) DX. (Many tnx for your fine report Mark, but my poor ole eyes, pls double space-RtH).

RANDY TOMER-P.O. BOX 677-ARCATA, CA. 95521
++++
Howdy. The Aug 6 DXM was really great, and the printing job was up to par, too. Recently I got a good book on Powell Crosely Jr, the man who built the Crosely radios, owned WLW and the Cincinatti Reds, and was a genuine inventor in many fields. Should be of interest to those of you who like old rx's and are interested in the history of broadcasting. I ordered this book because I'm the proud owner of a '48 model Crosely. It's nice to note that in discussing the fact that WLW used to run 500,000 watts, the author recommends that there be no return to superpower. Available for \$3 ppd from Joe Rice (the author), 916 Western Avenue, Covington, KY 41011. (And ironic enough, the location of WLW's XR1-RtH). (Oooops, WCKY....let me back outta here, hi-RtH). I learned of this book in Don Jensen's excellent column in Elementary Electronics magazine. I'm back in a house again (bought it) and there's a power pole here similar to RtH's. On a foggy day is buzzes phenominally (it roars), wiping out all frequencies up to VHF, yet on sunny afternoons (like when PG&E shows up) it's relatively quiet. (This AM, 09/07 it's pea-soup thick and there's 3 poles really singing up a storm-RtH). The PG&E man said it's due to dusty insulators, but they can't wash them like



they "usually" due because of the water shortage. A timely excuse, no? My QTH is on the edge of a neighbourhood and consequently I'm experiencing TVI and other UNIDED but serious QRN for the first time in my DX career, some of it unbelievable, the way it sounds. I think what Grant Manning said in SPEEDX is the only solution: "Move!", as far out in the sticks as possible. Some serious legal research should be done as to what a radio listeners rights are. The way I understand it, the Public Utilities Commission states that utilities cannot interfere w/interstate communications (ie. MW DX) and therefore the companies are legally obligated to repair noisy poles. (Except we both know how far that would get in a PUC hearing, what with the PUC being a joke anyway-RtH). Since I've got room once again, the Hammurlund & big loops are back on the DX table, ready for this Falls' big TP opening. I've been checking TPs every morning in Aug (almost), so if you haven't, you haven't missed much, hi. Don Kaskey & ECR, tnx for the tips in the last couple of issues. It's amazing how well a low power stn can be heard at great distances, given good cx. Lately, I've been hearing the Adak, AK AFRS so well I wonder if they've gone to "big-power". Almost took a potentially lucrative job hauling lumber from Medford and Crescent City to San Jose, but my wife wouldn't let me, and besides, I'd have to miss that big TP opening that's coming up. 73 de RET.

BILL HARDY-2301 PACIFIC AVE-ABERDEEN, WA. 98520
++++
I see that I've been elected to the Board of Directors effective 09/15/77 for the next two years. I'd like to thank whoever nominated me, and a special tnx to those who voted for me. I'll try to be worthy of your trust. For cryin' out loud, if you have an opinion of something coming up for a vote on the Board, TELL ME, as well as the rest of the BoD. You'd be surprised how few people wrote Nancy to express their feelings during the 4 yrs she was on the BoD. (Except for an occasional 4 page tirade, hi). Anyway, I'll have a little time on my hands to catch up w/DXing and w/Special Features I need to type up, for a while, anyway. It seems I'm now unemployed. I quit my job at KBKW 1450 effective the end of my scheduled vacation in July (in other words, I didn't come back), so 07/12 was my last day there. I decided NOT to continue in the broadcast business because of the low pay and rotten working conditions, no fringe benefits no pension systems, having to work holidays, etc, etc. So at the age of 30 I'll be looking for a new career, and thus you are forewarned that I might be subject to an unannounced address change, especially if someone comes along w/a \$30,000/yr job, hi. Anyhow, Nancy and I vacationed for 4 straight wks - 07/13 thru 08/09 - in the Mountain states. The strangest happening was on Sun 07/31 as we drove from Albuquerque to El Paso. KQEO 920 was carrying Casey Kasem's Amer Top 40 show, which we listened to from 1145 tune-in to 1245 fade-out (MLT?-RtH). We tuned around awhile (at times all we could get was KOB 770 & XEROK 800) - then at 1545 we came across KELP 920 picking up "AT40" at the same place we lost it! It was like the prgm mysteriously reappeared at the same place on the dial, 3 hrs later w/the rest of the prgm! We somehow thought Yellowstone Park would be the biggest radio desert, but new KBOZ 1090 comes in quite well there now, especially on the North side, during the day, and KWYS 920 and some of the Idaho Falls and Billings stns also come in days in various sections. The worst daytime reception we got was on the Navajo reservation NE of the Grand Canyon, where at times absolutely NOTHING was on the dial - not even KPGE 1340 20mi/32km away. More of what we heard will be in WDXR - some might even be in CDXR since we were there part of the time. 73.

MIKE SANBORN-5042 1/2 HAYTER-LAKEWOOD, CA. 90712
++++
Hi everyone! Called a cease fire in my war on v/s just long enuf to submit another dull, non-controversial Forum. (I know how much you-know-who likes to type). I'm hoping this makes Vol 15, #1, but if something goes wrong at the P.O., you may not see it until the 1980 Olympics are past history. I'm trying to come up w/something new this Fall that will get me a bit more out of DXing. I've been at it now for 62 months and I still can't find anything quite to compare w/staying up all night w/a dial in one hand and a pile of junk food in the other. (Your'e still young, Mike, hi, hi-RtH). It's really a devine obsession, not unlike that of collecting bumper stick-

ers. Was there ever a list of sticker giving stations published in DXM. (Check w/DEE, if anyone has one, he would; hi-RtH). I could sure use one of those. Some of my favourites are: KIXX, KAAV, KRAM, and Snoopy for President, but that's a different story altogether. Too bad Radio Shack axed the TRF. I always thought it was a good investment, I guess someone more influential didn't. Instead of lashing out at the establishment, I'll let it go this time, the TRF will always be w/us in spirit, just like NBC's News & Info Service. Right now I'd sure like to be on an exotic DX'pedition, but alas I remain shipwrecked on an island of unyielding ANers and noisy incandescents. Speaking of noise, Marc Steiner is overdue for a Forum. RtH, you know what to do. (Got the boys drawing up the orders now, hi-RtH). Call the guy who ties pipes in a knot and crushes beer cans w/his fingers, hi. (I didn't know Erickson was on call, hi-RtH). Well, time goes by so quickly when you're having fun, ot whatever this is. Before I close, I would like to present the following, viewer discession is advised, hi:

Eric, you say 68
Makes a terrible sound
Be we get KTNQ
In Sensaround!

Top that! CU soon. 73 de Miguell!

ERIC C RITTENHOUSE-77 LINARIA WY-MENLO PARK, CA 94025
++++
Hi all! I thing 4 straight is a record of sorts for me, but ever since I was turned into a Yamaha 350 by a roving biker-witch, I haven't been able to into the area's more respectable establishments. Our honourable editor deserves an apology for the cruel comments re his hairline in the last issue: I'm sorry, you're bald, Rick, hi...This is being typed on the typewriter of our Ed-in-Chief at pub session #3, while staring across a table at old "Chrome-Dome" himself.... Aaaugh....Umph....Oooh....OK, I admit it, he really does have hair. Moving right along, we've just run Jill Segalas through the address machine; we're sending her down to Erickson.....Moving right along, San Francisco has just been leveled by a tidal wave; see my next Forum for details....No offense intended last issue to the Lone Star state; I'll pick on someone else this time. Juneau I'm going to Alaska next week? No "Loan Stars" up there; very Fair banks, I hear. I always say there's not place like Nome....I Anchorage you to top that....Better Sitka down first....I think I'd better Barrow this hatchet now..... To Mr. Anderson:

Of WNBC,
I cannot even seem 'em
Thanks to the lovely slop
from old XERPM...

This has gone past the point of sickness, hi..... Come on all you latent poets! Let's see you top these works of "art", hi.....In fact I'm inspired (read drunk, hi):

I think of the "Weighty 680"
Deserves a laurel wreath
I live near Foster City
And get them on my teeth

Relax, people, it's the closest to "DX" I've been in a year, hi. Gotta go now, The pub comm is trying to hotwire my car...Anyway, as they say in Cleveland, Id' rather be in Philadelphia (which goes double for those in the opposite condition). No offense, you haven't lived until you've "lived" in Menlo Park. (That's Krap Olemm backwards)) Bye. 73 de ECR...

PETE GRENIER-927 N PASADENA-AZUZA, CA. 91702
++++
I guess it's about time I contributed something to this column. Attended ANARC Convention in Palatine, IL, was a great success, host club WINDX did a great job as hosts. Jeff White, Chairperson gave a report on opening nite that composite DXers in attendance was between 25-35 yrs and had SW & MW as main interest. The HAP auction was a big success raising \$250.33. And Don Erickson hardly spent any money. (Was he feeling OK?-hi-RtH). The biggest item up for auction was a complete set of '67 R. Canada QSLs. There were 6 IRCA members, majority came from NASWA & SPEEDX. Had a chance to participate in a panel discussion on local DX clubs w/Dave Browne of ANARC, Tom G avaras & Greg Ravenhorst of MN DX club, and Allen Brooks of New England DX Society & Jeff White of WINDX. We discussed the formation and existance and growth of local DX clubs. After the Convention,
September 17, 1977...Page 25

I traveled on to Fall River, MA to visit friends and relatives. Had a chance to hear Larry Glick on WBZ. (Wish we had someone on the WC as crazy as he). (I got turned on to him 10 yrs ago listening to him from Venstie, AK, and continued listening until KTWO went AN-from the Bay Area-and I totally agree with you-Rth). Sorry I couldn't attend the IRCA Convention, reason being that I ran out of vacation time and money. Hope to attend both ANARC & IRCA Conventions next year, wherever. Guess I'll close so that someone else can report to this column. 73. (Mucho tnx for your fine report, Pete, but pls double space next time-Rth).

RICK HEALD-321 25th AVE-SAN FRANCISCO, CA. 94121
Tele-Forum: (415) SKYline 1-0971 until 2200 PLT
+
The old QTH looks like a disaster area, everything in boxes ready to move. DXed most, rather, part of Labour Day morning, like 0230-0500 PLT. Took good copy on KSEM 1470 Moses Lake, WA on w/Jerry Lewis Radio-Telethon, and for 1st time in o/a yr, sent a reception report. Noted also pest KDON 1460 off w/a lovely mix of KENO/KMWX-big deal, KCRL 780 off w/WBBM at local quality, KPFE 940 & KPAY 1060 both Tting, and local KYA 1260 w/OC only. This all around 0400-0430 PLT. Noted JJ on 750 & 830 w/EE lessons, again-big deal! Would like to thank all who voted for me for BoD, and believe me, I will be most vocal, and as BH has stated. I too want to hear from you. Thank you all again. To set the record straight, now inactive Charles Wolff built the Wedge antenna for the IRCA, and in my opinion, still the best unamplified antenna around. And if I can build an antenna, anyone can, hi. Bill Hardy, the radio industry (of which I was a part at one time) sounds just like the travel industry, hi. Much success to you. Randy Tomer, the PUC is at best, a joke. Can you imagine the ridicule at a hearing if I brought up the subject you mention? I've come to the conclusion there isn't much we can do. Last time I called out PG&E was old Castro Valley QTH, and the dummy tuned his \$6.95 transistor to, ...you guessed it...."The Weighty 680" and proceeded to say nothing was wrong. OK Rittenhouse, admit the truth, you're the one losing the hair, and I've been the one that's been told (well, a subtle hint) to get mine cut). Us Injuns have a way of keeping a full head of hair. And yes, you did enjoy the brew that night, hi. Hope all is well w/everyone, and my mail almost made it to Philly, hi. Back to weekly schedules now, and since I merely walk my column o/ to DKK, an 8 min walk away, deadlines will now be advanced to every Saturday. Good DX to all, and to all a good night, or something. 73 de Ricardo..

DON KASKEY-386 GEARY ST-SAN FRANCISCO, CA 94102
+
Since I have Rth's column in hand I thought I'd add a few comments before I shred it to pieces, hi. Back from a 4500 mi. sojourn with a few DX notes..550-KOY very good sig in AZ daytime. 690-KEYR good in SW NE. 790-KXQR-on w/EL mx.800-KHIS-is relig., 930-KOGA w/r/r in SW NE. KWKY & KRZE fair around Gallup. KVMM-970 good in E AZ, also noted last year in So.Cent. Utah. Good white area between Green River-Salida UT. Another good one is Williams-Kingman AZ. KMIN-980 s/ on bout noon on Sun. then non-stop background music for an hour with no ann or ID. 990-KAYL covers NW IA very well for 250w. 1010-KCMP-new w/good sig in EG CO. 1020-KBCQ w/KRTN only sig aud during storm from Raton-Las Vegas NM. KPUN-1230 off but prob hit by lightning. 1090-KAAT good sig in WY,NE,CO & KS. 1140 KNAB excellent prog for a small town stn. "Voice of the High Plateau". 1150-KUPF x-whatever in Alby now using this call. still c&w. 1230-KINO on & 1240-KNYN is dark. KOAD-1240 is black format. 1300-KHAC surprised by being MoR, expected Navajo which was on KGAK. KYVA is r/r. KIOT-1310 is "Radio 131". KFLJ-1380 definitely not using 1 kw as very weak even in Walsenburg while G.Sprgs,Pueblo,Trinidad stns were in well. KXEM-1590 prog. is SS.etc etc. Things I've wanted to do but kept putting off: Compliment Bruce Goldsen for his Radio Programming Notes, which is growing quite popular and Robert Wien & Scott Mentzer on their excellent domestic DX contributions. After reading Rittenhouse's forum & knowing he's in Alaska I only pray for a very early winter up there with heavy snow. TPs coming in again around dawn but nothing too exciting. KCRL off again 9/11 & UFO there and CC also noted on 870 w/JOGB..Report your DX pls..

SPECIAL FEATURE

A VISIT TO THE VOICE OF AMERICA: OKINAWA
by Michael S. Hardester

Prior to receiving orders to Okinawa, from my travel agent - the U.S. Navy - I had tried in vain to log the VOA medium-wave outlet on 1178 kHz, and even the shortwave outlets seemed difficult at best. However, my faithful travel agent soon put me in the driver's seat, and so on a warm spring day, my wife and I found ourselves on the road to the VOA transmitter site at Okuma, Okinawa.

Okuma is a small village located near the northern tip of the island. On one side of the road, green lush vegetation stretches seemingly for kilometers, and on the other side of the road, the emerald green waters of the East China Sea peacefully wash onto the pearl white beaches. I was so taken by the beauty of the area that I might have missed the turn-off had my wife not pointed out a six-tower array in the near distance - which we were later to learn was the array for the medium-wave transmissions. So, with our course plotted and without benefit of any road signs (in English that is), we headed towards the antennas.

On arriving at the transmitter site (the receiver site at Onna is located further south), we were greeted by Mr. Jensen, the Deputy Manager, and Mr. Schlegal, the Transmitter Supervisor, who joined to give us a very thorough tour of the facilities. Construction began in 1952 and operations commenced in mid-1953 with continual expansion to the present 134 acres upon which the VOA site is situated.

The transmitter building houses the 1178-kHz transmitter, which is actually two Continental transmitters of 500kw phased together to produce a megawatt of power. This transmitter is joined by two 35kw, one 15kw, and one 100kw shortwave transmitters, plus a 5kw auxiliary transmitter which provides for RTTY service to the IPS (International Press Service) located at USIA headquarters throughout Asia.

Program material is received at the Onna receiver site from direct off-air monitoring of transmissions from Delano and Dixon relay sites. This is fed via VHF circuits to the transmitter site for re-broadcast. Two of the receivers immediately noted were of the Collins 51J series and Hammarlund SP-600 line; Hewlett-Packard frequency synthesizers were also noted.

The medium-wave transmitter is in operation from 1100 to 1600 GMT and provides English, Chinese, and Korean programming to mainland China, Laos, and Korea, on beams of 170 and 315°. Reception reports from mainland China indicate no jamming of the English transmissions; however, the Chinese Service is jammed a great deal.

The shortwave transmissions also transmit the same languages to the same target areas or nearby areas, and these also appear to be having an effect as evidenced by reception reports.

And what tour would be complete without checking out the local telephone exchange? Yes, the VOA also has a completely automated telephone exchange system which handles the VOA transmitter site, VOA family housing, and a nearby military recreation center.

After the tour, over tea, several topics were discussed. At present (early 1977-Ed.), there is a great deal of speculation over the "planned replacement site" of the VOA-Okinawa relay site. The next location is undecided. (As of this writing-Ed.) While several places offer a possible site - Saipan, Micronesia, South Korea, Hawaii (remember the old VOA site there?) - no specific location has yet been decided upon. Mr. Jensen went on to further point out that from inception to operation takes approximately five years, thus a new site, even after being chosen, wouldn't be on the air too soon. This brought about the point that with host countries becoming fewer and fewer, international broadcasters may be forced to stay at home and beam their message across the miles with power easily exceeding a megawatt!! Can you imagine being a DXer/SWler who is situated a couple of kilometers away from a megawatt transmitter?! Among other topics discussed, it was mentioned that the VOA site at Poru, Philippines was constructed from almost identical plans as the VOA-Okinawa. Lastly, on March 14, 1977, at 1500 GMT (12 midnight Japan ST), the VOA-Okinawa will sign off for the final time, and while the visit was quite pleasant, much like old friends getting together, it will soon be time to hear the final farewell: "This is the Voice of America concluding its transmission from Okinawa."

--Mike Hardester, Box 2723, USNAVREJMEDCEN, FPO Seattle, WA, 98778. (Typed by Special Features Editor Bill Hardy. Bill did not receive the article in the mail until AFTER the final Okinawa transmission on 3/14/77, so sorry for the delay. Hope it still makes interesting reading. -BH.)

KID BROADCASTING CORPORATION

P. O. BOX 2008
IDAHO FALLS, IDAHO 83401

DX Worldwide



BRUCE PORTZER,
Editor

All times GMT/UTC
Deadline 9/22,10/6

6546 19th Avenue Northeast - Seattle, WA 98115 - 206-522-2521

ATLANTIC DX ROUNDUP

No tips received!

PAN AMERICAN DX ROUNDUP

- 660 ? UNID, stn here 0642 8/29 w/Monserrate-650 type mx & IDs by man "6-60, con musica..." (Bytheway,WA) --- 0637-0704 8/29 w/schlocky MoR, some EE vocals. Apparently the same thing Hall-Patch rptd last issue, lots of "6-60" ments & IDs sounding like "Musica de Magnifico(?)"; good sig, I wonder if maybe XERPM has changed slogan and format. (Portzer,WA)
- 775 COSTA RICA, San José, TIV, 0502 8/29 w/R. Uno ID, then record by Chicago, thru 770/780 slop. (Bytheway)
- 780.2 a CUBA, Camaguey, CMJN o/u WBBM w/OM & YL alternating w/rx in Reloj format, loud buzz present. KGRJ off. 0910 8/28. (Portzer,WA)
- 825 COSTA RICA, San José, TIOS, noted in passing 0450 8/29 w/YL babbling "Titania" o/SS rr song. (Bytheway)
- 880 CUBA, Pinar del Rio, CMAF unusually strong w/EZL mx & YL talk 0821 8/28. (Portzer,WA)
- 1380 t MEXICO, Villahermosa, XEKV apparently the one o/u WHEE et al w/R. Mexicana ID by YL 0814 8/28, possible spot 0832 $\frac{1}{2}$, lots of other R. Mexicana IDs until 0850 tuneout. (Bytheway,WA) --- same here 0835-0900 8/28, but also caught one ID sounding like "R. Mexicana, ... Yacoute, El Salvador"(!). No El Salvadorians listed of course.... will have to give the tape a closer listen. (Portzer,WA)

PACIFIC DELUGE ROUNDUP

- 530 JAPAN, Morioka, JOQG, noted 1120 w/weird wailing, moaning, & chanting 9/5; still wailing 1137 Bytheway, WA) --- fair w/wailing & moaning 1144 9/5. IDed by checking for // w/JOQK-BHO. (Portzer,WA)
- 548 RSFSSR, Vladivostok present as a het against 550 1023 9/5 w/occasional bits of audio. (Portzer,WA)
- 584 RSFSSR, Svobodnyy briefly hrd w/fair sig 1315 8/30; had OM talking in CC. (Tomer,CA)
- 615 CHINA, Hellingjiang in fair-weak w/CC talk 1323 8/31. (Tomer,CA)
- 647 RSFSSR, Iman w/YL in JJ (?) 1333 8/25, fair signal. (Tomer,CA) --- fair w/YL talk 1204 9/5. Was not there 1025 even tho 655,665 et al were in. (Portzer)
- 650 ALASKA, Anchorage, KYAK assumed to be the c/w in KORI null 0924 9/5. (Portzer,WA)
- 650 HAWAII, Honolulu, KORI in like a local 0720 9/5 w/rr. Rapid SAH (KYAK or HJ) in their null. (Portzer)
- 655 NORTH KOREA, Pyongyang w/KK drama, strong 1245 8/31. (Tomer,CA) --- good w/male talk 1025 9/5 (Portzer, WA) --- man & woman in oriental lang 1054 9/5, pips at 1100. (Bytheway,WA)
- 660 ALASKA, Fairbanks, KFAR good w/American Top 40, ID, & wx for Fairbanks 0920 9/5. (Portzer,WA)
- 660 AUSTRALIA, Byrock, 2BY w/quiet mx //700 1224 8/25; weak. (Tomer,CA)
- 660 JAPAN, Hiroshima/Katami synchros noted w/typical MHK JJ talk 1320 8/31; weak-fair. (Tomer,CA) (Hiroshima/Katami outlets are on 700; did you mean 660 or 700?bp)
- 660 NEW ZEALAND, Wellington, 2YC assumed to be the strong stn w/renaissance mx looping DU 0844 8/28. Mx cont'd across the top of the hour 0900. (Portzer,WA)
- 665 RSFSSR, Komsomolsk-na-Amure, first TP of the season noted here 0915 9/5 as a carrier, noted later w/good audio at various times, i.e. 1027 w/mx. (Portzer,WA)
- 700 AUSTRALIA, Grafton, 2NR blasting in w/religion 1315 8/29. Seems to be the easiest Aussie to hear; hrd all summer. (Tomer,CA)
- 715 S. KOREA, Seoul, HLKA bombing in w/vigorous talk 1031 9/5. (Portzer,WA)
- 750 ALASKA, Anchorage, KFQD, knocking walls down 0656 9/5. So strong I thought at first KXL was testing! (Bytheway,WA) --- 0820 9/5 shaking the plaster off the walls & ceilings (a good trick seeing as my DX Den has wood panelling & acoustic ceiling tiles, hi) (Portzer,WA) --- chicken rock & oldies 0936 9/5. WSB looped out. (Korn,CA)
- 750 JAPAN, Sapporo, JOIB noted w/TE lessons 1021 9/5. (Bytheway,WA) --- EE lessons, man in JJ, YL in EE, 1032 9/5 w/xlnt sig. (Portzer,WA)

- 760 CHINA, Beijing, weak w/bits of flute mx & CC talk w/JR 1036 9/5. Strong by 1125 w/YL yakker. (Portzer,WA) --- yakking 1152 9/5. (Bytheway,WA)
- 770 JAPAN, Akita, JOUB w/JJ talk, potent sig 1322 8/31. (Tomer,CA) --- way u/KOB 1039 9/5. (Portzer,WA)
- 780 ALASKA, Nome, KNOM, 0736-0806 9/5 w/c&w mx "24 before 10" TC 0736 gave it away immediately, ID & mx 0800, 0804 $\frac{1}{2}$ had snort or PSA, then wx & more c/w. (Bytheway,WA; Portzer,WA) --- hrd w/Mark Helston show (not sure on spelling of last name) w/cw mx 0950-1000 9/5; then mx & wx 1000-1010, s/off w/a hymn 1010. Pwr given as 10 kWd, 5 kW. Heavy QRM from WBBM despite my best efforts to loop them out. (Korn,CA)
- 782 RSFSSR, Spassk Dalniy, only a het 1040 9/5, but very good by 1126 w/talk. (Portzer,WA) --- YL at 1112 9/5, Plano mx 1116, then man in RR, mx across bottom of hour. (Bytheway, WA)
- 785 N. KOREA, fair-weak w/KK YL talk 1127 9/5. (Portzer) --- rx 1140, then YL talk 9/5. (Bytheway,WA)
- 820 N. KOREA, Najin w/YL in KK, fair 1245 8/25. (Tomer,CA)
- 830 JAPAN, Osaka, JOBB way u/WCCO w/JJ talk 0341 9/5. (Portzer)
- 835 CHINA, Nanchang, hrd at good level w/YL in CC 1312 8/30. (Tomer,CA) --- fair 1202 9/5. (Portzer,WA)
- 840 AUSTRALIA, Rockhampton, hRK, fair 1227 8/25 w/cl mx //700. (Tomer,CA)
- 840 JAPAN, Niigata, JOJK, man talking in JJ 1025 9/5. (Bytheway,WA) --- wailing & moaning //530 1145 9/5. (Portzer,WA)
- 840 RSFSSR, Spassk Dalniy, fair w/RR opera, Midnight in Moscow IS 1330, then YL in RR 8/30. Mixing w/KK & CC stns. (Tomer,CA) --- likely the one w/opera 1042 9/5. (Portzer,WA)
- 850 ALASKA, Nome, KICV, noted w/rx u/CKRD w/KTAC mull'd 0806 9/5; had one Anchorage mx item, then wx. (Bytheway,WA) --- wx o/u CKRD in null of KTAC 0807 9/5. No ID hrd but wx forecast for "Nome & vicinity" plus other mentions of Nome & Fairbanks made it through. (Portzer,WA)
- 864 t INDONESIA, Cirebon likely the SAH here 8/18 1155, no audio. (Seaver,CA)
- 867 t CHINA, believed to be the one here w/weak mx & good carrier 1049 9/5, CC talk 1156, then faded so no pips were hrd 1200. (Portzer,WA)
- 870 CHINA, strong w/YL CC talk & gleeful chorus 1153 9/5. (Portzer,WA) --- chorus bombing in 1156, mx 1159, then 5 long pips at 1200 9/5. (Bytheway,WA)
- 880 S. KOREA, Gwangju, HLKH fair w/KK drama, "HLKH" ID 1300 8/31. (Tomer,CA)
- 1000 NEW ZEALAND, Tauranga, 12D the best & most regular DU on MMs, 7/18 good 0746-0926, 0800 mx, 0900 w/"R. N.7." mx intro, wx, old pops, KOMO off alternate MMs w/TT & no TT. (Seaver,CA)
- 1040 CHINA, Shanghai or thereabouts, YL talk way u/WHO 1051 9/5. (Portzer,WA)
- 1053 t INDONESIA, Jayapura, Irian Jaya prob the xlnt carrier 8/18 1216, 8/22 1055 w/some audio. This is listed 10 kw, but is the closest Indo (7000 mi) & the most southerly path, LSS is about 0835 in Sept. Xlnt freq selection for us. (Seaver,CA)
- 1134 t INDONESIA, Banjarmasin only a weak carrier 8/22 1045. LSS about 1021. This is 50 kw on Kalimantan. (Seaver)
- 1210 CHINA, R. Peking presumed w/CC talk 1255 8/24; fair. (Tomer,CA)
- 1376 RSFSSR, Vladivostok, RR talk 1032, then mx 1036 9/5. (Bytheway,WA) --- strong w/YL in RR, stronger than 1380 domestics 1101 9/5. (Portzer,WA)
- 1475 SARAH, Tuaran, R. Malaysia Kota Kinabalu in Tagalog (prob) 8/18 1127 tunein, xlnt for several mins. This is my key for DYLA-1555 & Indonesians. This stn is possible every AM - not hrd every AM but possible due to the low path (297°). (Seaver,CA) --- likely the source of fair carrier 1102 9/5. (Portzer,WA)
- 1525 RSFSSR, Khabarovsk w/strong carrier & cl mx during 1315 fadeup 8/31; hrd thru strong domestic slop. (Tomer,CA)

CONDITIONS

MM 9/5 was one of the best mornings ever for Alaskans & probably the best one since 1969. It was also an excellent AM for TPs. Unusually good for this early in the season. - Portzer

CONTRIBUTORS

Kind of a lopsided column this week --- aren't you ECers hearing anything?....

Phil Bytheway, 9722 Mary Avenue N.W., Seattle, WA
SP-600, wedge, SM-1

Jim Korn, 77-A Miruel St., San Francisco, CA 94131
 Fisher 90-T, 4' spiral loop
 Bruce Portzer, HQ-180A, FRG-7, SM-2, 4' box loop, other goodies
 Randy Seaver, 1154 Via Trieste, Chula Vista, CA 92011
 HQ-180A, Sanserino loop
 Randy Tomer, P.O. Box 677, Arcata, CA 95521
 HQ-180A, Sanserino loop

Firstoff, my congratulations to Rich, John, and the newly elected board, and my thanks to those of you who voted me into office. My first presidential report, with a few thoughts and plans for the next two years, will appear in an upcoming issue. Also appearing shortly will be a plug for the foreign log, if Phil & I can figure out how to fit it into our schedules along with everything else.... John Zondlo's comments in the 9/3 DXF were interesting...but we aren't losing members; at worst we're hovering at just over 400. The current trend is more of a slow increase, thanks to publicity from various stations and magazines. John's point is well taken, tho, that we are not the only club that has had some sort of problem or controversy this past year -- not only IRLC, MASMA, & WTPDA, but ASWIC, SPEEDX, & NARC (almost every major DX club!) as well. In our own case, the problems of a few months ago have pretty much burned themselves out and, while a couple of potential problems are looming on the horizon, they can hopefully be nipped at the bud. Who knows - the emphasis this season might actually be on, of all things, DX listening.... Anyway it's now 12:10 a.m. and I have to go to work tomorrow so 73 and good DX. (East Coasters, where are you guys??)

R P H

Radio Programming Notes

From: Bruce Goldsen
 27 Spruce Hill Road
 Georgetown, CT 06829

-
 From Charles George, 6407 Howard, Dallas, TX-
 The New Orleans "Times-Picayune" Radio Log.
 600 WVOG New Orleans (g) D
 630 KTIB Thibodaux (k) D
 690 WTIK New Orleans (r) U
 730 WARB Covington (m,k) D. MBS
 800 WSHO New Orleans (k) D. MBS
 870 WWL New Orleans (m,tx,nx) U. CBS
 940 WYLD New Orleans (s,nx) U
 990 WNNR New Orleans (s,nx) D
 1010 WKQT Garyville (m,nx) D
 1060 WNOE New Orleans (r,nx) U. Ac
 1130 WGUF Gulfport (k) D. MBS
 1190 WPUP Bay St. Louis (m,tx,nx)
 1230 WBOK New Orleans (s,nx) U
 1280 WGSO New Orleans (m,tx,nx) U. Ai
 1350 WSMB New Orleans (m,tx,nx) U
 1450 WNPS New Orleans (r) U. NBC
 1510 KAGY Port Sulphur (k,nx) D. MBS
 1540 KGLA New Orleans (L,nx) D
 1560 WSDL Slidell (k,nx) D. MBS
 The Dallas "Morning News" Radio Log.
 570 WFAA Dallas (all-nx) U. CBS
 660 KSKY Dallas (g, nx) D
 730 KKDA Grand Prairie (s) D
 820 WBAP Fort Worth (k) U. NBC
 870 KJIM Fort Worth (k) D
 970 KNOK Fort Worth (s) D. Nat'l Black Network
 1040 KPBC Dallas (g) D. UPI Audio Nx
 1080 KRLD Dallas (rm) U. Ai(Paul Harvey-12:15pm)
 1150 KVIL Highland Park (m) D. Ac
 1190 KLIF Dallas (rm,nx) U
 1270 KFJZ Fort Worth (r) U
 1310 WRR Dallas (all-nx) U
 1360 KXOL Fort Worth (m) U. Ac
 1390 KBEC Dallas (m,L) D
 1440 KDNT Denton (k) U. Texas State Net Nx
 1480 KBOX Dallas (k) U.
 1600 KXVI McKinney (m) D

 ---New MBS affiliates (From 8/22/77 "Broadcasting":
 Mutual Radio Network has added six new affiliates, bringing total to 769 as of 8/1. New /CBF/ stns are: KVEG, Las Vegas; KADL, Pine Bluff, AR; WDCL, Clearwater, FL; KGNO, Dodge City, KS."
 ---CBS Radio will be celebrating its 50th Anniversary on Sept. 18, with a 3-hr special, from 7-10pm EDT/PDT. Walter Cronkite is the anchor.
 ---From 8/17/77 "Variety": "...WWDC shifts its format from MOR to contemporary rock, with usual personnel shuffle: Fred Fiske, txshow host for 30 years, is pinkslipped and Johnny Holliday, AM drive deejay for seven years, is granted release from his contract to join WJMD. Newcomers in-

clude Jack Casey from WKYS-FM as midday deejay & Marty Dempsey from WPGC to handle evening air shift...(More on WNBC Radio shift:) New staff ...will be Ellie Dylar, from WMAQ, Chicago (6-10 am); Johnny Dark, WRKO, Boston(10-2pm); Lee Masters, WIRS-FM, Louisville(2-6pm); Alan Beebe, KMJC, San Diego(6-10pm); Bat Johnson, KCMO, Kansas City(10-2am); Frank Reed, WMXJ-FM, Miami(2-6am)."
 \$\$\$\$ That's all for this week. Keep that endless reservoir of BCB pgm info coming! CUN...? 73,
Buck

president's REPORT

RECENT BOARD OF DIRECTORS ACTIVITIES:

| | RLF | NH | GM | FJP | BP | RFS | JZ | RESULT |
|--------|-----|----|----|-----|----|-----|----|--------|
| 7.2-44 | A | F | F | A | F | A | F | PASSED |
| 7.2-45 | A | F | F | A | F | A | F | PASSED |
| 7.2-46 | A | F | F | A | F | A | F | PASSED |
| 7.2-47 | A | F | F | A | F | A | F | PASSED |
| 7.2-48 | A | F | F | A | F | A | F | PASSED |

DIRECTORS: Robert Foxworth, Nancy Hardy, Grant Manning, Father Jack Pejza, Bruce Portzer, Ron Schatz, John Zondlo.

- Proposals:
 7.2-44 Approve six-month financial statement, as of 2/28/77.
 7.2-45 Approve Phil Bytheway as a check signer for the club.
 7.2-46 Approve IRCA opening a savings account at the Eureka Federal S&L in San Francisco.
 7.2-47 Approve IRCA opening a checking account with Crocker National Bank in San Francisco.
 7.2-48 Confirm John Zondlo as chairman of the committee to find out why KDWN-720 dumped the IRCA DX program.

POSITION OPEN:

Elections Committee Chairman. George Jensen has resigned, effective immediately. If you are interested, contact Bruce Portzer, address at the top of DXWW. Big workload of this committee comes from March to August of odd-numbered years, with some other duties at other times as need for an election comes up.

CONVENTION BIDS:

If you feel interested in hosting the IRCA convention during the summer of 1978, contact Bruce Portzer at once; use the address at the top of DXWW. Traditionally, the convention in even-numbered years is held west of the Mississippi River. I understand one group has expressed interest, but--from experience--interest can't be counted on until the bid is submitted. So, go ahead and bid if you want.

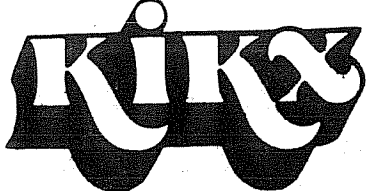
I would like to thank those I've had the pleasure of working with, or just being in contact with these past four years for their help and encouragement. I ask that you show the same to Bruce, who should do an excellent job. I do plan to stay with the CDXR. -30-

Respectfully submitted,

Richard C. Evans

September 5, 1977

Richard C. Evans,
 Out-going President, IRCA



WEAG

1470 KC
 P. O. Box 127
 ALCOA, TENNESSEE 37701



THE YAESU FRG-7

BY BRUCE PORTZER

A lot has been said about the Yaesu FRG-7 in recent DX bulletins. Some of the comments are favorable, while others are unfavorable; and some actually conflict with one another. This review, a "hands on" evaluation of the FRG-7 and a comparison with the HQ-180A, will hopefully clear up some of the confusion.

The FRG-7 is a triple conversion superheterodyne receiver which tunes from 0.5 to 30 MHz. The receiver's list price is \$299, although some mail order outfits, such as Gilfer, offer it for \$20-30 less.

OPERATION. The FRG-7, affectionately known as the frog, was obviously designed with portable operation in mind. It is small in size (13.375"W x 11.25"D x 6"H) and weighs only 15.4 lb. It has a handle on the right side of the cabinet and rubber feet on the left side. The receiver can operate from any of three power sources: 110 v.a.c., 8 "D" cells (mounted in an internal battery holder), or an external 12 volt d.c. power supply. The receiver has a built-in diode switch which switches to battery power when a.c. power is lost.

Stations are tuned in by adjusting the MHz control (which has marks every 1 MHz from 0 to 29 MHz) and the main tuning control (which tunes from 0 to 1000 kHz with marks every 10 kHz). A light-emitting diode (LED) is next to the MHz control; if the LED is not illuminated, the local oscillator circuitry is operating properly. A small knob next to the main tuning control is used to slide the dial marker back and forth for calibration purposes. A preselector control and bandswitch are used to tune the receiver's r.f. stage to the desired frequency. So if, for example, you wish to tune in a station on 1540 kHz, set the MHz control to "1" and verify that the LED is not lit. Then set the MAIN TUNING control to "540". Set the bandswitch to 0.5-1.6 and peak the preselector control. If you are not quite on 1540 at this point, readjust the main tuning knob until you're tuned in properly and then move the dial marker to the "540" mark.

An attenuation switch is used to adjust receiver sensitivity by attenuating incoming signals. It has three positions: NORMAL (no attenuation), DX (for listening to weak stations next to locals), and LOCAL (for listening to strong local signals).

A tone control switch is used to select NORMAL (250-3000 Hz), NARROW (400-2500 Hz), or LOW PASS (250-1500 Hz) audio. The control is quite handy for reducing the "hash" from nearby stations and other noise sources.

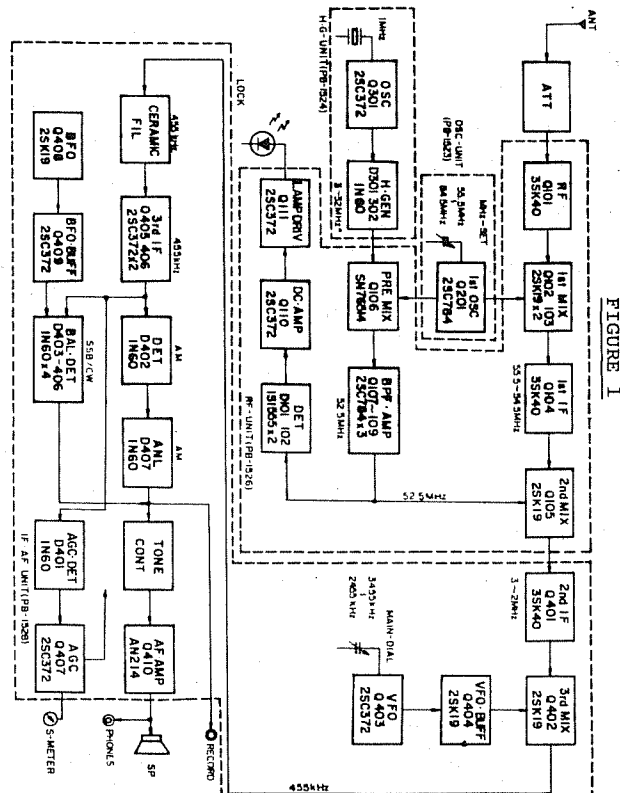
Other controls include a volume control, a headphone jack, a power on-off switch, an on-off switch for the dial lights (to conserve battery

power) and a mode switch which selects upper sideband, lower sideband, AM, or AM with noise limiter operation. An output jack is provided for connecting to a tape recorder. The jack provides a 50 mv signal, independent of volume or tone control settings. The receiver also has a built-in speaker and an S-meter.

The rear panel contains a jack for an external speaker, connections for SW & BCB antennas, a ground connection, and an external power supply jack.

CIRCUIT DESCRIPTION. The FRG-7 is a triple conversion receiver and uses a Wadley loop system to cancel drifting in the local oscillator. A block diagram of the receiver is shown in figure 1.

Incoming signals are amplified and filtered in the r.f. stage and mixed with a signal from the first oscillator in the first mixer stage. The signal from



the first mixer is between 55.5 and 84.5 MHz and is determined by the setting of the MHz control. When mixed with this signal, incoming signals are upconverted to the 54.5-55.5 MHz first i.f. and amplified. The signals are downconverted to the 2-3 MHz second i.f. by mixing with a 52.5 MHz signal in the second mixer stage. Since the signals to both the first and second mixers are derived from the same oscillator, any drift in the oscillator is cancelled out. After being amplified in the second i.f. amplifier, signals are then downconverted to 455 kHz. This is accomplished by mixing with a signal between 2455 and 3455 kHz, determined by the Main Tuning dial setting. The output of the third (455 kHz) i.f. amplifier is then converted into audio, which is either fed into a tape recorder or filtered and amplified for headphones or the speaker.

PERFORMANCE. Sensitivity of the FRG-7 is excellent. A side-by-side comparison between an FRG-7 and an HQ-180A, using an SM-2 antenna, revealed very little difference between the two. On one occasion, CMAF-880 was nothing more than a SAH against WCBBS on the HQ-180A, whereas clear audio was heard on the FRG-7. There have been other instances where reception was better on one than on the other due to the HQ-180A's superior selectivity or the FRG-7's superior audio quality. However, I would rate the two as equal in sensitivity. Both receivers' specifications give sensitivity as 2.0 uv.

Selectivity is the frog's greatest weakness. Selectivity is specified as +3 kHz at -6 db and +7 kHz at -50 db. By comparison, the HQ-180A selectivity, in its widest mode, is +3 kHz at -6 db and +7 kHz at -65 db; and is considerably better in the 2.0, 1.0, & 0.5 kHz selectivity modes. It is no surprise that at times TIOS-825 has been heard with little, if any, slop on the HQ-180A, when on the FRG-7 the WCCO audio ends where the WBAP audio begins. Still, in Seattle at least, most strong splits, such as Russia-647, Pyonqyang-655, & Belize-834 can be easily heard on an FRG-7.

The frog's audio quality is excellent. In fact, it is the best I have ever heard from a communications receiver. The audio, monitored on either the speaker or headphones, is very crisp and distinct with no appreciable hum or noise, little distortion, and good frequency response. Unlike the muddy audio that most communications receivers (including the HQ-180A) put out, the frog's audio is quite pleasant to listen to. The superb audio was, of course, achieved in part at the expense of poorer selectivity. But just the same, I some-

times prefer to use the FRG-7 when DXing next to a splashy station; there's more slopover, but readability is better. My only complaint about the audio is that once in awhile the speaker rattles.

Because of the complexity of the FRG-7's design, there are a few "birdies" present. But fortunately, most of them are of little consequence. With the antenna disconnected, signals can be heard every 1.0 MHz on shortwave. With the antenna reconnected, the one on 15 MHz interferes with WWV, but most of the others are masked out. There is a birdie on 910 kHz which bothers local KIXI. Since KIXI is NSP I'm not too concerned, but if 910 is one of your favorite DX frequencies you might have problems.

Dial accuracy is fairly good when tuning across any one MHz band. While I haven't checked too closely on SW, accuracy seems to be about +10 kHz on both ECB & SW and can easily be corrected by adjusting the dial marker position. If you desire more accuracy on SW, a crystal calibrator, such as the Radio Shack \$10 model, can be installed.

The FRG-7 is designed for a 50 to 75 ohm antenna on shortwave and a high impedance antenna on BCB. The receiver performs very well with a Space Magnet antenna and would probably work well with any other amplified loop. It has not worked very well with either my 75 foot longwire or box loop so far. On the latter, I have been unable to properly peak the antenna when it is connected to the FRG-7, although I have not yet tried to figure out why. The FRG-7 also works very well when one side of the phone lines are used as an antenna.

The receiver tends to overload on strong locals when the preselector and/or antenna is not tuned to the proper frequency. With all controls set properly, front end overload immunity is as good as most other receivers in its price range.

The frog was taken on a five-day camping trip and, for the most part, performed quite well as a portable. On one occasion, one of the batteries worked itself partly loose from its holder after a day of travelling on mountain roads. The receiver does have a tendency for the lock indicator to come on after a couple of hours of battery operation, but only when the dial lights are on. In addition, the paint on the cabinet tends to chip when bumped against hard objects, such as the bumper of a 1969 Ford, hi.

Some DXers and reviewers have complained that the S-meter is sluggish and/or poorly scaled. But for peaking and tuning in signals it is more than adequate. I have no complaints whatsoever.

The receiver has a 90 day warranty but only a small percentage of frog purchasers need to use it. The FRG-7 comes with an instruction booklet with a schematic, parts list, and alignment and operation procedures. However, it is not well written and often difficult to comprehend.

CONCLUSIONS. I find it difficult to decide which receiver I like better, the FRG-7 or the HQ-180 -- the weak points of one are the strong points of the other. After five months of use, I found the FRG-7 to be better than or equal to the HQ-180A in performance about 80-90 percent of the time. However, this listening was done between March and July, which is not exactly the best time of the year for DXing. And most foreign stations heard on the west coast are four or five kHz from domestics, or on even channels. East coast DXers trying to hear TAs a couple of kHz from domestics would not be so charitable to the FRG-7, nor will west coast DXers when TP stations go to a 9 kHz spacing a year from now.

For domestic DXing, casual listening, and a limited amount of foreign listening, the frog is an excellent buy. It has excellent sensitivity and superb audio. The battery operation and small size make it ideal for DXpeditions. Since the dial is calibrated every 10 kHz from 0.5 to 30 MHz, it is ideal for checking shortwave parallels. The frog is all solid-state and will therefore require less maintenance than older tube-type receivers.

The electronics experimenter will find the FRG-7 to be an excellent test-bed receiver. Some possible additions and changes that could be made include improved selectivity, addition of a noise blanker and a notch filter, modifying the pre-selector to tune longwave, and other modifications.

There is plenty of room inside the receiver for additional circuits and assemblies, although front panel space is somewhat limited. It is quite likely that an FRG-7, properly modified with mechanical filters, would outperform an HQ-180A or any other receiver in its price class. Last fall, for example, Grant Manning heard France-1554 from San Diego using an FRG-7 with a Collins 2.1 kHz mechanical filter. Any improvement in selectivity would be at the expense of audio quality, but would still be well worth the effort.

The prospective frog buyer who, however, does not want to modify his receiver has three choices: 1) Purchase an "improved selectivity" model from Gilfer, 2) wait for Yaesu to come out with an improved selectivity model, 3) purchase something else.

The general opinion among frog owners is that they like the receiver, with the reaction ranging from reserved satisfaction to outright infatuation. Most owners like everything about it except the selectivity. But in spite of that one limitation the FRG-7 is an excellent receiver for the BCB DXer.

FOOTNOTE: In the time it took to write this article, Yaesu has come out with a "Mark II" model with a +5 kHz vernier knob. The Mark II model now sells for \$299, those FRG-7's without vernier tuning are now \$269. Modification kits to add vernier tuning to those receivers without it cost \$5.00.

+++++

REFERENCES

1. "Instruction Manual, FRG-7", Yaesu Musen Co., Ltd., Tokyo, Japan
2. "Product Test Report - Yaesu Model FRG-7 Communications Receiver", Popular Electronics, June 1977, pp. 95-98.
3. Discussions with Grant Manning and Tim O'Hare.
4. New Zealand DX Times, March 1977.
5. Various IRCA DX Forum and DXWW Reports and NRC Musings reports.

BROADCASTING

| | | Day | Nite | INFORMATION | |
|------|------|------|------|------------------|-----------------|
| new | 690 | 500 | | Phoenixville, PA | CP |
| KCMP | 1010 | 5000 | | Brush, CO | start operation |
| WEBO | 1330 | 1000 | | Owego, NY | to 5kw-D |
| WTVR | 1380 | 5000 | 5000 | Richmond, VA | DA-2 from DA-N |
| KILO | 1460 | 5000 | | Kirkland, WA | requests KGAA |
| WBIN | 1540 | 250 | | Benton, TN | start operation |
| KUUU | 1590 | 5000 | 5000 | Seattle, WA | requests KZOK |

From the August 22 and 29, 1977 issues of Broadcasting.

**FLASH TIPS**.....

KWSU-1250..Pullman, WA announces in their latest program bulletin that "KWSU radio will sign on at 6:00am beginning about Sept. 1." The bulletin also lists their s/off time as 12midnight (PLT) in September. KWSU currently shares nighttime hours with KYAC Seattle-KWSU operates 6:30am (7:00am Sun.) till 11:15pm: KYAC operates from 11:15pm till Seattle sunset (with reduced pre-sunrise power from 6:30am till sunrise)-an arrangement set up in 1968, dating back to the 1920's. KYAC has been granted a CP for 5kw-DA during "KWSU's nighttime hours." Evidently KWSU will stretch their s/off 45 minutes and s/on 30 minutes earlier weekdays when KYAC begins operating with DA at night. It looks like 9/1/77 was the "Target Date" but Bill reports that as of 9/8/77 KWSU still s/off at 0215 and KYAC s/on immediately thereafter..FROM BILL HARDY...WA.

KUUU-1590..Seattle, WA effective 9/12/77 simulcast with KZOK(FM) part of the day. Dual ID at the top of the hour..FROM B.P. PORTZAWAY...WA

 CONTEST NEWS from Charles Gill

I have been asked, can a person substitute stations? For example, a 5000 kw which carries no bonus points is logged; later in the contest a 1000 kw which has bonus points is logged. Yes, you can substitute the 1000 kw station for the 5000 kw one as long as you tell me what station you are withdrawing. There have been several entries. The first results will be published in October.

 VERIFICATION Bob Lazar
 SIGNERS 406 Barr, Ogg West
 Madison, WI 53706

Please note the above CHANGE OF ADDRESS!

540 KDLT l Kjell Jenkins, GM DAK
 550 KFYZ q M. J. Gornish, Eng. MB
 KTSA q Gerry CG
 560 KBLU p Richard L. Nix, CE DAK
 570 WAAX r+sticker Michael H. McDougald, GM DD
 580 CKWW l Wally Dowhan, CE MB
 590 CKEY l William R. Onn, Engineering Mgr. DB
 610 KRKE q Mike Langnet, CE DAK
 WTVN q unsigned MB
 630 WKBX l William C. Garwood, CE DD
 650 WSM q unsigned DB
 670 WMAQ l Wm. E. Newbrough, Sup. Tech. Opns. DB
 680 WPTF q Don Massey, CE MB
 690 WVOK q+r Randle Sather, CE DB
 700 WLW q unsigned DB
 710 WOR q Paul U. Stewart DB
 WOR q unsigned MB
 WQBX l Joseph P. Durham, CE DD
 KGNC Henry White, Engineering Dept. CG
 740 WBAM q+l+cm T. B. Jones III, CE MB
 780 WBBM q unsigned DB
 790 WSIG f Dick Mawyer, Mgr. THW
 800 CHRC l Monique Bédard DB
 830 WNYC q Arnold Labaton, Director MB
 860 KWHO f Virginia A. Hughes, Office Mgr. DAK
 XEMO q J. C. Gates and Co. MB
 900 CHML q unsigned MB
 WBRV l Edward J. Schnabl, CE DB
 910 CKLY l Bob Eakins, PD MB
 920 CKNX l Scott C. Reid, CE MB
 KDES l+cm Lee McGowan, CE DAK
 930 CFBC q Gordon Miller, CE MB
 940 KBRE f Jon C. Hunter, Opr. Mgr. DAK
 WGRP q K. B. Anderson, CE MB
 WEOO l Carroll R. Gilreath II, Mgr. THW
 950 WBBF l Robert G. Mallery, CE MB
 WSPA q H. R. Beckhart, CE DD
 960 WFIR l E. F. St. Clair, CE MB
 WJAZ l+bumper sticker Sam Dudas, CE SAM
 WSBT l+cm Robert Bull, CE MB
 970 WAVE q unsigned MB
 WEBR l Donald M. Lange, TD MB
 WWSW l Philip R. Chimes, TD MB
 990 WNOX q John R. Maples, CE DB
 1000 WKYB D. H., CE DD
 1010 KXEN f Bernie Harville Jr., GM SAM
 1060 WQIO l+f+cm John Beebe Truman, Jr., CE SAM
 1070 KFDI l+f+cm Clifford W. Koch, corp. Eng. SAM
 WKOK l John W. Keller Jr., VP Engineering THW
 1100 WCPA q+cm Arthur While, Stn. Mgr. THW
 1110 KFAB q John A. Bruna DB
 WSPW l+cm Criss Onan, CE MB
 1190 KEX l Eric G. Norberg, PD RAL
 1205/1555 R. Cayman l R. G. Dunlop, Dir. of BCoing, MB//DAK
 1220 CHSC q R. Brundle, CE MB//DAK
 1230 CHVD l Mme Diane Grenier, Secrétaire DB
 KAAA f L. Henry K9DKW/K700, CE DAK
 KGEE l Stu Mull, CE DAK
 WITH r S. E. Hawkins, VP & GM THW
 1250 KHIL f+cm+info J. Dresser, Ch. Operator DAK
 1270 WHLD l Robert J. Wilson, CE MB
 1280 WANS l Jim Graham, Stn. Mgr./CE DD
 WIPC l Randy Price, PD/Eng. DD
 1310 CKOY q Stan Harrison, CE MB
 1320 KUDE l Jeff Prentice, Operations DAK
 1330 WRAA r J. A. Kite, Eng. THW
 1340 WLVL q+l+cm Ray Russ, CE MB
 1350 CKLB l Ed Lesso, Operations Mgr. MB
 KCKC r John Quinn, Anncr. DAK
 KTXJ l+cm Allan T. Lane SAM
 1360 WCHL l Ian McDonald, Dir. of Eng. DD
 WIXZ l+cm Anthony F. Renda, GM MB
 1370 WDEF q Charles L. Shuler (?) Jr., CE DD
 1380 CKLC l Albert Aufleger DB
 CKPC q James A. Feithustr (?), CE DB
 1390 KCRK l Bob Phillips, CE DAK
 1420 WKCW l Richard E. Sanderson, CE THW
 1430 WEIR l Meyer Gottesman W6GIV, CE MB
 1440 WOHN l Geoffrey E. Peterson, CE THW
 1460 CJOY l L. D. Smith Eng. Mgr. MB
 WCMB q W. L. Thompson, CE MB
 1470 XEBBC l Rafael Navarro A. DAK
 1480 CHRD l Jacques Papin, Directeur des Emissions DB
 WADR l Don G. Coe, Anncr. DB
 WBTS l Mrs. Roy C. McCLOUD, Stn. Mgr. SAM
 WHBC q John Schen, CE DB
 WRDW r Roger Jones DD

1500 KSTP l Norm Paetznick MB
 WDEE l Craig B. Roberts, Eng. Sup. DB
 1510 KSOM l Mark A. Sadacca, CE DAK
 1520 KOMA q Woody Woodrow, GM MB
 1530 WCKY q Adrian Lentz, CE MB
 1550 WNTN l Robert Wolf, CE MB
 1560 KCJJ l Richard Haendel, CE SAM
 WDXR l Larry Weatherford DAK
 XEVIP l Kathryn M. Loretta DAK
 1570 WTOW l J. T. Lamprecht, Stn. Mgr. THW
 1580 WJVA q James M. Lier, CE MB
 1586 W.D.R. q unsigned Addr.: Technisthe Direction
 5 Koln 1 - Postfach 10 19 50 DD
 1590 WQQW l John Ramsey, Asst. CE MB
 1600 WCPK f Charles F. Payne, Owner/Pres. RAL
 WUNR q Cathy Ramade, Traffic Mgr. MB

OUT OF ORDER...

640 WNAD l Paul Cannon, PD GG
 1000 KKIM l+cm Paul Lierman, CE DAK
 1070 CFAX l Bob Calder, Dir. of Eng. DAK
 1150 KIIS l M. Callaghan, CE WA6KPD DAK
 1170 KLOK f Ron Blassing, CE DAK
 1178 VOA q Monica Reyes DAK

THANKS TO THESE SUPPORTERS...

DB DENIS BEAUREGARD-Jacques Cartier, PQ
 MB MIKE BROOKER-Toronto, ON
 DD DON DAVIS-Warner Robins, GA
 CG CHARLES GEORGE-Dallas, TX
 DAK DAVE KORINEK-Oceanside, CA
 SAM SCOTT A. MENTZER-Tylertown, MS
 THW THOMAS H. WHITE-Arlington, VA
 RAL BOB LAZAR-Madison, WI

The purpose of VERIFICATION SIGNERS is to inform DXers as to which stations are currently verifying and to provide the name of a person at a station that will verify. When you see a station that you've had problems verifying in the past listed in the column it is the ideal time to send a follow up or a new reception report to the v/s listed. In order to keep the information in this column current please do not send in any v/s from veries that you have received more than six months ago. How do you report? Easy, just follow the form used in the column, preferably listing the stations in frequency order. Be sure to use the correct symbol for type of verie:

- q-QSL Card; a card designed especially for verifying DX reports, the verification statement is printed on the card.
- c-any other card; verie statement is hand written or typed.
- l-personal letter; hand written or typed
- f-form letter; mimeo, xerox, etc.
- r- verie statement written on your report or on a copy of your report
- p-prepared card; a card sent by the DXer with his report.

Deadlines are Oct. 3, Oct. 31, Nov. 28, Dec. 19. Hope to be hearing from you this DX season. 73.

RADIO WEST

3417 Purer Rd.
 Escondido, CA. 92025

Fellow DXers: As there is quite a demand for exotic electronic modifications to existing communications receivers, and since there is no person, or company providing this service, Radio West announces the availability of this service. We are currently offering modifications to the popular Yaesu FRG-7, the Drake SSR-1, the Barlow Wadley ICR-30, and the Drake SFL-4. These modifications include calibrators, VLF converters, and mechanical filter arrays, all installed inboard the receiver, with front panel switching. Since we are a new company, we plan on expanding shortly with a complete product line, and more services to the DXer & SWL. Coming shortly will be a CMOS digital display which will be compatible to the FRG, SSR-1, and BW. It will read frequency to 1 KHZ for all receivers, and cost about \$125. Radio West is also interested in doing modifications to any existing receiver, or accessory. We plan on working with the DXer/SWL/BCBer on a personal "made to order" basis. For more information, and specific questions, please write us, or call 714-741-2891. Yours for better DX..Grant Manning...Radio West... September 17, 1977...Page 29

ADVISOR

EDITOR: ALBERT S. LOBEL
10514 CAMINITO BAYWOOD
SAN DIEGO CA USA 92126
PHONE: (714) 566-0092

DEADLINES: WEDNESDAYS. SASE REQUIRED IF REPLY EXPECTED.
HOURS 1830-2100 + MM's TO 0730. PREPAID CALLS ONLY. PLT

Super Value

Foreign postage stamps per advertisement in previous issues. Still \$3.77 for the entire lot (plus a SASE). The stamps are worth much more than that just in face value alone. A real great bargain! The two IRC's (one 42¢ & one 26¢) are still available for 60¢ for the two. First come first served. YE' EDITOR: See heading for name address, phone, etc.

Copies of the photo of Ye' Editor that appeared in the last issue are available for a SASE plus a 24¢ mint U.S. or Canadian postage Stamp. Believe me, the photos are much better than what appeared in DXM. I look nothing like the picture in DXM. YE' EDITOR: See heading for name, address, etc.

SALE

I have the following tube sockets and coils for the experimenter: QTY. 38 - 2.5 mh RF choke, ceramic form, air core, mefg by BUD RADIO, #CH212, brand new, in original boxes. 80¢ ea. // QTY. 2, (new) Miller # 6212, 12-35 mh tapped osc. coil 35¢ ea. // QTY 2, (new) Miller # 6306, 10 mh, 125 ma, rf choke, 35¢ ea.



HENDERSON, NEVADA
P.O. BOX 761
702-564-1400

Page 30...September 17, 1977

// QTY. 1, (new) Miller # 5222, 2.5 mh, 200 ma rf choke 50¢. // QTY 25 assorted used rf chokes, tapped coils, rf transformers, all w/ ferrite cores. 10¢ ea. // Assorted antique radio tubes as listed in the 27 NOV 76 DXMonitor. \$5.00. // QTY 50 seven & nine pin ceramic tube sockets with metal skirt. 10¢ ea. // Will sell all of the above for \$40.00. Will pay freight on all purchases over \$30.00. TOM JASINSKI, RR#1 BOX 16B, NEW LENOX IL 60451: PHONE: (815) 478-4340.

1975 edition of Broadcasting Yearbook. In great condition except for a slightly torn cover and three loose pages. \$6.00 ppd. // Billboard Hot 100 C&W, Soul charts from 1974 thru present. Also, Broadcasting Playlist survey from 1974 thru present. All the works for \$9.00 ppd. // Complete and original issues 1 thru 12 of American - Air*Chexx cassettes. These are not dubs. Some have never been played. They are becoming collectors items since AA*C has gone out of business. Will sell as a set only. All twelve cassettes for \$75.00 ppd and insured. GREGG ALLINSON, 919 KERR AVENUE (N.), WILMINGTON NC 28401.

WANTED

Air checks of beautiful music stations (FM Stereo preferred but not required). Will exchange for air checks of any type station (format, etc.) from my area or from my tape collection. Collection includes some off air stations, i.e., WIFE-FM Indianapolis IN s/off (final one), etc. Cassette only -- no reels please! Especially need WC area stations and those from Rocky Mountain areas. TED FLEISCHAKER, 3023 TREMONT DRIVE, LOUISVILLE KY 40205.

SWAP

Would like to trade bumper stickers, etc. I have over 140 of them. If interested please write and let me know what you have. SCOTT SPALDING, 1360 APPLE WAY, ASHLAND OR 97520 (*).

THE INTERNATIONAL RADIO CLUB OF AMERICA

A non-profit club devoted to listening to distant radio stations on the broadcast band (510 to 1630 khz). IRCA is a member of ANARC, the Association of North American Radio Clubs.

OFFICERS: President - Bruce Portzer, 6546 - 19th Avenue N. E., Seattle, WA 98115 (206-522-2521). Secretary-Treasurer - Rich Segalas. Board of Directors - Gregg Allinson, Philip Bytheway, Dr. Larry Flegle, Bill Hardy, Rick Heald, Rob Keeney, and Father Jack Pejza.

DX MONITOR: The official bulletin of IRCA, published 34 times a year; weekly from November to March, 3 times in April and October, 2 times in September, and monthly from May to August.

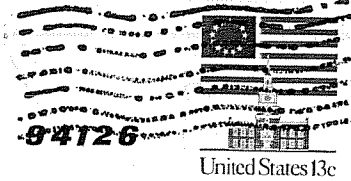
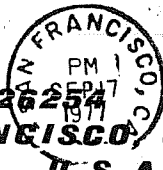
MEMBERSHIP DUES: \$12.00 First Class to Canada and the U.S.A., Air Mail to Mexico. \$13.50 Air Mail to the rest of the world via Canada. Air Mail direct from San Francisco: \$25.00 to Central America, Caribbean, Colombia and Venezuela; \$30.00 to the rest of the world. Sample copies, 50¢ or 3 International Reply Coupons. Make all checks and money orders payable to "I.R.C.A." Members outside the U.S.A., please use money orders payable in U.S. funds.

PUBLISHING STAFF: Editor-in-Chief - Donald Kaskey, Publisher - Rich Segalas; Michael Endza, Nick Hall-Patch, Rick Heald, Jim Korn, Eric Rittenhouse.

Opinions appearing in DX FORUMS are those of the contributors and do not necessarily reflect those of IRCA, the publishing staff, or the DX FORUM editors.

DX MONITOR is printed by Sir Speedy Instant Printing, San Francisco, California.

IRCA
P.O. BOX 26254
SAN FRANCISCO, CA
U.S.A.



First Class

Dave Williams 2
Box 615, Hwy. 101
Astoria, OR 97103