



DX MONITOR

PUBLISHED BY
THE INTERNATIONAL RADIO CLUB OF AMERICA

VOLUME 15

NO. 20

WHOLE NO. 471

FEBRUARY 4, 1978

DX CALENDAR DX CALENDAR DX CALENDAR

Mon. 2--6-78 0200-0230 WVOT-1420 Wilson NC 1 kw
 Mon. 2--6-78 0200-0230 KIMP--960 Mt. Pleas'tTX 1 kw
 Mon. 2-13-78 0200-0230 WBRM-1250 Marion NC 1 kw
 Mon. 2-13-78 0100-0130 WSSA-1570 Forest ParkGA 5 kw
 Mon. 2-13-78 0315-0430 KAST-1370 Astoria OR 1 kw
 Tue. 2-14-78 0000-0100 WKDR-1470 Plasttsb'ghNY 5 kw
 Sun. 2-19-78 0300-???? KYME--740 Boise ID 1/2 kw
 Mon. 2-20-78 0200-0300 WPUT-1510 Brewster NY 1 kw
 Mon. 2-20-78 0300-0400 KOMW--680 Omak WA 5 kw
 Mon. 2-20-78 0400-0500 KBZY-1490 Salem OR 1 kw
 Mon. 3--6-78 0200-0330 KXIV-1400 Phoenix AZ 1 kw
 Mon. 3--6-78 0330-0430 KROW-1460 Dallas OR 5 kw
 Mon. 3-20-78 0330-0730 KIRO--710 Seattle WA50 kw
 Every Sunday 0200-0330 WCNW-1560 Fairfield OH 5 kw

WVOT-1420 (1000/500-U) using either 1kw ND or 1/2kw D or both. Top 40 music, many IDs, possible code IDs. Rpts to Gary Liebisch, WVOT Radio, Box 170, Wilson NC 27393. Arr: Chris Lucas NRC
 KIMP-960 (1000-D) v/s C.C. Taylor, CE, KIMP, Box 990, Mt. Pleasant TX 75455. Arr: Neil Zank NRC.
 WBRM-1250 (1000-D) Rescheduling of earlier DX test that was a no-show. Rpts to: Biff Watson, Asst to the J.E., WBRM, Box 219, Marion, NC 28752. Arr: Neil Zank for NRC.
 WSSA-1570 (5000-D) Music, TTs & many IDs. v/s Lanny K. Wiley, Chief Op., PO Box 752, Forest Park, GA 30050. Arranged by Neil Zank for NRC.
 KAST-1370 (1000-U) Tones, IDs, mentions of GWDXA. Prepaid calls accepted at (503) 325-2911. 1kw ND pattern. v/s Robert Chopping, GM, KAST, Box 445, Astoria, OR 97103. Arr: Pete Nolan for GWDXA
 WKDR-1470 (5000-D) Test tones. IDs on hour and half hour. Rpts to: Ken Martineau, WKDR, Box 513, zip 12901. Arr: John Kromka for NRC.
 KYME-740 (500-D) Extension of the regular f/c this date. Info from Rick Carr NRC.
 WPUT-1510 (1000-D) 1000 (895) watts with at least 10 minutes about middle of test with PSA of 4.2 watts. Will use music, plenty of IDs and some talk. Prepaid calls to: (914) 279-7171. Rpts to: Chris Lucas, DX Director, WPUT, zip 10509. In case of heavy snow, test may be delayed 1-2 weeks. Arr: Chris Lucas for NRC.
 KOMW-680(5000-D) Tones, code & voice IDs, also possible mentions of the various DX clubs & DXers Prepaid calls accepted at (509) 826-3100. 5kw ND pattern. v/s Jerry Robinson, CE, KOMW, Box 151, Omak WA 98841. Mr. Robinson is very interested in any tapes or overseas rpts. Arr: P. Ronald Estremera, GWDXA.
 KBZY-1490 (1000/250-U) Tones & voice IDs, mentions of DX testing & GWDXA. Prepaid calls accepted, number to follow. 1kw ND pattern. v/s Mr. Edwin L Olmstead, CE, KBZY, Box 14900, zip 97309. Arr: Eddie Ryan GWDXA.
 KXIV-1400 (1000/250-U) Will use mixture of music, TT and voice & code IDs. Will switch between 1000 & 250 watts. The 0300-0330 portion will be 1 kw for sure. v/s Cliff Reno, CE. Rpts to be sent to him at Box 26901, Tempe, AZ 85282. Arr: Jerry Starr for NRC.
 KROW-1460 (5000-D) Tones & voice IDs. Prepaid calls to 503/623-5769. 5kw ND pattern. v/s Mr. Edwin L. Olmstead, CE/GM, KROW, Box 229, Dallas, OR 97338. Arranged by Eddie Ryan, GWDXA.
 KIRO-710 (5000-U) Full blown POP; tones & IDs. Information re: calls is: Cannot be accepted at KIRO but calls can be made to GWDXA HQ 206/524-9310 to be relayed to the station later. Will use 50 kw ND + partial proof on 10kw ND standby beginning at approx. 0700. v/s David Hubert, CE, KIRO, 3d & Broad Sts, Seattle, WA 98121. Arr: Eddie Ryan. GWDXA.

*** NEW MEMBERS *** from Rich Segalas

Norman A. Sorenson, Jr., 3107 Georgetown, Houston, TX 77005
 Steve Mittman, 2248 West 37th St. San Pedro, CA 90732
 Steven O. Dale, 235 11th Ave West, Huntington, WV 25701
 Alfred Maistriaux, rue Communale 72, 1080 Bruxelles, BELGIUM (rejoin)
 Dennis F.X. Dyrhoff, 1025 W. Marshall St. Norristown, PA 19401
 Garland G. Head, Route 2 Wheeler Rd., Woodstock, GA 30188
 Scott Hallberg, 141 Terry Ellen Lane, New Lenox, IL 60451
 John W. Kent, 51 Carroll St., Falmouth, ME 04105
 Robert C. Walker, 2220 West Highway 524, Westport, KY 40077
 Randy Korn, Box 113, Emsdale, Ontario, CANADA PQA LJO
 Robert C. Yentema, P.O. Box 294, Mercury, NV 89023
 Charles P. Mylod, P.O. Box 523, Charlottesville, VA 22902 (re-join)
 Jerry H. Neves, 3951 Colby Way, San Bruno, CA 94066
 Raymond W. Sahlbach, 981 Coral Dr., West Palm Beach, FL 33406
 Mike Stonebridge, Box 511, Fox Creek, Alberta, CANADA T0H 1P0
 Eddie Ryan, P.O. Box 9579, Seattle, WA 98109

RENEWALS AS OF 30 JANUARY 1978

Mark Bixby, Art Peterson, Jim and Karen Young, Wendell Sturges, Rolf Blodorn, Rolland Lindblade, Craig Healy, Doug Everitt, Father Jack Pejza, David F. Thomas, Walter Kuenast, David Martin, Ernie Cooper

ADDRESS CHANGES

Rob Keeney, 9421 Taylor Dr., Overland Park, KS 66212
 Daisuke Kawaguchi, Hejo 8-8-34, Hachinohe-shi, Aomori-ken, 031 Japan

I'd like to congratulate Daisuke Kawaguchi, who recently was married. Also I'd especially like to say welcome to the New Members that I know. (Bob Walker, Jerry Neves, and Eddie Ryan) I hope that you will all write a Forum and send it to Rick or John. I know that they want to hear from you.

Goof of the Month Department: I inadvertently typed Steven O. Dale's name as Steven O. Davis last column. I caught the error after the bulletin had been printed and was ready for mailing. Sorry about that Steven.

NOTES FROM THE GOODIE FACTORY MANAGER: Phil reminds everybody that Volume 5 of the IRCA Foreign Log has been sold out. Volume 6 is available now from the Factory at Box 17088, Seattle, Wash. 98107.

Phil also says that the Goodie Factory will be closed again for two weeks starting on February 20. He will be on his way to Los Angeles again. Meanwhile, he is trying to get all of the pages together for the New Member Packets, so that he can put them in the mail.

That's all for now. '73 and good DX.

The Inside Story -

EDXR - - - - - 289-290	EDXF - - - - - 293
CDXR - - - - - 290-291	WDXF - - - - - 294
WDXR - - - - - 291-292-293	DXWW - - - - - 295-296-297
Advisor - - - - -	306
Broadcasting Information - - - - -	288
Canadian Family Life-"It's Twins" - - - - -	302-303
DX Contest Standings - - - - -	288
Eastern Spotlight on ME, NH, VT - - - - -	300-301
HQ Miscellany - - - - -	288-305
Newspaper Clippings - - - - -	304-305
Radio Programming Notes - - - - -	299
Special Feature-Tape Interconnect - - - - -	299
Special Feature-Sunrise DX in Depth - - - - -	301-302
Verification Signers - - - - -	298-299

BROADCASTING

Radio INFORMATION

Programming Notes, too.

Editor: Bruce Goldstein
27 Spruce Hill Road
Georgetown, CT. 06829 USA

fccfccfccfccfccfccfccfccfccfccfccfccfccfccfccfcc

DAY		NIGHT			
WCMG	1090	10000		Jacksonville, FL	CP:10 50, 5kw-D
KBIL	1140	500		Liberty, MO	requests KFIX
WAXX	1150	5000		Chippewa Falls, WI	requests WYY
WPUP	1190	5000		Bay St. Louis, MS	granted WXGR
KALO	1250	1000	500	Little Rock, AR	granted KLAZ
WNIC	1310	5000	5000	Dearborn, MI	granted WWKR
WRIT	1340	1000	250	Milwaukee, WI	granted WBCS
WCHL	1360	1000	1000	Chapel Hill, NC	CP:5kw-D, 2.5-N
WBIZ	1400	1000	250	Eau Claire, WI	requests WJJK
WIKI	1410	5000		Chester, VA	requests WGGM
new	1460	5000	5000	Dickinson, ND	granted KLTC
new	1470	1000		Wray, CO (c/w, MOR)	requests KRZ
WLRC	1490	1000	250	Whitehall, MI	requests WHTL
new	1490	1000	250	Farmville, VA	granted WPAK
WRGI	1510	1000		Marco Island, FL	requests WMIB
KNAM	1510	5000		Midland, TX	granted KMND
KCHF	1520	500		Sioux Falls, SD	granted KLYK
new	1560	2500		Dobson, NC	requests WYZD
KTGR	1580	250		Columbia, MO	requests KTGC
new	1590	2500		Swainsboro, GA	requests WXRS
WWUN	1590	5000	1000	Jackson, MS	granted WYIG
WGLD	1590?	1000		High Point, NC	granted WOKX

From the 1/2, 1/9, & 1/16/78 issues of Broadcasting.

Random Notes: Note the question mark on the last item; I don't have them listed at all in my Vane Jones Log, and Broadcasting Yearbook doesn't give them a frequency! So I guessed. The Wray, CO stn on 1470 is shown as having requested the calls before being granted the CP. Both have apparently happened, however. For more juicy stuff, see RPN.

DX CONTESTS

DOMESTIC STANDINGS

PM	PS	ENTRANT	TP	TNS	Last Entry
		--HEARD--			
1	1	Nittler (NE)	1243	187	1/10/78
3	2	Morby, R. (NY)	1220	128	1/ 5/78
4	3	Collela (NY)	1166	137	1/ 5/78
2	4	Hardy, N. (WA)	1079	117	1/ 5/78
5	5	Hardy, B. (WA)	936	104	1/ 5/78
6	6	Morby, L. (KY)	766	98	1/ 6/78
10	7	Hall-Patch (BG)	697	69	1/ 5/78
7	8	Ryan (AL)	678	101	1/ 5/78
8	9	Wolfish (ON)	655	67	1/ 5/78
14	10	Hammer (OH)	648	78	1/15/78
9	11	Mount (NY)	582	61	11/30/77
Manager		Gill (NY)	580	60	1/10/78
13	12	Clemmer (IL)	566	66	1/ 5/78
11	13	Wheeler (PA)	554	79	1/ 5/78
11	14	Hogan (IN)	418	48	1/ 5/78
12	15	Anderson (NY)	379	33	10/ 3/77
--	16	Rice (NY)	0	0	
--	16	Eddie (MO)	0	0	

DOMESTIC VERIFIED STANDINGS

1	1	Clemmer (IL)	11	1	11/15/77
--	--	Eddie (MO)	0	0	

FOREIGN CONTEST

No entries to date....

NEW CLUB FORMING....

Charles George writes that a new "All-Band" DX club is forming for the OK-AR-LA-TX area. There will be a newsletter & certificates of membership. Dues will be \$5 a year approximately. Interested persons should contact: Allen Newton, 616-C Arcadia, #409, Hurst TX 76503. Allen Newton is an amateur radio operator who has worked for KCIR(FM), KCHO(FM) KSWA and HOXO.....

HAMMARLUND OWNERS TAKE NOTE.....

Ralph Sanserino comes to the rescue after my tormented plea of several months ago. Ralph notes that Hammarlund Mfg Co., 100 East Montauk Hwy, Lindenhurst, NY 11757, can supply spare parts, manuals & prints to Hammarlund owners. Thanks very much, Ralph.

BEST BETS FOR 50 STATES: Bill Hardy says there has been so much favorable response to the first "50 States" article, which appeared in the 12/10/77 and 12/24/77 DXMs, that he is now making plans for a second article in the series.

The tentative title for this one is "Best Bets from New York, New Jersey, and New England." This will include tips for DXers living in CT, ME, MA, NH, NJ, NY, RI, & VT. Bill thanks DXers living in those eight states who have already sent in info or offered to help.

What Bill needs now is for someone living in the area to offer to co-ordinate the article. This person would work with other DXers in the Northeast to help determine the best bets for each state and province, and to come to agreement on which states are "easy," "moderate," and "difficult." The person would also help write the rough draft, let other DXers proofread the draft for comments and suggestions, and write the final version. Bill will help with all this, but he does need to have someone who is reasonably familiar with current band conditions in the Northeast help pull it all together. Anyone who would like to volunteer with all this should write to Bill at 2301 Pacific Ave., Aberdeen, WA, 98520.

Once a co-ordinator is chosen for the "New York, New Jersey, New England" article, their name and address will appear in DXM so that other Northeasterners can send tips there. Look for the name, address, and tentative deadline date to appear in DXM about a month from now.

Bill also wants to thank those from other areas that wrote with comments, tips, or offers to help. He'd still like to hear from people in the South and Southeast, the Southwest, the Mountain States, and the Plains States. There were so many replies that Bill can't acknowledge every one right now, but he'll be in touch with everyone when it's time for the "Best Bets" article in their area!

SPORTS NETWORK LISTS: Pending approval by the IRCA Board of Directors, Bruce Portzer has appointed Bill Hardy to be Sports Network List Editor, a position which has been vacant for a few years. This means a revival of the annual lists of stations carrying major-league baseball, football, basketball, and hockey.

Bill would appreciate any and all information anyone has on station lineups for American League and National League baseball broadcasts for 1978. To make the lists as helpful as possible, Bill would like as much of the following info as can be obtained:

1. Name of the originating "flagship" station for each team
2. Name and location of all stations on the network for each team
3. Names of announcers for each team
4. Names of the major sponsors for the radio broadcasts

Bill asks to be sure you send radio information and not to accidentally send TV information.

Bill also still needs info for NBA basketball and NHL & WHA hockey, which will appear in DXM soon.

Bill is also sending this info to NRC.

Address: Bill Hardy, 2301 Pacific Ave., Aberdeen, WA, 98520



c j c i central interior network :

prince george 10,000 watts

RESCHEDULED DX TEST...

Ed Krejny & Neil Zank notify HQ that WBRM in Marion NC missed their DX scheduled earlier this year and will try again on 2/13 (c-DX Calendar). An electrical storm damaged a component in their antenna system putting WBRM off the air for 5 hours and for considerable time using reduced power of 500 watts.

BEACON INFO REQUESTED.....

Don Davis is compiling a Log of beacons on the low end of the BCB. All members interested in beacon DX please give Don all the info you possibly can + Don is especially interested in the beacon stations that verify.

eastern dx roundup

Bob Curtis
17 Cobbleview Dr.
Colchester, VT 05446

DEADLINES: Mondays All times are Eastern Local

Quotes of the week:

"Conditions here are weird or else it's just a strange period." Gregg Allinson-GA
"Conditions haven't been that good down this way (FL) lately." Bob LaFore-FL
Nevertheless some good stuff has showed up amongst the loggings.

Bill Townshend returned from his trip to Israel ok, but had no time over there for DX'ing.

- | | | | | | |
|------|------|---|------|--|--|
| 540 | CBEF | ON, Windsor 1/15 1200 In good with Time signal & CBC nx in FF, not bad for noontime but gone 1 hr later. (BC-VT) | 1110 | WBT | NC, Charlotte 1/18 1600! Fair w/WTIS QRM. Nx and "WBT accu-weather", some T40. This one is always loud at night but this is earliest I have heard them. (BL-FL) |
| 550 | KTSA | TX, San Antonio 11/16 0320-0330 with ID, rr mx o/WKRC-Cincinnati. Fair sig (LVF-AL) | 1130 | WMGA | GA, Moultrie 1/12 1745 Tearing WNEW up w/super strong sig & Jerry Fall-well pgm. ABC Info Nx at 1800(GA-NC) |
| 640 | WHLO | OH, Akron 1/17 1705 Poor but caught "WHLO News Time 7 after 5" on tape. (BC-VT) | 1190 | WXGR | MS, Bay St. Louis 1/16 1747 Ex-WPUP out of nowhere w/C&W mx and request & beach phone #'s given. Lost 1754-1801 due to emergence of WAYD, then back at 1801 w/Gulf Radio Nx.(GA-NC) |
| 730 | KSUD | AR, West Memphis 1/15 0729 Heard loud & clear w/gospel mx and rlg's pgm. This is on 100 w. PSA!! Just over 400 mi. from here. Fighting w/WFMW on PSA & r/s, wiped out by WLOR's daytime power. (DD-GA) | WAYD | AL, Ozark 1/16 1754 Completely wiping out WXGR 1754 till their 1800 s/off. No WOWO or WAVS as usual. C&W format. (GA-NC) | |
| 750 | WHEB | NH, Portsmouth 1/17 1725 In vy good w/local nx, local wx & ads. Frequent ment. of WHEB made for good tape of IDs. (BC-VT) | 1220 | CJSS
WKTZ | ON, Cornwall 1/8 1243 W/pop mx(SA-NY)
FL, Arlington 1/16 1740-1745 Best surprise of new year w/armchair sig. on top of WGAR 1740-1745 s/off with beautiful mx and Jacksonville PSA's. Arlington is really Jacksonville. (GA-NC) |
| 780 | WCKB | NC, Dunn 1/15 1700-1715 Rlgs pgm, ID, Then Pop mx. In xlnt. (SA-NY) | 1230 | WBPZ | PA, Lock Haven 1/16 0212-0215 assumed WBPZ w/PSAs about firewood permits, Vandalism, mention Lock Haven Police. Fair-good. (PRM-NJ) |
| 840 | WVPO | PA, Stroudsburg 1/18 1655 Monitoring WHAS plus another on 840 when suddenly caught call ltrs ending in O. Luckily had tape running & on replay had fair annmnt of E. Stroudsburg-Strouds JV bkb game to be aired o/WVPO(BC-VT) | 1240 | *WVNS* | GA, Statesboro 1/16 0126 Noted code IDs breaking through on r/c 3rd MM o/u WGBB 0126, 0129 (PRM-NJ) |
| 870 | WCHU | NY, Ithaca 1/13 1559 1/2 EZ mx, CBS nx on the hr; ID at 1605. (SA-NY) | WIST | NC, Charlotte 1/16 0137 Good o/WGBBS Greg Monti show w/soul mx, promo for AUC basketball Wednesday at 7:15. Per call, they carry all Duke & some Wake forest. ID 0137, faded out. (PRM-NJ) | |
| | WKAR | MI, E. Lansing 1/18 1722 2 stns on freq, hrd YL with "22 mins after 5 o'clock, you're listening to "The Nation" on WKAR". (BC-VT) | 1290 | *KJEM* | LA, Jennings 1/14 0139-0145 2nd Sat. F/c in very well over usually strong WTOC in Savannah. The time on this test was from 0139-0145, and not 0115 to 0130 as in list. 1 kHz tone, phonetic ID's. (DD-GA) |
| 900 | CHML | ON, Hamilton 11/16 0300-0315 With nx easy listen mx & cold wx. In like a local. (LVF-AL) | 1300 | WFBR | MD, Baltimore 1/8 0331 In too good with "Pest Power". (SA-NY) |
| 900 | WOZK | AL, Ozark 1/14 0758 Despite the fact that WDDO is only 20 mi. away, this can be a good freq for me at SRS. Several local ads, generally poor reception though. Much WMOP interference (DD-GA) | 1310 | WJLK | NJ, Asbury Park 1/9 0342-0346 ANing now, noted fair 0342-0346 w/rock, automated (but wx live), stereo 94 ID. (PRM-NJ) |
| | WMOP | FL, Ocala 1/14 0801 Much wanted Floridian in loud & clear well over WOZK, WATV & WGOK. WDDO looped completely out. Cw mx, many local ads. Still going strong at 0825 tune out. (DD-GA) | 1330 | KVOL | LA, Lafayette 1/16 0356 Finally logged this often-heard critter, w/Beck & soul mx, nat'l ads & PSMs. IDs as "Official Mardi-Gras Party Station". No sign of Karl's northern pests here, however! (H1) (DD-GA) |
| 920 | CFLS | PA, Lewis 1/16 2125 In pretty good w/FF ads & anncr; EE r&r mx. (SA-NY) | 1340 | WFBC | SC, Greenville 1/8 0325 Only 2nd or 3rd time here. Good. (SA-NY) |
| 930 | CFBC | NE, St. John 1/16 2120 Booming over everything w/OM DJ in EE w/American r&r mx at 2120 in good NorEast skip. (SA-NY) | 1340 | WHAP | VA, Hopewell 1/16 1719-1725 New GY'er strong thru usual junk w/Top-40 Mx, Cosell Net Sports. (GA-NC) |
| 940 | WMIX | IL, Mt. Vernon 1/15 0300 This semi-regular can't be only 500 watts as White's & Vane Jones say. Like a ton of bricks at 0300 w/IL Nx, then r&r mx. No WMAZ, WFNC or CBM. (GA-NC) | 1390 | WEAM | VA, Arlington 1/15 0308 First time in a long time w/contest promo 0308, said "Stay tuned to 1390 WEAM." Soul format; o/WFBL. (PRM-NJ) |
| 980 | WDVH | FL, Gainesville 1/14 0730 Heard last week on car radio while driving to work & listening to WPGA in local Perry, GA. Sig on suddenly at 0730, (which would be switch from PSA to daytime power) with C&W music. Local ads & nx @ 0750. Faded at 0755. (DD-GA) | 1400 | WFBC | PA, Harrisburg 1/8 0303 W/pop mx and "I4-FEC" IDs. (SA-NY) |
| 1050 | KFMJ | OK, Tulsa 1/7 1829 Just reviewed tape from last week, and picked out enuf detail of s/off msg for a rpt. I don't let them get away anymore, after hearing KGYN l&c a month ago w/no blank tape. I've tried almost everyday since, w/no luck. (DD-GA) (ed: don't despair!) | WWIN | MD, Baltimore 1/8 0304 W/OM doing wx Forecast. (SA-NY) | |
| | | | 1420 | WDDY | VA, Gloucester 1/15 1716 S/off w/man anncr. Fair signal. (WPT-DC) |
| | | | 1440 | WFTQ | MA, Worcester 1/16 Fair-xlnt on call change (ex-WNCR) playing T-40 hits, segued in sets of two, no song titles announced. Sounds like WNBC & WZZD, "All New 14-Q", commercial free @ 3rd hour. (PRM-NJ) (ed: they're quite consistant up here in northern VT.) |
| | | | 1450 | WENZ | VA, Highland Springs 1/16 0053-0101 Fair w/soul, I think, ID 0101 said 24 hours. QRM from TTer, was looking for WHSC r/c. Hrd often after midnight. (PRM-NJ) |
| | | | | *WFIX* | AL, Huntsville 1/18 0300 F/c as advertised w/annmnts every 2 mins. Fair sig w/old raspy dial tone(DD-GA) |
| | | | | WMPJ | FL, Daytona Beach 1/18 0300 Heard beautiful ID before WFIX f/c started. Will try for more detail now. Am "writing while listening". Much like "drinking & driving". (DD-GA) |
| | | | | WOL | DC, Washington 1/9 0221 Fair-good w/contest promo, "Keep plugged in to WOL." Pest. (PRM-NJ) |

1460 WAXC NY, Rochester 1/9 0300 Good w/rock, ID promo "NY's #1 music stn" at 0300; also 1/16 loud w/rock 0120, YL DJ calls it "Brand new waxey" (was there an old one?) w/request line for Monroe county 222 3525. (PRM-NJ) (ed: I also logged WAXC the day before 1/15 at 1949)

1470 CHOW ON, welland 1/17 0002 Nx, ment. of St. Catharines. Fair sig. (WPT-DC)

1520 *WKBW* NY, Buffalo 1/9 0220 ET/TT (PRM-NJ)

1540 KRXV TX, Ft. Worth 1/16 1829 Best signal I've heard from these guys. Former NIS/All NX, now beautiful mx. Covering strong ZNS1 & weaker KXEL till 1845 power change. (GA-NC)

WPTR NY, Albany Testing auxiliary xmtr at 0530 1/8 before s/on at 0600 w/mx. Heard on my rig all the way from 1510 -1610 kHz...messy, messy, messy! (SA-NY)

1550 WMOO AL, Mobile 1/17 1808 Tail end of nx, wx & ID. Rlgs type mx. Fair. (WPT-DC)

+ 1/18 1800 Good w/rlgs programs and at 1800 nx by OM. Weather at 1808. (BL-FL)

WYNX GA, Smyrna 1/9 1745 Caught this one at SSS sign/off just after my local, WRHC dropped. Fair w/s/off annmnt, "Tune in tomorrow for more inspirational programs." (BL-FL)

???? UNID, 1/18 1800 Station under WMOO w/nx before 1800 and then either T-40 or pop mx. (BL-FL)

1570 CKLM PQ, Montreal 1/8 0515 Calling itself "Le Music Machine"; obviously in FP. (SA-NY)

WLSC SC, Loris 1/16 0603 S/on w/NA. Fair signal, mucho QRM. (WPT-DC)

WTOX AL, Selma 1/13 1800 Surfaced thru seven stns. LSS mess w/s/off. (GA-NC)

1580 *WORV* MS, Hattiesburg 1/16 0215 3rd Mon. T/c noted l&c from 0215-0231 instead of 0200-0215. Very low-key organ mx (no pun intended) & annmnts by blk anncr every 2 or 3 mins. His tape was running very erratically, much wow and flutter. (DD-GA)

KRZI TX, Waco 1/16 0235 Thought I was dreaming when I heard, "KRZI - Waco", but he came back up nicely several times until 0330 tune out. Rock mx & local ads & PSMS. (DD-GA)

WCLS GA, Columbus 1/16 0001 S/off w/male anncr. Fair signal. (WPT-DC)

WSRP FL, Port Lauderdale 1/17 1746 Plug for Pizza Shack (Italian restaurant). Fair sig just before daylight. Wattage (power) was lowered for night operations. (WPT-DC)

1590 WAKR OH, Akron 1/8 0527 Noted w/end of religious pgm then local nx after 0527. (SA-NY)

WALG GA, Albany 1/18 1621 Good w/T-40, & message from GA Power, "Dial 68 to save energy. Several spots for Albany area places. Fast talking OM DJ. (BL-FL)

WATM AL, Atmore 1/17 1817 S/off with "Dixie". Fair signal. (WPT-DC)

WCBG PA, Chambersburg 1/16 0105 Heard on pop w/cw ballads & two vly overmodulated annmnts by "hick" eng. Stn gone @ 0124. This is Karl Jeter's favorite non-verifier! Maybe someone in that area can help out a bunch of us on this turkey? (DD-GA)

WQQW CT, Waterbury S/on about 0530 1/8. (SA-NY)

1600 WUNR MA, Brookline 1/18 0048 New England wx fcst, rr mx. Fair readable signal. (WPT-DC)

FROM THE DX CALENDAR

1070 KFDI KS, Wichita 1/9 0110-0146 Only TT heard, from weak to loud 0110-0146, when WHN put on CWmx. Breaks in tone noted 0135, varied hz 0112. Oh well. (PRM-NJ)

1250 WBRM NC, Marion 1/9 0205-0220 DX Test tried for but not heard. (PRM-NJ)

REPORTERS THIS ISSUE

GA-NC Graff Allinson, 908 Christopher Ave., New Bern, N.C. 28560 Realistic TRF

SA-NY Scott Anderson, 28 Boyack Rd., Clifton Park, N.Y. 12065 Montgomery Ward Airline 8-band

DD-GA Don Davis, 107 Oakdale Dr., Warner Robins, GA 31093 Hallicrafters S-76, "Davis" FET loop counter + T.O. + cassette recdr

LVF-AL Larry V. Flegle, 3310-17th Ave., Sheffield, AL 35660 Realistic TRF

BL-FL Bob LaFore, 12991 SW 252 Terr., Princeton, FL 33032 DX-160, 125 ft. longwire + box loop.

PRM-NJ Paul Mount, 471 Emerson Ave., Teaneck, N.J. 07666 Realistic TRF, SM & turntable

WPT-DC Bill Townshend, 4500 Conn. Ave., NW, Washington, D.C. 20008 DX-160

BC-VT Bob Curtis, 17 Cobbleview Dr., Colchester, VT 05446 SP-600 + longwire *****

Thanks to all contributors for the excellent reporting.

73 and Good DX Bob Curtis

**central dx
roundup**

Richard C. Evans
P.O. Box 392
New Buffalo, Mich. 49117

DEADLINES: Tuesdays TIMES: Eastern Local

540 CBT NFLD Grand Falls, 12/31 0427, after 4 years of looking, very weak w/NA, then s/on. (RK)

580 WBIL AL Tuskegee, 1/6 1858, fair w/rel., then s/off. (RK)

790 WTUG AL Tuscaloosa, 1/14 1800 good w/s/off, no SSB. (RK)

930 WJBY AL Gadsden, 12/31 0705 on top w/promo (RK)

950 WLSQL AL Montgomery, 1/9 0333 fair w/ID. (RK)

*WXGT*VA Richmond, 12/30 0200 good w/ET, ID (RK)

990*WHOO*FL Orlando, 1/9 0229 good-poor, w/WNOX QRM w/ET, C&W Mx. (RK)

1050 KIXS TX Killeen, 1/6 1845 poor w/s/off, no SSB. (RK)

KCAS TX Slaton, 1/6 1846 poor w/news. (RK)

1080 WFIV FL Kissimmee, 1/3 0715 very poor with s/on, u/WEWO & WNWI s/on's. (RK)

1130 WASP PA Brownsville, 12/30 0730, fair at power change with news. (RK)

1150 WJRD AL Tuscaloosa, 1/9 0115 totally dominating frequency w/C&W Mx. (RK)

WKKN IL Rockford, 1/4 0804, the only stn in during severe aurora w/Mutual Progressive Nx, then C&W Mx. Needed a rpt for them. (RK)

1240 WSBC IL Chicago, 1/4 0700-0900 noted off, seemed to be having xmtr trouble, as would throw on carrier for several seconds, then it would be gone. They would have to be gone on a morning when the A-index is 70, the aurora killed all skywave signals & only unmodulated WSDR/WTAX were noted, w/WSDR in with local strength. (RK)

1250 KLAZ AR Little Rock, 1/9 0432 good with Wx, then R&R music. (RK)

1260 WLKK PA Erie, 1/2 0427 good w/C&W Mx, promo, Now seems to be NSP. (RK)

1290 WCHK GA Canton, 1/5 0731, good with Ga. network news. (RK)

WNIL MI Niles, 1/8 0825 w/Ez Listening Mx, ID at 0832. (RK)

WOMP OH Bellaire, 1/5 0558 poor w/SSB & s/on, the aurora cut the strength of WHIO & WIRL to let this one, WVOV & WCHK thru. (RK)

WVOV WV Logan, 1/5 0601 fair w/s/on. (RK)

1300 WLNC NC Laurinburg, 1/4 0640 fair with local spot. (RK)

1310 KFSB MO Joplin, 1/4 1827 dominating frequency w/Top-40 Mx & ID. (RK)

1330 WFTO MS Fulton, 1/1 1755 good w/s/off, then SSB. (RK)

1350 WRKK TN Carthage, 1/8 0700 poor u/WPDR with s/on. (RK)

WPDR WI Portage, 1/7 0700 fair with s/on, the next morning, they were in real strong (RK)



- 1360 KBKB IA Fort Madison, 1/4 1751 all alone during aurora w/local spots. (RK)
 KRYS TX Corpus Christi, 1/10 2208-2219. Hrd during RS w/contest, car dealer spot. New and rptd, fantastic night for auroral. (BPS)
- 1410 WUNI AL Mobile, 1/10 2135-2145. also an auroral catch, new and rptd w/IDs, PSA for NOW. Great nite for the south! (BPS)
 WVCB NC Shalotte, 12/30 0600 fair w/SSB, then s/on. (RK)
- 1420 WKSR TN Pulaski, 1/7 1842 weak, but alone with news. (RK)
- 1430 WBRB MI Mt. Clemens, 12/31 0601 in briefly w/ID. (RK)
- 1440 KMLB LA Monroe, 1/10 2330. Hrd briefly w/Elvis, ID at bottom of hour. New. (BPS)
- 1470 WYYY MI Kalamazoc, 1/8 0559 finally got a rpt for this one at s/on. (RK)
 WBKV WI West Bend, 1/14 0700 fair w/s/on, no SSB. (RK)
- 1500*WIAF*GA Clarkesville, 12/30 0045, good w/ET, OC, ID at 0051. (RK)
- 1520 WHIC KY Hardinsburg, 12/30 0800 Xlnt with w/on, no SSB. (RK)
 WYFC MI Ypsilanti, 1/13 0800 fair w/s/on. (RK)
- 1540 WJGA GA Jackson, 1/7 1743 fair w/s/off. (RK)
- 1550 WYOU FL Tampa, 12/30 0719 poor w/ID, then gone
 WPDF IN Corydon, 1/8 0800 poor w/ID. (RK) (RK)
 WLUX LA Baton Rouge, 1/11 1829 good w/s/off, no SSB. (RK)
 KWBC TX Navasota, 1/4 1842 weak during aurora w/s/off, then EZ listening Mx. (RK)
- 1570 WKYR KY Burkesville, 12/30 1729 good w/end portion of s/off, then SSB. (RK)
- 1590 WYIG MS Jackson, 12/30 0303, fair w/SID (RK)
 *WJSO*TN Jonesboro, 1/3 0045, XLNT w/ET, TT, OC, & ID. (RK)

- 570 KCNO CA, Alturas 1/20 1954 in fair o/KVI, KLUB & KLAC w/ad for Alturas Tires on U.S. 395. Not heard very often. (RW-CA)
- 640 KFI CA, Los Angeles 1/10 1145-1927 off air due to heavy thunderstorms. (MFS-CA) (See 1/21 DXM, p. 260; whoever sent in the clipping forgot to include the date!--NH)
- 720 WGN IL, Chicago 1/23 0316 rarely heard here, fair in KDWN CC null w/piano mx. (RW-CA)
- 730 CKLG BC, Vancouver 1/23 0500 w/good ID mixing w/XEX plus another unID Latin American. (ASL-CA)
- 740 KTRH TX, Houston 1/23 0506 ID "KTRH News" several times. KCBS & KBRT both off. (ASL-CA)
- 750 KPQD AK, Anchorage 1/23 0525 w/ID. Had wx a few minutes before; temp mid. 30's. Warm for Alaska this time of year; but sure of KPQD ID. Deep fades for several minutes at a time, yielding to YNK. (ASL-CA) (Anchorage temps indeed have been mild lately, per Seattle TV.--NH)
- 760 KGU HI, Honolulu 1/23 0543 w/ID then fade. KPMB off, faint WJR. (ASL-CA)
- 790 KUTA UT, Blanding 1/16 1853-1858; mx, DJ talk, and ID. Poor, but consistent signal, no QRM. (WJH-UT)
- 790 unID 1/23 0325 unID rr heard very weak u/KABC, looping NNE, no way of ID'ing it. KGHL off MM's, so most likely it's much-needed KJRB, Spokane, but not loggable. (RW-CA)
- 830 KIKI HI, Honolulu 1/23 0555 w/"KIKI" ID for just a short momentary burst. Buried, before & after in WCCO and XEUV (think it was XEQV; see DXWW). (ASL-CA)
- 860 ?KOAM? KS, Pittsburg 1/15 0600 w/NBC mx, then gospel mx, TC's in CST. New state if KOAM. (MFS-CA)
- 870 KIEV CA, Glendale 1/16 1958-2000 s/off, SSB. (WJH-UT)
- 880 WCBS NY, New York City 1/21 0300-0315. Faint at first, improving until it was very clear. CBS network mx followed by local reports on snowstorm of previous night and resultant problems therefrom. (RCY-NV)
- 890 *WLS* IL, Chicago 0425 1/23 noted TT then off by 0430. Yes!! WLS was actually off this MM. (DAK-CA)
- 890 KEYE OK, Oklahoma City 1/17 0855 in fair but weak w/relig. program by OM. (DAK-CA)
- 900 KBIF CA, Fresno 1/17 2000 in w/s/off, nothing unusual about hearing them except in their s/off, they're plugging KARM-1430 w/mention of their slogan "Where your friends are." 1st time I've heard a station plugging a rival station in the same town, hi. (RW-CA)
- 920 KVEC CA, San Luis Obispo 1/23 was on RS 0405-0423 tune-out, while we tried for unheard WJAR DX test. KVEC had MM s/off 0301 12/5/77. NRC Log says "c&w" but this was definite MOR (Herb Alpert TJB!), so possible schedule and/or format change. Avg-to-poor w/KITN nulled. (BH-WA)
- 920 *WJAR* RI, Providence 1/23 tried for scheduled test w/no luck. KORK was too strong. Ratts (Yes! w/2 "T's"); RI is a needed state here. (ASL-CA)
- 920 KELP TX, El Paso 1/23 0430 in fair w/rr mx o/partially KORK. (DAK-CA)
- 920 KVEL UT, Vernal 1/16 1841-1846 mx, DJ talk and local ads. Poor w/KALL-910 slop. (WJH-UT)
- 920 unID 1/23 0530-0610 & 0700 thru KORK & KHJ-930 slop. Top 40 mx, no nx on either hour and no audible ID's. Possibly KARM? Is KORK ever SP? (MFS-CA) (Don't know about KORK. We had KVEC w/MOR 0405. KORK is rare here.--NH)
- 940 KPRB UT, Cedar City 1/16 1830-1835 sports, local ads and mx. (WJH-UT)
- 950 XEGM Mexico, B.C.N. Tijuana 1/23 0525 spending a lot of time off air lately! Rare SP, also off 12/19. KJR & KIMN audible. (MFS-CA) (This is not rare; XEGM is off 0500-0600 every MM!--NH)

PER THE LIST:

3rd MON: WRWH-1350 GA T (BPS)

A TIP OF THE HAT THIS WEEK TO:

RK - ROBERT KRAMER, 3406 West Pierce Street, Chicago, Illinois 60651
 BPS - BRIAN P. SHERWOOD, 221 Larch, Elmhurst, Illinois 60126

Veries in this past week: CKFH-1430 WXVW-1450 and WKEU-1430. Report to WYNX-1550 Smyrna, Ga. was returned by the P.O. stamped "not deliverable as addressed--unable to forward." 73.

NANCY HARDY, Editor

2301 PACIFIC AVE.

ABERDEEN, WA 98520

western dx roundup

ALL TIMES ARE EASTERN LOCAL

Phone for hot WDXR tips: (206)532-6827 till 11:30pm (PLT) nightly--prepaid calls only

DEADLINES: Thurs. February 9, Thurs. February 16, Thurs. February 23, Thurs. March 2

REPORTERS FOR THIS ISSUE:

- (BH) Bill Hardy-2301 Pacific Ave.-Aberdeen, WA Lafayette HE-30, SM-1 98520
 (NH) Nancy Hardy-2301 Pacific Ave.-Aberdeen, WA Lafayette HE-30, SM-1 98520
 (WJH) Bill Harms-1120 Elm Ave.-Provo, UT 84601 Realistic Patrolman 9
 (DAK) Dave Korinek-4769 Calle Solimar-Oceanside, CA R-388, R. West ferrite loop 92054
 (ASL) Albert Lobel-10514 Caminito Baywood-San Diego Realistic DX-150A, CA 92126 Sanserino loop, two longwires
 (MFS) Matthew Shugart-12561 Groveview St.-Garden Realistic GLR (Great Grove, CA 92640 Little Radio)
 (RW) Robert Wien-945 Desert Isle Dr.-San Jose, CA GE TRF long-range portable 95117
 (RCY) Robert Yentema-P.O. Box 294-Mercury, NV Sony Model TFM-9430W, two 89023 Intensitronics Select-A-Tenna tunable induction devices.

- 540 KVIP CA, Redding 1/20 1955 s/off heard at 1955 instead of normal 2000 s/off, down in QRM. (RW-CA)
- 540 KDLT UT, Delta 1/14 1930 heard on car rx while sitting in the car in the San Jose Shopping Center, o/u KVIP w/s/off. Not heard at the house due to power-line QRM. New w/report sent. (RW-CA)

960 KLAD OR, Klamath Falls 1/20 1950 in fair in sharp KABL null, ID as "K-lad 96", promo for "K-lad nx" into C&W mx. (RW)

970 KYTE OR, Portland 1/23 0623 promo for contest, ID "97 Kite, K-Y-T-E." (MFS-CA)

980 KVLV NV, Fallon 1/17 1956 not heard in a while, bombing in on xlnr cx to Nevada and NE Calif. KCTY & KFVB faint under. Wx for Powhatan Valley. (RW-CA)

990 KTYD CA, Santa Barbara 1/17 1943 only heard once before on SSS, very weak in KKIS null, o/u XECL w/ad for mobile home rental in Santa Barbara. (RW-CA)

990 XECL Mexico, B.C.N. Mexicali RW, your 990 SS probably XET as XECL is not 24 h. Off nitely 0200. (MFS-CA)

1000 KMLD CA, Vista 1/14 1958-2000 s/off. (WJH-UT)

1010 KCHJ CA, Delano 1/14 2000 $\frac{1}{2}$ -2001 ad for a local store, ID, then xtr change so lost signal. (WJH-UT)

1030 *KTWO* WY, Casper 1/16 0228 in fair w/ID "This is KTWO, Casper, Wyoming, testing" into CC. (RW-CA)

1040 WHO IA, Des Moines 1/23 0324 bombing in w/ armchair quality on aurora cx to mid-west, in past few weeks very poor, so poor cx may be gone. (RW-CA)

1050 XBD Mexico, B.C.N. Mexicali ID is "Equis-ay-day, La Gran D" which is not quite "La Grande" as reported a while back. (MFS-CA)

1060 CFCN AB, Calgary 1/23 0316 noted off tonite, nothing on 1060 except a strong KUPD. Was hoping for WNOE. (RW-CA)

1130 KWKH LA, Shreveport 1/23 0645 w/talk on farming preceded by talk on football All-Star game, plus several PSA's. S-10 and all alone on frequency. (ASL-CA)

1130 CKWX BC, Vancouver 1/22 1432 audible o/u KRDU w/ad for restaurant in Burnaby, "Super Country CKWX" ID. Xlnr day skip. (RW-CA)

1170 *KCBQ* CA, San Diego 1/23 0600-?? TT, then SP. First time ever heard off. Only station heard was KLOK (was hoping for KVOO). (MFS-CA)

1170 KLOK CA, San Jose 1/14 2002-2010 YL anncr, KLOK Sports, and mx. Announcer's name was Lisa Price. No usual KCBQ QRM. (WJH-UT)

1180 KOFI MT, Kalispell 1/19 till 0205 s/off. Good thru most offensive KEZY-1190 slop. New state. (MFS-CA)

1180 WHAM NY, Rochester 1/23 0651 w/talk by a Philip (?). Spot for City Bank. (ASL-CA)

1190 KRDS AZ, Tolleson 1/15 1005 $\frac{1}{2}$ -1010 wx, PSA, ID, then mx. This is a regular here, lately, but three years ago KEZY was dominant. (WJH-UT)

1200 WOAI TX, San Antonio 1/19 0130-0142 call-in show thru terrible KEZY-1190 rr slop. Been looking for this one thru NSP KEZY for a long time. (MFS-CA)

1210 KGYN OK, Guymon 1/23 0656 w/program on "La Biblia Dici" in SS. ID in BE at 0700 followed by UPI nx. (ASL-CA)

1220 KKAR CA, Pomona 1/16 1933 bombing in way o/KLIP w/SS mx after KIBE's early s/off at 1800. In SS w/mention of "KKAR". (RW-CA)

1220 CJOC AB, Lethbridge 1/15 1004 SID, top 40 mx. (WJH-UT)

1220 *unID* 1/22 0214 unID TT heard very weak u/ CJOC w/CKDA nulled, looping ENE. Most likely WAVN, Stillwater, MN (5 kw day). Nothing else even closer than that except KFSC. (RW-CA)

1230 KWG CA, Stockton 1/16 0227 this becoming a nighttime regular on Sunday nights. Audible well u/KLAV w/wx for Stockton and San Joaquin Valley. (RW-CA)

1230 KRXK ID, Rexburg 1/17 0045 ID heard, then mx and back into murk. (WJH-UT)

1240 KPFC CA, Pasadena 1/16 0300 in w/s/off inviting listeners to tune to sister station KMAX at 107.1, then off. O/ mess. (RW-CA)

1240 *KBYM* MT, Billings 1/16 0225 in fair in KBYM null, well o/KROY w/ID "This is KBYM, Billings, Montana on the air this morning for frequency check." into TT. (RW-CA)

1250 KHIL AZ, Willcox 1/14 1725-1730 mx then s/off. The announcer told me to tune to FM, and if I didn't have an FM radio he told me to get one. (WJH-UT)

1270 KAJO OR, Grants Pass 1/20 1958 in xlnr, slopping KYA-1260 and KJOY-1280! Best signal yet for this one w/religious mx. Not even a sign of KCOK. (RW-CA)

1290 KGVO MT, Missoula 1/14 2035-2039 PSA, ID, wx; w/KUMA. (WJH-UT)

1290 KUMA OR, Pendleton 1/14 2032-2039 nx, into mx, w/KGVO. (WJH-UT)

1310 KEIN MT, Great Falls 1/14 2041 ID, top 40 mx. (WJH-UT)

1330 *KGAk* NM, Gallup 1/20 0210 in on f/c per the list. 1 kHz tone o/KFAC. Surprised by steadiness of signal. (RW-CA)

1340 *KSIL* NM, Silver City 1/16 0220-0230 in very poor, buried u/KRAM, KATY, KMAK, w/ irregularly spaced tones, one ID at 0230. New w/report sent. (RW-CA)

1340 KSGT WY, Jackson 1/16 2028-2030 local ad, mx. (WJH-UT)

1340 *unID* 1/16 0316 unID TT on 1340 o/u KMAK, looping SE. (RW-CA)

1350 KLYD CA, Bakersfield 1/17 1935 first new SSS logging in a long time, #532, w/ mention of KLYD into Herb Alpert mx, poor to fair in KSRO null w/moderate KEEN slop. (RW-CA)

1350 KCKC CA, San Bernardino 1/14 1935-1937 SID, local ad, C&W mx. O/KEYY, KFTN spur. (WJH-UT)

1370 KXLF MT, Butte 1/14 1940-1941 SID, local ad for Skis; o/QRM. (WJH-UT)

1380 KZUL AZ, Parker 1/14 1944-1945 SID "Ka-zoo-you-ell" Casual, then s/off. (WJH-UT)

1400 *unID* 1/16 0251 unID TT heard u/mess in KRE null, looping due east, possibly KFTN? (RW-CA)

1410 KCAL CA, Redlands 0258 1/23 heard s/off while listening to KAHL DX test. (DAK)

1410 *KAHL* NE, North Platte 1/23 test started early per phone call from Bill Harms. TT's of varying pitch thru CFUN, from tune-in 0200 till 0301. W/CFUN mostly nulled out, got ID giving address 0257. Weak-to-nil here. (RH-WA)

+1/23 0253-0307 DX test heard well here despite KERN. (DAK-CA)

+1/23 tuned in to very weak TT 0200, finally caught address & ID at 0257. Poor to very poor w/CFUN nulled. (NH-WA)

?KAHL+1/23 0230-0305 no ID heard but 1 kHz tone audible every five minutes. KERN too strong. KCAL was there too, till 0255. KAHL had scheduled test. (ASL-CA)

+1/23 0255 test tried, but not heard due to too much KERN/CFUN. (RW-CA)

1450 *unID* 1/16 0302 unID TT heard well u/mess in KEST null, too early for KXXL test. (RW-CA)

1470 KUTY CA, Palmdale 1/17 1937 in w/wx for Palmdale. Poor, fluttery signal in KNDE null, mixing w/XBEC & KDUN. (RW)

1530 ?WCKY? OH, Cincinnati 1/21 2008-2012 thru nulled KFEK, several reasons to suspect this one! ND till Sacramento SS (per NRC Pattern Book) & was suddenly gone w/out announcement after 1712 PLT (one minute before LSS). Mx best described as light adult contemp. or semi-classical. Finally, Cincinnati was also audible early (before 2030) on 700 kHz. What do you think? If WCKY, certainly a top-rate catch. (MFS-CA) (WCKY would be my guess!--NH)

1540 KASA AZ, Phoenix 1/14 1905-1911 nx, wx, mx, ID. (WJH-UT)

1550 KKHI CA, San Francisco 1/22 0430-0520 in good w/orchestral mx and plenty of PSA's. (DAK-CA)

1560 *KGH0* WA, Hoquiam 0558 $\frac{1}{2}$ in excellent w/annct. that they were conducting audio tests. Played mx and repeated jingles numerous times around 0610. Also het from R. Cayman heard well. (DAK-CA) (1/23?--NH)

1570 KHNY CA, Riverside 1/19 2050-2100 rr mx, s/off w/announcer telling me to tune to 92.7 FM; o/QRM. (WJH-UT) (Map shows Riverside SS 2000 in January.--NH)

1570 *KVRA* SD, Vermillion 1/23 0220 thought I had a good chance of getting this one, as I can null CKTA & XERF in one turn, but something strange tonite. Not heard due to *!\$@#*?& telephone line buzz. Buzz never heard at night before, killing every frequency. KEEN not even audible. Occasionally heard at SSS, but nullable. Nothing can be done about it. Well, that's Murphy's law for you! Isn't it against the law? (RW-CA)

Welcome to WDXR, Robert Yentema. We hope we hear from you often as we don't get many reports from Nevada. Robert got right in the swing of things by sending his first WDXR report the same day that he joined IRCA! For the first time in a while there are no Canadian reporters to WDXR this week. 73

~~~~~ John Zondlo  
**eastern dx forum** 6617 Maryland  
~~~~~ Hammond, IN 46323

Jerry Starr - WSRD-FM - Youngstown, OH 44505
I read with interest Charles Taylor's lengthy discussion on counting WCBS as New York or New Jersey. I probably won't be the only one to point out one small fallacy in his dissertation: the WCBS (and WNBC) transmitter is located on High Island in Long Island Sound east of New York City and miles from New Jersey. 73 and Good DX.
Paul Mount-507B Carman-Columbia University-Morningside Heights, NY 10027

First, a report on the get-together held in Teaneck on Sunday, January 15. It had received publicity in IRCA, NRC, and I believe a few shortwave publications. There had been a snowstorm Friday leaving ice on the roads, but that wasn't a deterrent for many. The party was a great success, with 25 people registered representing 10 clubs. From IRCA: Ron Kida and Mike Anderson from Palisades Park, Susan Sirulnick and myself from Teaneck, Greg Monti from Bayville NY and Steve Apel from Douglaston NY. Also, former IRCA members Chris Hansen, the NYC organizer/publicizer of this, and Elliot Strauss, now of Clark, NJ. The other names on the register were: Kaufman, Wurtzel, Williams, Crocker, Maghakian, Peck, Leffler, Sidman, Frajer, Meyer, Orenstein, Hambright, Robinson, Mellinger, and Marsha Mount. We were also hoping for appearances from Joe Fela, Tom Sayen, Eric Fader, and long-lost Rich Shaftan, who sent "maybe's". The 9 other DX clubs represented were ECDXA PRC (I don't know what they stand for either, hi) NRC MASWA SPEEDY Lehman College DX Club Brooklyn DX Club WTFDA and NNRC. The WTFDA and NRC sent samples which were well received. It was good meeting new friends and seeing old ones again. This was probably the best turnout of any get-together in the area in several years. Since these people live in the metro area, and now since they've attended a get-together, they are truly MAD and will be placed on the MADmen mailing list. Many of the people left with incentive to DX on this holiday Monday morning. While listening to Greg Monti on WGBB-1240, I heard a promo for ACC basketball, which turned out to be WIST Charlotte NC per a phone call to the station. The guy thought I was kidding him about being in NJ. But then, that happens often. Guess Greg gets some credit for station 477. More DX and veries next week. 73.

Bob LaFore-12991 SW 252 Terrace-Princeton, FL 33032
Hello to everyone out in infamous DX-land! This is my first forum, so I hope I mark up this piece of paper right! And I suppose I should intro myself. I'm 18 and a senior at South Dade High School near Homestead FL. My receiver is a DX160, and my highly sophisticated (?) antennas are a longwire about 125' long and a box loop. The longwire antenna isn't much good at times because of some BIC high tension power lines only about 75 yards from it. I have been in IRCA for about 2½ months now and am really enjoying it. I'd like to say thanks to all of the editors and people who put the DXM together... y'all do a great job! My station total stands at 573 heard and 106 verified, 28 states. Can anyone tell me what has happened to my favorite station up in Michigan? I got a letter from Jerry Lee, who is PD for WCEN-FM 94.5 up in Mount Pleasant MI.

He said that they were planning some changes, but didn't say anymore. Oh well, until next time, 3,333,333, which is 7-3's, Bob.

Scott Mentzer-Route #3-Tylertown, MS 39667
Greetings from "T-Town, Miss.", the sun-belt sanctuary that extends a cordial welcome to all DXing polar bears, hi (28 degrees last night, brrrr) (that's a heat wave here, SAM-jz). Things have been mostly quiet on the DX front for the past several weeks, largely as a result of the usual school routine, not to mention the lack of anything other than the same old AN pests. Surprisingly few TTers have been noted during these early weeks of 1978, and, thus far, the only DX Special to make it in this way has been KFDI on 1070 (first heard last spring, so not really needed, but nice to relog.) My big news is the definite logging of Radio Barbados (900); I finally nailed 'em this past MM (1/16) on a sign-on, thanks to a tip from Rob Keeney. Enough material showed up on my tape, and a report has been sent; as for that all-important verie, we'll just have to wait and see. Recent veries around here include: WGSW, WKIE, WUNN, and WADA (all v/l), plus KRRR (v/l and promotional material). According to the CE, KRRR runs a f/c on the first Tuesday of every month, starting at 2:15AM ELT; code KRRR IDs are used as part of the check. On another matter, Bill Harms, in one of his contributions to the January 14th edition of DXM, has the right idea: I can't imagine not putting a stamp on the inside, as well as the outside, of a report envelope, although as a recruit, I use to pull the same stunt. The old "stamp trick" usually works with foreign stations as well; if, as is the case with your's truly, you're served by a rural post office which does not keep a supply of IRCs, many times the equivalent postage in mint U.S. stamps (preferably commemorative) will do just as well. I've found, for some reason or other, that personnel at many foreign stations greatly appreciate mint U.S. stamps, and this fact has been mentioned in some of the veries I've received. Finally, on the subject of reports, I suspect that the reason stations receive so many "Z-grade" efforts is, "rookies" excepted, not so much the lack of report-writing ability, but the unwillingness to take the time necessary for doing the job correctly. Writing a decent, organized, well-documented report takes a certain amount of time that many DXers either do not have or are unwilling to so utilize. For this reason, I never report to semi-locals and rarely fool with follow-ups; I figure "give the best you got on your very first shot", and let the advocates of the "toilet paper - post card" school make 99 attempts at trying to coax a verie out of some reluctant CE. (By the way, I had a very good teacher in report writing; the CE at WDMG not only veried my first execrable attempt, but did so by taking the time to explain just how an acceptable DX report should be written.) For now, that's about it from the "ol' test-gambler", so until next time, 73 and good DX de SAM.

DON KASKEY--386 GEARY ST., SAN FRANCISCO, CA 94102
HQ Kase--(415) 752-8691+-----
DX this week has produced a few new domestics. KNIX 1580-Tempe finally hrd with new calls on 1/25 1918 w/many advs, ID at 1920 then into C&W mx. KNIX was dominating freq o/KWIP-KDAY at the time. Seldom hrd KOHU-1360 atop 1/26 at 2245. KXXR-1440 DX in well 1/30 along w/KUHL ET. KQXE-1310 Mesa on ET earlier that a.m. & 1/31 KWMS-1280 dug out thru semi-local KJOY just before they changed power/pattern at 1930. Another tape received from Mike Hardester and that will accompany me to Seattle this weekend. Bob Lazar I don't know where you got the KHBJ call for Bakersfield on 1560 noted in ODXR #19. They were using KPMC still, yesterday. Bill Harms, my wife's favorite stn is KLOK so I hear Lisa Price often. I like KLOK too but still lean toward KSFO. KGO leads in the arbitron ratings which is mind-boggling to me. Who can listen to that crap? To those of you out of ear shot of KGO they are telly-talk. Robert Wien, another nice catch you've made (KPPG) & how come KDUN is a pest to you whereas I've hrd them only once? I'll trade you KEIA for KDUN. Paul Mount it's a pleasure to read your GTG went so well. Wanna try a convention next year? Robert Kramer I enjoyed your article on Sunrise DXing in this issue. I have some very fond memories of SRS DX back in Iowa. Actually even now it's about the only time to DX for domestics. Trouble is I want to hide my head under the pillow now. That must be what is meant by 'The erosion of time'. Well, enough babble for this time. Keep up the fine contributions & DX everyone..dkk..

FRIDAY
DEADLINES

western! dx forum!

Rick Heald
1581 - 20th Avenue
San Francisco, CA 94122
Ph: (415) MOntrorse 5-4201

DAVE KORINEK-4769 CALLE SOLIMAR-OCCANSIDE, CA. 92054
+++++ Well, we've re-located about 2 km from the old QTH in Nov. The noise has taken an astronomical leap too, unfortunately. I now know I was very fortunate at the relatively noise free old place. But I still get a day or so a week of low noise cx. Every once in a while all the neighbours turn off their TVs at nite. Have been able to use my new Radio West Ferrite Loop ant, and I just love it. Next is the fully modified FRG-7. I hooked it up to the stereo (the loop) AM ant, and it works perfectly. Have decided to give up reception rpt writing, for now anyway, to domestic stns that are not considered super DX. All my verification procedures are going to be totally devoted to foreign DX. I plan on fattening up my total of foreign veries. I guess I'm going to try Mark Connelly's idea of making a TRF respond to a loop ant. So much for my ramblings. 73.

FATHER JACK PEJZA-212 S. CARPENTER RD-MODESTO, CA. 95351
+++++ It's interesting to note that even tho Modesto is 400mi N of San Diego, it's 115 mi closer to Honolulu than San Diego is. I've just received a computer printout of Great Circle Distances & Bearings from former IRCAN, Dave Stroup, for my present location. Apparently it's more important that Modesto is 4 degrees further West than San Diego, in determining the distance to Honolulu. On the other hand, Ojai, my first DX location, is closer to Auckland, NZ than either other city, even though it lies between them both in longitude and latitude. Matthew Shugart, your unIDed 660 in the 07 Jan issue could have been KRJC, the Modesto Jr. College stn, which was on about that time for a BkE tourney. They played rock continuously w/very few IDs between games. Brian Cartwright, it's more likely that you heard XEMO 860 than KTRB. A Modesto stn wouldn't carry advertising for something in Inglewood, but XEMO might. Besides, KTRB is C&W. 73.

KEN L.A. BURGESS-278 3rd AVE NE-SWIFT CURRENT, SASK. S9H 2G7
+++++ It's been just under a year since I wrote to tell you of the CKSW frequency changes from 1400 to 570. I want to write NRC about it to be sure they know of it, and if any of you pick up "Communications World" magazine, they evidently don't know of the change either. I noticed in the CDXR (pg 221; Jan 7/78) that SAM found CKBI Prince Albert, SK as a non-verifier. Well, since I know the CE (tho no personally) I may be able to offer a little help for those of you that haven't received a verie from him in the past. His name is Allen (watch the e) Watson. Besides his work, he's also totally involved in outside religious activities, takes a serious viewpoint on life in general, and according to what I gather from him, would consider such things as reception reports not worth his while. However, I found a way thru that. I wrote him a while ago for information to send to the CoF list, explaining what it was, why we want it, etc., and enclosing a 12¢ stamp. Lo and behold, a few days later, a reply came back! So, my suggestion is to be extremely polite, concise, and explain exactly how the signal came in, and send a SASE. I don't guarantee results, but this should help. So send your f/up reports if you've never heard CKBI other than once, or try again. The key words are politeness and conciseness. By the way, their schedule is 0609-0100 CST daily. CKSW's tests got a lot of results from the States, considering he beams North. Got 2 definitely verifiable reports from Kansas, and 3 others we couldn't handle. (Sorry guys). Our test lasted 3 minutes w/C&W only, but another station must have been on w/tones, because everyone reported tone, usually at 1/4 past the hour. I wrote the others explaining why it wasn't CKSW they heard. Well, I'll try and arrange for a 10 minute test probably next Oct or thereabouts, and see what comes out of that. Since I send in very few Forums, my final words of wisdom; report to your respective columns, even if you're like I am; someone that doesn't have time for more than a couple hours DXing a week. Thanks. 73 de Ken.

NICK HALL-PATCH-3272 ALDER ST-VICTORIA, BC V8X 1P2
+++++ DX Monitor has been looking extremely well-fed of late---- it's amazing how much people are contributing this season. There are literally hundreds of tips in the Roundup and DXWW sections of the 21 Jan bulletin. On top of that, DX cx haven't been too bad recently. I managed to hear the KAHL

1410 DX TEST w/CFUN pouring out 50kw on the same frequency a mere 90 km away; I guess KAHL must have got out well if I could hear them. Also have logged a couple unusual Hawaiians recently; KNUI 1310 w/their s/off on MM and KIPA 620 w/KGW on the air but nulled. Both are relogs, but are welcome additions for the domestic contest. I've also noticed that CBU seems to have fixed their feedline, as they are now completely off the air after 0100 PST, no more TT or OC. XETRA can sometimes be nulled for other bits of 690 DX. Also noted XETRA off until 0325 PST on 24 Jan. Yet another Hawaiian, KKUA was there and I think KGGF w/Kansas wx and CST TC, but nothing definite before XETRA returned. CFRG was strong o/u XETRA after their 0400 PST s/on, maybe something for some of you folks further South to look for. The volume control on my TRF got so noisy that I reversed the tone and volume controls so now I get volume on the slide marked "tone". Are these type of controls prone to noise or is there some fault in the TRFs circuit design? I've also found that the TRFs external antenna connection is much more effective if you run a good ground to the shield side of the antenna jack when hooking up your longwire. Even more effective is running your longwire through a BCB loopstick in series w/a standard 365 pf variable capacitor and thence to ground. You then place the loopstick near the back of the TRF in line w/the internal loop and peak the capacitor. Really gives things a boost. This system also really livens up the BCB on my DX-150. If you want details, just write. Out of space...73 & best of DX.

BILL HARMS-1120 ELM-PROVO, UT. 84601
+++++ Hi again. I am finally getting settled in here at school. As far as DXing goes, I am still logging all the regulars. Nothing extraordinary to speak of. I did notice something of interest, at least to me. KWSU 1250, which is 70mi/112km from my home in Spokane and a regular semi-local in the daytime, comes in here better at night than it did in Spokane. As a result, I listened to my "Alma Mater" high school play against Pullman H.S.. I have spent most of my DXing time listening to AZ & CA stns, Daytimers, signing off. My local totals are: 130/2. My totals are low mainly because of the lack of time that I have DXed. Even so, my state total is 21 and countries 4. My biggest catch was PJB. I really couldn't believe it. I don't have much to say now so will stop. 73 and good DX de WJH.

GENE MARTIN-3303 EAST EVANS AVENUE-DENVER, CO. 80210
+++++ If you pay any attention to the A-Index, comparing it from day to day w/the observed conditions of radio reception, you will soon begin to wonder what is wrong w/the A-Index? The Index seems to have a mind of its own and often pays no attention to the propagation rules of thumb which have been connected w/it. Example, the Index was 70 January 4th, and I found extreme auroral conditions in effect across the BCB, as I reported in my last Forum. That was according to Hoyle, as I understand it. However, on January 16, I found a very similar night of auroral conditions underway, but the Index was only 6 and only 7 the next day. The Index is indeed versatile; it can give you extreme auroral conditions whether it stands at 70 or 6. And then there was the case way back in Aug 1972 when an unprecedented solar eruption shot the Index up to the highest levels on record, I believe, and that night I found Eastern stations from Pittsburgh to Boston arriving fairly well, just as if nothing had happened on the sun. When I turned on the radio, I was expecting to find the most intense auroral conditions in a long time. Frankly, I was disappointed. This was the first time I began to develop doubts about the A-Index. Seems to me that low figures on the Index are undeniably connected w/my hearing European stations, but there is no cause and effect relationships between the Index and auroral activity. Or perhaps, it is that some other factor not connected w/solar storms also acts to bring on conditions that seem auroral. Whatever it may be, I don't think it has been identified up to now. 73.

We are very pleased to verify your reception of

1430 KC **WIRE** 5000 WATTS
INDIANAPOLIS, INDIANA

on August 11, 1975. We hope that we may have the pleasure of

hearing from you on our future programs.

MID AMERICA RADIO, INC.
Gordon W. Trout--C.E.
By: *Gordon W. Trout*

DX Worldwide



BRUCE PORTZER,
Editor

All times GMT/UTC
Deadline Thursday

6546 19th Avenue Northeast - Seattle, WA 98115 - 206-522-2521

ATLANTIC DX ROUNDUP

- 164 FRANCE, Allouis, 0645-0700 1/2 poor-fair w/man talking. Singing at 0650. Man & woman talking 0655. Woman singing w/bas fiddle or guitar 0658-0700. Slow mx. At 0700 time pips & man talking, partly covered by buzz-static. (Poda, OH)
- 1034 PORTUGAL, Porto Alto, 0530 1/2 fair, man talking, then woman singing. "Viva" said before two or three phrases & bell like cow bell rung 2 or 3 times. (Poda, OH)
- 1043 MOROCCO, Sebaa-Aioum, 2350 1/2 loud het. Only audio possible low organ mx or low het. Much WHO QRM & splatter. Must have been on 1044 for only a short time - het noted often & always lower in pitch than 1034. (Poda, OH)
- 1466 MONACO, Monte Carlo, TWR, 2200 12/25 poor-fair but fades at times. At 2225 Ralph Miller invites listeners to "keep on listening & praying", then into chorus & mx. At 2229 gives address to send for pgm details in England. ID & "205 meters" 2230. Also hrd 12/26 2347 fair & 12/31 2130 (before ISS) poor-fair in GG, & 2350 1/1 poor; lastly 2343 1/2 poor-fair w/address in England - then into SS "Aqui Monte Carlo". (Poda)
- 1586 WEST GERMANY, Langenberg, WDR, weak w/FF song (Pais comme l'oiseau) 0410. 1/7 0415 male ancr in GG. This is surely the easiest European to catch. (Beauregard)

PAN AMERICAN DX ROUNDUP

- 540 COLOMBIA, Bogotá, HJKA, 1/12 0730 good w/SS mx & RCN IDs. (Kramer, IL)
- +0958 1/18 xInt w/ s/on anmt 0959. (Korinek, CA)
- 540 ECUADOR, Guayaquil, HCFA2, 12/21 1030 in quite well w/SS spots & R. Tropicana ID. (Kramer, IL)
- 540 NICARAGUA, Managua, YNOW, 1/11 1112 good w/R. Corporacion ID. (Kramer, IL)
- 545 DOMINICA, Roseau, R. Jumbo, 0040 1/3 fair mx & FF talk. 0045 drum beat & man talking, different letters but doubt it was the callsign, "Dominica" hrd. (Poda, OH)
- 555 ST. KITTS, Basseterre, R. ZIT, 0830 12/24 poor. Lively Caribbean-type mx. (Poda, OH)
- 570 CUBA, Santa Clara, CMHI, 1/2 0940 good w/SS talk. (Kramer, IL)
- 600 COLOMBIA, Barranquilla, HJHJ, 12/21 1055 good u/CMKW w/mx, had many mentions of Colombia. (Kramer, IL)
- 600 CUBA, La Habana, CMW, has undoubtedly moved here from 590. Evidence: there is always a SAH here when R. Rebelde programming is audible, despite absence of any other modulation except from Rebelde. This SAH didn't exist here before CMW's disappearance from 590. In addition, on xInt nights to Cuba, a slight reverberation of audio is hrd, implying 2 separate, unsynchronized xrs carrying the same audio on this freq. In another matter, while listening to a BB game at 2100 1/19 on Rebelde-600, I hrd a number of clear references to CMW, which appeared to be the feed station for the game, which was originated in Camagney. The call fits for Camagney, but none of RFS' lists carry a CMW in Camagney or elsewhere. A clear reference to CMHI, Santa Clara, was also hrd. This must be the 1st time in quite a while that calls have been hrd on Rebelde. (Taylor, IN)
- 610 HONDURAS, Tegucigalpa, HRLP, 1/9 1145, good w/SS mx & R. America ID. (Kramer, IL)
- 620 ? UNID, 1 or 2 SS stns noted here 1/9 0727-830 tuneout. SS vocals. 0740 said "R. (Super?)(Futura?) Nacional, una espacia de la musica popular." Program name may be "Amores". 2nd stn 0743 sounded like a Libertad (Colombia). Louder, 0753, "R. Futura Nacional de ar ua" (3 syllables) Later, 0813 said "la musica de Colombia, R. S" (didn't sound like Sutatenza). This prob the other unid. 0817 "LV de / a re mi che?" (2 words, 2&h syllables). Each time had vocals mostly by males, of slow & medium speed. Not //630/640/720 so doubt Cuba. Strongest when TRF rotated point to W of S; QRM from TTer. Tape available. (Mount, NJ) (WRTH lists a "Radiodifusora Nacional" in Nicaragua, which sounds suspiciously similar to your 0753 ID. Your 0813 ID could be "R. Ciudad de Cali", which WRTH lists as 24 hour & 20 kw. bn)
- 670 CUBA, San Pedro de Cacocum, CMKP, 0900 1/2 loud telephone line hum giving severe QRM to WMAQ. (Poda, OH) +Probably the light inst mx & YL ancr dominating 1004 1/23. (Portzer, WA)
- 680 ? UNID, 1/11 0300-0400 good w/quiet mx, s/off 0400 w/NA. Seemed to be a Colombian, but I don't have one listed for this frequency. (Kramer, IL) (HJCU, R. Nacional in Zambrano, 100 kw, is listed in 77 WRTH.bp)
- 690 MEXICO, México, XEN, 1/12 1212 dominating freq w/R. Mundo IDs. (Kramer, IL)
- 725 SURINAM, Paramaribo, SRS, 0900 1/2 poor man & woman talk in DD? then mx & Indian? talk by woman. 0905 man w/Indian singing. Also on 12/24 0845 fair Eastern slow mx & then man & woman in eastern lang. (Poda) +Fair 1/7 0912 w/unid talk & calypso mx. Listed in Indonesian at this time. This is occasionally readable at 0900 s/on. (Seaver, CA)
- 725 ? UNID, LA mx, then SS talk, sounded like a soccer game in progress when first tuned at 0040. LA mx for several minutes, then SS talk by OM ancr 0057-0059. Could be YNI or the more powerful TILX. Fair-poor w/slight QRM. I bet on TILX. 1/18 0040-0059. (Townshend DC) (TILX much more likely. bp)
- 750 NICARAGUA, Managua, YNX, "La X" strong & steady here w/TC & IA MoR mx 0712 1/9. Thought this was off 0600? (Hall-Patch, BC)
- +1/5 0055 good but fadey w/lengthy snorts show, was giving the scores for all the U.S. college football bowl games, & soccer scores from all of CA & SA. No ID on the hour, but this is the one I believe, because loop bearing was right at Nicaragua. (Kramer, IL)
- 750 VENEZUELA, Caracas, YVKS, "Elue Dambe Waltz" & other mx fair u/WSB 1/12 0325. (Townshend, DC)
- 800 NETHERLANDS ANTILLES, Bonaire, PJB, 0507 1/11 tuned in to a s/off in EE mentioning TWR & PJB. Poor-fair in partial null of CJJC. XEROK faded in after this one went. (Hall-Patch, BC)
- +Dominating channel 1/16 0402-0500 w/r/lgs pgm until 0430 ID, the good-listening mx until 0459. Then as Murley's law has it, signal faded out at 0459:50, so no ID. After that X-Rock 80 took over. (Harms, UT)
- +0504 1/26 w/ s/off anmt in EE, 0505 short anthem & off. Mixing w/unid domestic. (Bytheway, WA)
- 810 COLOMBIA, Bogotá, HJCY, 0900 1/2 fair, man talking "en Maracaibo, R. Sutatenza, Colombia". (Poda, OH) (Wait a minute... Maracaibo is in Venezuela; are you sure that's how they IDed? bp)
- 810 GUATEMALA, Flores Peten, TGFF, R. Mojon, 1/9 1157 atop the channel w/mx R. Mojon ID's & a repeated jingle by 2 women & a man: "Flores Peten, Guatemala." (Kramer, IL)
- 810 MEXICO, Tampico, 1/11 1223, blasting in w/SS talk mentioning Tampico. (Kramer, IL)
- 810 ? UNID, or Sutatenza, 0848 1/2 poor SS & marching band & then man talking. Loud 1 kHz het from 809? fades out before ID, etc. (Poda, OH)
- 820 COLOMBIA, Cali, HJED, in clear 1/16 0932 w/WBAP off. (Seaver, CA)
- +1/5 atop channel in aurora w/SS mx & many mentions of Colombia. (Kramer, IL)
- 825 COSTA RICA, San José, TIOS, 0517 1/11, hrd the usual YL intoning "Titanica" o/the records. Fair sig, soon faded. This seems to be the most common Latin split after Belize & YSS-655. (Hall-Patch, BC)
- 940 PANAMA, Panamá, HOL80, knocking over bricks & stuff w/weird flutelike mx 0454. ID 0457. 1/26 0458 TC as "las doce, la hora official de Panamá", then interview pgm. (Bytheway, WA)
- 850 COLOMBIA, Bogotá, HJJC, 1/5 0214 fair, but alone during aurora w/SS mx. (Kramer, IL)
- 880 GUATEMALA, Guatemala, TGJ, R. Nuevo Mundo, in clear 1/11 for ID 0500. KRWN totally out even when TGJ nulled, first time that's ever happened. Brought back memories of 880 before KRWN when TGJ was an evening regular. (Seaver, CA)
- 890 COLOMBIA, Bogotá, HJCE, 0938 1/23 noted fair in passing w/WLS off!!! (Korinek, CA)
- 940 COLOMBIA, Cali, HJGB, 0840 1/2 poor-fair w/man talking, "R. Eco" ID, then into fast IA mx. Some QRM. (Poda)
- 1000 COLOMBIA, Cartagena, HJAJ, 1/2 0900 o/XEOY w/many ments of Colombia. (Kramer, IL)
- +RCN 1/16 1100 w/Olympic theme, RCN ID, cut to WWV TC at 1100, another RCN ID, 3 chimes (d d d) & into mx. (Seaver, CA)
- 1005 COLOMBIA, Meiva, HJJR, R. Colosal, booming in 0925 1/16 w/TC & slurred ment of R. Colosal. Faded quickly though. (Hall-Patch, BC)
- 1010 ? UNID, 0540 1/11 in partial CBR null, hrd what sounded like "R. Felicidad(?) ..estacion navarra(?)". There's an inactive R. Felicidad listed for Torreón, XEVK--does anyone know if this is on?(Hall-Patch, BC)
- 1025 COLOMBIA, Ibagué, HJFT, 1127 1/23 in good w/R. Super ID by OM & typical SS mx. (Korinek, CA)

1025 ? UNID, 0730 1/2 poor SS, fast IA mx. Man yelling "coo ...coo" between few bars (2-3 secs) of mx, mx sounded like ranchero, horns & also tinkling sounds - also had chorus of men. Also thought 1 hrd Panama mentioned. Earlier had low het. Both Spain & Panama listed in WRTH. (Poda, OH) (Could also be Colombia. bp)

1030 COLOMBIA, Cali, HJER, presumed the RCN stn here w/ XEQR 1/16 0930 w/"La R. de Colombia, RCN" ID, fanfare & into mx. No readable mention of city or local ID. (Seaver, CA)

1035 HAITI, Cap Haitien, WVEC, R. WVEH, 2330 1/2 fair man talking, usual religion. (Poda, OH)
+Assumed the male talk in unid lang, noted in passing 1026 1/23. (Portzer, WA)

1035 ? UNID, 1105 1/9 hard to tell much about this carrier except that it was almost exactly 1035 (within 10 Hz or so). Bearing impossible due to CFAX-1070 splat. Some audio, but too mangled by splash to get anything out of it. Haiti? (Hall-Patch, BC) (St. bp)

1040 COLOMBIA, Bogotá, HJJC, 0935 1/22 in fair-good w/ many R. Super ID's. WHO off. (Korinek, CA)

1055 COLOMBIA, El Espinal, HJFZ, 1/16 0947 w/nice "RCN, LV del Centro" ID. Good at times. (Seaver, CA)

1055 ? UNID, LA? 0900 1/2 poor SS, fair het. (Poda, OH)

1070 t COLOMBIA, 1/8 a IA mx pgm 0715, lost 0745 when KNX came in. Here follows a résumé of my log sheet: 0715 ID by male ancr, looks like R. Burasa, then a list of maybe singers, including Roberto Monterosa, "Carnaval" hrd, then a song & ID as "La Musica Carnaval, son las 2 y 19 minutos" (so it is GMT-5), & hr given (tic-tac as imitation of a clock, not like ID). I suppose it's Wmis. Atlantico; I've looked on SW to find another outlet for R. Santa Fé, the other Colombian & didn't find it; but last time I hrd Sta Fé, they were clearly IDed (this on SW, surely //W). Good w/KNX. (Beaugregard)

1080 MEXICO, Morlelos, XEDY, 12/19 0725 very weak & fadey w/KWJZ QRM. WTEC & KRLD both off. Had many ments of Morlelos. (Kramer, IL)

1100 ANTIQUA, St. John's, ZDK, 0700 1/2 good rock & roll mx & looped SE. (Poda, OH)

1125 ? UNID, LA? 0800-0900 1/2 strong het. Loop ESE, hrd again 0900. (Poda, OH)

1135 t GUATEMALA, Retalhuleu, TGVR, I think this is the one on daily at 1010. Or 1/16 noted 1009-15, 1028-32, 1047-52 w/CST TC's, lots of superfast SS, no positive country, city or slogan IDs. Sig good at best, nil at worst (has an 18 db fade once!). After 1100, this is hrd by Banjarmasin-1134. (Seaver)

1160 COLOMBIA, Barranquilla, HJBL, 1/11 0435 all alone w/ R Aeropuerto ID. (Kramer, IL)

1170 VENEZUELA, Acarigua, YVQV, 1/5 0305 good w/SS spots & mention of Acarigua. (Kramer, IL)

1197 PANAMA, Chitré, Ondas Tropicales, noted back here 1/13 w/clear IDs 0125, 0148, 0153. By 0145 sigs were strong & easily copied. Also hrd 1/14 & 15 w/ s/off 0325 followed by longish anthem. I really can't understand why DXers are having so much trouble IDing this one, except that they formerly (when on 1244) had a cooooo IS which has now been dropped. (Stanbury, OH)

1265 ST. KITTS, Basceterre, R. Paradise, 0105 1/3 fair man w/flgs talk & prayer. Also 0225 1/12 fair w/usual religion. (Poda, OH)

1290 VENEZUELA, Puerto Cabello, YVLF, 1/7 0200 weak u/unid SS w/R. Puerto Cabello ID. (Kramer, IL)

1330 COLOMBIA, Cartagena, HJJS, Cartagena, 1/11 0010 good w/SS mx, many ments of Bogotá & Colombia. (Kramer, IL)

1360 COLOMBIA, HJRN, Cartagena, 1/11 0040 fair w/R. Reloj ID. (Kramer, IL)

1420 COLOMBIA, Cartagena, HJAP, R. Bahia good o/unid SS, probably R. Vision 1/11 0932. (Kramer, IL)

1420 VENEZUELA, Maracaibo, poor o/unid SS, prob the Colombian, w/SS talk & ment of Maracaibo. No R. Vision ID's were noted 1/7 0156. (Kramer, IL)

1420 ? UNID, SS OM talk this presumably XEWE, but dunno. Dominating channel 0705-0720 1/16. (Harms, UT) (I've hrd XEF here many times, at least before KJZ went AN.bp)

1520 COLOMBIA, Barranquilla, HJLQ, 12/19 0750 w/typical Colombian type pgmning, Ranchero mx. (Kramer, IL)

1550 t COLOMBIA, Barranquilla, HJAX, 1/10 2330 fair w/SS mx, had many ments of Barranquilla. Tentative because most of the ments were at beginning of mx items, so could have been one of the other Colombians if this was a network mxcast. (Kramer, IL)

1550 MEXICO, Tijuana, XEBG, 0827 1/22 in fair w/clear ID & "La Chica Musical". KRGO mull'd. So this is the mystery stn that's bugged me on 1550. It's even hrd at night. HQD seems more remote as the months wear on! (Korinek, CA) (Not after they move to 1548. bp)

1555 t CAYMAN ISLANDS, Georgetown, R. Cayman, 1/12 1150 presumed to be the one w/EE religion, poor sig, much QRM from 1550 & 1560 along w/rapid fades, made positive ID impossible. (Kramer, IL)

PACIFIC DX ROUNDUP

550 HAWAII, Wailuku, KMVI, 1000 1/9 got a nice s/off armt w/2 KMVI ID's. Fair sig u/KARI which is approx 180 away from KMVI, so the loop was no use. (Hall-Patch)

620 HAWAII, Hilo, KIPA, a shocker here 0500 1/18 w/non-EE talk pgm, then "620 KIPA" at the top of the hr. Mull'd KGW of course, but there was lots of dimmer switch noise. KIKI-830 in at this time but nothing spectacular. Has KIPA boosted to 5 kw? (Hall-Patch, BC)

650 HAWAII, Honolulu, KORL, local quality 1024 1/23 w/rock mx, "Coral 65" ID, then "Instant Information" mx. (Portzer, WA)

660 ALASKA, Fairbanks, KPAR, 0825 fairly good sig, rock mx & IDs w/call letters "punched" out by ancr. Got about 5 minutes on tape 1/3. (Aden, OR)
+Good w/American Top-40 pgm 0950, then break for ad for KPAR-TV-2, then back to AT-40 w/mention of 8 new "affiliates", including WMOA-870, 1/23. (Portzer, WA)

700 t AUSTRALIA, Grafton, 2NR, likely the one w/drama w/ WLV mull'd 0835 1/23. (Portzer, WA)

708 a? UNID, het on low side of 710 1005 1/23, possibly HLKA but no other Asians noted that AM. (Portzer, WA)

710 FIJI, Suva, assumed the Indian mx noted in passing 1025 1/23 looping DU. (Portzer, WA)

750 ALASKA, Anchorage, KPQD, good w/info on highway closures 0840 1/23. (Portzer, WA)

780 ALASKA, Nome, KNOM, 0830-0840 1/3 very strong signal for stn never hrd here before, came right o/WBBM for about 10 minutes. Got it all on tape & rpt sent. ID hrd consisted of, "For western Alaska this is radio 78 KNOM, Nome." (Aden, OR)

830 HAWAII, Honolulu, KIKI, 0834 1/18 in fair o/WCCO w/ Wolfman Jack & stn ID. (Korinek, CA)

844 GILBERT ISLANDS, Tarawa, VSZL, in well 0856 1/23. (Portzer, WA)
+1000 1/23 in good w/native mx & OM talk in unid lang. (Korinek, CA)

891 FIJI, Lautoka, loud het on 890, some Indian mx 0848 1/23. (Portzer, WA)

1000 t NEW ZEALAND, Tauranga, LZD, almost certainly the one w/country rock & fast talking DJ w/DU accent 1020-45 1/16. Nobody ever IDed. Sig level was nil-fabulous w/some HJAZ QRM. (Hall-Patch, BC)

1030 t SOLOMON ISLANDS, Honaira, VQO, 1103 1/9, w/good Pacific GX, this seems possible. Hrd very poor strength, but seemed to be mx in accented EE at 1100. CFAX splat too much to get anything definite however. (Hall-Patch, BC) (That home-brew beer will do it to you every time Hick... bp)

1040 HAWAII, Honolulu, KPQI, 0758 1/22 in fair w/Beatles mx special during WHO SP. (Korinek, CA)

1130 t HAWAII, Kailua, KLEI, likely the one w/inst Hawaiian mx 1019 1/23 w/CRWX unusually weak & mull'd. (Portzer)

1385 PHOENIX ISLANDS, Canton Island, WXLE, carrier & het only, at good level, no audio, 1011 1/23. (Portzer)

1440 t JAPAN, Sapporo, JOFJ, 1/10 w/bits of JJ talk 1137, then faded; at 1159 played theme from "Around the World in 80 days" w/man in JJ talking o/it. Much stronger by 1200 w/male talk in JJ for a couple of minutes, then faded. (Jaisun, WA)

VERIFICATIONS

780 ALASKA, Nome, KNOM, v/1 in 6 days signed by Tom Busch, GM. Mentioned that this was the 2nd rpt from the Lower 48. (Aden, OR)

1385 PHOENIX ISLANDS, Canton Island, WXLE, no data personal letter from Gene Harvel, stn mgr, in 20 days. Gene informs me that "WXLE is a phased down APRTS radio stn operated on a self-help basis only. Our island is inhabited by only 34 civilian caretaker personnel, of which I am one." He also doubles as a crane operator. I used the WRTH address, but the envelope has P.O. Box 938/APO San Francisco 96301" printed on it. I still can't believe that this stn is only 250 watts. (Bixby, CA)

REPORT FROM NEW ZEALAND - John Allchin

Firstly, thank you to Gregg Allinson & Randy Tomer for their kind comments concerning my forum & report in the 12/3 issue. Interested to hear that you lived in Blenheim Gregg, quite a good location DXwise I would think, but how did you hear WABC thru KOB?? Randy Tomer, your unid on 760 in 12/24 issue sounds like local LYA as mx is programmed at this time & LYA does run //LYZ-860 Rotorua which also puts out a very solid signal. Randy Seaver, Lautoka-891 signs off around 1105 after mx, wx, & Mas, though I believe their other Lautoka stn on 640 may have mx, wx, before s/off & 891 s/off's after mx. This may vary on certain nights but s/off's definitely at 1105. I was able to

tune into the tests between LZB & KNX as highlighted in 12/10 issue pg 176. LZB s/off at 1105 after the network pgs "The Tonight Show". LZB's carrier was left on and at 1108 the following anmt was hrd "This is ZILZB, Auckland, NZ, on 1071 kHz", 10 mins later they returned to 1070 announcing this freq & from then on alternated between these 2 freqs giving anmts as well. This continued for well o/an hr (till I s/off to bed, hi 1 am NZT). The same pattern continued the following night. Both evenings KNX was hrd at very weak strength thru LZB's OC & 2RG was also present, tho not so noticeable when LZB moved to 1071. I phns RNE the following day & rptd LZB on 1071. A v/q was received w/a letter from R. Madden, Transmission Superintendant, stating, "Enclosed is acknowledgement of reception of LZB on 1071 kHz. The purpose of this test was to ascertain the extent of interference likely to be caused in areas of fringe reception when medium wave freq stations adopt 9 kHz spacing whilst North American stations remain on 10 kHz. R. LZB will move to 1080 next year (1978)". Am heading south to Te Araroa or NZ's East Cape for a DXped, which should be a brilliant QTH for MA medium wave reception. If my 9 day trip is a success I will report details of reception in a future issue. One last note - how do you get a veris out of @#@' @%# KDAY-1580?? (send money? bp) Good listening & 73's.

SOME TOP TENS FOR 1977

In keeping with my annual tradition, tho a bit late this year, here are the ten most frequently reported stations for each of the 3 DXWW sections during 1977. Numbers in parentheses are the stations' positions in 1976.

| ATLANTIC | PAN AM | PACIFIC |
|----------------------|----------------------|----------------------|
| 1. Conakry-1403 (-) | 1. Jumbo-545 (1) | 1. Tarawa-844 (-) |
| 2. Monaco-1456 (2) | 2. Belize-834 (10) | 2. Russia-647 (3) |
| 3. Dakar-764 (1) | 3. SRS-725 (2) | 3. Pyongyang-655 (2) |
| 4. WDR-1586 (3) | 4. Paradise-1265 (9) | 4. China-835 (5) |
| 5. Portugal-719 (8) | 5. Cayman-1555 (3) | 5. JOBB-830 (1) |
| 6. Morocco-818 (5) | 6. HJAJ-750 (5) | 6. KFAR-660 (-) |
| 7. Algeria-548 (-) | 7. Cayman-1205 (-) | 7. JOUB-770 (6) |
| 8. Portugal-755 (-) | 8. PJP-800 (7) | 8. KPOD-750 (-) |
| 9. Portugal-665 (-) | 9. CRL-1165 (6) | 9. JOIE-750 (7) |
| 10. Portugal-782 (9) | 10. CMQ-640 (-) | 10. China-1040 (4) |

As for the top reporters of 1977, I couldn't really gather the ambition to count the total number of tips each person contributed, so I just counted the number of DXWW's each person contributed to. Top contributors included: Connelly (28), Portzer (24), Martin (20), G. Thomas (17), Stanbury & Tomer (16), Hall-Patch & Peterson (15), Bythway (13), Curtis & Lobel (11), Townshend (10), Baskind & Eckman (9), Kaskay, Harlester, & Eixby (8). My thanks to the rest of you as well, for continuing to make DX Worldwide such a comprehensive column; let's continue to keep it that way in 1978.

MISCELLANEOUS BITS OF KNOWLEDGE

IRELAND. The Irish Times reported 1/16 that R-TV Eireann will soon establish a local station in Dublin to counteract the growth of pirate stations serving the city. The station is expected to be in operation within 2 months and will operate from 7:30 a.m. to 2 a.m. local time. A local station is also planned for the Shannon-Limerick area. No frequencies were mentioned. The new station is being set up to stem the growth of advertising on Radio Dublin & Alternative Radio Dublin, 2 pirates which have hit advertising on RTE. (Portzer)

NEW ZEALAND. Former IRCAN Theo Donnelly advised by phone that ZYA-570 & ZYC-660 are or were operating on reduced power due to a fire at the transmitter site. (Portzer)

NORTH KOREA. For some reason, in checking back issues of DXM, I can't find any reported receptions of Worsan-877. Has anyone heard them lately? (Portzer)

SOUTH KOREA. Charlie Taylor sends the following excerpts from an ARDXC bulletin, reminding us that HLKA-710a is not drifting, but actually making frequent frequency changes to counteract jamming from the North:

- "706 HLKA Seoul. ID at 1500 5/8 as HLKA, then KK pgn. Good strength but severely jammed."
- "714 HLKA Seoul. ID as HLKA at 1400 6/8, then talks in KK. ID again at 1500 as 'HLKA' & 'KBS'. Fair to good, but with jamming. Changes freq from day to day and the jamming follows it around. Apparently a N. Korean jammer."

PROPAGATION & STUFF

The following comments were received along w/this week's and last week's reports:
 "Visual sighting of a brilliant auroral display while on board Pan Am charter flight 299 westbound from Tel Aviv & Paris to Boston. Aurora was seen outside the port window of plane off Nfld & while flying o/Nfld, FRI & NS 1/5 0200-0400" (Townshend)
 "Cx have really deteriorated since 1/3. A major geomagnetic storm occurred 1/3-1/4 driving K_p at 1800 UT 1/4 to 6. Cx at LSS 1/3 featured many low latitude TAs on the low end of the band/ Some enhancement on the high-end of the band occurred during the evening hours of 1/4 (1/5UTC) w/some interesting loggings. Since then cx have been poor." (Eckman)
 "The week of 5 Jan-12 Jan was characterized by a mixture of auroral cx & short skip. Europeans were poor. LA's not loud, but they usually "won by default" o/badly weakened domestics. The Caribbean area had a definite edge o/S. America, w/lower powered Dominican Republic stns frequently dominant o/high-powered YV's & WJ's. Africans probably would have been good w/a 'Bill Bailey or Mike Dunn -style Beverage installation!'"
 "Xint TA cx over the holidays made up for the poor season. (Connelly)
 However, most DXers' New Years' parties came to an end 1/4 w/ a major geomagnetic storm & an A-index of 70." (Poda)

CONTRIBUTORS

- Frank Aden Jr., 1535 NW Ithaca Ave., Bend, OR 97701
FRG-7, TRF, 75' LW, SM-1
- John Allchin, 18 Burwood Crescent, Remuera, Auckland 5, N.Z.
Kenwood QR-666, Song CRF-160, 20 meter LW
- Denis Beaugard, 2425 Rue St.-Antoine, Iachine, QU H8S 1V9
DX-160 & LW at Notre-Dame-de-la-Merci, Quebec
- Mark Bixby, 1627 Highland Drive, Newport Beach, CA 92660
- Phil Bythway, c/o the home for yet-to-be-sold IRCA goodies
SP-600, SM-1, wedge
- Mick Hall-Patch, 3272 Alder St., Victoria, BC V8X 1P2
Transmogrified HRO (Hilarious receiving object), FET AA loop
- Bill Harms, 1120 Elm. Provo, Utah
Realistic Patrolman 9, various wires strung around room
- Jef Jaisun, c/o the IRCA Zucchini farm
Hitachi SR-301, wedge
- Dave Korinek, 4759 Calle Solimar, Oceanside, CA 92054
R-388, Radio West Ferrite loop
- Robert Kramer, 3406 W. Pierce, Chicago, IL 60651
HQ-129-X, 4'x3' spiral loop
- Paul Mount, 471 Emerson Ave., Teaneck, NJ 07666
Realistic TRF, Space Magnet
- Lou Poda, 395 Kling Street, Akron, OH 44311
Lafayette Guardian 7700, Kenwood R-300, 60' longwire
- Bruce Portzer, c/o the IRCA Executive Mansion
HQ-180A, rabbit-7, h' monstrously loop, other stuff
- Randy Seaver, 1154 Via Trieste, Chula Vista, CA 92011
HQ-180A, Sanserino loop
- C.M. Stanbury, Box 218, Crystal Beach, ON L0S 1B0
HQ-200, 90' longwire
- Charlie Taylor, 936 N. Temple, Indianapolis, IN 46201
- Bill Townshend, 4500 Connecticut NW, Wash., DC 20008
DX-160

That should do it for this issue. On the subject of whether or not to count call-letter changes, I think it should be left up to the individual. DXing is such an individualized hobby that there seem to be almost as many policies for computing totals as there are DXers. Many top foreign DXers barely even bother to keep track of their country count, let alone their station totals. Ultimately, the things which determine a DXer's reputation include much more than station totals. Quantity and quality of stations reported to DX bulletins, special interests (foreign DXing, domestic DXing, technical interests, memorabilia collecting, etc), personal idiosyncrosies, and contributions to the hobby play more important roles. Enough of this babble for now...see you next week. 73, bp.

THIS IS TO CONFIRM YOUR REPORT OF RECEPTION OF WTIC RADIO

ON November 22, 1970 FROM 11:47AM to 12:17PM

(DATE) (TIME)

Harold A. Dorschner DIRECTOR OF ENGINEERING

WTIC RADIO 1080 50,000 WATTS • NBC AFFILIATE
 BROADCAST PLAZA INC. BROADCAST HOUSE, 3 CONSTITUTION PLAZA, HARTFORD, CONN. 06115

 VERIFICATION Bob Lazar
 SIGNERS 406 Barr, Ogg West
 Madison, WI 53706

540 KWMT q+cm Barry Walsh, CE MB
 550 KOY p Roger E. Johnson, CE RW
 WKRC l John Henrehan, Reporter-Anchor TJC
 WKRC q Raymond E. Owen, Eng. Sup. DD
 WSAU q Don Cochrat, CE TJC
 560 KLZ q+l+cm Girard M. Westerberg, Eng. MFS
 570 KLUB q William Rainger, Eng. RW
 WAAX c Micheal H. McDougald, GM TJC
 WMAM q Paul F. Anick, CE TJC
 580 WKTY l Marilyn J. Bahwill, PD TJC
 590 WKZO c Rose Walke, Public Affairs, Sec. TJC
 WOW l Harry C. Stutzman, CE THW
 600 WMT l+cm Robert J. Kucera MB
 610 KVNU q Bill Traue, Dir. of Eng. DAK/MFS/RW
 620 WHJB q+cm Christopher Hudak, WA3PBL MB
 WTWJ q Engineering Dept. MB
 630 KWRO p Warren Farwill, Mgr. RW
 KXOK q Stephen F. Ulodek TJC
 WLAP l Lewis M. Owens, TD SAM
 640 KFI q B. Koval, CE DAK
 WOI q Kieth K. Ketchaw, CE TJC
 670 WNAQ f William E. Newbrough, Sup.Tech.Opns. RW
 680 KOMW l Jerry Robinson, CE RW
 WPTF q Don Murry, CE RAL
 690 CBU q F.H. Buchan MB
 XETRA q Toni Wolff RW
 730 WJMT l Wayne H. Smith, GM TJC
 740 KTRH q Lester A. Mullan, TD MFS
 750 WHEB q Tony Voccaro, CE THW
 770 WEW l Walter D. Miller Jr. MB
 790 KWIL p Keith M. Retzer, CE RW
 750 WBMD l Scott Brenner, CE (oops!) DD
 800 CKOK p Barry ?, CE RW
 PJB q+info Julius F. Schipper, EE Mail MFS/MB
 810 WGY c General Electric Broadcasting Co. TJC
 820 WBAP q James M. Wari, Asst. CE RW/TJC
 830 WCCO q unsigned TJC
 834 Belize q Welch, Ch. BCing Officer MFS
 860 CFNS q C. Lynch RW
 WAZE r Frank F. ? r DAK
 870 WHCU r Don Martin, GM RAL
 880 WFRD Gigantic q Harry W. Jackson, CE DD
 900 CJVI l Cliff Smedley, CE RW
 920 KDEC p Lee McGovern?, CE RW
 930 CKNS q unsigned MB
 KAGI p J. Edwin Arnold?, GM RW
 KHJ q unsigned RW
 WGNT q Carroll Kesell, CE DD
 WKXY l A.D. Green W4WTH, CE DAK
 940 KHOS (now KMGX) l S.M. Hower, TD DAK
 WFAW l+cm Amir A. Zand, Asst. Eng. TJC
 950 KAHl l+cm Sam Johnson, Chief Operator MFS/RW
 KMTX p+l+cm Ronald W. Almer, CE RW
 960 CFTJ l+cm Larry Keats, Eng. Mgr. MB
 CKWS l+q+cm L. Wright, Promotion Dept. MB
 WELI q Robert Antonio MB
 WSPT l Robert Bell, CE (f/up) TJC
 980 WONE q R.W. Minton, Eng. DD
 990 WCAZ l+cm Jerry Nutt Jr., Mgr. DD
 970 WAVE q unsinged (yikes!) DAK
 1010 CBR q Alison Kyle MFS
 1060 KAMA l Angel Rojas H., CE RW
 KYW q unsigned TJC
 1070 CPAX l Bob Calder, Dir. Eng. MFS
 KFDD f Clifford Koch, Corp. Eng. RW
 1080 KRLD q Rick Neace, CE TJC
 WTIC q Harold A. Korschreg, CE TJC
 1090 KNCR p William R. Green RW
 1100 ZDK l+cm Loretta Isaac, Sec. MB
 1110 CKJD l Ronald J. Sibbitt VE3CKU MB
 KFAB q John A. Bruna, CE TJC
 WBT unsigned (f/up) TJC
 WTIS l Dr. Frank L. Berry, Dir. of Tech. Opns. DD
 1120 WUST l Gary Hess, TD DD
 1130 WNEW q R. Champion, CE DAK
 1140 CJTR q Denis Goudinault, Directeur Technique MB
 KLUC l Dave Anthony, PD MFS
 WGIW q Linda Simmons, GM MB
 WIXC l Sue Brooks, Traffic Mgr. MB
 1150 WGGH l+cm Mabel Chapman DD
 WJRD l+cm Wayne Sims DAK
 1160 KSL q Buck Buchanan, CE MFS
 1170 KVOO q+cm+lots of stickers Don Bahumaier MB
 1200 WOAI c unsigned TJC
 1210 WKNX f Eng. Dept. TJC

1220 CKDA f Fred Cole, Dir. of Eng. RW
 KVSA l James Hunt, CE DD
 1230 WAYX l Stuart Graham, CE DD
 WJOB q Gordon Boss, CE DD
 WNIA l Gordon P. Brown, GM MB
 1250 CKOM q K.J.M. Fisher, CE (f/up) RAL
 WEMP l+sticker Albert C. Hajny MB
 WTAE f John R. Romick, CE DD
 1260 KGBX l F. Urban, Asst. CE DAK
 WPTW f+sticker C. Shelenberger, TD DAK
 WNXT l Howard E. Potts, CE SAM
 1270 KDJI p Walter V. Lowe, GM RW
 KGUY p Lee ?, PD RW
 WORX f Shelby Wilkinson, CE RAL
 1280 KWMS p Ronald B. England, CE RW
 WGTX l Rickey H. Broddam, CE DD
 1290 KDMS l on cm Illegible, Eng. DD
 1320 KUDE p Keith Allen Worth, CE RW
 KXRO p N.L. Mode? RW
 WEET l Mike Allen, K4W0V MB
 1330 KGAK p William Martin, CE RW
 WFBC q Billy Powell MB
 1350 KD0V p Daryl Peck, PD RW
 WGSW l Allen O. Bolton II, CE SAM
 WSMB q unsigned DAK
 1360 WHBG q H.E. Richardson MB
 WKOP q Charles Hallinan MB
 WPPA l+cm M.W. Seltzer MB
 WSAI q J.A. Pouhant?, CE DAK
 1370 WPRC l C. Dave Copeland, CE SAM
 1380 WWSA r Joel Camp, Mgr. DD
 1390 WVON f Jack Layton, Eng. Mgr. TJC
 1410 KRML p James Underwood?, CE RW
 WING q+cm Jacob Yancey, V.P. Eng. TJC
 1430 CKPH q+sticker Gerry A. Wilson, CE TJC
 1440 KMED p Mike Lindberg, CE RW
 WHIS q unsigned DD
 1420 WOC c+l Eugene E. McHenry, Asst.toDir. of
 (foiled again, folks) Eng. TJC
 1450 KPTZ l+pen Joe Golch TJC
 1460 KSO q Joe Roskos, CE TJC
 WAXC l+cm R. Bruce Peters, CE TJC
 1470 WBMD f Peter Burk, CE TJC
 1480 KBOX p unreadable, CE RW
 KSEE l Tim L. Coucke, CE RW
 KWUN q+p Steve Young RW
 WISM q Chris Cain, CE TJC
 1490 KCUZ p Frank C. Hancock, CE RW
 WSIB l Agnes J. Kennedy, Traffic Mgr. DD
 1500 KSTP l Norm Paetznick or Taehznick ? MFS/TJC
 WGUL l R. Ottinger, CE DAK
 1510 WLAC f Everett Lawson, CE TJC
 WRAN q Kevin Koughan, Stn. Mgr. MB
 WSJW l+cm R.E. ?, CE DD
 1520 WCHE l+rate card Dave Schmidt, CE THW
 WKBW f Peter Burk, CE TJC
 WKJR f Mark A. Mohr, CE TJC
 1530 KNBI l Dave Tucker, Owner/Mgr. RAL
 WTTI l Larry Richter MB
 1540 KKAP p Grant R. Wiolbrug?, Owner & CE RW
 WKIE l+cm+calling card Roy C. Moore, CE SAM
 WYRD l+cm+sked Sue Bahner, Mgr. MB
 1550 WBSC q A. Bearum MB
 WKBA r Ben C. Sivard, CE/unsigned SAM/MB
 WMIR q Gerry L. Dexter, PD MB
 1560 KBEW l+cm J. Salewske, CE/P.C. Hedberg, Pres. RAL
 KPNC q G.E. Patterson, CE ←RAL#####DAK
 WTOD q R.B. Sowan, Eng. in Charge MB
 1570 CFOR l Brian Hooper MB
 WHII l+cm Tom Diaz, CE DD
 WQTW l Joe Gearing III, PD MB
 1580 CBJ q Theo. Tremblay MB
 WAMY q J.W. Buffington, Mgr. RAL
 WCRV l+cm+sticker Alan W. Parnau MB
 WRDI l+cm James N. Rodio, GM/owner MB
 WSRF q Len (?), CE DD
 WTTN l+cm+sticker C.P. Groth MB
 1590 KKAY Xmas Card Illegible, Mgr. DD
 WACD l Wendell Scroggins, CE DD
 WAKR q Irv Kupp, CE TJC
 WTVB l Paul E. Aure, Pres. TJC
 WWUN l Terry Stenzel, CE DD
 1600 KCRG q W.G. Alliss, Jr. MB
 WAAM q Mark Spellman, CE TJC
 And now to the other end of the dial again...
 560 CFOS q unreadable, CE RAL
 690 WVOK q+cm unsigned MB/RAL
 710 KIRO q Don ?, CE RW
 740 CBX q unsigned RW

THANKS TO THESE REPORTERS...

- MB MIKE BOOKER-Toronto, ON
- TJC T.J. CIESLEWICZ-Denmark, WI
- DD DON DAVIS-Warner Robins, GA
- DAK DAVE KORINEK-Oceanside, CA
- SAM SCOTT MENTZER-Tylertown, MS
- MFS MATTHEW SHUGART-Garden Grove, CA
- THW THOMAS H. WHITE-Arlington, VA
- RW ROBERT WIEN-San Jose, CA
- RAL BOB LAZAR-Madison, WI

Welcome to Matthew Shugart and T.J. Cieslewicz who has verified a number of stations that I have been unsuccessful with in the past. Thanks for all the fine reports and keep up the good work. If you want to phone in a verie signer or just to talk the number here is (608) 262-9044. Best time is probably evenings 1900-2300 CLT. Next deadline will be February 27. See you then. 73.

RADIO STATION NEG

Radio Station Neg
 Febrero 27 de 1961

Resibimos su reporte de nuestra Estación X.E.G. en 1050 Kcs. y 100,000 watts de potencia. La programación de Daysol es...
 de 5:30 PM a 7:00 AM, recibiendo U.S. únicamente la de Inglés por tener mayor potencia en la noche

Radiofuzora X.E.G.

Teófilo Bichara Mgr.---

Radio Programming Notes

Editor: Bruce Graham
 27 Spring Hill Road

*** Georgetown, CA. #5829 USA * AT THE TOP * * * * *

-- After getting back from a so-called vacation down to the sunny(?) south, I found a mountain of mail here, so I will now diligently attempt to plow through it...

---Long John Nebel is out on MBS, and WIOD's Larry King is in. The 12-6am ELT slot went to Nebel in the spring of 1977, when Mutual dropped Herb Jepko's Nitecap show, from KSL-1160, Salt Lake City. Then Nebel, whose tx-show originates from WMCA-570, New York, took over. Apparently, MBS wanted Nebel to travel around the country to do the show, which didn't sit well with Long John. Larry King's show will originate from WIOD-610, Miami Beach.

---KMPC-710, Los Angeles will carry the L.A. Rams football games for at least six more seasons, but Dick Enberg's play-by-play won't be there; Enberg has been replaced by new man Al Wisk.

---In a switch, WMCA-570, New York, will flagship this year's New York Mets baseball coverage, after carrying the Yankees in recent years. Meanwhile, the Yanks are negotiating a contract with all-nx WINS-1010. Both deals would include coverage of both teams complete skeds.

---Charles Warner, V.P.-G.M. of WNBC-660, New York has proclaimed that "MOR radio is really dead." This came after the release of the latest NYC ratings. Among other (surprising) things, the numbers showed that WBLS-FM, a black station, was now #2 in the nation, first among FM's, and behind perennial #1 WABC-770. After that came WOR, WCBS, and WINS. All three are predominantly news and talk. C/w WHN-1050 and MOR WNEW-1130 aren't even in the top-10.

---WOR-710, New York's financial counselor, Bernard Meltzer is now on that station 7 days a week, having been added to the Sunday sked.

---Jeff Scott will host CBS Sports' "Sportstime" on the weekend.

(Above items compiled from "Variety," 1/11/78)

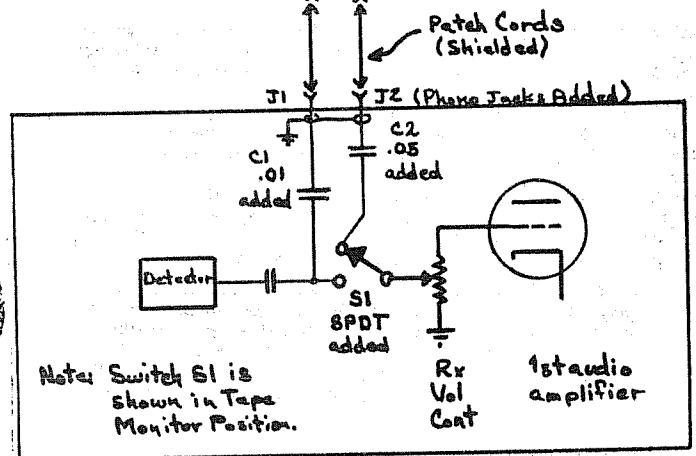
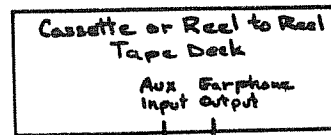
MORE AIR SCHEDULES*****

- Yep, thanks to Gregg Allinson:
- | | |
|---------------------------|-----------------------|
| WTMA-1250, Charleston, SC | WTKO-1470, Ithaca, NY |
| 6-9am Bob McLean | 6-9am J.J. Tegan |
| 9-1pm Jack Lundy | 9-2pm Steve Morris |
| 1-3pm John Burwell | 2-6pm Don Harvey |
| 3-7pm Bobby Nash | 6-9pm Peter King |
| 7-12M Don Morgan | 9-2am Billy Williams |
| 12-6am Dan Stevens | 2-6am Jamie Mason |
- Weekend: Mark Shipman
 John Roberts

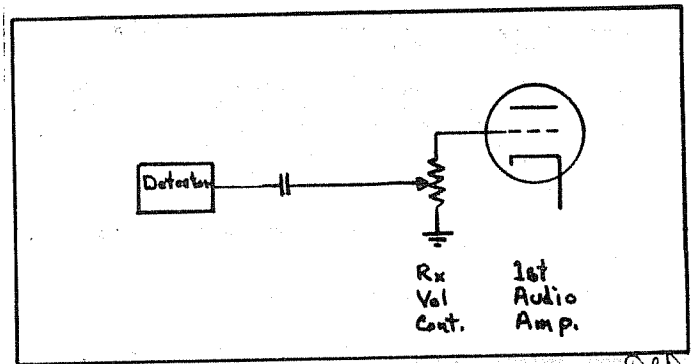
Post Card



Mr. Jeffrey Jasson
 5531 Seward Park Ave.
 Seattle 18, Washington
 U. S. A.



Modified Receiver Wiring



Existing Receiver Wiring

TAPE INTERCONNECT - THE RIGHT WAY!

- Don Davis

So you think you've got it made by using a tape recorder in your shack? Well, you're right! But, is it as versatile and as convenient as it could be? Perhaps not. For years I've struggled along with an ailing S-76, and a maze of patch cords to facilitate recording, and then being able to play-back through the vastly superior audio section of the Hallicrafters. This also permits use of the receivers' head phones (which are a necessity for me!) to spot check an ID or other information just taped.

The circuit detailed here, will be directly applicable to all tube-type receivers, being used with either a transistor or tube-type recorder. For use with a transistorized receiver, the value of isolation capacitors C1 & C2 may need to be increased, or eliminated entirely if the low frequency response is not acceptable.

Wiring is straight-forward, and parts values are not critical. I used two chassis-mount "RCA" Phono jacks on my receiver and bought RCA to 3mm patch cords to make the inter-connect between the receiver and tape deck. I disabled the standby switch in the Hallicrafters and installed a SPDT toggle switch in it's place. To this, I ran very short wires to the volume control. Shielded wire should be used on any wires over 2" long, as hum pick-up may become intolerable.

During operation, the receiver will function normally in the "Receiver" position, (The switch is shown in the "Monitor" position on the schematic). If you wish to record the station you're listening to, simply start the tape deck on record, and you're recording. To play back, place switch S1 to the "Monitor" position (as shown in schematic), and start tape deck in play mode.

I hope that everyone who uses a tape machine in their DX work will benefit from my experiences, and be able to improve on my primitive method outlined here. What? You don't use a tape recorder.....

EASTERN SPOTLIGHT

Editor: Robert Kramer
 Mac Smith, 400
 Grinnell Hall
 SIU
 Carbondale, IL 62901

SPOTLIGHT ON MAINE

Unless you live on the East Coast, Maine is one of the hardest states to log. This is mainly because there are not many stations, and the ones that do exist are highly directional (except the daytimers) away from the rest of the country (although Exoune should have no trouble hearing it, hi). Another problem lies in Maine being the Northern-most of the Continental 48. This means that for most people Maine is north of them, an' anytime you look for stations to the north, you run into geomagnetic problems. A station to the south of you with the same amount of power in your direction, on the same frequency, under the same propagation conditions, would be easier to hear than something from the north.

600 WFTJ Caribou, 5D, NO. CW. To IL one Sun. morn. in Nov. at 0730 S/On. This station appears to S/On at 0750 on Sundays. This coincides with the time they would change from their pea to full power in Nov. If WFTJ continues its Sun. Horn SP, then this may be the best bet for ME in the Midwest (Nov. only). Didn't answer taped report.

620 WLEB Bangor, 5 DCH, DA-N. 0500(0600)-0100(0000). Used to be WBIS and all nx. Present format unknown. Rare to NY W/ALB & WVTB QM.

910 WABI Bangor, 5 DCH, DA-N. 0545(0600)-0000. ABC/E, top 40. Occ. to NY W/ALB QM.

970 WOSH Portland, 5 DCH, DA-N. 0500(0600)-0100(0000 Sat. & Sun.), MoR. To Albany area nites W/CKCH & WBTB along to NYC area 10's before WWTJ went H.P. This one has been hrd in the Midwest at SSS, but after 1 1/2 years of looking for them, your editor questions their existence, hi.

1150 WENW Skowhegan, 5D, ND. Top 40. To Albany area many morn. after SR & at SSS.

1220 WJME Sanford, 1D, ND. APR, pop mx. To NY at S/Off at SSS (1-2 minutes late).

1250 WGUU Bangor, 5D, ND. UPI, Top 40. Once to NY at SSS.

1280 WABK Gardiner, 5 DCH, DA-N. 0530-0000, pop mx. Rare at SSS in Albany area W/LEB, WABO, & CJES QM.

1380 WBEU Warrington, 1D, ND. Once to Albany area at SSS.

1390 WJOP Presque Isle, 5 CH, DA-N. CW & MoR. Once to NYC area during afternoon.

1470 WLMH Lewiston, 5 DCH, DA-1. 24h, ABC/C, Top 40. Occ. to NYC area.

1490 WFOR Portland, 1D, .25H, ND. HSP, CW. Occ. to NYC area.

SPOTLIGHT ON NEW HAMPSHIRE

New Hampshire, though not as difficult as Maine, is a very tough state to log for people not living in the east. Besides the directional patterns of the stations, the stations are also hard to hear because of low ground conductivity (this is true of all of New England). New Hampshire is the only of the 3 states being spotlighted to be heard on the West Coast. Two stations were heard there, WJBR-1250 & WVER-1370.

750 WEEB Portsmouth, 1L (Juncise in Portsmouth to sunset in Atlanta), ND. UPI, variety (some Top 40 & rock mx.). KInt to NY at SSS, Occ. to IL & MI at SSS & on DX test. V/L.

930 WNEH Rochester, 5 DCH, DA-N. 0500(0700)-0015. CBS, Contemp. Often to Albany area, once to NYC area U/WFAP.

1010 WGHM Newport, .25D, ND. rock/pop mx. Occ. to Albany area during mid day W/WINS & CARB nulled.

1050 WNBC Conway, 1D, D. Contemp. Rare at SSS in Albany area U/LEB.

WBCV Peterborough, 1D, ND. Variety. Rare to Albany area W/LEB QM.

1110 WMMH Salem, 5D, DA. To Albany area W/good signals during emergency WX & occ. at SRS & SSS W/WUPE.

1220 WBBK Keene, 1D, ND. ABC/C, CW. To Albany area all day, once to NYC area at SSS, to IL on DX test W/CW ID's. V/L.

1230 WFOU Berlin (this station is no longer on the air, the license was revoked because of deceptive billing practices). Was hrd. in Albany area.

1240 WATN Franklin, 1D, .25H, ND. 0545-2307. MoR. Once to NY.

1250 WBBK Manchester, 5 DCH, DA-2. 0530-0100, top 40. Occ. nights W/WLEB in NYC area, rare at SSS in Albany area, to WA one 10M when KRW was off.

1270 WFSH Dover, 5 DCH, DA-2. 0550-0005, Top 40. Rare at SSS in Albany area.

1290 WJME Keene, 5 DCH, DA-1. CBS, 0600(0800)-0000(2315), Top 40. Dominates nights in Albany area, several nites in NYC area.

1340 WDCR Hanover, 1D, .25H, ND. UPI/APR, variety. KInt to NY & poor to IL on DX test. V/F.

1350 WLEB Leconic, 5D, ND. MoR. Dominates SRS & SSS in Albany area.

1370 WJEA Manchester, 5 DCH, DA-1. All-6, maybe NSP. APR, rock & contemp. Mightily to NY, and at SSS in 'ec.8, some days in Albany area, occ. to IL. I'mores PPC's.

1400 WBRU Berlin, 1D, .25H, ND. 0600(0730)-2305, ABC/I, progressive. Once at SSS before power cut to Albany area.

1420 WASH Wolfeboro, 2.5D, ND. ABC/E & APR, MoR. Rare at SSS & KInt on A/C to Albany area.

SPOTLIGHT ON VERMONT

Another tough state for Northeasterners. About the same difficulty as ME, except I have never seen Vermont reported on the West Coast. The best bet for the state was WVTB, but now with WTVJ NSP this one is much tougher.

550 WDEV Waterbury, 5D, 1H, DA-2. 0500-0000, MoR. Fair days, very poor nights to Albany area, one winter afternoon in NYC area.

620 WVTB Burlington, 5 DCH, DA-2. 24h, SPM 0010-0500. Has a 3 tower directional system (night lobes North & South). MoR. Puts a good signal into Montreal days, but very poor to Southern VT days (which probably means that they beam to the North, ed). Tests on the air MM. DCH to Albany area, occ. nights W/WVUJ in NYC area, to MI one 10M & 1 3M, often to IL at S/On & reg. sked. before WTVJ went H.P. May be a good bet for anyone East of the Rockies if you find WTVJ off. V/PPC, although now they may varie, since the infamous non-verifier, Durtis Dean, has retired. I remember a couple of V/Ls from this station when a did varie signers for the old CADX DX Probe, ed.

910 WNHV White River Junction, 1D, ND. Speaks often of the "Upper Valley" and carries ads for Lebanon & Hanover, NH, as well as White River Junction. To Burlington area at SSS.

1000 WMBB Rutland, 1D, ND. UPI, Top 40. Signs off W/Moonlight in Vermont. All day in Burlington & Albany areas.

1230 WJOY Burlington, 1D, .25H, ND. CBS. "Good family all around programming and sports coverage". Not very strong beyond Greater Burlington.

1240 WNHM Montpelier, 1D, .25H, ND. UPI, Top 40. Mentions Central VT & Montpelier's Twin City, Barre. Occ. to Burlington area W/WJOY QM.

1320 WCVT Randolph, 1D, ND. ABC/E, MoR. Eighty C.U.O. days in Burlington area, all day in Albany area.

1370 WVTN Bennington, 1D, ND. APR, MoR. Local quality signal quality all day, in Albany area, in & out W/WFBA in Burlington area.

1380 WSYB Rutland, 5D 1H, DA-N. 0600-0000. HBC, Contemp. Good days, poor nights in Albany area, to Burlington area days, once to West Germany, to IL on DX test. V/L.

- 1400 W.OT Burlington, 10, .25W, HD. 0600(0730)-0100. Top 40, ABC/C. ID's as 14 DOT. Rarely heard outside Greater Burlington. To NY once.
- 1420 WADR St. Albans, 10, HD. MOR & Contemp. Uses brief S/Off without USB. Pair in Burlington area days, to NY once at SRS.
- 1450 WJMG Barre, 10, .25W, HD. CBS, C&W Sat. Morn. To Burlington area days W/CBS, W/RY mess nights also in Burlington area.
- WJSA Brattleboro, 10, .25W, HD. Contemp. Carries Red Sox baseball. Carries Uni-State Area promos. Occ. to Burlington area at 33, occ. to NY W/WJSC null'd.
- 1490 WCAP Springfield, 50, HD. ABC/C, Top 40. To Burlington area W/1420 mess, occ. mid day W/WADR null'd in Albany area, to IL on W/CBS. occ. S&W/500 watt PSA. W/EGC.
- 1490 WJKE Newport, 10, .25W, HD. 0600(0730)-0915, CBS, AM listening/ top 40/C&W, Top 40. Rare to Albany area W/EGC null'd or off.
- WVAD Middlebury, 10, .25W, HD. Pair days, mixing nites in Burlington area.

Contributors

- | | |
|------------------|-------------------|
| Robert A. Curtis | Colchester, VT |
| Druce Fortson | Seattle, WA |
| Loper Horby | Ballston Lake, NY |
| Linda Horby | Ballston Lake, NY |
| Steve Apel | Douglasston, WI |
| Bob Lesar | Madison, WI |
| Jo Blitzer | Chicago, IL |

Everyone has seemed to forgotten to contribute to SPOTLIGHT. So far I have only 1 contribution. If you want SPOTLIGHT to continue, then you must support it. I held this issue hoping for supporters, but finally gave up. When you report, give hours of operation & format. If you don't, I take it from the BAC log, which is information 1 1/2 years old. The station networks are also helpful. I hope to see a lot more support for future SPOTLIGHT editions, so mail yours in today.



SUNRISE DX in DEPTH Part 1: PSA's BY ROBERT KRAMER

Probably the easiest and fastest way to log new stations is to DX sunrise. At this time of day it is possible to log several new stations in the span of one or two minutes. Sunrise DX also has one other feature that no other form of propagation can claim; it is different almost every morning. There are few stations that can be called pests. This is due to the low power of the psas and the fact that stations fade out rapidly after local sunrise. This especially makes sunrise interesting, since some of the 50,000 watt clear channel stations are located on the east coast. When their local sunrise time has passed, the signals begin to become weaker, allowing stations with much lower power to come through. The clear channel situation will be dealt with in more detail in the second part of this article.

The first type of sunrise DX that a maturing DXer is likely to encounter is the PSA. PSA stands for PreSunrise Authority. The PSA is a special authorization from the FCC that gives the station authority to operate before local sunrise. The PSA is used during months that local sunrise comes after 6:00 AM local time. The hours of PSA use are 6 AM local time, to local sunrise. The PSA is usually much lower than full daytime power (except in the case of the station operating with low power all times), never exceeding 500 watts. Some stations have PSA's as low as one or two watts (this low power is found on clear channels), but they are rarely used because of the rather small area they cover. Most PSA's are close to the 500 watt maximum. PSA's are given to nearly every daytime operating on a regional channel (and some full-time operations where their daytime facilities, even with the reduced PSA power, would more effectively cover their market), and on some clear channels. On the clear channel, the station normally cannot use the PSA until after the sunrise of the protected station has passed. An example, no station on 1560 may use a PSA until the sun has risen in New York City (thus protecting WJLA). The clear channels that have PSA's are: 650, 660, 680, 710, 730, 750, 770, 800, 810, 850, 870, 890, 900, 940, 1000, 1040-1110, 1130, 1140, 1170-1190, 1210, 1220, 1500-1530, & 1550-1570. There are no PSA's on local channels.

Now that you are aware of what a PSA is, and where to find one, it is time to put that knowledge to use. All you need is a good case of insomnia or a lot of will power, as depending on where you live, you may have to get up as early as 3 AM to look for them. Though you may drag yourself out of bed half asleep, within the next few minutes you will completely wake up. This is due to the results. It will amaze you how well 500 watts can get out, even with a 5000 watt pest on the same frequency. The technique I suggest, which should give you immediate results, is to determine your clearest regional channel frequency (if you live in the eastern time zone you will need to pick a frequency that doesn't contain a daytime local). After doing this, go to that frequency and stay there from 0557-0602 EDT. On a good clear frequency it will be possible to hear as many as 5 sign-ons, some with USB, others just suddenly come on without any notice. To effectively DX sunrise, a tape-recorder is almost essential. This is especially true when you have several stations signing on at the same time. By using the tape-recorder, most times all sign-ons can be heard. What I usually do is run the tape-recorder from 0558-0601 EDT. If a station begins to sign-on before I get the recorder on, then I turn it on as fast as I can at the first sign of the station's sign-on. I also leave the recorder on past 0601 if a station is still signing on, or if there is a sign that there will soon be a sign-on (such as open carrier).

DXers living in the central, mountain, & pacific time zones don't have to give up on PSA's after the eastern sign-ons. Every hour, until 6:00 AM Pacific Time, stations using PSA's will sign-on. DXers living on the west coast may choose to wait until the central or mountain time zone stations come on, due to the distance involved, the low power of the PSA's, and the interference on the channels (although a Monday morning may be a good time for West Coast DXers to bag an eastern PSA). After a few days of DXing sunrise you will probably become hooked, and want to do it every morning. After a few days, I wouldn't suggest that you continue to pick out an individual frequency (a different frequency each morning), but instead begin to look around for signs that something is about to sign-on, even on the channel with the 5000 watt pest that you never thought you'd hear another station on. Things to look for besides the USB are rooster crows, Dixie (many of the stations that you will hear are in the deep south), America the Beautiful, or extremely lively music that seems out of place on the frequency. If you are using a tape-recorder, don't bother playing back the tape until you don't notice any more sign-ons. Just keep tuning around looking for more stations signing-on. You can always play the tape back later. Reception reports are easy to get from a tape, since in a good number of the cases you will be able to get the entire sign-on announcement word for word.

After the PSA's have signed-on, don't give up. There is still much to hear, this through what I call the scan. The scan is simply tuning to every available regional channel frequency that is available in your area. If there is a strong signal on one of the channels, stay there until it IDs or fades out. Just keep tuning from frequency to frequency for the entire hour until the next PSA sign-on period. During this period it should be possible to tune across the entire BCB band 3 or 4 times. This is important, because stations using PSA's have a tendency of fading quite a bit, so that a signal that is blasting in now will be totally gone within the next minute. The number of stations on each frequency and the rapid fading of them make many regional channels sound like grave-yard channels. But don't let that discourage you, because I know from experience that stations do fade in, and with very strong signals. All it takes is patience. That does it for sunrise DX using PSA's. If you have any questions regarding sunrise DX address them to: Robert Kramer, 3406 W. Pierce, Chicago, IL 60651.

SUNRISE DX in DEPTH Part 2: CLEAR CHANNELS at SUNRISE BY ROBERT KRAMER

The first part of this article dealt with PSA's and was intended primarily for the beginning DXer. This part is aimed at the "pro", because most beginners lack the necessary equipment, namely a communications receiver and a loop of some sort. The TRF or similar radio can pull in one or two stations, under the right conditions, but are in adequate for most of the weak sunrise signals. The communications receiver with a loop has the power and the nulling ability to ID stations on a frequency with a 50000 wattier aiming their power right at you. This would be tough on a TRF. Besides a good receiver, two other items are necessary: a copy of the sunrise/sunset maps (available from IRCA Reprints) and a good U.S. road Atlas (such as Rand McNally).

There are two basic types of sunrise DX on clear channels, PSA's and full power sign-ons. On some frequencies the stations are authorized to sign-on with a PSA at 6:00 AM local time. These frequencies that this is allowed are: 650, 680, 730, 750, 800, 1050, 1070, 1090, 1130, 1140, 1190, 1220, 1500, 1510, 1530, 1550 & 1570. Several other clear channels have PSA's, but they can't be used until after the

sunrise of the protected station (it must also be after 6 AM local time). These frequencies and the protected stations are: 660(WABC), 770(WABC), 810(WGY), 880(WCBS), 940(CBH), 1060(KYW), 1080(WTIC), 1100(WWBE), 1180(WLAA), 1210(WCAU), & 1560(WXKR). The rest of the clear channels that aren't listed either don't have PSA's, or I don't know when they are used (such as 730 which has PSA's, but I have never heard one because of WBBM).

Doing PSA's on clear channels, in most instances, is different from regional channels. The reason is that the clear channel dominants are much stronger than most 5000 watt regional dominants. Many of the 50,000 watt stations may even throw their power right at you. Even if they do, sunrise DX is still possible. Except for 750 & 1570, most clear channel frequencies are impossible to hear PSA sign-ons on. Instead, begin to look for the PSA's as sunrise approaches at the location of the dominant station on the particular frequency. An example in Chicago is 1140. Many stations sign-on at 5:00 AM Chicago Time (during months when PSA's are used), but because of WVA, they are not audible for maybe an hour (and longer in some months). But as WVA's sunrise approaches, weak signals begin to make an appearance, and before long WVA is fighting to stay even with Fayetteville, TN(83.5 watts) and Kendallville, IN(250 watts). Another time to look for the PSA's is during an aurora, when the dominant stations may be totally wiped out. This leaves the band open for the low powered PSA's to the south (usually the Deep South, especially Florida). During aurora, PSA sign-ons are possible on clear channels.

Doing full-power sign-ons can be fun and extremely challenging. You will first need to know the approximate location of all of the stations on the frequency you intend to DX. To find these locations, use the road atlas. Next check the sunrise/sunset map to see what time these stations sign-on. Remember, each month the times change. Generally speaking the clear channel stations usually give no clue (such as SSB) that they are about to sign-on. Because of this it is best to stay on the frequency from about 2 minutes before the sign-on period until 2-3 minutes after the period. You don't have to stay there the entire time if you hear all the stations scheduled to sign-on at that time. There usually is time to try another frequency. You may also choose to move to a different frequency if interference is particularly strong that morning. When sitting on a frequency it is advisable to have your tape-recorder running. This will aid you in getting details for reception reports and will also give you more than 1 shot at doing a very weak sign-on (sometimes you won't even notice a sign-on until you play back the tape). Contrary to regional channel PSA King, you will find many sunrise pests. This is due to the fact that the stations sign-on with full power, not low power as the regionals do. I am going to list the Chicago regulars in hope that they may help you log your first clear channel sunrise DX. * means that it is heard nearly every morning, # means that it is heard with a PSA. Frequencies that there is nothing listed for indicates that most mornings there is no sunrise DX on that frequency.

700 WABQ & WWOR*
740 WBBM
830 WDAY* & WUCR*
920 WSTP(P)
1010 WGBH, WGBH & WOSI*
1030 WZLW
1090 WMAZ*
1100 WBBB*
1110 WBBM, WJHL, WJMA*, WJZZ*, & WSLV*
1120 WJOL
1190 WJAB*P
1210 WJVI*P
1520 WNBC*, WRSL*, WJFF, & WJGL
1560 WEXY(P), WFOB(P), & WAGL(P)
1580 WGTN*, WFGC*, WSKT* & WPUV

Included a few frequencies that have PSA's due to the fact that they aren't very hard to hear in Chicago. Stations sign-on every 15 minutes, moving from east to west. This gives you plenty of shots at sign-ons (unless you live on the East Coast). You will find that as the sign-ons get closer to your location you will hear more of them in each sign-on period. Except on unusual mornings, it is futile to try for DX more than 1 sign-on period past your location. This is due to there being a daylight path between you and the signing-on station. You may attempt some post-sunrise DX. Look for nearby needed stations (within 150 miles usually) on any open frequency. Post-sunrise is usually good for about 1 hour after your local sunrise. Sometimes this is the only way to hear a particular station because of interference problems at other times.

Sunday mornings offer the sunrise DXer a real opportunity to log new stations. This is true because many stations sign-on later on Sundays. Sundays are particularly good on 1560 and the Canadian 1-A clear channels. 1560 is good on Sundays during the months that New York City sunrise is

before 0700 EDT. WXKR, Sundays only, does not sign-on until 0700 (the same time as WDXR), so this leaves a wide open channel (except for slight WKAA & KJJJ QRM). It is not unusual to hear 4-5 stations signing-on one right after the other at New York City sunrise (use the sunrise map to determine the time). The Canadian clears are good because the CBC 50,000 watters come on later on Sundays. This leaves the channel open for sunrise sign-ons.

Most people consider the summer to be off season. But for the sunrise DXer this is prime season. As sunrise gets earlier, the daytime only stations sign-on earlier. Eventually this results in sign-ons on wide open channels (such as 540, 860, & 940) before the usual dominants sign-on. This also gives the DXer the chance to log the regional channel stations at full power. You may find that stations that just can't get in on their PSA, because of the cluttered frequencies, have no problem being heard with their full power. Well good luck with sunrise DX. I hope that you will find this article helpful. If you have any questions concerning sunrise, address them to: Robert Kramer, 3406 W. Pierce, Chicago, IL 60651. Sunrise is a great DX mode. It has netted over 400 new stations. Try it.

WJGG
1130 RADIO
MPLS - ST. PAUL

CANADIAN FAMILY LIFE -- IT'S TWINS!

Fourth Edition

Corrected to January 1, 1978
(Supercedes Third Edition, 8/7/76 DXM)
By John Oldfield, Surrey, B.C.

* mother station s-station has a studio

BC British Columbia:

- *CFCP-1440 & CFWB-1490s Courtenay/Campbell River "Coast Radio"--also owners of CHQB-1280 Powell River
 - *CHUB-1570 & CHPQ-1370s Nanaimo/Parksville-Qualicum Beach
 - *CHWK-1270 & CKGO-1240s Chilliwack/Hope "Fraser Valley Radio" - CFVR-850 Abbotsford at times twins the late news.
 - *CKEK-570 & CFEK-1240s Cranbrook/Fernie "East Kootenay Radio"
 - *CKKC-1390 & CFKC-1340s Nelson/Creston "Kootenay Country"
 - *CKXR-580 & CKCR-1340s & CKGR-1400 "XR-CR-GR" "R Country" Salmon Arm/Revelstoke/Golden "First Voice West of the Rockies"
 - *CKOK-800 & CKSP-1450s & CKOO-1240s & CKGF-1340s Penticton/Summerland/Osoyoos/Grand Forks "Okanogan Boundary Radio"
 - *CHNL-610 & CJNL-1230s & CINF-1400s & CHNL-1-1400 "NL Radio" Kamloops/Merritt/Princeton/Clearwater. Note two on 1400!
 - *CKCQ-920 & CKWL-570s & CKBX-1240s "Cariboo Radio" Quesnel/Williams Lake/100 Mile House
 - *CKPG-550 & CKMK-1240s Prince George/Mackenzie
 - *CFTK-590 & CTKT-1230s Terrace/Ritimat "TK" - sisters of CHTK-560.
 - *CKNL-560 & CFNL-590s Ft. St. John/Ft. Nelson "NL-Alaska Highway."
 - *CJCI-620 & CIVH-1340s & CIPJ-1480 & CIFL-1450 (latter two are 50w) Prince George/Vanderhoof/Ft. St. James/Fraser Lake
 - *CFBV-1230 & CFLD-1400s & CHBV-1450 & CKBV-1490 & CHLD-1480 (last three are 50w) Smithers/Burns Lake/Houston/Hazleton/Granisle
- CJCI (owners of all nine stns on CJCI/CFBV hookups) hosts an NSP AN show from 10:30pm-6am PLT forming the "CI-Central Interior Network."
CJOR-600 Vancouver "Jack Webster" talk show is carried Mon.-Fri. live from 8:30-10:00am PLT by: CJCI-620 (and all 9 of its stations), CKIQ-1150 Kelowna, CHTK-560 Prince Rupert, CJAT-610 Trail, CHNL-610 (& twins), & CKEK-CFEK. The five 50-watt mini-twins of CJCI have no studios, and they must move to FM if the AM frqs. they use are needed.

CBU-690 Vancouver and CKWX-1130 Vancouver both have shortwave twins, CKZU & CKFX respectively. CKZU & CKFX calls are not used; CKZU is mentioned only at CBU s/off. Both the CKOK & CHWK networks use pre-timed separate IDs for their twins. You may hear both a CHWK ID and a CKGO ID.

AB Alberta:

*CHEC-1090 & CKTA-1570s Lethbridge/Taber "Check Radio"
*CJOC-1220 & CJPR-1490s Lethbridge/Blairmore "C-jock/Pass Radio"
*CJDV-910 & CKBR-1340s & CHOA-1400s Drumheller/Brooks/Stettler "Big Country Radio." Much local programming, by CKBR.
*CJYR-970 & CKYR-1450 & CKYR-1-1230 & CFYR-1400 & CIYR-1230 Edson/Jasper/Grande Cache/Whitecourt/Hinton "YR Radio" "Yellowhead Route" Note two on 1230. Last three are 50w. Again, these mini-twins must move to FM if freq. is needed.
CFCN-1060 Calgary has a shortwave twin, CFVP. CFVP call is not used.

SK Saskatchewan:

*CJNB-1050 & CJML-1240s North Battleford/Meadow Lake
*CFSL-1190 & CJSL-1280s Weyburn/Estevan "SL-Soo Line"
*CKSW-570 & CJSN-1490s Swift Current/Shanavon "SW-SN" "Southwest Saskatchewan Radio"
*CJGX-940 & C.....s Yorkton/Swan River (Yorkton is in Saskatchewan; Swan River in Manitoba)

MB Manitoba:

*CFAR-590 & CJAR-1240s Flin Flon/The Pas "Arctic Radio." Arctic Radio now owns CHTM-610 Thompson. Twinned?????
*CFAM-950 & CHSM-1250 & CJRB-1220 "R. Southern Manitoba" Altona/Steinbach/Boissevain
CHMM-FM Winnipeg feeds its AN show to 5 stns in NW Ontario.
See CJGX-940 Saskatchewan, above.

ON Ontario:

*CHMM-FM Winnipeg AN show is carried by:
CJRL-1220 Kenora/CKDR-900 Dryden/C...-1240 Atikokan/CFOB-800 Ft. Frances/C...-1340 Ignace.
*CFOB-800 & C -1240 Ft. Frances/Atikokan (50w)
*CKDR-900 & C -1340 Dryden/Ignace (50 watts)
*CFML-1170 & CHER-1110 Cornwall/Pt. Hawkesbury. FRENCH. Both operate DAYTIME ONLY.
*CPOS-560 & C -1490s Owen Sound/Port Elgin
*CJKL-560 & CJTT-1230s Kirkland Lake/New Liskeard
*CKBB-950 & CKCB-1400s Barrie/Collingwood
*CKAR-630 & CKAR-1-1340s Huntsville/Parry Sound -- CHUN-CFBQ???
*CJBC-800 & CJNH-1240s Belleville/Hanroft
*CECL-620 & CFLH-1340s & CFLK-1230s Timmins/Hearst/Kapuskasing. FRENCH.
*CJNR-730 & CKNR-1340s & CKNS-930s Blind River/Elliott Lake/Espanola
*CFYN-1050 & CJWA-1240s & Sault Ste. Marie/Wawa
The one owner of CFYN CJWA CJNR CKNR CKNS was told to release some twins and let them go separate. CJWA was to be first????? CJWA may no longer twin CFYN (ex-CJIC).
CFRB-1010 Toronto has a shortwave twin, 100-watt CFRX (CFRX call not used), which can be heard easily as far away as Edmonton, AB.

NB New Brunswick:

*CKCW-1220 & CJCW-590s Moncton/Sussex. CJCW live 6am-1pm LT.
*CJEM-570 & CKMV-1490s Edmundston/Grand Falls. FRENCH/Bilingual.

NS Nova Scotia:

CKDY-1420s & CKEN-1490s & CKAD-1350s & CFAB-1490s Digby/Kentville/Middleton/Windsor
There were shortwave outlets in NB & NS. Anyone???

PQ Quebec:

ALL of the Quebec listings are FRENCH, except CFCF. *CFCF-600 Montreal has a shortwave relay, CFCX (calls not used). ENGLISH.

*CHNC-610 & C -1150s New Carlisle/Gaspe
*CKRB-1460 & C -1240s St. Georges-de-Beauce/Lac Etchemin
*CKVM-710 & CKVT-1340s Ville-Marie/Temisaming
*CJBR-900 & CJBM-1450s Rimouski/Causapscal
*CJFP-1400 & CJAF-1240s & CHRT-1450s Riviere-du-Loon Cabano/St.-Eleuthere
*CHGB-1310 & CHAL-1350s & C -1370s La-Pocatiere/St.-Pamphile/Ville-Degelis
*CKCN-560 & CIPC-710s Sept-Iles/Port Cartier
*CHVD-1230 & CJMD-1240s & CFED-1340s Dolbeau/Chibougamau/Chapais
*CKRN-1400 & CKLS-1240s & CHAD-1340s & CKVD-900s Rouyn/La Sarre/Amos/Val-d'-Or
*CKML-610 & CKMC-1340s & CKSJ-1400s & CKLR-1490s Mont Laurier/Maniwaki/St.-Jovite/L'Association. CKMC gets CBC via CBOF; others get CBC via GBF.
*CHLC-580 & CFRP-620 Hauterive/Forestville
*CKLD-1330 & CFDA-1380s & CKTL-1420s & CJAN-1340s & CJLP-1230s & CKFL-1400s Thetford Mines/Victoriaville/Plessisville/Asbestos/DIsraele/Lac-Megantic. "Reseau de Apalaches."

NF Newfoundland and Labrador:

*CJYQ-930 & CFYQ-1350 & CIYQ-680 & CKYQ-610 & CHYQ-670 St. John's/Gander/Grand Falls/Grand Bank/Musgravetown. "Q Systems." All have local studios. A CP for 560 St. Anthony was deferred.
*VOCM-590 & CKGA-730s & CHCM-560s & CKCM-620 & CKVO-710 & CKIM-1240 St. John's/Gander/Marystown/Grand Falls/Clareville/Baie Verte. Colonial Broadcasting.
*CFCB-570 & CFCN-1230s & CFWN-790s Corner Brook/Point aux Basques/Point aux Choix. Humber Valley Broadcasting.
Two "Humber" stns in Labrador, CFLW-1340 Wabush & CFLN-1230 Happy Valley (Goose Bay), may be twinned???? or possibly linked with CFCB????
CBN-640 St. John's has a short wave relayer.

Corrections are always needed and welcomed. Especially those in the "far east" and La Belle Province. Thanks to those who helped and those tips swiped from the IRCA/NRC bulletins.

-John Oldfield, 7135 129 A Street, Surrey, BC V3W 6T4 (typed by BH)

KAHLradio

1410 k.c. ABC
308/532-1120/532-1121/534-1410
5000 watts daytime/500 watts nights

A. E. DAHL, PRESIDENT
NELSON DAHL, VICE-PRESIDENT

DI Monitor
IRCA

Sirs:

I would like to take a short moment to say a few words to you, and if you choose, to your many readers. We at KABL, thru the good offices of IRCA member Roland Lindblade, and KABL's assistant Chief Engineer Greg Habbitt, recently conducted a series of equipment tests for the station, and at the same time provided and received confirmation of reception of the station by various DI listeners, many of whom are IRCA members.

We received conforations from as far away as Seattle Washington, and Johnstown Pennsylvania! We were of course gratified by the reports, and, I would like to add that the written reports we received were excellent, especially those that followed the IRCA letterhead format. All letters we received contained a stamp to help defray costs of return postage for our KABL postcards, which have been sent to those who reported to us.

KABL would again like to thank you all for making this series of tests more meaningful, and wish the best to you all at IRCA.

Sincerely,

Nelson E. Dahl
Nelson E. Dahl
Vice President
KABL AM
KEDB AM
KELH FM (Proposed)
KEDC FM
NE:ada

R.A.S.
JAN 27, 1978

Born-Again Media Grace Southland

By FAMELA J. KING
Herald Examiner Religion Writer

Communications entrepreneurs have discovered that Christians — even the born-again variety — don't spend all their time in church.

They listen to the radio during dull commutes, they flop down in front of the television when they get home, and they leaf through magazines, just like everybody else.

So sharp business men, with and without religious motivation, are cashing in on the growing numbers of Christians and their intense interest in all things divine.

At least 10 AM and FM religious radio stations are broadcasting in Southern California. Two Christian television stations are booming, and two — maybe three — Christian mass-market magazines, one edited in Los Angeles, should hit the newsstands early next year.

You won't hear advertisements for liquor, cigarettes or discotheques on the radio stations, and in the case of KHOF-FM, you won't hear any spot announcements at all.

The stations all break even and many have little desire to do more than that, their managers say. In most cases, air time is considerably cheaper than that of secular radio. For example, a person can place a 30-second commercial on KFSG-FM, a station owned by the International Church of the Foursquare Gospel, for a mere \$5. Half an hour, once a week, would cost only \$65. That's less than the average 30-second spot announcement on KPCC-AM.

"Christian stations are profitable, but not as profitable as people think they are," Arnie McClatchey, general manager of KYMS-FM in Orange County, said. "We charge \$14 a minute for advertising, and it could be a lot more. We could make a lot of money, but that's not what we want."

KYMS divides its air time into six hours of teaching, from 6 a.m. to noon.

'(The born-again) audience is much larger than anyone realizes. We've quadrupled our gross income in seven years.' — Alan Bowles, KFSG-FM.

and 18 hours of contemporary Christian music, from noon to 6 a.m., McClatchey said. About 80 percent of the teaching programs are produced locally, he said.

"The stations that make a lot of money are the ones that sell chunks of time to preachers all day long," McClatchey said. "We think that's a rip-off."

Two secular stations that offer large portions of religious broadcasting both sell time only to preachers. XPRS-AM, which features religion from 6:30 p.m. to midnight, airs mostly Eastern-based preachers such as Rev. Ike. Although XPRS has only been broadcasting three years, its predecessor on the same frequency, XERB, also offered the religious programming.

"It worked out very well and we could sell the air time," Bill Bird, music director, said. "There was no reason to change." He said XERB's hourly rate was \$500, the highest of all stations polled for this article.

KIEV-AM, which broadcasts 15-minute inspirational shows non-stop from 6 to 11 a.m., charges \$120 for each show. Fred Beaton, vice president and general manager, said. Beaton's family, which is Roman Catholic, owns the station. He would not reveal the profit margin, but said the station was a commercial venture, and not one based on convictions.

The only non-commercial religious station polled for this article, and apparently the only one in Southern California, is KFNR-AM. Fred Whiteman, director of public relations, said it is illegal for the station to sell time and it cannot broadcast advertisements. It runs strictly on listener contributions.

KFNR is less than two months old, and broadcasts 24 hours a day. More than half of its programming is contemporary Christian music, Whiteman said, but it does "a fairly extensive amount of public affairs."

A number of Christian stations augment their religious broadcasting with ethnic programming. KTYM-AM, for example, devotes 30 percent of its time to 14 foreign languages shows, mostly folkloric. Gerardo Borrego, vice president and general manager, said.

"Our motive is to provide a service," Borrego said. "The station is not a vehicle of business. It pays for itself without large profits." KTYM's rates support his statement — the most expensive one-hour broadcast is \$130.

Clinton Fowler, general manager of KGER-AM says the longevity of the station's broadcasters prove that its rates are "ridiculously" low. The station is 51 years old, and 60 percent of the shows have been on the air more than 30 years.

Religious stations' audiences are notoriously loyal, the managers claim. Fowler says the stability of the programming helps establish KGER's audience. McClatchey of KYMS said the average listener tunes in for nine hours a day, as opposed to the average three hours for secular stations. Although most managers said they couldn't characterize their audience, a number said that listeners were "mature" or "older."

Will the religious publications be a success?

'Only the circulation man and God know that.'

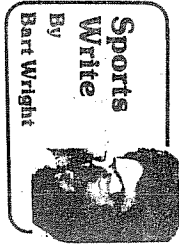
Most stations find that religiously oriented advertising, or businesses owned by Christians, is most common on the stations. "A disco or a go-go place probably wouldn't be too interested in us," Darby Cunningham, general manager of KMAX-FM and KPCC-AM, said. "And we would prefer not to have them on the air."

Alan Bowles of KFSG said the station combined secular and religious programming until 1970. "But it was not a good combination," he said. "Advertising agencies do not take religious radio too seriously and religious audiences resent commercial advertising."

All the stations, even those operated by a specific church, are interdenominational. Some, like KMAX and KPCC, are part of a national chain of Christian and secular radio stations, and some, as explained above, are private and commercial.

"That audience is much larger than anyone realizes," Bowles of KFSG said. "We've quadrupled our gross income in seven years. And there's still more demand, more interest."

KZAM rock-eting into sporty things



Sports Write
By
Bart Wright

Let me hear, KOMO took the Hualtes from KIRO after KIRO took the Seattle Seahawks and KY has the Mariners. The question that is no doubt burning in your head is who has the Cascades? The Seattle Cascades (you'll recall they dropped the 'Fort') have their own radio station and it's the most unlikely sports station of all.

KZAM, Bellevue's progressive-rock station, which aims to sound like *New Yorker* looks, according to program director Tom Carney, announced this week that it will broadcast all 44 matches of the Cascades.

Last year was the first time any World Team Tennis franchise had a play-by-play radio schedule of all its matches. It was done in San Francisco for the Golden Gateers by KNBR.

No word yet on announcers for the Cascades Huskies or Sonics. KZAM (the sporty 1340), might be the first station to have a woman announcer. If it can bring Shelly Morrison back from Europe. Mor-

tion, the celebrated fishbe pie-moer and former KZAM DJ left last spring to travel and go back to school. She once was the housewife number for the old WTT New York Ses.

...

Californian buys KZAM for \$1.7 million

KZAM-FM Radio has been sold for \$1.7 million. Stewart Balmiger, general partner for the sellers, Bellevue East Side Radio Ltd., said the new owner "plans to change nothing, neither the program policy nor the advertising policy nor the staff."

The buyer is Dudley A. White of Santa Ynez, Calif., operating as Bellevue Radio Inc., a subsidiary of Sandusky Newspapers Inc., a family-owned corporation. Sandusky Newspapers publishes the Sandusky, Ohio Register, and through subsidiaries, the Norwalk, Ohio Reflector, the Grand Haven, Michigan Tribune and the Kingsport, Conn., Times-News. White's company owns no other radio stations.

"He decided he wanted to buy a radio station and he started looking around the country," said Balmiger. "Our record has been sensational. We have been approached in the last year numerous times. The word gets

around very quickly when radio stations are doing well."

Balmiger and a group of limited partners bought the station, then called KRFC, in 1972 from Kemper Freeman, Sr., the manager of Bellevue Square. The call letters were changed to KZAM (for Bellevue East Side), and then to KZAM.

The sale is subject to approval by the Federal Communications Commission, but Balmiger said the approval should be routinely granted in three to six months. In the sale agreement, Balmiger promised not to open a competing radio station within 50 miles of Bellevue. He said he may go into the real-estate business, as he has a license, but first will relax and travel.

1440 KC Greenville, S.C.

MISCELLANEOUS MATERIAL RECEIVED AT HQ....

Charles Taylor writes that NRC'er Robert Fabris, 3626 Morrie Drive, San Jose, CA 95127 is interested in forming an R-390A/URR user's group. If anyone expresses interest, I'll be a technical advisor for the group. Write Bob today...cat..... Mike Dorner, 1409 Hymelia Ave., Metairie, LA 70003 writes that he has several dozen reels of tape that he would like to sell for 70¢ apiece + postage. The tape is four years old & frankly has some high-frequency drop-outs. Since DXers find most noise to be high frequency, this should pose no problem. The tape is splice-free, warp-free, comes on new plastic reels in white boxes and is at least 1/2 hour long each side at 7 1/2 ips. Brands are Ampex, Dak, Scotch and a few Radio Shack. Tape is used but guaranteed to satisfy otherwise. Sorry to be so late with this Mike but it got overlooked in the mess around here. Also your article on Alaskan Stations will appear quite soon...dkk.... David F. Thomas in sending in his renewal also notes he has planned two trips this year, one to Jerusalem and Rome in April and the 2nd trip around the World via train--Trans Siberian RR. David also notes he was in South America last fall and picked up his overdue verie from Paraguay-645... Hope you'll take some DX notes on your trips and send them to us upon your return David...dkk....

UPCOMING DX GET-TO-GETHERS

Sat. Feb. 4--Ground Hog Day(+2) Gathering at the home of Bruce & Evelyn Portzer, 6546 19th NE, Seattle, WA. Noon to ?? . Plenty of talk & munchies to eat. Give Bruce a call, prepaid, at (206) 522-2521 if you plan to attend.

Sat. Feb. 11--Southern California Area DXers (SCAD\$) will meet at the Valley View School Auditorium, 5361 Sisson Dr., Huntington Beach, CA. Doors open at 8 AM and the meeting will be 10 a.m. to 5 p.m. Voluntary donation of \$1 to help cover expenses; there will be soft drinks, cookies & donuts & lunch will feature pizza and fried chicken. For inquiries or to be added to the mailing list, write: Donald Erickson, 6059 Essex St., Riverside, CA 92504. For last minute info, call (714) 687-5910 anytime through Feb. 10. All IRCA members are invited and specifically urged to attend.

Sat/Sun. Feb. 18-19--Chicago Area DXers (CADX) will hold their 6th annual west suburban get-together at the home of Karl Forth, 630 S. Ardmore, Villa Park, IL. Activities will include DXing, listening to tapes and looking at veries, a table tennis tournament, nerf soccer, bull sessions etc. Bring any DX oriented things you want. Important: Please drop me a card or letter at school if you are planning on coming, because that's where I'll be prior to the GTG.

KRCQ Competition Details Are Outlined

1-778 DESERT SON - PALM SPRINGS

INDIO - The likelihood of Los Angeles television writer, a Los Angeles radio programming consultant and an assistant to the dean of Harvard University taking over radio station KRCQ is "extremely unlikely," according to station generally manager Terry Ayers.

Ayers said it "came somewhat as a shock" that Sherman-Greenleigh-Sanchez Broadcasting Co. had filed a competing application with the Federal Communications Commission for their 1400 AM frequency.

He said KRCQ has been owned the past year and a half by California Wireless Corp. of San Diego. The station, previously known as KREO, has been in operation since 1946.

The competing application was filed by Robert Sherman, a producer and associate producer-writer for Goodson-Todman Productions, Los Angeles; Thomas Greenleigh, a Los Angeles programming consultant and former weekend announcer at KDES AM-FM in Palm Springs; and Juan Sanchez, assistant to the dean of education responsible for minority recruitment at Harvard in Cambridge, Mass.

Other principals in the application are: Dr. Lawrence Greenleigh, a Los Angeles psychiatrist and his wife, Gloria, a Beverly Hills real estate agent. They are the parents of Thomas Greenleigh.

Thomas Greenleigh would be the proposed general manager of the station and Sanchez, his brother-in-law, would be the public affairs director, according to the FCC application.

The studio and transmitter would be located on Avenue 44 at Madison Street. It would operate on a power of 1,000 watts during the day and 250 watts at night.

First-year operating costs are estimated at \$80,172 and revenues at \$80,000, the FCC application says. Estimated construction cost is \$39,400.

The applicants propose to broadcast the only bilingual programming to the community which is about 50 percent bilingual, the FCC application states.

They also intend to provide news and public affairs coverage of local issues not covered by local media or outside broadcasting stations, and in greater depth.

Ayers said KRCQ's three-year license with the FCC was up for renewal in 1977, but it cannot be renewed because of the competing application.

He said the dispute probably will be in litigation three or four years before it's decided, unless the applicants withdraw. Ayers said it could cost them a half million dollars to pursue the ownership.

"The federal government isn't quick to hand over licenses as long as you're doing what you're supposed to be doing," Ayers noted. "In the meantime, it's business as usual."

INTERESTED IN STATISTICS?

The upsurge in contributions this volume prompted me to dig into recent volumes of DXM and come up with the following stats. Hope you find them interesting....Thanks to all of you who have helped increase our workload this year. hi.....

YEAR VOL PGS EDXR CDXR WDXR EDXF WDXF DXWW TOTAL

#1---Number of columns per page for entire volume..

| | | | | | | | | | |
|-------|----|-----|-------|--------|-------|-------|-------|--------|--------|
| 74-75 | 12 | 484 | 64.75 | 113.75 | 53.50 | 53.50 | 38.75 | 138.00 | 517.50 |
| 75-76 | 13 | 430 | 43.00 | 49.25 | 52.25 | 75.25 | 92.25 | 121.25 | 478.25 |
| 76-77 | 14 | 428 | 62.75 | 60.50 | 65.50 | 70.50 | 91.00 | 143.75 | 508.50 |
| 77-78 | 15 | 304 | 54.50 | 32.75 | 66.75 | 47.75 | 69.00 | 106.00 | 381.75 |

(Volume 15 thru issues 1-20 only)

#2---Contributors

| | | | | | | | | | |
|-------|----|-----|-----|-----|-----|-----|-----|-----|------|
| 74-75 | 12 | 484 | 133 | 239 | 130 | 213 | 132 | 326 | 1173 |
| 75-76 | 13 | 430 | 129 | 118 | 139 | 258 | 249 | 306 | 1199 |
| 76-77 | 14 | 428 | 172 | 140 | 168 | 202 | 238 | 376 | 1296 |
| 77-78 | 15 | 304 | 130 | 65 | 148 | 129 | 175 | 255 | 902 |

#3---Average Columns per issue

| | | | | | | | | | |
|-------|----|-----|------|------|------|------|------|------|-------|
| 74-75 | 12 | 484 | 1.90 | 3.35 | 1.57 | 1.57 | 1.14 | 4.06 | 15.22 |
| 75-76 | 13 | 430 | 1.26 | 1.45 | 1.54 | 2.21 | 2.71 | 3.57 | 14.07 |
| 76-77 | 14 | 428 | 1.85 | 1.78 | 1.93 | 2.07 | 2.68 | 4.23 | 14.96 |
| 77-78 | 15 | 304 | 2.73 | 1.64 | 3.34 | 2.39 | 3.45 | 5.30 | 19.09 |

#4---Average # of contributors per issue

| | | | | | | | | | |
|-------|----|-----|-----|-----|-----|-----|-----|------|------|
| 74-75 | 12 | 484 | 3.9 | 7.0 | 3.8 | 6.3 | 3.9 | 9.6 | 34.5 |
| 75-76 | 13 | 430 | 3.8 | 3.5 | 4.1 | 7.6 | 7.3 | 9.0 | 35.3 |
| 76-77 | 14 | 428 | 5.1 | 4.1 | 4.9 | 5.9 | 7.0 | 11.1 | 38.1 |
| 77-78 | 15 | 304 | 6.5 | 3.2 | 7.4 | 6.5 | 8.8 | 12.8 | 45.1 |

- #5---Editors
- EDXR-Mike Mitock Volume 12 thru #1 Volume 15
 - Bob Curtis-#2 Volume 15 to present
 - CDXR-Charlie Kellerher Volume 12 #1 thru #26
 - Jim Pogue Volume 12 #27 thru Volume 13 #14
 - Rick Evans Volume 13 #15 thru present
 - WDXR-Jef Brasier Volume 12 #1 thru #16
 - Nancy Hardy Volume 12 #17 thru present
 - EDXF-Bruce Heimberger Volume 12 thru Volume #13 #5
 - CDXF-EDXF-John Zondlo. Volume 12 thru present
 - WDXF-Mike Worst Volume 12 #1 thru #27
 - Rick Heald. Volume 12 #28 thru present
 - DXWW-Ron Schatz Volume 12 #1 thru #15
 - Bruce Portzer Volume 12 #16 thru present
 - DXWW II-Charles Taylor Volume 12 thru Volume 15 #18

**Included in the above totals is DXWW II.

| YR | VOL | #COLUMNS | AVE COL. |
|-------|-----|----------|----------|
| 74-75 | 12 | 55.25 | 1.62 |
| 75-76 | 13 | 45.00 | 1.32 |
| 76-77 | 14 | 14.50 | 0.43 |
| 77-78 | 15 | 5.00 | 0.25 |

#6--Consistency of editors in making DXM Deadline... EDITOR #ISSUES #COLUMNS MISSING FROM DX MONITOR

| EDITOR | Vol. 12-Present | #ISSUES | #COLUMNS MISSING FROM DX MONITOR |
|---------------|-----------------|---------|----------------------------------|
| J. Brasier | 16 | | 7 |
| B. Curtis | 19 | | 0 |
| R. Evans | 74 | | 2 |
| N. Hardy | 106 | | 3 |
| R. Heald | 95 | | 4 |
| B. Heimberger | 39 | | 10 |
| C. Keleher | 26 | | 1 |
| M. Mitock | 103 | | 8 |
| J. Pogue | 22 | | 12 |
| B. Portzer | 107 | | 1 |
| R. Schatz | 15 | | 1 |
| M. Worst | 27 | | 0 |
| J. Zondlo | 122 | | 8 |



P.O. BOX 92, APPLETON, WISCONSIN 54911



ADVISOR

EDITOR: ALBERT S. LOBEL
10514 CAMINITO BAYWOOD
SAN DIEGO CA USA 92126

DEADLINE: WEDNESDAY OF WEEK BEFORE PUBLICATION.
TELE-AD: (714) 566-0092
1830-2145
SASE REQ. IF A REPLY EXPECTED.

PLT. PREPAID CALLS ONLY.

PLEASE NOTE!

Monday Morning calling hours have been removed until further notice. Please, do not call on Monday Mornings!

If you are the owner of a small company that is run strictly out of your home you may be able to get a little publicity in the Advisor. Write to the above address for full details. Do not submit your ads before writing for the full details. Be sure to include a SASE!

TRADING POST

WQUA window stickers. Trade for other stations window stickers, only.
MICHAEL W. SCHEEL, 4126 NOBIS DRIVE, DAVENPORT IA 52802;
PHONE: 319-324-6267 (PRE-PAID ONLY)

SALE!

Patrolman-9. AM .54 - 16 MHz; 1.6 - 22 MHz shortwave ; PSB 30 - 50 MHz, 144 - 174 MHz, 450 - 512 MHz; FM 88 - 108 MHz; Air 108 - 136 MHz. \$79 PFD.

Realistic weather radio. Receives NOAA weather reports in selected U.S. cities. \$9.95 PFD.

DX Monitor, Volume 19 (#'s 20-34) \$4.00 PFD; Volume 14 (Complete) \$6.00 PFD.

Electronic Theory Handbook, 76 Ed. Nov. 80. \$9.93 PFD.

AM/FM Broadcast Station Planning Guide. New was \$12.95. Will sell for \$7.50.

Page 306...February 4, 1978

THE INTERNATIONAL RADIO CLUB OF AMERICA

A non-profit club devoted to listening to distant radio stations on the broadcast band (510 to 1630 kHz). IRCA is a member of ANARC, the Association of North American Radio Clubs.

OFFICERS: President-Bruce Portzer, 6546 19th Ave N.E., Seattle, WA 98115 (206-522-2521). Secretary-Treasurer-Rich Segalas. Board of Directors-Gregg Allinson, Philip Bytheway, Dr. Larry Flegle, Bill Hardy, Rick Heald, Rob Keeney and Father Jack Pejza.

DX MONITOR: The official bulletin of IRCA, published 34 times a year; weekly from November to March, 3 times in April and October, and monthly from May to August.

MEMBERSHIP DUES: \$12.00 First Class to Canada and the U.S.A., Air Mail to Mexico. \$13.50 Air Mail to the rest of the world via Canada. Air Mail Direct from San Francisco: \$25.00 to Central America, Caribbean, Columbia and Venezuela; \$30.00 to the rest of the world. Sample copies, 50c or 3 International Reply Coupons. Make all checks and money orders payable to "I.R.C.A." Members outside the U.S.A., please use money orders payable in U.S. funds.

PUBLISHING STAFF: Editor-in-Chief-Donald Kasky; Publisher-Rich Segalas; Staff-Mike Endz, Nick Hall-Patch, Eloise Kasky, Larry Nebron, et al.....

Opinions appearing in DX FORUMS are those of the contributors and do not necessarily reflect those of IRCA, the publishing staff, or the DX FORUM editors.

DX MONITOR is printed by Sir Speedy Instant Printing, San Francisco, California.

TRF Receiver. W/ tape output jack. \$15.00 PFD.
Craig cassette recorder. \$10.00 PFD.

Sears, 5 band scanner. 30 - 50 MHz; 150 - 170 MHz; 450 - 510 MHz. Uses program cards (5 included), 16 channels. Single UHF/VHF antenna. W/ car adaptor kit. \$275 PFD.

1976 & 1977 WRTH. \$4.50 each or trade for 1978 WRTH. MICHAEL W. SCHEEL, 4126 NOBIS DRIVE, DAVENPORT IA 52802; PHONE: 319-324-6267 (PRE-PAID ONLY)

Hammarlund SP-600-JX. 540 kHz - 54 MHz in six bands. 20 tubes. Dual conversion. Super HET. 10 kHz readout on ECB. Very clean mechanically and electrically, excellent condition. In cabinet. \$200.00 (Local pick-up only; too heavy to mail). TIM O'HARE, 910 N.E. 114th STREET, SEATTLE WA 98125; PHONE: 206-325-4446

Wanted

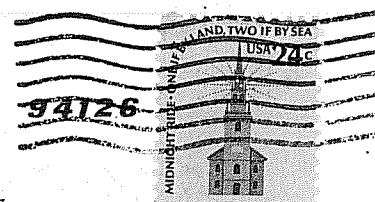
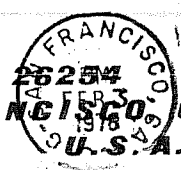
Sweep generator for aligning IF stages of receiver. New or used, does not have to be in working order. Must cover 455 kHz. Will buy or trade. Write for list of electronic items I have available. Just moved over New Years and a pile of stuff must go. TOM JASINSKI, 503 JENSEN, SHOREWOOD IL 60436; PHONE: 815-744-4174

HQ 180 in good shape. Or, HQ 180 A. Interested in paying between \$200 - \$300. FRANK ADEN, JR., 1535 N.W. ITHACA AVENUE, BEND OR 97701

KRGI

R.O. Box G - Grand Island, Nebraska 68801
Elmer G. Nelson C.E.

IRCA
P.O. BOX 26254
SAN FRANCISCO, CA
U.S.A.



First Class

Dave Williams 2
Box 615, Hwy 101
Astoria, OR 97103