

# DX MONITOR

PUBLISHED BY  
THE INTERNATIONAL RADIO CLUB OF AMERICA

VOLUME 15 NO. 30 WHOLE NO. 481 APRIL 29, 1978

**DX CONTESTS** --- Charles Gill, Manager  
Box 131  
Mountain View, MO  
65548

\*\*\* **NEW MEMBERS** from Rich Segalas

SGT. Ron G. Rader, PSC 5, Box 7107, Lowry AFB, CO 80230  
Art A. Hinrichs, 511 So. Merriam Ave., Thief River Falls, MN 56701  
Roger Perkins, WIOJ, Old Bay Road, Bolton, MA 01740  
Kenneth W. Lackie, 6629 32nd St. N.W., Washington, DC 20015 (TRIAL MEMBER)  
Richard Wright, 5276 L Street, Sacramento, CA 95819  
Joseph L. Landry, 11643 Baylor DR., Baton Rouge, LA 70816  
Bruce McFadden, 6335 S. Owasso Ave., Tulsa, OK 74136 (rejoin)

**DOMESTIC HEARD**

PM	PS	ENTRANT	TP	TS	LAST ENTRY
1	1	Nittler (NE)	1589	217	3/ 3/78
3	2	Morby, R. (NY)	1459	141	4/16/78
2	3	Collela, (NY)	1419	163	2/ 6/78
4	4	Hardy, N. (WA)	1184	125	4/16/78
6	5	Hall-Patch (BC)	1179	108	4/16/78
5	6	Hardy, B. (WA)	1141	120	4/16/78
7	7	Wolfish (ON)	1116	124	4/16/78
8	8	Morby, L. (KY)	951	120	4/16/78
9	9	Hammer (OH)	831	95	4/16/78
10	10	Glemmer (IL)	751	78	1/ 6/78
11	11	Wheeler (PA)	727	102	4/16/78
12	12	Ryan (AL)	628	101	1/ 5/78
13	13	Mount (NJ)	657	67	2/ 5/78
14	14	Hogan (IN)	418	48	1/15/78
15	15	Eddie (MO)	381	50	2/6/78
16	16	Anderson (NY)	379	33	10/3/77
17	17	Rice (NY)	0	0	-----

**ADDRESS CHANGES**

W.T. Farmerie, 62 Sunrise Ave., Grafton, MA 01519  
David Woodruff, 4632 Bountiful Way, Las Vegas, NV 89121  
Richard C. Evans, P.O. Box 1121, Havertown, PA 19083  
George McKay, Jr., Box 5000, Claremont, CA 91711

**RENEWALS AS OF 24 April 1978**

Dave Korinek, Rene Viel, Peter A. Wolfe, Matthew Shugart, Paul & Dave Wardell, Len Gaska, Ralph Kemper, Erland Carlson, George McKay, Jr., Calvin Augustine.

**GET-TO-GETHERS**

Sat. May 6--- Desert Beverage Antenna Party.. Don Erickson phones that a GTG will be held in the desert on Sat. 5/6. Read Mort Meehan's Forum for results of the April try. For those interested contact Don at 6059 Essex St., in Riverside, CA 92504 or phone Don at (714) 687-5910 or (714) 738-3709.....

Sat. May 13--- GTG at the home of Bill Block, 9307 S.E. Clay St., Portland, OR Sat. 5/13. Will go from noon until whenever. Free beer, pop, munchies and lots of talk. Call Bill at (503) 256-2354.

Sat. May 27---DXTRAVAGANZA hosted by Larry Nebron, 27 Garden Grove Drive, Daly City, CA 94015. All details in next issue.

Sun. May 28---Noon 'til Midnight at the QTH of Bill Wurtzel; 32 West 31st Street #7, New York, NY 10001. All DXers are invited. Bill's location is near Broadway and the Empire State Bldg. All major subway lines stop within a few blocks and bus lines and Pennsylvania Train Station, The Port Authority Bus Terminal and Grand Central Station are within walking distance.

Fri. Jun-2 to Sun. Jun. 4---The 8th Annual CADX Spring Fling GTG will be held starting at 6 pm on 6/2 and continuing thru the weekend. \$1.00 charge for refreshments. More details...call Robert Kramer, 3405 W. Pierce St., Chicago, IL 60651 at (312) 235-5138.

**DOMESTIC VERIFIED**

2	1	Eddie (MO)	57	10	2/ 6/78
1	2	Glemmer (IL)	11	1	11/ 5/77

**FOREIGN CONTEST**

No Entries

Charles also adds that he would like some help on suggestions for the contests for next season. Come on you geniuses out there, let's have some intriguing contests for next season...dkk...

**WSGO** **AM**  
**FM**

RADIO STATION WSGO  
INFORMATION CENTER  
333 EAST SENECA STREET  
OSWEGO, NEW YORK 13126  
315-343-1440

TIP FROM JIM HOPKINS...WSIG-790-Mount Jackson, VA w/1000 D has a r/c w/TT from 0000-0015 EST every third tuesday of each month.

**BASEBALL SPORTS INFORMATION WANTED....**

Bill Hardy still needs station lineups and sponsors for play-by-play baseball broadcasts for the following major league teams:

<b>AMERICAN LEAGUE:</b>	<b>NATIONAL LEAGUE:</b>
Baltimore (lineup only)	Atlanta
Cleveland	Chicago Cubs
Detroit	Houston
Minnesota	Los Angeles (Spanish)
NY Yankees	Montreal (BB & FF)
Oakland	NY Mets
Texas	Pittsburgh (sponsors)
Toronto (sponsors only)	St. Louis (lineup)
	San Diego (sponsors + full data on XEXX-1420 SS broadcasts, including announcers names).

If you have any of the above info, please send it to Bill Hardy this week! Bill needs the info by Friday May 5th, if at all possible, so that the complete list of baseball-network stations, announcers, and sponsors can appear in the 5/13 DXM. Otherwise the listings will be delayed till the 6/10 issue! So, please send info immediately to Bill Hardy, 2301 Pacific Ave., Aberdeen, EA 98520. Note: If you can't get it to Bill by the deadline, please send it anyway, and he'll run an updater later this summer. Fax.

**The Inside Story**

EDXR-464-5 EDXF-468-9-70 DXWW-473-4-5-6-7-8  
CDXR-465-6 WDXF-470-1-2 DXWW II-478-9-80  
WDXR-466-7-8

DX RECORDS-----481  
Highway Advisory Radio-----472  
Radio Programming Notes-----482  
Some Thoughts on Beverages-----485  
SONY TR-6500 vs Realistic TRF-----483-484  
The Old Radio Shop-----484  
WREN's thoughts on QSLing-----486

# eastern dx roundup

Bob Curtis  
17 Cobbleview Dr.  
Colchester, VT 05446

DEADLINES: Mon. May 1, Sat. May 27 & Sat. June 24.  
All times are Eastern Local Time  
\*\*\*\*\*

## Splatter:

"Some decent springtime DX." - Greg Monti - NY  
"Every time the ID would be due the signal would take a dipsy doodle." - Bob LaFore - FL (see 1570-UNID)  
"My closest unheard is now a heard." (see 1510) Steve Apel - NY

During the past week, April 9 to 15th, a 'wow' of an aurora took place, causing many and various propagation effects. Six-meter hams (your editor included) pointed their beams northwestward and bounced their 50 MHz signals off the aurora with good results. The evenings of Monday and Tuesday, April 10 and 11th, were particularly good; and on Thursday night, the 13th, I watched the northern lights in their visual display as they flickered across the northern sky. Undoubtedly the broadcast band was affected, and we'll be interested to see what reports come in during this period.

Bill Townshend's logging of WSRF-1580 was during the auroral period. All of Bob LaFore's reports were on April 3rd, another aurora night the week before. Bob's WKBW reception was probably auroral, and possibly others.

\*\*\* \*\* \*\* \*\* \*\*

- 540 WLIX NY, Islip 3/27 0755-0802 local was having trouble staying on this morning, carrier cutting in & out during records. Finally ID'd and did nx. (GM-NY)
- 560 WHBQ TN, Memphis 3/19 0319 ID, ad for YMCA & wx. OM DJ. (RR-OK)
- 590 WARM PA, Scranton 3/28 1510 thru WROW in daylite w/Tom Jones mx, \$25000 contest promo, Barbados trip giveaway, Ronco record ad. (GM-NY)
- 820 WAIT IL, Chicago 3/25 1856-1901 haven't hrd this in a while. Teletalk on sports, legal ID "WAIT, Chicago, talkradio 82", into AP mx. (GM-NY)
- 910 WFDF MI, Flint 3/5 1105 sx, ID, OM DJ, polka mx & ads. (RR-ON)
- 950 WIBX NY, Utica 3/25 1906-1916 thru WPEN with CBS sports block, detailed wx, jingle. (GM-NY)
- 990 WNOX TN, Knoxville 3/24 1950 in u/WZZD with top-40. (GM-NY)
- 1100 WWVE OH, Cleveland 4/2 1800 rr mx, ID, nx. Fair one hour before OH sunset. (WPT-DC)
- 1130 WHEW NY, New York 4/2 1757 "WTA" by Kingston Trio. Klnt (S-9) 40 mins before sunset. (WPT-DC)
- 1150 CJRC ON, Ottawa 3/30 0215 dominating messy channel w/FF talky RGR, ID. (GM-NY)
- WJBO LA, Baton Rouge 4/3 0031 good signal. Top-40 mx. Male anncr. (BL-FL)
- 1190 CHWO ON, Oakville 4/2 0255-0303 in at arm-chair level w/easy listening type vocals & CHWO ID's. Program // CHWO-1250. Could this be a test prior to a permanent move to this freq? (SGA-NY)
- 1240 \*WCNC\* NC, Elizabeth City 3/6 0023 tone, ID, OM DJ. Equipment tests. (RR-ON)
- 1260 \*WMMT\* CT, Westport 3/30 0227 local ending BT. OM played pieces of records w/OC between ID'd and went off. (GM-NY)
- WNDE IN, Indianapolis 3/31 0035 atop channel w/top 40 and a contest called "The Spring Book", if you can believe that, with "Chapters". (GM-NY)
- 1290 WCCC CT, Hartford 4/1 1829 caught s/off over WBBF, w/WADO nulled. No SSB. (SGA-NY)
- WNBF NY, Binghamton 3/17 0254 ID, ads, wx, mx & promos. OM DJ. Heard under WHIO w/CJBB, London off. Don't know why. Only 2nd time they have been off. The other time was during a severe snowstorm in January. (RR-ON)
- 1300 WKCY VA, Harrisonburg 3/31 1800 ID after WQJB s/off, "This is W-K-C-Y Harrisonburg, where we love our country." Into UPI nx & then back to C&W format. (SGA-NY)

- WQBK NY, Rensselaer 3/31 1745-1800 w/tele-talk on sports 'til s/off @ 1759. S/off annmt had an invitation to write in suggestions, a promo for "Q-104 album rock in an adult style and in stereo", and a reminder to turn on headlights, no SSB. (SGA-NY)
- WAVZ CT, New Haven 4/2 2015-2036 Fair with album recds. ID's as "13 Waves". (BC-VT)
- 1320 CFBM OH, Richmond Hill 3/30 0234-0238 it's about time I got this on its new freq. O/YL on WKTQ w/reg c&w format. (GM-NY)
- + 3/5 1126 c&w mx, ID, OM DJ & promos. Frequency change from 1310. (RR-ON)
- 1530 WETZ WV, New Martinsville 4/6 1753 T-40 mx, ment of Martinsville. Good sig. (WPT-DC)
- 1360 WWBZ NJ, Vineland 4/5 1750 Brothers Johnson mx, ID as "Radio 136, WWBZ." (SGA-NY)
- 1370 WSPD OH, Toledo 3/30 0244 relog in WREA null w/slow-talkin' AM c&w show, PSA, wx. (GM-NY)
- 1410 WUNI AL, Mobile 4/3 0034 Top-40 mx, "More Cash Winners on WUNI", Contest promo. Wx report. (BL-FL)
- 1470 \*WJDY\* MD, Salisbury 3/28 0100 finishing up f/c 30 minutes and one day late, probably due to holiday. ID & off. (GM-NY) (ed: what holiday? just curious)
- 1480 WAEP AL, Mobile 4/3 0310 Rock mx. Bunch of PSA's. Good-fair signal. (BL-FL)
- 1500 WDEE MI, Detroit 3/23 0216 finally w/c&w mx, wx. (GM-NY)
- KSTP MN, St. Paul 3/23 0222 u/WDEE w/top-40, ments of Minneapolis/St. Paul, "KSTP, the music station". (GM-NY)
- 1510 WPUT NY, Brewster 4/5 1408 My closest unheard is now a heard. I missed the earlier DX special on this one, but getting it during RS is more satisfying to me than an ET reception would have been. Adult contemporary format w/spot for clothing store w/ branches in Bedford Hills and Mt. Kisco. Sig fair in WTHE-1520 null. (SGA-NY)
- 1520 WKBW NY, Buffalo 4/3 0213 YL anncr, T-40 Stuff. Good signal for them. (BL-FL)
- 1530 KGBT TX, Harlington 4/3 0100 An unexpected, but most welcome station. U/WCKY OC. Sign off speech, just before the SSB. (BL-FL)
- 1540 WRCP PA, Philadelphia 3/26 1638 o/daytime Regular WADE w/reg c&w format, YL DJ. (GM-NY)
- 1550 WAAY AL, Huntsville 4/3 0112 Top-40 mx. WAPE Style anncr, (talks loud and fast). Fair signal. (BL-FL)
- WOKJ MS, Jackson 4/3 0251 Gospel programs, How to get one of WOKJ's bumperstickers! (BL-FL)
- 1570 WBUX PA, Doylestown 3/26 1630 doing well in daylite w/Doylestown wx, MOR mx. (GM-NY)
- WDEW MA, Westfield 3/28 1545 w/WBUX. Pop Format, ID. (GM-NY)
- \*WHII\* MS, Bay Springs 3/16 0205 equipt tests, ID, OM DJ, tone. (RR-ON)
- ???? UNID, 4/3 0110-0300 one of those typical DX signals. Had the Aux. Rcvr on them all morning. Suspect CHLO. Rock mx. But every time the ID would be due the signal would take a dipsy doodle. (BL-FL) (ed: CFOR is also a possibility, as it is rock and oft reported. Remember, there was a good aurora that night.)
- 1580 WSRF FL, Fort Lauderdale 4/12 0003 rr mx until 0000, then ID and discussion of sex life in USSR. Good signal for reduced night power. Signal S-2 to S-9 (Klnt). This was heard back in Feb. at 1745 just prior to reducing wattage at sundown. (WPT-DC)
- 1590 WMIH PA, Mt. Carmel 4/5 1807 Along w/WQQW, WQIQ, WCBG. Interview w/ local high school coach, then jx into mx. (SGA-NY)

## REPORTERS THIS ISSUE

- SGA-NY Steve Apel, 244-93 62 Ave., Douglaston, NY 11362 Realistic TRF
- BL-FL Bob LaFore, 12991 SW 252 Terr., Princeton, FL 33032
- DX-160 + longwire with a terminal case of salt
- GM-NY Greg Monti, 5 Hickory Rd., Bayville, NY 11709 air
- RR-ON Rob Ross, Box 4373, STN. C, London, ON N5W 5J2 Realistic TRF

WPT-DC Bill Townshend, 4500 Conn. Ave., NW,  
Washington, DC 20008 DX-160  
BC-VT Bob Curtis, 17 Cobbleview Dr.,  
Colchester, VT 05446  
\*\*\*\*\*

73 and good DX Bob Curtis

**central dx  
roundup**

Richard C. Evans  
P.O. Box 1121  
Havertown, PA. 19083  
NOTE NEW ADDRESS!!!

DEADLINES: 4/30 5/28 6/25 7/23 (Sundays)

**THE HAT HANGS IT UP!**

Since I'm moving to Philadelphia, I feel it best to resign as CDXR Editor. I feel it would be too confusing to members (especially newer ones) to have the person doing the column living on the eastern seaboard. If the job of editing CDXR interests you, contact Bruce Portzer, address on top of DXWW. I'll be doing the column thru the 8/5 column, deadline of 7/23. After that...well, it's been fun.  
\*\*\*\*\*

- 600 WREC TN Memphis, 4/3 s/off 0113. (GT)
- 690\*WVOK\*AL\*Birmingham, 0236-0252 3/19. Testing w/C&W Mx, mentions of "OK Country" and "Voice of Dixie". Good signal, little interference or fading. (CR)
- 850 KOA CO Denver, 2244-2258 3/13, MoR Mx, Wx, contest (KOA Jeep drawing), Spots and psa's. Good signal, very little noise or fading. (CR)
- 860\*WXAP\*GA\*Atlanta, 3/27 0111-0134. Fair to good on DX Special w/'50's-type Rock Mx & prerecorded IDs after every two or three selections; slight unid QRM, but no sign of the usual KOAM/WDMG/KONO-KITY mess; someone was running an OC which severely blunted the signal; also, moderate QRN; new here w/stn called & rptd. (SAM) 3/27. Mostly good on test w/freq IDs. occ TC's and early rock. 0001:30-0045+. (GT)
- 900 CHML ONT Hamilton, 2030-2050 3/21. Spots, Mx-MOR (?), Wx, comments about spring, fair signal, slight interference, moderate fading. (CR)
- \*WSLI\*KY\*Pikeville, 4/2 0112-23. All alone on the frequency, ETing w/a fair-good signal; C&W Mx, fairly extended periods of OC, and 1 quick ID at 0116; some slight QSB, but no sign of either CHML or the Cuban; hrd testing quite frequently around here & rptd, with no verie ever rcvd. (SAM)
- 1090\*KNWS\*IA\*Waterloo, 3/27 0204-22. Good (the tones) to poor (the IDs) on DX Special w/400 & 1000-cycle tones & frequent IDs mentioning stn address, phone number & the names of DXers phoning in rpts; KAAY off, but some moderate XEPRS QRM; new around here w/stn called & rptd. (SAM) 3/27 Poor-fair 0206-0229+ w/400 and 1000 hz tones, IDs, caller and GWDXA ments. Called and tape sent. (GT)
- 1130 WCAR MI Detroit, 4/3 0205-0300, local WISN off two weeks in a row, wonders never cease. Easily hrd w/T-40 - mixing w/WDGY. Both new loggings. (RS)
- WDGY MN Minneapolis, 4/3 0205-0300, poorly w/talk, talk, and more talk. Missed the 0230 ID, so had to sit around until 0300. (RS)
- 1140\*WRVA\*VA\*Richmond, 4/2 0224-0305. Good, consistent signal on PoP w/various tones, brief periods of OC, & one ID at 0303 giving stn's mailing address & requesting DX rpts; most of the time, well o/both WQBA & "fidel's" strangely subdued jammer; slight QRM, but very little QSB; this one sends an attractive v/g. (SAM)
- 1150\*KSUZ\*TX\*Port Neches, 4/1 0109-0238. Good to unreadable on ET w/various tones, some fairly extended periods of OC, & brief

- fragments of C&W Mx; 1st ID at 0231 which didn't copy on my tape, but readable concluding ID at 0238; considerable QSB o/" WJBO & other unid QRM, but no sign of WJRD; new w/stn called & rptd. (SAM)
- 1290\*KUOA\*AR\*Siloam Springs, 3/31 0108-0303. Very good to fair on ET w/various tones, brief periods of OC & badly distorted, broken-up IDs shortly after each hour; some QSB, but most of the time, riding well o/the usual WIRL/WTOC/KTRN jungle; tentatively hrd before, but considered as new; no answer to call, but reported anyway. (SAM)
- 1310\*KBOK\*AR\*Malvern, 3/27 0247-0314. Good to poor on ET w/various tones, brief periods of OC, Floyd Cramer C&W piano stylings, & 2 IDs; considerable QSB, at times, mixing badly w/WRR & some unid "grizzly" (possibly, XEBP), but no sign of superpest WDXI; new around here w/stn called and reported. (SAM)
- WIBA WI Madison, 1942-1957 3/20. Easy listening Mx, spots, fair signal, very little QRM and QRN, moderate fading. (CR)
- 1350 KRNT IA Des Moines, 2019-2033 3/20, Mx, spots, PSAs, fair signal, slight QRM, moderate fading at times. (CR)
- \*WNVA\*VA\*Norton, 4/8 0229-0346. Good to fair on ET w/various tones (primarily 400 cycles), brief periods of OC, and 1 quick ID; slight QSB, but most of the time, well o/WSMB and other unid QRM; 1st relogging here since DX Special of 11/76 w/v/f received at that time. (SAM)
- 1380\*WAMS\*DE\*Wilmington, 3/27, tried, not hrd. (GT)
- 1410\*KAHL\*NE\*North Platte, 4/8 0218-26. Very good on ET w/WUNI in 90% null and little other QRM noted; 1000-cycle tone & 1 ID at 0225. I wonder whether this is not a r/c moved back to 2nd Sat from 2nd Sun, since stn was also hrd testing on 2nd Sat of last month at the same time; no verie ever rcvd for rpt on 1st f/c hrd a year ago, and no f/up sent after recent DX Special. (SAM)
- 1440\*KEYS\*TX\*Corpus Christi, 4/3 0130-40. Here's an unlisted QI first noted on 1/2/78 f/c using 1000-cycle tone & IDs on the average of 1 every 2-3 minutes; very strong signal w/only slight WHHY QRM; quick w/f rcvd in about a week
- 1460\*WRAD\*VA\*Radford, 3/28 0208-56. Surprise(SAM) tester w/very good signal; well o/WPNX/WACO hassle w/various tones, some extended periods of OC, & 1 beautiful ID at 0255; this new one maintained a remarkably consistent signal w/very little QSB noted; stn called & rptd. (SAM)
- 1500\*WSMX\*NC\*Winston-Salem, 4/5 0050-0059, testing w/tones and 1 ID at 0059. Easily hrd w/KSTP/WDEE/WTOP. (RS)
- 1540 KPOL CA Los Angeles, 4/3. Fair at 0258 s/off w/ID, studio QTH (5700 Sunset Blvd), etc. Testing post-s/off & Blk Ntwk talk pre-s/off. In WPTR null with KXEL & KRXV off. (GT)
- \*WKIE\*VA\*Richmond, 3/27. Spot-checked 0200-0230, not hrd. (GT)
- 1550 KRGO UT Salt Lake City, 4/10 0325-0340, fair w/C&W, mixing w/WOKJ-MS. WOKJ seems to be forgetting about their silent period on MM. They've been on three straight. (RS)
- 1580 WCLS GA Columbus, 3/14 2315-2331, Rock music, local Wx, poor signal, not much fading but heavy noise and interference.(CR)
- \*WHHM\*TN\*Henderson, 3/29 0104-38. For 250 watts, this one was a veritable "powerhouse", stunning the "Bayou Bengal" (KLOU) & not even giving KRZI a chance; only competition came in the form of some brief "grizzly" skirmishes with XEDM; ET w/various tones, brief periods of OC, C&W Mx, & 1 ID at end of test; new in these parts & rptd. (SAM)

**RESPONSE TO AN UNID:**

- 1540 ZNS-1 Bahamas Nassau, 4/3. Most likely SAM's 3/4 unid w/cont. light soul 0220-0326. One ID at 0326, "R. Bahamas and you" (soft & sung by YL). Good post-0300. (GT)

A TIP OF THE HAT THIS WEEK TO:

- SAM - SCOTT A. MENTZER, Route Three, Tylertown, Mississippi 39667
- CR - CLAYTON A. ROBERTSON, 2603 Mayer Lane, Saint Paul, Minnesota 55119
- RS - ROBERT STEADMAN, 2758 South Wentworth Avenue, Milwaukee, Wisconsin 53207
- GT - GERRY THOMAS, Apt. 460, 2355 W. Michigan Ave., Pensacola, Florida 32506

To mis-quote an old song, "I'm Pennsylvania bound", hi. Was in Philadelphia on 4/4, answered an ad on 4/5, and on 4/6 was told to report for work on 4/10. I had to explain that I needed to get my furniture out there first! Most of the CDXR reporters will be notified by postcard of my new address, but all mail will be forwarded from here. Gotta run--30.

-----  
 NANCY HARDY, Editor

2301 PACIFIC AVE.  
 ABERDEEN, WA 98520

**western dx roundup**

ALL TIMES ARE EASTERN LOCAL

Phone for hot WDXR tips: (206)532-6827 till 11:30pm (PLT) nightly--prepaid calls only

DEADLINES: Thursday May 4,  
 Thursday June 1

\*\*\*\*\*  
 REPORTERS FOR THIS ISSUE:

- (JEC) James Critchett-1635 Walbridge St.-Red Bluff, Drake SPR-4, CA 96080  
 Sanserino loop
- (NHP) Nick Hall-Patch-3272 Alder St.-Victoria, BC Transmogrified HRO, V8X 1P2  
 FET AA loop
- (BH) Bill Hardy-2301 Pacific Ave.-Aberdeen, WA Lafayette HE-30, SM-1 98520
- (NH) Nancy Hardy-2301 Pacific Ave.-Aberdeen, WA Lafayette HE-30, SM-1 98520
- (WJH) Bill Harms-1120 Elm Ave.-Provo, UT 84601 Realistic Patrolman 9
- (DO) David Oliphant-#1; 11255-31 Ave.-Edmonton, FRG-7, SM-1 AB T6J 3V6
- (MFS) Matthew Shugart-12561 Groveview St.-Garden Realistic TRF Grove, CA
- (RET) Randy Tomer-Box 2674-McKinleyville, CA 95521 FRG-7 w/SM-2, HQ-180A w/E-W mini Beverage
- (RW) Robert Wien-945 Desert Isle Dr.-San Jose, CA GE TRF long-range portable 95117  
 \*\*\*\*\*
- 560 \*KSFO\* CA, San Francisco 4/16 0110 noted off due to sudden rain & wind, nothing on the frequency except a very weak KPQ. KSFO back on 0145. (RW-CA)
- 570?\*KCNO\*?CA, Alturas 4/17 0316 unID TT o/u KLUB, looping NNE. Has to be KCNO. (RW-CA)
- 590 KFXM CA, San Bernadino fair w/DJ doing a lot of talking; no mx heard. ID at 0357 4/3. (RET-CA)
- 680 CJOB MB, Winnipeg w/fair sigs 0250 4/10, oldies mx, nx. QRM from a strong KNBR. (DO-AB)
- 740 \*KBRT\* CA, Avalon 4/10 0327 at first I thot this was verie-needed KRMG, but rr mx suddenly cut off & ID "This is KBRT, Avalon, CA, on the air for testing & equipment maintenance." Oh well. (RW-CA)
- 740 \*KCBS\* CA, San Francisco 4/17 0338 TT sounded like it was in stereo, apparently over-modulated or overloaded. (RW-CA)
- 750 \*KXL\* OR, Portland 4/12 0325 fair w/l kHz TT in KCBS-740 slop. (RW-CA)
- 760 KGU HI, Honolulu 3/28 0115-0135 fair u/KFMB null w/mellow jazz, spots, ID's. (RET)
- 800 CHAB SK, Moose Jaw 0126-0142 4/2 ID's as "Super 8," SID, top 40 mx. Request line: 692-4000. (MFS-CA)
- 900 \*KJSK\* NE, Columbus 4/11 0104 different from list, very weak in CJVI null w/two short bursts of tone, apparent OC for 1 min., weak ID, then off. Verie back today saying f/c is on 2nd Tues. at 10:00-10:05 PM, PST (Monday night). (RW-CA)
- 920 \*unID\* 4/10 0349 unID TT looping ENE weak u/KORK. (RW-CA)
- 940 KAHU HI, Waipahu dominant on channel w/C&W ma and singing ID's 0435-0445 4/10. Semi-regular when KPRE is off. (RET-CA)

- 960 KAHL CA, Oakland 4/6 0320 taking night off again, exactly 1 month ago did same thing, so may be having a SP during this period (1st Thursday, 12:05am-?). Loud TT at 0322. (RW-CA)
- 960 CFAC AB, Calgary 4/6 0345 good o/unID in null of KOOL & KAYK, w/"Radio 96" ID, into mx. Didn't verify last report, so won't send another. (RW-CA)
- 970 KOHV CA, Coachella 4/5 0335 making a very rare nighttime appearance, 1st time ever after midnight. Killing KYTE & KUZZ; ad for Riverside hospital, mention of KOHV, into John Denver song. (RW-CA)
- 980 unID UnID rr heard u/KFMB, w/CKNW nulled, 4/10 0249. Was trying for WPHG test, but not heard. (RW-CA)
- 990 KRKT OR, Albany 4/9 0846 good sig for 250 watts, alone & dominating on RS; C&W mx, and "K-R-K-T, Oregon Country" jingle. (BH-WA)
- 990 KNIN TX, Wichita Falls Sun. 4/2 0701 "The ten thousand watt powerhouse at the top of Texas." Mx, wx, but no nx. (JEC-CA)
- 990 CBW MB, Winnipeg 4/1 0657 "O Canada", "GSQ", then ID. Faded out by 0700, just in time for a clear KNIN ID. (JEC-CA)
- 1010 KOMJ CA, Palm Springs fair u/CBR; w/classical mx, CBS nx at 0300 4/3, s/off at 0306. (RET-CA)
- 1010 \*KIQI\* CA, San Francisco 4/12 0328 ET'ing w/FM simulcast. I hope this doesn't go all-night, 1010 is one of my pet freq. (RW-CA)
- 1030 \*unID\* 4/10 0235 unID rr mx noted in KTWO OC null, could be XEQR, but they only play SS mx, so probably an unID ET'er. Possibly WBZ. (RW-CA)
- 1060 \*KPAY\* CA, Chico 4/17 0319 TT, ID at 0319 by OM as "KPAY, Chico," then back into TT. (RW-CA)
- 1070 KNX CA, Los Angeles 4/10 on 0659, 0700 CBS nx. Second MM SP. Don't know s/off time. CFAK AN. No KERR heard. (JEC-CA) 4/10 (2nd MM) ???-0659 was totally silent. May be regular on 2nd MM (?). (MFS-CA)
- 1070 ?KFPI? KS, Wichita 4/10 0645-0659, KNX off, heard C&W mx. KFPI seems likely but no sign of ID. Someday, yes, someday, I will log elusive state of KS! (MFS)
- 1090 KNCR CA, Fortuna now has progressive country and bluegrass mx from 1500 until LSS s/off; uses "the new KNCR" logo. Still has old gospel format mornings. (RET-CA)
- 1090 XEPRS BC, Rosarito 4/17 0515-0524 was OC but no one able to make it thru. (MFS-CA)
- 1190 CPSL SK, Weyburn 0704 4/2 good signal w/"SL nx", Saskatchewan wx (snow), spots and MOR mx. Fading down into CKDA-1220 splat later. NRC log says 0800 s/on-- would seem to be earlier. (NHP-BC) (My log says they s/on 0700.--NH)
- 1210 KZOO HI, Honolulu fair 0300 4/10 w/"K-zoo!" exclaimed by OM, then "This is KZOO, the Cherry Blossom Station, 1210 on your dial." JJ talk & vocal mx; no spots. (RET-CA)
- 1230 KRIZ AZ, Phoenix 4/17 0320 bombing in o/ everything including pest KLAV, w/same slogan as KLAV, "Radio 1-2-3, KRIZ," and promo for station contest w/tee-shirts given away. (RW-CA)
- 1230 \*KPRL\* CA, Paso Robles 4/7 0341 1 kHz TT in mess, off & on until KPRL ID at 0341. (RW-CA)
- 1230 KCBN NV, Reno 4/10 0219 well o/KLAV as well as unID TT; in w/"The Faith and Gospel Hour." (RW-CA)
- 1230 KHSN OR, Coos Bay 4/16 0840 first logging since last year's call change, ex-KOOS poor thru mess w/DJ saying "K-H-S-N", between top 40 songs, then faded a minute later. Looks as though KHSN is 24-hour top 40 now, at least on week-ends. (BH-WA)
- 1230 \*KOAL\* UT, Price 4/16 0224 f/c per list, weak u/KLAV w/l kHz TT. (RW-CA)
- 1240 KSON CA, San Diego 4/10 0345 fair o/XECCG in KMEY null w/SID, local spot. (RW-CA)

1250 KNEU UT, Roosevelt 4/8 0806 xlnr on SRS, slopping KYA-1260 slightly, w/ID "Your country mx station for NE Utah, KNEU, Roosevelt." (RW-CA)

1270 KFJZ TX, Ft. Worth fair 0451 4/3 w/PSA & ID, then into a Dylan song. (RET-CA)

1270 CHAT AB, Medicine Hat noted s/off 0405 a couple of weeks ago on a MM, believe they may be AN rest of the week but they are difficult to hear here thanks to CFRN-1260. (DO-AB)

1270 unID 4/17 0321 the baffler of the week. UnID loud o/CHWK w/announcement of a lost dog by name of Cooper, call 526-4518 if found, then TC of 1:21, putting it in MST, into rr mx. Couldn't be an ET, maybe KTLC? (RW-CA)

1270 \*unID\* 4/7 0315 unID TT noted very weak u/KTLC, looping SE. (RW-CA)

1280 KFYV CA, Arroyo Grande 4/10 0310 fair o/u KFRN in KJOY null w/"Lover's Question," SID "12-80 K-5." (RW-CA)

1280 KIT WA, Yakima apparently back NSP, as noted 0654 4/3. (NHP-BC)

1300 KMPS WA, Seattle 4/17 0350 w/C&W mx and Cancer Society PSA o/all. (WJH-UT)

1310 ?KFKA? CO, Greeley 4/17 0612-0620 pop/top 40 mx, mentions of Colorado, then ID for FM (KFKZ?). Unless call has changed, definitely KFKA. Good but variable signal w/XEC off, KDIA not noticed. (MFS-CA)

1310 KEIN MT, Great Falls 4/17 0323 the only station I can get from my home town, but don't mind hearing it. Louder than usual this MM w/"13 keen" slogan; sounds almost like "13-70 keen" slogan! (RW-CA)

1320 KATR OR, Eugene 2159 4/5 heard only "...KATR is owned & operated by..." in varying CHQ(R)M null. Poor signal at best amid the QRM. (NHP-BC)

1330 KMBI WA, Spokane 4/8 ID at 2130 into program called "Closeup" about the Spokane Art School. Fair w/KXRO-1320 slop, no sign of usual KUPL. (NH-WA)

1340 KRAM NV, Las Vegas 4/8 0827 first time ever on SRS, bombing in w/SID, into mx. (RW)

1340 unID 4/7 0330 unID noted w/s/off o/mess, just missed call letters (Murphy's Law in effect). Strange s/off time, nothing fits s/off time in NRC log. Looped N/S. Possibly either KATY or needed KLOO, but KATY is supposed to be 24 hours NSP. (RW-CA) (KLOO is normally s/off 0310. Could it be someone on late w/NBA bkbl or major league baseball?--NH)

1350 KCKC CA, San Bernadino 4/8 0839 this one rare around here. Very loud w/K-C" slogan, into mx, only thing on frequency besides XEZM. (RW-CA)

1350 KIDN CO, Pueblo weak w/"Kidd'n Country" slogan 0400 4/3. (RET-CA)  
+4/14 0345 louder than usual, destroying KRLC; w/"Afternoon Delight", SID, "K-I-D-N, Country 13-50." (RW-CA)

1360 KRUX AZ, Glendale weak 0335 4/3 w/rock mx, "KruX" ID's. (RET-CA)

1360 KSCJ IA, Sioux City poor to fair at s/on 0630 w/rooster crows & usual info. Lotsa QRM from unID stations. (NHP-BC)

1360 KXOL TX, Ft. Worth w/ID 0328 4/10, fair sigs w/MOR nx, nx; KRY5-Corpus Christi heard here a month ago w/C&W. (DO-AB)

1370 WSPD OH, Toledo w/wx 0412 4/10 weakly u/CHPQ; rr mx. (DO-AB)

1380 WMBE IN, Fort Wayne w/strong sigs this morning, ID 0335 4/10, light rr mx, money contest. (DO-AB)

1380 KLIZ MN, Brainerd w/good sigs, C&W mx, sports 0630 4/10; o/unID. (DO-AB)

1380 KUVR NE, Holdrege 0656 4/10 just a blip & "KUVR AM & FM" followed by classic rapid fade into mess. Believe that KGMS was off this MM allowing these flea-powered outfits through. (NHP-BC)

1380 KMUS OK, Muskogee 0600 4/10 noted SSB amid QRM, then KMUS ID & mention of power, fading in & out of the rest. Running 500 watts at this time so nice DX. (NHP)

1380 KSWO OK, Lawton 0630 4/10 s/on noted w/no SSB, 2 KSWO ID's and mention of Oklahoma Quality Broadcasting Co. Poor signal at best. (NHP-BC)

1390 WVON IL, Chicago 4/4 0331 a real shocker, good thru KGER/KCEY mess, that it was rare KSLM at first, but instead heard ad for car shop in East Chicago, ment. of WVON & "The Super 1390." Strange, no WLS tonite! (RW-CA)

1390 KSLM OR, Salem this noted AN 4/1, 4/2, & 4/5. Still off MM so far however. (NHP-BC)  
+4/9 0744 ending MBS nx & into pop mx, on RS. This a Sunday morning. Has KSLM gone AN during the week? (BH-WA)

1420 KSTN CA, Stockton 4/17 0338-0340 ID into mx. Fair w/KUJ. (WJH-UT)

1420 KUJ WA, Walla Walla new here 4/17 0335-0340 w/rr mx and "14 KUJ" ID. Good o/KSTN. (WJH-UT)

1430 \*KRG1\* NE, Grand Island w/ID 0535 4/10 during f/c, tone before & after. QRM from WIRE, w/good sigs from both stations. (DO-AB)

1440 KEWI KS, Topeka in fair on totally clear channel w/rock mx, good ID 0414 4/10. (RET-CA)  
+4/17 0334. Have they gone NSP? Hope not, 1440 is beautifully clear on MM, don't want them coming in, but in out of nowhere w/wx for Topeka, ID between rr mx. (RW-CA)

1440 KMLB LA, Monroe noted s/on w/SSB 0600 4/6. Received this last month on its daytime power boost to 5kw, but this must have been night power of lkw. Soon disappeared into crud. (NHP-BC)

1440 KMED OR, Medford 4/17 0304 good at s/off, then right after that, traditional KPRO s/off, then KUHL s/off after that, leaving CFCP totally in the clear. Interesting to listen to. (RW-CA)

1440 KEYS TX, Corpus Christi excellent during fadeups 0315-0330 4/3 w/rr mx and "Keys" ID's. (RET-CA)

1440 KPUR TX, Amarillo w/good sigs 0639 4/10 and really quick ID, MOR mx; CJOI off nightly 0200 these days but still no KKXL noted. (DO-AB)  
+4/2 0700 fair to good w/top 40 mx & brief legal ID on hour. Finally heard this-- everybody else has, has, hi. (NHP-BC)

1440 KXXR WA, Spokane 4/9 0822 good sig w/PSA annct, C&W mx. All alone on open freq. at this early Sun. hour. KXXR appears to be one of those stations that has an LSR s/on (before 6am) in the spring and summer. (BH-WA)

1450 \*KBFI\* ID, Bonners Ferry 4/10 0325-0330 at last, finally heard after four tries, poor u/KONE in KEST null, solid hum-like tone, code ID's approx. every minute. Only new catch of night. (RW)  
+No tone, no code, no f/c, 1st MM, 4/3 0315-0330. (JEC-CA) (The KBFI f/c has moved to the 2nd MM, Jim!--NH)

1460 \*KROW\* OR, Dallas MM 4/3 no DX Special 0330-0346; just KDON & KMWX. (JEC-CA)

1470 KAZM AZ, Sedona 4/8 0843 weak in KNDE null, fighting w/unID classical. ID "Ka-zam, 14-7-0," local spot, into mx. (RW-CA)

1470 WMBD IL, Peoria w/good sigs 0349 4/10 w/local mx, YL DJ w/ID 0350, MOR mx. (DO-AB)  
+4/17 0330 after John Denver song, YL DJ ment. "WMBD" at least twice & gave ball scores for next 5 minutes. Fair-to-poor, mixing w/religious show (top-40-mx-type religion, like "Powerline" does) on some equally-weak unID in the same direction. (BH-WA)

1470 KWSL IA, Sioux City 0627 4/10. Nil to fair signal o/u CJVB OC. C&W mx, a long list of automobile hints, finally an ID. (NHP-BC)

1470 CJVB CO, Vancouver good u/KNDE w/ID & nx at 0400 4/9. (RET-CA)

1470 \*unID\* 4/12 0316 unique ET, but don't know who it was. OM came on air saying "This is what a 7.5 kHz tone sounds like," then 7.5 kHz TT; then "This is what a 5 kHz tone sounds like," then 5 kHz TT; then doing the same thing w/2.5 and 1 kHz

HERE 71

Radio 97 **K** ALL **K**  
Home of the Happy Hearts  
BILLINGS, MONTANA

tones. Repeated, then OC for 5 min., then off, never ID'ing. Excellent, looping SE. Possibly KUTY. (RW-CA)

1480 KLEO KS, Wichita w/complete ID 0518 4/10 out of nowhere, no other details heard, strange. (DO-AB)

1490 KVAC WA, Forks 4/18 2117 out of top 40 record, said "KVAC", and into local spot. First time that I've heard then on RS. 2113 heard station ending nx w/call letters sounding like KSIT & spot for Ming's Chinese Restaurant, but faded quickly and unsure if it was KVAC or some other station. (NH-WA)

1510 KNSE CA, Ontario Sun. 4/9 0624 "Radio Oro." Spanish program, EE ID. Formerly KSOM. (JEC-CA)

1510 KDKO CO, Littleton Sun. 4/9 ID at 0648. Nx on "Radio 15." (JEC-CA)

1510 KGA WA, Spokane Sun. 4/9 off at 0602, on at 1100. (JEC-CA)

1530? \*WTTI? GA, Dalton 4/10 0342 unID 1 kHz TT noted u/KFEK, thot it was WCKY, but then played rr mx, looped SE instead of normal ENE for WCKY. Won't send report, too tentative. (RW-CA)

1540 unID 4/17 0453 weak, variable thru QRN w/ traditional-sounding jazz. Something that sounded like ID or slogan 0453 but no call or place discernable. Could this be much wanted ZNS-1? (MFS-CA)

1550 WOKJ MS, Jackson 4/17 0309 o/u KRGO w/ apparent religious program. Thot this was KGAR until they gave a Mississippi address on program. Not heard in a while, never verified last report. (RW-CA)

1550 ?KQWB? ND, Fargo 4/17 0500 thru troublesome KRGO (are they really only 500w-night?) (Yes.--NH) w/pop mx. Caught last two letters of ID "WD" or "WB." Could be much desired state #30. VJ shows KQWB temporarily off air at night, what's the status on this? (MFS-CA) (KQWB has a CP to go fulltime on 1550, 5kw, DA-N, changing city to "West Fargo, ND."--NH)

1560 KKA A SD, Aberdeen 4/2 0436-0500 C&W mx, "K-K-Double A." Rth, you're right, a good bet for much needed SD, even detected 4/13 thru KPMC! Surprisingly, easier than KSOO-1140. (MFS-CA)

+4/17 2208 call letters heard following C&W mx, w/KPMC nulled. First time I've heard them while there was still daylight outside. (NH-WA)

1560 KGHO WA, Hoquiam 4/9 0832 s/on. @#%&!! , hi. KGHO has discovered that they don't have to wait till 0900 to s/on in the spring and summer when LSR is easier. So they did, wiping out 1540 to 1590 & splatting all the way from 1500 up. %&#&!! (BH-WA)

1560 unID 4/2 0758 s/on w/SSB, heard only ment. of being licensed "by FCC to operate from sunrise to sunset" and "250 watts." This, only days before I read the First Law of s/on anncts. in DXM! Any ideas? (MFS-CA) (Not KGHO, KDFL, or KIQS.--NH)

1580 KRZI TX, Waco w/ID 0618 4/10, rapid fading, disco mx. (DO-AB)

1580 unID 4/17 0520-0536 pop oldies sounded straight out of '60's; no ID's, in fact few breaks. (MFS-CA)

April f/c's heard:

2nd MM: KQIK-1230 OR (RW-CA)  
 KMTX-950 MT (RW-CA)  
 KBFI-1450 ID (RW-CA)  
 KFGO-790 NOT HEARD (RW-CA)

Apologies to Albert Lobel. Last week in "Reporters For This Week" I listed him as San Jose, but he lives in San Diego! It appears that DX cx are still quite good, especially above 1200. We have sort of a lopsided WDXR this week--not much was reported at the lower end of the band. One of my reporters has brought up the problem of unID's. As a result, between now and September 1 I'd like to hear from WDXR readers on the subject. Do you want all unID's deleted, some unID's deleted, or all unID's included in the column? I'll evaluate the reaction and go with the majority. So if you have a preference, be sure and let me know! 73.

John Zondlo  
 6617 Maryland  
 Hammond, IN 46323

**eastern dx forum**

Bryan Lee-P.O. Box 69-Brooklyn, CT 06234

Greetings from northeastern Connecticut, land of bygone blizzards and plenty of potholes! I am 15 years old and have only been DXing MW for 8 months. I use an Aircastle receiver that has enabled me to get my station totals to 230 at present. In that 230 there are 28 states, 7 provinces and 3 foreign countries logged. My goal is to log every state east of the Mississippi. I am now only missing WI, AL, and MS, which will probably turn out to be the toughest three states to log (anyone having some ideas, ship them my way). Does anyone know if there is a law in Philadelphia that states: Thou shalt not send QCLs? (hi) WIP and WPEN have sent no reply and I am getting frustrated. About call letter changes, I count the station twice only if it has changed its format. There is one good local example: WEXT lkw from W. Hartford was C&W. It then changed to WMLB lkw from W. Hartford, but is now playing pop music. I would count these as two stations. Enuf said. 73.

Bill Townshend-4500 Connecticut Ave. NW #901-  
 Washington, DC 20008

Greetings again from Watergate Town, home of the Bullets, Capitals, Redskins, and Diplomats (and the Baltimore Colts 60km up the BW Parkway), and of such NSP local-yokel pests as WMAL, WWDC, and WCAO (Baltimore). Regarding young Mike Brooker's Forum in the 4/1/78 DXM where he mentions WLW, that station did indeed go 500kw in the spring of 1934. WLW spent \$500,000 (a buck a watt) to upgrade its transmitter from 50kw to 500kw, and also \$170,000 annually for its maintenance. Mike Worst has all the lowdown in his article "WLW and Superpower". Although I'll be 47 next month, I was too young to remember WLW being so strong. However, when I was 10 years old during the early days of WW2, WLW had already reverted to 50kw. The station, owned by the Crosley Corporation, had a 500kw transmitter on an experimental basis under the call letters W8XO. WLW/W8XO-700 had a MM SP. On other nights, from 0005 until 0100, WLW signed off with the announcement, "One moment, please," and after a 60-second pause, W8XO bombed in as it signed on with the announcement, "This is radio station W8XO, operating experimentally with a power of 500kw on a frequency of 700khz," followed by the NA. At 0100, W8XO signed off, with broadcasting reverting to WLW. The format was the T-40 music of that time. I was living across the street from the Washington Cathedral at the time, 3km south of my current QRA. Scanning through an old DX log of 1941 vintage (probably an early White's DX Log) that my late brother had (it has long since been deep-sixed), both WLW and W8XO were listed. In the same log, the old call letters and frequency of the French station in Miquelon-St. Pierre off Newfoundland, now on 1375khz, were PQN-609. Just before the war, in 1937-8, selected CW broadcasts were listed in the old DC papers (the now defunct Times, which along with the Herald, later merged, then became part of the Post). The stations were listed by wavelength, among which were W8XK Pittsburgh, with mentions of DX, and HVJ Vatican City, with "Broadcast In English". These in addition to the regular local programs in tabular form on the ancients, WMAL-630, WRC-950, WOL-1230, and WJGV-1460 (now WTOP-1500). There was no FM or TV then. Der Fuehrer was doing his thing on the SW with "Sieg Heil". At that time I was living in Bethesda, about 5km NW of my current QRA. In the 4/1/78 issue of DXM, the name of the ship from which the 1973 total solar eclipse was observed is the Canberra, not Canfina (that's what happens with a handwritten report-jz). Seventy-three, soixante-treize, dreiundsiebzig, settantatre, setenta y tres, shevim-vu-shalosh, LXXIII, 1001001 (binary), and good DX.





Greg Monti-5 Hickory Road-Bayville, NY 11709

Louis M. Puda: Re your comments about WHLO's s/on/off times, the reason they change times on the first of the month is that the FCC requires it that way. If you've never seen the sunrise-sunset maps the IRCA publishes, you'll see why. The sunrise/sunset time for each month is figured for the middle of that month, and then further rounded off to the nearest 15 minutes. This can make the s/on time of a daytimer seem very inaccurate. At the beginning of a month in spring, they'll be coming on in darkness for about 10 minutes, but at the end of the month, the sun'll be up for a few minutes before the station actually comes on. Now WHLO is not a daytimer, it's a limited-timer. It can stay on as long as any part of the sky between Akron and Los Angeles is in daylight. (LA is the location of the Class I station on 640, KFI). So WHLO goes off at Los Angeles sunset. Mark Bixby: a possible explanation for what seemed to be KHJ testing with three carriers has to do with basic AM theory. If a station on 930 is transmitting a 10 kHz test tone at 100% modulation, it's the same as having three open carriers on 920, 930 and 940. This is because the sideband frequencies are equal to the sum and difference of the carrier and audio frequencies. If a 5 kHz tone were being aired, the sidebands ("OC's") would be at 925 and 935. The Yaesu FRG-7 is pretty selective and would probably not allow you to hear the 5 and 10 kHz tones themselves, as a high-fidelity AM receiver might. Many AM stations transmit at least up to 10 kHz, if not up past 15 kHz, and KHJ is probably among them. This does not necessarily mean that the station will splatter a lot, but does mean it can try to compete with FM, which is required by law to go flat out to 15 kHz. Regarding DX Forums, perhaps a repeat of IRCA Editorial Policy section II.B.l.c.l. is in order: "Members may mention call letters, frequency, and location only of selected new catches in the DXF, but no long lists of stations will be permitted." I recently saw a copy of the NRC's DXN and was appalled by the jumble of call letters occurring in their Musing section. I hope IRCA doesn't get that way. DX belongs in the DX section! Thankx to all for a great Anniversary Issue. 73s, and good DX.

Paul Mount-507B Carman Hall-Columbia University-New York, NY 10027

I had a DX-oriented late winter vacation in March. KFI was in, though never too long or strong at any time the 11th. I visited new member Phillip Alotta in Lodi, 2 towns west, on Sunday the 12th. He has the potential to hear a lot of good stuff, since he has an HQ-160 receiver and a short longwire; on the other hand, looking out the window you can see the WABC tower almost down to the base--it is no more than half a mile away and heard all over the lowest band on the HQ. I found that WGSW-740 was possible there, by putting the TRF on its side and pointing it lengthwise at the WABC tower. Some answer man in a Communications something magazine said the results of trying to verify on BCB are usually very poor, so Phillip wrote to 5 stations and heard from 4. Who is that answer man anyway, to say that? WWRL has its problems here. Both at sunset and after midnight I've noted at least 2 stations under it, one a soul music station at night--there are a lot of possibilities. While doing a sample bandscan for an IRCA member I heard a new station--CKRB St. George de Beauce PQ on 1460 -- I hadn't listened much. Friday morning the 17th I didn't get started till past 2 but went past 6, and finally heard semi-local WEEU-850. There were good conditions that AM as all the weak clears such as WDEE-1500 and Cuba-1560 were in. Visited Mike Anderson and Ron Kida at Ron's in Palisades Park that night. We looked at veries and tuned in a new station for Ron and discussed verification problems. From upon the hill (the Palisades) we got a great view of the WJIT transmitter site and antenna farm. I wrote to a few stations recently heard, and when I got to the point, "...please send me a card or letter confirming my reception of WEEU..." I realized why I hadn't sent for veries in a while--if I'm sure I heard a station, there's no reason why I should write to the station asking them to confirm it. I DXed a little MM, then went back to school. When I returned Friday, I found that 3 of the stations I had written to had verified already. WQAM sent letter, CM, and two stickers. I had heard only 1 ID and 5 minutes of WMBD-1470 Peoria, so I sent a ppc to the CE. But they sent the ppc back along with a letter (personal) from

the CE. I wrote to the CE listed in Verie Signers at WEEU, and got a personal letter from the VP/GM in addition to 2 stickers, a CM, and 4 sheets telling how WEEU is the most listened to station among men and women 18 plus in Reading. Now response like that is enough to make me keep writing to stations. But even if you don't get response like that, be patient. I see no reason to follow up a report less than 3 months after the first letter. These are busy people we're dealing with. Now let's have all the DXers in Bergen County report. 73.

Charles A. Taylor-936 N. Temple Ave.-Indianapolis, IN 46201

I agree with Denis Beauregard and his objection to the usage of "PQ" as an abbreviation for Quebec. I also hereby demand that, since QU will be the new club-wide abbreviation for Quebec, that the abbreviation for Indiana be changed to II. While we're at it, I don't like OH, so let's change that to OO. According to form SGL-206 (change of address form to the Office of Servicemen's Group Life Insurance), Canadian provincial abbreviations are: Alberta, AB; British Columbia, BC; Manitoba, MD; New Brunswick, NB; Nova Scotia, NS; Ontario, ON; Quebec, PQ; Saskatchewan, SK; Prince Edward Island, PI; Newfoundland, NF; Northwest Territory, NT; Yukon Territory, YT. Also included is Virgin Islands, VI, and Guam, GU. Now I don't know by what authority OSGLI can shove these two-letter abbreviations for the provinces (and VE territories) down Canadian throats, but I wouldn't be astounded if the Canadian government is in connivance (if she didn't think them up herself). Come to think of it, some of these abbreviations, including the two-letter postal ones, GIVE THE BULLETIN A CHEWED UP APPEARANCE. But if they are already standardized (the postal abbreviations, that is), are we going to start jacking them around till we have perfect and total confusion? Now, will someone please tell me if II is Italian or Indian or Indonesian (or what you say when you drop molten solder on your bare whatsuch), if SS is Spanish or Serbian, and if KK is Korean or Kentuckian. Chuck climbs into his cage. (Be advised that I'm 50% Kentuckian, and if I accidentally didn't offend your ethnic group, I'll try next time, hi).

Scott Mentzer-Route #3-Tylertown, MS 39667

Once again, greetings from that "sleepy corner of the Deep South", noted for its fine women and - would you believe it - GREAT DX. The biggest news around here is that the week of 3/27 saw a total of seven new ones added to the logbook. The conditions were great, the tests were there (with IDs for once), and I just couldn't seem to miss. I actually all (sic) but had a great case of "typewriter cramp" from grinding out all those reports, hi. Now, up with a verie, hi. Speaking of veries, business has been pretty slow around the old mailbox for well over a month, with only four straggling in here during the past several weeks: KIMP (v/f), as well as KLTR, WGHG, and KARV (all v/l); for all the goodies logged during my best week of this fast waning season, check CDXR. Well, it looks like we're fast approaching "the end of something"; before too long, the 1977-78 season will just about be "kaput"; the weather (for everything but DX) has really started to improve around here, with highs in the low 80's, plenty of sunshine, and everybody's favorite station, QRN, grinding up for a long stint of "summer testing", hi. (Judging from the weather maps, it looks like PAL & Co. are still digging out that "white stuff", yuk, yuk, hi.) With the approaching warm weather, I reckon many of y'all will put the old receiver in "mothballs", and pursue those esoteric delights afforded by the "three Bs" (beaches, bikinis, and beer, hi). I, myself, have often played around with the idea of becoming a "seasonal DXer", but whenever I'm tempted to head in that direction, I always think about all the good stuff logged during the summer which I probably never would have heard otherwise (July TTers, etc.); that's what keeps me "wheeling and dealing" behind the dials. After all, conditions can't get too much worse than they've already been this winter, hi. Finally, several weeks ago, Neil Zank dropped me a line concerning a "mystery" TTer who appears to run a r/c the first Monday of every month between 0245 and 0300 ELT. According to Neil, this character runs a 1,000 cycle tone in an alternating 20 second-on, 10 second-off sequence. Seeing that he makes his home on 1400, the possibility of hearing an ID is a "long-shot", at best. Judging from his antenna setting, I suspect that it's probably an unlisted

Arizona or New Mexico outfit, but you really couldn't prove anything by me. This morning I gave 1400 a try with an equivalent setting, and sure enough, all I heard was (y'all ready for this?) a \*\*&#733\* "Crizzly", rompin' and stompin' all over that GY crud. If anyone out there in the western third of the country can pinpoint this elusive dude, I'm sure Neil would like to add him to his totals, and even the "ol' gamblin' man's" curiosity is somewhat aroused, although I'm sure not going to go out and "make book" on ever logging him, hi. Looks like that's just about it from "Grizzly Acres"; be getting back with you soon. Till then, 73 and good DX (what's left of it, hi) de SAM.

-----  
DEADLINES: **western dx forum!** Rick Heald  
04 MAY 1581 - 20th Avenue  
01 JUNE San Francisco, CA 94122  
29 JUNE Ph: (415) MOnrose 5-4201  
27 JULY  
-----

MORT MEEHAN-7682 NORTH STAR AVE-TWENTYNINE PALMS, CA 92277  
+++++  
The Beverage Party, 09 April 1978. Weather has turned bad all over the SW corner of the US and predictions for my area of the desert called for early Sun morn of 09 Apr to turn cold w/strong winds and blowing sand. Earlier that Sat morn some 150mi/240km away where it was raining GOTBP (Generals of the Beverage Party) John Clements and Don Erickson decided via telephone that the Beverage Party was "ON" as over 15 DXers had indicated they would attend. Weather has never (I think) held back members of SCADS as they are devoted DXers. By 3PM the advance party consisting of John Clements, Los Angeles; Phil Rytheway a visitor from Seattle and myself arrived at the beverage site some 20mi/32km East of 29 Palms at an isolated area. In the next 3 hrs I must have walked back and forth over 7mi/11km in the sands while John & Phil erected the antenna. Never have I seen the desert so beautiful w/wild flowers. This a result of a winter of three times our normal rainfall. W/the beverage up at 6PM I set up my table and chair and alligator clipped my RF2200 to the beverage. About that time Gary Rand from Las Vegas drove up on his motorcycle. He has been looking fir us for over an hour and must have had a difficult drive in the rain across the desert. About then the rain hit us so we moved inside our cars running wires from the beverage. The beverage we had put up was pointed to South and Central America, John Clements. I feel it's a pipeline into Mexicali. We never did get up the domestic pointed beverage because of the rain and this disappointed me. About 9PM I found the static too heavy and didn't consider DX cx up to normal and the hiking had tired me so I returned home. I intended returning during the night to DX. After I left I understand the only DXers to brave the weather and arrive were Don Erickson of Riverside, Mark Bixby of Newport Beach and one other fellow whom I'm sorry I didn't get his name. Others who planned on attending used common sense and stayed home. Meanwhile at home w/outside temp of 40°F and showers continuing all night I DXed some and found stations like WCCO, WHAS, WIS, WSB, and WSM down in the noise level. Stations like WCAU, WLW and NYC were not making it although a week before they were strong. About 4AM I did get Cuba on 880 so maybe signals from the SE weren't too bad. I overslept to 8AM and since it was raining then I couldn't understand why the beverage group hadn't come to my place to warm up and w/weather conditions I wasn't going to drive out there. DXing at 8AM I found Japan on 830 and the Korean & Japanese on 890 coming in, but poorly. These DXers must be a dedicated group to stay out in the cold and rain cramped into a small vehicle all night when reception cx were below normal. I hope their reception reports appear in the bulletin so I can compare what they heard w/what I heard on a loop and 70' antenna. Doubt if I missed much....beyond perhaps a Nicaraguan station. Eight hours after the beverage party was over the skies were back to their normal blue and temperature were 20°F warmer. All times were ELT. 73.

MATTHEW F SHUGART-12561 GROVEVIEW ST-GARDEN GROVE, CA 92640  
+++++  
First off it seems we've heard an awful lot about counting call changes, XR locations, etc. Let's not overdo it. To me, I would count a call change as a new station if (a) it was no harder to hear due to change in cx, (b) it was difficult before but is now a regular, (c) it was and is very rare and difficult and therefore a welcome catch, (d) the facilities changed too, (e) any logically possible combination of the above. HOWEVER, it make NO difference to me what you do!!! For example, I count KGFJ & KKTT as one stn because they were regular before--regular now, 1kwD/.25kwN before and the same now.

But I count KGES & KTNQ as 2 stns because the facilities are quite different. KBUZ & KQXE also are 2 separate stns as neither was, nor is common. Where I have a problem is w/shared time. The 2 stns in WA on 1250 I guess would be separate loggings because of the widely separated locations, besides it fills criterion (c) above, but w/other cases I don't know. I'm almost glad I wasn't DXing in the 60's, I don't know what I would have done if I had done much work on 570! (Ex-KGKO becoming WFAA/WBAP ST arrangements). W/this distance I guess I would have counted 3 stations! That arrangement between WFAA & WBAP is very intriguing. I'd like to hear others' comments on how they actually counted the 570/820 ST. It seems to me that WFAA got the short end of the deal, going from Class 1-A half the time to class III-A all the time. When did that happen? Now another one, counting XR sites instead of cities of license. Again, it's up to the individual if he/she wants to do this but I can't help but ask why? It seems rather confusing! For example; KFI becomes La Mirada, KNX Torrance, KRLA S. El Monte, KEZY Atwood, KWIZ Garden Grove, etc. (A lot more cities in the log...but difficult). Finally on a similar note, try this one out. Name the city which lost an FM, but gained an AM even tho the AM never changed sites. Also, name the 2 stns, both of whom are still licensed to the city of their original XR sites. (KMPC Beverly Hills and KFWB Hollywood???-RTH). Details forthcoming and one more thing...don't lose sleep over it. 73 de Mfs.

LYNDON NERENBERG-57 GREAT OAKS-SHERWOOD PARK, ALTA TBA 0V8  
+++++  
Greetings from the land of the Commonwealth Games. My head has been spinning since Jan! I have managed to get myself involved in school, teaching my amateur radio classes, climbing excessively high towers, operating amateur radio stns at shopping centres, and the Commonwealth Games Communications division - among other things. Honestly, ham radio has to be the best thing going! Oh -- I forgot to mention falling off excessively high towers! The back still hurts, hi. Was waiting for nearly 2 mo. for KIRO TEST. The sound local w/10kw, and I was interested in hearing what 50kw would sound like. Ended up w/the flu & bronchitis, therefore I missed it. Now that I am a ham (VE6BEN-since 18 Jan), I have been promoting BCB DX-ing & the like w/the local hams on the local net, and have written a (roughly) 2½ page article on the subject, covering equipment, propagation, & techniques, which will appear in the Apr club bulletin. I will also be well armed at the May club meeting for all comers (Apr being canned because of awards night). Response from the club exec. has been very good, so perhaps more of you should try this. If you know of a local ham club, SWDX club, or even (shoot me dead) CB club, crash their next meeting and give BCB DX & IRCA some publicity. And make sure to mention that stations will QSL, this seems to get most people. Back to business. I am about 1/3 my way to verifying all Alberta stns, and have found it very easy -- so far. Biggest problem is trying to get cards from the local 50 kwers-hi. Had a GTG w/David Oliphant a few weeks ago at the U of Alberta over a cup of JAVA that would keep you up on a MM, even if you drank it on Thursday, hi! Also, I had a short contact w/a fellow BCB DXer in Dunedin, N.Z. on 20 metre C-W a few days ago. Very interesting. Time to go. Belated Happy Anniversary IRCA. 73 good DX to all de VE6BEN di dah di dah dit. (What was the Zedder's handle, Lyndon, some of us might recognize him-RTH).

MORTON D MEEHAN-7682 NORTH STAR AVE-TWENTYNINE PALMS, CA 92277  
+++++  
So much junk, including old radios and club bulletins, has accumulated at the 29 Palms cottage that you might call it a Junior Toyland. I'm having a bedroom added to the house and closing in a patio for more storage space. Have only gotten up here about one day-night a week all winter to DX, but expect to change that to half a week in the near future. At the Palm Springs mobile home this winter, DX is shielded in most directions so I haven't heard much there. Have had crazy reception like KERR Polson, MT killing KNX and KWSR Rifle, CO killing KGO at sunset more than a few times. Things aren't that difficult in 29 Palms to get KWRM "K-warm" Corona 1370 w/5kw, but I must null the powerful border station, XEFG 500 watts. This is not easy even considering Mexicali is 25mi/40km further away. Mexicali, some 125mi/200km SE covers my dial all day w/strong semi-locals. Did you know the population of Mexicali is listed at ¼ million, but about 1 million live in the area? Calexico, CA across the border only has about 10,000 residents, but the merchants depend on our South-of-the-Border



neighbours for most of their business. "Casual Radio" KUZL Parker, AZ controls 1380 here all day so well that Lancaster doesn't even come in on the loop. Both are about 100mi/160km away. All Winter I've had good reception of stations like WCAU, WHAM, WCBS, Cuba on 880 and some unIDed South-Central Americans such as 750, 830, etc, but I'm still trying for HI! Have had N. Korea on 655, Japan on 830 and China 1040 last Fall a few times, but no TPs have come through lately. Ads in DX bulletins of receivers for sale has had me hooked twice lately. I paid almost new prices for a Barlow Wadley and a Sony RF5900 because the sellers advertised them as being in mint condition. After receiving the items I found both receivers had seen plenty of use for well over a year or two and I felt I paid more than twice what they were worth in their present condition. I say this to alert other DXers buying blindly through the mails trusting what they read in radio bulletins. 73

NICK HALL-PATCH-3272 ALDER ST-VICTORIA, BC V8X 1P2  
+ + + + +  
I notice that by heard (or didn't hear) the KGO SP on the 3rd SM in March. A friend of mine was listening to Al Collins late that Sat nite and heard him mention that they'd be off the air for their quarterly maintenance period. Theoretically, their next SP should be the 3rd SM in June, so maybe we can all listen to Midwest thunderstorms on 810 on that date. I didn't hear about this until the next Tues, so didn't even listen to 810. I'm glad to see that there's a possibility of a propagation column in DXM. One thing that's intrigued me lately is the question of whether the solar flux measurements announced over WWV have any bearing on MW reception. For instance, the higher solar flux readings correspond w/an intensifying of the ionospheric layers which allow higher frequency signals (up & beyond 30 MHz) to be heard at great distances. Does the ionosphere absorb more in the way of MW signals at the same time? Speaking of propagation...very peculiar cx were noted here the evening of March 22 (PST). Almost all skywave signals were greatly weakened except for a select few in the MT & southern Saskatchewan regions. Took the opportunity to log new KGEZ 600 in Kalispell; did anyone else notice cx out of the ordinary that night? Susan Sirulnick raised an interesting point a few issues back--why are there not more female DXers? I asked my wife and she replied that only the truly insane would lose sleep trying to log distant stations. Is insanity more likely among the male of the species? I seem to remember that Evelyn Portzer claimed that women were more intelligent than men and therefore realized the futility of DXing. My own semi-serious theory is that men have traditionally been "enthusiasts", ie. people who indulge in pointless activities like DXing or matchbook collecting just for the fun of it. This may be due to the fact that the OM had a little more time in the evening while his wife continued in unrelenting domesticity 'til she dropped. Perhaps w/the onset of women's lib, more women will discover the joys of pointless pastimes, like DXing, hi. In the last ANARC Almanac in DXM there was some mention of a Norwegian woman who is interested in what makes female DXers tick; perhaps she'll find out what's going on. Anyway, enough two-bit philosophizing for now, I've got some DXing to do. 73.

GENE MARTIN-3303 EAST EVANS AVE-DENVER, CO. 80210  
+ + + + +  
In response to the Monitor's April 1st report on extraordinary DXing of the Third kind. I have solved the mystery of the weird unID IA on 665.3. This station has been Radio Machaca which announced itself as Piura, Peru, although it was actually transmitting from Tumbes, Ecuador!! Truth is it was an outlaw station set-up by anti-government forces in both countries, and its misleading ID kept the authorities off its neck. The Ecuadoreans classified it as a Peruvian problem and the Peruvians never succeeded in finding it. The technical details are even more interesting. It is a 50 watt station operating off a 19-volt electric eel kept in a muddy pond in the hills just outside Tumbes. Its remarkable variations in signal strength seem to be connected with the coming and going of the eel's rutting seasons. The signal peaks when the season is at its height which comes about the 5th and the 20th of each month. A major step-up in power is likely to show up anytime for the station operators are scouring the countryside for a high-voltage eel to replace the ailing specimen now in use. The station antenna runs up the trunk of a 70 ft date palm and if anybody asks any questions about the wire, they are informed it protects the tree against lightning. This clandestine station is disguised so cleverly, it will probably operate for years without ever being discovered, so long as the Monitor does not circulate among the government minions in either of these two countries. Have a lot of it on tape. 73.

BILL HARMS-N. 2213 VISTA-SPOKANE, WA. 99206  
+ + + + +  
This is my last Forum from Provo, UT for awhile. As far as DXing goes, the last 2 weeks have been slow for 3 basic reasons, 1) I have been preparing for finals, so no time, 2) If I do any DX at all, it's been on SW, 3) cx are getting lousy, indicating Summer is just around the corner, hi. I have to apologize to Rth because I called him last Sunday morning at the unheard hour of 10.30AM PST, hi. (That's OK, I had to get up some time that day, hi-Rth). I had been up since 3.30AM, oh well. I don't have much else to blab about, so 73 and good DX de WJH.

GARY PARTON-2 CLARK DR-SAN MATEO, CA. 94401  
+ + + + +  
The weekend of the 15th & 16th of Apr was nice! Gary Larson flew up here to SF Intl from Burbank Airport and we had a great time. We visited an FM station in Mtn. View, KPEN and I feel has a good MOR format w/live announcers and music on albums. So much of today's music is on tape and automation systems that when I hear a good live show w/announcers using albums, I really love it! We also went out to the Pittsburg area in E. Contra Costa County and saw the KKIS towers from across Suisun Bay and the Delta. KKIS is on 990 serving Diablo country, w/studios in Quail Ct., Walnut Creek, S. of Concord. G.L. really enjoyed going out to Napa and visiting KVON 1440 and the FM which is KVVN 99.3 which gets out to parts of the Bay Area including San Mateo. We taped a lot of KVVN and I taped some KVON. Both stations sound really good. I enjoy visiting different radio stations. Stations are so different in the format they present and the stations different set-ups. I really dig sitting in on a live DJ show at different AM and FM stations. We also took a drive past the KCBS towers in Novato which is in Marin County North of San Francisco, they look like 4 big sticks. They have 4 towers which form a specific pattern that makes them very strong towards the SE, at nighttime especially! GL enjoyed seeing where the towers exactly were located. After passing KCBS, we drove into Southern Sonoma County and saw the KTOB 1490 tower in Petaluma which sounds fairly good, the woman on the air sounded very good. They were playing a lot of rock. My favourite two stations in the Bay Area on FM are KYUU 99.7 & KOIT 96.5, and on AM, my 2 favourites are KNBR 680 and KYA 1260. In Los Angeles I like KPOL 93.9 & KBIG 104.3, and AM, I like KGIL 1260 and KRLA 1110. It looks like I'll be moving back to Southern Cal again and I look forward to that! More about that in my next Forum. That's all from GP in San Mateo. Everybody take care. 73 and gud DX. (Nice seeing you and GL at pub session, hope to see you again-rth).

"TINY TIM"...aka EDDIE RYAN-BOX 9579-SEATTLE, WA. 98109  
+ + + + +  
I guess all you folks are wondering what happened to the second scheduled KROW TEST. If you aren't, I just put the idea in your head, heh. Well, here it is, the next chapter: as you know if you tried for it, it wasn't there. So, I called the stn that AM to see what had gone wrong this time. I was rather gruffly told that CE/GM Ed Olmstead no longer worked at KROW; he had left some 2 weeks previous (and obviously not told us). Exactly what the whole story is, I don't know. Being GM, I don't know why he'd quit or be fired, and to my knowledge, the stn hasn't been sold. But, whoever precipitated the mess, apparently there are some bad feelings left between Olmstead and KROW; if you tried to call the station that night you found the line disconnected. That number, 632-KROW, was finally put in after a long wait, per Olmstead, in Jan, when I first talked to him. He had quite a time getting it, and wanted it quite badly, I gathered. So, I guess in his leaving the station, he also disconnected it, or it was disconnected after he left. For those of you still on the phone trying to call, the alternate number is 623-3990. Also, Salem newsphone is 399-1460. There. All done?? Good. So, there ain't gonna be no test, no sub, unless I can get management there to cooperate this Fall, which I'll certainly try to do, as I know some folks who wanted that TEST badly. Of course, we already have one TEST scheduled for next year already...Thanks to all who were involved in the KNWS TEST, particularly Acme Ladder Co which helped CE Dave Dobes break into his own station. Dave is all of 20, I'm beginning to feel old. A good TEST, except for some faulty oscillator wire which ruined a few tones. Tnx to callers, especially John Kromka in NJ, who seems to be doing quite well in arranging and hearing TESTS! Also by now, you should know the official ruling on Code IDs as passed on to me by Seattle FCC Field Officer Dennis Anderson, who says that code IDs are legal on equipment tests as long as legal voice IDs are given at the proper times---s/on, s/off, and on the hour. It's Seattle's opinion that there is nothing wrong with code IDs as long as this requirement is met, and code is not done by keying the carrier. So, go get 'em, code freaks. 73 & CPC....mama don't take my code IDs away...

BRUCE PORTZER-6546 19th AVENUE NE-SEATTLE, WA 98115  
 + + + + +  
 After seeing Rth's comments re the FCC in the 4/1 DXM, I thought I'd put in my 2¢ worth. I haven't really had the "excellent" observations of their work habits" one gets from watching govt employees pick up their tickets at the agency. But since I work in the 2-way radio field, most of what I do is related to the FCC in some way. There are as many of them now as there were 30 yrs ago, even though there are many more XRs now. The FCC Seattle office, for example, has 3 engineers to cover licensing & stn inspection matters for WA, MT, & Northern ID, an area of 200,000 sq. mi, 4 million people, and tens of thousands of ham, CB, BC, business, local govt, marine, aircraft, etc XRs. The FCC monitoring stn at Ferndale, WA has 7 persons to monitor the entire radio spectrum for W. WA & OR from their listening post & 2 vans on a 24 hr-a-day 7-day-a-week basis. w/this fantastic level of enforcement power, they have no choice but to concentrate on the most blatant & frequent types of violations & spot-check the rest. They must travel for a week or 2 at a time, deal w/the public, work "weird" hours, and, like travel agents & traffic cops, are judged in part on the number of tickets they write. Rick, why should they go after a "non-IDer" on a Class IV freq? The stn may have IDed before they tuned in, may ID at any time while they're listening &, if ETing, is probably trying to ensure that they comply w/the FCC rules. And if the FCC didn't go after KDHS because it would require work, then why have they nabbed numerous other pirates operating less openly w/less pwr? The FCC is far from perfect; there is a lot of room for improvements in the way it operates. But most of the FCC employees I've come across are quite dedicated in their work (remember the guest speaker at the '76 Convention?). Finally, Rick, do you realize that your wholesale putdown of govt employees was also directed at many IRCA members (including the president) who are themselves govt employees? 73 and good DX.

RICK HEADL-1581 20th AVENUE-SAN FRANCISCO, CA. 94122  
 Tele-Forum: (415) 665-4201 prepaid to 2200 FLT  
 + + + + +  
 Bruce, I have this marvelous recipe for roasted orow, hi. And I ate heartily last night, hi. A thousand apologies to everyone concerned, I was just a little "warm", to put it mildly when I wrote those words, and I capitulate. No harm was intended against anyone. And there are bad apples in every profession that give a bad impression for the vast majority, and I can assure there are rotten travel agents as well. Sorry gang. Enuf said on this matter.....Onward.....My belated tx to Mark Connelly of MA for sending a detailed XR map of greater Boston. Glad to know there are other XR freaks out there. I have seen WMEX from the expressway going into Boston, and I guessed at WNTN 1550, and noticed the other towers that have now been IDed for me, but just took brief glances as I was in the drivers seat (on Mass Trpk). He would like to gather up maps of other metro cities for some type of a library for future use. Now then, I am not trying to stir anything up, or start a mini-controversy, hi, hi, but did hear local KIQI 1010 ETing before midnight PST on Fri, Apr 14, // w/their FM, then an FM ID at midnight, then a couple spots after midnight. That all of which was not quite cricket. Have heard an Arizonan do this also in the past. Gene Martin, ya think maybe your pirate in SA might be a CIA front, hi? Local wx, like everywhere else remains freaky. Warm all winter, snowline rarely below 5000ft, then lo and behold comes April, snowline drops 3 times down to 1000ft, hitting the Motherlode towns, and they think the skiing season will go thru Memorial Day weekend!! Well, off to Monte Carlo, and hopefully some DX and a look-see at R. Monte Carlo. Full report upon return. Keep them cards and letters comin', folks. Good DX to all, Summer season ain't all that bad, ya know. 73 de Rth..

DON KASKEY-386 GEARY ST., SAN FRANCISCO, CA 94102  
 + + + + + HQ PHONE--(415) 752-8691+++++  
 Haven't DXed since hearing CFWB-1490 on 4/3. Spring doldrums, I guess. Nick, my wife agrees with you and your wife, completely. That is inre your comments in this issues forum. My latest project is checking off the US and Canadian stations that have been reported in DXR's or DXW's during the past four years. Mainly to see which stations have not been reported. So far I've gone back two years and note about 60% of the domestics have been reported. Gene Martin, I did receive your letter and will reply before much longer. Don Davis your article will appear in next issue most likely. Problem was fitting it into our foremat margins. I note the A's are leading the league as of 4/25, despite Head's dis-allegiance. Maybe that's all they needed? Meanwhile the Giants are living upto their post season prediction...Good pitch, no hit. Oh well, we are used to suffering. All for now....dkk

HIGHWAY ADVISORY RADIO

The following is a description of some low-powered radio systems providing motorists with information on road conditions. These stations are apparently operated by state and local governments in conjunction with the Federal Highway Administration (FHWA). The source of the information is the March 24, 1978 issue of Industrial Communications.

- CA A station is in operation at the Los Angeles International Airport on 530 kHz. It operates 18 hrs a day, 7 days a week and provides information on traffic conditions, parking, and terminal locations. The antenna is a buried cable 15200' long and power output is 10 watts.
- CO A system in operation at the Eisenhower tunnel on I-70, west of Denver provides information on tunnel cx, road cx, traffic cx, etc. Information is gathered at the tunnel control center, recorded onto tape, & sent over phone lines to transmitters at Dumont & Dillon, which I assume are towns at either end of the tunnel. The xrs operate w/"up to 10 watts" into above ground monopole antennas on 1610 kHz. Effective range is said to be 2.5 miles. This stn has had problems w/unreliable xrs, which are being replaced.
- IA Two stations along I-80 were installed in July 1977. One is near Walnut Junction in western Iowa, the other is west of the Rte. 301 interchange in eastern Iowa. The stns are used to provide info on road & wx cx, highway construction info, & "welcome to Iowa" type messages. The stns operate on 1610 w/10 watts into vertical monopole antennas. Messages are prerecorded and operate NSP.
- MN A stn along I-35W between 66th & 76th Streets in Minneapolis operates with 20 watts into 6000' of RADIAX cable antenna. The stn is used to alert motorists of adverse traffic cx and operates on 530 kHz from 0600-1900 local time.
- PA Since 12/75 a stn has been in operation on the Walt Whitman bridge in Philadelphia. It operates 0630-0900 ELT advising motorists of traffic cx on the Schuylkill Expressway, and also provides PSAs promoting mass transit & carpools. The antenna is a 6000' cable suspended on the bridge and the xr operates on 530 kHz w/10 watts. This system has been so successful that the PA Dept of Transportation decided to build 4 more, 3 of which are now in operation. Unfortunately, no freqs or locations were mentioned in the article.
- WY Two systems along I-80 were installed in 1976, one at Laramie and the other at Walcott Junction. The system does not operate all the time, but is used in conjunction with a "variable message sign" along the highway to provide information on road cx, closures, bad wx, etc. Each xr operates w/4 watts into an 8 mile buried cable antenna on 530 kHz. So far, this system has had 2 major problems: rodents gnawing through the cable, and poor reception on cars w/windshield antennas.

Of the systems described, the ones most likely to be hrd at some distance are the two with vertical antennas. The one in Iowa was hrd by an NRCer in Ohio recently, so DXers in the western U.S. might want to try for the one near Denver. The buried cable antennas have somewhat limited coverage; my experience w/the one at the L.A. airport is that it is lost in the HNL about 4 blocks from the boulevard leading into the airport. The radiation characteristics of the cable suspended from the bridge might be kind of interesting. Most of the above systems have "experimental" licenses. On 7/29/77 the FCC authorized the Travellers' Information Service, whereby stations similar to these HAR stns could be regularly licensed. However, so far no TIS licenses have been granted because local governments have "improperly" filled out the applications and none of the commercially available low-pwr AM xrs are type accepted (approved for use) by the FCC.

The stations described in this article are not the only low-powered BCB stns in operation. Past issues of DXM have had accounts of stns in various national parks and one at the U.S. Customs stn between San Diego & Tijuana. There are also a few 100 mw operations scattered around the country which, due to their low power, need no license. If you know of any, why not mention them in a forum report.

--- Bruce Portzer

**DX****Worldwide**
**BRUCE PORTZER,**  
 Editor

 All times GMT/UTC  
 Deadline 5/4, 6/3

6546 19th Avenue Northeast - Seattle, WA 98115 - 206-522-2521

**ATLANTIC DX ROUNDUP**

- 611 MOROCCO, Sebba-Aioun, fair w/male AA chanting 0012 3/31. (Connolly, MA)
- 737 SPAIN, Caceres, fair w/man in SS 0445 3/25. The band seemed open at the time, but I didn't have time to check it out. (Connolly, MA)
- 765 a SENEGAL, Dakar, fair w/man in FF 2358 4/6. Fair w/ repetitive native African mx 0001 4/12. (Connolly, MA)
- 782 PORTUGAL, Miramar, fair w/orch mx, then man in FF 2325 4/3. (Connolly, MA)
- 890 ALGERIA, Algiers, atop SAH; fair w/woman in FF 2323 4/3. (Connolly, MA)
- 1034 PORTUGAL, Porto Alto, good (not strong, but in the clear) w/FF talk by woman, then march mx followed by male & female vocals (pop mx influenced by opera) 0552 4/2. (Connolly, MA)
- 1043 MOROCCO, Sebba-Aioun, messing around w/TTs, carrier good 0551 4/2. (Connolly, MA)
- 1214 GREAT BRITAIN, BBC, fair but fluttering considerably; pgm was MOR vocals 0010 4/4. (Connolly, MA)
- 1268 ? UNID, carrier, bits of African mx during African opening 2345 4/3. (Connolly, MA) (The only African listed on at the time is h kw Mali; on the other hand maybe it was the Canary Islands. bp)
- 1367 PORTUGAL, Porto Monte de Virgem, to fair peaks w/nx by woman in PP 0602 4/2. (Connolly, MA)
- 1375 ST PIERRE & MIQUELON, very fluttery w/jazz 2349 4/3.
- 1376 FRANCE, Lille, poor w/talk by man 0537 4/2.
- 1385 t SPAIN, Madrid, suspected during Iberian opening: cl mx poor o/pack of SAH's 0536 4/2. (Connolly, last 3)
- 1394 ? UNID, Spanish locals suspected: an SS-sounding vocal popped up briefly o/a graveyard-like mess; Albania not noted 0604 4/2. (Connolly, MA)
- 1403 GUINEA, Conakry, fair w/crowd of people shouting & singing 0028 4/7. (Connolly, MA)
- t Very weak carrier here 0605 4/9 looping ENE. Couldn't check for signal on 764, but they're supposed to s/on late on SM anyway. (Hall-Patch, BC) (As long as I'm thinking of it, it's interesting that Dakar signs on late on Sunday, the Christian day of rest, rather than on Friday, the Moslem day of rest, seeing as Senegal is 80% Moslem... bp)
- 1466 MONACO, Monte Carlo, fluttery/weaker than normal w/ rfgs cl mx pgm 2351 4/3. (Connolly, MA)
- 1475 t BENIN, Cotonou, likely w/carrier & occasional African drumming - sig strongest w/loop peaked for E-W pickup 2359 3/30. (Connolly, MA)
- 1475 SPAIN, one of the Spanish locals peaked up well w/SS vocal mx, but it faded deeply 0607 4/2. (Connolly)
- 1475 ? UNID; big carrier, little or no audio here during African opening. Benin? At 2338 4/3. (Connolly)
- 1493 ? UNID, slow ballad mx, then man in FF 2355 4/3; no ID discerned at 0000; sig seemed to loop towards Africa at a time when 1403 was loud. European TAs generally absent. Ivory Coast suspected per Bill Bailey's logging of it. (Connolly, MA)
- 1502 SPAIN, Spanish graveyarder up w/SS operatic female vocal in amongst a mass of carriers 0608 4/2. (Connolly)
- 1578 PORTUGAL, Porto, good on peaks o/CKLM slop; PP folk-rock w/man & woman duet (resembling a Gilbert & Sullivan operetta) 0611 4/2. (Connolly, MA)
- 1578 ? UNID, carrier noted during opening which was African-only; bits of talk occasionally surfaced 0001 3/31. Ivory Coast a remote possibility. (Connolly, MA)
- 1586 WEST GERMANY, Langenberg, WDR, 0050-0110 4/4 man in GG w/nx & inst mx. Sig fair-great peaking at 0100 for one beautiful ID. TA #1. (Steadman, WI)
- 1594 PORTUGAL, Lisboa, in like a champ w/soft jazz 0613 4/2. This TA opening was unusual in that it was very specific: only high-band Iberian peninsula stns came through. These were much stronger than usual. Northern European powerhouses like 1214 & 1586 could not be hrd & the normal low-band Iberians like 719 & 737 were not to be found either. (Connolly, MA)

**PAN AMERICAN DX ROUNDUP**

- 535 GRENADA, Morne Rouge, poor w/muffled EE talk by man 0030 4/7. (Connolly, MA)

- 555 ST. KITTS, Basseterre, ZI2, fair-good w/Caribbean mx 0113 4/2. (Connolly, MA)
- 580 t MEXICO, Chihuahua, Chih., XEPI, probably the one w/ R. Mexicana ID 0437 4/9 & again w/several R. Mexicana ments around 0850. 2 R. Mexicana's listed. (Bytheway)
- 580 PUERTO RICO, San Juan, WKAQ, R. Reloj, 0944 4/3 w/ mx pgm & many "W-K-A-Q...R. Reloj!" SIDs. I've been after PR since I got my first DXM in 7/77, so I was quite glad to pull this one in at long last. (Baskind)
- 590 CUBA, has returned here. Noted at local strength w/ chimes & ID 0500 4/21. (Townshend, DC)
- 590 MEXICO, Hermosillo, XEHQ, 0431 4/9 w/ "de HQ" ment'd btween songs, plus one ment of Hermosillo. (Clements)
- 595 DOMINICA, Roseau, 3/29 0146-0203 Engelbert Humperdinck & other songs, poor w/mod QRM, ID 0200 & into mx. (Cartwright, PA)
- 600 MEXICO, Torreón, XEDN, noted w/anmt mentioning "Coronel Doctor Salvador Allende" & Torreón 0425 4/9, then enthusiastic man talking, followed by man & woman talking in SS. "DN en Torreón" ID 0429, then fast talk by man. (Bytheway/Clements, CA)
- 600 CUBA, San Germán/other, CMKV, apparently 2 Cubans here w/ // pgmng: political talk by man in SS noted: heavy SAH present w/no evidence of 2nd audio 0146 4/2. (Connolly, MA)
- 610 t GUATEMALA, Guatemala, TGGG, likely the one here 3/15 0351 w/many ments of Guatemala at top of hour but no ID hrd. Poor o/u various IAs & slight Cuban garbage from 600. (Baskind, MS)
- 610 HONDURAS, Tegucigalpa, HRIIP, R. América dominant on Freq 3/15 0429 w/futbol coverage & "Cadena Nacional" ments by OM angrs. (Baskind, MS)
- 610 PANAMA, Panamá, 3/8 0235, HOHM briefly in w/"...en la paz de Panamá..." during stn promo u/numerous IAs, Last CA country to be hrd here...took long enough! (Baskind, MS) (An unusual stn to be your first one bp)
- 625 COSTA RICA, San José, TIJC, 4/3 poor w/solemn IA mx 0625 & Freq "R Cucu... 'cuckoo'... 'cuckoo'" IDs. (Thomas)
- 640 GUADELOUPE, Point-a-Pitre, good atop mass of other carriers; 50's "rockabilly" type song, then man in FF followed by "It's only Rock'n'Roll" by the Rolling Stones 0111 4/7. Audio "hollow sounding", like a bootleg stn. (Connolly, MA)
- 640 GUATEMALA, TGGG, noted OM intoning SS o/mx in KFI null 0557 4/7. No slogan ID, but a few runs through the QF-2 filter yielded "seis mille ciento ochenta kilohertz onda corta" which is TGGG's SW // freq. Sig fair-null w/some KFI QRM. (Hall-Patch, BC)
- + R. Nacional blasting CMO 3/8 0213. Traces of this powerhouse have been hrd daytime when Cuban not too strong. (Baskind, MS)
- 640 VENEZUELA, Puerto la Cruz, YVQO, Ondas Porteñas, 3/28 strong w/CMQ muled 0552-56. Turned loop around to maybe hear KFI, & this was in w/romantic type vocals, ID 0554. (Cartwright, PA)
- 650 MEXICO, Los Mochis, XETW, several Los Mochis mentions & R. Quincero ID 0254 4/9. (Bytheway, CA)
- 655 EL SALVADOR, San Salvador, YSS, 3/11 0305 w/OM singing in SS, SS talk & ID. (Ross, ON)
- 660 MEXICO, México, XEPRM, in w/George Benson jazz mx 3/13 0620. (Baskind, MS)
- 660 NICARAGUA, Managua, YNAM, 4/3 0715 blasting in w/FC as "Dos catorce" by OM, ID, into SS pop mx. (Forsman, MS)
- 670 HONDURAS, Tegucigalpa, LV de Honduras w/"La H-R-N... Tegucigalpa!" ID 3/14 0351. Rather poor overall. (Baskind, MS)
- 680 MEXICO, León, XELG, "L-G, La Grande" here w/ID & romantica fare 3/13 0604 w/poor-fair sig. (Baskind, MS)
- 680 ? UNID, 3/23 1132-1215 in KNER/XETRA-690 null, this mystery creeping thru KNER Thurs morn 5kw operation fair w/SS. Typical LA mx, probably ID's but I'd never know it! Could it be WAPA or is it some Mexican? (Shugar-t, CA) (Probably XELG. bp)
- 700 COLOMBIA, Cali, HJCY, fair o/others w/R. Sutatenza ID 0027 4/2. (Connolly, MA)
- 710 MEXICO, Colima, XEPL, 2/14 0618 R. Juventud w/call letters & slogan atop semi-local WKRG's s/off & OC. Very impressive sig for listed power. (Baskind, MS)
- 720 CUBA, Colón, CMGN, in like a blockbuster w/SS political speech about "socialistas" atop YVOE 0103 3/29. (Connolly, MA)
- 720 VENEZUELA, Forlamar, YVOE, fair, many lively SS vocals noted, R. Vision Oriente ID 0023 4/12. (Connolly, MA)
- 725 COSTA RICA, San José, TILX, 3/31 0334-37 much 724 TVI, all talk, several Columbia ments 0336. (Cartwright)
- + 0406 4/9 w/very loud & clear mention of "Columbia" in middle of anmt. 30 seconds into next song man said "Columbia". (Bytheway/Clements, CA)
- 730 DOMINICAN REPUBLIC, Santo Domingo, HIZ, noted w/ads for Santo Domingo businesses, then IA mx 0101 3/29. (Connolly)
- 735 ECUADOR, Quito, HCBGI, good w/slow male SS vocal 0158 4/2. (Connolly, MA)

- 746.5a CUBA, maybe Pinar del Rio, ID as R. Liberación 3/14-0016-24. Quite strong & clear, mono talk in SS, then SW IS & Liberación ID 0020. Not hrd since. (Cartwright)
- 750 NICARAGUA, Managua, YMX, 3/29 0540-0600 w/nx for CA. Much clearer than usual w/great cx to S. hrd several ments during nx of "partido de..." Have there been elections down there? (Shugart, CA)
- 750 VENEZUELA, Caracas, YVKS, good w/R. Caracas ID atop low growl 0051 3/29. Heavy Auroral cx at the time. (Connelly, MA)
- 770 HONDURAS, Tegucigalpa, HRNQ, R. Morazan w/"HRN" IDs 3/11 0515. I went back to see if it was //670 but couldn't tell. (Baskind, MS)
- 775 COSTA RICA, San José, TIW, booming in w/"I Wish" by Stevie Wonder, usually covering the WABC buckshot 0620 4/2. (Connelly, MA)
- 780 BRITISH VIRGIN ISLANDS, Roadtown, ZBVI, fair w/Cuban milled; Jackson 5 song "Got to be there", then soul-style ancr 0034 4/12. (Connelly, MA)
- 780 CUBA, Camagney, CMJN, leading the pack w/Russian pgm w/woman & man ancrs, low-end domestic skip wiped out by aurora 0037 3/29. (Connelly, MA)
- 800 NETHERLANDS ANTILLES, Bonaire, PJB still on w/local-like sig w/Back to the Bible pgm in EE, demolishing aurora-weakened CKLW 0232 4/11. (Connelly, MA) (So much for the rumours of them leaving the air...bp)
- 810 COLOMBIA, Bogotá, HJCY, 0440 3/2 R. Sutatenza ID & Soccer game in SS. (Ross, ON)
- 810 ? UNID, wobbling, drifting LA yielding wavering het on (milled) WGY & assumed WKVM/HJCY mix 0034 3/29. (Connelly, MA)
- 825 t COSTA RICA, San José, TIOS, 3/31 0314-17 fair, no QRM, downbeat SS vocal, little talk hrd. (Cartwright) +Titania dominant 0528 4/5 w/usual YL ID. PFM 825013, up some 70 Hz from measurement on 3/17. Peninsula faded up briefly 0532--first time I've hrd these 2 together. (Hall-Patch, BC)
- 825.7a UNID, mystery carrier here maybe the same as unid-826 a few weeks ago. This at 0408 4/6, also 0428 4/12. Too weak for PFM w/het from Titania fouling it up. (Hall-Patch, BC)
- 830 VENEZUELA, San Antonio de los Altos, YVLT, 0420 4/1 SS mx & singing. OM DJ w/R. Sensación ID. (Ross, ON)
- 840 t CUBA, Santa Clara, CMHW, 3/27 0450-0500 totalling WHAS & in same general direction as nulling one lost the other too, so probably Cuba. No ID hrd as WHAS took over again on hr. Strangely never even detected before & I used to listen often to WHAS in evenings. (Shugart, CA) (Could also be Panamá or Colombia...bp)
- 840 PANAMÁ, Panamá, HOL30, 0700 4/9 SS mx faded into fanfare & ID. "...desde la Cd. de Panamá, transmite R. Libertad..." Ment'd 840 kHz & 2 phone numbers: 64-55-70 and 64-52-69 (sounds like a girl I used to know, hi. bp), also gave the address listed in WRTH. Then gave TC as "hora oficial de Panamá." (Bytheway, CA)
- 850 h GUATEMALA, Guatemala, TGX, R. Ciros, being QRM'd by QLM beacon on 2nd harmonic of 1700 kHz 0810 4/3. Romantica & Marimba mx format. (Baskind, MS)
- 880 GUATEMALA, Guatemala, TGJ, w/mucho mentions of Guatemala 0155 4/9. (Clements, CA)
- 890 COLOMBIA, Bogotá, HJCE, LV de Bogota. ID surfaced 0200 4/9 o/a mess of hets. (Clements, CA)
- 890 DOM REP, Santo Domingo, HIPJ, to fair peaks w/rhythmic LA vocal mx, R. Continental ID atop growl of other LA's 0028 3/29. (Connelly, MA)
- 890 GUATEMALA, Escuintla, TGHU, 3/3 0104 R. Escuintla just o/WLS w/"R. de Guatemala" psudo-ID & very old LA mx. (Baskind, MS)
- 890 ? UNID, 4/3 0635 something detectable here in WLS fade. Could it be the Guatemalan? (Shugart, CA) (Could be, they're sometimes heard in your area. I hear HJCE & Panamá here quite a bit. Take your pick... bp)
- 900 BARBADOS, Bridgetown, to fair peaks o/Canadian rocker; panel discussion in Caribbean EE w/ments of Barbados, 0046 4/7. (Connelly, MA)
- 900 GUATEMALA, Puerto Barrios, TGMA, 0054 4/4 o/new Nicaraguan w/EE editorial about British domination of Belize & the evils thereof by YL ancr. SS OM took o/ at 0059, but stn faded u/XEW at top of hour. Hmmm... (Baskind, MS) (Sounds like pretty heavy stuff...bp) + "Esta es R. Amatitque..." ID after Marimba song 1111 4/9. Droning monotone dissertation in SS followed. (Bytheway/Clements, CA)
- 910 MEXICO, Cd. Obregon, XEHO, 0657 4/9 w/TC as "Las doce exactamente las doce." Then s/off anmt, which began w/electronic sounding mx & ID as "XEHO, R. Centro de Ciudad Obregon..." (Bytheway/Clements, CA)
- 910 t MEXICO, Mexicali, XEAO, 0047 4/9 w/R. Mexicaná ID & spot for a Beisbol game on Saturday. (Bytheway, CA)
- 910.2? UNID, strong het on WRQC 0045 4/7. (Connelly, MA)
- 914 SURINAM, Mieuw Nickerie, fair on peaks w/heavy slop, pgm was female vocal 0045 4/7. (Connelly, MA)
- 920 COLOMBIA, Cartagena, HJAE, 4/11 2359 fair, end of nx pgm, into long stn promo w/ID at end as Emis. Fuentes, on the Beverage. (Forsman, MS)
- 930 HONDURAS, Puerto Cortes, HRZE, R. Cortes, u/WLSI w/ID 0319 3/27 & mixture of Mexican-style ranchera mx & romantica. (Baskind, MS)
- 940 t MEXICO, Mexicali, XEW, "La Cacharilla" ID & 4:50 TC between records 0051 4/9; ID at 0053 as "Musica, noticias, novellas, en la Cacharilla, 940 en su radio", then more mx. Only PST Mexican listed here. (Bytheway)
- 944 HONDURAS, Tegucigalpa, HRYV, R. Panamericana, 3/31 0351-58 w/lively insts & female ancr. (Cartwright, PA)
- 945 at ECUADOR, Guayaquil, HCD2, 1015 4/9 w/a cross between romantic & rock mx. Deep voiced man mentioned (I'm pretty sure) Guayaquil and "945". Couldn't tell if this was 944 or 945 due to FRG-7 readout. (Bytheway)
- 980 MEXICO, Nueva Rosita, XENR, 0446 3/5 w/"La N-R" IDs & very poor sig being chewed by domestic QRM. (Baskind)
- 980 t VENEZUELA, Maracaibo, YVTB, 4/3 0825 believed to be the one here w/poor sigs, hrd "La emisora de Venezuela". The other YV stn goes off at 0300, so YVTB must be the one here. (Forsman, MS)
- 995 ? UNID, 3/31 0406-10 very low level, slight QRM, fem singing soft vocals, then out, could have been Ecuador. (Cartwright, PA)
- 1000 COLOMBIA, Cartagena, HJAR, 4/3 2357 fair, probably the one here w/R. Suceso ID on the Beverage. (Forsman)
- 1000 VENEZUELA, Morón, YVNM, generally o/2nd LA; SS mx, then "es R. Mil" 4 note jingle to the tune of an antique car horn, TC of 8:50 (AST) clinches it as the YV, not the Mexican, 0051 4/7. (Connelly, MA)
- 1000 ? UNID, ID sounded like "LV de Bereda", carrier varied frequency u/modulation, yielding low wobbly het against aurora enfeebled WCPL 0249 4/11. (Connelly, MA)
- 1010 CUBA, Pinar del Rio, CMAS, R. Guama, 0059 3/5 w/usual Cuban mx pgm (listen for flutes) & Cadena ID top of hour. (Baskind, MS)
- 1025 COLOMBIA, Ibague, HJFT, 3/13 0746-0804 lively mx, ID 0304, very strong w/no QRM, slopping 1020 & 1030. Used Rumbos-type chimes sometimes between records. Don't have the new WRTH yet, what is this one's SW freq? Listed on 4875, but hrd on 4785. R. Super, maybe in Bogotá, monitored on 4875. A switch? (Cartwright, PA) (WRTH '78 lists this one's SW on 4875 & no Colombians on 4785. No "R. Super's" listed in WRTH in the 60 meter band. bp)
- +4/3 0728 very good w/typical HJ mx, IDs as Ecos del Combeima. (Forsman, MS)
- 1040 COLOMBIA, Barranquilla, HJAI, 4/3 2347 good w/Tropical ID on the Beverage. (Forsman, MS)
- 1045 t PANAMA, Las Tablas, HOJ2 poor-fair w/fast SS talk, hetted by Morocco-1043 0550 4/2. (Connelly, MA)
- 1050 DOMINICAN REP., Santiago, HICB, 3/37 0230 LV de Hispanola o/XEG w/full ID & romantica mx. Also noted prior to R. Melodia's s/off but too weak at time to ID. (Baskind, MS)
- 1055 COLOMBIA, El Espinal, HJFZ, 4/3 0735 very good w/lively LA mx, ID 0736 as LV del Centro by OM, then back into mx. (Forsman, MS)
- 1090 COLOMBIA, Cucuta, HJBC, 4/3 presumed the CARACOL here w/Romantica mx & freq TC's, but no ment of Cucuta. Dominant at 0900. (Thomas, FL)
- 1090 ? UNID, a "R Sonora" audible 4/3 0900 u/the Colombian. Weak. (Thomas, FL)
- 1100 ANTIGUA, St. John's, ZDK, in w/wall-to-wall softrock 0151, & noted at 0157 w/ads for "happy hour" at Stenmar Retail Store, this was followed by a calypso-song identification contest, on 3/29. (Connelly, MA)
- 1100 COLOMBIA, Bogotá, HJCN, 4/3 0757 good w/long drawn out ID as R. Reloj at 0800, WWWE apparently off this MM. (Forsman, MS)
- 1110 HONDURAS, El Progreso, HRPL, good w/ID & talk by OM 0018 4/2 on the "beverage". (Forsman, MS)
- 1110 MEXICO, México, XERED, R. Red here w/"La Hora Nacional" relay until 0512 3/27, then local pgm & frequent slowly sung SID. Fair sig but being plastered by domestic. (Baskind, MS)
- 1110 t MEXICO, Cd. Juarez, XEWR, 0018 4/9 w/"Johnny Has a Girlfriend" whistle a la XEQR, then SS rock oldie & R. Alegria ID. Had several ments of "...en Chihuahua" but no Juarez mentions. (Bytheway, CA)
- 1120 DOMINICAN REP., Santo Domingo, HICN, very good w/R. Antillas ID, ad for "Angelo's" disco, then uptempo male SS vocal 0146 3/29. (Connelly, MA)
- 1124.6? UNID, mystery continues here 0420 4/12. Fair carrier. bits of mx. Was not //4832 SW outlet which I'd as "H-B, R. Reloj de Costa Rica", same as 700 outlet. Noted again 0425 4/13 w/a little mx in CWX splatter. (Hall-Patch, BC) (Sounds like TISRHB...bp)
- 1125 t COSTA RICA, San José, TISRHB, R. Elias, 3/31 0438-49, weak, Leo Sayer song, maybe in SS, more SS might rock, mx always at a much better level than the voice. (Cartwright, PA)
- 1130 COLOMBIA, Barranquilla, HJAC, 4/3 2344 good w/ads, mx & "Atencion Barranquilla" by OM during nx, on the Beverage. (Forsman, MS)

1130 DOMINICAN REPUBLIC, Santiago, HIRL, 4/5 0027 good w/ LA vocals, IDs as R. Exitos, into SS pop mx. (Forsman)

1155 EL SALVADOR, San Miguel, YSCF, Ondas Orientales, w/ very full ID 0517 4/3. This stn limits itself to restrained LA & US MoR & EZL mx similar to Panamericana-94h. (Baskind, MS)

1160 COLOMBIA, Barranquilla, HJBL, 4/3 2330 good w/apparent local mx, several ments of Barranquilla, 2-tone chime IS between mx items, on the Beverage. (Forsman, MS)

1165 ANTIQUA, St. John's, CRL, finally logged, very weak, but no QRM, 3/1h 2358-2400. Gospel singing, ID 0000. (Baskind, MS)

1170 COLOMBIA, Cartagena, HJMW, 4/4 2326 very good w/long nxcast, several IDs hrd, on the Beverage. (Forsman)

1175 COSTA RICA, Puerto Limón, TIO, in 0533 4/3 w/EE pgm & US pop mx for Americans residing in Costa Rica & vicinity. It sounded as if the OM announced 1180 kHz along w/SW & FM freqs. Fair overall w/unusually low noise levels. (Baskind, MS)

1180 MÉXICO, México, XEPR, 4/2 R. Felicidad noted 0730 w/freq IDs, TCS, & MoR-like LA mx, sig unusually good for 250 watts. (Thomas, FL)

1210+5 UNID: superb drifter wobbling all o/WCAU; SS mx hrd 0205 3/29. (Connelly, MA)

1220 ? UNID, nonstop SS talk, possibly a sporting event, seemingly gave R. Rebelde mention, but ancr's style not like that of typical Cuban pgmng 0140 3/29. R.26 listed for Cuba (CMGY). (Connelly, MA)

1240 MÉXICO, Nogales, XEOG, "Ceh Hey, R. Mexicana" ID 0223 4/9, loud & dominating the channel. Also had ID as "Aquí esta su gallo, en R. Mexicana" w/lotsa whoops & cheers. "Gallo" is SS for chicken, so something may have been lost in the translation. (Clemtheway)

1250 MÉXICO, Hermosillo, XEDL, w/ment of Nogales & R. Capital followed by spot w/several "La Juventud" ments. Long local nxcast followed 0334 4/2. (Bytheway and Clements, CA)

1260 MÉXICO, México, XEL, R. Capital 0617 4/3 w/shouted slogan ID & US disco mxformat. (Baskind, MS)

1270 CUBA, Camagüey, CMJG, clearly dominant w/Relej pgm, traces of WFSM showing under 0129 3/29. (Connelly, MA)

1270 MÉXICO, Navajoa, XEGL, noted 0548 4/9 w/ID as "GL, La Triunfadora en Navajoa", dominating freq. 0548 had spot w/ments of "movia", 0549 spot for "Beh Achee (BH)...un evento especial..." (Clements, CA)

1280 t HAITI, Port-au-Prince, hVPH, 4/5 0227 fair, absolutely no WBSO QRM, WF talk & LA mx, on the Beverage. (Forsman)

1300 MÉXICO, Cd. Juarez, XED, "R. 13" & Call ID 060h 4/9. (Bytheway, CA)

1300 ? MÉXICO, R. Trece IDs & ranchera mx here o/bad QRM 0353 3/4. No clues as to which Trece it was except for the fact that it ran numerous SIDs which were usually too muffled to make sense of. (Baskind, MS) (XED? bp)

1310 MÉXICO, Agua Prieta, XEFH, "FH de Agua Prieta" ID 0218 4/9 after KIOT s/off. (Bytheway, CA)

1380 DOMINICAN REPUBLIC, Santo Domingo, HISC, briefly atop the channel during severe domestic-killing aurora: strident R. Nacional ID, then festive mx 0119 3/29. (Connelly, MA)

1415 ? UNID, mystery stn here w/pcp mx including "Wonderful World" by Paul Simon & James Taylor, looped E. of Caribbear, S. of Africa. 2355 3/30. Faded into slop before ID was given. (Connelly, MA)

1420 MÉXICO, Irapato, XEWE call letter ID hrd while sitting cross-legged before my stereo & playing BCB roulette 1126 3/30. WUNI-1410 slop & QRM from KXOW ET. (Baskind, MS)

1430 MÉXICO, Cd. Obregon, XEOX, 0156 4/9 gave ID w/call, city, & 5kw power mentioned. (Clements, CA)

1470 MÉXICO, México, XESM, w/call letter ID in slop 1144 3/30. (Baskind, MS)

1470 ? UNID, 2 SS LAs battling each other; yielding low het, no domestics noted on a channel normally dominated by WLAM. No clear IDs from the LAs 0111 3/29. (Connelly, MA)

1555 CAYMAN ISLANDS, Georgetown, 3/31 0h21-26 fair, all alone w/Easy Listening instrumentals. (Cartwright)

+Making through WQXR slop: disco hit "Enjoy Yourself" noted 0132 4/2. (Connelly, MA)

1560 MÉXICO, Cd. Juarez, XEJPV, R. Chamizal ID & mention of Juarez 0111 4/9. (Clements, CA)

1570 DOMINICAN REP., La Romana, HIRJ, R. Juventud, 3/26 0007 w/full ID o/GFOR's rr mx. Quite happily surprised w/this one as XEFP is usually..er..uh..dominant, loop or not. (Baskind, MS) (I was expecting you to say "...receiver or not", hi. bp)

1570 GUATEMALA, Guatemala, TOVE, is IDing as "R. Voz Evangelica de America" per promo hrd 3/27 0ch8. Not "R. on de Guatemala" as previously rptd. (Baskind)

1571 DOMINICAN REP., Santo Domingo, HIAJ, badly hetting aurorally-weakened CKLM 0107 3/29. (Connelly, MA)

1580 MÉXICO, Hermosillo, XEDM, "La Grande de Sonora" ID, mx, & spots, 0039 4/9. (Clements, CA)

1600 MÉXICO, Los Mochis, XEZA, "La Zeta" mention, full ID, & phone # 0533 4/9, briefly dominating. (Clements)

1613 GUATEMALA, Rabinal, 3/26 0227, RAB w/ endless didadit didah dahditdit (Isn't that a new song by Led Zepplin?). By any chance, has anyone got the power on this? (Baskind, MS) (1 kw. bp)

1620 ? UNID, "STST" beacon here u/local navigation marker on same freq. Fair sig but QRM really cut down readability. This is listed in one of the PL's w/o location. Ideas anyone? (Baskind, MS) (None here. bp)

PACIFIC DX ROUNDUP

650 HAWAII, Honolulu, KORL, pegging the needle w/rock mx 0806 4/10; strong enuf sig to cause S-9 slopover on 660! (Tomer, CA) (It's not until they slop over onto KFI that they get really strong. bp)

760 HAWAII, Honolulu, KGU, 4/17 1247 xlnr w/AoR mx. KTFB off. (Korinek, CA)

+Fair u/KFMB 0615-0635 4/10 w/mellow jazz, ID's & local spots. (Tomer, CA)

760 NEW ZEALAND/HAWAII, Auckland/Honolulu, IYA/KGU, both were here MM 4/17 in the silence of KFMB 1150-1230 after WJR fadeout. Static moderate. The tape shows 3 or 4 pips squeaking through in 5 secs before 1200, but the rest of the IYA 6 pips lost to the noise. KGU never IDed itself but assume it was the stronger signal in steady MoR mx across the hour w/no break, which is enough to prove it wasn't WJR. Clearest looping was NE-SW. LA & WJR were there at 1100 but gone an hour later. First time I've caught KGU & IYA together in 4 years or so although it used to be a regular morning event in the DST time of year before KFMB went AN. Kept thinking KFMB would put on an OC to wipe me out but remained off entire period. KGU & IYA beating was conspicuous after 12 & KGU mx reached fair volume at times. Both sigs weakened by 1210, 13 mins ahead of Denver SR. But the beating was still in as late as 1230. (Martin, CO)

840 ? UNID, something was here MM 4/17 1138-1149 w/audio too weak for diagnosis after WHAS died out. Static bothersome too. KOA OC came on while I was listening & I realized it had happened w/o my noticing it, for anticipating such an event, I had carefully nulled KOA at the beginning. So perhaps if I get up early enough & monitor the freq on a regular basis after WHAS fade-out, some morning I might bag the Australian here. KOA does give me lots of trouble but it does null out completely at a distance of 10 kHz, & it makes the looping NE-SW. (Martin, CO)

844 GILBERT ISLANDS, Tarawa, VSZ1, fair 0708 4/12 w/US movie themes; BBC World tx at 0720. (Tomer, CA)

+4/17 1003 in xlnr w/OM ancr in unid lang w/native/US pop mx. TT at 1010. Stn off at 1011. (Korinek, CA)

940 HAWAII, Waipahu, KAHU, fair-good 0935 4/10 w/cw & SID between every other song. (Tomer, CA)

1000 JAPAN, NHK-1 synchros fair 0955 4/10 w/JJ talk //880; NHK pips at 1000 but too weak for specific ID. (Tomer)

1010 JAPAN, Osaka, JONR, possibly the source of JJ talk briefly hrd o/XEHL at 1115 4/10. (Tomer, CA)

1030 SOLOMON ISLANDS, Honiara, VQO, fair-good w/OM talking in Pidgein EE 0935 4/10; //5020 SW. (Tomer, CA)

1040 HAWAII, Honolulu, KPOT, 4/16 1305 in L&C w/"K-poi" ID & into ws. OM ancr & mellow rr mx. (Korinek, CA)

1210 CHINA, 4/16 1220-1310 in good w/YL ancr in CC & light crch mx. No pips given at 1300 although def IS gave it away as China at 1302. (Korinek, CA)

1206 ? UNID, 4/17 1233-1304 good carrier, weak audio. Only crch mx hrd. No pips on the hour given. Loop points directly at Indonesia! (Korinek, CA)

1555 ? UNID, 4/17 1309 carrier noted w/use of BFO. Def TP. (Korinek, CA)

DOMESTIC #\$\$\$@ ROUNDUP

1030 TX, Corpus Christi, KOTA, 0033 4/4 w/EE ID as "The Gospel Giant of the South west" & SS Mexican-oriented pgm fair-good o/XEQR. (Baskind, MS)

1040 IA, Des Moines, WHO, according to a letter from the stn, carried Vietnamese 0230-0300, & SS 0300-0330 on Mondays (i.e., Sunday nights, their time). Pgms are called "The Voice of the SE Asians" & "Community on the Move", respectively. (Hardester, Okinawa)

1140 FL, Miami, WQBA is the dominant "Latin" here on SM w/WQVA off. Mellow-slightly spirited LA mx 0625-0702 4/2 w/occ "WQBA...Miami" (in SS) ID's. (Thomas)

VERIFICATIONS

- 540 NICARAGUA, Managua, YNOW, R. Corporacion, nice v/1 in about a month for SS rpt & mint stamps. v/s Humberto Sanchez Martinica, Gerente. (Lazar, WI)
- 540 MEXICO, San Luis Potosi, XEWA, nice v/q in a little o/a month for SS rpt & mint stamps. (Lazar, WI)
- 545 DOMINICA, Roseau, R. Jumbo, EE v/1 in about 3 weeks for tape & IRCA FF rpt form & mint stamps. V/s Floret Gilles, CE. (Lazar, WI)
- 1140 PHILIPPINES, Poro, VOA, QSL via surface mail in 8 days. Full daya "Four Seasons Card"; v/s Gayle Kucera. (Hardester, Okinawa)
- 1555 CAYMAN ISLANDS, Georgetown, R.Cayman, v/1 in about 3 weeks for mint stamps. V/s R.G. Dunlop, Dir. of Broadcasting. (Lazar, WI)
- 1586 WEST GERMANY, Langenberg, WDR, nice green/orange v/q w/EE/GG verie statement in a month for IRCs & EE taped report. (Lazar, WI)

CONDITIONS

\*\*Mark Connelly sends the following conditions log:

- 3/25- cx normal, low-end TA opening, esp to Iberia/Morocco
- 3/29- Heavily auroral; TA's poor, Africans only; IA's good
- 3/30- Auroral, TA's poor; LA's good
- 3/31- Transitional cx; TA opening to Africa, IA's not checked
- 4/2- Transitional; high end opening to Iberian peninsula around 0600z, IA's good.
- 4/3-4 Disturbed. Some European TA's in, but below normal levels.
- 4/6-13 Very auroral on low end. Short skip w/auroral flutter on high end. Sometimes IAs were in well, but most often even the IA's were weak, although they dominated low-band due to weakend domestics in the early evening. Low-band opened to midwest in late evening, allowing midwest clears (still weak) to override the IAs. High end domestics were stronger but much more fluttery than their low-end counterparts. The only TA's in were the Africans, notably Senegal-765a & Guinea-1403; these too were unusually weak. As on other similar overall weakened-skip cx, local noise/TV QRM was often the prime factor limiting reception possibilities.
- 4/13 Today a local wx forecaster went into great detail about a recent huge solar flare & its effects on visible aurora & radio blackouts.

\*\*That huge solar flare got a big writeup in the Seattle newspapers, but its impact on BCB DX appears to have been minimal. REPORT FROM OKINAWA - Mike Hardester

- 548.000 USSR, Majak 3/26 in RR 1750 w/talks by man & inst mx. Either antenna switch or pwr reduction at 1758 as suddenly weak vs otherwise very strong.
- 549.994 S. KOREA (ex-560), Vagabond R./AFKN, 1803 3/26 in EE w/man. Noted after USSR off/switched w/inst SSB (strange time as is 0300 Korea/Japan time), into AFKN nx rpt w/local wx & into canned pgm. Fair after USSR off.
- 550.000 JAPAN, Naha, JOAP, w/ID & s/off anmt 1500 (midnight local) 3/23. First time noted w/local ID. Into 2 inst musical numbers & off.
- 620.014 PHILIPPINES, Quezon, DWWW, noted 3/21 1000-1025 w/Tagalog by man. Full ID on hour; spots for San Miguel Beer, Marlboro, & Dutch Clenser. Fair sig.
- 680.032 S. KOREA, Gun San, HISA, 3/26 1905-2000 w/US pop mx of 60's to 1930, & into light inst ms to IS(?)/anthem/ or whatever 1955. KBS-like pips on hr w/ID by man. Fair w/moderate QSB, in KK.
- 700.001x UNID, suspect Beijing the one 3/25 1330-1400 w/EE/CC lang lessons w/much examples of PRC culture. Into straight CC 1400 w/o ID or pip. Fair level w/unid JJ QRM. (the lx-unstable; varied 3-5 Hz)
- 800.409 N. KOREA, Pyongyang, here w/male talks 1155-1230 3/26. ...- pips o/3 secs; //655/685/735/850/3320/6400 (not 6250 as per WRTH 78). Good level.
- 950.000 JAPAN, Tokyo, JOKR, 3/25 1500 in JJ w/male ancr, pips on hr: ... & into JJ mx, & EE pops of late 60's.
- 1015.988 USSR, Baku, 1831-1900 w/RR pgm; Moscow IS & ID on hr. Mixing w/unid Arabic-like stn (Turkey?) w/Koran-like prayers(?) on 1016.008. This on 3/24 w/Beijing-1020 QRM. Both stns alternated in peaking for about 5 mins w/maximum of fair sig.
- 1039.994 S. KOREA, Chungchon, AFKN, 1913-1930 w/Big-Band Sound pgm by man on 3/24. Military promos. Good level w/ slight fading. Beijing off. (You mean Shanghai?)
- 1080.076 N. KOREA, Haeju, KBBS-HS w/male talks & orch mx 3/26 1400. Pips on hr but mixing badly w/other stns so can't tell exact number.
- 1129.998 PHILIPPINES, Manila, DZXL, (not DWXL as per 78 WRTH). w/Tagalog talks by men 3/22 0953-1013. Pop mx & Tagalog/EE ID on hr. Fair w/QRM de V. of Party for Re-unification of Korea on 1134.
- 1140.000 JAPAN, Kyoto, JOBR, 1525 3/25 w/male ancr in JJ & JJ pops. Fair level w/QSB.
- 1140.001 PHILIPPINES, Poro, VOA w/WR ID, Yankee Doodle, & into Vietnamese pgm 3/25 1400. Xlnt level.
- 1189.998 S. KOREA, HLKX, 3/22 0850-0918 w/EE rlg's pgmng & Full ID on hr. Into "Candlelight & Silver" ngn of semi-cl & easy listening mx 0905. Good level.
- 1205.498 PHILIPPINES, Bacolad City, DYRH w/ID & Tagalog talks 1030 3/22. Fair level.
- 1330.000 JAPAN, Nagoya, JOSF 1758-1810 3/26 w/male in JJ mixing badly w/Beijing. Believe pips on hour, but not sure.
- 1410.003 JAPAN, Fukuoka, JOIF, 1600-1630 3/26 w/man in JJ. NHK-like pips on hr; rr mx of late 60's in EE, & JJ pops. Good w/QSB.
- 1474.985 SABAH, Kota Kinabalu (Sandakan), Suara Malaysia 3/29 variesto 1230+ w/woman ancr in unid lang. Clear "Suara Malaysia" & "Kota Kinabalu" on 1/2 hr. Fair-poor w/DWRF-1470, and QSB.
- 1475.010 S. KOREA, Ceju, 1043-1103 3/22 w/KK(?) lang pgm (not EE as per WRTH). ID on hr by man & woman & into EE lessons w/man & woman. Fair-poor w/165 Hz het on upper side.
- 1519.996 JAPAN, Fukui, JOFG, w/NHK pips, JJ ID, & into 2 inst musical selections & off 1504 3/24 w/OC on.
- 1550 REP. OF CHINA, Taipei, AFMT, 3/22 1030 w/sports rpt & local anmt. Fair-poor w/moderate QSB & CC lang QRM. REPORT FROM NEW ZEALAND - John Allichin

It was great to spend the last couple of weeks of my summer vacation with Phil Brooks at Te Araroa, on the east coast of NZ's North Island & experience the best NA DX cx ever. Reception from NA was possible from 0630 w/reception still possible past 1530. Rxes used were a Kenwood QR-666 & an Eddystone 680X w/a 1350' LW running 5-8' above the ground in a NNE direction. Te Araroa, a holiday resort on NZ's East Cape, is on the most easterly tip of the country looking directly out to the NE o/the Pacific Ocean. (Sounds like NZ's equivalent of Westport, WA. bp). Here are the highlights of a very successful DXpedition. Stns hrd & rptd in my trail in DXM Vol 15. #11 have been left out.

- 540 CANADA, Watrous, CBK brd at fair level at 0705 s/off w/GSQ.
- 550 HAWAII, Wailuku, KMWI, at good level o/KTSA w/popular mx 0815.
- 570 USA, Los Angeles, KLAC, very poor u/pwrhouse 2YA w/cw pgm 1245.
- 580 USA, Fresno, KMJ, fair peaking good w/local ads. WIBW Nitecap underneath.
- 600 USA, San Diego, KOGO, at a very good level 0920 w/Jimmy Buffet song & ID "This is Jimmy Buffet on Ko Go". Gave details of church meeting in Chula Vista.
- 600 CANADA, Vancouver, CJOR, w/frequent peaks thru KOGO w/pop mx & ad 0950 for Courtesy Chevrolet at 5400 Kingsway. Long jingle ID 1000 as "Your information R. CJOR".
- 620 NIUE ISLAND, Alofi, ZK22N, strong sig but poor audio in EE w/local mx items 0446.
- 640 USA, Los Angeles, KFI, w/ELO song "Turn to Stone" followed by 6h-KFI ID & promo for Diamond Mine competition. Peaked well o/lyw.
- 670 USA, Boise, KBOI fair-good 1115 w/Jim Butler song.
- 680 USA, San Francisco, KNBR pounding in w/wx 0805 followed by jx ID "KNBR 68, plays the mx you want". Regular w/Fiji.
- 700 USA, Cincinnati, WLW at a good strength w/Linda Rondstadt song 0657 & into NBC mx 0700. Jingle ID 0705. Quick QSL.
- 710 USA, Los Angeles, KMPC, in good 1317-1327 w/wany Tds. Reception mixed w/ABC & no sign of KIRO 2/6 - SP?? (Yes, KIRO goes off the first MM of each month. bp)
- 710 USA, Seattle, KIRO, w/CBS mx 1505. ID 1506 "KIRO nrtime 7:06". Pronounced "Cairo". ID followed by ad for Zenith Super Z Dealers in Seattle & Tacoma.
- 720 HAWAII Elele, KUAI, w/basketball results 0758 followed by ad for Tyre Warehouse in Kauai. Peaked very good o/lyw. No sign of needed WGN.
- 730 CANADA, Vancouver, CKLG, 1201 xlnt after ?ZK s/off. ID as "73 CKIG".
- 750 ALASKA, Anchorage, KFQD w/good signals at 11:48 w/wx Forecast. Jingle ID "KFQD in Anchorage" & then Dave Mason song. Quick attractive v/q.
- 750 USA, Portland, KXL, 1420 w/all-nx format. Only fair mixed w/ JOIB. (KEX is easy listening mx during the day, so all-nx is apparently just after s/on. bp)
- 760 HAWAII, Honolulu, KGU, xlnt in absense of LYA 2/6 which was off w/xr maintenance. ID as "R. 76 KGU" at 1126.
- 780 USA, Chicago, WBBM, w/all-nx format carrying CBS pgm 0741. 0747 local sports results. Fair but soon faded w/HYC.
- 810 USA, San Francisco, KGO, at fair level 1520 though freq very noisy. Faded in & out frequently after Fiji s/off 1105.
- 830 HAWAII, Honolulu, WTKI, fair w/pops thru LYX/LYK 0630+.



870 USA, New Orleans, WWL good 0749 w/ad for Malone Freight-lines in Birmingham, AL. Jingle ID followed: "Happiness is WWL in New Orleans". Some QRM from KATM.

870 HAWAII, Honolulu, KAIM, w/ pgm on Mental Health. ID 0902 "You are listening to the Christian BCing Assoc KAIM & KAIM FM, Honolulu".

900 CANADA, Victoria, CJVI, in at very good level 1522 w/ID as "CJVI Country".

940 HAWAII, Honolulu, KAHU, surfaced o/KFRE w/ID as "Kar Hoo". Then faded down again u/KFRE 1318.

950 MEXICO, Tijuana, XEPM, regular pest each evening w/SS pgm 0630 onwards.

960 USA, Phoenix, KOOL good at tunein 1055. CBS nx 1100. Good ID 1116 "You're listening to the best in the west Radio KOOL CBS Radio 96".

960 USA, Oakland, KABL, v/EZL pgm & "K-A-B-L" ID 1325 mixed w/LWK. Fair strength.

980 USA, Los Angeles, KFWB, all nx format hrd at very weak level u/CKNW.

980 CANADA, New Westminster, CKNW at 1243 w/spot for Westminster Chevrolet at 12th & Queen in N.W. Very good.

990 HAWAII, Honolulu, KHVH, at xlnl level 1106 w/frequent IDs as "Kradio 99 K-H-V-H".

1000 USA, Seattle, KOMO, w/Bee Gees hit "How Deep is Your Love". ID 1152 as "Komo". Very good w/slight QRM.

1010 CANADA, Calgary, CBR noted at poor level through 12N/LZK carrier w/local Calgary nx 1425.

1020 USA, Los Angeles, KTNQ w/rock mx & frequent "BO Q" IDs. Mixed w/Tonga till s/off 1000, then clear o/2KY.

1040 HAWAII, Honolulu, KPOI, mixed w/h7B until h7B s/off 1105. Then xlnl level w/frequent "K-Poi 100" IDs.

1060 USA, Chico, KPAY in the clear after semi-local 22G s/off 1105. ID 1206 as "KPAY" w/come CFON QRM.

1080 HAWAII, Honolulu, KLOE, in from 0600 onwards at a very good level w/frequent "K-108" IDs. Occasional KRLD QRM.

1130 CANADA, Vancouver, CKWX, 1451 w/spot for The Carpet Man at 1700 Block Austin & 2 blocks E of King George Highway in Surrey. Jingle ID "CKWX Super Country" followed.

1170 USA, San Diego, KCBQ, noted thru powerful KVOO at 0724 & other times but very weak.

1180 USA, Marathon, VOA, w/xlnl sigs 1120 while 2YW off 2/6 carrying SS pgm.

1200 USA, San Antonio, WOAI, at tunein 1120 at very good level w/"Texas Outdoors" pgm w/a.x. fishing & boating info. No ID for 40 mins until 1200 "The nx authority, W-O-A-I Kx, San Antonio". Into CBS nx.

1210 USA, Philadelphia, WCAU, fair peaking good o/Fiji. sign of hXO. ID 0722 "We're your world of information, Philadelphia's most informative nx stn, WCAU 1210 Nx, all nx all the time."

1260 USA, San Fernando, KGIL, Capt. & Tenille song at 1041 & into UPI nx 1045. Frequent IDs as "Valley R. KGIL". Dominating 1260 w/CFRN hrd weakly underneath.

1265 ST. KITTS, Basseterre, R. Paradise at 0925 w/request pgm to listeners in St. Kitts, Barbuda, & Antigua being mentioned. Rlgs mx w/IDs on 1/4 hour.

1270 HAWAII, Honolulu, KNDD, fair-good 0755 w/some slop from 22C-1280. Other US stns underneath.

1270 USA, Ft. Worth, KFJZ, in well mixed w/other US stns w/nx of Happenings in Dallas. Good but soon faded 0810.

1270 USA, Rock Island, WHBF, carrying cw pgm & beautiful ID as "WHBF". Reception mixed w/KFJZ 0805.

1280 USA, Stockton, KJOY, came thru at fair level w/KTLK at 1235 w/Andy Gibb hit "Love is Thicker than Water".

1280 USA, Denver, KTLK, ID hrd once u/KJOY & 3AW 1239.

1310 USA, Oakland, KDIA, fair-good o/2GO 1416 w/rigs sermon followed by "KDIA R. 1310" ID 1428.

1320 USA, Houston, KXYZ, weak ID hrd 0725 u/KUDE.

1320 USA, Oceanside, KUDE, exceptional sig for 500 watts w/ID 0731 as "back-to-back mx on 1320 K-U-D-E", then wx.

1350 USA, Santa Rosa, KSRO, all by itself w/sports results 1138. ID 1440 "20 mins before 7, KSRO", then detailed wx.

1360 USA, Corpus Christi, KRYS, peaked fair 0805 w/jingle ID & pop mx. Soon faded.

1360 USA, San Diego, KGB poor-fair w/KGB-AM ID about 0710 2/6.

1360 USA, Cincinnati, WSAI, 0803-0810 w/ID given as "W-S-A-I" by female ancr. Fair sigs mixed w/KRYS.

1370 USA, San José, KERN, w/cw pgm dominating this freq after 22P s/off 1105. Good strength.

1390 USA, Turlock, KCEY, w/xlnl ID o/LZT 0800 "W/5000 watts of the best in country, KCEY Turlock, serving greater Modesto & the Big Valley."

1410 CANADA, Vancouver, CFUN, hrd AN u/2YM w/frequent "C-fun" IDs

1440 USA, Santa Maria, KUHL, usually the dominant stn here AN w/2CN hrd occasionally underneath. 0845 wx.

1460 USA, Des Moines, KSO, peaking well o/3YW w/cw. ID 0631 as "Great Country KSO."

1490 UNID, definitely a US stn w/nonstop EZL & cl mx 2/5, 2/6 w/no IDs hrd. Hrd 0700-0800. Any ideas..KDB?? Probably Californian. (Format fits KDB, KAIR, & a few others.bp)

1500 HAWAII, Honolulu, KUMU, poor u/LZA w/IDs for AMF FM. EZL style mx 0640.

1520 USA, Oklahoma City, KOMA, w/Barry Manilow song 0634.

1540 USA, Los Angeles, KPOL, at very good level 1455 w/ID "I'm Paul Johnson, KPOL mx time at 1540 is 6:55".

1550 USA, Vancouver, KGAR, carrying local nx 0730 & "Great American R." ID 0733 (K - Great American Radio). Into country mx. (Nice going. KGAR is sometimes hard to hear in Portland 5-10 mi S. of Vancouver! bp)

1590 USA, Ventura, KBBQ, mixing w/KLIV all evening w/frequent "K-Bar-B-Q" & "K-B-B-Q" IDs.

1600 USA, Yuba City, KUBA w/local nx 1528 & then spot for the Doctor Subaru available from Central Motors, Rich St., Yuba City. C/w format, all alone at good level.

1600 USA, Pomona, KWOW, fair o/KUBA w/ad for the Datsun 810 & "k-w-o-w" ID 1510.

1600 USA, St. Louis, KATZ, fair o/u KCRG & others w/pop mx & IDs as "K-A-T-Z" 1015.

All these stns were logged between 1/28 & 2/6. QSLs have been received from KNER, KCRG, WBAP, WLV, & KRQD so far. Once again, this QM proved exceptional as Australian stns were only occasionally hrd, mainly after 1100. Best of DX in '78 & 73s. SPOTLIGHT ON INDONESIA - Randy Seaver

There are 3 Radio Republik Indonesia (RRI) networks:  
 \*Musantera I serves all islands except Java & Sumatra (e.g. Lombok, Bali, Irian Jaya, Kalimantan, etc.)  
 \*Musantera II serves Java and Madura  
 \*Musantera III serves Sumatra

In addition, there is a national service from Jakarta, and many local stations w/low power. A list of RRI MW stations (over 10kw), their network, and possible SW parallels follows:

Freq	Island	City	Pwr	Net	Possible SW //'
540	Java	Bandung	10	II	2740 (5047)
585	Java	Surabaya	100	II	2370/3975 (5047)
630	Sulawesi	Ujung Pandang	100	I(key)	4719
720	Maluku	Ambon	10	I	3241/4845 (4719)
756	Java	Purwokerto	10	II	(5047)
801	Java	Semarang	10	II	2490/3935 (5047)
810	Irian Jaya	Merauke	10	I	3252 (4719)
845	Java	Bandung	10	II	2740 (5047)
855	Lombok	Mataram	10	I	3223/4300 (4719)
	Sumatra	Medan	100	III(key)	4764
864	Java	Cirebon	10	II	2390 (5047)
927	Sumatra	Pakanburu	50	III	5885 (4764)
954	Sulawesi	Kendari	10	I	4000 (4719)
963	Java	Jember	10	II	3323 (5047)
972	Java	Surakarta	50	II	4932 (5047)
990 or 999	Java	Jakarta	300	Nat'l	4805/6045
1008	Java	Madinn	10	II	3286 (5047)
1044	Biak	Biak(listed1116)	10	I	5030 (4719)
1053	Irian Jaya	Jayapura	10	I	3325/6070/7120 (4719)
1098	Madura	Sumenep	10	II	3355 (5047)
	Sumatra	Jambi	10	III	3375 4927 (4764)
1107	Java	Jogjakarta	10	II(key)	5047
1134	Kalimantan	Banjarmasin	50	I	(4719)
1170	Java	Semarang	50	II	2490/3935 (5047)
1185	Sumatra	Tanjung Pinang	5	III	4945 (4764)
1206	Bali	Denpasar	10	I	3945/7114 (4719)
1215	Kalimantan	Samarinda	10	I	3295/6045 (4719)
1233	Kalimantan	Pontianak	50	I	3345/3965 (4719)
1251	Sumatra	Panda Aceh	10	III	3335/4955 (4719)
1287	Sumatra	Palembang	50	III	2435/4855 (4764)
1323	Java	Malang	10	II	(5047)
1334	Java	Jakarta	10	local	2310/2380/2450

The SW stn in parenthesis is the strongest 60 meter band stn w/the same network pgm. The others are listed in the same city. The MW stn may or may not carry the same pgms as the SW stn. Biak is listed on 1116, but has been hrd in NZ on 1044. The language used on all RRI stns is Bahasa Indonesia. The ID sequences I've hrd are:

1) "Love Ambon" on organ, flute, vibes, piano. Then RRI ID.  
 2) 5 pips at 1300z, No IS, PRI ID.  
 I've also hrd 4719 w/no IS across the hour. 4719 seems to go off before 1300 some days.  
 The best opportunities for Indonesia on MW are:

- 855 Medan
- 864 Cirebon - 10 kw but it gets out
- 999 Jakarta - 300 kw possible w/KOMO off
- 1044 Biak - 10 kw, near Irian Jaya
- 1053 Jayapura - 10 kw, Irian Jaya, closest to NA
- 1134 Banjarmasin
- 1206 Denpasar, 10 kw but great freq
- 1215 Samarinda - 10 kw on great freq

I've hrd some audio on 864, 1053, 1134, and carriers in the others. Now is the time to try for these, before all the other Asian stations move onto these frequencies.

## CONTRIBUTORS

I thought I'd never get to this point. Contributors include:

John Allchin, 18 Burwood Crescent, Remuera, Auckland 5, NZ  
Sony CRF-160, Kenwood QR-646, 25 meter LW, loop  
Phil Bytheway, 9722 Mary Avenue NW, Seattle, WA  
DXing from Beverage site near 29 Palms, CA  
FRG-7 w/5000' Beverage antenna  
Brian Cartwright, 106 Leila St., Johnstown, PA 15905  
R-390, SM-1  
John Clements, DXing w/Phil Bytheway, SPR-4 & 500' Beverage  
Mark Connelly, 7 Trowbridge Path, W. Yarmouth, MA 02673  
R-390A/URR, TRF, SM-2  
Robert L. Forsman, 4217 Coventry Drive, Pascagoula, MS 39567  
FRG-7, DX-160, TRF, 1200' Beverage, 360' Longwire  
Nick Hall-Patch, 3272 Alder St., Victoria, BC V8X 1P2  
Transmogrified HRO, FET AA loop, PFM toys  
Mike Hardester, Box 2723 NRMG, FPO Seattle, 98778  
SPR-4, FRG-7, Sanserino loop, PFM equipment  
Dave Korinek, 4769 Calle Solimar, Oceanside, CA 92054  
R-388/URR, R. West Ferrite loop  
Bob Lazar, 406 Barr, Ogg West, Madison, WI 53706  
Gene Martin, 3303 East Evans Ave., Denver CO 80210  
HQ-180, box loop  
Robert Ross, Box 4373 Stn. C, London, ON, Canada  
DX-160, Panasonic RF-1115, Ferrite loop  
Matthew Shugart, 12561 Groveview St., Garden Grove, CA 92640  
Realistic TRF  
Randy Seaver, 115h Via Trieste, Chula Vista, CA 92011  
Robert Steadman, 2759 S. Wentworth, Milwaukee, WI 53207  
RF-2200, TRF  
Gerry Thomas, 2355 W. Michigan #460, Pensacola, FL 32506  
FRG-7, loop  
Randy Tomer, Box 2674, McKinleyville, CA 95521  
HQ-180A, 670' E-W mini-Beverage  
Bill Townshend, 4500 Conn. Ave. NW #901, Washington, DC 20008

The past couple of weeks have been kind of interesting here. First, my wife won a free trip for 2 to Hawaii. Then a few days ago, at 1:30 am, a person driving up 19th N.E. bashed into the rear of my car and knocked a neighbor's Pinto 30' from where it had been parked. I only wish my recent DXing activities were as exciting, hi. Out of space so I'll say 73!



Father Jack Pejza  
212 S. Carpenter Rd.  
Modesto, CA 95351

### LATIN AMERICA...

Brazil. 1230 ZYS8 R. Dif. do Amazonas, v/s José Joaquim Marinho. (Arctic 2/78)

Colombia. 710 HJNX R. Super has been destroyed by fire, according to some reports. Since the stations is still being heard in the U.S., the damage couldn't have been too severe.

1200 HJLJ R. Colibrí is on 1200-0700.

1320 HJMS R. Regia now is in the Todelar network.

1410 HJBI R. Guadalajara uses 5 kw according to a verte letter. Address is Carrera 14 Numero 5-79, Buga. (Arctic)

### Costa Rica.

725 TILK R. Columbia, San José, now 25 kw.

775 TIW R. Uno, San José, new PD Rolando Alfaro Ch.

1025 TIAC R. Fides, San José, New executive Director Carlos Peña.

1075 TIFC Faro del Caribe, San José, new PD Manuel Viquez. (Arctic, 2/78)

### Dominican Republic .

540 HIBM Radio ABC, Santo Domingo, ex HICM.

1140 HI.. R. Anacaona, San Juan, new.

1200 HIBS R. Dial, San Pedro de Macoris, ex Radio 23.

1310 HIMH R. Real, La Vega, ex HIHM.

1370 HIFA La Voz de las Fuerzas Armadas, Elias Pina not heard yet; CP here.

1440 HI.. R. Jimani, Jimani new here.

1480 HIAH R. 14-80, Santo Domingo, new here.

1500 HISD R. TV Dominicana has a new relay here; location unknown. (Richard Clark, Arctic, 2/78)

### Ecuador.

615 HCMJ1 Em. Gran Colombia now uses 50 kw.

995 HCEW2 R. Suceso, v/s Eduardo Carrion Puertas, Director. (Arctic, 2/78)

### El Salvador.

1080 YSEM R. 1080, San Salvador plans to increase to 5 kw. (Arctic, 2.78)

### Guatemala.

910 TGKL R. Emperador, Guatemala IDs as "KL". (Arctic 2.78)

### Honduras.

550 HR.. R. Honduras, Tegucigalpa run by the military junta //880.

550 HR.. R. Libertad, San Pedro Sula.

590 HR.. R. América, San Pedro Sula, ex R. Satellite.

640 HR.. R. Eco, La Popular, San Pedro Sula, repeater of 740.

720 HRTV Estéreo Rey, San Pedro Sula, ex R. Television.

740 HRJS R. Eco, La Popular, San Pedro Sula, ex R. Metropolitan.

740 HRXW R. Comayagua, Tegucigalpa.

780 HRWN Emisoras Unidas, San Pedro Sula.

800 HR.. R. Estéreo Centro, San Pedro Sula.

830 HR.. R. Estéreo Sula, San Pedro Sula.

850 HRBS R. Centro, Tegucigalpa, ex 860 Khz.

920 HR.. R. Fabulosa, San Pedro Sula.

950 HRC3 R. Exitos, La Exitosa, San Pedro Sula, ex Cadena de Oro.

975 HR.. R. Monumental, San Pedro Sula.

1000 HRLC ~~Unico Radio~~, Tegucigalpa.

1050 HRBT Radio Latina, San Pedro Sula, ex R. Norte.

1060 HR., R. Hemisferio, Tegucigalpa.

1085 HRWC R. Aeropuerto, Tegucigalpa, 1 kw, 24 hours a day. Studios at entrance to Tontontin International Airport, near Tegucigalpa. No live announcements, only cartridge tapes. Cuban owned.

1140 HRRO R. Universal, Tegucigalpa, ex 1130.

1163 HRGF R. Paraíso, Paraíso.

1220 HR.. R. El Mundo, San Pedro Sula, repeats 1340.

1290 HRXX R. Lima, La Lima, ex 1300.

1300 HRLH R. Cultura, Tegucigalpa, ex 1290.

1330 HR. Cadena Musical, Tegucigalpa.

1345 HR. R. Constelación, Juticalpa.

1365 HRTR R. Daní, Cuidad Daní, ex 1360.

1380 HRVC La Voz Evangelica, Tegucigalpa still here.

1470 HR.. R. Moderna, San Pedro Sula.

(Ron Schatz, NRC via Arctic, 2.78)

### Nicaragua.

560 YNAE R. Monumental, Matagalpa, ex 580.

930 YNW R. Mundial, Managua, ex 920.

1030 YNLL R. Masaya, Masaya, ex 1050.

1060 YNKW R. Futura, Managua, ex R. Cristal.

1100 YNQ R. Lider, Managua.

1155 YNH R. Cobigilina, Managua, ex 1160.

(Ron Schatz, NRC, via Arctic 2/78)

### Panama.

840 HOL80, R. Libertad, Panamá, "La Voz de la Revolucion" Gerente: Danilo Caballero.

860 HOL55 R. Reforma, Chitre, uses slogan "R. Reforma... se oye!" Manager: Pedro Solis Villalaz.

(Arctic, 2.78)

### Paraguay

Paraguayan newspaper "Ultima Hora" reported on 12/19/77 that R. Yewa Mandiyu has been authorized to broadcast on 590 khz with 5 kw from Villa de San Pedro. (Arctic 2/78)

### Puerto Rico.

580 WKAQ San Juan, has new slogan R. Reloj. VP and GM is Reinaldo Royo, Jr.

1030 WOSO San Juan, uses "R. Mil Treinta" and "El Oso." Not AM-7 as yet since they do not have their complete power connection; operates 18 hours a day with a generator. Format: EZL-MoR with CBS news.

1460 WFAB Juacos, new ID "La Fabulosa"

(Richard Clark, via Arctic 2/78)

St. Lucia. Radio St. Lucia operates on 1090, probably with low power; maybe the old 250 watt transmitter which used to be on 1565 khz. (Arctic, 2/78)

Trinidad. V/s for 730, Trinidad Broadcasting Co., Port of Spain, is Mc. Donnell, CE. (Arctic, 2/78)

### Venezuela.

750 YVKS R. Caracas, v/s Manuel Benjo Osorio.

770 YVKK R. Nacional, v/s Charles Nash.

(Arctic 2/78)

### TRANS ATLANTIC...

Angola. R. Luanda reports that the Angolan government has nationalized the nation's Catholic Broadcasting Service, i.e., Radio Ecclesia, and has declared a government monopoly on all new media. (Arctic 2/78)

Cyprus. Radio Bayrah broadcasts on 1095 and 6118.5 (announce 6150) in Turkish, Greek, and EE programs are on 1465 (1500 announced.) Radio Cambulat broadcasts from Famagusta on 1382 in Turkish. (SCDX via NZDXT 3/78)

Czechoslovakia. R. Prague is now broadcasting its Inter-programs on 1070; transmitter located just outside Prague. Sked: 0730-1400; 0000-0200. (Arctic 2/78)

Germany, East. R. Volga address: P.O. Box 48251-D, Moskva. Produces own programs Mon, Tues, Wed, Fri, and Sat 2030-2150. Thurs 1730-2000 and Sun 1000-1300. (Arctic 2/78)

Germany, West. AFN Frankfurt is omnidirectional during the following hours:  
Jan 0800-1500 April 0600-1800 July 0400-1800 Oct 0700-1600  
Feb 0800-1600 May 0500-1800 Aug 0500-1800 Nov.0800-1600  
March 0700-1700 June 0400-1800= Sept 0600-1700 Dec.0800-1500

They are always off the air for 1 minute when they change the antenna pattern; e.g., from 0759-0800 and 1559-1600. (Arctic 2/78)

International Waters. The vessel Mi Agigo, home of R. Caroline, is supposedly in bad shape. Listener donations are being sought for a new vessel. Galaxy, transmitter ship of R. London, is still moored in Hamburg harbor with 4 feet of water in the hull. (NZRDXL via Arctic 2/78)

Iran.  
917 Jiroft, (EBU)  
1062 Kerman, ex 1080.  
1152 Bonab? No ID available.  
1160 ID only as R. Iran. It seems that Naft-e-Melli has been associated with the R. Iran network.  
1390 Ahwas here in the mornings and on 1386 in the evenings.  
1467 Isfahan, ex 1100. Confirmed by EBU.  
Iran is now GMT + 4 hours as local time. (Arctic, 2/78)

Iraq. New station on 1232a with AA identification and news mixing with Czechoslovakia. (UADX via NZDXT 3/78)

Libya. New station in Tripoli on 539 with 500 kw. Also in Sabha on 827 with 300 kw. (Sunspot, via NZDXT 3/78)  
Tripoli on 1402; Misurata on 1448; Tripoli on 1456 (ex 1454 for the last one). (EBU via Arctic, 2/78)

Mongolia. With the assistance of the USSR, a large transmitter (MW?) in Dalandaadgad is being built. This will improve reception in the Gobi dexter region. (Arctic 2/78)

Nigeria. NBC Emugu is on 827 now ex 1320. (Arctic 2/78)

Sudan. The Voice of the Eritrean Liberation Front is broadcast in AA and Tigrina 1500-1600 on 960, 5038 and 6150 as part of Omdurman Radio's external service; on Mon, Wed., and Sat. only. (Arctic 2/78)

United Arab Emirates. According to the Qatar News Agency, the station in Sharjah will be integrated with the Voice of the United Arab Emirates in Abu Dhabi. Broadcasts from Sharjah will cease; the studios there will be turned into production centers for use by the state radio. (Arctic, 2/78)

U.S.S.R. The Sverdlovsk Oblast regional station on 281, ex 227 kha, s/on at 0155. Local programs from Sverdlovsk are broadcast plus relays from the Moscow domestic programs  
Samarkand on 1538 is broadcasting a new program called "Mash al" ("Lamp") between 0400-0700 and 1200-1500. The program originates in Tashkent. Format is similar to Mayak. The station is a new one and the schedule here will be extended shortly. (Arctic, 2/78)

EBU Other stations noted: 1460 Radio Polo Norte reported. 1467 Isfahan. 1547 A CSSR station reported by Lisbon. 1582-1588 Monastir up and down. 1637 Morocco reported by Lisbon. (Arctic, 2/78)

#### TRANS PACIFIC...

Australia. A new station will open in Sydney, 2WS Western Suburbs. This is the first new commercial station to open in Sydney in 46 years. Frequency is 690 with 5 kw; due in Oct. (NZDXT 3/78)

New Zealand. Corrections to WRTH 1978 from Arthur Cushen:  
ADD: 830 1YK (synchronized), 970 1YE, 1010 1ZK, and 12N now here, private station 1 XI on 1330.  
DELETE: 970 12N, 1010 1YK, 1050 1YE, 1440 1ZK, private station 1XI 1590.  
CORRECT: 1510 callsign is 3YR, not 3 JR. (NZDXT 3/78)

South Korea. KBS Seoul does not have a station on 880; there is no such station as HLKH as listed in WRTH. (Hank Wilkinson, via NZDXT 3/78)

Thailand. A new 2 x 500 kw transmitter in Saraburi will be set up soon. (MW?) Arctic 2/78)

#### NEW ITU PLAN 1978: CONTINUATION

1080	China	HaiKou	200	1143	Algeria	Les Trembles	40
	Sri Lanka	Kotugoda	100		China	Jingdong	50
	India	Madurai	300			Puer	50
	Iran	Adaban	600			Tengchong	50
	Kenya	Mombasa	100			Whenshan	50
	Libya	Ajedabia	40		Italy	Capo Vaticano	65
	Nigeria	Minna	50		India	Ratnagiri	300
	Pakistan	Lahore	50		Ireland	Westport	50
	Poland	Katowice	1500		Korea	Jeju	100
	U.S.S.R.	Kyayl	500		Nigeria	Warri	50
	Yugoslavia	Koper	200		Philippines	Porol La Union	1000
1089	Albania	Durres	150		Turkey	Adana	100
	Central African Republic	Bouar	100			Manavgat	100
	China	Shenyang	100			Mardin	100
	Comoro Is.	Haboho	50		U.S.S.R.	Dushanbe	150
	England	Orfordness	500			Kaliningrad	150
	U.S.S.R.	Krasnodar	300		Yugoslavia	Nova Gradiska	100
1098	Algeria	Ouargla	40	1159	China	Xupu	50
	China	Baotou	50			Changde Shi	50
	Italy	BoLogna	60		India	Mysore	300
	India	Rohtak	300		Iran	Tabriz	100
	Iran	Zabol	200		Nigeria	Akure	50
	Czechoslovakia	Bratislava	1500		Romania	Cluj	950
	U.S.S.R.	Alma Ata	150		Somalia	Bosaso	50
1107	Afghanistan	Kaboul	1000		United Arab Emirates	Al Nakhil	100
	China	Hungjiang	100	1161	Bulgaria	Biala Slatina	150
	Cameroon	Douala	100			Kardjali	150
	W. Germany	MunichAFN	40		China	Nangshong Shi	50
	Spain	Madrid	SER 25		Egypt	Tanta	200
	Egypt	Batra	1000		France	Strasbourg	300
	India	Dhanbad	300		Finland	Åland	100
		Dulbarga	300		India	Tezpur	300
		Palghat	300		U.S.S.R.	Dushanbe	1000
	Kenya	Meru	100		Zaire	Matadi	50
	U.S.S.R.	Moghilev	100	1170	Algeria	Les Trembles	40
		Kaunas	150		Saudi Arabia	Guriat	500
	Yugoslavia	Novi Sad	150		China	Quabpo	200
1116	Burundi	Gitega	300		Sri Lanka	Kotugoda	100
	China	Antu	100		Indonesia	Semarang	50
		Horqin Yq Qi	100		Korea	Sosan	500
		Mei Xian	100		Nigeria	KaZabar	50
	Sri Lanka	Perkara	400		United Arab Emirates	Ras Al Khaymah	1000
	Ivory Coast	Korhogo	100		U.S.S.R.	Moghilev	1000
	Greece	Ermoupolis	300			Lutsk	500/1000?
	Italy	Bari 2nd	250			Maikop	500
	India	Mathura	300		Yugoslavia	Beli Kriz	50
		Tura	300	1179	China	Guyuan	100
	India	Srinagar	200		Cameroon	Buea	100
	Iran	Bandar Lengeh	125		Greece	Thessaloniki	100
	Morocco	Ouarzazate	100		Japan	Osaka	50
	U.S.S.R.	Kanty Mansisk	50		Malta	Delimara	600
1125	Belgium	Houdeng	150		Mozambique	Quelimane	50
	Bulgaria	Starasagora	500		Romania	Bacau	200
	China	Tangshan	100		Japan	Okinawa	1000
	Sri Lanka	Perkara	400		Sweden	Skaane	1200
	Cyprus	Cape Greco	250		U.S.S.R.	Petropavosk	150
	India	Kozhikode	300	1188	Belgium	Kortrijk	150
		Tawang	300		China	Kunming	300
	Libya	El Beida	500		Hungary	Szolnok	1000
	Niger	Niamey	100		India	Bombay	300
	Thailand	Chandhaburi	50			Stimla	300
	U.S.S.R.	Vyborg	150		Iran	Teheran	100
	Yugoslavia	Pazin	200		Korea	Inchon	50
1134	China	Linhai	50		S. Yemen	Kiswa	200
	Spain	Sevilla	25	1197	China	Chuziong	100
		(LV de Guadalquivir)			W. Germany	Munich VOA	300
	India	Calcutta	1000		G. uinea Rep.	Mali	50
	Indonesia	BandaJarmasin	50		India	Chatarpur	300
	Japan	Tokyo	100		Iraq	Arbil	50
	Korea	Kimpo	100		U.S.S.R.	Minsk	50
	Kuwait	Sulaibiya	750				
	Mozambique	Nampula	50				
	Pakistan	Khosdar	100				
	U.S.S.R.	Troitskoe	50				
	Yugoslavia	Beograd	1200				

1206	Afghanistan	500	1269	China Dehua	200	1341	China Yichun	100	1413	China Urumqi	100	1503	Hangzhou	100
	China Kuming	300		China W. Germany Neumunster	600		China Guangzhou	100		Spain Hueiva	100		Spain Bilbao	25
	France Bordeaux	300		Turkey Kuwait	100		Canary Is. Gwangzhou	20		Japan Fukuoka	50		Iran Bushehr	100
	India Bhamani	300		Turkey Oguzeli	50		W. Ireland Lisnagavey	250		Oman BBC Relay	1500		Nepal Kathmandu	50
	Patna	300		United Arab Emirates Kor Fakan	50		Guinea Faranah	100		Tanzania Arusha	50		Poland Stargard	2000
	Tazpur	300		Yugoslavia Novi Sad	750		Hungary Lakihegy	300		U.S.S.R. Volgograd	50		Somalia Kismaio	50
	Udipi	300		1278			Upper Volta Quahigoya	100		Yugoslavia Prstina	1000		1512	
	Israel Hatifa	100		Afghanistan Kaboul	100		Kuwait Nagwa	200		1422			Saudi Arabia Jeddah	1200
	Japan Osaka	50		China Shijiazhuang	100		Thailand Ubon	50		Algeria Alger	50		Belgium Antwerp	600
	Kenya Nakuru	40		France Strasbourg	300		1350			China Jinzhou	40		China Taihsong Shi	100
	Mozambique Inhambane	50		Finland Turku	45		China Nanchang Shi	100		Germany, W. Bruecken	1200		Greece Chania	50
	Morocco Tarfaya	100		India Lucknow	300		France Nancy	100		Iran Kermansha	100		Upper Volta Leo	50
	Poland Wroclaw	200		Iran Khermanshah	100		France Nice	600		Nigeria Bomadi	50		Rwanda Kigali	100
	Yemen Sanaa	60		Japan Fukuoka	50		Mongolia Muren	150		Singapore	350		U.S.S.R. Aktubinsk	100
				U.S.S.R. Odessa	150		Dalantsadagan	150		Turkey Ordu	50		Yugoslavia Printina	100
				U.S.S.R. Ulianovsk	100		Mauritania Nouakchott	50		U.S.S.R. Valmiera	50		1521	
				1287			U.S.S.R. Erevan	500		1431			Saudi Arabia Duba	2000
				China Yinchuan	100		1359			Afar Djibouti	600		China Ueumqi Shi	500
				India Chatarpur	300		Albania Tirana	50		Germany, E Dresden	250		Congo Pointe Noire	100
				Indonesia Palembang	50		China Baoding	50		Denmark Skive	70		Iran Bandarfarahmas	100
				Israel Tel Aviv	100		Hualian	50		Mali Bamako	100		Mauritania Nouakchott	50
				Japan Sapporo	50		Taipei Shi	50		Portugal Montemorvelho	100		Czechoslovakia Kosiche	600
				Phillipines San Fernando	200		Zhengwei	50		U.S.S.R. Krivoi Rog	500		Tunisia Djedeida	100
				Czechoslovakia Ceskoslov	1500		Ivory Coast Abidjan	50		Ukraine	500		1530	
				1296			E. Germany Berlin	250		1440			Saudi Arabia Gizan	1000
				Afghanistan Kandahar	1000		Spain Figueras	1000		Saudi Arabia Damman	1600		China Xianghuang Qi	100
				Saudi Arabia Meninah	50		India Bhadravati	300		Central Afrian Rep. Bangui	100		Cape Verde IS. Praia	100
				China Kunming	300		*Chad Abacher	100		China Ltuusho	50		Vatican Santa Maria	450
				England Orfordness	500		1368			Japan Sapporo	50		Rwanda Gitarama	50
				Gibraltar	50		China Linhe	50		Luxembourg Marnach	1200		U.S.S.R. Anadyr	50
				Guinea Rep. Tumbo	50		Upper Volta Tenkodogo	30		Nigeria Jalingo	50		1539	
				India Palghat	300		Italy Venice	25		Tanzania Kigoma	100		Saudi Arabia Medinah	50
				Sudan Sennar	1500		Milan	20		Turkey Carsamba	100		China Dehua	200
				U.S.S.R. Dushanbe	1000		Naples	20		U.S.S.R. Uralsk	50		Germany, W. Mainflingen	700
				Thailand Pattani	50		India Delhi	300		Yugoslavia Kraljevo	100		India Panaji Goa	300
				1305			Iran Bandarfarahmas	200		1449			United Arab Emirates Sharjah	50
				Algeria Constantine	40		Morocco Benimella	50		Saudi Arabia Jeddah	500		1548	
				Belgium Aye Marche	50		Poland Zielona	60		Cameroon Bafoussam	100		Australia Emerald, Qld.	50
				China Fu Xian	50		Gora	60		Italy Golfo Baratti	300		China Rushan	100
				Gerze	50		Wielun	60		Iran Bandar Shah	400		Sri Lanka Perkara	400
				Guyang	50		Slupska	60		U.S.S.R. Khichiniou	50		Kuwait	100
				Huhhot	50		Lidabark	60		1458			U.S.S.R. Vinnitsa, Ukraine	1000
				Nanning	50		Krakow	60		Albania Lushnje	500		1557	
				Qabdo	50		Biala Podlaska	60		China Huhehot	100		China Fushou	100
				Sanming	50		St. Louis	40		Comoro Is. Mayotte	100		France Nice	300
				Shanghai	50		Senegal	50		Ethiopia Dessie	150		India Nicobar	1000
				Tangshan	50		Singapore	50		BBC London	50		Malta Cyclops	600
				Xianghuang Qi	50		Thailand Nan	50		England Siguri	40		1548 continued	
				Yanchi	100		U.S.S.R. Novosibirsk	500		Guinea Ezyon	50		Turkey Antakya	50
				Sri Lanka Kotugodola	100		China Dehua	200		Israel Ezyon	50		U.S.S.R. Kaunas	75
				India Parbhani	300		Lhasa	100		Mali Gao	200		Yugoslavia Oetjek	50
				Poland Rzeszow	300		Lille	300		Philippines Iba Zambales	250		1566	
				Senegal Dakar	50		Kamas	50		Romania Costanza	100		China Huishou	100
				U.S.S.R. Tomsk	150		Guinea Guechedou	50		China Chengdu	50		China Zhanjiang	100
				1314			India Hyderabad	300		Jianyang	50		Dahomey Aplahoue	100
				China Erenhot	100		Mongolia Sain Shanda	75		Jeypore	300		India Nagpur	2000
				Spain Valencia	25		Morocco Alhoceima	40		Iran Isfahan	100		Iran Bandar Abbas	100
				Guinea Dabola	50		Swaziland Sandlane	50		Monte Carlo	1000		Korea Jeju	250
				Italy Pisa	50		Tanzania Mwanza	50		Namibia Karasburg	50		Switzerland Samen	300
				Japan Osaka	50		U.S.S.R. Ukrainalutsk	50		Thailand Bangkok	200		Thailand N.Sithammarat	50
				Norway Stavanger	1200		China Linhe	50		U.S.S.R. Kiev, Ukraine	300		Tunisia Sfax	1200
				Romania Constantza	50		Tianjin	50		1476			U.S.S.R. Leningrad	60
				Timisoara	50		Athinai	300		Austria Vienna Bisamberg	1200		1575	
				United Arab Emirates Sadiyat	750		Guinea Labe	50		China Wenheng	200		China Yumen Shi	100
				U.S.S.R. Stavropol	500		Iran Ahwaz	400		Congo Mpiaka Brazza	50		Germany, E. DDR Neubrandenburg	500
				Yugoslavia Skopje	100		Liechtenstein Vaduz	500		Dahomey Cotonou	50		Italy Bari	200
				1323			U.S.S.R. Kaunas	1000		Spain Barcelona	25		Papua/NG Lae	100
				Algeria Constantine	40		1395			Guinea Kindia	100		Thailand Ayutthaya	1000
				China Lhasa	100		Albania Lushnje	1000		Indonesia Surakarta	50		United Arab Emirates Sharjah	50
				China Changchun	100		Spain Malaga	100		Malaysia Tuaran	600		1584	
				Cyprus BBC Relay	200		Holland Lopik	500		Nigeria Pottiskum	50		Low power channel; maximum power 2 kw.	
				E. Germany DDR Nauen	1000		Israel Ezyon	50		Thailand Lamphur	100		1593	
				U.S.S.R. Nebit Dag	100		Nigeria Uyo	50		United Arab Emirates Dubai	600		China Urumqi Shi	100
				Bukhara	100		Papua Lae	50		U.S.S.R. Lvov, Ukraine	120		Germany, W. Langenberg	800
				Guriev	100		U.S.S.R. Aghinskoe	150		Vladivostok	100		Iran Isfahan	100
				Kandalakcha	100		1404			1485			Thailand Lamphur	50
				1332			China Yichang Shi	100		Low power channel, maximum power is 2 kw.			U.S.S.R. Irkutsk	50
				China Luoyang	50		France Rouen	100		China Sanming	100		1602	
				Italy Rome	300		Finland Helsinki	300		France Tongliao Shi	100		Low power channel; maximum power 1 kw.	
				Iran Teheran	100		Greece Komotini	50		Greece Bastia	50		For more information, contact Dario Monferini, Via Davanzati, 8, 20158 Milan, Italy.	
				Japan Nagoya	50		Guinea Kipe	400		U.S.S.R. Leningrad	1000		Typed by FJP.	



# DX RECORDS

HEARD: Dr. Michel Breger  
 VERIFIED: Steve Moss  
 GRAVEYARD: Walter Kuenast  
 CENTEXDX: 7217 Creekside Drive, Austin, Tx 78752.

## GRAVEYARD RECORDS

### CONTINENTAL QTH - 1450

Call	Location	Miles	DXer-Location
WDNG	Anniston AL	427	Eddie, St Louis MO
WDIG	Dothan AL	2130	Allen, Vallejo CA
WFIX	Huntsville AL	391	McCormack, W Lafayette IN
WLAY	Muscle Shoals AL	1922	Allen, Vallejo CA
KAWT+Douglas	AZ	1103	Kaskey, Galva IA
KNOT	Prescott AZ	596	Allen, Vallejo CA
KVSL	Show Low AZ	1308	Belanger, Swan River MB
KOPO	Tucson AZ	1115	Kaskey, Galva IA
KENA	Mena AR	500	Kaskey, Omaha NE
KYOR	Blythe CA	1203	Kaskey, Galva IA
KAVA	Burney CA	433	B&N Hardy, Aberdeen WA
KOWN	Escondido CA	1038	Portzer, Seattle WA
KPAL	Palm Springs CA	422	Allen, Vallejo CA
KTIP+Porterville	CA	1330	Kaskey, Galva IA
KEST+San Francisco	CA	800	Horne, Vancouver BC
KVML	Sonora CA	644	B&N Hardy, Aberdeen WA
KVEN+Ventura	CA	980	Portzer, Seattle WA
KOBO+Yuba City	CA	616	Portzer, Seattle WA
KGIW+Alamosa	CO	1373	Wheeler, Erie PA
KYOU	Greeley CO	952	Allen, Vallejo CA
WNAB	Bridgeport CN	423	Wheeler, Erie PA
WILM	Wilmington DE	2479	Allen, Vallejo CA
WOL	Washington DC	757	Bright, Muscatine IA
WMFJ	Daytona Beach FL	2418	Allen, Vallejo CA
WBSR	Pensacola FL	2068	Allen, Vallejo CA
WSPB+Sarasota	FL	2350	Allen, Vallejo CA
WTAL	Tallahassee FL	841	Wheeler, Erie PA
WGPC	Albany GA	768	Wheeler, Erie PA
WBHF	Cartersville GA	784	Kaskey, Omaha NE
WCOC	Cornelia GA	594	Florian, Round Lake IL
WKEU	Griffin GA	2137	Allen, Vallejo CA
WMVG	Milledgeville GA	2200	Allen, Vallejo CA
WVLD	Valdosta GA	683	Taaffe, Dayton IN
KVSI	Montpellier ID	592	Kaskey, Sacramento CA
KYET+Payette	ID	450	Horne, Vancouver BC
KEEP+Twin Falls	ID	949	Kaskey, Omaha NE
WVON	Cicero IL	954	Belanger, Swan River MB
WKBI	Kewanee IL	305	Dabelstein, Omaha NE
WCVS	Springfield IL	978	Belanger, Swan River MB
WLYV	Fort Wayne IN	341	Wolfish, Toronto ON
WXVW	Jeffersonville IN	308	Florian, Round Lake IL
WASK	Lafayette IN	1887	Allen, Vallejo CA
WAOV	Vincennes IN	500	Kaskey, Galva IA
KLWW+Cedar Rapids	IA	1624	Allen, Vallejo CA
KWBW	Hutchinson KS	1318	Allen, Vallejo CA
WPCO+Campbellsville	KY	2028	Allen, Vallejo CA
WXXL	Manchester KY	395	Wheeler, Erie PA
WPAD	Paducah KY	1832	Allen, Vallejo CA
WLKS	West Liberty KY	398	Florian, Round Lake IL
KSIG+Crowley	LA	1702	Allen, Vallejo CA
KNOC	Natchitoches LA	690	McCormack, W Lafayette IN
WRKD	Rockland ME	564	Wheeler, Erie PA
WTBO	Cumberland MD	892	Kaskey, Galva IA
WMAS	Springfield MA	384	Wheeler, Erie PA
WATZ	Alpena MI	2040	Allen, Vallejo CA
WHTC	Holland MI	515	Dabelstein, Omaha NE
WMIQ	Iron Mountain MI	504	Markewicz, Winnipeg MB
WIBM	Jackson MI	595	Kaskey, Omaha NE
WKLA	Ludington MI	1889	Allen, Vallejo CA
WNBY	Newberry MI	700	Edmunds, Parsippany NJ
WHLS	Port Huron MI	657	Kaskey, Galva IA
KATE	Albert Lea MN	686	Belanger, Swan River MB
KBUN+Bimidji	MN	1456	Allen, Vallejo CA
KBMW	Breckenridge MN	456	Belanger, Swan River MB
WELY	Ely MN	1662	Allen, Vallejo CA
KFAM	St Cloud MN	738	Wheeler, Erie PA
WROX	Clarksdale MS	1779	Allen, Vallejo CA
WJXN	Jackson MS	871	Wheeler, Erie PA
WQIC	Meridian MS	90	Ayers, Jackson MS
WNAT	Natchez MS	1796	Allen, Vallejo CA
WROB	West Point MS	1893	Allen, Vallejo CA
KFTW	Fredericktown MO	355	Florian, Round Lake IL
WMBH	Joplin MO	1089	Belanger, Swan River MB
KIRX	Kirksville MO	291	Evans, Gary IN
KOKO	Warrensburg MO	1056	Mount, Teaneck NJ
KWPM	West Plains MO	457	Kaskey, Galva IA
KXXL+Bozeman	MT	1156	Florian, Round Lake IL
KUDI+Great Falls	MT	860	Allen, Vallejo CA
KGMV	Missoula MT	735	Allen, Vallejo CA
KRBN	Red Lodge MT	828	Allen, Vallejo CA
KVCK	Wolf Point MT	776	Portzer, Seattle WA
KWBE	Beatrice NE	667	Markewicz, Winnipeg MB
KONE+Reno	NV	693	Ford, Vancouver BC
WFPG	Atlantic City NJ	683	Evans, Valparaiso IN
WCTC	New Brunswick NJ	2529	Allen, Vallejo CA
KRZY+Albuquerque	NM	849	Kaskey, Sacramento CA
KLMX+Clayton	NM	727	Eddie, St Louis MO
KOBE	Las Cruces NM	1450	Horne, Vancouver BC
KENM	Portales NM	1081	Allen, Vallejo CA
WWSC	Glens Falls NY	437	Heimbürger, Port Huron MI
WHDL	Olean NY	82	Wheeler, Erie PA
WKIP	Poughkeepsie NY	317	Wheeler, Erie PA
WATA	Boone NC	838	Kaskey, Omaha NE
WGNC	Gastonia NC	2261	Allen, Vallejo CA
WHKP	Hendersonville NC	2191	Allen, Vallejo CA
WHIT	New Bern NC	1107	Kaskey, Omaha NE
WFBS	Spring Lake NC	305	Jensen, Baltimore MD
KGCA	Rugby NC	1034	Portzer, Seattle WA
WMOH	Hamilton OH	2015	Allen, Vallejo CA
KWHW	Altus OK	1289	Allen, Vallejo CA
KGFF	Shawnee OK	1411	Allen, Vallejo CA
KSIW	Woodward OK	1257	Allen, Vallejo CA
KEED+Eugene	OR	392	Kaskey, Sacramento CA
KFLW	Klamath Falls OR	376	Portzer, Seattle WA
KLBM	La Grande OR	1886	Wheeler, Erie PA
KBPS	Portland OR	2129	Wheeler, Erie PA
WWGO	Erie PA	371	Breger, Long Island NY
WPRA	Franklin PA	76	N Hardy, Fredonia NY
WDAD	Indiana PA	339	Sorensen, Emsdale ON
WPAM	Pottsville PA	2432	Allen, Vallejo CA
WMPT	S Williamsport PA	226	Breger, Long Island NY
WMAJ	State College PA	472	McCormack, W Lafayette IN
WJPA	Washington PA	434	Florian, Round Lake IL
WKRI	W Warwick RI	191	Morby, Ballston Lake NY
WQSN	Charleston SC	646	Wheeler, Erie PA
WCRS	Greenwood SC	2233	Allen, Vallejo CA
WHSC	Hartsville SC	996	Kaskey, Galva IA
WMBY	Myrtle Beach SC	67	Allinson, Wilmington NC
KBFS	Belle Fourche SD	463	Dabelstein, Omaha NE
KYNT	Yankton SD	1254	Christiansen, Seattle WA
WLAR	Athens TN	758	Kaskey, Omaha NE
WMOC	Chattanooga TN	791	Breger, Austin TX
WDSG	Dyersburg TN	1804	Allen, Vallejo CA
WSMG	Greenville TN	814	Dabelstein, Lincoln NE
WLAF	LaFollette TN	305	McCormack, W Lafayette IN
WGNS	Murfreesboro TN	1970	Allen, Vallejo CA
KAYC+Beaumont	TX	755	Dabelstein, Lincoln NE
KBEN	Carrizo Sprgs TX	1442	Allen, Vallejo CA
KCTI	Gonzales TX	1533	Allen, Vallejo CA
KMBL	Junction TX	1681	Portzer, Seattle WA
KCYL	Lampasas TX	1446	Allen, Vallejo CA
KMET	Marshall TX	1395	Allen, Vallejo CA
KNET	Palestine TX	1565	Allen, Vallejo CA
KSNY+Snyder	TX	1540	Portzer, Seattle WA
KURA	Moab UT	928	Portzer, Seattle WA
KEYY	Provo UT	815	Kaskey, Omaha NE
KDXU+St George	UT	1198	Belanger, Swan River MB
WSNO	Barre VT	345	Sorensen, Emsdale ON
WTSA	Brattleboro VT	379	Wheeler, Erie PA
WFTR	Front Royal VA	2368	Allen, Vallejo CA
WENZ	Highland Sprgs VA	392	Breger, Long Island NY
WREL	Lexington VA	907	Kaskey, Galva IA
WMVA	Martinsville VA	926	Kaskey, Galva IA
WLPM	Suffolk VA	607	McCormack, W Lafayette IN
KBKW+Aberdeen	WA	600	Kaskey, Sacramento CA
KCLX	Colfax WA	1115	Kaskey, Galva IA
KONP	Port Angeles WA	2142	Wheeler, Erie PA
KAYE	Payallup WA	628	Allen, Vallejo CA
WPAR	Parkersburg WV	761	Kaskey, Galva IA
KFIZ	Fond du Lac WI	740	Edmunds, Kinnelon NJ
WDLB	Marshfield WI	1710	Allen, Vallejo CA
WRCO	Richland Ctr WI	528	Wheeler, Erie PA
KBBS	Buffalo WY	912	Allen, Vallejo CA
KVOW	Riverton WY	706	Belanger, Swan River MB

### INTERNATIONAL QTH

Dr. Richard E. Wood (+) Kailua HI 24 stations:

73's til the next edition (June 3) Walter  
 \* \* \* \* \*

Radio Programming Notes

Editor: Bruce Goldsen
27 Spruce Hill Rd.
Georgetown, CT 06829

Jon Orren sends along the Seattle "Times" format guide, but since a log for Seattle was printed here a short time ago, I'll include some of the feature programs on Seattle radio.

--KVI-570 will broadcast Mariner's baseball thru-out the season. Old radio programs nightly at 10:05pm, and "Loveline" at 11pm. Pop/Adult music.
--KIRO-710 is all-nx during morning, noon and afternoon drive, has CBS Mystery Theater at 10:07 each night, a sportstalk pgm 7pm weeknites, Public Pulse tx pgm 9pm weeknites, and Larry King after midnight. Regular format is music/talk.

--KIXI-910 features a morning news block, and NBC news and features throughout the day. John Dean's syndicated show at 7:35am. Beautiful music format.
--KAYO-1150 has ABC/E news and features, format is c/w.

--KYAC-1250 "contemporary hits, album music, all-jazz and albums in the evening. Saturday morning jazz show; jazz album countdown at 9pm Sundays"

--KOMO-1000 (out of sequence!) has ABC/I news and features, Supersonics Basketball, and Paul Harvey at 8am, 12N and 3:50pm daily. Pop standards, adult hits format.

--KZAM-1540 "album rock, jazz and folk. Local news and features on Sunday afternoons, jazz show 6am to noon on Sunday."

-----Thanks to Jon for the info. Have you sent in your locals' formats yet???

From Edward S. Kocsan, 7 Brooklawn Drive, Morris Plains, NJ 07950: a release from the Worldwide Church of God, Pasadena, CA 91123 indicates that it has set up a live/tape telephone network of stns in California and Tucson, AZ. Carrying the religious show live from 12-12:30pm (PLT) are KGRB-900 West Covina, CA, KTIQ-1400 Tucson, AZ (11am MLT). KFMB-760 San Diego carries the show from 11:30pm-12M, KLAC-570 Los Angeles from 11-11:30pm, KNBR-680 San Francisco 11:25-11:55pm, KFPK-1530 in Sacramento from 11-11:30pm, KLIQ-1290 Portland, OR from 12:30-1pm, KDIQ-1240 San Bernardino from 12:30-1pm, or following Dodger baseball, KIEV-870 Glendale, CA has it from 6:30-7pm, KINS-980 Eureka, CA airs the show from 9:30-10pm, KTOM-1380 in Salinas has it from 11-11:30pm. According to the release, the Worldwide Church of God is going to be spending a fortune to air the show on these stations. Most of them are at night, so they should be easily identifiable when DXing.

Affiliate Corner: To NBC radio= KBEE-970 Modesto, CA, WRDO-1400 Augusta, ME, WRNB-1490 New Bern, NC and WKMC-1370 Roaring Spring, PA.

To CBS radio= KXXO-1300 Tulsa, OK and WOKE-1340 Charleston, SC.

VARIETY NOTES, NEWS IN RADIO PROGRAMMING:

Jonathan Schwartz is leaving his regular time slot on WNEW-1130 New York, but will continue with his Sunday morning show. (ed- Probably to concentrate on writing books). Dale Reeves will replace Ed Fisher in the morning-drive slot at WJW-850 Cleveland. WLOB-1310 Portland, ME's morning guy Bud Sawyer has jumped to WPOR-1490. WTAR-790 Norfolk, VA has picked up CBS Mystery Theater, airing each night at 11pm. (From 4/10/78 Broadcasting) For 26th consecutive year, CBS radio will broadcast Triple Crown of thoroughbred racing- Kentucky Derby on May 6th at 5:25pm (ELT), Preakness on May 20 at 5:25pm, and Belmont Stakes on June 10 at 5:25pm. CBS Radio sportscaster Win Elliot will provide color commentary following each event. Calling the Derby and Preakness will be Cawood Ledford, sports reporter for WHAS-840 Louisville. Belmont Stakes will be called by Ray Haight, veteran track announcer. (partially compiled from the 4/5,4/12/78 editions of "Variety" magazine, copyright 1978 Variety, Inc)

PROGRAMNOTESPROGRAMNOTESPROGRAMNOTESPROGRAMNOTESPROGRAM

FLASH!!! WNBC-660 New York's AM Drive deejay Ellie Dylan resigned week of March 20th to do a TV pilot and write a book. PD Bob Pittman assigned Ass't PD Buzz Brindle to fill-in until a replacement could be found...Roy Campanella hosts a feature "Behind Home Plate", to be aired between games of Mets doubleheaders on WMCA-570... New features are in store for NBC radio affils. One is a take-off of TV's "60 Minutes" Point-Counterpoint, and is called "Confrontation." It features commentary from conservative Patrick Buchanan and liberal Tom Braden, and runs five minutes. "Mark Russell Thom" starring political satirist, is a three-minute pgm to be fed 3 times daily, starting at 4:30pm... DJ Machine Gun Kelly has joined air staff of KTNQ-1020 in Los Angeles... Happenings at WRC-980 in Washington, DC: Bill Stabler joins as newsman, and stn picks up Jack Anderson's syndicated comments... More on WIIN, Atlanta. If you caught recent Broadcasting Information, you saw that stn has applied for calls WKLS. This is because WIIN-970 has been purchased by same group that owns album-rock WKLS-FM. New owners plan to make station as successful as FM side with a near duplication of format... WHOL-1120 Buffalo, NY has joined Mutual Radio... WGR-550 has Frank Benny as pm drive deejay... FCC has given approval of WEZE-1260 Boston's proposed format switch from contemporary music to a mix of religious, instructional, talk and inspirational programming...

(Information taken in part from "Variety" magazine, March 29, 1978, copyright "Variety, Inc." Other news: KLLZ-560 Denver plans to switch from Pop/Adult mx to modern country. KIRL-1460, St. Charles, MO also plans to switch to c/w, and go 24hrs. WMPS-680 Memphis went c/w as of 3/6/78. Sounds like everybody's goin' country!

-----Program Reviews and Comments-----
"Observations on Los Angeles radio" from Matthew F. Shugart, 12561 Groveview St., Garden Grove, CA 92090: This is the Vernal Equinox, and as I'm writing, KHJ-930 is playing up this first day of spring by saying things such as "The New Sound of Position 93 just like the feeling the new Spring brings to Southern California w/ music to match the first day of Spring." Funny how a little spicier competition sends Top40 stations reeling, what with KIQQ-FM100 having shot to the top of the Top40 ratings and the advent of KTNQ-1020 as a full-fledged Top40 rocker. It's interesting, though, that his gimmick is nothing more than just that. Granted there is now a modicum of public involvement, a bit more length to the songs, i.e. album versions, and a tad more oldies, but really, by necessity, the music is still the same, and there has been only one DJ change in recent months. However, their experience in the market and RKO's expertise are still no match for the neophyte KTNQ, a station whose presentation I find most repulsive. They must be having a few problems themselves as they opened up a new line for comments (520-1020) saying "help us shape the new Ten-Q." Besides the competition I've already mentioned, there's KEZY-1190, which reigns supreme here in Orange County as "your hometown radio station." And of course there's KRLA-1110 with its "Music Machine" of current Top40 and oldies, and KIIS-1150 with its format slightly to the personality/MOR vein on the AM and favoring albums more on the FM. KIIS is also the stn with "American Top40." Then there's the "Super 64," KFI-640. I favor the last two as they are usually the first to play country crossovers which I invariably like. KTNQ, I must say, is also pretty good about playing them early. Anyway, it's interesting to watch the happenings in the continual war among the Top40's. In the meantime, what L.A. needs is a good progressive country stn- or any new country sound- since all we have is the very hard line KLAC-570, and KGBS-FM which leans a bit towards country-rock. With the size of this market it baffles me that we have only two c/w stns. The type of country station I'd like to see is one like KOZN-FM in San Diego. They present their music, especially modern country and mostly uptempo, in a way that sounds like Top40, calling themselves "Zzz-104." I'd like to see some more time devoted here to this type of format, and any other, for that matter.

---Thanks for that letter, Matthew. I hope that inspires others to write a few notes on what's going on in different markets, and encourages the membership to speak out. Send in your program comments today! 73.





## Non-performance impressions

The Sony TR-6500 versus the Realistic "TRF"

--Some comparisons and impressions

Gerry Thomas  
(IRCA)

Charlie Barfield  
(NRC, IRCA)

While flipping through a Sony radio catalogue a while back, we came across the Sony TR-6500, an AM-only portable that boasted of a "tuned RF amplifier (that) provides clear and sensitive AM reception over long distances--even in mountainous areas." The catalogue's illustration of the TR-6500 showed a radio of about the same physical size and general configuration as the Realistic "TRF," and a call to a local Sony dealer revealed an identical price--\$29.95. So far, the potential of the Sony seemed pretty promising. But what about selectivity? There was no mention of that in the catalogue's blurb, although it did point out the Sony's "full fidelity" sound. Hmm, cause for concern? But wait a minute. The less expensive (\$19.95) Sony TFM-6100W, an AM/FM portable, features a ceramic filter in the AM section. Surely an AM-only portable costing \$10.00 more and designed specifically for long distance reception would also have some provision for better than average selectivity. The possibility that the popular Realistic "TRF" was facing a worthy challenger certainly crossed our minds at this point. But, on the other hand, why hadn't we heard of the TR-6500 before now? At the time, to our knowledge, no one in the major clubs was using the Sony. Whether the TR-6500 had been overlooked by MW DX'ers or we had simply missed earlier critiques wasn't known, but curiosity demanded that the Sony be given a hands-on test. (Locating a TR-6500 in stock on the Gulf Coast was impossible and one ultimately was ordered from Memphis.)

Before describing the results of the comparison tests between the Realistic and the Sony, we'd like to put forth a word of caution. Having come in contact with several Realistics, we were keenly aware of the fact that the Realistics vary considerably along the dimensions of sensitivity and selectivity and that the "TRF" we'd be using for the comparison tests had slightly better than average selectivity for this model. Similarly, the test Sony represented only one example of the TR-6500.

### Specifications

	<u>Sony</u>	<u>Realistic</u>
Circuit:	Superhet w/TRF amplifier	Superhet w/TRF amplifier
Semiconductors:	9 transistors 5 diodes 1 thermistor	1 FET 7 transistors 10 diodes
Dimensions:	6-3/4"(H) 8-7/8"(W) 2-5/8"(D)	7-5/8"(H) 9-1/4"(W) 2-3/4"(D)
Weight (w/batteries):	2 lbs. 9 oz.	2 lbs. 12.8 oz.
Color:	Black & metallic grey	Black, grey, & metallic grey
Power:	AC or 4 "AA"	AC or 4 "C"
Speaker:	3-3/4"	3"
Tone control:	High/Low	Continuous
Ext. ant. jack:	NO	YES (but of minimal value w/untuned ant.)
Accessories:	Earphone	Earphone
Price:	\$29.95	\$29.95

Both cabinets are physically attractive with the Realistic having a somewhat "sleek" appearance when compared with the Sony's more squared-off, rugged look. Both have a fixed carrying handle that is integral with the cabinet. All controls are located on the right side of the cabinets with the Sony employing a rotary potentiometer and a two-position slide switch for the volume and tone controls, respectively, whereas the Realistic uses slide potentiometers for these functions. The frequency scale of the Sony is on a rotating (direct drive, horizontal axis) drum with a fixed indicator while the Realistic's frequency scale is stationary and has a moving (via string and pulley) scale pointer. Removing the backs of the radios resulted in the impression of better component quality in the Sony. As just one example, the Sony's three-ganged variable capacitor is of the air-gap type and larger than the miniature, mylar-gap variable capacitor used in the Realistic.

### Sensitivity and Selectivity

Without the proper test equipment it was difficult to determine positively which of the two radios was the more sensitive. At no time during the comparison tests when a station was audible on one radio but not the other could this advantage be attributed solely to a difference in sensitivity or signal-to-noise ratio. In fact, it was usually the case that a difference in selectivity resulted in a station's audibility or inaudibility. The audio quality of the Sony was, however, better than that of the Realistic, which was due, at least in part, to the Sony's larger speaker. Regarding gain, or audio output, the Sony was definitely superior. For example, at midday, the Cuban on 720 kHz (CMGN) was rated as being "weak" in level on the Realistic but "fair to good" on the Sony (with both radios at full gain and equipped with fresh batteries). This gain advantage was evident across the band and over several days of testing and, in combination with the Sony's better audio quality, occasionally made monitoring a station somewhat easier than on the Realistic. A look at the circuitry of the Sony (a schematic for the Sony was not available, even from the local authorized service center) revealed at least a contributing factor in the Sony's superior gain--the Sony employs three levels of IF amplification whereas the Realistic uses but two.

This additional level of IF amplification also indicates a design philosophy difference between Sony and Radio Shack on the matter of improving selectivity. While neither of the authors of this review can be considered to be well-versed in radio engineering principles, those who are knowledgeable about such matters (e.g., Wm. I. Orr, author of Radio Handbook) point out some expected differences between the Realistic's two IF stages and tuned crystal method of improving selectivity and the Sony's three IF stage approach. According to Orr, adding additional IF stages improves the shape factor (but not the width) of the resulting passband. That is, the Sony's -60dB and -6dB points should more closely approach the "ideal" ratio of 1.0 (i.e., skirts are vertical) than those of the Realistic's sharper-peaked, broader-skirted crystal system. The critical question remained, though, "Was the Sony's passband narrow enough (even with a superior shape factor) to outperform the Realistic?" In a word--No. In every instance, the Realistic exhibited less adjacent channel splash than did the Sony. In some instances, (e.g., Antigua-1165 kHz), the Realistic at times produced a readable signal while only garbled noise was audible on the Sony. Again, a word of caution: The Sony we tested would come very close in selectivity to some of the lesser Realistics we've seen and undoubtedly could be significantly improved by installing a set of transfilters, a ceramic filter, etc. If this (easily correctable) selectivity shortcoming were the only drawback of the Sony, its purchase might be worthwhile. Unfortunately, operating the Sony is another problem.

## Operating considerations

**Tuning**--While the Sony's direct drive, tuning drum is very good-looking (electric blue on black) and more durable than the Realistic's dial string system, its thumb-wheel tuning knob is a full blown, pain in the patoot. Tuning-split frequencies was almost impossible and we found it necessary to install an 8:1 drive vernier knob to conduct these tests. On the high end of the frequency scale, even 10 kHz gradations required the touch of a pickpocket. Here, the Realistic's forefinger and thumb tuning knob is vastly superior.

**Frequency read-out**--On frequency read-out, the Sony proved to be a real match for the Realistic--both were horrible. Nothing need be said about the Realistic's notoriously poor read-out and accuracy, but the Sony's read-out was about 8 kHz low at 540 kHz and 50 kHz high at 1550 kHz. Furthermore, a minimum parallax error of 20 kHz was average on the Sony (although, at the high end (1500 kHz), the indicator line could, by tilting the cabinet, be made to center on any frequency from 1400-1600 kHz!).

## Conclusions

While the Sony we tested did enjoy some advantages over the Realistic (e.g., a sturdier looking cabinet, superior audio quality and gain, and apparently better component quality), it cannot be said that the Sony outperformed the Realistic in actual DX'ing situations. In fact, it was always the case that if a station was audible on one radio but not the other, the radio receiving the signal was the Realistic. Another point that should be considered involves the fact that the frequency read-out of the Realistic can be fairly easily improved and its external antenna jack can be made functional by simple tuning devices. On the other hand, correcting the Sony's shortcomings requires a little more effort--but, is far from impossible. In fact, after conducting these tests, the Sony's components were removed from its somewhat cramped cabinet and placed in a more spacious enclosure, its tuning drum was replaced with a 5-1/2" circular dial scale (allowing 5 kHz read-out across the band), and an external antenna tuner and vernier tuning knob were added. These modifications greatly improved the Sony's operation and could be adapted to any portable or table model radio...but that's another story.

The Old Radio Shop  
Panasonic RF-4800 - Review

-Grant Manning-

At the end of this review is the block diagram, and technical specifications of this receiver. List price is \$460.00 from Panasonic dealers. This is high, as it is available elsewhere for less. This set has electronic digital tuning readout on all but the FM band, MW, and a low shortwave band, (1.6-3MHz).

After playing with the receiver quite a bit for a month now, I've sort of reached some opinions on it's performance across the bands.

The FM is quite poor. Poor sensitivity, poor image rejection, and cross-mod immunity. No digital tuning.

The AM is also a loss, with tons of spurioses, and no digital on a 4" (lengthwise) dial. Loopstick antenna, and no provisions for a loop or shielded antenna input. Relatively insensitive, and broad as a barn door. While on the subject of selectivity, um, the specs say **plus** or **minus**, the best you get is 3KHz@-6db and 12 KHz@- 60 db. It's worse than this, I'm quite sure. The AM, and all SW functions of IF amplification and frequency conversion are handled by one IC. There is, (unfortunately) so much leakage thru the chip, you can break the signal path and still have audio! Ditto on the 1.6-3MHz segment of SW. Inensitive, no digital, easy to overload, broad, poor frequency calibration, etc.

On shortwave, it is sensitive as heck. Probably the most sensitive in the house. However, it overloads the easiest too, and will go into a cross-mod condition on R. Maldives. If the receiver is run with the RF gain cranked down to where the S meter sits around S9, the front end more or less operates in a sane manner, and it's ok.

The dial and tuning system, (it has a fast-slow tuning knob), is great except that it has about 0-1 KHz backlash. They provide a VFO offset to zero the receiver to the display on the front panel. I've found that once set, it need not be changed. The receivers' oscillators drift however, and my receiver exceeds their specifications of less than 500Hz per 1/2 hour. It's around 5kHz per hour. So after you turn it on, you have to retune every so often to stay on frequency especially on marginal stations, where passband placement becomes important. The set is nice to operate, but the volume control is in the wrong spot, and it's the wrong size.

The beast is big! 18" x 11 1/2"D x 7"H. Weighs nothing, (12 lbs.), is black, has R-390 (chrome no less) handles, and NC-98 dials, with a digital display at the center top.

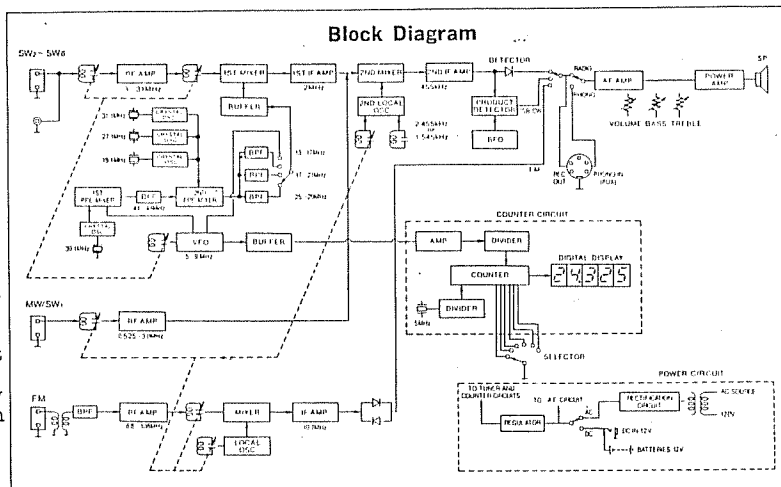
Page 424 April 28 1978

I tried to modify the biggest problem the beast has, namely, the lack of selectivity on SW. I can live with the cross-mod; (S meter freaks will have to learn that "lots" isn't necessarily "best" or be plagued with overload/resultant cross-mod.) The IC that is the IF, (plus two ceramic filters and a couple of interesting transformers), has so much leakage that I was unable to fit a mechanical filter to it, or so far anyway. A 3.8 filter would be just fine with this set.

Basically I like it. I wouldn't buy it for a main receiver, but as something nice looking for stand-by work and maybe some "easy" SW'ing. On the 19, 31, and 49 meter bands, the wide filters, and quality speaker plus tone controls are great! Hi fi DX! However if you "turn it up", the audio distorts, and pilot lamps flicker from poor power supply regulation.

So, if you are in the market for a fancy entertainment portable, with direct readout on SW, go for it. If you want a communications type receiver, keep looking.

The RF 2800 was also tested at this time - initial results were better, considering the price, and this will be covered in a later article.



## PRODUCT SERVICE

Should your Panasonic product ever require service, refer to an Authorized Panasonic Servicenter listed in the enclosed Directory, or consult your authorized Panasonic dealer for detailed instructions.

SERIAL NUMBER: Located on the back of the unit.

## SPECIFICATIONS

Power Source:	AC 120V, 60 Hz DC 12V: eight 1.5V batteries (Panasonic UDA-1 or equivalent), or any external 12V DC source (such as a car or boat battery through a car-battery adaptor)	SW2	S/N 10 dB 1.3uV S/N 26 dB 8.0uV
Power Consumption:	10W	SW3	S/N 10 dB 8.8uV S/N 26 dB 5.0uV
Receivable-Signal Types:	FM, AM, CW, and SSB	SW4	S/N 10 dB 1.2uV S/N 26 dB 7.0uV
Frequency Range:	FM 88-108 MHz MW 525-1685 kHz (571-187m) SW1 1.6-3.0 MHz (187-100m) SW2 3.0-7.0 MHz (100-42.9m) SW3 7.0-11.0 MHz (42.9-27.3m) SW4 11.0-15.0 MHz (27.3-20.0m) SW5 15.0-19.0 MHz (20.0-15.0m) SW6 19.0-23.0 MHz (15.0-11.7m) SW7 23.0-27.0 MHz (14.7-11.1m) SW8 27.0-31.0 MHz (11.1-9.7m)	SW5	S/N 10 dB 1.2uV S/N 26 dB 7.0uV
Reception Method:	FM Superheterodyne MW/SW1 Superheterodyne MW/SW2 Double-Superheterodyne (variable oscillated-frequency up-converting, premixing system)	SW6	S/N 10 dB 1.2uV S/N 26 dB 7.0uV
Intermediate Frequency:	FM 10.7 MHz MW/SW1 455 kHz SW2-8 1st IF 2 MHz 2nd IF 455 kHz	SW7	S/N 10 dB 1.3uV S/N 26 dB 8.0uV
Frequency Display:	SW2-8 (3.0-31.0 MHz) 7-segment, red LED 5 digits Easy reading to three decimals in MHz below 1 kHz to the closest round number	SW8	S/N 10 dB 1.3uV S/N 26 dB 8.0uV
Antenna:	FM External antenna (75:) MW Built-in ferrite-core antenna and external antenna (75:) SW1 External antenna (75:) SW2-8 External antenna (75:), or M-type coaxial-cable antenna (75:)	Image Ratio:	FM 30 dB (90 MHz) MW 40 dB (100 MHz) SW1 30 dB (2.3 MHz) SW2 65 dB (5 MHz) SW3 60 dB (9 MHz) SW4 55 dB (13 MHz) SW5 50 dB (17 MHz) SW6 45 dB (21 MHz) SW7 35 dB (25 MHz) SW8 35 dB (29 MHz)
Sensitivity:	FM 3 dB down limiter 1.6uV MW S/N 26 dB 3uV S/N 10 dB 60uV/m S/N 26 dB 400uV/m SW1 S/N 10 dB 1.0uV S/N 26 dB 6.0uV	Selectivity:	FM ±200 kHz (35 dB) ±400 kHz (70 dB) AM WIDE ±2.5 kHz (-6 dB) ±15 kHz (-60 dB) NARROW ±1.7 kHz (-6 dB) ±6 kHz (-60 dB)
		Frequency Stability:	Thirty minutes after power-on, fluctuation is less than 500 Hz
		Input Jacks:	AUX mini-type...20mV, 300k
		Output Jacks:	REC OUT mini-type...400mV, 4k
		SW2-8 Tuning Control:	EP/EXT. SP 4-8:3 Fast/Slow Ratio...1:2.1 Retardation Ratio...1:9.5 (Fast) 1:114 (Slow)
		Semiconductors:	5 IC's, 3 FET's, 34 Transistors
		Power Output:	RMS 2.0W
		Speaker:	10 cm, 41
		Dimensions:	482(W) x 200(H) x 354(D)mm
		Weight:	8 kg (without batteries)

Specifications subject to change without notice.

## SOME THOUGHTS ON BEVERAGES

by H. John Clements

As one of a group who has built more Beverages in more configurations than anybody on the West Coast, if not the hobby, I would like to offer some comments on Beverages as a result of our experiences. Many of these comments have not been published, but have been discussed at various DX meetings. Others are results of our experiences.

### It's Not A Panacea

The statements that Beverages bring in great quantities of DX is somewhat misleading. Most Beverage builders get to use their Beverages once or twice and hear a lot of new stations they never heard before. Naturally, they are quite impressed, but what they don't realize is that most of those stations will be in practically every night. As a matter of fact, 80-90% of all new catches on a Beverage antenna will become regular or semi-regular. In many cases, you just shift the location of your regulars from less than 500 miles to 3000-5000 miles. Another thing to remember is that it takes a skilled DXer to take advantage of a Beverage antenna. At sunset, many times a DX opening will occur that last for about 1-2 hours. During that time there will be as many as 35 splits (a large number for the West Coast). It takes an above average DXer to get a significant number of them in the allotted time. On a typical night, hearing 13 countries in a night is normal for us. However, one time Bruce Portzer was down in Southern California and with him we heard 29 countries in one night. The primary difference was that he knew what to expect at a given time on a given frequency. I would like to point out, also, that only a very small number of stations that I have heard on the Beverages have not been heard by someone else on the West Coast. In fact, I have heard at home just about everything I have heard on the Beverages. It goes to show that a box loop in the hands of a good DXer can be better than a Beverage in the hands of an average DXer.

### Size

People seem to want to make a Beverage as long as possible. In fact, I have often been asked "I wonder how a 10,000 foot Beverage would work?" There are tradeoffs that are a function of length that a builder should be aware of. Like any other antenna, gain is obtained with an increase in directivity. I built one 5400 feet long pointed at 135° that was so directional that the Eastern clears (KOA, KOB, WCCO, WHAS, KDKA, WHO, etc.) were completely inaudible. When daytime XEZE-850 (Mexicali) signed off, Radio Ciros in Guatemala (1 kw) was there all night with no trace of KOA! (They were also there every night too....) However, this directionality proved to be overly restrictive since almost nothing came in from the Caribbean and Eastern South America. Cuba-720 was weakly audible in the morning hours. St. Kitts-1265 was a little better. However, I did log all the stations in San José, Costa Rica and all the Radio Sutatenza outlets in one night. I would conclude that 3,000-3500 feet is about optimum. 5,000 feet is far too directional, and less than 2,500 feet does not seem to provide a great deal of gain and performance.

### Termination

Invariably, the first question I am asked is how I terminate it. It seems everyone who hasn't built one wants to terminate a Beverage. The answer is that I don't and for practical reasons. For one thing, termination varies as a function of frequency and time of day. The FCC at Grand Island found that they couldn't make a Beverage hold termination for the same reasons. Also, curiously overlooked by everyone that I talked to, is a mention in Mr. Beverage's article (available as an NRC reprint) that unidirectionality is obtainable only when the antenna is a multiple of a half-wave, which seems to imply that termination is a waste of time. You also run into the very practical problem of coordinating two people half a mile away while trying to adjust termination. I have found the longer Beverages to be quite unidirectional anyway. I have had many instances of a 1 kw or less Latin wiping out 50 kw clears off the back end (like KGO, for instance). As far as terminating a Beverage goes, I would say experience indicates it is not worthwhile.

### Construction

The Beverage is one of the easiest antennas to construct. Just take a couple thousand feet of wire and string it out on some kind of supports and you will get respectable results. However, certain things can improve performance greatly. First, try to use as few pieces of wire as possible. Although it may work great the first time with many splices, as time goes on, corrosion will cause a loss in performance. Also try to use as big a wire size as possible since this reduces losses due to wire resistance. (There can be several hundred Ohms of resistance in several thousand feet of wire.) However, don't be afraid to use #26 wire if it is all that you have - it will work fine. Try to make the posts as straight as possible. While good results are obtainable even if you deviate ± 50 feet from center, you will find some of the 50 kw clears completely disappearing when it is close to perfectly straight. You will also find that the better DX tends to hang in longer and that sunrise-sunset reception is dramatically enhanced. I have found that the hours of 10 PM - 2 AM to be slow on the poorer Beverages, but very much more active on a well built Beverage. For height, 4-6 feet is about right. More than that, you would be paying more for longer poles, and the extra height buys you nothing. At 2 feet or less, the antenna seems to interact with the ground and performance is reduced substantially. Poorly built Beverages with parts of the antenna drooping close to the ground or posts poorly laid out seem to have a lot of extraneous lobes. These lobes pick up stations broadside to the antenna very well and tend to disappear when the Beverage is better built. When picking a site, you want sandy (desert type) or rocky soil. Remember, the Beverage works because lossy ground causes the radio waves to tilt. Those who say the ideal site is a Beverage built over poor soil terminated into a stream are dreaming. Any water will cause the soil for quite a distance to become very conductive, ruining Beverage effects. I recently went on a Beverage party just after the big rains in California and the conditions were very poor. After considering all the factors, the conclusion was that the soil was still too damp. Any loss of performance due to good soil can be compensated for somewhat by increasing the wire size. It also follows that constructing a Beverage near the ocean to get better transoceanic reception will not produce excellent results.

### Showing It Off

Once you have built your Beverage, you will want to show it off to the plain folk who have not had the experience to listening on one. When I go to a Beverage with a new person, I use a simple technique. I take a TRF, stand a couple of feet from the antenna, and tune in KDAY-1580 (50 kw). After pointing out how solid the rock and roll is, I move the TRF next to the wire and ZAP!! Instant solid XEDM (Mexico) with nice ranchero music. It's very impressive. Similarly, the jumble on 920 is changed to solid XEBH. Also very interesting is walking down the Beverage a ways and having one of the stations on a frequency rise out of the jumble because you hit its point of maximum strength.

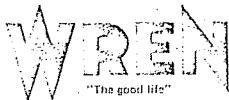
The Beverage is capable of truly fantastic reception. Like Chile-840 at sunrise so loud you think it is a local. And Radio Rumbos-1210, a 1 kw Guatemalan, dominating the frequency. And the various Radio Libertads, rising out of the mud near the top of the hour for their IDs. Any many-many more. I suggest that you take a tape recorder along so people will believe you.

I hope these comments will serve to help future Beverage builders and answer the often asked questions. I would welcome correspondence on the subject by other Beverage users. I am particularly interested in comparing the East and West Coast reception patterns.

-H. John Clements, 9010 Tobias St. #258, Panorama City, CA 91402.

(Article typed by Phil Bytheway-c/o Goodie Factory)





RADIO 1250  
P. O. BOX 1280  
TOPEKA, KS. 66601  
913-232-0505

RUSSELL W. GIBSON, GENERAL MANAGER

Sir:

I am sorry to inform you that we cannot confirm your reception of WREN. The information that you listed for confirmation did not include any that we could check on the program log.

In all fairness, we can only confirm (OSL) reception reports that list items that were broadcast at that particular time and can be checked in the stations program log.

To assist you in the future, the following guidelines are listed:

- (1) NEVER rely on song titles as the only time any station keeps a record of what songs were played is during ASCAP or BMI ascertainment week.
  - (2) NEVER give any of the patter that a DJ says...there is no record of it and DJ's memories are extremely short.
  - (3) NEVER give weather or news or sports stories...they are covered on all stations and are not peculiar to any one broadcast.
  - (4) DO list the name of any sponsor and the time of the commercial, as they are required by law to be recorded on the stations program log.
  - (5) DO list any unusual program types...such as a remote broadcast of a local football game (list the team names) or a shopping center remote broadcast.
  - (6) look for the following and list them in your reception report:
    - public service announcements & times (i.e. American Cancer Society)
    - commercials, sponsors, & times
    - promotional announcements (i.e. up coming programs, events, etc)
    - program titles & times (i.e. LumbAber Comedy Hour, Back-to-the-Bible, Howard Cosell's Speaking of Sports)
    - political ads or broadcasts & times & names
    - news bulletins, special reports, live coverage, etc.
    - any sports play-by-play broadcast, listing teams, scores, etc.
- Basically, listen for anything that the station will have to put down in its program log. Better luck next time and keep listening.

Lee Yazull  
Chief Engineer

ALL  
KIP 44 LONDON  
RADIO STATION

AMERICAN  
INFORMATION  
RADIO NETWORK

Page 486...April 29, 1978

THE INTERNATIONAL RADIO CLUB OF AMERICA

A non-profit club devoted to listening to distant radio stations on the broadcast band (510 to 1630 kHz). IRCA is a member of ANARC, the Association of North American Radio Clubs.

OFFICERS: President Bruce Portzer, 6546 19th Ave N.E., Seattle, WA 98115 (206-522-2521); Secretary-Treasurer Rich Segalas, Board of Directors Grogg Allinson, Philip Bytheway, Dr. Larry Flegle, Bill Hardy, Rick Heald, Rob Keeney and Father Jack Pejza.

DX MONITOR: The official bulletin of IRCA, published 34 times a year; weekly from November to March, 3 times in April and October, and monthly from May to August.

MEMBERSHIP DUES: \$12.00 First Class to Canada and the U.S.A., Air Mail to Mexico. \$13.50 Air Mail to the rest of the world via Canada. Air Mail Direct from San Francisco: \$25.00 to Central America, Caribbean, Columbia and Venezuela; \$30.00 to the rest of the world. Sample copies, 50¢ or 3 International Reply Coupons. Make all checks and money orders payable to "I.R.C.A." Members outside the U.S.A., please use money orders payable in U.S. funds.

PUBLISHING STAFF: Editor-in-Chief-Donald Kaskey; Publisher-Rich Segalas; Staff-Mike Endza, Nick Hall-Patch, Eloise Kaskey, Larry Nebron, et al.....

Opinions appearing in DX FORUMS are those of the contributors and do not necessarily reflect those of IRCA, the publishing staff, or the DX FORUM editors.

DX MONITOR is printed by Sir Speedy Instant Printing, San Francisco, California.

GOODIE FACTORY ITEMS WE ARE HUSTLING!

- IRCA Foreign Logs (yearly compilation of the DXNW sections in DX MONITOR)
- Volume 3 (1973-1974 season) \$3.50
- Volume 4 (1974-1975 season) \$4.25
- Volume 6 (1976-1977 season) \$4.25
- Volumes 3 and 4 \$6.50
- Volumes 4 and 6 \$7.00
- Volumes 3, 4 and 6 \$10.00
- Volume 5 (1975-1976 season) is no longer in print
- IRCA Rubber Stamp (with the club emblem) \$3.00, pp
- IRCA Stationery \$3.00 per 100 sheets, pp
- IRCA Reprint List PM-4, free with SASE

Contact Phil Bytheway..IRCA Goodie Factory, PO Box 17088, Seattle, WA 98107.

**KBOI-am**  
50,000 WATTS - 670  
*The sound that's all around*

RADIO IDAHO  
P O BOX 1280 BOISE IDAHO 83701

**NBC RADIO NETWORK**

**Someone to Turn to**  
**KBOI**  
RADIO 670

**COMMEMORATIVE OSL**

---

**CONVENTION**  
**1978**

**AUG 11, 12, 13**

Portland, Oregon

International Radio Club  
of America

This card may only be available from KBOI. Reports should be sent to Bill Rahm at KBOI.

IRCA

P.O. BOX 26254  
SAN FRANCISCO, CA 94126  
U.S.A.

MIDNIGHT RIDE ONE BY LAND TWO BY SEA  
USA 24

First Class

Dave Williams 2  
Box 615, Hwy 101  
Astoria, OR 97103