



DX MONITOR

PUBLISHED BY
THE INTERNATIONAL RADIO CLUB OF AMERICA

VOLUME 16

NO. 8

WHOLE NO. 493

NOVEMBER 18, 1978

DX CALENDAR DX CALENDAR DX CALENDAR

- TM Nov 21-23 KUOM--770-Minneapolis, MN 0100-0300. Open Carrier, Voice IDs & TT. Reports to: Larry Brogger, KUOM-580 Rarig Center, Univ. of Minnesota...Mpls, MN 55455.
- MM Nov 27 WWDJ-970-Hackensack, NJ 0130-0600 5 kw DA-2 PoP using night antenna pattern. w/include TT frequency sweeps from 30 to 1000 cycles plus open carriers & modulation tests. Voice IDs on the hour & possibly the half hour. Prepaid calls to : 201/343-5097. Rpt to Jim Galbraith, CE, WWDJ, PO Box 970, Hackensack, NJ 07602. Arr: Kromka (NRC)
- MM Dec 4 KADE-1190-Boulder, CO. 0200-0300 1 kw-ND. May use 52.1 watt PSA the last 5 minutes. v/s-Bob Greenlee, GM. Prepaid calls accepted. 4840 Riverbend Road, Boulder, CO 80301. (From NRC-DX News)
- MM Dec 4 KPPC-1240-Pasadena, CA 0330-0400 100 w. 1000 cycle tone, music & ID's. Possibly KROY may be off during part of the test. Rpts to: George Chambers, CE, KPPC, 3844 Foothill Blvd., Pasadena, CA 91107. Arranged by Matthew Snugart for IRCA..
- MM Dec 4 KRRR-1360-Ruidoso, NM 0400-0500. Test will include tones, IDs and perhaps other items (details later). Veries from: Arthur J. Borgemenke, CE, KRRR, Box 39, Ruidoso, NM 88345. Arr: P.Nolan-GWDXA
- MM Dec 18 KDLG--670-Dillingham, AK 0515-0615 5 kw. Tones, voice/code IDs, DX gab & some Eskimo language. Rpts to: Les Robinson, GM, KDLG, Box 670, Dillingham, AK 99576. Arranged by Eddie Ryan, GWDXA...

TP TIME PIPS UPDATER

Although this has been a lousy season for TP's, for me at least, there are a couple of additions to the TP time pips list which appeared in DX Monitor of Sept. 3/77:

- RRI Indonesia (heard on 5987 SW)
----- (these are B notes)
- China (Heilongjiang provincial service; 615, 880 etc.)
----- (A to Ab; different pitch from 1st and 2nd program)
-and from Mike Hardester:
- China (Fujian front/People's Liberation Army; 558, 612, 882, 890, 1450, 1470, & 2340)
----- (F to C; sequence is nearly 10 seconds long)

73, Nick Hall-Patch

Pending board approval, the new Verie Signers List editor will be Susan Sirulnik, 223 Lakeview Terrace, Teaneck, NJ 07666
The New Heard & Verified DX Records editor will be Roger Morby, Ushers Road, Ballston Lake, NY 12019
And the New Graveyard DX Records editor will be Niel Wolfish, 15 Fernwoods Grove, Toronto, ON M4N 2X8

SUMMARY OF NON-REPORTED STATIONS TO DXR & DXWW since Volume #11 (Continued from past issues).

In the last issue I neglected to mention that GFPS-ON & CKAL-BC were new stations reported for the first time & KQLA-WA is now on the air bringing the total number of stations in the USA & CANADA to 4849. In this issue ten stations were reported for the first time since prior to Volume #12: WGOG-SG-Bill Townshend WIZZ-IL, WMOR-KY & WMPP-IL by Dave Faulkner; WMVB-NJ & WNRE-OH by Neil Wolfish; KDDA-AR by C M Stanbury; KDRO CO by Jim Albrecht; KVRA-SD by Brian Sherwood & KBGR-CO by Bill Harms. Now, to continue the listings by states of stations unreported to either column since prior to volume #12:

FL-80-WSBR-WPFA-WAZE-WSWN-WPLA-WTRS-WHAN-WLQH-WTOT-WLGD-WKMK-WRYZ-WCNU-WHBO-WMJK-WGGG-WONN-WSBB-WCNH-WJNO-WBGC-WLCO-WINK-WMMB-WFOY-WNER-WWPF-WNOG-WORL-WEXI-WIPC-WYND-WSCM-WMOD-WKKX-WGKR-WAUC-WAMR-WFTP-WWAB-WTAN-WWFL-WTYS-WPBR-WFSH-WCWR-WDOF-WCAI-WZNG-WLIZ-WDAT-waka-WFTL-WIRA-WPRY-WPAS-WQDI-WWJB-WBSR-WSPB-WSTU-WTAL-WBAR-WZEP-WAPG-WVOP-WTRL-WETO-WMBM-WCKC-WPXE-WTTB-WSIR-WWBC-WTLN-WCCZ-WOKC-WCCF-WELE-WRXB-

GA-42-WCEH-WTRP-WPBG-WBLN-WJTH-WVOH-WSTA-WDWD-WGML-WBIA-WXLI-WPAX-WYTH-WKRW-WDEC-WNEA-WOKA-WGAU-WGAA-WBBT-WTIF-WBSG-WLAW-WMAC-WULF-WSGC-WCOH-WGFS-WRCD-WWCC-WVMG-WGPC-WBHF-WQQT-WVLD-WDOL-WCLA-WMJM-WSPB-WLEJ-WYYZ-WTGA-

HI- 0-
ID- 4-KSRA-KBAR-KSNN-KOID-
(continued on page 114)

Can you please inform your members that I have

FOR SALE
GRUNDIG
SATELLIT 2000

Europe's Best. - 21 Bands SW/LW/MW/FM
1 uv. sensitivity (S+N/N @ 10 dB)
2.5/5.5 KHz selectivity
Exceptional Audio Quality.
\$350. (Current New Price \$750+Tax)
J.M.Weiss, 1572 Peacock Ave., Sunnyvale, Calif. 94087
(408)-735-7946

The Inside Story -

EDXR-----110-111-112-113
CDXR-----113
WDXR-----114
DXWW-----115-116
EDXF-----116
WDXF-----117

Australia & New Zealand Frequency Changes----117
Index to Volume 15-----119
Technical Column-----118-120

960 WBOC MD, Salisbury 10/28 1723 Nx & wx, (Temp 58°F/14°C in Salisbury), then into AT-40 pgm, good signal o/WFGL/CHNS. (MC-MA)

WFGL MA, Fitchburg 10/30 1830 Fair to nil w/ID, location at 1830 mixing w/UNID, possibly WFTC (see below). Very surprising this one, as much tried for but never heard. What odd cx! (RAM-NY)

t WFTC NC, Kingston 10/30 1825 Fair to poor w/jumbled ID & mucho QRM at 1825. Too tentative to count. (RAM-NY)

990 WVSC PA, Sommerset 10/27 1833 In good at 1833 w/man giving wx report. Taped & reported. (LSM-NY)

1000 WGOG SC, Walhalla 10/30 1748 Ad, then Buddy Holly song, "Raining in my Heart", Fair to good. (WPT-DC)

WRAR VA, Tappahannock 10/28 1831 Fair to good atop at s/off at 1831, no NA. (RAM-NY)

1010 KDJW TX, Amarillo 10/30 1905-1915 W/ABC 15-minute news roundup, big drop at pwr cut 1915 but noted here later u/CFRB w/c&w mx. Was killing CFRB w/5 kw. (DF-MI)

WGUN GA, Atlanta 10/30 1800 S/off ment of serving AL-GA-SC area. Fair. (WPT-DC)

1070 *WKOK* PA, Sunbury 10/30 0052 Noted here several times w/IDs, apparent ET. KNX/WTSC nulled. Many strange sounds on the channel as well. 500 Hz tone here after 0100 but no more IDs. IDs garbled but readable. (DF-MI)

1110 CKJD ON, Sarnia 10/28 1741 ID Century Drug mention, Quality Pool ad. Good w/WBT nulled. (MC-MA)

1140 KATT OK, Oklahoma City 10/30 1852 Preparing to s/off. Gave call as "KATT AM & FM & indicated RS would continue on FM. Tip-off for me to check 890 for KBYE. (DF-MI)

1170 WWLE NY, Cornwall 10/27 1814 ID through WWA. (DF-MI)

1210 WILY IL, Centralia 10/31 1820 Way atop WGAU from 1820 until 1830 s/off. (CHS-ON)

1220 KRMC OK, Midwest City 10/30 1750 ID but in & out earlier w/religious pgm, much mention of service to be held in Okla City. Into nx 1746. Much mention of Oklahoma & Oklahoma City. Is it near O. C.? (DF-MI)

KVSA AR, McGehee 10/30 1821 w/WGAR nulled, good sigs w?much talk, spots for political candidates, ID piano mx. (DF-MI)

WLBI LA, Denhap Springs 10/30 1845 Mixing w/KRMC/KVSA (until KVSA s/off 1830). S/off in quite well o/WKRS. WGAR nulled by setting TRF on the floor & turning. C&w mx. (DF-MI)

W3LM IN, Salem 10/30 1750 In a jumble w/WGAR nulled, ID, perhaps some c&w mx, but that's about it. Poorest of the new 1220s. Also the closest. (DF-MI)

1230 WKBO PA, Harrisburg 10/29 2159 My only unheard Harrisburg finally made it w/nx, wx & ID, then back into the mess. Fair, readable sig. (DF-MI)

1240 WHIZ OH, Zanesville 10/29 2359 ID thru the mess at 2359. (DF-MI)

WHUM PA, Reading 10/30 0005 Fair to good w/ID w/3WD nulled while trying for WSEI test. (RAM-NY)

1250 WDVA VA, Danville 10/31 1820 Very good w/Mutual nx then WDVA Scoreboard. (IM-NY)

WIZZ IL, Streator 10/30 1728 but first noted in passing long before. Had spot for land development along the Mississippi 1715 but I figured it was too early for IL. Rock pgm w/YL anncr playing dedications. Few spots. (DF-MI)

WMTN NJ, Morristown 10/30 1700 ID only garbled but readable through WTAE & WKOX. (DF-MI)

WTMA SC, Charleston 10/30 1745 "It's 5:45 on Musicradio, WTMA." Absolutely destroying WTAE w/rr mx. (DF-MI)

1270 WLBR PA, Lebanon 10/16 0530 ID and wx after soft mx, fadeout, QRM from WXYZ and someone else. Pwr.(NW-ON)

WMPM NC, Smithfield 10/30 1744 Good to excellent at 1744, s/off, totally dominant, no NA. DJ reminded me of Junior Samples. (LSM-NY) & (RAM-NY) (ed: that dual report must be some sort of a 'first'.)

WSPR MA, Springfield 10/16 0535 S/on w/-lots of ID's data such as power, xmtr site on Palmer Ave. and a time check and wx. The announcer was Rob, nx, sx and wx followed. QRM from WXYZ. Fair sig until 0539 fade out. (NW-ON)

1290 WHKY NC, Hickory 10/31 0002 S/off by OM. Fair atop channel. (WPT-DC)

1300 WERE OH, Cleveland 11/1 1919 Talk about elections then about Cleveland Cavaliers basketball team. Good(IM-NY)

1310 WDKD SC, Kingstree 10/30 1736 ID after sports report at 1736. Fair, new. (LSM-NY)

WQTK NJ, Parsippany-Troy Hille 10/27 1805 W/ID, promo for something "here on Q". Signal much like that of WMTN, rather garbled but readable. (DF-MI)

1330 WASA MD, Havre de Grace 10/31 1617 Thru WEVD w/mor mx, ment of Bel Air. Fair. (IM-NY)

WESR VA, Tasley 10/27 1759 Apparently the one here w/c&w mx during the previous half hour but ID finally at 1759. (DF-MI)

WKOV OH, Wellston 10/25 1841 Through much QRM but readable ID, (DF-MI)

WLAT SC, Conway 10/30 1750 Good at 1750 w/community bulletin board & address of station given (same as NRC log). Believe they forgot to switch down to their 500w. nite power. (LSM-NY) & (RAM-NY)

WMOR KY, Morehead 10/28 1813 Nx, wx, ID. Weak w/moderate QRM. (DF-MI)

1340 CKDK ON, Woodstock 10/7 0024-0048 Pop mx IDs and a few spots. Poor signal. Not heard since 1974 when it was CKOX. (NW-ON)

WPEM WV, Martinsburg 10/28 0807 Dominating for a while w/rr mx at 0807. Nice "You're on 1340" by anncr, then SID. (DF-MI)

???? UNID, GA 10/7 0037 Talk show with a YL politician, 0053, end of show, into mor mx, 0100 s/off, but missed announcement. Only heard SSB. At 0042 there was a spot for a Magnavox dealer and an offer for a NFL guide if you mention WAUG & W____. Poor signal. WAUG is in Augusta GA on 1050, and there are a few GA's on 1340 like WGAU Athens & WBBQ in Albany. (NW-ON)

1350 WHNE VA, Portsmouth 10/31 1758 in WNLK null w/contest promo and c&w mx. Fair. (IM-NY)

1370 WCCN WI, Neillsville 10/27 1844 ID, no SSB noted but much WSPD QRM w/local WPHM-1380 nulled. (DF-MI)

WEIF WV, Moundsville 10/28 1745 ID, s/-Off mentioning c&w format; WFEA nulled. (MC-MA)

WTAB NC, Tabor City 10/31 1745 Caught s/off at 1745, fair w/very short s/off anncmnt u/WFEA. (LSM-NY)

WWCB PA, Corry 10/28 1730 ID weak but readable u/WSPD/WKMC. WKMC very pesky here lately. (DF-MI)

1380 WLCY FL, St. Petersburg 10/31 1752 Fair to poor w/IDs rising briefly atop jumble, w/heavy auroral cx. (RAM-NY)

WPHM MI, Port Huron (Programming Note) New operating sked: 0500-0100 except Sundays 0700-2305. (DF-MI)

WSYB VT, Rutland 10/31 1557 Fair o/u WBNX then lucky fade in for ID. (IM-NY)

1390 WCSC SC, Charleston 10/30 1737 Good, mostly o/WPEM groundwave during auroral cx; Pizza Inn ad, Charleston mentions. (MC-MA)

WKLP	WV, Keyser 10/28 1843 S/off, much talk, IDs, pwr given followed by a very drawn out vocal SSB. Dominating channel well o/WFMY/WVON & co.(DF-MI)		????	UNID, (GA or SC) 10/31 1800 Missed call letters but heard slow version of "Dixie" on s/off. Any ideas from IRCA'ers in GA-SC area? Fair-good. (WPT-DC)	
WLAN	PA, Lancaster 11/1 1838 Ad for restaurant in Lancaster, T-40 mx. (IM-NY)				
WRSC	PA, State College 10/28 1735 Once I discovered I could get by WPHM w/TRF I set out to look for this one and behold, there they were 10/28 with long college FB scoreboard 1735+, then into rr mx. Nice ID 1743.(DF-MI)	1530	KECK	NE, Lincoln 10/30 1857 Getting ready to s/off, c&w mx & ancr complaining that time change had confused him as to station scheduling & he was not sure when they'd be back on in the morning. Xlnt signal. (DF-MI)	
1400	CJFP	QU, Riviere du Loup 10/16 0605-0616 Fiddle mx, FF talk, ID's & talk by DJ 0614 sports scores. Good signal. (NW-ON)		KGBT	TX, Harlingen 10/30 1901 ID into SS newscast, giving WCKY trouble w/fair signal. (DF-MI)
1410	WDOV	DE, Dover 11/1 1802 O/u WPOP w/WDOV nx, story about fire in Wilmington. Good. (IM-NY)		KSMM	MN, Shakopee 10/27 1927 In w/WCKY nulled, fair sig o/KDSN w/much talk & promotion. EZL c&w mx. (DF-MI)
	WING	OH, Dayton 10/29 1947 Wiping out WPOF rock mx. Good ID. (MC-MA)		WJDM	NJ, Elizabeth 11/1 1635 After WBJZ s/off w/local nx. (IM-NY)
1420	WCED	PA, DuBois 11/1 1751 U/mess w/barely readable ID. Extreme QRM. (IM-NY)		WTHM	MI, Lapeer 10/16 0902 Local news, ID. Fair. (NW-ON)
	WCOJ	PA, Coatesville 11/1 1749 Very extensive stock report, then WCOJ ID. (IM-NY)	1540	WARD	PA, Pittston 10/31 (time?) Good with ID "WARD where one hit follows another". (IM-NY)
1430	WVAM	PA, Altoona 11/1 1744 Ad for GMC cars and trucks then quick promo for local Altoona dealer. (IM-NY)		WNRE	OH, Circleville 10/17 1830 S/off w/full data, but no SSB. Heard w/poor signal over WPTR just after CHIN left the air. (NW-ON)
1440	WHHH	OH, Warren 11/1 1739 Poor through QRM then atop w/WHHH ID. (IM-NY)		WRCP	PA, Philadelphia 11/1 1646 S/off w/ment of FM affiliate. Good. (IM-NY)
	WMVB	NJ, Millville 10/16 0600 Local nx, 0602 ID, wx, into soft mx, poor signal and 0603 fade-out. (NW-ON)	1550	WBSC	SC, Bennettsville 10/30 1736 Good, alone on channel during temporary auroral cx. Local Bennettsville ads & ID. (MC-MA)
1450	WILM	DE, Wilmington 11/1 1719 Fair surfaced atop GY pile w/WILM ID. (IM-NY)		WCVL	IN, Crawfordsville 10/30 0115 rr mx & ID, weak sig, little QRM. Sounded like RS. (DF-MI)
	WOL	DC, Washington 11/1 1723 Fair, faint WOL ID then ad for local clothing outlet. (IM-NY)	1560	KCJJ	IA, Iowa City 10/30 0200 Much wanted here at last w/slight QRM from UNID but quite readable, rigs pgm, ID at 0200. (DF-MI)
1460	WBNS	OH, Columbus 10/28 1751 Dominant w/"Grease" contest, prize of a 1957 Chevrolet, then ID & 1950's rock. (MC-MA)		KDDA	AR, Dumas 10/30 1830 Strong at s/off 1830. (CMS-ON)
	WOKO	NY, Albany 10/31 1528 Fair w/c&w mx u/WVOX; temp and ID. (IM-NY)		KKAA	SD, Aberdeen 10/31 1849 Very strong & dominating WDXR, no sign of WQXR. Had c&w mx, "K-K double A" ID. (DF-MI)
	WWWG	NY, Rochester 11/1 1714 Good with "3 W G" ID for contest in Rochester. (IM-NY)		KQYX	MO, Joplin 10/30 1837 Noted with "Right to work" spot at 1837. S/off at 1845 atop WQXR, which by that time had begun to re-appear(CMS-ON)
1470	WBFC	KY, Stanton 10/26 1851 Many IDs noted here, some c&w mx as well, both then & since. Seems to do quite well. (DF-MI)		+	10/31 1836 ID briefly atop, rr mx. (DF-MI)
	WBTX	VA, Broadway-Timberline 10/28 1841 Weak but clear through much QRM at 1841, evidently s/off but no details noted, only call about three times. (DF-MI)		WAGC	AL, Centre 10/31 1814 S/off w/SSB. Fair o/u WQXR. (WPT-DC)
	WMFP	IL, Chicago 10/27 1912 Totally dominating here w/National Black Network news through 1906, into R&B mx, but no ID until 1912. (DF-MI)		*WBKC*	OH, Chardon 10/9 0019 ET w/"long Cool Woman" by the Hollies, 0024 ID during song saying WBKC concludes their ET. Good signal that was wiping out WQXR. (NW-ON)
1480	WADR	NY, Remsen 10/16 0906-0923 C&w and mor mx, ID's, jingle, spot for Kodak, 0921 TC and Mutual news. Fair signal in broad daylight with other stations like WQXR, WAKR and WTHM still audible way past sunrise!!! (NW-ON)		????	UNID, 10/30 0159 Talk CBS news about election candidates in various midwestern states. Easy listen soft rock to 0207 fade-out. (PRM-OH)
	+	10/17 1735 ID after country mx, fair before sunset. Once you hear them, you can't get rid of 'em... (NW-ON)	1570	WBUX	PA, Doylestown 10/27 0800 ID into nx w/CHLO/WTOW. (DF-MI)
1490	WAZL	PA, Hazelton 11/1 1655 Fair with Donna Summers mx, much QRM.(IM-NY)		WHLP	TN, Centerville 10/31 1831 S/off by OM w/no SSB or Dixie. Ment of return to air at 0600 EST. Wx report (temp 71° F). Fair-poor. (WPT-DC)
	WKVT	VT, Brattleboro 10/31 1659 Fair w/ID before CBS nx at 1659 with WCSS nulled. (RAM-NY)		WPGM	PA, Danville 10/25 0800 Religious pgm, ID & into nx doing quite well w/much CHLO. (DF-MI)
	WUSS	NJ, Atlantic City 11/1 1706 National Black network nx into soul mx. Fair. (IM-NY)	1580	WTWB	FL, Auburndale 10/30 1800 Poor to nil at s/off 1800, no NA. QRM low. (no CKLM!) but signal very weak. (RAM-NY)
1500	WBRI	IN, Indianapolis 10/26 1856 ID, much QRM through partially nulled WDEE. (DF-MI)		KNIX	AZ, Tempe 10/30 1859 Loud & clear w/nx at 1859, YL ancr. Truly wonderful sounding wx (highs of 84 etc) a long awaited surprise. (DF-MI) (ed: real nice DX!)
1520	WCHE	PA, West Chester 11/1 1641 O/u WKBW w/ID into mor mx.Fair(IM-NY)		WEYY	AL, Taladega 10/25 1914 Fair-good. First ID sounded like WEYN in s/off then familiar "When WEYY goes off, even the sun goes down!" at 1914. (PRM-OH)
	WNMT	GA, Garden City 10/31 1801 S/off by OM w/no SSB or Dixie. Fair u/- (WPT-DC)		WLIJ	TN, Shelbyville 10/25 1900 ID heard good 1900, again 1917 w/promo for Univ. of TN football & Johnny Major show following, then s/off.(PRM-OH)

WPGC MD, Morningside 10/31 0657 Good w/-
T-40 mx, then buried under mess. (IM-NY)
1600 WAYC PA, Bedford 10/27 0746 W/spot for
Bedford area Ford dealer. (DF-MI)
WNST WV, Hilton 10/28 0801 ID well on
Top, into nx. (DF-MI)
1600-50 WCBG PA, Chambersburg 10/27 1743 W/4
distinct spurs, all perfectly mod-
ulated at 1743 EST 10/27. Presum-
ably had 4 matching spurs below
1590 though they were covered by
QRM at this time (1578V & 1563V are
often heard). Must be some sort of
a record. (CMS-ON)

////////////////////////////////////
DX TESTS
1240 WSKI VT, Montpelier Not heard on DX TEST
of 10/30. Some tones heard around
0020 but no IDs between them. Prob-
ably not WSKI. (RAM-NY)
+ 10/30 DX TEST tried but not heard.
(PRM-OH)

REPORTERS THIS ISSUE

MC-MA Mark Connelly, 52 Amsden St.,
Arlington, MA 02174 Realistic TRF
DF-MI Dave Faulkner, 1430 Pine Grove Ave.,
Port Huron, MI 48060 Realistic TRF
IM-NY Ian Meyers, 14 Lloyd Lane,
Nesconset, NY 11767
Panasonic RF-2200, Realistic TRF & old
Hallicrafters R-838 + Palomar loop & l'wire
LSM-NY Linda Sue Morby, Ushers Road,
Ballston Lake, NY 12019
10-band Mont'y Ward portable + dipole.
RAM-NY Roger A. Morby, Ushers Road,
Ballston Lake, NY 12019 TRF + dipole
PRM-OH Paul Mount, 35 1/2 W. Columbus St.,
Nelsonville, OH 45764 Realistic TRF
CMS-ON C. M. (Stan) Stanbury, Box 218,
Crystal Beach, ON L0S 1B0 HQ-200, 90 ft lw.
WPT-DC Bill Townshend, 4500 Conn. Ave., NW # 901,
Washington, DC 20008 Realistic TRF
WPT-MD Bill Townshend DX'ing during lunch break at
work site, Marlow Heights, MD.
NW-ON Niel Wolfish, 15 Donwoods Grove,
Toronto, ON M4N 2K4 Yaesu FRG-7

For those that may like statistics 33 states
were reported for this week's report.
Must take time to remark on the excellent well-
prepared reports that are received for EDXR. One
small request - please do not cut up loggings into
slips of paper. I use a different system. ok?

73 and good DX Bob Curtis

central dx
founder
Bob Lazar
511 W. Doty St., Apt. 208
Madison, Wisconsin 53703

Deadlines: Tuesdays 11/21, 11/28, 12/5, 12/12

640 WOI IA Ames, 10/27 1841-1847 RS, Fair w/ some
WMAQ slop, no sign of WHLO. (BPS)
710 WGBS FL Miami, 10/16 0220 Broke through some-
one's OC w/ quick ID "WGBS Miami, FL".
Nothing else heard. (PAL) (probably
an OC ET-ed)
730 WFMW KY Madisonville, 10/23 0819 Good w/ ID
and ad. (JC)
WMTK KY Yancleve, 10/27 0744-45 Good w/ ID &
Glen Campbell song. Rapidly faded. (JA)
740 WBAM AL Montgomery, 10/24 1900 Crystal Gayle
song then ID "WBAM, Montgomery" at
1900. Weak u/ KTRH and KRMG. Taped.
My most wanted catch. (JC)
KVFC CO Cortez, 10/18 0816-0818 Fair w/ spots
for Joe Zein Suburu and Flavin's Home
Center. SID and into mx. (PAL)
WNOP KY Newport, 10/23 0821 Good w/ ad, ID. (JC)
WVIL IL Olney, 10/25 Good at 1530 w/ restaurant
ad and ID. Never hrd before for some
reason. (JC)
790 WETB TN Johnson City, 10/27 0750 Fair briefly
w/ 2 mentions of Johnson City in local
spot. (JA) //(PAL)
860 KOSE AR Osceola, 10/22 1907 YL announcer w/
mention of KOSE editorial policy allow-
ing equal time for opposing views.
Quickly faded into unid interference.
880 KRVN NE Lexington, 10/27 2134-2140 Completely
dominating freq w/ ABC nx, extended
wx for Great Plains states, political
spot. Usually dominant WGBS not heard
at this time. (PAL)

1020 KBCQ NM Roswell, 10/9 0807 with nx program
called New Mexico Sunrise, spot for
Smith Machinery before being bombed
out by KTNQ. Never heard, even on ET.
(PAL) 1030 0150-0205 Poor-fair o/
KTNQ w/ religious program then ID, TC
& ABC nx. (JA)
KDKA PA Pittsburgh, 10/29 1658-1702 RS, fair to
xInt almost 2 hours before LSS, no sign
of much-wanted WPEO, no slop from WCFL.
Logged before but this the earliest
ever heard! (BPS)
1250 KLAZ AR Little Rock, 10/30 0215-25 Good o/ unid.
TT w/ "Continuous Rock" jingle & ID by
YL DJ, rr mx. (JA) (Jim, these are
their new call letters-ed)
1320 WAGF AL Dothan, 11/1 1742-45 Fair w/ soul mx
& local spot, then lost to pattern
change. (JA)
1350 WXCL IL Peoria, 10/27 Noted off 0103-0120. Was
in car, nothing else hrd. Car rx does-
n't compare to TRF. (JC)
1390 KCRC OK Enid, 10/30 1918-20 Fair o/ WVON w/
local & regional wx. (JA) //(JA)
1410 KAHL NE North Platte, 10/31 1842-45 Good w/
stock market rpt followed by ID & SID.
1420 WOC IA Davenport, 10/30 0901-0914 Fair with
local nx, spot for Republic Co., Ron-
ald Reagan. Seldom heard here. (PAL)
KJCK KA Junction City, 10/30 Breaking thru WOC
& KTOE at 0908 w/ spot for Graphics
Printing and SID. (PAL)
1430 WWWQ FL Panama City, 11/1 1820-35 Good w/ freq
ID's, "3WQ Your Adult mx Stn" jingle,
Ae nx, political announcements, mor
mx. (ex-WPCF) (JA) //(BPS)
1460 WIXN IL Dixon, 10/29 1159-1206 RS, fair w/
spots, mx, nx, moderate WRKR QRM, new.
KRNY NE Kearny, 10/31 1900 Good briefly thru
KSO w/ wx & ID. (JA)
1490 KDRO MO Sedalia, 10/30 1944 Fair topping GY w/
ID "KDRO Sedalia, MO". (JA)
1500 KXVQ OK Pawhuska, 10/30 1813-1815 S/off, xInt
w/ no sign of anything, little 1490
slop. Ments of Pawhuska and OK. (BPS)
1540 KPOL CA Los Angeles, 10/30 2015-2030 Poor to
xInt - at times completely on top of
freq w/ spots for Delta Airlines, Man-
ochevitz Wine, report of vehicle on
fire on freeway, numerous mentions of
KPOL-15, mx by Seals & Croft. First
time heard and a complete surprise.
(PAL) (nice catch!-ed)
1570 KUXL MN Golden Valley, 10/27 1920-30 fair-good
o/u CKLM w/ EZ listening mx followed by
5 mins. of local ads, then s/off & SSB.
KVRA SD Vermillion, 10/31 1838-1846 //(JA)
RS, xInt w/ slight KPIK QRM, Stereo
Town spot, little QRN. Faded out be-
fore s/off, yielding to CPOR/CHLO. (BPS)
???? ?? unID, s/off, fair looping NW/SE from
Chicago, sounded like "WBNC". Any
ideas? (BPS) (Possibly WVMS which has
been granted to WAPL although I don't
know if the new calls are in effect
yet. What time & date was this?-ed)
1580 WEYY AL Talladega, 10/31 1813-1815 S/off, many
ments of Talladega, "when WEYY s/off,
even the sun goes down". First AL on
SSS, taped for verie #200. (BPS)
KNIX AZ Tempe, 10/27 2036-43 Fair-good but
Tadey w/ local spot ment Scottsdale,
freq ID's & cw mx o/ XEDM. (JA)
KESM MO Eldorado Springs, 10/27 1943-1945 S/off
Fair w/ ment of Eldorado Spgs., slight
KNIM/KPIK QRM. (BPS)
KZIA NM Albuquerque, 10/27 2030 Fair w/ end of
Mutual nx and s/off w/ "your nx and
information stn" slogan. Quite a sur-
prise as I thought it was KPIK. (JA)

A TIP OF THE HAT TO THESE REPORTERS

JA - JIM ALBRECHT, 3313 N. Weil St., Milwaukee, WI
53212 (Sony CRF-5090, Realistic TRF)
JC - JOHN CLEMMER, 2937 W. Gilbert, Peoria, IL
61604 (Realistic TRF)
PAL - PAUL A. LAFRENIERE, P.O. Box 606, Grand
Marais, MN 55604
BPS - BRIAN P. SHERWOOD, 221 Larch Ave., Elmhurst,
IL 60126 (HQ-129X, SM-1, tuned LW)

Some real good catches this week. Keep up the good
works folks...and to those that are DXing and not
reporting; send in your reports today to CDXR....I
wouldn't mind seeing a few new names in the column.

NANCY HARDY, Editor
2301 PACIFIC AVE.
ABERDEEN, WA 98520

western dx roundup

ALL TIMES ARE EASTERN LOCAL

Phone for hot WDXR tips: (206)532-6827 till
11:30pm(PLT) nightly--prepaid calls only

DEADLINES: Wed. 11/22, Thurs. 11/30, Thurs. 12/7.

REPORTERS FOR THIS ISSUE:

- (JEC) James Critchett-1635 Walbridge St.-Red
Drake SPR-4, Bluff, CA 96080
Sanserino loop
(BH) Bill Hardy-2301 Pacific Ave.-Aberdeen, WA
FRG-7, SM-1 98520
(NH) Nancy Hardy-2301 Pacific Ave.-Aberdeen, WA
FRG-7, SM-1 98520
(WJH) Bill Harms-865N 100W #2-Provo, UT 84601
FRG-7, wedge
(DFJ) David Jackson-4281 Encinitas Way-Alvarado,
Realistic TRF CA 94587
(RW) Robert Wien-945 Desert Isle Dr.-San Jose, CA
GE TRF long-range portable, 95117
SM-2

- *****
620 KNKS CA, Hanford 10/31 0116 clear ID into
C&W (?) mx. Nothing else noted. (WJH)
630 KOH NV, Reno finally logged 10/31 0055-
0100 ad for Reno business, "Theme
740 *KBRT* CA, Avalon 11/6 0627 w/simple anct.
"on the air for testing & adjustment
of broadcast equipment." No real test,
but this is aired at regular intervals
each MM. Is this our only shot at
hearing the pretty island here in the
Bay Area? (DFJ-CA)
740 *KCBS* CA, San Francisco 10/30 0326 xlnr w/
TT, o/KBRT. (RW-CA)
740 KYME ID, Boise 11/3 1026-1028 ID for
Wilson Motors in Mountain Home, ID.
This is your station KYME in Boise,
into song. Fair signal. (WJH-UT)
750 WSB GA, Atlanta 11/6 0610 a needed state
finally heard u/(of all things) QRM
from Japan; in weak w/PSA, TC, ID, nx,
into Leo Sayer song. (DFJ-CA)
780 WJAG NE, Norfolk 10/16 0826 w/Nebraska
wx, o/WBBM. (JEC-CA)
920 KOLO NV, Reno 10/30 0328 noted on past
midnight. Said would be on to 6am, so
sounds like going NSP. (RW-CA)
970 KPUA HI, Hilo 9/29 0958 ID and at 1000 a
woman gave the nx. (JEC-CA)
980 KFWJ AZ, Lake Havasu City 10/14 on at
0900 w/APR nx. (JEC-CA)
1010 *KCHJ* CA, Delano 10/29 0417 this test is
becoming a classic--6th time in a
row they have tested w/Star Wars
album, then drum march. So if any-
one hears this on a Sat. night,
you've got KCHJ. U/KXEG, surprisingly,
KXEG has a powerhouse signal. (RW-CA)
1010 KCMP CO, Brush 10/15 0900 s/on w/CBR &
KXEG there. (JEC-CA)
1040 KPOI HI, Honolulu 10/8 a woman gave the nx,
ID at 0755 (time there as 2:55). (JEC)
+10/30 0330 fighting it out w/HJCJ,
o/WHO; w/rr mx & "KPOI 100" slogans.
Soon gone, tho. (RW-CA)
1140 KMJJ NV, North Las Vegas "beautiful mx" at
0406 MM 10/16. (JEC-CA)
+10/30 0301 fair in KRAK OC null,
sounded like RS & not a test, as
used "KMMJ" ID & not "Stereo K-luck"
slogan. (RW-CA)
1150 KSAL KS, Salina 10/31 0044 Kansas wx and
ID heard in mess. A complete
surprise. (WJH-UT)
1150 KSEN MT, Shelby ID at 0900, then CBS nx.
(JEC-CA) (Date?-NH)
1150 KAGO OR, Klamath Falls 11/1 0123-0130
local ad & Trailblazers network nx.
Apparently used after Portland Trail-
blazers games. Good. Only slight QRM
and no KSL-1160 slop! Tnx to a clean
signal. (WJH-UT)
1230 KSTC CO, Sterling 10/31 0958 local wx & ID.
Nothing else corresponded. (WJH-UT)
1230 KBCR CO, Steamboat Springs 10/31 1000, ID
in AI nx. Good signal. (WJH-UT)

- 1230 KEXO CO, Grand Junction 11/1 0206 "Midnight
Special Program" and mx. Good signal.
Station #400 here. (WJH-UT)
1230 KQIK OR, Lakeview 11/8 0222-0232 atop at
times w/election returns & mx. 0223
and 0231 $\frac{1}{2}$ ment. returns sponsored by
a dept. store in Lakeview; clear KQIK
mention at 0231 $\frac{1}{2}$. Several other
Lakeview mentions too. Mx seemed
automated as TC 0225 seemed canned;
some old-time MOR & some C&W. (BH-WA)
KQIK 11/6 0314 neat catch Tting w/ID in
code at 30-second intervals. In fair
to good w/KLAV QRM. (DFJ-CA)
1240 KSUE CA, Susanville 11/8 0408 $\frac{1}{2}$ AM & FM
s/off fair thru KFLY; presumed on
late for election returns. Rare. (BH)
1240 KPRB OR, Redmond AI rx at 0900, sports at
0906 and ID again at 0910. (JEC-CA)
(Date?-NH)
1340 KDEN CO, Denver 10/31 0930 clear ID "This
is KDEN, Denver." Nothing else heard.
(WJH-UT)
1400 KTRT CA, Truckee 10/25 2140 at last, good
on tape w/ad for Ponderosa Ranch
tourist attraction, then spot on
Sierra Council on Alcoholism "brought
to you as a public service by AM 14,
KTRT", then mx. Most-wanted. (RW-CA)
1400 ?KVEG? NV, Henderson 11/6 0350+, clear and
frequent IDs, slogan "Vegas Country
14" but not found in any of my logs.
Nx, sports, spot for Silver Dollar
Saloon, then DJ Ted Christian (?)
w/wx (temp 58 $^{\circ}$) and C&W mx. Fair,
KRE partially nulled. (DFJ-CA)
(Sounds like KVEG!--NH)
1470 KXOA CA, Sacramento call change, ex-KNDE,
heard 10/24 1457. Most frequent slogan
is "AM-14" between rock records. (JEC)
1470 KAPS WA, Mount Vernon on at 0930 10/25, ID
at 0941. (JEC-CA)
1490 KGUC CO, Gunnison 10/30 1928-1930 nx, SID,
TC, live ID into mx. Good, QRM
partially nulled. Last CO station
logged on this channel here. (WJH-UT)
1490 KVOG UT, Ogden finally heard this one
0158 $\frac{1}{2}$ -0200 11/3 w/s/off message.
Just barely in due to GY QRM. Now
only 3 more Utah stations to go. (WJH)
1540 KKAP CA, Aptos-Capitola 11/3 1959 ment. of
"moment to reflect" sponsored by
White's Chapel in Santa Cruz, into
inst. mx, 1959,30 another sponsor
mention; 1959,45 into s/off proper.
Good, o/KPOL w/KZAM nulled. (NH-WA)
1570 CHUB BC, Nanaimo 11/3 1057-1100 local ads,
local nx & ID. Only a fair signal. (WJH)
1600 KASH OR, Eugene-Springfield 11/3 1051-1053
ID "Cash" contest, into top 40 mx.
Good signal. (WJH-UT)

UNIDS:

- 980 ID K-(U?)-(P or T)-(I or Y) 10/30 2000 w/
KFWB nulled. Looped NW/SE. Into gospel or
C&W mx. Fair signal. Any ideas? (WJH) (How
about KUTI, Yakima, WA?--NH)

Welcome to WDXR, David, we hope to hear from you
often. The holiday season is nearly here, so I'll
remind everyone to watch the list of deadlines! ♡

(Unreported stns--continued from page 109)

- IL-16-WRMS-WAKO-WGNU-WDZ--WRHL-WGLG-WQUA-WHCO-WORW
WRRR-WJBD-WGFA-WJBM-WKRO-WKZN-WMOW-
IN- 5-WTRE-WLTH-WRSW-WCBK-WNDI-
IA-21-KLEU-WSUI-KYFR-KSMN-KILR-KWLO-KFGQ-KDLS-KNIA-
KROS-KCIM-KVFD-KWAY-KLEE-KBUR-WDBQ-KRIB-KIWA-
KMCD-KWBG-KLGA-
KS-14-KINA-KRSL-KIND-KLEY-KIUL-KSOK-KLWN-KCKN-KMAI-
KOYY-KNCK-KVOE-KULY-KKAN-
KY-23-WMIM-WGND-WOOP-WSRG-WCBB-WLOC-WEQO-WHIR-WANC-
WPTM-WPKE-WVKY-WTTL-WYGO-WKGB-WNBS-WLOU-WPTJ-
WTCR-WPKY-WKAY-WMSK-WFJT-
LA-25-KTIB-KREH-KTCC-WNNR-KRIH-WKQT-WSIG-KSLO-KASO-
WAIL-KVOL-KBZM-KUZN-KVOB-KDXI-KTLD-WFPR-KDBS-
KMRC-WWIW-KCKW-WIKO-WJIN-WABL-KFNV-
ME-11-WRUM-WBME-WQDY-WSJR-WMKR-WDME-WLVC-WHOU-WLKN-
WRKD-WXIV-

(continued on page 116)

DX

Worldwide



BRUCE PORTZER,

Editor

All times GMT/UTC
Deadline Thursday

6546 19th Avenue Northeast - Seattle, WA 98115 - 206-522-2521
1900-2300 PST

ATLANTIC DX ROUNDUP

- 548 ALGERIA, Oran, fair w/AA violins 0114 10/27.(Connelly)
- 611 MOROCCO, Sebaa-Aioun, xlint w/Near East inst mx interspersed w/AA YL talk 0116 10/27. (Connelly, MA)
- 665 PORTUGAL, Lisboa, suspected here w/talk by 2 ancrs 0120 10/27. (Connelly, MA)
- 719 PORTUGAL, Norte, good on peaks w/nx by man in PP 2204 10/27. (Connelly, MA)
- 728 SPAIN, Oviedo/Malaga, //737 w/modern cl mx 0123 10/27.
- 737 SPAIN, Barcelona, fair o/CBL slop; modern cl mx 0123 10/27. (Connelly, MA)
- 746 UPPER VOLTA, Ouagadougou, good carrier level, native mx at low modulation level 2211 10/27. (Connelly,MA)
- 765 SENEGAL, Dakar, loud w/FF talk, native mx, TC in FF, 2200-2201 10/27. Cx not really "prime" as stns to the west started fading in as soon as TAs showed. Normally the TAs have an hour at sunset of low-level QRM. Xlint w/a-capella AA chanting 2143 & FF talk 2212 10/27. Loud w/disco 2226 10/28. Blasting in on TRF w/rhythmic LA-style mx, loudest TA, 0022 10/29. (Connelly, MA)
- 773 SPAIN, Caceres et al, hesvily jamming WABC 0010 10/27.
- 782 PORTUGAL, Miramar, to good peaks w/operatic production: mediaeval trumpets & PP folk vocals 0130 10/27.
- 818 ANDORRA, La Vieja, fair w/FF talk 2154 10/27.(Connelly)
- 1043 MOROCCO, Sebaa-Aioun, fair-good w/FF talk by man & woman 2138 10/27. (Connelly, MA)
- 1586 WEST GERMANY, Langenberg, fair-good w/light orchestral mx 0543 10/29. (Connelly, MA, all of the above)

PAN AMERICAN DX ROUNDUP

- 527 at COSTA RICA, San José, TICAL, likely the one w/bongo-thumping mx & unreadable anmts by man in SS 0531 11/3 & again 0501 11/9. Noted on 527.4 11/3 and on 527.2 11/9. (Bytheway, WA)
- 535 GRENADA, Morne Rouge, R. Grenada hrd 10/29 & 10/30 at s/off 0230 which seems to be their regular hour now. Fairly good signals some times but suffers from ITV. Sounds like is in 5 kw range. (Foxworth, NY)
- 540 MEXICO, San Luis Potosi, SLP, XENA, 10/9 0505 loud in SS w/LV de America Latina ID. (Beauregard, QU)
- 540 VENEZUELA, Villa del Rosario, YVOK, 10/29 0530 mx, then promo for elecciones & "R. Perijá, con la mejor musica" ID. (Beauregard, QU) (This is ex-YVQV per 11/4 DXWV II. Venezuelan elections were scheduled for 12/2 the last I heard, a Saturday. Traditionally Venezuelan elections have been held every 5 years on the first or second Sunday in December. So it would probably be a good idea to keep your ears open both SM 12/2 & MM 12/3. In past years many YV's have stayed on after their usual s/off times w/election results.bp)
- 555 ST. KITTS, Basseterre, loud w/typical Caribbean calypso vocal 0007 10/29. (Connelly, MA)
- 590 CUBA, San Antonio de las Vegas, GMW, 10/29 0655 songs, then IS 0700 & ID: "LV de Cuba...muestra direccion... (address given)." (Beauregard, QU)
- 610 TRINIDAD, Port-of-Spain, NBS, hrd quite a few times on varying dates at levels ranging from very poor to very good, at 0400 s/off following mx pgm, local nx capsule from NBS nxroom. Details (technical) are sometimes read, sometimes not. Reception at 0400 10/27 was best and at that time they mentioned fifty kilowatt power (this is a new development, previously rptd as 10 kw) & 2 FM freqs. Sermon & NA 0404 & was mixed w/CHNC who also s/off then, so not dependent on true Auroral cx. This should be more widely rptd on EC. (Foxworth, NY)
- 650 DOMINICAN REPUBLIC, Santo Domingo, HIAT, o/YVUH/WSM w/Universal ID, then "Disco Inferno" 0001 10/29. (Connelly, MA)
- 650 MEXICO, Los Mochis, Sin., XETNT, good audio 1309 10/30 w/same screwball ancr in SS that I hrd frequently from San Diego. (Korinek, WA)
- 650 VENEZUELA, Maracay, YVUH, rising up way o/HIAT/WSM w/ non-stop SS talk w/ments of Maracay 0003 10/29.(Connelly)
- 655 EL SALVADOR, San Salvador, YSS, fair w/ID by man 1010 11/3. (Korinek, WA)
- 660 MEXICO, México, DF, XERPM, 1052-1106 11/3 playing 5 consecutive cuts from Olivia Newton-John's "Greatest Hits" LP. At 1106 ancr gave complete ID in middle of song, sounded like s/on anmt. then SS mx. (Korinek, WA)

- 670 t CUBA, San Pedro de Cacocum, CMKP, 10/29 0005 suppose this one w/nx in SS, slop from CFTR-680. (Beauregard)
- 710 VENEZUELA, Caracas, YVKY, good w/WOR mulld, reverberated SS talk, R. Capital ID 2347 10/28. (Connelly,MA)
- 760 COLOMBIA, Barranquilla, HJAJ, loud w/bird chirps, boisterous ID, fanfare, festive mx, sliding in o/WJR 2338 10/28. (Connelly, MA)
+10/29 0210 ID as "RCN, la radio de la musica en Colombia, LV de Barranquilla". (Beauregard, QU)
+Logged w/network pgm 0325 10/30 just slightly weaker than WJR. Note that this one is now back on freq. (Stanbury, ON) (It has been for months. bp)
+0955 10/30 w/SS talk in well. (Korinek, WA)
- 760 t VENEZUELA, Puerto la Cruz, YVQQ, 10/15 0312 w/WJR mulld SS hrd w/LV de Valencia ID & Venezuela mentioned. So Valencia could be the singer! (Beauregard, QU)
- 765 ? UNID, carrier & het 11/6 1257, YSKLD suspected.(Korinek)
- 775 ? UNID, fair carrier 1121 10/30. TIW suspected.(Korinek)
- 780 BRITISH VIRGIN ISLANDS, Roadtown, ZBVI, loud, rolling o/Cuba/WBBI w/ZBVI TL, then reggae mx 2340 10/28.(Connelly)
- 780 CUBA, Camaguey, CMJN, usual Cuban talk noted 1042 10/30. (Korinek, WA)
- 780 ? UNID, 10/29 0245 SS w/Tutbol, "Margarita" hrd many times. (Beauregard, QU)
- 830 t VENEZUELA, San Antonio de los Altos, YVLT, 10/15 0332 likely Venezuela w/GMT-4, LA-int'l mx (2 songs from "Grease"). (Beauregard, QU)
- 830 DOMINICAN REPUBLIC, Santo Domingo, HIJB, 10/29 0230 mx, then R. HIJB ID. (Beauregard, QU)
- 840 HAITI, Cap Haitien, hVEP, 10/29 0050, talk in FF 0120, Talk then mx 0145. At 0145 FF gospel was so loud I thought it was CKVL-850, then tuned to 850 & took CKVL for CJBC-860. I passed then to 860 & hrd an SS I believed to be on 8/0. When I hrd R. Clarin, I came back to 840 hVEH. Country #19. Consistent until 0200. (Beauregard, QU)
- 870 t PANAMA, David, HOL81, possibly the SS talk w/ranchita mx fair, mixing w/WNL. No ID heard. I recall reading in DXWV II recently this stn had moved here from 890. (Korinek, WA)
- 900 BARBADOS, Georgetown, 2320 10/31, accented EE ID, dominant on freq, mention of registering for school. (I&R Morby, NY)
- 1000 COLOMBIA, Cartagena, HJAJ, LV de Cartagena, presumed w/"R Suceso, RCN" ID 0320 10/31. R. Suceso is the new name for RCN's key Bogotá stn. (Stanbury, ON)
- 1020 ? UNID, w/sport 10/29 0030 & 0250 w/Match de Futbol in SS. "Bogotá" hrd. (Beauregard, QU)
- 1025 t COLOMBIA, Ibaque, HJFT, 1102 10/30 w/man in SS, no mx hrd. (Korinek, WA)
- 1265 ST. KITTS, Basseterre, R. Paradise, 0000 10/31 good w/rigs pgm & ID in accented EE. (I. Morby, NY)
- 1350 UNID, NHP's unid in 10/21 DXWV was possibly KABQ in Albuquerque. Formal & time zone match. (Harms, UT)
- 1430 t VENEZUELA, Caicara, YVSH, R. Caicara very tentatively the stn in SS w/jumbled ID around 2246 10/30. (R. Morby, NY) (Hope I coded that right. Someone in the Ballston Lake P.O. decided the postmark on your card belongs on this tip instead of the stamp. Ii.bp)
- 1550 t TURKS & CAICOS IS., Grand Turk, VSI, 2350 10/30 after CBE taken out by sudden & brief geomag disturbance lasting only 2 hours, sent "VVV" in code as part of a nx broadcast; man in Carib accent w/ ad for "frosty root beer"; 0011 10/31 man again in carib accented EE playing disco mx but lost 0020 to CBE who took over for keeps. Noted Cayman-1555 fadein 2350, & some day-timer was testing w/TP, apparently into dummy load that radiated a bit, to add to the confusion. Whatever it was, freq was within 50 Hz of center channel. This geomag was unusual in that the usual indicators of Carib openings, 1100, 1165, 1265 etc were of only poor-average level. In "classic" auroras, they pin the meter. Wonder why. (Foxworth, NY)
- 1578 CUBA, Cadena Agremonte ID logged here 0132 11/1. (Stanbury, ON)

PACIFIC DX ROUNDUP

- 650 ? UNID, 1140 10/30 audio looping TP w/KORL mulld, not good enough to ID language but sounded CC. Pretty sure it wasn't WSM. (Korinek, WA)
- 750 JAPAN, Sapporo, JOIB, fair-strong all night 11/6 w/EE mx 1002 "from NHK, Japan", into EE conversation lesson at :15, time pips 1100 (no ID). Slight WSB under. My first TP and I'm having my mighty TRF bronzed for it. Amazing what wonders one can work with KOB's off. (Jackson, CA)(Wait until KNBR goes off.bp)

890 AUSTRALIA, Adelaide, 5AN, 1200 11/6 w/ABC pips & mx. (Korinek, WA)
890 JAPAN, Sendai, JOHK, 105h 11/2 fair w/JJ talk. (Korinek)
1052 ? UNID, strong carrier looping about 325° 1107 10/30. Still there 1255. Indonesia listed but loop bearing was too far north (more towards Siberia). (Korinek, WA)

VERIFICATION

1040 HAWAII, Honolulu, KPOI, usual v/q from Alan Roycroft. He says he's not connected w/KPOI but verified my rpt anyway. (Verie "purists" might prefer writing directly to the stn). Alan says KPOI uses a 90' tower which doesn't cover the local area very well but radiates lots of skywave. (Portzer, WA)

MISCELLANEOUS

Gene Martin sent word on his efforts to confirm when New Zealand stns will change frequencies. He had a Denver ham (Swede Johnson, W2BON) contact a ham in Hastings, NZ, who in turn called 22K. The station's answer was that the change would take place at midnight GMT on 11/23. So it looks like New Zealanders will change channels in the middle of the day....

CONTRIBUTORS

Denis Beauregard, 2425 St. Antoine, Lachine, QU H8S 1V9
Realistic TRF at Notre-Dame-de-la-Merci, Quebec
Phil Bytheway, c/o the IRCA Foreign Log Factory
R-392, wedgie
Mark Connelly, 52 Amsden St., Arlington, MA 02174
TRF, R-390A, SM-2
Bob Foxworth, GPO Box A-866, New York, NY 10001
HQ-150, LW, SM-2A, SB-620 digital readout at Mineola, NY
Bill Harms, 865 N 100 W, #2, Provo, UT 84601
David Ferrel Jackson, 4281 Encinitas Way, Union City, CA 94587
Realistic TRF
Gene Martin, 3303 East Evans Ave., Denver, CO 80210
Roger Morby, Ushers Road, Ballston Lake, NY 12019
Realistic TRF, dipole
Linda Morby, same as Roger
Montgomery Ward 10 band portable, dipole
Bruce Portzer, hiding in the basement with his toys
Royal portable typewriter, IRCA stationery (for this week's tip anyway)
C.M. Stanbury, Box 218, Crystal Beach, ON L0S 1B0
HQ-200, 90' LW

Welcome David Jackson to this column. As I type this it's only two weeks until the great TA/TP frequency switcheroo and I'm really starting to get antsy. Looks like the DX community will have something to be thankful for this year (since 11/23 is also Thanksgiving). Maybe the season is finally going to amount to something. East Coast stations were rolling in to-night, and much to my surprise, Dakar-765 was noted with some of the best audio I've ever heard from them! Too bad I was well into the Latin American section by the time I heard them. I'll have to list it in next week's column I guess... 73. bp.

~~~~~ John Zondlo  
**eastern dx forum** 6617 Maryland  
~~~~~ Hammond, IN 46323

John Clemmer-2937 W. Gilbert-Peoria, IL 61604
Been super busy, but what little DX I've heard has been great. 5 new catches in 3 days, almost restores your faith in DXing, hi. My most wanted station, WBAM 740 Montgomery AL was heard after 3 years of trying. On 10/22 WVOK Birmingham was in making a rare appearance. WMPS 680 Memphis was also in. First time heard with new country format, IDed as "The New WMPS". I went on down to 740 and heard "Dixie" at 1915, which WBAM plays at sign-off, but no ID. Finally bagged 'BAM on 10/24. Heard someone playing country and out popped a great ID at 1900. WBAM was weak under super pests KRMG and KTRH. WBAM is also directional and WGN splatter usually messes up 710-740. I even managed to tape WBAM. WMPS and WVOK are very good indicators of conditions to the south. I'm going to Europe next summer for 4 weeks. I hope to take along my TRF and tape recorder. DX and radio in general ought to be interesting. Think Peoria for IRCA's '79 convention. Good DX and 73.

Mark Connelly-52 Amsden St.-Arlington, MA 02174
Just what you always wanted - another TRF trans-
mogrification article! This time - regeneration for
your TRF. This article was written for the average
TRF owner who does not have access to a PC board
"roadmap". Regeneration is intentional RF feedback
utilized to increase selectivity. For example, you
hear a het against 550, but the het-causer on 548
is 15 db weaker than 550. With regeneration you
can perk up your TRF selectivity adequately to get
audio on 548. To accomplish this, open up the back
of the TRF and go through the following procedure:
locate the largest "IF-type can" (adjustable
inductor) which is the second one to the right of
the main tuning capacitor as you view the TRF
innards from the rear. On my TRF, the adjustable
slug of this coil is yellow. Adjacent to the upper
right side of the can is a .04 uf disc capacitor.
To the immediate right of the disc is a black
transistor. (continued next DXM-jz)

Karl V. Jeter-2816 Frontier Trail NE-Atlanta, GA 30341
(continued from last DXM) My SM-2 seems to be on the
fritz, with a strange problem of very distorted
audio from a local FM station interfering on 1140-
1250 kHz. The FM station is WKLS on 96.1 MHz. Any
explanations? Looks like my marital situation will
be changing during the next year, as my fiance,
who lives in Toronto presently, will be moving here
early in '79, and we'll get "hitched" sometime after.
As mentioned, I was in Toronto October 5-10, during
the Canadian Thanksgiving weekend. Despite the cold
weather, Linda and I made a side-trip north of the
city to Lake Muskoka to view the beauty and fall
foilage during a boat cruise. We also visited the
Ontario Science Centre, and spent an afternoon in
beautiful High Park. Veries are creeping in at a
dreadful pace, with most recent ones from WGSV-
1270, WVON-1390, WHPB-1390 (both long holdouts),
WTHO-1530 and WYYZ-1530. Also one in from the new
WRED-1490 Monroe GA. Thazzit. 73's.

C.M. Stanbury II-Box 218-Crystal Beach, ON L0S 1B0
Ref. Bill Hardy's article on expanding the BCB
(9/23 DXM), it is my opinion - as noted in the
Nov.-Dec. Elementary Electronics ("DXing the BCB
Fringe") - that the new allocation will mean the
end of the Travellers Information Service, at least
as we know it. Of all these new channels, 530 and
1610 are the most valuable because they are the
closest to the present band. It is therefore
inconceivable to me that regular BC stations would
be kept off these two frequencies, and the resulting
QRM will probably kill TIS. Also in that same e/e -
their 15th anniversary issue - is another article
titled "Collecting Antique DX", which provides more
details on how the American Security Council
attempted to have its "Radio Americas Libre"
program aired by the world famed missionary station
HCJB - 50kw on 690 kHz plus many SW frequencies.
The RAB incident incident figured prominently in
my novel, but this is the first time HCJB's own
statement has appeared in print.
Mike Brooker-245 Old Forest Hill Road-Toronto, ON
M6C 2H5

Before I go on with this forum, I would first like
to get something off my chest about the Canadian
Post Office: !@#%&*~#&*&*(+)=!!!! (No offense,
Dan Sys). And to the Mounties who open my mail -
I don't care if you open it or not, just deliver
it and don't steal the mint stamps, DX tapes, etc.
(I hope you are finding this interesting reading,
Special Agent _____!) I finally got all the
states east of the Mississippi, with that test from
WSKI-1240 for VT, state #39. I also heard two more
Floridians this week, WNDB-1150 during a CKOK SP,
and WKIS-740. No recent veries to speak of due to
that last postal strike. As I am sure you all know
by now, the Toronto Maple Leafs are the only team
in professional sports with an FM flagship. Leaf
owner Harold Ballard told Foster Hewitt where he
can shove his microphone, and the Leafs are now
on CKO-FM 99.1. (continued in next DXM-jz)

King Of Wyoming Broadcasting

KOWB  1290

All ABC-IMN-AP Box 1290-Laramie, Wyoming 82070

Cable FM 94.1-Ch3



KSJB-AM 600KC 5000 WATTS
 KSJM-FM Stereo 93.3 MC ERP 28,500 Watts
 P.O. Box 600 Jamestown, North Dakota 58401



The following list is not necessarily the correct allocation for all Australian stations, as it has been very difficult to get complete information. Further changes have been made to this list, but the information has not yet reached me in time for publication here. Use this as a guide and you should be able to find your way around the dial on November 23. I shall give the new frequency first, the old one in brackets, call-sign and location. ABC stations are underlined.

GENEVA PLAN FREQUENCIES
 For
AUSTRALIA



western dx forum!
 Rick Heald
 1581 - 20th Avenue
 San Francisco, CA 94122
 Ph: (415) MONTROSE-5-4201

PAUL A. LA FRENIERE-P.O. BOX 606-GRAND MARAIS, MN. 55604
 Hello again from the North shore of Lake Superior. It's been awhile since my last forum. Not a whole lot new here since last season. KDAL 610 Duluth was sold this past summer to a California group. No sign of any call letter change yet. The present call letters are the initials of former owner Dalton A Lemassurriere. When I think of call letter changes it reminds me of the former WTAM Cleveland which was the first station I DXed when I was a young kid. It seems I recall an Amarillo, TX station heard as a kid, somewhere between 950 & 1050 kca. Am I wrong on that, Rick. (How 'bout KDJW 1010? -rth...only it had different calls a few yrs back now that I remember-rth). Maybe you can refresh my memory. DX this far this season has been just short of sensational. Already logged a few I've been trying for quite awhile. Of note is WTOP 1500 earlier this season wiping out KSTP w/oriole BB and KBQC 1020 on SRS until being blown out by KTNQ @ 0600 CDT. Tonight KPOL 1540 was in o/KXEL. I hope it lasts for the entire season! 73 de PAL

GENE MARTIN-3505 E. EVANS AVENUE-DENVER, CO. 80210
 Of course, it will be obvious to alert all DXers who live closely w/the clock, but if New Zealand & Australia adopt DST on the same date it is given up in North America, then the crucial DX date of 23 Nov will arrive one hour earlier for them than I mentioned in a recent forum: (They are indeed on DST-rth). The N.Z. midnight of 23 Nov will occur @ 0300 PST on 22 Nov -- 0600 22 Nov EST. Or at 1100 GMT. Eastern Australia will begin 23 Nov @ 1300 GMT. If I were located on the WC, I could not resist tuning to one of the N.Z. 24 hr frequencies @ 1056, 11/22, select a clear one, turn on the recorder, and let it run to see if anything happened in 2 mins. I would guess the zedders would be set up to make the required change in a split second and being New Zealanders it would be unnatural for them to make it one second ahead of time. After the freq change, it looks like 567, 693, 765, 783, 864, 918, will be among the AN freqs down under. It's quite annoying that we don't know for certain as of 26 Oct just what freq changes are on tap for so many TPs. (check the JJ freq change list in 28 Oct DXM. DUS should be same change-rth).

DAVE KORINEK-420 N. 200th STREET-SEATTLE, WA. 98133
 Remember me? It's so long since I've graced these pages that it seems that I may have retired, but since I don't know what the word means, my DX has stayed relatively active. As noted above, I have changed QTH. I'm glad to get out of that rotten ol' Oceanside, CA. Can't wait for that wx filled winter to come down. After all, what would a wx freque do w/o a little wx to keep him busy, right? On the DX scene, some TP openings lately due to relatively low A-index readings, but the word from Boulder is that the Sun has completed its re-organization, (magnetic type), and given a few weeks most solar active regions should become energetic. Thus, we'll be on the threshold of this solar cycle's maximum stages, which should last thru '82. So get your DX now, or save that exotic stuff for another time! As this DX season gets under way, about 95% of my time is spent on the foreign scene. Although it I am able to pull off stunts like last year (KBEW 1560 MH .5 kw) well then I'll gladly write for occasional domestic verities. Any DX worth mentioning will be reported to the proper column...I hope. I'll be sure not to wait so long before my next WDXF report. 73.

| | | |
|---------------------------------|------------------------------|--|
| 531 (530) 2M2 Kempsey | 837 (840) 3CR Melbourne | 1107 (1110) 2UW Sydney |
| 531 (530) 3UL Warragul | 837 (840) 4RX Rockhampton | 1115 (1120) 3EA Melbourne |
| 531 (530) 4KZ Innisfail | 837 (840) 6ED Esperance | 1116 (1120) 4BC Brisbane |
| 531 (530) 5UV Adelaide | 837 (840) 7QT Queenstown | 1134 (1130) 2AD Armidale |
| 531 (530) 6DL Dalwallinu | 846 (850) 2CY Canberra | 1134 (1130) 3CS Colac |
| 540 (540) 43L Longreach | 846 (850) 4CA Cairns | 1134 (1130) 6CI Colliie |
| 540 (540) 7SD Scottsdale | 846 (850) 6CA Carnarvon | 1143 (1140) 2HD Newcastle |
| 549 (550) 2CR Orange | 855 (910) 43B Maryborough | 1152 (1150) 2WG Wagga Wagga |
| 558 (560) 4AM Atherton | 855 (910) 43C Mildvale | 1161 (1160) 4MB Maryborough |
| 558 (560) 4Y Gympie | 864 (850) 4GR Toowoomba | 1161 (1160) 5PA Naracoorte |
| 567 (570) 2BH Broken Hill | 864 (850) 5AM Northam | 1161 (1150) 2FG Fingal |
| 567 (570) 4JK Julia Creek | 864 (860) 7EB Hobart | 1170 (1170) 2CH Sydney |
| 567 (570) 2MT Mount Newman | 873 (870) 2GB Sydney | 1170 (1170) 49C Charters Towers |
| 575 (580) 2WB Bourke | 882 (880) 3JZ Warrambool | 1179 (1180) 3KZ Melbourne |
| 575 (580) 2PC Sydney | 882 (880) 4SE Brisbane | 1188 (1190) 2TZ Inverell |
| 585 - - - 2 Tomerong | 882 (880) 4PR Perth | 1188 (1190) 6XM Esmouth |
| 594 (590) 3WV Horsham | 891 (890) 5AN Adelaide | 1197 (1200) 4GG Gold Coast |
| 603 (600) 6PH Port Hedland | 900 (900) 2LM Lismore | 1197 (1200) 6XA Adelaide |
| 603 (600) 7UL Hobart | 900 (900) 6BY Bridgeton | 1206 (1210) 2CC Canberra |
| 612 (600) 43R Brisbane | 900 (900) 7AD Devonport | 1206 (1210) 2GF Geafon |
| 612 (600) 3M Northam | 900 (900) 8HA Alice Springs | 1206 (1210) 6KY Perth |
| 621 (620) 1AR Melbourne | 918 (920) 2XL Cooma | 1224 (1210) 5YS Sydney |
| 630 (630) 43H Townsville | 918 (920) 4VL Charleville | 1233 (1230) 2JC Newcastle |
| 630 (630) 5AL Albany | 918 (920) 6JA Narraggin | 1242 (1240) 3FR Sale |
| 630 (630) 72J Queenstown | 927 (930) 3UZ Melbourne | 1242 (1240) 4AK Toowoomba |
| 639 (640) 43S Moesman | 927 (930) 4CD Gladstone | 1242 (1240) 5AD Pt. Augusta |
| 639 (640) 23R Crystal Brook | 927 (930) 6NR Perth | 1242 (1240) 8WU Darwin |
| 648 (650) 23W Adelaide | 936 (940) 44Y Ayr | 1251 (1250) 2DU Dubbo |
| 648 (650) 23P Melbourne | 936 (940) 72R Hobart | 1260 (1260) 3SR Shepparton |
| 657 (660) 23K Wyrock | 945 (950) 3BD Bendigo | 1260 (1260) 6KA Karratha |
| 657 (660) 6BR Darwin | 954 (950) 3BS Sydney | 1269 (1270) 2TM Sydney |
| 675 (670) 230 Albany | 963 (1070) 2HC Griffith | 1278 (1280) 3JW Melbourne |
| 675 (670) 6EE Broome | 963 (960) 4KX Warwick | 1287 (1290) 23W Tamworth |
| 675 (670) 6KN Katherine | 963 (960) 5WZ Ambury | 1296 (1300) 4EK Brisbane |
| 684 (680) 23P Kempsey | 972 (970) 2MW Murwillumbah | 1296 (1300) 5SE Mt. Gambier |
| 684 (680) 63S Busselton | 972 (970) 5BN Adelaide | 1314 (1430) 23L Wollongong |
| 684 (680) 6TC Tennant Creek | 981 (980) 3JA Emuliton | 1314 (1320) 3WA Ballarat |
| 693 (690) 43Q Brisbane | 981 (980) 4BD Rockhampton | 1323 (1310) 26D Gosford |
| 693 (690) 53Y Streaky Bay | 981 (980) 6KG Loughsrie | 1323 (1310) 5AD Adelaide |
| 702 (700) 23L Sydney | 990 (990) 6PM Perth | 1332 (1330) 3SE Swan Hill |
| 711 (710) 43W St. George | 990 (980) 7WV Burde | 1332 (1330) 4EB Bundaberg |
| 711 (710) 73T Launceston | 990 (990) 8GO Geve | 1341 (1360) 23X Newcastle |
| 720 (720) 3AN Armidale | 999 (1000) 2HB Broken Hill | 1341 (1350) 3IK Geelong |
| 720 (720) 56M Murwillumbah | 999 (1000) 2ST Nowra | 1359 (1340) 21F Young |
| 720 (720) 23T Onco | 1008 (1010) 2CT Canberra | 1368 (1370) 2GN Goulburn |
| 720 (720) 44T Atherton | 1008 (1010) 4JP Brisbane | 1368 (1370) 41M Mt. Isa |
| 720 (720) 63P Perth | 1008 (1010) 5GE Geraldton | 1377 (1380) 4MF Melbourne |
| 720 (720) 73E Adelaide | 1008 (1010) 7EX Launceston | 1377 (1530) 8AL Alice Springs |
| 720 (720) 83E Geafon | 1017 (1020) 2ET Sydney | 1386 (1390) 2CT Minto |
| 720 (720) 93E Toowoomba | 1017 (1020) 3EH Wyndham | 1386 (1390) 5AA Adelaide |
| 756 (760) 23A Mackay | 1024 (1030) 3DB Melbourne | 1395 (1380) 23L Lithgow |
| 756 (760) 43A Tarra | 1024 (1030) 4HE Mackay | 1404 (1400) 23E Paringa |
| 756 (760) 63K Kaminurra | 1026 (1030) 6HW Port Hedland | 1413 (1410) 2KO Newcastle |
| 765 (1480) 2BE Bega | 1044 (1040) 23W Murwillumbah | 1422 (1420) 33Y Melbourne |
| 765 (1480) 2BE Bourlee (transl) | 1044 (1040) 4PT Welpa | 1431 (1500) 23V Wollongong |
| 774 (770) 3LO Melbourne | 1053 (1050) 2CA Canberra | 1440 (1440) 23N Canberra |
| 774 (780) 470 Townsville | 1062 - - - 4 Thursday Isl. | 1449 (1450) 23T Mudgee |
| 783 (780) 2EA Katoomba | 1071 (1060) 3CV Maryborough | 1458 (1460) 23M Murrumbidgee |
| 783 (780) 6VA Albany | 1071 (1060) 4SB Kingsyap | 1458 (1460) 500 Murray Bridge |
| 792 (790) 43E Brisbane | 1071 (1070) 6WB Katanning | 1467 (1470) 3MA Mildura |
| 801 (800) 2RA Sydney | 1080 (1080) 210 Gunnedah | 1476 (1480) 2EA Rm Plains (translator) |
| 801 (800) 43V Cairns | 1080 (1080) 4HI Mt. Isa | 1476 (1480) 42R Roma |
| 801 (800) 53M Barri | 1080 (1080) 53X Perth | 1485 (1570) 23G Lithgow |
| 810 (810) 23A Bega | 1080 (1080) 7HT Hobart | 1485 (1570) 41H Hughenden |
| 810 (810) 53N Perth | 1089 (900) 2GT Orange | 1485 (1530) 51W Pt. Lincoln |
| 813 (820) 23G Glen Innes | 1089 (1090) 3WV Horsham | 1494 (1490) 23Y Albany |
| 829 (830) 33E Sale | 1098 (1100) 43L Longreach | 1494 (1490) Lord Howe Isl. |
| 829 (830) 33A Nambour | 1098 (1100) 53T Werredin | |
| 829 (830) 63H Geraldton | 1098 (1100) 7LA Launceston | |

NEW ZEALAND

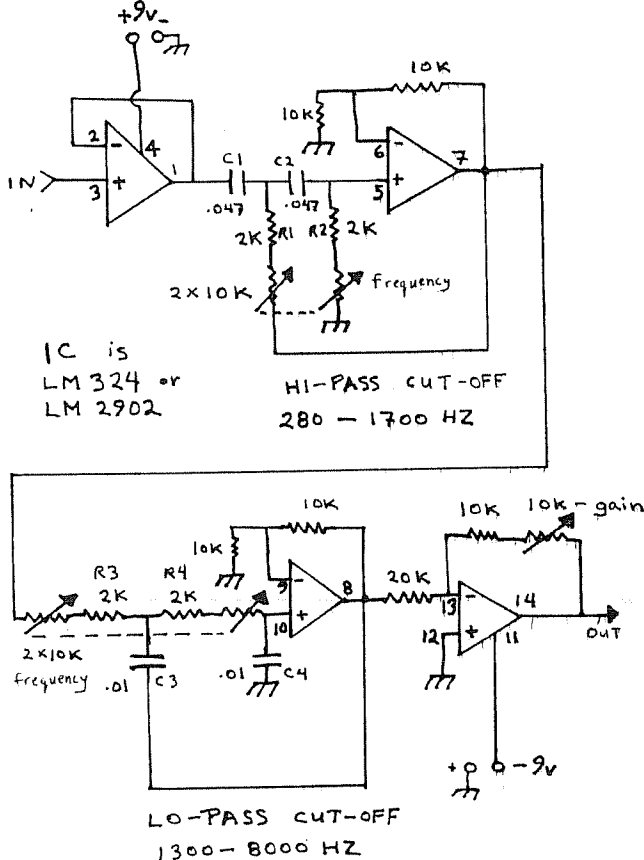
| | |
|--------------------------------|----------------------------------|
| 567 (570) 2YA Wellington | 1044 (1040) 42B Dunedin |
| 630 (630) 21Z Napier | 1053 (1050) 22P Newlynmouth |
| 639 (640) 41W Alexandra | 1080 (1080) 12B Auckland |
| 657 (660) 23C Wellington | 1098 (1100) 32B Christchurch |
| 675 (690) 3YA Christchurch | 1116 (1150) 23X Nelson |
| 720 (720) 43Z Invercargill | 1134 (1120) 43Q Queenstown |
| 747 (750) 32A Greymouth | 1143 (1140) 13W Hamilton |
| 756 (760) 1YA Auckland | 1152 (1160) 32C Timaru |
| 765 (730) 23X Hastings | 1161 (1130) 22M Wellington |
| | (or 792) |
| | 1197 (1200) 23W Wanganui |
| 783 (800) 23B Wellington | 1224 (1210) 43X Dunedin |
| 792 (730) 23X Hastings | 1215 (1220) 13E Kaihiko |
| | (or 755) |
| | 1242 (1240) 13X Whakatane |
| 810 (780) 41A Dunedin | 1242 (1240) 13X Murupara |
| 819 (860) 13Y Roturua | (repeater) |
| 837 (830) 13Y Whangarei | 1251 (1250) 13M Auckland |
| 837 (830) 13Y Kaitiaki | 1260 (1260) 33A Christchurch |
| 846 (840) 22D Masterton | 1278 (1280) 23C Napier |
| 864 (820) 43A Invercargill | 1296 (1310) 13H Hamilton |
| 882 (880) 13C Auckland | 1314 (1330) 23V Gisborne |
| 891 (890) 23W Wellington | 1323 (1430) 33M Christchurch |
| 900 (900) 47C Dunedin | 1332 (1330) 13E Auckland |
| 918 (920) 33Z Greymouth | 1341 (1340) 23N Nelson |
| 927 (940) 22A Palmerston North | 1360 (1350) 13C Roturua |
| | 1366 (1360) 13D Turangi |
| 945 (1060) 23G Gisborne | 1412 (1420) 13D Tokoroa |
| 954 (930) 13W Hamilton | 1431 (1430) 43X Dunedin |
| 963 (960) 33C Christchurch | 1445 (1410) 23V Palmerston North |
| 981 (970) 13E Kaihiko | |
| 1008 (1000) 13D Tauranga | 1448 (1450) 33W Westport |
| 1026 (1010) 13N Whangarei | 1471 (1480) 13A Auckland |
| 1026 (1010) 13X Kaitiaki | 1485 (1550) 33C Twizel |
| 1035 (980) 23B Wellington | 1494 (1500) 13A Taupo |
| | 1503 (1510) 33R Befton |



the irca technical column

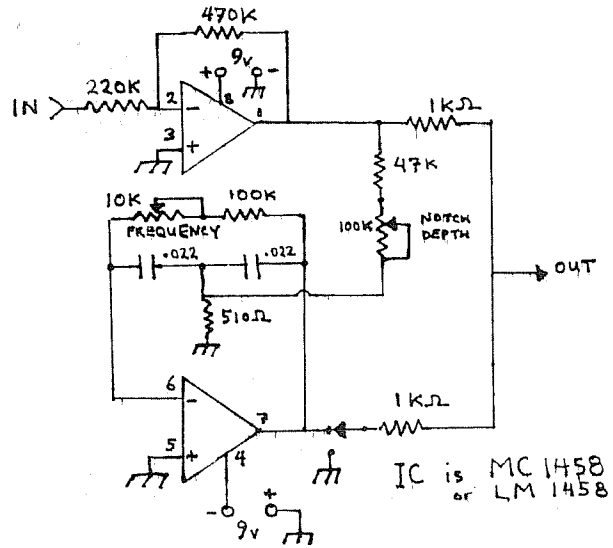
Editor: Nick Hall-Patch
3272 Alder St.
Victoria, B.C.
Canada V8X 1P2

Sorry for the delay in last month's column, but it had the misfortune to be in the hands of the Canadian post office at the time of our postal strike. In continuation from that column we have a couple of active audio filters contributed by Gordon Cottrell of Roseburg, OR. The first is a variable frequency low-pass/high-pass filter which gives the DX'er a much larger range of bandpass widths and frequencies to choose from than the MFJ filter offers. You can tailor the filter bandpass to your immediate needs, e.g. a female voice giving an ID. Like the MFJ filter, it appears that this should be placed between audio stages in the receiver for best results. Here's the schematic:

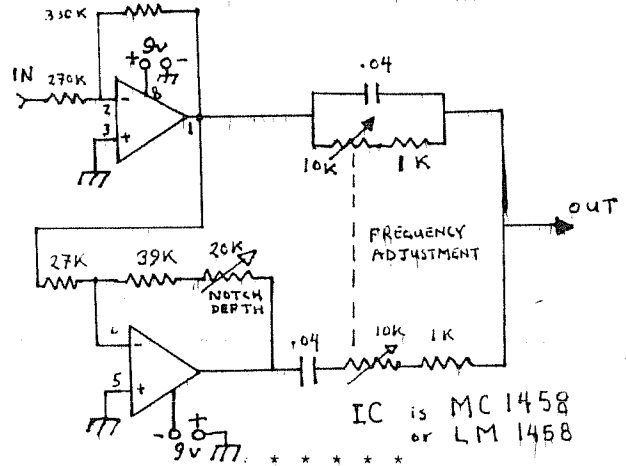


If you want to vary the high-pass and low-pass frequencies, the RC=1/2πf formula gives a good starting point. Potentiometers may be more accurate than resistors, and if you have them, they should be used. The .01 capacitor becomes .001 if the frequency is 1000 Hz.

- (Unreported stns-continued from page 114)
- MD--4-WCMD-WKIK-WTBO-WTHU-
 - MA--4-WHAI-WBIM-WOAT-WHAV-
 - MI-21-WDBC-WJPW-WKBZ-WIKB-WMPC-WJPD-WNRS-WDMJ-WLAV-WCSR-WMTE-WAGN-WMBN-WHMI-WHDF-WTCM-WMIQ-WKJR-WMLM-WMIC-WGRY-
 - MN-32-KTCR-KQAD-WMIN-KASM-WKLG-KYSM-KMRS-KTRF-KWNO-KPRM-WJON-KROX-KDUZ-KWEB-KBMO-KDLM-WVEV-KWLM-KCHK-WCMP-KRWC-KSUM-KAOH-WHLB-KLFD-KRWB-KBUN-KBMW-WELY-KANO-KLGR-KLLR-
 - MS-34-WCBI-WRKN-WCEP-WAKK-WMDC-WCMA-WHSY-WAZF-WMPA-WGRM-WGCM-WHNY-WCSA-WVOM-WMLC-WBLE-WXXX-WKPG-WJMB-WKOZ-WAML-WMGO-WBIP-WMBC-WNAG-WMYQ-WIGG-WSEL-WJXN-WQIC-WCLD-WJFL-WKPO-WYAZ-
 - MO-17-KOHI-KJEL-KBLR-KZYM-KLWT-KWIX-KFMO-KWOS-KNEM-KBTC-KFBD-KYRO-KSMO-KMRN-KJCF-KIRX-KWPM-
- (continued on page 118)



Finally, here is a variable notch filter to cut down heterodynes. It is capable of a much wider notch than the preceding filter, so may affect audio quality of the desired signal. The notch can be varied from approximately 400 to 4000 Hz. Again, for best results these filters should be placed between audio stages in the receiver. A .01 blocking capacitor be placed at the input, and a 5 uF capacitor could be placed at the output of these circuits. The variable notch filter:



I have in hand a few brief opinions of the Radio West modified FRG-7 (digital readout, 2.9 kHz mechanical filter etc.). The first is from Mike Hardester who says that the modified frog compares quite favourably with his SPR-4 in readout, sensitivity and selectivity. He did mention some "images" he found on shortwave bands that did not appear on the SPR-4; these may be due to the basic FRG-7 design rather than the modification. Dave Bennett of Surrey, B.C. has an R-390 as well as a modified FRG-7. The R-390 needs some work so he didn't send in a full comparison of the two receivers, but felt that the FRG-7 was "more sensitive but not as selective as the R-390 over most of their mutual range". He finds that the frog's filter seems to distort AM audio somewhat more than the R-390's filters, particularly if listening to a weak signal near a strong one.

Art Peterson mentions that a 0.1 kHz option is available on the digital readout, and that the VLF converter tunes from 0 to 1000 kHz. He says: "With the Collins filter, the FRG is definitely more selective than the HQ-180--provided you keep the RF input down to reasonable levels, of course. Also, when you have the bandpass in the broad position, the FRG has much better sound quality than the HQ-180 ever had. The FRG is more rugged, lighter, smaller, runs cooler, and is simpler to operate than the HQ-180. I think it is a step above the 180 from what I have seen." He does add that he had very little chance to closely compare the two receivers before he sold the HQ-180. He also gives some important advice: "You must know what you are doing to use the FRG effectively. Any synthesized receiver like the FRG can be peaked up on spurious signals if you don't use care in tuning the preselector control. On BCB, a tuned loop is a must. On SW, though, a longwire will work nicely. Also, the receiver is sensitive to excessive input signal--the user must not be afraid to attenuate. More signal is not always better. This is really true of any receiver but the most insensitive when you get down to it, something that too many DXers fail to recognize."

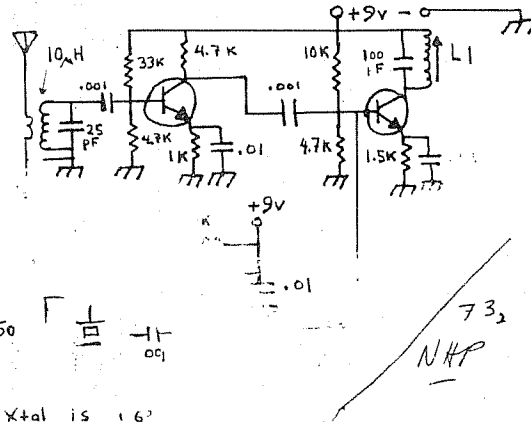
INDEX TO DX MONITOR---VOLUME 15

| | |
|--|--|
| NBC Network Updater List--Bruce Goldsen | p.247 |
| New ITU Frequency Allocations & their Impact upon the TA DX'er | p.552-53 |
| --Mark Connelly | p.443 |
| New ITU Longwave Allocations--Dario Monferini & Steve Bohac | p.443 |
| News from the Frozen North--John Oldfield | p.15, 77, 207, 284, 326, 521, 567 |
| Non-Directional Aeronautical Beacons--Don Davis | p.496-7 |
| New Channel Plan for Philippines MW Stations--Glenn Hauser | p.571-2 |
| One-kilowatt fulltime on Graveyard Channels?--Bill Hardy | p.573 |
| Panasonic RF-4800 Review--Grant Manning | p.26, 147-8, 328, 434, 549 |
| President's Report--Bruce Fortzer | p.26, 147-8, 328, 434, 549 |
| R-390A/URR: a receiver review--Charles A. Taylor | pp.127, 154-6 |
| R-390A/URR Optimization & Alignment Chart--Charles A. Taylor | p.66 |
| Radio Manufacturer's Review--Mort Meehan | p.74 |
| Radio Programming Notes--Bruce Goldsen | pp.16, 28, 42-4, 67, 90, 103, 126, 148, 171, 198, 246-7, 299, 355, 363, 408, 434, 462, 511 |
| Radio-TV Station Identification Recordings--Jim Myers | p.564 |
| Radio Tonga--Michael S. Hardester | p.573 |
| Reflections/Medium Wave Propagation--Randy Seaver | p.568-9 |
| Slogan ID's on Domestic Stations--Nick Hall-Patch | p.406 |
| Some Non-Technical Thoughts about Long Distance Radio Reception in the Medium Waves--Gene Martin | p.321-4 |
| Some Thoughts on Beverages--John Clements | p.485 |
| The Sony TR-6500 vs. the Realistic TRF--Gerry Thomas/Charlie Barfield | p.483-4 |
| Spotlight on.... | |
| Alabama--Robert Kramer | p.62-4 |
| Alaska & Hawaii--Eric C. Rittenhouse | p.12-3 |
| Indonesia--Randy Seaver (in DX'W) | p.477 |
| Maine, New Hampshire, Vermont--Robert Kramer | p.300 |
| Soviet Far East--Randy Seaver | p.45-7 |
| Station Power/Pattern Changes at Local Sunrise--Nick Hall-Patch | p.203 |
| Stations of Trust Territory of Pacific Islands--Michael S. Hardester | p.572-3 |
| Sunrise DX in Depth--Robert Kramer | p.301-2 |
| Tape Interconnect--the Easy Way--Albert S. Lobel | p.377 |
| Tape Interconnect--the Right Way--Don Davis | p.299 |
| Tape Interconnect--a Still Easier Way--Brian P. Sherwood | p.528 |
| Time Pips as an aid to ID'ing TP's, part 2--Nick Hall-Patch | p.15 |
| Tuning in on Japan--Eric Rittenhouse | p.11-12 |
| Unusual Antenna Systems--Cary Simpson | p.324-5 |
| Using the Loop--Grant Manning | p.567 |
| Verifications Signers--Bob Lazar-pp.29, 64-5, 115, 168, 215, 298, 409, 463, 546 | |
| A Visit to the Voice of America, Okinawa--Mike Hardester | p.24 |
| A Visit to the VOA, Thailand--Mike Hardester | p.574 |
| Video-Audio?--Bill Hardy | p.569 |
| WFAN-1340 off air--Bill Hardy | p.521 |
| WLA, the oldest station in the nation--Bob Lazar | p.65 |
| WLLB-Canton Island--Mike Hardester | p.572 |
| "Who's on New Jersey"--Bill Hardy | p.343 |
| "Will There Be Any More II-A Assignments?"--Bill Hardy | p.519-20 |
| The Yaesu FRG-7--Bruce Portzer | p.27-28 |
| 1978 Baseball Networks--Bill Hardy | p.52-7 |
| 1978 Nine KiloHertz Waveplan--Dario Monferini (in DX'W II) pp. 41-2, 438-9, 479-80 | |
| ABC-Entertainment Network List (in RPN) | p.364 |
| ABC-Information Network List (in RPN) | p.42-4 |
| ANARC Almanac--Father Jack Pejza | p.422, 438 |
| AP Radio Goes NSP--Bill Hardy | p.590 |
| A Bit of Nostalgia--David F. Thomas | p.328 |
| American Information Radio Changes Newscast Info--Bill Hardy | p.173 |
| American Top 40 Station List--Bill Hardy | p.204-5 |
| An Audio Switching Unit--Nick Hall-Patch | p.202 |
| Best Bets for 50 states from.... | |
| Pacific Northwest--Bill Hardy | p.174-5, 202-3 |
| NY-NJ, New England area--Roger Morby | p.575-6 |
| Broadcasting Information (in RPN) pp.14,28,90-1,103,126,129,159,288 and 357 | |
| Canadian Family Life--It's Twins! 4th ed.--John Oldfield | p.302 |
| Cheap & Quickie Loop--Bob Curtis | p.325 |
| College Basketball List--Tim Cronin | p.344 |
| Condition of Frequencies--Ralph Kemper | p.372-3 |
| Daylight Savings Time Starts Soon--Bill Hardy | p.498 |
| Direct Digital Readout--Grant Manning | p.320 |
| DX Contests--Charles Gall | pp.67, 115, 168, 288, 408, 562 |
| --Richard C. Evans | p.577 |
| DX Records--CENTEXDX | pp.10, 154, 265, 404, 481 |
| DX'ing Indiana Counties--Charles A. Taylor | p.205-6 |
| DX'W II--Charles A. Taylor | p.40-3, 153-4 |
| --Father Jack Pejza pp. 386-8, 407, 436-7, 460-1, 478-9, 514-7, 547-9 | |
| (Effects of 9kHz Waveplan on N. American DX'ers)--Bob Foxworth | p.266-7 |
| FCC Grants Fulltime CP on 890 in Utah--Bill Hardy | p.519 |
| FCC on WABC-KOB matter--Bill Hardy | p.77, p.519 |
| A Few Rural Alaskan Radio Stations--Mike Dornier Jr. | p.318-9 |
| Four Commercially Available Ferrite Loops--Michael A. Sapp | p.517-8 |
| A Guide to North American Hockey on Radio--Tim Cronin | p.284 |
| Highway Advisory Radio--Bruce Portzer | p.472 |
| IRCA Election Results--George W. Jensen | p.14-15 |
| IRCA Sports Networks--Bill Hardy | pp.374-5, 421, 528, 550-1, 554 |
| IRCA Technical Column--Nick Hall-Patch | pp.517, 549, 569 |
| IRCA--Financial Statements--Rich Segalas | pp.413, 551 |
| IRCA--Membership List | p.411-3 |
| Legacy of the Attic Antenna--Bruce Portzer | p.404 |
| Long Distance Receiving Measurements of BC Waves Across the Pacific | |
| --Mar. 1932 Reports of Radio Researches in Japan | p.425-6 |
| Low-Powered Radio in Yellowstone--Father Jack Pejza | p.11 |
| May 6th & 7th Beverage Party at 29 Palms--Mort Meehan | p.542 |
| Membership Committee Report--Gregg Allinson | p.38 |
| Mobilizing the SPR-4 Receiver--Charles A. Taylor | p.570 |
| Modifying the Realistic TRF for 10 kHz readout--Gerry Thomas/C. Barfield | p.173-4 |
|Additional Tips | p.409 |
| Mutual Net Buys WCF--Bill Hardy | p.521 |
| Mutual Net Switches to Direct Satellite Feed | p.207 |
| Major League Baseball Flagship Station List--Bill Hardy | p.439 |

Brian P. Sherwood has sent in some observations from his modifying his TRF's readout according to the Gerry Thomas/Charlie Barfield articles in the Dec 10/77 and Mar 18/78 DX Monitors. He writes:

1. Do not use the stock pointer as a straightedge, it'll twist at the top and give you a slanted line. Instead, push the ball of the pin against the scale and draw along the pin. That way, with one end held by the pointer and the other by your thumb, it can't slip. Best results are obtained with the TRF face-up.
2. If "split" readout is not essential, a Ritepoint #67 ball-point refill works fine. (Mine was a WCPC-940 giveaway.) If you can't get on at your store, send 69¢ to: Ritepoint Co., St. Louis, MO 63126. Ask for #67 micro-point refill.
3. A couple of horizontal lines pencilled on the scale will keep all the vertical lines the same length and add a decorative touch, too.
4. I found some tan/grey paper in my attic which works nice. I'll send 2 pieces pre-cut (4 opportunities to get it right) for an SASE; practice on scrap paper first. Address: 221 Larch Ave., Elmhurst, IL 60126.
5. Save yourself the hassle of painting the "window" by cutting the paper or posterboard so it just fits in the hollow in the TRF.
6. Use rubber cement instead of Elmer's; that way the scale can be removed if you don't like it.
7. A 100 kHz calibrator might help.
8. I made a couple of copies of my spare dial scale, yours for 10¢ Xerox cost (Canadians, I'll take a Canuck 10¢ piece) & SASE.
9. Align your TRF before recalibrating; this wasn't clearly stated in the original. Any feedback would be welcome, address in item #4.

Brian also sent in a circuit for a converter circuit with which the TRF owner can receive WWV on 10 MHz. The transistors are all 2N5223's, L1 is a "loopstick" BCB antenna coil which is placed near the TRF's internal antenna. The TRF is tuned to 1630, and the loopstick slug is peaked, which will allow you to hear WWV on the 1630 setting. For further details, write to Brian at the above address.



(Unreported stns- continued from page 116)

- MT--6-KANA-KOYN-KBMN-KXLO-KLTZ-KLYQ-
- NE-11-KCSR-KOTD-KTNC-KFOR-KGMT-KGFW-KSID-KCOW-KLIN-KOOO-KTOH-
- NV--2-KELY-KWNA-
- NH--4-WBNC-WMOU-WTSV-WLTN-
- NJ--6-WTTM-WRNJ-WDVL-WTNJ-WHTG-WJJZ-
- NM-14-KLEA-KWKA-KARS-KGCC-KWYK-KICA-KMIN-KSVP-KFUN-KSRO-KRDD-KOHS-KKAT-KENM
- NY-22-WDOS-WKAJ-WGHN-WSEN-WYBG-WMVI-WIGS-WATN-WIPS-WKSN-WMSA-WRNY-WVIN-WSLB-WBZA-WOLI-WHDL-WKAL-WPDM-WBTA-WICV-WMCR-

THE INTERNATIONAL RADIO CLUB OF AMERICA

A non-profit club devoted to listening to distant radio stations on the broadcast band (510 to 1630 kHz). IRCA is a member of ANARC, the Association of North American Radio Clubs.

OFFICERS: President-Bruce Portzer, 6546 19th Ave N.E., Seattle, WA 98115 (206-522-2521). Secretary-Treasurer-Rich Segalas. Board of Directors-Gregg Allinson, Philip Bytheway, Dr. Larry Flegle, Bill Hardy, Rick Heald, Rob Keeney and Father Jack Pejza.

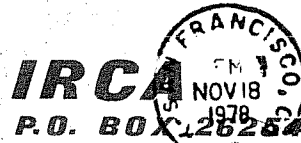
DX MONITOR: The official bulletin of IRCA, published 34 times a year; weekly from November to March, 3 times in April and October, and monthly from May to August.

MEMBERSHIP DUES: \$16.50 First Class to Canada and the U.S.A., Air Mail to Mexico. \$20.00 Air Mail to the rest of the world via Canada. Air Mail Direct from San Francisco: \$25.00 to Central America, Caribbean, Columbia and Venezuela; \$30.00 to the rest of the world. Sample copies, 50c or 3 International Reply Coupons. Make all checks and money orders payable to "I.R.C.A." Members outside the U.S.A., please use money orders payable in U.S. funds.

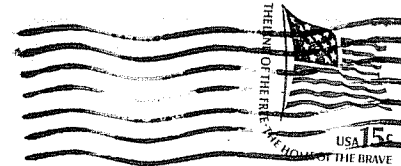
PUBLISHING STAFF: Editor-in-Chief-Donald Kaskey; Publisher-Rich Segalas; Staff-Mike Endza, Nick Hall-Patch, Eloise Kaskey, Larry Nebron, et al.....

Opinions appearing in DX FORUMS are those of the contributors and do not necessarily reflect those of IRCA, the publishing staff, or the DX FORUM editors.

DX MONITOR is printed by Sir Speedy Instant Printing, San Francisco, California.



P.O. BOX 26264
SAN FRANCISCO, CA 94126
U.S.A.



First Class

Dave Williams 2
Box 615, Hwy. 101
Astoria, OR 97103