



# DX MONITOR

PUBLISHED BY  
THE INTERNATIONAL RADIO CLUB OF AMERICA  
WHOLE NO. 496 DECEMBER 9, 1978

VOLUME 16

NO. 11

## DX CALENDAR DX CALENDAR DX CALENDAR

MM Dec 18 KDLG--670-Dillingham, AK 0515-0615 5 kw.  
Tones, voice/code IDs, DX gab & some Esk-  
imo language. Rpts to: Les Robinson, GM,  
KDLG, Box 670, Dillingham, AK 99576.  
Arranged by Eddie Ryan. GWDXA...

**KDLG**  
Box 670  
Dillingham, Alaska 99576

=====  
ANARC ALMANAC-- Happenings in the Association of North  
American Radio Clubs-- reported by Father Jack Pejza  
=====

ANARC Executive Secretary: Dave Browne, 557 N. Madison Ave.,  
Pasadena, CA 91101. IRCA Representatives: Bruce Portzer,  
Rick Evans, Father Jack Pejza

=====  
The 1979 ANARC Convention is scheduled to be held in Minnea-  
polis, MN June 22-24. Hosting the convention will be the  
Minnesota DX Club, in cooperation with the Department of  
Speech Communication of the University of Minnesota. The  
convention will be held at the Radisson Hotel under the  
leadership of Kim Andrew Elliott, Tom Gavaras and Greg  
Ravenhorst.

Wayne Davis, 27 Cleveland Ave., Trenton, NJ 08609 has been  
named Publisher of the ANARC Newsletter. Dave Browne will  
remain as Editor. Browne also will remain as Executive Secre-  
tary of ANARC.

The European DX Council has been faced with a crisis simi-  
lar to that faced by ANARC, namely, an inordinate amount of  
work placed upon the volunteer Secretary General. Rudolf  
Heim has offered to continue as Secretary if there are  
volunteers to help in the publication of the EDXC Newsletter  
and other EDXC tasks.

To learn more about fulltime and part-time career opportunities  
in radio broadcasting and related fields, write (if you are  
20 years or older) to Job Leads, 1680 Vine St., Hollywood,  
CA 90028 and ask for details on their newsletter. This is not  
an employment agency, but a media news service.

The Washington Area DX Association held their first meeting  
on October 14. For more information, contact Arlene Luskin,  
606 Forest Glen Rd., Silver Springs, MD 20901. Enclose a SASE  
for a reply.

Larry McKinney, chairman of the ANARC DX Equipment Committee,  
reports that R.L. Drake Co., Miamisburg, OH is dropping all  
SW radio manufacturing to concentrat on ham gear. Larry needs  
the new address of Hallicrafters. His address: 424 Grant Rd.,  
Adamstown, PA 19501.

As an organization composed of many different DX clubs, ANARC  
plans to form a new committee, the Club Liaison Committee, to  
keep in touch with club representatives and be a forum for  
their desires. Volunteers are needed for this committee. Write  
to Dave Browne if you are interested.

The U.S. Post Office has issued address recommendations for  
mail sent outside the U.S. Postal codes should NOT be placed  
after the country name. They should either be placed before  
the city name, between the city and province, or before the  
country name. The name of the foreign country should be the  
last item in the address and should not be abbreviated.

## \*\*\* NEW MEMBERS \*\*\*

Jeff Falconer, P.O. Box 63, Clinton, Ontario, CANADA NOM LLO  
(rejoin)  
Frank E. Hostetler, Rte 2, Box 408, Dillonvale, OH 43917  
Steve Tordoff, 407 Standish St., Redwood City, CA 94063  
(rejoin)  
Chris Campbell, 4037 SE 11th St., Renton, WA 98055 (rejoin)  
Kenneth W. Lackie, 6629-32nd St., NW, Washington, DC 20015  
(rejoin)  
James T. Gaspar, 3610 Valley Meadow Rd., Sherman Oaks, CA  
91403  
Stephen Weber, 48 Bentham St., Mt. Gravatt, Brisbane,  
Queensland, AUSTRALIA 4122  
Harry D. Virtue, CRAWL, Hamilton Parish, BERMUDA 212  
Bob Bodell, 5230 SE 48th Ave., Portland, OR 97206 (rejoin)  
R. Colin Newell, 2360 Forbes St., Victoria, B.C., CANADA  
V8R 4B6 (joint w/N. Hall-Patch)

### ADDRESS CHANGES

Walter E. LaGrange, 1309 Phils Dr., Chattanooga, TN 37421  
Rob Keeney, 10101 West 89th, Overland Park, KS 66212  
Doug Everitt, No. 2 Highpoint Park, 2700 N. Van Buren,  
Enid, OK 73701

### RENEWALS AS OF 4 December 1978

George Duckworth, Robert Wien, Edward Kocsan, Tom Jasinski  
Bill Bailey, Greg Poole, Jim Wallace, Gerry Thomas, Jim  
Thompson

WELCOME TO ALL OF THE NEW MEMBERS AND WELCOME BACK TO THOSE  
WHO ARE REJOINING US! Won't you take some time and send in  
a Forum to Rick or John and let us know about yourself.

### HQ NOTES:

Many thanks to Gary Nuthals for all the logos.  
If those are all from veries I'm moving to  
Green Bay now.

We received the newsletter from the Washington  
Area DX Association. For those of you in the  
Washington DC area who may be interested, drop  
a line to John Rouse, 2703 Bartlett Lane in  
Bowie Maryland 20715 for more details.

Bruce Black of the Engineering Department of  
KNBR informs us that they are still working  
on the transformer site and will probably  
wait until they get their new transformer  
before they have a silent period to tune the  
tower.

## The Inside Story —

EDXR-----144-145-146  
CDXR-----146-147  
WDXR-----147-148-149  
EDXF-----157-158  
WDXF-----158-150  
DXWW-----151 thru 157

Advisor-----150  
Technical Column---149  
Verification signers-149

# eastern dx roundup

Bob Curtis  
17 Cobbleview Dr.  
Colchester, VT 05446

DEADLINES: Mondays All times are Eastern Local  
(Sats. before Xmas and New Years Day)  
\*\*\*\*\*

Still you must follow and fight  
Under the vampire wing;  
There in the long, long night  
Hoping and vanquishing.

Robert W. Service

\*\*\*\*

## Splatter:

"I now have 17 new stations since the 9th,  
(one week ago)." Dave Fontanez - NY

"I have been very successful lately DXing  
graveyards". (see 1230, 1240, 1340 and 1490)  
Dave Faulkner - MI

"Work sked.....limits my DX to mostly SSS."  
Karl Jeter - GA

"A real mystery here." (see UNID-1530)  
David Nelson - NC

"With the TRF I can isolate individual stns,  
hear words and call letters instead of the  
garbled mess I always got on my old HE-80."  
Dave Faulkner - MI

\*\*\*\*\*

550 WGR NY, Buffalo 11/11 0230 Poor signal.  
"WGR-55" ID into oldie (but goodie).  
(DF-NY)

570 CJEM NB, Edmunston 11/18 2131 FF, heard  
several mentions of "Edmunston" and  
a good ID at 2130. Good, not much  
of a signal from WMCA. Much wanted.  
(BL-CT)

580 WCHS WV, Charleston 11/11 0230-0240 Top  
40 mx, ID, "Good morning, ladies &  
gentlemen, it's 2:30 & this is the  
spirit of Charleston - WCHS" into  
rock mx. (DF-NY)

600 WVAR WV, Richwood 11/21 1713 W/soul song  
& into s/off. (DN-NC)

620 WJDX MS, Jackson 11/14 2000 ID doing  
quite well w/rr sounding mx, much  
talk before ID. Moderate QRM(DF-MI)

630 ???? UNID, 11/18 2121 Canadian, heard  
"C-F-C ?" playing "Canadian Top-40"  
program at 2121. CFCO? CFCO? Kill-  
ing WPRO for awhile, then faded in-  
to the Cuban. (BL-CT)

850 WHDH MA, Boston 11/11 0151 Talk by DJ,  
Diana Ross song, WHDH jx into talk-  
show. This is new for me (believe  
it!) (DF-NY)

WKIX NC, Raleigh 11/16 1701 T-40 mx and  
good ID by DJ u/WHDH. Good signal.  
(BL-CT)

WRUF FL, Gainesville 11/15 2131 Spot for  
Krispy-Kreme donuts, then another  
ad foll'd by ID, T-40 mx. Fair.  
(WPT-DC)

860 (WAYE) MD, Baltimore 11/16 0810 Noted off  
air. (WPT-MD)

920 KARN AR, Little Rock 11/11 1750 w/Razor-  
back FB game dominating channel,  
moderate QRM. (DF-MI)

940 WJOR MI, South Haven 11/11 0758 A much  
wanted stn in at last w/MOR mx, ID  
& spot for market in South Haven  
mixing w/WGRP/WIDG but quite read-  
able. (DF-MI)

970 KQAA MN, Austin 11/14 2237 A real sur-  
prise w/fair sigs, moderate QRM  
from UNID that had rlg's pgm. Had nx  
for MN by YL, SID after nx. Still  
here at 2300 but channel dominated  
by WDAY. (DF-MI)

990 t CBY NE, Corner Brook 11/19 0439 Heard a  
station with Newfoundland marine wx  
and a ment of "CBN-640" and its  
carriers, but I don't think CBY is  
a carrier of CBN, according to the  
NRC Log anyway. Has CBY gone // to  
CBN in the mornings? Or is this a  
new station? (BL-CT)  
(ed: Not certain, but I think it's  
CBY. See my 990 logging in EDXR for  
October 21st.)

WAKN SC, Aiken 11/22 1728 w/s/off, good  
O/WHOO. WNOX. (DN-NC)

1010 KLRA AR, Little Rock 11/15 2031 Univ. of  
AR head football coach conducts  
talk show. Xlnt. (WPT-DC)

WCSI IN, Columbus 11/8 0810 Good with  
"McArthur Park" then ID/TC at 0813½  
mention it being Dunc Day. WIOI  
nulled. (PRM-OH)

1050 KSI5 MO, Sedalia 11/16 1755 Good w/nat'l  
wx report sponsored by a reactor,  
then s/off 1758 that was read hurri-  
edly & ment of "clear channel freq!"  
(KVJ-GA)

KSOH AR, Little Rock 11/16 1758 Concl.  
"Old Time Gospel Hour", rlg's pgm  
into s/off, ment "The Sound of Hope"  
(KVJ-GA)

WADC WV, Parkersburg 11/12 1650 u/WPAG &  
CHOK slop but doing quite well; ID,  
much talk. Still here 1700 but do-  
ing better than before. (DF-MI)

1070 \*WFLI\* TN, Chattanooga 11/15 0120-0230  
Clear, no QSB, apparently RS with  
commercials and requests (821-3596)  
Terry O'Jay the DJ. "Jet-Fly" IDs.  
0203 Testing anncmt given several  
times until 0230 when 50 kw power  
cut. (DF-NY)

WNCT NC, Greenville 11/11 1705 Football  
scores on "Saturday Scoreboard"  
show. Ment of upcoming sports ev-  
ents. (DF-NY)

1130 WEEO PA, Waynesboro 11/11 1530 w/WNEW  
giving WCAR fits at 1530. Had ID &  
rr mx. Was listening to MSU FB on  
WCAR when I noticed severe QRM from  
someone. Turned out to be WEEO.  
(DF-MI)

1150 CHSJ NE, Saint John 11/17 0130-0230  
Haven't heard this in 4 yrs! Laid  
back rock with YL DJ, Dianne. In  
very clear till 0230 when nosedive  
QSB took it out of sight. Ment of  
S.J. Car sign contest. Nx at 0140-  
0150. (DF-NY)

KXLR AR, North Little Rock 11/11 1740  
Razorback FB, local spots dominat-  
ing usually untouchable CKOC/WCUE/  
WIMA pests. (DF-MI)

1170 WLBH IL, Mattoon 11/11 0735 On top in  
WWVA null w/local info. & c/w mx.  
Good sigs, slight KVOO QRM. (DF-MI)

1230 WAKI TN, McMinnville 11/12 2342 ID thru  
the mess at 2342. (DF-MI)

WHIR KY, Danville 11/12 1722 Very good  
ID but then back down into the mess  
Could've been the one here earlier  
w/c/w mx. (DF-MI)

WIRO OH, Ironton 11/12 2335 EZR mx, MBS  
nx 2330, ID after nx 2335 but none  
before. Very good atop freq.(DF-MI)

WISP NC, Kingston 11/12 2300 On a mess  
ID picked out, into nx (I think),  
but a lot of QRM. (DF-MI)

WKLK MN, Cloquet 11/12 2310 Briefly atop  
ending mx, ID, PSA & into mx(DF-MI)

WTCJ IN, Tell City 11/12 1729 rr mx, on  
top, ID, little talk. (DF-MI)

1240 WKOY WV, Bluefield 11/13 0005 Apparent  
s/off, a couple of nice IDs heard  
& mention of power. No SSB.(DF-MI)

WOBT WI, Rhinelander 11/11 1720 Local  
spot & ID atop channel, into MOR  
mx. Fair sigs, heavy QRM. (DF-MI)

WOMT WI, Manitowoc 11/11 1723 ID poor  
w/much QRM. (DF-MI)

WRTA PA, Altoona 11/13 1700 Good signal  
& dominating but much QRM. "It's  
5:00 and time for nx on WRTA, Al-  
toona." Gone almost immediately  
after. (DF-MI)

WSEW PA, Selinsgrove 11/13 1628 Weak  
w/ID at 1628. Moderate QRM.(DF-MI)

1250 WHNY MS, McComb 11/14 1740 Local spot &  
ID by OM anncr. Weak but readable  
w/no sign of WTAE. Almost nothing  
from the east & midwest in this  
night until much later. Even power-  
ful regulars completely inaud-  
ible. (DF-MI)

WPEL PA, Montrose 11/13 1627 Weak w/ID,  
some talk, into taped pgm. (DF-MI)

WRAY IN, Princeton 11/13 1730 s/off  
weak w/moderate WTAE/WGL QRM. No  
SSB noted. (DF-MI)

1260 WCHV VA, Charlottesville 11/11 1653 EZR mx & ID mixing w/WBBG/WLKK pests. Still here after 1700 but no details noted. (DF-MI)

WVVW WV, Grafton 11/11 1712 Mention of W. Virginia weak u/WBBG/WLKK. (DF-MI)

1290 KALM MO, Thayer 11/15 1707 w/Missouri wx briefly in here w/heavy QRM. (DF-MI)

WTOC GA, Savannah 11/15 1719 At last hrd w/rr mx, spots & ID in much QRM. Fair signal. (DF-MI)

WVOW WV, Logan 11/15 1706 Weak in rapidly building QRM w/"WVOW, Logan" ID (DF-MI)

1300 WIBR LA, Baton Rouge 11/17 1814 Must've been the one here at 1814 calling itself "wibber" & playing rr mx. Sudden drop in sig at 1815. Before then dominating channel. (DF-MI)

1310 KFSB MO, Joplin 11/15 1810 Thru WWKR w/rr mx, Paul Harvey's "Rest of the Story" & then more mx. Gone after 1815 power cut. (DF-MI)

WCAM NJ, Camden 11/16 1636 Nx-Wx-Sx, traffic report and a nice clear ID by a YL announcer. New. (BL-CT)

1320 KWHN AR, Port Smith 11/15 1810-17 Was keeping an ear on both this & KFSB 1810-17. Had AR sports & local spots. Noted two unID s/offs here 1815, both w/SSB. After that KWHN was really alone w/fair sig(DF-MI)

1330 WASA MD, Havre de Grace 11/18 1642 "Jim Delaney w/Nx-Wx". Spot for Premier Chevy. Killing WEVD/WHET. New. (BL-CT)

WEBO NY, Owego 11/11 1645 W/s/off, location, power given. Someone else here also signing off, possibly WASA as gave pwr as 5 kw as WASA does. One of the two used SSB, but I'm not sure which. (DF-MI)

???? UNID, 11/15 0251 EZL mx strung out. Announced @ 0251 "Wherever you are ...you're beautiful - with music on AM 1330." No calls given. 0259 wx given and beginning of ID, "This is WH\_", at which time WPOW destroyed freq with s/on. (DF-NY)

1340 WBGH KY, Bowling Green 11/13 0000 ID in the mess at 0000. (DF-MI)

WCSR MI, Hillsdale 11/13 1704 Was my nearest unheard until 11/13 1704 when noted doing nx & apparent promo as had a couple of IDs. Still fighting at 1710. Much QRM. (DF-MI)

WLVL NY, Lockport 11/11 1631 At last someone clobbered CKDK! Doing very well, very readable ID after MOR mx. (DF-MI)

WNHC CT, New Haven 11/15 0710 EZL mx, spot for skateboard safety, ment of future broadcast of Night Hawks hockey. Much QRM from WMID.(DF-NY)

WRAW PA, Reading 11/11 1640 EZR mx and local spots. Fair sigs & moderate QRM. (DF-MI)

WTRN PA, Tyrone 11/11 1634 Thru w/ID. Stations in PA & central Ohio all doing remarkably well this PM. This one was weak but readable w/moderate QRM. (DF-MI)

WWPA PA, Williamsport 11/12 1658 Was hoping for WOYL but got this one instead doing quite nicely on top of channel for a while w/spots & IDs. (DF-MI)

1370 WALK NY, Patchogue 11/15 0730 "This is The Island's Broadcasting System.. WALK-Patchogue" into news and wx. Plenty of commercials (only one song heard in 15 mins). (DF-NY)

1400 WFTG KY, London 11/20 1749 Xlnt with ad for "Cook Bros. Supply in North London" into gospel mx. (KVJ-GA)

WSGA GA, Savannah 11/20 0022 ID by OM, then song by Barbara Streisand. Good atop GY pile. (WPT-DC)

1410 WIAQ GA, Rome 11/15 1730 On top w/garbled voice ID, then gone. (DF-MI)

WLBJ KY, Bowling Green 11/13 1715 Left alone in CKSL null after WHLN s/off Had OM announcer, c/w mx & ID. (DF-MI)

1430 WJRE TN, Knoxville 11/10 1718 My last unheard Knoxville had ID in WKPH null, quite weak but could've had c/w mx. (DF-MI)

1450 WNAB CT, Bridgeport 11/15 0746 Tele call ins to wish someone "Happy Birthday" also EZL mx. Joe Thomas DJ. WCTC QRM. (DF-NY)

WWSC NY, Glens Falls 11/11 0250 In clear for a few secs with country music. Clear hourly ID "24 hrs a day-this is WWSC-Glens Falls, NY" into news. (DF-NY)

1460 WFMH AL, Cullman 11/16 1743 Good w/ad for Warehouse Groceries & c/w mx - QRMing my tentative on WROY(KVJ-GA)

WOKO NY, Albany 11/15 0021 YL DJ with contest and Top-40 mx. New. (DF-NY)

t WROY IL, Carmi 11/16 1730 Heard ments of "Carmi" during what sounded like community nx, then ad for "Carmi Times". Is it pronounced "Carm-I" or "Carm-E"? Sounded like the former to me. (KVJ-GA) (ed: I think "Carm-I" is correct. We have a Lake Carmi here in Vermont, and we pronounce it "Carm-I")

1470 WSAC KY, Fort Knox 11/10 1709 Nx, wx and ID atop WOHO/WKSO/WKMF mess.(DF-MI)

WTKO NY, Ithaca 11/13 1623 MOR mx o/CHOW ID but no spots. (DF-MI)

1480 WABB AL, Mobile 11/15 1745 Maalox spot, (Higbee Drugs), promo for "Manbeast" movie at Bel Air Theatre in Pensacola, T-40 mx. Good-xlnt. (WPT-DC)

1490 WAZL PA, Hazelton 11/18 2104 T-40 mx, good ID heard, but signal was weak and all alone on frequency. New. (BL-CT)

WCSS NY, Amsterdam 11/11 1600 Strange sounding stn w/rr type mx & ID here alone in CFPS null. (DF-MI)

WCSV TN, Crossville 11/10 1755 ID weak in fairly heavy QRM. (DF-MI)

WDXL TN, Lexington 11/15 1745 Dominating w/cw mx, local notes & ID. Fairly heavy QRM. (DF-MI)

WICY NY, Malone 11/13 1600 here in CFPS null w/WCSS but dominating w/ID and into nx. (DF-MI)

WKRO IL, Cairo 11/10 1744 ID & much ment of Cairo w/fair sigs in very heavy QRM. (DF-MI)

WMGW PA, Meadville 11/10 1700 ID & into nx good w/moderate QRM. This ID and WMRN almost right after each other. (DF-MI)

WMRN OH, Marion 11/10 1659 W/same cx as WMGW. (DF-MI)

WQHI OH, East Liverpool 11/12 1652 MOR mx & xlnt sig all alone here, local spots, IDs. (DF-MI)

1510 KAGY LA, Port Sulphur 11/16 1744 Doing very well here w/cw mx, & spot for local feed store. No sign of usual WLAC. Slight unID QRM. (DF-MI)

KYKR TX, Port Arthur 11/14 1756 Through partially nulled WLAC w/cw mx & ID. (DF-MI)

1520 ???? UNID, 11/19 1730 Missed ID but hrd SSB on s/off. Mild aurora cx suggest FL-GA area. Any ideas? Fair signal. (WPT-DC)

1530 KJEM OK, Wagoner 11/14 1714 ID, PSA for something giving address in Kansas mixing w/KNBO/WRPM. (DF-MI)

KNBO TX, New Boston 11/14 1750 Uptempo mx, long ID the beginning of which I didn't catch "...on KNBO, New Boston". No WCKY 11/14 until after 2200, none at all 11/16. Has to be the most interesting cx I've ever encountered. (DF-MI)

(ed: for your info:

date	Solar flux	Ap	Index
11/13	148		18
11/14	138		7
11/15	137		8
11/16	132		6

WRPM MS, Poplarville 11/14 1758 On top w/nx by YL, s/off down u/KNBO. No trace of WCKY. (DF-MI)

WYAZ MS, Yazoo City 11/16 1747 Again no WCKY. This one fair w/moderate QRM, black DJ very excited about something. (DF-MI)

???? UNID, 11/16 1930 A real mystery here. Stn in EE noted u/WCKY. At 1930 heard a definite ment of "The Good Morning Show" then into c/w mx. At 1938 an invitation to join "Tony Allen for 16 fabulous days in Hawaii", then the same c/w song they played earlier. Totally disappeared at 1945. Seems too late to be any domestic on regular sked. (unless maybe Wyoming or KRYT). Does KGBT have any EE? The song repetition leads me to believe it's some freaked out tester or pirate. Anybody know about this joker? (DN-NC)

1540 CHIN OH, Toronto 11/11 1640 Greek (?) pgm, many many com'ls especially for food markets & Woodbine Bldg Supplies. First daytime reception. (DF-NY)

KCTO LA, Columbia 11/16 1757 On top w/c/w mx, many spots, much mention of Columbia. Slight QRM but no KXEL at all until after 1900. (DF-MI)

KGBC TX, Galveston 11/14 1820-41 Xlnt atop ZNS1, which caused only slight QRM, no KXEL. Had sports 1817-20, then wx; low 70° tonight, high tomorrow 79° (must be nice) 30% chance of rain, currently cloudy & 75% ABC features pgm 1821, fade out then back for community news pgm 1833, MOR mx & spots 'til 1841 disappearance. Called Galveston "The Vacation City", a term I'd never heard applied to that town before. Reported. (DF-MI)

WJGA GA, Jackson 11/22 1733 Noted with spot for Webb's Thrift-Town(DN-NC)

1560 KAJN LA, Crowley 11/14 1813 Religious pgm, reading from Proverbs 31, "your agape stn" slogan & story about a man from Baton Rouge who had apparently committed some crime in Crowley but had been caught and, according to OM anncr, received appropriate punishment. In again about this time 11/16. Good sigs & moderate QRM. (DF-MI) (ed: 'agape' (?) Don't get it.)

KJUI MO, Sullivan 11/15 1800 o/KQYX w/s/off & SSB. (DF-MI)

KEGG TX, Daingerfield 11/14 1805 w/nx, wx & ID atop for a while, but then u/KAJN. (DF-MI)

WSDL LA, Slidell 11/16 1805 Nx by YL, spots, promos, IDs, into rr mx at 1810. All of this just u/KAJN. (DF-MI)

1570 WGLX OH, Gallion 11/12 1656 Thru CHLO w/ID, spot for store in downtown Gallion, but too much QRM to get much. (DF-MI)

WIFF IN, Auburn 11/16 1727 Barely readable thru CHLO. (DF-MI)

1580 KFDF AR, Van Buren 11/16 1802-1814 Sometimes xlnt signals 1802-1814 s/off. Nx, spots, gospel mx. Slight WCLS, KLTR QRM. (DN-NC)

KLTR OK, Blackwell 11/16 1815 Had to be the station here at 1815 w/ old man talking about "my recollections of Blackwell". Later noted w/pop mx. Very weak w/lots of WCLS QRM & didn't get ID so won't count it yet. (DN-NC)

1590 WABV SC, Abbeville 11/21 1725 Good o/u WXRS at 1725. (DN-NC)

WWUN MS, Jackson 11/15 1757 r&b mx, ID & into another song in WAKR null. Fair but rather heavy QRM. (DF-MI)

WXRS GA, Swainsboro 11/21 1723 Newie heard at 1732 w/s/off. Lotsa QRM from WABV & others. (DN-NC)

REPORTERS THIS ISSUE

DF-NY Dave Fontanez, 87-17 97th Ave., (2R) Ozone Park, NY 11416 Fisher MC-2000

DF-MI Dave Faulkner, 1430 Pine Grove Ave., Port Huron, MI 48060 Realistic TRF

KVJ-GA Karl Jeter, 2816 Frontier Trail NE, Atlanta, GA 30341

Hammarlund HQ-150, TRF, SH-2

BL-CT Bryan Lee, P.O. Box 69, Brooklyn, CT 06234

Realistic TRF + longwire

PRM-OH Paul Mount, 35 1/2 W. Columbus St., Nelsonville, OH 45764 Realistic TRF

DN-NC David Nelson, 1507 Lamont Ct., Chapel Hill, NC 27514 Realistic TRF

WPT-DC Bill Townshend, 4500 Conn. Ave., NW, Washington, DC 20008 Realistic TRF

WPT-MD DX'ing at office before work, Marlow Heights, MD

\*\*\*\*\*

Some great DX shows in this report. Lots of small hard-to-get stations reported from all over. Gives us all something to go after. Dave Faulkner's 65 stations in such a short period must be some sort of a record. Bryan Lee asks about our first snow here in Vermont. Brooklyn, CT had their first snow Nov. 21, 1 1/2 in. Well, ours came Thanksgiving night, and again today. Now have five inches.

73 and good DX Bob Curtis

Bob Lazar  
511 W. Doty St., Apt. 209  
Madison, Wisconsin 53703

Deadlines: Tue. 12/12 Sat. 12/16 Fri. 12/22

OF SPECIAL INTEREST

1510 WLAC TN Nashville 11/21 This superpest was noted off this date, but, unfortunately, nothing was to be found in its place; the best time to catch this one "out to lunch" is on any random Tuesday; apparently, there's no rhyme nor reason to their maintenance schedule, but they've never been noted off any a.m. other than TUESDAY. (SAM)

1590 WRTR WI Two Rivers ex-WQTC heard with new calls 11/24 from Port Washington, WI. Automated cw format. (RAL)

\*CDXR\*CDXR\*CDXR\*CDXR\*CDXR\*CDXR\*CDXR\*CDXR\*CDXR\*

560 WIS SC Columbia 11/18 1850 Good w/o QRM w/ sports & many local spots. (REM)

740 CBL ON Toronto 11/22 0040-0109 Eclectic Circus pgm w/ cl. mx, jazz. S/off w/ Canadian NA. Confirmed by telephone. Signal poor, intermittent w/ QRM from several stns., mainly KTRH. (JL)

800 CHAB SK Moose Jaw 11/27 0130 Good o/ XEROK w/ T40 rr. No sign of CKLW. (RAL)

900 \*WEAS\*GA Savannah 11/14 0108-13 Noted ETing w/ nothing but OC, followed by two successive prerecorded IDs no more than three seconds apart, and suddenly off; Xlnt signal, all by itself on the channel w/ no sign of either CHML or the usual Cuban; this one has been hrd at least twice a year, but has never been reported. (SAM)

960 KGWA OK Enid 11/13 0013-0015 Tail end of CBS Sports pgm, ID w/ calls, promo for CBS Radio Mystery Theater, ad for Jack's Typewriter Shop. Signal good to poor w/ marked QSB, QRM from WERC, KGKL and others. (JL)

1150\*WGEA\*AL Geneva 11/11 0203-0317 Good to fair on ET w/ various tones, long periods of OC, and 1 ID; slugging it out with WJBO who was especially nasty this date, but little sign of WJRD; 1st logged about a year ago & rptd. at that time, but no verie ever rcvd.

WDEL DE Wilmington 1800 11/12 //(SAM)

Fair o/ QRM w/ rr mx & "It's 6 o'clock and we're WDEL Wilmington". Fade out during NBC nx. Heard before only at s/on and on ET. (REM) //(SAM)

1220\*WBUL\*AL\*Birmingham 11/18 0117-0343 Xlnt to very good on PoP w/ only "grizzly" QRM from XEB and a slight amount of the same from a surprisingly weak WGAR; some slight QSB also noted; various tones, very extended periods of OC, as well as leaving and reentering the air; 1 ID given by sleepy-sounding OM at 0342; too tired myself to give them a call, but rptd anyway.

1260\*WJTH\*GA\*East Point 11/18 0131-0229 Good to fair on ET w/ various tones, extended periods of OC, leaving & reentering the air, as well as the same instr religious selection being played over and over; quick ID shortly before the half-hour; holding its own, but bothered by considerable WNDE QRM; another one of those notorious Atlanta-area nonverifiers, this one refuses to answer phones or rpts; frequent visitor in these parts. (SAM)

1300\*WNEA\*GA\*Newnan 11/15 0043-0110 Good to poor on ET w/ various tones, brief periods of OC, and repeated playings of an unfamiliar rock selection called "Rock 'n Roll Party Queen"; two IDs at 0057 and 0110; subject to some QSB and bothered by both WJBR and "grizzly" QRM, but putting out a nice signal for 500 watts; new w/ stn called & reported. (SAM)

KXXO OK Tulsa 11/23 0045-0106 CBS Radio Mystery Theater, CBS nx, promo: "Only KXXO gives you 24 hrs. of news..." Signal good to poor, mixing w/ two unid stns, in WJBR null. (JL)

1340\*KBRS\*AR\*Springdale 11/25 0131-0147 TT, two voice ID's lost in GY. Confirmed by telephone. Signal good to gone w/ marked QSB, mixing w/ other GY stns.

KRMD LA Shreveport 11/16 0432-0434 //(JL) ID: "When things are cookin' country, they're cookin' on KRMD Shreveport." Garbled PSA, nx. Signal in and out of the GY. (JL)

1350 KRNT IA Des Moines 11/23 0136-0139 "KRNT Des Moines weather..." (temp. 33°), MoR mx. Signal poor w/ QSB, QRM from WSMB, KCOR. (JL)

1360 KRYS TX Corpus Christi 11/16 0421-0423 ID: "What stn do you listen to the most?" "KRYS". rr mx. Signal poor w/ QSB, extra heavy QRM from several stns. (JL)

1420 WOC IA Davenport 11/11 0353-0401 EZL mx, tunes back-to-back, ID w/ calls, NBC nx. Signal poor, intermittent, w/ QRM from several stns, mainly KLUF.

1450\*KSIW\*OK\*Woodward 11/24 0150-0158 //(JL) Several ID's in succession, OM ancr. mentioned f/c and ET w/ 1000 watts, 1000 cycle TT. Signal fair to poor, riding atop GY at times. (JL)

1480 WISL PA Shamokin 11/23 1814 Briefly o/ heavy QRM w/ wx, ID, & into rr mx. (REM)

1500\*KWPC\*LA\*New Roads 11/17 0154-0202 Very strong signal on ET, completely dominating the channel, and even manhandling the usual WLAC slop; late vintage rock mx (not cw, as is their usual format), w/ 1 ID shortly after the hour; another "regular customer" in these parts who refuses to verie. (SAM)

1550\*KGMO\*MO\*Cape Girardeau 11/12 0117-0226 Strong, solid signal on ET, well o/ the usual KOKA/WAAY/WOKJ mess; various tones, fairly long periods of OC, MoR mx, and 1 ID at 0225; little QSB noted; this one gets a nice v/l out in about ten days. (SAM)

KMAD OK Madill 1830 11/18 Poor j/o (??-ed) QRM w/ s/off & instrumental SSB. (REM)

1560\*WKOG\*GA\*Gordon 11/15 0117-0122 Xlnt on ET w/ no QSB, and no sign of either KCJJ or the Cuban; 400 and 1000 cycle tones, C&W mx, and 1 ID given by an OM who sounded like he had a terrible cold; this one has been logged before on both ETs and during SRS, w/ v/l rcvd in less than a week. (SAM)

1580 KRZI TX Waco 11/24 0117-0121 ID w/ calls, TC, rr mx, another ID. Signal good to poor w/ QRM from several stns. (JL)

PER THE LIST

3rd. Tue. KOLY-1300 SD T 0100-0113 (SAM)

A TIP OF THE HAT TO THESE CDXR REPORTERS

JL - JOSEPH LANDRY, 11643 Baylor Dr., Baton Rouge, LA 70816 (Realistic TRF, 350' LW)  
 REM - ROBERT MCKINNEY, RR #2, Clinton IL 61727  
 SAM - SCOTT A. MENTZER, Route #3, Tylertown, MS 39667 (DX-160, Dymek DA3, Lws)  
 RAL - BOB LAZAR, 511 W. Doty, Apt. 208, Madison, WI 53703 (FRG-7, SM-2)

Please note the deadlines above for December. While I was typing this column a whole bunch of local stations, WIBA-AM-FM, WISM-AM-FM, WWQM-FM, WISC-TV, got knocked off the air due to a power failure. Unfortunately I didn't hear anything thanks to your friend and mine, TVI. 73.

-----  
 HANCY HARDY, Editor

2201 PACIFIC AVE.

ABERDEEN, WA 98520

**western dx roundup**

ALL TIMES ARE EASTERN LOCAL

Phone for hot WDXR tips: (206)532-6827 till 11:30pm(PLT) nightlv--prepaid calls only

DEADLINES: Wed. 12/13, Mon. 12/18, Sat. 12/23 (?)

REPORTERS FOR THIS ISSUE:

- (HC) Herb Childs-1810 Euclid #22-Berkeley, CA 94709 TRF
- (NHP) Nick Hall-Patch-3272 Alder St.-Victoria, BC Transmogified HRO, V8X 1P2 FET AA loop
- (JJ) Jef Jaisun-12860-136th Ave. NE-Kirkland, WA SP-600, wedge 98033
- (RCJ) Robert Jones-8829-240th St. S.W.-Edmonds, SPR-4, HQ-129X, SM-2 WA 98020
- (SMM) Steve Mittman-2248-37th St.-San Pedro, CA Realistic TRF, 3' wedge 90723
- (BM) Bill Moriyama-2662-22nd Ave.-San Francisco, Zenith D-7000Y Trans- CA 94116 Oceanic w/built-in loopstick
- (MFS) Matthew Shugart-12561 Groveview St.-Garden Grove, CA 92690
- (RW) Robert Wien-945 Desert Isle Dr.-San Jose, GE TRF long-range CA 95117 portable, SM-2

- \*\*\*\*\*
- 540 KVIP CA, Redding 11/25 1358-1401 fair w/ no fading. End of relig. program, into promo for another relig. program. Legal ID at 1400. (BM-CA)
  - 540 KDLT UT, Delta 10/25 0954-1000 fair to good w/QRM w/C&W mx. "It's 8:00 at KDLT, Delta, Utah" ID & TC at 1000. (SMM-CA)
  - 550 KRAI CO, Craig 10/25 0916 good o/KOY w/ID & wx for Colorado & Utah, then into local nx. (SMM-CA)
  - 550 KMVI HI, Wailuku 11/2 0408 fair o/u KOY w/ "...another sound reason why you should join the switch to KMVI." Into popular mx. (SMM-CA)
  - 550 KOAC OR, Corvallis 11/22 0910 fair w/nx & sports for Portland area. "Daybreak Weather" at 0614, then mention of NPR nx within the hour. Into classical mx. (SMM-CA)
  - 590 KTHO CA, So. Lake Tahoe 11/25 1410-1413 fair w/slight fade. Pop mx into ID, and spot for some auto agency, back into mx. (BM-CA)
  - 600 KCLS AZ, Flagstaff 10/25 0934 poor in KOGO null (while carrying nx) w/ID from YL, into pop mx. (SMM-CA)
  - 610 CJAT BC, Trail noted apparently running AN 0527 11/20. ID & TC amid pop songs. (NHP-BC)
  - 660 WNBC NY, New York City good at peaks w/ XERPW w/female DJ, many ment's of WNBC show on Sat. night. MOR mx. Xlnt cx to east. (RW-CA) (Date and time?--NH)
  - 680 KNBR CA, San Francisco 11/23 0700 on their Thurs. morn 5kw operation till about 0815 when switched back to 50kw. (MFS-CA)

690 KEOS AZ, Flagstaff 10/25 2240 extremely poor in XETRA "null". Just barely heard YL reading sports scores, followed by ID, & into mx. XETRA very quickly took over again. (SMM-CA)

690 KKUA HI, Honolulu 11/27 0517 w/rock & disco, short jingle IDs. Tough slop from KNBR-680. Managed to null most of XETRA w/CBU off. Another UNID underneath w/alot of shouting--maybe relig. (JJ-WA)

690 (XETRA) BC, Tijuana 11/25 totally off during period tuned in, 0645-0715. Often off on Sat. morn., especially 4th Sat. mornings. (MFS-CA)

710 \*KFIA\* CA, Carmichael 11/27 1431-1438 noted OC fairly strong--was wondering who it was, then heard "...This is KFIA, Carmichael, Calif., conducting engineering tests on 710 kilohertz..." repeated again at 1437. (BM-CA)

710 \*WGBS\* FL, Miami 11/13 0400:05 a mere two seconds after KMPC s/off, OM said "This is WGBS, Miami, Florida.": Absolutely nothing else heard. Rechecks at 0415, 0430, 0500, & 0600 (at which time KMPC returned) produced nothing but KGNC. Fair for state #32. (SMM-CA)

720 WGN IL, Chicago 11/20 0410-0617 nil at best u/CMGN. Ments of Chicago were occasionally heard, but I had to listen almost continuously for 2 hours to finally get a barely perceptible ID! Similar cx 11/27. (SMM-CA)

720 (KDWN) NV, Las Vegas 11/20 0410 finally noted totally off AN. Also caught them s/off 11/27 0345 for another AN SP. (SMM-CA)

730 KSVN UT, Ogden 11/14 0944 good on SRS w/2 local spots, woman DJ, then faded out. In CKLG/KBOY null. 11/24 1857 good in KBOY null w/ID. Much KCBS-740 slop. (RW)

740 KTRH TX, Houston 11/27 0514-0517 fair w/moderate fade, wx for Houston area, promo for the "Farm Show" at 5:30am on KTRH.. into some talk show. (BM)

750 WSB GA, Atlanta 11/27 0458-0501 fair w/slight fade. C&W mx, promo for winning \$2000, legal ID & into NBC nx. A little later, around 0555, JOIB came in strong w/no trace of WSB. (BM-CA)

760 KGU HI, Honolulu 11/17 0615 good, strong; phone-in talk and mx. (RCJ-WA)

770 KOB NM, Albuquerque 11/22 1500, again 1700-1717. Had wondered for some time if KOB possible in daylight. Heard weak at noon PST w/MOR, "77--KOB" finally heard 1717 for positive ID on rainy day (if that has anything to do w/this reception.) One of my best catches. (MFS-CA)

790 KWIL OR, Albany 11/24 1920 xlnt w/wx for Williamette Valley, "Quill" slogan. No sign of either KABC or KXQR. (RW-CA)

830 KIKI HI, Honolulu 11/20 0255 bombarding WCCO w/ments of "...the winning sound of K-I-K-I" & "KIKI Community Forum." DJ said good-night. KORL also in xlnt. (RW)

838 ---- CA, Bolinas, PIRATE 11/25 1420-1440 fair, AOR mx; no IDs, just mx sloppily aired. First time heard in a long time. (BM-CA)

900 KBIF CA, Fresno 11/25 1455-1504 fair w/no fade. Heard OSU-Mich. fame via Mutual, legal ID at 1500, back to game. A bit of a surprise as I thought they were relig. (BM-CA)

930 KEWQ CA, Paradise 11/25 1540-1550 fair. OSU-Mich. game. Legal ID, into USC-NotreDame game. (BM-CA)

940 KWRC OR, Woodburn 11/14 1035 poor in KPFE semi-null, XEWV a real problem as well. Heard several mentions of churches in Woodburn area, then faded out rather quickly. (RW-CA)

950 KBRJ ID, Boise 11/24 1851 fair in KJR null w/ID, ad for Christmas trees, then another ID. Soon gone. (RW-CA)

950 KYES OR, Roseburg 11/14 1014 good, topping 950 mess of KJR, XEGM, KAH1 & KBRJ. Ad for a rental supply store in downtown Roseburg then nx of local interest. Faded out by 1016. New. (RW-CA)

970 KPUA HI, Hilo 11/27 0243 heard "mahalo" while looking for NJ DX test. It's Hawaiian for "thank you." Followed by several KPUA ments & PSA for Hawaiian Federal & State Employees. Lotsa KJT-950 QRM. (My log says they're on 670 also, but I couldn't find them there.) (JJ-WA) (They have a cp to move to 670.--NH)

970 KREM WA, Spokane 11/23 1900 good, topping 970 w/KYTE not in yet, KBEE nulled. ID heard "97 Krem, with more of your favorite songs." New, most-wanted. (RW)

980 KUTI WA, Yakima 11/23 1917 xlnt, topping 980 w/record giveaway contest, ad for "The In Shop", mention of 1930 s/off. (RW-CA)

990 (KKIS) CA, Pittsburg 11/20 0311 & 11/27 0304, noted totally off. Looks like they've switched SP from Sun. morn to MM. (RW)

1010 KCHJ CA, Delano 11/27 1858 in fair to good o/KOMO-1000 slop, mx, UPI nx. (RCJ-WA)

1050 CKAL BC, Vernon 11/17 0659 strong, "Cee-Kal" slogan. (RCJ-WA)  
+11/24 2003 good strength fading to poor o/u/UNID C&W station. Mentioned "C-kal nx" a number of times, & had many Vernon nx items. (NHP-BC)

1060 \*KPAY\* CA, Chico 11/13 On the air for ET w/TTs & pop mx. ID at 0557. One of my most-wanted--not audible w/KNX-1070 on, since their XR is just 9 mi. north of here. (SMM-CA)

1090 KING WA, Seattle 11/27 1031 fair w/ID in mess of KNCR/KBOZ/XEPRS. Gave commuter traffic report. Rare reception. (RW)

1120 (KPNW) OR, Eugene-Springfield 11/26 0453 noted totally off, KMOX alone. (RW-CA)

1150 KKEY OR, Portland 11/17 1020 phone-in chatter on Portland area topics such as Tri-Met transit buses. Two OM as hosts. KAGO, KIIS IDs also heard. KKEY also heard 11/23 1045. (HC-CA)

1190 \*KEZY\* CA, Anaheim 11/23 OC from 0730 tune-in till 0800, TT from 0800-0915. Doesn't seem regular but most KEZY SP's & ET's noted here have been on Thurs. morning. Only KEX heard, no sign of KRDS. (MFS-CA)

1220 CJOC AB, Lethbridge 11/27 0637-0642 poor w/fade. Thought it was WGAR, but it wasn't. (Anyone in CA ever get WGAR recently?). Pop mx, TC, spot for a TV Stereo agency, back into mx. (BM)

1230 KPRQ UT, Murray 11/20 0325 good, topping 1230 w/ad for work in Murray, then "K-park" slogan, also mention of "K-par-Q." Faded out u/KLAV/KGAM/KCBN/KRDG. (RW-CA)

1260 KPIN AZ, Casa Grande 11/21 1625 extremely poor u/KGIL w/some KFRN-1280 splatter. Bits of pop songs were heard, then s/off by OM concluding w/a big, friendly, "Good night!" (SMM-CA)

1260 KGIL CA, San Fernando 11/27 0609-0615, KYA off, fair w/slight fade. Pop mx, "K-Gil" slogan, spot for Cal Stereo. (BM-CA)

1290 KRGV TX, Weslaco 11/20 0558 s/on w/no SSB, but usual announcements. Mention of FM & many call letter IDs. (NHP-BC)

1320 KGNR CA, Sacramento 11/16 0837 YL announcer, full ID. Good. (RCJ-WA)

1340 KIST CA, Santa Barbara 11/27 0232 good w/song, ID as "Kissed", then faded. (RW)

1340 KRAM NV, Las Vegas 11/20 0320 loud & clear and way o/evything on 1340 w/nice ID and ad for Silvebird Hotel. (RW-CA)

1340 KBBR OR, North Bend 11/25 0846 fair, topping 1340 w/ad for laundromat in Coos Bay, nice clear ID by OM "Country is Country K-B-B-R, North Bend!" then gone. (RW)

1350 KABQ NM, Albuquerque 11/23 0830 (power boost) till 0849. Bombing in way o/KCKC w/SS at strength equalling KOB! SS format, EE jingle "K-A-B-Q" at 0849, SS spot for hardware store. (MFS-CA)

1360 KRRR NM, Ruidoso 11/5 0830 w/beautiful mx, then "You are listening to the --- of the Southwest; KRRR, Ruidoso, New Mexico." Fair o/mess in KGB null. (SMM-CA)

1360 KRKK WY, Rock Springs 11/15 0812 u/o/ mess w/ID & Wyoming wx, into pop mx. Fair in KGB null. (SMM-CA)

1390 \*KSLM\* OR, Salem 11/27 testing w/mx again This MM, anct. included request for reports, 0557-0559 then gone. Tests frequently on MM, using day facilities. (MFS-CA)

Humble Apologies Division

- 1400 KQMS CA, Redding 11/24 1030 good, well o/ KRE w/NBC nx, wx for Redding & ment. of "KQMS 14", then faded out. (RW-CA)
- 1440 KMED OR, Medford 11/14 0305 "The Word for Tomorrow" from Unity Center followed by full s/off statement read by YL. No SSB. Good; KVON not heard, slight KEST-1450 splatter. (HC-CA)
- 1450 KOBO CA, Yuba City 11/23 2010 poor in KEST null w/ad, then gone immediately u/ KONE. (RW-CA)
- 1450 KRZY NM, Albuquerque 11/6 0339-0342 fair signal, w/relatively little QRM. C&W mx, w/YL DJ. IDs as "Crazy--KRZY." Many MST TC's. (SMM-CA)
- 1450 KEYY UT, Provo 11/27 0506 poor in GY mess w/pop mx, IDs, & ments of the "Utah Valley." (SMM-CA)
- 1470 KRBC TX, Allene 0600 11/20 s/on annct. noted upon tune-in. Poor strength but clear in CJVB OC. Must have been good TX cx this AM...both this & KRGV-1290 wanted for some time. (NHP)
- 1470 \*KELA\* WA, Centralia-Chehalis 11/27 0316 strong on ET w/various mx selections, ID at 0315. Thru unID OC, probably XEBBC, o/KSEM, no sign of CJVB. (RW)
- 1490 KBLF CA, Red Bluff 11/27 0300 topping 1490 at s/off w/local KXX-1500 off due to power failure. Ment of xmtr west of Red Bluff. (RW-CA)
- 1500 CKAY BC, Duncan 11/27 0230 fair o/KROQ w/ "C-K" slogan; local KXX off due to power outage. (RW-CA)
- 1510 KDJQ AZ, Mesa 10/25 2053 call change from KDKB. SIDs as "15 DJQ." S/off annct. at 2159 w/an ad for "Car Stereos Unlimited" smack in the middle of the announcement! Xlnt. (SMM-CA)
- 1510 KTIM CA, San Rafael 11/28 1911 in & out fair to good; no KGA. Spot for hi-fi in Daley City. Full ID. (RCJ-WA)
- 1590 (KLIV) CA, San Jose 11/27 0250-0335 off for 45 min. due to power outage. Freq. sounded like a "grizzly" w/ KBBQ occasionally up, KZOK underneath. (RW-CA)
- 1600 KVIO AZ, Cottonwood 11/15 0800 s/on fair to good through KWOW, into UPI nx, then local nx & wx. "At 1600 on your radio dial, KVIO, Cottonwood" ID at 0806. into C&W mx. (SMM-CA)
- 1600 KBBB TX, Borger 11/15 0750 fair u/KWOW w/"KBBB-good morning" jingle. Into C&W mx. (SMM-CA)
- 1600 KBBX UT, Centerville 11/22 0901 "KBEX" ID popped out of mess; earlier heard mentions of Salt Lake City. KWOW apparently off for some reason.(SMM)

UNID's

- 840 The last couple MMs both bp & I have hrd strange freq. sweeps on 840. This week heard on 970 & 1270. Sounds like someone cueing up another radio nearby. I've also heard definite test tones w/sweeps on 840. Sounds local! Any ideas? (JJ-WA)
- 930 11/23 1923 ad for Wash. state apples, then mention of "Tri-cities area.". KQOT? Any other ideas? (RW-CA) (KBEW also possible-NH)

I'm not sure of the last Dec. deadline--it depends when HQ needs to have the column. I'd planned on typing WDXR the afternoon of 12/26, but I have to work that day 1-9:30pm (the mail comes here 3pm), so there's no way I can type the column and have it in the mail to HQ by 5pm that day. So, until further word, the deadline will be Sat. the 23rd. ♡

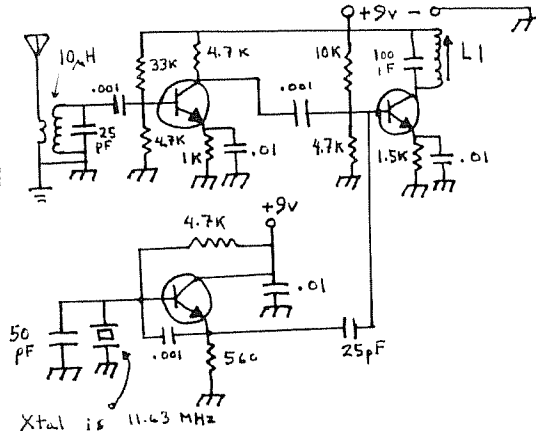
In the November 18 DXM, certain bits of the technical column disappeared between here and the printers. The photocopier I used wasn't feeling well, leaving a copy which could easily be erased by friction of paper against paper. As the column makes somewhat less sense without the missing portions, I include them herewith:

After the first of Cottrell's filter circuits should appear the following:

If you want to vary the high-pass and low-pass designs, you can use the  $RC=1/2\pi f$  formula given last time. 100 k $\Omega$  dual potentiometers may be more easily available (Radio Shack has 'em), and if you have those then the C1,C2 values in the high pass filter becomes .0047 uF and R1,R2 become 20 kilohms. In the low-pass section C3,C4 become .001 uF and R3,R4 become 20 kilohms.

Another circuit of Gordon's which may be useful for the BCB DX'er is this notch filter which can null out 1000 Hz test tones. It can provide a 40 dB notch on a pure sine wave:

Brian Snerwood's  $\mu$ W converter should appear as follows:



Sorry for the inconvenience. 73, NHP

\*\*\*\*\*  
 VERIFICATION : SUSAN SIRULNICK  
 SIGNERS 223 LAKEVIEW TERRACE  
 TEANECK, NJ 07666  
 \*\*\*\*\*

710 WOR q unsigned

BP

CONTRIBUTOR:  
 BP BRUCE FORTZER-Seattle, WA

As the new verification signers' editor, I feel I should introduce myself. I'm a freshman at Fairleigh Dickenson University in Teaneck and DX with a Realistic TRF. When I started D'Xing two years ago, I thought I was the only one in my hobby, but quickly found that this was not so. Member Paul Mount welcomed me into IRCA and letters from Vern Shearer showed me that DXers are a special group. For both the new and old members, I'll review the rules. The purpose of VERIFICATION SIGNERS is to inform DXers as to which stations are verifying and to provide the name of the verifier. When you see a station that you've had trouble verifying, it's a good time to send a new report to the verification signer listed. Follow the format of the v/s listed above. To keep the column current, please do not send in a v/s from more than six months ago. Be sure to use the correct abbreviation for your report:

- l-verie is a personal letter
- f-verie is a form letter
- p-verie is a prepared card (card made out by DXer and returned by station)
- cm-verie is written on a coverage map
- r-reception report is returned with a brief verification statement written on it by the station
- q-QSL card (printed card-a form card sent to all verifiers)
- c- post card with personal message

I'll make the deadlines as soon as I see the flow of reports. Good luck and feel free to write to me just to chat. I hope to hear from you! 73

Music/Programming Department

# KJCK-

1430 hr 1000 Watts 94.5 mc 86.000 Watts  
 WEST SIXTH AT GARFIELD  
 JUNCTION CITY, KANSAS 66441

# AM-FM



# ADVISOR

EDITOR: ALBERT S. LOBEL  
POST OFFICE BOX 26762  
SAN DIEGO CA USA 92126  
TELE-AD: (714) 566-0092

NEXT DEADLINE: 27 DEC 78

## NOTICES

Please note the new mailing address listed above. All Advisor ads and personal correspondence is to be mailed to the above post office box. This is effective immediately!

Since the Advisor is only published once a month, another issue will not be published before Christmas or New Years. Therefore, I will take this space to wish all IRCA'ers a Very Merry Christmas and/or a Very Happy Chanukah and a Happy New Year. May 1979 bring you the best DX ever and may all your New Years Wishes be fulfilled.

## Special buy

NRC Domestic Log, 4th Edition, 1976-77. Excellent condition; does have some marks with a yellow hi-lite pen. All pages and binding intact. Will sell for \$3.50 including postage. First one to send postcard stating interest will get this one. Do not send money 'till you know you are first; no answer and you weren't first!

YE' EDITOR: ADDRESS AND PHONE ABOVE.

## WANTED

For my nostalgia archives: Radio Shack Catalogues for 1961, 1962, 1963, 1964 & 1965. I will pay \$2.00 plus postage for those in good condition; but, as I only need one for each year, please send me a postcard first before sending any catalogues. I will pay 50¢ each for flyers from 1961-1966; state which ones, i.e., spring, summer, Christmas, etc. you have.  
MARK CONNELLY, 52 AMSDEN STREET, ARLINGTON MA 92174.

## Borrow

I would like to borrow tapes of the following shows to dub onto my tapes: Ed Mitchell - WCOP - late 1961, Jefferson Kaye Sun. Night Hootenanny - WBZ 1963-1966, Daytime shows - WBZ - May to July 1967, Dick Summer's Subway - WBZ - late 1967, British Pirate stations - 1965 to 1968. Let me know by letter what you have and I'll try to arrange a fair financial or tape swap exchange scheme.  
MARK CONNELLY, 52 AMSDEN STREET, ARLINGTON VA 02174.

## SALE

Two Collins R-388/URR Comm. receivers. Excellent condition. good clean working order. \$325 ea.  
DAVE KORINEK, 420 N. 200th STREET, SEATTLE WA 98133;  
PHONE: (206) 542-4580.

Hammarlund HQ-129-X, \$125 or best offer. Local pickup preferred (L.A. area).

PLUS

Sanserino Loop, \$30 (local pickup only (L.A. area)

PLUS

WRTH -- '72, '73, '76. Excellent shape, no marks. \$3 ppd.

PLUS

IRCA Foreign Log #'s 1 & 2. \$1.50 ea. ppd. A few marks.

PLUS

IRC Pattern Book, few markings. \$4 ppd.

PLUS

IRCA Rubber Stamp, 50¢ ppd.

PLUS

Broadcasting Yearbook -- '73 - '76. Excellent shape. \$8 ea. ppd.

PLUS

Communications Handbook -- '72 - '75. 50¢ ea. ppd.

PLUS

Communications World Spring - summer '75, Fall - winter '75, 50¢ ea. ppd.

PLUS

Vane Jones 8th and 9th editions. Few marks. \$2. ea. ppd.

PLUS

DX News -- Vol 40 # 21 APR 1, '73. Vol 44 #25 MAY 1977. Prefer to sell whole 4 Vol together. \$20 ppd.

PLUS  
IRCA DXM -- Vol 10 #14 DEC 30 1972. Vol 15 #34 AUG 1978. Prefer to sell all together. \$25 ppd.

PLUS  
Billboard Magazine. FEB 19, 1972 - FEB 22, 1975. Best offer, L.A. area pickup only.

PLUS  
Rolling Stone Magazine. Issue #66, SEP 17, 1970 and issue # 211 April 22, 1976. Best offer, L.A. pickup only.

ALL ABOVE ADS ARE FROM:  
JEFF BRASIER, 10341 SHIRLEY AVENUE, NORTHRIDGE CA 91326;  
PHONE: (213) 360-3690.

#####

NON-REPORTED STATIONS TO DXR & DXWW COLUMNS SINCE PRIOR TO VOLUME 12 (Continued from past issues)...

For the second consecutive issue Dave Faulkner reported 15 stations that haven't been in the above columns for years: WHIR-KY, WIRO-OH, WKLK-MN, WOBT-WI, WHNY-MS, WPFL-PA, WVTW-WV, WCSR-MI, WWPA-PA, WJBE-TN, WDXL-TN, WICY-NY, WKRO-IL, WOHI-OH, WYAZ-MS, & WGLX-OH. Dave Nelson reported WAKN-SC, WABV-SC & new stn WXRS-GA. Karl Jeter had WFTG-KY, Scott Mentzer caught WNEA-VA & Robt. McKinney reported KMAD-OK. To finish the listings for unreported stations since Volume 11 we go to Canada:

AB: --1 CJOK  
BC: --6 JKNL, OFNL, OFTK, CKTK, CFBV, CHPG  
MB: --3 CFAR, CHTM, CHFC  
NB: --1 CKMV  
NF: --23 CHOM, CFGB, VOOM, CKYQ, CKCM, CHYM, CKGA, CFNW, VOWR, CFSX, CFLN, VOAR, CKIM, CBDP, CFGB, CFLW, CFYQ, CBG, CBDQ, CBNA, CBGY, VOUS, VOHF  
NWT: --4 CFCT, CHAK, CFFB, CFYK  
NS: --2 CKDY, CFAB  
ON: --8 CBQ, CFBR, CHPR, CFLK, CJNH, CFLH, CKOB, CFRC  
PEI: --0  
QU: --26 CFRP, GJLA, CIPC, CBON, CJSA, CJAF, CJMD, CKLS, CKBS, CHAD, CJAN, CFED, CKMG, CBGN, CKVT, CHAL, CFDA, CKRV, CKRN, CKSJ, CJMT, CJBM, CHRT, CKLR, CJMG, CJLP  
SK: --2 OXSW, GJSL  
YT: --1 CFWH

Revised totals through this issue, showing the total number of stations in the USA and Canada and the last time (by volume) these stations were reported:

	#16	#15	#14	#13	#12	N.R.	TOTAL
CANADA	139	122	31	8	8	77	385
U.S.A.	1427	1187	384	239	368	872	4477
TOTAL	1566	1309	415	247	376	949	4862
PCT.	32.2	27.0	8.5	5.1	7.8	19.4	100.0 %

MATTHEW F SHUGART-12561 GROVEVIEW ST-GARDEN GROVE, CA 92640  
+++++  
Remember my quiz from issues ago: Name the city which lost an FM but gained an AM even though both are still licensed to their original cities (and only one changed sites)? Well I know everyone has been losing sleep over it (ZZzzzzzzzzz-RTH) so I'll answer it at the end of this forum. RTH, you're allowed one final guess! (Don't cheat, hi!) (Uh, Cucamonga?-RTH). Remember the clear channel proceeding? It's still alive and well; I am in receipt of about 250 pages worth of documents filed w/ the FCC on behalf of the Clear Channel Broadcast Service, the group that favors superpower. I called their atty. in Washington, DC to request data for a term paper for my broadcast history class at Cal poly and that's what I got! Did you know there use to be 40 clear channels? Only 10 remain "clear" in the purest sense of the term. Speaking of clears, what ever happened to KYW Chicago? It was a clear channel, the fifth in that city---there are only 4 now. (To my knowledge, KYW was and is Phila., traded calls w/WKYC Cleveland in the 60's, then traded back a few yrs later, WKYC went to WWWE. Anyone else w/info?-RTH). I see KOB was once class I-A, before their frequency sifts, whatever happened to their recent application for a class I-A status on 770? (Still in legal action, being challenged for yrs by WABC-RTH). Only real DX around here lately has been CKBI 900 w/rr and another mystery on 900---TCS were in CST and it's probably the same stn I've heard w/ relig. Ideas?? The answer to the quiz? Why, Garden Grove, of course! (Explanation later---out of space here). 73 de MFS.



**DX****Worldwide****BRUCE PORTZER,**  
EditorAll times GMT/UTC  
Deadline Thursdays

6546 19th Avenue Northeast - Seattle, WA 98115 - 206-522-2521

THE NEW FREQUENCY PLAN

As you can tell from the size of this week's column, we're hearing a lot of new stuff from across the big pond. And a few TAs are even making it across the Atlantic. Summing up some of the major findings:

1. Mark Connolly reports that Portugal and Algeria, and possibly other countries, have not yet changed frequencies, adding that "the hot problem in Europe must have been wicked".
2. Phil Bytheway tells me that John Clements is hearing a Mexican, XEQC, on 140a (a TA/TP freq!) w/good signals until 2000 PST s/off ID'ing as "La Reina del Norte". Southern California DXers looking for Conakry, beware!
3. North Korea, per my predictions, did not change frequencies (yet...). China apparently has. Western Samoa, Tahiti, & Fiji changed; American Samoa & Tonga were either late or haven't moved yet. The fate of other Pacific Island stations is not yet known.
4. TP reporters this week appear to be in a state somewhere between ecstasy and delight. As Mick put it, "the 9 kHz plan is a wonderful innovation. Only problem is I'm not getting too much sleep".

I guess it's time to start typing the tips, which will probably take up about 90% of this week's bulletin, hi. Hopefully I'll finish before Christmas.....

ATLANTIC DX ROUNDUP

- 548 ALGERIA, Oran, still on old channel 0030 11/23 & 2252 11/24 when good w/man in AA. (Connolly, MA)
- 585 SPAIN, Madrid, noted w/SS pop mx, badly thrashed by WEEI/CMB-590 Ch28 11/24. (Connolly, MA)
- 612 MOROCCO, Sebba-Aioun, good w/AA violin mx & female vocal 2253 11/24. (Connolly, MA)
- 618 ENGLAND, Oxfordness, (or is this still Devonry?), suspected w/pop female vocal, poor Ch25 11/24. (Connolly)
- 665 PORTUGAL, Lisboa, still on old channel, good w/PP talk o/weak 666 het (Germany?) Ch01 11/24. (Connolly, MA)
- 688 SPAIN, Sevilla, poor in WRKO buckshot w/SS talk 0604 11/24. (Connolly, MA)
- 702 t MOROCCO, Sebba-Aioun, likely w/vocal mx briefly thru sloop, mx possibly AA 2326 11/24. (Connolly, MA)
- 711 ? UNID, Morocco or France possible - het getting loud, still too much YVYK/MOR CRM 0608 11/24. (Connolly)
- 719 PORTUGAL, Norte, good w/man in PP, then pop rock mx still on old channel 2329 11/24. (Connolly, MA)
- 746 UPPER VOLTA, Ouagadougou, on old channel. African talk at weak audio level on big carrier, some YVKS splatter 2335 11/24. (Connolly, MA)
- 765 SENEGAL, Dakar, xlint w/native group singing, stronger than WABC 2120 11/23. Fair w/man in AA 2339 11/24.
- 774 SPAIN, Valencia et al, good w/man in fast SS 2347 11/24. (Connolly, MA, last 2)
- 782 PORTUGAL, Porto-Hiramar, still on old channel 0630 11/23. Still on 782, to good peaks w/PP male vocal; WBBM milled 2353 11/24. (Connolly, MA)
- 819 ANDORRA, La Vieja, good w/man & wcmn in PP, o/several hets 2354 11/24. (Connolly, MA)
- 1044 MOROCCO, Sebba-Aioun, fair w/man in PP 2105 11/23. (Connolly, MA)
- 1214 GREAT BRITAIN, Washford et al, BBC, most likely source of steady weak carrier 2352 11/8, 0003 retune poor signal w/EE mx or discussion. (Everitt, OK) (Now on 1215. bp)
- 1403 GUINEA, Conakry, on old channel, apparent OC 0525 11/23. (Connolly, MA)
- 1404 GUINEA, Conakry, suspected on new channel: strong OC o/SAH - signal consistent w/usual Conakry strength 0444 11/24. (Connolly, MA)
- 2466 MONACO, Monte Carlo, TWR, 10/17 2345 loud het, choral singing & at 2346 man talking w/mx background. "Radio Trans-?-?" (last 2 words unkn). Foreign lang (GG?). Varied in strength til tuneout 0000 10/18. (Poda, OH) (Listed as being in SS to 2345. If so, your ID was probably "R. Transmundial". bp) (Now on 1467. bp)
- 1475 t AUSTRIA, Wien, probably source of weak carrier looping Europe 2441 11/8. (Everitt, OK) (Now on 1476. bp)
- 1539 t WEST GERMANY, Mainflingen, likely the source of 1 kHz low-side het on WPTR 0510 11/23. (Connolly, MA)
- 1586 WEST GERMANY, Langenberg, WDR, poor w/GG mx or discussion 2331 11/8. (Everitt, OK)
- 1593 WEST GERMANY, Langenberg, here ex-1586, very good w/man in GG 0506 11/23. (Connolly, MA)

PAN AMERICAN DX ROUNDUP

- 527.5 COSTA RICA, Cartago, TICAL, fair-good w/SS talk & LA mx, & garbled mention of "Rumbos" 0742 11/8. (Everitt, OK)  
+Assumed to be the carrier looping LA 1100 11/20, based on freq. (Peterson, CA)  
+Fair w/festive LA mx 0545 11/23. (Connolly, MA)
- 540 NICARAGUA, Managua, YHOW, R. Corporación, was in w/fair sig, YL ancr, & mx 1055 11/20. (Peterson, CA)
- 555 ST. KITTS, Basseterre, ZIZ, very good w/heavily accented EE talk 0735 11/8. (Everitt, OK)
- 574 CUBA, assume CMHI here from 570, //590 w/what sounded like BB game, hitting Costa Rica-575 11/29 0300-0342. (Carbright, PA)
- 575 COSTA RICA, San José, R. Nacional, 10/17 0500 poor w/flute mx, also 10/24 0350 fair-good w/woman singing. 0355 man in SS, then slow song by YL & fades. Both hrd at work inside Steel Frame Bldg. (Poda, OH)  
+Good w/soft mx, then man in SS w/mention of R. Nacional. Followed by "Days of the Old School Yard" by Cat Stevens, after that ancr said "menos noches"; s/off w/electronic mx, then OC 0600 11/23. (Connolly, MA)
- 580 PUERTO RICO, San Juan, WRVQ, good w/R. Relej ID, then SS talk about Roberto Clemente & US baseball teams 0506 11/24. (Connolly, MA)
- 595 DOMINICA, Roseau, xlint w/EE rigz pgm 0105 11/9. (Everitt, OK)
- 600 VENEZUELA, Cumana, YVOR o/Cuba. S/off w/Venezuelan MA 0359 11/24. (Connolly, MA)
- 600 COLOMBIA, Barranquilla, HJHJ, noted u/Cuba; R. Libertad ID 0513 11/24. (Connolly, MA)
- 605 t ECUADOR, Guayaquil, suspected, SS talk & mx weak 0605 11/23. (Connolly, MA)
- 625 COSTA RICA, San José, TIJC, noted w/fair sig 0602 11/17. Slow-paces SS song. At 0605 OK yelled "R. Cucu" followed by (what else) 2 cuckoo. (Hall-Patch)
- 650 CUBA, Santiago de Cuba, CMKH, OM ancr in run-on talk w/typed rpt. //CMXI-620. Very poor w/QSB, rapid flutter, displaced at times by WSH 11/22 0515. (Laundry)
- 650 DOMINICAN REP., Santo Domingo, HIAT, dominant w/SS ads & R. Universal mention, then mx 0504 11/24. (Connolly)
- 685 t EL SALVADOR, San Salvador, YSS, slow IA vocal song noted 0250 11/24 weak. I thought this stu played ci mx at night, have they changed? (Tomer, CA)
- 670 VENEZUELA, Caracas, YVLL, good o/other LAs, female SS vocal, chimes, then "Mortimbos" mx headlines 0541 11/24. (Connolly, MA)
- 675 COSTA RICA, San José, TICN, xlint w/LA mx 0240 11/7. This is normally one of the better IA signals, but rarely w/such outstanding level. (Everitt, OK)
- 680 CUBA, Cienfuegos, CMHN, SS rr song on R. Progreso //CMXG/CMKP/CMTC fair w//CRM 0221 11/16. (Townshend, DC)
- 680 PUERTO RICO, San Juan, WAFB, good w/"MacArthur Park" by Donna Summer, then man in SS w/"Wapa!" (call spoken as a word) ID - WRKO milled w/phasing unit 0521 11/24. (Connolly, MA)
- 700 COSTA RICA, San José, TIME, good 0355 11/24 w/ball-game in SS, no ID 0400 but was // to the easily hrd 4832 kHz SW outlet. (Tomer, CA)  
+Very good w/LA mx & mentions of Costa Rica, by self thru WLM null until 0711 11/8, then accompanied by 5 Hz SAH & LA mx. (Everitt, OK)
- 700 COLOMBIA, Cali, HJCK, loud at s/off w/ID mentioning Colombia, then march mx 0417, into OC which went off 0419 11/24. When the carrier was dropped, a cacophonous LA jumble surfaced; no sign of WLM. (Connolly, MA)
- 710 VENEZUELA, Caracas, YVYK, bombing in way o/MOR; SS talk, R. Capital jingle, female cw vocal 0539 11/24. (Connolly, MA)
- 710 MEXICO, Cuahahuatemoc, XEDP, o/u KMFC 0510-0530 11/26 w/MOR SS vocals, lots of ads between songs & several mentions of XEDP. Full legal ID at 0600 recheck. (Tomer, CA)
- 725 COSTA RICA, San José, TILX, "Columbia" yelled o/odd-sounding multiple vocal SS song 0610 11/17. (Hall-Patch)  
+Loud w/mn in SS 0402 11/24. (Connolly, MA)
- 735 ECUADOR, Quito, WGGC, good w/festive LA mx 0529 11/24. (Connolly, MA)
- 750 NICARAGUA, Managua, YNX, Estación X, 1240 11/20 w/strong signal was suddenly buried by an influx of a strong JOIB signal for 2 mins & then just as suddenly YNX was back on top as if nothing had happened. What was even stranger about this is that very few TPs were making it at all that morning. (Peterson, CA)
- 750 VENEZUELA, Caracas, YVKS, loud/alone on channel w/mx item about Pope John Paul II, then R. Caracas ID followed by disco mx 2332 11/24. (Connolly, MA)
- 760 BRAZIL, Fortaleza, ZYH25, in well at ISS (before the fadein of more westerly LAs like Guyana, YV, HJ, & Cuba); PP mx w/items about Sao Paulo & Brasilia, hitted by Dakar-765 2200 11/23. (Connolly, MA) (Nice! bp)
- 760 ? UNID, who is latin w/miscellaneous rooster crows amid lots of SS chats? Noted MM 11/20 1115, poor signal & readability. (Hall-Patch, BC) (You got me... bp)

- 775 COSTA RICA, San José, TIW, usual raunch'n'roll w/OM intoning "R. Uno" o/top. Fair steady signal 0616 11/17. (Hall-Patch, BC)  
 +Weak u/KOB splash 0625 11/22 w/"R. Uno", then into Fleetwood Mac song. (Tomer, CA)  
 +Good w/"Piano Man" by Billy Joel 0615 11/23. (Connelly)
- 825 COSTA RICA, San José, TIOS, in well w/"Tiramia" ID superimposed o/beginning of Helen Reddy song 0702 11/25. (Tomer, CA)
- 826.8 t ECUADOR, Santo Domingo, HOBGL, faded up to poor audio at apparent s/off 0h50 11/17. OM talk was mostly unreadable (hrd "kilocielos"), but Ecuadorian NA which followed was quite definite. Listed as 825 & varying in WRTN '78, so a good chance that this is the one. Any other Ecuadorians drift around this frequency? (Hall-Patch, BC) (I wish I knew. bp)
- 830 HONDURAS, Tegucigalpa, HRSP, weak u/XELA 0h12 11/23 w/"R. Moderna" ID followed by electronic sounds. (Tomer)
- 830 MEXICO, México, DF, XELA, sometimes loud u/WCCO 0300-0430 11/23 w/ol mx. At 0h15 "XELA, Buena musica en México" was exclaimed, then some chimes from a large clock. (Tomer, CA)
- 830 VENEZUELA, San Antonio de los Altos, YVIT, xInt/alone on channel; R. Sensacion ID, TC "12:08", 0h08 11/24. This has become the dominant stn here on 830. (Connelly)
- 840 COLOMBIA, Santa Marta, HJBI, fair u/WMAS 0327 11/23 w/lively SS vocals & "Ondas del Caribe" ID. (Tomer, CA)
- 840 CUBA, Santa Clara, CMW, assumed fair/dominant w/SS talk, Cuban anthem, then s/off 0h59 11/24. (Connelly)
- 860 MEXICO, Tijuana, BC, XEMO, 10/23 0535 man in EE w/ religion looping WSN. 1/2 sec SAH. Faded & covered by cw mx that looped SW 0540, but back 0545 w/piano mx. 0555 fair w/male chorus in religion & 0559 piano w/ some QRM by EE rr. Finally, 0600 XEMO ID by man & 0601 promo for Tourism to Mexico. (Poda, OH)
- 860 ? UNID, Mexico? 10/23 0550 poor, looped SW, farther S than XEMO, "La Quincesta" spoken by man in SS, then song by chorus(?) of men. Then man in SS & SS mx. (Poda, OH) (XENL or XEUN probably. bp)
- 870 CUBA, Guantánamo, CMNN, SS talk by OM fair u/WML 0225 11/16. (Townshend, DC)  
 +EZL & pop mx. YL ancr. faint, fluttering, w/some QSB. WML off 11/16 0738. (Landry, LA)
- 875 COSTA RICA, Liberia, TIGPH, R. Monumental was in very weak & looping LA 1120 11/23. First time in here. (Peterson, CA)
- 880 GUATEMALA, Guatemala, TGJ, fair u/KRVN null w/rapid SS talk 0255 11/23, "R. Nuevo Mundo" 0300. (Tomer, CA)
- 890 COLOMBIA, Bogotá, HJCB, doorbell chimes IS noted u/WIS null 0300 11/25. Some SS talk, then gone. (Tomer)
- 944 HONDURAS, Tegucigalpa, HRYW, weak w/low-mod SS talk & LA mx 0308 11/7. (Everitt, OK)
- 995 t ECUADOR, Guayaquil, XCEW2, 0608-0611 11/27 finally hrd audio from this one, EZL mx. slow vocals. (Cartwright)
- 1020 VENEZUELA, La Asunción, YVES, R. Margarita, 10/16 0722 IT & then children singing. Good. (Poda, OH)
- 1052.6a MEXICO, Monterrey, NL, XEG, apparently the one causing a bad het against XEL. Poor modulation & no positive ID 11/22 1144. (Pejza, CA) (There's also a badly drifting Chinese outlet here. See Pacific section. bp)
- 1055 COLOMBIA, El Espinal, HJFZ, fair in WHN slop; male SS vocal noted 0535 11/23. (Connelly, MA)
- 1075 COSTA RICA, San José, TIFC, fair w/classical sounding mx, SS talk 0245 11/7. (Everitt, OK)
- 1110 CUBA, Holguín, CHDL, 11/26 w/WBT off, very potent, lively SS w/some EE disco 045-0700, ID 0645 as "Radio Angulo". Full s/off 0702 mentioning "Instituto Cubano de Radiotelevisión" (or radiodifusión. bp). WRTN lists this on 1120. (Cartwright, PA)
- 1150 VENEZUELA, Punto Fijo, YVMM, Ondas del Caribe, fair thru domestics w/SIP 0547 11/27 & lively SS songs. (Cartwright, PA)
- 1165 ANTIGUA, St. John's, R. Lighthouse, 10/22 0212 poor, man talking, then choral singing, looped SE, WWA-1170 splatter. (Poda, OH)
- 1170 HAITI, Port-au-Prince, HVRD, FF rr song good o/WWA 0600 11/16. (Townshend, DC)
- 1180 CUBA, Isla de los Pinos, CMNN, R. Reloj Nacional programming fair-very poor w/QSB, fluttering, QRM mainly from WHAM, 11/10 0745. (Landry, LA)
- 1190 CUBA, Ciego de Avila, CMJP, Disc. w/OM & YL frequently referring to Cuba. MoR SS mx poor w/QSB, fluttering, QRM from several stns 11/11 0020. (Landry, LA)
- 1190 MEXICO, Guadaluajara, Jal., XEWK, rapidfire anmt by 2 OMs, ID: "Ehkees eh doble-veh", pgm about Managua. Same programming as XEW-900. Good-poor w/QSB, fluttering, mixing w/subdued WWOV 11/22 0436. (Landry, LA)
- 1200 VENEZUELA, Caracas, YVOZ, superloud w/Radiotiempo ID & LA mx 0550 11/24. (Connelly, MA)  
 +Fair u/WBAP null 0735 11/22 w/"R. Tiempo" ID & some SS mx. (Tomer, CA)
- 1210 VENEZUELA, Coro, YVMN, killing WCAU on car rx at sunset from salt-marsh location. ID 2238 11/15. (Connelly)
- 1265 ST. KITTS, Basseterre, R. Paradise, 10/22 0218 fair, looped SE. Man & choral singing 0220. (Poda, OH)  
 +Quite weak 0905 11/13, which was a shame since KYA-1260 was off for a change. (Peterson, CA)
- 1270 CUBA, Camagüey, CMJG, R. Reloj Nacional, weak, intermittent, first appeared as "grizzly" on KPJZ 11/25 0733. (Landry, LA)
- 1390 MEXICO, Chihuahua, Chih., XEV, ID "R. Fiesta", call letters. Extra poor, fading quickly w/QRM from XEOR, WROA, & unid US stn 11/16 0850. (Landry, LA)
- 1470 MEXICO, Tijuana, BC, XEBBC, was blasting in strong enough to bury semi-local XCOA 0200 11/21. (Peterson)
- 1530 t MEXICO, México, XEUR, R. Onda, 11/30 2307-2314 in for a while w/SS songs. (Cartwright, PA)
- 1550 MEXICO, Nuevo Laredo, Tams., XENU, MoR & ranchera mx, ID w/call, frequent anmts, good-poor w/QSB, fluttering, QRM from several stations 11/8 2355. (Landry, LA)
- 1560 MEXICO, Cd. Juárez, Chih., XEJPV, "R. Chemical" ID noted 1214 11/20. Fair-good signal dominant on channel w/jumpy LA mx & various spots. (Hall-Patch, BC)
- 1600 MEXICO, Cd. Acuña, XEAE, ID w/call, Ranchera mx. Sig intermittent, buried in QRM avalanche at times 11/24 0530. (Landry, LA)
- 1610 a GUATEMALA, Rabinal, navigation marker sending Morse code letters R-A-B repeatedly. Faint w/slight QSB 11/24 0615. (Landry, LA) (Believe freq should be 1613 unless they've moved recently. bp)

Okay folks, stand back for...  
 THE TRANS PACIFIC EXTRAVAGANZA

- 530 ? UNID, somebody apparently didn't get the word. Carrier here 1105 & 1505 11/23 & 1305 11/24. Seemed to loop in the DU direction. (Peterson, CA)
- 531 JAPAN, Morioka, JOG3, first time on new freq 1404 11/23 w/just a carrier, then positive ID 1300 11/24. (Peterson, CA)
- 538 ? UNID, carrier looping SE Asia 1322 11/24. WNA? DECA? (Peterson, CA)
- 567 ? UNID, weak carrier looping EU 1140 11/24. Probably NZ but would expect more for 160 kv. (Hall-Patch, BC)  
 +Carrier looping N Asia 1326 11/24. (Peterson, CA)
- 576 ? UNID, 2 different carriers 1328 11/24, one looping EU & the other N Asia. (Peterson, CA)
- 585 UNID, carrier, loop uncertain 1331 11/24. (Peterson)
- 594 t AUSTRALIA, Horsham, 3WV, probably the weak accented EE male & female talk looping EU 1113 11/24. (Portzer)
- 594 t JAPAN, Tokyo, JOAK, JJ 11/24 1405. (Pejza, CA)
- 594 ? UNID, mx 1252 11/26. Nothing hrd 1300. (Ryther, WA)  
 +Weak carrier only, possibly JOAK 1619 11/27. (Everitt)
- 612 AUSTRALIA, Brisbane, HQR, assumed the one w/5 pips, then pgm of bland MoR mx w/occasional accenter mile EE 1200-1230 11/26. Good strength at times thru Pierce 610 slop. (Portzer, WA)
- 639 AUSTRALIA, unid, mild het when KFI mulled 1625 11/23. 6 pips & mention of ABC when KFI mulled 1100 11/24. Suspect HMS as Mossman is near the NE coast & has a clear water path to me. Queensland is GMT+11 now & S. Australia is offset by 1/2 hr, so 5CK's pips would be on 1/2 hr! Still, HMS is listed as only one kw... will keep at it. (Hall-Patch, BC)
- 639 ? UNID, male talk in unid lang 1018 11/26 w/KFI mulled. Fiji or Australia? (Portzer, WA)
- 618 ? UNID, briefly fair carrier looping EU 1135 11/24. (Hall-Patch, BC)
- 655 t N. KOREA, Pyongyang, just a carrier noted 0730 11/24. Looks like Pyongyang is in no hurry to change freq. (Tomer, CA)  
 +Apparently still here 11/24 1410 w/woman singing. (Pejza, CA)  
 t +Weak carrier only, but not much else likely 1207 11/26. (Everitt, CA)  
 +Speculation on this & other NK stns that they will not shift to the new plan has so far proven correct. This one in w/best signal in years--like 1966--w/a group singing the usual stuff 1103 11/24. Carrier only 1422 11/27. (Peterson, CA)
- 657 t NEW ZEALAND, Wellington, ZYC, probable source of generally weak carrier 0715-0800 11/24. Some quiet piano mx 0725; signal was looping EU. (Tomer, CA)  
 +A carrier found here every morning 11/23-11/26, earliest 0816 11/26. Audio rarely there, never clear but buried in carrier swish. Cx quite auroral each day. Carrier was found as late as 1046 11/23, although the Zedder here is suppose to s/off at 1000 I believe. Its 882 companion seemed to shutdown at 1000:40 SM, judging by the disappearance of its carrier at that time. Both Z & ThurM 1 was able to find 657's carrier at times when WNBC could not be hrd at all, the 660 freq being a mess of hets, rumbles, & nothingness when looping easterly. (Martin, CO)

657 ? UNID, carrier looping DU 1010 11/23 & 1340 11/24. 2CY? (Peterson, CA) (You mean 2YC? bp)  
 666 ? UNID, carrier looping SE Asia 1018 11/23. (Peterson)  
 +Weak carrier looping NW, possibly China 1226 11/26. (Everitt, OK)  
 675 ? UNID, poor-fair carrier 1012 11/23, more northerly bearing than 657 so probably Australia. (Hall-Patch)  
 684 ? UNID, 1015 11/23 fair-good carrier, but DF & audio difficult in KMBR-680 splat. (Hall-Patch, BC)  
 693 t JAPAN, Tokyo, JOAB, likely source of het on 690 looping NW 1010 11/23; 1141 11/26; w/traces of JJ 1017 11/27. (Everitt, CA)  
 693 ? UNID, faint carrier here from west & SW 1215 11/23. Kept trying northerly looping each of the 4 AMs but found no trace of Tokyo. (Martin, CO)  
 702 AUSTRALIA, Sydney, 2BL, fair carrier 1010 11/23. Fine audio 1200 11/24 w/"This is ABC R. 1, eastern summer time is 11 o'clock". 6 pips, then "nx in brief". New FL lists this as 2NR but Australian DX list in 11/18 PDM says 2BL. 2BL is R. One, 2NR is R. 3, so guess FL is incorrect on this. (Hall-Patch, BC) (Foreign Log was based on preliminary info: the Aussa government apparently changed their minds towards the end. Unfortunately, we didn't find out until the log went to press. bp)  
 t +Probable w/OU accented mx or discussion looping DU 1205 11/27; some traces of cw-like mx at 1220 retune, "weighty 690" slop not helping matters at all. (Everitt, CA)  
 702 JAPAN, JOKI/JOFB, tentative 11/24 1441 w/man in JJ. (Pejza, CA)  
 702 ? UNID, carrier looping DU 1022 11/23 & 1345 11/24. 2NR? (Peterson, CA) (I guess it's actually 2BL...bp)  
 711 UNID carrier looping SE Asia 1347 11/24. Many possible. (Peterson, CA)  
 738 t TAHITI, Papeete, FR3, carrier & het 0607 11/21. (Bytheway, WA)  
 +Positively IDed 0750-0805 11/26 by checking w/SW // on 11825 kHz. Had Polynesian mx w/male annts. Note that this one stays on until 0900 SMs only. (Portzer)  
 +New country 468, s/off w/"La Marseillaise" 11/27 0732 when carrier dropped. Surely this one will become the #1 TP prospect for Eastern DXers w/its occasional fine volume & its early fadein evenings. Carrier located in Denver as early as 0458 11/26. I found its carrier 0537 11/23 and reported it immediately to bp. I hear it best when looping Southwest & it's always tough to separate its audio from San Francisco & Tulsa. But occasionally the Tahiti audio rises to such a height that it becomes fairly clear of the 730 junk & generates a shrieking het against 740. The volume of this stn w/20 kv, in the same time zone as Hawaii, is many times stronger than I ever hrd from Parawa. I suspect it also benefits from auroral cx for it was giving me a fine signal w/the A index at 31 11/26 & at 25 11/27. Signals from NE US have been fantastically weak during the first 5 nights after the TP freq change. On SM, Tahiti remains on beyond usual 0730 s/off which was mentioned recently in DXW-II. Confirmation of this came as I hrd it 0811 11/26, but it was gone 0920 recheck. (Martin, CO)  
 738 ? UNID, something in the TP category is here after Tahiti s/CF. Carrier located from W & SW 11/23 1022 & 1130. Also 1032 & 1208 11/24, 1008 & 1200 11/25, & 1015 11/26. Some morning it will surely be Grafton. (Martin)  
 +Weak carrier looping DU, but huge CKLG-730 splatter. 11/24 1154. (Hall-Patch, BC)  
 +Het & carrier 1136 11/25. (Bytheway, WA)  
 747 JAPAN, Sapporo, JOIB, not surprisingly my first TP on the 9 kHz freq plan, noted w/slow JJ talk 0705 11/24. (Tomer, CA)  
 +Fair w/EE lessons, man in JJ, YL in EE 1138 11/25. (Portzer, WA)  
 +Poor-fair audio (YL in JJ) 1120 11/23. Fair w/OM in JJ //77h 1304 11/24. (Hall-Patch, BC)  
 +Very good-xlnt w/occ deep fades 1010 11/27 w/EE mx; retune 1020 w/conversational EE lessons w/alt male & female; 1031 retune had EE lessons w/documentary on the state of California, fem EE alt w/JJ male ancr; 3 Hz SAN became evident 1035. (Everitt, OK)  
 747 ? UNID, one of the more interesting TP freqs, for the carriers being hrd in the TP hours, come from both SW & NW. Noted this 11/23 0950, 1122, & 1204. Same thing 11/25 & 1126 in the corresponding hours. At 1204 11/25, the NW signal was the strongest of the 2. But there was no audio from either direction. This is surely Japan to the NW but don't know what to think about the carrier from Australia-NZ direction. (Martin)  
 750 JAPAN, Sapporo, JOIB, brief appearance 1242 11/20 o/YNK (see detail under YNK). (Peterson, CA) (Somehow, the days when TPs were on 10 kHz spacing seems like a long time ago, hi. bp)

756 NEW ZEALAND, Auckland, 1YA, pips & R. New Zealand ID 1100 11/23. Fairly good strength. (Hall-Patch, BC)  
 +Found every morning 11/23-26 a most dependable EU band-con. First day, 11/23, the NZ pips hrd 1100 followed by mx w/a lady nxcaster. Earliest hrd during the 4 AMs 07:5 11/26, when the carrier appeared, no audio at that time. But this NZ arrival came at a time when KFMH telephone talk show was overriding the mx from WJR. Does this suggest that auroral cx will not necessarily kill off the DUs? If not what does it suggest? (Martin, CO) (No, auroral cx does not necessarily kill off DUs, since auroral effects have their strongest effects on the higher latitudes. In some instances, auroral cx (or similar phenomema) can actually enhance DU reception. bp)  
 +This is by far the most dependable DU for me (aside from the 738 Tahiti het). Noted w/good audio when other DUs aren't all that great. Sample reception: 11/25 1058 w/orch mx, then YL annt after 6 pips, then YL w/nx 1100 //819. Location on the coast near the northern tip of NZ apparently has something to do with it. (Portzer, WA)  
 +1205 11/25 loud audio, man w/nx. Assume this was 1YA per tip from bp. (Bytheway, WA)  
 756 ? UNID, carrier looping DU 1027 11/23 & 1400 11/26. 1YA? (Peterson, CA) (I would think so. You must either be on the wrong side of a hill or the wrong distance from them, judging from the way they bomb in here. bp)  
 765 ? UNID, carrier looping SE Asia 1030 11/23. (Peterson)  
 +Weak carrier 1006 11/23 & 1155 11/24. DU. (Hall-Patch)  
 774 AUSTRALIA, Melbourne, 3LO, 1256 11/24 OM in accented EE, then light mx to 6 pips 1300, mixing w/NHK's pips...confusing. (Hall-Patch, BC)  
 +Pop recording of "Alone Again Naturally" 1251 11/25, then more MoR, 5 pips (I think) 0500, then man in EE. (Portzer, WA)  
 +Accented EE looping DU w/jazz mx 1138 11/25. JOUB hrd w/loop rotated. Tuned back 1201 & hrd this w/EE mx, no sign of JOUB at that time. (Bytheway, WA)  
 JAPAN, Akita, JOUB, talk in JJ & no QRM on or off channel 1038 11/23. (Peterson, CA)  
 +Weak JJ talk 0825 11/24. (Tomer, CA)  
 +Poor-fair, OM in JJ //77h 1304 11/24. No sign of this just 10 minutes earlier, only 3LO. (Hall-Patch, BC)  
 +Apparently the one 11/24 1421 w/man in JJ; poor-good. (Pejza, CA)  
 +1138 11/25 w/YL in JJ. (Bytheway, WA)  
 +Carrier only 1005 11/23; 1103 11/27 very good w/JJ nx. (Everitt, CA)  
 +JJ talk thru bad KOB slop 1151 11/25 //747. (Portzer)  
 774 ? UNID, TP carrier faint when KOB mullied 1100-1220, various times, 11/23, 24, 25. (Martin, CO)  
 783 ? UNID, weak carrier looping NW 1003 11/27. (Everitt)  
 785 N. KOREA, apparently still here; weak carrier 1123 11/24. (Pejza, CA)  
 792 ? UNID, DU het here 1212 11/25. (Portzer, WA)  
 819 NEW ZEALAND, Rotorua, 1YZ, fair in WBAP splatter, only caught 5 pips, no R. New Zealand ID, but DF points to this 1000 11/23. (Hall-Patch, BC)  
 +Man reading off list of cities and numbers 1211 11/25, wiping out WBAP. (Bytheway, WA)  
 +Second easiest Zedder here after 756. Het hrd frequently, but audio not hrd too often. When it does break thru, tho, it's creaming WBAP! Noted 1102 11/25 w/YL mx //756; again 1000 11/26 w/cl guitar mx to top of hour, no pips, YL w/R. New Zealand ID, then what sounded like network nx. (Portzer, WA)  
 819 ? UNID, carrier looping DU 1305 11/25. (Peterson, CA)  
 828 AUSTRALIA, Sale 3GI, faint carrier looping Australia 0950 11/23. Light jazz guitar, poor-fair 1246 11/24. IDed by SW // 6150. (Hall-Patch, BC)  
 +1158 11/25 man in accented EE, 6 pips, then ABC nx. (Bytheway, WA)  
 t +EE talk looping DU 1049 11/25, then vocal song. (Portzer, WA)  
 JAPAN, Osaka, JOBB, NHK2 pgm 11/23 1052 fair, 11/24 1040 good, 11/25 1203 fair, 11/26 1148 poor, 11/27 1055 poor, 11/28 1400 poor w/pips & ID as NHK. This is an xlnt stn for a FE low freq "indicator". (Seaver)  
 +NHK signature melody at end of EE lessons 1140 11/25, then YL w/possible NHK ID. (Portzer, WA)  
 +Usual pips 1100 11/23 for positive ID. Hrd 1405 11/25 w/talk in SS! (Language lessons? bp) Really freaked me out until I checked WATH which gives SS 1400-20, CC 1420-40, FF 1440-1500. Never hrd this before since I rarely listen this time of day. (Peterson, CA)  
 +Weak w/noise w/JJ talk //77h 0714 11/24. (Tomer, CA)  
 +1359 11/24 end of EE lesson? 2 OMs said "goodnight everybody", then YL spoke in JJ for a moment, flute mx, & NHK pips on the hour. Good. (Hall-Patch, BC)  
 +Man good in JJ 11/24 1429; NHK theme mx 1438 but faded before ID. (Pejza, CA)

+EE lessons looping towards Japan 1150 11/25. (Bytheway)  
 +First noted as weak carrier 1212 11/26; 0959 11/27 w/muffled JJ talk, short mx piece, then single half-second pip, chime-like, not sharp, then into JJ mx or similar; 1037 retune w/xlnt signal & occasional deep fades //747 w/EE lessons about California. (Everitt)  
 HAWAII, Honolulu, KIKI, good thru WCCO w/rr 1206 11/4. (Brown, MI)  
 +Pretty good 1315 11/26 on an otherwise dead morning during a geomag storm. Note that this is after the shift so Hawaii is not going to the new plan which will minimize QRM w/TPs. But you need Hawaii? Never fear; it will still be easier to hear w/o that pesky QRM from JOBB, hi: (Peterson, CA)

830 ? UNID, one of the many "new" carriers this AM 11/24 1236. (Brown, MI)  
 +Big carrier, snatches of OM talk 0947 11/23 & 1209 11/24. Apparently DU. (Hall-Patch, BC)  
 +Weak carrier only 0953 11/27, looped NW. (Everitt, CA)  
 +Carrier, looped N Asia 1015 11/27. (Peterson, CA)

837 ? GILBERT ISLANDS, Tarawa, VSZL, powerhouse, w/ET-TP 1200 11/21, off or fade by 1215. (Brown, MI)  
 837 t GILBERT ISLANDS, Tarawa, VSZL, probable source of strong carrier looping towards oceania 0720 11/24. Tarawa's usual carrier on 844 was absent so I assume they made the switch. (Tomer, CA)  
 +Strong carrier 0946 11/23. Probably Tarawa as not noted after 1000. (Hall-Patch, BC)  
 +Faint het and carrier thru horrendous sloop from local KTAC-850 0815 12/1. (Portzer, WA)

855 ? UNID, carrier 1315 11/25 & 1023 11/27. (Peterson)  
 864 ? SOUTH KOREA, Gangneung, HLRK, KBS, hrd as a carrier 1105 11/23 & 1317 11/26. Then it was in w/KBS pips 1200 11/27. Note that pips are sufficient ID on this one since the Japan stns here are all private & do not use the NHK pips. (Peterson, CA)

864 t INDONESIA, Cirebon, very weak het here 1210 11/21, assume nothing else had changed yet. (Brown, MI)  
 864 ? UNID, strong het briefly 1212 11/24. (Brown, MI)  
 +Weak carrier looping NW 0951 11/27. (Everitt, CA)

873 JAPAN, Kumamoto, JOGB, noted w/NHK2 pgm 11/23 1057 poor, 11/24 1052, het on it maybe Wonsan. (Seaver, CA)  
 +1109 11/23 appeared as a carrier (PFM 873000 Hz). JJ talk 1157, then dropped out 1200, of course, then back w/alt CC & JJ (lessons) 1420. Back again 11/25 1319 w/talk in JJ. (Peterson, CA)

t +likely source of weak carrier hetting 870 1216 11/26. (Everitt, CA)

873 ? UNID, strong carrier but no audio 1215 11/24. (Brown, MI)  
 +TP carrier w/WVU mull'd, quite weak 11/23 1019. Not noticed next 3 nights. (Martin, CO)

874 NORTH KOREA, Wonsan, surfaced here 11/6 1048 & 1120 w/typical pgm of harangue & invective. Fair at best. Not hrd since freq change due to JOGB-873. (Seaver, CA)

882 t AUSTRALIA, Brisbane, hBH, looping very definitively in the DU direction, was in 1032-1135 11/27. Started out as a carrier looping south of the Unid below, then came up to fair level at times w/EZL mx like hrd by Tomer last season. Talk was unclear but definitely EE. PFM was 881999 Hz. No pips were used that I could hear. (Peterson, CA)

882 NEW ZEALAND, Auckland, LYC, possibly the source of weak EE talk looping DU 0930 11/24. (Tomer, CA)  
 +Assumed to be the one w/light mx looping DU 1038 11/25. Might've been hBH, though... (Portzer, WA)  
 +Carrier found 11/23, 25, 26. On 11/23 1005 w/Cuba mull'd, there it was at a time when WCBS could not be detected. WCBS was back in 4 mins & a het appeared between it & 882. 11/26, same mulling, 0912, 882 was bouncing the needle around 5 when WCBS signal was bouncing around 7. Apparent s/off noted 40 seconds after 1000 11/25, 11 p.m. in NZ. And WCBS was not audible at the time. Het w/WCBS noted several times these 3 mornings. (Martin, CO)

882 UNID, carrier looping SE Asia 1425 11/24 & 1324 11/25. Malaysia possible but unlikely since it rarely caused a het on 885 before. (Peterson, CA)  
 +Weak carrier hetting 880, looping NW, 0947 11/27. (Everitt, CA)

891 JAPAN, Sendai, JOHK, HLKB faded down into the mud by 1500 11/24, leaving JOHK alone for the NHK pips & s/off after which the SK was again audible barely. (Peterson)

891 SOUTH KOREA, Pusan, HLKB, hrd in KK mixing w/the JJ 1435 11/24. The difference between KK & JJ becomes quite apparent when you hear them like this! I recommend to the beginning TP DXer that he learn what JJ sounds like for sure on a Japan-only freq & then tune 891 for the comparison to KK side-by-side. (Peterson)  
 (And if he point's the loop southwest, he'll probably also get a taste of what Hindustani sounds like on Radio Fiji, hi! bp)

891 ? UNID, carrier hetting WLS, looping NW, 1216 11/26; 1137 11/27 good sized sig w/some snatches of unidentifiable speech; probably either Japan or Korea. (Everitt, CA)

918 ? UNID, weak carriers from at least 2 stns 1220 11/26. Looped NW. (Everitt, CA)

936 ? UNID, carrier hrd 1143 11/27. (Peterson, CA)  
 945 ? UNID, carrier looping central Asia 1440 11/24 & 1445 11/27. China? (Peterson, CA)

954 JAPAN, Tokyo, JOKR, JJ commercial noted 11/27 1058 fair. (Seaver, CA)

963 ? UNID, weak carrier looping NW 1043 11/27. (Everitt)  
 972 ? UNID, carrier 1343 11/25 w/heavy sloop from KABL-960 & KRIS-990 (so looping not possible...). (Peterson, CA)

1000 NEW ZEALAND, Tauranga, LZD, DJ said something about R. New Zealand & current affairs, then went into a telephone interview w/another OM. This 0925 11/13 w/KOMO OC tuned down bandpass a ways. (Hall-Patch, BC)

1008 NEW ZEALAND, Tauranga, LZD, noted 11/25 1212 w/weak EE looping DU. Sloop de KXEG. (Seaver, CA)

1008 ? UNID, something TP is here. Noted as a carrier 11/23 24 & 25 as early as 0934 to as late as 1050. Strong enough at times to het 1010. (Martin, CO)  
 +1044 11/23 fair carrier, possibly NZ per DF. (Hall-Patch)  
 +Carrier noted 1133 11/23. (Peterson, CA)

1017 t TOMSA, Nuku'alofa, A3Z, hrd w/ABC (Australian) nx 0700 11/29, then local nx 0710. Audio has been there other nights I've checked. Played the tape for Mick Hall-Patch but he wasn't 100% convinced. (Newell, BC)

1017 ? UNID, 1046 11/23 very poor carrier looping DU. Weak carrier 1240 11/24. (Hall-Patch, BC)  
 +Weak carrier looping NW 1055 11/27. Possibly China. (Everitt, CA)

1026 AUSTRALIA, Mackay, hMK, 11/26 1138 w/what sounded like a spot for a place in Rockhampton. Back 1440 w/TC as "9:40 at 'MK", then into rock mx. Noted w/several songs, GMT+10 TC's, & spots during the next few minutes. (Bytheway, WA) (Groan... bp)

1026 ? UNID, carrier looping SE Asia 1438 11/23 & 1427 11/23. (Peterson, CA)  
 +Extremely weak DU carrier 1004 11/25. (Portzer, WA)

1035 ? UNID, carrier looping central Asia 1432 11/23 & 1447 11/24. (Peterson, CA)  
 +Good carrier w/EE YL talk looping DU 1005 11/25. (Portzer, WA)  
 +Weak carrier looping NW 1045 11/27. (Everitt, CA)

1044 CHINA, Shanghai, noted w/JJ FS pgm 11/25 1154 only fair. (Seaver, CA)  
 +Good w/man singing oriental song a'capella, followed by female vocal w/plucked inst, then echoed CC or JJ talk 1204 11/26. (Everitt, CA)

1044 ? UNID, carrier looping central Asia 1137 11/23 & 1150 11/27. Probably Shanghai. (Peterson, CA)  
 +1048 11/23 good carrier, but poor carrier 1221 11/24. (Hall-Patch, BC)  
 +Someone playing "Let Me Be There" by Olivia Newton-John 1205 11/25. Didn't appear to be a spur from a local. Had to loop local FM-ish carrier on 1043-44 so couldn't get bearing; probably a DU. (Portzer, WA)

1053 va CHINA, location unkn, noted w/monster signal, intensely overmodulated w/military speech in CC or similar, much applause, drifting erratically over approx 3 kHz range, murdering 1050 w/variable pitched het 1047 11/27. (Everitt, CA)

1053 JAPAN, Maoyoa, JOAR, JJ commercial noted fair 11/25 1211. (Seaver, CA)

1053 ? UNID, carrier looping N of where Indonesia looped before the big shift 1208 11/23. (Peterson, CA)

1062 ? UNID, weak carrier looping NW 1135 11/26. (Everitt, CA)  
 1107 ? UNID, weak carrier looping NW 1133 11/27. (Everitt, CA)  
 1116 ? UNID, carrier looping central Asia 1452 11/24. (Peterson, CA)

1125 va CHINA, location unkn, another enormous signal //1053 w/military speech, this one also badly overmodulated & drifting approx 1124-1128 1052 11/27. (Everitt, CA)

1125 ? UNID, Costa Rica runs OC AN here, but believe there is a TP here too, which could be American Samoa, although there is no info on WVUV freq selection. This 2nd carrier is found when LA is mull'd & was very near to breaking into audio after 1100 11/24. (Martin, CO)  
 (WVUV was noted still on 1120 by Pete Taylor during his Fijian honeymoon 11/24. See the Fiji rpt in this issue or next...bp)  
 +Carrier apparently looping SE Asia but hard to tell w/KPMW's QRM. (Peterson, CA)

1134 ? UNID, carrier looping N Asia 1218-33 11/23 & 1215 11/27. Suspect JOQR the most since this has overcome CKWX on good TP mornings when it was on 1130. (Peterson)  
 +Carrier only, looping NW, 1040 11/26, 0930 11/27. JOQR possible. (Everitt, CA)

1143 JAPAN, Kyoto, JOBR, noted in JJ 11/24 1032, 1055. No audible TD 1100 11/25 weak. VOA-Philippines is a good bet on this freq at sked 1300-1500. Beware of this Jap commercial stn, however. (Seaver, CA)

1143 t PHILIPPINES, Poro, VOA, possibly the one w/good sig in 1140 slop during short KRAK SP 1042 11/26. Very good w/female ancr in undistinguishable language (audio somewhat muffled), into pop-style song in oriental lang 0932 11/27; KRAK OC on 0935 but het still audible in null. I'm not sure of VOA's directional pattern but this seems at least somewhat likely. (Everitt, CA) (At that hour, Japan was more likely bp)

1143 ? UNID, carrier looping SE Asia 1221 & 1300 11/27. Lost in KRAK -1140 s/on, so no ID, but VOA is by far the most likely bet on this one. (Peterson, CA)

+Carrier looping N Asia 1257 11/27. Clearly separate from the other. Suspect JOER. (Peterson, CA)

1179 ? UNID, carrier looping N Asia 1235 11/23 & 11/27. JOER is the best bet here. (Peterson, CA)

+Strong 1 kHz het against 1180, JOER possible, 1228 11/26. (Everitt, OK)

1188 ? UNID, carrier 1245 11/23. HLKX possible. (Peterson)

+Carrier only, looping MW 0905 11/27. (Everitt, CA)

1197 ? UNID, looping central Asia in as a carrier 1247 11/23 & in w/weak audio 1239 11/27. (Peterson, CA)

1205 ? CHINA, Kunming/Yanbian, noted as a carrier 1250-1305 11/23. Then was in quite strong at 1244 w/usual singing. This has been the only China outlet to put audio into here after the shift. (Peterson, CA)

1205 ? UNID, the 1205 carrier from Cayman(?) had a companion about the same strength 1 kHz higher 11/25 during 5 min period after 1103. (Martin, CO)

1215 ? UNID carrier looping SE Asia 1250 11/27. (Peterson)

1224 ? UNID, carrier looping N Asia 1252 11/27. (Peterson, CA)

1242 ? UNID, carrier looping N Asia 1254 11/27. JOLF? (Peterson, CA)

1278 ? UNID, carrier noted 1318 11/27. (Peterson, CA)

1287 ? UNID, carrier looping N Asia 1313 11/23 & 1320 11/27. Could be Japan or China. (Peterson, CA)

+Weak carrier only, probably either JOHR or China 0907 11/27. (Everitt, CA)

1296 ? UNID, carrier looping N Asia 1322 11/27. China? (Peterson, CA)

1305 ? UNID, carrier 1324 11/27. Bad KDIA-1310 slop. (Peterson)

1314 JAPAN, Osaka, JOUF, JJ commercial noted fair 11/24 1027. (Seaver, CA)

1314 ? UNID, carrier only 1110 11/26; 0909 11/27, probably either JOUF or China. (Everitt, CA)

+Carrier 1325 11/27, bad KDIA slop. (Peterson, CA)

1332 ? UNID, weak carrier 0943 11/27, probably either JOSEF or China. (Everitt, CA)

+Het against KUPL et al 1329 11/25. Loop seemed to suggest a DU. (Portzer, WA)

1368 ? UNID, carrier 1328 11/27. (Peterson, CA)

1377 ? UNID, carrier only 1143 11/26. (Everitt, CA)

1386 PHOENIX ISLANDS, Canton Island, WKLE, noted 11/24 1020 fair, 11/27 1042 fair w/EZL mx. This signal is quite variable as one would expect for 250 watts over 4300 miles. (Seaver, CA)

+A stn I thought you could kiss off for good, put in a good carrier 1330 11/27 under mildly auroral cx. (Peterson, CA)

1386 ? UNID, carrier looping central Asia 1323 11/23. (Peterson, CA)

+Carrier only 0946 11/27, any number of Japanese stns possible, plus China. (Everitt, CA)

1413 UNID, carrier looping central Asia 1327 11/23 & 1335 11/27. China or Japan. (Peterson, CA)

+Carrier only, JOUF or China most likely 1150 11/27. (Everitt, CA)

1422 ? UNID, carrier looping N Asia 1331 11/23. Japan or China. (Peterson, CA)

1440 t JAPAN, Sannoro, JOWF, likely w/US pops & JJ talk 0912 11/27 w/some QRM from apparent IA stn, also slight 200 Hz het. (Everitt, CA) (200 Hz het was likely from carrier noted by Phil Bytheway on 1439.8. Maybe somebody almost, but not quite, changed to the right freq. bp)

1449 ? UNID, faint het on lower sideband on 1450 1239 11/25. Probably a DU, per cx that AM, but the 2 DUs here are both 2 kwers. (Portzer, WA)

1458 ? UNID, het on KDOM/KMXX 1312 11/25. (Portzer, WA)

1476 ? UNID, Malaysia or DU here w/ rockish sounding mx 1232 11/25. Couldn't get loop breaking as I had to null 1470/1480 slop. (Portzer, WA)

1494 ? UNID, carrier 1342 11/27. (Peterson, CA)

1503 ? UNID, carrier 1344 11/27. (Peterson, CA)

1512 ? UNID, carrier 1337 11/23 & 1345 11/27 looping central Asia. China? (Peterson, CA)

+Het on KGA-1510 1229 11/25. 2NA probably. (Portzer)

1521 ? UNID, 1114 11/23 erratic fading on faint carrier, possibly DU. Put a slight het on KYX1-1520. (HallPatch)

1548 t AUSTRALIA, Emerald, 4QD, probably the EE looping DU noted 11/23 1135 poor, 11/24 1012 fair, 11/25 1225 poor, 11/26 1116 poor. Much KRG0-1550 slop. Het there neatly every time I check. A good DU "indicator". (Seaver, CA)

+A veritable powerhouse so far, first hrd 1130 11/24 & each AM since, noted hetting domestics as late as 1255, ISR here. (Brown, MI) (Too bad I have a local on 1540. bp)

1548 ? UNID, 1214 11/23 slight traces of DU carrier here. (Hall-Patch, BC)

+Very weak carrier looping N Asia 1339 11/23 & 1347 11/27. Probably China. (Peterson, CA)

1557 t AUSTRALIA, Taree, 2RE, assumed the vocal chorus up briefly thru bad HML 11/26, only 4QD in otherwise. (Brown, MI) (What time did you hear it? bp)

1557 ? UNID, TP carrier 11/25 1125 quite weak. 1548 kHz (Emerald) non-productive all 4 mornings. (Martin, CO)

1566 SOUTH KOREA, Cheju, HLDA, one of the best FE stns, noted 11/24 1015 w/rigs pgm, 11/25 1230 w/fair sig, 11/26 1158 fair in unid lang (only HLDA & JOBB noted 11/26 in geomag storm), 11/27 1040 fair. This is an xlt stn for a FE high freq "indicator". (Seaver, CA)

+Monster signal 1147 11/26 w/piano rendition of simple song like something out of an instruction book, followed by deep voiced man w/muffled audio; could not make out language due to mofling & low modulation level. (Everitt, CA)

1566 ? UNID, carrier looping N Asia 1341 11/23. Some singing, language unid. Suspect HLDA. (Peterson, CA)

1575 ? UNID, whopping carrier but only faint audio in unid lang 1155 11/23, steady signal but wouldn't come up to discernable level. Thailand or ??? (Brown, MI)

+Carrier looping central Asia 1347 11/23 & 1351 & 1456 11/27. Probably VOA Thailand. (Peterson, CA)

+Erratically fading carrier 1118 11/23 & 1215 11/24. No DF possible due to rapid fading. Thailand seems the best possibility???? (Hall-Patch, BC)

1602 ? UNID, carrier looping N Asia 1350 11/23. Probably the Jap Synchros. (Peterson, CA)

Whew! page after page after page of tips. But as if that wasn't enough, we now come to a new column called....

INTERNATIONAL UNID CARRIERS ROUNDUP, which actually also includes a few BFO whistles, hets, and maybe some carriers w/ audio on them. Anyway, here they are in no particular order.

From Mark Connelly, near Cape Cod, carriers w/o audio: 827 at 2125 11/23; 711 & 621 around 0420 11/24; 1161, 1206, 1215, 1476, & 1521 hets 1430-0445 11/24; 828 0530 11/24.

From Randy Seaver, near San Diego, carriers, signals, hets, and/or BFO traces noted on the following freqs 11/23-27: 558 (DU?), JOAB-693, JOIB-747, JOUB-774, het 792, het 819 (FE), JOBB-828, several FE-837, VSZL-846, FE-846, het-855 (DU), several FE 864, JOGB-873, het 882 (FE), 1YC-882, hets 891 (FE+DU), JOKR-954, het 972, 1ZD-1008, het 1035, China-1044, JOAR-1053, JOBR-1143, het-1179 (FE), het-1197, het-1206 (China?), het 1215, het 1269, het 1296, JOUF 1314, het 1323, het 1332 (FE), het 1377 (FE), WKLE-1386, het 1404, het 1413, het-1422, het-1476 (Sabah?), 4QD-1548, HLDA-1566, het-1575.

From Dave Korinek, near Seattle, WA, the following carriers were noted 11/28 around 1200-1230: 1098, 1107, 1116, 1134, 1135 (Caribbean?), 1197, 1206, 1233, 1278, 1314 (solid, looped between DU & Philippines), 1323 (Strong), 1327.1, 1332, 1386, 1422, 1449, 1458 (fair), 1467, 1476, 1494 very weak, 1504.5 (IA?), 1026, 1044, 891, 882, 873, 792, 1512, 1548.

Father Jack Pezza in Modesto, CA notes the following: on 11/24 1400-1507 - 558, 567, 603, 648, 657, 711, 747, 765, 783, 792, 819, 837, 840, 846, 882, 891, 1035, 1044, 1179, 1197, 1215, 1314, 1467, 1566, 1575. On 11/27 - carriers on 538, 548, 555, 558, 565, 567, 577, 576, 574, 584, 593, 596, 636, 643, 648, 652, 659, 662, 666, 671, 675, 684, 688, 697, 837, 841, 844, 873, 883, 882, 886, 893, 896, 903, 906, 909, 913, 915, 925, 945, 948, 988, 1026, 1033, 1036, 1043, 701, 714, 728, 734, 747, 753, 757, 776, 783, 786, 792, 795, 798.5a, 815, 819, 822, 825, 828, 831, 835. "Some of these carriers appeared to be locally originated. Very frustrating to have so many carriers & no audio. This between 1259 & 1345." (Frequencies which are part of the new plan & hrd 11/27 were underlined by the editor. bp)

Phil Bytheway, Seattle, heard the following: 11/25-738 at 1136, 783 at 1116 & 1208, 792 at 1147, 747 at 1154, 837 at 1217, 612 at 1223, 594 at 1228, 891 at 1229, 882 at 1229, 873 & 864 at 1230, 837 at 1232, 1026 at 1237, 1035 at 1305, 1044 at 1307, 1053 at 1342. 11/26 - 657 at 1052, 1512 at 1108, 1476 at 1111, 1439.8 at 1113, 1386 (w/audio, light rr) at 1115, 1332 at 1118, 1206 at 1120, 1197 at 1123, 1044 at 1129.

It may be interesting to note that nothing was reported on the following frequencies (so far): 540, 549, 621, 630, 720, 729, 801, 810, 900, 927, 981, 990, 999, 1071, 1080, 1089, 1152, 1161, 1170, 1251, 1260, 1341, 1350, 1431, 1485, 1530, 1539, 1584, 1593, and 1395. Of the 120 "new" channels, 90 were reported in N. America and 30 weren't. Of those not heard, 24 are within 1 kHz of a domestic channel and two are "low power" channels. I wonder what the problem is on 927, 1152, 1395, & 1593....

VERIFICATIONS

- 750 JAPAN, Sapporo, JOIB, v/q w/all details except call letters in 22 days for EE rpt & 2 IRCs. Also sent a pile of brochures. (Korinek, WA)
- 780 AUSTRALIA, Townsville, HTO, sent a yellow v/q w/a big black heart on the front, 5 bumper stickers, 5 smiling face "Have a Nice Day" stickers, and a v/l signed by Greg Pearson, Senior Technician. Said they were moving to 774 kHz on 11/23 and that they'd gotten 3-4 rpts from N. America in the last 10 years. Verie arrived by airmail, rpt was sent airmail w/3 IRCs enclosed. My first verie in about 2 years. (Bytheway, WA) (Ordinarily I would make a snide comment about a verie like that, but somehow this week it seems so anti-climatic, hi. bp)
- 830 PHILIPPINES, Manila, DZCA, v/q via air in 42 days for mint stamps. Verie statement w/callsign & freq only on back of a color photograph of a flower, shrub, or some such thing. V/s is Monino Segarra, stn mgr. Address is different than in WRTH: DZCA, Bureau of Broadcasts, Ministry of Public Information, 5th floor, GSIS Bldg., Arroceros St., Metro Manila 2806, PHILIPPINES. (Hardester, Okinawa)

REPORT FROM FIJI - Pete Taylor

Between 11/7-25 my wife & I were honeymooning in NZ & Fiji & wish to thank Brian Clark, Wellington, of the NZDXRL for a lovely dinner. All listening below on the Sony ICF-6700W is from Nadi (Nandi) except where noted. Times GMT.

FIJI STATIONS. New Fiji freqs are 558, 639, 711, 810, 891, 1323, 1467. 639 & 891 were locals. 891 had spure on 870 & 914; 639 had a harmonic on 1278. No sign of the 1570/1566 outlet. Noumea-666 was the only other daytime signal except for a " " on 580k. 558 & 711 were testing w/tones 1210 11/22.

- 570 ABC Queensland nx at "10:10p" 1210 11/22, presume 4JK.
- 666 Noumea audible days, up to 3-6 nites. Moved to 666 early, noted 1045 11/22.
- 690 KKUA Honolulu w/Cliff Richard special 0958 11/23. Unid CC even w/3YA 1000 11/13; also noted 1210 11/23 (11/13 from New Plymouth).
- 693 CC Peking-like pips 1200 11/23, then anthem (not Internationale), then all mx 4KQ.
- 750 JOIB Sapporo o/4QS 1245 11/22.
- 760 KGU Honolulu very good, jazz, 0955 11/23.
- 770 KOB, Albuquerque, presumably, w/Larry King 1230 11/23.
- 800 2YS Wellington, noted Tting 2305 11/13 in New Plymouth, and driving into Wellington, creating images all over the place. 2YC-660 also Tting 2305.
- Unid Tr 1000 11/13 from New Plymouth.
- 846 Unid CC 1201 11/22.
- 860 Medang, Papua-New Guinea, good log w/commls & mx 1125-1200 11/22. Not noted 11/23.
- 870 3ZE? R. Ashburton. Local pgm 1945-2000, then 3ZB, from Timaru, 11/16. Calls not used.
- 882 4BH, beautiful mx Brisbane loud 1150 11/23.
- 890 2XW, "Wincy" wiped out in Titahi Bay by RNZ (660 + 800 = 1460 - 570 = 890)
- 930 Unid CC 1145 11/23
- 940 KFRE Fresno weak 0950 11/23
- 990 KHVH nx good 0950 11/23
- 1020 A3Z Tonga good 0940 11/23 w/KTNQ (Cal Stereo ad) under. No freq change.
- 1040 KPOI Honolulu rock very good 1145 11/23.
- 1062 2AP Apia here w/EE discussion 0635 11/25, ex-1050 fair.
- 1070 KNX LA. Most consistent US. Great w/election returns, Bay of Islands, 1000 11/8.
- 1071 3CV Maryborough, even w/KNX 1104 11/23. Good luck w/KNX het!
- 1120 WVUV Leone semi-local in Fiji. Apparently no freq change.
- 1152 2WG Wagga Wagga 8:25p TC 1025 11/23.
- 1180 UNID JJ 1240 11/22.
- 1186 UNID Indonesian? het on 1148 1230 11/23.
- 1190 KEX Portland weak, comedy LP, 1138 11/23.
- 1240 3TR Sale "Easy Rollin' 3TR" jingle & 5-9a pgm promo 1150 11/22. I presume this was same stn w/Ford Motor Co. 1/2 hr 1115 11/22; however calls given then sounded like 3GO/3PO. But then 3TR sounded like 3DR....
- 1250 U3SR, Vladivostok, good in JJ 1320 11/22
- 1269 2SM Sydney bad het 1020 11/23; not so bad the following night.
- 1296 4BK quite loud nights; regular. Brisbane.
- 1314 2WL Wollongong "131-2WL" jingle 1135 11/23.
- 1332 Unid CC 1320 11/22
- 1341 Unid 2NX? Newcastle ad 12/24 11/23; can't find Bolwarra on any atlas.
- 1350 UNID, sounded like it called itself "TL" w/ad for Jamong Advertiser 1220 11/23. Perhaps 3GL. JJ on top by 1221.
- 1395 2LT Lithgow fair 1120 11/23.
- 1404 2AP Apia. CC 1225 11/22 & good on RS 0915 11/23. Never as strong as WVUV.

- 1420 KGCN Honolulu w/Hawaiian mx 1110 11/23. Strong. (No sign of New Hebrides).
- 1413 2KO //2UE except for local promo 1120 11/23. Newcastle.
- 1430 2WL Wollongong 1025 11/22 w/continuous tape saying "2WL is no longer using this frequency. Join us on 1314 at 1:31 am."
- 1490 Erratic oscillator noise here 1130 11/22 but no discernable audio.
- 1500 KUMU Honolulu inst mx & ads/ID over CA stns 1015 11/23.
- 1510 Unid CC 1220 11/22
- 1530 KFBK Sacramento w/talk 0935 11/23 & presumably //KPOL-1540 w/Larry King 1120 11/23.
- 1540 Unid CC 1300 11/22.
- 1554 Unid JJ language I think 1325 11/22.
- 1555 Unid, not Indonesian, more like Filipino or Caribbean discussion 1215 11/22. (DYLA? bp)
- 1557 CC 1220 11/22.
- 1560 ABC nx 1102 11/22 presume 2RE.
- 1570 HILDA quite good 1300 11/22.
- 1575 RR language lessons 1253 11/22
- 1580 RFA EE nx 1140 11/22.
- KDAY LA, first US in, 6 pm LT, Fiji (0600 11/23)
- 1590 Unid JJ 1252 11/22
- KLIV San Jose u/another US stn 1210 11/23.

COMMENTS/OMISSIONS

1. Of course WKLE was a pest in Fiji. Not too strong, but pretty consistent. The ICF6700W couldn't discriminate between 1385 & 1386 but because there was a slight beat rather than a het, I think they are on 1386 now. (They moved to 1386 a few months ago. bp)
2. It is significant that WVUV & A3Z will stay on 1120 & 1020 respectively, or at least were still on these freqs 11/24.
3. Re 1341 above, 2NX is in Newcastle in WRTH but Bryan Clark lists it as in Bolwarra in Nov NZDX Times. Reception was therefore of 2NX. Stn is in Bolwarra but has Newcastle P.O.
4. Medang-860 was consistent the evening of its reception, but was not noted on 860 or 864 the following evening. No other P-WG stns noted at all.
5. No specific sign of Cook Is.-600, Nine-620, New Hebrides-1420, Nauru-1320, Lord Howe-1490, Tahiti-740, or Norfolk-1570. Religion was hrd on 1570 one weekend evening in NZ, presumably Rhema.
6. SS was hrd a few AMs on 1570. I haven't checked XERF lately but presume it was them.
7. The obvious dominant Australian & NZ signals have been omitted.
8. Not only did RNZ wipe out Windy near the RNZ xmtr, 2YA's 1140 harmonic was at times equal in strength to 22M-1130. (I heard that there'd been a fire at that site about a year ago, in which case the grounding, bonding, etc in places could have been damaged enough to cause rectification/mixing of various signals, turning the place into an r.f. jungle.bp)
9. Not too many towers noted. RNZ's Kaitiaki & Invercargill transmitter bldgs are surrounded by sheep. 22M's 2 towers overlook Wellington, while RNZ's at Titahi Bay are on a nice high rolling hill. Rotorua's RNZ tower is on a hill behind the city & 2 unid towers of about the same size were east of Auckland (if my directions were correct).
10. DXing had to be done outside motels. 220 volt TVI obliterated everything except locals. In Te Anau, Invercargill was wiped out by TVI even on the hotel's house system. In the cars, ignition noise made reception of anything but locals impossible.
11. For reference purposes, Hawaii was on GMT-10, NZ on DST was +13, same time but one day off of Canton -11; Fiji was +12. East Coast of Australia seemed to be at variance as 570 1152, 1240 gave times 2 hrs behind Fiji, which is not on DST. NSW & Qsld are supposed to be on DST Oct-March. Where have I gone wrong?
12. Re Hardester/Fiji p 70 10/28 DXM. They were on 810 11/22 & still were 11/23, 24, & 25. Don't know why they listed 840 to Hardester. (Typo? bp)
13. NZ is a lovely country & the people very warm & friendly. If you go, pick up a copy of the Listener, which contains pgm listings for every radio stn in the country. I'm sorry Kristine & I didn't get to meet more DXers & that this rpt isn't as lengthy as the one I sent for Hong Kong/Bali/Singapore/Bangkok listening...however, I wasn't on a honeymoon at that time....

REPORT FROM IRELAND - Mike McGovern

- Mike sends along the following recent logs:
- 740 CHINA, Urumqi, 2300 11/9 CC nx fair.
- 780 CUBA, 0700 11/18, Cuban mx weak.
- 790 USA, Providence, WEAN, CBS nx 0130 11/19 weak.
- 830 THAILAND, R. Thailand, 2245 11/17 chimes, ID, & anthem weak
- 910 USA, Bangor, WABI, 0150 11/18 "Golden 91" pgm weak.



940 CHINA, Hefei, 1700 11/14 in CC.  
 960 SUDAN, Omdurman, 11/14 1825 weak.  
 1002 RHODESIA, 11/12 1745 w/EE nx weak.  
 1010 VIETNAM, Hanoi, 2315 11/15, Vietnamese talk fair.  
 1100 ANTIGUA, ZDR, 11/17 0200 PBC nx relay, weak.  
 1295 SUDAN, Senar, 11/14 1530 AA discussion fair.  
 1300 CHINA, Kunming, 1500 11/14, R. Peking.  
 1300 INDIA, Parbhand, 0115 11/18, ID & Hindi talk weak.  
 1310 INDIA, Bhubj, 11/17 0105 local songs & ID fair.  
 1570 INDIA, Delhi, 0130 11/17 s/on w/Hindi nx weak.  
 QSI's recently received from WWA, WBBM, Rhodesia-1002, WAFD-1180, Syria-1070, Vietnam-1010. Unfortunately the Asians will become extremely difficult when they move to "European" channels but it will be exciting to see what Trans-Atlantic channels are uncovered when all the changes take place.

#### CONDITIONS

"Cx during the period 11/23-27 were poor at best w/only the high power FF stns noted. Some DU signals noted. If we can hear so many signals & hets in these poor conditions, just think how much fun it is going to be when the winter anomaly loosens its grip on the high latitude paths!" - Randy Seaver  
 "TA cx were not too good during the first 2 days of the new freq scheme; the stns that were hrd could be considered 'the big guns', TA's which should be easily hrd most of the time."  
 - Mark Connelly

"It's interesting to note that, of the TP reporters this time, those in California reported mostly Asians with very few DUs whereas those in Washington/British Columbia, plus Gene Martin and Russ Brown, reported almost nothing but FUs. It would be interesting to speculate as to why that's the case." Portzer

Migawi, I think I'm finally out of stuff to type (unless I want to start on the Seattle phone book or something, hi). So...

Contributors this time were:

Phil Rythway, 9722 Mary Avenue NW, Seattle, WA  
 R-392, amplified wedge  
 Russ Brown, 5050 Notre Dame Rd., Stevensville, MI 49127  
 SX-122, 1400 Beverage at 2700 + 500' Ground  
 Brian Cartwright, 100 Leila, Johnstown, PA 15905  
 R-390A, longwire  
 Mark Connelly, 7 Trowbridge Path, W. Yarmouth, MA 02673  
 R-390A, 2 37 meter phased longwires  
 Doug Everitt, 1710 West Maine, Enid, OK 73701  
 R-390A/URR, Radio West loop (for TA and IA loggings)  
 Drake SW-1A, Radio West loop, from Antioch, CA (for TPs)  
 Nick Hall-Patch, 3272 Alder St., Victoria, BC V8X 1P2  
 Transmogrified HRO, FET AA loop, tired ears  
 Mike Hardester, C F A O, Box M E, PEO Seattle, WA 98776  
 Joseph Landry, 11643 Baylor Drive, Baton Rouge, LA 70816  
 Realistic TRF, 350' longwire  
 Gene Martin, 3303 East Evans Avenue, Denver, CO 80210  
 HQ-180A, box loop  
 Dave Korinek, 420 N. 200th, Seattle, WA 98133  
 R-388, Radio West Loop  
 Mike McGovern, 5 Cherbury Gardens, Rooterstown, Co. Dublin, IRELAND  
 Phillips domestic rx of year 1949, 65' longwire, ho' loop  
 Father Jack Pejza, 212 S Carpenter Rd., Modesto, CA 95351  
 SPR-4, Sanserino loop  
 Art Peterson, 251 31st St., Richmond, CA 94804  
 FRG-7, R. West Loop  
 Louis Poda, 395 Kling St., Akron, OH 44311  
 Guardian 7700, TFP, R-300+60' LW  
 Bruce Portzer, by some miracle still sane (assume he was to begin with, hi). HQ-180A, 4' box loop, SB-620  
 Randy Seaver, 115h Via Trieste, Ghula Vista, CA 92011  
 HQ-180A, Sanserino loop  
 Pete Taylor, 261h Jackson St., San Francisco, CA 94115  
 Randy "Woodhog" Tomer, on vacation (rpt postmarked Santa Barbara)  
 Frog-7, SM-2  
 Bill Townshend, 4500 Conn. Ave., NW, Washington, DC 20008  
 TRF

Plus anyone else who may have gotten lost somewhere in the bowels of this week's column.

What can I say after a column like this.... I started it at 8 p.m. Thursday and it's now 1:14 a.m. Saturday (I did take a few hours off for sleep, meals, and work on Friday, hi). Russ and Randy's reports arrived in Fridays mail so I decided to throw them in as well (except for about 3 or 4 of Randy's tips which will appear next week). I got as far as the 700's in the TP section before I went to bed last night. I was really pleased to see that Russ was able to bag a few TP carriers. Inconasia to Michigan would be about 10,000 miles, an astounding catch should audio ever surface. Thanks to Pete Taylor for an excellent Fijian report and welcome to Mike McGovern. Time to mail the column to San Francisco (assuming I have enough money for postage, hi). I just hope Kaskey doesn't have heart failure when he sees what I've sent him.... 73 and good DX. bp.

John Zondlo  
 6617 Maryland  
 Hammond, IN 46323

## eastern dx forum

John Clemmer-2937 W. Gilbert-Peoria, IL 61604  
 The usually stable Peoria radio scene is about to change. WSIV AM+FM Peoria has applied for a call letter change. The stations currently simulcast and the format is beautiful music. WSIV AM 1140 5kw days will change its calls to WVLE. The stations now ID sometimes as "W-Velvet", so that is where they are getting WVLE for the AM. The FM is going to WGLO. A call to the station didn't reveal whether there will be a new format or not but I'm speculating it'll probably go MoR-EZL. No new DX here, as I just haven't had the time. I do have a month off at X-mas for semester break, so I should get some DX done then. I hope to see many of you next August 24-26 here in PEORIA for the '79 IRCA convention. Good DX (maybe I'll even get some, hi) and 73.

Bill Townshend-4500 Connecticut Ave. NW #901-  
 Washington, DC 20008-(202) 966-8046  
 Hello once again from Redskins country. I got a verie signed by John Bailif (sic) in the form of a letter verifying my midday reception of WMAQ-670 on election day. That QSL arrived a week later. I even got my SASE back unused, so it can be used for a future QSL. My total stations heard here is now 717, including 78 foreigners as of 11/15. On that Wednesday night, the day after the WMAQ QSL came, between 8 and 9PM auroral cx were noted. WNBC, CBF, WLV, WGN, CKAC, CBI, WJR, WBBM, CKLW, WHAS, WCRS, WLS, WINS, KDKA, WHN, WTTC, WWSW, WJJD, WHAM, WOWO, WGAR and WPTR were clobbered completely by the aurora, while WMAQ, WDR, WGY, CJBC, WWA, WKBW, and CBE were barely audible. WABC, CBM, WCFL, WHO, WIBC, WVEF, KMOX, WCAU, WCKY, and WQXR were weaker than normal but readable. Only WBZ, KYW, and the southern clears such as WSM, VSB, WFL, WBT, and WLAC had signals with some semblance of normality. The weather here in DC as of 11/18 is still warm, 68F/20C, with no hard frost yet. (Eat your hearts out, Bruce and Evelyn Portzer, Bill and Nancy Hardy, Bill Block, Nick Hall-Patch, Phil Rythway). 73's.

Allen Luckey-26 Gene Ave.-New Castle, DE 19720  
 (continued from last DXM-jz) The most refreshing thing was the total lack of any man-made interference. As an added bonus, FM and TV DXing is unequalled. Imagine your FM dial covered with stations from one end to the other. This on the same cheapie radio with broken antenna. A forest ranger permitted me to fiddle with his portable TV. All twelve VHF channels had snowfree reception. The nearest VHF station was over 90 miles away. On UHF, a minimum of 15 channels. All this on rabbit ears, no less. The mountain is Big Pocono in the Tannersville area of PA. Accessible by Route 80, it's worth a days trip to experience this unusual DX location. This particular mountain is over 2,000' high. I made an error in my last forum regarding the Sony CRF-320. It was the model ICF-5900W I noted the image problem with. The CRF-320 is Sony's top of the line receiver in the informer series and sells for around \$2,000, whereas the 5900W is in the \$160 range. That's all for now. 73's.

Scott Mentzer-Route #3-Tylertown, MS 39667  
 The big test news around here is that there's a good possibility that I can arrange a DX Special with local WTYL some time during the latter part of December or early January; things haven't completely worked out yet, but I'll keep you informed of any developments. Finally, B.P., I, for one, think you have a great idea in drawing different mastheads for DXWW; the walrus in the 10/28 edition was quite all right. One suggestion: in a future issue, how about drawing a grizzly bear; you know, a "big grizz", in honor of all the "XE boys". For now, I'll just QSB into the sunset to the tune of a few quick veries (all v/1): WYZD, WFPM, WJBY, WHRB, WBLG.....73 de SAM. (forum continued from last DXM-jz)

Bill Wurtzel-32 W. 31st St.-New York, NY 10001-  
 (212) 594-4892  
 Recent DX on my Realistic Patrolman CB-8 includes: 11/7 at 0115 WITS-1510 Boston with a telephone talk show. The host gave the number 426-2030, but I plan to call some night. I heard a het from Waltham MA, which turned out to be W-HET on 1330. At 0130 they were playing pop music and had the news. Dialing by



I heard a good signal from WOAI-1200 San Antonio TX, with the Carner Ted Armstrong propaganda program. I was once an avid listener to him and his father Herbert W., some years ago, until I read an interesting booklet about religious cults which helped free me from the clutches of his literature. I still find people who are easily caught up in these movements, because they are rebelling against their own teachings and feel the world is a dangerous place. I plan to be a regular contributor to these pages and hope the readers enjoy my light verse. If not, just curse. Here goes:  
 After I finished cleaning my gun  
 I received a letter from Don Erickson  
 Requesting a DX count for IRCA (?-jz)  
 I'll fire it off today  
 Toward the state of the setting sun.  
 Philadelphia's foreign language WTEL sure can  
 Bring us programs in Spanish and German  
 Just about every day  
 I DX them at the Manhattan V-A  
 They've even been heard out in Michigan!



**James Valley Broadcast Co., Inc.**  
 620 Dakota Avenue  
 Huron, South Dakota 57339  
 605-372-6021

**WESTERN DX FORUM c/o Rick Heald**

JEFF BRASIER-10341 SHIRLEY AVE-NORTHRIDGE, CA. 91326  
 +++++  
 Howdy all. Been sometime since anyone has heard from me, so the customary re-intro: Am 21, single (but not for long -- will be married to Melinda Clark on 26 May 79), work for Metal Bellows Co. in Chatsworth as a metal fabricator. Thought I'd let everyone know that I will let my membership lapse, and most of my equipment will be up for sale. Has been enjoyable being in IRCA but time and other interests prevail. Will be hanging on to my 450+ veries though. Seasons greetings to all

Page 158...December 9, 1978

**THE INTERNATIONAL RADIO CLUB OF AMERICA**

A non-profit club devoted to listening to distant radio stations on the broadcast band (510 to 1630 kHz). IRCA is a member of ANARC, the Association of North American Radio Clubs.

OFFICERS: President: Bruce Portzer, 6546 19th Ave N.E., Seattle, WA 98115 (206-522-2521). Secretary-Treasurer: Rich Segalas. Board of Directors: Gregg Allinson, Philip Bytheway, Dr. Larry Flegle, Bill Hardy, Rick Heald, Rob Keeney and Father Jack Pejza.

DX MONITOR: The official bulletin of IRCA, published 34 times a year; weekly from November to March, 3 times in April and October, and monthly from May to August.

MEMBERSHIP DUES: \$16.50 First Class to Canada and the U.S.A., Air Mail to Mexico. \$20.00 Air Mail to the rest of the world via Canada. Air Mail Direct from San Francisco: \$25.00 to Central America, Caribbean, Columbia and Venezuela; \$30.00 to the rest of the world. Sample copies, 50c or 3 International Reply Coupons. Make all checks and money orders payable to "I.R.C.A." Members outside the U.S.A., please use money orders payable in U.S. funds.

PUBLISHING STAFF: Editor-in-Chief-Donald Kaskey; Publisher-Rich Segalas; Staff-Mike Endza, Nick Hall-Patch, Eloise Kaskey, Larry Nebron, et al.....

IRCA GOODIE FACTORY: Information on supplies, reprints and other materials may be obtained from IRCA GOODIE FACTORY, P.O. BOX 17088, Seattle, WA. 98107

Permission is granted to publish, broadcast or otherwise reproduce any of the material in DX MONITOR (except for items which acknowledge that they appear by permission from other sources, or material that is copyrighted), provided credit is given to DX MONITOR and the author or contributor if listed.

Opinions appearing in DX FORUMS are those of the contributors and do not necessarily reflect those of IRCA, the publishing staff, or the DX FORUM editors.

DX MONITOR is printed by Sir Speedy Instant Printing, San Francisco, California.

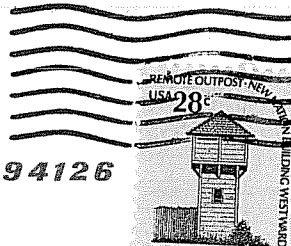
RICK HEALD-1581 20th AVE-SAN FRANCISCO, CA 94122 Tele-Forum: (415) Montrose 5-4201 to 2200 PLT ppd.  
 +++++  
 Trivia freaks, it's quiz time. What is the only city w. of the Mississippi whose 3 network stns (AM&FM) are solely network owned and operated? Good Northern opening this MM 12/04, didn't really catch on to that until about 0600 PST, was trying earlier for TPS. Nothing new logged, but some stns hadn't been hrd for a while. Ie: KHQ Spokane way on top on 590, even looping away toward KTHO, KHQ was still there. On 580, KFXD was smothering KMJ, later replaced by old friend CKXR Salmon Arm, BC. On 570, KVI was totally alone and semi-local quality. KIRO nearly alone on 710, KJRB topping 790, KGA wiping out local KTIM 1510, CJOR alone on 600, likewise, CKLG alone on 730 w/ no trace of K-BOY. This all from 0600-0650 PST. Parlier, lots of hets up and down the dial, seems that's all I hear, it's getting a little exasperating. Even hrd strong het on 1140 w/ KRAK early Sat morn @ 0400 PST while driving home. VOA Philippines? We'd certainly be on the back side of their megawatt signal. Some audio w/CKLG around 0700PST this morn, but then someone turned on a light dimmer and that's all she wrote. In a Christmas card from Mike Hardester, he says S. Korea did not change freqs on 23 Nov. How 'bout a forum, Mike? If you have latest NRC Log, look at the back pages w/pending actions and applications to the FCC. If approved, it's enough to make you want to hang up the earphones for good. Answer to quiz, San Francisco, of course! KGO (KSPX)-ABC, KCBS AM/FM, KNBR (KYUU)-NBC. Outta space. See y'all in 7. 73 de RH..

GARY LARSON-2806 LINCOLN-BURBANK, CA. 91504  
 +++++  
 I have 2 changes in L.A. radio to report. KBCA-FM is now KKGO (K-Co) (similar to KGOE 850) also, KUTY 1470 Palmdale is now KUXX. The new address: 300 W. Palmdale Blvd., Palmdale, CA. Phone: (805) 947-3107. The XR is still at 612 E. Ave. "S", Palmdale. Sometime soon I hope to visit KUXX. format in contemp. Gary Parton was here of the Thanksgiving holidays and we went to nearby Newhall where I called KUXX. The people there don't mind visitors so I hope to stop by there around Jan. As for KROQ, I hope they don't go to 10kw at any time. Have hrd KGA 1510 nites on the car radio next to KROQ. 73.

**IRCA**

P.O. BOX 26257

SAN FRANCISCO, CA - 94126  
 U.S.A.



**First Class**

Dave Williams 2  
 Box 615, Hwy. 101  
 Astoria, OR 97103