



DX Monitor

Devoted Exclusively to
Broadcast Band DXing

March 8, 1980

Volume 17, Number 25

Issue Number 544

In This Issue

Eastern DX Roundup	2	Eastern DX Forum	10
WCCO Daily Program Schedule	3	Western DX Forum	12
Central DX Roundup	4	The IRCA Technical Column	15
Western DX Roundup	6	The Hometown Touch of Local Radio	17
DX Worldwide	7	Western Spotlight:	
Good Evening Comrades	9	Texas, Part I	19

DX Calendar

Mon	Mar 17	KMNS-620, Sioux City, IA, 1000 watts, will test 0130-0230 EST with 1 kHz tones, music, and voice and code IDs. Send reception reports to Steve Roberts, CE, KMNS, Box 177, Sioux City, Iowa 51102. Arranged by Wayne Heinen, NRC.
Mon	Mar 17	WMLP-1380, Milton, PA, 1000 watts, will test with music 0230-0300 EST and will have IDs after each record. Send correct reception reports to H. Bingaman, Box 334, Milton, PA 17847.
Tue	Mar 18	WHOL-1600, Allentown, PA, 500 watts, directional N-S, will test 0045-0100 EST w/400 Hz tone & IDs every 5 minutes. Reports go to James A. Herbert, CE, WHOL, 1125 Colorado St., Allentown, PA 18103. Arranged by Bill Bergadano, NRC.
Mon	Mar 24	KHYM-1060, Gilmer, TX, 5000 watts, will test with tones and Gospel music. Send reports to Al Tarasiuk, PD, KHYM, Rte. 4, Gilmer, Texas 75644. Test will be from 0100-0200 ELT.
Sun	Mar 31	(sic) WPIC-790, Sharon, PA will test 0230-0300 ELT w/1000 Hz tones, music, and code IDs. Send reports to Charles Ring, CE, WPIC, 2030 Pine Hollow Blvd, Sharon, PA 16146. Note: March 31 is a Monday, so we're not sure if this test will be on 3/30 or 3/31. Hopefully, we'll find out before the day in question; if not, check on both mornings. Arranged by Dave Arbogast, NRC.

FLASH TIP (or is it FLUSH TIP?)

Only earth-shattering news this time is the apparent presence of Radio Moscow on 600 kHz, via a Cuban relay. Or at least that's what the news reports say (see page 9). Has this superceded the Cuban English program or does someone have their facts mixed up?

New DX Records Editor

Mike Jeziorski has been appointed the new DX Records editor and he's eager to get started. He's currently working out some of the details of the column, but in the meantime, he's looking for your contributions, including the following: your name, city and state/province, year you started ECB DX, total stations heard/verified, domestic total heard/verified, states & provinces heard/verified, foreign stations heard/verified, countries heard/verified, best catch from each section, and whether you count call changes. His address is 3908 Circle Drive, Brookfield, IL 60513.

New CPC Chairman

IRCA will shortly have a new Courtesy Programs Committee chairman in the form of Mike Hardester. More details will be announced later. In the meantime, you might give some thought to volunteering to helping in the CPC's worthwhile activities (or if you're a newcomer you might want to wait and find out what the CPC does, hi).

Next week's DXM will be the anniversary issue. See you then. 73.bp.

EASTERN DX ROUNDUP

Bob Curtis, 17 Cobbleview Dr., Colchester, VT 05446

DEADLINES: Mondays - All times are Eastern Local

Splatter:

"I've logged over 200 stations already." (in Washington, DC area)

Bob Lazar - VA

"...promo w/about 5 ID's heard." (see WRTA-1240) Niel Wolfish - ON

"# 625" (see WISL-1480) Linda Morby - NY

"After several tries, heard my home state..." (see WTMJ-620) Bob

Lazar - VA

- 550 WKRC OH, Cincinnati 2/88 0252 Ad for WKRC wx reports, something about "...when you need to know." Two "K-R-C" IDs heard, in with Cuban & mixture of others at 0252 on 2/18 MM. (LSM-NY)
- 560 WHBQ TN, Memphis 2/18 0114 fair w/SID, pop mx. (RAL-VA)
 WJLS WV, Beckley 2/18 0317 on MM w/"West Virginia, 56, W-J-L-S" SID, in well w/UNID other station, pgm sounded like Fayette County Bulletin Board, nx about local events, then back to c/w mx. (LSM-NY)
- 590 CKEY ON, Toronto 2/15 1752 poor w/traffic report. (RAL-VA)
- 620 WJDX MS, Jackson 2/10 1820 fair w/local WMAL-630 nulled w/"62-JDX" SID, AT-40. Was in the first hour of AT-40 so apparently a time change to 1800-2200. (RAL-VA)
- WRJZ TN, Knoxville 2/18 0311 Numerous IDs, in w/UNID others, mx, ad, "R-J-Z" ID at 0311. (LSM-NY)
- WTMJ WI, Milwaukee 2/17 0505 after several tries, heard my home state poorly w/NBC Nx & talk by ancr. ID'd by recognizing voice of ancr from when in WI. Some local WMAL slop. (RAL-VA)
- 740 WNOP KY, Newport 2/15 1809 fair w/CBL nulled w/jazz mx, wx (RAL-VA)
- 790 CKSO ON, Sudbury 1/23 1922 in very well at 1922 w/"Radio 79" IDs. DJ was Brian, ments of Sudbury and wx forecast, rr mx, ID at 1924 "C-K-S-0", followed by sports nx. (LSM-NY)
- 820 WAIT IL, Chicago 2/17 1845 poor u/WOSU w/Chicago wx. (RAL-VA)
- 900 WKDW VA, Staunton 2/10 1751 fair w/"Great American mx" which I believe was C&W. (RAL-VA)
- 920 KARN AR, Little Rock 2/18 0232 good o/WGST w/SID, EZL. (RAL-VA)
- 930 WGNT WV, Huntington 2/16 2228 good w/semi-local WFMD nulled w/C&W. (RAL-VA)
- 940 WINZ FL, Miami 2/10 1807 fair thru heavy QRM w/wx forecast, nx. (RAL-VA)
- 980 CKGM QC, Montreal 2/11 0333 fair in WRC SP w/KMBZ nulled w/R&R in EE. Also heard on MM 2/18 w/a super strong signal. (RAL-VA)
- KMBZ MO, Kansas City 2/11 0328 fair-good in WRC MM SP w/ID, wx & MoR. (RAL-VA)
- 1000 WVOV AL, Huntsville 2/13 1806 fair w/WCFL nulled w/wx, jx. (RAL-VA)
- WXTN MS, Lexington 2/18 1839 w/stn address, s/off @ 1843 w/SSB. (RAL-VA)
- 1070 CHOK ON, Sarnia 2/17 0415 fair w/WIBC nulled w/CHOK wx Watch promo, ID, C&W. (RAL-VA)
- WFLI TN, Lookout Mountain 2/18 1759 good w/R&R, WFLI/WSIM-FM ID. (RAL-VA)
- 1110 WUHN MA, Pittsfield 1/29 1645 s/off, pgm director gave plug for support of FCC regulations change to allow nitetime operation. Not very nice. Then song about "Radio 1". (LSM-NY)
- 1130 WPYB NC, Benson 2/18 1729 fair w/nx, local ad, ID, C&W. (RAL-VA)
- 1150 WABH VA, Churchville 2/18 1734 fair w/VA Net nx. (RAL-VA)
- 1170 WHELW NJ, Lakewood 2/16 0655 fair w/WWVA nulled w/sports. (RAL-VA)
- 1190 WLIB NY, New York 2/18 1812 fair w/Caribbean mx, overseas shipping ad, s/off @ 1814. (RAL-VA)
- 1240 WRTA PA, Altoona 2/14 2336 ID promo w/about 5 ID's heard, fade-out after 1 min, poor sig o/rest. (NW-ON)
- 1270 WXYZ MI, Detroit 2/18 0425 fair w/WWDC slop w/ID, talk show (RAL-VA)
- 1280 WKST PA, Newcastle 2/13 0010 local wx for Newcastle into "Why Me" by Styx, good signal before quick fade-out in CJJD null (NW-ON)
- 1390 WCSC SC, Charleston 2/11 0309 fair during WEAM SP, generally over WFB. w/wx, R&R. (RAL-VA)
- WFB. NY, Syracuse 2/11 0309 fair during WEAM ITI SP w/promos, wx, pop mx. (RAL-VA)
- 1440 WBCB MI, Bay City 2/8 1746-1806 MoR mx, spot for local butcher store & Ben Franklin Stores, more mx by Barry Manilow & Cliff Richard, 1800 local nx, fair-poor w/WHHH & WCHB (NW-ON)

1470 GHOW ON, Welland 2/18 0328 fair w/wx, C&W. (RAL-VA)
 1480 *CKAN* ON, Newmarket 2/7 1740-1830 apparently testing w/nonstop McR
 mx by Gord Lightfoot, Peter Paul & Mary etc., no ID's, good
 signal throughout unfortunately. (NW-ON)
 WISL PA, Shamokin 1/26 1925 Two IDs heard & wx report at a925.
 # 675. (LSM-NY)
 WRDW GA, Augusta 2/10 0416 fair w/ID, soul mx. (RAL-VA)
 1490 WAZL PA, Hazleton 2/15 2330- 2/16 0003 NBC Olympic report & NBC Nx,
 0000 jx into song by Anne Murray, fair o/mess. (NW-ON)
 1500 WCZY MI, Detroit 2/18 0400 poor during WTOP SP w/nx, AM-FM ID, and
 EZL. (RAL-VA)
 1550 WYNA NC, Raleigh 2/16 1759 poor w/s/off. (RAL-VA)
 1600 WEUP AL, Huntsville 2/18 0338 fair w/ID. (RAL-VA)
 KCRG IA, Cedar Rapids 2/18 0339 fair w/ID on ET. (RAL-VA)

////////////////////////////////////

DX TESTS

710 WROH GA, Rome 2/18 0143 poor-fair w/WOR nulled slightly w/various
 Types of mx, ID's, very brief periods of tone. (RAL-VA)
 + 2/18 0159 In fair to good u/WOR talk on acupuncture. DX Test,
 played all kinds of crazy mx and styles, short tones and then
 IDs "This is W-R-O-M, Rome, GA...", got the 'Rome, GA' part,
 but it wasn't until 0159 that I finally caught the call for
 sure. If WOR had decided to go off, it would have made it
 fine; I'm sure. Some CKWA GRM also. This on 2/18 Mt.
 (LSM-NY, RAM-NY)

////////////////////////////////////

REPORTERS THIS ISSUE

RAL-VA Bob Lazar, 3837 Milan Dr., Apt. 1, Alexandria, VA 22305
 Yaesu FRG-7, SM-2
 LSM-NY Linda Sue Morby, Ushers Road, Ballston Lake, NY 12019
 DX-300 & CB Starduster
 RAM-NY Roger Morby, Ushers Road, Ballston Lake, NY 12019
 Realistic TRF
 NW-ON Niel Wolfish, 15 Donwoods Grove, Toronto, ON M4N 2X4
 Realistic TRF & Yaesu FRG-7

Nice to receive a fine DX report from CDXR Editor, Bob Lazar. Welcome
 to Eastern DX-land, Bob, and good luck with all your DX'ing and other
 pursuits.

I thought the February 16th DX Monitor was a particularly interesting
 issue and a credit to IRCA. Gene Martin's "Looking Back At Radio In 1930"
 was fascinating, and full of information that will be hard to find as the
 years go by. Hang on to that copy with its complete log of the broadcast
 stations of that year. For this 'old timer' it brought back many memories.

Mark Connelly's fine article on Transatlantic DX is full of good BC
 band propagation information. "Midday DX Records" reminds us that BC
 DX'ing can be fun, even in the daytime. All in all a real nice issue.

73 and good DX

Bob Curtis

WCCO Radio 8-3-0
DAILY PROGRAM SCHEDULE
 Monday-Friday

		8-9 PM	"Ask 'CCO" Dan Hertsgaard Twins Baseball
5-7 AM	Top of the Morning Show Glen Olson, Howard Viken, Chuck Lilligren		North Stars Hockey Gopher Basketball
7-8 AM	Morning News Hour Howard Viken, Dick Chapman Ray Christensen, Glen Olson	9-10 PM	CBS Radio Mystery Theater Twins Baseball North Stars Hockey Gopher Basketball
8-10 AM	Howard Viken Show		
10-N	Boone & Erickson Show	10-	Nighttime News
Noon	Top of the Afternoon Show Roger Erickson, Chuck Lilligren	10:30 PM	Joe McFarlin, Bill Diehl, Steve Cannon, Sid Hartman
1-2 PM	Charlie Boone in the Afternoon	10:30 PM-Hobbs House	
2-4 PM	Dan Hertsgaard Show	5:00 AM	Franklin Hobbs
4-7 PM	Going Home With Steve Cannon		
7-8 PM	'CCO on the Go Joe McFarlin, Bill Diehl Twins Baseball North Stars Hockey Gopher Basketball		WEEKENDS ON 'CCO Among the features: The Best of Boone & Erickson, Minnesota Twins Baseball, Minne- sota North Stars Hockey, Minnesota Vikings Football, Minnesota Gopher Football and Basketball, Bill Diehl Sunday Specials, Music thru the Night with Joe McFarlin

Central DX Roundup

Bob Lazar
3837 Milan Dr., Apt. 1
Alexandria, VA 22305

- Deadline: Mondays 85° to 110°W All times Eastern
- 570 WKYX KY Paducah, fair w/ spot for a mall 0027 2/21, then ID and rock. (GT-FL)
- 590 WRTH IL Wood River, in very strong on 2/11 at 1829, for several mins., w/ end of rx, wx, ID and into very nice mx. (SEM-TN)
- 600 KTBB TX Tyler, 2/8 2140 poor w/ ID, mx. A lot of listening to get this one. 42nd Texan. (SS-KS)
- 640 KFI CA Los Angeles, 2/8 2235 poor w/ mx, ID, 62°. (SS-KS)
- 650 WSM TN Nashville, 2/8 2206 fair w/ ID, C&W mx. (SS-KS)
- 660 WESC SC Greenville, mixing w/ the Cuban on late morning skip 1145 1/15. Seemed to be using "Wes Key" slogans. New here in the daytime. (GT-FL)
- 750 WSB GA Atlanta, 1/25 2005 good w/ rx, Atlanta Hawks BKB ad, talk show. (SS-KS)
- WHEB NH Portsmouth, 2/11 1753-1814. 46th state finally heard. News and a good number of local spots. Signal ranged from good to fair. (RS-WI)
- 760 WJR MI Detroit, 1/25 2010 good w/ NJ Nets v.s. Detroit BKB. (SS-KS)
- 840 WMOB AL Mobile, in very good on 2/12 at 1810 to 1817 w/ wx for Mobile & Bay Area, ID, local & state rx, singing ID and mx. (SEM-TN)
- 860 KONO TX San Antonio, in weak but very clear, under CJBC, on 2/12 at 1902 w/ "KONO San Antonio, it's 6:02" then into mx. Back in at 1910 w/ station Valentine promo and ID. (SEM-TN)
- 910 WGAF GA Valdosta, popped in, under WOKK/KRIO, on 2/12 at 2109 w/ "Hear it on WGAF", then mx before dropping out. (SEM-TN)
- 920 CKNX ON Wingham, 2/18 0215-20 fair-good o/ WGST/KARN w/ SID, C&W mx & "Big Country" slogan. Pest KCY not on. (JA-WI)
- 960 WABG MS Greenwood, in very good on 2/11 at 1356 to 1406 w/ Liberty Grocery Store spot, WABG Girl Friday promo, Sweetheart Sale spot, mx, top of hour ID, CBS rx, singing ID and mx. (SEM-TN)
- 970 KNEA AR Jonesboro, 2/18 SSS 1825-1835 w/ C&W mx, rx & wx by female DJ. Fair signal, w/ QRM from 960 and 980. (NZ-NE)
- 1030*KCTA*TX*Corpus Christi, tuned in to 0G, then "This has been KCTA, Corpus Christi, TX testing" at 0133 2/21. (GT-FL)
- KTWO WY Casper, 2/2 1825 fair w/ wx, road conditions, ID. (SS-KS)
- 1100 WWWE OH Cleveland, 1/19 2355 xlnt w/ mx, stn ID, mx. (SS-KS)
- 1130 KWKH LA Shreveport, 1/20 0002 good w/ rx, stn ID. (SS-KS)
- 1140 CKXL AB Calgary, 2/14 0200-0210 w/ rock mx and female DJ. Almost equal to WRVA thir morning. Rarely heard here. (NZ-NE)
- 1160 KSL UT Salt Lake City, 1/20 0020 xlnt w/ Utah v.s. Warriors BKB, stn ID. (SS-KS)
- 1180 WHAM NY Rochester, 1/20 0028 poor w/ mx, stn ID, mx. Much interference from KV00. (SS-KS)
- 1190 KLIF TX Dallas, 1/20 0102 good w/ mx, stn ID. (SS-KS)
- 1210 WCAU PA Philadelphia, 2/2 2025 poor w/ talk about 76ers BKB, ID. (SS)
- 1250 KPAC TX Port Arthur, "Welcome to K-Pack, country mx 24 hrs a day" 0155 2/21. Nil-fair. (GT-FL)
- 1260*KSNO*CO*Aspen, 2/18 MM 0234-0240 w/ TT & two IDs, off at 0240. Assume was f/c; not on this year's list, but on third Mon. on last year's list. Fair to good signal. (NZ-NE)
- 1270 WHEF IL Rock Island, 2/15 2110 poor w/ high school BKB game (Rock Island v.s. Moline.) (SS-KS)
- KWPR OK Claremore, 1/22 1740 xlnt w/ ID, mx, local ads. (SS-KS)
- KFJZ TX Fort Worth, 1/26 2010 xlnt w/ mx, ID, ad for movie "The Jerk". (SS-KS)
- 1280 WWTC MN Minneapolis, 1/26 2025 poor w/ mx, sports w/ Doug ?, ID. (SS)
- 1290 KOIL NE Omaha, 1/23 2030 1290 fair w/ mx, ID. (SS-KS)
- WIRL IL Peoria, 1/22 1745 poor w/ mx, stn ID, traffic reports, mx. Trying to find KWLS Pratt, KS here. (SS-KS)
- WHIO OH Dayton, 1/26 2055 poor w/ Dayton University BKB, advertizing. Never heard ID. (SS-KS)
- 1300 WIBR LA Baton Rouge, poor 1/26 2151 w/ mx, ID. A big mess on this frequency. (SS-KS)
- WMAK TN Nashville, 1/26 2143 poor w/ mx, wx. (SS-KS)
- 1310 KAAM TX Dallas, 1/23 2040 good w/ mx, ID, Revco ad. Is this ex-WRR? (SS-KS) (Yes it is--ed)
- CKOY ON Ottawa, 2/13 0205-0300 w/ a mix of pop mx and some oldies, several spots & rx by female on the hour. A welcome newie here. Quite variable signal. (NZ-NE)

- 1320 KLWN KS Lawrence, 1/28 1704 poor w/ local & national nx, ad for Ford, wx, stocks. (SS-KS)
- KXYZ TX Houston, 1/23 2055 good w/ mx, ID, mx. (SS-KS)
- 1350 KRNT IA Des Moines, 1/23 2118 good w/ CBS sports, stn ID, wx 31^o. (SS)
- 1360 KSCJ IA Sioux City, 1/23 2130 good w/ mx, BKB ad, mx, stn ID. (SS-KS)
- 1370 KCRV MO Caruthersville, 2/18 1844-45 poor-fair w/ local & regional wx & s/off mentioning AM & FM. (JA-WI)
- 1380 KWK MO St. Louis, in and out, several times, w/ good signal on 2/11 between 1927 and 1949 w/ spot for AMC/Jeep dealer in nearby Collinsville, mx and ID. Couple more IDs, TC, spots and mx hrd before it completely faded. Anybody know the exact date this stn resumed operation after its granted shut-down for it to be sold? (SEM-TN)
- 1400 WNAG MS Grenada, in briefly at 1851 on 2/15 w/ clothing store spot, ID and mx. Full top of hour ID also hrd at 1900. (SEM-TN)
- 1420*WSUH*MS*Oxford, testing 1/15 w/ TT and the following ID at 0155: "WSUH Oxford, MS has been on the air from midnight to 12:55 for the purposes of conducting transmitter tests." Now if they had only said how often they test, hi. (GT-FL)
- 1440 WGEM IL Quincy, 1/26 2300 fair w/ mx, ID, nx. (SS-KS)
- WRBE MS Lucedale, boomed in w/ xlnt signal on 2/14 at 1844 w/ mx, then full s/off anmt and SSB. (SEM-TN)
- 1400*WMBC*MS*Columbus, 2/13 0145-0200 poor-fair w/ frequency measurement test, TT-ID every 2 mins. (JA-WI) (Out of order, sorry--ed)
- 1490 KOTN AR Pine Bluff, in good on 2/11 at 2152 w/ "The place for mx is KOTN", then into mx before dropping out. (SEM-TN)
- WFKY KY Frankfort, 2/15 1923-24 fair w/ promo for local & national nx coverage, ID and into top 40 mx. (JA-WI)
- 1550 WCTW IN New Castle, in very good on 2/15 at 2253 w/ score of New Castle BKB game that was broadcast a bit earlier, then other local area high school BKB scores, wx forecast w/ mention of snow accumulation & traveler's advisory, then temp. in New Castle and comment by ancr about having to get out, ID heard before KKJ0 took over once again. Either this stn was on late due to broadcast of BKB game or has the s/off time in the NRC Log been changed? (SEM-TN)
- KOKA LA Shreveport, 2/10 0158 fair w/ mx, ID, telling about Black Heritage Month, watch cable TV channel 6. (SS-KS)
- 1570 KVLG TX La Grange, 2/18 1916 poor u/ CHLO w/ s/off right after KTER s/off. (JA-WI)
- 1580*KLTR*OK*Blackwell, 2/17 0135-0214 on ET of TTs and OC w/ one ID. Good signal, but unneeded here. (NZ-NE)
- 1590 KEND TX Lubbock, 2/10 0125 good w/ mx, ID, more mx, ad for Big Brothers 763-5618. They call themselves Country 16. (SS-KS)
- 1600 KBBB TX Borger, 1/29 1741 fair w/ ad for something in Borger, ID, mx. (SS-KS)

PER THE LIST

3rd Thu. 940 WCPC MS Houston, dial tone 0120. (GT-FL)

DX TESTS

- 710 WROM GA Rome, 2/18 0130-35 good on DX test w/ MoR mx and IDs after each song. "On air for equipment maintenance." Off at 0230 recheck. (JA-WI) 2/18 0130-0159 w/ many IDs, mx and short TTs. Fair+ signal w/ WOR & KGNC QRM. (NZ-NE) Caught last 15 mins 0215-0230 2/18. Fair w/ 500 Hz TT, show tunes & IDs. (GT-FL)
- 730 KURL MT Billings, 2/18 0202-0215 w/ two IDs & several periods of TTs. Poor signal w/ severe SS QRM. (NZ-NE) Spot-checked 0215-0230 2/18....nothing. (GT-FL)
- 920 KVEL UT Vernal, tried briefly 0700-0715 1/28...nope. (GT-FL)

A TIP OF THE HAT TO THIS WEEK'S CAST OF GDXR CHARACTERS

- JA - Jim Albrecht, 3313 N. Weil St., Milwaukee, WI 53212
(Panasonic RF-2200, Realistic TRF)
- SEM - Sidney E. Marshall, 7224 Pam Dr., Millington, TN 38053
(Panasonic RF-2200, SM-2)
- SS - Steve Sprague, 811 E. 10th, Coffeyville, KS 67337 (Welcome!--ed)
(Hallicrafters S-120, 100' longwire)
- RS - Robert Steadman, 2758 S. Wentworth Ave., Milwaukee, WI 53207
- GT - Gerry Thomas, Pensacola, FL 32503 (GE Superadio)
- NZ - Neil Zank, 623 Lyncrest Dr., Lincoln, NE 68510
(Hammarlund HQ-180A, GE Great Awakening clock radio)

WESTERN DX ROUNDUP

Nancy Hardy
2301 Pacific Avenue
Aberdeen, WA 98520

All times are
Eastern Local

Phone for hot WDXR tips: (206)532-6827 till 10:30pm(PLT)--no collect calls
DEADLINES: Thursdays 3/13, 3/20, 4/3, 4/17, 5/8, 6/2, 7/3

REPORTERS FOR THIS ISSUE:

- (JEC) James Critchett-1635 Walbridge St.-Red Bluff, CA 96080
Drake SPR-4, Sanserino loop
(WJH) Bill Harms-P.O. Box 7428-Provo, UT 84602
Realistic TRF, FRG-7, 3' wedge
(MEM) Mark McMillan-Rt. 3 Box 381-Rathdrum, ID 83858
HQ-180, 1300' NW Beverage, 1000'E Beverage, 880' SE Beverage
(AJR) A.J. Rimmington-559 Clarke Road-Coquitlam, BC V3J 3X4
Rebuilt 1944 Vickers radar rx, amplified 4' altaz loop
(RCY) Bob Yentema-P.O. Box 294-Mercury, NV 89023
Craig 2612 AM/FM receiver

- *****
630 KSSX UT, Sandy AN except MM 0200-0700. All talk, NEC net. Various nx blocks. (WJH-UT)
660 KJAR AK, Fairbanks 2/4 0329 start of "Hour of Decision" & ID at 0400 "11pm." (JEC-GA)
740 KSSS CO, Colorado Springs 2/17 0616 atop KTRH. Mx, ID "It's 41° in the Springs at KSSS." Very strong. (MEM-ID)
910 KORD WA, Pasco 2/23 1845 C&W now, "91 Country." Per call to DJ, format changed 1/1/80. (MEM-ID)
950 XEGM BCN, Tijuana 2/22 0251 ID. Back again, louder. (JEC-CA)
1030 KTWO WY, Casper 2/24 0725-0730 relig. program "Missions International," wx, ID; very strong signal. This is a very good catch for me as we have a translator on 1030 kHz which brings us FM programming from Las Vegas/Henderson. Apparently it was inoperative at the time. (RCY-NV)
1040 WHO IA, Des Moines Sa 3/9 0318 "Newsradio" slogan. (JEC-CA)
1070 KERR MT, Polson MM 2/25 1041 ID, KNX nulled. (JEC-CA)
1140 WRVA VA, Richmond 2/18 0545 wx then ID into some kind of talk, CKXL nulled. State #37, stn #834. (MEM-ID)
1280 KBDP OR, Eugene 2/12 0257 PSA for "help the handicapped" benefit organized by "Welcome Wagon of Eugene." 0300 ID. Poor w/GY-like mess, no sign of usual KIT. (AJR-BC)
1380 KTOM CA, Salinas 2/18 0424 is this AN or NSP? KRKO off except for OC Hrd C&W mx, TC, ID that sounded like "K-tom." In all morning.
WQHK IN, Fort Wayne 2/18 0450 ID by YL & ment. of contest. (MEM) Faded up & down in KRKO OC & KTOM. (MEM-ID)
KSWO OK, Lawton 2/18 0630 s/on w/"Good morning this is KSWO." Lost to GY-type mess, WQHK, KTOM, and possible WPHM. (MEM-ID)
1430 *KTYN* ND, Minot 2/12 0200 unreadable anct. followed by 5 min. of 1 kHz TT, 0205 "KTYN Radio, Minot ND off the air," 2 more min. 1 kHz tone, then silence. ET, I guess. Isn't KTYN a daytimer? (AJR-BC) (Yes, they're daytime w/ 5000 watts.--NH)
1440 KEWI KS, Topeka 2/18 0655 ID into nx; lost soon after. (MEM-ID)
1470 KAZM AZ, Sedona 2/15 0249 flood reports in place of ET. Still there 0310. (JEC-CA)
1490 (KBLF) CA, Red Bluff off Sa 2/16 0508 & Su 2/17 0502; KSNR-FM also off both days. Mon.-Fri. they go off 0300 or 0302. (JEC-CA)
1550 KRGO UT, Granger will change community name 7/1/80 to "West Valley."
1580 KDAY CA, Santa Monica MM 1/28 0403 s/off anct. (JEC) (WJH-UT)
UNID's:
1490 Fri. 2/7 0330 Larry King Show. (JEC-CA)
1490 Fri. 2/8 0335 Larry King Show. (JEC-CA)

DX tests:

- 730 *KURL* MT, Billings MM 2/18 0218 ID on DX special. (JEC-CA)

Welcome to WDXR, "AJR." We have a pretty good cross-section of WDXR-land this week, with no two reporters living in the same state/province. Sort of a short column this week. Perhaps everyone is saving their report for the special anniversary issue next week. ♡

DX**Worldwide**
Elliot Straus
 Editor

All times UTC
Deadline Tuesdays
Box 168 - RedBank, NJ 07701 - 201-736-1681, M-F 18-2200, Wed 10-2200 ELT
TRANS-ATLANTIC DX ROUNDUP (From Mark Connelly)

- 756 PORTUGAL Lisboa 2345 Feb 15, to good peaks w/soft mx.
 765 SENEGAL Dakar 2230 Feb 12, good w/AA talk
 0030 Feb 17, good w/jazz, FF ancr.
 2221 Feb 22, FF talk, AA chant, AA talk
 774 SPAIN synchros 2224 Feb 12, loud w/SS talk, show tunes.
 882 ENGLAND 2245 Feb 12, present as het., also hets on 909, 1053, 1089.
 1206 FRANCE Bordeaux 2227 Feb 12, vry good w/OM in FF.
 1566 TUNISIA Sfax 0453 Feb 16, good but fluttery; OM AA vocal.

PAN-AMERICAN DX ROUNDUP

- 540 MEXICO XEWA San Luis Potosi 0401 Feb 20, fair-good in CBK null.
 OM ancr, Coke ad, jingle, SS mx, foll. by EEL. (Latteman-Cal.)
 600 CUBA San Antonio de las Vegas 0921 Feb 18, in like local w/
 talk about black slaves in Cuba during Spanish colonial period.
 (Worst, Tex.)
 690 MEXICO D.F. 0501 Feb 17, thru WTIK, tent. (Worst, Tex.)
 700 COLOMBIA Cali HJCK 0620 Jan 05, 'R.Sutatenza' ID. (Toebe-Neu.)
 710 MEXICO Guaymas 0515 Jan 17, u/KMPC w/YL IDing as 'R.Amistad'.
 (Toebe-Neu.)
 720 PANAMA Chitref HOB50 1001 Jan 12, during XDOWN SP, vry faint but
 readable, 'R.Republica' ID twice, OM SS ancr. (Toebe-Neu.)
 760 MEXICO D.F. XEABC 0732 Jan 20, 'A-B-C' ID in SS by OM u/KMPC,
 which was strangely weak, also w/WJR slop. (Toebe-Neu.)
 765 EL SALVADOR Usulutlan YSKLD 0230 Feb 17, ID @ 0230, foll. by LA mx.
 (Worst-Tex.)
 770 EL SALVADOR San Salvador YSKL 0230 Feb 17, . (Worst-Tex.)
 820 UNID 0632 Jan 27, mx u/WBAP, seemed // 1040. (Toebe-Neu.)
 824.8 COSTA RICA San Jose TIOS 0725 Feb 05, R.Titania noted on this
 freq, give or take a Hertz, Usual non mx & ID on top of songs.
 (Hall-Patch-B.C.)
 870 PUERTO RICO San Juan WHOA 2338 Feb 10, fair w/WWL nulled w/NBC
 sports, SID, C&W mx. Ment. that C&W mx was two hour special on
 Sun. nights. (Lazar-Va.)
 900 GUATEMALA Puerto Barrios TGMA 1050 Feb 18, came on suddenly w/ID
 XEW off. 1052 into SAH. Think it went into relig. pgming after.
 (Worst-Tex.)
 920 CUBA Cardenas CMGB 0944 Feb 10, fair-good w/usual mx & TC format.
 (Lazar-Va.)
 950 MEXICO Nueva Rosita XEYJ 1023 Feb 18, YL SS talk, ID @ 1027 by YL
 Incl. power. foll. by LA vocal. (Worst-Tex.)
 950 UNID 0807-16 Feb 18, in null of OC from local KJR. 2 SS stns.
 Dominant one had interview w/2 OM discussing marijuana. The other
 one had vocal mx & may have IDed w/OM in echo chamber just as
 KJR came back on w/RS 0816. Help, S.Cal members. (Portzer-Wa.)
 990 MEXICO Monterrey XET 0955 Feb 04, Call ID after long SS song.
 Poor-fair but dominant on channel. New. (Hall-Patch-B.C.)
 1000 UNID 0822 Feb 11, disco heard poor-fair w/one 'R.Mil' ID by OM
 on top of the mx. But which R.Mil? KONO off. (Hall-Patch-B.C.)
 1040 COLOMBIA Bogota HJCK 0852 Jan 27, 'R.Super' ID, slight trace of
 something else underneath. (Toebe-Neu.)
 1035 HAITI Cap Haitien 4VEC 1020 Feb 11, w/orzan mx, almost Polynesian
 sounding. Good strength despite CPAX-1070 splatter. 4VEH ID @ 1030
 in SS. (Hall-Patch, B.C.)
 1110 COLOMBIA Cali HJEW 0800 Feb 10, 'R.Reloj' during WBT SP w/complete
 ID incl. call letters. (Lazar-Va.)
 1110 MEXICO Rio Bravo XEQQ 1821 Feb 17, R.Juventud w/Mex. disco mx.
 not // to 590 XEFD this Sun. like I reported last year. However,
 at several rechecks they were // for certain ancts for a couple
 of seconds. (Worst-Tex.)
 1135 GUATEMALA Retalhuleu TGVR La Voz de la Costa Sur 0313 Feb 18, ID
 foll. by OM singing sad song. Some TVI & KWKH slop. (Worst-Tex.)
 1285.9 UNID 0502 Feb 16, this might be the errant Colombian noted by
 Hutton & others-- SS OM operatic vocal, SS ads by OM, definite ID
 not heard: at fair level. (Connelly-Ma.)

- 1325 HAITI Port-au-Prince 4VJCD 0250 Feb 17, LA type mx but w/occasional EE lyrics. fair-good until 0253 f/out. Rather difficult w/KXYZ-1320 slop. 3 time pips @ 0301:00. (Worst-Tex.)
- 1425 UNID 0506 Feb 16, strong OC which sometimes had low-pitched tone on it. (Connelly-Ma.)
- 1460 UNID 0430-0600 Feb 09, SS u/KENO/KDON. faded up occasionally, caught 'R.Sensación' ID at one point when it was bombing in- also caught something which sounded like 'equils--- ee-say' XEYC? This is no longer listed by RTH, was in '76. (Toebe-Nev.)
- 1577 CUBA R.Cadena Agramonte 0454 Feb 16, poor w/OM in SS. (Connelly)

TRANS-PACIFIC DX ROUNDUP

- 531 AUSTRALIA Kempsey 2KM 0950 Feb 18, vy strong w/Pop mx & spots. Was looking for JUL but no luck. (P.Martin-Ore.)
- 558 UNID 0815 Feb 04, strong carrier looping Pacific. Prob. Fiji, as poor audio noted on 711 & 639 around this time. (Hall-Patch,B.C.)
- 639 UNID 1021 Feb 17, inst. mx in KFI null. (Portzer-Wa.)
- 648 t USSR Iman 1345 Feb 20, maybe the het looping NE. no audio. (Harms-Ut.)
- 650 HAWAII Honolulu KORL 1300 Feb 23, fair-good w/DJ w/AP mx. foll by uninterrupted mellow rock. (Latteman-Wash.)
- 656 NEW ZEALAND Wellington 2YC 1012 Feb 19, almost armchair copy, w/cl. mx. (P.Martin-Ore.)
- 657 t N.KOREA Pyongyang 1340 Feb 20, maybe the carrier looping NE. (Harms-Ut.)
- 666 NEW CALEDONIA Noumea 0900 Feb 20, good w/OM in FF, w/long jazz cuts. (P.Martin-Ore.)
- 702 AUSTRALIA Sydney 2BL 1100 Feb 18, good w/ABC mx, w/fanfare into nx (P.Martin-Ore.)
- 711 AUSTRALIA/FIJI 1103 Feb 20, both here about equal. Most Fiji freqs. were in that am w/891 & 1026 best. (P.Martin-Ore.)
- 747 AUSTRALIA Toowoomba 4QS 0800 Feb 18, w/ABC mx // 702,774.(Martin)
- 747 JAPAN Sapporo JOIB 1400 Feb 20, NHK pips, JJ talk by YL. good. (Harms-Ut.)
- +1317-25 Feb 23, fair-good w/OM in JJ, then OM/YL talk. (Latteman)
- 756 NEW ZEALAND Wellington 1YA 1013 Feb 18, good w/OM talk, // 6105. (Harms-Ut.)
- 774 JAPAN Akita JOUB 1329 Feb 23, strong signal w/OM in JJ, thought I heard something like NHK @ 1331. @ 1340 tune-back OM/YL talk. (Latteman-Wa.)
- 830 HAWAII Honolulu KIRI 1025 Feb 17, blasting in w/heavy rock mx. (Portzer-Wa.)
- 837 NEW ZEALAND Whangarei/Kaitia 1YX/1YK 0917 Feb 17, //756, some nights they are // to 2YC w/cl. mx. & other nights they are // w/the E&L net. (P.Martin-Ore.)
- 864 JAPAN 1056 Feb 20, pop vocals w/JJ YL ancor, no ID on hour, many stns. listed. (Williams-Ore.)
- 870 HAWAII Honolulu KAIM 0930 Feb 04, nx, sports, wx, & ID. fair in WWL null. (Hall-Patch,B.C.)
- 873 JAPAN Kunamoto JOGB 1335 Feb 23, poor-fair, GRN, OM JJ talk. (Latteman-Wa.)
- 882 NEW ZEALAND 1YC 1015 Feb 20, OM in EE w/cl. mx. good signal. (Williams-Ore.)
- 891 FIJI 1018 Feb 20, YL in Hindi, good but dropped down quickly. (Williams-Ore.)
- 954 AUSTRALIA Sydney 2UE 0954 Feb 17, w/teletalk show, but soon buried by KJR slop. (P.Martin-Ore.)
- 1008 AUST./N.Z. 1047 Feb 19, Brisbane way over 1ZD which was really strange. by 1049 1ZD took over. 4IP must be one of the most hyped stns. I've ever heard from DU. (Martin-Ore.)
- 1017 AUSTRALIA Sydney 2KY 1220 Feb 17, w/racing results & ads. Didn't note Tonga as they must have signed off @ 1200. (Martin-Ore.)
- 1017 TONGA Nuku Alofa 0723 Feb 13, Island mx, good YL talk.(Harms)
- +0819-30+ Feb 18, w/one of the strongest DU signals ever heard here. Had YL in vernacular playing mixture of pop/ S.Seas mx. (Portzer)
- +0958 Feb 20, to 1002 s/off. group singing & NA. (Williams-Ore.)

- 1107 AUSTRALIA Sydney 2UW 1330 Feb 22, holding it's own well w/pop mx, wx for Sydney. (Martin-Ore.)
- 1116 AUSTRALIA Brisbane 4BC 1345 Feb 22, quite good @ times but alot of KPNW slop. Pop mx format sounded like someone in background, but hard to tell for sure. (Martin-Ore.)
- 1206 AUSTRALIA Grafton 2GF 1312 Feb 21, heard well w/pop mx. over easy list. stn. (poss. 2CC Canberra). (Martin-Ore.)
- 1233 AUSTRALIA Newcastle 2NC 1232 Feb 21, heard w/ABC jazz. (Martin-Ore.)
- 1296 AUSTRALIA Brisbane 4BK 0900 Feb 21, finally heard w/nx. into 'Horse w/no name' by America, soon lost to KMPS slop. Heard all Brisbane stns. now except for the new 300 watt Ethnic on 1485. (Martin-Ore.)
- 1386 AUSTRALIA Sydney 2EA 1015 Feb 20, heard fair w/nx pgm. on Lasar Beams then into UNID lang. lessons. Also new. (Martin-Ore.)
- 1386 t AUSTRALIA Adelaide 5AA? 1020 Feb 20, unid EZL stn. way u/2EA at times, sounded like a time check but too much QRM to tell. (Martin)
- 1476 NEW ZEALAND Auckland 1XA 0830 Feb 17-20 w/rr mx. (Martin-Ore.)
- 1503 t AUSTRALIA Melbourne 3AK7? 1107 Feb 20, may have been the weak EZL stn., but soon lost to 1500 slop.. (P.Martin-Ore.)
- 1548 AUSTRALIA Emerald 4QD 1300 Feb 19, vy good next to KGAR/KKHI, w/cl. mx. into ABC mx. (P.Martin-Ore.)
- 1566 S.KOREA Cheju HLLDA 1410 Feb 20, presumed the one w/JJ talk by JM, huge carrier.. (Harms-Ut.)
- 1575 THAILAND Ban Pachi VOA fair w/YL in unid oriental lang. (Vietnamese per sched.) IDed by // 9630. (Hall-Patch,B.C.) (time? date?-ed.)
- 1584 UNID 1124 Feb 20, het here, no audio. (Williams-Ore.)
- 1593 t NEW ZEALAND Manakua 1XP 1317 Feb 18, may have been the one w/unid promo & phone interview pgm. (P.Martin-Ore.)

CONTRIBUTORS:

Mark CONNELLY 30 William Rd. Billerica, Ma. 01821
R-390A, MW-1

Nick HALL-PATCH 3272 Alder St. Victoria, B.C. V8X 1P2
transmor. HRO, FET AA loop

Bill HARMS Univ. Stn. Box 7428 Provo, Utah 84602
mod. FRG-7

Jack LATTEMANN 314 NE 56th St. Seattle, Wash. 98105
mod. FRG-7, MW-1

Bob LAZAR 3837 Milan Dr. Apt 1, Alexandria, Va. 22305
FRG-7, SM-2

Patrick MARTIN POB 843 Seaside, Ore. 97138
E.H.Scott, 230' lw

Bruce PORTNER 6546 19th NE Seattle, Wash. 98115
Hc-180A, 4' loop

Rich TOEBE 2350 Stonehaven Circle, Reno, Nevada 89511
Grundig 1100

Dave WILLIAMS Box 615 Hwy 101 Astoria, Ore. 97103
SPR-4, 360' lw

Mike WORST 3155 French Rd. #194, Beaumont, Tex. 77706
SP-600, 51J-4, wedge loop

Good evening, comrades, here is the news

WASHINGTON — (AP) — For the first time in memory, Radio Moscow's English-language broadcasts are being beamed to parts of the United States on a standard AM frequency, federal officials say.

"I don't know of any other instance in which we've picked up Moscow's propaganda, in English, coming into the United States ... where any average Joe can pick it up in his ear," said a Federal Communications Commission source.

The broadcasts, monitored in Florida, Tuesday and Wednesday, were relayed by a 'uban station.

"It was pure propaganda aimed at the 'nited States," said James C. McKinney of the C.C. "By broadcasting primarily at night, they were clearly trying to reach as much of Florida and beyond as possible."

Radio Moscow, heard around the world via

short-wave transmissions, recently has presented as news the Kremlin's position on the Russian occupation of Afghanistan. The station facility typically presents only the government's view of developments around the world, often railing against "American imperialism."

State Department officials said they could not predict whether the Cuban relays marked the start of a propaganda campaign aimed at masses of American listeners.

McKinney, chief of the F.C.C.'s field-operations bureau, confirmed last night that his bureau's monitoring stations in Fort Lauderdale and Tampa, Fla., had detected the signal.

"It began at 3:30 p.m. Tuesday and continued through 9 a.m. Wednesday," McKinney said. "Our bearings indicate it was coming from a radio station which we know as CMCA,

... in Las Vegas, Cuba, using the 600-kilohertz frequency on the AM band.

McKinney described the signal as "one that could probably be picked up throughout most of Florida."

"We started monitoring when we received a complaint of interference from WSNY-AM in Jacksonville, which broadcasts on the same 600-kilohertz frequency," he added.

"What's so surprising," McKinney said, "is that it's the English version of 'Radio Moscow' coming in on the AM band. We hear Spanish programs from Cuba all the time, and the Russians have long broadcast their English program illegally on short wave. But you need a special receiver to be bothered by that."

He said the Soviet portion of the monitored broadcast included music, news and even Moscow weather reports.

EASTERN DX FORUM

THE COLUMN
OF THE 80's

Paul Mount
35-1/2 W.Columbus St.
Nelsonville, Ohio 45764

after 11p
TELE FORUM 614 753 3280

GREG MONTI 1110 Fidler Lane #1424 Silver Spring MD 20910

Re: AM's economic problems: they're basically twofold: quality and image. The quality problem has at least three parts: receiver degradation, overprocessing, and noise. AM receivers used to be rather high-quality devices, often with variable bandwidth controls which allowed listeners to choose between DX and quality. Today, people are used to convenient loopstick antennas, and response that rolls off badly above 2 or 3 khz. Will new, hi-fi AM receivers, and stereo ones at that be able to overcome this image of bad audio? I imagine even themarketing experts are unsure. Overprocessing is a subjective term, but most people know what it means. Usually, it's a combination of limiting, compression, and equalization done heavily in an attempt to overcome the narrowband receiver problem. In part, it works. But listeners who don't tune their receivers carefully to channel center will find substansial distortion. Noise levels are one thing DXers have been noticing for years. The same, modern industry and technology that brought us stereo FM brings us man-made static and electrical noise whihc can only be overcome--for AM stations--by sheer carrier power or high average modulation. Carrier powers aren't all that high in the US if you look at the rest of the world. Should higher powers be permitted for all classes of stations here? Especially for the 250-watt nighttime operation graveyarders? That looks possible, although I'd doubt the FCC will allow higher power for the clears in the near future. This is because the clears already enjoy such unbelievable dominance in their groundwave coverage areas. They are the only AM's that can really compete with FM through the noise level. More next time. 73's.

PHIL BOERSMA 15570 Cleveland St. Spring Lake MI 49456

20 Feb 80

Brickbats and balderdash from West Michigan: WKEB 850 has dropped Larry Kings all-night blab-a-thon, opting instead for a R&B show from midnight to 5:30 every morning except MM, when they're off. Meanwhile, WHTC-1450 is now AN-6, silent MM, carrying Larry King Tuesday thru Sunday mornings. The new ARBs for Muskegon and Grand Rapids were released about a week ago, with FMers like WQWQ and WMUS-FM wiping out the AM stations in Muskegon. In Grand Rapids, WGRD-1410 took a bad tumble, while soul strn WKWM-1440 leapt upward past most of the other AM stations. WOOD AM/FM still the market leaders there. Bill Townshend: Most newer AM transmitters are actuated with only two switches, "filaments on", then "plate on" which puts the carrier on theair. The new solid state SMTRs like the Harris MW-1 have only a "power on/off" switch with no warm up required. PSAs are produced in a number of ways; for example, WKJR-1520 runs their low power PA (power amplifier) of 5000 watts through a large dummy load which reduces the 5000 watts to the PSA power of 41 watts. Needless to say, that dummy load (in essence, a large resistor), gets very hot! For those interested in FM DX (ERC note) the Worldwide TV-FM DX Association is definitely the club to inquire about! Address is PO Box 97, Calumet City IL 60409. I'm a member of that club as well as IRCA & NRC, and find them indispensable for FM/TV DX information. I enjoyed the Gene Martin article on 1930 radio very much. 73s.

JOE MARKEWICZ 524 N. Oakbend Dr. #305 Duluth MN 55811

It looks like my time in Duluth will be very limited until June. Most of March will see me down in the Caribbean, namely on the Virgin Islands and PR. After that, I'll be living in Prince Edward Island and by May, I should be in Winnepeg where I will be attending the Spring session at the University of Manitoba. Hopefully, I'll finish my degree. On a number of occasions I've had the opportunity to DX the AM band at 32,000 feet. If I had the time, the reception of some stations would be very interesting, especially during the day hours. On Jan 18, noted CBA-1070 in under WTSO w/the Canadian Election results. Later on that night at 0200, I noted Cuba-600 in English, with Cuba-590 in Spanish. This is the first time in ten years that I have heard Cuba in English on AM. It would appear I will not have that much time to do any type of DXing for awhile. 73

Joe has DXed at 32,000 feet, would like to hear more about that. What's the most unusual place YOU have DXed from? Tell us about it in a Forum. Deadlines Tuesdays, call yours in if you wish, best after 11 p m, EST.prm

BILL WURTZEL 32 W 31st St. New York NY 10001 (212)594-8498 Feb 16
RTH, here's some input on costs of DX Monitor and possible use of advertising. First we all could use a little lower subscription rate, and ads would be great. But who will handle that end of the business? I would like to do something for the club, but am under a heavy writing and typing schedule. That leaves little time for DXing. Am awaiting the IRCA ALMANAC, and WRTVH. Spoke to Ernie Cooper last night, and got his letter today. Was out to Hartmann Electronics in Plainville, L.I. Tuesday. Mr. Hartmann was Chief Engineer for Grundig Radio and now is parts distribution center for Grundig radios. Brought 2 of my Grundigs for scouping up and alignment. He does excellent work for special customers, and is reasonable. Joe Jergel, wish you told us you had 10 Grundigs for trade, I would have been interested in one.
San Francisco's radio station KEST You really must be in the pits
Can be a very annoying pest If your radio cant pick up St. Kitts
They overmodulate Here's a good scoop:
That's what I hate Use an M-1 Loop
Their transmitter needs a long rest! You'll be hearing all their top hits!

DAVE YOCIS 502 W McDonel MSU East Lansing MI 48824 (517)353-1503 2/19
Greetings all. Public repentance: I recently reported CMW-590 and CMAN-550, both Rebelde outlets, in a recent DXWW. It turns out that neither of the are on the air (per Cuban sources) because CMAN is now on 580 and CMW is off w/XR problems. Now the DX 160 does not have frequency readout, nor have I gotten a round tuit to getting some kind of calibration on it. I normally use several known stns as "indicators" for frequency, and count a certain number of channels over from it. I recently repeated the error of finding "Cuba" on "590" when I was actually on 580 (CMAN's new freq) because I counted 575 as a channel. I hope I said that right. And your guess is as good as mine as to how I hrd Rebelde on 550. Other news: recent reports that Cuba-600 is using EE are qualified a bit: I think their 2/18 MM pgm was in SS (but hard to tell because of horrible QRN here even though they were alone). Mx was definitely Latin. Another disaster hit the shack: I busted the tuning dial on my SM-2 and when I tried to take it apart to repair it (a relatively simple process even this technical klutz could do) I discovered that the ferrite rod itself was broken in half and that its support was disintegrating every time I touche the antenna. An old, unused piece of electrical cord, about 15 feet long, is hanging out my window (and now picks up static from the floors beneath me). It works well on SW, and I've even taken to going back to that band which I haven't touched (except for WWV) in years. The QRN doesn't have any effect above 7 MHz or so. Of course, the DX-160's frequency readout is worse on SW than on MW, so it's like hunting in the dark. Some success with DX Tests for a change: WROM-710 tentatively 2/18, report sent. 73.

BILL COLEMAN JR. KALDAP 114 Circle Dr., Rocky Mount NC 27801 Feb 19
AC 919 443-7282 11pm-0300 daily prepaid calls only
Greetings. Happened to be listening to Larry King show the other morning, think it was Mon. morn., 2/4 and heard someone discussing IRCA antenna reprints, and giving out the club's address! Give credit to Jef Jaisun of Kirkland, WA for calling in to KDKA, and probably to Larry King show (haven't received a card confirming that one yet, hi). Anyone hear the Cuban on 600 w/EE??? Like to welcome all members to come by for a visit whenever passing through Rocky Mount, in case you can't ever make it to the March 1/2 gettogether. Just keep my phone # handy as its non-pub. Have the new Palomar Engineers loop antenna. Also have the plug in loops for VLF band as well as standard broadcast, so far works fairly well. Not bad for \$67.50 (loop amplifier), then add \$47.50 for each plug in loops you want. Like to hear from anyone else using this loop antenna!! Maybe we could compare our units! Heart the WROM-710 test here 2/18, but no sign of KURL-730 test. I still like to exchange cassettes of air checks, jingles if anyone wants to. Phone calls, correspondence, and visits are always welcome here!!! 73's, Bill.

PAUL MOUNT 35 1/2 West Columbus St. Nelsonville OH 45764 0105 Feb 27
Hello from 82°14' W, 39°27'32"N where 6 1/2" of snow followed a week of 50's temps. Bill W., IRCA has the best price overall. Compared to 3 other clubs, there are more issues per year, and cost per issue is less than any of NRC, GWDXA, or WTFDA. Your Grundig should be great now considering its pull in my Dec. visit to Bill. At WLGN each position on a rotating dial controls a certain function; the same switch is used to activate the filament and carrier. The GE told me to leave on AM filaments to heat (xmtz) building during 0° wx so they wouldn't freeze overnight. Greg Monti will have a Forum about WPT's question in an issue to come. Ignore 1/26 "D".!L
14

Western DX forum

ALL
TIMES
ELT

Ric Heald
1058 Sanchez Street
San Francisco, California 94114
Phone (415) VAlencia 1-0447

1980 Deadlines

Weekly—Every Thursday 9 Days Prior To Publication Date—Thru 20 March 1980

Future 1980 Deadlines—03 & 17 April, 08 May, 05 June, 03 & 31 July

Remainder of 1980 Deadline Dates TBA by Seattle

□ □ □ □ □ □ □ □

JIM KORN, P.O. BOX 3111, SAN FRANCISCO, CA 94131 - Southwest Saga Part II
I reached Tucson on 31 December and immediately noticed that KTKT 990 had a very bad spur around 1060 kHz. Former IRCA member Steve Russell told me that the KTKT spur has been there as long as he's lived in Tucson which is nearly ten years. Steve also gave me a tour of KOLD-TV 13 where he works as an engineer, and even told me how to drive to the station's transmitter site at Mt. Bigelow, which it shares with the three other Tucson TV stations and with KUAT-FM. I had to abort this part of the trip after being stopped by snow at about the 8,000-foot level. This has to be one of the highest TV transmitter sites in the U.S., at least in terms of absolute height above sea level. I also took a guided tour of the Kitt Peak Observatory on the Papago Indian Reservation, which at 6,875 feet has line of sight to both Phoenix and Tucson, so the FM reception was great. Other news from Tucson: KXEW 1600 is now 24 hours in SS, and KHYT 1330 which has a disco format and is still a daytimer has published a music survey promising "24 hours a day is on the way." Also, 96.1 on Tucson FM is now KTKT-FM (ex-KCEE-FM). They announce "KT-FM" and play AOR. I noticed that XECG 1240, XEHP 1370, XEHN 1130 and XEXW 1300 in Nogales are all located in the same building on Calle Vasquez, so I suspect that common ownership of several stations broadcasting on one band from one city is legal in Mexico. (It's my understanding that it's legal as long as each station has a different format-Rth). The U.S. Park Service operates an informational AM station on 1606 kHz from their Desert Information Center, Barstow, CA, but I forgot to record their call letters. Sorry. Back home: KSFO 560 has a second tower in place at their Islais Creek transmitter site in San Francisco, and will increase night power to 5,000 watts with DA-N around 01 April, according to a phone chat I had with one of their engineers on 15 February. Enough. 73 de JDK.

DAVID OLIPHANT, BOX 361, MEDICINE HAT, ALBERTA T1A 7G1 - 16 February 1980
It has been a long while since I last appeared in these pages and a lot has happened since then. While I still maintain my same mailing address, I have now moved back into the big city, i.e. Med. Hat, hi. This was unfortunate in terms of DX as I had just managed to work some of the bugs (well, actually cows) out of my first attempt at a beverage. Probably the biggest thing I learned was that beverages and cows do not mix, never did find a couple hundred of feet of wire when I moved. Maybe they ate it. (Nothing wrong with a little increase in mineral content in milk, hi-Rth). Nevertheless some interesting catches were made while it was up. Probably the best was WSWW 1590. An example of its effect would have been on 1190 where KJLA was heard on the beverage while KEX was on my SM-1. Hopefully I will have a chance to erect one of these again under some better circumstances, i.e. without cows tearing it down. (Sounds like a lot of bull to me, oooooo, hi-Rth). But that is all old news. I have just passed the one year point of DX'ing once again from this area. Had hoped to hear 500 stations in that first year, but due mostly to a distinct lack of time spent DX'ing, only made it to 477. For about the last four months about the only DX'ing I have done has been at sunset with lots of interesting catches being made. Have not stayed up for a MM in ages, maybe this weekend as I might have Monday off. Will try to send an intro/re-intro/whatever for the anniversary issue. 73.

GARY LARSON, 2806 N. LINCOLN, BURBANK, CA 91504 - 21 February 1980
Lousy weather currently in SoCal. Am at a job in the Agua Dulce area off Hwy. 14 south of Palmdale and rain fell all night. Listened to local KAVL 610 Lancaster broadcast a BkB game between Antelope Valley College and West Hills (wherever they are). Then tuned to 106.3 just for fun. Later, about 0150 went back to KAVL until s/off @ 0212. Their s/on was @ 0758. It's now about 0850 and daylight is approaching. Got KEX 1190 fair before midnight, local time, on the car radio. I keep hearing news reports about

San Diego and the storm damage. Not bad in Burbank. The reprint of the Radex column was interesting reading. I compared the current frequency assignments to those - really different. That's it from here in the "wet-lands." 73.

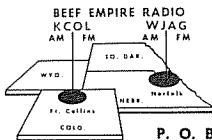
PATRICK MARTIN, P.O. BOX 843, SEASIDE, OR 97138 - 22 February 1980
DX lately has picked up in the direction of DU land. It looks like it might be another great season. In the last week I logged three new ones: 2EA 1386 Sydney; 4BK 1296 Brisbane; 5PI 1044 Crystal Brook, S.A., plus several other tentatives. Received a new verie a couple days ago. It was one I had almost given up on: R. Malaysia 1476. I sent the report our last May! It took a-bout nine months. They also sent a very nice pennant with fringe on the sides. I was sent via sea mail and was sent out of Malaysia last November. So there is still some hope for some stations. Tried to get a verie from Canton Island again recently. I contacted Global Associates there in Oakland and was told the station was dismantled last July when it went off the air and they didn't know where any of the people who had worked at the station were. So I guess I will have to give up on that one unless I can run down the people who worked there. (No wonder I haven't heard them in the last few months, hi-RtH). I do have a nice tape of the ID and programming, when I heard them last spring. A tape is better than nothing. I may start counting taped IDs as veries as I have several like 4IP, R. Pacific, and WXLE that I haven't been able to get veried. (Why not? The clubs count taped IDs as veries-RtH). I think a tape would be more proof that you heard the station than a written report. Any comments from anyone on counting tapes as veries?? (See above-RtH). Should I add them with regular veries, or keep them separate? I have thought about it for a long time. It is nice to receive regular veries though. Ric: KTDO and KVAS do not get out very well. Bill Block heard them both in Portland quite a few years ago, and they are rare there. Here in Seaside, KRDR is in the background under them during the day in places, but keep trying. KVAS s/off is 0200 Tuesday through Saturday, off at 0300 on Saturday and 2300 on Sunday. I think KTDO is on until 0100 daily, but not sure. Both are country music format. KRNS is also hard to hear. I have heard them once in Warrenton back in the early '70s or late '60s. They used block programming, but I no longer know. They used to s/off at 0100 daily, but that could have changed in the last ten years. Well, that is about all from this end. Good DX to all and 73.

GARY PARTON, 157 ELM ST., #101, SAN MATEO, CA 94401 - 27 February 1980
Glad to be reporting once again. I still say that IRCA is the best radio club in America. Most of the articles and information in each Monitor I find very interesting, especially on different types of antennas for DX. Thanks to my old friend, Gary Larson, down in SoCal for all the great tapes of stations down there which he mails to me. It's nice for a change to hear radio from out of the Bay Area once in a while. L.A. has a few good stations. One of my favorites which I listen to sometimes at night is KFI. They have a talk program on weekends, all nearly morning from around 0300 to 0800 with host Dave Diamond. I listen to the show once every couple of weeks. People call from all over the west coast at that early hour of the morning. Sometime when they are not discussing politics, I wish he would have a guest to discuss radio and then I would call and plug IRCA! Another good sounding station in L.A. that I listen to when I'm there is KZLA 1540 and FM 94. For public radio, KGSN Northridge has excellent programming, which Gary Larson sends me tapes of. They have a good variety, like KQED San Francisco; both on 88.5. I like reading all the columns that are in the DX Monitor. Reception and DX on AM lately has improved slightly here. Looking forward to the upcoming San Francisco Giants baseball season in 1980! You can look forward to my next report in the Anniversary edition. 73 and the very best of DX to everyone, de GP.

RIC HEALD, 1058 SANCHEZ ST., SAN FRANCISCO, CA 94114 Tele-Forum: (415) 821-0447 to 0100 ELT and prepaid - 28 February 1980
Seems the USPS is unwilling to cooperate. That combined with the flu (yes, it even strikes editors, hi) made last issue's WDXF late. Sorry gang. I'm in the market for a used SW-2. Any sellers? I plan on doing a lot of weekend trips away from The City this spring, summer and fall, will take the "frog" (battery powered) and desperately need a compact antenna. Paul, the EDXF column looks great - keep up the good work. I may take this to the BoD - the IRCA Bylaws say we must use ELT (you might notice that all times listed in this WDXF is ELT), but of the six time zones in WDXF, none are ELT, and I think this rule of ELT should be at the option of the editor as long as the correct time zone is mentioned in the forums. Comments? Also,

starting with the next issue, the Anniversary issue, I will have typeset the flag and other parts of WDXF - would like feedback. Yes, Korn is quite correct. KSFO's second tower now up - on the water and at least 1/4 wl distance from the old towers, and shorter too. Their pattern, I presume, will not be exactly tight. That's it from this end. Summer will be here sooner than you think, and remember, while our fellow DX'ers back East have to contend with a summer of static and noise, the west (and this is from personal experience) is deady quiet by comparison. Also, we are coming into the great (??) DU-TP DX season, sooooo, lots of great DX is still on the horizon. Please feel free to send your catches, articles, and BS to the proper columns. In closing, ERC, caught your comment. DX? Yes. Long lists (read logbook), no. We have the Round-up columns for that. That's their purpose. The forums are for more of a general DX nature (read BS, hi). Good to see my NRC counterpart and old friend in the pages of DXM, though. That's it this week, see u in 7 for the Anniversary issue. 73 de Rth..

BRUCE PORTZER - 6546 19th Avenue Northeast - Seattle, WA 98115
 I've been meaning to throw in a forum for weeks but I've never quite been able to find room for it. Thanks to Ric I have lots of space this week. Lots of things have been happening in Seattle radio as a result of the fall ratings. KAYO, as reported earlier, gave up on c/w music in favor of a news and talk format, with emphasis on the latter. KVI, after taking a nosedive in the ratings, has decided to do the same. Both stations were apparently motivated by the continued movement of listeners to FM for music listening and by KIRO's success with a news/talk/magazine format. KVI has gone so far as to yank the Mutual affiliation away from KIRO, along with Larry King. It'll be interesting to see what KIRO decides to do with their AN slot without him. Mutual was apparently unhappy with KIRO's policy of airing few of their features, so they went shopping for a new affiliate. Meanwhile, KING, after receiving pathetic ratings, is revamping their format, still mostly rock music, but abandoning the teenyboppers in favor of an older audience, apparently filling the "adult contemporary" vacuum being left by KVI. KMO in Tacoma put up a new tower which is expected to kill several birds with one stone: it's intended to be more esthetic than a standard tower (it looks like a flagpole), has broader bandwidth, and greater efficiency, not to mention a bigger price tag. They ran several interviews with their GE on the air; among other things, he enthusiastically mentioned a reception report from Santa Ana, which I guess came from Doug Pifer per recent DXM comments. I like Craig Healy's idea of expanding our coverage to 1700 kHz, although it's already being done unofficially. At the moment there isn't too much up there except tones and bleeps, even WWV is more interesting to listen to, hi. I agree with Ernie Cooper about Sunday morning being a good time to DX. KEX-1190, WHO-1040, KAYO-1150, KCRL-780, KCBS-740, KWJJ-1080, KGO-810 all have SM SPs which have produced good DX results here, although KGO's is quarterly. Jef Jaisun's exploits on KGO, KDKA, Larry King, et al have been incredible. Last week he said we'd gotten 150 requests for wedge antenna plans and/or info about IRCA. That figure is a little out of date (he wrote it about 3 weeks ago)...the latest count is around 700 and climbing! I just hope we can keep up with the flood of mail. It's hard to say how many of the people writing in are DXers and how many are "normal" people who just happen to listen to far-off talk shows. But everyone who has written will get a sample DXM & info on IRCA; some have joined and the rest have at least been introduced to a fascinating hobby. If nothing else, we've shown that some people actually listen to distant clear channel stations --- the KGO responses have come from as far away as Alaska and include people in every major west coast city and lots of small towns (including several Washington communities I've never heard of before). The KDKAers have been spread over an area ranging from Kansas to Florida. I think this forum has long since gone over the normal limit for forums (20 lines), but it's been a while since I've written one and I had to get it out of my system, hi.73.



W J A G

AM - 780 KHz • FM - 106.7 Mhz

P. O. Box 789 • NORFOLK, NEBRASKA 68701



the irca technical column

Editor: Nick Hall-Patch
3272 Alder St.
Victoria, B.C.
Canada V8X 1P2

More on the Panasonic RF2600 (from Armand di Filippo)

After reading Mort Meehan's comments on his method of coupling an inverted L to the RF-2600 by wrapping wire around the receiver's case, and Grant Manning's assertion that the antenna input is not even coupled to the internal BCB ferrite antenna, I felt I should relate to my experiences with the radio.

Like many frustrated RF-2600 owners, I tried various strategies to couple wire antennas to this receiver. After many attempts I must agree with Grant Manning's comments. In fact, not even active loop antennas can be used efficiently if connected to the provided antenna input on the back of this set.

However, after additional experimentation, I now rate the RF-2600 my number one BCB receiver. Better than my FRG-7 with mechanical filter and digital display; better than my Shotgun loop TRF with selectivity improvement; better than by RF-2200, RF-1150, ICF-5900W, GE Superadio 7-2880, and JVC FR-6600JW. The FRG-7 might have better selectivity but the RF-2600 without any preselector to peak and its slow tuning speed make it a joy to operate. I must point out that the RF-2600 appears to have pretty decent selectivity in the narrow position.

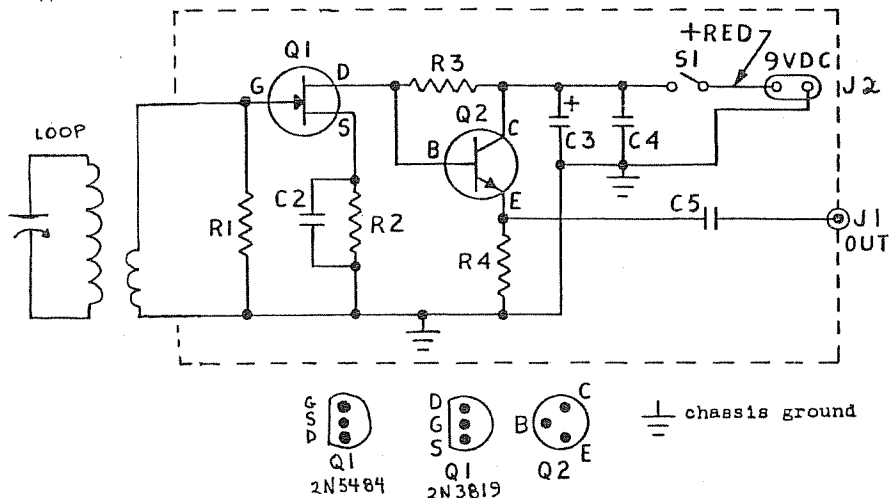
Comparisons of all radios were made using the Palomar BCB loop antenna, SM-2, and Dymek DA-5. At the very least, the RF-2600 equaled all receivers in terms of sensitivity, provided the following loop antenna connection is observed:

Naturally, the outer braid of the connecting cable should be connected to the set's ground terminal. The core should be connected to an alligator clip which in turn is clipped to the whip antenna. The whip antenna should not be extended. Only have enough exposed to connect the alligator clip. Using such loops as the SM-2 or Dymek DA-5, you should be ready to cook. (The palomar BCB loop is ideal for portable use, but is not as sensitive as the other loops mentioned). If one should experience any overloading (I have not), the Radio West outboard attenuator may be used.

In short, I have found the RF-2600 to be a great set for BCB work, provided one uses a good active loop coupled to the set via the whip antenna. I have found no discernible drift; the digital display on my set is right on the money, and the selectivity on narrow position is pretty useful.

* * * * *

Phil Bytheway sent in this loop amplifier circuit (originally from Ralph Sanserino) some time back, but it seems to have gotten lost in the mess around here. Finally, it reappears:



Although the circuit was originally designed for a direct coupled loop (it worked fine with a ferrite loop I threw together), it tended to overload Phil's receiver when he direct coupled it to his Wedge loop. So he hooked it up to the link coupling from his Wedge instead (as shown). This circuit was put together using perf-board and pins, and enclosed in a metal box.

The only problem noticed so far has been some shortwave feedthrough when the loop is not tuned correctly to the desired signal's frequency. Put the amp as close to the link output as possible.

Parts list for loop amplifier:

C2, C4, C5: .01 uF, 15 v	Q1 2N3819 or 2N5485 N channel FET	R3 1 kΩ ½W
C3 100 uF, 15 v	Q2 2N3646 NPN	R4 3.9 kΩ ½W
J1 Phono jack	R1 100 kΩ ½W	S1 SPST switch
J2 Battery snap	R2 680 Ω ½W	

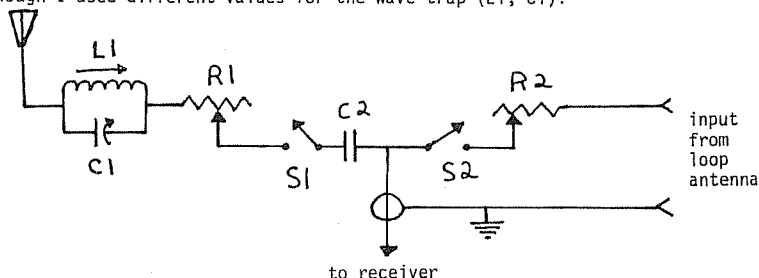
* * * * *

A loop-longwire combination

It is possible to use a loop antenna with a longwire to create a one-sided receiving pattern, unlike the bi-directional receiving pattern of a loop antenna when used alone. Ron Schatz described "Loop-Sense Cardioid Arrays" in articles which appear as reprints A5, A7, and A18. These are elaborations on the basic circuit that I will describe, and are an effort to make easier the notoriously touchy nulling on the loop-longwire arrangement. The simplest circuit I've seen is on page 257 of the 1979 World Radio TV Handbook. Matthew Shugart has used this circuit with some success in nulling his local--it is made up of a loop antenna, a longwire antenna and a wavetrap consisting of a coil and variable capacitor.

The classic cardioid pattern receiving antenna uses an omnidirectional (vertical) antenna, but on BCB, a longwire on a city lot hasn't really sharp directivity and can create a reasonably one-sided pattern in the circuit to be described. It doesn't create the heart-shaped receiving pattern which the true cardioid antenna has, but, theory aside, the fact remains that you can get a solid null on a station, yet hear another station 180° away--an unusual feat with a straight loop antenna. As with the loop, the circuit works best when nulling a station received on groundwave alone. It might be interesting to use an "active antenna" like the Dymek DA-100 vertical whip, and see if a better one-sided pattern results.

Here's the circuit. It was originally presented by Paul Swain in Medium Wave News, though I used different values for the wave-trap (L1, C1):



- L1 - slug-tuned coil (BCB loopstick or Miller #6300 or 300 uH (approx) shielded, slug-tuned coil.)
- C1 - 365 pF variable capacitor. A vernier drive or 15 pF "bandsread" variable capacitor in parallel with C1 will be necessary, as tuning can be quite tight.
- C2 - any fixed capacitor in the 300-500 pF range
- R1, R2 - 10 or 20 kΩ linear potentiometers. Again, adjustment can be tricky with these; 1 kΩ pots could be placed in series with R1 and R2 as fine-tuning.
- S1, S2 - SPST switches

Note that both sides of C1 are ungrounded. It's probably best to place this entire assembly in an aluminum mini-box but the capacitor must be mounted on a piece of wood or plastic inside the box. It's suggested that the shaft of the capacitor be isolated from the tuning knob or vernier control, so that the effects of hand capacity don't throw out a touchy null. These same restrictions apply if you're using a small variable to "bandsread" C1.

To use this set-up, close S2, open S1, set R2 about mid-range. The loop is then tuned for maximum signal from the undesired station, and rotated until the signal peaks. Then open S2, close S1, set R1 at half scale and tune C1 for a dip in signal strength from this station. (Incidentally, L1 must originally be adjusted so that C1 will show a dip over its tuning range for stations at both the top and bottom of the band). Now switch S2 back on and adjust C1 for a dip in signal strength. If this null is poor or non-existent, swing the loop around 180° and try again. Having found a null with C1, carefully adjust your loop's tuning capacitor for a deeper null. R2 and R1 should now be adjusted for a deeper null. I found R2 most effective until the null was already quite deep when R1 had more of an effect. Continue to adjust C1, your loop's tuning capacitor, R2 and R1 until you obtain a satisfactory null. Try to minimize R2's resistance while maximizing the null, as this will give you the most signal from the loop. In some cases you will find that the null is so sharp that it eliminates the carrier of the offending station while leaving its upper sidebands to create havoc with your desired signal.

This is a time-consuming exercise, but if you're lucky and develop the skill, you can get quite spectacular nulls. Within two hours of building this, I logged a new country --Tahiti-738. This station is normally impossible here due to CKLG-730 splatter approximately 180° away from Tahiti. With this circuit, Tahiti was poor but audible //6135. With the loop alone, not even a carrier could be picked out of the CKLG garbage. If you use the circuit to null splatter this way, null the offending station first, then tune to the desired frequency, and readjust C1 (gently!) for minimum splatter. The null is very frequency selective and tuning even 8 kHz away from the offending station seems to give a different null pattern using this arrangement.

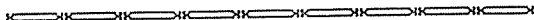
Selectivity of the null is a problem which has also cropped up particularly when attempting to null locals. You can often null the carrier to virtually nothing, but the sidebands of the offending signal remain at a good strength and, sounding like a SSB signal, still obliterate a weak signal trying to creep through. This means that the circuit must still be regarded as experimental in many cases.

There is some signal loss using this set-up, as nulling a station may require detuning the loop which will reduce signal strength on desired signals. Some signal is also lost in R2; I never have it at minimum resistance. Additional receiver gain should be able to make up the loss however.

For further information on loop/longwire combinations, see the above mentioned IRCA reprints A5, A7 and A18 by Ron Schatz, and A6 "Some Comments on the Loop-Sensor Cardioid Array" by Gordon Nelson. Also NRC reprints A2 "A zero sharpening device for a BCB loop" by T. Holmes, and A6 "Pattern-Controlled Loops, I & II" by Gordon Nelson. --NHP

* * * * *

Finally, a bit more on the ANARC DX Equipment Information Committee. "The Marketplace Report" is included in the "ANARC Newsletter" which can be obtained for \$3.50 a year in N. America. Write ANARC at 557 N. Madison Ave., Pasadena, CA 91101. Publications available for one IRC each from Harold Sellers, 3 Camrose Crescent, Scarborough, Ontario M1L 2B5 Canada: a company address list, a SW receiver price list, "How to choose a SW receiver" and "How to Interpret Specifications". The first and last would be of most interest to BCB'ers. There is also DX equipment info on R. Canada International's DX Digest program.



The Hometown Touch of Local Radio

(Written by Ruth Bayard Smith of the Boston Globe. Forwarded by Steven Miller)

From the small studios of WATD in Marshfield, Jerry Howard is signing off for the morning.

Howard is a radio personality on the South Shore. So are the three New England characters whose voices he developed more than 20 years ago, Slim Pickins, Elizabeth Perkins, and Moose Spiker. Howard and his characters have carried on a spirited repartee. In saying goodbye, they wish their listeners a very good day.

It's time for the hourly news. The stories are mostly local: a fire in Scituate, the results of the Nuclear Regulatory Commission hearing in Plymouth, the appointment of a school principal in Marshfield, and a report of a Pembroke public meeting on property revaluation.

Two news stories addressing the world beyond Marshfield are aired later in the broadcast. They are the visit of Margaret Thatcher to Northern Ireland and a Red Sox defeat. Advertisements for the Quincy Patriot Ledger and a Pancake King accompany the newscast.

Suburban radio stations, with their diet of local news, birthday and lost dog announcements, swap'n' sell shows, and listings of open gas stations, have grown in recent years. Unable to compete head-on with their slicker and more powerful counterparts in the cities, suburban stations such as WESX in Salem, WJDA in Quincy, WGTR in Natick, and WATD in Marshfield have found success lies in the local angle.

As Fred Walker, editor of Waves, a monthly magazine about radio, puts it, "Anyone who wants to know whats happening locally has to turn to one of these stations".

Over the past 15 years, of the 19 radio licenses granted in Massachusetts, 11 were for radio stations located in the suburbs or on Cape Cod. These stations have proliferated, says Mark Miller of Broadcasting magazine "because as the radio industry has grown, there's no room for any more urban stations. The only way to expand has been to the outlying areas".

Stations managers are reluctant to discuss profits. However, WPLM in Plymouth increased its advertising rate this year for a 60-second ad from \$12 to \$35. And, according to the station's sales representative, Kay Chille, business is better than ever.

Commercial time costs much more on Boston stations. A 60-second spot on morning drive time (5:30 to 10 a.m.) costs \$350 on WHDH or WBZ but sells for between \$8 and \$15 on WESX, WATD, WJDA, and WGTR.

The job of suburban stations is to "narrowcast", says Lloyd Simon, operations manager at WATD, a station that began broadcasting in December 1977 at 95.9 on the FM band. "We know we have a more limited audience, (than the big stations) and we try to focus very narrowly on them".

"We can't compete with the WHDHs or the WBZs and it seems silly to imitate them. But at the same time, they can't compete with us when it comes to covering the South Shore," Simon said. As part of its local coverage, WATD will broadcast play by play of schoolboy football games, featuring different schools each week. During the summer's gas crisis, the station kept local residents informed of open stations and paid \$10 to cars sporting a WATD bumper sticker seen waiting in gas lines.

Around-the-clock information was broadcast during the Blizzard of '78, including basic information on where to buy groceries and specifics on road conditions and driving regulations. Daily programs about the South Shore, the weekly airing of 250 public service announcements, and the establishment of special journalism projects with the local school system help keep the ties strong.

The mainstay of a suburban radio station is "to localize", says Jerry Howard. "You've got to, because that's what the people want and that's why they listen." WJDA (1300 AM) in Quincy, the station where Howard worked for 19 years, extends its localizing to the announcing of birthdays, anniversaries, and lost pets.

"It sounds corny, I know", says James D. Asher Jr., the General Manager of WJDA and WESX, a sister station at 1230 in Salem, "but whenever we're at the point of deciding not to announce lost dogs and cats, Mrs. Jones and Mrs. Smith from Quincy or Weymouth will call or write to say how grateful they are to us for helping find their pets. It's not that hard to do, and it means so much to people".

"Suburban radio stations give people information about the place where they've chosen to live," says John H. Garabedian, founder and general manager of WGTR, 1060 AM, in Natick.

Not all suburban areas are affluent, but all have local merchants and services. Most suburban radio stations are supported by local advertisers, although Sears and other national advertisers are beginning to buy time.

"A local merchant is most concerned with reaching local clientele; he can judge the station's success not by figures from a sophisticated rating service, but by sales.

Most suburban stations can easily judge listener response, because they can only broadcast within a limited range. WATD is a 3000 watt FM station; WJDA, WESX, and WGTR have 1000 watts on the AM band.

A handful of suburban radio stations have been granted more powerful signals by the FCC. Powerful suburban stations are caught between trying to reach a broader audience and trying to serve their immediate community exclusively. WPLM in Plymouth, broadcasting since 1955, is a case in point. WPLM-AM(1390) has 5000 watts of power; the FM (99.1) station has 50000 watts.

Located on a hilly spot beside Route 3, WPLM broadcasts "beautiful" muzak-type music and big band sounds. The operation is slick, sophisticated. If it weren't for the brief local news reports and announcements, WPLM could pass for one of the major Boston stations.

Other radio stations located in the suburbs, WVBF(105.7 FM) in Framingham and WKXS(107.9 FM) in Medford, broadcast as though they were Boston stations. They have powerful signals, and with their rock and disco format and no local news, they appeal to a young listening audience.

Community radio stations provide a profitable market for station owners and investors, a forum for owners to play a role in the community and a medium for local news.

Suburban radio stations also provide many listeners, particularly the elderly, with a connection, a comforting voice, often spoken in a familiar Boston accent.

John Capavella, director of media relations for the City of Quincy, says of WJDA, "The station's presence is very much felt in this city; politicians in Quincy are aware of its power, and local residents tune in every morning for news and information. But a lot of people, especially senior citizens, feel part of the world and the community, just because they listen in. They begin to think of the station as their own, and they live and die with it".

WESTERN SPOTLIGHT

 Steve Mittman
 2248 West 37th Street
 San Pedro, CA 90732

TEXAS

(Part 1)

- 550 KCRS Midland, U4 5000/1000.
 Heard at 0745 with KOY nulled. (Small)
- 550 K TSA San Antonio, U2 5000/5000.
 Heard at 0000 with KOY nulled. (Small)
 + On ET & occasionally on MM to Chicago. V/q. (Kramer)
 + Nighttime regular to NW FL. Noted w/SS one Saturday morning.
 (Thomas)
 + Heard once with KARI off on a MM. (Hall-Patch)
 + Hrd fairly often during KSD's MM SP w/WKRC nulled. V/q.
 (Lazar)
 + Infrequent under the jumble after KOAC's nightly 0310 s/off.
 (Hardy)
- 560 KLVI Beaumont, U2 5000/5000.
 Was hrd several times on MM's when WIND had a regular MM SP.
 However, WIND seems to be NSP now, making this one difficult.
 Sent a v/f. (Lazar)
 + A pest when WIND is off & occ. in WIND null. V/1. (Kramer)
 + Reg. nights to NW FL. C&w the last time I checked. (Thomas)
 + Hrd once through the mess at SRS. (Mittman)
 + Hrd at 0500 with KLZ and KSF0. (Small)
- 570 WFAA Dallas-Fort Worth, U4 5000/5000, CBS.
 Fair during rare KLAC SP's. Last hrd in '78 w/Larry King
 (don't think they still carry him). (Mittman)
 + Regular nights to NW FL w/mostly talk. (Thomas)
 + Heard at 0645 with KLAC. (Small)
 + News/talk. Occasionally during week; frequent on MM. V/q.
 (Kramer)
 + Heard several times on MM's w/QRM from WAXX & WKBN. Talk for-
 mat. V/1. (Lazar)
- 590 KLBJ Austin, U2 5000/1000, CBS-Mutual.
 Once at SSS. (Kramer)
 + Heard once at SSS. V/1. (Lazar)
- 600 KROD El Paso, U2 5000/5000, CBS.
 Used to be a regular on MM w/WMT off about five years ago.
 (Kramer)
 + Hrd at SRS w/KOGO off on a rare SP. (Mittman)
 + On top of channel nightly. (Small)
- 600 KTBB Tyler, U2 1000/1000.
 Once on ET & rare nights. (Kramer)
- 610 KILT Houston, U4 5000/5000.
 Difficult here w/KFRC and KRKE. Best at SSS. (Small)
 + Reg. nights to NW FL w/many others. (Thomas)
- 620 KWFT Wichita Falls, U2 5000/5000, CBS.
 Once on MM w/KGW off & CKCK nulled. (Hall-Patch)
 + O/u CKCK during rare KGW SP's. (Portzer)
 + Very rare, but hrd more than once on MM after 0500 s/on, mix-
 ing w/CKCK/KTAR, if KGW takes one of its infrequent MM SP's
 (which it does 2 or 3 MM's per year). Unlikely if KGW on.
 (Hardy)
 + Hrd once back in the good old days of 1974 when WTMJ had a
 nightly SP. Hrd on SRS on a SM when WTMJ did not s/on until
 0800. V/1. (Lazar)
 + Hrd at 0500 with KTAR nulled. (Small)
 + Frequent in WTMJ null. V/ppc. (Kramer)
- 630 KMAC San Antonio, U4 5000/5000.
 In most nights in null of KHOW. (Small)
- 650 KIKK Pasadena, D1 250.
 Once at SRS. (Kramer)
 + Irreg. to NW FL at SRS w/WSM nulled. "65-Kick." (Thomas)

- 660 KSKY Dallas, D1 10000.
 Heard once on an ET. (Wein)
 + Occasionally at SSS & SRS. V/l. (Kramer)
 + Easy at s/on. (Small)
 + Heard from time to time at SSS. Religious format. (Lazar)
- 680 KKYX San Antonio, U2 50000/10000, UPI.
 Nightly to NW FL w/WMP5 nulled. C&W. (Thomas)
 + Can be hrd at SSS before KNBR becomes strong. (Small)
 + A couple of times at SR pattern change w/KNBR nulled--if possible. (Hall-Patch)
 + Heard a couple of times at SSS. V/l. (Lazar)
 + Rare evenings & occ. at SSS. V/l. (Kramer)
- 690 KHEY El Paso, U4 10000/10000, Ai.
 Heard once after CBF s/off w/CMBC nulled & w/XETRA QRM. (Lazar)
 + Best at SSS before XETRA comes in. (Small)
 + On old f/c & occ. MM's. V/l. (Kramer)
 + Fair w/XETRA off. C&W format; "K-Hay" slogans. (Mittman)
 + Once weakly w/0700 s/on. XETRA and CBU both off. (Hall-Patch)
 + Once w/KNBR and XETRA off last Dec. (I assume you mean Dec. of 1978? -SMM) (Wien)
- 690 KPET Lamesa, U1 250/250.
 Occ. at SRS after CBF/CMBC fade out. V/ppc. (Kramer)
- 710 KGNC Amarillo, U4 10000/10000, CBS.
 Once at SRS to NW FL. Cont. nx at the time. (Thomas)
 + Best at SSS, with KERE nulled. (Small)
 + Once u/KMPC, no chance w/KFIA NSP. (Wein)
 + A regular on MM's w/KMPC's OC nulled. Can sometimes even be hrd while KMPC is on RS. Sent a v/q. (Mittman)
- 730 KKDA Grand Prairie, D3 5000.
 Occasionally at SSS. V/f. (Kramer)
- 740 KTRH Houston, U4 50000/50000, CBS-Mutual.
 Used to be common MM's w/KCBS off, after KTRH's 0500 MM s/on. CBX, of course, is not AN. KCBS switched to a SM SP in fall 1979, so KTRH should be in AN Sun., mixing w/others. Not all that strong here. (Hardy)
 + Dominates SM's w/KCBS off. Format is nx/talk (tele-talk AN). Off MM 0100-0400. (Portzer)
 + Dominant nights. Carries Larry King. V/q. (Kramer)
 + Fairly regular after 0500 s/on MM if KCBS off. When KCBS is off SM, KTRH is usually dominant. (Hall-Patch)
 + Can be hrd most nights after CBL s/off w/good signals. Has Larry King Show AN. Sent nice v/q. (Lazar)
 + Common on SM's after s/on, w/KCBS off. (Wein)
 + Fair w/KCBS off or nulled, sometimes QRM'ed by KRMG (if on). (Mittman)
 + Nightly to NW FL w/others. (Thomas)
 + Mostly u/KRMG when KCBS off. (Small)
- 740 KCMC Texarkana, U3 1000/1000, Mutual.
 Irregular to NW FL on MM w/KTRH off. (Thomas)
 + Used to be alone on MM when KCBS, KRMG, and KTRH off. (Small)
 + Once on MM several years back. (Kramer)
 + Can be occasionally heard on MM's during KRMG/KTRH SP, but is usually quite weak. (Lazar)
- 790 KULF Houston, U4 5000/5000.
 Heard one MM on an ET. (Portzer)
 + Through KABC with local NSP KCEE off. (Small)
 + Once briefly on a MM. Very weak in KABC null w/CFCW QRM. May have been a test. Not likely now that KGMI is NSP again. (Hall-Patch)
 + Nightly to NW FL atop others. (Thomas)
 + Occasionally nights & SSS. V/l. (Kramer)
- 790 KFYO Lubbock, U4 5000/1000, CBS.
 Hrd several times on SRS. V/l. (Lazar)
 + Occ. nights and frequently SRS. V/l. (Kramer)
 + With KABC nulled and KCEE off. (Small)
- 800 KDDD Dumas, D1 250.
 On DX test in 1974 and once at SSS. V/l. (Kramer)
 + Heard testing w/XEROK off. (Small)

- 810 KBSN Crane, D1 1000. (Ex-970 kHz.)
Rel. Once to IL at SSS during good TX cx. V/l. (Kramer)
- 820 WBAP Fort Worth-Dallas, U1 50000/50000, NBC.
In nightly w/strong signal. (See additional comments at end
of column. -SMM) (Hardy)
+ Excellent every night. V/q. (Lazar)
+ In nightly w/C&W mx. Easiest Texan here. NSP; off about two
MM's a year. (Portzer)
+ 365 days a year pest. (Small)
+ Occ. through KGO-810 slop. (Wien)
+ A pest nights. V/q. (Kramer)
+ An all-night regular. V/q. (Mittman)
+ Regular nights, rare days to NW FL. (Thomas)
+ Regular AN. Occasional Latin QRM. (Hall-Patch)
- 850 KEYH Houston, D3 10000.
To WI a couple of times at SSS. V/l. (Lazar)
+ SS programming. Frequent o/u KFUD at SSS. (Kramer)
- 860 KSPA Nacogdoches, D1 1000, Mutual.
Once to IL at s/off. V/l. (Kramer)
- 860 KONO San Antonio, U2 5000/1000, Mutual.
Has been hrd at SSS. V/q. (Lazar)
+ Pop mx. Frequently to IL after CJBC s/off. V/q. (Kramer)
+ Rare MM's w/KTAC-850 QRM. (Portzer)
+ Occasionally later on MM w/LPRT QRM. (Hall-Patch)
+ Hrd at 0745 w/KOAM nulled and XEMO off. (Small)
+ Nightly to NW FL. Pop mx. (Thomas)
+ Mixes w/KOAM after XEMO's 0430a s/off. Best on MM's w/KTRB
also off. (Mittman)
- 870 KJIM Fort Worth, D1 250.
Hrd at s/on through weakening WWL. (Small)
- 900 KFLP Floydada, D1 250.
Hrd just after s/on with XEW nulled. (Small)
+ Noted at SRS w/XEW & other QRM. Sent a fast v/l, and then
another one (a different signer) six months later! (Mittman)
- 910 KNBF Fredericksburg, D1 1000.
Hrd in midsummer at s/on with KRIO. (Small)
- 910 KRIO McAllen, U4 5000/5000.
Hrd at 0650 with KJJJ nulled. (Small)
- 910 KIKM Sherman, U3 1000/1000.
Hrd at 0530 with XEAO and KJJJ off. (Small)
+ Pop mx. A pest when KGLC off. V/l. (Kramer)
+ Has been heard a couple of times late at night. (Lazar)
- 920 KELP El Paso, U2 1000/500.
Once w/KORK, KOL0, and KNEW all off at the same time. (Wien)
+ A couple of times through KORK with KHJ-930 off. (Mittman)
+ Hrd once or twice, before KITN went NSP. (Portzer)
+ A regular with KORK, KOL0, and KQEO nulled. (Small)
+ Hrd twice on MM's several years back when 920 was fairly
clear. (Kramer)
- 920 KYXX Odessa, U2 1000/500.
Spur noted on 873 kHz. w/C&W mx. and "K-Y-double X" jingle
last July. (Mittman)
- 920 KTLW Texas City, D1 1000, AP.
A frequent SRS visitor. V/l. (Kramer)
- 930 KDET Center, D1 1000.
Hrd once at s/on and twice at s/off. V/l. (Kramer)
- 930 KCCW Terrell Hills, U2 5000/1000. (Ex-KITE.)
Occasionally to NW FL MM's. (Thomas)
+ C&W. Once at SSS. (Kramer)
- 940 KIXZ Amarillo, U4 5000/1000, AP.
Made it years back when KPFE had a MM SP. Still possible if
KPFE ever off. QRM also from CJIB. (Hardy)
+ Once on a MM with KPFE off and CJIB nulled. (Hall-Patch)
+ Has made it to WI at SSS. (Lazar)

- + Rare. Possible only when KJR-950/KFRE-940 are off. (Portzer)
- + Top 40. A pest at SSS. (Kramer)
- + "Big KIXZ Radio." Heard only if local NSP KMGX is off. (Small)
- 940 KTON Belton, D3 1000.
On ET and frequently at SSS. V/l. (Kramer)
- 940 KADO Texarkana, D1 2500, Ae.
Once at SSS when they were 1000 watts. (Kramer)
- + Has been heard at SSS. (Lazar)
- 950 KPRC Houston, U2 5000/5000, NBC.
Once to NW FL at SSS on Beverage. (Thomas)
- + A pest at SSS & SRS when WJPC comes on late. Occasionally nights through WWJ. V/q. (Kramer)
- + Off 0300-0600 daily. Hrd one MM w/KJR et al off. (Portzer)
- + Heard at SSS once with fair signal. V/q. (Lazar)
- 950 KSEL Lubbock, U4 5000/500, UPI.
Very rare. Made it here one MM in 1976 with both KJR & XEGM off. XEGM is usually off MM's 0500-0600; if KJR is off too, it's possible, but with fair-to-nil signals. (Hardy) (Note: last Aug. XEGM began an all-night EE disco show after 0300, & w/it went NSP. Since returning from their Dec.-Feb. "SP," their disco program seems to be defunct, but they still seem to be NSP. -SMM)
- + Fair, but QRM'ed by KIMN/KJR/XEFA/XEYJ/XEORF (until 0300), w/ XEGM off. Sent a v/l, FM cm, & promo material. (Mittman)
- + Heard at 0530 with XEGM and KIMN nulled. (Small)
- + Heard poorly at SSS. (Lazar)
- + One night during severe aurora. (Kramer)
- 960 KIMP Mt. Pleasant, D1 1000.
Once at SSS. (Kramer)
- 960 KGKL San Angelo, U2 5000/1000, Ac.
Pop mx. One night during aurora. (Kramer)
- + Heard at 0600 with KARZ nulled. (Small)
- + Heard once at SSS with good signals. (Lazar)
- 970 KNOK Fort Worth, D1 1000.
Hrd a couple of times at SSS with fair signals. (Lazar)
- + Once at SSS. V/ppc. (Kramer)
- 990 KTRM Beaumont, U3 1000/1000, Ai.
Heard one MM in 1974. (Portzer)
- + Heard in null of XET, with KTKT off. (Small)
- + Once on MM, briefly above crud. (Hall-Patch)
- + C&W. One MM in WNOX null. V/l. (Kramer)
- + Regular nights to NW FL in WNOX null. (Thomas)
- 990 KNIN Wichita Falls, U4 10000/1000, Ac.
Heard through KTKT carrier at 0545. (Small)
- + Hrd one MM at s/on (0630). "K-nine" ID's. Pop mx. (Portzer)
- + Hrd fairly often at SSS w/good signals. V/l. (Lazar)
- 1010 KDJW Amarillo, U3 5000/500, Ai.
Briefly o/XEHL one SM. Apparent SR power boost. (Hall-Patch)
- + Heard once at SSS w/fair to good signals. (Lazar)
- + Occ. u/KXEG w/good cx to TX. (Wien)
- + Sometimes hrd MM's around 0700 w/KXEG/XEHL & all the other crud. (Portzer)
- + Possible at sunrise on day mode. I hrd it before the advent of NSP KXEG, but KDJW's signal should be strong enough to override the weak 250-watt KXEG signal, I predict. (Hardy)
- + Can be heard here daily. (Small)
- + Their C&W mx used to be noted at SRS, but not since KXEG went fulltime and NSP. (Mittman)
- 1030 KCTA Corpus Christi, L1 50000/50000.
Signs on w/50 kw nondir. AT BOSTON SUNRISE!! (See IRCA Almanac, pp. 44-45, for KCTA s/on & s/off times.) This provides an xlint. skywave signal for several hrs each morning. Best time has been MM w/KTWO off till 0730. KCTA is strong enough to be audible under KTWO other mornings. (Hardy)
- + Reg. to NW FL at SSS. Religious. (Thomas)
- + Rel. SSS & SRS. Hours: Boston sunrise - LSS. V/q. (Kramer)
- + Easy at s/on with KTWO nulled. (Small)
- + Good every MM before KTWO s/on. SS & EE religion. (Portzer)
- + In nightly at s/on o/u KTWO. (Wien)

- + Operates Boston sunrise to LSS. Easy to hear at either sunrise or sunset. Religious format. V/f. (Lazar)
- + (Limited time.) Fairly regular after s/on at Boston SR time, MM when KTWO is off. (Hall-Patch)
- 1040 KPBC Dallas, D1 1000, UPL.
Once at SSS. (Kramer)
- + Irreg. to NW FL at SRS after WHO fade. (Thomas)
- 1050 KIXS Killeen, D1 250.
Poor once at SSS. (Kramer)
- 1050 KCAS Slaton, D1 250, Ai.
Weak once at SSS during aurora. Heard same day as KIXS. (Kramer)
- + Heard at 0730 through XEG. (Small)
- 1060 KAMA El Paso, D1 10000.
Heard one MM on f/c (not listed on latest f/c list). (Portzer)
- + Heard on f/c. (Wien)
- + Nancy heard their r/c in 1974, even w/KPAY/CFCN both on. Never hrd on RS although theoretically possible if El Paso sunrise occurs before KPAY's 0800 MM s/on. If someone could arrange a MM ET (w/KPAY SP 0300-0800), KAMA might get out well through CFCN (NSP). (Hardy)
- + Used to come in good on old f/c. (Kramer)
- + Heard at s/off (in Spanish). (Small)
- + Heard s/off in EE & SS under KNX-1070. (Mittman)
- 1060 KHYM Gilmer, D1 10000, Mutual.
Heard once poorly at SSS. (Lazar)
- + S/on, with KKKQ, KPAY, and WNOE. (Small)
- + Rel. Heard at SRS, SSS, and ET. V/l. (Kramer)
- 1060 KCLT Lockhart, D3 250.
Heard s/on with former KHRB call. (Small)
- 1070 KOPY Alice, U2 1000/1000, Mutual.
Heard at 0545 while trying for KENR (KNX off). (Small)
- + Once to NW FL at SSS. (Thomas)
- 1070 KENR Houston, U3 10000/5000.
Through HJCG in KNX SP. (Small)
- 1070 KWEL Midland, D1 1000, Ai.
Heard weak several times at s/off. (Kramer)

(End of Part 1.)

In addition to the above and future tips, Bill Hardy also sends along some comments about reception of the strong Texans from his home in the Pacific Northwest:

"Most consistent here: WBAP-820 and WOAI-1200. They (plus WWL-870) are the strongest U.S. I-A clears here, except for closer KSL-1160 and KFI-640. WBAP, WOAI, and WWL are much more consistent here than WCCO-830 and WHO-1040, despite comparable air mileage. (Believe WWL is U3 though. -SMM) The Texans and WWL are in with semi-local quality on good cx nights when WCCO and WHO are just fair. On nights when WBAP and WOAI are weaker, WCCO and WHO usually aren't in at all. So the Texans and WWL are much more reliable here. (Strong signals from KGO-810 and KEX-1190 tend to cover up WBAP and WOAI on less selective, inexpensive rx's most of the time.)"

In the Spotlight:

Nick Hall-Patch	3272 Alder Street, Victoria, B.C. V8X 1P2 Canada
Bill Hardy	2301 Pacific Avenue, Aberdeen, WA 98520
Robert Kramer	3406 West Pierce, Chicago, IL 60651
Bob Lazar	3837 Milan Dr., Apt. 1, Alexandria, VA 22305 (DX'ing done in Madison, Wisconsin)
Steve Mittman	2248 West 37th Street, San Pedro, CA 90732
Bruce Portzer	6546 19th Avenue Northeast, Seattle, WA 98115
R. J. Small	2421 East Helen Street, Tucson, AZ 85719
Gerry Thomas	2355 W. Michigan Avenue, A-11, Pensacola, FL 32506
Robert Wien	1309 Dentwood Drive, San Jose, CA 95118

Well, we got through half the frequencies, but we're only about a third of the way through with the Texas column! Part 2 will appear soon. Remember, if you haven't yet sent in your tips for Idaho, the deadline is March 20.

Steve

THE INTERNATIONAL RADIO CLUB OF AMERICA

A non-profit organization devoted to the hobby of listening to distant radio stations on the AM broadcast band (510 to 1630 kHz). IRCA is a member of ANARC, the Association of North American Radio Clubs.

OFFICERS: President, Father Jack Peja, 212 South Carpenter Road, Modesto, CA 95351, (209)524-6674. Secretary-Treasurer: Rich Segelas, Board of Directors: Phil Bytheway, Nick Hall-Patch, Don Kaskey, Paul Mount, Bruce Portzer, Susan Sirlunick, Gerry Thomas.

MEMBERSHIP DUES: \$16.50 First Class to the U.S.A., Canada, and Mexico. \$20.00 Air Mail to the rest of the world via Canada. Air mail direct from the U.S.: \$25.00 to Central America, Caribbean, Colombia, and Venezuela; \$30.00 to the rest of the world. Sample copies cost 50¢ each or three International Reply Coupons. Make checks and money orders payable to I.R.C.A. Persons living outside the U.S. should send checks or money orders payable in U.S. funds.
DUES AND ADDRESS CHANGES should be sent to Rich Segelas, P.O. Box 26234, San Francisco, CA 94126.

DX MONITOR, the official bulletin of the IRCA, is published 34 times a year: weekly from October to March, twice in September and April, and monthly from May to August.
PUBLISHING STAFF: Bruce Portzer (editor-in-chief), Phil Bytheway (Publisher), Evelyn Portzer, Nick Hall-Patch, Jeff Jaisun, and Dave Korinek. Phone: 206-522-2521 (Portzer)

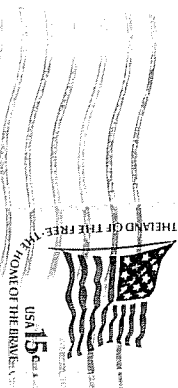
THE IRCA GOODIE FACTORY. The IRCA Almanac, Foreign Logs, reprints, and other materials are available for nominal charges. For a complete list, write to P.O. Box 17088, Seattle, WA 98107.

Unless otherwise noted, permission is granted to publish, broadcast, or otherwise reproduce non-copyrighted material appearing in DX Monitor, provided credit is given to IRCA and the original contributor.

Opinions expressed in DX Monitor are those of the contributors and do not necessarily reflect those of the IRCA, its publishing staff, editors, or officers.

DX Monitor is printed by Save-on Printing, Seattle, WA.

IRCA
P.O. BOX 21074
SEATTLE, WA 98111
U.S.A.



First Class

D.A. Nyholm
2071 Cedar Street
San Carlos, CA 94070

19