



# DX Monitor

Devoted Exclusively to  
Broadcast Band DXing

May 17, 1980

Volume 17, Number 31

Issue Number 550

## In this Issue

Broadcasting Information .....	2	Eastern DX Forum .....	13
Broadcast Panics Islanders .....	3	Request for Almanac Information ..	14
Eastern DX Roundup .....	4	Pupils Get High on Bumper Stickers	14
Central DX Roundup .....	6	Western DX Forum .....	15
New Members .....	8	Geomagnetic Indices .....	20
Western DX Roundup .....	9	The IRCA Technical Column .....	21
DX Worldwide .....	10	Stereo AM OK'd .....	23
AM Stereo Receivers Expected ....	12	Alaska Studies Time Zone Changes .	23

## DX Calendar

- Fri May 16 WZ00-710, Asheboro, NC, test(ed) with their annual PoP 0001 til whenever EDT. Had cycle tones of varying pitch, and perhaps IDs in voice and morse code w/some station jingles. Address: Lee Simmons, WZ00, Box 460, Asheboro, NC 27203. Arranged for NRC by Ernie Cooper who sez it may take place on 5/17 instead of 5/16, but since both dates will have passed by the time most of you read this it's kind of a moot point, hi.
- Sun May 25 KLEU-850, Waterloo, IA, will test 0100-0230 EDT w/music, IDs, & 1000 Hz TT. Test may conclude before 0230. Enclose a SASE w/ your report. Address: George Nicholas, KLEU, 3232 Osage Rd., Waterloo, Iowa 50701. Arranged for IRCA by Todd Skaine.
- Mon May 26 KTRC-1400, Santa Fe, NM, will test 0200-0215 EDT using 1 kw/w/ 1000/400 Hz TTs & IDs, 0215-0230 w/250 watts & same format. Address: Bill Hanrahan, GM, KTRC, P.O. Box 227, Santa Fe, NM 87501. Phone (505)982-2666. Arranged by Rob Harrington, IRCA.
- Sun June 22 WMLB-1550, West Hartford, CT, will test 0100-0330 EDT w/(are you ready for this?) jazz, heavy rock, punk rock, frequent voice IDs, possible John Kennedy presidential speech (portion), talk on DXing & DX Clubs, a phone-in special, special 2.5 watt pre-sunrise sections w/unspecified contest, and maybe some tones. Phone: (203)521-1550. Address: John Ramsey, CE, WMLB, 630 Oakwood Avenue, W. Hartford, CT 06110. Arranged: Saul Chernos, IRCA.

### WQBC To Conduct Tests

WQBC, Vicksburg, MS, will conduct a series of DX Programs each Sunday thru July 20, and each Monday from May 19 thru July 21. Beginning at 0130 EDT, they will run until 0230 EDT or later depending on the number of phone calls and/or letters received.

WQBC, operating on 1420 kHz, will be using 500 watts, non-directional, their regular nighttime facilities. Their regular broadcast hours are 5:28AM-10:30 PM CLT, so the midnight transmissions will be an advantage. They will use a 1000 Hz tone, frequent IDs, big bands, and Souza music. Code IDs (. - - - - . - - . - .) will possibly be used along with voice IDs. Broadcast with each ID will be an authenticator phrase to be used when calling or when sending a reception report. The significance of the authenticator phrase will be stressed repeatedly on the air, and the phrase will change each week. All reception reports will be answered. Prepaid calls gladly accepted at (601) 636-1108. Send reports to Jim Ayers, WQBC, Box 589, Vicksburg, MS 39180.

Closer to home, Nick Hall-Patch reports that CISEL-940 in Richmond, BC is now on the air. They began broadcasting 5/1 with "C-Isle" IDs and light pop mx. Local KYAC-1250 was off for a few days beginning 4/17 due to a labor dispute (i.e. they didn't have any money to pay their staff). They've since returned to the air. My thanks to Dake Korinek for filling in during my absence last issue; my boss decided I deserved a two-week all-expense-paid trip to Ogden, Utah. See you in the June issue. 73, bp.

# BROADCASTING INFORMATION

Greg Monti  
1110 Fidler Lane, #1424  
Silver Springs, MD 20910

call	kHz	day/night	
new	540	5000/	Las Vegas NM granted KNMX
WARO	540	250/	Canonsburg PA wants 1000/
appl	560	500/	Brentwood TN
appl	570	500/	Raleigh NC
KUBC	580	5000/1000	Montrose CO fined for overpower operation
WNTR	680	250/	Rochester NY temporarily granted 990 kHz & 250/250 to escape interference from CFTR-680 until CFTR moves its transmitter
WMBL	740	1000/	Morehead City NC wants WPTH
WMBG	740	500/	Williamsburgh VA granted WBCI
WWNY	790	1000/1000	Watertown NY wants WTNV
KIPN	840	1000/	Phoenix AZ wants 1000/1000
WAZE	860	500/	Clearwater FL granted Dunedin FL & 1000/1000. Peti- tion by WWL-870 dismissed
KVEL	920	5000/	Vernal UT wants 5000/1000
WTRR	920	500/	Dunellon FL wants WGAM
WEOO	940	1000/	Smithfield VA wants WKGM
WILK	980	5000/1000	Wilkes Barre PA wants 5000/5000
WRYZ	1000	1000/	Jupiter FL application for 1000/250 dismissed
WCFL	1000	50000/50000	Chicago IL wants WWTN
KEXE	1090	250/	Excelsior Springs MO wants 1000/
appl	1110	5000/	Kellogg ID
new	1110	1000/	Alvin TX granted either KETK or KTEK
KSKS	1140	250/	Conroe TX wants 1000/
KCCT	1150	1000/	Corpus Christi TX wants 1000/500
WVLC	1170	1000/	Orleans MA wants WKZE
appl	1190	250/	Ashland City TN application denied
new	1190	10000/	Bluefield VA granted WBDY
KAKE	1240	1000/250	Wichita KS granted KAKZ
WBIR	1240	1000/250	Knoxville TN granted WHEL
appl	1250	2500/	Willits CA another one, to compete w/new KNMO-1250
KIXY	1260	1000/	San Angelo TX granted KQSA
new	1290	250/	Springfield TN granted construction permit
new	1310	1000/	Corrales NM granted KXAK
WOIC	1320	5000/1000	Columbia SC granted 5000/2500
WAGY	1320	1000/	Forest City NC wants 1000/500
KWOE	1320	1000/	Clinton OK granted KKCC
WMBN	1340	1000/250	Petoskey MI wants WWPZ
KTXJ	1350	1000/	Jasper TX wants 5000/
KMO	1360	5000/5000	Tacoma WA wants 660 kHz and 50000/50000
WLRV	1380	500/	Lebanon VA wants 1000/
KAOH	1390	500/	Duluth MN granted KQDS
KFML	1390	5000/	Denver CO wants Westminster CO & 5000/1000
new	1390	2500/1000	Waite Park MN wants KKCM
WBBN	1400	1000/250	Clarksburg WV granted WPQZ
appl	1400	1000/250	Berlin NH
WAAN	1400	1000/250	Waynesboro TN granted WNBG
WELM	1410	1000/500	Elmira NY wants 2500/500
KESY	1420	1000/	Omaha NE granted K000
WNEE	1430	1000/	Memphis TN wants Germantown TN & 2500/2500
WKDH	1430	1000/	Ashland VA wants 5000/
new	1450	250/250	Dadeville AL granted WDLK
KQLA	1480	1000/	Lakewood WA granted KLAY
WKVQ	1490	1000/250	Knoxville TN granted WITA
appl	1490	1000/250	Bullhead City AZ
new	1510	1000/1000	Lajas PR wants WGDL
KEAM	1510	1000/	Nederland TX wants 5000/
WPGR	1520	250/	Port Gibson MS granted WCSP
new	1540	500/	Harvey ND wnts KHND
KOQT	1550	1000/	Bellingham WA granted Ferndale WA and 10000/10000
WWBK	1560	1000/	Brockport NY granted WJET
new	1580	250/	Centreville MS granted construction permit
WQCK	1600	1000/500	Warner Robins GA granted WRBN

The National Black Media Coalition has petitioned the FCC to create a new AM channel, 530 kHz (531 kHz in case of 9 kHz spacing) to be set aside for new stations owned by minorities.

From the 3/31 thru 4/28 issues of Broadcasting.

RADIO PROGRAMMING NOTES Two new Yankee baseball affiliates: WQIQ-1590 Chester PA and WROW-590 Albany NY (replacing WOKO-1460)...The CBS Network has taken on some new affiliates: KRLD-1080 Dallas TX, KCMO-810 Kansas City MO, WGOL-1230 Columbus OH (replacing WRFD-880 KAGC-1510 Bryan TX, KBEE-970 Modesto CA, KBND-1110 Bend OR, KDUN-1470 Reedsport OR, KGNO-1370 Dodge City KS, KMJ-580 Fresno CA, KRMS-1150 Osage Beach MO, KXYL-1240 Brownwood TX, WCEC-810 Rocky Mount NC, WGEZ-1490, Beloi WI, WGHC-1570 Clayton GA, WHBY-1230 Appleton WI, WIRD-920 Lake Placid NY, WKVL-1550 Clarksville TN, WPPI-1330 Carrollton GA, WOMT-1240 Manitowoc WI, WRNB-1490 New Bern NC and WSNW-1150 Seneca SC.

Ed Ryan reports new Mutual affiliates in the 4/25 GWDXA Bulletin: KXL-750 Portland OR, WAMB-1190 Donelson TN, WOAI-1200 San Antonio TX, WHEL-1240 Knoxville TN, WKBR-1250 Manchester NH, KFH-1330 Wichita KS, KNNN-1400 Cottage Grove OR, KXRX-1500 San Jose CA and WDCI-1590 Gorham ME. ...He also reports new Larry King Show carriers: KAUS-1480 Austin MN, KCMJ-1010 Palm Springs CA, WSYR-570 Syracuse NY, KMPC-710 Los Angeles, WJJK-1150 Rockford IL, KKAI-1280 Arroyo Grande CA, KCKN-1340 Kansas City K KSLM-1390 Salem OR, WDXR-1450 Paducah KY, WUSS-1490 Atlantic City NJ, and KVI-570 Seattle.

Various format reports have KIKI-830 Honolulu HI switching from disco to top 40; KOPA-1440 Scottsdale AZ from top 40 to disco (ending the simulcast there); and KRUX-1360 Glendale AZ is rumored to be headed for big ban

Pete Kemp reports in the 3/31 DXN that WCBM-680 Baltimore MD is picking up Mutual Radio Theater, 2300 ELT...Jim Wallace reports in the same issue that WRFD-880 Worthington OH is adding AP Radio service. WOSU-820 Columbus OH is now all-news-and-public-affairs and is running "Morning Edition" 0700-1200 weekdays...Ed Ryan reports in the 4/11 GWDXA that KREM-970 Spokane WA simulcasts w/FM 0100-0600 PLT. KZUN-630 Opportunity W simulcasts FM in middays. KCUZ-1490 Clifton AZ now airs 0500-2200 MLT, which means it drops Larry King. Mutual Theater runs 1900 M-F. Sunday hours are 0500-1800 MLT...Bob Yentema reports that KCRL-780 Reno NV is carrying 30-minute old time radio shows six nights per week at 2230 ELT: Bill Hardy says the schedule seems to be: Sun "Inner Sanctum", Mon "Suspense", Tue "Green Hornet", Wed "Gunsmoke", Thu "Sherlock Holmes", Fri "The Shadow"...Gordon Byrd reports in the May RIB that syndicated comedy series "The Sunday Funnies" is on WLW-700 at 2305 Sat; WDAE-1250 Tampa FL 0005 Sat; WIL-1430 St. Louis MO 0000 Sat; WPBR-1300 Baltimore MD time unknown. More old time radio programs are on WBAP-820 2230-2400 Sun, WBZ-1030 0300 Sun.

A CBS press release dated 3/10 says that according to Statistical Research Inc.'s "RADAR 20" Survey (Spring/Fall '79), CBS Radio has 12 programs in the top 20 list of all sponsored radio programs on networks. NBC has 4 in the top 20, all 4 ABC nets have 4.. According to the survey, the #1 sponsored radio network program in the country is the 0830 ELT feed of "Paul Harvey" on the ABC/I net. The top CBS program, #3 overall, is the 0700 CBS News on the Hour. The top NBC program, #11 overall, is the 0700 NBC Hourly News.

According to the 4/21 issue of Broadcasting, a new regional network, Woodruff Pacific, has sprung up. It uses a combination of microwave and satellite distribution and features a 3-hour magazine show and consumer, sports, political commentary, business, weather and farm reports.

Bill Hardy reports that Bob Tate, of all-night trucker show fame on KTWO-1030 Casper WY, is publicly looking for a new job and may take his audience with him, wherever he goes..."Exploring America 1980" will be a weekend feature series with Charles Kuralt on May 24-25 on the CBS network

## Radio broadcast panics islanders

PORT ALBERNI, British Columbia (AP) — A realistic radio documentary about a 1964 tidal wave combined with a power outage to frighten many residents of this Vancouver Island town, officials said.

"One man left work to get to his family," after hearing the Friday evening broadcast, said Wayne Moore, an announcer for radio station CJAV. "One man tried to charter a plane."

The station was broadcasting a documentary on a tidal wave that hit 16 years ago. The program began with a simulated news report on the approach of a wall of water, and at that instant a

failure at a local power substation blacked out the Alberni Valley.

Power was restored five minutes later, but by that time a lot of people were jittery.

"I know that MacMillan Bloedel (a pulp company) was making plans to evacuate," said Mike Kindratsky, an auxiliary constable of the Royal Canadian Mounted Police. Moore said company employees began moving trucks to higher ground.

Officials said they didn't know whether anyone actually left town after hearing the tidal wave report.

CJAV employees said the 35-minute

documentary was promoted in advance, although it appeared some people had not heard about it.

"We had a bunch of calls about that ... asking if it was true," said Kindratsky.

Moore said the station switchboard "was lit up solid for about 15 minutes."

After power was restored, CJAV began the program again from the beginning. However, 10 minutes later it was forced to interrupt the show again to offer reassurance that there was no tidal wave and that the program was a dramatization.



# EASTERN DX ROUNDUP

Bob Curtis - 17 Cobbleview Drive - Colchester, VT 05446

Deadlines - Mondays

All times are Eastern Local

Upcoming Monday dates: June 2nd and June 30.

Spatter:

"SSS has been mediocre, but I've had better luck with tests."

Mike Brooker - ON

"My 700th station heard." Niel Wolfish - ON (see WKYG-1230)

"#15 on 1000 kHz, #13 on 960 kHz." (see 1000-WSUM & 960-WEAV) Bill

Townshend - DC

"Booming in for 2nd night in a row." (see 1580-KNIX) Rob Ross - ON

- 540 \*WGTO\* FL, Cypress Gardens 3/31 0130-0200 ET w/C&W mx & "Y.M.C.A." & "Macho Man" (ugh!), ID giving station address & asking for reports to be sent to the CE (and v/s), Dr. Frank Berry. Very good. (MB-ON)
- 560 CKCN PQ, Sept Iles 4/5 0252-0319 dominating frequency w/FF pop tunes & mx by Supertramp & Eric Clapton. Fair signal. (NW-ON)
- 620 WHJB PA, Greensburg 4/10 2346-2359 Mutual Radio Theatre, spots for Pennzoil, Knights of Columbus, Vet's Admin, s/off 2358. Fair-good o/WSUN w/no sign of anyone else. (NW-ON)
- 680 (CFTR) ON, Toronto 4/14 0250-0320 off, OC on at 0320, back on with usual stuff at 0345. (MB-ON)
- WCAW WV, Charleston 4/14 0315-0320 w/"I Never Will Marry" by Linda Ronstadt, local wx, other c&w songs, spot for a Ford dealer. Fair-poor w/WCBM. Killed by CFTR carrier at 0320. (MB-ON)
- WCBM MD, Baltimore 4/14 0300-0321 w/pop and oldies, ID as "Metro-media in Baltimore", message from the YMCA, contest promo to win a microwave oven. Fair-poor w/CFTR off. (MB-ON)
- 700 WLW OH, Cincinnati 4/17 1221 stock market report by YL, then "Born To Lose" by Ray Charles foll'g TC. Fair with sun less than 20° from zenith. (WPT-MD)
- 940 \*WE00\* VA, Smithfield 3/24 0138-0200 ET w/"Only the Good Die Young" by Billy Joel, "Dust In the Wind" by Kansas, ID at 0200 after Anne Murray's "You Needed Me", off at 0201. Fair-good o/Cuban. (MB-ON)
- WNRG VA, Grundy 4/10 1843-1857 various C&W or MoR mx, ID by Female & spot for Ford. Lost to CEM by 1857. (NW-ON)
- 950 WCTN MD, Potomac 4/25 1858 noted on w/OC 13 mins after s/off. (WPT-DC)
- 960 WEAV NY, Plattsburg 4/25 1859 T40 mx, then talk by OM w/ment of Plattsburgh. Good. #13 on 960. (WPT-DC)
- 990 CEW MB, Winnipeg 4/25 0208 Nat'l anthem & s/off. (RR-ON)
- 1000 WSUM OH, Parma 4/22 1846 ID by OM, then wx forecast by YL. Fair. #15 on 1 MHz. (WPT-DC)
- 1110 WJML MI, Petoskey 4/8 1911-1919 w/ID as "JML The Music Station", pop mx, spot for Mainstream Sports, message from the Michigan Dental Assoc, promo for Casey Car 's American T40. Fair until lost to WBT at 1919. (MB-ON)
- 1230 WCWA OH, Toledo 4/7 0205 w/Toledo wx, ID jingle, Mohammed Ali doing spot for "Inside Sports" magazine. Poor in GY mess (MB-ON)
- WKYG WV, Parkersburg 4/5 0131-0135 song by Emmy Lou Harris, 0132 ID by M, sx scores, foll'd by C&W mx by Billy "Crash" Craddock. Poor o/mess for my 700th station heard. (NW-ON)
- 1250 WARE MA, Ware 3/28 1812-1814 w/local wx, message from station's staff & management to answer the U.S. census. Poor u/WTAE in CHWO null. (MB-ON)
- 1270 \*WAIN\* KY, Columbia 4/7 0228-0255 ET or PoP w/apparent FM simulcast, played C&W mx, ID jingles & several ads for Coke, Central KY Realty, Howson's Market, Flowers Ford-Mercury, Dodge Trucks & PCA Farm Financing, a weird test. If they weren't simulcasting, they could be in a lot of trouble for having ads during a test. I think it is illegal to run ads during a test. Very good o/WHBF. WXYZ off. (MB-ON)
- 1310 WIBA WI, Madison 4/25 0200 ID by OM DJ & into nx. New. (RR-ON)
- WNIC MI, Dearborn 4/25 0200 ID, nx, ads, back to old call again! Ex-WWKR. (RR-ON)
- 1360 CJVL PQ, Ste-Marie-de-Beauce 4/1 0501 OM in FF, nx & sx. New (RR-ON)

1390 WCER MI, Charlotte 4/1 1900 s/off, ID, freq, pwr etc. by OM(RR-ON)  
 WRSC PA, State College 3/22 1809-1812 w/promo for "WRSC Road Show",  
 ID as "Your Favorite Radio Station...WRSC" into "American  
 Dream". Poor-fair w/WFBL in CHOO null. (MB-ON)

1420 WCED PA, Du Bois 4/3 1900-1905 w/mor song, ID as "WCED AM and FM,  
 Du Bois" into CBS Nx & spot for Carner Air Conditioning. Lost  
 to WHK and CKFH slop at 1905. (MB-ON)

1440 WBCM MI, Bay City 3/30 1840 w/Howard Cosell sports report; ID as  
 "Your Sports Leader...WBCM", then gone in CKFH slop. Very  
 poor. (MB-ON)

1490 ???? UNID, 4/7 0205 commercial for the Sault Institute in San  
 Diego, ID as "Music to....lullaby -Q-0 15, WCOF 95" into BFL  
 mx. Fair o/rest of 1490. (NW-ON)

1520 WKNT OH, Kent 4/1 1848 ad, Dial A Date On WKNT 100 FM, OM DJ(RR-ON)

1550 \*WBFJ\* NC, Winston-Salem 4/20 0129-0156 ET w/several ID's & gospel  
 mx (a la WMOO), off after ID at 0156. Fair signal. (NW-ON)

1560 \*WQXR\* NY, New York 4/25 0151 testing, ID & tone. (RR-ON)

\*WVGM\* TN, Nashville 4/25 0151 testing ID, "You're tuned to God's  
 music, WVGM, Nashville. New. (RR-ON)

1570 WBUX PA, Doyleston 3/18 1900 w/sign off annmcmt, no SSB. WTOW took  
 over in CFOR null after WBUX went off. (MB-ON)

1580 KNIX AZ, Tempe 4/1 0337 C&W mx, ID, spot for BB game, OM DJ. Boom-  
 ing in for 2nd night in a row. (RR-ON)

1600 WAYC PA, Bedford 4/21 0631-0635 local nx, spot for Bedford Auto  
 Club. Poor-fair w/CHNR. (NW-ON)

\*WNST\* WV, Milton 4/20 0205-0218 ET w/C&W, ID at 0215 "This is WNST  
 in Milton, WV conducting transmitter and program tests". Fair  
 to good o/WWRL. 14th stn on 1600. (NW-ON)

////////////////////////////////////

DX TESTS

790 WPIC PA, Sharon 3/31 0230-0300 DX TEST w/code ID's at 0243, 0257 &  
 0259, mx or voice ID's were killed by #0\*! at CHIC disco.  
 Very poor in partial CHIC null. (MB-ON)

860 KWHO UT, Salt Lake City 3/31 0200 tried for but not heard because  
 of XEMO. The KWHO test should have made it. 860 is dead here  
 after CJBC s/off, and XEMO was in; so cx to the west were  
 good. (MB-ON)

940 WECO TN, Wartburg 4/14 0119-0136 ET w/C&W mx, ID at 0122, "This is  
 940 WECO in Wartburg, TN. We're on the air for equipment  
 tests." Another ID at 0135, after a Conway Twitty song. Poor  
 w/Cuban and CBM carrier. (MB-ON)

////////////////////////////////////

REPORTERS THIS ISSUE

MB-ON Mike Brooker, 245 Old Forest Hill Rd., Toronto, ON M6C 2H5  
 Panasonic RF-2200 & GE Superadio

RR-ON Rob Ross, Box 4373, Stn. C, London, ON N5W 5J2  
 Panasonic RF-1115 & Nat'l HRO + longwires

WPT-DC Bill Townshend, 4500 Conn. Ave., NW, Washington, DC 20008  
 Realistic TRF

WPT-MD Bill Townshend DX'ing at Marlow Heights, MD

NW-ON Niel Wolfish, 15 Donwoods Grove, Toronto, ON M4N 2X4  
 Realistic TRF & Yaesu FRG-7

\*\*\*\*\*

Thanks to the nice contingent of Ontario reporters, whose faithful reporting has helped so much with this month's and other EDXR columns. What happened to all the other reporters in the various states/provinces that make up Eastern DX-land!

Thanks to Niel Wolfish for recent survey lists.  
 It's been over two months since I sent in my resignation as editor of EDXR, and so far I've heard nothing about a replacement editor. Looks as though Murphy's Ninth Law is very much in effect, "It is easier to get involved in something than to get out of it." Seriously, it's time for a change; and right now, while we're on the monthly schedule, is the best time to do it. I sure hope someone out there in Eastern DX-land will pick up the ball soon.

73 and good DX Bob Curtis



Bob Lazar  
3837 Milan Dr., Apt. 1  
Alexandria, VA 22305

# CENTRAL DX ROUNDUP

Deadlines: 5/5, 6/2====85 to 110 degrees west longitude====All times Eastern  
=====

## OF SPECIAL INTEREST

550 WSAU WI Wausau, semi-local here noted carrying Ai nx & Paul Harvey the last 2 weeks. They had been an NEC affiliate for as long as I can remember. (DW-WI)  
1240 KAKZ KS Wichita, 4/7 MM 0224 not new, but first time hrd with this call. Male anc'r playing John Denver & Chuck Mangione mx. (DW)

### Times for Mutual Radio Theater

1000 WCFL IL Chicago, 1906 ELT. (DW-WI)  
1340 WBCS WI Milwaukee, 2300 ELT. (DW-WI)

### It's not domestic, but...

If you're not good at Spanish but still want a Cuban verie, try the EE Cuban on 600. Dave Wurl mentions that they would like to hear from their listeners at The Voice of Cuba, P.O. Box 6017, Havana, Cuba. My experience with SS reports to Cuba suggests that no return postage is necessary and you will probably have a long wait for a verie. It might also be interesting to try to get a verie from Radio Moscow via this Cuban.

=====

540 KNOE LA Monroe, Th 4/3 0240 C&W mx played by female anc'r, wx 65<sup>0</sup>, SIDs, more C&W mx. Signal was very strong this A.M. but has been pretty regular here the last couple of weeks w/ same format & carrying Ae nx on the half hour. (DW-WI)

600 KIIIX CO Fort Collins, 4/1 1205 fair w/ nx, mx (country). (RH-CO)  
WICC CT Bridgeport, Su 4/6 0218 male anc'r played oldies by The 5th Dimension, wx 44<sup>0</sup> @ WICC, more mx by Seals & Croft & Percy Faith's "Summer Place". Anc'r gave WICC & Radio 60 ID's after each record. Stn was mixing w/ KSJB's C&W mx w/ a very strong EE "The Vice of Cuba" nulled. (DW-WI) (Hey Dave, is that how Cuba really ID'ed, hi--ed)

630\*~~KMAC~~\*TX\*San Antonio, W 3/19 noted ETing w/ TT's & OC 0207-0300 w/ good signal. ID & test count on the hour. (NZ-NE)

670 WMAQ IL Chicago, 4/2 0230 very good w/ "Big John" song, ID. (RH-CO)

680 KNBR CO San Fransisco, 4/2 0226 fair w/ music. (RH-CO)  
WPTF NC Raleigh, in very clear w/ SSB, s/on, local wx and into Early-bird show on 3/24 at 0500 for several minutes. Thanks to semi-local WMPS on a rare SP, I was finally able to log another station on this frequency! (SEM-TN)

730\*KWRE\*MO\*Warrenton, 4/7 on ET of MoR instrumental mx & s/off ID. Good signal o/ SS QRM 0252-0305. (NZ-NE)  
KKDA TX Grand Prairie, in poor to fair, thru heavy QRM, on 3/28 at 1920 w/ mx, ID & bits of spot heard w/ mention of Dallas-Ft. Worth. (SEM-TN)

710 KERE CO Denver, MM 3/31 0200 ID, wx 30<sup>0</sup>, male anc'r w/ statement "Time to get back to KERE public programming" into dull program called "Behind The News". Checked about 45 minutes later and signal was still very strong. (DW-WI) (Was it still dull?--ed)

740 KSSS CO Colorado Springs, 1/1 1200 good w/ NBC nx, ID. (RH-CO)

780 WBBM IL Chicago, 1/2 2334 very good w/ CBS Mystery Theater, Master Card ad, ID. (RH-CO)

820 WBAP TX Dallas, 2/2 2327 very good w/ GM ad, country mx, ID. (RH-CO)

850 WIVK TN Knoxville, in fair to good, u/ KOA, on 4/1 at 0606 w/ end of nx, local wx, then into traffic rpt giving rpt on lane closing on I-40 & problems on Alcoa Highway, etc. Even though this is a 50 kw in my state, it took almost a year to get it logged!

860 WAMI AL Opp, in very strong on 3/30 at 0705 w/ nx, state wx & local Opp forecast & comment about service of WAMI before being covered up by a couple of stns. (SEM-TN, last two)

900\*KFLP\*TX\*Floydada, F 3/28 noted testing using a tape of HS BKB game 0240-0305 for a surprise. At first I thought it strange to hear a Canadian on w/ BKB. (NZ-NE)

910 WOKK MS Meridian, Sa 4/5 0206 C&W mx by Rex Allen, Jr. ending, male anc'r ID'ed and played a record for the Meridian Polic Dept., ad for Gibson's Store, ID, more C&W mx. Signal was atop this graveyard-like frequency. (DW-WI)

930 WTAD IL Quincy, MM 4/7 0120-0130 not new, but caught them playing BFL mx & ID'ing as "99.5". This is not the first MM I have caught them giving only the FM call WQCY. (DW-WI)

940 KIXZ TX Amarillo, 4/8 0121 fair w/ mx & ID. (RH-CO)

1000 WYOK GA Soperton, in xlnr on 4/3 at 0600 w/ full s/on anmt hrd before thunderstorm static took over. (SEM-TN)

1080 KRLL TX Dallas, 4/3 0031 good w/ mx. (RH-CO)

1090 CKKW ON Kitchener, MM 3/31 0227 "Fire Lake" rock mx ending, male ancr w/ ID, wx, into more pop mx "Living in a World". Signal was good w/ KAAV's OC & ID @ 0230. (DW-WI)

1130 KBMR ND Bismarck, 4/6 Su 2020 ads for Self Service Furniture Mart, Welon Farm Implement in McCluskey, ancr Pat Sullivan gave list of winners of record albums and played 2 cuts from a Johnny Cash religious album. Wx 64<sup>o</sup>, s/off @ 2030 w/ no SSB. No sign of WDGW-WISN. (DW-WI)

1250 WREN KS Topeka, 4/7 0200 good w/ nx, ID. (RH-CO)

1280 CJSL SA Estevan, F 4/4 0148 C&W mx by Canadian group ending, male ancr w/ ID, comments on the good wx expected for Easter, into Barbara Mandrell's "Lovin' You". Signal was fair w/ much QRM from FF stn and WWTC. Canadian #81. (DW-WI)

1300 KOLY SD Mobridge, Su 4/6 2010 ABC's World of Sports ending, male ancr w/ wx 55<sup>o</sup>, ID'ed as "The best in mx, the best in radio, KOLY Mobridge", C&W mx by Billy Jo Spears, more C&W mx followed and stn started to fade to WKXI. (DW-WI)

1330 KFH KS Wichita, 4/7 0225 good w/ country mx, ID. (RH-CO)

WJPR MS Greenville, Su 3/16 poor-fair w/ C&W mx & female DJ 0335-0400, during KFH SP. (NZ-NE)

1370 KAWW AR Herber Springs, 4/7 0215 fair w/ country mx, ID. (RH-CO)

KXLF MT Butte, 4/7 0203 good w/ s/off, ID. (RH-CO)

1390\*WFMJ\*OH\* Youngstown, Th 3/27 Eting w/ steady TT, ID on the hour, 0241-0300 w/ good signal. (NZ-NE)

KCRC OK Enid, 4/3 0026 good w/ Powerline, mx. (RH-CO)

1410 WIZM WI La Crosse, 4/2 2340 good w/ mx "This is It". 4/3 0001 good w/ NBC nx & talk pgm. (RH-CO)

1460 KSO IA Des Moines, 4/7 0026 xlnr w/ two story house (?? Is that a song?--ed) ID, nx, American Country Countdown. (RH-CO)

1490 KBOL CO Boulder, 4/7 2240 poor w/ "You Babe" & ID. (RH-CO)

1500 WCZY MI Detroit, W 4/2 0240-0300 plays EZL mx almost all instrumentals w/ male ancr realing nx, wx 39<sup>o</sup> @ 0257. In nightly the past week providing background mx for KSTP's Larry King. (DW-WI)

1510 KMSD SD Millbank, 3/15 0851 promo concerning KMSD's 5th anniversary along w/ KMSD gift certificates. Strong o/ KDKO & KGA. (GC-WY)

1520 KOMA OK Oklahoma City, 4/1 2036 ID, barely coming in. Later ancr stated that KOMA had lost 49 kw. (GC-WY)

1530 WCKY OH Cincinnati, 3/19 1835 Home Repair pgm - local, w/ people calling in to man hosting (nightly regular). Fading w/ KUUY. (GC-WY)

KKCS CO Colorado Springs, 3/2 0931 ancr Ron Berry w/ into into DSC mx. (What's DSC? Disco? If so, the correct NRC log abbreviation is DIS.--ed) First time able to verify call letters, fading. (GC-CO)

1540 KZAM WA Bellevue, 3/9 1021 male ancr w/ anmt about R&R, then mentioned Seattle, finally made ID as "K-Z-A-M". Barely came in. (GC)

1560 KQYX MO Joplin, 3/9 1911 male ancr, ID was Super Q, into rock. Barely coming in. (GC-CO) Sa 4/5 1958 Ac nx ending, male ancr w/ ID, hrs of operation 0600 to LSS C.S.T., mention of Ac affiliation then s/off w/ "Dixie" & SSB, mention to tune to KSYN-FM 92.5. (DW-WI)

1570 KCVR CA Lodi, 4/1 0900 s/on w/ first a tone, then ID. Man also said KCVR is owned by KCVR Radio Inc. Unbelievably strong. (GC-WY)

KMAY CA Riverside, 3/30 0900 s/on w/ male ancr, made ID, then was lost. (GC-WY)

WOKZ IL Alton, in good on 4/1 at 1933 w/ full s/off hrd. (SEM-TN)

CKTA AB Taber, 3/22 0510-0519 ad for Yummies Cafe, then into promos for various programs tomorrow, T40 mx. Strong o/ CKLQ & XERF. (GC-WY) (Note the correct call letters & location; this stn relays CHEC-1090 and will ID as CHEC--ed)

1580 WSRF FL Ft. Lauderdale, W 4/2 0215 non-stop C&W ballads until 0227 when female ancr gave ID and read nx. More of the same type of mx @ 0233 including Johnny Horton's oldie "Springtime in Alaska". Signal was very faint w/ some distortion. (DW-WI)

1580 WCLS GA Columbus, MM 3/31 0310 disco-rock mx "Don't You Steal Your Love From Me" lasted about 5 mins., then about 10 second pause & male ancr gave WCLS Columbus ID. Stn then faded & mixed w/ unid's playing C&W mx & TT's. (DW-WI)

WAMW IN Washington, in like a local on 3/24 at 0516 w/ temps in several cities in state and local wx in Washington, then out and back again at 0540 w/ mx, spot for farm equipment auction in Washington, more mx, spot for bank serving Washington & Petersburg, then local nx. (SEM-TN)

CBJ QU Chicoutimi, 4/1 2300 hrd male ancr say something in FF, then a strong C-B (GJ), then into FF pgm. Came in and went out. (GC)

1600 KATZ MO St. Louis, 3/8 1735 ID, then anmt about a ROK (DSC) concert in eastern St. Louis, into DSC. Very strong. (GC-WY)

1590\*WNTS\*IN\*Beach Grove, 3/31 on ET of varied TT & OC w/ ID on half hour. Good signal 0318-0330. (NZ-NE)

One little DX test

790 WPIC PA Sharon, 3/31 DX test hrd 0233-0247 w/ code ID's & TT only thru QRM. (NZ-NE)

A tip of the hat this week to five wild & crazy CDXR reporters

GC - George Carter, 1405 Stonegate Drive, Sheridan, WY 82801  
(Panasonic RF-2600, 90' LW)

RH - Rob Harrington, 3181 S. York St., Englewood, CO 80110  
(Craig 3404 portable rx)

SEM - Sidney E. Marshall, 7224 Pam Dr., Millington, TN 38053  
(Panasonic RF-2200, SM-2)

DW - Dave Wurl, 908 W. 14th St., Marshfield, WI 54449  
(GE Superadio, Radio West modified TRF, SM-2)

NZ - Neil Zank, 623 Lyncrest Dr., Lincoln, NE 68510  
(Hammarlund HQ-180A, GE Great Awakening clock radio)

Welcome this week to George Carter, it's nice to have a report from Wyoming Your report was forwarded to me by Nancy Hardy, almost all of WY is in CDXR-land. Just the extreme western part, west of 110 degrees is in WDXR.

\*\*\* **NEW MEMBERS** \*\*\*

from Rich Segalas  
P.O. Box 26254  
San Francisco, California 94126

Percy R. Kesteven, 13416-113 Street, Edmonton, Alberta, CANADA T5E 5B1 (rejoin)  
Peter Pompe, 38, Val du Prince, B-1950 Kraainem, BELGIUM  
Phil Lo Piparo, 9886-33rd, Milwaukie, Oregon 97222  
Robert D. Creedy, P.O. Box 14, Benicia, California 94510

ADDRESS CHANGES

Gerry Thomas, P.O. Box 2036, Pensacola, Florida 32503  
David Legler, 128 East Magnetic, Marquette, Michigan 49855

RENEWALS AS OF 9 MAY 1980

Bill Coleman, Jr., Greg Monti, Harry W.E. Weatherley, Phil Conley, Richard T. Eddie, William McMahon, Michael Sapp

DON'T FORGET THAT ALL RENEWALS AND ADDRESS CHANGES SHOULD COME TO ME AT THE ABOVE ADDRESS.

Also, New Members who haven't received their "Principles of Broadcast Band DXing" take hope. By the time you read this, you should have either already received a package or you will receive it within the next two weeks. Remember that they are mailed from Seattle THIRD CLASS, and we all know that third class sometimes takes a while.

I've received a couple of requests that we accept multiple year memberships like NRC did last year. IRCA has always accepted memberships for more than one year. We have a number of members who just multiply the current membership rate by the number of years that they want to renew for and send a check. MY last renewal was for five years. Ed Krejny's last renewal was for four years. Mike Hardester and others have opted for two years. We didn't think that it needed to be mentioned since it just seemed logical that if you wanted to do it that way you would.

REMEMBER LOUISVILLE IN AUGUST FOR THIS YEAR'S CONVENTION



# WESTERN

Nancy Hardy  
2301 Pacific Avenue  
Aberdeen, WA 98520

# DX ROUNDUP

All times are  
Eastern Local

Phone for hot WDXR tips: (206)532-6827 till 10:30(PLT)--no collect calls

DEADLINES: Thurs. June 5, Wed. July 2

REPORTERS FOR THIS ISSUE:

(WJH&bp-UT) Bill Harms & Bruce Portzer DX'ing at Hobble Creek Canyon, UT  
SSW-NNE & N-S Beverages  
(bp) Bruce Portzer-DX'ing in Ogden, UT Realistic TRF  
(RW) Robert Wien-1309 Dentwood Dr.-San Jose, CA 95118  
GE long-range portable, SM-2

\*\*\*\*\*

- 521 "ORC" IA, Orange City 4/27 0415 obliterating "INE" w/xlnt signal on the WSW-ENE Beverage. (WJH&bp-UT)
- 600 KSJB SD, Jamestown 4/27 0335 good on WSW-ENE Beverage w/ID, local ad, & C&W mx. (WJH-bp-UT)
- 620 KNCS CA, Hanford 4/27 "Echoes of the Azores" pgm in PP to 2359, then s/off "concluding another week of 24 hr broadcasting," ment 0800 s/on. Good w/KTAR nulled. 9pm PLT sure is an odd time to start a weekly SP! (bp-UT)
- 940 (KFRE) CA, Fresno 5/5 0411 noted w/OC. (RW-CA)
- 950 KMTX MT, Helena 4/24 o/u XEGM w/light MOR, ads, IDs, "Capital Close-up" promo 0040. When did they go full-time? (bp-UT)
- KMER WY, Kemmerer xlnt w/C&W mx 2118 4/28 w/flood warnings after most songs, "If the sirens go off during the night tune to KMER for further instructions." Don't know if they actually were on that night or other nights. (bp-UT)
- \*KNFT\* NM, Bayard 4/15 0203-0207 poor-fair on f/c w/TT, ID. New, not heard during XEGM SP. (RW-CA)
- 960 KNDN NM, Farmington 4/24 0815 C&W mx w/DJ talk & local ads in Navajo (which sounds like a tape of JJ played backwards) o/u KAYK. (bp-UT)
- 1030 \*KTWO\* WY, Casper 5/5 0356 xlnt w/TT. (RW-CA)
- 1060 KRSP UT, Salt Lake City s/on 0845 4/28 & 4/29 despite mention of 500 watt PSA in s/on annct. Was on by 0840 on 4/30, however. Amnts during RS mentioned "soon to be 24 hrs." (bp-UT)
- 1110 \*KRLA\* CA, Pasadena 5/5 0413 good w/TT. (RW-CA)
- 1140 (KRAK) CA, Sacramento 4/28 0420 noted off. Possibly no longer NSP, but 24 hr. SP MM 0400-? (RW-CA)
- 1190 KADE CO, Boulder 4/24 0807 good w/ads for Ramones concert, smoking paraphanelia, etc. "Radio 12 K-A-D-E" ID, then rock mx. (bp-UT)
- 1230 KGFJ CA, Los Angeles 4/21 0330 weak w/KCBN et al at s/off. Unusual time to s/off. Do they operate w/100 watts at this time? (RW)
- 1260 \*KSNO\* CO, Aspen 4/21 0230-0242 suspect an ET, but maybe f/c has moved from 2nd Tues. to 3rd MM. TT w/reg. spaced intervals similar to KXIV f/c. ID 0241. Fair to weak in KYA null. (RW-CA)
- 1280 KRZE NM, Farmington fair w/C&W mx in null of local KWMS many am's 4/23-4/29 around 0840-0900. (bp-UT)
- 1290 KUMA OR, Pendleton 4/28 0818 good in KMEN null w/local sports, wx. KRKT also in. (RW-CA)
- 1340 KACH ID, Preston 4/28 0800 way on top at s/on, into Mutual nx, then faded out rapidly. Back at 0816 w/local spot. New. (RW-CA)
- 1370 KSOP UT, Salt Lake City "now 24 hrs" per TV ads, but practically inaudible u/KXLF nights in Ogden, 30 mi. N of S.L.C. (bp-UT)
- 1450 \*KEST\* CA, San Francisco 4/28 0340 w/TT on very rare ET. Totally off later on, just KEED/KEYY/KONE in there. (RW-CA)
- 1570 KLOV CO, Loveland 5/1 on due to flooding & heavy rains 0056 tune-in to 0120 tune-out. YL anncr. & inst. MOR // KLOV-FM. Good o/XERF et al. (bp-UT)
- 1610 TIS AZ, Grand Canyon 4/26 2156 trying to push the UT TIS's out of the way w/ment. of the Rim Drive, lodges, & various facilities.
- TIS UT, Bryce Canyon Nat'l Park using N/S Beverage. (WJH-bp-UT) 4/26 0216-0230 loop tape w/OM welcoming you to the park, a caution about getting a sunburn from reflection from snow, ment. of publications available & a short guide to the park. Fair to good w/QRM from at least 2 other TIS's. (WJH&bp-UT)
- 1340 UNID SD, 4/24 0756 gave wx "up in ND," then wx "across our state" w/ temps in Pierre, Rapid City, etc, livestock rpt, then lost to KDEN et al. 2 or 3 SD stations listed. (bp-UT)

Looks like Utah is the DX state for the month! See you in June. ♡

**DX****Worldwide**

ELLIOT STRAUS

Editor

All times GMT/UTC  
Deadline Tuesdays

Box 168 Red Bank, N.J. 07701 201-736-1681, M-F 18-2200

Well the big spring DX rush seems to be petering out, and it's reached the time of year where I find it harder and harder to DX, especially during Baseball season. Everytime I come across a game I forget about DXing and listen. Oh well, if summer is upon us can the fall be far behind?

TRANS-ATLANTIC DX ROUNDUP

- 693 ENGLAND BBC 0526 Apr 05, poor-fair w/OM in EE. (Connelly-Ma.)  
 747 UNID 0510 Mar 13, apparent TT on this channel. Does Lopik run a TT before s/on? Just a carrier @ 0600. Bearing of 370 would suggest Holland. (Hall-Patch,B.C.)
- 756 t W.GERMANY Konigsutter 0420-29 Mar 13, fair, steady signal w/ Dixieland, OM talk in GG, & more mx. reported. (Hall-Patch,B.C.)  
 783 t E.GERMANY Burg 0402 Mar 13, apparent nx in GG, fair w/KCRL-780 splatter. Not enuf for a report. (Hall-Patch,B.C.)  
 828 MOROCCO Oujda 0520 Apr 05, loud w/OM in AA, feeble 827 het present. 819 weaker than 828. (Connelly-Ma.)  
 837 UNID 0444 Mar 20, weak audio traces bearing approx. 35°. France? (Hall-Patch,B.C.)  
 882 ENGLAND BBC Washford 0512 Mar 12, fine ID after disco tune, ment. of 'Radio 2 Network & Radio 1 as well'. nil-fair w/CJVI-900 splatter. (Hall-Patch,B.C.)
- 1024.8 UNID 0425 Mar 15, & 0527 Mar 16. a spur maybe, but not noted before. (Hall-Patch,B.C.)  
 1206 FRANCE Bordeaux 0506 Apr 05, loud (best TA), AA pgn. much stronger than adjacent Cayman 1205 OC. Also appearing on car rx at coast @ 2155 Apr 07, WCAU just a groundwave at the time, way before local sunset. (Connelly-Ma.)  
 1467 MONACO Monte Carlo 0456 Apr 05, poor w/relig. mx. S-9+ on meter; but buffeted by S-9 +20 WLAM buckshot. (Connelly-Ma.)  
 1557 FRANCE Nice 0448 Apr 05, poor w/OM/YL in FF through hvy WQXR slop. (Connelly-Ma.)  
 1566 TUNISIA Sfax 0442 Apr 05, to fair peaks thru CKLM junk; YL AA moaning. (Connelly-Ma.)  
 1566 UNID 0502 Mar 13, TA carrier, weak w/erratic fading. Still there @ 0521, bearing seemed about 35°, so Tunisia possible. No sign of it after 0430 Mar 12 when there were numerous N. European carriers! (Hall-Patch, B.C.)  
 1593 W.GERMANY Langenberg 0439 Apr 05, fair-fadey w/light instr. mx. (Connelly-Ma.)

PAN-AMERICAN DX ROUNDUP

- 540 t MEXICO XEWA 0540 Apr 05, probable w/cl. mx., Mexico ment., SS talk by OM/YL, then singing ad. (Connelly-Ma.)  
 670 VENEZUELA Caracas YVLL 0457 Apr 05, o/Cuba; Rumbos ID, LA big-band mx! (Connelly-Ma.)  
 720 CUBA Colon CMGN 0634 Apr 06, dominant & loud w/Cuban chimes; ID as 'La Voz de Cuba'. (Connelly-Ma.)  
 725 SURINAM Paramaribo SRS 0327 Mar 13, //4850, fair w/OM talk in unk lang. (Hall-Patch,B.C.)  
 +2329 Apr 05, good w/YL in Asiatic lang! (Connelly-Ma.)  
 735 ECUADOR Quito HGCG1 0524 Apr 05, good w/festive LA mx. (Connelly)  
 775 COSTA RICA San Jose TIW 0703 Apr 06, fair in moderate WABC slop; R.uno ID., US MoR. (Connelly-Ma.)  
 830 DOM.REP. Santo Domingo HIJB 0548 Mar 28, SID after rr mx, fair o/WCCO for a few minutes. (Hall-Patch,B.C.)  
 834 BELIZE noted w/fine strength each evening throughout the TA opening. (3/12-3/21). (Hall-Patch,B.C.)  
 860 MEXICO Tijuana XEMO 0720 Mar 31, w/relig. mx., OM ancr. in EE. ID as 'This is XEMO, the voice of inspiration in the West'. wx for L.A. (Gerardi-111.)  
 1000 COLOMBIA Cartagena 0648 Apr 06, briefly o/LA jumble w/festive LA mx., featuring an electronic synthesizer; this was followed by a Fiat car ad w/names of dealers. (Connelly-Ma.)

- 1020 VENEZUELA La Asuncion YVRS 0650 Apr 06, booming in like a local annihilating KDKA; mellow LA instr., slow male group vocal, then, 'Mundial Margarita'. (Connelly-Ma.)
- 1040 COLOMBIA Barranquilla HJAI 0653 Apr 06, good atop growl; spirited SS vocals, CARACOL ID. (Connelly-Ma.)
- 1050 MEXICO Mexicali 1125 Mar 17, noted w/OM yelling 'La Grande D de Mexicali', fair strength, on before list 1300 s/on. (Hall-Patch)
- 1070 VENEZUELA Maracaibo YVMA 0616 Apr 06, atop heavy growl; festive YL SS vocal, Mundial Zulia ID. (Connelly-Ma.)
- 1100 COLOMBIA Barranquilla HJAT 0542 Apr 06, very loud w/'R.Reloj, la favorita musical de Barranquilla'. (Connelly-Ma.)
- 1110 UNID 0619 Apr 06, waltz mx., then SS talk 'en el corazon de Argentina', R.Tiempo & R.Reloj slogans, other talk, poor in storm QRN. (Connelly-Ma.)
- 1210 UNID 0450 Apr 06, (haiti or Dominica?) FF u/WCAU. (Connelly-Ma.)
- 1325 HAITI Port-au-Prince 4VJCD 0502 Mar 22, closing bars of Haitian NA drifted up thru crud, weak but definite. Carrier off immediately after anthem finished. Tnx to Hutton's LA anthem tape for this one. (Hall-Patch, B.C.)
- +0457 Apr 05, pips, anthem, then OC, fair. (Connelly-Ma.)

#### TRANS-PACIFIC DX ROUNDUP

- 531 AUSTRALIA Kempsey 2KM 0815 Apr 03, w/racing results, into pop mx. Also same time next day. (P.Martin-Ore.)
- 585 USSE Svobodny 1305 Apr 08, YL in CC, strong. (Williams-Ore.)
- 612 AUSTRALIA Brisbane 4QR 0822 Apr 03, vy good w/jazz & brief anct. (P.Martin-Ore.)
- 657 NEW ZEALAND Wellington 2YC 0750 Apr 03, discussion show. (P.Martin-Ore.)
- +1107 Apr 07, good level w/YL w/mx. Beautiful signal w/opera @ 1146, despite poor 756/819 reception. (Portzer-Wa.)
- 702 AUSTRALIA Sydney 2EL 0825 Apr 03, good w/jazz, // 4QR-612. (P.Martin-Ore.)
- +1202 Apr 04, fair w/nx by OM, then piano mx. (Portzer-Wa.)
- 711 FIJI Suva 0730 Apr 03, fair-good w/some KIRO slop, talk in EE. (P.Martin-Ore.)
- 747 AUSTRALIA Toowoomba 4QS 0828 Apr 03, also // 612, 702. (P.Martin-Ore.)
- 747 JAPAN Sapporo JOIB 1157 Apr 14, fair w/YL talk. (Portzer-Wa.)
- 756 NEW ZEALAND Auckland 1YA 0756 Apr 02, quite good w/EZL mx. into nx @ 0800. (P.Martin-Ore.)
- 765 NEW ZEALAND Hastings 2ZK 0916 Apr 03, // 2YC 657 w/cl. mx. & the Concert Pgm. (P.Martin-Ore.)
- 792 AUSTRALIA Brisbane 4QG 0846 Apr 02, fair w/cl. mx. & Net 2 of ABC. (P.Martin-Ore.)
- 891 JAPAN JOHK 1227 Apr 08, 2 OM w/sports pgm. (Williams-Ore.)
- 837 NEW ZEALAND Whangarei/Kaitiaki 1YX/1YK 0856 Apr 02, both here (presumed) w/National Pgm. of NZBC w/MoR/EZL mx. (P.Martin-Ore.)
- 864 NEW ZEALAND Invercargill 4ZA 0817 Apr 04, Tonight Show w/Wayne Monte. (P.Martin-Ore.)
- 873 t NEW ZEALAND Ashburton? 3ZE 0844 Apr 02, could have been the one here with pop mx, mixing w/2GB, but too much 2GB to tell for sure. (P.Martin-Ore.)
- 882 AUSTRALIA Brisbane 4BH 0917 Apr 04, strongest DU this AM w/MoR way o/YC, noted on TRF w/almost armchair copy. (P.Martin-Ore.)
- 890 ALASKA Adak AFBS 1351 Apr 03, rr mx, YL in EE. 'This is the Alaska Forces Satellite Network'. NET nx foll. (Williams-Ore.)
- 837 JAPAN JOJK 1230 Apr 08, //891 but stronger. (Williams-Ore.)
- 1008 NEW ZEALAND Tauranga 12D 0840 Apr 04, also noted strongly on TRF (P.Martin-Ore.)
- 1026 UNID 1031 Apr 07, rr mx, fair, looping DU. Solomons or Aussie. (Portzer-Wa.)
- 1035 NEW ZEALAND Wellington 2ZB 0842 Apr 04, almost equal at times w/12D, Tonight Show. (P.Martin-Ore.)
- 1044 NEW ZEALAND Dunedin 4ZB 0845 Apr 04, somewhat weaker than 1008 or 1035 w/Tonight Show. (P.Martin-Ore.)
- 1053 NEW ZEALAND New Plymouth 2ZP 0849 Apr 04, also w/Tonight Show. (P.Martin-Ore.)
- 1116 AUSTRALIA Brisbane 4BC 0953 Apr 03, fair w/lots of slop from KPNW 1120, 'You-me-4BC' jingle. (P.Martin-Ore.)

- 1116 t NEW ZEALAND Nelson? 0954 Apr 03, possibly the one w/pop mx, way behind 4BC. (P.Martin-Ore.)
- 1179 t AUSTRALIA Melbourne? 3KZ 1017 Apr 02, could have been the UNID pop mx, but too much KLOK/KPUG slop. (P.Martin-Ore.)
- 1197 NEW ZEALAND Whanganui 2ZW 0745 Apr 05, heard poorly w/alot of KEX slop. Tonight Show // 1008. (P.Martin-Ore.)
- 1206 AUSTRALIA NEW ZEALAND FIJI 2GF/4XO/Fiji#2 1043 Apr 03, all here w/fair signals. (P.Martin-Ore.)
- 1215 NEW ZEALAND Kaikohe 1ZE 0910 Apr 03, also w/Tonight Show lots of 1220 slop. (P.Martin-Ore.)
- 1242 JAPAN Tokyo JOLF 1253 Apr 14, rr mx & JJ talk, fair-poor, hetting 1240. (Portzer-Wa.)
- 1251 UNID 1251 Apr 14, het looping Asia. (Portzer-Wa.)
- 1296 NEW ZEALAND Hamilton 1ZH 0925 Apr 03, Tonight Show. (P.Martin-Ore.)
- 1323 FIJI NEW ZEALAND Fiji II & 3 ZM 0900 Apr 05, both here, Fiji w/ABC (Australia) nx, ZM w/short headline type nx, into mx. but still not good enough for report. (P.Martin-Ore.)
- 1404 W.SOMOA Apia 2AF 0815 Apr 01, 05 fair w/YL in Somoan & Island mx. (P.Martin-Ore.)
- 1449 t NEW ZEALAND Palmerston North? 2YM 0811 Apr 04, may have been the weak stn. unseperable from 1450, w/pop mx, sounded like the Tonight Show. (P.Martin-Ore.) (How many stns. in the same country can broadcast the same pgm. Pat, sounds like Cuba-ed.)
- 1475 t MALAYSIA RMKK 1242 Apr 14, assumed the YL talk looping 300°, poor signal. This stn. is usually best heard during the spring. (Portzer-Wa.)
- 1476 NEW ZEALAND Auckland 1XA 0851 Apr 01, vy good w/Rolling Stones mx. into jingle @ 0851. (P.Martin-Ore.)
- 1476 UNID 1242 Apr 14, pop mx & OM talk looping DU, hetting the Malaysian. (Portzer-Wa.)
- 1557 NEW ZEALAND Hawera 2ZH 0824 Apr 01, // 1053 w/(guess what) the Tonight Show. (P.Martin-Ore.)
- 1566 S.KOREA Cheju HLAZ (ex-HLDA) 1125 Apr 07, fair w/usual talk. (Portzer-Wa.)

#### VERIE:

- 792 KOREA Rep! HLKJ v/q via air in 355 days for EE/KK report & mint stamps. V/s S.M. Kim Director. (Hardester-Cal.)

#### CONTRIBUTORS:

- Mark Connelly W.Yarmouth, Ma. R-390A MW-1
- Nick HALL-PATCH 3272 Alder St. Victoria, B.C. V8X 1P2  
transmog. HRO, FET AA loop
- Rob GERARDI 1418 N. Lincoln Apt. D., Benton, Ill. 62812  
TRF
- Mike HARDESTER 574 Deer Springs Rd. San Marcos, Ca. 92069  
FRG-7, MW-1
- Patrick MARTIN POB 843 Seaside, Ore. 97138  
E.H. Scott, 230' lw
- Bruce PORTZER 6546 19th NE Seattle, Wash! 98115  
HQ-180A, FRG-7, 4' loop, SB-620
- Dave WILLIAMS 615 Highway 101 Astoria, Ore. 97103  
SPB-4, 360' lw

## AM-stereo receivers expected to be on market within a year

WASHINGTON (UPI) — Magnavox, the company whose system has been tentatively selected by the government as the one to be used for AM-stereo radio, said Wednesday that sales of such receivers could start within a year.

Company officials also said there is no practical way existing FM-stereo receivers in the car or the home can be retrofitted to accept the new signals since the work involved would probably cost as much as buy-

ing one of the new receivers.

The company called a news conference to announce that it will not charge the manufacturers of radio station equipment a license fee, as it has a right to under its patent, for use of its system.

"This amounts to a free license for the more than 4,500 broadcasters nationwide," said Kenneth Meinken, president of Magnavox Consumer Electronics Co.

He said, however, that the company will charge a "reasonable license fee" to other firms which want to manufacture receivers capable of receiving AM-stereo.

He predicted such receivers would be on the market in about a year.

Last month the Federal Communications Commission ordered its staff to prepare an order singling out the Magnavox system over several competitors as the one to be used.

# EASTERN DX FORUM

THE COLUMN  
OF THE 80's

Paul Mount  
35-1/2 W.Columbus St.  
Nelsonville, Ohio 45764

Watch for address change

BILL WURTZEL 32 West 31st St. New York, NY 10001

April 10

DXing tonight April 9 in the tail end of a thunderstorm proved interesting. There was no sign of New York's WHN-1050. Instead rock music and commercials for Canadian stores came in on Toronto's 1050-CHUM. Des Moines, Iowa's WHO-1040 told us about a state wide Tornado Alert to be conducted on a Saturday. Wheeling West Virginia's WVVA-1170 played a humorous country version of "Chicken of the County." 'Twas a take-off of "Coward of the County". I got a cackle out of this version. It almost laid an egg! Tuning by later, CHUM was gone. In its place was a southern preacher pounding his religious message over XEG-1050 in Monterrey, Mexico. Static made it difficult to hear. A telephone-talk show host on WBT Charlotte, NC told how he got into bigtime radio in two years after starting out on a 10-watt college FM station. I was using 4 radios: Panasonic RF-1700, RF-2200, Mormente cassette AM-FM-SW, and the Realistic Astronaut-6. There were interesting comparisons.

I wish I had a better location

Late nights I often try

In order to hear a distant station

To pick up San Antonio's WOAI

Like in the country

They come in at one

Or on the high sea

When my DXing's done

Then I would pick up a TA or Haitian!

I've heard them earlier, that's no lie!

NIEL WOLFISH 15 Donwoods Grove Toronto, Ontario M4N 2X4

4/22

Well haven't managed to break Hank Aaron's record yet, but I have managed to reach #704. Latest DX has been okay, 10 new stations for April, but I've slept through every MM. There's nothing worse than falling asleep at 12:20 a.m. with the headphones on and waking up 7 hours later with 1490 blasting your ears, realizing that you missed a test. I guess I'll have to start using the tape recorder-timer setup again. I've little else "D-exciting" to report on. Was at former IRCA member Fred McClenaghan's place on 4/18 with never IRCA member Michael Bolitho. Spent a couple of hours showing him the 4/12 DXM & listening to 725-Surinam on his FRG-7 & SM-2 combination. Upon pointing out the large TA section in DXWW, he said "They're probably all (Mark) Connelly's TA loggings." I laughed at that comment, because I knew better. Fred was quite shocked by the various TA loggings made by Pat Martin, Dave Williams, and Mark McMillian, who reside in OR & ID, not MA! Fred also was quite shocked by all the new editors since he was last a member. (Get him to rejoin, it'll save voltage and be good for his well-being, hi-PRM). Well thats it for now. Anyone interested in CHUM, CKAR, CKPH, CKCE, CKOC, CJJD, CJBK, CFOS, CPFS stickers and/or CKOC charts, and/or CPTR or CKCB buttons, drop me a line (along with your Graveyard Records, hi) and I'll be happy to trade. Bye for now.

BILL TOWNSEND 4500 Conneticut Ave NW #901 Washington DC 20008 202-966-8046 4/28

As promised in my last Forum, a re-intro is in order. By the time you read this, I'll be 7<sup>2</sup> (49), am happily single, and live at home with my 77(sunset strip, hi)year-old stepmother. I've been DXing off and on for the last 40 years, using such rigs as the RCA Victor 5-tube table model (range:540-1720 kHz), Zenith Royal 500, Radio Shack DX-160 and TRF and assorted other rigs. I work as a computer programmer for the National Weather Service (dont blame me for "acts of God" hi). The eight story pile of concrete, steel, and glass that I work in is a DX-buster, although FM reception is not affected. However, the 24 exterior pillars ( there are 16 interior pillars) of the building serve as antennas (what was said in my last Forum about not using external antennas was wrong, hi). Those pillars enabled me to log and verify midday receptions of several Midwest stations, including three in the Flaglander (Central) time zone. When a DXer calls a distant station a pest, he/she is actually complimenting it, albeit in a left-handed way, hi. This means that the station can be heard regularly, so that an ordinary listener wanting to hear his/her favorite programs on such a station can pretty well count on hearing them. I cancelled my reservation on the Linblad Explorer's Antarctic cruise next winter because of possible financial problems arising from a possible condominiumization of my 9 story pile of yellow bricks, which could necessitate investment (down payment plus hefty installments) or moving elsewhere to continue in rental status, which entails moving and the expenses connected therewith. I'll be going to Scandinavia for two weeks in June, with days 21 hours long and at midnight light enough to read, so DX will be minimal. I may go to the British Isles next year. I plan to be in New Zealand in Nov 1984 for a total solar eclipse expedition with a possible Antarctic side trip.

'73 and good DX de WPT.

EASTERN DX FORUM'S NEXT DEADLINE IS JUNE 3. KEEP WATCH ON THE FRONT PAGE AND IN THESE PAGES FOR AN ADDRESS CHANGE. I GRADUATE IN JUNE AND MAY BE HEADED ANYWHERE. KEEP USING THE NELSONVILLE ADDRESS AS I'LL HAVE MAIL FORWARDED TO WHEREVER, UNLESS I'M LIVING OUT OF MY CAR, HI. HOPE TO SEE YOU AT "YAD" IN YOUNGSTOWN OVER MEMORIAL DAY WEEKEND.

SAUL CHERNOS 79 Ridge Dr. Toronto ON M4T 1B6 Canada

Hello. I'll do you all a big favor and spare you the usual intro. Heard a wierd thing last night(4/12 2355 to 4/13 0130+) On 1190, I heard two stations. CHTN is never strong enough to make it verywell unless WOWO is off. What I am saying is that I had trouble nulling the more powerful station, but managed a very poor ID out of WOWO! The "Big One" had MOR mx, no talking or IDs, and at 0001 4/13 they stopped, leaving an OC which I fell asleep listening to. Is it not illegal to test vefore MIDNIGHT? The OC was in the night before also. Phoned1190 CJMR but they insist it wasn't them. As they 1)did not ID at all (including on the hour) 2)CJMR needs CRCX permit to ET, and probably not get it, or they would have IDed. Any ideas out there? Also tonite a nice--incredibly strong het on11458. Maybe Albania, but only a het. No other strong ones that night. Quickie Quiz for Toronto members (one in particular): Who played the lead role in the TV Series "Dennis the Menace"? (Would Mr. Wilson know, hi-PRM) It seems Dennis once had over 900 MW stations logged. That's all folks. 73s and may we only hear Russians on USSR stns & the odd Cuban80

ERNEST R. COOPER 5 Anthony St. Provincetown, MA 02657 617-487-9337 4/30

Even though I've just recently entered my 60's, it is O.K. if I contribute to the "Column of the 80's?" ("OK? It'd be terrific"-PRM). Hi, Mort Meehan, I met both Bill Wheatley and Ray Geller. Bill was in the CDXR(Canadian DX Relay) when I joined it - he lived in Brooklyn as did I. I got to meet Ray Geller because he had a newsstand outside the building where I first worked on Wall Street. He used to tell people he was in the newspaper business! (Well, I guess he was, in a way!) Someone in my office with whom I'd discussed my hobby of DX told me I ought to introduce myself to him, which I did, and I eventually got into the GCDXC, and shortly after I joined it, it folded. I then joined the NRC in '39 when it was HQed in York PA. And you know the rest, hi, now still in NRC & IRCA, and 4149 verifications later. Speaking of which, the latest have brought three tough-to-crack holdouts:WPNH-1300 NH; WHIS-1350-VA; & WQNT-1270-FL. WOKO-1460 wants reports: theyre having trouble with their ground system - seems it has deteriorated over all its years in the ground - as we all will, some day, hi. Their SP is 0300-0600 SMs. I enjoy very much Greg Monti's column, "Broadcasting Information" but I wish he'd use the NRC Log symbols like "D-1, U-2, SH-1" etc with the powers mentioned. Isure wish those many references to'OM' in the "Worldwide: column would go away - a recent reference to an "OM in PP" sounded kinda personal! I still find that term argist, sexist, and offensive, being and "OM" myself, and it makes me think of the term "DOM." What does the abbreviation "RTTY" mean?: (Something about Radio Telegraphy, I think, like operating a Radio Teletype over the air, sounds like fast Morse Code?-PRM). I hope to see a lot of you at the Youngstown bash over the May 2h-26 weekend. I hope there'll be scads of lads at YAD's! (How about the SCADS and LADS?-PRM) The Eastern DX Forum looks great, Paul! See y'all soonish. ERC

PAUL R. MOUNT 35 1/2 West Columbus Street Nelsonville, Ohio 45764 614 753 3280 never home

On the contrary to the note at the bottom of the previous page, I may be in 5/7 Nelsonville indefinitely. Don't recall much DX activity in recent weeks aside from a daytime bandscan a few miles SSW of Logan, which had 1600 WBLY Springfield OH, and 1590 WSRW Hillsboro OH among the stns not hrd in Nelsonville, at a location about 13 miles West of here. I'm looking for Electronics jobs, though if you know of a small station that needs fulltime help for a rock jock and music director, please send word along. WLGN is starting to be consulted, not really the best word, listed in The Gavin Report, but there is a waiting list after you're accepted. I'll probably be the reporter for the station u/Chuck Anthony's name. Hundreds of stns of all formats report what their SC is and master lists are sent out. My mind is sort of blank, or on (as Warren Zevon would say) A Certain Girl in Logan, so I'll stop here, and if I find Mike Saltmarsh's Forum I'll either add it here or send to Seattle separately, it disappeared. C U L.73 "w"

Do you work at a radio station? If you do and your station is affiliated with any network, please drop a line to Bill Hardy, 2301 Pacific Ave., Aberdeen, WA, 98520. Bill needs information on the newscast formats and feed schedules of the ABC networks, CBS, NEC, Mutual, RKO, NBC's "The Source," National Black Network, Sheridan Broadcasting Network (ex-Mutual Black), AP Radio, and UPI Audio, plus any others we've overlooked. (Note: we're okay on National Public Radio because a key IRCA member works there.) We also need all the info we can get on any regional and state networks you know of. Bill would like to hear from you in May or June, if possible.

### Schools Say Pupils Getting High on Bumper Stickers

RICHMOND (UPI) — Henrico County school officials have banned a Richmond radio station's promotional bumper stickers from their schools, saying the students showed symptoms of intoxication after sniffing the adhesive on the sticker.

But the general manager of WRXL-FM, locally known as XL102,

said yesterday he has checked into the claim and "the truth of the matter is, there is nothing to their allegations."

W. Nelson Taylor, an administrative assistant to the superintendent of Henrico's schools, said "sniffing the XL102 stickers seems to cause the students to exhibit symptoms of 'intoxication.'"

# Western DX Forum



**Ric Heald**  
1058 Sanchez Street  
San Francisco, CA 94114 USA  
(415) 821-0447

## 1980 Deadlines—03 & 17 April, 08 May, 05 June, 03 & 31 July

Remainder of 1980 Deadline Dates TBA by Seattle

□ □ □ □ □ □ □ □

TODD SKAINE, 2215 CLAY ST., CEDAR FALLS, IA 50613 - 16 April 1980  
\*\*\*\*\*  
A lot of DX since the last time I reported to WDXF. Last time, I was at 511 stations, 39 states (note my error in issue #539), 5 provinces and 3 countries. Now I'm up to 617/39/5/6. I found 66 stations in January, a measly 15 stations in February, about 41 stations in March and so far up to 14 April, only 12 new stations. Latest one is KIMS 1480 Lincoln, Nebraska. Got a new radio in late March; Montgomery Ward Airline Multiband receiver. It works quite well. One correction in my first forum (issue #539): I heard KOA 850 at 1036 CLT, not 2136. KLEU Waterloo would have been off the air by then. Speaking of KLEU, they switched from rock to a big band format. During the DX TEST KLEU may play rock music if C.E. George Nicholas is there. (At my request, hi). My latest GY (and now the farthest) is KFRU 1400 Columbia, Missouri. Sent two reports to KQWC and WMAQ on 05 April. Received the WMAQ verie seven days later. That's my first verie! Does anybody know the power of WLWC (VOA) 1180? I believe it is about 500 kw. Am I right? (They're listed for 50 kw, to my knowledge, but since it's a U.S. propaganda machine, you're probably right-RtH). In the summer I will be making \$400 doing (illegible, sorry Todd-RtH). I have to put half of that in the bank. Anyone know of a good receiver for less than \$200? (Get a used Hammarlund, Collins, National or similar. I got my Hammarlund HQ129X for \$50 - Ham Radio Digest and other publications occasionally list some really good buys-RtH). That's all for now. 73 de FTS.

CHRIS KNIGHT, 598 S. CLARION DR., PUEBLO WEST, CO 81007 Phone: (303) 547-3541, 1600-2100 and 0330-0415 PLT - 17 April 1980  
\*\*\*\*\*  
Finally got settled in a community 7mi/11km west of Pueblo. The DX here has been noticeably better because there aren't any 1 kw transmitters to spoil it like there is in Pueblo, hi. (Boy, what I'd give for just 1 kw pests around here, hi-RtH). Great conditions on 14 April with loads of DU carriers including hets on 747, 774, 828, 873 and 1098. Recently, Japan has come in with superstrong signals on 747, 774 and 828 kHz. (Got JOBB's NHK pips on tape). A loud, course noise has developed here (S/9). First there is nothing, then "Bzzzz," quiet, then two seconds later "Bzzzz," and so on. Incidentally, this coincides with our telephone hookup. It occurs more when I wriggle the lead-in (preamp), but can null it out. (Sounds like a nearby heating pad, Chris-RtH). Also, my 2 FET preamp is pretty well shot. It works OK with a dead battery but only pleaks (for a split second) with a new one when the on/off switch is flipped. Just listening to KERE 710, when they announced a special DX program (SW) they carry Sunday evening. Anyone confirm? To Rob Harrington: Very sorry I can not go to the Utah DX'pedition, but wish you and Bill Harms good DX anyway. Best of 73's de CGK.

MIKE BITTNER, 221-36th ST., MANHATTAN BEACH, CA 90266 - 22 April 1980  
\*\*\*\*\*  
Thanks to Steve Mittman for the card alerting me to the KVNI DX TEST on 03 March. Possible morese code ID heard at 0007 PLT, but doubtful. However, I did log KROY, KDIG, KLOA s/on at 0600 PLT and KPCC at 1803. The card started me on a frequency I hadn't paid much attention to except for KSON. Got my first chance to DX on one of my business trips using my Sony TFM-8600W. This trip to Oklahoma City and the results sent to Bob Lazar (CDXR). One thing is for sure - KOMA is the KrI of Okie City. Heard all over the dial. (You should have been around a few years ago when they were allegedly running 100 kw!-RtH). Best part of the trip was winning the American Airlines "Baseball Game" card during the flight. This is the latest ariline gimmick to lure customers. My prize is a free roundtrip anywhere in American's system. So now I'm studying the airline's route map to determine a good DX location to fly to. Let's see now; Barbados? Martinique? Bermuda? (Barbados, of course. The only Caribbean island with two oceans, and farthest distance from your area in American's system. Take it from an old ex-travel agent, hi-RtH). 73 de MAB

ROB HARRINGTON, 3181 S. YORK ST., ENGLEWOOD, CO 80110 (303) 781-1185  
2100-2355 ELT, Monday, Wednesday, Friday and Sunday  
\*\*\*\*\*  
Hi again from Englewood, Colorado. I just sent a letter to Sony in Tokyo. I am still interested in getting information on the new Sony CRF-One. (See WRTH, back cover, 1980 edition). That CRF-One looks like a fine receiver and I want information about selectivity and sensitivity on BCB and SW. Does anyone in IRCA know anything about this receiver? The receivers I'm using are very poor. I have a lot of local station interference and really need a new receiver. I am still not sure which unit I will buy. I want something for BCB, SW, utility and ham DX'ing. Selectivity and sensitivity are very important. Any suggestions would be most welcome. Today, 09 April, I learned that Radio Shack will come out with a new TRF radio. The local store sales person told me that he has official info from the HQ of Radio Shack that the model is in the stores is being replaced with a new model. There is only one small change. It's what you see on the outside. The inside will stay the same. It will have an all black case. Will be out in June this year. It is true that the old TRF receiver is being discontinued. But soon there will be a new TRF at Radio Shack. Well, it's time to s/off until my next report. 73. (Two mini-forums received same week joined together-Rth).

JACK LATTEMANN, 314 NE 56th ST., SEATTLE, WA 98105  
\*\*\*\*\*  
Hello to fellow members. This is my first forum since becoming an IRCA-naut four months ago. I'm 33, work as a produce buyer for Puget Consumers Cooperative in Seattle, and have been interested in long distance MW reception since a grade school year in Pennsylvania when I switched on our Philco table radio one night when my parents were out and picked up WBZ in Boston. Between then and now I've announced classical and jazz programs on a college FM station and helped do an occasional news program on local KRAB-FM. IRCA hooked my \$16.50 following an order of some Goodie Factory materials, a visitation from Phil Bytheway, and some months later my beveraged attendance of a DX party at bp's home. (I'm not referring to antennae, hi). My present interests include SW listening/DX'ing and foreign MW DX'ing. Equipment consists of a Radio West modified PRG-7 with DD-1-4D digital readout, 4 kHz ceramic and 2.9 mechanical filters, 455 BFO calibrator and Radio West attenuator (a must for Frog MW reception). Other paraphernalia include a Panasonic RF-2800 as backup receiver, an Akai CS-703D cassette deck, Realistic SA-102 amplifier, 15-meter long-wire and Radio West 22" MW-1 ferrite loop. My most illustrious IRCA accomplishment so far is being the first to purchase a vibrant green IRCA T-shirt, hi. The biggest thrill of my short time at foreign MW DX'ing has been hearing West Germany boom into Jef Jaisun's living room via bp's beverage-connected HQ-180A at the March Big Zucchini get-together. Holy penguins, I'm primed for next season! 73 de JKL. (Good hearing from yet another new Northwest member. Keep 'em coming, Jack, and please help out my poor ole tired eyeballs by double-spacing-Rth).

JOE JERGEL, 1507 CALIFORNIA #337, SAN FRANCISCO, CA 94109 - 12 April 1980  
\*\*\*\*\*  
When I first received the 32 March Compendium of Knavery (aka: DXM #547), I nearly collapsed from the shock of seeing the "750 w" headline. It's no fooling though about the FCC approval of AM stereo. I think they chose the wrong system, adjacent channel interference-wise. Time will tell. Recent visits to Robert Wien on 21 March and from Rich Toebe on 05 April. I heard the IRCA promo on the RCI DX Digest broadcasts last Sunday and Monday. And last night I left a radio on KGO while sleeping and woke up at 0400 PLT by hearing someone say, "This is the master of the wedge antenna." It turned out to be Jef Jaisun calling in to Al Collins' talk show. Even though he was on for 20 minutes, by the time I woke up enough and headed up the street to a pay phone with radio in hand-to try to get on the air at the same time-it was too late. It was one of Jef's calls to KGO last summer, which I heard while DX'ing from Portland, which inspired me to write in to the IRCA in the first place. I went to KYA's second World's Largest Indoor Garage Sale today (a charity event) and bought \$25 worth of junk including a Sony B&W portable for \$15. (I think I already have a buyer for it). I'll be back there again tomorrow. Hope I don't spend much more. (When were you there? I couldn't even spend \$10, and yes, junk, not even junk radios, hi-Rth). 73 de JFJ.



RAYMOND D. MARTINEZ, 8074 CANTERBURY WY., BUENA PARK, CA 90620 - 09 April  
\*\*\*\*\*  
This is my first forum, so an intro is in order. I'm 52, joined IRCA in  
February after receiving a letter from Bruce Portzer. I've been DX'ing  
since 1975 when I bought my Transoceanic Zenith 11-band receiver, but my  
DX all that time was SW. I didn't know that you could DX the medium wave  
until last year in August when I saw this Kenwood receiver and I liked  
the looks of the unit. At that time I was talking with a salesperson at  
Henry's Ham outlet in Anaheim and he explained what the receiver could do  
and mentioned medium wave. I bought the receiver this past January and a  
copy of WRTH. I learned about IRCA from the WRTH and that's when I got  
serious about MW DX. At the time I was DX'ing with a 20-meter longwire,  
but was dissatisfied with the results so I wrote Bruce about my difficul-  
ties and he suggested that I get a loop antenna. Bought the SM-2 from  
Worcester, but as far as I'm concerned, it's very poor. I paid \$90 for  
it, but will sell it for \$75, hi. I'm serious, hi. Ric, a question. Saw  
an ad in WRTH about a commercial active filter OF=IA from Autek Research.  
Is it any good or would it help in the urban areas? Price was \$65. (You  
got the wrong person on this - tech freaks?-RtH). Also, Ric, which is a  
better loop, the DA100D or the DA5 from Dymek? (The Wedge, hi. Send to HQ  
for the plans. If I can build a loop, anyone can, hi-RtH). I've tried  
everything with the SM-2, and believe I can't do any better. Does not  
work as advertised. I've rambled enough. . .should leave some space for  
the rest of you. 73. (Welcome to the "Fun" pages of WDXF, Raymond. A fine  
forum; please keep 'em comin' as often as you can-RtH)

GARY LARSON, 2806 N. LINCOLN, BURBANK, CA 91504 - 23 April 1980  
\*\*\*\*\*  
Hello from Saugus, California. I am here for two shifts - 16 hours each!  
Looks like I'll have just under 77 hours of work this week. Time to read  
and listen to various tapes. Today at home I picked up KGOE 850 clear  
enough to record, so I made an hour tape of them. I am listening to semi-  
local (from Saugus) KUTY - format's not really so bad. It's about 1720  
PLT here with still some daylight left. Many times a few minutes before  
they s/off, I hear XEBBC in there. Weather here is cool and yesterday  
there was a good amount of rain. Last night I heard a promo on KUTY re-  
garding an interview program Saturday morning with host Dave Kamper. I  
thought he wasn't there now, but after calling the station (60 cents for  
three minutes), I was told, yes, he would be on. Just heard a reminder  
for people to turn their clocks ahead for daylight savings time. Daytim-  
ers currently go off 1830 my time, but after the 27th it will be 1930.  
Summer is approaching. Listened a few minutes to KMJJ 1140 last night and  
enjoyed a different station for once. Lost of clears are heard here and  
many of the Los Angeles ones aren't in well at all. XETRA 690 fades a  
lot and XEGM 950 has (or had) a loud hum when I heard them yesterday.  
(Gary, XETRA & XEGM are not Los Angeles stations, tho they think they  
are, hi-RtH). There will be power here at the site I'm watching. Wonder  
if it will affect AM? (Using Murphy's Law, I'm sure it will, hi-RtH). My  
car radio isn't very good, so I use a portable one (Craig AM/FM). A large  
piece of land below me here would be a good transmitter site for two or  
three towers, hi. Until next time, 73.

ROB HARRINGTON, 3181 S. YORK ST., ENGLEWOOD, CO 80110 - 30 April 1980  
\*\*\*\*\*  
Hi. Talking about weard IDs, I have been listening to a station for five  
nights on 1390 kcs, ID as WKOA, but I knew it could not be WKOA. I listen-  
ed in to it from 0030-to-0200 ELT, heard rock & roll, girls voice as DJ,  
never gave town, never gave freq, never gave time, tonight at 0245 ELT  
the girl gave time as 145AM, on WKOA, still did not know what it was. I  
telephoned KKOA at 0258 ELT, found out that they did have a girl DJ on un-  
til 0300 ELT, ID is double KOA, no wonder I thought it was WKOA, glad to  
find out that it was KKOA 1390 in Minot, ND. I talked to a person (man)  
at the station for a few minutes, heard a ad for Chev cars and he said  
yes we have that ad on the air now, also heard the word (Minot). I have  
been listening to the same station for five nights from 0030-to-0130 ev-  
ery night, trying to pull out what it was. My TRF works great, I have it  
hooked up direct to my spiral loop antenna. I did have some problems with  
my loop ant, I could not get it to work on the whole AM (MW) BCB band, it  
stopped working at 1330 kHz, it have never worked above 1330, so I decid-  
ed to try a few tests with it. I cut off about two loops (4 feet) of  
wire, and now it works from 530-to-1610, at last my loop ant now works on  
the whole BCB (MW) band. I had to much wire on my loop antenna. Well  
that's all for now, 73s. (Received single spaced and re-typed precisely  
as written-RtH).

BILL HARMS, P.O. BOX 7428, UNIVERSITY STATION, PROVO, UT 84602  
\*\*\*\*\*  
TPs have been rolling in quite regularly lately, but TAs and DUs have been rather poor with a few hets and almost no audio noted. I received a letter from HLDA. There was a program schedule for HLDA's sister station HLCC, a friendly letter and two QSL cards. I sent a report last December and one in February. In the latter report I mentioned that I sent a report in December and hadn't received a reply yet so I was sending a new report. Apparently, they never received my first report, because they reverified my 1976 report which I sent to them while I was in Korea and they didn't mention anything about my December report. (Just out of curiosity, do you still remember enough Korean to send your reports in KK?-Rth). Now I have three QSLs from them; two for my 1976 report and one for my February 1980 report. I haven't done much domestic DX lately. About the only new catch is KWIQ 1260 Moses Lake, Washington, heard at s/off. Gotta go now. Take care and 73 and good DX de WJH.

BRUCE E. MC FADDEN, 6335 S. OWASSO AVE., TULSA, OK 74136 - Rcvd. 06 May  
\*\*\*\*\*  
First off, I haven't been in these pages for so long that I feel like a stranger. Work has been essential and time consuming, resulting in no DX activity. I have rekindled my interest, in lieu of the fact that I can't seem to get any overtime at work anymore. They are trying to cut back expenses. I guess an intro would be in order. I'm 27, married and became a father 21 January to a baby son. You know, he takes some time from DX'ing too, hi! (Not really, Bruce. Ask Randy Seaver about his DX'ing at 0200, twisting the dial with one hand and holding the baby and bottle with the other, hi-Rth). I've been a member of all but three of the last ten years starting back in Buffalo, New York when I was in high school. My totals here are as follows: 332/306, 37/36, 4/4, 24/24 and 21/19. (That's: Stations, states, provinces, capitals, graveyards). As you can see, I don't go for just hearing a station, but for getting a taped ID of it. To me, that is the cheapest, surest way to prove to anyone that you heard that station you alleged to have heard. All but two of those verified are on tape. A couple of questions for anyone who knows. 1) What kind of wire is used in those beverage antennae spoken of? and 2) How are they erected? Is that the best antenna to use to get the selectivity and direction most DX'ers desire? Or is a loop antenna a better bet? Have noticed normally NSP's KAKC 970 and KTOW 1340 off lately. In fact, they are off as I write this, a Saturday morning. Yes, I do count call changes, as every call letter is a different station to me. I guess that will do it for now. I hope I can make it in here a few times more than in the past. Also, I encourage new members Steve Sprague and Judith Tracy to contribute as it lest us know what stations are getting in here locally. Also welcome John Zondlo to Oklahoma. 73. (Welcome, Bruce. Always great to hear from the OK state! I probably did business with you there at Avis when I worked for a travel agency here-Rth).

RIC HEALD, 1058 SANCHEZ ST., SAN FRANCISCO, CA 94114 Tele-Forum: (415)  
Valencia 1-0447 to 2200 PLT and ppd. - 08 May 1980  
\*\*\*\*\*  
The penguin flipper award goes to the USPS this time. Funny - when I mail the column Thursday night or Friday day, that's when the column has missed. Mailed Friday night or Saturday, it makes it! As Doug Nyholm passed along, it's the cheapest service invented. Only a penny a day to New York, hi. Yosemite - good nighttime reception via skywave, nothing surprising, but then again, 40mi/64km to the nearest radio station, and that a GY - KVML 1450 Sonora. Daytime? Well, what would you guess if you were at 1,000m elevation? Fine, but also the valley is less than 1km across and solid granite sheer cliffs go up from the valley another 1,000m. Right! Nothing! About eight stations, all but one from the San Joaquin Valley, and the other one was also the strongest, and yes, you guessed it, "The Weighty 6-80." Yet from this deep canyon, the FM was spectacular. Straight line-of-shot, huh? Bull! Bruce, a beverage and a loop cannot be compared! A beverage, from what I understand, is simply a long, very long longwire, and I presume bare copper. I think anywhere from 500 to 2,500 feet long. If it's broken in the middle for lead-in, then it's a highly directional antenna in either direction (figure eight). If lead is from one end, then it's highly directional in one lobe area only. At least, that's what I have been lead to believe. Beverage experts? A loop, however, is the best indoor antenna. Also bi-directional, you have the added convenience of taking up minimal amount of space - though I've known some spouses of DX'ers who might not be so inclined to agree with that remark, hi!. Re-strung my loop (Wedge) with single strand copper

(bare) wire. Seems to work a smiggen better. Can put a tremendous null on local KNEW-910. XEAO really comes through in the null. Seems to have a slightly stronger (maybe 1 db on scale of 9) null on K-pEST. Did notice a very strong mixture of KEST and KYA has returned (during the day), heard from about 930 kHz upwards. I'm sure it's KEST's fault, KYA is just too clean. Also, the KABL spur on 1060 has gotten stronger. Cannot even hear KPAY now during the day, spur goes off at sunset when K-101 goes off. No noticeable increase in splatter noted here with KSFO 560 now 5 kw N-DA. But, 45mi/75km north in Petaluma, on a car radio, KSFO is very strong. By comparison, on 1260, CFCN was kicking the pants out of KYA. You people in the Northwest might want to drift by 560 and see how KSFO is now and what effect in hearing KPQ - that is, when KVI doesn't slop, hi. By popular demand, the little states' map is back on the masthead with your favorite (or hardest to hear station in that state or province, pick one, hi) stations listed. Now taking requests, as they say. That's it from the Gem-of-the-Bay for this time around. Good talking to Kaskey, Korn, Harrington, Portzer, Jaisun, Allen et al the last few weeks. Harms, isn't about time for you to be checking in? Hi. See you in 30. 73 de Rth..

ALBERT S. LOBEL, P.O. BOX 26762, SAN DIEGO, CA 92126 (714) 484-0604 or (714) 566-0092 - 16 April 1980 via Tele-Forum

\*\*\*\*\*  
Seems like a few WDXF reports in the 12 April issue were talking about changing the time in WDXF to another time zone from currently used ELT. We currently use GMT in DXWW and ELT in all other columns. I believe it would be much easier if we'd simply use one time zone in all columns because most of the SW DX clubs use GMT. Perhaps we, even though we are a BCB club should also use GMT. Steve Mittman: No, I doubt the station I am hearing on 540 is the one in Garden Grove. First of all, the station is very strong in Escondido (home of R. West - no, I doubt R. West has anything to do with it, hi Grant!), about 6 miles to the north. It gets a little weak about a mile south of my QTH and is almost nonexistent in the city of Vista about 8 miles west of Escondido, and as Ric said, why would they ever want to duplicate a licensed station's broadcast? IF I ever put a pirate station on the air I certainly want to be original in my broadcast and not duplicate a licensed station. Just for your information, about 13 years ago I did have a .5 watt pirate station operating on 1601 for about four weeks. No, the FCC did not shut it down! My father said I couldn't use the TV mast for my antennas anymore and shut the station down. Rth, so you don't like Ma Bell's 60¢ phone rental charge? Well Helene does because she works for Ma Bell. (Now Albert, you and I both know Helene will never see a penny of that, hi-Rth). Even so, I have just turned in an unused black touch-tone phone that was just collecting dust, so our phone bill we now pay will be 60¢ less plus the regular charges we were being charged for the dust collector. With two phones, our phone bills are already high enough and we also pay the phone bills for Helene's sister because she helps in my business. Well, 73 and good DX until next time de ASL.

PATRICK MARTIN, P.O. BOX 843, SEASIDE, OR 97138 - 06 April 1980

\*\*\*\*\*  
DX of late has been picking up a little in the direction of DULand. Received a few new ones lately. See DXWW. Haven't heard much from the JJs or other Asians lately. It is getting close to summer (however, you would never know it by the weather, still snowing in the mountains), so I'll probably be back into DX'ing the Pacific and DUs again. I doubt very much if I'll be able to come up with as many new catches this summer as I did last year, as I don't think the conditions will be that good for a long time. Before this last summer, the only time I can remember conditions that good was in 1968-69. Maybe I'll be surprised. Have to wait and see, hi. New veries of late: Deutschland 756 sent a nice card, including all info (my third West German verified); KDLG 670 Dillingham, AK - sent a nice letter verie; plus a few NHK veries. Reports out to 22W 1197, 22H 1557, JOUF 1314, HLKB 891, JOTQ 999, China 1206, USSR 648 and KANC 1080. Those include only the ones sent out in the last two to three weeks. Over 200 new veries received in the last year after moving back to the coast. Most were either Australians or New Zealanders. Ric: Sometimes I feel left out, as I don't have any locals that interfere to speak of, hi. (Wanna trade places? How's nightlife? Hi-Rth). Seriously though, when I lived in Portland the local QRM drove me up the wall. That is one reason I lost my interest in BCB DX and got into FM/TV DX. I guess I have just

been spoiled living in remote areas. (The FM and TV QRM would drive you up the wall here in the Bay Area, too, hi-RtH). It is difficult to manage here until a person works in the woods, canning fish or have their own business as I do. Even then it sometimes isn't easy, especially during the winter months. I know a DX'er in Astoria that is moving to Portland as work around here is almost non-existent. So it is hard for people, especially young people to live in remote areas if they are not into outdoor work. I never lived in a large city, before moving to Portland (if you can call Portland large, hi) in 1976. I didn't care much for it so I moved out to a suburb, Hillsboro, 15mi/24km west of Portland. That was better, but since I worked on the east side of Portland, I had to drive so far (40mi/64km roundtrip), so when my father offered me the business last year, I jumped at the chance. I like smaller towns and probably all ways will. I do visit Portland often, but that is plenty for me, hi. Well enough said this time. . . Good DX to all. (Didn't I meet you in '77 at Block's GTG in Portland? Weren't you also a DJ at KVAS?-RtH).

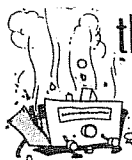
## Geomagnetic Indices

Fredericksburg, VA values

Anchorage A-Indices

Fredericksburg, VA values				Anchorage A-Indices			
Date	A	K	- Indices	Date	A	K	- Indices
2/25	10	1	-1-1-2-2-3-3-4	3/31	23	4	-4-4-4-4-3-3-3
2/26	14	4	-2-2-3-3-3-3-2	4/01	3	2	-1-1-1-1-1-1-0
2/27	12	1	-3-3-3-3-2-2-3	4/02	2	1	-1-0-0-1-0-1-2
2/28	11	2	-2-3-3-3-1-2-3	4/03	8	1	-3-1-3-2-2-2-1
2/29	6	2	-2-1-2-2-2-1-1	4/04	8	0	-0-2-3-3-3-2-2
3/01	2	1	-1-0-0-1-1-0-1	4/05	9	1	-2-1-2-3-3-3-2
3/02	2	0	-1-0-0-1-0-1-1	4/06	26	1	-2-0-4-5-5-5-4
3/03	5	1	-1-0-0-2-3-2-2	4/07	17	3	-2-3-1-3-2-5-4
3/04	5	1	-0-2-3-2-0-1-2	4/08	21	3	-4-3-3-3-2-5-4
3/05	7	3	-3-1-3-1-0-1-1	4/09	22	3	-4-3-5-4-4-2-2
3/06	11	2	-2-2-3-3-3-3-2	4/10	29	4	-5-5-5-3-3-3-3
3/07	8	3	-2-2-2-2-2-2-2	4/11	21	3	-3-4-3-3-4-4-4
3/08	6	2	-2-2-2-2-1-1-2	4/12	25	5	-3-3-2-3-4-4-5
3/09	8	1	-1-3-2-3-2-2-1	4/13	18	4	-3-3-3-4-3-4-1
3/10	5	1	-1-1-2-3-1-1-1	4/14	9	1	-2-2-0-1-2-3-4
3/11	4	1	-0-0-3-2-1-0-1	4/15	15	4	-3-3-2-2-3-3-3
3/12	2	0	-0-0-0-0-1-2-1	4/16	10	3	-3-2-2-2-2-2-3
3/13	6	1	-1-3-1-3-0-1-2	4/17	10	3	-3-2-1-2-2-3-2
3/14	5	2	-2-1-1-2-1-1-1	4/18	4	1	-3-1-0-1-0-1-1
3/15	1	0	-0-0-0-1-0-0-1	4/19	4	1	-1-1-1-1-1-2-2
3/16	5	2	-1-1-1-1-1-1-3	4/20	5	2	-2-0-1-1-1-2-2
3/17	6	1	-1-2-2-3-1-2-1	4/21	5	2	-1-1-1-1-1-2-2
3/18	4	1	-2-1-0-2-1-1-1	4/22	10	3	-3-1-2-3-2-2-2
3/19	12	1	-1-3-3-4-3-3-1	4/23	7	3	-2-1-1-3-1-1-2
3/20	5	1	-1-1-2-1-1-2-2	4/24	8	3	-2-1-0-1-3-2-3
3/21	17	3	-3-4-3-4-1-3-3	4/25	10	2	-3-3-3-3-1-1-2
3/22	14	3	-3-4-3-4-1-1-2	4/26	6	1	-3-2-1-2-1-1-2
3/23	5	2	-3-1-1-1-1-1-0	4/27	5	0	-2-0-2-1-1-1-3
3/24	6	1	-2-2-2-1-2-1-2	4/28	5	2	-1-1-1-2-2-1-2
3/25	6	1	-0-0-1-1-1-2-4	4/29	6	1	-2-2-2-1-2-2-2
3/26	23	4	-4-3-4-4-2-4-4	4/30	10	2	-2-1-3-3-3-2-2
3/27	8	3	-2-2-2-2-1-2-2	5/01	10	3	-2-1-2-3-3-2-2
3/28	7	2	-2-2-2-2-1-2-2	5/02	5	2	-2-2-1-1-1-1-1
3/29	9	2	-3-2-1-1-1-3-3	5/03	3	1	-0-1-2-1-0-0-2
3/30	11	3	-3-3-1-2-1-1-4	5/04	4	1	-2-1-1-1-1-1-1

Earlier in this period the sun was extraordinarily quiet, considering that we are in the solar maximum year. However, since the end of March, activity centers on the sun have become more abundant and more energetic. Consequently, whatever DX is left, should be hard to get.....  
73's D. Korinek. 5/10/80.



## the irca technical column

Editor: Nick Hall-Patch  
1538 Amphion St.  
Victoria, B.C. V8R 4Z6  
Canada

Please note my new address above, to which all hate mail, contributions, bribes etc. should be sent; the P.O. will redirect stuff for a couple of months, so I shouldn't miss anything. First off this time

is some transmogrification details for FRG-7 owners:

### Improvements to the audio section of the FRG-7

by Brian Aase

When I first received my own FRG-7, two audible faults made themselves immediately obvious: First, the overall sound quality was muffled, thus making even the clearest programs very hard to understand. Second, in spite of the muffled quality, constant 5000 Hz heterodynes were nearly always present within the SW bands, which made for very irritating listening. Perhaps the muffled sound was Yaesu's vain attempt to suppress the heterodyne problem.

A quick look at the receiver schematic indicated that an audio notch filter ought to be quite easy to add. So, I constructed one using parts from my junkbox; the results were completely satisfactory...I haven't heard a 5000 Hz whistle since. (ed. note: the circuit is not so useful for MW DX, but SW DXers can get details from the editor if interested).

Now attention may be turned to solving the "muffle" problem mentioned above. A close inspection of the passive R-C network used for the tone control switch will reveal that, even in the NORMAL position, audio response begins to diminish above about 1000 Hz (approximately 7 dB drop in response is noted between 1000 and 3000 Hz). This is even worse than the response of an ordinary telephone! With the 5000 Hz whistles now suppressed by the notch filter, I could now make the audio response much flatter without incurring undesirable side effects. To do this, simply replace C447 on the IF-AF board (originally a .033 uF mylar cap) with a .0047 capacitor. This flattens the response up to about 10,000 Hz, with the exception of the 5000 Hz notch introduced by the filter if you use it. You will now notice a dramatic improvement of intelligibility on all stations received. Excess noise can still be reduced, if desired, by using the other positions of the tone switch. No features or functions have been disabled by these modifications.

The only significant limitation on audio quality which still remains is the inexpensive speaker, which is a 3"x5" oval unit. This seems to be a rather uncommon size, and I have not found any improved models that can fit right in. For those living in the U.S., McGee Radio (1901 McGee St., Kansas City, MO) sells an excellent quality 3" round speaker which can be mounted by making a new masonite spacer board. They call this their "Mini-Stereo" model. At this point the intelligibility of my receiver is, I think, on a par with almost any top-line radio you can name.

### An improvement to the FRG-7 S-meter

by Brian Aase

One small annoyance of the FRG-7 is the total uselessness of the built-in S-meter. Although it is calibrated to read a certain maximum signal strength at full scale, the characteristics of the AGC amplifier circuit which drives the meter are such that a large voltage change (and hence, a large meter deflection) takes place very early on, then practically no further change occurs with further signal increases. Therefore, it is quite common to note readings of S9 on residual background noise, while just about every readable station produces a uniform indication of about +20 or so, regardless of their relative strength. In the case of the FRG-7, an S9 reading is produced with only 1.9 microvolts of RF input signal, even though full scale is set to read 10,000 microvolts.

In setting out to rectify this problem, my first task was to decide what the meter should read for given signal levels. A handy table is given on page 192 of the "World DX Guide" (1st edition). While the values in the table do not always quite adhere to the rule of 6 dB change per S-unit, they are still a useful and convenient standard. Now, designing a linearizing circuit based on these values poses no great problems by itself, but the situation is complicated by one further inconvenience; the calibration markings of the FRG-7's meter in the region above S9 are themselves very nonlinear. This then dictates that two separate correction factors be designed into the same circuit. I soon realized that for the sake of simplicity, some compromises would have to be made. Figure 1 shows a simple and compact correction circuit which enables the meter to provide useful and logical indications to the operator. Its absolute accuracy is not yet optimum, and it does drift a bit with temperature (though not much). But it is most certainly a great improvement over the original situation, and can be built for a very minimal cost.

Common parts are used, with the IC being an LM324 quad-section op amp. (One caution: do not try to use a 741-style op amp, as only the 324 can allow both its input and output to swing completely to ground.) Diodes are general purpose small-signal silicon types, such as 1N914, 1N4148, or 1N4447. Resistors are 5% tolerance. The .1 uF capacitor must be mounted very close to the IC to prevent oscillation.

My unit was built on a small printed circuit board and mounted inside the receiver chassis. 12 volt DC power can be tapped from any convenient spot such as TP407. Take the wire which used to connect to the S-meter, and connect it instead to the correction circuit input. Then wire the output of the circuit up to the meter. A ground connection must also be provided to the circuit. For best results, calibration should be performed using an RF generator whose output is accurately metered. An accurate digital voltmeter is also needed. Preset VR401 on the IF-AF board to maximum resistance, and set the two trim pots on the correction circuit to about midpoint. Now set the signal generator to 7.5 MHz, and set its output amplitude to exactly 50 microvolts. Carefully tune in the signal, and set the 5K trimpot for exactly 0.226 volts DC at the indicated test point. Now set the 1 K trimpot for a reading of S9 on the meter. This completes calibration.

If the needed equipment is not available, useful performance might still be achieved by the following method: Replace the two trim pots in the correction circuit with 620 ohm resistors. Now tune in an "average" strength signal, and set VR410 (on the IF-AF board) for about an S9 reading on the meter. I've tabulated the performance of this circuit in my own receiver. As you can see, the accuracy is not perfect, but it is still far better than the original, and was done for only a couple of dollars cost.

Performance of modified S-meter driver:

Meter Reading	Actual Input Signal	Standard Value*
S1	0.5 uV	0.5 uV
S2	1.0	1.0
S3	2.0	1.6
S4	3.5	2.5
S5	6.7	5.0
S6	11	10
S7	18	16
S8	33	30
S9	50	50
+10	300**	150
+20	1800**	500
+40	5000	5000
full scale	10,000 uV	10,000 uV

\* per table in "World DX Guide", 1st edition, p. 192

\*\* large error due to wide markings of meter scale

\* \* \* \*

The Realistic DX-200 has begun to appear in Radio Shack stores. In styling, it looks like a cross between the DX-300 and the Kenwood R-300. It carries a heftier price tag than the DX-160 (its predecessor) did, but it would be nice to find out if it's worth it. It covers similar bands to the DX160, but on LW and BCB it boasts a 1 uV sensitivity which seems to indicate that the ferrite loop antenna of the DX160 has been eliminated. 4 kHz at -6 dB and 8 kHz at -40 dB is the indicated selectivity, so would seem nothing to get too excited about, though it may be easier to replace the stock filter than it was in the DX160. I have had no opportunity to try the set, so can't make any statements on MW signal handling ability which is a big question mark with that 1 uV sensitivity. A block circuit diagram is given in the owner's manual but no

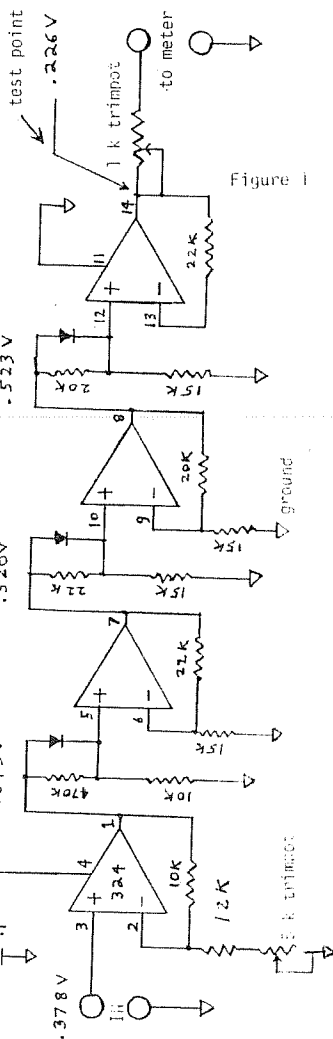


Figure 1

schematic, and basically it looks very similar to the DX160. MOSFETs are used in the RF amp and mixer; apparently, the last DX160's also used these devices. There's no dual conversion for the higher SW bands which would have been an obvious plus for the SW DXer at least. So...is this just a DX160 in a different case? If you know, we'd like to hear from you.

From ANARC's "Marketplace Report" comes further information on the Realistic DX-302 which replaces the DX-300. It looks much the same but has a BFO pitch control instead of a fine tuning control, has improved selectivity (wide 3.5/6 kHz at -6/-60 dB; narrow 2.5/4 kHz at -6/-60dB), and is supposed to have improved spurious signal rejection. Has anybody had experience with this set? (I've seen a DX-302 box, but it was buried under a pile of DX-300 boxes, and at that Radio Shack store they know I never buy what I'm looking at, hi)

\* \* \* \* \*

Gilfer's MOD-1 kit for upgrading the FRG-7's selectivity, AGC release time etc. (mentioned in this column awhile back) is now available in the U.S. Write Gilfer's Technical Service Dept. for more information. (P.O. Box 239, Park Ridge, NJ 07656)

\* \* \* \* \*

There is a new Radio West catalog out. Their ferrite loop has grown and is now 22½" long, and includes all three coils. They also now offer the Kenwood R-1000 (a nice radio; review is upcoming) and the Drake R-7 among others. Collins mechanical filter mods also available. Write Radio West, 3417 Purer Rd., Escondido, CA 92025.

\* \* \* \* \*

Ralph Sanserino adds this note to Phil Bytheway's loop amplifier description from last time: A 2N5134 transistor can be used instead of the 2N3646. Shortwave feedthrough noted when using an amplified loop could be due to an ungrounded longwire nearby. All longwires must be grounded when using a loop (for best results).

\* \* \* \* \*

Patrick Martin submits a clue to his DX'ing success--a good ground (not to mention a short distance to the Pacific Ocean!). He writes:

Last spring when I moved back to the coast from the Portland area, I buried three 4-foot rods (could be longer) in the ground, spaced about 9 feet apart (no closer if possible). I used ½" copper tubing (like small oil line), connected the three rods with that, and buried the whole affair. Soldering the tubing to the rods is difficult once the rods are in the ground; perhaps a blowtorch would help. Or clamp them together. #10 house wiring connects the ground system to the receiver. The rods can be copper or any good conducting metal; solid copper can be hard to drive into some soils. I live near enough to the ocean that a foot or so down you run into sand and salt water. I find the ground works a lot better if the soil around, on top etc. is wet. I presume it would be more critical if I lived further away from the ocean, as it is wet here most of the time, especially at high tide and in winter.

This ground really makes a difference and is a big improvement over the cold water pipe. One morning 2GF-1206 was coming in fairly well, S-3 to S-5, and I disconnected the ground. Would you believe it, 2GF was gone! Nothing left but CKDA-1220 slop...

\* \* \*

A big one this time. Next time, an R-1000 review and a note on improving the McKay Dymek ferrite antenna's tilting. Till then, 73----NHP

## Stereo AM radio OK'd

WASHINGTON — (AP) — The Federal Communications Commission voted yesterday to allow AM radio stations to broadcast in stereo.

Previously, stereo radio broadcasts were limited to the FM band. Yesterday's action opened it to AM and set technical standards for manufacturing AM stereo transmitting and receiver equipment.

"Authorization of AM stereo represents another milestone in the sophistication of radio broadcasting," said John Summers, the general manager of the National Association of Broadcasters.

Officials at the F.C.C. and at the Magnavox Consumer Electronics Corp., whose system was selected, refused to predict how long it would take for broadcasters to make the change in their transmitting equipment and for AM radio receivers to reach consumers.

Commission officials estimated that an AM-FM stereo receiver could be produced for only \$2 to \$8 more than the AM mono-FM stereo receivers now on the market.

Commission officials said they expected the real market for AM stereo receivers to be in the automobile industry, since consumers might be slow to trade in existing home receivers.

According to Dr. Robert Powers of the F.C.C., the stereo signal of an AM radio system never will offer quite as much fidelity as an FM signal. And while the total range of an AM station's signal won't be affected to any great degree, the reception of that signal in stereo probably will be limited to within 50 to 60 miles of the station, he added.

## Alaska studies time change

ANCHORAGE — Anchorage Mayor George Sullivan is studying the possibility of switching the South Central Alaska city to Pacific time.

Juneau leaders have been hoping Anchorage would join them in their recent switch to Yukon time, one hour between Alaska time and Pacific time. Anchorage, the Kenai Peninsula and Fairbanks now observe Alaska time.

Sullivan said there is some local sentiment that business communications with the West Coast would be eased if the two-hour time change were made.

"The people I've talked to said if you're going to move, you ought to move to the entire West Coast," he said.

Juneau switched to Yukon time late last month as ordered by the United States Department of Transportation. Recall petitions are being circulated in Juneau against five members of the City-Borough Assembly who supported the change.

THE INTERNATIONAL RADIO CLUB OF AMERICA

A non-profit organization devoted to the hobby of listening to distant radio stations on the AM broadcast band (510 to 1630 khz). IRCA is a member of ANARO, the Association of North American Radio Clubs.

OFFICERS: President: Father Jack Pejza, 212 South Carpenter Road, Modesto, CA 95351, (209) 524-6674. Secretary-Treasurer: Rich Segalas. Board of Directors: Phil Bytheway, Nick Hall-Patch, Don Kaskey, Paul Mount, Bruce Portzer, Susan Sirulnick, Gerry Thomas.

MEMBERSHIP DUES: \$16.50 First Class to the U.S.A., Canada, and Mexico. \$20.00 Air Mail to the rest of the world via Canada. Air mail direct from the U.S.: \$25.00 to Central America, Caribbean, Colombia, and Venezuela; \$30.00 to the rest of the world. Sample copies cost 50¢ each or three International Reply Coupons. Make checks and money orders payable to I.R.C.A. Persons living outside the U.S. should send checks or money orders payable in U.S. funds.  
DUES AND ADDRESS CHANGES should be sent to Rich Segalas, P.O. Box 26254, San Francisco, CA 94126.

DX MONITOR, the official bulletin of the IRCA, is published 34 times a year; weekly from October to March, twice in September and April, and monthly from May to August.  
PUBLISHING STAFF: Bruce Portzer (editor-in-Chief), Phil Bytheway (Publisher), Evelyn Portzer, Nick Hall-Patch, Jeff Jaisun, and Dave Korinek. Phone: 206-522-2521 (Portzer)

THE IRCA GOODIE FACTORY. The IRCA Almanac, Foreign Logs, Reprints, and other materials are available for nominal charges. For a complete list, write to P.O. Box 17088, Seattle, WA 98107.

Unless otherwise noted, permission is granted to publish, broadcast, or otherwise reproduce non-copyrighted material appearing in DX Monitor, provided credit is given to IRCA and the original contributor.

Opinions expressed in DX Monitor are those of the contributors and do not necessarily reflect those of the IRCA, its publishing staff, editors, or officers.

DX Monitor is printed by Save-On Printing, Seattle, WA.

**IRCA**  
PO BOX 21074  
SEATTLE, WA 98111



**First Class**

D.A. Nyholm  
2071 Cedar Street  
San Carlos, CA 94070

