



DX Monitor

Devoted Exclusively to
Broadcast Band DXing

May 22, 1982

Volume 19, Number 30

Issue Number 617

In This Issue

New Members	2	AM Stations with Kahn Stereo	17
Century Print Shop Blurb	2	Delco May Set AM Stereo Standard .	18
IRCA Almanac Updater	3	Graveyard DX Records - 1340	20
Eastern DX Forum	8	DX Worldwide II	23
KWG Celebrates Diamond Jubilee ..	10	USSR Identification Tape	26
Western DX Forum	11	Latin American Holidays	28
Unreported Stations Updater	14	Eastern DX Roundup	29
NHK Local Addresses	15	Central DX Roundup	30
FCC Notice on AM Broadcasting ...	16	Western DX Roundup	31
Taft to Offer Satellite Feed ...	16	DX Worldwide West	36
AM Stereo Kule Causing Static ...	17	AM Radio Turns Down the Volume ...	39

CONVENTION NEWS

John Clemmer, 1982 Convention Chairman, reports by phone that things are progressing smoothly on the convention. A registration form and complete details will appear in the June DXM. In the meantime, we'll just remind you that it's being held August 13, 14, & 15 at the Holiday Inn in Moline, Ill. All the usual convention activities are planned, such as station tours, banquet, auction, etc. If you're trying to figure out how to get there, United, Ozark, and a couple of commuter airlines serve the area...it's also possible to drive there (as if you had any doubts, hi). Start thinking of things to donate to the auction---old radios, tape recorders, books, station lists, promo items, bulletins, etc. The proceeds from the auction go straight to the club treasury and help keep dues down! The address to send auction items to or to write for information is: John Clemmer, 4524 Seventh Street, Apt 2303, East Moline, IL 61244. John's phone (evenings till 2300 CDT) is 309-796-0684.

SHORTWAVE HORIZONS

Shortwave Horizons is a relatively new DX equipment outlet. It's operated by Don Womam, a member of IRCA and several other clubs, and is primarily at Canadian DXers/SWLs. Don currently stocks Panasonic, Kenwood, and Yaesu SW equipment, plus some used gear, and may have some other brands in the near future. For more details, write to 6815 12th Avenue, Edmonton, AB T6K 3J6.

ARCHIVISTS, TAKE NOTE

Armand DiFilippo has sent us some information on an organization called the North American Radio Archives (NARA). They publish a quarterly journal of radio history called NARA News. Full membership is limited to residents of the US & Canada. Yearly dues are US\$14.00, samples are available for \$2.00. Subscriptions for their publications are available outside N. America, too. Write for details. Their address is NARA Membership, C/o Steve K Ham, 4418 Irvington, Fremont, CA 94538.

AWARDS CHAIRMAN WANTED

Jim Ryan, our awards chairman, has let his membership lapse, so the position is now vacant. If you'd like to volunteer for the position, write to our President, Don Kaskey.

THE NEXT FEW DXMS

The next DXM will come out on June 12, followed by July 10, August 7, and August 28. Then we'll begin another season. Keep DXing during the summer, so every issue will be as fat as this one. CU later, bp.

★ ★ *New Members* ★ ★

IRCA—Our 17th Year

Editor: Rich Segalas • P.O. Box 26254 • San Francisco, CA 94126

New Members, Membership Renewal, Address Changes—Send to the Above Address

Karl Sellmann, Rte. 1, Box 1077, Gravelis Mills, MO 65037
William K. Parks, Box 31481, Atlanta, GA 30332
Richard Cherwinski, 1407 No. 75th St., Philadelphia, PA 19151
Charles L. Epps, P.O. Box 29232, St. Louis, MO 63126-0232
Jay Wm. Rosenhaus, 2055 Rockaway Parkway, Brooklyn, NY 11236
John J. Reh, 510 Mt. Defiance Cir., Issaquah, WA 98027
David L. Reitz, 9332 Fairground Rd., Fern Creek, KY 40291
Ed Best, 2004 Univ. Dr., Durham, N.C. 27707
Charles George, 6407 Howard, Dallas, TX 75227 (rejoin)
Ken Chatterten, RFD #2-Box 44, Mannsville, NY 13661 (rejoin)
Allen E. Clingman, 3235 Quesnel Dr., Vancouver, B.C., (CANADA) V6S 1Z7 (rejoin)
Dominic Chircop, 266 Terrace Dr., Boulder Creek, CA 95006
John M. Sullivan, 5007 Tall Pines Ct., Raleigh, NC 27609 (rejoin)

ADDRESS CHANGES

Wendell A. Sturges, 6052 Bales Dr., Haslett, MI 48840
David L. Spraker, 578 St. David's Lane, Schenectady, NY 12309
John C. Keleher, 1723 Forest Cove Dr. #108, Mt. Prospect, IL 60056
David Legler, 128 E. Magnetic St., Marquette, MI 49855

RENEWALS AS OF 13 MAY 1982

Chris Knight, E.H. Grossman, David Wurl, Robert Ciprietti, David Rogers,
Jon Bry, William McMahon, Wayne Covington, George Hakiel, Charles C.
Boehnke, Fred Betandig, Ernest R. Coeper, Lee Groves, Glen Kippel, Lennie
R. Nines, Robert S. Lamergese, Edward Hoffman, Tom McNiff, Pat Martin,
Geir Stokkeland, Frank E. Hostetler, Edwin A. Gibson, William Lamb

Don't forget that all renewals and address changes should come to me at the above address at least one week before your membership expires or your new address takes effect.

Those of you who have been receiving your bulletins at school and want to receive the summer issues at home, please send your address change and the effective date. If your label says "LAST ISSUE" on the bottom line, your dues are due in San Francisco by 5 June 1982. If not received by then, your label will be pulled from all subsequent issues.

CENTURY PRINT SHOP CPS shipped 500+ copies of the 1982 World Radio TV Handbook during the first 10 days of Feb. 1982; all who ordered should have their copy. If you failed to receive yours in good condition, please advise promptly. Eff. June 1, 1982, the remainder of the copies of the 1979, 1981, and 1982 WRTBs in stock will be summer-special priced at \$15 each, postpaid, USA; \$16 elsewhere, U.S. funds only, payable to: CENTURY PRINT SHOP. All orders must contain a SASE for eventual confirmation of shipment. CPS specializes in discount, mail-order sales of books of interest to the radio and computer hobbyist; the minimum discount on most books is 25%. CPS stocks, for immediate shipment, the complete line of publications by RPI, Sams, TAB, Vintage, 73/Green, and the ARRL. Most publications from the following are also available: Addison-Wesley, Cologne, CrB, Creative Computing, Davis, dillithium, Dover, Dustbooks, FM Atlas, Grove, Ham Radio, Hayden, IL/Austin, McGraw-Hill (Byte), Mizek, Penguin, Police Call, Prentice-Hall, Radio Amateur Callbook, SYBEX, Universal, Van Nostrand Reinhold, Viking, Watson-Guptill (Billboard), Wiley, Ziff-Davis, IRCA, NRC, LWCA, RSCB, SDDXC, and WFFDA. Century Print Shop will release Catalog 82-12 with 16 pages of listings approx. July 1, 1982; requests should include a legal-size SASE with 37¢ postage or, outside the USA, equivalent mint stamps or IRCs. Orders and catalog requests should be mailed to: CENTURY PRINT SHOP, Donald Erickson, 6059 Essex St., Riverside, CA 92504-1599. Telephone inquiries welcome anytime, 714-687-5910.

ALMANAC UPDATER

ALMANAC UPDATER #2.2 (Volume 2 Almanac, 2nd updater)
Editor: Bill Hardy - 2301 Pacific Ave. - Aberdeen, Wash., 98520

Surprise! It's another update to the second edition of the IRCA Almanac. We're still planning to publish a third edition this fall. We won't delve into an overwhelming flood of nit-picking corrections this time out. We can save those for the new edition. But there are a few items you might find of interest here.

• ALMANAC UPDATING THE "EASY" WAY (also known as "cut and paste")

The fastest way to bring your 1980 Almanac up to date is to take a few copies of DX Monitor to your neighborhood Xerox copier, copy these pages, and Scotch-tape or paste them into your existing Almanac. Or just place them in loosely - whatever works for you. (If you trim off the left and right margins, the copies will fit next to the comb binding without sticking out the edge of the volume.) Of course, you could always cut the original pages out of the DXM's themselves, if you prefer.

Here are some recommendations for pages to copy, and where they go:

- ▶ 10/17/81 DXM, pp. 9-10. Almanac Updater #2.1. This will update a number of items on assorted pages.
- ▶ 1/10/82 DXM, pp. 2-5. 1982 Frequency Check list. Replaces the old (1980) f/c list on pp. 7-9 of the Almanac.
- ▶ 6/13/81 DXM, p. 10. RKO and "The Source" lists. Replaces the older listings on page 70. (Note that this is the "RKO-1" network, not the newer "RKO-2" net geared to a slightly more adult audience.)
- ▶ 4/3/82 DXM, p. 35. "Music Country Network," a new all-night country music show from AP Radio and WSM-650 live via satellite. This would fit with the Interconnected Programs on pages 83-87 of the Almanac.
- ▶ 3/13/82 DXM, p. 2. Satellite Music Network. Goes the same place.
- ▶ 3/20/82 DXM, pp. 26-27. Kansas Information Network. Updates the KIN listing on page 80.
- ▶ 1/31/81 DXM, pp. 15-16 and 18.
- ▶ 3/32/81 DXM (actually the 4/4 April Fool's issue), pp. 19 and 23.
- ▶ 10/17/81 DXM, pp. 11-12.
- ▶ 1/10/82 DXM, pp. 17-20.

The four above are the slogan list updaters.

- ▶ 10/24/81 DXM, pp. 19-20. Canadian twin update. Replaces the station listing on pp. 123-124.
- ▶ 3/32/81 DXM, pp. 20-23.
- ▶ 7/11/81 DXM, pp. 29-30.
- ▶ 9/5/81 DXM, pp. 20-21.
- ▶ 2/20/82 DXM, pp. 6-9 and 16.

The above are sports updaters. In some cases they'll totally revise such sports as college basketball, the NEA and NHL. Also watch for the 1982 baseball updater in DXM soon (maybe this issue?).

Which reminds me, those of you who are also in NRC might want to copy the 9/7/81 DX News, pp. 5-6, and 10/12/81 DX News, pp. 26-31, which have fairly complete 1981 listings for NFL and college football.

We are contemplating the possibility of making Volume 3 of the Almanac available in your choice of comb-bound or unbound. The latter option would allow you to insert it in a ring binder of your choosing, which would make the updating of specific sections easier to accomplish, either via the Goodie Factory or else running the pages in DXM. How many of you would be interested in unbound Almanacs? Both the unbound edition and the traditional comb-binding would be available at the same price.

• CREDITS:

My credit rating is getting bad, hi. Because I suspended Updater #2.1 in mid-air, I didn't get the chance to credit the people who sent in info for it. (That's why Nancy runs the credits at the start of WDXR columns. In case the page runs out, the credits still appear.)

In Updater #2.1, many thanks to Mike Cooper, Joe Fela, Louis Goldstein, Nick Hall-Patch, Paul Mount, Tim Noonan, Bruce Portzer, Andrew Rimmington, Brian Vernon, and Dave Wurl, plus CBS Radio publicity and the UPI wire.

This updater is thanks to Stephen Aubrey of Joc Radio Trucker Network in Bountiful, Utah; Randolph Beck of Newsradio in Toronto; plus Mike Cooper, John Oldfield, Bruce Portzer, and Dave Wurl. Plus we appreciate the

IRCA Almanac Updater #2.2, continued

compiling efforts of Joe Fela, Rob Gerardi, Glen Kippel, Greg Monti, John Oldfield, Pete Taylor, Rich Toebe, and Dave Yocis, who put together the listings in DXM which we suggest you copy and paste into your Almanac. Thanks, gentlemen, for a job well done!

• U.S. BROADCASTING UPDATER (pp. 46-52)

Under 640 kHz, listing should be WHLO-OH Akron, not WHKK.

For more recent changes to keep your logs up to date, see all the fine "Broadcasting Information" columns appearing in DXM once or twice per month, beginning with the 9/20/80 DXM.

• ABC RADIO NETWORKS (pp. 57-62)

ABC began operating two new "hourly newscast" services 1/1/82.

▶ ABC Direction (Ad) has news at :45 past the hour.

Here is a partial list of stations:

590 WROW-NY	980 KMBZ-MO	1270 WLLF-AL*	1450 WCVS-IL
610 KRKE-NM	WFHG-VA	1300 WPBM-SC*	1510 KTIM-CA*
630 WPRO-RI	990 KTKT-AZ	(ex-WKTX)	1520 WKBW-NY
680 WCBM-MD	1060 WNOE-LA	1310 WTLB-NY	WIDD-TN*
850 WJW--OH	1110 WUHN-MA*	1320 WJAS-PA	1550 WRZR-NC*
WIVK-TN*	1190 KOKK-SD*	1390 WFEL-NY	(ex-WYNA)
950 WKAZ-WV	1230 KNUZ-TX		

This is just a smattering of new "Ad" stations reported to recent DXM's. Watch for a complete, official listing in the new Almanac next fall.

▶ ABC Rock (Ar) is oriented to rock FM stations, and indeed, a full listing for "Ar" in April 1982 showed that only one station out of 54 affiliates was on AM. The other 53 are FM's. The one station:

1590 WGOE-VA*

Anyone hearing any "Ar" affiliates on AM (or AM-FM simulcast) please advise so we can include them in the Almanac!

ABC also has plans for two fulltime program format services via satellite. "ABC Talkradio" is scheduled to begin this spring; the only announced affiliate at this writing is 770 WABC-NY, which as you know dropped music for talk recently. The other 24-hour service is "ABC Superadio," with contemporary pop music and a number of well-known radio personalities, including Larry Lujack, Dan Ingram, Ron Lundy, Dr. Don Rose, and Robert W. Morgan among them. Both services should sink or swim by this autumn, and we'll include full station listings, schedules, etc. in the Almanac.

• MUTUAL NETWORK (p. 65)

In heading, delete reference to "Mutual Radio Theater," which is defunct. Also delete third paragraph ("All Mutual affiliates in Arizona..."), since Mutual Southwest Radio Network is defunct except for college/NFL sports.

• OTHER NATIONAL NETWORKS (pp. 70-76)

▶ RKO: This network should now be called "RKO-1."

There is a newer RKO network, geared to a slightly more adult audience, called "RKO-2." This one begins its newscasts with "I'm ---- with an information update." Here's a partial list of stations:

610 WAYS-NC	680 WRKO-MA	930 KHJ--CA	1280 WGSO-LA
620 KGW--OR	710 WOR--NY	1090 KING-WA	1540 WRCP-PA*

▶ CBS Radioradio. This branch of CBS went on the air just recently.

I believe newscasts are 2 minutes long at :50 past the hour. Out of 49 affiliates, 48 are FM only! One is an AM-FM combo:
630 KSHR-OR* (ex-KWRO)

Again, if you hear "Radioradio" simulcasts or new outlets on AM, holler!

▶ RKO again (sorry): To the RKO-1 list in 6/13/81 DXM, p. 10, the two mystery stations are 1140 KLDY Liberty MO and 1400 KIVR Cave Junction OR.

▶ The Source. To update the list in 6/13/81 DXM, delete stations WOMN-1220, KGB-1360, and KZOK-1590. Add WFAL-680-OH, KVAA-910-SD, WATN-1240-NY, WXXX-1310-MS, WETZ-1330-WV, KMLB-1440-LA, WGFT-1500-OH, KDJQ-1510-AZ, and KASH-1600-OR. Note that KMNW-1460-WA still airs Source newscasts MM's 0320-0720 ELT during FM simulcast hours.

▶ Note that Mutual "Lifestyle Reports" newscasts at :55 past the hour are oriented to the young-adult audience. So is ABC Rock. See top p. 70.

▶ CNN Radio. The audio portion of TV's "Cable News Network" all-news format. This began in March 1982 and so far we know of two affiliates:
1280 KBDF-OR 1360 KCNN-CA (ex-KGB)

There are probably more which will surface in time. CNN usually takes two-minute commercial breaks (on cable TV and also this radio net), and some stations may fill them with two minutes of local news rather than ads. Once again, look for a complete list, format, etc. in Volume 3! And if you know of new CNN Radio affils (or Ad, or Ar, or Radioradio, RKO-1, RKO-2, etc.) please report them to the Roundups, RPN, or me.

IRCA Almanac Updater #2.2, continued

• REGIONAL AND STATE NETWORKS (pp. 77-82)

▶ Page 78:

Delete Mutual Southwest Radio Network, now defunct.

Delete Woodruff Pacific Network, now defunct.

▶ Kansas Information Network, p. 80: Update with listing on page 27 of the 3/20/82 DXM.

• INTERCONNECTED PROGRAMS (pp. 83-87)

By the time every station has its own satellite dish and 55 networks to choose from, we'll have so many interconnected programs the Almanac will be overflowing, hi. Incidentally, if you have recommendations for programs to list in the 1982 Almanac, please let me know by August so that I can obtain a listing in time. Larry King will be back, of course, along with all his new competitors such as Talknet and America Overnight. I also plan to include Mutual's Dick Clark National Music Survey, WSM's Music Country Network, and anything else that would be heard late nights and/or weekends, especially Sat. nite/Sunday/MM stuff. (I guess that'll qualify inclusion of my personal favorite interconnected show, RKO's Solid Gold Saturday Night.)

▶ Larry King has undergone too many station changes to recap here, so we'll invite you to see the totally updated list in Almanac Volume 3.

▶ America Overnight is a new nationwide talk show from RKO (oriented to RKO-2 affiliates) live via satellite. 0005-0300 ELT Ed Busch hosts from Dallas. 0305-0600 Eric Tracy hosts from Los Angeles. There are weekend repeats of past shows. The following are known to carry the show:

600 WCAO-MD	920 WHJJ-RI	1090 KING-WA	1250 WKBR-NH
620 KGW--OR	1080 WTIC-CT	1220 WGAR-OH	WTAE-PA
680 WRKO-MA			

▶ NBC Talknet is another recent entry in the all-night talk derby. Bruce Williams discusses listeners' personal finances Mon.-Fri. 2206-0000 ELT. Sally Jessy Raphael is on Tues.-Fri. 0006-0300 discussing emotional problems, then the Bruce Williams segment is repeated 0306-0500. On weekends, Bernard Meltzer is on 1906-0000 Sat. & Sun. and there may be additional weekend expansion later. The following stations may carry some or all of the various Talknet segments:

620 WVNJ-NJ	750 KXL--OR	1120 KPNW-OR	1500 KSTP-MN
700 WLW--OH	1110 KPAB-NE		

▶ ABC Talkradio is projected for a July 1982 start. Details are still preliminary, but the live satellite format will likely not be 24 hours a day, at least initially. My understanding was that Talkradio would air 10am-4pm and midnight-6am in all time zones. That would translate to 1000-1900 and 0000-0900 ELT, that's 18 hours per day which might include some repeated portions. ABC's successful news-talker KABC-790 Los Angeles is supposed to originate the format. Two highly-rated KABC hosts, Michael Jackson (not the singer) and psychologist Dr. Toni Grant, are supposed to be on the network. Aside from KABC-790 (if it in fact carries the national shows), the only other announced affiliate for Talkradio is ABC's WABC-770 New York, which recently changed formats from music to talk.

▶ Satellite Live is a weekly talk show via satellite. Joey Reynolds is the host. A partial list of stations:

600 WCAO-MD	1120 KPNW-OR	1480 WLEE-VA%	1520 WKBW-NY
760 KFMB-CA	1220 WGAR-OH		

The live feed is Sundays, 2200-0000 ELT. He mainly interviews celebrities (two or three per week) with listener call-ins.

▶ CNN Radio - listed earlier with new networks, but since it's a 24-hour satellite format I thought I'd re-mention it here. The boundaries between these classifications are getting fuzzy!

▶ Other Talk Shows (p. 84): The interconnected Al "Jazzbeaux" Collins show disbanded when he returned to KGO-810. "Nite Call" left the air in mid-1981, Herb Jepko put "The All New Nitecap Show" on various stations including KBCQ-1020, KLUB-570, and even XEMO-860. This show appears, disappears for a few weeks, reappears, etc. so I won't say anything now about its current status since it could be wrong by the time this hits print!

▶ Jamboree U.S.A. (p. 84): 910 WPLA-FL is now fulltime, delete the *. Incidentally, I haven't heard if this program is still around or not.

▶ Mutual Radio Theater (pp. 85-86): DELETE ENTIRE LIST. Program went defunct in December 1980.

▶ CBS Mystery Theater (pp. 86-87): Fourth line of introduction should say "seven nights a week for its first six years." I can't count, hi.

IRCA Almanac Updater #2.2, continued
(Interconnected Programs, continued)

Now we move into more of those "gray areas" - the music programs delivered via satellite and the 24-hour fulltime satellite formats. Such fun, hi.

- ▶ Night Time America, which premiered in Jan. 1981 and thus is the forerunner of all the live nationwide music shows via satellite in stereo, may -- in its own way -- have inspired the 24-hour music programmers via satellite. The RKO Radio Network (now RKO-1) feeds the program five nights a week 0000-0500 ELT (West Coast stations often tape-delaying the early hours till after 0500). The show is on a separate satellite transponder circuit from the hourly RKO newscasts to minimize disruption of the music show. Host Bob Dearborn plays contemporary pop music and takes calls from the nationwide audience. I could swear that RKO sent me a station list for Night Time America last year, but I'm darned if I can find it. So watch for a list in the new Almanac this fall.
- ▶ Music Country Network. This premiered 4/1/82 and is a joint effort of the AP Radio network (APR) and WSM-650 Nashville. The program includes country music, interviews with country singers, APR news-sports-weather segments, and the like. The live feed is 10pm to 5am in all time zones (i.e. 2200-0800 ELT), and stations west of the Eastern Time zone may start before 10pm if they wish. Chuck Morgan is the host. See the station listing on p. 35 of the 4/3/82 DXM.
- ▶ Satellite Music Network. Now has several formats on the air: "Country Coast to Coast," "Star Station" which is pop music, "Beautiful Music" for Bonneville Broadcasting System which is converting from tape syndication to SMN's satellite, and "Stardust," nostalgia music in the vein of the taped "Music of Your Life" service. See the list on page 2 of the 3/13/82 DXM, and add to it WKBA-1550 Vinton, VA. To update that list, WBAX is on 1240, and WELL is an FM. Delete KKSX-910 which has changed formats. KKIC-950 and WBAX-1240 are country, while WHPL-610, KROW-780, and WIZY-1560 are Star Station. As for the other 25 AM's on that list, formats weren't specified so I'd appreciate any help there.

There are other satellite programs and formats on the air, but nothing which I have sufficient details to pass along now. Some satellite services are still in the planning stages. These include "Primetime Radio," another Music-of-Your-Life clone from Taft Broadcasting's WDAE-1250 Tampa; Transtar, a pop music service; United Stations, a country music service by Dick Clark of American Bandstand fame and several former execs with Mutual and its country outlet WHN-1050 New York; SMN's "Urban Contemporary" format; and the aforementioned ABC Superadio. Tracking down all these for the Almanac will be challenging, but we'll get working on it. Two we will not include in the Almanac are CBN's "Continental Radio" from Portsmouth, Virginia (cable/syndicated TV's Christian Broadcasting Network, which produces TV's "700 Club" or "PTL Club" or was that them on "Pray TV"? hi). It will be defunct by summer 1982 as they only had seven affiliates after one year. And as you might recall, all-sports Enterprise Radio went broke in fall 1981.

• SYNDICATED PROGRAMS (pp. 88-90)

- ▶ Page 90: The Weekly Music Magazine is the new name for Weekly Top 30. The syndicator, Drake-Chenault, is now distributing the program via RKO's satellite system (not necessarily to RKO-1 or RKO-2 affiliates). Some stations might still be getting the program via transcription. Accordingly, there could be wholesale changes in the station list soon.

• RELIGIOUS PROGRAMS (pp. 91-97)

- ▶ Lutheran Hour (p. 94): Include the word "Hour" in the heading, please.

• AM-FM SIMULCASTERS (pp. 98-103)

Be advised that a number of stations are listed out of city-state sequence. Most severely affected were 1230 and 1370; the latter had one listed after the 1380 section. Multiple "missorts" also occurred on 980, 1150, 1340, 1380, 1410, 1440, 1520, and 1560. A single missort can be found on each of these frequencies: 830, 960, 970, 1070, 1080, 1170, 1290, 1310, 1400, 1450, 1460, 1480, 1490, 1530, 1580, and 1590. If having listings out of sequence confuses you, you might wish to locate the out-of-order stations and draw arrows to get things situated.

I should mention that we are once again without an editor for the AM-FM section, and current plans are to omit it in Volume 3.

One correction to the section, on 1490, it should be KBRO-WA, not KBRD. Other changes include 800 listing on p. 99 is continued from p. 98, delete 1010 listing of KIQI-CA which has separated from KIOI, and listing on 1170 should be WLBH-IL* rather than LLBH. On 1110, AM call is now KPIP-CA and FM call is now KPPO (they flip-flopped).

IRCA Almanac Updater #2.2, continued

• STATION SLOGANS (pp. 104-118)

Updaters have appeared thus far in the 1/31/81, 3/32/81, 10/17/81, and 1/10/82 DXM's.

The new slogan editor is Rich Toebe, 556 Santander Drive, San Ramon, Calif., 94583. Please try to confirm slogans still in use as you travel this summer and send the info to Rich by October 1st. We appreciate reconfirmation of any slogans listed in Volume 2, and those appearing in parentheses (), which date back to 1979, will be dropped from the list in Volume 3 unless they are confirmed as still in use.

• BROADCASTING IN CANADA (pp. 119-124)

On page 120, 8th paragraph should begin "The Canadian DoC authorizes AM station powers..." DoT was changed to DoC earlier in the story, and we let this one slip through. (Yawn, hi.)

▶ CBC Radio (p. 121): To clarify the first lines, they should read:

The Canadian Broadcasting Corporation (CBC), known as Societe Radio-Canada (SRC) in French, provides a number of broadcasting services.

Delete from CBC EE list: CPOS-560, CKTS-900, CHEX-980, CKMK-1240, and CHPG-1490. On 1210 and 1230, make note that CFFB-N.W.T. has a CP to move from 1210 to 1230! (Oh, that pest, hi--don't you wish!!)

Delete from SRC/CBC FF list: CJEM-570, CIRB-1240, CKRB-1460, CKMV-1490.

▶ Canadian Family Life, It's Twins (pp. 122-124): Replace p. 123 and top half of p. 124 with the twin update on pp. 19-20 of the 10/24/81 DXM. A few subsequent changes to it:

Ontario: Under CFIX-1170, twin is CHPR-1110, not CHBR.

Quebec: Under CKML-610, delete third station - CKSJ-1400 - and its location, St.-Jovite.

Add a new listing, *CJSA-1230 & CKSJ-1400s Ste-Agathe-des-Monts/St-Jovite. (CJSA recently bought CKSJ from CKML, so a new mother "adopted" a twin in Quebec.)

Newfoundland: Under CFLW-1340, twin is CFLN-1230, not CFGN.

▶ Newsradio (p. 124): A few changes:

Correct the frequency of CKEY Toronto, now 590 rather than 580.

Add 580 CJFX Antigonish, N.S. and 600 CKCL Truro, N.S.

Delete CIHI-1260.

Newsradio now has hourly newscasts during the overnight shift, midnight to 6am. About 17 stations are using those newscasts.

(Oops, Newsradio also sent a change to the "Night Talk with John Gilbert" listing back on page 84. Add one and drop one, both on 600: Add 600 CFQC-SK, and delete 600 CJOR-BC. Sorry about the missort.)

• FORMATS OF CLEAR CHANNEL STATIONS (p. 132)

Changes: 670 KBOI-ID Pop, MOR (country all night, off MM)

700 WLW--OH Pop (country all night)

750 WSB--GA Country-pop blend

770 KOB--NM Pop (LK)

1120 KPNW--OR Pop/MOR, talk eves, country all night

1510 WLAC--TN News/talk (paid religion AN)

Trucker show changes: Add 670 KBOI-ID, 700 WLW--OH, 750 WSB--GA,

1120 KPNW--OR, 1170 KVOO--OK. Drop 770 KOB--NM.

• SPORTS ON RADIO (pp. 133-154)

Most of the action is in the sports updaters: 3/32/81, 7/11/81, 9/5/81, and 2/20/82 DXM's. Watch for the 1982 baseball listing in DXM soon.

▶ Page 148: Under horse racing, the Preakness has moved to ABC from CBS.

▶ Pages 153-154, NASL Soccer: Three franchises have disbanded, so delete totally the Houston Hurricane, Rochester Lancers, and Washington Diplomats. I think there have been other franchise shifts as well.

▼ UTILITIES STATION LIST

Delete the British Columbia stations on 1630.

Add: 513 "BG", Fairfax, KS; and 521 "TO" Topeka, KS (both beacons);

SQM-530 in Alaska (beacon w/weather broadcasts in voice); TIS stations

on 530 at Seattle, WA (Seattle-Tacoma Airport) and Columbus, OH (Ohio

State University); and TIS stations on 1610 at Sierra Nat. Forest, CA,

Detroit Lakes, OR, Cape Hattaras Seashore, NC, Barstow, CA, and Kennedy

Space Center, FL. Also see some of Glenn Hauser's recent forums.

Correction: Naches and Wenatchee Nat Forest TIS are the same station.

(see 1610).

EASTERN DX FORUM

(215) 368-8067

RICHARD EVANS
P.O. Box 1294

NORTH WALES, PA 19454

Upcoming Deadlines: 6/1 6/26 7/27 8/10 (one week earlier than others)

Bill Townshend, 4500 Connecticut Avenue, Apt. 901, Washington, D.C. 20008
202-966-8046. Greetings once again from the Land of Pleasant Living.

This Forum is my re-intro. I'm 51, single, and living with my stepmother (79 years young) in upper NW D.C. A lousy place for FM/TV DX'ing due to the closeness of the tower farms of several FM/TV stations. I work in an eight-story DX-buster (as far as AM is concerned) in Marlow Hts, Md. just outside the city proper. I live 5.7 miles/9.1 km NW of the U.S. Capitol and work 7 miles/11.2 km SE of the Capitol. Good riddance to the long bitter winter of 1982!! Heavenly, lovely spring at long last, but DX'ing on the downturn with warmer Wx and more T-storm QRN. Next month at summer solstice (1330 EDT on Monday 6/21) I'm hoping to catch WLS-890 Chicago, Ill. with enough copy for a QSL (sun less than 17 degree from zenith) nulling out enough WLMDD-900 splatter at the end of the oldies sub-show of the Pat O'Leary Show on that station. He is the midday DJ who ran an oldies dance show at a local Holiday Inn (College Park, Md.) tonight from 2030-2330. I crashed out around 2200 so I could be home for the Nx at 2300. Lost Sunday, 5/2, I hoofed it to Frederick, Md. 39 miles/62 km. NW of my pad, with a total of 42.5 miles/68 km covered on foot, coming back by Greyhound Bus. I listened to BBD Wx on WMAL-630, R&B on WPFW-FM-89.3, AoR on WWDC-1260, and oldies RR on WINX-1600 on my pocket GE Rx on the way out. I attended two oldies (R&B) stage shows downtown on as many Saturday nights, with a total of ten R&B ("Doo-Wop") artists or groups performing on stage, five on each show, a throwback to the 50's and early 60's. I'm about to go into a SP. CUN 28. 73's and good DX.

Donald Moore, Cuerpo de Paz, Apartado Postal 3, Santa Bárbara, S. Honduras

It having been some time since I last Forumed, I guess I should get around to it right now with a re-intro. I started SWBC DXing in Sept., 1971 and BCB several months later. I was quite active in both for a few years there. I was an IRCA member from 12/74 to 12/75 during which I contributed regularly to the DXWW section. However starting college in 9/75 cutback available time and I became highly inactive. However, in 1978 I decided to stretch my four year program into a five year one, with the unintended result of getting back into DX. I rejoined IRCA in 9/80.

I recently served a stint as the Verifications Signers editor, before coming to Central America. Am 24 years old, a Pennsylvanian, and a 1980 graduate of Penn State in Home Economics and Family Studies. In early January this year, I took off for Honduras with the Peace Corps. Spent the first three months in Tegucigalpa in a training program. Moved to Santa Bárbara on April 4th, then promptly took off for a four day trip to Guatemala City and Antigua, Guatemala (if you ever have a chance, go there Easter week). Now, I'm home in Santa Bárbara, about 100 km south of San Pedro Sula. Here I work in teaching nutrition in the normal school, which is a senior high (10-12 grade) designed to train primary school teachers. That's all that's needed here--no college. Currently however the students of my school are on strike as only 40 of 217 11th graders past the chemistry quarterly exam. Ah! Life in the tropics! Live here with another PVC who works with local ag coops. We have an adobe house with running water electricity 24 hours a day. With a refrig. and stove, one of the more luxurious Peace Corps residences in Honduras. (cont. next time...)

Rob Gerardi, 420½ North Main Street, Benton, Illinois 62812

I hope to make it to this year's convention, it being so close. It would be my first and I'd like to meet some of the people I've come to know after all these years, hi! If anyone happens to be going from this area or traveling through who'd like to have some company and someone to share expenses, please write! It is more fun traveling with others than going by one's self, hi! Regarding Bill Harms', and other's, experiences w/CE's who don't care to QSL: the CE we had at KSCB told me w/glee that he NEVER verified any reports! In fact he delighted in telling me that when he was w/WREN he received a taped report from a DX'er in New Zealand who sent RP and souvenirs, and that he kept those items with answering! (Sounds like the guys I work for and with--rce) Otherwise he was a nice fellow, a former Ham and BCB DX'er in the '50s. He told me when we ran ET's and told me I could verify reports if I wished! Alas we had no rpts.

(Rob Gerardi, cont...) I wonder if the problems I've experienced w/the USPS over the past several months are a reason that the various columns have so few contributors? Several times I've sent reports to editors that are returned marked "No such person, unable to deliver". I know they are there, in fact I even sent one right back to DXWW-E and it made it! (And I thought it only happened to Ernie Cooper!--rce) In addition, I know of several people I've written and who have written me that had a similar experience or the letters never made it! I've kept track in the last two months, and it seems only 75% of the mail makes it through! I can see where a fellow sends a report in, it doesn't make print and he believes the editor has snubbed him and will send no more reports! If anyone has EVER written me and I've not answered, it is NOT because I've disregarded the letter, so write again, please!! 73's.

Jim Surin, 236 East-Morningside Avenue, Lombard, Illinois 60148

(Cont. from last issue...) HELP!...Last winter, my dad got a 1980 Chevy wagon with a Delco AM inside. It was the worst car radio I have ever DXed on. The radio in the '73 Chevy was better. So, we got rid of the old radio and installed the AM/FM-cassette (also a Delco) and so far, it's my kind of radio w/local-DX button. I've heard about almost all of the familiar big-power stations and hope to do some DX when goin' to Wisc. I read Issue 613 (3/20) about the AM stereo, and at about that time, Crain's Chicago Business had an article about WKDC (America's favorite, hi) going stereo in about 6 weeks. WKDC will be "used as a test to obtain equipment approval from the DCC" and will be used "to encourage other broadcasters to purchase Motorola's equipment."...Now that WABC has gone all "blab", it appears that WLS is the last hope for AM rockers...No word on WAIT going with MOYL package like WJJD...OH NO! I forgot to send in my re-intro. Well, better now than never. I am 17 years old and have been DXing for 3 years. I have 362 stations total w/61 varies. I enjoy DXing as well as baeball, basketball, soccer, tennis, video games, TOP 40/AOR Mx, and grapefruit. My radio is a Panasonic RF-4900 and use a ferrite coil as my "generic antenna". I am a junior in high school and wish that we could get a low powered FM transmitter, but not many are interested in my school...In my next forum, 100 ways to peel a grapefruit and other activities when DX is poor. (Oh yeah, as I send this forum in, we are getting 8 inches of snow!-general camera fade-in) It's now July, and all the snow has finally melted!) 73's.

Ernest R. Cooper, 5 Anthony Street, Provincetown, Massachusetts 02657
617-487-9337.

Does anybody have any idea where the VOA station is I hear every once in a while on 1450 kHz? They're on AN, go through a formal s/off at 0200 EST (probably will stay on EST, methinks), play a quickie version of 'Yankee Doodle' and then instead of leaving the air, they remain on in a foreign language, which I take to be Papiamento. I have written twice to the VOA in Washington about this station (trying to verify it!) and all I got was a verie and literature about the VOA outlet on 1580! They must want this one's whereabouts to be a secret! Maybe it's on Swan Island??? Watch for this one during the wee hours, particularly on Auroral mornings, and along the coastline. I bought a G.E. Superadio a few weeks ago in NYC, and I find it is slightly terrific on AM, with more sock than the famed TRF, but I was disappointed with its pulling power on the FM side with its own whip antenna, and even more so when the blithering thing snapped apart near its base on the second using of that antenna! I bought it especially for FM DXing while at work this summer, as I would hate to have to leave the house in the midst of a good E-Skip situation without a good receiver to use "on location". I've written to G.E.'s HQ about it and await their reply at this writing. Anybody visiting Cape Cod this summer, be sure to stop by for a visit! Let me know a couple days ahead though, so I'll be sure to be home. One of the factors that killed the NNRC was apathy on the part of their members. Don't let this happen to us! Send in those Forums and Round-Up items and keep things going! Enjoy your summer, and I hope to see you in the "Squad Cities"!

Glenn Hauser, Box 6287, Knoxville, Tennessee 37914-0287

(Cont. from last issue...) After dark approaching Grand Junction, Ciudad Juarez was in well on 800, now Spanish-only, as "Radio Canon". Saturdays at 2000 per a promo, KOB-770 had "The Swingin' Years", which I suppose lasts for hours. Another Ci. Jz. station, XEJ-970, called itself "La Jota Mejicana". KREX-1100 had amazingly poor groundwave coverage, for a 50 kw/10 kw, directional west. I discovered a brand-new TIS at the Elk Creek Visitor Center, Curecanti NRA, Colorado, July 16. They said it was

(Glenn Hauser, cont....) installed the previous week; the entire unit, including solar panels, is on a pole, and succeeded in hitting 1610.0. This is on US 50 west of Gunnison, a lakeless area the last time I was there! The box had the legend "Travelers Information Services, Inc., Raleigh, NC 27607". I wish someone in Raleigh would try to get a list of TIS xmtr customers out of them for our DXing benefit; they ignored my letter. Around Garden City, Kans, 740 daytime exhibited a SAH of about 5 Hz, between KSSS CO and KRMG OK. On a farm road S of Windhorst, KS, (E of Dodge City), I indulged in some ad-hoc de-facto daytime barbwire Beverage DX bandscanning; at a right angle clipped on the ICF-5900W first to the E/W branch, where KLMX dominated 540 from N.M., and then to the B/S where it was KWMT Iowa. KOAM-860 was strong on the E/W, inaudible on the N/S. Being NW, KHOW-630 and KOA-850 were audible on both, and for that matter with the Bev. So help me, KARV-610 Russellville, A.K., has a "poultry forecast" at :07 past each hour, advice on fogging and other techniques to compensate for variations in temperature and humidity, which was expressed to 0.1%. CBSRMT was on WOAI-1200 at 2006, one minute behind WSB-750. So much for last July. I am next found spinning (oops, punching) the MW dial in Caraballeda, Venezuela, on the Caribbean coast E of La Guaira, Dec. 30 at 2200 EST when V. of Barbados, 790 was relaying VOA Nx in English. Montserrat was well heard on 930 there; the best trans-Caribbean signal in the daytime was WIVV-1370 Vieques, P.R., seemingly gospel format in English. Ron Schatz made more extensive notes on the MW band there and presumably will have reported on it in DX News. (end of lengthy Forum report. This will continue on where we started the series about the first of March.--rce)

Richard C. Evans, P. O. Box 1294, North Wales, Pennsylvania 19454

First things first. My new NRC Log was in here on Monday. If you have decided to get one yet, do it! It looks great. One nice thing about it this time around is the larger plastic "comb" used as a binder. It's much easier to flip the pages over. However, I did notice that it will be much harder to add notes to the "upper pages" tho because of it. One correction to be noted (per the 5/10 DX News. "Pages 49 and 50 for 950 and 960 were punched wrong and numbered incorrectly. So be aware that 950 continues on page 50 and 960 continues on page 51." (Lifted from the cover of the 5/10 DX News--rce) Second, I can tell you also of horror stories about the postal service (like the time it took 31 days to get a first-class package from Gary, Ind. to Chicago), but I also remember the good service we also get. Last summer, we had a truck line in Mass. send us a check using our correct P. O. Box number in Lansdale, Pa., but typing the city as Lancaster, Penn, and using a non-assigned ZIP code number. We didn't get it overnight; but to our surprise, we did get it without its going back to the sender. One of my clients in Spring City, Penn. (NW of Valley Forge) told me last week he routinely gets mail overnight from Charlotte, N.C. I've spent the past 16 years in the transportation field--now advising industry on transportation matters--and I'm still amazed how efficiently and cheaply the USPS can move the mail, considering how many small letters weighing only one ounce or less are handled each day. Must run. PTL.

KWG CELEBRATES DIAMOND JUBILEE

(via Floyd Perry)

Stockton's KWG, the first radio station in the West and the second oldest country, will celebrate its diamond jubilee -- 80 years in operation -- on Sunday.

KWG is second only to the station KDKA in Pittsburgh, Pennsylvania.

The station was born in Stockton on Nov. 22, 1921, and began broadcasting as the Portable Wireless Telephone Company at 8 p.m. that day in the Stockton Record building at the corner of Market and American streets. The radio call letters were OSA. The Stockton Record reported the next day that the first broadcast had been heard as far east as Montana.

The station was dedicated by the opera star, Madame Ernestine Schumann-Heink with her songs, "At Parting" and "The Rosary." The microphone of that day was a long Victrola horn, and the singer was photographed by V. Covert Martin, a historian of Stockton.

The Portable Wireless Telephone Company.

OSA radio station had an initial capital of \$20,000.

The owners were George Turner, Paul Ord and Carlton Case.

The call letters KWG came in December, 1921, when the station received its commercial license from the federal government, the second such license to be issued in the United States.

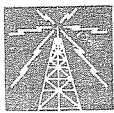
The Stockton Record severed its connection with the station in 1924, and KWG took up new quarters in the Hotel Stockton, moving later to the basement of the Medico-Dental Building where it remained until 1936.

In 1930 the station was sold to the McClatchy organization in Sacramento, which kept the station until 1955.

It was in 1936 that the station was moved again, this time to the Wolf Hotel roof garden.

KWG also became affiliated that year with the National Broadcasting Company and the new California Radio System. The affiliations turned

Continued
on
Page 22



Western DX Forum

★ ★ ★ ★

IRCA—Serving the Broadcast Band DX'er Since 1964

Editor: Ric Heald, P.O. Box 4861, Santa Rosa, CA 95402-4861, (707) 538-8999

1982 WDXF DEADLINES: 10 & 26 APRIL, 12 MAY, 02 & 30 JUNE, 28 JULY

STEVE MITTMAN, 2248 W. 37th ST., SAN PEDRO, CA 90732 (213) 833-1010

I listened to (and recorded) much of it and it was fantastic. They mentioned that they signed on the air in 1922 as KFEC. On 27 March 1928 the call letters were changed to KGB. The program continued on through the years with interviews with people who worked on the station, clips of old new events (the Hindenberg disaster, etc.), songs, clips from old radio shows, etc. When the '60s rolled around they became T40 and played their old "Boss Radio 136 KGB" jingle, had old DJ patter, played old songs, etc. They also interviewed many well-known DJ's who got their starts on KGB, including Eric Chase and Bobby Ocean. One day in 1972 a 33-minute tape was suddenly played "over and over all weekend long" (I have it all recorded) while a new format was being put together. The tape ridiculed T40 stations and included actual T40 jingles from Boss Radio clones all across the country (a real collector's item). What emerged was a progressive rock format (now called AOR) // FM. In 1974 they changed again and became mellow rock (which is the earliest I remember them) and it was at this time that the KGB chicken was born. He died in 1979 and shortly afterwards on 10 October 1979 the T40 13K format began. 13K quickly surpasses the FM in the ratings (unheard of) and for a short time they were the number one music station in the entire country! (Again, I'm fortunate enough to have the last hours of 13K on tape).

The program was played three times over the weekend. They should have concluded MM 22 March 0300 ELT. Countless ads all weekend long mentioned that the new KCNN would begin MM at 6 AM. The third run was noted "on schedule" at 2330 ELT, but then, at 0154 ELT, the KCNN all news format was suddenly noted on early. KCNN ID's were being used and I feared I missed the actual call change. But no, the legal ID at 0200 was "We're KGB San Diego," and KCNN ID's again followed. At 0300 (midnight) the legal ID was "KCNN San Diego, all news 1:60," for first true legal ID with new call and my first witnessed call change. 73 de SMM. (Completed from last issue's forum-RtH.)

ALBERT S. LOBEL, P.O. BOX 26762, SAN DIEGO, CA 92126 (714) 566-0092

Not a lot of DX has been done lately. Not much will be done for the next few months; at least on MM. Therefore, no more early morning calls on MM please. The doctor has put me on some medication that I must take for the next few months and it make me quite sleepy. Within five minutes after taking one of those pills everything seems to be floating like I'm in outer space (except for me; I remain in one spot or else fall flat on my face.) Ric, don't ask what they are. I don't really know. All I know is what they're for and I'd rather not discuss that in a forum. (What! Not grown in Sonoma County! How rude, hi-RtH.)

To those who do call me between the hours of 1730 and 2130 weeknights, after 1430 Saturdays or Sundays: I no longer will answer the business lines after working hours even though they do ring in my home. But don't be afraid to call. The monitor on the answering machine is left on and if I know who's calling and want to talk I'll pick up the phone and intercept the call. Of course, if you know my unlisted number call on that; but it too ties into the answering service if I'm unable to answer the phone for any reason.

Well, 73 and good DX de ASL. (Completed from last issue's forum-RtH.)

BRIAN VERNON, GENERAL DELIVERY, ELSA, YT

Am also a member of NRC, Medium Wave Circle in England and the Longwave Club of America. I really enjoy picking up broadcast stations on longwave. Unfortunately, there are too few of them. I grew up listening to the BBC Light program in England on 1500 m (200 kHz) at 400 kw. This is one of the low-powered stations on Longwave!

Finally, I'd like to thank Big John Oldfield who, over the years, (during my visits to Vancouver on bush leave) pointed out that IRCA was on club I should join. And Bruce Portzer who finally convinced me via phone (thanks also for the letters), it certainly is a great club with many familiar names, some from California (didn't know people DX'ed from that state before joining IRCA, hi.

Great to see (through sleepy eyes) Pete Nolan on my last trip to the bright lights (Vancouver), thanks also to Charles Taylor for the JJ info and everyone else who has written in the last couple months.

That's about it from here, so thanks for your time this time. Until next time, 73/88's. (Completed from last issue's forum-RtH.)

RANDY TOMER, 1969 27th ST., ARCATA, CA 96621

Howdy. I just got a good used Superadio for \$40. I plan to rig it up with a plug-in tuneable ferrite loop and an LCD frequency display, should be a pretty useful rig then. My curiosity with the new Panasonic RF-081 "Series Elite" AM/FM has continued so I just ordered one from 47th Street Photo in NYC. The Panasonic catalog says it has a "Built-in RF amplifier for AM broadcasts" but didn't say if it was a good tuned-FET set-up or whatever. This radio seems too small to have a very big ferrite antenna, so I have doubts about its sensitivities. I expect its sound quality to be good; the slightly larger RF-085 AM/FM-SW has amazing sound for such a small receiver.

. DX conditions are as poor as ever around here. Not even the regularly heard Hawaiians are ever very loud anymore. AWP was in town recently so we cruised up to my DX'pedition site to try for the supposed Cook Islands DX Test during the early morning of 28 April. We sat on 864 kHz but didn't hear much more than a very weak carrier that didn't go away after the Test was supposed to end. At about 0910 GMT I thought I was hearing code on the super-weak carrier, but Art wasn't too sure about that. If the station could have generated code by cutting its carrier on and off, it would have been unmistakable. The only good Pacific signals heard that AM were from Tonga 1017 and 1YC 882; they were blasting in quite well, ho hum, yawn, what else is new. Even Rth could have heard 'em. (Wrong, Kiwi breath, hi-Rth.) I think I must hear 1YC and also Cuba 880 virtually every night of the year (except when I was in Florida I noticed that 1YC wasn't coming in quite as well, hi).

Local KEKA 790 now has telephone-talk on weekdays from 6 PM PLT until sunset s/off. Don't confuse 'em with KABC (don't worry, you won't, hi) you may be hearing a rare exotic DX catch. (After catching their s/on show, I must agree - it's rare, hi-Rth.) The show starts off smartly with a flurry of two or three phone calls, then things cool off quickly and the two guys have to talk to each other. The other day I was listening and another call finally came, but it was the wrong number. (Love it. Sounds like KNBA 1190 daily at 8.30AM, hi-Rth. Take care, 73 de RET.)

DOUG PIFER, 2506 S. RITA WAY, SANTA ANA, CA 92704

Well, I finally went on a DX'pedition. Can you believe that? I will say that it was just about what I expected. Being out in Twnty-Nine Palms is about the same as being in the Gabi Desert. The weather was perfect. I spent more time looking at the stars than DX'ing, hi.

Our set-up consisted of Beverages approximately 4,000 feet long in two directions. One was in line with Colorado and the other with South America. The first impression was that they were just acting like longwires. Then later on conditions became much better. I will mention a few stations that I thought were good catches; I haven't submitted them to the WDXR due to lack of details. WIBW Topeka, KGHL Billings were of local quality, no sign of KABC on the latter. Others were KIDN, KMTI, KPOF. While these stations may not seem like DX to some of you, it certainly is for me, hi.

As far as the Latins, they were definitely out there; I've never heard so many of them. There is only one I'm curious about and it ID'ed as "Radio Canon" or something to that effect on 780 kHz. Can anyone help me on this one? PTL Doug

GLEN KIPPEL, 3394A G ST., MERCED, CA 95340

DX has been sporadic lately, but at least some DU's have finally appeared. I had been wondering if there was a huge deposit of Kryptonite to the southwest of here that was absorbing all the signals from that direction.

Some other news is that the FCC has imposed a freeze on the filing of applications for the remaining U.S. clear channels. The government of Canada has stated its intention to withdraw from NARBA at which time the present mutual interference protection requirements will be null and void. After 01 July 1983 it will be possible for the U.S. and Canada to assign new or improved unlimited time stations on each other's clears.

Bonaire 800 has been having problems with their output tubes failing soon after installation; the problem is that there has been a change in the tube design which requires more cooling water than the transmitter can provide.

If anybody wants an R-388, let me know - - I can get my hands on several: \$200 if you want to tweak it yourself, and for \$250 if you would like me to give it a thorough checkout. Anyone interested? Good DX to all.

Rural Voice of Nebraska • 50000 Watts



1480 MARINE DRIVE
ASTORIA, OREGON 97103

DOUG NYHOLM, 2071 CEDAR ST., SAN CARLOS, CA 94070

It's been a long time since I wrote a forum and I don't know what got into me. I even turned on the FRG-7000 last MM (03 May), bagged a couple of new-ies and plan to send them along to WDXR.

It just seems that there aren't enough hours in the day to do everything, but I'm glad I was able to help Rich Segalas and print the address labels for DXM. I guess there have been a couple errors and if anyone had a delay in an issue due to my typo, etc., please accept my apologies. (By Leon Everette; good song, hi-RtH.)

One thing Rich didn't say is that my program (in COBOLV) scans the expiration number in the upper right for five issues before and prints either "renew" or "Last Issue." Therefore, if you renew right away and still get issues saying "Renew" or, God forbid, "Last Issue," don't worry that Rich didn't receive your check. It would double the updating time to blank this field upon receipt of payment, so ignore it if you've paid.

I'm also thinking of a summer Beverage DX'pedition, but wonder if it would be a waste of time. If anyone has experience with summer Beverages I would appreciate it if you would drop me a line and let me know of the results.

Well, I've probably run out of lines, so 73.

MIKE HARDESTER, P.O. BOX 1565, SAN MARCOS, CA 92069-0540

Greetings. As I type this I'm still awaiting written orders transferring me to North Carolina (Cherry Point) for a three-year tour (sea) to include deployments with NATO forces. Best of all will be a shot at my final nine states and D.C. needed to complete 50/50 on the BCB. . .not to mention how many foreign countries. (Good luck with Vermont. That was hard from New York, hi-RtH) Transfer to be in the latter part of the year.

Locally, (San Diego area) we have a pirate on 1610 +- ID'ing as "16-K." The station does have fair/good technical quality at times and we'll be trying to DF the station this weekend (16-18 April), if they're on.

The 1982 Broadcasting Yearbook has arrived. This year's price tag was an uncomfortable \$60, but the contents are well-worth the price tag. Anyone needing current AM/FM/TV station addresses/info common to past BYBs, a SASE will bring the needed information, but please, no requests to copy the entire book, hi.

Had a surprise SSS log on KUBA 1600 a couple weeks ago; KWOW, KGST completely absent. Seems as of late my only real "DX" has been while driving on the freeways. All for now. Very 73 and best of DX de Mike. (Forum held over due to two forums received during same deadline period-RtH.)

GENE MARTIN, 3303 E. EVANS AVE., DENVER, CO 80210

Just when I had written off the '81-'82 DX season as the worst in 20 years, then here comes Thailand 1575 on 04 April taking its place as my most distant station heard from Denver. That reception goes a long way toward redeeming the whole season. I haven't figured the mileage from Denver to Ban Pachi (which is spelled Phachi in my huge British atlas) but it's apparent the station managed to squeeze-in between the Colorado sunrise and the Thai sunset. There was not much time to spare in this particular sunrise-sunset equation. Ban Pachi is located 100 degrees east of Greenwich while Denver is 105 degrees west. The two points are ten-and-a-half hours apart and the period of darkness on 04 April is 11 hours, 52 minutes at Denver's latitude. The length of night would not be much different in Thailand on that date. The pattern of reception that morning goes far toward bearing out this sunrise-sunset situation.

When I first found the 1575 carrier at 1134 GMT, that was 1834 in Thailand and the carrier was too weak to deliver any audio. By 1846 in Thailand the signal had built up to the point where I could make out a male voice in talk, not readable but it seemed to have an English flavor. Talk was continuous and in the five minutes before the hour, the tape picked up strains of martial-sounding music here and there. That hour was 1900 in Thailand, 0700 EST, 1200 GMT. On the hour a solitary pip, not sharp but low-pitched. In two more minutes the signal had weakened to the point I stopped taping. And by 15 more minutes, it took the BFO to find any kind of signal on 1575. By that time the impending Denver sunrise seemed to be affecting the signal, taking it away. Denver sunrise was 1244 GMT that morning.

Summing up, between sunset in Thailand and sunrise in Denver, audio could be detected only about 15-17 minutes that morning. I have eight minutes on tape, nothing positively ID'able there, but I have no doubt as to what it was. There is just nothing else on 1575. I wonder too if this is not the farthest east that station has been heard? 73.

ALAN LEWIS, 6523 GREENFIELD LANE, STOCKTON, CA 95207

Because I've just joined IRCA and this is my first forum, I would like to introduce myself. I'm 31, married and have three children. I work for a steel building manufacturer as a computer programmer, systems analyst and semi-manager of the dp department. I've been DX'ing BCB for a couple years now, however, in times past I only DX'ed SW. I use a Hallicrafters S-77, a recently purchased GE Superadio and for the amateur novice bands I use a Heathkit HW-16, which is waiting for me to get on the stick and get my Novice license. My totals so far are 19 states logged, 13 verified, provinces 3/2 as well a couple Mexicans logged.

Other hobbies include collecting post cards, stamps, reading, science fiction, science fact, history, novels, westerns and just about everything else in print. I also enjoy all kinds of music, watching the 49'ers, Giants, Warrior, UOP Tiger football or whatever happens to be on. I'm also a talk show fanatic. I enjoy keeping up with current events and what better way is there than by means of our hobby, radio? 73. (Welcome to the fun pages of DXM, Alan. Please contribute as often as you can. Nice to have another Stockton member on board. Could you please program your computer to double-space? Thanks-RTH.)

RIC HEALD, P.O. BOX 4861, SANTA ROSA, CA 95402-4861 Tele-Forum: (707)
Jefferson U-VWXY to 2200 PLT and prepaid

Not much DX to report; no time it seems. I get home so tired after working up to 12 hours, I got right to sleep, wake pre-sunrise and do a little dial twisting. Finally nailed KPOD 1240 for first time since moving from 1300. I would really like to remain in Ukiah after work, take my FRG-7/SM-2 and do some SSS DX from up there, but in town, KUKI is quite a problem. They slop from 1350-1450 at 2 miles from transmitter, and there are several spurs.

Enjoyed a phone conversation with Randy Tomer. Thanks for tips on how to reduce noise (engine) on my car radio. Wish I could mount a whip antenna, but there's not enough space, so I'm stuck with a windshield antenna I guess.

Until 04 June, within California, you can reach me during business hours at 1-800-862-4944. If I switch to business talk, that's your subtle message that the boss is in the office and I can't talk, hi.

Because we have several new members, let me quickly run through the ground rules again. Please DOUBLE SPACE. It takes twice the time to type a single-spaced report and chances for typos are greatly increased. Try to limit yourself to 25 lines elite, 30 lines pica, within reason handwritten and legible, hi. Brief mentions of other than BCB is OK, but brief. Hot tips, lists of recent DX, etc. has no place in WDXF, that goes to The Round-up columns, unless of course you want to do it in both columns. The Forums are essentially BS columns, hi, but radio related BS please.

Just got the line-up for Fan Fair '82 in Nashville (I'm tour-escorting that group). I'm gonna be in hog heaven, hi. Also going to try to check out local radio (job-wise) and try to sneak in some sort of decent DX equipment.

Monthly now. Watch the deadline dates. Would love to get some forums from the midwest, especially Texas. Come on guys. This is 25 lines. 73 de RTH. .

UNREPORTED STATIONS UPDATE

by Don Kaskey

The following chart lists the total number of stations in the USA and Canada and the volume they were last reported as being heard, as reported in DXM through V19 #29...

<u>COUNTRY</u>	<u>V19</u>	<u>V18</u>	<u>V17</u>	<u>V16</u>	<u>V15</u>	<u>V14</u>	<u>V13</u>	<u>V12</u>	<u>Prior</u>	<u>Total</u>
CANADA	211	79	27	17	7	7	1	2	58	409
U.S.A.	2136	968	414	342	154	87	48	78	384	4611
TOTAL	2347	1047	441	359	161	94	49	80	442	5020

New stations reported as having taken to the air during the period between V19 #19 through #29:

AZ--1080-KGVY	TN--1150-WDTM (x-1130)
CA--1180-KWSO (x-1050)	TX--1000-KJJT (NRG Log)
IA---770-KJCB	UT--1470-KBXN
MN--1070-KMOM	VA--1140-WSPC
MN--1270-KPRM (x-1240)	WA--1330-KENU
MS--1180-WKKE (x-1190)	WV--1250-WYKX
NV--1410-KVEG (x-1400)	WI--1190-WERU
NM--1090-KRZY (x-1450) ET	AB--1340-CIOK1
NY---850-WOZO	NF---970-CFIQ (NRC Log)
NY--1170-WMVI	

DELETIONS I:

Please scratch WCTA-810-TN recently reported as on the air in error. WCTA is definitely NOT on the air. Also the NRC Log shows deletions of stations WLLS-570-NC & WTHO-1530-GA.

DELETIONS II:

Previously unreported stations noted by IRCA Reporters in DXM since the last update (V19 #22).

- AL--25-WQMS-1000 (Jeter-GA)
- AK---8-KIAK--970 (Vernon-NWT)
- AZ---4-KGVY-1080 (Nittler-CO)
- CA---0-KWSO-1180 (Wien-CA& Harms-UT)
- KY---8-WMSK-1550 (Jasinski-IL)
- MN---5-KMOM-1070 (La Premiere-MN) & KPRM-1270 (Albrecht-WI)
- MS--19-WKKE-1180 (lots & lots)
- NV---0-KVEG-1410 (Wien-CA)
- NM---4-KRZY-1090 (Harrington-Knight-from NM) on ET
- NY--11-WBTA-1490 (Wolfish-ON)
- NC--34-WYRU-1520 (Townshend-DC) x-1510
- OR---1-KBCH-1400 (Hardy-WA) x-1380
- SC--18-WNOK-1230 (Lordo-SG)
- TN--18-WDTM-1150 (oops, forgot who) x-1130
- TX--65-KSKS-1140 (Durocher-TX); KRLB-580, KERB-600, KVOF-1400, KKIT-1410, KIXG-1150 (Portzer while working(?) in TX; KSEY-1230, KXYL-1240, KEAN-1280, KRBA-1340 & KPEM-1400 (McFadden-OK)
- UT---0-KBKN-(Harms-UT)
- WA---0-KENU-(Portzer-WA)
- WV--12-WPQZ-1400 (Groves-WV) & WTCR-1420(Gerardi-IL)---this stn listed as WV, which it will be when it gets nighttime on. Is KY while daytime only. I'm too far away to tell. Help anyone???
- WI---0-WERU-1190 (Albrecht-WI)

That's it for now. Keep 'em coming. dkc....

Submitted by:
Patrick Martin

N.H.K. LOCAL ADDRESSES
Reprinted from the FERC Log

- Akita-JOUB/JOUK: San'o 1-1-2, Akita-City, 010
- Asahikawa-JOCC/JOCC: Rokujo-Dori 6-27, Asahikawa-City, 070
- Aomori-JOJG/JOJC: Matsubara 2-1-1, Aomori-City, 030
- Fukui-JOFG/JOFC: Hooei 3-3-5, Fukui-City, 910
- Fukuoka-JOLK/JOLB: Tenjin 2-6-1, Chuo-Ku, Fukuoka-City, 810
- Fukushima-JOFF/: KitaGoro-Cho 1-5, Fukushima-City, 960
- Fukuyama-JODP/JODD: HigashiSakura 1-37, Fukuyama-City, 720
- Hachinohe-JOTQ/JOJZ: Tsutsumi-Cho 4-7, Hachinohe-City, 031
- Hakodate-JOVK/JOVB: Chitose-Cho 13-1, Hakodate-City, 040
- Hamamatsu-JODG/JOJC: ShimoIkegawa-Cho 35-28, Hamamatsu-City, 430
- Hirosaki-JORC/JOJC: ShimoShiragane-Cho 21-6, Hirosaki-City, 036
- Hiroshima-JOFB/JOFF: Oote-Machi 2-11-10, Naka-Ku, Hiroshima-City, 730
- Iwaki-JOHZ/JOHQ: Kotaro-Cho, Aza-Taira, Iwaki-City, 970
- Kanazawa-JOJB/JOJK: Oote-Machi, Kanazawa-City, 920
- Kagoshima-JOHG/JOHC: Tenpo'san-Cho 19-20, Kagoshima-City, 890
- Kitakyushu-JOSK/JOJB: Daimon 1-6-26, Kokurakita-Ku, Kitakyushu-City, 803
- Kitami-JOKD/JOJK: Hokuto-Cho 2-3-24, Kitami-City, 090
- Kochi-JORK/JOJB: Moto-Machi 3-3-12, Kochi-City, 780
- Kofu-JOKG/JOJC: Iida 3-10-20, Kofu-City, 400
- Koriyama-JOCP/JOCD: Fumotoyama 1-5-21, Koriyama-City, 963
- Kumamoto-JOGK/JOGB: Chibajo-Machi 2-7, Kumamoto-City, 860
- Kushiro-JOPG/JOPC: Nusamai-Cho 3-8, Kushiro-City, 085
- Kyoto-JOOK: SagaruChikara-Machi 964, ChiekoinMaruta-Machi, Kamigyo-Ku, Kyoto-City 602
- Matsue-JOKK/JOJB: Nada-Cho 1-21, Matsue-City, 690
- Matsumoto-JOSG/JOJC: Fukashi 3-10-3, Matsumoto-City, 390
- Matsuyama-JOZK/JOZB: Horinouchi 5, Matsuyama-City, 790
- Miyazaki-JOMG/JOJC: KoheiNishi 2-2-15, Miyazaki-City, 880
- Morioka-JOQG/JOQC: Ueda 4-1-3, Morioka-City, 020
- Muroran-JOJU/JOIT: Yamate-Machi 1-3-50, Muroran-City, 051
- Nagasaki-JOAG/JOAC: NishiZaka-Cho 1-1, Nagasaki-City, 850
- Nagano-JONK/JOJB: MotoshiroHigashi 2412, Nagano-City, 380
- Nagoya-JOCK/JOCB: HigashiSakura 1-11-1, Higashi-Ku, Nagoya, 461
- Niigata-JOOK/JOQB: Benten 1-4-15, Niigata-City, 950
- Obihiro-JOOG/JOOC: NishiGiMinami 7-2-2, Obihiro-City, 080
- Oita-JOIF/JOID: HigashiKasuga-Cho 1-2, Oita-City, 700
- Okayama-JOKK/JOKB: Marunouchi 2-2-1, Okayama-City, 790

Okinawa-JOAP/JOAD:Aza-Takayasu 1019, Tomishiro-hura, Shimajiri-Gun-Okinawa-Ken, Osaka-JOBK/JOBB: Baba-Cho 6-4, Higashi-Ku, Osaka, 540 901-02
 Saga-JOSP: Jonai 2-15-8, Saga-City, 840
 Sapporo-JOIK/JOIB: O'dori Nishi-Cho 1-1, Chuo-Ku, Sapporo-City, 060
 Sasebo-JOAY/JOAT: Hanazono-Cho 186, Sasebo-City, 857
 Sendai-JOHK/JOHB: Nishiki-Cho 1-11-1, Sendai-City, 980
 Shimonoseki-JOUU/JOUI: Koyo-Cho 1-5-1, Shimonoseki-City, 751
 Shizuoka-JOPB/JOPK: Nishikusafuka-Cho 1-21, Shizuoka-City, 420
 Takamatsu-JOHD/JOHP: Nishiki-Cho 1-12-7, Takamatsu-City, 760
 Tokyo-JOAK/JOAB: Jin'nan 2-2-1, Shibuya-Ku, Tokyo, 150
 Tokushima-JOJK: MinamiMaekawa-Cho 2-4, Tokushima-City, 770
 Tottori-JOLG/JOLC: Tera-Machi 100, Tottori-City, 680
 Toyama-JOIG/JOIC: Shinsokuruwa 3-1, Toyama-City, 930
 Toyohashi-JOCV/JOCS: Imahashi-Cho 1-2, Toyohashi-City, 440
 Tsuruoka-JOJD/JOJP: KamiHatake-Cho 10-52, Tsuruoka-City, 997
 Yamagata-JOJG/JOJC: Sakura-Cho 2-50, Yamagata-City, 900
 Yamaguchi-JOUG/JOUC: Chuo 5-14-22, Yamaguchi-City, 753
 Yonago-JOLQ/JOLU: Kakuban-Cho 1-55-2, Yonago-City, 683
 Far East Network-Yokota American Forces Base # 3266-Fu'sa-City, Tokyo, 197

FEDERAL COMMUNICATIONS COMMISSION

47 CFR Ch. I

[BC Docket No. 82-187; FCC 82 166]

Implementation of the Plan for AM Broadcasting in Region 2

AGENCY: Federal Communications Commission.

ACTION: Public notice regarding notice of inquiry.

SUMMARY: The FCC seeks the comments of interested persons concerning steps needed to implement the Final Acts of the Administrative Conference on Medium Frequency Broadcasting in Region 2, Rio de Janeiro 1981.

The Rio Conference agreed on measures by countries of the Western Hemisphere to protect each others' AM broadcast services from objectionable interference. The United States, as a signatory, is reviewing the need for changes in its rules affecting AM broadcasting and the need for changes in bilateral and multilateral agreements which have hitherto governed mutual protection by the United States and neighboring countries or their AM broadcast services.

The Commission will consider the comments in evaluating the need to inaugurate rule making, and in preparing for the conduct of bilateral discussions with neighboring countries concerning the ways in which it may be mutually desirable to adapt the general provisions of the Rio Final Acts to conditions in North America.

DATE: Comments are requested by June 30, 1982; but the proceeding will remain open for supplementing comments thereafter.

ADDRESS: Federal Communications Commission, Washington, D.C. 20554.

FOR FURTHER INFORMATION CONTACT: Louis C. Stephens, Broadcast Bureau, (202) 632-7792 (Legal); or Larry W. Olson, Broadcast Bureau, (202) 254-3394 (Engineering).

SUPPLEMENTARY INFORMATION: In the matter of an inquiry begun on implementation of plan for AM broadcasting in Region 2 (BC Docket No. 82-187).

The Commission has begun an inquiry on steps needed to apply the principles, standards and procedures set out in the Final Acts of The Administrative Conference on Medium Frequency (AM) Broadcasting in Region 2 (western hemisphere) to AM radio broadcast allocations in the United States.

In signing those Final Acts at Rio de Janeiro on December 19, 1981, the U.S. and most of the other countries of the Western Hemisphere manifested their intention to apply the agreed upon protection standards henceforth in acting upon applications for additional stations and facilities changes on the 107 channels allocated to AM broadcasting.

The steps involved in implementation of the Region 2 Plan are:

- Verification and correction of the data in the Region 2 Plan of AM assignments;
- Resolution of interference among assignments in the portion of the Plan designated as List B;
- Negotiation of bilateral agreements and arrangements with neighboring countries;
- Changes to the domestic AM rules resulting from the Rio Final Acts and bilateral agreements; and
- Methods for dealing with interference from stations in non-signatory countries, principally Cuba.

The Commission specifically asked for comments to address:

- Specific errors in present or proposed assignments;
- Recommendations as to provisions that the new or revised bilateral agreements between the U.S. and its neighbors should include;
- Desirability of continuing or changing the present classification of AM stations and the rules affecting them, the desirability of using bracketed curves for departure angles, and the conformance of the present frequency tolerance with the tolerance provided for the Rio Final Acts;
- Ways the Commission could most effectively offset interference caused by Cuba as a non-signatory of the Rio Final Acts; and
- Appropriateness of establishing AM allocations requirements for Puerto Rico, the U.S. Virgin Islands and perhaps Hawaii differing from those applied to mainland stations.

The Commission said it welcomed the participation of the Advisory Committee on Radio Broadcasting.

Initial comments are due by June 30, 1982, so that the FCC may take them into account as it proceeds with the bilateral discussions with neighboring countries, the formulation of new or revised agreements with them and the inauguration of rulemaking proceedings needed to introduce appropriate rule changes reflecting the new and evolving patterns of mutual protection by Region 2 countries of each others' AM services. Thereafter, the record will remain open for the submission of additional comments and data.

For more information contact Louis Stephens, (202) 632-7792, on legal matters and Larry W. Olson, (202) 254-3394, on engineering matters.

Action by the Commission April 1, 1982, by Notice of Inquiry (FCC 82-166). Commissioners Fowler (Chairman), Quello, Washburn, Fogarty, Jones, Dawson and Rivera.

Note.—Because of the ongoing effort to minimize publishing costs, the Notice of Inquiry will not be printed herein. However, copies may be obtained from the distribution centers listed in the Office of Public Affairs, Rm. 202, 1910 M St., NW, Washington, D.C. 20554. In addition, a copy is available for review in the FCC Library, Rm. 839.

William J. Tricario, Secretary, Federal Communications Commission, April 2, 1982.

Taft to offer 24-hour satellite radio feed

Taft Broadcasting Co. announced last week its entry into the 24-hour satellite-delivered, radio format business.

After testing its Primetime Radio format for about six months at Taft's WDAE(AM) Tampa, Fla., the company expects to have it ready for national distribution sometime this summer. The live service will originate from WDAE's studios and will feature the station's air personalities.

Music on Primetime Radio network will consist of "nostalgia" selections encompassing "the big names of the 30's, 40's, 50's and 60's," according to Mark O. Hubbard, vice president, Taft Radio Group.

Although the programing, targeted to the 35-plus demographic, will be delivered in stereo, the service can be used by monaural AM and FM stations, said a spokesperson.

Formal introduction of Primetime Radio is planned for the National Association of Broadcasters convention next month, where Taft will provide live demonstrations "of how the format will work at a typical affiliate station."

Taft contends that the new service will allow subscribing stations to take "full advantage of the total 24-hour satellite music programing, special segment features and also maintain the flexibility of local service, personalities and news to fit their own programing, station and market needs." □

AM stereo rule causing static

DALLAS (AP) — The Federal Communications Commission's decision to authorize stereo broadcasts by AM radio stations is creating tremendous confusion — and concern — among the nation's broadcasters.

More than 1,000 broadcasters crowded into a ballroom here last night during the annual National Association of Broadcasters convention for the first extended debate on the issue since the FCC's March 4 decision. The problem is the FCC's refusal to select one of five competing stereo systems

to become the industry's standard. Instead, the commission decided after five years of study to leave the selection of a system "to the marketplace."

As was pointed out at the start of yesterday's session, however, federal antitrust laws prohibit broadcasters from sitting down together and picking a system. And to make matters worse, all five systems are incompatible.

That means if a broadcaster in one city selects one system and a second in the same city selects another,

consumers would have to buy two different receivers to listen to both signals in stereo.

The exhibit floor at this 60th annual NAB convention has become a battleground for the AM stereo developers, each plugging his system as superior, touting sales figures, and courting the manufacturers of radio receivers to line up on their side.

Broadcasters are afraid the service will never materialize if a decision isn't reached quickly or that the Japanese, who dominate the consumer electronics indus-

try, will dictate a choice.

Finally, some broadcasters doubt whether the AM radio industry needs stereo even though FM radio — with its stereo capability solidly established in the public's mind — has surpassed AM in the size of its audience.

"If you pick the wrong system, my opinion is that AM radio as it now exists is doomed," Leonard Kahn, an engineer and pioneer developer of one of the five systems, told the audience.

"AM radio is too forward looking to become the only one-channel (monaural) system left," agreed R. McCarthy of Magnavox. "This will breathe new life into our oldest (broadcast) service."

Above:

San Diego Kahn Communications, Inc. is pleased to announce that the following leading stations Tribune, via have installed, or plan to install, Kahn AM Stereo Exciters: Father Jack Pejza

New York

WABC* (FCC Tests) 770
WNBC** 660

Baltimore

WFBR** (FCC Tests) 1300

Pittsburgh

KDKA* (FCC Tests) 1020

Philadelphia

WFIL* (FCC Tests) 560

Washington, D.C.

WMAL* 630
WGMS** 570

Houston

KILT** 610
KULF** 790
KYST** 920

Dallas

KAAM** 1310

Miami

WVCG** 1080
WGBS** 710

Orlando

WDBO** 580

Columbus

WCOL** 1230

Denver

KIMN** 950

Atlanta

WQXI** 790

Birmingham

WSGN** 610
WATV** 900

Memphis

WHBO** 560

Charlotte

WBT** 1110

Richmond

WRVA** 1140

Savannah

WSGA** 1400

Chicago

WLS* 890
WMAQ** 670
WGN** 720

Boston

WBZ* 1030
WHUE** 1150

Salt Lake

KSL** 1160

Logan

KVNU** 610

Tulsa

KVOO** 1170

Kansas City

KCMO* (FCC Tests) 810
KMBZ** 980

Seattle

KIRO** 710
KJZZ** 1540
KAYO** 1150

Eugene

KUGN** 590

Greenbary

WBIG** 1470

Rochester

WBBF** 950

Syracuse

WFBL** 1390

Phoenix

KOY** 550

Canada

CHED* (DOC Tests) 630
CKY** (DOC Tests) 580
CKXL** 1140
CKLG** 730
CJJD** (CHAM) 1280
CHAB** 800

Los Angeles

KHJ* (FCC Tests) 930
KDAY** 1580

San Francisco

KFRC* (FCC Tests) 610
KNBR** 680

San Antonio

KTSA* (FCC Tests) 550

St. Louis

WIL** 1430

Omaha

WOW* (FCC Tests) 590

Ft. Wayne

WOWO* 1190

Ft. Smith

KFSA** 950

Charleston

WKAZ** 950
WCSC** 1390

Hartford

WTIC** 1080

New Haven

WELT** 960

Worcester

WFTQ** 1440

Paducah

WKYX** 570

Bristol

WFHG** 980

Toledo

WSPD** 1370

Grand Rapids

WOOD** 1300

Milwaukee

WEMP** 1250

Mexico

XTRA* (Govt Tests) 690
XEHL* (Govt Tests) 1010
XEQY* (Govt Tests) 1000

* Units already at station.

** Stations who granted us permission to announce their plans to equip.

Hopes Riding On Delco To Set AM-Stereo Standard

KOKOMO, IN — A light has suddenly appeared at the end of the AM-stereo tunnel, promising that a real market in the long-awaited service will open up within a year. Imminent tests by Delco of the competing systems look like they will resolve the hassle over standards which some observers say kept AM-stereo from developing. There's now a strong chance that a *de facto* industry standard will emerge by midsummer.

The ball has landed resoundingly in industry's court, following the final abdication by the FCC of any part in the standards game last month. Likewise, the National Association of Broadcasters and the Electronic Industry Association, caught in the cross winds of five antagonists—Magnavox, Motorola, Kahn, Belar and Harris—have declined to take sides. Earlier this month, some 1000 broadcasters at the NAB convention in Dallas tried for a consensus but only made matters worse.

Rising out of this miasma like Excalibur out of the lake is Delco Electronics, which has volunteered to unite the squabbling knights of the airwaves and point them toward the market's Holy Grail. As the dominant force in OEM mobile receivers, Delco will likely drive the market in the direction of its choice, expected late July, of a single AM-stereo standard.

Contingent on the reception by its parent, General Motors, of Delco's dictum, the first generation of AM-stereo car receivers could be available as an option in mid-year model cars in the first quarter of 1983. A big "if," however, is how GM assesses the recession's impact on the car stereo market.

Robert J. McMillin, Delco's chief engineer, acknowledged the industry-wide portent. "A lot is hanging on this," he told *EE Times*. "That's why we will be very careful to make as responsible a technical decision as we're able."

Despite the relative firmness of the mobile radio market compared with other consumer electronics, strangely no comparative mobile tests of the offered AM-stereo systems have ever been run by the FCC or anyone else, said McMillin.

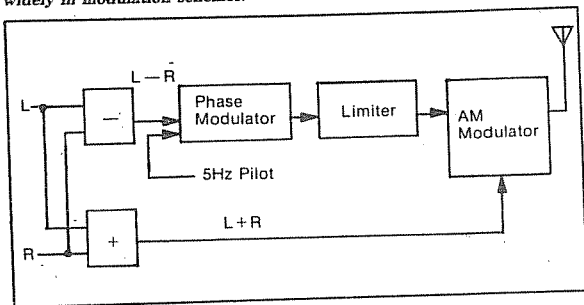
"To a large extent what we'll be looking for is interference effects peculiar to mobile radio, like multipath distortion," he explained. "That, of course, is the most common problem with mobile FM, but you see it somewhat less with AM mono."

By and large, the receiver and semiconductor manufacturers, led by Pioneer and National, favor the Magnavox system, which they claim is the simplest and cheapest of all. Two years ago, the FCC tentatively approved that system, but, under challenge by Magnavox's four rivals, backed off until this March, when it officially declared all five systems acceptable, and suggested letting the marketplace decide which is best.

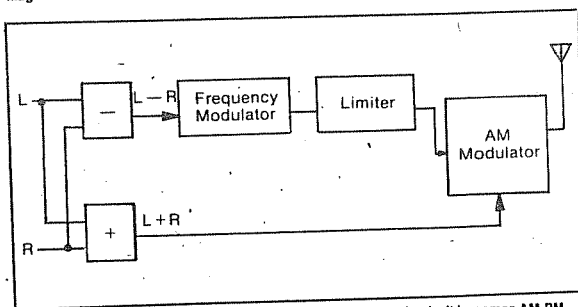
Broadcasters don't like Magnavox, however, and seem to prefer the already-available AM-stereo exciters and transmission gear of Harris and Kahn. Sales have already been registered at about 200 stations by the two firms. But about 3800 more AM stations are left.

All the proposed systems rely on an (L+R) and (L-R) encoding technique. (See sidebar "AM Mono/Stereo Compatibility.") The L+R signals are modulated conventionally, making any of the systems compatible with existing AM mono broadcasting.

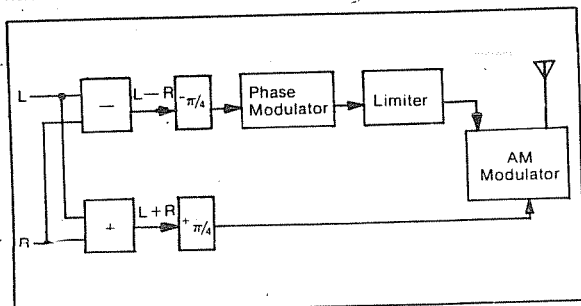
Five rival systems from Magnavox, Motorola, Kahn, Belar and Harris, have been proposed as standards for AM-stereo transmission. The systems differ widely in modulation schemes.



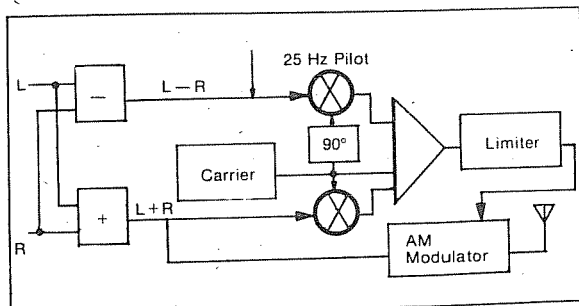
Magnavox — an AM-PM system with 1 radian maximum L-R modulation.



RCA-Belar — an AM-FM system. Above 400 Hz, due to pre-emphasis, it becomes AM-PM.



Kahn — AM-PM with 90 degree-phase shift between L+R and L-R. Two receivers needed.



Motorola — the Compatible Quadrature Amplitude Modulation (CQUAM) scheme.

The L-R information is impressed on the carrier as phase modulation, or in some cases frequency modulation. Decoding of the PM portion of the signal and mixing of the (L+R) and (L-R) to achieve the L & R components is accomplished at the receiver.

The Magnavox system, which is an AM-PM system, has a maximum limit on the PM of one radian. The Belar system is essentially an AM-FM system. Due to a heavy pre-emphasis—a boost in the modulating signal—above 400 Hz, however, the system appears as an AM-PM system above 400 Hz.

The Kahn system is an AM-PM system that employs a 90-degree phase shift between the L+R and L-R channels. To some extent, this effectively puts one channel on the lower sideband and the other channel on the upper sideband of the carrier. The 90-degree phase connection is made in a phase-shifting mechanism at the receiver.

Motorola's system—compatible quadrature amplitude modulation, or CQUAM—is essentially an AM-PM system where the PM is increased on dips in the L+R levels. This produces distortion in the system, which must be removed by the receiver. But it gets around the problems of negative modulation posed by other AM-PM techniques.

The Harris system is the most complex. The phase between the L+R and L-R is varied depending on the amplitude of L+R. The instantaneous phase-angle information is carried via a separate pilot carrier. This means that, in addition to decoding the stereo channel, the receiver must multiply the L-R signal by a decoded function of the pilot carrier.

As he prepares for the tests, McMillin is behaving like a true referee. "Fac-

tual," he said, "we just don't have any basis at this time to favor one over another." Earlier printed reports claimed that previous tests at Delco made Motorola a clear favorite among the engineers.

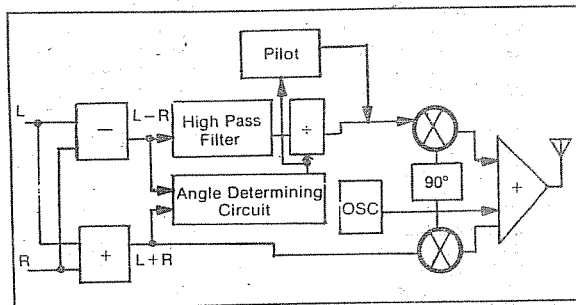
During the tests, the Delco engineering staff will be aided by technical representatives from each of the rival companies. Broadcasting stations in Indianapolis and elsewhere will be asked to transmit signals using exciters supplied by the various manufacturers.

AM broadcasters, who are fast losing market share to FM stereo, are eager to get on with it, to announce they are now "the first in the region" to go on air with improved mobile radio. In San Francisco, KFHJ has said it will go to AM stereo as soon as it's legal. KFJ will also start

up in a few months. But, as presently set up, they will broadcast incompatible signals—one in Kahn, the other in Harris—making for the ultimate test of listener loyalty.

National Semiconductor got heavily involved—about \$250,000 worth—in designing and producing what it claims is the industry's first AM-stereo-decoder IC—the LM1981. Dan Shockey of National, who showed up in Dallas with 500 of the chips "looking for a place to go to work," said the circuit was designed for Magnavox. "But we left the pilot tone decoder off so we can do more than one system," he said.

Shockey said National estimated that Magnavox and Belar receivers would cost only half as much to manufacture as Harris, Kahn or Motorola. He said the chip would sell to the manufacturer



Harris — another CQUAM. Probably the most complicated of the systems.

for \$3 to \$4, and the AM-stereo circuit would run up the price of radios by less than \$20 retail.

The idea of an add-on, or AM-stereo converter, for existing receivers was dismissed by the National executive. "You wouldn't get good performance on existing receivers," said Shockey. "Stereo requires a lot of improvement in the AM radio itself. You would need at least a wider IF filter. Things that don't matter much in mono, like front-end symmetry of the IF characteristic, do matter in stereo."

Shockey said that National had begun proselytizing among the broadcasters for Magnavox, pointing out that "in the Harris system, you're guaranteed 4.3 percent distortion, while the others have less than 1 percent. 'We also feel that an AM monaural broadcast will sound bad on a Harris receiver. Harris uses a variable pilot tone, between 50 and 90 Hz, and gets away with that by reducing the amount of energy at those frequencies. But existing AM stations have quite a bit of signal down there, and we think they are going to false-trigger. The receiver won't know if the impulse is the pilot or the signal.'"

Responding to criticisms of the Harris system, company spokesman Fred Baker questioned statements about the projected higher cost of Harris receivers and about the amount of distortion. He added, however, "If the market eventually swings to Magnavox or some other system, we will, of course, take out a license and build that kind of transmitter. That's our business."

Elaborate bench and field tests will comprise Delco's upcoming evaluation of the systems. Decoders will be checked for adjacent channel effects, and the pilot-signal detector for false triggering and stereo-to-mono transition. In the field, fringe area performance and range will be monitored, as well as atmospheric. On the move, engineers will look at multipath, nulls, switch pops, noise re-radiation, and other factors. —Robert Feldman

EVALUATION CATEGORY

Numbers in parentheses () indicate the maximum possible scores in the various categories or sub-categories.

	M	M	O		
	A	O	H		
	G	T	A	B	
	N	O	A	E	K
	A	R	R	L	A
	V	O	R	E	A
	O	L	I	A	H
	X	A	S	R	N
I MONOPHONIC COMPATIBILITY-					
(1) Average Harmonic Distortion (15)	15	9	6	9	12
(2) Mistuning Effects (5)	5	5	5	5	5
II INTERFERENCE CHARACTERISTICS					
(1) Occupied bandwidth (10)	3	4	10	5	6
(2) Protection ratios (10)	7	7	8	1	9
III COVERAGE (Relative to Mono)					
(1) Stereo to mono receiver (5)	5	5	5	5	5
(2) Stereo to stereo receiver (5)
IV TRANSMITTER STEREO PERFORMANCE					
(1) Distortion (10)	8	8	6	8	4
(2) Frequency response (10)	8	5	5	6	8
(3) Separation (10)	10	10	10	8	3
(4) Noise (10)	6	10	8	6	8
V RECEIVER STEREO PERFORMANCE					
Degradation in stereo performance over that measured at the transmitter, including consideration of directional antenna and propagation degradation (10)	9	8	9	5	5
TOTAL SCORES	76	71	72	58	65

Final FCC evaluation of the competing AM-stereo systems resulted in a technical win for Magnavox, with Harris and Motorola close behind. Matrix for forthcoming Delco tests is still in formative stage, but will include range of signal and multipath distortion effects of mobile AM stereo reception.

GRAVEYARD RECORDS---1340 kHa---Mark Strickert, PO Box 931, SF CA, 94101-0931

	Call	City of License	Miles	DXer/Where they were the night of the DX	
AL	WKUL	Cullman	700	Kaskey--Omaha NE	
	WXOR	Florence	688	Kaskey--Galva IA	
	WFEB	Sylacauga	2033	Allen--Vallejo CA	
AZ	KIKO	Miami	905	Allen--Vallejo CA	
	KPGE	Page	860	Bytheway/Portzner--Seattle WA	
	KENT	Prescott @	523	Kaskey--Sacramento CA	
AR	KBTA	Batesville	1810	Bytheway/Portzner--Seattle WA	
	KWBO	Hot Springs	581	Winsor--Valparaiso IN	
	KHRS	Springdale	658	Nuthals--Green Bay WI	
CA	KATA	Arcata @	570	Ford/Horne--Vancouver BC	
	KWXY	Cathedral City	426	Allen--Vallejo CA	
	KMAK	Fresno	830	Hall-Patch--Victoria BC	
	KDOL	Mojave	353	Remington--Fairfax CA	
	KSFE	Needles	1103	Kaskey--Omaha NE	
	KORV	Oroville	560	Bytheway--Seattle WA	
	KATY	San Luis Obispo	1388	Kaskey--Galva IA	
CO	KLST	Santa Barbara @	1368	Kaskey--Galva IA	
	KOMY	Watsonville	501	Bytheway--Seattle WA	
	KDEN	Denver	1459	Taylor--NC	
	KQIL	Grand Junction	1032	Belanger--Swan River MB	
	KVRH	Salida	879	Allen--Vallejo CA	
	CT	WNHC	New Haven	730	McCormack--West Lafayette IN
	DC	WYCB	Washington	966	Kaskey--Galva IA
FL		WTAN	Clearwater	891	McCormack--West Lafayette IN
GA	WROD	Daytona Beach	2640	Miller--Bellevue WA	
	WDSR	Lake City	2308	Allen--Vallejo CA	
	WTYS	Marianna	750	Winsor--Valparaiso IN	
	WPER	Palm Beach	68	Strickert--Coral Gables CA	
	WGAA	Athens	888	Kaskey--Galva IA	
	WIGO	Atlanta	745	Edmunds--Parsippany NJ	
	WBBQ	Augusta	942	Kaskey--Omaha NE	
	WGAA	Cedertown	613	Wheeler--Erie PA	
	WOKS	Columbus	667	Kramer--LaFoote IL	
	WTIF	Hifton	2228	Allen--Vallejo CA	
ID	KSKI	Hailey	577	Remington--Fairfax CA	
	KKTC	Nampa @	961	Belanger--Swan River MB	
	KACH	Preston	560	Bytheway--Seattle WA	
IL	WSOY	Decatur	416	Dabelstein--Omaha NE	
	WHPI	Herrin	1800	Allen--Vallejo CA	
	WJOL	Joliet	1814	Allen--Vallejo CA	
IN	WBIW	Bedford	538	Kaskey--Galva IA	
	WTRC	Elkhart	1925	Allen--Vallejo CA	
	WLEB	Muncie	550	Kaskey--Galva IA	
IA	KROS	Clinton	933	Belanger--Swan River MB	
	KS	KRKR	Kansas City	1489	Allen--Vallejo CA
KY	KSEK	Pittsburg	1132	Belanger--Swan River MB	
	WCMI	Ashland	2129	Allen--Vallejo CA	
	WBCN	Bowling Green	584	Dabelstein--Omaha NE	
	WNBS	Murray	518	Dabelstein--Omaha NE	
	WEKY	Richmond	846	Kaskey--Bryan TX	
	LA	KRMD	Shreveport	1646	Allen--Vallejo CA
	ME	WFAU	Augusta	533	Wheeler--Erie PA
MA	WGAW	Gardner	2623	Allen--Vallejo CA	
	WNBH	New Bedford	181	Mount--Tenneck NJ	
	WERK	Pittsfield	190	Edmunds--Red Bank NJ	
	WLEW	Bad Axe	64	Helmburger--Port Huron MI	
	WTWN	Grand Rapids	728	Belanger--Winnipeg MB	
	WGRS	Hillsdale	231	Wheeler--Erie PA	
	WAGN	Menomonee	825	Belanger--Swan River MB	
MN	WEXL	Royal Oak	2067	Allen--Vallejo CA	
	KVBR	Brainerd	590	Keleher--Fort Wayne IN	
	KDLM	Detroit Lakes	840	Wheeler--Erie PA	
	WEVE	Evelath	553	Belanger--Swan River MB	
	KROC	Rochester	1593	Allen--Vallejo CA	
	KWLM	Willmar	468	Winsor--Valparaiso IN	

MS	WKOZ	Kosciusko	742	Kaskey--Galva IA
	WAML	Laurel	1914	Allen--Vallejo CA
MO	KXEO	Mexico @	1066	Belanger--Swan River MB
	KLID	Poplar Bluff	376	Winsor--Valparaiso IN
	KSMO	Salem	102	Eddie--Saint Louis MO
	KICK	Springfield	1574	Allen--Vallejo CA
MT	KCAP	Helena	880	Kaskey--Omaha NE
	KPRK	Livingston @	1752	Taylor---NC
	KATL	Miles City	1012	Allen--Vallejo CA
	KYLT	Missoula	734	Allen--Vallejo CA
NE	KHUB	Fremont	839	Belanger--Swan River MB
	KGFW	Kearney	1244	Allen--Vallejo CA
	KSID	Sidney	821	Winsor--Valparaiso IN
NV	KRAM	Las Vegas @	820	Bytheway/Portzer--Seattle WA
	KEET	Reno	548	Bytheway/Portzer--Seattle WA
NH	WDCR	Hanover	900	Eddie--Saint Louis MO
NJ	WMDI	Atlantic City	660	McCormack--West Lafayette IN
NM	KKBK	Aztec @	1060	Portzer--Seattle WA
	KSLI	Silver City	1200	Nolan--Eugene OR
	KKIT	Taos	1125	Bytheway--Seattle WA
NY	WMB0	Auburn	201	Breger--Long Island NY
	WENT	Gloversville	210	Edmunds--Red Bank NJ
	WGSN	Jamestown	399	Winsor--Valparaiso IN
	WLVL	Lockport	67	Byrnes--Rochester NY
	WMSA	Massena	290	Edmunds--Parsippany NJ
	WALL	Middletown	297	Wheeler--Erie PA
	WIRY	Plattsburgh	253	Maule--Torrington CT
NC	WJRI	Lenoir	857	Kaskey--Omaha NE
	WTSB	Lumberton	605	Edmunds--Parsippany NJ
	WCBQ	Oxford	415	Wheeler--Erie PA
	WAAV	Wilmington	510	Edmunds--Glen Rock NJ
	WAIR	Winston-Salem	923	Kaskey--Omaha NE
ND	KKPO	Grafton	526	Dabelstein--Lincoln NE
OH	WNC0	Ashland	247	Wolfish--Toronto ON
	WOUB	Athens	263	McCormack--West Lafayette IN
	WIZE	Springfield	2048	Allen--Vallejo CA
	WSTV	Steubenville	800	Kaskey--Omaha NE
OK	KIHN	Huge	676	Winsor--Valparaiso IN
	KOCY	Oklahoma City	1377	Allen--Vallejo CA
	KTOW	Sand Springs	413	Breger--Austin TX
OR	KLOO	Corvallis	449	Allen--Vallejo CA
	KIHR	Hood River	595	Wien--San Jose CA
	KBER	North Bend @	406	Wien--San Jose CA
PA	WCVI	Cornellsville	861	Kaskey--Omaha NE
	WSAJ	Grove City	63	Wheeler--Erie PA
	WHAT	Philadelphia	619	McCormack--West Lafayette IN
	WRAW	Reading	197	Breger--Long Island NY
	WTRN	Tyrone	32	Moore--Bellefonte PA
	WKRZ	Wilkes-Barre	280	Curtis--Colchester VT
	WWPA	Williamsport	254	Singer--Richmond VA
SC	W0KE	Charleston	706	Eddie--Saint Louis MO
	WRHI	Rock Hill	923	Kaskey--Omaha NE
	WSSC	Sumter	605	Edmunds--Parsippany NJ
SD	KLJV	Huron	649	Kemper--Grand Junction CO
	KRSD	Rapid City	1065	Allen--Vallejo CA
TN	WBAC	Cleveland	773	Kaskey--Galva IA
	WKRM	Columbia	669	Kaskey--Galva IA
	WKGW	Knoxville	2205	Millar--Bellevue WA
	WLOK	Memphis	460	Winsor--Valparaiso IN
	WCDT	Winchester	680	Kaskey--Omaha NE
TX	KWKX	Abilene	1520	Nolan--Eugene OR
	KHLB	Burnet	700	Dabelstein--Lincoln NE
	KAND	Corsicana	1511	Allen--Vallejo CA
	KSET	El Paso @	1270	Nolan--Eugene OR
	KKAM	Inbbeck	1370	Nolan--Eugene OR
	KRBA	Lufkin	792	Kaskey--Galva IA
	KPIN	Pampa	1190	Allen--Vallejo CA

WHERE YOU GO

WIFGO
WE

A Basic Communications, Inc. Station
Georgian Terrace Hotel, Peachtree Street, Atlanta, Ga. 30383

RADIO • 1340

	KOLE	Port Arthur	1710	Allen--Vallejo CA
	KTEO	San Angelo	177	Moss--Austin TX
	KCWM	Victoria	1584	Allen--Vallejo CA
VT	WSTJ	Saint Johnsbury	430	Wheeler--Erie PA
VA	WKBY	Covington	417	Taaffe--Dayton OH
	WHAP	Hopewell	290	Edmunds--Parsippany NJ
	WJMA	Orange	1448	Miller--Bellevue WA
WA	KAGT	Anacortes	290	Nolan--Eugene OR
	KOTY	Kemewick	451	Hart--Carlin NV
	KAPA	Raymond	200	Nolan--Eugene OR
	KWWW	Wenatchee	653	Allen--Vallejo CA
WV	WHAR	Clarksburg	836	Kaskey--Omaha NE
	WMON	Montgomery	2198	Allen--Vallejo CA
	WKEE	Welsh	179	Taylor--NC
WI	WLDY	Ladysmith @	695	Belanger--Swan River MB
	WMKE	Milwaukee *	426	Dabelstein--Omaha NE
WY	KSQT	Jackson	800	Belanger--Swan River MB
	KYCN	Wheatland	940	Nolan--Eugene OR
	KWOR	Worland	703	Belanger--Swan River MB
AB	CKER	Brooks *	500	Portzer--Seattle WA
BC	CFKC	Creston	305	Hall--Patch--Victoria BC
	CKGF	Grand Forks	460	Nolan--Eugene OR
	CKCR	Revelstoke	304	Portzer--Seattle WA
	CIVH	Vanderhoof	459	Portzer--Seattle WA
NWT	CFYK	Yellowknife	937	Belanger--Swan River MB
ON	CKNR	Elliot Lake	246	Wolfish--Toronto ON
	CKDK	Woodstock	109	Byrnes--Rochester NY
QU	CJAN	Asbestos	360	Edmunds--Kinnelon NJ
	CKMG	Maniwaki	97	Beauregard--Notre Dame de la Merci QU

@ Also heard by Dr Richard E Wood in Kailua, Hawaii
 * Call change likely

Not Reported: AL WMRK, AR KCAT, FL WSEB WFSH, GA WGGT, LA KVQB, ME WHOU
 WLVG WJME, MI WHITE WWPZ, MS WJMB, ND KPOK, PA WOYL, TN WGRV, UT KLVR,
 VT WWRN, VA WBLB, WY KYCN, AB CIOK1, BC CHNL2, NF CFLW CFBG, NS CJGS,
 ON CFBQ CFLH, QU CHAD CFED CFOM CBGA7 CKVT.

OK gang, you can start sending in those graveyard receptions for the "1/1/81-on"
 lists, which will start showing in October. In the meantime, those who have
 catches that break any records you've seen so far, or you feel will beat what
 will be on 1400, 1450 or 1490, REGARDLESS of when you heard it, do keep sending
 them in please!! Also, when sending in records, please let us know how many
 stations you've heard, verified and/or taped on each graveyard frequency, and
 your best catch on each (while you're at it, send totals for all stations heard
 to Brookfield Zoo, % Mike Jeziorski, DX Records, 3908 Circle Drive, Brookfield
 IL 60513...this has been a plug, hi). Oh yes, Don Moore, your GYDR stuff some-
 how have not been lost (yet)(hi). 1400 deadline is 'round about 6/23/82, 1450
 on exactly one month later, and 1490 about the same. And remember, if you enjoy
 this column just half as much as I enjoy editing/typing it, then I enjoy it
 twice as much as you do (huh?)...73's & decent DX from, for the last time, Oakland.

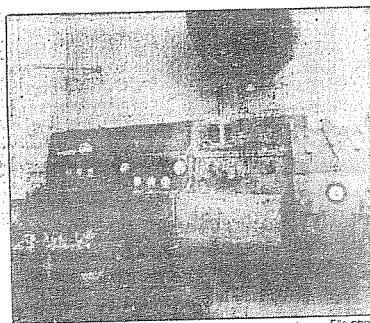
Continued from Page 10

the station into what was then the most modern
 broadcasting unit

After the McClatchys, there were three
 different owners between 1955 and 1961 when it
 was bought by Royal Bear Broadcasting with John
 Jacobs and Bob Eubanks as principals. Barnes
 Enterprise Inc. acquired the station in 1968 and in
 1973 John Jacobs again became the owner.

Jacobs sold KWG to its present owners, Best
 Broadcasting, on Jan. 1, 1981. The studio and
 office are now located at 1325 N. Center St.

Len C. Smith, station manager, summed up the
 feelings of the present management with the
 statement, "With the tremendous number of radio
 stations in the United States, it is a matter of great
 pride to be associated with the first radio station
 in the West and a pioneer in Western radio
 history."



KWG radio's first broadcast equipment

File photo

DX WW II

EDITED BY
PETER V. TAYLOR
2614 JACKSON STREET
SAN FRANCISCO, CA. 94115

TRANS-PACIFIC

- AFGHANISTAN** - R. Kabul, listed 657, is on 660 (SDXL in ARC, 5/7)
ALASKA - KBYR-700 wants 50kw U1. KBRW-680 & KNOM-780, now 10000/5000, have requested 10kw U1. KSKO-870, 5000/1000, wants 5kw U1 (Broadcasting).
AMERICAN SAMOA - WVUV is now on 648 24h, but is being heard as high at 649.49 (D. Headland, SX 5/2) Quality Media, 585 with 50kw, has requested KBQN for "Beacon" (several sources)
GUAM - KUAM-612 is still using "KUAM-610" IDs (Chris Martin, SX 5/82)
HAWAII - KAIM-870 is 50kw DA since 4/19. KHL0-850 has been 5kw since 4/19. KIVM-1350 is requesting a lower frequency (Alan Roycroft in SX 5/82). (Several have quoted the KIVM thing over the past 4 months but I have yet to see the freq. requested. They have however requested KKAI, as per Broadcasting - PT.)
HONG KONG - Commercial Radio-675 is 24h in Cantonese. EE program on 1044 has 1700 s/off. (FERC 4/82)
INDIA - A new 1000kw Nagpur station is being set up for National Channel service (BBC 4/29). AIR Madras-720 20kw will increase to 200kw. Magercoil will have a 1kw local (freq. not known) (MWC via ARC 4/23)
IRAN - New unid. outlet on 1449/1540 720 1197 1314 1332 1422 1467; Bandar Shah? (S. Hasegawa, FERC 4/82)
IRAQ - 846 is a new frequency for R. Baghdad; in Persian 1735-1905; unid. location (Y. Kato, FERC 4/82)
JAPAN - FEN is 24h and consists of Tokyo-810; Misawa, Iwakuni, and Sasebi, all 1575; and Okinawa-648. Tokyo/Misawa/Iwakuni have local programs 2105-2330, 0205-0300, 0705-0900; Okinawa-648 is local 2005-0000, 0330-0500, and 0705-0900. SW: 3910/6155 (AFN schedule via FERC). JOAK-594 increased to 300kw 4/1 from XR in Shobu, Saitama prefecture; JOAB-693 goes to 500 (from 300kw) 4/1/83 (A. Takayama, FERC 4/82). JONF-1098 is now on 936 (S. Hasegawa, FERC 4/82). As of 4/5/82, NHK-2 carries the following language lessons Mon. - Sat.: EE 0500-0600, 0920-1020, 2105-2200; GG 0420-0440, 2200-2220; FF 0440-1500, 2240-2300; SS 1400-1420, 2320-2340; RR 0440-0500, 2220-2240; and CC 1420-1440, 2300-2320. Other EE programs: "English Hour" Sun. 1030-1100, 1430-1500; "School English A2" Mon. & Thu. 1120-1140 and Sat. 1400-1430; "School English A3" Mon. & Thu. 1140-1200, Sat. 0820-0840. "Hello Friends" EE/JJ is on Sat. 1030-1100 and Sun. 1400-1430 (A. Takayama, FERC 4/82)
KAMPUCHEA - The Voice of the Kampuchean People is on 918+SW M-F 2300-2400, 0400-0500, 1100-1330; Sat. 2300-0130, 0400-0500, 1100-1330; Sun. 2300-2400, 0400-0600, 1100-1430 (BBC 5/6)
KOREA, NORTH (DPR) - KCBS-1368 (1369v) has EE 1620-1650 closing with "This is the Korean Central Broadcasting Station in Pyongyang"; //4405 (H. Ohji, FERC 4/82). JJ is on 738kHz 0400-0550, 0900-1455, 2100-2255 (BBC 4/22). Pyongyang Broadcasting station, Chongjin relay on 639, in KK & JJ for Japan, has moved to 783; KCBS Chongjin-783 is now on 702 (Akihiko Takayama, FERC)
MALAYSIA - R. Malaysia Sarawak-1526, not in WRTH82; RRI IDs also heard so more research needed (R. Crawford, SX 5/82). Mersing-1055 is now on 1053. R. Malaysia, Sandakan is on 783, ex-780 (FERC 4/82)
PAPUA-NEW GUINEA - R. West Sepik-1593 is now on (S. Hasegawa, FERC 4/82)
PHILIPPINES - DWLV-603 10kw Naga City is new; Bicol Bcg. System Inc. 2100-1600; "The Love Station from the Heart of Bicol." Highest powered station on Bicol peninsula. Pgm. in standard Bicol. DZHH-1570 (actually 1569.977), Phil. Air Force station, Nichols Air Base, Pasay City, Metro-Manila is on 2100-1100 (Charlie Taylor, Okinawa, a/k/a as IRCA's "ears of the east" - PT)
SAMOA, WESTERN - The 540 outlet is in Upolu-Nuutoi (ADXN 5/82)
SRI LANKA - SLBC is testing some new XRs. 1485 and 1602 are in Mahiyangana; 531 and 648 in Ambawala (V. Goonetilleke, UADX, via NZDXT 4/82)(Welimada-531 and Ratnapura-648 are listed in ITU, both 50kw--PT)
USSR - FS-1476 is now off from 0200-0300. The 1251 Far East outlet now has the following schedule: RM in CC 2300-2330, 0000-0200, 0300-0400, 0500-0800, 1600-1700, 1800-1900, 2000-?; RM Peace & Progress in CC 2330-2400, 0200-0300, 0400-0500, 1530-1600, 1700-1800, 1900-2000; RR 0800-0830, 0900-0930; RM in JJ 0930-1300, 1400-1500; and RMWS in EE 1300-1400 (N. Oguma, FERC 4/82)
TRUK - WS2C-1593 is 24h in EE & native language (FERC 4/82)
VIETNAM - "Bannethuot" should be Buon Me Thuot in the April DXXXII (Akihiko Takayama, Editor of the FERC Log)

WALLIS & FUTUNA - In case it comes blazing in some night on 1188, the address is B. P. 102, Mata-utu, Iles Wallis et Futuna. V/s is Ferdnand Lereec, Le Chef des Services. Schedule is 0000-0200, 0600-1000. They are on GMT+12 (G. Bowles, SX 5/82)

CLANDESTINE - New UNID outlet in AA or similar noted on 1555 (S. Hasegara, FERC 4/82)

TRANS-ATLANTIC



ANGOLA - The 1116 outlet is Emmisora Provincial de Cuanza Sul and is located in Mbanza Kabolo (SCDX via ARC, 5/7)

AUSTRIA - ORF-585 Salsburg has been closed down (SKALA via BT in ARC 5/7)

BOTSWANA - As per WRTH, R. Botswana doesn't verify. This policy has come about due to "multiple and fraudulent reports; we are fed up to the neck by them" according to CE Des Harris (SX 5/82).

BULGARIA - A new "Horizont" outlet is on 1125; location unknown (BT in ARC, 5/7)

CYPRUS - BFBS-1089 has improved their 10kw XR facilities and wants reports. They also have an outlet in Nicosia on 1044 rather than 1503 in WRTH82 (SCDX via ARC 5/7). Radio Bayrak-1098 was taken out of service in Dec. 1981 (EBU via FERC 5/7)

DENMARK - Our ARC reports on Kalundborg-1062 have been somewhat inconsistent, but now, alas! The new 250kw is on and has EE news at 0720 (ARC 5/7)

EGYPT - A new Holy Koran station at Santah in the Gharbiyah Governorate on 864kHz is on from 0200-0900 (BBC 4/29). (ITU lists Giza, home of the Pyramids & Sphinx, 500kw, DA 200 degrees. Santah is between Tanta and Zifta, about 50 miles NNW of Cairo - PT). Presumably this is the new superpower Holy Koran station. BT in ARC 5/7 says they will broadcast 18 hours a day.

FRANCE - Sud Radio-1161 has lost more than 35 million francs since they were forced to leave Andorra (France allows no advertising). They hope to move to Spain by the end of the year (ARC 5/7).

GERMANY, EAST (DDR) - Leipzig/Nauen carries RMWS in EE 2100-0300 (RMWS). Radio DDR - Ferienwelle, Rostock/Neubrandenburg-558, Putbus-729 and Gustrow-1602 (new; lkw) are on M-F 0300-1700; Sat. 0400-1200; Sun. 0400-1500 (RB, ARC 5/7). Suhl-Wachenbrunn-1044 has been off for a couple of months but is back on now; they plan to move to 882 kHz (SKALA via BT in Arc 5/7)

GERMANY, WEST (FRG) - AFN stations have local programming M-F 0510-0600, 0630-0700, 0705-0800, 1115-1200, 1505-1600, and 1605-1700 (1605-1700 not Fridays); Sat. 0810-0900, 0905-1000, 1005-1100. None on Sunday (SDXL in ARC 4/23)

GREAT BRITAIN - The BBC will use 666kHz for broadcasts from cities where the Pope is visiting in May (portable XR) (ARC 5/7)

GREECE - YENED stations will be transferred to civilian control this year, but privately owned stations will not be allowed (BBC 4/11). (Not clear; perhaps this refers only to TV, since earlier reports have ERT taking over YENED - PT)

GREENLAND - Angmagssalik-1100 is still on the air, refuting what we copied from ARC earlier this year (Geir Stokkeland, Vestnes, Norway) (I should have checked this out during a KFAX SP, hi - PT). AFRIS Thule is now on 1430, ex-1425, with new XR. Sondre Stromfjord-1420 has a lkw XR, but it is always only 250w (SDXC via ARC 4/23).

IRAN - P1 is on 558/580/1332 24h. P2 is on 1188 from Tehran (no schedule indicated) (BBC 4/22)

ISRAEL - The landlocked Voice of Peace on 1539kHz is back on the air from an as yet undisclosed location (BBC 5/6)

LEBANON - The Voice of Lebanon-866 has moved to 869.5, presumably to avoid QRN from the new Santah, Egypt station on 864 (BBC 4/29)

MADEIRA - Radio Turista, using the facilities of Estaca Radio Madeira, has GG 0815-0845 and Scandinavian languages 0845-0915 M-F, and EE 1745-1830 and FF 1830-1900 Sun.-Fri. (SCDX via ARC 5/7)

MALTA - Bugibba-1485 with lkw opened in January (EBU via ARC 5/7)

NORWAY - NRK Finmark has discontinued pgms. in Finnish (E. Nykanen, FERC 4/82). NRK P1 is on 0500-2305 Mon.-Thu.; 0500-2400 Fri./Sat., and 0600-2305 Sun. on 630/675/702/1314/1485 (BBC 4/29).

PORTUGAL - RdP Porto 1368 is ex-1367 and is 24h (OA in ARC 5/7)

SPAIN - EAJ20-882 R. Sabadell also calls itself R. Comarques Catalanes. EAK53-1134 RP de Reus is back on 1125 (ARC 5/7)

SWITZERLAND - Saviese-1485 is carrying the new 3rd pgm. of RSR called "Couleur 3" 24 hrs. (SKALA via BT in ARC 5/7)

USSR - RMWS (EE) is on 936/1386 from 2100-2400; 1170/1548, 2100-2200; 1494, 2000-2400; and 1143, 2100-0200 (RMWS). (No Cuban freqs. listed, and I believe 1548 is a new EE freq. - PT)

YUGOSLAVIA - R. Dubrovnik and R. Split, both 1485, are now both on 1494 with local and R. Zagreb pgmg. Zagreb-1143 has a new 1200kw XR being constructed at Nin, near Zadar. It will use four 132m towers and beam pgms. to Western Europe and Scandinavia (BBCMS via ARC 4/23). (I am presuming 1143. However, with Kaliningrad co-channel, I question Scandinavian coverage - PT)

PAN AMERICAN

ARGENTINA - A news agency report from Comodoro Rivadavia says R & TV stations are now using reduced power and are not giving call signs as part of the military authority's "yellow alert" to prevent "interference by aggressors." (BBC 5/6)

BRAZIL - ZYK693-R. Tupi-1040 is now on 560. ZYI776-580 R. Reporter is now R. Globo. ZYK642-750 R. Renascenca is 10/1kw, ex-1380. ZYJ305-780 R. Chopinzinho is 5/.25kw, ex-1580. ZYL310-910 R. Educadora de M. C. is 10/2.5kw, ex-650. ZYH...-920 R. Globo, Salvador, is new; 10/5kw. ZYI600-930 R. Rauland is ex-1500. ZYL213-990 R. America, 10/2.5kw, ex-1390. ZYK689-960 R. Jornal de S. P. is ex-1300 (replacing ZYK692?). ZYK513-1020 R. Bandeirantes, is 5/.25kw, ex-1510. ZYK525-1030 R. Dif. Franca is ex-1490. ZYK537-1040 R. Capital is ex-560. ZYK302-1060 R. Sao Luiz Gonzaga is ex-1570. ZYL...-1070 R. Dif. Princesa is ex-660. ZYK...1090 R. Girua' is ex-1490. ZYL236-1120 R. Rural de T. is ex-1370. ZYL248-1140 R. Dif. de Campanha is ex-750. ZYK264-1170 R. Osorio ex-1540. ZYK535-1300 R. Diario do Grande ABC is 10/1kw, ex-1530. ZYJ268-1360 R. Norte is ex-830 and ex-R. Ouro Branco. ZYK334-1370 R. Gazeta ex-1160. ZYK293-1380 R. Cult. de Santana ex-1240. ZYK214-1460 R. Cult. de Bage' s/b deleted (WRTH via ARC 5/7)

COLOMBIA - LV del Rio Blanco-1180, Ibague, 10kw, RCN affiliate is new (listed as R. Cristal in WRTH82) (NZDXT 4/82)

CUBA - No RMWS relays listed here in new schedule.

ECUADOR - HC.2-560, Rdif. del Ecuador, Guayaquil, is now here, ex-1050 (SDXL via ARC 5/7). The following Guayaquil & Quito stations were not noted on the air during a DXer's recent: HCVG2-560; HCVP2-675; HCAA1-785; HCRP1-850; HCRJ1-900; HCBX1-940; HCGL1-1210; HCCJ2-1250; HCDCL-1510; HCDP1-1545 (NRC)

JAMAICA - Is on summer time since 4/25, GMT -4 (BBC 4/29)

NICARAGUA - New outlet, presumed MW, is being installed in Rosita for the benefit of the Miskito settlements; it will have a 30km range (BBC 4/29)

PERU - R. Nacional-854 Lima has been reactivated (Latinoamerica DX, via NZDXT 4/82) (Has anyone ever seen a copy of Latinoamerica DX? - PT). Not noted during a recent DXer visit were OBX4E-1470 (ARC says this is on 1280) and OAX7R-1395 (NRC)

PUERTO RICO - WBJA-1540 granted 1kw. WKJB-710 granted 10000/500. WREI-960 Quebradillas, new, has requested WJYT (presumably for "hit" - PT). WXEW-840, 250w-D1, has CP for 5000/1000 (Broadcasting). WKVM-810 San Juan is off the air due to financial difficulties (UKVK, ARC 5/7)

I was sorry to learn that the NNRC had gone under. SW coverage was good, but I guess the times are a-changin'. Sweden Calling DXers (SCDX) is attempting to come up with a new distribution system to save on postage. They want to bulk mail all U.S. issues to someone for domestic mailing. I haven't received one for awhile, so perhaps this is coming about. I am attempting to get a copy of the South Africa DX publication, which I understand contains a minimal amount of MW information. If you are familiar with information sources for this column other than the ones listed each month, please let me know. I want to make this column as current and as informative as possible. Have a good summer, but don't forget that receivers still work in June, July & August!

Sources: FERC (Far East Radio Club); BBC (BBC Monitoring Service - copyrighted); SX - Southern Cross DX Club; NZDXT - New Zealand DX League; ARC - Arctic Radio Club; ADXN - Australian Radio DX Club; Broadcasting Magazine; NRC - National Radio Club. Charlie Taylor in Okinawa; Geir Stokkeland in Norway, who left Jan Mayen Island April 20, and after some R&R, will head for Bear Island (BJORNOYA) in late June for another year in the Arctic. Our thanks go to these organizations, Geir, and Charlie for providing us with all this information.



Para publicidad que genera Resultados.
su mejor inversión es la compra por paquete

fm	xeBA	xeTIA	xeAD	xeHL	
	97.1	97.9	101.9	102.7	
am	820	920	1010	1150	1310
	xeBA	xeLT	xeHL	xeAD	xeTIA

On request from friends in the US and elsewhere I have compiled a tape of USSR Interval Signals and IDs according to the enclosed list.

If you think there is an interest among your members for obtaining copies of this tape I would be pleased to make such available.

The price would be a 10\$ (US) bill, and includes top quality C60 iron oxide cassette (total recording time is 55 minutes), air mail postage anywhere and the enclosed list. Delivery time depends on demand only.

LIST OF CONTENTS.

1. Chişinău - I, 999 (Kishinëv I), IS, ID, in Moldavian, which is kindred to Romanian, but written in the Russian script. Has Moldavian programming most of the day.
2. Luceafărul 1467 (Kishinëv II), IS, ID, TC, Nx. All Moldavian all day light programme. 1467 evidently intended for listeners in Romania, counterfire to Iaşi-1053. Another frequency is 1494, where they often interfere severely with their own FS via Leningrad.
3. Radiostantsiya Sovyetskaya Byelorussiya 5980, IS, ID, px preview. This is the regional FS from Minsk. A good verifier, but some tx's used are outside Byelorussia. Frequencies variable. No longer on MW. Language is Byelorussian.
4. Tallinn FS 1035 IS, ID, freq's. This tx is often severely affected by aurora during the evening. The SW on 6085 suffers from severe interference. Language here is Estonian, which is kindred to Finnish. Swedish and Finnish used at other times during FS.
5. Riga-I 1350 IS, ID, waves. This is sign on in Latvian, the language used for this programme throughout the day with only a few newscasts in Russian inserted. Latvian and Lithuanian form a separate language group. Like the Estonian transmitters they use extremely wide bandwidth and very low modulation level.
6. Krasnodar 1089 IS, ID, px ann's. Easily audible in the morning on a free frequency and with lots of power. This site also has 12 SW txes and an MW FS tx.
7. Vilnius-I 1557 sign on with IS, ID and date in Lithuanian. This channel has Lithuanian throughout the day with only a few newscasts in Russian inserted. This frequency is very free from other stations in Northern Europe, but the most powerful signal is on 666, which evidently has had 500kW for a rather long time now. Their stations are less sensitive to auroral conditions than are other Baltic stations.
8. Kaliningrad 1116, Baltiyskiy volnye, IS, TC, px ann. Regular here due to favourable location, but the power is low.
9. Tallinn-I 1215. This is the sign on with IS, ID, date. Most of the day in Estonian. Also carries Russian republican px, while 1035 goes on in Estonian. This is often the best Estonian channel.
10. Radiostantsiya Yunost' 12020, Youth R Stn, IS, ID, IS. This is one of the "fictitious" radio stations, which often appears in the DX press as UNID or with lots of ??? The even younger comrades have a programme called Pionyerskaya Zorka.
11. Radiostantsiya Atlantika, 5950 TS, TC, IS, ID, also a fictitious station, intended for ships on the Atlantic Ocean. Some editions are prepared outside Moscow.
12. Radiostantsiya Rodina, R St Homeland, 5950 IS, ID, IS, px preview. Programme for compatriots abroad.
13. Alma Ata-I 526 IS, ID, date, Nx. ID in Kazakh and Russian, rest in Kazakh only. Kazakh belongs to the Turkic languages. Best frequency outside Europe is 11950.
14. Shalhar 5260 I, ID, px ann's. This is Alma Ata-II, seems to be Kazakh only now. Has lots of local music, both weird and quite enjoyable. Opens 0100GMT.
15. Leningrad 801, IS, ID, temp. Has a good proportion of local programmes throughout the day. Reception very variable due to aurora sensitivity.
16. Arkhangel'sk 5015 IS, ID, TC, Nx with usual polar flutter. Also on 918 here. Some years ago 5015 did not carry the local px's.
17. Petrozavodsk, Karelskoye Radio, 765 IS, ID, TC, px ann in Russian. Well heard also on SW, but usually with severe flutter. Odessa with Kiev-I heard in the background.
18. Krasnoyarsk 5200 ID, Nx, ID, TC, px ann. seems not to use IS. Regular, but often RTTY. LW 218 occasionally heard here.
19. Syktyvkar 621 IS, ID, waves in Komi and Russian. Reception very good during non-aural conditions, especially 02-03, when they are free. Dropped SW many years ago.
20. Minsk-I 281 IS, ID, date, TC, waves. This republic has rather much Moscow relays in both their republican programmes, probably because Byelorussian is rather kindred to Russian. Easily audible on various SW freq's.
21. Ashkhabad-I 4825 IS, ID, px preview. ID in Turkmen and Russian, rest in Turkmen. This town seldom is correctly spelled in the DX press. Plays lots of weird music in the morning, when reception is excellent. Also audible on MW here. Turkmen is a Turkic language.

22. Tyumen 4520 TC, ID, Wx, px ann. Seems not to use IS. Khanty-Mansiysk relays not traced. Reception very dependent on auroral conditions and PCA. Note strange pronunciation with the stress on the e.
23. Golos Rodiny 5920 ID, IS, ID. This is a canned px, i.e. repeat of the 1900 newscast, appearing at 0130.
24. Tbilisi-1 5040 IS, chimes, ID, waves, Nx. Georgian only, which is a language more or less of its own with its own script. Has the longest anthem of all the republics. Also heard on 191. Reception normally moderate to good.
25. Riga 1350 ID, news sounder, Nx. This sounder is used for all newscasts in Latvian.
26. Yoshkar-Ola, Mariyskoye Radio 900 IS, ID, TC, ID in Russian and Mari, rest in Mari. Usually hard to hear due to RAI and others. Mari belongs to the same group of languages as Finnish.
27. Volgograd 567 IS, ID, Nx. This recording suffers from a kind of interference, which is very often encountered in Europe, namely ionospheric crossmodulation due to the many superpowers that set the E layer in vibration. In the worst cases the ICM may kill the original programme. ICM varies from day to day, so with some patience better recordings may be obtained.
28. Moskva oblast 346, TC, ID, Nx, local programme for the Moscow county. Moscow city is on 1116, but is covered by Kaliningrad here.
29. Estonskoye Radio, Tallinn in Russian, 1215 IS, ID, px preview. Playing Herb Alpert. Ends programme with a commercial. The Russians are not very popular among the Estonians, but the high living standard in Estonia is very popular among the Russians.
30. Vikerraadio, Tallinn-11, 711, ID, px ann. The name means rainbow radio. Programme more or less adult MOR. Relays large chunks of Tallinn-1. All in Estonian.
31. Saransk 1062 ID, waves, TC, NX in Russian and Mordvin. The latter also belongs to the same group as Finnish. Local px hard to hear due to QRM, but is Hayak AN.
32. Petroskoi, Petrozavodsk in Finnish, 4780 TC, ID, TC, Nx. Like the other autonomous republics they have a very limited output in the local languages. Only chance to QSL this station is to write in Finnish to RM's Finnish section.
33. Kishinév 999 Russian, ID, TC, IS, Nx. Only local px in Russian, 30 min's a day. The signal of this transmitter usually is tremendous, so must be many kW.
34. Verevan-I 4990 s/on IS, ID in Armenian only. Same IS as for FS. Republic's name in Armenian is Hay, adjective Haykahan. Seems not to verify HS reports. The language is more or less independent, but belongs to the Indoeuropean family. Has its own decorative script.
35. Verevan FS 9795. ID is inverted compared to HS. This tx is Verevan 500kW.
36. Murmansk 5930 IS, ID, TC, Wx. One that seems to make it to the States. Also good on 656 during non-auroral conditions. No QSLs. Usually severe flutter on SW and poor all summer.
37. Penza 855 IS, ID, TC, px preview. Has several local px's throughout the day, which all open with this IS. Severe competition on the frequency.
38. Kaunas 1:07 IS, ID, Nx. Reception in northern Sweden often problematic due to AFN. Seems to be only programme from Kaunas with all programme production centralized to Vilnius.
39. Voronezh 774 IS, ID, px ann's. Much competition and low modulation level make this one hard to get even at this favourable location.
40. Perm 585 IS, ID, late, Wx. Has IS only at s/on. Often good reception when RNE is quiet and the aurora is mild.
41. Verevan 4990 news on hour ceremony, ID, sounder, nx
42. Cheboksary, Chuvashskoye Radio, 531 IS, ID, TC, Nx. ID in Chuvash and Russian, rest in Chuvash, which is a Turkic language. Hard to hear due to DDR. This recording was made in the afternoon before DDR fade in.
43. Saratov 630 IS, ID, TC, px preview, lots of ICM. One that is hard to get a decent recording of.
44. Vologda 1096.3 IS, IF, TC, wx. Carried by to badly unsynchronized tx's, of which one has a parasitic spur on 1096.3, that gives more clear reception than the on-frequency mess. Fights the CSSR 400kW quite successfully at times.
45. Baku-I 4785. IS, ID, Nx. This is a relay, probably for the compatriots in Iran, via a transmitter that is fed by a very poor line with heavy distortion. Signals are good and the QSLs keep coming. 4957! has excellent sound, but weaker signal and a low modulation level. The language is Azerbaijani, a Turkic one.
46. Gor'kiy 828 IS, ID, TC, date, wx. Much interference and very low modulation level makes this is a hard one.
47. Kalinin 1449 IS, ID, waves, TC. Another congested frequency with Kalinin never in the clear. SFB-2 and Kishinév normally competing on top.
48. Simferopol 648 ID, TC, Nx. I have not been able to catch them with IS. Often strongest on this frequency, competing with BBC.
49. Promin 837 (Kiev-II) IS, TC, ID, Nx. This is an all Ukrainian 24h service. Strong on all their frequencies. The tx's on the synchronized channels usually are out of synchronization with lots of hets and spurs. The present version of the IS is deeply hated among Swedish DXers because it kills anything within ± 10 kHz for almost a minute.

50. Lvov 936 IS, ID, TC, px. City's name in Ukrainian is Lviv (Liviú in Polish). This is one of very few Ukrainians that still has local px's on MW, all others have moved to FM. Competition with Radio Bremen is about even.
51. Mezhdunarodnyy dnevnik, international daily, 10 minutes of concentrated anti-western propaganda and repeated many times over. This is their sounder, the only thing that seems sound about it.
52. Vilnius FS 666 IS, ID, Nx. This is the Lithuanian service to Europe. Reception normally is good.
53. Chelyabinsk 738 IS, ID, date, TC, wx. A hard one to separate from RNE and other interference. This is the best recording I could get despite many attempts. Low modulation level and poor signal is the normal case. Covered by IBA Russian at the time of the Kurjan px. Also shows radio beacon problem.
54. Kazan' 254 IS, ID, TC, date, px. ID in Tatar and Russian, rest in Tatar, which is a Turkic language. This one usually shows severe ICH, and I had to make several attempts to get this clear recording. Signal rather good and very steady, but at most times covered by Lahti.
55. Kuybyshev 1143 ID, TC, press review. Very hard to get due to AFN and at other times also the Kaliningrad superdupermultikilowatt (at least 2500kW ERP). No IS for this transmission.
56. Kiev 936 news sounder.
57. Radiostantsiya Volga 263 IS, ID, px preview, IS. This is the station feeding the uniformed comrades spending a two years vacation in DDR with their dosis of propaganda. Quite good on this beverage antenna, but normally has to fight the Moscow companion on the frequency, with a notable echoing effect.
58. Dushanbē-1 4635 IS, ID, Nx. Reception here normally good, but often auroral flutter. They have a printed QSL card, but say they under no circumstances send it abroad. Language is Tadjik, which is kindred to Persian.
59. Mayak 944 IS, TS, TC, px. This is the normal on hour ceremony, on the half h there are no time pips.
60. Krynitsa, Minsk-II, IS, ID, TC, Nx. This is a light programme entirely in Byelorussian. On-air time, however is limited. Recorded on 1197 with VOA Munich as its perpetual companion. Also audible on 1026 together with ORF.

Here is the third and final part of the list of holidays and other events in Latin America. This list was compiled by Michiel Schaay of the Benelux DX Club, received via Shortwave News Service.

- | | |
|-------------|---|
| 11/3 | Independence of Cuenca, holiday in Ecuador
Independence Day, Panama |
| 11/4 | Flag Day, Panama |
| 11/4-5 | Festivities around Lake Titacaca & at Puno, Peru |
| 11/5 | Holiday in El Salvador. Independence day at Colon, Panama |
| 11/10 | Local Holiday in Potosi, Bolivia
"First Call of Indeneppence", Panama |
| 11/11 | Local Holiday in Buenos Aires, Argentina.
Fiesta at San Martin, Guatemala. Veterans Day, Puerto Rico |
| 11/11-14 | Independence Feast at Cartagena, Colombia |
| 11/15 | Day of the Republic, Brazil |
| mid-Nov | Fair at Tres Valles, Mexico |
| 11/18 | Local holidays at Beni, Bolivia & Maracaibo, Venezuela. |
| 11/19 | Local holidays in the Stann Creek & Toledo Disctricts of Belize. Discovery Day in Puerto Rico. |
| 11/20 | Day of the Revolution, Mexico |
| 2nd last Su | Festival of Sao Nicodema de Cachimó, Salvador, Brazil |
| 11/25 | Fiesta in Nahuala & Zunil, Guatemala.
Independence Day, Surinam
Thanksgiving Day(sic) in Puerto Rico (probably the last Thursday in November. bp) |
| 11/27 | Carnival Day at San Miguel, El Salvador |
| 11/28 | Independence From Spain, Panama |
| 11/30 | Independence Day, Barbados |
| all of Dec | Bullfight Season in Quito |
| sometime in | Dec Fair at Cali, Colombia |
| 12/1-5 | Founding of Quito, Ecuador |
| 12/1-8 | Festival at Zacapa, Guatemala |
| 12/4 | Festival of Santa Barbara, Salvador, Brazil |
| 12/5-10 | Cattle Fair, Giradot, Colombia |
| 12/6-12 | Fair in Retalhúin, Guatemala |
| 12/7 | Day of Mourning, Cuba |
| 12/8 | Immaculate Conception, holiday in Most Latin American Countries. Mothers Day in Panama. |
| 12/8-12 | Piastas at various places in Guatemala |

EASTERN DX ROUNDUP

Bob Lazar

1711 Wainwright Dr.

Reston, VA 22090

Deadlines: Tue. 6/1, Sat. 6/26, Tue. 7/27, 8/17

- 560 CPOS ON Owen Sound, 3/9 0058 fair w/ ID, nx, s/off. Only stn here tonite. (RSR-ON)
- 590 WROW NY Albany, noted rently w/ strong signal strength day and night. O/u WARM Scranton, PA. New pattern or just conditions?(KZ-NY)
- 600 WTAC MI Flint, 4/22 0018 fair w/ rock mx, ID; on top of pile. (RSR-ON)
- 685 WSJU NY Jamaica, noted back on air 4/19 after being off for two weeks for Easter vacation at St. John's U. (KZ-NY)
- 690 WAPE FL Jacksonville, 4/7 1848 C&W mx, ID by m DJ. Good. (WPT-DC)
- 730 CHYR7 ON Leamington, 4/1 2300 noted w/ top 40 & horserace results. (KZ) CKAC PQ Montreal, 3/30 0200 noted tentatively in FF. (KZ-NY)
- 790 CKSO ON Sudbury, 4/25 0350 fair w/ rock mx, m DJ, ID. (RSR-ON)
- 800 CKLW ON Windsor, 4/22 0023 fair w/ rock mx, u/ PJB. (RSR-ON)
- 890 WLS IL Chicago, 4/23 1307 excerpts from oldies songs, m DJ. Fair in null of WLMD splash. (WPT-DC)
- 910 WRCQ CT New Britain, 4/17 0635 w/ MoR & ID "Radio 9-10 WRCQ." (KZ-NY)
- 950 CKBB ON Barrie, 1/27 0100 fair w/ nx, sports, wx, ID. Mixed w/ WWJ. (RSR-ON)
- 1150 WRUN NY Utica, 4/17 0645 in slop. Hrd ID as "AM 11-50 WRUN." (KZ-NY)
- 1210 WKNX MI Saginaw, 1237 4/27 m mentioning wx "high today 51, low 30, currently 45 at WKNX." Rock format; much QRM from WGAR. (PP)
- 1260(WWDC)DC Washington, 4/12 0020 noted off air. OC at 0034, 1000 hz TT at 0035. (WPT-DC)
- 1360 WLYN MA Lynn, 4/17 0600 hrd s/on w/ ment of BCing from 6 a.m. to local sunset. In WDRG Hartford, CT null. (KZ-NY)
- 1370 WVMR WV Frost, 5/6 2032 s/off by m w/ ment of Pocahontas BCing Co. Fair signal. (WPT-DC)
- 1460 KSO IA Des Moines, 4/18 0514 fair w/ sports, ID, into C&W mx.(RSR-ON)
- 1480 WSAR MA Fall River, 4/22 0034 poor w/ ad, ID, m DJ, contest spot.(RSR)
- 1520 WPOE MA Greenfield, 4/17 0615 MoR & R&R. ID "AM 15-20". In null of strong WKBW Buffalo, NY. (KZ-NY)
- 1530 WDEY MI Lapeer, 1324 5/1 ad for a Buick dealer in Lapeer. Strong sig, contemporary mx format. Listed as WTHM in my log. (PP-OH) (These are the correct new calls, per the new NRC log.--ed)
- 1570 WKKS KY Vanceburg, 5/6 2045 s/off by m w/ ment of Ohio Valley BC Co. & 1000 w day power & 250 w PSA. Fair. My 25th logging on 1570. (WPT-DC)
- 1580 WRDI NJ Hammonton, 4/11 1100 hrd weakly in null of WLIM Patchogue, NY. (KZ-NY) (I show this as having changed calls to WTYO.--ed)
- 1590 WCBG PA Chambersburg, 1744 4/10 baseball game & then male ancr said something about a car dealer on Industrial Park in Chambersburg. Fair to weak signal. (PP-OH)

Eastern DXers

- PP - Paul Pellettiere, 7726 Fern Dr., Mentor, OH 44060
(DX-160, 50' LW)
- RSR - Robert S. Ross, Box 4373, Stn. C, London, ON N5W 5J2
(Panasonic RF1115, TRF, Marantz 2226, 140' LW)
- WPT - Bill Townshend, 4500 Connecticut Ave. NW, #901, Washington, DC 20008
(TRF, Sony ICF-S5W)
- KZ - Karl J. Zuk, 224-04 Stronghurst Ave., Queens Village, NY 11427
(GE Superadio)

- 12/9 Battle of Ayacuecho, Peru
- 12/12 Our Lady of Guadeloupe in El Salvador & Mexico. Fiesta at Compala, Guatemala. Soledad fiesta in Oaxaca, Mexico
- 2nd Sun Dec National Silversmiths competition, Taxco, Mexico
- 12/15 Petroleum Day, local holiday in Trelew Argentina
- 12/16 Death of Simon Bolivar, holiday in Venezuela
- 12/17-21 Fiesta at Chichicastenango, Guatemala
- 12/19 Soledad Fiestas in Oaxaca, Mexico
- 12/21-28 Fiesta at Santo Tomas de Ciche, Guatemala
- 12/24 Holiday in Venezuela
- 12/25 Christmas, celebrated throughout Latin America (except possibly Cuba)
- 12/26 Boxing Day, Guyana. Holiday in many other countries.
- 12/28-31 Holiday at San Jose, Costa Rica
- 12/29-1/6 Fiesta Inocentes, Quito, Ecuador
- 12/29 Festival of San Benedito, patron saint of Mucuchies, Venezuela
- 12/31 Holiday in Venezuela

CENTRAL DX ROUNDUP

Robert Kramer
6416 N. Richmond
Chicago, IL 60645

UNIDED, SPECIAL, CHANGES, et. al.

- 1000 WSUM OH PARMA, 4/26 not hrd, only KTKK & 2 SS. TMJ-IL
 1610 KMB3957 IL BROOKFIELD, new TIS W/45 sec. loop W/Brookfield Zoo Parking info. MJ-IL
- All da Rest BP-TX
4/28//
- 910 KJJJ AZ PHOENIX, good O/U/UnIDed RR W/horse race results & "K-Jay" IDs 0235 4/28//
 920 KARN AR LITTLE ROCK, great W/lcl nx by YL 0004 4/27. BP-TX
 1060 WRHL IL ROCHELLE, 4/18 1700 W/MoR mx & ID way U/WMCL & WZ slop. DF-IL
 1130 KLSR TX MEMPHIS, promo for Ralph Emery Show, auction ad, jx, C&W O/U/KWKH 0753
 4/28. BP-TX TMJ-IL
- 1170 WLKE WI WAUPON, 4/10 1645 good W/Ann Murray Weekend W/C&W mx KSTT & WLBH nulled//
 1180 WKKE MS PEARL, fair but alone W/MYL 0750 4/28. BP-TX
 1190 WHIY AL MOULTON, 4/10 1916 S/Off weak U/WOWO. TMJ-IL
 KRDS AZ TOLLESON, good W/contemp. Christian mx 2214 4/28. BP-TX
 KWMB MN WABASHA, 4/20 1930 C&W mx to 1945 S/Off W/ment. of 6 years on air. TMJ-IL
 WHMT TN HUMBOLT, 4/12 1930 S/Off ment. 500 watts & "Big Country Radio" good W/WOWO
 looped. TMJ-IL
- 1220 WAVN MN STILLWATER, 4/14 1959 S/Off U/WGAR W/ment. of 361 watt PSA. TMJ-IL
 WGAR OH CLEVELAND, poor W/ID & A1 nx 0200 4/30 O/U UnIDed SS. BP-TX
- 1340 KPDN TX PANFA, all alone W/rck mx & YL DJ 2210 4/28. BP-TX
 1460 WACQ TX WACO, strong W/C&W 0110 4/27. BP-TX
 1520 WKJR MI MUSKEGON HEIGHTS, 4/23 0638 in fair W/much QRM during KOIM fades, lcl nx &
 spots, two IDs noted. DF-IL
 KOIM MN ROCHESTER, 4/23 0644 booming in W/C&W mx, KOIM/KWKH IDs. DF-IL
 WBNO OH BRYAN, 4/23 0622 fair sigs, deep fades about even W/UnIDed W/MoR mx & NW
 Ohio HS sports rpt. DF-IL
- 1530 WCKY OH CINCINNATI, good W/nx 2206 4/28 thru KOMA slop. BP-TX
 KCLR TX RAIS, strong W/C&W 0750 4/30. BP-TX
 1560 KWCO OK. CHICKASHA, good W/promo for KWCO Boat & RV Show. 2345 4/30. BP-TX

STILL NOT VACATIONING

DF... David Faulkner Box 602 Witt, IL 62094
 TMJ... Tom Jasinski 503 Jensen Shorewood, IL
 (Homebrew receiver, 2 1/2" loop, that's what he wrote folks, ed.)
 MJ... Mike (Jezzy) Jeziorski 3908 Circle Dr. Brookfield, IL 60513
 (Do I get the prize you mentioned in GWDXA ? ed.)
 BP... Bruce Portzer supposedly working in Amarillo, TX... but we know better
 ("RF 12-655, Penguin, Amadillo," 6 pack of Lone Star. By the way, do you know the only good
 thing about a 6 pack of Lone Star ? It's not a 12 pack, ed.)

A REMINDER

All loggings must have the initials of the reporter & the frequency or you risk not seeing it in print. Reports without initials will be returned to the reporter the first time & discarded after that. Loggings without the frequency on each item will be discarded if I do not know the station's frequency at the time of sorting.

CADX Fun In The Sun

The 12th edition of the CADX annual Spring get together will take place June 4-6, 1982. It will take place at the home of the CDXR editor (as appears above). It will begin in the evening of the 4th. The annual CADX Whiffle Ball game will be played on June 5th, so braggers living in the western suburbs of Chicago, please take note of the opportunity to eat crow. There will also be a CADX banquet on June 5th in the evening, the location not yet determined. Be there. For info call the CDXR editor at (312)-262-6299.

A Challenge

If there are any of you out there that feel that they have a whiffle ball proess, take note. The CADX whiffle ball team challenges you to a match at the IRCA convention. Just a warning, we play a big league level.



EAST KOOTENAY
BROADCASTING CO. LTD.
28 - 8TH AVE. SOUTH
Cranbrook, B. C.

WESTERN DX ROUNDUP

Nancy Hardy
2301 Pacific Avenue.
Aberdeen, WA 98520

All times are
Eastern Local

Phone for hot WDXR tips: (206)532-6827 till 10:30pm(PT)--no collect calls

DEADLINES: Thursday June 3, Tuesday June 29

REPORTERS FOR THIS ISSUE:

- (FA&BB) Frank Aden & Bill Block DX'ing on the road in California
Digital readout TRF
- (WGE) W. George Elliott-544 Christleton Avenue-Kelowna, BC V1Y 5J2
YORX M-2680 stereo receiver, FRG-7000 w/longwire
- (EH) Ed Hoffman-P.O. Box 125-Burlington, WA 98233
RF-2900, SM-2
- (JJ) Jef Jaisun-P.O. Box 92-Bothell, WA 98011
SP 600, 1000' Beverage, Wedge
- (SMM) Steve Mittman-2248 West 37th Street-San Pedro, CA 90732
Realistic TRF, 3' Wedge
(SMM-29) DX'ing near Twentynine Palms, CA
Realistic TRF, 4000' NE/SW & 4000' NW/SE Beverage antennas
- (BN) Bill Nittler- Box 36-Nucla, CO 81424
- (DN) Doug Nyholm-2071 Cedar Street-San Carlos, CA 94070
FRG-7000, Radio West loop
- (bp) Bruce Portzer-6546-19th NE-Seattle, WA 98115
HQ-180A, 4' loop
- (PT) Pete Taylor-2614 Jackson Street-San Francisco, CA 94115
- (RW) Robert Wien-1309 Dentwood Drive-San Jose, CA 95118
GE long-range portable, SM-2
- *****
- 540 KNAK UT, Delta Su 4/25 1100 legal ID, "5-40 K-N-A-K, Delta, Utah."
Midday reception mixing w/KNMX. (SMM-29)
- 560 KLZ CO, Denver 4/25 0135 XLNT w/G&W mx. ID as "Colorado's community-
minded station, 56 KLZ." (SMM-29)
- 570 KLUB UT, Salt Lake City 4/25 0139 XLNT--local signal strength! Had
btfl mx (of course). Unbelievable signal strength, but later on
KLAC noted QRM'ing a bit. (SMM-29)
- 580 WIBW KS, Topeka 4/25 0159:50 EST - 0307 EDT (7 min. of monitoring)
good w/"This is the 5,000 watt... stn, WIBW, Topeka, Kansas.
It's 1:00. CBS news is next." After nx, "Six min. after 1:00 on
a Sun. morning from your news & information authority--Radio
5-80, WIBW, Topeka. Cloudy skies & now 46° in the capital city.
It's time now for the Larry King Show." (SMM-29)
- 590 KCSJ CO, Pueblo 4/25 0737 w/ment. of high school reunion & person to
contact in Pueblo. Into pop song. (SMM-29)
- 600 (KOGO) CA, San Diego MM 4/12 0302 off the air for the 2nd time ever
for me! (First time was last 9/20/79 for 30 hrs. + 9 successive
MM's thereafter, when it was purported that their staff walked
out!) Began OC'ing on & off a few min. later. Cx to the east
were zilch. The north produced tents. for CJOR & CFJC (both hrd
in '79). (SMM-CA)
- 610 KVNU UT, Logan 4/25 0315 dominant w/rock mx. ID at 0316, then into
new version of "I Want to Hold Your Hand (which sounds nothing
like the Beatles' version). (SMM-29)
- 620 KTAR AZ, Phoenix Su 4/25 1111 o/XEBU midday w/nx for Phoenix. (SMM-29)
- 630 KHOW CO, Denver 4/25 local-like signal strength w/rock mx & ID's at
0326. Temp. given (41°), then into "The Most Btfl Girl in the
World" (which I'm sure is a reference to Nancy Hardy). (SMM-29)
(I don't know about that... You would have to ask Bill, hi.-NH)
- 660 KIDO ID, Boise 5/2 0827 xlnt w/ o/KOH w/MYL, ID. (RW-CA)
- WNBC NY, New York Su 4/25 0336 probably my most exciting catch of the
night! Poor u/QRN w/C&W song (part of pop format?), then "66
W-N-B-C" ID! Never hrd this stn before, thanks to KFI! (Someday
I hope to hear WABC also.) (SMM-29)
- 710 *KFIA* CA, Carmichael 4/14 0350 good w/TT. (RW-CA)
- 730 ?KSVN? UT, Ogden Su 4/25 1250 assumed the one midday w/C&W mx. KBRT-
740 slop was unbearable! (SMM-29)
- 740 KCBS CA, San Francisco Su 4/25 1300 very poor u/loud KBRT midday w/
CBS news. (SMM-29)
- KYME ID, Boise 5/2 0824 good & alone w/jazz, several local spots, ID
as "Jazz 74, KYME", subdued anncr. New. KCBS off. (RW-CA)

- 740 KVFC CO, Cortez 4/25 0730-0737 good, slow fade-out, all alone w/ C&W, jingle ID's "KVFC", & promo ID's as "740 Radio". KCBS off, was trying for KSSS. A surprise! New. (RW-CA)
- 750 KXL OR, Portland Sa 4/25 2135 strong w/Rick Nelson's "Garden Party" & instrumental mx, followed w/"Your weekend monitor -- KXL" (great slogan, huh?!). Into "Spanish Eyes". (SMM-29) (Sa 4/25?-NH)
- 770 KOB NM, Albuquerque carries Albuquerque Dukes Class A PCL baseball.
- 780 KAZM AZ, Sedona Su 4/25 1304 fair midday w/MOR mx. (SMM-29) (RW-CA)
- KROW NV, Reno 4/20 0252-0301 ex-KCRL good w/Lulu song. PSA read by YL and ended w/"... as far as the crow flies, K-R-O-W." Full ID at 0300. (WGE-BC)
- 850 KOA CO, Denver carries Denver Bears Class A baseball. (RW-CA)
- 860 CBKF-2 SA, Saskatoon 4/21 0155-0202 poor w/CBC logo at 0200 & "Radio Canada" ID. Male speaking PF & ment of Saskatoon. S/off at 0202 w/O Canada. New. (WGE-BC)
- 880 KRVN NE, Lexington MM 5/10 on RS later than normal. ID 0200 said "...beginning our second hour of commercial-free country mx." Gulp. (bp-WA)
- 910 KPOF CO, Denver Su 4/25 XLNT--local signal strength! 0043 had ID, "KPOF in the Mile-High City." Numerous ments of Denver, into relig ads & mx. Interestingly, totally lost to a Mexican later on, only to reemerge a bit later w/an XLNT signal again. (SMM-29)
- KALL UT, Salt Lake City Su 4/25 0723 fair o/mess w/"Call 9-10" slogan; into pop mx. This at SRS. (SMM-29)
- 920 KLMR CO, Lamar Su 4/25 0000 up & down in mess w/hard rock mx (great format--especially for AM!). ID finally hrd 22 min. later as "KLMR-AM & KLMR-FM." Into wx forecast, then another "K-L-M-R in Lamar" ID & into live version of "Cold as Ice." (SMM-29)
- 930 KPLG AZ, Flagstaff ex-KAFP hrd SSS 4/8 s/off 2100 as "K-Flag." (BN-CO)
- 950 KIMN CO, Denver Su 4/25 0045 XLNT signal (now expected!) w/Rolling Stones song. Had "AM 95 KIMN" & "Kim" ID's. (SMM-29)
- 970 KVWM AZ, Show Low 5/3 0815 all of a sudden o/the mess w/s/on. No SSB, new, reported. (DN-CA)
- KOOK MT, Billings Su 4/25 0415 hrd briefly through XEJ w/EE talk & "97 Kook" slogan ID. (SMM-29)
- 990 KKIS CA, Pittsburg now has a nightly SP 0300-?, though was on Su 4/25, so may be nightly SP, AN Su mornings. (RW-CA)
- KRKS CO, Denver 4/19 0731 definite now, tent. logging last MM. Poor w/s/on. Ment of "99 AM" into relig. hymns like last week. Lost to KTKT by 0739. (RW-CA)
- KNIN TX, Wichita Falls 4/25 0800 very strong & loud w/"Greatest American Hero" TV theme song, then ID from YL, "You are listening to (Full Favorite?) Radio--KNIN-AM 9-90, Wichita Falls. It's 7:00." KKIS-Pittsburg s/on mixing in background. (SMM-29)
- +5/3 0736 very good w/ID "AM 99, KNIN", into wx. (RW-CA)
- 1000 KTOK OK, Oklahoma City 5/3 0730 finally definitely logged w/pattern change. Local traffic rpt., TC "KTOK news-time is 6:30", then lost to KXRB thru KOMO OC. (RW-CA)
- KXRB SD, Sioux Falls Su 4/25 0750 a real surprise u/KOMO w/numerous ID's & TC's! (SMM-29)
- +5/3 0706 fantastic signal extremely loud w/NBC nx, local wx. (RW)
- 1020 (KTNQ) CA, Los Angeles 4/28 0448 totally off on rare SP. (RW-CA)
- 1030 KCTA TX, Corpus Christi MM 4/26 0601 apparent s/on rap w/a guy who called himself "Old Biscuit." Heavy relig. promo & commentary. (JJ-WA)
- KTWO WY, Casper Su 4/25 1207 very good midday w/"K2 (JJ-WA) Newstime--10:07." Then ad, followed w/wx for Wyoming. (SMM-29)
- 1040 KPBC TX, Dallas Su 4/25 0744 alone on freq. w/"1040 Christian Radio-KPBC", into relig. mx. (SMM-29)
- 1050 KEUF KS, Garden City 5/3 0739 xlnt w/several local spots, jingle ID, into C&W. Way o/XED/CKAL. (RW-CA)
- 1070 KERR MT, Polson 5/1 2249 noted using slogan "Hit Country KERR", way o/KNX. (RW-CA)
- 1090 ?KNCR? CA, Fortuna Su 4/24 2140-2200 assumed the one w/EE o/u XEPRS on NW Beverage. Had "Humboldt" ment, which is the county Fortuna is located in. (SMM-29)
- 1100 KREX CO, Grand Junction Su 4/25 1130 midday reception w/ID, "You're listening to KREX, Grand Junction, Colorado." Into "Voice of Prophecy." (SMM-29)
- 1150 KDEF NM, Albuquerque now using these calls w/MYL-type format continuing, hrd 4/7 (ex-KDRM, KDQQ, KUFF, KNWZ, KDEF). (BN-CO)
- 1170 (KLOK) CA, San Jose 5/3 0407-0517 totally off on extremely rare SP, last off o/3 yrs ago. (RW-CA)

1170 KVOO OK, Tulsa 5/3 0411 good & alone w/C&W, ID. (RW-CA)
1180 ?KWSO? CA, Wasco Su 4/25 1133 assumed the one midday w/program entitled "Radio Bible Class". (SMM-29)
WHAM NY, Rochester 5/3 0422 fair thru KOFI OC (or KWSO???) w/local wx. (RW-CA)
1190 ?KLIF? TX, Dallas 5/3 0415 tent. w/C&W o/KEZY briefly. Thought it was KAYQ at first, then wx which matched KRLD's almost perfectly, but then, even a possible ment. of "Wayne" (Ft. Wayne?) which could be WOWO, but doubt it. KLIF seems most likely. (RW-CA)
1230 KGfJ CA, Los Angeles 4/14 0359 good on top in KCBN null w/local spot, nx. (RW-CA)
KQIK OR, Lakeview 5/3 0300-0310 f/c per list. (EH-WA)
1240 *KMCL* ID, McCall f/c 5/3 0330-0345 on 15 min. later than listed. (EH-WA)
1250 KKFx WA, Seattle 4/20 0340-0400 ex-KYAC poor w/long boring disco tunes. Possible ID at top of hour by male, "K-K-F-X, Seattle, K-Fox, Seattle". (WGE-EC)
1270 *KTLC* ID, Twin Falls 4/20 0251 noted w/TT, ID o/KCOK/KROI. (RW-CA)
1280 KBRQ CO, Denver 4/25 0051 bombing in w/numerous ID's & frequency ments. Also had FM ment. (SMM-29)
1290 KCUB AZ, Tucson Sa 4/24 2321 very good w/ment of "K-Cub" stickers at Circle K stores, into C&W mx. (SMM-29)
1310 KZZP AZ, Mesa Sa 4/24 2303 bombing in w/strange sound effect & "K-Z-Z-P, Mesa" ID, into "Walk Away." (SMM-29)
1330 KENU WA, Enumclaw 4/26 1548 Anne Murray mx, spot for ATA Service Specialities (appliances), "K-E-N-U" quickie jingle, and Elton John's "Empty Garden." Strong for a semi-local, but pretty noisy on the freq. First time hrd. (JJ-WA)
1340 KDOL CA, Mojave 4/14 0355 noted on late carrying 16 inning Cal. Angels baseball game. (RW-CA)
KQIL CO, Grand Junction 4/25 0106 in the mess w/local ad & "K-Q-I-L" ID. (SMM-29)
KXTC ID, Nampa 4/28 0500 finally logged call change ex-KAIN after 10 mths. of trying. Had been the 1340 unID w/Larry King that's been bugging me for o/a year now & the unID Larry King on 1340 I hrd while on vacation in Seattle last year. S/off, a strange time. Full details, OC cut, then off. Way o/mess. (RW-CA)
?KWVR? OR, Enterprise 4/13 0254 poss. the one w/ID way in mess "K-VR", though V could've been a B which would be KBBR, making more sense. Seemed to be s/off. What's s/off time of KWVR? (RW-CA)
1350 KIDN CO, Pueblo 4/25 0545 strong w/C&W song, followed by a "3:45" TC and "Kiddin' Country" slogan ID. (SMM-29)
1360 KCNN CA, San Diego 5/3 0730 very poor in a complete mess on this Freq. (DN-CA)
?KSCJ? IA, Sioux City 5/3 0739-0746 some kind of morning report, ments of Sioux Falls, CDT TC. (DN-CA)
KOHU OR, Hermiston 5/3 w/s/on 0758 w/SSB. Poor & soon lost in the mess. (DN-CA)
KXOL TX, Ft. Worth MM 4/26 w/Ft. Worth ment & "I'm So Lonesome I Could Cry" 0511. (JJ-WA)
KRKK WY, Rock Springs Fr 3/19 0100 a surprise u/KCNN during KLFF Tade w/rock mx, then "K-R-K-K, Rock Springs, Wyoming," into nx. 2nd time ever hrd; first time on night pattern/power. Only 1 of 2 stns ever hrd from Wyoming! (SMM-CA)
1370 KEEN CA, San Jose 4/20 0335 poor w/QRN. While looking for CHPQ hrd wx forecast & ID by male, "Radio Keen." New. (WGE-BC)
1380 KFLJ CO, Walsenburg most-wanted stn for yers finally logged 3/23 w/woman annrc & 2 good IDs 1825, quickly faded. (BN-CO)
1390 KJJZ CO, Denver now using new calls as of 4/1, "K-Jazz." (BN-CO)
1400 KUKI CA, Ukiah 4/17 2210 completely bombing out KRE w/local spot, fruit frost forecast, jingle "14-K-U-K-I". Has become a pest since I first hrd it a few months ago! (RW-CA)
KFTN UT, Provo Su 4/25 0515 dominant on freq. w/C&W mx. Gave TC of "3:15" w/reminder that clocks were turned ahead an hour. unID in background (see end of column). (SMM-29)
1410 KVEG NV, Henderson 4/12 0155-0210 weak-fair w/C&W and IDs u/CFUN (which cooperated by running old radio drama & comedy, instead of rr). (bp-WA)
1420 KSTN CA, Stockton MM 4/26 0624 emerging u/o KUJ. KULY gone. PSA for U.S. Public Health Service. (JJ-WA)
KULY KS, Ulysses MM 4/26 0615 "On K-U-L-Y, it's 5:15" followed w/mx that may have been Stevie Wonder. Rather soft-rockish. KUJ gone! (See my unIDs) (JJ-WA)

- 1420 KSCR WA, Renton 4/26 1559 C&W mx "Just Another Day in Paradise", local "Information Center News", muttered ID at 1600, and Satellite News Network nx. This ID may be hard to catch, so listen real closely. (JJ-WA)
- 1430 CJVR SA, Melfort 5/6 0711 on top briefly w/ads and C&W mx. (EH-WA)
- KTYM ND, Minot 5/6 0701 fair mixing w/KLO w/national nx into rr mx. (EH-WA)
- KELI OK, Tulsa 5/4 0529 w/Larry King u/KLO & KBRC OC. Sounded like switch to rock mx at 0530. Is this their format? (EH-WA)
- KLO UT, Ogden 4/22 0321-0335 good o/a couple of others. Dominant most of time w/MYL. ID at 0333 by male, "It's 1:33 on 14-30, K-L-O w/Frank Sinatra. MYL continues." New. State #21. (WGE-BC)
- *KBRC* WA, near Mt. Vernon 5/4 0430 noted ET'ing w/OC. This local doesn't test much except for f/c. (EH-WA)
- CJXX AB, Grand Prairie 5/6 0723 ad for daytime talk show into C&W mx. Good o/KLO. (EH-WA)
- 1440 KOPA AZ, Scottsdale ex-KXAM, KOPA, KSGR, KDOT, KWBY, KPOK--noted using these calls again on 4/5 SSS. Still rock mx. (BN-CO)
- 1450 *KTXX* MT, Whitefish-Columbia Falls 5/3 0315-0325 f/c per list. (EH-WA)
- KEED OR, Eugene 4/19 0332 good way o/KONE in KEST null w/sports, nx. (RW-CA)
- 1470 KXOA CA, Sacramento is now MYL. (PT-CA)
- 1490 KAIR AZ, Tucson Su 4/25 0500 suddenly came up out of nowhere (right when I was hoping to ID a mystery stn out there carrying CNN, hi!) w/"You're listening to the solid gold sound of Care 1490--KAIR, Tucson." (SMM-29)
- 1510 KDKO CO, Littleton Su 4/25 0437 fair w/soul mx. Call ID hrd through the QRM by lady DJ. Back again at 0442 a bit clearer w/ments of Aurora and (Magic?) Cards. (SMM-29)
- +MM 4/26 0506 squeaking in w/R&B mx and wx check, w/YL annr. (JJ)
- 1540 KASA AZ, Phoenix 4/26 0348 when did they go nights? Good o/KZLA w/RS, a few local spots, ID "The all-new light of 1540, AM-1540, KASA" rel. of course. KZLA is NSP anyway, so doesn't bother! (RW-CA)
- 1550 KKHI CA, San Francisco Sa 4/24 2123 strong on NW Beverage w/airline ad, then into operetta. (SMM-29)
- KRGO UT, West Valley City Su 4/25 1142 midday w/KUAT-Phoenix w/jingle, "1-5-5-oh, Country Cargooooo" (sounding somewhat similar to old "Phillip Morris" jingle). (SMM-29)
- 1560 WPAD KY, Paducah MM 4/26 0600 weak ID in fuzzy QRM. Nothing else around. (JJ-WA)
- 1590 KLIV CA, San Jose Sa 4/24 2111 good w/Big Bands song, then "Check the time. It's 11 minutes after 6:00--on KLIV." Totally alone, but later on KBBQ noted alone! (SMM-29)
- KBBQ CA, Ventura-Oxnard 5/3 1010 fair on peaks in extremely tight KLIV phase-looped null killed when KLIV switched to day pattern. Was looking for KXEM/KGIN but not hrd. First null I've been able to put on KLIV! (RW-CA)
- 1606 TIS CA, Barstow 5/5 saw sign on freeway for TIS on 1606. Checked Freq. but all that was hrd appeared to be OC. (FA&BE-CA)
- 1610 WXX-790 AZ, Phoenix Sky Harbor Int'l Airport Wed 4/14 0100-0200 fair but fadey w/YL on 1½ min. tape loop, "This is WXX 7-9-zero--Traveler's Information Service at Phoenix Sky Harbor Int'l Airport..." Continued on w/ment of 3 terminals & shuttle transportation between all three. Had been trying for this one since last May when I visited Phoenix! Some unID QRM (see unID section of column). (SMM-CA)
- 1610 TIS CA, Yosemite Nat. Park 5/6 hrd in Mesquite Spring Campground, Death Valley Nat. Mont. Fair signal weaker than below but still readable. Did not hear it at Furnace Creek Campground in Central Death Valley. Mesquite Spring is near Scotty's Castle in Northern Death Valley. (FA&BB-CA)
- TIS CA, Yosemite Nat. Park 5/4 hrd in campground about 20 mi. east of San Luis Obispo, CA. Stn had female annr. w/reports that all high mountain roads were closed due to snow. Stn had good signal at times but w/deep fades. Other TIS stns were on 1610 but unable to ID. (FA&BB-CA)
- 1622 KFX-969 CA, Big Bear Lake (cueing xmtr to remotes for KTOT 101.7--KEBV 1050's FM) Wed 4/14 2245 good to xint w/L.A. Dodgers vs Houston Astros baseball game. Ad for Lucy's Real Estate in Big Bear at 2303, then into post-game show. Afterwards (2317), went into tape-delay coverage of local Big Bear city council meeting.

KFX-969
cont'd

Per v/l, was using "50 watts to a 210' vertical," BUT a hand-scribbled note o/the 50 said "Now 250 watts." (Almanac sez 75) Also ment that KUG740 used to be the call (listed that way in Almanac); but now w/group licenses that call is defunct. Additionally, he pointed out that they've used 1606, 1622, & 1646, but 1606 has gotten complaints due to KWOW-1600 in Pomona. City council meetings are 2nd & 4th Weds., 7pm PST. Thanks to Bill Harms for this hot tip! (SMM-CA)

April f/c's:

4th MM KGUC-1490 CO 0245-0300 not hrd (RW-CA)
3rd MM KEDD-1550 KS 0100-0115 tentatively hrd (RW-CA)

May f/c's:

1st MM KQIK-1230 OR 0300-0310 (EH-WA)
KMCL-1240 ID 0330-0345 (EH-WA)

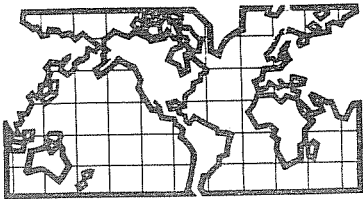
DX TEST:

1000 WSUM OH, Parma 4/26 0334 tried, but not hrd. (RW-CA)

UNID's:

620 4/26 0514 u/KTAR w/jazz-style mx in KGW null, not KNJS. Thought KIPA, but they're MOR. Any other ideas? (RW-CA)
730 5/2 0830 w/"Country Crossroads" pgm in CKLG null. KSVN? (RW-CA)
850 4/26 0309 u/KOA w/"I Did It My Way," not KTAC, hi. Didn't sound like CKRD, perhaps KGOE ET? (RW-CA)
870 5/4 0558 relig. pgm in WWL null into s/off at 0600 w/SSB. KAIM? (EH-WA)
1000 5/3 0645 suddenly appeared out of nowhere w/Barry Manilow mx, then lost very quickly. WQTY fits this pattern change time. Other ideas? (RW-CA)
1010 5/3 0700 w/NBC nx u/KXEG, very weak & lost quickly. No one listed. (RW)
1110 5/3 0615-0625 suddenly appeared u/KFAB w/some local nx, into John Denver song, then lost slowly but surely, never readable. Possibly needed WBT??? (RW-CA)
1190 0600 4/19 what sounded like a s/on anct, then CBS nx logo, very weak in noise. Nothing listed. (bp-WA)
1240 4/19 0311 on top ID'ing only as "97 rock", probably KROY whose FM is on 96.9. (RW-CA)
1350 0512 sounded like "Right here on KSCA." Annrc back-announced the #4 C&W tune by a YL, at 0514 an OM did a couple live spots or PSAs, TC sounded like "after 4:00", followed w/Willie's "Blues Eyes Crying in the Rain." Back announced (I think) as "1974", plus quick seg into what was probably a cover version of James Taylor's "Honky Tonk Angel". A spot for DMT Quality Tires at 0522 was probably the same stn, "Across from the Country Club Mall." A few minutes later I had several stns mixing w/C&W mx, finally toppled by KRLC. Has KRLC changed formats? Also, there's a WXCL in Peoria whose calls are phonetically similar to KSCA u/these cx. Ideas? (JJ-WA)
1400 4/14 0358 a real stumper. Someone please help me w/this one! UnID carrying SS broadcast of Cal. Angels baseball game. No one listed on network in SS! XEPP only one that makes any sense, if at all. Hrd ments of "Juan Beniquez" a Cal Angels player, this during 16 inning game. Any current carriers in SS on the Angels network??? HELP! (RW-CA)
1400 4/25 0515 u/KFTN w/Denver Nuggets game. (SMM-29)
1420 0620 in the cracks between KUJ, KULY, & KSTN, I hrd a TC for "20 min. after 4:00" and some nx about-S. Korea. (JJ-WA)
1490 4/25 someone out there noted w/new CNN & CNN2 network format. Possibly from Colorado or surrounding area, as Beverage was a pipeline into Denver. Ideas? (SMM-29)
1600 4/22 0435 unID MYL on top in tight KLIV null. Who's changed formats recently? (RW-CA)
1610 Wed 4/14 0120-0200 very poor u/WXK-790 occasionally w/male voice on tape loop. Once came up good enough to hear tail end of EE, then into SS translation. Could this be San Ysidro? They were supposedly defunct and also I used to be able to hear them midday, but nothing is hrd on 1610 now midday. Looped towards Phoenix/Texas, etc. (SMM-CA)

Wow--haven't had this much to type in a long time! Frank & Bill, I really enjoyed your "camping" loggings. Whenever I go camping, which is very often, I never seem to get around to DX'ing, hi. OK everyone, let's have another nice long WDXR next time--the deadline for reports is Thursday June 3. ♡



DX WORLDWIDE - WEST

Pat Martin - Editor

P.O. Box 843, Seaside, Oregon 97138

(503) 861-3185 - deadline Tuesday

Pacific news this week: From the NZRDXL and the NXPA comes news that 1Z1-1251-Auckland has been directed by the minister of broadcasting to apply for an amendment to its warrant so that it shall cease to operate as a commercial station apart from limited sponsorship as soon as the first commercial FM warrant is granted for the metro Auckland market. Applications have been called for 2 translators to serve Uluru National Park in N.T. one ABC and the other commercial, around the area Ayres Rock and Mt. Olga. Power is not to exceed 500 watts. 5RU Murray Bridge 1458 now originates all local programs except for news after relaying 5AD for almost 50 years! Both items from Tune-In. American Samoa: according to air announcements over WVUV heard the station will change to 648 KHZ in early May. Per Chris Martin the change has all ready taken place in late April, 10 KW on 648 KHZ. I have been getting a hat there almost nightly...So when conditions improve, it should be heard. 4TP-1008-Brisbane is now 4IO. 7EX-1008-5 KH-Launceston, Tasmania is now Non-Directional for the time being, as they had problems with their Directional System. How long, unknown. Thanks to Chris Martin for those two items. Now to reports:

PAN-AMERICAN DX ROUNDUP

- 620 MEXICO, Chihuahua-KXBU fair in KTAT null w/"La Mortenita" ID at 1308-3/28. (Kaz-Ca)
- 700 COLOMBIA, Cali-HJCK s/on at 0955 3/28 barely copiable in KATC slop w/ superpest XETRA off. (KAZ-Ca)
- 710 MEXICO, Guaymas-XEPS poor to fair w/fades. Mixing underneath KATC, phased LV null. Mexican mx and 2 R. Amistad ID's hrd from 0640 to 0650 4/1. Think I caught a couple of SS ments. of "1000 watts of power. (KAZ-Ca)
- 840 UNID, SS talk u/850 splatter w/light sounding chimes-ascending and descending scale 0500 4/4, but no ID noted. Seemed to be a vocal anthem u/the mork, moments later, so perhaps a s/off. (NHP-BC)
- 870 HONDURAS, location unknown. 0335 4/4 Spirited SS talk noted u/WL perhaps a sports event. Hrd a couple of Tegucigalpa mentions. 0/WL occ. later, and nice R. Honduras ment. at 0400 (NHP-BC)
- 880 CUBA, Pinar del Rio-CHAB super loud w/LA mellow mx w/Traces of WBS underneath 0815-3/30. This is every night, but never this strong, better than WL, by considerable amount), before (KAZ-Ca)
- t PERU, Lima-Radio Union hrd in SS with Andes mx from 0830-0840 on 5/L, ads, "Union" ments., Channel 880 ments. (DW-Or)
- 980 MEXICO, Unid w/LA ballads in super KFWB null created by "lucky" arrangement of MWL skewed by Sanserino Loop. 0327-0332 2/8 when lost to CKRN at equal level w/nullled KFWB mx. (KAZ-Ca)
- 1210 COLOMBIA, Pereira-HJFF fair w/YVMN w/LA mx and OH w/LV Amaiga ID 0735 3/31. (KAZ-Ca)
- VENEZUELA, Coro-YVMN-good to very good w/ID at 0615 2/8. Station is barely readable many nights and decent of good LA nights. HJFF is noted occ. as is the YV anthem from YVQZ s/on at 1000. (KAZ-Ca)

TRANS-PACIFIC DX ROUNDUP

- 155 U.S.S.R., Khabarovsk-3/28 1149 male w/RF tlc //191 (BV-Yk)
- 182 U.S.S.R., Petropavlovsk-3/28 1154, MOR or ballad mx, YL ancr. (BV-Yk)
- 191 U.S.S.R., Blagoveshchensk-3/28 1153 male w/tlk, exc. sig. (BV-Yk)
- 550 HAWAII, Wailuku-KIWI 1020 4/4 fair w/tlk and ment. of KIWI by OH u/KAPI most of the morning. Usually KIWI is totally dominant on the Bev, and in general DU's were weaker and domestics were stronger than usual on this expedition. (NHP-BC) (Same here most of the Winter and Spring. PH)
- 594 AUSTRALIA, Horsham-3WV-1347 4/4. Big signal w/choral mx //4920. (NHP-BC)
- 612 AUSTRALIA, Brisbane-4QR-3/26 at 1316, 5 YL w/TC, then ballad mx (BV-Yk)
- 657 AUSTRALIA, Byrock-2BY. man declaiming at 1354-474 poor //4920. (NHP-BC)
- 675 NEW ZEALAND, Christchurch-3YA-3/26 1319 inst. mx //819 (BV-Yk)
- 693 JAPAN, Tokyo-Poor to Fair //828, 747, w/JJ tlc 1015 while "The Mighty 690" was napping. JOAB. (KAZ-Ca)

- 702 AUSTRALIA, Sydney-2BL poor to fair most of AM 4/4, from about 1015 w/orch. mx, tlc, etc. hrd this better at home using loop. (NHP-BC)
- 720 NEW ZEALAND, Invercargill-4YZ-noted 3/26 1320 //819, 675 (BV-Yk)
- 738 AUSTRALIA, Grafton-2NR-poor to fair w/ABC mx, KCBS off-1005-3/28(KAZ)
*Also noted 1025 4/4-orch. mx weak in CKLG-730 splatter //6090. Also at 1345 w/choral mx // 6090, also. (NHP-BC)
- 747 AUSTRALIA, Toowoomba-4QS fair 1251 4/4-w/man and woman talking and // 4920. (NHP-BC)
- 774 AUSTRALIA, Melbourne-3LO-3/26 1320 big band mx, 40's style, exc. (BV-Yk)
- 792 AUSTRALIA, Brisbane-4G-poor in 790 splatter 1301 4/4, w/nx by man // 9660, also at 1335. (NHP-BC)
- t AUSTRALIA, Brisbane-4G-3/26 prob. station w/piano clas. mx-1321 (BV-Yk)
- 810 NEW ZEALAND, Dunedin-4YA 3/26 vocal version of Entertainer, 1247. (BV-Yk)
- 819 AUSTRALIA, Glen Innes-2GL-1123-1131 (tune-out), Jazz pgm, strong w/EE ann. at 1129, on 4/24. (DN-Ur)
- NEW ZEALAND, Rotorua-1YZ 3/28 1310 YL ancr w/intro to mx by Judy Collins, etc. exc. // 810 fair. (BV-Yk)
- 837 JAPAN/KOREA, JJ tlc (several people), on top of OM in KK noted fair to poor at 1148 3/28. JJ mostly alone w/little audible exc. clear copy of NIK pips (...-) at 1300. (KAZ-Ca)
- 846 KIRIBATI, Tarawa-T3K1 taped OM w/2 Tarawa ment. Island mx 0832 2/15 Good w/YL in lang. 0905 3/28. (KAZ-Ca)
*Also noted 1333 on 3/26 w/female native singing don't recall hearing this so late. (BV-Yk) (Yes, normally s/off at 1000 PM)
- 870 HAWAII, Honolulu-KAIIH 4/9 ballad mx 1327 male ment. was on the air for equipt. test, audio went off 1328 carrier still on, local-like sig. best of the Hawaiians. (BV-Yk) (They are 50 KI, now PI!)
- 873 AUSTRALIA, Sydney-2GB, teletalking at 1143 4/4. Fair but often fading not nearly as good as usual, A SAH on it at 1230, perhaps NZ. Some Thunderstorm static by this time. (NHP-BC)
- 891 AUSTRALIA, Adelaide-5AN 3/27 1256 rr mx, 1259 1/2 male ancr 1300 pips, YL w/nx faded on hr, but TC noted 1307 by OM. (BV-Yk)
- 950 t ALASKA, Seward-KKKA-4/13, 1223 someone testing, w/OC and mostly 1 KHZ TT signal strength would suggest this, but no ID caught to 1227. (BV-Yk)
- 954 t JAPAN, Tokyo-JOKR 3/28 1408 OM and YL in JJ tlc. (BV-Yk)
t NEW ZEALAND, Hamilton-LXW-3/27 1403 OM w/wx then rr mx was in and out w/OM ancr and rr mx to 1428 poor sig. but "Hamilton" clearly ment. at 1414, rep. sent. (BV-Yk)
- 972 SOUTH KOREA, HJCA-Dangjin-3/28 1407 male w/vy deep voice. KK, then YL (BV)
- 999a CHINA, Xinjiang-3/28 1350-1355 male w/CC tlc, had to tune out of a vy bad ht from KOMO, so not sure of exact freq. (BV-Yk)
- 1017 JAPAN, Fukuoka-JOLB 3/28 1220 familiar flute and harp mx, then OM and YL w/JJ tlc. (BV-Yk)
- 1026 AUSTRALIA, Mackay-4K man tlc. 1401 4/4 ment. McQuarrie National mx, poor to fair. (NHP-BC)
NEW ZEALAND, Kaitaia/Whangarei-1ZK/1ZN 1047 4/4 Weak pop mx, pre. of 4EK // 1044. (NHP-BC)
- 1035 UNID, 4/7 1238-OM and YL w/EE play DU accents. (BV-Yk)
NEW ZEALAND, Wellington-2ZB 4/13 1248 Rad Stewart rec. // 1008, 1044 both fair, 1296-poor (BV-Yk)
- 1044 SOLOMON ISLANDS, Honaira-VLO fair 0955 4/4 w/OM tlc then vocal Island mx // 5020 Suffered from 1030 Splash. (NHP-BC)
CHINA, Changzhou-3/28 1313 YL w/oriental tlc, exc. (BV-Yk)
NEW ZEALAND, Dunedin-4ZB-pretty strong w/little fading all AM 4/4 Most reliable NZ this time, better than 1008, 1035, 819, 756, 657, 567, 882 which all showed reasonable audio, but w/fades (NHP-BC)
*Also noted 4/18 1239 ballad mx, fair // 1008, 1035, poor (BV-Yk)
- 1053 NEW ZEALAND, New Plymouth-2ZP-1053 4/4 Pop mx, nil to fair in 1050 splash // 1044, in and out most of AM-is this still 2KW? (NHP-BC)
(As far as I know, they are still 2K7. P!)
- 1134 AUSTRALIA, Armidale-2AD-4/7 1320 OM w/ID and TC between rr mx (BV-Yk)
- 1152 t JAPAN, Tokyo-JOKR-4/18 1238 male and female w/JJ tlc. (BV-Yk)
t AUSTRALIA, Wagga Wagga-2WG-4/7, 1254 noted w/Casey Kasom and intro to record by the Go Gos, likely this. (BV-Yk)
NEW ZEALAND, Timaru-3ZG, 4/9 poor signal 1310, but noted on Com-net // 1008 poor, 1035 exc, 1044 good, as was 1098. (BV-Yk)
- 1170 AUSTRALIA, Sydney-2CH 4/7, 1308, EZL mx 1313 OM, w/tlc, poor sig. 1314 TC noted then 60 sec. rel. spot, 1315 more EZL mx. (BV-Yk)
- 1179 t AUSTRALIA, Melbourne-3KZ-4/7 1300 OM w/nx, 1301 brief nx then mx (rr), poor sig. audio poor, no ID noted. (BV-Yk)

- 1197 AUSTRALIA, Southport-4GG-4/9 at 1256 spot for Jewellers, 4 Double
G ID, John Neilson Safety Spot,1257,rr mx (BV-Yk)
- 1206 CHINA, Jiangsu-3/28 at 1402 YL w/GC tlk,exc. (BV-Yk)
NEW ZEALAND, Dunedin-4XO 3/27,1326 male w/spots 1327 ID "Otago
Radio" "4-Y-C" with Tim O'Day.T.C. then rr mx,exc. topping 2GF
briefly. (BV-Yk)
- 1242 JAPAN, Tokyo-JOLF 4/13 1256 OM w/JJ tlk (BV-Yk)
- 1296 NEW ZEALAND, Hamilton-1ZH 3/28 1313 rr mx //1035 (BV-Yk)
- 1314 AUSTRALIA, Woolongong-2UL Bits of audio creeping thru splatter 1335
4/4-YL tlk and caught 2UL ment. (MHP-BC)
- *Also noted 4/15 rr mx 1220 ann. "This is a more music weekend with
??? on 2UL" by OM (BV-Yk)
- 1332 NEW ZEALAND, Auckland-1X1-4/13 1250 male w/TC and run-down of pre-
vious records on Radio "I" Whistling Jack Smith rec. followed.(BV-Yk)
- 1350 NEW ZEALAND, Rotorua-1ZC 1236 male w/tlk about moles,poor sig. but
clear audio // 1035 (BV-Yk)
- 1386 UNID, 3/26 1254,YL ancrr audio too muddy to pickup lingo,1300 6 pips(BV)
- 1395 NEW ZEALAND, Camaru-4ZV 3/26 1244 male w/tlk // 1035 (BV-Yk)
- 1449 JAPAN, Abashiri-JOON 3/28 1321 YL w/JJ tlk,then band mx //1287 (BV-Yk)
- 1458 NEW ZEALAND, Westport-3YF 3/27 1316 Bea Gees rec // 1035,etc. (BV-Yk)
- 1475 t MALAYSIA, Kota Kinabalu-presumed source of het w/1476 at 1220 3/28
Both stations too weak for audio,unfortunatly. (KAZ-Ca)
- t Also noted a het here from 1122 4/4 onwards,stronger than the 1476
het from presumed NZ,but no audio (MHP-BC)
- 1476 NEW ZEALAND, Auckland-1XA 4/13 rr mx 1219 30 sec. jingle for mx on
Hauraki (BV-Yk)
- 1512 AUSTRALIA, Newcastle-2NA 3/28 clas. guitar mx,1200 pips,ABC mx
sounder OM w/nx (BV-Yk)
- 1521 UNID, het def. looping M77 nothing but Urunqui seems likely on this
bearing. Are they ever hrd on WC? At 1215 3/28. (KAZ-Ca) (Was hrd
with audio quite a few years ago. M)
- 1548 AUSTRALIA, Emerald-4.D 4/7 Julie Andrews mx 1254 OM w/intro to mx by
Boston Pops. Exc. signal 4/13 1207 run-down of Easter Road Deaths
in NSW,other mx 1210 tone,TC and Queensland mx. (BV-Yk)
- 1566 SOUTH KOREA, Jeju-RLAZ 3/28 1156 noted w/clas. mx (BV-Yk)
- 1575 AUSTRALIA, Woolongong-200 noted from 1330 4/4 w/rr mx(some C&I
overtones?) fair to good. Stronger after SK w/ID "2-Double C" at
1425 and TC,Some DU Carriers at this time (MHP-BC)
- UNID, 4/15 1301 OM w/Oriental tlk,fair signal,vy clear audio.Sounded
a little like KK (Thailand listed),could be this w/Lao,but audio
usually has more background noise (BV-Yk) (Poss. China in KL,or
USSR.PI)
- 1593 NEW ZEALAND, Auckland-1XP 4/13 1254 male w/telephone tlk show,exc.(BV)

VERIES:

- 780 CUBA, Camaguay-CIHA, rec. vq in two years from Radio Habana, along
w/letter. (PM-Cr)
- 840 CUBA, Santa Clara-CHEL, rec. vq in two years from Radio Habana,along
In same envelope as 780 verie (PM-Cr)

THANKS TO THESE REPORTERS:

- KAZ-Ca Neil Kazaross-518 East Grand Avenue-El Segundo, Ca. 90245
R390A,FRG-7(mod) and TRF(mod),Sanserino loop,ST2,1311,100'LU,150'LV
- MHP-BC Nick Hall-Patch-1538 Amphion St.-Victoria,B.C. V8R 4Z6 (Canada)
DKing-Jordan River,B.C.-homebrew rx,DX 150A,1000' Bev at 270 degrees
- BV-Yk Brian Vernon-General Del.-Elsa,Yukon (Canada)
FRG-7000, DX-300, DX-160, 5 Beverages
- DW-Or Dave Williams-Box 615-Hy 101-Astoria,Or. 97103
Drake SFF-4, 360 ft. longwire
- PM-Or Yer Editor
E.H. Scott(RBO-2), 600 foot LU running NE/400 ft LV,term:Jest,Ground.

RADIO 2UE SYDNEY PTY. LIMITED

237 MILLER STREET, NORTH SYDNEY

Telephone: 92-044

Box 860, North Sydney

Over-30 Crowd

AM Radio Turns Down the Volume

By PAUL RICHTER,
Times Staff Writer

Donna Phillips' letter to Holly-wood's KPRZ-AM radio came with a pink-flowered border and an unequivocal message.

"I am truly the world's worst letter writer, so this is a real effort. But I must tell you that you are the best thing since indoor plumbing," it gushed the Los Angeles grandmother.

As far as the station was concerned, it was the right message from the right correspondent. For last October, KPRZ gambled by dropping its longtime religious format in favor of a relatively unproven musical mix designed to attract older adults—the easily-digestible pop fare of the 1940s, '50s and '60s.

The format is called "pre-rock." And its sudden popularity is a sign of the way financially pressed AM radio stations have increasingly aimed their programming at adults ages 30 and older as younger listeners have forsaken AM for the fuller stereo sounds of the rock-dominated FM band.

AM Profits Eroded

The adult-oriented formats of country music, news and talk, and blends of nostalgic music, have begun to draw increasing numbers of listeners and advertisers to AM-band stations as AM stations' profits have been eroded by the strength of FM rock competitors.

To be sure, long-established AM stations continue to earn top dollar and claim top ratings in Los Angeles, New York and other principal markets. But combined profits of the nation's 4,600 AM stations fell to about \$42 million in 1980 from \$172 million in 1978, estimates the Radio Information Bureau, a private consulting firm. In the same period, the net income of the nation's 3,200 FM stations climbed to \$91 million from \$24 million, the New York-based firm estimates.

To even up the battle of the bands, the Federal Communications Commission last month authorized AM stations to begin broadcasting in stereo, as FM stations have done for more than a decade.

Yet many experts believe that even with stereo, AM won't recapture its former top position, because FM signals carry a better sound, and because young listeners' habits are now set.

"No One Under 30"

"Just about no one under 30 listens to AM radio," the entertainment-trade magazine Billboard said in a recent issue.

FCC officials, among other industry-watchers, say there is a good chance that many AM stations will go out of business in the next year because of the long-brewing swing in listener habits.

Boosters of the adult-oriented formats, however, say the segregation of the radio bands by age group need not be such a bad thing for AM.

They say, as have other advertising experts, that it is older adults who now have the earning power and free-spending inclinations that attract advertisers' eyes. About two-thirds of U.S. family income is earned by families whose breadwinner is between 35 and 65 years old. Members of this group are more likely to spend their income and savings than they were even 10 years ago, advertising experts have found.

And older adults have been shortchanged—"musically disenfranchised"—by radio since the late 1960s, when a new and harder rock overwhelmed the airwaves with its megadecibel assault, the AM boosters maintain.

In the '50s, music was taken away from the people," says Al Ham, a bubbly one-time bass player with Artie Shaw who may be the principal beneficiary of pre-rock's popularity.

Ham, 57, began marketing a format he called "Music of Your Life" in 1979. Last spring it began to catch on. Now, about 150 stations, including KPRZ, have picked up his Huntington, Conn.-based firm's format, about two-thirds of them in the last year.

Costs Vary

The stations pay between \$65 and \$4,000 a month, depending on market size, to get taped reels of the music, along with detailed instructions for disc jockeys and promotional material.

The format includes the music of Big Bandsters Glenn Miller, Jimmy Dorsey and others, along with pop vocalists Rosemary Clooney, Frank Sinatra, Tony Bennett and singers of a more recent vintage. Songs like "In the Mood," "Sentimental Journey" and "Stardust" are the heart of Ham's format.

There are a few more recent tunes, like Sinatra's "My Way." But, as the name suggests, the first purpose of "Music of Your Life" is to recall older listeners to the sunny days of their youth.

Its success is reflected in the recent appearance of a handful of similar formats. FM Productions Inc., a subsidiary of Roy and Patty Disney's Los Angeles-based Shamrock Broadcasting, began offering its "For The Good Times" music format last April. More than 30 stations now subscribe.

Drake-Chenault Enterprises Inc., which claims to be the largest programming syndicator with 300 subscribing stations, last month began offering a format featuring the non-rock hits of the 1950s through the 1970s. Its principal musicians include Perry Como, Nat (King) Cole and Barbra Streisand.

Six stations have adopted the format, which the Canoga Park-based firm says is aimed at a "middle-essence" audience of 40 years and older.

The syndicators pitch their products to prospective clients by pointing to successes among stations that have adopted the format.

For example, KPRZ radio, which is owned by the Rochester, N.Y.-

based Gannett Co. Inc. media chain, market rock stations with histories was profitable but slow-growing of top ratings. when it broadcast Christian religious music and the preaching of such evangelicals as the Rev. Jerry Falwell.

Station manager John McLaughlin says advertising came primarily from sellers of Christian books, records and other religious articles. Annual revenues totaled a respectable \$1.3 million, he says, but the station's audience share was less than 0.1%.

That means its audience share was too small to appear on the all-important Arbitron Co. ratings, on which most radio advertisers rely in selecting a station.

Since the new format was adopted, the station's music and folksy disc jockeys have been able to

The shift from rock to country and news-talk has been significant.

broaden the advertising base to include such firms as supermarkets, airlines and weight-reducing salons.

McLaughlin says that this year he expects to gross \$3 million and capture a rating of 2. The figure would mean that KPRZ has 2% of the Los Angeles-area listenership ages 12 and older between 6 a.m. and midnight Monday through Sunday.

Such a share is not insubstantial in a market where first-ranked KABC-AM claims a rating of 8.

Projected Profit

So far this year, KPRZ's earnings are 20% of revenues, he says, for a projected profit of \$600,000.

By comparison, U.S. radio stations averaged profits of \$15,600 on revenues of \$376,600 in 1980, down from profits of \$26,400 on revenues of \$321,300 in 1978, the industry's most profitable year.

Other stations have turned to pre-rock from background ("beautiful") music, rock-olides and disco formats. Several have moved to pre-rock in a last-ditch effort to avert financial disaster.

KLFF-AM, a Phoenix Top-40 station, adopted the format in February, 1981, after years of losses. The turnaround was not immediate, and the station lost \$158,000 in the fiscal year ended Sept. 30.

But owner Larry Mazursky, a former vice president of Los Angeles-based Lotus Communications Inc., says that if present trends continue the station will turn a profit within several months.

The shift of AM stations to country and to news-talk formats from rock has also been marked, say industry observers.

Figures from Custom Audience Consultants of Washington, D.C., suggest that there are between a dozen and two dozen more AM news-talk stations than there were two years ago. The increase, though modest when compared to the total number of U.S. stations, is considered significant in the industry because the outlets that have taken on the format include several major-

Top-40 Future

The announcement in February that WABC-AM in New York would adopt a news-talk format provoked widespread predictions that once-mighty Top 40 programming was washed up on the AM band.

WABC led the competitive New York market in ratings through the 1960s with such disc jockeys as Bruce (Cousin Bruce) Morrow, a Pied Piper to New York-area teens.

WABC's management dumped Top 40 in favor of the new format despite the fact that two established New York stations, WOR-AM and WMCA-AM, already broadcast news-talk—and despite the format's high costs.

The expenses of full-time AM stations with news-talk formats averaged \$1.7 million in 1980, compared with average expenses of \$449,000 for all full-time AM stations, according to figures from the National Assn. of Broadcasters.

Yet they have been profitable in major markets by satisfying the older listener's appetite for news and, to a certain extent, easing their loneliness, industry analysts say.

When WABC goes news-talk in May, three of the six AM stations that the ABC network owns will have the format. News-talk has gained ABC a No. 1 rating in San Francisco, with KGO radio, as well as in Los Angeles.

Los Angeles Times

April 14, 1982

via Steve Mittman

RADIO 80 FM97.1
CKOK CKOR



George Elliott, Announcer

George was born in Edmonton, Alberta but says he's from Kelowna as he's spent the last 14 years there. Shortly after Graduation, George started working at CHIM-FM in Kelowna. A year-and-a-half later he was hired by CKOV and until recently was the all-night announcer there. George writes poetry and plans to publish same in a book titled "Fragments of My Imagination." You can hear George week-end mornings on FM-87 and Monday & Tuesday evenings on CKOK.

A member of the Full Service Radio Team

THE INTERNATIONAL RADIO CLUB OF AMERICA

A non-profit organization devoted to the hobby of listening to distant radio stations on the AM broadcast band (510 to 1630 kHz). IRCA is a member of ANARO, the Association of North American Radio Clubs.

OFFICERS, President--Don Kaskey, 465 Burnett, Apt. 1, San Francisco, CA 94131. Secretary--Rich Segalas. Board of Directors--Phil Bytheway, Nick Hall-Patch, Ric Heald, Ernie Cooper, Jeff Jaisun, Bruce Portzer, Niel Wolfish.

MEMBERSHIP DUES, \$16.50 First Class to the U.S.A., Canada, and Mexico. \$20.00 Air Mail to the rest of the world via Canada. Air mail direct from the U.S.: \$25.00 to Central America, Caribbean, Colombia, and Venezuela; \$30.00 to the rest of the world. Sample copies cost 50¢ each or three International Reply Coupons. Make checks and money orders payable to I.R.C.A. Persons living outside the U.S. should send checks or money orders payable in U.S. funds. DUES AND ADDRESS CHANGES should be sent to Rich Segalas, P.O. Box 26234, San Francisco, CA 94126.

DX MONITOR, the official bulletin of the IRCA, is published 34 times a year, weekly from October to March, twice in September and April, and monthly from May to August. PUBLISHING STAFF, Bruce Portzer (editor-in-chief, phone(206)-522-2521), Evelyn Portzer, Nick Hall-Patch, Jeff Jaisun, and Phil Bytheway.

THE IRCA GOODIE FACTORY. The IRCA Almanac, Foreign Logs, reprints, and other materials are available for nominal charges. For a complete list, write to P.O. Box 17088, Seattle, WA 98107.

Unless otherwise noted, permission is granted to publish, broadcast, or otherwise reproduce non-copyrighted material appearing in DX Monitor, provided credit is given to IRCA and the original contributor.

Opinions expressed in DX Monitor are those of the contributors and do not necessarily reflect those of the IRCA, its publishing staff, editors, or officers.

DX Monitor is printed by Save-on Printing, Seattle, WA.

IRCA

**P.O. BOX 21074
SEATTLE, WA 98111
U.S.A.**

First Class

FIRST CLASS MAIL
U.S. POSTAGE
PAID
Seattle, WA
Permit No. 601

D. A. NYHOLM
2071 CEDAR STREET
SAN CARLOS CA
94070