



DX Monitor

Devoted Exclusively to
Broadcast Band DXing

March 2, 1984

Volume 21, Number 254

Issue Number 679

In This Issue

| | | | |
|-------------------------------|----|---------------------|----|
| Broadcasting Information | 2 | DX Worldwide West | 18 |
| Eastern DX Forum | 4 | DX Worldwide East | 19 |
| The BBA-1 Broadband Amplifier | 5 | DXWW II | 20 |
| Western DX Roundup | 14 | Boy Shoots Xmtr | 22 |
| Central DX Roundup | 16 | The Wolfman is Back | 23 |
| Eastern DX Roundup | 17 | Western DX Forum | ?? |

What's Happening?

We'll begin this issue by reporting the passing of former IRCA member David Thomas. David had been a DXer since the 1920's and was a member of IRCA in the late 1960's and early 1970's. According to a writeup in an astronomical newsletter (sent in by Walt Breville), he was also an avid eclipse-chaser and in his later years, led several expeditions to various parts of the world to view solar eclipses.

ERRATA DEPT. We've got a couple of gems to report in the errata department: First of all, our apologies to the unknown soul in Utah whose phone number was accidentally passed off as Greg Hardison's in the last two issues; Greg's phone number is actually 818-891-4252. And as if that wasn't enough, Paul Swearingen's phone number was also hosed up...it should be 818-765-7651. Hopefully, you can now reach someone who knows about the DXpedition to 29 Palms on March 24-26. Incidentally, Greg says that anyone desiring motel accommodations near the site should consider one of the AAA-rated places in Yucca Valley. Contact him for more details.

Also in the errata dept: either senility is creeping in on me at the age of 32 or else I hadn't recovered from my 2/18 gettogether when I put together the 2/25 issue, because I forget to type in a few credits, etc: Page 5: the map shows all Kahn AM stereo stations as of sometime last fall. Page 9: the WBZ article was via William Wyllie, the WGN picture was via Rob Gerardi

Page 10: a continuation of the construction article in the 2/18 DXM

Page 13: the receiver review is continued on page 17

Page 15: The article is reprinted from Medium Wave News, via Nick Hall-Patch, and is continued on page 21

Page 22: The article is from the San Francisco Chronicle, circa mid-February via Rich Toebe

Page 23: the article came via Steve Mittman

I can hardly wait to see what I do to this week's issue, hi.

ANARC ANNIVERSARY. The Association of North American Radio Clubs (of which IRCA is a member) is celebrating its 20th anniversary this year. As part of the celebration, ANARC will have two special broadcasts on Radio Canada International on the second and third weekends in April. These broadcasts will examine ANARCs accomplishments during the last 20 years. A special QSL card has been produced for those sending in correct reception reports of the two broadcasts. To get one, you'll have to listen to Shortwave Digest for the information necessary to send in your report. The cost will be 60¢ in US mint stamps, 70¢ in Canadian mint stamps, or 3 IRCs. You can hear the program at 2130 UTC on 21695, 17875, 15325, 15150, and 11945 kHz (Saturday); at 1900 UTC (Sunday) on 21695, 17875, 15325, 7285, and 5955 kHz; 0000 UTC (Monday) on 11850 and 9755; and 0300 (Monday) on 9755 and 5960 kHz.

We still have one more article by Mark Connelly, plus a technical column and another review of the new Sony AM Stereo receiver on hand. Watch for them in future DX Monitors. In the meantime, turn the page and enjoy this week's DX Monitor....

BROADCASTING INFORMATION

Greg Monti
 1301 S Cleveland St #356
 Arlington VA 22204

With call signs now deregulated, the FCC is issuing new calls immediately as long as somebody else doesn't have them already. This means that it's going to be less likely that call sign requests will appear in this column, you'll just see grants occurring out of the blue. Also, the FCC is now assigning effective dates to changed calls, which will be repeated here.

| call | kHz | day/night | st | city |
|--------|-------|-------------|----|------------------------------------------------------------------------------|
| - appl | 620 | 500/ | KY | Paintsville |
| - WLFF | 620 | 1000/ | SC | Cayce granted WABX effective 3/8 |
| - new | 660 | 50000/50000 | AZ | Window Rock granted KTNN ("The Navajo Nation") |
| -KTCR | 690 | 500/ | MN | Minneapolis granted KTCJ |
| -appl | 700 | 1000/ | VA | Reston |
| - appl | 720 | 10000/ | GA | Tharpe |
| - appl | 720 | 500/ | ND | Lisbon |
| - appl | 730 | 250/ | FL | Lake Placid |
| - appl | 750 | 1000/ | MO | Eldon |
| - new | 750 | 10000/1000 | ND | Pembina granted construction permit |
| - new | 760 | 5000/ | MA | Leicester granted WVNE |
| - WDDW | 810 | 250/ | IL | Johnston City granted WDDD |
| - WIVK | 850 | 50000/ | TN | Knoxville granted WHIG |
| - KWH0 | 860 | 1000/ | UT | Salt Lake City granted 50000/ |
| - appl | 870 | 1000/1000 | WI | Madison application returned |
| - new | 880 | 1000/250 | NV | Lovelock granted construction permit |
| - new | 890 | 50000/1000 | CA | Citrus Heights granted construction permit |
| - new | 890 | 5000/ | MS | Ridgeland granted construction permit |
| - KREH | 900 | 250/ | LA | Oakdale wants KICR |
| - WEKO | 930 | 500/500 | PR | Cabo Rojo granted 2500/2500 |
| - W0ZN | 970 | 1000/ | FL | Jacksonville granted WVOJ |
| - WRC | 980 | 5000/5000 | DC | Washington granted WRRC effective 3/5 |
| -KMLD | 1000 | 5000/1000 | CA | Vista wants "increase to 1000 night;" records here show they already have it |
| - appl | 1020 | 10000/2500 | AK | Eagle River |
| -new | 1030 | 50000/1000 | CA | Folsom granted construction permit |
| -WZTQ | 1080 | 5000/ | WV | Hurricane wants WVKV |
| -new | 1100 | 5000/ | MO | Webb City granted KKLL |
| - appl | 1100? | 10000/ | NC | Highlands (may be 1010 or 1110 kHz, says "110") |
| -KPIP | 1110 | 5000/500 | CA | Roseville granted KRCX |
| -WELX | 1110 | 250/ | OH | Xenia granted WMMX |
| - new | 1120 | 250/ | CO | Limon granted KLIM |
| - WMSW | 1120 | 250/1000 | PR | Hatillo wants 5000/5000 |
| -KPRZ | 1150 | 5000/5000 | CA | Los Angeles granted KUSA |
| - KISD | 1150 | 1000/ | TX | El Paso granted KKMJ |
| - WDTB | 1170 | 1000/ | MI | Dimondale granted 1180 kHz |
| - KWS0 | 1180 | 10000/1000 | CA | Wasco granted KERI |
| - new | 1180 | 1000/ | KY | Florence granted construction permit |
| - appl | 1180 | 1000/ | RI | Hope Valley (competitor to previous appl) |
| - KNWZ | 1190 | 10000/1000 | CA | Anaheim granted KEZY effective 2/2 |
| -new | 1210 | 5000/250 | WY | Afton wants KRSV |
| - WCLB | 1220 | 1000/ | GA | Camilla granted 1400 kHz & 1000/250 |
| -WLBI | 1220 | 250/ | LA | Denham Springs wants 1210 kHz & 10000/1000 |
| - WTBC | 1230 | 1000/250 | NH | Tuscaloosa wants WIGL |
| - new | 1230 | 1000/250 | AL | Berlin granted either WNHX or WNXH, probably WNHX |
| - KROI | 1270 | 5000/ | NV | Sparks wants KDRY |
| - KBDF | 1280 | 5000/1000 | OR | Eugene wants KYKN |
| - WHLT | 1300 | 500/ | IN | Huntington granted WCER |
| - WIMG | 1300 | 5000/2500 | NJ | Ewing wants 5000/5000 |
| - WLUY | 1300 | 5000/5000 | TN | Nashville granted WNDM effective 2/2 |
| - WUN0 | 1320 | 5000/1000 | PR | San Juan wants 5000/5000 |
| - KENU | 1330 | 500/ | WA | Enumclaw wants 500/500 |
| - KBBL | 1340 | 1000/250 | TX | Lubbock granted KFMX effective 2/1 |
| - WMKE | 1340 | 1000/250 | WI | Milwaukee granted WBCS effective 2/1 |
| - KFIV | 1360 | 5000/1000 | CA | Modesto granted KZUN effective 3/1 |
| - WMNE | 1360 | 1000/ | WI | Menomonie wants 870 kHz & 2500/1000 |
| - KZUL | 1380 | 2500/ | AZ | Parker wants KLPZ |
| - WNLT | 1390 | 500/ | MN | Duluth granted KBXT |
| - KSLY | 1400 | 1000/250 | CA | San Lius Obispo granted KUNA |
| - WERD | 1400 | 1000/250 | FL | Jacksonville granted WZAZ |
| - WXAM | 1400 | 1000/250 | VA | Charlottesville wants WKAV |
| - WIVE | 1430 | 1000/ | VA | Ashland granted 5000/ |

~KITA 1440 5000/ AR Little Rock wants KDKY
 ~WGVL 1440 5000/5000 SC Greenville granted WBSL effective 1/31
 ~WQCN 1450 1000/250 GA Savannah granted WVMW effective 2/1
 ~appl 1460 1000/5000 FL Lake Mary
 ~WMBA 1460 500/ PA Ambridge granted 500/500
 ~WKEM 1490 1000/250 FL Immokalee granted WZOR effective 1/30
 ~WMIB 1510 1000/ FL Marco Island appl for 1400 kHz & 2500/2500 retrnd
 ~appl 1530 1000/ AL Hartselle application dismissed
 ~WZZX 1540 1000/ AL Lineville wants 700 kHz & 5000/
 ~WARD 1540 1000/ PA Pittston wants 1550 kHz & 5000/500
 ~WPKZ 1540 10000/ SC Pickens granted WTBI
 ~KCMC 1550 250/ TN Cookeville granted 700 kHz & 1000/ (Francis NRC)
 ~new 1550 2500/250 WY Saint Stephens granted KIBG
 ~KBJT 1570 250/ AR Fordyce wants 1000/
 ~WFBZ 1570 2500/ WI Minocqua granted 5000/
 ~WCLS 1580 1000/1000 GA Columbus granted WIZY effective 2/1
 ~KLUV 1580 1000/ LA Haynesville granted KLUV
 ~WJBT 1590 1000/1000 NY Brockport wants WASB
 ~KCLU 1590 1000/ MD Rolla granted KMOZ
 ~WRTR 1590 1000/500 WI Two Rivers wants WTRW
 ~KCGS 1600 5000/ AR Marshall wants 960 kHz & 2500/

As of 12/31/83 there were 4733 AM's on air, plus 164 construction permits for an authorized total of 4897. From the Jan 30, Feb 6, 13 issues of Broadcasting except as noted.

RADIO PROGRAMMING NOTES (BC=Broadcasting, NRC=Nat'l Radio Club DX News)

KFYZ 550 ND Bismarck switches NBC to ABC/Information on 3/26 (Moser NRC)
 WIP 610 PA Philadelphia has dropped adult contemp 2000-0500 ET in favor of local talk programming (Apel NJ)
 WABC 770 NY New York has acquired the NY Jets football rights for the '84-'86 seasons; x-WCBS 880 (BC).
 KCMC 740 TX Texarkana adds Music Country net overnight (Francis NRC)
 KGO 810 CA San Francisco recently celebrated its 60th birthday (BC)
 WLS 890 IL Chicago has signed Larry Lujack to a 12-year contract to continue doing morning drive at salaries varying from \$400,000 to \$800,000 per year (Onyschuk NRC)
 WINE 940 CT Brookfield adds CBS affiliation (Kemp NRC)
 WFLA 970 FL Tampa is on NBC/Talknet (Wawro NRC)
 WSIX 980 TN Nashville is contemp hits (Mount NJ)
 WCIL 1020 IL Carbondale from big bands to adult contemp (Mount NJ)
 KHOG 1030 AR Farmington is adult contemp, not contemp hits; error last time
 WBAL 1090 MD Baltimore now 24 hours, 7 days with CNN network all-news overnights (Schmidt NRC)
 WBT 1110 NC Charlotte apparently 24 hours, 7 days now (Schmidt NRC)
 WZAM 1110 VA Norfolk from album rock to urban contemp (Apel NJ)
 KBMR 1130 ND Lincoln dropping ABC/Information net 3/26 (Moser NRC)
 KTUN 1180 TX Humble new station will be adult contemp (Starr NRC)
 KEZY 1190 CA Anaheim (x-KNWX) has switched from all news back to its old format, album rock (BC)
 KASY 1210 WA Auburn (x-1220) is now a fulltimer, 24 hours, 7 days (Hardy NRC, Taylor CA)
 WLZZ 1290 WI Greenfield from oldies to country (Noonan WI)
 WBCS 1340 WI Milwaukee (x-WMKE) oldies to country, simulcasting with with FM at times (Noonan WI)
 WFOR 1400 MS Hattiesburg affiliation from NBC to CNN (Ledbetter NRC)
 WGAP 1400 TN Maryville drops overnight Music Country net, s/off 0006 ET (Francis NRC)
 WLBK 1410 KY Bowling Green drops Larry King, s/off 0100 ET (Francis NRC)
 WZRA 1450 TN Chattanooga adds ABC/Talkradio (Apel NJ)
 KGHO 1560 WA Hoquiam adds Bonneville easy listening satellite (Hardy NRC)
 KLAK 1600 CO Lakewood from adult contemp back to country (Mount NJ)
 ABC/Talkradio added weekend programming on 1/28, including medical advisors Dr. Susan Forward and Dr. Dean Edell, child psychologist Dr. Lawrence Balter, financial expert Bill Bresnan, and NY Radio personality Bob Fitzsimmons; now has 62 affiliates. Former President Nixon was interviewed on Talkradio 2/3. ABC/Entertainment network is cancelling "Soundtrack of the '60's" effective 5/13; not enough major market stations are running it to make it profitable for "barter" -- station getting program in exchange for allowing the network to run commercials in it (Apel NJ & BC). AP Radio has added three movie reviews per week to its Friday feed schedule, by Chuck Rich (BC). Rumor has it that CBC's new overnight service on the "Stereo" network (formerly "FM") will be youth oriented rock music and that the "Radio" ("AM") network may do

something similar when it goes 24 hours (Kemp NRC). NBC: Last feed of "The Porter Exchange" business reports with Steve Porter with Steve Porter was 2/17. NBC will also feed 90-sec "Decision 84" reports at :20 and :40 past the hour the evenings of and mornings after each state primary. NBC Radio has moved from the famous 30 Rockefeller Plaza address to 1700 Broadway, ironically to the studios which ABC had built for its aborted "Superadio" network (NBC & BC). President Reagan's Saturday radio chats have been discontinued by most networks since the President is now a declared candidate and broadcasting him free would risk equal time claims by every other candidate. Mutual has continued the broadcasts but as paid political announcements. NBC still feeds them, but on an auxiliary satellite channel for stations that are willing to take the equal time heat or use excerpts. Rumor has it that RKO is looking to buy the Mutual Broadcasting System from its current owner, Amway, for \$18 million or more. The National Association of Broadcasters has put together a financial picture of the "typical" commercial radio station in 1982: the average station made \$51,100 profit on \$542,000 net revenues. The profit for the average fulltime AM was \$35,400, average AM-FM combination \$47,900, average daytime AM \$12,200, average FM \$104,400, and the average class I-A fulltime AM \$598,700! An outfit called AudiScan in Shreveport LA says it's developed a foolproof method of taking audience ratings of radio listeners in moving cars. They set up a monitoring site near an intersection where cars slow down or stop frequently and measure the local oscillator leakage from each passing car radio. (In the vast majority of radios, the AM sections put out a frequency exactly 455 kHz higher than the station being listened to; the FM sections put out one 10.7 MHz higher than the station.) The service is currently in use in small and medium sized cities in the southeast and southwest; the owners hope to expand to Pittsburgh and Chicago (BC). The Westwood One syndication firm is planning Spanish coverage of the 1984 summer games via satellite from Los Angeles. Apologies for having listed some programming items last month which weren't really changes, just confirmations of existing formats. I don't keep a master list of formats here so I don't always know which items that trickle in here are changes. PENDING STATION SALES (possible call/format switch coming up): WJJD 1160 IL, WINN 1240 KY, WBUK 1560 MI, WDDT 990 MS, WISP 1230 NC, WGBQ 1240 PA, WMT 1190 TN, WORL 1270 FL, WPLP 570 FL, KWCL 1280 LA, WTAB 1370 NC, WPRZ 1250 VA, WADC 1050 WV, WADM 1540 IN, WPIL 990 AL, KZON 1600 CA, WTM 1290 FL, WTAQ 1300 IL, WRBA 1440 IL, WAKY 790 KY, WBME 1230 ME, WVLY 1320 MS, KTX 1450 MT, WNKD 1480 NC, KOYN 910 MT, KMAV 1520 ND, WMYB 1450 SC, WKXV 900 TN, KBUS 1590 TX, KAYD 1450 WA.

EASTERN DX FORUM

(215) 368-8067
RICHARD EVANS
P.O. Box 1294
NORTH WALES, PA 19454

Reports from members living east of the Mississippi River
Deadlines: Fridays. Anniversary Issue: 3/9/84

C. M. Stanbury II, RR #1, Ridgeway, Ontario L0S 1N0

First, a few more comments on R. Marti. Upon going through my files I found that acc. to the 8/2/82 Radio & Records, assistant secretary of state Thomas Enders denied that the Saddlebunch station had been built especially for R. Marti. This was of course long before Congress had authorized R. Marti Xmsns and if Saddlebunches was built specifically for Marti (as indicated by the Manning statement) that would have been, at best, "extralegal" - and if Saddlebunch's freq is 1040 that would be even further outside the law: 530 on the other hand is allocated for government use. But again whether 1040 or 530, the listing of R. Marti as a "clandestine" by various DX publications is now clearly justified. Meanwhile I've had my Collins 514J (or the USN equivalent thereof) for about three months and though there has not been an adequate test of its crystal selectivity on BCB splits - cx have been bad (or weird?) - I'm convinced this is the best receiver I have ever operated (even better than my old HQ-120X). Except that its mechanical tuning system is slow, I'm sure it's as good as anything on the market today DXwise. But does anyone know where I can obtain a manual? While it's in perfect condition now, someday presumably it will need servicing. Best.

Richard C. Evans, P. O. Box 1294, North Wales, Pennsylvania 19454

I'm beginning to understand how the Maytag repairman feels, hi. I'm holding five reports so far for the anniversary issue, so it looks like a fat one. No listening this week because I've been on the go, and when we're at home, Barb's been busy watching the Olympics. It's been dark and dreary most of the week here, but at least the snow is gone. I've just renewed my membership again in IRCA, and when this year is up, I will have been in IRCA for exactly half my life! One of the reporters to this column was only 11 when I joined back in 1965. Gotta run. PTL

Mark Connelly - WAIION DX Labs - 09 FEB 1984

A broadband amplifier is characterized by amplification at relatively constant gain over a wide band of frequencies.

This article provides documentation to assist the DXer in building and operating a broadband amplifier of proven ability, the BBA-1. This unit is in operation at the W. Yarmouth, MA foreign-DX monitoring station. A slightly different version is used at Neil Kazaross's QTH in Ogunquit, ME.

The BBA-1 provides approximately 15 dB of gain from 100 kHz to 30 MHz. Usable gain is influenced by source impedance, source noise, load impedance, battery voltage, and the spectral distribution of strong signals at frequencies other than that of operation.

A broadband amplifier can be used as a 'gain block'/gain 'black box' between a signal source and a receiver or other load. Aside from weak-station DX applications, the broadband amplifier can be used to boost small RF voltages to be observed on an oscilloscope or to boost baseband video signals.

In DXing applications, the broadband amplifier is of value in increasing the signal from passive wire tuners and from a loop antenna (whether the loop has its own built-in amplifier or not).

The author has found the Radio West & Palomar ferrite loops to have insufficient gain in some circumstances. Inclusion of the BBA-1 after these loops has allowed the 'dredging-up' of DX catches which would have otherwise been at the receiver noise floor.

In many situations, a wanted station (left after looping or phasing a pest) is too weak to give clear copy. There's much to be said for adding 2 or 3 S-units more gain to the output of a passive loop or a small active loop. Addition of gain to passive phasing units is nearly mandatory, especially when wires considerably shorter than true Beverages are in use.

While it's true that substantial gain can be obtained from active tuners such as those of the RPT series, it must be recalled that an active tuner has a fair number of controls to adjust. If you've just expended some DX time tweaking the controls on a loop or phaser for peaking & nulling, do you really want to tweak that many more things just to resurrect the weak wanted-station from the receiver noise?

DXing time for most of us is rather limited. The constraints of work & family life, the problem of RF interference, & the frequent lack of ionospheric cooperation in propagation viability greatly reduce the ability of DXers to log new stations efficiently.

When there is an opening, we want to extract as many stations as possible and, possibly, we still want to have some time to enjoy the programming content of the exotic signals coming in. Gathering details or taped audio for a reception report may be another way we wish to utilize the time. In short, time should be spent in direct listening-oriented activities, not in tweaking a confusing profusion of pots, switches, variable capacitors, & other assorted 'gizmothings'. Using the broadband amplifier, with few controls to tweak, after a loop or phaser can speed up operating time considerably, when compared to using a tuned amplifier.

In certain instances, an untuned source (such as a short wire) may be inputted to the broadband amplifier: wideband amplification thereby provided can 'make the shortwire look like a longwire'. This can be of significant benefit to the DXer who is limited to use of an indoor antenna. Unlike the active-tuner approach to enabling shortwire usage, the BBA-1 scheme permits simultaneous boosting of all frequencies which may conceivably be used during a DX session.

There are limitations to how effective such a strategy can be, however. The principal limiting factor is the strong-signal-overloading consideration. Either the broadband amplifier or the receiver, or both, can be overloaded by strong signals on frequencies other than that of operation - with spurs, images, & cross-modulation as possible undesirable results.

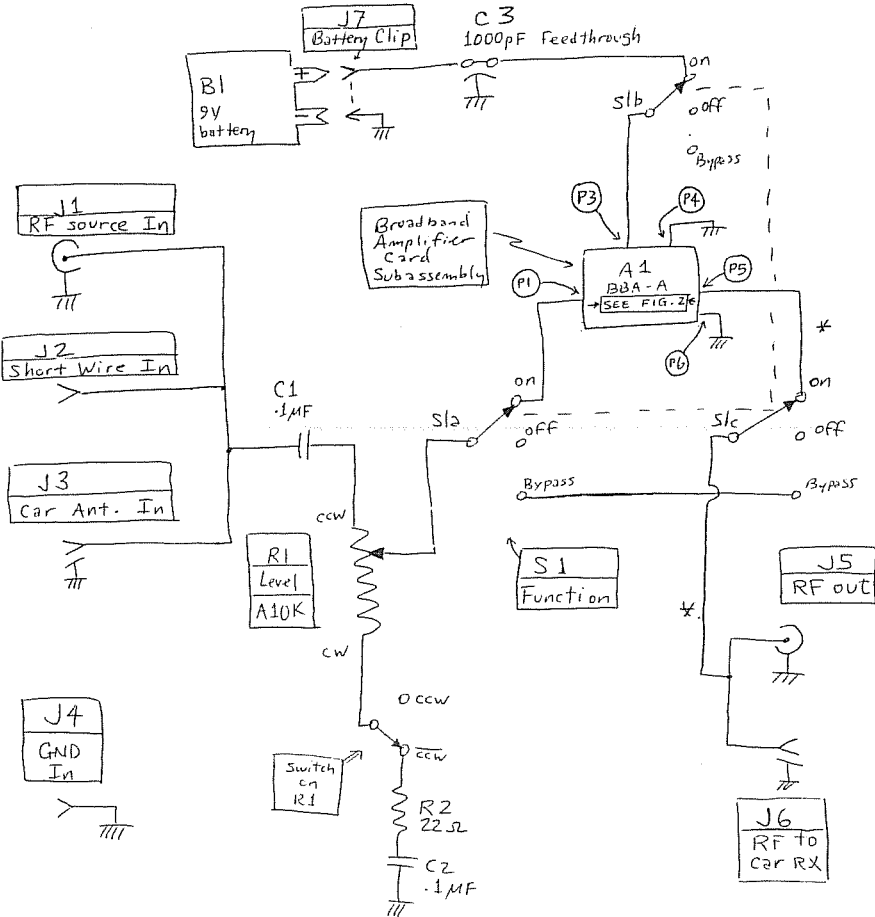
The broadband amplifier performs best when there is at least a modicum of pre-selection ahead of it. This may be in the form of an actual tank circuit (such as in a loop, tuner, or phaser) or it can be a wavetrap (useful for those with just one obnoxiously-loud local station) or it

may even just be a bandpass filter allowing a sizeable chunk of the operating band to pass from the antenna to the amplifier's input. The section on 'Using the BBA-1' should direct the DXer in recognising the benefits & the limitations of broadband amplification.

BBA-1 documentation to follow includes:

- Figure 1 Main Schematic
- Figure 2 Schematic, A1 Broadband Amp. Card subassembly
- Figure 3 'Roadmap', A1 Broadband Amp. Card subassembly
- Table 1 Level 1 Parts List
- Table 2 Level 2 Parts List
- Table 3 Level 3 Parts List
- Table 4 Level 4 Parts List
- Table 5 Hole-drilling List
- Table 6 Wiring List
- Brief construction-strategy discussion
- Figures 4 & 5 Hardware Assemblies
- 'Using the BBA-1' instructional section

Figure 1 - Main Schematic



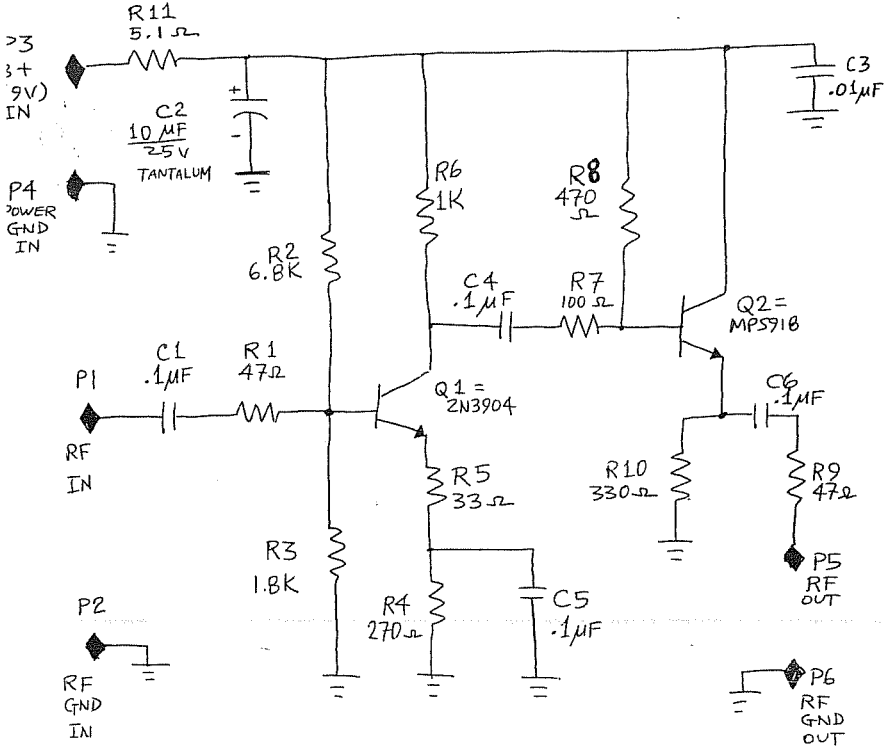
* = Use shielded cable [e.g. RG174] on leads marked with asterisk.

FIGURE 2

BBA - A

SCHEMATIC: BROADBAND AMPLIFIER CARD
SUBASSEMBLY

{ A1 OF BBA - 1 }



NOTES

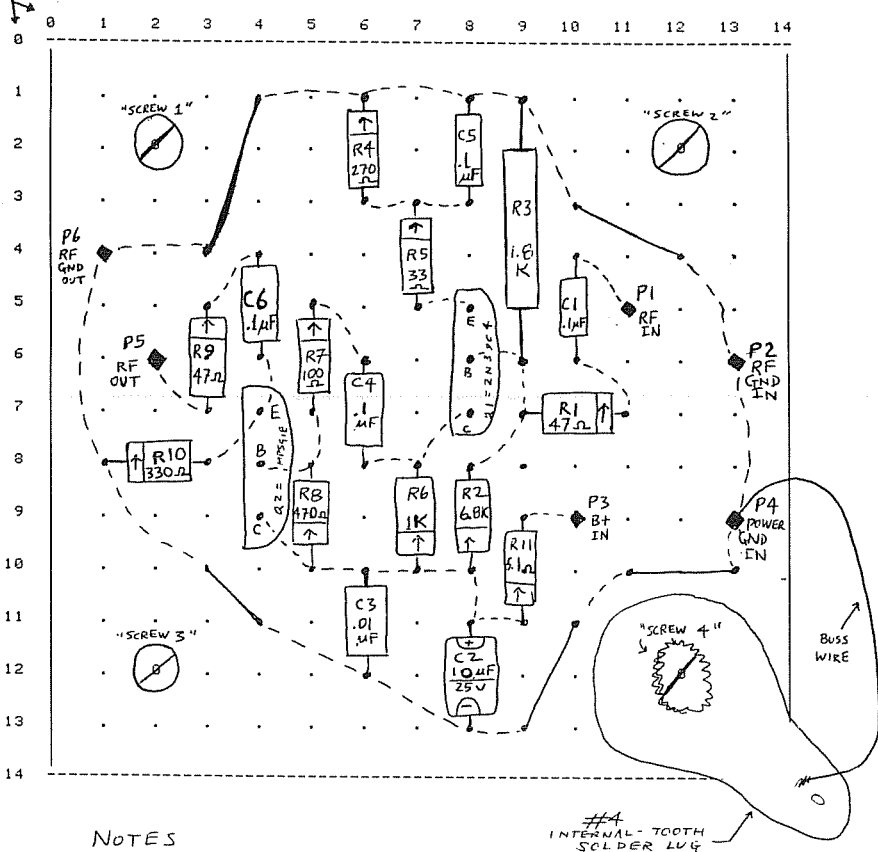
- (1) FOR ROADMAP, SEE FIGURE 3
- (2) FOR PARTS LIST, SEE TABLES 3 & 4
- (3) COMPONENT DESIGNATIONS FOR THIS SUBASSEMBLY ARE A SEPARATE ENTITY FROM THE DESIGNATIONS OF MAIN-ASSEMBLY COMPONENTS.

FIGURE 3

BBA - A

BROADBAND AMPLIFIER CARD ROADMAP
 { 41 OF BBA - 1 }

DIMENSIONS IN (INCHES X 10) : BOARD SIZE 1.4" X 1.4"



NOTES

- (1) FOR SCHEMATIC, SEE FIGURE 2
- (2) FOR PARTS LIST, SEE TABLES 3 & 4
- (3) END OF COMPONENT MARKED WITH ARROW (↑) INDICATES LONG-LEAD SIDE (→) OF VERTICALLY-MOUNTED COMPONENT.

TABLE 1

BBA-1 Level 1 Parts List

| | | |
|----|--------------------------------|----------------------------------|
| A1 | Broadband Amp. Card subass'y | [see Level 3,4 parts lists] |
| B1 | 9 volt battery | Duracell MH1604 |
| C1 | .1 uF ceramic | RS 272-135 |
| C2 | .1 uF ceramic | RS 272-135 |
| C3 | 1000 pF feedthrough cap. | (Erie, Spectrum, or Tusonix) |
| J1 | BNC jack | RS 278-105 |
| J2 | red binding-post banana jack | RS 274-662 |
| J3 | Motorola jack | RS 274-712 |
| J4 | black binding-post banana jack | RS 274-662 |
| J5 | BNC jack | RS 278-105 |
| J6 | Motorola jack | RS 274-712 |
| J7 | battery connector/holder | Acme Model Eng. [Ridgefield, NJ] |
| R1 | A-10K pot | RS 271-215 |
| R2 | 22 ohm | RS 271-005 |
| S1 | 3PDT (on/off/on) toggle | Mouser 10TC285 |
| - | hookup wire [as req'd] | RS 278-1296 |
| - | busswire [as req'd] | RS 278-1341 |
| - | RG174 coax. cable [as req'd] | Mouser 515-1156-12 |

TABLE 2

BBA-1 Level 2 Parts List

| | | | |
|----|----------------------------|--------|--------------|
| G1 | 4-40 X .25 screw | Mouser | 529-Y4R4/100 |
| G1 | 4-40 hex nut | Mouser | 529-4CD/100 |
| G1 | #4 solder lug | Mouser | 565-1416-4 |
| G2 | 4-40 X .25 screw | Mouser | 529-Y4R4/100 |
| G2 | 4-40 hex nut | Mouser | 529-4CD/100 |
| G2 | #4 solder lug | Mouser | 565-1416-4 |
| G3 | 4-40 X .25 screw | Mouser | 529-Y4R4/100 |
| G3 | 4-40 hex nut | Mouser | 529-4CD/100 |
| G3 | [QTY=2] #4 solder lugs | Mouser | 565-1416-4 |
| J3 | [QTY=2] 6-32 X .375 screws | Mouser | 529-Y6R6/100 |
| J3 | [QTY=2] #6 lockwashers | Mouser | 529-PLW6/100 |
| J3 | [QTY=2] 6-32 hex nuts | Mouser | 529-6CDS/100 |
| J6 | [QTY=2] 6-32 X .375 screws | Mouser | 529-Y6R6/100 |
| J6 | [QTY=2] #6 lockwashers | Mouser | 529-PLW6/100 |
| J6 | [QTY=2] 6-32 hex nuts | Mouser | 529-6CDS/100 |
| J7 | [QTY=2] 4-40 X .375 screws | Mouser | 529-Y4R6/100 |
| J7 | [QTY=2] 4-40 hex nuts | Mouser | 529-4CD/100 |
| J7 | [QTY=2] #4 lockwashers | Mouser | 529-PLW4/100 |
| R1 | knob | RS | 274-416 |
| - | chassis box | RS | 270-238 |

TABLE 3

BBA-1 Level 3 Parts List

A1 Broadband Amp. Card (BBA-A) Subassembly (electrical)

| | | | |
|-----|-------------------|----------|------------|
| C1 | .1 uF monolithic | Digi-Key | P4525 |
| C2 | 10uF/25v tantalum | Digi-Key | P2049 |
| C3 | .01 uF ceramic | RS | 272-131 |
| C4 | .1 uF monolithic | Digi-Key | P4525 |
| C5 | .1 uF monolithic | Digi-Key | P4525 |
| C6 | .1 uF monolithic | Digi-Key | P4525 |
| Q1 | 2N3904 | RS | 276-1603 |
| Q2 | MPS918 | Mouser | 597-MPS918 |
| R1 | 47 ohm | RS | 271-1307 |
| R2 | 6.8K | RS | 271-1333 |
| R3 | 1.8K | RS | 271-1324 |
| R4 | 270 ohm | RS | 271-1314 |
| R5 | 33 ohm | RS | 271-007 |
| R6 | 1K | RS | 271-1321 |
| R7 | 100 ohm | RS | 271-1311 |
| R8 | 470 ohm | RS | 271-1317 |
| R9 | 47 ohm | RS | 271-1307 |
| R10 | 330 ohm | RS | 271-017 |
| R11 | 5.1 ohm | Digi-Key | 5.10 |

TABLE 4

BBA-1 Level 4 Parts List

A1 Broadband Amp. Card (BBA-A) Subassembly (mechanical)

| | | |
|----|--------------------------------|---------------------|
| P1 | pushpin 'flea-clip' terminal | RS 270-1392 |
| P2 | pushpin 'flea-clip' terminal | RS 270-1392 |
| P3 | pushpin 'flea-clip' terminal | RS 270-1392 |
| P4 | pushpin 'flea-clip' terminal | RS 270-1392 |
| P5 | pushpin 'flea-clip' terminal | RS 270-1392 |
| P6 | pushpin 'flea-clip' terminal | RS 270-1392 |
| - | perfboard [cut to 1.4X1.4 in.] | RS 276-1395 |
| - | [QTY=4] 4-40 X .375 spacers | Digi-Key J170 |
| - | [QTY=4] 4-40 X .75 screws | Digi-Key H150 |
| - | #4 solder lug | Mouser 565-1416-4 |
| - | [QTY=7] #4 lockwashers | Mouser 529-PLW4/100 |
| - | [QTY=4] 4-40 hex nuts | Mouser 529-4CD/100 |

TABLE 5

Hole list for BBA-1 Broadband Amplifier

(X=horiz.distance from vert. centreline;- = left of CL,+ = right)

(Y=vertical distance from lower horizontal edge of side observed)

LEFT SIDE

| Hole | Comp. | Description | X(in.) | Y(in.) | DIA(in.) |
|------|-------|-------------------------|--------|--------|----------|
| 1 | J4 | GNDin-blk banana jack | -0.75 | 1.25 | 0.3125 |
| 2 | J2 | Shortwirein-red b. jack | -0.75 | 0.5 | 0.3125 |
| 3 | G1 | GND screw/int.lug | 0.0 | 1.125 | 0.113 |
| 4 | J1 | RF Source In (BNC) | 0.0 | 0.5 | 0.375 |
| 5 | J2 | car ant.jack,screw 1 | 0.75 | 1.288 | 0.14 |
| 6 | J3 | car ant.jack, body | 0.75 | 0.894 | 0.14 |
| 7 | J3 | car ant.jack,screw 2 | 0.75 | 0.5 | 0.14 |

TOP

| Hole | Comp. | Description | X(in.) | Y(in.) | DIA(in.) |
|------|-------|--------------------------|---------|--------|----------|
| 1 | S1 | Function Switch, shaft | -1.375 | 2.125 | 0.25 |
| 2 | S1 | Function Switch, tab | -1.375 | 1.875 | 0.113 |
| 3 | G2 | GND screw/int.lug | -0.8125 | 1.5 | 0.113 |
| 4 | R1 | Level Pot, shaft | -1.375 | 0.75 | 0.3125 |
| 5 | R1 | Level Pot, tab | -1.0625 | 0.75 | 0.14 |
| 6 | A1 | BBA-A Amp. Card, screw 2 | -0.25 | 2.0 | 0.113 |
| 7 | A1 | BBA-A Amp. Card, screw 1 | 0.75 | 2.0 | 0.113 |
| 8 | A1 | BBA-A Amp. Card, screw 4 | -0.25 | 1.0 | 0.113 |
| 9 | A1 | BBA-A Amp. Card, screw 3 | 0.75 | 1.0 | 0.113 |
| 10 | J7 | BatteryHolder, screw 1 | 1.25 | 2.0 | 0.14 |
| 11 | J7 | BatteryHolder, screw 2 | 2.2188 | 1.125 | 0.14 |

RIGHT SIDE

| Hole | Comp. | Description | X(in.) | Y(in.) | DIA(in.) |
|------|-------|---------------------------|--------|--------|----------|
| 1 | C3 | B+ In feedthrough cap. | -0.75 | 0.5 | 0.188 |
| 2 | G3 | GND screw/int.&ext.lugs | 0.0 | 1.125 | 0.113 |
| 3 | J5 | RF out (BNC) | 0.0 | 0.5 | 0.375 |
| 4 | J6 | RF out to car RX, screw 1 | 0.75 | 1.288 | 0.14 |
| 5 | J6 | RF out to car RX, body | 0.75 | 0.894 | 0.5 |
| 6 | J6 | RF out to car RX, screw 2 | 0.75 | 0.5 | 0.14 |

NOTE: Diameters of RIGHT SIDE hole 1 may vary depending upon C3 used. In general, it is wise to verify hole locations & sizes, based upon the components available at the time of BBA-1 construction.

Table 6: Wiring List for BBA-1

Connections using insulated, stranded hookup wire

(Outside BBA-1 chassis)

| FROM | TO | LENGTH (inches) |
|-------------------|------------------|--------------------|
| J7 + terminal tab | C3 external lead | 4.0 |
| J7 - terminal tab | G3 external lug | 3.0 |

(Inside BBA-1 chassis)

| FROM | TO | LENGTH (inches) |
|-------------------------|-------------------------|--------------------|
| J1 | J3 | 1.5 |
| R1 switch arm | R1 pot-CCW pin | 1.0 |
| R1 pot arm | S1a arm | 2.0 |
| S1a bypass-position pin | S1c bypass-position pin | 1.0 |
| S1a on-position pin | A1 pin P1 | 2.0 |
| S1b on-position pin | C3, internal lead | 6.0 |
| S1b arm | A1 pin P3 | 3.0 |
| J5 | J6 | 1.5 |

* ALL LEADS LISTED HEREAFTER ARE INSIDE CHASSIS BOX *

Connections using solid bare buss-wire

| FROM | TO | LENGTH (inches) |
|------------------------|------------------------|--------------------|
| J1 | J2 | 1.0 |
| J4 | G1 internal lug | 1.0 |
| lug at A1 card screw 4 | A1 pin P4 [see Fig. 3] | 1.0 |

Connections using RG174 coaxial cable

| LEAD | FROM | TO | LENGTH (inches) |
|------------------|-------------|-----------------|--------------------|
| Centre Conductor | S1c arm | J5 | 6.0 |
| Shield | G2 int. lug | G3 internal lug | 6.0 |
| Centre Conductor | S1c on-pin | A1 pin P5 | 4.0 |
| Shield | G2 int. lug | A1 pin P6 | 4.0 |

'Air-Wired' components (for values see Fig. 1)

- * USE SHORTEST POSSIBLE LEAD LENGTHS *
- * USE 'SPAGHETTI' INSULATION ON BARE COMPONENT LEADS*

| FROM | COMPONENT | TO |
|------------------------|-----------|-----------------|
| R1 switch, non-CCW pin | R2 + C2 | G1 internal lug |
| J1 | C1 | R1 pot-CCW pin |

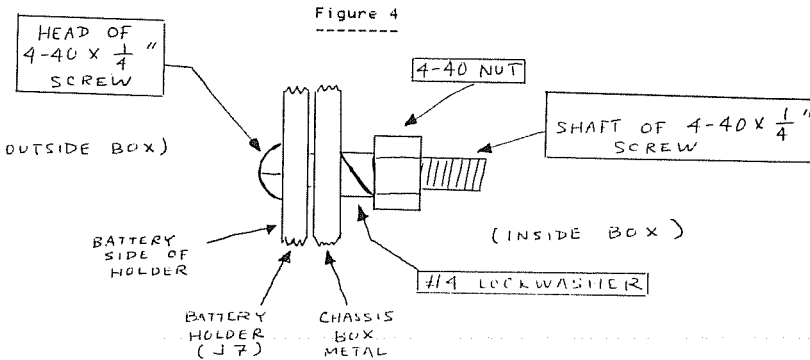
BBA-1 Construction Strategy Abstract

The schematics, A1 roadmap, parts lists, hole list, and wire list should be enough information for an experienced builder. The APT-2 Active Tuner article is a useful reference for construction practices - indeed, allusions to that article will occasionally be made in order to keep BBA-1 construction details brief.

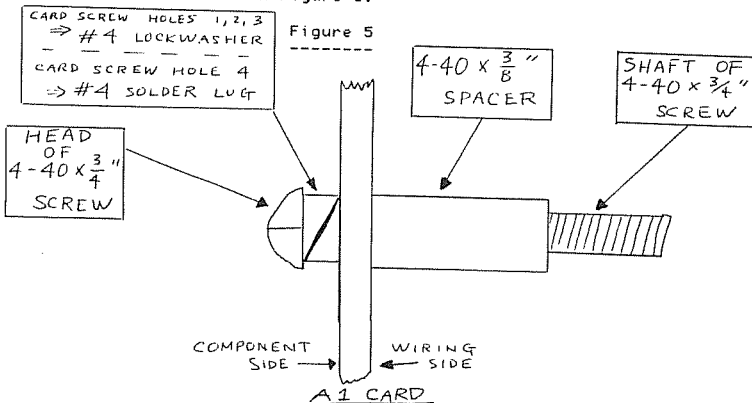
The BBA-1 is a good beginner's project. With that in mind, a short overview of construction steps is provided. The style is meant to be somewhat more cursory than the step-by-step hand-holding approach of the APT-2 assembly instructions. Nonetheless, the following steps should be sufficiently specific --

- [1] Organise work area. Acquire necessary parts & tools.
- [2] Ascertain that hole list (Table 5) is correct for the components on hand. If deviations from the parts list have been made, changes to the hole list may be necessary.

- [3] Mark hole locations on chassis box: Use an accurate ruler. Mark hole locations with a sharp scribe.
- [4] Drill all holes. Holes of .25 in. diameter or greater should initially be drilled with a smaller bit.
- [5] Mount C3, J1, J2, J4, J5, R1, & S1 by using the hardware supplied with these components. Install knob on R1.
- [6] Install grounding hardware assemblies G1, G2, & G3 at locations called out in Table 5. G1 & G2 should look like APT-2 article Figure 10; G3 should look like APT-2 article Figure 11.
- [7] Install the two car jacks (J3 & J6). Mounting holes are Left Side holes 5 & 7 and Right Side holes 4 & 6. Use a 6-32 x .375 screw, #6 lockwasher, & 6-32 nut at each mounting hole. Refer to APT-2 article Figure 14.
- [8] Install J7 Battery Holder: orient it so that the terminals are pointed towards the lower edge of the chassis Top Side. Mounting holes on the holder should line up with Top Side holes 10 & 11. Hardware to be used at each hole should resemble Figure 4.



- [9] Temporarily set the chassis box aside, until step 12.
- [10] Assemble A1 Broadband Amplifier Card subassembly: see Figure 2 (schematic), Figure 3 (assembly layout 'roadmap'), and Tables 3 & 4 (parts lists).
- [11] Mount hardware at four A1 card corner holes, in accordance with Figure 5.



- [12] Place R1 assembly on inside of chassis box so that the shafts of the four screws (installed in step 11) protrude to the outside of the box through the holes listed by Table 5.
- [13] On the shaft of each protruding R1 screw outside the box, install (first) a #4 lockwasher & (second) a 4-40 hexnut. Torque the nuts tight with a nutdriver.
- [14] Mechanical assembly of components is completed at this point. Wire up the unit; use Table 6 as your reference. The APT-2 article contains possibly-useful information regarding the preparation of coaxial leads.
- [15] At this juncture, BBA-1 is completed. Check workmanship carefully, then attach bottom chassis box cover with the sheet-metal screws provided.

Using the BBA-1 Broadband Amplifier

Operation of the BBA-1 is very simple: A source is connected to J1, J2, or J3; and a load (usually a receiver) is connected to J5 or J6. Loads must be connected via coaxial cable and steps must be taken to prevent coupling of the amplifier's output back to its input. Receivers used should preferably be of shielded, metal-case construction.

As mentioned earlier, an untuned SHORT wire aerial is a possible signal source. Even wires shorter than 10 m/ 33 ft may produce overloading at urban locations with R1 set for maximum level. R1 can be tweaked to bring the spurs under control, but in any event wires much longer than 10 m are not recommended at any location, urban or rural. The BBA-1 should be thought of as an untuned-shortwire booster primarily for stations from 3 to 30 MHz. Even in that range, use of a tuner for preselection helps, especially in removing possible FM & TV station mixing spurs.

On long-wave & medium-wave, the active-tuner (APT-2, APT-3) approach is still the best way to get good signals from short wires.

The BBA-1 is of the greatest benefit to DXers as a booster for the outputs of loops, passive tuners, and phasers.

The following procedure should illustrate the simplicity of the unit --

- 1.0 BBA-1 OPERATION
(Connect source, load as mentioned at beginning of 'Using the BBA-1' section.)
- 1.1 Initially set S1 to Bypass. This routes the input directly (through R1 level-pot & DC-blocking cap.) to the output. Set R1 to fully CCW (max. level).
- 1.2 If the source is tunable, perform normal peaking steps.
- 1.3 If the source is meant to produce a null (e. g. loop, phaser), perform normal nulling steps.
- 1.4 If the desired signal is not weak, there's no need for amplification; you may stop at this step. If the signal is weak, use of the BBA-1 is indicated - proceed forward from this step.
- 1.5 Turn R1 to fully CW (min. level).
- 1.6 Set S1 to On.
- 1.7 Adjust R1 progressively CCW: the wanted-station should be heard. R1 can then be set at the most-CW position yielding maximum desired-frequency signal, consistent with freedom from unwanted 'gremlins' (spurious signals, cross-modulation, oscillations, etc.).

(END)

WESTERN DX ROUNDUP

Nancy Hardy
2301 Pacific Avenue
Aberdeen, WA 98520

All times are
Eastern Local

Phone for hot WDXR tips: (206)532-6827 till 10pm(PLT)

DEADLINES: Tuesdays 3/6, 3/13 (Anniv. Issue), 3/20, 4/3, 4/17, 5/8, 6/5

REPORTERS FOR THIS ISSUE:

- (EH) Ed Hoffman-P.O. Box 125-Burlington, WA 98233
R-1000, 2' box loop
(DKK) Don Kaskey-465 Burnett St. #1-San Francisco, CA 94131
Hammarlund HQ-140X, SM-2
(PM) Patrick Martin-P.O. Box 843-Seaside, OR 97138
Hammarlund SP-600JX, 200' term. NE LW, ground system
(RM) Roy Millar-7420 57th Dr. N.E.-Marysville, WA 98270
Grundig 5077, SM-1
(JO) John Oldfield-7135-129 A St.-Surrey, BC V3W6T4
TRF, 9R59D loop
(EW) Brock Whaley-442 B Kalaimoku-Honolulu, HI 96815
(RW) Robert Wien-1309 Dentwood Dr.-San Jose, CA 95118
GE Superadio, GE long-range portable, SM-2

OF SPECIAL INTEREST:

- 700 *KGRV* OR, Winston 2/11 2208, 2/13 0230 on both times w/ET, TT. 2/11 reception OM w/"KGRV" ID, hymns on 2/13. Nothing noted 2/13 SRS, so probably just ET's in both cases. New, 1st time hrd one of these tests! (RW-CA)
KGRV +After going to RS Sa night/Su morning 2/11-2/12, signal very poor. 2/13 at 2300, WLW on top. (PM-OR)
+2/14 ID 0929 as o/w 500 watts; at 1026 as o/w 25,000 watts. Later talk poor. (RM-WA)
- 930 KSWB OR, Seaside just received word from FCC (2/13) that KTAC has pulled their application for 840, leaving KSWB the contender. They should have the OK within 90 days, so in several months KSWB will be 6am to 10 or 11pm, on 840 kHz, 1/.5kw-ND. (PM-OR)
- 1040 KPOI HI, Honolulu on Feb. 9, 1984 at 0500 KPOI went dark. The stn plans to return to the air in March w/new calls & a relig. format. It will operate from 6am- 12 midnight HST w/10kw-ND (BW-HI)
- 1110 KRCX CA, Roseville ex-KPIP, 2/2 ID in EE & SS at 1000. Still uses "Radio Capital" slogans. (RM-WA)
- 1230 CJLW AB, Wainwright 2/16 0430 very good w/"Clear Country" and "Radio I-W" slogans, C&W mx. //CHLW. (EH-WA)
- 1330 KUPL OR, Portland 2/13 0645 noted w/C&W format, ex-MYL. (EH-WA)
+Changed format to C&W at 0900 2/13 from MYL. Sounds automated. Little talk. FM is now FM-98. (PM-OR)
- 1550 KXXR WA, Opportunity 2/13 0510 xlnt w/ID, MYL, ex-1440. (EH-WA)
+2/13 0550-0630 mixing w/KRGO during KKHI SP. "Music of Your Life," IDs 0551, 0600, 0612, & 0628 as "1550, KXXR." Hrd no legal ID. Temp. at 0628. Into ABC 0630, simulcasting Ae nx w/KRGO on same channel! Ex-1440 Spokane. (DKK-CA)
- *****
- 550 KMVI HI, Wailuku 2/6 0355-0400 atop w/pop mx. Time & ID 0400, and nx. Also 2/13 0414 w/PSA thru KAFY/KOY, then Hawaiian mx.(DKK)
- KFYR ND, Bismarck 2/15 0257 good in KARI null w/"K-Fire" slogan, rr mx. (EH-WA)
- 560 KLZ CO, Denver 2/13 0323 w/ID u/KSFO OC, then C&W mx w/YL DJ.(DKK)
- 650 KYAK AK, Anchorage 1/25 0230-0330 local-like (also 1/26 & 1/27). Wonder if they forgot to change pattern? Usually weak. Coors (yummy) Country News & carnival ads. KORL & WSM could be gotten through. KCBF, KBYR, KFQD only fair. (JO-BC) (This is now 50kw U1.--NH)
- 660 CFFR AB, Calgary is fair to poor nights & poor days (winter only so far). ID is "66 CFR" & so far has yet to use their "real" calls. Should be a cinch in Sweden as they dump N-NNE nights. (JO-BC)
- 700 KFAM UT, N. Salt Lake City weak but steady enough nights w/the big guy (WLW) in the background & KBYR. Is this now East North SLC or SW East Bountiful, hi. (JO-BC)
- 710 WHE MO, Kansas City 2/13 0355-0400 pop mx atop, 0400 ID & into NEC nx. 0430 atop w/ID, stn promo, singing ID & more pop mx.(DKK-CA)

740 *KBRT* CA, Avalon 2/5 1004 & 1016 during ET; ended w/letter ID I believe. (RM-WA)

810 KTBI WA, Ephrata weak/poor days (winter) w/CJJC-800 slop. Haven't hrd at night yet. (JO-BC) (It's a daytimer.--NH)

830 ?KABN? AK, Long Island-Big Lake 1/25 0200-0300 good until ID times w/Fibber McGee and Molly, and jazz. It wasn't WGCC or KORL. KCBF fair & KYAK local-like. (JO-BC)

880 KWIP OR, Dallas fair SSS w/KIXI. Good nights w/KIXI, or KRVN if you want. Can't understand why no KJJR though. (JO-BC)

890 ?AFRS? AK, Adak unneeded assumed 1/25 0230-0315 w/rr mx and rhy-blues u/o WLS (who are usually weak here). Het strong 891. (JO-BC)

900 CJVI BC, Victoria 2/10 0300 using 250w aux. xmtr for awhile. Now we are "AM Stereo." MOR, dropping country. (JO-BC)

1070 CFAX BC, Victoria 2/1 now "C-fax AM Stereo." (JO-BC)

1170 *KVOO* OK, Tulsa 2/13 0500 noted ET'ing w/OC, TT. (EH-WA)

1210 KASY WA, Auburn NM 2/6 "Casey AM 12-10" poor, fights CKDA-1220 shooting south, 0305. Now regular poor nights w/KREW. (JO)

KREW WA, Sunnyside good nights w/KGYN/KCLG. Hrd twice Dec. days. I don't get the 50,000 watt slop from CKDA-1220 here.(JO-BC)

1240 KNRY CA, Monterey 2/16 0720 good w/promo for History of Rock & Roll into oldies songs. (EH-WA)

KPPC CA, Pasadena 2/7 noted s/off at 0300. (DKK-CA)

1280 KDYL UT, Salt Lake City 2/1 1923 fair w/wx, ment. of all nx Format. (EH-WA)

1340 CFYK NWT, Yellowknife sometimes exchanges programs w/CHAK-860 & usually hrd by BV (Yukon). This may be HP's 1350 CBC Inuvik mystery hrd on his car rx. There is no graveyard when you're up there. (JO-BC)

1360 KUIK OR, Hillsboro 2/13 0745 noted at s/on. Prob. a regular MM SP. (EH-WA) (Isn't 0745 also KAMT's MM s/on?--NH)

1370 (KEEN) CA, San Jose 2/9 0407 totally off. (RW-CA)

1400 KRE CA, Berkeley 2/13 hrd w/relig program, into "Home Grown" Jazz program at 0305, Fair. (PM-OR)

KPAG CO, Pagosa Springs 2/13 0750-0755 f/c per list w/TT, IDs.(EH)

1420 ?KTAN? AZ, Sierra Vista 2/13 0906-0913 while looking for KMOG, w/UPI nx, into state nx. Ment. of drug trafficking in Ariz., coupla other AZ nx items, one mentioned "Charleston Road." Lost by 0913. KTAN listed carrying UPI nx. Should be lkw ND at this time. (RW-CA)

KITI WA, Centralia-Chehalis 2/4 0330-0500 u/KSTN w/pop-rock mx. Rose for good ID at 0500, into AI nx. (DKK-CA)

1470 KBXN UT, Tremonton 2/14 1959 up for s/off atop the hash. Said tune to KBXN-FM. Poor sig but ID was readable. (DKK-CA)

1490 KTOB CA, Petaluma 2/10 topping freq. at 2230 w/ads & ID. Haven't hrd this for a while. (PM-OR)

KKLB ID, Chubbock 2/1 0542 briefly w/blip ID, C&W mx. (EH-WA)

1500 KTOL WA, Lacey hrd days w/CKAY. Are they on nights? (JO-BC)(No.-NH)

1560 KGH0 WA, Hoquiam-Aberdeen 1/22 2045 ID dual cities, ment. satellite. (JO-BC)

1580 KLOQ CA, Merced 1/22 2040 "FM 96 Country" Red Cross etc. Other than the new easy "clears" this is a new one for me. (JO-BC)

1590 (KLIV) CA, San Jose 2/9 0413 totally off same night as KEEN! KBBQ in only weakly, someone in background, poss. KJET? (RW-CA)

1610 TIS Wash. Dept. of Transportation--location unknown 2/10 2205 w/recorded message by YL "for test & adjustment purposes." Pair. Anyone else hearing this? (PM-OR)

February f/c heard:

2nd MM 0750-0755 KPAG-1400 CO (EH-WA)

February f/c's tentatively heard:

2nd Th 0210-0220 KOJM--610 MT (RW-CA)

0200-0204 KICA--980 NM (RW-CA)

0600-0625 (approx.) KTUI-1560 MO (RW-CA)

UNID:

1420 2/13 0930 faded o/XEEX w/ABC nx, so most likely Ae nx. KYNG listed as most likely candidate. Jim Hilliker, does KMOG carry Ae news? (RW-CA)

Welcome to WDXR, Brock! We're getting quite a following in Hawaii. That's great! One last reminder--the deadline for the Anniv. Issue is Tuesday March 13. I'd really like to see each state and province in WDXR-land represented!!! ♡

CENTRAL DX ROUNDUP

Robert Kramer
6416 N. Richmond
Chicago, IL 60645

- UnIDed, SPECIAL, CHANGES, et. al.
- 560 (WHDN) MI MONROE, 2/13 test not hrd 0000-0100 & again 0345-0400, too much WIND. TMJ-IL
 840 UnIDed 2/2 0205-0220 fair w/TT. Anybody catch an ID? JC-IL
 1030 KHOG AR FARMINGTON, 2/15 0818 fair o/KTA w/lcl spots, C&W & AM 1030 IDs, ex-1440 Fayetteville, but still daytime only. REM-IL (Robert, note correct city of license, ed.)
- 1450 WVON IL CICERO, 1/23 0738 WVON IDs, ex-WXOL. CR-IL (An item of interest on this one, WVON was originally on this frequency. It moved to 1390 in early 1975, leaving 1450 open in Chicago for 18 months. In September of 1976 WFMT, a Chicago FM station operated here temporarily until the 2 new Cicero licenses were granted to WXOL & WCEV. Now WXOL has the old WVON call letters, with 1390 now WGCI, ed.)
- 1580 WBGB FL MT. DORA, 1/15 0155 poor on DX Test w/ID & ment. of 5000 watts. CR-IL
 WZKY NC ALBERMARLE, 1/30 0138 poor on DX Test w/ID. CBJ TT, WLDH, WSRF QRM. CR-IL
 1590 UnIDed 1/26 "Double I or Y Country" slogan at 1725. Ideas? JC-IL
- ALL DA REST
- 540 WDAK GA COLUMBUS, 1/8 1850 fair w/several Elvis Presley songs, ID & wx, CR-IL
 640 WWLS OK MOORE, 1/14 1831 poor w/nx, wx, ID & C&W mx, Cuban QRM. CR-IL
 730 WJMW AL ATHENS, 1/26 good w/"AM 73" non-IDs & Alabama nx at 1730. JC-IL
 WFMW KY MADISONVILLE, 1/26 good w/C&W at 1745. JC-IL
 770 WEW MO ST. LOUIS, 2/4 1845 s/off w/SSB. CR-IL
 810 KBHB SD STURGIS, 1/26 good at 1716 w/ID. JC-IL
 830 KBOA MO KENNETT, 1/26 fair at 1715 w/s/off, way o/WGCO. JC-IL
 840 WWAX AL MOBILE, 1/26 fair u/WHAS at 1810 w/oldies, s/off. JC-IL
 870 WKAR MI EAST LANSING, 1/26 fair w/NPR stuff at 1705. JC-IL
 1000 KGMO WA SEATTLE, 1/30 0351 good w/TT & ID at 0400. CR-IL
 1020 WCIL IL CARBONDALE, 2/6 0730 ID, weak u/WPEO. TMJ-IL
 1050 KBUF KS GARDEN CITY, 2/5 1900-1915 s/off, xlnr, all alone w/C&W mx. TMJ-IL
 KCAS TX SLATON, 2/9 1929 s/off, caught end portion, weak & alone. TMJ-IL
- 1060 KLMO CO LONGMONT, 1905 1/5 poor w/ID & lcl ad cluster. JIS-IA
 WKQQ MN HEBING, 2/12 0700 fair u/WHPF, C&W mx, IDs. TMJ-IL
 1070 WAMV FL TALLAHASSEE, 2/11 1833 briefly o/WIBC w/ID then into soul mx. REM-IL
 1080 WCII KY LOUISVILLE, 2/4 1927 fair w/C&W mx & "W-C-double I" IDs. CR-IL
 1090 WSLG LA CONZALES, 2/10 1844 poor u/o KAAV w/C&W & s/off. REM-IL
 1140 WVEL IL PEKIN, 1830 2/11 fair w/s/off by male, no SSB. JIS-IA
 1150 WKKN IL ROCKFORD, 1439 2/11 fair ID, ad cluster, adult contemp. mx. JIS-IA
 1190 WXGR MS BAY ST. LOUIS, 1812 1/7 fair, slogan: "The Country Giant", ID. JIS-IA
 WSVG TN DUNLAP, 2/8 1830 poor u/mess w/end of s/off ment. 5 kw(they're only supposed to be 1 kw, so maybe a facility change slipped by unnoticed, ed.)
 REM-IL (Robert, these are the call letters, ed.)
- 1240 WKDA TN NASHVILLE, 1/29 0657, no ID hrd, but wx for Nashville Area given. Local WEDC was off, ruined by 0700 WSEC s/on. CR-IL
- 1270 WRJC WI MAUSTON, 0826 1/21 fair-good, PSA, Adult contemp. mx. JIS-IA
 1330 KBJN MN MINNEAPOLIS, 0555 2/12 fair-good NPR "Jazz Alive" pgm. JIS-IA
 1360 KBKB IA FT. MADISON, 1240 1/31 fair u/KHAK; ID, contemp. mx. JIS-IA
 WJNE WI MEMONONIE, 1/26, fair at 1712. JC-IL
- 1370 WGHN MI GRAND HAVEN, 1/27 0658, fair w/spots, wx & CBS nx. CR-IL
 1380 WQHK IN FT. WAYNE, 2022 1/16 fair-good ID, C&W mx. JIS-IA
 KLIZ MN BRAINERD, 1/26 ad at 1723. JC-IL, 0753 1/28 fair, lcl wx rpt. JIS-IA
 KAGE MN WINONA, 1/26 fair w/skiing nx at 1710. JC-IL
- 1390 WCSG SC CHARLESTON, 2/3 0329 fair w/many "13-90 CFC" IDs, WGCI off. CR-IL
 1420 WFLT MI FLINT, 1/24 0600 fair at s/on w/rooster crows. CR-IL
 1430 CJCL ON TORONTO, 2305 1/15 poor-fair, end on nx into MOYL. JIS-IA
 1440 WEZJ KY WILLIAMSBURG, 1/18 0700 fair at s/on. CR-IL
- 1460 WBRN MI BIG RAPIDS, 2258 1/15 poor AM/RM ID into nx. JIS-IA
 WCBT PA HARRISBURG, 2/3 0320 fair w/"1460 WCMB Country" ID & C&W mx. CR-IL
 1470 WHUT IN ANDERSON, 1/23 0711 ID hrd in WMBD, WMFP mess. CR-IL
- 1480 WNKY KY NEON, 1/15 0723 fair w/ID. CR-IL
 WCIN OH CINCINNATI, 2025 1/18 poor ID popped in thru jumble. JIS-IA
- 1500 WIQV MI DETROIT, 2/11 0141 good ET w/OC, TT & voice IDs. CR-IL
 KTXO TX SHERMAN, 1855 2/3 fair ID & into nx. JIS-IA
- 1540 WSMI IL LITCHFIELD, 2/11 1814 fair w/interview pgm, s/off. CR-IL
 WCBK IN MARTINSVILLE, 2/11 1809 poor w/promo for pgm on WCBK. CR-IL (Christos, are you sure about this one? They changed call letters to WMCB last year, ed.)

1540 WABQ OH CLEVELAND, 2/12 1800 poor at s/off on FSSA. GR-IL
 1580 WSRF FL FT. LAUDERDALE, 1/30 0115, "Surf 16" slogan & rock oldies. GR-IL
 WPGC MD MORNINGSIDE, 2/13 0530 good on ET. TMJ-IL CR-IL
 WVG0 MI ST. JOHNS, 2/4 1815 fair w/s/off & an inv to listen to more MOYL tomorrow.//
 WLIM NY PATCHOQUE, 1/15 0110, fair on ET w/ID. CR-IL

FREAK !

1450 KVOW WY RIVERTON, 2/13 0205-0210 fair on r/c w/TT & very weak ID just prior to the onset of an aurora. RK-IL

This Week's Mob:

JC.... John Clemmer 4524 7th St. East Moline, IL
 (Superadio)
 TMJ... Tom Jasinski 503 Jensen Shorewood, IL 60436
 (FRG-7, 2 1/2" loop)
 RK.... I think that's me
 (R-1000, HQ-140X, HQ-129X, Radio West Loop, Kowalski Loop, spiral loop)
 REM... Robert McKinney RR# 2, Box 120 Clinton, IL 61727
 (R-300, SM-1)
 CR.... Christos Rigas 4832 N. Drake Chicago, IL 60625
 (R-2000, Superadio, Kowalski Loop)
 JIS... Jerry Strawman 519- 30th St. N.E. Cedar Rapids, IA 52402
 (R-70, R-1000, HQ-160, random wire, homebrew ferrite loop & PET amp, 2 finches, 1 parakeet, 1 canary, 1 hamster & 1 guinea pig) (mucho QRM, ed.)
 I discovered that 2 people's credits were accidentally left out of last week's issue:
 PAL... Paul LaFreniere Box 606 Grand Marais, MN 55604
 (Zenith Portable & LW)
 NZ.... Neil Zank 623 Lyncrest Dr. Lincoln, NE 68510
 (HQ-180A, RF-2600)

John Clemmer sends word that WMKE-1340 Milwaukee, WI has again changed call letters back to WBCS & is C&W again. This has to be a record for call changes back & forth to the same calls.

CADX Spring Flings:

The 14th edition of the CADX spring get together is being planned. Usually this affair is mostly local & much smaller than the winter blast. However, this year looks like a biggie. Already, 5 out of towners are planning to come, and it hasn't even been publicized yet. The dates are May 25-28. For more info, call me at (312)-262-6299. More on this to follow in future issues. Events planned are mostly nonDX related, including the annual whiffle ball game. There may be some TV DX though, as there is often some skip around this time of year. Mostly the spring GT is a funtime event. It is usually too late in the season for any worthwhile BCB DX. However, there could be some DX bragging.

EASTERN DX ROUNDUP

Bob Lazar

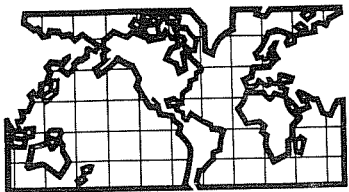
11011 Becontree Lake Drive, #410
 Reston VA 22090

Deadlines: 3/5, 3/12, 3/19, 4/2, 4/16, 5/7

790 WTAR VA Norfolk, 2/9 1819 "Your wx stn", ID. Fair u/ WNWS. (JBH-FL)
 900 WMOP FL Ocala, 2/7 1810 ID noted into mx. Fair. (JBH-FL)
 910 WGAF GA Valdosta, 2/10 1855 ID into C&W mx. Poor u/ WPLA. (JBH-FL)
 1220 WENC NC Whiteville, 2/15 1801 s/off w/ment of 5 kw pwr. Good. (WPT-DC)
 1300 WIBR LA Baton Rouge, 2/5 2052 ID w/ ad for traffic rpt, poor. (JBH-FL)
 WYNG NC Goldsboro, 2/13 1801 ID by m. Fair. (WPT-DC)
 1310 WDKD SC Kingstree, 1/13 1800 s/off by f, SSB. Fair. (WPT-DC)
 1360 WMOD AL Mobile, 2/5 0700 full ID at s/on. Poor. (JBH-FL)
 1390 WROA MS Gulfport, 2/3 1906 ID w/ ad for insurance agency, BFL mx.
 Fair. (JBH-FL)
 WISK GA Americus, 2/3 0650 ID w/ "Here in Americus". In a jumble.
 New! (JBH-FL)
 1400 WULF GA Alma, 2/3 0643 ID w/ ad then into C&W. Poor. (JBH-FL)
 1460 WPNX AL Phenix City, 1/31 0318 "14-60 WPNX." Poor, mixing w/ WPDQ.
 New! (JBH-FL)
 1470 WRGA GA Rome, 2/16 1831 wx by f. Fair. (WPT-DC)
 WQXL SC Columbia, 2/17 1801 s/off by m. Good. (WPT-DC)

Eastern DXers

JBH - Jody Hughes, 13720 Gulf Blvd. #401, Madeira Beach, FL 33708
 (DX-160, DA-5)
 WPT - Bill Townshend, 4500 Connecticut Ave. NW #901, Washington, DC 20008
 (TRF, Sony ICF-S5W)



DX WORLDWIDE - WEST

Pat Martin - Editor

P.O. Box 843, Seaside, Oregon 97138

(503) 861-3185 · deadline Tuesday

DUs seem to be coming back lately. A few more have been heard on a regular basis this past couple of weeks and 4MK-1026-MacKay, Q. has been in until after 1730 UTC lately. In news this week: KPOI-1040 has gone silent! I had wondered why I hadn't heard them for the past couple of weeks, and today 2/21 I received word from Brock Whaley-Honolulu saying KPOI signed off at 1000 UTC on 2/9. The station plans to return to the air in March with new calls and a religious format, still operating from 0600-0000 HST with 10 KW. So apparently the move didn't help them too much. Well on with reports:

PAN-AMERICAN DX ROUNDUP

- 555 NICARAGUA, Chinandega-HTS at 1027 2/6, poor quality audio, but fair strength, rhythmic mx and man in SS, 1039 def. "Radio 19 de julio" mention by man. Been after this for more than a year. (NHP-BC)
- 650 HONDURAS, San Pedro Sula-HRVW at 0418 2/15, nil-good o/u WSM w/LA pops, then "desde la voz de Centroamerica en San Pedro Sula..." by man. New. (NHP-BC) (Good Catch Nick. PM)
- 700 ECUADOR, Guayaquil-HCRS2 at 0620 2/10 SS talk, but faded u/KFAM, faded back on top 0630 w/1:30 TC after wild mx, then a big "Radio Secre" ID at 0632. Poor to good strength often wiping out KFAM. (NHP-BC) (Great. PM)
- 760 MEXICO, Mexico DF-XEABC at 0613 2/10 "7-60 en su Radio, ABC Internacional, la estacion de las estrellas" o/Hello Dolly. Good strength dominant o/KFMB. Not hrd before in evening. (NHP-BC)
- 830 ECUADOR, Guayaquil-HCRH2 at 0520 2/12. distinctive Huancavilica ID poor at best w/light mx, almost classical, thought it was XELA (NHP)
- 834 BELIZE, Radio Belize-OM and YL w/C&W mx at good level 2/16-0430 (TCH-Wa)

TRANS-PACIFIC DX ROUNDUP

- 648 USSR, OM and YL in KK or CC, interval signal played 8 times from 1429 1430, sounded like Peace and Progress on SW on 2/9. (TCH-Wa) (Tim: This is the CC Service (Foreign) USSR, and Radio Peace and Progress does use this freq. PM)
- 657 UNID, class. mx at 1347 on 1/30 weak. (TCH-Wa) (Sounds like 2YC. PM)
- 666 t AUSTRALIA, Canberra-2CH, poss. the vy weak rr mx under Noumeas carrier at 1126 on 2/19. (PM-Or)
- 747 JAPAN, Sapporo-JOIB, strong carrier, but audio weaker at 1333 2/16 (TCH)
- 774 JAPAN, Akita-JOUB S9 +15 DB on SPR4 at 1340 2/16 // 747, JJ Talk (TCH)
- 828 JAPAN, Osaka-JOBB-Barely audible // 747 1346 on 2/16. (TCH-Wa)
- 837 UNID, EE Audio at 1348, YL and OM Talk, loops DU 2/16 (TCH) (4RK poss. PM)
- 1044 CHINA, Radio Beijing FS at 1309 in CC and JJ, Lang. Lessons // 7480 SW infrequent KZHI QRM, some thunder QRN on 1/22. (DP-Hi)
- 1098 MARSHALL ISLANDS, Majuro WSZ0 at 1100 to 1206, pop and C&W mx, plus Island mx, KZHI off, thunder QRN 1/30, vy poor. (DP-Hi)
- 1476 t USSR? at 1104 2/2, low KK Talk, can't kind // on SW, tent. log (DP-Hi)
- 1566 SOUTH KOREA, HLAZ good w/YL in JJ, clas. mx 1343-2/8, gone by 1348 (TCH)
- 1575 UNID, on 2/15 at 1339, strong carrier looping Asia. (TCH-Wa)

THANKS TO THESE REPORTERS:

- TCH-Wa Tim O'Hare-20023 84th West-Edmonds, Wa. 98020
SPR4, etc. loop.
- DP-Hi Dale Park-2253 Kanealii Avenue-Honolulu, Hi. 96813
Sony ICF-6700W
- NHP-BC Nick Hall-Patch-1538 Amphion Street-Victoria, B.C. V8R 4Z6
Transg. HRO, 3' Box Loop
- BW-Hi Brock Whaley-442B Kalaimoku-Honolulu, Hi. 96815

Opps forget one more: TPs.

- 558 FIJI, Suva-Radio Fiji 1 at 1046 2/6, nil to fair signal "Radio Fiji news", followed by non-EE talk. (NHP-BC)

DX WORLDWIDE EAST

DXWW East Temporary Editor:

Donald Erickson, 6059 Essex St., Riverside, CA 92504
 New Deadline: Fridays, 15 days before issue date. Phone: (714) 687-5910.

Pan American DX Roundup

- 540 Nicaragua Managua R. Coperacion 2/8 1004-1012 pr w/xylophone style Latin music, ID.
 570 Cuba R. Rebelde 2/6 0958-1001 exc w/IS, s/on anmnt, male anncr, ID. (RG-IL)(RG-IL)
 600 Dominican Republic Santo Domingo R. Latino Americana 2/9 0816-0857
 good, w/rancherita mx, M anncr, ID. (Rob Gerardi, Benton, IL)
 760 Cuba Habana CMBD R. Reloj 1/31 0917 exc; code "R-R" is sent after a news item
 just prior to voice ID and appears to be a way to mark passage of a minute (RG)
 770 Colombia Bogota HJKH R. Tequendama 1/30 0804-0832 wk w/Latin pop mx & male anncr
 talking w/child between records, ID by female anncr. (RG-IL)
 810 Colombia Bogota HJCY R. Sutatenza 1/31 0957-0959 fair w/female anncr, Latin pops, ID.
 825 St. Kitts Basseterre R. Paradise 2/13 2152 (at sunset) making (RG-IL)
 an early showing w/religious vocal music. (MC-B-MA)
 840 Panama Panama City HOL80 R. Libertad 2/8 1036-1053 fair u/WHAS, ID by M & EZL instr mx
 890 Honduras Nacome R. Honduras 2/8 1200-1204 fair u/WLS w/ID & M reading nx. (RG-IL)(RG-IL)
 920 Cuba R. Reloj 2/13 0634-0636 though KARN dominated freq. (RG-IL)
 1060 Mexico Mexico, D.F., XEEP R. Educacion 1/31 1047-1100 gd w/cl mx
 followed by ID on hour by female anncr. (Rob Gerardi, Benton, IL)

Trans Atlantic DX Roundup

- 531 Algeria Ain Beida 2/11 0003 poor w/AA talk. This one doesn't
 pack the punch of 549, despite less QRM. (Mark Connelly, DXing in Boston, MA)
 549 Algeria Oran 2/11 0001 w/AA talk, putting ferocious het against WGNG. (MC-B-MA)
 720 Portugal Norte Azurara 1/22 2130 PP mx, good, (MC-B-MA)
 738 Spain/unID(s) 2/10 2355 SAH/low-het rumble like a graveyard
 channel, occasionally allowing SS talk from Barcelona to penetrate the audio
 garbling din. CBNM/CBL slop only added to the general state of confusion (MC-B)
 756 Portugal Lisboa 2/10 2353 only fair w/man in PP (mediocre cx at time). (MC-B-MA)
 765 Senegal Dakar 2/10 2350 good w/AA chant & violins, despite lower modulation
 level than normal. + 2/13 2218 FF talk, OK, cx poor for other TAs. (MC-B-MA)
 774 Spain synchros 2/10 2349 SS talk, mx, booming in despite a strong adj WABC. (MC-B-MA)
 783 Portugal Porte Miramar 2/10 2348 gd w/M in PP o/SAH. (MC-B-MA)
 819 Morocco Rabat 2/10 2347 pr w/F AA chant, sev diff low-pitch hets present. (MC-B-MA)
 864 France Paris 1/27 0611 fair w/M in FF. (Mark Connelly, DXing in Boston, MA)
 891 Algeria Algiers 2/10 2249 exc w/AA talk by M; definitely loudest TA at time. (MC-B-MA)
 981-t-Algeria 2/10 2341 bits of AA mx; screaming het badly garbling
 semi-local WCAP. (MC-B-MA)
 1062 Portugal Sao Salvador 2/10 2337 w/disco mx, then PP talk, good. (MC-B-MA)
 1089 England Orfordness BBC 2/10 2335 pr w/bits of EE talk; even regeneration
 couldn't bust this one out of the extremely strong WBAL QRM. (MC-B-MA)
 1134-t-Spain? 2/10 2332 SS-sounding vocal in bad WNEW/WHUE slop. (MC-B-MA)
 1375 St. Pierre et Miquelon 2/10 2326 loud w/M in FF o/1377 het. (MC-B-MA)
 1404 Guinea Conakry 2/10 2322 w/potent carrier - audio level still
 substandard, in my opinion; female chant. (MC-B-MA)
 1467 Monaco Monte Carlo TWR 2/7 0457 exc w/rel mx, GG talk. + 2/10 2319
 blasting in w/talk, apparently in AA. (MC-B-MA)
 1548 Great Britain 2/7 0511 (not sure which stn) British EE talk, UK/US
 pop mx, poor in slop. (MC-B-MA)
 1557 France Nice 2/7 0512 fair (o/SAH) w/F in FF. + 2/10 2315 FF talk
 thru severe WQXR slop. (Mark Connelly, DXing in Boston, MA)
 1584 Spain 2/7 0509 SS nx o/u other 1584 stns & CBJ slop. + 2/10 2311
 SS news, loud. (Mark Connelly, DXing in Boston, MA)
 1593 West Germany Langenberg 2/7 0508 good w/G talk. (MC-B-MA)

Week's Contributors

(MC-MA) Mark Connelly - 7 Trowbridge Path - West Yarmouth, MA 02673
 (MC-B-MA) Mark Connelly - DXing at Waterfront Park, Boston, Massachusetts
 RX = Car radio Antenna = Car whip with APT-2 re-gen. tuner
 (RG-IL) Rob Gerardi - 1421 N. Franklin, Apt. 7 - Benton, IL 62812
 Panasonic RF-2200 & Icom R-70, 160-meter ham antenna

DX WW II

EDITED BY
PETER V. TAYLOR
2614 JACKSON STREET
SAN FRANCISCO, CA. 94115

TRANS - PACIFIC

ALASKA - Nenana-1270 granted KIAM (Broadcasting). Arctic Bc. Assn. has requested 10kw-D, 2.5kw-N on 1020kHz from Eagle River (Broadcasting).

AUSTRALIA - 2AY-1494 is 24h. 4EB-1485 moves to 1053 w/500 watts. 2AD-1134 Armidale has applied for 5kw DA (DXA). 2CN-666 is 2kw.

BURMA - Rangoon-955 is on 0030-0230 (to 0330 Sun.), 0330-0730, 0930-1600 has EE 0200-0230, 0700-0730, 1430-1600 (BBC). (Not yet on 954-PT).

CHINA - Shanghai PBS has confirmed that the widely heard 1040 FS transmitter (now on 1044) never was in Shanghai and has always been in Changzhou. They go on to say their current frequencies are 990 792 1197 1422 1296 + 100FM, with no mention of 648 or 1350a, which have been reported...

In the schedules department, **Henan PBS P2-972** is on 2140-0520, 0855-1500, with EE Lls at 2230, 0400, 1230. **Liaoning PBS-612/963/1089/1260 (+4830)** is on 2050-0100, 0250-0640, 0855-1500; JJ Lls are on 2100, 0900. **Zhejiang PBS P1-530/576/810/862/963/1075/1080/1134/1143/1370/1426/1481/1503/1620** is on 2100-0520, 0850-1510, EE Lls are on 2140, 1330. **P2-1530** is on 2100-0015, 0250-1505 (Tue. 0250-0605, 0850-1505); EE Ll is on 0430. **Hebei PBS-783/1125/1278** is on 2120-0020, 0255-0600, 0830-1545; unspecified Lls are on at 2130, 0520, 1310 (probably EE - PT). **Jiangxi PBS-729** is on 2100-1500, with EE Lls 2130, 1300. **Shandong PBS P1-918/1548** is on 2050-0050, 0845-1600, with EE Lls 2120, 1405 (594 not included, but probably // since the programs come from Jinan-PT). **Heilongjiang PBS-621/900** is on 2050-0610, 0855-1500. **Nei Mongol PBS-675** is on 2130-0540, 0930-1530. **Sichuan PBS P1-1116 (+7225)** is on 2120-0030, 0320-1505; EEB Lls are on 0950, 1340. **P2-1089** is on 2150-0530, 0950-1320. **Tianjin PBS P2-1071** is on 2150-0040, 0135-0830, 0955-1500 (BBC). **Zhoushan PBS-684** is on 2110-0400, 0900-1405. **Xiamen PBS-1107v** is on 2110-0500, 0750-1400 (MWThF), 0750-1500 (SaSu), 0850-1400. **Nanchang PBS-1278** is on 2145-0040 (M-Sa), 2140-0110 (Su), 0150-0500 (Su), 0235-0500 (M-Sa), 0845-1400. **Xishuangbanna PBS-747** (YN province) is on 2200-0130, 0300-0630, 0950-1530 in CC, Hsishuang Panna Tai, Khani. **Daxing'Aling PBS-1278** is on 2120-0100 (M-Sa), 2120-0230 (Su), 0255-0420 (Th), 0255-0520 (ex-TuSu), 0255-0650 (Su), 0940-1500 (I believe this is in HL province-PT). **Yanbian PBS CC-1053** is on 2020-2340 (M-Sa), 2020-0040 (Su), 0240-0530 (M-Sa), 0240-0600 (Su), 0855-1500, **KK-1206** is on 2025-2300 (M-Sa), 2025-2400 (Su), 0255-0500 (Th); 0255-0530 (ex-Th), 0900-1500. **Tonghua PBS-909** is on 2105-2330 (M-Sa), 2105-0200 Su), 0325-0515 (M-Sa), 0325-0735 (Su), 0925-1305 (ABI via FERC).

Fujian PBS - Taiwan Service programs are broadcast as part of the domestic service. **P2-1467kHz** carries Std. Chinese (SC) 1500-1530. The following, all on **P1**, are on 556 612 840 and 882 throughout. Schedules: **0000-0030 SC** on 505 848 887 898 1050 1420 1452; **0130-0200 Amoy** on 505 848 887 1050 1420 1452; **1400-1420 SC** on 1370 1420 1427 1452; **1500-1530 Amoy** on 877 1370 1400 1427 1452; **1600-1630 Amoy** on 1452; **1630-1700 SC** on 1370 1400 1420 1452; **2100-2130 SC** on 920 1047 1370 1400 1420 1472 (BBC).

HAWAII - KPUA-970 finally granted 670 (Hal Boudreau, KPUA).

INDIA - Cuddapah-100kw (900kHz?) has been commissioned (BBC). AIR-1395 Madras B is on 1395, ex-1584 (SDXC via ARC).

INDONESIA - RRI-1287 Palambang began 24h service Jan. 3. RRI National Program on 999kHz is on 2155-0100, 0455-0800, 0955-1610. Additional programs are on Sundays, 0100-0455 (BBC). RRI-1553 Manado is here (DM, FERC). RRI Tanjung Karang noted on 1336 (K. Shimotori, FERC).

IRAN - Kish Island-1242, 800kw, was inaugurated Jan. 21. It operates 18 hours a day, carrying VIRI foreign programs plus some Bandar 'Abbas originated programs (BBC). Garab-1305 1kw relays Shiraz 0330-1600 (BBC).

JAPAN - JDTF-1251 Kyokuto Hoso is moving to FM (FERC). NHK1-729 Nagoya is now 50kw; it is on 2000-1500 (NOXC via ARC). JONR-1008 is now 24h (K. Takasaki, FERC). Sapporo TV 1kw translator in Tomakomai City is on 1440 (A. Ishida, FERC).

LAOS - Vientiane-580 150kw (USSR built) starts this year. Vientiane 640 & 750kHz 10kw 2200-0230, 0400-0700, 0900-1600. Oudomxay-800 1kw 2300-0200, 1000-1300. Vientiane-1030 (FS) 2300-0130, 0400-0630, 1130-1400. Oudomxay-1050 400w 2230-0130, 1100-1400. Savannakhet-1090 2230-0100, 0430-0600, 1100-1400. Pakse-1370 10kw 2300-0200, 0400-0600, 1000-1400 (DXA).

MACAO - France and Portugal are setting up an XR here, with FF nights for Vietnam, and Cantonese days for HK and Guangdong province (BBC). (No freq.-PT)

MALAYSIA - R. Malaysia-Mersing is on 1310 (nom. 1314) (SDXL via FERC).

NEPAL - R. Nepal on 792 is on 0020-0520, 0720-1020, 1150-1720; Pokhara-684 is //1150-1720 (A. Peterson, ADXN).

NEW ZEALAND - RNZ is applying for 1170kHz in Te Kuiti, "R. Waitomo." It will be a mini-station, live in the morning and relaying 12H Hamilton the rest of the time. 32M-1323 will co-site with 3ZB (D. Riquish, NZDXT).

PAKISTAN - A 250kw PBS outlet is under construction in Khuzdar in Baluchistan, replacing the current 250w outlet. (No freq.-PT). Radio Pakistan foreign service: Hazargi 1300-1430 on 756kHz, and Dari 1600-1800 on 585kHz (BBC).

PAPUA-NEW GUINEA - The cuts reducing NBC broadcast services were deferred on New Year's Eve (BBC). However, R. Enga-1593 is off (DXA via FERC).

SAIPAN - KSAI-936 has increased to 10kw (A. Cushen, EA, via DXA, & ADXN).

TAIWAN - Taiwan BC-1190 still here; s/off 1801 (T. Oka, FERC). Fu Hsing-747 Hualien is now on 693, and Shih Cheng-1130 is now on 1134 (T. Gims, ABI via FERC).

THAILAND - The R. Thailand megawatt XR is on 891kHz 2230-1600 (BBC).

USSR - Vladivostok-1251 is reported as still on by (AT, in ADXN) which conflicts with our FERC note that it was off (PT). Will someone confirm please?

VIETNAM - A new station at Cao Bang is on (BBC). (No freq.-PT).

CLANDESTINE - "Voice of the Islamic Republic of Afghanistan" (Dari: Sada-ye Engela-e Eslami-ye Afghanistan Ast), hostile to Soviet involvement, is on 720kHz 1700-1730 (BBC).

T R A N S - A T L A N T I C

ALBANIA - new station noted on 620kHz (BE-ARC); noted on 619 by EBU (ARC).

ALGERIA - RTA has EE on 981kHz at 2000 (S. Helldt, SCDX).

BELGIUM - Wolvertem-1512 has EE Sun. 1910-1930; Mon.-Sat. 1915-2000; and a DX pgm. Sun. 2200-2245. An SS DX pgm. is on Sun. 2130-2200 (BBC).

CZECHOSLOVAKIA - Hradec Kralove-1017 goes to 20kw; Plzen-1233 to 50kw. Lots of new 1kw translators are planned, the first being C. Krumlov-558. A new high powered MW XR for FS will be built between 1987-92 at Horsovsky Tyn, south of Plzen (1200kw on 1287?) (KH via BT, ARC).

EGYPT - The 1593 XR is E1 Mima w/10kw (EBU via ARC). A new outlet on 1521kHz is //711/1593 (BBC).

GERMANY, BRD - The NDR/SFB Xr on 630kHz is finally on from Dannenberg (Pisselberg) with 10kw; schedule is reduced due to lack of funds (BT, ARC). **DLF-1269 Neuenunster** has GG Lls 1830-1845: Mon.-Danish; Tue.-Dutch; Wed, Sat.-EE; Thu.-Norwegian; Fri.-Swedish, plus Danish Sunday 1900-1915. Other pgms.: Danish M-Sat 1845-1915; EE 1915-2000; Dutch 2000-2030; Swedish 2030-2100 M-Sat; Norwegian 2100-2130 M-Sat. **DLF-1539 Mainflingen** has GG Lls 1845-1900: Mon.-Slovak; Tue.-Italian; Wed.-Hungarian; Thu.-Polish; Fri.-French; Sat.-Czech. Other pgms.: FF 1830-1845 M-Sat., plus 2000-2030; Polish 1900-1930; Czech-Slovak 1930-2000; Romanian 2030-2100 (DW); Serbo-Croat 2100-2130 (DW); Hungarian 2130-2200; Italian 2200-2230 (BBC).

GERMANY, DDR - Potsdam-603 is now off; only FM is on (BT, ARC).

GREAT BRITAIN - BBC R4, Lots Road, London, may be moved to Peckham (AvE via ARC).

GREECE - Komotini-648 (sometimes 649) is no longer on (BE, ARC).

ICELAND - The MW outlets are not putting out full power due to their age. The US Navy station, Keflavik-1485 is quite popular in Reykjavik. It is 24h, with AT40 Sat. 1300-1700 and alot of country and pop syndicated shows (Bernd Trutenau, ARC).

IRELAND - Community Radio-1116 Portmarnock is ex-1134 (DSWCI/WDXC via ARC).

ISRAEL - Due to "dire financial straits," Network A and the Voice of Music will both now sign-off before midnight local time; they will also link up between 0730-0930 (local) with a classical music program (BBC).

ITALY - RAI 2-999 Torino is here with 20kw, ex-1449 (SCDX via ARC).

LEBANON - "Voice of the Mountain" (Sawt al-Jabal) is the new and correct name for the 1080kHz outlet, which operates 0430-2100 (BBC).

LIBYA - Ajedabia-1080 40kw is new. A relay, Jalo 20kw is also on 1080 (EBU via ARC). Other new UNID outlets are on 1480 & 1490 (EBU via MWSC).

MAURITANIA - R. of the Islamic Republic of Mauritania-1349 (Nouakchott) (FF: DRTM) is on 0555-0900, 1200-2400 (Fri.: 0555-2400. Ramadan: 24h) mostly in AA, but w/FF news 0700-0710, 1430-1445; and also, during Ramadan, 1915-1945. VOP/VPR is carried 2220-2250 (BBC). Nouakchott reported on w/50kw now (EBU via BE, ARC).

MONACO - Daytime broadcasts are now on 1466.7, causing severe heterodyning. Evening s/off is now at 2330, ex-0015 (Dille Alm, ARC).

MOROCCO - Alhoceima (?) -1377 40kw is new (EBU via BE, ARC).

MOZAMBIQUE - Xai-xai began transmissions Jan. 17-18, with most programs in Ronga, a regional language (BBC). (No freq.-PT).

NETHERLANDS - NOS has introduced Radio 5 on 1008kHz for foreign workers. It carries Moroccan AA 1802, Berber 1810, Turkish 1820, SS 1830-1840 (BT, ARC).

NORWAY - The new Smøla-630 facility may not be built. Instead, the Vigra site may be rebuilt (SDXL via ARC).

NORWAY/SWEDEN - Kvitsoey-1314 is now carrying an experimental AN show from 2300-0500 (to 0600 Sun.). It is on all NRK P1 frequencies, Swedish Radio P3 outlets (FM), plus RSI SW from 0330 (BBC).

POLAND - The government blocked the BBC-1296 Polish broadcast the day Danuta Walesa accepted her husband's peace prize in Oslo; Czech & Hungarian transmissions were also affected (SCDX).

QATAR - Al Khaisah-1233 has EE 1400-1845 (S. Jasper, SCDX).

SPAIN - EAK33-999 RP Vigo 5kw noted here along w/two other outlets (EBU via BE, ARC).

TOGO - RTT Lome-1395, "La Voix de la Nouvelle Marche" is on 0528-0003 mostly in FF and vernaculars. EE news is on 1030-1100, 1603-1630, 1950-2000. Kara-1503 is on 0527-0905, 1157-1435, 1527-2305 (Sat. & Sun.: 0527-2305) in FF & vernaculars (BBC).

USSR - Kiev-891 carries Moldavian 1530-1600, //1530. Second Program "Krynitsa" from Minsk is on 1008/1026/1197 0600-1200 in Belorussian; similar to "Mayak" (BBC).

YUGOSLAVIA - The 1200kw XR on 1134 is in Biograd-na-Moru, 15E31, 43N57, beautiful place, on the sea, between Zadar & Sibenik (BE, who has been there).

CLANDESTINE - R. Nacional de Republica de Sahara Democratica, operates on 1358 but announces 576kHz, which is in fact in Bechar, Algeria (W. Buschel, SCDX).

P A N A M E R I C A N A

COLOMBIA - HJEV-1160 LV del Valle is ex-1140. HJFR-1210 LV del Huila is definitely here and not on 1200. HJLW-1500 LV de la Feria is 5kw. Re HJQZ-1580, R. Principe is still the name of the station; LV de las Estrellas is just the name of a program (OF, SJ, RTM, JM in ARC).

COSTA RICA - TIRI-980 R. Impacto will build translators all over the country. A R. Sandino executive says it is funded by the CIA (SCDX via ARC). Its morning news program now starts a half hour later, at 1130 (SwNS).

GRENADE - Radio Free Grenada is back the air on 990, announcing //535. The US Forces' "Spice Island Radio" operated on 1580kHz (SWL Magazine & M. Chinsky in SCDX).

HONDURAS - AFRTS outlets have been established here (M. Chinsky, SCDX).

MEXICO - XEZDL-860 Cd. Juarez now EE "860 rock" and "E1 Paso's newest rock station." XEGM-950 now "R. Todo" (ARC via OXA).

MONTSERRAT - RCI transmissions in FF 2330-2400 and EE 0000-0030 are on Radio Antilles 740/930, plus 1450 St. Vincent), //9755 11910. GG is also carried 2300-2310 in conjunction with R. Deutsche Welle (BBC).

PUERTO RICO - WMSW-1120 Hatillo has requested 5kw U2. WUNO-1320 San Juan wants 5kw U. WEKO-930 Cabo Rojas has been granted 2.5kw U2 (Broadcasting)..

URUGUAY - CX30-1130 La Radio will be allowed to return to the air (ARC).

Credits: ABI - Asian Broadcasting Institute. ADN - Australian DX News #22B. ARC - Arctic Radio Club (Sweden) #24/12, 15, 16. BBC - BBC Monitoring Service (copyrighted) - 1984 #s 2-5. EE - Bengt Ericson, Vaxjo, Sweden. Broadcasting Magazine (USA). OXA - DX Australia #18. FERC - Far East Radio Club #77. MWS - Mittelwellen-Spezial-Club (W. Germany) #75. NZDX - N.Z. DX Times, 36/5. SCDX - Sweden Calling DXers #s 1769-1772. SwNS - Short Wave News Service J/F '84. UKK - Urea Short Wave Club, Sweden, 84/182. **NOTE: Material included herein may be reproduced freely in other DX publications providing credit is given to both IRCA and the originating contributor.**

A thanks to **David Ricquish** for many good years editing the NZDX Times and greetings to **Paul Ormandy**, new MW editor. And while we haven't heard from anybody about it, the item we had in our last column about a 300kw Somali station testing on 693kHz has not been confirmed. The number is similar to 963kHz where Mogadishu already operates and might have been a typo in the source. The Geneva plan lists no 300kw outlet planned on that frequency, and Juba is listed as 200kw (proposed). Not only that, Mogadishu-963 is listed as 150kw, not 300. Vashok Korinek or Richard Wood, please lend an ear. If you like out of band challenges, try these from Taiwan - Kaohsiung Fishery station on 1690 and Keelung Fishery & Weather station on 1700 (FERC), or the Cuban on 1697, which is believed to be R. Cadena Agramonte-1580, which was in this area a few years back (SwNS)....

On another matter, lets face it, this is a parasitic column. I don't dream these items up; the information comes from foreign publications which we either swap for or scrounge. If an item proves to be incorrect, it means (A) things change quickly, or (B) the source may have been incorrect, or (C) I may have copied it wrong. In any of these cases, accuracy is the name of the game, so please let me know promptly and I will be happy to pass the correct information on. Thanks!

Boy Shoots Xmtr

via Fred Vobbe

by A. Adam Glenn

Norfolk VA ... A 16-year-old male recently shot up the new transmitter site of WTAR/WTLY AM-FM with a rifle, causing over \$7,000 in damages.

He was arrested by Hampton, VA police several days later, and has since pleaded guilty to charges of breaking and entering, and property destruction.

The suspect, whose name is being withheld because of his age, is now in his parents' custody, according to Police Lieutenant B.G. Pierce.

Police are also working on the probability that another person was involved in the crime, although no one has yet been charged, Pierce said.

The apparently motiveless act occurred late afternoon 29 November at the site outside Norfolk, which was being

prepared for full time use in early January.

The station suffered damage to remote control gear, processing equipment, oscilloscopes, and STLs/TSLs at the site, according to WTAR CE John Zaun.

"There were over 30 rounds fired," Zaun said. "There was at least one slug in each piece of gear, and the remote control unit had 10 shots fired into it."

He took out the oscilloscope to use for target practice," Zaun added, "and also cut every wire at the site, including the phone lines."

The youth gained entrance to the transmitter building, described by Zaun as "cement block with a solid steel door," by prying open the louvres which ventilate the transmitter's emergency generator.

The station still intends to begin using

the site full-time in late January, but hopes to insure future security there with the addition of an alarm system, sensors on the doors and bars on the louvred opening.

"Despite these measures, Zaun worried that "when you're out in the boonies, there's just not very much you can do."

"But any radio station is really vulnerable," he said.

Owhoooooh, baby! The Wolfman is back

By Ray Richmond

Daily News Staff Writer

First you notice the belly, which protrudes from his gut like it was housing a steel-belted radial. You look next at the hair and think, "Too bad, old Wolfman Jack has to dye his hair. He only has a strand or two of gray and he must be at least 60."

Then he tells you he is only 44. The hair and trademark mustache-beard are natural, just like the voice. Oh, that voice, that guttural, throaty whine of an utterance — is it still the same?

You bet, baby.

The guy who assured us Clearasil was going to save our lives is back to charm a whole new generation of acne sufferers. He returns to the Southern California radio waves Saturday night on KFLA-AM (1110) after being away for more than a dozen years.

Wolfman will stick around to hold down the Monday-through-Saturday, midnight-to-5 a.m. shift — his trademark time. Most of the shows will be on tape, Jack constructing them diligently in his production studio off the corner of Hollywood and Vine.

And here we thought he was retired.

"People say 'Wolfman, what are you doing? We never hear you anymore,'" he says, kicking back in his studio and puffing on a Sherman on a recent afternoon.

"I say, 'Baby, I'm doin' more now and lovin' it more than I ever have.'"

Before KFLA called, Wolfman had been recording his syndicated radio show for some 1,200 stations in the United States and more than 40 countries on American Forces Radio, and making personal appearances as well. He will continue to do so.

There seems something slightly off-kilter about Wolfman Jack being so legitimate. Reel-to-reel tape and syndicates are not nearly as much fun as bucking the American radio establishment from south of the border. It was in the early '60s that he emerged from an anonymous Brooklyn upbringing as Bob Smith to fame and fortune as the mysterious Wolfman.

"Since I was a little bitty kid — if you want to hear this — I was emulating these disc jockeys," he says. "I grew up in New York City in the '50s listening to the 'Moon Dog' Alan Freed. He'd have the whole city purring every night.

"I grew up in a very stressful neighborhood — know what I mean? — and radio was real

important to us back then. I'd go down in my cellar when I was 14 years old or something and teach myself how to talk like Dr. Jive and The Hound. Those were the really 'big daddy' jocks."

One night young Bob tuned in XERF-AM, a 250,000 watt clear-channel station south of the Texas border.

"That was the most powerful station on the North American continent then," he remembers. "You could drive from New York to Los Angeles and not lose it. I wanted to be on the biggest stage in the world."

He got his wish in 1963 (or thereabouts — he has trouble with dates). XERF was having a union/management problem due to mismanaged finances, and Wolfman came in to help straighten it out as a negotiator. He became the station's general manager, naming himself the all-night rhythm-and-blues disc spinner.

His alias, Wolfman Jack, had already been born the year before, as he labored in obscurity at a black station in Shreveport, La. "I always loved the Wolfman movies, you know," he says. "And Jack came from 'Hey, what's happenin' Jack?' slang, understand what I mean?"

A legend was born in the secluded, barbed-wire Mexican compound that boomed an over North America and points elsewhere. His pirated voice came through everyone's hi-fi like he was across the street.

"You could be in Pachooch, Wyo., and I'd come barreling through just so loud and clear you'd think I was right outside your window," he says with a grin.

Nearly as famous as Wolfman's outrageous vocal antics were his high-profit mail-order packages. He was radio's version of the snake oil salesman, pitching everything from baby chicks to roach clips, records, St. Christophers for your dashboard (to protect you), Jesus busts for the antenna and pills to improve your sex life.

It takes little prodding to coax Wolfman back into his hype mode. His huge brown eyes bulge out and the jaw starts pumping.

"I know there are a lot of you folks out there who are having trouble with the wonderful woman you've been living with for years because you're just too tired comin' home from work at night... we have these new little pills that you are just gonna love called Florex.

"Now you gonna take one a night, might need two a night — goodness gracious don't take the whole bottle! When you try a couple of these pills I guarantee that your life is gonna be pure happiness once again. Now you just send \$3.95 cash, check or money order... and your Wolfman gonna send you back a bottle right away."

The Federal Trade Commission finally clamped down on Florex because they were merely sugar pills mixed with aspirin. "But folks loved 'em," claims the Wolfman. He had to part company with XERF after four years or so following an honest-to-goodness shoot-out — complete with heavily-armed bandeleros — for control of the station.

In 1966 he moved on to XERB-AM in Tijuana to hold down the late nights once again, wailing his raunchy "Owhooooooo" to about 13 western states. Then the media discovered him.

"I got to making too much money and XERB booted me right into the toilet," Wolfman claims. He later went to WABC in New York before coming back to Los Angeles and KDAY in 1972, where he stayed for a year.

Curiously, his greatest fame came in the movies. George Lucas used to tune him in as a kid in Northern California, later casting him in "American Graffiti." The world could finally put a face with the voice. It launched his career as a TV and radio pitchman for pimple creams, stereos and roast beef sandwiches, among other things. Eight years as co-host of TV's "Midnight Special" followed.

"When I did the TV show it held me down. I had to stay in town," he says. "And you know, I didn't make millions off that show. I was paid scale because I had this real tightwad producer."

He lives in Beverly Hills in a house that he has owned for the past two decades, sharing it with his wife of 24 years, Lu (he prefers to call her "Wolfwoman").

He plans on giving local all-night radio a shot in the arm.

"You know, midnight to 6 a.m. is the most attentive time on radio," he believes. "Anyone who listens at that time usually can't go to sleep, is lonely, got problems. They really want to LISTEN."

"Well, one of the nicest places to come is to the Wolfman. He's gonna take care of those problems and get you through the night — know what I mean?"

Oh yeah, baby.

THE INTERNATIONAL RADIO CLUB OF AMERICA

CLUB ADDRESSES

Membership Dues, Address Changes, and Renewals:
 P.O. Box 26254, San Francisco, CA 94126
 Bulletin Material, Sample Requests:
 P.O. Box 21074, Seattle, WA 98111
 The IRCA Goodie Factory (Publications and Reprints)
 1422 W. 5th St., Tempe, AZ 85281

MEMBERSHIP DUES

\$16.50 First Class to the U.S.A., Canada, and Mexico. \$6.00 for trial membership/10 issues of DX Monitor and a New Member Packet to the U.S.A., Canada, and Mexico. \$18.00 Surface Mail to the rest of the world. \$27.00 airmail to Central America, Colombia, Venezuela, and the Caribbean. \$30.00 to the rest of Latin America, Western Europe, North Africa, and the Middle East. \$34.00 to the rest of the world. Sample copies of DX Monitor cost 50 cents each or three International Reply Coupons. Make checks and money orders payable to IRCA. Persons living outside the U.S. should make dues payments by check or money order payable in U.S. funds.

The International Radio Club of America is a non-profit organization devoted to the hobby of hearing distant stations on the AM Broadcast Band (Medium Wave). IRCA is a member of ANARC, the Association of North American Radio Clubs.

Club Officers: President--Phil Bytheway, 9705 Mary Avenue NW, Seattle, WA 98117. Secretary--Ernest Cooper, Rich Segalas. Board of Directors--Ernest Cooper, Nancy Hardy, Ric Heald, Neil Kazaross, Bruce Portizer, Peter Taylor, Niel Wolfish.

DX MONITOR, the official bulletin of the IRCA, is published 34 times per year: weekly from October to March, twice in September and April, and monthly from May to August. Unless otherwise noted, permission is granted to publish, broadcast or otherwise reproduce non-copyrighted material appearing in DX Monitor, provided credit is given to IRCA and the original contributor. Opinions expressed in DX Monitor are those of the original contributors and do not necessarily reflect those of the IRCA, its publishing staff, editors, or officers.

PUBLISHING COMMITTEE: Bruce Portizer (206)522-2521, Evelyn Portzer, Phil Bytheway, Jef Jaisun

FIRST CLASS MAIL
 U.S. POSTAGE
 PAID
 Seattle, WA
 Permit No. 601

first class

19

D. A. NYHOLM
 2071 CEDAR STREET
 SAN CARLOS CA
 94070

Postmaster: if undeliverable, return to
 P.O. Box 21074, Seattle, WA 98111, U.S.A.