



# DX Monitor

Devoted Exclusively to  
Broadcast Band DXing

October 6, 1984

Volume 22, Number 34

Issue No. JCAB

Broadcasting Information .....	2	Western DX Roundup .....	15
The IRCA Technical Column .....	4	Central DX Roundup .....	18
Western DX Forum .....	9	DX Worldwide West .....	19
Eastern DX Forum .....	10	Galva Iowa Bandscan .....	19
Future Canadian AM Assignments ..	12	DX Worldwide II .....	20
Postal Heads Announce Agreement ..		Radio Lazer .....	22
to Improve Canada US Mail ....	14	Top End .....	23

We'll open this week's DX Monitor with some more hot flashes: Radio Belize, longtime occupant of 834 kHz has moved to 830 kHz, according to Nick Hall-Patch, who heard 'em with a fair signal in WCCO's null.. KFXD-580 has switched to the Satellite Music Network, effective Sept 24, with an adult contemporary format (was rock), per a news article sent in by Frank Aden. CHQR-810 has decided not to move to 770, according to John Oldfield. KDAN-1180 is now on the air (see WDXR); Doug Nyholm says (per call to the station) they were on the air 9/15 & 16, but their first official day on the air was 9/17. They are on 0600-2200 Mon-Sat and 0800-1800 Sunday, local time (MST) with a modern country music format

## NEW FREQUENCY CHECK LIST EDITOR

Our new frequency check list editor is Robert Wien, 1309 Dentwood Drive, San Jose, CA 95118. Bob will be compiling a new f/c list in the coming months, so if you know of any additions, deletions, and/or changes to the list, send them to him.

## NINETY-NINE NIGHTS ON MEDIUM WAVE

We recently received a sample copy of any interesting book about DXing in Europe. It's called Ninety Nine Nights on Medium Wave by Wilhelm Herbst of Kdln, West Germany. In this book, Wilhelm (an IRCA member) discusses the basics of long distance medium wave reception, and then recounts his experiences in listening for North and South American stations from January 6 to April 13, 1984 from his home in Germany. The book has several listings and charts showing which stations were heard, how well they were heard, how often they were heard, which stations were heard most often, and other information. The book also contains reproductions of several of the author's verifications from American stations. If you've always wondered which stations are heard in Europe, or are just interested in reading about ECB DXing from a European's perspective, then you'll find this book to be very interesting. It's 52 pages long and printed in English. Unfortunately, I've misplaced the price information on it, but as I recall, the amount is less than \$10 postpaid. It can be ordered from Wilhelp Herbst Verlag, Postfach 45 05 06, D-5000 Koln 41, West Germany.

## 1983 WORLD RADIO TV HANDBOOK

As noted in last week's DX Monitor, the 1985 WRTVH will be published in January or February and will retail for \$19.50 in the U.S. If you would like a prepublication discount, then order it for \$15 Book Rate or UPS, \$18 First Class from Century Print Shop, c/o Don Erickson, 6059 Essex Street, Riverside, CA 92504. This price is good until November 10, when the price increases. Canadians, send an SASE to CIDXC, c/o Don Moman, 6815 12th Avenue, Edmonton, AB T6K 3J6; they'll send you information on how to order one.

We're definitely weekly now and already have a healthy backlog of articles and lists for publication in DX Monitor. Thanks for your support, gang, we'll try to fit your contributions in as soon as possible. Keep up the support and send in original articles, newspaper clippings, station lists, and similar material for publication. Also be sure to support your neighborhood forum, roundup, and/or DX Worldwide column, so we can keep our position as the world's best ECB DX club. 73 and I'll see you next week.bp.

## BROADCASTING INFORMATION

Greg Monti, 1301 S. Cleveland St. #356, Arlington, VA 22204  
prepared 29 Sep 84

call	kHz	day/night	at city
-KAFY	550	1000/1000	CA Bakersfield wants KUZZ (to swap calls with 970)
-WDUN	550	5000/500	GA Gainesville granted 5000/2500
-WDLF	590	5000/2500	FL Panama City wants 2500/2500
-WLFF	620	1000/	SC Cayce granted WTGH
-WCAT	700	1000/	MA Orange granted 2500/
-new	720	500/	ND Lisbon granted KQLX
-WABS	780	1000/	VA Arlington granted 5000/
-appl	820	2500/	CO Falcon
-new	840	250/	FL Scottsmeer granted construction permit
-KJTA	840	50000/1000	TX Pharr wants KIKN
-WLRG	850	250/	MS Walnut wants 1000/
-KWHO	860	50000/	UT Salt Lake City wants KLTQ
-WPRX	880	1000/1000	PR Sabana Grande wants 1000/500
-new	930	500/	CO Granby granted KRZD
-KOGA	930	500/500	NE Ogallala granted 2500/500
-WCOT	950	5000/5000	FL Orlando wants WBJW
-KUZZ	970	1000/1000	CA Bakersfield wants KAFY (to swap calls with 550)
-KQAQ	970	5000/500	MN Austin granted KGHR
-WYAT	990	250/	LA New Orleans granted WLTS
-new	1000	1000/	AL Robertsdale granted WXWY
-KHLO	1000	2500/250	CA Viata appl for 2500/1000 returned
-WVSI	1000	1000/	FL Jupiter wants WFXI
-WMUF	1000	500/	TN Paris wants 5000/
-WMSG	1050	500/	MD Oakland granted 1000/
-WGAY	1050	1000/	MD Silver Spring granted WNTR
-WSZE	1053	1000/1000	CM Saipan, Northern Mariana Islands granted KCNM (had to scramble for my WRTVH on that one!)
-new	1070	250/	MI Stanwood granted WWTG
-KKBK	1090	50000/5000	CO Aurora granted KLSZ
-KYKB	1110	1000/	NM Humble City wants Hobbs NM and 5000/
-new	1140	1000/	FL Pine Hills granted construction permit, granted WQNQ, wants 2500/, then appl for 2500/ returned
-KASH	1150	1000/	MN Albany granted 2500/
-WTWZ	1150	500/	MS Clinton granted 1120 kHz and 2500/
-WQRB	1150	1000/	NC Burlington granted WBAG
-KSPL	1150	5000/5000	WA Seattle wants KGNW ("Great Northwest"?)
-KSTT	1170	1000/1000	IA Davenport granted KKZX
-new	1180	1000/	NC Brevard granted WGCR
-new	1180	5000/1000	NE Bellevue granted KNPE
-new	1210	10000/10000?	CA San Marcos granted KNEF (only record here is of one appl for 1210 at San Marcos & it was dismissed; this apparent grant has a different owner listed; for the moment, we'll assume he'll use the same power as the old dismissed application had)
-appl	1210	250/	TN Static
-WTWG	1220	1000/	AL Birmingham wants WAYE
-KHDN	1230	1000/250	MT Hardin granted KYTY
-WHKR	1240	1000/250	ME Millinocket granted WSYY
-KTEF	1280	1000/	OK Poteau wants KLUP
-WXPX	1300	5000/	PA West Hazleton granted 5000/500
-new	1300	5000/5000	UT Nephi granted KKQA (may be a daytimer)
-KDIA	1310	5000/5000	CA Oakland wants KFYI
-KUZN	1310	1000/	LA West Monroe granted WMBS
-KENU	1330	500/	WA Enumclaw wants 500/500
-KSEK	1340	1000/250	KS Pittsburg wants KNZS
-WAWZ	1380	5000/5000	NJ Zarephath signed off for good 8/31 at 1930 (Harrison NRC)
-WBNX	1380	5000/5000	NY New York was sharetimer with WAWZ 1380 above, granted fulltime, granted WKDM
-WISA	1390	1000/500	PR Isabella wants 1000/1000
-WLLH	1400	1000/250	MA Lowell granted WSSH
-WDAX	1410	1000/	GA McRae wants WBYL
-WTGE	1420	500/	MI Kalkaska granted WKLT
-K000	1420	1000/	NE Omaha granted KROM
-KYET	1450	1000/250	ID Payette granted KACY
-WZRA	1450	1000/250	TN Chattanooga granted WMOC

-new 1450	1000/250	WI Hurley granted WHRY
-WSAC 1470	1000/	KY Fort Knox granted WBUL
-WWKO 1480	1000/	NC Fair Bluff granted WNFO
-KIIQ 1490	500/250	CO Manitou Springs granted KIKX
-appl 1490	1000/250	ID Gooding
-WNIZ 1500	250/	IL Zion wants WRJR
-WGIC 1500	500/	OH Xenia granted WBZI
-WMIB 1510	1000/	FL Marco Island granted WWWO
-WIVD 1510	1000/1000	PR Lajas granted WAVB
-WEXY 1520	1000/	FL Oakland Park wants Wilton Manors FL and 1000/250
-KZLA 1540	50000/1000	CA Los Angeles wants KSKQ
-new 1540	250/	MI Spring Arbor granted WTGG
-KAJN 1560	1000/	LA Crowley granted KPWS
-KMYZ 1570	1000/	OK Pryor granted KGCR
-WCLE 1570	2500/	TN Cleveland wants 5000/
-KYOR 1590	1000/	NV Sun Valley wants KSRN
-WAUB 1590	500/	NY Auburn granted 500/1000
-KHEN 1590	500/	OK Henryetta granted KDLB
-KIKN 1590	1000/500	TX Sinton granted KDAE

Except as noted, from the Sep 3, 10, 17 and 24 issues of Broadcasting-Graveyard power limits: FCC has reached tentative agreement with

Mexico to allow US and Mexican Class IV AM's to operate with 1000 watts at night. The current limit is 250 watts. If everything can be finalized, the date on which Class IV's will be authorized for 1000 night will be 12/15/84.

Multiple Ownership Rules: The first broadcast group owner to take advantage of the FCC's new rule allowing each entity to own up to 12 AM stations (the old limit was seven) is Universal Broadcasting which, subject to approvals, will make WATI 810 Indianapolis IN its eighth AM station.

**RADIO PROGRAMMING NOTES:**

call kHz st city

WSIX 980 TN Nashville now country, "Nashville's Hits," all current country music, no oldies; was contemporary hits (Mount NJ)

WKDM 1380 NY New York (x-WBNX) now Spanish, was multi-ethnic; 4th fulltime Spanish AM in NY area (Apel MI)

WTRU 1600 MI Muskegon now all-talk as of 9/10, ABC/Talkradio, Larry King; was contemporary hits, more or less, since 1955 (Boersma MI)

Networks: CBS RadioRadio will premiere two new series in 1985:

"Entertainment Coast to Coast," weekly 60-min music and entertainment magazine show and "The Spirit of Summer," 21-hour, 15-week summer special featuring hits of past summers. NBC will be providing both 90-sec updates at :20 and :40 past each hour and comprehensive coverage beginning at 1800 ET on election night. (Ah, the wonders of satellite technology that let you send out two things at once.) (NBC).

(NRC=National Radio Club DX News, BC=Broadcasting)

**RECENTLY ANNOUNCED PENDING STATION SALES**

WLVV 550 NC, KROD 600 TX, WVOK 690 AL, KBRV 790 ID, WATI 810 IN, WAAK 960 NC, KUZZ 970 CA, KVRN 980 TX, WNOX 990 TN, WGOG 1000 SC, WHWB 1000 VT, WFSC 1050 NC, WRPT 1050 NH, WHLI 1100 NY, WYNO 1120 OH, KQTI 1130 TX, WNL7 1140 TN, WTSV 1230 NH, WMPA 1240 MS, KDIG 1290 CA, WOSC 1300 NY, WMTM 1300 TN, WDBM 1320 AL, KSTB 1340 TX, KSMD 1340 MO, WSTA 1340 VI, WELV 1370 NY, KSIM 1400 MO, WSIC 1400 NC, WATW 1400 WI, WJED 1410 TN, WJRB 1430 TN, WCOX 1450 AL, KCVK 1450 MT, WRTL 1460 IL, WKMF 1470 MI, KDJQ 1510 AZ, WOIX 1510 NC, WKVL 1550 TN, WHLP 1570 TN, KYOR 1590 NV, KLOQ 1580 CA, WABV 1590 SC, WSTL 1600 KY, WRNC 1600 NC.



**WDUN 55**  
AM RADIO



# the irca technical column

Editor: Nick Hall-Patch  
1538 Amphion St.  
Victoria, B.C. V8R 4Z6  
Canada

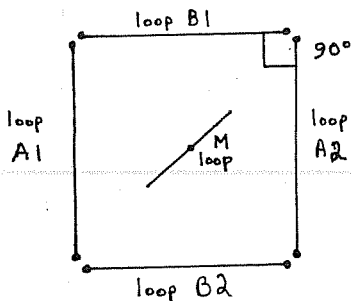
## Four Wall Loops for Better Nulls

by Ben Peters

I have been experimenting with a number of loop antenna systems to find one which can solidly null pest signals troubled by "night" or "polarization" effect (mixture of sky-wave and groundwave reception), get good nulls on signals without needing to tilt a large loop, and get complex nulls and peaks which are unobtainable with a single unaided loop. Two of the systems I've tried are described in the Jan 14/84 DX Monitor ("Nulling with two wall mounted loops") and the May 19/84 DX Monitor ("The 3 parallel loop/Adcock system"). I feel the following system is an improvement on these previous ones, especially if you live in an area that rules out use of an amplified loop antenna.

The system is comprised of four wall mounted loop antennas (mine are 2.5 meters on a side\*), which are at 90° angles to each other---it is most convenient if these loops are wall mounted, but they can just as easily be hung from the ceiling, and weighted down towards the floor in the required square shape, as they are "floppy loops" made from 300 ohm twinlead. In the exact center of the cube formed by these loops is the rotatable loop antenna which normally feeds the receiver ("M loop" in figures 1 and 2). In figures 1 and 2, the vertical edge of each loop is separated by around 3 cm (a bit over an inch) from its neighbour.

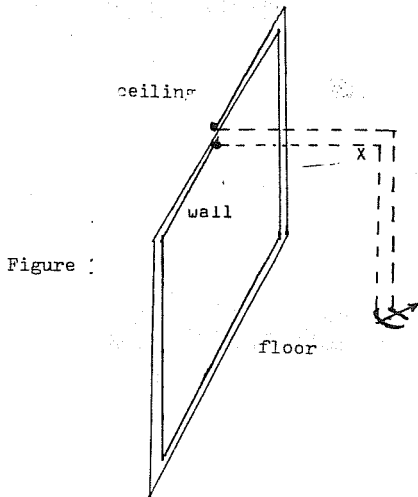
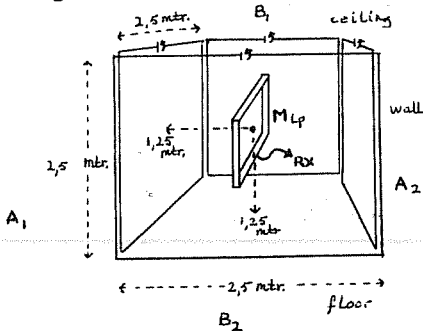
Figure 1  
View from above



(loop tuning capacitors & windings eliminated for simplicity)

Each large loop is made up of a 10 meter length of twinlead (giving 2.5 meters on a side) wired up as in figure 3. Each loop is tuned by a variable capacitor (paralleled sections to equal about 1000 pF) located next to the receiver in the center of the four loops. The variable capacitor will tune the loop down to about 700 kHz. Below 700 kHz, first one, then another 470 pF fixed capacitor is switched in parallel with the variable cap to tune the loop to the bottom of the MW band. Each tuning capacitor is connected to its loop by a 3.25 meter length of twinlead (dashed lines in figure 3) which goes up to the

Figure 2  
Side view



\* one meter equals about 39 inches

ceiling (point "x") from the listening position, then across the ceiling to its respective loop. This tuning arrangement works well for me, but those eager for optimum results might make remotely tuneable capacitors--they have my blessing! I've noticed no hand capacity effects when nulling with this system.

"M loop" in figures 1 and 2 is the "middle" loop antenna which feeds the receiver. It is rotatable, and its center should be in the exact center of the cube formed by the four wall loops. I've used a Martens loop here (even a 3 loop system, more on that later), but other loops should work just as well.

#### Nulling procedure:

Start with all the large loops' variable capacitors at minimum capacity. Then peak "M loop" for desired frequency and rotate this loop either to null the pest signal or in the direction of the desired signal. Generally the middle loop is set to null the dominant signal as best it can, but nulls using the entire system can usually be obtained with the middle loop in virtually any position. Then loop A1 is peaked on the undesired signal. Loop B1 is tuned for either a dip or peak in the undesired signal. If B1 peaks the signal, then A2 should be tuned for a dip; if B1 dips, then A2 should be tuned for a signal peak. Finally loop B2 is tuned for the null of the undesired signal/peak of the desired signal. Finally, slight rotation of "M loop" and/or readjustments of the tuning capacitors of the four big loops will finalize the null. Often, both a peak and a dip will be found when tuning each big loop. It sometimes pays to go back to the beginning and start the procedure over, but if you peaked loop B1 before, try tuning for a dip, then continue from there.

With all those tuning capacitors as well as the rotating loop in the center, a variety of nulling patterns may be established, from near cardioid to cloverleaf patterns, and often 3 or 4 subdominant stations can be separated out on a crowded channel. The more complex patterns require more practice of course. Luckily, for most DX situations, complicated adjustment is not required. Remember that the A1-A2-B1-B2 labelling of the loops is arbitrary, and simply tell you where the big loops are in relation to one another. Often a worthwhile null can be obtained by rotating the middle loop, then adjusting the capacitor of one of the two large loops most nearly parallel to the setting of the middle loop. This loop will be "A1", then loop "B1" (relative to "A1") is tuned as in the original procedure. Often adjusting these two loops for a null, then rerotating the middle loop slightly for the best null will be all that is needed. (The remaining large loops are left detuned to minimum capacity.)

#### Examples:

1. Daytime, 720 kHz. German dominant; BBC4 is DX target
- R. West loop alone: DX is S9+20, reasonably readable, some noise/fading
- 4 big loops & 3 parallel loop system (middle loop is unamplified and feeds receiver. Similar results with single loop in center): DX is at S9 and more readable, less noise, no fading. If the center loop is amplified, then the DX is at S9+40, excellent readability. If feedback is used in the amplifier, signal level is greater yet, with very good readability.

When the 3 parallel loop system is used without the 4 big loops, the DX level is at S4, but it is a more stable and noise-free signal than the R. West loop delivers. This is with the center loop unamplified. When the center loop is amplified, then the DX is at S9+10/20 and readability is excellent.

(When strong locals rule out amplification, go for 4 big loops, with a large loop in the middle feeding the receiver.)

2. Nighttime, 873 kHz. AFN Germany dominant (ground & skywave)
- R. West loop: Very hard work to get an unstable null when loop is rotated and tilted. Often nothing or weak AFN in that null. When there is DX in the null (depends on whether ground or sky-wave of AFN dominates) it's reasonably readable but unstable, and the loop frequently needs readjusting. Mostly the DX is the Soviet Union, but sometimes mixed with Spain and very rarely, traces of England.

4 big loops & 3 parallel loop system: Always very easy nulling of AFN, always with strong & readable DX audio; only slight and easily performed adjustments needed from time to time. This null obtained when AFN is first nulled with the 3 parallel loop system, then improved with the 4 big loops (the 3 loop system alone also gives better nulls than the R. West loop). DX usually is the Soviet Union. However, when the receiver feeding loop is pointed in the direction of Spain and AFN is nulled using the sideloops and the 4 big loops, Spain can be logged with quite stable and readable audio later in the evening. When the same procedure is applied to England, there is considerably more fiddling, as England has a mixed skywave/groundwave signal, is weak, and both AFN and the Soviet Union are approximately 180° away. However, England can be heard mixed with Soviet audio, or, later at night, pretty well in the clear.

(Replacing the middle loop with the 3 parallel loop system described in the May 19/84 DX Monitor will give additional nulling power, but is advisable only for true "loop freaks" who care more about tiny differences and want to get the best null possible.)

#### Conclusions:

With the 4 big loops, it is possible at will (and not depending on conditions) to get at least one DX station with ease where the R. West loop for example gives nothing. This is because the 4 big loops, even when not used together with the 3 parallel loop system, but with just one small rotatable loop, is free of polarisation effect to a certain degree. Also, it is possible at will to pick out other co-channel DX stations from under a dominant regardless of their direction related to the dominant or other sub-dominant stations.

Compared with the 2 wall-corner loops (described in Jan 14/84 DX Monitor) the 4 big loops give: much higher DX strength, nulls easier to obtain and hold, much cleaner audio of dominant-free DX and nulls by pointing the receiver feeding loop in any desired direction. (The wall-corner loops allow nulls with only a few positions of the receiver feeding loop)

The relative signal strength produced by the system seems to be determined by the receiver feeding loop, so it would be wise to have as large a loop as possible as the middle loop, or have a good switchable amplifier on that loop if your location allows it.

Although my large loops are 2.5 meters on a side, the system may well be useable with smaller "large" loops (I hope to try such smaller loops myself and will report results--ed.). All experimentation was done with the receiver and loops ungrounded, but it may well be possible to ground the 4 large loops at the exact center of their windings, and ground the receiver chassis.

I find the 4-loop system more convenient to DX with than phasing two random wires, as nulls seem to be easier to find, and the system is quite free of polarisation-effect in the dominant station's signal. In general, the 4 loop system has greater DX capability than either the 2 wall corner loops or the 3 parallel loops, and definitely more than a single rotated and tilted loop antenna.

\* \* \* \*

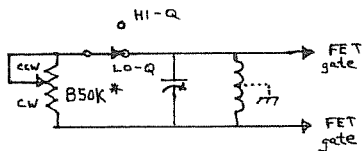
#### "Easy to Build" Loop vs. Wire Phaser

by Mark Connelly

Note 1: Loop must have Q-pot in parallel with tank

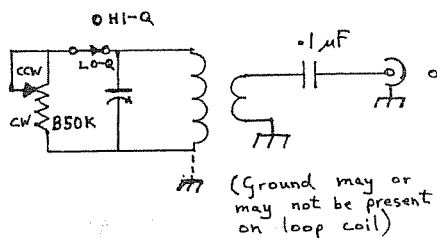
##### ACTIVE/BALANCED

(Centre-tap ground may or may not be present)



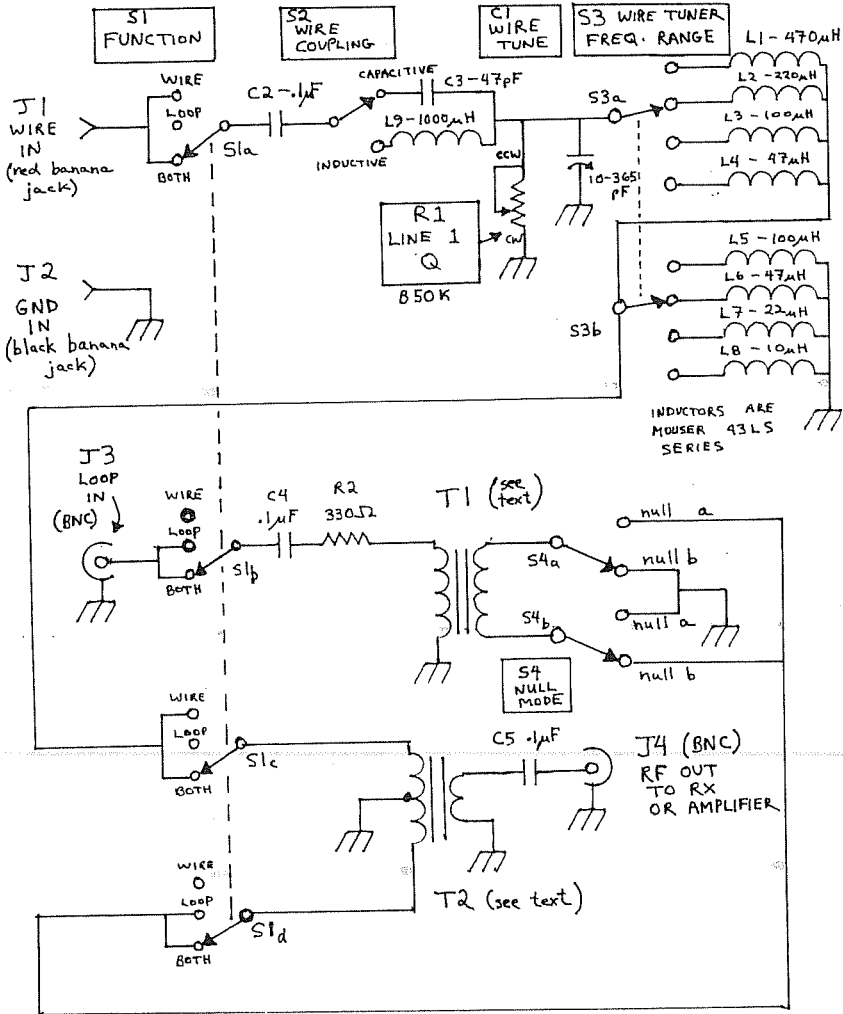
\* B means linear taper pot

##### PASSIVE



# Loop vs. Wire Phaser

Schematic:



This should be built in a metal box. I used a 5x4x3 inch bare aluminum box for mine.

Note 2: T1 and T2 are on vectorboards held away from chassis interior by 1/2" spacers.

T1---Phase-reverser is 30 turns bifilar on Amidon FT-82-77

T2---Balun is 30 turns trifilar on Amidon FT-82-77

See previous "MWDX-2" article (Feb 18/84 DXM) for transformer assembly details.

## Nulling Procedure (one of several possible strategies):

Loop Setup: Point loop to favour direction of expected sub-dominant stations, regardless of the bearing of the dominant "pest" station to be nulled.

(Nulling procedure cont'd)

Peak wire: S1 to WIRE. R1 to maximum ! position. Try peaking wire using S3 & C1 at both the capacitive and inductive-coupled settings of S2. Leave S2 on position yielding stronger/sharper peak. Then set R1 about mid-range.

Peak loop: S1 to LOOP. Peak loop tuning capacitor with loop Q pot switched out, or at maximum Q setting. Then set loop Q pot to about midrange.

Compare levels: (Switch S1 between WIRE and LOOP) Adjust loop pot if loop level is greater; adjust R1 if wire level is greater. Goal is to equalize levels.

Start nulling: Set S1 to BOTH. Go to Null a on S4. Offset the tuning capacitor on the line whose pot was not adjusted in previous step. Look for dip (null). If none occurs, try S4 on Null b, again offsetting the capacitor just adjusted (C1 or the loop tuning cap) to get a dip. If a dip still isn't achieved, set S1 to the line corresponding to that of the offset capacitor and re-peak the capacitor. Then repeat the above step but using the other capacitor (that corresponding to the line whose pot had previously been tweaked).

Finish nulling: Play the loop tuning cap, the previously adjusted pot, and C1 to get final null.

The loop vs. wire phaser should be capable of producing a cardioid type pattern (single-direction null) similar to Ron Schatz' LSCA scheme.

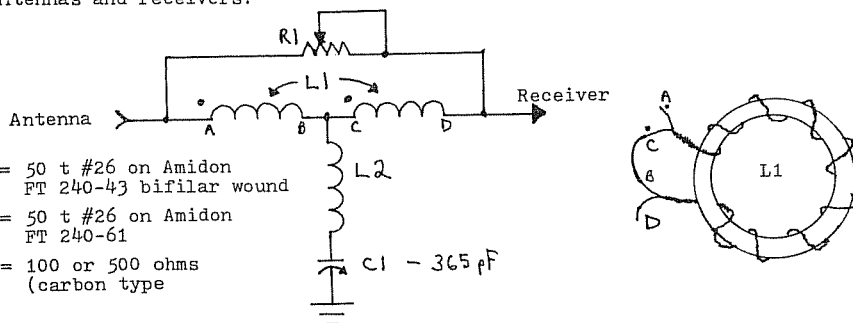
Active loops are preferable to passive loops because of the greater signal provided (using a Q-spoiling pot across the loop winding will reduce the received signal strength). If a passive loop is used due to local signal-handling considerations, then the signal from this phasing unit should probably be amplified before being sent to the receiver, preferably using an amplifier with a tuned input, e.g. APT-2 (Nov 5-12/83 DXM) or APT-3 (Feb 11/84 DXM). Wires to be used should be at least 100ft/30m long. A vertical wire would be optimum; if horizontal wires are used, it might be helpful to have two wires at a right angle which could be used individually or tied together for quasi-omnidirectional pickup.

\* \* \* \*

### An RF Notch Filter

by Don Moman

This information originally appeared in DX Australia's "DX'ers Calling" magazine in the December '83 issue; further info appeared in the June '84 issue of the CIDX "Messenger". Although this was designed for use with a 50 ohm antenna and receiver input, it appears to work well with a variety of antennas and receivers.



For L1, "bifilar" means winding two wires (A-B and C-D in the above diagram) together. I just put two strands of #26 in the drill and twisted them up nice and tight, then wound the core. You need to connect the coils in series to satisfy the polarity requirements.

I didn't have FT 240 cores around, and they're not that cheap. I decided to go with the FT 50B series, the FT 50B-72 for L1 and a FT 50B-61 for L2. With #26 wire I could only manage to squeeze about 25 bifilar turns on the core for L1. 25 turns on the FT-50B-61 core easily covered the MW band using a dual 365 pF cap at C1. Tuning for the null is very sharp and a small trimmer across C1 would be helpful. Making R1 100 ohms helps reduce the delicacy of adjustment for the deepest null. Tests indicated a null depth of over 45 dB, a bandwidth of 1000 cycles, and little insertion loss.





# Western DX Forum

★ ★ ★ ★

HRCA—Serving the Broadcast Band DX'er Since 1964

Editor: Ric Heald, 1632 J St., #3, Eureka, CA 95501

## DEADLINES - WEEKLY ON TUESDAY

GARY LARSON, 2806 LINCOLN, BURBANK, CA 91504 (818) 848-1988

We'll hello from hot southern California. Today is 13 September and KWNK was scheduled to take to the air three days ago, but they're still ET'ing with tones and IDs. Also called KIEV and was told they hope to be on 24 hours in a week's time or so. KWNK's owner says they hope to begin on 17 September at midnight. Called to report reception in the Eagle Rock section of Los Angeles.

KMDY has a toll free phone number for their coverage area: (800) 225-KMDY. Job-wise, things aren't too good; no steady shift but have worked a few nights of temporary security work in Chatsworth.

Recently got a phone directory for the Yucca Valley area and in the yellow pages is a listing for KSES transmitter site at 6706 La Contenta Road.

Was very interested in finding out about KKEN 980 Alaska. I used this call for my 100 mw AM (830) for several years.

It's also good to know of call changes of KACY to KTR0. Can get them near LSS but some KZLA QRM. (Drive 650 miles north; they're a pest here, hi-RtH.)

Local KHJ is offering listeners Traffic Monitor cards and I've sent away to get one.

Ric, I hope you'll be able to remain in Eureka. I know it's no fun to keep moving around. (You got that one right. And to leave the redwoods, unspoiled and deserted beaches, wilderness areas 40 miles away and only one AN'er/NSP'er, I love it, despite the monsoon season, hi-RtH.)

PATRICK MARTIN, P.O. BOX 843, SEASIDE, OR 95501

DX of late finally improving. DU and TP conditions have been on the upswing since the first of September, especially DU conditions. A few JJ and KK stations have been heard weakly but the dial has been filled with DU's again. Reports out to 4SS 828, 5DN 972, 2BE 765, WS20 1098 (again), R. Thailand 891 (again), XEPRS 1090 (never bothered to QSL them when they were XERB.

Also, reports out to KIIO 1100 (ex-KREX), KERG 1180 (ex-KWSO), KWSO (ex-KYX1), KNTA 1430, TIS 530 Seattle, Solomon Islands 1386.

QSL's in from: 3AR 621 (after five year of trying), Solomon Islands 1386 4kw, TIS 1610 Port Angeles, Washington (5 watts), TIS 1610 National Bison Range, Montana (5 watts), CISL 650 (ex-940).

I've been planning on ordering the Sony ICF 6500W portable digital readout. It isn't the best portable, but covering most of SW for \$96.50 from Spectron-ics isn't bad. The receiver was \$199.50 at one time.

I bought a GE Superadio last spring which is great on MW, but I have to get another toy, hi. I'll let everyone know how well it performs. Good DX and 73.

MIKE HARDESTER, 175 PEGASUS DR., LITTLETON, CO 80124

Greetings. After a short time on the east coast I'm headed back west. After 12 years in the Navy, I'll be a civilian on 17 September. At this point no idea how much DX will be accomplished this coming season, though the past reported exploits of the Colorado DX'ers of years gone by has been drooling a bit.

I was in Littleton a couple of weeks ago, but without adequate radios. Did note KR2N 1150 ("Cruisin' 11-50") continues with their odlies format, and KH0W 630 seems to be a quazi-oldies station and carries Solid Gold Saturday Night.

Once I get settled in and find a job (I've grown fond of those green stamps) I'll send in another forum. Guess you'll be stuck with me for awhile, Ric. (I knew that when you were transferred back east. From one native to another, a Californian or, for that matter, a westerner, always finds their way back home, so welcome back, Mike-RtH.) Very 73 and best of DX.

RIC HEALD, 1632 J ST., #3, EUREKA, CA 95501

Greetings and all that stuff. Sorry about last issue. . . it would happen to me (Murphy's Law and all that. . . I got a new job and wouldn't you know they needed someone, namely me, 70 miles south in south county at Garberville to help out. Never mind the free rent and board, to get that call at 10 PM at KRED on a Sunday evening to drive south after work and get up at 0530 PLT to work the southern county route. . . well, that was for one week and I didn't even have the chance to DX 70 miles from the nearest local.

No new news to report at least from DX. I listen to KGO a lot; I enjoy hearing the nighttime radio news/talk guy insult the audience, and I'm being very sarcastic, hi.

I'd like to comment about the San Jose "Pipeline" going to north from just north of the Bay Area to Alaska. When I moved to Sonoma County, the immediate Bay Area was for the most part nullable, except KCBS, of course. I was a good 80 miles from San Jose, but the likes of KEEN, KHTS, etc were strong. Now, I'm 300 miles from San Jose. I can hear CHQR u/o/KGO, CBX gives KCBS a good run for their money, KBOI 670 sideslops KNBR (as does XETRA/CBU), Calgary clobbers KOIT, etc., etc., but San Jose ruins anything on 1370, dominates CKAY 1500, takes its toll on 1590 and 1170 (wish I could ID KNTA 1430, although). I don't understand it. San Jose transmitters are, for the most part, in bad locations, not anywhere near salt marshes, but, they get out. Now then, I've moved as far away from the Bay Area and still live in northern California as I can, I'd sure like to put a null on those San Jose stations. (I guess there's always Crescent City it I'd like to bore myself to death, and that's only another 70 miles, hi.

Well, I'm going to keep it short this time. Remember, we're going weekly, so if you want to save time and money, do up two or three forums in one mailing, mark it in proper sequence, and I'll run it that way.

Finally, I've gotten the last postcard in the last nine years that I've been WDXF editor criticizing the large number of California reporters and seemingly a California club. Fact: California has 1% of the nation's population. But, unless you the members west of the Mississippi and Ontario report, yes, it will look like that. This is your club, and unless you put in your two cents worth from time-to-time, then yes, because of statistics, it will look like Californians run the show. But it's up to all the other members in other states, provinces, and yes, even countries, to get in there and write up a forum and contribute. Just a few lines is fine, we'd all love to hear from you. (Get off your soapbox Heald, hi.)

See y'all around weekly throughout the winter and early spring.  
73 and best of DX from Rth. .

## EASTERN DX FORUM

RICHARD EVANS  
P.O. Box 1294  
NORTH WALES, PA 19454

Reports from members living east of the Mississippi River  
Deadlines: Saturdays

Bill Townshend, 4500 Connecticut Ave NW, Apt. 901, Washington, D.C. 20008  
202-966-8046. Greetings from Silicon Valley East. Move over, San Francisco, hi. There are more scientists and engineers here in the D.C.-Baltimore area. It's high time for another Forum. The attendance at the ANARC convention in Toronto was smaller than that at last year's convention here in D.C. (Hq was across the river in Rosslyn, Va., which I dub "Little Chicago" because of its high rises near the riverfront). While in Toronto I saw the transmitters of CFRB-1010 (50 kw.) and CFRX-6070 (800 watts) which are co-located 19 miles WSW of the studios in the city centre. Two weeks after ANARC, the WADXA had a picnic-style GTG near Tom White's old Arlington, Va. pad, attended by fourteen, including IRCans Mike Levinton, Tom White, and yours truly. As is usual at that time of the year, al-fresco dining is plagued by real pests (flies, yellow-jackets, etc., not unneeded stations, hi, although there are those pests, too, when DXing the channels that they dominate). We had some T-storm QRN, too, but we lucked out on Wx. Two weeks after the GTG, I made it to Glasstown (Toledo) for IRCA, with about 32 attending. It's been said, that if you've seen one station's installation, you've seen them all. Going on that, I passed up the WHND-560 tour in favor of a 16 mile walk around Toledo from the hotel to the Portside Pavilion and Mall on the riverfront and back via another route, getting back to the hotel an hour before a cold-front T-storm with its QRN barreled thru to give us real splash (not from rock stations, hi). Speaking of rock stations, the oldies station WHND had sideband splash but no carrier as heard at the hotel (I was still able to hear several of my favorite oldies, tho). This is unusual for a normally

ND daytimer, heard like a local in Flint, Mich, 100 miles north but weak in Toledo, only 20 miles to the south (like hearing daytimer WLMD-900 bombing in at Harrisburg, Penn. 100 miles north of Laurel, Md. but very weak in D.C. 20 miles to SW; thank goodness WLMD puts out to the south). On the way into Toledo from the Metown airport, I stopped at Duff's Smorgas-board restaurant in WHND-land (Monroe, Mich). I bought a Portavision-55 rig (12-778 model) at a Radio Shack store in June and got some nifty catches on UHF in June and July. However, it doesn't perform as well on BCB as it does on the other bands. My catches overall total 1140 on AM, 117 on FM, and 47 on TV. While listening to an all-request show on Saturday night June 16, 2144 EDT) on WKBW-1520, I noticed a 1000 Hertz het (it wasn't a JT nor were any TV rigs on nearby), which was probably the 2-megawatt monster in Saudi Arabia on 1521 kHz (water cooling must be used in the final p.a. stages) although I wouldn't swear by it. The stn would be on all night since it was the middle of Ramadan. The only TA catch I'm reasonably sure of was the one heard around Christmas of 1981 on 891 (Algeria) with WLS-890 off the air when I was going for KBYE in Oklahoma City. I not only got the het but I had audio with a woman singing in Arabic with a mid-east-type guitar accompaniment, which went on for several minutes. That was three weeks before the Big Freeze set in. (to be continued next week...)

Neil Kazaroos, P. O. Box 1908, Ogenquit, Maine 03907

207-646-9318 (never after 2130 on weeknights!!) Well, it was ancient history the last time I sent in a forum, so I'll give a brief rundown of what's happening here. I'm just wrapping up my fourth course in school with 8 more (16 months to go). I've managed to get some dial time in on quite a few nights with continued good foreign DX results. TA Cx went downhill in March but now they are improving day by day. Many of the TA frequencies below 900 are now audible nightly unless it's very auroral. Africans were reasonable throughout summer and have been quite good this August. Low band TA's north of southern France remain virtually absent, while the more southerly Iberians are strong. This TA season is ahead of last season and with the sunspot minimum approaching I expect superior TA Cx. Brazilians were noted on quite a few channels in May, June, and July at sunset but now have declined. Cx to the rest of Latin America has been average. George Hakiel and I got together in R.I. in late May. I must say that his new R71A is a cut above the already superlative R70. As you know, I'm a BoD member; if any one wishes to discuss club policy, feel to write or call (prior to 2130). The dues increase was necessary as bulletin publication costs keep rising and sales from items like the Foreign Logs have dropped. Hopefully, improved TA/TP Cx will stimulate a resurgence of interest in foreign DX and sell more foreign logs. I have an idea which I'd like to open for consideration and which may help the club's treasury. I propose that we include articles on foreign DX and domestic DX with the Almanac to make the Almanac into a general guide to BCB DX. The new "Guide" will include the present Almanac info, along with articles on TP, TA, DU, LA DX and domestic DX articles like "sunset skip techniques", "logging 50 states", etc. The DX techniques articles would be extensive and could be written DXperts in the various fields of BCB DX. The "Guide", along with the Technical Guide, WRTH, and the NRC Domestic Log, would be all any DX'ers wishing up to date info on all fields of BCB DX would need. 73's.

Mark Connelly (WAIION), 30 William Road, Billerica, Mass. 01866

Hello -- I hope all had a good summer. Book read this summer: "Puzzle Palace" by Bamford - excellent expose of national Security Agency (including its radio involvements). Recommended for you 007 types (RFS and CMS take note). Now it's back to the work or school grind, and cold weather - but at least we DXers have something to look forward to in terms of improved radio conditions. Will this be the year that Trans-Pacific stations get logged in New England, N.Y., and N.J.? -- time will tell. While I haven't been DX'ing quite as actively lately, I've had fun being a sort of "technical support arm" for the efforts of the two currently most-active eastern foreign DXers: Neil Kazaroos & George Hakiel. Phasing units, regenerative tuners, amplifiers, etc. that I can only test in a cursory manner myself really get their "combat testing" at the hands of these experienced DXers. Technical experimentation, at present, brings me more hobby-related pleasure than actual DXing, as the home QTH has too much neighborhood dimmer noise and TVI to permit hearing the really good stuff. I'm also fairly active in writing DX & RF engineering computer programs (in Basic). The receiver complement at home includes the HQ-180A, a GE Superadiocassette, and a couple of TRFs in various states of modification. At my folks house on Cape Cod, I maintain an R-390A. The Sony ICF-2001 is my travelling portable; it and a Palomar loop (modified for more gain) generally go anywhere I stay overnight. Time for any hobby pursuits is limited because Michael, our 2-year-old, keeps Mary Lou & me very busy.

Projects for publication (in late 1984 or in 1985) should include complete construction plans for remotely-tuned active loop, whip, and wire antennae as well as a phasing system for a pair of remote (varactor) antenna tuners. It is hoped that remotely-tuned loops and whips will open up new DX horizons to those DXing from noisy or electrically-shielded environments such as apartment buildings, factories/offices, house-trailers, and boats. Many DXers have written to me wanting information regarding retail outlets (besides Radio Shack) selling such essential homebrew-project components such as molded inductors; air-variable, mica, and monolithic-ceramic capacitors; resistors; varactors; ferrite cores; etc. I am in the process of preparing a supplier-list which should soon be published. ... to Ernie Cooper, a get-well wish. To all, 73 and good DX.

Richard C. Evans, P. O. Box 1294, North Wales, Pennsylvania 19454  
 Was up early Sat. am 9/22, and logged three new ones on SRS. Felt good to add them to the books; CKAC-730 Que., WELI-960 Conn., and WNNH-930 N.H. were the three, and it seems I should have mailed them earlier. Oh, well... Big news here is that I managed to pick up a part-time job as an evening rate clerk for North Penn Transfer. It's my first experience with hands-on use of a computer, doing rating of shipments moving thru south Jersey. The major reason for the job is bills, of course, but I'm finding myself more and more intrigued with getting a computer for home. Any advice from those with one would be welcomed here tho responses to letters might be slow since I'm working the second job Mon-Fri 1800-2300+. My knowledge of computers is extremely limited! I am also interested in getting my hands on a Space Magnet now that I'll have a few dollars to spend on one. One correction to my 9/22 Forum report. The program WPEN was running was "Your Hit Parade", not "American Bandstand". Guess I should try writing my own reports ahead of time instead of at the time I type it as I'm doing now, hi. Getta run. PTL.

COMPLETE LIST OF FUTURE AM CHANNELS ASSIGNED TO CANADA

re the signing of the bilateral agreement of 1/17/'84 between the U. S. and Canada. This replaces the 12/'81 list compiled at Rio de Janeiro.

Note there are a few duplications like 700 Calgary or Red Deer and 820 Halifax or Sydney.

Retyped by frequency from lists supplied by CRTC from Brian Vernon.

73 John Oldfield

- 540 SK 50 50 U1 Watrous (Regina studios)...CBK..."A" channel
- 540 BC 50 10 U4 Vancouver...CP...under construction.
- 540 ON 20 3 U4 Sault Ste. Marie...CKCY ex 920...under construction
- 540 ON 50 10 U4 Ottawa...CJSB...on the air.
- 540 ON 2 1/2 5 U3 Windsor...CBEP...
- 540 PQ 10 10 U2 Chicoutimi...CHIC
- 540 PQ 10 10 U4 New Carlisle...CEGA-1
- 540 NS 10 10 U2 Halifax
- 540 NF 10 10 U1 Grand Falls...CBT..."A" channel
  
- 640 ON 10 5 U4 Cornwall...CFML ???
- 640 NF 10 10 U1 St. John's...CBN..."A" channel
- 640 ON 1 1 U2 Fort Frances...CFUB (presently on 800).
- 640 BC 10 4 U2 Nelson
- 640 ON 20 25 U4 Toronto
- 650 BC 10 7 1/2 U4 Richmond...CISL ex 940...under construction.
- 650 SK 10 10 U4 Saskatoon
- 650 PQ 10 1 U3 Sept-Isles
- 650 PQ 10 5 U2 Noranda--Rouyn
- 650 PQ 10 2 1/2 U2 Montreal
- 650 NF 10 5 U2 Gander
- 650 NB 10 2 1/2 U2 Fredericton
- 660 AB 50 50 U2 Calgary...CFPR...on the air.
- 660 BC 10 1 U2 Kamloops
- 660 ON 1 1/2 U2 Kenora
- 670 PQ 10 2 1/2 U2 Baie-Comeau
- 670 NF 10 10 U4 Musgravetown...CHYQ..."A" channel
- 690 PQ 50 50 U1 Montreal...CBF..."A" channel
- 690 NF 10 2 1/2 U4 St. John's
- 690 SK 5 5 U2 Gravelbourg (studios in Regina)...CBKF-1
- 690 BC 50 50 U3 Vancouver...CBU...

700	AB	50	50	U4	Red Deer...CKGY(now on 1170)
700	AB	50	50	U4	Calgary...note CKGY Red Deer
700	BC	10	10	U2	Kamloops
700	NB	10	1	U4	St. John
700	NF	10	10	U2	Cornerbrook
700	PQ	10	1	U2	Alma
720	PEI	10	10	U2	Charlottetown
720	PQ	10	2½	U2	Riviere-du-Loop
720	BC	10	5	U2	Prince Rupert
720	BC	10	10	U2	Kelowna
720	AB	10	5	U4	Medicine Hat
740	YT	1	1	U1	Whitehorse
740	AB	50	50	U4	Edmonton...CBX..."A" channel
740	BC	10	2½	U2	Ashcroft
740	ON	50	50	U1	Toronto...CBL..."A" channel
740	NF	10	10	U2	Marystown...CBMM
740	NF	10	1	U2	Goose Bay
750	PQ	10	5	U2	Rimouski
750	ON	10	5	U2	Timmins
750	NF	10	10	U4	Bonavista Bay...CBGY..."A" channel
750	SK	10	10	U4	Saskatoon
760	SK	10	5	U2	Regina
760	BC	10	10	U2	Abbotsford
760	BC	20	5	U2	Castlegar
760	NS	10	1	U2	Truro
770	AB	50	50	U2	Calgary...CHCR has applied...ex 810.
780	BC	20	10	U4	Penticton...CKOK(now on 800)
780	NS	10	2½	U2	Yarmouth
780	KF	10	10	U2	Cornerbrook
820	NS	10	10	U2	Halifax...or Sydney
820	PQ	5	5	U2	Drummondville
820	ON	1	1	U2	Dryden
820	ON	50	10	U4	Hamilton
820	SK	10	10	U4	Saskatoon
830	ON	5	1	U2	Brockville
830	SK	10	1	U2	North Battleford
830	BC	10	10	U3	Victoria
830	BC	10	10	U2	Hazelton
840	ON	10	1	U2	North Bay
840	NS	10	5	U2	Amherst
840	AB	10	10	U2	Grande Prairie
840	SK	10	2½	U2	Weyburn
840	BC	10	10	U1	Port Alice
860	NS	10	10	U2	Halifax...CBH
860	ON	50	50	U1	Toronto...CJBC..."A" channel
860	SK	10	10	U4	Saskatoon...CBKF-2
860	BC	10	10	U3	Prince Rupert...CFPR..."A" channel
860	NT	1	1	U1	Inuvik...CHAK
860	BC	1	1	U3	Nelson
870	ON	10	4	U2	Thunder Bay
870	BC	10	10	U2	Prince George
870	KF	½	½	U1	Stephenville
870	NB	10	10	U2	Bathurst
870	PQ	10	10	U2	Quebec
870	ON	10	3	U4	Sault Ste. Marie
870	ON	10	5	U4	Pembroke
880	AB	50	50	U2	Edmonton
880	BC	10	10	U2	Chilliwack
880	MB	10	10	U4	Brandon
880	ON	10	2½	U2	Fort Frances
890	NB	5	2½	U2	Edmundston
890	SK	10	2½	U2	Swift Current
890	BC	10	10	U2	Williams Lake
890	BC	1	1	U2	Trail
990	MB	50	50	U1	Winnipeg...CBW..."A" channel
990	PQ	50	50	U4	Montreal...CKGH ex 980...under const.
990	BC	10	10	U2	Prince Rupert
990	KF	10	10	U1	Cornerbrook...CBE..."A" channel
1010	AB	50	50	U4	Calgary...CBB..."A" channel
1010	ON	50	50	U4	Toronto...CFRB..."A" channel
1010	NF	5	5	U1	Gander...
1010	ON	10	10	U2	Thunder Bay
1020	ON	10	1	U2	Kenora
1020	NS	10	1	U2	New Glasgow
1020	SK	10	7½	U2	Yorkton
1020	BC	10	1	U1	Terrace

1030	BC	10	10	U2	Prince George	1160	ON	10	4	U2	Thunder Bay
1030	AB	10	.3	U1	Edson	1160	PQ	10	2½	U2	Baie-Comeau
1030	NB	50	1	U2	Moncton	1160	AB	10	2½	U2	Vegreville
1030	NF	10	10	U2	St. John's	1180	MB	10	1	U2	Virden
1040	BC	50	25	U4	Vancouver	1180	NF	10	10	U2	St. John's
1040	NF	10	5	U2	Grand Falls	1180	PQ	10	1	U2	Perce
1040	PQ	10	2½	U4	Montreal	1200	AB	50	50	U2	Edmonton
1040	PQ	10	5	U2	Dolbeau	1200	BC	50	50	U3	Victoria...note CKDA-1220
1040	ON	10	2	U2	Timmins	1200	ON	10	10	U?	Tilsonburg...CKOT??
1100	NF	10	5	U2	Cornerbrook	1200	NS	10	10	U2	Halifax
1100	MB	10	2½	U2	Winnipeg	1200	ON	10	10	U2	Sault Ste. Marie
1100	BC	10	1	U1	Kitimat	1200	PQ	5	5	U3	Repentigny...METRO MONTREAL
1100	BC	10	1	U1	Hope	1200	PQ	50	50	U2	Montreal
1100	NT	10	1½	U1	Inuvik	1200	ON	50	50	U4	Ottawa
1100	SK	10	5	U4	Shaanavon	1210	NF	10	10	U2	St. John's
1120	BC	10	½	U1	Ft. St. John	1210	BC	10	1	U1	Clearwater
1120	SK	10	5	U4	Saskatoon	1210	SK	10	10	U2	Regina
1120	ON	10	2½	U2	Timmins	1210	MB	10	10	U2	Thompson
1120	NS	50	50	U2	Halifax	1540	ON	50	15	U2	Toronto...CHIN
1120	PQ	10	2½	U2	Sherbrooke	1580	PQ	50	50	U3	Chicoutimi...CBJ..."A" channel
						1580	MB	10	5	U4	Winnipeg
						1580	AB	50	50	U2	Edmonton

From a USPS Info Flyer:

## POSTAL HEADS ANNOUNCE AGREEMENT TO IMPROVE CANADA-U.S. MAIL SERVICE

The United States Postal Service and Canada Post Corporation have signed a comprehensive agreement to improve service and develop and expand the mail market between the two countries.

The agreement was announced at a news conference in Toronto, Canada, August 8, by Postmaster General William, F. Bolger and Canada President R. Michael Warren, who said it would have the effect of "evaporating the border" between the two countries and treating north America as a single, coordinated postal network.

Mr. Bolger said he is impressed with the improvements he has seen in the Canadian postal service since it has become a crown corporation.

Mr. Warren said that since that time, "Canada Post's highest priority has been improving the speed and reliability of our service, and domestically our 'on-time' delivery has improved from 74 percent in 1981 to 90 percent in recent months."

Attempts so far to improve the international service, Warren continued, have "yielded only mixed results". He said this unique agreement will now make it possible to "put the customer first, improve our service and grow the business in a competitive and businesslike manner".

A joint Canada / U.S. service improvement task force has already met and begun to make that happen. The task force also will establish a market development program to increase the volume of mail exchanged between the two administrations.

The postal heads said they were committed to significantly improving the speed, reliability and range of service to customers mailing between the two countries. They agreed to meet with each other periodically to monitor the results against the service targets established in the agreement.

The agreement will establish service performance targets for transborder mails and operational initiatives aimed at enhanced service. Each administration will give transborder mail the same priority and level as domestic mail.

The task force will develop common transportation links; adapt machinery to sort according to each others postal codes; ensure that processing plants move

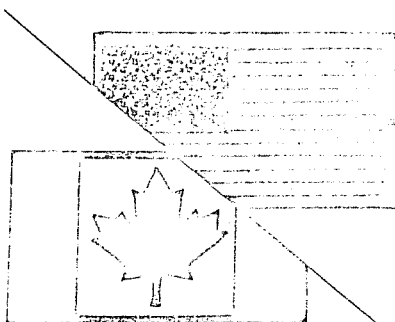
toward a common mail exchange network and develop improved processing methods that will reduce damage and lower costs.

Payments between the two administrations will be on a more equitable and businesslike basis. Provisions made for the timely settlement of accounts and the method of calculating compensation for the exchange of mail between the two countries is refined to more closely reflect the volumes and cost characteristics of mail exchanged.

As a result of improved service, combined with innovative joint marketing efforts, it is anticipated that transborder mail volumes will increase by 10 to 13 percent over the next three years. Revenues from increased volumes, combined with the new agreements on financial compensation, is expected to result in an additional \$20 million net annual contribution to Canada Post Corporation.

Canada exchanges more mail with the United States than with any other country, and the agreement "is a significant advance in broadening the partnership that exists naturally between the Canadian and American postal services.

"We know that both our postal systems must provide better value for money in an increasingly competitive international message and goods movement business. We are to survive and grow," Mr. Warren said.



# WESTERN DX ROUNDUP

lancy Hardy  
301 Pacific Avenue  
Aberdeen, WA 98520

All times are  
Eastern Local

Phone for hot WDXR tips: (206)532-6827 till 10pm(PLT)

## DEADLINES: Tuesdays

### REPORTERS FOR THIS ISSUE:

- (WGE) W. George Elliott-P.O. Box 312-Penticton, BC V2A 6K4  
(NH) Nancy Hardy-2301 Pacific Ave.-Aberdeen, WA 98520  
FRG-7, SM-1  
(GH) Curt Hayashida-P.O. Box 3001-Vallejo, CA 94590  
DX-160, Fisher PH495, Dymek DA100D antenna  
(JH) Jim Hilliker-1502 E. Hedgewood Ave.-Anaheim, CA 92805  
Kenwood R-1000, Radio West loop  
(DKK) Don Kaskey-465 Burnett St. #1-San Francisco, CA 94131  
Hammarlund HQ-140X, SM-2  
(RHM) Roy Millar-13714 30th Ave. N.W.-Marysville, WA 98270  
DAK3, unamp. loop; Grundig 5077, SM-2  
(BN) Bill Nittler-Box 724-Meeker, CO 81641  
(DN) Doug Nyholm-2071 Cedar St.-San Carlos, CA 94070  
PRG-7000 w/mech. filter, Sony ICF-6500W, Radio West loop  
(PT) Pete Taylor-2614 Jackson St.-San Francisco, CA 94115  
Sony ICF-2001, car rx  
(RW) Robert Wien-1309 Dentwood Dr.-San Jose, CA 95118  
GE Superadio, GE long-range portable, SM-2  
(JW) John Wilkins-4385 Hoyt St. #205-Wheat Ridge, CO 80033  
R-1000, 4' box loop

### OF SPECIAL INTEREST:

- 860 KLTQ UT, Salt Lake City ex-KWHO, now 24 hours w/contemp. adult mx.  
First hrd 9/21 w/"All Night AM, KLTQ" annct. o/KVVA/KKOW/XEMO/  
etc. (BN-CO)  
880 KKMC CA, Gonzales came on 9/22. Fair around San Francisco days w/  
KNEW-910 slop. 3rd at night after KRVN & KWIP. Hrd on car rx &  
ICF 2001 at home. (PT-CA)  
+9/24 0300 xlt at s/off o/mess w/full ID, ID as "Radio 88,"  
Christian format, ment. 7am s/on. I thought it was KMFR!  
Must've come on o/the weekend. Power listed for original CP is  
5000/5000. Good signal during day here. ID hrd during day as  
"Serving the central coast, KKMC, Gonzales, Radio 88." (RW-CA)  
+9/28 1230 w/ID "KKMC, Gonzales-Salinas-Monterey-Santa Cruz,"  
after relig. program. Into more relig. after ID. Signal fair  
at best for 5kw & bothered by KMFR & KNEW-910 splatter. (DKK-CA)  
+9/28 0130-0202 another "clear-channel buster" has hit the air!  
Noted in & out thru KRVN, then very loud w/religion "Thru the  
Bible" show, ID "10:30 at KKMC," into "Focus on the Family," at  
0130. Called stn, they went on the air Sat. 9/22, Christian  
format, sked is 0830-0300. But he told me they would s/off "at  
11pm (0200) tonight for some testing." Sure enough, at end of  
program, 0200 ID & TC into recorded s/off "This is KKMC,  
Gonzales, Salinas, Monterey, Santa Cruz. KKMC, Radio 88 now  
concludes this broadcast day. KKMC is owned & operated by  
Monterey County Broadcasters, and is new to the central Calif.  
coast. We invite you to tune in tomorrow when we'll be present-  
ing music and telling the good news of Jesus Christ." Ends w/  
inst. mx, off 0202, no SSB. Strong covering KRVN, power 5kw/1kw.  
CA #191. (JH-CA)  
1090 KLSZ CO, Aurora ex-KKBB effective 9/25/84. Format is adult contemp.,  
no more big bands. Slogan is "Denver's new Classy 10-90." (JW)  
+V1 from KKBB says they changed calls & dropped big band for  
contemp. adult mx. They are now known as "Classy 1090." (BN-CO)  
1150 KGNW WA, Seattle 10/1 2158 $\frac{1}{2}$  end of "Back to the Bible," 2159 $\frac{1}{2}$  "You're  
listening to Gospel Radio for the northwest, K-G-N-W..." hymn,  
legal ID 2200. This was 1st day on the air, as not there evening  
of 9/30. (NH-WA)  
1400 CINL BC, Princeton on 10/1/84 will begin to simulcast CKOK except  
7-10amPLT when they will be live from Princeton. CKOK (Okanagan  
Radio Limited) has bought 49% of "NL." Will change call letters  
to CKRP. (WGE-BC)  
1490 KDBI MT, Dillon 9/21 0759 s/on, then ABC nx on the hour, Montana wx  
and ads 0856-0900. (RHM-WA)

1560 KLLV CO, Breen w/contemp. relig mx for 2 hours 9/21 ID on half hour as "K-Love." ID 2100 "This is KLLV Breen." Either 1st or 2nd day on air as not there 9/19. Hrd all day here w/relig. mx. No ads or anncets other than "K-Love" & "KLLV Breen" on hour and half hour, although I've listened a great deal. (BN-CO)

?KLLV+9/24 0920, 0939 tent. w/relig. C&W mx at 0920, nx & sports 0930, ad ment. "Colorado" at 0939, way u/KPMC o/u XEJVP, KIQS nulled out. Out of curiosity, called KLLV last Fri. 9/21 to find out when they'd be hitting air. Hrd mx in background as DJ answered phone and said "Hello, KLV..." (they use this slogan). I asked when they'd hit the air & he said "we are on the air, don't you hear the music in the background?" I asked when they came on, he ment. that was their 1st day on the air, they had been "off and on" Thurs. 9/20, prob. ET'ing, but Fri. 9/21 was their first full day on air. Power is 5kw ND days only, but if it was them I hrd at SRS, they don't get out too well! Format o/phone sounded like EZL, tho! (RW-CA)

1600 KRRY CO, Lakewood ex-KLAK first hrd w/Bears baseball 8/13. Uses slogan "Y108 and KRRY." (BN-CO)

\*\*\*\*\*

550 KARI WA, Blaine 9/24 0630 weak w/religion. (DN-CA)

570 KRQX TX, Dallas 9/17 0341 w/ID & TC. KLUB was off & KRQX in KVI's null. After ID had ads & into rock mx. KLAC was u/KRQX w/C&W. (DKK-CA)

590 KSUB UT, Cedar City 9/16 0307 w/ID after CBS nx & ads. Briefly atop KHQ & KTHO. (DKK-CA)

600 KSXO CA, Redding 9/25 thru KOGO/CJOR w/RKO nx at 0600. KFRC-610 off. (DKK-CA)

610 \*KFRC\* CA, San Francisco 9/25 noted w/OC & TT from 0445 to past 0600. Interrupted this once to do 5 loud snores followed by regurgitation. Different. (DKK-CA)

650 CISL BC, Richmond 8/26 0431 "Lows near 11, highs near 19, right now it's 14° at C-Isle 6-50." "This is your west coast baseball source, C-Isle 6-50." (CH-CA)

670 KWNK CA, Simi Valley 9/23 1715 DJ used slogan "The new Hit Radio, 67 K-Wink, with music for the valley." Into pop mx. (JH-CA)

+Per call to KWNK on Fri. 9/21 they were "definitely" going to hit the air at "Midnight 9/22." If they're on, they must be extremely directional, not hrd yet here. They ment. they not only protect Boise, they also protect "a station in Santa Maria, CA on 660." The funny thing is that I don't have this CP listed anywhere! (RW-CA)

690 KBLI ID, Blackfoot 9/20 ID at 0807. A PSA on 690? Long before LSR at KBLI. (RHM-WA)

720 KDWN NV, Las Vegas 8/29 0220 ad about the Showboat Hotel, phone number for the Sportsphone talk show, "This is K-D-W-N, Las Vegas Nevada." (CH-CA)

(KDWN)+Totally off 9/24 0630-0730 at least. WGN very weak at 0700. (DN)

730 CKLG BC, Vancouver 8/21 0230 ad for Cindy Lawford concert, "G-G 73" slogan. (CH-CA)

740 (KCBS) CA, San Francisco 9/23 0740 totally off. (RW-CA)

750 KFQD AK, Anchorage 9/19 0458 wiping out KXL w/nice ID in KCBS null. (RW)

KMMJ NE, Grand Island 9/23 0745 good, alone w/NE wx, het from JOIB-740. (RW-CA)

770 KVOI AZ, Tucson 8/29 0522 relig. talk show, "Satellite Radio Network." The host is called "The Bible answer man." (CH-CA)

\*KOB\* NM, Albuquerque 9/18 0410 w/OC, cack on at 0430. (RW-CA)

780 WBBM IL, Chicago 8/29 0555 w/KROW off, IDs & wx. (CH-CA)

KROW NV, Reno 8/29 1939 "The mighty 7-80, K-R-O-W." (CH-CA)

(KROW)+Noted off 9/19 0338 w/WBBM in well. (DKK-CA)

+9/19 0510 totally off, seems to have a weekly Wed. morn SP now. (RW-CA)

790 KURM AR, Rogers 9/21 2218 HS football live, Rogers vs Bentonville. Local ads. Fair at best, mixing w/KKBQ & others. New, AR #7. (Øw-CO)

(KABC) CA, Los Angeles noted off 9/17 0539 w/KGHL in well. (DKK-CA)

800 KFRZ? UT, Brigham City 9/25 1000 finally logged this stn but calls sounded like KFRZ and KFRZ-FM. Are they no longer KBUH? (BN-CO)

820 WBAP TX, Fort Worth-Dallas 8/29 0450 IDs & country mx, "Fort Worth 830." (CH-CA)

830 WCCO MN, Minneapolis-St. Paul 8/29 0330 classical mx, wx, IDs. (CH-CA)

840 WHAS KY, Louisville 8/29 0405 country mx, IDs. (CH-CA)



870 KIEV CA, Glendale 9/21 0454 now 24 hours, strong o/WWL w/talk show. ID ment. of "KIEV is now 24 hours a day..." also ment. being directional "up the coast." (RW-CA)

?KIEV?+Three signals noted 9/28 0015-0025. The C&W was WWL; also baseball; and the "Health Radio Network" w/ments of LA, San Diego, & area code 213. It was dominant while driving around San Fran. on car rx. (PT-CA) (Baseball perhaps KORD.--NH)

890 \*WLS\* IL, Chicago 9/17 off after 0200. TT noted off & on. (DKK-CA)

940 KNST AZ, Tucson 9/17 0410-0420 w/talk program weakly thru KIOA and KABL-960 splatter. KFRE off again but back by 0450. (DKK-CA)

990 CBUS BC, 100 Mile House w/western B.C. wx at 0857:30, typical "open air" of LPRT before nx on hour; gone by 0900:30. (RHM-WA)

1000 KKMx CO, Hayden ex-KRDZ "AM 100" contemp. mx like Air Supply's "Lost in Love" 1st hrd here 9/11 thanks to RW's tip. Only about 60 air miles from here. (BN-CO)

1010 \*KIQT\* CA, San Francisco 9/18 0424 on w/OC. This guy like to test on Tues. mornings. (RW-CA)

1060 KBGN ID, Caldwell 9/23 2159 caught tail-end of s/off annct. Ment 10kw, invite to tune "FM 94 KBXL." Fair in QRM. New, #629. (ØW)  
+9/23 2200 got def. ID & s/off after end of relig. mx. "Now KBGN Caldwell concludes another day of Christian broadcasting." Ment 10,000 watts, gave call of microwave relay, "tune to 94 FM," couldn't make out call. Fair w/KNX-1070 & XEPRS-1090 Flop. New, ID # 12. (JH-CA)

1070 CKST AB, St. Albert 9/19 0318 w/ID u/KNX. Mix bag of pop mx 0245-on. SBN nx at 0300. (DKK-CA)

1140 (KRAK) CA, Sacramento 9/21 0500 totally off. (RW-CA)

1170 \*KLOK\* CA, San Jose 9/24 0445 off w/very rare MM SP w/OC/TT. Never turned off OC completely to open up freq., darn! (RW-CA)

1180 KBWA AZ, Williams loud signal 9/23 1915 w/C&W in for about an hour w/only one annct. in that time an ad for Coming Attractions Video in Williams. No call ID hrd & signal faded before 2000. (BN-CO)

1210 WCAU PA, Philadelphia 8/19 0200 ID "W-C-A-U." State #23. (CH-CA)

KASY WA, Auburn 9/24 0431 rock oldies, YL DJ. ID 0459 "K-A-S-Y from Auburn," then local headlines, wx. Slogan "Radio Kay-see, AM 12-10." Weak, but almost no QRM. 1st new logging w/new 4" loop! (ØW-CO)

1230 KPSA NM, Alamogordo 9/24 0457 Crystal Gayle song, 0500 ID "This is K-P-S-A Alamogordo," then Mutual nx. Also hrd slogan "Que Pasa Radio." Good o/QRM, no sign of usual KDZA. (ØW-CO)

1240 KEVA WY, Evanston hrd AN w/C&W 9/15. V/1 says now C&W full time, dropping Larry King. (BN-CO)

1280 KYKN OR, Eugene 9/25 2220-2228 atop din w/C&W mx. "Radio Kickin" ID at 2226. Dropped outa sight at pattern change. (DKK-CA)

1310 KDIA CA, Oakland per call to KDIA it'll "still be some time" before they change their calls to KFYI (K\_for your information). (RW)

1340 CIBQ AB, Brooks 9/19 0805 ID, and I believe "13 Q" slogan. (RHM-WA)

1360 KZUN CA, Modesto 9/30 2122½ TC & ID, into C&W song. Good o/KROR. (NH)

1420 KUJ WA, Walla Walla 9/25 0432 atop KSTN w/ID. Pop mx. Rare here. (DKK-CA)

1450 KDXU UT, St. George per call to KDXU, they won't switch to 890 "for a few months yet." Had read that stn had been sold, but woman who answered phone said "definitely not!" (RW-CA)

1470 CJVB BC, Vancouver 9/26 2230 o/XERCN w/ID after a foreign language program. Another ID 2231 & into FF talk program. (DKK-CA)

1480 KSBQ CA, Santa Maria 9/23 2215 fair-poor in KWIZ null w/s/off. Said to send comments to Box 442, Santa Maria. Into vocal SSB by Statler Brothers. (JH-CA)

KAAR WA, Vancouver 9/26 0455-0545 battling KWUN. MOR/pop mx. "Car Radio" ID 0531 followed by WSJ ad. ID 0540 & spots for Portland. (DKK-CA)

1500 (KHTT) CA, San Jose 9/20 0424 totally off. (RW-CA)

?KAER? NM,?? Is this the Alamo Community station w/Indian anncr. and Air Force/Marine recruiting shows hrd this AM 9/25 1020-1127? Where is this stn located? (BN-CO)

1520 ?KFMZ? NM, Albuquerque 9/25 IDs 1049 & 1055 "Rock Radio KFMZ." Is this another call change from KAMX? (BN-CO)

KSGO OR, Oregon City-Portland 9/17 0315 "We've been hearing from people like you all over the northwest who've just discovered Solid Gold Oldies on KSGO," ex-KYXI. (BN-CO)

1550 KXEX CA, Fresno 9/17 0511 ID in SS atop KRG0 etal. Is now 24 hours in SS. (DKK-CA)

- 1550 KKJO MO, St. Joseph 9/17 a surprise briefly w/ID/talk at 0715.  
Haven't hrd this one for years. (DN-CA)
- 1560 WPAD KY, Paducah 9/24 0408 xlnt for a full hour w/rr, beautiful ID  
on hour mentioning "The River City's music..." (RW-CA)  
+9/24 0400-0510 weakly but good ID 0500, followed by nx w/  
female annrc. Toll free #s at 0510 could be Satellite Network.  
Variety of pop mx but sig was very unstable. (DKK-CA)

UNIDS:

- 550 MM 9/17 0400-0610 u/KAFY & KOY's TT. Seemed to be talk format. Nx on  
the hour until 8 minutes after the hour. Temp given as 62 at 0507, nx  
about dry land farming & agriculture tips. Did not get ID, but strongly  
suspect KCRS-TX whom Doug Nyholm ID'ed the same morning. (DKK-CA)
- 660 9/23 w/CFFR off weak stn noted 0759-0804 w/relig & nx. Mexican s/on  
0804 & covered freq. Possibly KSKY or KCR0? (DKK-CA)
- 750 9/24 0453 loud tester noted w/C&W mx. Off right after 0500 w/no ID.  
Probably KERR. (DKK-CA)
- 840 UnID stn u/WHAS 9/24 0700 fading up & down w/pop mx (I think). First  
noted a few min. before 4am local but soon lost after WHAS took over  
a few min. after 4. (DN-CA)
- 860 TTer 9/17 0407 cutting thru KTRB well. KLTQ? (DKK-CA)

We're weekly again. Remember to report!

# CENTRAL DX ROUNDUP

Robert Kramer  
6416 N. Richmon  
Chicago, IL 60645

SPECIAL, UNIDED, CHANGES, et. al.

- 630 KDWB MN ST. PAUL, now 20db stronger to SW nights, no stronger to W. Apparently  
new pattern & likely 5kw nights now. Is NSP. GS-MN
- 910 UNID 9/10 0345-0351, poor u/WALT, w/1940's mx, ID sounded like WXAM. RG-IL
- 1160 WTYN NC TRYON, 9/25 0650, ex-1550, fair w/KSL, WJJD, DJ talking about parade down  
main St. of Columbus (nearby), faded out before 0700 ID. PN-TX
- 1270 WVCO OH MARYSVILLE, 9/23 2030 fair thru W4CA-WHEF w/ID, CP is on. RK-IL
- 1320 WFHR WI WISCONSIN RAPIDS, sked is 0600-0307 s/off, SSB. GS-MN
- 1330 KQJN MN MINNEAPOLIS, definately off MM. GS-MN
- 1440 KQRS MN GOLDEN VALLEY, is NSP. GS-MN
- 540 WDXN TN CLARKSVILLE, 9/25 0705 fair w/s/on, ID, into ag pgm. PN-TX
- 550 KFRM KS SALINA, 9/21 0716 "K-Farm 55", wx, farm nx u/KTSA. PN-TX
- 560 KIZ CO DENVER, 9/24 0106 wx out of net nx, ID, weak w/ w/UNID SS u/KLVI. PN-TX
- 570 CKEK BC CRANBROOK, 9/17 0207 s/off w/NA, good o/all wRM. WNAX off MM still. GS-MN
- 660 WESC SC GREENVILLE, 9/25 0700 C&W mx, ID, weak but alone. PN-TX
- 880 WMBD TN NASHVILLE, 9/17 2055 ID fair in KRWN null. GS-MN
- 910 WALT MS MERIDIAN, 9/10 0345 fair o/MoR UNID, tentative, w/long ID promo which each  
DJ introduced self & show, only ID "T-91", PSA, urban format. RG-IL
- 1090 CHR8 FQ JACQUES CARTIER, 9/3 2102 quick ID then off, FF, much past their SS. GS-MN
- 1110 WBT NC CHARLOTTE, now nearly equal to KPAB every night, temporary or permanent  
legal or illegal? WC DXers take note! GS-MN (I've noted the same here,  
except WBT is totally dominant, either they are operating ND or their  
pattern is reversed, ed.)
- 1190 KRDS AZ TOLLESON, 9/17 0240, spot, ID, fair in QRM, WOWO off. GS-MN
- KEX OR FORTLAND, 9/17 0145 w/Tlk of the Town phone in pgm, fair, often on top. GS
- 1330 WWHI IN EVANSVILLE, 9/20 2215 ID "Gospel Radio for Tri-State, WWHI", Rel pgm, poor,  
fading, thru KPH/KVOL. PN-TX
- 1500 WTOP DC WASHINGTON, 9/25 0630 ID, ELT TC, good w/lcl'nx, o/wRM. PN-TX
- 1530 KNBO TX NEW BOSTON, 9/22 2030 poor-fair s/off u/KGBT, WCKY, SSB. PN-TX
- KCLR TX RALLS, 9/22 2031 fair w/SS pgm, SS & EE IDs, later as "KCLR Ralls, serving  
Northwest Texas". SS pgm, w/KGBT/WCKY. PN-TX
- 1540 WPJM TN ADAMSVILLE, 9/29 2002 good w/s/off, SSB. RK-IL

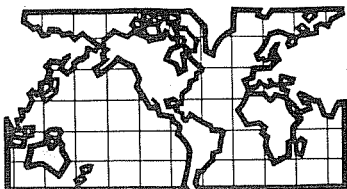
TUNE IN NEXT WEEK, SOME TIME, SAME STATION:

RG.... Bob Gerardi 1421 N. Franklin #7 Benton, IL  
(ICOM R-71A, 500' coiled #22 wire)

RK.... Him  
(R-1000, HQ-129X, Radio West Loop, Kowalski Loop)

PN.... Pete Nolan 100 Market St. Galveston, TX 77550  
(TRF)

GS.... George Sherman Box 2284 Minneapolis, MN 55402  
(R-1000, Radio West Loop)



DX WORLDWIDE - WEST

Pat Martin - Editor

P.O. Box 843, Seaside, Oregon 97138

TP and DU conditions sure have been good lately. I seems like something is in every morning. We only have a short column for you this week, as I am on vacation and I want to get this out early. I should be back from B.C. in about a week, so keep those reports coming.

TRANS-PACIFIC DX ROUNDUP

- 531 JAPAN, Morioka-JOQG, vy good o/unid (KK?) at 1410 on 9/28, w/OM in JJ (PM-Or)
- 567 NEW ZEALAND, Wellington-2YA, at 1115 on 7/2, strongest ever hrd on TRF w/ "Music Til Midnight" light music, signal poor (DPK-Hi)
- 590 HAWAII, Honolulu-KSSK, 1114 on 7/2, noted off the air (DPK-Hi)
- 738/1143 TAIWAN???, two Chinese stations w/YL talk at 1415 on 9/28 in // Programming didn't sound like mainland Chinese, much softer. The WRTH lists Fishery stations on both freqs. 738 KHZ was mixing with Unid EE station and Changsha in Cantonese. Will keep checking. (PM-Or)
- 760 HAWAII, Honolulu-KGU 7/17 at 1038 noted off the air (DPK-Hi)
- 870 HAWAII, Honolulu-KAIM, per visit to station, now operates 24 hours a day instead of SP 1100-1500 UTC, noted 8/10 (DPK-Hi)
- 940 HAWAII, Waipahu-KDEO noted off the air 2148 UTC on 8/12
- 1040 HAWAII, Honolulu-KIFH-at 1111 UTC on 7/2, noted off the air first time since format/call change (DPK-Hi)
- 1080 HAWAII, Honolulu-KZHI-0402 UTC noted w/ OC, off next day, per reports station has gone bankrupt, was AC programming (DPK-Hi) (Word is that the station has applied for new call, so they might be returning to the air soon.PM)
- 1130 HAWAII, Kailua-KLEI noted off the air at 0938 7/17, normally should be off at 1000 UTC (DPK-Hi)
- 1380 HAWAII, Pearl City-KLNI, directional w/N S nulls, station address is 94-539 Puahi Street-Waipahu 96797, noted testing w-5 KW 7/19, 7/20, 7/21. Hrd thanks to Dug Martin tip w/Test tape, ann every 5 minutes "This is KLNI Pearl City performing equipment tests, per owner Tom Adams testing began 7/3 w/250 watts to 5 KW 7/5 (DPK-Hi)

THANKS TO THESE REPORTERS:

- DPK-Hi Dale Park-2253 Kanealii Avenue-Honolulu, Hawaii 96813
- SONY ICF-6700W, TRF
- PM-Or Yer Editor
- SP-600X, terminated 200' NE Longwire, 2 East 1500 ' Beverages

DON KASKEY SUNSET BANDSCAN FROM GALVA, IOWA 51020

RECEIVER: REALISTIC PATROLMAN SW-60 ANTENNA: BUILT-IN FERRITE LOOPSTICK  
BANDSCAN TAKEN JUNE 17-28, 1984----INCLUDES STATIONS HEARD ONLY AT SSS, DOES NOT INCLUDE DAYTIME DOMINANTS OR NIGHTTIME REGULARS:

- |                |                |                |                |
|----------------|----------------|----------------|----------------|
| 850--WWJC--MN  | 1290--WCOV--WI | 1460--KDMA--MN | 1600--KNCY--NE |
| 980--WPRE--WI  | 1300--KSWN--NE |                | KRNY--NE       |
| 1060--WKKQ--MN | KOLY--SD       | 1480--WLSC--SD |                |
| 1090--KKBB--CO | 1310--KNOX--ND |                | WISM--WI       |
| 1100--KKLL--MO | 1350--KDIO--MN | 1490--KBAB--IA |                |
| 1220--WVLE--MN | 1410--KOOO--NE | 1510--KCCV--MO |                |
|                | 1420--WIMS--IN | 1560--KQYX--MO |                |
| 1250--KBRF--MN | 1430--KRGJ--NE | 1570--KMCD--IA |                |
| 1280--WCRQ--IL | 1440--WGEM--IL | 1580--KZIA--NE |                |
|                | WROK--IL       |                | KPIK--CO       |
|                | WGLR--WI       |                | KTGR--MO       |
|                | KQRS--MN       |                |                |

# DX WW II

EDITED BY  
PETER V. TAYLOR  
2614 JACKSON STREET  
SAN FRANCISCO, CA. 94115

## TRANS - PACIFIC

**AUSTRALIA** - 3AB-990 is the new ABC outlet for Albury-Wodonga; it goes on in November. 3CR Melbourne moved to 855kHz Sept. 2. A new ABC XR is being considered for Karratha, WA; if approved, it may on 702kHz with 10kw (D. Headland, ABT via DXC).

**CHINA** - Shandong province now has a P2, but so far it has been observed on FM only (K. Shimotori, FERC). Guilin PBS-1539 is on with 1kw (FERC)

**INDIA** - WRTH84 corrections: Cuddapah-900 100kw, ex-20kw; Pashinghot-1062 is .15kw (not 100kw); Pondicherry-1062 is 1kw (not .1); Kohima B-1341 is new, 1kw; Kanpur-1449 is ex-1440; and it is Jaipur A-1476, not Jeypore (VMWN via ARC).

**INDONESIA** - RRI-1553 Menado uses only 1kw (O. Mihara, FERC).

**IRAN** - VIRI's AA external service is now on from 0330-1130 and 1330-2030 on 1125 & 1242kHz. It is also carried on 765 from 1330-2030 and on 558 & 990 from 1730-2030 (BBC).

**KOREA, NORTH** - V. of the Rev. Party for Reunification-1053 has EE 1400-1430 (BBC).

**KOREA, SOUTH** - Jeju Munhwa BS-774 is ex-Namyang Munhwa; HLAJ (ABI via FERC in ARC).

**TAIWAN** - ICRT's 1548 & 1570 XRs are running about 1kw, but will increase to 30kw in the near future (D. Kawaguchi, FERC).

**THAILAND** - VofA-1575 (controlled by Thai Foreign Ministry) has EE 1000-1030 M-F, 1100-1200\*, 1230-1300\* Sun., 1530-1600\*; **Laotian** 1200-1230\*, 1230-1300 Tu/Th/Sa, 1500-1530\*; **Cambodian** 1300-1330 Tu/Th/Sa, 1500-1530\*, 2200-2230\*; **Bengali** 1600-1700\*; **Burmese** 1400-1500\* (\*-VOA) (BBC). New UNID, Tor Por Sii-936, has 1640 s/off (YK, FERC).

**VIETNAM** - A V. of Vietnam report indicates that besides VoV radio service, there are now 40 stations broadcasting at provincial, municipal, and equivalent levels; 400 at district levels; and more than 6000 wired stations (BBC).

## TRANS - ATLANTIC

**ALGERIA** - New UNID XR noted on 909kHz (EBU via ARC)

**AZORES** - R. Clube Asas do Atlantico-1566 has reverted to 1570 (EBU via MWSC).

**CZECHOSLOVAKIA** - The Melnik XR, which is on the synchro frequency of 1233kHz and carries the Hvezda program, is purportedly off between August & November for major maintenance. In the interim, Hvezda is carried on 1233 by Liblice (200kw) 0200-2400 and M. Hradiste (50kw) 0000-0205 (local times) (BBC).

**GERMANY, WEST** - RIAS-1 on 990kHz is 24h except for 10 min. breaks 0315-0325 M-Sat & 0350-0400 Sun. 684kHz Ts on from 0700-1700. SF1 on 576/711/1413/1485 is on 0430-2130 (M/Tu), 0430-2305 (W/Th/F/Su), 0455-2305 (Sun) but also carries the ARD Night Program all night (BBC). WDR introduced regional programs on June 4. They are on 0405-0455, 0520-0600, 0615-0700 on 702 Essen Studio (Aachen/Herford/Kleve/Siegen), 774 Kolner Studio (Bonn), and 1593 Dusseldorf Studio (Langenberg) (B. Ericson, ARC). Berlin-1107 is now carrying AFN-FM "Beautiful Music" program (RB/BE in ARC). (All night or 24h?-pt)

**GUINEA** - R. Conakry-1386/1404 is on 0600-2400 in FF & local languages (BBC).

**ITALY** - TeleRadio Montello-940v is new; location unknown (E. Toffano, SCDX).

**LEBANON** - VOP/VPR/V of National Unity-1504v (hostile to Arafat) hasn't been heard since August 30 (BBC).

**LIBYA** - Tripoli-1052 is now on 1053 with 50kw. A new UNID is on 1482 (EBU via MWSC).

**MOROCCO** - RTM Oujda-828 is back on 827, 100kw (EBU via MWSC). (It probably gave up on the Libyan 827 het - pt).

**PORTUGAL** - R. Renascensa noted on 926kHz (HM, ARC)

**SEYCHELLES** - R. Seychelles-1368, Victoria, Mahe, is on M-F 0200-0400, 0645-0915, 1345-1800 (Sun. 0200-1800) in EE/FF/Seychellois Creole. EE is on 0300-0330, 0700-? (M-F), 0900-?, 1430-1500 (T/W/F), 1500-1520 (BBC).

**SOUTH AFRICA** - Radio Five is on 0400-2200 with music, and EE news 0500, 0600 (not Sa/Su), 0900, 1500, 1700; **Afrikaans** news 0700, 1100 (not Sa/Su), 2000; and bilingual news at 1100 (not Sa/Su) on 576/729/783/801/810/828/1116/1314 (BBC).

**SOUTH AFRICA/TRANSKEI** - Capital Radio, Umtata, is on 0300-2300 (Sun. 0400-2300) on 585 & 603 (BBC).

**SPAIN** - EFJ46-1413 RCE Zaragoza is on 1409. EAJ61-1584 SER R. Jaen is ex-1026. RP Sevilla-1134 is now on 837 (EBU via MWSC).

**SWAZILAND** - The 954kHz is not on yet (VK). (See last DXWWII-pt).

**UNITED KINGDOM** - The British government is planning to encourage the introduction of community radio, probably within two years. By 1986 existing pirate stations should be able to apply for licenses, as well as any group which wants to broadcast to a minority audience. (BBC).

**VATICAN** - R. Vatican-526 is now on 527 (EBU via MWSC).

**YUGOSLAVIA** - Beli Kriz 2-1170, ex-1080, is here with 300/100kw (BBC via ARC).

**ZAIRE** - LV du Zaire is 24h. These XRs carry the service, and some local programs as

well: Kisangani-531, Bukava-801, Bandundu-1008, Kananga-1026, Mbuji Mayi-1044, Matadi-1161, Mbandaka-1287 (BBC).

**INTERNATIONAL WATERS** - Laser-558 is running 17kw; the antenna can't take any more (WDXC via ARC). Norwegians can call the station directly (via satellite), 095-873-1330442 (BT via ARC).

## P A N A M E R I C A N A

**ARGENTINA** - LRI235-1430 R. Balcarse began Aug. 17 with 250w 0900-0300. LR9-1190 is R. America (ex-R. Antartida); LS6-1350 R. Buenos Aires (ex-R. del Pueblo); LT34-1500 R. Nuclear (ex-R. Zarate) (GIB).

**CHILE** - CB600-600 R. Gigante, Santiago is new; 10kw. CC86-860 R. Portales, Concepcion, new, 10kw. CB103-1030 R. Valentin Letelier is ex-940 (back to former frequency) (BBC).

**COLOMBIA** - HJAD-820 R. Bolivar is 25kw, ex-1330. HJJN-920 Ondas del Mayo in on 0900-0400. HLCC-1010 R. Tropical, ex-Em. Mil Veinte. HJVB-1200 ex-1510. Delete HJCO-1210. HJOG-1300 R. Sonorama ex-LV de las Antillas. HJID-1380 Em. Villa Paez ex-R. Mercante. HJPK-1400 is 24h. HJPK-1430 LV de Abejorral, ex-Em. Voz de Abejorral, 24h; nominal frequency is 1360. HJRL-1430 now 5kw. HJSH-1500 Ecos de Ricaurte is new, on 0900-0300. Delete HJZX-1550. HJNN-1580 R. Zulima, ex-Tr. Universal (WRTH via ARC).

**COSTA RICA** - Radio Havana has quoted the U.S. Ambassador to Costa Rica as saying that a 70kw VOA XR will be installed in San Carlos (near the Nicaraguan border) and will go on in 1985. Installation of the station has provoked some protests, even from within the ruling National Liberation Party. It will be operated by the ACIC (Assn. for Information and Culture). A new station in San Jose', R. Sensacion, began operation Sept. 1 on MW & FM (no freq.-pt) (BBC). TILDA-890 R. Monumental is now R. Linda. TIFC-1080 is on 1030-0400 and has co-channel synchros at Cuidad Quesada and Chomes. TILX-1320 R. Columbia is now in San Carlos, ex-Limon; TILX-1460, vice-versa. TIASD-1540, R. Lira, new calls (WRTH via ARC).

**DOMINICAN REPUBLIC** - HIAZ-820 is on 0930-1300, 2130-0400. HIABA-840 now 5kw, 0900-0400. HI...950 R. Popular, Santiago, 10/5kw. HIBS-1200 now 1kw. HIAU-1240 now 3kw, 0900-0400. HIRJ-1250 R. Juventud, ex-1570. HIOS-1260, ex-1490. HIMG-1360 now 1kw. HIAN-1460 R. Ranacimiento, ex-R. Magua'. HIAJ-1570 now 5kw (WRTH via ARC).

**HONDURAS** - LV de Centro America info: 580 25kw, 1030-0500; 590 Siguatepeque, 10kw; 600 La Ceiba, 10kw; 640 Santa Rosa de Copan, 10kw; 650 El Progreso, ex-San Pedro Sula. Others: HRSK-950 is 3.2kw, 1200-0400. HRZC-975 R. Monumental is nominally 1240; it is on 1200-0300. HRQN-1150 is ex-1220. HRRD-1440 is ex-1400; hours are 1200-0500. HR...1590 ex-1440; 1400-0100 (WRTH via ARC).

**MEXICO** - XERUY-1390 R. Univ. de Yucatan is new with 10/.25 kw (WRTHNL)

**NICARAGUA** - R. Insurrection-590 Matagalpa now IDs as R. Revolution (BBC). HTA820-820 R. Ondas de Luza now 10kw; hours are 1200-0600 (WRTH via ARC).

**PANAMA** - HO...550 R. Dimension 55 is on 1000-0400. HOHA-900 is 1kw, 1000-0600.

**PERU** - O..2.-730 R. Inca del Peru, Los Banos del Inca, Caj. is reported here (JCC via SWB, ARC).

**PUERTO RICO** - WKAQ-580 is now 10kw DA (SDXL).

**SURINAM** - SRS-600 (10kw, ex-725), R. Apintie-820, and R. Paramaribo-1030 (5kw) are all on (R. Sewdien, SCDX).

**URUGUAY** - CX20-930 R. Monte carlo now 25kw (WRTH via ARC).

**YVONUELA** - YVMJ-580 is 50kw 1000-0400. YVNO-620 is 10kw 0900-0400. YVOA-1000 is 24h. YVOF-1280 is 20kw, 1000-0400. YVZA-1390 is 10kw 1000-0300. YVZI-1400 is 10kw. YVNZ-1500 R. 2000 (R. Dos Mil) uses 100kw; this is correct call (not YVRZ). YV...-1570 R. Guarapiche is 24h (AH via WRTH via ARC). YVMM-1550 R. Metropolitana is 24h with 10kw (VK).

Credits: ARC - Arctic Radio Club 25/2,3. BBC - BBC Monitoring Service #s 84/35-37 (copyrighted). DXC - DXers Calling (Australia) #26. FERC - Far East Radio Club #83-84. GIB - Gabriel I. Barrera, Buenos Aires. MWS - Mittelwellen-Spezial-Club, Koln, W. Germany, #82. SCDX - Radio Sweden/Sweden Calling DXers #s 84/1797-1800. VK - Vashak Korinek, Ederwale, So. Africa. WRTH - World Radio TV Handbook Newsletter. NOTE: Material included herein may be reproduced freely in other DX publications providing credit is given to both IRCA and the originating contributor.

**DXING IN SEOUL.** IRCAn Bill Harms is in Seoul as of this writing, and provides this information relating to North Korean signals as observed on a Panasonic RF-3100. 657: completely blocked by jammer on about 658; quite a het. 684: heavily jammed, but no NK signal detected. 711: NK het interference. 720: NK signal is in the clear when jamming on 729 is nulled. 729: NK signal here, but heavily jammed. 738: NK here, no jamming, but co-channel QRM from HLKG, etc. 756: NK jammer here, just like 711. 783: NK in the clear, but poor, with co-channel QRM. 801: NK in the clear. 810: only a very strong So. Korean jammer here. 819: very strong NK which is able to break through the jamming. 855: SK jammer carrier here, but no NK outlet noted. 860: NK in the clear. 877: only a slight het. 927: fairly good NK signal, only slight jamming. 999: weak NK mixing with HLCL, etc. 1026: Fair jammer signal, but no NK noted or listed. 1053: home of the infamous V. of the Revolutionary Party for the Reunification of Korea. Two jammers here, one in Kimpo (near Seoul) and the other at Cheju-do. Heard in NA. They go on at 0956 when VOTRPFTRK signs on. 1080: NK weak under severe jamming. 1368: NK EE program from R. Pyongyang is audible 1500-1650; no jamming, but some QRM. (Thanks Bill).

I would like to thank Neil Kazaross for a most interesting letter, in which he points out that quite a few of the LA splits listed in this column as having moved to even channels

have in fact not moved at all. Examples: Cayman-1555 never moved to 1550, HJPM-895 didn't move to 890 (although they announce 890), and Lima-854 is still there and not 850. Neil also cites the following TAs not yet on GP channels which he has noted in Ogunquit:

746 Weak carrier/African suspected	1325 Safi, Morocco
782 Weak carrier disappeared 8/84;	1349 Mauritania (never moved to 1350)
did Syria move to 783? (yes-pt)	1367 Angola
827 Libya (never moved to 828)	1394 UNID carrier (Azores?)
836 Azores	1448 Bafoussam, Cameroon
872 Weak carrier gone 82/84; looks	1466 Monaco (daytime frequency)
like Cairo did move to 873	1475 Benin
944 Angola	1493 Ivory Coast (not heard this season in
998 Morocco (not heard this season)	cx that should bring them in, as
1034 Guinea-Bissau (s/off 0005 8/26)	per past experience
1052 Libya	1502 Togo, definitely still here
1115 Angola	1554 Gabon (still here)
1124 Libya	1562 Carrier here last season during good
1295 Sudan (last season; I understand	Iberian opening; late fade times
they're drifting this year)	indicate Covilla, Portugal
1304 Dakar - FF service back here; ex-	1586 UNID weak carrier during superb African
1305, where they'd been since 11/78!	opening; Angola suspected

Neil goes on to note that many Brazilians do not use the "Radio" part of their slogan, as in "Globo" (not R. Globo), etc.

Neil, I don't have an immediate answer for the inaccuracies. Our information comes from a variety of sources. I wish I were in a position to hear everything and check it out first! Thank you for bringing it up, for the fine job you did as editor of the DXNW-East column, and for your continuing input.

On the semi-local scene, KKMC-880 Gonzalez-Salinas is on with a paid religion format (5kw day, 1kw night DA-N). It is readable around the city days, but is 3rd to KRVN and KWLP at nights. By the time you read this my wife, son and I will have been to Kauai and back, so I might even have some contributions myself next issue! 73 - pt.

## North Sea 'Radio Lazer' beams American music to British fans

By Justine DeLacy  
The New York Times

ABOARD THE TRAWLER COMMUNICATOR, in the North Sea — Seventeen miles off the British coast, four American disc jockeys relax on "Splinter Beach," as this rusty trawler's upper deck is known to fans.

Below, in a studio the size of a hot tub, a fifth prepares the musical lineup that has made the first American offshore pirate radio station in Europe an underground phenomenon in Britain.

"You say ba-nah-na, I say ba-nan-a," Holly Michaels, a 27-year-old former truck dispatcher from Minneapolis, said into the microphone. "It's your language, but I'm American. Hope you don't mind."

In the three months since it's been broadcasting from international waters, Laser 558, owned by an anonymous group of Americans and run from New York via a satellite hookup, has taken droves of listeners from Britain's government-regulated radio stations. Estimates put the number of listeners at 6.6 million.

Laser's American disc jockeys are cult figures in Britain. Fans communicate with them through a post office box in New York's Grand Central Station. Record requests are then transmitted to the ship by computer. On weekends, the most stalwart brave the unruly North Sea for three hours in a fishing boat to cheer them on and take photographs of the 186-foot trawler.

"They want to know every detail, what we eat, how we live," said Charlie Wolf, 25, a disc jockey

from Boston.

The secret of Laser's success is its all-music formula. Such stations are rare in Europe, where regulations limit the music content of many programs.

Listeners like its combination of Top 40's and golden oldies and its consistently upbeat sound. "They get on, they get off, and they get on with it," said Dave Rimmer, a Laser fan from London.

Laser is one of 104 pirate stations that have sprung up in two years to challenge the concept of "enlightened" broadcasting — the blend of news, education, religion and music on which the BBC is based — by playing non-stop reggae, soul, punk and funk.

The BBC and the Independent Broadcasting Authority, which regulates Britain's 43 commercial stations, assert that the pirates interfere with VHF emergency frequencies, steal news bulletins and pay no music fees.

Citing "widespread anarchy on the airwaves," Dick Francis, managing director of BBC radio, recently demanded a government crackdown.

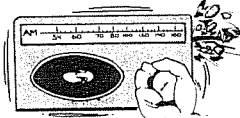
"We're not against competition, just illegal, unfair competition," said John Guinery, head of news at the Independent Broadcasting Authority.

When the first offshore pirate, Radio Caroline, began broadcasting in 1964, the BBC had only three hours of light music a week. Soon dozens of offshore pirates were playing music around the clock. As a result, the BBC started its own pop station, Radio One.

Most pirates disappeared in 1967, when the government made it an offense to supply pirate ships.

San Jose Mercury News  
September 30, 1984  
via Robert Wien

# TOP END



A monthly column of loggings, discussions & information for the 1600 - 1800 kHz range.  
Deadline: The last Saturday of the month  
All times are GMT

Craig Healy ..... 66 Cove St ..... Pawtucket, RI ..... 02861.....

●October 1984...Conditions seem to be improving. Now if the noise will go away, we'll have it made. Now, on to the loggings:

1610 ANGUILLA 0434 9/09 Caribbean Beacon, poor. (Chituck)  
1617 ??? 0437 9/09 pulsating beacon. (Chituck)  
1617.5 ??? 0904-0905 9/24 Cubic Argo, good. (Healy)  
1619 ??? 0100 9/08 pulsating carrier. (Chituck)  
1627 ??? 0104 9/08 pulsating carrier. Also 0439 9/09 (Chituck)  
1637 ??? 0345-0355 9/18 KA81184 poor-fair w/ cont. ID (Healy)  
1641 ??? 0358,0403 9/18 KA83795 poor-fair (Healy)  
1644 ??? 0411,0416,0420 9/18 KA83797 poor-fair. (Healy)  
1645 ??? 0915 9/24 Cubic Argo, fair. (Healy)  
1646.7 ??? 0917 9/24 Cubic Argo, good. (Healy)  
1647 ??? 0109 9/08 pulsating beacon. Also 0443 9/09 (Chituck)  
1660 ??? 0112 9/08 pulsating beacon. (Chituck)  
1671 ??? 0117 9/08 pulsating beacon. (Chituck)  
1672 ??? 0446 9/09 pulsating beacon. (Chituck)  
1682 ??? 0922 9/24 Cubic Argo, fair. (Healy)  
1683 ??? 0119 9/08 pulsating beacon. Also 0448 9/09 (Chituck)  
1694 ??? 0449 9/09 Carrier w/ long tone, short tone fading in/out(Chituck)  
1715 ??? 0120 9/08 ITT or IM beacon. ETI on 0454 9/09 (Chituck)  
1716 ??? 0923 9/24 Cubic Argo, fair. (Healy)  
1746 ??? 0122 9/08 a long tone every 2 secs. (Chituck)  
1746 ??? 0448 9/09 D with long tone in between. (Chituck)  
1747 ??? 0925 9/24 Decca HiFix, good. (Healy)  
1748 ??? 0925 9/24 Decca HiFix, good. (Healy)  
1749 ??? 0123 9/08 pulsating beacon. Also 0501 9/09 (Chituck)  
1750 ??? 0926 9/24 Cubic Argo, fair.(Healy)  
1751 ??? 0152 9/04 RTTY station, fair. (Chituck)  
1754 ??? 0926 9/24 Cubic Argo, poor. (Healy)  
1759 ??? 0926 9/24 Cubic argo, fair. (Healy)  
1759 ??? 0124 9/08 pulsating beacon. (Chituck)  
1764 ??? 0126 9/08 Possibly the SEI cricket as logged by GT last spfing(Chi)  
1765 ??? 0927 9/24 Cubic Argo, fair. (Healy)  
1767.5 ??? 0928 9/24 Cubic Argo, fair. (Healy)  
1783 ??? 0505 9/09 T beacon. (Chituck)  
1790 ??? 0931 9/24 Cubic Argo, fair. (Healy)  
1791 ??? 0136 9/08 E beacon. Also 0505 9/09 (Chituck)

## Credits:

Bruce Chituck Patuxent River, MD Radio, Antenna (Didn't say what kind)  
me Pawtucket, RI modified Drake R7A, longwire, regenerative tuner

Sinclair Bennett of Christchurch, New Zealand sent a nice letter recently. He included these addresses to send your verification requests.

For all Papua New Guinea beacons:

Department of Transport & Civil Aviation  
Box 2457  
Konedobu  
Papua New Guinea

And for OR-1615 in New Zealand:

Supervising Technician  
Civil Aviation Division  
New Plymouth Airport  
New Plymouth  
New Zealand

Sinclair, in turn, is looking for addresses for LAG in Ecuador, and MER in Colombia. He is also trying to get a Spanish language report form letter. Many of the more technical words referring to beacons are not in his Spanish dictionaries. I'll be glad to forward any info that is available.

Harry Helms wrote a very nice article for the October issue of Popular Communications. It was a nice summary of things to be found in this part of the radio spectrum. I am somewhat saddened by the failure to mention the fine publications that much of this information is found every month. I am not looking for a free plug for the column as much as a message that there are places where this, and more, is available on an interactive basis. 'Til later.

THE INTERNATIONAL RADIO CLUB OF AMERICA

The IRCA is a non-profit organization devoted to the hobby of listening to distant stations on the AM broadcast band (535 to 1635 kHz). DX Monitor, the official publication of the IRCA, is printed 34 times per year, weekly from October to March, twice a month in September and April, and monthly from May to August. DX Monitor contains members' logs, information and articles on radio stations, receiver reviews, technical articles and construction projects, tips on DXing, news of members' DXing activities, and other material to help members enjoy their hobby. IRCA also publishes various books on medium wave DXing and holds an annual convention and other activities.

CLUB ADDRESSES AND OFFICERS

President: Phil Ryttheway, 9705 Mary Avenue NW, Seattle, WA 98117  
Phone: 206-784-5145.  
Secretary-Treasurer: Rich Segalas, PO Box 26254, San Francisco, CA 94126.  
Editor-in-Chief: Bruce Portzer, 6546 19th Avenue N.E., Seattle, WA 98115. Phone: 206-522-2321  
Board of Directors: Ernest Cooper, Nancy Hardy, Ric Heald, Neil Kazaross, Bruce Portzer, Peter Taylor, Noel Wolfish

MEMBERSHIP DUES

U.S.: \$20.00 per year; Canada and Mexico (one issue mailed each week) \$26, (two issues every two weeks) \$20; Overseas sur-face mail \$21; Airmail to Central America, Colombia, Venezuela, and the Caribbean \$27; Airmail to Latin America, Western Europe, North Africa, and the Middle East \$30; rest of the world airmail \$34. Special trial membership \$7.50 to US, Canada, Mexico only, includes 10 issues of DX Monitor and a new member packet. Make checks and money orders payable to IRCA and send dues to P.O. Box 25204, San Francisco, CA 94126. Persons living outside the U.S. should make dues payments by check of money order in U.S. funds. Sample copies of DX monitor cost 50¢ each or three International Reply Coupons.

Opinions expressed in DX Monitor are those of the original contributor and not necessarily those of the IRCA, its officers, editors, or publishing committee. Unless otherwise noted, permission is given to republish, noncopyrighted material provided credit is given to IRCA and the original contributor.

IRCA  
P.O. Box 21074  
Seattle, WA 98101

FIRST CLASS MAIL  
U.S. POSTAGE  
PAID  
Seattle, WA  
Permit No. 601

first class

D. A. NYHOLM  
2071 CEDAR STREET  
SAN CARLOS CA  
94070