



Foreign ✓

# DX Monitor

Devoted Exclusively to  
Broadcast Band DXing

January 5, 1985

Volume 22, Number 16

Issue Number 705

## In This Issue

RT-1 Remotely Controlled Antenna		Western DX Roundup	13
Tuner	2	Central DX Roundup	15
Retail Electronics Parts Suppliers	8	Unreported Stations Summary	16
Eastern DX Forum	12	Eastern DX Roundup	17
The Latest on Radio Marti	12	DX Worldwide West	19
KFTNQ versus KSKQ	12	DX Worldwide East	??
Western DX Forum	??	Karl Jeter's WAMB-1160 Verle	20
		Sports Networks	21

### FLASH TIP

Monday January 21 WQPM-1300, Princeton, MN, will test 0100-0130 EST with test tones, polka music, and IDs. This is a re-sked of the November 5, 1984 test. Reception reports should be sent to Todd Rust, Chief Engineer, WQPM, Princeton, MN 55371. Phone number: 612-389-1300.

### UPCOMING GETTOGETHERS

- January 12 Honolulu. An all-band get-together will be hosted by Dale Park. For more information, contact him at 808-523-1284 after 8:30 pm HST.
- January 26 Denver, Colo. will be hosted by Rob Harrington, beginning at 1900 UTC (1200 MST). The location will probably be at Rob's apartment. Since he's going to be moving soon, better call to find out the location. Rob's number is 303-758-9510.
- February 9 Seattle, WA. Another all-band festivity, hosted by Bruce and Evelyn Portzer (that's us...) beginning at 2 p.m. PST. Bring putluck junk food. Location will be 6546 19th Avenue N.E., Seattle, 98115. For more info phone 206-522-2521.

We've got a new year ahead of us. The old one wasn't too bad. It was highlighted by our twentieth anniversary, average conditions, changes in a couple of editorships, a lot of new stations on formerly clear channels, the rise of post-sunset authority, and continued enthusiasm for the hobby. What will 1985 bring us? That's a good question. The AM radio dial will continue to go through its ongoing transmogrification. More stations will continue to move to or start operation on what used to be clear channels. Existing stations will change formats or call letters in what they hope will be successful efforts to shore up sagging audience ratings. AM stereo will continue to be viewed as a major technical breakthrough by broadcasters, but its impact on our hobby will be negligible. The current high level of member contributions will continue, even though the dial is harder to DX upon. We may finally have a season with fantastically good foreign DX, thanks to the ever-decreasing number of sunspots (although we've been saying that for several seasons now, hi). The interest in the technical side of the hobby will undoubtedly increase, as more and more members spend time tinkering with their gear. Somehow, this hobby seems to keep going and, as a result, the International Radio Club of America continues to be a thriving, successful, friendly organization. Those of you who contributed during 1984 can thank yourselves for making it so. If you're a new member or if you haven't contributed before, do it in 1985. You'll be glad you did and so will your fellow members. And to everyone, have a good DX year in 1985!

# RT-1 REMOTELY CONTROLLED ANTENNA TUNER

=====  
Article 1: An Initial Description

Mark Connelly, WAIION

24 OCT 1984

In response to Ken Cornell's mention of varactor diode tuning in the October 1984 Lowdown, and as a follow-up to my article "Varactor Diode Applications for DXers" (earlier this year in DX News & DX Monitor), I feel that it's about time to take the wraps off a project that's been developed here at WAIION DX Labs. This project, dubbed Remote Tuner 1 (RT-1), allows the remotely-controlled tuning of a loop or a wire antenna from distances of at least 50'/15 m. and possibly farther.

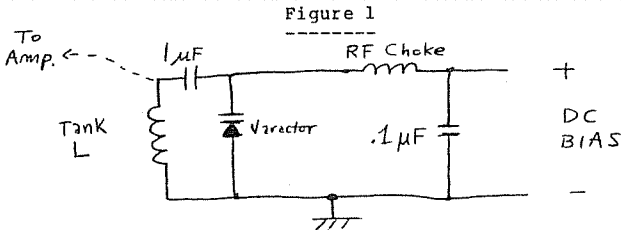
The heart of the tuner is an MVAM series (Motorola) varactor diode. I've used both the MVAM108 and the MVAM115 with equal success. Both diodes have a  $C_{max}$  to  $C_{min}$  ratio of about 15:1 and maximum capacitance of about 500 pF. The MVAM108 uses a bias of about 1 to 10 volts DC and the MVAM115 operates at a bias of 1 to 20 volts. Capacitance-wise, these varactors can perform admirably as stand-ins for the traditional "broadcast-variable" tuning capacitor.

It is in the realm of strong-signal handling that one must use varactors with care. Overdriving these devices can produce nasty mixing spurs, so city-dwellers beware.

I obtained my limited supply of varactors from surplus junked PC boards of an obsolete satellite TV receiver. I'd guess the price of them to be in the \$5 range but I can't immediately point the potential experimenter to a retail source.

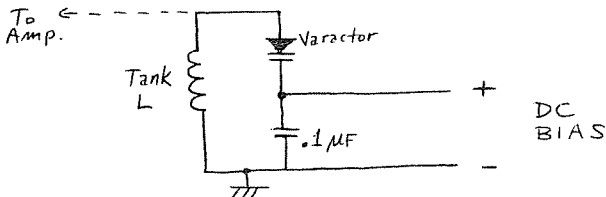
The MVAM series of varactors is described in newer editions of Motorola's RF Data Manual.

Ken Cornell suggests using the schematic of Figure 1:



If you realize that you can obtain DC ground from either end of the tank inductance, you can see that the circuit of Figure 1 can be re-cast in the form of Figure 2. This permits the elimination of one of the capacitors and of the RF choke. In Figure 2 the cathode of the varactor is at DC high / RF ground and the anode is at DC ground / RF high.

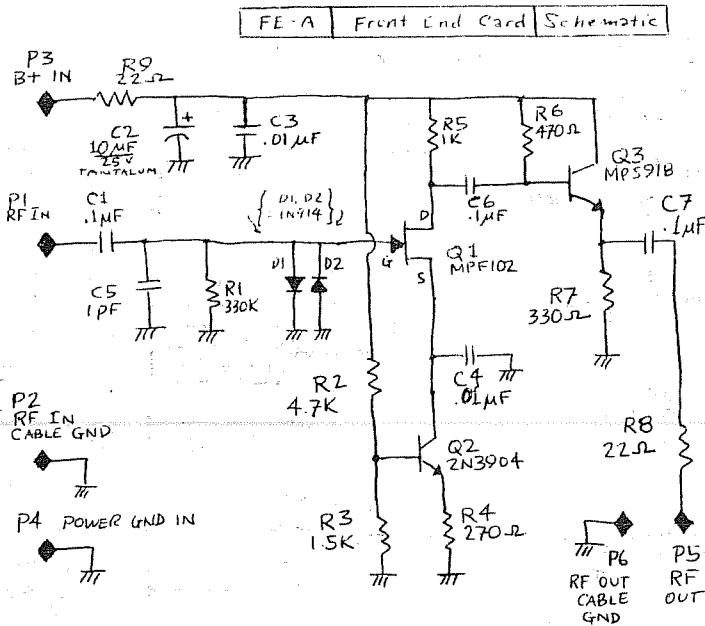
Figure 2



The DC bias is typically brought in through a resistor in the 1K to 20K range. (Remember that the varactor draws very little current, therefore, voltage drop across input resistors in this range is quite low.) The resistor, in conjunction with the .1 uF capacitor of Figure 2, acts to filter out any RF which may be riding into the tuner on the control-voltage line.

The aforementioned circuits are all well and good, but how does one get a useful signal out of this tank back to the "shack" where the operator, control box, power supply, and receiver are located? Remember that a parallel-tuned LC network has a very high impedance (Z) at syntony, or resonance. An FET-input / bipolar-transistor-output amplifier at the tuner is a common-sense solution. The following circuit (Figure 3), dubbed Front End A (FE-A) works very well for me.

Figure 3



NOTES: Q1 (nominally MPF102) may also be 2N5404, 2N4416, or U310.

Component designations on this subassembly are a separate entity from the designations of components on the main assembly into which the FE-A card is installed.

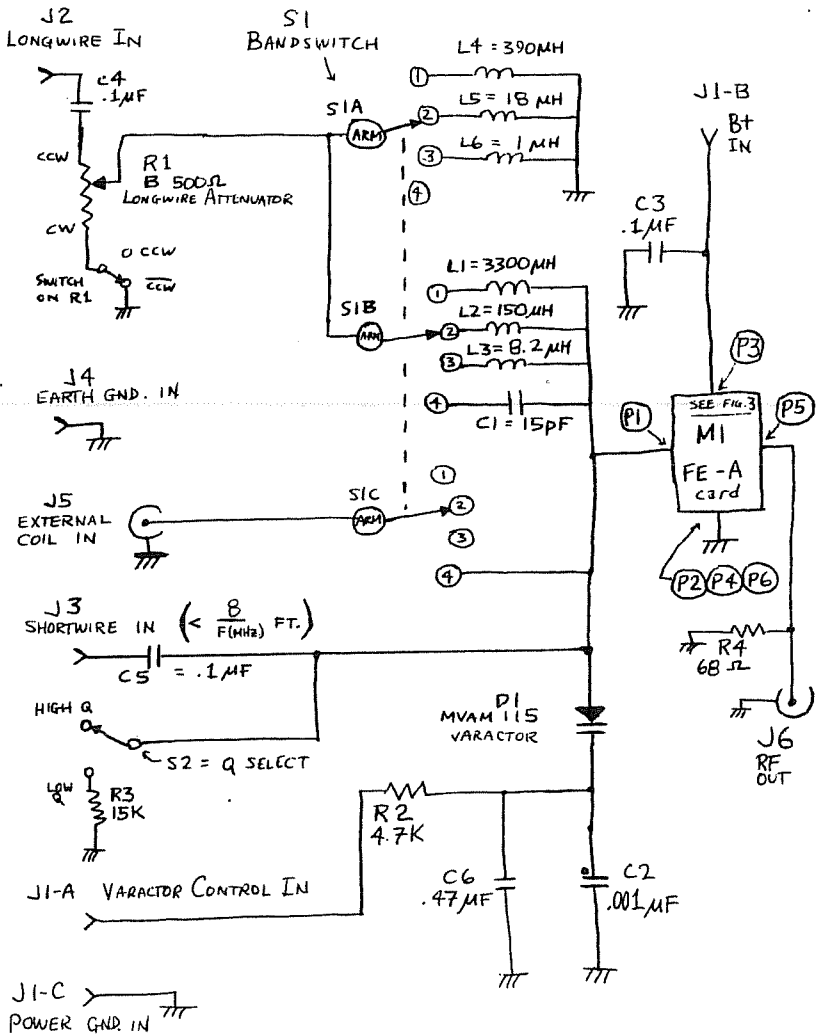
FE-A is assembled on a 1.4" X 1.4" vectorboard with chassis-mounting hardware at four corners of a 1" X 1" square. Assembled FE-A card subassemblies may be obtained for \$15 postpaid from me (address = 30 William Road - Billerica, MA 01866).

The front end card gives a good transfer between the high-Z input and a low-Z output suitable for feeding into a coaxial transmission line back to the operating position.

Prior to a full discussion of design concepts and features of the RT-1, it is worthwhile to present the full schematic of the tuner so that the reader will have a drawing for later reference. The RT-1 schematic is shown in Figure 4.

Figure 4

RT-1 Remote Tuner Schematic



## RT-1 Operating Features, Design Concepts, and Limitations

---

Three controls on the RT-1 must be preset at the remote tuner box site (or on the box prior to "field installation"). These are S1, S2, and R1. A much more complicated remote tuner design could have been developed to adjust the functions of these three controls remotely; however, an article describing such a tuner would not be suitable as an introductory exposition of remote tuner concepts.

IN THE FOLLOWING DISCUSSIONS, REFER TO FIGURE 4.

### Controls

---

#### S1 = Bandswitch

---

Positions 1, 2, & 3 of S1 provide internal tank inductances to permit wire tuning of three popular bands:

Position 1	Longwave Broadcast	140 - 300 kHz
" 2	Mediumwave Broadcast	520 - 1630 kHz
" 3	Tropical Bands & 80/75 m. Ham	2300 - 6300 kHz

Position 4 permits the use of an external inductance connected at J5. This may be either a loophead designed to pick up signals on its own, or a smaller coil used to provide wire tuning capability on a range (e. g. 160 metres) not provided by S1 positions 1, 2, & 3.

If one only intends to use the RT-1 as a remote loop tuner, S1 & the internal inductors (L1 through L6) may be eliminated. Similarly, if the tuner is only going to be used to tune a wire aerial on one frequency range, S1 & four of the six internal coils may be eliminated.

#### S2 = Q switch

---

This switch permits normal High-Q tuning for most applications and Low-Q tuning necessary for stable phasing of the RT-1 against either another RT-1 or against some other Q-spoiled tuned source.

S2 and R3 may be omitted if the tuner will not be incorporated into a phasing system.

#### R1 = Longwire Attenuator

---

R1 is normally set to fully counterclockwise (CCW) to permit maximum signal transfer. In areas with strong local stations, this control may have to be adjusted to eliminate overloading and its unwelcome consequence, spurious signals. The pot should be set to provide maximum wanted-frequency signals throughout the tuning ranges, consistent with little or no incidence of "spurs".

The best time to check for overloading caused by MW BCB locals is during the daytime.

Decreasing L4, L5, and L6 to 270, 12, and 0.68 uH respectively may also be helpful for those anticipating that the majority of their RT-1 operation will be in strong-signal areas with wires of considerable length.

### Inputs / Outputs

---

#### J1 = Control / Power Cable In

---

J1 is a stereo phone jack having two "hot" pins and a ground. The control / power cable (two conductors plus a shield) terminates in a stereo phone plug which mates to J1.

Pin A of J1 accepts the varactor control voltage: this should be adjustable from +1 volt DC to +20 volts DC. (Maximum capacitance - lowest frequency is at 1 volt; minimum capacitance - maximum

frequency is at 20 volts.)

Pin B of J1 accepts B+ (power): a regulated, filtered supply of +8 volts minimum, +16 volts maximum should be used.

Pin C (ground) of J1 accepts return ground / minus-sides of the power supply and the varactor control voltage source.

#### J2 = Longwire In (banana jack)

---

A wire of length greater than  $(8/F)$  feet (where F is frequency in MHz) may be connected to J2. Adjustment of signal level coupled to the RT-1 from this jack is accomplished by using R1.

#### J3 = Shortwire In (banana jack)

---

Wires shorter than the specification for J2 may be connected to J3. If you are in an area of very strong TV & FM signals, don't use J3 as mix spurs may result: use J2 instead & tweak R1, if necessary, to remove spurious signals.

#### J4 = Earth Ground In (banana jack)

---

It is wise to connect a local ground at the remote tuner site, especially if more than 50'/15 m. from the operating "shack" ground. This will provide proper coaxial cable shielding and local electrical noise reduction. Ground rods, copper plate, AC mains or water-pipe ground (if available) should be used. If the RT-1 is tower-mounted, use the tower as a ground. Other impromptu grounds of lesser efficiency can include any large metallic object, such as a vehicle, tool shed, or a "dummy ground" longwire antenna other than the wire being tuned at the time.

#### J5 = External Coil In (BNC jack)

---

(See references to use of an external coil in the discussion of S1.)

#### J6 = RF Out (BNC jack)

---

Tuned output of the RT-1 is sent to this jack for transferral back to the operating position. Coaxial cable having an impedance from 50 ohms to 75 ohms must be utilised. The RF cable should be terminated in a 50 ohm to 75 ohm load at the receiver end.

#### Weatherproofing of Remote Tuners

---

When outdoor remote tuners are considered, one must devise suitable housings to prevent moisture damage and other problems related to an outdoor environment. A plastic box with cutouts for antenna wire, control/power cable, and RF-out cable may be employed if, after assembly, it is rendered suitably watertight by means of caulking material similar to that used on bathtubs. This is best done during cool, dry conditions to minimise later occurrence of condensation within the box.

Such a box may suffice in areas of moderate temperatures and precipitation. Those living in areas of extreme temperature, humidity, precipitation, pollution, and wind conditions will have to use a good deal more ingenuity in the construction of protective housings. Some form of heating may be necessary in cold areas (this could consist of a large power resistor connected to its own power supply through a heavy-gauge cable).

## Control Unit Considerations

The control unit for the RT-1 should provide the varactor control voltage necessary for remote tuning.

Figure 5 illustrates a sample "shack" operating position control unit.

A single-turn 10K linear pot may be used, but tuning is apt to be very touchy. If a single-turn pot must be used, think about using a vernier reduction drive knob (Mouser # 45KN100 or # 556S50).

Phasing applications mandate the use of a 10-turn pot.

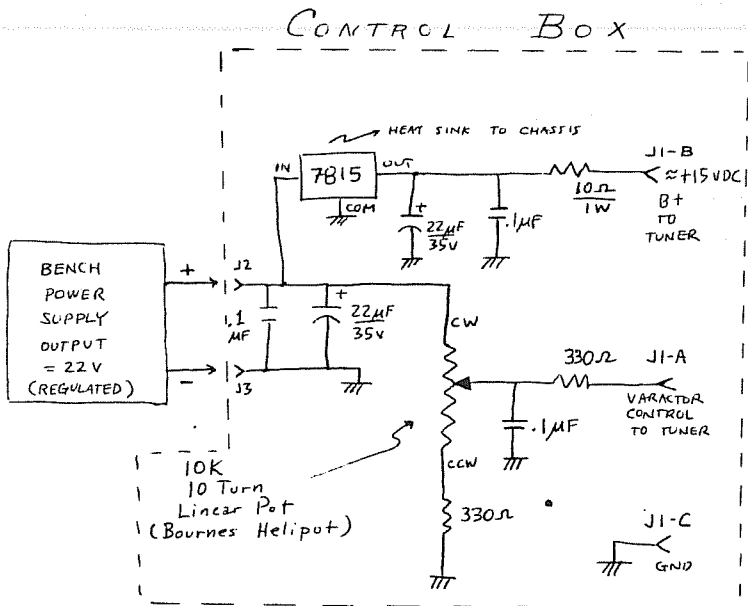
## Conclusions

Article 1 on the RT-1 remotely-controlled tuner is meant to introduce the concept of varactor-controlled remote antenna-tuning systems in some detail.

Article 2 (and possible other subsequent articles) will deal with matters such as construction of the RT-1 and a control unit. Phasing of two remotely-tuned aeriels may also be considered.

The chief merit of remote tuners is that they (and the antennae they tune) can be located in areas with (1) less RF shielding from buildings or vehicles than the immediate vicinity of the operating position, and with (2) lower levels of manmade RF noise (from TV's, dimmers, etc.) than the immediate vicinity of the operating position. Those living in steel-frame high-rise buildings and those operating from recreational vehicles/boats/house trailers have much to gain by the utilisation of remote tuning methods.

Figure 5



As a result of many questions regarding availability of components for many recently-published "homebrew" projects, and with the realisation that the approaching season of winter is the season when interest in both DXing itself and the building of electronic projects to enhance DX is at its greatest level, I am offering a relatively comprehensive list of vendors who sell electronic components to the general public in single-item or small-lot quantities. The inclusion of any vendor should not be construed as an endorsement, nor should the omission of any vendor be considered a negative appraisal. The emphasis of the list is MWDX & small components rather than pure ham/CB/stereo & large units.

\*\*\*\*\*

Vendor	Specialty (if known)
Abbott Electronics 175 New Boston St. Woburn, MA 01801 Tel. 617-935-2040	pots, switches, semiconductors, chassis boxes, battery holders
Active Electronic Sales P.O. Box 8000 Westborough, MA 01581 Tel. 800-343-0874	
ALDELCO 2789 Milburn Ave. Baldwin, NY 11510	transistors, IC's
All Electronics Corp. P. O. Box 20406 Los Angeles, CA 90006 Tel. 800-826-5432	switches, connectors, miscellaneous parts
Allied Chicago, IL (?)	
Ambit 200 North Service Rd. Brentwood, Essex, England	custom & specialty IC's
American Radio Relay League (ARRL) 225 Main St. Newington, CT	reference books
Amidon Associates 12033 Otsego St. North Hollywood, CA 91607	toroidal cores
Bullet Electronics Inc. P. O. Box 401244 Garland, TX 75040 Tel. 214-278-3553	semiconductors
Burhans Electronics 161 Grosvenor St. Athens, OH 45701	RF amps/tuners
Century Print Shop 6059 Essex St. Riverside, CA 92504-1599 Tel. 714-687-5910	reference books
Circuit Specialists P. O. Box 3047 Scottsdale, AZ 85257	RF products (inductors, etc.)



Communications Concepts Inc.  
2648 North Aragon Avenue  
Dayton, OH 45420  
Tel. 513-296-1411

RF semiconductors, inductors,  
chip capacitors

Consolidated Electronics Inc.  
705 Watervliet Ave.  
Dayton, OH 45420  
Tel. 800-543-3568

CRB Research  
Box 56  
Commack, NY 11725

reference books

Davilyn Corp.  
13406 Saticoy St.  
North Hollywood, CA 91605

used receivers

Digi-Key Corp.  
P. O. Box 677  
Thief River Falls, MN 56701  
Tel. 800-346-5144

monolithic capacitors, digital IC's,  
resistors, chassis boxes, mechanical  
hardware

EEB (Electronic Equipment Bank)  
5126 Mill St. NE  
Vienna, VA 22180  
Tel. 800-368-3270

receivers, active antennae

EGE, Inc.  
13646 Jefferson Davis Highway  
Woodbridge, VA 22191

receivers & accessories

Etco Electronics  
North County Shopping Centre  
Plattsburgh, NY 12901  
Tel. 516-561-8700

assorted surplus passive & active  
components (including variable cap's  
& ferrite rods) (stock varies)

Fair Radio  
Box 1105  
Lima, OH 45802  
Tel. 419-227-6573

surplus receivers, variable capacitors

Gilfer Associates  
P. O. Box 239  
Park Ridge, NJ 07656

receivers, receiver modifications,  
reference books

Godbout Electronics  
Building 725  
Oakland Airport, CA 94614  
Tel. 415-562-0636

IC's

Grove Enterprises  
140 Dog Branch Rd.  
Brasstown, NC 28902  
Tel. 704-837-9200

antenna tuners

Ham Radio Bookstore  
Greenville, NH (?)

reference books

Heath Co.  
Benton Harbor, MI

test equipment, receivers, &  
accessories in kit form

Eli Heffron  
139 Hampshire St.  
Cambridge, MA 02139  
Tel. 800-892-9230

surplus assemblies, large rolls of  
wire, miscellaneous components

Hildreth Engineering  
P. O. Box 60003  
Sunnyvale, CA 94088

audio processor

International Components Corp.  
P. O. Box 1837  
Columbia, MO 65205  
Tel. 800-325-0101

digital & analog IC's

International Crystal 10 North Lee Oklahoma City, OK 73102 Tel. 405-236-3741	crystals, amplifier & oscillator kits
JAMECO (JIMPAK) 1355 Shoreway Rd. Belmont, CA 94002 Tel. 415-592-8097	passive & active components
JDR Microdevices 1224 S. Bascom Ave. San Jose, CA 95128 Tel. 800-538-5000	IC's, transistors, fixed capacitors
Lafayette Jericho Turnpike Syosset, LI, NY	formerly carried large product line - not sure of present status
Madison Electronics Supply 1508 McKinney Houston, TX 77010 Tel. 800-231-3057 (night)	receivers, parts
John Meshna 19 Allerton St. Lynn, MA 01904 Tel. 617-595-2275	surplus assemblies with "scavengable" parts (e. g. BNC jacks)
MFJ Box 494 Mississippi State, MS 39762 Tel. 800-647-1800	active tuners & antennae
MHZ Electronics 2111 W. Camelback Rd. Phoenix, AZ 85015	mechanical filters
Mini-Circuits Lab. 2625 East 14th St. Brooklyn, NY 11235 Tel. 212-769-0200	RF transformers, mixers
Morning Distributing Co. P. O. Box 717 Hialeah, FL 33011	antenna tuner & converter kits
Mouser Electronics 11433 Woodside Ave. Santee, CA 92071 Tel. 619-449-2222	potentiometers, switches, inductors, semiconductors, chassis boxes, wire & cable, resistors, knobs, mechanical hardware, variable & fixed capacitors
Olson ?	former big supplier: present status uncertain
Omnitron Electronics 770 Amsterdam Ave. New York, NY 10025 Tel. 800-223-0826	semiconductors, coaxial cable
Palomar Engineers Box 455 Escondido, CA 92025 Tel. 619-747-3343	toroidal cores, VLF converters, active loop antennae
Philmore 40 Inip Drive Inwood, NY 11696 Tel. 516-239-6161	tuning capacitors, vernier drives, switches

Poly-Paks P. O. Box 942 S. Lynnfield, MA 01940 Tel. 800-343-3086 or 617-245-3828	Poly-Paks 16-18 Del Carmine Wakefield, MA 01880	surplus components at low prices
---	---	----------------------------------

Printed Circuits International 1145 Sonora Court Sunnyvale, CA 94086	frequency counter modules
--	---------------------------

Radiokit Box 411 Greenville, NH 03048 Tel. 603-878-1033	inductors, variable capacitors, RF project kits
--	--

Radio Shack (many locations)	resistors, banana jacks, perfboards, disc ceramic capacitors, small boxes, hand tools, semiconductors, computers
---------------------------------	--

Radio West 3417 Purer Rd. Escondido, CA 92025 Tel. 619-741-2891	receivers, receiver modifications, active loop antennae
--	--

RF Electronics 1056 N. State College Blvd. Anaheim, CA 92806 Tel. 800-854-4655	capacitors, IC's
---	------------------

Sager 60 Research Rd. Hingham, MA 02043 Tel. 617-749-6700	"hard-to-find" semiconductors, low-value pots, uncommon hardware
--	---

Semiconductor Specialists, Inc. P. O. Box 66125 O'Hare International Airport Chicago, IL 60666	varactors, FET's
---	------------------

Shortwave Horizons 6815-12 Ave. Edmonton, Alberta (T6K 3J6) Canada Tel. 403-462-2198	used receivers, tuning capacitors, reference books
---	---

Simple Simon Electronic Kits 3871 S. Valley View / Suite 12 Las Vegas, NV 89103 Tel. 800-782-3716	RF kits
--	---------

Spectronics 1009 Garfield St. Oak Park, IL Tel. 312-848-6777	receivers
---	-----------

Winter Park Components 499 State Road 434 / Suite 8 Altamonte Springs, FL 32714 Tel. 305-869-0616	semiconductors
--	----------------

You Do It Electronics 40 Franklin Needham, MA Tel. 617-449-1005	fixed & variable capacitors, JW Miller inductors & cores, boxes, wire, semiconductors, reference books
--	--

\*\*\*\*\*

Dxers are requested to send any information about additional vendors, as well as any updates/corrections to the above list. When sufficient new information has been received, a supplier updater report will be issued.

# EASTERN DX FORUM

RICHARD EVANS  
P.O. Box 1294  
NORTH WALES, PA 19454

Deadlines: Saturdays

Bill Harms, 8327 Perri Drive, Savage, Maryland 20763

Greetings from the Baltimore-Washington Corridor. I just finished listening to Ray Briem's Talkshow featuring shortwave listening. It was interesting as far as the SWL side of the radio hobby goes. DXing received only a minimal amount of attention and NW DXing was talked about for only a few minutes. Pat Martin got thru and talked about his DX experiences. IRCA and NRC were also mentioned by another caller but that was about it. I found the recent loggings of WBT on the west coast to be interesting. The few times that I have tuned to 1110 since coming back to the States I have noticed WDT to be much weaker than before my trip to Korea (as if they changed their antenna pattern). Perhaps they are now non-directional. Does anyone know? Has any other NE US DXers noticed this change in their signal? Or is it my imagination? Any comments? (I shall be checking this out this week--rce) Last week I found out that DX on the GY channels still exists. I heard WFIX-1450 Huntsville, Ala. last week on SRS. They were in momentarily atop the channel with ID, local ad and a song. I was shocked. Maybe there's still hope. However if GYers boost their power up to 1 kw at night it might change. We'll have to wait and see. Gotta go. Chil-ship-sam. Ahnnyoung!

Don Moore, Box 157 RD #5, Bellefonte, Pennsylvania 16823

A short note to inform my IRCA DX friends what's going on. As you can see, I am no longer in Honduras. I returned to the USA on Nov. 18 and have been having a nice time at home. My fiancée, also an ex-Peace Corps volunteer is here. On Dec. 27 we will be going to her home near Garnaville in NE Iowa and be getting married on Jan. 19. After that to South America. We will be flying to Quito, then spend the next several months traveling south through the Andean countries, then up through Argentina, Uruguay, and Brazil. I will be sending whatever split info I get to HQ. I plan to make a split survey while in Ecuador. At the moment, however, I am not a member of IRCA (hope rce can still print this!). I let my sub expire in August and figure there's no point in renewing until I settle down in one place towards the end of the year. If anyone wishes to contact me, right now you can write me at: Don Moore, c/o John Beck, Radio HCJB, Casilla 691, Quito, Ecuador. Anything arriving there by Feb. 15 should reach me. 73s.

The Voice of America's long promised 50,000-watt gift to Cuba, Radio Marti, won't be delivered until spring, Voice of America sources said Monday.

The daily broadcast dose of Americana aimed at Fidel Castro's Cuba should be giving Havana 14 hours of news and commentary a day by spring, sources said.

Born in controversy nearly two years ago, the Marathon, Fla., AM radio station has already survived two congressional filibusters and the ire of the Cuban government. A staff of 180 has been preparing programming for nearly a year, geared specifically for Cuba.

The Voice of America currently offers Spanish-language programming, but Radio Marti will be strictly formatted for a Cuban audience.

The Castro government, characterized by one source as a "radio outlaw for the last 15 years," has made no secret of its displeasure with the Radio Marti concept.

Cuba constructed transmitters capable of delivering 500,000 watts of power—10 times the allowable U.S. radio power of 50,000 watts. A

10-to-20-minute "test" of one of those 500,000-watt transmitters two years ago jammed several commercial stations in the southeastern United States and gave the U.S. Information Agency a boost in obtaining congressional approval for Radio Marti, sources said.

Industry organizations, including the National Assn. of Broadcasters, have long feared that a Castro retaliation against Radio Marti could result in the jamming of stations across much of the eastern United States.

Q-TIP DEPARTMENT: Spanish-language radio station KTNQ-AM (1020) filed suit in federal court last week to stop its new competitor, KSKQ-AM (1540), from using what it believes is a similar advertising slogan.

KTNQ, which calls itself "La Super Q," asked for an injunction in U.S. District Court last Tuesday to prevent KSKQ from using the slogan "La Super KQ." KTNQ argued that KSKQ's slogan would confuse listeners. KSKQ, formerly

country music station KZLA-AM, began broadcasting a Spanish-language format Dec. 6.

A representative for KSKQ said that the "La Super KQ" slogan is not intended to copy KTNQ but is patterned after a "very successful" slogan used by KSKQ's sister station in New York, WSKQ. Ed Estrada, KSKQ's general manager, said that WSKQ "has been using 'La Super KQ for 14 months'" and that KTNQ has been using "La Super Q" for only "a couple of months."

"We will continue to use the slogan," Estrada added, "and we are in the process of negotiations" with KTNQ.

Officials for KTNQ could not be reached for comment.

Los Angeles Times 12-18-84

via Steve Mittman

# WESTERN DX ROUNDUP

Nancy Hardy  
2301 Pacific Avenue  
Aberdeen, WA 98520

All times are  
Eastern Local

Phone for hot WDXR tips: (206)532-6827 till 10pm(PLT)

DEADLINES: Tuesdays 1/8, 1/15, 1/22, 1/29, 2/5, 2/12, 2/19, 2/26

## REPORTERS FOR THIS ISSUE:

- (LHC) Les Carpenter-23171 La Vaca-El Toro, CA 92630  
FRG-7, Kenwood R-2000, 75' longwire, TS-4305 40 meter dipole
- (MH) Mike Hardester-175 Pegasus Drive-Littleton, CO 80124  
R-1000, FRG-7000, Radio West Actives (x2)
- (RHM) Roy H. Millar-13714 30th Ave. N.W.-Marysville, WA 98270  
Grundig 5077, SM-2; Yaesu FRG-7, Sanserino ampl'd loop
- (BN) Bill Nittler-Box 724-Meeker, CO 81641
- (DP) Dale Park-2253 Kanealii Avenue-Honolulu, HI 96813  
Sony ICF-6700W
- (AWP) Art Peterson-851 31st Street-Richmond, CA 94804  
FRG-7, R. West loop, 300' longwire configured in a horizontal  
square & tuned by a Grove Electronics Signa-match tun II  
antenna tuner
- (RW) Robert Wien-1309 Dentwood Dr.-San Jose, CA 95118  
GE Superadio, GE long-range portable, SM-2
- (ØW) John Wilkins-4385 Hoyt St. #205-Wheat Ridge, CO 80033  
R-1000, 4' box loop

## OF SPECIAL INTEREST:

- 600 KLZZ CA, San Diego 12/16 0000 call change ex-KOGO w/several  
"Classy AM & FM," "Class" ID's during San Diego Sockers MISL  
game. Legal ID as "KLZZ, San Diego" at 0000. Usual good  
signal. (RW-CA)
- 1110 KISD WA, Oak Harbor 12/14 ID 1331. Hrd call at 0900 s/on on tape  
of 1114 kHz monitoring; didn't really bother 1114 kHz much.  
(RHM-WA)
- 1570 KGCR OK, Pryor 12/11 1746-1750 w/Coaches Corner from Village Inn  
in Locust Center. ID & contest promo. Ex-KMYZ. (BN-CO)
- \*\*\*\*\*
- 590 WOW NE, Omaha noted briefly 12/17 0259 (in the mess) w/"Serving  
Nebraska and ??? Iowa, this is W-O-W, Omaha." Into rx & down  
into mush as well. (MH-CO)
- 630 ?KICIS? WA, Edmonds 12/17 1109 poss. one w/relig. programming way  
u/KSHR/KIDD in KOH null. (RW-CA)
- 710 KUET AZ, Black Canyon City is relig. hrd last 12/3/83 at SSS. Was  
listed in unheard stations list. (BN-CO)
- 750 KXL OR, Portland 12/6 w/nx program 2040-2100 o/WSB. Program  
included Seattle Seahawks Report. Prompt v/1 says now 10kw  
nights since 11/16 and has gotten a report from Sweeden.(BN)
- 770 KXA WA, Seattle 12/17 1045 noted using "KXMI" ID during drive  
time in KOB null, checked Mon. night but still using KXA  
ID's on hour, so no call change yet. (RW-CA)
- 790 ?KURM? AR, Rogers 12/7 2158-2220 no ID but apparently one w/Pea  
Ridge-Gentry girls basketball game, u/KCEE/KGHL/XERPC. One  
ad for Arkansas telephone co. number. (BN-CO)
- KABC CA, Los Angeles 12/12 0300-0430 xlnrt w/Ray Briem Show on  
amateur radio. In-studio guests were: Lenore Johnson-W6NAZ,  
Chuck Loeb-KMGH and Bill Ellis-K1ZZ, ARRL General Manager and  
Bill Pasternak of Westlink. (Note: I found it necessary to go  
to bed at 0430 or there might be more to report) 12/15 0300-  
0800 Ray Briem Show on Shortwave listening. In-studio guest  
was Stewart McKenzie of ASWLC. Phone guest was Dr. Richard E.  
Wood of ASWLC, NRC, IRCA and others. Other phone guests  
included Glenn Hauser, and other prominent SWL's from the  
Netherlands & New Zealand. Both programs were very informative  
and helpful. Dr. Wood even mentioned ECB DX'ing. (LHC-CA)
- 840 \*WHAS\* KY, Louisville 12/17 0202 w/TF. (RW-CA)
- 880 KWIP OR, Dallas 12/17 0305 poor u/KRVN very briefly w/tail end of  
wx report, ID, then faded. (LHC-CA)
- 890 (WLS) IL, Chicago 12/17 0300 noted off air as scheduled. (LHC-CA)

- 890 \*KEYE\* OK, Oklahoma City 12/17 0000 test pgn w/rock mx, just like last year. S/on 10 seconds after WLS went off. Fair here. (ØW)  
 +Noted on ET 12/17 0156-0230 during WLS SP. Oldies format, many ID's, requesting phone calls w/number given. Excellent signal. Annct test would continue to 0600 (actually, 5am--Central Time). (MH-CO)
- ?\*KBYE\*?12/17 0300 very weak & garbled. Not sure who or what. WLS off as scheduled. (LHC-CA)
- 970 KVWM AZ, Show Low 12/17 0900-0927 way on top most of this time w/ "Action Auction," a radio auction show, slopping 980! (RW-CA)  
 KAYT ID, Rupert 12/17 1005-1013 poor u/KHYV/KVWM/KYTE/KUZZ/KNUU w/ the "8:05 weather report," ment's of Magic Valley, "...brought to you by ??? of ??? Falls (Twin Falls?)." Rupert SR in Dec. is 1000. Details confirmed via phone, they are still KAYT right now, but will change calls to KBBK on 1/1/85. New, one of my most-wanted Idaho stations! (RW-CA)
- 990 (KKIS) CA, Pittsburg 12/18 0330 totally off on rare SP, freq. a weak jumble. (RW-CA)
- 1080 (KWAH) HI, Honolulu 12/9 0450 noted temporarily off the air, back on 0453 w/perky YL DJ asking listeners if they're on the air. (DP)
- 1090?\*KBOZ\*? MT, Bozeman 12/17 0502 susp. w/TT booming in in XEPRS null. (RW)
- 1150 KIIS CA, Los Angeles 12/12 2258-2340 fairly good w/nx at 2300 followed by Talknet. Will be changing to top 40 format on Jan. first w/possible change of call to KISS & FM simulcast. Ex-KPRZ. (LHC-CA)
- 1210 KREW WA, Sunnyside 12/16 1034 fairly good o/u KCLG w/"KRE Weekend Report." (LHC-CA)
- 1220 KDFC CA, Palo Alto 12/16 1041-1133 excellent w/what sounded like a church choir singing a relig. cantata or something like that. Faded out about 1130. (LHC-CA)
- 1240 CFNI BC, Port Hardy 12/11 s/on 0900 completely in the clear, no sign of CJAV, CKGO, CK00, KGY etc. (RHM-WA)
- 1250 KTMS CA, Santa Barbara 12/12 0300-0430 fairly good w/Ray Briem Show (see KABC-790 report for details). 12/15 0300-0800 poor w/Ray Briem Show. (Ditto KABC). (LHC-CA)
- 1260 (KOIT) CA, San Francisco 12/18 0442 totally off for 3rd Tues. morn. in a row. This may be regular now?? (RW-CA)
- 1270 CHAT AB, Medicine Hat C&W mx & "Chat" ID 0227 12/10. (BN-CO)
- 1290 CFRW MB, Winnipeg 12/9 ID 1550 "Heard only on CFRW" & quick fade. (BN)
- 1310 KZZP AZ, Mesa 12/3 fighting KEIN, rr mx & MST TC's, nx at 0715 and ID at 0718. New. (AWP-CA)
- KFYI CA, Oakland 12/13 0205-0222 fair w/moderate rapid fading. "All News 1310." New format/new call. Ex-KDIA. (LHC-CA)  
 +Ex-KDIA, first noted w/new calls & all-nx format 1120 12/15. Stn says it intends to emphasize local nx rather than KCBS's national & world emphasis. Also intends to stick to pure nx without other news-related features. (AWP-CA)
- KEIN MT, Great Falls 12/3 w/KDIA off, this fighting w/KZZP. C&W mx and MST TC's, wx & ID at 0650. Good signal. New. (AWP-CA)
- 1320 KGNR CA, Sacramento 12/12 0300-0430 fair w/Ray Briem Show. 12/15 0300-0800 excellent w/Ray Briem Show. (See KABC-790 report for details). (LHC-CA)
- KBUG UT, Salt Lake City horning in on KGNR while I was listening to DX show 0449 12/15. In AM stereo w/good sound quality. At times almost overpowering KGNR which is ten times closer! (AWP)
- 1330 KUPL OR, Portland 12/3 0721 wx & ID then into C&W mx. No sign of KFAC. (AWP-CA)
- 1380 (KLNH) HI, Pearl City 12/9 0450 noted off the air early, SP usually begins at 0500. (DP-HI)
- 1400 KRE CA, Berkeley now using "14-K" slogan, constant mentions of something happening on 1/1. Possibly a call change? Doubt another 3-letter call would disappear! (RW-CA)
- KUKI CA, Ukiah 12/13 0259 very poor due to extreme interference & fading. Rose above the pack long enough to hear their ID and the start of ABC nx then faded back into oblivion. (LHC-CA)
- KSPT ID, Sand Point 12/11 s/on 0855 & utterly alone thru 0910 "tune-out" w/no KPMA there. (RHM-WA)
- KCOW NE, Alliance 12/17 0125 fair o/QRW w/Xmas mx, wx forecast. (ØW)
- CFLD BC, Burns Lake 12/11 s/on 0955 and on top most of time thru 1010; in "CI" Net (CJCI-620). (RHM-WA)
- 1410 KERN CA, Bakersfield 12/13 0145-0202 fair/moderate fading w/the "Best of the 70's " music. (LHC-CA)

- 1410 KVEG NV, North Las Vegas 12/13 0140-0202 fair u/o KERN w/ads for Lucky's Supermarket and Hahn's Jeans. (LHC-CA)
- 1420 (KCCN) HI, Honolulu 12/9 0449 noted off the air on a very, very extremely rare SP! No good for me, but Doug Martin hrd rock on this freq., maybe Walla Walla or Stockton. (DP-HI)
- 1450 KMKR CO, Meeker promoting the fact that they will be 1kw fulltime as of 12/15. (BN-CO)
- 1460 KDON CA, Salinas 12/13 0222-0248 fair w/NOS. The "Voice of Monterey Bay." (LHC-CA)
- KENO NV, Las Vegas 12/13 0230 very poor u/KDON. Barely audible due to interference & fading. (LHC-CA)
- 1530 KUUY WY, Cheyenne still on this freq. as of 12/13 despite report in bulletin to contrary. Still running contest to guess date of changeover. I hrd a carrier on 870 at sunset about 10 days ago but nothing identifiable, however, was quite strong. Nothing more since, though. (BN-CO)
- +At fair level 12/14 1412-1445 w/G&W mx, local spots, many ID's, and annct. of contest (10 wristwatches are prizes) for closest guess as to date & time freq. will shift to 870 kHz. (MH-CO)
- +Per call to KUUY to "confirm" they were on 870 kHz now, I was shocked to learn they are still on 1530 kHz! Per BN in CO, he mentioned they are currently running a contest to guess when they'll be moving to 870 kHz! That explains why when I asked the secretary when they were going to move, she refused to tell me! What RK-IL may have hrd was an ET of some sort! (RW)
- 1540 KSKQ CA, Los Angeles 12/12 2220-2228 fairly good w/exuberant DJ in SS. ID as "KSKQ, Super KQ" often. Ex-KXLA. They finally changed call signs. New format appears to be popular/top 40. Hard to say, I don't understand Spanish. (LHC-CA)
- (KISA) HI, Honolulu 12/9 0450 noted off the air early, SP usually begins at 0500. (DP-HI)
- 1590 KBBQ CA, Ventura-Oxnard 12/13 0251 very good w/C&W mx. (LHC-CA)
- KTCH NE, Wayne 12/12 1800 s/off in clear for surprise. (BN-CO)

DX TEST:

- 900 KJSK NE, Columbus 12/17 0200-0213+ poor on DX test w/1 kHz TT way u/XEW in CJVI/KNEW nulls, TT promptly began at 0200. New.(RW)
- +12/17 0202-0230 testing w/tone, 5 voice ID's noted. Fair to good o/XEW. New, #668. (BW-CO)
- +Noted w/ET TT & infrequent ID's 12/17 0202-0230 at poor level w/severe QRM from SS stn. Even w/two receivers, monitoring 2 stns at the same time can be a challenge! (MH-CO)
- ?KJSK? 12/17 0010-0025 very poor w/TT's. Slowly faded in & out u/XEW. Did not hear any voice ID. I assume it was KJSK. (LHC-CA)
- (Do you mean 0210-0225??--NH)

UNIDs:

- 540 Noted 12/17 0303 w/brief fade-up & ment. "This is AP News." Nx briefly noted & then back into mush. Earlier, had noted stn w/C&W format. NRC Log shows WDMV w/both C&W and AP News...however, anything more realistic as they're daytime only? (MH-CO)
- 590 12/17 1021 on top ID'ing only as "Color Country fifty-nine." KTHO? (RW-CA)

Welcome back to WDXR, Mike! Hope you all had a happy holiday. Please remember--when you report to WDXR use only one side of the paper! I've received some reports using both sides & when I cut the tips apart the tips on the back are lost! ♡

# CENTRAL DX ROUNDUP

Robert Kramer  
6416 N. Richmond  
Chicago, IL 60645

UNIDED, SPECIAL, CHANGES, et. al.

- 850 UNID 12/7 0443-0449 w/"Y-85" IDs, soft pop mx, CST TC. RG-IL
- 900 KJSK NE COLUMBUS, fair-poor on DX Test 12/17 0201-0230, TT, VID, w/GHML. TMJ-IL
- 1290 WKLB KY MANCHESTER, 12/16 1800 s/off ment. 5kw on FSSA, so CP is on. RK-IL

All da Rest

- 640 WWIS OK MOORE, 12/7 0219 w/C&W thru KFI. JC-IL
- 750 CKGB ON TIMMINS, 12/18 1815 in briefly w/KSBO, ID in WSB null. TMJ-IL
- 770 WJMW AL ATHENS, 1757 12/7 popped in w/ID "Radio 7-70, AM Stereo WJMW" by male. RG-IL
- KOB NM ALBUQUERQUE, 12/7 fair in WABC null at 0220. JC-IL

790 KGHL MT BILLINGS, good thru WMC & others 0217 w/promo & C&W. State 37. JC-IL (DATE?)  
 1350 WOYK PA YORK, 12/23 1634 fair but alone w/spot & ID. RK-IL  
 1580 WKYR KY BURKESVILLE, 1853 12/14 nx, ad, ID. RG-IL

THE FIGHTING ILLINI:

JG.... John Clemmer 4524 7th St. East Moline, IL 61244  
 RG.... Bob Gerardi 1421 N. Franklin #7 Benton, IL 62812  
 (R-71A, 500' #22 wire coiled)  
 TMJ... Tom Jasinski 503 Jensen Shorewood, IL  
 FRG-7, 2 1/2 Loop  
 RK.... Dead Last  
 (R-1000, HQ-129X, Radio West Loop, Kowalski Loop)

More on the KUUY, as it now stands, mystery. Dave Faulkner, now of Lead, SD, called to inform me that KUUY is still on 1530. However, the possibility of an ET remains. Both Karl Forth & myself heard C&W mx there (870) on 11/26 & I had a clear MST TC in WWL's null (but little else was readable). At SSS the next night I had taped what I thought was an ID, but when I played it for double checking purposes discovered that my dub was mostly line noise & little readable signal. Dave says he's going to check with the station to see if they were ETing. Did anybody else hear anything out of KUUY on 870 in late Nov. ? There are no other MST stations on 870, I probably did hear a KUUY ET here.

A big thanks goes out to Paul Kowalski for repairing my Radio West Loop for me. I had all of the diodes blow.

SUMMARY OF UNREPORTED STATIONS  
 Through Volume 22 #10 dated November 24, 1984  
 compiled by Don Kaskey

The following chart lists the total number of stations in the USA and Canada and the volume they were last reported as being heard in DX MONITOR.

COUNTRY	V22	V21	V20	V19	V18	V17	V16	V15	V14	V13	V12	Prior	Total
CANADA	128	110	31	30	29	14	13	5	6	0	2	49	= 417
U.S.A.	1111	1264	684	415	362	173	192	81	56	30	51	305	= 4724
TOTAL	1239	1374	715	445	391	187	205	86	62	30	53	354	= 5141

New stations reported as having taken to the air during the period between V22 #1 through V22 #10:

650-WKKQ-MN (x-1060)	1020-KWIK-WA (x-1260)	1330-WFRN-AL (x-1240)
670-KWVK-CA	1030-WXSS-TN	1400-WTCG-AL
750-CKGB-ON (x- 680)	1040-WHBO-FL	1400-GJEK-BC
760-WURL-AL	1040-WJTB-OH	1420-KZMO-MO
840-KSWB-OR (x- 930)	1140-KCNJ-CA (x-1010)	1470-KHND-ND (x-1540)
880-KKMG-CA	1180-KDAN-AZ (x-1240)	1490-WSID-NY
880-WEEG-GA	1180-WFKB-KY	1560-KLLV-CO
1020-WJEP-GA	1240-WJDQ-MS (x-1330)	1570-WKBH-WI

Previously unreported stations noted by LRCA Reporters in DX MONITOR since the last update (V22 #6)....Covers V22 #1 through #10:

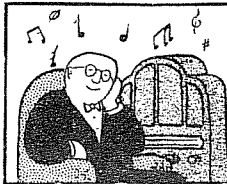
AL--25--WJMW--770 (Reitz-KY); WURL--760 (Black-IL)
AK---1---KKEN--980 (O'Connor-AK)
AZ---3---KDAN-1180 (Nittler-GO)
CA---0---KWNK--670 (Larson-CA & Hilliker-CA); KYTC-880 (P.Taylor-Wien-Kaskey-Hilliker-CA); KCNJ-1140 (Filliker-CA)
CO---0---KLLV-1560 (Nittler-CO)
FL--19--WHBO-1040 (Wien-CA)
GA--18--WJEP-1020 (Reitz-KY); WEEG-880 (Jeter-GA)
KY---9---WFKB-1180 (Reitz-KY)
MN---4---WKKQ--650 (G.Martin-GO & Mellberg-IA)
MI---1---KABR-1500 (Nittler-GO)
NC--29--WTYN-1160 (Nolan-TX)
OR---0---KSWB--840 (P.Martin-OR)
TN--17--WBZW-1040 (Reitz-KY); WTNE-1500 (Faulkner-IL); WXSS-1030 (Warren-MS)
TX--43--KTUN-1180 (Faulkner-IL); KIFR-1260, KSAK-1490, KM00-1500 (Nolan-TX)
WA---0---KWIK-1020 (Fortner & The Herdys-WA)
WI---1---WKBH-1570 (Kramer-IL)
ON---4---CKGB--750 (Kramer-IL)




There's nothing like sitting around listening to the radio and reading...

# Eastern DX Roundup

Karl J. Zuk, 154 Old Post Road North, Croton-on-Hudson, New York 10520  
home of 1100 feet of tangled wire!



WARNING! This column's editor will send out his vicious attack cats to bite anyone who does not send in their loggings! THIS MEANS YOU! 

\*\*\*\*\*  
REPORTERS IN THIS ISSUE:

- (JH-PA) Jim Hall, 240 Byron Road, Pittsburgh, PA 15237  
Drake R7A, Palomar Loop
- (WJH-MD) William J. "Bill" Harms, 8327 Perri Drive, Savage, MD 20763  
Yaesu FRG-7, 400 foot long wire, 3 foot wedge.
- (KVJ-GA) Karl V. Jeter, 2115 Scarbrough Road, Stone Mountain, GA 30088  
HQ-150, 2000 foot NW Beverage, 1500 foot W Beverage, phasing unit
- (GS-DC) Gardner Smith, W9ALZ, 1000 Perry Street, Washington, DC 20017  
HQ-145X, Toshiba F-11
- (KZ-NY) Karl J. Zuk, 154 Old Post Road North, Croton-on-Hudson, NY 10520  
GE Superadio, DX-160, SOAR bonzo-Beverage antenna

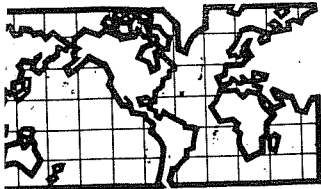
\*\*\*\*\*

- 170 WGU-20 ??? 12-20 2100 and thereafter. Time signal that sounds like (apx.freq.) the time recording you can dial on the phone in some cities. "Good Morning, This is station WGU-20. Eastern Standard Time, 22 hours 5 minutes 50 seconds. (beep)." The announcer is the same guy who does the Naval Observatory Master Clock voice in Washington, DC. Is this station in Washington also? Good to excellent day and night. 24 hour a day operation. (KZ-NY)
- 560 WHBQ TN, Memphis. 12-10 0005 Monday morning reception. "This is the Voice of the Mid South, News Talk Radio WHBQ Memphis. An RKQ Radio Station." This channel is really a dud here. Seldom hear anything, not even WFIL Philadelphia, PA. (GS-DC)
- 560 WIS SC, Charleston. 12-12 2005 "WIS radar weather" after news, followed by MOYL-type dreck, which is, I think, a new format here. (GS-DC)
- 570 WKBN OH, Youngstown. 12-18 (no time) PSAs and talk show, weather, ID, and CBS news. Good over local WGMS, Bethesda, MD. (WJH-MD)
- 620 WWLX AL, Lexington. 12-10 1744 Good with C&W music after semi-local WTRP, LaGrange GA, sign off, at 1744, first time heard here. (KVJ-GA)
- 710 WOR NY, New York. 12-10 0200 Monday morning noted silent with open carrier. Two, maybe three, Canadians left. (GS-DC)
- 710 CKVO NF, Clarendville. News of Canadian CKVO, Clarendville, NF (which I tentatively reported last issue) from Frank Merrill, who vacationed up there recently is that CKVO uses its own call sign 0730-1930, relays CHVO, Carbonear NF, 850, from 1930-0130 and relays VOCM overnight, so three different calls can be heard from this one station. What I heard was the relay of VOCM, St. John's, NF on 590 through CKVO on 710. (GS-DC)
- 730 WOHNS NC, Shelby. 12-12 1735 on SSS with local weather, and station ID. Great signal in null of CKAC, Montreal PQ. New catch, 21st station logged on this channel. (GS-DC)
- 730 WLIL TN, Lenoir City. 12-12 1800 with sign off, very sloppy with DJ rushing through it so fast as to be unintelligible despite excellent signal. (GS-DC)
- 730 CHYR-7 ON, Leamington. 12-12 1800. After WLIL sign off on top of channel alone with strong signal. Warning about phony Cabbage Patch dolls. (My cabbage patch doll has a big nose and flippers.) (GS-DC)
- 790 WTAR VA, Norfolk. 12-14 (no time) In reporting WNWS, South Miami, FL, last issue, I noted how WTAR's signal has been off its oats recently, and just found out why from Pete Kemp. WTAR has demolished its old tower (in place for 48 years) and whatever they're using now (perhaps temporary) doesn't work nearly as well. Listen for Barbados here in the interim. WTAR has always dominated the channel, and may do so again. (GS-DC)
- 1140 WMMG KY, Brandenburg. 12-7 0729 with sign on, fair signal, mentioned 250 watts, also mentioned having problems with their FM, school cancellations, then "Values For Better Living" program. (KVJ-GA)
- 1180 R. Marti FL, Marathon Key. A clarification of KZ's note last issue. I logged this station only once, 9-6-84, and not again. I recently replayed the tape to review my identification. The format at the time was a breezy news talk format with two announcers and upbeat music, similar to the Rebelde net of Cuba. Very well done, real slick. I suspect they were doing some "test marketing" of the station before it signs on officially. The "normal" VOA configuration of the station is beamed very tightly to Cuba and we rarely hear it up here, but R. Marti was really booming in, so perhaps they will have more power or a different pattern, or both. I bet the folks at WHAM, Rochester, NY are upset! (GS-DC) (I wonder what was going on when I heard R. Marti in October when I was in Florida. I had several very clear IDs and it sounded like they were using a very tight pattern, because they were not strong in Ft. Lauderdale-kjz)

Eastern DX Roundup continues.....

- 1210 WILY IL, Centralia. 12-7 0722 Good with High School football game, simulcasted on FM 95.3, also promo and ads. (KVJ-GA) (High school football at 722 in the morning? Did you mean 1922?-kz)
- 1260 WNXT OH, Portsmouth. 12-15 (no time) High school basketball game with local ads, over local WWDG, Washington, DC. (WJH-MD)
- 1280 WONW OH, Defiance. 12-11 0005 Sign off. Authorized all night, but with FCC saturating markets, many of these little stations can't afford to go all night anymore. (GS-DC)
- 1300 WGRC NY, Spring Valley. Recent casual format change from Top 40 to predominantly oldies. AM is for the over 50 crowd, remember? (KZ-NY)
- 1340 UNID ON?? 12-20 1950 UNID station relaying MOYL of CJSB, 540, Ottawa. Many mentions of Ottawa and Toronto in ads, in parallel with CJSB.(KZ)
- 1370 WGTC IN, Bloomington. 12-9 0001 L&C with engineering test, ID and religious and Christmas music. I thought I had something until I realized this already logged and verified as WTTTS, former call letters. (KVJ-GA)(Somebody tell me what "L&C" means!-kz)
- 1390 WGCI IL, Chicago. 12-9 0000 ID and jingle, between canned religious programs. ex-WVON. (KVJ-GA)
- 1420 WIGG MS, Wiggins. 12-9 1758 with sign off, with full info., including PSA power given and SSB.(D-1000, what is PSA power-kz) (KVJ-GA)
- 1450 WFIW AL, Huntsville. 12-11 2135 I don't believe it! DX on GY channels actually exists. Atop momentarily with ID and song N-250. (WJH-MD)
- 1480 UNID 12-9 0010-0036 Someone engineering testing, varying test tones noted, then around 0153 they played black gospel music, very strong signal. I suspect it may have been local WYZE, Atlanta, GA, but not sure. (KVJ-GA)
- 1490 WPEX VA, Hampton. 12-13 1736½ Atop channel with ID into song. (WJH-MD)
- 1580 WIZY GA, Columbus. 12-16 0300+ Occasionally topping channel with great signal, over KLOU, Lake Charles, LA, and CBJ, Chicoutimi, PQ tone(although CBJ stops tone for a few minutes on hour.) Religious music and ads. Tentative. "...24hr..Christian...", maybe a new slogan. Ex-WCLS. (JH-PA)
- 1590 WONX IL, Evanston. 12-16 0357 Faded up over WAKR, Akron, OH, Very strong with ID "Merry Christmas from your good friends at 15-90 AM WONX, Evanston, Chicago." (JH-PA)  
+12-9 0057 noted Spanish program at 0057, then at 0100 heard sign off in English. Mentioned slogan "One-X", ended with choral version of SSB. (KVJ-GA) (I have them D-1kW, when did they go fulltime?-kz)
- t1590 KREE NM, Ruidoso. 12-16 0159 SOL-type music, rather strong, occasionally topping WAKR, Akron, OH and unid SSer. 0159, out of the mess with "...number one K-R-E-E..." Western members, have they moved from 1360? Recording played at regular and slower speeds yields KREE. SOL music may have been other station, but call was heard regardless of format. JH-PA)(I have no knowledge of KREE here, Jim. Is SOL music, soul music or something else?-kz)
- 1590 UNID 12-20 1932 Station over/under semi-local pest WQQW, Waterbury CT. Used call WASY, and many mentions of Maine, including an ad for "Texas Light Beer made in Maine." Could this be a call change, or FM call of WDCI in Gorham, Maine? (KZ-NY)

\*\*\*\*\*  
Thanks to Jim, Bill, Karl and Smitty. Mr. Smith has come up with a great, new, and classy masthead for this column which will appear soon. Thanks alot!!  
News from R.Sweden: As of Dec. 19, the 1400 UTC broadcast to North America will be on 15280, moving from old 17860, and starting in January, Sweden Calling DXers will be on Wednesday instead of Tuesday. Everyone seems to have put DXing aside for Xmas shopping, myself included. If you are wondering what a SOAR bonzo-Beverage is, SOAR, means "Squished On A Road." I recently purchased 1100 feet of wire and strung it through the trees circling my property roughly twice, since I don't have enough land to hang it straight in a line, therefore a bonzo-Beverage. In strung it through the trees, the wire spool rolled onto a road and promptly got hit by a car, leaving me with a 900 foot rat's nest. Lots of laughs. It works great, though.  
Send in some reports, guys. This column is getting thin again! Thanks!! ?3 KZ  
\*\*\*\*\*



# DX WORLDWIDE - WEST

Pat Martin - Editor

P.O. Box 843, Seaside, Oregon 97138

PHONE: (503) 861-3185

TIME -UTC

ope everyone had a Merry Holiday Season and the DX you wanted popped through the speaker in your receiver. DX here hasn't been too bad, but nothing to really get excited about. The regular DUs and TPs and that is about it. We have a few reporters this time around and some good veries from John Wilkins from Colorado. On with the reports:

## AN-AMERICAN DX ROUNDUP

- 60 MEXICO, Mexico City-XEABC on 12/7 at 0525 "Radio Internacional" ID mentions of Mexico, vaguely East Indian music, fair to poor (NHP-BC)
- 70.3 COLOMBIA, Bogota-HJKH 12/15 at 0601 ID as "R-C-N, La Radio de Colombia" then solid hour of HJ mx. Fair to Good signals with KOB partially nulled, sep. on USB (ØW-Co)
- 110 COLOMBIA, Bogota-HJCY 12/15 at 0259 ID: Esta es Sutatenza Bogota,HJCY 250 Kw de potencia en su frecuencia de 810 Khz onda media...." then HJ mx, ads to 0358 s/off NA Fair at best o/u KXOI (ØW-Co)
- 130 ECUADOR, Guayaquil-HCRH2 11/28 at 0533 "Huancavilca" ID after wild pipe mx, sounded almost Middle Eastern. Fair (NHP-BC)
- 110 MEXICO, Mexicali,BCN XEAD Radio Mexicana, fair w/PST tc and Mexicali mentioned. KNEW-910 on rare SP at 1050 12/3 (AWP-Ca)
- 1127.2a COSTA RICA, San Jose-12/17 at 0330 Variety of Pop and Romanic mx, mostly LA mx, but some US Pops, 0330-0430, PSA from "La policia metropolitana" Constant het, but only spotty audio, slop from KWKH New Costa Rican #5. Frequent canned slogans of "Sonido Once Veinte" call is TISTHB per WRTH (ØW-Co)(Let me know if you get a verie from this one, as I hrd them a couple years back on 1125 Khz and sent an SS report, but no luck. PM)
- 1560 MEXICO, Cd. Juarez,Chih. XE3PV 12/15 at 0017. Nice Tropical mx, slogans as "Esta es el tropicalisimo ambiente de J-P-V." VG at times, but fady (ØW-Co)

## TRANS-PACIFIC DX ROUNDUP

- 182 U.S.S.R., Petropavlovsk-11/29 at 1522 Woman singing //4485 poor(NHP)
- 191 U.S.S.R., Blagoveshchensk-11/29 at 1453 Orch. mx //5015,nil to poor(NHP)
- 245 U.S.S.R., Vladivostok, o/all beacons w/talk in RR 1042 11/24 (AWP-Ca)
- 531 AUSTRALIA, Dalwallinu-6DL 10/28 at 1310 Poor,baritone opera //9610 singing (NHP-BC\*)  
+Also noted with ABC nx at 1500 on 12/23 o/u 2MC/4XA,fair (PM-Or)
- AUSTRALIA, Kempsey-2MC 11/29 at 1500 Six pips and CQ code intro to nx,after song Elvira Poor. (NHP-BC)
- 558 JAPAN, Morioka-JOQG-11/14 at 1455,man in JJ //594 fair (NHP-BC)
- AUSTRALIA, Wagin-6WA, fair and all alone at 1501 12/23 //531 with ABC Nx. (PM-Or)
- UNID, 6 pip at 1000 12/3,looping DU and too early for 6WA...4ZG?  
USSR?? KSFO-560 off (AWP-Ca) (At 1000 could be Fiji or 4ZG, maybe one of the 5KW Commercial Aussies. 4AM has been heard here.PM)
- 612 AUSTRALIA, Brisbane-4QR-11/16 at 1401 Aussie anthem s/off nil to poor. (NHP-BC)
- 666 JAPAN, Osaka-JOBK 11/13 at 1435 Light mx //594 fair (NHP-BC)
- 756 CHINA, 12/11 at 1554 man and woman in CC Drama //6665,fair to poor (NHP)
- JAPAN, Kumamoto-JOQK 11/14 at 1502,mx box s/off, vy poor (NHP-BC)
- 819 NORTH KOREA, Pyongyang-11/25 at 1355 man talking, good (NHP-BC)
- 820 ALASKA, Fairbanks-KCBF 12/11 at 1534,nx items mentioning Fairbanks, then KCBF Ment. Poor to fair (NHP-BC)
- +Also noted well with nx on the hour with ID at 1500 on 12/20 (PM-Or)
- 828 t AUSTRALIA, Nambour-4SS 10/21 at 1422,DU talk poor in splatter, 10/27 1429 rock mx,lady anc,poor 11/30 1454 rock mx,wx? mention of the Headland? Vy poor. 12/6 1535 DU talk by man with rr mx,frustrating.. Never an ID then I hear them (NHP-BC) (I know what you mean: I have had quite a few of them. 4SS hrd here occasionally, caught a couple times with ID, same before with 4NA.PM)
- 830 ALASKA, Big Lake-KABN 12/4 at 1530 "Cabin Radio News" after 6:30 TC Good,a frequent visitor lately. (NHP-BC)

- 1035 SOLOMON ISLANDS, Honiara-10/28 at 1215 nil to fair but dominant w/ island mx 775020 (NHP-BC\*)
- 1044 CHINA, Changzhou-1245 11/24, w/strongest signal of the season...like next door. (AWP-Ca)
- 1053 JAPAN, Nagoya-JOAR-Chubu-Nippon B/C Co. talk in JJ, nil to good on rare appearance 1244 on 11/26 (AWP-Ca)
- NEW ZEALAND, New Plymouth-22P-10/27 at 1407 pop mx then man talking mostly vy poor with splatter, but 7/1035 and 1044. New (NHP-BC)
- 1206 CHINA, Yanji, Jalin (judging from other reporters) 12/11 at 1300 with 5 apparently identical pips, followed by weak oriental lang, unknown to me. Wonder if this is the same TX logged from time to time on 1210 Khz (Never verified) (RHM-Wa) (Roy: I presume the lang. you hrd them in was KK. With the TX close to the Korean border they bc to Korea mostly. I have hrd in CC a couple of times. This probably is the same 1210 Khz, I would guess. They did QSL my 1206 Yanji report. PH)
- 1566 SOUTH KOREA, Cheju Islands-HLAZ 12/11 at 1540 Massive signal w/preacher in RR (NHP-BC)
- 1593 JAPAN, Niigata/Matsu-JO0B/J0TB NHK2 fair w/JJ talk 1220 11/22 (AWP-Ca)
- 1602 JAPAN, Various JO.., x26 NHK2 weak 1223 11/22 (AWP-Ca) (Good catch, Art. 1602 isn't hrd too often over here. PM)
- 1629 t AUSTRALIA, Sydney-2RPH-10/28 at 1053, poor woman and man alternating in what sounded like DU talk, still going at 1136, but too much static to get any ID. (NHP-BC\*)

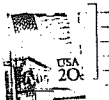
VERIFICATIONS:

- 650 HONDURAS, San Pedro Sula-HRWV-La Voz de Centro America, P/D letter 2 pennants in 31 days v/s Jorge J. Sikaffy Gte. Cgral. Letter was mailed from Miami. (ØW-Co)
- 700 ECUADOR, Guayaquil-HCRS2, Radio Sucre N/D letter via/Reg. mail in 41 days. V/S Vicente Arroba Ditto, Gte. Gral. (ØW-Co)

THANKS TO THESE REPORTERS:

- RHM-Wa Roy H. Millar-13714 30th Avenue, N.W.-Marysville, Washington 98270  
DAK3/unamp loop.
- NHP-BC Nick Hall-Patch-1538 Amphion Street-Victoria, B.C. V8R 4Z6 (Canada)  
Transg. HRO, 3 foot Box loop
- NHP-BC\* Nick Hall-Patch-DXing at Diversion Reservoir Jordan River, B.C.  
Homebrew Rx, 1000 foot and 2000 foot Bev. at 270 degrees
- AWP-Ca Art Peterson-851 31st Street-Richmond, California 94804  
FRG-7 w/LW converter. R. West loop 300 foot LW, Signa Match tuner.
- ØW-Co John Wilkins-4385 Hoyt Street #205-Wheat Ridge, Colorado 80033  
R-1000, 4 foot Box Loop
- PM-Or Yer Editor  
SP-6003X, (2) 1500 foot Beverages East, 200 foot Term. LW NE, Grounds.

Thank you for your report  
of receiving WAMB on  
Nov. 4, 1984 at 1160 KHZ  
from 12:35 to 1:10 PM CST



WAMB is the only big band radio station in the state's capitol (population over a half-million).

To:  
Mr. Karl V. Jeter  
2115 Scarbrough Rd  
Stone Mountain, GA  
30088

WAMB features big band ballroom dances monthly, and is one of the few stations still with a 15-piece staff orchestra.

We are operating on 1160 KHZ with 25KW. We will increase power on 1160 KHZ to 50KW next month.  
Bill Barry, Owner

SPORTS  
NETWORKS  
WEST

Dale Park  
2253 Kanealii Avenue  
Honolulu, HI 96813

This time we have listings for several pro football teams plus flagship information for pro hockey and basketball (seems only yesterday it was summer), so there may not be room for college sports listings. Let's get down to business.

CANADIAN FOOTBALL LEAGUE

HAMILTON TIGER-CATS Bob Hooper, John Michluk (via Stan Genno, CHML Radio)  
900 CHML-ON only. No network.

NATIONAL FOOTBALL LEAGUE

DALLAS COWBOYS Brad Scham  (via Metromedia/Texas State Network)

550 KOY--AZ	KTRM-TX	KXIT-TX	WMPS-TN	KLCL-LA
KCRS-TX	KGTM-TX	1260 KTUE-TX*	KBWD-TX	KCNY-TX*
590 KLBJ-TX	1000 KTOK-OK	1300 KKAS-TX*+	1390 KULP-TX*+	1480 KUUX-NM
600 KERB-TX*	1050 KLPL-LA*+	1320 KKCC-OK*	1400 KTNM-NM	1490 KBST-TX
KTBB-TX	KPXE-TX*	1330 KGAK-NM	KILE-TX	KNEL-TX
690 KPET-TX*	1060 KHJK-TX*	KINE-TX*+	KGVL-TX	KVOZ-TX
710 KGNC-TX	1080 KRLD-TX	KVKM-TX	KKNX-TX	KPLT-TX
KURV-TX	1150 KJJZ-CO	1340 WXOR-AL	KIUN-TX	KVLL-TX
770 KOB--NM	KKMJ-TX	WAML-MS	KEYE-TX	1500 WBFM-MS*+1
790 KFYO-TX	1200 WOAI-TX	KSIX-NM	KVOP-TX	KXVQ-OK*1
KUTA-UT*+	1230 KLIC-LA	KTOW-OK	1410 KBAN-TX	KTXX-OK*
860 KARS-NM*	WCMS-MS	KWCK-TX	KCUL-TX	1510 WJRC-IL*
KPAN-TX*	KPSA-NM	KAND-TX+	1420 KPAR-TX	1520 KRJH-TX*
910 KAMD-AR	KSIX-TX	KRBA-TX	1430 KEEB-TX	1550 KOKA-LA
KNAF-TX*	KDLK-TX	KSZN-TX	1450 KLMX-NM	KWB-CO-TX*
920 KYXX-TX	KLVT-TX	KCWM-TX	KEMM-NM+	1560 KWCO-OK
940 KNST-AZ	KEEE-TX	1350 WSBM-LA	KMBL-TX	1580 KTLU-TX*+
KTON-NM*+	KSST-TX	KRHD-OK	KCYL-TX	1590 KGAS-TX*
950 KPRC-TX	1240 WMPA-MS	1360 KACT-TX*+	KNET-TX	KEAS-TX*
990 KHVH-HI	KVSO-OK	1370 KFRO-TX	KSNY-TX	1600 KBOR-TX
KXLA-LA	KOKL-OK	1380 KMUS-OK	1460 KRME-TX*	KQRO-TX*
KSVP-NM	KTAM-TX		1470 KSWA-AZ*	KOGT-TX

-FM-

92.1 WMRQ-MS	94.9 KWKY-NM	97.3 KBXR-OK	102.3 KULE-CO	105.5 KACT-TX*+
KNEX-TX	KBIM-NM	97.7 KGOK-OK	KEVR-NM	106.3 KTON-TX
KVRN-TX	95.3 KNIT-NM+	KINE-TX+	KBIC-TX	KAUM-TX
92.7 KWJM-LA	KMRE-TX	KWRW-TX+	KLCR-TX	KPSO-TX
KLPL-LA	KMMK-TX	98.3 WYKK-MS+	103.1 KRUN-TX	KZTX-TX
KIVY-TX	KYUF-TX	KFYX-TX	103.9 KOEZ-AZ	106.7 WKVY-MS
92.9 KTZA-NM+	(CP to 104.9)	KBOP-TX	KMLA-AR	107.1 KWLIV-LA
KBIL-TX	95.5 KNFO-TX	KRDF-TX	WXIS-TN	KLBC-OK
93.5 WHJT-MS	95.9 KYBE-OK	99.3 KFYX-TX	104.9 KIBL-TX	KWKQ-TX
KROO-TX	KCKL-TX	100.7 KPXI-TX	KALK-TX	KTLR-LA
94.3 KOKL-OK+	96.7 KWCS-TX	101.1 KFAN-TX	KYCX-TX	107.9 KXCL-TX*2
KPUH-TX	KXOX-TX	101.7 KEAZ-LA	KYUF-TX	???.? KPCH-LA*3
KRCT-TX	96.9 KXGC-TX+	KWDX-TX+	(CP from 95.3)	???.? WFAA-MS

(en español) (via Metromedia/Texas State Network)

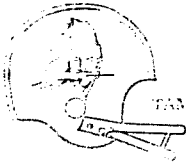
580 XEMU--MX	940 XERKS-MX	1150 KFHM-TX*	1350 KABQ-NM	1510 KZZI-UT*
800 XEROK-MX	1070 KWEL-TX*		1410 XEAS--MX	1580 KRZI-TX

-FM-

92.1 KDSI-TX	94.1 KESS-TX	95.9 KNTO-CA
--------------	--------------	--------------

1. CP for critical hours. 2. Listed for Duback, LA. 3. Listed for French Camp, MS.

# WASHINGTON REDSKINS



TAMPA BAY BUCCANEERS  
One Buccaneer Place  
Tampa, Florida 33607



OAKLAND Invaders

P.O. Box 2130 • Oakland, California 94621

MIAMI DOLPHINS Rick Weaver, Hank Goldberg, Henry Barrow (via Y. Parapar, WIOD Radio)

570 WPLP-FL	880 WCGY-FL	1150 WNDB-FL	1280 WEXI-FL*	1450 WSTU-FL
610 WIOD-FL	900 WSWN-FL*	1240 WINK-FL	WIPC-FL	1490 WTTB-FL
740 WKIS-FL		1270 WNOG-FL		1500 WKIZ-FL

(en español)

FM: 107.5 WQBA-FL

TAMPA BAY BUCCANEERS Mark Champion, Dave Kocourek, Ken Broo

580 WDBO-FL	900 WSWN-FL*	1280 WGTX-FL*	1380 WDAT-FL	1490 WXVQ-FL
620 WSUN-FL	920 WTRS-FL*	1300 WRKT-FL	1400 WIRA-FL	1530 WENG-FL*
690 WAPE-FL	960 WGRO-FL	1340 WSEB-FL	1420 WDBF-FL	1550 WCCZ-FL*
790 WLBE-FL	1230 WMAF-FL	1370 WOCA-FL*	WAOC-FL*	1580 WCCF-FL*
FM:		97.5 WPCF-FL		98.3 WGLY-FL

WASHINGTON REDSKINS

(via Robin Sheingold, WMAL Radio)

540 WDMV-MD	970 WANV-VA	WODI-VA	WEPM-WV	WREL-VA
550 WWSA-VA	990 WCEL-NC*	WXCF-VA	1350 WOYK-PA	WMVA-VA
610 WIOD-FL	1000 WIOO-PA*	WFVA-VA	WNIS-VA	1460 WCEI-MD
630 WMAL-DC	1010 WCST-WV	1240 WSSV-VA	1400 WKEW-NC	1490 WSTP-NC
680 WCBM-MD	1070 WINA-VA	1250 WYSR-VA*	WINC-VA+	WLPA-PA
920 WPTX-MD	1110 WBT-NC	1260 WNRK-DE*	1410 WHAG-MD**	1520 WKRE-VA**
WBBB-NC	1170 WCLM-NC*	1290 WHKY-NC	1420 WMYN-NC	1530 WCTR-MD*
930 WFMD-MD	1200 WFAI-NC	1320 WRJY-VA*	WDDY-VA*	WRBX-NC*
960 WSBY-MD	(CP from 1230)	1330 WASA-MD	1430 WNVA-VA	1570 WSWV-VA**
WFIR-VA	1230 WFAI-NC	1340 WCBQ-NC	WKEK-VA*	1590 WETT-MD
970 WVOV-VA*	(CP to 1200)	WJMA-VA+	1450 WTBO-MD	WCBG-PA
	WCBT-NC		WFTR-VA+	
		-FM-		
92.5 WINC-VA+	96.7 WQCM-MD+	98.3 WWDR-NC	101.7 WKWI-VA	106.3 WLCC-VA
94.3 WQRA-VA	WJMA-VA+	100.7 WQPO-VA+	105.5 WSWV-VA+	106.5 WRDX-NC
95.3 WFTR-VA+		101.5 WFVA-VA+		107.5 WKRE-VA+

UNITED STATES FOOTBALL LEAGUE

OAKLAND INVADERS (1984 network)

(via V. McGann, KGO Radio)

810 <u>KGO--CA</u>	1450 KOBO-CA	1530 KFBK-CA
--------------------	--------------	--------------

WASHINGTON FEDERALS (1984 network)

(via Robin Sheingold, WMAL Radio)

630 WMAL-DC only. No network.

INDOOR SPORTS

These listings come courtesy of The Complete Handbook of Pro Hockey and The Complete Handbook of Pro Basketball, both edited by Zander Hollander. There have been some changes in Los Angeles, according to the Los Angeles Times, so these are included here.

NATIONAL BASKETBALL ASSOCIATION

Atlanta Hawks	680 WCNN-GA	John Sterling, Charlie Criss
Boston Celtics	1030 WBZ--MA	Johnny Most, Glenn Ordway
Chicago Bulls	560 WIND-IL	Jim Durham
Cleveland Cavaliers	1100 WWWE-OH	Joe Tait
Dallas Mavericks	820 WBAP-TX	Dave Barnett
Denver Nuggets	850 KOA--CO	Jeff Kingery, Bob Martin
Detroit Pistons	800 CKLW-ON	George Blaha
Golden State Warriors	740 KCBS-CA	Ted Robinson
Houston Rockets	950 KPRC-TX	Gene Patterson
Indiana Pacers	1070 WIBC-IN	Bob Lamey
Kansas City Kings	810 KCMO-MO	To Be Announced
Los Angeles Clippers	870 KIEV-CA	Eddie Doucette
Los Angeles Lakers	570 KLAC-CA	Chick Hearn, Keith Erickson
Milwaukee Bucks	620 WTMJ-WI	John McGlocklin, Jim Irwin
New Jersey Nets	660 WNBC-NY	Mel Proctor, Mike DiTomasso
New York Knickerbockers	1130 WNEW-NY	Marv Albert, Butch Beard
Philadelphia 76ers	560 WFIL-PA	Neil Funk, John Nash
Phoenix Suns	620 KTAR-AZ	Al McCoy
Portland Trailblazers	1190 KEX--OR	Bill Schonely, Dave Twardzik
San Antonio Spurs	1200 WOAI-TX	To Be Announced
Seattle SuperSonics	710 KIRO-WA	Bob Blackburn
Utah Jazz	To Be Announced	Hot Rod Hundley
Washington Bulliets	1500 WTOP-DC	Frank Daly

NATIONAL HOCKEY LEAGUE

Boston Bruins	1390 WPLM-MA+	Bob Wilson, Johnny Bucyk
	99.1 WFLM-MA+	(Simulcast)
Buffalo Sabres	930 WBEN-NY	Ted Darling, Rick Jenfret, Mike Robitaille, Jim Lorenz
Calgary Flames	810 CHQR-AB	Peter Maher, Doug Barkley
Chicago Black Hawks	560 WIND-IL	To Be Announced
Detroit Red Wings	760 WJR--HI	Bruce Martyn, Sid Abel
Edmonton Oilers	1260 CFRN-AB	Rod Phillips, Ken Brown
Hartford Whalers	1080 WTIC-CT	Chuck Kaiton, Andre LaCroix
Los Angeles Kings	1260 KGIL-CA	Bob Miller, Mick Nickson
Minnesota North Stars	1500 KSTP-MN	Al Sharer, Russ Small
Montreal Canadiens	940 CBM--PQ	CBM: Dick Irvin, Ron Reusch
	600 CFCF-PQ	CFCF: Dick Irvin, Ron Reusch
	690 CBF--PQ	Lionel Duval, Richard Garneau (French)
New Jersey Devils	570 WMCA-NY	Larry Hirsch, Fred Shero
New York Islanders	710 WOR--NY	Barry Landers, Jean Potvin
New York Rangers	1130 WNEW-NY	Marv Albert, Sal Messina
Philadelphia Flyers	610 WIP--PA	Gene Hart, Bobby Taylor
Pittsburgh Penguins	1420 KQV--PA	Mike Lange, Terry Schifhauser
Quebec Nordiques	1280 CKCV-PQ	Andre Cote, Jos Hardy (French only)
St. Louis Blues	1120 KMOX-MO	Dan Kelly
Toronto Maple Leafs	To Be Announced	Dan Kelly, Dave Hodge, Bob Cole Joe Bowen
Vancouver Canucks	980 CKNW-BC	Jim Robson
Washington Capitals	1500 WTOP-DC	Ron Weber
Winnipeg Jets	580 CKY--MB	Ken Nicholson, Curt Keilback

TIME OUTS: Some late information has come in from Richard E. Berg-Anderson in New York. Apparently, WNEW has dropped the Knicks and Rangers in favor of an evening program of live music (no word on the status of the Giants). The teams now air over 930 WPAT-NJ, 1230 WFAS-NY and 1240 WGBB-NY. Says Richard, "There was some speculation in the local papers that this was the start of a growing 'Madison Square Garden Network'; others have speculated that this was a temporary solution." Stay tuned as this might get interesting, especially for Marvelous Marv fans...Richard also says the AHL Adirondack Red Wings are still on 590 WRON-NY while the IHL Fort Wayne Komets remain on 1190 WQWO-IN...Per Charley Walters in the St. Paul Dispatch, 1280 WWTG-MN will air 48 games of the MISL Minnesota Strikers; meanwhile 1500 KSTP-MN and 1130 WDCY-MN will probably bid against 830 WCCO-MN for Twins radio rights...He also says, "Insiders say former Minnesota Twins and Vikings play-by-play announcer Ray Scott (voice of the "Computer Kickoff" feature) is close to accepting a baseball radio job with a National League team and that an agreement between Scott and the club may be reached today (Oct. 12)."...From the Chicago press, Joe McConnell has been fired from the White Sox broadcast team on 670 WMAQ-IL; however, he will continue to handle Bears play-by-play over 780 WBDM-IL...Across town, Milo Hamilton will no longer announce the Cubs over 720 WGN--IL...Although Ray Meyers no longer coaches DePaul U., he will stay close to the team as he now does color for them on WGN; son Tom no longer coaches at Illinois-Chicago but their basketball and hockey are on 106.7 WYEN-IL...560 WIND-IL also carries the MISL Chicago Sting but does bump them in favor of the Bulls and Blatk Hawks; conflicts with the latter are resolved by airing the team over WYEN...In Hawaii, 1380 KLNI-HI has added Army football; selected basketball games of Chaminade U. of Honolulu (yes, Virginia, they're still around), Brigham Young U.-Hawaii, and Hawaii Pacific Coll. are on 760 KGU--HI with play-by-play from Gene Davis...Errata—the Michigan State flagship station is actually 1270 WXYZ-MI. Sometimes it's hard to tell who is the flagship; for instance for Washington State it's 570 KVI--WA; Oregon State uses 1190 KEX--OR; in the Twin Cities Minnesota is on WCCO and 1010 WMIN-MN. Michigan's situation is complicated—flagships are 760 WJR--MI, 800 CKLW-ON, 950 WWJ--MI and 1330 WTRX-MI, and CKLW feeds 1600 WAAM-MI, mean-- four Detroit stations air the Wolverines!

Sorry, but the college info has not been compiled yet so it will appear next time. Please contribute football, basketball, hockey and soccer information if you have it. See you in DXM.

THE INTERNATIONAL RADIO CLUB OF AMERICA

P. O. Box 21074, Seattle, WA 98111

The IRCA is a non-profit organization devoted to the hobby of hearing distant stations on the AM Broadcast Band (530 to 1630 kHz). DX Monitor, the official publication of the IRCA, is published 34 times a year - weekly during the winter and monthly during the summer. DX Monitor features members' reception reports, articles on radio stations, receiver reviews, technical articles, DX tips, and other articles and material of interest to radio hobbyists.

CLUB ADDRESSES

President, Phil Bytheway, 9705 Mary Avenue NW, Seattle, WA 98117, 206-784-5145. Secretary, Treasurer, Rich Segalas, P. O. Box 26254, San Francisco, CA 94126. Editor in Chief, Bruce Fortzer, 6546 19th Avenue N.E., Seattle, WA 98115 (206) 522-2521.

MEMBERSHIP DUES

U.S.: \$20.00 per year. Canada/Mexico: \$26.00 (one issue every week) or \$20 (two issues every two weeks). Foreign surface mail: \$21. Foreign Airmail: \$27 to Central America, Colombia, Venezuela, and the Caribbean, \$30 to Europe, North Africa, and the middle east, \$34 to the rest of the world. Make checks and money orders payable to IRCA and send dues to P. O. Box 26254, San Francisco, CA 94126. Persons living outside the U.S. make dues payable in U.S. funds.

THE IRCA GOODIE FACTORY

The IRCA has reprints of more than 300 articles which have appeared in past issues of DX Monitor. It also has the IRCA Almanac, The IRCA Technical Guide, the IRCA Foreign Log, and other publications. For a complete list and order blank write to IRCA Goodie Factory, 1017 West Manhattan Drive, Tempe, AZ 85282.

FIRST CLASS MAIL  
U.S. POSTAGE  
PAID  
Seattle, WA  
Permit No. 601

first class

D. A. NYHOLM  
2071 CEDAR STREET  
SAN CARLOS CA 94070  
19

Postmaster: If undeliverable, return to  
P. O. Box 21074, Seattle, WA 98111, U.S.A.