



Foreign ✓

DX Monitor

Devoted Exclusively to
Broadcast Band DXing

January 26, 1985

Volume 22, Number 19

Issue Number 708

In This Issue

Eastern DX Forum	2	After Year of Delay, Radio	
Western DX Forum	3	Marti Still Not Beaming Signal	
Eastern DX Roundup (2 of 'em) ...	6	To Cuba	17
Central DX Roundup	9	Extremely Linear Electrically	
"As It Happens" Station List	9	Tunable Active Receiving Antenna	18
Western DX Roundup	10	Down Memory Lane (1942 Articles) .	22
DX Worldwide East	13	Summary of Unreported Stations ...	23
DX Worldwide West	16	British Columbia GY Changes	23

FLASH TIP. Do you miss the infamous old KFAT, that slightly irreverent FM station that once operated out of Gilroy, CA? If so, you'll be happy to know that the folks who once ran the station have started FAT records. One of their first offerings is a FAT cassette featuring a collection of KFAT favorites, including Utah Philip's "Moose Turd Pie", Peter Rowan's "Free Mexican Air Force", and Asleep at the Wheel's "Ain't Nobody Here But Us Chickens". (No word on Ric Heald's all-time favorite, "Dead Puppies Aren't Much Fun"...). More records are promised for the future. Unfortunately, we're not sure where you can get this cassette or other FAT releases. If someone finds out, let us know. Thanks to Steve Mittman for this significant bit of news.

NEW RADIO WEST CATALOG. Radio West, purveyor of various receivers, modification kits, and accessories, is working on a new catalog and plans to bring it out in a month or so. If you write them, and enclose an SASE, they'll send you a copy. They also publish a monthly "Garage Sale" flyer, listing clearance and sale items at reduced prices. For more info, write them at 3417 Rurer Road, Escondido, CA 92025.

DX PROGRAMS. As many of you know, several major shortwave broadcasters carry DX Programs with tips and other information for DX listeners. While they are intended mainly for SWLs, some programs have medium wave tips, equipment reports, and, in some cases, "flash tips" on medium wave DX tests. Here are some of the more popular and easy-to-hear DX programs:

"World Of Radic" with Glenn Hauser: on WRNO Radio on 6185 kHz at 0530-0600 UTC Saturday, 0230-0300 Sunday UTC on 7355, and 1400-1430 Sunday on 11965. "SWL Digest" on Radio Canada International: Saturdays at 2150 UTC on 17820, 15325, 15150, 11945; 2320 Sundays on 11710 & 9755, and 0320 Monday on 9755 and 5960.

Radio Nederland: Thursdays at 0240 on 9895, 9590, and 6165; and 0520 UTC on 9895, 9715, and 6165 kHz.

There are obviously a lot more programs that the ones I've listed, but these will at least get you started.

COMING SOON: THE ANNIVERSARY ISSUE. This year's anniversary issue will be the March 23 issue. It's been a club tradition for lots of people to send in forum reports, complete with reintroductions of themselves. Last year we had a record 62 forum reports for our twentieth anniversary issue. This year, IRCA will be old enough to buy booze. I'm not sure what effect that should have on the forums in the anniversary issue, but the issue after that will be the April Fool's issue and some clever member may be able to write an article on Beverage antennas or something like that, hi. In any case, be sure to send in a forum report for the anniversary issue. The editors' deadlines will be sometime around 3/8 or so.

ERRATA DEPT. Contrary to what you may have read in recent forum reports, the airport in Seattle is indeed the Seattle-Tacoma Int'l Airport (aka Sea-Tac); it reverted back to its old name several months ago.

EASTERN DX FORUM

RICHARD EVANS
P.O. Box 1294
NORTH WALES, PA 19454

Deadlines: Saturdays

Jody Hughes, 13720 Gulf Boulevard, #401, Madeira Beach, Florida 33708

Greetings all, and best wishes for 1985. A little more info on stations here in Florida. WDLF-590 currently has a CP for U4 2500/2500 but is awaiting the FCC's decision on their application for 5000/5000. WSUN-620 says they have the equipment to go stereo but don't plan to use it unless or until the demand for stereo picks up (may be quite a while). WCGY-850 is with AI network, format is MYL and address is 2406 S. Congress (no longer at Box 71) and zip is 33406. WJAX-930 is with Ac network and their format is Soul. The CP granted to WKXY-930 is for U4 5000/2500 and their site has yet to be zoned, so it may be a while. They are NSP and their only network affiliation is with RKO. WBJW-950 is now NSP and has no network affiliations. Their address is now Box 8105, Winter Park, Fla. 32790. WJCM-960 says their CP for U3 5000/1000 will be on in early 1985 with, eventually, a 24 hour operation. Their format is MYL and their current hours are 0600-1800. Their present power is 1000/500. Also, I've been looking for an AM/FM tuner that is AM stereo as well as FM stereo but can find nothing around here. Does anyone know of a place that has what I'm looking for? Keep on tuning. 73'3.

Bill Harms, 8327 Perri Drive Drive, Savage, Maryland 20763

Ahnnyoung-hahsayo. With the improvement of conditions of late, I sure wish that regional channels were clear. I am sure that there would be DX signals (i.e., west coast to east coast) on the regionals if fewer stations were on. KOB, KOA, KSL, KFI, KNIX all made it here last week. See EDXR for details. It was sure nice to hear some west coast stations again, but west coast stations on the regional channels would be even nicer. The propagation of distant signals still exists as attested to by the reports of DXers in "remote" outposts like Kaz in Maine, Pat Martin in Oregon and Dr. Wood in Hawaii. Unfortunately the rest of us "poor DXers" aren't so lucky and we have to contend with the same old stations everytime we turn on our receivers. On to something else. I thought the "clears" like WBZ, WABC, etc. were supposed to be given a nighttime protection area of 750 miles. Both WBZ and WABC have suffered from co-channel QRM from domestics since the breakdown of the clear channels. What kind of protection are these stations supposed to have? Is it a farce? On New Year's Eve, 1610-1625 was sure hopping with pirates; I couldn't pull out any IDs while listening to them. I recorded some of the activity and maybe something will show. I am curious as to what other people heard. There were two stations hetting each other around 1615-1616. One sounded like KPRC. There was something on 1620. I hope to pull something out of the tapes. I hope that DXers on the west coast are able to hear WBT. It seems that they are working on the DA and are running their 50kw ND as per a verie received from them, as I noted before. On the verie there was an indication as to how long this was going to last. Maybe they are back to DA by now. They sure have been weaker here. Gotta go.

Karl J. Zuk, 154 Old Post Road North, Croton-on-Hudson, New York 10520

(concluded from last week...) Reception has been just wonderful this season. I've had numerous new stations, and have noticed, what I call, "spotlight reception", that is, reception for a very small geographic area with great strength. Almost every area of the country has been spotlighted for me, unlike anything I remember last season. My local-like reception of KOA, Denver and other stations from that area for several mornings was typical of that. I just wish I had more time to comb the band, as I've been very busy lately at work. I've been off the football circuit for ABC Sports for almost two months, which has been enjoyable and relaxing, but now the fever is growing again for The Superbowl coverage, which will dwarf anything you've seen at The Olympics. 31 cameras just in the stadium and a version for stations outside of the U.S. Just amazing! I'll be in San Francisco for about two weeks. It should be just wild! Many thanks to everyone sending in reports and making EDXR an amazing column lately. I've really enjoyed editing all the loggings every week. I was slightly disappointed by the Talkradio show on DXing on December 15th. It was almost entirely on shortwave, which was interesting, but not what I was looking forward to hearing that night. I also wish I had a dollar for every time Ray Briem, the host, called Dr. Wood "Robert". (hi-hi). It

was a very well-produced show, an amazing compilation of the best people in the world of shortwave DX. I have the entire show on tape, enough for two C-90 cassettes, and I'll dub it for anyone if you mail me cassettes and return postage and can be a little patient for a return. Anyway, best of DX to all and happy new year. 73.

Thomas H. White, 1119 North Harrison Street, Arlington, Virginia 22205
Greetings. I appear on these pages so rarely that most of you probably think I'm a new member, but actually I've been an IRCAN for 14 years. The main reason for this letter is to report three DX milestones ---1000 stations heard from Arlington, with the logging of WEMB-1420 Erwin, Tenn. on 12/1/84; first TA logging, with the reception of Radio Senegal-765 on the first day of this year; and my first pirate QSL, from Radio Alchemy-1631.5. The 1000 stations logged was the biggest thrill, since it took (only) 16 years to achieve. Holding down the totals was my conservative approach to loggings---only Arlington loggings were included, and I don't count call, frequency, city of license changes et al. as new stations. For completeness sake, here are my current totals: 1005/247 stations, 39/38 states, 7/7 provinces, and 28/9 countries. Also logged, but not included in the previous totals, are 77/4 call and 6/0 frequency changes. The Radio Senegal logging was somewhat anticlimactic as the first TA, as I had heard, although not officially logged, WDR-1586 as long as 8 years ago. Still, it was nice to finally include the Old World in my log book. The Radio Alchemy QSL---a very attractive info. sheet---was for a follow-up report made possible by John T. Arthur's "Free Radio Directory" that appeared in DXM a few months back. The problem was that the station gave out the wrong ZIP code during its 1/1/84 broadcast. On a personal note, I'm 28 years old, and this past August received an M.S. in Business (Information Systems) from Virginia Commonwealth University in Richmond, Va. I currently work in the education department of Compucare, Inc. in Reston, Va. 73.



Western DX Forum

★ ★ ★ ★

WUCA—Serving the Broadcast Band DX'er Since 1964

Editor: Ric Heald, 1632 J St., #3, Eureka, CA 95501

HEADLINES - WEEKLY ON TUESDAY

W. GEORGE ELLIOTT, P.O. BOX 312, PENTICTON, BC V2A 6K4

More news from the land of Perma-Frost. I went to Kelowna the weekend of 08 December and after flipping through some old DXM's, I fired up the radio and twirled the dials. For a while I was hearing nothing but the same old pests, but soon things changed. I was quite surprised at finding KYXI changed. . . the first moment I was truly grateful for the valuable information contained in DXM. KYXI/KSGO I should have known about, but I guess it slipped by me. I also logged CKRP/CINL. . . couldn't miss it when the DJ mentioned a Christmas dance for the local food bank and said, "CKOK's George Elliott will be on hand"!!! (I know the feeling well, hi-RtH.)

The rest of the weekend yielded such finds as: CFFR 660, KORD 870, CJCY 1390, CJVR 1420, CFHC 1450, as well as CIFJ and/or CHLD 1480. Enough to make me want to turn on the radio each time I'm in Kelowna. Winter DX really excites me about the hobby, y'know? It was so nice to hear things like WHAS, WCCO, WWL, WBEM, etc., after not being near a DX'able radio for about a year. I plan to do my usual trips to Kelowna during the Winter and will include time for the DX-160 and FRG-7000 when I'm there. So, beware Ric and Nancy! Until next time, 73 de WGE. (Thanks for the warning. Have enjoyed catching parts of your show from time to time-RtH.)

RANDY SEAVER, 1154 VIA TRIESTE, CHULA VISTA, CA 92011

With reference to Stanbury's comments in the 01 December DXM, I think that I do understand the issue raised by Lankford's hypothesis (not a "theory") concerning "extraordinary" wave propagation below the gyrofrequency. In essence, he believes that the Z-mode is a viable propagation mode below the gyrofrequency, resulting in refraction from the F-region of the ionosphere at arrival angles above five-to-ten degrees. I din't believe the z-mode is viable for the several reasons described in my critiques and previous forums. In response to Stanbury's comment regarding the extraordinary wave signal strengths being stronger on east/west paths near the equator than the ordinary wave (actually, I stated that the polarization coupling loss was greater, not the signal strength), I offer the following: This occurs at equatorial latitudes because only at these latitudes does the ordinary wave suffer

a greater polarization coupling loss upon entry to and exit from the ionosphere than does the extraordinary wave. This is described in most propagation books I've seen.

On the subject of Lankford's qualifications, I don't dispute his credentials, nor the main body of his paper that covered the mathematic derivation of oblique critical frequencies of the ordinary and extraordinary waves. My critiques of his article (in the 16 April 1984 DX News) addressed the Appendix of the article which contained his MW propagation interpretations and speculations, including his arguments for extraordinary mode propagation.

Lastly, I believe that discussions on propagation should be encouraged and unfettered. So-called "avant-garde" theories should be proposed. . . but the advocate should be prepared for constructive criticism and be allowed to respond in kind. I've said it before and I'll say it again: There are no "experts" on MW propagation in our clubs (to my knowledge); we are all laypersons just scratching the surface of radio-physics. This is why I have espoused a "conventional" hypothesis of MY propagation. . . can it be wrong? Interestingly, the "conventional" approach has only been put forward in a few articles in the DX bulletins, including my own. 73.

(A mini Editorial. . . Propagation theories and radio-physics should be espoused, but numerous IRCA members, I for one, do not belong to NRC. To be really fair, articles regarding propagation should be sent simultaneously to both clubs so that IRCA members can read all the theories-RtH.)

GARY LARSON, 2806 LINCOLN, BURBANK, CA 91504 (818) 841-3888 pd

Got a letter from a former member in Connecticut stating he dropped out of IRCA in favor of NRC mostly because it's the same members who send in forums. He also mentioned that there's not enough solicitation for same. This can be corrected easily; just write a short forum and support your columns. It can't take that much time to do so and support your various editors.

Called local KROQ-FM inquiring about the status of their former AM 1500. Was informed the owners of KWOD FM Lodi had applied for the frequency. Wish they'd do an oldies format once they get going.

As to KPCC 1240, yes, the transmitter is still in the basement of Pasadena Presbyterian Church, using a flat-top antenna. Studios are at 3844 E. Foothill, Pasadena. Schedule is Wednesday evenings and all day on Sunday. They along with KGFJ and KIEV have longwire antennas, with KGFJ now in stereo. (However, with KIEV fulltime, they're not using it are they?-RtH.)

I also like to check out stations when traveling. Recent plans to visit a friend (music director at their -Bakersfield- number one FM station was put off due to inclement weather.

Several nights ago decided to go out for a drive, out Foothill Blvd. to San Dimas. Got to Claremont and discovered I was close to KWOW's transmitter site. Called from a nearby pay phone and finally got the DJ on duty. He was unable in the wee hours to show me around but promised a visit and tour during business hours. (I can't believe you tried to visit during a non-business hour; nobody will let you in, including me Sunday night at KRED-RtH.)

While in the area went by the old KKAR transmitter site. Towers are gone and replaced by an industrial complex. Went by the new KTSJ 1220, but no one around. I'm very curious as to the location of KTSJ's towers; if anyone has a lead, please drop me a line or call.

Seems KWNK 670 still has a poor signal in my direction. Wonder if they'll ever get their antenna system worked out.

Hope 1985 brings you the DX you've been looking for. 73.

RICHARD E. WOOD, P.O. BOX 5074, HILO, HI 96720

Hauoli Makahiki Hou! The new year got off with a bang with country #52, Monaco, with tone test 1825 HST, interval signal 1827, EE s/on 1830 and into Albanian, as scheduled for Tuesday, with 100% readability, on 1467 kHz. Relogs include Lushnjs 1458 and the top European here, DW Malta 1557, again 100% readable in AA at 1825 local. Several hets were heard on the higher frequencies, even against 1540 Honolulu, but as usual, nothing from Europe at the lower end of the dial, even though such frequencies as 891, 1008 and 1017 look interesting.

I recently extended my Beverage another 1,000 feet to total of 2,700 feet and terminated it to ground with a 500 ohm resistor. The soil here is lava rock so I don't have a real ground system. (That's what you get from living at the base of an active volcano, hi-RtH.) Anyway, I regained my directionality to Europe and the East Coast and note that WHAM has been in every night since the Beverage was completed. The extra 1,000 feet of copper wire just cost \$10 from Hawaii Junk, so I'll buy more for a second Beverage or perhaps to extend the first, though added length doesn't seem crucial.

Dale Park, who apparently has never heard a European, asks me how I get all these and west Asians, the same areas are always good to me on the lower end of SW. The extended Beverage has helped in weakening locals and I now often get WHAS between KIKI and KHLO. But KHLO is a harmless local and KIPA 620 is

the troublesome one, and splashes their newly assigned frequency of 670. I fear I'll lose that whole segment of the dial once KIPA makes its move.

It's good to see my "First 50 Countries from Hawaii" in DXM #704. As printed, pages two and three of my manuscript were transposed. I guess I should have numbered them on my manuscript. The reason I didn't was that I thought my typescript would be reproduced and didn't want numbers at odds with the magazine pagination to appear.

Gerry Thomas' remarks on AGC problems with the R70 apply to the R71A too.

Bill Harms' reports from Seoul are fascinating and his poor reception from Southeast Asia agrees with my experience here. I hear far more and louder from west Asia (I.e.: Iran, Saudi Arabia, South Yemen, UAE), than from south or southwest Asia. Aloha.

PAT MARTIN, P.O. BOX 843, SEASIDE, OR 97138

Have been doing some domestic DX lately because foreign DX has been poor. Received a phone call from Bruce Bacon in Idaho. Thanks for the call. Heard Kosal 1150 Salina, Kansas a week or so ago; was quite surprised, but KGNW Seattle was off and on testing.

Ric: On Hawaiians, yes several stations are really pests here. KIPA 620 is heard so well here, but KMVI 550 is stronger. I presume one reason you have so much trouble with KGW is they are directional north-south and I'm in their null, so they're not much of a problem here at night. On the other hand, I hear KPUA 970, but not nearly as well as KYTE is directional this way. On most frequencies the Hawaiians do get in, interference or no interference, some are just stronger than the closer QRM. At times I wish they were not that strong. KPUA will probably be better once they move to 670 as KBOI is generally much weaker than KYTE, except off the east Beverage.

Reports out to: KPWW 1260, KBMY 1240, KPRK 1340, XEPRS 1090, XEGH 950, KSKR 1450, KZZR 1280 and Kosal 1150.

QSL's in from: KERR 750, XEMO 860, JOIK 936, KWKH 1130, WHAM 1180, KEZY 1190, KCVL 1240 (ex-1270), KCLK 1430, KFIG 1430, KGAA 1460 and my tenth TIS QSL, Port Townsend, Washington on 1610 kHz with five watts.

Good DX to all. Maybe '85 will be a good one. 73.

BRUCE W. BACON, 5330 N. NORTHWALL, BOISE, ID 83703 (208) 343-4203

Greetings. Hope everyone has a prosperous new year. I was fortunate enough to have Christmas week off, so my parents-in-law came up from California. We bought our new home with an unfinished basement, so they helped up hang sheet rock. My sacrifice was that dad loves his C&W music. Five solid days of C&W blasting away. I almost got to like it. (But not quite). Sorry Rth. (At least your dad-in-law has good taste in music, hi-Rth.) In the meantime, my DX room is nearly completed (yeah!). Just the finish work to do now. Wife says I can do anything with it. So now I'm looking for wallpaper with scantily clad women DX'ing with an R-2000. Hope I'm not too particular. (You can always buy red, crushed velvet wallpaper and cherub lamps; I hear tell early bordello is back in vogue, hi-Rth.)

Santa was very good to me. Got one of the last CR-2021's in the country. The sensitivity problem was handled with a very easy modification. Send \$9.95 for details. (Do we also get instant credit and free 24-hour delivery? Bye kids-hi-Rth.) Just wrap about six turns of any flavor wire around the diminutive ferrite bar and attach to a jack of your choice. Works much better than connecting your loop to the antenna terminals. Through experimentations, I found about a four-LED improvement in MW over attaching the loop to the terminals.

Does anyone have any information on modifying the R-2000 AGC? Would like an AGC defeat circuit with variable Rf gain. Any help would be appreciated. Many thanks to Pat Martin for his info on TIS Truckee. It's turning into a regular here. Not bad for ten watts.

Local KTOX 740 is now 730 with 5,000 watts daytime. They're making noises about going AN. That should prove quite a trick on a Canadian Clear. My unbest wishes to them. They must have the worst engineering department in existence. Sometimes you hear spots playing over each other, other time maybe a minute of dead air. (That's not engineering, my son, it's the DJ, hi-Rth.)

JJ's are making it here with regularity, however, I have yet to hear an Aussie. Seems odd because the Zedders have been heard here. Someday they will make it. Well, that's it from the land of potatoes. Think I'll go crack a can of Spudwiser. As they say ay the local pub, "This Spud's for you." Hi. Best and 73.

RIC HEALD, 1632 J ST., #3, EUREKA, CA 95501

What me, move to an obscure California city? Eureka, or more correctly, Humboldt County is famous thanks to 60 Minutes, 20/20, the ABC, CBS, NBC, CNN news departments, Time, Life, Newsweek, etc., etc. No, not the fishing, the redwoods or the lumber industry, but rather for the number one (by far) industry (albeit illegal, hi). What's the definition of "illegal?" A sick bird. OK, OK, one-two-three. . .groan. Onward.

I've done some dial spinning, but as in previous forum, noise level is

out of hand and I've had to stick to the regional and GY frequencies where all those multiple signals drown out my HNL. Did note Sacramento 1320 off MM 14 January with K-BUG making a really unwanted pest out of themselves, no different, of course, than in the KCPX days. Heard an SSID on 1290 the following evening that went something like, "Country 13, K. . ." of course missed the calls. KHSL Chico is normally a gang buster here, but loop direction said no to that. Ideas? Also noted KFUN 1410 now ID'ing as, The new 14-10, C-FUN. Light rock and less talk." Also noted K-BUG using dual ID as "Salt Lake City/Ogden, Utah."

Speaking of which, we've been having fun at KRED (behind the boss's ears, of course, hi), using Eureka/Arcata. . .the ID is on cart, so we just add Arcata to it

Something truly rare happened here on the North Coast. Y'all ready for this? We are known here for our cool (if it hits 70 it's a heatwave) and foggy summers, cooler and rainy winters. Well folks, it happened. The last two days have seen the North Coast have the warmest temperature readings in the state of California. Shelter Cove (just south of Pt. Mendocino) came up with the warmest reading in the 48 adjacent states, 78° and was 70 here in Eureka, 15° warmer than San Francisco and eight warmer than Los Angeles. Man, we don't even get that in the summer!

Pat, I'm going to send you a cassette soon. My boss used to work at KIPA, and would love to hear them again. You know, scope the music and record the DJ, spots, etc. He's already heard KMVI, KIKI and KORL.

Bruce, many a DJ who has come from a non C&W background, works C&W for the first time, a few months down the line ends up listening to C&W and liking it. It's honest music with a real-to-life story or message. Then again, what's country? What's rock? We've had about 25 artists cross over into pop. I wonder how the Billboard C&W Top 100 can be accurate with so many singers also selling records and albums to the pop fans.

Gotta run. Keep them cards and letters coming. Good WDXF this week, contributions from all over. I like to see that. 73 de Rth. .

Eastern DX Roundup

Karl J. Zuk, 154 Old Post Road North, Croton-on-Hudson, New York 10520

REPORTERS IN THIS ISSUE:

- (KJV-GA) Karl V. Jeter, 2115 Scarbrough Road, Stone Mountain, GA 30088
HQ-150 and Beverages.
- (WJH-MD) William J. "Bill" Harms, 8327 Perri Drive, Savage, MD 20763
FRG-7, RF-3100, 3 foot wedge
- (RCR-PA) Robert C. Ritchey, R.D. #1, Box 738, East Freedom, PA 16637
Realistic DX-160 and 200 foot long wire,

- 530 TIS GA, Stone Mountain. 12-31 1900 First noticed this giving information about attractions inside park as well as historical info. Park is 6-7 miles from here. No other info known at this time. (KJV-GA) apx.
- 570 KRQX TX, Dallas. 12-31 0230 with rock, oldies, slogan "K-Rocks," and request line at 214-263-5757. First time heard here with new call. (KJV-GA)
- 640 KFI CA, Los Angeles. 12-24 0222 Very good through Cuba and an open carrier. PST time check and request line numbers. Song "Happy Together" by The Turtles. (WJH-MD)
- 740 WMBL NC, Morehead City. 12-29 1700 Sign off by man, no SSB, good. (RCR-PA)
- 770 KOB NM, Albuquerque 12-27 0720 with "Sunrise 77" show, adult contemporary music, farm news, weather at 0721, coming in well, no sign of WABC, New York, NY. (KJV-GA)
- 1020 WJEP GA, Ochlocknee 1-1 1740 "Voice of Love", Contemporary Christian Music, promo for Myron LeFevre concert, sign off 1744-1800. (KJV-GA)
- 1040 KPBC TX, Dallas 1-1 1715 Coming in amazingly well for so early in the evening, with countdown of top Christian tunes of 1984. (KJV-GA)
- 1050 WWIC AL, Scottsboro. 12-31 1751 Fair with C&W music and ad for Scottsboro upholstery shop. (KJV-GA)
- 1050 WBUT PA, Butler. 12-27 1457 with weather, PSA, ID "WBUT," fair, lost to WHN, New York, NY. (RCR-PA)
- 1100 KDRY TX, Alamo Heights 12-29 1828 with "Christian Destiny" show, ID and power change at 1830. Dropped out of sight after that. (KJV-GA)
- 1100 KKLL MO, Webb City. 1-1 1825-1830 Excellent signal with religious format. Sign off mentioned "King of Kings Broadcasting." (KJV-GA)
- 1140 KATT OK, Oklahoma City. 12-29 1811 with AOR format, sign off at 1811 mentioned KATF-FM 100.5 "Rock 100" (KJV-GA)
- 1140 KBSM MO, Blue Springs. 12-29 1800 Sign off mentioned "1140-AM." (KJV-GA)
- 1140 WASG AL, Atmore. 12-30 0107-0201 Engineering test with gospel music, announcing test was for Motorola C-QUAM AM Stereo system. WRVA, Richmond, VA silent period. (KJV-GA)
- 1140 KMUV TX, Conroe. 1-1 1841 "The All-New AM-1140" with rock and oldies. At 1841 they mentioned they would be on the air until 6:15 (CLT) first time heard with new calls. ex-WSKS. (KJV-GA)

- 1160 KSL UT, Salt Lake City. 12-30 (no time) Way over usually dominant WJJD, Chicago, IL, with BYU basketball from the Cotton States Classic--kinda weird to be listening to a station in Utah airing a game being played about fifteen miles away from me, hi!! (KVJ-GA)
- 1180 WLDS IL, Jacksonville. 1-1 1646 All alone with rock, ads, and mention of AP news upcoming at the top of the hour. (KVJ-GA)
- 1240 WEKR TN, Fayetteville. 1-1 1930 In nicely with C&W music and slogan "All American Country, where there's always a better song..."(KVJ-GA)
- 1300 WSYD NC, Mt. Airy. 12-29 2256 Oldies rock music, ID as "Radio 13 WSYD". Good, mostly on top of frequency. (RCR-PA)
- 1330 WLAT SC, Conway. 12-30 1730 C&W music and ID "1330 WLAT Conway", then news, good. (RCR-PA)
- t1470 WPNC NC, Plymouth 12-29 1721 with local ads, mention of Plymouth, musical ID "FM 96 WKLX," C&W music, very good to excellent, no AM call heard. (RCR-PA)
- 1560 WYZD NC, Dobson. 12-28 1800 Sign off by man, no SSB, good to very good over WQXR, New York, NY. (RCR-PA)
- 1570 WNCA NC, Siler City. 12-29 1750 Rock music, female DJ, ID as "1570 WNCA," Fair to good over several UNID stations. (RCR-PA)
- 1590 WJSO TN, Jonesboro-Johnson City 12-31 0215 Blasting in during CPC (Courtesy Programs Committee) test, with wierd siren-like tones, ID and music by "Yes." (KVJ-GA)
- 1610 TIS NC, Raliegh-Durham Airport. 12-24 0230-0430 Poor to nil, faded up to fair for a total of about 2 minutes during this two hours of listening Piced together a loop message that began "Welcome to Raliegh-Durham Airport" and ending by saying "hope you enjoy your flight and have a pleasant trip to your destination." Also gave parking instructions and the usual info. Male announcer and QRM from at least two other TISs, RAB on 1613 and other utility stations. (WJH-MD)
- 1610 TIS UNID. 12-24 0230-0430 Female announcer on loop tape mentioning the words "areas" and "park". Nil to Very Poor through Raliegh-Durham airport TIS QRM, other TIS stations and utility stations. (WJH-MD)
- 1610 UNID ???? 12-24 0230-0430 Station with Male announcer and possible call including "HAR". Mention of road construction, very poor at best. QRM from other TIS stations and utility stations. (WJH-MD)

A short column this week. Thanks to Bill, Bob and Karl for a very interesting set of loggings. I have been busy preparing for ABCs coverage of The Superbowl and have only DXed once or twice in two weeks. I'm hearing a lot of long haul stuff from Latin America and even a TA or two. Stations like WCCO and WBAP have been coming in strong enough for crystal radio reception lately. Please send in your reports! This column is nothing without you! Where is Smitty?? 3kz



When it's cold and wet,
 and your feet are soggy,
 stay at home, DX, and
 send in your loggings!!

The time is always eastern local in...

Eastern DX Roundup

- Karl J. Zuk, 154 Old Post Road North, Croton-on-Hudson, New York 10520

 REPORTERS IN THIS ISSUE:
- (KAZ-ME) Neil Kazaross, Box 1908, Ogunquit, ME 03907
 R70, phasing unit, Beverages: 1350 ft.@150°, 1400 ft.@60°, 1800ft @325°, in the guise of Johnny Canuck.
- (RSR-ON) Robert S. Ross, VE3JFC, Box 4373, Station C, London, ON N5W 5J2
 Panasonic RF1115 and Realistic TRF with built-in antennas.
- (FV-MI) Fred Vobbe, 39220 Cheshire, Westland, MI 48185-3709
 Dymek AM-5 with Dymek DA-5 loop.(* modified Ford car radio on the road

 550 KFYR ND, Bismark. 12-2 0900 with ID, local forecast and music. (FV-MI*)
 580 WCHS WV, Charlestown. 12-18 1720 Very good with sports, IDs and ads.(RSR-OI)
 600 CBNA NE, St. Anthony. 12-10 1930 Very good, well atop channel, parallel to 540,640,740,750, and 990 with female commentary about Manitoba.
 +12-20 2120 Very good, parallel net. Usually this is only weakly heard in mess with several others. (both KAZ-ME)
- 610 CKYQ NF, Grand Bank. (no date) 2158-2203 over and under WGIR, Manchester, NH, with two pop songs, parallel 680. (KAZ-ME)
 +12-20 2115-9 Excellent with little QRM with top 40 music and "Q-93" ID. (KAZ-ME)
- 610 CKTB ON, St. Catherines. 12-13 1714 Fair with sports, ID, under WTVN, Columbus, OH. Not heard for awhile. (RSR-ON)
- 610 WTVN OH, Columbus. 12-8 1515 Sports scores, promo for school closings, and jingle. (FV-MI)

610 WIP PA, Philadelphia. 12-8 2232 Pepsi post game show, request number, and music, over WTVN, Columbus, OH. (FV-MI)

t670 CHYQ NE, Musgravetown. 12-10 1932 in briefly with song "Had A Dream." Poor to fair, parallel with 680, CIYQ, Grand Falls, NF, under WMAQ, Chicago, IL and L.A. QRM. (KAZ-ME)

680 CIYQ NE, Grand Falls. 12-10 1935 Fair with semi-local WRKO, Boston, MA, weakened by phasing unit. Local ads and "Q-93" ID. Later, around 2200, was in, peaking almost equal to WRKO without phasing. (KAZ-ME)

680 WCAW WV, Charleston. 12-18 1632 Good with C&W music, traffic watch and ID. (RSR-ON)

690 WVOK AL, Birmingham. 12-8 1710 Very good with C&W music, ID and OM DJ. (RSR-ON)

710 CKVM PQ, Villa-Marie. 12-13 2031 Fair with OM speaking FF, ID. Under WOR, New York, NY. (RSR-ON)

710 CKVO NE, Clareville. Regarding Gardner Smith's tentative CKVO logging on Monday Morning, 12-3 with classical music, CKVO is a VOCM, 590, St.John's NF relay. VOCM is pop and top 40, and I've never noticed classical music from them. They are heard quite a lot here under WEEI, Boston, MA. Gardner may have had CKVM, Ville-Marie, PQ, which I think I've noted before around that time with classical music. (KAZ-ME)

730 CKGA NE, Gander. 12-10 1920-1925. Fair with CKAC, Montreal, PQ, reduced by phasing unit. Top 40 music, 2 VOCM IDs (in parallel with VOCM, 590, St.John's, NF.) (KAZ-ME)

770 WJMW AL, Athens. 12-21 1651 Good with C&W music, ID as "Stereo 77 WJMW", Ads and weather. 1 kW days, new. (RSR-ON)

770 WAIS OH, Buchtel. 12-18 1640 Good with Paul Harvey program, ads for Nelsonville stores, ID and obituaries. WABC not heard. New. (RSR-ON)

790 WMC TN, Memphis. 12-08 1718 Very good with sports scoreboard, ID and Ads. (RSR-ON)

790 WAKY KY, Louisville. 12-18 1651 Good with WAKY and 7-UP promo, ads, ID and C&W music. New. (RSR-ON)

790 KFGO ND, Fargo. 12-2 1100 ID, News, numerous spots and C&W music. (FV-MI*)

790 WEAQ WI, Eau Claire 12-3 0900 ID, Local news with NBC sounder. Spot for Chippewa Falls Restaurant. (FV-MI*)

800 WKEE WV, Huntington. 12-18 1654 Good, with ID on the hour into weather. Over CKLW, Windsor, ON. (RSR-ON)(Soupy Sales' hometown-kz)

810 WMTS TN, Murfreesboro. 12-21 1700 Very good with ID on hour into local news. 5kw days. (RSR-ON)

810 WEKG KY, Jackson. 12-18 1700 Fair with ID on hour as FM and 81 WEKG, Jackson, KY. New, 1 kW days. (RSR-ON)

830 KBOA MO, Kennett. 12-08 1722 Very good with sports, ID, weather and Ads. 1 kW days. (RSR-ON) (nice-kz)

910 KLCN AR, Blytheville. 12-18 1730 Good with news, ID and ads. (RSR-ON)

920 WKVA PA, Lewistown. 12-08 1827 Fair with ID and promo in slop. DA-N-500. (RSR-ON)

t930 CJYQ NE, St.John's. 12-10 2205-9 possibly occasionally through CFBC, St.John, NB, with local WWHN, Rochester, NH, phased almost completely out, with two songs, top 40 and parallel with 680. (KAZ-ME)

930 CKNS ON, Espanola. 12-8 2235 with music, local spots. IDed many times, but very rough under WEOL, Elyria, OH, 80% of the time! (FV-MI)

940 WCPC MS, Houston. 12-8 1728 Very good with religious program. ID on the half hour. (RSR-ON)

950 WWJ MI, Detroit. 11-29 1900 ID, News with news anchor Byron McGregor. (He's afternoon anchor 3p-7p EST,) MeP traffic, CBS feature. Heard just north of Tomah, WI while driving on I-94! (FV-MI)

963 UNID 11-29 2300 UNID with rock music format. Unable to hear EE voice well enough to get ID or spots. Had songs like "Thriller", etc. Very weak and much interference from other stations on 960, etc. Heard in Monticello, MN. Europe? (FV-MI*) (The only possible on 963 with rock would be an amazing reception for you: Radio Caroline off the British coast. I think Kaz caught this one, but highly unlikely on a car radio in MN..but one never knows! Also Russia and 3YC Christchurch, NZ on this frequency-kz)

1010 CFYQ NE, Gander. 12-12 2303-2310 Poor but clear under WINS, New York, NY, & CFRB, Toronto, ON mix, with several pop top 40 songs, parallel to 680 CIYQ, Grand Falls, NF. "Q-93" ID at 2307. (KAZ-ME)

1090 KAAV AR, Little Rock. 12-18 1740 Very good with oldies, "1090 KAAV" ID and weather. (RSR-ON)

1110 WBT NC, Charlotte. 12-10 2113 with talkshow by "Henry" and IDs. Host had "Goose" for first time callers. CYA. Signal very good. Verified in one week by card stating "operating under special temporary authority, 50 kW, non-directional nights during directional antenna renovation." No wonder so strong! (FV-MI) (a regular here-kz)

1130 WISN WI, Milwaukee. 12-21 1706 Good with Christmas music, ID as "Radio 11-WISN." Ads. Over WCXI, Detroit, MI. new. (RSR-ON)

- 1140 WSAO MS, Senatobia. 12-18 1743 Good with music until 1845, then sign off with ID, station data, DJ name was Glen. On top of WRVA, Richmond, VA. New. (RSR-ON)
- 1160 WAMB TN, Donelson. 12-2 0832 Was very good and clear with a little QRM, with gospel music, IDs and numerous mentions of goings on in area churches. Stayed in until 0952 on late SRS. (KAZ-ME)
- 1480 CKAN ON, New Market. 12-08 1846 Fair with music and IDs. Under several other stations. (RSR-ON)
- 1590 WDBL TN, Springfield. 12-09 0700 Fair with sign on, ID and power mention, into news. 1 kW days. New. (RSR-ON)

 Welcome to Frank Vobbe, DXing all over the midwest. I always enjoyed the AM-5 for high fidelity, but never tried it for DX. Sounds like you are doing nicely with it, Frank. How did you modify your Ford car radio? Also thanks to KAZ for another nice report of the goings on in Atlantic Canada. Robert Ross, thanks for your monthly report and making this issue a really long column! The New York Times reported recently that The Voice of America has struck a deal with several foreign countries to construct new SW and BCB transmitters. Costa Rica and Belize have both agreed to the construction of BCB VOA transmitters, and negotiations are under way to build four more BCB transmitters in Central America and four or five in the Caribbean. The VOA did not disclose which countries they are negotiating with. The goal is to blanket these areas with VOA programming that people can pick up with ordinary AM radios. CU in 7.73s kz

CENTRAL DX ROUNDUP

Robert Kramer
 6416 N. Richmond
 Chicago, IL 60645

- SPECIAL, UNDEED, CHANGES, et. al.
- 1140 WKZF AL HAZEL GREEN, is the old WIXC Fayetteville, TN. They were hunted change of city of license & calls. Believe they are going after Huntsville market. JC-IL
- All da Rest
- 720 KDWN NV LAS VEGAS, 1/3 1940 poor u/WGN w/tlk show & lcl spots before disappearing at 1945 pattern change. REM-IL
- 870 KAAH MO BETHANY, 1/4 1830 very weak u/WVL w/AM-FM ID, fade. REM-IL
- 1500 WGTG AL ALABASTER, 1/2 1900 poor o/QRM w/s/off. REM-IL
- FREQUENCY CHECK
- 1260 KSNO CO ASPEN, 1/10 0202 poor on unsked f/c. Verified by phone call. Thanks to Joe Fela for sending the info on this unsked f/c. RK-IL

WHERE IS EVERYBODY ?
 JC... John Clemmer 4524 7th St. East Moline, IL 61244
 RK... -- --
 (R-1000, HQ-129X, Radio West Loop, Kowalski Loop)
 REM... Robert McKinney RR# 2 Box 120 Clinton, IL 61727
 (R-300, SM-1)

As It Happens

"As It Happens," a CBC Radio highlight since 1968, is now heard on thirty-one public radio stations in the U.S., including ones in Los Angeles, San Francisco, Washington, D.C., and New York.

The hosts, Elizabeth Gray and Alan Matland, offer daily telephone interviews with newsmakers and commentators in Canada and around the world.

Among its triumphs have been conversations with Lech Walesa, Polish Solid-

arity leader, at home, and an eyewitness describing the assassination of Anwar Sadat.

Adrian Waller called it "powerful" and "timely" in the *Reader's Digest*, and when WNYC in New York City announced that it intended to drop the program, a wave of listener protests persuaded it to change its mind.

Another popular CBC radio magazine program, "Sunday Morning," is carried by thirty-four U.S. public stations.

Canada Today
 Vol 15, No 5 -- 1984
 via Steve Mittman

"As It Happens" may be heard on the following public radio stations in the U.S.:

State	City	Station	Frequency	Public Station	Frequency
California	Los Angeles	KUSC	FM 91.5	New York	Albany
	San Francisco	KALW	FM 91.7		Buffalo
	San Mateo	KCSM	FM 91.1		New York
DC	Washington	WAMU	FM 88.5		Oswego
Idaho	Rexburg	KRIC	FM 100.5	Ohio	Rochester
Illinois	Urbana	WILL	AM 580		Athens
	Macomb	WIUM	FM 91.3	Oregon	Portland
Indiana	Indianapolis	WIAN	FM 90.1	Pennsylvania	Eric
Iowa	Ames	WOI	FM 90.1		WOLN
	Iowa City	WSUI	AM 640	South Dakota	Aberdeen
Kentucky	Lexington	WBKY	FM 91.3		Brookings
	Louisville	WFPL	FM 89.3		KESD
Minnesota	St. Paul/Mpls.	KJSN	AM 1330		Pierre-Reliance
Nebraska	Omaha	KIOS	FM 91.5	Washington	Rapid City
					KBHE
					Vermillion
					KUSD
					FM 89.9
					AM 690
					FM 94.9
					FM 1250
					FM 88.5
					FM 88.9

WESTERN DX ROUNDUP

Nancy Hardy
2301 Pacific Avenue
Aberdeen, WA 98520

All times are
Eastern Local

Phone for hot WDXR tips: (206)532-6827 till 10pm(PT)

DEADLINES: Tuesdays through April 2

REPORTERS FOR THIS ISSUE:

- (AD) Alan Davidson-8121 E. Balfour Dr.-Tucson, AZ 85710
Ross-Supreme portable
- (WCE) W. George Elliott-544 Christleton Ave.-Kelowna, BC V1Y 5J2
DX-160, FRC-7000, longwire
- (EH) Bill Hardy-2301 Pacific Ave.-Aberdeen, WA 98520
(BH-WA1) DX'ing at Grayland Beach State Park, Grayland, WA
FRC-7, SW-1
- (NH) Nancy Hardy-2301 Pacific Ave.-Aberdeen, WA 98520
(NH-WA1) DX'ing at Grayland Beach State Park, Grayland, WA
FRC-7, SW-1
- (GL) Gary Larson-2806 Lincoln-Burbank, CA 91504
DX'ing at work in Sylmar, CA w/GE Superadio
- (PM) Patrick Martin-P.O. Box 843-Seaside, OR 97138
SP-600, two 1500' east Beverages, 200' NE longwire, ground
system
- (BN) Bill Nittler-Box 724-Meeker, CO 81641
- (RT) Rich Toebe-2388 American Ave.-Hayward, CA 94545
GE Superadio
- (RW) Robert Wien-1309 Dentwood Dr.-San Jose, CA 95118
GE Superadio, GE long-range portable, SW-2
- (JW) John Wilkins-4385 Hoyt St. #205-Wheat Ridge, CO 80033
R-1000, 4' box loop

***** OF SPECIAL INTEREST:

- 890 KQLX ND, Lisbon 1/6 sports nx 0930 then into C&W mx, in clear, no
KDXU yet. ID as "Q Country 89." (EN-CO)
- 1500 KAER NE, Alamo Community 12/13 1815-1900 o/off. Country mx mostly,
but some rock records thrown in. All anncts in Navajo. o/off
in English by woman giving all particulars. Said stn is owned
by the Alamo Navajo School Board. (EM-CO)
- *****
- 540 ?KNOE? LA, Monroe 1/3 hrd fairly well w/C&W mx, ID into net nx at
0400. Have hrd several times lately, but haven't caught ID,
plus other rr mx QRM. I believe this might be the unID NE-CO
hrd. (PW-OR)
- KNAK UT, Delta 1/7 1045 fair in KVIF null w/local spot, C&W. Still
in this late! (RW-CA)
- 590 KUCN OR, Eugene-Springfield 1/1 1614 poor in KTHO null w/Piesta
Bowl, ID. (RW-CA)
- KHQ WA, Spokane 1/6 check mid-day at 1507 still HQ. (PW-OR)
- KHQ/KLCN +1/7 0300, 0400. Noted at 0300 w/ID "...and for the last
time, this is HQ, Spokane," into NEC nx, back into Talknet.
ID on hour at 0400 as "This is KLCN, Spokane." Call change,
ex-KHQ, there goes another 3-letter call! (RW-CA)
- 600 KLZZ CA, San Diego 1/5 0300 Larry King Show, then complete ID,
into hourly nx. Call change, ex-KOZO. Moderate KPRC-610
splash. (RT-CA)
- 650 CISL BC, Richmond 1/1 1610 good, alone w/ID. (PW-CA)
- 660 KCRO NE, Omaha 1/5 "Voice of Inspiration" ID 1800 and into gospel
mx program. (BN-CO)
- 670 KEOI ID, Boise 1/12 1930 DJ w/"It's time for KEOI to change
patterns. We'll be right back." Very slight change in signal
strength here. Still much too strong to let KJNK through. (NH-WA)
- (KEOI)+1/7 0243 totally off. (RW-CA)
- 690 KZKZ AZ, Flagstaff 12/26 2008 xint w/Suns EKE, o/strong CY-like
jumble. XETRA apparently off. (AD-AZ)
- CBU BC, Vancouver 1/1 1618 poor in KNER-680 null w/class. mx. (RW)
- (XETRA) BC, Tijuana 12/26 2006-? silent all evening. KZKZ & unID SS
on top of jumble. (AD-AZ)
- 700 KCRV OR, Winston 1/1 1612 strong in KFAW null w/relig. KFAW in well
all day every day for last month! (RW-CA)
- 730 ?CKLG? BC, Vancouver 1/1 1628 susp. w/rr thru CBS-740 slop. (RW-CA)

- 750 KXL OR, Portland 1/1 1620 xlint in KCBS-740 null w/Fiesta Bowl, ID. (RW-CA)
- 770 (KOE) NM, Albuquerque 1/7 0422 totally off. (RW-CA)
 WABC NY, New York 1/7 0420 o/u KOB w/talk show, also weak KXA in background. Very good EC cx, WBBM on top of KROW! (PM-OR)
- 780 KROW NV, Reno 12/31 0346 poor to fair w/C&W mx, no longer satellite-fed adult contemporary. (AD-AZ)
- 790 (KCEE) AZ, Tucson 12/31 0344 totally off on MM. KAEC in fair. (AD-AZ)
 KGHM MT, Billings 1/9 2055 ad for IGA, Anne Murray hit, 2100 CBS nx, then more C&W. Fair o/u QRM. (NW-CO)
- 820 KCBF AK, Fairbanks 1/14 0106-0141 good to nil at times. WBAP partly nulled, KGO-810 hash. 0106 "CBS" mentioned u/WBAP. Oldies mx in & out next 35 minutes. 0119 possible ID & "9:19" time check, temperature 15°. 0129 possible Super Bowl promo ending w/ "Radio 820, KCBF." Very good 0138 w/local ads including Fairbanks Video. 0139 nice KCBF jingle & more oldies. New. (BH&NH-WA1)
- 830 KABN AK, Long Island-Big Lake 1/14 0100 legal ID by YL and into more progressive rock-type mx, even louder than last weekend. (BH&NH-WA1)
- 870 KORD WA, Pasco 1/1 1621 fair w/C&W thru KTRB-860 slop. (RW-CA)
 880 KIXI WA, Mercer Island-Seattle 1/1 1622 susp. w/EZL way u/KKMC, rr also in there poss. KWIP? (RW-CA)
- 888approx. XEWO PN, Tijuana noted w/spur emanating on about this freq. stronger than XEWO-860 at the time. Have never noticed this before! (RW-CA)
- 890 *KBYE* OK, Oklahoma City 12/17 testing all AM w/rock mx and asking for phone calls at (405)478-2100. Mentioned call from Toledo. (BN-CO)
- 900 *KJSK* NE, Columbus 12/17 almost forgot to try for test. Tuned in at 0228 for ID, then TT until 0230 and nothing more, o/XEW. (BN-CO)
- 940 (KPRE) CA, Fresno 1/1 0206 totally off for unknown reason. Back on RS before midnight. Maybe they were just out partying, hi. Last tip of 1984! (RW-CA)
- 950 KMER WY, Kemmerer 1/11 1209+ local ads, mx, many "K-95" ments. Fair to good w/KJR nulled. Suddenly dropped out 1916--power change? (NH-WA)
- 970 KVVW AZ, Show Low 1/6 1328 in fair w/EZL, PSA, then off (for power change?). (GL-CA)
- 980 KEAP CA, Fresno 1/10 2002 full-detail s/off very weak w/KINS, CKNW nulled. New, have been after this one for a few years. (NH-WA)
 KFWB CA, Los Angeles 1/7 0300-0700 annual Pop test. Already ann'd it Fri. night while listening to KFWB. Periods of TT & OC. IDs on hour & half hour. Other times totally off. (RW-CA)
 KMBZ MO, Kansas City 1/7 0330, 0400, 0500. Poor w/Talknet until 0500 well u/KUPI/CKNW, no sign of CKRM. NEC nx at 0400, Ai nx at 0500, poss. jingle ID at 0330 during break in Talknet. Details confirmed via phone today. One of my most-wanted 980 stations! New. (RW-CA)
- 1000 (KOMO) WA, Seattle 1/14 0330 noted completely off, first MM I've noted them off since they went NSP last Sept. unless it was a week I didn't check. Still off 0700, OC on at 0730. (EH-WA1)
- 1010 KCMJ CA, Palm Springs per follow-up call to KCMJ, they're not on 1140 yet as of 1/2. Due to the bad wx in S. Calif. recently, has delayed work on their xmtr, but they'll be on 1140 "very soon." (RW-CA)
- 1030 *KHXY* CA, Folsom 1/3 0430-0500+ noted on ET w/C&W o/u KTWO, occ. u/KTWO. ID at 0441 "This is KHXY, Folsom, CA conducting equipment tests as authorized by the FCC. This is KHXY, Folsom, CA," another ID at 0445 ment. audio tests. Judging by their signal, they shouldn't be too much problem when they come on the air 1/24 (per recent phone call). New, don't have to log them on RS now! 1st newie of 1985! (RW-CA)
 KCTA TX, Corpus Christi 1/9 1755 "Daily Christian Motivation" w/Zig Ziegler. Fair in QRM. (NW-CO)
- 1040 *WHO* IA, Des Moines 1/7 0247 noted w/TT. (RW-CA)
 1080 KSCO CA, Santa Cruz 1/6 1333 EZL mx in poor. (GL-CA)
 KWJJ OR, Portland 1/1 1624 way u/KSCO w/C&W mx. (RW-CA)
- 1090 XEPRS PN, Rosarita Beach 1/7 0409 noted w/something interesting. Woman called in from Houston, TX requesting song, said she picks them up loud & clear, even though they null that way! Where's KAAY? (RW-CA)

1120 KPNW OR, Eugene-Springfield 1/1 1626 slopping KRAK-1140 w/rr mx. (RW)

1130 CKWX BC, Vancouver 1/1 1627 good w/C&W mx in KRDU null. (RW-CA)

1150 KIIS CA, Los Angeles 1/5 0302 pop mx, "This is the all-new KIIS, Los Angeles, it's 2 after 11" ID. Apparently they're not using any KIIS calls (and is logical, since IIS looks like "115"). Call change, ex-KPRZ. Faded away to SS pgm (prob. YERM), 1150 is like a GY channel here. (RT-CA)

KSAL KS, Salina 1/6 0445 fair to good w/rr hits, wx forecast 32° in Salina. KGNW off and on testing w/tone, also unID stn w/rr mx mixing. Sounded like K???. KSAL new here. (FM-OR)

1170 KLOK CA, San Jose 1/6 1335 rock mx, fading bad w/KCBQ. (GL-CA)

1180 ?KDAN? AZ, Williams 12/26 2015-2030 fair to poor w/mix of C&W and oldie-pop mx, DJ talk 2017, ID 2028 sounded like "KJAA," ment. of Governor of AZ. Assumed KDAN, still needed here. (AD)

KERI CA, Wasco-Bakersfield 12/26 2030 fair, appeared suddenly out of nowhere w/ID, into relig. rr mx. (AD-AZ)

1310 KNOX ND, Grand Forks 1/7 0644 briefly hrd in GY-like zoo w/contest promo "...on K-N-O-X Radio." New, #676. (ØW-CO)

WIBA WI, Madison 1/7 0627 farm pgm just ending w/annr saying: "That's the farm news this morning on W-i-B-A, Someplace Special," pop song, then more nx, wx, sports. Lost for good at 0635. Fair at best, mixing w/KZZP. New, WI #4. (ØW-CO)

1340 KWVR OR, Enterprise 1/8 hrd w/"KWVR Enterprise" ID into nx at 0159:55. (PM-OR)

1360 KLFF AZ, Glendale 12/26 1715 bombing in w/MYL--strongest ever hrd here. Usually very weak. (AD-AZ)

1370 KTMG CO, Deer Trail 12/26 1710 good w/C&W mx, ID by DJ 1711 garbled but could make out "Deer Trail," into contest annct, gave phone number 769-4401, another garbled ID 1712 sounded like "KPNU." Lost abruptly at 1715 but could still hear weakly, perhaps on PSSA. New, #204. (AD-AZ)

1400 ?KADR? IA, Elkader 1/7 0205 hrd for a few seconds in mush w/wx "200 at K-A-Z-R." Most likely candidate, phonetically, is KADR. (ØW)

KAYS KS, Hays 1/7 0215 play-by-play of Fort Hays State DPK game. Presume delayed broadcast, unless game was at 1am, hi. (ØW-CO)

1440 CJOI AB, Metaskiwin 1/6 1218-1234 fair w/America's Promise relig. program. ID by male at end as "14-40," "J-O-T takes you live to the Sunday morning service at the Metaskiwin Church." Into local church service. This one got me by surprise! New. (WGE)

1450 KMKR CO, Meeker now "Colorado Northwest Country" C&W but still using 0600-2200 broadcast hours. Leaves carrier on AM most of time... Manager can't tell me why, just orders from CE who is w/KLGN-980. (BN-CO)

KCDR IA, Cedar Rapids 1/7 0132 hrd quick ID wafting thru QRM "... on Cedar Rapids' Radio Station, 1450, K-C-D-R." Third Iowa GY'er hrd in the last week. New, Iowa #17. (ØW-CO)

KSKR MT, Whitefish 1/7 hrd w/reg. f/c 0315-0331 w/test tones and IDs. New under this call. (PM-OR)

KDXU UT, St. George per call to stn, it'll be "quite awhile" before they move to 890 kHz, despite report in recent Broadcasting info column that said they're moving on 1/1/85! (RW-CA)

1460 *KDON* CA, Salinas 1/2 0453 w/OC sounding like a jet taking off! (RW)

1470 KUTY CA, Palmdale 1/6 1340 in fair w/spot for Lancaster bus. OC u/, probably Tijuana. Also hrd SS in background. (GL-CA)

1490 KBAS AZ, Bullhead City 1/7 0434 good w/KDB w/contest promo in KRTT-1500 null. (RW-CA)

1520 KTRO CA, Port Hueneme-Oxnard-Santa Barbara 1/6 1343 SS, strong. (GL)

1530 (KUUY) WY, Cheyenne gone altogether as of 1/4, all KCMN daytime here, and on 1/7 KGMK on top here in daytime. Where have they gone? Still not on 870 as KORD hrd there as late as 10am 1/7. (BN-CO)

1550 KNTR WA, Ferndale 1/6 1153-1202 ex-KOQT fair w/KXXR w/Revival Time relig. program. ID at end as "15-50, K-M-T-R, Ferndale..." Into CNN nx. Was trying to get this when KXXR surprised me. Finally got this new call. (WGE-EC)

KXXR WA, Opportunity 1/6 1140-1144 ex-1440 poor w/KNTR w/MYL. ID by male as "K-X-X-R." Into what sounded like local spots. Was trying for KNTR when I got this one. Never hrd on old freq. New. (WGE-EC)

1560 KPME CA, Bakersfield 1/6 1345 relig. program. Strong. Ment. Lutheran Hour. (GL-CA)

KLLV CO, Breen v/1 says site was selected as "center of the 4 Corners" area but has Durango mailing address (1717 E. 2nd Ave, Durango). (BN-CO)

- 1580 KNIX AZ, Tempe 1/6 w/US&W tunes at 1815. Good ID 1830. Haven't hrd for quite awhile. Was looking for KPIK. (PK-OR)
 1600 KWOW CA, Pomona 1/6 1347 poor w/oldies (Beatles), o/another stn. (GL-CA)
 1610 TIS WA, Chief Joseph Dam 1/8 2213 loop tape "...Located 525 miles upstream from the mouth of the Columbia River, Chief Joseph Dam is a key element in the Columbia River hydro-power system..." Fair to good. (EM&NH-WA)

January f/c's heard:

- 1st MW: 0300-0315 KQIK-1230 OR (RW-CA)
 0245-0250 KCHL--790 MT (RW-CA)

UNIDS:

- 1180 12/26 TT 2014-2031+ looping NW, o/everything on channel. Possibly some new stn testing? (AD-AZ)
 1340 1/2 0328 noted w/Larry King, dominant, apparently a new affiliate, as not noted before. (RW-CA)
 1440 1/6 1339 class.-choir mx, fading, poss. w/KRRC. (GL-CA)
 1550 1/6 1344 SS w/class. mx, then s/off in SS. (GL-CA)

There are no new reporters to welcome this week, so I'll just thank all the "old regulars" who send in tips this time.

DX WORLDWIDE EAST

EDITOR: Jim Hall, 240 Byron Rd., Pgh., PA 15237

DX here has been superb, but mostly for domestics. It does look, however like things are going to continue to be good for TA and LA reception, but only time will tell. Miel Wolfish, thanks for the confirmations on CKNS and CKAN. Also Miel, in re your 1580 unID (LV de las Estrelas) of the 12/22 issue of DXM, turns out you did have E. Principe after all - "LV de las Estrelas" is just the name of the show they carry, per 3/2/84 DXNW-II. In any event Miel, they are certainly a good catch up your way. Also, I seem to recall a 'B. Exito' being heard at the top end of the FM band. If it was on 1560, it is ex-Radiodif. Andina in Merida, Venezuela. Have a great LA report from Richard Eckman who hails from Foulder, CO but DXing from Philadelphia, PA. That's a heck of a DXpedition, Rich! Times expressed in GMT/UTC.

TRANS-ATLANTIC DX

- 684 SPAIN, Sevilla-0151 12/27: Xlnt w/SS pgm throughout evening. 855 & 774 Also showed signs of Spanish signals. (Eckman-PA)
 765 SPAIN, Dakar-2337 12/27: Strong w/native-type mx but severe slop from WABC. (Eckman-PA)
 774 SPAIN-2140 1/8: Woman in SS - loud o/other stns. (Connelly-MA)
 783 PORTUGAL-2146 1/8: Disco music. (Connelly-MA)
 819 MOROCCO, Rabat-2151 1/8: AA chanting by woman. (Connelly-MA)
 1116 UNID-0413-0416 1/5: Good sig w/what appeared to be AA mx o/fast SAH. Gone by 0430. (Eckman-PA) (Morocco likely-JH)
 1215 ENGLAND-0521 1/6: BBC synchros. fair w/EE tlk o/ a raspy low het from something a bit off channel. (Connelly-MA)
 1268 WEST GERMANY, Neumunster-(DLP)-0430-0530 1/5: Strong w/GG talk, was // 1539 at 0525 w/instru. version of "The Boxer". (Eckman-PA)
 1287 t CZECHOSLOVAKIA, Prague-1/5 0404: Carrier, good, w/occ audio in unID language. (Eckman-PA)
 1386 UNID-0421 1/5: Another intriguing unID channel w/good signal and complex SAH situation. Some garbled tlk at 0424. (Eckman-PA)
 1395 ALBANIA, Lushnje-0501-0526 1/5: Truly xlnt sig w/m in GG. 0526 Internationale. Also hrd at 2219 1/5 w/strong sig w/EE pgm // 7065. (Eckman-PA)
 +2101 1/1: Fair w/female in FF // 7075. Also IS noted at 2259 12/28 followed by SS pgm. (Eckman-PA)
 +0511 1/6: Fair to good w/propaganda in EE. (Connelly-MA)

- 1413: t YUGOSLAVIA, Fristina-0403-0500 1/5: Powerful stn here w/mx, man in unfamiliar language, also troubled by SAH. (Eckman-PA)
SPAIN/YUGOSLAVIA-0431-0610 1/6: Fristina seemed to be the one here w/female in unfamiliar lang. at 0431 also w/lt. mx. Heavy SAH noted on sig by 0545 and at 0607 recheck noted strong sig w/rock mx // 1503, presumably the RCE SS network. (Eckman-PA)
SPAIN, loc. unk.-0510 12/28: Strong w/mx, SAHs, m in SS. (Eckman-PA)
+0510 1/6: C/mess, to good peaks w/"Hey 19" by Steely Dan then Jx & SS tlk. (Connelly-MA)
- 1422 UNID-0528 1/5: AA mx. (Cman or a North African?) (Connelly-MA)
ALGERIA, Alpiers-0506 1/6: Dominant w/AA chant, o/SAH. (Connelly)
t+0512 12/28: Presumed w/xlnt sig w/AA chants. The GJ seemed to be mixing in around 0600. (Eckman-PA)
- 1440 LUXEMBOURG, Marnach-0502 1/6: Good w/m & w in GG, overriding domestics. Luxemfour ment. An anmt in FF was also made. (Connelly-MA)
+0511-0545 1/5: W/male/fem. dialogue in GG, rock mx dominating chan. Some mx appeared to be in GG. Another new stn, last hrd on 1439 in 1977. (Eckman-PA)
- 1458 ALBANIA/UNID-0400 1/5: Durres powerful but badly mashed up by 2nd stn w/garbled audio. Internationale hrd at 0458. (Eckman-PA)
+ (ALBANIA)-Durres-0446 12/22: Apparent AA pgm., in slop. (Connelly-MA)
- 1467 MONACO, Monte Carlo-0444 12/22: Mx-box IS in like a local. (Connelly)
(1467 cont) +TWR-0508-0515 1/2. 1/2 xlnt w/GG pgm, rlx mx. TWR mx-box IS at 0515 and then carrier cut. (Eckman-PA)
+MONACO/UNID, Monte Carlo-TWR-0408-0520 1/5: w/fantastic sig noted TWR IS at 0440, off at 0515 leaving 2nd stn dominant but could'nt get much audio as sig strengthe were falling off on the high end by 0530. (Eckman-PA)
- 1476 AUSTRIA, Wien-0400-0430 1/5: Xlnt w/m in GG, rock mx o/SAH. (Eckman)
1485 SPAIN, Loc. unk.-0509 12/28: V. rd o/SAHs // other SS SER freqs. at 0526. Have never noted these SS commonwaves in better than this eve. (Eckman-PA)
- 1494 UNID-0531 1/2: Carrier noted here at fair level. Also hrd 0515 12/28 but no audio either time. (Eckman-PA)
- 1503 POLAND, Stargard-0600 12/28: Noted w/R. Polonia IS u/Spain. (Eckman)
+0358-0510 1/5: Noted w/R. Polonia Chopin piano IS at 0359 o/SAH. Outstanding w/cl mx at 0510. (Eckman-PA)
SPAIN, Loc. unk.-0455 1/2: V. powerful w/opera, m in SS. Not // to other SER freqs. (Eckman-PA)
+0526-0610 1/6: Noted w/fast SAH at 0535. Hard to get any audio at this time-perhaps a Poland/Spain mix. By 0550 Spain dominant w/mx, SS tlk. (Eckman-PA)
+0550 1/6: SS tlk o/a jumble of carriers. (Connelly-MA)
- 1521 SAUDI ARABIA, Duba-0409-0428 1/5: Amazing sig way o/WKEW w/AA chants, mx. Channel was still active at 0500 but it appeared to be no longer from the Arab. (Eckman-PA)
- 1530 VATICAN CITY-0457 12/22: Slavic-sounding tlk, 'R. Vatican' ID totally o/WCKY. +0457 1/6: M & w tiking, apparently in FF, u/WCKY. Vatican ment. (Connelly-MA)
+0519 1/4: W/Vatican IS being repeated clearly u/WCKY. After years of frustrating tentatives this one has suddenly become easy. Also noted 0257-0430 1/5: Outstanding sig way o/WCKY at 0420. IS noted at 0259 and 0359. Rlx mx/tlk in unID langs. also hrd. (Eckman-PA)
+0538 1/2: Noted w/IS clearly audible u/partially nulled WCKY during xlnt high band cx. WRTN lists FF pgm starting at this time but could not verify lang. (Eckman-PA)
- 1539 SPAIN, Loc. unk.-0502-0615 12/28: Extremely pwrful w/SS pgmning // 1584, 1602, 1485 at various times presumably w/SER net pgm. By 0611, DLF finally making an appearance w/GG tlk about level w/Spain. (Eckman)
WEST GERMANY/SPAIN-0459 12/22: Mainflingen w/GG tlk o/ a Spariard who had SS tlk. Fast SAH resulted. (Connelly-MA)
+ (WEST GERMANY), Mainflingen-DLF-0350-0510 1/5: Outstanding w/GG pgm. Stronger than 1540 domestics after 0500. (Eckman-PA)
- 1548 UNITED KINGDOM, Loc. unk.-0458 1/2: Potent w/lt mx, British accented m o/SAH. (Eckman-PA)
- 1554 GABON, Melene-0416 1/2: Drum mx. unusually strong, better than Cayman -1555. (Connelly-MA)
- 1557 FRANCE, Nice-05520620 1/6: Strong and alone w/II up to 0600 followed by s/on w/FF mx and tlk. Xlnt and listenable sig. WRTN lists late s/on on Sunday morning. (Eckman-PA)
+0523 12/29: Xlnt w/m & w in FF (France Culture ethnic service). +0525 1/4: LOUD! w/announcement "R. France, service arabe" ; AA mx & tlk followed. (Connelly-MA)
MALTA, Cyclops-0451 1/6: AA mx noted behind stronger France (who had FF tlk at the time) ; SAH evident. (Connelly-MA)
- 1566 TUNISIA, Sfax-0500 1/2: AA tlk by m. (Connelly-MA)
- 1575 PORTUGAL, Porto/Canidelo-0400 1/2: US & UK hits, then PP tlk at a gd. level. +0534 1/6: Xlnt w/Elvis oldies & PP tlk. (Connelly-MA)
t+0450 1/2: Presumed, w/mx, tlk in app. PP (def. not SS or II) at very good level. Nx w/funny sd effects 0500. Later mixing w/2nd stn resulting in slow SAH. Will keep trying for positive ID. (Eckman-PA)

ITALY, Genoa-0610-0630 1/6: O/Porto Canidelo Portugal. Along w/1584 only two TAs at European sunrise. Usual bunch of common TAs earlier in evenng. (Farmerie-MA)

1584 SPAIN, Loc. unk.-0440-0530 1/6: Initially a mess of SAHs at 0440 but was at local level at 0529 w/rock mx, SS tlk. Noted // 1602, 1485 w/SEB pfm. (Eckman-PA)

+0503-0630 12/28: V. strong w/SEB pfm // other SS freqs. (see 1539 entry). One str was very dominant o/mess of SAHs. Also noted w/extremely powerful signal 12/27, 1/2 around 0530. (Eckman-PA)

+0605-0620 1/6: One of the 2KW Spaniards atop others w/"generic rock" & very SS mx. Entertainment level at times. (Farmerie-MA)

+0502 12/22: V. gd. w/SS tlk by man. +0522 1/29: SS tlk & mx through choppy SAH. +0533 1/6: Superloud w/rock mx, SS talk. (Connelly-MA)

1593 WEST GERMANY, Langenberg-0521 12/29: Good w/GG pop group vocal. +0448 1/6: V. gd w/Muzak & light pop mx. (Connelly-MA)

+WDR-0150-0600 12/27: Fair w/GG talk but badly chewed up by second str SAH. +0308-053 1/5: w/ outstanding sig after 0500 w/GC pfm. SAH noted around 0308. Has anyone in N. America IDed anyone else on this freq. recently? (Eckman-PA)

1602 SPAIN, Loc. unk.-0504-0530 12/28: Powerful w/SS pfm // 1584, etc. (Eckman-PA)

+0449 1/6: Man in SS just o/a GY-channel type SAH mess. (Connelly)

1611 VATICAN-0621 12/28: Poor w/m in unID lang. and apparant Vatican IS at 0628. New for me, but would like a more positive ID. Also

0508-0540 1/5: Finally w/a more definite ID in the form of the Vatican IS at 0539. Fair/good signal strength. (Eckman-PA)

FAN-AMERICAN DX

720 COLOMBIA, Barranquilla-HJAN-0315 12/31: 'Unidas' IDs w/IS 6 descending notes on a xylophone. V. good sig. o/YVOE. (Smith-DC) (Sorry-I made a typo-'Emis. Unidas' IDs.ed.)

760 JAMAICA, Kingston-0300 1/8: Good in null of WGN w/reggae, deejay echo-chambered. 'R. RJR' SID. Jamaica mx. Almost regular here. (Smith)

770.7 COLOMBIA, Bogota-HJKH-0335 12/31: // 760 RCK network. Swamping WABC. (Smith-DC)

800 NETHERLANDS ANTILLES, Bonaire-FJB-0400 1/3: Radio Bible Hour - John 5: 24 read by Preacher Smith. Theme: Faith. (Demmitt-PA) (Smitty?JH)

820 COLOMBIA, Cali-HJED-0400 12/31: Caracol IS and time pips on hour. Time pips also on the half hour. (Smith-DC)

825 ST. KITTS, Basseterre-0238 12/25: EE, heavy accents. Xmas in Nigeria. Nigerian m explained musical instruments used. Interviews w/pastors and settlers. Pfm ended 0303. Lost signal. (Demmitt-PA)

+0344-0400 12/26: Radio Paradise good w/rfcs show on Nigerian missionaries, ID. (Gerardi-IL)

930 UNID-0320 1/1: U/mess, male SS ancr, US pop mx. (Gerardi-IL)

970 MEXICO, Cd. Jaurez-XEJ-0259 1/1: Good w/ID & Mariachi mx. (Gerardi)

1050 CUBA, Las Tunas-CPLL-0415 12/30: Radio Cadena Habana net // 1060/1070/1080/1120. Two of these, 1060/1070, are not listed in WRTH as being part of this net. Typical mx is big band, very heavy on the drumwork. (Smith-DC)

1220 UNID-1005 1/6: Sd/lk Latin. Perhaps church service. Came in w/null to WGAR. Need help here. (Demmitt-PA) (Cuba best bet, but try to find them again and ID them.JH)

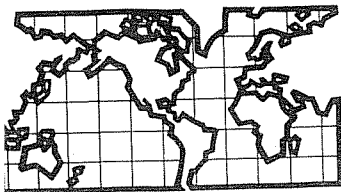
1580 ANTIGUA-VCA-0400 1/8: World news o/CRJ and UI Colombian. Seldom hrd here. (Smith-DC)

+0138 12/25: Tlk on island hospital & doctors, and problems facing them. QRM. (Demmitt-PA)

1610 ANGUILLA-0130 12/25: Caribbean Beacon w/Brother Dennis introducing song "Jesus Take Hold". Hebrews ch. 11 read. (Demmitt-PA) (John-this is Caribbean Beacon, not Lighthouse.JH)

THANKS TO THESE REPORTERS

- (Demmitt-PA) John H. Demmitt, Box A K0848, Bellefonte, PA 16823
ICF-55W
- (Gerardi-IL) Rob Gerardi, 1421 N. Franklin, Apt. 7, Benton, IL 62812
ICOM R-71A, 500 ft. coiled #22 wire
- (Connelly-MA) Mark Connelly, 30 William Rd., Billerica, MA 01866
Hammarlund HQ-180A, Bohac 4' loop phased against homebrew active ferrite loop through a PCM (Phaser Output Module Unit)
- (Eckman-PA) Richard Eckman, 2900 E. Aurora Ave. # 320, Boulder, CO 80303
DXing from Philadelphia, PA;
4Q-180A, SB-620, Sanserino Loop, ICF-6500W
- (Farmerie-MA) Tom Farmerie, 62 Sunrise Ave., Grafton, MA 01519
HQ-180A w/QF-1, SB-620, Digital Readout, 4' PET AA2 loop & 60' skywire into MWDX-3 Phaser (& 1 kitchen sink!h.JH)
- (Smith-DC) Gardner Smith, W9ALZ, 1000 Perry St. Wash. DC 20017



DX WORLDWIDE - WEST

Pat Martin - Editor

P.O. Box 843, Seaside, Oregon 97138

PHONE: (503) 861-3185

DX this week has been somewhat slow for the most part. I did log Radio Grenada on 535 KHZ on Monday Morning 1/14, which was quite a surprise. More details under LAS. Not a whole bunch more to report that was exciting, but some of the more regular DUs are showing up stronger again, so we may have a good Spring. On with reports:

PAN-AMERICAN DX ROUNDUP

- 535 ++++GRENADA, St. Georges-Good to Fair with terrible atmospheric static crashes (So bad it would totally wipe out audio at times), at 1002 on 1/14. Non-Stop Rel. mx (I first thought it may be a pirate), until Caribbean accented Man in EE talk at 1025, mentioned Music Program that had been on, followed by Funeral anmts, then ment. of Grenada at 1040, and "Radio Grenada.....Broadcasting Authority." at 1045. Seemed to have problems just after 1026 with audio and lost signal to a very weak quality (It sounded like a big drop in power, then back up at 1028 or so. Some deep fades. Taped and Taped Report sent with 3 IRCS. Hoping for the best. New Country #71.(PM-Or)
- 854 PERU, Lima-Radio Nacional, fair to v. poor with Andes Type Flute Mx and Man in SS, Mention of "Radio Nacional" at 1035 on 1/12. 2nd time hrd recently. (PM-Or)

TRANS-PACIFIC DX ROUNDUP

- 531 AUSTRALIA, West Kempsey-2MC v. good w/static crashes at times, 2MC IDs and Pop mx at 0930 on 1/13 (PM-Or)
NEW ZEALAND, Alexandra-4XA, Radio Otago here alone for a while w/Pops at 0730 on 1/13. Later 2MC took over (PM-Or)
- 540 AUSTRALIA, Longreach-4QL-ABC Hx at 1100 in passing on 1/13 (PM-Or)
- 549 AUSTRALIA, Orange-2CR-fair w/KHVI slop // to 540 w/ABC Hx at 1101 pm 1/13 (PM-Or)
- 576 AUSTRALIA, Sydney-2FC-Classical mx hrd in passing at 1116 on 1/13(PH)
- 594 AUSTRALIA, Horsham-3WV-ABC Hx at 1000 on 1/12, in passing (PM-Or)
- 603 AUSTRALIA, Hobart-7ZL, classical mx // 576 at 118 1/13 (PM-Or)
- 612 AUSTRALIA, Brisbane-4QR - heard light Jazz in passing 1120 on 1/12(PH)
- 621 AUSTRALIA, Melbourne-3AR, fair in KIPA slop at 1117 1/13, Clas. mx // 576 (PM-Or)
- t TUVALU, presumed to one w/ Native chatter in het on KIPA. Unneeded so didn't stick around, 1/13 at 0615 (PM-Or)
- 648 AMERICAN SAMOA, Pago Pago-WVUV-good w/rr mx and man ancr in EE at 0723 on 1/13 (PM-Or)
- 666 JAPAN, Osaka-JOBK-fair w/JJ talk in passing at 1030 on 1/15 (PM-Or)
- 702 AUSTRALIA, Sydney-2BL-vy good o/JJs w/light Jazz at 1009 1/12 (PM-Or)
- 792 AUSTRALIA, Brisbane-4QC-good w/Clas. mx at 1119 on 1/13, looking for Singapore. (PM-Or)
- 801 GUAM, Agana-KTWG, good w/Rel prog endin at 1059, following the ID "Inspirational Radio for the Pacific, KTWG-Agana, Guam" followed by TC and prog. notes, into Rel. prog. at 1100 on 1/12 (PM-Or)
- 890 ALASKA, Adak-AFRTS-hrd well w/het on Fiji for a time, rr mx and AFRH ancr at 0745 on 1/11.This is somewhat of a reg. anymore (PM-Or)
- 945 SOLOMON ISLANDS, Gizo-fair w/ man in Pidgin at 0945 on 1/11 (PM-Or)
- 1035 SOLOMON ISLANDS, Honiara-SIBC here, sounded // 945 but uncertain, Island mx, 945 had faded pretty bad by that time 0955 1/11 (PM-Or)
- 1044 NEW ZEALAND, Dunedin-4ZB-vy good w/Pop mx in passing //1035 at 0715 on 1/11 (PM-Or)

HELP WITH UNIDS

- 1206 CHINA, Per RHMs logging-The station in CC is Yanbian PBS and the station in KK is Yo'nbyo'n PBS. As noted in logging they have 5 time pips. Then followed by their ID in KK. Pat, you were partly correct as to whom they broadcast. They primarily broadcast to native Koreans living in this area of China. There are between 3 and 6 million Koreans living in China. If a Korean outside of China happens to pick up the station, he wouldn't be in their primary audience. "Yo'ginu'n Yo'nbyo'n Inmin Pangsong-Imnida" ID-They sign off around 1407 UTC. I had them on as a background station while I studied all the time. (Bill Harms-Maryland) (THX for the help on this. (PM)

After year of delay, Radio Marti still not beaming signal to Cuba

By Larry Lipman
Cox News Service

WASHINGTON — More than a year after President Reagan signed into law the bill creating Radio Marti, the radio station is still a long way from being ready to broadcast news and entertainment to Cuba.

Envisioned by the Reagan administration as a "surrogate" station to broadcast to Cuba as if it were operating in Havana — but without the censorship of the Castro regime — Radio Marti was expected to go on the air in early January to coincide with the 25th anniversary of Fidel Castro's takeover.

When that schedule could not be met, a pilot program was planned for Jan. 28 to commemorate the 131st birthday of Jose Marti, the Cuban patriot, poet and journalist for whom the project was named. That plan also fell by the wayside.

Subsequent predictions that the station would begin operating last spring also turned out to be wide of the mark. Now, government officials are not willing to guess even what season — let alone what month — the Spanish-language station will be on the air.

"We're going to go on the air when we're ready to go," said Gene Pell, director-designate of Voice of America, under whose auspices Radio Marti will operate.

It appears Radio Marti is still a long way from being ready to go.

With \$10 million for the fiscal year that ended Sept. 30, Radio Marti spent only \$6.2 million and was able to carry the rest forward on top of \$8.5 million budgeted for the current fiscal year.

Working out of leased quarters in a downtown office building, the station occupies half of the third floor and all of the fourth floor. In the third floor newsroom, most of the reporters' desks are empty. Only six reporters, of an expected 15 to 20, have been hired.

Adjoining the newsroom, there is a bare floor where two permanent broadcasting booths will be constructed. They are not expected to be operational until spring, but Pell said broadcasts could be made sooner from a temporary booth on the fourth floor.

Many of the fourth-floor offices are vacant and unfinished. Chairs wrapped in plastic are stored in some of the empty offices.



EAGER: Florida Rep. Dante Fascell.

Rep. Dante Fascell (D-Fla.), chairman of the House Committee on Foreign Affairs and a prime sponsor of the Radio Marti legislation, said he has been eager for the station to get on the air.

"I've been pushing them for everything that it's worth, because obviously I think it's important for us to get on the air," Fascell said.

Jorge Mas Canosa, a Cuban-born exile who heads the nine-member presidential advisory council that oversees, but does not direct, the project, said he hopes it will be operational early next year. But he's not making any predictions.

Mas said he is not frustrated that the station has not yet begun broadcasting.

"We have a responsibility to first, get Radio Marti on the air, and second, get a high quality program on the air which will be objective and accurate and meet high quality standards."

Mas and others say the long lag time required to get security checks for all the employees has caused the delay. The security checks are required by law.

"The personnel are in the pipeline," Mas said. "What has killed us is the security clearance is taking so long."

For a citizen born in the United States, the security clearance usually takes three to six months. Not surprisingly, it takes longer to check the backgrounds of people born in a foreign country, a situation further complicated by the fact that Cuba is under communist rule.

"But lengthy security checks aren't the only factor causing delay.

Radio Marti organizers have

found it difficult to persuade talented journalists, nearly all drawn from Miami's Cuban-American population, to uproot their families and leave high-paying jobs there to work at lower pay in Washington, where living costs are much greater.

"If Radio Marti had been in Miami, I think we would have been on the air a long time ago," Mas said. "We had a hard time and we spent some months convincing people that it was worth it to move to Washington."

About 65 of the 188 authorized positions have been filled. Technicians and broadcasters have been making dry runs from the temporary booth which is capable of transmitting.

Most of the Radio Marti employees will work in Washington, but the station will use the ~~Marconi~~ transmitter in Marathon, Fla., and broadcast on frequency of 1180 kilohertz, the same frequency now being used by VOA to transmit to Central America and the Caribbean.

When operational, Radio Marti will broadcast about 14 1/2 hours a day.

Mas and other supporters of Radio Marti say the project is not to be used as a propaganda tool.

"We're not going to broadcast the other side of Castro's propaganda. The Cuban people are fed up with propaganda," Mas said. "Radio Marti is going to be very accurate. This project was conceived to broadcast only the truth."

Even though Radio Marti is not yet on the air, its effects already are being felt in Cuba. Reports from Cuba indicate that government-sponsored television has become more lively recently and that the two most popular radio stations there have been combined for 24-hour operations.

Frank Calzon, executive director of the Cuban American National Foundation, a Washington-based research organization specializing in Cuban affairs, predicts that when the station begins operating it will have a profound effect on Cuban society.

"It will expose the listeners to the fact that sometimes when there are complex political or economic problems, there are different ways to look at it — not just the 'correct' revolutionary way and the 'incorrect' counter-revolutionary way," Calzon said.

EXTREMELY LINEAR ELECTRICALLY TUNABLE ACTIVE RECEIVING ANTENNA

J.F. Hopf and H.K. Lindenmeier

via Mark Connelly

University of Federal Defence, Munich, Federal Republic of Germany

1. INTRODUCTION

Undisturbed reception even in the presence of undesired fieldintensities which occur in the vicinity of transmitting stations is one of the main problems with receiving systems, which has not been solved satisfactorily until now. Particularly in the low frequency and short wave frequency range this problem is serious, as fieldintensities up to 100 V/m occur at the location of the receiving antenna. Taking nonlinear effects as intermodulation and crossmodulation into account and considering as well the emp - problem, the tunable short active selective receiving antenna is the optimum solution to these requirements as has been shown by Hopf, Lindenmeier (1), (2).

In these papers selective active receiving antennas with a single resonant circuit at the input of the amplifier have been theoretically analysed with regard to fieldstrength sensitivity, required antenna height and the improvement of the dynamic qualities.

However, in general, in order to meet the required selectivity, two or more resonant circuits must be installed within the antenna amplifier. These additional resonant circuits offer the possibility to further improvements of the linearity qualities.

This paper presents design considerations on extremely linear selective active antennas with at least two tuned resonant circuits. An example of such an antenna which is tunable within the range from 1 to 30 MHz within some milliseconds is as well presented.

Quick tuning requires electrically tunable reactive elements, which must be of an extreme linearity in order not to diminish the dynamic of the whole antenna. For sensitivity reasons these tunable reactive elements must be variable inductances at least for the resonant circuit at the amplifier's input (1,2). Therefore permagnetized ferrite inductances are the only electrically tunable elements providing such a fast tunable antenna with the required linearity characteristics, as can be seen in chapter 3. In this chapter as well a special control system will be explained which is required due to hysteresis effects, as there is no definite relation between the biasing magnetic flux and the inductance of the tuned element.

Chapter 2 will derive how to arrange two resonant circuits within the antenna amplifier in order to get best overall performance, which as well must include an easy tunability. The block diagram and the data of a realized antenna are presented in chapter 4.

2. OPTIMUM ARRANGEMENT OF TWO RESONANT CIRCUITS IN SELECTIVE ACTIVE ANTENNAS

Fieldstrength sensitivity, selectivity and dynamic which are the main important qualities of selective active receiving antennas seriously depend on the configuration of the resonant circuits within the antenna amplifier. One resonant circuit is to locate at the input of the amplifier since according to the present state of the art it is impossible to realize a broadband amplifier input stage with a sufficient dynamic range. Where the next resonant circuit is to be situated is to be decided below. In the present paper two possibilities are compared: the first uses a reactive coupled two resonant circuit at the input of the amplifier (version B, fig. 1b), the other solution uses the second resonant circuit as negative feedback circuitry within the amplifier (version A, fig. 1a).

2.1 Fieldstrength sensitivity and selectivity

Fig. 1a represents the equivalent circuit of a selective active antenna corresponding to the above defined version A. The impedance of the short rod antenna, represented by R_A and C_A , is part of the first resonant circuit which is completed by the inductance L_p and the undesired load-capacitor C_p . This capacitor reduces sensitivity as well as dynamic and therefore should be kept as small as possible, as has been shown in (1,2). The losses of the reactive elements are described by G_L and its noise current source $i_{NL}^2 = 4kT_0 B G_L$ due to Nyquist's formula.

The transformer ratio t of the ideal transformer is supposed to be comparatively large due to the results in (1,2), so that C_A , the input capacitance of the field-effect-transistor input stage is negligible. With this the coupling between the first and the second resonant circuit, formed by L_S , C_S and the loss resistance R_L will be negligible too. The noise source V_{NL} of the resistance R_L which due to the voltage amplification of unity can be considered in series to V_{NF}^2 of the field-effect transistor T1 therefore can be contracted to the noise source $V_{NT}^2 = 4kT_0 B R_{NT} = V_{NF}^2 + V_{NL}^2 = 4kT_0 B (R_{NF} + R_{NL})$. Herein R_{NF} is the equivalent noise resistance of the noise source of T1. Both the resonant circuits are supposed to be of the same quality factor Q.

At the resonant frequency $f_r = \omega_r / 2\pi$ corresponding to (1,2) the equivalent noise fieldstrength e_a^2 consists of two components: the contribution of the noise source i_{NL}^2 , which leads to $e_Q^2(1)$ and the contribution of the noise source V_{NT}^2 , which leads to e_T^2

$$e_Q^2 = \left(\frac{2}{h}\right)^2 \cdot \frac{4kT_0 B}{\omega_r \cdot C_A} \cdot \left(1 + \frac{C_p}{C_A}\right) \quad (1)$$

$$e_T^2 = \left(\frac{2}{h}\right)^2 \cdot 4kT_0 B \cdot R_{NT} \cdot \left(\frac{2}{Q}\right)^2 \cdot \left(1 + \frac{C_p}{C_A}\right)^2 \quad (2)$$

$$e_a^2 = e_Q^2 + e_T^2 \quad (3)$$

For low values of R_L the sensitivity is not deteriorated, however, the selective negative feedback is very suitable to reduce nonlinear distortions as will be shown below.

A reactive coupled two resonant filter at the input of a broadband amplifier can be regarded as the other possibility to arrange the two resonant circuits (version B), the equivalent circuit of which is shown in fig. 1b. However, we must be aware that tuning of a coupled filter will involve a lot of additional problems as for example the coupling element is to be varied, too, and the resonant frequency of the two filters is not identical with the center frequency.

We will first consider a critically coupled symmetrical filter corresponding to fig. 1b. The noise contribution of the coupled filter e_Q^2 and of the amplifier e_T^2 to the equivalent noise fieldstrength e_a^2 read as:

$$e_Q^2 = 2 e_Q^2 \quad (4)$$

$$e_T^2 = 4 e_T^2 \quad (5)$$

$$e_a^2 = e_Q^2 + e_T^2 \quad (6)$$

In (5) the equivalent noise resistance of the total amplifier is supposed to be the same as in (2).

Due to the fact, that now there are two loss admittances G_L and two noise sources V_{nL}^2 , best sensitivity possible which means that $e_a^2 = e_0^2$ is 3 dB less than with a version A device. In (1,2) it has been shown that an optimum dynamic range or minimum nonlinear distortions respectively will be obtained, if e_a^2/e_0^2 is made much greater than unity. This will be obtained by choose of a large value of t . Referring to fig.2 in (1) a reduction of the fieldstrength sensitivity of 6 dB must be taken into account with such "dynamic optimized" antennas.

Selectivity with a coupled filter is less than the selectivity with two uncoupled resonant circuits. In fig.2 the selectivity and the noise contribution of the coupled filter both in comparison to critical coupling are displayed versus the ratio of coupling of the filter. It can be seen, that critical coupling really is a good compromise. However, an arrangement according to version A combines both the best sensitivity possible and the best selectivity possible.

2.2 Nonlinear effects in the amplifier

The main characteristic with respect to nonlinear distortion and sensitivity is the dynamic range of a receiving system. For a certain tolerated cross- or intermodulation distortion the tolerable level of the undesired signals is the greater the dynamic of a system is. In accordance with the nature of the nonlinear distortion second order or third order dynamic have to be discussed with respect to intermodulation effects and a large signal dynamic is defined referring to cross modulation effects (Lindenmeier in (3)). Considering for example third order intermodulation distortion the dynamic d_3 of the total selective active receiving antenna corresponding to (1,2) can be expressed as

$$d_3 = d_{3amp} + \frac{1}{3}(a_1 + 2a_2) = d_{3amp} + d_{sel} \quad (7)$$

if a "dynamic optimized" antenna is regarded. In (7) d_{3amp} stands for the dynamic range of the active circuit, which with version B is a broadband amplifier and with version A is an amplifier with selective negative feedback. d_{amp} of the two versions therefore will be different. a_1 and a_2 result from the suppression of the undesired signals due to the selective circuit at the input of the amplifier.

Due to the higher selectivity of a critically coupled two resonant circuit the improvement of the dynamic by selective means at the input of the amplifier d_{sel} will be about 2 times greater with a version B-antenna than with a version A-device, where only one resonant circuit is used at the input. However, by means of a selective negative feedback the dynamic can be made considerably larger than with a broadband amplifier. This is true not only for third order dynamic qualities but also for second order dynamic and large signal dynamic.

This is illustrated in fig. 3, where measured curves of third order nonlinear products are plotted versus the input level of the undesired signals. The dash-dotted line refers to a fieldeffect transistor with a negative broadband feedback, the uninterrupted line to the identical active element with a selective negative feedback with $Q = 50$. At the resonant frequency of the filter the equivalent noise resistance and therefore the sensitivity is equal in both cases. We see, that with selective feedback the intermodulation product is about 39 dB below at small levels, which means that the dynamic is 13 dB better. At high levels the improvement is even larger due to a considerably larger range of small-signal-behaviour.

With a coupled two resonant circuit at the input the losses of the circuits deteriorate the sensitivity while with one circuit in the negative feedback branch of a transistor similar selectivity and linearity are obtained, however, only the losses of one circuit are effective at the input.

Selective active antennas for a fixed frequency have not to be tuned and therefore the application of a critically coupled filter can be recommended, if a single resonant circuit is not satisfactory.

However, if the antenna is to tune, nonlinear effects of the electrically tunable reactive elements must as well be taken into account. It will be shown below, that even with pre-magnetized ferrites of optimized linearity the intermodulation distortion produced by the resonant circuit is about 5 to 10 dB higher than the respective distortion of the amplifier, if an optimum version-A device is taken as a basis.

Therefore even with high requirements on linearity and selectivity all the problems involved with tuning of coupled filters can be avoided.

3. TUNING OF RESONANT CIRCUITS BY PREMAGNETIZED FERRITE COILS

3.1 Nonlinear distortions and frequency pulling

In spite of the fact that nonlinear distortions in ferrite materials are some orders of magnitude smaller than with other electrically tunable elements like capacitive diodes and in spite of the fact, too, that with short active antennas the reactive energy in the tuning elements is considerably smaller than with longer passive antennas there has to be a trade off between the pulling ratio and the overall linearity characteristics of the tuning unit. For not too high requirements for example a tuning ratio of 2.8 to 1 can be realised, if a tuning unit with pot cores without airgap and ferrite materials available for the short wave frequency range is used for the tuned inductances. However, as can be seen from fig.4, the third order intermodulation product would be only 40 dB below, if a one meter high antenna and two undesired signals at 10 % and 20 % apart from the receiving frequency with fieldintensities of 100 V/m each are taken as a basis. With a theoretically infinite linear resonant circuit the respective data of a selective active antenna with an amplifier with selective negative feedback would be 80 dB.

In the following ways to reduce nonlinear distortion in the tuning circuit without reducing the pulling ratio more than inevitable have to be investigated.

The open circuit distortion ratio of a ferrite coil is known to be proportional to the squareroot of the reactive energy in the ferrite and depending on $\mu e^{3/2}$ with μe representing the effective permeability of the pot core.

One possibility to obtain better intermodulation qualities therefore is to reduce the reactive energy in the core, which can be realized by adding a nonvariable inductance in series as is illustrated in fig.4. The resulting pulling ratio f_{max}/f_{min} expressed by the original pulling ratio of the tuned element L_{vmin}/L_{vmax} and the reduction-factor k_{30}/k_3 can be written as (8):

$$\frac{f_{max}}{f_{min}} = \sqrt{\frac{(k_{30}/k_3)^2}{\frac{L_{vmin}}{L_{vmax}} - 1 + (k_{30}/k_3)^2}} \quad (8)$$

k_{30} stands for the obtained intermodulation distortion for a variable inductance with the above considered ferrite material, whereas k_3 is the actual distortion ratio if a fixed inductance L_0 of infinite linearity is used in series going along with a reduced tuning ratio. The obtainable improvements on third order nonlinear effects can be seen from the uninterrupted curve in fig.4. Obviously, this configuration is not senseful, as a reduction of the tuning ratio of 2.8 to only 10 % reduces the nonlinear distortion for only 7 dB.

However, a reduction of μe by means of an airgap leads to much better results, as can be seen from the dashed (pot core is not pre-magnetized) and from the dash-dotted curve (potcore is maximum pre-magnetized) in fig.4. With such a device with increasing airgap δ and therefore reduced pulling ratio the intermodulation suppression increases rapidly. For the example of a tuning ratio of 20 % the intermodulation distortion will be 70 to 75 dB below. However, the respective distortion produced in the active element is at -80 dB. In consequence, further improvements can be expected only by improved ferrite materials.

The stepped curve in fig. 4 shows how many switching points n are required in order to cover a frequency range of the ratio 30 to 1, which may be, for example, the total short wave frequency range.

3.2 Automatic tuning control circuit

Due to hysteresis there is no definite relation between the biasing current in the pre-magnetizing circuit and the inductance of the tuned element, the tuning state of which therefore must be determined.

In the realized antenna, however, the tuning state is not measured by coupling a test-signal into the tuned resonant circuit - this would disturb the reception - but is detected by means of an electrically uncoupled reference element which is built up as similar as possible and which is excited by the same biasing pre-magnetizing flux. Thus both elements behave in the same way and all problems such as hysteresis, temperature dependence or ageing can be avoided by a control circuit.

As can be seen from fig. 5 this is done by a standard PLL-control-circuit. The tuning state of the reference element is measured from the oscillating frequency of an oscillator. The information about the receiving frequency may be supplied to the antenna from the receiver for example in digitalized form.

4. EXAMPLE OF A REALIZED ANTENNA

The fast tunable selective active receiving antenna which has been realised covers the total short wave frequency range from 1 to 30 MHz. Three single resonant circuits are installed in the antenna, the input resonant circuit of which is in resonance with a 1.2 m high rod (fig. 5). By means of a small trimming capacitor at the base of the rod the actual antenna capacitance can be adjusted after the installation to a certain predetermined value.

The second resonant circuit is not used as negative feedback circuit within this prototype but at the output of the preamplifier. The third resonant circuit is installed between the second amplifier and the output amplifier.

Tuning of the antenna is finished within 2 to 5 milliseconds. In order to obtain a linearity as great as possible a tuning ratio of only 22 % by means of pre-magnetization had to be accepted at the input resonant circuit. In consequence 19 switching points realized by reed-contacts are used. Due to the selectivity of the preceding filters the reactive power in the second and third resonant circuit is considerably smaller and only 9 switching points are required.

The fieldstrength sensitivity of the realized antenna, which is adapted to the external noise is typically 0.5 $\mu\text{V/m}$ if a receiver bandwidth of 3 kHz is taken as a basis. The three resonant circuits provide the antenna with a fractional bandwidth of 1 %, signals at frequencies which are 10 % apart from the receiving frequency are suppressed with typically 60 dB.

Crossmodulation will be below 10 % if an undesired signal of 100 V/m is at least 15 % apart from the resonant frequency.

The second order intermodulation distortion at the receiving frequency f_r typically is at -70 dB if two undesired signals at $0.45 \cdot f_r$ and $0.55 \cdot f_r$ with fieldintensities of 100 V/m each excite the antenna. Considering third order intermodulation distortion produced by undesired signals with a frequency deviation of 10 % and 20 % from the receiving frequency and 100 V/m this distortion is 65 to 75 dB below.

5. CONCLUSION

A short active selective receiving antenna, which is fast tunable by means of pre-magnetized inductances is presented. Compared to the alternative of a stepwise tuning by switching of nonvariable reactive elements the remaining switching device is relatively small. The special equipment developed for the tuning units with a PLL-control system ensures that neither ageing nor a dependence on tempe-

perature of the resonant circuits will mistune the antenna.

Due to the high linearity requirement a higher technical effort in comparison with active broadband antennas has to be accepted. This effort is justified under consideration of the achieved data. Additional tests using a negative feedback resonant circuit as is explained in chapter 2 leads to even better values with regard to intermodulation and cross-modulation qualities.

Due to the selectivity a tunable active antenna of this kind provides the total receiving system with the excellent crossmodulation and intermodulation characteristics of the antenna itself merely independent of the respective data of the receiver.

6. REFERENCES

1. Hopf, J.F., and Lindenmeier, H.K., 1980, International URSI-Symposium, Munich, 332 A
2. Hopf, J.F., and Lindenmeier, H.K., Special Issue of Radio Science, to be printed 1981
3. Lindenmeier, H.K., 1980, International URSI-Symposium, Munich, 423 A

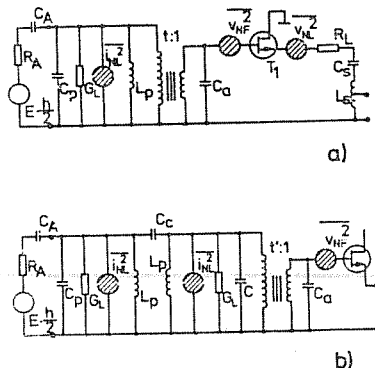


Fig. 1 Equivalent circuits

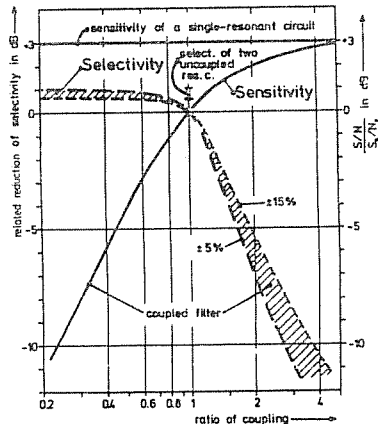


Fig. 2 Sensitivity and selectivity of coupled two resonant circuits

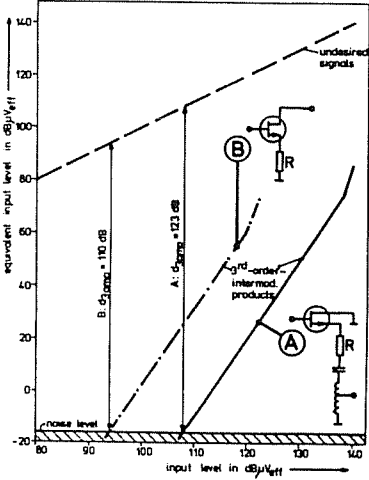


Fig. 3 Comparison of nonlinear distortions of active elements with broadband feedback and selective negative feed

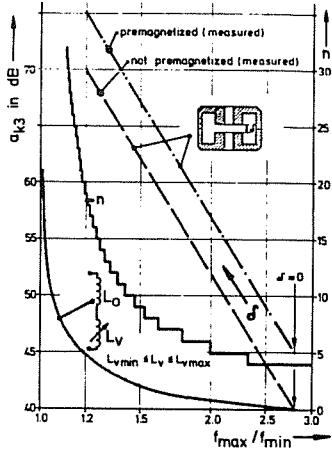


Fig. 4 Nonlinear distortions and frequency pulling with premagnetized ferrite inductances.

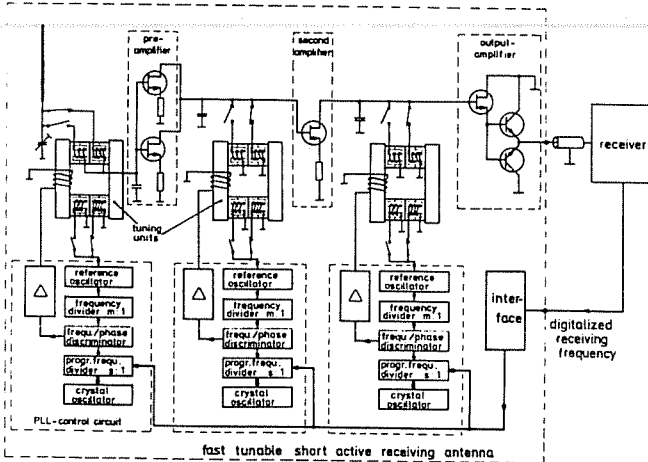


Fig. 5 Block diagram of a realized antenna

DOWN MEMORY LANE

Selected articles from
Broadcasting Magazine,
circa 1942

via Cary Simpson

**WSAP ON 1490 kc.
IN PORTSMOUTH, VA.**

CLAIMING the only FCC permit for a field since Pearl Harbor, WSAP, Portsmouth, Va., went on the air Feb. 9 with 250 w. at 1490 kc. unlimited time.

Permission to operate was obtained in early January at the Navy Dept.'s request because of the station's location in the heart of the nation's No. 1 naval base area. FCC had held that WSAP represented prohibited new construction, but the station's officials claimed they already had the necessary equipment. It was also shown that Portsmouth for more than a decade has been the largest city in the U. S. without a radio outlet.

On the air daily from 6 a.m. to 2 a.m., WSAP is an affiliate of MBS and receives full leased-wire services of United Press. Studios and general offices are in the Portsmouth Professional Bldg., with transmitter in the West Park View section on the water edge. Equipment was provided by Collins, General Radio and Gates Console.

Operated by Portsmouth Radio Corp., a stockholding company headed by Judge Tom E. Gilman, the staff of WSAP includes T. W. Aydtlett, general manager who is owner of WQMG, Elizabeth City, N. C.; Ray Penner, program director, former chief announcer of WGKV, Charleston, W. Va.; Jack Norfeet, commercial manager; E. D. Pulley, chief engineer; Bud Dawson, Paul Tryon and Michael Brown, announcers.

W. K. Hodges is vice-president, and Dr. L. A. McAlpine, secretary-treasurer of Portsmouth Radio Corp. Directors include Mr. Aydtlett, R. A. Robertson, Dr. J. WJ Abbitt, C. N. Boyd, A. A. Wendell and M. B. Simpson.

**WINX Now Operates
Booster Outlet Remotely**

PETITION of WINX, Washington, to operate a synchronous amplifier by remote control has been granted by the FCC until qualified operators become available, but not beyond June 1, 1943. Further conditions are that meters be read and logged daily and at all times at least one licensed operator at main transmitter control the synchronous amplifier.

The FCC's action in relaxing Sec. 2.53 of its Rules covering such operation follows its policy of assisting broadcast stations to meet parttime manpower emergencies, it was stated.

**KXKK, Kansas City, Gives Up the Ghost
As FCC Rules Its Renewal in Default**

THE CAREER of KXKK, Kansas City, known before July 10, 1942 at KITE, was officially ended Nov. 6 when the FCC adopted an order denying as in default its application for renewal of license to operate with 1,000 watts on 1590 kc. fulltime and terminated a temporary license issued pending hearings.

According to the FCC, First National Television Inc., licensee of the station, was without funds to continue operations. The denial followed failure of the station to put in an appearance at a hearing scheduled for last Oct. 5.

The station went on the air with new call letters and from new studios in the Hotel Continental when it changed its call. It was under the direction of Richard K. Phelps, president. KXKK carried some MBS night-time programs after the signoff at sunset of the regular MBS outlet, WHB.

Checked History

KXKK was founded about five years ago by a group that included Sam Pickard, former Federal Radio Commissioner and ex-CBS vice-president; Richard K. Phelps, his brother-in-law, an assistant district attorney in Kansas City; Leslie Herman, New York attorney; Sid-

ney Q. Noel, television school operator; Arthur B. Church, chief owner of KMBZ, Kansas City.

Later Mr. Church withdrew from the company and entered into litigation with the corporation structure, which became highly involved and confused. New stockholders appeared of record in the persons of D. E. Kendrick, now operating WINN, Louisville, who became the station's manager, and M. C. McCarten, of Louisville. The station has undergone many management and personnel shifts, the latest having been ordered last July when it was placed under the direction of Mr. Phelps, who appointed Simon Guckenheimer, secretary of Transradio Press, New York as its manager.

Last November an application was filed to sell the station for assumption of its liabilities plus a cash sum, totaling \$50,000, to A. L. Glassman, Utah theatre operator and chief owner of KLO, Ogden, and Paul R. Heilmeyer, manager of KLO. This deal, however, fell through for the application was not pursued.

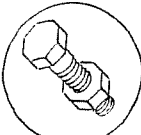
The latest available record of stockholdings as of June, 1941 showed Mr. Kendrick as president, owning 18.58%; Mr. Pickard, 37.15%; Mr. McCarten, 35.27%.

THE WGAR SUMMER SCENE

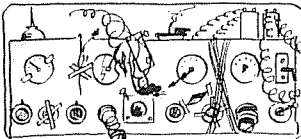
CAMERA GRABBITOINS OF SELDROUS AND HOBBLULAR GLMS



BECAUSE OF THE TIRE SHORTAGE, SPECIAL EVENTS SIDNEY ANDORN HAS BEEN USING TESSIEBEL, A RE-FIRED ARMY MAULE TO CARRY THE MOBILE UNIT. HE IS SHOWN ABOVE HAVING A LITTLE TROUBLE KEEPING UP WITH A PARADE.



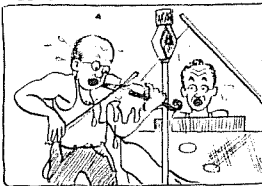
A CLOSE-UP OF THE BOLT AND NUT WHICH THE W.P.B. IN WASHINGTON GAVE MORRIE PIERCE PERMISSION TO BUY.



A VIEW OF THE CONTROL BOARD WHICH PIERCE & WINGARD SHOWED TO THE W.P.B. TO PROVE THAT THE BOLT WAS NEEDED.



McDONALD HOUSE IS SOLD OUT TO THE W.G.A.R. ANNOUNCING STAFF



THE AIR-CONDITIONER IN STUDIO A HAS BEEN FIXED AND THINGS LIKE THE ABOVE DON'T HAPPEN ANY MORE.

COMIC RELIEF contained in the fortnightly bulletin sent by WGAR, Cleveland, to its men in the services. To break the monotony, its editors feel that a cartoon is a challenge they must accept in preparing each issue. The latest challenge was accepted by Henry Pildner, staff pinnist, who contributed the above. Otherwise, the bulletins contain information which fills the boys in or the latest doings in and around the studios.

SUMMARY OF UNREPORTED STATIONS
Through Volume 22 #17 dated January 13, 1985
compiled by Don Maskey

The following chart lists the total number of stations in the USA and Canada and the volume they were last reported or being heard in DX LOGICOR.

COUNTRY	V22	V21	V20	V19	V18	V17	V16	V15	V14	V13	V12	Prior	Total
CANADA	173	78	30	26	22	13	13	5	5	0	2	50	= 418
U.S.A.	1515	1019	513	333	344	168	186	78	53	29	50	293	= 4734
TOTAL	1688	1097	543	414	366	181	199	83	58	29	52	343	= 5152

New stations reported as having taken the air during the period between V22 #11 through V22 #17:

570-VIDS-XY (x-1190)	1090-EMMY-PA	1080-KMCL-PA (x-1500)
850-VFR-BT (BPs)	1050-2300-PA	1340-2300-PA
370-TRC-TM	1110-KIBD-PA	1380-FZBL-GP
370-EMMY-XY (x-1530)	1130-5111-AL	1490-KCAY-NM
300-KHX-40	1160-KATL-PA (x-1170)	1590-KBR-XY
	1240-FZBL-PA (x-1270)	

Previously unreported stations noted by DXA Reporters in DX LOGICOR since the last update (V22 #16)....Covers V22 #11 through #17:

AZ--2--HJEE--710 (Hittler-30)
AR--10--AKCI--670 (Garnen-33)
RI--15--WJH-1008, WJH-1170, WJH-1330, WJH-1480 (J. Cooper-vec in RI)
GA--17--JEF--620 (Jeter-34); WJA--790 (E. Cooper-vec in GA)
NY--9--JFG-1140 (Jeter-3A)
NV--0--KSK-1590 (Kashey-34)
NJ--28--AM--770 (C. Smith-33)
ND--2--LMI-890 (Sheverson-34); WND-1470 (Vobbe-vec in ND)
IA--5--HEK-1580 (Hall-PA); IJ-1600 (Hitchey-PA)
TX--18--WJ-1160 (by many)
TX--42--JTB-1430 (Sheverson-34)
MI--1--MJB-1110 (Hiller-PA); WJA-1040 (E. Martin-00); WOL-1280 (D. Holl-PA)
NV--2--JTB-1230 (Hall-PA)
NY--6--JUV-1270 (Kashey-34)

BRITISH COLUMBIA GY's PROPOSE CHANGES

1230 CJNL Merritt	1000/250 wants	1000/1000
CKTK Kitimat	1000/250 wants	1000/1000
CKQR Castlegar	1000/250 wants	1000/1000
1240 CFNI Port Hardy	1000/250 wants	1000/1000
CKGO Hope	1000/250 wants	1000/1000
CJAV Port Alberni	1000/250 wants	1000/1000
CFEK Fernie	1000/500 wants	1000/1000
CKMK MacKenzie	1000/250 wants	1000/1000
CKOO Osoyoos	1000/250 wants	1000/1000
1340 CHNL-2 Ashcroft	1000/250 wants	1000/1000
CKCR Revelstoke	1000/250 wants	1000/1000
CKGF Grand Forks	1000/250 wants	1000/1000
CIVH Vanderhoof	1000/250 wants	1000/1000
1400 CJEK Sparwood	1000/250 wants	1000/1000
CHNL-1 Clearwater	1000/250 wants	1000/1000
CKGR Golden	1000/250 wants	1000/1000
CKRP Princeton	1000/250 wants	1000/1000
1450 CHET Chetwynd	1000/250 wants	1000/1000
CKSP Summerland	1000/250 wants	1000/1000
1490 CFWB Campbell River	1000/250 wants	1000/1000
CKOO-1 Oliver	1000/250 wants	1000/1000

THE INTERNATIONAL RADIO CLUB OF AMERICA

The IRCA is a non-profit organization devoted to the hobby of hearing distant stations on the AM broadcast band (525-1625 kHz). DX Monitor, the official publication of the IRCA, is printed 34 times a year: weekly from October to March, twice in September and April, and monthly from May to August. DX Monitor contains members' loggings, articles on radio stations, receiver reviews, technical articles, DX tips, and other material of interest to radio hobbyists. Opinions expressed in DX Monitor are those of the contributors and not necessarily those of the IRCA, its editors or officers. Unless otherwise noted, permission is given to reprint non-copyrighted material provided credit is given to IRCA and the original contributor.

CLUB ADDRESSES AND OFFICERS

President: Phil Bytheway, 9705 Mary Ave. NW, Seattle WA 98117, 206-784-5145. Secretary-Treasurer: Rich Segalas, PO Box 26254, San Francisco, CA 94126. Editor in Chief: Bruce Portzer, 6546 19th Ave NE, Seattle, WA 98115, 206-522-2521. Board of Directors: Ernest Cooper, Nancy Hardy, Ric Heald, Neil Kazaross, Bruce Portzer, Pete Taylor, Niel Wolfish.

MEMBERSHIP DUES

U.S. - \$20.00 per year. Canada/Mexico - \$26 (one issue mailed every week) or \$20 (two issues every two weeks). Overseas Surface - \$21. Overseas Airmail - \$27 (Central America, Caribbean, Colombia, and Venezuela). \$30 (Europe, North Africa, Middle East), \$34 (rest of the world). Trial Membership - \$7.50 (10 issues of DX Monitor and a new member packet, U.S./Canada/Mexico only). Make checks and money orders payable to IRCA and send dues to: P.O. Box 26254, San Francisco, CA 94126. Persons living outside the U.S. make dues payable in U.S. funds. Sample copies of DX Monitor cost 50¢ or three International Reply Coupons.

THE IRCA GOODIE FACTORY

Reprints of more than 300 articles from past issues of DX Monitor are available from the IRCA Goodie Factory. Also available are IRCA stationery and the very popular IRCA publications: The IRCA Almanac, A DXers Technical Guide, and the IRCA Foreign Logs. For a list of available publications and their costs, send a self-addressed, stamped envelope to IRCA Goodie Factory, 1017 West Manhattan Drive, Tempe, AZ 85282.

P. O. Box 21074
Seattle, WA 98111

U.S.A.

FIRST CLASS MAIL
U.S. POSTAGE
PAID
Seattle, WA
Permit No. 601

first class

D. A. NYHOLM
2071 CEDAR STREET
SAN CARLOS CA

19

94070