



Foreign ✓

DX Monitor

Devoted Exclusively to
Broadcast Band DXing

September 14, 1985 • Volume 23, Number 1 • Issue Number 724

In This Issue

Broadcasting Information	2	MWDX-2B & MWDX-2C Phasers	21
Top End	4	The Working Press of the Nation ..	23
1985 Election Results	7	Simple Passive Longwave Tuner ...	24
Eastern DX Forum	8	Eastern DX Roundup	26
Holland Tunnel Gets Radio System	10	Central DX Roundup	30
Cuba Lifts Ban on Sinatra	10	Western DX Roundup	32
Western DX Forum	11	Summary of Unreported Stations ...	39
The IRCA Technical Column	16	DX Worldwide East	40
		DX Worldwide West	42

We'll open this issue of DX Monitor with a bunch of flash tips: KRSV-1210 in Afton, WY is now on the air (see WDXR/CDXR)...KATL in Miles City, MT has moved to 770 with 10 kw days only per Dave Faulkner and Robert Wien...KUYO-830 in Evansville, WY is now on the air, per Dave Faulkner and Bill Nittler. They ID as "The Gospel Voice of Central Wyoming", and sound like they're serving Casper. Format is MoR and/or Contemporary Christian with some canned religious pgms, too....Also from Bill Nittler: KXAK-1310 Corrales, NM is now on w/gospel/contemporary mx and ann'cing 24 hrs, they came on in July. KSGR-1170 has changed calls to KFSC and IDs as "R. Paco" (SS format). KCMP-1010 has changed calls to KKGZ & KUTR-860 is now ex-KUTQ....From Bill Harms: The Korean station, "Voice of Reunification" has changed its name to "Voice of National Salvation"....From Rich Eddie: KFPS-1440 in Salem, MO left the air in June, and there's a new station in Jackson, MS on 780, calls are either WYAI or WDXQ, with simulcast on 92.3 FM.

ESTATE SALE: Many of you remember fellow IRCA member John Clements, who passed away in December 1983. John was a very avid longwave and BCB DXer, and accumulated a large number of radios and accessories, which Phil Bytheway and I have acquired. These items are now for sale to the DX Community, and include several longwave and shortwave receivers (commercial and military surplus), some recent vintage solid state receivers, ham gear, antennas, power supplies, oscilloscopes, test equipment, and assorted radio parts. Some items are being sold as-is, while others are in good working order. For a complete price list, send an SASE to Phil Bytheway, 9705 Mary Avenue Northwest, Seattle, WA 98117.

NEW DXWE ADDRESS: DX Worldwide East editor, Jim Hall, is in the process of moving to Erie, PA and doesn't have a new address yet. He doesn't expect this will delay the printing of any reports, but please be patient in case it does. In the meantime, watch for his new address in the next DXM.

RADIO NUEVO MUNDO: This Japanese DX club, specializing in Latin American DX, has just published the latest edition of "LA DXing", a 153 page book filled with information on Latin American stations. While shortwave oriented, there is also information of interest to BCB DXers in the book. It costs US\$7.00 (cash only, no checks) from Tetsuya Hirahara, 5-6-6 Nukui-kita, Koganei-shi, Tokyo 184, JAPAN.

My recent remarks on computer programs and time zones have produced quite a response. On computer programs, there was virtually unanimous consensus from mail and from convention discussions that we shouldn't run program listings but that we should make members aware of DX related programs (such as periodic summaries in DXM). Some also suggested we make the complete program listings available from the goodie factory. The opinions on time zones were nowhere near unanimous and will require further investigation before any decision is reached. Watch for more comments later. In the meantime, 73 and good DX.

BROADCASTING INFORMATION

Greg Monti, 1301 S. Cleveland St. #356, Arlington, VA 22204
prepared 1 September 1985

call	kHz	day/night	st	city
WGTO	540	50000/1000	FL	Cypress Gardens granted 50000/5000
KZJO	630	1000/500	UT	Sandy granted KTKK
WGMZ	640	10000/1000	FL	Titusville granted Christmas FL
WMSO	640	10000/1000	TN	Collierville wants Germantown TN (reapplies)
new	660	5000/5000	ND	Williston granted construction permit
appl	680	500/500	KY	Newburg application returned (again)
appl	680	2500/	KY	Okolona application returned (again)
appl	700	1000/500	CA	Soledad
appl	700	250/	MD	College Park application returned
KMMD	710	10000/	MT	Ennis appl for extension of time to construct new station dismissed (station will <u>not</u> go on with these calls and owner)
appl	710	10000/	MT	Ennis (new applicant applies for above vacancy)
appl	720	10000/1000	FL	Dover application returned
appl	720	5000/250	WA	Long Beach application returned
KRVC	730	1000/	OR	Medford KBOY
KSVN	730	1000/	UT	Ogden wants KXEQ
appl	740	25000/1000	WA	Auburn
WEW	770	1000/	MO	Saint Louis application for 10000/ returned
new	800	500/	TX	Laneville granted construction permit (show no appl for this)
KFRZ	800	500/	UT	Brigham City granted 1000/
new	830	2500/1000	CA	Orange wants KSRT
WADU	830	1000/500	LA	Norco wants 5000/750
new	840	1000/	MD	Denton granted construction permit
appl	840	2500/	VA	Annandale application dismissed (reversing earlier decision)
new	840	10000/	VA	Earlsville granted construction permit
new	840	1000/	VA	Purcellville granted construction permit (one source says 250/)
appl	840	500/	WI	Seymour application returned
WLEU	850	500/	IA	Waterloo granted KWOF
WJZX	860	1000/	FL	Cocoa granted WCKS
WABC	860	500/	GA	Atlanta application for Mableton GA dismissed
appl	870	5000/1000	CA	Pismo Beach application returned
appl	870	250/	IL	Sadorus application dismissed
appl	890	25000/1000	CA	Rosamond application returned
appl	890	10000/1000	CO	Stratmoor
appl	890	10000/	MA	Dalton
appl	890	25000/1000	MA	Dedham
appl	890	250/	MA	Sheldonville
appl	890	10000/1000	NM	Bernalillo
appl	890	250/	NY	Fayetteville
appl	890	500/	NY	Solvay
appl	890	2500/	PA	Bethel Park
appl	890	10000/	PA	Nicholson
appl	890	2500/	PA	Shickshinny
appl	890	10000/1000	TX	Anthony
appl	890	10000/	VA	Falmouth
appl	890	1500/	VA	Stafford
appl	890	25000/	VA	Surry
WKJK	900	500/	NC	Granite Falls wants 890 kHz and 10000/ (still has appl pending for 1000/ on 900)
WFLN	900	1000/	PA	Philadelphia granted WDTV
WKEQ	910	500/	KY	Burnside wants 430/
new	930	2500/2500	AK	Unalakleet granted construction permit
KGIR	960	5000/500	MO	Cape Girardeau wants KZIM
WBOP	980	1000/	FL	Pensacola granted WCHZ
appl	980	2500/	WI	Seymour
WHOO	990	50000/5000	FL	Orlando granted WLTO
new	990	250/	WI	Mayville
appl	1000	250/	NE	Culbertson application returned
WBIX	1010	10000/	FL	Jacksonville Beach granted 10000/10000 (another source says 10000/5000 since the 10000/10000 application was once dismissed)
new	1030	5000/	MI	Sterling Heights wants WWRM
new	1030	10000/	NC	Mint Hill granted WCQR
new	1040	10000/	NC	Lewisville granted WSGH
appl	1040	5000/1000	NJ	Flemington
new	1040	10000/	WV	Green Valley granted WAMN
appl	1050	2500/	CA	Frazier Park

KLPL 1050	250/	LA Lake Providence wants 190/
appl 1060	250/	OK Mustang application returned
WAPI 1070	50000/5000	AL Birmingham wants 50000/10000
appl 1070	2500/	DE Laurel application returned
new 1090	5000/2500	FL Port Charlotte granted WKII
WCAR 1090	250/	MI Garden City granted Livonia MI and 250/500
KLWJ 1090	2500/	OR Umatilla wants 1100 kHz and 10000/1000
WGOC 1090	1000/	TN Kingsport wants 10000/
appl 1120	5000/	TX Bridge City application returned
WACQ 1130	1000/	AL Carrville wants WSFU
WONQ 1140	2500/	FL Pine Hills; Hughes, FL, says will be 5000/, not 2500/
WLNT 1140	1000/	TN Loudoun wants WLOD
new 1160	10000/1000	AL Mobile granted WKWA
appl 1160	2500/	MA Easthampton (this conflicts with earlier info about same applicant, same facility, which says 10000/1000)
new 1180	1000/	RI Hope Valley granted WJFJ
WSML 1190	1000/	NC Graham application for 1200 kHz and 10000/1000 dismissed
WBDY 1190	10000/	VA Bluefield granted WCBV
new 1200	10000/250	TN Mount Carmel granted WRVX
new 1210	10000/1000	TX San Juan granted KUBR
WWLE 1220	5000/	MN Stillwater granted WTCN
KZIM 1220	250/	MO Cape Girardeau wants KGLR
WSFT 1220	250/	GA Thomaston wants 1000/
KIFW 1230	250/250	AK Sitka granted 1000/1000
WNVY 1230	1000/1000	FL Pensacola granted WBOP
KAKZ 1240	1000/1000	KS Wichita wants KRZZ (has ungranted appl for KLGT also)
WNOV 1250	1000/	PA York granted WOBG
WNOG 1270	500/500	FL Naples granted 500/2500
WIIZ 1290	1000/	NC Jacksonville granted WOPY
KLIQ 1290	5000/1000	OR Portland wants KMJK (Broadcasting says city is Lake Oswego; supposedly that city change was dismissed earlier)
appl 1290	1000/	TX Kerrville application returned
WACQ 1300	1000/	AL Tallassee granted WSFU
KGHX 1300	??/	AK Fairbanks granted KRKO
WKLL 1300	1000/	SC Aiken granted WJFX
WTTL 1310	1000/500	KY Madisonville wants 2500/500
KEZL 1320	500/500	CA Oceanside granted KNNC
WKEA 1330	5000/	AL Scottsboro appl for 5000/500 returned
WENA 1330	1000/500	PR Penuelas appl for 2500/1000 returned
KWXY 1340	1000/250	CA Cathedral City granted 1000/1000
new 1340	1000/250	GA Mountain City granted construction permit (show no appl)
WKSJ 1340	500/500	NY Jamestown wants 500/1000
KCNN 1340	1000/1000	OK Oklahoma City granted KXXY
KZUN 1360	5000/1000	CA Modesto granted KFIV
KRVV 1360	5000/	CO Vail granted 610 kHz
KEYZ 1360	5000/5000	ND Williston appl for 660 kHz and 5000/5000 dismissed
WSAI 1360	5000/5000	OH Cincinnati granted WWNK ("wink")
KCEZ 1370	5000/5000	MT Butte granted KXTL
WNVN 1380	5000/500	CT Naugatuck granted WNAQ
WZEL 1380	500/	GA Young Harris wants 770 kHz and 750/
KBXT 1390	500/	MN Duluth wants 1490 kHz and 1000/1000
KBBO 1390	1000/500	WA Yakima granted 5000/500
KRUN 1400	1000/1000	TX Ballinger currently unlimited hours, wants specified hours
KKNX 1400	1000/250	TX Huntsville granted 1000/1000
WYLO 1410	500/1000	TN Kingston granted WBEX
WSSL 1440	5000/5000	SC Greenville granted WGSL
KXAM 1440	500/	TX Helotes appl for 1000/ returned and reapplied for
appl 1440	500/	VA Sterling Park application returned
KDON 1460	5000/	CA Salinas granted KLCZ (assume this kills ungranted appl for KNWZ)
appl 1460	500/	FL Belleview application returned
WZEP 1460	1000/	FL DeFuniak Springs granted 5000/
new 1460	5000/1000	FL Lake Mary granted construction permit (one source says 1000/5000, another says there was an amendment to 1000/500)
new 1460	1000/500	OH Ontario granted construction permit
KCNY 1470	250/	TX San Marcos wants KSPL (still has pending appl for 250/250)
WSDS 1480	1000/5000	MI Ypsilanti wants 1000/3800
KAAR 1480	2500/2500	WA Vancouver wants 2500/1000 (also has pending appl's for 5000/5000 and 1000/2500) MSJ says this appl is for 1000/
WIXR 1500	5000/	SC Mount Pleasant wants 1480 kHz
new 1500	500/	WA Tumwater granted construction permit
WMIB 1510	1000/	FL Marco Island granted 1480 kHz and 1000/1000 (MSJ lists this as WWNO, which I show as an old call, they're back to WMIB)

WTRJ 1510	250/	OH Troy appl for 1030 kHz and 2500/ dismissed
WEXT 1520	1000/250	FL Wilton Manors is planning to move here from Oakland Park, but recent appl was for 5000/250 at Wilton Manors, not 5000/ at Oakland Park, as earlier reported (Hughes, FL)
appl 1520	2500/	MO Camdenton (reapplies)
WCSP 1520	1000/	MS Crystal Springs wants 590 kHz and 500/ (still has pending appl for 890 kHz and 1000/)
KZRK 1540	500/	AR Ozark wants KDYN
WRHC 1550	10000/500	FL Coral Gables wants 1560 kHz and 50000/5000
WSHN 1550	1000/	MI Fremont granted WMIV
WKIQ 1560	5000/1000	FL Inverness wants 5000/2500
WBUK 1560	2500/	MI Portage wants 5000/ (also has pending appl for WHEZ)
KCFY 1570	5000/	CA Grover City granted KTOR
KQPL 1580	250/	CA Windsor granted KQPL
WAJE 1580	1000/	PA Ebensburg granted WEBG
WSKT 1580	5000/	TN Knoxville wants 1180 kHz and 1000/
KSRN 1590	1000/	NV Sun Valley granted 5000/
new 1600	500/	AR Bellefonte granted construction permit
KXEW 1600	1000/1000	AZ South Tucson wants 2500/1000
WQZQ 1600	500/	TN Lebanon granted 1200 kHz and 5000/500 (corrects previous report of new station on 1200 at Lebanon; in fact all other 1200 appl's were dismissed and WQZQ got this frequency change)

The US and Mexico have reached an agreement on a new broadcasting treaty which will allow US daytimers on channels with Mexican priority to operate after sunset and/or unlimited hours. Rules for applying for such improved facilities will eventually be announced by the FCC.

In Canadian news, the Canadian Radio-Television and Telecommunications Commission has ordered four CBC-owned AM stations off the air by 11/1 because they are superfluous duplicators of programming on same-market CBC FM transmitters which carry the "Radio" (AM) network. They are CBA 1070 NB, CBD 1110 NB, CBNM 740 NB and CBH 860 NS. Get'em while they're still around!

From the 29 July and 5, 12, 19 and 26 August issues of Broadcasting and from the 22, 29 July and 5, 12, 19 and 26 August issues of The M Street Journal.

RADIO PROGRAMMING NOTES:

call	kHz	st city	
WKSK	580	NC West Jefferson	now country, was contemporary hits/country mix
WROW	590	NY Albany	now adult contemporary, was easy listening
WCBM	680	MD Baltimore	now adult contemporary/adult standards mix (Transtar satellite "Format 41"), slogans "Magic WCBM" and "Magic 68," was news-talk with ABC/Talkradio network, which was also dropped (Monti)
WGBS	710	FL Miami	will be Spanish upon sale, was news talk
KXEQ	730	UT Ogden	will be Spanish upon sale, was rock oldies as KSVN
WSBR	740	FL Boca Raton	now adult contemporary/oldies, was adult standards
WHEB	750	NH Portsmouth	now rock oldies, was adult standards
KAMA	750	TX El Paso	Spanish format moves here from 1060 kHz
WJR	760	MI Detroit	joins ABC/Information network (Kemp NRC)
KXTC	790	CA Clovis	will soon return to the air, format unknown
WOGO	860	WI Hallie	new station is religion
KSRT	830	CA Orange	new station will be Spanish
WNUY	840	FL Mims	new station should be on late summer, format unknown (Hughes, FL)
KIKR	880	TX	is country/adult contemporary mix, was country
WJWL	900	DE Georgetown	now adult standards, was variety
WOTW	900	NH Nashua	now silent, was religion
KSGA	900	WA Wenatchee	now rock oldies, was country as KUEN
WDVT	900	PA Philadelphia	now telephone talk, "Talk 900," adds Mutual net, was classical as WFLN (Apel PA)
KYSR	920	TX El Paso	will be Spanish upon sale, was adult standards
WJCM	960	FL Sebring	now adult contemporary, was adult standards
WYAT	990	LA New Orleans	now rock oldies, was adult contemporary as WLTS
WGFC	1030	VA Floyd	new station is country
KFSC	1170	CO Windsor	now Spanish, was adult standards as KSGR
WCOL	1230	OH Columbus	now news-talk, was rock oldies (Kemp NRC)
WYAM	1240	MS Marion	now adult contemporary, was silent
KLLK	1250	CA Willits	new station is adult contemporary
WGBU	1250	OR Florence	new station is adult contemporary
KGIL	1260	CA San Fernando	now all talk, was adult standards
KXLR	1260	CA San Francisco	new format is called "tremformation," and consists of news and information on emerging trends plus about 20 minutes of light jazz and "new age" music (whatever that is) per hour (some say there's more music than

that), also airs some Mutual, UPI, AP and (between 2100 and 0000 PT) BBC World Service News on the hour; was easy listening as KOIT (BC & others)

WJJJ 1260 VA Christiansburg did not switch to country, is still contemporary

WIQB 1290 MI Saline is adult contemporary, was all-news

WIBR 1300 LA Baton Rouge is adult contemporary, was country

KNNC 1320 CA Oceanside now news-talk, was adult standards as KEZL

KGNR 1320 CA Sacramento now Kalamusic's syndicated adult standards format, dropping talk after 1000 PT (Taylor CA)

WEBY 1330 FL Milton now silent, was black format as WAVX

KXXY 1340 OK Oklahoma City is country, was all-news as KCNN

KUNN 1350 CA Bakersfield will be Spanish upon sale, was contemporary hits/black mix

WNNK 1360 OH Cincinnati now adult contemporary, simulcasting WNNK-FM 94.1 (x-WKXF) temporarily (for 3 to 6 months), was country as WSAI (Apel PA)

KBUK 1360 TX Baytown was silent for a short time, is back on the air as country

WLLH 1400 MA Lowell was country, is adult contemporary

WOTT 1410 NY Watertown now SMN Stardust adult standards, was adult contemporary

WSAY 1480 VA Salem did not change to religion, still adult standards

WRUA 1510 PA Monroeville now rock oldies, was silent

WAUK 1510 WI Waukesha now country, was news-talk

WYGR 1530 MI Wyoming now children's programming was talk/religion mix

Networks: CBS has announced a new 13-week series summarizing the week's college football games beginning 9/7 (BC). Mutual's Dick Clark will leave the "National Music Survey" program that bears his name. A replacement hasn't been named yet (BC). Mutual will also do the radio simulcast of the 10/14 Country Music Association Awards. The new **Tribune Radio Networks**, operated by Tribune Company owned WGN 720 Chicago, will go into business this fall offering news, sports, agricultural and weather reports to stations in Illinois and other midwestern states (BC).

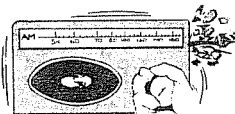
Syndication: "Real Estate Action Line" is a new, 1-hour nationally syndicated live call-in show, fed Sundays at 1100 ET (BC).

(Programming items are from M Street Journal, unless indicated as BC = Broadcasting or NRC = National Radio Club DX News)

RECENTLY ANNOUNCED (and still pending) STATION SALES:

WBDN 600 MI, KKPL 630 WA, WCBS 710 FL, WTPR 710 TN, KSVN 730 UT, WNNS 780 FL, KOSE 860 AR, KBNG 930 WA, KIXZ 940 TX, WSTX 970 VI, WSUB 980 CT, WLPQ 980 KY, WTIG 990 OH, WBIX 1010 FL, WOKL 1050 WI, WTBQ 1110 NY, WLNT 1140 TN, KDEC 1200 IA, WCKJ 1230 GA, WCVC 1300 FL, WTKC 1300 KY, WHOF 1320 FL, KCEY 1390 CA, WPPA 1400 AL, KRCQ 1400 CA, WIDE 1400 ME, WBUG 1420 SC, KLO 1430 UT, WREY 1440 NJ, KPUR 1440 TX, KIRX 1450 MO, KCLX 1450 WA, WKRC 1460 WI, KLCL 1470 LA, WARI 1480 AL, KAYK 1480 CO, WCSV 1490 TN, WLRB 1510 IL, KNGL 1540 KS, WHOL 1600 PA.

**TOP
END**



A monthly column of loggings, discussions & information for the 1600 - 1800 kHz range. Deadline: The last Saturday of the month. All times are GMT

Craig Healy 66 Cove St Pawtucket, RI 02861.....

September 1985....A few loggings of mine:

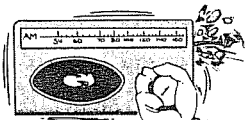
- 1610 ANGUILLA 0224-0232 8/25 R. Anguilla w/ ID into rel mx. Good, but SAH from TIS stations (probably).
- 1617.5 ??? 0406 8/25 Cubic Argo, fair.
- 1627 ??? 0407, 0412 8/25 K83780, good.
- 1635 ??? 0422 8/25 V383 and dash, poor.

The September issue of Monitoring Times has an article on public radio use in Alaska. There are a number of frequencies listed, all SSB: 1643, 1646, 1649, 1652, 1657, 1660, 1705, 1709 and 1712 kHz. Could be good targets if you're trying to hear all states.

Since the new season is upon us, a review of what we can and can't use might be in order. No loggings of carriers without modulation (AO), no cordless phones, no pirate stations, and nothing above 1800 kHz except harmonics of BCB stations. Anything else is fair game.

That's it for now. Please listen and report. The best conditions have been early in the season the past couple of years. Don't miss it!

TOP END



A monthly column of loggings, discussions & information for the 1600 - 1800 kHz range.
Deadline: The last Saturday of the month
All times are GMT

Craig Healy 66 Cove St Pawtucket, RI 02861.....

August 1985...Loggings:

From Eric Thew, Ballajura, Western Australia.
FRG-7700, FRT-7700 and random wire.

- 1629 ??? 1214 6/28 G369 and Dash.
- 1635 ??? 1140 6/25 R446.
- 1638 ??? 2246-6 6/11 N349 and U160 (both with dash) on CW (A1). These have an identical note and keying, making it appear that alternate calls come from the one xmtr.
- 1641 ??? 1143 6/25 D472.

Eric's loggings are interesting in that they are similar to what we hear on those frequencies around here. I wonder if the letter/number combination is only a serial number for the particular transmitter, and not a call sign. If so, maybe we could research the type acceptance for the manufacturer and ID these things that way...

From Bruce Conti, New Ipswich, NH
R-70, APT-3, LW

- 1783 ??? 1520-1533 6/28 30 pip per minute stn, w/ both long and short pips. Long pip w/ 1kHz tone, short pip at higher frequency. Good signal.

Noted here as well. It wasn't on the past two summers.(ed)

From Jim Ericson, Sunnyvale, CA
Yaesu 757, 80m dipole at 30 ft.

Jim's letter says it very well so here it is:

Thought you might want more info about the California Los Altos Hills station at 1610. It is a parking information station for the Foothill College campus there. It now has a male announcer on the repeating taped message. I live about 8 miles away and copy it almost as well as local broadcast stations.

Being curious, I telephoned the Foothill campus safety department this week. They said the power was 10 watts, working into some sort of antenna. They weren't technical types, so they couldn't tell me much more. It's been on the air about four months. They have apparently received a lot of inquiries from amateurs and SWL's. For the price of a SASE, they will be happy to respond to QSL requests. The address is:

Foothill Campus Safety
12345 El Monte Road
Los Altos Hills, CA
94022

A nice summer column. Some of the best DX has been very early in the season these past few years. Don't miss it! 'Til later.....

Ziggy



RADIO ST. VINCENT

705 Khz. (10,000 WATTS) 1535 Khz.

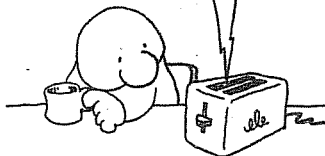
Confirming your Reception Report of our Transmission on
705 Khz. Letter Forward. Dated 6. 2. 85

Many thanks and pleasant listening.

Address:
P.O. Box 705
Kingstown, St. Vincent
WEST INDIES

Janette Duncan
Manager.

... IN OTHER NEWS,
RECENT SUNSPOT ACTIVITY
HAS CAUSED UNUSUAL
ATMOSPHERIC EFFECTS..



RESULTS OF 1985 INTERNATIONAL RADIO CLUB OF AMERICA ELECTIONS:

President:	* Richard E. Wood	37
Write-ins:	Phil Pytheway	3
	Jef Jaisun	3
	Don Kaskey	3
	Bill Hardy	2
	Peter A. Nolan	1
	C.M. Stanbury II	1
	Peter V. Taylor	1

Two votes were received for Nancy Hardy which were not counted due to Nancy running for a seat on the Board of Directors.

Secretary - Treasurer:	* John Clemenr	51
Write-ins:	Rich Segalas	2
	John Demitt	1

Board of Directors:	* Nancy Hardy	59
	* Bruce Portzer	57
	* Patrick Martin	50
	* Karl Zuk	48
	* Bill Harms	42
	* Niel Wolfish	40
	* Ernest R. Cooper	35
	Rich Toebe	26
	Jim Hilliker	25
	Robert Kramer	22
	Robert Wien	22
	Dennis Kibbe	17
	Frank Aden	8
Write-ins:	Bill Hardy	2
	Ted Fleischaker	1
	Jim Hall	1
	Ric Heald	1
	Frank Merrill	1
	Steve Mittman	1
	Gardner Smith	1
	C.M. Stanbury II	1
	Fred Vobbe	1
	Bob Walker	1

One vote was received for Ernest Wesolowski which was not counted since Ernie has not been an IRCA member for six years.

Ted Vasilopoulos Award:	* Patrick Martin	24
	Karl Zuk	15
	Greg Monti	12
	Peter V. Taylor	8
	Robert Wien	4
Write-in:	Bill Hardy	1

By-law amendment to change date of elections:		
	* Favor	58
	Oppose	6

*Denotes winner

EASTERN DX FORUM

RICHARD EVANS
P.O. Box 1294
NORTH WALES, PA 19451

New Address: The English Village Apartments
Building 23 Apartment B-6
North Wales, Pennsylvania 19454

Deadlines: 9/14 9/28, then every Saturday until the middle of March
This column typed 8/31/85

Bill Townshend, 4500 Connecticut Ave NW, #901, Washington, D.C. 20008
202-966-8046. During my three days in Beertown at the ANARC convention (with over 200 attending, mostly SWLers), I shared a room for two nights with Han Albrecht whom I met in French Polynesia in 1971. Like me, he is an avid oldies devotee and probably the top oldies fan in the mid-west. After the convention, I listened to oldies (1955-62 vintage) on his phonograph at his pad, 9 miles/14 km NNE of the hotel. WZUU-1290 is Beertown's counterpart of WWDC-FM or WAVA-FM or WIYY-FM here with its "chain-saw" format (AcR, with heavy metal). WIOT-FM in Toledo has a similar format, which I heard at last year's IRCA convention. WEMP-1250 is the oldies station, like WHND-560 and our own WXTR-AM and FM, but its playlist leaves much to be desired. When it comes to oldies or T-40. I'm just as much at home anywhere in the land or the globe as I am here. While listening to an oldies show on WBT-1110, I bagged much sought after WHAM-1110 which I will hear locally during NRC convention in R.I. over Labor Day. I'll be in the Cape Cod area after the convention for several days. That area is great for armchair traveling, both AM and FM, with the water paths. Enough for now. S/off for 14-28. 1001001 (binary).

Mark Connelly, 30 William Road, Billerica, Massachusetts 01866
I felt that it was time to address the two issues (computer programs and time zones) mentioned in 10 Aug. 1985 DX Monitor. I feel that, at the very least, that the RESULT (output) of each program should be printed to show the DXer what a computer and the program in question can do for him or her. With many computers now selling for much less than a decent receiver, many DXers not presently owning a computer would see the usefulness of one around the shack. I think that the percentage of club members owning computers is already much higher than the writer of the front page of DXM (10 Aug.) presumes. Among personal friends and acquaintances in the local general public, at least 20% own personal computers. Among co-workers at GenRad (a high-tech. environment), the figure is more like 75%. I'd imagine that, in radio club circles, the figure would like somewhere between these two percentages. Programs written in BASIC are fairly transferrable machine-to-machine; principal differences occur in how the program talks to peripherals (printers, CRT, disks). Other radio clubs (NASWA, FRENDX, Grove's Monitoring Times, et al) have had REGULAR COMPUTER COLUMNS for several years now, so there must be some interest out there. After all, this is 1985: kids learn reading, writing, arithmetic, and BASIC in school. Technical articles, like computer articles, are not understood by all club members; however, the DX hobby would not have progressed to its present level of sophistication if DXers didn't build loops, phasers, experimental antennae, preselectors, and even their own receivers. We (IRCA) should not be seeking to limit bulletin content to "lowest common denominator" articles. Other clubs pride themselves on using all of the state-of-the-art tools and techniques available to counter the increasing challenges of DXing on today's congested bands. IRCA should not come off looking like a "Gong Show" of technical and computer illiterates. All articles received should be published, and in a timely manner. Broadcast band DX, while not dead, is certainly not in the greatest of health. Younger people, weaned on FM and video, are much less likely to join a MW club than kids of the '50s & '60s when AM was king. MW clubs must foster as much worthwhile member participation as possible to keep them vital. Something's wrong when an article dated March doesn't show up in DXM until October - if it shows at all. Active modern MW DXers, by and large, are sophisticated communications hobbyists. The breakdown of clear channels, light dimmer interference, videocassettes, and FM listening have removed much of the chaff from the wheat in MW clubs. Those who still have the "right stuff" to turn their receivers on, in this day and age, take their DXing seriously. On the time zone issue - I say go GMT/UTC 100%. Most MW DXers also DX shortwave and, on SW, GMT is the only game in town. Also, let's adopt shortwave club language abbreviations. 73.

S. D. Warren, Rt. 2, Box 285, Nettleton, Mississippi 38859

Hello everyone. Some time ago I recall a West Coast DXer worrying about becoming "paranoid" because all of the new 1-A "clears" were beginning to operate from a few hundred miles from his QTH. I have the same feeling concerning "daytimers" on the "clears". While the West Coast and Mountain States have a significant lead in new fulltime stations, the Southeast is loading the channels with new daytime stations. WYAI-780 Ridgeland-Jackson, Miss., WSAF-1180 Trion, Ga, and WBCE-1200 Wickliffe, Ky are my latest receptions on the 1-A "clears". David Reitz informed me that WGFC-1030 in Floyd, Va. can be heard in the Louisville, Ky. area but with WXSS and KCTA to fight it, I'm not too hopeful about hearing it here. WYAI is Miss.'s second station on the 1-A "clears". WYAI programs rock music from sunrise to sunset. Since it simulcasts with WMZQ-FM-101.7, the usual ID is "Rock 102" with legal ID only on the hour. WYAI's 5000 watt signal is actually stronger than 10000 watt WJMW on 770. What will 50 kw WTVJ Ridgeland be like here on 6601 Operating on 1200 with only WQAI and KFNW causing co-channel QRM, 1000 watt WBCE may get out well from its west Kentucky QTH. WSAF blasts in on 1180 before WKKE increases power and causes some QRM in the early evening hours. WBCE has a religious format and WSAF seems to be C&W although listed as adult contemporary in Radio programming notes (July 13 DXM). WQIS Laurel, Miss. plans to move to 890 with 10000 watts according to a station official per phone call on July 29. WBIV-1210 Denham Springs, La. is now booming in before sunset. Now what was I saying about "daytimers"? 73 and good DX.

Jim Herkimer, 3255 South Drive, Caledonia, New York 14423

I've had a very enjoyable summer at our cottage on Wellesley Island, in the St. Lawrence River, north of Watertown, New York. In addition to CCB DXing, I spent some time listening to 160 meter ham activity. The "Wild Bunch Net" on 1850 kHz meets nightly and frequently discusses equipment and antennas for serious 160 meter DXing. Of particular interest were the discussions regarding Beverages. One participant was skeptical of the effectiveness of Beverage length wires simply stretched out on the ground. The 2182 kHz maritime frequency is routinely monitored as a "TA beacon". 73. (Hi, Jim. Thanks for the report, Please keep sending them!--rce)

Karl J. Zuk, 154 Old Post Road North, Croton-on-Hudson, New York 10520

Thank you to everyone who voted for me in the recent election. I am very excited and happy that I have been elected to the Board of Directors. Two issues are currently up for discussion: The use of local times in the roundup columns, and whether or not computer programs and other long features should be run in DXM or offered by The Goodie Factory. So far, the consensus of the people I have heard from favor using local times in the three roundup columns or GMT/UTC. (Count me against it--rce) Using Eastern Time has always seemed a little cumbersome to me, although it is convenient to members on the East Coast. The members on the West Coast and outside North America must be terribly confused when they need to constantly convert time. Local times seem to be most useful to me. The publishing of computer programs and long, involved construction projects has never appealed to me. I like the idea of using The Goodie Factory as a method of distribution of this sort of information. It would be nice if we could see a brief summary of projects and their use in The Technical Column so we might decide if we would be interested in the details. To have a short bulletin with half of the pages filled with one program or project doesn't seem to me to be in the best interest of the membership. If The Goodie Factory could offer these articles at cost, we would all be better off. I still encourage the membership to produce and offer material like this, and if we had a publication as complex as QST with a great deal of space for such things, long form material would be welcomed and not bothersome. I have only gotten a handful of comments about these issues so far. Please let me know how you feel. It doesn't matter what time zone you are in! I would also like to invite everyone in the Eastern Time Zone to write me with your loggings this season. It is a shame that we have a large Eastern membership and I only hear from a dozen or so members! It is your column and your club. Don't let Gardner Smith and I dominate the column. Write today!

John H. Demmitt, Box A K0848, Bellefonte, Pennsylvania 16823

(Two reports) MW lately seems to be very good. I've noticed that when there are severe weather spots on the national weather map, it serves as a signal that reception may be ideal in some areas. Perhaps the storms are generating ions enhancing propagation away from the storms. Only a thought, maybe someone knows. I noticed a second station when I came down to 1110 kHz the other night and once I nulled WBT, I could hear loud and clear a PSA on the Nebr. Highway Patrol and later the IS as K-FAB. Checked the national weather map and again found storm fronts. I am going to attempt to log the weather conditions to see if I will be able to predict where the reception will be coming from by looking at the weather map. Had several

visits from Don Moore and his wife lately. As they settle down, Don will be re-joining IRCA so we will all be hearing some great DX reporting once again. Lot's of construction is going on around here and giant sheets and blocks of aluminum are everywhere...on the roofs, on the crains and on the ground. I'm taking advantage of the signals which are being reflected from all this metal and doing a lot of DX'ing. Getting good results! The DX bug isn't the only bug that bit me. Have a nasty virus but the good part is, that allows me to monitor the MW more. hi. 73.

Richard C. Evans, The English Village Apartments, Building 23, Apt. B-6, North Wales, Pennsylvania 19454

That's a long (new) address, isn't it, hi. I said yes to the job in Elizabeth, New Jersey, but it didn't open up after all. The powers that be decided to leave the guy who had the job now there. (I don't think the guy there knew there was talk around that the job would be opened up for a new guy!) So we'll be moving to a new apartment about five miles down the road from here. (I've been in this apartment for the past seven years, so it'll seem strange to be a new place.) The move will be on Sept. 7th, an "off week" for typing this column. The P.O.Box will be open probably for the next six months, but please use my new address from now on. After the middle of Oct., the box will probably be checked once a week--on Thursdays. On the time zone question, I can only say that the current way is the best. If you go to using the DXers local time in the Roundups, who will know which time is being used. When Bill Nittler lived in McCook, Neb. several years ago, he was 30 miles east of the boundary between CLT and MLT. Who would have known which zone he was using in the Roundups. The Roundups are not based anymore on the time zones--and have not been for the past ten or twelve years. Eastern Roundup actually goes over only to a line running north/south through the Ohio/Indiana state line. Central Roundup goes from there to around Denver. EDXR is the only Roundup which really encompasses one time zone. As to Karl Zuk's question/comment about it being rough to convert times, when I lived near Chicago, I didn't find it hard at all. My logs from those days were all done in EST/ELT. The use of one time zone makes it easier to use reports to ID the unids, to track regular tests (both f/c's and ET's). The use of Eastern time is, I think, the most convenient for all of us. It means all tests will be shown as taking place after midnight, while a guy in, say Denver, using MLT would be showing a test on the East Coast possibly on the day before the actual test took place. Ideally, the tips in the Roundups would not be read with an eye towards who heard it anyway. If a DXer knows when his pests are off, he should be looking over the roundups to see what can or has been heard then, not who heard it. I don't like the use of GMT/UTC either for domestic DX. It doesn't change when our daylight times change in April and October. Thus, a listing of tests, s/off's, etc., will be inaccurate six months a year and would require a person to either add or subtract an hour those six months. Agreed Ind., (most of it, anyway), Arizona and Hawaii don't go on daylight time now, but that doesn't invalidate the argument. I hope the Board votes against any changes. On the technical and computer articles, it doesn't bother me, even though I don't normally read them. I do remember the squaking that went on fifteen years ago, and to listen to the members then, half the club members were frauds when it came to engineering articles. Which half of the writers "are deliberately misleading" the readers depended on which side of the controversy you belonged to, hi. Hope the above makes sense to people--it was written on the spot while typing it. Must run. Keep reporting! PTL.

Holland Tunnel Gets Radio System

By The Associated Press

Both tubes of the Holland Tunnel between Manhattan and New Jersey now have a radio system that can broadcast traffic information to motorists, the chairman of the Port Authority of New York and New Jersey announced yesterday.

The chairman, Alan Sagner, said that one tube of the Lincoln Tunnel had a similar system and that the two other tubes would be equipped this year.

The system rebroadcasts about 20 metropolitan area AM radio stations, which have poor reception in the tunnels, and allows authorities to break into broadcasts with traffic bulletins, said Leon Katz, a port authority spokesman.

The total cost of the project, for both tunnels, is estimated at \$1.6 million, Mr. Katz said.

State Radio in Cuba Lifts Ban on Sinatra

HAVANA, June 18 (Reuters) — Frank Sinatra singing "Come Fly With Me" was heard on the state-run Cuban radio Rebelde today for the first time in decades, apparently in a concession to the challenge from Radio Marti, the new United States station.

The American singer and his songs were effectively banned here in the early 1960's because of his purported friendship with gangsters who used to run much of downtown Havana in the years before Fidel Castro took over.

Cuban sources said the unofficial ban appeared to have been lifted because of Radio Marti, which was started last month by the United States to give Cubans a non-Communist source of news, views and entertainment.

No Cuban officials were available for comment.





Western DX Forum

★ ★ ★ ★

IRCA—Serving the Broadcast Band DX'er Since 1964

Editor: Ric Heald, 1632 J St., #4 Eureka, CA 95501

HEADLINES - 17 SEP, 01 OCT, THEREAFTER, EVERY TUESDAY

W. GEORGE ELLIOTT, P.O. BOX 312, PENTICTON, BC V2A 6K4 CANADA Part II

Although we only spent two weeks in the US, I made a number of observations. I had promised myself I wasn't going to spend the whole time DX'ing, I did do a little "radio listening," mostly to catch the latest weather forecast or to keep us awake in the evening after a long day on the road. I often checked a couple of the local stations in towns we were going through and most of the calls went in one ear and out the other. One thing I noticed was that the AM dial was primarily C&W and News/Talk. Very little T40 to be found and no rock. I guess mostly on FM. Another thing, with the difference in terrain, there were a lot of stations to be heard from far away that could be considered locals. My borthor (a non-DX'er, but still thumbs through DXM to see if I've got a forum in it or not) was surprised to be listening to WBBM as we drove west through South Dakota. Another thing that surprised me was the number of W calls west of the Mississippi. WNAX comes to mind.

Surprisingly, the closest I got to a radio station was eating dinner in Wendy's next door to KCEZ/KQUY Butte, Montana. I wouldn't have noticed it if Bruce hadn't pointed it out to me as we got back to the car. Although I did aircheck some Chicago and Freeport, Illinois AM and FM stations while we were in Kent.

We got back to Kelowna the evening of 14 June and I spent a week there winding down and getting back into the Okanagan frame of mind. While doing that I did a little DX and finally nabbed CKGR 1400. I thought it was CKRP until I got a Columbia-Shuswap ID. I also re-built my 4-foot loop antenna and tried it out one night. I was amazed at the directional qualities. I don't remember it being that sensitive before and now I can almost null CKIQ all the way to 1180. Not much help on the bottom end with the loop, in fact, I had to LOOK for KBOI. Usually a pest, so I'll have to fool around with the loop. (Sounds like you need more turns of wire on the loop-Rth.)

A while ago I confirmed a reception report for CKRP for Tuomo Antenin in Finland. (Tuomo's been busy. I confirmed one from him at K-RED, hi-Rth.) Hello Tuomo... we've been in contact since. The GM told me when I showed him Tuomo's report that CKRP gets all kinds of reception reports from Sweden and Finland. CKSP gets them from Japan. But they don't QSL. So much for PR. (We had one each from Finland, Sweden and Japan-Rth.) 3's (yes, Ric, as in CB lingo) de WGE. (Oh gawd, another bucket mouth, hi-Rth.)

JOHN C. JOHNSON, 501 5th ST., BILLINGS, MT 59101

Favorite verie oldie of the month: K^{DR} 1360 Grand Coulee, Washington from '62. Latest veries: KROD 600, KATL 770, KXEG 1010, KCKY 1150, KERI 1180, KASY 1210, KCLG 1210, KXLR 1260, KSCB 1270, KSOP 1370, KSMJ 1380, KNIX 1580. Please check CDXR for a huge batch of DX and tips. Highlight of the past few weeks is KATL 770. According to verie, they went to 10 kw days on 05 August. Not sure when they moved to 770, but were using 1 kw only until then. I can hear them, but KGHF 790 splatter is too strong for listening. 73. (Thanks for the TV CW, John. . .don't have one at K-RED-Rth.)

GARY LARSON, 2806 LINCOLN, BURBANK, CA 91504 (818) 843-3666

Latest here is that I'm back at work in Pacoima after a month of being laid off. Working graveyard shift. Can now better plan things. Am also starting a temp. job mornings in maintenance at the department store where Paul Swearingin is employed; I have him to thank for it.

It's 2358 P1T 25 August and I'm listening to 1600 KWOW to try to detect a power increase at midnight. KWOW now in fair at 0015 so may have switched to 5 kw, but hear another station under them.

Sorry about so many phone number changes. The above should be correct when this hits print.

KROW in well this morning as well as KTRB, almost like local KIEV at times. Pulling in KBUG 1320 as well.

Steve Mittman, good report regarding "stereo" KNX. Because of the office staff's general lack of radio knowledge, I always try to avoid them when calling a station. Also, KLIT 1220 is now KTSJ. Still don't know where their transmitter is. Can anyone help me on this?

Mike Hardester, can't really answer why KWOW is still oldies after all these years, but whatever their formula has been, it's been a success.

I'm glad they aren't REL, SS or Talk.

Am listening to a tape of 1060 KSLM Springfield, Missouri with Big Band. (You sure that's not KLSM? KSLM is 1390 Salem, Oregon, a nightly pest-RtH.) Pretty good to hear a MxOL type AM from another area with local spots.

Ric, I agree loyalty to formats is greatest with specialty formats. I'm into Oldies the most. Also enjoy EZL a lot (a la KABL). (KABL is BFL. EZL is same as Adult Contemporary, a la KNBR, hi-RtH.)

Time to go, so 73 and support your columns.

MIKE HARDESTER, 401 BIRCHWOOD CT., MODESTO, CA 95350

Greetings. A whole bunch of years ago, late '60s/early '70s, the use of a PFC to a CB station to obtain a QSL was a last resort. For that matter, it may still be, but as QSLs are (seemingly) seldom listed in the columns (forum reports), I'm not certain. However, with the ever increasing postage rates (. . . and it's corresponding decrease in service, hi-RtH), I've gone to the one report to a station with return postage, and if no reply in a few months, then a follow-up with a PFC and stamp attached to the PFC is sent. As such, recent PFCs in: KORY (now KPLA) 1270, KTHO 590, KFAM 700 and KKMC 880. All full data. KKMC returned PFC in an envelope along with station information, a CW, mini-KKMC poster and a note that at the time I heard them and reported, they had received numerous reports and hadn't had the time to reply. Obviously they will answer f/up reports and are friendly. (For newer members, a PFC is a prepared QSL addressed to you and all the station has to do is sign it-RtH.)

Latest news here is I'm returning to active duty with the Navy as a HMI (Hospital Corpsman). However, my detailer hasn't told me where I'll be stationed. He did ask if I spoke JJ and liked Okinawa. So, looks like I'll be heading back to a tour with the Marines, though nothing official yet. Looks like no DX for a while as I head off for some training, etc., this coming Monday, 19 August. Very 73 and best of DX.

GLEN KIPPEL, 612 WEST AVE., MERCED, CA 95340

Greetings once again from Little Laos. You haven't heard from me lately because I've been spending 34 hours a day confirming the Z-wave theory of Norton Static, PhDX (see DXM, 13 April). Not only is it correct in every detail, but now I know why DX is invariably better in the country than in the cities. It's because the cities are better lighted, so the radio waves can see the street signs and find their way back home! (Been listening to Firesign Theater lately, have you?-hi-RtH.)

Like every great idea, it's simple once you understand it. Now all we need is a re-~~Z~~ver which is like a receiver but only sensitive to Z-waves and we will see a new renaissance of DX'ing. Isn't that exciting. (Do you also walk around your transmitter site at night lighting up neon tubes from the RF just for kicks, hi-RtH.)

Speaking of which, it was fun working on Gene Martin's HQ-180C recently, and we should be getting some good DX reports from him as that receiver is working great. Be watching for an article in these pages comparing the HQ-180 with my mildly-breathed-on SP-600-JX17, the R-388 and a couple of others.

New in the DX den is a Hewlett-Packard 606A signal generator, capable of cranking 3 volts into a 50-ohm load. Just the thing for testing receiver overload. Also a Tektronix spectrum analyzer, which may prove useful for something, hi. (I needed this comic relief, hi-RtH.)

A recent newsletter from the University of California had an interesting article on the solar wind, and how it pushes the earth's magnetosphere into a teardrop shape. I wonder is the ionosphere is pushed higher (at night) during the winter months, when the earth is closer to the sun, and that is why DX is better then. Does anybody know about this? Does anybody care? (I swear all CE's have the same sense of humor, hi-RtH.)

Well, that's it for now, so 73.

JIM HILL, 3801 PALOS VERDES DR. N., PALOS VERDES ESTATES, CA 90274 (Part II)

Portable battery operation is the most convenient modes. On an earlier trip, I brought a much modified BC946B Command receiver and a homemade 12V power supply. The receiver worked fine, but I had power supply hash problems (more plastic in the rental car than in my car). I also had problems finding suitable places to park near my hotel where I could string up an external antenna. Both Australia and New Zealand have 240V 50Hz line power and a different wall receptacle than is used in the US. Light bulb sockets differ too. Many hotels and motels have a special wall receptacle assembly in the bathroom with 115V, 240V, and European, American, and Australian/New Zealand receptacles. Usually, it's designed for electric razors only and limited power is available. The American outlet is always a combination American (blade)/European (rod) setup, and I had difficulty getting a good connection for my razor. I had no problem when I used an

American/European adapter.

I deliberately selected a hotel with a balcony for each room in hopes of having less wall attenuation and less interference from TV sets. I made a good selection, or was lucky. New Zealand fluorescent lights cause much less interference than American ones. (Same in Europe, Jim-RtH.)

Did I hear plenty of choice DX? No, unfortunately. There are plenty of Australian and New Zealand stations (though each country can be heard from the other without much trouble). Proper planning, preferably a loop with good nulling capabilities, and sunrise/sunset charts would be required. My only DX was New Guinea (I think). I heard an oriental language with appropriate fading on a New Guinea channel, but the Australian Broadcasting Company has ethnic broadcasts as well. Also, the log isn't completely up to date.

Daytime DX in Cairns was interesting. There was one moderately strong local and a variety of stations of various weakness. It would be a good place to compare weak signal reception of various receivers. I'm pretty sure I heard Auckland (Radio Auckland), but no call letters heard and the log didn't have an Auckland station listed for 1215 kHz.

Time to stop, as I've used more than my share of space. I do have a request, however. I need a schematic for my TRF. Service and alignment data would be nice, but a schematic will do. It's the normal TRF, not the degraded model produced at the end. I'll pay postage, reproduction costs, or whatever is needed. If you live nearby, give me a call. Phone numbers are: (212) 513-4755 (work) and (213) 378-4411 (home). If you call me at work, let it ring about 6 times to allow me time to reach the phone. If nobody answers, try later. It's direct dial, so not answered at a switchboard.

A CORRECTION

(In Jim's Part I, 2nd paragraph should have read. . .) LW sensitivity is quite poor. . . , not MW sensitivity is quite poor. MW sensitivity of my Sony ICF2002 is a little worse than the sensitivity of my TRI, but this defect is more than offset by the improved selectivity.

ALBERT LOBEL, P.O. BOX 26762, SAN DIEGO, CA 92126 (619) 484-0604 or (619) 566-0092

I wanted to specifically address some of the items in previous WDXF and EDXF. First, WGE, you think AAA doesn't know what BCAA stands for try getting BCAA to understand AAA. While on vacation in Victoria, BC, Nick Hall-Patch and wife were showing us the sights when his truck broke down. Not only didn't BCAA understand AAA, those that would honor it were closed on Sunday. Nick got his truck running the next day.

I've said it before, Steve Mittman, and I'll say it again. AM stereo is the greatest thing to happen to AM in a long time. While the quality of AM stereo sound can't compare to FM, it's a vast improvement over mono AM. Listen to a baseball game in stereo, such as the Padres on KFMB.

Ric, now to your points. It's not the heat but the humidity. 75° may be hot to you, but temperatures in the desert in excess of 100 were more comfortable than the mid-80s in San Diego with high humidity. I don't mind heat, I do mind the humidity. Also, Radio Shack is headquartered in Dallas/Ft. Worth. Is that local mailing to San Diego? (I was thinking, and probably wrong, the advertising fliers came from the local area-RtH.) I agree partially with you on being loyal to a station. There's only one problem with that as far as my favorites go. I like most of the music on KMLO 1000 Vista, but I live on the fringes of their prime coverage area and when I go into downtown San Diego I can't get them well and have to switch stations. KFMB is good except in the morning (I hate their morning show and refuse to listen or in the evening when they have Bill Balance (unbalanced)). To me he's a Mr. Know-it-All. In closing, glad to know you figured out my cryptogram so quickly. 73. (It was easy because you repeated on several words. Next time, mix up same words and it'll be more difficult-RtH.)

RICHARD E. WOOD, P.O. BOX 5074, HILO, HI 96720

My thanks to all who supported me and I'll do my best as club president. My administration will emphasize serious DX'ing, accurate reporting, high standards of editing and the financial stability and independence of IRCA. Prepaid calls to me at (808) 966-7091 are welcome, and station-to-station should get me, preferably in the Hawaiian evening.

Speaking of IRCA's independence, one strange relic of the days when the fledgling club was an offshoot of NRC is that curiosity, ELT in DXM. I was glad to see the topic brought up for front-page discussion in DXM 22-34. ELT in DXM is a relic of a past age and a different club with a different geographical concentration. The term "Eastern Local Time" isn't even a legal one and if used in reception reports, will leave stations none the wiser. Yet the chaotic suggestion of different time zones in different columns is no solution. Each Roundup and Forum column serves more than one time zone. The western columns, for example, serves the MST states, Arizona which rejects DST, Alaska which recently adopted a new time standard, and the Pacific islands. Let's bit the bullet and standardize everything to the nrom

already used in two DXM columns. . .UTC (the former GMT), with plenty of conversion tables and how-to articles initially. This will put us on the world standard and help us use the standard references such as WRTM. Other references such as the Vane Jones Log contain no time listings so can still be used regardless.

Turning to DX news: KPUA's switch to 670 hasn't caused major problems in DX'ing here, and KBOI can still be heard through it at all times, and eliminates KPUA's hoped-for coverage of distant parts of this Big Island. It's a clean signal with no harmonics and little splash. (I hate to mention this, but could they be on reduced power and still working on the new system?-RTH.) KPUA's adoption of 24-hour operation is annoying, but it's off MMs and irregularly at other times. A good DX frequency, 970, is now clear. Also clear is 1080 where KWAI is still working to reinstall the vandal-felled tower. Such an early expense was the last thing a shaky new station in a crowded, uneconomical market where most stations make losses, needed.

June was a superb DX month but July and August were only so-so, with few good deep South America or East Coast openings. No Europe and only one or two Namibia openings. Static levels, while generally lower in Hawaii than in North America, have been high at times. Aloha.

GUY KUDLEMYER, 1320 CITY VIEW #1, EUGENE, OR 97402-3330

I recently had the misfortune of being a "radio witness" to a domestic disaster of a fellow DX'er in my town (who shall remain anonymous). I crawled sleepily out of bed one morning this summer around 8AM and heard firetruck sirens going up my street. I turned on my Regency D-310 scanner to see if I might find out what was going on in my neighborhood. Instead of hearing the fire department, I caught the tail-end of a police conversation. They were talking about a burglary that had occurred across town from me. They gave the name and address of the victim and I recognized it as that of a fellow DX'er with whom I have a passing acquaintance. I've no idea whether this person's radio equipment was stolen because we've not talked recently, but I'm sure it was a traumatic experience anyway. I had the misfortune of having my home burglarized one time many years ago when I lived in California and also of having my car broken into when I lived in Honolulu, so I know the feeling of having been "violated" that goes along with a crime of this nature. The incident wasn't mentioned again on the scanner in the hour or so that I continued to listen after that, so it was quite a coincidence that I just happened to catch it like I did. Still, I'd like to offer my condolences to that fellow DX'er in their time of domestic crisis.

Please note my new address. I've moved across the street to a bigger, quieter apartment. I can see out two tennis courts from my upstairs DX room, so I've taken the liberty to run a wire out the window and down to the tennis courts. An alligator clip on the chain link fence gives me literally hundreds of feet more wire for my signal snatcher and provides quite a bit more gain over the 900 or so feet of wire I'm already using. It'll come in handy around Thanksgiving or so because that's when the DX conditions reach their highest peak at this location. . .from about Thanksgiving until around Super Bowl time. Now, if I can just keep the apartment manager from giving me heat about this, all will be well.

Unfortunately, I missed the convention this year, as always seems to be the case with me. Usually, I'm off on vacation at some little-known place in Montana, Idaho, Utah or somewhere, but this year I missed it due to a trip to visit friends in Fairbanks and Anchorage. It was quite a trip even if I didn't do much listening. Hope everyone had a great time (I know they did) and maybe I can attend next year.

For my birthday on 17 August, I received as a present an Aiwa model HR-S05 self-contained stereo headphone radio to replace a similar one that I dropped into the surf in Seaside last May. It's FM only, but it sure sounds good and it doesn't have the radio that clips on your belt and all the assorted headphone wiring BS to get tangled up in whatever you're doing. The whole thing sits on your head and is contained in the speaker cups. I heartily recommend it for anyone who, like me, likes music wherever they go and doesn't want to drop a big wad of green, because it can be had for about 40 green stamps.

On the local scene, I've got about 50 KQDQ stickers that I'd sure like to unload because I don't collect radio stickers. KQDQ is now simulcasting their FM anyway (K7AM-FM), and have applied for KZAM for their AM side, so KQDQ will soon be history. If any of you collectors would like a KQDQ sticker, send me a SASE and I'll unload a couple on you. (KQDQ has "applied" for call change? That's no longer required, they just do it and notify Charlie. And Guy, can you train your computer to double space? My poor eyes, hi-RTH.)

ANDREW J. RIMMINGTON, 559 CLARKE RD., COQUITLAM, BC V3J 3X4 CANADA

I'm not sure that printing programs in DXM would be all that useful even to those of us who do own computers. Straightforward calculations of GCE/GCD, sunrise/sunset times, etc., would be of limited interest: if the algorithm is well known most of us can probably write our own program almost as easily as we can translate someone else's BASIC into our own system's dialect.

If someone has a new and better algorithm, then let's publish the formulas so anyone with a pocket calculator can use them. Why put it in a form only a few DX'ers will understand? (Thank-you!-Rth.)

Record-keeping applications might be more attractive. Usually, though, the alternative to the computer is a packet of file cards or a bottle of correcting fluid, so a computer program had better be awfully efficient and versatile if it's to have any solid advantage. And it starts out under a major handicap: computers are ferocious RFI generators, so the program isn't available when it would be most useful - you can't have a computer running beside you while you DX.

There are programs powerful and sophisticated enough to overcome these limitations and beat the alternatives hands down. But they aren't written in a hundred lines of BASIC. To list, say, 400 lines of code with even minimal documentation would gobble up half a dozen pages of DXM - all of it useless and incomprehensible to the majority of our members. There's nothing really unique about DX-related record-keeping anyway: if we did publish such a program, would it really offer anything I can't get from dBASE II, or even a \$100 file manager?

I'm firmly convinced of the value of computers in DX'ing, but I have my doubts about the value of any software we could realistically expect to publish in DXM. I think that to get into this area would be a disservice to those members who don't have access to computers, without providing any very substantial benefits to those of us who do. 73.

RIC HEALD, 1632 J ST., #4, EUREKA, CA 95501

Please note new address. Back to the apartment I had two years ago, an economic move, to be sure.

DX'ers, of all folks, should be top notch on geography. . .but. . .I've now gotten three letters from Bay Area DX'ers who seem to think I'm next door to Willits and should be first to hear KLLK. You should all be shot at sunrise, hi. Friends, what's the halfway point between Eureka and San Francisco? WILLITS! And don't cry about 1260 slopover, I have my own cross to bear with 35db o/S/9 1240 (ain't 70 miles of water path fun?), and can hear KLLK to about two hours after sunrise and two hours before sunset, only when KPOD is talk audio. I hear "something" on 1250 at other times. See WDXR for more details.

On 28 August, got into my car after s/off, punched up KGO and they were OFF! To top that, normally way-in-the-background CHQR was sounding like KGO. Fired up the FRG 15 minutes later to find Calgary 30db o/S/9 and virtually unnullable. Started up the band, stopping 10 kHz later hearing a strong signal mixing with WBAP. Then nearly flipped when I heard, "It's 46 degrees in downtown Fairbanks from KCBF with memories from the Beach Boys." I flew down to 660, no KFAR, and nearly in tears started searching for other Alaskans. Landed on 830 just in time to miss an ID to hear CNN news at 0200 PLT, sat through the news to get a nice ID from KABN. Also strong were CJCA 930 (totally dominating), CHED 630. Landed on 910 for recreational listening (now on the TRF) to KNEW, listened through the country music set only to hear weather and an ID for CJDV. What's with the Calgary ID? Drumheller is over 50 miles away. And when did CJCA go country? They used to be Edmonton's number one rocker. CJCA has a special place in my DX heart, right John Oldfield?

Richard, regarding time zone usage, I'm still for whatever the editor feels right for their own column, but certainly not UTC except in the international columns. Why? The Roundup and Forum columns contain North American information, and to standardize with ELT is most logical to me and quicker for conversion than UTC, and as I'm sure you're aware, the vast majority of club members don't have Beverages listening around the world. That's not a negative, in fact, I envy your location and wish I had room for a couple Beverages, but most of our members aren't using UTC. I have a strange way of converting for Asia and Oceania, i.e. Japan minus 7 hours from PLT plus one day. Works great, hi.

Albert, ethnic broadcasting may not have your approval, BUT, it rings the cash register in a big way back at the station, and that, my friend, is what it's all about anyway. Same with REL. Selling 15 and 30-minute REL block all day brings in mega-bucks, just ask KFAK and KEST or my old employer, KNBA (runs REL blocks on Sunday) and I used to receipt pastors on Saturday afternoon, take their tape or cassette for next day broadcast. I saw the money coming in.

Regarding computers. Had to laugh at an item on USRR news. Keep in mind KPDJ is run by computer, AM logs and sponsor history/info/contracts run off another computer, another computer in GM's office. Seems a prof at U of C quizzed Berkeley sixth-graders what they thought of computers. Overwhelmingly thought they were the future but thought those who ran them were nerds!! Now we read California briefs right after that and I couldn't, hi. I was looking at our computers and laughing my head off. Ran a spot instead while I gained composure. Now 6 nights a week at KRED. See ya in 14. 73 de Rth. .



Review: the MWDX-2B Phasing Unit

by Jim Herkimer

In the November 21-28, 1981 issues of DXM, (Reprint A38) Mark Connelly published a comprehensive article describing construction of the MWDX-1 phasing unit. I built this unit and found it to be extremely useful. Results are described in the August 20, 1983 DXM, Reprint A49. It was my first experience with phased wires and it provided numerous DX catches that would have been difficult, if not impossible, with a loop.

Mark has since designed subsequent units offering several improvements over the original version. One of the latest of these, the MWDX-2B, was recently constructed here and I'm quite impressed with its performance. Among its advantages over the MWDX-1 are: substantially greater output (as a passive phasing unit), improved nulling capability, easier construction, and the addition of two features previously unavailable.

Substantially greater output: the inductive voltage divider system handles a wide range of input impedances without the adverse effects of tank loading. With the MWDX-1, some difficulty was experienced at times in obtaining a defined "peak" in each line leg. Additionally, the MWDX-1 called for J.W. Miller T-106-2 or F-87-1 cores for the transformers. It was later discovered that the T-106-2 was unsatisfactory at ECB frequencies, while the F-87-1, a far better choice, now sells for \$6.34 each. At 90 cents, the Amidon 82-77 provides good performance at reasonable cost. The tighter coupling used in the MWDX-2B improves rejection of spurious responses with greater signal transfer.

Improved nulling capability results from the elimination of "cross-talk" between input sections. Fewer control manipulations are required in obtaining nulls, and null depth on locals is increased. The MWDX-2 (and 3) series utilize air variable capacitors which provide smoother operation than the miniature transistor radio type used in the MWDX-1. The latter were prone to early failure and dust entry. The reconfigured pot scheme (25 k is preferred to 50 k for the line level controls) also provides smoother operation, allowing simultaneous control of line level and Q-spilling.

Although the various controls fill up the top of the enclosure, there is ample room inside for the associated wiring, making construction considerably easier. The earlier MWDX-1 provided series or parallel tuning of each line leg, plus choices of output: balanced, unbalanced-1 (one output side grounded) and unbalanced-2 (both outputs tied together). The newer version, lacking these features, requires less circuitry (12 controls/switches vs. 16) and construction time is therefore reduced.

Two additional features have been added to the MWDX-2 series phasing units: (1) a length switch, which allows antennas either capacitive or inductive in their reactance to be successfully tuned, and (2) provision for loop vs. wire phasing, for additional phasing flexibility. The latter provision also allows quick comparisons to be made between the phased wires or the loop alone. At times, one or the other will show better response depending on prevailing conditions. Finally, the sturdier construction in the MWDX-2 series is an obvious advantage, and it is likely that the MWDX-2B will see frequent use here.

(---Thanks to Mark Connelly for the design, and for help in obtaining some of the components.)

* * * * *

The R71 Performance Manual is a publication of great interest to those who presently own or are thinking of purchasing an ICOM R71. Written by Don Moman, it provides many simple modifications that almost anyone could perform, each of which could be worth the price of the book to the R71 owner. Detailed instructions, including schematics and pictorials, are given on how to improve AM selectivity, increase medium wave sensitivity, enable the notch filter to function in the AM mode, tune below 100 kHz and much more. Alignment instructions are also included so that you can adjust the R71 for maximum performance, with or without expensive test equipment.

This manual is available for \$10 U.S. funds in the USA and elsewhere in the world, including airmail postage. Outside N. America, 25 IRC's will also do.

In Canada, the price is \$10 Canadian. Orders to: Shortwave Horizons,
6815 - 12 Ave., Edmonton, Alberta, Canada T6K 3J6.

* * * * *

and still on ICOM...

ICOM IC-R70 Modifications

by Laurens B. J. Engel

Most owners of the ICOM IC-R70 communications appear to agree on at least two points: it is a very good receiver and it certainly can be improved. The manufacturer must have felt the same because it now produces an improved receiver, IC-R71, with the differences being mainly of an operational rather than a performance nature.

It seems possible to correct many of the R70's drawbacks by making available a reprogrammed microprocessor chip and hopefully ICOM will do that. In the meantime there are a few modifications that this owner found useful, and that can be made without irreversible effects such as drilling holes and uprooting p.c. cards. By utilizing the existing controls and inside space, circuitry can be added that taps into the original wiring at convenient locations. The board layout supplied with the set is used as primary reference for the following description of the modifications. Some part numbers, jack numbers etc. are slightly different on the board layout from the schematic diagram; when in doubt, refer to the board layout rather than the schematic.

The first change is of a protective nature and concerns the R.F. inputs. (see Figure 1). Its principle applies equally well to other receivers with diode bandswitching in the front end. These diodes produce lots of spurious responses under zero bias conditions and with strong R.F. signals present. This situation occurs when the set is switched off but is still connected to the antenna. These responses are then actually transmitted back out via the antenna! This is easy to demonstrate with another receiver close by or connected to the same antenna. The modification consists of the addition of a low power DPDT relay that disconnects the receiver from the antenna and shorts the input circuits to ground when the receiver is switched off. In combination with a lightning arrestor on the antenna, this provides reasonable protection.

Any small 12 V relay will work. From an energy saving point of view (power supply overloading and battery operation) it is best to select a sensitive relay and/or add as high value as possible series resistor with the coil. The relay is mounted directly to and behind the "Ant (1)" "Ant (2)" connectors by using stiff connecting wires to the antenna connectors and to the ground lugs of the RCA type "Scope" and "Converter" connectors. The original wires from the "R.F. Unit" board (located on the right side of the receiver) to the "Ant (1)" and "Ant(2)" connectors are soldered to the appropriate relay pins. The 13.8 V for the relay coil is taken from the blue wire connected to the R.F. board between L81 and C126.

The second modification concerns the R.F. preamplifier. As the preamp has (reduced) gain below 1.6 MHz, manual on/off switching is preferable. Referring to the "R.F. Unit" board layout, cut the long wire on the J3 side of R59 about 2 mm from the body of R59 (see Figure 2 for the schematic). Solder a short (10 mm) piece of bare wire from the 2 mm body side of R59 to the long wire on the C128 side of R57 (remember we're looking at the board, not the schematic), between Q2 and Q3, thus preventing Q2 from switching the preamp off when operating below 1.6 MHz. Beware of preamp overload in this mode!

The third modification consists of the partial elimination of the R18, R19 and R20 attenuator below 1.6 MHz, also on the "R.F. Unit" board. Cut the long wire on the C74 side of R20, about 2 mm from the body. Then short out R18 by soldering about 10 mm of bare wire from the long wire on R19 to the long wire of R18. This leaves R19 still in the signal path but without the "R.F. board" removal there seems no easy way to correct that.

The fourth modification improves the audio characteristics somewhat by reducing the low frequency response. Referring now to the "Main unit" board: cut the long wire on the C114 side of R153. Solder a 0.03 $\mu\text{F}/25\text{V}$ ceramic capacitor between the remains of the long wire of R153 and the jumper directly on the other side of R153, along the heatsink. This reduces the effective value of the coupling capacitor C114. Next remove C111 by cutting or crushing this capacitor in order to leave as much as possible of its mounting leads available to solder a ceramic or polyester capacitor of 0.02 $\mu\text{F}/25\text{V}$ to. See Figures 3 and 4 respectively for these modifications.

Fig. 1 "On R.F. Unit" board.

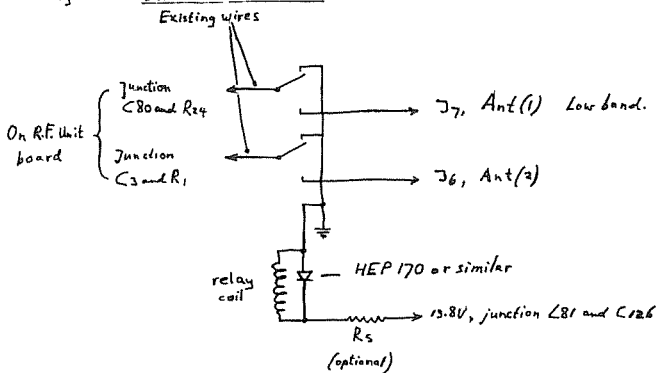


Fig 2 "On R.F. Unit" board.

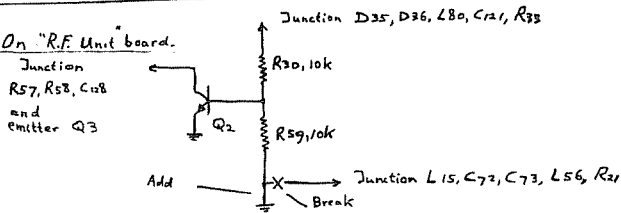


Fig. 3 "On R.F. Unit" board.

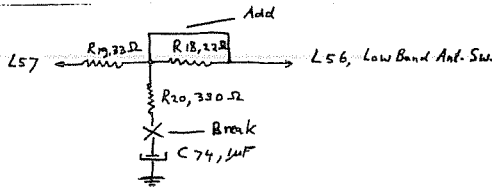
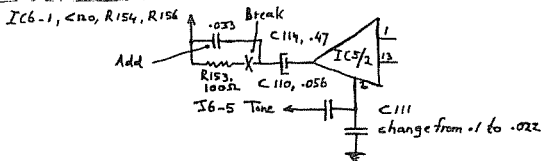


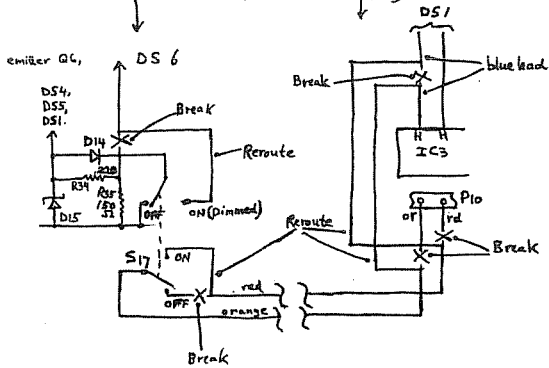
Fig 4 "Main Unit" board.



The fifth modification provides switching between dimmed dial lights "ON" and "OFF", eliminating the much too bright lights. This saves both the fluorescent display and energy, important in case of battery operation. See Figure 5. Referring to the "Display" board, and working from above, locate the blue wire running behind the fluorescent display from "X" to "X". This is one of the filament leads. Cut it in the middle and strip both ends. Now cut the red and orange leads to pin 2 and pin 3 of J1 about 15 mm from the plug. Bend the 2 pigtails connected to the plug towards the rear and down. Strip the other red and orange leads and solder them to the blue leads. Use sleeving to insulate. Turn the set upside down and locate S17 on "Switch Board 1". The boards are pictured from the component side, so

s left-right reversed as viewed from the rear of the set. The red lead goes to "P10 2" and the orange lead to "P10 3". Towards the bottom of the set and directly under "P10 2" and "P10 3" are the 6 terminals of S17. In solder the red lead and connect it to the second (and unused) terminal of S17 from the tuning knob edge of the board. Next unsolder the white lead DS 6 (from the meter light), next to the original red lead connection, and solder it to the fifth (and unused) terminal of S17. With the "Dimmer" in the "ON" (pushed in) position everything will be on as before, i.e. dimmed. In the "OFF" position the digital display and the meter light will be off but the other LEDs will still be on in their original bright mode.

Fig. 5 On "Switch" board (i) and "Display" board.



The sixth change provides a convenient way of selecting the RTTY "Narrow" and "Wide" modes as well as improved AM selectivity by using the existing "Function" button with the appropriate "AM" or "RTTY" mode buttons for narrow band selection. Already built-in to the set are a ceramic 455 kHz filter with a 2.6 kHz bandwidth, used for SSB, and a ceramic 455 kHz filter with a 6 kHz bandwidth, used for AM, as well as an internal RTTY "W-N" switch. All these modes are electrically activated. By interrupting the signals and re-routing them through some control logic (a new circuit which is constructed and then connected up inside the R-70) together with additional signals and utilizing some unused contacts of the "Function" and "A-B" switches, these changes can be implemented quite nicely, with the CW N LED providing a similar indication, the AM "Narrow" and RTTY "Narrow" modes. By using the "always on" 6 V power supply of the logic unit the selected modes are "remembered" when the set is switched off. The internal RTTY N-W switch is disabled by positioning its slide button exactly in the center of its travel. The use of CMOS logic limits the current drain to a few milliamps.

The control logic consists of a flip-flop IC 1/1, controlled by the "Function" button and it in turn controls two flip-flops, IC 1/2 and IC 2/2, one each for the AM and the RTTY signals respectively, together with the already existing signals. See Figure 6. In addition there is a waveshaping comparator, IC 4, and some inverters and buffers IC3, drivers, IC5, and isolation and rectifier diodes. For ease of construction and modification prototypes were wire wrapped onto 2.5" x 1.5" perforated boards with a 0.1" hole pattern. A 20 conductor ribbon cable, plugged to the perf board and soldered to the respective boards of the R70, provides a neat and convenient means of connecting the circuit. The perfboard is mounted in the logic board compartment by means of a spacer and a 3.5 mm bolt to the existing 3.5 mm threaded hole near the center of the vertical metal partition between the logic and the PLL board compartments.

(AM "Narrow" filtering in the R70 can be accomplished more simply, but it involves adding a switch to the radio. See the technical column in the August 20, 1983 DXM.)

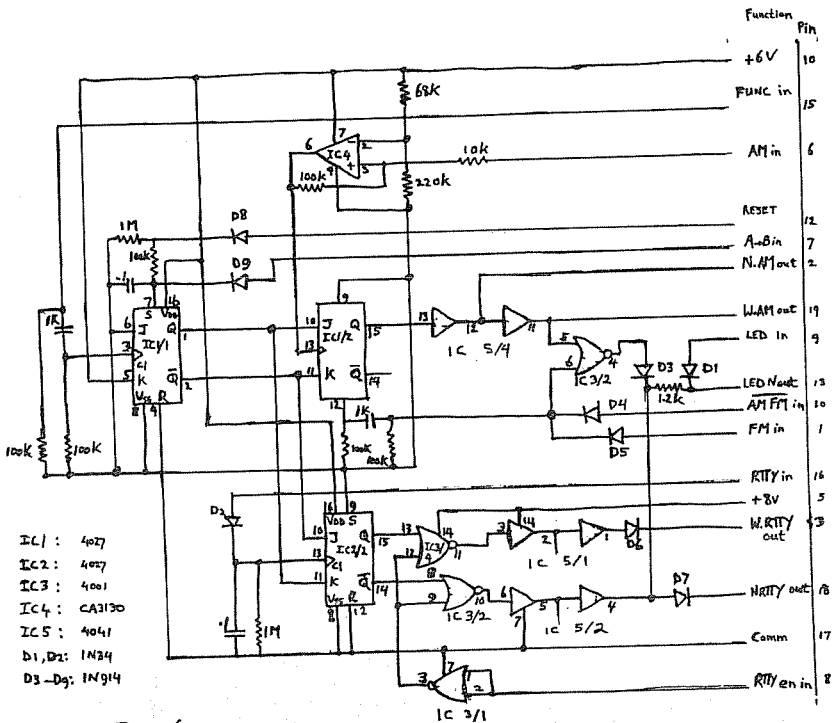


Fig. 6

Wiring connections:

From Pin #	To:	Connect to:
10	Logic board	Jumper near J12, next to D18
15	Switch board (1)	Unused S15 contact nearest PBT, grey. Also connect a short jumper from other unused S15 contact directly above R 3 2 1/P8 2 to R3 2 1/P8 2 (is +8 volts)
6	Switch board (1)	P5 1, beige
12	Logic board	Jumper near IC3, pin 13-14
7	Switch board (1)	Unused S8 contact between P5 2, red and P6 10, black
2	Main unit	Cut R75 wire, connect to body side. See AMFM
19	Main unit	Cut R81, connect to wire side next to R78
9	Logic board	Cut jumper near C94 in middle, connect to stub near IC16. See LED N out.
13	Logic board	Jumper half near C94. See LED in.
10	Main unit	Connect to R75 wire side next to R87. See N.AM out
1	Main unit	2nd jumper "above" R130 near J9
16	Switch board (1)	P6 3, orange
5	Switch board (1)	P8 2, grey, and bare wire to R3-1 RF gain, R3-2 AF gain
3	Main unit	Cathode D41, away from J10
18	Main unit	Cathode D43, next to RTTY W-N switch, N side.
17	Switch board (1)	R3 1 2, black, board mounting bolt near phone jack
8	Logic board	L16 coil wire nearest J11

MWDX-2B & MWDX-2C PHASERS

(Design Enhancements to the MWDX-2A Phasing Unit)

Mark Connelly -- WALION DX Labs -- 11 FEB 1985

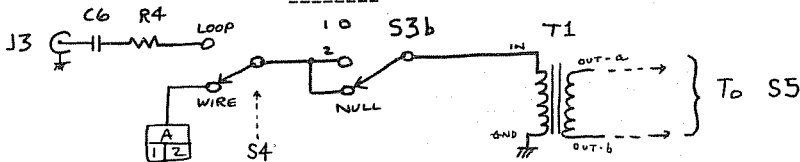
The MWDX-2A phasing unit design (released 25 JUN 1984) provides good output level without, in most cases, the need for amplification. (The recently-described Mini-MWDX-3, on the other hand, usually does require the use of its output amplifier.)

Some recent experimentation has given rise to several improvements and consequent (generally minor) modifications to the MWDX-2A design. The units having these modifications will be referred to as MWDX-2B and MWDX-2C.

MWDX-2B MODIFICATIONS

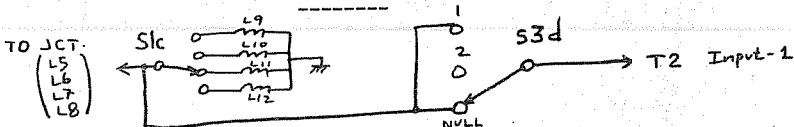
- Put the b section of S3 between the S4 arm and the T1 input: C6 will then be routed directly to R4. See Figure 1.

Figure 1



- Use (previously-unused) d section of S3 between S3c arm and T2 Input 1. See Figure 2.

Figure 2



- Delete 330 ohm resistors R5 & R6. (Replace with open.) Modifications 1 & 2 eliminate a possible cross-talk problem (Line 1 to Line 2, and vice versa) which these resistors attempted to "band-aid".
- Connect the S6a arm to the 1 & N pins of S3a instead of to the S3a arm. The S3a arm remains connected to the R3 pot CCW pin. This reduces propagation of Wire #1 load-change effects across to Wire #2 when S3 is switched.
- Connect the S6b arm to 2 & N pins of S3c instead of to the S3c arm. Reason: same as for Modification 4.

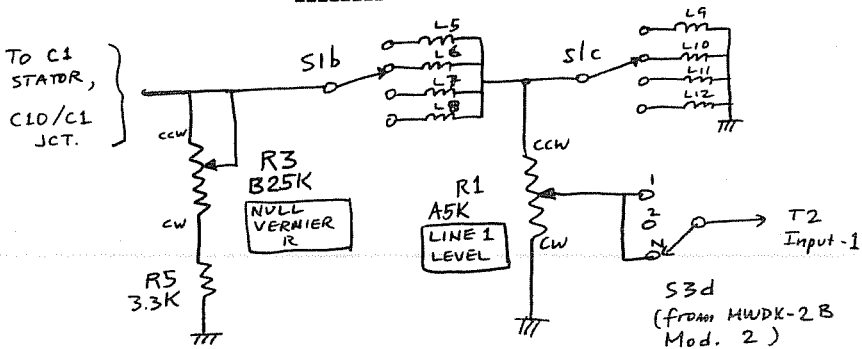
These are the differences that distinguish the MWDX-2B from the earlier MWDX-2A. None of the hole locations is changed; none of the usage instructions is changed. An additional change that some may want to implement is the use of 25K linear pots, rather than 50K linear pots, for R1 & R2: this may give somewhat smoother adjustments. The presence of the vernier R and C controls should, however, provide sufficiently smooth nulling. Use of Q-pots less than 20K will not allow sufficient phase-shifting; use of pots of 100K or more will yield excessively touchy nulling.

MWDX-2C MODIFICATIONS

The MWDX-2C design came about because of the considerable difficulty encountered in obtaining 100 ohm, linear, knob-adjustable, non-inductive pots of reasonable size and price. The MWDX-2C has an alternative R1-R2-R3 pot configuration using "straight" level pots for R1 & R2 instead of the Q-skewing pots of the MWDX-2A and MWDX-2B. The new R3 vernier pot is a Q-skewer on Line 1 (see Figure 3) and Line 2 is Q-spoiled by a fixed 15K resistor. The MWDX-3C differs from the MWDX-2A in these respects:

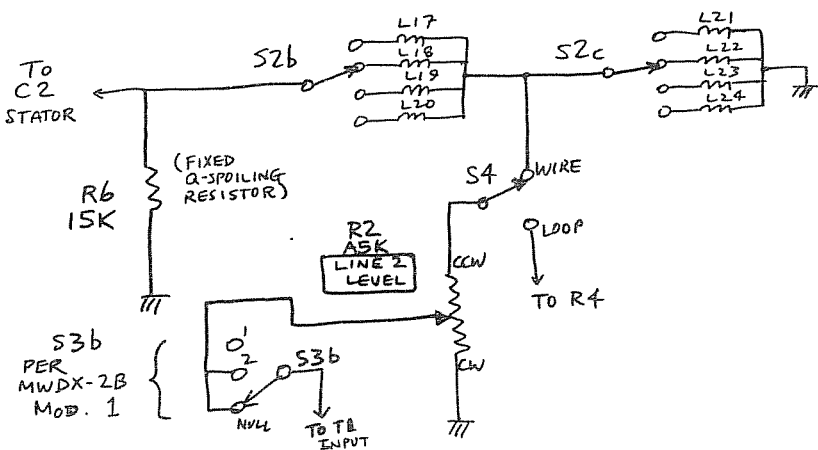
1. MWDX-2B Modifications 1, 2, 3, & 5.
2. R3 (as shown on the MWDX-2A schematic) is replaced by a direct connection from the S3a arm to the C1 rotor.
3. MWDX-2B Modification 4 is implemented with the following change: substitute "C1 rotor" for "R3 pot CCW pin" (because of step 2 above).
4. The Line 1 tuner section is changed in accordance with Figure 3:

Figure 3



5. The Line 2 tuner section is changed according to Figure 4.

Figure 4



This completes the list of MWDX-2C changes from the previously-published MWDX-2A phasing unit. Hole locations are not changing. The usage procedure changes in terms of loop-vs.-wire phasing: the loop may be outfitted with a fixed (switchable) Q-spoiling resistor in the 12K to 22K range instead of the Loop Q-Pot. The Line 2 Pot (R2) would then be utilised to vary the Line 2 Loop signal level during level-equalisation and nulling operations.

The following are available from me for those interested in MWDX-2 series phasing units.

- ```

* MWDX-2 article (contains most hole locations used on MWDX-2A/B/C *
* as well as construction data for the C1, C2, T1, *
* and T2 subassemblies.) *
* *
* MWDX-2A article *
* *
* Mini-MWDX-3 article *
* *
* Complete schematic diagrams for MWDX-2B and MWDX-2C. *

>>> MARK CONNELLY -- 30 WILLIAM ROAD -- BILLERICA, MA 01866 <<<

```

Please send two 22-cent stamps or IRC's for each article desired. Envelope is not necessary (as long as you provide your return address).

I can advise you on component availability: the Mini-MWDX-3 article gives much parts-availability information which can be transferred to the MWDX-2 series units.

THE WORKING PRESS OF THE NATION: Volume 3 TV and Radio Directory — A Review

By Michael S. Hardester

In the mid to late 1960's, one of the most desired AM/FM radio reference books was the Broadcasting Yearbook (the BYB). One of its primary selling points (for the hobbyists) was the accurate station list and mailing addresses to which reception reports could be sent. (It should be recalled that the National Radio Club's Domestic Log was not yet in existence.) However, as desirable as the BYB was, its selling price did not permit the average hobbyist the luxury of owning a personal copy. With the coming of the NRC Domestic Log, at an affordable price, the BYB gradually declined in popularity. However, another publication has recently been located and deserves an opportunity to be recognized: Volume 3 TV and Radio Directory of The Working Press of the Nation.

Recently, while doing some radio-related research, I came across this publication and found it to be quite thorough in its presentation of information relating to both the radio and television fields. As the introductory description states, "This volume lists over 9,500 radio and TV stations plus more than 27,700 local programs by subject. Detailed information includes power, network affiliations, air time, and management and programming personnel." What does this mean to the hobbyist?

First, in looking through the TV and Radio volume, I noted far more detailed information than the BYB routinely offered. (Here, I should note that the last copy of the BYB I purchased was in 1982.) For example, how often have you heard a station long enough for detailed information, disc jockey's name, the name of the county, a farm editor's name, news announcer's name, etc., but no ID? I've had my share of those stations. One way to handle identifying the station might be to logically narrow the station down to a few "tentative" choices and either send tentative reports or send the information into a column and hope another hobbyist can identify the station. A better way would be to use the Radio Directory section.

By turning to the "Index of Radio Personnel by Subject," you will find personnel listed alphabetically under a variety of subjects (e.g., farm directors, sports directors, disc jockeys, news director/editor, news reporter, etc) according to state, then by city with the call letters of the station listed. While this listing may not prove 100% accurate, at the time of printing it was accurate - based on information supplied by each station. (Continued on Page 25)

# A SIMPLE PASSIVE LONGWIRE TUNER

For urban & suburban DXers

Mark Connelly \*\* 10 MAY 1985

This article is not one of those "wise guy" technical articles - you don't have to be Marconi to understand it. The article, and the product introduced herein, have only one purpose - to help people to log more DX.

DXers living near numerous strong local stations often say, "I just get a mishmashed jumble of spurious signals when I connect a longwire to my receiver." The complaint is more frequent with owners of the newer solid-state "ricebox" receivers from the Orient than it is with owners of older US-made "hollow state" Hammarlund, Collins, National, and Hallicrafters receivers. But, don't be mistaken, any receiver can be overloaded and produce spurs, even the \$ 10000+ military sets.

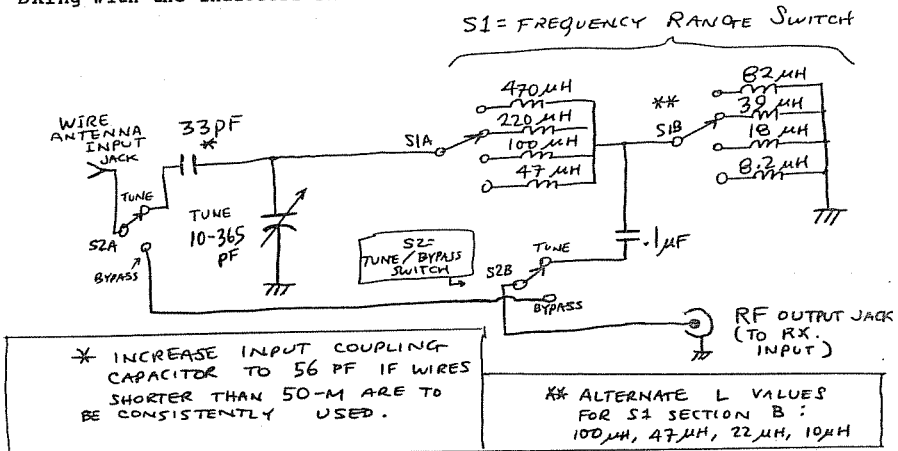
Use of an antenna preselector can substantially reduce, and often eliminate, mixing spurs caused by the overloading of a receiver's front-end by strong local stations intercepted by a random-length longwire aerial.

Antenna tuners, of course, have been discussed before in the DX press: many, however, seem too complicated for the average DXer to build and/or to operate. Many require tweaking so many controls that actual DXing time is diminished. This is especially true of active/regenerative types and of passive "pi-network" types.

The tuner with which this article is concerned is the utmost in simplicity: it consists of only one tuning capacitor, a 4-position bandswitch (MW is divided into 4 frequency segments), and a switch to disable the tuner (thereby bypassing the antenna directly to the receiver's input). No battery power is required.

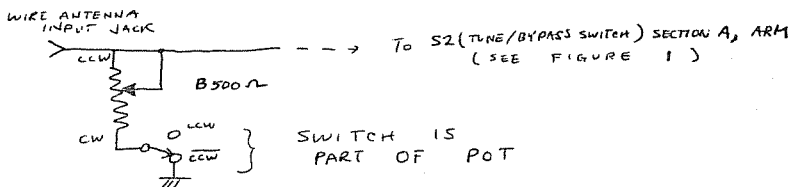
Deciding which bandswitch position to use is simple: merely set the tuning capacitor in the middle of its range of motion and try each bandswitch position until the position with the strongest wanted-frequency signal has been determined. With that bandswitch position now selected, it's just a simple matter of peak-tuning the desired station with the tuning capacitor.

The schematic of the simplest form of the tuner is shown below, in Figure 1. If you don't understand schematics, skip over Figure 1. The tuner is used for standard broadcast band ( 500 - 1800 kHz) DXing with the inductors shown.





Input-attenuation capability may be desired in the strongest signal areas (e. g. midtown Manhattan). This is easily accomplished by the addition of a 500-ohm linear pot (with built-in switch) (Mouser stock # 31CT205) as shown in Figure 2:



The addition of this pot will also help the urban DXer do casual bandscans (with the unit's toggle switch set to bypass the tuning components).

The receiver used must provide a shielded (coaxial-type) antenna input: this is what is found on most "base station" communications receivers. Proper operation with portable radios having ferrite-rod aeriols CANNOT BE ASSURED. Shielded cable MUST be used between the tuner's output and the receiver's input.

It should be emphasised that the tuner / preselector is not a "gain" device per se: in an area where overloading isn't a problem, a direct antenna-wire-to-receiver-input connection will give levels equal to, or better than, those achievable with the tuner in-line. "De facto" gain in urban areas, by the elimination of spurs, is the goal of the tuner. New DX horizons should open up for those in the city ("Yuppie" DXers).

I am offering this Simple Passive Longwire Tuner for \$ 25 (assembled). This basically covers the cost of the parts used. Add \$ 2 for the installation of the optional level pot (if desired) plus \$ 5 for packing / shipping (US) or \$10 for packing / shipping (foreign). Make US cheque or international money order payable to Mark Connelly. Address = 30 William Road - Billerica, MA 01866 USA. When sending in an order please answer the following questions:

- (1) Will an antenna wire longer than 50-metres / 164 - feet be used ? [Yes or No]
- (2) What kind of output connector (jack) is desired on the tuner ? [Choose one of the following: BNC, RCA phono, SO-239, F, or Motorola]
- (3) What kind of an wire-antenna input connector (jack) is desired on the tuner ? [Choose any one of the connectors from question 2 or choose banana jack]

The DXer must provide his/her own shielded cable to go from the tuner's output jack to the receiver's input jack. Ordinary shielded audio cable will suffice, or you can use standard RG-type coax. having an impedance between 45 and 90 ohms. Length of the output cable should be kept to 4 m./ 13-ft. or less.

Overall, there is a wealth of information in the TV and Radio Directory, as well as the other volumes (5 distinct volumes covering newspapers, magazines, TV and radio, feature writers and photographers, and internal publications) in the series. The price? The 1986 edition of the Working Press of the Nation will be available in September. The TV and Radio Directory volume, alone, is \$115, while the 5 volume set sells for \$250. While these prices may not be in the range of many hobbyist's budget, all is not lost. It is quite possible that the Reference Department of many libraries may have available copies, not to mention the libraries at colleges and universities which offer radio and television courses. Further, many libraries welcome suggestions from patrons regarding books to be added to the library's collection. Further information and a brochure can be obtained from the National Research Bureau, Automated Marketing Systems, Inc., 310 South Michigan Avenue, Chicago, IL. 60604.

# EASTERN DX ROUNDUP



KARL J. ZUK, EDITOR 154 OLD POST RD. NORTH CROTON, NY 10520

Welcome to a new season of DX!! Send us your tips and we'll make you a star!!!

## Eastern DX Roundup's Stars This Week:

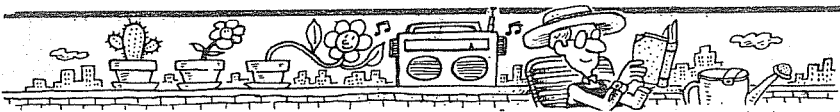
- (RB-NY) Ray Bauernhuber, 141-12 243rd Street, Rosedale, NY 11422  
Panasonic RF-2800 with telescopic antenna
  - (JHD-PA) John H. Demmitt, K0848, Box A, Bellefonte, PA 16823  
Sony ICF-S5W
  - (RSR-ON) Robert S. Ross, VE3JFC, Box 4373, Station C, London, ON N5W 5J2  
Kenwood TS 430S, Panasonic RF1115, Realistic TRF, with a dipole,  
four foot box loop, and built-in antenna, respectfully, I think!
  - (GS-DC) Gardner Smith, W9ALZ, 1000 Perry Street, Washington, DC 20017  
Sony ICF-7600D, Toshiba F-11 and new Sony ICF-2010. This column's  
graphic artist and doctor of DXology.
  - (RW-CA) Robert Wien, 1309 Dentwood Drive, San Jose, CA 95118  
Special guest appearance: Iding the UNIDs.
  - (WW-MA) William Wyllie, 95 Peck Street, Franklin, MA 02038  
Sharp GP-450 with indoor antenna.
  - (WW-RI) William on the road at Prudence Island, RI with the same receiver.
  - (KZ-NY) Karl J. Zuk, 154 Old Post Road North, Croton-on-Hudson, NY 10520  
GE Superadio, modified Radio Shack 28-4029 "Archerkit" portable.
- \*\*\*\*\*
- 540 CJSE ON, Ottawa. 7-2 2100 with Music of Your Life. Weak but no interference.  
(RB-NY) + 6-27 2200 Strong signal with Music of Your Life. Noted  
a weak French speaking station behind it..(WW-RI)
  - 560 WFIL PA, Philadelphia. 7-2 2130 with oldies rock n' roll. RB-NY)
  - 620 CFCL ON, Timmins 8-28 2130 Male announcer gave ID and went to a record  
of a woman singing a lively song country style. Fair. (JHD-PA)
  - 630 WMAL DC, Washington. 7-26 0210 Good with ID as "WMAL 630,"and traffic  
report. Over CFCC, Chatham, ON. (RSR-ON)
  - 710 CKVM PQ, Ville-Marie. 6-27 2215 French speaking station with strong  
signal behind WOR, New York, NY. (WW-RI)
  - 710 WOR NY, New York. 7-15 0000 Noted signing off. I don't remember them  
going off the air much, but after they were off, I didn't get much  
of anything, except a weak U.S. station I couldn't ID. (WW-RI)
  - 800 CKLW ON, Windsor. 7-2 2200 with ID "The Sound of K-800." MOYL. (RB-NY)
  - 810 WPED VA, Crozet. 8-13 2013 with C&W music and lady DJ. Song cut off  
in middle to announce sign off, and invited listeners to tune to  
FM 103.3, etc. 500 watter, new catch here. (GS-DC)
  - 820 CHAM ON, Hamilton. 8-21 2055 New frequency, formerly 1280 kHz. Strong  
with C&W music. (GS-DC) +8-12 2030-2215 UNID station (later I ded  
as CHAM) running engineering test with test tones and C&W music.  
No IDs, very strong signal, a solid S-9. (GS-DC) +8-21 2330 No copy  
of this new one at all! Lots of WBAP, Fort Worth-Dallas, TX and  
SS stations mixing. CHAM must have a directional pattern. (KZ-NY)
  - 820 WOSU OH, Columbus. 8-12 2115 Sign off under UNID with engineering test.(GS)  
+7-28 2055 with ID as "WOSU Columbus" and record "The Prisoner's  
Song" by Mac Wiseman, followed by an ID and a promo. Excellent.(JHD-PA.)
  - 820 WBAP TX, Fort Worth-Dallas. 6-29 2338 Noted man saying, as it faded in,  
"Right here on WBAP 820." (WW-RI) +7-26 0728 with song "Have To Wait".  
Contest number: 628-0321. Song "Baby, Won't You Cross The Line?",  
followed by news briefs and more C&W songs. Good. (JHD-PA)
  - 830 UNID 7-28 2103 with song "I am proud to be an American," used for sign  
off. Male DJ simply said they were signing off and did! Good signal.  
ID sounded like "WOND." (JHD-PA)(Could WOND, Pleasantville, NJ 1400  
kHz have moved here?-kz)
  - 840 WHAS KY, Louisville. 7-2 2210 with call-in program on tension and stress.  
Fair signals. (R-B-NY)
  - 850 WRMR OH, Cleveland. 7-26 0235 Very good with MOR-oldies format. ID  
as "The New WRMR - The new AM 850." Ex-WJW. (RSR-ON)
  - 860 WAMO PA, Pittsburgh. 8-10 2042 with contest spot (when you hear Aretha  
Franklin, call in.) Weak with CJBC, Toronto, ON. New Catch here. (GS-D)
  - 910 CKLY ON, Lindsay. 8-22 0002 with Canadian news, "Valdy" store ad, sports,  
"Oshawa Center" ad and weather. Good. (KZ-NY)+7-29 0135 station silent  
but with open carrier. This is rare!!(GS-DC)
  - 910 WGBI PA, Scranton. 7-29 0135 with talk show, up and down in signal,  
mostly covered by the cuban. (GS-DC)

This is one big column...lots more to come...so keep reading EDXR!!



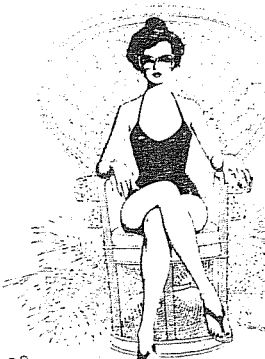
Where ever you go, listen in and tell us what you heard!!

- 930 UNID 7-21 2140 Canadian station parallel with CBC network on 940 kHz. (CEM, Montreal, CBC English network.) No CBC outlets listed on 930. I did hear CBO, 920, Ottawa, ON, parallel 940. I heard UNID playing Mendelssohn's oratorio "Elijah." Could this be R. Antilles in Montserrat? Schedule not right for that. Maybe CKNS, Espanola, ON? (GS-DC)
- 930 WBEN NY, Buffalo. 8-21 2357 with sports and spot for "Riverside Men's Shop." Unusual, over local WPAT, Paterson, NJ. (KZ-NY)
- 950 WKZX ME, Presque Isle. 7-7 2237 with mention of getting your "KZ-card", and some kind of contest to win Tina Turner tickets. Weak, but readable signal battling with WIBX, Utica, NY, and WPEN, Philadelphia, PA. (WW-RI)
- 950 WXGI VA, Richmond. 8-14 0658 with C&W song "You Can't Love." ID as "WXGI Richmond, VA." News on the hour. Good. (JHD-PA)
- 950 WAKM TN, Franklin. 7-26 0709 with ads and ID, happy birthday greetings and song. In the clutter of WNCC, Barnesboro, PA, and WPEN, Philadelphia, PA and others. Fair. (JHD-PA)
- 960 WFIR VA, Roanoke. 7-21 2130 with Sunday night comedy show. Excellent in null of WEAV, Plattsburgh, NY. (GS-DC)
- 960 WEAV NY, Plattsburgh. 7-21 2115 with C&W music and numerous sung IDs. New catch. We have terrible splatter from local WRRC, 980 kHz here. (GS-DC)
- 970 WAMD MD, Aberdeen. 7-26 0658 with news of tornado that touched down and killed a cow in Belair. Ad for The Randolph Company, and Lincoln-Mercury. Net news on the hour. No sign of WBLF, Bellefonte, PA. Fair. (JHD-PA)
- 970 CBZ NB, Fredericton. 7-27 2200 Strong signal at times with news, weather and sports on the hour, and program "Anthology." ID as CBC New Brunswick." First time logged. (WW-RI)
- 980 CKGM PQ, Montreal. 7-27 2220 Good to fair signal with song "Who's Holding Donna Now?" by DeBarge. (WW-RI)
- 990 WNYR NY, Rochester. 8-22 0012 with lottery results, adcon music and YL DJ. (KZ-NY)
- 1010 CFRB ON, Toronto. 8-22 0013 with Al Jarreau's "Morning" and Eddie Rabbitt song. Unusual, nulled over local 50 kW WINS, New York, NY. (KZ-NY)
- 1020 KDKA PA, Pittsburgh. 7-21 2110 with nice program of Mandan music. (American Indian.) (GS-DC)
- 1040 WJTB OH, Cleveland 7-28 2055 Brand new station, first time noted here. ID as "Your love channel, WJTB, The Gospel Experience." Low het against a Cuban. Sign off at 2102, I think (het disappeared). Lady DJ gave location, which was not Cleveland, but I didn't get it. Probably a suburb. (GS-DC)
- 1040 WSKE PA, Everett. 7-28 0835 Sunset skip blaster with C&W music. Big crowd here, sounds like a graveyard channel. Sign off at 2045 using slogan "Where your friends are," then off, no nothin'. (GS-DC)
- 1070 WINA VA, Charlottesville. 7-28 1945 with slogan "Central Virginia's Hottest Radio Station." Black oriented disco-funk. I think this is a format change, ex-MOR. (GS-DC)
- 1070 WKOK PA, Sunbury. 7-28 0730-0830 "Roundtable" program, religious talk show. Steady signal. (GS-DC)
- 1070 CHOK ON, Sarnia. 8-22 0022 with Dolly Parton's "I Will Always Love You." ID and several mentions of Sarnia. (KZ-NY)
- 1110 WHIM RI, Providence. 8-21 2022 with giveaway contest and punk music. Rare here. (GS-DC)
- 1110 KFAB NE, Omaha. 7-30 2157 with Talknet. PSA for Nebraska State Troopers, and an ad for Sears. ID as "K-fab." News and soft music. Good. (JHD-PA)
- 1120 KMOX MO, Saint Louis. 8-22 0025 Enormous signal causing splatter to local WNEW, New York, NY. on 1130 kHz. Ad for Kelly's Tires in Richmond, and one for K-Mart. (KZ-NY)
- 1130 WLFH NY, Little Falls. 7-24 (no time) with "Sportswatch" and country music. (RB-NY) (Is this a recent frequency change from 1230 kHz? -1kW days on 1130, with WNEW, New York, 50 kW, seems unlikely-kz)
- 1150 WTLB NY, Washington Mills. with pop music and spoof interviews with Lee Iacocca and Gorbachev. (RB-NY) (I have WTLB as 1310, Utica, NY. Are you sure about this one? -kz)
- 1180 R.Marti FL, Marathon Key. 7-27 0530 R. Marti noted with sign on under WHAM, Rochester, NY, with parallel on 6075 kHz, with about 25 R. Marti IDs. I wish they were all this easy. (GS-DC)
- 1190 WANN MD, Annapolis 8-4 1930 with local news. Announcer had Southern drawl. ID and song "I Wanna Dance." Ad for King Cobra and a Jeffrey Osborne record. Good. (JHD-PA)
- 1200 WOAI TX, Fort Worth-Dallas. 8-2 0612 with ID "WOAI time:5:12." Ad for a hat store, "Headlines In The Past," ad for a cable company, and a library PSA. Interference from a Spanish speaking station and heavy fading. Good. (JHD-PA)



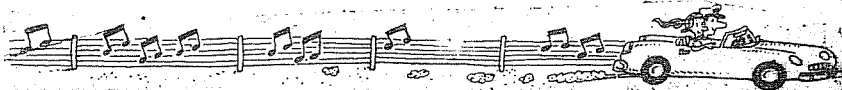
Lazin' around on a sunny day? Tell us what you heard and write us today!

- 1220 WGNV NY, Newburgh. 7-28 0620 with promo telling about WGNV bumper stickers, ID, lost dog reports, "trivia in history", love songs, another ID. Excellent to good (JHD-PA)
- 1220 WGAR OH, Cleveland. 7-9 2100 with country music, news, sports and weather. Fair. (RB-NY)
- 1230 WKHT CT, Manchester. William Wyllie's UNID of EDXR of 7-13 is WKHT in Manchester, CT not NH. Address is 257 East Center Street. Recent call change, ex-WINF. (RW-CA)(Thanks Robert!-kz)
- 1240 WHUM PA, Reading. 7-31 2110 with C&W music and lady DJ. New catch on the graveyarder. (GS-DC)
- 1270 WXYT MI, Detroit. 8-4 2101 with news and ID, then woman talked about the stars. 298 phone prefix given, took phone calls. Fair. (JHD-PA)
- 1280 WHVR PA, Hanover. 7-26 0800 with ad for Maryland-Crouse Ford Sales, then news about the Saturn automobile assembly plant site, Rock Hudson, and South Africa. Time check at 0805, ID. Good. (JHD-PA)
- 1280 WKST PA, New Castle. 8-4 2100 with ID after religious program that was cut short, followed by easy listening music with male announcer.(JHD-PA)
- 1300 WPNH NH, Plymouth 5-23 1955 with poor signal and song "Just A Gigalo." ID as "WPNH and WPNH-FM." (WW-RI)
- 1300 WXPX PA, West Hazelton. 7-26 0806 with news, ID as "13-X" and weather. Good. (JHD-PA)
- 1310 WJLK NJ, Asbury Park. 7-10 (no time) with pop and rock n' roll music. Good with some interference. (RB-NY)
- 1330 WADJ PA, Somerset. 7-10 2047 with sign off, slogan "13 DJ with all the hits." Heavy handed rocker, 5 kW days. Tremendous signal at SSS.(GS-DC)
- 1350 WHWH NJ, Princeton. 8-4 2046 with music contest, winner was in New Jersey. Song:"It's a Long Time." and ID. Excellent. (JHD-PA)
- 1380 WSFL NC, Trent Woods. 7-29 2025 Ex-WMMG in New Bern. Spot for Jacksonville. I can't find Trent Woods on map, must be near New Bern. Rock Format. (GS-DC)
- 1380 WMLP PA, Milton. 7-29 2045 with sign off. 1kW days. (GS-DC)
- 1400 WEST PA, Easton. 7-29 0020 Poked in over mess for one minute with MOYL type music. IDed as "West" a couple of times by man. Fair to poor.(WW-M)
- 1400 WTSL NH, Hanover. 7-27 2335 Heard man say "WPSL" very clearly and an ad followed. Faded away after two minutes, first time logged. (WW-MA)
- 1400 WILI CT, Willimantic. 7-28 0000 with news, weather, sports and several mentions of WILI. (WW-MA)
- 1400 WHMP MA, Northampton. 7-28 0000 Heard ID "You're listening to WHMP-AM serving Chicopee, Springfield, Northampton." then gone. (WW-MA)
- 1400 WRDO ME, Augusta. 7-28 0019 In for only a minute, but strong. Weather and man saying "WRDO" very clearly. Faded into mess. (WW-MA)
- 1430 WENE NY, Endicott. 8-9 0630 Strong with "News for the Southern Tier," followed by talk. Picked up on two transistor radio!(KZ-NY)
- 1430 WNAV MD, Annapolis. 7-21 2025 with Sunday night oldies show. (GS-DC)
- 1460 WPRV VA, Manassas. 7-28 1925 with Sunday night oldies show, announcer said he would scratch a record "to make it sound better." ID and promo. Song:"Hound Dog." Good. (JHD-PA)
- 1460 CKRB PQ, St. Georges de Beauce. 6-27 2235 Strong signals with rock songs sung in French. (WW-RI)
- 1480 WHBC OH, Canton. 8-2 0705 with news and ad for "Villages at London Square." Weather and ad for The Timpon Company. Sports, more ads and Larry King promo. (JHD-PA)
- 1490 WABJ MI, Adrian. 7-26 0300 Good in slop with abc news and ID. (RSR-ON)



"And now, sweetheart...what you've been waiting for. I may be a ten...but here are the 1500s!!"

- 1510 WRAN NJ, Dover. 8-12 1855 with spots for businesses in Wharton, and Parsippany. Followed by REO Volkswagen song. (GS-DC)
- 1520 WDSL NC, Mocksville. 8-12 2015 Sign off giving power as 5 kW. (GS-DC)
- 1530 WRBX NC, Chapel Hill. 8-3 2000 Sign off after NC news network show. Gave address as 4411 Hillen Blvd, Chapel Hill, transmitter on Mount Mariah Road, General Manager is Austin Richard. Slogan "Top of the Country." Very complete sign off spiel. (GS-DC)
- 1530 WCTR MD, Chestertown. 8-3 2000 Sign off with announcement of next high tide. (GS-DC)
- 1530 WFPC PA, McConnellsburg. 8-3 2004 After news and weather into C&W music with lady dj. (GS-DC)



Eastern DX Roundup...where all the men have great radios, all the women are named Nancy, and all the DX is above average!!.....

- 1530 WDJZ CT, Bridgeport. 7-23 2011 Poor to good signal with sign off at 2026. (WW-RI)
- 1530 WJDM NJ, Elizabeth. 7-23 2030 Heard for a minute after WDJZ (above) signed off. Heard sign off and that was it! Fair to good signal. (WW-RI)
- 1540 WMYF NH, Exeter. 5-24 2005 Strong signal, but much interference from WPTR, Albany, NY and WPGR, Philadelphia, PA. ID heard was "The Classics from the 60s, 70s and today." (WW-RI)
- 1540 KXEL IA, Waterloo. 6-27 2223 with religious program, good behind WPTR, Albany, NY. (WW-RI)
- 1540 WYNC NC, Yanceyville. 8-7 2015 Sign off giving program schedule: mornings with C&W music, news four times a day at 7,8,12 and 5; and after 3 Top 40. I see a growing number of stations having mixed formats these days. (GS-DC)
- 1540 WQCC NC, Charlotte. 8-7 2015 Sign off with usual stuff. (GS-DC)
- 1550 UNID 6-29 2300 Unid with sign off including national anthem, behind CBC station. (WW-RI)
- 1550 WUTQ NY, Utica. 7-4 2045 with weak signal, heard ID by man "1550 WUTQ Utica" In for about a minute. (WW-RI)
- 1550 WBSC SC, Bennettsville. 7-26 2054 Weak but noted call letters. In for a minute or so. (WW-RI)
- 1550 WTTC PA, Towanda. 7-23 2045 Poor signal, noted call letters and mention of 500 watt power. (WW-RI)
- 1550 CBE ON, Windsor. 8-5 0010 with wonderful program of Cajun music. Sunday night. (GS-DC)
- 1550 WKBA VA, Vinton. 7-9 2030 Gave power as 10 kW and location as "Vinton-Roanoke-Salem." Slogan: "Western Virginia's Christian Radio." Sign off at 2045. (GS-DC)
- 1550 WXVA WV, Charles Town. 7-9 2040 with spot for Winchester charity event. C&W music format. Sign off at 2045 with "Star Country 1550" slogan. Tower is on route 340 just south of town. (GS-DC)+8-12 0842 with ad for Kingwood Volunteer Fire Department event, ID and song "Someone To Love." Good. (JHD-PA)
- 1550 WJLY PA, Braddock. 8-12 0850 with ID "Your Inspirational Radio Station - WJLY," followed by preaching by minister and invitation to a chapel. Poor. (JHD-PA)
- 1550 WSER 8-12 0828 with ID and weather, local ads by DJ, Paul Harvey News and Pizza ad. Fair. (JHD-PA)
- 1550 WVAB VA, Virginia Beach. 7-9 2025 with black disco, excellent at SSS. (GS-DC)
- 1560 WTOD OH, Toledo. 8-4 2035 Man read sign off with many IDs and then played slow version of SSB. (JHD-PA)+ 7-31 0652 with ID as "WTOD", C&W music, and local news. Good. (JHD-PA)
- 1570 CHLO ON, St.Thomas. 7-30 2250 ID as "1570-CHLO", record "Young At Heart", another ID and a promo. Adult oldies format. Good. (JHD-PA)
- 1570 WOKG OH, Warren. 8-4 2038 Sign off by male, no music or SSB. Fair. (JHD-PA)
- 1570 WTOW MD, Towson. 8-10 0215 Passing this channel I heard an Iranian flutter-jammer, or so I thought. It turned out to be WTOW with an "equipment test." (GS-DC)
- 1580 WTYO NJ, Hammonton. 8-12 0805 with news, ad for McDonalds, another ID, more news, weather. Newscaster was named "Jeannie." Good. (JHD-PA)+8-4 2000 with sign off by male announcer, then SSB. (JHD-PA)
- 1580 WVKO OH, Columbus. 8-4 2006 with ad for a community fair, ID, song: "My Love" Dial soap ad, and contest where "Cindy" won. Good. (JHD-PA)+8-7 0716 with male announcer joking around, gave ID and played an oldie. Good. (JHD-PA)
- 1580 WNZT PA, Columbia. 8-3 2025 Ex-WHEX. Slogan: "News talk radio serving the Susquehanna Valley." Owned by Hadley Media Corporation. I don't have any information from Greg Monti on this one. Appeared out of the blue. (GS-DC)
- 1580 WPGC MD, Morningside. 7-11 2030 Sign off. "PGC" stands for "Prince George's County." Station recently split calls, WPGC-FM is now WCLY (Classy 95) but still simulcast. Format toned down a bit, no longer pre-pubescent. (GS-DC)
- 1580 WJIK NC, Camp LeJeune. 7-11 2031 Sign off with mention of religious programs etc. Granted a move to 830 kHz, but still here. Curious mention of "Privately owned and operated", but failed to give owners. (GS-DC)
- 1600 WIXY MA, East Longmeadow. 8-11 2215 Good signal, unusual, with WWRL, NY NY off. Local announcements, ads, and ID as "WIXY." Good, (JHD-PA)

Amazing for the summer, eh? Thanks everyone! WNYC, New York, NY has announced new daytime only status schedule. "Small Things Considered" from 1700-1900 to be replaced by "All Things Considered" 1700-1830 and new, nationwide "Kids America" 1830-1900, then sign off. This as of 9-2-85. Thank you for electing me to the Board of Directors! Tell me what's on your mind and send some tips, too!

# CENTRAL DX ROUNDUP

Robert Kramer  
6416 N. Richmond  
Chicago, IL 60645

UNIDED, CHANGES, SPECIAL, et. al.

- 630 KXOK MO ST. LOUIS, airs Larry King Show. DP-HI
- 770 KATL MT MILES CITY, 8/5 1400 on w/10kw, new freq., 1kw night not hrd here. JGJ-MT, first noted 8/14 0710 w/nx, wx, light rr mx, xlint sigs. Is currently operating ISR-SS w/10kw ND. Daytime sked will last indefinitely because night operation not yet ready. DF-SD
- 830 WLND OH CORTLAND, 7/28 w/ID after C&W mx. No WCCO 2033. JJR-WI
- KUYO WY EVANSVILLE, 8/24 0909 xlint w/EZ rel. mx, ID. 2nd day on air. Is 10kw ND days & gives location as Casper. DF-SD
- 1180 R. MARTI FL MARATHON KEY, 5/21 0531 poor-fair w/nx in SS, IDs & Cuban folk songs. RG-IL
- 1190 WOVH IN FT. WAYNE, carries the Larry King Show. DP-HI
- 1340 KOFK TX ABILENE, airs Larry King Show. DP-HI
- 1390 WRIG WI SCHOPFIELD, poor but clear w/WGCI at 0306 7/18 w/wx into Talk Net, "Big Stereo 1390" non-ID, ex-1400. JJR-WI
- 1400 WGIL IL GALESBURG, airs Larry King Show. DP-HI
- All da Rest
- 600 KR0D TX EL PASO, 7/13 0400 w/60's rck & "KR0D Remembers" IDs. JGJ-MT
- CFQC SK SASKATOON, 7/30 0405 on top w/ rck. JGJ-MT
- 620 KTRAR AZ PHOENIX, 8/7 0400 weak o/CKCK w/ABC mx. JGJ-MT
- 630 KIDO ID BOISE, 7/14 2307 lcl spot, ment. Boise, fair w/KHOW mull'd. DF-SD
- KTKK UT SANDY, 8/8 lots of "Talk Radio" IDs, ex-KZJO. JGJ-MT
- 650 CKOM SK SASKATOON, 8/17 0300 now new on this freq. "65-CKOM" IDs, rck mx. JGJ
- 690 KGGF KS COFFEYVILLE, 7/12 2300 weak w/KC Royals baseball. JGJ-MT
- 720 KDWN NV IAS VEGAS, 7/14 0700 weak w/AP nx, tlk, "K-Dawn". WGN off. JGJ-MT
- 730 KSVN UT OGDEN, 7/28 2302 s/off weak. JGJ-MT
- 860 KTRB CA MODESTO, 6/29 strong w/Music Country Net. until 2343 power cut. JGJ-MT
- KUFR UT SALT LAKE CITY, 7/15 2300 s/off weak, not using 50kw yet. JGJ-MT
- 900 WWJD GA SAVANNAH, 0600 7/28 s/on into Rosary & Rel. JJR-WI
- 910 CKDQ AB DRUMHELLER, 8/4 0200 o/u KALL w/nx & C&W, ID as "4-91". JGJ-MT
- 920 KWYS MT WEST YELLOWSTONE, 7/10 0830 o/u KVEL w/C&W mx, wx. JGJ-MT
- KKIS SD RAPID CITY, 7/1 0740 strong during KVEL fade light rck & spots. JGJ-MT
- 930 KLCY MT EAST MISSOULA, 6/28 2301 brief following KROE s/on. JGJ-MT
- 960 KDOT UT PROVO, 6/26 0400 w/light rck w/KOOK-970 carrier. JGJ-MT
- 980 KUPI ID IDAHO FALLS, 7/14 2300 on top w/good clear ID & into nx. DF-SD
- WITY IL DANVILLE, 7/23 0100 u/unid TTer ID, tlk about IL basketball. TL-IN
- 1000 WIFX KY JENKINS, 7/16 0400 xlint during WCFL SP w/C&w mx (an entire album side) 2 IDs ment. test. TL-IN
- 1010 KKEG AZ PHOENIX, 7/10 0715 w/Contemp. Christian mx until 0728 CBR s/on. JGJ-MT
- KKGZ CO BRUSH, 7/25 0800 weak u/CBR w/ABC nx & C&W mx. JGJ-MT, 8/16 0828 good w/C&W mx, GZ-EM IDs, no QR. DF-SD
- KDJW TX AMARILLO, 7/14 2206 ID, C&W mx. DF-SD
- 1030 KBUF KS GARDEN CITY, 7/14 2156 xlint w/lcl wx & ID, KTWO mull'd. DF-SD
- 1050 KSFO WA DISHMAN, 7/15 2345 s/ogg good signal. JGJ-MT
- 1070 CFXA BC VICTORIA, 8/10 0300 weak u/KNX w/nx. Not enuf for rpt. JGJ-MT
- 1110 KRLA CA LOS ANGELES, 7/13 0700 weak, KFAB off. JGJ-MT
- 1150 KCKY AZ COOLIDGE, 7/24 2330 strong w/Cubs baseball. JGJ-MT
- KSEN MT SIDNEY, 8/14 2315 w/ID, rr mx through CKX, good but u/CKX. DF-SD
- 1170 KCBQ CA SAN DIEGO, 7/24 2245 strong w/"KCBQ-AM" ID. JGJ-MT
- KFSC CO WINDSOR, 8/13 0853 fair & fady w/SS mx, "R. Paco" ID. DF-SD
- 1180 KBER CA WASCO, 7/13 0430 weak w/Contemp. Christian mx, "California Sunshine, 1180 KERT". KOFI off. JGJ-MT
- 1210 WCAU PA PHILADELPHIA, 7/6 0600 w/CBS nx & lcl tlk show u/KASY. JGJ-MT
- KRSV WY AFTON, 8/17 0900 strong. New stn on air. Noted at night much weaker, "Star Valley Country" IDs, numerous spots. JGJ-MT
- 1220 KDDR ND OAKES, 8/16 2145 weak w/very end of s/off no SSB. DF-SD
- 1230 KDOZA CO FUEBLO, 8/9 0849 weak in mess w/tent. ID & lcl spot. DF-SD
- KOAL UT PRICE, nice ID 8/13 0830 into sports, barred quickly. DF-SD
- WKYG WV PARKERSBURG, 7/1 0306 CBS nx, lcl nx, wx, ID. TL-IN
- 1240 KLTZ MT GLASGOW, 8/9 0840 w/C&W type mx, SID into MT Net. nx, good sigs. DF-IL
- 1260 KXLR CA SAN FRANCISCO, 8/3 0405 w/light mx & info, ID "KXLR Transformation Radio". JGJ
- 1270 KSCB KS LIBERAL, 7/13 0600 w/Sat. Nx Net. ment. now on 24 hours. C&W mx. JGJ-MT
- WXYT MI DETROIT, 6/30 0005 TV stn promo, ID, Jim Bohannon Show, good. TL-IN
- 1280 KDYL UT SALT LAKE CITY, 7/8 0800 w/AP nx & lcl nx, w/KBRQ. JGJ-MT

1290 KOIL NE OMAHA, 7/5 0400 w/mx weak. JCJ-MT  
 KOWB WY LARAMIE, 6/22 2330 weak w/old rok. JGJ-MT  
 1310 KFKA CO GREBELEY, 7/1 0800 strong w/Mutual nx. JGJ-MT  
 1320 KOLT NE SCOTTSDALE, 7/1 0000 u/KEUG w/Top 30 USA. JGJ-MT  
 1320 WOBL OH OBERLIN, 7/8 0000 CBS nx, wx, SID, tlk show, fady. TL-IN  
 1320 KBUG UT SALT LAKE CITY, 7/15 0217 ID & ment. of Salt Lake. DF-SD  
 1330 KFH KS WICHITA, 6/27 0500 w/long lcl nx. JGJ-MT  
 CJYM SK ROSETOWN, 8/4 0306 strong w/s/off, ID as "AM-133". JGJ-MT  
 1360 KSCJ IA SIOUX CITY, 7/25 2305 weak u/KRKK carrier w/lcl nx. JGJ-MT  
 KRYS TX CORPUS CHRISTI, 7/15 0215 rr mx & ID weak in lite QRM. DF-SD  
 1370 KDTH IA DUBUQUE, 7/15 0114 tlk show & lcl spot, poor u/KGNO. DF-SD JGJ-MT  
 KX TL MT BUTTE, 8/17 ex-KCEZ now using these calls, Larry King nights, same format.//  
 CJWW SK SASKATOON, 7/10 0400 weak u/KCEZ & KSOP "1370 CJWW" & C&W mx. JGJ-MT  
 1380 UNID UNID 7/16 0830 rok mx, ID as FM-102, PDT zone, all over KOTA any-idea? JGJ-MT  
 1390 KCEY CA TURLOCK, 8/2 2225 w/spot, weak signal but on top. JGJ-MT  
 WGBY MI CHARLOTTE, 7/21 2100 w/WGGL, WFBL, WGWY the Spirit of mid-Michigan". TL-IN  
 WFBM NY SYRACUSE, 7/21 2133 "Music of Your Life on 1390 WFBL". TL-IN  
 1400 KIGO ID ST. ANTHONY, 7/8 0859 s/on brief w/5 others. JGJ-MT  
 KBRE NE AINSWORTH, 8/13 0843 u/KCOW w/NE wx, lcl temp, no ID hrd. DF-SD  
 KLIN NE LINCOLN, 7/14 2104 lcl nx by YL, ID & faded u/KCOW. DF-SD  
 KQDJ ND JAMESTOWN, 8/17 0920 w/ID fair in mod. QRM, farm rpt & lcl spots. DF-SD  
 KJYJ OR JOHN DAY, 8/14 0900 s/on nice ID but soon gone. DF-SD  
 KBJM SD LEMMON, 8/15 0807 lcl spots & nx in heavy QRM. DF-SD  
 1420 KUJ WA WALLA WALLA, 7/1 0843 strong w/Yakima Apple rpt. JGJ-MT  
 1430 WTL MO ST. LOUIS, 7/15 1943 C&W mx, "1430 WTL" IDs good, no WIRE. TL-IN  
 WFOB OH FOSTORIA, 7/17 2150 rok mx, NE OH wx. TL-IN  
 1440 KRQZ CO WRAY, 7/1 0804 strong w/s/on, nx & w/o u/ unid Tter. JGJ-MT, 8/19 0843  
 national wx, lcl wx & ID very good w/no QRM. DF-SD  
 TT 0800-0900 7/1 u/KRQZ, no IDs. JGJ-MT  
 UNID UNID  
 1450 WCEV IL CICERO, 7/16 2058 Ukranian pgm, EE ID, nx, wx. TL-IN  
 KXXL MT BOZEMAN, 8/19 0839 apparently the one here during KBBS fade w/promo for  
 something over in Dillon. According to map Bozeman is about 40 miles from  
 Dillon. DF-SD  
 KTXK MT WHITEFISH, 8/13 0847 good in KBFS mull during KBBS fade w/many lcl spots,  
 no ID hrd. DF-SD  
 1470 CJVB BC VANCOUVER, 8/4 0245 weak w/light mx, ID as "CJVB 1470". JGJ-MT  
 1480 KIMS NE LINCOLN, 7/5 0445 strong w/60's rok. JGJ-MT  
 KYCA CA MERCED, 7/8 0255 w/old rok. JGJ-MT  
 KRAE WY CHEYENNE, 8/16 0807 finally hrd w/lcl nx, good sigs no KIMS. DF-SD  
 1490 KKLK ID CHUBBUCK, 6/30 0500 w/AP nx & Mx Country Net. JGJ-MT  
 KJQN UT OGDEN, 6/30 0530 w/rck & ID as "KJQ" u/KKLK. JGJ-MT  
 CJSN SK SHAUNAVON, 7/15 0032 killing everything w/lcl nx, wx & spot. DF-SD  
 1520 KJIA SD SIOUX FALLS, is back on w/hard rr religious format (? ed.). Calls itself  
 the rock alternative. DF-SD  
 KMAV ND MAYVILLE, 8/19 0830 "This is KMAV, Mayville-Portland, the sports voice of  
 the Valley". very good w/no KOMA. DF-SD  
 1530 WCKY OH CINCINNATI, 8/16 0806 ending net. nx, ID, no KECK. DF-SD  
 1550 KQXI CO ARVADA, 7/7 2230 s/off strong. JGJ-MT  
 KICS NE HASTINGS, 7/14 2312 noted briefly during KQWB fade w/lcl spot. DF-SD  
 1560 WPAD KY PADUCAH, 7/15 0023 fair mostly u/KKAA w/mx. DF-SD  
 1570 KLOV CO LOVELAND, 7/7 2228 s/off, weak. JGJ-MT  
 WGSR CA MILLEN, 0600 7/31 w/Dixie & s/on in like a local o/WGLE. JJR-WI  
 1580 KNIK AZ TEMPE, 7/25 2235 strong w/C&W mx, ID as "Arizona Country KNIX Ah". JGJ-MT  
 WUIV NC ICARD TOWNSHIP, 7/7 0615 s/on, Christian mx. JJR-IN  
 WVKO OH COLUMBUS, 7/4 soul mx 0605 ID, promo good. TL-IN  
 1600 KATZ MO ST. LOUIS, 7/15 0130 fair w/KIAK/KCRG w/rel. pgm. DF-SD  
 KBXB UT CENTERVILLE, 7/7 0815 w/Better Days rel. pgm, strong o/KRKY. JGJ-MT

SHELTERING IN THEIR SHACKS

DF... David Faulkner 124 May St. Lead, SD 57754  
 (TRF-12-650)  
 RG... Rob Gerardi 1421 N. Franklin Apt. 7 Benton, IL 62812  
 (ICOM R-71A, 500\* #22 wire coiled)  
 JGJ... John C. Johnson 501 5th St. West Billings, MT 59101  
 (ICOM R-71A, 50\* N-S LW)  
 TL... Tom Laskowski 1334 E. Miner St. South Bend, IN 46617  
 (ICF-2001, 40" spiral loop)  
 DF... Dale Park 2253 Kanealii Ave. Honolulu, HI 96813-1345  
 (ICF-6700W)  
 JJR... John Rieger 1586 S. 82nd West Allis, WI 53214-4421  
 (ICR-R70, R-1000, RF-2900, Kowalski Loops, Radio West Shotgun Loop)

Sorry about missing the last 2 issues. The 1st one I didn't have any contributions. The issue last month was missed because I was on vacation. Also sorry that this issue wasn't better organized, but my girlfriend just got out of the hospital & I have my thoughts elsewhere.

# WESTERN DX ROUNDUP

Nancy Hardy  
2301 Pacific Avenue  
Aberdeen, WA 98520

All times are  
Eastern Local

Phone for hot WDXR tips: (206)532-6827 till 10pm(PLT)

DEADLINES: Tuesdays

REPORTERS FOR THIS ISSUE:

- (LHC) Les Carpenter-23171 La Vaca-El Toro, CA 92630  
(AD) Alan Davidson-8121 E. Balfour Dr.-Tucson, AZ 85710  
Ford car rx  
(BH&NH-OR) Bill & Nancy Hardy-DX'ing at convention in Portland, OR  
Car rx  
(JH) Jim Hilliker-1135 N. Mayfair Ave. #2-Anaheim, CA 92801  
Kenwood R-1000, R. West loop  
(RHM) Roy H. Millar-13714 30th Ave. NW-Marysville, WA 98270  
FRG-7 w/500' 14g E-W wire, FRG-7 w/Sanserino amp. loop, DAK-3  
w/unamp. loop  
(BN) Bill Nittler-Box 824-Mancos, CO 81328  
(DP) Dale Park-2253 Kanealii Ave.-Honolulu, HI 96813  
Sony ICF-6700W  
(DP-HI+) DX'ing at Kailua Beach Park w/Sony ICF-6700W  
(DP-HI6) DX'ing at Pali Palms, Kailua w/Sony ICF-6700W  
(DP-HI8) DX'ing at Kanauma State Park w/Delco car rx  
(bp) Bruce Portzer-6546 19Ave. NE-Seattle, WA 98115  
On vacation in & near Yellowstone Nat. Park, WY  
1976 Ford truck radio, Sony ICF-2001  
(RT) Rich Toebe-2388 American Ave.-Hayward, CA 94545  
Grundig 3400, R. West loop  
(RW) Robert Wien-1309 Dentwood Dr.-San Jose, CA 95118  
GE Superadio, GE long-range portable, SM-2  
(RW-CA1) DX'ing while passing through Central Valley, CA w/GE  
Superadio  
(RW-OR) DX'ing on 4th floor of Kingsway Motor Inn, Portland,  
south-facing window, w/GE Superadio  
(RW-NV) DX'ing in Reno area w/GE Superadio  
(PW) John Wilkins-4385 Hoyt St. #205-Wheat Ridge, CO 80033  
\*\*\*\*\*  
OF SPECIAL INTEREST:  
630 KTKK UT, Sandy per call to KZJ0, calls are now KTKK. All-talk format.  
(RW-CA)  
650 CKOM SK, Saskatoon 8/26 0156 totally surprised to hear this in  
Portland, in CISL's null. Poor early on, but came in better  
later w/ID "65, see-kahm" (65, C-Kom), TC of 11:56, another ID  
"C-Kom, the heart of rock & roll." Just switched frequencies  
recently, ex-1250. Still needed in San Jose! (RW-OR)  
670 KPUA HI, Hilo has moved here, ex-970. First noted by Doug Martin of  
Kailua on 8/6, who phoned me and said it was "booming in." I  
checked & could only find a KIKI/KHVH mix. I did hear it  
tentatively around 1145 w/its Japanese program. Xmtr is in  
Papaikou, north of Hilo; per Dr. Richard E. Wood, reception  
is the same, as KBOI is easily receivable. KIPA still has best  
coverage of Hilo stns as it is audible from Kaneohe to East  
Honolulu in the daytime. Doug phoned KPUA & they said they moved  
on 8/1. (DP-HI)  
730 KBOY OR, Medford 8/21 0907 good in KCBS null w/Rogue River Valley wx.  
Didn't catch ID, but called stn to confirm call change, ex-KRVC,  
just occurred in this week's Broadcasting magazine. (RW-CA)  
750 KAMA TX, El Paso 7/14 0306-0505 fair in Spanish w/"Radio Kama" IDs,  
Mexican mx, and PSA's. 7/16 0038 fairly good in SS w/female DJ.  
7/17 0409 test tones, back on w/SS 0415. (LHC-CA)  
+8/4 2358 finally heard this SS stn give legal ID in SS only w/  
call letters and El Paso clearly mentioned. Many "Radio Cama"  
IDs. So it is a new stn, not 1060 moving to 750. New, TX #16.  
(JH-CA)  
790 \*KXTC\* CA, Clovis 8/30 1839 noted ET'ing while driving thru Modesto, CA  
using car rx. ET'ing w/EZL, ID 1839 "This is KXTC, Clovis, CA,  
conducting equipment tests," not noted ET'ing when I got in San  
Jose by 2200 checking out 790 at home. This stn was silent, but  
may be coming back on air shortly! (RW-CA1)  
810 KDBL CO, Rifle ex-KWSR logged first 6/12 2145 w/C&W. They call them-  
selves "Double Barrel Radio" which alludes to their new FM  
station that will be on the air this month. (BN-CO)



- 830 KGYO WY, Evansville-Casper 8/31 0800-0812 mixing w/KIKI. No actual s/on heard. Many ref. to Casper; only a rather unclear "Evansville-Casper" ID on the hour, but call noted several times.(RHM)
- 860 KUTR UT, Salt Lake City 7/24 2250-2254 tent. w/Willie Nelson & Robert Plant (strange mx mix), ID only heard as "...on 860 AM," XEMO nulled out, KVVA way under, KTRB off for 10 min. because of technical problems on MGN feed. Definitely logged 7/29 0815 thru KTRB OC w/ad for the "Sports Mall" "...with two stores in downtown Salt Lake," ID only as "KUTR," into rr mx. Good signal, but faded rapidly. (RW-CA)
- 890 WIQS MS, Laurel thanks to phone tip from MS IRCA member S. David Warren, this stn moved here from 1260 Mon. 8/26. 10kw non-dir. daytime. R&B format. Anyway, David called 8/29 about 2330 saying WQIS was on all-nite w/hurricane warnings. I tried, but no luck, only WLS quite loud. Thanks anyway for tip, David. Could be a possible SRS catch or get for a CPC test later this year. (JH-CA)
- 1040 KLHT HI, Honolulu 8/1 1200 first day w/new call, ex-KIFH. "This is K-L-H-T, Honolulu, K-Light." Non-stop inspirational mx except for interrupting ID at 1215. 8/2 0705 noted on. DJ on phone said they are back to 24-hour schedule. Darn, no KTW0/Beijing again! (DP-HI)  
+Per call to KIFH, calls are now KLHT. Still religious and 24 hours NSP. (RW-CA)
- 1080 (KWAH) HI, Honolulu 6/28 0512 noted off air per Doug Martin tip, mxcast later on KHVH said the xmtr in Papalama district was vandalized; parts including the freq. crystal were stolen. Since June 28 the xmtr was re-vandalized, and all missing parts had to be re-ordered and shipped, each custom-made. Stn secretary keeps telling me they'll be on "next week" but they always fail to show up. Meanwhile it's open season on KRLD, WWSZ, etc! (DP-HI)
- 1130 (KLEI) HI, Kailua 8/29 1900 noted off the air while driving thru Kaneohe 8/28. Per phone call to stn 8/29, owner Carl Schuele (of KRUZ-FM Santa Barbara) "pulled the plug" after 0500 s/off on 8/24, but they will return soon. (DP-HI)
- 1210 KRSV WY, Afton 8/12 0606 good on peak in KASY null thru vicious "tt" that's plagued this freq. for 2 weeks now. SMN mx, "it's 2 minutes past," clear ID by YL after mx, "This is KRSV, Afton," into C&W. This was my unID "MGN" on this freq. last week. Power listed in CP as 5000/250. (RW-CA)
- 1250 KLLK CA, Willits 8/5 0846 finally on air. 1st day of broadcast way o/KTMS w/ment's of it being their first day on the air. Mendocino area wx at 0846, Dr. Rock and Steve Rose w/nx "on this day" at 0847, Beach Boys at 0849. Slopping KXLR-1260! Power is 5000/2500 dir. to west, 5:30-midnight, FLT sked, per verie. (RW-CA)
- 1280 KQAK OR, Eugene-Springfield 8/25 2239 fair thru bad KLIQ-1290 slop w/ID "This is the quake, KQAK, Eugene-Springfield, the new 1280." Into what sounded like SS! Ex-KYKN. (RW-CA)
- 1310 \*KDIA\* CA, Oakland 8/12 0625 surprise ET w/OC, soul mx, ID at 0625 "This is KDIA, Oakland, 1310 kHz, testing our main xmtr." Call change ex-KFYI, but not back on RS yet. Per verie, it'll still be "several months" before they officially come back on the air. They just conducted the ET that night to make sure the xmtr was still operating correctly "just so we're ready whenever we come back on the air." Also mentioned people confuse them with KFYI-910 Phoenix AZ, thinking KNEW-910 Oakland has changed calls to KFYI! (RW-CA)
- KXAK NM, Corrales 8/14 0430 now on the air, new station. Discovered by accident w/KLIX off, KZZP fading out. Heard an ID, muddy but clear "AM stereo 13-10, KXAK." Then gone. Heard again 0520 w/ "sponsored by KXAK" and religious mx. Heard again 0650 w/program promo, ID mentioned AM stereo KXAK, 1310 by female DJ. Poor. Called stn, just went on in early July. Religious format. Address: 7800 Marble Ave. N.E., Suite 2, Albuquerque, NM 87110. 5000/500 watts, 500 night is directional away from KZZP, no wonder it was so poor! New, NM #18. (JH-CA)  
+New station came on in early July. First heard in daytime w/contemporary gospel mx and religious programs. ID as "1310 AM stereo, KXAK Corrales, 24 hours a day." (BN-CO)
- 1320 KNNC CA, Oceanside per call to station, changed calls from KEZL, still EZL mx, but will become news-talk "soon." (RW-CA)
- ?KNNC? 8/19 0612 unID w/Larry King show // KCBS-740 very weak u/CHQM in KBUG null, pretty sure KXRO doesn't carry Larry King (No, they don't.--NH), and loop bearing was not correct for KELO-SD. Highly doubtful I had FL, hi.(RW-CA) (According to Dale Park, "KEZL Oceanside" was announced as a new LK stn.--NH)

1360 KRVV CO, Vail in a verie letter from KRVV C.E. Martin Hijmans, the stn has just received a C.P. from the FCC to move to 610 kHz w/5000 watts. They hope to make the change "By the end of September." (PW-CO)

1370 KXTL MT, Butte per call to KCEZ, have changed calls to KXTL, format to adult contemporary. Still 24 hours, but don't know if NSP. (RW-CA)

1400 KLTW CA, San Luis Obispo 7/26 0127 poor w/"light" mx on "KLTW - The Light AM." 7/11 2325 fair w/Smithsonian Magazine ad. First hrd on 6/21 and heard off and on ever since. Ex-KUNA/KSLY. (LHC-CA)

1480 KIDI ID, Gooding 8/19 0800 s/on, 1000 watts. (RHM-WA)

KAAR WA, Vancouver 8/24 & 8/25 noted during Portland IRCA Convention that they are temporarily operating daytime only. Several references heard about being on "until 8:15pm" which is August sunset. Oregon members and convention booklet confirmed this, but nobody could explain the reason. Also, they have reverted to an oldies format. The children's programming they carried in April only lasted about 6 weeks. (BH&NH-OR)

1500 KRCK CA, Burbank per tip at convention, this stn apparently back on the air, haven't called to confirm. (RW-OR)

1530 (KFBK) CA, Sacramento 8/19 off for third MM in a row, looks like this is a regular MM SP now. (RW-CA)

\*\*\*\*\*

530 KNEZ393 WA, Seattle TIS noted 8/7 2135 w/I-90 traffic advisory for weekend of Aug. 3 & 4. This 393 call is new to me. (KNEZ391 heard other times.) (RHM-WA) (Copies of the TIS licenses, sent by Mike Hardester, show KNEZ393 in Bellevue at N.E. 150th St. interchange on I-90. KNEZ391 is at Spokane St. interchange on I-5 near the Kingdome in Seattle.--NH)

540 KNAK UT, Delta 8/7 0830 good signal w/local spot ment. Nephi, funny spoof of a soap opera, and pop/rock mx. Format change? If so, they were C&W. (JH-CA)

550 KAFY CA, Bakersfield 6/5 2047 very weak w/C&W mx and ads. They haven't moved to 970 kHz yet. (LHC-CA)

KMVI HI, Wailuku 8/21 0922 good in KAFY null w/ID "The classics, are on 55, KMVI..." rare to hear it this late, 4 min. before LSR. (RW-CA)

\*KMVI\* 7/22 0711 noted w/whining OC instead of MM SP. (DP-HI)

570 \*KIPO\* HI, Lihue 8/10 0656 noted w/OC instead of usual daily SP. (DP-HI)

600 KLZZ CA, San Diego heard 2255 w/contemporary mx & many IDs. (BN-CO) (Date?--NH)

610 KONA WA, Kennewick-Richland-Pasco 8/26 0316 dominant w/ID "Stereo 61, KONA," o/KFRC. (RW-OR)

620 \*KGW\* OR, Portland 8/26 0311 local off w/TT. (RW-OR)

630 CKOV BC, Kelowna 8/26 0314 dominant w/local spot, "OV Country" ID. O/unID Larry King (KOH?), KGW off. (RW-OR)

660 CFPF AB, Calgary 8/26 0151 good w/Canadian rx. (RW-OR)

670 KWNK CA, Simi Valley 8/12 0300 finally heard this thing after months of trying through massive KNBR-680 slop. KBOI off, WMAQ nulled. Mixing w/Cuban. Caught a 5-second pause in KNBR slop at top of hour & caught partial ID "Playing the Valley's hits, KW--," then wiped out again by KNBR slop. Slogan confirmed via phone. New. (RW-CA)

KPUA HI, Hilo 8/21 0400 had been tent., good u/KBOI w/EZL, contest promo "Hawaii, what would you do with a million dollars...?" Called to confirm details. Now on 670, ex-970. New. (RW-CA) (Oops! This should have been in Of Special Interest w/DP's tip. Sorry about that!--NH)

730 KTOX ID, Boise 8/7 0820-0825 fair to good all alone, some KCBS-740 slop. Ray Briem show, ABC Talkradio, two local IDs "KTOX-73, newstalk for the --- valley." and "KTOX, newstalk 73, your direct connection." Gave phone number to call in, 213 area code. Good sig. for 500 watts. Called stn, they're not on at night, still a daytimer. When TRH heard them, someone forgot to turn off xmtr. Also ment. call from OR on it (Pat Martin?). Third time heard here and best yet. (JH-CA)

KLOE KS, Goodland 7/31 0730 nice signal at s/on, ID, wiped out at times by KCBS-740 splatter, then very good w/long wx forecast, ment. lots of rain in Goodland area, TC, temp. Still in fair to good 0740. (JH-CA)

740 KCBS CA, San Francisco 7/12 0608 "Larry King Show" from Harbor Place in Baltimore on tape // KGU-760. Poor, ripple QRM. (DP-HI+)  
 KRMG OK, Tulsa 7/28 0740 barely audible w/stn ID and country & western mx while KCBS off. (LHC-CA)  
 KTRH TX, Houston 8/16 0100 good w/promo. Usually buried u/KCBS, not heard often here. (AD-AZ)

750 KMMJ NE, Grand Island 8/12 0724 well on top of KAMA/KXL w/ID by YL, terrific cx to midwest this morning. (RW-CA)

760 (KFMB) CA, San Diego 7/14 0407 off this morning. (LHC-CA)  
 770 (KOB) NM, Albuquerque 8/19 0339 totally off. (RW-CA)  
 780 KROW NV, Reno 8/29 noted using slogan "78, KROW, playing the classics." (RW-NV)

790 KABC CA, Los Angeles 7/12 0603 Ai nx & local ads. Neil Myers on "Talkradio" giving out local phone numbers. About 2/3 sec. ahead of KGU. Light QRM. (DP-HI6)  
 KGHL MT, Billings 8/26 0142 good in KWIL null w/local spot. (RW-OR)  
 ?\*KGHL\*78/5 0455 susp. good w/TT in KABC null. KGHL's C&W not noted in there, this not part of their reg. f/c. (RW-CA)

840 ?KWPN? NE, West Point 7/29 0705-0715 closest I've come to logging them, tent. w/unID farming program. Heard ment's of "farm" until about 0705, faded out, came back up again very poor w/"It's A Rainin' Again" at 0711, faded out, back up for last time at 0715 w/unID ad. Heavy T-storm QRM made reception very difficult, if QRM hadn't been there, I would've positively ID'd it! (RW-CA)

850 KMDY CA, Thousand Oaks 6/5 2043 very weak w/Jonathon Winters comedy routine. 6/5 2318 reduced power due to "FCC regulations." (LHC)  
 860 (KTRB) CA, Modesto 7/29 0513 totally off, still off around 0745. (RW-CA)  
 870 KTEV CA, Glendale 8/26 0138 poor w/talk show, KORD nulled. (RW-OR)  
 890 WLS IL, Chicago 6/30 0206 poor w/WLS-Budweiser 25th Birthday Party promo on "The Rock of Chicago." Once again WLS can be heard in southern Calif. (LHC-CA)  
 +8/30 0230 still here alone, no sign of KDXU. Good w/some fading and static. (JH-CA)

KQLX ND, Lisbon 8/17 0702 s/on announcing 1,000 watts. This before LSR/Lisbon, but is LSR/Chicago. Promptly verified. (RHM-WA)

900 KBIF CA, Fresno 6/5 2313 very weak w/s/off and annot. of s/on at 6:00am w/"Christian music & programming for the San Joaquin Valley." (LHC-CA)

910 KFYI AZ, Phoenix 7/29 fairly good w/all-new nx & talk show format. 8/5 0104 fairly good w/phone-in talk show. 8/7 2355 poor w/ABC nx, race results, and talk show. Lots of QRM from KNEW & "Radio Mexicana." Ex-KJJJ. (LHC-CA)  
 + "For Your Information" heard SRS 8/12. All news format. (BN-C0)

CKDQ AB, Drumheller 8/12 0304 good in KNEW null w/"q weather" for Drumheller & vicinity, into C&W. Rare here, especially on night pattern. (RW-CA)

920 KVEC CA, San Luis Obispo MM 8/26 0430 break in Larry King Show, ID into nx, very poor. C&W QRM. KORK off. Rare here due to usual KHJ-930 slop. KHJ running talk show at this hour. (JH-CA)

KWYS MT, West Yellowstone all day 7/16 & 7/17 noted putting out well-modulated parasitics on 932, 946, 958, 908, 894, and 882 kHz. Those on the upper side were the strongest, 932 & 958 were noted throughout western Yellowstone Park. Clean-sounding audio on all these spurs, too! Format is a mix of adcon/C&W. (bp-WY)

KORK NV, Las Vegas 6/6 2354 fair w/Las Vegas Stars vs Hawaii Islanders baseball game. (LHC-CA)

930 KAGI OR, Grants Pass 8/25 2225 good, alone w/rr, ID. (RW-OR)  
 940 \*KPRE\* CA, Fresno MM 8/26 0327 OC & TT's, very strong. (JH-CA)  
 950 KYES OR, Roseburg 8/25 2227 noted u/KJR w/Tina Turner, local spot. (RW-OR)

960 KOOL AZ, Phoenix 8/12 0340 strong in KABL null w/ID. (RW-CA)  
 KABL CA, Oakland-San Francisco 7/12 0554 EZL mx including Anne Murray's "Danny's Song." Good, slight KDEO-940 QRM. (DP-HI6)  
 +7/20 briefly heard u/KOOL w/ID & EZL mx. (LHC-CA)

970 KNUU NV, Paradise 6/26 0154 fair w/California Angels vs Cleveland Indians baseball game. (LHC-CA)

980 K SVC UT, Richfield 7/7 0044-0110 barely heard u/KFWB using emergency power while on emergency status during a state-wide power outage in Utah. (LHC-CA)  
 +8/26 2245-2302 fair to good in KFWB null w/Talknet. Thought I had something til I got ID & into s/off 2302. Isn't this a bit late? (JH-CA)

990 (KHVH) HI, Honolulu 7/21 0853 noted off the air. SP? (DP-HI)

- 1000 KRHS AZ, Bullhead City 8/26 2230 fair to good w/s/off. Poss. a format change from C&W to rock, as anncr. said "Join us again tomorrow morning when we'll rock Holiday Shores." No SSB. (JH)
- KOMO WA, Seattle 7/12 0605 Ai nx, woman w/state nx. Fair w/KHVH-990 het. (DP-HI+)
- 1010 KCMJ CA, Palm Springs 7/29 0332 good w/ID, so still here, not on 1140 yet. I don't think it's worth calling them anymore, hi. (RW-CA)  
+8/14 2220 in fair w/some KTNQ-1020 slop, carrying San Diego Padres and an ID, so not on 1140 yet. (JH-CA)
- KKGZ CO, Brush 7/3 w/new calls and C&W early AM and again SRS 8/11. (BN-CO)
- 1030 KHWH CA, Folsom-Sacramento 8/25 2247 blasting in w/ID. (RW-OR)  
?KHWY?+6/9 tent. 0635 w/woman w/sermon. Could also hear Linda Ronstadt's "Blue Bayou" underneath, probably a weak KTWO. Ripple fading. (DP-HI8)
- KBUF KS, Garden City per verie, power now 25kw daytime only, not 5kw as listed in SP. Still awaiting FCC approval to go 1kw nights, will change city of license to Holcomb then. (RW-CA)
- 1050 KTBA AZ, Tuba City 7/23 0838 fair u/o XED w/s/on, wx, gospel mx, and IMS nx. (LHC-CA)
- 1070 CFAX BC, Victoria 7/12 0002 poor, Canadian & local nx by man in slight KNX null. New, BC #6 from here. (DP-HI+)
- 1080 KRLD TX, Dallas 7/12 0528 nx, then Alex Burton commentary, anct., Fitness Tip, Accu-Wx promo and Chris Landers w/nx. New, #3 from Texas here. Good to poor. (DP-HI+)
- 1090 KING WA, Seattle 7/12 0551 fair w/replay of Larry King Show in Baltimore, o/XEPRS. (DP-HI6)
- 1100 KFAX CA, San Francisco 8/25 2229 good w/religion. (RW-OR)  
KIII CO, Grand Junction 8/15 2316 xlnt w/pop mx and slogan "Your Radio Leader." (AD-AZ)
- 1120 KMOX MO, St. Louis 8/15 2317 poor w/Cardinals BB. Seldom heard here. (AD-AZ)
- KPNW OR, Eugene-Springfield 7/12 0548 Carl Stone airing MOR mx, local drunk driving PSA, "11-20 KPNW" jingle, Air Supply mx. Good, KHFI QRM. (DP-HI6)
- 1150 KCKY AZ, Coolidge 6/4 2346-0030 fairly good o/u KIIS w/Calif. Angels vs Baltimore Orioles baseball game. 6/5 2330 fairly good o/u KIIS w/C&W mx. (LHC-CA)
- KBAB CA, Morro Bay 6/26 0147 poor o/u KIIS w/promo for the "KBAB-- Music You Remember Club." 6/2 0249 poor w/steak house ad. (LHC)
- KAGO OR, Klamath Falls 6/30 0131 fairly good o/u KIIS w/Klamath Falls vs Medford ? baseball game. (LHC-CA)
- 1160 KSL UT, Salt Lake City 7/6 2325 on backup power & providing coverage of the state wide outage due to a lightning strike which blew up a sub-station in S. Salt Lake City & triggered a domino-like power failure which covered the state of Utah & parts of southern Idaho and northern Arizona. (LHC-CA)  
\*KSL\* +7/14 0345 good w/TT & OC. (LHC-CA)
- 1170 (KLOK) CA, San Jose 7/27 0528 totally off. KVOO/KCBQ mix. Looked for Radio Marti s/on at 0530 but couldn't penetrate 1180 wall. (RW-CA)  
KFSC CO, Windsor ex-KSGR w/"Radio Paco" & call letter ID 8/28 0928. (BN-CO)  
\*KOHO\* HI, Honolulu 8/2 0704 noted w/OC instead of usual daily SP. (DP-HI)
- 1180 ?KDAN? AZ, Williams possible 8/15 2325 w/C&W mx steady u/KERI, lost to KVOO-1170 slop. (AD-AZ)  
KERI CA, Wasco-Bakersfield 7/27 0543 noted w/national relig. call-in program. (RW-CA)  
?KERI?+8/15 2323 presumed the one u/mess w/PSA, ment. of Napa. (AD-AZ)  
KOFI MT, Kalispell 7/27 0540 noted w/the "1180 Radio Weatherbank," fr format now, dropped Larry King? (RW-CA)
- 1190 KPZE CA, Anaheim 7/27 0532 good in KEX null w/ID. (RW-CA)
- 1200 \*WOAI\* TX, San Antonio 8/5 0410 noted w/OC. (RW-CA)
- 1210 KGYN OK, Guyton 6/1 0632 good w/"Portals of Prayer." S/on, wx, and TC. (LHC-CA)
- KCLG UT, Washington 8/18 2230 good w/ads, ID, into C&W mx countdown Show. (AD-AZ)  
(KCLG)+7/7 0125 off due to state wide power outage in Utah. (LHC-CA)
- 1220 KDFC CA, Palo Alto 8/18 2233 very poor w/classical mx, lost to an unusually strong XEB. Usually KDFC dominates. (AD-AZ)  
CJOC AB, Lethbridge 7/5 0248 good o/XEB w/C&W mx, trucking ads. Female DJ. (LHC-CA)

1230 KFLR AZ, Phoenix 6/13 0115 briefly heard w/"Music for Meditation" and wx. (LHC-CA)

KGEO CA, Bakersfield 8/11 2255 good on top this Sun. eve. w/KGPFJ at 100 watts (while KPPC-1240 is on). Oldies mx, and IDs, ment concert in Bakersfield. Rarely heard at my location. (JH-CA)

KXO CA, El Centro 6/13 2354 poor w/Calif. Angels baseball game. (LHC)

KEZD NV, Las Vegas 7/26 briefly heard among the mob w/EZL mx & ID. (LHC-CA)

1240 KENZ CA, Sacramento 7/5 0330 briefly heard w/female DJ & the wx, then gone. (LHC-CA)

KSUE CA, Susanville 8/24 0306 fair w/ID & s/off. Hasn't shown up here in last 6 months or so. KSMA-Santa Maria also being heard here again after a long absence. (JH-CA)

1250 KNCO CA, Grass Valley per call to KNCO 8/2, currently running a contest to guess when they're moving to 830 (similar to KUUY-870 WY when they did the same thing), wouldn't tell me even though I mentioned where I was calling from. Only would say "within 60 days." (RW-CA)

1260 KXLR CA, San Francisco carries BEC World Services "Newsdesk" at night, noted 8/3 0300 & 8/4 0200, // 6175 and 9510--at end of 30 min. program, they allow BEC to give various frequencies; then annrc. gives KXLR ID & mentions that program was "Live from London via shortwave." This is the first time I've ever noted a commercial ad to carry foreign broadcasts. (Public stns here such as KALW-FM have carried BEC in the past). (RT-CA)

KVSF NM, Santa Fe 8/15 2339 good w/R&B mx, o/low-pitched unID tone; sports & ID 2341. (AD-AZ)

1270 KTFI ID, Twin Falls 7/23 0756 briefly heard w/baseball promo. 7/16 0147 briefly heard w/wx. (LHC-CA)

KAJO OR, Grants Pass 8/25 2223 good o/KBAM w/ID. (RW-OR)

1280 KKAL CA, Arroyo Grande 7/12 0541 sports from Music Country Radio Net., PSA on alcoholism, net jingle. Poor, KNDI QRM, unID underneath. (DP-HI6)

1290 KHSL CA, Chico 7/15 2305 fair w/conclusion of CBS nx, C&W mx, and wx. Clobbered by KMEN at 2308. (LHC-CA)

KAZA CA, Gilroy 7/15 2250 fairly good w/"Radio KAZA" ID in SS. Faded at 2259. (LHC-CA)

KLIQ OR, Portland per call to KLIQ, application to change calls to KMJK still pending. (RW-CA)

1300 KYNO CA, Fresno 8/12 0309 a most-wanted heard finally. Quick SID heard briefly o/KWKW. New. (JH-CA)

KHUG OR, Phoenix 6/9 0704 Ai nx, DJ commentary on last nx item & gave wx at "The Radio Ranch" & vicinity. ID "13 hundred K-Hug Country," into Oak Ridge Boys "So Fine." 1st time logged. (DP-HI8)

1310 KIOT CA, Barstow 6/5 2250 fair o/u XEC w/s/off "until 6:00am." (LHC)

KCRE CA, Crescent City 8/5 0913 good o/KTKR w/ID. (RW-CA)

KLIX ID, Twin Falls 6/26 0114 fair w/Paul Harvey "The Rest of the Story." (LHC-CA)

+8/13 0258 C&W mx, ID, into s/off. Ment. back on at 5am (0700 EDT). Is this a regular SP? (JH-CA)

KNPT OR, Newport 8/26 0149 good o/all w/ID. (RW-OR)

1320 (KGNR) CA, Sacramento MM 8/26 0300 heard end of funny s/off annct, ment. off for maintenance, to be back at 0800. (JH-CA)

\*KGNR\*+8/5 0417 noted ET'ing w/jazz mx while looking for KNNC call change. (RW-CA)

1330 KLBS CA, Los Banos 8/23 2259-2301 fair to good in KFAC null w/KGAK, then, SSB appeared out of nowhere, at end of SSB, into Portuguese NA (Knew what it was from Radio Portugal on SW). Called stn to confirm exact details, they're Portuguese language stn. A most-wanted. New, counted CA totals again, this is CA #201. (JH-CA)

1340 KSFE CA, Needles 8/5 0100 nice ID on top, out of pop mx "The Mojave Valley's radio leader is KSFE, Needles." Into ABC nx. Called stn, dropped SMN in July! Format changed to adult contemp., via Transtar satellite, but live 0900-1200 & 1500-1800 drive-time. Also, now on 24 hours, AN. (JH-CA)

KQIL CO, Grand Junction per call to KQIL, they didn't know they'd been granted 1370! Obviously, they don't know when they're moving. (RW-CA)

KRAM NV, Las Vegas 6/20 2124 poor w/wx for Las Vegas, Henderson, etc. (LHC-CA)

- 1350 KRLC ID/WA, Lewiston/Clarkston 8/26 0130 good w/KSRO nulled w/ID, some TVI/QRI (QRM from ice machine outside my room, hi).(RW-OR)
- 1360 KLFF AZ, Glendale 7/28 2240 fairly good w/Music Makers program and promo for K-Life Big Band Cruise. Faded at 2245. (LHC-CA)
- KZUN CA, Modesto 8/27 still using these calls as of 8/27 1514. Not KFIV again yet (calls have been granted). Still C&W. (RW-CA1) +6/21 0100 heard off & on until 0145 w/financial nx, sports report, and a baseball game. (LHC-CA)
- 1370 KEEN CA, San Jose 8/26 0116 fair o/u mess w/ID. (RW-OR)
- 1380 \*KLPZ\* AZ, Parker 7/6 0300-0315 good w/i/c. (LHC-CA)
- KOTE CA, Lancaster 6/5 2243, 5/22 2245, 5/21 2245, 5/14 2245 fair w/s/off. Owned by Antelope Broadcasting Corp. (LHC-CA)
- KSMJ CA, Sacramento 8/30 noted using slogans "Sacramento's Magic 1380 AM" & "Magic 1380." (RW-CA1)
- KBAE WA, Everett 8/26 0128 noted w/ID "The best around Everett, 1380 K-Bay." 0/U unID C&W (KTOM or KSRV?). (RW-OR)
- 1390 \*KCEY\* CA, Turlock 8/11 2132 tuned in to find ET of TT & OC at this very strange time. Don't know why they were testing this time! Back on RS at 2150. (RW-CA)
- 1400 KRE CA, Berkeley 7/12 0538 fair w/R&B mx, ID, into Sade's "Your Love is King," dominating w/co-channel het until faded into het. New. (DP-HI6)
- KKMK CA, Truckee 8/29 noted not simulcasting KHFX-FW during day. Uses jingle "Voice of the High Sierra." (RW-NV)
- KVIS CA, Visalia 7/26 0120 fair w/Los Angeles Dodger baseball game post-game show. 6/21 0237 fair w/Strawberry Wine Cooler ad.(LHC)
- 1430 (KNTA) CA, Santa Clara 8/17 0430 totally off briefly, back on RS at 0440. (RW-CA)
- 1450 KTIP CA, Porterville 8/24 0300 good w/detailed s/off. This is usually a very strong pest here before 0300. (JH-CA)
- KEST CA, San Francisco 7/17 0357-0427 poor w/Evangelistic preacher and "The Coffee Shop" program. (LHC-CA)
- KONE NY, Reno 8/26 0323 totally dominant w/ID after KBFS s/off at 0300, as big a pest in Portland as in San Jose! No trace of KRXX. (RW-OR)
- KDXU UT, St. George per call to KDXU on 8/9, now won't move to 890 until "September." (RW-CA)
- 1460 KDON CA, Salinas per call to KDON, application to change calls to KICZ still pending. (RW-CA)
- 1490 KBAS AZ, Bullhead City 8/5 0005 good w/ID "The music of America, 24 hours a day, KBAS, Bullhead City." (JH-CA)
- KSYC CA, Yreka 8/26 0300 surprise catch, good on top at s/off o/KRNR & unID Mutual nx. (RW-OR)
- 1500 ?KUMU? HI, Honolulu 8/9 0515 tent. thru KHHT OC null (off for tech. problems for about 10 min) u/KSTP w/EZL, partial ID "???", fifteen-hundred." UnID ad ment. phone number 942-9305, checked directory assistance & found KUMU's number is 941-1566, which nearly matches the 942 I heard in the ad, so likely a local Honolulu exchange. Tent. report sent. (RW-CA)
- 1510 KIRV CA, Fresno 6/24 2258 briefly heard u/KNSE at s/off. Owned by New Life Enterprises. (LHC-CA)
- KDKO CO, Littleton 8/18 2207 very good, atop channel w/R&B. No sign of KNTS-Mesa, AZ. (AD-AZ)
- 1520 KOMA OK, Oklahoma City 7/12 0534 wx for Oklahoma, Scott Louglin w/promo, into C&W mx. Poor, fading u/KSGO. (DP-HI6)
- 1530 (KFBK) CA, Sacramento 8/5 0309 totally off. (RW-CA)
- 1540 (KSKQ) CA, Los Angeles 8/5 0610 totally off. (RW-CA)
- KLST WA, Bellevue 8/5 0620 good o/KXEL w/ID, freq. mess at the time. (RW-CA)
- 1550 KXEX CA, Fresno 7/25 2304-2329 good w/ID & automobile ads in SS, Mexican mx. (LHC-CA)
- +8/4 2300 very strong at SSS, oldies show in EE/SS, requests, many IDs. (JH-CA)
- 1560 WQXR NY, New York City 6/26 0309 weak after KPMC s/off w/classical organ & orchestral selections. Drifted out at 0332. My best domestic logging of the summer. (LHC-CA)
- 1570 KCVR CA, Lodi 8/25 2232 fair, but fadey w/SS, ID as "Kah-ceh-veh-erre." (RW-OR)
- CKTA AB, Taber 6/1 0612 fairly good until after 0700 w/some 1580 splatter. Top 40 format, sports scores, wx, and IDs. (LHC-CA)
- 1590 (KLIV) CA, San Jose 8/19 0409-0825+ totally off this period. (RW-CA)
- KSRN NY, Sun Valley 8/29 noted using slogan "AM 1590." (RW-NV)

1600 ?KEED? OR, Eugene 8/25 2258 susp. weak u/KOHI w/C&W. (RW-OR)  
 1610 TIS MT, near Belgrade sign along I-90 between Belgrade & Bozeman  
 said tune to 1610 for National Forest info. Nothing noted when  
 we went past 7/14, late afternoon. (bp-MT)  
 TIS WY, Yellowstone Park 7/15-7/17 has curtailed most of their TIS  
 operations. No "tune to 1606" signs noted during visit. The  
 only one in actual use was at Fishing Bridge campground w/  
 continuous loop warning about bears. Also noted one w/TT along  
 Yellowstone River south of Canyon Village 7/17, plus a few  
 others w/OC. Did see several xmtrs & antennas atop ranger  
 stations & restroom buildings, however. Those that had xmtr on  
 were all on 1610, not 1606, per ICF-2001 digital readout.  
 (bp-WY)

August f/c heard:

1st MM KQIK-1230 OR 0300-0315 (RW-CA)

UNIDS:

- 920 7/12 0611 poor w/Colgate-Palmolive soap ad, Bill Rodgers Honda ad,  
 "Bobby Sox & Blue Jeans Show" (oldies mx) promo, unintelligible ID  
 and back to "Countdown America." Over stn IDing as "Hitradio C-Gem."  
 Moderate QRN. (DP-HI6)
- 980 7/12 0553 furniture ad, ID as "98 Country," into C&W mx. In KFWE  
 null. Poor, ripply QRM. KINS? (DP-HI6)
- 1090 8/19 0333 unID TT o/KBOZ in XEPRS null. KING conducting weekly TT's  
 now? (RW-CA)
- 1200 8/19 0620 unID OC extremely strong, seemed to loop N/S rather than  
 towards San Antonio. No fading at all. Pirate? (RW-CA)
- 1210 8/5 0530 unID w/MCN noted thru distorted TT which has been on this  
 freq. for at least a week now, weak in KASY null. Apparently too early  
 for KGYN as their s/on noted at 0630 as usual. Perhaps KCLG-UT picked  
 up MCN, which would make them NSP now. Buried by WCAU later, tho!  
 (RW-CA)
- 1220 7/12 0541 man w/talk, into mx but giving way to co-channel CKDA.  
 Ripple QRM. (DP-HI6)
- 1250 7/29 0900 unID SSB weak u/KTMS, looping N/S. Probably KDHI, but  
 possibly KGBU-OR? (RW-CA)
- 1270 8/18 2136 fair w/pop mx, bassy audio, SS QRM; lost 2140. Noted again  
 2205, faded in & out all night. (AD-AZ)
- 1370 8/26 0133 unID o/KEEN briefly w/wx, ment's of Canada, "highs near 17,"  
 looped east. Lost soon after u/KEEN/KAST, lost to unID EZL-CHPQ or  
 CPOK? (RW-OR)
- 1450 8/26 0304 unID C&W strong looping N/S, lost to KONE soon after. Is  
 KRPM NSP? Ideas? (RW-OR) (KRPM is now KJUN.--NH)
- 1500 8/12 0310 unID "hum" TT very strong in KHPT null. KRCK, Burbank on the  
 air yet? (RW-CA)
- 1560 7/31 0630 was looking for WTAI, since I heard them one year ago.  
 Carrier on, female voice in middle of newscast on apartheid in S.  
 Africa. Fair, then terrible QRN covered the freq., messed up every-  
 thing, must've been someone in the building. Anyway, never did find  
 out what it was. Possibly WTAI again. (JH-CA)

Bill & I had a very good time at the convention in Portland. Was  
 nice to see some old friends again, and to meet some new ones! ♡

\*\*\*\*\*

SUMMARY OF UNREPORTED STATIONS  
 Through Volume 22 #32 dated June 15, 1985

compiled by Don Kaskey, 465 Burnett St., #1, San Francisco, CA 94131

The following chart lists the total number of stations in the USA and  
 CANADA and the volume they were last reported as being heard in DX MONITOR.

| COUNTRY | V22  | V21 | V20 | V19 | V18 | V17 | V16 | V15 | V14 | V13 | V12 | Prior | Total  |
|---------|------|-----|-----|-----|-----|-----|-----|-----|-----|-----|-----|-------|--------|
| CANADA  | 215  | 53  | 24  | 26  | 17  | 12  | 13  | 5   | 6   | 0   | 2   | 46    | == 419 |
| U.S.A.  | 1956 | 759 | 527 | 347 | 313 | 157 | 184 | 76  | 52  | 29  | 48  | 313   | ==4761 |
| TOTAL   | 2171 | 812 | 551 | 373 | 330 | 169 | 197 | 81  | 58  | 29  | 50  | 359   | ==5180 |

(Continued on Page 43)

# DX WORLDWIDE EAST

EDITOR: JIM HALL # 240 BYRON ROAD # PITTSBURGH,  
PENNSYLVANIA 15237, U.S.A.

Looks like a good upcoming season with conditions already vastly improving (at least here). Some brief TA openings early in August. They seem to be getting better as Gardner Smith reports, but I can't say personally as I have been traveling too much to observe conditions. I will keep you posted on a possible address change to Erie, PA. I will likely keep the column if I move but my DXing will be greatly reduced less DXpeditions. I've got to make some use of my new IC-R71A, hi. Does anyone have sound information concerning the Relej station now being heard on 790? The more I think about it, the more I suspect it was just a newer station that didn't make the '85 WRTH. I don't think it is an Anti-Marti station. On with this issue's reports, times are GMT/UT.

## I R A N S - A T L A N T I C D X

- 675x6 unID, 0245 8/10 : Not strong enough for audio. (Smith-DC)  
765 SENEGAL, Dakar 0600 8/2 : Fair sig, S/on & Koranic chanting. Also getting something on 1304 which may be Dakar; nothing on 1367/68. (Smith-DC)  
891 ALGERIA, Algiers has been good just about every night this summer (around 0200 - 0300 GMT) at both W. Yarmouth & Billerica when WLS is eliminated with the phasing unit. (Connelly-MA)  
1035 PORTUGAL, Porto Also 0445 8/19 : Astonishing signal, shouldering WBZ aside. Romantic ballads, PP talk (with that echo-box audio the Brazilians are so fond of). At 0453 into Ravel's Bolero. (Ravel was French, but never-mind, Maurice). Stopped DXing and enjoyed the program. //1062. Checked 1575 and 558 for parallels but no soap. 1st Euro TA of the season. (Smith-DC)  
1062 PORTUGAL, Azurara 0445 8/19 : Fair, //1035. (Smith-DC)  
1116 unID, 0430 8/5 : Carrier isolated but don't hear audio. Loops Africa. Probably Burundi 100kW outlet. (I doubt it severely, Gardner. Morocco, Italy, or Angola (shouldn't be on old-plan chan. anymore) more likely. ed.) I'm getting that funny twinge in my knee again. DX season must be getting close. (Smith-DC) (Or that old football injury.....hi. ed.)  
1134 unID TA, 0045 8/31 : Very weak, perhaps Spain. No indication of multiple carriers, however. (Smith-DC)  
1314 unID TA, Weak 0300 8/18. (Smith-DC)  
1521 SAUDI ARABIA, Duba frequently noted here on Cape Cod around 0300 throughout summer; typically with AA mx/talk, or at least as a robust het against WKWB. (Connelly-MA)  
1548 unID, Weak carrier isolated 0420 8/5, but not a single other high-band TA, not even a whisper on BFO. (Smith-DC) (Maybe UK. ed.)  
1557 unID, Two TA carriers, very close together. 0555 8/19. (Smith-DC)  
1575 PORTUGAL, Porto-Canidelo 0401 7/7 : Fair w/nx in PP read by two men. (Connelly-MA)  
+Loud w/pips (....) into 0500 SID "Radio Comercial" by women. Also 6-note Instru. jx's. Another Radio Comercial ID noted later by man. Best heard in ECSS with bad 1570 slop notched. Nice to hera in Aug. (8/3). (Hall-PA)  
1584 SPAIN, 0400 7/7 : SS talk, time pips -- choppy SAH present. (Connelly-MA)  
+Graveyarders just over slop 0452 8/3 w/SS mx/talk. Also 8/2 same time. (Hall)  
1602 SPAIN, 0405 7/7 : Bits of SS pgm., poor in WWRL/WUNR slop. (Connelly-MA)

## P A N - A M E R I C A N D X

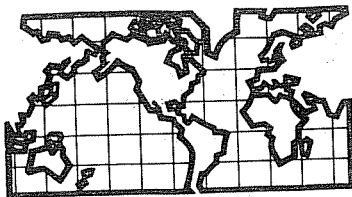
- 535 GRENADE, Morne Rouge 0252 7/21 : Good w/US soul hits, Caribbean EE talk, TC '8 before 11" (2252 - same as EDT). (Connelly-MA)  
580 CUBA, Baracoa CMMF 0801 8/5 : Weak, but big "Rebelde" ID's noted in quiet domestic shadow (most dom's. w/net/local nx at 0801), //690/630. Het here invariably. (Hall-PA)  
PUERTO RICO, San Juan WKAQ 0515 7/21 : Loud / totally dominant w/news in SS. (Connelly-MA)  
590 CUBA, 0619 7/26 : Radio Rebelde very good w/SS pops, man w/"Rebelde" ID. (Ross-ON)  
650 VENEZUELA, Maracay YVLH 0153 7/21 : Leading the pack w/SS ad for merengue/disco club, then "R. Vision" ID. (Connelly-MA)  
720 JAMAICA, Kingston 0527 7/21 : Good / dominant w/reggae show. (Connelly-MA)  
750 NICARAGUA, Managua 0420 7/29 : Radio Sandino, xint sig w/WSB. //6200 khz. Laid-back, relaxing mx. (Smith-DC)



- 790 CUBA, 0625 7/26 : Radio Reloj fair w/clock ticks, nx, ID on minute. (Ross)
- 810 COLOMBIA, Bogota HJCY 0529 7/21 : "R. Sutatenza" ID & timecheck, loud - annihilating WGY. (Connelly-MA)
- 825 ST. KITTS, Basseterre 0150 7/21 : Preaching at smashing level - sometimes better than PJB - 800. At W. Dennis Beach, you can probably get R. Paradise on your teeth. (Connelly-MA)
- +0347 8/4 : Basseterre noted good in passing with religious mx pgm. (Hall-PA)
- 870 ARGENTINA, Buenos Aires LRAI 0502 7/21 : Good w/"R. Nacional de Argentina" ID. (Connelly-MA)
- CUBA, Sancti-Spiritus CMGB 0615 8/5 : Good in sky/ground wave null of WWL, contemp. SS mx pgm //640 et al. (Hall-PA)
- 895 COLOMBIA, Santa Marta HJPM 0503 7/21 : Good w/festive LA mx. Enjoy the 5-kHz-offset Latin American "splits" while they're still available ; the spread of 10-kHz channelised receivers will soon make the splits obsolete. (Connelly) (Unless stations conform to the new receivers, serious DXers should survive with good communications receivers. ed.)
- 910 CUBA, Camaguey CHML 0550 7/29 : R. Cadena Agramonte. Xlnt sig w/pest CKLY silent. Romantic mx //1380, also xlnt. This is the Camaguey provincial net //1360/1370/1380/1400/1580 - but only 910 & 1380 are high-power outlets. (Smith-DC)
- 960 COLOMBIA, Magangué HJHN 0451 7/21 : Bulldozing in w/"Sutatenza" ID, HoR LA mx. A Cuban Reloj station was noted way under. (ConnellyOMA)
- 1020 VENEZUELA, La Asuncion YVRS 0455 7/21 : Booming "Mundial Margarita" ID, completely blowing away KDKA. (Connelly-MA)
- 1100 ANTIGUA, St. John's ZDK 0351 7/21 : Lively calypso mx show - good / dominant. (Connelly-MA)
- 1170 COLOMBIA, Cartagena HJMW 0232 7/21 : Reverberated "Heroica" ID rising atop pile of other stations - bad growl present. (Connelly-MA)
- 1200 CUBA, Palma Soriano CMQJ 0415 8/3 : "Radio Revolución" ID and SS mx. Often noted on this "dead" channel. (Hall=PA)
- 1380 CUBA, Jaronu CHMY 0550 7/29 : Really dominating channel. //910. Did not hear any of the other parallels. (Smith-DC)
- 1520 t CUBA, 0217 7/21 : Apparent Reloj-type program noted (poor) battling massive T521 TA het w/WKBW phased. (Connelly-MA)
- 1580 ANTIGUA, St. John's VOA 0220 7/21 : EE discussion, by man & woman, about economic relations between USA & Latin American nations. Atop CBJ. (Connelly)
- MEXICO, Hermosillo XEDM : Presumed at 0700 s/off 7/29 (agrees w/WRTH. ed.), but ID was "R. Sensacion", not "Grande de Sonora". Is this Kosher?? (Smith-DC) (A stroll through the WRTH reveals many Mexican Radio Sensacions on MW, so XEDM may have been using programming from someone else. OR, possibly it was just incidental in that they may have said ".....a radio sensation.." or something similar. Hope this helps. ed.)
- 1610 ANGUILLA, 0358-0400 7/21 : C & W - style hymn, mention of "700 club" pgm., "Caribbean Beacon" ID. (Connelly-MA)
- Out of Order:
- 1180 VENEZUELA, unID city 0344 7/21 : A Rumbos network Venezuelan was noted here at good level w/"Rumbos" ID & typical doorbells. WHAM was nulled out w/ phasing unit. There was no sign of either R. Marti or Cuban jamming at the time. (Connelly-MA)

#### CREDITS:

- (Ross-ON) Robert S. Ross, Box 4373, Stn. C, London, ON Canada N5W 5J2  
(Kenwood TS430S, Panasonic RF1115, Realistic TRF, dipole, 4' box loop, built-in)
- (Connelly-MA) Mark Connelly, 7 Trowbridge Path, West Yarmouth, Cape Cod, MA 02673  
(Sony ICF-2001, two 30-m. wires, phased w/Mini-MWDX-3 phasing unit)
- (Smith-DC) Gardner Smith, 1000 Perry St., Washington, D.C. 20017  
(Sony ICF-7600D/Toshiba F-11)
- (Hall-PA) Jim Hall ed., 240 Byron Road, Pittsburgh, PA 15237  
(ICOM IC-R71A, Kenwood R-600, 2 // Bev's. 1000', 2 // 275' 1w's @ 70°, other 1w's to 300', 3' and 5' loops)



## DX WORLDWIDE - WEST

Pat Martin - Editor

P.O. Box 843, Seaside, Oregon 97138

PHONE: (503) 861-3185

TIME: UTC

DX lately seems to be on the upswing, with quite a few JJ and CC stations in. The 700' Northwest wire I put up works quite well. Thanks to Kaz for the info on the latest Phaser at the convention. I've got to get one built. Not much DX news around here, but I would like to thank all who voted for me as a Board Member and the TVA. It is much appreciated. So on with DX reports:

### DX REPORTS FROM HAWAII

- 558 FIJI, Suva-Radio Fiji 1 at 1120 UTC on 8/16 with mellow mx, poor (DPK-Hi)  
570 HAWAII, Lihue-KIPO at 1056 on 8/10 noted with OC, instead of nitely SP (DPK-Hi)
- 630 CUBA, Camaguay-CMHA "Radio Rebelde" at 0940 8/10, lively mx (CB-Hi)  
702 AUSTRALIA, Sydney-2BL, ABC at 0900 8/18, man and woman talks (CB-Hi)  
830 HAWAII, Honolulu-KIKI-1052 noted off the air 5/6 (DPK-Hi)  
860 MEXICO, Mexico City-Radio UNAM XEUN, Classical mx 8/16 0700 (CB-Hi)  
970 MEXICO, Mexico City-XEDF "Radio Uno", Long ID and TC o/QRN 8/4 0420 (Cb)  
972 SOUTH KOREA, Tangjin-man talking quite good 8/4 at 1521 (CB-Hi)  
1040 HAWAII, Honolulu-KIFH, noted off the air 1053 5/6, 5/15 at 1112, Noted w/OC instead of SP 5/27 at 1142 (DPK-Hi)  
HAWAII, Honolulu-KLTH-1600 on 8/1 1st Day w/new call ex-KIFH, DJ "This is KLTH, Honolulu K-Light" Non stop insp. mx ID 1615, per station they resumed 24-hr operation. (DPK-Hi)
- 1044 CHINA, Radio Beijing-Fn ser in JJ 8/5 at 1532 (CB-Hi)  
1053 JAPAN, Nagoya-JOAR, JJ Pops 8/6 at 1524 (CB-Hi)  
1080 HAWAII, Honolulu-KWAI Per phone call 8/29 station still says they will return next week. (DPK-Hi)
- 1130 HAWAII, Kailua-KLEI per station the owner pulled the plug after s/off 0900 UTC 8/24, but will return soon. Still off as of 29th (DPK-Hi)  
JAPAN, Tokyo-JOQR-Comedy program in JJ 8/4 at 1500 (CB-Hi)
- 1134 HAWAII, Honolulu-KOHO-1104 UTC 8/2, noted w/OC instead of SP (DPK-Hi)  
1170 CHILE, Santiago-CB118 Radio Diego Portales at 1050 on 8/13 (CB-Hi)  
1180 AUSTRALIA, Newcastle-2NC at 1600 on 8/7, Loud pops TCs (CB-Hi)  
1233 WESTERN SAMOA, Auala-2AP, Channel One-woman talking 0615 on 8/17 (CB)  
1251 BRAZIL, Rio de Janeiro-2YH456 Radio Tupi, most common Brazil here, at 0610 8/13 (CB-Hi)  
1280 COLOMBIA, Bogota-Radio Recuerdo HJZZ Pop Colombian mx 8/8 0625 (CB-Hi)

### PAN AMERICAN DX ROUNDUP

- 1370 MEXICO, Nogales-XEHF 0240 8/8 good in KWRM null, another in SS w/ s off Mexican anthem 0244 XEHG? (JH-Ca)  
1580 MEXICO, Hermosillo-XEDM 8/8 0300 vy strong as usual w/ID over KDAY/KNIX (JH-Ca)

### TRANS-PACIFIC DX ROUNDUP

- 531 JAPAN, Morioka-JOQG-vy good o/unid CC w/JJ talk at 1300 on 9/4 (PM-Or)  
540 JAPAN, Several stations listed here, good JJ talk o/u CBK at 1258 on 9/4 (PM-Or)
- 549 JAPAN, Naha (Okinawa)-fair in KHVI splash JJ talk 1250 on 9/4 (PM-Or)  
558 JAPAN, Kobe-JOCR, vy good o/KK w/ U.S. rr at 1246 on 9/4 (PM-Or)  
567 JAPAN, Sapporo-JOIK good w/man in JJ at 1253 9/4 (PM-Or)  
594 JAPAN, Tokyo-JOAK // w/567 at 1254 9/4 (PM-Or)  
657 t NEW ZEALAND, Wellington-2YC likely the weak EE 8/5 1253 (GK-Ca)  
729 UNID, Fair good EE talk, strong het 8/5 1255, bearing the same as Kiribati so suspect 5CL (GK-Ca)
- 756 NEW ZEALAND, Auckland-LYA strong 8/5 1256 w/EE ancr and soft mx (GK-Ca)  
765 UNID, possible 2BE hrd 8/5 1301-1314, pop rr, odd the compere sounded Yank, stедda Strine. (GK-Ca) (Who knows the ancr may be an American, I've hrd Aussies in the U.S. PM)
- 819 NEW ZEALAND, Rotorua-LYZ 8/5 1215-1305, audio fading in and out w/light MOR mx couldn't make out until 1300 Voice, Recognized song "As time goes By" Time pips at 1300, TC and ID by YL. New, my first DU-Country 9! (JH-Ca) (Congrats! PM)

819 NEW ZEALAND, Rotorua-1YZ soft mx //756 8/5 1258 (GK-Ca)  
 837 NEW ZEALAND, Whangarei/Kaitaia 1YX/1YK good 8/5 1259 w/soft mx //756  
 819 EE talk under likely 4RK (GK-Ca)  
 897 UNID, 8/3 at 1215 vly weak audio light mx, poss. tc by woman, noisy  
 poss. 4RK (JH-Ca) (Poss. NZ, which seems to be more common this  
 season. PM)  
 891 THAILAND, Bangkok-Radio Thailand in very strong w/usual Temple mx  
 and woman in Thai at 1245, way o/JJ&KK on 9/4. It looks like it may  
 be a good season. PM-Or)  
 1008 NEW ZEALAND, Tauranga-1ZD very good 8/5 1305 w/pops (GK-Ca)  
 1035 t NEW ZEALAND, Wellington-2ZB good sigs 8/5 at 1306 pops (GK-Ca)  
 1575 THAILAND, VOA vly strong w/man in EE o/unids at 1235 9/4 (PM-Or)  
 1476 U.S.S.R., Vladivostok-8/2 1200 fair w/chimes (probably FS) then 3 note  
 Peace and Progress IS. Note NHP loogs 5/17 and 6/13 didn't anyone  
 hear them in July? (RHM-Wa) (Didn't notice here, but didn't have the  
 rx on much this Summer.PM)

VERIFICATIONS:

670 HAWAII, Hilo-KPUA- rec usual Alan Roycroft QSL card in two weeks  
 TOKW, mentioned First DX Report. (PM-Or)  
 864 JAPAN, Muroran-JOQF QSL card from HBC Sapporo-tape of reception 11/84  
 1500-1515. JOQF 864 underlined in red ink 3KW. JOHE is also shown on  
 card on 864 Khz -WRTH lists JOQF 3KW power in Day, lower at night? (RHM)  
 864 JAPAN, Asahikawa-JOHE-HBC sent card QSLing JOHE and JOQF for taped  
 rep sent in 10/84. Checked JOHE and JOQF on card-both 3KW. Apparently  
 both were mixing on tape sent. JJ QSL #74. Signed Y. Kosms. (PM-Or)  
 1040 HAWAII, Honolulu-KLMT-Alan Roycroft sent usual QSL in 2 weeks, this  
 is also marked First DX Report, ex KLFH. (PM-Or)  
 1566 SWITZERLAND, SBC sent QSL card after 6 months from Bern. Country #68  
 QSLd. (PM-Or)

THANKS TO THESE REPORTERS:

CB-Hi CHUCK BOEHNKE-Post Office Box 468-Keaau, Hawaii 96749  
 ICOM R-70-Longwires  
 JH-Ca JIM HILLIKER-1135 North Mayfair Avenue #2-Anaheim, Ca. 92801  
 R-1000, Radio West Loop  
 GK-Ca GLEN KIPPEL-612 West Avenue-Merced, California 95340  
 SP-600 JX, R-388, Super Radio, loops  
 RHM-Wa ROY H. MILLAR-13714 30th Avenue, N.W.-Marysville, Wa. 98270  
 DAK3, Unamp. Box Loop.  
 DPK-Hi DALE PARK-2253 Kanealii Avenue-Honolulu, Hawaii 96813-1345  
 Sony ICF-6700W  
 PM-Or YER EDITOR  
 SP-600JX, (2) 1500 ft. Beverages East, 700' NW Beverage, Term. 200  
 SE LW (DUs), Ground System.

New stations reported as having taken the air during the period between  
 V22 #29 through #32:

|                     |                    |                      |              |
|---------------------|--------------------|----------------------|--------------|
| 660-WCRR-VA         | 820-KQIN-WA(x-800) | 1100-WQDQ-TN         | 1400-KVLA-LA |
| 680-KVGO-LA         | 840-WNUY-FL        | 1120-WCGM-TN         | 1450-WHRY-WI |
| 720-WMXY-GA         | 890-WYAI-MS        | 1180-WSAF-GA         | 1560-KBRL-NE |
| 750-KJEL-MO(x-1080) | 960-WGRR-AL        | 1180-WFGN-SC(x-1570) | 1590-WALY-KY |
| 770-WYRV-VA         | 1100-WUBS-IL       | 1400-WCLB-GA(x-1220) |              |

Previously unreported stations noted by IRCA reporters in DX MONITOR since  
 the last update (V22 #30)....Covers V22 #29 through #32:

AZ---1--KFBR-1340 (Wilkins-vac AZ)  
 OH---3--WLND--830 (Ritchey-PA)  
 PA---4--WRID-1520 (Smith-DC); WCCS-1160 (Ritchey-PA)  
 WA---1--KQIN--820 (Portzer, Millar, N. Hardy-WA)

OFF THE AIR STATIONS: Now Silent: KESP-1290-CA, 1310-KFYI-CA, 1450-WNAB-CT,  
 1470-KDUN-OR, 1510-WRUA-PA.....Back ON the Air: 1130-WWCM-IN, 1240-KYOR-AZ,  
 1240-WYAM-MS, 1580-WAJE-PA (testing).....

### III. INTERNATIONAL RADIO CLUB OF AMERICA

The IRCA is a non-profit organization devoted to the hobby of listening to distant radio stations on the AM broadcast band (535 to 1635 KHz). DX Monitor, the official publication of the IRCA, is printed 34 times per year; weekly from October to March, twice a month in April and September, and monthly from May to August. DX Monitor contains members' loggings, information and articles on radio stations, receiver reviews, technical articles and construction projects, tips on DXing, and other material to help members enjoy their hobby. IRCA also publishes books on medium wave DXing and holds an annual convention. IRCA is a member of ANARC, the Association of North American Radio Clubs.

Club Addresses and Officers: President - Dr. Richard E. Wood, P.O. Box 5074, Hilo, Hawaii 96720.  
Secretary-Treasurer - John Glemmer, 4524 Seventh St., #2303, E. Moline, IL 61244. Editor in Chief - Bruce Portzer, 6546 19th Avenue N.E., Seattle, WA 98115 (206) 522-2721. Board of Directors: Ernest Cooper, Nancy Hardy, Bill Harms, Patrick Martin, Bruce Portzer, Niel Wolfish, Karl Zuk.

Membership Dues: U.S. \$20.00 per year. Canada and Mexico (one issue mailed per week) \$26.00, (two issues every two weeks) \$20.00. Overseas, surface mail \$21, airmail to Central America, Colombia, Venezuela, and the Caribbean \$27; airmail to Latin America, Western Europe, North Africa and the Middle East \$30; rest of the world \$34 airmail. Special Trial Membership, 10 issues of DX Monitor and a new member packet for \$7.50. Make checks and money orders payable to IRCA and send dues to: P.O. Box 26254, San Francisco, CA 94126. Foreign members must make dues payable in U.S. funds.

The IRCA Goodie Factory: The IRCA has a number of items for sale, including hundreds of past DX Monitor articles, A DXers Technical Guide, The IRCA Almanac, IRCA Foreign Logs, and other publications. For details and prices send an SASE to 1017 W. Manhattan Drive, Tempe, AZ 85282.

Opinions expressed in DX Monitor are those of the original contributor and not necessarily those of the IRCA, its officers, editors, or publishing committee. Unless otherwise noted, permission is given to republish non-copy-righted material if credit is given to IRCA & the originator.

FIRST CLASS MAIL  
U.S. POSTAGE  
PAID  
Seattle, WA  
Permit No. 601

first class

D - A - NYHOLM  
207A CEDAR STREET  
SAN CARLOS CA  
94070

Postmaster: if undeliverable, return to  
P.O. Box 21074, Seattle, WA 98111, U.S.A.