



Foreign ✓

# DX Monitor

Devoted Exclusively to  
Broadcast Band DXing

September 28, 1985

Volume 23, Number 2

Issue Number 725

## In This Issue

Eastern DX Forum .....	2	Hotrodding the MWDX3 Phaser ...	11
Western DX Forum .....	3	Eastern DX Roundup .....	14
IRCA Want Ads .....	5	FCC Sinks Orange County Pirate	16
The Mitchell Lee Amplifier .....	6	Western DX Roundup .....	17
Two Book Reviews .....	10	DX Worldwide West .....	21

## News from Headquarters

**IMPORTANT NEWS.** We're going to open this issue with important news about your membership dues. Effective immediately, send your membership dues, renewals, and address changes to our new Secretary-Treasurer, John Clemmer. His Address is P.O. Box 482, East Moline, Illinois 61244. If you've already sent your renewal to Rich Segalas, it will be forwarded to John. However, there may be a bit of a delay, so if you receive this issue rather late, it's probably because we thought you'd dropped out (either that or the P.O. was slow). Anyway, good luck to John as he takes on his new duties as Secretary-Treasurer, and thanks to Rich Segalas for handling the job for the last eight years.

**THE ALMANAC IS COMING!** We're in the final process of putting the latest IRCA Almanac together. With a bit of luck and persistence, it may be at the printer by the time you read this bulletin. This is the largest Almanac ever, 188 pages long, and filled with station lists, articles, and tables on networks, syndicated programs, sports broadcasts, slogans, station changes, satellite feeds, and much more. Next to a station directory, it's probably the most important Domestic DX aid available. Right now we're offering it at a prepublication price of \$6.00 each (book rate to the U.S., surface mail elsewhere) or \$8.00 each (airmail overseas), for members only. After October 15, the price will increase to \$8.00 for members and \$9.00 for nonmembers (plus \$2 more for airmail overseas. Order yours today from P.O. Box 17088, Seattle, WA 98107. (Make checks payable to IRCA).

**SCADS GETTOGETHER.** The Southern California Area DXers will hold a gettogether on Saturday, October 19, at Village View School Auditorium, 5361 Sisson Dr., Huntington Beach, CA. Highlights will include a demo of a 4 1/2 foot satellite dish antenna by Grant Manning of Radio West. For more information send a SASE to Don Schmidt, 3809 Rose Ave., Long Beach CA 90807.

**ANTENNA GUIDE.** The BBC World Service is offering a free guide for SWLs, which is also useful to ECB DXers. It's called simply "Aerials". It's free by writing to: Waveguide (a program of theirs), BBC, Bush House, London, England. Thanks to Karl Zuk for this info.

**RADIO CLUBS.** We've recently gotten some information on users groups for a couple of radios. One is called the 515 Club. As the name implies, it's made up of owners of JRC NRD-515 receivers. You can join if you send a #10 SASE to Richard Oddie, 857 Virginia Ct., Sonoma, CA 95476. Also, someone else is trying to form a correspondence club of Sony ICF-6800W owners. For info on that one contact Douglas Hopkinson, Suite 1012, 1260 York Mills Road, Don Mills, ON M3A 2A2.

**ACHIEVEMENT AWARDS.** Looking for a new way to impress your wife, drinking buddies, girl friend, neighbors, or fellow IRCA members. IRCA achievement awards may be just the thing. You can show the world you've heard beaucoup stations, states, provinces, countries, or continents. IRCA awards are attractive and multicolored and suitable for framing. And they're only 60¢ each, 2 for a dollar. For details on how to get yours send a SASE to Bruce McFadden, IRCA Awards Manager, 1029 Walden Ave., Cheektowaga, NY 14225.

# EASTERN DX FORUM

RICHARD EVANS  
P.O. Box 1294  
NORTH WALES, PA 19454

New Address: English Village Apartments  
Building 23, Apartment B-6  
North Wales, Penn. 19454

Deadlines: 9/28 10,5, 10/12...

Tom Jasinski, 503 Jensen Street, Shorewood, Illinois 60436

Greetings: From July 27 to Aug. 3rd was spent on a 2500 mile drive to the Black Hills area of S.D. in a 21 foot rented motor home. The vehicle radio was fairly sensitive on AM so I left my FRG-7 at home. Though there was plenty of room on the spacious dash board for a tape recorder and radio. Along Highway I-90 near the town of Drapier, S.D., there is a talking billboard with a one minute recorded ad for a Dude Ranch in the Black Hills. Frequency is 530 kHz. The antenna is on the north side of the highway about 50 yards from the pavement. The antenna wire is strung for about a mile. The power is very low. A few seconds after passing the far end of the antenna the signal is lost. The antenna radiates just enough RF energy to reach the west bound lane and that's it. In the Rapid City area the mountain blocking effect is very noticeable. On hill tops KOBH-580 Hot Springs (30 miles away) was heard well. Just below the hill tops their signal would rapidly fade only to come back on the next hill top. On the way down to Scottsbluff, Neb., KCSR-610 Chaldron was our weather watch for some severe thunderstorms and tornados that crossed our path. KUYU-870 is a daytimer from Scottsbluff, about 150 miles northeast of Cheyenne. At sunset their signal disappeared. At night WWL is dominant. Also at night CHML puts a potent signal into the same area. They do a pretty good job of covering the Eastern half of the U.S. This may explain why the KJSK test didn't get out too well. Recent veries: WNYR-990 WZTN-1000, WADM-1540, and WBZI-1500 and WSRF-1580. This evening will be spent scanning the AM band for stations on the air due to Hurricane Elena. 73's.

S. D. Warren, Route 3, Box 569, Nettleton, Mississippi 38858

Hello from Nettleton-Tupelo-Fulton, hi. Since I recently moved to Itawamba County, whose county seat is Fulton and still have my Nettleton address and Tupelo is nearby, this is my new QTH. Have noticed less QRN and stronger signals from the northeast, east and southeast during days. Because of this and the clear channel breakdown I have added 8 stations to the logbook. A few were "late arrivals" but some have just recently gone on the air. Finally pulled WPRQ-Tenn. in over WWL on 870 and WLWL-N.C. through WJMW, WABC, KOB QRM on 770. Louisiana now has a new fulltimer on 1210. WBIU, ex-WLBI-1220, has been heard here with country music since July 30. "Bayou 1210" (pronounced by-you) is a regular here until power/pattern change and has been heard 3 hours past sunrise. I'm convinced they are 10 kw even tho I have never heard them say so. WPMXY-720 Hogansville, Ga. is on the air also with 10 kw per Broadcasting Info (Nov. 3, 1984). WPMXY refuses to announce its power at s/off or s/on so I'm assuming it's 10,000-D which was granted them. They use the slogan "Big X-WPMXY-pass it on". WPMXY is strong at sunrise and sunset and has a weak signal daytime but so does WSB-750. WQIS-890 Laurel, Miss. has switched from 1260 and is using 10,000-D per phone call on July 29. "AM Stereo Q-89" is their slogan and their s/on and s/off announcements except for legal ID. Since Robert Wein and other West Coast DXers have been trying for WYAI on 890 which was granted 890 but is now operating on 780, it will be interesting to see if they log WQIS. Because of their fairly clear channel, high power and NO pattern (apparently), WQIS may be one of Mississippi's best gifts to DXers in recent years. Now if I can hear KDXU, St. George, Utah on 890, the West will have made me happy. 73's from Mississippi.

Richard C. Evans, English Village Apartments, Bldg. 23, Apt. B-6,  
North Wales, Pennsylvania 19454

I was up most of Labor Day morning listening and trying to catch new stations from the south because of the hurricane--and checking to see that Elena didn't go over my mother-in-law's house. Two new stations heard --one from Toronto and one from Washington, D.C. CHML-900 bombed in here. It was rather discouraging, to say the least. I finally gave up. We moved a week ago as I type this. I'm closer perhaps to Philadelphia, but I'm not sure how much difference it will make. It's only a couple of miles. I have not set up the radio here yet, and we haven't found the portables. PTL.



# Western DX Forum

★ ★ ★ ★

IRCA—Serving the Broadcast Band DX'er Since 1964

Editor: Ric Heald, 1632 J St., #4, Eureka, CA 95501

1985/6 DEADLINES - WEEKLY ON TUESDAY 11 DAYS PRIOR TO PUBLICATION DATE

GARY LARSON, 2806 LINCOLN, BURBANK, CA 91504 (818) 842-7601

Hi. Bandscanned at midnight (local) 02 September and not much heard. KWOW in as usual. On 1310 heard rock - maybe Mesa, Arizona? Mention of FM. Heard OC on 1180, more than likely KERI.

Seems 1330 KFAC is now into jazz or has been for a while, during later (or early morning) hours.

Would like to see 1500 here use C&W as format

Did I read right? 1260 is now jazz? (Among other things-RtH.) That's a real change of the old rock T40 format. (Especially since they've been BFL as KOIT for the last year or so-RtH.)

Not much else going on around here. 73.

ART PETERSON, 851 31st St., RICHMOND, CA 94804

Greetings, friends. BCB has been pretty dead for me this summer, ditto for longwave except for a couple of juicy catches. So I've been spending some time on the upper bands. Some SWBC, but mostly with the CW coast stations which provide telegraph services and weather reports to ships at sea. In so doing, I happened on what will probably stand as the farthest point on earth I will ever DX from this QTH: FJY4 on 8690 kHz in the St. Paul and Amsterdam Islands located between South Africa and Australia. If you live on a ranch 35 miles south of Lamar, Colorado, FJY4 will be exactly on the opposite side of the earth, 12,430 miles away. . .with 1 kw! Elsewhere in the Lower 48, it's not less than 10,600 miles. The islands have no LW, MW or SWBC, so this is your only chance. 1000-1100 GMT is a good time to listen. It uses only unmodulated CW (on/off carrier), so you MUST use your BFO. An ID is given at the start of each transmission, namely CQ CQ CQ DE FJY4 FJY4 FJY4 then into the message. A complete weather report and forecast for the area (in EE) comes 1045-55 GMT. The code speed is fairly brisk, so you might want to tape it. Although this is out of our band of interest, I felt 12,000 miles on a kilowatt was worth noting.

73 and I hope every DX'er pulls in good DX this autumn.

BILL HARDY, 2301 PACIFIC AVE., ABERDEEN, WA 98520

Saturday, 24 August, was a very interesting day. At 0625 I finished work on the latest IRCA Almanac. I got 70 minutes of sleep, went to work until 2PM, then Nancy and I went to Portland for the IRCA Convention. We strolled in just as the banquet began.

The convention was great and I only wish I'd had Saturday off so we could have spent more time with everyone. It was great meeting Neil Kazaross, Rich Toebe, Doug Nyholm, Don Moman, Robert Wien, Jack Woods and several other DX'ers in the flesh, as well as visiting with people we hadn't seen since the '78 Portland convention.

Eric Norberg's keynote speech, which was an excellent question and answer session, provided fascinating insights into the radio business, formatting and AM propagation. An interesting business meeting and a hilarious auction rounded out the night.

After a good night's sleep, I presented Phil Byetheway with most of the hard copy for the Almanac. About 15 pages of odds and ends, including the index, were done two weeks later and sent to Seattle. The Almanac should be at the printer as you read this, so if you sent in your advance order, watch for it very soon. It was really something to watch Robert Wien in action as he looked over the Almanac's advance copy. Robert DX'es nightly, and his computer-of-a-brain caught a number of errors in some of the lists, mainly stations that had changed calls or frequencies. A few of these will slip through into the new Almanac, but we retyped a couple of lists to bring the Almanac up to date. Here's an invitation for the "proof-readers" among us to send in any corrections when you receive your Almanac. Send them to me at the above address. Thanks.

With the Almanac squared away by noon, we headed to a park for the convention picnic and a chance just to visit. Nancy and I had a great time. Hats off to Bill Block and Pat Martin for a fine organizing effort despite the need to change the place and dates. It came off very well. 73 and good DX.

DOUG NYHOLM, 2071 CEDAR ST., SAN CARLOS, CA 94070 (415) 593-3330

I did make it to the convention, if only for a day and was able to meet everyone. It's unusual to meet face-to-face someone you've only written to or just seen their names in the pages of DXM. It's amazing who wrong your picture of someone can be (or right). For those who couldn't attend, you really missed something when Phil Byetheway got his foot run over by Bruce Portzer on the search for KWJJ's transmitter. I'm also sure the technicians at KGSN's transmitter still don't know what happened when four carloads of DX'ers converged on him. (I would have hid, hi-RtH.)

DX of late has picked up with my surprise logging of WMJW 770 Athens, Alabama. Got a nice quick v/l and sticker from them for number three Alabaman verified.

Am still planning a Beverage DX'pedition to the coast probably 28 September or 03 October. It'll probably be the former though. If this makes it to print before then and I haven't contacted you and you would like to make it, give me a call at the above number in the evening. (This DXM date will be 28 September-RtH.) I hope to see Neil Kazaross here in the Bay Area for it with his phasing unit that was demonstrated at the convention. First there were just longwires, then loops and now, more and more Beverages. Maybe the next generation of antennas will all have phasing units built in with them.

Again, it was very nice to be able to meet everyone at the convention, and good DX this season to all. 73.

JIM HILLIKER, 1135 N. MAYFAIR AVE., #2, ANAHEIM, CA 92801 (714) 991-3839

Hello everyone. I felt it was time to check in after a crazy summer. Time is going by too fast. I'm now beginning my fourth year as an IRCA member. Summer kept Laura and me quite busy. She was promoted first to assistant manager and now manager of a Lane Bryant women's clothing store. She puts in a lot of 12-hour days, so we make the most of the time we can be together.

I've spent the summer at KWRM 1370 as a board operator/announcer doing bits of production. It's not much of a challenge at a satellite-programmed station, believe me. We did get a reception report from a New Zealand DX'er and I answered a report from Tim Hall in Chula Vista that our CE never got to. The CE left for RMYC Marysville, California last month. The two on-call CE's now are Joe Mauk from KWOW 1600 and Joe Talbot from KWIZ 1480, two super nice guys whom I've known for about two years. They say the old CE left things "undone" such as wiring, transmitter repair and working on the towers not switching patterns, etc. Anyway, they've got their hands full trying to get the station in shape, technically. Looking through the files, I saw an old report from Robert Wien from 1977.

No DX was done in July, too busy with wedding plans. It was good to see Doug and Nancy Pifer as well as Steve Mittman show up for the big day. We spent some time in San Diego and at Disneyland's 30th birthday celebration on July 17th. (And my birthday too, hi-RtH.) Saw Larry King do his show from there and lots of other broadcasters like KSL, WNOE, etc. A couple weeks later, we spent a few days in Ventura. I noticed that KOXR 910 is on all night, though I'm sure their signal is aimed out over the ocean at night. (The NRC Pattern Book indicates West/Southwest-RtH.)

In August I added eight new stations to the log, all should've been in WDXR by now or DXWW. Best was my first DU: 1YZ 819 at 1300 UTC 05 August with R. New Zealand news. Also, KYAK 1310 is on the air, heard 14 August with poor signal, fighting K'ZP at 0130 PLT. Their 500 watts is probably beamed away from Mesa, Arizona. So far, just one newie in September, that was KUYO 830, a new station in Evansville, Wyoming (Casper), a 10 kw day-timer, but I nabbed them with 500 watts on their PSA according to call to station on 04 September at 0515 PLT after hearing ID. Format is REL. Also couldn't go through the summer without hearing KAMA 750 El Paso, Texas. There goes WSB, KMMJ, etc. KXL not affected much. Total heard now is 546 without call changes. Only recent veries in are KRKS 990 and KBLF 1490. Haven't had time to send out more reports, but all the new ones are on tape. (Part II to be continued next issue-RtH.)

ROB HARRINGTON, P.O. BOX 21564, DENVER, CO 80221

Hello to all IRCAn. Just got back from a wonderful vacation in Cannon Beach/Seaside, Oregon. Was pleased to meet Bruce MacGibbon of Gresham and Seaside's Pat Martin.

For the past 13 months I've done nothing with ECB DX so needless to say no new veries. Have been doing a little SW DX.

For the past eight months have been playing with my new computer system, a TRS 80 color computer, 64K of memory. A good friend in Austin, Texas has written me for two computer programs, one for loggings to clubs (MW and SW) and one for making a list of programs of interest (like a TV guide). I've also been making some programs for myself, for DX'ing aides. I'm also a member of Compuserve and my number is 70216,222. Please send all mail to me via Easyplex.

Please note my new address which will take effect by the time this hits print. That's all for now. I'll try to check back in within the next couple of months. 73 de Rob.

RIC HEALD, 1632 J ST., #4, EUREKA, CA 95501

Greetings from the heart of CAMpland, hi. Score so far: Three helicopters KO'ed. In fact, one came very close to our tower (or so it seemed) returning from the backside of Humobldt Hill.

Boy, when KTBI 810 decides to ET, they really do some damage to KGO. Scored them on 11 September from 0135 to s/off at 0211 ELT. And, central Washington DX'ers, is there a Matthew's Ford in Pasco? And is that close enough to Yakima for decent coverage? Thought I heard KBB0 1390 at 0236 PLT on 17 September. Also, who belongs to that obnoxious TT on 1210?

Had a real surprise call at KRED 12 September from Tuomo Abonen, who along with fellow Finnish DX'er, Ari Kilponen, were at a motel in town. Tuomo had sent me a f/up cassette for KINS, which I delivered, but he still had to go in person. Guess it was worth it, y'all ready for this, they scored a Collins rx from the CE!! Tuomo had a great comment, saying it was great to hear K-RED so loud and clear! I guess so, at six miles from downtown, we'd better sound good, hi. Next morning, me, blurry-eyed (mornin' to me is Noon, hi), stopped by K-RED around 0930 and they got the royal treatment from both the GM/owner and PD/owner and staff on hand. Tuomo had our FM computer pretty well figured out. Took the usual photos (some possibly for publication in the Finnish DX publication). Our GM tried calling several people Tuomo and Ari could meet (we have a huge Scandanavian population here), but no luck. Spent the balance of the day driving all over town in the pouring rain looking for shipping boxes for the Collins, souvenirs, etc. They even got an '80 Broadcasting Yearbook from my boss (I didn't even know he had the thing, hi). Good meeting you, guys. Sorry the stay was so short. By the way (Phil, sit down, hi), that was the only day of rain that week. Beautiful the next day. And Tuomo's comment, "We didn't expect rain in California." This really is Oregon, but don't tell Sacramento that, hi.

In closing, Bill Hardy, you haven't been reading my forums. Thanks to my big mouth, KAAR is off at sunset. I complained to my boss that KAAR was like a local on my car radio after leaving work. We got complaints from listeners of interference, and then in Eureka, turning a corner one night under a bank of powerlines, I heard KAAR deep u/KRED. GM and CE went into action. Found that KAAR was into our interference-free zone, so FCC told KAAR to go back to their old system. Old system had been dismantled, so, back to being a daytimer. You know what's really a compliment to IRCA? When something new happens in the biz, they (at work) come to me to ask what I know about it. The GM has read through several copies of DXM

Remember, if you need KRED (or KPDJ) varied, send reports to me. See ya in 14, then it's weekly. Best of DX and 73 de Rth. .

IRCA WANT ADS  
EDITOR:TIM O'HARE  
20023 84th W.  
EDMONDS,WA - 98020

FOR SALE DRAKE SPR-4 rcvr in very good condx. Includes 12 VDC power cord and xtals to cover LW, MW & all major SW bands. 1 Mhz readout on linear dial---also have owner's manual. Asking \$ 300 Canadian or best offer. Neil Wolfish - Apt 706 - 3900 Yonge St. - Toronto, Ontario - M4N 3N6. Or call prepaid 416-489-7307 evenings to 2200 ELT.

WANTED DRAKE R7A rcvr with AUX-7. Must be in absolutely mint condx. State price & all mods & additions such as filters, etc. Peter J. Giacopelli - 305 Ocean Ave. - Malverne, n.y. - 11565 Call prepaid 516-775-2519

TRADE Will trade either Palomar loop 1600-5000 Khz or 5000 - 15000 for 550 - 1600 Khz coil or will buy outright. Also, make offer on mint Kenwood R-600. Respond by mail. J.R. Hall - 240 Byron Road - Pittsburg, Pa. - 15237.

FOR SALE Realistic DX-160 rcvr; 150 Khz - 30 Mhz. Good condx. Modified for tape recorder output and I.F. output for scope or other accessory. Mounted in 19 inch white rack panel - removable for desk operation. Comes with original speaker & manual. \$ 85.00 plus shipping. Fred Vobbe - Box 127 - Temperance, Mi. 48182 - or call prepaid 313-721-3141.

# THE MITCHELL LEE AMPLIFIER

TWO TUNER IMPLEMENTATIONS

=====

Mark Connelly -- WALION DX Labs -- 22 MAR 1985

My recent article, "DX Lab. Test of the Mitchell Lee Loop Amplifier" (dated 25 FEB 1985) described tests done on an amplifier circuit first described in the LWCA "Lowdown" of May 1984.

The WALION DX Labs version of this amplifier, dubbed FE-C, has its schematic & layout drawings in the 25 FEB 1985 article. A big advantage of the circuit is good dynamic range (freedom from overloading-generated-"spurs"). Further testing has indicated that the low-impedance (hereafter low-Z) input used in conjunction with a series inductance-capacitance (hereafter LC) tank has inherently better Q (selectivity) than that of a high-Z input of an FET amplifier (e. g. FE-A card) used with the same L & C in a parallel configuration. Results demonstrate that the FE-C is very useful for urban DXing.

A disadvantage of the FE-C is that the gain is lower than that achievable with high-Z input FET amplifiers. Recent experimentation has shown that broadband-amplification of the output can more than make up for the gain difference. The dynamic range AND gain of the FE-C followed by the BBA-B broadband amplifier is usually better than that of the FE-A FET-input front-end card. (For FE-A schematic, see Article 1 of "RT-1 Remotely-Controlled Tuner" and for BBA-B schematic, see the "Mini-MWDX3 Phasing Unit" article.)

To minimise the possibility of overloading of the BBA-B broadband amplifier, a level pot should be placed between the FE-C RF-Out port and the BBA-B RF-In port.

Tests were done with two different tank-circuit implementations. The nature of these implementations and the pro's & con's of each are discussed later in this article.

Figure 1 shows the overall form of the tuner design using FE-C. RF from an antenna or another external (untuned or tuned) source is routed in through a DC-blocking capacitor to the arm of one section of a 3 or 4 pole/ 4-position rotary switch (the Mode / Length switch). The OFF/BYPASS position of this switch routes the tuner's RF input directly to the tuner's output. Another section of this switch disconnects battery power from the FE-C and BBA-B cards when in the OFF/BYPASS position.

The other three positions of the Mode / Length switch apply power to the two amp. cards, route the BBA-B output to the tuner's RF-Out jack, and route the RF input to the appropriate tank node. There are three tank-input nodes: one is intended for short aerials (such as a whip), another is intended for "normal" length aerials (e. g. between 33'/10 m. and 200'/60 m. at 1 MHz), and the third is for longer aerials such as Beverages. The low-Z output node of the tank goes to the input of the FE-C front-end.

The FE-C's output goes to the "top" (= CCW pin) of the 1K audio-taper Level Pot. The Level Pot's "bottom" (= CW pin) goes to the pot's built-in switch. This switch disconnects the pot's "bottom" from ground at the maximum-level (CCW) setting.

The arm of the Level Pot goes to the broadband amplifier card input. The BBA-B provides about 20 dB of gain. If overloading occurs (this is only really likely at urban sites), adjustment of the Level Pot can cure the problem.

/\* OVERLOADING OF THE INPUT STAGE (FE-C) IS VERY UNCOMMON. \*/

If input-stage overloading does occur when using a wire antenna and when the Mode / Length switch is on SHORT or NORMAL, setting the Mode / Length switch to LONG will generally eliminate the spurious responses.

## TANK IMPLEMENTATIONS

/\* Implementation 1 \*/  
Refer to Figure 2.

The high-Z tank node is at the stator of the tuning capacitor. This point coincides with the SH (short-length) tank-input node. The NM (normal-length) tank-input node is coupled to the high-Z node through 39 pF; the LG (long-length) tank-input node is coupled to the high-Z node through 10 pF.

The Q-switch selects high or low tank-circuit Q (selectivity). Low Q (using the 15K Q-spoiling resistor) is utilised ONLY IF THE TUNER IS BEING USED AS AN INPUT TUNER IN A PHASING SYSTEM. The Low-Q position causes considerable degradation of overall tuner gain.

The heart of any tank-circuit is the inductor / capacitor combination. This tank uses a series L-C configuration. The Freq. Range switch selects one of 11 internal moulded inductors or an external coil. The external coil can be a (ferrite or air-core) loophead intended to pick up signals on its own or it can be a non-signal-catching inductor used to provide wire-tuner operation on bands not covered by the internal inductors. The 11 internal inductors allow the tuning & amplification of signals from a wire or other external source over an approximate frequency range of 150 to 7500 kHz. The "APT-3 Regenerative Tuner" article (IRCA / NRC reprint) has a table giving approximate frequency ranges that can be expected with each inductor (as the APT-3 uses a similar Freq. Range switch).

The low-Z tank-output node is at the side of each inductor which does not go (via switch) to the tank's high-Z node.

### Advantages of Tank Implementation 1

- \* Tuning capacitor has a grounded side. This simplifies mechanical design considerably. No hand capacitance occurs when the tuner is assembled in a metal box. (Rotor node is bolted to chassis box.)
- \* Inductive-division is not necessary: This permits the use of a 1-pole / 12-position rotary switch as the Freq. Range switch. As a result, 11 ranges (plus the external coil) may be accommodated. Frequency coverage with this scheme includes longwave, medium wave, and tropical bands.

### Disadvantages of Tank Implementation 1

- \* Coupling via the LG (long) tank-input node is very loose and is, therefore, inefficient (lossy). Those using wires much longer than  $(75 / F \text{ (MHz)})$  ft. will realise considerably more tuner gain if they use Tank Implementation 2 (to follow) when the Mode / Length switch is set to LONG.

/\* Implementation 2 \*/  
Refer to Figure 3.

An important difference from Implementation 1 is that, rather than using fairly loose capacitive coupling to the high-Z tank node, Implementation 2 utilises a tighter coupling method for normal and long antennae.

Implementation 2 connects the rotor of the tuning capacitor to a low-Z NM & LG node tank-input (rather than directly to ground) when the Mode / Length switch is set to NORMAL or to LONG. An added (fourth) section of the Mode / Length switch is employed to set up a SHORT length condition of the Implementation 1 type, a NORMAL condition using a capacitive-divider approach, and a LONG length condition using an inductive-divider approach.

The NORMAL condition shunts the antenna with 560 pF to compensate for a variety of antenna capacitances above 75 pF (the maximum suggested "SHORT" input capacitance). The LONG condition uses a L-divider with a ratio of approximately "Lmain" = 6 \* "Ltap" to allow a medium degree of coupling of input sources having low to medium inductance or resistance. Resistive input loading is used if the Mode / Length switch is on LONG and if the External Coil is selected by the Freq. Range switch.

Q-spilling (when needed for phasing applications) is accomplished by the same method used in Implementation 1.

In Implementation 2, neither side of the tuning capacitor is "hard-grounded". The rotor of an air-variable capacitor has a larger surface area than the stator; therefore, its inherent capacitance to ground is higher. For this reason, the rotor is connected to the lower impedance circuit point.

Five positions of the Freq. Range switch are used to select internal pairs of inductors. The values shown cover medium wave (450 to 2000 kHz). Longwave (140 to 640 kHz) coverage may be obtained by multiplying all inductor values by 10. Tropical-bands (1400 to 6400 kHz) coverage may be obtained by dividing the inductor values by 10. All inductors shown have standard industry values for miniature moulded inductors manufactured by Mouser, Dale, Delevan, Mytronics, JW Miller, Caddell-Burns, Coilcraft, and numerous other vendors.

#### Advantage of Tank Implementation 2

- \* Better performance (more efficient coupling) of aeriels of medium to long length and of low-Z input sources. This is decidedly the better tank-circuit implementation for those using Beverages.

#### Disadvantages of Tank Implementation 2

- \* Tuning capacitor must "float" (= neither side is permanently grounded). This increases the difficulty of assembling the tuner and it increases the size of the chassis box to be used.
- \* Greater susceptibility to input-stage overloading at urban sites.
- \* A double-wafer (4-pole / 4-position) switch must be used for the Mode / Length switch.
- \* Only 5 frequency ranges plus the external coil may be accommodated with a normal-size single-wafer rotary switch. A double-wafer (2-pole / 12-position) and 22 (rather than 11) inductors would be required to obtain the same frequency coverage as that of Implementation 1.

#### CONCLUSION =====

The Mitchell Lee amplifier, adapted & modified to be the FE-C card, is a very useful front-end design because of its high dynamic range and lack of inherent Q-spilling. When followed by a level pot and the BBA-B Broadband Amplifier card, a tuner of considerable merit results.

Numerous tank-circuit implementations may be used -- two have been presented in this article. The tank design should be optimised for the DXer's specific needs. Tank design is largely governed by the most-frequently-used type of input (e. g. shortwire, longwire, output of another tuner, etc.) and by the operating frequency range desired.

-end-  
(Figures 1, 2, & 3 to follow)



FIGURE 1

GENERAL FORM OF TUNER

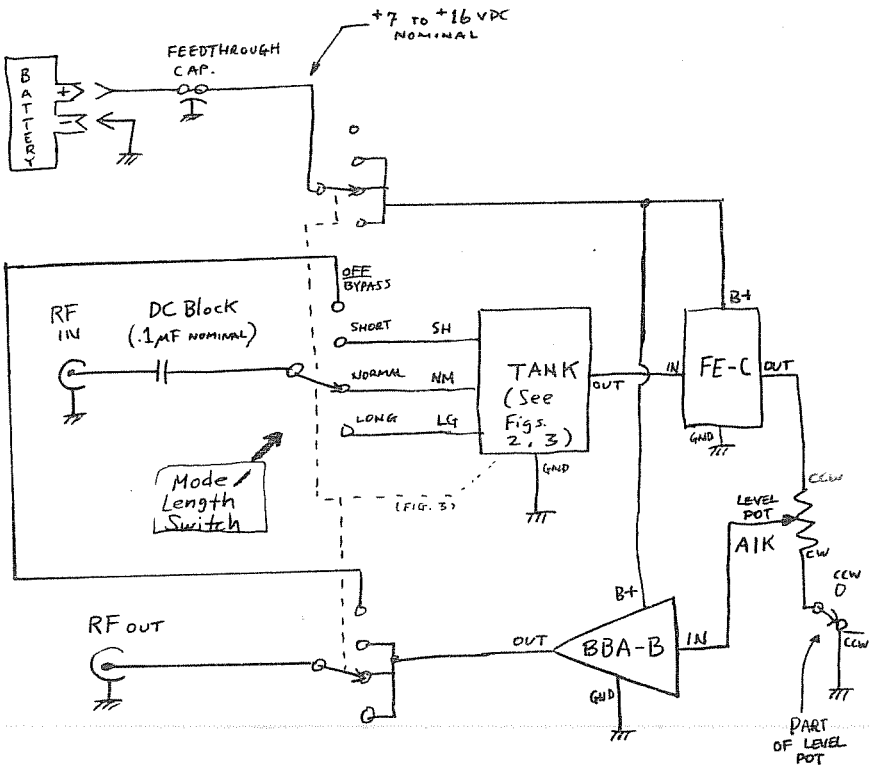
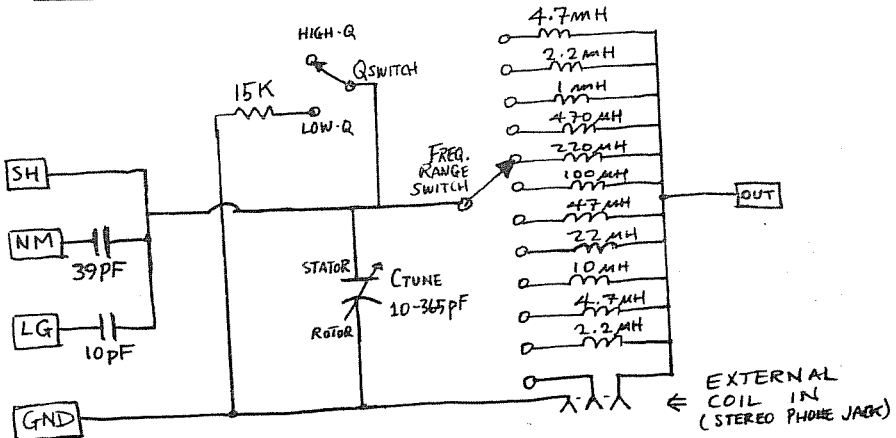
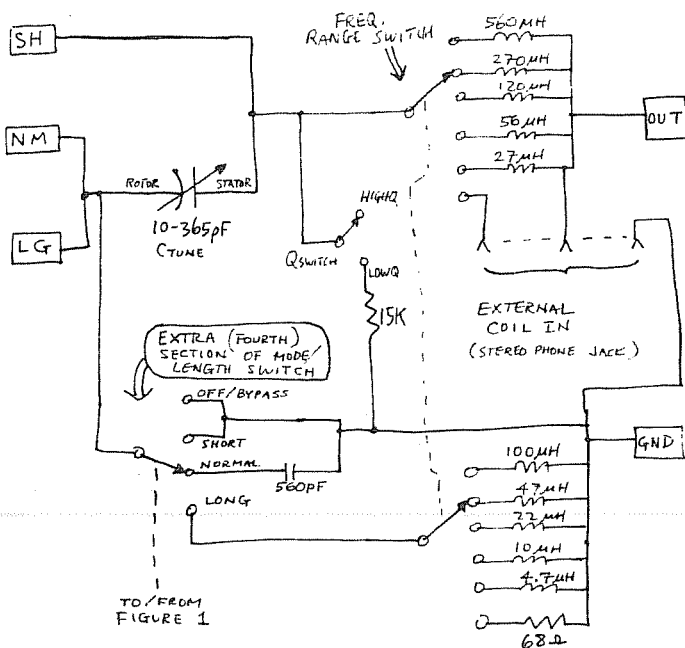


FIGURE 2

TANK : "IMPLEMENTATION 1"



# FIGURE 3 TANK: "IMPLEMENTATION 2"



Book Reviews  
25 Simple Tropical and MW Band Aerials  
25 Simple Shortwave Broadcast Band Aerials  
 by E.M. Noll

These two pocket sized books contain quite a bit of antenna theory. Indoor and outdoor antennas are covered in detail. A general purpose introduction gives Time Zone information, tips for antenna tuner use, reception patterns, band frequencies, wavelength calculations, grounding schemes and impedance values. The first book is intended for ECB and the 49/60/75/90/ and 120 meter bands and contains the following: quarter wave dipole, quarter wave vertical, inverted dipole, cross-inverted dipole, unlike-segment dipole, longwire vertical helix, longwires, three-quarter wavelength, vee-beam, MW vertical ladder, closed horizontal loop, open horizontal loops, double open-loop, little squared Rhombic, space saving dipole, indoor tropical longwire, indoor tropical open loops, MW quarter wave aerials, MW and LW longwires, basic Beverage, MW attic ladder and active aerials. The second book describes: dipole, quarter wave verticals, sloping dipole, uneven-leg sloper, inverted dipole, uneven-leg inverted dipole, inverted vee three halves wavelength, helical vertical, random wire and tuner, end-fed wavelength aerial, cheap quarter wave vertical, umbrella vertical, 11 and 13 meter quarter wave special, triangles, tilted three halves wavelength, vee-beam aerials, two in-phase verticals, end-fire 180 degree verticals, end-fire 90 degree vertical, dipole and parasitic reflector, parasitic director, and Ed Noll's Australia/Spain Special antenna. These handy references can be obtained from the author at the address below for just \$5.00 for each book (which includes first class postage, PA residents must add state tax). Edward Noll, Box 75, Chalfont, PA 18914.

# HOTRODDING THE MINI MWDX3 PHASING UNIT

Mark Connelly - WALION DX Labs - 06 MAY 1985

The "Mini-MWDX-3 Phasing Unit" article, dated 05 DEC 1984, outlines the construction of a compact, yet useful, phasing unit particularly well-suited to the needs of the DXer who travels frequently.

As the article mentions, the unit's compactness and its simplicity of design / construction were accomplished by using loose coupling and grounded-rotor tuning capacitors. These practices do have a somewhat adverse impact on system sensitivity; the inclusion of the broadband amplifier card USUALLY compensates for circuit losses. A situation which degrades the amplifier's ability to recover lost sensitivity is that which occurs when the unit is operated near strong transmitters: typically, at an urban site. Even though Bill Bailey's Beverage farm in Holden, MA could not be considered urban, Bill Bailey & Tom Farmerie reported that useful gain could not be obtained with a Mini-MWDX-3's broadband amplifier because of overloading by WTAG - 580, located within two miles of the test site. My experiences here in Billerica (with big signals from WRKO - 680, WHDH - 850, and WMRE - 1510) also indicate that overloading can sometimes be a problem, especially when a local pest is within 100 kHz of the operating frequency.

Because of these revelations, experimentation was done to improve the coupling efficiency without defeating the original Mini-MWDX-3 design concepts of compactness & simplicity. The reasoning is that, if coupling is made more efficient, the amplifier will not be depended-upon as often.

In "worst-case scenarios" where overloading of the built-in broadband amplifier is a severe problem, the use of a TUNABLE output amplifier, such as APT-3, between the phasing unit's output and the receiver's input is highly recommended. If the tunable amp. is used, make sure that the phasing unit's internal broadband amplifier is switched off.

The following option will be referred to as Option 6: Options 1 through 5 are part of the original (05 DEC 1984) Mini-MWDX-3 article. The purpose of Option 6 is to reduce the dependence on the broadband amplifier and on any external amplifiers: an improvement in passive-mode Mini-MWDX-3 sensitivity is the result of this option.

Option 2 (longwave) or Option 3 (tropical bands) can be combined with Option 6 on a particular unit. Option 4 (extended freq. range) is, however, not compatible.

Option 6 is implemented as follows:

(Refer to main schematics in 05 DEC 1984 article.)

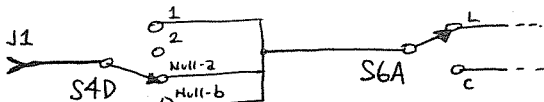
- (a) Replace R6 & R8 with direct connections (shorts).
- (b) Install R6 (330 ohms) between J4 (Loop In) and C7 (.1 uF).
- (c) Replace S4 with a 4-position, 6-pole rotary switch (Mouser # 10WR064). Rewire sections S4A, S4B, and S4C the way they had been previously.

(Refer to Option 1 schematic, near end of 05 DEC 1984 article.)

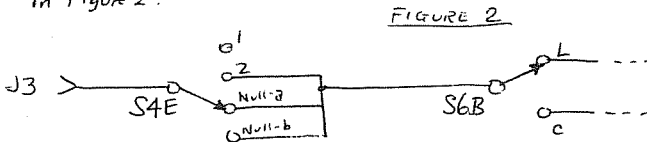
(d) Install Option 1, but use 56 pF instead of 47 pF for C5 & C6.

(e) Install new D section of S4 between J1 and S6A arm as shown in Figure 1:

FIGURE 1



(f) Install new E section of S4 between J3 and S6B arm as shown in Figure 2:



>>> This completes Option 6 <<<

Option 6 is an enhanced-coupling version of Option 1. Like Option 1 Option 6 can be combined with Option 5 (alternative pot. configuration). If Option 5 is combined with Option 6, change Option 5 as follows:

- (a) delete
- (b) retain as is
- (c) delete
- (d) delete
- (e) retain as is
- (f) replace with "Connect S3 arm to P1 of T1."
- (g) (h) (i) (j) retain as is
- (k) retain: add comment "R3 is optional. It may be omitted."
- (l) replace with "Connect arm & CCW pin of new R1 to C1 stator."
- (m) retain as is
- (n) replace with "Connect arm & CCW pin of new R2 to C2 stator."
- (o) retain as is
- (p) replace with "Connect arm & CCW pin of new R3 to S1B arm.  
If you choose not to install R3, connect S1B arm to S4A arm and skip step (q)."
- (q) (r) retain as is

\*\*\*\*\*  
 \* If this seems too confusing, just refer to the \*  
 \* "hotrodded" Mini-MWDX-3 schematic below. \*  
 \*\*\*\*\*

The following schematic illustrates a Mini-MWDX-3 phasing unit incorporating Option 6 and modified Option 5:

ENTIRE UNIT CONSISTS OF FIGURES 3, 4, AND 5.  
 FOR BBA-B SCHEMATIC, SEE ORIGINAL MINI-MWDX-3 ARTICLE.

FIGURE 3 = LINE 1 TUNER

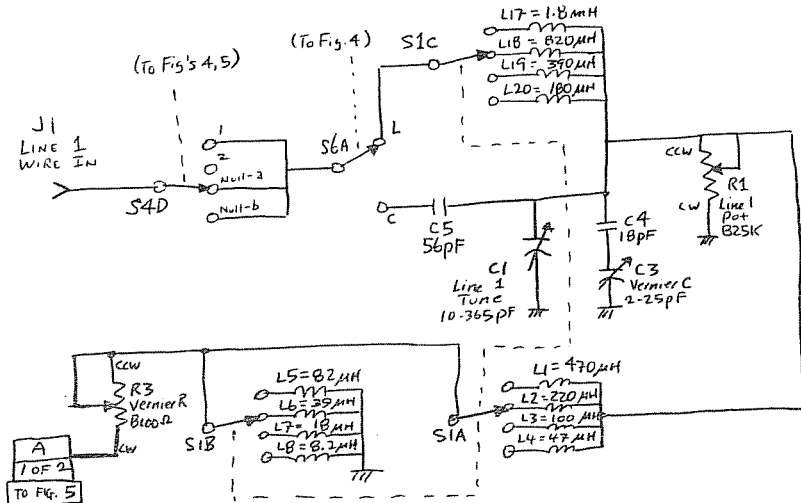


FIGURE 4 = LINE 2 TUNER

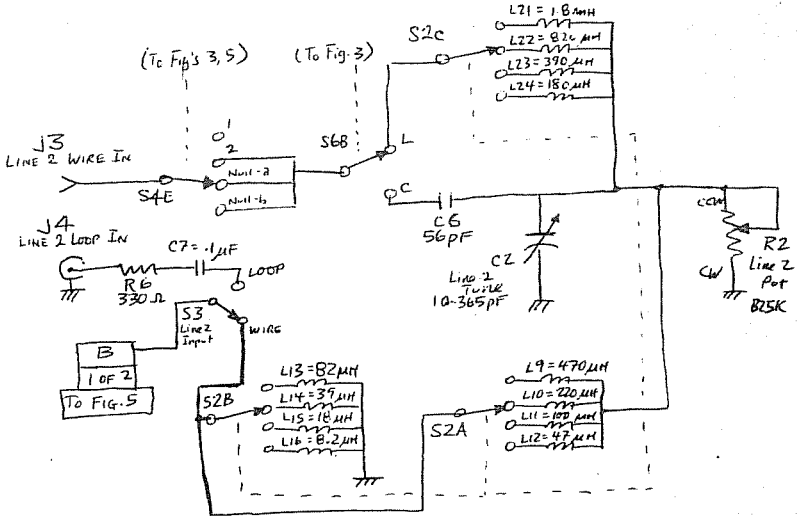
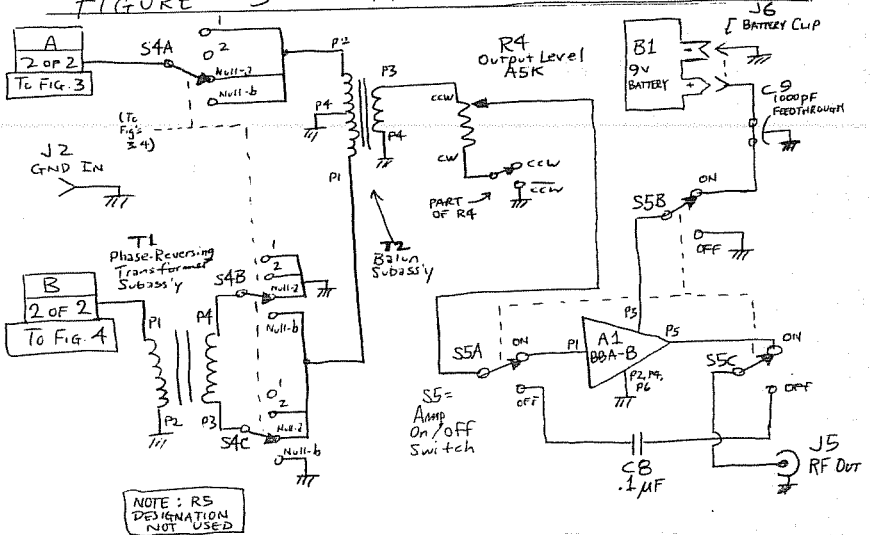
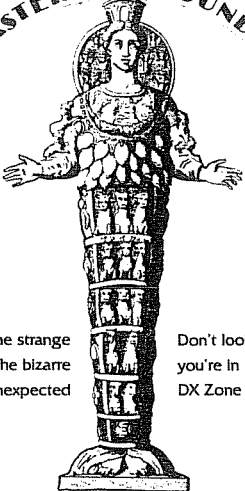


FIGURE 5 = PHASER OUTPUT SECTION



The schematic shown can be considered a nearly-optimum design for a compact (7"x5"x3") traveller's phasing unit. It should be noted that the "floating" C1 / C2 design (MWDX-2 family), requiring a larger (typically 18"x6"x3.5") chassis box, will still give greater coupling efficiency than the grounded-rotor C1 / C2 (MWDX-3 family) phasing unit designs. It is up to the DXer to decide which is more desirable: somewhat higher coupling efficiency or compactness / ease of construction.

**EASTERN DX ROUNDUP**



The strange  
The bizarre  
The unexpected

Don't look now  
you're in the  
DX Zone

**KARL ZUK, EDITOR**  
154 Old Post Road North  
Croton-on-Hudson, NY 10520

**REPORTERS IN THIS ISSUE:**

- (RB-NY) Raymond Bauernhuber, 141-12 243 Street Rosedale, New York 11422
- (MH-NJ) Panasonic RF-2800 with shotgun loop
- (MH-NJ) Mike Harla, 1337 Norris Drive, Vineland, NJ 08360 (MH-PA) in Phila.PA Icom R-70 with a shortwave dipole
- (DLR-KY) David L. Reitz, 9332 Fairground Road, Fern Creek, KY 40291
- (RSR-ON) R-1000 and a Radio West loop
- (RSR-ON) Robert S. Ross, VE3JFC, Box 4373, Stn. C, London, ON N5W 5J2
- (GS-DC) Gardner Smith, W9ALZ, 1000 Perry St., Washington, DC 20017
- (WPT-DC) Sony 2010 and artiste, author and wit.
- (WPT-DC) William P. "Bill" Townshend, 4500 Connecticut Avenue NW, #901, Washington, DC 20008

Realistic Portavision 12-660  
\*\*\*\*\*  
and special guest appearance by:  
(DP-HI) Dale Park, 2253 Kanealii Avenue,  
Honolulu, Hawaii 96813

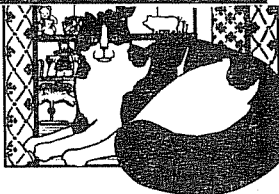
\*\*\*\*\*  
And now..the tips that make penguins flock to  
The East Coast!!

540 CJSB ON, Ottawa. 8-16 0350 with MOYL format Good signal. (RB-NY)

540 WGTO FL, Cypress Gardens 8-31 2154 C&W mx, with ID : "This is WGTO, Cypress Gardens FL operating on 540 kHz, with a power of 50,000 watts, as requested by the Polk County Civil Defense Office. We will operate with 50,000 watts until any danger from Hurricane Elena has subsided," into more C&W music. (DLR-KY)

580 WHP PA, Harrisburg. 8-18 2359 Complete sign off announcement, but then into CBS news, local weather and easy listening music. Didn't really sign off at all! Transmitter located on Tower Road in Somerdale. (GS-DC)

The Attack  
Cats  
are  
back!!  
Report  
Today!!  
or be  
bitten in  
the radio!!



- 610 WIP PA, Philadelphia. 8-19 0245 (RB-NY)
- 730 WACE MA, Chicopee. 8-19 0222 Monday morning engineering test with religious music. Chief Engineer came on to say that they're doing some transmitter work. Gave location as Chicopee-Springfield. Very big signal, new catch, twentieth station on this frequency. (GS-DC)
- 730 CJNR ON, Blind River. 7-26 2151 with same Blue Jays-Angels baseball play by play as CFOR, 1570, Orilla, ON, but delayed a fraction of a second. I presume it's CJNR based on Mike Brooker's list in DX Ontario. Fair, but gradually covered by Mets-Pirates game in French. (MH-PA) (Who covers the Mets or Pirates in French, and why?-kz)
- 750 WSB GA, Atlanta. 8-16 0100 with news and "Sound Off" call in talk show, followed by Braves-Padres baseball game. (RB-NY)
- 820 CHAM ON, Hamilton. 8-19 0430 Excellent with C&W music, ID as "CHAM-Your Country Connection." Ads, ex 1280 kHz. First day on new frequency. (RSR-ON)
- 820 WBAP TX, Fort Worth. 8-19 0433 Fair under CHAM, Hamilton, ON, with ID and weather. (RSR-ON)
- 830 WNYC NY, New York. I made a small error in my report of this station's schedule in the last issue. SSS schedule is "All Things Considered 1700-1830, "Kid's America" 1830-2000, followed by a rebroadcast of the first 1/2 hr. of "All Things Considered." from 2000-2030. Sign off now emphasizes "We are required to sign off..." Sign off in September at 2030 with no SSB. (KJZ-NY)
- 890 WLS IL, Chicago. 8-19 0230 with soft rock music, fair signal with moderate interference and static. (RB-NY)
- 890 WQIS MS, Laurel. 8-29 2250 ex-1260 kHz with rock music and IDs as "AM stereo Q-89. WQIS Laurel - Hattiesburg." Weather updates and request line phone number. Good through WLS, Chicago, IL, with special emergency broadcast due to Hurricane Elena. (DLR-KY)
- 900 WDTV PA, Philadelphia. Signed on 8-5, replacing WFLN-AM. Slogan is now "Talk-900" Announced hours as 0600-2000 daily, with Mutual News on the hour. I presume they took over the WFLN plant and transmitter pattern as part of the transfer. New owner is Frank Ford, who has run talk shows on other local stations. (MH-PA)
- 900 CHML ON, Hamilton. 8-19 0220 with pop music and some fading, but very good signal. (RB-NY)

More Eastern DX Roundup...just keep reading!!!



on't let your tip column go to the dogs!! Send your tips today to Eastern DX Round up!

- 20 WTTM NJ, Trenton. 7-24 1625 with slogan "Double T 93 Country," and end of Mets-Reds play by play. Cincinnati won 3 to 2. Good. (MH-PA)
- 980 WDVH FL, Gainesville. 8-31 2110 on emergency broadcast due to Hurricane Elena. Emergency phone number given, ID as : "WDVH Gainesville, Florida operating on 980 khz on emergency broadcast to keep you up to date on Hurricane Elena." into C&W music. (DLR-KY)
- 990 WNOX TN, Knoxville. 7-29 0216 with C&W music, just able to catch the ID. WZZD, Philadelphia, PA off the air. (MH-NJ)
- 010 CFRB ON, Toronto. 7-29 0227 DJ patter about Cass Elliot's death 7-29-74, into song "Just You And I." Fair, over/under WINS, New York, New York. Short-wave relay, CFRK, 6070 khz also audible. (MH-NJ)
- 030 WBE MA, Boston. 8-19 0200 with news and phone call-in program. Strong signal. (RB-NY)
- 090 CHRS PQ, Longueuil. 8-17 2025 Squashing local WBAL, Baltimore, MD with French fried DJ. (GS-DC)
- 110 WHIM RI, Providence. 8-18 2014 ID by man, lucky to get this bird while WBT, Charlotte, NC faded out. Heard only for five seconds, fair. (WPT-DC)
- 130 WCXI MI, Detroit. 7-29 0205 Clear ID at 0205, but fading in with WNEW, New York, NY. C&W music, at 0210, into song "Old Hippie." Hey! Don't get personal! (MH-NJ) (Old hippies never die, they just mellow out (like us)-kz)
- 140 WASG AL, Atmore. 8-29 2155 with emergency broadcast due to Hurricane Elena, with IDs and mention of 50,000 watt non-directional power. Pop music with excellent signals. (DLR-KY)
- 160 WCCS PA, Homer City 8-15 2000 with ID by man and top 40 music, with female DJ. Gave WJJD, Chicago, IL, a fight the previous night. Fair to good. (WPT-DC)
- 250 WARE MA, Ware. 8-1 2100 with "Campbell Sports Network." ID during third inning of Red Sox-White Sox game. Poor, waltzing in and out with WMTR, Morristown, NJ and a third station. (MH-PA)
- 260 WBUD NJ, Trenton. 6-25 1105 MOYL type format, ad and promos mentioning "Capitol City" and Central NJ. Fair signal. Is this ex-WKXU? (MH-PA) (Mike, it's been WBUD for quite some time. I don't know their history way back-kz)
- 270 WXYT MI, Detroit. 8-19 0450 Very good with Larry King, ID, weather, ads. Logged as ex-WXYZ. (RSR-ON)
- 310 CKOY ON, Ottawa. 8-19 0510 Excellent with rock music and ID. Boomin' in. (RSR-ON)
- 360 WDRC CT, Hartford. 7-24 2127 "Hartford's Heart of Gold." DJ Ken Gilbert played Lesley Gore's "Summer Nights" and The Beach Boys' "409". A night time regular in Philly, also in South Jersey when WWBZ, Vineland, NJ is off the air. They say they are in stereo. (MH-PA)
- 370 WFEA NH, Manchester. 7-29 0252 ID at 0252 and 0301. PSA for anti-leititis commission, into record "Ain't No Woman Like The One I Got." Fair. (MH-NJ)
- 390 WWOV VA, Lynchburg. 8-25 2129 Tentative since no ID was heard, but local sports report was of Lynchburg Mets baseball game. (DLR-KY)
- 440 WRBE MS, Lucedale 8-29 2338 ID as "AM 1440 WRBE Lucedale," local spots, hurricane update, list of shelters open and cancellations. Good. (DLR-KY)
- 470 WBTX VA, Broadway. 7-24 2045 Signing off, mentioning transmitter site on route 42(?) outside town and inviting listeners to be back at 0600 tomorrow. Faint but clear. (MH-PA)
- 470 WXKW PA, Allentown. 7-24 1520 "The Lehigh Valley's Country Music Source." "The Lehigh Valley's Country Station of The 80s." Ad for Dorney (Amusement) Park, weather report. Fair and fairly regular here. (MH-PA)
- 490 WOHI OH, East Liverpool. 8-6 0925 Good with ads, ID, into music. (RSR-ON)
- 490 WABJ NC, Adrian. 8-19 0400 Very good. ID as "WABJ-Radio 15." (RSR-ON)
- 500 WGUL FL, New Port Richey. 9-1 0145 with MOYL music, ID with mention of Hurricane Elena, on emergency broadcast. Poor through WTOF, Wash.DC (DLR-KY)
- 520 KOMA OK, Oklahoma City. 8-21 0320 Fair with C&W music and ID, under WKBW, Buffalo, NY. (RSR-ON)
- 530 WCRJ FL, Jacksonville 8-25 2030 ID as "Jacksonville's All New Country WCRJ FM-107" into C&W music. Fair through WKY, Cincinnati, OH. (DLR-KY)
- 540 WPTR NY, Albany. 7-29 0258 "Stereo 1540 WPTR." ABC news on the hour, then into Bellamy Brothers' "Let Your Love Flow." Fair at best, over/under KXEL, Waterloo, IA. (MH-NJ)
- 540 KXEL IA, Waterloo. 7-29 0309 "1540 Country KXEL" with The Mark Baker Show. End of Ray Stevens song into local weather report. Fair over/under WPTR, Albany, NY. (MH-NJ)
- 550 WKBA VA, Vinton. 8-3 2015 Very good with sign off data. (RSR-ON)
- 550 WBSC SC, Bennettsville. 8-3 2020 Good with gospel religious program, local community events announcements and ID, new, quite a surprise!! (RSR-ON)
- 550 KJJO MO, Saint Joseph. 8-21 0330 Fair with PSA, weather and ID, not heard for a long time. (RSR-ON)
- 550 WAAY AL, Huntsville. 8-25 0408 Good with rock music. ID as "1550 Way." Under WOKJ, Jackson, MS. (RSR-ON)
- 550 WOKJ MS, Jackson. 8-25 0418 Very good with OM DJ, ID, ads and soul music, weather. Over WAAY, Huntsville, AL. (RSR-ON)

ust a little bit more is on the way in Eastern DX Roundup!.....



Don't let your loggings just blow away! Send them in to us today!!....

- 1550 WYOU FL, Tampa 9-1 0058 with pop music in Spanish. English ID "WYOU-Tampa" into talk about Hurricane Elena, then more Spanish pops. On emergency broadcast. Excellent. (DLR-KY)
- 1560 WYZO NC, Dobson 8-26 0607 Good with weather, ID and ads. C&W and gospel music. New and all alone. (RSR-ON)
- 1560 WKIQ FL, Inverness. 8-31 2045 on Emergency Broadcast due to Hurricane Elena, talk of shelters open, roads closed, coordinates of storm given, ID, pop music, good. (DLR-KY)(Ex-WYSE-kz)
- 1570 CFOR ON, Orilla. 7-26 2115 with Blue Jay-Angels play by play, finally IDed at 2210. Fair at best, fading in and out of the noise. (MH-PA)
- 1580 WTYO NJ, Hammondsonton. 8-5 1700 This is when they switch from English to Spanish. Spanish slogan is "Radio Utado y Familia." (MH-NJ)
- 1590 WTVB MI, Coldwater. 8-19 0533 Fair, ID as "16 TVB" into music. (RSR-ON)
- 1590 WATM AL, Atmore. 8-29 2318 ID "The Kicker AM 1590" into C&W music, hurricane info, good. (DLR-KY)

According to Dale Park, the following stations have added "The Larry King Show":

- |                                  |                                   |
|----------------------------------|-----------------------------------|
| 600 WICC <u>CT</u> , Bridgeport  | 1290 WWSA <u>GA</u> , Savannah    |
| 1110 WBT <u>NC</u> , Charlotte   | 1350 WNIS <u>VA</u> , Portsmouth  |
| 1180 WHAM <u>NY</u> , Rochester  | 1400 WSIC <u>NC</u> , Statesville |
| 1190 WOWO <u>IN</u> , Fort Wayne | 1400 WGIL <u>IL</u> , Galesburg   |
| 1240 WWSN <u>GA</u> , Statesboro |                                   |

Thank you, Dale. That's all for this week. Nice turnout as we begin another season of great DX on the East Coast. Comments? Ideas? Loggings? Send them in! We sure could use your help! Until next time, Gura mile maith agat-kz  
 \*\*\*\*\*

## FCC crew sinks local radio pirate after 10 years of riding airwaves

But DJ David Fluehe and KDX-AM could resurface if changes are made

By Jim Benson  
 The Register

David Fluehe doesn't wear a patch over his eye nor does he loot treasure from passing ships, but the Federal Communications Commission considers him to be a pirate.

The 21-year-old Placencia resident is the subject of an FCC investigation because he operated an unlicensed 250-watt AM radio station from the garage of his parents' Sierra Bonita Drive home.

Under the Federal Communications Act of 1934, which was designed to halt interference caused when competing radio stations overlap signals, Fluehe is considered to have stolen a radio signal.

On April 24, two FCC investigators paid the young man a visit — right in the middle of Stevie Wonder's "I Just Called to Say I Love You" — and ordered him to take his station, KDX-AM (540), off the air.

Fluehe complied with the order.

The investigators then photographed his studio, which is filled with an estimated \$10,000 worth of records and equipment, including a homemade transmitter and 60-foot-tall antenna.

The irony is that Fluehe has been broadcasting from his home for 10 years, using two different signals.

A radio enthusiast since the age of 9, Fluehe said his station is an alternative to commercial stations.

"Most radio stations don't play alternative radio," he said. "They either go with the Top-40 format, or they play



After an FCC warning, Fluehe had to turn volume to 'Off.'

just one type of music — all country or all oldies — and offer no mixture in their program schedule."

KDX, which Fluehe put on the air in 1983, played a variety of music from his own record collection: Top-40 hits, oldies, country and western, and swing tunes dating back to the 1940s.

Fluehe, who worked last May through August as a weekend disc jockey at a small radio station in Lompoc, said he broadcast on KDX eight hours a week, mostly during late-night and early-morning hours after a west coast Canadian radio station operating on the same frequency had signed off.

He was fined \$750 by the FCC, but said he hopes to negotiate for a lesser amount.

Fluehe's antenna also violates the city's building code, which limits the height of antennas in residential neighborhoods to 36 feet, according to building department officials. Fluehe promised to take down the antenna, sell the equipment and "never do it again."

That pleased his parents who want

Continued on page 23



Nancy Hardy  
2301 Pacific Avenue  
Aberdeen, WA 98520

# WESTERN DX ROUNDUP

All times are  
Eastern Local

Phone for hot WDKR tips: (206)532-6827 till 10pm(PLT)-----

DEADLINES: Tuesdays-----

REPORTERS FOR THIS ISSUE:

- (BH&NH-WA1) Bill & Nancy Hardy-DX'ing on the road  
car radio
- (JH) Jim Hilliker-1135 N. Mayfair Ave. #2-Anaheim, CA 92801  
Kenwood R-1000, Radio West loop
- (Rth) Rick Heald-1632 J St. #4-Eureka, CA 95501  
Yaesu FRG-7, SM-1
- (GL) Gary Larson-2806 Lincoln-Burbank, CA 91504  
DX'ing at work w/car rx
- (DN) Doug Nyholm-2071 Cedar St.-San Carlos, CA 94070  
Yaesu FRG-7000, Sony ICF-6500W and Radio West loop
- (DP) Dale Park-2253 Kanealii Ave.-Honolulu, HI 96813  
Sony ICF-6700W  
(DP-HI2) DX'ing at Naniloa Surf Hotel, Hilo, w/TRF  
(DP-HI10) DX'ing at Richard E. Wood's home w/ICR-71A & Beverage
- (RW) Robert Wien-1309 Dentwood Dr.-San Jose, CA 95118  
GE Superadio, GE long-range portable, SM-2
- (ØW) John Wilkins-4385 Hoyt St. #205-Wheat Ridge, CO 80033  
R-1000, 4' box loop
- (JW) Jack Woods-P.O. Box 584-Waldport, OR 97394  
Barlow Wadley XCR-30, Martens loop

\*\*\*\*\*  
OF SPECIAL INTEREST:

- 750 CJWW SK, Saskatoon 9/11 0307-0415+ repeating message (tape?) about a commercial-free Sun. 9/15, when CJWW moves here from 1370. Message repeated, but wording slightly different each time. "Super Country" slogans. Re-checks show still on past 0415. Pair-good sig; loop necessary to null Managua. (ØW-CO)
- 770 WJMW AL, Athens a total surprise here while trying for KATL, 8/28 0821-0825 w/ID, wx, and local ad. Gone almost as soon as they appeared, needless to say new. (DN-CA)
- 820 ?CHAM? ON, Hamilton 9/11 0340 tentatively the one w/pop mx, appearing only for a few seconds at a time, during WBAP fades. Looped ENE; could not null WBAP, only attenuate it somewhat, so had to wait for fades. CHAM is on 820 now, ex-1280, per a friend in Detroit. (ØW-CO)
- 830 KUYO WY, Evansville really a surprise, this CP now on as I caught just as I was passing the freq. on 8/28 0933-0940 w/sports report ending then into relig. mx. Almost as good a signal as KTWO-1030. (DN-CA)
- +9/1 0814 gospel/inspirational mx, very few anncts. Frequent IDs as "Gospel Radio K-U-Y-O." 0900 nx/wx. Good signal w/slight KOA-850 slop. New, WY #21. Thanks Bill Nittler for tip. (ØW-CO)
- +9/2 0804, 0837 thanks to Doug N. for this tip. Good, alone w/gospel mx, Jim ? anncr, wx "68° in Casper," TC of 7 min. after 6, clear "KUYO" ID. Much better at 0837 recheck w/sports, back into hymns. CP grant lists power as 10kw daytime only, ND. Evansville is a suburb of Casper. (RW-CA)
- +9/4 0805-0822 surprised to find a new stn on 830, though it is only a 10kw D1 daytimer. In well w/light relig. mx, many IDs as "Gospel Radio KUYO." Ment. Casper, wx for Casper area. Slight QRW from KIKI & het from 828. Made call to the stn, they couldn't believe I was hearing them, I played the tape back over the phone, anncr. told me they were only using 500 watts PSA power! Wouldn't be 10kw till 0845! In very poor then, so nice signal for 500 watts. New, WY #6. They went on the air 2-3 weeks before 9/4. (JH-CA)
- 970 KCFO OK, Tulsa ex-KAKC 9/8 2159 program note for Sunday Service at Saint Andrews Baptist Church; 2200 into relig. program. Fair, but fady, XEJ nulled. (ØW-CO)
- 1270 KNWZ CA, Palm Desert 9/2 0900 briefly o/KCOK w/s/on. ID as "K-news" and clear ment. of Palm Desert, then buried by KAJO s/on in KPLY null thru KXLR-1260 slop. Been after this call change for several weeks. Ex-KGUY. (RW-CA)
- +9/4 0922 good w/local nx o/XEAX. Ex-KGUY. (JH-CA)
- 1320 KZAM OR, Eugene per call to KQDQ, found they had changed calls to KZAM and format from EZL to rr. (RW-CA)

1460 KLCZ CA, Salinas totally a surprise call change, ex-KDON. First heard 8/31 1500, Classy 14-60 IDs. Still rock. (DN-CA)  
 +9/2 0200 thanks to DN-CA for this tip. Usual good signal, but now w/rr format, YL DJ, ID on hour "Classy 1460, KLCZ Salinas-Monterey." Call change, ex-KDON. Called stn 3 weeks ago inquiring about this call change application, KDON didn't know anything about it, but the grant sure came thru fast! I wonder if stn is now owned by same people who own KLSZ-1090 Denver and KLZZ-600 San Diego. KL-Z is a hot call set right now! (RW-CA)

\*\*\*\*\*

550 KBOW MT, Butte 9/1 0800 good w/CBS nx, ID, C&W, o/KMVI. (JW-OR)  
 KOAC OR, Corvallis 9/12 0257-0301 fair w/long wx forecast by woman anncr, into s/off. (JH-CA)

570 KLAC CA, Los Angeles 9/2 0620 poor w/John Anderson's "Goin' Downhill." Local QRM, ripply signal. (DP-HI10)

590 KSUB UT, Cedar City on top of freq. 9/2 0816 w/local ads & talk. (DN)  
 KLSN WA, Spokane 9/2 0502 poor w/NBC nx //KMJ & KNRB. Man w/TC, ID as "5-90" & western nx & wx after long jingle. Wash. state nx. Over KSSK and two unIDs. (DP-HI10) (This is no longer KHQ as you listed. It changed call to KLSN a year or so ago!--NH)

620 KIPA HI, Hilo per stn they dropped M-F progressive mx show "Music For a Change" in favor of Talknet. Sat. they carry "Solid Gold Scrapbook" 1700-1900, and "Solid Gold Sat. Nite" 1900-0000. On Sun. it's "American Country Countdown" 1500-1800, "AT40" 1800-2200, and "Solid Gold Scrapbook" 2200-0000. Otherwise, format is C&W/oldies/Hawaiian/jazz/MOR/ethnic. (DP-HI2)  
 \*KCW\* OR, Portland 9/9 0313 w/TT. (RW-CA)  
 ?\*KGW\*?+9/9 0345 w/TT. Never got ID, but had 620 wiped out & looping toward Portland, like normal RS. (Rth-CA)

670 KWNK CA, Simi Valley 9/7 1347 adult contemp. mx. Fair/some KMPC-710 slop. Uses "Top hits 67 K-wink." (GL-CA)  
 KPUA HI, Hilo weak 9/1 0940-1000 w/oldies, against severe splash from KNRB-680. ID as 67 KPUA & KPUA Hilo. (DN-CA)  
 +Format confirmed as Big Band/Nostalgia and carries "Encore" w/William B. Williams on weekends. Address is 1145 Kilauea Ave., w/the largest facilities in Hilo, xmtr is on coast in Papaikou but inaccessible from Hwy. 11. Richard E. Wood says KBOI is easily heard. This is the Big Island's lone 24-hour MW stn (w/MM Sps). (DP-HI2)

700 WLW OH, Cincinnati 9/9 0341 w/amazing 30db o/s/9 w/KFAM off. "...and that's a look at sports on WLW." (Rth-CA)  
 KGRV OR, Winston 9/1 0845 very strong w/s/on, anthem, EZL inst. relig. mx. (JW-OR)  
 KFAM UT, North Salt Lake City 9/1 0830 good w/Salt Lake area nx, local wx, slogan "AM-700," EZL. (JW-OR)  
 (KFAM)+9/9 0341 totally off. WLW like gangbusters. (Rth-CA)

710 \*KIRO\* WA, Seattle 9/9 0425 OC followed by TT, then ID via a sports promo at 0426. Tracking Carpenters album, spoiling my fun on 710! (Rth-CA)

720 KUA1 HI, Eleele 9/2 0326 well o/WGN w/nice HI'n mx, OM talking in HI'n dialect. (RW-CA)  
 (KDWN) NV, Las Vegas 9/9 totally off 0414, leaving a real battle between WGN & KUA1 w/the latter winning. (Rth-CA)

730 CKLG BC, Vancouver 9/2 1025 fair w/"Power of Love" & "Night Shift." Heavy QRN, also a het. (DP-HI10)

740 KRMG OK, Tulsa 9/2 0623 poor w/promo for countdown show on "74 KRMG," into Streisand & Diamond mx. Rippling o/u KCBS. New. (DP-HI10)  
 KTRH TX, Houston 9/2 0641 poor w/update on Hurricane Elena, man giving coordinates "if you're plotting on your KTRH Hurricane Map," Joe Prohle phoning in w/firther update. Scattered QRN, no sign of KRMG. New. (DP-HI10)

750 KAMA TX, El Paso heard nightly eves w/SS and Radio Kama IDs, better after 0200 Kerr s/off. (DN-CA)

760 WJR MI, Detroit 9/9 0239 completely overriding any trace of KFMB w/jazz. This was DN's unID 760 w/jazz he thought was CKQR! (RW-CA)

770 ?KATL? MT, Miles City 8/28 0904 ment. of some MT items and Billings. (DN-CA)

790 KXTC CA, Colvis per call to KXTC 8/31, recorded message by GM ment. They'll become 5kw days, 2500w nights on "Oct. 1, to better serve Fresno and vicinity," "with 10 times the power earlier," so had been ET'ing day before while driving thru Modesto, to get ready for hitting air 10/1! (RW-CA)

- 790 CFCW AB, Camrose finally heard almost on top 8/29 0123-0332 w/G&W mx. Slogans were "True Blue Country CFCW" & "Music Country." Have tried for this one for years. (DN-CA)
- 810 \*KTBI\* WA, Ephrata 9/11 0418 noted tone u/KGO while leaving KRED. ID (heard on FRG at home) 0430, "Good morning, this is KTBI-810 and KC?? FM on the air for testing purposes." Relig. mx followed. 0511 w/legal ID, KTBI w/10kw and KC?? FM at 95.9 and s/off. (Rth-CA) (FM is KGDN.--NH)
- 840 KFPN NE, West Point finally heard after weeks of trying on 9/2 0748-0800 w/ag/farm report and local program. (DN-CA)
- 850 KHLO HI, Hilo noted airing a "24 Hours of Rock" type show w/WLS's Larry Lujack today from 1500 while mobile in Hilo. Format is AdCon/MOR. Office is now located near xmtr (and cows, goats, and chickens) at 1875 Kalaniana'ole Ave. (DP-HI2)
- 860 KUTR UT, Salt Lake City 9/3 0845 destroying KTRB w/ID, Carole King mx, sounds like they might be 50kw days at last! (RW-CA)
- 910 KURY OR, Brookings 8/27 0900 fair w/s/on, satellite nx, o/u KKSJ. (JW-OR)
- 940 (KFRE) CA, Fresno 9/2 0315 totally off, KIOA in nicely on top. (RW)
- 990 KKIS CA, Pittsburg 9/2 0638 fair, mx from "Mad Max Beyond Thunderdome." Slogan "One great song after another on 9-90 Kiss, K-K-I-S" by man, o/KHVH. (DP-HI10)
- 1000 KKMx CO, Hayden 9/4 0830 good as usual, in KOMO null. Much pop mx, ID, ment. FM stn. Looking for KXRB, I'll have to keep trying for that one. (JH-CA)
- 1040 WHO IA, Des Moines 9/2 0525 fair w/Best of King w/guest Jackie Collins; o/KLHT. First IA stn from HI. (DP-HI10)
- 1100 KFAX CA, San Francisco 9/2 0529 usual Roy Masters show ending, except he interrupted ID w/sked and fact they might be going off KFAX where he's been on for 15 years, but he's audible on KDOWN & KRST; stn ID, TC and "Thru the Bible." Fair w/KHEI splash. (DP-HI10)
- 1120 KPNW OR, Eugene-Springfield 8/31 0613 fair to very poor w/Carlson Rolles w/MOR AdCon mx, promo for "AT40" aired Sundays 1500-1900 and 2300-0300ET. QRM from KHEI-1110, KSDO/CKWX-1130. (DP-HI2)
- 1130 CKWX BC, Vancouver 8/31 0648 "Behind Closed Doors" & "Spiders and Snakes" aired back-to-back. Fair o/u KSDO & KPNW-1120 QRM. (DP-HI2)
- 1170 KVOO OK, Tulsa 9/2 0540 comedy piece by Andy Griffith, man w/TC, wx, and playing C&W mx, PSA for rodeo. APR nx at 1000. Good to poor o/u KOHO/KLOK/KCBQ. New. (DP-HI10)
- 1210 KRSV WY, Afton 9/1 0756 Hank Williams Jr. song, 0759:55 ID "Whether you're just fishing or farming, the weather is important. Find the Facts on K-R-S-V." 0800 Satellite News. Soon lost to KGYN and KBNO-1220 slop. New, WY #20. (JW-CO)
- 1230 CKQR EG, Castlegar per call to CKQR, will move to 760 kHz on Fri. 9/20 w/20/10kw. (RW-CA)
- 1250 KLLK CA, Willits now on w/good signals SSS into the Bay Area w/rock. Slogan is K-double L-K. (DN-CA)
- 1260 KGIL CA, San Fernando being so close, when on 1230, I hear both KGFJ & KGIL. (GL-CA)
- KWEI ID, Weiser 9/3 0847 fair w/local wx, ID, promo for autumn hunting & fishing program. First time heard. (JW-OR)
- 1270 KWTR CA, Lakeport finally heard call change after months of trying. Heard 9/1 SRS 1001 w/UPI nx, good sigs too. (DN-CA)
- 1280 KKAL CA, Arroyo Grande noted slogan in passing as "Cal Country 12-80 KKAL." (DN-CA)
- 1290 KLIQ OR, Lake Oswego-Portland 9/1 1000 strong w/relig. program, annct of the sale of the stn & plan to move program to a new Portland station. (JW-OR)
- 1300 KHUG OR, Phoenix-Medford 8/31 0657 Kenny Rogers song, ID & TC for 4 o'clock by DJ Sleepy George. ID as "K-H-U-G Phoenix," Ai nx. Poor, ripply QRM. (DP-HI2)
- 1310 KIOT CA, Barstow good signals 9/2 0910-0915 w/UPI nx & local ads. (DN)
- 1320 KQIQ CA, Lemoore 9/12 0915 fair to good for a few mins, then gone. Over KGNR, SS w/quick ID "Kah-coo-ee-coo." Into mx. Rapidly gone. Surprised to hear them again so soon after trying for so long. (JH-CA)
- 1400 KWNA NY, Winnemucca heard for only the 2nd time w/wx 8/30 2237, Fair signal too. (DN-CA)
- 1420 KULY KS, Ulusses 9/8 2031 reg. Sun. nite program in SS; OM DJ playing ranchera mx & Latin pops. More or less dominant, but later losing to XEF and KEZW-1430 slop. (JW-CO)

- 1440 KODL OR, The Dalles 9/1 0919 fair w/ID, auto agency ad, promo for Mid Columbia Motorcycle Club. (JW-OR)
- KUTY CA, Palmdale 9/7 1340 spots for Callas Meat Co., waterbed co., SID, into country song. Some slop from KTYM-1460. Tijuana faint under, for a change. What's their call--XERCN or XEBBC? (GL-CA) (XEBBC, per Tim Hall in 8/13 WDXR.--NH)
- 1470 KECM UT, Tremonton 9/8 2128 "Down on the Corner" by Creedence. Strong at times, but very fady on SSS. (ØW-CO)
- KBSN WA, Moses Lake noted 9/2 w/farm report then ABC nx 0900. (DN)
- 1480 KWIZ CA, Santa Ana 9/7 1343 contemp mx, poor, some slop but not sure who. (GL-CA)
- KIDI ID, Gooding 9/2 0817 much easier than expected, burying KYOS/KWIZ w/C&W, ad for Gooding building materials center, clear "KIDI, Gooding" ID then back into C&W. Has been on air only few weeks, and 1kw, daytime only. C&W format per call to stn 8/31, but they obviously have a PSA since this was well before Gooding sunrise. (RW-CA)
- ?CKER? AB, Edmonton tent. here 9/2 0747 w/talk of Edmonton and Canadian items. (DN-CA)
- 1510 KGA WA, Spokane 9/2 0632 poor w/man w/east. Wash. & local wx, sponsored by the U.S. Tobacco Co., C&W mx, o/unID. The last time I heard this was during the 1982 Hurrricane Iwa blackout! (DP-HI10)
- 1540 (KSKQ) CA, Los Angeles 8/31 0509 totally off, KXEL/KLSY mix. (RW-CA)
- 1550 KUAT AZ, Tucson 9/4 0915 loud signal w/full-data s/on. (JH-CA)
- 1560 KPNC CA, Bakersfield 9/7 approx. 1338 Trojan football, ID. (GL-CA)
- 1590 KOGO CA, Ventura 9/2 0635 Radio Advertising Bureau "Dancing Dog" spot, ID "At home, at work or in your car, go with 15-90, Ko-Go," Mills Brothers mx. Previously logged as KBBQ. Fair o/KLIV. (DP-HI10)
- 1610 KNHD262 WA, Discovery Bay 8/27 0750 very weak, continuous tape, occasional words "Highway Advisory Radio," "The Hood Canal Bridge is currently open to highway traffic." Evidently the TIS heard at the junction of U.S. 101 and Highway 113 near Port Townsend, WA. No sign of the Olympia TIS. (JW-OR)
- +9/2 1130 drove right past TIS xmtr at intersection of U.S. 101 and Wash. 20. Loop tape repeating each 20 seconds w/call letters, advising Hood Canal Bridge is open, and Winslow, Kingston, and Keystone ferries are on schedule. Good signal for about 4 or 5 miles. This is 13 miles southwest of Port Townsend, but could have a rural Port Townsend address. (BH&NH-WAI)

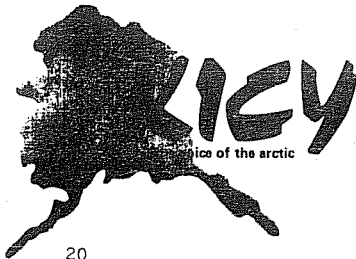
September f/c's tentatively heard:

- 2nd Thur. 0210-0220 KOJM--610 MT (RW-CA)  
 0220-0230 KDRG-1400 MT (RW-CA)  
 0200-0210 KSNO-1260 CO (RW-CA)
- 2nd MM 0210-0220 KVOW-1450 WY (RW-CA)

UNIDs:

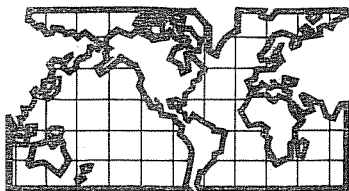
- 710 9/9 0401 w/Ai nx. Spot for Big A Auto Parts 0405 and into tele-talk. KEEL? KIRO & KMPC both off. (Rth-CA)
- 540 9/13 0320-0335 continuous OC, on past 0335 when I gave up & went to sleep. KWOW-1600 CE Joe Mauk told me recently KKAR had started to do some work on xmtr site. Could be another pirate. (JH-CA)
- 760 Heard ABC nx 0200 8/31. Could this be KGUP? (DN-CA) (Only ABC listed on 760 is WJR.--NH)
- 1380 9/2 0238 unID TT crushing KTOM in KEEN-1370 null, only KFLJ-CO is in MLT, but not likely by strength of signal. (RW-CA)
- 1440 9/13 0230-0235 stumbled upon TT's looping east mixing w/KPRO. Changed pitch 2 or 3 times, then off 0235. (JH-CA)

If you haven't reported to WDXR lately let's hear from you! ♥



850 am  
 100.3 fm stereo

box 820 · nome, alaska 98762 · 907-443-2213



## DX WORLDWIDE - WEST

Pat Martin - Editor

P.O. Box 843, Seaside, Oregon 97138

PHONE: (503) 861-3185

DX Conditions have been improving. Big news this week is a TA OPENING for a brief time on 9/6 at about 0400 UTC. I was tuning across the dial and noted NN talk on 1314 KHZ. Was very surprised to hear Norway from the NW, but with 1200 KW... Sent a taped report out. Also noted a weak carrier and audio on 747, which I presume was Holland, but too much KXL-750 and also a weak carrier (het) on 1161 KHZ. Also on 9/8 noted Thailand-891 with good signals and several Commercial JJ's. It looks like a good Winter. Lets hope so. In other news: 4XD-Dunedin, New Zealand was partly destroyed by fire by arson, the 6th of August. Police are treating the fire as arson following threats made to the station by a youth who claimed that the Dunedin radio station interfered with his reception of 3ZM-1323 KHZ-Christchurch some 365 KM to the North. Apparently they had received telephone threats and abuse and one staff member had been harrassed. The station has been loaned a LKW transmitter and is reportedly coming back on the air. This news is from NZRDXL and DX Australia. Also on Fiji, via Peter Lanshear, via Arthur Cushin, has been talking to techs in Wellington who are working for the Fiji BC in Suva. A new tx is in operation on 1089 KHZ with 1KW for a short term basis. The Lambasa tx on 684 and 810 KHZ at present are using 2.5 KW has been given a new antenna system and along with Lautoka now on 990 KHZ. These tx will all be increased to 10KW at the end of September. This will mean there will be three new higher powered tx on 684, 810, and 990 KHZ. Also from DX Australia comes word that a new radio service has been introduced for skiers in the North Island of New Zealand. The broadcasts cover the National Park area and originate from a station at Makaranui and operate on 1125 KHZ with 1KW 24 hours a day. The station is to operate to October 12. The station plans to relay 2ZW-Wanganui for rural nx 6-7AM daily. This was taken also from "The Beam. Now on with reports:

### DX REPORTS FROM HAWAII

- 670 HAWAII, Hilo-KPUA-Per Doug Martin, he hrd them on 670 8/4, ex 970 per station they moved to 670 on 8/1. Can't hear in Honolulu since it's sandwiched between KORL-KKUA and under KIKI/KHVV mixing. Xmtx of KPUA also moved. Address on KPUA/KWXX FM is now 1145 Kilauea Avenue 96720. (DPK-Hi)
- \*KPUA also is quite good here at night. The signal used to be buried under/over KYTE-970, but now normally way over KBOI at night. KPUA and KHLO are a bit better than KIPA-620. (PM-Or)
- 690 MEXICO, Tijuana-XETRA 8/24 at 0930 "X-TRA Gold", KKUA not heard on beverage (REW-Hi)
- 810 JAPAN, Tokyo-FEN 9/5 at 1559 PSA for Army Agency in Tokyo 1600 ID "This is the Tokyo station of Armed Forces Radio" into nx o/u Vladivostok with Radio Moscow IS and CC ID. (REW-Hi)
- 850 HAWAII, Hilo per monitoring format is adCon/MOR, office is now located near xmtx in Keakaha district at 1875 Kalaniana'ole Ave-Hilo 96720. (DPK-Hi)
- 1000 BRAZIL, Sao Paulo-Radio Record at 0840 on 9/2 in PP, local pops and ID ment of R Record..., kids singing ad. ID'd by REW. My first SA! KOMO underneath, sideband splash QRN. Poor to fair (DPK-Hi)
- 1100 BRAZIL, Radio Globo, Sao Paulo-9/2 poor at 0850 singing romantic C&W style ID's by REW, my 2nd SA! (DPK-Hi) (Good going on the SA. Radio Record has been logged here. PH)
- 1134 KUWAIT, Sulaiyah-9/4 1600 AA time check ID "Huna al Kuwait" into AA entertainment pgm over JOQR (REW-Hi)
- 1210 VENEZUELA, Coro-Radio Coro YVNN 9/2 0857 "Gloria al Bravo Pueblo" anthem, s/on o/u WCAU KZ00 up later (REW-Hi)
- 1220 MEXICO, Mexico City-XEB at 0900 on 9/2 full ID o/u Brazil CKDA QRM Poor (DPK-Hi)
- UNID, 9/2 1600 AA nx. Might be Iraq which has been active in this area, since more moderate in tone than Iran and no jamming heard I Iraq in AA has not been reported jammed by Iran) (REW-Hi)
- 1224 IRAN, Abadan-9/4 1600 AA ID for Tehran, into nx No jamming hrd (REW)
- 1345 ECUADOR, Ambato-Radio Paz y Bien HCCPL 8/14 0900 s/on, benediction, NA lengthy s/on message 0907 Ecuadorian folk mx Good (REW-Hi)
- 1440 SAUDI ARABIA, Ras-al-Zawr 9/2 at 1604 AA ID, discussion, this and other Middleeast Powerhouses adsent during the Summer, are now back each morning. (REW-Hi)
- 1450 MEXICO, Torreon-Radio Senacion XEBP 8/14 0850 ID "Radio Sensacion, el sonido de la patria, Mexican vocals (REW-Hi)

REPORTS FROM HAWAII CONTINUED

- 1476 P.R. CHINA, Many listed 9/5 1553 surprised to hear this one still playing "The Helmsman steers a steady course" a hymn to Mao Zedong This might indicate a location in a remote or conservative prov. O/U Vladivostok with Radio Moscow CC, so hearing CC on 1476 is not necessarily Vladivostok which is however usually dominant. (REW-Hi)
- 1481 UNITED ARAB EMIRATES, Dubai 9/5 AA ID, AA vocals at 1555 (REW-Hi)
- 1570 MEXICO, Cd. Acuna-XERF 8/14 at 0845 surprised to hear formal SS/s off with NA and noted s/off reg. since. Afterwards channel pretty clear and I continue to work on an unid Ecuadorian in Quechua from it's 0900 s/on (REW-Hi)

TRANS-ATLANTIC DX ROUNDUP

- 747 t HOLLAND, Flevoland-hrd quite weakly at 0430 on 9/6, after finding Norway coming in strong on 1314 KHZ. Patches of audio (sounded possibly Dutch), but too much KXL-750. Carrier was quite strong at times, but normal deep fading. First TA opening of the season, was quite surprised. (PM-Or)
- 1161 UNID, noted a weak het here in KSL slop at 0425 9/6. Presume a TA carrier. (PM-Or)
- 1314 NORWAY, Kvitsoy-caught while tuning across the dial at 0403 on 9/6 noted strong signal holding its own inbetween domestics, deep fades, but couldn't miss man in Norwegian with news. After 0410 noted woman announcer with Norwegian music program (folk music), fade out after 0430. Checked Sweden 1179 but no sign, must have been a very narrow opening to Europe. Norway Country #73. Reported. (PM-Or)

PAN-AMERICAN DX ROUNDUP

- 895 COLOMBIA, Santa Marta- HJPM Radio Galeon, quite good with Colombian pops and man in SS "Radio Galeon" Ids. Best heard in a while on 9/8 at 0523. (PM-Or)

TRANS-PACIFIC DX ROUNDUP

- 531 t AUSTRALIA, Kempsey-2MC, tentative only 9/7 1204 with time check at "4 minutes past 10" at close of nx by woman announcer, then brief wx summary. Pips on the hour and woman with nx had been noted for several hours prior to this, but no positive ID. (RHM-Wa)
- 549 AUSTRALIA, Orange-2CR-poor next to KMVI slop with light mx and man ancr introducing songs at 1023 on 9/8. (PM-Or)
- 558 FIJI, Suva-Radio Fiji one with gal talking in Fijian, playing U.S. pop tunes, drums and "Radio Fiji" ID at 1100 on 9/8. Best heard in a while. (PM-Or)
- 585 AMERICAN SAMOA, still checking but nothing noted here as 9/17. (PM-Or)
- 621 AUSTRALIA, Melbourne-3AR- fair in KIPA/KGW splash light Classics at 1123 on 9/7 (PM-Or)
- 666 NEW CALEDONIA, Noumea-FR3 mixing over presume 2CN, with Jazz, man ancr in FF, way under modulated as usual. I can only get listenable audio from them a few times a year. Their carrier is in about every night! (PM-Or)
- 720 U.S.S.R., Vladivostok-Radio Moscow FF Service noted in JJ at 1230 on 9/9. Good signals way over others on channel. Later tuned in and was in EE. (PM-Or)
- 845a KIRIBATI, Tarawa-still off freq.but has moved up to here from 843 hrd a few weeks ago. Was interfering with Aussie on 846, noted strongly at 0910 on 9/16. (PM-Or)
- 891 THAILAND, Bangkok-Radio Thailand noted again on 9/7 with Temple mx and woman ancr at 1250. Not as strong as 9/4, but o/JJ&KK (PM-Or)
- 927 P.R. CHINA, woman in CC at 1230 on 9/8 o/which sounded like JJ. The 700' NNW antenna I put up seems to work well on TAs and Northern Asians! (PM-Or)
- 936 JAPAN, Akita-JOTR hrd fairly well w/JJ Pops and man ancr, over which sounded vaguely RR at 1236 on 9/8. Noted several ment. of Akita, hrd and QSLD this before. JOTR seems to come in on good Asian cx (PM-Or)
- 945 JAPAN, man in JJ weakly, one of the NHK 1 stations, but which one at 1249 on 9/8 (PM-Or)
- 954 JAPAN, Tokyo-JOKR good w/JJ pops and man and woman in JJ at 1215 9/8 (PM)
- 963 t U.S.S.R., man in RR, sounded USSR but hard to tell with atmospheric noise on 9/9 at 1240 (PM-Or)

972 SOUTH KOREA, excellent signals from KBS here with woman in KK at 1223 on 9/8. (PM-Or)

1008 U.S.S.R., Magadan-fair sigs from RR here o/JJ w/talk. First time hrd this season at 1227 on 9/9. (PM-Or)

1044 P.R. CHINA, Radio Beijing FS (I presume) 9/5 1300 quite good, perhaps in JJ (RHM-Wa)

VERIFICATIONS:

580 PANAMA, David-HOH4 Partial-data letter, coverage map and tourist folder from Fernando Eleta C. Gerente General. My report for 580 David is unique, but he gets reports for Chitre 590 from Sweden. Pleased with this one as Panama has the reputation as the most reluctant verifier in Latin America. (REW-Hi) (Good going on that one Richard. I have tried for years to get a QSL from Panama-840 or 890. I told myself next time I hear them I was going to phone the station! PM)

747 NAMIBIA, SWABC Radio Herero, Gobabis Beautiful QSL card showing "Mountain fire in Khomas-Hochland with Windhoek in Foreground--- appears to be a natural static electricity phenomenon, full details and informative 2 page letter from D.J. Van Schalkwyl, Senior Eng. SW/HW transmissions. Says he has had reports from South America w/ good signals, one from Sri Lanka w/moderate reception, and one from Finland with a 1.2 km antenna. The Gobabis station has a two-mast antenna by TCI of California, beamed 72 degrees East or N (which would not favor Hawaii), Uses 2-50KW Harris PDM transmitters combined to give 100KW output average modulation is about 120% positive. Enclosed bumper sticker in German and two tourist booklets in EE. All sent by surface mail in May and arrived in September. (REW-Hi)

1210 ARGENTINA, Radio Cordoba-LV3 1210 No-data letter and red while and blue pennant from Marcelo Jorge Bazan, Interventor. (REW-Hi)

1548 SRI LANKA, Trincomalee-DW relay 1548, full-data QSL card depicting satellite link Cologne/Trincomalee. From Cologne although report was sent to Colombo. Pleased with this one since (1) DW has announced a no details verification policy (only for N. America?) and -(2) the station was put off the air due to criminal activity and appears still to be silent. (REW-Hi)

1560 URUGUAY, Radio Maldonado-CW51 Full data QSL "Certificado de Recepcion" with unreadable signer. Has had reports from Germany, Switzerland, Sweden, Finland, and Central America (the last one sound questionable) Enclosed fine triangular brown, black, and white pennant with antenna and map of Uruguay. At 500 watts, this is my best Latin QSL. (REW-Hi)

THANKS TO THESE REPORTERS:

RHM-Wa ROY H. MILLAR-13714 30th Avenue, Northwest-Marysville, Wa. 98270  
DAK3, Grundig 5077, various antennas.

DPK-Hi DALE PARK-2253 Kanealii Avenue-Honolulu, Hawaii 96813-1345  
DXing w/REW at REW's home near Makuu Using ICR71A, beverages

REW-Hi RICHARD E. WOOD-P.O. Box 5074-Hilo, Hawaii 96720  
R-71A, R-1000, 3 beverages

PM-Or YER EDITOR  
SP-600 JX, RB0-2, 700' HNW LW, (2) 1500' East Beverages, 200'  
Terminated NE LW, Ground system.

him to get a "real job" in radio, he said. But now, he said, the FCC has informed him he could continue to broadcast his station with some major modifications to the transmitter.

Once the changes are made, the station would be far less powerful than its current 250-watt strength. In fact, Fluehe said, he "would be lucky if the signal went two miles."

Fluehe estimates it will take him several weeks to do the work needed to make the switchover.

Larry Guy, chief engineer for the FCC's 11th District, which includes Southern California, Clark County in Nevada, and the state of Arizona, said his agency takes "two or three" Orange County radio pirates off the air each year.

"Most of (the operators of the illegal stations) are frustrated disc jockeys," Guy said. "A lot have been refused work at commercial radio stations."

The FCC usually learns about illegal radio stations from other stations that complain about someone interfering

with their market area, he said. Once a complaint is lodged, the agency uses vehicles equipped with radio transmitters to trace a signal.

During his 10 years of operating AM radio stations, Fluehe said, he has never been approached by the FCC. He said the investigators who came to his house told him someone had picked up his station while trying to tune in the Los Angeles International Airport traffic and parking information. The airport station is located at 530 on the AM dial, next to the one Fluehe used.

The FCC, however, would not comment on the specific investigation, nor would they confirm Fluehe's statements.

Guy said it takes as little as 60 watts of power to interfere with another radio station's signal, especially in the saturated Los Angeles radio market.

"These unlicensed radio stations can create a lot of engineering problems," he said. "They can be heard around the country and interfere with international communications."

Fluehe claims he had a listening audience of about 1,000 people from Orange County to the Ventura County line near Malibu, but said "there was a potential for 2 million" listeners.

He said he based his guess about his listeners on the number of calls taken by his friends and some waitresses at Spire's Restaurant in east Fullerton. The calls came to two pay telephones there which served as the station's unofficial request hotlines, he said.

Fluehe began his career as a pirate radio operator in 1975, at the age of 11. That is when he put KXBY-AM (830) on the air. He was forced to switch frequencies two years ago when the chief engineer of a local radio station approached him.

"He came up here and asked me if this was KXBY," he said. "I said 'yes' and he told me to turn it off."

Now that he has been caught again, Fluehe has a warning for others who are into "pirate" radio.

"I said if I ever got popped some day I was going to let people know about it," he said. "There are dangers in doin' this."

# THE INTERNATIONAL RADIO CLUB OF AMERICA

The IRCA is a non-profit organization devoted to the hobby of listening to distant radio stations on the AM broadcast band (535 to 1635 kHz). DX Monitor, the official publication of the IRCA, is printed 34 times per year, weekly from October to March, twice a month in April and September, and monthly from May to August. DX Monitor contains members' Loggings, information and articles on radio stations, receiver reviews, technical articles and construction projects, tips on DXing, and other material to help members enjoy their hobby. IRCA also publishes books on medium wave DXing and holds an annual convention. IRCA is a member of AWAAC, the Association of North American Radio Clubs.

Club Addresses and Officers: President - Dr. Richard E. Wood, P.O. Box 5074, Hilo, Hawaii 96720  
Secretary-Treasurer - John Clemmer, 4524 Seventh St., #2303, E. Moline, IL 61244. Editor in Chief - Bruce Portzer, 6546 19th Avenue N.E., Seattle, WA 98115 (206)522-2521. Board of Directors: Ernest Cooper, Nancy Hardy, Bill Harms, Patrick Martin, Bruce Portzer, Niel Wolfish, Karl Zuk.

Membership Dues: U.S. \$20.00 per year. Canada and Mexico (one issue mailed per week) \$26.00, (two issues every two weeks) \$20.00. Overseas: surface mail \$21; airmail to Central America, Colombia, Venezuela, and the Caribbean \$27; airmail to Latin America, Western Europe, North Africa and the Middle East \$30; rest of the world \$34 airmail. Special Trial Membership: 10 issues of DX Monitor and a new member packet for \$7.50. Make checks and money orders payable to IRCA and send dues to: P.O. Box 482, East Moline, Illinois 61244. Foreign members must make dues payable in U.S. funds.

The IRCA Goodie Factory: The IRCA has a number of items for sale, including hundreds of past DX Monitor articles, A DXers Technical Guide, The IRCA Almanac, IRCA Foreign Logs, and other publications. For details and prices send an SASE to 1017 W. Manhattan Drive, Tempe, AZ 85282.

Opinions expressed in DX Monitor are those of the original contributor and not necessarily those of the IRCA, its officers, editors, or publishing committee. Unless otherwise noted, permission is given to republish non-copy-righted material if credit is given to IRCA & the originator.

FIRST CLASS MAIL  
U.S. POSTAGE  
PAID  
Seattle, WA  
Permit No. 601

# first class

D - A - NYHOLM  
2071 CEDAR STREET  
SAN CARLOS CA  
94070

19

Postmaster: if undeliverable, return to  
P.O. Box 21074, Seattle, WA 98111, U.S.