



DX Monitor

Devoted Exclusively to
Broadcast Band DXing

January 25, 1986

Volume 23, Number 18

Issue Number 741

In This Issue

No Western DX Forum this week. Ric's column didn't make it by Saturday's deadline. However, we have enough other stuff to keep you all happy....

Eastern DX Forum	2	Western DX Roundup	6
Eastern DX Roundup	3	DX Worldwide West	9
Central DX Roundup	4	DX Worldwide East	10
The V. of Boston's Little People	5	The MWT-1, Part 2.....	15

Flash Tips

We have two notable flash tips this week.....

KTRB-860 in Modesto, CA is now running 50kw days, 10 kw nights, per Pete Taylor. They raised power on January 6, and are now at semi-local strength in San Francisco.

The new station on 1040 in Vancouver, BC is now testing (mostly with open carrier), per a friend of Pat Martin's. Watch for them to hit the air "any time".

Odds and Ends

Volume 23 publishing schedule: The second half. Now that we're halfway through volume 23, here's a quick review of coming attractions. We'll be weekly until the last issue in March. After that, DXMs will go out on April 12, April 26, May 10, May 24, June 14, July 12, and August 9. Note that the May 10 date is a correction to the date which appeared in the list in the June 15, 1985 DXM. The anniversary issue will be the March 22 issue. Ironically, March 22 is my wedding anniversary, but that's not why it's the anniversary issue.... it's the club's 22nd anniversary. We have a club tradition for as many people as possible to send in forum reports for that issue. Let's see about a hundred this year! And for those so inclined, the March 29 issue will be the April Fool's issue.

Membership Dues: Please send your membership dues to our treasurer, John Clemmer, Box 482, E. Moline, IL 61244. We've recently received several renewals at the P.O. box in Seattle, which theoretically will get your check deposited in the bank. However, it fouls up our record keeping and increases the chances that your name will accidentally get dropped from the membership list.

The 1986 Convention. The 1986 IRCA Convention will take place this summer in West Palm Beach, FL. Host Ted Fleischaker will have full details on the date, hotel, etc. in an upcoming issue. Watch for it!

1986 World Radio TV Handbook The 1986 WRTH is now available for prompt shipment.

The retail price is \$19.95 in the USA. Until further notice, you may order copies at \$20 each plus \$1 Book Rate shipping and handling regardless of the number of copies. For First Class Mail, enclose \$23 for the first copy and \$21 for each additional copy. Orders, with check or money order payable to CENTURY PRINT SHOP, should be mailed to: Century Print Shop, Don Erickson, 6059 Essex St., Riverside, CA 92504-1599. Inquiries welcome at (714) 687-5910. Back copies of WRTH, 1981 through 1985, may be ordered at \$12 ea., 2/\$20, postpaid, mix or match years. California residents, please add 6% sales tax to ALL orders.

EASTERN DX FORUM

RICHARD EVANS
English Village Apts, Bldg 23 Apt. B-6
NORTH WALES, PA 19454

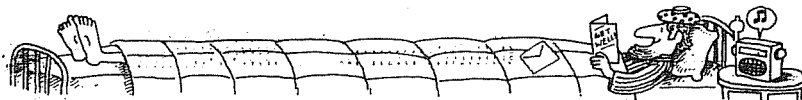
Deadlines: Saturdays. Anniversary issue: 3/8/86.
This column typed: 1/11/86.

Pom Jasinski, 503 Jensen Street, Shorewood, Illinois 60436
Happy New Year to all. On 12/31 I spent a few hours trying to trace down the location of the new WYU-930, Sandwich, Ill. station. I found the studios in Sandwich. They will share with WSPY-FM 107. The AM transmitter site is located south of Yorkville, Ill., southwest of the intersection of highway 71 and highway 47. The antenna farm is about 75% complete. There are 4 towers set in a north/south direction. The southernmost tower is located slightly to the east of the other three. The site was deserted except for a local carpenter working on the wooden frame of the transmitter building. A 25 foot long motor trailer housing test gear is located nearby. I talked to the station manager and he mentioned a fulltime schedule around mid-February or early March. He was not aware of any testing heard by several area DX'ers last week. He said the major market will be the Fox Valley area so the major lobe will be to the north and east. There will be a null to the southwest to protect WFAA-930, Quincy, Ill. The site is located on high ground on the south edge of the Fox River Valley. It is interesting to see a brand new installation such as this. You can see the radial trenches that will contain the buried ground radial wires. The two north towers are only partially constructed. There are piles of tower sections and coils of guy wire cable everywhere. This site is only 15 air miles from my home in Shorewood. So this new one will be a local for me. The GM was not sure about the exact output power but he did confirm that it would be more at nite which agrees with recent broadcasting information in DX Monitor. Will fill you in on more as construction continues. How many of you have a WCCS-1200 ball cap? 73's. (Pom, did they tell you the name of the company erecting the towers? One of the big companies has its headquarters here in North Wales.--rce)

John H. Demmitt, Box A R0848, Bellefonte, Pennsylvania 16823
CBC started the new year out right when they aired a special program on Jan. 1st at 1705. "RCI-Canada and the World". It was an excellent program telling about the many shortwave stations that can be heard around the world. A large assortment of interval signatures were played introducing listeners to a sampling of each station's programming. The 55 minute program was very interesting! In addition to the reception from the Caribbean most evenings in the Northeast, Argentina is also being heard. I have been picking this country up on several frequencies including 1020. Ashamed to admit it but in the excitement of some of the great DX, I don't always get out my books, logs, etc. Especially so when the DX'ing is being done horizontally, hi. 73's.

Mike Hardester, P. O. Box 119, North Versailles, Pennsylvania 15137-0119
Greetings! Still no serious DX undertaken, but on one evening I managed some time to log WDAF-610 who promptly replied w/a v/l typed over a coverage map. Full-data verie, but is definitely difficult to read. For those not already aware, the USPS has increased the price of the already ridiculously high IRC to 80¢ each. Although I'm not an advocate of such, enclosing a US\$1 (or C\$1 as the case may be) seems to make more and more sense each day and is a quite popular practice in many shortwave groups. Sorry nothing else to pass along for you to type, Rich, but not a lot of DX activity here. Very 73:

Richard C. Evans, English Village Apts. 23-B-6, North Wales, Penn. 19454
Some notes: On New Years Eve, I listened to local WNPV-1440. I moved perhaps 3-4 miles further away from them, but down a ridge, and I noticed there is now somebody under them at night. Didn't find out whom, tho. Also tonight, somebody is under local WPEM-950 with the 76'ers vs. Detroit. It wouldn't be WWJ-950, would it? In almost eight years out here, WPEM has had 950 locked solid, and no other stations have been logged there. The game is making it under the talk on WPEM but is being wiped out during the music, naturally. Regarding Bill Hardy's comments in 1/4/86 WDAF about the 24 hour time, I prefer it that way because I can think in 24-hour time, and I'm sure all roundup editors, past and present, will agree, it's a heck of a lot easier to type in the bulletins instead of switching back and forth to "AM" or "PM", not to mention the arguments over capitalizing the letters or not, or using the periods in the terms. That's all to report at this time. PHL.



EASTERN DX ROUNDUP Karl J. Zuk, 154 Old Post Road North, Croton, New York 10520

REPORTERS IN THIS WEEK'S ISSUE:

- (JHD-PA) John H. Demmitt, KO848, Box A, Bellefonte, PA 16823...Sony ICF-S5W
(RCR-PA) Robert C. Ritchey, R.D.#1, Box 738, East Freedom, PA 16637...DX-160, 150 foot longwire.
(RSR-ON) Robert S. Ross, VE3JFC, Box 4373, Station C, London, ON N5W 5J2...Kenwood TS 430 S, Panasonic RF 1115, Realistic TRF, 120 foot longwire, 4 foot box loop
(WPT-DC) William P. "Bill" Townshend, 4500 Connecticut Avenue, NW, #901, Washington, DC 20008. DX-160 and Realistic Portavision
(WPT-MD) Bill Townshend DXing after work in Maryland.

- 560 CPOS ON, Owen Sound. 12-28 1845 Good with weather, ID, and C&W music. (RSR-ON)
640 WMSO TN, Collierville. 12-22 1938 Good with C&W Christmas music, weather, IDs, in Cuban's null. (RSR-ON)
660 KSKY TX, Balch Springs. 12-26 1805 Fair with religious program, gospel music, ID, station data, sign off at 1815. In null of WNBC, New York, NY. (RSR-ON)
690 WNZK MI, Westland. 12-08 0925 Good. Ethnic station with program in Italian, ID in English "WNZK AM 690," address is Box 12369, Detroit, MI 48212, 5 kW days, new. (RSR-ON)
690 WAPE FL, Jacksonville. 12-27 1720 Good with ads, ID and rock music. Male DJ. Mixing with WVOK, Birmingham, AL. (RSR-ON)
710 CJRN ON, Niagara Falls. 1-1 0621 Fair with "We Are The World" and interference from WOR, New York, NY. (JHD-PA)
740 WSVQ TN, Harrogate. 1-5 0711 Good with ID, weather, lively foot-stompin' C&W gospel music. (JHD-PA)
740 CBL ON, Toronto. 1-1 1705 Fair with special program on shortwave broadcasting with a generous sampling of ID signals from big stations. (JHD-PA)
780 WABS VA, Arlington. 12-26 1635 Good with "Sunlight 780 WABS" ID and gospel music. In WBBM, Chicago, IL null. (RSR-ON)
790 WSIG VA, Mt. Jackson. 12-31 1700 Sign off by man, musical ID, no SSB, good. (RCR-PA)
790 CKSO ON, Sudbury. 12-18 2305 Good with weather and ID. (RSR-ON)
820 WBAP TX, Fort Worth. 1-5 0659 Fair with musical jingle ID, news, weather, and a discussion on Dallas Metro Trade. (JHD-PA)
820 WAIT IL, Chicago. 1-5 0703 Good with PSA, News and "Open Forum" show. (JHD-PA)
850 CKVL PQ, Verdun. 1-5 0650 Male Announcer speaking French, taking phone calls, ID. Interference from WRMR, Cleveland, OH. (JHD-PA)
880 WRFD OH, Worthington-Columbus. 12-19 1623 Promo for Yule concert, weather, under WCB5, New York, NY. (WPT-MD)
920 WHJJ RI, Providence. 1-1 0105 PSA, ID by man, into talk show, fair to good, state #38. (RCR-PA)
940 WCIT OH, Lima. 12-31 1800 Sign off by man, said that they must sign off to protect CBL, Montreal, PQ, no SSB, good. (RCR-PA)
960 WELI CT, New Haven. 12-26 1608 ID by man, fair to good. (WPT-MD)
1010 WCST WV, Berkeley Springs. 12-30 1400 C&W music, ID "That's Elvis here on WCST," PSA, ID "You're Listening to WCST and WCST-FM Berkeley Springs WV," into news, fair to good. (RCR-PA)
1030 WXSS TN, Memphis. 12-22 2151 Good with gospel program, ads, ID "Hear all the hits on New Year's Day on WXSS," by woman on hour. New, under WBZ, Boston, MA. (RSR-ON)
1070 CBA NB, Moncton. 12-27 2105 Very good with sports, ID as "CBC Maritimes." Over CHOK, Sarnia, ON. (RSR-ON)
1070 WFLI TN, Lookout Mountain. 12-26 1655 Good with religious program, ID on the hour, ads. Under CHOK, Sarnia, ON. (RSR-ON)
1080 WKGX NC, Lenoir. 1-2 1731 ID "All-new K-Country WKGX," into C&W music. Very good until a sudden disappearance. (RCR-PA)
1080 WYCM NC, Murfreesboro 1-6 0715 SSB, sign on by man, fair. (RCR-PA)
1080 WNCR NC, St. Pauls. 1-2 1740-1745 Taking song requests for tomorrow, sign off by man, mention of 5000 watts and United States Broadcasting Corporation, very good to excellent, no SSB. (RCR-PA)
1120 WYNO OH, Nelsonville 1-1 1730 Sign off by female, no SSB, fair. (RCR-PA)
1130 KWKH LA, Shreveport. 12-04 0040 Good with C&W music, IDs and ads. (RSR-ON)
1160 WCCS PA, Homer City. 12-17 2342 Fair with soft rock music. ID as "The only radio station you'll ever need, stereo 1160, serving you 24 hours a day." new. (RSR-ON)
1180 UNID 12-20 2155 Fair with heavy metal music and news at 2200. "United Stations-Radio Network." news. 2100 time check given in CST, under WHAM, Rochester, NY. Ad for Thompson Carpet at 3401 Highway 80 East. There is a route 80 that runs through IN and IL, any ideas? (RSR-ON) Only new WJJN, Newburgh, IN-kz.
1200 WAGE VA, Leesburg. 12-26 1856 Good with rock music, ID on the hour, news, weather, ads, lots of IDs as WAGE. In WOAI, San Antonio, TX null. (RSR-ON)+1-1 0719 Good with Ray Lakeland welcoming his listeners to 1986. Quiz on animals and ad on investments. (JHD-PA)
1320 CFGM ON, Richmond Hill. 1-5 0805 Fair with news, weather, and record "Roll ON." (JHD-PA)

Much more EASTERN DX ROUNDUP!!!

EASTERN DX ROUNDUP continues !!!

- 1370 WXXI NY, Rochester. 12-16 0108 Sign off with America The Beautiful. Excellent. Ex-WSDY, WRTR.
(WPT-DC)
- 1370 KFJM ND, Grand Forks. 12-16 0100+ NOT heard on DX test, too much WSPD, Toledo, OH QRM.
(WPT-DC)
- 1440 WBGA GA, Brunswick. 12-20 2219 Good with end of Georgia Bulldogs football. Ads for local stores. New. (RSR-ON)
- 1450 WEYZ PA, Erie. 12-19 1400 Very good with ID into news, easy listening music. (RSR-ON)
- 1490 WMDA OH, Marietta. 12-19 1536 Good with sports promo, ID into music, in pile up. New.(RSR-ON)
- 1510 WMRE MA, Boston. 12-31 2052 Fair with promo for live New Year's Eve broadcast, interference from WLAC, Nashville, TN, and CJRS, Sherbrooke, PQ. (JHD-PA)
- 1520 WWRB NY, Buffalo. 1-3 0043 Ex-WKRW, ID as "WKWB Stereo 15," station promo, ad for Sears, excellent. (RCR-PA)(How sad. The end of a legend-kz.)
- 1570 CKLM PQ, Montreal. 12-31 2045 In French. Good. Record "Life is Life" and ID by man. Phone call with woman. Interference from CFOR, Orilla, ON. (JHD-PA)
- 1580 CBJ PQ, Chicoutimi. 12-31 2030 with pop records and slight interference from VOA. Excellent. (JHD-PA)
- 1580 WILA VA, Danville. 1-1 1800 Sign off by man, no SSB, good. (RCR-PA)
- 1590 WJRO MD, Glen Burnie. 1-2 1800 ID "WJRO Glen Burnie," briefly on top. (RCR-PA)

I hope everyone has a Very Happy New Year full of great DX. I also hope you like the new type in this column, because this is how it will look for at least a while! Thanks to everyone for a nice column this week. They will probably seem a little shorter now because of the smaller type. I can't believe that WKWB is no more! One of the Rock powerhouses I listened to as a kid with DJs like the fast-mouthed Jackson Armstrong. May those calls rest in peace! 73s and CU in 7-kz.

CENTRAL DX ROUNDUP

Robert Kramer
6416 N. Richmond
Chicago, IL 60645

SPECIAL, UNID, CHANGES, et. al.

- 516 VPX WV PINEVILLE, 1/4 0544 poor briefly w/CW Ids. Newly authorized aerobeacon. RK
810 WSJC MS MAGEE, 12/26 0215 DX test w/C&W mx, An Stereo balance check, TT, good. TMJ
1550 UNID 12/19 1734 good w/"WKNF-K94" Ids. TN-IN
- All da Rest
- 560 WFRB MD FROSTBURG, 1707 fair w/nx, spots, wx & sports, ID C&W mx w/WJIS & KWTO
12/12. JDF-IL
- KWTO MO SPRINGFIELD, 1722 fair dominating w/WIND off, w/spots, wx, C&W mx. 12/12.//
KIVI TX BEALMONT, 2113 good mixing w/KLZ w/C&W-pop mx, ID. 12/12. JDF-IL/JDF-IL
WJIS WV BECKLEY, 1712, fair w/Contest promo, C&W mx, ID w/WFRB & KWTO & KUSA slop.//
CJKL ON KIRKLAND LAKE, 1732 fair w/business nx, sports, many ment. of North Bay
w/KWTO & KIVI. 12/12. JDF-IL
- 570 WSYR NY SYRACUSE, 2105 in WKYX null w/wx & H.S. BKB, fair 12/13. JDFWIL// JDF-IL
WNAX SD YANKTON, 1556 lake a local w/girls H.S. BKB, spots, ID slight WMAM. 12/12//
- 610 WZZK AL BIRMINGHAM, 12/20 1910 "AM 61 WZZK" Ids. TL-IN (Tom, they changed from
WSGN ages ago, ed.)
- 650 CKOM SK SASKATOON, 12/26 0746 fair o/u fading WSM w/rck mx, SID. RK-IL
640 WWIS OK MOORE, 11/28 0133 50's rck "Classic 64 WWIS" u/o KFI. TL-IN
830 KBOA MO KENNETT, 12/27 1655 w/promo for AM Stereo, ment. 10kw. TL-IN
840 WFPN NE WEST POINT, 0722 good w/C&W mx "AM-84" Ids, wx. JDF-IL
930 KKTN MN ATKIN, 12/28 1835 ID surfaced o/mess briefly. TMJ-IL
940 WCPC MS HOUSTON, 12/25 1720 C&W mx, many lcl spots, wx, SID. TL-IN
970 KCFO OK TULSA, 12/23 0424 "back to the Bible", full ID, rel. pgn. Stn 500. TL-IN
960 KZIM MO CAFE GIRARDEAU, 12/26 1815 w/HS BKB tourney results, ID as "Country
Magic 96". TMJ-IL
- 1080 WKAC AL ATHENS, 12/27 1743 ment. N. AL, lcl spot in Athens. TL-IN
1110 WUNN MI MASON, 12/24 1530 xmas mx, wx & ID w/ment. of WUPN-FM in Albion, "Family
Forum" pgn. TL-IN
- WJMI MI PETOSKEY, 12/27 1558 lcl ad, AM-FM ID, pop mx. TL-IN
WKEG PA WASHINGTON, 12/21 1700 s/off. TL-IN
- 1130 WBBF FL BARTOW, 12/4 0657 popped up w/jazz, ID, nx on hour, quickly faded, lost to
KWKH. TMJ-IL
- WDGY MN MINNEAPOLIS, 12/22 0455 wx, SID, C&W mx. TL-IN
1140 WKWM MI KENTWOOD, 12/14 1630 good o/WVEL w/soul-jazz, lcl spot. TMJ-IL
KSOC SD STIOUX FALLS, 12/22 0302 nx, full ID, wx. TL-IN
CKXL AB CALGARY, 12/22 0341 lots of rck mx, w/"XL" Radio Ids. Blasting in. TL-IN

1200	WAGE	VA	LEESBURG, 0650 T40 mx, sports, wx, spots, ID fair in WQAI mull. JDF-IL 11/28
1210	WBIU	LA	DENHAM SPRINGS, 1754 "Bayou-1210", phone in contest, C&W mx, good in WCAU mull, 12/5. JDF-IL
1220	WTCN	MN	STILLWATER, 12/25 1729 xmas mx, ID, mx. TL-IN
	WAXO	TN	LEWISBURG, 12/25 1730 s/off. TL-IN
	WGNV	NY	NEWBURGH, 12/26 1630 contest promo, full ID. TL-IN
1260	WJJJ	VA	CHRISTIANSBURG, 11/30 1715 s/off weak o/WNDE, WIBV. TMJ-IL
1270	WISM	MS	LOUISVILLE, 12/25 0200 f/c per IRCA list, w/t & VID. TL-IN
1280	WIMJ	OH	JACKSON, 12/23 1659 ID during s/off. TL-IN
	WHVR	PA	HANOVER, 11/27 1633 woman w/wx, ID, mx, poor. TL-IN
	WKST	PA	NEW CASTLE, 12/23 1659 w/WIMJ w/lcl mx, ID. TL-IN
1310	CKOY	ON	OTTAWA, 11/27 1750 PSAs, SID, good. TL-IN
1330	KFH	KS	WICHITA, 12/20 0200 C&W mx, promo for Country Countdown, full ID. TL-IN
1340	KICK	MO	SPRINGFIELD, 12/22 0124 "For pick me up or perk me up choose AM 1340 KICK", in jumble of others. TL-IN
	WCVI	PA	CONNELLSVILLE, 12/22 0131 ID hrd weakly u/mess. TL-IN
1360	XSCJ	IA	STONX CITY, 12/27 1721 tlk on IA Hawkeyes, IDs, comedy hour. TL-IN
1370	KWRT	MO	BOONVILLE, 12/27 1700 AM-FM ID, ABC mx, fade. TL-IN
	WRMC	PA	ROARING SPRING, 12/27 1643 ID as "Stereo 1370 WRMC", then mx. TL-IN
	WDEF	TN	CHATTAHOOGA, 12/27 1649 wx, ID by man. TL-IN
1390	KJFW	MO	WAYNEVILLE, 12/26 1700 lcl spot, ment. St. Robert, full ID. TL-IN
	WRMJ	OH	YOUNGSTOWN, 12/27 1550 wx, ID & bkb promo, lcl spot. TL-IN
1400	WMAN	OH	MANSFIELD, 12/27 1611 ski rpt, ID in clear, ad by man. TL-IN
1410	WBBX	TN	KINGSTON, 12/30 0600 fair w/s/on no SSB. RK-IL
	WSCW	WV	SOUTH CHARLESTON, 12/27 1635 lcl spot "Joy 101 & WSCW" ID. TL-IN
1450	KCDR	IA	CEDAR RAPIDS, 12/26 0148 "AM 1450 KCDR" ID in mess. TL-IN
	WDSC	TN	DYERSBURG, 11/30 0019 mx, ID by man. TL-IN
1480	KKQJ	MN	FOSSTON, 12/23 0331 C&W oldie, ID "KKQJ-KKV(?)Q Fosston, MN testing. TL-IN
	WCIN	OH	CINGINNATI, 12/23 0335 mx, lcl spot, clear ID. TL-IN
1500	KGLF	LA	NEW ROADS, 1804 spots, SID, R&R mx, fair. 12/2. JDF-IL
1510	WMRE	MA	BOSTON, 12/26 0135 promo for Country Countdown, xmas mx, ID. TL-IN
1540	WSMI	IL	LITCHFIELD, 11/27 0100 ET AM-FM ID, TT. TL-IN
1550	KLFJ	MO	SPRINGFIELD, 12/19 1749 lcl spot, ID, strong. TL-IN
	WTBP	TN	PARSONS, 12/19 1743 fade up at s/off, SSB. TL-IN
1570	WHII	MS	BAY SPRINGS, 12/19 0217 f/c per IRCA list, TT VID u/GKIM. TL-IN
	CHIM	EQ	MONTREAL, 12/19 0220 FF tlk by woman & CM, SID, good. TL-IN
1580	KXZZ	LA	LAKE CHARLES, 12/24 0350 ex-KLOU w/"Z-16" IDs, black mx. TL-IN
	WLIM	NY	PATCOGUE, 12/27 0045-0110 ET? rr mx IDs "We have everything on WLIM Patcogue, 1580" good o/CBJ TT. TMJ-IL
1590	WYHT	MS	JACKSON, 12/22 0204 w/mx, ID "Puttin on your hits". TL-IN

Dat's It

JDF... Jay Florian 300 East Main St. Round Lake, IL 60073

(FRG-7700, Sanserino Loop)

TMJ... Tom Jasinski 503 Jensen Shorewood, IL

(FRG-7, 2 1/2* loop)

RK.... Playing the blues

(R-1000, HQ-129X, Radio West Loop, Kowalski Loop)

TL.... Tom Laskowski South Bend, IN

(ICF-2001, 4* homemade loop)

No column last week because no reports came in before deadline.

RADIO STATION WUNR

Los Angeles Times, via Steve Wittman

THE VOICE OF BOSTON'S LITTLE PEOPLE

From Associated Press

BOSTON—Radio station WUNR is an electronic Tower of Babel where Greeks, Poles, Vietnamese and members of 10 other ethnic groups rent air time to promote faith healing, spin records or just talk in their native languages.

"This is a crazy place to work," said Luis Perez Pena, host of a Spanish-language show at the 5,000-watt AM station.

"This is the only station in Massachusetts that never changed its original purpose, to give a voice to the little people," said operations manager Norman Ruby.

Owned by businessman Herbert Hoffman, WUNR rents time 24 hours a day to representatives of 13 ethnic groups, whose announcers design and promote their shows

and sell their own commercials.

Programs range from "Gilda and Gino," an Italian brother-and-sister team, to "Father Justin's Rosary Hour" in Polish.

The station also has allowed some veteran foreign-language announcers to return to the micro-

'If 20,000 Hispanics are listening to Spanish radio, they're listening to me.'

phone after years of working non-broadcast jobs in the United States.

Joquin Suné was a popular radio announcer in Cuba until he was fired for trying to emigrate almost 30 years ago. Arriving in Boston in 1969, he worked in a Revere sugar

refinery and as a machine operator in a meat plant.

In 1980, Suné began broadcasting a 15-minute program on WUNR. He now hosts two shows totaling 1 1/2 hours daily: "Voz Continental," or "The Continental Voice," and "Atardecer Romantico," or "Romantic Evening," a half-hour "dedicated to souls in love."

He pays the station \$43.65 for each half-hour and hawks \$6 and \$8 advertising spots himself. Hourly rates at the station run as high as \$200 for prime weekend spots.

"When I first came to the U.S., I didn't see any future," Suné told the Boston Sunday Globe. "Now this is my business and it takes up all my time."

Boston has 38 commercial radio stations, but "because this is the only station in Boston for Hispanics, if 20,000 Hispanics are listening

WESTERN DX ROUNDUP

Nancy Hardy
2301 Pacific Avenue
Aberdeen, WA 98520

All times are
Eastern Local

Phone for hot WDXR tips: (206)532-6827 till 10pm(PT)

DEADLINES: Tuesdays 1/28, 2/4, 2/11, 2/18, 2/25, 3/4, 3/11 (Anniv. Issue)

REPORTERS FOR THIS ISSUE:

- (WGE) W. George Elliott-544 Christleton Ave.-Kelowna, BC V1Y 5J2
FRG-7000, 4' loop, DX-160, longwire
(TRH) Tim Hall-350 G St. F-1-Chula Vista, CA 92010
ICF-2010, Radio West loop
(NH) Nancy Hardy-2301 Pacific Ave.-Aberdeen, WA 98520
FRG-7, Radio West loop
(JH) Jim Hilliker-P.O. Box 1499-Carmel Valley, CA 93924
Kenwood R-1000, Radio West loop
(JH-CA1) Last DX from Anaheim, CA
(ASL) Albert Lobel-P.O. Box 26762-San Diego, CA 92126
(bp) Bruce Portzer-6546 19 Ave. N.E.-Seattle, WA 98115
HQ-180A, Rascal RA-17, Radio West loop
(RW) Robert Wien-1309 Dentwood Dr.-San Jose, CA 95118
GE Superadio, GE long-range portable, SM-2
(JW) Jack Woods-P.O. Box 1003-Waldport, OR 97394
XCR-30, Martens loop

OF SPECIAL INTEREST:

- 1460 (KARR) WA, Kirkland now dark. First noted off Sun. 1/5, after seeing format listed as "off air" in local newspaper listing. (bp-WA)
1470 KDUN OR, Reedsport 1/10 1034 local nx & wx then ID "The Voice of Dune Country, KDUN." Strong & dominant. (bp-WA) (Had been reported as "dark"!--NH)
540 *KKAR* CA, Hesperia 1/8 1922-1930+ testing now. Heard TT's thru QRN in KVIP null, fair but fading a lot, then taped ID by man given twice at 1922 "Radio station KKAR, Hesperia, Calif. is conducting equipment tests...of the Federal Communications Commission, Washington, DC. KKAR is authorized to operate on a frequency of 540 kHz with a power of 1.5kw." Gave owner, but couldn't copy all of that. ID again 1926-1927, more TT's. Poor to fair. (JH-CA) +1/11 new station heard testing 1955+, w/TT's and taped anct. telling owner, power of 1.5kw, etc. (TRH-CA)

550 KMVI HI, Wailuku 1/6 0357 way on top w/JJ programming. Clear ment. of "KMVI Radio" in EE during JJ talk. KMVI s/off at 0400 inviting listeners to tune into s/on at 0430 (HI time). (RW-CA)
650 CKOM SK, Saskatoon 12/26 2310-2317 poor w/QRM from CKOV-630. Spot for Workwear House, then one for a stereo shop w/Saskatoon ment. DJ did wx forecast, but all I caught was ID at end, "From 65, C-K-O-M." First time heard since freq. change from 1250. (WGE)
730 KTOX ID, Boise 12/27 0810 fair w/nx, ID, slogan "Newstalk 73." (JW)
760 CKQR BC, Castlegar 12/26 1931-1944 fair w/Christmas and New Years greetings from Castlegar Import Centre. West Kootenay wx w/ID at end, "Outside 'QR studios it's -3°C, in the clouds." Into CanCon mx. New. Was wanted but never heard on 1230...this was too easy. (WGE-BC)
770 KATL MT, Miles City 12/27 1902-1928 fair w/QRN. Ai nx, local wx, Paul Harvey. Lots of Miles City ments in local spots, including one for Big Sky Pharmacy. Into Farm Market at 1913. Local nx & wx at 1920 from Inter-Mtn Net. ID at end as "On your superstation, K-A-T-L." Never heard on 1340. New. (WGE-BC)
800 ?KHIS? CA, Bakersfield 1/11 1200-1315 probably them w/relig. programming in the absence of local XEMMM-800, but still too weak to ID. Thanks Neil Kazaross for call, and congrats on KPDQ! (TRH-CA)
CKOK BC, Penticton 1/8 0322 poor to fair in XEROK null, in well enough to get ID at 0325 and promo for an event in Penticton, gave stations that they relay. New, never heard in S. Calif. (JH)
810 ?KAFF? NM, Santa Fe 1/10 1910 poor to fair w/KGO w/CBS nx. No ID heard, could be KAFF or KCMO. (TRH-CA)
820 KQIN WA, Burien-Seattle 12/26 2014-1024 good w/QRN. Clear ID by YL at 2022 "The music difference; the all-new K-Q-I-N, AM 8-20." Back into mx. Never heard on 800. New. (WGE-BC)
840 (WHAS) KY, Louisville 1/6 0342 totally off. (RW-CA)
850 CKRD AB, Red Deer 12/27 1425-1430 fair to good w/detailed sports, ID at end "That's C-K-R-D sports. Linda has the news next." obviously not moved to 700 yet. (WGE-BC)

- 890 *KDXU* UT, St. George-NV, Las Vegas 1/6 0554 susp. strong w/OC o/
WLS. (RW-CA)
- 910 KFYI AZ, Phoenix 1/10 1957 finally logged this call change thru
local (now NSPI) KMJC. Phone-in show w/ID by OM. (TRH-CA)
- 920 KVEL UT, Vernal 1/10 1850 fair in KOL0 null w/long promo for a 50's
dance sponsored by station, into other local ads and ID. New.
Was looking for KKAM. (TRH-CA)
- 940 (KFRE) CA, Fresno 12/31 0549 off on rare weekday SP w/TT. (RW-CA)
KGRL OR, Bend 12/24 1024 fair w/Central Oregon wx. Mentioned
Redmond & Prineville. ID on the half hour. New. (JW-OR)
+1/4 1748 strong in KFRE null w/ad for KGRL coupon book. (RW-CA)
- 950 KRSE OR, Roseburg 1/6 1017 finally netted this call change ex-KYES
w/ment. of "...weather for Roseburg and vicinity..." into rr
mx, OM DJ, buried by KAHI/XEGM and heavy KPFE-940/KABL-960
slop, tuned in the right time. KAHI is now 24 hours NSP. (RW)
- 970 KUZZ CA, Bakersfield 1/6 0804 noted w/promo to listen for "the all new
AM 55, coming Monday morning (1/13)." (RW-CA)
- KZZU WA, Spokane 12/27 2008-2010 fair in KYFE null. ID at end of spot
as "On K-Zee-Zee-U." SID then mx. Finally got this call, ex-KLHT/
KREM. (WGE-BC)
- 980 KINS CA, Eureka 12/27 1938-1948 good to fair w/CBS Dan Rather report.
ID at end as "K-I-N-S, 9-80 Eureka." Into Bob Costas Sports
which ended at 1945 w/ID "Right here on K-I-N-S, Eureka." Follow-
ed by local rx. New. (WGE-BC)
- KFWB CA, Los Angeles 1/6 0825 good w/ID, slogan "All News All The
Time." Promo for the University of Phoenix. (JW-OR)
- KUPI ID, Ammon-Idaho Falls 1/9 0400 poor to fair w/C&W mx in KFWB
null, into legal ID "KUPI AM stereo, Ammon-Idaho Falls and
KUPI-FM, Idaho Falls...it's 2am." Into ABC nx (don't know which
one). New, never heard in Anaheim. (JH-CA)
- 1000 (KMLO) CA, Vista 1/6 1400-1700 noted completely off the air. May have
been off from about an hour earlier. There was a power outage
in Vista and it may have affected the studio of KMLO. Did hear
something else on 1000 but the rx in my truck is very poor
quality even on locals so no way to ID what I may have heard. (ASL)
- KKMX CO, Hayden 1/11 1853 AdCon mx, ID at 1855 into more mx. Poor
w/KOMO nulled. Had heard something w/KOMO the previous day at
the same time & wondered what it was. New. (NH-WA)
- 1040 WHBO FL, Pinellas Park-Tampa 1/6 0650 strong w/ID, still on night
pattern at this time (Tampa LSR in Jan. is 0730). (RW-CA)
- 1090 KNCR CA, Fortuna 1/9 1933 end of oldies song, ID "Remembering the
music of years gone by, right here on KNCR, it's 4:33." Ad for
Fortuna Office Products, going out of business sale. Good, then
mixing w/XEPRS. Another ID "1090-KNCR." New, also not heard exc.
at 29 Palms. (JH-CA)
- KBOZ MT, Bozeman 1/9 1932 in for just a quick ID on top in XEPRS
null, C&W song ending, ID by woman DJ "on 1090, KBOZ" into local
ad ment. Bozeman mayor, then lost to KNCR. New, another not
heard in So. Calif. (JH-CA)
- KLWJ OR, Umatilla 1/8 1932 just barely on top for awhile in XEPRS
null w/local spot for "Golden Corral in Hermiston on North
First St." ID by DJ "You're in tune with KLWJ, 1090-AM..." then
lost. New, never heard in Anaheim, and a nice surprise to hear
something different. (JH-CA)
- KING WA, Seattle 1/8 1940-1956 poor to fair in XEPRS null w/KFAX-1100
w/nx and wx, promo for morning nx show "...weekday mornings on
the Northwest's home...KING." TC of 4:56. Never heard in Anaheim.
New. (JH-CA)
- 1110 KRLA CA, Pasadena 1/9 0305 in well up here (as are many S. Calif.
stations), oldies w/Wolfman Jack all-night show. (JH-CA)
- 1120 (KPNW) OR, Eugene-Springfield 12/31 0553 totally off. (RW-CA)
- 1130 *KRDU* CA, Dinuba 1/6 0510 off on very rare SP w/OC. (RW-CA)
- 1150 KIIS CA, Los Angeles 1/8 0301 all alone after ID & apparent s/off of
XERM, then mx and KIIS-AM ID. Fair. (JH-CA)
- 1190 KPZE CA, Anaheim 1/9 1430 in well w/some QRM mid-day, 335 miles. ID
into relig. (JH-CA)
- KNBA CA, Vallejo 1/8 2015 end of C&W song, into ID and s/off by man,
power 1000 watts. On top, then mixing w/KEX. No SSB. Poor w/QRM.
New, also not heard in S. Calif. before. (JH-CA)
- 1210 KRSV WY, Afton 1/10 C&W mx 1855-1900 ID "The weather changes all the
time, keep informed with 12-10, K-R-S-V," into Satellite Net.
nx. Very good o/others. New. (NH-WA)

1220 CKDA BC, Victoria 12/27 2326-2334 good fighting w/unIDs. Safeway spot, ID as "From C-K-D-A, Victoria." Into rr mx. Had to work for this one to see if still here. Will become a pest once they go to 1200. (WGE-BC)

1260 KTEE ID, Idaho Falls 1/4 1905 good in KXLR null w/Mutual nx, road report, lost to unID SS (XEMW?). (RW-CA)

1300 KROP CA, Brawley 1/9 0452 fair w/C&W mx and ID. (JH-CA)
KHUG OR, Phoenix 1/9 0454 banjo mx in KROP/KWKW null. ID "On KHUG," another ID at 0458 and promo for the Spanish program "Sunday mornings at 6am here on KHUG." Fair to good. New. (JH-CA)

1360 KAMT WA, Tacoma 12/28 2252-2302 fair o/unID. AdCon mx, ID at top of hour "It is 8 o'clock on K-A-M-T, Tacoma." Into Univ. of Puget Sound Logger BKB. Finally got this call, ex-KMO. Wave so long to another 3-letter call. (WGE-BC)

1370 KWRM CA, Corona 1/8 0311 end of SMN spots, into localized ID by SMN anncr. "I'm Ted Ostrem sending 4 decades of hits out to the city of El Monte from KWRM." Good signal. New here. (JH-CA)

1390 KGER CA, Long Beach 1/4 0700 good w/ID, local wx, news items, into relig. program. (JW-OR)

1410 KRML CA, Carmel 1/9 2030 poor, fadey signal mixing w/KCAL & KERN, barely heard ment. of address & ID, into jazz mx. Called station, said their PSSA power is only about 50 watts. I'm living 22 miles east of Carmel. (JH-CA)

KLLB CA, Lompoc good 1/4 1423-1500 w/local XEXX-1420 off. U.S. Network Country Countdown Show of '85 C&W hits. Local ads including "Home Services Co. of Lompoc," o/KCAL. New. (TRH)

1430 KAMP CA El Centro fair midday 1/4 1416 w/XEXX off. Promo for diamond giveaway. (TRH-CA)

1460 KLCZ CA, Salinas 1/5 2358 o/u KMWX w/AdCon mx & ID by YL. (bp-WA)
KENO NV, Las Vegas 1/5 1750 strong and alone in KLCZ null w/ID, terrific cx to So. Cal/NV. (RW-CA)

1470 KUTY CA, Palmdale-Lancaster 1/4 1715 good o/mess w/ID, freq. real jumble, 2+ hours before LSS. XERCN also in there. (RW-CA)
+1/8 2003-2005 nice signal w/ID and SID jingle, into C&W mx, I never heard them this well in Anaheim w/KWIZ on 1480!. (JH-CA)

1490 KTOB CA, Petaluma 1/10 0400 poor w/ID, "1490, KTOB, Petaluma..." into Mutual nx. Are they the one I hear here w/Larry King? (JH-CA)
KDB CA, Santa Barbara 1/9 0316 ID for KDB and KDB-FM w/"Classics til sunrise," good signal on top. (JH-CA)

1500 KHTT CA, San Jose fair midday 1/11 1311 w/ad for San Jose Mattress Company, ID by OM. (TRH-CA)

1510 KNTS AZ, Mesa-Phoenix good midday 1/11 1312 w/ID, into talkshow on parenting. (TRH-CA)

1530 (KFBK) CA, Sacramento 1/6 0326 w/OC. (RW-CA)
KFBK +Fair midday 1/11 1307 w/XEBG-1550 off. Report from "KFBK Meteorologist." (TRH-CA)

1540 KASA AZ, Phoenix good 1/11 1305 w/OM wx, ID, into Christian mx; o/KSKQ and KMFO. XEBG off. (TRH-CA)
KMPO CA, Aptos-Capitola fair w/nxcast 1/11 1305. First midday log of this station; u/KSKQ, KASA, XEBG off. (TRH-CA)

1550 KUAT AZ, Tucson good sigs w/XEBG off 1/11 1243. PBS-type programming, including some good piano jazz. First midday log of this stn. (TRH)

KYXY CA, Fresno 1/11 1150 OM/YL SS nx w/XEBG off. Still noted 1330 recheck. Midday logs now well over 100 stations. (TRH-CA)

1560 KLLV CO, Breen 1/11 1245 poor to fair o/u KPNC w/"Storybook Road" children's relig. program, into a discussion of students' views on relig. New, CO #13. (TRH-CA)

DX TEST:

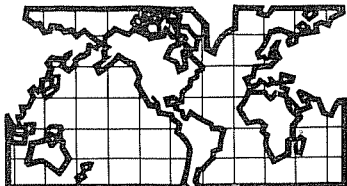
810 WSJC MS, Magee 12/26 0225-0245 poor-fair w/con't C&W mx in partial KGO null (they would've been in great if KGO had been off!). Hrd Marty Robbins and "Family Tradition" by Hank Williams Jr. No ID heard. Again, 12/26 0745 w/organ mx & spot ment. a chapel and services. Called stn, was ad for funeral home. Talked to CE, songs on test were same I heard. I end up w/563 from Anaheim. (JH-CA1)

UNIDs:

740 1/4 0554 fair w/KCBS partially nulled. Larry King. KCBS also had Larry King, but a different sequence. Don't know which was live feed. Missed 0600 ID if there was one. (JW-OR) (Bill says the "live" feed ends at 0500. Pacific zone gets a replay 0500-0800. KTRH, etc. could do their own replay.--NH)

- 1260 1/4 1814 unID in KYLR null w/heavy preacher, choir singing "Hallelujah" ala KEST-1450. KWFI-ID was sked to change calls to KUZN and format to relig. Perhaps them? (RW-CA)
- 1410 12/28 1945 fair in CPUN null. ID as "Your kind of country, California kind of country, K-???" C&W mx. Not sure of call, maybe an "L" in there. KRML? Too sketchy for me to count, though. (WGE-EC) (I've heard KMYC many times here w/C&W mx.--NH)
- 1580 1/6 0451 my unID u/KNIX w/talk remains a mystery (KDAY off). For 1st time faded up strong enough to discern two words, "...call in...", so definitely a call-in talk program, YL/OM team. Otherwise, it never fades up strong enough to be discernible. May be relig. program. KLIV-1590 precariously nulled out, loop NW/SE. I suspect either WEAM-GA, KRZI-TX or KGAP-TX. Doesn't seem to be Larry King which may fit KZIA-NM (though KZIA not listed as carrying King!). Someone in the midwest must be hearing this! (RW-CA)

When reporting to WDXR please use only one side of the paper, as I cut apart all the tips to put them in frequency order before I type the column. Anything on the back of the sheet of paper just gets lost. One reporter this week used the back of the sheet of paper, and since I was in a good mood, I recopied everything he had written on the back. Beware, I'm not always this generous. Sometimes I just wouldn't have the time to copy it all over. Be forewarned!! ♡



DX WORLDWIDE - WEST

Pat Martin - Editor

P.O. Box 843, Seaside, Oregon 97138

PHONE: (503) 861-3185

DX sure hasn't been too good this Winter. Few reports also have been coming in. With the Sunspot Cycle going down I would think that conditions would be great. Mid-Winter conditions are never too good, so lets hope for a good Spring. In news: I was speaking to a DX friend in Vancouver, B.C. and was told that the new station on 1040 KHZ should be on soon with 50KW. Infact he had heard some testing there recently. This is the station that was supposed to be on 540 KHZ. Apparently they already have offices in Burnaby. It looks like 1040 KHZ is short lived. It looks like I'll have to move to Hawaii to get away from the QRM.hi. In other news: A new commercial AM station is to start transmissions to serve the Port Lincoln, South Australia on 765 KHZ with 5KW, Call letters: 5CC. Infact it should be on by now, was supposed to be on in early December 1985. From FERC: from Y. Ichikawa: A reply from KCNM on 1053 KHZ Northern Marianas they now run from 2200 to 1400 UTC, then relays KSTO FM from 1400-2200. This station was bought from Micronesia BC by InterIsland Communications Inc. (Owns KSTO-FM Guam). Address: P.O. Box 914-Saipan, CM 96950. Now on with reports:

PAN-AMERICAN DX ROUNDUP

1610 ANGUILLA, Caribbean Radio Lighthouse-1/13 at 1020. Good but fluttery o7 FootHill College TIS station w/preacher, only 3rd time hrd. KLIV 1590 nulled, KGST-1600 slop. (RW-Ca)

TRANS-PACIFIC DX ROUNDUP

531 NEW ZEALAND, Alexandra-4XA with ID "Otago Radio" and TC at 0945 on 1711. (PM-Or)

558 FIJI, Suva-Radio Fiji with man in Fijian and Island mx o/unid which I presume was NZ (Core), Classical mx, but no talk, too weak noted at 0934 on 1/11. (PH-Or)

THANKS TO THESE REPORTERS:

RW-Ca ROBERT WIEN-1309 Dentwood Drive-San Jose, California 95118
GE Superradio, Loop

PM-Or YER EDITOR
SP-600JX, 200 Foot Terminated LW, 2-1500 Foot Eastern Beverages.

DX WORLDWIDE EAST

EDITOR: JIM HALL # 240 BYRON ROAD # PITTSBURGH,
PENNSYLVANIA 15237, U.S.A.

T R A N S - A T L A N T I C D X

- 531 t ALGERIA, 0153 12/3 : Middle eastern music; QRM from TICAL. (Stutterheim)
585 t SPAIN, Madrid 2132 11/29 : Man in Spanish. (Stutterheim)
693 unID, 0857 12/15 : Female vocal, but unable to get ID; suspect it was a romance lang. but not sure. (Stutterheim)
765 t SENEGAL, 2156 12/15 : Man in African sounding lang; guttural voice quality; strongest ever hrd here, about the same as WABC and about 6db stronger than WJR-760. Harp-like instru. IS; woman ancr w/ID at 2200, & time gong. (Stutterheim)
774 unID, 0228 12/16 : Musical pgm; male singing in unID lang. Lots of splatter. (Stutterheim)
837 ?AZORES?, 2203 12/15 : Man in lang. w/second TA under. Quite good on recheck: at 0031. (Stutterheim)

P A N - A M E R I C A N D X

- 530 COSTA RICA, TICAL 0150 12/15 : Man in SS; fair signal but heavy QRN/QRM. (Stutterheim)
535 GRENADA, 0155 12/15 : Sports event in EE. (Stutterheim)
590 CUBA, 2032 12/15 : Radio Rebelde w/NA of Cuba and man greeting audience announcing names of those who will make speeches. (Demmitt)
600 CUBA, 0309 12/3 : R. Rebelde w/loud xntr hum. Some mixing - sd/1k a baseball game in Spanish. (Demmitt)
640 CUBA, 2022 12/15 : Radio Progreso w/record of someone whistling. At 2026 ID/news - President of Guatemala. 2030 group ID w/chime. (Demmitt)
+0612 12/22 : Radio Progreso w/records: "Montalisa" (sp?) and "I'll Be Home Without Ya' ". Woman announcer. (Demmitt)
655 EL SALVADOR, YSS 0314 12/15 : Typical Latin mx, very strong tonite. (Stutterheim)
690 COLOMBIA, HJ CZ 0832 12/15 : "La Voz de Colombia" ID's; jx "LV esta Romantica", then into Latin crooner. So strong I thought it was the Cuban. (Stutterheim)
730 DOMINICAN REPUBLIC, HIZ --0813 11/30 : --LA mx with man & woman talking; repeated ment. of Sto. Domingo. (Stutterheim)
790 CUBA, 0803 11/30 : American and LA mx in nice mixture. (Stutterheim)
825 ST. KITTS, Basseterre 1930 12/15 : Radio Paradise in EE w/ID, man preaching, song "Hark the Herald Angel". Address given. QRM and some fading. (Demmitt)
860 DOMINICAN REPUBLIC, 0243 11/30 : Repeated "Radio Clarin" ID's; typical programming. (Stutterheim)
870 COLOMBIA, 2355 11/29 : SS programming and repeated ments. of Barranquilla. Strong. (Stutterheim)
ARGENTINA, 0800 11/30 : Radio Nacional -- lime pips under everything else. (Stutterheim)
895 COLOMBIA, Santa Marta 0205 12/15 : Radio Galleon w/man shouting in SS; has become the most regular of Latin stations (except Cuba). In night'y. (Stutterheim)
930 CUBA, 0827 11/30 : Radio Reloj w/RR format - pips & man/woman. Only listed (WRTH) is Matanzas, but listed at 250 w; this was not too strong but more like 5 kw based on other DX this night. (Stutterheim) (I experienced a similar reception of this last season and I too doubt 250 w. ed.)
940 COLOMBIA, Cali HJGB 0900 11/30 : Radio Eco w/typical LA pgm, several ID's with 3 chimes. (Stutterheim)
950 VENEZUELA, Caracas YVKG 0901 11/30 : "Radio Vision" ID, on top of channe'. (Demmitt)
995.5 unID, 0313 11/30 : Strong carrier - no audio. Gone 0335. (Stutterheim)
1020 VENEZUELA, YVRS 0958 11/30 : Radio Mundial Margarita fighting it out with Radio Calendario. (Stutterheim)
1610 ANGUILLA, 1850 12/15 : Caribbean Beacon in EE w/male preacher telling how to find joy in the Holy Spirit. Burlington, NC church services after ID and frequency info. Also choir with X-mas mx. (Demmitt)

Thankyou Matt and John for reporting for this issue. It's sure nice to be hearing from Mr. Stutterheim after a long absence from the pages of DXW-E. DON'T FORGET: SEND REPORTS FOR DXW-E TO PITTSBURGH - I MOVED BACK AT THE END OF 1985.

CREDITS:

(Stutterheim)
(Demmitt)

M.J. Stutterheim, 2576, Montauk, N.Y. 11954
John H. Demmitt, Box A K0848, Bellefonte, PA 16823



WORLDWIDE EAST

EDITOR: JIM HALL #240 BYRON ROAD # PITTSBURGH,
PENNSYLVANIA 15237, U.S.A.

A nice turnout this week. Good to hear from Richard Eckman who is on his way to England for a two-year postdoctoral research position at Cambridge University. Good luck, Rich, and please do make an effort to report often and maybe keep an eye on the European MW scene for us. Outstanding TACX observed in the Pittsburgh area 1/7-8 with the morning of the 8th offering stronger TA's (like Spain, Portugal, and Germany) in until well after 0700 UT. Can a DXer at a coastal site check my 1502 in/D for me? I feel it was of TA origin as other TA's were trying to make it in at the general time - just before local sunset coinciding with just after sunrise in W. Europe; the mysterious "grey line" effect Mark Connelly once suggested in these pages. There was definitely a 2 kHz het against 1503, and later things got even more congested when 1503 showed. 1566 and a few others also had signs of signals; that's why I'm thinking the 1502 thing may be TA. I recall Geo. Hakiel logging Togo here last season, but I doubt that as well as Cape Verde. Anyway, I'll just be satisfied if it was at least TA. I've added another antenna since I've been back - a 400' south wire terminated nicely in a crack. It outperforms anything else I've got (to a degree) for Latins, even loops in most cases. I'm suprised at it's directivity, somewhat like a Bev. - i.e. the 770 Bogota station gives WABC a run for its money on it, while nothing else I have even gets the Colombian 1/2 as good, except for the //Bevs. I have. Now I need some good AU conditions. Hopefully I can get back out there, time permitting, to add a // wire for phasing, with the help of Mark Connelly. Has anyone else been hearing Dominica-595? Times are GMT/UT.

* * * * *

TRANS-ATLANTIC DX

- 164 FRANCE, Allouis 12/29 0225 : Fair (through dimmer noise); FF talk & pop mx. (Connelly-MA)
- 185 WEST GERMANY, Saarlouis 12/29 0226 : Fair w/rock. (Connelly-MA)
- 209 MOROCCO, Azilal 12/29 0223 : Good w/AA talk by man. (Connelly-MA)
- 684 SPAIN, Sevilla 12/21 0505 : Good w/man in SS. Noted many other evenings through 12/31 even in relatively poor cx. (Eckman-PA)
- 738 SPAIN, Barcelona 12/29 0555 : Noted w/bits of SS talk. (Connelly-MA)
- 765 SENEGAL, Dakar 2145 12/23 : Good in WABC slop w/guitar mx and chants // 4890. (Eckman-PA)
- 774 SPAIN, synchronos. 12/29 0525 : SS talk, then Bing Crosby doing "Silver Bells" Christmas song. Loud signal. (Connelly-MA)
- 783 PORTUGAL, Miramar 12/29 0600-0601 : 4 pips, pause, then a fifth pip. This was followed by march (anthem?) then PP talk. Apparant s/on - to good peaks. (Connelly-MA)
- 855 SPAIN, Murcia et al 12/29 0602 : SS talk o/fast SAH. (Connelly-MA)
- 864 FRANCE, Paris 12/29 0608 : US jazz & Broadway mx, then FF show-tune vocals. (Connelly-MA)
- 873 SPAIN, Zaragoza 12/29 0609 : Poor w/SS vocal. (Connelly-MA)
- 882 ENGLAND, Washford et al 12/29 0553 : BBC good w/Drifters oldie "Save the Last Dance For Me" //909. (Connelly-MA)
- 891 ALGERIA, Algiers 12/28 2054 : AA mx. + 12/29 0202 : Good w/AA talk. (Connelly-MA)
- +Quite good many evenings, e.g. 12/21 0511 w/AA talk and chants. Level equal to WLS this AM. (Eckman-PA)
- 909 ENGLAND, Brookman's Park et al 12/29 0553 : BBC good w/Drifters record // 882. (Connelly-MA)
- 945 FRANCE, Toulouse 12/29 0607 : Woman in FF. (Connelly-MA)
- 999 MOROCCO, Ad-Daklah 12/29 0412 : Poor w/AA male vocal. WCFL was phased (leaving SSLA QRM from 1000); MWT-1 regen. tuner was tweaked to improve selectivity. (Connelly-MA)
- 1035 PORTUGAL, Lisboa 12/29 0427 : Fair to good w/PP folk vocal. (Connelly-MA)
- 1044 MOROCCO, Sebaa-Aiou 12/29 0630 : Xlnt w/AA flute & violin mx, //1053. (Connelly-MA)
- 1053 MOROCCO, Tangier 12/29 0630 : Fair to good w/AA flutes & violins //1044. (Connelly-MA)
- 1089 ENGLAND, synchronos. 12/29 0620 : BBC fair w/rock mx; WBAL phased. (Connelly-MA)
- 1134 t SPAIN, 12/29 0632 : Bits of SS-sounding song in WNEW slop. (Connelly-MA)
- 1215 t ALBANIA, Lushnje 1/8 0534 : Likely the one with Slavic sounding woman. (Hall-PA)
- 1251 LIBYA, Triploi 12/23 2115 : Good w/AA talk, strong het present. (Eckman-PA)

- 1287 CZECHOSLOVAKIA, Prague 12/24 0447 : Assumed w/lite mx. Fair signal. (Eckman-PA)
- 1332 ITALY, Rome 12/24 0509 : Very good w/man in II. (Eckman-PA)
- 1349 t MAURITANIA, Nouakchott 12/23 2120 : Assumed w/fair signal w/AA chants. (Eckman-PA)
+12/29 0635 : FF-sounding talk, huge het against 1350 domestics. (Connelly-MA)
- 1386 unID, 12/24 0350 : Strong carrier w/SAH but no audio discernable. Also noted 1/1 0520 but still no audio. Anyone else hearing anything here recently? (Eckman-PA) (Not that I know of, Rich. Hakiel gets USSR here. ed)
- 1395 t ALBANIA, Lushnje 0545 1/8 : Very good strength -- man in lang. and symphony mx. (Hall-PA)
+12/23 2013 : Noted w/early fade-in. In EE from 2030-2100 //7065 kHz. XInt signal at 2226 w/Internationale. (Eckman-PA)
- 1458 ALBANIA, Durres 12/23 2046 : V. good w/talk, IS at 2058. Noted parallel to 7090 kHz at 2102. (Eckman-PA)
- 1467 MONACO, Monte-Carlo 12/23 2045 : Good w/rigs mx. In EE at 2234. Also noted at s/on 0426 12/24 w/IS and pgm in unID language. (Eckman-PA)
t+0502 1/7 : Man in unID lang, fr/gd. (Hall-PA)
- 1476 AUSTRIA, Vienna 12/24 0401 : V. good w/man in GG; rr mx heard 0441. (Eckman-PA)
- 1502 unID, 2214 1/6 : DEFINATELY a fair 2000hz het on 1500. Other TA freqs. showed signs of arrivals, so I'm hoping this was TA. (Hall-PA)
- 1503 POLAND, Stargard 12/24 0505 : Strong w/piano mx and SAH also present. (Eckman)
- 1512 t BELGIUM, Wolvertem 1/1 0546 : Assumed w/xint carrier, TT at 0548. Pips at 0600, brief musical signature, and then talk by man, possibly in DD. Will have to try again for positive ID. (Eckman-PA)
- 1521 CZECHOSLOVAKIA, Kosice 12/24 0409 : Outstanding signal w/holiday mx. Time pips at 0500 followed by Hvezda IS (as listed in 1980 WRTH). (Eckman-PA)
- 1530 VATICAN, Vatican City 12/24 0359 : w/interval signal fair under WCKY. (Eckman)
- 1539 WEST GERMANY, Mainflingen 0601 1/8 : XInt and nicely separated from 1540 domestics on R-71A. Woman w/ann "Hier ist der Deutschlandfunk". unID TA under (prob. Spain which later mixed with Germany) resulting in an apparant slow SAH. (Hall-PA)
SPAIN, good, mixing w/Germ. 0650, //1584/1575. (Hall-PA)
- 1557 FRANCE, Nice 12/24 0405 : Strong carrier, TT. Man in lang. at 0431, FF mx 0451. (Eckman-PA)
- 1575 SPAIN/PORTUGAL, gy's/Porto-Canidelo 0630-0712 1/8 : Spain gy's fair but clearly //1539/1584. By 0700 Portugal was faded in and mixed w/Spain, = in strength, w/PP and familiar 6-note instru. jx's. (Hall-PA)
- ITALY, Genoa 12/24 0330 : V. good w/man in presumed II. No positive ID hrd. (Eckman-PA)
- 1584 SPAIN, commonwave 0528-0700+ 1/8 : SER w/SS and lite Spanish mx, from fair at 0530 to excellent (in regard to my location) at 0645-0700. //others. (Hall-PA)
- 1593 WEST GERMANY, Langenberg 12/24 0333 : V. good w/GG talk, holiday mx. (Eckman-PA)
+12/28 2127 : Poor to fair w/GG talk. (Connelly-MA)
+0621 1/8 : GG male introducing EE T40/pop. Gd, faded by 0650-0700. (Hall-PA)

P A N - A M E R I C A N D X

- 535 GRENADA, Morne Rouge 12/29 0137 : Calypso mx. A great signal & a fun program. (Connelly-MA)
- 540 VENEZUELA, Villa del Rosario YVOV 12/29 0142 : TC, Maracaibo mentions. YVOV was dogfighting w/another LA (believed to be HICM). (Connelly-MA)
- 540.1 unID, about a 1000hz het on CJSB/other 540's -- using USB, it is LA; faint Latin mx hrd but nowhere near enough for IDing. (Hall-PA) 1/9 2400
- 550 VENEZUELA, Caracas YVKE 12/29 0136 : Caracas ments. & SS ads; big signal, dominating channel. (Connelly-MA)
- 555 NICARAGUA, Chianadega HTC555 12/5 0403 : Excited male in SS, TC and ID as "R. 19 de Julio", good. (Ross-ON)
ST. KITTS, Basseterre 12/29 0147 : Caribbean EE talk by woman, fair to good signal (audio level was low). (Connelly-MA)
- 570 CUBA, 12/29 0612 : Reloj pgm, killing WMCA. (Connelly-MA)
- 580 PUERTO RICO, San Juan 12/29 0127 : "W-K-A-Q" (SS) ID, SS talk at local-like level. (Connelly-MA)
- 595 DOMINICA, Roseau 0103-0200 1/7 : To good peaks; Carib. accented male w/TC "4 min after 9 o'clock". Mix of country & western & Latin oriented mx. Faded back up around 0150 w/apparant end of rigs mx/pgm, anthem 0200, off. Seems to sign off this time most nights. Anyone else hearing this one? (Hall-PA)
- 630 PUERTO RICO, San Juan WQBS 12/29 0127 : Fast/spirited SS/TA mx, "Cadena Q-B-S" ID. Loud and totally dominant. (Connelly-MA)
- 640 CUBA, Guanabacoa CMBB 12/28 0422 : V. strong most of the time, but not at ID time (Blame it on Murphy. ed) No net ID but hrd gong on hour, some splash from WPRO-630. (Wyllie-MA)
- 650 HONDURAS, San Pedro Sula HRVW 12/4 0455 : Good w/SS mx. ID by man @0500 "La Voz del Centroamerica". New country #13. (Ross-ON) (Congratulations Robert on this rather tough CA country, esp. up your way. ed)

- 655 EL SALVADOR, San Salvador YSS 12/29 0529 : SS pop mx, then SS talk by man. (Connelly-MA)
+12/5 0310 : Fair, man w/long SS items. ID and ment San Salvador. (Ross-ON)
- 670 VENEZUELA, Caracas 12/21 2340 : Very good signal w/"R. Rumbo" ID. (Wyllie-MA)
+YVLL 12/29 0132 : SS ads, incl one for a Chevrolet dealer in Maracay. Low-pitched het noted from something on approx. 670.3 . (Connelly-MA)
+12/23 0050 : V. gd, ID as "Rumbos", ment of Venezuela, EZL tunes. WMAQ nulled. (Ross=ON)
- 690 ANGUILLA, the Valley 12/28 0326 : Very weak and poor signal but it did sd/lk "The Caribbean Beacon" w/the usual preaching. Splash from WRKO-680 & WLW-700. First time logged on this freq. (Wyllie-MA) (Did you chk for //1610? ed)
- 705 ST. VINCENT, Kingstown 12/29 0233 : Calypso mx fair to good (regen. tuner used). (Connelly-MA)
t +2455 1/7 : Someone here in good LA cx on new South term. wire. (Hall-PA)
- 710 CUBA, unlisted Rebelde net audible all night 1/7 - sds/lk at least 50-75 kW . (Hall-PA)
+12/23 0122 : V. good in CJRN null w/lively SS pops, YL dj, ID as "Rebelde". (Ross-ON)
- 720 COLOMBIA, Barranquilla HJAN 12/29 0305 : Good w/SS mx & ID, "Barranquilla" ments, TC's after songs. (Ross-ON)
+12/27 0325 : No ID hrd but hrd many mentions "Barranquilla". Weak. (Wyllie-MA)
JAMAICA, Kingston 12/4 0400 : Radio Jamaica w/ID's as such & rlg's program/gospel music. (Ross-ON)
- 733 unID, 2458 1/7 : Het here in LA opening. (Hall-PA)
- 735 unID, 0100 1/7 : Noted while re-checking 733 het. Not good enough for audio but the HC is suspected. (Hall-PA)
- 740 unID, 12/27 0256 : Weak signal w/nx in SS. (Wyllie-MA) (Most likely the Cuban Rebelde here -- was is //other net freqs? ed)
- 750 NICARAGUA, Managua HTA750 : V. good 0328 12/5 w/ID as "R. Sandino". Coca-Cola adv. (Ross-ON)
- 770 COLOMBIA, Bogota HJKH 12/29 0243 : Uptempo SS mx & "RCN" ID's atop WABC. (Connelly-MA)
+0516 1/8 : The Bogota stn competing w/WABC on new south wire. "R. Colombia" ID and tent WRTH slogan ID as "Neuva Granada". SS ads for Bogota. (Hall-PA)
- 780 VENEZUELA, San Cristobal YV0D 12/29 0248 : ID "Transmitiendo Ecos del Torbes", then other SS talk. Booming signal, clearly atop channel. "Murmurings" noted underneath included calypso (prob. ZBV1), SS reverberated screaming (R. Sonorama), and a BKB game on WBBM. (Connelly-MA)
t BRAZIL, 2400-0150+ 1/9 : To good peaks w/radical sporting event -- really sd/lk PP; doorbells hrd later - what do Brazil's doorbells sd/lk? I know that Kaz would know as he got Brazilians regularly at his ME site way back when. Colombian hrd u/w/frantic accordion mx. May be the YV, but 1) 90% sure of PP 2) the YV ID's a lot. Not enough for a report, but I'll keep trying. (Hall-PA)
- 790 CUBA, 12/29 0557 : Station w/Reloj pgm, demolishing WEAN. (Connelly-MA)
- 810 COLOMBIA, Bogota HJCY 12/1 0038 : Talk by man in SS. Fair o/u WGY. (Townshend-DC)
+12/29 0445 : Good w/ID as "Sutatenza" into SS mx. Male dj. (Ross-ON)
+2325 1/9 : HJCY good on south wire w/little or no WGY. "Sutatenza.....Colombia" ID 2345, Bogota ads. (Hall-PA)
- 825 ST. KITTS, Basseterre 12/5 0335 : Radio Paradise v. good w/rlg's pgm - gospel mx. In EE. (Ross-ON)
+12/1 0037 : R. Paradise w/talk by male preacher, fair-good. (Townshend-DC)
+12/29 0253 : R. Paradise like a local w/EE peaching. (Connelly-MA)
- 860 CUBA, La Habana CMBM 2335 1/9 : SS pops, "Transmité R. Metropolitana.....La Habana" BY man; good o/Canadian on south wire/Bev. combo. (Hall-PA)
- 880 CUBA, Pinar del Rio CMAB 2350 1/9 : V. good way o/WCBS at times on s. lw. //640 et al w/Progreso pgm. (Hall-PA)
- 895 COLOMBIA, Santa Marta HJPM 12/29 0255 : Good w/"Radio Galeon" ID, then brassy jazz w/SS vocal. (Connelly-MA)
+12/5 0341 : Fr w/ID as "R. Galeon-895 kHz", into SS items. (Ross-ON)
- 930 CUBA, 0210 1/7 : Reloj pgm u/domestics; sds at least 5kW, not 250w WRTH. (Hall-PA)
- 960 COLOMBIA, Magangue HJHN 12/29 0207 : Festive party mx, "Sutatenza" ID. This was superloud & must have been clobbering the Bermudan in its own backyard. (Connelly-MA)
+12/22 0222 : V. strong o/US stn here w/mx & "Sutatenza" ID. (Wyllie-MA)
- 1020 VENEZUELA, La Asuncion YVRS 12/29 0421 : "Mundial Margarita" ID, SS talk including ad for store in Parlamar. Good signal, crushing KDKA. (Connelly-MA)
- 1040 COLOMBIA, Barranquilla 12/23 0154 : Good w/ID's as "CARACOL", talk by 2 men in SS. (Ross-ON)
+HJAI 12/29 0212 : SS talk, bank ad, "CARACOL" ID. (Connelly-MA)
- 1090 COLOMBIA, Cartagena HJOM 12/4 0508 : Fair w/ID as "Radio Bucan ero". Lively SS pops. (Ross-ON) (NICE CATCH, ROBERT!!! This is quite rare as far as I know. ed)
- 1100 ANTIGUA, St. John's ZDK 12/29 0336 : Soul ballad hit "Cherish the Love We Have"; clobbering HJAT/WWE. (Connelly-MA)
+12/28 0215 : ZDK good w/ads, promos, ID's as "ZDK" & "Magic Radio". New country #19. (Ross-ON) (Congrats. ed)

- 1110 VENEZUELA, Carupano YVQT 12/29 0334 : Fast SS talk, "Carupano" ID, way over WBT/CBD. (Connelly-MA)
- 1120 DOMINICAN REPUBLIC, Santo Domingo HICN 12/23 0204 : Good w/SS mx and SID as "Antillas de Sto. Domingo". In KMOX null. (Ross-ON) (Another fine catch. ed)
- 1127 unID, 12/29 0459 : Poor w/Sinatra mx; WNEW phased. (Connelly-MA) (Costa Rica's Sonido 1120 is reported here from 1125 per H. Nielsen in 6/15/85 DXWVIL. ed)
- 1555 CAYMAN ISLANDS, George Town 12/29 0516 : MoR vocals at fair to good level. (Connelly-MA)
- +0437 1/11 : EZL instrumental mx good through QXR slop. This seems to get harder and harder each season - hope it's my imagination. (Hall-PA)
- 1610 ANGUILLA, The Valley 12/29 0308 : Carib. Beacon excellent w/EE preaching. (Connelly-MA)
- +12/5 0356 : Very good w/rigs pgm, gospel mx, in EE. Booming in. (Ross-ON)

* * * * *

What do Kenneth W. Lackie, Gardner Smith, and W.P. Townshend all have in common? They are all residents of Washington D.C. (as far as I know), and are asked to do the DX community a favor: The 12/21/85 issue of DXM has an article about the FCC listing Cuban BC stations on page #10. The list can be publically viewed at the address given, but mail requests must be accompanied by a \$25 deposit. I say no more. Sure would be nice to see our government's measurements on the Cubans.

This was indeed a spectacular edition of DXW-E - nice to hear from everyone. And I'm finally christening my R-71 - I got it right before I went to Erie and only heard one DX station (Portugal-1575) on it until now. It performs well and I urge potential radio purchasers to consider it. 73's

CREDITS:

- (Ross-ON) Robert S. Ross, Box 4373, Stn. C, London, ON CANADA N5W 5J2
(Kenwood TS430S, Panasonic RF1115, RealisticTRF, 120' lw, 4' box loop)
- (Townshend-DC) Bill Townshend, 4500 Connecticut Ave. NW #901, Washington, DC 20009
(Realistic DX-160)
- (Connelly-MA) Mark Connelly, 7 Trowbridge Path, W. Yarmouth, Cape Cod, MA 02673
(Kenwood R-600, 30-m sloping wire phased against Palomar loop; output of MWDX-4A phaser fed thru MWT-1 Regen. Tuner)
- (Wyllie-MA) William Wyllie, 95 Peck St., Franklin, MA 02038
(SHARP GF-450)
- (Eckman-PA) Richard Eckman, 2328 Griffith St., Philadelphia, PA 19152
(HQ-180A, SB-620, Sony ICF-7600D, Sanserino loop)
- (Hall-PA) Jim Hall, 240 Byron Road, Pittsburgh, PA 15237
(Kenwood R-600, R-71A, //Bev's., //275' lws 70°, 400' south wire term. in crick, loops)

to Spanish radio, they're listening to me. That's quite a privilege," he said.

Demos Kakridas, 85, has been host of the program "Greece Speaks" for 47 years. Station officials said that because of his loyal following and prominence in the community, Kakridas, unlike other announcers, is allowed to pepper his program with political commentary.

"The Greek people listen to me," he said. "I bring them the right news. I try to bring back the glory that was Greece."

Jane A. Dunklee, WUNR general manager, said that during her 17 years at the station she has occasionally mediated in rivalries between the program hosts, including one between two Spanish programs that resulted in a fistfight in the studio.

"This is a bunch of little stations that make up one big station," she said. "I'm your basic WASP, so I can set myself aside as a neutral party."

The 24 day wonder

CROSLY MODEL 51
\$18.50

CROSLY
Best Quality
Radio Products

A Wonder in Sales and A Wonder in Performance

Never has any Radio Receiving Set made such a record in the appreciation accorded it by the public. Thousands of homes have been made happy by this little Crosley Model 51. In twenty four days from its first appearance it was selling at the rate of 1,000 per day and hundreds of letters expressing appreciation of its excellent performance assured us that it was a favorite. One of its two tubes in the noted Armstrong regenerative detector with the hook-up made popular in the Crosley Type V. Added to this giving loud speaker volume on local stations at all times and on distant stations under fair receiving conditions. Otherwise head phones should be used for distant reception. This Crosley tube marvel has been a surprise to the Radio World and has proven the biggest seller on the market today.

There is a Crosley priced for every home.

- CROSLY MODEL 51—most noted and best receiver famous for distant reception..... \$18.50
 - CROSLY MODEL 51—new tube receiver incorporating radio frequency amplification..... 24.00
 - CROSLY TYPE 30—a three tube regenerative set suited for excellent performance..... 32.00
 - CROSLY MODEL 30—new four tube receiver with radio and audio frequency amplification..... 55.00
 - CROSLY MODEL 31—a combination with loud speaker, built like a piece of furniture..... 120.00
- Between them are listed the Super V-1, the Super V-2, the 3-C Consolate and others.
- Patent No. 1,112,149
For sale by good Dealers Everywhere

Before you buy are the Crosley line

THE CROSLY RADIO CORPORATION
Powel Crosley, Jr., President
Formerly The Precision Equipment Company and Crosley Manufacturing Company
618 ALFRED STREET
CINCINNATI, OHIO
Crosley owns and operates Broadcasting Station WLW

Building the MWT-1 tuner =====

For the sake of brevity, I am keeping construction data to a bare minimum. The MWT-1 system schematic (Figure 1), the RFE-A front-end card subassembly schematic (Figure 2), and the RFE-A "roadmap" (Figure 3) are the principal construction drawings. Remaining construction documentation includes Table 3 (Hole Drilling List), Tables 4/5/6 (Parts Lists), Table 7 (Wiring List), and Table 8 (Control Conventions). Experienced builders who want to build an MWT-1 should have no trouble. Much of the construction information in the recent MWDX-4 / Mini-MWDX-4 Phasing Unit article (available from IRCA / NRC as a reprint) is directly applicable to the MWT-1 project. For instance, C1 must have its two mounting holes tapped to 6-32 threads: it is then mounted in the same fashion as C1 of the MWDX-4 series of phasers. Ground lugs, the battery holder, and the Motorola jacks use the same hardware as their corresponding components in the MWDX-4 article. The RFE-A circuit card (M1 of MWT-1) is mounted with the same type of hardware as the BBA-B circuit card (A1 of the MWDX-4). Those who need parts to build the MWT-1 tuner should first consult the vendors on the parts list. I can arrange to supply constructed subassemblies (S1 with all inductors, M1 front-end card, drilled chassis boxes) as well as completed MWT-1's.

 ** For a price / time estimate, please write to: **
 ** Mark Connelly - 30 William Road - Billerica, MA 01866 USA. **

Figure 1: MWT-1 system schematic
 =====

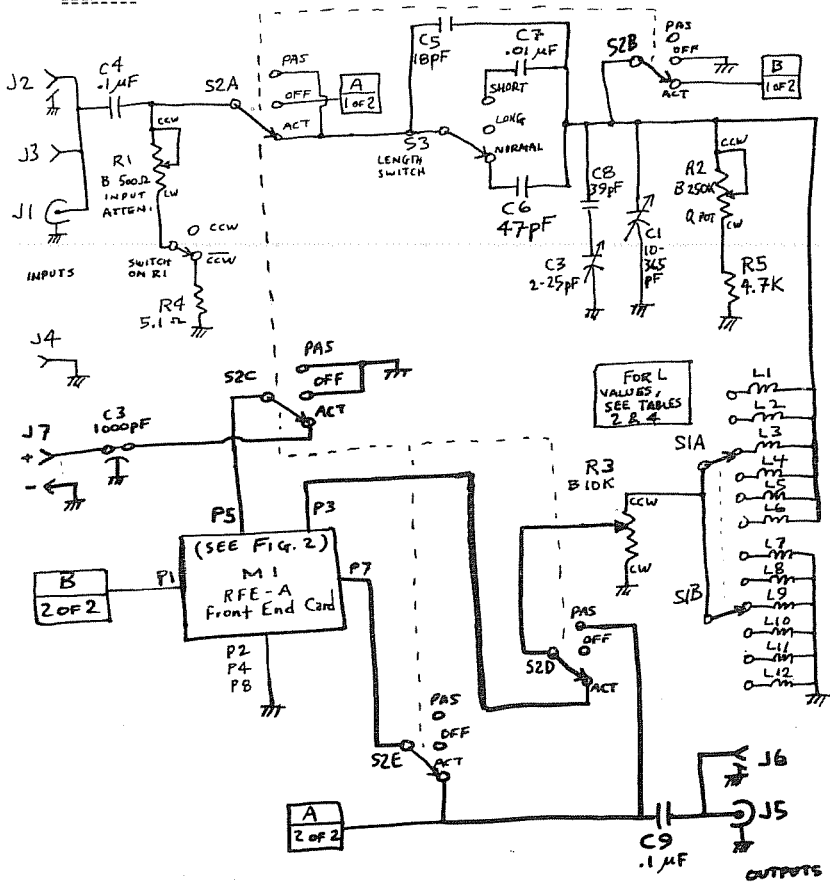


Figure 2: RFE-A Regenerative Front-End Card subassembly schematic
 =====

Notes: This is M1 of the MWT-1. The designations of components in this subassembly are a completely separate entity from the designations of components shown on Figure 1.

RFE - A

REGENERATIVE FRONT-END CARD

WALTON DX LABS / REV = 10 DEC 1985

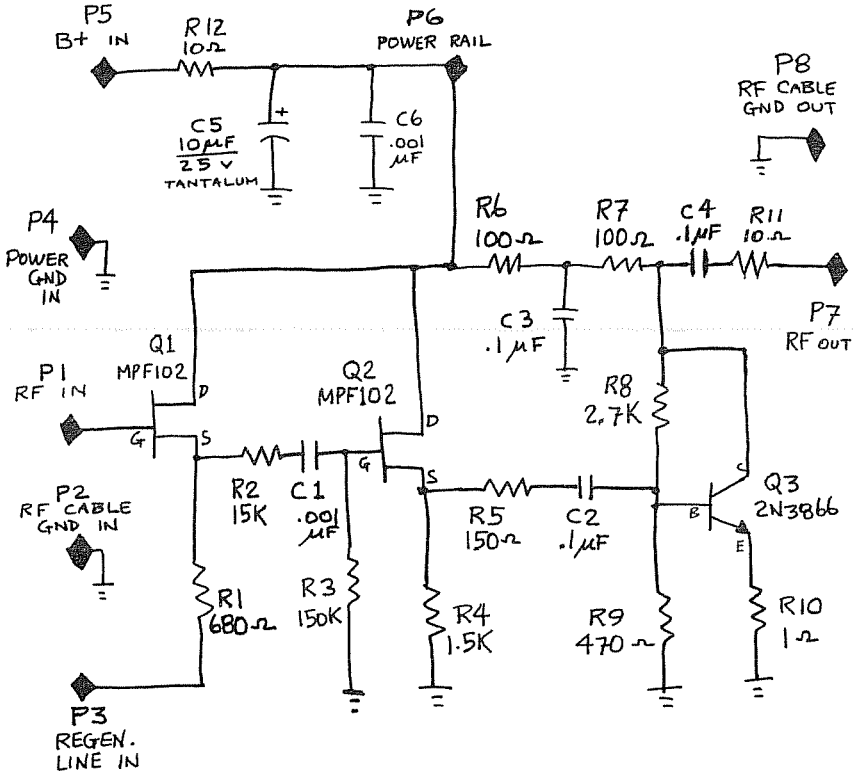


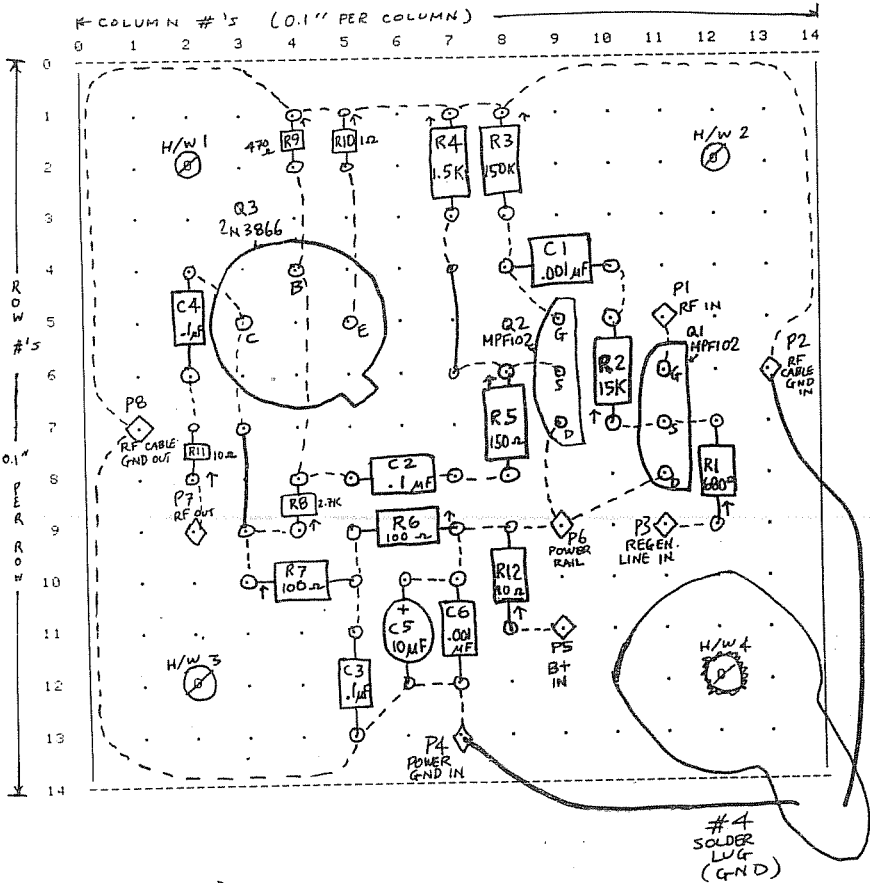
Figure 3: RFE-A Regenerative Front-End Card subassembly "roadmap"
 =====

RFE - A

REGENERATIVE FRONT-END CARD

COMPONENT-SIDE VIEW

WAIION DX LABS / REV = 10 DEC 1985



LEGEND

- ↑ = LONG-LEAD SIDE OF VERTICALLY-MOUNTED AXIAL-LEAD COMPONENT
- = BUSS WIRE ON COMPONENT SIDE OF BOARD
- = BUSS WIRE ON SOLDER SIDE OF BOARD

Table 3: Hole List for MWT-1 Medium-Wave Tuner
 =====

BOX USED = Mouser 537-TF-779 (5" x 4" x 3")

X = horizontal distance, in inches, from the vertical centreline (VCL) on the side observed. Negative values of X are left of VCL; positive values of X are right of VCL.

Y = vertical distance, in inches, from the bottom horizontal edge of the side observed.

D = hole diameter in inches.

+++++

L E F T S I D E

Hole #	Comp. Desig.	Description	X	Y	D
1	J2	car ant. in - H/W 1	-1.5	1.269	0.14
2	J2	car ant. in - body	-1.5	0.875	0.5
3	J2	car ant. in - H/W 2	-1.5	0.481	0.14
4	J4	GND in -black banana jack	-0.75	1.25	0.3125
5	J3	Wire Ant.In-red ban. jack	-0.75	0.5	0.3125
6	G1	GND H/W - int. lug	0.0	1.125	0.113
7	J1	RF source in - BNC jack	0.0	0.5	0.375
8	R1	Input Atten. Pot - shaft	1.25	0.75	0.3125
9	R1	Input Atten. Pot - tab	1.5625	0.75	0.14

+++++

T O P S I D E

Hole #	Comp. Desig.	Description	X	Y	D
1	C1	Main Tuning Cap. - H/W 1	-1.875	3.213	0.14
2	C1	Main Tuning Cap. - shaft	-1.625	2.75	0.5
3	C1	Main Tuning Cap. - H/W 2	-1.875	2.287	0.14
4	R3	Reg.Threshold/Level-shaft	-1.875	0.625	0.3125
5	R3	Reg.Threshold/Level- tab	-1.5625	0.625	0.14
6	G2	GND H/W - int. lug	-1.25	1.125	0.113
7	S3	Length switch - tab	-0.25	2.0	0.113
8	S3	Length switch - shaft	0.0	2.0	0.25
9	S2	Function switch -shaft	0.0	0.875	0.375
10	S2	Function switch - tab	0.0	0.375	0.14
11	C2	Vernier Tuning Cap. - shaft	0.125	3.25	0.28
12	G3	GND H/W - int. lug	1.5	3.0	0.113
13	S1	Freq. Range switch - shaft	1.0	2.125	0.375
14	S1	Freq. Range switch - tab	1.5	2.125	0.14
15	R2	Q/Regen.Vernier Pot - shaft	1.5	0.625	0.3125
16	R2	Q/Regen.Vernier Pot - tab	2.0	0.625	0.14

+++++

R I G H T S I D E

Hole #	Comp. Desig.	Description	X	Y	D
1	J7	battery holder - H/W 1	-1.625	2.625	0.113
2	J7	battery holder - H/W 2	-1.625	1.75	0.113
3	J6	RF out to car RX - H/W 1	-1.5	1.269	0.14
4	J6	RF out to car RX - body	-1.5	0.875	0.5
5	J6	RF out to car RX - H/W 2	-1.5	0.481	0.14
6	C8	B+ input feedthrough cap.	-0.6875	1.0	0.188
7	G4	GND H/W - int.& ext. lugs	0.0	1.125	0.113
8	J5	RF out - BNC jack	0.0	0.5	0.375
9	M1	Regen.Front End Card-H/W 3	0.5625	1.5	0.113
10	M1	Regen.Front End Card-H/W 1	0.5625	0.5	0.113
11	M1	Regen.Front End Card-H/W 4	1.5625	1.5	0.113
12	M1	Regen.Front End Card-H/W 2	1.5625	0.5	0.113

Parts Lists for MWT-1 Tuner

=====

Table 4 = "upper level" of electrical & major mechanical components
 Table 5 = M1 (RFE-A) Regenerative Front-End Card subassembly components
 Table 6 = small hardware

Vendor Abbreviations

DK = Digi-Key - P. O. Box 677 - Thief River Falls, MN 56701
 MOU = Mouser Electronics- 11433 Woodside Ave.- Santee, CA 92071
 NEW = Newark Electronics- (many locations)
 RS = Radio Shack - (many locations)

Table 4: "upper level" of electrical & major mechanical components

=====

Component Designation	Description	Vendor	Stock #
-----------------------	-------------	--------	---------

BOX

===

-	chassis box (5" x 4" x 3")	MOU	537-TF-779
---	----------------------------	-----	------------

SUBASSEMBLY

=====

M1	RFE-A regenerative front-end card	[see Table 5]	
----	-----------------------------------	---------------	--

CONTROLS

=====

C1	10-365 pF variable capacitor	MOU	524-A1-227
C2	2-25 pF variable capacitor	MOU	530-189-0569-1
R1	500 ohm linear pot w/ switch	MOU	31CT205
R2	250 K linear pot	MOU	31VA503
R3	10 K linear pot	MOU	31CR401
S1	2-pole 6-position rotary switch	MOU	10WW026
S2	8-pole 3-position rotary switch	MOU	10WR083
S3	SPDT on/off/on toggle switch	RS	275-325

JACKS / CONNECTORS

=====

J1	BNC jack UG-1094	RS	278-105
J2	Motorola jack	MOU	16PJ107
J3	banana jack (red)	RS	274-662
J4	banana jack (black)	RS	274-662
J5	BNC jack UG-1094	RS	278-105
J6	Motorola jack	MOU	16PJ107
J7	battery holder (Keystone 1290)	MOU	534-1290

ELECTRICAL COMPONENTS

=====

B1	9 volt battery	RS	23-553
C3	1000 pF B+ feedthrough cap.	NEW	19F2861
C4	.1 uF monolithic cap.	DK	P4525
C5	18 pF disc cap.	MOU	21CB018
C6	47 pF disc cap.	RS	272-121
C7	.01 uF disc cap.	RS	272-131
C8	39 pF disc cap.	MOU	21CB039
C9	.1 uF monolithic cap.	DK	P4525
L1	4700 uH inductor	MOU	43LH247
L2	2200 uH "	MOU	ME434-1120-223K
L3	390 uH "	MOU	43LR394
L4	180 uH "	MOU	43LR184
L5	82 uH "	MOU	43LS825
L6	39 uH "	MOU	43LS395
L7	1000 uH "	MOU	43LS103
L8	470 uH "	MOU	43LS474
L9	82 uH "	MOU	43LS825
L10	39 uH "	MOU	43LS395
L11	18 uH "	MOU	43LS185
L12	8.2 uH "	MOU	43LQ826
R4	5.1 ohm resistor	DK	5.1Q
R5	4.7 K resistor	RS	271-1330

KNOBBS

Part	Description	Vendor	Stock #	Qty.
-	knob for C1	RS	274-415 (pk 2)	
-	knob for C2	MOU	45KN013	
-	knob for R1	RS	274-415 (pk 2)	
-	knob for R2	MOU	45KN013	
-	knob for R3	MOU	45KN013	
-	knob for S1	MOU	45KN013	
-	knob for S2	MOU	45KN013	

Table 5: M1 (RFE-A) Regenerative Front-End Card subassembly components
=====

Designation(s)	Description	Vendor	Stock #	Qty.
BD	perfboard (1.4" x 1.4")	RS	276-1396(cut)	1
C1,C6	.001 uF disc cap.	RS	272-126	2
C2,C3,C4	.1 uF monolithic cap.	DK	P4525	3
C5	10 uF / 25 V tantalum cap.	DK	P2049	1
H1,H2,H3,H4	4-40 x .25 screw	DK	H142	4
H1,H2,H3,H4	4-40 x .5 spacer	MOU	565-2332	4
H1,H2,H3	#4 split lockwasher	MOU	572-00649	3
H4	#4 solder lug	MOU	565-1416-4	1
P1,P2,P3,P4, P5,P6,P7,P8	flea-clip for .042" hole	MOU	574-T42-1/100	8
Q1,Q2	MPF102 N-channel JFET	RS	276-2062	2
Q3	2N3866 NPN	MOU	511-2N3866	1
R1	680 ohm resistor	DK	680Q	1
R2	15 K "	RS	271-1337	1
R3	150 K "	DK	150KQ	1
R4	1.5 K "	DK	1.5KQ	1
R5	150 ohm "	RS	271-1312	1
R6,R7	100 ohm "	RS	271-1311	2
R8	2.7 K "	DK	2.7KQ	1
R9	470 ohm "	RS	271-1317	1
R10	1 ohm "	DK	1.0Q	1
R11,R12	10 ohm "	RS	271-1301	2
W	buss wire	RS	278-1341 approx.1'	

Table 6: small hardware
=====

Note: Mounting hardware is supplied with the following components:
C2, C3, J1, J3, J4, J5, R1, R2, R3, S1, S2, S3, knobs, & chassis box.

Hardware is required by the following component designators: C1, G1,
G2, G3, G4, J2, J6, J7, and M1. All required hardware is listed below:

Description	Vendor	Stock #	Qty.
screw, 4-40 x .25	DK	H142	10
screw, 6-32 x .25	DK	H154	2
screw, 6-32 x .375	DK	H156	4
split lockwasher, #4	MOU	572-00649	6
split lockwasher, #6	MOU	572-00650	8
solder lug, #4	MOU	565-1416-4	5
hex nut, 4-40	DK	H216	6
hex nut, 6-32	DK	H220	4

Table 7: Wiring / Component Connections for MWT-1
=====

Notes: I = insulated wire, approx. #22 AWG
B = bare solid (buss) wire
TP = twisted pair of insulated wires

Wires:

OUTSIDE BOX

Wire #	From	To	Description
1	J7 + terminal pin	C3 external pin	2" I
2	J7 - terminal pin	G4 external GND lug	2" I

INSIDE BOX

Wire #	From	To	Description
3	J1	J3	1" B
4	J3	J2	1" B
5	J4	G1 internal GND lug	1" B
6A	C4 side B	S2A arm	3" TP
6B	J4	G2 internal GND lug	3" TP
7	C4 side B	R1 CCW pin	2" I
8	R1 CCW pin	R1 arm	0.5" B
9	R1 CW pin	R1 switch pin near CW pin	0.5" B
10	R1 switch pin near CCW pin	R4 side B	2" I
11	jet C5/C6/C7	C1 stator	1" B
12	S2A "passive" pos.	S2A "active" pos.	1" I
13	S2A "off/bypass" pos.	S2E "active" pos.	3.5" I
14	S2A "active" pos.	S3 arm	1" I
15	S2B arm	C1 stator	1.5" I
16	S2B "off/bypass" pos.	S2C "off/bypass" pos.	1" I
17A	S2B "active" pos.	P1 of M1	5" TP
17B	S2B "off/bypass" pos.	P2 of M1	5" TP
18	S2C "off/bypass" pos.	S2C "passive" pos.	0.5" B
19	S2C "passive" pos.	G2 internal GND lug	2" I
20A	S2E arm	P7 of M1	3" TP
20B	S2C "passive" pos.	P8 of M1	3" TP
21	S2C arm	P5 of M1	5" I
22	S2C "active" pos.	C3 internal pin	4" I
23	S2E "active" pos.	C9 side A	2" I
24	S2E "active" pos.	S2D "passive" pos.	2" I
25	S2D "active" pos.	P3 of M1	4" I
26	S2D arm	R3 arm	3.5" I
27	R3 CW pin	G2 internal GND lug	1.5" I
28	R3 CCW pin	S1B arm	4" I
29	S1B arm	S1A arm	0.5" B
30	jet L7/L8/L9/L10/L11/L12	G3 internal GND lug	2" I
31	jet L1/L2/L3/L4/L5/L6	jet C5/C6/C7	2" I
32	jet L1/L2/L3/L4/L5/L6	R2 arm	1.5" I
33	R2 arm	R2 CCW pin	0.5" B
34	J6	J5	2.5" I

Components:

INSIDE BOX

Component	Side A to:	Side B to:
C4	J1	wires 6A & 7 (see list above)
C8	C1 stator	C2 stator
C7	S3 "Short" pos.	jet C5/C6/C7
C5	S3 arm	jet C5/C6/C7
C6	S3 "Normal" pos.	jet C5/C6/C7
R4	J4	wire 10
L1	S1A "1" pos.	jet L1/L2/L3/L4/L5/L6
L2	S1A "2" pos.	jet L1/L2/L3/L4/L5/L6
L3	S1A "3" pos.	jet L1/L2/L3/L4/L5/L6
L4	S1A "4" pos.	jet L1/L2/L3/L4/L5/L6
L5	S1A "5" pos.	jet L1/L2/L3/L4/L5/L6
L6	S1A "6" pos.	jet L1/L2/L3/L4/L5/L6
L7	S1B "1" pos.	jet L7/L8/L9/L10/L11/L12
L8	S1B "2" pos.	jet L7/L8/L9/L10/L11/L12
L9	S1B "3" pos.	jet L7/L8/L9/L10/L11/L12
L10	S1B "4" pos.	jet L7/L8/L9/L10/L11/L12
L11	S1B "5" pos.	jet L7/L8/L9/L10/L11/L12
L12	S1B "6" pos.	jet L7/L8/L9/L10/L11/L12
C9	wire 23	J6
R5	R2 CW pin	jet L7/L8/L9/L10/L11/L12

Table 8: Control Orientation Conventions

=====

Ensure that components are mounted and wired in accordance with this table; align knob pointers to clock positions indicated.

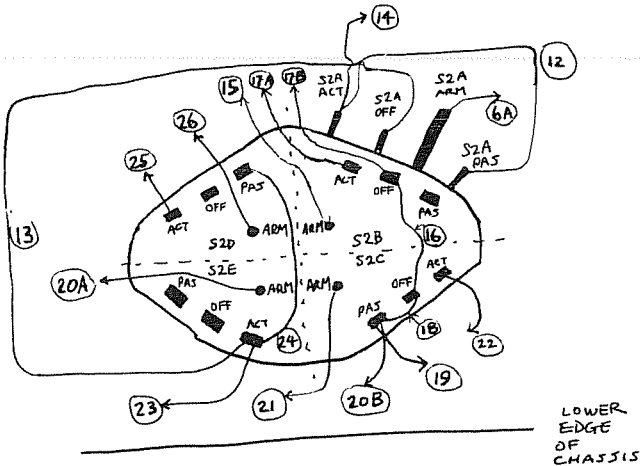
Side	Control	Orientation Conventions
left	R1	CCW=maximum level (no attenuation)=7:00 CW=minimum level (maximum attenuation)=5:00
top	C1	maximum C (plates fully meshed) at 6:00 minimum C (plates fully open) at 12:00

Table 8: Control Orientation Conventions (continued)
 =====

Side	Control	Orientation Conventions
top	R3	arm at GND = fully CW = 4:00 arm at jct S1A/S1B = fully CCW = 8:00
top	C2	maximum C (plates fully meshed) at 6:00 minimum C (plates fully open) at 12:00
top	S3	"Short" = left; "Long" = middle; "Normal" = right
top	S2	passive = CCW = 11:00; off/bypass = centre = 12:00; active = CW = 1:00
top	S1	[see Table 2]
top	R2	maximum Q = CCW = 7:00; minimum Q = CW = 5:00

Figure 4: S2 Function Switch Orientation
 Interior view (view from back of switch)

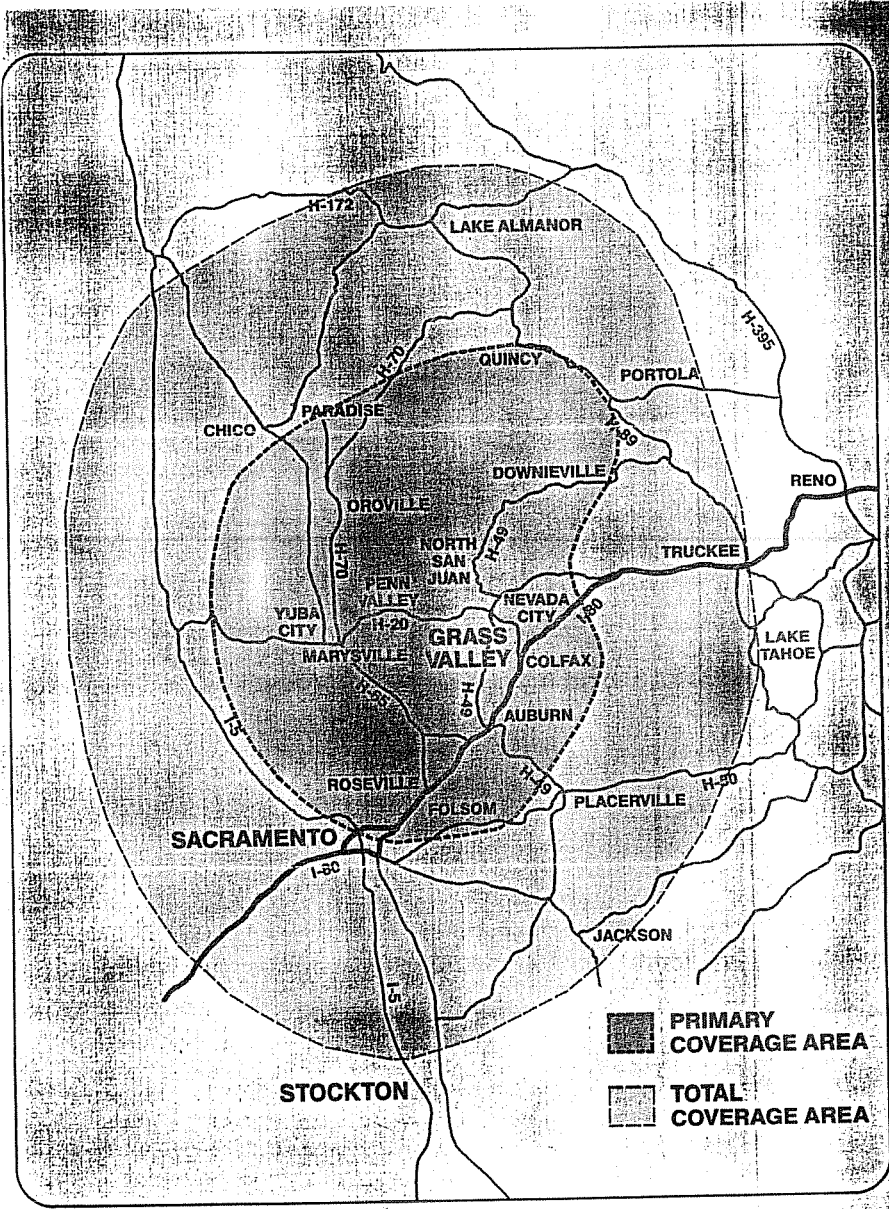
S2A section is on wafer closest to chassis,
 S2B/S2C/S2D/S2E sections are on wafer closest
 to observer. Wire numbers correspond to Table 7.



✗ end ✗

AM 83 KINCO

All the Best



THE INTERNATIONAL RADIO CLUB OF AMERICA (IRCA)

The IRCA is a non-profit organization devoted to the hobby of hearing distant stations on the AM broadcast band (510 - 1630 kHz). "DX Monitor", the official publication of the IRCA, is published 34 times a year: weekly from October to March, twice in September and April, and monthly from May to August. "DX Monitor" contains members' loggings, articles on radio stations, receiver reviews, technical articles, DX tips, and other material of interest to radio hobbyists. IRCA is a member of ANARC, the Association of North American Radio Clubs.

CLUB ADDRESSES AND OFFICERS

1980

President: Dr. Richard E. Wood, Ph.D., P.O. Box 5074, Hilo, HI 96720.
Secretary-Treasurer: John Clemmer, P.O. Box 482, E. Moline, IL 61244.
Board of Directors: Ernest R. Cooper, Nancy Hardy, Bill Harms, Patrick Martin, Bruce Portzer, Nial Wolfish, Karl Zuk.
Editor-in-Chief: Bruce Portzer, 6346 19th Ave/ N.E., Seattle, WA 98115, (206) 522-2521.

MEMBERSHIP DUES

U.S. - \$20.00 per year. Canada/Mexico - \$26 (one issue mailed every week) or \$20 (two issues every two weeks). Overseas Surface - \$21. Overseas Airmail - \$30 (Central America, Caribbean, Colombia, and Venezuela), \$33 (Europe, North Africa, Middle East), \$37 (rest of the world). Trial Membership - \$7.50 (10 issues of "DX Monitor" and a New Member Packet, U.S./Canada/Mexico only). Make checks and money orders payable to IRCA and send all dues to: IRCA, P.O. Box 482, E. Moline, IL 61244. Persons living outside the U.S., please use International Money Order in U.S. funds. Sample copies of "DX Monitor" are 50 cents or three International Reply Coupons each and are available from: IRCA, P.O. Box 21074, Seattle, WA 98111.

THE IRCA GOODIE FACTORY

Reprints of more than 400 articles from past issues of "DX Monitor" are available from the IRCA Goodie Factory. Also available is IRCA stationery and the very popular IRCA publications: "The IRCA Almanac", "A DXers Technical Guide", and the "IRCA Foreign Logs". For a complete list of available publications and their costs, send a self-addressed, stamped envelope to: IRCA Goodie Factory, 1017 West Manhattan Drive, Tempe, AZ 85282.

Unless otherwise noted, permission is granted to publish, broadcast, or otherwise reproduce non-copyrighted material appearing in "DX Monitor" provided credit is given to IRCA and the original contributor. Opinions expressed in "DX Monitor" are those of the original contributors and do not necessarily reflect those of the IRCA, its publishing staff, editors or officers.

P.O. Box 21074, Seattle, WA 98111, U.S.A.

first class

D. A. NYHOLM
2071 CEDAR STREET
SAN CARLOS CA 94070

RENEW

FIRST CLASS MAIL
U.S. POSTAGE
PAID
Seattle, WA
Permit No. 601