

April 7, 1990 - Volume 27, Number 28 - Edition 886 - ISSN 0899-9732 ✓

IN THIS ISSUE

DX Worldwide - West.....	19	Eastern DX Forum.....	14
DX Worldwide - East.....	NO REPORTS	President's Report.....	1
Western DX Roundup.....	12	Broadcasting Information.....	2
Central DX Roundup.....	5	Phasing Unit Designs, Simple to	
Eastern DX Roundup.....	MISSING	Complex. Mark Connelly.....	7
Western DX Forum.....	15	IRCA Officers and Dues Info.....	20

IRCA Address Changes, Renewals, CPC Info, and Material for Publication to:
 IRCA HQ, Donald Erickson, 6059 Essex Street, Riverside, CA 92504-1599
 IRCA Almanac & Reprint orders to: IRCA Goodie Factory, c/o Ralph Sanserino,
 11300 Magnolia Ave., #43, Riverside, CA 92505

DX CALENDAR

Mon. Apr. 9 WGCR 720 Pisgah Forest, NC 1kw 0430-0500 EST NRC/CCM
 WGCR-720, P. O. Box 720, Pisgah Forest, NC 28768 will conduct a special DX
 TEST on 4/9/90, 0430-0500 EST. Tnx to Mr. Randy C. Barton, GM. -NRC/CCM

President's Report. Karl J. Zuk, 154 Old Post Road North, Croton-on-Hudson, NY 10520
 The annual IRCA convention will be in Knoxville, TN on Columbus Day weekend, October 5, 6,
 7, 1990. I will host it, and it will be in conjunction with Monitoring Times magazine.
 Guests will include MT staffers Bob and Judy Grove, Larry Miller, myself; Ian McFarland
 of Radio Canada International, Larry Magne of Magne Tests (receiver reviews) and many
 others. This date and place are firm and there will be no further changes. Details will
 follow in DXM. This has been approved by our board. Voting results: Errata to DXM 27/17:
 Voting should have read: 14.1.9 Richard Evans as EDXF editor (passed Unanimously). 14.1.10
 Ric Heald as WDXF editor (Heald abstained, all others in favor.) My regrets to Richard
 Evans and Ric Heald for the misprint. New Voting: 14.1.31 Proposed by Knight. A small dues
 reprieve or a small one time Goodie Factory discount (not to exceed \$3.00) be given those
 members who reported more than 50 tips or contributed DX tips to more than 10 DX Monitors
 per volume. This would commence with volume 28. Designed to obtain a more active member-
 ship. Portzer, Johnson favor. Martin abstain. Toebe, Heald, Cooper, Evans oppose. Failed.
 14.1.32 Proposed by Knight. A clause be added to the by-laws allowing members who live in
 those states adjacent to the Mississippi River the choice of reporting to the column they
 are more comfortable with. Martin approve. All others oppose. Failed. 14.1.33 Proposed by
 Zuk. Make Broadcasting Information column weekly, if possible by Parrish. All approve,
 except Cooper opposed. Passed. Parrish says the column will appear bi-weekly during the
 weekly publishing period, then every issue through the summer. He will then decide if he
 has the time to do a weekly BI column. Thanks to Parrish for his wonderful efforts!
 14.1.34 Proposed by Zuk. Start a "tape circle". Members would sign up and organize a
 cassette round-robin for the exchange of ideas and UNID recordings, etc. All favor except
 Johnson, abstain. Passed. All members who are interested in tape corresponding, please
 contact me. A C-90 cassette would hold 18 members 5 minute recordings, postage at 45c.
 Thanks to the British DX Club for the idea. 14.1.35 Proposed by Zuk. Each editor of DXM
 will have an understudy to fill-in during times of inability to produce their column.
 Heald, Martin, Cooper, Johnson approve. Portzer abstains. Toebe, Evans oppose. Passed.
 If you would like to be an understudy editor, please let me know. 14.1.36 Proposed by Zuk
 Proposal moot because proposal was withdrawn. 14.1.37 Proposed by Zuk. A Column concerning
 medium wave experimental radio transmitting that is legal and unlicensed under Part 15 of
 FCC regulations. Heald, Martin, Cooper, Portzer approve. Toebe, Johnson, Evans abstain.
 Passed. The board also voted on who shall be our next ANARC representative, due to Lobels
 resignation. Martin, Cooper, Portzer, Toebe for Eckman. Johnson, Evans for Aden, Jr. Heald
 abstain. Richard Eckman is our new ANARC representative. Congratulations, Richard!
 and thank you, Frank, for running. Several IRCA officer positions are now open. Please drop me
 a note if you are interested in volunteering: Elections Committee Chairman (arrange club
 elections of rank and file voting in DXM.) Goodie Factory chairman. (Xerox and mail and
 process all IRCA reprints and publications. Someone with inexpensive or free Xeroxing
 ability preferable.) Understudies for all current DXM columns, especially the Roundup and
 Forum columns. Please mail your application letters to myself at the above address. 73 KZ

BROADCASTING INFORMATION

Editor: Geov Parrish, 1201 S. Court House Rd. #240, Arlington VA 22204
Deadlines: 4/7, 4/21, 5/12, etc. * * * compiled 3/26/90

Public safety tip: never write a column when one's mind is overwhelmed with meandering silly asides. Don't try this at home. It is for experts and the certifiably sleep-deprived, non-IDing tone-added only.

OFF THE AIR

<u>call</u>	<u>KHz</u>	<u>power/antenna</u>	<u>state/city</u>
KANA	580	1000/197	ND MT ANACONDA was country, went dark about 3/1
WABX	990	250/	DA-D MI CLARE was CHR // FM, silent pending sale
KHAM	1000	250/	ND-D AR HORSESHOE BEND was country, now silent
KJNE	1330	1000/	ND-D TX KINGSVILLE was ctry, SS, now silent
KRCV	1340	1000/1000	ND NV RENO was religion, now silent
WKGN	1340	1000/1000	ND TN KNOXVILLE was black, now silent
WWXX	1400	1000/1000	ND GA ALPHARETTA was business news, now silent
WHML	1410	5000/5000	DA-N AL MOBILE was black, now silent

Also, Charlie Taylor writes to report that, contrary to last column and to the wishes of their handful of remaining listeners, WTOW-1320 Washington NC is not, in fact, off the air, and remains a towering beacon of country and gospel music. Actually, he didn't write most of that stuff, but WTOW is on air, and he confirms that WBZQ-1550 & WSFL-1380 are off.

BACK ON THE AIR

<u>call</u>	<u>KHz</u>	<u>power/antenna</u>	<u>state/city</u>
KMYX	1310	1000/	ND-D CA TAFT was KTKR, silent, now AC // FM
WKVQ	1520	1000/	ND-D GA EATONTON was WDBS, silent, back w/country

NEW STATIONS

<u>call</u>	<u>KHz</u>	<u>power/antenna</u>	<u>state/city</u>
KMCE	650	25000/5000	DA-2 CA RANCHO CORDOVA requests extension of time
new	650	250/	DA-D MD PITTSVILLE new station granted
WBSO	650	10000/1000	DA-2 MA CLINTON granted extension of time
KMVP	670	5000/1000	DA-N CO COMMERCE CITY granted reinst. of exp. pmt
new	700	5000/	ND-D AL DOTHAN new station granted
new	700	2500/850	ND TX FORNEY application returned
KKMT	710	10000/	ND-D MT ENNIS requests extension of time, new target date is mid-summer, towers are up
WKNV	810	600/	DA-D VA DUBLIN applies for 350/ w DA-D
WJFG	890	500/	DA-D NY SOLVAY applies to change xmtr location
WMVU	900	1000/	ND-D NH NASHUA granted extension of time
WONS	1030	1000/	ND-D KY PLEASURE RIDGE PARK requests ext. of time
WJHR	1040	4700/1000	DA-2 NJ FLEMINGTON granted new xmtr location
KXER	1060	1000/	ND-D CA TEMPLETON granted extension of time
new	1060	500/	DA-D TX HAWLEY amends app. to move to Hamby TX; 5000/1000 w DA-2, change xmtr location
WNHA	1140	10000/	DA-D NH CONCORD applies to change xmtr location
WELX	1160	500/250	ND FL CALLAHAN target date is May 1
new	1200	??/	? NS HALIFAX allocation deleted
KITH	1550	800/	DA-D CA APPLE VALLEY requests extension of time
KEZD	1580	700/	DA-D CA WINDSOR wants CP to reinstate exp. permit

3/17 column listed KXEP-1060 Templeton CA, that's a typo, their correct calls this week are KXER. Thanks to Bill Hardy for catching this error and giving me the opportunity to humiliate myself in public.

CHANGES IN EXISTING FACILITIES

<u>call</u>	<u>KHz</u>	<u>power/antenna</u>	<u>state/city</u>
CKGA	650	5000/5000	DA-2 NF GANDER on the air ex-730 KHz
CFDR	680	50000/50000	DA-1 NS DARTMOUTH granted new day DA (780 KHz CP)
WIAC	740	10000/10000	DA-1 PR SAN JUAN app. dismissed for 4000 w nights
CKOK	800	10000/500	ND BC PENTICTON granted 2800 w nite (780 KHz CP)
KKMC	880	10000/1000	DA-2 CA GONZALES reapplies to move to Del Rey Oaks CA; 50000/2500 w DA-2

<u>call</u>	<u>KHz</u>	<u>power/antenna</u>	<u>state/city</u>
KTIS	900	25000/300	DA-2 MN MINNEAPOLIS applies to augment daytime DA
KVVQ	910	1000/500	DA-2 CA HESPERIA applies to augment daytime DA
WORR	960	1000/1000	DA-1 PR QUEBRADILLAS app. returned for 5000/5000 w
KMIN	980	1000/250	ND NM GRANTS on the air ex-1400 KHz, since 9/89 (Kazaross-CA, confirmed by phone)
KFRD	980	1000/	ND-D TX ROSENBERG app. returned, reapp. 5000/5000w
WALE	990	50000/500	DA-1 RI PROVIDENCE applies for 10000 w nights
WTGC	1010	1000/14	ND PA LEWISBURG applies for 1000 w days
WLVN	1080	500/	ND-D AL LUVERNE applies to move to Brantley AL
KJTT	1110	500/	ND-D WA OAK HARBOR applies to move to 1520 KHz, 1000/ w ND-D, cr. hrs. (this would also seem to confirm that the KJSM-1520 CP is dead)
WCUE	1150	2500/500	DA-2 OH CUYAHOGA FALLS granted 5000 w days
WMVI	1160	5000/570	ND NY MECHANICVILLE app. dismissed for 50000 w days, move to Clifton Knolls NY
KTSJ	1220	250/250	DA-1 CA POMONA applies for 930 w days
CJRL	1220	1000/1000	DA-1 ON KENORA granted 5000 w days
WBEV	1430	1000/1000	DA-N WI BEAVER DAM granted modified night DA
KLMS	1480	5000/1000	DA-2 NE LINCOLN applies to augment day & night DAS
WAMY	1580	5000/	ND-D MS AMORY granted 1000/ w ND-D
WMTI	1580	5000/2500	DA-N PR MOROVIS applies for 10000 w days
WIXK	1590	5000/	ND-D WI NEW RICHMOND applies for 3900 w days

CALL LETTER CHANGES

(\$ means change accompanies a station sale; * check for format info)

new	650	MD Pittsville is	now WRUB	KZAM	1320	OR Springfield is	\$ KHNN
WBLW	810	GA Royston	\$ WBIC	WSGG	1330	AL Scottsboro	* WZCT
KBBM	850	OR Waldport	* KORC	KMJI	1340	LA Shreveport	* KRMD
KMJC	910	CA El Cajon	* KECR	WXYX	1360	FL Cypress Gardens	\$ WHNR
new	1030	AZ Cortaro	KEVT	WGNN	1360	GA Lawrenceville	* WPLO
WDAK	1050	AL Alexander City	WASY	WVIN	1380	NY Bath	\$ WBHH
KYOR	1240	AZ Globe	* KJAA	KCLN	1390	IA Clinton	\$ KLNT
KPRE	1250	TX Paris	* KGDD	KZKZ	1510	AR Greenwood	* KVOG
WSUX	1280	DE Seaford	* WECY	KXKW	1520	LA Lafayette	* KINF
WKZJ	1280	FL Lake Wales	* WIPC	KFRS	1560	WA Summer	* KZIZ

FORMAT CHANGES

<u>call</u>	<u>KHz</u>	<u>state/city</u>
KRSO	590	CA SAN BERNARDINO was news-talk, now sat. adult standards
KBUC	830	TX CIBOLO new, Spanish to San Antonio
KVEG	840	NV NORTH LAS VEGAS was FBN, now BRN business news (T. Hall-CA)
KORC	850	OR WALDPORT was KBBM, remains adult standards
WKZN	870	ME GORHAM was to be news-talk, instead gets WYNZ-970's MOYL
WLS	890	IL CHICAGO was a Top 40 legend, now in oblivion // 1990
WCLZ	900	ME BRUNSWICK was new age // FM, to be business news
WSNQ	900	MI GAYLORD was rock oldies // FM, now network talk
KECR	910	CA EL CAJON was KMJC, remains religion "Family Radio"
KVVQ	910	CA HESPERIA new, adult contemporary, talk
WTOY	910	VA ROANOKE was black, to be sat. business news
KQLO	920	NV RENO was news-talk, adds sat. rock oldies "Kool"
WRVC	930	WV HUNTINGTON was adult contemporary // FM, now talk
KJR	950	WA SEATTLE was oldies, now sports talk nights (Hardy-WA)
XEKAM	950	BC TIJUANA was FBN, silent for about a week, now back on w/SS adult contemporary "Radio California" (T. Hall-CA)
WYGO	1120	GA GORDON was sat. soft AC // FM, now sat. rock oldies // FM
KZMQ	1140	WY GREYBULL was KMMZ, adult contemporary, now country
WKBK	1220	NH KEENE was adult contemporary, now talk, Talknet evenings
KDZA	1230	CO PUEBLO was rock oldies, now CHR, rock // KATH-FM
WJOY	1230	VT BURLINGTON was adult standards, now news-talk
KJAA	1240	AZ GLOBE was KYOR, remains country
WJIM	1240	MI LANSING was adult contemporary, now news, talk
WGBB	1240	NY FREEPORT was WBAB, still rock // WBAB-FM
KGDD	1250	TX PARIS was KPRE, country, now rock oldies
CFRN	1260	AB EDMONTON was AC, now rock oldies (Hardy-WA)
WECY	1280	DE SEAFORD was WSUX, sat. AC // FM, now sat. soft AC // FM
WIPC	1280	FL LAKE WALES was WKZJ, remains religion
KVOX	1280	MN MOORHEAD was country // FM, adds sat. adult standards
WIBR	1300	LA BATON ROUGE was country // FM, now news-talk
WQIK	1320	FL JACKSONVILLE was country // FM, now sat. country oldies
WZCT	1330	AL SCOTTSBORO was WSGG, gospel, now sat. rock oldies

call KHz state/City

WESR 1330 VA OLNEY was adult standards, now network talk
 WBSG 1340 KY BOWLING GREEN was adult contemporary, now sat. rock oldies
 KRMD 1340 LA SHREVEPORT was KMJI, AC // old FM, now country // KRMD-FM
 WPLO 1360 GA LAWRENCEVILLE was WGNN, remains country to suburban Atlanta
 KBYO 1360 LA TALLULAH was KZZM, black, now country // FM
 WHBG 1360 VA HARRISONBURG was adult contemporary, now country
 KHJJ 1380 CA LANCASTER was rock oldies, now news, talk
 WIKY 1400 IN EVANSVILLE was easy listening // FM, now sat. rock oldies
 WKBI 1400 PA ST. MARY'S was CHR, now satellite CHR
 WMSX 1410 MA BROCKTON was WATD, AC // FM, now local talk
 WPRD 1440 FL WINTER PARK was adult standards, now children's radio
 WFRA 1450 PA FRANKLIN adult contemporary, to be adult standards
 WCNT 1480 NC CHARLOTTE was WAME, religion, to be sat. news-talk (Pat
 Robertson's new CBN network, based at WNTR-1050-MD)
 WOTA 1490 MS VICKSBURG was WJFL, black, now black, gospel
 WPCS 1490 WV FAIRMONT was rock // FM, now satellite rock oldies
 KVOG 1510 AR GREENWOOD was rock oldies, now satellite CHR
 KINF 1520 LA LAFAYETTE was KKKW, remains news-talk
 WEHN 1530 PA NORTH EAST was classic rock // FM, now CNN Headline News
 KPNC 1560 CA BAKERSFIELD was variety, now news-talk, CNN (Hardy-WA)
 KZIZ 1560 WA SUMNER was KFRS, silent, to be black // KRIZ-1420
 WAXU 1580 KY LEXINGTON was WBBE, adult standards, now sat. ctry oldies
 WKWF 1600 FL KEY WEST was CHR // FM, now network talk
 WIXY 1600 MA EAST LONGMEADOW was country, now sat. adult standards
 WNST 1600 WV MILTON was country, now business news

PROPOSED STATION SALES (* means check the format listings for more info)

WICE-550-RJ, KSSK-590-HI, WENO-760-TN, KOQO-790-KA, KORD-870-WA, WKCN-910-SC, KLDJ-960-OR, WNCR-1080-NC (now silent), KBND-1110-OR, WSJP-1130-KY, KVOO-1170-OK, KWMB-1190-MN, KXYL-1240-TX, KTEE-1260-ID (now dormant), KZZX-1270-NM, WHOT-1330-OH, KYLT-1340-MT, WVIN-1380-NY, KZTR-1400-CA, WABY-1400-NY, KNOR-1400-OK, KTAN-1420-AZ, WTCR-1420-KY, WLAM-1470-ME, WZGO-1470-PA, KDRO-1490-MO, WOPI-1490-TN, WUTQ-1550-NY, WKOL-1570-NY (now very very quiet), WMRE-1580-TN (now dead as a doornail), KDAE-1590-TX, KXEW-1600-AZ

STATION SALES THAT FAILED: WPGS-840-FL, WJKZ-1030-TN, WELE-1380-FL

MISCELLANEOUS NOTES: After years of license litigation the FCC denied the license renewal of KUPD-1060-AZ and its FM, and awarded the license to a competing applicant. Doubtless there will be further appeals... WPRD-1440-FL and WUTC-1280-MN become flagships of the second and third announced children's radio formats in the last month. (KIDZ-1510-MO was the first). All three networks intend to syndicate their versions of children's radio 24 hours, which raises intriguing questions about the listening habits of pre-adolescents at 3 AM. WBZ-1030 has also added a locally-produced, one-hour children's show Sunday evenings; this appears to be the first big "new" format trend of 1990. As long as we're fingering chic new programming ideas, here's a concept for whoever might be reading: "SILENCE." It's this brainstorm I had for a great "new" public service program that could be run Monday mornings, see, and...

KKJZ-540 has announced plans to be broadcast on the subcarrier of its FM station, KKG0 Los Angeles. The stations will offer a \$150 converter kit to enable listeners to pick up KKJZ's signal, which (as many of you know) is perfectly audible throughout Southern California, on FM.

Telephone Music Network has announced a new contemporary music format programmed to appeal to the whining five-year-old daughters of ad agency executives that target 18-34 male albino mulatto touch-typists with a grade 10 education, three major kitchen appliances and a blue-orange striped heterosexual greased moose living in the downstairs bathtub. TMN becomes the tenth network to announce such a format in recent weeks.

Much of the station data for this column comes from weekly issues of The M Street Journal, assorted DX Monitor columns or thin air. Other contributors this issue: Tony Fitzherbert (Fairfield CT); Tim Hall (Chula Vista CA); Bill Hardy (Aberdeen WA); Charlie Taylor (Grifton NC). Thanks for the help, and for the nice comments! Sorry I missed the April Fool's issue.



Central DX Roundup

Editor: John C. Johnson
979 Neptune Boulevard
Billings, Montana 59105-2129

FOR THE RECORD

All times are Eastern. ➡ Deadlines: 4/21, 5/12, 6/2, 6/30, 7/28.
RIDING GAIN

- [MB-DX] = Manitoba DX'pedition
Location: Arnes, Manitoba
Dates: 3/18-19
Receivers: ICOM IC-R70's
Antennas: Longwires, 1200' west and 1500' east
Attending: Shawn Axelrod & Wayne McRae of Winnipeg
 - [SA-MB] = Shawn Axelrod, 30 Becontree Bay, Winnipeg, MB R2N 2X9
ICOM IC-R70, 3' box loop, 140' longwire, Mini TUN-3.
 - [TMJ-IL] = Tom Jasinski, 419 North Raven, Shorewood, IL 60435
FRG-7, 2 1/2 foot loop. Special note: WZEP-1460 logged using 1375' longwire at 160 degrees at remote operation in a farm field just north of residence.
 - [TML-IN] = Tom Laskowski, 1334 East Miner Street, South Bend, IN 46617
ICOM IC-R71A, loop.
 - [RS-MO] = Randy Stewart, 4225 West La Casa, Springfield, MO 65802-5615
Realistic TRF 12-656, 4' spiral loop.
- DX TESTS
- 1410 WQBQ FL Leesburg, 3/18 good w/WING. 0405 w/code ID, good audio at 0416 followed by rock music. [TMJ-IL]
+3/18 w/WING weak. 0420 tune in. 0424 and 0430 heard very slow code IDs. New here. [TML-IN]
 - 1460 WZEP FL DeFuniak Springs, 3/17 fair w/WBRN. 0434 w/march music, code IDs, good audio at 0441 with station info. [TMJ-IL]
+3/17 u/strong WBRN. Only heard code IDs at 0435, 0439, 0440, 0444, 0448, 0454, 0455, 0458. [TML-IN]
- DOWN THE DIAL
- 530 CKHL AB High Level, 3/19 very poor. 0745 w/good het and bits of lite music \\\610. [MB-DX]
 - 550 CHLN PQ Trois Rivieres, 3/19 poor u/KFYR. 0030 w/man in FF. [MB-DX]
 - 560 CJKL ON Kirland Lake, 3/19 good. 0020 with CBC "Jazz Beat" program \\\CJTT-1230. [MB-DX]
 - 590 CKRS PQ Jonquiere, 3/19 fair. 0005 w/man talking in FF then into FF music. [MB-DX]
 - 610 CKYL AB Peace River, 3/18 good. 0237 w/oldies and CHR music mix. ID as "CKYL." [MB-DX]
 - 620 KTAR AZ Phoenix, TENTATIVE, 3/12 fair to poor in midst of jumble with WTMJ & others, plus fighting lots of local electrical noise. 0730 w/what sounds like "KTAR all news" on my tape playback. Another mention of "KTAR" later. No other info. [RS-MO]
 - WTMT KY Louisville, 3/12 fair. 0620 w/weather, "6-20 WTMT" ID, C&W music format. [RS-MO]
 - 650 KIKK TX Pasadena, 3/12 very good in WSM null. 0709 w/call-in contest with Pasadena residents. "Kick" and "KIKK" IDs. [RS-MO]
 - 670 KWXI AR Glenwood, 3/12 good in WMAQ null. 0812 with Arkansas Radio Network News, local weather. "Quick-sy Country" IDs. [RS-MO]
 - 690 WTIK LA New Orleans, 3/12 good in KGGF null. 0756 w/Louisiana state news. ID "WTIX Talkradio 6-90." [RS-MO]
 - 730 KLOE KS Goodland, 3/12 poor w/co-channel noise from KSUD and splatter from KRMG-740. 0820 w/weather for western Kansas and temp. and conditions for Goodland. Spot for Bank West of Goodland. [RS-MO]
 - 980 KOKA LA Shreveport, 3/16 fair to good. 0059 with complete sign off. Mentioned 5 kw. First time heard on new frequency. [RS-MO]
 - 1150 WAYY WI Chippawa Falls, 3/12 fair in "G-Y sounding mess." 0724 with "WAYY" ID at fade up into news. WI#68. [SA-MB]
 - WCRK TN Morris Town, 3/10 poor in mess. 0726 w/"WCRK" ID. Possible C&W format, not sure. TN#10. [SA-MB]
 - 1190 KEX OR Portland, 3/19 good. 0645 w/spot for a gold shop, "KEX" SID into lite rock. [MB-DX]
 - 1210 KREW WA Sunnyside, 3/17 fair. 2030 w/lite rock, "KREW" ID. [MB-DX]
 - 1230 CJTT ON New Liskeand, 3/18 fair, faded in and out. 2340 with "Jazz Beat" program from CBC. 0000 ID. [MB-DX]
 - WIKB MI Iron River, 3/18 good. 2050 w/"Classic Gold WIKB Iron River, Crystall Falls" ID into oldies. [MB-DX]

CDXR Continues....

- 1230 WSOO MI Sault Ste Marie, 3/18 good. 2019 with Pistons vs Mavericks basketball game, local spot for the "soo." [MB-DX]
- 1240 WLBY MI Cheboygan, 3/18 good. 2030 with Pistons vs Mavericks game, Century 21 spot. Call ID. [MB-DX]
- 1260 KPOW WY Powell, 3/19 good. 0840 w/C&W music, spot for local auction in Powell area. [MB-DX]
- 1270 CFGT PQ Alma, 3/18 poor. 1810 w/man w/FF language program. [MB-DX]
- 1340 CKVT PQ Temiscamisque, 3/18 fair. 2125 w/man and woman in FF on a "La Presse Weekend." "Radio Quebec" IDs. [MB-DX]
- KYLT MT Missoula, 3/19 fair. 0638 w/"13-40 Solid Gold KYLT" [MB-DX]
- 1410 CFMB PQ Montreal, 3/18 fair. 2218 with man and woman doing ethenic program. Not sure of language. [MB-DX]
- 1420 CJMT PQ Chicoutimi, 3/18 fair. 2213 with sports program \CKAC-730. [MB-DX]
- KUJ WA Walla Walla, 3/11 fair. 0742 w/"14-20 KUJ" ID. Spot for a play at the "...Center" and another ID then oldies. New for me, a nice suprise. WA#7. [SA-MB]
- 1450 CHEF PQ Granby, 3/18 fair. 2203 with news, sports, and weather for Granby. Music in FF. [MB-DX]
- EQUIPMENT TESTS
- 1030 WMIN MN Minneapolis, 3/19 fair. 0205 w/"This is WMIN Minneapolis on an equipment test and modification." One solid hour of organ music with periodic moments of silence. [MB-DX]
- 1290 WQIN PA Lukes, TENTATIVE, 3/20 fair u/WHIO, WIRL. 0039 w/TT. They have a f/c scheduled near this time. [TMJ-IL]

UNIDS


- 800 unID 3/19 fair o/u/CHAB. 0110 w/talk program, phone 780-0991, host named "Forrest" and Eastern time given. [MB-DX]
- 1140 unID 3/10 poor in mess. 0703 w/ID "W-?-?-?" and W-(M ? T ?) Muskegon Muskegon Heights. Any ideas? [SA-MB]
- 1240 unID 3/19 good. 0559 with possibly TalkNet. "It's 40 degrees in Capital City at K-(B ?)-L-O, 12-40 in Hollaclan (???)". Into ABC News, possible Mountain time check. [MB-DX]
- 1240 unID 3/18 good. 1935 w/EE and FF C&W music "La Communication de Quebec" ID into news at 1945. Not a CBC FF station, and not \CJMS-1280. [MB-DX]
- 1240 unID 3/18 fair. 2055 w/music by Milli Vanilli, Roxette, etc. "Power 92" IDs. [MB-DX]
- 1260 unID 3/11 fair. 0710 w/oldies music. ID "Walking" or "Talking" not sure which. "The station everybody is talking about" "Walk (or Talk) FM, Roll 1260." Might have said "Rocking" instead of "Walking" or "Talking" I'm confused. [SA-MB]
- 1320 unID 3/18 good. 2103 w/man in possible East Indian language into flute music. Lost to KELO. [MB-DX]
- 1400 unID 3/18 fair. 1955 w/FF & EE C&W music \to unID on 1240. [MB-DX]

25 YEARS AGO

April 6, 1965 issue of DX Monitor...Membership reached 366...Charter Member Certificates were being printed...Daylight Savings Time topic mentioned Colorado would be DST this year for the first time...Larry Godwin's report from San Salvador mentioned he would be back in the USA the first part of April...Mention was made that ABC Radio would start all night programming later in the year.



OPEN MIKE

 Chance favors the prepared mind. Both [TMJ-IL] and [TML-IN] report the WBLE-790 3/18 DX Test was not heard. [SA-MB] says the latest DX'pedition to Arnes, Manitoba was quite eventful. At one point they lost one longwire when a snowplow went by...yep, caught the antenna and started to pull the receiver off the table! Shawn, you should write a book!! Trust me, gang, these guys are quite serious DXers! 73, John.

Attention Editors - Margins Change

Eff. next issue, editors are asked to make the following changes in format of their column: please begin 1 line lower than previously, end one line higher, and leave two extra spaces on each side of the blue lined masters. This slightly smaller printing area is required because our printer is getting a new camera which will reduce no lower than 64%. For technical reasons, six sheet bulletins require a greater than usual reduction and a trim to make postal weight limit. New blue lined masters will be distributed. It is important all editors co-operate. In an emergency, we will be able to individually reduce pages but it will delay a section one issue. In summary, leave blank the first and last line top and bottom and the first and last two spaces on each side.

Phasing Unit Designs: Simple to Complex
 Mark Connelly - WALLON - 20 MAR 1990

The use of a phasing unit to null out a dominant station (allowing other stations to be heard) can often be of considerable benefit to the DXer. By using two wire antennae and such a unit, the DXer may enjoy effects comparable to those obtained by rotating a loop. Many DXers have used phasing with great success in the last 25 years or so. Situations where a loop cannot be used (e. g. when the operating position is inside a steel-frame building, mobile home, or vehicle) are those for which phasing is most highly recommended.

Numerous articles on the construction and use of phasing units have appeared in the medium-wave DX press. This article will draw references from these previous works:

Micro-MWDX-4A Loop-vs.-Wire Phaser (15 MAR 1989)
 MWDX-4 and Mini-MWDX-4 series Phasing Units (11 OCT 1985)

These articles give parts lists, phaser operating techniques, and construction methods useful to the phasing unit builder / user. Copies of these articles may be obtained from the reprints services of NRC and IRCA.

The purpose of this article is not to go into a point-by-point description and construction plan for a specific type of unit, but to give some design outlines that, coupled with the other articles mentioned, will allow a DXer having little technical experience to get a simple unit up and running in short order. The first design to be presented represents the bare minimum in terms of component-count and design complexity for a 2-wire phasing unit that can be realistically expected to produce nulls of "pest" stations or electrical noises in an adequate number of situations to be worthwhile. Figure 1 shows the schematic of this basic medium-wave unit. Table 1 lists the principal parts required.

Table 1: Parts List for the Basic Phaser

Vendor codes [some of these represent updates]:

RS = Radio Shack / Many locations worldwide
 MOU = Mouser Electronics / 11433 Woodside Ave.
 / Santee, CA 92071
 MCL = Mini-Circuits Lab. / P. O. Box 350166
 / Brooklyn, NY 11235-0003
 RK = Radiokit / P. O. Box 973
 / Pelham, NH 03076

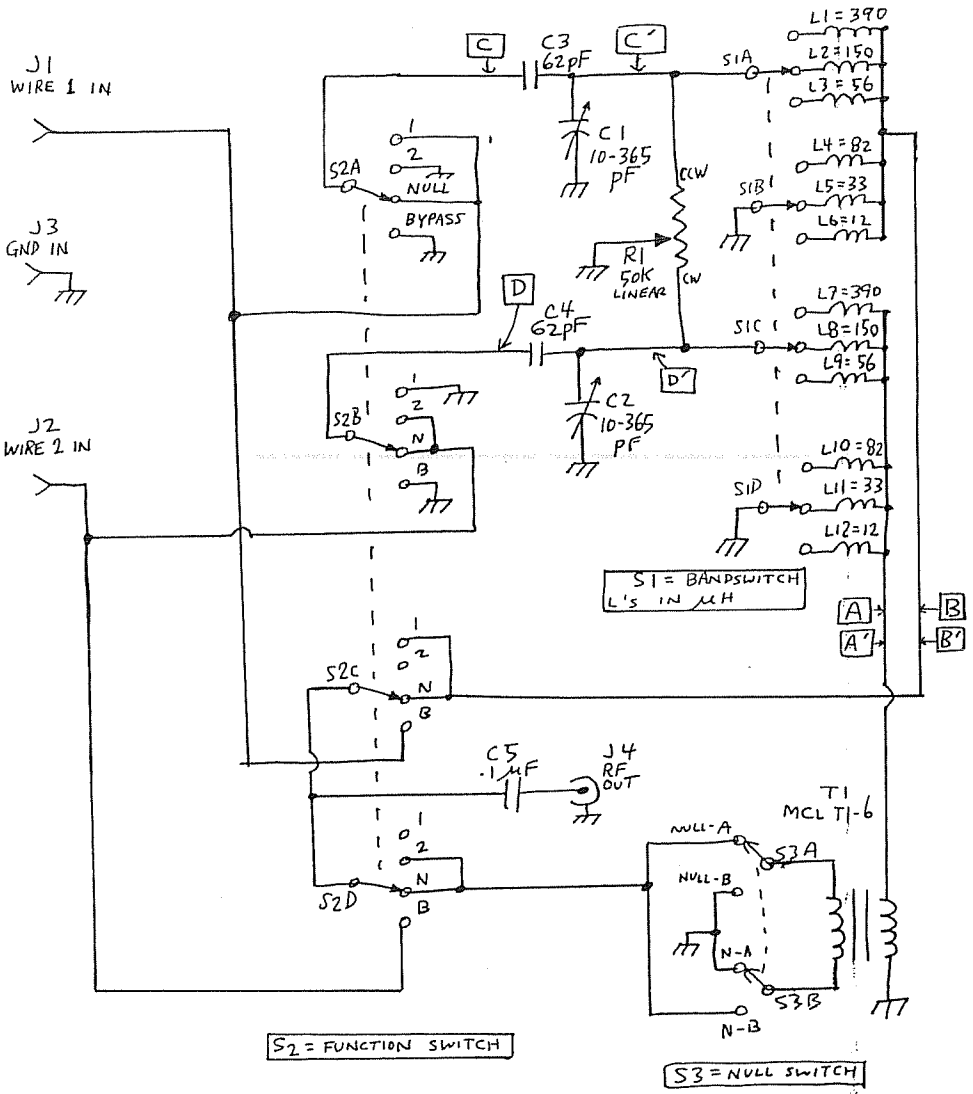
Item Designator	Description/Value	Vendor	Vendor Stock #	QTY
1	- chassis box	MOU	537-TF-779	1
2 (for C1,C2,R1,S1,S2)	knob	RS	274-415(or)274-416	5
3	T1 RF transformer(1:1)	MCL	T1-6	1
4	C1,C2 variable cap.,10-365pF	RK	BC-01	2
5	C3,C4 capacitor, 62 pF	MOU	21CB062	2
6	C5 capacitor, 0.1 uF	RS	272-109	1
7	J1,J2 red banana jack	RS	274-662	2
8	J4 BNC jack	RS	278-105	1
9	J3 black banana jack	RS	274-662	1
10	L1,L7 inductor, 390 uH	MOU	43LR394	2
11	L2,L8 inductor, 150 uH	MOU	43LR154	2
12	L3,L9 inductor, 56 uH	MOU	43LR565	2
13	L4,L10 inductor, 82 uH	MOU	43LR825	2
14	L5,L11 inductor, 33 uH	MOU	43LR335	2
15	L6,L12 inductor, 12 uH	MOU	43LR125	2
16	R1 pot., 50K, linear	MOU	31CT405	1
17	S1 switch/4pole/3pos.rotary	MOU	10YX043	1
18	S2 switch/6pole/4pos.rotary	MOU	10WR064	1
19	S3 switch,DPDT,on-on toggle	RS	275-663	1

Miscellaneous: hardware (screws, nuts, washers, lugs, perfboard, etc.) - see MWDX-4 / Mini-MWDX-4A article (Fig's 4/5/5A & Tables 6/8 of that article) for rough estimates.

The hole list of the Mini-MWDX-4 can be used, with the following deletions: left side 1, 5, & 6; top side 12 & 13. In place of the 50K R1, two pots (R1 = 25K shunting C1, R2 = 25K shunting C2) could be used for a bit more flexibility. In that case, Mini-MWDX-4 top side holes 12 & 13 would be used.

FIGURE 1: BASIC PHASER

NOTE : LETTERS IN BLOCKS (E.G. **A**) ARE REFERENCE POINT DESIGNATORS USED IN THE ARTICLE.

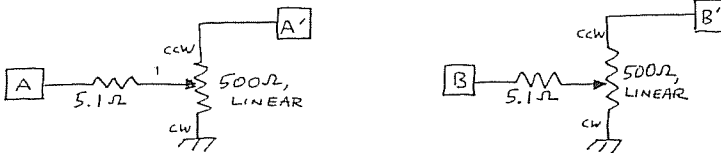


Enhancements

The builder may opt for any or all of the following custom improvements:

1 At the Figure 1 points labelled [A], [A'], [B], and [B'], break the connections and insert potentiometers and fixed resistors according to Figure 2.

FIGURE 2 : DUAL LEVEL POTS OPTION

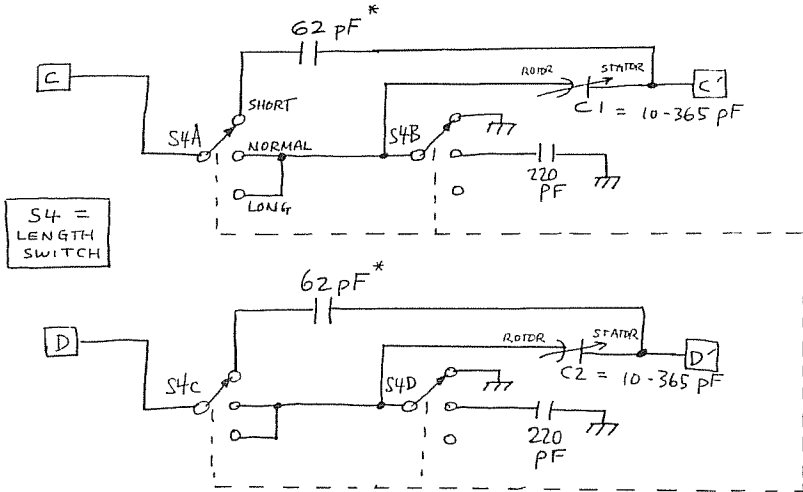


This will give more flexibility in setting up nulls. Note: these added pots control level without greatly influencing Q; therefore, they play a different rôle from that of R1 in Figure 1. They do not replace R1; rather, they supplement it.

2 Replace section [C] - [C'] and [D] - [D'] with the set-up of Figure 3.

FIGURE 3 : LENGTH - SWITCH OPTION

REPLACE SECTIONS BETWEEN FIGURE 1 [C] - [C'] AND [D] - [D'] WITH THE FOLLOWING :



* = COULD INCREASE TO ≈ 120 PF FOR SHORTER WIRES

The added 4-pole, 3-position rotary switch is referred to as the "length switch". Its purpose is to allow efficient coupling of longer wire antennae (e. g. over 30-m.) than the Figure 1 scheme can. Signal-to-receiver-noise ratios can be improved in some circumstances. For even a bit more flexibility, use separate length-switches for Line 1 and for Line 2 (probably not a bad idea if vertical-vs.-Beverage phasing is to be done).

Note that the two tuning capacitors "float" from chassis ground in this design variation. This entails using a bit more mechanical ingenuity during the construction process. Use of a plastic, rather than a metal, chassis box could be helpful.

3 Replace the 4-pole, 3-position bandswitch (S1) with a 4-pole, 6-position type [Figure 4A] or with a 2-pole, 12-position type [Figure 4B].

FIGURE 4A : 6 - BAND (LWBC, MW) SWITCH

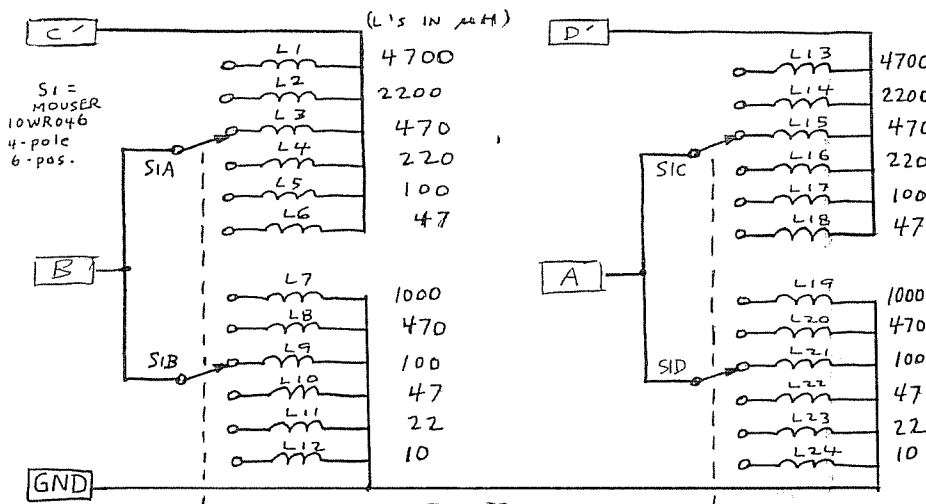
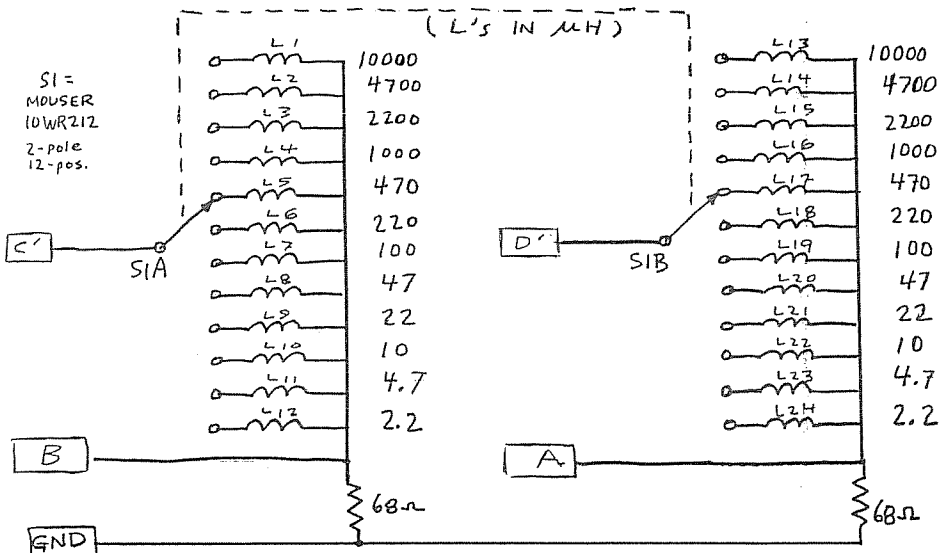


FIGURE 4B : 12 - BAND (140-7000 KHZ) SWITCH



The Figure 4B set-up gives more frequency coverage than that of Figure 4A, but achievable output levels are somewhat less.

4 Add a switch (or two switches) to go from wire operation to external loop operation on one (or both) of the lines feeding the summation point. See the MWDX-4 / Mini-MWDX-4 article for such a set-up (Figure 1B of that article).

5 Smoother / more precise tuning may be obtained through the use of vernier reduction-drive knobs (e. g. Mouser part number 45KN100) on the two tuning capacitors. The Micro-MWDX-4A article gives a detailed description of how this can be done. Note that extra holes and hardware, and more panel space, will be required. The mechanical layout should be worked out thoroughly before drill meets metal. For an even better set-up, put vernier knobs on any level-balancing and Q-adjusting pots as well.

6 An amplifier could be included in the phasing unit box (as was done with MWDX-4), or in a separate unit between the phaser output and the receiver input. An amplifier input level adjustment pot or stepped attenuator should be provided unless the amplifier module has AGC and/or an unusually high dynamic range figure. My current methodology is to put a small-signal, non-power-hungry 20-dB-gain broadband amplifier inside of the phasing unit box (see MWDX-4) for rural-locale or shorter-than-normal-wire operation, and to use a more "muscular" (power-gobbling) amplifier, usually of high-Q tuned design, in an external box when off-channel signal levels are too high for the built-in amplifier. One could theoretically build a high-Q tuned (e. g. regenerative) amplifier into the phasing unit box, but this would increase the number of control knobs on the phasing box to the confusion-inducing level. Reduction of DXer operating efficiency would be the inevitable result.

"Active phasing"

Gain could be put between the high-impedance point of each of the two tank circuits (C1 & C2 stators) and the summation point, rather than after the summation. This would mandate the use of two high-impedance-in / low-impedance-out amp. cards (typically referred to as "front-end" or "active probe" cards). Doing this would eliminate the need for the inductive-divider set-up in the S1 bandswitch. This active-phasing concept is probably the only viable means of phasing two very short antennae (e. g. car whips). The 62 pF input coupling capacitors should be increased to over 200 pF for car whip tuning. Active phasing has been tinkered with at WA1ION DX Labs, but inter-modulation distortion / crossmodulation / overloading problems have been found to be a serious limitation with typical JFET (2N4416 / MPF102) high-Z input amplifiers. VMOS FET designs and amplifiers built around "buffers" such as the National Semiconductors LH0033 and the Burr-Brown 3553 look more promising in this regard. The crunchproof front-ends, of course, get rather warm and consume much more power than a 9-volt transistor radio battery could ever deliver.



WESTERN
DX
ROUNDUP

Nancy Hardy
2301 Pacific Ave.
Aberdeen, WA 98520

WDXR deadlines: Monday April 23, Monday May 14, Monday June 4.

REPORTERS FOR THIS ISSUE:

- (TRH) Tim Hall-350 G St. #F-1-Chula Vista, CA 92010
ICF-2010, Radio West loop
- (BH) Bill Hardy-2301 Pacific Ave.-Aberdeen, WA 98520
FRG-7, Radio West loop
- (NH) Nancy Hardy-2301 Pacific Ave.-Aberdeen, WA 98520
FRG-7, Radio West loop
- (GL) Gary Larson-2806 Lincoln-Burbank, CA 91504
DX'ing in Sunland, CA with car rx
- (CM) Curtis McMenamin-2917 Georgia St.-Vallejo, CA 94591
(CM-NV) DX'ing in Reno, NV with Magnavox D2999
- (bp) Bruce Portzer-6546 19th Ave. NE-Seattle, WA 98115
DX'ing at Grayland Beach State Park, WA with FRG-7, various
Beverages
- (RW) Robert Wien-1309 Dentwood Dr.-San Jose, CA 95118
GE Superadio, GE long-range portable, SM-2

OF SPECIAL INTEREST

- 1340 (KRCV) NV, Reno off the air 3/15 & 3/16, possibly silent. (CM-NV)

- 530 TIS CA, San Jose Int'l Airport 3/19 0415 noted a new message & new slogan, talking about U.S. Air and Terminal A, ending with "...we're Silicon Valley compatible!" usual jingle followed. (RW-CA)
- TIS NV, Reno 3/16 2200 Nevada Dept. of Transportation, giving info about Highway 80, coming in good. (CM-NV)
- 570 KISN UT, Salt Lake City 3/16 2430 coming in fair-poor with adcon music. (CM-NV)
- CFWH YT, Whitehorse 3/13 0307 apparently the one with sports (many Canadian items), promo for a program on Sun. am, then CBC's "Saturday Night Blues" program. Fair o/KVI only on 1000' NW Beverage, not heard on 700' W or 3500' SE Beverage. No ID heard, but programming doesn't match anything else and Alaskans were in well at the time (especially KINY-800 & KTKN-930). Taped sent and keeping my fingers and toes crossed. (bp-WA) (Oh darn. We were planning to attend the DX'pedition, but all the campsites were taken! We really need the Yukon!!!--NH)
- 590 KRSO CA, San Bernadino per call to KRSO, they do not plan to change calls, despite change in format. (RW-CA)
- 600 CHRX BC, Vancouver 3/25 0622 average, atop "Q-106" (KKLQ?), lady announcing 1970's rock music just played, "West Coast weather," "at AM 6 hundred, CHRX," back to music. Ex-CJOR. (BH-WA)
- 780 (KROW) NV, Reno 3/16 2200 totally off the air. (CM-NV)
- 860 KLZX UT, Salt Lake City 3/25 0655 good with KTRB nulled. Doobie Brothers oldie, 0700 full AM-FM IDs for Salt Lake City-Ogden-Provo, into Rolling Stones oldie. Ex-KUTR/KLTQ/KWHO. (BH-WA)
- 920 KQLO NV, Reno 3/15 noted at 1500 with oldies format. Last heard as country. (CM-NV)
- 930 KRTH CA, Los Angeles per call on 3/20, new owners are still in negotiations to buy station, so call change to KKHJ & format to Spanish is still on hold "for an unknown amount of time" (per KRTH). (RW-CA)
+3/25 0757 fairly good in KSEI null. Ending hour of "Reelin' in the Years" program, national ads to 0800, then local ID break with "K-Earth 101" FM ID, jingle "KRTH, Los Angeles," "Oldies 93 is Smokin' Oldies, KRTH, Los Angeles" and back to show. Ex-KHJ, has evaded several tries, glad to hear before they change KRTH calls. (BH&NH-WA)
- KRKY CO, Granby 3/20 0803 ad for the restaurant at a local inn, followed by recorded ID: "The voice of the Rockies, KRKY - KRKM." No PSA listed, so possibly 121 watt night power. Previously logged only at Beverage site. (TRH-CA)
- 940 KFRE CA, Fresno 3/16 0200 in poor with country music. (CM-NV)

- 970 KCTR MT, Billings 3/20 0732 poor-fair under XEJ. Weather by man, ID as "Cat Country, KCTR" into C&W music, local ads, and more weather. New. (TRH-CA)
- 1170 (KCBQ) CA, San Diego MM 3/19 0515 off at first, then mostly OC until they came back at 0555. Very rare SP. KVOO & KLOK in well as usual in their absence. (TRH-CA)
- 1210 KLOK CA, San Jose 3/18 1005 Spanish in poor-fair. (GL-CA)
- 1210 KLDI Laramie-Cheyenne 3/25 country music, 0600 ID "KLDI, Laramie-Cheyenne," into CBS news. Good right at ID time over KBSG and jumble. New. (NH-WA)
- 1230 KRNO NV, Reno 3/15 2230 noted with new calls, ex-KCBN. "This is KRNO AM 1230 and 106.9 FM." Coming in good. Have heard their FM station in Vallejo when KEAR San Francisco is off, but never on AM. (CM-NV)
- 1270 KNWZ CA, Palm Desert 3/17 2205 in very good, never heard here yet. Sounds like high power. Joined Talknet at 2206. Spanish under. Some Fading. Anyone know xmtr site? (GL-CA)
- KESS TX, Ft. Worth MM 3/19 0542 fair-good on top of channel with local ads, "La Fabulosa" slogan, greetings to listeners in Dallas and Denton. Power failure in Tijuana knocked off my locals on 860, 950, 1270, 1420, 1470, and 1550 for about an hour tonight! (TRH-CA)
- 1310 KZIP TX, Amarillo 3/22 0715-0733 fair with KXAM, some fading. "Los Famosos del Norte" nortena program, lots of local ads by a woman, ID by man at 0733. New. (TRH-CA)
- 1500 KSJX CA, San Jose 3/18 0958 end of Inside Santa Clara County. ID ment. KSJO & KSJX. Address given for prior program was 1420 Koll Cr., San Jose 95112. Isn't xmtr at 501 N. Wooster? Good signal this clear morning. Now playing part 4 of lost Lennon tapes. (GL-CA)
- 1550(KISK/
KXTO) NV, Reno 3/16 1300 this station is not on the air, tried for them, but nothing on the freq. Does anyone know the call letters? (CM-NV)
- 1550 KMJK WA, Vancouver 3/22 0749 good, battling strong KKHI. Local ad, "Magic FM 106.7," adcon music. 0800 legal ID: "KMJK-AM Vancouver. KMJK-FM, Lake Oswego-Portland," more adcon. Note the AM is still licensed to Vancouver, ex-KVAN/KGAR. (BH-WA)

ID'ing an unID

- 1270 Rth's unID satellite country station is most likely KJUG Tulare, they are satellite country format (ex-news-talk). (RW-CA)

UNIDS

- 1230 3/17 2250 fading bad, almost no KGFJ. Sounded like station was // KGRB-KBOB FM music. Unable to get ID on hour. (GL-CA)
- 1480 Sa 3/17 0410 ID "AM 14-80, KGLI(?)" then apparently into C&W. (TRH)

This is the last weekly issue, so see you all in TWO weeks. ♥

Phasing Unit Designs: Simple to Complex
continued from Page 11

Conclusion

A very simple phasing unit design, as shown in Figure 1, can be used effectively to null out unwanted signals and allow new DX to be heard. The construction of this Basic Phaser is within the capabilities of many DXers.

With a bit more investment in time and materials, phasing units of greater complexity can be assembled. The specific enhancements chosen will tailor the unit to perform better in the ways most important to the end user (e. g. greater frequency coverage, greater sensitivity, better nulls).

DXers are always encouraged to report any research results from phasing unit experimentation. The most meaningful results, in the final analysis, are the new stations put into the logbook.

EASTERN DX FORUM

Richard C. Evans
5104 N. Lovers Lane
Milwaukee, WI 53225

Reports from members living east of the Mississippi River
Deadlines: 4/7, 4/21, 5/12, 6/2, 6/30, 7/28...

Tom Laskowski, 1334 East Miner Street, South Bend, Indiana 46617

One of those rare DX sessions that I've dreamed about for a long time came true on the morning of March 11. I was up late working DX on the 20 meter ham band and decided to finally go to bed around 0400. But before turning in, I decided to check the MW band for signs of anything unusual, and was pleased to find WGN totally off the air. In its place were CHTN (for PEI #1, CP #8), and KDWN (for NV #1, state #44). Thus I logged a new state and a new province simultaneously! KDWN only stayed in for about 10 minutes but CHTN was in quite well for over an hour and I managed to get good details and several good IDs for my ID tape. Of course, reports were sent to both! Recent veries in are WLUS, WADN, WCIL, WRSW, and WAGL (all DX tests). Still no verie from WKEN after two months and I'm getting a little worried. I just renewed my membership but this might be my last year in IRCA. Whether or not I rejoin will depend upon my financial status next spring and/or whether or not I decide to join NRC. I won't belong to two clubs. (Why not? 200 of us belong to both--rce) Basically I'm disappointed with the overall lack of support for IRCA and DX Monitor. I'm not sure if this is a trend in all DX clubs, but it's something with which we should be concerned. I will, however, continue to support this club as much as I can as long as I'm a member. One final note: As I type this (March 20 at 2230) the K-index is 7! I still haven't noticed any wierdness on the MW band but SW seems to be affected quite a bit. A major geomagnetic storm is forecast for tomorrow and it should be interesting to see what kind of DX I'll hear tonight. I plan to get up for SRS this morning. Check CDXR for any logs I might send in. Best of 73 de KB9BIT.

Rick Evans, Apt. 19, 5104 North Lovers Lane, Milwaukee, Wisconsin 53225

This is the last of the weekly issues, the one my wife waits for each year, hi. Check the deadlines at the top of each column. Only one report out this season--to WBT-1110 NC--and no reply yet. I verified them 20 years when I lived in Gary, Ind., so I'm not real upset. To follow up on Ric Heald's comments in the 3/24 WDXF, I would like to see proposals to the BoD have with them a statement saying why the proposal should be passed, along with a statement of how the change would affect that which exists now. Example: proposal 14:1-39 to discontinue CDXR. Period! Now, if it passes, does the CDXR get divided between EDXR and WDXR, and with what boundary line? How do Ray and Nancy feel about it since it would a bigger workload on both of them? As I read the item, and I feel it has to be read with just what it says, then the WDXR and EDXR would remain the same, and those members who are in the middle of the country would not have a place to report to. Personally, it sounds like two members with a vendetta against John Johnson and Ric Heald, and all that will come out it will be that IRCA will lose members who get tired of reading about it. That's it for this week. See you in April.

In This Issue

All sections except DXWW-East and Eastern DX Roundup are in this issue. Jim Hall reports there are still NO reports for his column; there is no word on EDXR. Due to overwhelming demand, your Editor-in-Chief announces, repeats or reiterates a new policy: DXR and DXWW editors are alone responsible for decisions on what is timely DX. As always, members are encouraged to submit reports; all editors are encouraged to use their own judgment on how old reports may be. Because of this policy change or adjustment, our printer is going to be given an extra day to do the printing and instead of rushing copies from the printer into the mail as early as 4 hours later, bulletins will be collated, stapled, folded, and stuffed into envelopes on the weekend and mailed on issue date of Saturday or on Monday. 95% of the membership will not notice the few extra days. Those mailing material for DXM are reminded that we continue to use Saturday, 7 days before the date of issue, as the deadline for ALL columns and plan to continue through the season. Columns received later will be used in the following bulletin. - Don Erickson, IRCA Editor-in-Chief



Western DX Forum

★ ★ ★ ★

Editor: Ric Heald • 8539 Bellamy Way • Sacramento, CA 95828 USA • (916) 386-8677

JIM HILLIKER, 1705 WITHERS AVE. #12, MONTEREY, CA 93940 (New Address)

Happy Anniversary IRCA! Yes, I've moved to town as of 03 March to save money on gas and to be closer to work and have more time with my family. For the traditional re-intro: I'm 34, married to Laura 5 years this summer and we have one child, Pete who turns 2 on 04 May. I've lived in CA since the age of 2, with 20 years spent in Anaheim. Went to Cal State Fullerton, earning a BA in Telecommunications. I've worked in radio since 1979, with time spent at KNOB FM, KYMS FM, KWRM AM, KWAV FM, KTOM FM and AM and currently with KOCN FM as News Director and at KNRV AM as part-time board operator. We've lived in Monterey County since 1986. As for DX, I've been an IRCA member since September 1982. Have DX'ed off and on since the late '60s from '75 to '81, I was deep into SW DX, with 563 stations heard from SoCal with 36 states heard and probably only a dozen countries heard, because I concentrate mainly on domestic DX. Since moving here, DX time has been limited with only 200 stations heard. I used to write for veries, and have around 170, but many more on tape. Best catches include: KABN 830, KKDA 730, WYNX 1550, WSLM 1220, WTAI 1560, WDMG 860, 1 kw on 890 from Lisbon, ND (can't remember calls), and several GY'ers; though none further east than CO and NM thanks to the crowded band conditions. Good catches also include hard-to-hear stations that were fairly close to me such as KHSJ 1320 and KVLJ 1140. Hearing KMER WY 950 while XEGM was on also proved to be a test of my patience with the ole loop. One of my better catches since moving north was KLWJ 1090 which still has RW in San Jose shaking his head. There are plenty of other examples and we all have memories of past great DX catches. Sure, the bands are more crowded now and we may not hear those really distant or low-powered catches that once were common, but turn on that radio and you may be surprised. Let's show IRCA our support as we head into another great year for our hobby. 73 de Jim.

STEVE HOWE, 250 WAVERLY ST. #5, MENLO PARK, CA 94025

The Anniversary issue that didn't look like an anniversary issue arrived. It's too bad more people weren't aware of the revised deadline. I guess we can look forward to anniversary forums trickling in for the next couple of issues. I miss having that one massive issue that could double as a frisbee. I also hope that the tissue paper used for pages 9-12 was inserted only as a postage saving measure and won't appear again. Its quality is very substandard. I'm enjoying my new Sony ICF-2010 and have been spending quite a bit of time doing band scans at various times of the day to reacquaint myself with what's out there. In this era of memory scanning, it's too bad more stations these days don't have silent periods. Still, it'll be great to know with the push of a button whether any of my locals are taking a siesta. I'm surprised how sensitive the Sony's built-in ferrite rod is. There are time when my R. West loop doesn't amplify a signal more than a few S units over the signal's strength with the built-in loop. My R. West loop doesn't seem to "peak" as I tune it to a particular frequency as sharply with the Sony as it does with my old Realistic DX-150. Caught my first two DX Tests in 17 years MM 12 March. Enjoyed listening to the marches and college football fight songs played during the KTHO test but was surprised at how badly KAQQ and KUGN tore up their signal. Nabbed KLLK on their test 30 minutes later but you would have thought they were located east of the Mississippi with their weak signal - thank goodness for code 10. Kudos to DEE - the DX Calendar is markedly improved this year. I appreciate being kept informed this year about NRC-arranged tests before they happen. Looking forward to checking out the new Icom R72 - should be in stores any day now. That's it for now. 73 de SSH.

W. GEORGE ELLIOTT, P.O. BOX 956, PRINCETON, BC VOX 1W0 CANADA

Happy Anniversary IRCA! It feels like it was just a few months ago that I was writing one of these reintro forums and because I just renewed my membership, it's as good a time as any to say hello to everyone. I'm 29, single and have spent 11½ years in the radio industry, something I was drawn to as a result of my DX'ing hobby. I started out working a total of two hours a week as a tape operator for minimum wage at my hometown FM station. Six radio stations later, and every shift imaginable I'm the Assistant Manager at CKRP Princeton. The strangest shift I ever worked was mornings 0600 to 1500 on one station and then working 1800 to 0000 the same day at the rival AM station. Talk about paying your dues. I've DX'ed what seems

like every leap year since 1974 and covered everything from CB and police band to SW and BCB. I also collect old radios and broadcasting equipment, adding about 2 or 3 new items per year. Although I haven't been near a radio lately, I'll pass on a little DX news. CBRP 860 // CBU went FM some time ago, but had been running both AM and FM LPRTs as they always do when a change is being made. The AM LPRT has finally shut down and the CBC says it will actually vacate the AM transmitter site located at Memorial Park just east of Princeton August 1st. Having not been too interested in viewing transmitter sites, I did snowmobile to the top of Apex Mtn. west of Princeton last month with the local cable TV technician to give him a hand cleaning up the site. CHNJ TV was at the 7500-foot peak of the mountain and was nothing more than a hut that housed two antennas that were rebroadcasting aired signals to another site outside of Princeton. I found it quite fascinating as well as the fact that the site was sort of an antenna field of sorts with a few other abandoned towers and apparatus. It also presented a view that was worth the 2-hour snowmobile trip, problems and all, even if it meant standing in 40 mph winds whipping around us tearing at our clothes. Gee, and all our site has is a phone, air conditioning, heat is only about 50 feet from a well maintained road. Once again, I'd like to thank all those who keep this club alive with their dedication and I hope to contribute a little more often in the future. '3s de WGE

TIM KRIDEL, 1205 UNIVERSITY #430, COLUMBIA, MO 65201 (314) 449-7682

Hello to all. Hopefully this will make it to Ric in time for the 26th Anniversary issue. At any rate, I believe a re-intro is customary. I'm 19 and a broadcast journalism major here at the University of Missouri-Columbia. I'm originally (until late 1988) from Long Island, NY and a member since July 1986. I recently enjoyed a GTG at Rick Dau's place near Minden, IA on 03 March. It was nice to finally see some of the faces behind the names. I suppose by the time this sees print, Rick will have already sent a forum describing it all, so won't go into detail. Local KTGR 1580 had a format change in February, dropping country in favor of Stardust's memories and melodies. I just completed a paper on the demise of AM for my journalism class, which I may send to HQ. Part of the research included a trip to KTGR to find what prompted the change. After a conversation with owner, and I believe GM Harvey Desnick, I came away with a sense that narrowcasting of non-music formats seems to be the only possibility for AM to survive. He said their feelings were they couldn't compete with a 100 kw country FM (KWWR), and their studies indicated there was a market for their new format. They serve primarily the city, whose population includes college profs from three separate campuses, as well as other professionals and, for a lack of a better term, seniors. It seems this would make perfectly logical sense, not only because of the nostalgic content of the music, but because these are people who grew up with and thus are accustomed to AM's lack of fidelity. Not to say this is always true in every case, but the hypothesis does hold water. Live only for their morning show, they were plagued by sunspots while I was touring the facilities, although a chart from Stardust didn't indicate it was the time of day for such an occurrence. I never really thought about that being a problem for a radio station; I know differently now. My 17 February issue of DXM arrived in a plastic bag from the Kansas City post office, with an apology for its condition, and assurance they would try to avoid this sort of thing in the future. Some piece of machinery must have attempted to eat it, because it looked like someone had begun to feed it into a paper shredder, then changed their mind. Through the last few issues, I've notice a storm is brewing, and we're about to lose more than a few members. There have been some calls for an expansion of coverage to include to include AM, tropicals, SW, etc. I'd like to echo Rolan Kunkel's 03 March forum in saying that sticking with AM and AM only is better because most of us specialize in AM, and therefore have the experience to better address this aspect of the hobby than perhaps other all-encompassing clubs with a BCB column. Besides, if we include other portions of the spectrum, we'd be competing with clubs such as NASWA and ITFDA. Not saying we're weak or second-rate, but I do feel we could successfully compete with these organizations, and we may end up dissolving, being absorbed by another club, and simply losing our identity. It's not necessary to "diversify or die." As for regaining support of the membership (eg. contributing to one's respective columns), I really don't know what can be done. Something as drastic as barring members for not contributing would simply lessen our membership, as well as our resources. I realize not everyone has time to DX or send in contributions on a regular basis; I myself am hardly innocent of this crime. It's a little late for a resolution, but I plan to at least attempt reporting more frequently. My membership is up for renewal, and I expect to do so. I guess my feeling is if the ship is going down, I'll help bail until I go down with it. Sorry to end on such a somber note.

RANDY STEWART, 4225 W. LA CASA, SPRINGFIELD, MO 65802-5615

I seemed to have missed the 26th Anniversary issue (at least in WDXF - I did show up in the loggings columns). So I'll just say "Happy 26th Anniversary IRCA and many more," and get on with my usual posturing and pontificating, hi. Verie back in about 12 days from KOKK 1210 - this for a f/up. In the pre-anniversary issue (Vol. 27 #24) there were some excellent comments re Glen Kippel's "modest proposal" from Glen himself and from Patrick Martin. I think I'm mellowing out on the subject: the DX Australia-type bulletin (50/50 SW/MW, with one or the other dominating dependent on conditions, reports, etc.) sounds perfectly reasonable to me. Presumably this is the sort of thing Glen had in mind, and it would allow IRCA to expand its coverage in any direction desired by the membership and NOT abandon its historically strong commitment to MW in the process. Everyone knows MW is a challenging (and frustrating) band to DX these days. . . too challenging for some folks, in fact. I get the feeling a lot of formerly active MW DX'ers have all but given up, to judge from some of the Anniversary forums. It seems to me there are two ways to adapt ourselves to the challenges: 1) give up; or 2) dig in our heels, sing "Mighty Mouse" song, and resume serious work and research into new antennas, new equipment, new techniques for coping with the challenges of an OBSCENELY overcrowded band - precisely the sorts of things Glen discussed in the Anniversary issue. It was this spirit of discovery and research that has resulted in the NRC Altazimuth Loop, the Joe Worcester Space Magnet and Long Distance AM Receiver, and the MW propagation research of Gordon Nelson, Randy Seaver and others. It takes an enormous commitment to a hobby to bring forth those kinds of innovations and discoveries. Like Glen, I too love (and DX) SW as well as MW, and if adding band coverage to IRCA will help, I'm all for it. I also don't think Glen (or anyone else) has suggested we abandon mediumwave as a club. . . but I also continue to be appalled by the lack of reports to DXM. So Glen is right - something has to be done to keep IRCA a going, thriving concern. And expanded spectrum coverage may yet be the answer. I just hope MW will continue to be a major (perhaps THE major) focus of club activities. 73.

TIM HALL, 350 G ST. #F-1, CHULA VISTA, CA 92010-4559 (619) 426-3584

Southland update: Both XEKAM 950 and KVEG 840 have dropped FBN financial news feed, leading me to wonder if FBN has gone down the drain. KVEG has switched to BRN and XEKAM (for now without spurs on 890 and 1010) has reverted to SS AdCon, calling itself "Radio 95 de California." FBN is (was) an incredibly clumsy satellite feed, more often than not cuing up their own (UPI) network news in mid-sentence. Sound fidelity also seemed particularly bad. I also notice UPI news on KMYN now. I know it's possible, but I doubt that UPI would sell their news to the competing Money Radio flag if their own FBN were still alive in the same market. On a similar subject, is Dr. Dean Edell still a part of ABC talkradio? (Yes-RH.) I ask this because KFI now airs his show and it's no secret how KFI and ABC Talkradio feel about each other. Many of you no doubt have discovered by now that KPMC 1560 has gone MSP with CNN news. Undoubtedly the best DX channel on the dial, is now rendered useless, with only XEFAJ or XEJPV occasionally poking through. I'm glad I spent so much time on this channel in 1989 - hope everyone else did too. That WAGL test came just in the nick of time. Nice v/l back from KDKA 1020 and WAGL 1560 this week. The WAGL verie included a list of folks who reported hearing the test. Roughly a third of the 24 reporters were IRCA members. Farthest reception was from Charles Boehnke in HI, followed by 4 of us in CA. I like their slogan: "serving all of North Central South Carolina. . ." Huh? Hi. 73 de TRH.

BILL HARDY, 2301 PACIFIC AVE., ABERDEEN, WA 98520

Two recent events - the arrival of all Almanac masters for final paste-up and a DX'pedition campout near Aberdeen - have me getting excited about DX in March, just when most folks are switching to other bands or hanging up the headphones until September. Everything that's been typed for the Almanac is now in Aberdeen. Nancy and I are pasting it up and should be at the printer within two weeks of you reading this. On 18 March, Nancy and I took the kids on a picnic to Grayland Beach State Park. DX'pedition spearheaded by SW DX'ers in NASWA and Fine Tuning. It was a pleasure to visit with John Bryant and his wife. Bruce Portzer was also there. We had a levelheaded discussion about IRCA. Thanks to an unforeseen conflict with the Grayland Driftwood Show that weekend, the campground filled too early for Nancy and me to camp. The DX on the 3 Beverage antennas was unreal. Because Grayland is within 25 miles of home, we would have loved to count John's tape of Korea 1566 at armchair level. Bruce's tentative of Yukon 570 is surely a "big one that got away." We hope to Beverage DX from there next season. Meanwhile, we've all made plans to have a campout and GTG near Olympia in May. Any DX'er who loves camping, contact me for details. I recently took

stock of my hobbies. Currently, #1 is parenting, camping is #2 and DX'ing is #3. If we take the kids to a campground with a receiver, we combine them all! Tim Hall, your Supersonics NBA relay on KJR 950 at 0450 recently is part of their "All Sports All Night! Only on KJR" package, as touted on billboards in Olympia and Tacoma this month. KJR remains rock oldies days. The call change of KLAY 1480 Lakewood, WA to two sets of calls (KDFL Sundays, KTGN other days) may not occur for awhile. KLAY is spinning off 1480 to two owners when its CP to 1180 is complete. However, there has been no testing on 1180, and on trips to Tacoma, checks of 1480 show no announcements of any impending move. When the calls change, KDFL/KTGN will be my closest unheards at 70 miles. Their null of KELA 1470 is so tight that it took many years of trying to get KLAY. They were ultimately heard 5 years ago at an electrically quiet state park near here at 1100 PST. That was before sloopmaster KGHO moved to 1490. I'll probably need a DX test to hear KDFL/KTGN. (That explains why KLAY is barely audible at Lacey at 25 miles and KELA drives a hard bargain in the sloop department-RtH.) 73 and good DX.

STEVE MITTMAN, P.O. BOX 3222, SEAL BEACH, CA 90740-2222 (213) 833-1010
(Cont. from last week - RtH.) Finally, I was deeply troubled by the recent potshot taken at Bruce Portzer for his putting out a so-called "elaborate" 25th Anniversary issue when we were "so deeply in debt." Come on, let's get real! It was our 25th Anniversary, for crying out loud! Crisis or not, if we were so deeply in debt that we couldn't even celebrate that special occasion with a special issue - then maybe the club shouldn't be around at all. And I resent the way he was (in an offhand way) somehow made to be the scapegoat for IRCA's difficulties. I don't like the idea of fingerpointing. Personally I happen to think Bruce did an absolutely fantastic job at putting out the bulletins each and every week, year after year. If the club is in financial difficulty, it's not because of "elaborate" bulletins, nor because of bulletins that contain newspaper clippings, nor because of "wasted space" taken up by DX tips more than 2 weeks old. It's because of dwindling memberships. And members drop out because they're not getting anything out of the club. Imposing policies which discourage all but the most diehard DX'ers from contributing; and further, cranking out "boring" bulletins with nothing better to read than DX tips to read, merely perpetuates that decline. The medicine is worse than the disease. Perhaps a lesson can be drawn from the recent events in Romania. The country had a huge foreign debt. So harsh conditions were imposed on the people. Among other things, homes and even hospitals were not permitted internal heating; and every home was permitted only 1 40-watt lightbulb. Its debts were ultimately paid off; but in so doing, its people were miserable and they eventually overthrew the country. 73 de SMM.

RIC HEALD, 8539 BELLAMY WAY, SACRAMENTO, CA 95828
(916) 386-8677 1700-2100 PLT & ppd

Whew! This typewriter has had a real workout the last few issues. Thanks all for your contributions. Tim, just because 2 stations drop FBN doesn't mean the network has folded, but you can certainly expect some of the minor satellite fed nets eventually folding; there's too many of them narrowcasting. And for Tim Kridell, there's a lot of us that grew up on AM radio that are too young to remember music from the '40s. The Baby Boomers for instance. (Now that I think of it, I'm old enough to be your father - yikes!-hi), but music of the '50s, '60s and '70s seems to play to most listeners on FM not AM, at least in the metro Sacramento market. Steve Mittman, I understand where you're coming from. What I really resent is the BoD being kept totally in the dark about the financial situation and then finding out about it from not the President or another BoD member, but from DEE and Ralph. Why wasn't the BoD kept informed and why wasn't a financial statement released as required? I too miss the newspaper clippings and other features that really added to the regular columns. I've tried to condense in my forums articles from the paper on local radio, but it's not the same. As for the Anniversary issue deadline, we'll get it together between editor and publisher for next year well in advance. Speaking of the Anniversary issue, what happened to the membership list that always appears with that issue? What also happened to the April Fool's issue? Don, I agree, we have to tighten the belt, but. . . Yes, Bruce did an outstanding job, as did the rest of the publishing crew, but I think the real thanks has to go to Evelyn Portzer who was a real supporter through all those years. Finally, as we approach the monthly issues, please gang, watch forum lengths; we're getting a little long - 30 lines (that can be fudged a little). It's OK when I get 50 lines during the season; just divide it between 2 weekly issues, but it gets a little dated when the divided forum appears a month later. Deadlines to follow my forum, mainly because I forgot at beginning of column, hi: 10 & 24 APR, 15 MAY, 05 JUN. 03 & 31 JUL. 73 de RtH. .



PAT MARTIN P.O. BOX 843 SEASIDE, OR 97138

DX Worldwide - West

Time: UTC phone (503) 861-3185

DEADLINES: April 10, 24, May 15, June 5, 1990

We have a short column for you this time. Chris Knight saved the day this week. We now go into an every two week schedule, then monthly until the Fall, so watch the deadlines. Opps, a report just received from Tim Hall.

PAN-AMERICAN DX ROUNDUP

- 600 CUBA, Radio Rebelde-SS fair u/QRM at 0723 3/7, w/SS mx and //620, 670, 710. (CK-CO)
- 620 CUBA, Colon-Radio Rebelde-SS poor-fair, ss rr mx //670,710, at 0718 3/7. (CK-CO)
- 640 CUBA, Habana?-Radio Progreso-SS good w/ment of "Cubano" ID as "Radio Habana" hrd not //670 or 1160 at 0716 3/7. (CK-CO)
- 655 EL SALVADOR, San Salvador-YSSS-SS good w/ballads, "Radio Nacional" ID and ment. "republica de El Salvador" at 0210 3/18. (CK-CO)
- 670 CUBA, Radio Rebelde-SS loud w/SS rr mx, woman hosting the program and // 620,710. A nightly regular anymore at 0719 3/7. (CK-CO)
- 710 CUBA, Santa Clara?, Radio Rebelde-SS fair o/QRM SS rr mx //620, 670. No KBXG due to blizzard, at 0720 3/7. (CK-CO)
- 760 CUBA, Radio Reloj-SS poor man w/nx,beep, 2 RR's, in code, and no KRZN at 0706 3/7. (CK-CO)
- 770 COLOMBIA, Bogota-HJKH-SS o/Unid XE w/"RCN presenta..." and numerous "RCN" ments.,also mention of Colombia,0605,3/18. (CK-CO)
- 790 CUBA, Radio Reloj, SS typical format,vy weak,0705, 3/18. (CK-CO) (Hrd that Cubans are really QRMing Florida stations of late, seems they don't like the U.S. beaming TV to Cuba. PM)
- 810 COLOMBIA, Bogota-HJCY-SS good o/RGO w/campesino mx, "en Caracol" mentioned twice, New #HJ 19, TSH #909, 0610, 3/18. (CK-CO)
- 830 MEXICO, Culiacan-XEVQ, 3/20 1209 fair w/distinctive regional ranchera mx. S/on seems to have changed to around 1205 (used to be around 1245-1250) (TRH-CA)
UNID, EE good at 0548 3/18 w/rr mx, TC's between songs, "It's 10 and a half until midnight" Carribean, probably Belize,accented ancr, checked 3285 SW //, not there. (CK-CO)
- 840 MEXICO, Celaya-XEFG 3/20 1216 Poor but steady u/KIKN w/"Radio Juventud, Celaya" ID followed by "Radio Juventud" jingle and possible 1KWment. New XE #184. (TRH-CA)
- 860 MEXICO, Tijuana-XEMO MM 3/19 1048 caught s/on after a power failure in Tijuana knocked 6 stations off the air. Mentioned still only 5KW. They sound and slop more like 50KW! (TRH-CA)
- 940 CUBA, Radio Reloj, SS u/KIXZ w/typical Cuban Reloj format, time ticks, beep, RR at 0552 3/18. (CK-CO)
MEXICO, Mexico DF, XEQ 3/20 1200 noted in pssing w/XE anthem and ID. Not often hrd. (TRH-CA)
- 950 MEXICO, UNID's MM 3/19 1157 UNID station w/XE anthem, killed by another station (XEKAM) sudden s/on after the power failure. Worth monitoring next time XEKAM falls off the air (which will probably happen by the time you read this,hi.) (TRH-CA)
- 980 MEXICO, Monterrey-XENR 3/17 1214 fair w/localads, TCs, "N-R" slogans. XEKE is obviously no longer NSP. (TRH-CA)
- 990 MEXICO, Cuauhtemoc-XEER-3/20 1249. Noted on earlier than listed 1300 s/on w/talk in Indian language then back to SS. For a minute, I thought I had much-wanted KSVP. (TRH-CA)
- 1010 MEXICO, UNID 3/17 1200 Man w/GMT -6 TCs, 3 minutes fast. (TRH-CA)
MEXICO, UNID 3/17 and 3/18,also 3/20 1257-1259. Always another XE anthem here looping E or ESE u/XEDX, after XEWS anthem at 1254 and before KCHJ s/on at 1259. Garbled ID caught on tape and sounds like "XEPO-El Rock" followed by possible Chihuahua ment. Would like to think this is XELO, but the third letter just doesn't sound like an "L". (TRH-CA)
- 1160 CUBA, Radio Taino-0728,3/7, SS fair u/KSL w/festive Cubano mx, ments "Taino" and "Cuba". (CK-CO)

THE INTERNATIONAL RADIO CLUB OF AMERICA (IRCA)

The IRCA is a non-profit organization devoted to the hobby of hearing distant stations on the AM Broadcast Band (510 - 1630 khz). **DX Monitor**, the official publication of the IRCA, is published 34 times a year, weekly from October to March, twice in September and April, and monthly from May to August. **DX Monitor** contains members' loggings, articles on radio stations, receiver reviews, technical articles, DX tips, and other material of interest to Broadcast Band DX hobbyists. IRCA is a member of ANARC, the Association of North American Radio Clubs.

CLUB ADDRESSES AND OFFICERS

President: Karl Zuk, 154 Old Post Road North, Croton, NY 10520-1932 (proposals).
Secretary-Treasurer: Don Erickson, 6059 Essex Street, Riverside, CA 92504 (dues / address changes).
Board of Directors: Ernest R. Cooper, Richard Evans, Ric Heald, John C. Johnson, Patrick Martin, Bruce Portzer and Rich Toebe.
Editor-in-Chief: Don Erickson, 6059 Essex Street, Riverside, CA 92504 (articles for publication).
Publisher: Ralph Sanserino, 11300 Magnolia, #43, Riverside, CA 92505.

MEMBERSHIP DUES

U.S. - \$25.00 per year. Canada - \$27.00. Overseas Surface - \$28.50. Overseas Airmail - \$35.00 (Central America, Caribbean, Colombia and Venezuela), \$38.00 (Europe, North Africa, Middle East), \$41.00 (rest of the world). One time charge for New Member Packet - \$2.00 (first year only). Trial Membership - \$9.50 (10 issues of **DX Monitor** and a New Member Packet, U.S. / Canada / Mexico only). Installment rate: two payments of 1/2 dues plus \$1.00 (\$13.50/payment for U.S. members). Make checks and money orders payable to IRCA and send all dues (and address changes) to: IRCA, 6059 Essex Street, Riverside, CA 92504. Persons living outside the U.S., please use International Money Order in U.S. funds. Sample copies of **DX Monitor** are \$1.00 (U.S. or Canadian) or two International Reply Coupons each and are available from: IRCA, 6059 Essex Street., Riverside, CA 92504.

THE IRCA GOODIE FACTORY

Reprints of more than 450 articles from past issues of **DX Monitor** are available from the IRCA Goodie Factory. Also available are the very popular IRCA publications: **Principles of Broadcast Band DXing**, **IRCA Almanac**, **A DXers Technical Guide**, **IRCA Foreign DX Reference** and the **IRCA Foreign Log**. For a complete list of reprints and publications and their cost, send \$1.00 to: IRCA Goodie Factory, 11300 Magnolia, #43, Riverside, CA 92505.

Unless otherwise noted, permission is granted to publish, broadcast, or otherwise reproduce non-copyrighted material appearing in **DX Monitor** provided credit is given to the IRCA and the original contributor. Opinions expressed in **DX Monitor** are those of the original contributors and do not necessarily reflect those of the IRCA, its publishing staff, editors or officers.

DX Worldwide - West (continued from previous page)

- 1270 CUBA, Radio Reloj-SS man w/nx,time ticks,beep, "R" s in code o/ KESS. Cuba must be flexing the radio muscles, at 0608 3/8. (CK-CO)
MEXICO, Navojoa-XEGL 3/20 1153 fair w/slow deep fades. XE anthem at 1155 followed by full ID which ment. 1KW and "La Mejor de la Musica" slogan. Not hrd in ages. (TRH-CA)
- 1555 CAYMAN ISLANDS, Radio Cayman-Vy good signal (S9+5DB) w/non-stop Reggae style rr mx. Accented vocalist,garbled ID 0256 3/18.(CK-CO)
- 1600 MEXICO, Tecate-XETCT-3/18 0054 Pre-recorded half-hour IDs gave address as Avenida Hidalgo 1193, Tecate,B.C. Station never mentions their power, but they frequently mention being part of the "NRM" Network (Nucleo Radio Mil). Calls are def. XETCT. (TRH-CA)
- 1610 ANGUILLA, Carribean Beacon-EE presumed them w/rel program/mx, and very good signal at 0316, 3/18. (CK-CO)
+Also noted then very good o/TIS stations w/rel program at 0300, w/ID on 3/23. (PM-OR)

THANKS TO THESE REPORTERS

- TRH-CA TIM HALL-350 G STREET #F-1,CHULA VISTA, CA. 92010-4559
ICF-2010, Radio West Loop
- CK-CO CHRIS KNIGHT-598 SOUTH CLARION DRIVE-PUEBLO WEST,CO. 81007
DXing 5 miles N. of Pueblo w/ICR 71A,4 ft. loop,1025 ESE Beverage,non terminated.
- PM-OR YOUR EDITOR
SP-600 JX receiver, 1500 foot East Beverage,Ground system.

Bulletin Schedule

Future bulletins will be dated Apr. 21, May 5, May 26, June 16, July 14 and Aug. 11, 1990. A bulletin dated on a Sat. above is put together beginning 7 days prior to that date of issue, with the exception of holiday weeks.

FLASH! Western Samoa, 2AP, 1404 to 747 Frequency Switch Heard FLASH!
Per phone tip from Patrick Martin, 2AP-1404, Western Samoa, is now being heard on their new frequency of 747 khz. On Oregon Coast, signal was like a local 0945-1002 GMT s/off on March 30, 1990. Tnx to: -Patrick Martin
2 0