

DX MONITOR

THE OFFICIAL
PUBLICATION
OF THE



INTERNATIONAL
RADIO CLUB
OF AMERICA

DEVOTED EXCLUSIVELY TO BROADCAST BAND DXING

DECEMBER 22, 1990 - VOLUME 28 - NUMBER 13 - EDITION 905 - ISSN 0899-9732

DX WORLDWIDE - WEST.....	GEOMAGNETIC INDICES.....
DX WORLDWIDE - EAST.....	BROADCASTING INFORMATION.....02
DX WORLDWIDE - II.....	VERIFICATION SIGNERS.....
WESTERN DX ROUNDUP.....03	HEARING IT THRU THE GRAPEVINE....
CENTRAL DX ROUNDUP.....06	TECHNICAL TOPICS.....11
EASTERN DX ROUNDUP.....	PRESIDENT'S REPORT.....
WESTERN DX FORUM.....	KANADIAN KORNER.....
EASTERN DX FORUM.....09	IRCA OFFICERS & DUES INFO..BACK PAGE

IRCA ADDRESS CHANGES, RENEWALS TO RALPH SANSEIRINO, 11300 MAGNOLIA #43 RIVERSIDE, CA 92505.

IRCA REPRINTS TO REPRINT SERVICE: STEVE RATZLAFF, 295 PETTIS AVENUE, MOUNTAIN VIEW, CA 94041.

IRCA TECHNICAL GUIDES, FOREIGN LOG & FOREIGN DX REFERENCE: PHIL BYTHEWAY 9705 MARY AVENUE N.W., SEATTLE, WA 98117.

IRCA ALMANAC 5 ORDERS & IRCA PUBLISHER: RALPH SANSEIRINO, 11300 MAGNOLIA #43, RIVERSIDE, CA 92505.

IRCA ELECTION REPORT

The IRCA Elections will soon be upon us. This is an official call for nominations for the following positions: President, Secretary Treasurer, 7 members to serve on the Board of Directors and the Ted Vasilopoulos Award for the DX'er who has contributed the most to the hobby in the last year. Any IRCA Member in good standing can be nominated for any office with the following exceptions: Karl Zuk, Richard Evans, Greg Monti, Pat Martin and Robert Wien who have won the Ted Vasilopoulos Award in the last five years and cannot be nominated for the position again. Also, Karl Zuk has already stated he will not accept another term as IRCA President.

Deadlines are as follows: DEADLINE FOR NOMINATIONS JAN 15 1991.
Ballots to be published: FIRST DXMONITOR OF MARCH 1991.
Deadline for voting: APRIL 15, 1991
Announcement of winners: AS SOON AS POSSIBLE!

ALL NOMINATIONS ARE TO BE MAILED TO:

ALBERT S. LOBEL
POST OFFICE BOX 26762
SAN DIEGO, CA USA 92196

PLEASE DO NOT PUT IRCA ON THE ENVELOPE.

FROM THE PUBLISHERS DESK: Almanac 5 is history they are out of here on there way to you. What a nice feeling to give all those books to the postal person. You got a lot of value for a small amount of money and I think you will see it was worth the wait. The printer done a fine job. I will have to apologize to Nick, I used Technical Topics again. In this issue a Superadio modification and a better drawing of the plug-in loop. The plug-in loop shown in this issue can be used on the Superadio. All that is required is to leave the plastic cover on the phone plug as it is, do not cut it off. Solder a red wire to the center terminal and a black wire to the other terminal. Let the wires stick out of the plastic cover 1/4 inch and solder the link coupling to them.....73...Pub

BROADCASTING INFORMATION

Editor: Geov Parrish, P.O. Box 15164, Seattle, WA 98115-0164

Deadlines: every Saturday * compiled 12/09/90

GOING OFF THE AIR

call	KHz	power/antenna	state/city
WOKG	1570	500/130	DA-1 OH WARREN was news, AC; silent pending sale

GOING ON THE AIR

WBMX	640	1000/250	ND MI ZEELAND had been silent, then operating irregular hours for several months; now reported as full time again, but there's still no phone listing for them!
WPRQ	870	10000/	ND-D TN COLONIAL HEIGHTS silent, now business news
WORD	910	5000/1000	DA-2 SC SPARTANBURG silent, now talk // WFBC-1330
KJLA	1190	5000/250	DA-N MO KANSAS CITY silent, will return "by Jan." with MOYL standards
WAST	1600	1000/	DA-D OH ASHTABULA silent for nine years (!), new owner plans to return stn with standards format - if FCC allows the sale

NEW STATIONS

WKNJ	550	500/	DA-D NJ LAKESIDE granted CP to replace exp. permit
WEXS	610	1000/500	DA-2 PR PATILLAS granted extension of time
KMCE	650	25000/5000	DA-2 CA RANCHO CORDOVA granted extension of time
new	820	2500/250	DA-2 NC PAW PAW new stn app. granted (this replaces the 820 KHz Charlotte NC CP that was never built)
new	870	250/250	DA-2 DE CHRISTIANA new stn app. returned again
KNZS	880	780/220	DA-D CA MONTECITO granted CP to replace exp. pmt
WBMA	890	10000/1000	DA-2 MA DEDHAM app. returned to move to Sherborn MA, 50000/3000 w DA-2, change xmtr location
WLAW	1270	5000/5000	DA-2 MA FAIRHAVEN granted extension of time
WWLD	1430	2500/	DA-D FL GAINESVILLE requests extension of time

CHANGES IN EXISTING FACILITIES

WWMO	830	10000/1000	DA-2 NC EDEN granted 50000 w days, new day DA
WCCC	1290	500/	ND-D CT HARTFORD applies for West Hartford, 490/ w
KIST	1340	1000/1000	ND CA SANTA BARBARA applies for 675/675 w ND

CALL LETTER CHANGES

(* \$ means change accompanies a station sale; * check for format info)

WRXK	770	FL North Fort Myers	WJJN	1180	IN Newburgh	is now WGAB
						is now WVTI
KFVR	1050	WA Dishman	* KEYF	WXTZ	1430	IN Indianapolis * WFXF

FORMAT CHANGES

KSSS	740	CO COLORADO SPRINGS	country, will go business news in Jan.
KCBR	1040	CO MONUMENT	was business news, now all talk
KEYF	1050	WA DISHMAN	was KFVR, soft AC, now satellite adult standards
KMOM	1070	MN MONTICELLO	was adult contemporary, now news, talk
KPBA	1270	AR PINE BLUFF	silent, will be religion upon sale
WEBO	1330	NY OWEGO	was rock oldies, now talk
WAVJ	1350	NC BLACK MOUNTAIN	was WONO, remains religion
WHBT	1410	FL TALLAHASSEE	was WBGW, AC // FM, now satellite black oldies
WFXF	1430	IN INDIANAPOLIS	was WXTC, standards, now classic rock // FM
WNWZ	1430	TN GERMANTOWN	was news, talk, easy listening, drops EZL
KWAY	1470	IA WAVERLY	was satellite country, now sat. rock oldies

PROPOSED STATION SALES (* means check the format listings for more info)

WJDB-630-AL, KIKR-880-TX, KIUL-1240-KS, KPBA-1270-AR* (now silent),
KCRE-1310-CA, KRLN-1400-CO, WKLT-1420-MI, WYMC-1430-KY, WDEX-1430-NC,
KSPE-1490-CA (to the old owners of KESP-1290), KVOG-1510-AR

STATION SALES THAT FAILED: WAWK-1140-IN, KKAM-1340-CA, KIST-1340-CA,
WHBG-1360-VA

MISCELLANEOUS NOTES: The KKWM/KLIF/KYII switch in Dallas has happened.
KLIF's talk format & staff are now on 570, the new 1190 calls are KYII
with an all news format, and the old KKWM simulcast on 570 is history.

The FCC has pulled back to more lax, pre-1989 technical standards for RF
emissions from low power (e.g., TIS) and carrier current AM stations.
In adopting the more lenient standards, which should allow such stations
to increase their coverage area and be more likely targets for DXers,
the FCC for the first time noted that such stations play a role in the
communications spectrum not filled by regular broadcast stations and
should be treated as a distinct, protected class. Since many of these
stations are not actually licensed by the FCC, what this could mean is a
future with a lot more unlicensed and often untracable low power AM
stations popping up. Sorta like DXing the CB band...

Much of the station data for this column comes from weekly issues of The
M Street Journal and assorted DX Monitor columns. The rest of it is
pure invention.

* * * *



WESTERN
DX
ROUNDUP

Nancy Hardy
2301 Pacific Ave.
Aberdeen, WA 98520

WDYR deadlines are Sat. Dec. 29, then back to Mondays starting with
Jan. 7 deadline. Please use Eastern time.

REPORTERS FOR THIS ISSUE:

- (FA) Frank Aden, Jr.-4096 Marcia Place-Boise, ID 83704
Modified FRG-7, 4' box loop
- (TRH) Tim Hall-350 G St. #F-1-Chula Vista, CA 92010
Sony ICF-2010, Radio West loop, Delco car radio
- (BH) Bill Hardy-2301 Pacific Ave.-Aberdeen, WA 98520
FRG-7, Radio West loop
- (NH) Nancy Hardy-2301 Pacific Ave.-Aberdeen, WA 98520
FRG-7, Radio West loop
- (JH) Jim Hilliker-1705 Withers Ave. #12-Monterey, CA 93940
GE Superadio
- (GK) Guy Kudlemyer-1320 City View #1-Eugene, OR 97402
Modified FRG-7, DA-7 loop, longwire, QF-1 audio processor
- (GL) Gary Larson-2806 Lincoln-Burbank, CA 91504
Car radio
- (CM) Curtis McMenamin-2917 Georgia St.-Vallejo, CA 94591
Sony ICF-2010, Radio West loop, GE Superadio II
- (NP) Nigel Pimblett-General Delivery-Medicine Hat, AB T1A 7E4
Kenwood R-5000, 85' randomwire
- (MS) Mike Sanburn-P.O. Box 1256-Bellflower, CA 90706
GE Superadio
- (PT) Pete Taylor-2614 Jackson St.-San Francisco, CA 94115
(PT-CO) DXing from Boulder, CO
ICF-2010 & Palomar loop
- (RW) Robert Wien-1309 Dentwood Dr.-San Jose, CA 95118
GE Superadio II, GE long-range portable, SM-2

700 KSUR CA, Soledad 11/25 0110 still using these calls and CLASS
//FM tonight, despite format & call change listed every-
where. Poor-fair signals through KFAM/WLW. (TRH-CA)
*11/27 to 12/2 RW's 11/12 logging of this as KOJY may have

been a fluke. On the above dates, 700 kHz was still //99.7 FM with classical music & IDs on hour as "KSUR-FM, Greenfield-Monterey, and KSUR, AM-700, Soledad-Monterey." Called station 11/27 and they said "call change & format change would take place around Dec. 1st." (JH-CA)

- KOJY CA, Soledad 12/3 1155-1200 EZL music, into AP news, left AP on air with various tones for 30 sec. Into legal ID 1158; "For beautiful music, this is K-Joy, KOJY AM-700, Soledad-Salinas-Monterey." ID heard at 1441 "For all of central California, this is Joy Radio, relaxing K-Joy, on AM 700." Legal ID at 1456; "Joy Radio is KOJY, Soledad-Monterey, AM 700." Back to EZL music, no net news. Station says music is via satellite from Bonneville. First official day of new call & format. (JH-CA)
- 860 7KCNR? UT, Salt Lake City 12/8 1855 CNN Headline News, 1859 local ad, promo, 1900 ID "Across Utah & around the world in 30 minutes. All news, all the time, on 860 CNN, Salt Lake City-Ogden-Provo. Your local & world news connection." It's hard to find a "legal ID" in there, hi! Of course, not counted as call change, as no call letters heard. (NH-WA)
- *****
- 530 WNRS427 CA, Exact location unknown 11/26 2309 new TIS station started up this week with test message, then HAR info later in the week. Operated by CalTRANS and the North County Transportation Management district. Probably located along CA-78 somewhere between Escondido and San Marcos. Thanks Neil Kazaross for tip. New, CA #224. (TRH-CA)
- ???? OR, Somewhere between Springfield & Sisters, 11/30 1545. Yet another TIS, this time I nailed the full text: "This is the road report for Hwy 126 (B?), from Springfield to Sisters." Santiam Pass report, old McKenzie Pass closed for the season. "This message has been provided by the Oregon Dept. of Transportation." No calls given. Steady signal, no skywave-type flutter, suggesting that the location would be closer to Springfield than to Sisters, at least from this location. (GK-OR)
- 540 KVIP CA, Redding 12/4 relig to 1929 anncnt they were lowering power from 2.5kw to 15.57 watts. Excellent. (NH-WA)
- KNAK UT, Delta 12/5 1932 ID after ad, into Christmas song. Good, over KVIP. (NH-WA)
- 550 CFJC BC, Kamloops 12/8 1822 ID by k.d. lang into country song. All alone. (NH-WA)
- 590 KUGN OR, Eugene-Springfield 12/1 1910-1915 fair with lots of local & state news, ID, weather, into network sports, unID EZL or oldies under. New. (JH-CA)
- 600 KIIIX CO, Wellington "The new KIX." Same satellite delivered adult standard format as KRZN-760 & both about equal strength in Boulder. (PT-CO)
- 630 KOH NV, Reno 12/7 0530 in fair, ment only news station for N. Nevada is KOH. No sign of Monterey. (GL-CA)
- 640 (KFI) CA, Los Angeles 12/7 0525 noted off air. (GL-CA)
- 650 KUUY WY, Orchard Valley excellent days, weird at night. Days, it is loud & clean. At night, on 11/20, it was very distorted and running about 50% modulation; on 11/23, up to about 70-75% but still distorted. It's like something hooked up to the night xmtr is out of phase and the operator is really pumping the modulation to try to compensate. (PT-CO)
- 660 KAPS WA, Mount Vernon 11/15 2344 ad for football coverage, ID, then lost under CFFR. (NP-AB)
- 700 WLW OH, Cincinnati 11/16 0235 "You're with the Bozo on WLW." Nice to see this one getting thru CKRD occasionally. (NP) +11/25 0200 coming in fair with ID and C&W music. (CM-CA)
- KFAM UT, N. Salt Lake City 12/1 1843 elevator music, ad for "Community Awareness Program, this Sunday at 8am on KFAM." Anything other than KGRV on this freq. is noteworthy. (GK)
- 710 KNUS CO, Denver poor-fair at night with strong Mexican giving them much grief. (When I drove through Colorado in 1957, lightning was hitting their towers & shifting their pattern back and forth). (PT-CO)
- 750 (KAMA) TX, El Paso MM 11/26 0335 off again, second MM in a row. Noted on around 0459. (TRH-CA)
- KOAL UT, Price 11/30 1932 with extensive ski reports "...brought

to you by Swift's Stop N Shop." Ads for a Texaco station, Bill's Home Furnishings and ments of 637-1705 to find out what movies are playing around town. (GK-OR)

800 KNKK UT, Brigham City 12/1 2015 logged dominating 800 with spot for Polgers Coffee, ID, C&W music. (MS-CA)

820 CHAM ON, Hamilton 11/16 0243 "Tell a friend about 820 CHAM," country music, dominating freq. on this good eastern night. (NP-AB)

880 KKMC CA, Gonzales 11/30 1859 poor with talk on homosexual marriages. Caught ID "...on KKMC..." then lost to KIXI. New. (GK-OR)

900 KBIF CA, Fresno 11/16 2058 relig. program, local ID on the hour. Over the usually dominant Mexican. (NP-AB)

940 (KPRE) CA, Fresno 11/25 2130 noted totally off the air. (CM-CA)

960 (KABL) CA, San Francisco 12/3 0530 totally off. CPAC completely dominant. KABL back on RS at 0545. (RW-CA)

990 KKIS CA, Pittsburg 11/16 2006 ID "990 K-kiss," mixing with XECL. No sign of usual CWB tonight. (NP-AB)

KRKS CO, Denver 11/16 0929 relig. program, ID "AM 990, KRKS." (NP-AB)

CHTX PQ, Montreal 11/16 0308 ad for local college, pop/rock music, many IDs as "Montreal's 990-Hits," and even one CHTX ID. Only my second Quebec. (NP-AB) (Nice catch! I was just thinking how nice it would be to hear Denver, hi.--NH)

1010 KCHJ CA, Delano 11/30 1915 boys & girls high school scores against Taft, Hanford, Bakersfield, etc. Ments of Mon. Nite FB 10 & 1 49's against 10 & 1 Giants. Weak Spanish underneath. Hoping for KTLF at the time. (GK-OR)

1043 KANN UT, Roy 12/1 0410 spur noted here with fair signals //1120 with relig. talk and music. 1197 spur was louder. New, UT #39. (TRH-CA)

1050 KORE OR, Springfield 12/2 0658 poor with XED. USA network news, Moody Network promo, nice ID. Taped report sent. New, OR #23. (TRH-CA)

1060 KKVV NV, Las Vegas 12/1 1905 hoping for KBGN but was surprised to nail this instead. Out of news, into "Top of the Deck" program with church-type PSAs. 1910 $\frac{1}{2}$ TC, into vitamin ad. Lots of church related info. Mentioned that their 5000 watts gets out for "more than 100 miles." I'll say! New. (GK-OR)

1170 KVVS CO, Windsor signed off at 1945 in Nov.; unmodulated carrier was left on every night I was there (11/20-25). KV00 easy under at night. (PT-CO)

1197 KANN UT, Roy 12/1 0410 spur noted here with good signals //1120 with relig. talk & music. New, UT #40. Thanks Neil Kazaross for tip. (TRH-CA)

1230 KZZR OR, Burns 12/9 1854 above mess with car dealer ad "in Burns," country music, 1858 DJ "1230, KZZR," local ad, lost dog announcement, 1900 legal ID & ABC-I news. New and much wanted, Nancy has heard this almost daily for weeks! (BH-WA)

1240 KNRY CA, Monterey 12/3 1615-2000 breaking in rock oldies format at this time only M-F afternoons, new owner-to-be is the DJ with air name "Gene Wade." First day. Rest of time, still CNN news or sports. So, SSS DXers may hear oldies here during the winter. Station sale isn't final yet. (JH-CA)

1300 KAZN CA, Pasadena 12/1 0400 fair with s/off in English by man. Probably the best time to report this all-Asian language station. (TRH-CA)

CJME SK, Regina 12/1 dominant about 50% of the time, 0650, looking for KLER DX test. (FA-ID)

1310 KLIJ ID, Twin Falls 11/19 0300 first time heard, good signal thru KDIA & KXAM. (MS-CA)

1320 KAWC AZ, Yuma 11/25 0800 good with s/on by dean of Arizona Western College school of broadcasting. Still looking for XESR. (TRH-CA)

1340 KORV CA, Oroville 12/4 1944 area temps, call ment. over KAPA. (NH)

1400 KWNA NV, Winnemucca 12/4 2019 detailed weather for NW Nevada and Winnemucca area, over all. (NH-WA)

1450 KSGI UT, St. George 11/29 2200 ID "Southern Utah's information station, KSGI St. George." ABC News. Good signal. (MS-CA)

1470 KELA WA, Centralia-Chehalis 12/3 0940 blasting in way over everything with state high school FB results, state news, ID. (RW)

- 1480 KBMS WA, Vancouver 11/11 0130 in good at times then would fade out completely. Heard with soul music. What is their night power? (CM-CA)
- 1490 KTOB CA, Petaluma 11/21 0225 dominant tonight with classic rock by CCR "Have You Ever Seen The Rain" & "Who Will Stop the Rain." Also spoke of rain at KTOB studios. (MS-CA)
- KJQN UT, Ogden 11/21 2215 turned on radio and instantly heard ID "K-J-Q AM & FM." (MS-CA)
- 1510 KFNN AZ, Mesa 12/3 0954 poor-fair over KGA then under KGA. Talk on solar technology in Arizona and in Phoenix area. Not that common here. (RW-CA)
- 1600 KBEX UT, Centerville 12/1 1908 good signals in Spanish with frequent use of "Canal de la Alegria Musical" slogan and ID. (TRH-CA)

DX TESTS

- 610 PKOJM? MT, Havre 12/3 0207 heard brief test tone & nothing else. KAVL & KVNU in strong. (MS-CA)
- +12/3 tent. heard two Morse IDs at 0211 & 0221. Fast moving code, buried under regulars. Code ID may have contained more than just call letters. Too weak to positively make out. (FA-ID)
- (KOJM)+12/3 0200-0230 not a trace of them, despite a pretty good null of KKLQ-600. Only KFRC & KAVL noted. (TRH-CA)
- 690 (KSTL) MO, St. Louis 11/25 0101 tried for them but no luck on this one. (CM-CA)
- 770 KATL MT, Miles City 12/2 0718 woke up just in time to log this DX test. Clear Morse code ID 0718 then several more at 0730. Under KKOB. (MS-CA)
- KATL +12/2 heard two Morse IDs at approx. 0720 under KKOB.
- DX test Barely audible. (FA-ID)
- cont'd +12/2 0729-0730 poor, nothing noted at all until 0729, when two pairs of code IDs came in just as I was about to tune away. Luckily the tape recorder was still on -- taped report sent. New, MT #12. Thanks NRC/CPC Machine! (TRH)
- 1300 ?KLER? ID, Orofino 12/1 0751 possible partial code ID, very weak. (TRH-CA)
- (KLER)+12/1 0645-0700 DX test tried for - not heard. (MS-CA)
- +12/1 0650 no sign of test. (FA-ID)
- 1380 (WSYB) VT, Rutland 11/11 0530-0600 tried for them but nothing, a lot of interference from KSMJ/KTOM. (CM-CA)

UNIDS

- 770 12/2 0705 possible USA news noted here while looking for KATL. (TRH-CA)
- 940/1140 Adult standard //KIIIX-600 & KRZN-760. Noted 11/22 2015. KIOA & KGEM? (PT-CA)
- 1180 MM 11/26 0422 several Johnny Mathis songs. NOS station, or just someone testing by playing album sides? (TRH-CA)

A great turnout this week!!! Jef Jaisun sent along a note this week about the "KBBI, Rupert, ID-970" tip in the 11/17 WDXR. Yes Jef, that should have read "KBEK." That one slipped past three of us (the reporter, then myself, then my proofreader), but not Jef! All the Hardsy in Aberdeen wish all of you a happy holiday! ♥



Central DX Roundup

Editor: **John C. Johnson**
 979 Neptune Boulevard
 Billings, Montana 59105-2129

FOR THE RECORD

Deadline: Saturdays.

Report in Eastern time.

RIDING GAIN



- [TML-IN] = Tom Laskowski, 1334 East Miner Street, South Bend, IN 46617
 ICOM IC-R71A, loop.
- [RS-MO] = Randy Stewart, 4225 W. La Casa, Springfield, MO 65802-5615
 Realistic TRF 12-656, 4" spiral loop.
- [JcJ-MT] = Your editor using an Icom IC-R71A with Radio West Loop.

DX TESTS

- 770 KATL MT Miles City, 12/2 poor in GY-like conditions. After nearly a half hour, 0729 finally caught voice mentions of the "National Radio Club," "KATL," and "Morse code." Then fed

twice in slow code "KATL" the final time at a slightly higher pitch. Taped report sent. MT#1 for state #36 logged on BCB. Much needed, tried for 2 years. [RS-MO]

DOWN THE DIAL

- 570 WAAX AL Gadsden, 11/28 poor, local KWTO-560 splatter. 1705 w/C&W, call ID. New for me. [RS-MO]
- 580 CKUA AB Edmonton, 12/5 good in CKY null. 0750 w/TT, 0758 w/sign on. Very rare here. [JcJ-MT]
- 610 WTVN OH Columbus, 11/26 good in WDAF null. 1704 w/news, sports story about OSU Buckeyes basketball team, slogan "The station where news always comes first, NewsRadio 6-10, WTVN." [RS-MO]
- 620 WTMJ WI Milwaukee, 11/26 fair. 1713 w/sports, Ameritech Mobile Traffic Plane, spots for Channel 6 News and Cub Foods. "AM 6-20 WTMJ" IDs. [RS-MO]
- 640 WOI IA Ames, 11/25 good to excellent, well atop. 2359 with ID and weather forecast. [RS-MO]
- 660 KCRO NE Omaha, 11/28 very good. 1711 w/contemp. Christian music. IDs "AM 600 KCRO Christian Radio, Omaha." [RS-MO]
- KTNN AZ Window Rock, 11/28 very good, XEFZ nulled. 0000 with C&W music, TC, "This is KTNN Window Rock, Arizona. Stay tuned for The Truckers Network on KTNN." NBC News. [RS-MO]
- 690 KSTL MO St. Louis, 11/25 fair to poor, mixing with mess (though usual pest KGGF had signed off at 0100.) 0101-0130 with a POP test. IDs mentioned transmitter site of East St. Louis, IL. Sequence of tones well heard, but talk often buried in noise from WTIK, an unID SS, and an unID with jazz. First time heard here due to KGGF, and a report was sent, QSL card received very quickly! [RS-MO]
- 730 KKDA TX Grand Prairie, 11/26 fair to good o/XEB, etc. 0005 with a Marvin Gaye song, "Soul 73, KKDA" slogan. Strong at times -- are they only 500 watts? [RS-MO]
- KLOE KS Goodland, 12/3 good. 1729 w/C&W music, ID into CBS News. Rather rare here. [RS-MO]
- WFMC NC Goldsboro, 11/29 very poor in WGN splatter. 1659 with ID "The best country AM stereo 7-30 WFMC." New. [TML-IN]
- WMTK KT Vanclave, 11/26 fair. 1715 Man w/local news, mentions of Floyd County. East KY weather. ID "This is radio station WMTK Vanclave, Kentucky." New for me. [TML-IN]
- 770 KKOB NM Albuquerque, 11/30 fair to good. 1839 w/"77-KOB" traffic, trivia, etc. 1900 ID "KKOB Albuquerque." Immediately changed pattern and disappeared. Also noted fair to poor 1805 on 12/3. WABC usually dominant--absent both of these dates. [RS-MO]
- 780 WJAG NE Norfolk, 11/28 fair to poor, occasionally overcame nearly unnullable WBBM. 1745 with livestock markets, mentions of Norfolk. "WJAG" call ID at 1749 into C&W music. New one for me. [RS-MO]
- 790 KXXX KS Colby, 12/3 good. 1714 w/C&W music, slogan "The best head kickin' country in the tri-state area, 79 K-Triple X." Rare here. [RS-MO]
(JCJ: "Head Kickin" ?? I always heard it was some other kind of kickin'. John.)
- 800 WHOS AL Decator, 11/26 fair. 1753 w/spot for Peak Olds, Pontiac, Nissan on highway 31 south in Decator. ID as "Country 102 FM, WBRN and WHOS Decator, Athens, Huntsville." Also "A greater variety of the Tennessee Valley's continuous country favorites." [RS-MO]
- 810 WGY NY Schenectady, 11/26 poor, KCMO nulled, but lots of other noise. 0013 atop briefly with TC, "13 after 12 now at WGY." This into sports. [RS-MO]
- 880 KGHT AR Sheridan, 11/25. 1758 w/C&W and power cut announcement. Signal was strong, then dropped during announcement. Was weak in background then quickly came up again. [TML-IN]
- 900 CHML OH Hamilton, 11/26 very good, way atop, no XEW. 0049 with a Hall & Oates song, ID "95.3 CKDS and AM 900 CHML." Spot for "Your Place" family restaurant in Hamilton. [RS-MO]
- 930 WJBY AL Rainbow City, 11/30 poor to good. 1719 ID as "The New Christian Voice of Northern Alabama." Promo for Auburn basketball "...right here on WJBY." New for me. [RS-MO]
- 950 KXJK AR Forrest City, 11/29 in WSBT splatter. 1754 w/talk about high school basketball tourney. Promo for a garden show.


- "Right here on AM 95 KXJK" weather, and another ID. This is a new one for me. [TML-IN]
- 970 KJLT NE North Platte, TENTATIVE. 11/30 fair mixing with WAVG and KCFO. 1809 with weather forecast for North Platte and vicinity. No ID heard. Into a right-wind pseudo "religious" program. [RS-MO]
- WNIV GA Atlanta, 11/29 fair in WSBT-960 splatter (had to use USB mode.) 1721 with clear ID after a PSA. Man talking about weekend events. Many mentions of "WNIV." [TML-IN]
- 1000 KRHS AZ Bullhead City, 12/5 weak in KOMO null, numerous fades. 0815 w/spot cluster, IDing as "KRHS AM One Thousand." Satellite fed EZL/Standards \\KBSR, etc. New for me, AZ#38. [JcJ-MT]
- WXTN MS Lexington, 12/3 fair. 1734 w/long spot cluster, call ID and dedications. Southern Gospel music. Unneeded as have verie from back in 1973. [RS-MO]
- 1070 KHMO MO Hannibal, 12/3 fair in null of local KTOZ-1060. 1727 with adult standards, "Now lets get back to musical memories from AM 10-70 KHMO." New for me. [RS-MO]
- 1130 KAAB AR Batesville, 11/30 poor to good w/KWKH. 1754 with Gospel music, AR Radio Network News. 1800 ID as "The Celebration Station, KAAB Batesville." Local news followed. This is another new one for me. [RS-MO]
- 1140 KCXL MO Liberty, 11/30 fair in WRVA null. 1736 with Kansas City traffic report. Soul music. SBN News. "The best music sound in town, KCXL." [RS-MO]
- WVEL IL Pekin, 11/28 fair to poor. 1658 w/religious programming. 1700 ID "WVEL Pekin, Peoria." New for me. [RS-MO]
- 1150 KFRR CO Englewood. Correcting some information from my 11/29 logging. Slogan is "Radio Fuego" which translates into "Fire Radio." Verification said they are always pleased to receive reception reports. [JcJ-MT]
- 1160 WKCM KY Hawesville, 11/26 u/WJJD. 1754 Very clear "11-60 WKC" ID, did not hear the "M" part. Elvis song. New. [TML-IN]
- 1180 WLDS IL Jacksonville, 11/30 good. Caught at 1744 sign off. Said "owned and operated by Jer-Dan Broadcasting company.... tune in tomorrow for the best in music, news, farm, and sports." New for me. [RS-MO]
- 1300 WKXI MS Jackson, 12/1 fair atop channel. 0645 w/R&B, "13 WKXI" IDs. Found while looking for KLER DX test. Never logged call change from WRBC years ago. Verie from 1971. [RS-MO]
- 1430 WBEV WI Beaver Dam, 11/23 fair. 1710 w/spot for the Beaver Mart in Beaver Dam. Weather for greater Dodge county, and ID. New one for me. [TML-IN]
- WGFS GA Covington, 11/29. (No time listed) Spot for Dacom Cellular, ID "You're listening to the Action News Radio Network on AM 14-30 WGFS." New for me. [TML-IN]
- 1580 WPGC MD Morningside, 11/23 strong, local WAMJ was off the air for some reason. 1650 with BRN program. Some local spots and traffic info. 1700 sign off. Not needed. [TML-IN]
- 1590 WCBG PA Chambersburg, 11/23 fair. 1656 w/man w/spot for Cadillac dealers, mention of Chambersburg. Woman with ID "92.1 Gold and 15-90 WCBG." Beach Boys song. New. [TML-IN]
- 1600 WXMY VA Saltville, 11/23 poor. 1715 Man with sign off. Mentioned 5000 watts day, 500 watt PSA. Location on Highway 107. Last logged as WKGK. [TML-IN]

25 YEARS AGO

December 25, 1965 issue of DX Monitor.....Jerry Wolf's Christmas poem included ".....QSL cards hung on the wall with care in hopes St. Nicholis will put some more there."....Ron Schatz submitted a "Frequencies Before 1941" article....Membership reached 463.



OPEN MIKE

 A friend is a speaking acquaintance who listens. Congrats to [RS-MO] on adding state #36 to his log book! [RS-MO] said he did not hear the KLER 1300 DX Test. Merry Christmas to all! 73, John.



Happy
Holidays

A DXers TECHNICAL GUIDE

Now in its 2nd edition, this 120 page book answers questions on how receivers work, how to make them work better, what audio filters and loop antennas will do for you, how to build a beverage and phasing unit, and much more. Only \$5.50 for IRCA members, \$6.50 for non-members (add \$2.50 for overseas airmail). Write: Phil Bytheway, 9705 Mary N.W., Seattle, WA 98117.

EASTERN DX FORUM

Richard C. Evans
5104 N. Lovers Lane
Milwaukee, WI 53225

Reports from members living east of the Mississippi River
Deadlines: Saturdays

R.C. Watts, 4109 Graf Drive, Louisville, Kentucky 40220-3016

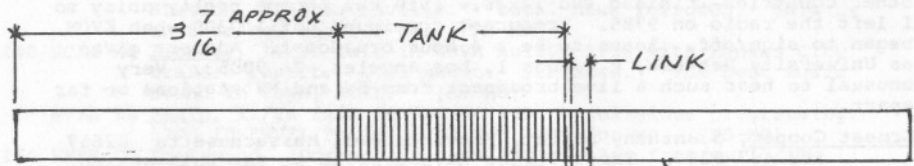
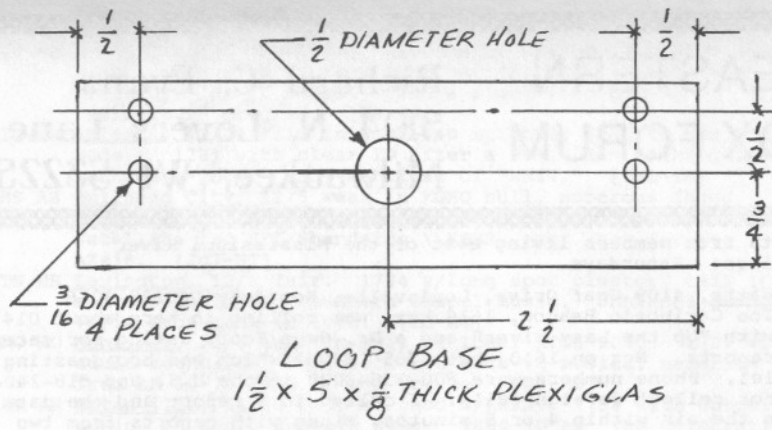
The Caribbean Beacon, 1610 kHz, was rolling in here about 0147 12/4 with "Up the Lazy River" and a Dr. Gene Scott asking for reception reports. Not on 1610, but 9785 (KVOH) which was broadcasting in parallel. Phone numbers were 800-338-3030 in the U.S. and 818-240-8151 for collect foreign calls. I called in a report and the data was on the air within 4 or 5 minutes, along with reports from two other countries-Trinidad and Texas. 1510 kHz became pretty noisy so I left the radio on 9785. Broadcast continued until 0300 when KVOH began to sign/off. Seems to be a 4 hour broadcast. Address given as University Network, P.O. Box 1, Los Angeles, CA 90053. Very unusual to hear such a live broadcast from SW and MW stations so far apart.

Ernest Cooper, 5 Anthony Street, Provincetown, Massachusetts 02657

508-487-9337. Three verizes have arrived so far this season, as of this writing, 12/4/90: WZNN-930 NH, WRHD-1570 NY, and WIEZ-670 PA. for a grand total of 4369 dating back to 12/28/32. Other reports are out to: CKXQ-680-NF, WZRC-k480-NY, WXGL-1240-ME, Saudi Arabia-1521, WCDN-1560 OH, WRMM-990 NY, WOGL-1210 PA, and WEAZ-560 PA, so three down and eight to go! Oh yes, a report sent to WBSK-1350 VA was returned for wrong address. I'm having "buzz trouble" again here, and I have been trying to get the power company on the case, but so far, tje have done not a thing, and they've been on notification of the problem since 11/4/90. I had our town's wiring inspector call them and try to get some action, and I'm still waiting. It comes on most early evenings and stays till somewhere around 2200 or later, and sometimes it appears at other times as well. It seems very local - about 100 feet away from the house on the car radio, it completely disappears. It is not always at the same intensity, either, which makes it even more of a puzzle. The similar trouble of two years ago was traced to a high intensity lamp across the street in a neighbor's house, but they tell me they no longer have that lamp, so this must be something else. Back on Sept. 19, on 1610 kHz, I got traces of a message from some TIS station. What I managed to hear was "State legislature passes----" and "opportunities for hiking----". Then at 0239 came a series of the letter "U" in Morse code. The first two announcements were at 0150 and 0219. Now all hope of IDing this one seem lost as the Caribbean Beacon is now running AN and blasting in, killing any chances of hearing and "Tizzies" on 1610. I finally managed to log "Sandy Arabia" here, when looking for daytimers at twilight on 10/31, with no buzz for a welcome change, and found this Arab completely knocking out anything on 1520 from their 1521 spot. On 11/8 I noticed an SS on 1590 at 0206 giving a "non-ID" as "Capital Radio". This doesn't sound like a foreign station, but the format doesn't fit any state capital either - anybody have an idea who this might be? It's heard but seldom here, between 0130 and 0200, possibly later, under about three other signals. Anyone needing Newfoundland, be advised that CHCM-740 (ex-560) is now running AN & relating VOVM-590 - and the only IDs are for VOVM. Their time is 1½ hours ahead of EST. Another Newfie logged here on 12/3 was CKXQ680, caught during a very rare silent period by local WRKO-MA. Merry Christmas, all.

Rick Evans, Apt. 19, 5104 N. Lovers Lane, Milwaukee, Wisconsin 53225

No listening here since 12/3 when I logged two new ones during the storm. My tax course is finally done, with an overall 95% grade average. Back at the store for two weekends before the holiday to help people find what they want (or need) to buy. A couple of weeks ago, semi-local WKSH-1370 mentioned a tunable antenna available to listeners, presumably some form of loop. Have a good Christmas, 73.



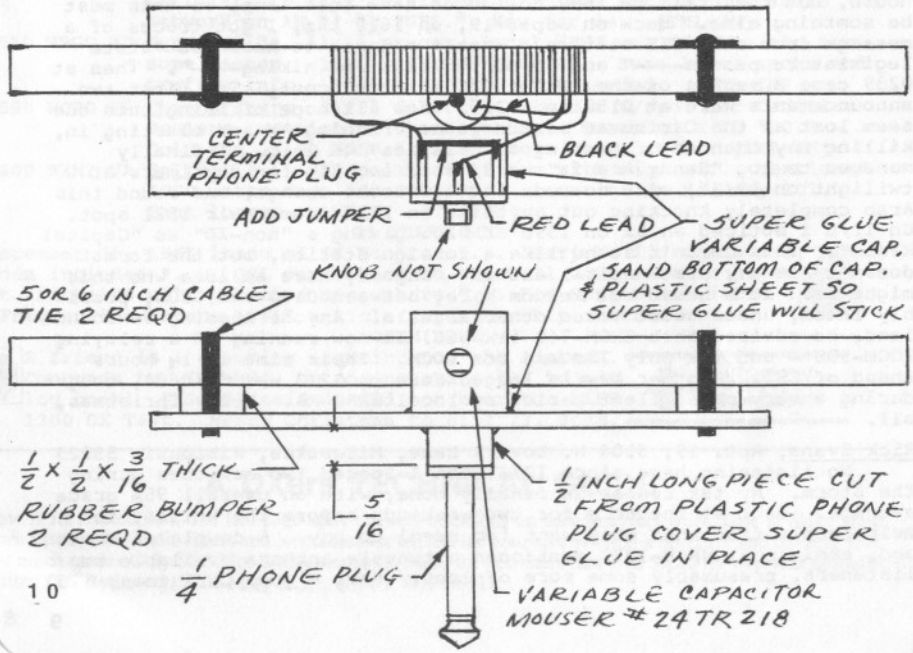
TANK WINDING
 40 TURNS CLOSE
 WOUND LITZ. JUST
 ABOUT ANY WIRE WILL
 DO - #30 MAGNET, #30
 WIRE WRAP WIRE
 LINK WINDING 3-4
 TURNS. USE SAME
 WIRE AS TANK.

MARK LITZ
 WITH RED
 MARKER
 MARK LITZ
 WITH BLACK
 MARKER

FERRITE BAR
 $\frac{3}{8} \times 8$ " PERM 125
 MARK LEADS SHOWN
 SO YOU CAN I.D. LATER

WRAP TANK & LINK WINDINGS
 WITH PLASTIC TAPE TO HOLD
 IN PLACE

ALL LEADS ON TANK & LINK
 WINDING $2\frac{1}{2}$ - 3 INCHES LONG



50R6 INCH CABLE
 TIE 2 REQD
 $\frac{1}{2} \times \frac{1}{2} \times \frac{3}{16}$ THICK
 RUBBER BUMPER
 2 REQD

ADD JUMPER
 KNOB NOT SHOWN

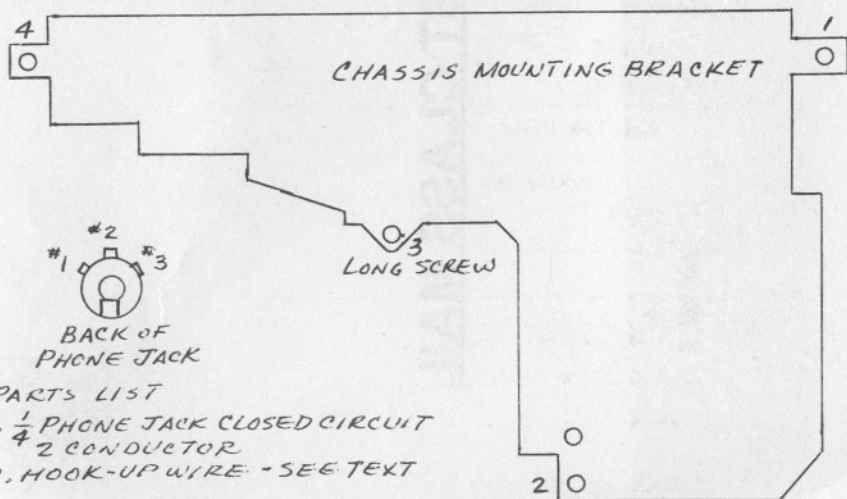
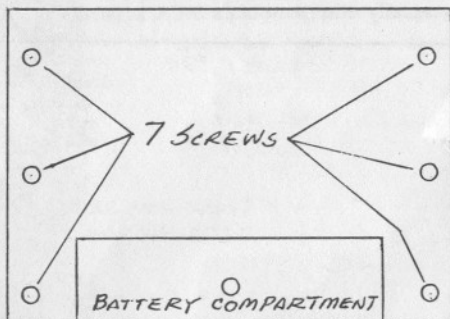
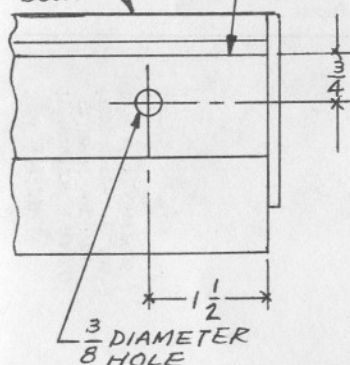
SUPER GLUE
 VARIABLE CAP.
 SAND BOTTOM OF CAP.
 & PLASTIC SHEET SO
 SUPER GLUE WILL STICK

$\frac{1}{2}$ INCH LONG PIECE CUT
 FROM PLASTIC PHONE
 PLUG COVER SUPER
 GLUE IN PLACE
 VARIABLE CAPACITOR
 MOUSER #24TR218

GE SUPERADIO I & II PLUG-IN LOOP MODIFICATION - RALPH SANSERINO

This modification will improve the Superadio. The first thing you will do is take a pair of pliers and pull the silver knob off of the "On - Off" switch. Put some plastic tape on the knob so you do not mar it. Next push the colored button down so the switch is in the "On" position. You are doing this so you will not damage the switch when you remove the front cover. Take my word for it the switch does damage. Next you will drill a 3/8 diameter hole in the top of the case. See sketch. Be careful just break thru the case with the drill. Next you will remove the front of the radio. Remove big tuning knob, treble, bass, loudness knobs. I used 2 small screwdrivers to pry the knobs off, one on each side of the knob and gently pry up. Put plastic tape on shanks of the screwdrivers so they will not mar cabinet. Lay radio face down on a soft towel and remove 7 screws. See sketch. Turn radio over and remove front cover, un-solder 2 speaker wires. Next remove 4 screws holding chassis mounting bracket. See sketch. Next you will prepare the phone jack, solder a 6 inch piece of black hookup wire #24 - #28 to lug #1. Solder a 6 inch piece of red hookup wire #24 - #28 to lug #3. Next install phone jack in 3/8 hole you drilled. Install with lugs facing front toward you for ease of soldering. Lift chassis mounting bracket and unsolder lead from internal antenna to Q5 and C29. Solder the red wire from phone jack to the spot you just unsoldered the internal antenna lead. Next solder the black lead to the junction R13 and C28, there is another internal antenna lead at this spot. Next solder the first internal antenna lead you un-soldered to lug #2 on the phone jack. Re-install chassis mounting bracket with 4 screws. Re-solder speaker wires. Re-install 7 screws that hold case together. Re-install all knobs.

HANDLE FOLDED BACK OF RADIO
DOWN



- PARTS LIST
- 1. 1/4 PHONE JACK CLOSED CIRCUIT
 - 2 CONDUCTOR
 - 2. HOOK-UP WIRE - SEE TEXT

THE INTERNATIONAL RADIO CLUB OF AMERICA (IRCA)

The IRCA is a non-profit organization devoted to the hobby of hearing distant stations on the AM Broadcast Band (510 - 1630 khz). **DX Monitor**, the official publication of the IRCA, is published 34 times a year, weekly from October to March, twice in September and April, and monthly from May to August. **DX Monitor** contains members' loggings, articles on radio stations, receiver reviews, technical articles, DX tips, and other material of interest to Broadcast Band DX hobbyists. IRCA is a member of ANARC, the Association of North American Radio Clubs.

CLUB ADDRESSES AND OFFICERS

President: Karl Zuk, 154 Old Post Road North, Croton, NY 10520-1932 (proposals).

Secretary-Treasurer: Don Erickson, 6059 Essex Street, Riverside, CA 92504.

Board of Directors: Ernest R. Cooper, Richard Evans, Ric Heald, John C. Johnson, Patrick Martin, Bruce Portzer and Rich Toebe.

Editor-in-Chief/Publisher: Ralph Sanserino, 11300 Magnolia, #43, Riverside, CA 92505.

Publishing Coordinator: Phil Bytheway, 9705 Mary N.W., Seattle, WA 98117.

MEMBERSHIP DUES

U.S. - \$25.00 per year. Canada - \$27.00. Overseas Surface - \$28.50. Overseas Airmail - \$35.00 (Central America, Caribbean, Colombia and Venezuela), \$38.00 (Europe, North Africa, Middle East), \$41.00 (rest of the world). One time charge for New Member Packet - \$2.00 (first year only). Trial Membership - \$9.50 (10 issues of **DX Monitor** and a New Member Packet, U.S. / Canada / Mexico only). Installment rate: two payments of 1/2 dues plus \$1.00 (\$13.50/payment for U.S. members). Make checks and money orders payable to IRCA and send all dues (and address changes) to: IRCA, 11300 Magnolia, #43, Riverside, CA 92505. Persons living outside the U.S., please use International Money Order in U.S. funds. Sample copies of **DX Monitor** are \$1.00 (U.S. or Canadian) or two International Reply Coupons each and are available from: IRCA, 11300 Magnolia, #43, Riverside, CA 92505.

Unless otherwise noted, permission is granted to publish, broadcast, or otherwise reproduce non-copyrighted material appearing in **DX Monitor** provided credit is given to the IRCA and the original contributor. Opinions expressed in **DX Monitor** are those of the original contributors and do not necessarily reflect those of the IRCA, its publishing staff, editors or officers.

IRCA
INTERNATIONAL RADIO
CLUB OF AMERICA
11300 MAGNOLIA #43
RIVERSIDE, CA 92505

FIRST CLASS MAIL

29-09
J.D. STEPHENS
122 BRAWLEY DRIVE
OWENS CROSS ROADS,
AL 35763

FIRST CLASS
U.S. POSTAGE
PAID
RIVERSIDE, CA
PERMIT NO. 5214