

DX MONITOR

THE OFFICIAL
PUBLICATION
OF THE



INTERNATIONAL
RADIO CLUB
OF AMERICA

DEVOTED EXCLUSIVELY TO BROADCAST BAND DXING

JANUARY 05, 1990 - VOLUME 28 - NUMBER 15 - EDITION 907 - ISSN 0899-9732

| | |
|---------------------------|--------------------------------------|
| DX WORLDWIDE - WEST..... | GROMAGNETIC INDICES..... |
| DX WORLDWIDE - EAST..... | BROADCASTING INFORMATION.....02 |
| DX WORLDWIDE - II..... | VERIFICATION SIGNERS.....10 |
| WESTERN DX ROUNDUP.....03 | HEARING IT THRU THE GRAPVIVR.... |
| CENTRAL DX ROUNDUP.....05 | TECHNICAL TOPICS.....11 |
| EASTERN DX ROUNDUP.....07 | PRESIDENT'S REPORT..... |
| WESTERN DX FORUM..... | KANADIAN KORNER..... |
| EASTERN DX FORUM.....08 | IRCA OFFICERS & DUES INFO..BACK PAGE |

IRCA ADDRESS CHANGES, RENEWALS TO RALPH SANSENERINO, 11300 MAGNOLIA #43 RIVERSIDE, CA 92505.

IRCA REPRINTS TO REPRINT SERVICE: STEVE RATZLAFF, 295 PETTIS AVENUE, MOUNTAIN VIEW, CA 94041.

IRCA TECHNICAL GUIDES, FOREIGN LOG & FOREIGN DX REFERENCE: PHIL BYTHEWAY 9705 MARY AVENUE N.W., SEATTLE, WA 98117.

IRCA ALMANAC 5 ORDERS & IRCA PUBLISHER: RALPH SANSENERINO, 11300 MAGNOLIA #43, RIVERSIDE, CA 92505.

FROM THE PUBLISHERS DESK: ELECTION-Albert has received a nomination from someone in Seattle who forgot to put his name on the nomination. I do not think we can except it, also if you wish to nominate yourself I think we can live with that. Please put your name on the nomination.....
Last issue was the first one using the copier and it did not cost you the members anything, it was my Xmas gift to IRCA. As I learn the ins & outs of this copier the bulletin will get better. This issue we will go back to the colored cover. DX TESTS will appear next issue.....73..Pub..

IRCA ELECTION REPORT

The IRCA Elections will soon be upon us. This is an official call for nominations for the following positions: President, Secretary Treasurer, 7 members to serve on the Board of Directors and the Ted Vasilopoulos Award for the DX'er who has contributed the most to the hobby in the last year. Any IRCA Member in good standing can be nominated for any office with the following exceptions: Karl Zuk, Richard Evans, Greg Monti, Pat Martin and Robert Wien who have won the Ted Vasilopoulos Award in the last five years and cannot be nominated for the position again. Also, Karl Zuk has already stated he will not accept another term as IRCA President.

Deadlines are as follows: DEADLINE FOR NOMINATIONS JAN 15 1991.
Ballots to be published: FIRST DXMONITOR OF MARCH 1991.
Deadline for voting: APRIL 15, 1991
Announcement of winners: AS SOON AS POSSIBLE!

ALL NOMINATIONS ARE TO BE MAILED TO:
ALBERT S. LOBEL
POST OFFICE BOX 26762
SAN DIEGO, CA USA 92196

PLEASE DO NOT PUT IRCA ON THE ENVELOPE.

BROADCASTING INFORMATION

Editor: Geov Parrish, P.O. Box 15164, Seattle, WA 98115-0164

Deadlines: every Saturday * compiled 12/23/90

GOING OFF THE AIR

| call | KHz | power/antenna | state/city |
|------|------|---------------|--|
| KCTT | 1530 | 1000/1000 | ND AR YELLVILLE was country, silent pending sale |

GOING ON THE AIR

| | | | |
|------|------|-----------|--|
| WVXX | 1400 | 1000/1000 | ND GA ALPHARETTA was silent, back on relaying religious WRAF-FM-90.9, who is testing a possible new satellite religious network. (Just what we all need!) Reports elsewhere that this station turned in its license and would never be back were just plain wrong. |
| WANR | 1570 | 500/130 | DA-1 OH WARREN was WOKG, silent, returns after sale w/simulcast of black WNRB-1540, plus local HS sports evenings. On til midnight. Eventually they'll build their own studios and split off. (At first I typed WANR-1520. Does this show my age, or what?) |

NEW STATIONS

| | | | |
|------|------|-------------|--|
| KMCE | 650 | 25000/5000 | DA-2 CA RANCHO CORDOVA target date is now March 91 |
| KNNK | 750 | 10000/10000 | DA-2 NV CARSON CITY granted extension of time |
| WJIW | 900 | 060/300 | DA-2 NY CAZENOVIA granted extension of time |
| new | 1340 | 250/250 | ND PA ALTOONA new synch. *mtr granted for WTRN |
| WCAE | 1590 | 500/ | ND-D WI NEKOOSA granted extension of time |

CHANGES IN EXISTING FACILITIES

| | | | |
|------|------|-----------|---|
| WCRV | 640 | 10000/500 | DA-N TN COLLIERVILLE granted 50000/400 w DA-N |
| KBDE | 740 | 250/ | ND-D IA OSKALOUSA granted 10 w nights |
| WCMG | 910 | 500/ | ND-D TN LAWRENCEBURG granted move to Columbia TN |
| WEDE | 1130 | 1000/ | ND-D NC EDEN granted 50000/250 w ND |
| KIMM | 1150 | 5000/500 | DA-N SD RAPID CITY granted CP to reinstate expired permit for new 500 w night operation |
| WTLN | 1520 | 5000/ | DA-D FL APOPKA app. returned for move to 700 KHz |
| KQWC | 1570 | 250/ | ND-D IA WEBSTER CITY granted decrease to 147 w day |

CALL LETTER CHANGES

(\$ means change accompanies a station sale; * check for format info)

WIL 1430 MO St. Louis is now * WRTH (another 3 letter call bites dust!)

FORMAT CHANGES

WOGO 600 WI HALLIE was religion // FM, now business news to Eau Claire
WSIX 980 TN NASHVILLE was talk, country // FM, to be religious (with new calls) upon sale; WSIX's talk programming will move to another FM station and continue to be operated by WSIX-FM!
KSNO 1260 CO ASPEN was new age // FM, now satellite country
KSCR 1290 MN BENSON was country, now satellite adult standards
WRTH 1430 MO ST. LOUIS was WIL, remains satellite adult standards
WEHH 1590 NY ELMIRA HEIGHTS was oldies, now adult standards

PROPOSED STATION SALES (* means check the format listings for more info)

WKNI-620-AL, WMTS-810-TN, WND0-1150-FL, WBBK-1260-GA, WLKF-1430-FL, WBCM-1440 MI (now silent), WJAK-1460-TN (now silent, & sold to a local FM so it will no doubt be coming back shortly, probably simulcasting!)

STATION SALES THAT FAILED: WYOR-560-TN, whose application fee check for the station license transfer bounced at the FCC!!!

MISCELLANEOUS NOTES: I've given up on WBMX-640 Zeeland MI, which seems to be eligible for both "Going On The Air" and "Going Off The Air" each week. Latest word is that it's off again, after having run easy listening RS for a while. Still no phone listing for this station, which is also trying to convince the FCC to let it move to NW Indiana!

WBMX's games are among the strategies many now-silent stations, fearful of losing their licenses come renewal time, are trying so they can claim continuing operation without paying for it. Other stations (WANR-1570-OH and WXX-1400-GA are examples this week) are relaying other, non-owned stations until they can get their act together. With program lease agreements now legalized by the FCC, some stations might be doing this on a permanent basis, also. It's getting more difficult than ever to track who's actually on the air and running their own station, and even more difficult to find listeners that care!

The long-struggling Money Radio Network, based at KMNy-1600 Los Angeles, er, Anaheim, er, POMONA CA, ceased operations January 1. Word is that flagship station KMNy, which is owned by MRN, is also in deep trouble.

Where a lot of this info comes from: most of the non-FCC info in Broadcasting Information is confirmed by directly calling the station. A lot of my tips come from other DX columns & from readers so if you're not sure what's going on with a station, call 'em & then tell me, or tell me and I'll call 'em! I want this column to be the most accurate, timely possible source of station news, and I can't do it without your help!



**WESTERN
DX
ROUNDUP**

Nancy Hardy
2301 Pacific Ave.
Aberdeen, WA 98520

WDYR deadlines are Mondays. Use Eastern time.

REPORTERS FOR THIS ISSUE:

- (FA) Frank Aden Jr.-4096 Marcia Place-Boise, ID 83704
Receivers: modified FRG-7, Uniden CR2021 & HQ180A.
Antennas: 45' longwire N-S, 50' inverted V dipole E-W, 180' L-wire, 4' box loop, 4' wedge, MW-1
- (NH) Nancy Hardy-2301 Pacific Ave.-Aberdeen, WA 98520
FRG-7, Radio West loop
- (GK) Guy Kudlemyer-1320 City View #1-Eugene, OR 97402
Modified FRG-7, DA-7 loop, longwire, QF-1 audio processor
- (AWP) Art Peterson-851-31st Street-Richmond, CA 94804
Bendix MN-26C, Radio West loop
- (NP) Nigel Pimblett-General Delivery-Medicine Hat, AB T1A 7E4
Kenwood R-5000, 100' randomwire, 3' loop
- (RW) Robert Wien-1309 Dentwood Dr.-San Jose, CA 95118
GE Superadio, GE long-range portable, SM-2

OF SPECIAL INTEREST:

860 KCMR UT, Salt Lake City 12/19 1858 station promo, PSA, top-of-the hour ID "The all-news station, K-C-N-R, Salt Lake City-Ogden-Provo, 860 CNN Headline News." Excellent, ex-KLZX. (NH-WA)

530 ?TIS? CA, Treasure Island (San Francisco Bay Area) 12/9 0600-0620, a tentative ID only. With the Coliseum TIS loop, a not previously heard TIS came up with military-oriented info. Male with anti-drug message & female with other annc. such as invitation to a holiday luau at Treasure I Navy Base, a reminder to make app. for annual physical etc. Other possible Navy bases are too close to either the Coliseum or Candlestick Park to avoid QRM. Will continue to work on this. Sig. weak. (AWP-CA)

660 KAPS WA, Mt. Vernon 12/17 0354-0405 with KTNK looped, this in fair to good, C&W music, "You've got KAPS on" ID at tune-in and a full ID at :05. (AWP-CA)

690 KOAQ NE, Terrytown 12/9 0516 ID as "AM 690, KOAQ," then weather.

- Poor under CBU. A pleasant surprise to hear this. (NP-AB)
- 760 CKQR BC, Castlegar 12/7 2353 ads for Trail businesses. (NP-AB)
- 790 CFCW AB, Camrose 12/19 1839 area snow closures & postponements, ID, weather, ads, 1843 ID into country song. Excellent over KGMJ/KJRB. (NH-WA)
- 880 CHQT AB, Edmonton 12/15 2017 TC, ments of Alberta Motorists Assoc. Many "QT88" & "QT-880" IDs. New. (GK-OR)
- 980 KMBZ KS, Kansas City 12/13 2146 ID "Newstalk 980, KMBZ" into Talknet. (NP-AB)
- KUTI WA, Selah 12/9 1907 ID, weather, EKB coverage. (NP-AB)
- CKMF BC, New Westminster 12/7 2306 Canucks hockey, lost to KDSJ. Very rare at this location. (NP-AB)
- 1010 KCHJ CA, Delano 12/8 0709 "...KCHJ, broadcasting to all of central CA, from Delano," back to phone-in program from Las Vegas. (NP-AB)
- WINS NY, New York 12/8 0420 ID "Newswatch never stops, this is WINS," all news. (NP-AB)
- 1020 KCKN NM, Roswell 12/8 2131 weather for a wide area (snow forecast) followed by C&W cowboy song by rodeo-rider Chris Le Doux. Not heard in a while. (GK-OR)
- KWIQ WA, Moses Lake 12/8 2132 English ID in quick small break between Spanish that I thought was probably Los Angeles. Fighting the Chris Le Doux song, "Cowboys Like A Little Bit of Rock N Roll" on KCKN Roswell, and KYXE Selah, WA, high school EKB game. New. (GK-OR)
- 1060 *KPAY* CA, Chico 12/17 0506 good with TT, then OC. (RW-GA)
- 1230 KDAC CA, Ft. Bragg 12/20 1959 PSA, ID "This is Mendocino County's first radio station, AM 12-30, KDAC in Ft. Bragg, California." Good over others. Haven't heard this in many years. (NH-WA)
- ?KWY27 WA, Everett 12/8 2009 many "Radio 1-2-3" slogans. Spot for Redmond @ Marysville HS EKB game to be broadcast. No ID heard. Would be new if I'd have gotten an ID. (GK-OR)
- 1400 KRPL ID, Moscow 12/15 1800 ID followed by ad for store with sales on VCR's & camcorders. Faded after ID. New. (GK-OR)
- 1460 KCKX OR, Stayton 12/17 0555 good, alone with ID "Just listen, to KCKX, Stayton." Their DA must be aimed right at me, 'cause they're rare everywhere else! (RW-CA)
- 1520 KOMA OK, Oklahoma City 12/17 0525 xint, no fading, way over KTRO with ID "Oldies 1520, KOMA" into oldies. Common here but very rarely this strong! (RW-CA)
- 1580 KDOM MN, Windom 12/13 2300 basketball coverage, ad for the Windom Hotel. (NP-AB)
- CBJ PQ, Chicoutimi 12/8 0307 classical music program, //other CBC French stations. First time heard for 2 years. (NP-AB)
- 1610 TIS WY, Sheridan 12/9 0300 TIS "Welcome to Sheridan county..." mixing with Caribbean Beacon. (NP-AB)

DX TESTS

- 1020 *KCKN* NM, Roswell 12/17 0230-0300 excellent signal as usual. Heard ment. of special test for DX'ers, address and 1-800 number given in between country Christmas songs. Called at 0250. CE did not sound too interested in my call. (FA-ID)
- +12/17 0250-0255 DX Special with tones poor way under KTNQ which could not be fully looped. (AWP-CA)
- 1330 *KMBI* WA, Spokane 12/17 0300-0310 started with Morse ID, very poorly sent (dah:dit ratio at least 6:1 vs standard 3:1, almost sounding like "MMNI"), but I'll count it! Good voice ID at :07. Signal about equal to KWKW. (AWP-CA)
- ?*KMBI*?+12/17 0300-0330 heard several Morse IDs under KWKW and others, playing "Stars & Stripes Forever" (not sure if that was them). No vocal IDs noted. (FA-ID)
- +12/17 0327 tent. with what sounded like "Stars & Stripes Forever" o/u KWKW/KUPL on car radio. Couldn't get loop bearing, DX'ing on way home from work. KEEN-1370 splash in that part of town wiped out signal! Did they play this? Not needed here. (RW-CA)
- 1590 ?KTIL? OR, Tillamook 12/16 0300-0330 tent. heard Larry King under KZOK, but never heard any local announcements. (FA-ID)

ID;ing unIDs

1400 GK-OR's unID "KGLM" is a simulcast of KGLM-97.7, and they are in Anaconda, MT (per '90 M Street Radio Guide). I suspect they could simulcast a station 25 miles away (KDFC-1220 Palo Alto simulcasts KDFC-FM San Francisco, and they are over 40 miles apart!). Suspect he had KDRG. (RW-CA)

UNIDs

620 12/17 0505 unID tone weak under KTAR with KGW nulled. Looped ESE. Either KWPT, KSTR or KCLQ? (RW-CA)

Thanks to all our reporters this week! ♡



Central DX Roundup

Editor: **John C. Johnson**
999 Neptune Boulevard
Billings, Montana 59105-2129

FOR THE RECORD

Report in Eastern time.

Deadline: Saturdays.

RIDING GAIN

- [SA-MB] = Shawn Axelrod, 30 Becontree Bay, Winnipeg, MB R2N 2X9
Icom IC-R70, 3' box loop, 100' longwire, Mini TUN-3.
[TMJ-IL] = Tom Jasinski, 419 North Raven, Shorewood, IL 60435
FRG-7, 2 1/2 foot amplified loop.
[WMC-MB] = Wayne McRae, 103 Donegal Bay, Winnipeg, MB R2K 2B5
Icom IC-R70, loop.
[SS-WI] = Steve Schreiter, 104 Brookdale Dr., So. Milwaukee, WI 53172
ICF-SW20, Select-A-Tenna.
[JcJ-MT] = Your editor using an Icom IC-R71A with Radio West Loop.

DOWN THE DIAL

- 540 KDFT TX Ferris, 12/24 good, alone. 0400 w/Gospel music, ID "KDFT 5-40 AM Ferris, Dallas, Fort Worth." Finally an ID and enough for a report. TX#65. [JcJ-MT]
660 KTNN AZ Window Rock, 12/11 and 12/12 fair to poor both days, o/WFAN, WMAQ slop. 0645-0745 w/Indian language talk and music. C&W music. "KTNN" calls heard. [TMJ-IL]
740 KCBS CA San Francisco, 12/4 good. 0426 w/stock market report, TC, "KCBS" ID into weather. [SA-MB]
830 CFJR ON Brockville, 11/24 good. 0515 w/"CFJR" ID and weather for Brockville. Rock oldies. [WMC-MB]
KBOA MD Kennett, 12/1 poor u/WCCO. 0855 w/lite rock music, "KBOA" ID. Finally heard an ID! New for me, MO#44. [SA-MB]
960 WTCH WI Shawano, 11/24 fair. 1550 w/'92 Country WTCH. [WMC-MB]
970 WHA WI Madison, 12/8 fair in WDAY null. 0918 w/"Wisconsin Public Radio" ID. Report on Japanese journalist in space. New for me, WI#71. [SA-MB]
990 WIVK TN Knoxville, 12/10 good. 0430 w/C&W music, ID "WIVK AM and FM." [SA-MB]
1100 KNZZ CO Grand Junction, 12/2 good, no WWWE. 1600 w/"KNZZ K-news, AM 1100 Grand Junction." [WMC-MB]
1110 WMMX OH Fairborn, 12/8 fair. 1500 w/religious format. "WMMX" ID clear. [WMC-MB]
1150 KIMM SD Rapid City, 12/8 fair in CKX. 1555 with "Top 30 Country Countdown." [WMC-MB]
1260 WXCE WI Amery, 12/10 good. 1900 with Clear Lake vs Turtle Lake basketball. Spots for Clear Lake and River Falls and for Apple River Hospital in Amery. "12-60 WXCE" ID. [WMC-MB]
1270 WCMR IN Elkhart, 11/24 good, but brief. 0620 with HS basketball results. "WCMR" ID and mention of Elkhart. [WMC-MB]
1430 KCOH TX Houston, 12/8 surfaced o/WRTH (EX-WIL). 0130 with blues, soul music. "KCOH" calls mentioned. [TMJ-IL]
1480 KFMD NE Lincoln, 12/1 good. 0628 w/hard rock, ID "Lincoln's Best Rock and Roll on 101.9 KFMD Lincoln, Omaha." Also noted with "Q-102" IDs. New for me, NE#33. [SA-MB]
+12/9 poor in mess. 1610 w/"KFMD" ID. [WMC-MB]
1530 KCMN CO Colorado Springs, 12/10 fair. 1620 w/MYQL format. ID "This is KCMN playing the music of your life." [WMC-MB]

KONK KB Horton, 12/10 good. 1600 w/"This is AM radio for North-west Kansas, KONK." into local news read by a woman. Also "KO 15-30" ID. 1615 sign off, mentioned "KO the best radio station in West Kansas." [WMC-MB]

HWGZ MI Lewistown, 12/8 poor u/WCKY. 0827 w/rock, weather report, ID as "Wings 105." \FM. New for me, MI#62. [BA-MB]

1560 WHEZ MI Portage, 12/9 fair. 0935 with "EZ-15-60 your oldies station" ID into song by Archies. New, MI#63. [BA-MB]
+11/26 good. 1515 w/sign off. ID "Hits of the 50s, 60s, and 70s, WHEZ Portage, Kalamazoo." [WMC-MB]

1580 KAMI NE Cozad, 12/9 good. 1540 w/C&W, "104 1/2 FM." [WMC-MB]

1590 WNTB IN Beach Grove, 12/9 fair u/KCNN. 0925 with local religious program, listing of church services for Indianapolis. New for me, IN#17. [BA-MB]

FREQUENCY CHECKS

1600 WHOL PA Allentown, 11/26 poor u/WBBD. 0546 w/TT. Listed in IRCA 1990 F/C list. [TMJ-IL]

TIS

1610 WI Milwaukee, 12/14. 2016 with "Welcome to General Mitchell International Airport." Loop announcement of parking options. Has been operating for several months per local DXers. [BS-WI]

UNIDS

1010 unID 12/1 poor. 1759 with "??? To remember, AM 10-10 (sounded like) KG10....." Any ideas? [BA-MB]

1060 (see my unID on 11/24) 12/9 0010 to 0100 sign off with blues music (I incorrectly stated C&W before.) Good signal in EYW null. Sign off mentioned 31 watts at night. Call sounded like WPMX or WTMX or WDMX. Tupelo, MS. [TMJ-IL] (NRC log says calls for Tupelo, MS are WCBF, is this a call change? John.)

1460 unID 12/9 poor u/KKAD. 0947 with "Thank you.....for making the all new power KW the number 1....radio station." Rock music. Any ideas? [BA-MB]


1480 unID 12/12. 0200 station playing symphony music through top of hour, never have heard any other audio. Station is heard here most early mornings. [TMJ-IL]

IDING THE UNIDS

1480; NRC log says WCIN has classical format. Any other ideas? John.
25 YEARS AGO

January 8, 1966 issue of DX Monitor....Mentions of new Jones log being \$1.95, new Broadcasting Yearbook being \$5.00....Stan Horss mentioned in 1947 the FCC assigned same call to 2 stations, WJON, which went to both Woonsocket, RI and Hollywood, FL. Hollywood, FL used the call 3 days before the FCC caught their mistake.

OPEN MIKE

 To one who waits, a moment seems a year. [TMJ-IL] says he tried for the KUMA-1290 DX Test, but too much KOIL and WIRL. The IRCA AM-FM Almanac 5th edition arrived just in time for Christmas. It looks great! Welcome to 1991! Be sure to report often. 73, John.

IRCA Mexican List, 2nd edition

The IRCA Mexican List, 2nd edition, is now available from the IRCA Reprint Service! This comprehensive guide lists calls, frequencies, locations, powers, schedules, networks, slogans and formats of AM stations throughout Mexico. It contains a wealth of never-before-published information received direct from Mexico City, and has been updated by listener tips through September 15, 1990. AM radio in Mexico has undergone an extensive shuffle in the past year. If you DX Mexico (or want to), you need this publication.

The IRCA Mexican List is available in four convenient formats:

| | | | |
|--|-----------|---------------|----------------|
| Volume I - Sorted by Frequency, State, City (24 pages) | US \$3.75 | Canada \$4.75 | Foreign \$6.00 |
| Volume II - Sorted by State, City, Frequency (21 pages) | US \$3.25 | Canada \$4.25 | Foreign \$5.25 |
| Volume III - Sorted by State, Frequency, City (22 pages) | US \$3.50 | Canada \$4.50 | Foreign \$5.50 |
| Volume IV - Call Index (Call/State/City/Freq only) (6 pages) | US \$1.00 | Canada \$1.25 | Foreign \$1.50 |

Send your order to: IRCA Reprint Service, c/o Steve Prattiff, 295 Pettis Ave., Mountain View, CA 94041
Please be sure to specify the volume(s) desired.



Eastern DX Roundup

Ray Bauernhuber
141-12 243rd Street
Rosedale, NY 11422

DEADLINE: Friday's at my QTH for ALL winter issues

(LH-AL) Lynn Hollerman 514 Carrsbrook Road, Huntsville, AL - 35803
Toyota car radio
(WPT-DC) William P. Townshend 4500 Connecticut Avenue NW
#901, Washington, D.C. 20008; Sony-2010

550 WKRC OH, CINCINNATI 12/12 0803-0805 ID heard above mess, ads, Accu-weather. (LH-AL)
640 WGST GA, ATLANTA 12/12 0814-0820 w/traffic report, Pharmor ad; gave time as 12 past 8 at 0815; Paul Harvey nx coming up "...on Newsradio 640." Mentions of Atlanta and a 2-alarm fire ("...police tell Newsradio 640 - WGST"), ID and talk about a 75 car pileup. (LH-AL)
720 WGR NC, BREVARD 12/10 1700 GOOD w/nx by/E (ID at 1714); "Serving the Western Carolinas." (WPT-DC)
1130 WPYB NC, BENSON 11/29 1713 GOOD w/s/off by/m and mention of c/w format. (WPT-DC)
1180 WMLX KY, FLORENCE 12/10 0810 FAIR w/ads and ID. (LH-AL)
1200 WAGE VA, LEESBURG 12/12 2320 noted OFF AIR for maintenance. (WPT-DC)
1310 KAAM TX, DALLAS 12/8 1751-1755 w/Steve Lawrence mx, DJ talking about Christmas diets, "Breakfast Club" ad, Julie Andrews record; KAAM promo at 1754, ID at 1755 as "13-10, K-double A-M, Your Home in (?) Texas" into mx. (LH-AL; DX302 & 30' longwire)
1320 WJAS PA, PITTSBURGH 12/11 0757-0802 w/Percy Faith orchestra mx to ID at 0800 as "Your Original Hits Station, 13-20, WJAS Pittsburgh" into CNN nx. (LH-AL)
1500 WBRI IN, INDIANAPOLIS 12/10 0815-0818 GOOD w/ID as "American Bible Radio, WBRI, Indianapolis" into "Heaven & Home Broadcast Hour." (LH-AL)
1500 WKAX AL, RUSSELLVILLE 12/8 1310-1316 w/gospel mx, ads for local businesses, mx, temperature and more mx. (LH-AL; DX302 & 30' longwire)
1580 WAXU KY, LEXINGTON 12/10 0819 with c/w, ID by DJ, into Folger's ad. QSL'd as WBBE. (LH-AL)

TENTATIVES, unID's & DX TESTS

530 TIS KNIC273 MD, ROCKVILLE 12/9 1734 EXCELLENT w/MD State Highway Administration Travellers Advisory Radio on for test: "1,2,3,4,5" then repeated. (WPT-DC)
530 TIS MD 12/9 1734 FAIR u/KNIC273 w/TIS for wx reports. Apparently BWI Airport. (WPT-DC)
540 unID 12/11 1746-1800 EXCELLENT then fading with c/w, QRM from another country station at 1751; "Southland Weather...", ID at 1800 for several stations, several locations, only one heard was WSTH. (LH-AL)
580 unID 12/12 0808-0812 w/"The Great 58" by DJ, wx report, lots of QRM, mentions of rock & roll. "...right here on the great 58" at 0812 and into rock mx. (LH-AL)
760 WURL AL, MOODY 12/9 0822-0829 TENTATIVE w/country/gospel mx (t) DJ between songs at 0826; not heard - some QRM. Wx report at 0828, ad at 0829 and into religious program. (LH-AL; w/DX-302 & 30' longwire).
1290 unID 12/8 1758-1800 QRM, mx, bank ad, Value-Rite pharmacy ad at 1759, into mx; fading. (LH-AL; w/DX-302 & 30' longwire)

COMMENTS

Thanks go to this issue's reporters; a short column what with Christmas shopping and parties! Until next time CONTINUED GOOD DX MY FRIENDS and 73s de Mr. B

EASTERN DX FORUM

Richard C. Evans
5104 N. Lovers Lane
Milwaukee, WI 53225

Reports from members living east of the Mississippi River
Deadlines: Saturdays

R.C. Watts, 4109 Graf Drive, Louisville, Kentucky 40220-3016

The T.I.S. at Lexington, KY is Kentucky Horse Park, 4089 Iron Works Pike, Lexington, KY 40511. Great place to visit if you get the opportunity. Coming home from the country on I-64, WSJC-810 Magee, MS boomed in for about 20 minutes after 1743. Was really looking for Radio Paradise in the splatter below WHAS. Tuned as close as I could get while driving. As I passed the high tension transmission towers between the interstate and WHAS tower, the splatter greatly diminished. In came a Spanish speaking station which I think was Cuba on 830 kHz.

Rick Evans, Apt. 19, 5104 N. Lovers Lane, Milwaukee, Wisconsin 53225

This is the last column to be printed in 1990. Hope it has been a good year for you and the next one will be better. I've just sent the card from Albert Lobell back to him indicating I would not be a candidate for the BoD elections this time, so at least we will have one new person on the Board for a change. What's happened to WDXF recently? It's usually the first or second column I turn to when DXM shows up but it's been missing for a month now, as I type this. I tried listening Sunday night 12/16 but nothing around. The CBS on 1080 turned out to be unneeded KRLL. See you in 1991. 73.

Gerry Thomas, 3635 Chastain Way, Pensacola, Florida 32504

It's been a long time since I've contributed to this column; the usual time pressures the problem. I was really looking forward to this season but in August I got a call from the local university saying they were in desperate need of someone to teach a somewhat esoteric course this fall; I reluctantly agreed and out the window went my DXing time. Anyway, I turned in final grades a couple of days ago and have returned to radio matters. Locally, the AM band is pretty dismal--two religious broadcasters (WHYM-610 and WPPA-790), a "Cool Gold" oldies station (WTKX-1230), a robot-radio EZL outlet (WBSR-1450) and news-talk WCOA-1370. I couldn't agree more with Mark Connelly regarding the state of programming on AM--no character anymore. On other matters, I've been trying since June to finish a couple of articles on loop antennas that I've written (a phaser-loop, a Q-loop, and a double-barreled loop) but my super deal clone computer finally bit the dust in August. In four years of near continuous battling with the thing (the only component I hadn't replaced was one TEAC disc drive!), I gave up and bought a Hewlett-Packard 09/16S to go with my Hewlett-Packard Deskjet Plus printer. If you are considering a \$1500-2000 computer, before you buy a lesser computer check with your nearest HP sales office (not dealer). It turns out that salesmen's demos are pulled from service after 9 months and are sold for 40% of list. I got a \$4900 computer for about \$1700. (I know the preceding isn't directly related to DX but since many of us use computers, I thought I'd pass on this money-saving tip.) One exciting possibility on the horizon for me this coming year is a research project at the Navy's Homestead listening post down in southern Florida. I've always wanted to get inside one of these sophisticated government installations with their banks of receivers and Wullen-Weber antenna and it looks like I'll get down there some time this year (Federal budget constraints permitting). Unfortunately, Top Secret clearance is required to enter these facilities so an article detailing the facility is unlikely. Finally, I can't wait to see what the new Drake R-8 is all about, apparently due out later this year. That's about it from here. 73s...GT.

Gary Siegel, 2728 - 106th Street, Toledo, Ohio 43611

Holiday greetings everyone. Hope your Christmas or Chanukah was a happy one and that the New Year will follow suit. Perhaps by the

Verification Signers



Editor: TIM HALL, 350 G St. #F-1, Chula Vista, CA 91910-4559

Deadline: Last Friday of the month

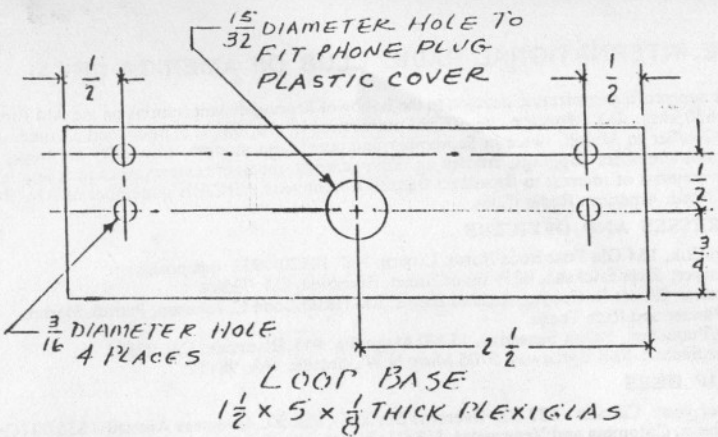
CONTRIBUTORS TO COLUMN #48 (12/26/90):

- OA - OLLE ALM, Tjadervagen 6A, Harnosand S871 65 SWEDEN
 including material from ARCTIC RADIO CLUB and DXclusive(Finland)
 JH - JIM HILLIKER, 1705 Withers Ave. #12, Monterey, CA 93940
 JCJ - JOHN C. JOHNSON, 979 Neptune Blvd., Billings, MT 59105-2129
 MS - MIKE SANBURN, P.O. Box 1256, Bellflower, CA 90706
 JDS - J.D. STEPHENS, 122 Brawley Dr., Owens Cross Roads, AL 35863
 RS - RANDY STEWART, 4225 W. La Casa, Springfield, MO 65802-5615

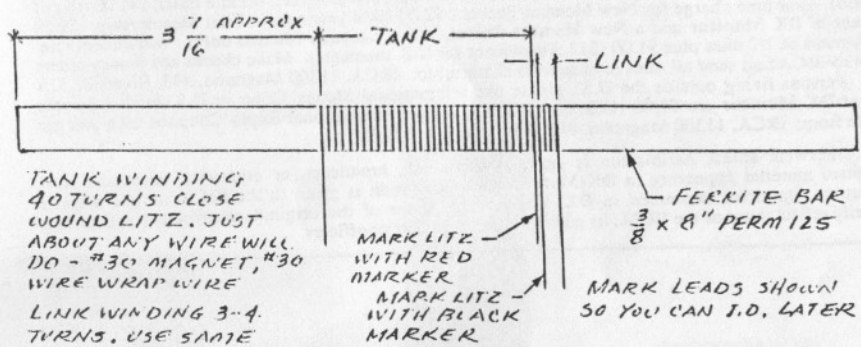
| FREQ | CALL | SIGNER'S NAME / TITLE | ADDRESS | WHAT | WHEN | WHO |
|------|--------|--|--|------|------|-----|
| 590 | KSUB | Vicki Daughton, STN MGR. | P.O. Box 819 Cedar City, UT 84720 | LB | | MS |
| | KTHO | Howard Cadot, CE | P.O. Box "AM" S. Lake Tahoe, CA 95705 | L | 16 | JDS |
| 620 | WTMJ | John Schneider, ENGINEER-IN-CHARGE | 700 E. Capitol Dr. / Box 693 Milwaukee, WI 53201 | Q | 6 | RS |
| 650 | KMTI | [UNSIGNED] | P.O. Box "K", Manti, UT 84642 | L | 22 | JCJ |
| 690 | KSTL | [UNSIGNED] | 814 N. Third St. St. Louis, MO 63102 | Q | 7 | RS |
| 720 | WGCR | Randy C. Barton, GM | P.O. Box 720 Pisgah Forest, NC 28768 | LM | 8 | JDS |
| 770 | KATL | Renita Schepeler, SEC'Y / TFC. | P.O. Box 700 Miles City, MT 59301 | LB | 14 | TRH |
| 820 | WBAP | Clay Steely, CE | Fort Worth, TX | | | OA |
| 940 | WFAW | Clifford J. Groth, VP ENGINEERING | P.O. Box 94 Fort Atkinson, WI 53538 | LMB+ | 50 | JDS |
| 980 | KUPI | Marv Hepworth, CE | Ammon, ID | | | OA |
| 1010 | KXEG | Richard Les Dugan, OP MGR. | 1817 N. Third St. #302 Phoenix, AZ 85004 | L | | MS |
| 1020 | KCKN | Donald Niccum, CE | Roswell, NM | | | OA |
| 1050 | KORE | Larry Knight, STN MGR. | 2080 Laura St. Springfield, OR 97477 | LB | 7 | TRH |
| 1170 | Taiwan | [SIGNED IN CHINESE] | Cheng Sheng Broadcasting Corp. L Taipei, TAIWAN | L | | OA |
| 1230 | KAAA | Richard D. Singer, GM | 2534 Hualapai Mtn. Rd/Box 3939 L Kingman, AZ 86402 | L | | MS |
| 1240 | KNRY | [ADDRESS UPDATE] | P.O. Box 9100, Monterey, CA 93942 | | | JH |
| 1300 | KDOV | Perry A. Atkinson, P/GM | P.O. Box 520, Ashland OR 97520 L | | | OA |
| 1350 | KDIO | Don Egert, OWNER | P.O. Box 115 Ortonville, MN 56278 | L | 8 | JCJ |
| 1360 | KNGN | Greg Fairow, DIR OPS. | P.O. Box 240, Mc Cook NE 69001 L | L | 10 | JCJ |
| 1380 | KLIZ | Rick Flacksbarth, STN MGR / SX DIR. | P.O. Box "J" Brainerd, MN 56401 | L | 8 | JCJ |
| 1400 | KQDJ | Randy Allen, OP MGR. | P.O. Box 1170 Jamestown, ND 58402 | L | 8 | JCJ |
| 1460 | KMWX | Aaron Wasilewski, CE | P.O. Box 1460, Yakima WA 98907 | LB | 7 | JH |
| 1480 | WRSW | James L. Swearingen, CE | P.O. Box 1448, Warsaw IN 46580 | LM | 9 | JDS |
| 1490 | KOWL | William A. Kingman, CE | Tahoe Keys Marina/ Box 15460 South Lake Tahoe, CA 95702 | L | | MS |
| | KTOB | Ken Carpenter, PD | 12 E. Washington St. Petaluma, CA 94952 | LM | | MS |
| 1600 | KRXY | Girard Westerberg, TECH DIR. | 7075 W. Hampden Denver, CO 80227 | L | 5 | JDS |
| | WARU | James L. Swearingen, CE | P.O. Box 1010, Peru IN 46970 | LM | 9 | JDS |

Welcome back to J.D. STEPHENS, who returns from a short absence with some impressive veries, especially last spring's KTHG test, which I couldn't even hear here in CA! 73 and best of DX in '91! -- TRH

SUPERADIO I & II PLUG - IN LOOP



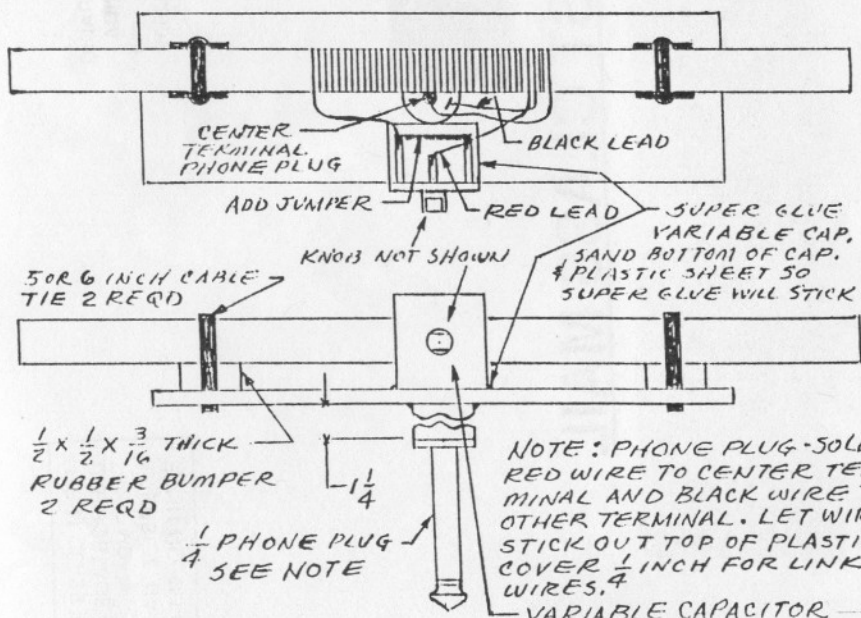
LOOP BASE
 $1\frac{1}{2} \times 5 \times \frac{1}{8}$ THICK PLEXIGLAS



TANK WINDING
40 TURNS CLOSE
WOUND LITZ. JUST
ABOUT ANY WIRE WILL
DO - #30 MAGNET, #30
WIRE WRAP WIRE
LINK WINDING 3-4
TURNS. USE SAME
WIRE AS TANK.

WRAP TANK & LINK WINDINGS
WITH PLASTIC TAPE TO HOLD
IN PLACE

ALL LEADS ON TANK & LINK
WINDING $2\frac{1}{2}$ - 3 INCHES LONG



NOTE: PHONE PLUG - SOLDER
RED WIRE TO CENTER TER-
MINAL AND BLACK WIRE TO
OTHER TERMINAL. LET WIRE
STICK OUT TOP OF PLASTIC
COVER $\frac{1}{4}$ INCH FOR LINK
WIRES.

THE INTERNATIONAL RADIO CLUB OF AMERICA (IRCA)

The IRCA is a non-profit organization devoted to the hobby of hearing distant stations on the AM Broadcast Band (510 - 1630 khz). **DX Monitor**, the official publication of the IRCA, is published 34 times a year, weekly from October to March, twice in September and April, and monthly from May to August. **DX Monitor** contains members' loggings, articles on radio stations, receiver reviews, technical articles, DX tips, and other material of interest to Broadcast Band DX hobbyists. IRCA is a member of ANARC, the Association of North American Radio Clubs.

CLUB ADDRESSES AND OFFICERS

President: Karl Zuk, 154 Old Post Road North, Croton, NY 10520-1932 (proposals).

Secretary-Treasurer: Don Erickson, 6059 Essex Street, Riverside, CA 92504.

Board of Directors: Ernest R. Cooper, Richard Evans, Ric Heald, John C. Johnson, Patrick Martin, Bruce Portzer and Rich Toebe.

Editor-in-Chief/Publisher: Ralph Sanserino, 11300 Magnolia, #43, Riverside, CA 92505.

Publishing Coordinator: Phil Bytheway, 9705 Mary N.W., Seattle, WA 98117.

MEMBERSHIP DUES

U.S. - \$25.00 per year. Canada - \$27.00. Overseas Surface - \$28.50. Overseas Airmail - \$35.00 (Central America, Caribbean, Colombia and Venezuela), \$38.00 (Europe, North Africa, Middle East), \$41.00 (rest of the world). One time charge for New Member Packet - \$2.00 (first year only). Trial Membership - \$9.50 (10 issues of **DX Monitor** and a New Member Packet, U.S. / Canada / Mexico only). Installment rate: two payments of 1/2 dues plus \$1.00 (\$13.50/payment for U.S. members). Make checks and money orders payable to IRCA and send all dues (and address changes) to: IRCA, 11300 Magnolia, #43, Riverside, CA 92505. Persons living outside the U.S., please use International Money Order in U.S. funds. Sample copies of **DX Monitor** are \$1.00 (U.S. or Canadian) or two International Reply Coupons each and are available from: IRCA, 11300 Magnolia, #43, Riverside, CA 92505.

Unless otherwise noted, permission is granted to publish, broadcast, or otherwise reproduce non-copyrighted material appearing in **DX Monitor** provided credit is given to the IRCA and the original contributor. Opinions expressed in **DX Monitor** are those of the original contributors and do not necessarily reflect those of the IRCA, its publishing staff, editors or officers.

IRCA
INTERNATIONAL RADIO
CLUB OF AMERICA
11300 MAGNOLIA #43
RIVERSIDE, CA 92505

FIRST CLASS MAIL

29-09
J.D. STEPHENS
122 BRAWLEY DRIVE
OWENS CROSS ROADS,
AL 35763

FIRST CLASS
U.S. POSTAGE
PAID
RIVERSIDE, CA
PERMIT NO. 5214