

DX MONITOR

THE OFFICIAL PUBLICATION OF THE



INTERNATIONAL RADIO CLUB OF AMERICA

DEVOTED EXCLUSIVELY TO BROADCAST BAND DXING

APRIL 27, 1991 - VOLUME 28 - NUMBER 30 - EDITION 922 - ISSN 0899-9732

BROADCASTING INFORMATION.....	EASTERN DX FORUM.....	11
DX WORLDWIDE WEST..... 2	GEOMAGNETIC INDICES.....	
DX WORLDWIDE EAST.....	VERIFICATION SIGNERS.....	
DX WORLDWIDE II.....	HEARING IT THRU THE GRAPEVINE....	
WESTERN DX ROUNDUP..... 4	TECHNICAL TOPICS.....	21
CENTRAL DX ROUNDUP..... 6	PRESIDENT'S REPORT.....	
EASTERN DX ROUNDUP..... 8	KANADIAN KORNER.....	13
WESTERN DX FORUM..... 9	IRCA OFFICERS & DUES INFO..	BACK PAGE

PLEASE NOTE: SOME SECTIONS ARE NOT WEEKLY OR BI-MONTHLY THEY ARE RANDOM AND THAT IS THE REASON FOR BLANK PAGE NUMBERS, ALSO RECEIVING CONDITIONS

IRCA ADDRESS CHANGES, RENEWALS TO PUBLISHER: RALPH SANSEIRINO 11300 MAGNOLIA #43 RIVERSIDE CA 92505

IRCA REPRINTS TO REPRINT SERVICE: STEVE RATZLAFF 295 PETTIS AVENUE MOUNTAIN VIEW CA 94041

IRCA ALMANAC 5, TECHNICAL GUIDES, FOREIGN LOG & FOREIGN DX REFERENCE: PHIL BYTHEWAY 9705 MARY AVENUE NW SEATTLE WA 98117

RADEX MAGAZINE: JERRY BERG 38 EASTERN AVE LEXINGTON MA 02173 WOULD LIKE TO HEAR FROM FANS OF RADEX MAGAZINE AND SWAP ISSUES.

WANTED: MANUAL/SCHEMATIC FOR ALLIED RADIO SHACK AX-190 HAM BAND RECEIVER, RECEIVER SPECTRUM SCOPE SUCH AS THE HEATH HO-13, SB-620, HALLICRAFTERS SP-44. REID WHEELER 5910 BOULEVARD LOOP SE OLYMPIA WA 98501.

SLOGAN LIST UPDATER: THIS LIST UPDATES THE LIST IN ALMANAC 5 FOR A COPY SEND \$1.50 TO: BILL HARDY 2301 PACIFIC AVE ABERDEEN WA 98520. YOU WILL SEE A SAMPLE OF THE UPDATER IN THIS DXM.

FROM THE PUBLISHERS DESK: THIS DXM IS BEING MAILED LATE. I AM STILL SICK AND THE COPIER DECIDED TO SAY MAINTENANCE TIME. THIS DXM IS FULL OF GOOD THINGS. ALL THE ANTENNA INFO IS COMBINED IN THE CENTER SECTION SO IT WILL BE EASY REFERENCE INFO, PLEASE READ IT SLOWLY BECAUSE IT HAS SOMETHING TO SAY TO ALL OF US LOOP USERS. BY THE TIME YOU READ THIS BALLOT DEADLINE WILL HAVE COME AND GONE, I HOPE ALL OF YOU RETURNED THEM TO ALBERT. IN THIS DXM YOU WILL FIND DAYLIGHT SAVINGS TIME UPDATE, SEATTLE MARINERS 1991 BASEBALL NETWORK, BROKERED TIME, TIS INFO AND THE LAST 3 PAGES OF MARK CONNELLY'S ARTICLE. AH YES A SHORT REST PERIOD FOR THE PUB...73.



Voice of the Islands

P.O. Box 402
Roseau,
Commonwealth of Dominica.
Tel: 809-44-84042

ANTILLES EPISCOPAL CONFERENCE logo via TK



PAT MARTIN P.O. BOX 843 SEASIDE, OR 97138

DX Worldwide - West

Time: UTC phone (503) 861-3185

DEADLINES: 5/7,6/4,7/9

We have a great report from Nick Hall-Patch this week as he went out on a couple of DXpeditions. So here we go:

TRANS-PACIFIC DX ROUNDUP

- 531 AUSTRALIA, Kempsey-2MC 1243 3/29 "2MC" ID by someone. Good signal best DU at this time. (NHP-S)
- 549 AUSTRALIA, Orange-2CR 1237 3/27. Fair w/cricket commentary. Lagging 9660. (NHP-T)
- 585 AUSTRALIA, Hobart-7ZL 1340 3/26 Jazz singing by woman, poor to fair //576 which was good. (NHP-T)
- 612 AUSTRALIA, Brisbane-4QR 0925 3/29. Fair to good w/man talking //4920. (NHP-S)
- 621 t TUVALU, Funafuti-T2U2 0756 3/29 Island mx, poor to fair, but faded by the hour. (NHP-S)
- 666 AUSTRALIA, Canberra-2CN 1343 3/26. Fair w/2 men talking //657, 675,684,702,774 et al. (NHP-T)
- t NEW CALEDONIA, Saint Marie FRO-1325 3/27. Good to excellent w/apparent sports broadcast in FF. No SW // available. (NHP-T) (good going on this as FRO isn't reported much anymore. PM)
- 684 FIJI, Labassa-0640 3/27. good signal w/woman talking //639. Is 639 off frequency? There's usually a hum there when Fiji is hrd. (NHP-T) (I think there is a domestic off frequency from 640, maybe Montana, as that has been a hummy freq. for quite some time when Fiji is in. PM)
- 702 UNID, 1240 3/25 Good signal. Man talking not //4920. Also an interview across the hr 1300 3/26 w/6 pips underneath. Def. logging of 2BL on 3/27 often had talk underneath. NZ? (NHP-T) (Yes, Radio Pacific has been caught here a few times, sometimes on top of the Aussie. PM)
- 711 AUSTRALIA, Launceston-7NT 1355 3/27. Fair to good w/cricket //9660 as were 684 and 675. (NHP-T)
- 747 WESTERN SAMOA, Apia-2AP 0629 3/27. "29½ minutes after 7" TC and NX, mention of Polynesian airlines. including marine forecasts for Samoa at 0634, for to very good. (NHP-T&S)
- 783 UNID, 0921 3/29 Man and woman talking. Fair in splatter, but didn't sound like EE. Whos here? (NHP-S) (NZ would be running Parliament broadcasts I presume, but prob. in EE. Could be the Philippines or Malaysia I guess. PM)
- 792 AUSTRALIA, Brisbane-4QG 1347 3/26. Fair to good w/Jazz singing //7ZL-585. (NHP-T)
- 801 UNID, Audio noted at various times 3/27 and 3/29, two stations there at 1500 3/29 but no IDs. Who do you hear Patrick? (NHP-S&T) (4QY-Cairns, 2XL-Nelson, or 2GO-Gosford. The first two have been more common, tho. PM)
- 810 NEW ZEALAND, Dunedin-4YA-1352 3/26. Fair u/KGo w/woman singing pop mx //819 and 756 and not // Aussies. (NHP-T)
- 846 t KIRIBATI, 0725 3/29 Island mx poor to fair. SW// wasn't there. (NHP-S)
- 855 AUSTRALIA, Maryborough/Eidsvoid-4QB/4QO 0916 3/29. Poor to good man talking //4920. (NHP-S)
- 864 UNID, Who provides the off channel hum here? Noted as late at 1435 on 3/29. 4ZA was the only firm logging here at 1330 3/29 and //1008, but the hum was troublesome. Also noted as early as 0810 on 3/29. (NHP-S) (An Aussie off freq.? PM)
- 891 AUSTRALIA, Townsville-4RR 1244 3/27 "4 double R" ID and pop mx. good to excellent. (NHP-T)

- 891 FIJI, Lautoka-0711 3/29 Woman and man talking //774 which had better signal, but more splatter. (NHP-S) (Same here.PM)
- 981 AUSTRALIA, Muswelbrook-2NM 1400 3/27 "2NM" mention on the hour This is listed as relaying 2NX at the time, but maybe they slot in local IDs. Fair to good,into pop mx. (NHP-T) (Good catch.PM)
- 990 FIJI, Lautoka-1202 3/27 Fair in domestic mix w/anthem //774.(NHP)
- 999 AUSTRALIA, Broken Hill-2NB 1313 3/27 "You're listening to ABC Radio" after cricket commentary by man. Fair to good and not too much problem from KOMO-1000 at this time. (NHP-T) (Another good catch, as this hasn't been hrd for a long time either,especially with KOMO on! PM)
- 1008 AUSTRALIA, Brisbane-4IP 1528 3/29 "4IP" ID by man,fair through splatter. 90 minutes after local SR!!! (NHP-S)
- 1017 t TONGA, Nuku'alofa-A3Z Most likely the Island mx and Native talk hrd at various times after 0700 3/27 and 3/29. (NHP-S&T)
- 1026 AUSTRALIA, MacKay-4MK 1331 3/27 "Just by listening to 4MK and reading the..... you could win great prizes." Good to very good tent. hrd many times w/r/r mx. (NHP-T&S)
- 1035 NEW ZEALAND, Wellington-2ZB 1331 3/29. Fair in splat w/talk // 1008. Lots of splatter from 1040,also seemed the signal on 1044 was // 1008. Wasn't that one due to go to FM? 1026 was also noted //1008 w/Fleetwood Mac song 1233 3/29. (NHP-S)
- 1161 t AUSTRALIA, Maryborough-4MB 1401 3/27 "Young Girl" Pop song //981 Is there some listing of Aussie AN Networks? (NHP-T)(Possibly one of the DU DX Clubs might have a list?PM)
- 1233 AUSTRALIA, Newcastle-2NC 1523 3/26 Man talking ,poor to fair, then pop mx //1548 which had a monster signal at the time(NHP-S)
- 1314 AUSTRALIA, Woolongong-2WL 1323 3/26 man talking and a couple of "2WL" mentions. Fair but too much splatter. (NHP-T)
- 1323 UNID, 1339 3/27 Pop mx "Rhythm of the Rain" fair in splatter. Ideas, Patrick? (NHP-T) (Possibly 2GO hasn't moved yet to 801? Not too many possibilities here.PM)
- 1332 AUSTRALIA, Bundaberg-4BU 1442 3/29 Pop mx,good signal"This is mx all night"\$BU" repeated twice. This was one of the best DU signals for the next hour or so. (NHP-S)
- 1476 UNID, 1511 3/29. Who is here w/r/r mx? Isn't NZ gone by now? By this hr,only Queensland stations w/a couple of NSW stations were still showing audio,so 4ZR??(NHP-S) (Probably, hrd this several yrs ago here.PM)
- 1512 AUSTRALIA, Newcastle-2NC 1450 3/29.Fair w/woman talking.(NHP-S)
- 1593 UNID, 1315 3/26. Island mx fair. PNG off at this time and not a squeak out on 3205. Truk? No IDs or talk,soon faded.(NHP-T)

PAN-AMERICAN DX ROUNDUP

- 890 MEXICO, Culiacan XENZ-3/29 0956 Booming in tonight w/2 clear IDs Finally got the call letters right and realized this is the ex 570. (TRH-CA)

VERIFICATIONS

- 540 WESTERN SAMOA. Apia-2AP-QL letter in about a year after a phone call/up 6 months ago. Letter signed by William Tibben-Director of Broadcasting. Mentions they run 3 Harris DX 10 Transmitters (10 KW) on 747, I presume //, and one on 540 KHZ (!0 KW), and 2 standby TX on 540. (PM-OR)
- 747 WESTERN SAMOA, Apia-2AP, same as above. Address is: Post Office Box 1868-Apia.(PM-OR)
- 900 TAIWAN, Taipei-Central Broadcasting System-BED96-sent beautiful multi-colored QSL card and form letter with stickers in about 3½ months for taped report. Signed Le Ming-Dupty Director.(PM)

THANKS TO THESE REPORTERS

- TRH-CA TIM HALL-350 G. Street #F-1-Chula Vista,CA 91910-4559
- NHP-S&T NICK HALL-PATCH-1538 Amphion Street-Victoria,B.C. V8R 4Z6 3
Homebrew rx,ICF-2010, NHP-T= at Tofino,B.C. 450m Bev.at 270
NHP-S= At Sombrio Beach,B.C. using 600m Bev. at 260.
- PM_OR YOUR EDITOR



WESTERN
DX
ROUNDUP

Nancy Hardy
2301 Pacific Ave.
Aberdeen, WA 98520

WDXR deadlines are Mondays: May 6, June 3, July 8, Aug. 5, Sept. 2.
REPORTERS FOR THIS ISSUE:

- (BH) Bill Hardy-2301 Pacific Ave.-Aberdeen, WA 98520
FRG-7, Radio West loop
- (NH) Nancy Hardy-2301 Pacific Ave.-Aberdeen, WA 98520
- (GL) Gary Larson-2806 Lincoln-Burbank, CA 91504
- (PM) Patrick Martin-P.O. Box 843-Seaside, OR 97138
SP-600JX, 1800' NNW Bev., 1500' E Bev., 200' NE/SW term. LW
- (SMM) Steve Mittman-2248 West 37th St.-San Pedro, CA 90732
Realistic TRF, #12-655
- (RW) Robert Wien-1309 Dentwood Dr.-San Jose, CA 95118
GE Superadio, GE long-range portable, SM-2

OF SPECIAL INTEREST

- 610 KYJC OR, Medford 4/4 0143 Medford ads, "KFMJ FM stereo & KYJC AM stereo" ID at 0144 $\frac{1}{2}$ into oldie. Poor-fair with KONA nulled. Ex-silent. (NH-WA)
- 1180 KLAY WA, Lakewood 4/4 2003 ABC-E news, 2006 ID "KLAY Talkradio for Lakewood-Tacoma" into Talkradio. Also uses "Your Conversation Station" slogan. Phil Bytheway reports 4/3 was their first day on the air. (NH-WA)
- *****
- 740 (KCBS) CA, San Francisco 4/6 0535 totally off. (RW-CA)
- 840 (KVEG) NV, North Las Vegas 4/1 0345 totally off. (RW-CA)
- 850 KTAC WA, Tacoma-Seattle now simulcasting KMTT (ex-KBRD). 4/15 2000 ID "This is The Mountain, KTAC, Tacoma-Seattle's home of mellow rock & roll." During the hour uses slogan "FM 104 The Mountain." (NH-WA)
- 860 7KCNR? UT, Salt Lake City 4/1 0903 tent. good under KTRB with CNN News, but no ID. Faded rapidly. Must have switched to day power at 0900. (RW-CA)
- 950 KKIC ID, Boise 4/8 0856 good on top with ID. I thought this station had been silent. (RW-CA) (You reported it 11/5/90. --NH)
- 960 KNDN NM, Farmington 4/8 0849 good in KABL null with ad for car dealer in Farmington in apparent Navajo language. (RW-CA)
- 1040 CIMA BC, Vancouver 4/1 0358 ex-CKXY logged with Larry King, ID on hour "CIMA is Magic 104 AM, Vancouver." First time I've heard them use official calls. What's policy on AM IDs in Canada? (RW-CA)
+4/16 0700 ending PSA, "CIMA is Magic 104 AM, Vancouver," into Mutual news with Vancouver ads substituted for Mutual ads, back to Larry King 0706. Logged as CKXY back in 1987 but hasn't used calls lately. (BH-WA)
- 1090 *XEPRS* BCN, Rosarita Beach 4/1 0434 off briefly with OC, KBOZ/CHCC/KKBB mix, back on 10 minutes later. (RW-CA)
- 1110 *KRLA* CA, Pasadena 4/1 0712 off with OC. (RW-CA)
KRCX CA, Roseville 4/8 0334 good over KBND/KRLA with ID. Not on 650 yet. Per call to station on 4/2, should move "within two weeks" with 25kw/5kw. (RW-CA)
- 1290 7KOIL? NE, Omaha 4/8 0809 poss. one mentioning "We now switch to full power," then faded rapidly under mess, frequency GY-like at the time. Apparent pattern change might also fit KWLS-KSI! (RW-CA)
- 1340 KSGR ID, Nampa-Boise 4/7 2300 ID "You're listening to CNN Radio AM 13-40 KSGR Nampa-Boise" into CNN Headline news. Good over others. (NH-WA)
- 1410 KBNP OR, Portland 4/8 0932-0957 occasionally good over CFUN/KMYC KRML, with several IDs, BRN network programming. Totally

gone by about 1000. Call change ex-KCNR. Been after this call change for 2 years! (RW-CA)

1480 TKDBN? TX, Dallas 4/8 0732-0740 poss. one with BRN network poking thru real GY-like mess. Only ID at 0737 was "This is the Business Radio Network." Wiped out by KYOS s/on at 0800. Only other affiliate per IRCA Almanac is KBEA-KS which I've also heard, so what a dilemma. KDBN is more likely! Will keep checking. (RW-CA)

1590 (KLIV) CA, San Jose 4/3 0430 totally off, KOGO/KZOK/unID mix. (RW)

1610 TIS CA, Livermore 3/27 2050 fair with info on Lawrence Livermore Laboratories. On the air during morning & afternoon drive time, goes off at 2100 Eastern time. New. (PM-OR)

HAR CA, Los Angeles (Gardena/Carson border) Fr 3/29 1350-1410 finally heard my new local HAR after months of trying, except for a few weeks ago when very poor tape loop was heard of a man counting from 1-5. Tape loop: "This is a test message for Cal-Trans' Highway Advisory Radio facility at 170th Street and the Harbor Freeway." Will have info on the width-expansion & double-decking of the Harbor Freeway. 170th St. is at the Harbor & 91 Freeways intersection. Poor signal at 9 1/2 air miles, so likely less than 1/10-watt. (SMM)

WNMQ214 CA, Newark 3/27 2100 weak after Livermore went off, info on emergency services, 911, earthquakes, drunk driving, shop-lifting. Gave phone number with 790 prefix, which Tim Hall tracked down in California phone books. Thanks, Tim! New. (PM-OR)

TIS OR, Crater Lake National Park 3/27 2112 fair-good with information on park. Fourth TIS on this freq. in 25 minutes! Not new. (PM-OR)

TIS OR, Dune River 3/27 2110 fair after Newark faded, info on 100 Roosevelt elk in area. Third new TIS in 20 minutes - nice! Dune River is 3 miles east of Reedsport. (PM-OR) (Is this the State of Oregon or the Siuslaw National Forest TIS listed for Reedsport?--NH)

LOCAL CHANGES

1300 KAZN CA, Pasadena now simulcasts a "Radio Korea" program nightly 0100-0400 with KWIZ-FM 96.7 Santa Ana. Radio Korea leases time on the separately-owned stations -- and Radio Korea is a new 24-hour format for KWIZ-FM. During the simulcast, legal ID at :00 is "K-A-Z-N, Pasadena. K-Asian. (2nd anncr) This is Radio Korea--KWIZ-FM Santa Ana." Beware: Radio Korea often plays popular American tunes. (SMM-CA)

1450 KAYO WA, Aberdeen has resumed daily schedule of 0800-0300 Eastern, Sunday 1000 to Monday 0100. Had gone 24 hours (off MM) 1/15 for Gulf War, apparently dropped sometime in March. (BH-WA)

1500 KSJX CA, San Jose no longer simulcasts KSJO-FM programming on AM. ID'ing as "X-rock 1500 AM," don't confuse with XEROK-800, hi. (RW-CA)

1580 (KDAY) CA, Santa Monica Th 3/28 left the air today per call to station. Noted off by myself Fr 3/29 1350 with OC. OC is sometimes on, sometimes off. Per Gary Larson, will return to the air (new owner) on Sun. 4/14 at 5am PDT as KELA (K-Business Los Angeles). (SMM-CA)

(KELA)+Did not come on the air 4/14 as planned. Per call to station, they will come on the air 4/17 0500 with business format (50kw). (GL-CA)

1590 KLIV CA, San Jose per annct. they will be changing format from big band to newstalk in "about 2 weeks" (approx 4/15). (RW)

UNIDS

890 4/8 0408 unID tone weak under WLS, looping east. Not a het. (RW)

1340 4/1 0449 way under mess with 1 kHz tone, looping ESE. (RW-CA)

Note new deadlines at the beginning of the column! ♥



Central DX Roundup

Editor: **John C. Johnson**
979 Neptune Boulevard
Billings, Montana 59105-2129

FOR THE RECORD

Report in Eastern time. Deadlines: 5/4, 6/1, 7/6, 8/3, 8/31, 9/14.
 CDXR accepts reports via computer through Prodigy, my address: MPNN49A.

RIDING GAIN

- [SA-MB] = Shawn Axelrod, 30 Becontree Bay, Winnipeg, MB R2N 2X9
 Icom IC-R70, 3' box loop, 140' longwire, Mini TUN-3.
- [RS-MO] = Randy Stewart, 4225 W. La Casa, Springfield, MO 65802-5615
 Realistic TRF 12-656, 4' spiral loop.
- [JcJ-MT] = Your editor using an Icom IC-R71A with Radio West Loop.

DOWN THE DIAL

- 540 KNOE LA Monroe, 4/1 fair. 1920 with 60s rock oldies such as "Rockin' Robin." ID "5-40 KNOE." Not heard in a while. [RS-MO]
- 590 KLBJ TX Austin, 4/1 excellent, very dominant. 1923 with a sports call-in show. [RS-MO]
- 620 WJDS MS Jackson, 4/1 fair. 1926 w/rock. Weather for Jackson. "Mix 96" slogan used. [RS-MO]
- 720 KSAH TX Universal City, 4/8 good, no sign of WGN. 2046 w/SS PBP of a San Antonio Spurs basketball game. [RS-MO]
- 950 KPRC TX Houston, 4/8 fair to good. 2106 coming out of local news, weather w/"AM 9-50 KPRC Houston" into TalkNet. [RS-MO]
- 960 CFAC AB Calgary, 4/15 weak in KCTR-970 splatter. 0345 w/C&W. Noted still using CFAC calls, not yet changed to CKKX! IDing as "9-60 CFAC, Calgary's Country Music." [JcJ-MT]
- 1040 KGGR TX Dallas, 4/8 poor. 2100 caught sign off after gospel music. Said "...be back at 6:30 am tomorrow." New logging for me. [RS-MO]
- 1070 KNX CA Los Angeles, 3/29 poor in mix. 2333 with news, mentioned "KNX." [RS-MO]
- 1190 KORG CA Anaheim, 4/8 weak mix w/KRDS, KEX nulled. 0300 w/ID "KORG Anaheim, Los Angeles." SMN's NOS/Easy Listening format (||KBSR-1490 and others). Finally enough for a report! CA#132. [JcJ-MT]
- WHIY AL Moulton, 3/22 good. 2325 with weather, tornado watch for northern AL counties. "AM 11-90 WHIY" into C&W music. No longer days only? New for me. [RS-MO]
- 1230 KTRF MN Thief River Falls, 3/27 strong. 0506 with weather, local spots, several "12-30 KTRF" IDs. Seem to be 24 hours now. [SA-MB]
- 1240 KODY NE North Platte, 4/1 good. 0459 with "This is KODY, North Platte. Now CBS News." Noted new network and also now 24 hours. [SA-MB]
- 1400 WGIL IL Galesburg, 4/1 good. 0505 with "The news comes first on WGIL." Note no more MM SP I suppose! [SA-MB]
- 1450 WMBH MO Joplin, 3/26 good. 0558 w/C&W music, spots for Red Wing Shoes and Motel 6. 0603 ID "WMBH Joplin." MO#51. [SA-MB]
- 1490 KUGR WY Green River, 3/30 good. 0655 w/oldies music, ID "KUGR Green River, Rock Springs" into Mutual News. Note a new sign on time. [SA-MB]
- 1500 KDFN MO Doniphan, 4/8 poor. 2025 w/satellite adult standards, "AM 1500 KDFN" ID. New log for me. [RS-MO]
- 1550 KSFT MO St. Joseph, 4/1 strong. 0513 w/weather, "KSFT" ID, C&W music. Note no MM SP. [SA-MB]
- 1570 KLLA LA Leesville, 3/26 very good signal. 2110 with full ID "AM stereo 15-70 KLLA Leesville, LA." Slogan "The best kept secret in Leesville" into an Art Garfunkel oldie. New for me, not positively IDed before. Noted also no sign of XERF at this time. [RS-MO]
- 1600 KSSA TX Cockrell Hill, 4/8 excellent, dominating. 2022 with SS talk and Mexican music. Numerous mentions of Dallas and Fort Worth. "R. Variedades" SIDs. This is becoming a regular at sunset. [RS-MO]

CDXR Continues....

LOCAL CHANGES

1490 KBSR MT Laurel. Noted on all night occasionally with SMM's NOS/ Easy format. Had been just OC at 0200-0800. Always IDing on hour when OC only. [JcJ-MT]

UNIDS

- 810 unID 3/21 poor. 2335 w/man preaching on the "World Missionary Evangelism" program. No ID, noted at same time KROL-870 and KDXU-890 were good at same time. [SA-MB]
- 1430 unID 4/2 very good. 1944 with many spots for Longview and Killgore. Pattern change at 1945 right in middle of ID! Suspect KEES. [RS-MO]
- 1610 unID 4/8 very weak. 2016 w/continuous voice weather broadcast mentioning various TX cities. No ID. [RS-MO]

25 YEARS AGO

April 30, 1966 issue of DX Monitor...Tom Jasinski logged CBA-1070 for province #5 from Mokena, IL...C.M."Stan" Stanbury II offered more comment on R. Americas.....A chart showing daylight savings time (or lack of) for each state was included...All of Montana is MST except Butte...only 19 states had complete DST in 1966.



OPEN MIKE

Who pleasure gives, shall joy receive. Check above for the next CDXR deadlines!! 73, John.



DAYLIGHT SAVINGS TIME UPDATE

Daylight Saving Time in the major North American and European countries will be on the following dates in 1991. All of these time changes are on Sundays.

- U.S. and Canada April 7 - October 27
- Europe (continent), all USSR March 31 - September 29
- Great Britain, Ireland March 31 - October 27

Some Caribbean islands have daylight saving time in the same dates as the U.S. These include the Bahamas, Bermuda, Haiti, and Turks/Caicos Islands. The French island territory of St. Pierre and Miquelon, off the coast of eastern Canada, observes the same dates.

Greenland and some islands in the Atlantic Ocean (notably the Azores and the Canary Islands) observe summer time on the same dates as continental Europe. These islands are part of the national territory of European countries. Iceland is the only "European" country that does not have summer time.

Most other northern hemisphere countries that observed summer time in the last few years will continue the practice in 1991. This is the current list, with dates. No summer time dates have been announced for Iraq or Libya, but this information has come slowly in past years.

- Cuba March 17 - October 13
- Israel March 31 - September 8
- Syria April 1 - September 30
- China April 14 - September 15
- Jordan April 19 - September 27
- Egypt May 1 - October 1
- Lebanon May 1 - October 16

Summer time ended or will end in southern hemisphere countries this winter and spring on the following schedule. Summer time applies only in parts of Australia and Brazil.

- Brazil February 17
- Argentina March 3
- Australia (1) March 3 New South Wales, Queensland
- Uruguay March 3
- Chile March 10 (includes Easter Island)
- New Zealand March 17 (includes Chatham Islands)
- Vanuatu March 23
- Australia (2) March 31 Victoria, South Australia, Aus. Cap. Terr., Tasmania
- Paraguay April 1
- Peru April 15
- Falkland Islands April 21

All of this information is based on the January 1991 issue of the Official Airline Guide.

(From Geoclock computer bulletin board, via Bruce Portzer)



Eastern DX Roundup

Ray Bauernhuber
141-12 243rd Street
Rosedale, NY 11422

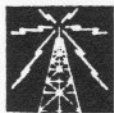
- =====
(KJV-GA) Karl V. Jeter 2115 Scarbrough Rd., Stone Mountain, GA-30088; HQ-150 +4' amplified loop, longwires.
(WPT-DC) William P. Townshend 4500 Connecticut Ave. NW, #901, Washington, D.C. 20008; SONY-2010
=====
- 730 CKAC PQ, MONTREAL 3/4 2342 FAIR u/WCPT w/FF talk by/m. (WPT-DC)
1170 WRJL AL, HANCEVILLE 3/30 1900 s/off, mentioning 460 watts power and a frequency of 1170 megahertz! Format was Christian/gospel. (KJV-GA)
1180 WMLX KY, FLORENCE 3/31 1845 s/off; "Cincinnati's Memory Maker" and telling listeners to continue to listen on local cable service. (KJV-GA)
1180 WFGN SC, GAFFNEY 3/30 0700 "Your Spiritual Friend" slogan; "M.B.N." News, local wx and gospel mx after news. (KJV-GA)
1280 WJAY SC, MULLINS 4/2 0647 w/Pigggly-Wiggly ad, birthday show and c/w. (KJV-GA)
1460 WPRW VA, MANASSAS 2/25 noted off the air since 2/8. (WPT-DC)
1460 WNBR NC, FUQUAY-VARINA 2/25 1800 GOOD w/ID by/m and mention of WRAL-TV news. (WPT-DC)

DX TESTS, FREQUENCY CHECKS, TIS

- =====
640 KTIB Not heard due to WMAL splash. (WPT-DC)
1010 KGGW Not heard due to WINS/CFRB. (WPT-DC)
1510 WNLC 3/18 0405 heard w/1000 hz TT through WTOP slop. (WPT-DC)
1510 WNLC CT, WATERFORD 3/18 Code IDs noted at 0401 & 0421; too much WLAC and "The Hossman" for much else! (KJV-GA)
1540 KTGG SPRING ARBOR COLLEGE 3/23 tried, but nothing heard. (KJV-GA)

COMMENTS

=====
Another short column this issue. My thanks to Karl and Bill for this issue's loggings. Good luck to all candidates in the upcoming IRCA elections. Until next issue, CONTINUED GOOD DX MY FRIENDS and 73 de Mr. B



Western DX Forum

★ ★ ★ ★

Editor: Ric Heald • 8639 Bellamy Way • Sacramento, CA 95828 USA • (916) 386-8677

DEADLINES - 07 MAY, 04 JUN, 09 JUL

GARY LARSON, 2806 LINCOLN, BURBANK, CA 91504 (818) 841-2555/846-5540

KDAY 1580 is no more. Station went dark at 1300 PLT on 28 March in preparation of a new AM station to feature news/talk. I heard 2 versions: they'll be 2 weeks before returning to the air and, several days before going on. New owner is Fred Sands, a realtor. I'm sad to see the rap format go because I think they were needed and listened to by the L.A. population. The last DJ on was J.J. Johnson who had been there since 1974. I've taped several hours of KDAY over past couple of days as well as final hour-and-a-half. Many people got on the air in their final minutes to thank their listeners for their support. I may try to see if there are any souvenir items to get, like coverage maps, etc. Another local tip - XEKAM 950 is airing White Line Radio 0100-0500 PLT with Al Gross as host. Music is OLD and he does a great job. Request line is (213) 957-3043. Plans for a power increase 20/10 kw with new ground system should help this area get better reception. (Why? They're local like in NorCal; we have no trouble-RtH.) Called Nancy Hardy with the KDAY tip. Glad to see you're back, Ric. (thanks, Gary-RtH.) 73 and good DX.

GLEN KIPPEL, 612 WEST AVE., MERCED, CA 95340-6577

Hi again. Sorry I missed the anniversary issue, but the children seem to have misplaced my word processing software; I've just given up on finding it and am typing this at my office. Anyway, for those interested, I'm now 51 and have been DX'ing since the early '50s. I started on a 1936 Zenith table radio (which worked super after I learned how to align it). Then I built a Heathkit AR-2, picked up a Hallcrafters SX-71 from a ham neighbor, then in 1961 traded it for the Hammarlund SP-JX17 that's still the mainstay of my collection. A number of other rigs have gone through the shack including a Zenith 1000 Trans-Oceanic and a Hallcrafters SX-62. I've always specialized in hard-core long-haul intercontinental DX, like Japan, Bermuda and Uruguay when I lived in Denver; Australia and Portugal from the Texas panhandle; and here my best catches have to be Senegal 765 and Sarawak 873. Just over 500 stations have been heard from Merced. Re Bruce Portzer's question about a station's minimum operating hours, I checked "Pike and Fisher" (standard industry reference) and according to that, Section 73.1740 doesn't permit radio stations to average their operating hours out over a period of weeks or months. The Merced Chamber of Commerce is looking at starting up a TIS, so I may get into Ancient Modulation again, hi. For those of you in the industry who are planning a trip to Vegas for the NAB Convention, look me up at the El Rancho, OK? Big talk this year is about DAB (Digital Audio Broadcasting), which in Canada is expecting to replace both AM and FM radio in a few years. Oh boy, QRM-free DX'ing at last, hi. Well, it's late - more later. 73 y'all.

FATHER JACK PEJZA, 185 ST. THOMAS DR., OJAI, CA 93023

My parting gift to IRCA can be seen on Jeopardy on Monday, July 8, when I appear as a contestant, you're asked for some bio information which makes you different and interesting. Among other things, I put down that I had edited four volumes of the IRCA Foreign Log, and that was what Alex Trebek asked me about on the program which was taped on 25 March. As a result, I got the chance on the air to explain what IRCA was. I don't know whether it'll help in recruiting new members, but it might. Participating as a contestant was quite an interesting experience, believe me. The 15 participants in the Senior Tournament spent two days in the Hollywood studio taping 10 shows which will air the weeks of July 8 and 15. I can't tell you who I did, because I had to sign a 6-page contract in which one of the conditions was that I wouldn't reveal the outcome of any show. I'm glad I went through the screening process over a year ago and had the opportunity to be able to appear on the show. 73.

JIM HILLIKER, 1705 WITHERS AVE. #12, MONTEREY, CA 93940

Hi there. So Geov Parrish's campaign statement was missing. So was mine, and I sent it in quite early. And when I got a sample ballot there was an 'X' next to my name indi- 9

cating that my campaign statement was received. Anyway, hope everyone voted. All the candidates were well qualified and it was difficult to cast my ballot, especially for the RoD. On another topic, to answer Bruce Portzer's question in the 3/23 forum: The requirement for someone to be on duty at a station states that there be someone in control of the transmitter. KSUR FM and KOJY 700 here are being monitored by remote control from L.A.! See Geov Parrish's forum in the 11/10/90 DXM explaining that this is legal. He says one company in CO monitors 2 dozen stations and by satellite performs all log readings, power up/down/off, towers lights, etc., all computerized and the local station only needs to have a local engineer on call. (What happens when, and they all do, the computer goes down?—RtH.) Another local station, KLAU 1540 (Kool Gold) has a sophisticated automation system with no board operators. Only the FM DJ on KMBY in the next studio checks it occasionally. I hear KPUP AM and FM plan to install the same automation system. So Bruce, it's very likely that more and more of the small town AMs may not have someone right there in the studio all night. On a sad note, one of this market's most successful AM stations, if not the most successful KOMY 1340 Watsonville signed off 01 April at 0300 after 54 years. Owner Phil Rather has owned for 28 years. Before that it was KHUB. Rather sold the land the tower sits on so low-income housing could be built there to house those displaced in the Loma Prieta earthquake in '89. But he couldn't find a new tower site. So, KOMY is silent for now. The story was covered by local KSBW TV-8. KOMY was one of the few original MOYL stations left and had good quality as well. Lightning knocked KNRV 1240 off the air all day 26 March but was on by the next day. 'Til next time, 73 de JH.

RANDY STEWART, 4225 W. LA CASA, SPRINGFIELD, MO 65802-5615

First, a great welcome back to Ric!! And three cheers to Bill Hardy for the sterling job he did as Johnny's (er, Ric's, hi) "guest host." (I'd love to touch that, but I'm still cleaning it up, hi. But thanks, Randy—RtH.) Next a correction: I was guilty of a typo (if not wishful thinking) in my Anniversary issue forum - my states logged total should be 36 not 37. Haven't made much progress lately toward adding new states - I've missed most of this season's DX Tests. And anyway, Latin DX has been dominant here since at least the end of February. Increased T-storm activity hasn't helped, but results have still been good. Mike Hardester's local "blackout" on MW & LW on 05 March hasn't been duplicated here, but cx have definitely been disturbed - not only in terms of less domestic QRM for LAs and Carib stations, but even enhancement some nights. On 04 April I finally got enough details for a f/up report to JBC 700 Jamaica. If I get a verie out of them I'll send up a flare, hi. (Has anyone received a Jamaican verie in the past couple of years?) In a recent EDXF Mark Connelly made a plea for more active TA DX'ing by Boston area DX'ers. In a similar vein, let's have more folks try for the Latins and report to the respective international columns. Speaking of LAs, on Friday 22 March, I noticed some of the Cubans much louder than usual, such as Reloj 590 which sounded like one of Fidel's 300 kw monsters. I wondered what had him so riled. Then I saw in the newspaper the next morning that Cuba's largest network PD had defected to the US. Iglesias Gonzalez who had worked for R. Progreso for 23 years entered the US with his wife on a tourist visa. Oh well, there goes another verie signer. Out of space and welcome back, Ric!

RIC HEALD, 8539 BELLAMY WAY, SACRAMENTO, CA 95828 (916) 386-8677

Well, look who done snuck back into the "Blue Pages," hi. It's great to be back and thanks Bill, for a job well done. I really appreciate your help during a difficult time. Basically, and briefly, it was job-related stress that brought on accute panic attacks. My boss likes me and from what I understood later, so did several other co-workers who saw me slipping away. Day shift at accute psych, especially at reception with a fully lit switchboard for 8 hours, can be your worst nightmare come true, believe me. Back on GY shift, on medication, and doing great. Thanks for all your calls, cards and letters. On to DX (that it what we were talking about, wasn't it?—hi), Lemmons gave me a call in January that 650 Raunchy (er, Rancho) Cordova would be on shortly with SS to replace KRCX. So far, not even testing noted. Will be up in the beautiful NW mid-May, so hope to DX with Sr. Wheeler and maybe get together with other area DX'ers. Godfather's Pizza in Lacey again? Best of DX to all and 73 de RtH. .

EASTERN DX FORUM

RICHARD C. EVANS
PO BOX 21883
MILWAUKEE WI 53221

Reports from members living east of the Mississippi River
Deadlines: 5/4 6/1 7/6 8/10

Karl Jeter, 2115 Scarbrough Road, Stone Mountain, Georgia 30088

Hello after a long absence; I was very busy up until 4-1, when I was laid-off my job after 8½ years and suddenly, I have loads of free time. My position was eliminated due to the company's economic problems, but with a nice severance package and my good financial situation, I will be able to take my time job-seeking. Bruce Portzer's vol. 28/no. 26 Forum mentioned something that brought back a memory: the "DX Dream"! Mine goes back a ways, in fact, before I was really into DXing. In high school, many nights I would fall asleep listening to WBZ-1030 (I was in N.C.) and Larry Glick's talk show. One morning I found myself sitting out on the back porch with a warm breeze blowing, and I was listening to KCTA-Corpus Christi! Guess what... I was dreaming when they came on 1030, overtaking WBZ! I will always remember that dream, and who knows, maybe that was when the DX bug bit me. Also in Bruce's Forum, I have gone by WZEL-770 up in the N. GA mountains three times during different times of the day, and there has never been anyone present at the studios...they run one of the country satellite services. I phoned KTNN-660 a few days ago to inquire about my reception report, and in talking with the PD, Michael Moore, found out they had already sent a reply (it arrived the very next day!). He told me they had received a number of eastern reports, and confirmed that they had been having problems with their pattern. Enough, in fact, for WFAN to complain. He said things are back to normal, and unfortunately, they should not be heard this far east anymore. The aforementioned KTNN verie brings the total to 1428, with only a total of 7 received this year. A number of phone and written follow-ups have been made, so I hope the return improves soon. On 2/4, I made an impromptu DXpedition to eastern AL in hopes of a try at the KBYR-Alaska Test. I set up 1000 feet plus in the NW direction, set up in my car out near the barn, and proceeded to have a disappointing night of DX...yep, no KBYR, but did log KIRL-1460 and KKDA-730. Sorry to see the weeklies ending, but Ralph needs a break: he's doing one HECKUVA job! 73's and keep on DXing through the year!

Mark Connelly, 30 William Road, Billerica, Massachusetts 01821-6079

I hope all had a productive DX season. Reading recent items in the DX press about Ben Dangerfield's European travels, Dallas Lankford's loop experimentation, and Richard Eckman's TA DX (and his views on the state of the hobby) indicate that there is still some life in MW DX. To echo views of others (including Tom Kneitel in Popular Communications), the main emphasis now should be recruiting new talent to augment the efforts of DXing's seasoned veterans. Whether the new membership comes from students or retirees isn't so important, although the under-30 crowd has a better chance to pass the torch from today's old-time DXers to the new DXers of 30 years from now (if there are any). Of course, it would help if AM radio would promote its own survival (and, as a result, the hobby's) by offering programming that can compete to some extent with FM, CD's, cable TV, rental movies, and computer games/software. I've DX'ed seriously since 1960 and I find AM to be less attractive, entertainment-wise, than other media - so what's a high school kid going to think? I do like some of the narrowcast / ethnic options on AM, but that's hardly mass-appeal stuff. On another note - DX lab developments: I've gotten Craig Healy's VCR DX set-up running on my good VCR (a Sharp hi-fi VHS model), but it doesn't run on a cheaper machine (stations swish around the dial or sound raspy, even with generous 60 Hz injection). It is definitely a

mind-blower to play-back a 4-hour recording of a 700 kHz wide swath of stations (I did 950-1650 kHz with local pest WRKO-680 notched with a wavetrapp). Thinking ahead to a possible autumn DXpedition to Atlantic Canada, I want to debug this scheme and make it foolproof. The trick to VCR DXing is that stations should be of comparable strength across the bandwidth of interest: a good-skip winter night at a rural QTH would be ideal. A "strapping" RF amp. is required to get the signals up to the levels needed for successful recording. I used the BBA-C card (see MWT-2 article) with a supply of +15 VDC. Another lab project here is making the MJF 1024 active whip remotely tunable by means of an add-on tank circuit comprised of an inductor and a varactor diode. Initial tests indicate better sensitivity and improved rejection of spurs. Again, planned beach DXpeditioning is the focus of these efforts. 73. Hope some of you can make it to the big hamfest in Deerfield, NH on 4 May 1991.

Mike Hardester, P. O. Box 8159, Camp Lejeune, North Carolina 28542
 GREETINGS! A couple of recent QSLs have been received: WOBM-1160 sent f/l w/frequency only, and a bumper sticker. V/s is Rick St. James, Eng. Asst, and station's zip code is 08754 vice 08753 in NRC Log. First NJ Qsl and State #44. WNSL338 on 530 kHz (near Williamsport, MD: Exit 2 at I-81 at PA/MD) returned my PFC w/full data. Power is 10 watts. WWMO-830 in Eden, NC is referring to itself as "The Big O" (letter), and the call letters may refer to another of its slogans: "The Word, Worship and the Music". Also, regards to North Carolina CCB stations, if you have a tentative slogan or sign-off or sign-on announcement you think may be from a NC station, I'll be more than happy to take a listen and see if I can help. My location is along the East Central coast - about 50 miles north of Wilmington. All for now. Very 73 and Best of DX! (Mike, thanks for the kind words--rce)

Rick Evans, P. O. Box 21883, Milwaukee, Wisconsin 53221
 Karl mentioned the weeklies coming to an end. Would you believe, after this issue, there's only four more DXM's until Labor Day. And I'm counting the days until tax school starts again in September. No real DX done these past couple of weeks. The first two weeks of April has seen almost 2.5 inches of rain--normally close to the full average for the month. I'll be back in Michigan this coming weekend (4/19-21) to pack up stuff to come back to Milwaukee. For 20 years, I've joked about my apartment being furnished in parental castoffs. Now, it'll really be true, hi. The following two weekends I'll be down south for the annual visit of my wife to her mother. We'll be back just in time for the 5/4 deadline for the next column. I had the radio on for a few minutes last night (4/14) but nothing new heard. WLZR-1340 here in Milwaukee was running the CBS Sunday night baseball game, and WHQK-1380 in Fort Wayne was running good country from the middle 70's (such as Johnny Cash's "San Quentin"). Also, WSPD-1370 very poor with Billy Graham at 2200-2230. See you in three weeks, and don't forget to report. 73.

Baseball networks: (via Bill Hardy)

Seattle Mariners (1991 season)		Dave Niehaus, Rick Rizzs	
550 KENI-AK	870 KORD-WA	1240 KPRB-OR	1450 KGRZ-MT
580 KFYD-ID	920 KYLY-WA	KCVL-WA	KONP-WA
600 KGEZ-MT	990 KRKT-OR	KXLE-WA	1490 KVAC-WA
650 KQQQ-WA	1030 KMAS-WA	KGY--WA	KLOG-WA
(CP from 1150)	1080 KWJJ-OR	1280 KIT--WA	1550 KVAN-WA
680 KOMW-WA	1150 KQQQ-WA	1320 KXRO-WA	1600 KEED-OR
710 KIRO-WA	(CP to 650)	1340 KIHHR-OR	92.7 KOMW-WA
730 KULE-WA	1170 KPUG-WA	KLKI-WA	95.9 KULE-WA
800 KINY-AK	1230 KVAS-OR	KWWW-WA	97.1 KNSN-WA
		1360 KUIK-OR	102.9 KPRB-OR



KANADIAN KORNER

Knows from the Frozen Knorth

JOHN OLDFIELD
7135 129A Street
Surrey, BC V3W 6T4

Satellites

Sel Tech Satellite Corp. (Toronto), formerly on Key Radio (CKEY) Maclean-Hunter, now has "Dick Bartley's Original Rock & Roll Oldies Show". No list of any stations that carry it...

Radio Mutuelle has 22 hours 45 minutes (daytime) & 42 hours (nighttime) per week via their CKMF-FM Montreal. No station list yet.

The "Pat Burns Hotline" is on Anik D1 TR 22 7.695 TR 18 6.8 and on NAL Spacenet 3 Tr5 6.8 Sun Radio Network. Also was on WGNU-920 in the St. Louis area. So far on CKRW-610 Whitehorse, YT and CIMA-1040 (ex CKXY) Vancouver. Toll Free number is 1-800-688-1010.

Twins

PQ CHAL-1350 St.-Pamphile now twins CHOX-FM La-Pocatière (ex twinning CHGB-1310).
PQ CHAD-1340 Amos...add CHAD-1-FM Joutel & CHAD-2-FM Matagami

Stuff

AB CJXX- 840 Grande Prairie new xr site 5mi. SW...ex 1430
BC CKKC 860 Nelson...forgot who told me they're moving here from 1390.
BC CIMA-1040 Vancouver ex CKXY does use full calls...sometimes.
BC CHQM-1320 Vancouver no call IDs... "Memory Makers 1320 AM Stereo"
BC CKWX-1130 Vancouver ID now full calls "Country 11-30 CKWX"
BC CKST- 800 Vancouver (Langley) no calls "Coast 800 Spirit of Radio"
AB CFAC- 960 Calgary is not CKKX. CFAC-TV ONLY is now CKKX-TV.
NS CKEN/CFAB/CKDY/CKAD/CKWM (now 94.9) new owners: Fundy 11 Ltd.
ON CKEY Toronto and CFNY-FM Brampton (xr on CN Tower) to share new studio
AB CFAC-TV (now CKKX-TV) & CFAC7 (ex CJOC-TV) now CISA-TV were sold to WIC (CKNW et al). CFAC-960 Calgary & CFHC Canmore are still owned by Rogers. Sold because for a time both CFAC-TV & CFCN-TV were owned by Maclean Hunter. MH is now selling CHCH-TV Hamilton to WIC.

POST CARD

Dear Sir,

Your report on reception dated
8-10-81 has been examined.

This confirms that you were listening to 8DR on 8-Oct-1981
at 1428-1432 UTC

~~THIS TRANSMITTER IS LOCATED AT~~
~~DARWIN N.T.~~
This transmitter is located at
DARWIN N.T. and
operates on 657 kHz,
metres. Power 2000 (watts).

Thank you for your interest in reporting
on our transmission.

Yours faithfully,
The AUSTRALIAN
BROADCASTING COMMISSION

ASBP-AMENDED 8/84

Address only

PATRICK MARTIN

BOX 843

SEASIDE

OREGON 97138 U.S.A.

old type card!!

BROKERED TIME:
"FORMAT" OF THE '90s?

by Steve Mittman

Will brokered time--where stations sell blocks of their air time to the producers of various programs--be the "format" of the '90s? Consider some recent developments in the greater Los Angeles market...

In January, 1989, KAZN-1300 ("K-Asian") Pasadena signed on the air as the first all-Asian radio station in North America. KAZN sells--or brokers--blocks of its air time to the producers of various Asian language programs (such as Korean, Chinese, Vietnamese, etc.). [These producers then recoup their costs, and earn money, by in turn selling slots of time to advertisers. (One could consider the analogy of subleasing an apartment...)] One major producer of programming on KAZN is "Radio Korea." In an effort to expand its programming to 24 hours a day, Radio Korea has recently sought out other local radio stations as additional outlets for its programming. Thus, in a complete surprise to many, longtime easy-listening station KWIZ-FM 96.7 Santa Ana, located in Orange County--a predominately white, high-income county--is now brokering 24 hours per day of its time to Radio Korea! In an interesting development, one particular program which Radio Korea produces is simulcast nightly from 10 p.m. - 1 a.m. over KAZN and KWIZ-FM. The legal station identifications, heard over both stations, are: (Announcer 1): "KAZN, Pasadena. K-Asian." (Announcer 2): "This is Radio Korea--KWIZ-FM, Santa Ana." This simulcast and dual ID is especially interesting since KAZN and KWIZ-FM are separately owned, and in essence, now direct competitors! Radio Korea has also just begun purchasing air time during the daytime hours on KFOX 93.5 Redondo Beach, and is reportedly seeking yet additional outlets. [As this development with Radio Korea illustrates, during the 1990's we may also likely see the trend of multi-numbers of stations within a single market simulcasting--even though the stations are separately owned and operated!]

Although Radio Korea's programming is new to KFOX, it and another FM station in the market, KMAX-107.1, had long provided assorted ethnic programming (such as Israeli, Iranian, Spanish, etc.). But now many traditionally music-formatted stations are jumping on the bandwagon, and beginning to offer brokered time ethnic programming. Another Orange County station, KORQ-1190 ("K-Orange") Anaheim, has also just begun brokering air time to various ethnic producers. KORQ is currently interspersing the brokered ethnic programs with its satellite nostalgia format, but will undoubtedly become all-ethnic once all of the available air time is sold.

The brokering of air time is not limited to just ethnic program producers, though. Assorted other special interest groups, too, are seeking air time. KMNy-1600 ("Money Radio") Pomona airs brokered air time programs from investment and commodity firms. Some of the religious stations broker their time to various churches and religious organizations.

And the brokering of air time is not limited just to radio stations. Local television stations, primarily the independent UHF stations, are also brokering their time. KSCI Channel 18 offers all-ethnic television programs (Asian, Arab, etc.), some of which is brokered. Two other stations in the market, KHSC channel 46 and KRCA channel 62, both broker 24 hours a day of their time to the Home Shopping Club network. And many stations broker half-hour blocks of air time for those ever-increasing number of "informercials" (half-hour commercials). So the trend to broker air time is clearly visible.

Why are stations brokering their time? More stations than ever before are now on the air, resulting in fiercer competition than ever before. For many stations--especially the AM and UHF stations--this has meant low ratings (and revenue). A station which brokers its time has guaranteed sources of money coming in--and, in many cases, this indeed might be the only way to keep from going dark.

As the 1990's will undoubtedly see the continued growth of the sheer numbers of radio and television stations (and competition), as well as the increasing desire for air time from assorted special interest groups, it shall also no doubt see the spread of the practice of radio and television stations brokering their air time.

SLOGAN LIST UPDATER 5.1

Rich Toebe / 2550 Hilborn Road #264, Fairfield, CA 94533

(rp)- remove parentheses, (rsw)- replace slogan(s) with, (del)- delete all slogans

Credits: IRCA's DX Monitor, NRC's DX News, CIDX's Messenger, DX Ontario, MARE's Great Lakes Monitor, DX Listening Digest, FMedia, and, especially, Shawn Axelrod's frequent tips.

I'm baaack!!! After a somewhat extended absence, the updater returns! Because of delays in releasing the IRCA AM-FM Almanac, the Slogans List is a bit dated. That list was typed in March 1990, so there is a year's worth of changes to catch up with. Rather than run an extremely lengthy column, I've broken it into segments, but kept them in frequency order. So don't be alarmed if this appears to stop abruptly! After this series of updaters appear, "regular" updaters will be released on a more frequent basis. I'm always grateful for any help from you, so if you notice any changes in your local stations, drop me a postcard or include that tip with your submission to the DX Roundups. Onward!

540	KJQI-CA K-Joy, Relaxing and enjoyable	KGRT-NM (add) K-Great Country	KIIX-CO (add) Kicks, The new KIX
KPUP-CA (rsw) K-Pup, Keep your paws off the dial, the good time rock & roll station	WSYR-NY (add) News R.5-70	WMT-IA (add) R. Iowa	WSJS-NC The best in talk
WGTO-FL (rsw) Blasting Central Florida with 50,000 watts	KKWM-TX (del) now KLIF	WSOM-OH (rsw) Music of Your Life	KROD-TX (add) Big 600, Your favorites of the 5s 60s & 70s, Playing rock & roll the way it was meant to be
WETC-NC 5-40 Country	WMAM-WI Your home for the holidays	KTBB-TX (rsw) Newstalk 60	CHRX-BC (add) With the most classic rock guaranteed, Cable stereo 90 dot 9 AM 600
WYNN-SC (add) Win 106 FM	CKEK-BC (add) Classic CK Radio	CFQC-SK (add) R. 600	
WRIC-VA AM 54, Classic hits of the 50s 60s & 70s, All the oldies all the time	CKWL-BC (rp) Cariboo R.		
WYLO-WI (add) Love 54	CKSW-SK (rp) Southwest R., (add) Star Country		
CJSB-ON (add) 5-40 Rock Ottawa			
550		580	610
KUZZ-CA (del) now KCWR	KWGA-GA A tradition since 1939 [ex-1130 kHz]	KALB-LA The Great 58	KSPN-CO (del) now KSKE
KCWR-CA KCW, R. [Country & Western/55], Bakersfield's country tradition, Your country stn.	WELQ-MS (rsw) 58 Gold	WELQ-MS (rsw) 58 Gold	KSKE-CO K-Ski, 6-10 AM Ski Country
KRAI-CO 55 Country	KCMX-OR (del)	WHP-PA (rsw) Newstalk 5-80	WPLO-GA The legend is back, Stereo 6-10 [ex-1360 kHz, WGNN]
KUSA-MO (add) 55 Country, Classic Country 55	KJXB-TX B-99 [//FM]	CKAP-ON (add) Northern Ontario's Music Stn.	WRUS-KY Hilltop R. network
WGR-NY (add) News R. 55	CKPR-ON (add) The Music R. Network	CKWW-ON (rsw) Windsor's Information Stn.	WDAF-MO (add) In the heart of Kansas City
WDRV-NC (del) now WAME	CKPW-ON (add) The nation's superstation [ID in :EE]	CHLC-PQ (add) The nation's superstation [ID in :EE]	WROQ-NC (del) now WGKL
WAME-NC 55 DRV [?!?]	590		WTVN-OH (add) News R. 6-10, Where news always comes first
KFYR-ND (add) Your news authority	KRSO-CA (del)		WIP-PA (add) Flyers stn.
WKRC-OH (add) Voice of the Bengals	WGNE-FL AM stereo 5-90, A service of the Woodfin Group	WAFB-FL (del) [now :SS]	CJAT-BC KBS R. network
KCRS-TX (add) West Texas' sports leader	WCEO-IL (del) now KEZK	KEZK-IL Easy 5-90	CKYQ-NF (del) now CKXJ
KTSA-TX (add) Classic songs	WEEI-MA (add) The news station	WEEI-MA (add) The news station	CKXJ-NF Kicks, KIX country [//CKXD-1010]
WSAU-WI Playing your favorite music	WKZO-MI (rsw) 5-90 R.		CKML-PQ (del) now CFLO
560	WOW-NE (add) The country ranch		620
WQAM-FL (rsw) Sports voice of South Florida, South Florida's Sports Channel	KAQQ-WA (add) It's great music, great memories, and great to be sharing them with you		KSTR-CO (add) Colorado Country
WFRB-MD FM105.3&AM5-60	CFAR-MB (add) The Mighty AR 5-90/12-40		WSUN-FL (rsw) Classic Country
WEBC-MN (rsw) Talk R. 56	CKRS-PQ R. Mutuel [:FF]		WZON-ME (rsw) Maine Talk Radio
WHBQ-TN (rsw) Hot Country 56			WJDX-MS (del) now WJDS
570			WRJZ-TN (add) Christian R., RJZ
KQNG-HI (add) Kong controls the airwaves	600		KWFT-TX Total Entertainer
	KCLS-AZ (del)		WWNR-WV (add) 62 NR

630 WBMQ-GA (rsw) Talk R. for the 90s	WWLF-FL (del) now WRMD	730 KSUD-AR (add) Memphis' Christian R.
KXOK-MO (rsw) Soul 6-30, The best love songs in St. Louis, 55 minutes of music and no rap	WCNN-GA (add) All news 6-80	WLOR-GA (del) now WSNI
WPRO-RI (add) Southern New England's Information Leader, The music is good for your soul	WCTT-KY Country [68/Connection]	KIZN-ID (del) now KUCL
KSLR-TX (add) Gospel 63	WNZK-MI Bringing you new excitement in radio	KUCL-ID Magic 93 [//FM]
CHED-AB (add) 6-30 Ched	KFEQ-MO (rsw) News R. 68	KLOE-KS 102.5 KCCI[//FM]
640	KWKA-NM Classic [6-80/68]	WMTC-KY R. voice of the Kentucky Mountain Holiness Association
WGST-GA (add) Atlanta's one spot sports stn.	WCAW-WV (rsw) V-100 [//WVAF-FM]	WVIC-MI Lansing's music stn.
WOI-IA (add) 6-4-oh	WGO-WI (del)	KWRE-MO (rp) 73 Country
WWLS-OK (rsw) Sports R. 6-40 AM	CIYQ-NF (del) now CKXG	KURL-MT (rp) Gospel R.
CFGM-ON (del) now CHOG	CKXG-NF Kicks, KIX country [//CKXD-1010]	WFMC-NC Your variety country, AM stereo 73
CHOG-ON 6-40 The Hog, C-Hog	690	WCPT-VA (rsw) News R. 7-30, CNN Headline News
650	WVOK-AL (rsw) Mighty 6-90, Birmingham's oldies stn.	KULE-WA (rsw) Coulee Country FM 96 & 7-30 AM
KYAK-AK (rsw) K-Yak, Alaska's [#1 stn./Country & Western leader since 1957]	KVNA-AZ (rsw) Pure Gold R., Voice of Northern Arizona	CKDM-MB Star Country
WKQO-MN (add) Great Country, Nothing but great country for the great north, AM stereo 6-50	WPDQ-FL (add) Get your news PDQ, 50,000 watt voice of southeast America	CJNR-ON (add) NR R., North Shore R.
KIKK-TX (rp) Kick, (add) Kick 96 FM [//FM]	KBLI-ID (del) now KECN	740
KMTI-UT Utah's Big AM [ex-1590 kHz]	KECN-ID [//KICN-1260]	WLWI-AL AM 74, The stn. that plays the songs you love to sing along with
KUUY-WY (add) Cheyenne's first choice for fun	WNZK-MI (add) Excitingly ethnic [also on 680 kHz]	KMEO-AZ (del) now KOZY
CISL-BC (add) Vancouver's Oldies Stn.	KOAG-NE (add) AM stereo 6-90	KOZY-AZ Cozy 7-40 AM
660	WPHE-PA R. Salvacion [:SS]	KCBS-CA (rsw) News R. 74, All news all day & all night, Traffic & weather every ten minutes
WBLX-AL (add) 93-BLX[//FM]	KHEY-TX (add) Real country	KSSS-CO (add) Information Radio
KTNN-AZ (add) 50,000 watts [of country music power/Voice of the Great Southwest]	WZAP-VA (add) R. 69, Gospel music southern style	WSVO-TN (del)
WMIC-MI The new 66, Serving the Thumb & Blue Water area	XETRA-MX (add) Mighty 6-90, 50,000 watt sports voice for Southern California	WIRJ-TN All news all day, The news rolls on
KCRO-NE Christian R.	700	WDFZ-TN (add) We are your quality good time rock & roll
WFAN-NY (add) 66 The Fan Sports R.	KSUR-CA (del) now KOJY	KTRH-TX (add) Houston's news stn.
KEYZ-ND 6-60 Keys Country [ex-1360 kHz]	KOJY-CA K-Joy, Joy R. [//KSUR-99.5]	WMBG-VA Music of Your Life
WESC-SC Playing your favorite hits	WLW-OH (add) Interstate 700	CHCM-NF Newfoundland's best mix [//VOCM-590]
KAPS-WA 6-6-oh, Caps [ex-1470 kHz]	KMJY-WA (add) 700 AM & 104.9 FM	750
670	710	KERR-MT (rsw) 50,000 watt voice of northern Montana, Home of the country giants
KPUA-HI (add) The stn. that still remembers you	KAPZ-AZ Caps FM 107[//FM]	WHEB-NH (del) gone silent
KBOI-ID (add) Supergold 67	KBXG-CO (del) now KNUS	KXL-OR (rsw) News R. 7-50
CHYG-NF (del) now CKXB	KNUS-CO K-News	WWAX-PA (add) Classic Wax
CKXB-NF Kicks, KIX country [//CKXD-1010]	WAQI-FL (add) AQI Miami [ID in :EE]	760
680	WUFF-GA (add) 71 AM Wuff 92 FM	KRZC-CO (rsw) Original hits, Colorado's Channel 7
KNBR-CA (add) Northern California's sports leader	WROM-GA Gospel 71	WEND-FL (add) Sun R. Network
	WDSM-WI (add) 71 WSM	CFLD-BC (rsw) BV-LD R., Cariboo-Central Interior R. Network [//CFBV-870]
	720	770
	WMXY-GA (rsw) X 7-20	WZRZ-FL (del) now WVTI
	WGCR-NC (rsw) Gospel Carolina R., Serving the western Carolinas	WJMM-KY (del) now WCGW
	WWII-PA (rsw) Love 7-20 AM, Listener supported Christian R., [:SS noted weekends] R. Latino	
	CHTN-PEI (add) The Island's Classic Hits stn.	

WEW-MO (add) Music of Your Life	WCZE-IL (del) now WPNT	880
KATL-MT (add) 77 AM	WPNT-IL [presently silent]	KGHT-AR (rsw) Arkansas' Country Giant, AM stereo
WABC-NY (rsw) Talk R. 7-70	WZYQ-MD (del) now WQSI	8-80, Giving you the country
WAIS-OH The music you grew up with	WQSI-MD 82-Q	KKMC-CA (add) Super 88
KPBC-TX The Beacon [ex-1040 kHz]	WNYC-NY New York Public R. [ex-830 kHz]	WBKZ-GA (rsw) Newstalk 88
KRPM-WA (add) FM 106	WAPQ-TN All your favorite gospel hits, one right after the other	WRFD-OH (add) Ohio's Power Performance Stn.
780	WBAP-TX (add) The 50,000 watt Sports Voice of the Great Southwest	KIKR-TX (del) now KJOJ
WZZX-AL (rsw) WASZ 95 Country [//FM]	CHAM-ON (add) [8-20/Cham] Country	WMEQ-WI R. 88
WLRM-MS (add) Health Motivator		CHQT-AB (add) QT 8-80
WBBO-NC (del) now WWOL		890
790	830	KBBI-AK R. for the Kenai Peninsula
KURM-AR (add) Sports R. 7-90	WADU-LA (add) We serve beautiful music to all of southeast Louisiana	WFKJ-PA (add) With the good news of our Savior's birth, Clear channel 8-90
WNWS-FL (del) now WMRZ	WMMI-MI (add) More rock & roll pure gold	KVOZ-TX (add) All Hit R.
WMRZ-FL 7-90 Memories, All memories all the time, More great songs and wonderful memories	WNYC-NY (del) now on 820	900
KXXX-KS (add) Kickin' Country	WMMO-NC (add) The Big O, 8-3-oh	WOZK-AL Where the melody lingers on
KGHL-MT (rsw) Billing's best country, Keeping you in touch with the Magic City	WLND-OH (del) now WKTX	KHOZ-AR (add) Songs you remember
WWAZ-RI (del) now WLKW	KUYO-WY (add) Christian R. for Wyoming	WSEA-DE (del) now WSSR
WLKW-RI Easy 7-90 Stereo, The right place to be	CJFR-ON (add) It's on the great Seaway- all aboard the Seaway	WSSR-DE Oldies R., Star-dust 900, For people who care about good music
WTAR-VA Your original hit stn., Hits from the 40s 50s & 60s	840	WEAS-GA (add) Gospel 900
KJRB-WA (rsw) Spokane R.	KVEG-NV (drop) FBN, (add) BRN, Las Vegas calling	WCLZ-ME (rsw) Business R. 900 CLZ
CKSO-ON (del) now CIGM	KIKN-TX (del) now KVJY	WFRQ-OH (add) You're in tune to the leader in Sandusky County
CIGM-ON Canada's Country Giant, Star Country, 79AM	KVJY-TX AM Stereo 84 Joy, Serving the heart of the Rio Grande Valley	WKXV-TN Eastern Tennessee's source of southern gospel of yesterday and today
800	850	910
WLAD-CT (add) BRN	WYDE-AL (add) Y-85	KMJC-CA (del) now KECR
WSUZ-FL (del) now WPLK	KHLO-HI (rsw) 85 Country, Big country for the big island, Country music of your choice, AM 85	KECR-CA Family R.
KXIC-IA (del)	WKIX-NC (del)	WNEZ-CT (add) Cool Gold
KQAD-MN K-101 [//FM]	WRMR-OH (add) Warm 8-50	WPLA-FL (del) now WFNS
KNKK-UT (rsw) Big 800, KN double K	KTAC-WA (rsw) K-Bird, FM 104 [//KBRD 103.7]	WLLJ-MI (del) now WFDF
WSVS-VA (add) 104.7 FM	CKVL-PQ La voix de l'actualite [::FF]	WFDF-MI Voice of Mid-Michigan
CKST-BC (rsw) Coast 800, Spirit of Radio	860	KBLG-MT (add) News R. 91
CKOK-BC (del) now CKOR	WAEC-GA (rp) Love 86	WLAS-NC (del)
CKOR-BC OR [Network/Penticton] [same relays]	KKOW-KS (add) 96.9 Hot Country [//FM]	KCJB-ND North Dakota's news leader
CKDR-ON (add) Sunset Country R.	KNUJ-MN (add) Over 4 decades of serving the area	KGLC-OK (add) Sizzling Country
810	KLZX-UT (del) now KCNR	WGBI-PA (del)
WJXL-AL (del)	KCNR-UT Across Utah and around the world in 30 minutes, All news all the time, The all news stn., AM 8-60 CNN news headlines	WKCN-SC (del) now WVVO
KKGD-CO (add) Western Rockies' Good Time Rock & Roll Stn.		WVVO-SC Foxy 104.5[//FM]
KMIK-NM (del) now KSWV		WRNL-VA (rsw) XL-102 [//WRXL-FM]
KSWV-NM Que Suave [:SS]		WTOY-VA (del) now WBNI
KTBI-WA Family R. for Eastern Washington		CKDQ-AB (add) Q Alberta
820	870	920
KCBF-AK (rsw) Kool Gold	KIEV-CA (add) R. 87, 10,000 watts in stereo	WAFS-GA Moody R. 9-20
WRFA-FL (rsw) Your Southern Gospel Giant	WPRQ-TN (del) now WFKB	WTCW-KY (add) K-104 FM [//WXKQ-103.9]
	CFBV-BC (rsw) BV-LD R.	KQLO-NV (rsw) Kool [Nevada] Gold
		WKRT-NY Oldies Stn.
		WBBB-NC Newstalk 9-20

WMNI-OH (add) Music, news & information	KKIC-ID (add) Country Kicks	990
WHJJ-RI (add) Newstalk 9-20 AM, #1 stn. for sports	KZOW-MN (del) now KJJO	KKIS-CA (rsw) 9-90 K-Kiss
KENT-TX (add) Sunshine R., An inspiration oasis	KJJO-MN Business R. 9-50	KTUN-CA Sam 99 AM, Play it again Sam, Playing the greatest hits of Broadway & Hollywood
KYST-TX (add) All day all night--alright!	WHVN-NY (rsw) Kool Gold, 95-HV	WEZO-NY (del) now WRMM
WOKY-WI (add) The Great Songs	WBFB-NY (del)	WRMM-NY Warm 101.3 [//FM]
CJCH-NS (add) Good times & great oldies	WPEN-PA (add) Your stn. for good music	WZZD-PA (add) Contemporary Christian R.
930	KPRC-TX (add) Talk R. AM 9-50, Your Astros stn.	WIVK-TN (add) "Wivik"
WJBY-AL (add) You've got the Joy, New Christian voice of Northern Alabama	WXGI-VA (add) Richmond's Real Country stn.	KWAM-TN (rsw) Power 9-90, Your Power Source
KAFF-AZ (add) Calif Country	WQBE-WI (add) 97.5 FM	KGTM-TX (del) now KKCR
KRTH-CA (del) now KKHJ	WERL-WI Serving 3 Lakes	KKCR-TX AM stereo 9-90
KKHJ-CA R. Alegria [:SS]	WKTS-WI Your only choice	CHTX-PQ Montreal's 9-90 Hits, Hit after hit after hit [ex-980 kHz]
KRKY-CO (add) Grand Country R., Your Grand Country stn., 106.3 FM & 92.7 FM [//KRKH-FM]	XEKAM-MX (rsw) Sun R. network, Serving both Californias from Tijuana	1000
WRXJ-FL (add) Cruisin' 9-30	960	WXWY-AL (add) Your kind of country
WMGR-GA (del)	KNEZ-CA La Grande [:SS]	KRHS-AZ (del) now KFLG
WAUR-IL (add) Fox Valley's Great AM	KZIM-MO (add) News R. 9-60	KFLG-AZ K-Flag
KKIN-MN (add) KIN	WEAV-NY 96 AM	KVSD-CA (del) now KCEO
WSLI-MS (add) Jackson's R. stn., A country classic (del) now WZNN	WAAK-NC 18 hours a day totally devoted to your inspiration	KCEO-CA Business R. Network, BRN
WKOS-NH All News 9-30	WRNS-NC FM 95.1 [//FM]	WKLO-KY (del)
WZNN-NH All News 9-30	WHYL-PA (rsw) 96 White	WIFX-KY (del) now WKVG
WBEN-NY (add) News 9-30	WTCH-WI (add) 96 Country	WCMA-MA (rsw) All oldies
WKY-OK (del)	CFAC-AB (add) [Real/96] Country, Calgary's home of country music	WXTN-MS Central Mississippi's best gospel show
WSEV-TN (add) Hometown Radio	970	KXRB-SD Country One Thousand
KRIA-TX (del) now KISS	KOOK-CA (add) Pure Gold	1010
KISS-TX Kool Gold 9-30AM	WVOP-GA (add) 97 Country	KXEG-AZ (add) The spirit of the Valley
WRVC-WV (add) Talk R. 9-30	KBBK-ID (add) All your favorite country	KBIS-AR (add) Stn. for the '90s, Information R.
WLBL-WI Wisconsin Public Radio	WDAY-ND The flagship stn. of the NDSU Bisons	KLSS-IA (del) now KRNI
CKNS-ON (add) [NR/North Shore] R.	KYTE-OR (del) now KESI	KIND-KS R. 1-oh-1
940	KESI-OR Easy 9-70, K-Easy	WYST-MD (rsw) 92 Star [//92.3 FM]
KFRE-CA (add) Serving the entire valley with 50,000 watts	WWSW-PA (add) 94.5, All oldies all the time	WITL-MI Whittle 100, The best country
WMAZ-GA (add) Your information stn.	WHA-WI (rp) Wisconsin Public R., (add) 9-7 AM	WINS-NY (add) Where the news watch never stops
WMIX-IL (rsw) Where the stars shine, AM 94, A service of Withers Broadcasting	WHWB-VT Great American Country	CBR-AB (add) CBC R. for Southern Alberta
KIOA-IA (add) [Great/All] Oldies, FM 92.3&AM9-40	980	CFYQ-NF (del) now CKXD
WADV-PA (add) Solid Gospel Radio	WFXP-FL (del) now WRNE	CXKD-NF Kicks, KIX Country [//CKIX 99.1, also heard on other AMs]
KIXZ-TX (rsw) Magic 94 Kicks, We're here 24 hours a day	WRNE-FL Rhythm 9-80	CFRB-ON (add) Toronto's news leader
WKGM-VA (add) The Christian Stn. in Virginia, KGM	KOKA-LA All Gospel 9-80	1020
950	KMZZ-MN Z Rock	WKZE-CT (rsw) AM stereo 10-20
KYGO-CO (add) Authentic Country, All your country favorites are here	KMBZ-MO (rsw) Newstalk 9-80	WJEP-GA (rsw) The voice of love
	KMIN-NM (rsw) The fresh new sound of AM 9-80, [The place for/The best variety of] great country songs	KWIQ-WA (rp) Q 10-20 (add) Q-FM [//FM]
	WONE-OH (add) Dayton's best country	KYXE-WA (rsw) R. Centro [:SS]
	WSIX-TN (del) now WYFN	WIBG-NJ (del) [drops :SS]
	KFRD-TX (del) now KMPQ	CKVH-AB Star Country, Central Alberta R. Network
	CFPL-ON (rp) R. 98	
	CHEX-ON (rsw) Nothing but the classic hits	
	CHTX-PQ (del) moved to 990 kHz	

SLOGAN LIST UPDATER 5.2

Rich Toebe / 2550 Hilborn Road #264, Fairfield, CA 94533

(rp)- remove parentheses, (rsw)- replace slogan(s) with, (del)- delete all slogans

Credits: IRCA's DX Monitor, NRC's DX News, CIDX's Messenger, DX Ontario, MARE's Great Lakes Monitor, DX Listening Digest, FMedial, and, especially, Shawn Axelrod's frequent tips.

1030 KFAY-AR (rsw) Talk R., All talk WNTL-MD (add) Washington's Superstation WFTK-NC (add) Christian Connection WNOW-NC (add) Your super gospel stn. KTWO-WY (add) Wyoming's new choice for country	1070 KHMO-MO (rsw) Musical memories WKMB-NJ (rp) Sterling Country WNCT-NC (add) Easy 108 WHYZ-SC (rsw) Greenville's Music [Legend/Leader], Greenville's #1 adult stn. for rhythm & blues & high hits KKZR-TX (del) now KRBE WINA-VA Easy 95 [//FM], News & sports leader in Central Virginia WCIR-WV (del) now WIWS WIWS-WV Visitor Information R.	WBZR-FL Business R. Network WYGO-GA (del) now WBNN WBNN-GA Business news for Macon on AM 11-20 KMOX-MO Voice of St. Louis, Your sports voice for Blues Hockey WYNO-OH (del) KANN-UT (rsw) Praising Jesus 24 hours a day, Christian R.
1040 KCBBR-CO (del) WHBO-FL (add) Tampa Bay's hottest stn., Your oldies stn. KPBC-TX (del) [moved to 770 kHz] KGGR-TX Great Gospel R., Serving the Metroplex with the King of Gospel Music CKXY-BC (rsw) Magic 104 AM CFZZ-PQ Le nouveau 1040 [::FF]	1080 WEPP-PA (rsw) BRN, Pittsburgh's stn. for business news, Newstalk 10-80 CKSA-AB Variety- always had it, always will	1130 KAAB-AR (add) The Celebration Stn. WMGA-GA (del) [moved to 580 kHz] WSJP-KY (add) 11-30 SJP WDGY-MN (rsw) All news R., Home of the Timberwolves WEEO-PA (del) WHHQ-SC (del) now WHHR WHHR-SC Your Visitors Information Stn. CKWX-BC (add) WX Country
1050 WASY-AL Your oldies stn. KOFY-CA (rsw) Kool Gold, Super 10-50, Coffee KSIS-MO Oldies Channel KMTA-MT (add) Your information stn. WMDK-NH (del) now WRPT WSEN-NY (add) Syracuse's Oldies Stn., Solid Gold R. WJXY-SC Stereo 10-50 KFVR-WA (del) now KEYF CFYN-ON (add) Classic Hits AM 10-50	1090 KNCR-CA (add) Entertaining the North Coast, Mighty 10-90 WRBK-FL FM 105 & AM 10-90 [//WKFT-FM] WBAL-MD (add) The Spirit of Baltimore WBZB-NC Travelers' Information R. WMTY-SC Big Y 103.5 FM & Mighty 10-90 KACO-TX (del) WMYD-WI (rsw) Kool Gold	1140 WIXC-AL (del) now WBXR KCMJ-CA (rsw) Nobody plays more country favorites WVEL-IL (add) The inspiration stn. WAKK-MS Continuous country KCXL-MO The best music sound in town KPWB-MO Your place to be KPRW-OK (del) KZMQ-WY Crystal Clear Country Superstation CISS-AB (add) Calgary's Kiss
1060 WAMT-FL (del) WMCL-IL (add) Southern Illinois' best country WHFB-MI (rsw) Music that makes memories WCFB-MS (del) now WPMX WPMX-MS Power Mix 10-60, 10-60 Power Music, Your favorites first, All from compact disc, Your new Power Stn. KRSP-UT (del) now KKDS KKDS-UT Imagination R., Your imagination stn., Kids R. CJRP-PQ R. Mutuel [::FF]	1100 KJYE-CO (del) now KNZZ KNZZ-CO Business R. 1100, K-News 1110 KHEI-HI (del) now KAOI KAOI-HI 95.7 Upcountry [//FM] WYIC-IN (add) Mellow hits WUHN-MA Oldies 11-10 KBND-OR (add) Talk R. AM 11-10 K-Bend KTEK-TX (add) Praise R. CKTY-ON (add) The best country 1120 KLIM-CO The best in old time rock & roll	1150 WZBQ-AL (add) The most music, 10 in a row KEZQ-AR (del) now KLRG KLRG-AR Central Arkansas' Inspiration, The inspiration sound that's totally unique KIIS-CA (add) 102.7 Kiss FM [//FM] KBAI-CA (add) Music of Your Life KMXN-CA R. Once Cinquenta [::SS] KFRR-CO (add) R. Fuego [::SS] WCNX-CT (del) WJBO-LA (add) Talk of the Town (to be continued)

TRAVELERS INFORMATION STATIONS

(This article, written by Bob Parnass, AJ9S, appeared on the SW Echo computer bulletin board network recently. It has been edited in places by Bruce Portzer)

Ever notice those signs saying "Tune Radio to 530 for Road Information" by the side of the highway? They refer to Travelers Information Stations (TIS), low power radio stations designed to transmit voice information for automobile travelers regarding road and traffic conditions, location of rest stops and service stations, availability of lodging, and descriptions of local points of interest.

The FCC licenses non-federal TIS stations in the Local Government Radio Service. The largest federal government user of TIS is the Department of Interior, with over 150 stations, and plans to install 350 more. The National Weather Service is contemplating the use of TIS in rest stops along the nation's interstate highways to broadcast weather information.

When the FCC created TIS in 1977, provisions were made for operation at 530 and 1610 KHz. At that time, they received many letters from the broadcast industry which were totally opposed to the creation of TIS. Broadcasters were concerned that these stations would compete with commercial stations for listeners, and would result in a loss of advertising revenue.

In response to this protest, the FCC imposed restrictions on TIS locations and coverage. Transmitter sites are restricted to "the immediate vicinity of the following specified areas: air, train, and bus transportation terminals, public parks and historical sites, bridges, tunnels, and any other intersection of a Federal Interstate Highway with any other Interstate, Federal, State, or local highway." TIS broadcasts are prohibited from playing music or mentioning the name of any business establishment.

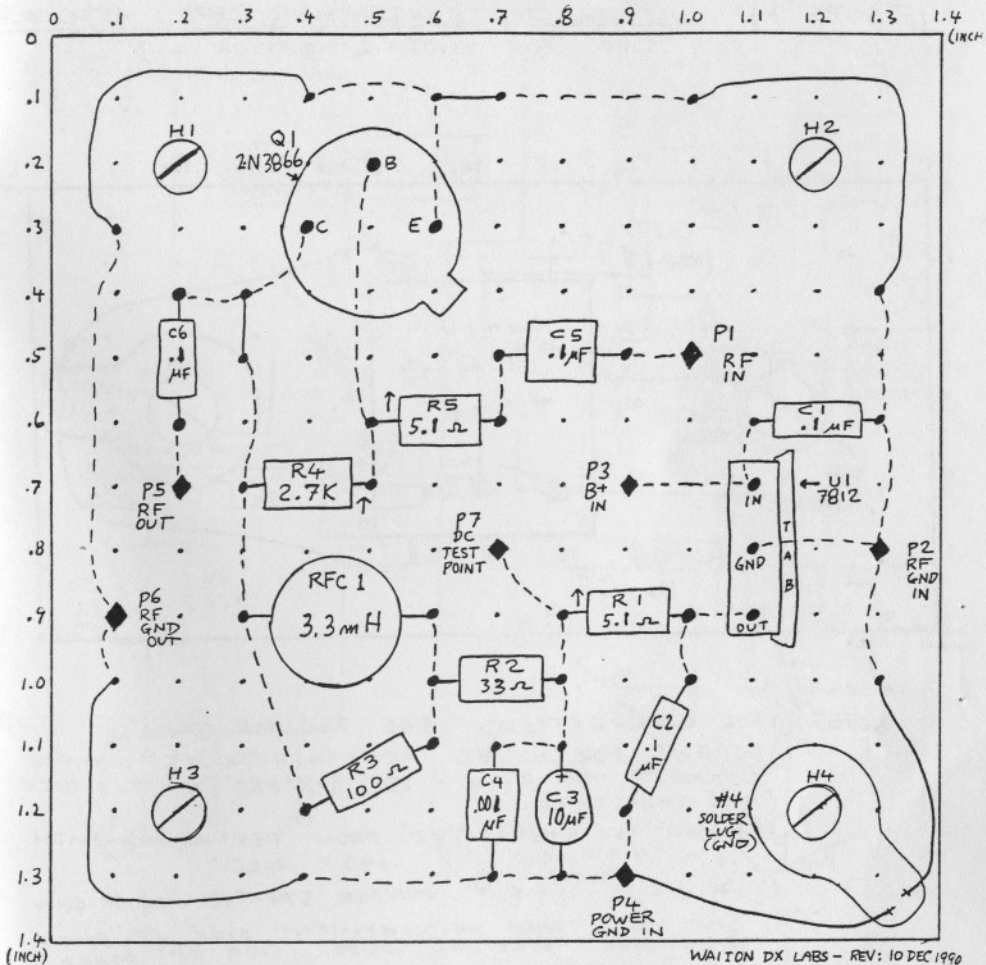
Technical standards for non-Government TIS facilities are specified in FCC Rules and Regulations Part 90, Subpart J. Coverage zone limitations are specified for two types of antennas. In installations using leaky cable antennas, transmitter power is limited to 50 watts, and antennas are limited to 3 km in length. But 99% of current TIS stations use a vertical monopole antenna, and their transmitters are limited to 10 watts. Field intensity restrictions have the effect of limiting reception duration to about 2 minutes for a car traveling at 55 mph.

At the 1979 World Administrative Radio Conference (WARC), the AM broadcast band was extended from 1605 to 1705 KHz. To determine the effect of broadcast band expansion on TIS, the federal government undertook a study, and issued a report. The study found that TIS reception in large cities having broadcasting stations near 1610 KHz is often poor. Car radios are only "marginally capable of tuning to 1610 KHz" and TIS stations on 530 KHz are not allowed to run enough power for adequate coverage.

The study recommended that 1700 KHz should be set aside in the United States for exclusive use by TIS, and the FM broadcasting band from 88-108 MHz be made available on a noninterfering basis.

IRCA Foreign Logs

Before the creation of the IRCA Foreign DX Reference, the IRCA published nine editions of the IRCA Foreign log. Each edition contained the actual tips that were reported to the DXWW sections during an entire year (2 years in Volume 9), recompiled and retyped in a book format. In addition, special features include: articles on foreign DXing (Vols. 6-9), utility lists (Vols. 7-8), shortwave parallels (Vols. 8-9) and BCB propagation (Vols. 6-8). IRCA archives still has Volumes 3, 4 and 6-9 of the IRCA Foreign Log available to all for \$2.50 each. Make checks out to Phil Bytheway and send them to: 9705 Mary N.W., Seattle, WA 98117



NOTES

FOR SCHEMATIC: SEE FIGURE 5.

FOR PARTS LIST: SEE TABLE 10.

↑ = LONG-LEAD SIDE OF VERTICALLY-MOUNTED COMPONENT.

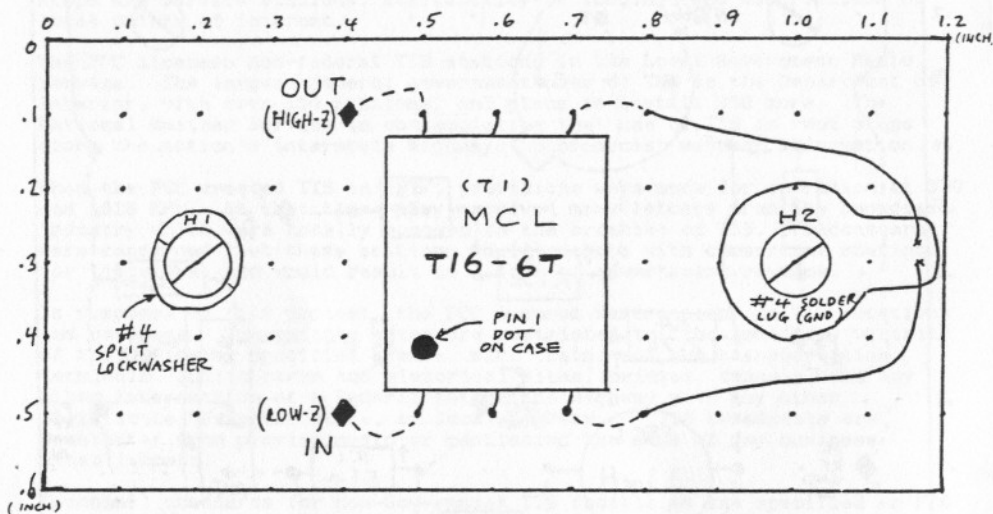
— = BUSS WIRE ON COMPONENT SIDE OF BOARD.

--- = BUSS WIRE ON SOLDER SIDE OF BOARD.

WATSON DX LABS - REV: 10 DEC 1990

FIGURE 7

IMPEDANCE TRANSFORMER CARD : ASSEMBLY
 ("TAI" FOR MWT-2 OPTION 4)



NOTES: a) FOR CONNECTIONS, SEE FIGURE 8.

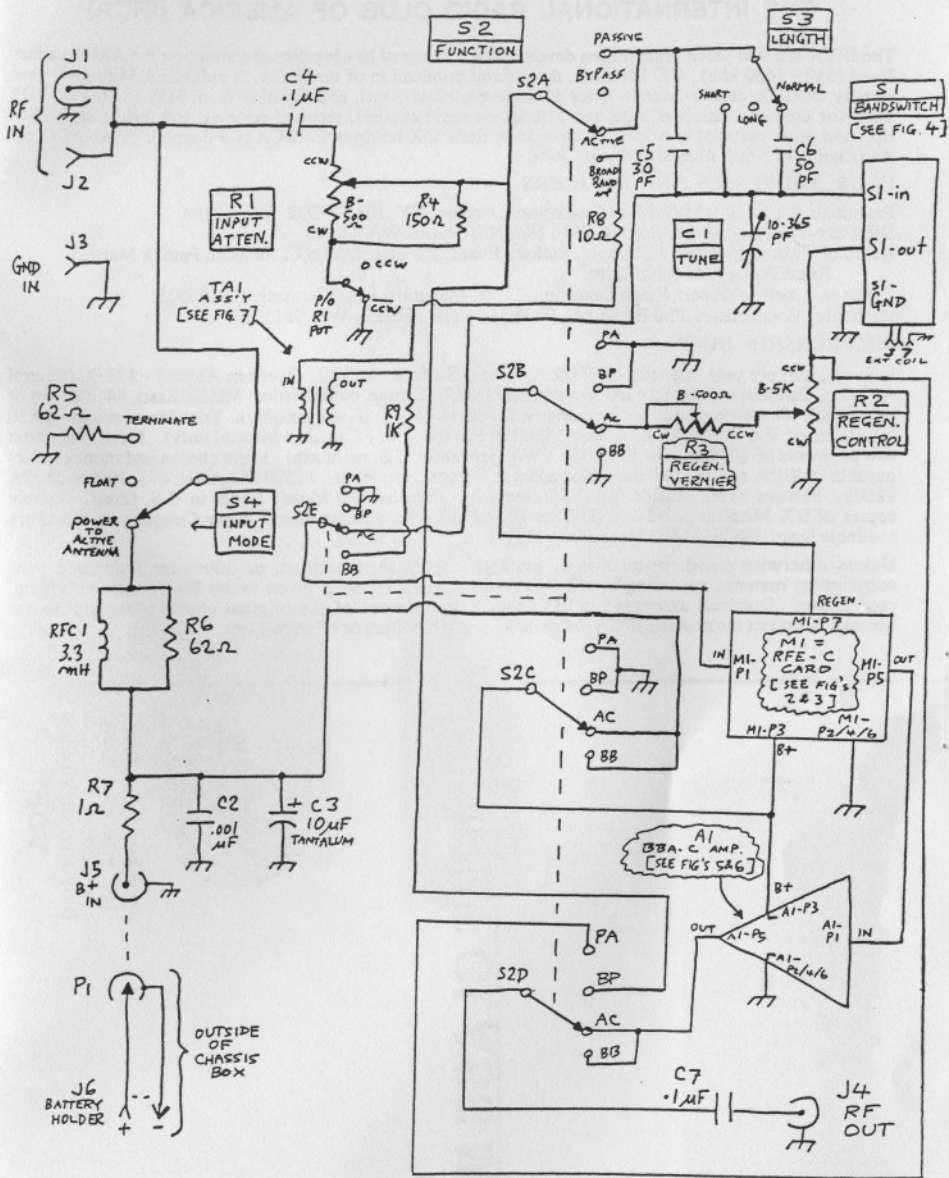
b) SCREWS FOR H1, H2 ARE 4-40 X .25": THESE CONNECT TO 4-40 X .5" SPACERS ON THE BACK OF THE CARD.

c) BOARD IS FABRICATED FROM PERFBORARD WITH .1" X .1" GRID OF .042" HOLES.

d) IN, OUT PINS = MOUSER 574-T42-1/100 OR EQUIV.

e) SOLID LINE = WIRE ON COMPONENT SIDE OF BOARD
 DASHED LINE = WIRE ON SOLDER SIDE OF BOARD

f) MINI-CIRCUITS LABS T36-1 OR TT25-1 MAY BE SUBSTITUTED FOR T16-6T TRANSFORMER.



THE INTERNATIONAL RADIO CLUB OF AMERICA (IRCA)

The IRCA is a non-profit organization devoted to the hobby of hearing distant stations on the AM Broadcast Band (510 - 1630 khz). **DX Monitor**, the official publication of the IRCA, is published 34 times a year, weekly from October to March, twice in September and April, and monthly from May to August. **DX Monitor** contains members' loggings, articles on radio stations, receiver reviews, technical articles, DX tips, and other material of interest to Broadcast Band DX hobbyists. IRCA is a member of ANARC, the Association of North American Radio Clubs.

CLUB ADDRESSES AND OFFICERS

President: Karl Zuk, 154 Old Post Road North, Croton, NY 10520-1932 (proposals).

Secretary-Treasurer: Bruce Portzer, 6546 19th NE, Seattle, WA 98115.

Board of Directors: Ernest R. Cooper, Richard Evans, Ric Heald, John C. Johnson, Patrick Martin, Bruce Portzer and Rich Toebe.

Editor-in-Chief/Publisher: Ralph Sanserino, 11300 Magnolia, #43, Riverside, CA 92505.

Publishing Coordinator: Phil Bytheway, 9705 Mary NW, Seattle, WA 98117.

MEMBERSHIP DUES

U.S. - \$25.00 per year. Canada - \$27.00. Overseas Surface - \$28.50. Overseas Airmail - \$35.00 (Central America, Caribbean, Colombia and Venezuela), \$38.00 (Europe, North Africa, Middle East), \$41.00 (rest of the world). One time charge for New Member Packet - \$2.00 (first year only). Trial Membership - \$9.50 (10 issues of **DX Monitor** and a New Member Packet, U.S. / Canada / Mexico only). Installment rate: two payments of 1/2 dues plus \$1.00 (\$13.50/payment for U.S. members). Make checks and money orders payable to IRCA and send all dues (and address changes) to: IRCA, 11300 Magnolia, #43, Riverside, CA 92505. Persons living outside the U.S., please use International Money Order in U.S. funds. Sample copies of **DX Monitor** are \$1.00 (U.S. or Canadian) or two International Reply Coupons each and are available from: IRCA, 11300 Magnolia, #43, Riverside, CA 92505.

Unless otherwise noted, permission is granted to publish, broadcast, or otherwise reproduce non-copyrighted material appearing in **DX Monitor** provided credit is given to the IRCA and the original contributor. Opinions expressed in **DX Monitor** are those of the original contributors and do not necessarily reflect those of the IRCA, its publishing staff, editors or officers.

IRCA

INTERNATIONAL RADIO

CLUB OF AMERICA

11300 MAGNOLIA #43

RIVERSIDE, CA 92505



FIRST CLASS MAIL

29-09
J D STEPHENS
122 BRAWLEY DRIVE
OWENS CROSS ROADS
AL 35763
USA

FIRST CLASS
U.S. POSTAGE
PAID
RIVERSIDE, CA
PERMIT NO. 5214