

JUNE 15th, 1991 - VOLUME 28 - NUMBER 32 - EDITION 924 - ISSN 0899-9732

PRESIDENT'S REPORT.....	2	GEOMAGNETIC INDICES.....	13
BROADCASTING INFORMATION.....	3	VERIFICATION SIGNERS.....	17
DX WORLDWIDE EAST.....	5	HEARING IT THRU THE GRAPEVINE...20	
WESTERN DX ROUNDUP.....	8	TECHNICAL TOPICS.....	21
CENTRAL DX ROUNDUP.....	11	IRCA OFFICERS & DUES INFO BACK PAGE	
EASTERN DX FORUM.....	12		

RENEWALS & ADDRESS CHANGES TO: RALPH SANSEERINO 11300 MAGNOLIA #43 RIVERSIDE CA 92505

REPRINTS: STEVE RATZLAFF 295 PETTIS AVENUE MOUNTAIN VIEW CA 94041

BOOK STORE: PHIL BYTHEWAY 9705 MARY AVENUE NW SEATTLE WA 98117

UPDATER 5.1 to the IRCA AM-FM Almanac is now available, and Updater 5.2 should be available in about a month. Updater 5.1 includes an Almanac index, complete slogan updater, silent stations, and network list update. Updater 5.2 will include a 1991 revision of baseball networks, more network updates, and any other material on hand. Each updater is \$2.00 for U.S. and Canada, \$3.00 elsewhere, payable in U.S. dollars. Order as many as you want from Bill Hardy 2301 Pacific Ave Aberdeen WA 98520.

JEOPARDY; Remember Father Jack Pejza will be on this syndicated TV game show on Monday, July 8th, he will mention his involvement with the IRCA.

FROM THE DESK OF THE PUBLISHER: DRAKE R8 is out and about, contact the factory at PO Box 3006 Miamisburg OH 45342 (513) 866-2421. R L Drake is in the mail order business I hear, Ham Radio does not know at this time if they are going to handle the R8. No news on the new NRD, some of them may also be out and about. CONVENTION: It will be in Monterey, CA in October. Save your money and try to appear. More later on this item. ALMANAC 5: If you do not have copy yet you better get one they are going fast. Get one from Phil at the BOOK STORE. FRONT PAGE: Tried something a little different with the front page this time, got a new Smith Corona. Got to learn all the gadgets, different than the computer.....73

\*\*\* IRCA AM-FM ALMANAC, 5th Edition 1991 \*\*\*

The fifth edition of the IRCA AM-FM Almanac is now available! This 240 page book is a must have cross reference for the serious AM DXer. Within it you will find the current frequency check list, affiliates for news and talk show networks, syndicated music and religious programs, AM-FM simulcasts, station slogans, broadcasting in Canada, AM stereo, sports networks, utility stations and many articles on AM broadcasting. In addition, Volume V contains a section focusing on AM band foreign DXing (including a compressed IRCA Foreign DX Reference). Each list is in frequency order and many include the FM frequencies as well as the AM (great for FM DXers).

The IRCA AM-FM Almanac is available in large comb bound or loose leaf (please state preference when ordering). Post-publication prices are:

IRCA member: US - \$13.00 Canada - \$14.00 Overseas Sea Mail - \$14.00 Overseas Air-Mail - \$17.00 non-members: US - \$15.00 Canada - \$16.00 Overseas Sea Mail - \$16.00 Overseas Air-Mail - \$19.00

The IRCA AM-FM Almanac is available from: Phil Bytheway, 9705 Mary NW, Seattle, WA 98117.

President's Report Karl J. Zuk 154 Old Post Road North, Croton, NY 10520-1932  
Election results of latest proposals before the Board of Directors. No votes were received from board member Ernest Cooper.

Confirmation of club positions:

- 14.2.1 Ray Bauernhuber as EDXR editor
- 14.2.2 John Johnson as CDXR editor
- 14.2.3 Nancy Hardy as WDXR editor
- 14.2.4 Jim Hall as DXWWE editor
- 14.2.5 Pat Martin as DXWWW editor
- 14.2.6 Richard Evans as EDXF editor
- 14.2.7 Ric Heald as WDXF editor
- 14.2.8 Robert Wien as Broadcast Information Editor
- 14.2.9 Nick Hall-Patch as technical editor
- 14.2.10 Tim Hall as verification signers editor
- 14.2.11 Gene Martin as registered agent
- 14.2.12 Ralph Sanserino as editor-in-chief and publisher
- 14.2.13 Albert Lobel as elections chairman
- 14.2.14 Bill Hardy as almanac editor
- 14.2.15 Robert Wien as frequency check list editor
- 14.2.16 Phil Bytheway as DX techniques editor
- 14.2.17 Steve Ratzlaff as Goodie Factory coordinator

All passed unanimously with the following exceptions: Heald abstained from

14.2.7. Evans and Portzer voted no to 14.2.13 (Lobel)

Vote for one as DXWW2 editor:

- 14.2.18 Portzer as DXWW2 editor
- 14.2.19 Paul Swearingen as DXWW2 editor

All yes for 14.2.18 Portzer except Evans abstained to both names.

Vote on site of 1991 IRCA convention. Evans correctly pointed out that this is usually handled by a rank and file vote. No proposals for the convention had been proposed by the time of the general election. Two were received thereafter. To minimize any delay to the decision, the Board voted on the two sites below: (vote for one)

14.2.20 IRCA convention in Boise Idaho (Proposed by Aden.)

14.2.21 IRCA convention in Monterey, CA (proposed by Hilliker)

Toebe, Martin Heald and Portzer voted for Monterey, CA 14.2.21, Johnson voted for Boise, Idaho 14.2.20. Evans voted to approve both sites.

The IRCA 1991 convention will be held in Monterey, CA, hosted by Jim Hilliker, October 11, 12, and 13, 1991.

14.2.22 Confirmation of Shawn Axelrod as Heard It Through The Grapevine editor. Unanimously passed. Congratulations to everyone, and welcome to Robert Wien, Bruce Portzer, and Ralph Sanserino in their new positions! This will be my final President's Report before I turn the office over to newly elected President Phil Bytheway. Thank you to everyone who has made my tenure easier, especially my faithful, cooperative, and tolerant work partners Bruce Portzer and Ralph Sanserino. A final word to my opening farewell, as Jackson Browne might say: Interest someone younger or less familiar than you with our interesting hobby and all its facets! We may well be the last generation to enjoy things like medium wave propagation and technology like vacuum tubes. Does anyone know what a 35W4 and 50C5 is any more? My best wishes to Phil and everyone else. Thank you for all the memories and happy trails! Karl Zuk 23 May 1991 73s!

### \*\*\* IRCA Foreign Logs \*\*\*

Before the creation of the IRCA Foreign DX Reference, the IRCA published nine editions of the IRCA Foreign log. Each edition contained the actual tips that were reported to the DXWW sections during an entire year (2 years in Volume 9), recompiled and retyped in a book format. In addition, special features include: articles on foreign DXing (Vols. 6-9), utility lists (Vols. 7-8), shortwave parallels (Vols. 8-9) and BCB propagation (Vols. 6-8). IRCA archives still has Volumes 3, 4 and 6-9 of the IRCA Foreign Log available to all for \$2.50 each. Make checks out to Phil Bytheway and send them to: 9705 Mary N.W., Seattle, WA 98117

# BROADCASTING INFORMATION

EDITOR: ROBERT WIEN 1309 DENTWOOD DR SAN JOSE CA 95118

Much of this station data for this column comes from weekly issues of The M Street Journal and assorted DY Monitor Columns.  
Deadlines: each Saturday

## FORMAT CHANGES

AL.	Alexander City	WACD-1590	was country, now silent pending sale
AL.	Decatur	WAJF-1490	was oldies, reported silent
AZ.	Prescott	KLKY-1130	was standards, to be contemporary Christian
AR.	Little Rock	KURR-1250	was KZCU, CHR, now rock AC // FM
	North Little Rock	KPAL-1380	was oldies, now CNN headline nx
CA.	Blythe	KJMR-1450	was CHR // FM, now silent
	Caléxico	KICC-1490	was AC, now Spanish
	Los Angeles	KMPC-710	was standards, adds Larry King
	Los Angeles	KFI-640	was talk, drops Larry King
	Delano	KCHJ-1010	was country, now Spanish
FL.	Pensacola	WTKY-1230	was oldies, now rock // FM
GA.	Marietta	WFCR-1230	was business nx, reported silent
	Warner Robins	WRCC-1600	was WYQB CHR // FM, now SMN Traditional country // FM
IN.	Brazil	WBZL-1130	was country, to be CNN nx
	Indianapolis	WSYN-810	was classical // FM, now all-rap
KY.	Fauucah	WDYF-1450	was SMN oldies, now SMN country // FM (traditional)
	Somerset	WTLO-1480	was SMN AC, now SMN standards
LA.	Morgan City	KMPC-1430	was standards, now Drake AC
	Golden Meadow	KLFB-1600	was country, adds SMNcountry
MD.	Silver Spring	WNTR-1050	was nx talk, now brokered talk/ethnic
MA.	Holyoke	WRFB-930	was nx talk, adds Headline nx
	Leominster	WCMY-1000	was country, now Drake oldies
	Waltham	WRCA-1330	was standards/sports, now Spanish/ethnic/sports
MS.	Houston	WCTC-940	was urban, now gospel
NC.	Southaven	WAVN-1240	was country, now black gospel eve.
NY.	Gouverneur	WIGS-1230	was silent, now Unis. adult rock // FM
	Herkimer	WYUT-1420	was standards // FM, now silent
OH.	Cleveland Heights	WJMO-1490	was urban, now black oldies
OR.	Marion	WWRN-1490	was standards, now AC
OR.	Portland	KXL-750	was nx/talk, adds Russ Limbaught
PA.	Annville	WAHT-1510	was oldies/talk, now silent
OK.	Guthrie	KOKC-1490	was SMN AC, now SMN country
OR.	Keizer	KYKN-1430	was country, now CNN Headline nx
	Medford	KRVC-730	was rock // KBOY-FM, now SMN Pure Oldies
	Portland	KWJJ-1080	was country, now country // FM
PA.	Kane	WKZA-960	was oldies, reported silent
SC.	Burnettown	WRKU-1510	was oldies, reported silent
	Georgetown	WGTN-1400	was AC, now Drake oldies
SD.	Huron	KIJV-1340	was soft AC, now Unisys standards
SC.	Lake City	WJOT-960	was AC, now country
TN.	Clarksville	WCTT-1550	was E7L/talk, now country // WYCC
	Clarksville	W8ZM-1400	was AC, now classic rock
TN.	Jackson	WQCP-1460	was WJAX, silent, now religion
	Humboldt	WHMT-1190	was news/CHR // FM, now SMN Pure Oldies

Milan	WYRJ-1600	was standards, now oldies
Nashville	WSM-650	was country, adds IRN network
St. Joseph	WJOP-1040	was southern gospel, now silent
TX. Jacksonville	KFRF-1400	was country, to be talk
Kermit	KFRF-600	was country // FM, now silent
Gilmer	KHYM-1060	was contemp. Christian, now country/ gospel
Hemphill	KAWS-1240	was country, adds SMN tra1. country
Texarkana	KHSP-1400	was KTFS, silent, now rel. nx/talk
Victoria	KAMG-1340	was oldies, now country // KPLV
WA. Seattle	KVI-570	was oldies, adds FPM talk 9AM-1PM
WV. Moundsville	WVAC-1370	was WQPM, silent, now religion
NF. St. John's	CJYQ-930	was AC, now oldies
ON. Ft. Erie	CJFT-530	was standards, to be silent 10/91
Leamington	CHVR-710/ 730	was AC, now country

FACILITY APPLICATIONS

FL. Port Orange	WRRT-1020	decrease to 400-w. ND-D, change xmtr locale
IL. Chicago	WPNT-820	change to daytime hrs. only, change xmtr locale, changes in ant. system
NY. Babylon	WGLI-1290	move to Mastic Peach, NY., increase to 550 w. nights, change xmtr locale
TY. Cuero	KQRO-16000	decrease to 260 w. ND days

FACILITY GRANTS

FL. Jacksonville Beach	WXTL-1010	move to Baldwin, FL., 25000/10000 DA-2, change xmtr locale
EC. Nelson	CKKC-1390	move to 880 khz., decrease to 700 w. nights, change xmtr locale
NF. St. John's	VOCM-1230	move to Mount Pearl, NF., move to 1210 w/10000/10000, change xmtr loc- ale

CALL LETTER CHANGES

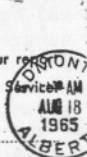
GA. WZQP-1600 becomes WRCC  
 IN. WCKC-1390 becomes WZZB  
 NJ. WNJC-1550 becomes WJRZ  
 TN. WJAV-1360 becomes WQCR (WHMO not used)  
 TX. KBLZ-1420 becomes KSRY  
 KTFS-1400 becomes KHSP  
 WV. WQPM-1370 becomes WZAO  
 PQ. CHTY-990 becomes CKIS

We are pleased to verify your request on reception of CBC Northern Service

STATION **CHAK**  
 FREQUENCY **860**  
 DATE **AUGUST 16, 1965**  
 TIME .....

Thank you for your interest.

*R. Amundt*  
 CANADIAN BROADCASTING CORPORATION  
 NORTHERN SERVICE, P.O. BOX 806, OTTAWA



PARCEL POST  
 REACHES  
 EVERYWHERE  
 Patrick Martin

P. O. Box 1223

Seward, Alaska

# DX WORLDWIDE EAST

EDITOR: Jim Hall, 240 Byron Rd., Pittsburgh, PA 15237 USA

## TRAN S - ATL AN T I C D X (Connelly-MA)

- 198 ENGLAND, Droitwich et al 0655 3/6 Man & woman in EE.
- 747 HOLLAND, Flevoland 0604 2/27 DD-sounding talk o/unID. SAH 5Hz.
- 756 GERMANY, Braunschweig/Ravensburg 0537 2/27 X1nt w/w in GG.
- 765 SENEGAL, Dakar 0558 2/27 X1nt w/banjo-like instrumentation at s/on; then group vocal fol/by FF talk by w who mentioned "en Dakar" and read news w/ stories about Iraq. Also 3/6 0700 still booming in at this late time (most other TA's having faded) - FF news by man.
- 774 SPAIN, synchronos. 0543 2/27 Gd w/m & w in SS.
- 864 FRANCE, Paris 0607 2/27 X1nt w/f operatic vocal in FF, then FF tlk by m.
- 873 SPAIN, Zaragoza 0520 2/27 Bits of SS talk by m & w.
- 882 ENGLAND, Washford et al 0517 2/27 BBC gd w/C&W oldie "The Devil Went Down to GA" by Ch. Daniels.
- 891 ALGERIA, Algiers 0510 2/27 X1nt w/m AA a cappella chant of a solemn, rlgis style. Also 0539 3/22 fr w/m AA chant. TA CX much worse a few days earlier. Big Auro ra on MAR 24.
- 927 t BELGIUM, Wolvertem 0530 3/4 Likely hthe one here w/apparant FF talk by w; poor in slop.
- 1017 GERMANY, Wolfsheim 0617 2/27 Fr/gd w/w in GG.
- 1053 ENGLAND, Droitwich et al 0548 3/4 BBC Radio 1 noted w/EE talk, Ritchie Valens oldie //stronger 1089. Bad WEVD/CHUM slop.
- 1089 ENGLAND, Brookman's Park et al 0615 2/27 BBC R. 1 to gd peaks w/blues rock.
- 1098 CANARY ISLANDS, 0447 3/18 Man in SS o/low-pitched growl (a het from a stn w/mx).
- 1107 SPAIN 0521 3/10 SS vocal in slop.
- 1197 SPAIN, Murcia 0537 3/18 Fast SS talk (SER Net nx) gd; well o/others.
- 1467 FRANCE, Roumoules 0506 3/18 Choral mx, then man in GG, fr thru WRSO-1470 slop.
- 1503 SPAIN, 0601 3/9 SS talk by man, fr w/WTOP phased.
- 1539 GERMANY, Mainflingen 0526 3/8 GG talk, pr in slop of partially nulled WRPTR.
- 1557 FRANCE, Nice 0539 3/8 FF talk by woman, fr in WQXR slop.
- 1566 SWITZERLAND, Saamen/Monte Ceneri 0520 3/18 Good w/GG talk by w, also 0501 3/10 pr/fr w/GG alk, TA CX not as gd as a few nights earlier.
- 1575 SPAIN, Cordoba 0644 2/27 SS talk by woman. Also 0518 3/18.
- 1584 SPAIN 0645 2/27 Man in SS o/others, also 3/9 0558 w/opera, SS talk, gd.
- 1593 GERMANY, Langenberg 0514 3/18 GG pop/folk group vocal, gd strength but w/ rapid flutter fades. Also 0535 3/8 x1nt w/ light pop/jazz vocal.

## P AN - A M E R I C A N A D X

- 590 CUBA, Sanata Clara 0448 3/23 "R. Reloj" ID by man, usual time/nx routine. HUGE signal, distorted audio. Still much louder htan usual at 0124 4/2. Noted several other Cubans louder than usually hrd last wk of March. Then I saw in the paper that the pgm director for R. Progreso has defected to the US! Think Fidel was a bit miffed, hi (Stewart-MO)
- +4/15 0113 Reloj pgm, mixed w/WEE1. )Connelly-MA)
- 600 CUBA, 0642 3/24 SS talk loud; alone on chan in heavily auroral cx. (Con-MA)
- 620 CUBA, Colon 0250 3/27 Gd w/beisbol //710. (Stewart-MO)
- 630 CUBA, 0117 4/15 SS talk mixing w/domestics. WQBS (PR) not noted. (Con-MA)
- 640 unID, (Cuba?) 0119 4/15 SS talk mixed w/domestic w/school or minors baseball game. (Connelly-MA) (That or the Honduran stn? ? ed)
- CUBA, 0230 4/10 Full net ID "R. Prog. Cadena Nacional, La Onda de la Alegria desde la Habana, Cuba!"; only fr signal, lots of QRM & T-storm static. (Stewart)
- 650 unID, 0255-0305 4/10 Looking for Honduras, found stn w/air-raid siren sound effect, OM announcing "Atencion! Atencion!" and passing what sd/lk personal msges to & from folks throughout L. Am.....fr/pr in WSM niul1- no ID hrd. (Stewart-MO)

(650 continued--)

- 650 t HONDURAS, San Pedro Sula HRVM 0245-0304 4/24 Caught this one again w/late0-evening nx-magazine pgm; used a VOA report & thanked them for it; reporters/commentators talking live via landline, one of whom greeted host in studio and listeners to "La Voz de Centro America" (closest they got to a formal ID). Signal fr @times w. fast flutter that garbled voices & occ QRM from weaker Cubans & possible other LA's (WSM nulled). I know you said this is likely HRVM, but I won't rest 'til I at least hear them mention Honduras, which seems to be a dirty word on this stn, hi. (Stewart-MO) (Keep checking here when El Salvador-655 or 765 is in - send a tape to them. ed)  
CUBA, unID 0300 4/24 1-kW Rebelde outlets running Cuban NA, weak below presumed HRVM - couldnt tell if it was a s/off or what. (Stewart-MO)
- 700 t MEXICO, 0147 4/2 Nortena mx (accordions, etc) lotsa Mexico ment's; suspect XEGD. Fr/pr. (Stewart-MO)  
JAMAICA, Montego Bay JBC 0119 4/9 Best hrd in a long time. PSA from Ministry of Mining and Energy asking Jamaicans to conserve, & a United Way spot. Varied pop mx incl Jim Reeves "He'll Have to Go". 0130 "This is JBC News on Radio One" into headlines. (Stewart-MO) (Not bad, Randy. ed)  
GUATEMALA, Guatemala City TGHR 0217 4/10 Quite a surprise - well atop freq. w/fr/gd signal. Jaunty marimba mx and a couple of "R. Mundial" ments. Faded a bit after 0220, mixing w/JBC. Never hrd this well before. (Stewart-MO) (Another really good one, Randy. ed)  
JAMAICA 0121 4/15 Carib EE talk mixed w/MLW. (Connelly-MA)
- 710 CUBA, 0123 4/15 SS talk LOUD! Blasting WOR away. Also 0207 4/19 noted again at local strength. (Connelly-MA)
- 730 MEXICO, Mexico City XEX 0319 2/25 Strong w/frequent "XEX La Super Grande 730" jingles. "XEX, con los super grupos musicales" slogans. (Stephens-AL)
- 750 NICARAGUA, Managua 0235 3/27 Fr/gd alone on cnhan, ments of "informas todo en Managua" w/nx headlines & "Sandino" ment. (Stewart-MO)
- 760 JAMAICA, Port Maria 0710 3/24 Soul mx, Carib-EE anc, o/u WSB. (Connelly)  
CUBA, 0125 4/15 Reloj pgm o/HJAJ/WJR. (Connelly-MA)  
COLOMBOIA, Barranquilla HJAJ 0632 4/24 "LV de Barranquilla" ID's, RCN net ID, gd thru/over the Cuban. (Connelly-MA)  
CUBA, 0631 4/24 Reloj pgm rising atop HJAJ. WJR totally blown away by the aurora. (Connelly-MA)
- 770 MEXICO, Monterrey XEATH 0214 4/10 Noted in passin g w/HUGE sig- sd/1k 100kW! "La Region Montana" SID, CST TC, XE mx. (Stewart-M)
- 780 MEXICO, San Fernando XESFT 0107 4/3 Loud sig w/Radorama net promo, "La Fronta (?Nortena, XESFT, transmitiendo en 700-80 en su radio, desde San Fernando Tamaulipas, Mexico". Tim Hall suspects this to be 10kW - I'll buy it. Really dom. freq. lately. (Stewart-MO)
- +0059 4/16 Ments 5 kW w/ "radiata omnidirectional". (Stewart-MO) (If I swa this I would've edited the previous comments, hi. ed)
- 810 t BAHAMAS 0129 4/15 Soul/gospel mx u/HJCY. (Connelly-MA)  
COLOMBIA, Bogota HJCY 0129 4/15 Gd, CARACOL net ID o/probable Bahamas. (CON)
- 840 CUBA, 0131 4/15 SS Loud, overwhelming WHAS. (Connelly-MA)
- 880 CUBA, 0136 4/15 SS o/WCBS. (Connelly-MA)
- 890 MEXICO, Fresnillo XEYQ 0734 3/24 "X-E (something)-Q SS ID, ranchera mx, pr o/low growl. (Connelly-MA)
- 900 CUBA, 0138 4/15 Rebelde o/domestics. (Connelly-MA)  
MEXICO, Mexico City XEW 0716 4/24 Lo-key SS talk by man, then finally an "X-E-W" SS ID. Way o/inID C&W stn. (Connelly-MA)
- 910 CUBA, 0645 4/24 Reloj pgm o/other SS stn (prob. YV?), (Connelly-MA)
- 930 CUBA, 0140 4/15 Reloj pgm in jumble, also 19th at 0212 o/NH & NC domestics. (Connelly-MA)
- +0109 4/9 Snatches of SS, clock-ticks fr/pr in domestics. (Stewart-MO)
- 940 CUBA, 4/15 0214 Reloj o/MKGM preaching. (Connelly-MA)
- 940 MEXICO, Mexico City XEQ 0720 4/24 "en Mexico Capital" mention, then ads for local nightclubs fol/by ment Assoc. de Difusoras (broadcasters) en Distrito Federal". Equis eh Cu (XEO) jx. Gd o/Reloj during xInt AU-induced DX cx to Mexico (thses stn's aren't common here). (Connelly-MA)
- 950 CUBA 0647 2/2 4 Reloj o/SS stn & an all-nx EE stn (prob. Miami) (Connelly)  
CUBA, CMFB Arroyo Arenas 2133 2/13 Fr w/classical mx, piano concertos, theme from 2001: A Space Odyssey. ID - "Escucho Radio Musical Nacional", tc. (Stephens-AL)
- 960 CUBA, 0631 4/24 Reloj pgm atop. (Connelly-MA)  
MEXICO, Nuevo Laredo XEK 0159 4/10 Huge sig o/domestics w/ID claiming it's the only "estacion del radio en Nuevo Laredo" w/a 3-letter call ("de tres letras" fol/by a 4-note gong (F C A F). New log for me. (Stewart-MO)
- 990 t MEXICO, 0210 /4/10 2 weak SS stn's lopping SW, mixing w/domestics. (Stewart)

- 1000 MEXICO, XE0Y Mexico City 0345 2/25 Fr w/lie SS ballads, ID 0400 ment callsign, MW & SW freq's. (Stephens-AL)
- 1040 MEXICO, Chihuahua XEHES 0156 4/10 Fr/gd atop, no WHO. Caught synthesized electronic call/sign ID "XEHEs La Ponderoasa" into pop instru. New for me. (Stewart-MO)
- 1060 t MEXICO, Mexico City XEEP 0208 4/10 SS nx cast by m/w, ments U.S./Mex., gd/xlnt sig, totally alone on freq-must be R. Educacion, but no ID hrd. (Stewart)
- 1100 ANTIGUA, St. John's 0617 3/24 Gd w/calypso, ID. Atop SSLA's w/no sign of AU-blitzed WWWE. (Connelly-MA)
- 1100 t COLOMBIA, Bogota 0521 5/1 HJCN likely w/Bogota nx, o/WWWE/others. (Connelly)
- 1110 MEXICO, Mexico City XERED 0120 3/27 Huge sig, m/w SS. (Stewart-MO)
- 1120 CUBE, 0152 4/15 "Senal Cinco" pgm, ment "desde La Habana". (Connelly-MA)
- 1140 MEXICO, Monterrey XEMR 0455 4/20 "La M-R" ID's, etc, huge signals lately. (Stewart-MO)
- 1165 ANTIGUA, St. John's CRL 0217 4/24 Occ to fr lebel, gospel mx/preacher. Strong Canadians hthis night too. (Stewart-MO)
- 1170 COLOMBIA, HJNW Cartagena 2202 3/5 Strong cat times o/KV00, gd AU night, Presumed nx, frequent "CARACOL Cartagena" ID's, ads. New, Colombia #1. (Stephens-AL) (Congrats, JD. ed)
- 1180 CUBA/unID, 0613 4/24 SS w w/talk about Cuba, "Born Free" fol, 2nd SS stn u/had ments Ven. (Connelly-MA)
- +0157 4/15 "R. Pais" (R. Peace) ID. (Connelly-MA) (New slogan here? ed)
- 1200 CUBA, 0232 4/19 Possinble R. Rebelde ID, sporting event //1210. (Con-MA)
- 1203? CUBA 0420 3/23 Off-freq. Cuban w/big het, briefly clear //1210. (Stewart)
- 1220 MEXICO, Mexico City XEB 0502 3/23 Pr, nxcast. (Stewart-MO)
- +0750 4/24 SS ad for clubs/discos in Mex. City. (Connelly-MA)
- 1505 t ANGUILLA, 0553 3/8 Apparant OC, 1610 loud at time. (Connelly-MA)
- 1555 CAYMAN ISLANDS, 0558 3/24 Stronger than either 1551/1560 (both were pounded into submission by AU), mellow 50's soul hits. (Connelly-MA)
- 1570 t TURKS & CAICOS, 0300-0302 4/19 EE rigs talk, hymn noted in QRM. (Connelly)
- 1580 MEXICO, Hermosillo XEDM 0220 3/27 Mex. mx, "La Grande de Sonora" sign-not hrd in years. Mixing w/nearby KFDF. (Stewart-MO)
- 1610 ANGUILLA, The Valley 0600 3/24 EE preaching, gd. Also surprised me 0651 2/27 w/rock, blues, and C&W played on some kind of fund raiser. This stn has also been running US-produced shows w/politics lightly spiced w/rign. (Connelly-MA)

CREDITS:

Connelly-MA MARK CONNELLY, 30 William Road, Billerica, Massachusetts 01821  
(ICF-2010/R-600, MFJ 1024 w/RTU-1 varactor tuner)

Stephens-AL JD STEPHENS, 122 Brawley Dr. Owens Cross Roads, Alabama 35763  
(ICF-2001, RF-B300, RF-2600, 75' 1w) (Welcome back, JD)

Stewart-MO RANDY STEWART, 4225 W/ La Casa, Springfield, Missouri 65802-5615  
(TRF, 4-foot spiral loop)

POST CARD

Dear Sir,

Your report on reception dated  
8-10-81 has been examined.

This confirms that you were listen-  
ing to 8DR on 8-Oct-1981  
at 1428-1432UTC

~~XXXXXXXXXXXXXXXXXXXXXXXXXXXX~~  
This transmitter is located at  
D A R W I N N. T. and  
operates on 657kHz, and  
metres. Power 2000 (watts).

Thank you for your interest in reporting  
on our transmission.

Yours faithfully,  
The AUSTRALIAN  
BROADCASTING COMMISSION

4-232-AMENDED 8/84

Address only

PATRICK MARTIN

BOX 843

SEASIDE

OREGON 97138 U.S.A.

old type card!



WESTERN  
DX  
ROUNDUP

Nancy Hardy  
2301 Pacific Ave.  
Aberdeen, WA 98520

WDXR deadlines are Mondays July 8, Aug. 5, Sept. 2, Sept. 16.

REPORTERS FOR THIS ISSUE:

- (TRH) Tim Hall-350 G St. #F-1-Chula Vista, CA 91910  
Sony ICF-2010, Radio West loop
- (BH) Bill Hardy-2301 Pacific Ave.-Aberdeen, WA 98520  
(BH-WA1) On the road in Port Angeles, WA - Delco car radio  
(BH-WA2) On the road at Discovery Bay, WA (east of Sequim)  
Delco car radio
- (NH) Nancy Hardy-2301 Pacific Ave.-Aberdeen, WA 98520  
FRG-7, Radio West loop
- (GL) Gary Larson-2806 Lincoln-Burbank, CA 91504  
GE Superadio II
- (MS) Mike Sanburn-P.O. Box 1256-Bellflower, CA 90707  
GE Superadio
- (PT) Pete Taylor-2614 Jackson St.-San Francisco, CA 94115  
ICF-2010 at home; Delco car radio in car
- (RT) Rich Toebe-2550 Hilborn Rd. #264-Fairfield, CA 94533  
Sony ICF-2010
- (RW) Robert Wien-1309 Dentwood Dr.-San Jose, CA 95118  
GE Superadio, GE long-range portable, SM-2

\*\*\*\*\*  
OF SPECIAL INTEREST

- 970 KBBT OR, Portland 5/9 0205 atop, good, some fades, unID country underneath (KTRW?) repeating 45-second disco instrumental, announcements about "alternative radio" format coming May 18th, "The Beat of the 90's in 9 days." Legal ID just after hour: "Oh Andy, this is Floyd the Barber, you're listening to KBBT, Portland." This went on until 5/18 0300 when regular "Beat of the 90's" format began, blend of heavy and offbeat rock. Ex-KESI/KYTE/KOIN for me, thanks RW for tip about format change. (BH-WA)  
+5/20 0400 ex-KESI, good on top of freq. with ID "KBBT, Portland, the Beat of the 90's, 970, The Beat." Modern rock format. (RW-CA)  
+6/1 0001 "KBBT Portland, the beat of the 90's. We're 9-70, The Beat." Hard rock music. Ex-KESI. (NH-WA)
- 1530 KCLR TX, Ralls 5/8 0715 loud as usual under KFEK with English & Spanish IDs. Station had been reported silent. (TRH-CA)  
\*\*\*\*\*
- 530 WNAG556 CA, Coronado 5/26 2338 back on the air with usual tape loop, despite XETIN-540 slop. (TRH-CA)  
(WNSB415) CA, San Ysidro 5/8-5/31 station has gone silent, obviously due to ridiculous new local XETIN-540! (TRH-CA)  
KOD773 WA, Olympic National Park (Port Angeles) TIS at Park HQ has moved here from 1610. Noted 5/27 1550 after seeing "tune 530" sign at HQ. (BH-WA1)
- 550 KLLV CO, Breen 5/3 0759 fair under KOY with s/on by woman into weather & road condition report. Took more than a year of trying to log this. New, CO #47. (TRH-CA)
- 600 (KKLQ) CA, San Diego Th 5/2 0710 OC leaving KR0D & KIIIX. Ran some tones on 599.6 kHz, then went off leaving CHRX on top. (TRH)
- 650 KMCE CA, Rancho Cordova 4/28 operator couldn't successfully cut to night power/pattern between 2234-2250, resulting in much dead air. Finally succeeded 2250. Dominant but weak in San Francisco nights & seemingly no better in Walnut Creek (car listening) 5/5 0100. Dual KRCX/KMCE IDs in English on hour & half hour. Very good 5/5 1600 on car radio in Healdsburg. (PT-CA)
- 690 (XETRA) BCN, Tijuana 5/27 0427 tone, totally off later, CBU/KVNA mix. (RW-CA)



- 710 (KFIA) CA, Carmichael 5/12 0540 totally off. Seems to be off a lot lately on SM's. (RW-CA)
- \*KMPC\* CA, Los Angeles 5/6 0500 noted with OC, unID Spanish underneath. Broadcast resumed at 0527. (MS-CA)
- 770 (KKOB) NM, Albuquerque MM 5/6 0215 off, leaving XEZA. (TRH-CA)  
+5/13 0337 totally off 2nd MM in a row, only KRPM/CHQR. (RW)
- 780 (KROW) NV, Reno 5/12 0316 off, nothing interesting noted in their absence. (TRH-CA)
- 880 KKMC CA, Gonzales 5/3 0830 good with s/on (note new time) ment. power of 10kw day, 1kw night, so CP is on. USA news followed. (TRH-CA)
- 890 KBYE OK, Oklahoma City 5/27 0700 poor-fair with s/on including NA, full info. Wiped out by unID! (RW-CA)
- ?\*KDXU\*UT, St. George 5/20 0343 suspected good with tone looping ESE. (RW-CA)
- 940 (KFRE) CA, Fresno 5/17 0605 totally off on rare SP, CJIB dominant, weak KIOA in null. (RW-CA)
- 970 KESI OR, Portland 5/3 0608 noted running continuous loop tape to tune to the "New 970, the Beat" in 15 days (May 18). Still running tape 5/6 but tape now said "12 days," so that's being updated on daily basis. Will be changing format to modern rock. (RW-CA)
- 1000 7KCEO? CA, Vista 5/27 0529 tent. with fluttery signal, deep fades in KOMO null with ABC Talkradio. Local spot apparently at 0529 but faded out, not strong enough to ID. (RW-CA)
- 1050 KEYF WA, Dishman 5/20 0515 finally logged this call change, ex-KFVR, good in KOFY null with partial ID "You've found... (faded out)...on K-E-Y, Keef," legal ID on top of hour. Nostalgia format. (RW-CA)
- 1240 (KSON) CA, San Diego Th 5/2 0307 totally off. Back on around 0350. (TRH-CA)
- 1270 KJUG CA, Tulare 5/4 0845 dominating 1270 with C&W songs by Keith Whitley and Diamond Rio. ID & satellite news on the hour. Ex-KCOK for me. (MS-CA)
- 1290 KAZA CA, Gilroy 5/4 0920 first time heard here with spot for Target store and Cinco de Mayo annets in Spanish. Over-under loud KHSL. (MS-CA)
- KUMA OR, Pendleton 5/20 0300-0800+ on all night on apparent day pattern (booming in) on emergency broadcast due to local damburst. ID later in morning "KUMA remains on emergency broadcast status through the night." Way over KMEN! (RW)
- 1450 KEST CA, San Francisco has apparently bought KOBO-1450 Yuba City according to a PR release JH-CA sent me; checked the frequency and it now IDs as "Personal Growth Radio at 14-50 AM, KEST San Francisco and KOBO Yuba City-Sacramento," also uses slogan "Northern California's Personal Growth Stations." (RT-CA)
- (KEST)+5/27 0736 totally off briefly, back on RS at 0741, came back on with dual ID for KEST-1450 and KOBO-1450 Yuba City, whom simulcasts KEST, so it'll be tough to pick out KOBO in the mess! (RW-CA)
- 1500 (KRCK) CA, Burbank 5/22 per recent conversation with applicant Ed Stolz in Sacramento, he says CP isn't dead yet, just more red tape to put up with. He says he's trying to put 1030 on air in Sacramento area. (GL-CA)
- 1510 KAPX CA, San Rafael 5/1 2313 clear with song "I Say a Little Prayer for You," then s/off at 2315. (MS-CA)
- 1570 KTGE CA, Salinas 5/6 0500 good over CFEZ/CHUB with ID, "Radio Tigre" jingle slogans. (RW-CA)
- 1580 KELA CA, Santa Monica 5/20 0100 legal ID noted, since call/format change to BRN business news this is much weaker here, usually KCWW is dominant. "KELA Business Los Angeles" slogan. (RT-CA)
- 1590 KLIV CA, San Jose has now changed to news format, carries CNN Headline News, slogan is "San Jose's News Station." (RT-CA)
- KOGO CA, Ventura 5/21 0239 usually on top of channel now that KLIV is news; "Oldies KOGO" ID heard. (RT-CA)

- 1600 (KMNY) CA, Pomona 5/5 0648 totally off, leaving KGST as usual. (TRH-CA)  
 +Sa 5/11 0313 off again, leaving KGST/KKEW. (TRH-CA)
- 1610 WNUB568 CA, Chula Vista Sa 5/18 0413 fair signals, testing with tape loop mentioning the City of Chula Vista and the Chula Vista Chamber of Commerce. Format will consist of both TIS and HAR information. Gets out poorly, swamped by Balboa Park TIS all over Chula Vista! Per annct., regular broadcasts were to begin Tuesday evening 5/21; this did not happen. New, CA #229, first station ever licensed to Chula Vista (population fast approaching 140,000!). (TRH-CA)
- WNVVD980 CA, Walnut Creek 5/19 1225 good signal with parking info, safety tips by man & woman alternating. ID "This is WNVVD980, Radio Walnut Creek 1610 AM." New. (RT-CA)
- (KOD773) WA, Olympic National Park (Port Angeles) 5/26 1630 not noted. Learned 5/27 they have moved to 530 kHz. (BH-WA1)
- (KNHD262) WA, Uncas-Discovery Bay 5/26 1500 former Hood Canal Bridge TIS appears to be dismantled, antenna is gone. (BH-WA2)

UNIDS

- 890 5/27 0630-0700 unID faded up briefly after WLS fadeout with "I Believe in Love" (C&W), faded out, back up 0637 with "Chantilly Lace," faded out, back up 0649 fairly strong with "Eau Claire," then at 0655 with "The Way We Were," but always faded out during ID, man DJ. Looped ESE. Hoping it's WQIS-MS, but they're listed as either jazz or urban contemporary. KQLX listed as C&W, but I also heard oldies. Ideas??? KVOZ? (they're also listed only as English/Spanish bilingual programming in '91 BYB). (RW-CA)
- 950 5/22 0410-0515 sweeping tones heard o/u XEKAM like a TT het. Called Al Gross at station, he got a report of same from a listener in W. Covina. (GL-CA)

Please note the deadlines at the beginning of the column. It's the time of the year when we get a "vacation" between issues, hi. ♡



VERIFICATION OF RECEPTION

This is hereby to verify that  
Mr. Patrick Martin  
 has correctly monitored the signals of  
 The Central Broadcasting System of  
 The Republic of China  
 at Seaside, Oregon, U.S.A.  
 on 900 KHZ  
 from 1559 to 1601 UTC  
 on January 11, 1991




# Central DX Roundup

Editor: **John C. Johnson**  
979 Neptune Boulevard  
Billings, Montana 59105-2129

## FOR THE RECORD

Report in Eastern time. Deadlines: 7/6, 8/3, 8/31, 9/14.  
CDXR accepts reports via computer through Prodigy, my address: MPNN49A.

### RIDING GAIN

[MB-DX] = DX'pedition at Hecla Island, Manitoba  
When: May 17, 18, 19, 20  
Attending: Shawn Axelrod of Winnipeg, MB  
 Wayne McRae of Winnipeg, MB  
Equipment: Icom IC-R70  
Various beverages (700' to 2500')

[JcJ-MT] = Your editor using an Icom IC-R71A with Radio West Loop.

### DOWN THE DIAL


- 730 KWOA MN Worthington, 6/2 weak, No CKLG nor CKDM! 0345 with Talk-Net program. 0359 w/local spot and ID "We've got you covered 24 hours a day. AM 7-30 KWOA Worthington." First time heard, MN#39. Nice catch. [JcJ-MT]
- 1140 CISS AB Calgary, 5/20 strong. 0430 w/Larry King. IDing as "11-40 kiss AM." This one fooled us with King. [MB-DX]
- 1240 KNEM MO Nevada, 5/18 good. 2247 w/end of Kansas City Royals game. Local spots, "KNEM" ID. New for us. [MB-DX]
- WMFG MN Hibbing, 5/20 strong. 0436 w/oldies music, "WMFG" ID. No longer 0700-0100. [MB-DX]
- 1250 CHWO ON Oakville, 5/19 poor. 2336 with talk about Canadian football, local spots. Lost when CHSM went into music. New for us. [MB-DX]
- 1590 WZRK MS Jackson, 5/17 fair o/u/KVGB. No KCNN. 2250 w/"AM 15-90" and "AM 15-90 Jackson" IDs. Lite-easy music. 2259 with legal ID. New for us, Wayne's MS#1. [MB-DX]
- 1330 KFH KS Wichita, 6/2 good, alone. 0340 with rock oldies. IDing as "13-30 KFH." [JcJ-MT]
- 1380 KHJJ CA Lancaster, 6/2 weak, all alone! 0305 with local spot out of NBC News. IDing as "KHJ." 0306 with Jim Bohannon Show. 0330 ID "This is News-Talk 13-80 KHJJ Lancaster, Palmdale." New for me, last heard as KBVM in 1964 from Sheridan, WY! I show them with only 11 watts, is this correct? Nice catch, don't find KOTA off the air too often. [JcJ-MT]

### 25 YEARS AGO

June 18, 1966 issue of DX Monitor....Rick Evans of Gary, IN said he DXed during meals mostly....Tom Jasinski of Mokena, IL said he was heading for Navy boot camp....John Johnson reported from his Iceland location (Navy).....DX Records shows C.M. Stanbury of ON with 103 countries verified!



### OPEN MIKE

 Arugment is the worst sort of conversation. Shawn said the Helca Island DX'pedition was not great, very few new stations logged. He did say they logged Vatican-1611 and OR-1615 (New Zealand). Be sure to check the foreign columns. Thanks to everyone who voted for me in the recent election. I'm sure Phil will be a great president and the new board will take us to new heights!  
73, John.

## A DXers TECHNICAL GUIDE

Now in its 2nd edition, this 120 page book answers questions on how receivers work, how to make them work better, what audio filters and loop antennas will do for you, how to build a beverage and phasing unit, and much more. Only \$5.50 for IRCA members, \$6.50 for non-members (add \$2.50 for overseas airmail). Write: Phil Bytheway, 9705 Mary N.W., Seattle, WA 98117.

# EASTERN DX FORUM

RICHARD C. EVANS  
PO BOX 21883  
MILWAUKEE WI 53221

Deadlines: 7/6, 8/10 Home Phone: 414-Atlantic 2-9035  
Reports from members living east of the Mississippi River

Bill Townshend, 4500 Connecticut Ave, NW, Washington, DC 20008  
202-686-7698. It's time for re-intro again. I'm 60 (by the time this hits print). Happily single (but with two YLs both in mid-50s, including one in my apartment building whom I see nearly every day) and live on the top floor of a nine-story pile of yellow bricks (not road, hi) in upper NW DC. The YL lives on the sixth floor. I work as a computer programmer for the National Weather Service (don't blame me for the crummy wx, hi) on the third floor of an eight-story pile of concrete and steel (DX-buster) in Marlow Heights, MD, just inside the Capital Beltway (part of I-95), 16 miles/26 km SE of my QTH. The YL in my apartment building plays cl mx on her piano. The keyboard on the computer terminal at my office has one less key than that of her piano. Last winter was the warmest in over 40 years with yours truly outdoors in my favorite attire (shorts and T-shirt) many days. I have made plans to go to the west coast of Mexico aboard the SS. Jubilee to see a total solar eclipse on July 11. I'll fly out to LA and board the ship in Long Beach harbor. Time for s/off.

Tom Laskowski, 1334 East Miner Street, South Bend, Indiana 46617  
Greetings to all. Not much DXing going on here so I thought I would pass along a few tips on changes in South Bend, IN radio. WAMJ-1580 is now carrying Chicago White Sox baseball. WSBT-960 carries Chicago Cubs baseball. WAMJ signs off at midnight here while WSBT is still signing off Sat and Sun nights (Sun/Mon mornings) at 0200. I had a nice short visit with IRCA member Rick Dau a few weeks back while he was in Indiana. Rick called me from Wabash, IN, about a 1 1/2 hour drive from here. I drove down and we had a nice time talking DX and checking out each others logbooks and veries. I couldn't stay long since I had to work the next day. Speaking of work, I decided to quit my job as groundskeeper at Notre Dame. I plan to find work in my educational area which is meteorology. I applied to the National Weather Service again but I'm not sure whether I'll get in or not/ In the meantime I plan to do some travelling. I'm leaving for Texas, NM, Arizona this week where I plan to do some DXing. Reports will be sent to CDXR. 73 TML. (Tom, how about the Weather Channel in Atlanta?--rce)

Rick Evans, 4841 South 26th Street, Milwaukee, Wisconsin 53221  
Well, we're in the new house, unsettled as it may be, hi. New phone number is Atlantic 2-9035. I got back from a vacation to the south on 5/5, found out the mortgage was approved on 5/6, typed last month's column on 5/8, and closed the papers on the house on 5/10. That was a busy week, hi. We moved in on 5/22 (a Wednesday) and the stuff from my Dad's house showed up here that same night. I haven't had the chance to do any listening here, but did try out my Dad's old model Fisher AM/FM (mono) radio. Just a few Milwaukee FM'ers were audible but at least nothing was showing up on the wrong frequencies as happened on the Superadio on the NW side. For interest sake, the AM/FM dates back to the late '50s, and it's a Series Eighty (T) model. I'm in a 28 year old house with aluminum siding on the north, west, and south sides but wood on the east front. I haven't figured that one out yet (I was told it had siding but not that it was missing on one side). I'm probably 13-14 miles southeast of my former location, roughly 100 blocks south and 80 blocks east of where I was. I am about 5 miles west of the Lake Michigan shore so it'll be interesting to see what happens. Gotta run. 73.

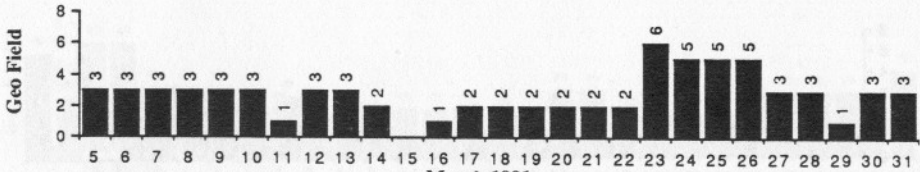
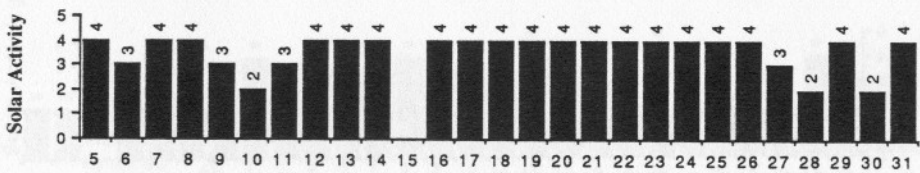
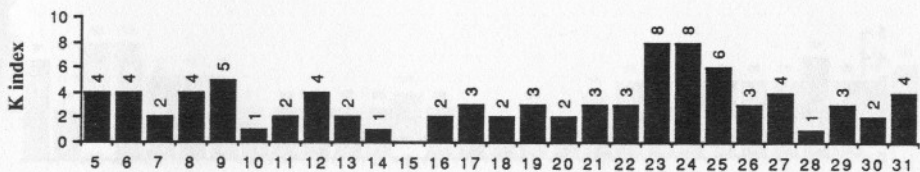
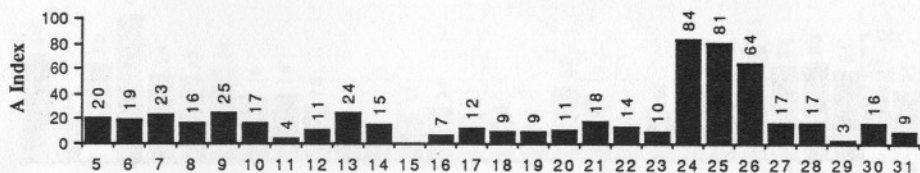
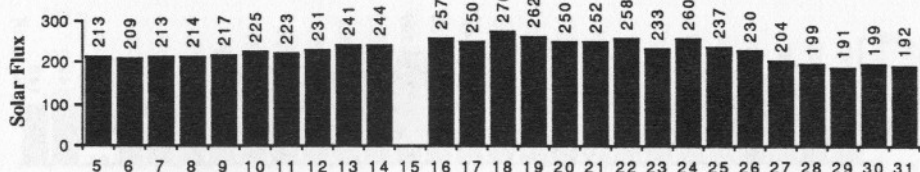
# Geomagnetic Indices

Here is the Geomagnetic activity for March 5, 1991 through March 31, 1991 taken directly from the WWV broadcast at 18 minutes past the hour (usually tabulated at 0518 or 0618). The bar graphs for the Solar Activity and Geomagnetic Field data have the following breakdown:

- |                |              |                   |                 |
|----------------|--------------|-------------------|-----------------|
| Solar Activity | 1. Very Low  | Geomagnetic Field | 1. Quiet        |
|                | 2. Low       |                   | 2. Unsettled    |
|                | 3. Moderate  |                   | 3. Active       |
|                | 4. High      |                   | 4. Minor Storm  |
|                | 5. Very High |                   | 5. Major Storm  |
|                |              |                   | 6. Severe Storm |

The Geomagnetic Field plot is of the largest value if it is given as a range (e.g. quiet to active = active).

Minor storm - 3/23. Major storm - 0. Minor flare - 0. Major flares - 3/5(3), 7(3), 8, 12(2), 13(2), 16-18, 20, 21(2), 22-26, 29 and 31(2). Satellite Proton Event - 3/23-30. Polar Cap Absorption - 3/23-28. Strat Warm Alert - 3/8-14, 16-27. I missed the broadcast on 3/15. It was quite an interesting cycle (27 days), especially around the 23rd. Anybody have any unusual DX experiences around that time? pb



March 1991

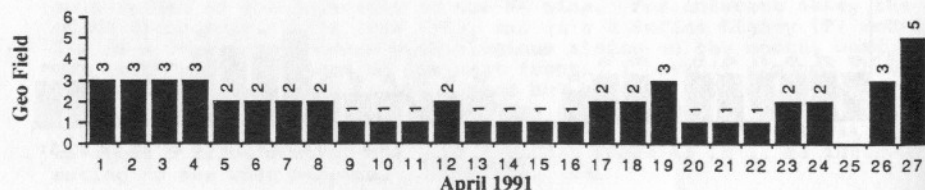
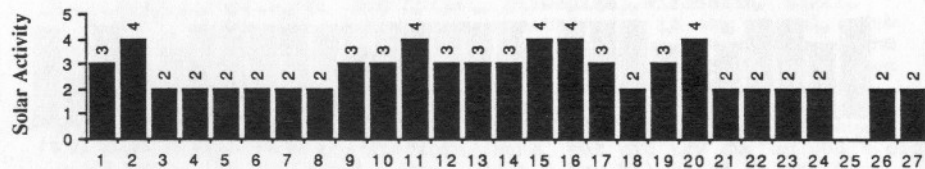
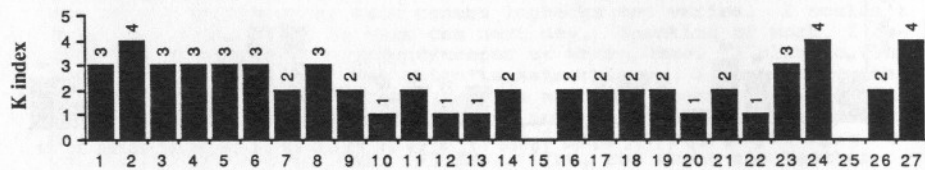
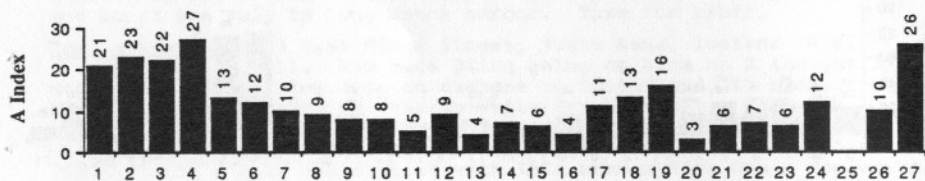
# Geomagnetic Indices

Here is the Geomagnetic activity for April 1, 1991 through April 27, 1991 taken directly from the WWV broadcast at 18 minutes past the hour (usually tabulated at 0518 or 0618). The bar graphs for the Solar Activity and Geomagnetic Field data have the following breakdown:

- |                |              |                   |                 |
|----------------|--------------|-------------------|-----------------|
| Solar Activity | 1. Very Low  | Geomagnetic Field | 1. Quiet        |
|                | 2. Low       |                   | 2. Unsettled    |
|                | 3. Moderate  |                   | 3. Active       |
|                | 4. High      |                   | 4. Minor Storm  |
|                | 5. Very High |                   | 5. Major Storm  |
|                |              |                   | 6. Severe Storm |

The Geomagnetic Field plot is of the largest value if it is given as a range (e.g. quiet to active = active).

Minor storm - 0. Major storm - 0. Minor flare - 0. Major flares - 4/2, 11, 15 and 20.  
Satellite Proton Event - 4/3-6. Polar Cap Absorption - 0. Strat Warm Alert - 0. pb



April 1991

# Geomagnetic Indices

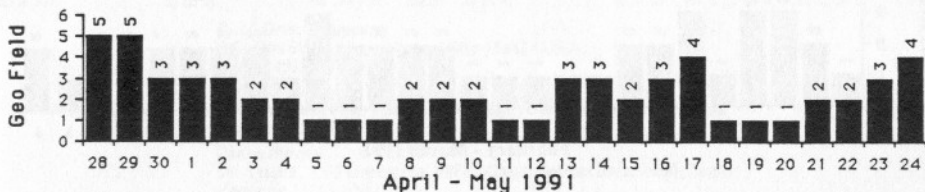
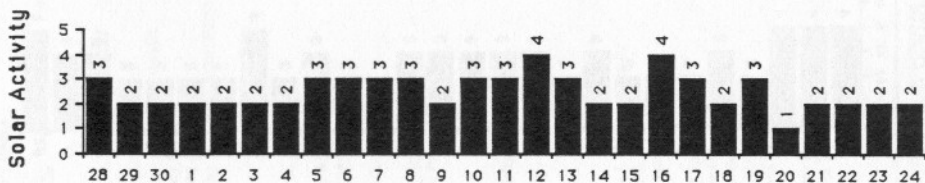
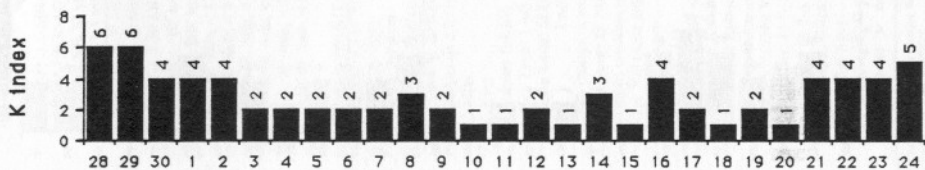
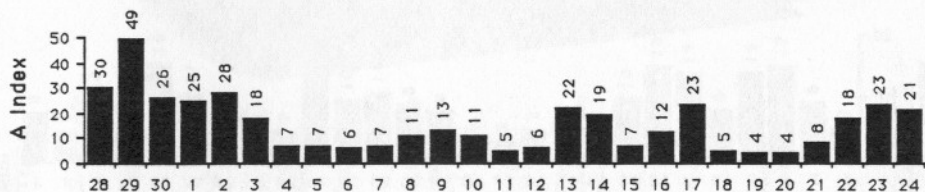
Here is the Geomagnetic activity for April 28, 1991 through May 24, 1991 taken directly from the WWV broadcast at 18 minutes past the hour (usually tabulated at 0518 or 0618). The bar graphs for the Solar Activity and Geomagnetic Field data have the following breakdown:

- |                |              |                   |                 |
|----------------|--------------|-------------------|-----------------|
| Solar Activity | 1. Very Low  | Geomagnetic Field | 1. Quiet        |
|                | 2. Low       |                   | 2. Unsettled    |
|                | 3. Moderate  |                   | 3. Active       |
|                | 4. High      |                   | 4. Minor Storm  |
|                | 5. Very High |                   | 5. Major Storm  |
|                |              |                   | 6. Severe Storm |

The Geomagnetic Field plot is of the largest value if it is given as a range (e.g. quiet to active = active).

Minor storm - 4/28. Major storm - 4/29. Minor flare - 0. Major flares - 5/12 and 5/16.

Satellite Proton Event - 5/13. Polar Cap Absorption - 0. Strat Warm Alert - 0. pb



April - May 1991

# Geomagnetic Indices

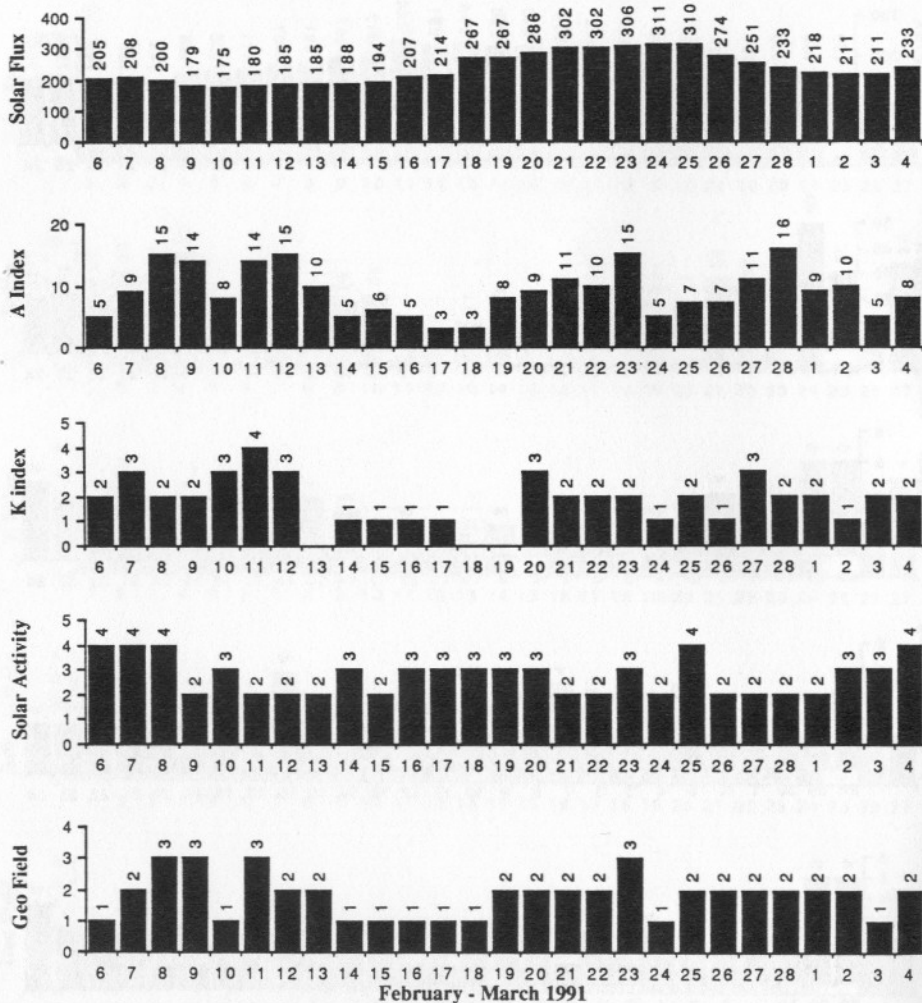
Here is the Geomagnetic activity for February 6, 1991 through March 4, 1991 taken directly from the WWV broadcast at 18 minutes past the hour (usually tabulated at 0518 or 0618). The bar graphs for the Solar Activity and Geomagnetic Field data have the following breakdown:

- |   |   |
|---|---|
| <p>Solar Activity</p> <ol style="list-style-type: none"> <li>1. Very Low</li> <li>2. Low</li> <li>3. Moderate</li> <li>4. High</li> <li>5. Very High</li> </ol> | <p>Geomagnetic Field</p> <ol style="list-style-type: none"> <li>1. Quiet</li> <li>2. Unsettled</li> <li>3. Active</li> <li>4. Minor Storm</li> <li>5. Major Storm</li> <li>6. Severe Storm</li> </ol> |
|---|---|

The Geomagnetic Field plot is of the largest value if it is given as a range (e.g. quiet to active = active).

Minor storm - 0. Major storm - 0. Minor flare - 0. Major flares - 2/7, 8, 25 and 3/4(4).

Satellite Proton Event - 0. Polar Cap Absorption - 0. Strat Warm Alert - 2/6-10, 12-18 and 25. pb





SCHEDULE for the rest of volume 28 and the first 2 of volume 29 are as follows - **Deadlines** here in Riverside are always on Saturday, the next are July 13th and August 10th. Volume 29 starts in September, deadline here is the 7th and 21st then into the weeklies with the first weekly deadline being September 28th. Hope this gets things in order. I will publish a complete schedule for volume 29 and try to publish other deadlines that the IRCA has going. Will get this info from the new president, so get ready Phil.

+++++  
**A Little Late** - This DXM is a little late because I took a couple of days off, Thursday the 13th was my birthday and it was the big 65, a legal senior citizen now. While I was being late Patricks column showed up so I squeezed it into the middle of the DXM.

+++++  
**THE DRAKE R8:**



- 100-30,000 KHz (0.1-30 MHz)
- AM, LSB, USB, CW, RTTY, FM
- < 1  $\mu$ V 0.1-1.5 MHz
- < 0.5  $\mu$ V 1.5-30 MHz
- < 0.25  $\mu$ V 5.0-30 MHz with preamplifier
- < 3.0  $\mu$ V 0.1-1.5 MHz
- < 1.5  $\mu$ V 1.5-30 MHz
- < 0.8  $\mu$ V 5.0-30 MHz with preamplifier
- < 0.5  $\mu$ V 1.5-30 MHz
- <  $\pm$  10 ppm, -10° to 50°C
- <  $\pm$  100 Hz, -10° to 50°C
- 6 KHz @ -60db, < 12 KHz @ -60db
- 4 KHz @ -60db, < 8 KHz @ -60db
- 2.3 KHz @ -6db, < 4.5 KHz @ -60db
- 1.8 KHz @ -6db, < 3.6 KHz @ -60db
- 500 Hz @ -6db, < 1.5 KHz @ -60db
- 12 KHz @ -6db, < 25 KHz @ -60db
- > 95db
- > 60db @ 100 KHz to 1.5 MHz
- > 80db @ 1.5 to 30 MHz
- > 100db, 45 MHz
- > 100db, 50 KHz
- > 90db 1.5-30 MHz @ 20 KHz spacing
- > +5dbm @ 20 KHz spacing
- > -20dbm @ 5 KHz spacing
- 45 MHz
- 50 KHz
- Attack Time: 1  $\mu$ S
- Release Time: SLOW: 2 Sec
- FAST: 300 mSec
- < 4db change in audio output for 100db input change @ AGC threshold
- 50 ohms unbalanced
- 50 or 500 ohms unbalanced
- 40db min Depth
- (500-5000 Hz)
- 2.5W, 4 ohms, @ < 10% distortion
- 300 mV, 4.7 Kohms.
- 300 mV, 4.7 Kohms.
- <  $\pm$  2 seconds/month
- 1000/200/240 V AC,  $\pm$ 10%
- 50 or 60 Hz, 42 Watts nominal
- 11-16 VDC @ 2 A
- 10° to 50° Celsius
- 13 lbs (5.9 Kgs)
- 13 1/2" W x 13" D x 5 1/2" H

- Frequency Range
- Modes
- Sensitivity: SSB, CW (100db S+N/N)
- AM (10db S+N/N)
- FM (12db SINAD)
- Frequency Stability
- Frequency Accuracy
- Selectivity: AM, LSB, USB, RTTY, CW modes
- FM mode only
- Ultimate Selectivity
- Image Rejection
- IF Rejection
- Dynamic Range
- Intercept Point
- 1st IF
- 2nd IF
- AGC Performance

- Antenna 1, Converter Inputs
- Antenna 2, Input
- Notch Filter Attenuation
- External Speaker Output
- Recorder Output
- Demodulator Output
- Clock Accuracy
- AC Power Requirements
- DC Power Requirements
- Operating Temperature
- Weight
- Size

R. L. Drake Company  
P.O. Box 3006, Miamisburg, Ohio 45342 U.S.A.  
Phone: (513) 866-2421  
Drake Canada  
555 The Queensway #16, Peterborough, Ontario K9J 7M1 Canada  
Phone: (705) 742-3122  
Drake Europe  
Dr. Trueta, 1 y 3 entresuelo, 08860 Castelldefels (Barcelona), Spain  
Phone: + (34) 3-636-0192

Specifications, pricing, and features are subject to change without notice or obligation. A copy of the product's limited warranty is available from the R. L. Drake Company upon request.  
Copyright 1991 The R. L. Drake Company. Printed in U.S.A.



PAT MARTIN P.O. BOX 843 SEASIDE, OR 97138

# DX Worldwide - West

Time: UTC phone (503) 861-3185

DEADLINES: 7/9,8/13

We have a good turnout this time. Even though it is Summer people are hearing some DX. On with the reports.

## PAN-AMERICAN DX ROUNDUP

- 540 MEXICO, Tijuana-XETIN-returned to the air 5/15 after off for a wk. Signals not as strong as before. Still 100% automated, but now airs a few ads. Summer sked 1200-0600 UTC. (TRH-CA)  
+Also hrd 5/8 at 0200-New station easily in KJQI null. IDs "Radio 540 mucho mas musica." Thx for TRH for tip. (MS-CA)
- 570 MEXICO, Caborca XEUK SM 5/5 0624 Fair-poor through KLAC w/lots of local ads. (TRH-CA)
- 730 MEXICO, Mexico City-XEX "Radio Fiesta" and "esta XEX La Super grande" IDs pop XE mx,good slight Canadian QRM 5/14 0935.(CB-HI)
- 880 MEXICO,Torreon-XETC 5/1 1157 Good w/ sign on anmts. This was huge at bev site and easy catch from home. (TRH-CA)  
PERU, Lima-"Radio Union" 0850 5/1 fair u/o KRVN and KIXI(?) // to SW 6115 also w/QRM. Local mx, flutes "Radio Union" ID. (CB-HI) (This used to be like regular in North America yrs ago, but with all the domestic QRM, it is rarely hrd these days.PM)
- 890 MEXICO, Culiacan-XENZ 5?30 0730, strong alone on channel.(MS-CA)  
+Also noted 5/13 0819 vy good w/peaks in WLS null w/romantic vocals ID at 0819. New. (RW-CA)
- 1000 MEXICO, Los Mochis-XEMIL 4/22 0658 noted w/sign off followed by XE NA. (MS-CA)  
UNID, Mexican 4/3 0930 ranchera mx,weak. (CB-HI)
- 1180 CHILE, Santiago-Radio Diego Portales o/u KERI w/good Latin pops, This one is probably the most common SA hrd here.at 0816 5/1 (CB)
- 1360 PERU, Lima-OAX4Y "Radio Excelsior" 0840 5/1 Well on top of domestic QRM. (CB-HI)

## TRANS-PACIFIC DX ROUNDUP

- 279 t U.S.S.R., 0950 5/9,Prob the Russkie,good w/ talk and semi clas. mx. (CB-HI)
- 540 WESTERN SAMOA, Apia-2AP 5/13 0849 good w/Island and popmx (CB-HI)
- 567 NEW ZEALAND, Wellington-2YA 1110 5/4, vy good in // to SW 9700 w/National Pgm. (CB-HI)
- 639 FIJI, Lautoka-Radio One 1055 5/4 Good w/Fijian program,local anmts. (CB-HI)
- 666 U.S.S.R., Komsomolsk-FE (presumed) 5/14 0947, two men in RR in Q&A program,fair. (CB-HI)
- 702 NEW ZEALAND, Auckland-1XP-"Radio Pacific" 0840 4/25,good with usual talk/phone show. (CB-HI)
- 756 NEW ZEALAND, Auckland-1YA-0900 4/25,BBC nx,into NA pgm //to SW 9700. (CB-HI)
- 774 AUSTRALIA, Melbourne-3LO-0907 4/23.Exc w/National a regional nx. man and woman. (CB-HI)
- 810 NEW ZEALAND, Dunedin-4YA 5/14 0825 w/rr oldies ///SW 9700,no KGO. (CB-HI)
- 819 NEW ZEALAND, Rotorua-1YZ 5/14 0825 w/same pgm as 810,good. (CB-HI)
- 882 AUSTRALIA, Warrnambool-3YB "We play all the oldies" Promo for some event at Port Fairy,into Only Love,no QRM,in clear but week, at 0914 4/25. (CB-HI) (Good catch, Chuck.PM)
- 927 FIJI, Sigatoka-Radio One, not Radio Two as listed in WRTH 91, Island mx, several anmts in Fijian, fair-6/3 1100. (CB-HI)

- 1233 AUSTRALIA, Newcastle-2NC 6/3 1045, ABC Radio, fair. (CB-HI)  
 1475 MALAYSIA, 5/25 1215-1230 UTC, good signal, female ancr. At 1215  
 EE song "Hey There Lonely Girl". (MR-CA)  
 1566t SOUTH KOREA, UNID het 5/25 1215. (MR-CA)  
 2485 AUSTRALIA, Katherine-VL8K 5/14 1025 good w/program on bush travel  
 and places thereof. (CB-HI)  
 3935 NEW ZEALAND, Levin-ZLXA 6/3 0915 fair/with Print Handicapped pro-  
 grams //1602, sometimes hrd here too. (CB-HI)

THANKS TO THESE REPORTERS

- CB-HI CHUCK BOEHNKE-POST OFFICE BOX 488-KEAAU, HAWAII 96749  
 R71A, 170 ft. LW and FRT 7700 Ant. tuner.  
 TRH-CA TIM HALL-350 G. STREET #F-1, CHULA VISTA, CA 91910-4559  
 ICF-2010, Radio West Loop  
 MR-CA MIKE RIORDAN-POST OFFICE BOX 1195-GOLETA, CA 93116  
 DX 440-Select-A-Tenna, RF-2200  
 MS-CA MIKE SANBURN-POST OFFICE BOX 1256-BELLFLOWER, CA 90707  
 Superadio II  
 RW-CA ROBERT WEIN-1309 DENTWOOD DRIVE-SAN JOSE, CA 95118  
 Superadio, loop.



**RADIO MINDANAO NETWORK, INC.**

Phil. Am Life Bldg.  
 Amat St., Surigao City

2 November 1982

Mr. Patrick Martin  
 Post Office Box 843  
 Seaside, Oregon 97138  
 U.S.A.

S i r :

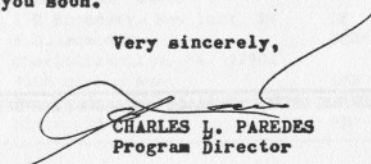
This is to confirm your broadcast report last month  
 which surprised us since our power is only 1,000 watts.

In the absence of QSL card, we are instead enclosing  
 a copy of the "Surigao Weekly Monitor" which feature your  
 letter and some photos of our city which have at present  
 a population of 60,000 in the town proper alone (our city  
 aside from the town proper has 53 village under its adminis-  
 tration with about another 80,000 population).

Thanks, by the way for the unique sticker which my  
 brother, Cesar who is managing the business of the Monitor,  
 is proudly displaying on the windshield of his jeep.

Hope to hear from you soon.

Very sincerely,

  
 CHARLES L. PAREDES  
 Program Director



# Allied Broadcasting Center, Inc.

Suite 301 Legaspi Towers 200, Paseo de Roxas

Makati, Metro Manila, Philippines

Tel. Nos. 817-98-60; 817-84-09; 817-18-44

Cable Address: ALBROC

- **DYRB** Radyo Bisaya Cebu 540 khz 5kw
- **DYRH** Radyo Hiligaynon, Sacolod 1197 khz 5kw
- **DYRP** Radyo Panay, Iloilo 1017 khz 5kw
- **DWPR** Radyo Pangasinan, Dagupan 1296 khz 5kw
- **DYRM** Radyo Dumaguete 1134 khz 1kw
- **DYRO** Radyo Roxas, Capiz 945 khz 5kw
- **DWLQ** Radyo Lucena, Quezon 1296 khz 5kw
- **DYXI** FM Disco Stereo Iloilo 93.5 mhz 5kw
- **DYRT** FM Disco Stereo Cebu 98.5 mhz 15kw

October 24, 1984

Mr. Patrick Martin  
P.O. Box 843  
Seaside, Oregon  
97138, USA

Dear Mr. Martin:

We received your letter of October 11th which detailed out your reception report of our station DYRP-Iloilo (Philippines). We are naturally amazed and as equally surprised as you were to have received DYRP's broadcast in Seaside, Oregon, which is thousands of miles from the Philippines.

Thanks, too, for the color photos of Astoria and Seaside, Oregon. Seaside is quite similar to Dumaguete City (in Negros Island, Philippines) from which our station DYRM operates. Dumaguete is better known as the seat of Silliman University, founded by the Baptist Congregation during the early 1900s.

As further input to your Reception Report on station DYRP, I am providing you hereunder the following:

1. Transmitter Type - locally made, tube type, 1965 Model
2. Transmitting Power - 5 Kilowatt
3. Antenna Tower - Folded unipole type, non-directional 240 ft. height

All equipment used by station DYRP are locally made from imported components.

With this short note to you, we wish to confirm the preciseness of your reception report as borne by our operation log dated October 11, 1984.

Also, with regards to the tape recording of our programming you have sent, we are happy to say it is quite readable. It is our station identification, voiced by our President and General Manager, Atty. Ernesto V. Rosales, who is preparing himself for a trip to USA this November for his annual business trip.

..... Over .....

ABC...ASSURES BETTER COVERAGE THRU ABLE STAFF BETTER FACILITIES COMPETENT PROGRAMMING

# Verification Signers



Editor: TIM HALL, 350 G St. #F-1, Chula Vista, CA 91910-4559  
 Deadline: Last Friday of the month

CONTRIBUTORS TO COLUMN #53 (05/31/91):

MH - MIKE HARDESTER, P.O. Box 8159, Camp Lejeune, NC 28542-8159  
 HH - HANK HOLBROOK, 407 Arundel Rd., Fair Haven Cliffs, Dunkirk, MD 20754  
 MS - MIKE SANBURN, P.O. Box 1256, Bellflower, CA 90706  
 JDS - J.D. STEPHENS, 122 Brawley Dr., Owens Cross Roads, AL 35763  
 OW - JOHN WILKINS, 3250 Garrison St., Wheat Ridge, CO 80033

FREQ	CALL	SIGNER'S NAME / TITLE	ADDRESS	WHAT	WHEN	WHO
580	CHLC	Camille St-Pierre, DIR.	399 de Puyjalon Baie-Comeau, QC G5C 2Z7	P	11f	HH
600	CHRX	Alan Kirk, CE	1401 W. Eighth Ave. Vancouver, BC V6H 1C9	LB	15	TRH
620	WRJZ	John Hanna, GM	3214 Pazewell Pike, #1 Knoxville, TN 37918	LB++		HH
640	KFI	Marvin Collins, CE	P.O. Box 76860, LA, CA	QB	18	JDS
	KTIB	Marie Bergeron, STN MGR.	P.O. Box 682 Thibodaux, LA 70301	L	20	OW
		"RFO" G., Chow-Toun, Le Chef d'Establissement de RFO Guadeloupe	B.P. 402, 97163 Pointe a Pitre Cedex GUADELOUPE	L	19	JDS
	WJTZ	Mitch Sandidge, CE	640 Radio Way Blountville, TN 37617	L		HH
720	KUAI	Roger Rogelstad, CHIEF OP.	P.O. Box 720, Eleele, HI 96705	QB	30f	MS
740	CBL	[ ILLEGIBLE ]	Box 500 Terminal "A" Toronto, ON M5W 1E6	Q+++	41	OW
	CHCM	Russell J. Murphy, STN MGR.	P.O. Box 560 Marystown, NF AOE 2M0	L		HH
	KISZ	Dan Kelley, STN MGR.	P.O. Box 740, Cortez, CO 81321	LM	9	OW
760	WCHP	Teri Billiter, GM	Rapid Rd. / P.O. Box 888 Champlain, NY 12919	L		HH
770	KPLA	Jack Gardner, PRES.	P.O. Box 550 Fair Oaks, CA 95628-0550	LMB	5	MS
780	WABS	Bill Ashley, CE	5545 Lee Highway Arlington, VA 22207	L+	46	JDS
790	CFAN	E. Rogers, CE	245 Pleasant St. / Box 338 Newcastle, NB E1V 1Y6	P	20f	HH
	CIGM	Scott Sloan, ENG DEPT.	880 Lasalle Blvd. Sudbury, ON P3A 5W7	L		HH
800	KHIS	Scott Williams, STN MGR.	521 "H" St. Bakersfield, CA 93308	L	40f	OW
840	4VEC	Jean VanDervant, QSL SECY.	P.O. Box 1, Cap Haitien, HAITI	Q		HH
	WKTR	Phil Goodwin, MGR.	P.O. Box 339 Quinque, VA 22956	L		HH
880	KHAC	Bill Hurne, CE	P.O. Box "F" Window Rock, AZ 86515	LM	5	MS
910	WABI	Terrance Syde, "TX SUPV."	35 Hildreth St. Bangor, ME 04401	L	64	MH
1050	WEVD	George B. Levites, CE	770 Broadway, New York, NY	QP		HH
1070	WINA	K. Scott Johnson, CE	P.O. Box 498 Charlottesville, VA 22902	LMB+	53	MH
1100	KFAX	Jan Muzzy, PROGRAMMING	3106 Diablo Ave. San Francisco, CA 94545	LMB	14	OW
1110	KTEK	Randy Jordan, GM	Alvin, TX	PB+	7f	OW

FREQ	CALL	SIGNER'S NAME / TITLE	ADDRESS	WHAT	WHEN	WHO
1140	KNAB	Bette Bailly, GM	P.O. Box 516 Burlington, CO 80807	LB	86f	OW
	KZMQ	W.R. Burckhard, CE	Greybull, WY	Lr	33f	OW
1150	KLRG	A.F. McCuin, ACCT EXEC.	314 Main St. #1150 North Little Rock, AR 72114	L	14	JDS
1170	CKGY	Cliff Wheeler, TECH SUPV.	4920 59th St. Red Deer, AB T4N 2N1	LB	31	OW
	WCTP	Don White, Jr., OP MGR.	13 Park St., Vernon, CT 06066	L+		HH
	WKPE	Steve Binder, ASST ENG.	Radio Center Orleans, MA 02653	L		HH
	WVZN	D. Mark Allen, STN COORDINATOR	Noryln Bldg. #205 2702 Amherst Hwy. Madison Heights, VA 24572	LB		HH
1190	KUII	Norm Phillips, REG ENG MGR.	3500 Maple Ave. #1600 Dallas, TX 75219	L	9	OW
1200	WSML	Olin D. Campbell, PD	P.O. Box 900, Graham, NC 27258	P	8f	HH
1220	KBET	Carl Goldman	P.O. Box 1220 Santa Clarita, CA 91351	LB	8	OW
1250	WANL	Sherry Jackson, STN MGR.	P.O. Drawer 1948 Albany, GA 31702	LM	16	JDS
	WYKM	[ ILLEGIBLE ]	P.O. Box 627, Rupert, WV	P	8f	HH
1260	WCHV	Robert F. Alexander, CE	1140 Rose Hill Dr. Charlottesville, VA 22901	P	45f	HH
	WMUU	Joe Norris, CE	920 Wade Hampton Blvd. Greenville, SC 29609	L+		HH
1270	KDJI	Roy Roberts, GM	P.O. Box 430 Holbrook, AZ 86025	L	10f	OW
1280	KSOK	David C. Poster, CE	P.O. Box 917 Arkansas City, KS 67005	L	42	JDS
	WABK	Dick Walsh, VP	P.O. Box 1280 Gardiner, ME 04345	LB		HH
1300	WLIP	[ UNSIGNED ]	1570 Hart Rd. Baltimore, MD 21204	Q		HH
1310	KLIX	Charlie Tuma, ENG.	P.O. Box 1259 Twin Falls, ID 83303-1259	L	90f	MS
	KMBS	Douglas Seegers, GM	P.O. Box 547 West Monroe, LA 71294	LMB	7	JDS
	WSSJ	Pat Delsi, GM	Sixth & Market St. Camden, NJ 08101	P	12f	HH
1350	CKAR	[ ILLEGIBLE ]	360 King Street W. Oshawa, ON L1J 2K2	P	12f	HH
1360	WVSJ	Dave Schmidt, CE Norm Donohue, ANNCR.	RR4, Box 600 Sewell, NJ 08080	LB+	13f	HH
1390	KGER	Bill Sheets [KF6SC]	P.O. Box 7126 Long Beach, CA 90807	QB	60	MS
1420	WADX	June Pike	P.O. Box 829, Trenton GA 30752	LM	25fff	JDS
1440	KMED	Jim Zinn, OP MGR.	P.O. Box 388 Gold Hill, OR 97525	L	5	MS
1467	"TWR"	Jeanne Olson	B.P. 349 -MC 98007, MONACO	Q+		HH
1490	KRIB	M. Henderson [ Hendrickson? ]	P.O. Box 249 Blue Earth, MN 56013	P	13f	OW
1510	KFNN	Ron (???)	65 E. First Ave. Mesa, AZ 85202	P	8f	OW
	WNLC	Stephen Keefe, CE	P.O. Box 1031 New London, CT 06320-1031	L	25	JDS
1520	WOOO	Mark Gravely, PD	P.O. Box 338 Shelbyville, IN 46176	L	9	JDS
1540	WSMI	[ UNSIGNED ]	P.O. Box 10 Litchfield, IL 62056	Q	22	JDS
1550	WLWX	[ ILLEGIBLE ]	2 Wintonbury Ave. Bloomfield, CT 06002	P	11f	HH
1570	KLLA	Nick Pollacia, Jr., GM	P.O. Box 1393 Leesville, LA 71446	LB	9	JDS
	WMYM	Pete Rondello, VP/GM	P.O. Box 1027 Minocqua, WI 54548	LB	13	JDS

FREQ	CALL	SIGNER'S NAME / TITLE	ADDRESS	WHAT	WHEN	WHO
1580	KNIM	Mike Rudd, MX DIR.	P.O. Box 278 Maryville, MO 64468	L+	49f	OW
	KNUS	[ILLEGIBLE - Rob Roberts?] [KZKL]	1651 University Blvd. Albuquerque, NM 87102	P	5f	OW
	WLIM	George Drake, VP	Woodside Ave. Patchogue, NY 11772	QM	9	JDS
	WWOF	[ ADDRESS UPDATE: ] & Word of Faith	1309 Lejeune Blvd. Jacksonville, NC 28540-6335			MH
1600	WBBD	Michael Duninger(?),	98 16th St. / P.O. Box 6273 Wheeling, WV 26003	P	8f	HH
1610	KAF727	(?), SUPERINTENDENT	Mesa Verde Nat'l Pk, CO 81330	P	9	OW
	TIS	Philip R. Breeck, NAT'L PK SVC.	Prince William Forest Park P.O. Box 209 Triangle, VA 22172-0209	P+		HH
	WNUB568	[ ADDRESS FOR NEW STN: ] CV Chamber of Commerce	233 Fourth Ave. Chula Vista, CA 91910			TRH
1698	"QYV"	Bob Sethman	92 Allen Plan, Donora, PA 15033	QL		HH

WHAT was received: Q=QSL card; L=Letter; B=Bumpersticker/other sticker; P=PFC; Lr=Verification statement written on original report.

WHEN the reply came: Number of days elapsed; f=Follow-up (report/phone call/visit).

Welcome this month to veteran DXer HANK HOLBROOK of Maryland. Hope you can report often. (P.S. - 75 milliwatts is  $\frac{3}{40}$  of a watt!).

Some of you are including extra info with your reports (powers, networks, antenna pattern descriptions, etc.) and this is very much appreciated. I have a place in my database for just about all of this information, and it will find its way into future Almanacs and/or updaters. Thanks, and keep it coming!

The VERIFICATION SIGNERS ANNUAL should be assembled after next month's column, and should be available in mid-July. But first, a question. Would you prefer:

- 1) Address information included with signer information; or
- 2) No address information (you would be able to look up the address because each tip would have the issue/column number shown).

Option #1 would be more convenient to use, but #2 would make the list cheaper. Think about it, and let me know your preference sometime in the next month. 73, TRH

BASEBALL NETWORKS, Submitted by Tim Hall

#### NATIONAL LEAGUE

SAN DIEGO PADRES (1991 English Network, supplied by the team)  
Jerry Coleman, Rick Monday, Ted Leitner, Bob Chandler

660 KTNN-AZ	1150 KCKY-AZ	KXO -CA	1310 KFKA-CO
760 KFMB-CA	1230 KAAA-AZ	1270 KNWZ-CA(1)	1340 KPBR-AZ
870 KROL-NV	KINO-AZ	1280 WNPT-AL	1450 KSGI-UT

#### Notes:

(1) This station is considering carrying the games, but has not yet committed.

Spanish Network: The Padres have their first Spanish network this year (including perennial local affiliates XEXX-1420 and XEKT-1380). I'll be able to list the affiliates after my next trip to the beverage site (possibly next month).

#### PACIFIC COAST LEAGUE (AAA)

Albuquerque DUKES (Dodgers)	770 Kkob-NM
Colorado Springs SKY SOX (Indians)	740 KSSS-CO
Las Vegas STARS (Padres)	840 KVEG-NV
Tucson TOROS (Astros)	990 KTKT-AZ

# Hearing It Through The Grape Vine

SHAWN AXELROD, 30 Becontree Bay, Winnipeg, MB R2N 2X9 Canada (204) 253-8644 before 2300 E.L.T.

**CONTRIBUTORS THIS MONTH**

John Johnson 979 Neptune Blvd Billings Montana  
 Mike Sanburn P.O.Box 1256 Bellflower California  
 Ye Olde Editor

**STATE OF THE MONTH MISSISSIPPI**

John Johnson while in Sheridan WY before 1964  
 1370 WMGO Canton 1380 WQIC Meridian

Mike Sanburn  
 1550 WOKJ Jackson MM in the 70's

Shawn Axelrod  
 1180 WJNK Pearl SRS Once 1590 WZRX Jackson '91 DXpedition

**FREQUENCY OF THE MONTH 1250 KHZ**

John Johnson in Billings

KIKC Forsyth MT	Most Daytimes	KNEU Roosevelt UT	SSS
KWSU Pullman WA	Occ. nites	KKFX Seattle WA	Occ. nites

Mike Sanburn:

KTMS Sanata Barbara CA	Dominant	KWSU Pullman WA	Reg. in '70's
WREN Topeka KS	Reg. in '70's	KDHI 29 Palms CA	Mornings
KHIL Willcox AZ	SRS	KNEU Roosevelt UT	SSS
KTIM Wickenburg AZ	SRS	XEDL Hermosillo Mex.	occ. nites
KLLK Willits CA	DX test in '90	KHOT Medera CA	Most nites

Shawn Axelrod

CHSM Steinbach MB	Dominant at all times	CKOM Saskatoon SK	SRS
WEMP Milwaukee WI	Occ. SRS/SSS	CBOF Ottawa ON	Once at SRS
KBRF Fergus Falls MN	On Dx'pedition	KWSU Pullman WA	DX'ing Swan River
KNEU Roosevelt UT	SRS on DXpedition	WGL Fort Wayne IN	SRS Arnes MB
CHQO Oakville ON	SSS Hecla MB	WDAE Tampa FL	From Orlando
KKFX Seattle WA	DX in Alberta and Vancouver BC		

**BANDSCANS** None this time, but they are still welcome. Send one in.

**BEST BETS/ HELP & MOST WANTEDS / SILENT PERIODS**

These three areas seem to have died from a lack of interest and will not appear any more.

**CLASSIFIEDS** None this time around. Must be the economy HI!!!!

**NEW NEW NEW NEW NEW NEW**

On a trial basis I wish to try some new sections in this column. In an effort to allow all of you to share your enthusiasm with the rest of the club members I would like to try five new sections called:

- MY BEST CATCH NORTH AMERICA
- MY BEST CATCH TRANS ATLANTIC
- MY BEST CATCH TRANS PACIFIC
- MY BEST CATCH SOUTH AMERICA
- MY BEST CATCH CENTRAL AMERICA/CARIBBEAN

Now what I don't want is a simple statement saying my best catch Trans Pacific was KIPA Hilo HI on 620. Tellus more about the catch; your equipment; where you were; how you felt. Make it exciting!! The sections were chosen so every one could participate no matter where you live. I will include these as space permits, so send them in and share your DX experiences.

**NEXT TIME AROUND**  
**FREQUENCY OF THE MONTH** 610 KHZ  
**STATE OF THE MONTH** IDAHO  
**DEADLINE** ONE MONTH AFTER PUBLICATION

Take care and REMBER ON A CLEAR DAY YOU CAN HEAR FOREVER!!

*Shawn*



The RTU-1 varactor tuner is meant to tune an active whip remotely so that the benefits of tuned-circuit selectivity and dynamic range / gain enhancement can be realized. The result: better DX than when the whip is used in its customary broadband mode.

### The DX role of a remotely-sited active antenna

The active whip antenna is useful in many DXing situations.

Two come to mind immediately:

- (1) when DXing from an apartment or a hotel where in-room operation of a loop is not feasible because of shielding and/or electrical noise. Also, for legal or logistical reasons, installation of an outdoor longwire is not possible. It is possible, however, to place an active whip in a window or on an outside balcony.
- (2) on mobile DXpeditions where the in-vehicle receiving set-up must be fed from an antenna mounted on the vehicle. A loop won't work inside a vehicle; furthermore, the specific situation may rule out a longwire (either because DXing is to be done while the vehicle is in motion or because the site chosen for stationary listening has no available space, is too crowded, etc.). A busy beach, park, street, or shopping-mall parking lot could be a good place for listening but an impossible place for a wire antenna.

The active whip also has merit at more conventional sites (e. g. at a wood-frame house in a suburban neighborhood where other antennae could be used) because it can be tower-mounted for improved signal pick-up and local noise rejection.

### Limitations of Existing Remote Active Antennae

The vast majority of remote active antennae sold, whether of a loop or whip design, utilize broadband techniques. Both the active antenna's amplifier and the receiver's front end are exposed to a wide spectrum of signals, quite likely including those of high enough strength to cause intermodulation distortion ("spurs") and cross-modulation (strong-station audio superimposed on the audio of weaker stations). Some companies (e. g. Grove) offer tuners or attenuators to place in the coax. path from the antenna-head amplifier to the receiver input. In many cases, though, the worst overloading occurs at the front end of the remotely-sited antenna-head amplifier. "The damage has already been done" so to speak: in-shack tuners and attenuators offer no fix. A remedy must be applied where the problem exists: this is at the remote site, whether it's at the top of a tower or at a mounting bracket bolted to the exterior of a car, plane, boat, or truck.

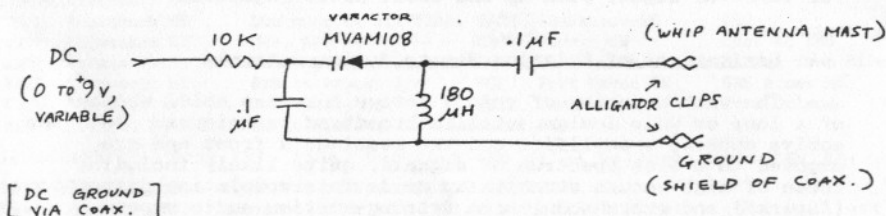
Early experiments with the MFJ 1024: I have used the MFJ 1024 active whip with a great deal of success. Typically, the RF output is passed through a passive or active preselector enroute to the receiver in order to reduce the likelihood of receiver-front-end-generated spurs. A DXpedition to the Marblehead, MA waterfront last January went well other than the distracting addition of WBZ-1030 audio in the background of some DX stations' audio (e. g. on BBC/Albania/Saudi-648). WBZ, at about 15 miles distance over salt water from the DXing site, was overloading the MOSFET front end in the MFJ 1024's amplifier.

Additionally, "intermod." (mix spurs) showed up on a few channels due to the potent signals from WBZ-1030, WESX-1230, WROL-950, WSSH-1510, WJDA-1300, WLYN-1360, WEZE-1260, WEEI-590, WRKO-680, WXKS-1430, WILD-1090, and WHDH-850. The "RF hot" location by the sea in a large metropolitan area was a bit more than the broadband front end on the active whip could comfortably handle. A few shortwave spurs got into the act too, both from SW broadcasters and from powerhouse RTTY/CW utility stations such as WCC. Harmonics of LORAN-C (Nantucket, 100 kHz) showed up also. All in all, considering the pounding the MFJ's front end was taking, it held up fairly well. Most frequencies were spur-free and perfectly DXable. 15 to 20 MW countries were logged in a less-than-2-hour session that started over an hour before sunset. Still, I thought improvements would help and that a tuned-tank-circuit approach, applied directly at the whip antenna, would be the solution. Selectivity, rather than added gain, was the desired objective, but if a few more dB of gain were to be had, all the better.

### The RTU-1 Remote Tuning Unit

The simplest approach to tuning a remotely-sited antenna system is to construct a tank circuit consisting of a varactor diode, an inductor, and a few other needed components. The varactor diode, when biased by a DC voltage sent on a control line from the "shack", acts like a variable capacitor. My previous articles on "Varactor Diode Applications for DXers" and on the "RT-1 Remotely - Controlled Antenna Tuner" (1984) give an introduction to these useful devices. The articles are available through the reprints services of NRC and IRCA. A crude experimental set-up (Figure 1) was quickly "kluged" up and alligator-clipped onto the MFJ 1024. The results were impressive!

FIGURE 1 : "KLUGE" TUNER SCHEMATIC



With the tuner, received signals were about 10 to 12 dB (2 S-units) stronger than when the MFJ 1024 was run in the normal broadband mode. When the set-up is properly tuned for the frequency of interest, no spurs are noted. By comparison, in the broadband mode, at the suburban home QTH (Billerica, MA), spurs are noted on:

770 = (WSSH)1510-(WLVG)740 and (WRKO)680-[WRKO(680)-WEEI(590)]

830 = (WSSH)1510 - (WRKO)680

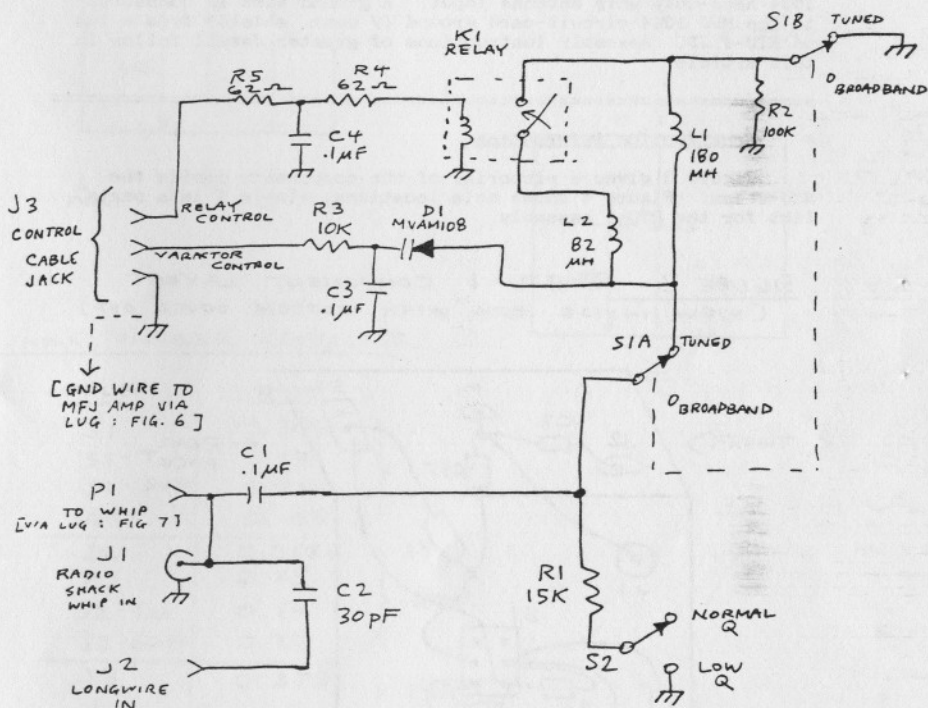
1360 = (WRKO)680 X 2

1530 = (WRKO)680 + (WHDH)850

The sensitivity of the MFJ 1024 with the Figure 1 "kluge" tuner rivalled unamplified longwires of considerable length. Weak daytime signals used for sensitivity tests in this area include WLIX[NY] (o/WDMV/CJSB/CBT)-540, WMCA[NY] (o/WSYR/CJEM)-570, WCHP[NY] (o/WJR)-760, WNYC[NY] (o/unID "Love 82")-820, WCLZ[ME] (o/WSSR/CKDH/CKTS)-900, WOGL[PA]-1210, WQXR[NY]-1560, and WLIM[NY] (o/CBJ)-1580. At a low-RF-noise field site (near Shawsheen River marsh / Tew-Mac Airport: Tewksbury, MA), all of these were detectable and, in most cases, easily readable with the tuned MFJ 1024 feeding the Sony ICF-2010 receiver used for

DXpeditions. One thing I noted about the "kluge" tuner is that its tuning range with a single inductance value did not quite cover the entire MW band. The ratio of maximum capacitance to minimum capacitance with the varactor diode is not as great as the comparable ratio of an air-variable capacitor. The Motorola MVAM108 varactor gives about 550 pF max. to 55 pF min. (10:1 ratio) versus 360 pF max. to 15 pF. min. (24:1) typical of the air-variable. I wanted coverage from 500 kHz or less through 2 MHz or greater. A second inductance, switched in parallel with the first by means of a relay, accomplished the complete band coverage. At this juncture I decided that the results of tuning the whip were so good that a tuner box to be mounted to the MFJ head unit on a permanent basis would be a good idea. After some experimentation, the circuit of Figure 2 evolved:

FIGURE 2 : RTU-1 SCHEMATIC



J1 is used for a Radio Shack 20-008 whip. This can be used instead of the normal MFJ whip section with only a slight penalty to sensitivity. Doing this makes the mated MFJ amp / RTU-1 assembly much easier to pack into a suitcase for air travel. It also permits simpler operation on the roof of a car or other vehicle.

J2 is used if tuning a longwire or tree-height vertical is to be done (typically at a campsite or similar QTH). Using a 100 ft. / 30 m. wire instead of a whip can give tremendous (Beverage-like) sensitivity. Because of overload considerations, this should only be done at rural locations and in the tuned mode.

J3 connects the control cable from the shack. Control cable functions are varactor tuning (by means of a 0 to +9 volt variable DC supply) and tuning-range-relay switching (by means of a switched 0 V / +12 V DC source).

Toggle-switch S1 sets either the tuned mode for the active antenna or the normal broadband mode. Switch S2 selects normal or low Q (selectivity). Low Q is only used if two tuned-mode whips are to be phased. The functions of S1 and S2 could be implemented with relays if the active antenna is to be mounted permanently at a remote location (e. g. on a tower). Also, in such a circumstance, greater attention would have to be paid to weatherproofing. As my use of this system is primarily for set-it-up / take-it-down beach or mountain DXpeditions of (typically) 2 hours duration, switches are preferable for their simplicity. Generally, S1 is left on Tuned Mode and S2 is left on Normal Q.

P1 is used for the wire that is to be connected to the MFJ 1024 head-unit whip antenna input. A ground wire is connected to the MFJ 1024 circuit-card ground (/ coax. shield) from a lug on RTU-1 J3. Assembly instructions of greater detail follow in this article.

=====

### Construction Information

Figure 3 gives a pictorial of the components inside the RTU-1 box. Figure 4 shows hole locations. Table 1 is a parts list for the RTU-1 assembly.

FIGURE 3 : RTU-1 COMPONENT LAYOUT  
(VIEW INSIDE BOX WITH BOTTOM COVER OFF)

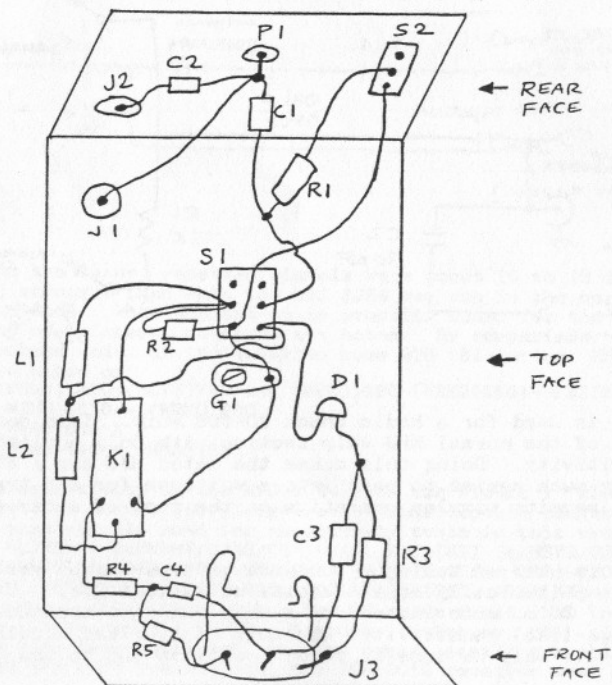
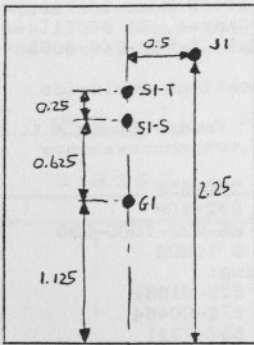


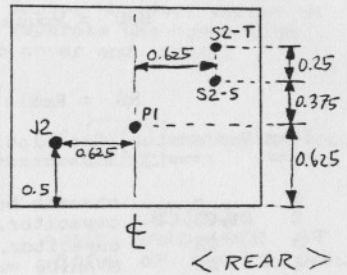
FIGURE 4 : KIV-1  
HOLE DRILLING GUIDE  
(EXTERIOR VIEWS -- DIMENSIONS IN INCHES)

REAR  
↑

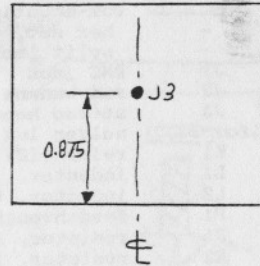


↓  
FRONT

< TOP >



< REAR >



< FRONT >

HOLE DIAMETER REFERENCE

<u>HOLE</u>	<u>DIA</u>	
J1	0.375	} TOP
S1-T <sub>ab</sub>	0.14	
S1-Shaft	0.25	
G1	0.125	
J2	0.3125	} REAR
P1	0.25	
S2-T <sub>ab</sub>	0.14	
S2-Shaft	0.25	
J3	0.375	} FRONT

Table 1: RTU-1 remote tuning unit / parts list

Vendor codes:

ACT = Active Electronics /11 Cummings Park  
/Woburn, MA 01801  
/Tel. 1-800-677-8899

DK = Digi-Key /P. O. Box 677  
/Thief River Falls, MN 56701-0677  
/Tel. 1-800-344-4539



Table 2 (continued)

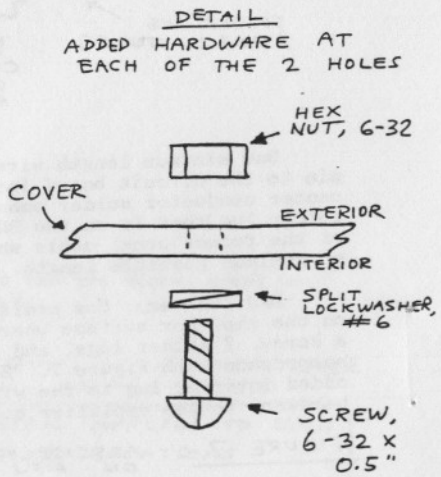
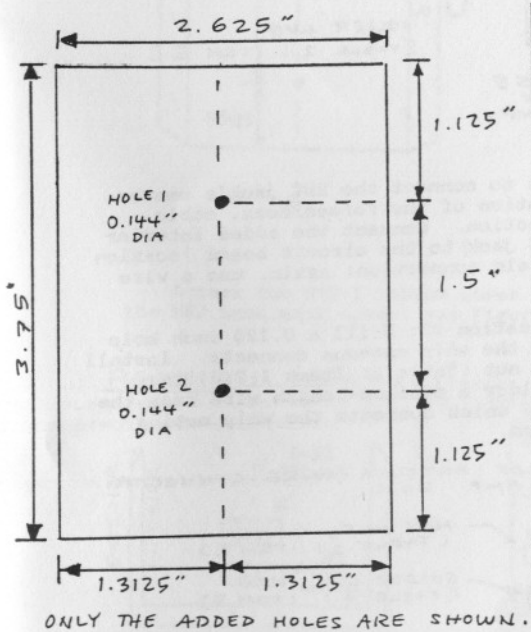
\*\*\*\*\*

[BNC jack & associated hardware] (see Fig. 6)					
7	-	BNC jack (w/ nut)	RS	278-105	1
8	-	solder lug, .375" ID	DK	ARF1068-ND	2

\*\*\*\*\*

MFJ 1024 amp. box modification #1: Remove the four screws on the amplifier cover. Set these aside. Separate the cover from the amplifier box. Drill 2 holes on the cover and install hardware in accordance with Figure 5.

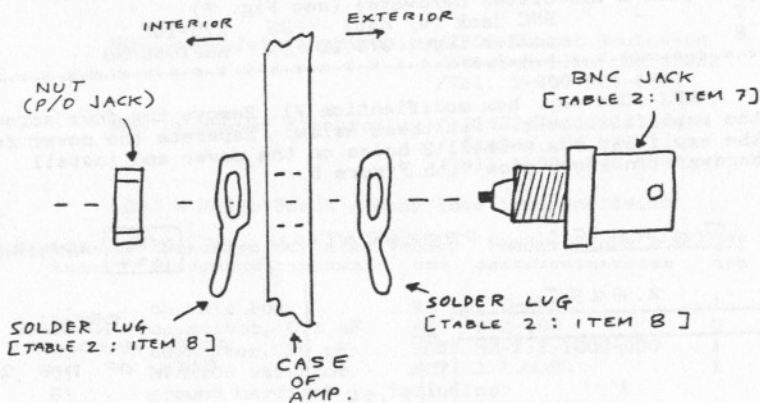
FIGURE 5: PREPARATION OF MFJ 1024 AMPLIFIER COVER



APPLY "LOCTITE" OR SIMILAR ADHESIVE ON INTERIOR PORTION OF HARDWARE AFTER TIGHTENING.

MFJ 1024 amp. box modification #2: Remove the coaxial cable from the MFJ amp. circuit board (make a note as to where the shield and the center conductor of the coax. had been soldered). Enlarge the hole through which the coax. cable had passed out of the box: the diameter should be 0.375 inch when done. Install a BNC jack (Table 2: Item 7) and 2 solder lugs (Table 2: Item 8), in accordance with Figure 6.

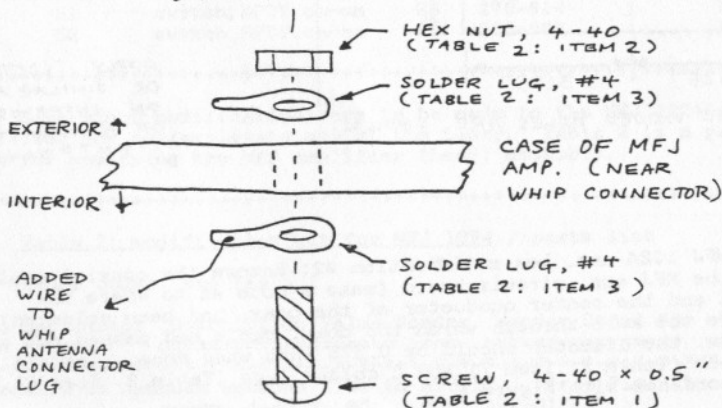
FIGURE 6 : ASSEMBLY OF RF JACK ONTO MFJ AMPLIFIER BOX AT FORMER CABLE HOLE



Use minimum length wires to connect the BNC jack's center pin to the circuit board location of the former coax. cable center conductor solder connection. Connect the added interior solder lug (that is on the BNC jack) to the circuit board location of the former coax. cable shield connection: again, use a wire of minimum possible length.

MFJ 1024 amp. box modification #3: Drill a 0.125 inch hole on the amp. box surface where the whip antenna connects. Install a screw, 2 solder lugs, and a nut (Table 2: Items 1,2,3) in accordance with Figure 7. Solder a minimum-length wire from the added interior lug to the wire which connects the whip mating hardware to the amplifier board.

FIGURE 7 : ASSEMBLY OF ANTENNA-WIRE CONNECTOR ON MFJ AMP. BOX

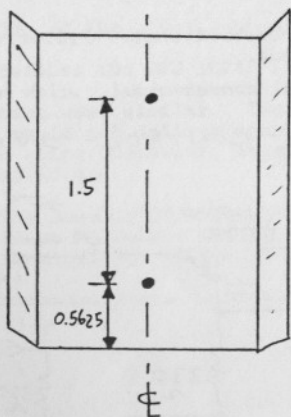


When done constructing the RTU-1 and modifying the MFJ 1024, re-attach the MFJ 1024's head unit cover (now equipped with hardware per Figure 5 above). Prepare the RTU-1 bottom cover (see Figure 8).

36  
20



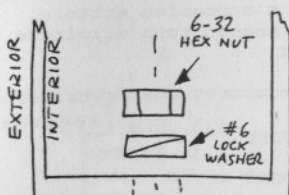
FIGURE 8 : PREPARATION OF RTU-1 BOTTOM COVER



DIAMETER OF BOTH HOLES = 0.144"

Attach the RTU-1 bottom cover to the two screws added to the MFJ head unit cover: see Figure 9.

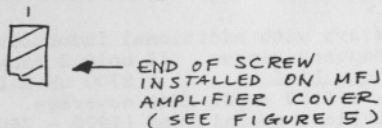
FIGURE 9 : CONNECTING RTU-1 BOTTOM COVER TO MFJ AMP. COVER



DETAIL APPLIES TO EACH OF 2 LOCATIONS

---

PARTS REFERENCE:  
 NUTS : TABLE 1, ITEM 6a  
 WASHERS : TABLE 1, ITEM 6b



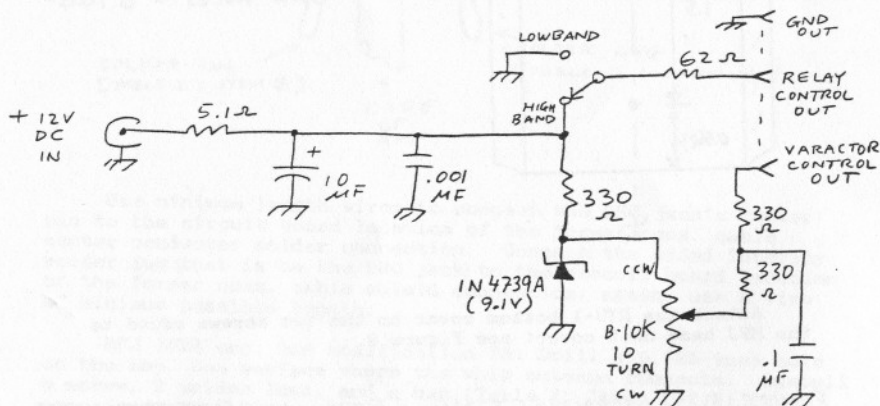
Re-assemble the RTU-1 chassis with the screws originally supplied with the box. Connect a minimum-length insulated wire from the solder lug on the MFJ amp. BNC jack to the lug on RTU-1 J3. Solder both ends. Connect a minimum-length insulated wire from the #4 lug near the antenna end of the MFJ box to RTU-1 P1. Assembly is now complete.

A length of coaxial cable may be run from the standard MFJ base unit to the modified head unit BNC jack. Use appropriate adapters, if necessary, for correct connector mating. Being able to separate the feedline from the amp. head allows for improved portability. You don't always need the 50-ft. cable that MFJ supplies permanently attached to the head unit. For mobile or motel-room use, a 10-ft / 3-m. cable makes more sense.

A separate pair of leads can be fed to RTU-1 J3. A stereo headphone plug should be used: tip = varactor bias (0 to +9 VDC, variable), & middle = relay control (0 VDC / +12 VDC switched). The connector shell can be used for a ground lead: this is only needed on long runs; a reasonable DC ground is provided by the coax. shield on shorter runs.

Figure 10 illustrates a simple control unit. Filtering is provided to reduce RF noise and AC hum.

FIGURE 10: A SIMPLE CONTROL UNIT



Other control units, including MWT-2 Option 5 and a two-whip controller / phaser will be presented in a companion article. MWT-2 Option 5 and the dual controller / phaser both eliminate the need for the MFJ 1024's base-unit box.

---

### Possible Variations on the RTU-1 Design

1. bandswitching for more than 2 ranges or for 2 non-MW ranges

Switching and/or relays with additional inductors can provide more tunable frequency ranges. If only 2 ranges (but not MW) are desired, change L1 & L2. L1 = 2700 uH & L2 = 1200 uH should provide longwave (130 - 520 kHz) coverage. L1 = 12 uH & L2 = 5.6 uH should provide tropical band (1900 - 7600 kHz) coverage. Of course, the whip can always be switched to broadband for full 0.1 to 30 MHz coverage (albeit with less sensitivity and more spurs).

2. completely remote operation

Relays (or conceivably diode or FET switches) could be used in place of all-mechanical switches. Tuned / broadband mode, normal / low Q, and frequency range could all be set from the "shack". Remotely switching the input from whip to longwire to ground (for a degree of lightning protection) could also be done. Fully-remote operation would be advisable for a whip antenna mounted on a tower. The RTU-1 box would have to be considerably larger. A different control-lines connector (DB-25 computer connector, military-style round Cannon or DIN connector, etc.)

would have to be used to accommodate the larger number of control lines. Computer-type ribbon cable would be the obvious choice for the shack-to-antenna control link. Such an elaborate set-up, while certainly feasible, is beyond the scope of this article.

=====

Use of the RTU-1 with other active whips

Besides the MFJ 1024, I have used the RTU-1 with a homebrew active whip. Improvements in gain and reductions in spurious responses were similar. There is no reason to suspect that the RTU-1 could not deliver comparable results with other commercial active whips (Dressler, et al) having high-input-impedance front-end amplifiers.

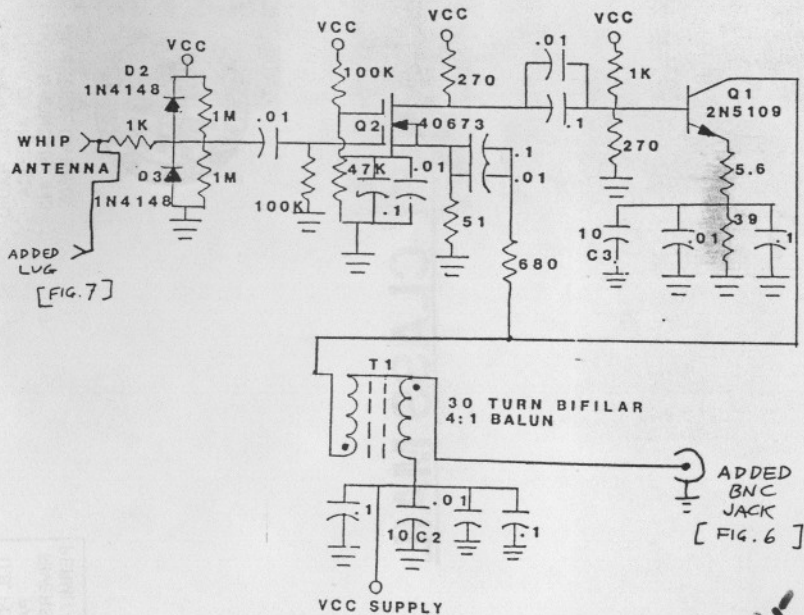
The results of other DXers' experiments along these lines are always welcome - whether as formal articles, Musings / Forum contributions, or personal correspondence.

=====

APPENDIX

FIGURE 11: MFJ AMP. BOX WITH MARK-UPS

**MFJ-1024 REMOTE ACTIVE ANTENNA**



35 3

## THE INTERNATIONAL RADIO CLUB OF AMERICA (IRCA)

The IRCA is a non-profit organization devoted to the hobby of hearing distant stations on the AM Broadcast Band (510 - 1630 khz). **DX Monitor**, the official publication of the IRCA, is published 34 times a year, weekly from October to March, twice in September and April, and monthly from May to August. **DX Monitor** contains members' loggings, articles on radio stations, receiver reviews, technical articles, DX tips, and other material of interest to Broadcast Band DX hobbyists. IRCA is a member of ANARC, the Association of North American Radio Clubs.

### CLUB ADDRESSES AND OFFICERS

President: Karl Zuk, 154 Old Post Road North, Croton, NY 10520-1932 (proposals).

Secretary-Treasurer: Bruce Portzer, 6546 19th NE, Seattle, WA 98115.

Board of Directors: Ernest R. Cooper, Richard Evans, Ric Heald, John C. Johnson, Patrick Martin, Bruce Portzer and Rich Toebe.

Editor-in-Chief/Publisher: Ralph Sanserino, 11300 Magnolia, #43, Riverside, CA 92505.

Publishing Coordinator: Phil Bytheway, 9705 Mary NW, Seattle, WA 98117.

### MEMBERSHIP DUES

U.S. - \$25.00 per year. Canada - \$27.00. Overseas Surface - \$28.50. Overseas Airmail - \$35.00 (Central America, Caribbean, Colombia and Venezuela), \$38.00 (Europe, North Africa, Middle East), \$41.00 (rest of the world). One time charge for New Member Packet - \$2.00 (first year only). Trial Membership - \$9.50 (10 issues of **DX Monitor** and a New Member Packet, U.S. / Canada / Mexico only). Installment rate: two payments of 1/2 dues plus \$1.00 (\$13.50/payment for U.S. members). Make checks and money orders payable to IRCA and send all dues (and address changes) to: IRCA, 11300 Magnolia, #43, Riverside, CA 92505. Persons living outside the U.S., please use International Money Order in U.S. funds. Sample copies of **DX Monitor** are \$1.00 (U.S. or Canadian) or two International Reply Coupons each and are available from: IRCA, 11300 Magnolia, #43, Riverside, CA 92505.

Unless otherwise noted, permission is granted to publish, broadcast, or otherwise reproduce non-copyrighted material appearing in **DX Monitor** provided credit is given to the IRCA and the original contributor. Opinions expressed in **DX Monitor** are those of the original contributors and do not necessarily reflect those of the IRCA, its publishing staff, editors or officers.

THE END OF THE LINE IS HERE FOR THE FIRST CLASS MAIL PERMIT NO. 5214 RIVERSIDE, CA 92505



**IRCA**  
INTERNATIONAL RADIO  
CLUB OF AMERICA  
11300 MAGNOLIA #43  
RIVERSIDE, CA 92505

**FIRST CLASS MAIL**

29-09  
J D STEPHENS  
122 BRAWLEY DRIVE  
OWENS CROSS ROADS  
AL 35763  
USA

FIRST CLASS  
U.S. POSTAGE  
PAID  
RIVERSIDE, CA  
PERMIT NO. 5214