

# DX MONITOR

THE OFFICIAL PUBLICATION OF THE  INTERNATIONAL RADIO CLUB OF AMERICA

DEVOTED EXCLUSIVELY TO BROADCAST BAND DX'ING

FEBRUARY 22, 1992 - VOLUME 29 - NUMBER 23 - EDITION 948 - ISSN 0899 - 9732

NEW MEMBERS, REJOIN, RENEWALS	BROADCASTING INFORMATION DX WORLDWIDE II	KANADIAN CORNER BFE-C LOOP AMPLIFIER
TVA AWARD	WESTERN DX ROUNDUP	MINI-MWDX-5 VERY SIMP-
ANNIVERSARY ISSUE	CENTRAL DX ROUNDUP	LE PHASING UNIT
REPRINTS & BOOKSTORE	WESTERN DX FORUM	VERIES
IRCA POSITIONS	EASTERN DX FORUM	MEMBERSHIP INFO

**NEW MEMBERS:** TOM BEATON, ALBERT KAISER. **REJOIN:** DAN DANKERT. **RENEWALS:** DAVID REITZ, BILL SPANN, RUSSELL LEEMAN, JOHN SAMPSON, TERRY RYAN, THOMAS NAPOLITANO....GREETINGS TO THE NEW MEMBERS AND THANK YOU RENEWERS.....73

**TVA AWARD:** MARCH 1st IS THE DEADLINE FOR NOMINATIONS FOR THE TVA AWARD. DO WRITE BILL HARDY AT 2301 PACIFIC AVE ABERDEEN WA 98520 TODAY.....

**ANNIVERSARY ISSUE:** SEND SOMETHING TO THE EDITORS TODAY. IT IS JUST AROUND THE CORNER MARCH 14th IS THE DATE. THANK YOU VERY MUCH.....

**REPRINTS & REPRINT LIST:** STEVE RATZLAFF 295 PETTIS MOUNTAIN VIEW CA 94041

**BOOKSTORE:** WRITE TO PHIL BYTHEWAY 9705 MARY AVE NW SEATTLE WA 98117....

**IRCA POSITIONS AVAILABLE:** POSITIONS WITHIN IRCA THAT ARE CURRENTLY VACANT INCLUDE: ACHIEVEMENT AWARDS CHAIRMAN, CONTEST CHAIRMAN, DX TECHNIQUES EDITOR, GRAVEYARD?HEARD?VERIFIED DX RECORDS EDITORS AND PUBLICITY CHAIRMAN. CONTACT PHIL BYTHEWAY 9705 MARY AVE NW SEATTLE WA 98117.....

**IRCA CONVENTION BID DEADLINE:** THE DEADLINE FOR BIDS IS MARCH 1st.....

**IRCA REP:** IRCA PRESIDENT PHIL BYTHEWAY IS LOOKING FOR SOMEONE TO REPRESENT THE IRCA AT THE ANNUAL DAYTON HAMVENTION ON APRIL 24-26, 1992. IF YOU ARE INTERESTED AND ARE PLANNING TO ATTEND WE WOULD LIKE YOU TO REPRESENT THE IRCA. CONTACT PHIL AT 9705 MARY AVE NW SEATTLE WA 98117.....

## IRCA DX TEST BULLETIN

**MONDAY, FEBRUARY 24, 1992 - WTMA-1250, CHARLESTON, SC WILL CONDUCT A SPECIAL DX TEST FROM 3:00 TO 3:30 AM EST. THE TEST WILL INCLUDE MORSE CODE ID'S. RECEPTION REPORTS MAY BE SENT TO: MR. BRUCE ROBERTS - CHIEF ENGINEER, WTMA-AM, P.O. BOX 30909, CHARLESTON, SC 29417.**

**MONDAY, FEBRUARY 24, 1992 -- WJLK-1310, ASBURY PARK, NJ WILL RUN A DX TEST BETWEEN 12:00 & 1:00 AM EST. THERE WILL BE OLDIES MUSIC AND SPECIAL TEST ANNOUNCEMENTS. RECEPTION REPORTS GO TO: MR. PHILIP E. GALASSO - STAFF ENGINEER (K2PG), WJLK-AM, P.O. BOX 880, ASBURY PARK, NJ 07712.**

**MONDAY, FEBRUARY 24, 1992 -- WVNE-760, WORCESTER, MA WILL RUN A DX TEST FROM 4:00 TO 5:00 AM EST. THE TEST WILL INCLUDE MORSE CODE ID'S & WILL BE CONDUCTED USING THEIR 10 KW DAYTIME FACILITY. THANKS TO MR. LINCOLN W. HUBBARD - CHIEF ENGINEER (NIATU) & MR. JOHN REYNOLDS FOR CONDUCTING THE TEST. REPORTS SHOULD BE SENT TO MR. HUBBARD'S BUSINESS ADDRESS OF: 52 PARK VIEW AVENUE, WARWICK, RI 02888.**

TESTS ARRANGED BY J.D. STEPHENS FOR IRCA

---

MONDAY, MARCH 2, 1992 - KXOL-1320, CLINTON, OK WILL CONDUCT A DX TEST FROM 1:30 AM TO 2:00 AM EST. THE TEST WILL INCLUDE TONES AND MORSE CODE ID'S. RECEPTION REPORTS MAY BE SENT TO: MR. DENNIS BURTON, KXOL-AM, 1730 NEPTUNE DRIVE, CLINTON, OK 73601.

---

MONDAY, MARCH 2, 1992 - WRX-1020, ANDERSON, SC WILL CONDUCT A DX TEST FROM 2:00 TO 3:00 AM EST. THE TEST WILL INCLUDE MORSE CODE ID'S AND SOUTHERN GOSPEL MUSIC. RECEPTION REPORTS GO TO: MR. JOHN WOODSON - PROGRAM DIRECTOR, WRX-AM, WATSON VILLAGE, ANDERSON, SC 29624.

---

MONDAY, MARCH 9, 1992 - KMTI-650, MANTI, UT WILL RUN A DX TEST FROM 2:30 TO 3:00 AM EST. THE TEST WILL INCLUDE TONES, MORSE CODE ID'S, AND MARCH MUSIC. POWER WILL BE 10 KW. RECEPTION REPORTS MAY BE SENT TO: MR. DOUGLAS BARTON - GENERAL MANAGER, KMTI-AM, P.O. BOX K, MANTI, UT 84642.

---

MONDAY, MARCH 9, 1992 - KTNS-1090, OAKHURST, CA WILL CONDUCT A DX TEST FROM 3:00 TO 4:00 AM EST. THE TEST WILL INCLUDE VOICE ID'S, MORSE CODE ID'S, & MARCH MUSIC. RECEPTION REPORTS GO TO: MR. LARRY GAMBLE - OWNER/GENERAL MANAGER, KTNS-AM, 40356 OAK PARK WAY, OAKHURST, CA 93644.

---

MONDAY, MARCH 16, 1992 - WKYB-1000, HEMINGWAY, SC WILL CONDUCT A SPECIAL DX TEST FROM 2:00 TO 3:00 AM EST. THE TEST WILL INCLUDE TONES AND MORSE CODE ID'S. THE POWER WILL BE 10 KW. WLUP-1000 IN CHICAGO, IL WILL BE OFF THE AIR AT THIS TIME. RECEPTION REPORTS MAY BE SENT TO: MR. MIKE HOLT - STATION MANAGER (W4DCD), WKYB-AM, P.O. BOX 1006, HEMINGWAY, SC 29554.

---

MONDAY, MARCH 16, 1992 - WCIL-1020, CARBONDALE, IL WILL CONDUCT A DX TEST FROM 3:00 TO 3:30 AM EST. THE TEST WILL INCLUDE VOICE ID'S, MORSE CODE ID'S, & MARCH MUSIC. RECEPTION REPORTS MAY BE SENT TO: MR. RICH BIRD - PROGRAM DIRECTOR, WCIL-AM, P.O. BOX 700, CARBONDALE, IL 62903-0700

---

WTRP-620, P.O. Box 1203, LaGrange, 30240 GA will conduct a DX TEST on Monday Morning February 24, 1992 from 0000 to 0030 EST. This test will consist of Southern Gospel music, Voice and morse code ID's. Our thanks to Mr. Michael Thompson for this test. Arranged by the Courtesy Program Committee of the National Radio Club.

KBBS-1450, Buffalo, WY will conduct a DX test from 0200 to 0400 AM EST on Sunday morning March 1, 1992. This test will contain music, voice and Morse Code ID's. Our thanks to Mr. Glenn Swiderski. Please direct your reports directly to Glenn at P.O. BOX 153, Buffalo, WY 82834. Arranged by the Courtesy Program Committee of the National Radio Club.

KALT-900, Drawer 1166, Atlanta, TX 75551 will conduct a DX test on Saturday Morning March 7 from 0600-0630 EST. Test will contain morse and voice ID's. Our thanks to Mr. David Womack Jr. GM for this test. Arranged by the Courtesy Program Committee of the National Radio Club.

KPCR-1530 P.O. Box 1, Bowling Green, MD 63334 will conduct a special DX TEST on March 8, 1992 from 0100-0600 EST. This test will consist of comedy bits and songs, voice and code ID's. Listener phone calls will be taken (NO COLLECT CALLS) at a number given on the air. Our thanks to Mr. J. Paul Salois P/GM/CE for this test. Arranged by the Courtesy Program Committee of the National Radio Club.

WZAO-1370, P.O. Box 134, Glen Dale WV 26038-1730 will conduct a DX test from 0530 to 0600 EST on Sunday Morning March 8, 1992. This test will consist of test tones voice and Morse Code ID's. Our thanks to Mr. Michael E. Dunn GM for this test. Arranged by the Courtesy Program Committee of the National Radio Club.

# BROADCASTING INFORMATION

EDITOR: ROBERT WIEN 1309 DENTWOOD DR SAN JOSE CA 95118

DEADLINES: 2nd & 4th Saturdays.

Compiled: 2/11/92

Much of this information was compiled from M Street Journal, DXM, and various other sources.

## NEW STATION APPLICATIONS:

(NONE)

## NEW STATION GRANTS:

(NONE)

## CONSTRUCTION PERMIT ACTIVITY:

(NONE)

## FACILITY AND PARAMETER APPLICATIONS

(NONE)

## FACILITY AND PARAMETER GRANTS

(NONE)

## CALL LETTER CHANGES

AK. Eagle River	KCFA-1020	requests	KFFR	
CA. Fresno	KFIG-1430	becomes	KWDO	
	KKAM-1340	becomes	KBOS	
MA. Fitchburg	WXLO-960	becomes	WFGL	
MI. Petoskey	WWPZ-1340	becomes	WMBN	
NV. North Las Vegas	KLUC-1140	becomes	KZAP	
NJ. Florence	WRLB-1460	becomes	WIFI (CP)	
NC. Charlotte	WSOC-930	requests	WYFQ	
OR. Medford	KMFR-880	becomes	KTMT	
RI. Providence	WHIM-1110	becomes	WWRX	
	WVON-1240	becomes	WOON	
TN. Colonial Heights	WFKB-870	requests	WCRJ	
	Dyersburg	WDSG-1450	requests	WTR0
TX. Terrell	KTER-1570	requests	KPYK	
WI. Kimberly	WYNE-1150	becomes	WHBY	
	Minocqua	WMYM-1570	becomes	WMOA

## FORMAT CHANGES

AZ. Glendale	KLFF-1360	was AS, to be	KNNS, CNN/Unis. nx	
AR. Dermott	KXSA-1110	was C&W//FM, now	silent	
CA. Carmel	KRML-1410	was jazz, now	jazz //KJAZ	
	Fresno	KFIG-1430	was AC//FM, now	KWDO, oldies
		KKAM-1340	was all nx, now	KBOS, CHR //FM
	Los Angeles	KMPC-710	was AS, to be	all-sports
	Ridgecrest	KZIQ-1360	was oldies, now	C&Wdays, AC//FM nights

San Jose	KEEN-1370	was C&W, planned to be soft AC//KBAY-FM but has changed their mind, remains C&W
Santa Monica	KBLA-1580	was business nx, now all-Korean
FL. Cocoa	WWKO-860	was urban, now urban AC
Miami	WQAM-560	was oldies, sports, now talk, sports
West Palm Beach	WPBG-1290	was oldies, now WBZT, nx/talk
GA. Savannah	WSGA-1400	was AS, now Unis, CNN headline nx
KY. Burnside	WKEQ-910	was country, now Unis, CNN headline nx
Covington	WCVG-1320	was bus. nx, now Unis. country
Louisville	WWKY-790	was talk, adds AC//FM 1-10 AM
	WXLN-1080	was contemp Xtian, now CHR //WDJX
LA. New Orleans	WQUE-1280	was urban //FM, to be nx/talk/sports
MA. Amherst	WTTT-1430	was AS, now Unis. CNN headline nx
MI. Owosso	WOAP-1080	was country, adds SMN Real C&W
Saginaw	WSAM-1400	was oldies, now Unis. AS
MS. Biloxi	WXLS-1490	was oldies, to be travel info
MO. Osage Beach	KRMS-1150	was country, adds Unis. Hot C&W
NH. Conway	WBNC-1050	was AC //FM, adds NES AC nights
NM. Clovis	KWKA-680	was oldies, adds JSA oldies
NC. Spring Lake	WCIE-1450	was contemp. Xtian, now silent
OH. Akron	WSLR-1350	was country, sports talk, drops // WERE sports
PA. Clearfield	WCPA-900	was oldies, now AC, NES AC nights
Pittsburgh	WEEP-1080	was business nx, now WDSY, C&W //FM
Scranton	WARM-590	was full service AC, drops AC weekdays
Wilkes-Barre	WBAX-1240	was AS, adds SMN stds.
SC. Dorchester	WVVO-910	was R&B oldies, now silent
TX. Canyon	KAKS-1550	was oldies, now Unis. CNN headline nx
Nacogdoches	KSFA-860	was urban, now SMN urban AC
VA. Narrows	WNRV-990	was country, adds JSA country
WA. Wenatchee	KKRT-900	was AS, now Unis. CNN headline nx
WY. Cheyenne	KFBC-1240	was full service AC/talk, now nx/talk
Orchard Valley	KUUY-650	was country, now silent
NF. Grand Bank	CKXJ-610	was country, now silent
Harbour Grace	CFIQ-970	was oldies, now silent (no plans currently to return these to the air)
ON. Ottawa	CFRA-580	was AC, now oldies
	CIWW-1310	was oldies, now hot AC "W-1310"

It's raining outside right now w/thunder & lightning, we badly need the rain, so I don't mind, but I hate the static, hi.  
Happy Valentine's day, may your true love continue to be DX'ing!  
73's.

## The Canadian Broadcasting Corporation

is pleased to verify your reception  
on December 16 19 69  
of its transmissions from  
Station CBXQ  
Frequency 540 kHz  
Power 40 watts  
This station is on the  
CBC Pacific Network  
Per S. Smith  
Date January 13, 1970



# DX WORLDWIDE II

Editor: Bruce Portzer - 6546 19th Avenue N.E. - Seattle, WA 98115

Greetings. We have another full column this time, thanks to a lot of information from Europe and Down Under. It looks like a lot has been going on in the UK, Germany, and New Zealand lately. Right now, I think our weakest area of coverage is the Far East, so if anybody has access to Asian MW info, send it along.

I was quite interested in Jean Burrell's recent logging of a Dutch pirate on 1615. Coincidentally, there was a recent article in Britain's Medium Wave News about Dutch pirate stations which, in recent years, have been prolifically operating between 1605 and 1640 kHz. They typically are on irregular schedules and play Dutch folk music with Dutch anmts (and sometimes a few words in EE). Some also feature rock/pop music and jingles. Some even exchange signal reports with one another, on the air, similar to ham operators! The stations are widely heard in Europe and the UK, so I wasn't too surprised to see one reported in Newfoundland. I don't know what power they typically run, but I suspect most, if not all, are under a couple hundred watts into makeshift antennas. The best time to hear them is European evenings & weekends (after all, these people have daytime jobs), although some stay on late into the night. The number of active or semi-active pirates is a bit dynamic and runs in the dozens, so a current list would probably not be meaningful. If any of you ECers are lucky enough to hear one, I'd recommend checking with European MW DXers to try to pin down an ID.

Now, on with the show.

## WESTERN HEMISPHERE

**BOLIVIA:** Emisoras Verde y Blanco. Santa Cruz de la Sierra, is new on 1030-0300 w/1kw. R Estevan Arze-1455 ex 1480. [Arctic]

**COLOMBIA:** HJMY-910 RCN San Andres ex-HJNY now 30kw. HJSB-870 is 50kw CARACOL. HJQZ-1350 15kw. HJZA-1510 now Ids as Radio HJZA. ex LV de Centenario, plans to return to former slogan of R Estrella. HJQD-1550 is in Calarca, not Armenia. [Arctic]

**DOMINICAN REPUBLIC:** R Enriquillo-1020 ex-1550. R Santiago-640 ex-1270, HIDL-1030 & HIJJ-1110 are silent. [NRC]

**ECUADOR:** HCOT1-965 R Catolica ex-R Zaracay. HCRS2-700 R Sucre (and all other Sucre network stns are back on the air after a government imposed silence. [Arctic])

**NICARAGUA:** Radio RICA Managua is on 1100/95.7/106.1 1300-0500 & 4920 at 1300-1500 & 0100-0500. Times may vary due to power failures or important happenings. [Arctic]

**PUERTO RICO:** WSOL-1090 is silent. [Arctic]

**SURINAM:** R Paramaribo-760 ex-1030 is 24 hr. R Apintie-820 0800-0400. RANI (R Nickerie) 910 ex-914 is on 0900-1700 2000-2300. [Arctic] R Paramaribo has moved from 1030 to 600 w/new 15 kw xr (ok so which is right 600 or 760? bp). SRS has reactivated 725 Khz. [HCJB DX Partyline]

**TURKS & CAICOS:** Atlantic Beacon now has 0500 s/off (ex-24h). [NRC]

## TRANS-PACIFIC

**AUSTRALIA:** 2RPH-1539 will move from 1539 to 1107 when 2UW moves to FM. 2PB-630 will move to 1224 when 2WS moves to FM [NZDXI]. The Australian PO has increased overseas postage rates, it now costs \$A1.05 to "zone 4" and \$A1.30 to "zone 5" for an airmail letter under 20 grams. (I'm not sure which zone their PO thinks N. America is in, but I believe it's zone 4. [DXA via bp] • 5AA Adelaide is now on 1395 [DXA])

**JAPAN:** The following stns will start AM stereo BCing in March: JOKR-954, JOQR-1134, JOLF-1242, JONR-1008, and JOOR-1179. [BDXC] • This is a bit late to do any good, but Japan did a trial relay of their domestic network 1/6-1/31 at 2100-0000 on 11815-17810. These BC's were to gauge audience reaction and were intended for Japanese who travel overseas. [DXA] (The article didn't say whether they relayed NHK1 or NHK2 network, in any case this would be a good source of SW // 's if they do it on a regular basis during Japan's nighttime hours. bp)

**KOREA, SOUTH:** HLSQ-792 was officially inaugurated 3/20/91. Address is 10-2, Yoido-Dong, Youngdungpo-Gu, Seoul 150-010. [Arctic]

**NEW ZEALAND:** The address for "AKL" on 1476 is P.O. Box 73020, Auckland International Airport. [NZDXL] • BBC World Service relay in Auckland will return soon on 1386. Wellington BBC relay will move from AM to FM. • Classic Gold Radio on 981 is currently operating in a former railway station in Ranfurly with 100 watts, but will boost to 1000 watts as soon as the antenna is relocated to a better site. [NZDXL] • 2XNR-774. R Rhema, New Plymouth opened 12/15, mailing address is Private Bag 76, New Plymouth, operates 24 hr. This is the first "3 letter" call in NZ. 2XG-1503 Wellington will move from 1503 to 972 in mid Feb. BBC relays will open in Christchurch on 1017 & Wellington tentatively on 1233 (also see above. bp). New stns include "Te Reo O Tauranga Moana"-1440 in Tauranga. "Te Toa Takitini Trust"-765 Hawkes Bay, and Goldfields-756 in Lawrence. [DXA] • "Te Reo Irirangi O Tamaki Makaurau" is back on the air in Auckland on 1539 w/Maori pgms. R Rhema Invercargill 1404 has reduced pwr to 2.5 kw. [NZDXL]

**PAPUA NEW GUINEA:** List of currently active PNG stns, via a DXA member in Mt. Hagen:

Madang	3365p	6040n
Daru	3305p	6080n
Goroka	900n	3395p
Kavieng	3905p	
Kerema	3245p	
Kieta	3325p	6020n*
Kimbe	3235p	
Kundiawa	3355p	
Lae	675n	3220p
Lorengau	3315p	
Madang	864n	3260p
Mendi	3275p	5965n
Mt Hagen	3375p	5965n

Popondetta	3345p	
Port Moresby	585n	3290p
	3925n	4890n
Rabaul	810n	3385p 5985n
Wabag	1494n	2410n
Wewak	675n	3335p 6140n
Yanimo	1593n	3205p

N=National ("Kara") service, originating from Port Moresby; P=Provincial ("Kundu") Service originating locally. \* presently inactive [DXA]

**RUSSIA:** Vladivostok-1251 noted w/R Moscow JJ pgm to 1300, then RR pgm "Govorit Murmansk. Radiostansia Atlantika..." ID, back to JJ 1400. [NZDXL]

**TAIWAN:** Taiwan's main opposition party, the Democratic Progressive Party, has offered to buy or lease the old "Goddess of Democracy", a dissident radio ship which sailed from France in March 1990 to broadcast dissident messages on MW towards mainland China. According to Tsu Tsun Yung(?), chairman of the political party, they want to save the ship from the scrapyard although they haven't said what they will do with it. The ship was bought for \$500,000 from its previous owners by a Taiwanese businessman planning to turn it into a museum. The Taiwanese government blocked this plan, evidently to avoid offense to Beijing authorities. [Media Network] • Kaohsiung BS on 1089 is 10kw, sked 2150-1600, addr: 90 Hsinchiang Rd., Kaos-ying 804. Educational BC System on 1494 is 10kw at Taipei & 5kw at Chunghua, sked 2000-1800(1600Sun), addr: 41 Nanhai Rd., Taipei. [NZDXL]

### TRANS-ATLANTIC

**BELGIUM:** Wolvertem-927 plans to decrease pwr from 300 to 150 kw to save energy. Wavre-540 is building a duplexer to get the 540 xr on the tower for 621 Khz. BRT-1512 now 25 kw day, 300 kw night. [Arctic]

**FRANCE:** The newest Radio France booklet lists following freqs for Radio France local stations. The booklet doesn't give any times for local pgms.

603	RF Lyon
711	RF Armorique, Rennes
945	RF Toulouse
1278	RF Alsace, Strausbourg
1404/1494	RF Corse Frequenza Mora, Bastia
1494	RF Pays Basque, Bayonne

[SW Echo]

**GERMANY:** MDR-783 since 1-1-92 has

news/info pgms at morning/evening. [SW Echo] • AFN Munich studio Kaulbachstrasse will be closed in spring 1992. Munich xr will be fed by AFN Nuremberg studio until all US Army facilities in the Munich area are closed. [Arctic] • The future frequencies for radio & TV in Thuringia have now been allocated. MDR will get 18 FM, 2 MW, & 10 TV freqs. • Duetschlandfunk (DLF) will be integrated into Deutsche Welle in early 1992. [BDXC] • Transmitters in former East Germany were reorganized 1/1 as follows: Mitteldeutscher Rundfunk (Sachsen, Sachsen-Anhalt and Thuringen): MDR Info: Leipzig 531, Burg 783, Wachenbrunn 882, Dresden 1044 and Reichenbach 1188. MDR eins/R Thuringen : Weida 1458. Ostdeutscher Rundfunk (Brandenburg)-/Antenne Brandenburg : Berlin 693. Norddeutscher Rundfunk (NDR 4): Rostock-558, Schwerin-576. Neubrandenburg-657 and Putbus-729. Deutschlandseiner Kultur: Oranienburg 177. DLF: Berlin 810 & 1359, Burg 1575. SFB : SFB1 567 and SFB2 1449. RIAS Berlin: RIAS1 990 & RIAS2 855. Only on FM: MDR Life, MDR Kultur, MDR eins/R Sachsen, MDR eins/R Sachsen-Anhalt, ODR/R Brandenburg, NDR1/R Mecklenburg-Vorpommern, NDR2, NDR3, MDR/Jugendradio DT64, ORB/Rock Radio Brandenburg and private stations in Berlin. [SW Echo]

INTERNATIONAL WATERS: Ross Revenge, the Caroline ship, lost anchor and ran aground on 11/20. Unlikely to return to sea again as R Caroline. [Arctic]

IRELAND: Century R-1143 closed down for good at 1800 on 11/19 due to lack of money. Capital R's large foreign stake did not get Government approval; instead there was no investment and Century went into liquidation. The license for the national commercial radio station is to be re-advertised following the collapse of Century R. • Active pirate/private stations in Ireland: R Dublin on 1188 and 6910 (400W), Dunladerie Local R (Dublin) on 1125, R Star Country (Monaghan) on 981, R North (Redcastle) on 846, North Atlantic R (Carndonagh) 954, KLAS R (Monaghan) on 828, R Fax on 3910, 6205 and 12255. [SW Echo]

LIBERIA: The Liberian BC System is receiving new SW/MW/FM xr's to replace those severely damaged during the Civil war. [Media Network]

MONACO: RMC has been heard on 981 Khz. [SW Echo]

NIGERIA: Abuja in Nigeria's central highlands, is the new capital, replacing Lagos. Domestic BCs formerly from Lagos now announce as Abuja, but external service still announces as being from Lagos. [BDXC]

NORWAY: The LW xr at Tromso in northern Norway, which had transmitted on 153 Khz, was closed 12/2. The cost of keeping the xr, built in 1950, and the even older antenna masts became too high. The xr was closed two years ago, but protests caused the Ministry of Transportation to re-open it after one day. However, there was little protest this time, so it appears this closing will be final. [Media Network]

POLAND: Reconstruction of the antenna for the 2000kw LW xr, which collapsed last fall, is facing considerable opposition on technological, ecological & health grounds. [BDXC]

RUSSIA: a "privatized" section of Radio Moscow is planning to put a MW transmitter on the air in the Moscow area for selected foreign BCers to use in English and Russian. The xr should come on the air about March, initially at 10kW, possibly increasing to 75kW by year's end, on 926 Khz, using a Radio Moscow World Service transmitter currently on 930 Khz (sic). The BBC is reported to already have an agreement to use the station. Radio Free Europe, Radio Liberty, the World Service of the Christian Science Monitor, & the VOA are also interested. Radio Moscow will also have programs on it. [Media Network]

SAN MARINO: There will be a state run station here in about 6 months. It will be a joint operation with RAI & is intended to cover the Italian regions of Emilia-Romagna & Marche. [MWC]

SPAIN: 1314 Radio 5 Tarrega has closed its studios, 1395 R 5 Tortosa has quit its local services. Now relays 24h R5 en Tarragona, 1341 Terrassa, 1485 Girona and 1521 Manresa all carry regional service "Parlar per parlar" at 0000-0200. R 5's latest schedule for local and regional services (from early Dec): Mon-Fri : regional 0730-0740, local 0741-0759, regional 1350-1359, regional 1850-1855, R5 local news 1855-1859, R1/R5 local news 0750--0755, 1005-1009, 1605-1609. Local spots: 0725-0728, 0757-0759, 0827--0829, 0857-0859, . . . 1657-1659. Sat & Sun only 0827-0829, 0857-0859.

... 1327-1329. [SW Echo] R Miramar-666 now on Cadena COPE after being w/Cadena Iberica for the last 3 years. [Arctic] • RP de Badajoz is now on 1269 (ex-1134). SER R Badajoz is on 1008 (ex-1260 ex-Extremadura). SER has a regional program for Catalunya on 828, 1026, 1341, 1485 and 1521 at 2300-0059. 1152 RNE5 Malaga now here (ex-1008). [SW Echo] • Onda Cero 621 is now 50kw. [Arctic]

**TURKEY:** The old 150kw xr on 702 has been replaced by a new 1200kw xr at Catalca, 40km W of Istanbul. [EBU]

**UKRAINE:** R Kiev is English 0215-0315 and German 0315-0415 on 936 and 4825. [SW Echo]

**UNITED KINGDOM:** The following stations will close their AM xrs: 1/31 603 BBC R Gloucestershire; 3/31 756 BBC R Shropshire, 819 BBC R Hereford & Worcester; 4/17 1548 BBC R Cleveland, 1107 BBC Northampton, 1521 BBC R Nottingham and 1485 BBC R Oxford. • The Radio Authority has invited tenders for the ILR franchise in mid-Wales (Montgomery) and they have allocated 756 kHz, presumably to be surrendered by BBC R Shropshire. The RA has also said that the Scottish highlands franchise (R Heartland) will be on FM only: an amazing choice considering the terrain! • G9CFD on 1512 kHz 1 W. SSC, Ludlow is not an amateur call sign: the G9 series are reserved in the UK for test transmissions and has been so since early 1950's. Other test stations on the air at the moment are Bessemer Broadcasting, Sheffield 1413 50 mW, and a station in Scotland near Aberdeen on 1404 with 50 mW. 1512 SSC is closed down. • 1458 BBC GLR is operated out of the 2200-2400 slot network South East program which is carried by 10 BBC local stations. The station will have a phone-in program (Mon-Fri) hosted by Mike Carson who presents an afternoon phone-in show on LBC. • Morecambe Bay with a potential audience of 180,000 is the latest station to be advertised by the Radio Authority. The winner will be allowed to choose whether to broadcast on AM or FM. • The Radio Authority says the freqs to be used by the recently advertised Independent National R station to broadcast on AM, and which could be on the air by April, 1992, are as follows. In addition to the R 4 freqs of 1215 and 1197 the following BBC local fqs will be used: 1107 Northampton, 1485 Oxford, 1485 Merseyside, 1521 Nottingham and 1548 Cleveland. These

stations will broadcast on FM only when the new station comes on air. • Airport Information R on 1584, the station that provides the service for Heathrow and Gatwick airports is not conforming with the programming it agreed with the Radio Authority. Recently it failed to provide flight and traffic information, and the Authority gave it until 1/31/92 to comply. The station has been continuously running a 4 minute tape on parking and facilities at the airports. [SW Echo & MWC]

**YUGOSLAVIA:** Beograd 1st pgm now on 1584, 24 hr. [MWC]

### 1992 Daylight Savings Time Schedule

DST is one hour ahead of standard time.

- 3/21-9/4 Guatemala
- 3/22-9/21 Iran
- 3/28-9/26 Greenland except Thule
- 3/29-8/29 Israel
- 3/29-9/26 Bulgaria, Cyprus (Larnaca), Mongolia
- 3/29-9/27 Albania, Andorra, Austria, Azores, Belgium, Canary Is, Cyprus (Ercan), Czechoslovakia, Denmark, Faroe Is, Finland, France, Germany, Gibraltar, Greece, Hungary, Italy, Liechtenstein, Luxembourg, Madeira, Malta, Melilla, Monaco, Netherlands, Norway, Poland, Portugal, Romania, San Marino, Spain, Sweden, Switzerland, Turkey, USSR, Yugoslavia
- 3/29-10/25 Great Britain, Ireland
- 4/1-9/28 Syria
- 4/1-10/1 Iraq
- 4/4-10/3 Libya
- 4/5-10/11 Turks & Caicos
- 4/5-10/25 Canada (except E. Quebec, W. Ontario, Saskatchewan & parts of NE BC & Alberta), Mexico (Baja Calif only), St Pierre & Miquelon, US (except AZ HI & east IN)
- 4/10-10/1 Jordan
- 4/12-9/13 China
- 5/1-9/30 Egypt
- 5/1-10/3 Lebanon

**SOURCES:** British DX Club (BDXC), New Zealand DX League (NZDXL), Medium Wave Circle (MWC), Arctic DX Club, New Zealand DX League (NZDXL), Shortwave Echo, European Broadcast Union (EBU), DX Australia (DXA), others as noted.





# WESTERN DX ROUNDUP

Nancy Hardy  
2301 Pacific Ave.  
Aberdeen, WA 98520

DEADLINE FOR WDXR TIPS IS MONDAY. PLEASE USE EASTERN TIME.  
ANNIVERSARY ISSUE DEADLINE: MONDAY, MARCH 2.

REPORTERS FOR THIS ISSUE:

- (LG) Larry Godwin-2390 Clydes Dale Lane-Missoula, MT 59801  
Hammarlund HQ-150, SM-2
- (NH) Nancy Hardy-2301 Pacific Ave.-Aberdeen, WA 98520  
FRG-7, Radio West loop
- (PM) Patrick Martin-P.O. Box 843-Seaside, OR 97138  
SP-600, 2200' north Beverage, ground system
- (RJO) Rod O'Connor-P.O. Box 3488-Kodiak, AK 99615  
GE Superadio, 4' loop
- (AWP) Art Peterson-851 31st Street-Richmond, CA 94804  
Bendix MN-26C, Radio West loop
- (bp) Bruce Portzer-6546 19th Ave. NE-Seattle, WA 98115  
Racal RA-17 with Radio West loop, 1984 Ford car radio for  
SRS/SSS DX catches
- (RW) Robert Wien-1309 Dentwood Dr.-San Jose, CA 95118  
GE Superadio, GE long-range portable, SM-2  
(RW-CA1) DX'ing from Truckee, CA

\*\*\*\*\*  
OF SPECIAL INTEREST

- 650 (KUUY) WY, Orchard Valley per newspaper article, KUUY has gone  
silent and bankrupt. (RW-CA)
- \*\*\*\*\*
- 530 TIS CA, Truckee 1/29 0254 excellent with ment. to give Caltrans  
highway workers a break. (RW-CA1)
- 610 CKYL AB, Peace River 2/1 1252 fair on top with spots, sports  
news, "on CKYL." (PM-OR)
- 630 CHED AB, Edmonton 2/1 1255 on top with rock music, "CHED" ID.  
(PM-OR)
- 730 KBOY OR, Medford 1/29 0234 poor over GY-like mess with "K-Boy"  
ID, KUCL still apparently silent. (RW-CA1)
- 810 KBHB SD, Sturgis 2/1 a powerhouse with KGO looped. Ended live-  
stock report 0955, then editorial, then ID as "Five-State  
Radio, KBHB" at 1000, followed at 1002 by "The Breakfast  
News." (LG-MT)
- 920 CKCQ BC, Quesnel 2/1 fair above mess with spots for Cariboo  
Mall, "Cariboo Radio," local auto spot, ID at 1245. (PM)
- 1020 CKVH AB, High Prairie 1/25 strong right through KCKN. Woman  
gave local weather 0806 followed by C&W. At 0811, promo  
for "CKVH Have a Heart Contest," then singing ID and more  
C&W. (LG-MT)
- 1090 KTNB CA, Oakhurst 2/3 0951 good in XEPRS null with ad for law  
officers in Oakhurst, "Kittens 1090" ID, into Michael  
Bolton song. Only second time heard. Buried by XEPRS.  
(RW-CA)
- 1130 ?KWDS? AZ, Prescott Valley 2/3 1033 tent. with oldies fading up  
over KSDO/KRDU, then gone just as quickly, in CKWX null.  
(RW-CA)
- 1180 KERI CA, Wasco 2/3 0230 strong with Spanish relig. program.  
Announced "Serving San Francisco to Baja" and 50kw day, 1kw  
night (vs 10kw in NRC Log). English ID on half-hour as  
"Green Acres-Wasco-Bakersfield." (AWP-CA)
- 1230 KTDO OR, Toledo 2/5 2100 ID "This is U.S. 101 KZUS-FM, KTDO-AM  
Toledo, and translator K288DI Lincoln City at 105.5," into  
country song. Excellent with no sign of KVAS. (NH-WA)
- 1280 KDYL UT, Salt Lake City 1/29 0238 good over mess with nostalgia  
music, ID. (RW-CA1)
- 1340 KORV CA, Oroville 1/31 2100 faded up with 60's rock tune, legal  
ID, network news then lost in shuffle. (bp-WA)

- KANR ID, Nampa 1/31 2025-2100 very dominant with Idaho news, CNN news, local ads, many "All News Radio KANR" IDs. (bp-WA)
- KXEQ NV, Reno 1/19 0600 "La Super Q" good with ID and Spanish music. (AWP-CA)
- 1400 (KHTX) CA, Truckee 1/26-1/29 not noted on air entire 4 days in Truckee, so definitely still silent. (RW-CA1)
- KEYX CA, Visalia 1/29 0228 barely on top over KBLX with "Key Radio" ID. (RW-CA1)
- 1450 KOZZ NV, Reno 1/19 0615 good with KEST-1450 nulled. ID, then into speech at Commonwealth Club in San Francisco (pre-recorded). (AWP-CA)
- 1490 KTOB CA, Petaluma 1/28 0223 good on top with "1490, KTOB" ID. (RW-CA1)
- 1550 KXEX CA, Fresno 1/29 0242 good over KKHI with "KXEX 1550" ID in Spanish. No trace of KXTO-NV at night in Truckee, so looks like KXTO is strictly a daytimer. (RW-CA1)
- 1580 KBLA CA, Santa Monica 2/3 0329 noted with new Korean format, ex-business news. Thanks Gary Larson for this tip. (RW-CA)
- 4470 ?KSYC? CA, Yreka 2/4 0925-1000 believed the one here with satellite C&W after tip from local SWL who heard them a few days earlier. Very erratic signal, going from good to nil and back every 10-12 seconds. Third harmonic of 1490. (bp)

#### DX TESTS

- 720 ?WMXY? GA, La Grange 2/3 0155 faint slow code, sounded like "WM??" only heard a couple of times way under KDWN which was looped to bearable level. (AWP-CA)
- (WMXY)+2/3 0130-0200 DX test tried, not heard under KDWN. (RW-CA)
- 880 KHAC NM, Tse Bonito 2/3 0300-0330 good at times for DX test fighting KKMC-880. Started at top of hour with good voice ID, code "KHAC KHAC KHAC Tse Bonito" and march music. Announced 10kw. At 0322 tones at various pitches ranging from 100 Hz to 1000+ Hz. (AWP-CA)
- +2/3 0320-0340 good over KKMC/KMFR on DX test with code IDs, march music, periods of tone, OC. Unneeded, but a good test anyway. (RW-CA)
- (KHAC)+2/3 0300 sorry to say, but not a "peep" from DX test. At 0300 absolutely nothing on 880, not even semi-regular KRNV. Tried again 0315 and heard ad for Alberta Yamaha Piano Dealers, with deep fades (probably CHQT on SE loop). Some KBBI-890 splatter. (RJO-AK)
- +2/3 0300-0320 not heard. With local KIXI in precarious null, all I could get was weak Larry King station. (bp-WA)
- 1180 (WLDS) IL, Jacksonville tried but no luck on the 2/3 DX test. KERI-1180 was too much. (AWP-CA)

#### LOCAL CHANGES

- 1230 KWYZ WA, Everett 1/31 2015 first noted partial format change-- now runs old radio programs during AM & PM drive time! Rest of time still C&W with new slogan as "Snohomish County's new AM 12-30." It's rather strange to have airborne traffic reports in the middle of the Jack Benny Show, hi. (bp-WA)
- 1370 KEEN CA, San Jose per newspaper article, due to overwhelming listener response, KEEN will remain C&W and will not change format to all-sports or Asian as had been planned on 2/1. Station may have gone dark in April, also. (RW-CA)

#### UNID

- 1340 UNID Spanish talk 1/31 0030, and Spanish music 1/31 2045. Nothing listed. (bp-WA) (KXEQ-NV? See AWP's logging.--NH)

This is the last call for WDXR anniversary issue tips! DX now, because tips need to arrive here on Monday March 2nd to be included in this special column. If you already have some tips to send in, mail them now so they will make the deadline. We hope to hear from YOU!

# Central DX Roundup

**★PRODIGY**  
MPNN49A

EDITOR : John C. Johnson

979 Neptune Boulevard Billings, Montana 59105-2129

FAX: 406-252-9938

## FOR THE RECORD

Report all times as Eastern. Computer & Fax accepted. Deadlines: 2/29, 3/7, 3/14.

ANNIVERSARY ISSUE DEADLINE IS FEBRUARY 29TH!!!

## RIDING GAIN

- [SA-MB] = Shawn Axelrod, 30 Becontree Bay, Winnipeg, Manitoba R2N 2X9  
Icom IC-R70, Box loop, 100' wire.
- [TMJ-IL] = Tom Jasinski, 419 North Raven, Shorewood, Illinois 60435-9640  
FRG-7, 2½ foot loop.
- [WMc-MB] = Wayne McRae, 103 Donegal Bay, Winnipeg, Manitoba R2K 2B5  
Icom IC-R70, loop.
- [RS-MO] = Randy Stewart, 4225 West La Casa, Springfield, Missouri 65802-5615  
TRF, 4' spiral loop.
- [JcJ-MT] = Your editor using an Icom IC-R71A with a "Radio West Loop."

## DOWN THE DIAL

- 720 **WWII** PA, Shiremantown. TENTATIVE. 1/27 fair to poor in WGN null. 0645 with weather for Harrisburg, spot for Chevy-Geo dealer in Middletown. Frequent "Love 720 AM" mentions. Contemporary Christian music. Faded well u/WGN at 0700, no full ID heard...but who else could it be? [RS-MO]
- 730 **KLOE** KS, Goodland. 1/27 good. 1805 with CBS News. "Full Service Radio KLOE" into Kansas News. [WMc-MB]
- 770 **KUOM** MN, Minneapolis, 1/28 good to fair. 0930 with AP News, TC, "You're listening to University Public Radio KUOM" into weather, regional news and sports. Several "University AM" IDs. Long time wanted, had WCAL. MN#110. [SA-MB]
- {JcJ-It should be noted WCAL was recently deleted and KUOM given 770 full time. John.}
- WEW** MO, St. Louis. 1/18 good. 0730 with "We're the only station in St. Louis playing the greatest music of all time. 77 WEW first in St. Louis." [WMc-MB]
- 820 **WSCR** IL, Litchfield. 2/2 poor in partial CKJS null. 0926 with sports program. Promo for a call-in program including local phone numbers. New. IL#61. [SA-MB]
- 830 **CFJR** ON, Brockville. 1/30 poor u/WCCO. 0705 with oldies, local spots. New for me, ON#86. [SA-MB]
- 880 **KMFR** OR, Phoenix. 2/3 weak in KRVN null. 0245 with rock, IDing as "Power 93 KTMT." Gave list of translators for KTMT. No KMFR call heard. Not needed. [JcJ-MT]
- 1000 **WLUP** IL, Chicago. 2/3. Noted early AM, no SP this morning. [TMJ-IL]
- 1080 **WFIV** FL, Kissimmee. 2/1 poor u/WXLN and an unID Latian. 0700 with call letters with what sounded like end of sign on. Mentioned microwave link on 948.5 MHz. [TMJ-IL]
- 1090 **WMYD** WI, Rice Lake. 2/1 very good. 1700 with "AM 10-90 is WAQE Rice Lake." CNN News. Lots of WAQE IDs, and one WMYD ID. Old rock format. [WMc-MB]
- 1150 **WAPP** WI, Chippewa Falls. 2/1 good. 0930 with "News-talk Radio AM 11-50 WAPP." Promos for "Money Talk" and "The Handyman Program." [WMc-MB]
- 1180 **KKAR** NE, Bellevue. 2/3 weak in noise. Alone on frequency. KOFI off. 0205 out of CBS news with promos for Valentine Give-a-way and Point Of Law. IDing as "KKAR The News Station." 0206 The Best Of King. Needed for a follow-up report. [JcJ-MT]
- 1340 **WBIW** IL, Bedford. 2/3 good, brief. 0250 with "WBIW 13-40." [WMc-MB]
- 1360 **KMRN** MO, Cameron. 2/1 poor. 1905 with C&W. "Cameron Radio Country." Promo for KMRN 69 cent = dollar certificates. [WMc-MB]
- WKYO** MI, Caro. 2/2 good. 2210 with "WKYO Caro Radio" out of Michigan news. Call-in show followed. Station #1100 logged (counting call changes). [WMc-MB]

CDXR Continues.....

- 1380 **KASP** MO, St. Louis. 1/20 good. 1755 with sports call-in show. "KASP" ID at 1755. No news at 1800. Suppose "ASP" stands for "All Sports Programming" ? [WMC-MB]  
**WMPS** TN, Millington. 1/19 poor. 1820 briefly in mess with two clear "WMPS" IDs. Not much else heard. [WMC-MB]
- 1420 **WVJS** KY, Owensboro. 2/1 good. 1825 with "Oldies 14-20 WVJS." [WMC-MB]
- 1540 **WSMI** IL, Litchfield. 2/2 good. KXEL faded out for 5 or 6 minutes. 0850 with local school and health board announcements for Litchfield and area. New, IL#62. [SA-MB]
- 1550(**WCSJ**)IL, Morris. 2/3 noted off the air 0200-0400. Nothing new heard while off. [TMJ-IL]
- 1580 **WBBA** IL, Pittsfield. 1/27 poor in mess w/WKKD. 0125 with three "WBBA" IDs. C&W music format. [WMC-MB]

### TESTS TESTS TESTS

- 700 **WCAT** MA, Orange. 1/19 poor u/partially nulled WLW. 0530-0600 with weak TT (or het!) and code. [TMJ-IL]
- 720(**WMXY**) GA, La Grange. 2/3. Listened during 0130-0200 period for IRCA DX Test, but nothing heard in partial WGN null. Did hear a very weak talk program. [TMJ-IL]  
**WWII** PA, Shiremantown. 1/26 poor in partial WGN null. 0407 with code ID heard clearly. Bits of BBD music. [SA-MB]
- 880 **KHAC** NM, Tse Bonito. 2/3 good to weak in tight KRVN null. KMFR and CHQT weak under KHAC when KHAC would fade. 0300-0401 with IRCA DX Test. Test consisted of march music, tones, numerous promotional IDs, some mentioned on for DX test for IRCA. Code IDs quite often (Legal ID). New, NM#32. [JcJ-MT]  
+Listened 0300-0400, but nothing heard. Too much WLS splatter. [TMJ-IL]  
+0301 poor u/KRVN, CKLQ. 0301 with code and call IDs. New, NM#15. [SA-MB]
- 1040 **WSKE** PA, Everett. 1/27 poor to very good o/WHO. Also unID FF Canadian. 0200-0300 with brief steady tone, code ID, voice ID, fiddle music. [TMJ-IL]  
+0204 very poor through WHO and CKSB splatter. 0204 with code IDs. New for me, PA#13. [SA-MB]
- 1180 **WLDS** IL, Jacksonville. 2/3 fair to poor u/WHAM, WJNT, and unID Latian (R. Tiano?). 0200-0230 with code IDs during IRCA DX Test. [TMJ-IL]  
+0205 fair with code ID, talk of National Radio Club. [WMC-MB]  
+DX Test not heard here, frequency very noisy. Only heard KKAR. WLDS not needed, but they should have made it to here. [JcJ-MT]
- 1250 **WMTR** NJ, Cedar Knolls. 1/27 very weak u/WEMP and others. 0130-0200 with code IDs. Nice "N-J" at end of code. Good solid ID at 0152. [TMJ-IL]
- 1270 **WJJC** GA, Commerce. 1/20 o/unID with King (WXYT?) and C&W (WKBF?). 0329-0401 with TT at 0329, 0401. Nothing inbetween? Was special DX Test on? [TMJ-IL]
- 1350 (**KDIO**) MN, Ortonville. 1/27. Spot checked frequency between 0100-0230 but no sign of KDIO. Too much local WJOL 1340 splatter. [TMJ-IL]
- 1510 **WJIC** NJ, Salem. 1/20 good to excellent at times in WLAC null. 0000-0030 with step and sweep TT. No code or audio ID heard. Suspect this was WJIC. [TMJ-IL]  
+1/20 fair to poor through WLAC. 0001-0030 with wide variety of tones, sweeps, and warbles. Taped report sent, station verified! State #38 logged, #34 verified. Oh, NJ#1! [RS-MO]
- 1570 **WQTW** PA, Latrobe. 1/18 weak u/WBEE and others. 0000-0028 with code, TT (steady and variable). Code was never clear enough for a good ID, suspect this was WQTW. [TMJ-IL]

### unIDs

- 1340 unID 1/28 fair, surfaced briefly. 0147 with Black gospel music. No other details. [RS-MO]
- 1350 unID 1/28 fair, looping NW/SE. 0139 with TT on and off. No ID. [RS-MO]

### unID HELP

Shawn Axelrod offers some help to [TML-IN]. His 840 unID in the 2/1 CDXR with CBC and Music Radio Network programming is CHVR as [TML-IN] has suspected. Shawn mentioned CHVR is the only Music Radio Network station on 840. Thanks Shawn!

## 25 YEARS AGO

February 25, 1967 issue of DX Monitor...Bill Hardy Jr. of Pullman, WA recommended reading FCC rules and regs included with Broadcasting Yearbook....Jerry Starr of WHOT Youngstown, OH said he had heard 50 states with 49 verified....The President's Report mentioned for the first time in IRCA history the dues were being increased...3rd class rate from \$4.00 to \$4.40...1st class rate from \$6.00 to \$6.60 a year.

### OPEN MIKE

Only an average person is always at his best. Thanks to everyone who submitted their loggings this week. Please keep in mind the Anniversary issue is coming up quickly...deadline for CDXR for the Anniversary issue is Saturday, February 29th. 73, John.



## Western DX Forum

★★★★

REID WHEELER 5910 BOULEVARD LOOP SE OLYMPIA WA 98501

Deadline: Each Saturday

[15]

### Gary Jackson, 7735 Center Parkway, Sacramento, CA 95823

(2/3) Just toured KFBK 1530 kHz Sacramento, at it is their 70th anniversary! 1922-1992! Mentioned IRCA and picked up QSL cards! They have 70th anniversary KFBK "T" shirts for sale at \$15 each with "70 Years of Service" across front with antenna in front showing 50,000 watts, call letters, etc. If anyone is interested they can write to KFBK Radio, 1440 Ethan Way, Sacramento, CA 95825! They also have a catalogue of items that are available to the public! Great tour and saw old crystal sets, etc. Mention IRCA if anyone writes!

### Duncan J. Shaw, 3560 S Hoover St #224, Los Angeles, CA 90007-3614

(213) 745-1587

(2/3) Greetings everyone! Recent veries are KOA, KIIS, and KMPC. KMPC also sent an interesting three page history of the station. Went to San Luis Obispo, CA last weekend, but no DX done. Just got a Saturday morning DJ shift at the campus radio station, KSRC. The station is only on cable right now, but in February will be broadcasting on "leaky FM" on 104.7, using water pipes to carry the signal. KGIL-1260 has dropped Ted Byrne to carry The Dolans, formerly on Talknet, now distributed via WOR. Thanks J.D. for sending the sample letter sent out to stations for the DX tests. Lots of changes here in LA radio - KBLA ended operating as a BRN station, now carrying Radio Korea. KAZN will continue airing Radio Korea until the end of the month. Also, KMPC will go all sports in March. All DJ's will be laid off. KSDO has dropped Michael Reagan's afternoon talk show to carry Rush Limbaugh, formerly on XETRA, where he will be replaced by a sportstalk show. Just purchased a Sangean DT-200V, which picks up TV 2-13. If I tune it in to channel 3 (there is no local ch. 3 in LA) it picks up the audio of whatever channel is selected on my cable box! Those of you who have access to USENET or BITNET e-mail can reach me at dshaw@girtab.usc.edu. I have enjoyed talking to Steve Hawkins via computer. All for now, 73's de DSJ.

### Larry Godwin, 2390 Clydes Dale Lane, Missoula, MT 59801

(406) 721-5131

(2/2) Greetings! I'm highly impressed with two recent loggings reported in the DXM: George Hakiel's inspiring reception of LRAI-870-Buenos Aires, and the Manitoba boys' CHTN-720-Charlottetown, PEI. Just goes to show that some fine DXing is possible in a mediocre season. I just got a Select-a-Tenna from C. Crane Company (\$48.55; 800-522-8863), as did Duncan Shaw. I'm trying to figure out a way to boost signal strength on the HQ-150 in combination with my ferrite loops, so far without success. Can anyone pass along a hint? The Crane antenna boosts AM signals enormously on my Radio Shack portable. Last night a friend demonstrated her IBM-program PC Globe (\$40) and I noted it calculates distances and bearings (in miles) more efficiently than Bearings does (in km). The user doesn't have to input the receiving location's latitude and longitude for each calculation, which is necessary for Bearings. I've set personal goals to hear Australia, New Zealand, Brazil, Chile and Argentina before next September. And to attend the IRCA convention! Hope to see a lot of you there! Good DX. 73

**Gary Larson, 2806 Lincoln, Pasadena, CA 91504**

(818)-842-3999/846-5540

Hello from Pasadena on Feb. 2 where a while ago I spoke to a sound tech. at Pasadena Pres. Church after their service was out. We spoke on KPPC 1240 and antenna. Since I was in area planning to buy a paper at a nearby store, I decided to investigate the antenna per Jim Hilliker's description of where it was. He's right - its anchored between Pasadena Med. Bldg and a small support tower (triangular) on top of part of church offices. I asked address of church - its as I always knew it as 585 E. Colorado. Entered off a parking lot for med bldg and saw horizontal support wire which doesn't radiate. The radiator is the partially vertical wire in middle that goes to a tie point on roofs edge, then a coax goes a few feet to edge of roof then down to a small locked room where I firmly believe xmtr is in. The sound person and I went to it but he didn't have a key to open up. I told him of IRCA plus me in club, being why I was asking about KPPC antenna. Power is still 250 w and there really is a ground system even if old. I was told antenna tech who worked on the change to current one is Fred Volken, who is also a church member. Fred Fomer CE never called back. I didn't try to call until now when I asked about installation. Signal is good all over area. Plans call for improving radiator angle - its at a slant now. Believe they'll get better supports later on. At mid. on Feb 1, KBLA 1580 dropped bus. news and signed on with Radio Korea paralleling KAZN 1300 and KWIZ 96.7. KAZN CE says they'll air R. Korea a month more. Can't recall his name but will mention in a future forum. 73 from S. Cal.

**EASTERN  
DX FORUM**

**RICHARD C. EVANS  
PO BOX 21883  
MILWAUKEE WI 53221**

Deadlines: Saturdays      Anniversary Issue: 2/29

Leonard Hvide, 1805 Whipple Drive, #26, Blacksburg, Virginia 24060

As I write this (2/1), I am looking back at my most successful DX season in recent memory. 173 new stations IDed and logged, 3 new states, 6 new countries, including my first ever South American stations. I wouldn't have done one-quarter of this without IRCA. We still have 4 or 5 weeks left before spring, and our East Coast nemesis, lightning, reenters the picture. By then, I hope to have my 1/4 mile NE Beverage installed, and some real shots at those 4 elusive states - Maine, Vermont, New Hampshire, and Rhode Island. As yet, not one TA signal heard, not even a het, despite many tries. Those of you who live near the coast should count your blessings! I enjoyed reading the exotic DX logged from Newfoundland, and subsequent reports by such as Burnell, et al, though such DX is not "Real World" stuff for me. It occurred that DX is a matter of timing and location. I picture a guy in Alaska, who would do anything to silence his 660 "pest", KPAR to hear MY 660 pest, WFAN. And vice versa. I've had letters from several West Coast members complaining of the bad cx this year - here, on the East Side, it has been a good year, and EDXR shows it. Let's work to keep it that way. Even in the summer, we should be able to give Mr. B something to do on a regular basis. Hope that things pick up for you out West. By the time you read this, I will be spending some of my evenings trying for good catches in another of my hobbies - one that requires a hook and a line. HI! 73 to all, and to all, good spring nights, DXing or otherwise.

Rick Evans, 4841 South 26th Street, Milwaukee, Wisconsin 53221

As you read this, it's almost deadline here for the Anniversary Issue. As I type this, I don't know my work schedule at Block to know what my hours will be for the weekend of 2/29-3/1, so it's a fairly safe bet to guess that I won't be able to do much with any reports that show up on 3/2. Any that miss the big issue deadline will wind up in the next one. If experience means anything, some reports will be showing up for a month afterwards, hi. I happened to run across

IRCA member (or ex-IRCA member, if that be the case) a couple of weeks ago. I had never met him before but happened to be in a spot to see his name and address and recognized it. One thing he mentioned is that the Chicago station on 820 is definitely back on the air, but running daytime only. I haven't had a chance to check it out yet. I just had the aluminum siding on the house replaced by vinyl siding so I'm eager to see how it affects the radio here. I do know that I was able to listen to "JJD-1160 last weekend at night which I hadn't had much luck at before. Gotta run. 73.



## KANADIAN KORNER

*News from the Frozen North*

JOHN OLDFIELD

7135 129A Street

Surrey, BC V3W 6T4

TWINS: Pelmorex Brg. Inc. apparently revamped their Ontario network of twins. At night CHNO-550 Sudbury is the new mother for: CJNR-730, CKNR-1340, CKNS-930, CKAP-580, CHUR-840, CKCY-920, CJWA-1240, CHVR-1350, CHVR-1-1400, & CHVR-2-1490. The French network is now from CHYC(ex CFBR) 900 Sudbury: CHLK(exex CFLK)-1230, CHOC(ex CFLH)-1340, & CFCL-620. CHVR-1 Renfrew drops local studio time from 126 hr. / wk. to 21 hr. 15min. Same for CHVR-2 Arnprior. CFCP-1440 Courtenay, BC twin CJGR-100.1 Gold River is call ex CFWB-1. CILW- 830 Wainwright, AB now twins CPOK-1370 ex twinning CHLW-1310. At night all these Marco stations are on the Central Alberta Network: CILW, CPOK, CHLW, CHLW-1, CKBA, CKWA, CKVH, & newly acquired CJOI-1440. CJRN-710 ON no longer twins CKEY(ex CJFT) 101.1 ex 530 Ft. Erie. CKCQ-CKWL-CKBX will take more from mother CJCI-620 Prince George, BC thus reducing local studio times. CHGB-1310 PQ now twins CIBH-FM Rivière-du-Loop. Also twinning CIBH: CIHO 96.3 Baie-St.-Paul 2kw., & CIHO-1 99.3 100w. La-Malbaie, PQ CJEM-570 NB adds an FM twin repeater CJEM-1 Saint-Leonard, NB Newcap Brg. changed source from CKXD-1010 Gander & CJYQ-930 St. John's to both CKXD & CKIX-FM St. John's while CKXX-1340 Corner Brook now twins 50% from CKXG-680 Grand Falls, NF.

FM REPEATERS: CKRW-610 YT gets FMers at Faro and Watson Lake, YT CFAI FM Edmundston, NB adds: FM-1 Grand-Sault(Falls)-St.-André 3kw. & FM-2 Kedgwick-St.-Quentin, NB 3kw.

TIS-CBC: CFYZ-1280 Toronto airport ex 530 now 25w.days & 100w. nights. New TIS in BC at Port Hardy, Revelstoke, & Sicamous...no freq. listed. CBC lprts to FM: CBDL-940 YT, CBRO-860 BC, CBRJ-860 BC(r-CBTK FM Kelowna)

STUFF: In 1990 56% of all AM & FM in Canada showed no profit(49% BC). CRTC wants to revoke CHQM-1320 BC. CHUM says they run it at a loss as \$3 million sale fell through. CHUM also owns CFUN & CHQM-FM Vancouver. Former CIMA owners may buy it. CKST-800 Langley, BC bought CIMA-1040 and moved to their studios. So it's "Coast 10-40" & no Larry King. CRTC wants to give away all old CKO freqs. All FM except for 650 Montreal. Moffat Brg. wants to sell all its AM-FM & keep TV. That's CFOX, CKLG, CISS, CHAB, CKY etc.

SATELLITES-NETWORKS-SPORTS: Pat Burns Hotline OFF satellite... "Overnight-Rock Radio Network" renewed for another year...mostly on FM from Q107(CILQ) Toronto-Burlington and also heard on CFMI 101.1 Telemedia(French) will air an AM Sat. net. of "La Machine de Montreal" for 1992 football season. Telemedia(English) via their CJCL Toronto renewed "Rockline" & "Coast To Coast" & has a new "Prime Time Sports" live M-Fri. 610-7pm EST.

## BFE-C Loop Amplifier Card

Original design: Dallas Lankford - 15 NOV 1991  
Article & modified version: Mark Connelly - 04 FEB 1992

The BFE-C (Balanced Front-End Card, model C) is a "WALION DX Labs" implementation of Dallas Lankford's Balanced Cascode Loop Amplifier. His design is under further testing and refinement: he expects to publish a comprehensive article on it in the not-too-distant future. Dallas's design differs slightly from BFE-C in minor ways that will be mentioned subsequently. In terms of electrical characteristics, both can be treated as the same entity. The design is an improvement on the Kolb-Sanserino amplifier long used in Radio West's loops as well as (in modified form) in the RTL-1 Remotely-Tuned Loop (BFE-A, BFE-B cards). Dallas maintains that the balanced configuration of the output transistors (Q3 and Q4) of the new design improves noise figure; using FET's in the output stage, rather than a bipolar transistor gives enhanced strong-signal performance (i. e. reduced spurious responses).

This article will not go into an in-depth design review: that will be left for Dallas's forthcoming article. Rather, the essential construction details will be supplied, so DXers can do testing of their own.

Figure 1 is the BFE-C schematic, Figure 2 is its assembly (component layout) drawing, and Table 1 is the parts list. For best results, Q1 should be matched to Q2; also, Q3 should be matched to Q4. Figure 3 shows the test circuit for measuring the voltage used to ascertain a matched condition. Two transistors producing voltage readings within 3% or better can be considered to be matched. For the purpose of getting two matched pairs of MPF102's, you should have a dozen or so transistors available.

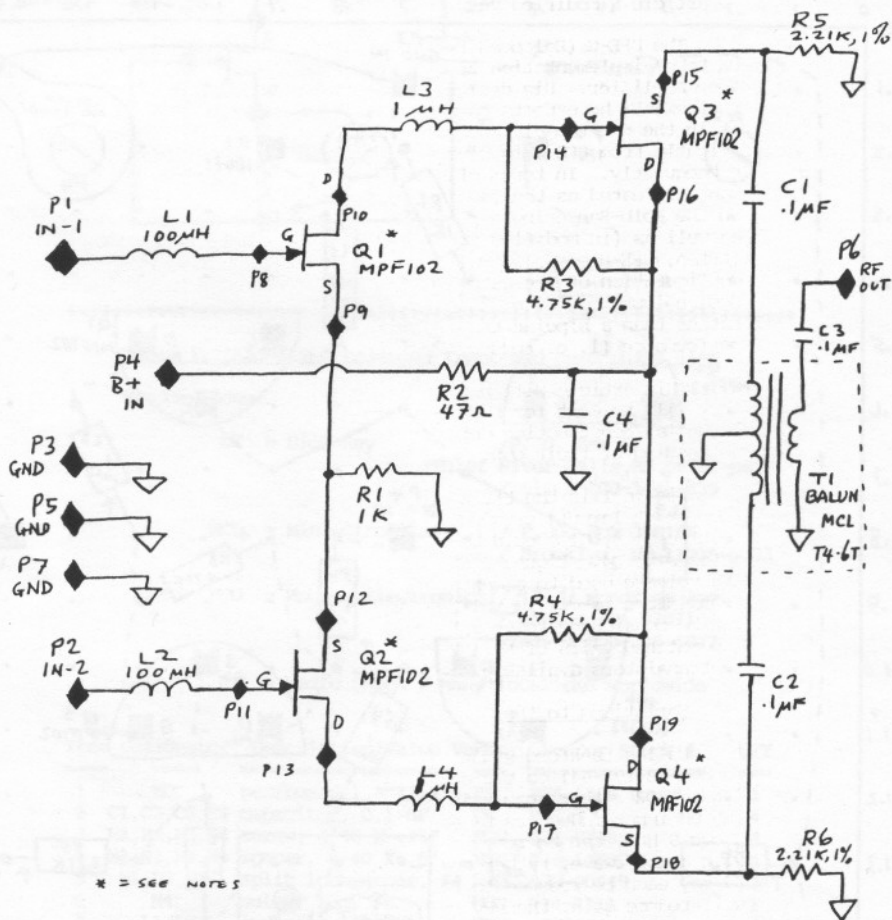
### Variations to the BFE-C design

Dallas Lankford suggests using an Amidon ferrite bead (part number FB-101-64) on the drain lead of Q1 and one on the drain lead of Q2 rather than using low-value chokes L3 and L4. The 100 uH input inductors L1 and L2, meant to reduce sensitivity above 9 MHz, can be removed if the loop amplifier is to be used with a shortwave, rather than with a medium wave, loop. R3 and R4 may each be reduced to 2.2K or to an even lower value. This will reduce gain, thereby reducing spurious responses that can occur in urban areas with large air-core loops. With lower-gain ferrite loops, it is unlikely that overloading would be much of a problem except in the worst "transmitter alley" locations like the New Jersey Meadowlands. Dallas has recommended that larger loops be tapped down part way on the coil - again to improve dynamic range and to reduce intermodulation distortion "spurs" in strong-signal areas. He also mentioned problems with Mouser inductors opening up (a problem I've seldom encountered); he winds homebrew 100 uH inductors using 39 turns of #26 wire on an Amidon FT-50-82 toroidal core. He also homebrews the output balun transformer (12 trifilar turns #22 on Amidon FT-82-43, or 33 trifilar turns #26 on Amidon FT-82-61). There's no parametric advantage to one approach (e. g. homebrew) over the other (e. g. using the Mini-Circuits T4-6T).



FIGURE 1 :

BFE-C BALANCED FRONT-END CARD SCHEMATIC  
(WA10N DX LABS VERSION OF LANFORD LOOP AMP.)



\* = SEE NOTES

NOTES FOR FIGURES 1 & 2

- ◆, ◼ = FLEA-CLIP PINS (OPEN SIDE → ◼)
- ⏚ = CIRCUIT CARD GROUND
- ↑ = LONG-LEAD SIDE OF VERTICALLY-MOUNTED COMPONENT

FIG. 2; DIMENSIONS ARE INCHES

\* = Q1 SHOULD BE MATCHED TO Q2. Q3 SHOULD BE MATCHED TO Q4.  
SEE FIGURE 3.

FIGURE 2 : BFE-C CARD ASSEMBLY (SEE NOTES)

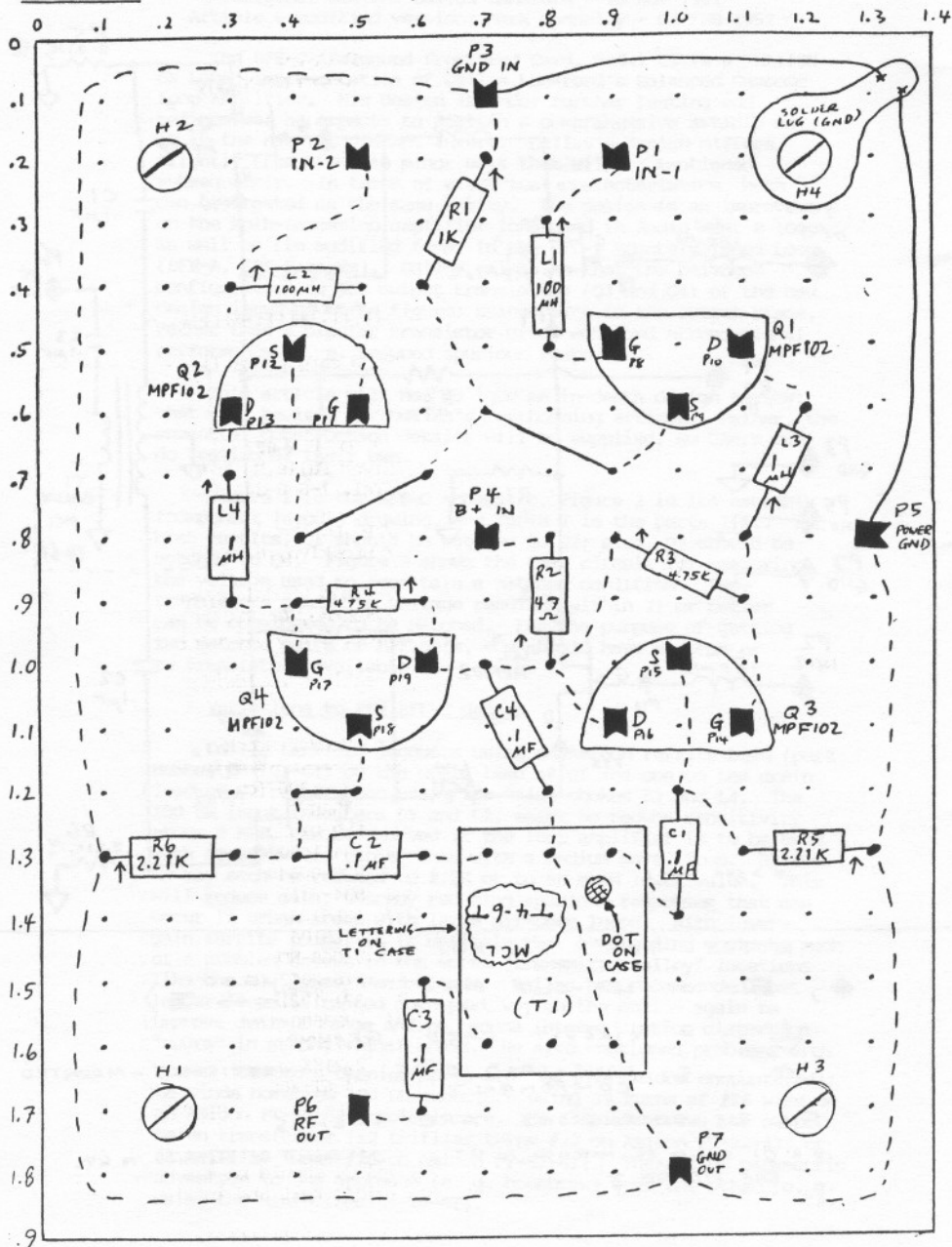


FIGURE 3 : FET - MATCHING TEST CIRCUIT

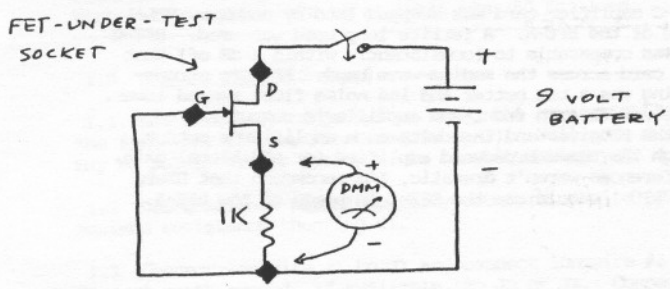


Table 1: (A1) BFE-C balanced front-end card parts list

Vendor codes:

- DK = Digi-Key /P. O. Box 677  
/Thief River Falls, MN 56701-0677  
/Tel. 1-800-344-4539
- MCL = Mini-Circuits / P. O. Box 350166  
/ Brooklyn, NY 11235-0003
- MOU = Mouser Electronics / 11433 Woodside Ave.  
/ Santee, CA 92071  
/Tel. 1-800-346-6873
- RS = Radio Shack / Many locations worldwide

Item	Designator	Description/Value	Vendor	Stock #	QTY
1	BD	perfboard(1.9"X1.4")	RS	276-1396 (cut)	1
2	C1,C2,C3,C4	capacitor, 0.1 uF	DK	P4525	4
3	H1,H2,H3,H4	screw, 4-40 X .25"	MOU	572-01880	4
4	H1,H2,H3,H4	spacer, 4-40 X .5"	MOU	534-1450C	4
5	H1,H2,H3	split lockwasher, #4	MOU	572-00649	3
6	H4	solder lug, #4	MOU	534-7311	1
7	L1,L2	inductor, 100 uH	MOU	43LS104	2
8	L3,L4	inductor, 1 uH	MOU	43LS106	2
9	P1-P19	flea-clip, .042"hole	DK	V1069-ND	19
10	Q1,Q2,Q3,Q4	FET, MPF102	RS	276-2062 (see note)	4
11	R1	resistor, 1K	RS	271-1321	1
12	R2	resistor, 47 ohm	MOU	29SJ500-47	1
13	R3,R4	resistor, 4.75K,1%	DK	4.75KX	2
14	R5,R6	resistor, 2.21K,1%	DK	2.21KX	2
15	T1	balun transformer	MCL	T4-6T-X65	1
16	W	buss wire	RS	278-1341	approx.1'

Note: Q1 and Q2 should be matched. Q3 and Q4 should be matched. FET-matching method is given in the article's text and in Figure 3.

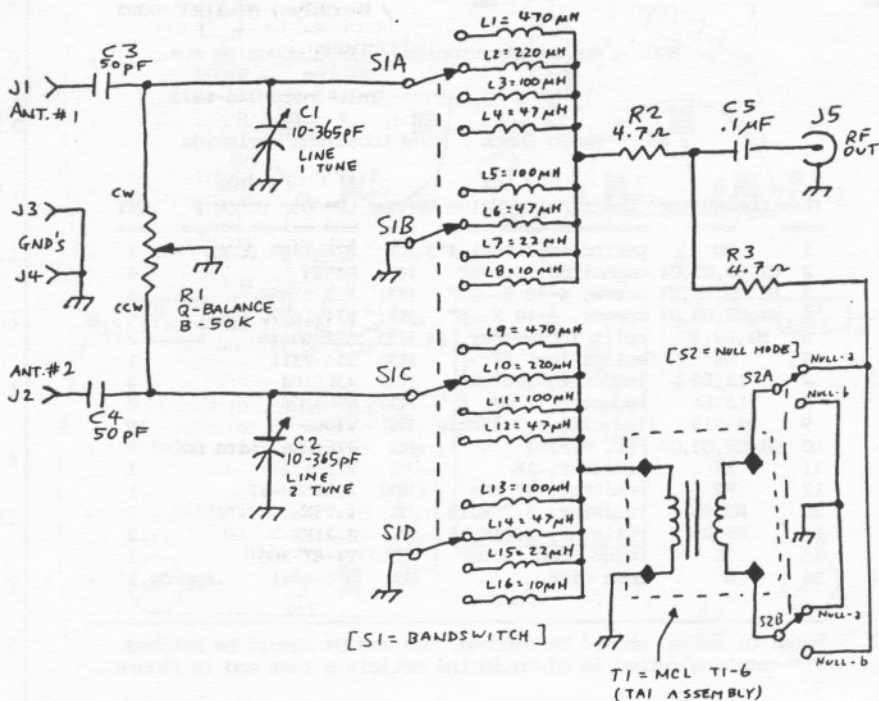
Tests versus the BFE-A  
 [Refer to the article "The RIT-1 Remotely-Tuned Loop" -  
 M. Connolly - JUL 1991]

The BFE-C amplifier card was swapped into my homebrew RIT-1 loop in place of the BFE-A. A ferrite loop head was used. BFE-C sensitivity was comparable to (consistently within 3 dB of) that of the BFE-A card across the medium-wave band. BFE-C's strong-signal handling was a bit better and its noise floor seemed lower. Tests were done with each front-end amplifier's output routed directly to the receiver and then with each amplifier's output passed through the BBA-C broadband amplifier for additional gain. Although differences weren't dramatic, I'd recommend that DXers building the RIT-1 should use the BFE-C in place of the BFE-A.

**Mini-MWDX-5: A Very Simple Phasing Unit**  
 Mark Connolly - WAIION - 29 JAN 1992

The Mini-MWDX-5 has been designed to give the benefits of two-wire phasing in an easy-to-build and easy-to-operate package. This article gives a brief description of it. In some cases, it will be necessary to refer to my previous article on MWDX-5 for information relating to parts, phasing theory, etc. That article also gives an extensive list of previous phasing unit articles.

Figure 1: Mini-MWDX-5 Schematic



## Mini-MWDX-5 Two Wire Phasing Procedure

Figure 1 is the schematic of the Mini-MWDX-5. Please refer to it during this discussion of phasing procedure. Wires to be used should be at least 15m./50 ft. long.

---

### 1.0 Phasing Steps (2-wire)

1.1 Set frequency-range switch S1 to the correct range for the frequency of operation (see Table 1). Null-mode switch S2 may be put in either position: it doesn't matter yet.

1.2 Set Q-balance pot R1 to fully counterclockwise (CCW) = maximum resistance shunting C1.

1.3 Connect longwire #1 to J1 and connect longwire #2 to J2. Connect earth ground, if available, to J3 or J4. Connect phaser's output (J5), via coaxial cable, to the input of the receiver to be used, or to a tunable preamp. between phaser and receiver.

1.4 Tune Line 1 by peaking desired-frequency signal strength with C1. At this time, leave C1 at its peaked-signal position.

1.5 Turn R1 to fully clockwise (CW). Tune Line 2 by peaking desired-frequency signal strength with C2. At this time, leave C2 at its peaked-signal position.

1.6 Set S2 to Null-a. Adjust R1 to search for a null of the dominant ("pest") station or noise. Try this again with S2 set to Null-b. Leave S2 on the position yielding the better-defined null (or if nulls were obtained both ways, put S2 on the position which gave a null with R1 set closer to its center position). Set R1 to the null-yielding position.

If a null was not found by adjusting R1, or if the final R1 setting is fully CW or fully CCW, do step 1.7 - otherwise skip to step 1.8a/b.

1.7 Set R1 fully CCW and observe Antenna #1 strength with C1 peaked. Then set R1 CW and observe Antenna #2 strength with C2 peaked. Then set R1 to center position and adjust the tuning capacitor of the antenna having the stronger "pest" station signal (C1 if Antenna #1 had been stronger, C2 if Antenna #2 had been stronger). What you are adjusting for is a null of the dominant station (or noise). If a null is not found, set S2 to its other position (e. g. Null-b if it had been on Null-a) and re-try the same capacitor adjustment for a null.

1.8a If R1 is at center, or CCW from center, adjust C1 then R1 alternately to improve the null until no further improvement can be accomplished. Then do the final null "touch-up" with an interactive adjustment of C2 and R1.

< OR >

1.8b If R1 is CW from center, adjust C2 then R1 alternately to improve the null until no further improvement can be accomplished. Then do the final null "touch-up" with an interactive adjustment of C1 and R1.

---

Table 1: S1 Bandswitch Settings Chart

(Ranges are usually a bit greater than those shown.)

S1 Position #	S1 Knob Pointer "o'clock"	Min. Freq. kHz	Max. Freq. kHz	Tank Inductor Values			
				"Main" L #	uH	"Tap" L #	uH
1	10:30	400	590	L1/9	470	L5/13	100
2	11:30	590	830	L2/10	220	L6/14	47
3	12:30	830	1230	L3/11	100	L7/15	22
4	1:30	1230	1750	L4/12	47	L8/16	10

Building the Mini-MDX-5 Phasing Unit

This article provides documentation that should be used in conjunction with the MDX-5 article. Parts used for Mini-MDX-5 are a subset of those used for MDX-5: C1, C2, J1, J2, J3, J4, J5, L1 through L16, R1, S1, and T1 (TAL ass'y) are the same on both units. Mini-MDX-5 C3 and C4 are Mouser 232-1500-050. C5 of Mini-MDX-5 = C9 of MDX-5. S2 of Mini-MDX-5 = S5 of MDX-5. R2 and R3 of Mini-MDX-5 correspond to R7 and R8 of MDX-5.

+++++

Table 2: Mini-MDX-5 hole-drilling list

Definitions of X, Y, D parameters are given in MDX-5 article.

Chassis Box = Mouser 537-TF-779 (metal): 5" X 4" X 3"

+++++

LEFT SIDE

Hole #	Comp. Desig.	Description	X	Y	D
1	G1	internal ground lug hardware	-1.5	1.5	0.125
2	J3	GND1 In - black banana jack	-0.75	1.25	0.3125
3	J1	Line 1 RF in-red banana jack	-0.75	0.5	0.3125
4	J4	GND2 In - black banana jack	0.75	1.25	0.3125
5	J2	Line 2 RF in-red banana jack	0.75	0.5	0.3125

+++++

TOP SIDE

Mounting holes on C1 & C2 must be tapped to 6-32 thread.

Hole #	Comp. Desig.	Description	X	Y	D
1	C1	Line 1 Tuning Cap.-Mtg.H/W 1	-1.838	3.375	0.144
2	C1	Line 1 Tuning Cap. - shaft	-1.375	3.125	0.5
3	C1	Line 1 Tuning Cap.-Mtg.H/W 2	-0.912	3.375	0.144
4	C2	Line 2 Tuning Cap.-Mtg.H/W 1	-1.838	1.5	0.144
5	C2	Line 2 Tuning Cap. - shaft	-1.375	1.25	0.5
6	C2	Line 2 Tuning Cap.-Mtg.H/W 2	-0.912	1.5	0.144
7	S2	Null A/B switch - tab	0.0	3.5	0.144
8	S2	Null A/B switch - shaft	0.0	3.25	0.25
9	S1	Bandswitch - shaft	0.875	2.0	0.375
10	S1	Bandswitch - tab	1.375	2.0	0.144
11	R1	Q-balance pot - shaft	1.75	0.625	0.3125
12	R1	Q-balance pot - tab	2.0625	0.625	0.144

+++++

RIGHT SIDE

Hole #	Comp. Desig.	Description	X	Y	D
1	G2	internal ground lug hardware	0.0	1.125	0.125
2	J5	RF out - BNC jack	0.0	0.5	0.375
3	TAl	PhaseRev. TransformerCard-H/W1	0.75	2.0	0.125
4	TAl	PhaseRev. TransformerCard-H/W2	1.55	2.0	0.125

+++++

Mini-MDX-5 gives two-wire phasing capability that is often adequate to allow reception of desired DX after having nulled a dominant station or electrical noise. Its simple design and operation should put this capability in the hands of many DXers who have shied away from more complicated phasing units.

**RADIO  
CAYMAN**

1555 kHz (10,000w), 1205 kHz (1,000w) & 105.3MHz-FM (250w)

P.O. Box 1110  
Grand Cayman, B.W.I.

Telephone: 9-4030  
Cables: BROADCAST GRANDCAYMAN



RC/54

June 2 1984


Mr J D Stephens  
214 Curt Road  
New Hope  
Alabama 35760  
USA

Dear John

Thank you for your letter of reception. It is a pleasure to us here at Radio Cayman hearing from our listeners abroad.

From the information which you have supplied, we can confirm that it was Radio Cayman to which you were listening.

Sincerely

  
Loxley Banks  
Director of Broadcasting

"The Voice of the Cayman Islands"

OWNED & OPERATED BY THE GOVERNMENT OF THE CAYMAN ISLANDS

# THE INTERNATIONAL RADIO CLUB OF AMERICA (IRCA)

The IRCA is a non-profit organization devoted to the hobby of hearing distant stations on the AM Broadcast Band (510 - 1630 khz). **DX Monitor**, the official publication of the IRCA, is published 34 times a year, weekly from October to March, twice in September and April, and monthly from May to August. **DX Monitor** contains members' loggings, articles on radio stations, receiver reviews, technical articles, DX tips, and other material of interest to Broadcast Band DX hobbyists. IRCA is a member of ANARC, the Association of North American Radio Clubs.

## CLUB ADDRESSES AND OFFICERS

President: Phil Bytheway, 9705 Mary NW, Seattle, WA 98117 (206) 356-3927 (proposals)  
Secretary-Treasurer: Ralph Sanserino, 11300 Magnolia #43, Riverside, CA 92505 (dues/address changes)  
Board of Directors: Shawn M Axelrod, Michael S Hardester, Bill Hardy (chairman), Ric Heald, Albert S Lobel, Patrick Martin and Robert Wien  
Editor-in-Chief/Publisher: Ralph Sanserino, 11300 Magnolia #43, Riverside, CA 92505  
Publishing Coordinator: Phil Bytheway, 9705 Mary NW, Seattle, WA 98117

## MEMBERSHIP DUES

U.S. - \$25.00 per year. Canada - \$27.00. Overseas Surface - \$28.50. Overseas Airmail - \$35.00 (Central America, Caribbean, Colombia and Venezuela), \$38.00 (Europe, North Africa, Middle East), \$41.00 (rest of the world). One time charge for New Member Packet - \$2.00 (first year only). Trial Membership - \$9.50 (10 issues of **DX Monitor** and a New Member Packet, U.S. / Canada / Mexico only). Installment rate: two payments of 1/2 dues plus \$1.00 (\$13.50/payment for U.S. members). Make checks and money orders payable to IRCA and send all dues (and address changes) to: IRCA, 11300 Magnolia, #43, Riverside, CA 92505. Persons living outside the U.S., please use International Money Order in U.S. funds. Sample copies of **DX Monitor** are \$1.00 (U.S. or Canadian) or two International Reply Coupons each and are available from: IRCA, 11300 Magnolia #43, Riverside, CA 92505.

Unless otherwise noted, permission is granted to publish, broadcast, or otherwise reproduce non-copyrighted material appearing in **DX Monitor** provided credit is given to the IRCA and the original contributor. Opinions expressed in **DX Monitor** are those of the original contributors and do not necessarily reflect those of the IRCA, its publishing staff, editors or officers.

**IRCA**

INTERNATIONAL RADIO  
CLUB OF AMERICA  
11300 MAGNOLIA #43  
RIVERSIDE, CA 92505



**FIRST CLASS MAIL**

29-26  
JIM JENKINS  
3184 RIVER GROVE CIRCLE  
FORT MYERS FL 33905  
USA

FIRST CLASS  
U.S. POSTAGE  
PAID  
RIVERSIDE, CA  
PERMIT NO. 5214