

DX MONITOR

THE OFFICIAL PUBLICATION OF THE  INTERNATIONAL RADIO CLUB OF AMERICA

DEVOTED EXCLUSIVELY TO BROADCAST BAND DXING

OCTOBER 10, 1992 - VOLUME 30 - NUMBER 4 - EDITION 963 - ISSN 0899 - 9732

NEW MEMBER: PAUL GAYDOS. **RENEWALS:** CHARLES TAYLOR, JOHN ADAMS..THANK YOU.

1993 CONVENTION: IRCA PRESIDENT PHIL BYTHEWAY IS NOW ACCEPTING BIDS TO HOST THE 1993 IRCA CONVENTION. IF YOU ARE INTERESTED, CONTACT PHIL FOR DETAILS AND A BID FORM. DEADLINE FOR BIDS IS OCTOBER 15, 1993. YOU CAN CONTACT PHIL AT 9705 MARY NW SEATTLE WA 98117. NOT MUCH TIME REMAINING...

VERIFICATION SIGNERS: IRCA'S NEW VERIFICATION SIGNERS EDITOR IS: STEVE HOWE 9 WARNER DRIVE ST ALBINS VT 05478. WELCOME ABOARD STEVE....PUB.

IRCA EDITORS/POSITIONS: EDITORS/POSITIONS WITHIN THE IRCA THAT ARE CURRENTLY VACANT INCLUDE: DX MONITOR PUBLISHER/EDITOR-IN-CHIEF, ACHIEVEMENT AWARDS CHAIRMAN, GRAVEYARD/HEARD/VERIFIED DX RECORDS EDITORS, NEW MEMBER PACKET REVISION COMMITTEE AND PUBLICITY CHAIRMAN. INTERESTED IN FILLING ANY OF THESE POSITIONS ...CONTACT PRESIDENT PHIL BYTHEWAY.....

REPRINT SERVICE: THE IRCA MAINTAINS A LARGE FILE OF ARTICLES WHICH HAVE APPEARED IN PAST ISSUES OF DX MONITOR. THESE ARTICLES COVER A WIDE VARIETY OF TOPICS, INCLUDING: ANTENNA THEORY AND CONSTRUCTION, TIPS FOR THE FOREIGN BCB DXer, HOW TO IMPROVE YOUR DXING SKILLS, HISTORY OF DXING AND BROADCASTING, LIST OF STATIONS BY SUBJECT, CONSTRUCTION PROJECTS, RECEIVER REVIEWS, MEDIUM WAVE PROPAGATION, AND MORE. COPIES ARE AVAILABLE FOR A NOMINAL CHARGE. FOR A LIST OF REPRINTS, SEND \$1.00 TO: IRCA REPRINTS c/o STEVE RATZLAFF 1885 EAST BAYSHORE ROAD #90 EAST PALO ALTO CA 94303.

BOOKSTORE: THE BOOKSTORE HAS THE FOLLOWING FOR SALE: "A DXers TECHNICAL GUIDE", "IRCA FOREIGN LOGS", "IRCA STATIONARY" CONTACT PHIL BYTHEWAY FOR THESE HOT ITEMS AT 9705 MARY NW SEATTLE WA 98117. PHIL LIKES ORDERS...

IN THIS ISSUE: IRCA AND NRC DX TEST BULLETIN, DX WORLDWIDE WEST, ANARC UP DATE, WESTERN DX ROUNDUP, CENTRAL DX ROUNDUP, EASTERN DX ROUNDUP, RADIO DEVON VERIE from JEAN BURNELL, WESTERN DX FORUM, ALMANAC UPDATER AD, EASTERN DX FORUM, ALMANAC UPDATER CONTESTS, 1992 FREQUENCY CHECK LIST, BACK COVER with CLUB ADDRESSES, OFFICERS AND MEMBERSHIP DUES, IN THE CENTER A TECHNICAL ARTICLE. I HOPE WE HAVE SOMETHING FOR EVERYONE THIS TIME ROUND.

TONGA: RECEIVED A NOTE FROM BRYAN CLARK OF THE NEW ZEALAND RADIO DX LEAGUE. HE NOTES THAT TONGA HAS ONLY ONE MW STATION ON THE AIR AND THAT IS 1017 kHz. THERE IS NO SIGN OF THEIR OUTLET ON 738 kHz.....THANKS BRYAN.



There are more than 27,000 farms in Manitoba.

CKDM RADIO is Your Voice to the Farming Families of the Parkland.

IRCA DX TEST BULLETIN

MONDAY, OCTOBER 12, 1992 - WBHY-840, P.O. BOX 1328, MOBILE, AL 36633-1328 WILL CONDUCT A SPECIAL DX TEST FROM 1:00 TO 4:00 AM EDT. THE TEST WILL CONSIST OF CHRISTIAN ROCK MUSIC, TONES, VOICE ID'S AND MORSE CODE. THIS TEST WILL BE RUN USING THEIR 10 KW OMNIDIRECTIONAL PATTERN. THE STATION WILL ALSO BE TESTING THEIR FM, WBHY-FM, 88.5 MHZ AT THE SAME TIME AND WITH SIMILAR FORMAT. POWER WILL BE 33 KW USING A 629 FOOT TOWER. PREPAID PHONE CALLS WILL BE ACCEPTED DURING THE TEST AT (205) 770-9249. NO COLLECT CALLS, PLEASE. RECEPTION REPORTS AND THANKS FOR THE UNIQUE TEST MAY BE SENT TO: MR. WILBUR GOFORTH - PRESIDENT. (ARRANGED BY J.D. STEPHENS FOR IRCA CPC)

MONDAY, OCTOBER 12, 1992 - KXOL-1320, 1730 NEPTUNE DRIVE, CLINTON, OK 73601 WILL CONDUCT A DX TEST FROM 3:00 - 3:30 AM EDT. THE TEST WILL INCLUDE MARCH MUSIC, VOICE ID'S, & MORSE CODE ID'S. RECEPTION REPORTS MAY BE SENT TO: MR. DENNIS BURTON. (ARRANGED BY J.D. STEPHENS FOR IRCA CPC)

MONDAY, OCTOBER 26, 1992 - WLYN-1360, LYNN, MA WILL CONDUCT A DX TEST FROM 3:30 - 4:00 AM EDT. THE TEST WILL INCLUDE MORSE CODE, TONES, AND VOICE ID'S. OUR THANKS TO MR. MICHAEL KLEIN (NVIL) OF DX ENTERPRISES FOR THE TEST. MR. KLEIN REQUESTS THAT ALL RECEPTION REPORTS BE SENT TO: WLYN DX TEST, c/o PERSONAL DATABASE APPLICATIONS, 2626 MEADOW RIDGE DRIVE, DULUTH, GA 30136-6037 (ARRANGED BY J.D. STEPHENS FOR IRCA CPC)

WEDNESDAY, OCTOBER 28, 1992 - WSMI-1540, P.O. BOX 10, LITCHFIELD, IL 62056 WILL CONDUCT A DX TEST BETWEEN 1:00 & 1:10 AM EDT. THE TEST WILL INCLUDE MORSE CODE, TONES, AND VOICE ID'S AND WILL BE PART OF THE STATION'S MONTHLY FREQUENCY CHECK. RECEPTION REPORTS MAY BE SENT TO: MR. BRIAN TALLEY (N9OWV) - CHIEF ENGINEER. MR. TALLEY REQUESTS AN SASE BE INCLUDED WITH ALL REPORTS. (ARRANGED BY J.D. STEPHENS FOR IRCA CPC)

THURSDAY, NOVEMBER 5, 1992 - KBOA-830, P.O. BOX 509, KENNETT, MO 63857 WILL CONDUCT A DX TEST BETWEEN 1:00 & 1:30 AM EST. THE TEST WILL INCLUDE MORSE CODE AND TONES. THIS TEST WILL BE CONDUCTED WITH A POWER OF 10 KW AND AN OMNIDIRECTIONAL ANTENNA PATTERN. RECEPTION REPORTS MAY BE SENT TO: MR. LARRY ANTHONY - CHIEF ENGINEER. (ARRANGED BY J.D. STEPHENS FOR IRCA CPC)

SATURDAY, NOVEMBER 7, 1992 - WWLS-640, 4000 WEST INDIAN HILLS ROAD, NORMAN, OK 73072 WILL CONDUCT A DX TEST BETWEEN 1:00 & 1:30 AM EST. THE TEST WILL INCLUDE MORSE CODE, TONES, AND VOICE ID'S AND WILL BE INSERTED IN BREAKS DURING THE STATION'S AUTOMATED NIGHTTIME PROGRAMMING. RECEPTION REPORTS MAY BE SENT TO: MR. TONY SELLARS - OPERATIONS MANAGER (ARRANGED BY J.D. STEPHENS FOR IRCA CPC)

MONDAY, NOVEMBER 9, 1992 - KMTI-1470, 2700 FRY BLVD., SUITE B-4, SIERRA VISTA, AZ 85635 WILL CONDUCT A DX TEST BETWEEN 2:00 & 5:00 AM EST. THE TEST WILL INCLUDE MORSE CODE AND TONES. RECEPTION REPORTS MAY BE SENT TO: MR. RICHARD MIZE - CHIEF ENGINEER. (ARRANGED BY J.D. STEPHENS FOR IRCA CPC)

MONDAY, NOVEMBER 23, 1992 - KNAK-540, P.O. BOX 636, DELTA, UT 84624 WILL CONDUCT A DX TEST BETWEEN 2:00 & 2:30 AM EST. THE TEST WILL INCLUDE MORSE CODE, TONES, AND VOICE ID'S. RECEPTION REPORTS MAY BE SENT TO: MR. DOUGLAS BARTON - OWNER. (ARRANGED BY J.D. STEPHENS FOR IRCA CPC)

WEDNESDAY, NOVEMBER 25, 1992 - WSMI-1540, P.O. BOX 10, LITCHFIELD, IL 62056 WILL CONDUCT A DX TEST BETWEEN 1:00 & 1:10 AM EST. THE TEST WILL INCLUDE MORSE CODE, TONES, AND VOICE ID'S AND WILL BE PART OF THE STATION'S MONTHLY FREQUENCY CHECK. RECEPTION REPORTS MAY BE SENT TO: MR. BRIAN TALLEY (N9OWV) - CHIEF ENGINEER. MR. TALLEY REQUESTS AN SASE BE INCLUDED WITH ALL REPORTS. (ARRANGED BY J.D. STEPHENS FOR IRCA CPC)

SATURDAY, NOVEMBER 28, 1992 - WIMA-1150, 667 WEST MARKET STREET, LIMA, OH 45801 WILL CONDUCT A DX TEST FROM 12:30 - 1:00 AM EST. THE TEST WILL INCLUDE MORSE CODE, VOICE ID'S, AND MARCH MUSIC. RECEPTION REPORTS MAY BE SENT TO: MR. MARK GIERHART - DIRECTOR OF ENGINEERING. (ARRANGED BY J.D. STEPHENS FOR IRCA CPC)

MONDAY, NOVEMBER 30, 1992 - KCNO-570, P.O. BOX 570, ALTURAS, CA 96101 WILL CONDUCT A DX TEST FROM 3:30 - 4:00 AM EST. THE TEST WILL INCLUDE MORSE CODE, POLKAS, AND MARCH MUSIC. RECEPTION REPORTS MAY BE SENT TO: CAROL IRWIN - PROGRAM DIRECTOR. (ARRANGED BY J.D. STEPHENS FOR IRCA CPC)

NATIONAL RADIO CLUB CPC

WRIV-1390, P.O. Box 1390, Riverhead NY 11901 will conduct a special DX test on Monday Morning November 2, 1992 from 0530 to 0600 ELT. The test will consist of Polka Music & ID's. Our thanks to Mr. Bruce Tria President & General Manager for this test. Arranged by the National Radio Club CPC.

DX Worldwide - West



PAT MARTIN

P.O. BOX 843

SEASIDE, OR 97138

Time: UTC phone (503) 861-3185 DEADLINE: MONDAYS

Another good turnout this week. Not so many reporters, but lots of good DX. The Southeast Asian DX is also coming in. Hopefully it will be a good season.

TRANS-PACIFIC DX ROUNDUP

- 531 AUSTRALIA, West Kempsey-2MC-Devastating signal with mix of old US and UK pop tunes on "Jutebox Saturday Night" program. Excellent ex-Brit announcer very entertaining! IDs, jingles, and TCs. First noted at 1225, and still in with audio past 1400 9/19 (GA-WA)
- 540 AUSTRALIA, Longreach-4QL good with ABC nx at 1400 on 9/26. (PM-OR)
WESTERN SAMOA, 2AP very good with man and woman in Samoan at 0715 on 9/27. Way over others on freq. (PM-OR)
- 558 AUSTRALIA, Burnie-7BU, fair with pop tunes, and several 7BU IDs at 1415 9/28 (PM-OR)
- 567 JAPAN, Sapporo-JOIK with NHK1 programming in JJ. Good signal mixing with unid. station playing big band mx 1340 9/19. (GA-WA)
- 576 PHILIPPINES, Cebu City-DYIM-fair again with man in Tagalog above others at 1414 9/27. (PM-OR)
UNID, another station at 1414 9/27 with Carpenters song "Only Yesterday" above the jumble briefly. Who? (PM-OR)
- t AUSTRALIA, Sydney-2FC with political discussion. Possible ID heard Poor 1310 9/19 (GA-WA)
- 585 UNID/AUSTRALIA, station with rr mx mixing with Tasmania //576.Poss. 2WEB? at 1350 on 9/25 (PM-OR)
- 594 AUSTRALIA, Horsham-3WV Noted with ABC3 programming of old US rock mx. Good signal. Male ancr with background info of songs //9660 1228 9/19 (GA-WA)
- 666 JAPAN, Osaka-JOBK presumed with JJ talk, faint EE language in background fair 1323 9/19. (GA-WA)
PHILIPPINES, presumed DXRP-Davao City, with man in Tagalog. Heard back in the early 80s at 1415 9/28, briefly above the jumble. (PM-OR)
- 720 NEW ZEALAND, Invercargill-4YZ fair alone on freq. at 0710 on 9/27, with KDWN off again. No KUAI QRM, as off because of recent storm on Kauai. (PM-OR)
- 738 t AUSTRALIA, Grafton-2NR presumed the one at 1317 9/19 w/traces of audio. (NP-AB) (Welcome Nigel and report often. PM)
- 747 JAPAN, Sapporo-JO1B at excellent S9 level w/EE and JJ talk about Greyhound buses (EE lang. lesson), co-channel station noted in the background 1337 9/19 (GA-WA)
- 783 RUSSIA, very good with man in RR and pop tunes at 0815 on 9/24. Best hrd in a long time. (PM-OR)
- 828 AUSTRALIA, Sale-3GI 1238 9/19 "My Girl" and "Eight Days a Week" and other oldies to ABC Nx at 1300. (NP AB)
- 846 AUSTRALIA, Canberra-2RN (presumed) 1302 9/19 woman explaining an old recording (NP-AB)
JAPAN, Koriyama-JOCP Likely this one in JJ language, fair 1326 9/19 //666. (GA-WA)
- 855 AUSTRALIA, Maryborough/Eidsvoid-4QB/4QO 1308 9/19 light vocals// 828 and 4920 (NP-AB)

- 882 t AUSTRALIA, Brisbane-4BH seems likely 1307 9/19 EZL vocals, considerable splatter from Edmonton's CHQT-880 which was unusually strong this AM (NP-AB)
- 891 AUSTRALIA, Adelaide-5AN 1309 9/19 "oldies", with my "My Girl" as hrd earlier 30 minutes on 3G1 (NP-AB)
- 1017 UNID, hoping for extended hours of Tonga, but heard faint Aussie-accent ancr instead, w/coverage of soccer or Rugby. Poss. 2KY-Sydney. 1015 9/19 (GA-WA)
- JAPAN, Fukuoka-JOLB-presumed w/JJ talk and mx. Fair to good level hrd only on 300 degree Bev. antenna 1117 9/19 (GA-WA)
- 1125 JAPAN, Naha-Okinawa JOAB likely w/JJ and EE programming//747 with NHK2 broadcast. Fair 1341 9/19 (GA-WA)
- 1512 JAPAN, Unid w/JJ and EE talk noted//1593 at 1330 and 1355. Poor 9/19 (GA-WA)
- 1548 AUSTRALIA, Emerald-4QD (presumed) 1312 9/19 C&W mx (NP-AB)
- 1593 UNID, two stations at equal levels. Noted poss. Pidgin language at 1330, then station abruptly off (Radio Sandaun?), checked 3205 immediately, but that freq. was unoccupied. Remaining station was in JJ //1512 (NHK-2) 1330 9/19 (GA-WA)
- 1620 AUSTRALIA, Hobart-7RPH-Caught ID immediately upon tune-in at 1043: "This is 7RPH, coming to you from Hobart" BeeGees mx, brief nx items, then talk or reading about youth workers in factories. More IDs, signal level varied from poor to good. Weather for Hobart hrd at 1131 9/19 (GA-WA)

THANKS TO THESE REPORTERS

- GA-WA GUY ATKINS-5323 SOUTH ISLAND DRIVE-BONNEY LAKE, WA 98390-8624
DXing at Midway Beach, WA Drake R8, 800 ft. of wire at 255 degrees, 900 ft wire at 300 degrees
- NP-AB NIGEL PIMBLETT-1146 QUEEN STREET-MEDICINE HAT, AB T1A 1B4 (CANADA)
Kenwood R5000, Antenna 1000' stand of barbed wire at 270 degrees
- PM-OR YOUR EDITOR
Drake R8, Hammarlund SP-600-JX17, 1600' Bev. at 345 degrees, Term. 200 ft. 225 degrees, Ground system.

ANARC UPDATE

Richard Eckman, 9 Still Harbor Ct., Hampton, VA 23669

Here is a status report on the activities of the Association of North American Radio Clubs (ANARC). Once again, this is long overdue; I should have compiled this report some months ago.

Earlier this year, the results of the ANARC annual awards were announced. The North American Shortwave Broadcast DXer of the Year was Jerry Berg. Jerry is active in NASWA and has been chairman of the verification preservation activity sponsored by ANARC which seeks to maintain collections of verifications that would have otherwise been lost. The North American Speciality Band DXer of the year was Ken Stryker who is an active longwave DXer and is an editor of a column in the LWCA bulletin. International DXer of the year was Arthur Cushen of New Zealand who is probably known to just about every active DXer for his books and contributions to numerous DX bulletins. Our congratulations go out to all of this year's winners.

Recent happenings as reported by Richard D'Angelo, interim coordinator, include the following: (1) ANARC news is now being carried in the 'DX Partyline' broadcasts on HCJB of Ecuador. (2) Elections for the executive secretary and executive council will occur this autumn. I will post results as soon as they are available. (3) The 1993 ANARC awards are now open for nominations. Should you have any suggestions for the three categories (as noted above), please send them to me soon, preferably with a short statement as to why the individual is deserving of the nomination, so that I can develop a club nomination list and forward it to ANARC. The nominees need not be IRCA members. (4) As reported in my last *ANARC Update*, the constitution is in the process of being revised and a proposal to accept these revisions is currently being voted on by the executive council. If the proposal passes, I will report on what the changes likely mean to us and ANARC in general.

As always, if you have any questions and/or comments about our club's participation within ANARC, please feel free to write.



WESTERN DX ROUNDUP

Nancy Hardy
2301 Pacific Ave.
Aberdeen, WA 98520

DEADLINE FOR WDXR TIPS IS MONDAY. PLEASE USE EASTERN TIME.

REPORTERS FOR THIS ISSUE:

- (JH) Jim Hilliker-1705 Withers Ave. #12-Monterey, CA 93940
(NP) Nigel Pimblett-1146 Queen Street-Medicine Hat, AB T1A 1B4
Kenwood R-5000, 1000 strand of barbed wire at 270 degrees
(bp) Bruce Portzer-6546 19th Ave. NE-Seattle, WA 98115
(bp-WA1) DX'ing at Cougar Rock campground, Mt. Rainier Nat.
Park, with FRG-7, 150' LW
(PT) Pete Taylor-2614 Jackson Street-San Francisco, CA 94115
(PT-CA1) DX'ing on the road using ICF-2001
(PT-CA2) DX'ing in Santa Barbara, CA
(PT-CA3) DX'ing in Manhattan Beach, CA
(RW) Robert Wien-1309 Dentwood Dr.-San Jose, CA 95118
GE Superadio, GE long-range portable, SM-2

- *****
- 526 "RWE" CA, unID location 9/4 1700 good in car using ICF-2001, in King City area. Definitely around there somewhere. (PT-CA1)
- 540 KJQI CA, Costa Mesa 9/5-7 next to nil in Santa Barbara day (XETIN) and night (XEWA). In Manhattan Beach, fine days but barely there at night. Classical // 105.1. (PT-CA1&CA2)
- 590 KSUB UT, Cedar City 9/7 0111 ID'ing as "Your Rush Limbaugh station for Southern Utah," C&W. (PT-CA2)
- 610 KFRC CA, San Francisco Magic 61 is flagship station for Stanford University football, // in my market on KSCO-1080. (JH-CA)
- 630 KOH NV, Reno 9/19 0506 fair with Coast to Coast talk net, talk host on "CBC & B.R.N. networks." (JH-CA)
- 770 KPLA CA, Riverbank carries Nebraska football. Apparently carries "Auto Answers" talk show Saturday mornings. While listening to this show 9/19 1035 on KNRV-1240, caller from Santa Rosa said they were listening over KPLA-770. So, they are not all religion. Also heard carrying a financial talk show Sunday afternoons, but not sure which one. (JH)
- 780 KAZM AZ, Sedona 9/8 0150 advertising for sales person, "commissions only." Even with KROW. (PT-CA2)
- 870 KOWA NV, Laughlin 9/12 0910 dominant with C&W, Las Vegas area ads, one had "a Cow special." (bp-WA1)
- 880 KWIP OR, Dallas 9/11 2145 mixing with KIXI with Spanish program, ad for concert "en Portland" & "Cah-doble oo-ee-peh" ID. Also 9/12 1001 with legal ID in English & Spanish, into Spanish discussion program. Apparently a format change. (bp-WA1)
- 920 KXLY WA, Spokane 9/19 0405-0407 out of CBS news with a commercial, ID, and into Larry King. Fair, with at least two other stations under. (JH-CA)
- 970 WDAY ND, Fargo 9/19 0722 plug for Jim Bohannon program, ID as "970 WDAY AM radio." (NP-AR)
- 990 KKJZ CA, Santa Barbara 9/6 1200-1300 called itself both "Jazz 990" and "Sam" (as in KSSM). (PT-CA2)
- KRKT OR, Albany 9/12 0857 fair with C&W and string of ads, "99.5 KRKT" ID. (bp-WA1)
- 1010 KCHJ CA, Delano 9/8 2100 IDs as "Radio Juventud." (PT-CA1)
- 1170 KCBQ San Diego 9/12 0958 loud with ads, 50's rock, "It's a Doo-wop weekend on KCBQ." (bp-WA1)
- 1200 ?KOQI? CA, 9/4 Soquel 1600 first noted on Highway 101 in Castoville. Still OK about 40 miles later. No ID. (PT-CA1)
- 1240 KNRV CA, Monterey 9/7 0032 clean ID from nowhere. (PT-CA3)

- 1250 KCST OR, Florence 9/12 0825 woman DJ, C&W/adcon music, "The Coast, KCST" ID, strong. Same thing at home 9/8 0845 with KKFY off. (bp-WA1)
- 1280 KROL NV, Henderson 8/30 0900 good at s/on, ID, "with 5,000 watts of good news power." Into relig. New. (JH-CA)
- 1290 KKSJ CA, Santa Barbara with country, is on at night (listed days only in new M Street Directory). (PT-CA2)
- 1300 KMPS WA, Seattle 9/16 0617 "94 Country KMPS" ID. (NP-AB)
- 1370 KXTL MT, Butte 9/19 0605-0607 fair over KEEN with local crime stopper tip, local weather, PSA ID "13-70, KXTL." Into tape replay of Bruce Williams. New. (JH-CA)
- 1400 KKZZ CA, Santa Paula semi-local, "The original hits station" noted with nostalgia as in Vol. 30 #2; beyond that, it is //1320, presumably KGMG Oceanside. (PT-CA2)
- 1450 ?KEST? CA, San Francisco 9/8 0040 either it, KORO, or both on top with one of the Indian tongues (or Pakistani). (PT-CA3)
- KONP WA, Port Angeles 9/16 0630 ID "Clallam County turns to AM 1450, KONP..." (NP-AB)
- 1480 KWIZ CA, Santa Ana 9/8 0045 ID's as "Radio Exitos." (PT-CA3)
- 1540 (KLAU) CA, Capitola 9/13 noted off 0900, still no s/on by 1105, only KXED-L.A. heard faintly, fading. Called DJ at co-owned KMBY-107.1 at 1230. Told him Kool Gold, 1540 AM was off the air. He said it shouldn't be, then thanked me for call. Was on air at 1245 finally. Now usually silent 0300-0830. (JH-CA)
- 1610 WNJB689 CA, Gilroy 9/4 1530 new TIS from Gilroy City Communications Center noted in car. (PT-CA1)
- TIS ID, Clearwater National Forest 9/16 0729 poor, but heard woman mention Clearwater National Forest, under other TIS stations. Third new one in 10 minutes! No sign of usual Chief Joseph Dam this am. (NP-AB)
- KCD485 OR, Hammond 9/12 0036 & 1007 dominant with messages about boating safety, ships in Columbia River, etc. ID's "This is station KCD485, 1610 AM, broadcasting from Hammond Boat Station(?) and operated by the Oregon (something)." (bp-WA1)
- +9/16 0722 times of ships leaving Astoria, warnings, wish for "good fishing." New here. (NP-AB)
- TIS OR, Reedsport 9/12 0819 good with message by woman "Welcome to Dune Creek Elk Viewing Area," ment. of Oregon Dept. of Fish & Wildlife. (bp-WA1)
- (TIS) WA, Mt. Rainier Nat. Park Nisqually Entrance not noted 9/11-12 while in area & didn't see any signs for it, but park literature says it exists. (bp-WA1)
- WNVQ843 WA, Port Angeles 9/16 0726 "Welcome to Port Angeles..." another new one. (NP-AB)

LOCAL CHANGES

- 630 KIDD CA, Monterey noted 9/19 0400-0401 with full-data s/off for AM & KXDC-FM. S/on is 0830. Also, these stations have been sold, so far no change in format, which they call "progressive adult contemporary," but is mix of New Age, jazz, etc. with lots of local artists being played. Still IDs as "101.7, Radio Pacific" and sometimes mentions that they are "an audio environment for the 90's." (JH-CA)
- 680 KNBR CA, San Francisco carries Notre Dame football. (JH-CA)
- 700 KSUR CA, Soledad now mentions 99.5 and 99.9 FM (one is main xmtr near Greenfield & other is translator on Mt. Toro to cover Monterey area). Some IDs are "Double 99," others are "KSUR, you hometown station." Still EZL. Legal ID 9/18 1600 "With a better variety of the great sounds, we're your hometown station, KSUR, Soledad-Salinas-Santa Cruz; KSUR-FM Greenfield-Monterey, along with K-2-60-X-A, Carmel Valley." (JH-CA)
- 1240 KNRY CA, Monterey a Gospel show ("Gospel Train") now on Sat. 1200-1400, also now on Mon-Fri 0800-0900. Then, 0900-1000, // to a talk show from KLAU-1230. So, CNN Headline news now only on M-F 2030-2100. (JH-CA)

UNIDs

- 790 9/13 0840 iddies music o/u KABC, thought I heard partial ID, possibly KBRV, Soda Springs, ID. A lot of noise and KROW-780 splatter. (JH-CA)
- 940 9/19 0744 Sears ad, weather from "Kicks Weather Center," CDT time check. Does KIXZ Amarillo use "Kicks" as ID? (NP-AB) (Per the 1991 slogan updater in Almanac Updater 5.1, yes they do.--NH)
- 1010 9/19 0727 safety PSA's, country music, MDT time check. (NP-AB)
- 1150 9/19 0735 poor-fair with Mountain time check of 5:35 given, weather, fighting KRAK-1140 splatter. Heard two calls, possibly AM/FM simulcast. One call sounded like "KZIM." Ended weather with "on your news source," into oldies. Later, 0805, heard another or same station out of USA net news, but couldn't catch ID as it faded. (JH-CA) (During our August Montana trip, Bill noted KSEN-1150 and KZIN-96.3 Shelby, MT simulcasting a lot. They had ABC-I news. Bill says the BRN feed on KE7X Seattle now includes USA news on the hour.--NH)
- 1250 9/21 0513 unID carrying SEN //1280 unID, loop NW/SF. New affiliate? KDHI? (RW-CA)
- 1280 9/21 0517 unID carrying SEN //1250 unID, loop N/S. KKAL back on the air? O/u KFRN, in KJAX null. (RW-CA)
- 1470 9/19 0800 ID "KXAF????...Memories 1470...for all the great music." (NP-AB)
- 1610 9/12 1008 woman giving KCD582 call. Didn't catch other details. (bp-WA1)

Thanks to all our reporters this week!

Central DX Roundup



EDITOR: John C. Johnson

979 Neptune Boulevard Billings, Montana 59105-2129

FOR THE RECORD

REPORT ALL TIMES AS EASTERN.

DEADLINES: MAIL: SATURDAYS. PRODIGY: SUNDAYS.

RIDING GAIN

[JcJ-MT] = Your editor using an Icom IC-R71A with a "Radio West" loop.

DOWN THE DIAL

- 560 **KLZ** CO, Denver. 9/21 weak in KSFO null. 0245 noted with Gospel-Country. IDing as "The New 56 KLZ." Last heard with Z-Rock format. [JcJ-MT]
- KSFO** CA, San Francisco. 9/21 strong 0250 with rock oldies. ID "KSFO, KYA-FM." This is rare here, quite strong tonight. [JcJ-MT]
- 730 **KKDA** TX, Grand Prairie. 9/21 weak briefly when CKDM faded in tight null of strong XEX. CKLG not on. 0300 with spot cluster and ID "Rhythm and blues, jazz, gospel and news. Soul 73 KKDA Grand Prairie, Fort Worth, Dallas." Gospel selection followed. New one for me, TX#67. [JcJ-MT]
- 1030 **KMAS** WA, Shelton. 9/21 good o/very weak KTW0. 0225 with rock oldies, "1030 KMAS" ID. Not needed, but this is rare here. [JcJ-MT]
- 1150 **KSAL** KS, Salina. 9/21 good. 0232 with SID going into Larry King. [JcJ-MT]
- 1320 **KCNR** UT, Salt Lake City. 9/21 weak in KOLT null. CHQM off. 0200 with "Utah's All News Station KCNR Salt Lake City, Ogden Provo. The home of CNN Headline News." into CNN Headline News. Needed for call change. [JcJ-MT]

25 YEARS AGO

October 7, 1967 issue of DX Monitor...Bill Hardy was back at WSU Pullman, WA and said he was music director at KUGR....John Johnson reported from Rota, Spain and mentioned Radio Caroline-South was a semi-local....Raleigh Biss of Palm Springs, CA mentioned 1550 brought CBE until WOKJ took over. He also had 800 Bonaire coming in S9+.

OPEN MIKE

May all your hang-ups be drip-dry. We're weekly again! Where did the summer go? Turn on your radios, the DX season is heating up, send in your tips and DX often. 73, John.

EASTERN DX ROUNDUP
Leonard Hyde
1805 Whipple Dr #26
Blacksburg VA 24060

SUPPORT THE CPC! Send stamps, checks (no cash), targets.
J.D. Stephens - 3715 Conger Rd. SW - Huntsville, AL 35805

* * * THE REPORTERS * * *

- (MB-ON) Mike Brooker - 99 Wychrest Avenue - Toronto ON M6G 3X8
Panasonic RF-2000, Sony ICF-7600D
- (RW-CA) Robert Wien - 1309 Dentwood Drive - San Jose CA 95118
(ed) The editor at home with modified Philco-Ford car rx,
DX-440, 2' box loop, Autek QF-1

* OF SPECIAL INTEREST *

- 790 CIAO ON, Brampton 9/3 on all day w/OC and anmt: "CIAO RADIO IS NO LONGER HERE ON THIS FREQUENCY. PLEASE CHANGE YOUR DIAL SETTING TO 530 ON YOUR AM RADIO." Gone for good on 9/6. Amen to this pest; now CIGM-Sudbury ON will be almost as big a pest. (MB-ON)
- 940 WINZ FL, Miami 9/6 0330-0400 fair-poor in fight w/XEQ, w/special emergency broadcast after Hurricane Andrew. F/ancr w/hurricane related info on Federal low interest loans for homes & businesses, run down on the locations of mobile kitchens in Homestead & Florida City, warning that any water from Homestead's drinking water system should be considered contaminated. Also, a reminder that the Florida Dept. of Corrections Probation & Parole Services office in Homestead is open and probationers should report as usual. (Political comment deleted - ed)
Never heard before - are they running 50KW on a special emergency authorization? (post-hurricane or to escape Cuban GRM, or both?) (MB-ON)
(I do not know, Mike - they have not been heard here, but Lynn Hollerman reported last week that she heard them, as well - anyone know for sure? - ed)
- 1430 WKEX VA, Blacksburg 9/19 1000 station has changed formats from C&W to BBD/NOS. Per call to station manager, change took place after Labor Day, and they play records from their own library, no canned or satellite mx. (ed)

* * * THE REPORT * * *

740 WMBL NC, Morehead City 9/6 0413-0445 fair o/usual jumble of unID Cubans, w/MOR standards (Bing Crosby, Louis Armstrong,) ID as "WMBL, YOUR STATION FOR GREAT SONGS AND GREAT MEMORIES." Ads for Didi-7 stain remover, "Tennis" magazine, and a "make your own will" kit for only \$12.95 (MB-ON)

790 WLSV NY, Wellsville 9/7 1930-1944 fair-poor o/T-storm QRN in nulled CIGM w/curious blend of C&W and oldies. ID as "AM 790, WHERE YOU HEAR THE MOST VARIETY OF COUNTRY AND GOLD." Ad for Sears Auto Center, PSA for Selective Service draft registration, local wx sponsored by Southern Tier Concrete Products of Alfred. (MB-ON)

* * * HELP W/unIDS * * *

1010 WELS NC, Kinston station reported by LLH-VA in DXM #961 as "WKGK" is WELS relaying their FM, which is WKGK-102.9. WELS has NOT applied for WKGK calls. (RW-CA)

* * * OTHER STUFF * * *

From ROBERT WIEN: WWJZ-640, Mt. Holly NC is testing now, and will be on the air in late fall. (Source: "Billboard")

* * * EDITOR'S DESK * * *

Many thanks to MIKE & BOB for their support.

References used are the 1992 NRC AM Log, and DX Monitor. Deadline here is Friday 2 weeks before the DXM publication date.

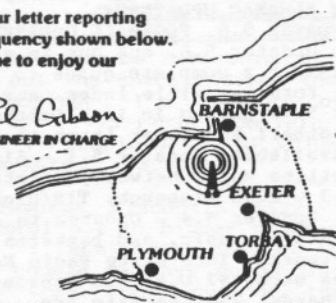
DX TESTS ARE STARTING! Be sure to listen, and report what you hear. We plan to have a very healthy DX test section this year, so everyone is encouraged to listen to and report on as many DX tests as they can. 73 and good DX de LLH.



Thank you for listening! DATE: 22 JAN 1992

We acknowledge your letter reporting reception on our frequency shown below. We hope you continue to enjoy our programmes.

Paul Gibson
ENGINEER IN CHARGE



▶ VHF/FM STEREO		
North Hessian Tor	103.4 MHz	<input type="checkbox"/>
Huntshaw Cross	94.8 MHz	<input type="checkbox"/>
Exeter	95.8 MHz	<input type="checkbox"/>
Okehampton	96.0 MHz	<input type="checkbox"/>
▶ MEDIUM WAVE		
Barnstaple	801 kHz 375 mts	<input type="checkbox"/>
Exeter	990 kHz 303 mts	<input type="checkbox"/>
Plymouth	855 kHz 351 mts	<input type="checkbox"/>
Torbay	1458 kHz 206 mts	<input type="checkbox"/>

BBC Radio Devon

IRCA Reprints

The IRCA maintains a large file of articles which have appeared in past issues of DX Monitor. These articles cover a wide variety of topics, including: antenna theory and construction, tips for the foreign BCB DXer, how to improve your DXing skills, history of DXing and broadcasting, lists of stations by subject, construction projects and receiver modification, receiver reviews, medium wave propagation, and more. Copies are available for a nominal charge. For a list of reprints, send \$1.00 to:

IRCA Reprints, c/o Steve Ratzlaff, 1885 E Bayshore Rd Sp 90, E Palo Alto CA 94303.



Western DX Forum

★ ★ ★ ★

REID WHEELER 5910 BOULEVARD LOOP SE OLYMPIA WA 98501

Deadline - Saturday 2 weeks before publication

Mike Sanburn, PO Box 1256, Bellflower, CA 90707

Hello IRCAnS. The big news is that General Electric has released the SUPERADIO III, with expanded AM coverage to 1700 Khz! The cabinet is a completely new design with the original working features of my Superadio II which incidently I purchased in 1983, ant it's still going strong. I'll be buying this new one ASAP then will inform you of DX results. It is currently shown on page 26 of the Universal Radio Inc. Catalog - which is available for \$2 from Universal Radio, 6830 Americana Parkway, Reynoldsburg, Ohio 43068 (I got mine free at a S.C.A.D.S. meeting). It looks like the ball is rolling for band expansion. KDIF-1440 may get 1680 Khz. KOGO-1590 is looking at 1630 Khz. And WRUM-790 to 1620 Khz (If they get there before anybody else, Maine could become a pest, hi!). I'm going to request a complete list from the FCC. Lately I've received several cassette airchecks back from the stations that I mailed them to: WDUF, WLIJ, KTNS, KASL, WPOR, WAXX, etc.... My weapon of choice is the TDK SA-90, good audio quality! (I index them with the station's business card.) Recent veries here include KICQ, KNFT, KPHX and local KKHJ signed by P.D. and NRC member, David Gleason. Congrats to Ralph for winning the TVA + thanks to Ray Bauernhuber for the great work with EDXR. Well, as Don Williams sang: "Listen to the Radio" - DX happens! 73

Reid Wheeler, 5910 Boulevard Lp SE, Olympia, WA 98501

Much thanks for the frequent comments as to the appearance of the WDXF column - it's really very easy when you have the right equipment. The column is set up in WordPerfect 5.1 using the Universal 12 pt typeface. After editing and spell check, it is printed on preprinted masthead stock with a HP LaserJet IIID. I have just received a new toy and am pleased with the initial performance. It's a monaural 5-band equalizer unit ordered from All Electronics Corp. in Van Nuys, CA. The unit, approximately 7 x 6 x 3, is housed in a very neat black finish cabinet, runs on 120 VAC and is equipped with RCA input/output jacks. As it was only \$15.00 (+ \$3.50 S/H) I didn't think I had much to lose. If you can't afford a genuine audio filter, this accessory is a reasonable alternative. It has been advertised in recent editions of Popular Electronics - Catalog # EQ-1, toll-free 1-800-826-5432.

IRCA AM-FM ALMANAC UPDATERS:

TALK UPDATER 5.6, FOOTBALL UPDATER 5.7 COMING IN OCTOBER!

Almanac Updater 5.6, due out in early October, will feature "Talk Networks 1992," a complete guide to radio talk, with station listings, schedules, formats, title index, and host index.

Updater 5.7, coming in late October, will include 1992 NFL and college football and other items of interest.

Still available: Updater 5.1 - Almanac index, AM slogans. Updater 5.2 - Satellite Music Network, Unistar/Transtar, BRN, 1991 baseball. Updater 5.3 - Rush Limbaugh, TTS/Highway Radio update, NHL hockey, 1991 football. Updater 5.4 - Updates to ARC, AP, UPI, USA, ESPN, SEN, Canada nighttime music, and basketball. Updater 5.5 - 1992 baseball, Spanish networks, Interstate Radio Network, and AM slogan updates.

20 pages each, \$2 U.S. and Canada, \$3 elsewhere, payable to IRCA, from Bill Hardy, 2301 Pacific Ave., Aberdeen, WA 98520. Thank you!

A DXers TECHNICAL GUIDE

Now in its 2nd edition, this 120 page book answers questions on receiver and antenna theory, how to make them work better, what audio filters and loop antennas will do for you (and hints on their construction), how to build a beverage and phasing unit, and much more. Only \$5.50 for IRCA members, \$6.50 for non-members (overseas airmail add \$2.50). Order your copy today from: IRCA Bookstore, 9705 Mary Ave NW, Seattle WA 98117

EASTERN

DX

FORUM

Richard C. Evans
P.O. Box 21883
Milwaukee, WI 53221

Deadlines: Saturdays Phone: 414 Atlantic 2 9055

Mark Connelly, 30 William Road, Billerica, Massachusetts 01871-6079

Greetings. DX is picking up here as autumn approaches. 1A's have been relatively common. Congrats to Jean Burnell for his loggings of Bolivia-1550, St. Helena-1548, and others (including tentative Mayotte 1458.2). My catches haven't been that exotic, but it's still fun to log the local entertainment of numerous countries on medium wave. Some local notes: WCMX-1000 Leominster, MA has been off for a while. CFBW Bridgewater, ND dominates 1000 here days; its level is fairly weak. With 960 and 1000 off, metro-Fitchburg's AM station count has gone from 4 to 2 in just a few years. That area is now only served by WEIM-1280 and WGAN-1340. In Cambridge, WWFA-740 has changed to WJIB and an easy-listening format similar to that associated with old WJIB-96.9 FM (now WODJ with light jazz). Cambridge's little 250-watt station on 740 has been a revolving door of calls and formats over the years: WTAO, WXIR, WCAS, WLVG, WWFA, WJIB, and possible others have been used since I first tuned it in around 1960. The station seems like a prime candidate to "go dark"; its location in a densely-populated area is probably the only reason that it has managed to survive with its succession of narrowcast "niche formats". Rumors of this station increasing power and changing transmitter location have abounded for some time, but "who's the beef?" With this region's continuing shaky economy, the wisdom of investing in a possible dead-end venture no doubt came under scrutiny. It amazes me that WMEX-1510 continues on with a mere simulcast of WMJX-FM. Several other stations appear to be teetering on the brink of failure, as evidenced by lapses of technical quality and unplanned periods of silence or open carrier; these include WCCM-800, WCAP-980, WBIV-1060, WFSX-1250, WJDA-1300, WLLH-1400, WNTH-1550, and WUNR-1600. Get the bodybag ready for at least one of these soon. Incredibly, no radio station (AM or FM) has seen fit to provide downtown Boston with a Country Music format with a local quality signal. Feeble outlying FM's like WCAV (Brockton), WIKI (RI), and WOKQ (NH) don't "cut it" down between Boston's tall buildings. Country is more popular than ever, but our local stations continue to blow a golden opportunity. 73.

Richard Eckman, 9 Still Harbor Court, Hampton, Virginia 23669

The early part of the new DX season has been marred by several large geomagnetic storms. Hopefully, conditions will improve before too long. I still have not been too active on the BCB, continuing to spend much of my DX time on the ham bands. AS I may be relocating in the next six months, I've been trying to clean out the shack. Since there is no longer a "For Sale" column in DX Monitor, I'd like to offer the following: DX Monitor, volumes 11-26 (1973-1989) complete for \$20 including shipping. I also have a nearly complete set of volumes 6-10. Contract me for details, if you're interested. 73.

Rick Evans, 4841 South 26th Street, Milwaukee, Wisconsin 53221

No varies in this week, but a handful out to bigger stations that I logged on a small radio while at work. I received my copy of the newest NRC log on Monday 9/21, so I spent a couple of days going thru it and highlighting my heard stations so they stand out on the pages. Interesting that of the 228 stations I've logged in Milwaukee in the past four years, 20 have changed calls. I had trouble DXing in August with unfamiliar calls which turned out to be ones I had already, so I've added a new column to my logbook. Now I have two columns for call letters, one for what it was when I first heard the station and the second for "current" (or "new calls") which I plan to update as stations change their calls. Over the past 30 years, I've always just shown the old calls as that's how I remember them. Now that I've learned how to add a new column (and shrink columns) using the computer, it's a lot easier

than the old way of writing everything in longhand, hi! I just add to the printout by hand and then later stick it in the computer. I have noticed a little bit of interference on the radio from the computer when it's on. I'm also noticing this season that I'm now getting some images from locals on frequencies I'm not expecting it. The big culprit is WOPX which is handy in a way; since I normally listen to them for background music, I can recognize the announcers and many of the spots they run. That's it for this week. See you in seven days. 73.

MONTHLY IRCA ALMANAC UPDATER CONTESTS!

Congratulations to the following winners of our monthly Almanac Updater contests!

Oct. 1991 - Dave Braun, Wyoming DE, 16 points.

Dec. 1991 sports contest - Steve Sprague, Coffeyville KS, 19 points (college basketball), and Keith Short, Columbus OH, 50 points (other sports).

May 1992 - tie, R.C. Watts, Louisville KY, and Mike Sanburn, Bellflower CA, each 10½ points.

June 1992 - Greg Ledbetter, Purvis MS, 93 points.

July 1992 - Gene Smith, Louisville KY, 43 points.

Aug. 1992 - Leonard Hyde, Blacksburg VA, 135 points.

The response to our monthly Almanac Updater contests has been fine, so we are continuing the monthly contests till further notice. So if you have information that can update the Almanac, send it in anytime.

This contest is separate from Nancy Hardy's IRCA contests announced in the Sept. 5 DXM. You may enter and win both the "loggings" and "updater" contests. The updater contest is simple, fun, and helpful to your fellow DXers! And you could win a free updater!

All you need to do is listen for information that confirms, corrects, or updates any listing in the 1991 IRCA AM-FM Almanac. Full credit is given if you hear the program, network, slogan, etc. on the station. Half credit is given if you hear it on another station carrying the program, read about it in a newspaper, or obtain a written station list from any source (network, program, college, sports team, etc.). Here is how the scoring works:

1 point per station for each item heard on a station that either updates or confirms a listing in the Almanac. This also includes items we're adding for 1993: State and regional networks, FM slogans, all simulcasts (AM-FM, AM-AM, FM-FM, multi-city, TV news audio).

½ point per station for each announcement on a program of other stations carrying that program.

½ point per station for items from newspapers and other print sources - clippings, photocopies, and handwritten/typed summaries all acceptable. (In fairness, let's exclude contest entries based on large copyrighted references such as Broadcasting Yearbook, SRDS, M Street Journal Directory, or the like. If you have access to them and wish to help, please write.)

Special bonus for loggings through September 30: 3 points for stations you hear if you are at least 50 miles from your home. To be eligible, log them by 9/30/92, and postmark them by 10/31/92.

We are having a contest each month. Information can be from anytime within 1 year of postmark date, provided it hasn't been entered in a previous Almanac contest. Note: Information from July 1990 to Oct. 1991 is eligible if it is postmarked by 10/31/92; after that date, a one-year limit will apply, to keep information as current as possible.

All entries received by the last day of the month count for that month's contest. Any DXer who has not won an Almanac contest in the past 12 months may enter. No purchase necessary; you do not need to be an IRCA member or need to own an Almanac. Almanac workers may enter information for any section they have not worked on. Send entries to Bill Hardy, 2301 Pacific Ave., Aberdeen, WA 98520. Good luck!

THE 1992 FREQUENCY CHECK LIST

All times are in **EASTERN LOCAL TIME**, except checks with underlined times. In those cases, the check is run on standard time throughout the year. Some information was gathered from the pages of **DX Monitor** and **DX News**.

FIRST MONDAY

0020-0030 WCNC 1240 NC T
 0115-0125 @KHCB 1400 TX T
 0200-0215 *KFGQ 1260 IA T
 0300-0600 *WHFB 1060 MI Ta

a - tests between these times
 with 5000 watts

SECOND MONDAY

0030-0040 *WHHO 1320 NY Ta
 0100-0110 *KNLV 1060 NE T
 0130-0145 *KSDN 930 SD Tc
 0200-0210 @KNEB 960 NE T
 0210-0220 @KVOW 1450 WY T
 0220-0230 @KIMB 1260 NE T
 0230-0235 @KCLV 1240 NM T
 0230-0300 @KEZO 1490 NE Tf
 0245-0300 WXBQ 980 VA T
 0300-0415 @KAPE 1550 MO Td
 0310-0325 WCDT 1340 TN t
 0435-0450 @WSWV 1570 VA Tb
 0515-0530 @WNBS 1340 KY Tb
 @WSEZ 1560 IN Tbe
 0640-0645 @KSCB 1270 KS T
 @KPOW 1260 WY T
 0720-0730 @KWOR 1340 WY T
 0750-0800 @KPAG 1400 CO T

a - Monday in same week as 15th
 b - Monday after 2nd Sunday
 c - 5 min check this period
 d - time not specified
 e - 15 min before local s/on,
 or 0630 if earlier
 f - 10 min check this period

THIRD MONDAY

0000-0020 @*WCBG 1590 PA T
 0001-0010 @WCON 1240 GA T
 0015-0025 WINX 1600 MD Td
 0030-0040 @*WCHE 1520 PA MT
 *WHHO 1320 NY Ta
 WVFC 1530 PA Td
 WMBT 1530 PA Td
 0040-0050 @*WFTH 1590 VA M
 0045-0100 0100-0115 *KGTO 1050 OK T
 @WCMS 1050 VA T
 0110-0130 @WFBG 1290 PA T
 0115-0120 0125-0130 @WOND 1400 NJ T
 0135-0145 @WMBT 1530 PA T
 0145-0200 @*WBCB 1490 PA T
 0205-0215 @KPOK 1340 ND T
 0215-0225 @KYCN 1340 WY T
 0415-0425 @WILK 980 PA T
 0430-0440 @WJMA 1340 VA T
 0435-0450 @NSWV 1570 VA T
 0515-0530 @WNBS 1340 KY T
 0530-0540 @WNNT 690 VA T
 0545-0600 @WSEZ 1560 IN Tbc
 WHOL 1600 PA Td

a - same week as 15th
 b - Monday after 2nd Sunday
 c - 15 min before local s/on,
 or 0630 if earlier
 d - Monday after 3rd Sunday

FOURTH MONDAY

0100-0115 *KCJB 910 ND T
 0105-0120 *KROX 1260 MN T
 0520-0530 WSHP 1480 PA Ta
 0535-0545 WLLN 1370 NC Ta
 0545-0555 WHOL 1600 PA Ta
 0615-0620 *KGFY 1060 Sd T

a - Monday after 4th Sunday

FIRST TUESDAY

0445-0500 @WSFC 1240 KY T
 0500-0515 @WHLN 1410 KY T
 0515-0530 @WVCB 1340 KY T
 @WEZJ 1440 KY T
 @WKLB 1290 KY T
 0545-0600 @WBGN 1340 KY T
 @WJKZ 1030 TN T
 WNVA 1350 VA T
 0615-0625 @KWMC 1490 TX T
 0630-0640 @KWKI 1270 TX T
 0640-0650 @KRRV 1410 LA T
 0645-0700 @KRME 1460 TX T
 0730-0740 @KSWV 810 NM Ta
 0750-0800 @KGLN 980 CO Ta

a - 1st or 2nd Tuesday

SECOND TUESDAY

0005-0020	@*WSNJ	1240	NJ	Tb
0020-0030	@WRAR	1000	VA	Tb
0130-0135	KSIB	1520	IA	T
0135-0145	@WCLM	1450	VA	Tb
0200-0215	KTYN	1430	ND	T
0545-0600	KDLR	1240	ND	T
0645-0655	@KVLV	1240	TX	T
0730-0740	@KSWV	810	NM	Ta
0750-0800	@KGLN	980	CO	Ta

a - 1st or 2nd Tuesday

b - Tuesday after 2nd Monday

THIRD TUESDAY

0000-0010	@*WKEN	1600	DE	Tc
0001-0010	WCTM	950	MD	Tb
0005-0020	@*WSNJ	1240	NJ	Ta
0015-0025	WAHT	1510	PA	Tb
0015-0030	@*WJUN	1220	PA	Tb
0020-0030	@WRAR	1000	VA	Ta
0030-0040	WKBO	1230	PA	Tb
0040-0050	WQIN	1290	PA	Tb
0100-0110	*KOLY	1300	SD	T
0120-0140	KBRX	1350	NE	T
0135-0140	@WCLM	1450	VA	Ta

a - Tuesday after 2nd Monday

b - Tuesday after 3rd Monday

c - 1 minute check

FOURTH TUESDAY

0000-0015	@*WCYK	810	VA	Tb
0015-0030	@WZKT	1490	VA	Tb
	@*WJUN	1220	PA	Ta
0045-0055	@WCVA	1490	VA	Tb

a - Tuesday after 3rd Monday

b - Tuesday after 4th Monday

FIRST WEDNESDAY

0101-0110	@KGBC	1540	TX	T
0115-0125	@KSNY	1450	TX	T
0200-0215	@KINO	1230	AZ	T
0500-0515	@WSWV	1570	VA	T
0545-0600	@WSLK	1600	KY	T
0547-0555	@WEKY	1340	KY	T
0600-0615	@WMTL	870	KY	T

SECOND WEDNESDAY

0100-0110	@KFLA	1310	KS	T
0110-0120	@KBUF	1030	KS	T
	@*KEAN	1280	TX	T
0145-0200	*WHUB	1400	TN	T
0200-0210	@KRBN	1450	MT	T
0205-0215	@KDSI	1070	TX	T
0210-0220	@KDRG	1400	MT	T
0220-0230	@KROZ	1090	MT	T

THIRD WEDNESDAY

0050-0100	WRKQ	1250	TN	T
0230-0245	KCQL	1340	NM	T

FOURTH WEDNESDAY

0100-0110	WSMI	1540	IL	T
0200-0215	*WLSM	1270	MS	T

FIRST THURSDAY

0025-0040	*WMCT	1390	TN	T
0100-0110	@KONK	1530	KS	Ta
	*WCPM	1280	KY	T
0110-0120	@KAMI	1580	NE	Ta
	@KVSH	940	NE	T
0120-0130	@KCOW	1450	NE	Ta
0200-0205	@KOJM	610	MT	Ta
	@KRKE	1260	CO	T
0205-0210	@KZSS	610	NM	Ta
0210-0215	@KLMX	1450	NM	Ta
0215-0220	@KCKN	1020	NM	Ta
0220-0230	@KKOB	770	NM	Ta
0230-0240	@KCSR	610	NE	Ta
0545-0600	@WRVK	1460	KY	T
	@KIBL	1490	TX	T
0610-0620	@KLEV	1410	TX	T
* * *	@WRLV	1140	KY	T
* * *	@WIRV	1550	KY	T
* * *	@WKYZ	1590	KY	T

a - 1st or 2nd Thursday

* * * - 15 minutes before local sign-on

SECOND THURSDAY

0100-0110	@KONK	1530	KS	Ta
0110-0120	@*KAMI	1580	NE	Ta
	KTGO	1090	ND	T
0120-0130	@KCOW	1450	NE	Ta
0145-0200	*KMAY	1520	ND	T
0200-0205	@KOJM	610	MT	Ta
0200-0210	@KRKE	1260	CO	T
0205-0210	@KZSS	610	NM	Ta
0210-0215	@KLMX	1450	NM	Ta
0215-0220	@KCKN	1020	NM	Ta
0220-0225	@KKOB	770	NM	Ta
0230-0240	@KCSR	610	NE	Ta
0645-0655	@KPSO	1260	TX	T
0650-0700	@KEYJ	1560	TX	T

a - 1st or 2nd Thursday

THIRD THURSDAY

0210-0225	WIZK	1570	MS	T
0230-0240	@KIMM	1150	SD	Ta

a - 3rd Thursday or 2nd Saturday

FOURTH THURSDAY

0001-0010	WZKT	1490	VA	Ta
0105-0115	WRTA	1240	PA	Ta

a - Thursday after 4th Wednesday

FIRST FRIDAY

0445-0500 @WMOR 1330 KY T
 @WOOO 1520 IN Tw
 0540-0555 @WHIC 1520 KY T
 @WCLU 1490 KY T
 0545-0600 @WOOO 1520 IN Ts
 0630-0640 @KWRD 1470 TX T
 0650-0700 @KVAR 1160 TX T

w - winter
 s - summer

SECOND FRIDAY

0000-0015 @*WHBG 1360 VA Ta
 0115-0215 *KSCJ 1360 IA T

a - Friday after 2nd Thursday

THIRD FRIDAY

0000-0015 @*WHBG 1360 VA Ta
 0025-0035 @WKEX 1430 VA Tb
 0059-0101 @WKAV 1400 VA Tb
 0145-0150 @WNNK 1400 PA Tb
 0200-0215 *KGAK 1330 NM T
 0200-0220 KRTN 1490 NM T
 0207-0215 @WFTR 1450 VA Tb

a - Friday after 2nd Thursday
 b - Friday after 3rd Thursday

FOURTH FRIDAY

0025-0035 @WPES 1410 VA Ta
 0059-0101 @WKAV 1400 VA Ta
 0100-0115 KTLQ 1350 OK T
 0145-0150 @WNNK 1400 PA Ta
 0145-0200 *KSIW 1450 OK T
 0207-0215 @WFTR 1450 VA Ta
 0645-0655 *WRMS 790 IL T

a - Friday after 3rd Thursday

FIRST SATURDAY

0110-0120 @KBRB 1400 NE Ta
 0200-0215 @*KLPZ 1380 AZ T
 0210-0220 @KTOQ 1340 SD T
 0210-0225 @*KYCA 1490 AZ T
 0220-0230 @KYLt 1340 MT Ta
 0230-0240 @KSIL 1340 NM Ta
 9530-0545 WXGM 1420 VA T
 0545-0600 @WVKY 1270 KY T
 @WDOC 1310 KY T

a - 1st or 2nd Saturday

SECOND SATURDAY

0110-0120 @KBRB 1400 NE Ta
 0200-0210 @KKTY 1470 WY T
 0210-0220 @KTOQ 1340 SD Ta
 0220-0230 @KYLt 1340 MT Ta
 0230-0240 @KSIL 1340 NM Ta
 @KIMM 1150 SD Tc

0300-0415 @WMIX 940 IL Tb
 0330-0500 @WPAD 1560 KY Tb

a - 1st or 2nd Saturday
 b - time not specified
 c - 3rd Thursday or 2nd Saturday,
 Jan. and July only

THIRD SATURDAY

0200-0210 @KRDD 1320 NM T
 0210-0220 @KOWB 1290 WY T

FOURTH SATURDAY

(none)

FIRST SUNDAY

0200-0210 @KKTY 1470 WY T
 0220-0230 @KRSY 1230 NM T

SECOND SUNDAY

0530-0545 @WLCK 1250 KY T
 @WSFC 1240 KY T
 0545-0600 @*WMOV 1360 WV T

THIRD AND FOURTH SUNDAYS

(none)

ANNUAL CHECK

0230-0231 @KROE 930 WY Ta

a - unknown date

Key to symbols throughout the list:

@ - regular check per monitoring company

* - regular check per station and/or consistent reception

T - station tests with tone

t - station tests with dial tone

M - station tests with music

and/or tone

C - station ID's with Morse Code

Other symbols defined in list.

Many of these tests have not been verified to exist in recent years by members of the club, thus list may not be accurate. In order to keep list accurate, it is important for members to send in tips regarding checks to their respective DX columns. In addition, updates to this list should be sent to:

Robert Wien
 1309 Dentwood Drive
 San Jose, CA. 95118

THE INTERNATIONAL RADIO CLUB OF AMERICA (IRCA)

The IRCA is a non-profit organization devoted to the hobby of hearing distant stations on the AM Broadcast Band (510 - 1630 khz). **DX Monitor**, the official publication of the IRCA, is published 34 times a year, weekly from October to March, twice in September and April, and monthly from May to August. **DX Monitor** contains members' loggings, articles on radio stations, receiver reviews, technical articles, DX tips, and other material of interest to Broadcast Band DX hobbyists. IRCA is a member of ANARC, the Association of North American Radio Clubs.

CLUB ADDRESSES AND OFFICERS

President: Phil Bytheway, 9705 Mary NW, Seattle, WA 98117 (206) 356-3927 (proposals)
Secretary-Treasurer: Ralph Sanserino, 11300 Magnolia #43, Riverside, CA 92505 (dues/address changes)
Board of Directors: Shawn M Axelrod, Michael S Hardester, Bill Hardy (chairman), Ric Heald, Albert S Lobel, Patrick Martin and Robert Wien
Editor-in-Chief/Publisher: Ralph Sanserino, 11300 Magnolia #43, Riverside, CA 92505
Publishing Coordinator: Phil Bytheway, 9705 Mary NW, Seattle, WA 98117

MEMBERSHIP DUES

U.S. - \$25.00 per year. Canada - \$27.00. Overseas Surface - \$28.50. Overseas Airmail - \$35.00 (Central America, Caribbean, Colombia and Venezuela), \$38.00 (Europe, North Africa, Middle East), \$41.00 (rest of the world). One time charge for New Member Packet - \$2.00 (first year only). Trial Membership - \$9.50 (10 issues of **DX Monitor** and a New Member Packet, U.S. / Canada / Mexico only). Installment rate: two payments of 1/2 dues plus \$1.00 (\$13.50/payment for U.S. members). Make checks and money orders payable to IRCA and send all dues (and address changes) to: IRCA, 11300 Magnolia, #43, Riverside, CA 92505. Persons living outside the U.S., please use International Money Order in U.S. funds. Sample copies of **DX Monitor** are \$1.00 (U.S. or Canadian) or two International Reply Coupons each and are available from: IRCA, 11300 Magnolia #43, Riverside, CA 92505.

Unless otherwise noted, permission is granted to publish, broadcast, or otherwise reproduce non-copyrighted material appearing in **DX Monitor** provided credit is given to the IRCA and the original contributor. Opinions expressed in **DX Monitor** are those of the original contributors and do not necessarily reflect those of the IRCA, its publishing staff, editors or officers.



IRCA
INTERNATIONAL RADIO
CLUB OF AMERICA
11300 MAGNOLIA #43
RIVERSIDE, CA 92505

FIRST CLASS MAIL

30-09
J D STEPHENS
3715 CONGER RD SW
HUNTSVILLE AL 35805
USA

FIRST CLASS
U.S. POSTAGE
PAID
RIVERSIDE, CA
PERMIT NO. 5214

RTL-1A: Improved Version of RTL-1 Remotely-Tuned Loop
Mark Connelly - WA1ION - 15 APR 1992

This article is an addendum to "The RTL-1 Remotely-Tuned Loop", an article I published in July of 1991. The original design has been upgraded to the RTL-1A model by the following modifications:

- * A switch (S4) has been added to enable or disable the output amplifier. In urban areas or with very sensitive receivers / large loop heads, use of too much gain can compromise dynamic range. (The output amplifier is still needed with smaller loopheads, less sensitive receivers, and rural locations.)
- * Another added switch (S5) now allows broadband, as well as tuned, operation in the active whip / wire mode. Broadband operation permits rapid bandscanning, shortwave parallel checking, etc. (at least in areas not congested with local stations that could give rise to spurious responses).
- * The BFE-C card (described in my recent article and updater) is used in place of the BFE-A. This balanced front-end, an adaptation of Dallas Lankford's design, has better noise and strong-signal handling characteristics than the BFE-A. See the BFE-C article and updater for full construction documentation (schematic, assembly, parts list).
- * An upgraded broadband amplifier card, BBA-C1, is used in place of the BBA-C. Through laboratory tests with synthesizers and a spectrum analyzer at work after-hours, design optimizations have been made for improved IMD / spur performance in two-tone tests (1000, 1100 kHz). Calculated third-order intercept is in the +32 to +36 dBm range. Amplifier gain is about 23 dB. Complete BBA-C1 documentation is included in this article. This amplifier may be used in place of BBA-C in any of my other designs (e. g. MWDX-5).
- * Other minor component changes have been made as part of the RTL-1A upgrade.

| Documentation changes to figures and tables |
in the original RTL-1's article

RTL-1 Figure 1: replace with RTL-1A (this article) Figures 1A and 1B.

FIGURE 1A : RTL-1A REMOTE LOOP MAIN SCHEMATIC (INPUT)

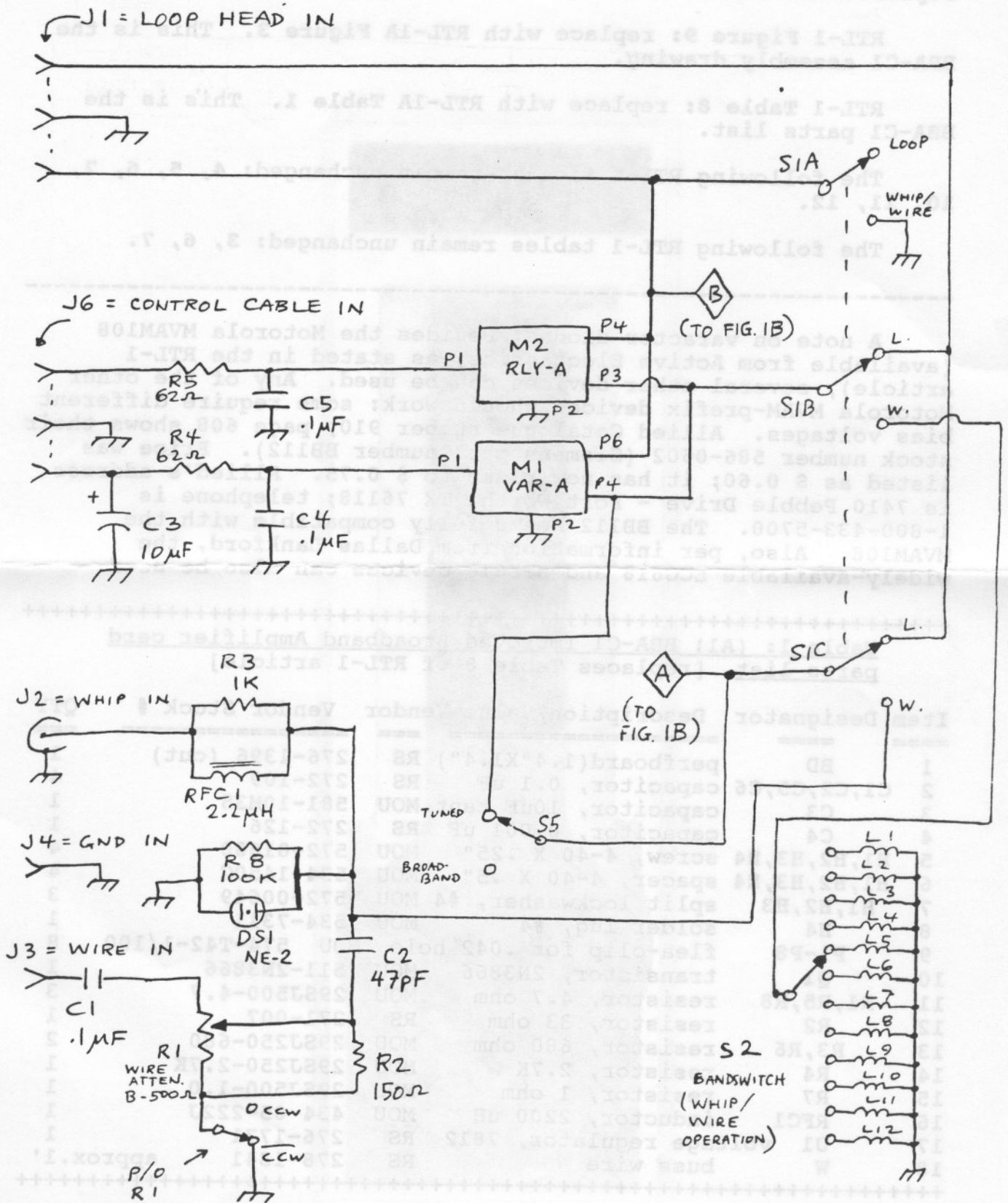
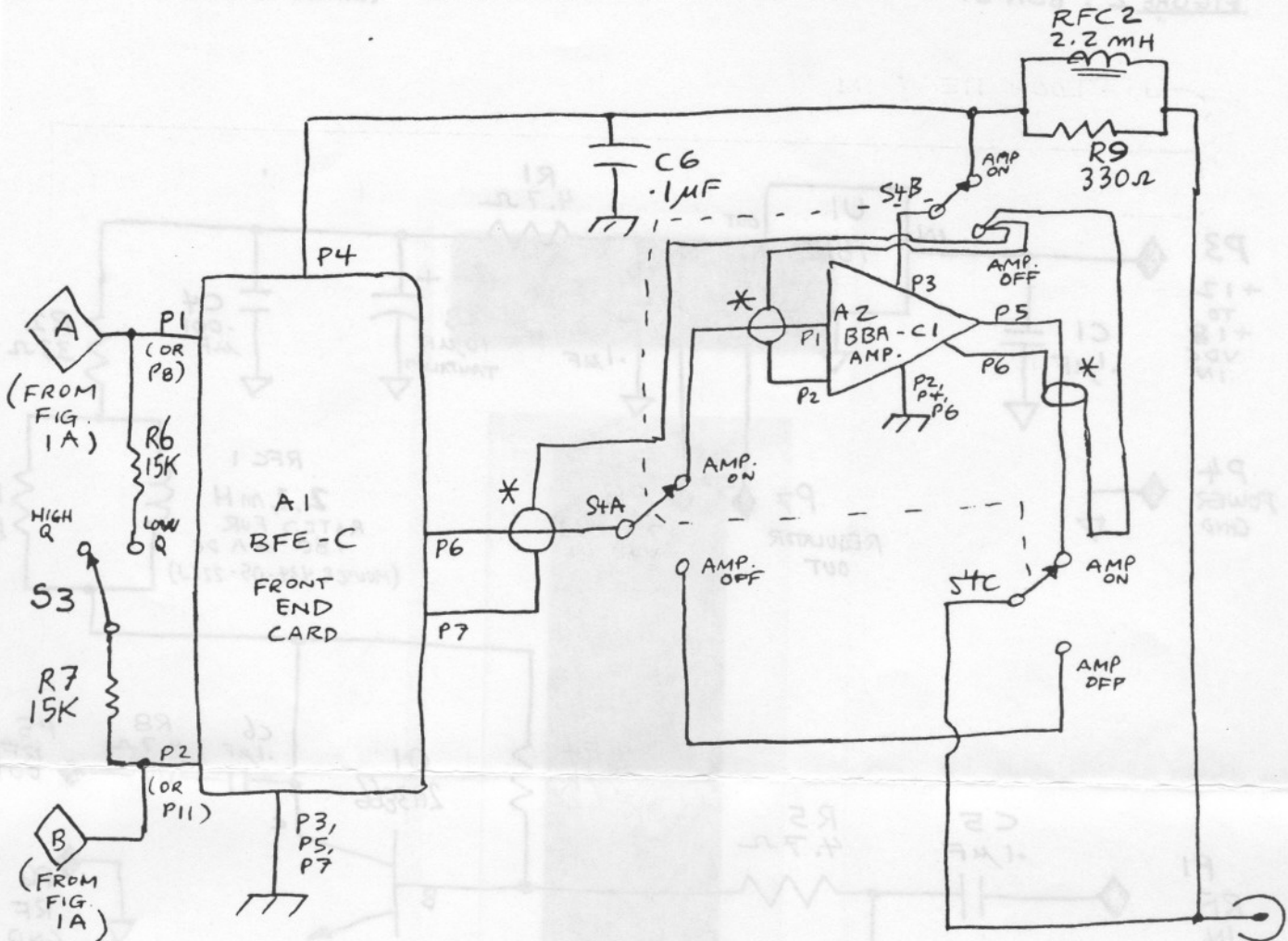


FIGURE 1B : RTL-1A REMOTE LOOP
MAIN SCHEMATIC (OUTPUT)

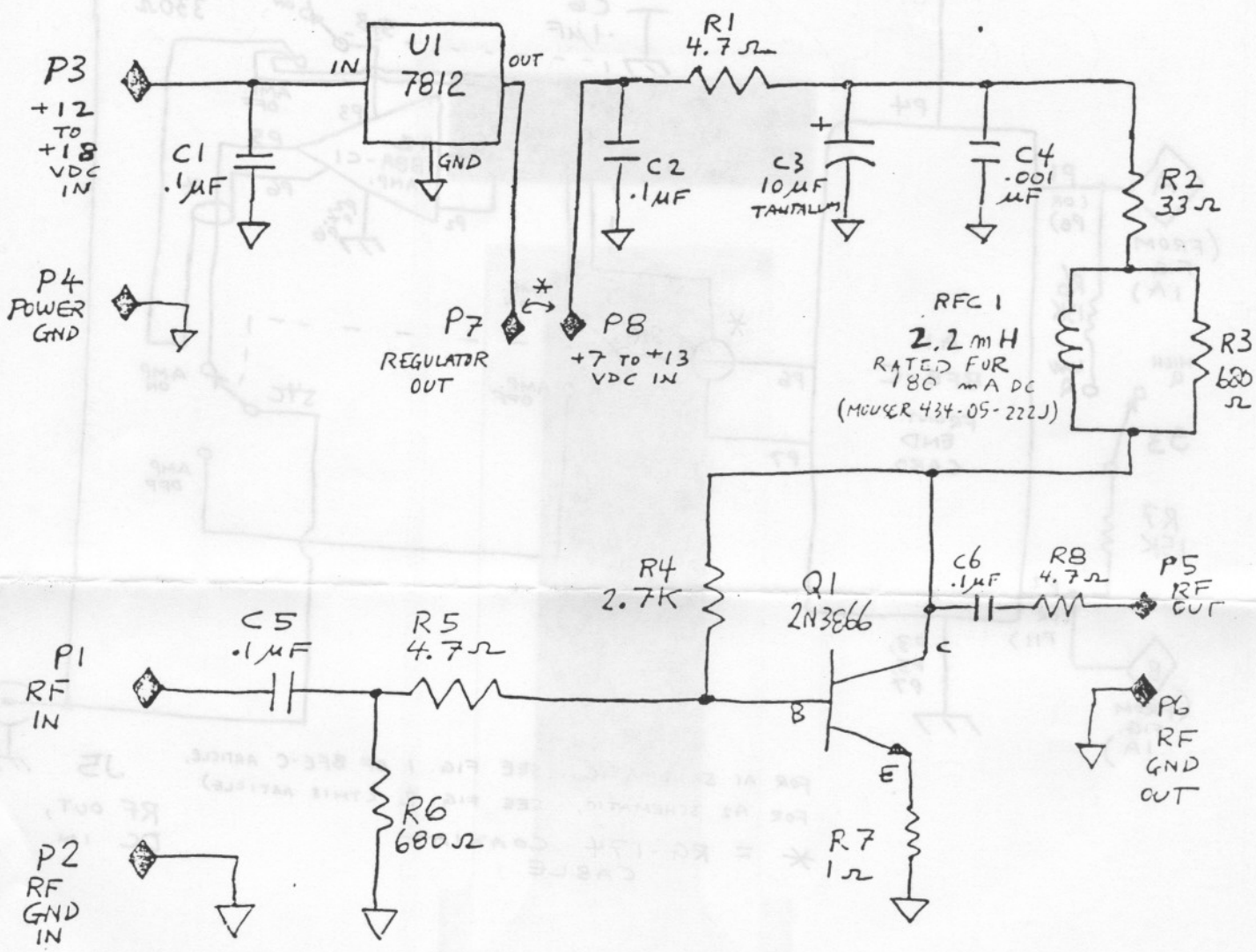


FOR A1 SCHEMATIC, SEE FIG. 1 OF BFE-C ARTICLE.
FOR A2 SCHEMATIC, SEE FIG. 2 (THIS ARTICLE)

* = RG-174 COAXIAL
CABLE

J5
RF OUT,
DC IN

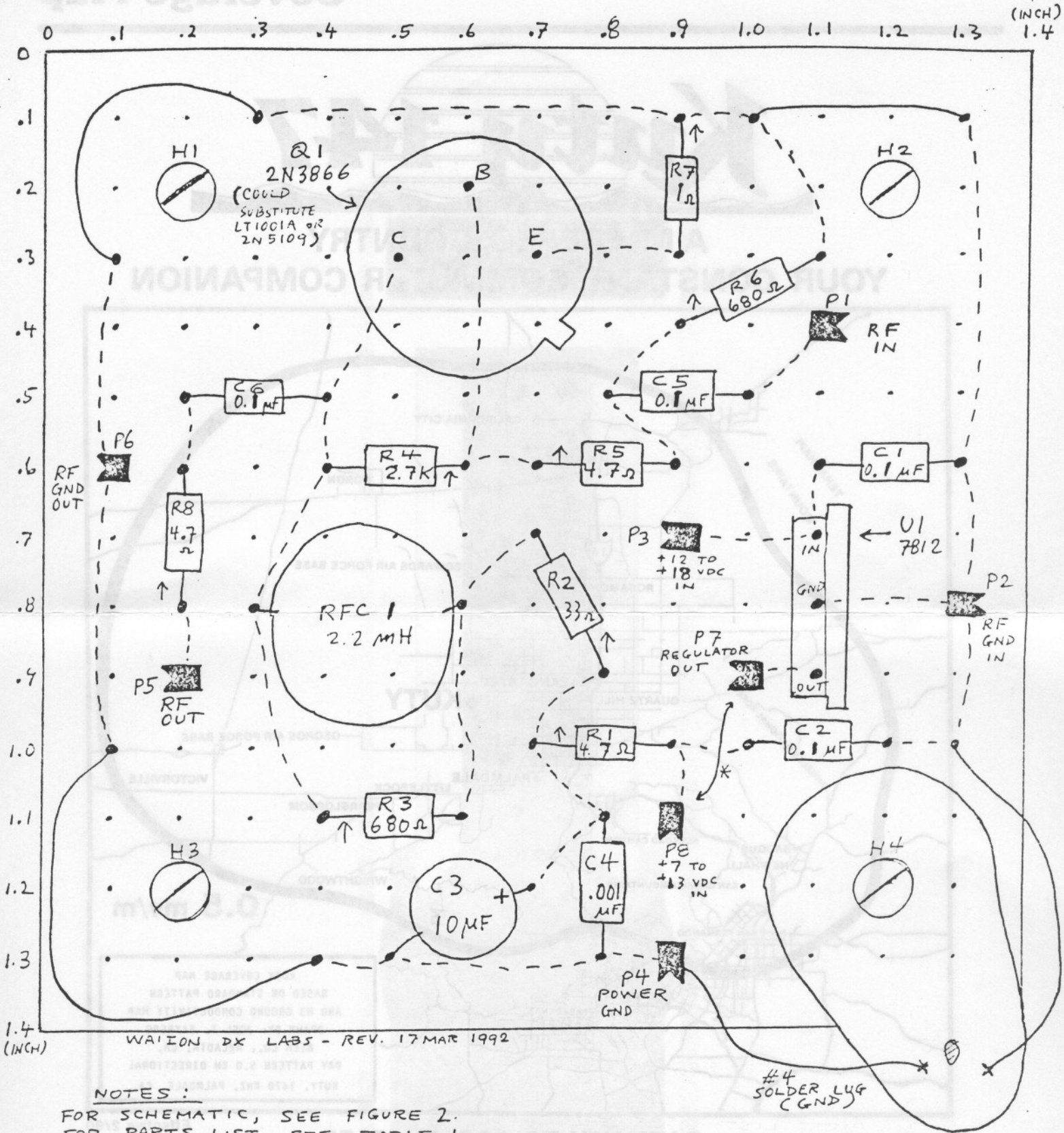
FIGURE 2 : BBA-C1 IMPROVED BROADBAND AMPLIFIER CARD - SCHEMATIC
 (WATSON DX LABS - 17 MAR 1992)



NOTES

- ↓ = CIRCUIT CARD GROUND
- * = JUMPER FOR REGULATED OPERATION
- FOR ASSEMBLY, SEE FIGURE 3.
- FOR PARTS LIST, SEE TABLE 1.

FIGURE 3 : BBA-C1 IMPROVED BROADBAND AMPLIFIER CARD - ASSEMBLY



WAIION DX LABS - REV. 17 MAR 1992

NOTES :

FOR SCHEMATIC, SEE FIGURE 2.

FOR PARTS LIST, SEE TABLE 1.

↑ = LONG-LEAD SIDE OF VERTICALLY-MOUNTED COMPONENT.

— = BUSS WIRE ON COMPONENT SIDE OF BOARD

--- = BUSS WIRE ON SOLDER SIDE OF BOARD

⊞ = "FLEA CLIP" TERMINAL PIN
OPEN SIDE

* = JUMPER INSTALLED FOR REGULATED OPERATION

#4
SOLDER LUG
(GND)

RTL-1 Figure 8: replace with RTL-1A Figure 2. This is the schematic for the BBA-C1 Improved Broadband Amplifier that replaces the BBA-C.

RTL-1 Figure 9: replace with RTL-1A Figure 3. This is the BBA-C1 assembly drawing.

RTL-1 Table 8: replace with RTL-1A Table 1. This is the BBA-C1 parts list.

The following RTL-1 figures remain unchanged: 4, 5, 6, 7, 10, 11, 12.

The following RTL-1 tables remain unchanged: 3, 6, 7.

A note on varactor diodes: Besides the Motorola MVAM108 (available from Active Electronics, as stated in the RTL-1 article), several other devices can be used. Any of the other Motorola MVAM-prefix devices should work: some require different bias voltages. Allied Catalogue number 910, page 608 shows their stock number 586-0602 (Siemens part number BB112). Price was listed as \$ 0.60; it has now risen to \$ 0.75. Allied's address is 7410 Pebble Drive - Fort Worth, TX 76118; telephone is 1-800-433-5700. The BB112 seems fully compatible with the MVAM108. Also, per information from Dallas Lankford, the widely-available ECG618 and NTE618 devices can also be used.

+++++

Table 1: (A1) BBA-C1 Improved Broadband Amplifier card parts list [replaces Table 8 of RTL-1 article]

Item	Designator	Description/Value	Vendor	Vendor Stock #	QTY
====	====	=====	===	=====	===
1	BD	perfboard(1.4"X1.4")	RS	276-1396 (cut)	1
2	C1,C2,C5,C6	capacitor, 0.1 uF	RS	272-109	4
3	C3	capacitor, 10uF tant.	MOU	581-10M35	1
4	C4	capacitor, 0.001 uF	RS	272-126	1
5	H1,H2,H3,H4	screw, 4-40 X .25"	MOU	572-01880	4
6	H1,H2,H3,H4	spacer, 4-40 X .5"	MOU	534-1450C	4
7	H1,H2,H3	split lockwasher, #4	MOU	572-00649	3
8	H4	solder lug, #4	MOU	534-7311	1
9	P1-P8	flea-clip for .042" hole	MOU	574-T42-1/100	8
10	Q1	transistor, 2N3866	MOU	511-2N3866	1
11	R1,R5,R8	resistor, 4.7 ohm	MOU	29SJ500-4.7	3
12	R2	resistor, 33 ohm	RS	271-007	1
13	R3,R6	resistor, 680 ohm	MOU	29SJ250-680	2
14	R4	resistor, 2.7K	MOU	29SJ250-2.7K	1
15	R7	resistor, 1 ohm	MOU	29SJ500-1.0	1
16	RFC1	inductor, 2200 uH	MOU	434-05-222J	1
17	U1	voltage regulator, 7812	RS	276-1771	1
18	W	buss wire	RS	278-1341	approx.1'

+++++

RTL-1 Table 1: Amend the hole list by adding:

LEFT SIDE

Hole #	Comp. Desig.	Description	X	Y	D
4	S4	Tuned/Broadband switch-shaft	1.25	1.25	0.25
5	S4	Tuned/Broadband switch- tab	1.25	1.0	0.125

RIGHT SIDE

Hole #	Comp. Desig.	Description	X	Y	D
4	S5	Amp. On / Off switch - shaft	-1.125	1.25	0.25
5	S5	Amp. On / Off switch - tab	-1.125	1.5	0.125

RTL-1 Table 2: Amend the parts list as follows:

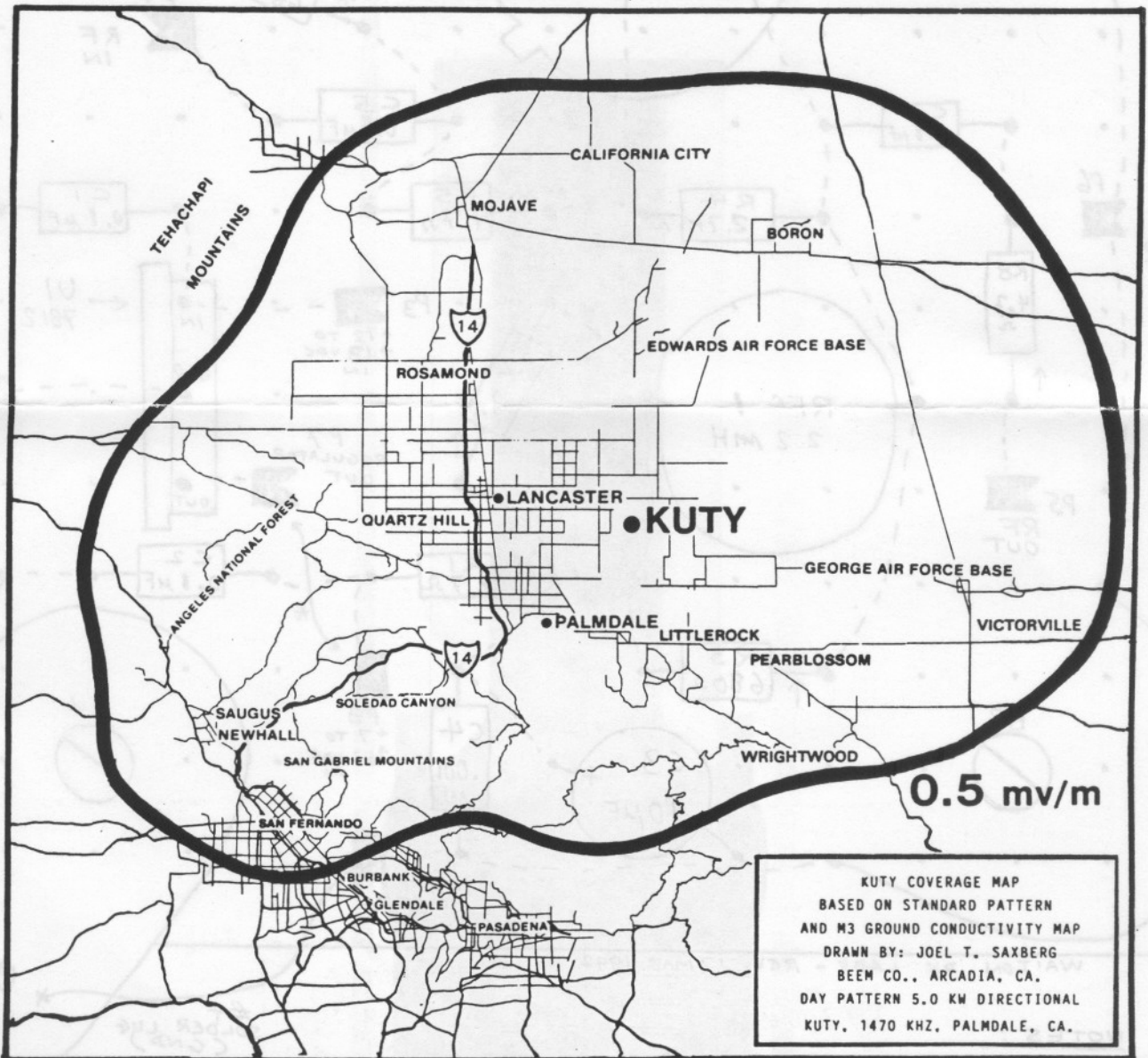
Item	Designator	Description/Value	Vendor	Vendor Stock #	QTY
(Items 1 through 8: no change)					
9	C2	capacitor, 47 pF	MOU	232-1000-047	1
(Items 10 through 32: no change)					
33	R8	resistor, 100K	RS	271-1347	1
34	R9	resistor, 330 ohm	RS	271-017	1
35	RFC1	inductor, 2.2 uH	MOU	43LR226	1
36	RFC2	inductor, 2200 uH	MOU	434-05-222J	1
37	S1	switch, DPDT, on-on	RS	275-614	1
38	S2	switch/1pole/12pos. rotary	MOU	10WW112	1
39	S3, S4	switch, SPDT, on-on	RS	275-662	2
40	S5	switch, 3PDT, on-on	MOU	10TC280	1
41	-	screw, 4-40 X .25"	MOU	572-01880	14
42	-	split lockwasher, #4	MOU	572-00649	12
43	-	solder lug, #4	MOU	534-7311	2
44	-	hex nut, 4-40	MOU	572-00486	2
45	-	screw, 1/4-20X1.5"	TVH or Sears		2
46	-	split lockwasher, 1/4-20	TVH or Sears		2
47	-	flat washer, 1/4-20	TVH or Sears		2
48	-	hex nut, 1/4-20	TVH or Sears		4

RTL-1 Tables 4 & 5 and Figures 2 & 3 are changed to the equivalent documentation from the BFE-C article and updater.

Coverage Map

Kuty 147

**A M STEREO COUNTRY
YOUR CONSTANT COMMUTER COMPANION**



GATEWAY TO LOS ANGELES

Effective 2/90

- 5,000 watts of power 24 hrs. per day.
- From the Tehachapi Mountains to Los Angeles covering over 3,000 square miles.
- Approximately 50,000 daily commuters to L.A. on Hwy. 14
- Estimated Antelope Valley Population 250,000 people and BOOMING!!!