

DX MONITOR

THE OFFICIAL
PUBLICATION
OF THE



INTERNATIONAL
RADIO CLUB
OF AMERICA

DEVOTED EXCLUSIVELY TO BROADCAST BAND DXING

JANUARY 16, 1993 - VOLUME 30 - NUMBER 18 - EDITION 976 - ISSN 0899 - 9732

NEW MEMBERS: Stephen Byan, Gene Paul. **RENEWALS:** Lynn Hollerman, John Sampson, Karl Forth, Gerry Thomas, Bill Higgs, Doug Cranmer. Thank you all....

IN THIS ISSUE: DX Test Info, DX Worldwide West, Western DX Roundup, IRCA Contests, Almanac Updater Ad, Central DX Roundup, Eastern DX Roundup, Western DX Forum, Eastern DX Forum, Use of Auto Radios for DXing, BUF-A Buffer Amplifier Card continued from issue #16, 4 pages. Still 1 1/2 pages...

DX TESTS: CPC JD Stephens has written an article on DX Tests that will appear in the February issue of Monitoring Times. Please take a look.....

FRG 100: Word is going around that Yaesu is coming out with a new FRG receiver. As soon as I get the spec sheet you will have the info.....

FILTERS: KIWA Electronics 612 South 14th Ave Yakima WA 98902 has some nice filter modules for most receivers. Give them a call and request one of their flyers at 1-800-398-1146. Tell them you read about them in the IRCA's DX Monitor. They also sell a loop antenna. More on this later.....

AT THIS TIME: I would like to thank all of the members for the kind words and all of the support, without you there would not be the IRCA, also the editors can take a bow for a job well done. Keep up the good work....Pub.

ANNIVERSARY ISSUE: Thought I would get an early start on this issue. We will use the March 13th issue as the Anniversary issue. It will be here before you know it. Get your stuff in early so you will not miss out.....

TORN FRONT COVERS: Some of you have been getting DXM's with front covers torn or missing. The postal service has been running the DXM's thru their sorting machine. Something they are not suppose to do with this type mail. I am after them and will stay after them until they correct their ways....

AM
1450

PRESCOTT

FM
98.3

KNOT

ARIZONA

IRCA DX TEST BULLETIN

MONDAY, JANUARY 18, 1993 - WOC-1420, 3535 EAST KIMBERLY ROAD, DAVENPORT, IA 52807 WILL CONDUCT A DX TEST FROM 2:15 - 2:30 AM EST. THE TEST WILL INCLUDE MORSE CODE, TONES, VOICE ID'S, AND BIG BAND MUSIC. RECEPTION REPORTS MAY BE SENT TO: MR. JON BOOK (KB0ED) - DIRECTOR OF ENGINEERING. (ARRANGED BY J.D. STEPHENS FOR IRCA CPC)

MONDAY, JANUARY 18, 1993 - KXTQ-950, 904 EAST BROADWAY, LUBBOCK, TX 79403 WILL CONDUCT A DX TEST FROM 2:30 - 3:00 AM EST. THE TEST WILL INCLUDE MORSE CODE ID'S, AND BILINGUAL (SPANISH & ENGLISH) PROGRAM MATERIAL. RECEPTION REPORTS MAY BE SENT TO: TANYA ROBERTS - GENERAL MANAGER. (ARRANGED BY J.D. STEPHENS FOR IRCA CPC)

MONDAY, JANUARY 25, 1993 - KEYZ-660, P.O. BOX 2048, WILLISTON, ND 58802-2048 WILL CONDUCT A DX TEST FROM 1:30 - 2:00 AM EST. THE TEST WILL INCLUDE MORSE CODE ID'S AND WILL BE CONDUCTED IN AM STEREO. SO, FOR THOSE OF YOU WITH AM STEREO RECEIVERS, BE SURE TO REPORT ANY STEREO RECEPTION. RECEPTION REPORTS MAY BE SENT TO: MR. EARL GROSS (W0DAPE) - NEWS DIRECTOR. (ARRANGED BY J.D. STEPHENS FOR IRCA CPC)

MONDAY, JANUARY 25, 1993 - KAZM-780, P.O. BOX 1525, SEDONA, AZ 86336-1525 WILL CONDUCT A DX TEST FROM 2:00 - 2:30 AM EST. THE TEST WILL INCLUDE MORSE CODE ID'S, TONES, AND MARCH AND POLKA MUSIC. RECEPTION REPORTS MAY BE SENT TO: MR. JOE TABBACK - GENERAL MANAGER. (ARRANGED BY J.D. STEPHENS FOR IRCA CPC)

WEDNESDAY, JANUARY 27, 1992 - WSMI-1540, P.O. BOX 10, LITCHFIELD, IL 62056 WILL CONDUCT A DX TEST BETWEEN 1:00 & 1:10 AM EST. THE TEST WILL INCLUDE MORSE CODE, TONES, AND VOICE ID'S AND WILL BE PART OF THE STATION'S MONTHLY FREQUENCY CHECK. RECEPTION REPORTS MAY BE SENT TO: MR. BRIAN TALLEY (N90VV) - CHIEF ENGINEER. MR. TALLEY REQUESTS AN SASE BE INCLUDED WITH ALL REPORTS. (ARRANGED BY J.D. STEPHENS FOR IRCA CPC)

MONDAY, FEBRUARY 1, 1992 - KOFI-1180, KALISPELL, MT WILL CONDUCT A DX TEST BETWEEN 4:00 & 5:00 AM EST. THE TEST WILL INCLUDE MORSE CODE. POWER WILL BE 10 KW. RECEPTION REPORTS MAY BE SENT TO: MR. BILL ROBERTS (AA7HM) - ANNOUNCER. MR. ROBERTS REQUESTS THAT RECEPTION REPORTS BE SENT TO HIS HOME ADDRESS OF: 130 10TH STREET EAST, KALISPELL, MT 59901. (ARRANGED BY J.D. STEPHENS FOR IRCA CPC)

SATURDAY, FEBRUARY 6, 1992 - WANM-1070, P.O. BOX 10174, TALLAHASSEE, FL WILL CONDUCT A DX TEST BETWEEN 12:00 & 12:30 AM EST. THE TEST WILL INCLUDE MORSE CODE. POWER WILL BE 10 KW USING AN OMNIDIRECTIONAL ANTENNA PATTERN. RECEPTION REPORTS MAY BE SENT TO: MR. CHARLES KINNEY - CHIEF ENGINEER. (ARRANGED BY J.D. STEPHENS FOR IRCA CPC)

MONDAY, FEBRUARY 8, 1992 - KAAM-1310, P.O. BOX 870183, DALLAS, TX 75287 WILL CONDUCT A DX TEST BETWEEN 2:00 & 4:00 AM EST. THE TEST WILL INCLUDE MORSE CODE. RECEPTION REPORTS MAY BE SENT TO: MR. HUE BEAVERS - CHIEF ENGINEER. (ARRANGED BY J.D. STEPHENS FOR IRCA CPC)

SATURDAY, FEBRUARY 13, 1992 - WWCC-1590, P.O. BOX 1104, HONESDALE, PA 18431 WILL CONDUCT A DX TEST BETWEEN 12:00 & 12:30 AM EST. THE TEST WILL INCLUDE MORSE CODE AND TONES. FROM 12:00 TO 12:15 AM, THE POWER WILL BE 500 WATTS, AND FROM 12:15 TO 12:30 AM, FULL POWER OF 2.5 KW WILL BE USED. RECEPTION REPORTS MAY BE SENT TO: MR. JOHN DUDA (KB3ZW) - CHIEF ENGINEER. (ARRANGED BY J.D. STEPHENS FOR IRCA CPC)

SATURDAY, FEBRUARY 13, 1992 - KVOX-1280, P.O. BOX 97, MOORHEAD, MN 56561 WILL CONDUCT A DX TEST BETWEEN 3:00 & 3:10 AM EST. THE TEST WILL INCLUDE MORSE CODE, TONES, AND VOICE ID'S. RECEPTION REPORTS MAY BE SENT TO: MR. ART WALKER - OPERATIONS MANAGER. (ARRANGED BY J.D. STEPHENS FOR IRCA CPC)

A DXers TECHNICAL GUIDE

Now in its 2nd edition, this 120 page book answers questions on receiver and antenna theory, how to make them work better, what audio filters and loop antennas will do for you (and hints on their construction), how to build a beverage and phasing unit, and much more. Only \$5.50 for IRCA members, \$6.50 for non-members (overseas airmail add \$2.50). Order your copy today from: IRCA Bookstore, 9705 Mary Ave NW, Seattle WA 98117

IRCA Foreign Logs

The IRCA has published nine volumes of the IRCA Foreign log. Each volume contains several hundred actual tips that were reported to the DXWW sections during an entire year, compiled and retyped in a book format. In addition, special features include: articles on foreign DXing (volumes 6, 7 and 8), utility lists (volumes 7 and 8), shortwave parallels (volume 8) and CBB propagation (volumes 6, 7 and 8). The IRCA Bookstore still has volumes 3, 4, 6, 7 and 8 of the IRCA Foreign Log available for \$2.50 each (overseas airmail add \$2.50/book). Order your copy today from: IRCA Bookstore, 9705 Mary Ave NW, Seattle WA 98117



PAT MARTIN P.O. BOX 843 SEASIDE. OR 97138

DX Worldwide - West

Time: UTC phone (503) 861-3185

DEADLINE: MONDAYS

PAN-AMERICAN DX ROUNDUP

- 718 UNID, 12/8 0332 poor-het noted, but no audio-unusual freq. (SA-MB)
800 NETHERLAND ANTILLES, Bonaire-12/23 0345 poor, Rel prog. in EE, in
splat from local on 810 (SA-MB)
895 NEVIS, Voice of Nevis-12/9 0103 vy poor, good het, little bits of
audio (SA-MB)
+Also noted 12/14 0025 good, very strong het, EZL mx, man in accent-
ed EE. New. (SA-MB)
940 MEXICO, Mexico City-XEQ-12/25 0554-poor w/Mex. mx and SS talk u/
CJGX (SA-MB)
1010 MEXICO, Guadalajara-XEHL 12/25 0549 Good-Christmas wishes and mx
"H-L" ID in CFRB null (SA-MB)
+Also noted fair w/"H-L" ID at 0810 12/28 (PM-OR)
1130 MEXICO, UNID here with Rancho mx and ID at 0900 1/1 "X-E-TOL"
Many Radio Lobo(Wolf) IDs, ment. of Radio Nortena, too. Made a
change in my 1500' E. Beverage and put in a 1500' term. above
Ground radial. It seems to made the Bev. more directional, cut-
ting the North/South lobes down. This UNIS Mexican was way over
CKWX. Any ideas? (PM-OR)
1580 MEXICO, Hermosillo-XEDM 12/25 0500 Strong "X-E-D-M, La Grande
De Sonora" ID into Christmas mx, dominating the freq. (SA-MB)
1590 MEXICO, Mexico City-XEVOZ-12/28 0439-poor w/mx and talk in SS
u/KCNN-New XE #60 (SA-MB)
1600 MEXICO, Unid XE here in jumble of Fresno in SS, etc. with ID,
Ranchera mx at 0659, ID as "transmiti.....X-E(?).....", but
very hard to copy, off 200' DU wire, so probably Baja Calif, or
something close on 1/1 (PM-OR)
1610 ANGUILLA, The Valley-Caribbean Beacon-12/14 at 0010 Good, easy
copy w/rel. programming. This has been an easy catch all season
after SS, 8 of 10 nights here in the city. (SA-MB)
+Also noted with Gene Scott rel. preaching at 0145 1/4. This also
has been heard here alot this season, even when the local TIS
has been on with audio. Currently the carrier is on with no audio,
so 1610 is pretty much open. (PM-OR)

TRANS-PACIFIC DX ROUNDUP

- 540 WESTERN SAMOA, Apia-good w/man in Samoan, Island mx at 0905
1/2 (PM-OR)
891 FIJI, Lautoka-Radio Fiji 2-Hindi at 0923 1/2 (PM-OR)

THANKS TO THESE REPORTERS

- SA-MB SHAWN AXELROD-30 BECONTREE BAY-WINNIPEG, MB R2N 2X9 CANADA
Icom R70 w/Plam Board and 4 KHZ Filter-4 ft. Box Loop, 100 ft.
Longwire.
PM-OR YOUR EDITOR
Drake R8, SP-600, 1500' East Bev. Term., 1600' NNW Bev. term.,
200 SW/NE LW term.-Ground system w/1500' Term. East Radial for
1500' East Beverage.

IRCA Stationery

Red and black masthead with the IRCA logo and name. Great for using when writing for verifications. 100 sheets, \$5.00.
Order yours today from: IRCA Bookstore, 9705 Mary Ave NW, Seattle WA 98117



WESTERN
DX
ROUNDUP

Nancy Hardy
2301 Pacific Ave.
Aberdeen, WA 98520

DEADLINE FOR WDXR TIPS IS MONDAY. PLEASE USE EASTERN TIME.

REPORTERS FOR THIS ISSUE:

- (NH) Nancy Hardy-2301 Pacific Ave.-Aberdeen, WA 98520
FRG-7, Radio West loop
- (GJ) Gary Jackson-7735 Center Parkway-Sacramento, CA 95823
FRG-8800, Dymek DA5 antenna
(GJ-CA1) DX'ing from Hanford, CA
- (PM) Patrick Martin-P.O. Box 843-Seaside, OR 97138
Drake R-8, SP-600-JX17, 1500' E. Beverage term., 1600' NNW
Beverage, term., 200' SW/NE antenna term., ground system
- (SMM) Steve Mittman-P.O. Box 3222-Seal Beach, CA 90740
Realistic #12-625A
- (MS) Mike Sanburn-P.O. Box 1256-Bellflower, CA 90707
GE Superadio II
- (PT) Pete Taylor-2614 Jackson St.-San Francisco, CA 94115
(PT-WA) Visiting in Tacoma (and Silver Lake), WA
Modified ICF-2010 and Polomar loop
- (RW) Robert Wien-1309 Dentwood Dr.-San Jose, CA 95118
GE Superadio, GE long-range portable, SM-2
- *****
- 540 CBK SK, Regina 12/28 0700 in strong mixing with Mexican
station. (GJ-CA1)
- 550 CKPG BC, Prince George 12/27 0500 great level, in the clear.
(PT-WA)
- 600 KGEZ MT, Kailispell 12/31 1230 fair with oldies, all alone on
east Beverage. (PM-OR)
- 620 KSTR CO, Grand Junction 12/28 0513 very good over KTAR with KGW
nulled. ID "News, talk, weather, sports, information, all
you need is here, AM 620, KSTR." (RW-CA)
- 660 KTNN AZ, Window Rock 12/28 0600 strong with C&W music. (GJ-CA1)
(KTNN)+12/28 0540 totally off, KAPS/CFRR mix. Looking for KEYZ-ND
which was not heard. (RW-CA)
- 680 (KNBR) CA, San Francisco 12/28 0616 off briefly due to technical
problems, frequency dead. (RW-CA)
- 700 KQKE CA, Greenfield 12/28 1510 good with ID "You're listening to
the premiere of the Quake..." ending with "Double 99, The
Quake." Call change, ex-KSUR. (RW-CA)
- WLW OH, Cincinnati 12/28 0800 ID & news. (GJ-CA1)
- KFAM UT, North Salt Lake City 12/28 0830 ID, short summary of
news & weather, then EZL music. (GJ-CA1)
- KMJY WA, Newport 12/31 1223 fair in jumble with blip ID and
spots for Newport and Sandpoint, ID. (PM-OR)
- 750 ?KFQD? AK, Anchorage 12/28 0500 ID, news, weather (2 above), then
faded quickly. Already verified, so didn't need it!
(GJ-CA1)
- WSB GA, Atlanta 12/28 briefly at 0505. (GJ-CA1)
- 770 KULL WA, Seattle 50kw yet? Didn't sound like it in Silver Lake
(near Longview, WA). However, I note new KIRO-710 images
on 650 & 830 which would indicate something has changed.
(PT-WA) (50kw is supposedly on.--NH)
- 1200 CKDA BC, Victoria 12/27 in strong at 0900 with news, weather 03
degrees! That sounds too cold, "brrr." CBC program
"Focus" from 0907 to 1000, then news. (GJ-CA1) (3 Celsius
is 37.4 Fahrenheit. CKDA doesn't use CBC, possibly another
Canadian company.--NH)
- 1210 KQTL AZ, Sahuarita 12/28 0915 good over mess with "Radio Quetal"
ID. Not heard often anymore. (RW-CA)

- 1230 KWYZ WA, Everett appears to be the latest addition to the Country Gold Network (calls never heard). However, I was never able to // it to one of the others at night (it would have to at least showed up AN). (PT-WA)
- 1250 WREN KS, Topeka 12/26 0430 fair with southern Gospel program, time check, "WREN" call mention. (PM-OR)
- 1260 KGIL CA, San Fernando-Los Angeles Th 12/24 ended its talk format today at 1500. L.A. Times article quoted station manager as saying that they would play Christmas music "until the tape runs out," but instead, 1260 began simulcasting its FM. So, currently is light rock (I believe satellite delivered), with ID's "The Valley's FM," and "94.3 Magic FM." Legal ID's as "Happy holidays from 94.3 Magic FM, KMGX, San Fernando-Santa Clarita, and KGIL AM 1260, San Fernando-Los Angeles." In mid-January the longtime Valley satation calls will become history as 1260 becomes KQJI (ex-540 calls), "following some equipment changes." (So, presumably will have SP's). (SMM-CA)
- ?KJOI? CA, San Fernando 12/28 0814 tent. call change, ex-KGIL (has changed calls per Billboard magazine). Ad for tire store on Sepulveda Blvd. in San Fernando. Will call to confirm. (RW-CA) (See Steve's report above!--NH)
- *KOIT* CA, San Francisco 12/28 0810 with OC. (RW-CA)
- KLYC OR, McMinnville 12/21 2033 on top of the heap. (PT-WA)
- 1270 KXBX CA, Lakeport 12/28 0859:55 fair under KAJO with ID into news "From KXBX Lakeport." (PM-OR)
- KAJO OR, Klamath Falls 12/28 0845 fair under KPLY with American Forum sports talk show, into adult MOR. Presume they are on with 47 watts. (PM-OR)
- 1280 KJAX CA, Stockton 12/21 0324 logged even with KKAL, under KFRN. Heard the Best of King, ID's at 0330 and 0400 as "K-Jacks K-J-A-X Stockton." Mutual news on the hour. (MS-CA)
- 1350 CKEG BC, Nanaimo 12/22 0818 "CJ 1350, Vancouver Island's only country station" ID good over KSRO, also fair but clear 12/26 0630 from Silver Lake near Longview. (Am I losing it? I have the calls as CKEG?) (PT-WA) (Yes, they are still CKEG and use the slogan "C-Keg 1350" which was maybe what you thought was "CJ."--NH)
- 1360 KOHU OR, Hermiston 12/22 0822 with several mentions of a promotion in "downtown Hermiston." (PT-WA)
- 1370 ?CFOK? AB, Westlock 12/22 0833 "All Hit Country" presumed to be the one on MST mentioning Alberta. (PT-WA)
- 1400 KBLX CA, Berkeley 12/28 0830 fair with "KBLX" ID. (PM-OR)
- KUNA CA, Indio 12/28 0922 good over mess with ad for disco in Indio, faded rapidly. (RW-CA)
- KSRR UT, Provo these are the correct call letters for the station I heard on 10/27 and listed in the 11/21 WDXR as KEYY (the ID actually sounded like that in the jumble). They also use the slogan "K-Sir." (MS-CA)
- 1410 CFUN BC, Vancouver 12/14 0359 coming out of Lionel Ritchie song. Weather on the hour mentioned 4 degrees and rain. "C-Fun" slogan and Supremes song. (MS-CA)
- 1450 KEST CA, San Francisco 12/31 1215 talking about the station in the San Francisco community, workshops, etc. (PM-OR)
- (KAYO) WA, Aberdeen has been off the air since 12/16 when a rodent chewed transmitter wire. On low power 12/19-12/21 but off again since. Phoned station 1/4 and was told new parts for transmitter would arrive 1/5 and they would be back on the air that day. However, as of 1/6, they are still off. FM 99.3 continues unaffected. (NH-WA)
- KJUN WA, Puyallup local Country Gold Network outlet, mentioned only because of its dreadful quality (all bass clipped off) compared to the other four. (PT-WA) (Interesting - KJUN is the main studio for the network!--NH)
- 1460 KGGO IA, Des Moines 1/1 fair with call ID out of nowhere at 0355 "K-G-G-O," into music (rock?). New. (PM-OR)
- ?KENO? NV, Las Vegas 1/1 0352 presume the one with casino spot, mention "new on the strip" & "Las Vegas." (PM-OR)

- KCKX OR, Stayton 12/27 1214 here we go again, this time with "basketball on KCKX." Heard two months ago in S.F. (owner said they had "relay problems"). Any other NW DX'ers hearing this 15-watt wonder, or does my 2010 simply peak at 1460? (PT-CA) (Bill says they're regular nights here.--NH)
- WACO TX, Waco 1/1 0348 fair with weather for Waco, rain. Later heard with ID at 0359:55 "Waco 100 W-A-C-O" (their FM is 99.9). No sign of KMWX (earlier strong carrier, so probably off). (PM-OR)
- KMWX WA, Yakima 1/1 0501 apparently on, heard rock oldies format with ID into net news late, but very weak tonight. Wonder if they are on low power? (PM-OR)
- 1490 KBAS AZ, Bullhead City 12/24 0555 ID "Greatest hits on the all new K-Star 1490." Nostalgia Christmas music. (MS-CA)
- KGHO WA, Hoquiam now in the clear days with TBN programming (KBRO gone). (PT-WA)
- 1550 KVAN WA, Vancouver 1/1 1530 C&W format now // KWBV-940 Woodburn, ID's as "94 Country--KWBV" ID's, apparently KWBV is doing the same as the C&W net in Seattle area. KVAN is about 1 second behind KWBV, so I presume it is a satellite feed. Wonder if anyone else in on the net? (PM-OR) (When we drove thru Portland 12/25, KWBV-940 was Spanish and KVAN was running BRN about 2-3 seconds ahead of KBNP-1410 and with separate ads. So this is the first we've heard of the relay!--NH)
- 1560 (KZIZ) WA, Sumner KRIZ-1420 mentioned both stations 12/23 1935 even though KZIZ was not on (presumed 1930 s/off). (PT-WA) (Bill says December s/off would be 1915.--NH)
- 1580 KRZI TX, Waco 12/30 0559:55 fair with "This is KRZI Waco" ID. (PM-OR)
- 1600 KRXV CO, Lakewood 12/31 0452 with "Mix 107.5" ID's and time check. KATZ QRM. (PM-OR)
- KCRG IA, Cedar Rapids 12/28 0001 fair above jumble with "16 Country, KCRG, Cedar Rapids" ID. (PM-OR)
- KATZ MO, St. Louis 12/31 Prince music at 0450. (PM-OR)
- 1610 TIS CA, Truckee(?) first noted on 1/1 strong with road conditions for highways 80 and 50. Best during late evenings here. (GJ-CA)
- WVAN648 WA, Tacoma no audio heard between 12/21-26 (530 had audio). Seattle weather heard under the OC. (PT-WA)

DX TESTS

- 960 KNEB NE, Scottsbluff 12/13 0201 CPC test/frequency check noted briefly and weak with tone in KOOL down fade. (MS-CA)
- (KGWA) OK, Enid 12/21 nothing heard! (GJ-CA)
- 1100 KNZZ CO, Grand Junction 12/14 0515-0516 caught positive Morse code ID's repeated here, weak under KFAX and KRLA-1110 QRM. May have heard some code 3 minutes earlier, also, no voice audible. New for me. (MS-CA)
- 1150 (KNED) OK, McAlester 12/21 next to local KRAK-1140, 50,000 watts of C&W, almost impossible, so nothing heard! (GJ-CA)
- 1370 (WDEA) ME, Ellsworth 12/14 0205 DX test tried, not heard. (MS-CA)
- 1480 (WKGF) FL, Arcadia 12/28 0200-0230 heard tones, but no Morse code. Locals in strong, so really nothing! (GJ-CA1)
- 1540 (WSMI) IL, Litchfield 12/23 next to local KFBK-1530, 50,000 watts, so nothing heard! (GJ-CA)

UNIDS

- 700 1100 ID for Monterey station FM stereo, on 700 kHz, Monterey, CA! I am DX'ing at my folks at Hanford, CA, so only brought WRTH, so no listing for this one! (GJ-CA1) (Sounds like KQKE, Soledad.--NH)
- 730 KLV5? 12/31 1957 unID with "K-Elvis" call above jumble. (PM-OR)
- 1250 Nighttime OC noted 12/21-26 1-3am. I believe KKFX was audible under it. The strength, and the weak KKFX signal would indicate KWSU; however, I would think they would have programming on when KKFX is on its tight pattern. (PT-WA) (Bill thinks your OC was KKFX and you had KWSU under it.--NH)

- 1250 12/26 southern accented man had time check at 0445 as "It's 3:45" (CST), then what sounded like "----.5," presume some FM frequency. (PM-OR)
- 1250 12/26 0435 Black station with record offer--gave 1-615 area code number (615 is Tennessee). QRM from jazz station (KKFX? Have heard them on at times after 0300 lately with jazz). (PM-OR)
- 1340 12/22 0830 "America in the Morning" (Mutual) with Carol (someone) filling in for Jim Bohannon. No ID inserted in the 10 seconds provided at 0830. (PT-WA)
- 1460 Canadian country station observed several times 12/21-12/26. Anything in BC? (PT-WA)
- 1460 1/1 0457 Spanish mixing with ranchera music in jumble. An XE or domestic? (PM-OR)
- 1480 Steady OC noted 12/23 0230 (and a few other times), presumed KDFL doing a no-no. (PT-WA)
- 1580 12/30 0557 sounded like all news station, with lots of news on Florida, Miami, etc. (PM-OR)
- 1590 12/16 0159:50 weak, male ending announcement "and spreading into the (Portland?)(Cortland?) area ... (garble) ... Drive safely, and don't (drink and drive?)." Then different male voice with official ID: "You're listening to the Larry King Show, on K-F?-K?-F?, A-M ... (garble)... with studio-transmitter link W-L?-F-4-6." Into Mutual news. Call could be KFKF, KSKS, KFAF, or similar. (PM-OR)

In case you wondered, the column did jump from 770 to 1200! Pat Martin phoned that he heard the KNAK-540 DX test 1/4, details next issue.

IRCA CONTESTS

Nancy Hardy, 2301 Pacific Ave., Aberdeen, WA 98520

Here's a reminder for those wishing to enter our "target station" mini-contest in February. Please send a list of ten personal target stations you will try to hear for the first time in February. Each must be a station you have not heard before, under any set of call letters. However, you may count a station that has moved from another frequency. Each will count one point. In case of a tie, the time and date of the final logging will break the tie. Your list of ten target stations must be postmarked by Jan. 31.

Remember, the January contest is to log as many tests as possible - DX tests, frequency checks, and equipment tests. Coming in March: One set hour each day. Everyone will choose one hour per day to count DX for the contest. It can be any hour of your choosing, but must be the same hour every day of the month. Log as many stations during the hour as possible. Each will count one point.

Remember to report all contest loggings by the 10th day of the following month. See the Sept. 5 or Oct. 24 DX Monitor for more info. Good luck and have fun!

IRCA AM-FM ALMANAC UPDATERS:

TALK UPDATER 5.6, SPORTS UPDATER 5.7 COMING SOON!

Updater 5.6 will feature "Talk Networks 1993," a complete guide to radio talk, with station listings, schedules, formats, title index, and host index.

Updater 5.7 will include 1992-93 pro and college sports, such as football, basketball, and hockey.

Still available: Updater 5.1 - Almanac index, AM slogans. Updater 5.2 - Satellite Music Network, Unistar/Transtar. Updater 5.3 - Rush Limbaugh, TTS/Highway Radio update, NHL hockey, 1991 football. Updater 5.4 - ESPN, SEN, Canada nighttime music, and basketball. Updater 5.5 - 1992 baseball, Spanish networks, Interstate Radio Network, and AM slogan updates.

20 pages each, \$2 U.S. and Canada, \$3 elsewhere, payable to IRCA, from Bill Hardy, 2301 Pacific Ave., Aberdeen, WA 98520. Thank you!



Central DX Roundup



John C. Johnson
979 Neptune Boulevard
Billings, Montana 59105-2129

★ PRODIGY
MPNN49A

FOR THE RECORD

REPORT ALL TIMES AS EASTERN. DEADLINES: MAIL: SATURDAYS. PRODIGY: SUNDAYS.
FAX REPORTS ACCEPTED. 406-259-9210. CONTACT EDITOR FOR TIME TO SEND.

RIDING GAIN

- [SA-MB] = Shawn Axelrod, 30 Becontree Bay, Winnipeg, Manitoba R2N 2X9
Icom IC-R70 with PLAM board and 4kHz filter, 4-foot box loop, 100' wire.
- [JJR-WI] = John J. Rieger, 801 Sherman Avenue, South Milwaukee, WI 53172
Panasonic RF-2200.
- [JcJ-MT] = Your editor using an Icom IC-R71A with a "Radio West" loop.

DOWN THE DIAL

- 640 WCRV TN, Collierville. 12/20, all alone. 1528 with promo. Religious format. [JJR-WI]
- 1260 KRKE CO, Aspen. 12/29 briefly weak in KOIT null. No CFRN. 0400 with part of legal ID into Satellite News Network news. Station needed, but not enough for a report this time. [JcJ-MT]
- 1370 KXTL MT, Butte. 12/19 good. 0837 with "Thanks for turning on the light, KXTL 13-70." into Christmas music. [SA-MB]
- 1450 KRBN MT, Red Lodge. 12/19 good. 0850 with spot for Red Lodge Drugs. "KRBN Ski Report" and two "KRBN" IDs. Not silent as per log. [SA-MB]
(JCJ: Odd, I never noticed KRBN silent. This semi-local is a pest. John.)
- 1560 WTOD OH, Toledo. 12/20 poor in a mess. 0830 fade up with "WTOD Toledo" ID. New for me. [SA-MB]
- 1600 WKBJ TN, Milan. 12/20 faded in, up and out. Fair. 1558 with station promo. [JJR-WI]

DX TESTS

- 960 KNEB NE, Scottsbluff. 12/14 very good. Easy o/CFAC. 0206 TT, 0210 & 0223 8 or 9 code IDs. [SA-MB]
- 1280 WABK ME, Gardiner. 12/14 poor w/WWTC, KVOX. 0234 and 0244 with code IDs. New for me, ME#2. [SA-MB]
- 1370(WDEA) ME, Ellsworth. 12/14. 0200 tried for DX test, nothing heard. Only KXTL, CFOX, and KDTH. [SA-MB]

TIS

- 1610 WI, Kenosha. 12/14 poor. 1904 with information on WI events. Gave number 1-800-432-TRIP. This is around often now, actually over Caribbean Beacon some days. [SA-MB]

unID HELP

- 1570 unID [VAL-DX]'s "Couley" region unID in the 12/19 CDXR is definitely WKBH Holmen, WI. They are all sports, and it's the "Couley" region. [JJR-WI]

25 YEARS AGO

January 20, 1968 issue of IRCA's DX Monitor....SN Thomas Jasinski aboard the USS Brumby mentioned while at home on leave toured WLS-890's transmitter site. They were shown the old coneirad alert system. WLS would go 5kw and switch to 640 during emergencies....Rick Evans of Gary Indiana said his DX

CDXR Continued...

had dropped off due to his wife being home during SSS every night....Bruce Kirkpatrick of Topeka, KS added state #42 when WDEL conducted a DX Test.

OPEN MIKE

No analysis is a complete failure -- it can always serve as a bad example. John Rieger mentioned it's been years since he's DXed, but it felt good to twist the dials again. Thanks for the unID help and your DX tips, John. Hope you keep twistin' the dials and reporting to CDXR! BILLINGS '93. 73, John.



1993 IRCA Convention Update.....

The 1993 IRCA Convention will be held in Billings, Montana on June 25, 26, and 27th. Billings is the largest city between Spokane, Minneapolis, Calgary and Denver. Area population is around 100,000. Billings is located on the Yellowstone River, which carved through the Montana mountains and created the striking rimrocks that rise 400 feet above the Yellowstone Valley to the north and east of the city. Your vacation to Billings could include side trips to Glacier National Park, Yellowstone National Park, Little Big Horn Battlefield, and Mount Rushmore. We hope you will consider attending. 73, John & Larry.

IN GOING THROUGH MY LOCAL STORAGE UNIT (I.E., THE GARAGE), I CAME ACROSS A "FEW" RADIO-RELATED PUBLICATIONS WHICH ARE IN NEED OF "A HOME," BESIDES THE LOCAL GARBAGE HEAP. FOR THE PRICE OF POSTAGE ALONE, THESE TREASURES CAN GRACE YOUR DX SHACK! SEND NO MONEY NOW. FIRST COME, FIRST SERVE.

DX NEWS, VOL 44 #1 of 18 OCT 76.

Mike Harvester
3118 Gaitway Court
Jacksonville, NC. 28546-6973

RADIOPHILES, 1 MAR 84.

UTILITY QSL ADDRESS GUIDE, VOL 1 & 2, SYMINGTON & HENAULT.

MONITORING TIMES (THE NEWSPRINT YEARS): VOL 3, #s 1, 2, 3, 5, 6, 7, 8, 9, 11, and 12.
VOL 4, #s 8 and 9

THE SHORTWAVE GUIDE (NEWSPRINT), AUG 85

THE ACE: 4/83, 10/83, 1/84, 2/84, 3/84 and 4/84.

UNIVERSAL SHORTWAVE CATALOG, #84-07 (i.e., 1984)

GROVE CATALOG, 1988 (11-28-87 to 2-28-88)

THE LOWDOWN, JUL 85

FRENDX, DEC 84

MANUAL: HQ-129-X COMMUNICATIONS RECEIVER OPERATING INSTRUCTIONS

MANUAL: HQ-150 COMMUNICATIONS RECEIVER OPERATING INSTRUCTIONS

CATALOG: 1968 LAFAYETTE RADIO ELECTRONICS

CATALOG: GILFER #26 (circa 79)

FEDERAL FREQUENCY DIRECTORY, GROVE (1980)

GUIDE TO UTILITY STATIONS, 2ND EDITION, KLINGENFUSS (1983)

SHORTWAVE DIRECTORY, 3RD EDITION ('86) - GROVE

CONFIDENTIAL FREQUENCY LIST, 5TH, 6TH and 7TH EDITIONS, FERRELL / HALLIGEY

~~~~~  
**EDXR eastern DX roundup EDXR**  
Leonard Hyde - 1805 Whipple Dr #26 - Blacksburg VA 24060-2436  
~~~~~

*** THE REPORTERS ***

- (MB) MIKE BROOKER-99 Wychrest Avenue-Toronto ON M6G 3X8
Panasonic RF-2200, Sony ICF-7600D
- (MH) MIKE HARDESTER-3118 Gateway Court-Jacksonville NC 28546-6973
Icom R-70, Radio West 22" ferrite loop
- (JD) J.D. STEPHENS-3715 Conger Road SW-Huntsville AL 35805
Panasonic RF-2600, Sony ICF 2001, several longwires
- (WW) WILLIAM WYLLIE-95 Peck Street-Franklin MA 02038-2217
Realistic Modulaire, indoor antenna
- (ed) The editor at home with modified Philco-Ford car radio,
DX-440, 2' box loop, Autek QF-1
- (*ed) at Beverage site on Sinking Creek Mt. in Jefferson N'tl Forest
above equipment plus wire 1725' NNE, homebrew phaser

*** OF SPECIAL INTEREST ***

850 (WMDH) MA, BOSTON 12/20 0200 noted off. Weak stn in background
w/talk show. Back on again a/0230. Odd to hear off. (WW)

WHAT'S going on with WNEW? A lot, as the following reports reveal!

- 1130 WNEW NY, NEW YORK 12/13 0840-0845 gd o/WWWW w/C&W mx, //WYNY-
103.5! F/dj w/C&W mx, PSA from American Plastics Council
about how environmentally friendly plastic is, IDs as "the
new country 103.5" and "New York's best mx, country 103.5"
(MB) (and I thought plastic was clogging the landfills -
how could I have been so misinformed! Hi! -ed)
- & 12/20 0836-0840 //WQEW-1560, ID "your favorite standards
on 1560 WQEW," songs by Bing Crosby, Perry Como, etc. (MB)
- & 12/25 0313 fair // 1560 and IDing as "1560 WQEW." (ed)
- 1140 WSPC VA, ST. PAUL 12/24 1440 no change to WXLJ yet. "Southwest
Virginia's country connection - WSPC." (ed)

*** THE REPORT ***

- 600 WMT IA, CEDAR RAPIDS 11/30 0255 gd w/MOR mx, ID as "WMT 600
AM 96 1/2 FM." (JD)
- 630 KXOK MO, ST. LOUIS 12/28 0340-0410 dominant w/lush UC, soul mx
"AM 63 is now Mix 97.1 FM - KXOK." A big surprise, no sign
of regs WMAL and WLAP. A faint stn w/talk that I hoped was
WPRO for badly needed RI turned out to be pest WMAL. (ed)
- 670 WIEZ PA, LEWISTON 12/30 1635 xlint w/rock oldies. "Oldies 670-
WIEZ." First time this year. (*ed)
- 690 WJOX AL, BIRMINGHAM 12/30 1745 xlint w/spot about the past year
in sports, ments of the many travails of Alabama's racing
Allisons (Davey's ill fated run for the championship, the
deaths of Pop & Clifford Allison, etc.) ID as "Sportsradio
WJOX." Needed for call change. (*ed)
- 780 WABS VA, ARLINGTON 12/30 1641 low power stn good w/REL, GOS.
Northern VA (NOVA) wx. "Sunlight 780." (*ed)
- 790 WTNY NY, WATERTOWN 12/6 0858-0909 fr in dogfight w/CIGM, ID as
"Northern New York's official news and weather station, 79
AM WTNY Watertown." CBS nx, local nx highlighting deploy-
ment of troops from Fort Drum to Somalia. (MB)
- WLKW RI, PROVIDENCE 12/11 1731-1735 fr w/ID as "Easy 790 AM
Stereo, WLKW." Into stock market rpt, local wx, and instr
elevator mx. (MB)
- WQXI GA, ATLANTA 12/30 1855 poor w/NOS mx. "WQXI-your station
for great songs and great memories." (*ed)

- 830 WMMI MI, SHEPHERD 12/7 1708 pr u/CHAM-820 slop w/local wx for central MI, ad for Central Concrete in Mt. Pleasant. (MB)
- 850 KFUD MO, CLAYTON 12/9 1815 strong w/St. Louis area wx, Xmas charity promo, "keep it right here on KFUD." (JD)
- 850 WYDE AL, BIRMINGHAM 12/30 1740 good w/rock oldies, not EZL. "Your favorites right here on WYDE." (*ed)
- 870 WWL LA, NEW ORLEANS 12/20 0125 booming in w/outrageous signal. Noted ID and wx. (WW)
- 860 WAEC GA, ATLANTA 12/28 1755 gd w/UC Christian mx. DJ Larry L. "Love 86 - WAEC." New. (ed)
- 930 WEPB TN, S. PITTSBURG 12/30 1815 xlnt w/C&W, not AC mx. "The southland's best country is on WEPB." (*ed)
- 930 WAUR IL, SANDWICH 12/25 0305 poor w/wx, into Xmas mx. (ed)
- 940 WMIX IL, MT. VERNON 12/25 0300 gd w/ads, anmt "This is WMIX, Mt. Vernon, IL. I'm Jim Bohannon, and stay tuned for more of "The Best of King." Into Mutual nx. Rare here. (ed)
- WINZ FL, MIAMI 12/28 1720 gd w/ad for Sunshine Olds dealers, nx ment continuin Hurricane Andrew cleanup. "News first, news fast: this is 940 "WINZ" (wins) where the news never stops." Lost to CBM by 1800. New. (ed)
- 950 WWJ MI, DETROIT 12/11 0439 a real surprise o/a weak KPRC w/ frequent "WWJ Newsradio 95" IDs. WWJ Accuweather. A much needed 3 letter call. (JD)
- 960 WHAK MI, ROGERS CITY 12/12 0835 gd o/CIAM w/ID as "Real Country AM 96," wx, promo for WHAK's "Polka House Party." (MB)
- 990 WIVK TN, KNOXVILLE 12/16 1734 strong w/Paul Harvey, local ads, nx, wx, slogan "East Tennessee's most reliable news source, WIVK." (JD) (note this is now all nx, not C&W -ed)
- 990 WHOO FL, ORLANDO 12/28 0337-0413 presumed the one w/rock mx, "Classic Rock 96.5" and "Q-96" promos. No legal ID noted at TOH, though fading a problem. Did get 1 "on Orlando's Classic Rock & Roll Stations: Q-96 FM." Fr/pr w/fading and unID SS stn. (MH) (definitely them, Mike -ed)
- 1050 WFAM GA, AUGUSTA 12/30 1733 good w/REL pgm. Nx, wx "right here on WFAM." Talkative m/ancr w/many stories to tell. (*ed)
- 1060 WNOE LA, NEW ORLEANS 12/28 1748 strong. C&W mx. "1060 AM-WNOE" Good opening to LA & MS tonight. (ed)
- 1070 WFLI TN, LOOKOUT MT. 12/30 1715 good w/spot for a gospel show in Chattanooga. Into the "Sunshine Hour." (*ed)
- 1080 WDJX KY, LOUISVILLE 12/28 0415 briefly noted u/WTIC w/live "on 99 FM - WDJX." First time I've been able to ID anything on 1080 w/WTIC being dominant. (MH)
- 1110 CKTY ON, SARNIA 12/25 2100 hrd a "CKTY" ID in jumble at first, came in strong soon after w/Standard Broadcast News, sports slogan "Bluewater's Best." Network pgm of C&W mx (Country Coast to Coast.) Is this new? I don't remember hearing CKTY before. Local WWRX-AM 1110 off, only WBT. I thought CHOK was "Bluewater's Best." (WW) (don't know, William - I've only heard CKTY once. WBT is a lock here. Help anyone? -ed)
- 1170 WAVS FL, DAVIE 12/28 1724 a shock w/Latina mx, f/DJ in EE kept cutting in with Happy New Year's wishes for various people. Spot by m in EE for something "west of I-95." Very unusual. Lost to reg WWVA by 1736. New. (ed)
- 1190 WBSL MS, BAY ST. LOUIS 12/17 1805 strong o/WOWO w/wx, contest promo, DJ Mike Maynard. "Hometown radio, the mighty 1190, WBSL." (JD)
- 1250 WTMA SC, CHARLESTON good w/CBS nx. SID "WTMA-CHARLESTON." (*ed)
- 1370 WCOA FL, PENSACOLA 12/14 0159 strong w/lottery numbers, ABC nx "Newstalk radio 1370 - WCOA Pensacola." Into Talknet. (JD)
- 1380 KBWD TX, BROWNWOOD 12/14 0033 v good w/oldies, Xmas mx, freq jingles and IDs as "1380 AM KBWD" and "KBWD 1380. New. (JD)

- 1390 WMZQ VA, ARLINGTON 12/20 0135 fr/pr w/C&W mx, "WMZQ Washington AM/FM" ID. (WW)
- 1420 WRCG GA, COLUMBUS 12/9 1828 fr w/sports talk show, TC given as "WRCG Sportstime." (JD)
- 1440 WZYX TN, COWAN 12/30 1645 fr w/C&W mx. Spots for 3rd National Bank, Franklin Co. Lumber. Many ments Franklin Co. (*ed)
- 1460 CKRB PQ, ST. GEORGES de BEAUCE 12/20 0123 fr, fady w/FF & EE C&W mx. (WW)
- 1480 WTOY VA, SALEM 12/9 1832 strong at times w/UC mx, local spots f/ancr. "1480 WTOY" and "WTOY" w/echo effect. (JD)
- 1490 WGCH CT, GREENWICH 12/20 0118 pr with "WGCH Weather" and TC, "1:19 at WGCH." No sign of local WMRC. (WW)
- 1520 ?WKKB? NY, BUFFALO 12/28 0330 assumed with SEN sports. Didn't think this strn was part of the fold. (ed)
- 1550 KSFT MO, ST. JOSEPH 11/25 2304 v good w/ABC nx, IDs, ads, St. Joseph H.S. basketball promo. (JD)
- 1590 WTVB MI, COLDWATER 12/5 1806 fr o/pest WAKR w/ID as "16 TVB is proud to be your hometown station for the holidays w/timeless Christmas favorites," into local wx. (MB) (why the ID as "16 TVB" when they are on 1590??? -ed)

*** unIDs ***

- 930 unID 12/30 1830 xlnt for a bit w/"American Town Forum." Gone before ID time. Probably to my NE or SW. Ideas? (*ed)

*** DX TESTS ***

- 570 KCND CA, ALTURAS 11/30 0331 surprised to hear this one w/frqt code IDs, possible polkas a/0334. (JD)
- (WMAM) WI, MARINETTE 12/7 0200-0400 NRC DX test not heard. (JD) (here is the proper place to apologize to the membership for entering this as "WMAN" the last few issues -ed)
- 950 (KJR) WA, SEATTLE 12/7 0400-0430 not heard. (JD)
- 960 KGWA OK, ENID 12/21 0104-0118 weak u/KZIM w/march mx, v slow code IDs. (JD)
- 1100 KNZZ CO, GRAND JUNCTION 12/14 0512-0522 fair u/a strong WWWE w/code, voice IDs mentioning IRCA. (JD)
- 1150 WIMA OH, LIMA 11/28 0030 v good w/frqt voice & code IDs, OSU Marching Band college fight songs. Anmts mentd IRCA and QSL address. (JD)
- KNED OK, McALESTER 12/21 0100 strong code ment city & state, no mx or voice IDs noted. (JD)
- 1480 WGKF FL, ARCADIA 12/28 0200 began right on time. Fast code IDs no mx or tx could be discerned on crowded channel. (ed)

*** OTHER STUFF ***

From MIKE HARDESTER: "...this season, like last season, seems to have it's share of stns simulcasting their FM outlet, w/the only ID being heard the one for the FM. Regardless of the legality, this is really making things more of a challenge...especially if your log doesn't have an indication for an FM (simulcast) strn, or you don't have a log with FM callsigns/frequencies. What fun!"

*** EDITOR'S DESK ***

Thanks to both MIKES, J.D., and welcome back WILLIAM!

Could we possibly get some nice person in the NY area to keep us informed on the WNEW/WQEW situation? It would be much appreciated.

Saw the anmt in Bill Hardy's column about Larry King going daytime. Nice to have that clarified. Also, the situation at WKRC/WLW, with 550 getting call WLWA. Ah, the benefits of IRCA membership!

I would like to take this opportunity to thank everyone who supported EDXR during 1992, and wish continued and better support in 1993. 73.



Western DX Forum ★ ★ ★ ★ ★

Reid Wheeler 5910 Boulevard Loop SE Olympia, WA 98501

Deadline: Saturday 2 weeks before publication

Jim Hilliker, 1705 Withers Ave #14, Monterey, CA 93940-1569
(408) 655-9769

(continued from last week) KIDD-630 //KXDC 101.7 (Radio Pacific) is back to AN Sat. and Sun. morns. after a couple of silent weekends after 0400. They're sticking to M-F morn SP's from 0400-0800. KLAU-1540 goes off nightly at 0300, mostly right in the middle of a song with no ID or s/off announcement. KNRY-1240 for now has decided to break from news-talk overnight 6 days a week with Buddy Lowe's "The Perfect Blend" show from 0200-0800 with a lot of jazz, blues, old Motown and whatever else he feels like playing. He pays the stn. to be on and lines up his own sponsors. Hope everyone took time to vote in the special election. And, as reported in DXR, KSUR-700 changed to KQKE (The Quake) on 12/14 with a "Country Music for the 90's" format and is // to their FM, also KQKE. So far, only automated via satellite from L.A. with no live jocks. I don't think they'll do much against KTOM 100.7/1380, which has been country since 1972, I believe. KPUP-540 tried it and look what happened to them. I understand KIEZ-540's owner is running only 5 kw days to save a bit of money and continues to look for a buyer. Whoever put up the stn's 4 towers built them too short for 540 and I understand they also can't seem to alleviate their problem of having too much bass which has always made the stn. sound terrible. 73. Jim.

[a short forum this week - perhaps last week's volume makes up for it. Please keep your forums coming - rcw]



FM 106.3
KMIS
AM 1050

Consistently better country music, world and local news, farm reports, weather, public service features, high school sports and St. Louis Cardinal baseball.

FM 106.3
KMIS
AM 1050

(Rates Effective March 27, 1989)

30 SECOND SPOT ANNOUNCEMENTS

1-9	\$7.00
10-29	\$6.00
30+	\$5.00

60 SECOND SPOT ANNOUNCEMENTS

1-9	\$8.00
10-29	\$7.00
30+	\$6.00

PROGRAM RATES ON REQUEST

EASTERN

DX

FORUM

Richard C. Evans
P.O. Box 21883
Milwaukee, WI 53221-0883

Deadlines: Saturdays Phone: 414-Atlantic 2-9035

The deadline in Milwaukee for the Anniversary Issue will be 2/27. You can send it in early with another Forum. Just mark it for the anniversary issue and I will hold it.

Tom Laskowski, 1334 East Miner Street, South Bend, Indiana 46617

It's been quite a while since I've written but since I finally have some time off I can catch up. My DXing this fall has been essentially zero due to being very busy at work. The company I work for is going through a major expansion and I've been working six days a week most weeks. I've only added eight new stations to the logbook since the beginning of the DX season but I'll be off for a week for Christmas, so I hope to hear something good. The only DX tests to make it here have been KGWA-960 and WQIN-1290 (heard before). I'm glad to see such a good effort on JD's part on arranging all these tests. Hopefully, I'll be able to hear more of them. I'm also glad to see that talk about an NRC/IRCA merger are finally put to rest. However, I don't consider those people who have raised objections to such a merger to be "renegades", just people who are concerned about this club and who look forward to many more years. I want to thank all those who have written to me over the past few months, Tom Jasinski, Rick Dau, Mike Sanburn, and others. Hopefully, I'll get the time to write back and keep up on my correspondence. Best wishes for a Happy New Year and good DX. 73.

Leonard Hyde, 1805 Whipple Drive, #26, Blacksburg, Virginia 24060-2436

One of those dumb jokes came to me, so here it is: What do loop winders and WW II aviators have in common? Air core (Corps.) While the hooting and braying subsides, I would like to report another apparent weather phenomena affecting medium wave reception. With a cold front poised directly over Blacksburg, I turned on the radio at 1630, a little before long skip is usually in, and found on 1140 NOT WRVA as usual, or the call change I was attempting to log (WSPC to WXLZ) but WBXR-AL, to be replaced 5 minutes later by WQBA-FL, both never heard here before. A check of 1190 revealed, not WBDY-VA or WOWO, but WGKA-GA, also never heard here. A half hour later, after the front had passed, cx were back to normal, with WRVA and WOWO firmly in place. Is ducting possible at BCB freqs? That would be the logical explanation. Certainly, this was an unusual occurrence: I have never failed to have either WRVA or WOWO here at any time near darkness. Therefore, I have decided to do a little research into this, and would appreciate the help of anyone, anywhere, so inclined. For the next few months, at each DXing session, please note any unusual reception cx (i.e., cx enhanced or down to a certain area, enhanced or down totally, etc., along with any unusual LOCAL wx cx (snow on ground, sudden temp change, fog, wind, etc. Don't worry about atmospheric or solar phenomena - these can be looked up for the date in question. Then, at the end of the period, I will ask you to send me your observations (only those reflecting some kind of unusual link between reception cx and local wx.) I will then compare all the data so gathered, to see if any conclusions can be drawn. Maybe this will help answer the question. It won't be time consuming or entail any expense, just a little added notation when something unusual happens. By the way, if you are participating, be sure to drop me a line, and let me know you are. I will keep the club updated on what's happening with this as time passes. 73 and good DXing!

Rick Evans, 4841 South 26th Street, Milwaukee, Wisconsin 53221-2937

Six reports went out over the Christmas weekend, and two have already been answered. Also 9 new stations over Christmas and 3 so far over New Year's. Now up to 263/11. V/I WNDE-1260, WTTN-1580. 73.

USE OF AUTO RADIOS FOR DXing - by Leonard Hyde

I have received several inquiries on this, so here's the scoop. I am no expert, but do have some experience.

Car radios always have been, and still are, an excellent way for the cost conscious beginning DXer to break into the hobby. Many times, they can be had for little or nothing. But, the questions arise: which one's the best? What antenna should I use? I will attempt to answer these.

CAR RADIO SPECIES SINCE 1950:

6 volt vibrator (1950 - 1954-55) 12 volt vibrator (1955 - 57-58)
12 volt hybrid (tubes/transistors: 1957 - 1962-63)

Generally, these are best avoided. They are old, bulky, and are likely to have failing or bad parts, such as capacitors. All of them need several amps of DC to operate. If you must, Delcos (GM) were far and away the best, though most any radio from one of the "Big 3" automakers during this period will give good performance.

12 volt all transistor, analog dial (1962 - present)

This era can be broken down thusly: In 1962, the first all transistor models appeared in GM and Ford cars. The GMs were excellent: the Fords horrible. Beginning in 1968, Ford came out with a much improved radio, equalling the GMs in performance. Chrysler radios remained nothing special. During the 70s, the quality of GM radios went down. Ford now had the best. This remained true into the 80s, until the advent of digital auto radios.

12 volt digital radios: I have little experience with these. The first Chrysler model, used for several years from 83 or so on, was excellent. The GM models are well reported on. I know nothing about the Ford AM-FM but I once drove an '88 Ford van with an AM only digital, and it was poor. Digital car radios are horrific radiators of display noise. In the intended installation, the car body isolates the antenna from the noise. For this reason alone, I would avoid them, unless the antenna can be suitably isolated or shielded from the racket. Of course, the readout is their biggest advantage.

In all cases, I am referring to AM only radios. In AM-FM units, the AM circuitry was usually pared, to make room for the FM, except in digital sets, which are IC and PLL in nature. Digital AM-FMs perform well.

PICKS: 1960s - Get a Delco. Avoid AM-FM and station seeking. Avoid sets that were designed to mount as an integral part of the dash (no face.)
1970s-80s (analog) Get a Ford. Avoid AM-FM, cassette. Look for "Philco" or "Ford" on the faceplate. Manufacturers to look for are "Philco-Ford" and "Ford Aeroneutronic." Avoid "Audiovox" and any others.

Digital - Chrysler and GM units should be fine. I have no experience with Ford, other than that related above. Test one out to see.

AFTERMARKET SETS: I have no experience with any of these.

ANTENNAS: Use an unamplified, tuned loop, or a passive or active whip. Car radios have lots of RF amplification: too much gain, or longwires will overload them. A directly coupled air core loop is preferred here.

POWER: For any solid state radio, a 12 volt supply in the range of 500 mA will be sufficient (without the dial light.) Using the light will require more. Or, replace the dial light with a 1.5 volt grain of wheat bulb, and use a 62 ohm resistor to step down the voltage. Supplies in this range are plentiful.

Modifications are not advised. Filters for 262 kHz are non existent, and crystals on that freq (for a crystal or lattice filter) are rare & expensive. The whole idea of using the car radio was to save money.

After a while, the car radio DXer will want a better receiver. Auto radios are a temporary solution, at best. Yet, much good work can be done with them, with little outlay of capital, while the DXer saves for that dream receiver he wants.

Any questions not answered in this article may be directed to me. I will answer them if at all possible. 73.

Documentation

Figure 1 shows the schematic of the BUF-A. Figure 2 shows the BUF-A component layout. Table 1 is a parts list. I adjusted some of the component values from those in the generic design of the "One-Chip Active Whips" article. These changes made subtle improvements to the signal-to-noise performance. Drawings in the appendices show some of the many applications for the BUF-A card that are of value to the DXer. These drawings should be thought of as sketches; not all component values and details are given. Functions shown include active whip, loop (remote and non-remote), broadband amplifier, and longwire preselector (tuner). Subsequent articles may be issued to develop some of these applications in greater detail.

Table 1: BUF-A parts list

Vendor codes:

GER = Gerber Electronics / 128 Carnegie Row
 / Norwood, MA 02062
 /Tel. 1-617-769-4852, 769-6000

MCL = Mini-Circuits Lab. / P. O. Box 350166
 / Brooklyn, NY 11235-0003
 /Tel. 1-718-934-4500

MOU = Mouser Electronics / 11433 Woodside Ave.
 / Santee, CA 92071
 /Tel. 1-800-346-6873

Item	Designator	Description/Value	Vendor	Vendor Stock #	QTY
1	BD	perfboard(1.2"X2.0")	MOU	153-1105 (cut)	1
2	C1	capacitor, 0.01 uF	MOU	539-CK05103K	1
3	C2	capacitor, 10uF tant.	MOU	581-10K35	1
4	C3	capacitor, 0.001 uF	MOU	539-CK05102K	1
5	C4,C5	capacitor, 0.1 uF	MOU	539-CK05104K	2
6	H1,H2	screw, 4-40 X .25"	MOU	572-01880	2
7	H1,H2	spacer, 4-40 X .5"	MOU	534-1450C	2
8	H1,H2	solder lug, #4	MOU	534-7311	2
9	P1-P7	flea-clip for .042 hole	MOU	574-T42-1/C	7
10	R1,R2	resistor, 680K	MOU	271-680K	2
11	R3	resistor, 100 ohm	MOU	271-100	1
12	R4,R5	resistor, 4.7 ohm	MOU	295-4.7	2
13	T1	RF transformer 4:1	MCL	T4-6T-X65	1
14	U1	buffer amplifier IC	GER	(National) LH0033CG	1

(+ buss wire, solder as required)

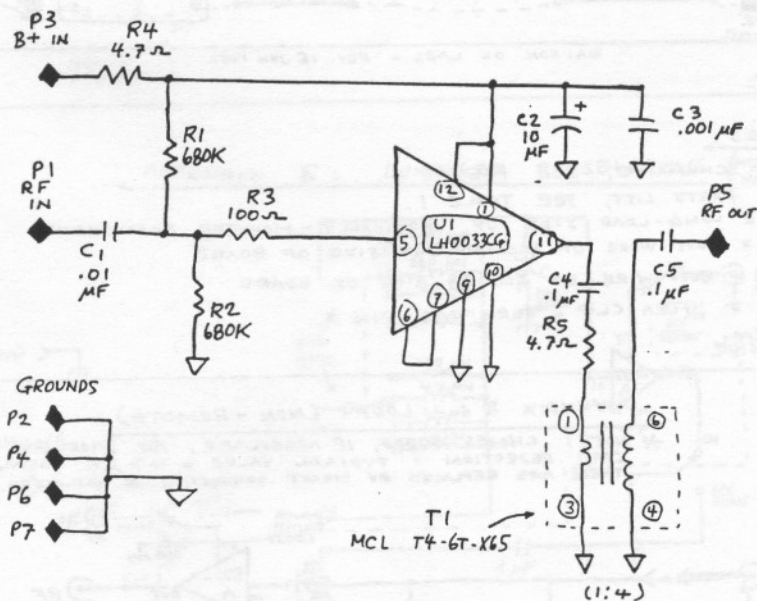
Table 2 - A Partial List of Commercially-Available Buffer IC's

Note: Not all have been tested. Some may be unsuitable because of a high noise floor or other reasons. The "0033's" and "0063's" are industry standards and, generally, have predictable, good-quality performance.

Analog Devices	AD9630AN, AD9620, ADLH0033
Analog Devices / PMI	BUF-03AJ, BUF-03EJ, BUF-03FJ
Burr Brown	3553AM, HOS-100, 3533
Comlinear	CLC110AJP
CTS	CTS0033
Elantec	ELH0033G, EL2005CG, EL2004CG, EL2031CG, ELH0002

Harris	HA2-5033-5, HA3-5033-5, HA2520
Linear Technology	LT1010CH, LT1010CN
Micra	MC0002, MC0063, MC0033
National Semiconductor	LH0033G, LH0033J, LH0033CG, LH0033CJ, LH0063K,
"	LH0063CK, LH4010G, LH4010CG, LH4010CN,
"	LH4011K, LH4011CK, LH4011CT, LH4012K,
"	LH4012CK, LH4063CT, LH4033CN, LH4009K,
"	LH4009CK, LH4009CT, LH4008K, LH4008CK,
"	LH4008CT, LM6121H, LM6221H, LM6221N, LM6321N
Sipex	SP4010C
Teledyne Components	TP0033
VTC	VA033PJ

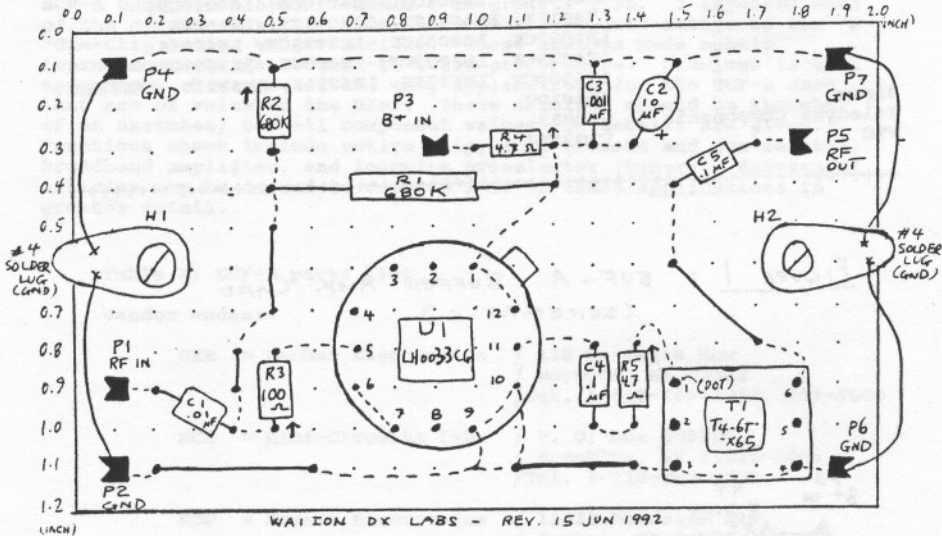
FIGURE 1 : BUF-A BUFFER AMP. CARD
(SCHEMATIC)



A DXers TECHNICAL GUIDE

Now in its 2nd edition, this 120 page book answers questions on receiver and antenna theory, how to make them work better, what audio filters and loop antennas will do for you (and hints on their construction), how to build a beverage and phasing unit, and much more. Only \$5.50 for IRCA members, \$6.50 for non-members (overseas airmail add \$2.50). Order your copy today from: IRCA Bookstore, 9705 Mary Ave NW, Seattle WA 98117

FIGURE 2 : BUF - A BUFFER AMP. CARD
(ASSEMBLY)



NOTES :

FOR SCHEMATIC, SEE FIGURE 1.

FOR PARTS LIST, SEE TABLE 1.

↑ = LONG-LEAD SIDE OF VERTICALLY-MOUNTED COMPONENT

— = BUSS WIRE ON COMPONENT SIDE OF BOARD

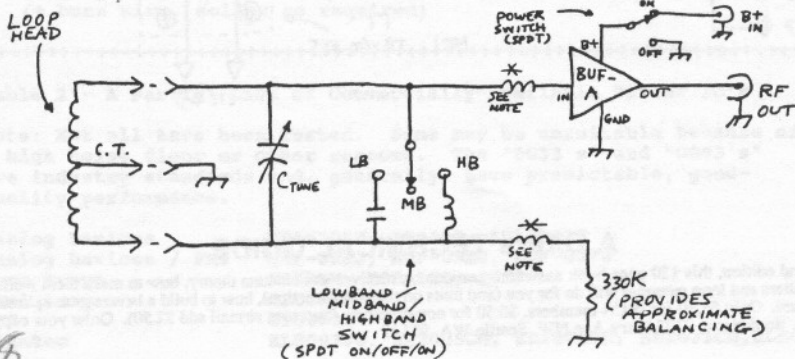
--- = BUSS WIRE ON SOLDER SIDE OF BOARD

◀ = "FLEA CLIP" TERMINAL PIN

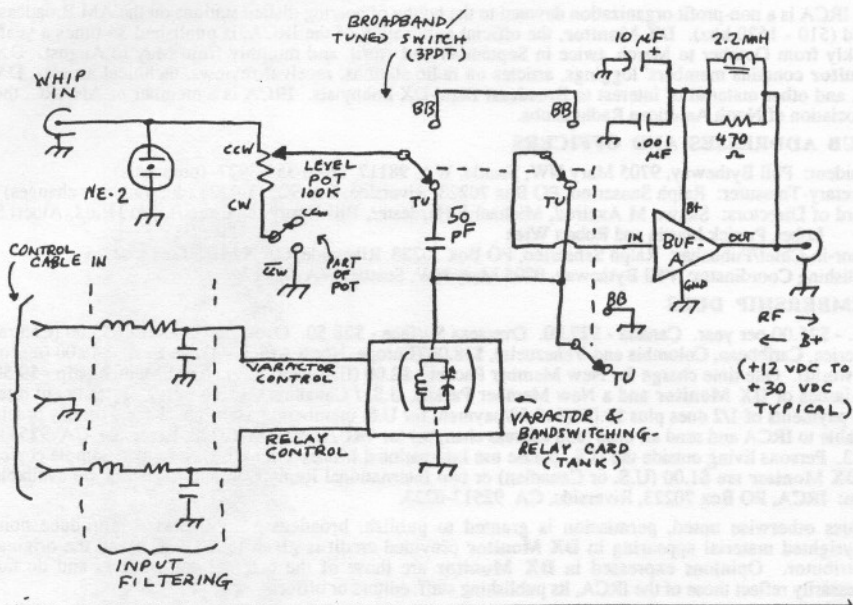
○ = OPEN SIDE

APPENDIX B : LOOP (NON-REMOTE)

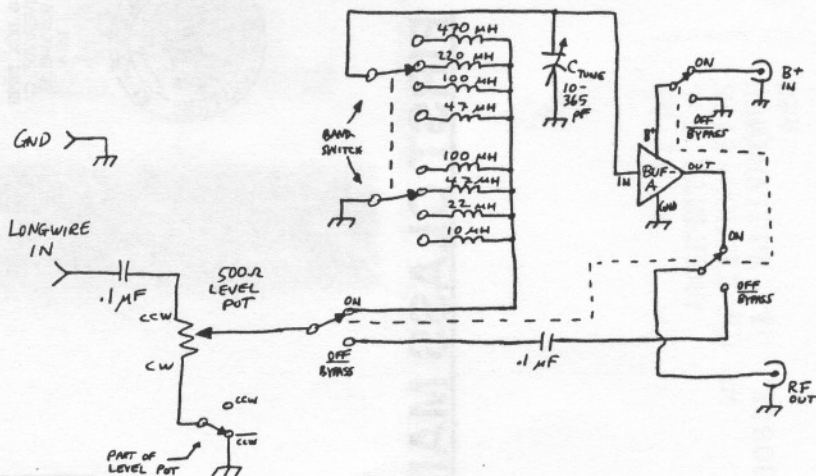
* NOTE: CHOKES ADDED, IF NECESSARY, FOR SHORTWAVE IMD REJECTION - TYPICAL VALUE 2.47 μH EACH. THESE ARE REPLACED BY DIRECT CONNECTION IF NOT USED.



APPENDIX A : ACTIVE WHIP



APPENDIX E : LONGWIRE PRESELECTOR (MEDIUM WAVE)



IRCA Foreign Logs

The IRCA has published nine volumes of the IRCA Foreign log. Each volume contains several hundred actual tips that were reported to the DXWW sections during an entire year, compiled and retyped in a book format. In addition, special features include: articles on foreign DXing (volumes 6, 7 and 8), utility lists (volumes 7 and 8), shortwave parallels (volume 8) and BCB propagation (volumes 6, 7 and 8). The IRCA Bookstore still has volumes 3, 4, 6, 7 and 8 of the IRCA Foreign Log available for \$2.50 each (overseas airmail add \$2.50/book). Order your copy today from: IRCA Bookstore, 9705 Mary Ave NW, Seattle WA 98117

THE INTERNATIONAL RADIO CLUB OF AMERICA (IRCA)

The IRCA is a non-profit organization devoted to the hobby of hearing distant stations on the AM Broadcast Band (510 - 1630 khz). **DX Monitor**, the official publication of the IRCA, is published 34 times a year, weekly from October to March, twice in September and April, and monthly from May to August. **DX Monitor** contains members' loggings, articles on radio stations, receiver reviews, technical articles, DX tips, and other material of interest to Broadcast Band DX hobbyists. IRCA is a member of ANARC, the Association of North American Radio Clubs.

CLUB ADDRESSES AND OFFICERS

President: Phil Bytheway, 9705 Mary NW, Seattle, WA 98117 (206) 356-3927 (proposals)
Secretary-Treasurer: Ralph Sanserino, PO Box 70223, Riverside, CA 92513-0223 (dues/address changes)
Board of Directors: Shawn M Axelrod, Michael S Hardester, Bill Hardy (chairman), Ric Heald, Albert S Lobel, Patrick Martin and Robert Wien
Editor-in-Chief/Publisher: Ralph Sanserino, PO Box 70223, Riverside, CA 92513-0223
Publishing Coordinator: Phil Bytheway, 9705 Mary NW, Seattle, WA 98117

MEMBERSHIP DUES

U.S. - \$25.00 per year. Canada - \$27.00. Overseas Surface - \$28.50. Overseas Airmail - \$35.00 (Central America, Caribbean, Colombia and Venezuela), \$38.00 (Europe, North Africa, Middle East), \$41.00 (rest of the world). One time charge for New Member Packet - \$2.00 (first year only). Trial Membership - \$9.50 (10 issues of **DX Monitor** and a New Member Packet, U.S. / Canada / Mexico only). Installment rate: two payments of 1/2 dues plus \$1.00 (\$13.50/payment for U.S. members). Make checks and money orders payable to IRCA and send all dues (and address changes) to: IRCA, PO Box 70223, Riverside, CA 92513-0223. Persons living outside the U.S., please use International Money Order in U.S. funds. Sample copies of **DX Monitor** are \$1.00 (U.S. or Canadian) or two International Reply Coupons each and are available from: IRCA, PO Box 70223, Riverside, CA 92513-0223.

Unless otherwise noted, permission is granted to publish, broadcast, or otherwise reproduce non-copyrighted material appearing in **DX Monitor** provided credit is given to the IRCA and the original contributor. Opinions expressed in **DX Monitor** are those of the original contributors and do not necessarily reflect those of the IRCA, its publishing staff, editors or officers.



IRCA
PO BOX 70223
RIVERSIDE CA
92503-0223
USA

FIRST CLASS MAIL

30-16
J D STEPHENS
3715 CONGER RD SW
HUNTSVILLE AL 35805-5725
USA

FIRST CLASS
U.S. POSTAGE
PAID
RIVERSIDE, CA
PERMIT NO. 5214