

JUNE 12, 1993 - VOLUME 30 - NUMBER 32 - EDITION 990 - ISSN 0899 - 9732

NEW MEMBER: CLIFFORD SCHNAUFFER. **RENEWALS:** GEORGE KESTEVEN, DR JERRY REDDING, ROBERT BELL. WELCOME TO CLIFFORD AND THANK YOU ALL VERY MUCH

IN THIS ISSUE: IRCA CONTESTS 1992-1993 FINAL STANDINGS ON FRONT PAGE, IRCA ELECTION RESULTS FOR 1993, 1992-1993 CPC REPORT, BROADCASTING INFORMATION, ALMANAC LIMITED EDITION AD, DX WORLDWIDE II, WESTERN DX ROUNDUP, CENTRAL DX ROUNDUP, CONVENTION UPDATE, EASTERN DX ROUNDUP, WESTERN DX FORUM, EASTERN DX FORUM, VERIFICATION SIGNERS, GEOMAGNETIC INDICES, THE RADIO STATION BOOK AD, VERIE, AND IN THE CENTER THE LAST PART OF THE PHASER ARTICLE

CONVENTION ROOM: IF YOU HAVE DECIDED AT THE LAST MINUTE TO ATTEND THE CONVENTION AND DO NOT HAVE A ROOM. CONTACT : JOHN JOHNSON AT (408) 252 - 5611

RADIO SHACK DX - 390: NOTICED IN THE SHACK'S AD THAT THE 390 HAS BEEN REDUCED DOWN TO \$169.95. WHEN THE SHACK REDUCES THE PRICE MOST OF THE TIME IT MEANS THE ITEM IS HISTORY. IF YOU WANT ONE YOU BETTER HUSTLE

NATIONAL RADIO CLUB: THE NRC IS CELEBRATING ITS 60th ANNIVERSARY AT THEIR CONVENTION ON LABOR DAY WEEKEND, SEPTEMBER 3rd, 4th, 5th, AND 6th AT THE HARLEY HOTEL OF HARTFORD/SPRINGFIELD IN ENFIELD, CONNECTICUT. NRC CONVENTION PO BOX 118 POQUONOCK CT 06064

IRCA CONTESTS
1992-93 FINAL STANDINGS

as of May 15, 1993

Nancy Hardy, 2301 Pacific Ave., Aberdeen, WA 98520

	<u>Grand Total</u>	<u>State/Province</u>	<u>Letterama</u>	<u>April Mini Contest</u>	<u>Previous Mini Contests</u>
Mike Sanburn, CA	658	285	78	112	183
Steve Sprague, KS	283	283	0	0	0
John Johnson, MT	136	94	27	3	12
Bruce Portzer, WA	40	38	2	0	0

Congratulations to Mike for winning this season's grand prize! He will receive a copy of the new Almanac when it is published. Thanks to all who entered. Not everyone won a prize, but I'm sure most contestants logged at least one new station which would be a prize in itself. If you have an idea for contests next season be sure to let me know.

55KOY
Covering Arizona Like The Sun

IRCA 1993 GENERAL ELECTION

Here are the results of the 1993 election of officers to serve IRCA from September 15 1993 to September 15 1995. A total of 82 ballots were received. Winners are indicated by a *. Per club tradition, the TVA award winner will be announced at the convention in Billings (and in the July 'DX Monitor').

IRCA PRESIDENT

- * Bill Hardy - 76
- Write in: John J Johnson - 1
- Ineligible - 2

IRCA SECRETARY/TREASURER

- * Ralph Sanserino - 78
- Write in: none

BY-LAW CHANGES

PROPOSAL 1: (ECC prohibited to run for office)

favor - 56 oppose - 19

PROPOSAL 2: (Change frequencies of interest)

favor - 76 oppose - 1

IRCA BOARD OF DIRECTORS

- * Shawn Axelrod - 56
- * Richard Evans - 51
- * Larry Godwin - 46
- Jim Hall - 23
- * Mike Hardester - 50
- Stephen S Howe - 20
- Leonard Hyde - 40
- * John C Johnson - 52
- * Pat Martin - 61
- Steve Mittman - 21
- Mike Sanburn - 20
- Gary Siegel - 24
- Reid Wheeler - 39
- * Robert Wien - 44

Write in: JD Stephens - 1
Karl Jeter - 1

IRCA's ECC is prohibited from running and/or campaigning for an office. IRCA's frequencies of interest are now 510-1720 khz. Thank you to those that voted. Next scheduled election will be for the TVA in 1994....pb



Nashville

1993

SPECIAL INVITATION

TO

IRCA MEMBERS

You are invited to attend the Worldwide TV-FM DXers Association convention July 23, 24 and 25 in Nashville, Tennessee. Although WTFDA's primary interests are in TV and FM DXing, many of our members are also AM DXers. For registration, reservation, and other information; write Tom Bryant, 849 Todd Preis Drive, Nashville, TN 37221. Advance registration \$25.00.

*** IRCA Foreign Logs ***

Before the creation of the IRCA Foreign DX Reference, the IRCA published nine editions of the IRCA Foreign log. Each edition contained the actual tips that were reported to the DXWW sections during an entire year, recompiled and retyped in a book format. In addition, special features include: articles on foreign DXing (Vols. 6-8), utility lists (Vols. 7-8), shortwave parallels (Vol. 8) and BCB propagation (Vols. 6-8). IRCA archives still has Volumes 3, 4 and 6-8 of the IRCA Foreign Log available to all for \$2.50 each. Make checks out to Phil Bytheway and send them to: 9705 Mary N.W., Seattle, WA 98117

'92-'93 CPC REPORT

BY: J.D. STEPHENS

Thanks to the support of the membership (and several non-members as well), and the work of all involved in IRCA's CPC, the number of DX tests scheduled for the '92-'93 DX season exceeded last year's high volume of activity.

The '92-'93 season also saw much-improved DX conditions, which resulted in many more loggings of the tests which aired. The following lists the DX tests arranged by IRCA's CPC this past DX season and information regarding each test.

KWCK-1300, Searcy, AR. Monday, 10-5-92. The season started off on a low note, as this test was a no-show. It was rescheduled for 11-9.

WCKB-780, Dunn, NC. Tuesday, 10-6-92. Unlike last year's DX test, this one included Morse code, which was run as part of their regular frequency check. Test tones and voice IDs were also included.

WBHY-840, Mobile, AL. Monday, 10-12-92. At 10 kw, this station got out well and was even heard in Mexico, as well as up and down the East and West Coasts. The test consisted of Morse code, tones, voice IDs and Christian rock music, and was aired simultaneously on their sister station, WBHY-FM, 88.5 MHz.

KXOL-1320, Clinton, OK. Monday, 10-12-92. This station was a no show for 3 scheduled tests during the '91-'92 season and was a no show again this season, despite a confirmation by telephone a few days previous that the test would run. For those who included this station on their target lists, looks like you will have to try and hear it during regular schedule, as the CPC does not plan to waste any more time with KXOL.

WLYN-1360, Lynn, MA. Monday, 10-26-92. Mr. Michael Klein of DX Enterprises continues to run DX tests for the IRCA this season. A consulting engineer, Mr. Klein has ties to several New England stations and promises more tests in the future. This test consisted of Morse code, tones, and voice IDs. The test started late, but also ran later than scheduled.

WSMI-1540, Litchfield, IL. Wednesday, 10-28-92. This test consisted of Morse code, test tones, and voice IDs and was run during the station's regularly scheduled frequency check. Chief Engineer Brian Talley volunteered to repeat the Morse code portion during each monthly frequency check for the rest of the DX season. One of WSMP's tests was even heard in Jamaica!

KBOA-830, Kennett, MO. Thursday, 11-5-92. This test included Morse code, tones and march music. Due to a mixup at the station, the test was run on Friday the 6th. Some DXers got their days mixed up as well and were rewarded with a new catch. At 10 kw, the test got out well and was heard in California and up in the Northeast. This test was repeated 2-22-93.

WWLS-640, Norman, OK. Saturday, 11-7-92. This test consisted of tones, Morse code and voice IDs inserted during breaks in their regular night time programming. Not on an omnidirectional pattern, the test was heard only in the Western and Central U.S., even making it up into Manitoba.

KMFI-1470, Sierra Vista, AZ. Monday, 11-9-92. This test consisted of Morse code and tones. Although no definite loggings of this were seen in DXM or DX News, apparently this test did run as several tentative reception reports were verified.

KWCK-1300, Searcy, AR. Monday, 11-9-92. Rescheduled from 10-5, this test consisted of Morse code and march music and was even heard on the West Coast, and in Manitoba. To date, no verifications have been reported even though the person that ran the test, Mr. Ken Simmons, has been an excellent verifier in the past.

KNAK-540, Delta, UT. Monday, 11-23-92. This test was a no show and was rescheduled for 1-4-93.

WSMI-1540, Litchfield, IL. Wednesday, 11-25-92. The second of WSMI's DX tests run as part of their monthly frequency check.

WIMA-1150, Lima, OH. Monday, 11-28-92. This test consisted of Morse code, march music, and voice IDs and was well heard throughout the East and as far west as Manitoba.

KCNO-570, Alturas, CA. Monday, 11-30-92. This one really got the excitement started! Consisting of Morse code, polkas, and march music, this test was heard in Ontario, Tennessee, Alabama, Georgia, Illinois, Virginia and elsewhere throughout the Eastern U.S. Unfortunately, Chief Engineer Dan Frey was very erratic in issuing verifications. Some would get a verie in short order, while some would get accused of faking taped reception reports. For those who did log and verify them - congratulations.

WRJX-1020, Anderson, SC. Monday, 12-7-92. This 10 kw station tested last year for the IRCA but did not run the Morse code for very long. This year's test was similar in that phone calls were put on the air and there were repeated greetings to all DXers included in the program. Christmas and gospel music was played, and the Morse code was run more often, which enabled DXers in Manitoba, Minnesota, California, and Washington to log what is, for them, a difficult state.

KJR-950, Seattle, WA. Monday, 12-7-92. This test included Morse code and tones and was heard as far East as Ohio - despite the fact the station was on a restrictive night pattern.

KNEB-960, Scottsbluff, NE. Monday, 12-7-92. This station extended it's normal monthly frequency check to include Morse code. Not well heard, due to a crowded channel and poor propagation.

WDEA-1370, Ellsworth, ME. Monday, 12-14-92. Maine is a difficult state for a lot of folks. This test included Morse code and was heard as far West as Montana. Although the person responsible for the test gave the output power as 10.4 kw, the actual power was only 5 kw.

WABK-1280, Gardiner, ME. Monday, 12-14-92. This test started immediately after the WDEA test, giving DXers a second chance to log this tough state. With Morse code and march music, it was heard as far as Illinois and Manitoba, although most reports came from DXers in the Northeastern states. Program Director Brant Curtiss has yet to respond to reception reports.

KNZZ-1100, Grand Junction, CO. Monday, 12-14-92. Yet another 10 kw station, this test was heard as far west as the Virginias, Tennessee, Alabama and other parts of the Eastern U.S. The test included Morse code, tones, and various announcements.

KGWA-960, Enid, OK. Monday, 12-21-92. From Glenn Hauser's back yard, this station tested with Morse code, tones, and march music. Technical problems necessitated the use of auxiliary equipment for the test, but the station still got a number of reports from surrounding states. This test was to be repeated 3-1-93. Contrary to popular rumor, Mr. Hauser was in no way connected with this test.

KNED-1150, McAlester, OK. Monday, 12-21-92. This station tested with Morse code, tones, voice IDs and various music including marches, big band, and movie themes. A very well done test.

WSMI-1540, Litchfield, IL. Wednesday, 12-23-92. The third of WSMI's DX tests run as part of their monthly frequency check.

WKGf-1480, Arcadia, FL. Monday, 12-28-92. This test was heard well up and down the Eastern seaboard and throughout the Southeastern U.S. with Morse code and Christian music. Several months later, this station went silent.

KNAK-540, Delta, UT. Monday, 1-4-93. Starting off the new year was this rescheduled test. Last year, Station Owner and Chief Engineer Douglas Barton conducted a DX test for IRCA from his station in Manti, KMTI-650. The test from this newly-purchased station consisted of Morse code, tones, and voice IDs and was very well heard, even as far East as Alabama and Tennessee.

WNTK-1020, New London, NH. Monday, 1-4-93. This test was originally scheduled for the '91-'92 season, but at the request of Station Owner Bob Vinikoor, it was postponed until a planned power increase to 10 kw was implemented. Many DXers were able to add another difficult state to their logs, as this test was heard all over the country and even in Jamaica. The test consisted of a Morse code ID, repeated continuously for 30 minutes.

KEAN-1280, Abilene, TX. Monday, 1-4-93. This test consisted of Morse code, tones, and country music and was not well heard on this crowded channel.

KDES-920, Palm Springs, CA. Monday, 1-11-93. This test included Morse code and was heard well, but only throughout the West, as the test was conducted using their night time pattern.

KCKY-1150, Coolidge, AZ. Monday, 1-11-93. This test included Morse code and was heard extremely well all over the country, including the East Coast, despite the fact that the station was not using an omnidirectional pattern. This test was even heard in New Zealand!

WOC-1420, Davenport, IA. Monday, 1-18-93. This test consisted of Morse code, tones, and big band music and was not well heard, receiving only 4 reception reports (one of them incorrect). Chief Engineer Jon Book says he will try again next season.

KXTQ-950, Lubbock, TX. Monday, 1-18-93. Conducted on a directional night time pattern, this test was heard only in the West (even as far as California) and consisted of Morse code and bilingual (English/Spanish) program material.

KEYZ-660, Williston, ND. Monday, 1-25-93. From another tough state for many, this test included Morse code and was heard well throughout the Central U.S. The first half of the test was conducted using a directional pattern, and the last half using an omni pattern.

KAZM-780, Sedona, AZ. Monday, 1-25-93. This test consisted of tones, many announcements, and march music. Also, phone calls from DXers were put on the air. This test was to have included Morse code, but for some reason the code tape did not arrive. No matter. This test was heard literally all over the country, and the station received over 25 reception reports, including reports from West Virginia, Pennsylvania, North Carolina, Illinois, Alabama, Tennessee, and Alaska.

WSMI-1540, Litchfield, IL. Wednesday, 1-27-93. The fourth of WSMI's DX tests run as part of their monthly frequency check.

KOFI-1180, Kalispell, MT. Monday, 2-1-93. This test consisted of Morse code IDs inserted during the stations' night time programming and, due to the fact that a directional pattern was in use at the time, was not well heard, although one DXer in Virginia did manage to hear it.

WANM-1070, Tallahassee, FL. Saturday, 2-6-93. From yet another 10 kw station, this test consisted of Morse code IDs, voice IDs and test tones and was extremely well heard, as far away as Manitoba, California, and Oregon.

KAAM-1310, Dallas, TX. Monday, 2-8-93. This test consisted of Morse code IDs inserted during breaks in their satellite programming.

WWCC-1590, Honesdale, PA. Saturday, 2-13-93. This test consisted of Morse code and tones. The first half of the test was conducted on a power of only 500 watts, while full power of 1 kw was used during the last half of the test.

WZAP-690, Bristol, VA. Saturday, 2-13-93. From yet another 10 kw station, this test consisted of voice IDs, test tones, and repeated playing of a gospel song called "He's Been Working On Me". Your CPC chairman apologizes to any who found out about the test after the fact.

KVOX-1280, Moorhead, MN. Saturday, 2-13-93. This test consisted of Morse code, tones, and voice IDs inserted during breaks in the station's night time programming. Conducted on the station's night pattern, the test was heard by only a few.

WNNW-1110, Salem, NH. Monday, 2-15-93. Yet another station from the tough state of New Hampshire. This test included Morse code, tones, and Latin music, and was heard as far away as Alabama, Tennessee, and Georgia - although weakly.

KBOA-830, Kennett, MO. Monday, 2-22-93. This was a repeat of their 11-5-92 test. See that date for details.

WDEV-550, Waterbury, VT. Monday, 2-22-93. From the tough state of Vermont, this station tested with Morse code, tones, and music. Not heard well outside of the Northeast.

WSMI-1540, Litchfield, IL. Wednesday, 2-24-93. The fifth of WSMI's DX tests run as part of their monthly frequency check.

WWJZ-640, Mount Holly, NJ. Monday, 3-1-93. This new station tested with Morse code, march and big band music, tones, and lengthy discussions about the station equipment and its history. Widely heard, this one made it all the way to the West Coast. Although the previously publicized power was 50 kw, the actual used for the test was probably closer to 30 kw.

KGWA-960, Enid, OK. Monday, 3-1-93. At the request of Chief Engineer Scott Clark, this repeat of their 12-21-92 test was scheduled so that the station could use its normal operating facilities. However, this was a no show.

KPCR-1530, Bowling Green, MO. Monday, 3-8-93. This test included Morse code and was heard in all sections of the country, including Oregon, Alabama, and California.

KTNS-1090, Oakhurst, CA. Tuesday, 3-9-93. This test was a no show.

KKAR-1180, Omaha, NE. Monday, 3-8-93. This test consisted of Morse code and various country music and novelty songs. The station was heard quite well despite its 1 kw power, even as far away as Oregon and California.

KWKY-1150, Des Moines, IA. Monday, 3-15-93. This test consisted of Morse code, tones, and march music and was included as part of the station's monthly frequency check. Not widely heard.

WSMI-1540, Litchfield, IL. Wednesday, 3-24-93. The sixth of WSMI's DX tests run as part of their monthly frequency check.

WECO-940, Wartburg, TN. Saturday, 3-27-93. This test included Morse code, tones, and bluegrass music and was heard well throughout the Eastern U.S.

WLKW-790, Providence, RI. Monday, 3-29-93. Another testing station from another tough state. This test included Morse code, and for some reason was only run for half of the scheduled time.

WCPM-1280, Cumberland, KY. Thursday, 4-1-93. This test consisted of tones and voice IDs.

WVHI-1330, Evansville, IN. Monday, 4-9-93. The last test of the season, this one included Morse code, tones, and various types of music. Most of the code and music was run during the last hour of the test.

The responsible personnel at each station received a Certificate of Appreciation for the test, as well as a complimentary copy of DX Monitor.

The IRCA CPC operates on donations of the members. These donations can be in the form of checks, stamps, or supplies. Some supplies which are always needed are:

- 1) Business size envelopes.
- 2) 4x6 return envelopes.
- 3) 8 1/2 x 11 envelopes (for mailing Certificates of Appreciation)
- 4) Any envelope or container suitable for mailing a cassette tape in.

Your response with donations continues to be outstanding. The IRCA CPC accepts donations year round in the form of stamps, checks (no cash, please), or supplies to:

J.D. Stephens - CPC Chairman
P.O. Box 605
Huntsville, AL 35804-0605

The IRCA CPC consists of: J.D. Stephens (Chairman), Lynn Hollerman (Computer BBS liaison), and Jim Pogue (Technical Chairman).

Once again, thank you for your continued support.

BROADCASTING INFORMATION

EDITOR: ROBERT WIEN 1309 DENTWOOD DR SAN JOSE CA 95118

DEADLINES: 2nd & 4th Saturdays.

Compiled: 05/09/93

Much of this information was compiled from M Street Journal, DXM, and various other sources.

NEW STATION APPLICATIONS:

WA. Blaine 1600 khz. 50000/5000 DA-2

NEW STATION GRANTS: NONE

CONSTRUCTION PERMIT ACTIVITY: NONE

FACILITY & PARAMETER APPLICATIONS:

CA. Los Angeles KFVB-980 50000/50000

FL. Indian Rock Beach WXYB-1520 600

PA. Philadelphia WPGR-1540 500-N, DA

FACILITY & PARAMETER GRANTS:

GA. Dublin WXTI-1230 700/700

OR. Grants Pass KAGI-930 123-N, ND-1

Waldport KORC-850 10-N

WV. Charleston WCAW-680 10000-D

CALL LETTER CHANGES:

CO. Brush KKGZ-1010 becomes KSIR

Pueblo KDZA-1230 becomes KKPC

KY. Greenup WTCV-1520 becomes WLGC

FORMAT CHANGES:

CA. Fresno KFSO-980 was oldies//FM, now SMN oldies, Unis. talk

Modesto KBEE-970 was EZL, now Unis. stds.

Quincy KPCC-1370 was C&W, talk, rock, now country, talk

CO. Pueblo KDZA-1230 was silent, now KKPC, BRN bus. nx

FL. Fort Pierce WJNX-1330 was nx/talk//WJNO, adds Liddy//WJNO

Jacksonville WSVE-1280 was black gospel, rptd. silent

Lake Worth WLVS-1380 was rel. adds ethnic in pm drive

Orlando WWNZ-740 was talk, now nx

WHOO-990 was rock//FM, black gospel, adds Caribbean noon-8PM

Palm Beach WPBR-1340 was stds, talk, now talk

Riviera Beach WPOM-1600 was gospel, SS, now gospel, urban

West Palm Beach WJNO-1230 was nx/talk, adds Unis. Liddy talk

Winter Haven WSTR-1490 was AC, now JSN AC

GA. Valdosta WVLD-1450 was oldies, talk, now talk (mx morning drive only)

IN. Indianapolis WNDE-1260 was talk, adds Unis. Liddy talk

KY. Greenup WTCV-1520 was south. gospel, now WLGC, C&W//FM

ME. Bath WJTO-730 was sports, now SMN stds.

MD. Baltimore WHLP-1360 was help wanted ads, now AS

MA. Worcester WORC-1310 was oldies, adds Unis. oldies

FORMAT CHANGES (CONT.):

MS. Greenville	WGVM-1260	was country, now DAN, EFM talk
MT. Billings	KUUS-1240	was EZL, now KMAY, classic rock
NJ. Princeton	WHWH-1350	was AC, talk, adds Unis. Liddy talk (mx in AM/PM drive)
NY. Rochester	WRMM-990	was soft AC//WRMM, now WCMF, rock// WCFP-FM
NC. Wendell	WETC-540	was country, adds FTP talk
ND. Minot	KCJB-910	was country, now country//KYYX nites
OK. Poteau	KPRV-1280	was country//FM, now SGC Xtian country
OR. Eugene	KDUK-1280	was oldies, now SEN sports
PA. Emporium	WLEM-1250	was AC-C&W//FM, now oldies-C&W//FM
Huntingdon	WHUN-1150	was AC, now SMN real country
RI. East Providence	WVRX-1110	was nx, now SMN classic rock
Pawtucket	WICE-550	was country, talk, now sports, talk
SC. Anderson	WANS-1280	was nx/talk//WFBC, now hot AC//WVMM
TN. Tullahoma	WJIG-740	was AC, now SGC Xtian country
TX. Plainview	KVOP-1400	was SMN C&W//FM, now SMN AC//FM
Wichita Falls	KNIN-990	was CHR//FM, now SGC Xtian country
VA. Norfolk	WTAR-790	was nx/talk, adds Unis. Liddy talk
Richmond	WRVA-1140	was AC, talk, C&W, adds EFM talk
WA. Bremerton	KBRO-1490	was silent, now stds. SS (part of stds. bdcst. sim. w/KKMO-1360)
Spokane	KTRW-970	was country, now ASN sports "The Score"
	KJRB-790	was oldies, talk, now talk
Tacoma	KKMO-1360	was AC, ethnic, now SS, stds., talk
Vancouver	KVAN-1550	was AC, now talk, sports, C&W//KWBY-940
WV. Hinton	WMTD-1380	was C&W//FM, now silent, lost tower site
Montgomery	WMON-1340	was country, adds JSN country

Dennis Gibson of Goleta, CA. passes on the following info:

MD. Silver Spring) WNTR-1050 now WKDL, "Radiozone 1050 AM,
The Kid's station"

Tom Bryant of Nashville, TN. passes on the following info:

TN. Ashland City	WQSV-790	now dual ID'ing w/WQSE-1030, 1030 full satellite of 790
Brentwood	WYOR-560	on air 24 hrs/day w/very low mod
Fairview	WPPD-850	signs off at 5 PM per call to station
Gallatin	WANG-1130	still silent, but may go back on air w/different xmtr location
Hartsville	WJKM-1090	was <u>never</u> off the air!
Lebanon	WCOR-900	still silent, but will be reactivated soon
Madison	WHNK-1430	still silent, but owner may revive station
Smyrna	WQCB-710	silent for approx. 2 months now
	WENO-760	promoting stereo, but not noted w/stereo for over 2 months

Thanks Dennis & Tom!

DX has ground to a standstill here, hoping it will pick up soon, the summer doldrums are here I guess, even in May! 7 more weeks till the convention in Billings, get your order in (blatant promo...). 73's.

IRCA Stationery

Black on white masthead with the IRCA logo and name. Great for using when writing for verifications. 100 sheets, \$5.00. (Order yours today from: IRCA Bookstore, 9705 Mary Ave NW, Seattle WA 98117)

IRCA Reprints

The IRCA maintains a large file of articles which have appeared in past issues of DX Monitor. These articles cover a wide variety of topics, including: antenna theory and construction, tips for the foreign BCX DXer, how to improve your DXing skills, history of DXing and broadcasting, lists of stations by subject, construction projects and receiver modification, receiver reviews, medium wave propagation, and more. Copies are available for a nominal charge. For a list of reprints, send \$1.00 to:

IRCA Reprints, c/o Steve Ratzlaff, 1885 E. Bayshore Rd Sp 90, E. Palo Alto CA 94303.

BROADCASTING INFORMATION

EDITOR: ROBERT WIEN 1309 DENTWOOD DR SAN JOSE CA 95118

DEADLINES: 2nd & 4th Saturdays.

Compiled: 05/24/93

Much of this information was compiled from M Street Journal, DXM, and various other sources.

NEW STATION APPLICATIONS: NONE

NEW STATION GRANTS: NONE

CONSTRUCTION PERMIT ACTIVITY: NONE

FACILITY & PARAMETER APPLICATIONS:

CA. Salinas KCTY-980 10000/10000

FACILITY & PARAMETER GRANTS:

AL. Atmore WASG-550 25000-D
AR. Camden KAMD-910 1000/125 ND
CA. McFarland KXEM-1590 move to 750 khz., 3000/600 DA-2
Soquel KOQI-1200 50000/11000 (CP)
OR. Phoenix KDOV-1300 20000-D
UT. Salt Lake City KDYL-1280 10000/600

CALL LETTER CHANGES:

CA. Fresno KFSS-980 becomes KEYQ
UT. Ogden KJQN-1490 requests KJOE

FORMAT CHANGES:

AL. Albertville WAVU-630 was oldies, now southern gospel
Alexander City WTLM-1050 was country, now southern gospel
AZ. Cottonwood KVRD-1600 was stds., now IBN, USA-talk
CA. Fresno KEYQ-980 was KFSS, oldies//FM, now SMN stds.,
Unis. talk
Visalia KEYX-1400 was oldies//KFSS-FM, now SMN stds.,
talk//KEYQ
FL. Madison WMAF-1230 was country, rel, now southern gospel
Marianna WTYS-1340 was country, AC, now nx/talk/sports (FTP,
SEN, UPI, USA)
Royal Palm Beach WOEQ-1190 was SS (tropical), now SS AC
GA. Eastman WUFF-710 was country//FM, adds JSN C&W//FM
Hazlehurst WVOH-920 was C&W//FM, s. gospel, now s. gospel
Jasper WYYZ-1490 was country, now silent
Reidsville WTNL-1390 was country, now s. gospel
IL. Freeport WFRL-1570 was AC, now EFM, MBS talk
IN. New Castle WMDH-1550 was talk, C&W//FM, now talk
KY. London WFTG-1400 was oldies, country, now country gold,
C&W//FM
Middlesboro WMIK-560 was country, now s. gospel
MI. St. Johns WWSJ-1580 was country, adds SS
MN. Richfield KMZZ-980 was hard rock, now hard rock//FM
St. Cloud WJON-1240 was AC, talk, now nx/talk
Willmar KDJS-1590 was country, now Unis. oldies

MS. Marks	WQMA-1520	wa silent, now blues
Oxford	WUOH-1420	was AC, now talk (Daynet, IBN, SEN, EFM)
MO. Joplin	WMBH-1450	was country//FM, now stds.
Mountain Grove	WCMG-1360	was country//FM, now religious
NE. Cozad	KAMI-1580	was country//FM, now FTP talk
NY. Rome	WFRG-1450	was WZLB, oldies//WTLB, now C&W//FM
NC. Durham	WTK-1310	was country, rel., now SEN sports
New Hope	WAUG-750	was R&B oldies, now urban
Taylorville	WQXZ-860	was religion, now c. Xtian//WLFJ
Washington	WTOW-1320	was country, now black gospel
OH. Jackson	WLMJ-1280	was country//FM, now "Reach" s. gospel
Ontario	WRGM-1440	was EZL, adds JSN EZL
PA. Pittsburgh	WPIT-730	was contemp Xtian, adds MGS c. Xtian
SC. Charleston	WXTC-1390	was AC//FM, now sports
	WUJM-1450	was nx, now CHR//WSSP
Georgetown	WGTN-1400	was silent, now JSN country
Surfside Beach	WYAK-1270	was silent, now country//FM
TN. Bolivar	WBOL-1560	was s. gospel, now silent
Clarksville	WJZM-1400	was classic rock, now JSN C&W//WTWL
	WCTZ-1550	was country//WYCO, adds EFM talk
	WEZK-1240	was WIMZ, rock//FM, now soft Ac//WEZK-Fm
Knoxville	WKBJ-1600	was oldies, now country//WVHR
Milan	WTNR-930	was country//FM, now IEN talk
Waynesboro	KORO-1600	was country//FM, rptd. silent
TX. Cuero	KLAR-1300	was SS, now CBS, EFM nx/talk
Laredo	KDAE-1590	was oldies//KLTG, now Unis. stds.
Sinton	WMEK-980	was C&W, religion, now C&W, FTP talk
VA. Chase City	KKDZ-1250	is new, children't net ("KidStar")
WA. Seattle	WXCO-1230	was country, now Daynet, EFM talk
WI. Wausau		

It's raining today, which is very rare here in dry central CA. this time of year, and I'm getting over a cold, as well! Just 4 more weeks till the convention, hopefully, that will pick up the DX which has been the pits here of late! 73's.

IRCA AM-FM ALMANAC - Limited Edition

The 5th Edition of the IRCA AM-FM ALMANAC has sold out, and the 6th Edition will not be published until next year. But several DXers have expressed interest in obtaining the most recent Almanac edition from 1991. To satisfy this demand, a **limited number** of copies of the 5th Edition will be published this summer. We'd like to know how many copies to print.

- **1991 Edition** — This will be the edition sent to the press in October 1990, and as such all sections are at least that old, with some information from 1988 and 1989.
- **Looseleaf Edition** — This edition will not have a comb binding. This will allow us to copy the necessary pages, to send you a complete book ready to hole-punch and place in a binder.

If you already own the 5th Edition, this will be no different. If you do not yet own an IRCA Almanac and you want up-to-date information, you may prefer to wait for the new 6th Edition next year.

But if you want the 5th Edition, please let us know as soon as possible. Price to IRCA members will be \$13 U.S., \$14 Canada. **Send no money at this time.** Write to Bill Hardy, 2301 Pacific Ave., Aberdeen, WA 98520-4527. Thank you!

IRCA Stationery

Black on white masthead with the IRCA logo and name. Great for using when writing for verifications. 100 sheets, \$5.00. Order yours today from: IRCA Bookstore, 9705 Mary Ave NW, Seattle WA 98117

A DXers TECHNICAL GUIDE

Now in its 2nd edition, this 120 page book answers questions on receiver and antenna theory, how to make them work better, what audio filters and loop antennas will do for you (and hints on their construction), how to build a beverage and phasing unit, and much more. Only \$5.50 for IRCA members, \$6.50 for non-members (overseas airmail add \$2.50). Order your copy today from: IRCA Bookstore, 9705 Mary Ave NW, Seattle WA 98117

DX WORLDWIDE II

Bruce Portzer

6546 19th Avenue N.E.

Seattle, WA 98115

Greetings and welcome to another edition of DXWW2. There seems to be a lot going on in the radio world right now, judging from the size of the column this time. Too bad I can't say the same for DX, but that's the way things always seem to be at this time of year.

I'm looking forward to attending the convention in Billings at the end of the month. I'll be bringing a bag of items for the auction, including a Realistic TRP in very good condition that I found at a thrift shop a few months back. I'll be bringing the entire family, which should prove interesting. I asked my 6 year old daughter if she'd like to tour a radio station and she said "Daddy, the basement already looks like one". (Actually, she's not that far off, hi).

TRANSPACIFIC

AUSTRALIA: 3PB-1593 moved to 1026 on 5/4. SBS (Special Broadcasting Service) will open a 2nd network in Melbourne by 12/93; no freq given but they will probably use 1116 1422 or 1593. 3GG-531 was due to switch to a racing format in May, probably //3UZ-927. 3BO-945 moved to FM on 5/3. 7HT-1080 & 7EX-1008 have apparently retained their old calls after switching to racing format. ID "You're tuned to 7TAB statewide through 7HT Hobart and 7EX Launceston". 5RPH-1197 & 4RPH-1296 now carry commercials. [DXA]

CHINA: Zhangjiakou PBS hrd on 1098, Zhangzhou Economic BS-1143 ex Zhangzhou PBS-2, Zhenjiang Economic BS hrd on 1147 [Don't confuse with VOA Philippines. bp], CPBS7[sic]-1215 hrd till 1800 w/off, Qingdao Economic BS hrd on 1251, Guangshui PBS 1368 sked 2155-0055 0355-0515 0955-1255. [Arctic] Gansu PBS Lanzhou has language lessons 0100-0130, 0510-0540 and 1400-1430 on 684, 873, 4865, 6005 and 6155 kHz. [SW Echo] Beijing-1251 relays "Easy FM" w/contemporary mix, sometimes IDs as "CRI". Also relays German FS 1500-1530, then w/off. [Arctic]

A Hong Kong broadcaster is planning a commercial radio network which could reach 100 million listeners in 15 cities in China, as Beijing relaxes its iron grip on the airwaves. Metro Broadcast Corp's joint-venture with one of Beijing's main propaganda tools, state-owned China Radio International, was completed in February with the addition of Shanghai, China's biggest city with 13 million people. The station began broadcasting earlier this year. A two-hour nightly programme called "Joy FM" includes Western and

Chinese popular music and breaks new ground with disc jockeys making presentations in both Chinese and English. Having won the quiet blessing of Beijing's hardline leaders, Metro is aggressively selling air time at premium international rates -- and major Western companies are queuing up to beam their advertisements across China. "Philip Morris was one of the first, with messages about the Marlboro name," Metro financial director Maurice Lai said at a news conference. PepsiCo and Coca Cola are expected to sign soon, as well as a major airline, Metro officials said. Economic reform has weakened Beijing's grip on broadcasting as profits have taken precedence over politics. Beijing still jams VOA but has tolerated the television signals of BBC and Band Music Television. An Australian joint venture was China's first foreign broadcaster, pioneering "easy listening" programs in Beijing and other cities three years ago. But its influence is limited by an all-English format. Joy FM is likely to be far more successful with a mix of 60 per cent English and 40 per cent Mandarin. It reaches the cities of Beijing, Shanghai, Tianjin, Guangzhou and 11 others ranging from Lanzhou in western Gansu province and Shenyang in the northeast to those along the densely populated and economically vibrant SE coast. There are strict limits to the programme's content. Metro officials acknowledged that some Taiwan musicians whose anti-communist views are widely known are banned. CRI deputy director Li Dan said Joy FM was expected to abide by the three golden rules of Chinese communist broadcasting: no insurrection, no religion and no sex. "Do we have censors? Let's say we have guidelines," Li said. "We do practise self-censorship. We know what we can broadcast and we know what we can't broadcast. We are not talking (on air) about politics. We are not broadcasting religion stuff or pornography stuff." [Unid wire service story dated Mar 18, via SW Echo]

On 5/10, a senior executive at the country's Central People's Broadcasting Station (CPBS) explained why the station is changing its English name to "China National Radio" (CNR). He said that the old name is inaccurate in depicting the media's state nature as well as its nationwide influence, and it obscures the demarcation line between radio and television. "It has caused uncertainty among foreigners," he said. To bring the name into line with international norms and make it accurate and scientific, the executive said, based on studying similar foreign examples, the station began to use the new name May 1, 1993. The new title was approved by the

Ministry of Radio, Film and Television. However, the original name will remain unchanged for the domestic audience. (CPBS, which now boasts 700 million listeners nationwide, grew out of the Xinhua Broadcasting station founded in 1940 in Yanan, the communist Red Army's campsite. [Foreign Broadcast Information Service 5/10, via SW Echo])

COOK ISLANDS: Per a visit to the station in April, Radio Cook Islands SW transmitter was destroyed by a fire last year, MW 630 kHz was unaffected. The station has established MW relays on some of the outer islands (freqs unknown) which they plan to eventually upgrade to FM stereo. [Guy Atkins]

FIJI: R Suva 3 noted on 1089 in EE w/BBC nx at 1100. [Cushman,DXA]

INDONESIA (Sort of): A new offshore station is transmitting to Indonesia from the MV Friendship which was fitted out in Macao. The Voice of Friendship is anchored 15 miles off Java & transmitting on 262 meters (1134 kHz?) w/20kw & SW 11960 w/10kw. The stn is a joint venture between High Adventure Ministries & World Harvest Radio International. [Caroline Movement Newsletter via Arctic]

On the other hand, a press release dated 4/23 says, "Neither High Adventure Ministries nor World Harvest Radio International is operating a broadcast station on a ship near Java, officials of both organizations said this week. The British pirate-radio fan paper Caroline Movement News was one of several hobby publications carrying such a story this winter... "We are not involved in any ship station project", said Joe Hill, operations manager for LeSea Broadcasting Corp., licensee of WHRI in South Bend, Indiana. "The only thing we are involved in, for Asia, is the Asian shortwave station we are building in Hawaii. We are not doing anything with WHRI, and we are not doing anything on a boat", said John Tayloe, Executive Vice President of High Adventure Ministries of Simi Valley, Cal. ... He said High Adventure Ministries' current plans for Asia include the expansion of its shortwave station KHBN on the Pacific island of Palau. [SW Echo]

NEW ZEALAND: R Rhema Christchurch (3XG) has moved from 1503 to 612. 2XG Wellington now on 972. [DXA] United Christian Broadcasters Auckland Polynesian station will start soon on 1539 [NZDXL] Airport Radio AKL-1476 ceased operation in late March, freq now relays 91FM "The Breeze". [NZDXL]

RUSSIA: Vladivostok-648 began relaying VOA in Korean 1300-1330 as a counter-measure to N Korean jamming. [Arctic]

TAIWAN: Kuang Hua BC was separated from Central BS on 1/1, cked is 0955-1905 [Arctic]

THAILAND: VOA-1575 is being jammed from 1130 until 1700 w/off. [DXA/NZDXL]

TONGA: the tx on 5030 continues to have technical problems. A lightning strike damaged the tx, knocking it off the air. No word on its return [NZDXL]

LATIN AMERICA

BELIZE: VOA-1580 is on 1700-0500 [LANL]

BOLIVIA: R Nobel-1401.5 La Paz is new [TRN via LANL]

COLOMBIA: HJZW-780/HJAA-920 ID as 30 kw, HJCM-1280 R Sur 1kw ex 1290. HJMB-1280 R Sureste is 15kw. HJ..-1379 "R Estelar, Voz Civica y Cultural del Norte de Boyaca" hrd 2/16 on 3rd harmonic. [TRN] HJXX-770 now IDs as "RCN Radio Suceso" [Arctic]

CUBA: Freqs and locations for Radio Cadena Habana: 1080 Guines, 1090 La Salud, 1120 Artemisa, 1140 Cd Habana [Arctic]

DOMINICAN REPUBLIC: HIAK-1440 R Cristocentrico, Santo Domingo ex-R Renuevo; R Amanecer Int'l 1570.6 [LANL]

EL SALVADOR: YSS has reverted to its old name R Nacional 1100-0400 (sun 1200-0300), relays on 610 680 750 were destroyed during the war. Cadena de Oro-870 no longer Radio 10. R UTEC-970 1200-0400. R Upa-990 "la radio de los niños" ex-R "Clásica" 1kw 1200-0200. R Internacional-1020 is active s/on 1121. New YSRG-1160 R Corporación 1kw. [LANL]

GUATEMALA: TGN R Cultural has new 1kw relay on 1290. [Arctic] Radio Coban-540 is new, R Alianza-610 ex Señorial sked 1200-0300. R Occidental-620 ex R 6-20. R Mopan 810 in Peten is new. Delete R Novedad-1190. R Poderosa-1120 sked 1030-0400, 1200 Estéreo Rumbos ex R Rumbos. New R Zamanab-1280 in San Jeronimo, Baja Verapaz. R Nacional de Totonicapan, ex LV de Totonicapan. New R Miramundo-1300, Unión R-1330 SW is inactive since 8/92. R Monja Blanca 1350 ex R Municipal Cultural. R Nacional 1440 "LV de Mazatenango" 1100-0400. New R Tayasatu "LV de la Amistad" Santa Elena in Peten is new, seems to be operated by the army. [LANL]

HAITI: 4VEH no longer uses SW but still operates on 840 & 1030 w/various languages 1000-0300. [ASWLC via NZDXL]

HONDURAS: LV Evangelica de Honduras has a repeater in San Pedro Sula on 1390 [Arctic]

MONTSERRAT: Radio Montserrat-885 is now 10kw 1000-0300 M-Sa 0900-0300 Su. Station engineer Lowell Mason is interested in cassette recordings of DX reception. [NRC via NZDXL]

NICARAGUA: Radio Democracia-1200 is new, address Altamira #73 Managua. [Arctic]

PANAMA: HOPU-540 Lider 540, Panama, ex-550. Faro de David 1240 ex R Boquete [Arctic]

PERU: R Latina Lima 985 noted to 0600 w/off w/anthem during DXpedition [Weatherly, DXA]

VENEZUELA: YVQO-640 program "Sintonia DX" celebrated its first anniversary 3/19. The pgm verifies correct reports and is preparing a commemorative pennant. Address "Sintonia DX", Portenas 640, Avenida 5 de Julio, Edificio Los Angeles, Puerto La Cruz. [Arctic] YVKQ 11-30 Mutual hrd on 1128.6. YVTI R Falcon hrd on 1351. [Arctic]

TRANS ATLANTIC

BELGIUM: Local pgms potentially audible in N America: RTBF Hainaut 1125 "Hainaut Matin" 0630-0900, RTBF Liege 1233 "Liege Matin" 0630-0900, RTBF Namur "Nationale quatre matin", all M-F. [Euronews]

BOSNIA-HERCEGOVINA: Radio Bosnia i Hercegovina is again active //SW. [Arctic]

CEUTA: Radio Ceuta being hrd in Spain on 1584. [Arctic]

CZECHIA: 5930 now carries the new pgm "Radiojournal" //270/1233. [Euronews]

ERITREA: In a recent UN-monitored referendum, 99.8% of the Eritrean population voted in favor of independence. Eritrea, located along the Red Sea between Sudan and Djibouti, was formerly part of Ethiopia. Italy was the first country to formally recognize Eritrea as an independent country, and the U.S. Department of State has established full diplomatic relations with Eritrea. It looks like a new DX country will be added to the lists. [JD Stephens via SW Echo]

GERMANY: Deutsche Welle will take over all German external BCing from Deutschlandfunk on 7/1. [Euronews]

Radioropa Info is Germany's first private news channel. It is available on several satellite transponders and cable networks throughout Germany. To supply 'ordinary' listeners with their programme it uses the longwave transmitter of Radio Volga on 261 kHz eleven hours per day. To reach even more listeners Radioropa Info started test transmissions on shortwave on May 10. As they have no licence for a xr in Germany they use a 100 kW xr in the Czech Republic. The following schedules have been reported: 0300-1500 5980 kHz; 1500-2200 5975 kHz; 2200-2300 5980 kHz. It is also reported that they use 5980 kHz 24 hours a day. The address of the station is: Radioropa Info, Postfach, D-5568 Daun, Germany. [Andreas Volk, SW Echo]

KALININGRAD: 1386 now relays R Moscow World Service in EE, replacing Radio Ala, power is 2500kw. For financial reasons, local pgms are FM only, not 1116. [Arctic]

LATVIA: Riga-945 no longer relays VOA, freq is now used by private stn Radio Divi (Radio 2) [Arctic]

LITHUANIA: Radio Baltic International, a joint project of Lithuanian and British companies aimed at BCing Radio Luxembourg type programs to Scandinavia, has been given permission to put a 200 kW transmitter on 684 kHz. Broadcasts were supposed to begin by July. But a station spokesman says a dispute with local farmers over compensation for crops damaged by construction has delayed the start until November, 1993. There is also confusion over a reported remark from the head of the British company involved that the station would use digital AM stereo, which the Lithuanians believe could interfere with their own stations. [Radio Vilnius via SCDX, which adds: This station is very shadowy. The AM stereo suggestion is

strange considering no one in Scandinavia has equipment to receive this mode. Not only has there been no publicity for the station within the proposed target area, but Sweden's own first commercial radio stations will be appearing by July. If Radio Baltic International isn't on the air first, there won't be any audience to speak of.]

LUXEMBOURG: RTL-1440 now closes down at 2205 after nx in GG. S/on 0415. [Arctic]

MALTA: V of the Mediterranean is in EE 0600-0700 on 1557/9765 [Euronews]

MOLDOVA: 234 549 999 are all 1000kw, 1467 is 150kw. The 549 xr is also used on 1548 w/FS in Romanian ALbanian & Italian 1600-2100. Chisinau-872 (sic) has 150kw, is presently off the air but is expected to return soon w/R Russia. [Arctic]

MOROCCO: RTM-1494 regional stn hrd in Arabic & Berber, seems to be near Agadir. This is possibly the station listed on 1485 in WRTH. [Arctic]

NETHERLANDS: Netherlands Minister of Culture has decided to continue broadcasting Radio 1 on 747 due to protests from truck drivers and Dutch citizens living in other countries. [Euronews] Radio 3 on 675 is about to leave MW. They have a jingle saying Radio 3 pgms are now FM only. [Arctic]

NORWAY: Norwegian coast radio stations are going to start relaying "Dagsnytt", bulletins of NRK, on Vardo Radio 1713/1737 at 1033 1600 & 2233, Hammerfest Radio 1635 at 1033 1600 & 2233, & Svalbard Radio 1731 at 0700 1500 & 1900. It is possible that Jan Mayen & Hopen will join later. [Euronews]

SAHARAN ARAB REPUBLIC: National Radio of the Saharan Arab Republic [Arabic: Al-I'dha'at al-Wataniyah li al-Jumhuriyah al-Arabiya as-Sahrawiyah]; al-jumhuriyah which opposes the Moroccan policy on Western Sahara has currently been observed on 1544 and 11520 kHz at 0700-0900 and 1800-2400 with programmes in Arabic, though some programmes are in local languages and Spanish. (Note that the SAR is recognized as a separate country by some, and is considered as a separate DX country by the ARRL. bp) [SW Echo]

SAO TOME E PRINCIPE: VOA has applied for 1530 kHz and hopes to begin testing this summer with 100kw, which may increase to 500kw. [Arctic] [Wouldn't you know they'd pick a frequency ending in zero! This one may nonetheless still be possible in the east coast at sunset given its power level, if you can bet past WCKY, Vatican Radio, and various daytimers. bp]

SPAIN: R Barcelona-666 ex-828, R Miramar-963 ex-666, as of mid-March. [Arctic]

SWEDEN: R Sweden hoped to resume full power transmissions on 1179 kHz in the middle of May. [SCDX]

TADZHIKISTAN: Orzu 648/972 each have 1000 kw. [Arctic]

13

TURKEY: On 4/2 the Turkish govt ordered 50 local private TV stations to cease operating in a widening crackdown on private broadcasting. The ban does not apply to seven independent TV channels that beam broadcasts from outside the country by satellite. One of these stations, Star 1, is owned by the son of (the late, bp) President Turgut Ozal. According to private broadcasters, the police also closed down 500 private radio stations in a two day period. There have been widespread protests against the action. Angry radio listeners bombarded the offices of the Prime Minister and other officials with protest taxes, while motorists flew black banners from their antennas. [Reuters/IPS, via SCDX]

UKRAINE: Mykolayiv-Kopani high powered xr on 549 relays Mayak pgn 0100-0000. [Arctic]

UNITED KINGDOM: KCBC Kettering/ Corby is now on 1584 (ex-1530) due to QRM from Vatican Radio, and has increased pwr. [Euronews] BBC Three Counties Radio is the new name form Radio Bedfordshire 630/1161. [Euronews] CD603-630 is on the air. [MWN] The fourth MW channel in London will prob be 1035, surrendered by BBC Kent; new xr site could be Lots Road. [Arctic]

YUGOSLAVIA/INTERNATIONAL WATERS: A radio ship called "Freedom of Speech" has begun broadcasting what is called "honest news" to the former Yugoslavia from the Adriatic Sea. The effort is funded by the European Community. The transmissions are on 720 kHz and 98 MHz. (SCDX)

A new radio station is on the air in the ex-Yugoslavia area. The station is called "Radio Brod". It operates 24 hours with 50 kW on 720 kHz where it has already been heard in Scandinavia during night-time. Radio Brod is located on a ship anchored in the Adrian Sea some miles off the ex-Yugoslavian coast. The station is owned and operated by journalists who are tired of the boring and biased propaganda broadcast by the many official radio stations of the ex-Yugoslavia. Radio Brod has been financed by an important donation from the EC. This radio has been launched with the help of (among others) french organisations called "Droit de parole" (which means Right of Speech) and France-Libertes (founded by the French president's wife Danielle Mitterand). Their addresses are: Droit de Parole, 18 rue Clavel, F-75019 Paris 19 and France-Libertes, 1 place Trocadero at 11 novembre, F-75016 Paris 16. [Philippe Lievrouw via Euronews]

BBC AND VOA RELAY ADDRESSES

The following is a list of addresses of relay stations for the BBC and VOA, as posted on SW Echo. The BBC relays all have been known to directly answer reception reports from shortwave listeners. The local addresses may prove to be better QSL routes than headquarters. The list was posted on the SW Echo BBS.

BBC Far Eastern Relay, P.O. Box 434, Singapore;

BBC Hongkong, Flat B 24, Beacon Hill Road, Kowloon Tong;

BBC Caribbean Relay, P.O. Box 1203, St. John's, Antigua;

BBC East Mediterranean Relay, P.O. Box 219, Limassol, Cyprus;

BBC Eastern Relay, P.O. Box 6898, Otwi Po, Muscat, Oman;

BBC Atlantic Relay, English Bay, Ascension Island, South Atlantic;

MUNICH: VOA Europe, P.O. Box 221 220, D-8000, Munich 22, Germany

RHODES: VOA Relay Station, P.O. Box 66, Rhodes, Greece

TANGIERS: P.O. Box 162, Tangier, Morocco

PHILLIPINES:USIA, VOA Phillipines Relay Station, Transmitter Plant Supervisor, APO San Francisco, CA 96277-5000

SRI LANKA: Manager, VOA Relay Station, P.O. Box 574, Colombo 7, Sri Lanka

BOTSWANA - Send your reports to the Washington office. But to the attention of DAN FERGUSON - BOTSWANA QSL DESK. They have a special Botswana Relay QSL card.

THE RADIO AUTHORITY PUBLISHES ITS COMMENTS ON "THE FUTURE OF THE BBC"

[via SW Echo BBS]

The Radio Authority has today (15 April) published its response to the Government's Green Paper on "The Future of the BBC". The Authority sets out the following main points in its document:

FUNDING: Two types of broadcasting exist today, publicly funded and commercially funded. Certain program services are commercially non-viable; the Authority believes that these services should be publicly funded.

The BBC, while it is publicly funded, should not have access to sources of revenue from advertising or sponsorship. If BBC services were to be funded by advertising, sponsorship or subscription, the first two would damage the independent sector; the third would be an uncertain basis on which to wholly fund the BBC, it would undermine the principle of universality and it would be difficult to collect.

If any services currently provided by the BBC are to be permitted to take advertising or sponsorship they should not remain within the BBC.

BBC services should for a while continue to be funded by a licence fee, but the Authority believes that within the time frame under review this arrangement is likely to become more difficult to sustain. An alternative should begin to be considered now.

PUBLIC SERVICE BROADCASTING: Public Service Broadcasting' as the term is currently

14

used is not the preserve of the BBC. Much of the BBC's output cannot be distinguished from that of its competitors.

BBC RADIO 1: The impact of any national BBC frequencies passed to the commercial sector and to be funded from advertising would need careful phasing-in over a period. The Radio Authority intends to initiate research into the economic feasibility of transferring Radio 1 to the commercial sector.

If and when the frequencies of BBC Radio 1 and its format are passed to the independent sector they should retain universality of coverage.

FREQUENCY DISTRIBUTION: It is unlikely that the BBC needs six national radio services to fulfil its future task.

The imbalance of FM frequencies suitable for national services should be redressed in due course from the 4:1 presently in favour of the BBC.

In equity, either the second Independent National Radio service (INR2) [ie Virgin 1215] or INR3, and ideally both, should have been given FM frequencies. The Authority realises that this situation probably cannot be redressed for the current licensing period unless INR3 can be allocated one of the BBC's national sub-bands; but in the longer term a better distribution is needed.

Now that BBC local services are to be speech-based they do not need FM channels; AM would suffice.

REGULATION: In the long term, there should be one regulatory body for radio and one for TV. All UK services should be similarly 'regulated' i.e. licensed to common standards.

The BBC Governors, distanced from the executive, should retain their responsibility for the strategic direction of the Corporation and the assessment of results as in any large company but the new arrangements would ensure that equal standards are applied.

Commercial services are subject to sanctions if they seriously breach programming or advertising codes as well as licence conditions. It is wrong for only one half of the industry to be called to account.

The general formats for all BBC services should be prescribed and these should have a Promise of Performance like their commercial counterparts. This would facilitate a more orderly broadening of listener choice across radio as a whole.

BBC Local Radio should have Promises of Performance to guarantee their speech-based nature, and should continue to provide a generally complementary service to Independent Local Radio.

The idea of a Public Service Broadcasting Council is not supported by the Authority.

The Broadcasting Standards Council (BSC) does not have a relevant role in relation to radio. Its research commitment could be undertaken by existing bodies. The handling of radio complaints

could be (and is) done as effectively and usually more speedily by the Radio Authority.

The BBC Charter and Licence and Agreement are outdated. There does not appear to be a valid reason why the BBC services should not be governed by legislation similar to that for the independent sector.

ENGINEERING: The BBC's transmission engineering function should be separated; the BBC should then procure its transmission facilities from the open and competitive market. The BBC's role as sponsor and provider of engineering research and development, as well as training, should be reviewed with a possible restructuring and separation of certain functions, but there should be no overall diminution of the level of activity in these fields.

COMMENT: In commenting on the document, Lord Chalfont, Chairman of the Radio Authority said, "We have all admired a great deal of the BBC's work in the past but with the continued development of the independent sector it is time for a fresh look at the distribution of roles and resources for the BBC".

Individual copies of The Radio Authority's Comments on the 'Future of the BBC' can be obtained free of charge from the Authority's Press Office on 071-430 2724; fax 071-408 7064. It's a large glossy booklet and is said to contain loads of interesting facts on the cost of BBC radio against listenership, etc etc. [It may be well worth a read! Whether they'll ship a copy to N America is unknown..]

CONTRIBUTORS/SOURCES: Arctic DX Club (Arctic), New Zealand DX Radio League (NZDXL), DX Australia (DXA), WRTH Latin America Newsletter (LANL), Euronews (via Richard Eckman), Shortwave Echo, others as noted.

WJBM
1010 Shipman Rd.
Jerseyville, IL 62052

WJBM
★1480-AM

3WG

Radio 1460

15



WESTERN
DX
ROUNDUP

Nancy Hardy
2301 Pacific Ave.
Aberdeen, WA 98520

DEADLINES FOR WDXR TIPS: Sat. June 19, Mon. Aug. 2, Mon. Aug. 23, Sat. Sept. 4. PLEASE USE EASTERN TIME.

REPORTERS FOR THIS ISSUE:

- (LG) Larry Godwin-2390 Clydes Dale Lane-Missoula, MT 59801
Hammarlund HQ-150, Sanserino air-core box loop
- (BH) Bill Hardy-2301 Pacific Ave.-Aberdeen, WA 98520
DXing near Silverdale, WA on Chevy Astro van radio
- (GJ) Gary Jackson-7735 Center Parkway-Sacramento, CA 95823
- (PM) Patrick Martin-P.O. Box 843-Seaside, OR 97138
Drake R8, term. 200' SW/NE wire, term. 1500' E. Beverage,
1600' NNW Beverage term., ground system
- (BN) Bill Nittler-Box 824-Mancos, CO 81328
HQ-180, spiral loop
- (RJO) Rod O'Connor-P.O. Box 3488-Kodiak, AK 99615
- (5P) Dale Park-P.O. Box 22778-Honolulu, HI 96823-2778
- (NP) Nigel Pimblett-1146 Queen Street SE-Medicine Hat, AB T1A 1B4
- (bp) Bruce Portzer-6546 19th Ave. N.E.-Seattle, WA 98115
1984 Ford and 1988 Chevy car radios
- (PT) Pete Taylor-2614 Jackson Street-San Francisco, CA 94115
Car radio
(PT-CAI) On round tip to Monterey, CA, using car radio
- (RW) Robert Wien-1309 Dentwood Dr.-San Jose, CA 95118
GE Superadio, GE long-range portable, SM-2

OF SPECIAL INTEREST

- 560 (KVOK) AK, Kodiak local has been off the air since 4/15. They are moving to a new antenna site and say they will be back on with a new format on 6/1. (RJO-AK)
- 790 KNST AZ, Tucson 4/28 2130-2145 heard call-in sports show, ex-KWFM. (BN-CO) (KWFM-790 and KNST-940 have swapped frequencies and formats.--NH)
- 1170 (KOHO) HI, Honolulu local Japanese station has been off the air since about 5/14. Consulting engineer confirms they are dark, probably financial reasons, and owners hope to return to the air soon. (5P-HI)
- 1230 KKPC CO, Pueblo ex-KDZA heard driving through Pueblo on 5/15. Announces now owned by Pueblo Comm. College and encouraging possible students to apply with station. (BN-CO)
- 1250 KKDS WA, Seattle ex-KKFX noted on the air afternoon of 5/15 (newspaper said they signed on at 1430) with locally produced children's programming and ID's as "Kidstar 12-50, radio just for kids." Basic format is news and features for children interspersed with novelty/adcon/oldies tunes. The music appears to be carefully selected to appeal to both 3-to-11 year olds and their parents. Plans to be 24 hours but is currently daytime only, i.e. s/off 5/23 at 2350, gave 0600 s/on. KKFX went silent 3/14/93. (bp-WA)
+5/30 1645 ex-KKFX, noted back on air after 1½ month absence with new local children's format, frequent "Kidstar 1250" slogans. Interesting mix of children's and novelty songs, and grown-up songs that appeal to kids. Legal ID this hour at 1656½, just before "news for kids," but 5/31 ID right at 1400. Lots of local things for kids to do, such as reports from Seattle's Folklife Festival. (RH-WA)
- 1370 KTMG CO, Deer Trail back on air with C&W, heard ID 5/8 2152 and while in Denver area on 5/15. (BN-CO)

1460 CJMH AB, Medicine Hat last day of broadcast for CJMH will be June 30th. Replacement FM outlets (98.3 in Medicine Hat & 92.1 in Etzikom, AB) are already on the air, and will run in parallel to June 30th. (NP-AB)

530 TIS CA, Altamont Pass 5/12 0610 CALTRANS recording "Welcome to California's Altamont Pass, one of the world's largest producers of wind generated electricity." Repeated over and over again, strong! (GJ-CA)

---- CA, Beacon in Morse code 5/10 at 1600 near Fresno area. Two short dots, 2 short and one long pause, then one short, repeated over & over. (GJ-CA)

WNUT422 CA, Los Altos 5/2 1430 new TIS noted valiantly fighting the wide-coverage Oakland Coliseum TIS. Not previously heard. An old list has them as WNAP463. (PT-CA1)

(TIS) CA, San Jose the S.J. Airport TIS noted off 5/1 & 5/2 while driving through San Jose. They used to have nice jingles! (PT-CA1)

+5/10 0812 noted still off, off air at least two weeks now. Oakland Coliseum TIS in good, Candlestick Park TIS weak underneath. (RW-CA)

TIS +Airport TIS 5/17 0240 noted back on air after hiatus of a week or two, but signal much weaker than before. (RW-CA)

TIS OR, Newport 5/2 1352 still on the air with tourist info, clam digging, etc, heard very weak during the day, of late. Currently Astoria TIS has OC. (PM-OR)

TIS OR, Jewel 5/4 1400 Oregon Dept. of Fish & Wildlife TIS here giving info on wildlife, elk in area. Weak. (PM-OR)

TIS WA, Enumclaw 5/23 1700 new TIS noted while in area, announced as "operated by the White River Ranger District, city of Enumclaw, Enumclaw Chamber of Commerce, and Crystal Mountain ski resort." Woman with loop message on road conditions and scenic attractions. (bp-WA)

TIS WA, Moses Lake 5/4 0530 weak, o/u Ritzville, with message on beaches, sun, camping, etc. Woman announcer "Welcome to the greater Moses Lake area." New for me. (PM-OR)

TIS WA, Ritzville 5/4 0520 "Welcome to Ritzville" tourist announcements." (PM-OR)

550 KFYZ ND, Bismarck 5/3 0305 fair u/o unID, with weather after net news, TC "5 minutes after 2 o'clock at KFYZ." (PM-OR)

610 CHNL BC, Kamloops 5/4 0400 fair above jumble with "Radio N-L" announcements, "Nightshift" program. This one is rare here, with CKYL and KONA QRM. (PM-OR)

650 (KSTE) CA, Rancho Cordova 5/10 0332 totally off. Had OC 5/24 0330. (RW-CA)

660 KGDP CA, Orcutt 4/18 0700 strong with relig. programming. (GJ)

700 KQKE CA, Soledad ex-KSUR strong with country music 5/16 1100-1230. Calls itself "The Quake, KQKE." New mailing address is 8 Harris Court Suite C-4, Monterey, CA 93940 (phone is 1-408-647-9950). Was listed as 330 watts when it was KSUR, but not sure now that it's KQKE! (GJ-CA)

720 KSAH TX, Universal City 5/3 0735 loud but fading rapidly with several local spots, faded back up good at 0738, then gone for good. (RW-CA)

+Several ments of San Antonio on spots, QRM from WGN. ID at 0500 "K-S-A-H Radio Festival" in Spanish. New. (PM-OR)

800 KSOS UT, Brigham City 4/26 2220 ID'd as "This is the big 800, KSOS," then continued oldies format. (LG-MT)

810 KBHB SD, Sturgis 5/1 2215 interrupted C&W program with announcement "KBHB is now reducing power..." then completely dropped out. (LG-MT)

KTBI WA, Ephrata 5/1 2300 announced these affiliates of American Christian Network: KTBI, KGDN Pasco-Richland (101.3), and KSPO Spokane (96.9). (LG-MT)

850 KMTT WA, Tacoma 5/4 0900 along with KOA with rock format and ID "103.7, the Mountain...This is KMTT AM and FM, Tacoma-Seattle, the world's most beloved radio station." (LG-MT)

930 KKXX CA, Paradise 5/8 1245 strong with relig. programming. (GJ)

- 990 XECL BCN, Mexicali dominated 5/14 2321-2330. ID as "Radio Mexicali" and referred to "amigos de XECL" and "Canal de Campeones." (LG-MT)
- 1030 KMAS WA, Shelton 5/1 0900 heard with oldies format, ID followed by ABC news. (LG-MT)
- 1050 KMTA MT, Miles City 5/1 2242 gave brief ID amidst C&W. Said "Leave it right here for the country's best." Program was Country Cabaret. (LG-MT)
- KEYF WA, Dishman 5/1 2225 gave ads for businesses in adjacent Spokane and promotion for "Oldies 101.1." (LG-MT)
- 1060 KBCN ID, Caldwell 5/1 2256 ended relig. program "La Vida en los Tiempos Biblicos," then "Ecos Latinos" and Spanish call ID. Later gave English ID. (LG-MT)
- 1140 KGEM ID, Boise 4/26 2232 ID as "1140, K-Gem, the station you can count on for great songs and great memories." DJ Dan Armstrong. (LG-MT)
- KXNO NV, North Las Vegas 5/3 0740 has finally changed format to casino info radio, noted good in KRAK null with list of shows at Fremont Hotel, numerous "Casino Radio" slogans. Not // to KLUC 98.5 anymore. (RW-CA)
+2235 with "Casino Radio" and information on casinos and shows. KXNO calls at 2248. (BN-CO) (Date?--NH)
- KSOO SD, Sioux Falls 4/26 2225 ended MN Twins baseball and gave quick ID "Newstalk AM 1140, KSOO." (LG-MT)
- KZMQ WY, Greybull 4/26 2226 said to stay tuned for the "hot new country firsts," then s/off at 2230 with male vocal SSB. (LG-MT)
- 1150 KSEN MT, Shelby 4/30 2252 with quick ID "KSEN, you expect more and you get it." (LG-MT)
- 1190 KRDS AZ, Tolleson 5/5 0856 in with relig. programming and ID mentioning 105.3 and 106.7 from Tolleson-Phoenix. (LG)
- KXKS NM, Albuquerque is one of 2 Spanish, this one stronger 5/12 2340-2400, with frequent ments of Mexican states Coahuila and Sinaloa. At 0001 5/13, s/off totally in Spanish, ID'd as "La Super X de Albuquerque, NM." Isn't this late for daytimer to s/off? (LG-MT)
- 1200 KFNW ND, W. Fargo 4/30 2300 ID as "KFNW-AM Fargo, FM 97, Northwest College Radio," moderately strong. (LG-MT)
- 1210 KREW WA, Sunnyside is my mystery Spanish here. ID'd in Spanish and accented English at 2300 5/4. (LG-MT)
- 1220 CJOC AB, Lethbridge 4/30 2257 ID as "Country 1220, CJOC." (LG)
- 1250 KIKC MT, Forsyth 5/4 0848 gave local weather in "Kick Country," followed by livestock report from Miles City. (LG-MT)
+5/17 0730 on top of mess while trying for KKDZ-WA, in KTMS null with ID, Montana farm report. (RW-CA)
- 1270 KXBX CA, Lakeport 5/8 1107 strong with Trading Post program. (GJ-CA)
- KAJO OR, Grants Pass 5/8 1027 strong with weather. (GJ-CA)
- 1330 KLBS CA, Los Banos 5/10 0900 Portuguese language programs, strong. (GJ-CA)
- 1340 KATA CA, Arcata 5/1 nice clean ID 0945 in the car on the Central Freeway. Never specifically ID'd at home. (PT-CA1)
- KWOR WY, Worland ID 2250 as "KWOR/KKLX/KTHE." Call to station confirms KWOR has always been AM call...never changed as previously reported. (BN-CO)
- 1350 KBID CA, Bakersfield 5/24 1054 strong with C&W. (GJ-CA)
- KCKC CA, San Bernardino 5/10 0841 noted good in KSRO null with new CNN news format, ex-C&W. (RW-CA)
- 1380 KHJJ CA, Lancaster 5/10 0846 eradicating KTOM after switch to day pattern with what sounded like Rush Limbaugh, ID. (RW)
- 1410 KERN CA, Bakersfield 5/24 0913 national gardening show, strong. (GJ-CA)
- FRML CA, Carmel noted with jazz (not from KJAZ) 5/1 1100 and with Gospel music/preaching 5/2 1400. As I recall, this was recently reported off. (PT-CA1)
- 1490 KSPE CA, Santa Barbara 5/24 0351 loud with ID "La Musical, Kah-esse-peh-eh," KSJX-1500 off. (RW-CA)
- KNDC ND, Hettinger 5/21 2305 ended ABC news, ID, and gave local weather. (LG-MT)

- 1500 (KSJX) CA, San Jose 5/24 0342 totally off on rare SP. (RW-CA)
 1560 KKA A SD, Aberdeen 5/3 0846 ended CBS program, weather, then ID "Your brand of country, 1560, KKA A." (LG-MT)
 1610 WNCB591 CA, Berkeley "Berkeley's Emergency Information Radio" noted 5/19 0100 totally dominant in the Marina district but lost in the mess at home, 3/4 miles away. (PT-CA)
 TIS CA, Cajon Pass 5/29 0800 strong, giving wind warnings. (GJ)
 TIS CA, Hornbrook agriculture station strong 4/30 0800, saying welcome to Calif., etc, said they need to inspect fruits & flowers. (GJ-CA)
 TIS CA, Livermore 5/1 0215 presume the Livermore Lab TIS giving parking info, costs, etc, in jumble. (PM-OR)
 KNIP553 CA, Los Altos (Foothill College) 5/2 1420 believed to be the one a bit off the channel hetting Saratoga & others. (PT-CA1)
 WNUU667 CA, Morgan Hill is a new TIS. They should move to 530, as Gilroy's WNK689 easily readable under it as I was driving through Morgan Hill. (PT-CA1)
 WSY470 CA, San Francisco Intl. Airport 5/29 TIS first noticed today, "This is a test for Rapid Information Systems for San Francisco International Airport, WSY470," then another announcer giving weather. (GJ-CA)
 WMSK966 CA, CALTRANS Highway Advisory, high wind advisory in effect on I-5 in Kern, King & Tulare counties. Strong. (GJ-CA)
 WNE?679 CA, 5/13 0630 weak, Cal Trans recording WNE?679 giving dates for road closing for construction March-May, weak as it mixes with Hornbrook, Cajon Pass and wind warning station on I-5 near Kern, Kings and Fresno counties. (GJ)
 KPD486 ID, Stanley is a new one here. Copied 5/1 0913-0923 with continuous loop promoting the Sockeye salmon, faced with extinction. Gave phone #800-632-5999. Per verie, runs 10-12 watts off a vertical antenna atop a sheetmetal roofed building whose ground-plane favors reception from the south. Station is temporary pending construction of highway signs. Reports to Gary Gadwa, ID Fish and Game, Box 50, Stanley 83278. (LG-MT)
 TIS WY, Sheridan 5/1 promoted the "YMCA in downtown Sheridan," on top at 0849. Woman announcer. Some QRM from Yellowstone TIS. (LG-MT)

Help with unID's

- 1010 LG-MT's unID in 5/15 WDXR likely KTLE-UT. They are 50kw days, and Spanish. (RW-CA)
 1190 LG-MT's unID Spanish in 5/15 WDXR likely KXKS as he suspects, I've heard them here that time of morning with Spanish. (RW)
 1460 LG-MT's unID adcon station possibly KMWX-WA. (RW-CA)

UNIDS

- 670 5/24 possible national anthem at 0937-0938. Maybe KWNK Simi Valley? (GJ-CA)
 1520 5/3 0806 unID very good in KTRO/XEEH null with CNN news. Probably KFXX. Have they changed to all-news format? (RW-CA) (KFXX is still sportstalk 5/30 with CNN news on the hour.--NH)

It appears that the TIS stations are currently the hot DX out this way. Well, the Billings convention is just a few days away now. As I was washing my van last Saturday I happened to glance at the "2 DXERS" license plate and think that when we're in Billings, there will be more than 2 DXERS riding in it! John and Larry have a lot of fun things planned, so hope to see you there.

IRCA Stationery

Black on white masthead with the IRCA logo and name. Great for using when writing for verifications. 100 sheets, \$5.00. Order yours today from: IRCA Bookstore, 9705 Mary Ave NW, Seattle WA 98117

19

Central DX Roundup



John C. Johnson
979 Neptune Boulevard
Billings, Montana 59105-2129



FOR THE RECORD

REPORT ALL TIMES AS EASTERN.

DEADLINES: 7/3, 7/31, 8/19, 9/4.

RIDING GAIN

- [SA-MB] Shawn Axelrod, 30 Becontree Bay, Winnipeg, Manitoba R2N 2X9
Icom IC-R70 with PLAM board and 4kHz filter, 4-foot box loop, 100' wire.
- [SA-SR] Shawn Axelrod of Winnipeg DXing at Swan River, MB
1992 Dodge car radio, whip antenna.
- [VAL-DX] DXpedition at Valhalla Beach, MB 4/24-25
Icom IC-R70 with PLAM board and 4kHz filter, west and south beverages.
Attending: Shawn Axelrod and Wayne McRae of Winnipeg, MB
Kenwood TS680-S, 134' wire, Grove mini-tuner. Sony ICF-6500W.
- [JcJ-MT] Your editor using an Icom IC-R71A with a Radio West loop.

SPECIAL INTEREST

- 1150 **CKOC** ON, Hamilton. **EX-CKMO**. 5/16 good. 0500 with "Oldies 11-50" slogans. Local spots into "Oldies Coast To Coast." New calls sort of...EX CKMO, but was CKOC before. [SA-MB]

DOWN THE DIAL

- 590 **CFAR** MB, Flin Flon. 5/22 good. 2244 with "CFAR 5-90 CJAR 12-40" ID into rock music. [SA-SR]
- KAQQ** WA, Spokane. 4/25 good. 0650 with NOS music. "KAQQ Spokane" ID. [VAL-DX]
- 600 **CFQC** SK, Saskatoon. 5/22 excellent. 2135 with a mix of old and new rock music. New slogan being used: "Hits Six Hundred." [SA-SR]
- 620 **CKCK** SK, Regina. 5/23 excellent. 1532 with oldies. IDing as "All oldies all the time. CK 62." CKCK airs "Oldies Coast To Coast" at night. [SA-SR]
- 640 **KFI** CA, Los Angeles. 4/25 good in CKRC splat. 0620 with talk program, lots of "KFI" IDs. [VAL-DX]
- 670 **KBOI** ID, Boise. 4/25 good in CJOB splat with WMAQ. 0655 with oldies. [VAL-DX]
- 750 **CJWW** SK, Saskatoon. 5/23 good. 1509 with "Country 7-50 CJWW" into modern country music. [SA-SR]
- 800 **CHAB** SK, Moose Jaw. 5/22 excellent. 2201 with C&W music. "Continuous country. Saskatchewan's Country 800." [SA-SR]
- 920 **CFRY** MB, Portage la Prairie. 4/24 excellent. 2247 with polka, C&W, and old time fiddle music. [VAL-DX]
- 1110 **WKRA** MS, Holly Springs. 4/24 poor w/KFAB. 2005 with local spots, "WKRA" in brief fade up. New. [VAL-DX]
- 1220 **CJRB** MB, Boissevain. 5/23 good. 1506 with a classical music program. [SA-SR]
- 1230 **KVOC** WY, Casper. 5/26 weak with others in null of local KMAY-1240. 0350 with C&W music, spot cluster, "KVOC Skywatch" weather. IDing as "12-30 Country KVOC." Not needed. [JcJ-MT]
- 1240 **CJAR** MB, The Pas. 5/23 fair. 1502 with weather and news into a mix of old and new rock music. IDing as "CJ 12-40 and CFAR 5-90." Weaker than CFAR-590. [SA-SR]
- 1250 **WREN** KS, Topeka. 5/26 weak with others in null of local KMAY-1240. 0405 with "WREN Topeka" ID out of USA Radio News. Religious music. Not needed. [JcJ-MT]

20

CDXR Continued...

- 1300 **CJME** SK, Regina. 5/23 good. 1521 with "Classic gold and great oldies CJME" into oldies music. [SA-SR]
1330 **WHBL** WJ, Sheboygan. 4/24 good. 1940 with NOS music, "WHBL" ID. [VAL-DX]
1340 **KANR** ID, Nampa. 5/13 fair. 0645 with "News anytime, anywhere on KANR. All News Radio 13-40." New for me. [SA-MB]
1440 **KKXL** ND, Grand Forks. 4/24 good. 1933 with the 4/19 "Country In The Morning" program. Someone realized the boo-boo after 3 minutes. "Double K Country" IDs, weather. [VAL-DX]

25 YEARS AGO

June 15, 1968 issue of IRCA's DX Monitor....Patrick Martin of Seaside, OR told of his visits from Bill Block and Theo Donnelly....Jon E. Pearkings, Jr. of Burnaby, BC told of his visits to CJVI, CFAX, CKDA, and CHUB....Michael B. Northam of Beaverton, OR was selling his National NC-109 so he could buy an HQ-160....Larry B. Godwin of Littleton, CO told of his visit to KLAQ-1600.

OPEN MIKE

Whenever you set out to do something, something else must be done first. Thanks to Shawn we have a column this month! BILLINGS '93. 73, John.

1993 IRCA CONVENTION UPDATE



The 1993 IRCA Convention will be held in Billings, Montana on June 25, 26, and 27th. We're less than two weeks away from the gathering. If you are planning on attending, and have not yet sent in your registration form, please do so TODAY. (Registration form was in the Feb. 20th DX Monitor.) We need to finalize banquet plans. A reminder for those driving into Billings take exit 446 off I-90 and head north on King Avenue West to the first set of stoplights at King Avenue West and Overland Avenue. Turn left into Homestead Business Park. Drive south to Quality Inn. I-90 is well signed for this exit,

King Avenue West. If you're flying into Billings call Quality Inn (652-1320) and request their courtesy pickup service. It will be about a 20 minute drive from the airport. We'll see you very soon!

THURSDAY JUNE 24:

No formal events are scheduled, however John and Larry will be at Quality Inn to welcome those who arrive early. We may schedule a KTVQ tour to view the 10PM News production that night.

FRIDAY JUNE 25:

- 1:00PM-5:00PM Check In and meet old and new friends.
5:00PM-6:00PM *First group* - Attend KTVQ production of the 5:30 News.
7:00PM-8:00PM The Annual Convention Quiz.
8:00PM-9:00PM John-John's Radio & TV Stations slide presentation.
9:00PM-11:00PM *Second group* - Attend KTVQ production of the 10:00 News.
--or-- Join Larry and many others on the Friday night DX'pedition.

SATURDAY JUNE 26:

- 1:00PM-5:00PM Station tours including a visit to the antenna farm SE of Billings.
--or-- Meet with others at Quality Inn.
7:00PM-10:00PM Main meeting at Quality Inn. (*Informal*)
 - * Catered buffet banquet.
 - * Guest speaker Vic Miller with stories from early Billings radio days.
 - * Business Meeting.
 - * Annual fund raising auction.

SUNDAY JUNE 27:

No events scheduled during the day. We may get together for a group lunch in the park.
9:00 PM-?? Join John on the Sunday night DX'pedition. Those DX'pedition experts Shawn Axelrod and Wayne McRae will be around to tell stories and discover DX from Big Sky Country.

73, John & Larry

**EASTERN
DX
ROUNDUP**

LEONARD HYDE
1805 WHIPPLE DR. #26
BLACKSBURG VA 24060-2436

DEADLINES: July 2, July 30, August 20, September 4.

FREQUENCY OF THE MONTH for JUNE: 1550 kHz

*** THE REPORTERS ***

- (MB) Mike Brooker - Toronto ON - Panasonic RF-2200, Sony ICF-7600D
(TB) Tom Bryant - Nashville TN
(MH) Mike Hardester - Jacksonville NC
(GVH) Gregory V. Henson - 12024 Waterside View Dr. #23 - Reston VA
22094-1777
(ES) Elliot Straus - Toms River NJ - R-390A, Quantum Loop, longwires,
MFJ-959B
(*ed) the editor on Sinking Creek Mt. in Jefferson Nat'l Forest w/DX-440, 2'
box loop, wire 1725' NNE, homebrew phaser

*** OF SPECIAL INTEREST ***

- 1580 (WVWF) NC, Camp Lejeune 5/6 off the air again. I waited until
Sunday to see if they would be back on the air for church
services, but nothing noted. (MH)
+ 5/18 1600 back ON again w/regular programming. Rather than continue to
write ongoing "chapters," should they go off/on, I'm not going
to send the info in, unless you think it's important. (MH)
(sounds like money troubles to me. Let us know about any
extended SP, Mike, or any news of the station's pending sale or
change in operation that may be announced. Thanks for keeping us
up to date. -ed)

*** THE REPORT ***

- 700 CHSJ NB, St. John 4/28 1930 "All country, all the time: CHSJ
Country 700." Call taken on request line. 1945:15 pattern and
power shift. (ES)
740 CHCM NF, Marystown 4/4 0312 pr w/CBL off. Heard run down of NHL
scores "on Newfoundland's sports authority VOCCM." Into Don
McLean's "American Pie" and other oldie standards. // VOCCM-590.
Heard in 1984 w/CBC programming. (MB)
780 WABS VA, Arlington 5/6 2015 "WABS Arlington-Washington will now
switch to post sunset power for listeners in the Arlington-Wash-
ington area." (ES)

FREQUENCY OF THE MONTH:

- 820 WQSI MD, Frederick 5/3 2000 Orioles baseball on "82-Q". Fair in
WNYC null. (ES)
970 WFUN OH, Ashtabula 5/6 2025 "Night Tracks" pgm, mx, sports, wx in
WWDJ null. AC format. (ES)
1040 WYFX FL, Boynton Beach 5/16 2059 good w/ID: "WYFX Boynton
Beach-West Palm Beach-Miami." Into rap/reggae/bass mx. (*ed)
1050 WLOM NC, Lincolnton 5/16 2110 in/out w/Braves postgame show. Many
Shelby & Gastonia ads. (*ed)
1070 CBA NB, Moncton 5/7 2005 end of 3BC nx, then "This is CBC,
Moncton, AM & FM." (ES)
1120 WHTT NY, Buffalo 4/30 2000 30 second cuts of 60s oldies to 1759:50
ID: "AM 1120 WHTT Buffalo and power off. (ES)
1150 WCNX CT, Middletown 5/17 1955 local ads, "News Talk 1150 WCNX."
(ES)
1200 WAGE VA, Leesburg 5/6 2005 Orioles baseball, o/u WKOX. (ES)
1220 WXCT CT, Hamden 5/17 1950 w/"Boston Red Sox Baseball Network" in
SS. (ES)
1230 WERI RI, Westerly 5/7 1945 ads, into Red Sox baseball on "Boston
Red Sox Radio Network." (ES)
1270 WTSN NH, Dover 4/28 2000 ABC nx, into local nx w/ID @ 2005. (ES)

22

1270 WHLD NY, Niagara Falls 4/29 1945 bilingual program (SS/EE)
 "Musica Hispana." SS vocals, request line @ 773-1270. (ES)
 1390 WRIV NY, Riverhead 5/17 1945 program promos. "1390 WRIV, your
 original hometown station." Old standards. (ES)
 1420 WCOJ PA, Coatsville 4/30 2005 CNN nx, into ads & Chester Co. wx &
 ID. (ES)
 1550 WYNX GA, Smyrna 5/10 1955 "Light 1550 WYNX." Metro Atlanta wx.
 (one of my toughest non-verifiers.) (ES)
 1590 WAKR OH, Akron 4/30 1945 w/Cleveland Indians baseball. (ES)
 1600 ?WAYC? PA, Bedford 4/27 2005 presumed the one w/Pirates base- ball,
 list of sponsors, "Pirates Baseball Network." (ES)

*** DX TESTS ***

940 WECO TN, Wartburg 3/27 DX test solid all the way. Slight SS QRM
 but little other interference. (TB)
 1330 WVHI IN, Evansville 4/19 0118-0200 fair o/pest WEYZ. Noted variety
 of test tones, then ID: "This is WVHI Evansville IN at 1330 on
 the AM dial, serving the entire tri-state area, making special
 frequency response and programming tests at this time." Into an
 instrumental version of "When the Saints Go Marching In." Other
 IDs noted w/various MoR tunes. (MB)

*** HELP W/unIDs ***

J.D.'s unID on 1570 is indeed WZCC in New Albany IN. They use "Inspiration
 Radio" and "Inspiration 1570" as slogans. I heard them often while living in
 Ohio. New Albany is across the river from Louisville KY, hence the ads for
 places in Louisville. (GVH)
 (Thanks, Greg, and welcome to the Old Dominion. Note Greg's new address in
 "The Reporters" section above. -ed)

*** OTHER STUFF ***

From MIKE HARDESTER : "...for the time being, I'm dropping out of active
 DXing/reporting (unless you need a check of a local station, etc... not a
 problem.) With retirement facing me in a little over 100 days, I've now
 learned I may have to have back surgery. Not serious, but along with that
 "little" matter comes trying to find a job after retirement. So, priorities
 have to be set, and DX-related matters have sorta dropped to a low level,
 though I'll remain active on the BoD (if reelected.)"
 (we all come and go, Mike. Thanks for letting us know what's going on with
 you. I think I can speak for all the membership in saying that we have
 enjoyed your past contributions. Can't keep a good DXer down, and if you have
 surgery... all that time recuperating, and with the rx at your fingertips? I
 bet we'll hear more from you than you expect. Whatever happens, take care,
 and let us hear from you occasionally. -ed)

*** EDITOR'S DESK ***

Thanks to both Mikes, Tom, Gregory and Elliot for their support.

Comments were unanimously against the columnar format, so we will return to
 the "tried and true." The main reason I wanted it was to use justified print
 in the loggings section. Doesn't work with this format - pulls the fre-
 quencies and calls out of line.

For those of you who have inquired: a revised DX Records report form will
 be out in a late summer issue. At the present, a number of things are not yet
 decided, so please wait until then to update your report. This gives you all
 summer to get your records compiled.

The DX Test season is over. We can look back on a very successful effort.
 All who participated deserve a lot of thanks, especially J.D. and the others
 who helped set these tests up.

*** DX RECORDS ***

REPORTER: Elliot R. Straus DATE OF REPORT: 3/5/93
 LOCATIONS: Toms River NJ STARTED DXing: ----
 YRS SERIOUSLY? 15 COUNT CALL CHANGES? Yes

23

HEARD/VERIFIED:

TOTAL BCB: 1712/807
FOREIGN: 329/40
PROVINCES: 9/8
DC? yes/yes

US-CANADA: 1383/767
STATES: 45/41
COUNTRIES: 72/31
MOST HEARD: PA-150

BEST CATCHES:

DOMESTIC: VERIFIED: WCVL-1550 Crawfordsville IN
CANADIAN: VERIFIED: CKCK-620 Regina SK
FOREIGN: HEARD: R. Centro-1285 Spain
VERIFIED: R. Caroline North-1520 Isle of Man

TOTAL BY HEARD/VERIFIED: 129/49

1230: 22/8
1400: 19/7

1240: 25/9
1450: 22/8

1340: 20/8
1490: 21/9

KGDP

Radio Station

10,000 Watts 660 AM Stereo

3070 Skyway Drive, Suite 501, Santa Maria, CA 93455 FAX (805)922-8582 Telephone (805)928-7707

FROM LOS OSOS EXECUTIVE OFFICES:

1416 Hollister Lane, Los Osos, CA 93402
Tel: (805) 528-1996 FAX: (805) 528-1982

April 26, 1993

Mr. Gary Jackson
7735 Center Parkway
Sacramento, CA 95823

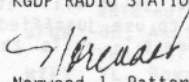
Dear Gary:

Thank you for your April 18th letter with the report of hearing KGDP Radio Station.

Enclosed is a Certificate of Award to you for listening under very difficult circumstances. We appreciate your effort, and have enclosed a KGDP Program Schedule such that you will be able to listen to other programs of interest in the future.

Sincerely yours,

KGDP RADIO STATION


Norwood J. Patterson
President

A DXers TECHNICAL GUIDE

Now in its 2nd edition, this 120 page book answers questions on receiver and antenna theory, how to make them work better, what audio filters and loop antennas will do for you (and hints on their construction), how to build a beverage and phasing unit, and much more. Only \$5.50 for IRCA members, \$6.50 for non-members (overseas airmail add \$2.50). Order your copy today from: IRCA Bookstore, 9705 Mary Ave NW, Seattle WA 98117

IRCA Foreign Logs

The IRCA has published nine volumes of the IRCA Foreign log. Each volume contains several hundred actual tips that were reported to the DXWW sections during an entire year, compiled and retyped in a book format. In addition, special features include: articles on foreign DXing (volumes 6, 7 and 8), utility lists (volumes 7 and 8), shortwave parallels (volume 8) and BCB propagation (volumes 6, 7 and 8). The IRCA Bookstore still has volumes 3, 4, 6, 7 and 8 of the IRCA Foreign Log available for \$2.50 each (overseas airmail add \$2.50/book). Order your copy today from: IRCA Bookstore, 9705 Mary Ave NW, Seattle WA 98117

24



Western DX Forum ★ ★ ★ ★ ★

Reid Wheeler 5910 Boulevard Loop SE Olympia, WA 98501

Deadline: Saturday 2 weeks before publication

Mike Sanburn, P.O. Box 1256, Bellflower, CA 90707

Greetings - I was listening to the Dr. Demento Show recently when they gave honorable mention to Frank Merrill of Macomb, Illinois for sending in the record "My Ken L Ration" by the Flying Saucers - an obvious parody on The Who. It's not everyday a fellow IRCA member becomes famous, hi. The address for the Demento Society is P.O. Box 884, Culver City, CA 90232. I look forward to seeing his updated station list in the next IRCA Almanac (everybody be sure to buy one.) I've been listening to the doctor now for about 14 years since his KMET 94.7 days. Of course those call letters now belong to the famous non-verifier on 1490 in Riverside, CA. My verie response ration in general has dropped a bit. If everybody would practice harmonic convergence and send some positive QSL karma to the management of KDYL, KIVA, KTRB, and CHUB, I'd appreciate it, hi. At least I did get a v/q from KVON and a v/l + cm from KKAR for their DX test. Those morse code ids really cut through the goo! Last Sunday morning, KABC was off the air and I got to log KGHL in Billings, MT. Ironic, just before the convention. Their signal was good with some slow fading and QRM from KOQO. The only other Billings station I've ever heard was KOOK-970, now KCTR. I see that KANA-580 has returned to the air, but it'll be a cold day in hemet before I log that one. Read about the situation with the Superadio III's, will no doubt trade in my '92 for a '93 and see if there's any improvement. If any SoCal DXers are experiencing QRN from a blinky street light, you can call Operation Bright Light at 1-800-303-5267. I heard their PSA on KBIG-FM. Have a great summer, 73.

Jim Hilliker, 1605 Withers Ave #14, Monterey, CA 93940-1569

I meant to send in some tips and a forum last issue, but have been busy and the deadline passed me by. Thanks to a phone call from Larry Godwin, I too did hear the NAB's test of KDAB-1660; 4-16 through 4-21. Rich Toebe in Fairfield was also able to hear it. There was lots of fading here also, plus local noise. I was wondering how much power it ran and I see Larry's tip says it was 200 watts. I was very sad to hear about the passing of Ric Heald. I met him twice. Once in July 1988 at his home and at the 1989 Sacramento IRCA convention. He was a very nice guy and lots of fun to talk with about radio and DXing. I always enjoyed his comments in WDXF and have missed seeing his writings since he stepped down. Locally, the man who started KSCO-1080 in Santa Cruz, Vern Berlin, died in Santa Cruz on 5/8/93 at age 78. He sold the station in 1986. He had battled cancer for a long time. I tried to get him to give IRCA the KSCO station tour during the November 1991 convention, but he told me he wasn't up to it. KSCO did two programs dedicated to him. On 5/15, for two hours, people called in remembering Mr. Berlin and many announcers from the 1940's-'60s who worked at KSCO were live in the studio. Old airchecks were played along with old jingles and the original sign-on record from 1947, when KSCO was a 1 kw daytimer. It was a very interesting show and a real eye-opener into what small town radio was like 40 years ago. The man who used to do it all from broadcasting local election returns to live big bands from Santa Cruz's Coconut Grove will be missed around Monterey Bay. A few months ago Ralph mentioned that Don Johnson had died. Don was mainly a SW/tropical band DXer, but in 1974, '75 and '76 he helped host the first SCADS meetings (So. Calif. Area DXers), which were two-day events then, at a motel in Tustin. And it was aR"all-bands" get-together then, not just SWLs. Don brought an AM DXers to speak too. That's where I first met Ralph, Grant Manning, Father Jack, and others who got me more interested in AM band DX. Local radio news: KXDC-101.7 // KIDD-630 Monterey has dropped the "Radio Pacific" slogan. Now it is "KXDC, Smooth Jazz, 101.7 FM." KIDD ID only at :50 break in-between commercials. KIDD-630 now AN-7, but their audio is terrible! KXDC/KIDD almost went silent in mid-April. Husband and wife who owned "Radio Pacific" slogan and developed developed format were fired. Court had to appoint a person to administer the stations. The last person to hold that job quit, saying he hadn't been paid. Most of the air

staff had quit for the same reason. To complicate matters, one of the two co-owners is the father of Sandy Shore, who was fired along with her husband, the station manager. KXDC-KIDD now running with a skeleton staff. Hard to tell if things will get better there. The economy isn't in the best of shape around here right now. KLAU-1340 Kool Gold now back to nightly midnight s/off. Phil Wrather, owner of KOMY-1340, silent since he sold the old tower sight, says he's trying to get KOMY back on the air. Has possible tower site, but will take time. I've managed to log a few new stns since KOMY went off, but I'd like to get some more. KQKE-700 (the Quake) still on 0800-0300 with "Country Music for the '90s." Has more local spots now and one local airshift with live DJ. Still // FM and really doesn't mention the AM. Even legal ID is "Double 99 FM, KQKE, Soledad" on the hour. ID for FM licensed to Greenfield is about :50-:55 after the hour. KQKE has new window and bumper stickers and even a playlist. *[to be continued next issue - rcw]*

Larry Godwin, 2390 Clydes Dale Ln, Missoula, MT 59801

(406) 721-5131

[5/23] Greetings! Summertime static has arrived, but the good news is that auroral conditions may become more prominent. Stan Weisbeck, I enjoyed your DXR report! The Dataworld Map Book described by Phil B. last issue looks intriguing but \$350 is out of my price range. Will someone bring an M-Street Directory to the convention? I'd like to see one. See y'all in Billings in a few weeks! 73. *[If you have a B. Dalton bookstore in Missoula, take a look at their technical/reference section for the M-Street Journal. I've seen it here in Olympia - rcw]*

Bill Hardy, 2301 Pacific Ave, Aberdeen, WA 98520-4527

[5/27] To Nancy and to me, KOA is both a Denver radio station on 850 and a place to stay during camping trips! We always look forward to summer vacation, but we are especially anticipating this year's trip, because we'll be going to IRCA's Billings convention! John and Larry have guaranteed to splendid time for all, to paraphrase the Beatles. We're anxious to meet many of you for the first time, and see old friends we haven't seen since Portland 1985. Watch for us around noon Friday. After Billings, we will camp three nights in the Black Hills of South Dakota at Mr. Rushmore KOA. Then we'll head to West Yellowstone KOA and home to Aberdeen. Note Nancy's early deadline of Sat. June 19 so we can leave for the convention. We'll have much to talk about -- radio, DXing, computers, the future of IRCA, and as always, other DXers, hi! Nancy will be interested in ways to get more members participating in the DX contests. I will want your ideas to improve the Almanac. With the computer, we'll be able to update and publish an Almanac as often as needed. Finally, the DX hobby is a bit emptier with the passing of Ric Heald. Ric brought professionalism, dedication and a touch of wit to Western DX Roundup for 15 years. 73 and good DX, and we hope to see many of you in BILLINGS!!

Dale Park, PO Box 22778, Honolulu, HI 96823-2778

[5/24] Aloha. I would have rather returned to these pages of DXM at a later date but something that happened last month prompted me to write. Although I never met Ric Heald, I did correspond with him from time to time, especially during his tenure over this column. I found him to be very knowledgeable and quite helpful to a DXer who still considers himself green despite over ten years of interest in the hobby. I hope he lives on in an IRCA award or publication and through collections of station memorabilia. As you know, I've somehow regained control of the sports network features in DXM and have renamed it *Sport Channels IRCA*. (I hope the trademark lawyers from ESPN are watching, hi!) More about this later, but suffice it to say I would like to have many contributions from you about sports on the radio, whether it's play-by-play or teletalk. Even if the only big time action in town is NAIA baseball or junior hockey, let me know what station carries it. Meanwhile, I'm trying to secure reservations for Billings; it will be my first club convention since ANARCON 1988. I hope to visit Yellowstone and Jackson Hole beforehand. It will be great driving at 65 mph (days only) after years of tooling around here at 50 max, hi! If there is anyone else from Hawai'i who is going and would like to share room and car, please contact me at 377-1901 after 9 PM HST. I can't guarantee plane seats but I'll try to work in lodging. Aloha nui loa, and hi to John at Q-TWO. *[Your letter was postmarked 5/26 and was received here 5/29 - rcw]*

EASTERN

DX

Richard C. Evans
P.O. Box 21883
Milwaukee, WI 53221-0883

FORUM

DEADLINES: 7/3 7/31 8/21 9/4 Phone: 414-ATLantic 2-9035

R.C. Watts, 4109 Graf Drive, Louisville, Kentucky 40220-3016
QSL letter from WINZ-940, Miami. Heard near Curacao, so fair DX.
Nice card from PJA-6, Radio Victoria-960 on Aruba. Says 10 kw from a 1/4 wave stainless steel tower with base 1 foot above sea level in a semi-flooded mud flat. Began broadcasting in 1958. Correspondence from Calvary Evangelistic Mission in PR indicates they hope to raise WIVV-1370 power to 10kw, microwave it and combine operations with WBMJ-1190. Already broadcasting some common programs. Apparently needs to fill several positions, including General Manager and Station Operations Manager. Sandra Potter, Operations Manager of ZBVI-780, sent card, form letter and station profile. Antenna heights is 300 feet, with sheathed copper ground system anchored in salt water. Calls itself "Powerhouse of the Caribbean" and "The AM Advantage" because of wide coverage in the Eastern Caribbean. I suppose the FMs are beginning to get a bigger share of advertising so ZBVI claims it's an advantage to go AM and cover more islands for the money. Listening for WVHI during the last DX Test, 1330 was being dominated by WFBC, Greenville, SC. According to QSL letter, their news/talk programming is simulcast on WORD-910, Spartanburg. Multimedia, Inc. stations. WVHI broke through with voice ID just as I was about to give up. A.J. and I had a delightful visit with WSLM-1220/98.9, Radio Ridge, Salem, IN. Owner/Manager Don Martin showed us around this 40 year old station, which is an outstanding example of a community oriented, small town operation. Not small in coverage though! His daughter operates her own WDHM-97.9 from a nearby mobile home. Mr. Martin plans to move his FM to Greenville, IN to better serve the Louisville market. At one time WSLM-1220 had a studio in Louisville, but it was vandalized and the equipment stolen. Not enough insurance to replace and I expect not much incentive at the time to risk trying it again. He also wants to build a museum to house a collection of antique radios and related materials. WSLM is a wonderful station with personality - the thing that's missing from the automated, satellite program stations. If photos come out, will send the best ones to Popular Communications so you might also see something of WSLM if the magazine prints one or two. (WSLM-1220 was the first DX Test I ever heard, way back in early 1966--rce)

Elliot R. Straus, 980 Cooper Drive, Toms River, New Jersey 08753

Greetings fellow IRCAnS! I will soon be taking over as IRCA Achievement Awards Chairman. I would like to take this opportunity to ask the membership to help me to make this an exciting program for all. I'm in the process of obtaining all the old records and certificates, and am reviewing the rules and regulations for issuing the awards. I am asking for your input before I make any changes. What's good about the program, what's bad about it, and what changes should be made, if any. It's your club and the more you put into it the more we'll all get out of it. One idea I had that I'd like to float as a trial balloon is that every person applying for any award would have to be agreeable to sending at least one photocopy of a verie (chosen by me) to help authenticate the award. I know none of us would ever phonie up a verie for the sake of an award, but the more strict the procedure the more valuable the award. I would not like to pick out any one applicant for this authentication but it would apply to all. In other words, I don't want anyone to say "Why did I have to send a photocopy of a verie and someone else didn't?" Is this a system that should be instituted? What do you think? Are there any awards you would like added?, deleted? Let's hear from you! After I finalize the award procedure, all the categories and qualifications will be printed in the Monitor, hopefully just before the start of the fall season. DX for me has continued to be productive and as this is being written (early May) SSS conditions remain good with little or no summertime static, etc. MM's have not been very good this spring but

I've sent out 130+ reports since Feb. and gotten back 65 veries so far. Not too much else to say DX-wise (all loggings are in the appropriate sections). Let's hear from you folks on the award business. Best 73's to all from the BIG E. (Elliot, are you saying that each and every applicant would be required to send you one (or more) photocopies with you making the choice of which one--rce)

Karl J. Zuk, 145 Old Post Road North, Croton-on-Hudson, New York 10520
Ric Heald was a man who personified the spirit of IRCA. He shared his love of life and his love of radio with all of us. When I served as the President of IRCA, Ric was a member on The Board, and his phone calls always gave me inspiration. Ric was employed as a social worker, and his stories of the overnight shift often reminded me of One Flew Over The Cuckoo's Nest. No matter how stressed out he became, he always had room for a smile and a laugh. One evening, I passed through Sacramento and met Ric. We shared a pizza at his favorite dive; but before we ate, he insisted that I take a look at a couple of antenna sites outside of town. I enjoyed his enthusiasm much more than the tour! His car radio usually was straining to pull in another DX catch, but when it was at rest, it sat on KRAK, the local country station. You could almost call him a KRAK groupie. His room was filled with memorabilia from their remote broadcasts: autographed pictures, posters, logos. Ric was delighted to display his two favorite possessions: an antique pump organ, which belonged to his mother (a beautiful instrument that still held its warm sound) and his Yaesu FRG-7. The only tragedy of his life was not spending enough time enjoying the world of radio. One of Ric's favorite country singers, Kathy Mattea, sings a song called "Seeds". "We're all just seeds in God's hands" it laments. Ric grew to be an oak tree that we all enjoyed and cherished. Now that the tree is felled, we can only remember the pleasure it gave us. He lives on in our club and in our lives.

Rick Evans, 4841 South 26th Street, Milwaukee, Wisconsin 53221-2937
It was a shock to hear of the passing of Ric Heald, even thou I had been forewarned about it in a Christmas card from one of the members this past December. I used to talk with him on the phone from time to time back in 1975 and 1976. I met him at the IRCA convention in San Francisco in 1976. It was always a joy to read his Forums, especially in the mid 70's when he seemed to be taking on the radio stations in SF single-handedly. May his soul rest in peace. One verie in since last time, from WK20-590 Mich. It's nothing to write home about (except that it's from my home town). It seemed like a form letter that at the end he commented on the fact that "It's nice to get a report from an 'old' Tiger fan as well as a former Kalamazooan." That gives me 14 veries for the season so far, with the first and last of those veries coming from my home town. Over the Decoration Day holiday, I cranked up the HQ for the first serious DXing session in Milwaukee since January. Result: Monday morning at late SRS produced five new stations; Monday night as I type this at midnight has kicked in another three stations to bring me up to 273 heard here. Immediate goal is to hear 287 to pass my Kalamazoo heard, then 313 to pass the Wisconsin Rapids heard. After that, it's off to the races to catch the 1336 heard from northwest Indiana. The only problem is that now I don't have the luxury of a dozen frequency checks a night to monitor, plus, being married, I can't stay up all night as I used to in the early 70's. Oh well, such is life! I'm sure I wouldn't trade my life now for what it was back then. The deadlines for the next four bulletins are on the masthead. R.C.Watts, I'm holding your latest Forum report for the next bulletin, as I can't fit it in here. See you in July!

IRCA Reprints

The IRCA maintains a large file of articles which have appeared in past issues of DX Monitor. These articles cover a wide variety of topics, including: antenna theory and construction, tips for the foreign BCB DXer, how to improve your DXing skills, history of DXing and broadcasting, lists of stations by subject, construction projects and receiver modification, receiver reviews, medium wave propagation, and more. Copies are available for a nominal charge. For a list of reprints, send \$1.00 to:

IRCA Reprints, c/o Steve Ratzlaff, 1885 E Bayshore Rd Sp 90, E Palo Alto CA 94303.

28



QSL

VERIFICATION SIGNERS

Stephen S. Howe
9 Warner Drive
St. Albans, VT 05478-1575

My deadline will be the last Friday of the month.

Contributors:

GVJ Gary V Jackson, 7735 Center Pkwy, Sacramento CA 95823
Jc John C Johnson, 979 Neptune Blvd, Billings MT 59105-2129
PM Patrick Martin, P O Box 843, Seaside OR 97138-0843
ERS Elliot R Straus, 980 Cooper Dr, Toms River NJ 08753

FREQ	CALL	NAME and TITLE	ADDRESS	WHAT	WHEN	WHO
530	WNWN611	Jerry Boyd, Chief of Police	525 Henrietta St Martinez CA 94553-2394	L	3	GVJ
567	KGUM	Jon Anderson, P	P O Box GM Agana Guam 96910	L+	147	PM
590	KRSO	Katie Nagy, ProgCoord	1950 S Sunwest Lane #302 San Bernardino CA 92412	P	7ff	PM
650	KSTE	Gerald Susoeff, CE	5301 Madison Ave #402 Sacramento CA 95841	LM	24	PM
730	WFMC	Robert Y Wooten, GM	P O Box 2006 Goldsboro NC 27533	L	10	ERS
780	WBBM	Mark Williams, CE	630 N McClurg St Chicago IL 60611	L	f	ERS
790	KSPD	Lee Schafer, GM	5201 Overland Rd Boise ID 83705	L	6	PM
	CIGM	Scott Sloan, E	880 LaSalle Blvd Sudbury ON P3A 5W7	L	15	ERS
820	WQSI	Howard C Fisher, CE	P O Box 1129 Fredrick MD 21702	L	25	ERS
840	CJXX	Joel Simmons, CE	c/o CHAT, Box 1270 Medicine Hat AB T1A 7H5	L+	174	PM
970	KBBK	Thos Mohrlang, CE	P O Box 427 Rupert ID 83350	P	6f	PM
1000	WLNL	Dick West, OpsDir	111 W Franklin St Horseheads NY 14845	L	10	ERS
	WIOO	Eileen Swidler, AsstGM	180 York Rd Carlisle PA 17013	LB	12	ERS
1010	KBIS	Norm Laramee, CE	2400 Cottondale Lane Little Rock AR 72202	LM	87	PM
1040	WSGH	<i>Illegible</i>	P O Box 395-C East Bend NC 27018	P	fff	ERS
	WQBB	<i>Illegible</i>	1114 W Clinch Ave Knoxville TN 37916	Q	f	ERS
	CKST	Ed Jurak, DirEng	1199 West Pender St Vancouver BC V6E 2R1	L	87	JcJ
1070	CBA	Sylvia Roy, AudRel	P O Box 950 Moncton NB E1C 8N8	QL+	46	PM
	CHOK	Paul Godfrey, PD	148 Front St N Sarnia ON N7T 7K5	L	30	PM
1120	WBIS	James D Huber, O	P O Box 297 Bristol CT 06010	L	35	ERS
1180	KYET	Gerald Lind, GM	138 Bill Williams Ave Williams AZ 86046	P	8f	PM
1200	WKOX	Scott M Gibbons, PD	100 Mt Wayte Ave Framingham MA 01701	Q	ff	ERS
	WSML	Olin D Campbell, PD	P O Box 900 Graham NC 27253	L	18	ERS

FREQ	CALL	NAME and TITLE	ADDRESS	WHAT	WHEN	WHO
1200	WAGE	Todd James, PD	711 WAGE Dr Leesburg VA 22075	L	f	ERS
1240	KMAY	Michael May, P	P O Box 127 Billings MT 59103	L	4	Jcj
1250	KZEP	Jay Levine, VP/GM	427 E Ninth St San Antonio TX 78215	L	7f	PM
	KNEU	<i>Illegible</i>	Route 2 Box 2384 Roosevelt UT 84066	P	16f	PM
1270	WCBC	<i>No signer</i>	P O Box 1290 Cumberland MD 21502	R	7	ERS
1290	KZBQ	Paul E Anderson, COp	P O Box 97 Pocatello ID 83204	L	21	Jcj
	WRCP	Jim Andrews, CE	1110 Douglas Ave N Providence RI 02904	L	10	ERS
1300	WJFK	Dan Ryson, CE	P O Box 3649 Washington DC 20007	L	8	ERS
1440	WAJR	Jim Murphy, DirEng	Greer Bldg Morgantown WV 26505	L	8	ERS
1450	KVML	Frank Shaw, PD	20445 Johnny Ave Sonora CA 95370	L	8	PM
	KGRE	<i>Illegible</i>	P O Box 1199 Greeley CO 80632	R	4	Jcj
1460	WIFI	Michael Venditti, GM/CE	2025 Burlington-Columbus Rd Burlington NJ 08016	L	f	ERS
1470	WTTR	J E Davis, CE	101 WTTR Lane Westminster MD 21158	LMB+	9	ERS
	WSRO	W H Shupert	P O Box 566 Marlboro MA 01752	L	8	ERS
	WTZE	Bonnie Mullins Elswick	P O Box 69 Tazewell VA 24651	L	14	ERS
	KWOG	Mrs D Horton, O	255 N Russel Ave Douglas WY 82633	L	45	PM
1480	KLEE	Thomas Palen, P/GM	212 1/2 East Main Ottumwa IA 52501	LM	60	PM
	WDAS	William R Sullivan, CE	Belmont Ave and Edgely Rd Philadelphia PA 19131	Q	6	ERS
1510	WSSH	John Kennedy, DirEng	500 W Cummings Park, Suite 2500 Woburn MA 01801	L	9	ERS
	WPUT	Ronald E Graiff, P/GM/CE	Box 1055 Patterson NY 12563	LB	12	ERS
1530	KPCR	J Paul Salois, O/CE	P O Box 1 Bowling Green MO 63334	L	7	PM
1550	WTTC	Jeanne Steby, OffMgr	214 Main St Towanda PA 18848	LB	9	ERS
1590	WCZN	Andrew L Shearer, DirOps	12 Kent Rd Aston PA 19014	L	6	ERS

WHAT was received: L = Letter; Q = QSL card; P = Prepared card supplied by DXer; R = DXer's letter returned with statement; M = Coverage map; B = Bumper or other sticker; + = Extra goodies
 WHEN the reply came: Number of days elapsed; f = Follow-up; n = Return postage not used; r = Return postage returned

John notes that the calls and addresses of KMAY-1240 and KGRE-1450 are incorrect in the latest NRC log. Remember to include the number of days elapsed before the verification arrived, with the total time indicated for follow-up reports. Also, if possible, please help me out by reporting your verifications in frequency order. Many thanks for the tremendous support over the past six months. This column was prepared on 04/30/93. 73, SSH

IOWA'S HIT COUNTRY
KXEL 1540

KMAM KMOE
 1530 FM-92

 KMAM
 KMOE

30 P O Box 1540 Waterloo Iowa 50704

800 EAST NURSERY, BUTLER, MISSOURI... 64730 816-679-4191

FREQ	CALL	NAME and TITLE	ADDRESS	WHAT	WHEN	WHO
1310	WSSJ	Pat Delsi, GM	6th & Market Sts Camden NJ 08101	L	f	ERS
	KAAM	Hue Beavers, CE***	15851 Dallas Pkwy Suite 1200 Dallas TX 75248	LQ+	7	MS
1320	WJAS	Dom Piazza	1459 Crane Ave Pittsburgh PA 15220	R	f	ERS
1350	WBSK	Mike Chandler, DirEng	645 Church St, Suite 201 Norfolk VA 23510	L	18	ERS
1370	WXXI	John Bell, M	280 State St Rochester NY 14601	L+	f	ERS
	WPAZ	Jay Darren, PD	P O Box 638 Pottstown PA 19464	L	f	ERS
	KSOP		P O Box 25548 Salt Lake City UT 84125 1285 W 2320 South Salt Lake City UT 84119	MB+++*		MS
1380	WKDM	Richard N Ross, CE	570 7th Ave New York NY 10018	LM	37	ERS
1430	CJCL	Wally Lennox, DirEng	40 Holly St 7th Floor Toronto ON M4S 3C3	L+	f	ERS
1440	KVON	Michael Martindale, DirEng	1124 Foster Rd Napa CA 94558	LQM+	7	MS
	WRRO	Robin E Best, GM	124 N Park Ave Warren OH 44481	L++	f	ERS
	WZYX	Mary Lou Garner, OffM	P O Box 398 Cowan TN 37318	LM	19	ERS
1460	WEMR	Bob Graham, CE	P O Box 507 Tunkhannock PA 18657	LB	5	ERS
1480	WZRC	No signer, Engineering	600 Madison Ave 4th Floor New York NY 10022	Q	f	ERS
1490	KPKE	Dale Johnson, GM**	113 E Georgia Gunnison CO 81230			MS
1550	WLWX	Illegible, OffM	2 Wintonbury Mall Bloomfield CT 06002	R	f	ERS
	WMDH	Tim George, PD	P O Box 690 New Castle IN 47362	LB	25	ERS
1560	KKAA	Tom Goetzinger, GM**	P O Box 1770 Aberdeen SD 57402-1770			MS

WHAT was received: L = Letter; Q = QSL card; P = Prepared card supplied by DXer; R = DXer's letter returned with statement; M = Coverage map; B = Bumper or other sticker; + = Extra goodies
 * [for this report] = No actual verification statement; ** [for this report] = Station personnel and addresses from business cards, not verifications; *** [for this report] = Note that Hue Beavers is now CE of KAAM-1310, updating information reported previously

WHEN the reply came: Number of days elapsed; f = Follow-up; n = Return postage not used; r = Return postage returned

Remember to include the number of days elapsed before the verification arrived, with the total time indicated for follow-up reports. Also, if possible, please help me out by reporting your verifications in frequency order. And, if you don't see one of your tips in here it's because someone else had submitted the same information in the past six months and the information you included did not differ significantly from the previous information to warrant a new listing. Gary sent along a copy of a rather unique certificate that accompanied his letter from KGDP-660, both of which I've forwarded to Ralph. There seems to be some rather strange conflicting information about KYCT-1180. Pat Martin reported in the previous column that the call of this station is KYET, that the signer of his prepared card was Gerald Lind, GM, and that the station's street address was 138 Bill Williams Ave. Gary reports in this column that the call is KYCT, the signer of his letter was Gerald Finch, GM, and that the station's street address was 130 West Bill Williams Ave. Maybe Pat and Gary could clarify this for us. Mike confirmed that the address for KPOW-1260 is P O Box 968 per his vene and business card. I have repeated the information in this column. Thanks, Mike! Mike also has provided telephone numbers with station addresses, as have a few other reporters in the past. The format of this column doesn't lend itself well to the inclusion of telephone numbers, but if the members feel this is a worthwhile piece of information to include, I will see what I can do. Mike, none of my local stations have plastic promo/contest cards, as far as I know. This column was prepared a week earlier than usual, on 5/22/93, because of an unexpected trip out of town next week. 73, SSH

32



QSL

VERIFICATION
SIGNERS

Stephen S. Howe
9 Warner Drive
St. Albans, VT 05478-1575

My deadline will be the last Friday of the month, unless noted otherwise.

Contributors:

GVJ Gary V Jackson, 7735 Center Parkway, Sacramento CA 95823-4148
MS Mike Sanburn, P O Box 1256, Bellflower CA 90707
ERS ElliotR Straus, 980 Cooper Dr, Toms River NJ 08753-3915

FREQ	CALL	NAME and TITLE	ADDRESS	WHAT	WHEN	WHO
530	CIAO	Rick Sargent, OpsM	50 Kennedy Rd S Brampton ON L6W 3R7	LM	16	ERS
540	WWCS	P Day	Angerer Rd Canonsburg PA 15317	P	f	ERS
	KNAK	Douglas L Barton, O/E	P O Box 636 Delta UT 84624	LM+	120	MS
550	KBOW	Ron Davis, GM**	660 Dewey Blvd Box 3389 Butte MT 59702			MS
660	KGDP	Norwood J Patterson, P	3070 Skyway Dr Suite 501 Santa Maria CA 93402	L+	8	GVJ
690	WPDQ	Jim Hughes, SalesM	3651 Hwy 17 S Orange Park FL 32073	L	12	ERS
700	KGRV	Bill Simmons, GM**	P O Box 1598, 196 SE Main Winston OR 97496			MS
	CHSJ	Eugene Boles, TechM	335 Union St St John NB E2L 3T4	L+	11	ERS
710	WFNR	Karen Travis, VP/GM**	485 Tower Rd Christianburg VA 24073			MS
730	KURL	Herrn Elenbaas, GM**	P O Box 31038 Billings MT 59107			MS
750	KERR	Mitch Miller, OpsM**	581 N Reservoir Polson MT 59860			MS
900	KBIF	Tony Donato	2811 N Wishon Fresno CA 93704	LMB+	30	MS
920	KDES	Joseph V Tourtelot, VP/GM	821 N Palm Canyon Dr P O Box 2745 Palm Springs CA 92263-2745	LQ	120	GVJ
1010	KTUR	<i>Address update</i>	765 W 400 South Salt Lake City UT 84104			MS
1040	WSKE	Sandra King, M	151 E 1st Ave Box 187 Everett PA 15537	P	f	ERS
1140	KVLI	John M Ridenour, O/GM**	4120 Barlow Dr P O Drawer T Lake Isabella CA 93240			MS
1180	KYCT	Gerald Finch, GM	130 W Bill Williams Ave Williams AZ 86046	L	90	GVJ
	KKAR	Allen Sherrill, CE	1001 Farnam-on-the-Mall Omaha NE 68102	LM+	7	MS
	WMYT	Paul Knight, E	716 Princess St Wilmington NC 28401	L	98	ERS
1200	WCHB	Tony Simpson, ActCE	2994 E Grand Blvd Detroit MI 48202	P	f	ERS
1230	WERI	Mark Urso, PD	19 Railroad Ave Westerly RI 02891	P	f	ERS
1260	KPOW	David Merkel, GM	P O Box 968 Powell WY 82435	LM+	10	MS
1270	WCGC	James B Mintzer, P/GM**	510 W Wilkinson Blvd Belmont NC 28012			MS

Geomagnetic Indices

+	high point	mas	major storm	SA	solar activity
-	low point			spe	satellite proton event
GEO	geomagnetic activity	mis	minor storm	ss	severe storm
maf	major flare	pca	polar cap absorption		

Geomagnetic Summary April 26 1993 through May 22 1993

Date	FLUX	A	K	SA	GEO	OTHER
4/26	123	4	1	low	quiet	-
27	118	3	0	low	quiet	-
28	114	3	1	low	quiet	-
29	107	10	4	low	quiet-unsettled	-
4/30	106	11	2	very low	quiet-unsettled	-
5/ 1	103	6	1	low	quiet	-
2	103	5	1	very low	quiet	-
3	107	10	1	low	quiet-unsettled	-
4	111	5	0	low	quiet	-
5	118	6	2	low	quiet	-
6	120	10	3	low	quiet-unsettled	-
7	131	14	4	moderate	unsettled-mis	-
8	129	37	5	low	active-mis	mis 0000
9	129	28	5	very low	unsettled-mis	mis
10	134	46	1	low	active-quiet	mis
11	132	3	3	low	quiet	-
12	126	13	2	low	quiet-unsettled	-
13	120	4	2	low	quiet	-
14	112	15	1	moderate	quiet-active	-
15	104	8	5	very low	quiet-unsettled	-
16	99	13	4	low	quiet-unsettled	-
17	96	16	0	very low	quiet-active	-
18	91	4	1	very low	quiet	-
19	91	10	2	low	quiet-unsettled	-
20	91	11	0	very low	quiet-unsettled	-
21	91	2	1	very low	quiet	-
5/22	92	1	1	very low	quiet	-



CONFIRMING YOUR RECEPTION OF THE
AMERICAN FORCES NETWORK, EUROPE

AFN-*Serving American Forces in Europe*

*** A DXers TECHNICAL GUIDE ***

Now in its 2nd edition, this 120 page book answers questions on how receivers work, how to make them work better, what audio filters and loop antennas will do for you, how to build a beverage and phasing unit, and much more. Only \$5.50 for IRCA members, \$6.50 for non-members (add \$2.50 for overseas airmail). Write: Phil Bytheway, 9705 Mary N.W., Seattle, WA 98117.

SPORT CHANNELS INC



Dale Park
Box 22778
Honolulu HI 96823-2778

Here we go again...Last time I tried to tell you that I was compiling my second article under this heading at school right before finals, furiously rewriting and updating the data thanks to the cascade of information from Bill Hardy the past two months. Last time I tried to explain that slow Express Mail caused the first column to appear as a supplement to DXM. Last time didn't get printed, 'cause I was late again. Well, this time Willie Maykit? I don't know; but I did have time to check for simulcasts, relays and the like as I am wont to do. Whatever I get finished will be published in June, and will be received overseas while I'm headed towards EMC Yellowjacket country—Billings that is; swimming holes, movie stars. So, here goes nothin'...

AMERICAN LEAGUE

Baltimore ORIOLES

800	WCHA-PA	970	WAMD-MD	1200	WAGE-VA	''	WKAV-VA	1470	WTRR-MD
910	WSBA-PA	1000	*WIOO-PA	1260	*WNRK-DE	1430	WNAV-MD	1490	WARK-MD
920	WPTX-MD	1010	*WCST-WV	1280	WHVR-PA	1450	WTBO-MD	1490	WLPA-PA
930	WFMD-MD	1090	WBAL-MD	1340	WEPM-WV	1450	WFXX-PA	1500	WTOP-DC
960	WLWV-MD			1400	WINC-VA			1590	WETT-MD

FM:

106.3 WCEM-MD

Jon Miller, Fred Manfra, Chuck Thompson

Boston RED SOX

550	WDEV-VT	''	WABI-ME	''	WHAI-MA	1370	WDEA-ME	''	WBSM-MA
560	WRYN-MA	970	*WESO-MA	1250	WARE-MA	1380	*WKTJ-ME	1450	WKXL-NH
580	WTAG-MA	1080	WTIC-CT	1270	WTSN-NH	''	WSYB-VT	1470	WKZN-ME
610	WGIR-NH	1230	WQDY-ME	1290	WABK-ME	1400	WILI-CT	1480	WSAR-MA
630	WPRO-RI	''	WNAW-MA	''	WEIM-MA	''	WIDE-ME	1490	WTVL-ME
680	WRKO-MA	''	WMOU-NH	1290	WKNE-NH	''	WHMP-MA	''	WMRC-MA
730	WJTO-ME	''	WTSV-NH	1340	WHGS-ME	''	WLTN-NH	''	WEMJ-NH
800	WLAD-CT	''	WERI-RI	''	WSTJ-VT	''	WTSL-NH	''	WKVT-VT
870	WLAM-ME	''	WJOY-VT	1350	*WINY-CT	1420	WLIS-CT	''	WTKE-VT
910	WFNS-FL	1240	WSYY-ME			''	WBEC-MA	1510	WNLC-CT

Joe Castiglione, Jerry Trupiano

—FM—

92.7	WOXO-ME	96.1	WDEV-VT	100.7	WTBM-ME	101.9	WCIB-MA	102.5	WQSS-ME
92.7	WQDY-ME	100.1	WQVR-MA			102.3	WKXL-NH	103.1	WDME-ME

(=) Ex-WHOU.

California ANGELS (revised)

590	KRSO-CA	''	KLAV-CA	1340	KIKO-AZ	1350	*KBID-AZ	1380	KHJJ-CA
710	KMPC-CA	1250	KDHI-CA	''	KGLW-CA	1360	KNNS-AZ	1400	KTUC-AZ
1230	KPRL-CA			''	KIST-CA			1430	KAMP-CA

Bob Starr, Billy Sample

Chicago WHITE SOX

670	WMAQ-IL	980	WITY-IL	1270	WEIC-IL	1450	WLVY-IN	1570	*WTAY-IL
860	WGOM-IN	1050	WTCA-IN	1320	WKAN-IL	1490	WZOE-IL	''	WIFF-IN
880	WINU-IL	1220	WQSA-FL	1330	*WRAM-IL	1520	*WLUV-IL	1580	WAMJ-IN
		1240	WTAX-IL			1550	WJIL-IL		

John Rooney, Ed Farmer, Ken Kovach

—FM—

95.1	WZZT-IL	97.7	WFRX-IL	''	WLQI-IN	101.7	WTAY-IL	105.5	WDND-IL
96.7	WLUV-IL	''	WMOI-IL	98.1	WTBN-IN	104.9	WGEN-IL	107.7	WMRS-IN
				98.3	WBYS-IL				

Cleveland INDIANS

910	*WBRJ-OH	1220	WKNR-OH	''	WWCB-PA	''	WLEC-OH	1510	WVAC-OH
920	WMNI-OH	1240	WBBW-OH	1400	WMAN-OH	1460	*WBKQ-OH	1520	*WQCT-OH
930	WEOL-OH	1260	WRIE-PA	1410	WDOE-NY	1470	WRQQ-OH	1540	*WBTC-OH
960	*WKVX-OH	1340	WSTV-OH	1430	WFOB-OH	1480	WHBC-OH	1550	*WDLR-OH
970	WFUN-OH	1370	WSPD-OH	''	*WCLT-OH	1490	WMRN-OH	1590	WAKR-OH
				1450	WJER-OH				

Herb Score, Tom Hamilton

—FM—

92.7	WQEL-OH	95.3	WLKR-OH	100.9	WBNO-OH	107.1	WDOH-OH	107.3	WYBZ-OH
				104.5	WQKT-OH				

Detroit TIGERS

Ernie Harwell, Rick Rizzs, Bob Rathbun
(continued)

34

FIRST CLASS
U.S. POSTAGE
PAID
RIVERSIDE, CA
PERMIT NO. 5214



FIRST CLASS MAIL

31-09
J D STEPHENS
3715 CONGER RD SW
HUNTSVILLE AL
35805-5725 USA

**THE INTERNATIONAL RADIO CLUB OF AMERICA (IRCA)
PO Box 70223 Riverside CA 92513-0223**

The IRCA is a non-profit organization devoted to the hobby of hearing distant stations on the AM Broadcast Band (510 - 1630 khz). **DX Monitor**, the official publication of the IRCA, is published 34 times a year, weekly from October to March, twice in September and April, and monthly from May to August. **DX Monitor** contains members' loggings, articles on radio stations, receiver reviews, technical articles, DX tips, and other material of interest to Broadcast Band DX hobbyists. IRCA is a member of ANARC, the Association of North American Radio Clubs.

CLUB ADDRESSES AND OFFICERS

President: Phil Bytheway, 9705 Mary NW, Seattle, WA 98117 (206) 356-3927 (proposals)
Secretary-Treasurer: Ralph Sanserino, PO Box 70223, Riverside, CA 92513-0223 (dues/address changes)
Board of Directors: Shawn M Axelrod, Michael S Hardester, Bill Hardy (chairman), Albert S Lobel, Patrick Martin and Robert Wien
Editor-in-Chief/Publisher: Ralph Sanserino, PO Box 70223, Riverside, CA 92513-0223
Publishing Coordinator: Phil Bytheway, 9705 Mary NW, Seattle, WA 98117

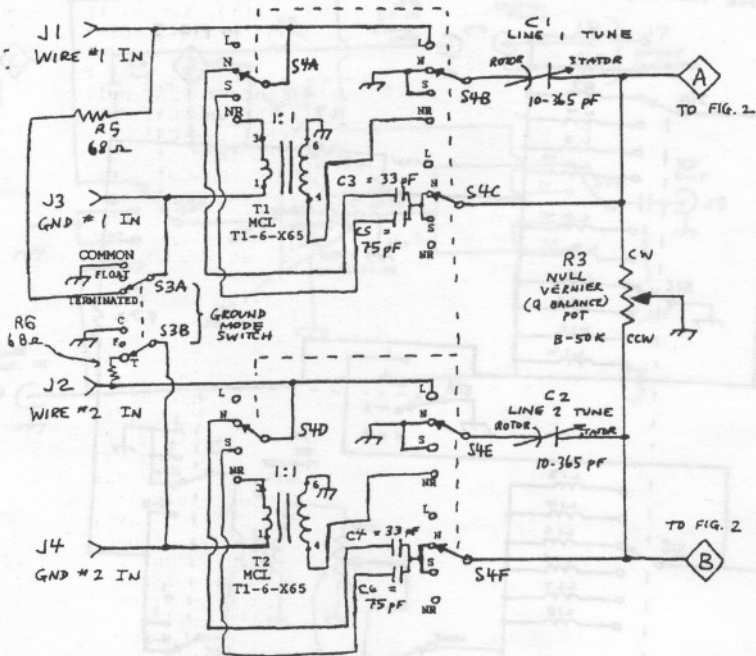
MEMBERSHIP DUES

U.S. - \$25.00 per year. Canada - \$27.00. Overseas Surface - \$28.50. Overseas Airmail - \$35.00 (Central America, Caribbean, Colombia and Venezuela), \$38.00 (Europe, North Africa, Middle East), \$41.00 (rest of the world). One time charge for New Member Packet - \$2.00 (first year only). Trial Membership - \$9.50 (10 issues of **DX Monitor** and a New Member Packet, U.S. / Canada / Mexico only). Installment rate: two payments of 1/2 dues plus \$1.00 (\$13.50/payment for U.S. members). Make checks and money orders payable to IRCA and send all dues (and address changes) to: IRCA, PO Box 70223, Riverside, CA 92513-0223. Persons living outside the U.S., please use International Money Order in U.S. funds. Sample copies of **DX Monitor** are \$1.00 (U.S. or Canadian) or two International Reply Coupons each and are available from: IRCA, PO Box 70223, Riverside, CA 92513-0223.

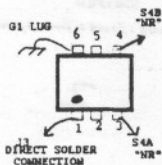
Unless otherwise noted, permission is granted to publish, broadcast, or otherwise reproduce non-copyrighted material appearing in **DX Monitor** provided credit is given to the IRCA and the original contributor. Opinions expressed in **DX Monitor** are those of the original contributors and do not necessarily reflect those of the IRCA, its publishing staff, editors or officers.

FIGURE 1: SUPER-MWDX-5 (INPUT SECTION)

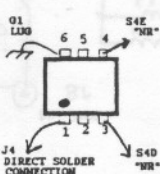
S4 = INPUT COUPLING SWITCH
(LONG/NORMAL/SHORT/NOISE-REDUCTION MODES)



TOP VIEW, T1



TOP VIEW, T2



TOP VIEW, T3

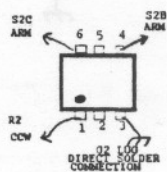


FIGURE 2: SUPER-MWDX-5 (COMBINING SECTION BANDSWITCH)

S1 = BANDSWITCH FOR VALUES, SEE TABLE 2

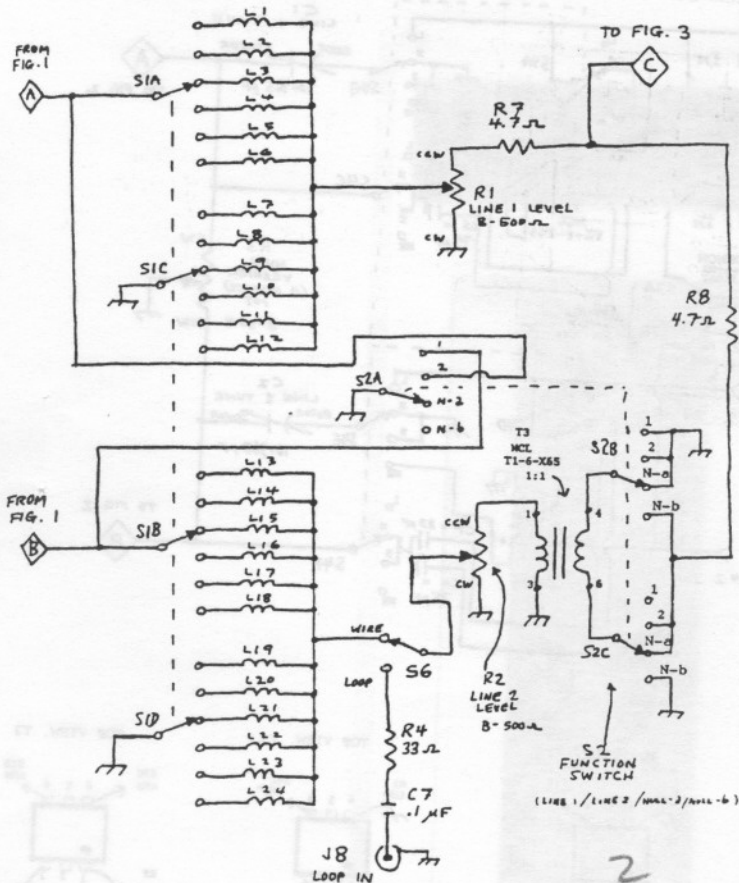
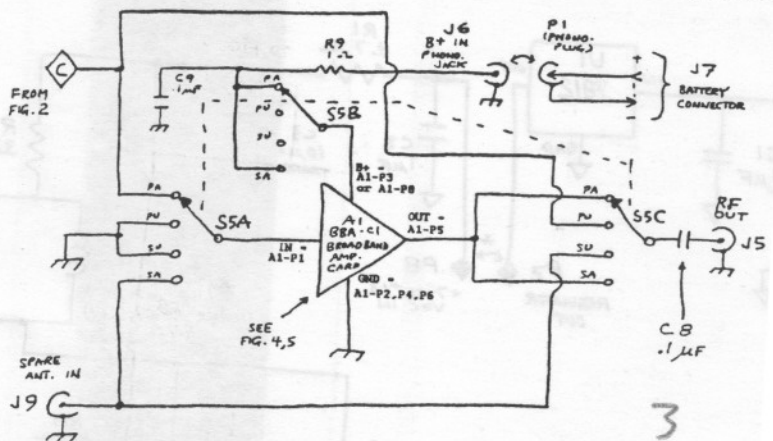


FIGURE 3: SUPER - MWDX - 5 (OUTPUT SECTION)

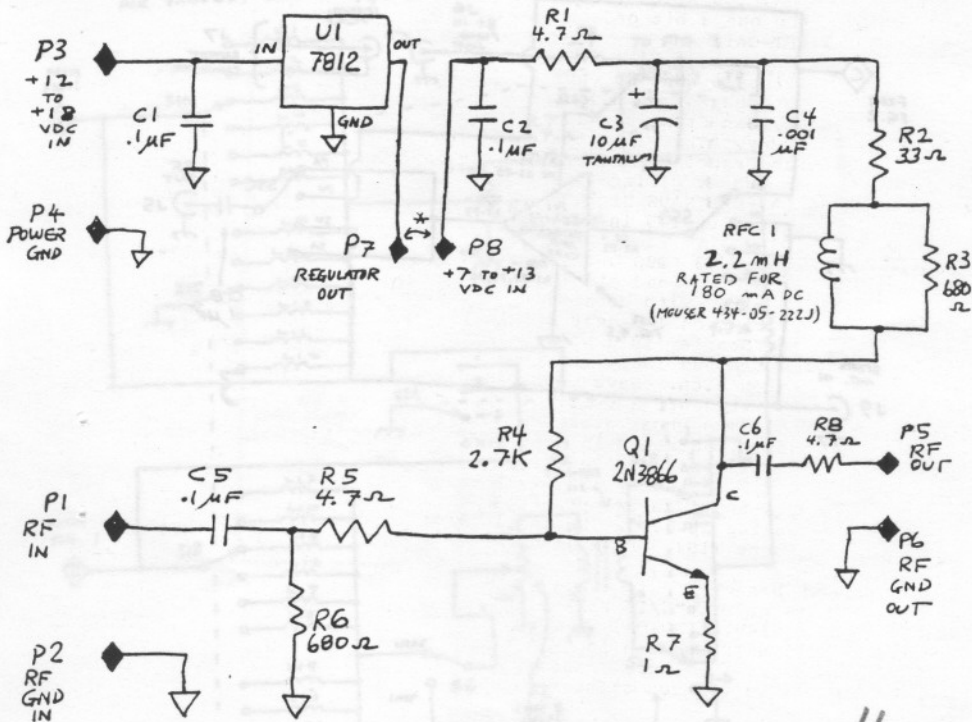
{SS = OUTPUT SWITCH: PHASE AMPLIFIED/PHASE UNAMPLIFIED/SPARE ANT. UNAMPLIFIED/SPARE ANT. AMPLIFIED}



3

CIRCUIT CARD GAINED
TUNER FOR REGULATED OPERATION

FIGURE 4: BBA-C1 IMPROVED BROADBAND AMPLIFIER CARD - SCHEMATIC
(WALTON DX LABS - 17 MAR 1992)



NOTES

↓ = CIRCUIT CARD GROUND

* = JUMPER FOR REGULATED OPERATION

FOR ASSEMBLY, SEE FIGURE 5.

FOR PARTS LIST, SEE TABLE 5.

THIS IS SUBASSEMBLY "A1" OF MWDX-5 & SUPER-MWDX-5.

4