

April 9, 1994-Volume 31-Number 29-Edition 1021-ISSN 0899-9732

 NEW MEMBERS: Don Bredesen, Diane Mauer, Brian Oakley, Wes Weathers. RENEWALS: Larry Flegle, Cary Simpson, Craig Healy, Stan Shedd, Joseph Ursini, Shawn Axelrod. Welcome Don, Diane, Brian

IN THIS ISSUE: President's Report..2, DX Test..3, Broadcasting Information..3, DX Worldwide West..7, DX Worldwide East..8, Western DX Roundup..11, Central DX Roundup..14, Eastern DX Roundup..18, Eastern DX Forum..19, Western DX Forum..21, Hearing It Through The Grape Vine..22, Verification Signers..24, Geomagnetic Indices..25, Technical: The last of the DL-1 Delay-Line Phasing Unit..26, IRCA Contests Standings..31, Back Page, 1994 IRCA Convention Invitation in the center.....

 DX Magazines Free To A Good Home: Large collection of NRC DX News (1965-1973) some missing issues. Looking for postage reimbursement or free for local pickup. Richard Eckman, 9 Still Harbor Ct., Hampton VA 23669-1065. Phone 804-850-2928.....

TVA NOMINATIONS: If you wish to nominate an IRCA member for the Ted Vasilopoulos Award, please send their name and a brief reason why they should win the award, NO LATER THAN APRIL 30th to JD Stephens, 3715 Conger Rd. SW, Huntsville AL 35805. We will vote on the TVA in June, with results announced at the Aberdeen-Hoquiam convention in August.....

WANTED: Eastern DX Roundup editor. Requirements: A computer, & the ability to meet 34 deadlines per year, weekly Sept to March. Electronic mail very desirable. Leonard Hyde is returning to school and is resigning EDXR after the August issue. If interested, please write to Bill Hardy, 2301 Pacific Ave., Aberdeen WA 98520-4527.....

Good Luck
 from

KLAV

AM-1230

Exclusive Radio Coverage of All

LAS VEGAS STARS GAMES



President's Report

Bill Hardy
2301 Pacific Ave.
Aberdeen, WA 98520-4527

Electronic Mail: 73201.2263@CompuServe.com, or
Prodigy FMFT21A.

IRCA Club Positions Currently Open:

If you are interested in any IRCA club positions, please write directly to me at the address above.

- **Publisher.** Although Ralph says he might stay on as Publisher for the next year, IRCA needs to find a permanent publisher. Ralph has served the club well, and deserves to have more time off. We also need a permanent publisher in case of unforeseen circumstances.

Publishing requires a sizeable time commitment, 34 weeks per year (weekly Sept.-March). It takes at least 8 hours per week just to assemble and paste up DX Monitor. Some publishers have done this on the weekend, where others have used several evenings per week.

If the publisher continues to collate, staple, fold, label, and mail DX Monitor after it is printed, this requires several more hours per week. This can be done by the printer if the club pays for it, as it was in Seattle. Some of us feel it would be worth the cost.

Ralph is also in charge of special handling for Canadian and foreign bulletins, mailing New Member Packets, and sending out sample bulletins. Ralph is our elected Secretary-Treasurer and prepares address labels for each bulletin, and receives membership dues and renewals. If someone else were Secretary-Treasurer, they could send the labels to the publisher as was done in the 1970's and 1980's.

Requirements: A computer (preferably with a modem and Internet access), ability to meet the weekly publication schedule, access to reasonably-priced printing, good mail service, and the ability to work with the editors and club officials. The best arrangement would be two or more active DXers in the same town who can share the workload.

If you are interested in publishing DX Monitor, please write directly to me. If there is no DX Monitor, there is no IRCA. So this is the most important job in IRCA, and we want you to be completely ready to do a fine job.

- **Election Committee Chairman.** Requirements: A good typewriter (computer helpful), and the ability to follow requirements of IRCA Bylaws. The ECC supervises club-wide balloting once or twice each year, including elections for IRCA officers every two years, the TVA Award every year, and convention site voting when two or more cities bid. The ECC is ineligible to run for elective office.
- **Graveyard DX Records Editor.** Requirements: A computer with a "great circle" distance calculation program. We've had one volunteer for this occasional column listing the members who have heard each station on 1230, 1240, 1340, 1400, 1450 and 1490 from the greatest distance. However, this person has no computer. We would prefer to have an editor who can compute "great circle distances" given the geographic coordinates (longitude and latitude) of each station and each record-seeker. If you have such a program, we'd love to hear from you.
- **Frequency Check List Editor.** Requirements: A good typewriter or computer, plus an interest in frequency checks and the ability to write to monitoring companies for listings. The annual Frequency Check List has shrunk from 12 pages 20 years ago to 2 pages today. It may soon fall by the wayside unless we find an editor.
- **1995 Convention Host.** Yes, it's not too early to think about hosting the 1995 convention!! Several people have written to Nancy and me, disappointed that they didn't learn the Aberdeen-Hoquiam convention dates early enough to schedule vacations. The convention bids are supposed to be received by October 15. That's sufficient time to approve bids and announce dates so that members can plan their 1995 vacations.

If you'd like to start the ball rolling now, please write to me for a convention bid form. Thanks!

--Bill Hardy.

DX TEST BULLETIN

• DX TESTS ARRANGED BY IRCA AND NRC •

SATURDAY, APRIL 2, 1994 - WWAM-820, JASPER, TN WAS TO HAVE CONDUCTED A DX TEST BETWEEN 12:30 & 2:30 AM EDT. NO ADDITIONAL DETAILS WERE AVAILABLE. (ARRANGED BY THE NATIONAL RADIO CLUB CPC)

TUESDAY, APRIL 5, 1994 - WDEV-550, P.O. BOX 550, WATERBURY, VT 05676 CONDUCTED A DX TEST BETWEEN 1:00 & 1:30 AM EDT. THE TEST WAS CONDUCTED AT A POWER OF 5,000 WATTS AND INCLUDED MORSE CODE, TEST TONES, VOICE ID'S, AND ELECTRONIC MUSIC BY JEAN-MICHELLE JARRE. RECEPTION REPORTS MAY BE SENT TO: MR. PETER DEAN - CHIEF OPERATOR. (ARRANGED BY THE NATIONAL RADIO CLUB CPC)

FRIDAY, APRIL 8, 1994 - WLBL-930, 6302 MILL CREEK DRIVE, AUBURNDALE, WI CONDUCTED A DX TEST BETWEEN 2:30 & 3:00 AM EDT. THE TEST WAS CONDUCTED AT A POWER OF 5,000 WATTS AND INCLUDED MORSE CODE, TEST TONES, AND VOICE ID'S. RECEPTION REPORTS MAY BE SENT TO: MR. VERN ALPINE - CHIEF ENGINEER. (ARRANGED BY THE NATIONAL RADIO CLUB CPC)

MONDAY, APRIL 11, 1994 - WQPM-1300, P.O. BOX 106, PRINCETON, MN 55371 WILL CONDUCT A DX TEST BETWEEN 1:30 & 2:00 AM EDT. THE TEST WILL INCLUDE MORSE CODE, TEST TONES, VOICE ID'S, AND SONGS ABOUT RADIO. RECEPTION REPORTS MAY BE SENT TO: MR. CHRIS LONDON (WDXOFBJ). MR. LONDON WILL ALSO ACCEPT FAX RECEPTION REPORTS AT (612) 389-1359. AFTER THE MACHINE PICKS UP, DIAL * 2 (ARRANGED BY J.D. STEPHENS FOR THE IRCA CPC)

MONDAY, APRIL 11, 1994 - KVOW-1450, 603 E. PERSHING STREET, RIVERTON, WY 82501-3605 WILL CONDUCT A DX TEST BETWEEN 2:10 & 2:20 AM EDT. THE TEST WILL INCLUDE TEST TONES & MORSE CODE ID'S. THIS TEST WILL BE REPEATED ON THE SECOND MONDAY OF EACH MONTH AT THIS TIME. RECEPTION REPORTS MAY BE SENT TO: MR. LONNY A. FAIRFIELD (N7TSP) - CHIEF ENGINEER. (ARRANGED BY J.D. STEPHENS FOR THE IRCA CPC)

SUNDAY, APRIL 17, 1994 - KFJB-1230, 123 WEST MAIN STREET, MARSHALLTOWN, IA 50158 WILL CONDUCT A DX TEST BETWEEN 1:00 & 1:30 AM EDT. THE TEST WILL BE CONDUCTED AT A POWER OF 1,000 WATTS USING A NON-DIRECTIONAL PATTERN AND WILL INCLUDE MORSE CODE, TEST TONES, AND VOICE ID'S. RECEPTION REPORTS MAY BE SENT TO: MR. JOHN REARDEN. TUNING TIP: FOR BEST RECEPTION ON THIS CROWDED LOCAL CHANNEL, IT IS SUGGESTED THAT YOU USE YOUR RECEIVER'S NARROW FILTER, TUNE TO EITHER 1226 KHZ OR 1234 KHZ, AND USE A BFO. (ARRANGED BY JIM SNOWBARGER FOR THE NATIONAL RADIO CLUB CPC)

BROADCASTING INFORMATION



Editor:
Robert Wien
1309 Dentwood Drive
San Jose, CA 95118

DEADLINES: 2nd & 4th Saturdays.

Compiled: 03/16/94

Much of this information was compiled from M Street Journal, DXM, and various other sources.

CONSTRUCTION PERMIT ACTIVITY:

MD. Brunswick WTRI-1520 increases to 9300-D, 1400-CH

FACILITY & PARAMETER APPLICATIONS:

NJ. Bridgewater WBRW-1170 decrease to 229 w.
NY. Avon WYSL-1030 move to 1040 khz., 2500/500
OH. Cleveland WRDZ-1260 increase to 10000-D
TX. Houston KCOH-1430 increase to 330-N
VA. Lynchburg WKPA-1170 decrease to 2500-D

FACILITY & PARAMETER GRANTS:

GA. Valdosta WGOV-950 decrease to 63-N

KS. Liberal	KSCB-1270 decrease to 30-N ND
MN. Minneapolis	KNOW-1330 mod. CP to 9700/5100 DA-2
NY. Syracuse	WOLF-1490 mod. CP to 750/620
NC. Lewisville	WSGH-1040 increase to 10000/182 DA
TN. Nashville	WNQM-1300 increase to 10000-D
WV. Beckley	WJLS-560 decrease to 4500/470 DA-N
Fairmont	WMMN-920 decrease to 200-N, ND

CALL LETTER CHANGES:

CA. San Bernadino	KRSO-590 becomes KHTX
FL. Gainesville	WGGG-1230 becomes WFTP
KY. Manchester	WWLT-1450 becomes WWXL
MN. Wabasha	KWMB-1190 becomes KMFX

FORMAT CHANGES:

AL. Montgomery	WSYA-950 was AC//FM, now Unis. stds.
Opelika	WZMB-1520 was urban, adds SMN Urban Gold
AZ. Kingman	KAAA-1230 was country, now nx/talk (ABC, MBS, SUN, IBN, EFM, FTP)
CA. San Bernadino	KHTX-590 was KRSO, stds., now C&W//FM
FL. Gainesville	WGGG-1230 was talk, now IBN nx, talk
GA. Waynesboro	WBRO-1310 was urban, now black gospel
ME. Caribou	WFST-600 was silent, now religion
MN. Long Prairie	KEYL-1400 wa country, adds SMN Real country
MI. Grand Rapids	WLAV-1340 was new rock, now silent, to return with new format soon)
MS. McComb	WAKK-1140 was urban AC, adds SMN Urban gold
MO. Blue Springs	KBEQ-1030 was country//FM, now FTP nx, talk
Cape Girardau	KAPE-1550 was nx, talk, adds Unis. CNN nx
Joplin	WMBH-1450 was country, ads SMN Real country
NV. Reno	KKOH-780 was KROW, country, now nx/talk
	KRCV-630 was KOH, nx/talk, now contemp. Xtian (KOH's nx/talk moves to 780)
Editor's note: these call changes <u>are</u> now in effect as of 3/15)	
NJ. Ashbury Park	WJLK-1310 was country, adds JSN country
NM. Belen	KARS-860 was country//FM, adds SS 1-10 FM
NY. Amsterdam	WBUG-1570 was country//FM, adds SMN Real C&W//FM
OH. Akron	WAKR-1590 was nx/talk, now oldies
Cleveland Heights	WJMO-1490 was urban gold, adds SMN Urban gold
Toledo	WWMM-1470 was SMN urban AC, adds ABC Joyner
OK. Elk City	KADS-1240 was oldies, now EFM, IBN talk
Frederick	KTAT-1570 was AC//FM, now silent, hopes to be back on spring, off for tech. problems)
OR. Pendleton	KUMA-1290 was variety, now Unis. stds.
TN. Nashville	WMRO-1560 was silent, now JSN oldies
TX. San Antonio	KZEP-1250 was sports, now Labio SS talk
Terrell	KPYK-1570 was soft AC, now country (EZL and religion on weekends)
VA. Moneta	WLQE-880 was WBLU, variety, now AS
WV. Richmond	WVAR-600 was country, adds Unis. country
Weirton	WEIR-1430 was oldies, now FTP nx, talk
AB. Edmonton	CFRN-1260 was oldies, now 70's classic hits

Tomorrow is St. Patrick's Day, hope you have the luck of the Irish with your DX!

Note: I've had some comments about some of these end-of-column comments being out-of-date by the time the column is published. How do you feel about this? Drop me a line....

DEADLINES: 2nd & 4th Saturdays.

Compiled: 03/28/94

Much of this information was compiled from M Street Journal, DXM, and various other sources.

NEW STATION APPLICATIONS:

NM. Roswell 1180 khz. 1000/250

CONSTRUCTION PERMIT ACTIVITY:

MN. Albany KASM-1150 decreases to 2100/21
VA. Tazewell WTZE-1470 increases to 5000-D

FACILITY & PARAMETER APPLICATIONS:

CO. Brush KSIR-1010 increase to 25000/280, 25000-CH
NM. Albuquerque KRLI-1580 decrease to 5000-D

FACILITY & PARAMETER GRANTS:

AL. Demopolis WXAL-1400 decrease to 790/790
CO. Commerce City KMVP-670 increase to 50000/1400 DA-2 (CP)
NY. Syracuse WOLF-1490 mod. 1510 khz. CP to 750/620, DA-2

CALL LETTER CHANGES:

CA. Sacramento KRAK-1140 becomes KHTK
Yucca Valley KSES-1420 becomes KYVU
CO. Grand Junction KSTR-620 becomes KKTK
GA. Augusta WCKJ-1230 becomes WKIM
KY. Manchester WWLT-1450 becomes WWXL (corrects prior into)
MN. Austin KQAO-970 becomes KNFX "Fox"
Baxter WJJY-1270 becomes WWVI
NV. Reno KROW-780 becomes KROH "K-O-H"
KOH-630 becomes KRCV
TX. Georgetown KOPY-1530 becomes KWTR
San Antonio KZEP-1250 becomes KHEL
WA. Lacey KLDY-680 becomes KNTE
Lakewood KDFL-1480 becomes KNTB

FORMAT CHANGES:

AZ. Flagstaff KVNA-690 was talk, oldies, now silent
KVNA-600 was KCLS, silent, now talk, oldies
CA. Auburn KAHI-950 was country, now nx/talk
Palm Springs KDES-920 was oldies, now oldies//FM
San Jose KKSJ-1370 was KEEN, silent, to be AS (April)
(editor's note: still not on air as of 3/28/94)
San Rafael KTID-1510 was AC//FM, now silent
Taft KMYX-1310 was oldies, now rock//FM, to have
new format soon
FL. Bushnell WKFL-1170 was silent, now talk//WTRR
Indian Rock Beach WXYB-1520 was silent, now ethnic
Kissimmee WMJK-1220 was travel info, now silent
ID. Rexburg KRXK-1230 was talk, adds Major-talk
IL. Decatur WSOY-1340 was talk, adds Major-talk
KY. Elizabethtown WIEL-1400 was oldies, now FTP nx/talk
Richmond WCBR-1110 was AS, now oldies//FM
LA. Baton Rouge WIEB-1300 was talk, adds Major-talk
New Orleans WNOE-1060 was country, now country//FM
ME. Bath WJTO-730 was stds//WLAM, adds Unis. stds.
Fort Kent WLVC-1340 was AC//WSJR, now silent
Gorham WLAM-870 was AS, adds Unis. stds.
Lewiston WZOU-1470 was stds//WLAM, adds Unis. stds.
MI. Battle Creek WELL-1400 was country//FM, adds JSN C&W//FM
Cadillac WKJF-1370 was AC//FM, now country//WTCM-FM
Grand rapids WGRD-1410 was sports, now CHR//FM
Jackson WCXI-1450 was WIBM, oldies//FM, now country
WKHM-970 was AC, now nx/talk
Reed City WDEE-1500 was silent, now oldies
MN. Austin KNFX-970 was KQAO, nx/talk, now C&W//KMF-FM
MS. Biloxi WXBD-1490 was AC//Fm, now SMN stds.
Jackson WXXI-1400 was WOAD, black gospel, now urban AC
//FM
WOAD-1300 was WKXI, urban AC//WKXI-FM, now black
gospel

MO. Sikeston	KSIM-1400	was AC, now Major, EFM, WWI talk
MT. Hamilton	KLYQ-1240	was country, adds JSN country
Laurel	KBSR-1490	was JSN oldies, talk, now JSN C&W, talk
NY. Rensen	WADR-1480	was stds//WRNY, now AC, sports//WRNY
Rome	WRNY-1350	was AS, now Unis. AC, SEN sports
NC. Belmont	WCGC-1270	was country, talk, now talk
Charlotte	WCNV-1480	was nx, now silent
ND. Grand Forks	KKXL-1440	was country, adds Major-country
Langdon	KNDK-1080	was country, adds JSN country
OK. McAlester	KTMC-1400	was country, talk, now nx/talk
OR. Coquille	KWRO-630	was oldies, talk, now Unis. C&W, talk
Milwaukie	KZRC-1010	was rock, now hot AC//FM
PA. Coudersport	WFRM-600	was oldies, talk, now country, talk
Lancaster	WLAN-1390	was hot AC//Fm, now contemp. Xtian
Philadelphia	WGMP-1210	was WOGL, oldies, now sport "The Game"
SC. Anderson	WANS-1280	was urban//WJMZ-Fm, now country//WRIX-FM
Easley	WLWZ-1360	was urban//WLWZ-Fm, now silent
TX. Amarillo	KIXZ-940	was AS, adds SMN stds.
Breckenridge	KBIL-1430	was country//FM, adds Major-talk
Crockett	KIVY-1290	was oldies, now stds., EZL
Georgetown	KWTR-1530	was KOPY, silent, to be all-wx (June) (to broadcast flood nx!!!)
Nacogdoches	KSFA-860	was talk, adds Major-talk
VA. Bristol	WXBQ-980	was country//FM, now talk
Fairfax	WDCT-1310	was religion, adds MGS cont. Xtian
WI. Sparta	WKLJ-1290	was country oldies, now WWI talk
BC. Vancouver	CKLG-730	was hot AC, adds sports talk 9-11 PM

Pat Martin of Seaside, OR. confirms the info for KWRO-630 as listed above, thanks, Pat!

Floyd Perry of Stockton, CA. passes on the following info:

CA. Modesto	KTRB-860	will drop SS in favor of 24 hr. blues format
• Sacramento	KHTK-1140	will drop IRN overnite program for tape-delayed Howard Stern show overnite

Thanks, Floyd and Pat. 4 days till April Fools' day, and the switch back to PDT occurs this weekend, 1 extra hour of DX for me for awhile, hope your DX doesn't fool you! 73's.



The improved NRC AM Radio Log, 14th Edition, is the most accurate listing of AM radio stations in the U. S. and Canada, with cross reference listings. 3-hole punched for standard binders. Only \$16.95 to U. S. and Canadian members; \$19.95 to U. S. non-NRC member; \$20.95 Canadian non-NRC member. Airmail: to Latin America, \$21.00; Europe, \$24.00; rest of the world: \$28.00.

Order from: NRC Publications - Box 164 - Mannsville, NY 13661 (NY residents, please add sales tax)

A DXers TECHNICAL GUIDE

Now in its 2nd edition, this 120 page book answers questions on receiver and antenna theory, how to make them work better, what audio filters and loop antennas will do for you (and hints on their construction), how to build a beverage and phasing unit, and much more. Only \$5.50 for IRCA members, \$6.50 for non-members (overseas airmail add \$2.50). Order your copy today from: IRCA Bookstore, 9705 Mary Ave NW, Seattle WA 98117

IRCA Stationery

Black on white masthead with the IRCA logo and name. Great for using when writing for verifications. 100 sheets, \$5.00. Order yours today from: IRCA Bookstore, 9705 Mary Ave NW, Seattle WA 98117



DX Worldwide - West

PAT MARTIN PO BOX 843 SEASIDE, OR 97138

Time: UTC

Phone (503) 861-3185

DEADLINE: MONDAYS

Two nice reports this week from Bill Nittler and Shawn Axelrod. Great to hear from you Bill. It has been a while. So on with reports:

PAN-AMERICAN DX ROUNDUP

- 555 UNID, het 3/13 0227-poor, no audio (VAL-DX)
595 UNID, het 3/13 0228-fair, no audio, gone by 0230 (VAL-DX)
670 MEXICO, Torreon-XETOR-2115-2135 3/9 w/"La estacion Torreon, Coahuila" (BN-CO)
705 UNID, 3/13 at 0257-no audio (VAL-DX)
720 COLOMBIA, Barranquilla-HJAN-3/13 0350-LA mx and mentions of Barranquilla. New. (VAL-DX)
740 CUBA, Radio Progreso 3/13 1109, vy good, talk about Cuba, seemed to replace Radio Reloj at 1100. (VAL-DX)
CUBA, Radio Reloj-3/13 1048, vy strong, usual format w/RR Code, dominating frequency. (VAL-DX)
760 COLOMBIA, Barranquilla-HJAJ-3/13 at 1120, fair, LA mx "RCN" IDs mixing w/Radio Reloj. (VAL-DX)
CUBA, Radio Reloj-3/13 0258, vy good, usual RR code. New, way o/WJR (VAL-DX)
770 MEXICO, Veracruz-XEQRV-3/13 1203-fair, lively XE mx ID as "Radio Costena XEQRV" New (VAL-DX)
810 MEXICO, Cd. Obregon-XERSV-Radio Alegria ID 2010 3/11 o/KSWV (BN-CO)
830 MEXICO, Culliacan-XEVQ-lots of non-stop mx "XEVQ" ID at 1140 on 3/13 (VAL-DX)
MEXICO, Zacatecas-XELK hrd for first time 2/21 at 2100 w/lengthy ID, almost nightly since then. (BN-CO)
850 COLOMBIA, Bogota-HJKC 3/13 0300-Good w/Radio Caracol IDs u/o KOA (VAL-DX)
855 UNID, solid het at 0054 3/13, but no audio (VAL-DX)
870 MEXICO, Guarochi-XETAR 2/21 w/s off on top 2055 & NA (BN-CO)
885 MONSERRAT, Plymouth-ZJB 3/13 0234, poor after 80 minutes of het, weak audio & mx. New (VAL-DX)
890 MEXICO, Chihuahua-XENZ "Fiesta Mexicana" 3/6 2100 and later (BN-CO)
900 MEXICO, Mexico DF-XEW-hrd clear most nights as early as 2050, on 3/9 (BN-CO)
910 MEXICO, Mexicali-XEAO, hrd mixing w/KNEW & KKSJ in SS, mentions of "Radio Mexicali" and Ranchera mx in and out 3/16 at 0240. Reported. Hope they answer, was looking for KOXR. (PM-OR)
970 MEXICO, Cd. Juarea-XEJ w/"La Jota Mexicana" tops freq. nightly(BN)
1000 COLOMBIA, Cartagena-HJAJ 3/13 0304-fair RCN programming and RCN IDs u/KTOK. New (VAL-DX)
1010 DOMINICAN REPUBLIC, Sto. Domingo-HIJP 3/13 0242-Good, our first DR station logged, faded up briefly w/mx program //2020-New. (VAL-DX) (Congrats, haven't seen a DR station reported to DXNW-W for a long time.PM)
1030 MEXICO, Los Mochis-"Radio Fama" on top ID 2257 3/7 o/KTWO (BN-CO)
1040 MEXICO, Chihuahua-XEHES "La Poderosa" 2030 3/8 w/ID (BN-CO)
1130 MEXICO, Toluca-XETOL-3/13 0530-Good, several "Radio Lobo" Ids and XE mx (VAL-DX)

- 1150 MEXICO, Cd. Obregon-XESO "La Poderosa" ID 3/13 at 2220 o/KSAL (BN)
 1160 COLOMBIA, Bogota-HJCO-3/13 0140 Good, LA mx "Radio Total" IDs
 New. (VAL-DX)
 1190 MEXICO, Guadalajara-XEWK-3/13 0600-good w/s off (VAL-DX)
 +Also hrd w/KEX off at 1230 3/7, many "XEWK" IDs, pop mx. Earlier
 I did not hear XEWK, apparently off, when I hrd XEDO. (PM-OR)
 MEXICO, Cuernavaca-XEDO "Radio Alegria" IDs, and call IDs "XEDO"
 several times, mixing w/KGBS at times at 1130 3/7. New and a taped
 report sent. Good AU CX. (PM-OR)
 1300 MEXICO, Cd. Juarez-XEP- Radio Trece" ID 2005 3/9 on top of
 Freq. (BN-CO)
 1430 MEXICO, Cd. Obregon-XEOX "Canal Catorce Triente" ID at 2000 on
 2/1 (BN-CO)
 1460 MEXICO, Cd. Juarez-XEYC "Radio Catorce Sesenta" ID 2148 on 2/23
 o/KKCS (BN-CO)
 2020 DOMINICAN REPUBLIC, Sto. Domingo-HIJP-3/13 0211 vy good, // 1010
 seemed to almost AN, made it possible to ID 1010 (VAL-DX)

TRANS-PACIFIC DX ROUNDUP

- 540 WESTERN SAMOA, Apia-2AP-good as usual w/man in Samoan as usual
 on 3/19 0730 (PM-OR)
 738 TAHITI, RFO 3/13 1113 fair, woman w/lots of FF talk (VAL-DX)
 747 WESTERN SAMOA, Apia-2AP-good w/some KCBS splash, US Pops and
 woman in Soman at 0745 3/19. Normally I hear them in EE on
 this channel. (PM-OR)
 1008 NEW ZEALAND, Tauranga-1ZD 3/13 1220 poor-man and woman doing nx
 on NZ (VAL-DX)
 1017 TONGA, A3Z-good with woman in Tongan, Island mx 0815 3/19 (PM-OR)

THANKS TO THESE REPORTERS

- VAL-DX SHAWN AXELROD AND WAYNE McRAE
 DXing at Valhalla Beach MB w/R70(Icom) Plam Board, 9 beverages
 or longwires.
 BN-CO BILL NITTLER-POST OFFICE BOX 824-MANCOS, CO 81328
 PM-OR YOUR EDITOR
 Drake R8, Hammarlund SP-600-JX17, Term. 1500" Beverage, Term.200"
 SW longwire, Ground system.

DX WORLDWIDE EAST

EDITOR: Jim Hall, 3176 Cheltenham Ct., Gibsonia PA 15044-8435 usa

A couple reports in for the week. Several items before we begin the loggings: I've noted the Cuban Radio Progreso network apparently AN (all-nighting) on weekends, or at least on some weekend mornings recently checked. Also be careful when monitoring 1580 for foreign stations as I heard WSRF-Ft. Lauderdale, Fla. recently (0119 3/8 UTC) with some reggae mx, so don't think you have an exotic right away! An LA on 831.0 has been showing up here from time to time and is a tough one to ID (see my report below). I've had a slight problems with the system and some errors may have crept into the column, but I'm working on it. ALL TIMES ARE UTC:

TRANS-ATLANTIC DX (Connelly-MA) all TA's

- 621 CANARY ISLANDS Santa Cruz, Tenerife 0442 3/11 man in SS; fair.
 +0444 3/23 romantic-style SS group vocal; HUGE signal - killing
 +0348 3/8 very good w/ SS teletalk show w/ female announcer; it

8

- was the strongest TA at the time.
+2331 3/3 man in SS; fair.
- 639 SPAIN 2330 3/3 SS female vocal; poor in slop.
- 711 MOROCCO (tentative) 0355 3/8 AA vocal & big het against Cuba / WOR.
- 711 t MOROCCO Sebaa-Aioun 0441 3/11 AA male vocal, big het, audio in 710 slop.
- 756 SPAIN Bilbao 0441 3/23 rock mx., SS talk; poor to fair o/ others.
- 774 SPAIN 2327 3/3 man in SS; fair.
+0438 3/23 SS talk; fair.
- 837 CANARY ISLANDS Las Palmas 0435 3/23 man in SS; fair.
- 855 SPAIN 0434 3/23 m in SS, then piano mx. & vocal; to fair peaks in WHDH slop.
- 873 SPAIN Zaragoza 0330 2/13 fr SS mx. (McMillan-MA)
- 882 CANARY ISLANDS La Laguna 0450 3/23 bits of SS talk; in WCBS slop.
- 891 ALGERIA Algiers 0435 3/11 male AA vocal; fair to good.
+0438 314 Koranic chant; EXCELLENT.
+0430 3/23 woman in AA, then violin mx.; good.
- 891 ALGERIA Algiers 2243 2/28 man in AA; good.
- 954 SPAIN Madrid 0453 3/23 fast SS talk; poor.
- 981 ALGERIA Algiers 0455 3/23 AA-sounding mx. at low audio level on big carrier.
- 999 SPAIN Madrid 0456 3/23 SS news by man; fair.
- 1008 CANARY ISLANDS Las Palmas 0456 3/23 SS talk; poor o/ others.
- 1017 GERMANY 0324 3/13 m in GG and mx w/lots of WBZ slop. (McMillan-MA)
- 1044 t MOROCCO Sebaa-Aioun 0457 3/23 big carrier, little audio. Also 2/28 2310 AA talk. +
0347 3/5 male AA vocal; EXCELLENT, way o/ Spain.
- 1098 CANARY ISLANDS 0351 3/5 fast SS talk by man; LOUD.
- 1098 CANARY ISLANDS / SPAIN 0450 3/11 man & woman in SS; poor to fair o/ growl. +
2318 3/24 het, bits of SS.
- 1107 SPAIN 0453 3/11 bits of SS talk, in slop.
+0448 3/14 SS vocal, talk; good o/ others.
+0459 3/23 SS talk, man & woman in SS; EXCELLENT. This one
seems to be stronger lately - has power been increased ?
- 1134 SPAIN 0453 3/11 man in SS; fair. + 0450 3/14 good w/ SS talk. + 0459 3/23 SS talk;
poor.
- 1179 CANARY ISLANDS / SPAIN 0455 3/14 bits of SS talk. + MAR 24 @ 2317: SS talk; in
slop. Only low-latitude TA's were making it in.
- 1215 SPAIN 0456 3/14 man in SS; poor o/ others.
+0355 3/5 man in SS; poor to fair.
- ENGLAND 0315 2/13 EE, r&r mx. (McMillan-MA)
- 1224 SPAIN 0457 3/14 poor w/ SS talk & mx.
- 1251 LIBYA Tripoli 0501 3/23 Koran chants; poor to fair.
+FEb 28 @ 2302: AA talk, in slop.
- 1269 unID 0459 3/14 big het against WTSN/CFGT/CJCB - 1270 mess, not much audio.
- 1287 t SLOVAK REPUBLIC 0458 3/14 poor w/ Slavic-sounding talk.
- 1296 t SUDAN 2300 2/28 huge OC switched off at 2300 (Sudan's s/off time). Something weak
(probably Spain) left on channel.
- 1305 SPAIN 0500 3/14 man in SS; poor to fair o/ SAH.
- 1375 ST. PIERRE ET MIQUELON 0501 3/14 FF news; excellent.
- 1521 SAUDI ARABIA Duba 2253 2/28 piano mx., then AA talk man; loud - best TA.
- 1539 GERMANY Mainflingen 2256 2/28 bits of GG in bad WPTR slop.
- 1548 ENGLAND 0300 2/13 EE nx. (McMillan-MA)
- 1584 SPAIN 0502 3/14 SS news; poor to fair.
- 1584 +0406 3/5 poor w/ SS talk.
- 1611 VATICAN 0458 3/11 Slav-sounding talk; fair to good.

PAN - A M E R I C A N D X

- 533 TURKS & CAICOS 0110 3/9 R. Vision Cristiana has moved to 533 from 535. Loud
signal w/ SS religion. (Connelly-MA)
- 535 GRENADA 0112 3/9 accented EE; poor in 533 (RVC) slop. (Connelly-MA)

- 535.03 **TURKS & CAICOS** 0445 3/11 Radio Vision Cristiana back here from 533: SS shouting & church mx.; LOUD. (Connelly-MA)
- 555 **ST. KITTS & NEVIS** Basseterre 0352 3/8 updated version of Jim Reeves C&W classic "He'll Have to Go"; to good peaks. + MAR 9 @ 0115: ZIZ good w/ soca & calypso mx. (Connelly-MA)
- 650 **COLOMBIA** Bogota HJKH 0200 2/8 alone on chan w/"RCN" ID. (McMillan-MA)
- 694 **CUBA** 0448 3/23 a wandering Cuban here w/ SS Cuban news. Carrier FM'ed on modulation peaks (as noted w/ receiver BFO on). (Connelly-MA)
- 700 **JAMAICA** Montego Bay 0158 2/8 atop WLW w/football talk into ID. (McMillan-MA)
- 740 **PUERTO RICO** San Juan WIAC 0700 3/17 good to hear this new PR -- salsa/bugalu-style music (modern Puerto Rican) and 0702:50 full ID w/unID slogan ment. Is this AN (on past listed s/off)? (J Hall-PA)
- VENEZUELA** 0707 3/20 while checking for Puerto Rico again noted the YV w/"R. Maracaibo" ID; SW 4859.9 not noted, and notice the MW is past previously listed s/off. (J Hall-PA)
- 780 **BRITISH VIRGIN ISLANDS** Roadtown ZBVI 0120 3/9 Caribbean EE DJ & dancehall reggae mx. o/u CKIX (ex-CFDR) groundwave & bits of SS (presumably YVMN or YVOD). (Connelly-MA)
- VENEZUELA** Coro YVMN 0157 2/24 "R. Coro" ID, loud as WABC. (McMillan-MA)
- 800 **NETHERLANDS ANTILLES** PJB 0210 2/24 bible study in EE, alone. (McMillan-MA)
- 820 **CUBA** 0348 3/18 fr, Cuban mx, new. (Reiser-IL) (Thomas- Did you hear any ID here or determine any parallel outlets to confirm this? I have to list this as tentative unless there is further proof of an ID here. ed)
- 830 **ST. KITTS & NEVIS** Basseterre 0439 3/11 LOUD w/ EE religious program w/ "testifying" and gospel mx. // 7510. (Connelly-MA)
- 831.0 **unID (t NICARAGUA)** various 3/19+ a weak LA has been making it through w/audio occasionally, seems to loop just about right for C. Am. so this could very well be the Bluefields Nicaraguan YNRZ which is reported to be on 831 occ. I will listen to my tapes from the auto-system and will provide more information next column. There have been several occasions when I've checked on real-time and heard mentions of both Managua and Nicaragua here, so I'm hoping for the YN. (J Hall-PA)
- 920 **VENEZUELA / CUBA / unID** 0502 2/26 although past listed s/off for both YV's heard the normal-style Venezuelan doorbells which is presumably the YV; the Cuban clockradio was in there also, and an occasional unID I've been hearing occ that runs SS vocals that resemble merengue-style, which may be Dominican Republic which I read has moved here from 650. All mixing w/several US unID's including WMEL-Melbourne, Fla. and WMMN-Fairmont, W. Va. (WMMN is off after EST midnight, however). (J Hall-PA)
- 960 **COLOMBIA** Magangué 0100 2/23 "CARACOL" ID alone, also thanks to a big AU on 2/21. (McMillan-MA)
- 1100 **ANTIGUA** St. John's ZDK 2335 2/28 PSA for hospital benefit show, man in Caribbean EE w/ reverb; good w/ WWWE phased. (Connelly-MA)
+0058 2/23 gospel in EE, alone on freq. (McMillan-MA)
- 1160 **BERMUDA** Hamilton VSB-3 0117 2/23 BBC v loud thru 1160 WMEX. (McMillan-MA)
- 1170 **COLOMBIA** Cartagena 0144 2/24 SS talk, no WWVA thanks to AU. (McMillan-MA)
- 1205 **CAYMAN ISLANDS** R. Cayman 0215 2/24 BBC thru WKOX slop. (McMillan-MA)

CREDITS:

(McMillan-MA)

MARK McMILLAN 151 Sumner St. #2, Stoughton, MA 02072
(TS440S, 160m dipole, 600' lw)

(Connelly-MA)

MARK CONNELLY 30 William Rd. Billerica, MA 01821-6079
(Drake R8, 2 siopers approx. 37m ea. via noise-reducing x formers to Super-MWDX-5 and DL-1 Phasing Units & MWT-3 Regen. Tuner)

(Reiser-IL)

THOMAS REISER 9506 S. Winchester, Apt. 205, Chicago, IL 60643
(Sony ICF 2003 w/built-in ant.)

(J Hall-PA)

JIM HALL, Editor 3176 Cheltenham Ct. Gibsonsia, PA 15044
(several rx's, wedge & attic wire, automated tape)

**Aberdeen-
Hoquiam
1994!!
Aug. 26-28**

WESTERN DX ROUNDUP

Nancy Hardy
2301 Pacific Avenue
Aberdeen, WA 98520-4527

★ PRODIGY
FMFT21B

Electronic Mail: 73201.2263@CompuServe.com, or Prodigy FMFT21B. E-Mail deadline: 6pm Mondays.

WDXR DEADLINES: Mon. April 11, Mon. May 2, Sat. May 28, Sat. July 2. Please use Eastern Time.

REPORTERS FOR THIS ISSUE:

- (FA) Frank Aden-4096 Marcia Place-Boise, ID 83704
Modified FRG-7, modified Radio Shack TRF, 45' longwire N-S, 180' L-longwire, 4' box loop
- (LG) Larry Godwin-2390 Clydes Dale Lane-Missoula, MT 59801
Hammarlund HQ-150, Sanserino air-core box loop & KIWA loop
- (TRH) Tim Hall-350 G St. #F-1-Chula Vista, CA 91910
ICF-2010, KIWA loop
- (GJ) Gary Jackson-7735 Center Parkway-Sacramento, CA 95823
FRG-8800, KIWA loop
- (GL) Gary Larson-2806 Lincoln-Burbank, CA 91504
- (PM) Patrick Martin-P.O. Box 843-Seaside, OR 97138
Drake R8, term. 200' SW wire, term. 1500' Beverage, ground system
- (MS) Mike Sanburn-P.O. Box 1256-Bellflower, CA 90707
GE Superadio II
- (PT) Pete Taylor-2614 Jackson St.-San Francisco, CA 94115
Sony ICF 6700W with Palomar loop
- (RW) Robert Wien-1309 Dentwood Dr.-San Jose, CA 95118
GE Superadio, GE long-range portable, SM-2

OF SPECIAL INTEREST

- 630 KRCV NV, Reno 3/21 0800-0810 call change ex-KOH, with usual good signal, ID on hour "The new AM 63, KRCV, Reno," upbeat Christian music. Way over KIDD. (RW-CA)
- 780 KKOH NV, Reno 3/17 now news talk, same format as old KOH-630 (which is now relig.), heard ID 3/17 0600. Ex-KROW. Thanks to RW for tip. (PM-OR)
+3/21 0755-0800 usual excellent signal, call change, ex-KROW. ID "KOH Newstalk 78," and America in the Morning later past 0810. (RW-CA)
- 1600 KWMX CO, Lakewood-Denver 3/20 0700 formerly KRXY, mentioned "The best variety of the 70's-80's-90's, Mix 107.5," into song by Phil Collins. Often dominant over KGST, KMNY off. (MS-CA)
- *****
- 530 TIS UT, St. George 3/18 0435 fair-good several nights this week with tape loop about Utah's "Color Country." (TRH-CA)
- 630 KWRO OR, Coquille noted format change 3/19 1415, now satellite country, ex-oldies rock, same call letters though. (PM-OR)
- 740 KATK NM, Carlsbad 3/20 0745 weak with Spanish in KCBS open carrier. KCBS signed back on at 0800. (MS-CA)
- 870 (KIEV) CA, Glendale 3/23 0001 noted off. Called on air number & board op says back on at "5am." Very faint audio when off, maybe NV or WWL. (GL-CA)
- 910 KOXR CA, Oxnard 3/20 1210 in fair but fadey with Spanish version of song "Sweet Pea." (MS-CA)
- 960 KLAD OR, Klamath Falls 3/21 0927 good thru KABL carrier (off briefly for technical problems) with ad for Northwest Mutual Services, ID, Agnet report. (RW-CA)

- 1050 KMTA MT, Miles City 3/20 0300 good with non-stop satellite country music, "10-50 KMTA" ID's by woman announcer. Listed as 136w at night. (PM-OR)
- 1060 KUKQ AZ, Tempe on top 3/16 2232 with Dr. Joy Browne talk show "on all new talk radio, AM 1060." At 2246 ID "all new AM 1060, KUKQ." Stronger still 3/18 2330. I phoned station; engineer thinks crew may be forgetting to switch from 5kw ND to 500w DA at sunset. (LG-MT)
- 1080 KRPX UT, Price 3/21 0916 good in KSCO null with ID "16 after 7 at KRPX," still looking for KGVY-AZ! (RW-CA)
- 1140 KHTK CA, Sacramento 3/26 2105 good ending CBS news, local ad, promo for morning news on "Hot Talk 1140, KHTK," then "Power Sports Talk" on the American Sports Radio Network. Ex-KRAK. (BH-WA)
- KXNO NV, North Las Vegas 3/21 0910 blowing away KHTK with ad for Jackie Mason at the Sahara. KHTK may be running low power since a transmitter fire 2 weeks ago, horrible signal from KHTK. (RW-CA)
- 1150 (KIIS) CA, Los Angeles 3/25 0715 noted off, back on RS at recheck 0750. Nothing else heard on 1150. (GL-CA)
- 1320 KXRO WA, Aberdeen 3/14 0828 very strong in KCNR/KCTC null while looking for CHMB-BC, with "America in the Morning," ID on half-hour. Did they switch to daytime pattern too early? (RW-CA)
- ?CHMB? BC, Vancouver 3/21 0330 possibly the one with unID Asian language, then opera later, weak under KCTC/KCNR. (RW-CA)
- 1360 KNNS AZ, Glendale 3/21 0900-0905 still not KGME yet, with ID on hour "Sportsradio 1360, KNNS, Glendale-Phoenix." Way over everything on frequency. (RW-CA)
- 1370 KAST OR, Astoria 3/17 0000 on top with local basketball & ads. No sign whatsoever of KWRM, which apparently reserves its nighttime pattern variances for weekends. (PT-CA)
- 1490 KRCD ID, Chubbock 3/21 ended People's Radio Network program at 2259, then at 2300 announcer said "This is your station for the Jack Halliday program...1490...Pocatello." (Chubbock is suburb of Pocatello). ABC news followed. Tried to phone station to no avail. KSEI says station was dark and just returned. (LG-MT)
- KBSR MT, Laurel 3/15 2000 unusually strong with ID. At end of country song, man said "Montana's Big Sky Country, KBSR, Laurel-Billings." Format change from oldies of 12/93. (LG)
- 1600 KXEW AZ, Tucson 3/20 0635 noted here as usual on Sunday mornings with ID in Spanish. (MS-CA)

DX TESTS

- 550 ?KARI? WA, Blaine 2/20 0400-0500 tentatively heard bits & pieces of slow code but could not make positive ID, in weak signal. (FA-ID)
- 560 (WJIS) WV, Beckley 3/14 0000-0030 nothing heard. (FA-ID)
- (WHND) WI, Monroe 2/27 0000-0030 nothing heard. (FA-ID)
- 910 (WNEZ) CT, New Britain 2/26 0000-0030 nothing heard. (FA-ID)
- 930 (KKIN) MN, Aitkin 3/13 0200-0230 nothing heard. (FA-ID)
- 960 KOVO UT, Provo 2/28 0200-0300 strong signal as usual, heard with several code & voice ID's. (FA-ID)
- 1130 KBMR ND, Bismarck 3/7 0100-0130 heard carrier open at 0059 with very strong signal! Several code & voice ID's heard. They are in KGEM-1140's null. (FA-ID)
- 1150 ?CKX? MB, Brandon 3/7 tent. heard test 0300-0330. Noted some weak tones but did not spend any time checking for this as QSL'd from last test. (FA-ID)
- 1260 KFGQ IA, Boone 3/21 0230-0300 logged with repeated Morse code ID's near the beginning of the test and tone near the end. Had KJQI partially nulled but I wish they were off completely tonight... Taped for Iowa #3. (MS-CA)
- +3/21 0239 poor on DX test with code ID's. New, IA #7. (TRH)
- (KPSO) TX, Falurrias 3/21 0100-0130 not heard. (MS-CA)
- (WEKZ) WI, Monroe 2/27 0100-0130 nothing heard. (FA-ID)
- 1370 ?KTMG? CO, Deer Trail 3/14 0730-0800 may have heard some weak code but unable to read. (FA-ID)

(KTMG)+3/14 0740-0800 DX test tried, not heard under KSOP/KXTL/
KWRM/XEHG. This station is occasional at SRS and should
have made it if test was on, so suspect it wasn't on (listed
as KTMJ in DX tests last bulletin!). (RW-CA)

+3/14 0730-0800 DX test not heard, only Spanish station, and
weak English station playing 40's type music which I was not
able to ID. (GJ-CA)

+3/14 0730-0800 set alarm for this test but heard nothing.
Was it on?? Most of their signal goes SW so should have
made it here. Just KWRM and KXTL. (MS-CA)

1450 KVOW WY, Riverton 3/7 0215-0245 fair signal, heard several code
ID's. 3/14 test 0210-0220 heard possible code ID's but very
weak. (FA-ID)

+3/14 0217+ noted 1 kHz tone, then caught a healthy code ID
followed by some varying high pitched tones. Very good
signal. Well done. (MS-CA)

1460 (WIXN) IL, Dixon 2/28 0130-0200 nothing heard. (FA-ID)

1510 (WJIC) NJ, Salem 3/14 0000-0030 nothing heard, antenna pointed in
KGA null but no luck. (FA-ID)

1550 (WSER) MD, Elkton 3/20 0000-0230 thought I heard a tone around 0017
& 0025, but at lkw I doubt it was them. (MS-CA)

1580 (WIWO) IN, South Bend 3/7 0400-0500 nothing heard. (FA-ID)

1590 ?KCNN? MN, East Grand Forks 3/14 0200-0230 may have heard some code
or tones, but not able to ID. (FA-ID)

+3/14 0200-0230, heard Morse code ID's at 0203 & 0204, but
that was all. Strong KLIV San Jose in with another station.
(GJ-CA)

LOCAL NEWS

1370 KKSJ CA, San Jose per article in 3/11 San Jose Mercury News, due
to problems with transmitter & transmitter coaxial cable,
station will not come on 3/15 as planned, now shooting for
"early April." Will play Sinatra/Clooney/Dorsey music, i.e.
big band type, and will use "Big 1370" ID's. (RW-CA)

HELP WITH UNIDS

526 The station on 526 I have reported several times using Morse code
has been ID'd as operated by U.S. Army at Camp Roberts-San Miguel,
CA. Larry Godwin translated the Morse code and Mike Hardester
ID'd the station and location. The beacon (.-. .-- .) translates
"RWE." (GJ-CA)

1610 MS-CA's unID Cal Trans in 3/12 WDXR is located at the intersection
of highways 110 and 10 (Harbor Blvd. & Santa Monica Blvd.) (GJ-CA)

Gary Jackson also sends along the message that Cal Trans will be adding
6 new stations on 1620 by the end of April. So, watch for them!
Convention plans are going along nicely. If you would like more
information, have questions, or need an "invitation" registration form,
just write to me at the address at the beginning of the column. Bill
and I would love to have you come to the convention Aug. 26-27-28.
There will also be a "surprise," something that no other convention has
ever had!



The improved NRC AM Radio Log, 14th Edition, is the most accurate listing
of AM radio stations in the U. S. and Canada, with cross reference listings. 3-
hole punched for standard binders. Only \$16.95 to U. S. and Canadian members;
\$19.95 to U. S. non-NRC member; \$20.95 Canadian non-NRC member. Airmail:
to Latin America, \$21.00; Europe, \$24.00; rest of the world: \$28.00.

Order from: NRC Publications - Box 164 - Mannsville, NY 13661 (NY residents,
please add sales tax)



Central DX Roundup

Editor: John C. Johnson

979 Neptune Boulevard Billings, Montana 59105-2129

E-mail: JohnJ53816@AOL.COM or Prodigy: MPNN49A

FOR THE RECORD

REPORT ALL TIMES AS EASTERN. DEADLINES: 4/30, 5/28, 7/2, 7/30, 8/18, 9/3.

RIDING GAIN

- [JA-WI] **Jim Albrecht**, 3313 North Weil Street, Milwaukee, WI 53212
Panasonic RF-2200
- [SA-MB] **Shawn Axelrod**, 30 Becontree Bay, Winnipeg, Manitoba R2N 2X9
Icom IC-R70 w/PLAM board & 4kHz filter, 4-foot box loop, Quantum loop, 100' wire.
- [VAL-DX] **DX'pedition at Valhalla Beach, MB 3/12-13**
2 Icom IC-R70 with PLAM board and 4kHz filter, 9 beverages or longwires.
9 hours of northern lights!
Attending: **Shawn Axelrod** and **Wayne McRae** of Winnipeg, MB
- [EB-MO] **Eric Bueneman**, NOUIH, 631 Coachway Lane, Hazelwood, MO 63042-1347
Realistic DX-200, Realistic TM-152 with Worcester Space Magnet-2.
- [JE-MN] **Jon Ellis**, Maple Grove, MN
Sharp 8-band.
- [TMJ-IL] **Tom Jasinski**, 419 North Raven, Shorewood, Illinois 60435-9640
FRG-7 with Quantum loop, R390A with 2½ foot loop, Sharp QT50.
- [TN-WI] **Tim Noonan**, 4609 Crescent Road, Apt. 5, Madison, WI 53711-4672
Drake SW-4A, "Radio West" loop.
- [TJR-IL] **Thomas J. Reiser**, 9506 South Winchester, Apt. 205, Chicago, IL 60643-1109
Sony ICF-2003 with built-in antenna.
- [RS-MO] **Randy Stewart**, 4225 West La Casa, Springfield, Missouri 65802-5615
Yaesu FRG-100 modified 6-kc Collins filter, 4-kc filter, 4' spiral loop, 15" Sanserino amplified box loop..

SPECIAL INTEREST

- 980 **KRXX** MN, Richfield, Minneapolis. Station will go silent in April. Their FM was sold, 980 had been (and currently is) simulcasting this FM. Details are sketchy as to if the AM was sold too. Legal ID on the AM is "KRXX Richfield, Minneapolis, St. Paul is The Edge. Music for this generation." This ID about equal volume with the FM ID using KEGG calls now. I don't expect license would be turned back to FCC as this station has a strong stereo signal and is U3. [JE-MN]
- 1060 **CKMX** AB, Calgary. EX-CFCN. 3/12 good. 1725 with lite rock. "Mix 10-60" ID. [VAL-DX]
- 1320 **CHMB** BC, Vancouver. EX-CHQM. 3/4 fair. 0757 with Chinese program. EE ID "CHMB 13-20" New for me. [SA-MB]

DOWN THE DIAL

- 560 **KLZ** CO, Denver. 2/24 weak, alone. 0719 with Christian Country, "You're tuned to KLZ bringing you the best in Contemporary Christian Music." [JE-MN]
- 650 **WSM** TN, Nashville. 3/14 fair to poor with KXOK-630 splash. 1528 with C&W, local news, weather, and spots. Report sent to IRCAer Tom Bryant. [EB-MO]
- 690 **WJOX** AL, Birmingham. 3/18 fair, mixing w/WXOL. 1230 with sports talk, mentioned Birmingham. Very unusual daytime reception. Signal in for 25 minutes then disappeared. [JA-WI]
- 720 **KSAH** TX, Universal City. 3/13 fair. 2355 with lively music. 0000 ID. New. [VAL-DX]

CDXR Continued....

- 770 **WWCN** FL, Fort Meyers. 3/13 good. 0620 with "7-70 WWCN with more news and better talk." Into Rush L. New logging. [VAL-DX]
- 830 **KBOA** MO, Kennett. 3/20 good to fair with only a trace of stereo signal. KFUE-850 splash. Traces of WCCO under. 1700 with AP Network News. Spot mentioned Dyersburg, TN. Weather forecast into Southern Gospel program. Still AC Mon.-Sat. [EB-MO]
- 880 **WINU** IL, Highland. 3/7 good to fair o/WCBS, CKLQ. 2215 with soft AC dedications via satellite. The announcer mentioned six cows were grazing on the station property. Local spots and weather. [EB-MO]
- 900 **WEAS** GA, Savannah. 3/15 fair. 2100 with "Sports America" talk show. Mentioned "Savannah's sports leader." slogan, but no call ID. [JA-WI]
- 920 **KARN** AR, Little Rock. 3/13 fair to poor. 0200 with mention of AR Radio Network. Legal ID into CBS News. [TN-WI]
- 930 **WBCK** MI, Battle Creek. 3/4 weak. 1831 taking calls for contest, answering as "Hi, you're on WBCK." [JE-MO]
- WTAD** IL, Quincy. 3/14 fair while monitoring KKin test. 0210 with ID. [TJR-IL]
- 940 **KIXZ** TX, Amarillo. 2/23 weak w/KJJO. 2051 with NOS. ID "KIXZ Magic 940." [JE-MN]
- 970 **KJLT** NE, North Platte. 3/4 weak. 1834 with ID. Religious programming. [JE-MN]
- KMFX** MN, Lake City. 3/15 fair. 2130 with multi-city AM ID. FM also mentioned. Many local spots mentioning Rochester. Often uses "Fox Country 102.5" slogan when simo with FM. [JA-WI]
- 990 **KRSL** KS, Russell. 3/4 weak. 1844 with "Russell Radio" slogan. [KCAT 95.9. [JE-MN]
- 1000 **KTOK** OK, Oklahoma City. 3/11 w/WMPV. Ai news, 0005 call, local news. [JE-MN]
- 1020 **CKVH** AB, High Prairie. 3/6 good, alone on frequency. 0740 with C&W music. Local spots for High Prairie merchants. [SA-MB]
- 1030 **KCTA** TX, Corpus Christi. 3/10 u/WCTS. (no time listed) Preaching, caught call when WCTS made pattern change then lost when WCTS increased power. [JE-MN]
- 1040 **WMTX** FL, Pinellas Park. 3/3 fair in WHO null. 2200 with pop music, slogan "Tampa Bay's No. 1 choice for today's hit music and the most money." This followed by SID that sounded like "Mix 96 WMTX Tampa Bay." Note they relay 95.7 FM. No mention at all of AM side. New log for me. [RS-MO]
- 1050 **CJNB** SK, North Battleford. 3/5 very good due to CKSB being off. o/XEG. 0521 with C&W music. "CJNB CJNS" ID. [SA-MB]
- 1060 **WRCW** OH, Canton. 3/4 poor. 0700 fade up with "WRCW" ID. New, OH#45. [SA-MB]
- 1080 **WTIC** CT, Hartford. 3/23 fair. 0020 with talk program on psychology. [TJR-IL]
- 1160 **WPIE** NY, Trumansburg. 3/12 fair mixing w/HJCO. 2033 with C&W music. "WPIE...(?).. Country." [VAL-DX]
- 1180 **WJNT** MS, Pearl. 3/18 fair. 0738 with "News, talk WJNT" slogan. National news. [JA-WI]
- WLDS** IL, Jacksonville. 3/14 very good. 1458 with Southern Gospel song. Local spots. 1500 legal ID into CBS News. 1506 local weather followed by local sports. [EB-MO]
- 1230 **WSAL** IN, Logansport. 3/15 good. 1956 with mention of upcoming high school basketball game. "Country 12-30 WSAL" slogan. [JA-WI]
- 1310 **WDOD** TN, Chattanooga. 3/18 fair. 0718 with ID, local spots and weather. [JA-WI]
- WTTL** KY, Madisonville. 3/18 fair. 0716 with local spots, pop adult music. [JA-WI]
- 1320 **WLOH** OH, Lancaster. 3/14 fair. 0800 with legal ID into news. [JA-WI]
- 1470 **KWAY** IA, Waverly. 3/1 o/KWSL for a few seconds. KBCW off. 0746 popped up with "AM 14-70 KWAY." [JE-MN]
- 1520 **WQCT** OH, Bryan. 3/15 fair to good. 1925 with FM slogan "The station playing your favorites. 100.9 WBNO." Pop adult music. [JA-WI]
- 1540 **CHIN** ON, Toronto. 3/4 strong. (No time given) Ethnic programming. Gave address (same as in NRC log.) [JE-MN]
- 1550 **WHIT** WI, Madison. 3/5 weak w/KXEL. 1843 with Madison spots, weather. [WVWQM Q-106. Modern Country format. [JE-MN]
- 1560 **WSQR** IL, Sycamore. Had been off the air. Now noted with irregular schedule with simo of FM. (Call sounded like WKVI ?? 93.1). Modern Rock music complete with 4-letter words! Very young and terrible sounding male and female DJs. [TMJ-IL]

CDXR Continued....

- 1600 **KNCY** NE, Nebraska City. 3/12 fair. 1805 with TC, weather for Nebraska City, local spots. New logging. [VAL-DX]
- 1610 **WZM-823** MN, Richfield. 3/13 fair. 0543 with traffic info for Minneapolis/St. Paul. New logging. [VAL-DX]
- TX, Austin. 3/2 fair to poor. TIS with relay of Austin NWS broadcast. ID "WXK-27 (??)" is bringing you continuous weather information from the forecasters here at the National Weather Service office in Austin." Does anyone have complete info on this TIS? [RS-MO]

DX TESTS

- 560 **WJLS** WV, Beckley. 3/14 TENTATIVE. Poor w/KLZ, WHBQ. 0015 with TT. [EB-MO]
+3/14 DX Test tried for, but not heard through WIND. [TN-WI]
+3/14 DX Test not heard here, only WIND. [TJR-IL]
+3/14 listened 0000-0030, but WIND too strong to null. [TMJ-IL]
- 640 **WNNZ** MA, Westfield. 3/13 poor. 0131 with code IDs. [TN-WI]
+3/13 heard with strong Cuban (R. Progreso). 0100-0200 heard voice IDs and one code string inserted during scheduled talk show. [TMJ-IL]
- 930 **KKIN** MN, Aitkin. 3/13 weak in mess. (No time given) Call and code ID. [JE-MN]
+3/13 poor to fair w/WAUR, WTKZ. 0213-0234 with code IDs at two tone levels then off. [JA-WI]
+3/13 in partial null of WAUR. 0200-0230. Heard weak code at 0202. Possible code at 0205 and 0210. Heard during RS in 1985, but still need verie. [TMJ-IL]
+3/13 fair. 0201 with code IDs. [TN-WI]
+3/14 poor. 0200 with TT, code IDs. New for me. [TJR-IL]
- 1130 **KBMR** ND, Bismarck. 3/7 fair in KFAN null. (No time given) Voice and code ID. [JE-MN]
- 1230(WTIV) PA, Titusville. 3/21 DX Test tried for, but not heard. Blocked by WJOB. [TJR-IL]
+3/21 listened 0030-0100, but WJOB too strong. Noted very little skip from the east. Usually skip burys WJOB. First thunder storm of the year during a passing cold front. [TMJ-IL]
- 1260 **KFGQ** IA, Boone. 3/21 DX Test good signal. 0230-0300 with code. Unneeded. [TMJ-IL]
- KPSO** TX, Fairfuirias. 3/21 WIBV and WNDE in with good signals. Listened 0100-0130, heard weak TT at 0125, but not sure if this was KPSO. [TMJ-IL]
+3/21 DX Test tried for, but not heard. Blocked by WIBV. [TJR-IL]
- WEKZ** WI, Monroe. 2/27 weak. (No time given) Code ID heard. [JE-MN]
- 1340 **KXEO** MO, Mexico. 3/19 good to fair o/WSOY w/KSIV-1320 splash. 1732 with "Solid Gold 13-40 KXEO" IDs. Oldies. Spot for Baumgartner's Furniture and a promo for Mexico high school Bulldogs. [EB-MO]
- 1360 **WSAI** OH, Cincinnati. 3/19 good to fair o/WSCJ, WGEE. 0132 with frequent "13-60 WSAI" IDs. Unistar AM Only NOS/Soft AC mix. ||WRTH-1430. [EB-MO]
- 1370(KTMJ) CO, Deer Trail. 3/14 DX Test not heard here. [JE-MN]
- 1450 **KVOW** WY, Riverton. 3/14 poor popping o/WFMB and two unIDs. KIRL-1460 splash. 0214 with TT and code IDs. [EB-MO]
+3/14 DX Test not heard, only WVON. [TJR-IL]
- 1510 **WJIC** NJ, Salem. 3/14 fair to poor in WLAC null. 0003 with TT and code IDs. [EB-MO]
+3/14 fair w/WSSH in WLAC null. 0000-0018 alternating code IDs and TT. [JA-WI]
+3/14 heard traces of code, tones, but not enough to ID. [TN-WI]
- 1550 **WSER** MD, Elkton. 3/20 DX Test poor to fair w/CBE, WMDH. 0000-0015 with code IDs until CBE jazz program covered signal! Also heard Sousa march music at 0100. There was also an odd code-like TT heard here 0000-0002. [JA-WI]
+3/20 good signal w/CBE, WCSJ. 0000-0130 with code sent at high and low pitch. Several good code strings heard. Unneeded, had heard with EBS in 1985 during Hurricane Gloria. [TMJ-IL]
+3/20 DX Test. 0000 tried for, but not heard. Too much buzz. [TN-WI]
- 1580 **WIWO** IN, South Bend. 3/7 fair in CKMW splat. 0400, 0405, 0413 code IDs. Voice IDs at 0407 and 0412. New for me! [SA-MB]
+3/7 TENTATIVE. (No time given) Code heard, but couldn't read copy. [JE-MN]

CDXR Continued....

1590 **KCNN** MN, East Grand Forks. 3/14 fair to poor signal through KYDE/WZR. 0223 with code IDs. [EB-MO]
+3/14 very poor with lots of noise, but heard "KCNN" call mentioned about 0158:45 followed by code. All I could copy was a comma (---)! Code noted again about 0208 with call letters at least twice. Also 0223:30. Nothing else heard. [RS-MO]
+3/14 fair. 0207 with code IDs. [TN-WI]
+3/14 DX Test not heard here. [JE-MN]

LOCAL CHANGES

970 **WMAY** IL, Springfield. Noted running oldies overnights and weekends, otherwise has news talk format. [EB-MO]
1220 **KLPW** MO, Union. Noted dropped AC/CHR format for BRN Business News. [EB-MO]
1400 **KJCF** MO, Festus. Now airing AC/Oldies on the weekends, otherwise news talk. [EB-MO]
1490 **WESL** IL, East St. Louis. Now Urban AC. Still Urban Gospel on Sundays. "Super Soul 14" Slogan. Also now back in stereo. [EB-MO]
1600 **KATZ** MO, St. Louis. Has gone to the SMN Urban Gold format. Slogan is still "The Legendary AM 1600 KATZ." [EB-MO]

unIDs

720 unID 3/12 fair. 2224 with classical music by Vivaldi for about 5 minutes. [VAL-DX]
1160 unID 3/12 poor w/KSL. 2010 with oldies music. Gone quickly at 2015. [VAL-DX]
1190 unID 3/13 fair to poor. 0050 with C&W music. ID "KMFx 102.5 Fox Country." Might be KWMB Wabasha, but listed as daytimer? [VAL-DX]
(Shawn, KMFx 102.5 is located in Wabasha (EX KQLW) so it's KWMB you heard. John.)

25 YEARS AGO

April 5, 1969 issue of IRCA's "DX Monitor"...Pat Martin of Seaside, OR mentioned MM 3/24 the Aussies and Zedders were fantastic. In two hours he logged 50...Larry B. Godwin of Englewood, CO commented on how fabulous the anniversary issue looked...Percy R. Kesteven of Edmonton, AB told about constructing an antenna tuner featured in a recent Popular Electronics... Marc DeLorenzo of Hyannis, MA was selling his HQ-129-X.

OPEN MIKE

No amount of careful planning will ever replace dumb luck. Nice turn out this week! Thanks to all the reporters who contributed. Since we're no longer weekly now, please check the deadlines at the top of the column. The season is ending, but remember there is still DX to catch all summer! Speaking of summer, don't forget the 1994 IRCA Convention August 26, 27, and 28th. Bill and Nancy are planning a good one for all of you! ABERDEEN-HOQUAIM '94! '73, John.

IRCA BOOKSTORE

International Radio Club of America publishes several items which are available from the IRCA Bookstore.

IRCA AM-FM ALMANAC, 5th Edition 1991 - (Reprint)

This 240 page book is a must have cross reference for the serious AM DXer. Within it you will find the current frequency check list, affiliates for news and talk show networks, syndicated music and religious programs, AM-FM simulcasts, station slogans, broadcasting in Canada, AM stereo, sports networks, utility stations and many articles on AM broadcasting. In addition, the fifth edition contains a section focusing on AM band foreign DXing (including a compressed IRCA Foreign DX Reference). Each list is in frequency order and many include the FM frequencies as well as the AM (great for FM DXers).

IRCA AM-FM Almanac is available loose leaf or comb bound (please specify). Prices are:

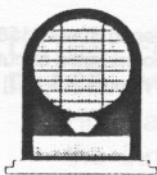
IRCA/NRC member: US - \$13.00 Canada - \$14.00 Overseas Sea Mail - \$14.00 Overseas Air-Mail - \$17.00
non-members: US - \$15.00 Canada - \$16.00 Overseas Sea Mail - \$16.00 Overseas Air-Mail - \$19.00

IRCA AM-FM Almanac, 5th Edition 1991 Updaters are also available from the IRCA Bookstore!

Updater 5.1 - Almanac index, AM slogans. Updater 5.2 - Satellite Music Network, Unistar/Transtar, talk updates, BRN, 1991 Baseball. Updater 5.3 - updated NFL and college football, NHL Hockey, 530/1610 TIS/Highway Radio update, Rush Limbaugh. Updater 5.4 - updated NBA and college basketball, ABC-AP-UPI-USA network lists, ESPN-SEN sports talk lists, Canadian Music networks and more. Updater 5.5 - 1992 baseball, Spanish networks, Interstate Radio Network and AM Slogan list updates.

Each IRCA AM-FM Almanac, 5th Edition 1991 Updater is 20 pages. Price \$2.00 US and Canada, \$3.00 elsewhere.

(NOTE: IRCA Almanac (third and fourth editions) are still available for \$5.00 (overseas airmail add \$2.50))



Eastern DX Roundup

Leonard Hyde
1805 Whipple Drive #27
Blacksburg, VA 24060-2436

DEADLINES: April 23 issue - 4/11: May 14 issue - 5/2

*** CHECKING IN THIS WEEK ***

(LH) Lynn Hollerman-514 Carrsbrook Rd-Huntsville AL 35803: DX-440, 70' longwire, MFJ-956
(WPT) William P. Townshend-Washington DC: Sony ICF-2010

*** AROUND THE DIAL ***

540 WWCS PA Canonsburg Mo 2/28 1839-1915 lush mx, world nx. Excellent, strong signal. Did they leave day power on? (LH-AL)
560 WHBQ TN Memphis Mo 2/28 0000 ID, into nx. (LH-AL)
WQAM FL Miami Mo 2/28 0005 ID, wx rpt, # to call for more wx. (LH-AL)
WVOC SC Columbia Mo 2/28 0029 ID heard in mess. (LH-AL)
680 WPTF NC Raleigh Tu 3/3 0100 ID, ad for Rush Limbaugh show, into CBS nx. (LH-AL)
WOGY TN Memphis Tu 3/3 0051-0059 soul mx, "Solid Gold Soul" and "68 Gold" slogans. Fair signal. (LH-AL)
1070 WHYZ SC Sans Souci Sa 2/26 2308 ID ("HYZ Newstime") surfaces above mess on freq. (LH-AL)
1080 WDJX KY Louisville Sa 2/26 2306 ID heard under KRLD, ments of 99.7 FM. (LH-AL)
KRLD TX Dallas Sa 2/26 2305 CBS nx, into talk prgm. Strong. (LH-AL)
1130 WSJP KY Murray Mo 3/7 0034 ID, into UPI nx, "For The People" program. Good signal amid lots of QRM. (LH-AL)
1260 KTTS MO Springfield Sa 2/26 2309-2312 ments of "KTTS weather," ID by YL. (LH-AL)
WIBV IL Belleville Sa 2/26 2329 ID, ad for tax amnesty package. (LH-AL)

*** DX SPECIALS ***

HEARD:

910 WNEZ CT Farmington 2/26 0003 code IDs. fair u/WRVH. (WPT-DC)
1130 KBMR ND Bismarck Mo 3/7 0100-0130 Many code IDs heard, full voice ID 0124. Good signal. (LH-AL)
1580 WIWO IN South Bend Mo 3/7 0400-0420 code IDs, "any song, anytime - WIWO, talk radio, Mich-iana" heard. Good signal. (LH-AL)

NOT HEARD:

560 WHND MI Monroe Mo 2/28 0030-0130 not heard due to WTEM slop. (WPT-DC)
++ not heard. (LH-AL)
930 KKIN MN Aitkin 3/13 0200-0220 only WFMD. (WPT-DC)
1460 WIXN IL Dixon 2/28 0130-0200 not heard because of WOL splash. (WPT-DC)
1510 WJIC NJ Salem 3/14 0000-0020 not heard, too much WTOP splatter. (WPT-DC)
1590 KCNN ND Grand Forks 3/14 0200-0220 not heard, just WAKR. (WPT-DC)

*** WHO DAT? ***

560 ???? Mo 2/28 0006-0015 many "Sports 56" slogans. Who? (LH-AL)
1130 ???? 3/7 0136-0300 continuous 440. hz tone. Since I missed the test proper of KBMR-ND by over sleeping, could this have been an unscheduled

originating at WFAN, New York, NY. All logged with a meager Realistic "Flavoradio" portable! We enjoyed fresh powder four out of ten days we skied, and enjoyed great listening, too. Anyone who claims AM is inferior to FM should try to listen to all the multipath and fading you can endure while travelling between mountains! Finally, a local note: new WVNJ-1160 Oakland, NJ has been sold and has cleaned up their audio and gone to oldies of the 50s, 60s, and early 70s, as of March 14. What a novel format for AM! Yawn! Next trip: St. Thomas in the American Virgin Islands! See you then! KZ.

Charles A. Taylor (VD9INP), PO Box 346, Grifton, North Carolina 28530-0346 919-524-3346. When the Lord was passing out brains, I thought he said trains, and so I missed mine. I also missed the Anniversary Issue, but hey, I've missed nearly every one anyway. Why mess up near perfection? What fired me up to write this is reading Mark Connelly's DXWW/E report of hearing Sao Tome e Principe VOA-1530 on 2/10. I accompanied the VOA's Network Training Director (I work at VOA's Greenville Relay Station) to the VOA-1530 Sao Tome relay Station 1/22-2/4 where I served as his PP/EE interpreter. What a ale to tell, and I don't even have to lie, either. If anyone is interested in this DXer's journey (yes, I did as much MW DXing as time would permit) to that West Africa nation, he/she/it should advise in DXM and I'll spin a tale about it and the station. Anyway, am 47 years old, a father of four, grandfather of two, married to Leonor, a former Philippine citizen. Am a Navy/Vietnam vet of six years, Navy employee of nine more years, a VOA employee of eight more, and a tech-grade ham. Have DXed seriously from Indianapolis, Philippines, Washington state, Bermuda, Okinawa; and casually from here and Vietnam. Have veried 45 states from Indianapolis (including AK=KFQD-730, now 750). No longer verie; everything since 1978 is taped IDs. Was, in my younger years, a hobby pirate broadcaster in Indianapolis. The FCC kicked us off the air twice, and I got my FCC radiotelephone license suspended. Now I work at a sister agency to the FCC: just another example of your tax dollars at play, hi. Other hobbies are jogging, computing, studying electric power facilities in this area, and building electronics and antennas. I started MW/AM DX from Indianapolis in 1959, and have DXed on everything from a one-tube 01A regenerative receiver to a five-tube AC/DC set to an SPR-4 and many R-390As. Also am a charter member of this great club. 73 de VD9INP (INP=Indy's Notorious Pirate), Charlie.

Rick Evans, 4841 South 26th Street, Milwaukee, Wisconsin 53221-2937.

I was over in McDonald's tonight and found some schedules for WAUK-1510 for this auto racing season. Looked something like a baseball schedule, though set up a little different. So, if you hear auto racing on 1510 this summer, chances are it's WAUK. In a promotional magazine I get from southeast PA (near Lancaster, I noted a ad for WADV-940 in Lebanon, PA, saying they're Southern and country gospel all day every day from 0500 to midnight. I didn't realize until I read Larry Godwin's Forum in the 3/19 WDXF that my local WTMJ-620 was granted the 50000/10000 they had requested. (They also asked to move their transmitter site to Racine County south of Milwaukee from the current Waukesha County location west of Milwaukee.) The FCC has been granting this power increases for regionals--in this case, WTMJ is owned by the Journal/Sentinel which publishes the two major daily newspapers in this corner of the state and also operates channel 4 and one of the dominant FM stations. Incidentally, the papers are solid Democrat which may have something to do with the power increase being granted! I am set to leave on vacation 4/10 so my next column will be a day early. 73.

IRCA Foreign DX Reference, Volumes 25-27

The IRCA Foreign DX Reference is a cross reference listing of all the stations reported to DXWW-W and DXWW-E during volumes 25-27 of "DX Monitor" (9/87-8/90). Three sections are available: Trans-Atlantic, Pan American, and Trans-Pacific. Each section contains a frequency listing (countries reported for each frequency) and a country listing (frequencies reported for each country) including the "DX Monitor" issue in which they were reported (volume and number). No longer will you need to thumb through tens of back issues of "DX Monitor" to find the information you need. With the IRCA Foreign DX Reference you can quickly determine which foreign stations might on a particular frequency or where to look for stations from a particular country. The Reference is an indispensable guide to what was reported the last three years, and where to find specific information about the receptions. Each listing is 8 or 9 pages long. You may order any one of the three (TA, PA or TP) for \$2.25 each, or all three for \$6.00 (overseas airmail add \$0.50/section or \$1.50 total).



Western DX Forum ★ ★ ★ ★ ★

Reid Wheeler 5910 Boulevard Loop SE Olympia, WA 98501

Deadline: Saturday 2 weeks before publication

Larry Godwin, 2390 Clydes Dale Ln. Missoula MT 59801

406-721-5131

Greetings! DX conditions have fallen off in mid-March but I expect an improvement soon. Overall it's been a good season so far. I've now logged 46 Mexicans on 40 frequencies. The NAB convention took place 3/21-24, but no KDAB-like experimental transmitter was fired up this year. The Anniversary Issue looked great! I especially enjoyed reading the reintroductions. Many thanks to all the editors for their extra efforts. Regarding MEDFERs, in the 3/5 issue Leonard Hyde mentions that he does not believe they fall within the IRCA's "sphere of influence." The boilerplate on the DXM reads, "The IRCA is a non-profit organization devoted to the hobby of hearing distant stations on the AM Broadcast Band (510-1720 kHz)." There is no exclusion for MEDFERs. I believe under current IRCA policy that MEDFERs rightfully belong in all aspects of the club's activities, including the DXR columns, contests and distance records. See you in Aberdeen this August! 73

Peter V. Taylor, 2614 Jackson St. San Francisco CA 94115

Greetings! I was thinking the other day on how much we have learned from our neighbors to the North and South. From Canada, we have learned it's OK to put high-power stations on some of our sacred channels, such as CHEF-1450 with 10kw and OKing 50kw on many of what we would call "regional" channels. I note this in view of WTMJ's recent grant for 50kw on 620 (their pattern should be interesting; does it really cover lots of new potential listeners or will it just look nice to have "50kw" on their stationary and promotional materials?) From Mexico, we have learned about allowing multiple ownership in a single market and granting stations high power during the day and mini-power (of the non-DA variety) at night. I'm sure this was a move to help AM by not forcing them into expensive multi-tower arrays at night. Very interesting! While going through my logs recently, I noticed the number of instances where I logged co-channel stations back-to-back - not necessarily at the same sitting - but at least sequentially. For instance from BOSTON: WXHR/WCAS-740; OSHAWA: CHML/WLSI-900; CHATTANOOGA: WTMV/WSIP-1490; HONG KONG: AFRS Taichung/HLDA-1570;; SAN FRANCISCO: KOAC/KBOW-550, KID/KHQ/KGUN-590, KYND/KDAY-1580, KGIL/KWIQ-1260, KSOP/KGEN-1370, KDOT/KLAS-1230, Henan/JOYR-1420, KEZU/KQEO-920, CKOM/KVLV-1250, WBRD/WRBL-1420, KAST/KFRO-1370, KACL/KEOS-1290, KEDU/KFRU-1400, WEYY/WCLS-1580, 3YW/JOWF/WPON-1460, KIXI/KWIP-880, KPMO/KHUG-1300, KARY/KCRE/KTKR-1310, KTNN/CFFR-660; TOKYO: HLKG/JORR-740; CABO SAN LUCAS: XEXT/XEKE-980, XEMAS/XEFAJ/XEDD/KPMC-1560; HONG KONG: Fujian/HLKN-1467; DURHAM: KRMG/KTRH-740, WROM/WGBS-710, WDSG/WBUY-1450, KMYR/WBRW-1340, KTXL/KOLE-1340, WCUE/CHSJ-1150, WSAI/WKMI-1360, WEAN/VP4RD-790, WIBR/WIMO/KGLO-1300, WIP/WIOD-610, XEXO/KENT-1550, WHVR/WDSU-1280, WNVN/KWHW-1450; MIAMI: CMOX/WLOX-1490 (neither verified!), KNOE/WTJS-1390, WJCM/WROD-1340, KOLD/WOWL-1240, KTMS/KGHI-1250, WDXN/KFMB/WGTO-540, WWIL/KLOW-1580, KCBS/WBAM-740, WDNC/HI3T-620, WBLR/KHBM-1430, XELG/KENS-680. The funniest back-to-backs were KOOL & KOOK (960/970), and my longest sequential logging was KFJZ/WPRE/KHSL/KROP (1270-1300) back in 1952 in Durham. It's interesting what shows up when you do a full printout ... 73
[.. and it'll be a miracle if I got all these correct - rcw]

Bill Hardy, 2301 Pacific Ave, Aberdeen WA 98520-4527

[3/25] (E-Mail: 73201.2263@CompuServe.com or Prodigy FMFT21A.) Those of you in the west may have noticed that two 50,000-watt stations have changed from country music to news-talk formats and changed call letters. KROW-780 Reno is now KKOH as of about 3/15. KKOH call is used only on the hour, all other times it's "KOH News-Talk 780." The format moves from KOH-630, which Robert Wein reports is now KRCV and religion. On 2/28, KRAK-1140 - a favorite of the late Ric Heald - became KHTK, "Hot Talk." They still carry the Interstate Radio Network overnight, so they must still be under contract. One week later,

Monday 3/7, KHTK had a transmitter fire (see 3/26 WDXR), and Robert says the signal remains weak. IRCA Publication news: I'm still working on the new IRCA Mexican Log, and it should go to press VERY soon. Once that's done, I'll plunge head first into the next edition of the Almanac. Rich Toebe asked in his Anniversary Forum about progress on the next Almanac. The Almanac is a high priority to club officials and myself, but we took time out to produce the Mexican Log. Rich is right: The time we gain by using computers just about cancels out the time we lose by having non-IRCA responsibilities. I'm especially spread thin. In other words, without the computer, I'd be getting nowhere fast!! The Anniversary Issue was a good one, and I especially liked the "new" format of the membership list. Easy to read, and sorted by last name. Thanks to those who worked on it! Monday 3/7 brought me the KBMR-1130 Bismark, ND test. This is one that Nancy first heard on sunset skip in Nov. 1986, and every November since, around 1800-1815 EST. I've heard country music, NBC News, even ads with a tentative "in Bismark" in them, everything EXCEPT a firm ID! Of course, the ultimate insult was to have them blast in all day in South Dakota during our 1993 vacation, plus at the campground in Greybull, Wyoming at sunrise skip! So it was nice to FINALLY nail this supposedly easy 50,000 watter on the 3/7 test, strong through CKWX with voice and code ID's. I can't say it enough: J.D.'s work for the CPC program is EXTREMELY important to IRCA. Keep up the great work! 73 and good DX, and ABERDEEN-HOQUIAM 1994 !!!

-----31-29-----

Hearing It Through The Grape Vine

SHAWN AXELROD, 30 Becontree Bay, Winnipeg, MB R2N 2X9 Canada (204) 253-8644 before 2300 E.L.T.

CONTRIBUTORS THIS TIME

BRUCE CONTI 46 RIDGEFIELD DR NASHUA NH 03062-1174
MIKE HARDESTER 3118 GAITWAY COURT JACKSONVILLE NC 28536-6973
MIKE SANBURN P O BOX 1256 BELLFLOWER CA 90707
KARL ZUK 154 OLD POST ROAD NORTH CROTON ON HUDSON NY 10520
YE OLDE EDITOR AS ABOVE

FREQUENCY 1420 KHZ

BRUCE CONTI:

WASR Wolfeboro NH	Day regular	WBSM New Bedford MA	Day Regular
WLIS Old Saybrook CT	Sunset skip	WCOJ Coatsville PA	Sunset Skip
WBEC Pittsfield MA	Rare at SSS	WLNA Peekskill NY	Night regular
WHK Cleveland OH	Night regular	CJMT Chicoutimi PQ	Night regular

MARK HARDESTER:

KSTN Stockton CA	From Modesto CA	WHK Cleveland OH	From NC
------------------	-----------------	------------------	---------

MIKE SANBURN

KSTN Stockton CA	Often nights	KUJ Walla Walla WA	Logged in 1977
KMOG Payson AZ	Common at SRS	KTJS Hobart OK	1991 DX Test
KSES Yucca Valley CA	In Calif desert	XEXX Tijuana Mexico	Day & Nite pest

KARLZUK:

WLNS Peekskill NY	Local but hard at nite due to rocky hills and pattern
WLIS Old Saybrook CT	SSS u/WLNA
WASR Wolfeboro NH	Once in 1986

YE OLDE EDITOR:

CJVR Melfort SK	Common at SRS	KTOE Mankato MN	Common
WHK Cleveland OH	Rare at night	KGIM Aberdeen SD	Common
WGC Davenport IA	Common at night	CKPT Peterboro ON	Rare at night
WVJS Gwensboro KY	Once at SRS	WIMS Michigan City IN	Rare nights
KUJ Walla Walla WA	Once at SRS	KULY Ulysses KS	Once at SRS
KJCK Junction City KS	Once at SRS	WPLY Plymouth WI	Once at SRS
KESY Omaha NE	Once at SRS		

22



QSL

VERIFICATION
SIGNERS

Stephen S. Howe
9 Warner Drive
St. Albans, VT 05478-1575

My deadline is the last Friday of the month, unless indicated otherwise.

Contributors:

MH Mike Hardester, 3118 Gaitway Court, Jacksonville NC 28546-6973
 GVJ Gary V Jackson, 7735 Center Parkway, Sacramento CA 95823
 PM Patrick Martin, P O Box 843, Seaside OR 97138
 TJR Thomas J Reiser, 9506 S Winchester, Apt 205, Chicago IL 60643-1109
 MS Mike Sanburn, P O Box 1256, Bellflower CA 90707-1256

FREQ	CALL	NAME and TITLE	ADDRESS	WHAT	WHEN	WHO
* 540	WSTH	Valerie W Alexander, TraffM	P O Box 1640 Columbus GA 31902-1640*	LMB	11	MH
570	CFWH	Tom Kinvig, CE	3103 3rd Ave Whitehorse YK Y1A 1E4	Q+	44	PM
576		R Skarki	Radio Nepal, P O Box 634 Kathmandu Nepal	Q	60	PM
790	KWIL	Ed Knox, PD	P O Box 278 Albany OR 97321	L	180	PM
910	KUIS	Rick Millikin, GM		LMB	21	TJR
930	WTKZ	Bill Geyer, CE	Box 1150 Huntington WV 25713	L	30	TJR
940	WADV	Craig Baker	P O Box 940 Lebanon PA 17042	Q	9	MH
950	WPEN	Larry Paulausky, CE	One Bala Plaza Bala Cynwyd PA 19004-1494	L	8	MH
990	KATD	Jay Michaels, PD	1251 Monument Blvd, # 260 Concord CA 94520	QP	14f	PM
	KQSB	Eric Shefflet, PD	P O Box 62110 Santa Barbara CA 93160	L+	26	PM
	WHOO	J Stevens, PD	1 Radio Rd Orlando FL 32808	P	425fff	MH
1060	CKMX	Ken Pasolli, CE	P O Box 2750, St M Calgary AB T2P 4P8	L	15	PM
	WNOE	Doug Booth Jr, CE	529 Rue Bienville New Orleans LA 70130	Q	8	PM
1130	KBMR	Andy L Anderson, CE	3500 E Rosser Ave Bismarck ND 58501-3398	QB	12	MS
1150	CKX	Ron Thompson, ChiefMeteo	2940 Victoria Ave, P O Box 1150 Brandon MB R7A 6A5	L	78	MS
1240	WIAN	Clifford Groth, VPEng	Goetz Broadcasting Corp, Box 94 Fort Atkinson WI 53538	L+	7	TJR
1260	WMUU	Joe Norris, Eng		LB+	8	TJR
1320	WJAS	Robert LaFore, CE	Broadcast Plaza, 1459 Crane Ave Pittsburgh PA 15220-4098	L	7	MH
	WDMJ	Clifford Groth, VPEng	Goetz Broadcasting Corp, Box 94 Fort Atkinson WI 53538	L+	7	TJR
1340	KVBR	Mark W Persons, TechConsult	KVBR Bldg, 411 Laurel St Brainerd MN 54601	L	21	TJR
1360	KKMO	Lee Jackson, OpsMgr	P O Box 1277 Tacoma WA 98401	LQB	14	GVJ
1550	WTYR	Greg Schaeffer	120 Jane Manor Circle Soddy-Daisy TN 37379	P	380ff	MH
1610	WNSV220	Patrick McClellan, Earthqk PreparednessCoord	Civic Center, 835 E 14th St San Leandro CA 94577	L	8	GVJ

FREQ	CALL	NAME and TITLE	ADDRESS	WHAT	WHEN	WHO
1610	WNYD243	Paul Cope	Kern Wind Energy Assoc P O Box 277 Teachapi CA 93581	L+	10	GVJ

WHAT was received: L = Letter; Q = QSL card; P = Prepared card supplied by DXer; R = DXer's letter returned with statement; M = Coverage map; B = Bumper or other sticker; bc = Business card; + = Extra goodies

WHEN the reply came: Number of days elapsed; f = Follow-up; n = Return postage not used; r = Return postage returned

NOTES: * [for this report] = See comment below;

Mike H. mentioned that he sent his report to WSTH-540 to 1236 Broadway, Columbus GA 31901, but that his verie came from the address listed above. He also noted that the verie stated that although the studios are located in Columbus, the city of license is Alexander City AL. Gary mentioned that the signer for KKMO-1360 wrote that only two or three reception reports had been received from California in the past 12 years! Thanks, Mike S., Patrick, and Randy Stewart, for sending me photocopies of the EKKO stamps and stamp albums! They're neat! Just a reminder ... if you don't see your tip listed, someone else has reported essentially the same information as you within the past six months. And, please, please, please, include all pertinent information in your report. This column was prepared on 3/25/93. 73, SSH.

Geomagnetic Indices

+	high point	mas	major storm	SA	solar activity
-	low point	mif	minor flare	spe	satellite proton event
GEO	geomagnetic activity	mis	minor storm	ss	severe storm
maf	major flare	pca	polar cap absorption		

Geomagnetic Summary February 16 1994 through March 15 1994

Date	FLUX	A	K	SA	GEO	OTHER
2/16	105	14	3	very low	quiet-unsettled	swa
17	106	8	0	low	quiet-unsettled	-
18	106	5	3	low	quiet-unsettled	-
19	108	16	4	moderate	unsettled-active	spe
20	108	14	2	very low	quiet-unsettled	spe
21	105	42	8	low	quiet-ss	mas 0900/spe/pca
22	107	59	2	low	quiet-ss	mas/pca end
23	107	7	0	low	quiet-unsettled	-
24	105	4	2	low	quiet	-
25	97	11	1	very low	quiet	-
26	94	3	2	very low	quiet	-
27	95	6	1	moderate	quiet	-
2/28	93	6	1	very low	quiet-unsettled	-
3/ 1	94	8	1	low	quiet-unsettled	-
2	-	-	-	-	-	-
3	101	23	1	low	quiet-mas	-
4	98	1	1	low	quiet	-
5	96	3	2	very low	quiet	-
6	96	7	4	low	quiet	-
7	91	36	5	very low	unsettled-mis	mis 0300
8	91	38	4	very low	active-mas	mis
9	90	33	4	very low	unsettled-mas	mis/swa
10	88	25	4	very low	active	mis end 0900/swa
11	88	4	4	very low	unsettled-active	swa
12	93	33	5	low	unsettled-mas	mis 0900/swa
13	90	21	4	very low	quiet-active	swa
14	87	25	5	very low	active	swa
3/15	87	36	4	very low	active-mis	mis 0000/swa

25

dominant stations) should be pursued first in order to gain proficiency in adjusting the DL-1 controls.

High-angle skip, mixed groundwave / skywave, and various multipath / multi-skip situations are difficult nulls to set up on any looping or phasing system. Phased Beverages seem to do the best and Adcock arrays are supposed to work well also.

Amplification

=====

Broadband amplification is possible, but not recommended with cheaper receivers such as portables or with any receiver in a high-RF urban area. The simultaneous application of a wide spectrum of MW, SW, and VHF signals to an amplifier or receiver input can be a challenge. By going from the 5" X 4" X 3" box suggested for DL-1 to a slight larger case, broadband amplifier components could be mounted in the same case as the phasing circuitry. The added components would consist of a gain control potentiometer, a 3-pole / 2-position amplifier on/off switch, a jack for DC power input, and the amplifier itself. Circuits which have good dynamic range are the BBA-C1 (as used in the Super-MWDX-5), the BUF-A (or BUF-B) preceded by a 1:36 step-up transformer (as used in the RTL-2 Remotely-Tuned Loop), and the Motorola MHW591 circuit used by Craig Healy in his VCR DX scheme. Also usable are the Mini-Circuits ZHL-32A and Dallas Lankford's Noiseless-Feedback (2N5109-based) amplifier (as well as some of his grounded-gate FET designs).

Tuned amplification can provide a higher signal to noise ratio and superior rejection of spurious responses that typically result from too many strong signals at the amplifier or receiver input. The recently-published MWT-3 article describes a suitable tuned amplifier. MFJ, Grove, and other vendors have commercially-available units advertised in Monitoring Times, Popular Communications, QST, and other hobby publications.

Figure 2 of this article shows the Mini-MWT-3, a regenerative preamplifier that is simple in design. Documentation will be limited to this schematic and to Table 3 (a hole list) as it is, in essence, a reduced-complexity version of MWT-3. The MWT-3 article and vendor catalogs (e. g. Mouser) will fill in other useful details for those wishing to build and operate the Mini-MWT-3.

DL-1 Construction Data

=====

Table 1: DL-1 hole-drilling list

X = Horizontal distance, in inches, from the vertical centerline (VCL) on the side observed. Negative values of X are left of VCL, positive values of X are right of VCL.

Y = Vertical distance, in inches, from the bottom horizontal edge of the side observed.

D = Hole diameter in inches.

Hole loci are first marked on the box with a scribe and are then drilled with a .125" bit. Subsequently, as required, the holes are enlarged to the proper size by using progressively larger bits up to that corresponding to the final desired diameter.

Chassis Box = Mouser 537-TF-779 (metal): 5" X 4" X 3"

L E F T S I D E

Hole #	Comp. Desig.	Description	X	Y	D
1	J1	Ant.#1 In - red banana jack	-1.375	0.75	0.3125
2	J3	GND.#1 In - black banana jk	-0.625	0.75	0.3125
3	G1	internal ground lug hardware	0.0	0.75	0.125
4	S1	GND mode switch - shaft	0.0	1.625	0.25
5	S1	GND mode switch - tab	0.0	1.375	0.125
6	J4	GND.#2 In - black banana jk	0.625	0.75	0.3125
7	J2	Ant.#2 In - red banana jack	1.375	0.75	0.3125

T O P S I D E

Hole #	Comp. Desig.	Description	X	Y	D
1	R1	Line 1 pot. - shaft	-1.625	3.25	0.375
2	R1	Line 1 pot. - tab	-1.625	2.75	0.144
3	R2	Line 2 (0/180) pot. - shaft	-1.625	2.0	0.375
4	R2	Line 2 (0/180) pot. - tab	-1.625	1.5	0.144
5	R3	Line 2 (90/270) pot. - shaft	-1.625	0.75	0.375
6	R3	Line 2 (90/270) pot. - tab	-1.625	0.25	0.144
7	for Z1	tie wrap hole (see note)	-0.125	2.875	0.144
8	for Z1	tie wrap hole (see note)	-0.125	1.375	0.144
9	S3	Function switch - shaft	1.0	3.0	0.375
10	S3	Function switch - tab	1.5	3.0	0.144
11	S2	Freq. Range switch - shaft	1.0	1.25	0.375
12	S2	Freq. Range switch - tab	1.5	1.25	0.144
13	G2	internal ground lug hardware	1.875	2.125	0.125

Note: Z1 delay-line is secured by a nylon tie-wrap through Top Side holes 7 and 8.

R I G H T S I D E

Hole #	Comp. Desig.	Description	X	Y	D
1	J5	RF out - BNC jack	0.0	0.5	0.375

Table 2: DL-1 "upper level" parts list

*: Note follows parts list.

Vendor codes for this and subsequent parts lists:

MCL = Mini-Circuits Lab. / P. O. Box 350166
/ Brooklyn, NY 11235-0003
/Tel. 1-800-654-7949

MOU = Mouser Electronics / 11433 Woodside Ave.
/ Santee, CA 92071
/Tel. 1-800-346-6873

RCD = RCD / 520 East Industrial Park Drive
/ Manchester, NH 03109-1824
/Tel. 1-603-669-0054

RS = Radio Shack / Many locations worldwide

Schematic = Figure 1

Item	Designator	Description/Value	Vendor	Vendor Stock #	QTY
1	-	chassis box 5X4X3	MOU	537-TF-779	1
2	*	knob	RS	274-416	5
3	C1,2,3	capacitor, 0.1 uF	MOU	539-CK05104K	3
4	G1,2	screw, 4-40 I.375"	MOU	572-01881	2
5	G1,2	solder lug, #4	MOU	534-7311	2
6	G1,2	hex nut, 4-40	MOU	572-00484	2
7	J1,2	red banana jack	RS	274-662	2
8	J3,4	black banana jack	RS	274-662	2
9	J5	BNC jack	RS	278-105	1
10	R1,2,3	pot.,500 ohm,linear	MOU	31VA205	3
11	R4,5,6	resistor, 10 ohm	RS	271-001	3
12	R7	resistor, 150 ohm	MOU	298J250-150	1
13	S1	switch,DPDT,on/on	MOU	10TA560	1
14	S2,3	switch/3pole/4pos.r	MOU	10YX034	2
15	T1	RF transformer,1:1	MCL	T1-6-X65	1
16	T2	balun transformer	MCL	T2-1T-X65	1
17	Z1	delay line, 600 ns	RCD	P2420-600NS-100	1

Misc. items: hook-up wire, buss wire, solder, labels "AS REQUIRED"
*Item 2 note: for R1, R2, R3, S2, S3.

Table 3: Mini-MWT-3 (companion regen. preamp.) hole-drilling list

For X, Y, D parameter definitions and for drilling instructions: see Table 1. For Mini-MWT-3 schematic, see Figure 2.

Chassis Box = Mouser # 537-TF-779: 5" X 4" X 3"

L E F T S I D E

Hole #	Comp. Desig.	Description	X	Y	D
1	G1	GND H/W - internal lug	0.0	1.125	0.125
2	J1	RF source in - BNC jack	0.0	0.5	0.375

T O P S I D E

Mounting holes on C1 must be tapped to 6-32 thread.

Hole #	Comp. Desig.	Description	X	Y	D
1	C1	Tuning cap. - mounting H/W 1	-1.963	3.25	0.144
2	C1	Tuning cap. - shaft	-1.5	3.0	0.5
3	C1	Tuning cap. - mounting H/W 2	-1.037	3.25	0.144
4	-	C1's vernier knob - H/W 1	-2.14	2.375	0.125
5	-	C1's vernier knob - H/W 2	-0.86	2.375	0.125
6	R1	Input Atten. Pot. - shaft	-1.8125	0.75	0.3125
7	R1	Input Atten. Pot. - tab	-1.5	0.75	0.144
8	S2	Function switch - tab	-0.25	3.125	0.144
9	S2	Function switch - shaft	0.25	3.125	0.375
10	R2	Regen. Control pot. - shaft	0.0	0.75	0.3125
11	R2	Regen. Control pot. - tab	0.3125	0.75	0.144
12	G2	GND H/W - internal lug	0.875	0.5	0.125
13	S1	Bandswitch - shaft	1.125	2.0	0.375
14	S1	Bandswitch - tab	1.625	2.0	0.144

Table 3 (continued)

R I G H T S I D E

Hole #	Comp. Desig.	Description	X	Y	D
1	A1	Regen. Front-End card -H/W 3	-1.5	1.5	0.125
2	A1	Regen. Front-End card -H/W 1	-1.5	0.5	0.125
3	A1	Regen. Front-End card -H/W 2	-0.7	1.5	0.125
4	A1	Regen. Front-End card -H/W 4	-0.7	0.5	0.125
5	J3	B+ input - phono jack	0.0	1.125	0.25
6	J2	RF out - BNC jack	0.0	0.5	0.375
7	A2	Buffer Amp. card - H/W 1	1.125	2.2	0.125
8	A2	Buffer Amp. card - H/W 2	1.125	0.6	0.125

FIGURE 1: DL-1 DELAY - LINE PHASING UNIT - SCHEMATIC

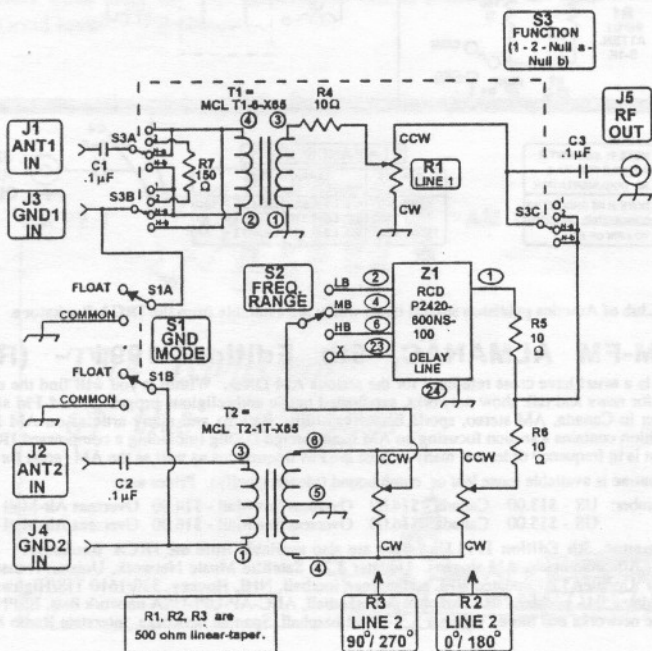
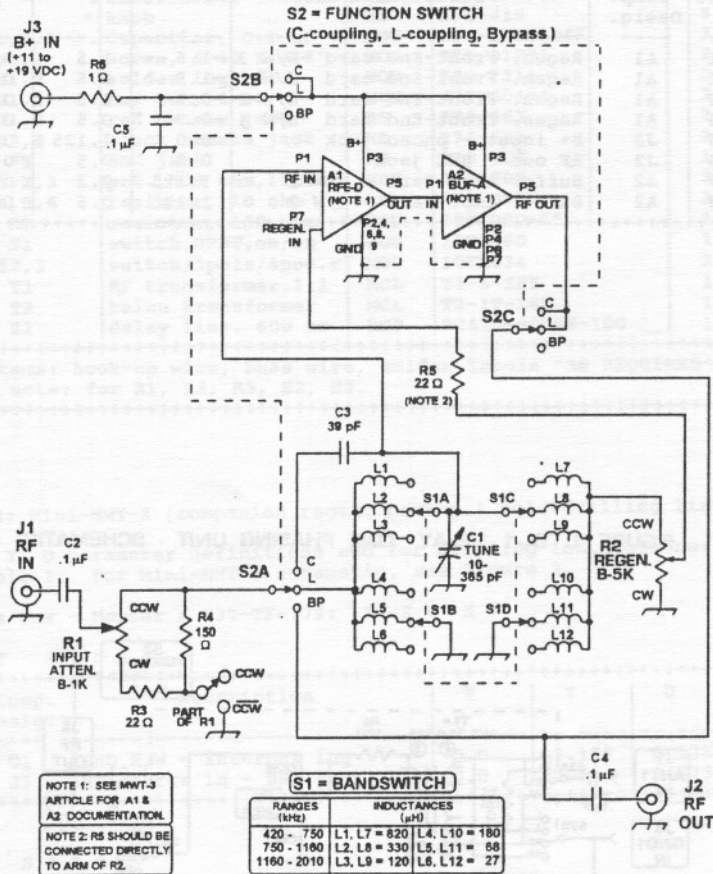


FIGURE 2: MINI-MWT-3 REGENERATIVE TUNER - SCHEMATIC



International Radio Club of America publishes several items which are available from the IRCA Bookstore.

IRCA AM-FM ALMANAC, 5th Edition 1991 - (Reprint)

This 240 page book is a must have cross reference for the serious AM DXer. Within it you will find the current frequency check list, affiliates for news and talk show networks, syndicated music and religious programs, AM-FM simulcasts, station slogans, broadcasting in Canada, AM stereo, sports networks, utility stations and many articles on AM broadcasting. In addition, the fifth edition contains a section focusing on AM band foreign DXing (including a compressed IRCA Foreign DX Reference). Each list is in frequency order and many include the FM frequencies as well as the AM (great for FM DXers).

IRCA AM-FM Almanac is available loose leaf or comb bound (please specify). Prices are:

IRCA/NRC member: US - \$13.00 Canada - \$14.00 Overseas Sea Mail - \$14.00 Overseas Air-Mail - \$17.00
 non-members: US - \$15.00 Canada - \$16.00 Overseas Sea Mail - \$16.00 Overseas Air-Mail - \$19.00

IRCA AM-FM Almanac, 5th Edition 1991 Updaters are also available from the IRCA Bookstore!

Updater 5.1 - Almanac index, AM slogans. Updater 5.2 - Satellite Music Network, Unistar/Transtar, talk updates, BRN, 1991 Baseball. Updater 5.3 - updated NFL and college football, NHL Hockey, 530/1610 TIS/Highway Radio update, Rush Limbaugh. Updater 5.4 - updated NBA and college basketball, ABC-AP-UPI-USA network lists, ESPN-SEN sports talk lists, Canadian Music networks and more. Updater 5.5 - 1992 baseball, Spanish networks, Interstate Radio Network and AM Slogan list updates.

Each IRCA AM-FM Almanac, 5th Edition 1991 Updater is 20 pages. Price \$2.00 US and Canada, \$3.00 elsewhere.

(NOTE: IRCA Almanac (third and fourth editions) are still available for \$5.00 (overseas airmail add \$2.50))

IRCA CONTESTS

Nancy Hardy, 2301 Pacific Ave., Aberdeen, WA 98520

Contest standings as of March 15, 1994:

DX Partners		States/Provinces		Top 100	
Team	Points	DX'er	Points	DX'er	Points
1) Johnson/Straus	248	1) Nigel Pimblett	1,157	1) Nigel Pimblett	50
2) Sanburn/Pimblett	220	2) Carl DeWhitt	876	2) John C. Johnson	24
3) DeWhitt/Hardy*	185	3) John C. Johnson	338	3) Mike Sanburn	5
		4) Mike Sanburn	6		

* Bill Hardy is ineligible for prizes, but his points will count towards his DX Partner.

Foreign		Capitals	
DX'er	Points	DX'er	Points
1) Elliot Straus	168	1) Nigel Pimblett	34
2) Larry Godwin	57	2) Paul Swearingen	33
3) Mike Sanburn	5	3) John C. Johnson	14
		4) Mike Sanburn	5

There is **one month to go** in IRCA Contests! All contests end on April 30, 1994. You can DX like crazy in the closing weeks of the contests and go from zero to winning, so keep the rules near your receiver.

Any IRCA member can still enter. **There is no fee to enter IRCA Contests.** See the Jan. 15 DXM for all the contest rules.

Send your March loggings in by April 10. **Your final report must be received here no later than May 20.** The final report will be printed in the June DX Monitor.

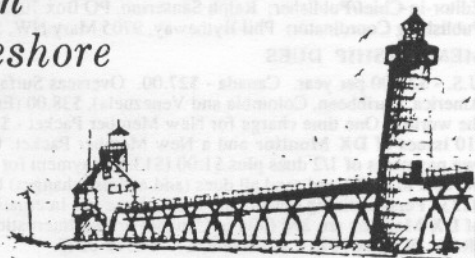
Good luck! - 73, Nancy.

FM 92.1



AM 1370

*The Rhythm
of the Lakeshore*



FIRST CLASS
U.S. POSTAGE
PAID
RIVERSIDE, CA
PERMIT NO. 5214



FIRST CLASS MAIL

32-09
J D STEPHENS
3715 CONGER RD SW
HUNTSVILLE AL 35805-5725
USA

THE INTERNATIONAL RADIO CLUB OF AMERICA (IRCA)
PO Box 70223 Riverside CA 92513-0223

The IRCA is a non-profit organization devoted to the hobby of hearing distant stations on the AM Broadcast Band (510 - 1720 khz). **DX Monitor**, the official publication of the IRCA, is published 34 times a year, weekly from October to March, twice in September and April, and monthly from May to August. **DX Monitor** contains members' loggings, articles on radio stations, receiver reviews, technical articles, DX tips, and other material of interest to Broadcast Band DX hobbyists. IRCA is a member of ANARC, the Association of North American Radio Clubs.

CLUB ADDRESSES AND OFFICERS

President: Bill Hardy, 2301 Pacific Ave, Aberdeen WA 98520 (206) 532-6827 (proposals)
Secretary-Treasurer: Ralph Sanserino, PO Box 70223, Riverside, CA 92513-0223 (dues/address changes)
Board of Directors: Shawn M Axelrod, Richard Evans, Larry Godwin, Michael S Hardester, John C Johnson (chairman), Patrick Martin and Robert Wien
Editor-in-Chief/Publisher: Ralph Sanserino, PO Box 70223, Riverside, CA 92513-0223
Publishing Coordinator: Phil Bytheway, 9705 Mary NW, Seattle, WA 98117

MEMBERSHIP DUES

U.S. - \$25.00 per year. Canada - \$27.00. Overseas Surface - \$28.50. Overseas Airmail - \$35.00 (Central America, Caribbean, Colombia and Venezuela), \$38.00 (Europe, North Africa, Middle East), \$41.00 (rest of the world). One time charge for New Member Packet - \$2.00 (first year only). Trial Membership - \$9.50 (10 issues of **DX Monitor** and a New Member Packet, U.S. / Canada / Mexico only). Installment rate: two payments of 1/2 dues plus \$1.00 (\$13.50/payment for U.S. members). Make checks and money orders payable to IRCA and send all dues (and address changes) to: IRCA, PO Box 70223, Riverside, CA 92513-0223. Persons living outside the U.S., please use International Money Order in U.S. funds. Sample copies of **DX Monitor** are 29¢ (40¢ to Canada) or two International Reply Coupons each and are available from: IRCA, PO Box 70223, Riverside, CA 92513-0223.

Unless otherwise noted, permission is granted to publish, broadcast, or otherwise reproduce non-copyrighted material appearing in **DX Monitor** provided credit is given to the IRCA and the original contributor. Opinions expressed in **DX Monitor** are those of the original contributors and do not necessarily reflect those of the IRCA, its publishing staff, editors or officers.



1994 IRCA CONVENTION REGISTRATION FORM

ABERDEEN-HOQUIAM, WA --- AUG. 26-27-28, 1994

Please return to Nancy Hardy, 2301 Pacific Ave., Aberdeen, WA 98520-4527.

Name:
Address:
City, State, Zip Code:
Names of those attending if family:

PLEASE ANSWER YES OR NO	YES	NO
I have already made reservations with Westwood Inn.		
I have enclosed my \$30 registration fee (includes Saturday night banquet).		
I am interested in attending station tours on Friday or Saturday.		
I am interested in a DX'pedition to the Pacific Ocean on Friday night.		
I am interested in a DX'pedition to the Pacific Ocean on Sunday night.		
I am interested in the Sunday afternoon picnic.		

PLEASE MAKE REGISTRATION CHECKS PAYABLE TO NANCY HARDY.

Westwood Inn: To reserve rooms, phone toll-free, **1-800-562-0994**. Ask for the **IRCA Convention rate**.

Room rates: 1 Queen size bed for 1 or 2 people, \$50 per night.
1 King size bed for 1 or 2 people, \$53 per night.
2 Queen size beds for 2 to 4 people, \$65 per night.
Add 10.9% tax to all rates.

Be sure to make reservations by July 15, 1994, to qualify for these reduced rates. Late reservations will be made at regular room rates, which are at least \$10 higher per night.

ABERDEEN-HOQUIAM 1994!!!!

1994 IRCA Convention Facts and Figures

DATES: Fri.-Sat.-Sun., August 26-27-28, 1994.

PLACE: Westwood Inn (formerly Nendel's), 910 Simpson Ave., Hoquiam, WA 98550. Make room reservations directly with the inn at 1-800-562-0994. Be sure to ask for the IRCA Convention group rate. Westwood Inn accepts Visa, Mastercard and American Express.

HOW TO GET THERE: Aberdeen is at the junction of U.S. 101 (Washington/Oregon coast highway) and U.S. 12, one hour west of Interstate 5. Use Exit 88 (northbound) or Exit 104 (southbound) from Interstate 5. Hoquiam is 4 miles west of Aberdeen:

AUCTION ITEMS go to Nancy Hardy, 2301 Pacific Ave., Aberdeen, WA 98520-4527.

Convention Schedule:

The meeting room is open daily, 9 a.m. till 11 p.m.

Fri. Aug. 26

- 9 a.m. Meeting room open for registration and welcome
- 3 p.m. Radio station tours
- 7 p.m. DX Quiz
- 9 p.m. DXpedition at Pacific Ocean

Sat. Aug. 27

- 9 a.m. Meeting room open for visiting
- 1 p.m. Radio station tours
- 3 p.m. Business meeting
- 5:30 p.m. Convention banquet
- 7 p.m. Guest speaker
- 8 p.m. Auction

Sun. Aug. 28

- 9 a.m. Meeting room open for visiting
- 12 noon Sunday picnic
- 9 p.m. DXpedition at Pacific Ocean

We'll see you this August!

ABERDEEN-HOQUIAM 1994!!!!

Mr. and Mrs. William H. Hardy, Jr.

*request the honour of your presence
at IRCA's*

30th Anniversary Convention

Friday, Saturday and Sunday

August 26, 27, and 28, 1994

at Westwood Inn

Hoquiam, Washington

A splendid time is guaranteed for all

For the first time since 1985, IRCA's convention is returning to the Pacific Northwest. Join us along the scenic Washington coast for a great time!

Bring the family to the beautiful Pacific Northwest. This convention is on the "Olympic Loop" around Olympic National Park, where you can enjoy ocean beaches, rain forests and the Olympic Mountains within a single day's drive.

If you're coming from the south, choose between convenient Interstate 5 or scenic U.S. 101, or travel north on one and return on the other. Include U.S. 101 around the "Olympic Loop" for a truly memorable vacation!

Take U.S. 101 northbound to Port Angeles and catch a ferry to Victoria, B.C. Or head east to Mount Rainier and volcanic Mount St. Helens. We're two hours from Seattle and three hours from Portland. We're also 12 miles from the Pacific Ocean and there are only three AM stations within 50 miles, so bring your receivers!

We've been fortunate to arrange the convention at Westwood Inn in Hoquiam. They have outstanding accommodations plus a great meeting room. If you reserve your room by July 15, you will get the "off season" rate which will save you at least \$10 per night.

ABERDEEN-HOQUIAM 1994!!!!