

July 13, 1996 - Volume 33 - Number 33 - Edition 1092 - ISSN 899 - 9733

**IN THIS ISSUE:** Broadcasting Information..2, DX Worldwide II..6, DX Worldwide West..10, DX Worldwide East..12, IRCA Contests..18, Western DX Roundup..19, Central DX Roundup..21, Eastern DX Roundup..22, Verification Signers..24, Geomagnetic Indices..25, Technical Topics continued from last issue: DCP-2 Dual Controller/Phaser. This completes the DCP-2 package..26, Later DX Worldwide Loggings..39.....

**REJOINS:** Robert Foxworth of Lake Grove NY. **RENEALS:** Ernest Cooper of Provincetown MA, Paul LaFreniere of Grand Marais MN, Donald Barnes of Wheat Ridge CO, Ted Wedzilowicz of Elizabeth NJ, Patrick Martin of Seaside OR, G Dewaine Anderson of Roseburg OR. A big welcome back to Robert and thank you all for the IRCA support.....

**DX WORLDWIDE EAST EDITOR:** The IRCA needs an editor for this position. For details contact: Phil Bytheway 9705 Mary NW, Seattle WA 98117.

**SONY SW-31:** This receiver is for sale, for more information contact Frank Aden Jr at 4096 Marcia Place, Boise ID 83704.

**NEW TIS STATION:** 1620 -- CA, San Diego 7/6 1930 New station noted with tape loop (male voice): "Welcome to San Diego. You are listening to the voice of the San Diego Convention Center on AM 16-20. This initial broadcast is for test purposes only." Gets out fairly well. Hope this is just for the Republican National Convention, could be a real pest. New, CA #252. Tim Hall of Chula Vista CA.....

**DX FORUMS:** There will be no DX Forums in this issue as there were no forum reports. Send something in so you can see your name in print....

# WTMJ Radio

## 620

TIME TO RENEW

# BROADCASTING INFORMATION



Editor:  
Robert Wien  
1309 Dentwood Drive  
San Jose, CA 95118

DEADLINES: 2nd & 4th Saturdays.

Compiled: 06/25/96

Much of this information was compiled from M Street Journal, DDM, and various other sources.

## CONSTRUCTION PERMIT ACTIVITY:

IL. Elmhurst ✓ WJUG-760 inc. to 760 DA-D  
MI. Lansing ✓ WJIM-1240 dec. to 890/890  
NJ. Hackensacktown WRNJ-1510 moves here ex-1000 khz., 900/230  
(goes off to make room for WINS-1010)

## FACILITY & PARAMETER APPLICATIONS:

CA. San Francisco KIQT-1010 dec to 10000-D, DA-2  
San Rafael KNOB-1510 inc. to 8000-D, DA  
CO. Colorado Springs KCMN-1530 inc. to 3000-D  
Deer Trail KTMG-1370 dec. to 700-D, DA  
FL. Jacksonville WOKV-690 inc. to 50000-N  
Melbourne WMMB-1240 dec. to 940 v.  
MI. Jackson WTEM-1450 dec. to 780-D  
OR. Salem WSLM-1390 dec. to 690-N  
WY. Cheyenne KSHY-1370 dec. to 5000-D, 1000 CH, DA-N (CP)

## FACILITY & PARAMETER GRANTS:

MI. Lansing WJIM-1240 dec. to 890/890  
OK. Pawhuska KRIG-1500 dec. to 500-D, ND  
PA. McConellsburg WVFC-1530 change to ND1

## CALL LETTER CHANGES:

CO. Aurora ✓ KYBG-1090 becomes KRXA  
FL. Pine Hills WRTH-540 becomes WQTM  
MS. Vicksburg ✓ WVIX-1490 becomes WRTH

## FORMAT CHANGES:

AL. Haleyville - WJBB-1230 was country, now s. gospel  
AZ. Williams - KYET-1180 was silent, now AP nx, talk  
CA. Frazier Park KRGO-1050 was classical//KRGO-FM, now class,  
Los Angeles ✓ KLAC-570 was AS, adds JSN stds. (new MOYL  
format incl. Gary Owens for PM drive)  
FL. Winter Garden WOKB-1600 was nx, adds Haitian nights  
GA. Alma ✓ WAJQ-1400 was silent, now s. gospel  
Grayson - WPLO-610 was country, now regional Mexican  
IN. Terre Haute ✓ WBOB-640 was stds. talk, now talk  
ME. Monticello - WREM-710 was silent, now country, talk//WEGP  
Presque Isle - WEGP-1390 was silent, now country, talk  
MI. St. Ignace - WIDG-940 was country//FM, now JSN oldies "Cool 94"  
MN. Pine City WCHP-1350 was AS, adds ABC stds.  
MS. Grenada - WYKC-1400 was ABC urban AC, now ABC urban gold  
MO. Rolla - KMOZ-1590 was nx, now AC//FM  
NC. Camp Lejeune ✓ WCTJ-1580 was silent, now religion  
South Gastonia ✓ WGAS-1420 was religion, now c. Xtian//WOCR

FORMAT CHANGES (CONT.):

PA. Philadelphia WOMP-1210 was sports, adds WWI Imus (look for switch to talk and new calls soon)  
SD. Hot Springs KZMX-580 was country, now country//FM  
TX. Fort Stockton KFST-860 was C&W, SS//FM, now JSN soft AC  
VA. Marion WOLD-1330 was s. gospel, now soft AC//FM (gospel 8-9:30 AM ELT)  
WI. Green Bay WGEW-1360 was country, talk, now nx, talk  
ON. North Bay CFCH-600 was AC, now oldies, talk, sports  
Thunder Bay CJLB-1230 was country, has moved to 105.3 FM, AM is dark

Ye editor passes on the following tip:

CA. Carmel Valley KIEZ-540 thought they had come back on, but per call to station (and confirmation from Jim Hilliker of Monterey, CA.), had only tested for a few days //KMBY-FM, silent again, not noted back on since.

Shawn Axelrod of Winnipeg, MB. passes on the following tips:

MB. Winnipeg CKRC-630 gone //FM CKRM-99.9, will stay //2-3 months then AM will go dark, (this as of 6/14)  
PQ. Drummondville CHRD-1480 has asked for FM license 99.3 to carry FF programming, if granted, AM will go dark.  
La Salle CKLS-1240 has asked to moved to 102.1 FM, if granted, AM will go dark.

I've still got this darn flu (or whatever it is) now for 3 weeks, but I'm getting over it slowly, 13 days till my trip to Europe so next column may be slightly delayed... 73's.

### IRCA Reprints

The IRCA maintains a large file of articles which have appeared in past issues of DX Monitor. These articles cover a wide variety of topics, including: antenna theory and construction, tips for the foreign BCB DXer, how to improve your DXing skills, history of DXing and broadcasting, lists of stations by subject, construction projects and receiver modification, receiver reviews, medium wave propagation, and more. Copies are available for a nominal charge. For a list of reprints, send \$1.00 to:

**IRCA Reprints, c/o Steve Ratzlaff, 1885 E Bayshore Rd Sp 90,  
E Palo Alto CA 94303.**

### IRCA Foreign Logs

The IRCA has published nine volumes of the IRCA Foreign Log. Each volume contains the several hundred actual tips that were reported to the DXWW sections during an entire year, compiled and retyped in a book format. In addition, special features include: articles on foreign DXing (volumes 6, 7 and 8), utility lists (volumes 7 and 8), shortwave parallels (volume 8) and BCB propagation (volumes 6, 7 and 8). The IRCA Bookstore still has volumes 3, 4, 6, 7 and 8 of the IRCA Foreign Log available for \$2.50 each (overseas airmail add \$2.50/book).

Order from the IRCA Bookstore, by sending the correct amount (in US funds) to:

**IRCA Bookstore, 9705 Mary N.W., Seattle, WA 98117-2334. Thank you!**

# BROADCASTING INFORMATION



Editor:  
Robert Wien  
1309 Dentwood Drive  
San Jose, CA 95118

DEADLINES: 2nd & 4th Saturdays.

Compiled: 07/08/96

Much of this information was compiled from M Street Journal, DDM, and various other sources.

## NEW STATION APPLICATIONS:

CO. Colona 1450 khz. 1000/1000 ND  
IL. Lockport 1620 khz. experimental, pwr. unknown

## CONSTRUCTION PERMIT ACTIVITY:

KY. Middlesboro WMTK-560 inc. to 2500-D  
OH. Fairborn WGNZ-1110 inc. to 2500=D, DA-2, 1700-CH  
TX. El Paso KJLP-1590 inc. to 800-N, DA-2  
Wichita Falls KWFS-1290 dec. to 73-N, ND-1  
WA. Seattle KJR-950 inc. to 50000 v.

## FACILITY & PARAMETER APPLICATIONS:

AK. Long Island KAEN-830 dec. to 8000 v.  
CO. Arvada KQXI-1550 mod. CP for 5000-DA-N  
FL. Callahan WELK-1160 change to ND (CP)  
De Funiak Springs WGTX-1280 move to 890 khz., 2500-D, ND  
IL. Vernon Hills WNVF-1030 change to 150-N, DA\_2  
NY. New York City WWRL-1600 inc. to 25000-D  
OH. Cincinnati WCIN-1480 dec. to 1300/250  
Fairborn WGNZ-1110 mod. CP to change to DA-D

## FACILITY & PARAMETER GRANTS:

GA. Thomasville WSTT-730 change to ND-D  
TX. Balch Springs KSKY-660 inc. to 660-DA-N  
WI. Black Rvr Falls WWIS-1260 dec. to 580-D, ND

## CALL LETTER CHANGES:

CA. Oroville KORV-1340 requests KJAZ  
FL. Eatonville WHBS-1270 becomes WRLZ "Radio Luz"  
IL. Lincoln WPRC-1370 requests WVAX  
NV. Elko new-1340 becomes KTSN  
NM. Albuquerque KNOS-1580 becomes KZKL "Cool"  
NC. Charlotte WIST-1480 becomes WHPK  
PA. Mount Pocono WPMR-960 becomes WILT  
Pittston WARD-1550 becomes WKQV  
West Hazleton WOPX-1300 becomes WITP

## FORMAT CHANGES:

AK. Valdez KVAK-1230 was AC, now WWI AC  
CA. Los Angeles KLAC-570 was AS, remains WWI stds. (will not  
pick up MOYL format)  
Palm Springs KCMJ-1140 was AS, adds JSN stds.  
San Diego KCBQ-1170 was hot AC//PM, now talk

FORMAT CHANGES (CONT.):

FL. Key West	✓ WRWF-1600	was oldies, talk, now Prime sports
Lake Worth	✓ WLVS-1380	was brokered ethnic, now tejano//WAFB
Sebring	✓ WJCM-960	was regional Mexican, rptd. silent
GA. Brunswick	✓ WMOG-1490	was talk, sports, now ABC Real country
IL. Lincoln	✓ WVAX-1370	was WPRC, talk, C&N, now nx, talk//WTAX (has local show 6-9 AM, CLT)
IN. Jeffersonville	✓ WXVW-1450	was sports, now JSN AS
KS. Salina	✓ KINA-910	was AS, adds JSN stds.
KY. Burkesville	✓ WKYR-1570	was country//FM, now JSN country//FM
Louisville	✓ WAVG-970	was AS, adds JSN stds.
Paducah	✓ WPAD-1560	was AS, adds JSN stds.
MI. Livonia	✓ WCAR-1090	was ethnic, talk, now CSN children's net
MO. Mountain Grove	✓ KELE-1360	was silent, to be religion (July) (calls will be KCMG)
NV. Elko	✓ KTSN-1340	is new, to be nx, talk (September)
NM. Albuquerque	✓ KZKL-1580	was KNOS, stds., now oldies //FM
Corrales	✓ RTVA-1310	was AS, adds JSN stds.
OH. Cleveland	✓ WHK-1420	was sports, now 1 on 1 sports
OK. Clinton	✓ KKOL-1320	was sports//WMLS, adds Sports By-line
Poteau	✓ KPRV-1280	was country//FM, now United nx, talk
PA. Erie	✓ WRIE-1260	was AS, adds JSN stds.
Pittston	✓ WKQV-1550	was WARD, nx, shopping, now sports//FM, shopping
Towanda	✓ WTTC-1550	was soft AC//FM, now JSN oldies//FM
PR. Guayama	✓ WGRF-1590	was SS variety, now SS hits//WMEG
SC. Clemson	✓ WCCP-1560	was sports, now nx, talk
SD. Rapid City	✓ RTOQ-1340	was AS, adds JSN stds.
TN. Clarksville	✓ WJZM-1400	was country//WTWL, now United talk
Donelson	✓ WAMB-1160	was AS, adds JSN stds.
Kingsport	✓ WKCV-1090	was silent, to be gospel (September)
VA. Charlottesville	✓ WCHV-1260	was urban AC, adds ABC Joyner
WA. Wenatchee	✓ KWNX-1340	was regional Mexican, adds JSN reg. Mex.
WV. Clarksburg	✓ WPDX-750	was AC//FM, now s. gospel
Martinsburg	✓ WEPM-1340	was country, talk, now talk, sports
WI. Hudson	✓ WMIN-740	was AS, adds JSN stds.

Ye editor passes on the following tip:

CA. Oroville                    KORV-1340 per call to station 7/8, has not  
changed calls to KJAZ yet but  
hopes to have FCC approval and  
change to KJAZ about 7/15.

I'm packing for my European trip, I'll be back July 24, but  
keep sending in your tips to me! I'll be leaving tomorrow!  
And I'm still not over this flu!!! 73's.

## IRCA Mexican Log, 3rd Edition

After months of preparation, IRCA has published the 1994 edition of the IRCA Mexican Log. The log lists all AM stations in Mexico by frequency, including call letters, state, city, day/night power, slogans, schedule in UTC/GMT, formats, networks and notes. In addition, stations that have changed frequency since 1990 are cross-referenced on the old frequency. The call letter index gives call, frequency, city and state. The city index (listed by state, then city) includes frequency, call and day/night power. The log has been completely updated from the 1990 edition and carefully cross-checked by IRCA members in Mexico and the US. This will be an indispensable reference for anyone who hears Mexican radio stations. Size is 8 1/2" x 11" and three hole punched for easy binding (optional). Prices: IRCA/NRC members - \$6.00 (US/Canada/Mexico/seamail), \$7.00 (rest of the Americas airmail), \$7.50 (Europe/Asia airmail), \$8.00 (Australia/New Zealand airmail). Non-members: add \$2.00 to the above prices.

5



## DX WORLDWIDE II

Bruce Portzer, Editor

6546 19th Avenue NE, Seattle WA 98115

BPortzer@cris.com

Greetings gang! I hope everyone is having a good summer. We've once again got a lot of information to cover here, plus a couple of bandcans and other lists.

Australia has gone ahead and begun authorizing stations in the expanded AM band). These are all supposed to be "narrowcast" stations such as short term operations, ethnic broadcasts etc. See Pat's column a few issues back for a list of current assignments.

Those of you with Worldwide Web access might be interested in a couple of radio-related sites. One is a list of several hundred web sites operated by AM & FM stations, mostly US stations but also including Canada, Australia, and the rest of the world. It has direct links to all of them, ranging from the BBC to small local US stations. The site is at <http://WMBR.mit.edu/stations/list.html>. Another good site is the Shortwave/Radio Catalog, located at <http://lre.ncsu.edu/radio>. It is a very comprehensive directory of hobby-related sites and includes links to government agencies, manufacturers, clubs, AM/FM/SW broadcasters, and many other sites.

Those of you with access to America Online are probably familiar with their radio sections. However, they also have a large library of radio jingles and IDs in .WAV format, including "classic" top 40 stations from the 60s & 70s like WBZ KHJ WCFL etc. To find it, you'll have to start at the main menu and click on *Computers & Software*, *PC Software Center*, *PC Computing Software Library*, *Music and Sound Software Libraries*, *WAV Sounds & Utilities*, and finally *Radio Sound Libraries*. (No wonder you didn't know about it, hi). My kids really love hearing the computer sing "89---WLS" whenever I exit windows.

### TRANS PACIFIC

**AUSTRALIA:** Big Country Radio 2AM-1620 will apparently move to 1611 to allow Gold Coast Dance Radio to retain 1620. There is also a low powered station on 1629 in the Melbourne area [DXC] 2EA Newcastle has moved from 1584 to 1413 using the old 2KO 5kw xr [NZDXT]

**CHINA:** Jiangsu Economy BS 585 2200-1600, Shanghai PBS Market Economy Stn 603 2145-1300 ex 711, Hubei PBS-1 774/1404 2120-1615, Xiaoshan PBS 1251 ex-1254, Putian PBS 1435, Nangong PBS 1583, Ma'anshan PBS 1584v 2150-0500 0850-1400 [Arctic]

**COOK ISLANDS:** The CIBC is likely to be sold to local investors as part of an asset sales program aimed at helping the country out of its economic problems [NZDXT]

**FIJI:** The 5kw xr on 990 "blew up" earlier this year. While awaiting a replacement, the 1089 Suva xr was moved to Lautoka with 1 kw. The new 5kw xr for Lautoka arrived in late April. Note that these are the only AM stns still BCing in English [NZDXT]

**HAWAII:** KOHO-1170 is expected back on in late 1996 with Radio Aahs (preteen) programming, sharing tower with KHNR-650 and KJPN-940 [NZDXT] There is a good Worldwide Web site on Hawaiian Radio/TV. It includes quite a bit of info on Hawaiian AM/FM stations plus links to the Web sites run by Hawaiian stations. The address is <http://www.lava.net/~%7cmacpro/HIRRadioTVhomepage.html>. [Portzer]

**NEW ZEALAND:** The 41 station commercial arm of Radio New Zealand has been sold by the NZ Government for NZ\$89 million. The successful bidder is a consortium of Wilson and Horton (publishers of the NZ Herald newspaper), Australian Provincial Newspaper Holdings, and the US radio giant Clear Channel Communications. The price is well above the previous market expectations of between NZ\$50-60 million. The Australian & US partners already own the Australian Radio network, second largest in the Australian market. The four main RNZ "brands", Newstalk ZB, Classic Hits, rock, and community stations will continue unchanged because they are performing well in their markets. The consortium will also look at other frequencies where opportunities exist, such as the Auckland rock market where RNZ is not represented. [DXC] Radio Rhema will soon add a xr in Wanganui on 594. 1386 in Auckland has Hindi pgms afternoons and evenings, IDing as R Tarana 1386 [NZDXT]

**PAPUA NEW GUINEA:** R North Solomons in Rabaul is on 3325 with 10 kw 1930-1200. Runs local pgms to 1100, then relays Port Moresby. Rabaul xr site is still being upgraded following volcanic eruptions [NZDXT]

**RUSSIA:** FEBC Khabarovsk is on 6-9 PM local time, 954 kHz. Daily. FEBC Vladivostok 6-9 PM local time, 1296 kHz. Daily [FEBC Worldwide Web site]. Sakhalin Radio-271 in Yuzhno Sakhalinsk is back on after a 3 year silence. Local programs at 2000-2100, 2200-2230, & 0800-0815 [Media Network]

**SRI LANKA:** Deutsche Welle was off for a while due to political unrest but is back 1600-1655 on 1548 6170 7225 [Media Network via DXC]

## TRANS ATLANTIC

**AZORES:** R Club de Angra is only using 909, delete 1394 [Arctic]

**CYPRUS:** some schedules, as read from the newspaper "Cyprus Today": Greek part: BFBS Radio Cyprus: BFBS 1 from 0100-2205/2305 on 1089 (EE Nx 0500); BFBS 2 from 0500-2305 on 1503 (Nx 0500, 0900, 2200); BBCWS on 1323 from 0030-2400 (Nx every hour, "British News" 0045, 1215, 2115, Sun-Fr 1645). Turkish Republic of North-Cyprus: Bayrak Radio & TV 1494 in E (Nx daily 1215, 1730), program in German: Mo/Wed/Fr 1500. [Willi Passmann, via Kotanet] Deutsche Welle will rent time on 1233 for Arabic to the mid & near east countries beginning January 97 [Arctic]

**FRANCE:** Radio Bleue is using this freq for MOR Music during the night [Arctic]

**GERMANY:** Evangeliums Rundfunk has reactivated Mainflingen 1539 0300/2200 w/religious pgms & music, 700/120 kw. AFN Nürnberg has closed operation on 1143 [Arctic]

**KUWAIT:** According to news reports, the VOA inaugurated its new 600 kw MW xr 5/16 [Seattle Times] VOA Sked on 1548 is 0000-0300 EE, 03-04 Farsi, 04-06 Arabic, 14-17 EE, 19-22 Arabic, 22-00 EE [VOA via DXC]

**LESOTHO:** BBC will close its SW transmitters at the end of the summer season, but will continue on MW & FM. SW service for the region will be transferred to Meyerton, S Africa in October [NZDXT]

**LUXEMBOURG:** Effective 3/31, R Netherlands will use 1440 from 2130 to 0030 [Media Network]

**MADAGASCAR:** Malagasy National Radio has plans to improve reception throughout the country, beginning with an equipment donation from Radio Netherlands (didn't say if MW or SW. bp) [NZDXT]

**MONACO:** Deutsche Welle is negotiating to use Radio Monte Carlo's 1467 xr for Arabic programs to North Africa [Cumbre DX] DW now uses 702 for Arabic 0400-0600, then German after 0600 [Arctic] (Apparently the latter item supersedes the first. bp)

**MOZAMBIQUE:** The financial status of Radio Mozambique remains bleak - 12 of their 15 SW xrs are off the air, 10 due to lack of parts [Media Network]

**OMAN:** The BBC relay on Masirah Island will relocate to Al-Ashkirah on the Oman coast with four 300kw SW & two 600kw MW transmitters. The new relay site is expected to cost about 30 million pounds. Construction will start next year; the existing Masirah site will be closed in 2001 [Arctic/NZDXT]

**SAO TOME E PRINCIPE:** VOA has announced that its new 600 kw xr on 1530 will come on line soon, and the old 100kw MW xr will be converted to 60 meter use. Mark Connelly et al have been hearing this station well lately, sometimes overpowering the domestics, so the upgrade may have already taken place. [various]

**SOUTH AFRICA:** Due to the success of Radio 702, the Independent Broadcasting Authority will approve more stations on MW to increase coverage of provincial stations [Arctic]

**UNITED KINGDOM:** Radio 3 went 24 hour in early May. Some of the material will be repeats of day time programs including specialist music like jazz. [Internet]

## LATIN AMERICA

**ARGENTINA:** R Armonia, 3 de Febrero, Provincia de Buenos Aires, has been hrd on second harmonic of 3200.41 [DXC]

**COLOMBIA:** Stations belonging to Cadena Radial Auténtica de Colombia: HJKA-540, HJJN-660, HJKT-1090, HJDA-1240, HJAP-1300, HJMI-1360, HJYW-1370, HJKX-1370. [Arctic] New network WV Radio affiliates: HJOC-1160, HJOM-1090, HJMC-1290, HJAK-1310, HJZH-1500, HJHX-1510, HJQT-1580 [Arctic] Station changes HJBQ-1330 ex 1210, HJMJ-1210 ex 1330, HJJY-1090 ex 1170 [Arctic] In what is being hailed as a major development for the non-profit community radio movement in Latin America, a new law will allow for up to 2000 new community and public interest radio stations.

Communities or associated organizations may operate with up to 250 watts on either FM or AM. FM stations may be 24 hours while AM are limited to daytime operation only. The community stations have complete freedom over programming and may air some commercials. However, large corporations are strictly prohibited from owning these stations and there are strong restrictions on how and when these stations may be sold. Among the first beneficiaries of this law will be the numerous low powered religious radio stations which have been operating illegally. [Translated summary of "Colombia Autoriza Nuevas Emisoras" by Henrik Klemetz, originally printed in "Radio World" magazine & reprinted in Radio Nuevo Mundo #214, via Don Moore]

MÉXICO: As of 4/7 all of Mexico is observing Daylight Savings Time, which will remain in effect until 10/27 [various]

PÉRU: R Inca in Baños del Inca has been hrd in NZ with Andean music on 1517.9 after 0800 [NZDXT]

## CARIBBEAN BANDSCANS

Loggings by Jean Burnell while on holiday in Cuba and the Dominican Republic. DX was heard on a Sony 2010 with internal antenna.

Daytime bandscan compiled 9 - 13 April, 1996 at Guardalavaca, Province of Holguin, Cuba

Freq	Station	Likely location	SIO
532.0	R. Vision Cristiana	South Caicos	555
540.0	R. Rebelde	Sancti Spiritus	444
550.0	R. Rebelde/a	Guantanamo	555
570.0	R. Reloj/b	Pilon	452
580.0	R. Monte Cristi?	? (U.S. stn)	333
590.0	R. Rebelde/c	Santa Clara	443
600.0	R. Rebelde	Urbana Norris	555
610.0	R. Rebelde	Bahia Honda?	232
620.0	R. Rebelde	Moa	555
640.0	R. Progreso	Las Tunas	555
650.0	R. Rebelde	Santiago de Cuba	354
660.0	R. Progreso	Santa Clara	242
680.0	R. Rebelde	Ciego de Avila	253
690.0	R. Progreso/d	Jovellanos	222
710.0	R. Rebelde	Holguin	555
740.0	R. Progreso	Sagua de Tamamo	555
760.0	R. Reloj/e	Las Mercedes	542
789.5	R. Reloj	Pinar del Rio	544
800.0	R. Progreso/f	Manzanillo	455
810.0	R. Progreso	Guantanamo	232
810.0	R. Bahamas (ZNS3)	Freeport	322
820.0	R. Progreso	Contramestre	355
840.0	"W"	Santa Clara	344

850.0	R. Rebelde/g	?	222
890.0	R. Progreso/h	?	344
900.0	R. Progreso	Cacocum	555
910.0	R. Cadena Agramonte	Camaguey	233
920.0	R. Reloj	Union de Reyes	252
930.0	R. Reloj	Ciego de Avila	555
940.0	R. Reloj/i	Holguin	544
940.0	WINZ	Miami FL	322
950.0	R. Reloj	Sancti Spiritus	243
980.0	R. Reloj/j	Bayamo	222
1000.0	R. Musical	Camaguey	253
1010.0	R. Musical	Holguin	455
1024.0	CCR	Grand Turk	455
1040.0	R. Victoria/k	Puerto Padre	432
1040.0	WYFX	Boynton Beach FL	432
1050.0	R. Victoria	Las Tunas	555
1060.0	R. Victoria/l	Amancio Rodriguez	343
1100.0	R. Angulo	Banes	555
1110.2	unID/m	SS	weak
1120.0	R. Angulo	Mayari	454
1130.7vR	Angulo	Sagua de Tamamo	354
1140.0	R. Bayamo/n	Media Luna	322
1140.0	WQBA	Miami FL	433
1150.0	R. Bayamo	Entronque Buycito	444
1210.0	WCMQ	Miami Spring FL	355
1230.0	WJNO	West Palm Beach FL	352
1240.0	R. Bahamas (ZNS2)	Nassau	344
1270.0	R. Reloj/o	Camaguey	455
1300.0	R. Enciclopedia	Las Tunas	544
1300.0	WFFG	Marathon FL	322
1310.0	"W"	Sagua la Grande	242
1320.0	R. Enciclopedia	Santiago de Cuba	344
1340.0	R. Banes	Banes	555
1350.0	R. Libertad	Puerto Padre	555
1360.0	WKAT	Miami FL	455
1370.0	R. Cadena Agramonte	Nuevitas	555
1400.0	R. Cadena Agramonte	Guaimaro	344
1400.0	WSGA	Savannah GA	232
1450.0	WOCN	Miami Beach FL	343
1490.0	R. Mayari	Mayari	555
1500.0	R. Enciclopedia/?p	Holguin?	242
1540.0	R. Bahamas (ZNS1)/q	Nassau	555
1560.0	WAGL	Lancaster SC	444
1560.0	WTAI	Melbourne FL	222
1590.0	R. Granma	Manzanillo	555

- a a ca. 1 kHz tone seems to be broadcast, not a het
- b very poor audio, essentially unlistenable
- c gritty sound quality, only R. Reloj listed in WRTH
- d QRM mainly locally generated electrical noise
- e Huge carrier, tinny signal, hum and tone
- f WRTH says this has been reported on 792
- g under US stn, not listed in WRTH
- h not listed in WRTH but also noted back in 11/94
- i QRM from WINZ
- j under another Cuban
- k slightly stronger than WYFX
- l bit muffled, heard IDing as "Radio Las Tunas" also

6



m not // 1100, no sign of the R. Angulo from Holguin listed here in WRTH  
 n under WQBA  
 o muffled audio  
 p muffled audio, it is hard to believe this very weak signal emanates from a nearby town  
 q WRTH lists R. Juvenil in Holguin on 1540 kHz, which did not seem to be active. R. Bahamas makes this freq unusable in Cuba.

At airport of Puerto Plata, Dominican Rep. Daytime bandscan compiled 14 April, 1996, 1830-2000 UTC

Freq	Station/note/a	Location	Strength/5
532	R. Vision Cristiana	South Caicos	5
540	unID, R. ABC?	Santo Domingo?	2
560	R. Ritmos/b	Santiago	4
580	unID in SS	?	2
590	R. Santa Maria	La Vega	5
610	R. Accion/c	Santiago	4
660	R. Quisqueyana	Santiago	4
720	R. Norte	Santiago	4
770	R. Aguila	Santiago	4
820	R. Santiago	Santiago	4
840	R. Isabel de Torres	Puerto Plata	5
850	R. Clarin?/d,e	Santiago	3
860	R. Clarin?/d	Santo Domingo	2
870	R. La Vega	La Vega	4
900	R. Puerto Plata	Puerto Plata	5
930	Ondas del Yague	Santiago	4
970	R. Olimpica/f	La Vega	2
990	R. Cibao	Santiago	2
1050	R. Hispaniola	Santiago	3
1090	R. Amistad	Santiago	3
1160	unID, Radiolandia?	Santiago?	2
1190	R. Azul	Santiago	4
1270	R. Vision/g	Santo Domingo	3
1490	RTV Dominicana	Puerto Plata	5
1540	R. Bahamas	Nassau	2

a WRTH lists many more stations in Santiago, La Vega and, especially, Puerto Plata which I feel I would have heard if the stations had been active. I did check every 10 kHz channel, and every one with discernible audio is noted here.

- b Disappeared (off air) 1927-1944, 1946-...  
 c Open carrier at 1835, later with rock mx  
 d 850 // 860. The only ID heard was garbled, but the station's name sounded like only one syllable, not the two syllables of "Clarin"  
 e WRTH says this is inactive  
 f IDed as "HIVP" without mention of "Radio Olimpica"  
 g IDed as "Radio Hit"

## Off-channel MW stations

The following list is from EBU List #308 (Apr-Sep 1995) via Mark Connelly

520 Germany  
 527 Vatican City  
 674 Libya, previously a mystery bet for NA DXers  
 827 Morocco  
 833.7a Albania  
 840 Chad  
 944 Angola  
 963.45 unID  
 1088 Angola  
 1121 Iran  
 1160.8 Egypt  
 1259 unID (probably Azores)  
 1325 Morocco  
 1349 Mauritania  
 1367 Angola  
 1386.2a Iran  
 1394.2 unID (probably Togo)  
 1402 Libya  
 1475.1 (listed as) Congo (probably Benin)  
 1492.5a (listed as) Cote d'Ivoire (probably Morocco)  
 1510 USA (probably WNRB - MA)  
 1544 (listed as) Algeria (possibly Morocco or Western Sahara)  
 1571.85 unID  
 Possible Dutch Pirates: 1590.7, 1602.4, 1609.8  
 Note that some others that we get in North America (such as Angola-1115a) weren't heard by the EBU monitors.

## NEW PUBLICATION

**Radio Stations in the United Kingdom**  
 The 1996 edition of this publication has just been published by the British DX Club. The 14th edition of this book lists all AM & FM stations in the UK, including powers, locations, addresses, and station backgrounds, as well as details of special low power and satellite stations. It can be ordered from the British DX Club, 126 Bargery Rd., Catford, London SE6 2LR. The cost is £2.50, \$US4.00, or 6 IRCs, including postage worldwide. Checks must be in British pounds and payable to British DX Club.

## CREDITS

Arctic DX Club - Sweden, New Zealand DX Times, DXers Calling (DXC) - Australia, Various Internet and Worldwide Web sources, other as Noted.



# DX Worldwide - West

PAT MARTIN PO BOX 843 SEASIDE, OR 97138

Time: UTC

Phone (503) 861-3185

DEADLINES: 7/30,

DX this month has been somewhat on the slow side. There has been several DXpeditions lately. As I type this there is one going on at Grayland State Park, Wa with Bruce Portzer, John Bryant, and others. There will be a report on that in the next bulletin I hope. This month we have reports from Larry Godwin, Nick Hall-Patch, and John Bryant. So away we go.

## TRANS-PACIFIC DX ROUNDUP

- 522 AUSTRALIA, Sydney-2PB, re. my reported reception last month. It turns out to be a spur put out by the ABC in Sydney (630-576-522). Apparently this is being heard quite often in New Zealand! Must put out quite abit of power. (PM-OR)
- 531 AUSTRALIA, West Kempsey-2MC presumed at 1133 6/10w/Beatles song "Help" then into another 70s pop record. Good level(JB-BC-1)  
NEW ZEALAND, Auckland,Pacific Islands Radio, fair in Astoria-TIS 3plat at 1107 7/1 w/man in Samoan. (PM-OR)
- 567 AUSTRALIA, Julia Creek, 4JK w/regional network ABC programming // 675,2C0 Noted at 133 in passing 6/10.Lasted until well past 1230, w/good level (JB-BC-1)
- 594 AUSTRALIA, Horsham 3WV running a radio play at 1135 6/10(JB-BC-1)
- 612 AUSTRALIA, Brisbane 4QR 1304 6/10 End of man reading ABC News followed by weather for Brisbane and Queensland and ID "612-4QR" Excellent signal w/morning sun shining brightly onto the site! (NHP-BC-1)
- 700 ALASKA, Anchorage KBYR 6/9 presumed at 1100 to 1115 Weather for Anchorage,etc. Signal good until dawn (JB-BC-1)
- 702 AUSTRALIA, Sydney 2BL running Metropolitan Service w/ABC Prog. w/excellent signal from 1130 6/10 until well after 120 (JB-BC-1)
- 774 AUSTRALIA, Melbourne 3L0 also offered an excellent signal. Noted beneath 3L0 likely 4T00 from 1140-1145 6/10 (JB-BC-1)
- 846 KIRIBATI, Radio Kiribati //9825 Excellent level on 846 at tune in (1008 UTC). Both slowly declined in level until prob. s/off at 1100 6/10 (JB-BC-1)
- 891 AUSTRALIA, Adelaide 5AN //2BL-702 1145-1202 6/10. Phone in pgm hosted by female ancr (JB-BC-1)
- 1107 AUSTRALIA, Sydney-2EA presumed Spotted by NHP. 2EA is one of the Special Broadcasting Service stations serving the ethnic community in Aust. I believe the programming from 1240 tune-in to 1300 was was Vietnamese, tho it has been 20 years since I've hrd much of the lang. Prog changed at 1300 (6/10) to Middle East. (JB-BC-1)
- tAUSTRALIA, Sydney 2EA 1236 6/10 Very clear, fair signals, oriental signing over pop beat. John felt it was Vietnamese (NHP-BC-1)  
(This station has been around for quite a few years. First hrd back in the early 80s on 801. Then moved to 1386. They also have several translators. One just moved from 1584(200 W) to 1413 with 5KW, the old 2K0 channel. 1107 (2EA) is the old 2UW channel.PM)
- 1161 AUSTRALIA, Maryborough 4MB 1229 6/10 "4MB" ID o/u woman talking Then into pop mx (NHP-BC-1)
- 1287 tJAPAN, Sapporo JOHR 1112 6/9. Traces of mx on Asiatic wire, but soon gone. This was the only Asiatic to deliver any audio in spite of quiet cx. a disappointing AM (NHP-BC-2)

- 1467 UNID, w/fair signal at 1200 6/16. Woman ancr seemed to speak FF. Do you hear Fiji here? (LBG-MT) (Yes, but they wouldn't be in FF I wouldn't think. Maybe you heard Fijian, altho mostly I have hrd Hindi programming on 1467 //891. PM)
- 1548 tAUSTRALIA, Emerald 4QD probably the one w/apparent nxcst, man and woman ancres from 1203-1206 6/16. Man said "Good evening" at 1205. I hrd and verified this 5/28/94 (LBG-MT)
- 1557 tMARSHALL ISLANDS, The Micronesian Heatwave" Majuro presumed. Un-interrupted mx at tune in 1205 Tune out 1230 6/10. There was a burst of island lang by female ancr 1207 which may have been ID but I didn't record it. (JB-BC-1)  
MARSHALL ISLANDS, 1210 6/10 Mostly slow Inst. mx, poor, but at this time woman was talking in island lang. no ID (NHP-BC-2)
- 1620 AUSTRALIA, Sydney 2AM fair in 1630 splat w/pop mx and mention of Sydney at 1212 6/7 u/o pop mx (presumed Aussie Dance Radío.(PM-OR)
- 1629 UNID, maybe the Aussie in Melbourne area w/slight het in 1630-splat at 1214 6/7 (PM-OR)

#### VERIFICATIONS

- 1620 AUSTRALIA, Sydney 2AM for tent. reception of 5/28 at 1200. Very cordial letter from John Wright, 31 Chamberlain Ave, Caringbah 2229 NSW for taped report. All thanks for the tip from Patrick Martin. Verie mentions power at 400 watts. mine was the second USA report. (LBG-MT) (Good going of the catch Larry. Really great as Missoula is quite a ways inland.PM)

#### THANKS TO THESE REPORTERS

- JB-BC-1 JOHN BRYANT, P.O. BOX 261, EASTSOUND WA 98245  
DXing at Jordan River and Sombrio Beach, BC with NHP using NRD-525 w/1-2000' at 270 degrees, 1-1300 at 225 degrees and 200' Beverage at 300 degrees.
- LBG-MT LARRY B. GODWIN, 2390 CLYDES DALE LANE, MISSOULA MT 59801  
DXing Hammarlund HQ-150, Sanserino air-core box loop
- NHP-BC1 NICK HALL-PATCH, 1538 AMPHION STREET, VICTORIA BC V8R 4Z6  
DXing at Sombrio Beach using homebrew rx and 1-2000 beverage at 270 degrees, 1-1300 beverage at 225 degrees.
- NHP-BC2 NICK HALL-PATCH at Jordan River using homebrew rx, 2000' beverage at 300 degrees.
- PM-OR YOUR EDITOR  
Drake R8, Hammarlund SP-600, Term. "U" antenna, Ground system

### **Sunrise/Sunset Maps**

12 maps showing 15 minute sunset and sunrise times for the US and 12 maps showing hourly sunset and sunrise times for the World. Explanation includes use of the maps and examples of DX made possible by a knowledge of SR/SS times. Prices: IRCA/NRC members - \$2.25 (US/Canada/Mexico/seamail), \$2.75 (rest of the Americas airmail), \$3.00 (Europe/Asia airmail), \$3.50 (Australia/New Zealand airmail). Non-members: add \$1.00 to the above prices.

Order from the IRCA Bookstore, by sending the correct amount (in US funds) to:

**IRCA Bookstore, 9705 Mary N.W., Seattle, WA 98117-2334. Thank you!**

### **A DXers TECHNICAL GUIDE**

Now in its 2nd edition, this 120 page book answers questions on receiver and antenna theory (how to improve their performance), how audio filters and loop antennas can improve DX (and hints on their construction), how to build a beverage and phasing unit, and much more. Only \$5.50 for IRCA/NRC members, \$6.50 for non-members (overseas airmail add \$2.50)

Order from the IRCA Bookstore, by sending the correct amount (in US funds) to:

**IRCA Bookstore, 9705 Mary N.W., Seattle, WA 98117-2334. Thank you!**

# DX WORLDWIDE EAST

MarkWALLION@aol.com - Mark Connelly

Subject: DXcellent Cape Cod Adventure

When I got to Windmill Beach in South Yarmouth (Cape Cod, MA) about 45 minutes before sunset on 15 JUN, I knew it was going to be an interesting DX evening. The reason for the optimism was a strong 1197 het, even though little other TA action was up. By 2350 UTC (7:50 PM local), still a fair amount of time before sundown, BBC Lesotho was in with a solid signal, and by the top of the hour (8 PM / 15 JUN local; 0000 UTC / 16 JUN) ... yes! loud & clear "This is London" and the "Lilybolero" interval music hitting better than S9 on the R8A with just a loop on the roof of the car. This is right on par with the best signal noted out of this station on a previous outing to Rockport a couple of years back. Lesotho the loudest TA on the dial? Yes ... and by a wide margin! The next strongest signal was Senegal on 765, but its level wasn't even close to what was coming in on 1197 from the deepest corner of Africa ... more distant than some parts of India and China. Spaniards such as 684 and 855 (that are usually "blowtorches") weren't even in the game at the time and Canaries-621 just had a mediocre het. So right away, it started to look as though stations in the southern hemisphere almost at the shortest day of their year, had a significant advantage over those stations north of the Equator that were heading towards their longest day. As the beach outing progressed, receptions from south of the Equator, and from tropical regions slightly north of it, held sway. In rapid succession, as the sun went down over the Cape on a warm, hazy evening, Guyana-760, ZBVI-780, Brazil-690/720/760, French Guiana-1070, probable St. Lucia on 840, and many (more common) Venezuelans and Caribbean islands stations boomed forth from the R8A speaker.

I drove back to my parents' house in West Yarmouth, 2 miles / 3 km from the beach, for an overnight stay. At their house I have a sloper running to the top of one of the pitch pines in their backyard. The pattern of this antenna exhibits a moderate null towards New York City pests. Lately, I've been having good success phasing this against a loop. Around (UTC) 0210 / 16 JUN, I started listening at the house. Initially there were just some routine Caribbean and South American signals. At 0242, on 1040, I was surprised when, out of a cacophonous Latin American jumble, the Spanish talk which emerged identified itself as being in "San Pedro Sula" at least twice before going into a romantic vocal. That's Honduras (HRNN2) with just 3 kW! Admittedly 1040, like 760 and 860, is one of those "Wal-Marts" of Latin American DX, where one can camp on the channel and shop for something new every few minutes, but this catch still provided an unexpected DX thrill. Some TA action was noted, with a good reception of VOA Sao Tome - 1530 at about 0315. But the TA DX was just of incidental interest at this point. Back to the Americas, 1180 sounded like a CB skip graveyard with about 7 equal-level S9+ stations hammering each other ... and none was WHAM! Hearing Panama on 860 turned out to be less rare than previously thought: Radio Reforma in with ID at 0452 on this always-fun channel. Half a minute later, there was a hint of the Cuban Reloj, and then 860 offered forth Brazil, coming from the background to the front row in a hurry with a suddenly-huge signal. It should be mentioned that the loop versus sloper, phased via delay-line, slapped a null against CJBC-860 that made it completely disappear for a long time with no need for control readjustment. As soon as Brazil-860 took charge, a "walk" down to 840 showed Brazil on top there too! The CARACOL Colombian "semi-split" on 1100.3 was noted in passing (parallel 810 & 1090 CARACOL's). It was killing WWWE. The 1131.3 thing - maybe Colombia - was putting a fat het on WBBR, but good audio was hard to find. A number of fairly-common Colombians and Venezuelans were booming at the time: YVRS had Turks & Caicos beaten (with KDKA long gone and hard to find). A highlight of the evening at least as good as the 1040 Honduran was the catch that showed up on 1070 ... Argentina! Spanish news from Argentina, with numerous local mentions, rolled in briefly at 0523 UTC, topping an unruly pile that had

French Guiana, CHOK, other Spanish talk, and remnants of nulled CBA in it. This lasted until 0525, when French Guiana (with French talk // St. Pierre - 1375) conquered all. Wow ... one good DX catch gets QRM'ed by another! Well, if Argentina was in on 1070, let's see what's happening on 1040. No surprise: Sao Paulo, Brazil atop with MONSTER signal: slightly-reverbed Portuguese talk and numerous mentions of Sao Paulo businesses at 0531. Then it took a fade and a teletalk show from (HJCJ) in Bogota, Colombia took over. Domestic WHO and WYFX were so badly buried that it wasn't funny. A try for Argentina-870 wasn't as productive as the rest of the session: just a pesty Cuban there with WWL and WLAM bubbling in around the edges. Another Brazilian was logged before the evening was out: Sao Paulo on 1000. At 0545 UTC, it surged in quickly, mowing down more routine channel occupants HJAQ, CKBW, and WMVP. After a few more routine HJ and YV logs, it was time for bed and the end of an exciting DX day. This opening - in the heart of the "non-DX season" - was not, by any means, a full-tilt domestic-skip-killing aurora. (Imagine what THAT would have been like!)

Logs 15-16 JUN 1996 ..... dx960617.log

[Connelly\*Y1-MA] = South Yarmouth, Cape Cod, MA  
<Windmill Beach: River St. at Willow St.>

Receiver used: Drake R8A

Antenna systems: RTL-2 remotely-tuned loop; MWT-3 regenerative tuner / controller

[Connelly\*Y-MA] = West Yarmouth, Cape Cod, MA <parents' house>  
(GC = 70.22 W / 41.68 N)

Receiver used: Drake R8A

Antenna systems: 25 m east sloper, RTL-2 remotely-tuned loop; phased via DCP-2 Dual Controller - Phaser

DATES: 1996 (UTC/GMT)

TIMES: UTC/GMT

\* TRANS-ATLANTIC DX \*

- 612 MOROCCO, Sebaa-Aioun, JUN 16 0220 - AA talk; atop second station (probably Ireland) that had rock music. [Connelly\*Y-MA]
- 621 CANARY ISLANDS, Santa Cruz de Tenerife, JUN 16 0012 - bits SS talk, het against 620 mess. [Connelly\*Y1-MA]
- 684 SPAIN, RNE1, Sevilla, JUN 16 0228 - SS talk; fair to good. [Connelly\*Y-MA]
- 765 SENEGAL, Dakar, JUN 16 0006 - African music; to fair peak, some hum on carrier. [Connelly\*Y1-MA]
- 1089 UNITED KINGDOM, TalkRadio UK synchros, JUN 16 0244 - EE teletalk to good peaks, but w/ very jumpy fades. The northern Europeans were few and far between at the time. This time of year, with darkness hours at a minimum, the 0200-0300 UTC period is the best opportunity window for reception. [Connelly\*Y-MA]
- 1115/1116 unID's, JUN 15 2354 - het pair here w/ 1115 almost certainly Angola, 1116 maybe Spain: audio lost to the bad slop coming from salsa-rengue music on pest daytimer WPMZ (RI) 1110. [Connelly\*Y1-MA] 1134 CROATIA, Hrvatska Radio, Zadar, JUN 16 0252 - Slavic female vocal, then bouncy Alpine-style instrumental music; o/ prominent SAH & second audio that was probably Spain. The signal was fair and peaked during a brief period of European pre-dawn enhancement. [Connelly\*Y-MA]
- 1197 LESOTHO, BBC, Lancer's Gap, JUN 15 2342-2353 - BBC EE discussion w/ man & woman, musical selections were included; fading up in strength. + JUN 16 0000 - LOUD !! Well over S9 w/ "This is London" followed by Lilybolero interval music and the BBC news. Amazingly, this was the strongest TA here in the period a bit before local sunset. [Connelly\*Y1-MA]
- 1521 SAUDI ARABIA, Duba, JUN 16 0318 - AA music in WWKB slop; fadey,

rapidly losing strength to transmitter daylight. Pre-sign-on het (half an hour earlier) was huge. [Connelly\*Y-MA]  
1530 SAO TOME & PRINCIPIE, VOA, Pinheira, JUN 16 0315 - Pakistani-influenced folk vocal "Long Road" from movie "Dead Men Walking", then man in EE, // 7405. Signal o/u WSAI; Vatican running a poor third. [Connelly\*Y-MA]

\* PAN-AMERICAN DX \*

- 530 TURKS AND CAICOS, RVC, JUN 16 0214 - festive SS music, SS talk: spot on 530 w/ much-weaker CIAO way, way under. Hotted by 531 TA's. [Connelly\*Y-MA]  
555 ST. KITTS & NEVIS, ZIZ, Basseterre, JUN 16 0212 - man in Carib-EE, then light US soul vocal; good. [Connelly\*Y-MA]  
580 PUERTO RICO, R. Reloj, WKAQ, San Juan, JUN 16 0218 - SS news of Puerto Rico mixed w/ CJFX; both u/ WTAG Red Sox baseball. [Connelly\*Y-MA] 595 DOMINICA, DBS, Roseau, JUN 16 0219 - reggae music; fair w/ het from 594 TA's. [Connelly\*Y-MA]  
640 GUADELOUPE, RFO, Pointe-a-Pitre, JUN 16 0014 - FF talk // French Guiana - 1070; o/u WNNZ, others. [Connelly\*Y1-MA]  
640 VENEZUELA (t), likely YVQO, Puerto La Cruz, JUN 16 0221 - SS talk & Venezuela mentions mixed w/ WNNZ/CBW/Guadeloupe/others. [Connelly\*Y-MA]  
650 VENEZUELA, YVLE, Maracay, JUN 16 0040 - had to be this w/ slogan "de la costa norte de Venezuela", fast reverberated SS talk -maybe sports; dominant. [Connelly\*Y1-MA]  
650 COLOMBIA, RCN Antena Dos, HJKH, Bogota, JUN 16 0609 - cumbia music in a high-energy party mix; loud / dominant. [Connelly\*Y-MA]  
660 CUBA, R. Reloj, JUN 16 0608 - Reloj program in w/ big signal, shredding WFAM ! [Connelly\*Y-MA]  
670 VENEZUELA, R. Rumbos, YVLL, Caracas, JUN 16 0231 - moderate-tempo old-fashioned Latin American dance music vocal, then announcer "en R. Rumbos, La Emisor de Venezuela", SS timecheck (11:31 PM); loud & dominant. [Connelly\*Y-MA]  
670 BRAZIL / CUBA, JUN 16 0233 - PP talk and R. Rebelde SS talk were duking it out during a brief fade of powerhouse YVLL. [Connelly\*Y-MA]  
690 BRAZIL, R. Dragao do Mar, ZYH587, Portaleza, JUN 16 0011 - PP talk & vocal rolled o/ CBF's groundwave. This was a classic northeastern Brazil sunset opening of a type experienced previously from other coastal sites in New England and eastern Canada. [Connelly\*Y1-MA]  
700 COLOMBIA, CARACOL, HJCX, Cali, JUN 16 0604 - CARACOL ID, promotional chatter; slamming in, way o/ Jamaica/YV(?) /WLW/CHSJ mess. [Connelly\*Y-MA]  
705 ST. VINCENT & THE GRENADINES, Kingstown, JUN 16 0227 - EE talk, possible Abba song; fair + JUN 16 0234 - now loud (!) w/ soca music. [Connelly\*Y-MA]  
720 BRAZIL, ZYI770, Recife most likely (eastern Brazil does better at sunset), but ZYK276, Porto Alegre also possible, JUN 16 0009 - PP talk, a political speech in an echoey hall, looped SE (so Brazil, not Portugal ... Iberians non-existent at the time anyway). This was good and was fully in control of the channel ! There were only feeble hints of CHTN groundwave under. [Connelly\*Y1-MA]  
720 VENEZUELA, YVQE, Porlamar, JUN 16 0226 - R. Oriente ID, Isla Margarita mentions; o/u CHTN. [Connelly\*Y-MA]  
730 unID (maybe TRINIDAD), JUN 16 0236 - EE discussion mentioning religious topics: it seemed more like a VOA-type panel discussion than preaching; in a jumble of stations u/ CKAC. Maybe it was just a domestic, but possibly Trinidad & Tobago. [Connelly\*Y-MA]  
750 VENEZUELA, YVKS, Caracas, JUN 16 0037 - elaborate rock 'n' roll jingle, RCR slogan, SS mentions of news department cooperative venture w/ "BBC de Londres"; massive local-like signal, alone on channel w/ just a slight 747 (Canaries or Burkina Faso) het. [Connelly\*Y1-MA]  
760 GUYANA, R. Roraima, BRG, Georgetown, JUN 16 0003 - Caribbean EE news, local mentions; poor to fair in jumble. [Connelly\*Y1-MA]  
760 BRAZIL, R. Record, ZYH588, Portaleza, JUN 16 0036 - PP sports event

- or promotion, mention of "oooooooooal !"; in mess w/ Guyana & others. [Connelly\*Y1-MA]
- 780 BRITISH VIRGIN ISLANDS, ZBVI, Roadtown, Tortola, JUN 16 0005 - Carib-EE talk, reggae music; good / dominant. [Connelly\*Y1-MA]
- 789.8 BARBADOS (t), JUN 16 0007, strong het against WLKW was likely this, but little usable audio getting through the slop. [Connelly\*Y1-MA] 810 COLOMBIA, CARACOL, HJCY, Bogota, JUN 16 0034 - SS news, CARACOL ID & jingles; huge, crushing WGY/CJVA. [Connelly\*Y1-MA]
- 840 ST. LUCIA (t), R. Caribbean International, Castries, JUN 16 0033 - probably this w/ high-energy soca music dance mixes; briefly o/ "stew" of stations during good Caribbean opening. [Connelly\*Y1-MA] 840 BRAZIL, R. Bandeirantes, ZYK687, Sao Paulo / unID SS, JUN 16 0457 - PP talk (as noted on MAY '95 Rockport, MA DX outing) o/u SS that was probably the Colombian (but maybe Cuba or Venezuela); WHAS phased. [Connelly\*Y-MA]
- 860 PANAMA, R. Reforma, HOL55, Chitre, JUN 16 0452 - good ID as R. Reforma; just o/ others w/ CJBC phase-nulled to the dirt. [Connelly\*Y-MA]
- 860 CUBA, R. Reloj, CMBL, Arroyo Arenas, JUN 16 0452 - R. Reloj SS news & time show sneaked in briefly between Panama and Brazil dominance of the channel. [Connelly\*Y-MA]
- 860 BRAZIL, ZYJ459, R. CBN, Rio de Janeiro, JUN 16 0453 - PP talk suddenly rose up, demolishing all others, including CJBC. Excellent signal ! [Connelly\*Y-MA]
- 870 CUBA, JUN 16 0556 - SS program (not Reloj) was followed by Cuban anthem (as though signing off) and then the station picked up the R. Reloj feed. Signal good; atop WWL/WLAM and messing up chance of getting LRA1 Argie at this time. [Connelly\*Y-MA]
- 880 VENEZUELA, YVVM, Puerto Ordaz, JUN 16 0445 - fast SS talk, "R. Mundial presenta ..."; good through nulled WCBS; no sign of ZJB (ex-885). [Connelly\*Y-MA]
- 895 ST. KITTS & NEVIS, VON, Charlestown, JUN 16 0030 - loud w/ rap music, fast-talk Carib-EE DJ, local ads, "VON Caribbean" slogan. [Connelly\*Y1-MA]
- 900 unID, JUN 16 0029 - SS talk, ID or promo sounded like "Oriente" or "Presidente", u/ mess. At this early time, SS is usually Venezuela. [Connelly\*Y1-MA]
- 1000 VENEZUELA, probably YVMN, Moron, JUN 16 0025 - slogan or ad / promo "primera en Venezuela", SS talk o/ jumble; just o/ reverberated PP talk and other SS; no evidence of domestics. [Connelly\*Y1-MA]
- 1000 COLOMBIA, RCN, HJAJ, Cartagena, JUN 16 0027 - popped up o/ the Latin American jumble w/ SS talk about Colombia, RCN ID. [Connelly\*Y1-MA] 1000 BRAZIL, R. Record, ZYK522, Sao Paulo, JUN 16 0545 - soft music, PP talk; well o/ HJAJ/CBKW/WHVP. [Connelly\*Y-MA]
- 1020 TURKS & CAICOS, Caribbean Christian Radio, JUN 16 0024 - EE preaching, like a local, o/ YVRS SS talk (no KDKA). [Connelly\*Y1-MA]
- 1020 VENEZUELA, Mundial Margarita, YVRS, La Asuncion, JUN 16 0432 - "esta la Margarita" & "Mundial Margarita" slogan / ID, also mentioned R. Oriente (so maybe some ownership connection or net affiliation w/ 720); folkish vocal followed. Strong and generally atop Turks & Caicos w/ no trace of KDKA. [Connelly\*Y-MA]
- 1040 HONDURAS, HRNN2, San Pedro Sula, JUN 16 0242 - SS talk w/ several San Pedro Sula mentions, then female SS romantic vocal. A real surprise here with its 3 kW briefly atop the Latin American co-channel melange. 1040 has been a real "candy store" for Latin American DX lately. [Connelly\*Y-MA]
- 1040 BRAZIL, ZYK537, R. Capital, Sao Paulo, JUN 16 0531 - just after getting Argentina-1070, I tuned to 1040 to hear this one absolutely blasting in w/ reverberated PP talk: a news item about, or advert for, a business in Sao Paulo. Male PP vocal followed. [Connelly\*Y-MA]
- 1040 COLOMBIA, HJCY, Bogota, JUN 16 0537 - fast teletalk w/ frequent Bogota mentions was most likely this; signal briefly popped up o/ Brazil/WHO/WYFX. [Connelly\*Y-MA]
- 1070 FRENCH GUIANA, RFO Guyane, Matoury, JUN 15 2358 - FF political

- speech by man w/ Afro-Caribbean accent, then FF accordion music w/ rhythm track of an African influence. Women in FF followed.
- + JUN 16 0014 - FF talk // Guadeloupe-640; o/u unID SS station. [Connelly\*Y1-MA]
  - + JUN 16 0525 - woman in FF // St. Pierre - 1375 popped up o/ Argentina & others. On many channels, including 1070, if you got tired of what you were hearing, you only had to wait a few minutes for something else to surface. [Connelly\*Y-MA]
  - 1070 ARGENTINA, Radio El Mundo, LRI, Buenos Aires, JUN 16 0523 - I was more than slightly surprised when SS talk saying "Mundo, en Argentina" quickly took over the channel and a number of Argentina news items followed. It held up for almost a minute o/ French Guiana, CHOK, other SS (YV or HJ), and remnants of nulled CBA. Now if I could just hear this back at home in Billerica ! [Connelly\*Y-MA]
  - 1090 COLOMBIA, CARACOL, Cucuta / Sogamoso, JUN 16 0515 - fast SS talk, CARACOL ID & news // 1100.3, 810. Way atop oldies station (CKKW ?) w/ WBAL phased. [Connelly\*Y-MA]
  - 1100.3 COLOMBIA, CARACOL, HJAT, Barranquilla, JUN 16 0505 - SS news including items about cocaine and marijuana busts, ad for firm that was "la primer compania Colombiana de segura", then sports report (futbol: Colombia versus Argentina). Parallel to CARACOL's on 810, 1090. Loud signal, totally trashing WWWE. [Connelly\*Y-MA]
  - 1131.3 unID, maybe a Colombian but no real ID material yet, JUN 16 0249 SS fragments and a screamer het against WBBR. Rich McVicar, can you hear this down there in Quito ? [Connelly\*Y-MA]
  - 1160 BERMUDA, VSB3, Hamilton, JUN 16 0015 - BBC news by man o/ WOBM/WVWJ. [Connelly\*Y1-MA]
  - 1170 COLOMBIA, CARACOL, HJNW, Cartagena, JUN 16 0405 - SS talk, Havoline oil ad, Orlando Garcia mentioned, cough medicine ad (with coughing), mentions of Colombian baseball teams; massive needle-banding signal, alone on channel. [Connelly\*Y-MA]
  - 1180 unID's, JUN 16 0403 - enormous Latin American pile-up of at least 7 stations registering well o/ S9: one, probably Cuba, had US pop, C&W, and mellow soul vocals w/ slogan "International Hit Radio" followed by SS talk. When that sank into the muck, a station calling itself "R. Caribe" surged to the fore. Maybe this is a program name, rather than "ID", as not found in WRTH. "Caribe" could suggest Dominican Republic, but I need to chase this one some more. Bits of PP seemed to be in there too (ZYJ463, Rio, as heard recently, or maybe ZYH889, Sao Luis). In any event, the channel sounded like a graveyard of 50(+) kW signals. If WHAM was in there, it would be hard to prove it ! [Connelly\*Y-MA]
  - 1190 COLOMBIA, HJCV, Bogota, JUN 16 0347 - SS teletalk show w/ phone calls from Bogota listeners; atop South American pile-up w/ WOWO nulled. [Connelly\*Y-MA]
  - 1200 VENEZUELA, VVOZ, Caracas, JUN 16 0020 - romantic SS vocal, Radiotiempo ID o/ mess w/ PP-sounding talk (likely Fortaleza) just behind. [Connelly\*Y1-MA]
  - 1259a unID, JUN 16 0328 - buzzy, wobbly carrier knocking the stuffing out of WEZE Boston. Not sure if a wayward Cuban, Azores out of control, a local QRM-generating appliance (unlikely because of apparent fading), or something else. [Connelly\*Y-MA]
  - 1616.3 unID, JUN 15 2348 - bits of audio (talk by woman); poor. Maybe Latin American, pirate, or run-amok TIS. [Connelly\*Y1-MA]

Report from: Mark Connelly - WA1ION - e-mail = MarkWA1ION@aol.com

[Connelly\*Y-MA] = West Yarmouth, Cape Cod, MA <parents' house>  
(GC = 70.22 W / 41.68 N)

Receiver used: Drake R8A

Antenna systems: 25 m east sloper, RTL-2 remotely-tuned loop; phased via DCP-2 Dual Controller - Phaser

Only a very brief DX session this weekend with emphasis on stations not



written down 2 weeks ago during a better opening. This time, the skip was quite short and domestic interference correspondingly worse. Some listening around local dawn (which I seldom do usually) revealed a pipeline to Cuba & Florida at the time: not all that interesting in itself, but possibly an indicator that Central American rarities could be heard just before dawn along the greyline under more auroral conditions this time of year, especially if "big wire" (a Beverage) was available.

\* TRANS-ATLANTIC DX \*

- 837 CANARY ISLANDS // SPAIN, COPE synchros, JUN 30 - SS vocal music; fair w/ het from Azores which was still on 836. [Connelly\*Y-MA]  
891 ALGERIA, Algiers, JUN 30 0258 - female AA vocal; fair through slop. [Connelly\*Y-MA]  
999 SPAIN, Madrid, JUN 30 0341 - SS teletalk to good peak. [Connelly\*Y-MA] 1044 SPAIN, SER, San Sebastian, JUN 30 0328 - fast SS news & teletalk; very good, strongest TA at the time. [Connelly\*Y-MA]  
1107 SPAIN, RNE5 synchros JUN 30 0327 - SS teletalk; fair to good. [Connelly\*Y-MA]  
1251 LIBYA, Tripoli, JUN 30 0258 - man & woman in AA to fair peaks through WUOK-1240 slop w/ WARE/WKBR-1250 nulled / notched. [Connelly\*Y-MA]

\* PAN-AMERICAN DX \*

- 535 GRENADA, St. George's, JUN 30 0218 - calypso / soca music w/ female vocal; poor to fair. [Connelly\*Y-MA]  
540 MEXICO, XEWA, Monterrey, JUN 30 0926 - Mexican folk-style music o/u PL domestic. This is the easiest Mexican here on the East Coast. [Connelly\*Y-MA]  
570 CUBA, CMDC, Pilon, JUN 30 0904 - Reloj news program in like a local w/ item about Guantanamo. [Connelly\*Y-MA]  
590 CUBA, R. Rebelde, CMHI, Santa Clara, JUN 30 0906 - // 600 w/ romantic SS male / female duet; good, o/u WBNW. [Connelly\*Y-MA]  
600 CUBA, R. Rebelde, CMKV, Urbano Noris, JUN 30 0906 - // 590 w/ romantic SS male / female duet; huge signal here at local dawn. [Connelly\*Y-MA]  
640 CUBA, JUN 30 0948 - Reloj program running at this time instead of usual R. Progreso offerings. Good signal o/ possible KFI about 40 minutes after local sunrise. [Connelly\*Y-MA]  
660 COLOMBIA (t), possibly HJJM, Cali, JUN 30 0914 - flashy high-spirited Colombian accordion music, ID that sounded somewhat like R. Autentica; in messy mix w/ WFAN and a Cuban. [Connelly\*Y-MA]  
670 CUBA, R. Rebelde, CMQ, Arroyo Arenas, JUN 30 0917 - // 710 w/ female SS vocal; excellent, way o/ a tantalizing SS teletalker that - at this late time - could have been Costa Rica, Guatemala, or Honduras. [Connelly\*Y-MA]  
690 ANGUILLA, Caribbean Beacon, St. John's, JUN 30 0020 - US EE preacher; loud, way o/ CBF, others. [Connelly\*Y-MA]  
710 CUBA, R. Rebelde synchros, La Julia et al., JUN 30 0917 - // 670 w/ female SS vocal; excellent / dominant, crushing WOR. [Connelly\*Y-MA] 760 COLOMBIA, RCN, HJAJ, Barranquilla, JUN 30 0228 - SS sportstalk by man & woman, // 770; dominant o/ growl. [Connelly\*Y-MA]  
760 CUBA, R. Reloj, Las Mercedes / Guanabacoa, JUN 30 0923 - Reloj SS news & time show; good, o/ others. [Connelly\*Y-MA]  
770 COLOMBIA, RCN, HJXX, Bogota, JUN 30 0228 - o/u WABC w/ SS sportstalk // HJAJ-760. [Connelly\*Y-MA]  
800 NETHERLANDS ANTILLES, PJB, Bonaire, JUN 30 0238 - great Celtic-folk style female religious vocal, then Australian-accented preacher; excellent, rolling o/ CHRC/CJAD. [Connelly\*Y-MA]  
830 ST. KITTS & NEVIS, TBN, Basseterre, JUN 30 0233 - // 7510 w/ sermon in US EE about the meaning of the Cross. Excellent on sloper, in muddy mix w/ CFJR/WCRN on loop regardless of loophead orientation. The sloper kills any loop used ... even Kiwa and RSM-105 ... on the swath of bearings from low Africa to the eastern Caribbean (100 to 170 degrees). [Connelly\*Y-MA]  
860 BRAZIL, ZYJ459, R. CBN, Rio de Janeiro, JUN 30 0250 - noted in

- passing w/ man in PP mixed w/ two SS stations. This is probably the easiest late evening Brazilian for eastern US DXers. [Connelly\*Y-MA]
- 880 VENEZUELA, YVYM, Puerto Ordaz, JUN 30 0253 - continued monitoring of this channel still finds this and WCBS ruling the roost w/ no evidence of Montserrat. "Mundial" ID, fast Latin American dance music heard at 0253; about even w/ WCBS in strength on sloper. [Connelly\*Y-MA]
- 940 CUBA, R. Reloj, Holguin / Colon, JUN 30 0931 - Reloj SS news w/ on-the-minute timechecks, "RR" beeps; good o/ apparent XEQ w/ CBM phased. [Connelly\*Y-MA]
- 1100 BRAZIL, ZYK694, R. Globo, Sao Paulo, JUN 30 0339 - most likely this w/ bits of PP talk in and out of a Latin American pile-up on this frequency. At times, there was a strong low-pitched growl. WWWE easily nulled with phasing unit. [Connelly\*Y-MA]

#### Miscellaneous

WEIRD HETS NOTED: 641.15, 989.0, 1140.95. Noted during Cuban opening, so that's a clue. I think the 1141a thing is the jammer against WQBA Miami (although I'm not sure that this is still being used). [Connelly\*Y-MA]



## IRCA CONTESTS

Nancy Johnson  
979 Neptune Blvd.  
Billings, MT 59105-2129



Final standings for 1995-1996 IRCA contests:

#### DOMESTIC CONTEST

Name	Points
1 Carl DeWhitt	1,917
2 Nigel Pimblett	1,543
3 David Yocis	1,521
4 Stan Weisbeck	1,480
5 Lee Freshwater	1,236
6 Dan Sys	1,196
7 John Tudenham	1,030
8 Ted Wendland	656
9 John C. Johnson	235
10 Dale Park	142
11 Mike Sanburn	73

#### FOREIGN CONTEST

Name	Points
1 David Yocis	49
2 Larry Godwin	42
3 Dale Park	29
4 Nigel Pimblett	28
5 John C. Johnson	6

These are the final standings for the 1995-96 contests. Congratulations to our winners. Carl DeWhitt has won the domestic contest, and David Yocis the foreign contest. Each has won a \$5 credit for the IRCA Bookstore.

Already there has been interest in next season's contests. The domestic contest for 1996-97 will be quite different and should be fun challenge for everyone. We'll be going for the distance.

Thanks to all who entered this past set of contests, and I look forward to seeing you all back in the contests next season!

# WESTERN DX ROUNDUP



Nancy Johnson  
979 Neptune Boulevard  
Billings, MT 59105-2129

 **PRODIGY**  
MPNN49B

Electronic Mail: Internet: WDXR@aol.com

America On Line: WDXR Compuserve: 74444,3075 Prodigy: MPNN49B

WDXR DEADLINES: July 27, August 15 September 7, Please use Eastern Time.

## REPORTERS FOR THIS ISSUE:

- (LBG) Larry Godwin-2390 Clydes Dale Lane-Missoula, MT 59801 (lbg@selway.umd.edu)  
Hammarlund HQ-150, Sanserino air-core box loop & KIWA loop
- (GJ) Gary Jackson-7735 Center Parkway-Sacramento, CA 95823  
FRG 8800, KIWA loop
- (GL) Gary Larson-2806 Lincoln-Burbank, CA 91504
- (PM) Patrick Martin-P.O. Box 843-Seaside, OR 97138-0843  
Drake R8, 900' NNW Beverage, 1500' E Beverage, terminated 200' SW wire
- (RJO) Rod O'Connor-P.O. Box 3488-Kodiak, AK 99615  
Superadio I and 4' loop
- (DS) Dan Sys-27423-32nd Avenue-Aldergrove, BC V4W 3J3  
GE Superadio II
- (RW) Robert Wien-1309 Dentwood Dr.-San Jose, CA 95118  
GE Superadio II, GE long-range portable, Select-Antenna

## OF SPECIAL INTEREST

- 900 KRRR CA, West Covina 5/27 0400 good with ID in English over XEW "KRRR West Covina, Los Angeles, Radio Ranchito." Ex-KGRB. (RW-CA)
- 1230 KYPA CA, Los Angeles 5/27 0414 ex-KGFJ with ID "KYPA Tell a Friend Package #5." Called station to confirm, they have changed calls 5/6 ex-KGFJ. (RW-CA)
- 530 \*KIEZ\* CA, Carmel Valley 6/3 0617 noted testing with simulcast of KMBY 104.3 FM. Per call to station they are still KIEZ and still just "sampling" or testing. (RW-CA)
- WNXK966 CA, Yosemite Nat. Park 6/16 0900 new TIS with message "You are listening to Yosemite area Travelers Advisory Network." (GJ-CA)
- 540 KNNZ CA, Costa Mesa per call to K-News/KKGO employee, will go to 1650, but not sure just when. New transmitter to be used as well. (GL-CA)
- 560 KVOK AK, Kodiak had simulcast Classic Rock KJJZ 101.1, is now automated satellite-fed oldies days and talk overnight. (RJO-AK)
- 610 KOJM MT, Havre s/on (no anthem) 6/15 very strong 0758:30; male ancr. (LBG-MT)
- 620 KGTL AK, Homer 6/3 0340 fair with adult standards, "Dinah Shore, It's So Nice to Have A Man Around the House." KOTK off. ID "AM 620, KGTL." (PM-OR)
- 670 ?KLCD? CO, Commerce City 6/24 0735-0740 tent. with relig. programming talking about Noah's Ark, mentioning "Chapter 21, Verse 11...." faded under KBOI, had been over KBOI briefly. KWNK replaced it with unID talk show. (RW-CA)
- 680 KHKR MT, E. Helena s/on (no anthem) Sun. 6/2. I think it's earlier on weekdays. (LBG-MT)
- 930 KJOX WA, Yakima 6/19 0750 fair in KBFW null with satellite sports. ID "Find out why sports fans all over the valley are listening to K-Jocks." Ex-KZTA. (DS-BC)
- 980 KUTI WA, Selah 6/21 0800 poor signal under CKNW with newstalk, local ads and legal ID "KUTI Selah-Yakima." New. (DS-BC)
- 990 KATD CA, Pittsburg 5/27 0417 with open carrier, CBW in strong. (RW-CA)
- 1020 KWIQ WA, Moses Lake North 6/11 boosted power at 0759, ID'd 0800 and then began Mutual News (LBG-MT)

- 1020 ?KYXE? WA, Selah believed the one with strong open carrier, then s/on at 0800 6/11 under KWIQ. Immediately began program in Spanish. (LBG-MT)
- 1050 KKGO CA, Fraser Park 5/30 promo about new owner, staying classical, and new call in future. Maybe new call now. Called 6/1 to see if I could get correct call on answering machine or person in office, but got a fax tone instead. (GL-CA)
- 1060 CKMX AB, Calgary had Broadcast news (no ID) at 0800 6/15. Gave legal ID at 0804. Very strong. (LBG-MT)
- 1130 KBMR ND, Bismarck 6/6 0757 promo for KBMR Breakfast Club, way on top of usually-dominant CKWX. (LBG-MT)
- 1230 KORT ID, Grangeville consistently IDs at :59 after the hour, and carries programming (usually C&W) across the hour. An example was 6/6 0759. (LBG-MT)
- KSBN WA, Spokane 6/10 0900 dominated with ID "Money talk radio, KSBN." (LBG)
- 1400 KODI WY, Cody s/on with SSB 0800, and on top with jingle ID 2300 6/10. (LBG)
- 1420 KUJ WA, Walla Walla 6/24 0759 // to KCLK-1430 with nost. music. 0800 man ID'd and said it was "The Valley's choice for original hits." Strong signal. (LBG-MT)
- 1430 KCLK WA, Asotin very strong 6/13 with nost. music (ex-C&W). 0800 man said "Filling your whole day with great songs and wonderful memories, 1430 KCLK Asotin." On 6/25 signal improved when changed patterns at 0758. (LBG-MT)
- KBRC WA, Mount Vernon 6/22 0859 popped through KCLK & KLO with call ID. Male and female announcers. New. (LBG-MT)
- 1490 KDBM MT, Dillon s/on 0858 Sunday 6/2, and Mon. 6/3. SSB followed. (LBG-MT)
- 1580 KZKL NM, Albuquerque (ex-KRLL) 6/22 2258 & 6/23 2301-2312 with oldies & teen phone-in format. Ancr. said program was "Dr. Q's Traveling Oldies Show." He gave a local phone number 898-3939, and mentioned "Cool 102." No ID. I phoned station to confirm. It's owned by Simmons Group & phone number is 505-897-6937. (LBG-MT)
- 1590 KVGB KS, Great Bend 6/8 2256 atop KLFE with call ID & promo for Z 104 FM. (LBG)
- KIRS NV, Sun Valley 6/5 2305 atop KLFE with call ID & weather. (LBG-MT)
- 1620 KLWD CA, Lakewood 6/17 0800 finally logged definitely with nice "KLWD" ID thru KXBT-1630 splash. Mentioned phone number "???-9771." (RW-CA)
- CHMB/CJVB BC, Vancouver 5/26 0320 weak off northern Beverage, mixing of both stations, with Chinese programming. Really was wondering on this, but called NHP, who said that the image had been picked up in Alberta before. Interesting, as both stations are directional north/NW. 1470-1320=150 kHz, 1470+150=1620. (PM)
- 1630 KXBT CA, Vallejo heard regularly here, weaker than 1640. (GL-CA)

#### UNIDS

- 550 6/17 0734 unID Spanish over/under KCWR looping east. Heard partial phone number "466-?????" at 0736, faded out. Maybe KLLV-CO? Or Mexican? (RW-CA)
- 1610 6/3 0624 possible TIS tentative with dial tones going up 3 levels in pitch then down 2 levels. Another TIS in background with similar pattern, but out of sync with this first one. Similar to what I heard in Burbank in April. Will check... (RW-CA)
- 1619.8 Pirate heard again very strong S9 or better with usual obscenities 6/11 0215. Maybe in N. CA or Oregon, Portland area? (PM-OR)
- 1620 Lakewood? 6/3 0645 tentative on fadeup thru Saratoga-1610 and KXBT-1630 splash. Mention of phone number 7974-9325?. Signal very fadey, nothing discernible except male & female alternating talking. (RW-CA)
- 1639.9 KWZZ?? Pirate now ID'ing as "KWZZ Greenacres," no state mention. Quite good 6/12 0815 with time check as "15 after 5," so Pacific time zone. Coming from the east, so maybe Spokane or E. Oregon location? AC (soft) and oldies 70's rock music this time. (PM-OR) (Pat, Greenacres is near Spokane.-NJ)
- 1640 6/7 pirate with oldies 0754-0802, no break on the hour. About same signal strength as KXBT-1630. Also strong 6/9 2338, 6/10 2259 and 6/23 2255. Stan Weisbeck says this one is in like a local at his location and believes it's located in Spokane area. (LBG-MT)
- 1640 6/19 0600 unID playing Frank Sinatra type music, no IDs at all. Deep fades, still there 0800, so not from east coast. Pat reports a pirate on 1639.9, so this could be it? (GJ-CA)

I hope everyone is enjoying the summer. The next WDXR deadline is Saturday July 27.

# Central DX Roundup



Editor: John C. Johnson

Internet: CDXR@aol.com

## FOR THE RECORD

E-Mail: CDXR@aol.com

Snail-mail: 979 Neptune Boulevard, Billings, MT 59105-2129

America On Line: JohnJ53816

CompuServe: 74444,3075

Prodigy: MPNN49A

Summer deadlines: Saturday 7-27, Wednesday 8-15, Saturday 9-7.

Please report all times as Eastern. Tips over a month old will not be included. Include only what would be considered as DX, or unusual format diversions if it is a 50kW nearby or a local station. Your tips should be of help to other DX'ers, so include helpful information such as formats.

## RIDING GAIN

[SA-MB] Shawn Axelrod, Winnipeg, Manitoba, Canada.

Icom IC-R70 with filter mods and Palm board.

4' box loop, Quantum loop, 100' longwire.

[JcJ+NJ-MT] Your editor and wife DX'ing on I-90 in the 1995 Mustang.

## SPECIAL INTEREST

630 CKRC MB, Winnipeg. 6-14. 1700 at last the FM is on. The FM station is now CKWM with "Magic 99.9 FM" as the slogan. The format is your favourite hits of the 70's, 80's, and today. They will be ||FM for two to three months then go dark. This will be the first AM station to leave the air in Winnipeg in over 60 years. I am hoping 630 will remain vacant for a long time after CKRC goes off the air. [SA-MB]

1540 KXMG CA, Los Angeles. EX-KSKQ. 6-8 poor to fair u/KXEL. 0608 with lots of SS talk and lively Mexican music. New for me. [SA-MB]

## DOWN THE DIAL

960 KFLN MT, Baker. 6-22 good in minor KDWG splatter. 2122 with "KFLN" ID in satellite fed "Super Gold" Saturday night rock oldies program. Heard near Hardin, MT while driving back to Billings. [JcJ+NJ-MT]

## UNIDS

1639.9 unID 6-15 poor. 0605. Also heard again on 6-16 at 0440 with light rock music. Could not make out what the male announcer was saying to get an ID. [SA-MB]

1660 unID 6-16 very poor signals with deep fades u/WJDM. 0450 with bits of music. Is there a new guy on this frequency? [SA-MB]

## 25 YEARS AGO

July 17, 1971 issue of IRCA's "DX Monitor" - SP4 Bruce A. Collier of Bad Aibling, Germany told us about his being with the U.S. Army - Steve Oster of Dickinson, ND told of his visit to KDIX-1230 - Jon E. Pearkins, Jr. of Burnaby, BC said he was leaving the club due to lack of DX the past year - Bill Hardy of Astoria, OR said he was now working at KAST-1370 - Jim Larson of Chanhassen, MN said he was 11 and in the 6<sup>th</sup> grade at Chan Elementary - Rick King of Saint James, MB told us of his new receiver, a McMurdo Silver Masterpiece IV - John Tull of Kansas City, MO said he was 33 and worked for AT&T - John Zondlo of Hammond, IN told of all the static hurting his DX.

## OPEN MIKE

Too bad the only people that know how to run the country are busy driving cabs and cutting hair. Thanks to Shawn we have a column this month! Apparently everyone else is on vacation? ☺ Speaking of vacation, Nancy and I are in Banff, Alberta, Canada on our delayed honeymoon as you read this! I hope all attending the 1996 convention next weekend will have a fun time. Check the deadlines at the top. 73, John.



# Eastern DX Roundup

Editor: LEE FRESHWATER  
414 SE 3rd ST  
OCALA FL 34471

Here we are in July, only two weeks until the convention (as I type this) DX season is just around the corner !! CONTRIBUTE !!!!

\*\*\*\*\*

## STARS OF THE WEEK

- (LF-FL) your editor Hammarlund HQ-180A/Patomic FIM-41, KIWA Loop
- (MH-NC) Mike Hardester 3118 Gateway Ct, Jacksonville, NC 28546-6973  
96' Chrysler w/fender antenna VIA-E-MAIL
- (DY-NY) David Yocis South Nyack, NY  
R-71A, KIWA Loop VIA-E-MAIL
- (HL-LA) Henry Lazarus 1313 Dauphine St, New Orleans, LA 70116  
VIA-U.S.P.S.

\*\*\*\*\*

## LOGGINGS AND SPECIAL INTEREST

- 630 WJDB AL Thomasville 6/21 0718-0727 and 6/25 0712-0741, coming in with excellent signal (but w/fading) after fade out of Radio American Honduras and XEFU in Mexico. Country music program to 0725, Alabama Radio Network News at 0725-0730, Calvary Hour presented by Central Baptist Church in Dixon Mills at 0730. ID as "Country 95.5 WJDB." Several ads, including Something Special clothing store and David Jones Chevrolet. (HL-LA)
- 910 WABI ME Bangor 7/2 0108 ID by man, into Johnny Mathis's "Chances Are," fair with CHRL in WRKL null. (DY-NY)
- 1000 WCMX MA Leominster 7/2 2000 EZL music, ID, fair in noise. (DY-NY)
- 1260 WNSS NY Syracuse 7/2 2020 Finally got a call ID from this one now NWS and ex-WNDR. Ruins CBS news on the hour and AP news feed the rest of the time, mostly IDing as "The News Station," "W-News 12-60," and so on. WNSS was the old call of WTLA-1200 North Syracuse. (DY-NY)
- 1270 CJTN ON Trenton 6/25 0100 ID rising atop "...1270 Trenton.... ..NH 1240 Bancroft." (DY-NY)
- 1300 WLIR NY Spring Valley 6/24 1825 After 3 year legal battle, old owners won back the license to the station. All Jewish format went dark on 6/18; station re-appeared 6/24 with NOS music, owner at this time thanking lawyers and sponsors. (DY-NY)
- 1340 WVNR VT Poultney 6/24 2301 Id rising above the pack, "This is your information Station, AM 1340 WVNR.." (DY-NY)
- WLVL NY Lockport 7/3 2028 "AM 1340 WLVL" ID briefly strong, I think them with sports talk in the mess. (DY-NY)
- 1360 WHNS NY Olean 7/1 2349 Id by woman, clear and strong, as "News Talk 1360 WHNS." NRC log says signs off at sunset..and this was \*NOT\* 20 watts. (DY-NY)
- WOAZ OH Cincinnati 7/2 0002 Call ID by young girl, promo for kids format, briefly good. (DY-NY)
- 1430 WNJR NJ Newark 6/20 2204 With Chinese programming over CKYC's CTV news and IDs; so CC in the evening here isn't necessarily CKYC. This semi-local runs USB+carrier; on LSB it falls well below WTTT even at mid-day. (DY-NY)
- 1460 WEMR PA Tunkhammock 6/30 2333 Call letters out of nowhere, atop, then gone. Never heard before from any location. (DY-NY)
- 1490 WPOR ME Portland 7/3 1959 Promo, 2IDs, CW music, good in WGCH null. (DY-NY)

22

- 1510 WRNJ NJ Hackettstown 6/20 1731 Weak with weather, "Hometown Radio 15-10 R-N-J" IDs, in WPUT null. Ex-1000 (DY-NY)
- 1530 WCRJ FL Jacksonville 6/30 1817 Former "Silent" station seems to have returned. Noted w/Black Gospel and slogan "Old Time Religion" (LF-FL)
- WDJZ CT Bridgeport 6/12 1158 Heard with SS religion and bilingual ID: "You're listening to the all-new WDJZ, Bridgeport; esta Ud. a la [...] sintonia de la nueva WDJZ, frecuencia AM, Radio Musical Cristiana." But PP also still heard, e.g., 6/20 1738. (DY-NY)
- 1580 WCTJ NC Camp Lejeune is on RS daytime w/religious prgming. Gospel mx, and slogan as "Coastal Carolina's Christain Connection." Simulcasts LOJ-1490, except for local ads. Occasional off air time with pre-sumed transmitter problems. Noted with fair signal at 60 miles. (MH-NC)
- WPGC MD Morningside 7/2 0013 Noted IDing as "WPGC 95.5," evidently a new FM simulcast. (DY-NY)

T.I.S.

- 530 KNNH263 (t) Forsyth County, NC After passing through Greensboro I noted a NC DOT HAR stn (6/20 @ 0945-1000+) w/info on tfc congestion in Winston-Salem, and road work info. Announcer was a woman. Not positive on cal letters. (MH-NC)
- 530 UNID Durham, NC. Stn testing w/M anncr, and W w/day-date-time info. "This is a test of the Durham Highway Advisory Radio System..." Fair/Good over an extended area along I-40 in Durham area. (MH-NC)
- 1610 WPHE255 Durham, NC (Duke Medical Center) noted with strong signal along I-40 in Durham area. No other normally hrd stns in the Raleigh-Durham area, on 1610, were noted. (MH-NC)

UN-IDEN:

- 870 ???? 7/2 0052-0057 Talk program, two soft spoken men, definitely in EE, possibly religious in nature, weak in shaky WHCU null. WWL was in there too. Maybee WLAM ? WABI- 910 was heard around the same time. Faded by the hour. At 0112 recheck, WWL was way atop. (DY-NY)

FOREIGN DX

- 530 Turks and Caicos Radio Vision Cristiana, South Caicos, 6/25 0244 -- SS religious talk by enthusiastic man. // WWRV-1330, weak under local HAR station and right on frequency. (DY-NY)
- 800 Netherlands Antillies, PJB Trans World Radio., Bonaire, 6/11 0329- Finishing EE religious program, gave mailing address, promo for morning show, into SS program, nice ID as R. Transmundial. (DY-NY)

Well, we "finally" got the QSL's out from the DX tests. However the Special Certificates are not done yet. If you have NOT received your "QSL letter," LET ME KNOW. Thanks to David, we have a decent size column this month. Busy schedule and convention has kept me from the radio. Not to mention the FLORIDA thunderstorms !!...Nice to see that Henry has joined the ranks of us "computer types" Hi !! I could not live with-out mine....Don't forget, you can send your "Foreign DX" to me as well. At least until Phil gets a "volunteer," top do the DXWW column. Hopefully, by the time you read this, we will all be having fun in Ocala. Looking forward to it !!!!!.....See you in 30 !!!!!  
fresh

**W T S J**

800 Compton Road, Unit 13  
Cincinnati, Ohio 45211

**KOFY**

1050 am

23



QSL

# VERIFICATION SIGNERS

Stephen S. Howe  
820A Judson Ave., Apt 2W  
Evanston, IL 60202-2457  
showe@earth.nwu.edu

My deadline is the last Friday of the month, unless indicated otherwise.

**Contributors:**

- MH Mike Hardester, 3118 Gaitway Court, Jacksonville NC 28546-6973;  
2lakota@abaco.coastalnet.com  
GVJ Gary V Jackson, 7735 Center Parkway, Sacramento CA 95823  
HL Henry Lazarus, 1313 Dauphine St, New Orleans LA 70116  
PM Patrick Martin, P O Box 843, Seaside OR 97138-0843

FREQ	CALL	NAME and TITLE	ADDRESS	WHAT	WHEN	WHO
560	KLVI	Jim Lowe, OpsMgr	2885 Interstate 10 E, Box 5488 Beaumont TX 77726	Q	80	PM
610	WZZK	Jerdan Bullard, Senior VP/GM	530 Beacon Pkwy W Suite 300 Birmingham AL 35209	LB	93fn	HL
700	KVRG	John Burger, CE	c/o KLOK, 2905 S King San Jose CA 95122	P	45f	PM
783			Radio-Television Hong Kong Broadcasting House 80 Broadcast House Hong Kong	Q	560	PM
850	KHHO	Conan MacLaffery, CE	950 Pacific Ave Tacoma WA 98402	L	5	PM
900	WMOP	Lee Freshwater, DirEng	Asterisk Radio Group c/o Florida Special DX Tests 414 SE 3rd Street Ocala FL 34471	QB++	93	MH
930	KJOX	Diana O Morin	123 S 2nd St Yakima WA 98901	P	25	PM
1140	WXBR	Carla Brady Gonzalez, GM	2926-D Huntsville Hwy Fayetteville TN 37334	LMBbc	15	HL
	WLOD	Doyle Lowe, Owner	P O Box 465 Loudon TN 37774	L	6	HL
1240	CKMK	Dave Schmidt, AsstCE	c/o CKPG, 1220 6th Prince George BC V2L 3M8	LB	105	PM
1290	WTMC	Lee Freshwater, DirEng	Asterisk Radio Group c/o Florida Special DX Tests 414 SE 3rd Street Ocala FL 34471	QB++	93	MH
1330	WFBC	Jessica L Williamson, Asst PD and John Boone, PD	501 Rutherford St Greenville SC 29609	LB	148f	HL
1370	WOCA	Lee Freshwater, DirEng	Asterisk Radio Group c/o Florida Special DX Tests 414 SE 3rd Street Ocala FL 34471	QB++	93	MH
1460	WBNS	Ron McGrew, CE	175 S Third St Columbus OH 43215	L+	122	PM
1470	KKFO	Mike McKenna, CE	c/o Mike McKenna P O Box 90277 Long Beach CA 90809	L	96f	PM
1480	KKEL	Bob Coker, GM	1515 N Del Paso Hobbs NM 88240	P	700	PM
	KMRT	Mark Rodriquez, GM	7700 Carpenter Pkwy Dallas TX 75247	P	300	PM
	CKER	Ashebir Alemu, CE	#200, 6005 103rd St Edmonton AB T6H 2H3	L+	11f	PM

29



FREQ	CALL	NAME and TITLE	ADDRESS	WHAT	WHEN	WHO
1490	WEAG	Lee Freshwater, DirEng	Asterisk Radio Group c/o Florida Special DX Tests 414 SE 3rd Street Ocala FL 34471	QB++	93	MH
1580	WCTJ*		c/o Leann Wilson, OffMgr WLOJ, P O Box 15062 New Bern NC 28561	LRB	44	MH
1686	RR**	Stephen P McGreevy	45 Elda Dr San Rafael CA 94903	P	7	GVJ

---

<b>WHAT was received:</b>	L = Letter with personalized statement; F = Form letter; Q = QSL card, commercially printed; C = Postcard or similar card supplied by station; P= Prepared card supplied by DXer; R = DXer's report returned with statement; cf = Certificate; E = Verification by e-mail; fx = Verification by FAX; M = Coverage map; B = Bumper or other sticker; bc = Business card; + = Extra goodies
<b>WHEN the reply came:</b>	Number of days elapsed; f = Follow-up; n = Return postage <u>not</u> used; r = Return postage returned
<b>NOTES:</b>	* [for this column] = See comment below; ** [for this column] = MEDFER beacon, 100 milliwatt, frequency actually 1685.5 kHz

---

Thanks for the kind words, Patrick! Congratulations on finally verifying Hong Kong! The programming for WCTJ-1580 is // to that of WLOJ; the two stations share the same Owner and the same General Manager. Several tips were deleted because of repeat policy. This column was prepared on 6/28/96. 73, SSH.

## Geomagnetic Indices

GEO - Geomagnetic activity	pca - polar cap absorption
maf - major flare	SA - Solar Activity
mas - major storm	spe - satellite proton event
mis - minor storm	ss - severe storm

Date	FLUX	A	K	SA	GEO	OTHER
6/15	67	6	1	very low	quiet-unsettled	-
16	67	5	3	very low	quiet-unsettled	-
17	67	10	2	very low	quiet	-
18	68	6	4	very low	quiet-mis	-
19	68	15	3	very low	quiet-unsettled	-
20	70	9	1	very low	quiet-unsettled	-
21	70	5	1	very low	quiet	-
22	70	3	2	very low	quiet	-
23	69	4	3	low	quiet-unsettled	-
24	72	7	1	very low	quiet-unsettled	-
25	72	5	2	very low	quiet-unsettled	-
6/26	72	4	1	very low	quiet	-
27	z	z	z	z	z	-
6/28	71	7	1	very low	quiet-unsettled	-
29	71	11	3	very low	quiet-unsettled	-
6/30	71	8	2	very low	quiet-active	-
7/ 1	70	6	3	very low	quiet-unsettled	-
7/ 2	70	6	3	very low	quiet-unsettled	-

## A DXers TECHNICAL GUIDE

Now in its 2nd edition, this 120 page book answers questions on receiver and antenna theory (how to improve their performance), how audio filters and loop antennas can improve DX (and hints on their construction), how to build a beverage and phasing unit, and much more. Only \$5.50 for IRCA/NRC members, \$6.50 for non-members (overseas airmail add \$2.50).

Order from the IRCA Bookstore, by sending the correct amount (in US funds) to:  
**IRCA Bookstore, 9705 Mary N.W., Seattle, WA 98117-2334. Thank you!**

RIGHT SIDE

Hole #	Comp. Desig.	Description	X	Y	D
1	J12	B+ input - phono jack	0	1.625	0.25
2	G5	grounding H/W - internal lug	0	1.125	0.125
3	J11	RF out - BNC jack	0	0.5	0.375
4	A1	Broadband Amp. Card - H/W 3	1	1.625	0.125
5	A1	Broadband Amp. Card - H/W 1	1	0.625	0.125
6	A1	Broadband Amp. Card - H/W 4	2	1.625	0.125
7	A1	Broadband Amp. Card - H/W 2	2	0.625	0.125

.....

Table 2: DCP-2 "upper level" parts list

NOTE: Amplifier components are itemized in Table 3.  
Delay-line card components are itemized in Table 4.

\*: Note follows parts list.

Vendor codes for this and subsequent parts lists:

AST = Astrum Electronics / 3 Commerce Drive  
(Rhombus distributor) / Atkinson, NH 03811  
/Tel. 1-603-898-3399

CS = Circuit Specialists / P. O. Box 3047  
/ Scottsdale, AZ 85271-3047  
/Tel. 1-800-528-1417,  
602-464-2485

DC = DC Electronics / P. O. Box 3203  
/ Scottsdale, AZ 85257-3293  
/Tel. 1-800-467-7736,  
602-945-7736

MCL = Mini-Circuits Lab. / P. O. Box 350166  
/ Brooklyn, NY 11235-0003  
/Tel. 1-800-654-7949,  
417-335-5935

MOU = Mouser Electronics / 958 North Main Street  
/ Mansfield, TX 76063-4827  
/Tel. 1-800-346-6873,  
817-483-5712 (export)

RS = Radio Shack / Many locations worldwide

Item	Designator	Description/Value	Vendor	Vendor Stock #	QTY
1	A 1	BBA-C1 amp. card	>>>	see text & Table 3	1
2	C 1-16,18	capacitor, 0.1 uF	MOU	539-CK05104K	17
3	C 17	capacitor, 0.47 uF	MOU	581-UDW474M1	1
4	G 1-5	solder lug, #4	MOU	534-7311	5

5	G 1-5	screw, 4-40 X.375"	MOU	572-01881	5
6	G 1-5	hex nut, 4-40	MOU	572-00484	5
7	J 1,2,11	BNC jack	RS	278-105	3
8	J 3,4	stereo headphone jk	DC	16PJ080	2
9	J 5,6	red banana jack	CS	229B-RED	2
10	J 7,8	yellow banana jack	CS	229B-YELLOW	2
11	J 9,10	black banana jack	CS	229B-BLACK	2
12	J 12	RCA phono jack	RS	274-346	1
13	M 1	DLC-B delay card	>>>	see Fig.4, Table 4	1
14	R 1,2	pot,2K, 10-turn lin	DC	53611202	2
15	R 3,4,5	pot,500 ohm,linear	MOU	31CR205	3
16	R 6,7	resistor, 680 ohm	CS	RA680	2
17	R 8,9,10	resistor, 4.7 ohm	CS	RA4.7	3
18	RFC 1-12	RF choke, 1.8 mH	MOU	434-05-182J	12
19	S 1,2,7	switch,SPDT,on-on	RS	275-635	3
20	S 3,4,5	switch,DPDT,on-on	RS	275-636	3
21	S 6	switch/3pole/4pos.r	MOU	10YX034	1
22	S 8	switch/2pole/6pos.r	MOU	10YX026	1
23	S 9	switch,3PDT,on-on	MOU	10TC280	1
24	T 1,2	RF transformer,4:1	MCL	T4-6T-X65	2
25	T 3,4	RF transformer,1:2	MCL	T2-1T-X65	2
26	VR 1,2	voltage reg., 10 V	DC	78L10	2
27		chassis box, 7X5X3"	MOU	537-TF-782	1
28	*	knob, 0.94" black	MOU	45KN013	7
29	*	screw, 4-40 X .25"	MOU	572-01880	5
30	*	split lockwasher,#4	MOU	572-00649	5

Misc. items: hook-up wire, buss wire, solder, labels "AS REQUIRED"

- \* Item 28: one each for R1, R2, R3, R4, R5, S6, S8
- \* Item 29: four each for A1 mount; one for M1 mount
- \* Item 30: four each for A1 mount; one for M1 mount

Table 3: (A1) BBA-C1 Broadband Amplifier card parts list

For schematic and assembly, refer to "Super-MWDX-5" article  
(files SMWDX5F4.PCX, SMWDX5F5.PCX).

Item	Designator	Description/Value	Vendor	Vendor Stock #	QTY
1	BD	perboard:1.4"X1.4"	RS	276-1396 (cut)	1
2	C 1,2,5,6	capacitor, 0.1 uF	MOU	539-CK05104K	4
3	C 3	capacitor,10uF tant	MOU	581-10K35	1
4	C 4	capacitor, 0.001 uF	MOU	539-CK05102K	1
5	H 1,2,3,4	screw, 4-40 X .25"	MOU	572-01880	4
6	H 1,2,3,4	spacer, 4-40 X .5"	MOU	534-1450C	4
7	H 1,2,3	split lockwasher,#4	MOU	572-00649	3
8	H 4	solder lug, #4	MOU	534-7311	1
9	P 1-8	flea-clip/.042"hole	MOU	574-T42-1/C	8
10	Q 1	transistor, 2N3866	MOU	511-2N3866	1

11	R 1,5,8	resistor, 4.7 ohm	CS	RA4.7	3
12	R 2	resistor, 33 ohm	CS	RA33	1
13	R 3,6	resistor, 680 ohm	CS	RA680	2
14	R 4	resistor, 2.7K	CS	RA2.7K	1
15	R 7	resistor, 1 ohm	CS	RA1.0	1
16	RFC 1	RF choke, 2.2 mH	MOU	434-05-222J	1
17	U 1	voltage reg., 12 V	CS	7812	1

Misc. items: buss wire, solder "AS REQUIRED"

\*\*\*\*\*

Table 4: (M1) DLC-B Delay Line Card subassembly parts list  
Vendor codes per Table 2.  
Schematic = part of Figure 3; Assembly = Figure 4

Item	Designator	Description/Value	Vendor	Vendor Stock #	QTY
1	BD	perfboard:0.7"X1.1"	RS	276-1396 (cut)	1
2	H 1	screw, 4-40 X .25"	MOU	572-01880	1
3	H 1	split lockwasher,#4	MOU	572-00649	1
4	H 1	solder lug, #4	MOU	534-7311	1
5	H 1	spacer, 4-40 X.375"	MOU	534-1450B	1
6	P 1-8	flen clip,.042" hole	MOU	574-T42-1/100	8
7	(for Z1)	14-pin DIP socket	RS	276-1999	1
8	Z 1	500 ns delay-line	AST	(Rhombus) TZB98-10	1

Misc. items: buss wire, solder "AS REQUIRED"

\*\*\*\*\*

Table 5: control orientation conventions

Orientations are as viewed from outside the chassis box assembly.

Knob pointers should be aligned to the clock hour-hand positions indicated.

Side	Control	Orientation Conventions
left	S1	noise reducing (float) GND = up; common GND= down
left	S2	noise reducing (float) GND = up; common GND= down
top	R1	CCW = max. Line 1 control voltage CW = min. Line 1 control voltage
top	R2	CCW = max. Line 2 control voltage CW = min. Line 2 control voltage

28

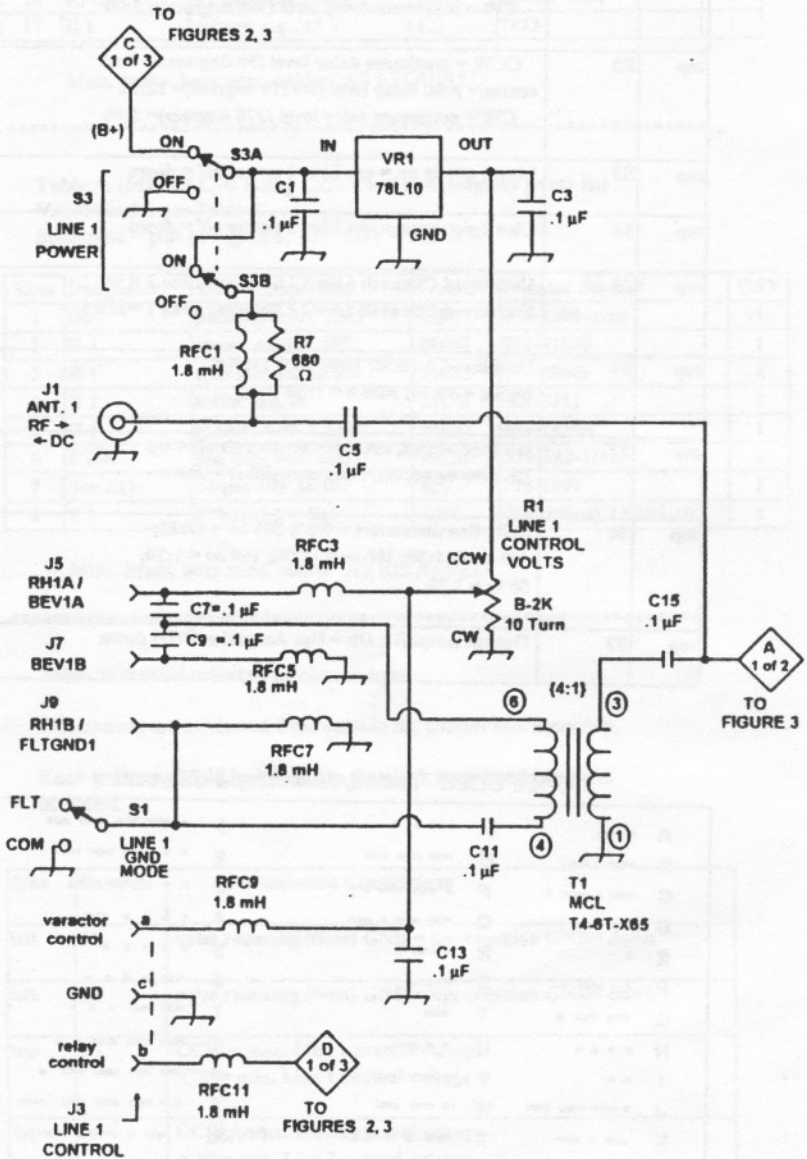
top	R3	CCW & CW = max. level Undelayed Channel = 7:00 / 5:00 center = min. level Undelayed Channel = 12:00
top	R4	CCW = maximum delay level (0 degrees) = 7:00 center = min. delay level (0/180 degrees) = 12:00 CW = maximum delay level (180 degrees) = 5:00
top	R5	CCW = maximum delay level (90 degrees) = 7:00 center = min. delay level (90/270 degrees) = 12:00 CW = maximum delay level (270 degrees) = 5:00
top	S3	Line 1 power on = up; Line 1 power off = down
top	S4	Line 2 power on = up; Line 2 power off = down
top	S5	Undelayed Channel: Line 1 / Delayed: Line 2 = up Undelayed Channel: Line 2 / Delayed: Line 1 = down
top	S6	Undelayed = 10:30; Delayed = 11:30; Null-a = 12:30; Null-b = 1:30
top	S7	HB (high-band, ext. relay de-energized) = up LB (low-band, ext. relay energized) = down
top	S8	delay line disconnect = 9:30; 500 ns = 10:30; 400 ns = 11:30; 300 ns = 12:30; 150 ns = 1:30; 50 ns = 2:30
top	S9	Output Amplifier On = Up; Amplifier Off = down

### MORSE CODE - Letters, Numbers, & Characters

A	• —	N	— •	1	• — — — —
B	— •••	O	— — —	2	•• — — —
C	— ••••	P	• — — •	3	••• — —
D	— ••	Q	— — — •	4	•••• —
E	•	R	• ••	5	•••••
F	•• — •	S	•••	6	— ••••
G	— — •	T	—	7	— — •••
H	••••	U	•• —	8	— — — ••
I	••	V	••• —	9	— — — — •
J	• — — —	W	• — —	0	— — — — —
K	— • —	X	— •• —	Period	•••••
L	••••	Y	— • — —	Comma	— — •• — —
M	— —	Z	— — ••	?	•• — — ••

# DCP-2 DUAL CONTROLLER / PHASER

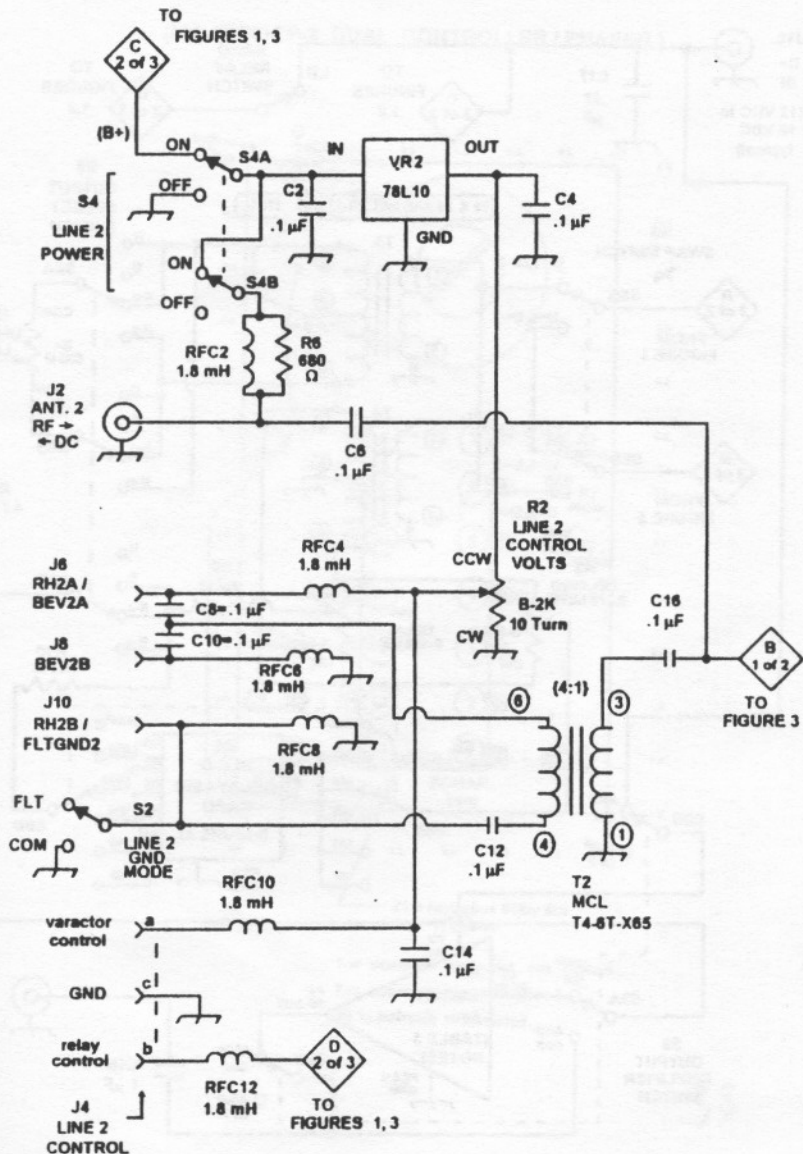
## FIGURE 1: LINE 1 INPUT / CONTROL SECTION



30

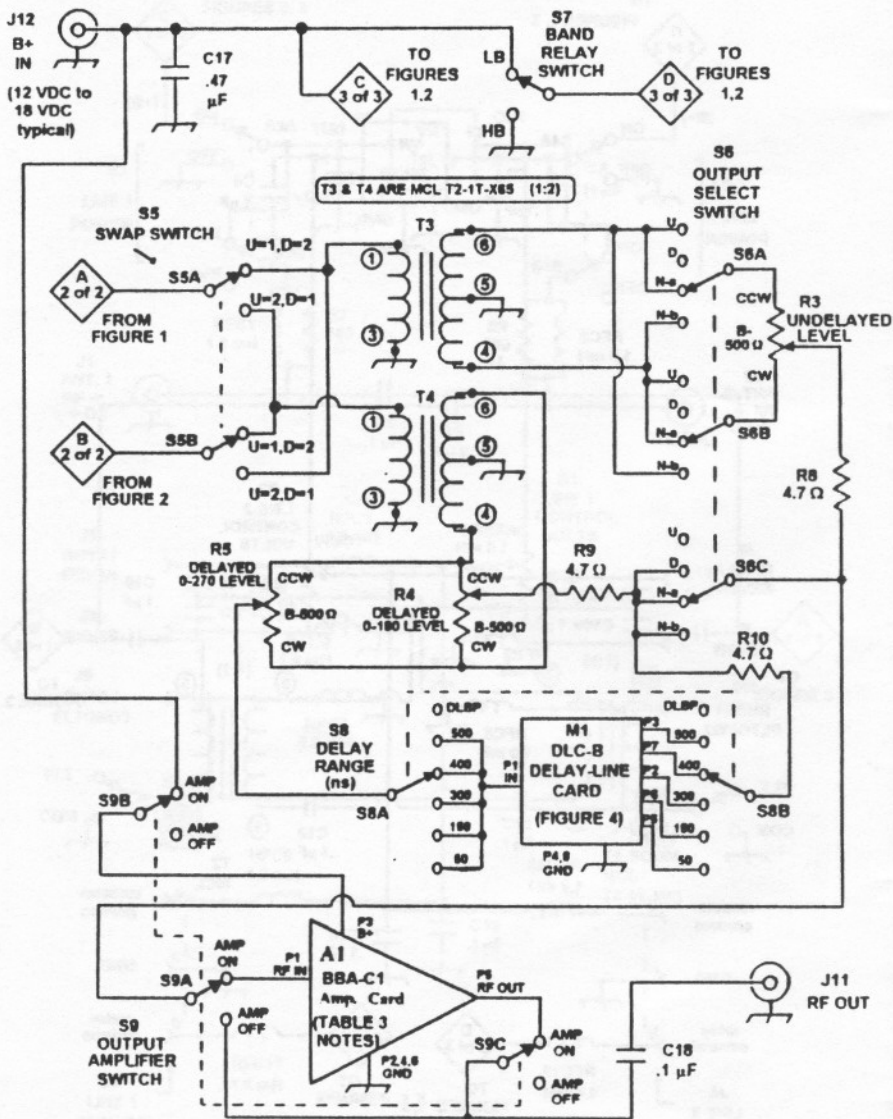
# DCP-2 DUAL CONTROLLER / PHASER

## FIGURE 2: LINE 2 INPUT / CONTROL SECTION



# DCP-2 DUAL CONTROLLER / PHASER

## FIGURE 3: OUTPUT SECTION

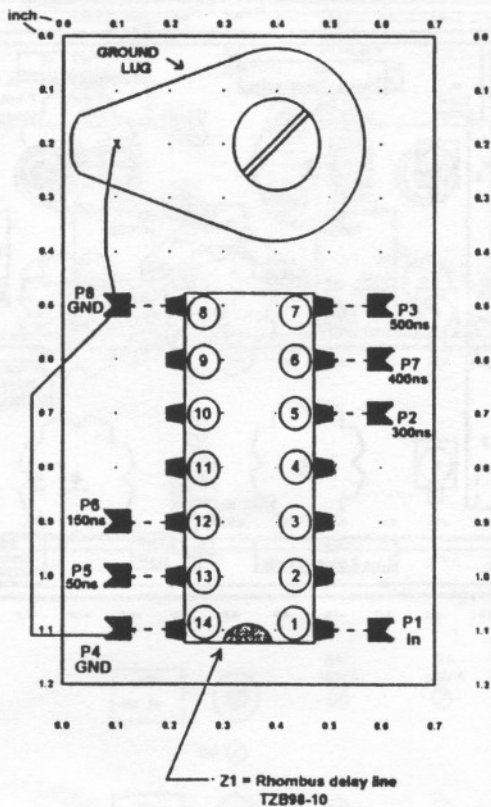


32



# FIGURE 4: DLC-B DELAY-LINE CARD

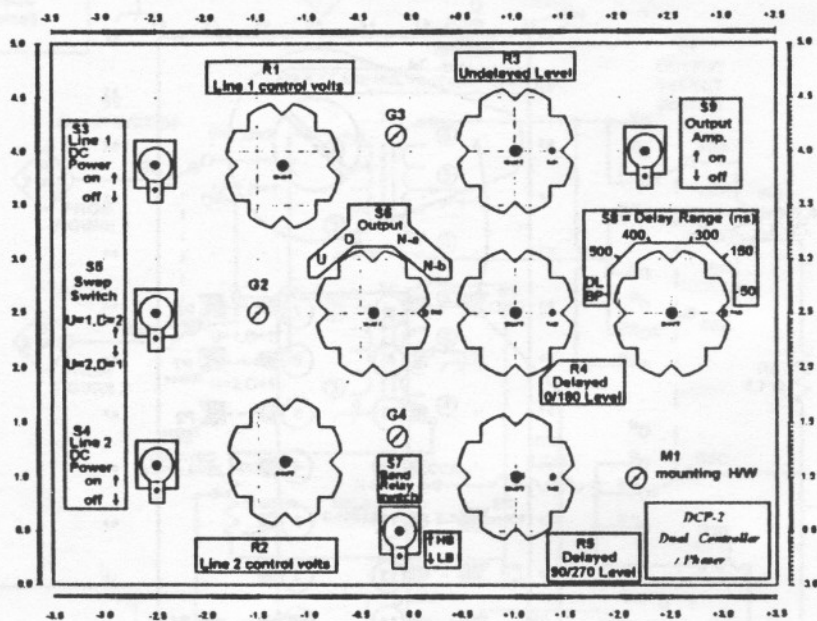
(M1 OF DCP-2 DUAL CONTROLLER / PHASER)



For complete parts list, see Table 4.  
 For connections, see Figure 3.  
 P4 to P8 wire is insulated.

# DCP-2 DUAL CONTROLLER / PHASER

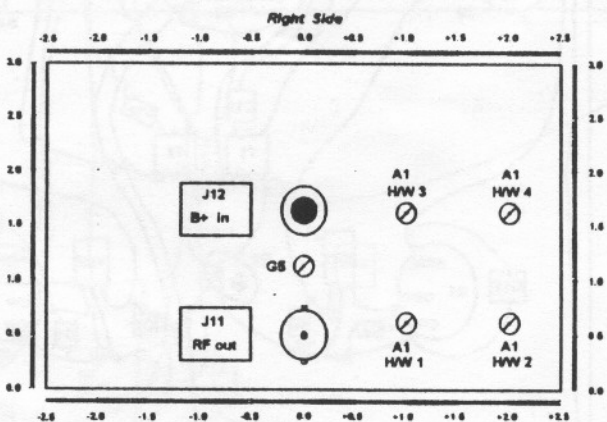
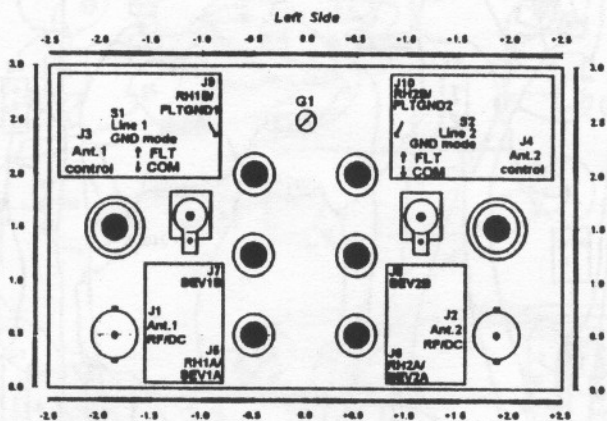
## FIGURE 5: TOP SIDE PICTORIAL



34

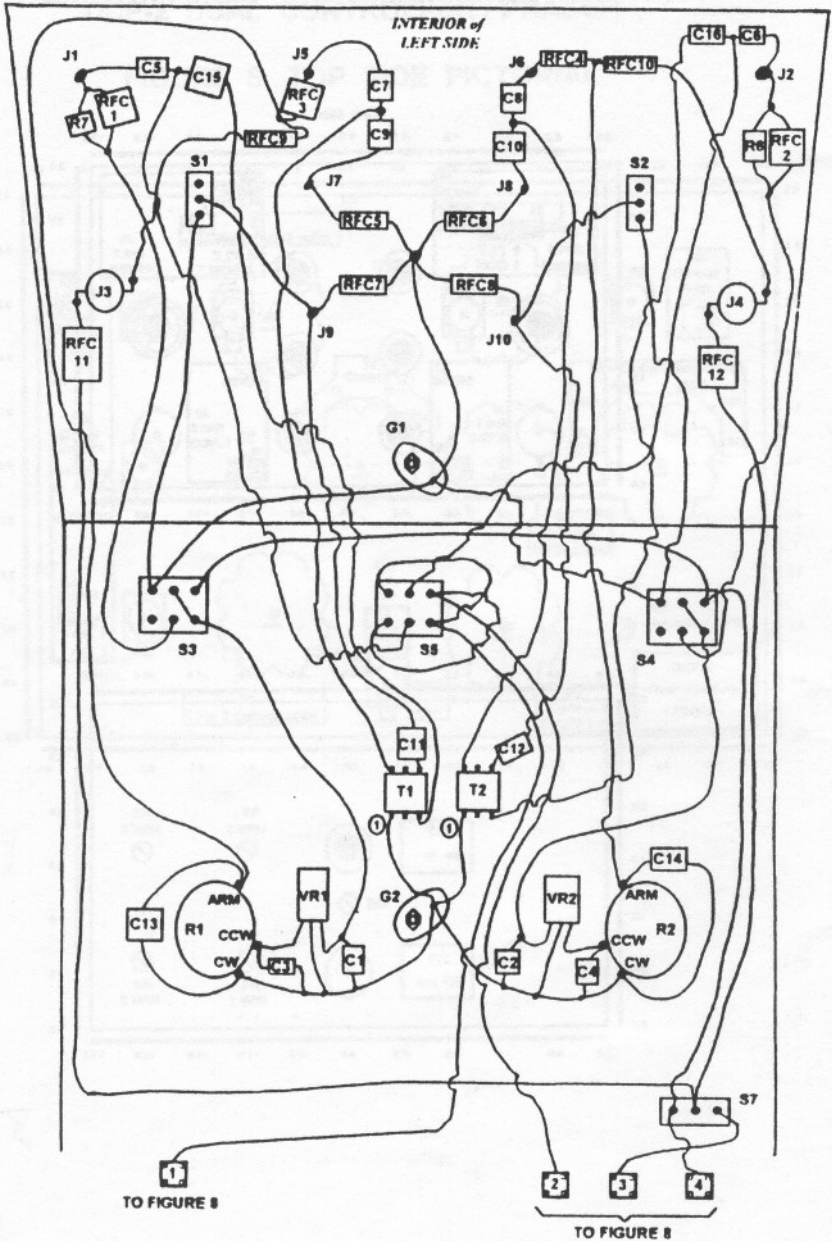
# DCP-2 DUAL CONTROLLER / PHASER

## FIGURE 6: LEFT SIDE, RIGHT SIDE PICTORIALS



35

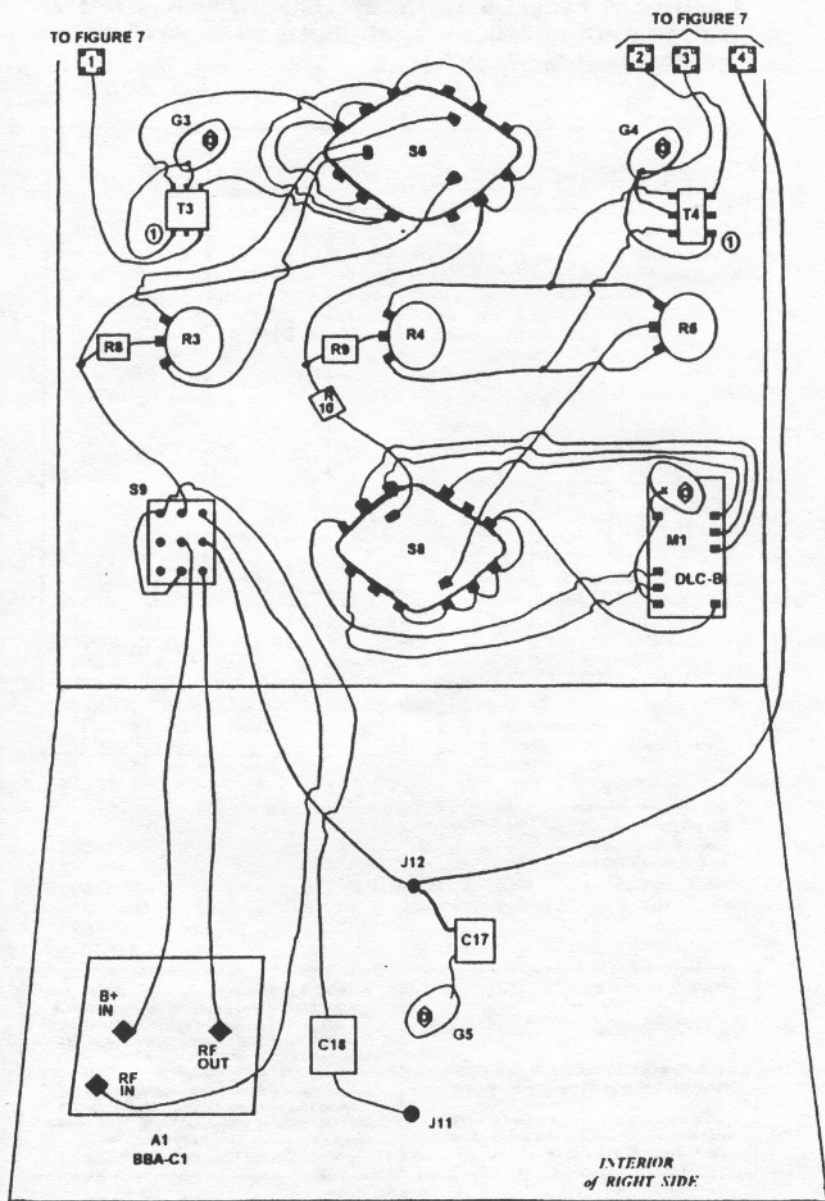
DCP-2 DUAL CONTROLLER / PHASER  
 FIGURE 7: ASSEMBLY PICTORIAL 1



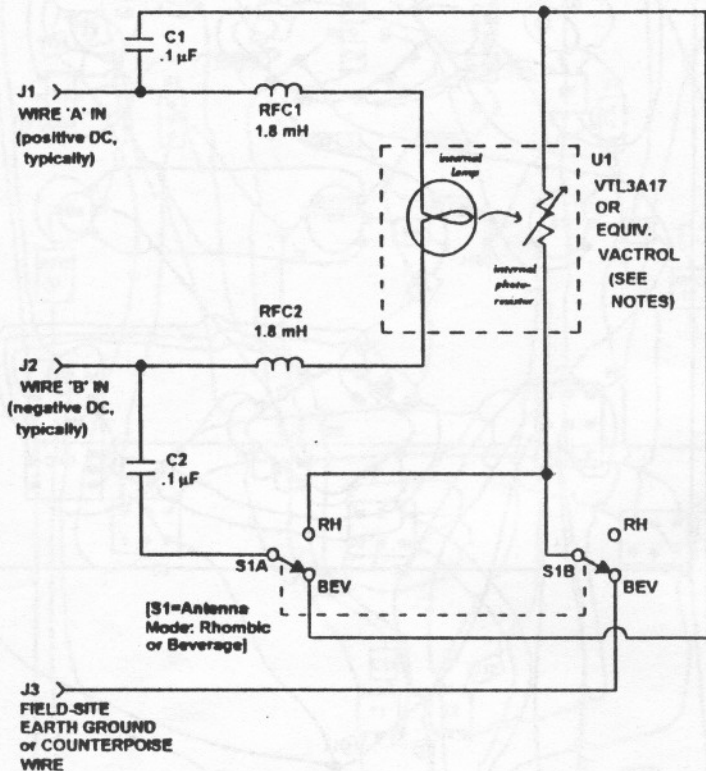
36

# DCP-2 DUAL CONTROLLER / PHASER

## FIGURE 8: ASSEMBLY PICTORIAL 2



**DCP-2 DUAL CONTROLLER / PHASER**  
**FIGURE 9: FIELD-SITE REMOTE TERMINATOR BOX**  
 (FOR CONTROL OF BEVERAGE AND RHOMBIC ANTENNA  
 TERMINATION VIA THE DCP-2)



**NOTES:**

- U1 (EG&G Vactec VTL3A17) is Allied P/N 980-0208.
- Polarity of DC on input wires doesn't matter: device leads may be connected either way.
- U1 lamp leads will measure less than 2000 ohms and photoresistor leads will measure greater than 20K with device unpowered.

• For further information on remote termination, contact Steve Byan (E-mail = "steve@hi.com"). His article "Remotely-Controlled Termination of Beverage Antennas" pioneered the use of Vactrol terminators.

• Variations of this circuit may be usable in modified versions of the Russ Scotka - Dallas Lankford phased antenna system. These could also be used with the Floyd Koontz "Ewe" antenna (QST FEB 1996 and JAN 1996).

Mark Connelly - MarkWALION@aol.com

[Connelly\*rw-MA] = Rowley, MA <Parker River National Wildlife  
Reservation: salt marsh at end of Stackyard Road> [GC = 70.83 W /  
42.75 N]

Receiver used: Drake R8A

Antenna systems: RW-1 active whip, RL-1 remotely-tuned loop; phased via  
DCP-2 Dual Controller - Phaser

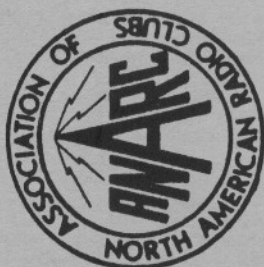
\* TRANS-ATLANTIC DX \*

- 693 AZORES, RDP, Terceira, JUL 3 0156 - bits of tinny early-'60s surf  
guitar instrumentation, then PP talk by man; excellent, way o/  
others. [Connelly\*rw-MA]
- 711 WESTERN SAHARA, Layoune, JUL 3 0043 - female AA vocal; fair w/  
WOR phased. [Connelly\*rw-MA]
- 764 unID (possibly SENEGAL), JUL 3 0024 - carrier here on 764 rather  
than 765. Dakar w/ crystal trouble? [Connelly\*rw-MA]
- 836 AZORES, RDP, Barrosa, JUL 3 0031 - PP talk by man; to good peak,  
het from weaker 837 noted at times. [Connelly\*rw-MA]
- 864 EGYPT, Santah, JUL 3 0149 - AA Koranic male chant; slightly o/ a  
jumble of others. [Connelly\*rw-MA]
- 882 CANARY ISLANDS // SPAIN, JUL 3 0058 - man in SS; o/ rumble, WCBS  
phased. [Connelly\*rw-MA]
- 1044 MOROCCO, Sebaa-Aioun, JUL 3 0003 - AA vocal, then talk; starting  
fade-up. [Connelly\*rw-MA]
- 1053 UNITED KINGDOM, TalkRadio UK synchros, Start Point et al., JUL 3  
0123 - EE teletalk; through WEVD slop. [Connelly\*rw-MA]
- 1089 UNITED KINGDOM, TalkRadio UK synchros, Brookman's Park et al., JUL  
3 0143 - EE sports talk; good w/ WBAL phased. [Connelly\*rw-MA]
- 1098 SLOVAKIA, Nitra / SPAIN, RNE5 synchros, JUL 3 0144 - Slovakia w/  
mellow instrumental music, o/ SS talker. [Connelly\*rw-MA]
- 1107 SPAIN, RNE5 synchros, JUL 3 0138 - SS female announcer, then into  
teletalk; fair w/ CKTY nulled. [Connelly\*rw-MA]
- 1134 CROATIA, Hrvatska Radio, Zadar, JUL 3 0136 - mellow Slavic male  
folk vocal; fair, o/ Spain SAH. [Connelly\*rw-MA]
- 1215 UNITED KINGDOM, Virgin R. synchros, JUL 3 0204 - EE DJ talk, then  
"Good Thing" by Pine Young Cannibals; fair to good, atop Spain.  
[Connelly\*rw-MA]
- 1422 GERMANY, Heusweiler, JUL 3 0207 - classical music; poor to fair  
through slop. [Connelly\*rw-MA]
- 1521 SAUDI ARABIA, Duba, JUL 3 0208 - pre-sign-on carrier at monster  
level, annihilating WWKB. [Connelly\*rw-MA]

\* PAN-AMERICAN DX \*

- 595 DOMINICA, DBS, Hillsborough, JUL 3 0159 - Caribbean-EE talk; poor  
to fair, just getting by a strong Portugal-594 het. [Connelly\*rw-  
MA]
- 690 ANGUILLA, Caribbean Beacon, The Valley, JUL 3 0033 - male EE  
preacher; good w/ CBF phased. [Connelly\*rw-MA]
- 760 COLOMBIA, RCN, HJAJ, Barranquilla, JUL 3 0128 - SS talk, RCN ID;  
loud, way o/ everything else. [Connelly\*rw-MA]
- 895 ST. KITTS & NEVIS, VON, Charlestown, JUL 3 0058 - good w/ reggae.  
[Connelly\*rw-MA]
- 1050.3 unID, likely Latin American, JUL 3 0125 - 300 Hz het on high  
side of WEVD. On 1050, there was a growl & some SS talk u/ WEVD,  
instead of typical subdominant CHUM. [Connelly\*rw-MA]
- 1100.3 COLOMBIA, CARACOL, HJAT, Barranquilla, JUL 3 0117 - SS teletalk;  
fair to good. [Connelly\*rw-MA]
- 1160 BERMUDA, VSB3, Hamilton, JUL 3 0107 - BBC World Service ID, item  
about Palestinians; good, o/ WOBM. [Connelly\*rw-MA]
- 1170 COLOMBIA, CARACOL, HJNW, Cartagena, JUL 3 0105 - initially WKPE  
groundwave (exceedingly low-fidelity rock // 104.7 FM) was atop,  
then - seemingly out of nowhere - "CARACOL, Primer Cadena de  
Colombia" steamrolled in right over it. HJNW and WKPE are on  
similar bearings from the Rowley site. [Connelly\*rw-MA]

FIRST CLASS  
U. S. POSTAGE  
PAID  
PERRIS CA  
PERMIT NO. 120



FIRST CLASS MAIL

33-34  
LEE FRESHWATER  
414 SE 3rd ST  
OCALA FL 34471  
USA

**THE INTERNATIONAL RADIO CLUB OF AMERICA (IRCA)**  
**PO Box 1831 Perris CA 92572-1831**

The IRCA is a non-profit organization devoted to the hobby of hearing distant stations on the AM Broadcast Band (510 - 1720 khz). **DX Monitor**, the official publication of the IRCA, is published 34 times a year, weekly from October to March, twice in September and April, and monthly from May to August. **DX Monitor** contains members' loggings, articles on radio stations, receiver reviews, technical articles, DX tips, and other material of interest to Broadcast Band DX hobbyists. IRCA is a member of ANARC, the Association of North American Radio Clubs.

**CLUB ADDRESSES AND OFFICERS**

President: Phil Bytheway, 9705 Mary NW, Seattle, WA 98117-2334 (206) 356-3927 W (proposals)

Secretary-Treasurer: John C Johnson

Board of Directors: Shawn M Axelrod, Larry Godwin (chairman), Michael S Hardester, Nancy Johnson, Patrick Martin, JD Stephens and Robert Wien

Editor-in-Chief/Publisher: Ralph Sanserino, PO Box 1831, Perris, CA 92572-1831 (dues/address changes)

Publishing Coordinator: Phil Bytheway, 9705 Mary NW, Seattle, WA 98117-2334

**MEMBERSHIP DUES**

U.S. - \$25.00 per year. Canada - \$27.00. Overseas Surface - \$28.50. Overseas Airmail - \$35.00 (Central America, Caribbean, Colombia and Venezuela), \$38.00 (Europe, North Africa, Middle East), \$41.00 (rest of the world). Trial Membership - \$9.50 (10 issues of **DX Monitor** and a New Member Packet, U.S. / Canada / Mexico only). Installment rate: two payments of 1/2 dues plus \$1.00 (\$13.50 payment for U.S. members). Make checks and money orders payable to IRCA and send all dues (and address changes) to: IRCA, PO Box 1831, Perris, CA 92572-1831. Persons living outside the U.S., please use International Money Order in U.S. funds. Sample copies of **DX Monitor** are 32¢ (50¢ to Canada) or two International Reply Coupons each and are available from: IRCA, PO Box 1831, Perris, CA 92572-1831.

Unless otherwise noted, permission is granted to publish, broadcast, or otherwise reproduce non-copyrighted material appearing in **DX Monitor** provided credit is given to the IRCA and the original contributor. Opinions expressed in **DX Monitor** are those of the original contributors and do not necessarily reflect those of the IRCA, its publishing staff, editors or officers.