

November 16, 1996 - Volume 34 - Number 09 - Edition 1102-ISSN 899-9733

\*\*\*\*\*  
**IN THIS ISSUE:** DX Test..2, DX Worldwide West..3, Western DX Roundup..4, Central DX Roundup..5, Eastern DX Roundup..8, Hong Kong Veri..10, Western DX Forum..11, Eastern DX Forum..12, RL-1 & RW-1 (continued from 34-07, more pages to come)..13, In The Center..IRCA '96 Reprint Update (done right this time I hope).....

\*\*\*\*\*  
**RENEWALS:** Tom Wood of Newark CA, Stephen Schreiter of So Milwaukee WI, Herb Childs of San Francisco CA, David Lanoue of Riverside CA, Robert Wien of San Jose CA. Thank You All For The Support.....

\*\*\*\*\*  
**IRCA MEXICAN LOG - 4th EDITION**

The IRCA is proud to announce the release of the 4th edition of its MEXICAN LOG. The IRCA MEXICAN LOG log lists all AM stations in Mexico by frequency, including call letters, state, city, day/night power, slogans, schedule in UTC/GMT, formats, networks and notes. In addition, stations that have changed frequency since 1990 are cross-referenced on the old frequency. The call letter index gives call, frequency, city and state. The city index (listed by state, then city) includes frequency, call and day/night power. The log has been completely updated from the 1994 edition and carefully cross-checked by IRCA members in Mexico and the US. This is an indispensable reference for anyone who hears Mexican radio stations. Size is 8 1/2" x 11" and three hole punched for easy binding (optional).

Prices: IRCA/NRC members - \$6.50 (US/Canada/Mexico/seamail), \$7.50 (rest of the Americas airmail), \$8.00 (Europe/Asia airmail), \$8.50 (Australia/New Zealand airmail). Non-members: add \$2.00 to the above prices.

Order TODAY from: IRCA Bookstore, 9705 Mary NW, Seattle WA 98117-2334

\*\*\*\*\*  
**RENEWING:** Please note the numbers above your name on the address label this is your expiration number, a 34-09 means your membership in the IRCA will expire with this issue. I will rubber stamp a reminder on the front page of your DXM and I will try to remind you 2 or 3 issues before you expire. If you have not renewed on time your name will be removed from the address list, so please try to renew early...Thanks..

\*\*\*\*\*  
**DX TEST**

- 11/23/96 Sat - 0000-0030 - 1280 - WTMY - Sarasota FL (IRCA)
- 0030-0100 - 1420 - WBRD - Palmetto FL (IRCA)
- 11/24/96 Sun - 0300-0400 - 770 - WWCN - Estero FL (IRCA)
- \*12/01/96 Sun - 1200-0100 - 1450 - CHUC - Cobourg Canada (IRCA)
- 0200-0230 - 640 - KGVW - Belgrade MT (IRCA)
- 0300-0400 - 770 - WWCN - Estero FL (IRCA)
- 12/ 8/96 Sun - 0300-0400 - 770 - WWCN - Estero FL (IRCA)
- 12/ 9/96 Mon - 0200-0230 - 620 - KAAM - Plano TX (IRCA)
- 12/14/96 Sat - 0300-0330 - 690 - KSTL - St Louis MO (IRCA)
- EMAIL: richczar@inlink.com
- 12/15/96 Sun - 0300-0400 - 770 - WWCN - Estero FL (IRCA)
- 12/16/96 Mon - 0230-0300 - 1180 - WSAF - Summerville GA (IRCA)
- \*12/21/96 Sun - 0200-0230 - 910 - KPOF - Westminster CO (IRCA)
- EMAIL: RBDI@ix.netcom.com

# **DX TEST BULLETIN**

**\*\* DX TESTS ARRANGED BY IRCA, NRC, AND OTHERS \*\***

**NOTE: EVEN IF YOU DON'T HEAR THE TEST, BE SURE AND DROP A CARD, LETTER, OR E-MAIL TO THE STATION PERSONNEL, THANKING THEM FOR THEIR TROUBLE.**

---

**SUNDAY, NOVEMBER 10, 17, AND 24, 1996** - WWCN-770, P.O. BOX 9600, ESTERO, FL 33928 WILL TEST AT 1,000 WATTS DIRECTIONAL BETWEEN 3:00 & 4:00 AM EST. THE TEST WILL INCLUDE MORSE CODE ID'S, TEST TONES, & BIG BAND MUSIC. **NOTE: THIS TEST WILL BE REPEATED EVERY SUNDAY MORNING AT THE SAME TIME DURING THE MONTH OF NOVEMBER.** RECEPTION REPORTS MAY BE SENT TO: MR. "JOEY C." - PROGRAM DIRECTOR. (ARRANGED J.D. STEPHENS FOR THE IRCA CPC).

---

**MONDAY, NOVEMBER 18, 1996** - KALM-1290, P.O. BOX 15, THAYER, MO 65791 WILL TEST AT 1,000 WATTS NONDIRECTIONAL BETWEEN 1:00 & 1:30 AM EST. THE TEST WILL INCLUDE MORSE CODE. RECEPTION REPORTS MAY BE SENT TO: MR. DAVE WATSON (KB0YF) - PROGRAM MANAGER. (ARRANGED BY J.D. STEPHENS FOR THE IRCA CPC).

*E-Mail: [Watson@enet.net](mailto:Watson@enet.net)*

---

**MONDAY, NOVEMBER 18, 1996** - KKOJ-1190, P.O. BOX 29, JACKSON, MN 56143 WILL TEST AT 5,000 WATTS DIRECTIONAL DAYTIME PATTERN BETWEEN 1:30 & 2:00 AM EST. THE TEST WILL INCLUDE MORSE CODE ID'S AND OLDIES MUSIC. RECEPTION REPORTS MAY BE SENT TO: MR. DOUG POTTER - ENGINEER. (ARRANGED BY J.D. STEPHENS FOR THE IRCA CPC).

---

**SATURDAY, NOVEMBER 23, 1996** - WTMY-1280, 2101 HAMMOCK PLACE, SARASOTA, FL 34235 WILL TEST BETWEEN 12:00 & 12:30 AM EST. THE TEST WILL INCLUDE TEST TONES, SPECIAL VOICE ID'S, MORSE CODE ID'S AND AN UNSPECIFIED TYPE OF MUSIC. POWER WILL BE 500 WATTS USING A NONDIRECTIONAL PATTERN, UNLESS NEW TOWERS ARE COMPLETED BY THE TEST DATE. RECEPTION REPORTS MAY BE SENT TO: MR. MIKE CRAFT - GENERAL MANAGER. (ARRANGED BY LEE FRESHWATER FOR THE IRCA CPC).

*E-Mail: [wtmy@worldnt.com](mailto:wtmy@worldnt.com)*

*Web: <http://www.worldnt.com/wtmy/>*

---

**SATURDAY, NOVEMBER 23, 1996** - WBRD-1420, PALMETTO, FL WILL TEST BETWEEN 12:30 & 1:00 AM EST. THE TEST WILL INCLUDE TEST TONES, SPECIAL VOICE ID'S, MORSE CODE ID'S AND AN UNSPECIFIED TYPE OF MUSIC. POWER WILL BE 2,500 WATTS USING A DAYTIME DIRECTIONAL PATTERN. RECEPTION REPORTS MAY BE SENT TO: MR. MIKE CRAFT - GENERAL MANAGER, c/o WTMY RADIO, 2101 HAMMOCK PLACE, SARASOTA, FL 34235 (ARRANGED BY LEE FRESHWATER FOR THE IRCA CPC).

*E-Mail: [wtmy@worldnt.com](mailto:wtmy@worldnt.com)*

---

**SUNDAY, DECEMBER 1, 8, 15, 22 AND 29, 1996** - WWCN-770, P.O. BOX 9600, ESTERO, FL 33928 WILL TEST AT 1,000 WATTS DIRECTIONAL BETWEEN 3:00 & 4:00 AM EST. THE TEST WILL INCLUDE MORSE CODE ID'S, TEST TONES, & BIG BAND MUSIC. **NOTE: THIS TEST WILL BE REPEATED EVERY SUNDAY MORNING AT THE SAME TIME DURING THE MONTH OF DECEMBER.** RECEPTION REPORTS MAY BE SENT TO: MR. "JOEY C." - PROGRAM DIRECTOR. (ARRANGED J.D. STEPHENS FOR THE IRCA CPC).

---

**SUNDAY, DECEMBER 1, 1996** - CHUC-1450, P.O. BOX 520, COBOURG, ON K9A 4L3, CANADA WILL TEST BETWEEN WITH 1,000 WATTS NONDIRECTIONAL BETWEEN 12:00 & 1:00 AM EST. THE TEST WILL INCLUDE MORSE CODE ID'S AND VOICE ID'S. RECEPTION REPORTS MAY BE SENT TO: MR. JOHN TON - CHIEF ENGINEER. (ARRANGED BY J.D. STEPHENS FOR THE IRCA CPC).

*E-Mail: [jton@eagle.ca](mailto:jton@eagle.ca)*

---

**SUNDAY, DECEMBER 1, 1996** - KGVW-640, 2050 AMSTERDAM ROAD, BELGRADE, MT 59714 WILL TEST BETWEEN 2:00 & 2:30 AM EST. THE TEST WILL INCLUDE VOICE ID'S AND SACRED MUSIC. ALTHOUGH THE TEST WILL NOT INCLUDE MORSE CODE, THE STATION WILL SWITCH BETWEEN 1,000 WATTS NIGHTTIME DIRECTIONAL, AND 10,000 WATTS DAYTIME POWER AND PATTERN DURING THE TEST. RECEPTION REPORTS MAY BE SENT TO: MR. DALE HEIDNER (W7NAV) - CHIEF ENGINEER. (ARRANGED BY J.D. STEPHENS FOR THE IRCA CPC).

*E-Mail: [macoasis@sunrise.alpinet.net](mailto:macoasis@sunrise.alpinet.net)*

*Web: <http://www.alpinet/~macoasis/KGVW/>*

---

**MONDAY, DECEMBER 9, 1996** - KAAM-620, P.O. BOX 941124, PLANO, TX 75094-1124 WILL TEST AT A POWER OF 4,500 WATTS BETWEEN 2:00 & 2:30 AM EST. KAAM MAY SWITCH BETWEEN THEIR DAYTIME DIRECTIONAL AND NIGHTTIME DIRECTIONAL PATTERNS DURING THE TEST, WHICH WILL INCLUDE MORSE CODE AND VOICE ID'S. RECEPTION REPORTS MAY BE SENT TO: MR. HUE BEAVERS - CHIEF ENGINEER. (ARRANGED BY J.D. STEPHENS FOR THE IRCA CPC).





# DX Worldwide - West

PAT MARTIN PO BOX 843 SEASIDE, OR 97138  
Time: UTC Phone (503) 861-3185

DEADLINE: MONDAYS

We have a new reporter to DXWW-W this time. Welcome Randy Stewart. Glad to have your reports. Report often. Also a nice report this time from Larry Godwin. I also received my 2nd Hong Kong QSL letter this week, from Metro Radio, 1044 khz. So away we go.

## PAN-AMERICAN DX ROUNDUP

- 640 CUBA, Radio Reloj 10/19, hrd running this instead of usual Radio Progreso around 0155, must have been on for hurrican coverage? (RS-MO)
- 700 COLOMBIA, Cali HJXC 10/31 fair 0240 atop freq. in WLW null with Caracol programming. This one's rare here, even with the listed 120 Kw. (RS-MO)
- 720.19 NICARAGUA, Managua YNRC 10/31 0300 fair-good at times in WGN null. Off-frequency just enough to provide good copy in USB mode. "Radio Catolica de Nicaragua" IDs and full call letter ID 0303. Taped report rent. (RS-MO)
- 760 COLOMBIA, Barranquilla HJAJ excellent atop freq. with commercial spots "RCN" mentions,promo for Website (www.rcn.com.co.) at 0116 10/25 (RS-MO)
- 1000 COLOMBIA, Cartagena HJAJ weak,mixing w/another SS(prob. XEOY), at 0302 10/26 w/RCN Network ID. (LBG-MT)
- +Also noted mixing with KOMO at 0445 10/27 with "RCN" ID. (PM-OR)
- 1100 COLOMBIA, Barranquilla HJAT 10/19 0125,first time noted on exactly 1100.0 instead of 1100.3, where they have been for yrs. Briefly atop w/ Caracol pgming //5077SW (RS-MO)
- 1520 COLOMBIA, Bogota HJLI 10/31 tropical mx and "Ecos del Palmar" IDs after every song. Gave time check at 0223. Very surprised to hear then atop freq. New log, first highbander from SA(above 1200),KOMA nulled (RS-MO)

## TRANS-PACIFIC DX ROUNDUP

- 846? JAPAN, Koriyama JOCP prob the one w/NHK pips 1400 10/15, it's the only NHK listed. QRM from another stn. (LBG-MT)
- 972 UNID, w/woman talking in ort. lang 10/16 1258-1302 w/no break. Would this be HLSA? (LBG-MT) (Probably. They are very strong.PM)
- 1665 AUSTRALIA, maybe the weak one w/mx that sounded Greek to me at 1151 10/13. (LBG-MT)

## VERIFICATIONS

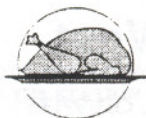
- 1044 HONG KONG, Metro Plus sent full detailed QSL letter in 175d after f/up from Robert N. Palitz-CE. 10KW. My second Hong Kong QSL.(PM-OR)

## THANKS TO THESE REPORTERS

- LBG-MT LARRY B. GODWIN-2390 CLYDES DALE LANE-MISSOULA,MT 59804  
lbg@selway.umd.edu using a Hammarlund HQ-150, Sanserino air core box loop.
- RS-MO RANDY STEWART-4225 W. LA CASA-SPRINGFIELD, MO 65802-5615  
Yaesu FRG-100, 15" Sanserino box loop
- PM-OR YOUR EDITOR  
Drake R8, Term. 1500' Eastern Beverage, Ground system

**WNAM** 1280<sup>AM</sup>

WNAM 1280 AM  
WUSW 96.9 FM



# WESTERN DX ROUNDUP

Nancy Johnson  
979 Neptune Boulevard  
Billings, MT 59105-2129

 **PRODIGY**  
MPNN49B

Electronic Mail: Internet: WDXR@aol.com

America On Line: WDXR Compuserve: 74444,3075

Prodigy: MPNN49B

WDXR DEADLINES: Each Saturday, Please use Eastern Time.

## REPORTERS FOR THIS ISSUE:

(FA) Frank Aden-4096 Marcia Place-Boise, ID 83704

Modified FRG-7 with 4' box loop, Sony SRF-42

(LBG) Larry Godwin-2390 Clydes Dale Lane-Missoula, MT 59804 lbg@selway.umd.edu

Hammarlund HQ-150, Sanserino air-core box loop & KIWA loop

- \*\*\*\*\*
- 690 KRCO QR, Prineville 10/25 2000 good signal, big surprise running game between Prineville & La Grande. Usually not as good here. (FA-ID)
- 840 WHAS KY, Louisville 11/1 on top with political ads across the hour, ID at 2300:30. Man said "This is Kentuckyana's news & traffic station, 84-WHAS." (LBG-MT)
- CKBX BC, 100 Mile House 10/27 2304 gave multiple IDs for CKWL-570, CKBX, and CKCQ-920. QRM from KVEG. (LBG-MT)
- 870 WWL LA, New Orleans 10/30 mixing with others; call ID 2258, promo for NFL players' party. (LBG-MT)
- 880 CKLQ MB, Brandon 10/27 2305 on top with Q-country news, weather and ID. (LBG)
- 910 KPOF CO, Denver 10/30 on top with legal ID at 2259. (LBG-MT)
- 920 KLMR CO, Lamar very strong 11/1 0800 with ID "The giant of the high plains, AM 920 KLMR, Lamar-La Junta-Las Animas-Rocky Ford-Ordway." No sign of KXLY; was it on? (LBG-MT)
- KWYS MT, West Yellowstone 11/2 1000 weak, in the hash with ID "The voice of...KWYS." (LBG-MT)
- KKLS SD, Rapid City 11/1 mixing with others, call ID at 0900. (LBG-MT)
- CKCQ BC, Quesnel 10/27 2315 with multiple IDs similar to CKBX-840 (see above); woman announcer. (LBG-MT)
- 1050 CKSB MB, Winnipeg 10/27 2300 strong in French; announcer said "CKSB, la radio de Radio Canada." (LBG-MT)
- 1120 KMOX MO, St. Louis 11/1 2304 gave brief call ID during break in St. Louis Blues hockey game. (LBG-MT)
- 1210 KRSV WY, Afton weak at 2300 10/29. Man said "You're listening to KRSV AM and FM, Afton, Wyoming." (LBG-MT)
- 1330 KRDG CA, Redding 10/26 good signal with religious programming. Not on my bandscan! (FA-ID)
- 1550 KQWB ND, West Fargo 11/2 0800 very strong with ID "Original hits from the biggest stars of the 40's, 50's & 60's on KQWB West Fargo, Star 1550." Then CNN news. (LBG-MT)
- 1660 WJDM NJ, Elizabeth in late at 0753 10/27 with local weather and Radio Ahs ID. (LBG)

## DX TESTS

1330 (WPPI) GA, Carrollton 10/26 0000-0200 no sign of test, KRDG dominant. (FA-ID)

1580 (WHLY) IN, South Bend 10/26 0600-0700 no sign of it in mess, KGAL dominant. (FA)

Where is everyone this week? DX'ing, I'm sure!



# Central DX Roundup



Editor: John C. Johnson  
Internet: CDXR@aol.com

## FOR THE RECORD

E-Mail: CDXR@aol.com

America On Line: JohnJ53816

Deadline: Saturdays

Snail-mail: 979 Neptune Boulevard, Billings, MT 59105-2129

CompuServe: 74444,3075

Prodigy: MPNN49A

Please report all times as Eastern. Tips over a month old will not be included. Include only what would be considered as DX, or unusual format diversions if it is a 50kW nearby or a local station. Your tips should be of help to other DX'ers, so include helpful information such as formats.

## RIDING GAIN

- [SA-MB] **Shawn Axelrod**, Winnipeg, Manitoba, Canada. saxelrod@mb.sympatico.ca  
Icom IC-R70 with filter mods and Palm board.  
4' box loop, Quantum loop, 100' longwire.
- [EB-MO] **Eric Bueneman**, NOUIH, Hazelwood, Missouri. EricB631@juno.com  
Sangean ATS-803A, Realistic DX-400, TM-152, Worcester Space Magnet 2.
- [QRD-IN] **Quentin R. Davis**, Jeffersonville, IN.  
Superadio, DX-392, Q-stick.
- [CAD-TX] **Charles A. Dobbins**, Houston, Texas.  
Radio Shack DX-160, 325' long wire, MFJ-956 tuner. Sony ICF-SW7600.
- [TK-MO] **Tim Kridel**, Columbia, Missouri. c503708@showme.missouri.edu  
Drake R8, 75' random longwire, Palomar active loop.

## SPECIAL INTEREST

- 1140 **CHRB** **AB**, High River. EX-1280. 10-26 very good. 0834 with "Country Music Radio" programming. Music was ||CKX-1150. Lots of talk and spots for High River businesses and PSA's. A message was given reminding listeners to tune to 1140 for a 50,000 watt signal. Now here and on 1280. New for me. [SA-MB]

## DOWN THE DIAL

- 580 **WBIL** **AL**, Tuskegee. 10-30 fair mixing with others. 0051 noted with Urban Gospel music. "AM 5-80 WBIL Tuskegee" legal ID at 0053. [EB-MO]
- 590 **KFNS** **IL**, Wood River. 10-22. 0733-0736 with talk-sports show. answering the phone "good morning you're on KFNS." Heard one local spot before KBHS and KLBJ assumed control of 590. Not enough info to try for verie. [CAD-TX]
- 620 **KTAR** **AZ**, Phoenix. 10-5 with interference from SS station plus KAAM and WJDS. 2133-2205 with Sun Devils vs. Boise State football. 2157 promo "...3 to 6 p.m. on 620 KTAR." [CAD-TX]
- WKNI** **AL**, Lexington. 10-18 poor in mess. 1855 with a sports talk show. WKNI ID. [TK-MO]
- WRJZ** **TN**, Knoxville. 10-18 fair to poor in mess. 1945 with "Radio Bible Hour," from Newport, TN. "Joy 62 WRJZ" ID at 1959, promo for "Moneywatch," Saturdays at 10:30 CDT. [TK-MO]
- 630 **KJSL** **MO**, St. Louis. 10-24 fair. 0653 with spot for "Focus On The Family." CDT TC and a "KJSL" ID. NEW!! [SA-MB]
- 670 **KBOI** **ID**, Boise. 10-7. 2150-2206 with Dr. Laura Schlessinger Show plus local spots. 2155 ID "You're listening to KBOI Boise." 2200 ABC News. First time heard! [CAD-TX]
- 720 **KDWN** **NV**, Las Vegas. 10-7. 2227-2240 with local talk show answering phone "KDWN." ID "You're on KDWN, Talk Of The West." By 2240 WGN took over 720. [CAD-TX]
- 830 **KOTC** **MO**, Kennett. 10-22. 1912-1920 with "8-30 Cotton Country" slogan between country selections. 1919 sign off "KOTC Kennett, Missouri now concludes its broadcast day, join us tomorrow at 7 on 8-30 KOTC." New for me. [CAD-TX]

- 910 **KLCN** AR, Blytheville. 1910-1920 with AP News, ID "The news when you need it, KLCN." Local spots and non-stop news program heard tonight. [CAD-TX]
- 940 **CBM** PQ, Montreal. 10-30 fair to good with Mexican, WMIX, and KIOA. 0400 noted with "CBC Radio Overnight" mention and CBC News. [EB-MO]
- 950 **KKFN** CO, Denver. 10-30 good w/KPRC and others. 0345 with contest promo and sports talk. [EB-MO]
- KXJK** AR, Forrest City. 10-22. 0753-0807 with "KXJK Forrest City" ID plus a Federal Prison Update program. School lunch menu. Gave phone number 633-1852 for birthday and swap shop access. [CAD-TX]
- 980 **KOKA** LA, Shreveport. 10-30 topping 980 o/WYFN, CKRM. 0340 with Urban Gospel music, CST TC, weather forecast for Shreveport, birthday announcements. Station was in like a local at times. [EB-MO]
- 990 **WIVK** TN, Knoxville. TENTATIVE. 10-25 very good o/CBW. No calls heard. 0706 with "Wake-up Call" program with announcer Mike Hammond, traffic with Kathryn ??, weather with Paul Emmitt, and sports with John Wilkerson. Taking calls at 656-8255 for best AL jokes for upcoming TN vs. AL football game. "News-talk radio 9-90" and "Traffic and weather together" slogans. "Rush morning update." [TK-MO]
- 1010 **KXEN** MO, St. Louis. 1825-1835 ending program "Word of Victory." Station ID "Praise Radio 10-10 KXEN St. Louis" into another religious program. Missed title of the program. Haven't heard this one in years! [CAD-TX]
- 1030 **WXSS** TN, Memphis. TENTATIVE. 10-25 booming in at times, buried in mess at others. Unsure of calls as sounded like WSSZ or WSFZ. 1917 with "Armchair Quarterback Handicapper's Show" call-in sports program at 800-773-1030. "Super Sport 10-30" slogan. Weather by a Jim Jaggert. [TK-MO]
- 1070 **WTSO** WI, Madison. 10-30 fair to poor w/CHOK and others. 0324 noted with Michael Reagan promo, "Talkradio 10-7-0 WTSO" ID, talk, Accu-Weather forecast for Madison, local spots and PSA's. [EB-MO]
- 1090 **KMXA** CO, Aurora. 10-25 fair to good. 1950 with SS talk and Mexican styled music. A "Radio Tri Color" slogan. NEW! [SA-MB]
- 1100 **KNZZ** CO, Grand Junction. 10-8. 2252-2306 with Mike Reagan Show. Local spots, ID. "News radio 1100 KNZZ." 2300 into ABC News. [CAD-TX]
- WTAM** OH, Cleveland. 10-21. 2102-2126 with Cleveland Cavaliers vs. Charlotte Hornets NBA pre-season game. Local spots. "1100 WTAM Cleveland" ID. [CAD-TX]
- 1120 **WBWN** GA, Gordon. 10-26 poor w/mega pest KMOX. 0710 with news-talk radio and weather for the Atlanta area. NEW! [SA-MB]
- 1180 **KOIL** NE, Omaha. 10-24. 1938-1942 out of an old Pat Boone song into jingle "KOIL" and a promo for the Nebraska Tourist Bureau. Gone by 1942. [CAD-TX]
- 1210 **KGYN** OK, Guymon. 10-11. 2202-2223 with Guymon Tigers vs. Clinton Red Tornadoes (ranked #1 in OK this week) high school football game. Local spots and several "KGYN, Guymon. The sports voice of the five state area." Lost to an SS station at 2223 when they took over 1210. [CAD-TX]
- WSLM** IN, Salem. 10-23 poor in so-so null of WPHT. 1953 with church service from Underwood, IN. unID network news at 2100. [TK-MO]
- 1290 **KKAR** NE, Omaha. 10-23. 2049-2106 with Pinnacle Sports Network sports call-in show. 2100 with ABC News, and 2105 with Bruce Williams Show. ID's as "Omaha's News station, 12-90 KKAR." [CAD-TX]
- 1300 **KAKC** OK, Tulsa. 10-24. 2052-2106 with One On One sports show plus local spots. ID "AM 1300 KAKC Tulsa's sports authority." 2100 with ABC News. [CAD-TX]
- KGLO** IA, Mason City. 10-25 poor in mess. 0550 with possible CNN Headline News (may have been another station.) 0559 ID "KGLO, voice of the Vikings in northern Iowa and southern Minnesota." [TK-MO]
- WOOD** MI, Grand Rapids. 10-25 very poor in mess. 0608 with "WOOD Good Morning Show" with man. Possible "Rush Morning Update." "1300, wood" jingle. [TK-MO]
- 1320 **KWHN** AR, Fort Smith. 10-16. 2255-2310 with Sports Byline USA show, 2300 with ABC News. ID "News talk 1320 KWHN" and "1320 KWHN Fort Smith." [CAD-TX]
- 1430 **KEES** TX, Gladewater. 10-28 fair to poos in mess. 2058 coming out of Ken Hamlin's "Black Avenger" show. "Keys Talk Radio" slogan. News, then back into Hamlin. [TK-MO]



- 1520 **KOMA** OK, Oklahoma City. 10-20 good, but some fading. 1552. {NO DETAILS} [QRD-IN]  
 1540 **KXEL** IA, Waterloo. 10-23. 2223-2242 with oldies music, "Mid-America's memories are right here on AM 15-40 KXEL." First time heard since we left Michigan in the mid 1970's! [CAD-TX]  
 {Charles, KXEL is a big pest here, but I always remember hearing KXEL when I lived in Keflavick, Iceland in 1966. John.}  
 1560 **WPAD** KY, Paducah. 10-21. 2300-2317 with Mutual News, political spot for Perot into oldies music program. [CAD-TX]  
 1630 **KXBT** CA, Vallejo. 10-10. 2143-2206 with many "1630 KXBT" ID's and "Solid Gold Soul, 16-30 KXBT." We have been trying all summer long to get enough info for a verie attempt on KXBT. [CAD-TX]

### DX TESTS

- 750 **KAMA** TX, El Paso. 10-19 DX Test. 0200-0215 heard only code portion of test. Calls repeated, etc. Code lasting about 55 seconds. Best signals at start of test, then continued to drop. Report sent. [CAD-TX]  
 1330 **WTPI** GA, Carrollton. 10-26 0000 DX Test not heard through mess of WHBL, KFH, WMNN, and KDRQ. [SA-MB]  
 1580 **WHLY** IN, South Bend. 10-26 0600 DX Test fair signals with a clear "WHLY" ID and a few minutes later a code ID. NEW!! [SA-MB]

### UnIDS

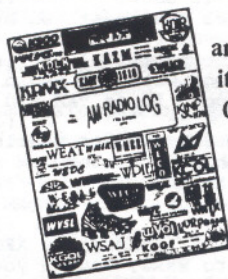
- 1170 unID 10-26 poor signals. 0827 with Mexican styled music and SS talk. Heard a slogan that sounded like "Radio Ah key Ah." [SA-MB]  
 1230 unID 10-25 poor signals. 0630 with romantic ballad type Mexican music. Looped north-south. Is this a TX station? KAAM-620 was strong at this time. [SA-MB]

### 25 YEARS AGO

November 20, 1971 issue of IRCA's "DX Monitor" - Joe A. Markewicz of Winnipeg, MB told about the 11" of snow that fell on 10-30 - Rick King of Winnipeg, MB also mentioned the snow, and that he logged Maine - Larry B. Godwin of Boulder, CO said he has lost most of his interest in DX'ing - Michael G. Worst of Seattle, WA told about using the Sanserino Loop.

### OPEN MIKE

A wise man changes his mind, a fool never will. Is everyone ready for Thanksgiving? 73, John.



The **NRC AM Radio Log, 17th Edition**, compiled from IRCA and NRC members' reports and from official sources so that it is the most accurate listing of AM stations on the market. Cross-referenced, 3-hole punched for standard binders. Only \$16.95 to U. S. and Canadian IRCA members; \$22.95 to U. S. and Canadian non-members. For all: airmail to Latin America, \$23.50; Europe, \$24.00; rest of the world: \$28.00. Order from: NRC Publications - Box 164 - Mannsville, NY 13661 (NY residents, please add sales tax)

### IRCA Reprints

The IRCA maintains a large file of articles which have appeared in past issues of DX Monitor. These articles cover a wide variety of topics, including: antenna theory and construction, tips for the foreign BCB DXer, how to improve your DXing skills, history of DXing and broadcasting, lists of stations by subject, construction projects and receiver modification, receiver reviews, medium wave propagation, and more. Copies are available for a nominal charge. For a list of reprints, send \$1.00 to:

**IRCA Reprints, c/o Steve Ratzlaff, 1885 E Bayshore Rd Sp 90,  
 E Palo Alto CA 94303.**



# Eastern DX Roundup

Editor: LEE FRESHWATER  
414 SE 3rd ST  
OCALA FL 34471

Here it is the middle of November and the DX season is well underway !  
REPORT your catches...DEADLINES ARE EVERY WEDNESDAY AY 6pm est.....  
Lfreshwate@aol.com / EDXR FAX at 352-732-7223 /or 352-732-6408.....

\*\*\*\*\*

## STARS OF THE WEEK

- (LF-FL) your editor Hammarlund HQ180A/145A Potomac FIM 41 KIWA loop
- (EM-PA) Ernest Meyer 7916 Burholme Ave Philadelphia, Pa 19111  
Drake R-8A / 100' l.w. / KIWA loop VIA U.S.P.S.
- (JD-AL) J.D. Stephens 106 Anita Dr, Madison, AL 35758-7163  
Drake R-8, SR II, Panasonic RF-2600, Radshack di-  
pole/ Shotgun loop, 75' l.w. VIA E-MAIL
- (LH-AL) Lynn Hollerman 514 Carrsbrook Rd. Huntsville, AL 35803  
Nissan car radio VIA E-MAIL
- (MB-ON) Mike Brooker 99 Wychrest Ave. , Toronto, ON M6G 3X8  
Panasonic RF-2200; RFB-45 VIA E-MAIL

\*\*\*\*\*

## LOGGINGS

- 580 WBIL AL Tuskegee 11/01 fr w High School football Half Time.  
"Your listening to high school football on WBIL"  
numerous mentions of "WBIL" Another stn staying on later  
than usual or at higher power for high school sports.  
(LF-FL)
- 740 CBL ON Toronto 11/04 2303 fr w/ INST music. Wx forcast for  
"Toronto and rest of Ontario" back into INST mx. (LF-FL)
- KRMG OK Tulsa 11/04 2305 up w/ "News Radio 740 KRMG" into Talk-  
Net. (LF-FL)
- 830 WCCO MN Minneapolis 11/01 2146 good signal w/ "Sports Night  
on WCCO Radio" Local sports call in show. (LF-FL)
- 840 WKTR VA Earlysville 10/28 2220-2230. Rel pgm presented by  
local church , mentions of nearby Charlottesville. Fair  
WHAS & WRYM (New Britain, CT in competition) (EM-PA)
- 910 WLAS NC Jacksonville 10/31 0100-0106. Good with USA Radio  
Network News, local car dealer spot, ID as "AM 910  
WLAS". (JD-AL)
- WORD SC Spartanburg 11/01 1808 Ex w/spot for Sanders Heating,  
"Welcome to hour two of the Ralph Bristol Show on News-  
Talk W-O-R-D" Great signal til 1815 (LF-FL)
- 920 WLIV TN Livingston 10/30 1808 ID popped up. Lots of QRM on  
this freq. (LH-AL)
- 940 WNRG VA Grundy 10/23 0700 fr o/CBM and SS (presumably XEQ or  
Cuba) w/ID as "You're listening to WNRG, 940 on your AM  
Dial at 7 o'clock" into CNN nx. (MB-ON)
- WMWR GA Macon 10/28 1755 fr-gd w/ads for Bell South Mobility  
promo for RUSH LIMBAUGH on "News-Talk 940, WMWR, Middle  
Georgia's sports authority" EX-WMAZ (MB-ON)
- 950 WSPA SC Spartanburg 11/01 1735 Ex for about 3 min with the  
"Terrier" report. ID as "The Voice of Spartanburg,  
WSPA" (LF-FL)
- 960 WELI CT New Haven 10/31 0725 fr o/Canadian non-IDing oldies  
pest w/promo for high school football on "your first  
choice for sports, News-Talk 960 WELI". (MB-ON)
- 980 WAPF MS McComb 10/31 1945-2001 Miss. State Football Talk pgm  
Local McComb ads, good legal ID at TOH "WAPF-McComb."  
(LF-FL)
- 990 WLDX AL Fayette 11/04 1934 Poor but readable / C&W mx. Sat



- A133 **MWT-3 Regenerative Tuner / Controller** (6) Mark Connelly. Combines the features of remotely controlled loops and whips with active and passive preselection, all with improved dynamic range (versus MWT-1 and 2 - see A99) 12/93
- A134 **DL-1 Delay-Line Phasing Unit** (4) Mark Connelly. Complete discussion of using delay lines in a passive phaser. Good dialog on the principles of delay line phasing, and operation of the DL-1. 3/94
- A135 **KIWA vs Quantum Loop Comparison** (1) Elliot Straus. Head to head comparison of these two commercially available loop antennas. 11/94
- A136 **Antenna Experiments - Summer 1994** (3) Mark Connelly. Discussion of several antenna system configurations. Loop phased against Whip, "snake" (ground transmission line) and Balanced Wire Antennas are described in detail. 11/94
- A137 **The Case for the Full Size/Full Performance Loop Antenna** (3) Ray Moore. Discussion of the advantages of using large, unamplified, air core loops over smaller ferrite or air core loops. 12/94
- A138 **MWDX-6 Phasing Unit** (7) Mark Connelly. Brief description of an antenna phaser with improved signal-to-noise ratio at low signal rural locations. Wires at least 66 feet long should be used. 1/95
- A139 **Loop Showdown: KIWA versus RSM-105** (2) Mark Connelly. Brief description of the two loops and a thorough comparison across the MW band. Also includes some comparisons with the Quantum loop. 9/95
- A140 **The Quantum (or Q-) Stick** (2) Gerry Thomas. Description of a ferrite passive antenna booster for use with portable radios. In addition to a tuned circuit for BCB, it also contains circuitry for connecting it to an external antenna jack. 2/96
- A141 **The DCP-2 Dual Control / Phaser** (5) Mark Connelly. An updated version of the DCP-1 (see A111) which includes delay line circuits for easier tuning/phasing. Description, parts list and operation are covered. 6/96

#### DOMESTIC

- D30 **Changes Afoot in the AM Band** (2) Bruce Portzer. Discussion of recent changes made by the FCC in AM band broadcasting, including AM station power, station interference changes and band expansion to 1700. 7/92
- D31 **ICI Radio Canada** (1) Shawn Axelrod. Informative article on the French service of Radio Canada and the future of Radio Canada. 5/95

#### FOREIGN

- F99 **MEX-DX '92** (3) Jef Jaisun. A tabulation of DXing during Jef's vacation to Puerto Vallarta and Melague Mexico in January of 1992. Complete list of stations heard with program/slogan details. 3/92
- F100 **RUSSIAN FAR EAST STATIONS** (1) Bruce Portzer. Partial list of stations in the far east region of Russia. Includes some schedules. From the Leningrad DX Club. 10/92
- F101 **PHONETICS CAUSE PROBLEMS WHEN IDing XE CALLS** (1) Carl Huffacker. Describes possible call letter pronunciation confusion when IDing Mexican stations. 11/92
- F102 **The October 1993 Newfoundland DXpedition** (11) Mark Connelly, Jean Burnell, Bruce Conti and Neil Kazaross. Excellent discussion of the major DXpedition to the Newfoundland coast. Includes complete loggings of TA and PA DX. 12/93
- F103 **Your First 50 Trans-Atlantic Countries (and then some)** (8) Mark Connelly. A complete guide to hearing Trans-Atlantic countries from East Coast North America, including equipment and techniques. Countries are rated by difficulty from easy to difficult with target lists for each country. 10/94
- F104 **The Newfoundland DXpedition of Spring 1995** (6) Jean Burnell. Tabulation of the May 10 through May 14 1995 DXpedition... complete with loggings, etc. 7/95
- F105 **The October 1995 Newfoundland DXpedition** (22) Mark Connelly. Tabulation of the October 12 through 15 1995 DXpedition... complete with loggings, etc. 12/95

#### GENERAL

- G55 **DXing with a Winning Game Plan** (3) Leonard Hyde. Several ideas for improving your DX: targeting methods. 5/92
- G56 **Effective Summertime DXing** (1) Leonard Hyde. DXers describe techniques they use to hear AM DX in the summer. 7/92
- G57 **Coastal DXpeditions - The Logical and Absurd Next Step** (3) Nick Hall-Patch. DXing aboard an Ocean Sciences vessel in the Pacific. Includes list of stations heard. 11/92

- G58 **Using the Computer in DXing** (3) Mark Connelly. Some ideas on how a PC can help with DX reports, record keeping and calculations. 12/92
- G59 **Getting Started in MW DXing** (3) Leonard Hyde. Discussion of the types of receivers used for MW DX, including portable, communications, surplus and car receivers. Discussion of all types of antennas, their strengths and weaknesses. Discusses log keeping and supporting DX clubs. 7/93
- G60 **Using the Stereophonic Decoder in Your Brain** (1) Cary Simpson. A brief discussion of what happens when using headphones that have audio from different radios in each ear. 9/93
- G61 **Mini-DXpeditions** (2) Mark Connelly. Discussion of the advantages of short (time and/or distance-wise) DXpeditions utilizing car radio or small portable. Includes a check list of essentials. 9/94
- G62 **Longwave DX** (1) Shawn Axelrod. Introduction and hints for DXing AM broadcasts from 153 to 279 kHz. 3/96

#### LISTS

- L4 **IRCA Countries List** (2) Bruce Portzer. Complete list of present and past MW countries for use in record keeping. Major update. 10/93
- L51 **More of the World Above 1600** (6) Shawn Axelrod. Complete discussion of what can be heard above 1600 kHz at this time. Beacons, experimental stations and beacons, driftnet buoys, maritime and pirate stations are covered in a complete listing. 7/95

#### MODIFICATION

- M63 **Putting Your DX-440 Back on track** (1) Leonard Hyde. Instructions for aligning the frequency readout accuracy of a DX-440 plus a couple of observations. (1/92)
- M64 **The Bargain Basement - Part 2** (2) Leonard Hyde. A few quick ideas: 12 Vdc operation of Autek QF-1 and DX-440, rotating large loops, shielding loops and using twin lead wire for loop construction. 6/92
- M65 **NRD-525 AGC Mod:** (3) Dallas Lankford. AGC mod for the NRD-525 that will correct distorted audio problems and reduce static crash and noise pulse hanging. 10/92
- M66 **Elimination of Display Noise in the DX-440** (1) Leonard Hyde. Installing a shield inside the radio to eliminate display noise. 11/92
- M67 **A Passive Audio Filter For Use With a Speaker** (2) Al Koppel. A low pass filter (below 3000 Hz) for the NRD-525, or any other speaker system. 12/92
- M68 **Drake R8: Encoder Shaft "Static" Elimination** (1) Dallas Lankford. Correction of the encoder static problem by correct grounding of the encoder. 9/93
- M69 **Drake R8: Increased Dynamic Range** (3) Dallas Lankford. Discussion of 3rd order intermodulation distortion in the R8 and its correction. 9/93
- M70 **NRD-525: Filter Leakage** (4) Dallas Lankford. Discussion and correction of leakage around the INTER filter. 9/93
- M71 **Drake R8: Low Headphone Volume and Broken Feet** (1) Dallas Lankford. Modifying the R8 headphone circuit to handle 8 ohm headphones. Adding strength to the feet to prevent cracking. 9/93
- M72 **R-390A Won't Turn Off (again)** (2) Dallas Lankford. Worn microswitch keeps dial lights on with power otherwise off. Detailed instructions for removing and reworking the switch.
- M73 **HP-48 to Control NRD-535** (1) Tom Napolitano. Description of a series of programs written for HP-48 series hand calculators to control an NRD-535. 1/94
- M74 **Drake R8: Type B Spurs Elimination** (2) Dallas Lankford. Techniques for the negation of hets and noise generated by the AM synchronous detector. 2/94
- M75 **Drake R8: Increased Dynamic Range, Mod 2** (5) Dallas Lankford. Several ideas for increasing the dynamic range and image rejection of the Drake R8. 7/94
- M76 **R-390A Filter Mod 2** (6) Dallas Lankford. Replacement of the R-390A's 16 kHz mechanical filter with a 3 kHz ceramic filter. 1/95
- M77 **Drake R8: More on Improved Image Rejection** (3) Dallas Lankford. Additional suggestions for improved image rejection (see M? 31/33)
- M78 **RA6790GM (R-2174(P)/URR) Noise Blanker** (4) Dallas Lankford. Discussion and schematic for using the Allegro ULN3846A noise blanker IC (the one in a Drake R-8) for other receivers. 3/95
- M79 **Ultralinear 2N5109 and 2N3053 Amplifiers** (10) Dallas Lankford. Utilizing these bi-polar transistors to design amplifiers with extremely low 2nd and 3rd order intermodulation distortion, and thus better strong signal handling. 3/95



## RECEIVERS

- R67 **Drake R8: A Second and Third Look** (8) Dallas Lankford. Additional details about R8 performance not covered in R64. 10/92, 12/92
- R68 **ICOM R-72** (2) Don Moman. Review. 11/92
- R69 **Realistic DX-390 - A "Quickie" Evaluation** (1) Leonard Hyde. Review. 11/92
- R70 **The ICOM R-9000** (2) Don Moman. Review. 12/92
- R71 **The Superadio III** (2) Gerry Thomas. Review. 1/93
- R72 **Use of Auto Radios for DXing** (1) Leonard Hyde. Brief history of car radios and the author's favorite sets for DXing. 1/93
- R73 **NRD-525: A Technical Review** (5) Dallas Lankford. Very detailed technically oriented review. 2/93
- R74 **The Collins R392/URR: Another Look** (1) Leonard Hyde. Review. 2/93
- R75 **The Chrysler Digital Auto Radio for DXing** (1) Leonard Hyde. Low noise car radio and its use is described. 12/93
- R76 **Receiver Showdown - A Comparison of Five Top RXs from a MW DXer's Perspective** (3) Gerry Thomas. Head to head comparison of the ICOM R-9000, ICOM R-71A, JRC NRD-535D, Drake R-8 and Collins R-390A receivers. Sensitivity, selectivity, dynamic range, ergonomics, audio quality and ECSS are covered. 12/93
- R77 **The Lowe HF-225 Receiver** (1) Don Moman. Review. 2/94
- R78 **RA6790/GM: A Brief Review** (6) Dallas Lankford. Review. 7/94
- R79 **Sony SRF-42 AM Stereo Walkman** (1) Frank Aden. Review of this portable AM Stereo radio. 9/94
- R80 **Some Thoughts on the Yaesu FRG-100** (2) Randy Stewart/Don Moman. Detailed reviews. 9/94
- R81 **The Zenith Trans-Oceanic: The Royalty of Radios** (1) Nick Hall-Patch. Review of the book by John H Bryant and Harold N Cones which covers the complete history of the Zenith Trans-Oceanic radio series. 6/95
- R82 **The AOR AR 7030 Communications Receiver** (3) Don Phillips and Guy Atkins. Review. 3/96, 9/96
- R83 **A Custom MW DX Receiver** (2) Ray Moore. Description of Ray's "ultimate receiver" design and its use. Includes a block diagram. 5/96

## TECHNICAL

- T74 **Atmospheric Effects on Medium Wave Radio Reception** (1) Leonard Hyde. Brief discussion of four atmospheric conditions which seem to affect medium wave reception. 12/93
- T75 **4 Software Pieces for the Mediumwave Band** (3) Guy Kudlemyer. Review and comparison of MacIntosh software packages Mac Shortwave 1.0, Mac Mini MUF, DX Helper 1.4 and MAP complete with off-screen graphical examples. 12/93
- T76 **The Timewave DSP-59 Audio Filter** (2) Nick Hall-Patch. Review of this digital audio filter and comparison with standard analog audio filters. 9/94
- T77 **Radio Shack Digital Signal Processor** (1) Don Moman. Review of the DSP-40. 11/94
- T78 **Digital Receivers Bring DSP to Radio Frequencies** (2) Roger H Hosking. Description and comparison of traditional Analog receivers and a receiver using Digital Signal Processing. 12/95

### To order any reprints from the IRCA, please do the following:

- 1) Make a list of the reprints and the page counts (numbers in parenthesis after the reprint title) on a separate sheet of paper. Total the number of pages wanted.
- 2) Multiply the total page count by the following rates:
  - 20¢ US per page for the US, Canada and Mexico
  - 20¢ US per page for the world via surface rate
  - 25¢ US per page for the world via printed matter air mail
- 4) Send your completed order along with sufficient funds to: **IRCA Reprint Service, c/o Steve Ratzlaff, 1885 E Bayshore Rd Sp 90, E Palo Alto CA 94303, USA.**

\$2.00 minimum order. Payment in US funds only (overseas please use International Money Order or US cash, no IRCs). Make checks payable to Steve Ratzlaff. Please allow at least six weeks for delivery. The IRCA reprint service is handled entirely by a single volunteer, so delays will occasionally occur. Thank you.

## IRCA '96 REPRINT UPDATE

This update to the IRCA Reprint list contains articles published in **DX Monitor** from January 1992 to August 1996. They are all available at this time. pb

### ANTENNA

- A112 **MWDX-5 Phasing Unit** (6) Mark Connelly. Longwire phaser utilizing both series (long wires) and parallel (short wires) tuned inputs. Also uses BBA-C broadband preamplifier. 1/92
- A113 **BFE-C Loop Amplifier Card** (2) Mark Connelly. Schematic and text describing a balanced cascode loop amplifier (similar to Dallas Lankford's new loop amp design) which reduces noise and spurious responses from loop antennas. 2/92
- A114 **Mini-MWDX-5: A Very Simple Phasing Unit** (3) Mark Connelly. Brief description of a simple two wire phasing unit. 2/92
- A115 **More notes on Interference-Reducing Antennas** (3) Denzil Wraight. Continued discussion (see A107/A108) of interference reducing longwire antennas. Short bibliography included. 3/92
- A116 **The Quantum Loop** (3) Gerry Thomas. Design description of Gerry's new ferrite loop antenna complete with construction details, tuner/amplifier schematic and usage. See A120 for review. 3/92
- A117 **Antenna Switching Box** (1). Pictures and description of a box with banana jacks that allows easy switching between multiple antennas without switches. 3/92
- A118 **The Electric Fence Beverage** (2) Leonard Hyde. Details on the construction and use of a Beverage antenna using .042 gauge fence wire along with construction details for a wire winding spool. 5/92
- A119 **One-Chip Active Whips** (2) Mark Connelly. Active whip amplifier design utilizing single chip buffer amplifiers. 6/92
- A120 **Quantum Loop Test Evaluation and Improvements** (2) Mark Connelly. Marks tests and evaluates Gerry Thomas' Quantum Loop (see A116). Several problems and their solution are discussed. 7/92
- A121 **Improved Receiver Grounds** (3) Nick Hall-Patch. Discussion of antenna and receiver ground schemes with emphasis on 'what works' best. 9/92
- A122 **Improvements to Regenerative Tuner Designs** (1) Mark Connelly. Discussion and schematic for the RFE-D regenerative tuner/amplifier and its integration in Mark's antenna system. 9/92
- A123 **Another Look at Noise-Reducing Antenna Systems** (1) Mark Connelly. Continued discussion of the low noise inverted L antennas discussed in A107/A108. 10/92
- A124 **RTL-1A: Improved Version of the RTL-1 Remotely-Tuned Loop** (3) Mark Connelly. Addendum to A110 outlining modifications to the basic design adding switches for more dynamic operation, switching the amplifier from a BFE-A to BFE-C, and broadband amplifier from BBA-C to BBA-C1. 10/92
- A125 **High Performance General Purpose Loop Amp** (5) Dallas Lankford. Complete description and schematic of an improved loop amplifier with balanced output. 11/92
- A126 **Ribbon Cable Loops** (2) Mark Connelly. Computer ribbon cable is used to construct the windings for a loop. Construction details and results of experiments Mark conducted with a 5 foot long, 10 conductor loop. 12/92
- A127 **BUF-A Buffer Amplifier Card: A Valuable Building Block for DX Projects** (3) Mark Connelly. The use of off-the-shelf buffer-amplifier chips in DX applications. 1/93
- A128 **Super MWDX-5 Phasing Unit** (6) Mark Connelly. Enhanced capabilities of the MWDX-5 (see A112) including added transformers for noise reduction, better nulling and spare antenna connections. 4/93
- A129 **An Unamplified Four Foot Box Loop** (4) Shawn Axelrod. Complete details on construction and tuning of this inductively coupled loop. 5/93
- A130 **KIWA MW Loop Antenna** (1) Phil Bytheway. Complete, detailed review of this 12 inch air core loop antenna with regeneration. 7/93
- A131 **A Coupler and Upgrades for the Quantum Loop** (2) Gerry Thomas. Construction details for a loop coupler and use of the coupler with radios without external antenna terminals. Also, several upgrades to the original design are outlined. 7/93
- A132 **The RTL-2 Remotely-Tuned Loop** (5) Mark Connelly. The RTL-2 has increased performance over the RTL-1 (see A110), and the ability to handle Quantum, Palomar and home-brew ferrite core antennas.



delivered. Local liners for "WLDX" Program promo for contest . "Cash ..? on WLDX" Alabama Football promo "On WLDX." (LF-FL)

WGSO LA New Orleans 11/04 1958 poor w/ weather "from WGSO that's the weather" News promo for "WGSO News" Gone at 2000 (LF-FL)

KWAM TN Memphis 11/04 2025 Local Memphis spots during sports call in show. Break for commercial on "Ball Talk on KWAM" (LF-FL)

CKIST PQ Montreal 11/04 2055 up with "This is the CBC Radio Network" mixing w/ others. 2101 Some kind of religious Talk pgm "Today here in Quebec" up good. Then excellent 2103-2115 with the Talk pgm...No ID heard but numerous Quebec mentions. Presume CKIS. Gone at 2116 (LF-FL)

1060 WNZD MS Tupelo 10/27 0500-0600. Syndicated nx with national wx reports. Heard under XEEP during a silent period of KYW. No Call letters heard, but several mentions of Tupelo. (EM-PA)

1070 WNAM FL Tallahassee 11/01 0430-0440. Strong with CNN Headline News, local weather report. ID as "1070 WNAM" (JD-AL)

1080 KRLD TX Dallas 10/31 0000. Just under WTIC. Time & traffic report, then ID. (EM-PA)

1140 WCJW NY Warsaw 10/31 2225-2230. C&W music, then regional news items and weather. Just under WRVA. (EM-PA)

1160 WJJD IL Chicago 10/30 0707 gd w/ID "7 past 6 o'clock on AM 1160 WJJD" into instrumental big band tune. Still here. When will WSCR-820 be moving to 1160 ?? (MB-ON)

1220 KMVL TX Madisonville 11/04 0134-0142 Strong for awhile with ABC News, liner of "Thanks..(town name)....for listening to the best hits. AM 1220 KMVL in Madisonville," into AC mx. (JD-AL)

1290 WHIO OH Dayton 10/31 1819 w/ ID as "News-Talk 12-90, WHIO." (LH-AL)

1360 WAZU OH Cincinnati 11/02 1800 gd w/ID as "WAZU Cincinnati, Info) Radio 1360, hear it here" into CNN nx. No more Radio AAHS kiddie format here. (MB-ON)

1430 WYMC MS Pascagoula 10/29 1710-1725. Fair w/Christain mx, local spots, slogans as "Your station for today's Christain music." (JD-AL)

1480 WGVU MI Kentwood 11/03 0858 fr w/promos for the 9th season of Classic Jazz Series of concerts from the St. Cecilia Music Society, sponsored by the Saturn dealers of Grand Rapids, ID as "Your public radio station WGVU" into NPR nx at 0900. (MB-ON)

1570 WRJQ WI Appleton 11/03 0800-0830 fr w/big band mx, IDs as "Big Band Radio WRJQ Appleton", promos for WRJQ's Big Band Boosters Club, into "Overdrive Trucking News" program of news for interstate truckers at 0830. (MB-ON)

WANR OH Warren 10/23 0736 pr in mess w/"56 degrees at WANR" into Republican paid political anct. (MB-ON)

\*\*\*\*\*

HELP WITH UN-IDEN:

Got a nice note from Bob Pote in Greenwood, IN..(Nice to hear from a "fellow Hoosier"....Bob says my UNID from Vol 34 #5 does sound like WONE in Dayton. They are a daytime regular for Bob and runs EZL mx as "Star 98"...I still had them listed as Country, and remember them being a country station as far back as the 60's, when I lived in Muncie, IN.. Thanks Bob for clearing that up for me....

\*\*\*\*\*

DX TESTS

750 KAMA TX El Paso 10/19 0200-0230....Tentative code IDs several times during the first half of the test, then many, many lengthy code IDs the last half, at pretty good strength. (JD-AL)

770 WWCN FL Estero 11/3 DX test not tried for. (LH-AL)

WWCN FL Estero 11/3 0300 DX test not heard, a WABC silent period would have been nice. (MB-ON)

790 WPIC PA Sharon 11/02 1702 fr-gd in CIGM null w/ID at half-time

of Penn State/Northwestern, PSA for flu shots from American Lung Association of Northwest PA. QSLed on CPC Test in 1980. (Mike-This is my MOST WANTED stn. It was the first station I was ever on. It was in 1956 and I was a whole 5 yrs old!!-ed) (MB-ON)

1220 WIMN MN Stillwater 11/4 0130-0200. Not heard. (JD-AL)

WIMN MN Stillwater 11/4 DX test not tried for. (LH-AL)

1330 WPPI GA Carrolton 10/26 0030 not heard because of Flagship 1330 (Erie,PA) pest. On crowded regional channel with only 500, who would hear them anyway?? (Mike-you might be surprised-ed) (MB-ON)

1580 WHLY IN South Bend 10/26 0600-0700. Tentative code IDs only. (JD-AL)

WHLY IN South Bend 10/26 0700 Not heard u/WPGC's "Heaven 1580" gospel. Not needed. QSLed as WJVA in 1977 (MB-ON)

\*\*\*\*\*  
 Thus endeth another week.....For those who wondered, the folks of the 6th Congressional District is sending my wife's boss back to Congress for another two years..Guess the mortgage payments will continue. Thanks to ALL who reported this week...Keep up the good work...And a BIG THANKS to Mark Connelly for helping out with DX Worldwide-EAST..Send your contributions to Mark...And speaking of contributions, I am sure that the CPC can use your help as well..If you can't help financially, go SET UP a test..It's as easy as 1-2-3....All the best, and see you next week !  
 fresh.....

September 17, 1996



Mr. Patrick Martin  
 Post Office Box 843  
 Seaside, OR 97183-0843  
USA

Dear Mr. Martin:

I am pleased to confirm your reception of Metro Plus at 1450 UTC, October 30, 1995, in Seaside, Oregon, USA.

Metro Plus is licensed by the Hong Kong Broadcasting Authority and commenced operation in July, 1991. It operates on 1044 kHz with a nominal carrier power of 10 kW. The transmitting equipment consists of a pair of solid-state Nautel ND-10 transmitters in alternate-main configuration, and a 91-meter guyed steel tower of uniform cross-section, series fed at the bottom. The tower site, on Peng Chau Island between Victoria Harbour and Lantau Island, is shared with other stations on 675 and 864 kHz.

Metro Plus features news, talk, sports, and music, in the English, Cantonese, and Mandarin languages. The studio is in Hung Hom, Kowloon.

We thank you for your interest, and wish you continued good DX.

73,

14

Robert N. Palitz, VS6EY  
 Certified Professional Broadcast Engineer





# Western DX Forum ★ ★ ★ ★ ★

Reid Wheeler 5910 Boulevard Loop SE Olympia, WA 98501

Deadline: Saturday 2 weeks before publication

Gary Larson, 2806 Lincoln, Burbank CA 91504  
818-TH22555

[10/16] Stopped by an FM in L.A. last night during their fund drive and found out the AM they operate on a campus will return to air but as a carrier current one. Call is KLMV-840 kHz. [10/24] On Oct 22 I was to meet Robert Wien, Steve Mittman and Mike Sanburn at a casino in Cabazon CA in late evening to try a beverage antenna in desert. They were gone by the time I got there a few minutes prior to midnight but I decided I was so close, I'd go out checking XR sites in Palm Springs area. Also had I known they were so close, off fwy w/ant. strung out, I would have met up with the other 3. I first went out to see the 5 KCMJ-1140 tower site off I-10 accessible by a dirt road off Date Palm Dr. in the 27000 blk. In distance I could see 920 KDES 4 towers. After this I sent SE on Varner Rd past 1010 KPSL site N of road on an uphill incline. Went to Ramon in Thousand Palms to seek 1270 KNWS. Went to end of Sierra del Sol but no access I could find to the 2 blinking towers more north. Went to find Robert Rd where Glen Kippel lives, passed by, and continued to a local fast food rest. then out NW on Varner to Rio del Sol then east on Vista Chino coming closer to 1270 - then N on Sierra del Sol but unable in dark to see how to get there. Think dirt road halfway along Vista Chino is access. Went to KPSL 1010 site, up to bldg and towers but not able to see how many there. I then got over to Vista Chino off I-10 to pass S of the 4 920 site. Went past KDES studio then past KPSL too. Nothing seen at old Radio Rd 2 tower site once used years ago by 1010 KCMJ (60s/70s). Also 1490 Banning had OC all times I was in area. 73

[10/30] Our first rainstorm occurred last night and into today here in S. Cal. Colder out too - more to the success of Dxing. Had a nice talk on phone w/Mike Sanburn about trip he and SMM and RW took to Cabazon area to dx at night. I too was so close but unaware where they were off I-10. Local story on KKGO-FM had a mention of 540 KNNZ moving to 1650 as early as Dec. using 10/1 Kw. Story says Knews was slow to gain listeners but is getting more listeners as time goes on. Mike verified per his recent drive past 1280 KFRN site that it is in Wilmington near railroad tracks east of Eubanks and E Lomita Bl. 73

Stan Weisbeck, 411 E Sinto #203, Spokane WA 99202

[10/26] I haven't sent in a forum in a while and it's time since I have information I feel would be useful to other members of the club. The last time I sent in a forum I was still a master control operator at KXLY-TV here, and taking transmitter readings for KXLY 920 and KXLY-FM 99.9. That ended, due to staff cutbacks, a couple years ago, and I then got a similar job at KAYU-TV Ch. 28 (FOX 28). I left KAYU about two months ago to take a job as a technical operator for Educational Telecommunications Systems (ETS), a company that produces grade school, high school, and college classes that are broadcast live via satellite TV to rural schools throughout the country. I wish I could DX some of the places that receive our classes such as Bethel AK, Herndon KS, & Charlotte NC. The main reason I'm writing this forum, though, it I have information about KWJC 1640, Greenacres WA. It turns out that the owner-engineer-announcer of this unlicensed (he prefers not to call it a pirate) station is a friend of mine and I got his phone number from my friend. When I called he told me that KWJC operates with 250 watts fed to a helically wound vertical antenna 25 feet tall. He also operates KWCK (FM) 105.2 mHz, which runs 100 watts. Most, of not all of the time, both stations simulcast. Greenacres is about ten miles east of Spokane and six miles west of the Idaho border. He's normally on the air Sundays from 1:00 pm to 4:00 am Eastern playing soft instrumental music with occasional announcements. He was thrilled when I told him KWJC has been heard in Oregon, Idaho, Montana, and California. He said he would verify correct reports send to KWJC Radio, P.O. Box 267, Greenacres, WA 99016-0267. I can always hear KWJC when it's on from my QTH 12 miles away, although it's not strong here. I've never heard KWCK 105.2. In other news about Spokane area radio, KSVY 1550, Opportunity WA has been off since late July due to vandalism at its transmitter site. Jerry Anderson, the program director, said they will eventually return to the air with their classical format. The owners are moving slowly on coming up with the money to repair the damage. The engineer for semi-local KRAO 840, Colfax WA told me that the transmitter and tower are just about in place and they should be on soon. They've applied to change calls to KMAX. Local

15

KKPL 630, Opportunity WA plans to diplex onto KXLY 920's tower in order to return to the air, although it sounds like that's at least months away. They've been off since 1993. [good to hear from you again, Stan... but please double space next time, hi]

-----34-09-----

EASTERN

DX

FORUM

DEADLINES: SATURDAYS

Richard C. Evans  
237 Laurel Meadows Drive  
West Columbia, SC 29169-2312

Phone: 803-926-9809

Mike Hardester, 3118 Gaitway Ct, Jacksonville, North Carolina 28546-6973  
E-Mail: 2Lakota@Abaco.Coastalnet.Com GREETINGS! No DX in quite some time, and I haven't had time to check out any of J.D.'s scheduled DX Tests...my final semester of school is rather "interesting". and I'll just be happy when it's over! Having moved many times during my Navy days, I can relate to Rick's damaged antenna. Only once did I come out ahead. My 2 - 12" R. West Ferrite Loops were destroyed in transit, and the government replaced them with the 22" version (still going strong 10+ years later). Still, it's disheartening when anything is damaged/lost during a move. Nothing of DX interest locally, but on a recent trip to Fayetteville, NC, their 1490 local (WFLB) appears to be silent (noted off back in early August as well). Hope everyone is enjoying the DX Season--it promises to be excellent! Very 73 and Best of DX de Mike.

Rick Evans, 237 Laurel Meadows Drive, West Columbia, South Carolina 29169  
According to an article in the local daily paper ("the Columbia State"), the local Arbitron ratings are out for this market, and it only shows one AM station in the top 5 (WVOC-560, with talk, news and sports was #5). It had a 5.9 share during the summer ratings. Behind that, tho, AM didn't do so hot. The next AM in the list is WISW--1320 (news) at #13, WCOS-1400 (sports) #14, WOIC-1230 (urban gold/talk) #15, and WTGH--620 (Gospel) #16. Also, last weekend, I picked up a copy of the March 13, 1966 edition of the New Hampshire Sunday News (Boston edition) (the regular Boston papers were on strike at that time), and it listed the following radio stations: WBZ-1030. WEZE-1260, WEEI-590, WCOP-1150/100.7, WHDH-850/94.5, WNAC-680/98.5. Of the six, WEZE-1260 is the only one I haven't heard from any of my locations, and of the five heard, WEEI-590 was the only one I didn't hear from Gary, Indiana (I heard it from the Philadelphia area.) 73.

## A DXers TECHNICAL GUIDE

Now in its 2nd edition, this 120 page book answers questions on receiver and antenna theory (how to improve their performance), how audio filters and loop antennas can improve DX (and hints on their construction), how to build a beverage and phasing unit, and much more. Only \$5.50 for IRCA/NRC members, \$6.50 for non-members (overseas airmail add \$2.50).

Order from the IRCA Bookstore, by sending the correct amount (in US funds) to:

**IRCA Bookstore, 9705 Mary N.W., Seattle, WA 98117-2334. Thank you!**

## IRCA Reprints

The IRCA maintains a large file of articles which have appeared in past issues of DX Monitor. These articles cover a wide variety of topics, including: antenna theory and construction, tips for the foreign BCB DXer, how to improve your DXing skills, history of DXing and broadcasting, lists of stations by subject, construction projects and receiver modification, receiver reviews, medium wave propagation, and more. Copies are available for a nominal charge. For a list of reprints, send \$1.00 to:

**IRCA Reprints, c/o Steve Ratzlaff, 1885 E Bayshore Rd Sp 90,  
E Palo Alto CA 94303.**



Table 4: (RL-1 & RW-1 A1) BUF-D Buffer Amplifier Card parts list

See Table 2 for vendor codes.

Schematic = Figure 4 / Assembly = Figure 5.

Item	Designator	Description/Value	Vendor	Vendor Stock #	QTY
1	-	perboard:1.4"X2.0"	RS	276-1396 (cut)	1
2	C 1,3,9	capacitor, 0.01 uF	MOU	539-CK05103K	3
3	C 2,4-7	capacitor, 0.1 uF	MOU	539-CK05104K	5
4	C 8	capacitor,10uF tant	MOU	581-10K35	1
5	H 1,2	screw, 4-40 X .25"	MOU	572-01880	2
6	H 1,2	spacer, 4-40 X .5"	MOU	534-1450C	2
7	H 1,2	solder lug, #4	MOU	534-7311	2
8	P 1-11	flca-clip,.042"hole	MOU	574-T42-1/100	11
9	Q 1	FET, 2N4416	CS	2N4416	1
10	Q 2	FET, VN10KM	ACT	19002	1
11	R 1	resistor, 1 megohm	CS	RA1.0M	1
12	R 2,7	resistor, 2.7K	CS	RA2.7K	2
13	R 3	resistor, 1K	CS	RA1.0K	1
14	R 4	resistor, 75 ohm	CS	RA75	1
15	R 5	resistor,4.7 megohm	CS	RA4.7M	1
16	R 6	resistor,2.2 megohm	CS	RA2.2M	1
17	R 8	resistor, 4.7 ohm	CS	RA4.7	1
18	R 9	resistor, 10 ohm	CS	RA10	1
19	R 10	resistor, 470 ohm	CS	RA470	1
20	R 11,12	resistor, 2.2 ohm	CS	RA2.2	1
21	RFC 1	inductor, 1.8 mH	MOU	434-05-182J	1
22	VR 1	9V regulator, 7809	MOU	513-NJM7809FA	1

Misc. items: hook-up wire, buss wire, solder "AS REQUIRED"

See notes on Figures 4 and 5 for information regarding possible alternative component usages.

\*\*\*\*\*

Table 5: RW-1 hole-drilling list

See Table 1 for meanings of X, Y, D parameters and for drilling notes.

Chassis Box = Mouser # 537-TF-779: 5" X 4" X 3"

LEFT SIDE

Hole #	Comp. Desig.	Description	X	Y	D
1	S1	Function Select swt. - tab	-1.375	2.125	0.125
2	S1	Function Select swt. - shaft	-1.375	1.875	0.25
3	G1	grounding H/W - internal lug	-0.9375	2.5	0.125
4	R1	Input Atten. pot - tab	-1.125	0.75	0.14
5	R1	Input Atten. pot - shaft	-0.8125	0.75	0.3125

6	S3	Gain / Q mode switch - tab	-0.5	2.125	0.125
7	S3	Gain / Q mode switch - shaft	-0.5	1.875	0.25
8	M1	VRLY-B card(mounting h/w H3)	0.5	1.5	0.125
9	M1	VRLY-B card(mounting h/w H1)	0.5	0.5	0.125
10	S2	Bandswitch - shaft	1	2.25	0.25
11	S2	Bandswitch - tab	1.25	2.25	0.125
12	M1	VRLY-B card(mounting h/w H4)	1.5	1.5	0.125
13	M1	VRLY-B card(mounting h/w H2)	1.5	0.5	0.125

TOP SIDE

Hole #	Comp. Desig.	Description	X	Y	D
1	J1	Whip / Wire In - BNC jack	0	2	0.375
2	A1	BUF-D card (mounting h/w H2)	0.875	2	0.125
3	A1	BUF-D card (mounting h/w H1)	1.875	2	0.125

RIGHT SIDE

Hole #	Comp. Desig.	Description	X	Y	D
1	J2	control cable stereo jack	-1.125	0.5	0.375
2	G2	grounding H/W - internal lug	0	1.125	0.125
3	J3	RF out / DC pwr in- BNC jack	0	0.5	0.375

\*\*\*\*\*

Table 6: RW-1 "upper level" parts list

\*: Note follows parts list.

See Table 2 for vendor codes.

Schematic = Figure 7 / Assembly = Figure 8.

Item	Designator	Description/Value	Vendor	Vendor Stock #	QTY
1	A 1	BUF-D amp. card	>>>	see Table 4	1
2	C 1,4,5	capacitor, 0.1 uF	MOU	539-CK05104K	3
3	C 2	capacitor, 43 pF	MOU	21CB043	1
4	C 3	capacitor, 10 uF	MOU	581-10K35	1
5	DS 1	NE-2 neon bulb	MOU	36NE002	1
6	G 1,2	solder lug, #4	MOU	534-7311	2
7	G 1,2	screw, 4-40 X.375"	MOU	572-01881	2
8	G 1,2	hex nut, 4-40	MOU	572-00484	2
9	J 1,3	BNC jack	RS	278-105	2
10	J 2	stereo headphone jk	DC	16PJ080	1
11	L 1	inductor, 1.5 mH	MOU	434-1120-153K	1
12	L 2	inductor, 82 uH	MOU	43LR825	1
13	L 3	inductor, 6.8 uH	MOU	43LR686	1
14	M 1 *	VRLY-B var./rly cd.	>>>	see Table 3 + notes	1
15	R 1	pot, 1K.linear, w/swt	MOU	31CQ301	1
16	R 2,3	resistor, 270 ohm	CS	RA270	2
17	R 4,6,7	resistor, 10K ohm	CS	RA10K	3
18	R 5	resistor, 10 ohm	CS	RA10	1



19	R 8	resistor, 470 ohm	CS	RA470	1
20	RFC 1	RF choke, 1.8 mH	MOU	434-05-182J	1
21	S 1	switch, DPDT, on/on	MOU	10TA560	1
22	S 2	switch, SPDT, on/off	MOU	10TA535	1
23	S 3	switch, DPDT, on/off	RS	275-620	1
24	(for R1)	knob, 0.94" black	MOU	45KN013	1
25		chassis box, 5X4X3"	MOU	537-TF-779	1
26	*	screw, 4-40 X .25"	MOU	572-01880	6
27	*	split lockwasher, #4	MOU	572-00649	6

Misc. items: hook-up wire, buss wire, solder, labels "AS REQUIRED"

\* Item 14: VRLY-B is an unbalanced version of the VRLY-A. It is built per Figures 2 & 3 and Table 3 with associated notes.

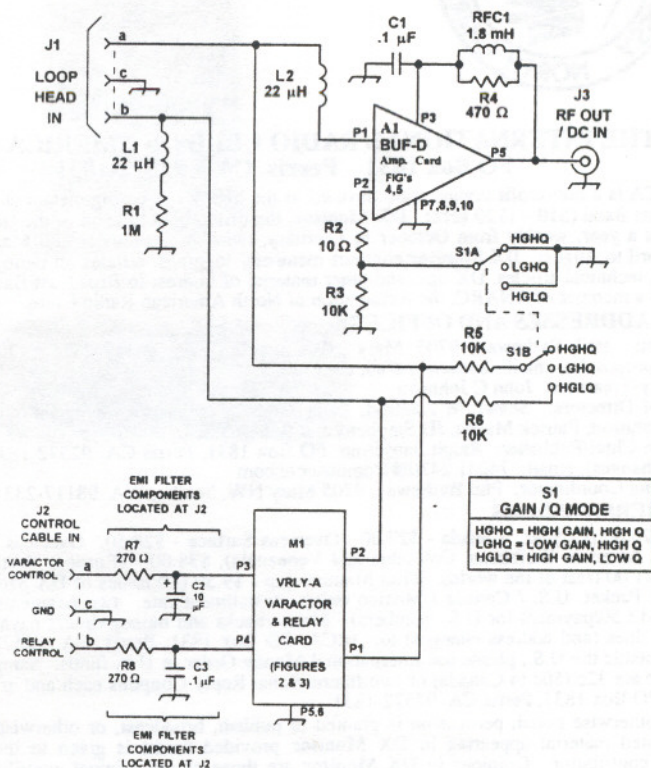
\* Item 26: two each for A1 mount; four for M1 mount

\* Item 27: two each for A1 mount; four for M1 mount

## REMOTE ANTENNAS

FIGURE 1

SCHEMATIC: RL-1 REMOTELY - TUNED LOOP



FIRST CLASS  
U. S. POSTAGE  
PAID  
PERRIS CA  
PERMIT NO. 120



FIRST CLASS MAIL

34-29  
DOUG NYHOLM  
2071 CEDAR ST  
SAN CARLOS CA 94070  
USA

**THE INTERNATIONAL RADIO CLUB OF AMERICA (IRCA)  
PO Box 1831 Perris CA 92572-1831**

The IRCA is a non-profit organization devoted to the hobby of hearing distant stations on the AM Broadcast Band (510 - 1720 kHz). **DX Monitor**, the official publication of the IRCA, is published 30 times a year, weekly from October to February, twice in September and March, and monthly from April to August. **DX Monitor** contains members' loggings, articles on radio stations, receiver reviews, technical articles, DX tips, and other material of interest to Broadcast Band DX hobbyists. IRCA is a member of ANARC, the Association of North American Radio Clubs.

**CLUB ADDRESSES AND OFFICERS**

President: Phil Bytheway, 9705 Mary NW, Seattle WA 98117-2334 (206) 356-3927 W (proposals), email: bytheway@atk.com

Secretary-Treasurer: John C Johnson

Board of Directors: Shawn M Axelrod, Larry Godwin (chairman), Michael S Hardester, Nancy Johnson, Patrick Martin, JD Stephens and Robert Wien.

Editor-in-Chief/Publisher: Ralph Sanserino, PO Box 1831, Perris CA 92572-1831. (dues/address changes), email: 74041.2430@Compuserve.com

Publishing Coordinator: Phil Bytheway, 9705 Mary NW, Seattle, WA 98117-2334

**MEMBERSHIP DUES**

U.S. - \$25.00 per year. Canada - \$27.00. Overseas Surface - \$28.50. Overseas Airmail - \$35.00 (Central America, Caribbean, Colombia and Venezuela), \$38.00 - (Europe, North Africa, Middle East), \$41.00 (rest of the world). Trial Membership - \$9.50 (10 issues of **DX Monitor** and a New Member Packet, U.S. / Canada / Mexico only). Installment rate: two payments of ½ dues plus \$1.00 (\$13.50/payment for U.S. members). Make checks and money orders payable to IRCA and send all dues (and address changes) to: IRCA, PO Box 1831, Perris, CA 92572-1831. Persons living outside the U.S., please use International Money Order in U.S. funds. Sample copies of **DX Monitor** are 32c (50c to Canada) or two International Reply Coupons each and are available from: IRCA, PO Box 1831, Perris CA 92572-1831.

Unless otherwise noted, permission is granted to publish, broadcast, or otherwise reproduce non-copyrighted material appearing in **DX Monitor** provided credit is given to the IRCA and the original contributor. Opinions in **DX Monitor** are those of the original contributors and do not necessarily reflect those of the IRCA, its publishing staff, editors or officers. pb