

December 14, 1996 - Volume 34 - Number 13 - Edition 1106-ISSN 899-9733

IN THIS ISSUE: DX Test..2, Broadcasting Information..3, DX World-wide West..6, Western DX Roundup..9, Central DX Roundup..11, Eastern DX Round..13, Western DX Forum..15, Eastern DX Forum..16, RL-1 & RW-1..17 (continued from DXM 34-09). Have more pages, more later...

NEW MEMBERS: Henry Stein of Campbell CA, Giichi Mochizuki of Osaka Japan, Dick Laviolette of BC Canada. **RENEWALS:** Robert Fischer of Fairbanks AK, Robert Rowe of Corpus Christi TX, Galen Fountain of Harrison AR, Mike Brooker of Toronto Canada, John Cairns of Saskatoon Canada. Welcome to Henry, Giichi & Dick. Thank You All.....

1997 IRCA REGULAR ELECTIONS:

Every two years the IRCA conducts Regular Elections to determine the President, Secretary-Treasurer and seven members of the Board of Directors. For the 1997 Regular Elections, nominations for the nine offices begin on December 1 1996 and continue through January 15 1997. An IRCA member is only allowed one nomination for each office. Once nominations close, the Election Committee Chairman (ECC) sends a list of those nominated to the Secretary-Treasurer who determines if those nominated are eligible (must be an IRCA member for at least one year). The candidates that are eligible will receive a letter from the ECC by February 1 1997 indicating their nomination and listing all other eligible nominations for the same office. Candidates must indicate to the ECC by February 20 1997 whether they intend to run for office and can submit a campaign statement at that time (candidates are not required to submit a campaign statement). The ECC will prepare and submit a ballot and campaign statements to the Publisher by March 1 1997 for inclusion in an appropriate March 1997 "DX Monitor". The ballots must be received by the ECC by 0001, Mountain Local Time, May 1, 1997. Send your IRCA officer nominations to IRCA's Election Committee Chairman: Reid Wheeler, 5910 Boulevard Loop SE, Olympia WA 98501.....

RENEWING: Please note the numbers above your name on the address label this is your expiration number, a 34-13 means your membership in the IRCA will expire with this issue. I will rubber stamp a reminder on the front page of your DXM and I will try to remind you 2 issues before you expire. If you have not renewed on time your name will be removed from the address list, so please try to renew early...Thanks.....

WKIP

DX TEST BULLETIN

**** DX TESTS ARRANGED BY IRCA, NRC, AND OTHERS ****

NOTE: EVEN IF YOU DON'T HEAR THE TEST, BE SURE AND DROP A CARD, LETTER, OR E-MAIL TO THE STATION PERSONNEL, THANKING THEM FOR THEIR TROUBLE.

SUNDAY, DECEMBER 22 AND 29, 1996 - WWCN-770, P.O. BOX 9600, ESTERO, FL 33928 WILL TEST AT 1,000 WATTS DIRECTIONAL BETWEEN 3:00 & 4:00 AM EST. THE TEST WILL INCLUDE MORSE CODE ID'S, TEST TONES, & BIG BAND MUSIC. **NOTE: THIS TEST WILL BE REPEATED EVERY SUNDAY MORNING AT THE SAME TIME DURING THE MONTH OF DECEMBER.** RECEPTION REPORTS MAY BE SENT TO: MR. "JOEY C." - PROGRAM DIRECTOR. (ARRANGED J.D. STEPHENS FOR THE IRCA CPC).

SATURDAY, DECEMBER 21, 1996 - KPOF-910, 3450 WEST 83RD AVENUE, WESTMINSTER, CO 80030-4006 WILL TEST AT 1,000 WATTS DIRECTIONAL BETWEEN 2:00 & 2:30 AM EST. THE TEST WILL INCLUDE MARCH MUSIC, MORSE CODE ID'S, AND TEST TONES. RECEPTION REPORTS MAY BE SENT TO: MR. ROBERT B. DALLENBACH (PH. D.) - VICE PRESIDENT AND GENERAL MANAGER. (ARRANGED BY J.D. STEPHENS FOR THE IRCA CPC).

****** PLEASE NOTE CORRECTED E-MAIL ADDRESS:** *E-Mail: RBD1@ix.netcom.com* **OR**
AJAMESL@ix.netcom.com (Faster!)

SUNDAY, DECEMBER 29, 1996 - WRJZ-620, 1621 EAST MAGNOLIA, KNOXVILLE, TN 37917 WILL TEST AT 5,000 WATTS NONDIRECTIONAL BETWEEN 2:55 & 3:00 AM EST. THE TEST WILL INCLUDE MORSE CODE ID'S, RECEPTION REPORTS MAY BE SENT TO: MR. DAVID A. BERRY - CHIEF ENGINEER. (ARRANGED BY J.D. STEPHENS FOR THE IRCA CPC).

E-Mail: Joy62@aol.com

SUNDAY, DECEMBER 29, 1996 - KIYU-910, P.O. BOX 165, GALENA, AK 99741 WILL TEST AT 5,000 WATTS NONDIRECTIONAL BETWEEN 5:00 & 5:30 AM EST. THE TEST WILL INCLUDE MORSE CODE ID'S, RECEPTION REPORTS MAY BE SENT TO: MR. ROBERT SOMMER - GENERAL MANAGER. (ARRANGED BY J.D. STEPHENS FOR THE IRCA CPC).

E-Mail: RZKIYU@tundra.alaska.edu

MONDAY, DECEMBER 30, 1996 - KJSL-630, 1215 FERN RIDGE PARKWAY, SUITE 220, ST. LOUIS, MO 63141 WILL TEST AT 5,000 WATTS DIRECTIONAL BETWEEN 3:00 & 3:30 AM EST. THE TEST WILL INCLUDE MORSE CODE ID'S AND TEST TONES. RECEPTION REPORTS MAY BE SENT TO: MR. RICH CZARNECKI - CHIEF ENGINEER. (ARRANGED BY J.D. STEPHENS FOR THE IRCA CPC).

E-Mail: richczar@inlink.com

WEDNESDAY, JANUARY 1, 1997 - KSTN-1420, 2171 RALPH AVENUE, STOCKTON, CA 95206 WILL TEST AT 5,000 WATTS NONDIRECTIONAL BETWEEN 3:00 & 8:00 AM EST. THE TEST WILL INCLUDE VOICE ID'S, MORSE CODE, AND DISCO MUSIC. DURING THE TEST, LISTENERS CAN CALL THE KSTN REQUEST LINE AT (209) 948-1420 AND WISH FRIENDS AND ACQUAINTANCES A HAPPY NEW YEAR. **NO COLLECT CALLS, PLEASE.** RECEPTION REPORTS MAY BE SENT TO: MR. PAUL SHINN - CHIEF ENGINEER. (ARRANGED BY J.D. STEPHENS FOR THE IRCA CPC).

SATURDAY, JANUARY 4, 1997 - KXNO-1140, BOX 14805, LAS VEGAS, NV 89118 WILL TEST BETWEEN 3:00 & 3:30 AM EST. THE TEST WILL INCLUDE TEST TONES, VOICE ID'S, MORSE CODE, AND ANNOUNCEMENTS. DURING THE TEST, KXNO WILL SWITCH BETWEEN 10,000 WATTS NONDIRECTIONAL AND 2,500 WATTS DIRECTIONAL. RECEPTION REPORTS MAY BE SENT TO: MR. TRACY TEAGARDEN (W2ATRK) - CHIEF ENGINEER. (ARRANGED BY J.D. STEPHENS FOR THE IRCA CPC).

IRCA Reprints

The IRCA maintains a large file of articles which have appeared in past issues of DX Monitor. These articles cover a wide variety of topics, including: antenna theory and construction, tips for the foreign BCB DXer, how to improve your DXing skills, history of DXing and broadcasting, lists of stations by subject, construction projects and receiver modification, receiver reviews, medium wave propagation, and more. Copies are available for a nominal charge. For a list of reprints, send \$1 00 to:

**IRCA Reprints, c/o Steve Ratzlaff, 1885 E Bayshore Rd Sp 90,
E Palo Alto CA 94303.**

BROADCASTING INFORMATION



Editor:
Robert Wien
1309 Dentwood Drive
San Jose, CA 95118

DEADLINES: 2nd & 4th Saturdays.

Compiled: 12/02/96

Much of this information was compiled from M Street Journal, DXM, and various other sources.

NEW STATION APPLICATIONS:

HI. Honolulu 1130 khz. 10000/10000
VA. Bayside 1450 khz. 1000/1000 ND

CONSTRUCTION PERMIT ACTIVITY:

AL. Montgomery WMSF-740 dec. to 10000-D, DA-2
NV. Reno KXEQ-1340 dec. to 977/977 ND
OH. Pawhuska KOMH-1500 dec. to 500-D, ND

FACILITY & PARAMETER APPLICATIONS:

CA. Salinas KHTX-1460 inc. to 10000/10000 DA-1 (CP)
FL. Jupiter WMLZ-1000 add 17-N, ND
GA. Americus WISK-1390 dec. to 1000-D, ND
KS. Abilene KABI-1560 add 100-N, ND
LA. Baton Rouge KBRH-1260 inc. to 5000/500 DA-N
MA. Natick WBIV-1060 dec. to 500-D, ND
NH. Portsmouth WRPT-1050 move to 650 khz., 250-D, ND
NJ. Atlantic City WUSS-1490 dec. to 290/290 ND
OK. Moore WWLS-640 inc. to 5000-D, DA-2
PA. Allentown WTKZ-1320 dec. to 750/195 DA-N
Pittsburgh WAMO-860 inc. to 830-N, DA-2
TN. Maryville WKCE-1120 inc. to 1000-D, ND
TX. Fort Worth Mineola KTNO-1540 change to 35000/710 DA-2
KVCI-1510 add 40-CH, change to DA-D
WV. Hurricane WOKU-1080 dec. to 1000-D, ND
WY. Evansville KUYO-830 inc. to 50000-D, ND

FACILITY & PARAMETER GRANTS:

CO. Aurora KEZW-1430 inc. to 10000-D, DA-N
Colorado Springs KCMN-1530 inc. to 3000-D, ND
FL. Punta Gorda WCCF-1580 inc. to 1250-D, ND
MI. Benton Harbor WHBF-1060 add 1-N, ND
Taylor WCHB-1200 inc. to 50000/2100 DA-2
NY. Warsaw WCJW-1140 inc. to 5000-D, 2300-CH, DA-D
PR. Mayaguez WAEL-600 inc. to 5000/5000 DA-1
Yabucoa WXEW-840 inc. to 5000-N, DA
VA. Fairlawn WKNV-890 inc. to 10000/10000 DA-D
AB. High Piver CHRR-1280 move to 1140 khz., 50000/46000 DA-2

CALL LETTER CHANGES:

CO. Steamboat Sprngs KSBT-1230 becomes KBKR
FL. Boynton Beach WYFX-1040 becomes WJNA
Fort Pierce WIRA-1400 becomes WYFX "Foxy 14"
Hialeah WACC-830 requests WXTO
Panama City WGNB-590 becomes WDIJ

| | | |
|---------------------|-----------|-----------------------------|
| IA. Des Moines | KIOA-940 | becomes KXTK |
| MI. Muskegon | WSFN-1600 | becomes WMHG |
| MN. Golden Valley | KQRS-1440 | becomes KDIZ "Radio Disney" |
| Richfield | KEGE-980 | requests KKMS |
| NV. North Las Vegas | KKDD-1400 | becomes KSHP "K-shop" |
| Sun Valley | KIRS-1590 | requests KIHM |
| NJ. Ashbury Park | WJLK-1310 | becomes WADB |
| Hackettstown | WAIU-1510 | becomes WRNJ |
| NC. Fairview | WMIY-880 | becomes WVM |
| PA. Pittsburgh | WDSY-1080 | requests WPCR |
| VA. Richmond | WTMM-990 | becomes WVNZ |
| | WRVH-910 | becomes WRNL |
| WV. Hurricane | WVKV-1080 | becomes WOKU |
| WY. Orchard Valley | KUUY-650 | requests KMRZ |
| BC. Kelowna | CKIQ-1150 | becomes CKFR |

FORMAT CHANGES:

| | | |
|---------------------|-----------|-------------------------------------------------------------------|
| AL. Birmingham | WYDE-850 | was country oldies ,now ABC children's |
| AK. Soldotna | KSLD-1140 | was silent, now ABC classic rock |
| AR. Newport | RNEY-1280 | was oldies, now s. gospel |
| Osceola | KOSE-860 | was oldies//FM, now s. gospel |
| CA. Fresno | KEYQ-980 | was oldies//FM, reported silent |
| Gilroy | KAZA-1290 | was regional Mex., now SS oldies |
| Oakland | KDIA-1310 | was urban AC, now R&B oldies |
| Tulare | KJUG-1270 | was country//FM, now classic country |
| FL. Boynton Beach | WJNA-1040 | was WYFX, urban AC, now talk |
| Ocala | WMOP-900 | was country, now 1 on 1 sports |
| Port St. Lucie | WPSL-1590 | was talk, adds Prime sports (weekends 6 PM-1 AM) |
| Sarasota | WQSA-1220 | was stds. talk, now silent pending sale |
| GA. Atlanta | WKHX-590 | was ABC real C&W, now ABC children's |
| Douglas | WDMG-860 | was AC//FM, now talk |
| Eatonton | WKVQ-1520 | was AS, adds WWI AS |
| IL. Chicago | WMVP-1000 | was talk, sports, adds Sports By-line |
| Mount Vernon | WMIX-940 | was AC, talk, now WWI stds., talk |
| Shelbyville | WSHY-1560 | was nx, talk, now WWI AS |
| IA. Mount Pleasant | KTLJ-1130 | was oldies, now AS |
| KS. Abilene | KABI-1560 | was WWI country, now WWI stds. |
| Ulysses | KULY-1420 | was country, adds WWI country |
| ME. Millinocket | WSYY-1240 | was country//FM, now WWI oldies |
| MA. Framingham | WRGX-1200 | was nx, talk, now brokered ethnic |
| North Adams | WNAW-1230 | was AC, now AP nx |
| MD. Chestertown | WCTR-1530 | was jazz, now WWI AS |
| Morningside | WPGC-1580 | was urban, gospel, now black gospel "Heaven" |
| MN. Brainerd | KLIZ-1380 | was nx, talk//KVER, now WWI AC |
| | KVER-1340 | was nx, talk, now WWI Hot country//FM |
| Golden Valley | KDIZ-1440 | was KQRS, rock//FM, now ABC children's |
| MS. Carthage | WSSI-1080 | was country//FM, now Prime sports |
| Cleveland | WCLD-1490 | was soft AC, now Prime sports |
| NV. North Las Vegas | KSHP-1400 | was KKDD, children's, now talk, shopping (shopping in drivetimes) |
| NH. Berlin | WMOU-1230 | was oldies, now WWI AS |
| NM. Portales | KSEL-1450 | was talk, adds WWI AS |
| NC. Lenoir | WJRI-1340 | was variety, now WWI oldies |
| Raleigh | WREZ-850 | was talk, sports, adds WWI 70's oldies (oldies on weekends) |
| Wilson | WVOT-1420 | was beach music, now talk |
| ND. Jamestown | WQDJ-1400 | was talk, AC, adds WWI AC |
| OH. Newark | WCLT-1430 | was talk, adds CNN Headline nx |
| Xenia | WEZI-1500 | was country, adds WWI country |
| PA. Carlisle | WIOO-1000 | was soft AC, adds talk, sports |
| Farrell | WICT-1470 | was rptd. religion, is silent (will return in January) |
| Latrobe | WCNS-1480 | was WWI AC, now WWI oldies |
| TN. Alamo | WCTA-810 | was soft AC, now country |
| Germantown | WNWZ-1430 | was AS, to be CSN children's (January) |

| | | |
|--------------------|-----------|------------------------------------------------------------------------------------------------|
| Knoxville | WIMZ-1240 | was rock//FM, now sports |
| TX. Creedmore | KWTR-1530 | was all weather, now CNN Headline nx |
| UT. Salt Lake City | KCNR-860 | was talk, now ABC Children's |
| WV. Hurricane | WOKU-1080 | was WVKV, silent, now religion//WOKT |
| WI. Superior | WDSM-710 | was talk, sports, now 1 on 1 sports |
| Wisconsin Dells | WNNO-900 | was AC//FM, now Prime sports |
| AB. Calgary | CFXL-1140 | was AC, religion, now C&W, religion, ethnic (CFXL sim. CHR-1280, 1280 to go silent soon) |
| BC. Kelowna | CKFR-1150 | was CKIQ, AC, now oldies "Oldies 1150" |

Herbert Newberry of Mansfield, GA. passes on the following info:

GA. Atlanta WQXI-790 was variety/brokered/ethnic, to be children's format in January

Gary Jackson of Sacramento, CA. passes on the following tip:

CA. Costa Mesa KNNZ-540 will move to 1650 khz., in mid-December

Thanks, Herbert and Gary! A long column this time due to a break I took during the Thanksgiving Holiday, but back to normal now! 1 month till my new job! 73's.



Tennessee Valley Authority, 100 Van Morgan Drive, Golden Pond, Kentucky 42211-9000

November 19, 1996

Col. R.C. Watts
4109 Graf Dr.
Louisville, KY 40220-3016

Dear Col. Watts:

Thank you so much for your letter concerning our traveler's information stations at TVA's Land Between The Lakes, (LBL). We currently operate two 1610 stations located at our centrally located Golden Pond Visitor Center and KID966 located at our North Welcome Station. The reason you did not see the signs for the KID966 station is the transmitter is currently being repaired. We usually cover the signs when this happens, so that visitors will not try to tune in the station when it is not operating. At one time we did have a 1610 station located at The Homeplace-1850 located near our southern entrance, but that transmitter equipment has been removed from this location. I believe that Ft. Donelson National Battlefield, located in Dover, TN just south of LBL, operates a 1610 station that can be heard on HWY 79 where their attraction is located. I do not have any other information about their station. If you need additional information, their phone number is 615-232-5706.

Would it be possible for you to send or fax the International Radio Club of America listing that shows our stations listed? My fax number is 502-924-2087.

If you need any additional information about our 1610 stations, you can reach me at 502-924-2014.

Sincerely,

Denise A. Schmittou
Communications Specialist

Land Between The Lakes, TVA

5

DX WORLDWIDE WEST

PATRICK MARTIN

PO BOX 843

SEASIDE OR 97138 - 0843

TIME: UTC PHONE (503) 861-3185

Here we are with another DX Worldwide West with lots of DX to report. We have a report from Bruce Portzer/Chuck Hutton on their DXpedition to the Washington Coast in October. Bruce sent this report Via E-Mail earlier, but it was lost along the way. Better late than never as the saying goes. So away we go.....

PAN-AMERICAN DX ROUNDUP

- 525 BAHAMAS, Stella Maria ZLS beacon weak w/code IDs u/beacon RWE 0302 10/13. (BP/CH-DX)
530 TURKS AND CAICOS, good w/SS preacher o/TIS stations 0253 10/13, SS hymns 0516 recheck (BP/CH-DX)

TRANS-PACIFIC DX ROUNDUP

- 180 RUSSIA, Petropavlovsk loud w/RR talk 1140 10/13 (BP/CH-DX)
198 RUSSIA? vocal mx and woman in RR-like lang u/beacon QRM 1143 10/13. Apparently Angarsk, which is far inland. Only other thing listed is in Biskek, Kyrgyzstan, which is even father West. (BP/CH-DX)
234 RUSSIA, Arman weak w/pop mx u/beacons 1145 10/13 (BP/CH-DX)
270 RUSSIA, Khabarovsk loud w/woman in RR 1149 10/13 (BP/CH-DX)
279 RUSSIA, Yuzhno-Sakhalinsk good w/man in RR 1149 10/13 (BP/CH-DX)
529 ALASKA, SQM good w/usual wx 0253 10/13 hetting 530 (BP/CH-DX)
531 JAPAN, Morioka JOQG //594 w/male vocal in JJ 1138 10/13 (BP/CH-DX)
558 JAPAN, Kobe JOCR? prob the one w/YL in JJ fair/poor in splatter 1314 10/13 (BP/CH-DX)
567 JAPAN, Sapporo JOIK fair //594 1138 10/13 (BP/CH-DX)
585 JAPAN, Kushiro JOPG JJ anmts and ment of NHK //594 1405 10/13 (BP/CH-DX)
594 JAPAN, Tokyo JOAB loud w/pop mx and JJ anmts 0920 10/13 (BP/CH-DX)
603 JAPAN, JOKK/JOOG weak in 600 splat w/male vocal //594 at 1623 10/13 (BP/CH-DX)
612 AUSTRALIA/JAPAN, 4QR alone w/teletalk in W wire. JOLK alone w/JJ male on NW wire 1409 10/13 (BP/CH-DX)
620 HAWAII, Hilo KIPA "When Radio Was" pgm legal ID, ABC nx good o/KOTK 0550 10/13 (BP/CH-DX)
621 UNID het already in 0547 10/13 prob Tuvalu (BP/CH-DX)
NORTH KOREA, febane operatic and orch mx briefly good 1135 10/13, prob N Korea, but not//listed 3250 or 3320 (BP/CH-DX)
648 UNID, bits of pop mx in 650 splat 0647 10/13, possibly WVUV (BP/CH-DX)
657 NORTH KOREA, Pyongyang YL operatic loud 1154 10/13 (BP/CH-DX)
666 JAPAN, Osaka JOBK //594 w/mx 1129 10/13 (BP/CH-DX)
675 JAPAN, NHK1 synchros fair //666/594 1129 10/13 (BP/CH-DX)
684 FIJI, Labasa, mx //1152 0650 10/13 (BP/CH-DX)
693 JAPAN, Tokyo JOAB //other NHK2 stns 1127 10/13 (BP/CH-DX)
702 JAPAN, NHK synchros fair 1227 10/13 w/discussion //693 what sounded like N. Korea //657 in background (BP/CH-DX)
720 NORTH KOREA, all alone w/mournful sounding mx //2850 1413 10/13 (BP/CH-DX)
729 JAPAN, Nagoya JOCK 1241 10/13 loud thru CKLG-730 splat 1241 on 10/13 (BP/CH-DX)
738 TAIWAN, Penghu fair w/CC talk and mx //1143 1649 10/13 (BP/CH-DX)
747 JAPAN, Sapporo JOIB already in w/JJ talk 0754 10/13 (BP/CH-DX)
774 AUSTRALIA, Melbourne 3L0 fair u/JOUB w/male talk 1317 10/13 (BP/CH-DX)

- 774 FIJI, Suva Hindi mx and woman DJ 0710 10/13 (BP/CH-DX)
JAPAN, Akita JOUB already loud w/JJ talk 0756 10/13. Strong w/NX
 about NZ elections in British EE 1403 //747/828 etc (BP/CH-DX)
- 783 UNID, CC talk 1417 10/13, either PRJ or Taiwan (BP/CH-DX)
JAPAN, Naha JOXR apparently the JRC and pop tunes 1125 10/13, only
 JJ listed here 1125 10/13 (BP/CH-DX)
RUSSIA, Tavrianka noticeably absent all AM 10/13, usually a pest
 during DXpeditions. Is it off the air or just unfavorable prop?
 Except for longwave, Russians were weaker than normal (BP/CH-DX)
- 801 UNID, woman in CC 1402 10/13. Prob. Taiwan (BP/CH-DX)
- 810 FIJI, Labasa weak 0804 10/13 u/KGO w/Hindi mx //1467 (BP/CH-DX)
- 819 JAPAN, NHK synchros poor //594 in KGNW-820 splat 1247 10/13(BP/CH-DX)
- 830 HAWAII, Honolulu, KHVH good ending Ai nx then "KHVH listener line"
 0604 10/13 (BP/CH-DX)
- 846 KIRIBATI, Tarawa fair in KHL0-850 splat w/BBC nx 0607 10/13 (BP/CH-DX)
- 850 HAWAII, Hilo KHLO first noted 0347 10/13 w "Saturday Night at the
 Oldies" string of local ads, massive signal at 0519 (BP/CH-DX)
- 855 NORTH KOREA, Loud //3320 10/13 w/operatic vocal 1419 10/13 (BP/CH-DX)
- 864 SOUTH KOREA, Kangnung HLKR fair w/woman anmt "HLKR" by man and
 ...- pips on hour then man in KK 1400 10/13 (BP/CH-DX)
- 870 HAWAII, Honolulu KAIM good w/legal ID and rel. messages 0500 10/13(BP)
- 873 NORTH KOREA, KK talk //2850 1309 10/13 (BP/CH-DX)
- 882 UNID, collection of noisy carriers separable from KIXI-880 1421 on
 10/13 (BP/CH-DX)
- 891 JAPAN, Sendai JOHK good w/JJ pops //594 1120 10/13 (BP/CH-DX)
- 909 JAPAN, man talking in JJ o/u UNID //774 1440 10/13 (BP/CH-DX)
UNID, someone here w/Western style pop mx 1428 10/13 continued
 across bottom of hour, man in SE Asian sounding language(Poss.
 Malay or Tagalog) 1431, then into what Chuck said as "Moslem-Asian,
 but not Indian, which continued more or less non-stop until after
 1500, then brief pop mx and man in lang. 1505, then lost gradually.
 Very fadey signal ranging from nil to fair-good. Possibly Malaysia,
 but couldn't find SW //s (BP/CH-DX) (Yes, you probably had Malaysia.
 This I logged and QSL'd with Malay news. PM)
- 918 JAPAN, Unid woman in JJ fair 1440 10/13 (BP/CH-DX)
- 930 ALASKA, Ketchikan KTKN good w/local ads "AM 930 KTKN" ID o/u CJCA
 0132 10/13 (BP/CH-DX)
- 936 AUSTRALIA, Brisbane 4PB good w/nx 0744 10/13 (BP/CH-DX)
UNID, 10/13 1557 w/rr mx and CC talk, chimes 1600, possibly Taiwan.
 (BP/CH-DX)
P.R.CHINA, 1200 10/13 "Zhongyang Renmin Guangbo Dientai" ID by man
 and woman, no time signal on the hour, fair (BP/CH-DX)
- 945 JAPAN, NHK synchros fair w/JJ talk and mx //594 1115 10/13(BP/CH-DX)
- 954 JAPAN, Tokyo JOKR good w/ads and woman ancr 0757 10/13 (BP/CH-DX)
- 963 RUSSIA, Loud RR YL 1444 10/13 then feature w/RR voice-over transla-
 tion of EE speaking hotel executive (BP/CH-DX)
JAPAN, NHK //594 w/woman in JJ 1608 10/13 (BP/CH-DX)
- 972 SOUTH KOREA, Tangjin HLCA loud w/KK talk 1114 10/13 (BP/CH-DX)
- 981 CHINA, CNRI woman in CC //4460 1205 10/13, good thru 980 splat(BP/CH)
CHINA, Unid e/interview w/2 men in non-Mardarin dialect 1446 on
 10/13 (BP/CH-DX) (This also could be Taiwan, that comes in here quite
 strong. PM)
- 999 INDONESIA, Jakarta, RRI poor in merciless KOMO splatter w/talk in
 presumed Indo,bits of "Song of the Coconut Isles" (RRI's theme
 melody) poked thru the QRM just before the top of the hr to confirm
 it at 1300 10/13 (BP/CH-DX)
- 1008 NEW ZEALAND, Tauranga 1ZD fair w/pop mx 0719 10/13 (BP/CH-DX)
- 1017 JAPAN, Fukuoka JOLB //774 good o/jumble 1344 10/13 (BP/CH-DX)
- TONGA, Nuku'alofa good w/Chorale mx 0617 10/13 (BP/CH-DX)
- 1035 SOUTH KOREA, P'ohang HLCP man and woman in KK //1044 1637 on
 10/13 (BP/CH-DX)
- 1044 SOUTH KOREA, HLCI/HLCD fair //1035 1637 10/13 (BP/CH-DX)
P.R.CHINA, good w/JJ FS //7190/9855 w/flute mx and woman in JJ
 1249 10/13 (BP/CH-DX)
- 1053 SOUTH KOREA, jammer good 1111 10/13, audible until almost 1700
 (BP/CH-DX)

- 1062 SOUTH KOREA, Ch'ungju HLKQ man and woman in KK //1035/1044 at 1638 10/13 (BP/CH-DX)
- 1071 JAPAN, Hiroshima JOFK woman //594 1515 10/13 (BP/CH-DX)
- 1110 HAWAII, Kihei, KAOI good w/local ad and baseball game 0512 on 10/13 (BP/CH-DX)
- 1125 JAPAN, NHK synchros //774 0820 10/13 (BP/CH-DX)
- 1134 JAPAN, Tokyo JOQR, loud w/pops and call ID 0907 10/13 (BP/CH-DX)
- 1143 TAIWAN, Penghu, good w/CC mx and talk 1649 //738 (BP/CH-DX)
- 1152 FIJI, "Radio Fiji One" ID and woman DJ good-fair, into chorale mx 0635 10/13 (BP/CH-DX)
- JAPAN, NHK fair w/trid mx 0909 10/13 (BP/CH-DX)
- 1179 JAPAN, Osaka JOORG good w/male in JJ 1208 10/13 (BP/CH-DX)
- 1188 JAPAN, Kitami JOKP woman in JJ good thru KEX splat 0911 10/13 (BP/CH)
UNID, woman in UNID lang thru KEX splat 0736 10/13, poss. Wallis and Futuna. (BP/CH-DX)
- 1206 FIJI, Sigatoka fair w/Hindi mx //774 0730 10/13 (BP/CH-DX)
P.R. CHINA, Yambian good w/man and woman in KK 1106 10/13. massive signal w/male operatic at 1209 recheck (BP/CH-DX)
- 1215 JAPAN, JOBO/JOBW fair 1211 1013 w/JJ talk, both stations 1KW and are on same network(BP/CH-DX)
P.R.CHINA, CNR1 1213 10/13 CC talk //4460 overtaking the JJ(BP/CH)
- 1224 JAPAN, Kanazawa, JOJK woman in JJ //1188 0911 10/13 (BP/CH-DX)
- 1251 UNID, man w/nx in DU EE fair in splat, into mx 0705 10/13. Prob. R. Rhema (BP/CH-DX)
- 1269 JAPAN, JOHW or JOJR, sep from 1270 w/JJ anmts, single chime on the hr 1100 10/13. JJ talk 1214 not //JOHR-1287 which would suggest JOJR, since JOHW is on same net as JOHR (BP/CH-DX)
- 1278 UNID, Chinese talk good 1619 10/13 (BP/CH-DX)
- 1287 JAPAN, Sapporo JOHR already good w/string of ads in JJ 0750 on 10/13. Good on many rechecks (BP/CH-DX)
- 1296 AUSTRALIA, Aussie woman talking 0942 10/13. Prob 4RPH mixing with unid mx, prob NZ (BP/CH-DX)
- 1305 JAPAN?, unid fair w/JJ talk 1219 10/13. Nothing listed.Korea?(BP/CH) (I have hrd there is a new JJ station here.PM)
- 1332 AUSTRALIA, Bundaberg 4BU good w/call ID and rr mx 0839 10/13(BP/CH)
- 1341 UNID, YL weak sounding EE 10/13, not strong enough to understand. Aud only on NW wire, so not a DU. Poss. China, which uses this freq. for EE Service at times (BP/CH-DX)
- 1359 JAPAN?, JJ talk sep from domestics 0827 10/13. Nothing listed in WRTH! (BP/CH-DX) (There are 26 100 watt repeaters here of NHK2. This is from the FERC JJ list.PM)
- 1368 JAPAN, NHK synchros //594 mixing w/unid 0829 10/13 (BP/CH-DX)
JAPAN, Wakkanai JOJS apparently the one w/JJ string w/ads. YL ancr ments of Hokkaido, mixing w/NHK synchros 0903 10/13 (BP/CH-DX)
- 1386 NEW ZEALAND, Auckland Radio Tarana fair w/Hindi pgm 0852 10/13(BP/CH)
- 1404 JAPAN, JJ talk thru 1410 splat 0832 10/13. 2 stns listed (BP/CH-DX)
- 1467 FIJI, Rakiraki YL ancr and Hindi mx fair //810 0804 (BP/CH-DX)
- 1512 AUSTRALIA, Newcastle 2RN good w/ABC nx 0801 10/13 (BP/CH-DX)
- 1548 AUSTRALIA, Emerald 4QD loud w/nx by woman 0802 10/13 (BP/CH-DX)
- 1557 MARSHALL ISLANDS, Majuro B7RR strong-nil all night w/EE pops, i.e. 1622 10/13 w/Joan Osborns One of Us (BP/CH-DX)
- 1566 SOUTH KOREA, Cheju HLAZ finally made first appearance of the night 1622 10/13 w/CC talk Strong in RR at 1704, down to weak carrier/ audio by 1721 (BP/CH-DX)
- 1575 THAILAND, VOA good w/nx in EE 1503 10/13 S/off 1700 "This is the Voice of America concluding programs on this freq." (BP/CH-DX)
- 1593 JAPAN, NHK1 man in JJ still good 1350 10/13 (BP/CH-DX)
- 1613.6 NORTH KOREA, 1623 10/13 YL in KK, first appearance of the night despite many checks. Still in weakly 1704 (BP/CH-DX)

TROPICAL BAND ROUNDUP

- 2850 NORTH KOREA, massive w/inst mx 1254 10/13. Man in KK after 1300. Still strong w/vocal mx 1713 (BP/CH-DX)
- 3320 NORTH KOREA, loud all morning a good source for //checks, i.e. 1419 10/13 operatic mx (BP/CH-DX)
- 3985 SOUTH KOREA, Echo of Hope 1711 10/13 still in fair w/man and woman in KK. Listed as clandestine in Passport not listed in WRTH (BP/CH-DX)

4460 P.R.CHINA, best source for CNR1//s throughout the night, still strong w/talk and mx 1718 10/13 (BP/CH-DX)

THANKS TO THESE REPORTERS

BP/CH-DX BRUCE PORTZER-6546 19TH AVENUE NE-SEATTLE, WA 98115
DXing with Chuck Hutton at Midway Beach near Greyland, WA
Drake R8A, 2000' NW wire, 800'W Wire



WESTERN DX ROUNDUP

Nancy Johnson
979 Neptune Boulevard
Billings, MT 59105-2129

 **PRODIGY**
MPNN49B

Electronic Mail: Internet: WDXR@aol.com

America On Line: WDXR Compuserve: 74444,3075 Prodigy: MPNN49B

WDXR DEADLINES: Each Saturday, Please use Eastern Time.

REPORTERS FOR THIS ISSUE:

- (FA) Frank Aden-4096 Marcia Place-Boise, ID 83704
FRG-7, 4' box loop
- (LBG) Larry Godwin-2390 Clydes Dale Lane-Missoula, MT 59804 lbg@selway.umd.edu
Hammarlund HQ-150, Sanserino air-core box loop & KIWA loop
- (GH) Glen Hansen-1638 SE Knight #1-Portland, OR 97202
National NC-57B with 250' C shaped longwire; Sony 2010 with internal antenna
- (CR) Craig Rathbone-Denver, CO av568@freenet.uchsc.edu
GE Superadio III
- (RW) Robert Wien-1309 Dentwood Dr.-San Jose, CA 95118
GE Superadio II, GE long-range portable, Select-Antenna
- *****
- 630 KIDO ID, Boise 11/17 0005 male announcer with legal ID into weather report. (CH-OR)
- 680 ?KBRD? WA, Lacey 11/30 believe the call ID I heard weak at 1010. (LBG-MT)
KOMW WA, Omak 11/30 1016 strong with oldies, local weather & call ID. (LBG-MT)
- ?CHFA? AB, Edmonton 11/30 0752-0757 probably the one with classical music, then talk in French by man 0855-0859; never heard here. KNBR strangely weak. (LBG-MT)
- CJOB MB, Winnipeg 11/30 1000 weak but atop KNBR on similar loop bearing. Man gave legal ID, then local weather & news. Very rare here. (LBG-MT)
- 710 KFIA CA, Carmichael 11/24 1956 noted very strong atop KIRO with call ID while tuning past. (LBG-MT)
- ?CBL? ON, Toronto 11/28 believed the one looping ENE. At 2306 ended weather, woman ID'd as "CBC Radio." QRM from KCBS. (LBG-MT)
- 750 KERR MT, Polson 11/24 0000-0030 on top with country music. (FA-ID)
- 760 CKQR BC, Castlegar 11/23 0041 CKQR jingle into oldies. (CH-OR)
- 780 KAZM AZ, Sedona 11/27 0820 call IDs & ads for West Sedona. Oldies & AC music. Good signal. (CR-CO)
- 920 KVEL UT, Vernal 11/24 0800 atop KXLY with call ID plus "Your good-time oldies station." (LBG-MT)
- KXLY WA, Spokane 11/23 0106 ID by male announcer after ABC news. (CH-OR)
- 970 KBBK ID, Rupert 11/27 0040 Mineko high school sports. Several local ads with "Good luck Spartans." (CR-CO)
- 1050 KMTA MT, Miles City 11/29 0855 weather & local news. I believe the slogan is "Eastern Montana's Coal Country." (CR-CO)
- KLOH NM, Pipestone 11/27 0845 weather & ads for Pipestone and Sioux Falls. Local &

- national ads. (CR-CO)
- CJNB SK, North Battleford strong 11/26. Ended "Focus On the Family" at 2002 and gave legal ID plus one for CJNS Meadow Lake (listed on 1240). (LBG-MT)
- 1130 KCIB NM, Milan 11/26 0938 "Right here in Grants KCIB." Local ads & weather for Grants. (CR-CO)
- 1140 WRVA VA, Richmond 11/25 2255 momentarily atop the channel with ad for local funeral home and call ID, then into talk show. New state; thanks to tip from Lance Thomas. (LBG-MT)
- 1210 KRSV WY, Afton 11/25 0210 "We're western Wyoming's ??? KRSV," C&W. KGYN either in deep fade or off for a while. (CR-CO)
- 1300 KPTL NV, Carson City 11/17 1048 barely audible fading in & out, ID by male announcer. (CH-OR)
- 1310 KFKA CO, Greeley 11/28 0900 atop KLIX & KEIN, thanks to tip from John & Nancy. Had birthday greetings and ad for Fort Collins business before call ID. New. (LBG-MT)
- 1320 KSDT CA, Hemet 11/17 0210 NOS oldies weak but stable, surprisingly for 300 watts! (CH-OR)
- 1370 KSOP UT, South Salt Lake 11/25 weak with locally-produced news & sports across the hour, call ID at 0802. (LBG-MT)
- CFOK AB, Westlock 11/17 0430 male announcer with "Hot Country" ID. (CH-OR)
- 1480 KGOE CA, Eureka 11/29 1050 ad for Eureka Baking Co. (so doesn't simulcast KGO 100%), then into KGO sports. (LBG-MT)
- 1570 KCVR CA, Lodi 11/29 1035 strong atop CKTA & CKEG with call ID during Spanish program. Heard on car radio. (LBG-MT)
- CKTA AB, Taber 11/26 2305 weather for southern Alberta and into C&W. Good signal. (CR-CO)

DX TEST

- 770 (WVCN) FL, Estero 11/24 0300-0400 nothing heard again, as usual. (FA-ID)
- 1190 (KKOJ) MN, Jackson 11/18 0140 DX test tried, not heard in KEX null. (RW-CA)
- 1280 (WTMY) FL, Sarasota 11/23 0000-0030 nothing heard in mess, KIT was the most noticeable. (FA-ID)
- 1420 (WBRD) FL, Paletto 11/23 0030-0100 nothing heard under KUJ as expected. (FA-ID)

UNIDS

- 940 11/23 0113 KNPH? good signal with news. No listing for KNPH. (CH-OR)
- 1050 11/26 0908 ad for a John Deere dealership in Tyler. "The Bottom Line Report" commodities report and then "The American Health Report." Ads for Sieverson Pharmacy in Henderson and a Family Pharmacies ad, then singing Happy Birthday to Eric. (CR-CO)

Thanks to all who reported to WDXR this week!

A DXers TECHNICAL GUIDE

Now in its 2nd edition, this 120 page book answers questions on receiver and antenna theory (how to improve their performance), how audio filters and loop antennas can improve DX (and hints on their construction), how to build a beverage and phasing unit, and much more. Only \$5.50 for IRCA/NRC members, \$6.50 for non-members (overseas airmail add \$2.50).

Order from the IRCA Bookstore, by sending the correct amount (in US funds) to:

IRCA Bookstore, 9705 Mary N.W., Seattle, WA 98117-2334. Thank you!

IRCA Stationery

Red and black masthead with the IRCA logo and name. Great for using when writing for verifications. 100 sheets, \$5 00.

Order from the IRCA Bookstore, by sending \$5 00 (in US funds) to:

IRCA Bookstore, 9705 Mary N.W., Seattle, WA 98117-2334. Thank you!

Central DX Roundup



Editor: John C. Johnson

Internet: John_Johnson@prodigy.net

FOR THE RECORD

E-mail: John_Johnson@prodigy.net Mail: 979 Neptune Boulevard, Billings, MT 59105-2129

Deadline: Saturdays

Please report all times as Eastern. Tips over a month old will not be included. Include only what would be considered as DX, or unusual format diversions if it is a 50kW nearby or a local station. Your tips should be of help to other DX'ers, so include helpful information such as formats.

RIDING GAIN

- [SA-MB] **Shawn Axelrod**, Winnipeg, Manitoba, Canada. saxelrod@mb.sympatico.ca
Icom IC-R70 with filter mods and Palm board.
4' box loop, Quantum loop, 100' longwire.
- [EB-MO] **Eric Bueneman**, NOUIH, Hazelwood, Missouri. EricB631@juno.com
Sangean ATS-803A, Realistic DX-400, TM-152, Worcester Space Magnet 2.
- [NJ-MT] **Nancy Johnson**, Billings, Montana Nancy_Johnson@prodigy.com
Icom IC-R71A, Yaesu FRG-7, Lafayette HE-30, GE Superadio III,
2 "Radio West" Loops. Or the radio in the 1995 Mustang. ☺
- [TN-WI] **Tim Noonan**, Madison Wisconsin. Tpnoonan@csd.uwm.edu
Drake SW-4A, "Radio West" loop.
- [RCP-IN] **Robert C. Pote**, Greenwood, Indiana.
Drake R8A, Quantum loop.
- [JJR-WI] **John J. Rieger**, South Milwaukee, Wisconsin. Winner98@webtv.net
Drake SW8, FRG 100 with Kiwa Loop and MFJ 959B pre-amp.
Icom IC-R70, R-1000 with Kowalski Loop.
RF2200, RF2900 with "Radio West" Loop. DX 380, and GE Superadio.

SPECIAL INTEREST

- 1150 **CKX** MB, Brandon. 11-23 good. 1650 with new slogan "11-50 Kicks." Country music and local talk. [SA-MB]
- WEAQ** WI, Chippewa Falls. **EX-WAYY**. 11-28 in good, dominant. 1812 with satellite fed NOS format. "AM 11-50 WEAQ" ID's. [JJR-WI]
- 1600 **WMHG** MI, Muskegon. **EX-WTRU**. 11-28 in and out. 1705 with satellite fed Urban Ad/Con. **EX- WRRV>WTRU**. [JJR-WI]

DOWN THE DIAL

- 540 **KWMT** IA, Fort Dodge. 11-25 fair with light to severe KSD-550 splash. 1348 with country music format. "AM 5-40 KWMT" ID's and local PSA. Blocked out by KSD splash at 1558. [EB-MO]
- 620 **WRJZ** TN, Knoxville. 11-17 very good while in. 1731 with religious format. Preacher named Dr. McGhee finished up a spirited sermon on salvation. [RCP-IN]
- 640 **WCRV** TN, Collierville. 11-21 fair. 1650 coming out of a religious program. Several "WCRV" ID's and local talk. New for me!!! [SA-MB]
- 660 **KCRO** NE, Omaha. 11-25 fair to poor w/WESC, WFAN. 1705 noted with TC, "KCRO" mention, weather for Omaha into Contemporary Christian music. [EB-MO]
- WESC** SC, Greenville. 11-25 fair to poor w/KCRO, WFAN. 1715 noted with "92.5 WESC" ID's, mention of "Good Times and Great Country." Song snippet contest, country music, and a listener trying to guess the snippet at 1719. This was a daytime regular for me back in GA. [EB-MO]
- 680 **KFEQ** MO, St. Louis. 11-16 fair on a very crowded 680. 1853 with country format. Mentioned being on the air for seven decades. [RCP-IN]

- 680 **WCAW** WV, Charleston. 11-17 very good. 1714 with NOS format. "Original hits from Charleston's original station - CHS. WCHS." Apparently simulcasting WCHS on WCAW. Frequent "WCHS" ID's used. [RCP-IN]
- 790 **CIGM** ON, Sudbury. 11-21 in very well, little fading. 1812 Several country music songs back to back. Frequent ID's. First time heard other than on a DX Test. [RCP-IN]
- KURM** AR, Rodgers. 11-21. 1817 with swap-shop call in program. Mentioned having to go to night power, station ID, then station faded out. [RCP-IN]
- 840 **KTIC** NE, West Point. 11-21 fair in WHAS null. 1755 with spot for Universal Life followed by a rock oldie song. First time heard this DX season. [RCP-IN]
- 1140 **KHTK** CA, Sacramento. 11-28. 1918 with call ID into sports talk. [NJ-MT]
- 1150 **CJRC** PQ, Gatineau. 11-23 good o/CKX at times. 1659 with FF talk and a "CJRC" ID in FF. Talk of Ottawa across the river in Ontario was often heard. [SA-MB]
- 1210 **KOKK** SD, Huron. 11-21 very good and way o/WGMP. 1921 with spots for Anderson Furniture and a Huron Goodyear tire dealer. Live stock reports then back into country music format. [RCP-IN]
- 1330 **KFH** KS, Wichita. 11-17 fair, but much fading. 0430 with Art Bell. [RCP-IN]
- 1380 **KRKO** WA, Everett. 11-28 weak u/KOTA. 2106 with "Super Talk 13-80 KRKO." [NJ-MT]
- 1450 **CHUC** ON, Cobourg. 11-23 fair u/unID. 1643 ID as "14-50 CHUC." [TN-WI]
- 1510 **KLLB** UT, West Jordan. 11-28, no sign of KGA. 1845 with soul Christmas songs. Call letter ID. [NJ-MT]
- KMSD** SD, Milbank. 11-24 in well. 1822 with female announcer, weather mentioned 2 degrees, also mentioned sign off at 1900. AC/Oldies music format. Frequent legal ID's. [TN-WI]
- 1580 **WDAB** SC, Travelers Rest. 11-17 poor while in. 1845 popped up with an ID going into a Perry Como song. [RCP-IN]

DX TESTS

- 640 **KGWW** MT, Belgrade. 12-1 DX Test poor through KFI. 0206 with march music and voice ID. Should have been stronger, only 150 miles away. [NJ-MT]
- 1190 **KKOJ** MN, Jackson. 11-18 DX Test. 0130-0200 only heard very weak code about 0145 and again at 0200. Tape made and sent. WOWO was pretty dominant along with an unID SS talker u/WOWO. [RCP-IN]

LOCAL CHANGES

- 1610 MT, Billings. 11-24. Talking house at 621 Shamrock. Endless loop telling of features in the house. My first talking house! [NJ-MT]

25 YEARS AGO

December 18, 1971 issue of IRCA's "DX Monitor" - SN Gary D. DeBock of Key West, FL said he was in Navy sonar school. He mentioned the Cuban stations were so bad that everything else sounded foreign - John Zondlo of Munci, IN said he was in Indianapolis over Thanksgiving working with underprivileged kids - Credo A. Bisquera of Waianae, HI logged WWL-870 with KAIM off.

OPEN MIKE

Facts do not cease to exist because they are ignored. 73, John.

IRCA Reprints

The IRCA maintains a large file of articles which have appeared in past issues of DX Monitor. These articles cover a wide variety of topics, including: antenna theory and construction, tips for the foreign BCB DXer, how to improve your DXing skills, history of DXing and broadcasting, lists of stations by subject, construction projects and receiver modification, receiver reviews, medium wave propagation, and more. Copies are available for a nominal charge. For a list of reprints, send \$1.00 to:

**IRCA Reprints, c/o Steve Ratzlaff, 1885 E Bayshore Rd Sp 90,
E Palo Alto CA 94303.**



Eastern DX Roundup

Editor: LEE FRESHWATER
414 SE 3rd ST
OCALA FL 34471

Hope you all had a great Turkey Day, and got some time to DX..Report your DX here each and every week. No waiting in line and always a friendly smile. 352-732-6408 or FAX at 352-732-7223 and of course AOL.

STARS OF THE WEEK

- (LF-FL) your editor Hammarlund HQ180A/145A, Potomac FIM-41
KIWA Loop, 75' l.w. N/S
- (EB-MO) Eric Bueneman NOUIH, 631 Coachway Lane, Hazelwood, MO 63042-1347 E-mail EricB631@juno.com VIA E-MAIL
- (MB-ON) Mike Brooker 99 Wychrest Ave., Toronto, ON M6G 3X8
Panasonic RF-2200, RFB-45 VIA-E-MAIL
- (LH-AL) Lynn Hollerman 514 Carrsbrook Rd., Huntsville, AL 35803
DX-440 / Yaught Boy 400 / Q-stick VIA E-MAIL
- (KZ-NY) Karl Zuk 154 Old Post Road North., Croton-on-Hudson, NY 10520 e-mail ZUK@BESTWEB.net VIA E-MAIL
- (JD-AL) J.D. Stephens 106 Anita Dr., Madison, AL 35758-7163
Drake R-8, SR II, Panasonic RF-2600, Rad shack di-pole/ Shotgun Loop, 75' l.w. VIA E-MAIL
- (EM-PA) Ernest Meyer 7916 Burholme Ave., Philadelphia, PA 19111
Drake R-8A, 100' l.w. , KIWA Loop VIA U.S.P.S.

LOGGINGS

- 560 WHBQ TN Memphis 11/29 1725-1727 Good with Promo for America's Most Wanted on "Channel 9" Sports Show promo "5-7 on W-H-B-Q." ID as "The Big One, Sports 56 W-H-B-Q." Back into local call in sports pgm. New (LF-PL)
- 640 KGVW MT Belgrade 12/1 0145-0150 While checking 640 before the test time, was shocked to hear "...96.7...and 640 AM.. KGVW.." by a man, then into an ad cluster. Bits of Religious music in and out. Up until the scheduled test start time, during which time nothing was heard. I wonder if they messed up the time when they were supposed to go to high power. (congrats on the logging JD. Sounds to me like a computer got programmed wrong.-ed) (JD-AL)
- 770 WEW MO St. Louis 11/22 0659 Fair in WABC null signing on W/America The Beautiful. Not new (QSled in 1977), but good to hear a classic 3 letter call still being used. (MB-ON)
- 850 WRMR OH Cleveland 11/22 0455-0500 "at 850 W-R-M-R, the Music of Your Life" then mx, CNN nws on the hour (EM-PA)
- 1000 WMVP IL Chicago 12/2 1755-1809 Hard Rock, Hard Rock Medley, no ID on hour, only "AM-1000" slogan amid various ads and DJ comments. Think this was the "Danny Bonaduce Show", as annr identified himself that way, kept insulting engineer (how terrible-ed) complained about the lack of callers (woman gave 591-9355 as phone #) I tuned out as DJ was complaining about a Sam Goody ad at 1809. (LH-AL)
- 1100 WTAM OH Cleveland 12/3 2256 ID, talk. First time heard with new calls. (LH-AL)
- 1110 WUHN MA Pittsfield 11/25 0835 Fair w/local nx, ID as "Berkshire County's Country AM 1110 WUHN" into C&W song. (MB-ON)

13

1250 WTMA SC Charleston 12/3 1806 ID as "Talk Radio 12-50 W-T-M-A. (LH-AL)

1310 WTLC IN Indianapolis 11/21 0808 Fair under Ottawa Oldies Pest w/ID as "Gospel Radio 1310 WTLC". Into rundown of local Church-sponsored events. (MB-ON)

1330 WADJ PA Somerset 11/27 0700 Fair o/Flagship 1330 (Erie,PA) pest w/ "AM 1330 WADJ Sommerset" ID into ABC nx. (MB-ON)

1360 WGEE WI Green Bay 11/21 0835 Fair-Good w/ID as "WGEE news time is 7:35, 26 degrees in Green Bay" into news. (MB-ON)

WDRG CT Hartford 11/24 0820 Good w/ID as "Have a great weekend with the original hits WDRG AM 1360" into mx. (MB-ON)

1380 WMLP PA Milton 11/15 2220 Call letter ID, local ads, briefly good then faded. (EM-PA)

1410 WELM NY Elmira 11/19 2215-20 "Your station for the Buffalo Bills W-E-L-M" Mostly under WPOP Hartford. (EM-PA)

1540 WADK RI Newport 11/28 1730-1733 A real surprise for me. although the signal path would be about 95% over water. Up w/ ad for Newport ? Cafe at 841-5510 for reservations. Mention of Newport Harbor. 12 Days of Christmas Promo "9-5 daily on W-A-D-K". faded at 1731, presumed back at 1732:30 w/ Jazz tune, then gone. (LF-FL)

1570 WXLN IN New Albany 11/28 1834 Very Poor but up out of the mud with "You're listening to ?? on Star ?? 1570 W-X-L-N" into music. Could not really tell what type, perhaps gspl or lite AC?? Gone at 1835. New (LF-FL)

WTLK NC Taylorsville 11/28 1900-1920 Fair with ID, "WTLK-Taylorsville, North Carolina" Into the mud with others until 1917, up w/C&W mx. 1919 Fair with Promo for "Roger and Lisa Swap Shop program, Monday-Saturday 9:05-10:00 on W-T-L-K." Phone number given as 632-4214. Couple of PSA's followed by weather, "The WTLK Thanksgiving weather" and "Thanks for listening to 1570 W-T-L-K." (LF-FL)

SPECIAL INTEREST

Karl Zuk writes about 3 CT stations running their own news net. All owned by Commodore Media, they all run the same newscasts and cross promote the group's coverage area. A money saver and a cute gimmick. (Look for more of this kind of thing. With the new ownership rules alot of these AMs are going to "group" together and run simo.-ed) The stations on the new net are: WSTC 1400 in Stamford, CT, WNLK 1350 in Norwalk, CT and WLAD 940 in Brookfield-Danbury, CT.

UN-IDEN:

Anyone catch the number of the train that de-railed the Gators Saturday? *****

HELP WITH UN-IDEN:

Eric writes that my unid on 550 in issue 34-11 is WASG-Atmore, AL. The WYDH call is their FM on 105.9. Thanks Eric. He also says that RB-PA unid on 790 may be CIGM Sudbury. ON They run a C&W format. *****

DX TESTS

640 KGVW MT Belgrade 12/1 0200-0230 Not hear during scheduled test period, but see REGULAR log above. (JD-AL)

770 WWCN FL Estero 0 for 3 on this one. NOT Heard 11/17, 11/24, or 12/1. Only WABC talk bombing in. (MB-ON)

1450 CHUC ON Cobourg 12/01 0000-0100 Poor in Graveyard crud, fighting off CKYC-1430 slop, heard bits of tone, code ID's, finally snagged voice ID at 0057 mentioning "During the last hour CHUC has been conducting a test". Not needed. A regular on SRS and SSS, and often heard in the daytime too. (MB-ON)

1450 CHUC ON Cobourg 12/1 0000-01000 Not Heard (JD-AL)

Well, its been a busy week as I've already put in 46 hours this week. This is being typed at 3 AM Thursday morning in time for Phils deadline, after another 18 hour day. On top of all that, I think the flu is about to claim another victim. Out of room. C U all NEXT week.....fresh



Western DX Forum 8 8

Reid Wheeler, Editor 5910 Boulevard Lp SE
Olympia WA 98501-8408 (360) 786-6756 6-9pm PLT

Deadline: Saturday 2 weeks before publication

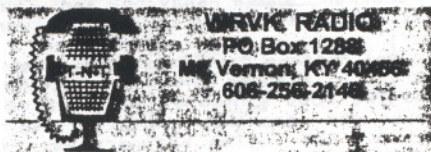
Your WDXF Editor and Election Committee Chair

Just a reminder ... beginning December 1 nominations for President, Secretary-Treasurer and BoD's are open. All nominations must be submitted in writing and be received by me no later than January 15th. Just a few comments regarding the Western DX Forum: I'm experimenting with moving my word processing platform from WordPerfect to Word 6 for Windows and am still playing with the column heading so please bear with me. Regarding the length of WDXF submittals, I normally will print the complete text of any one submittal even if it goes substantially over 20 lines unless the total volume of material submitted is also substantial. Whether to split a lengthy submittal is purely a judgment call on my part. I'd rather not split as there can be a significant loss of context. I'd also like to include my thanks to the many contributors to this column and to their friendly and supportive personal notes often included during 1996. 73, Reid

Nick Hall-Patch, 1538 Amphion St, Victoria B.C. V8R 4Z6

1996 is going to go in my logbooks as the year of the "best of" Dxpeditions, particularly for Asiatics. In February I provided electronic support on an oceanographic ship which went to Ocean Station Papa in the North Pacific (50N 145W). Although I've been there a couple of times before within the last four years, and brought along radio gear, this one landed incredible quantities of Koreans, Japanese, as well as a number of stations down the Chinese coast which I hadn't heard before. Some day, we'll have to figure out why reception continues so long past local sunrise at locations like this and the coastal locations like Midway Beach which have a water path to east Asia. This time I was able to record signal strengths as they faded out using a program and radio described in a recent DX Monitor, so there's some harder evidence to accompany the log sheets. Now, if someone would write some software to ID these stations... I'm still waiting for a reply to two inquiries to TransWorld Radio in Sri Lanka concerning verification of my tentative reception of their station on 882. Guess it'll have to continue as a tentative. Reception of Asiatic signals after sunrise has not been possible at my usual expedition site above Jordan River, B.C., due, I believe, to the fact that paths from Asia to most of Vancouver Island have to cross the mountainous spine of the island, even if you're listening from the west coast. However, in March an expedition to the coast yielded not just excellent reception in the dawn hours, but reception well after sunrise as well. If I hadn't just been Dxing out on a ship, I might have had heart failure from the shock. An expedition in October did not deliver any unexpected loggings, but one in November, once again delivered ear-boggling reception to at least a couple of hours past sunrise, when I had to pack things up. This was even better than the March trip, including reception of Norway on 1314, and to top it off, a logging of comet Hale-Bopp through binoculars. At the same time, Shawn Axelrod and Wayne McRae were cleaning up on Australians in Manitoaba. Great conditions which may qualify as the "good old days" in years to come. Also managed some Dxing on a work trip in September to San Diego, which is where most of the signal from HLAZ-1566 is going these days. The traditional short wire on the hotel room balcony yielded audio traces from them, and Harry Helms mentioned that they, along with the jammer on 1053 and JOUB-774 were the powerhouses at his location north of the city. It was great to meet Harry and to try out his R8 and ANC-4 noise canceller while on this trip, as well as getting the opportunity to speak with Tim Hall. Hope others have been having as satisfying a year at the dials. . . . and best wishes for 1997. 73

34-13



15

EASTERN

DX

FORUM

DEADLINES: SATURDAYS

Richard C. Evans
237 Laurel Meadows Drive
West Columbia, SC 29169-2312

Phone: 803-926-9809

R.C. Watts, 4109 Graf Drive, Louisville, Kentucky 40220-3016

Got a welcome tropical band QSL from GBC-3290 in Guyana. I had enclosed some used US stamps as an extra gift. The airmail envelope got to me with only US bulk rate and presorted first class stamps on it! No postmark either. Some recent 75 metre logs have been BBC-3955, R. France Intern.-3970, R. Budapest-3975 and Deutsche Welle-3995. Not heard a DX Test since 10\26 although have tried for every one. Did hear WBIU-1210, Denham Springs, LA under the big Philly 50, whatever its call sign is this week. Got ad about Grundig Classic, 50th Anniversary Edition, AM/FM/SW radio replica from Willabee & Ward, 47 Richards Ave, Norwalk, CT 06857 (1-800-650-9494). About \$265. AM is 540-1600 kHz. LPTV and cable station WCYC-24 shot a Christmas show at Oxmoor Center (mall) a couple weeks ago, so I went over and shot some pix too and got a few fridge magnets. Perhaps Randy The Q and I can get around to a couple radio stations before the deep snows. Am writing this Thanksgiving week, so hope you all got stuffed. (Col., Forum report and papers waiting for me when I got back from Alabama Sunday--thanks a million--rce)

Ernest Cooper, 5 Anthony Street, Provincetown, Massachusetts 02657

It's been a long, long time since I've sent in a Forum report. In fact, it's been a long time since many of you have Forummed! (tell me about it, hi--rce) Let's not let this section expire, gang! I may have a good excuse for being absent so long from these pages. I've not found much time for DXing for the last several months, because my companion, Bob, has been struck down with rheumatoid arthritis, and also has had several dizzy spells, some resulting in bad falls. He's also suffered from heartburn, and to top it all off, has now come up with a serious eye infection. Consequently, I have inherited many of the things he used to do, like taking the dog for an early-morning walk, cooking, cleaning, and keeping track of when he is to take various medicines and eye drops, around the clock. So I've had just a few chances for wee-hour DXing, but then again, I've heard and verified almost every station that is heard here on all those crowded channels. So far, the only DX Test I've heard was from unneeded CIGM-790. I've gotten out a scant few reports, though, and they went to WYRV-770 VA, finally IDed on Saturday. 11/23 at its 1715 s/off. I'd been to ID this one for a couple of weeks, and I knew it had to be either WLWL or WYRV, as they mentioned 5000 watts. Luckily, 'twas WYRV 'cuz I have WLWL verified. Also, Sunday, 11/7 found local WXTK-1240 silent, giving me a good log on WOON-RI, with interference from WTME-ME & WGBB-NY, for a daytime report. Also, heard at twilight s/off was WZBZ-1070-NY, and report is off. I sent a PP/c to WROR-1150-MA, a noted tough verified, but they couldn't be bothered sending it back! I wonder whatever became of common courtesy? The ol' HQ-180 is still perking on all cylinders, as is the 20-year-old SM-2 antenna. I've been bothered by a bad buzz which seems to be emanating from the light pole in front of the house, but I've got the power company working on it. It's murder these days just to drive down the main street in town with the AM Radio on in the car, what with squeals, buzzes, clicks, wind-like noise, etc. trying to listen to Paul Harvey on WBZ-1030! Everybody - have a happy and blessed Christmas and/or Hanukkah, and a Happy New Year, with lots of good DX - and how about telling us what you're hearing? Forward - March!

Rick Evans, 237 Laurel Meadows Drive, West Columbia, South Carolina 29169

No trouble going to Alabama and back for the holiday weekend. I had the HQ-100 and two foot air-core loop with me for the first time, and I really enjoyed the sessions. Nothing like listening to S.C. at 350 miles away at 1018 EST. (The bad part was they were calling 100%

chance of rain Sunday when I was coming back!) I did have a fair amount of line and atmospheric noise there due to a storm coming in on Saturday night which dumped perhaps 5 inches of rain in a three hour period, but just a handful of hours before the storm, the band was nice, quiet and productive. I picked off 4 new states (MA, MN, CO, OK) in 30 minutes to up the state total down there to 24 plus DC. I haven't bothered to stick around for the SS stations so it's only one country. Now up to 124 heard on that Alabama log. The big mystery was on Thursday 11/28 at around 2000 ELT hearing a bunch of WINZ-940 promos on 1580. I know it was 1580 because I was also logging WEAM-GA. Is there a station is perhaps southern Fla relaying WINZ? This time around at night I went after a bunch of the high powered clears, such as WBZ-1030, WCCO-830, WTAM-1100, etc. to boost the number count and state count, but one surprise was that I was unable to pick off KYW-1060. I had SS there instead. I'll be back there at Christmas for a couple of days (12/24-25) but probably only with the Superadio and no guarantees then I will be able to listen. Had a interesting letter from John Butler of Novato, CA about my noise problem. He says it's not the lines but the insulators. So, there is hope and hopefully in a couple of days I'll be out there seeing where the noise is. I think I know which pole they are on but with the big lines crossing the local distribution lines almost over the corner of my back yard, who knows...Will keep you posted. 73.

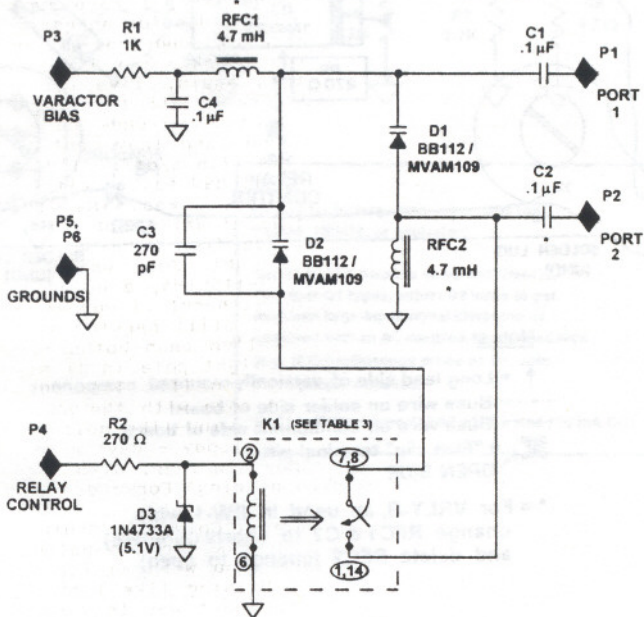
CONTINUED FROM DXM 34 - 09

REMOTE ANTENNAS

FIGURE 2

SCHEMATIC: VRLY-A VARACTOR / RELAY CARD

* = For VRLY-B, see notes on Figure 3.

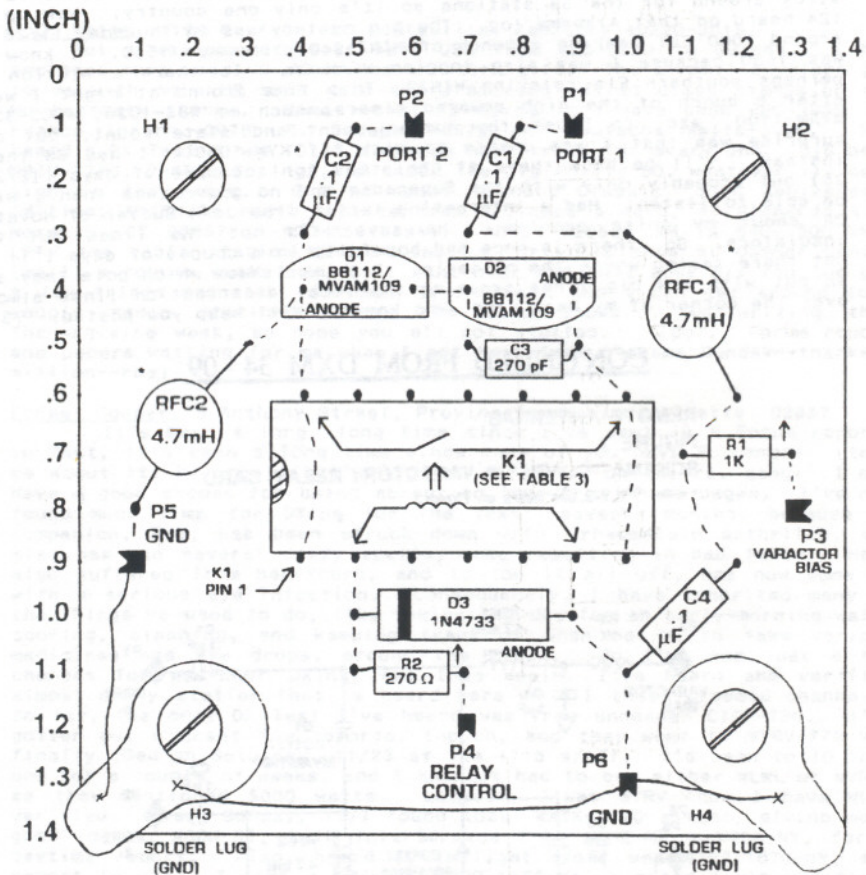


REMOTE ANTENNAS

FIGURE 3

ASSEMBLY: VRLY-A VARACTOR / RELAY CARD

For VRLY-B adaptation, see notes.



Notes

↑ = Long lead side of vertically-mounted component

--- = Buss wire on solder side of board

— = Buss wire on component side of board

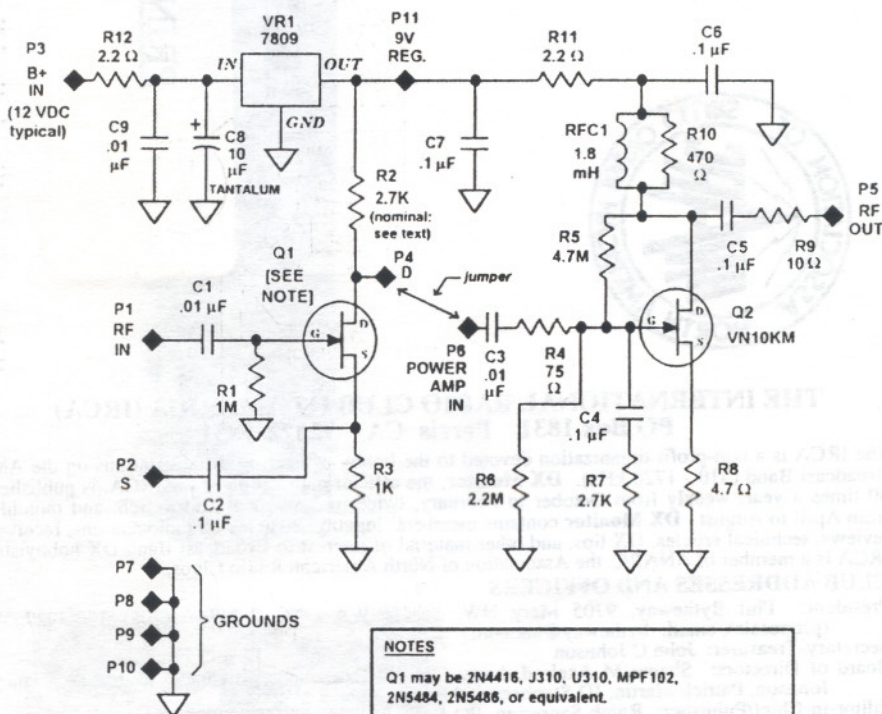
◼ = "Flea clip" terminal pin
OPEN SIDE

* = For VRLY-B, as used in RW-1 whip,
change RFC1 & C2 to shorts (jumpers)
and delete RFC2 (change to open).

REMOTE ANTENNAS

FIGURE 4

SCHEMATIC: BUF-D BUFFER AMPLIFIER CARD



NOTES

Q1 may be 2N4416, J310, U310, MPF102, 2N5484, 2N5486, or equivalent.

Set R2 to 2.7K nominal value with 2N4416. For other Q1 types, adjust R2 value to get minimum large-input-signal distortion as observed with an AC-coupled high-impedance (e.g. 10X) oscilloscope probe on P4, with P4-P6 jumper removed.

RFC1 is Mouser type 434-05-182J (rated 200 mA DC).

FIRST CLASS
U. S. POSTAGE
PAID
PERRIS CA
PERMIT NO. 120



FIRST CLASS MAIL

34-29
DOUG NYHOLM
2071 CEDAR ST
SAN CARLOS CA 94070
USA

THE INTERNATIONAL RADIO CLUB OF AMERICA (IRCA)
PO Box 1831 Perris CA 92572-1831

The IRCA is a non-profit organization devoted to the hobby of hearing distant stations on the AM-Broadcast Band (510 - 1720 kHz). **DX Monitor**, the official publication of the IRCA, is published 30 times a year, weekly from October to February, twice in September and March, and monthly from April to August. **DX Monitor** contains members' loggings, articles on radio stations, receiver reviews, technical articles, DX tips, and other material of interest to Broadcast Band DX hobbyists. IRCA is a member of ANARC, the Association of North American Radio Clubs.

CLUB ADDRESSES AND OFFICERS

President: Phil Bytheway, 9705 Mary NW, Seattle WA 98117-2334 (206) 356-3927 W
(proposals), email: bytheway@atk.com

Secretary-Treasurer: John C Johnson

Board of Directors: Shawn M Axelrod, Larry Godwin (chairman), Michael S Hardester, Nancy Johnson, Patrick Martin, JD Stephens and Robert Wien.

Editor-in-Chief/Publisher: Ralph Sanserino, PO Box 1831, Perris CA 92572-1831. (dues/address changes), email: 74041.2430@Compuserve.com

Publishing Coordinator: Phil Bytheway, 9705 Mary NW, Seattle, WA 98117-2334

MEMBERSHIP DUES

U.S. - \$25.00 per year. Canada - \$27.00. Overseas Surface - \$28.50. Overseas Airmail - \$35.00 (Central America, Caribbean, Colombia and Venezuela), \$38.00 - (Europe, North Africa, Middle East), \$41.00 (rest of the world). Trial Membership - \$9.50 (10 issues of **DX Monitor** and a New Member Packet, U.S. / Canada / Mexico only). Installment rate: two payments of 1/2 dues plus \$1.00 (\$13.50/payment for U.S. members). Make checks and money orders payable to IRCA and send all dues (and address changes) to: IRCA, PO Box 1831, Perris, CA 92572-1831. Persons living outside the U.S., please use International Money Order in U.S. funds. Sample copies of **DX Monitor** are 32c (50c to Canada) or two International Reply Coupons each and are available from: IRCA, PO Box 1831, Perris CA 92572-1831.

Unless otherwise noted, permission is granted to publish, broadcast, or otherwise reproduce non-copyrighted material appearing in **DX Monitor** provided credit is given to the IRCA and the original contributor. Opinions in **DX Monitor** are those of the original contributors and do not necessarily reflect those of the IRCA, its publishing staff, editors or officers. pb