



DX MONITOR

The official publication of the
International Radio Club of America

December 17 2016 – Volume 54 Number 15 – Edition 1722 – ISSN 899-9733

We are looking for a new editor for **DXWorldWide-West**, **DX Test Coordinator** and backup **Editor-in-Chief**. "DX Monitor" deadline – every **Monday 6 PM PLT**.

2017 CONVENTION

The 2017 IRCA Convention will be in Reno NV on August 17-19 2017 hosted by **Mike Sanburn**. If you are interested in helping Mike, contact him at mikesanburn@hotmail.com.

World Radio TV Handbook 2017

Published 5 December 2016 – Order your copy today!

We are delighted to announce the publication today of the 71st edition of WRTH. For full details of WRTH 2017 and to order a copy please visit our website at www.wrth.com where you can also order the B16 WRTH Bargraph Frequency Guide on CD and Download.

WRTH 2017 is also available for pre-order, for readers in the USA, from Amazon or Universal Radio in Ohio.

I hope you enjoy using this new edition of WRTH and the new CD. Best regards, **Nicholas Hardyman**, Publisher

In This Issue:

Call for Nominations...	1
Western DX Roundup...	1
Central DX Roundup...	2
Eastern DX Roundup...	2
DX WorldWide – West...	3
Special Feature...	4



CALL FOR NOMINATIONS – Nick Hall-Patch – 1538 Amphion St – Victoria BC Canada V8R 4Z6
E-mail: nhp@ieee.org

Nominations for the IRCA 2017 Elections.

IRCA members, it is time to think about who you would like to represent you as the next club **President**, **Secretary-Treasurer** and **Board of Directors**. Their terms will start on September 15th 2017 per the IRCA Constitution, Article III, Section 5, Part 2. Nominations will be open for President, Secretary-Treasurer, and seven members of the Board of Directors from December 15 2016 through January 31 2017. Only one nomination each for President, Secretary-Treasurer, and only seven nominations for the Board, shall be allowed each IRCA member. An eligible member may nominate his or herself. All nominations must be submitted in written (e-mail) form to the ECC by January 31st, 2017.

IRCA's Election Committee Chairman (ECC) is **Nick Hall-Patch**, who can be contacted via email at: nhp@ieee.org

Nominations Are Open for the TVA and RHA for 2016-2017 Ted Vasilopoulos Award (TVA)

Ted Vasilopoulos was a charter member of IRCA who died in 1965, and was known for his high DX standards and contributions to the club. This award in his honor is presented to the IRCA member who has contributed the most to IRCA and the DX hobby during the past several years. The following persons have won the TVA in the last five years and are ineligible this year: **Gary DeBock**, **Eric Bueneman**, **Nick Hall-Patch**, **Lee Freshwater** and **Richard Evans**.

Ric Heald Award (RHA)

Ric Heald was an enthusiastic IRCA volunteer and contributor. In 1995, after his passing, the RHA was created to recognize the IRCA member who most benefited the club in a particularly noteworthy way during the previous year. The following persons have won the RHA in the last three years and are ineligible this year: **Ernest Wesolowski**, **Phil Bytheway** and **Mark Connelly**.

All nominations, including a brief statement supporting the nomination, should be sent to **Nick Hall-Patch**, at nhp@ieee.org

All nominations must be received no later than January 31 2017.



WESTERN DX ROUNDUP – Nancy Johnson – 2922 S Olivewood – Mesa AZ 85212-2923
E-mail: NancyJohnson@prodigy.net

WDXR DEADLINES: Each Friday. Please use Eastern Local Time.

REPORTERS FOR THIS ISSUE:

- (BB) **Bill Block**-Prescott Valley AZ billblock@cableone.net
Drake R8, Wellbrook ALA1530LNP
- (GH) **Glen Hansen**-64985 Olson Road-Deer Island OR 97054
Hammarlund HQ 180A, HQ 145A, JRC NRD 545, various longwires, Kiwa loop
- (JCJ) **John Johnson**-2922 S Olivewood, Mesa AZ 85212 John_Johnson@prodigy.net
Icom IC-R75, Wellbrook ALA1530LNP
- (NJ) **Nancy Johnson**-2922 S Olivewood-Mesa AZ 85212 nancyjohnson@prodigy.net
Drake R8B, Wellbrook ALA1530LNP
- (MS) **Mike Sanburn**-PO Box 1256-Bellflower CA 90707-1256 mikesanburn@hotmail.com
Sangean DT 160
- (TW) **Ted Wendland**-Pitt Meadows BC tedw1953@telus.net
Sangean HDR-18

OF SPECIAL INTEREST

- 1330 KYOZ **WA**, Spokane 11/27 1630 strong signal dominating 1330. First heard on the car radio ('15 VW Beetle) while driving home from a visit with Dan Sys. It was just as strong on the Sangean when I got home. "Classic Rock OZ 95.7." Legal ID was KYOZ Spokane and 95.7 translator calls. Ex-KMBI. (TW-BC)
- 610 KVNU **UT**, Logan 11/28 1900 For the People show, ID KVNU 610 AM/102.1 into news. Strong atop CHNL and KONA. (TW-BC)
- 630 CHED **AB**, Edmonton 11/27 1730 surprise mid-afternoon catch, Edmonton Oilers PBP dominating 630 with a signal stronger than local CISL 650! (TW-BC)
- 660 CFFR **AB**, Calgary heard 12/4 at 0853 with weather report then "660 News." (BB-AZ)
- 680 CJOB **MB**, Winnipeg 12/3 good in KNBR null 2350 with "Life of Riley" old time radio broadcast and a "680 CJOB" ID on the hour. New for me. (JCJ-AZ)
+12/4 0800 "CJOB" ID heard after very weak talk with KNBR nulled. New logging. (NJ-AZ)
- 720 KFIR **OR**, Sweet Home 12/9 1000 Laura Ingraham show, KFIR Sweet Home ID into news. (TW-BC)
- 750 CKJH **SK**, Melfort 12/8 0145 "Classic Hits CK 750," no sign of usual pest KXTG Portland OR. (TW-BC)

- 760 CFLD BC, Burns Lake 12/6 0200 nice surprise from Northern BC. Classic hits, "The Moose," Vista Radio and list of stations on ToH ID. Nothing else on 760 at the time. (TW-BC)
- 770 CHQR AB, Calgary heard 12/4 at 0900 with "Its -7 in Downtown Calgary" then news and at 0903 "AM 770 Calgary Weather." (BB-AZ)
- 860 CFFR BC, Prince Rupert 12/7 0100 this has become a semi-regular lately. Nice to finally hear a local ID though, "CBC Radio One 860 AM Prince Rupert." (TW-BC)
- 950 KKSE CO, Parker heard 12/8 at 1906 with "Altitude Sports Radio" and at 1910 "Altitude Sports Radio AM 950." (BB-AZ)
- KDCE NM, Espanola heard 12/3 at 0900 with "KDCE Real Country." (BB-AZ)
- 960 KIXW CA, Apple Valley heard 12/3 at 2030 with "The High Desert Talk Station, Talk 960." (BB-AZ)
- KNDN NM, Farmington heard 12/3 at 2000 with "KNDN." (BB-AZ)
- KGKL TX, San Angelo heard 12/5 at 0706 with "Newstalk 960 KGKL." (BB-AZ)
- KVOV UT, Provo heard 12/3 at 2000 with "This is ESPN Provo." (BB-AZ)
- CFAC AB, Calgary heard 12/5 at 0729 with "Inside Hockey Sports 960" then at 0903 traffic report. (BB-AZ)
- 970 KNIH NV, Paradise 12/9 0900 ID "KNIH Paradise, Las Vegas" and mention of iHeart Radio, fair with Mexican nulled. New logging. (NJ-AZ)
- 990 KRKS CO, Denver heard 12/8 at 0830 with "KRKS." (BB-AZ)
- CBW MB, Winnipeg heard 12/5 at 0742 with weather report and winter storm warning. (BB-AZ)
- 1010 CBR AB, Calgary heard 12/5 at 0757 with weather report. (BB-AZ)
- 1140 CHRB AB, High River heard 12/9 at 0748 with "Southern Alberta's Community Radio Station AM 1140." (BB-AZ)
- 1200 WOAI TX, San Antonio 12/1 1815 ad for local real estate firm and Dallas Cowboys football. Weak but alone. Long time no hear! (GH-OR)
- 1230 KOZI WA, Chelan 11/5 1700 fair with ID at ToH. Gone as quickly as it came, on NRD with N-S wire. (GH-OR)
- 1240 KCVL WA, Colville 11/5 1745 ID with C&W music, unID football game under/over. Weak on NRD with N-S wire. (GH-OR)
- 1290 KOJU ID, Pocatello 11/29 1800 atop a mix of 4 or 5 stations, "Classic Country 1290, 102.9 FM, K-O-double U." (TW-BC)
- 1310 KLIX ID, Twin Falls 11/7 0000 "Newstalk K-L-I-X" ID at ToH then lost in the jumble. Weak on HQ 180A with E-W wire. (GH-OR)
- KNPT OR, Newport 11/25 0030 news in a fight with KLIX but mostly on top for a few minutes, on NRD with E-W wire. Seldom heard. (GH-OR)
- 1340 KBBR OR, North Bend 11/8 0000 talk show of some sort, ID at ToH with news. Lost in the static, very weak on HQ 145A and Kiwa loop. (GH-OR)
- 1350 KIDD CA, San Bernardino heard 12/9 at 0900 with "Fox Sports Radio KIDD San Bernardino." (BB-AZ)
- 1380 KKOO OR, Ontario 12/7 in and out on 1380. 1800 out of oldies with "Your Kool Oldies Station KKOO Ontario, Boise 1380 and 104 point 5," mention of website going back into oldies. New for me. (JCJ-AZ)
- 1430 KBRC WA Mt. Vernon 11/6 1900 70's type music with ToH ID. Fair to poor but surprisingly alone on HQ 145A with N-S wire. (GH-OR)
- 1440 CKJR AB, Wetaskiwin 11/29 1900 all alone with nice strong signal. Oldies music, "W-1440" IDs. (TW-BC)
- 1450 KTZR AZ, Tucson 12/5 faded up over KNOT 1800 with "Your home for Roadrunner Hockey, this is KTZR Tucson and online at 1450ktzr.com an iHeart Radio station." New for me. (JCJ-AZ)
- 1480 KGOE CA, Eureka 12/4 1100 nice and clean for a minute or two over KBPS Portland, "Newstalk 1480, KGOE Eureka." (TW-BC)
- 1660 KBRE CA, Merced 12/3 0500 good coming out of Red Hot Chili Peppers song, ID/Non ID "Merced's Rock Station, The Bear 105.7." Ex-KTIQ and KAWX for me. (MS-CA)
- +12/8 0100 classic album rock, "105.7 The Bear, Merced's Rock Station." Legal ID "The Bear, KBRE Merced and K289CB Los Banos." (TW-BC)

It looks like the Canadian radio stations have become Arizona snowbirds! – Nancy 12/9 1900



CENTRAL DX ROUNDUP – John C Johnson – 2922 S Olivewood – Mesa AZ 85212-2923
E-mail: John_Johnson@prodigy.net CDXR reports ONLY: cdxr@ircanonline.org

RIDING GAIN

[EB-MO] Eric Bueneman, Hazelwood MO N0UIHeric@aol.com
GE Superadio III

DOWN THE DIAL

- 600 WSJS NC, Winston-Salem. 11/29 fair over WMT, WREC and Cuba. 0525 with "Six hundred WSJS and WSJS-dot-com" ID and local spots. [EB-MO]
- 690 KAFN AR, Benton. 11/29 fair signal over CKGM in KSTL null. 0422 noted with local spots. [EB-MO]
- 730 WUMP AL, Madison. 11/29 fair signal over KKDA. 0340 noted with local spots, "The Tennessee Valley's Home for Sports" slogan, "WUMP, 730 and 103-point-Nine The Ump" ID into CBS Sports Radio. [EB-MO]
- 930 WLLL VA, Lynchburg. 11/30 good signal over WTAD and other stations. 0401 noted with local spots and an Urban Gospel format; apparently on day power. [EB-MO]
- 980 WBZK SC, York. 12/2 fair to poor signal, mixing with KSGM, WYFN. 0401 noted with "This is WBZK, Nine-80 AM in York, South Carolina" legal ID in English into promos in Spanish. [EB-MO]
- 1010 CFRB ON, Toronto. 12/5 fair signal with ACI from KDKA 1020; local KXEN off. 0429 noted with financial talk show promo, "In-depth radio, news, talk Ten-Ten" ID and local spots. [EB-MO]
- 1080 WONS KY, Cannonsburg. 11/30 fair signal over KRLD. 0437 noted with a Contemporary Christian format, calls and Web site mention. [EB-MO]
- 1190 KQQZ MO, De Soto. 12/5 very good signal, way over WOWO. 0352 with national spots, "11-90 KQQZ, proud to be broadcasting from the United States of America" ID into *Red Eye Radio*. This replaces the Classic Country format in the overnight spot. May be running 650 watts at night. [EB-MO]
- 1220 WSLM IN, Salem. 12/5 fair signal over XEB. 0350 noted with weather forecast, "My Country 12-20 WSLM" ID and local spots. [EB-MO]
- 1260 KSGF MO, Springfield. 11/29 good signal in a WSDZ null. 0433 noted with "104-point-One KSGF" ID, local spots into *Red Eye Radio*. [EB-MO]
- 1310 WTLC IN, Indianapolis. 11/29 good signal, dominating channel. 0315 with Christmas music selection, "Indy's 13-10 the Light" ID and local spots. [EB-MO]
- 1340 KLID MO, Poplar Bluff. 11/29 fair to poor signal, mixing with other stations. 0324 noted with local spots. [EB-MO]
- 1380 KXFN MO, Saint Louis. 11/29 very good signal. 1734 noted with Christmas music, "Your Family Christmas Station" slogan, national spots, SRN News, slightly weaker after 1745 pattern change, legal ID at 1800. Returns to the air after a one-year silence. [EB-MO]
- 1600 WAOS GA, Austell. 11/29 fair signal in KATZ null. 0302 with "La Mejor" ID in Spanish into a Regional Mexican format. Must be on day power. [EB-MO]
- 1700 WRCR NY, Ramapo. 12/5 good to poor, mixing with KBGG, KKLK and KVNS. 0450 noted with an Adult Contemporary format and local promo. [EB-MO]

FLASHBACK

December 18 1965 issue of "DX Monitor" ... Paul Emech was fond of the new "WPE" calls ... Randy Seaver created his own call letter service, his call being KRS4F ... Wayne McRae of Winnipeg MN logged WBT 1110 for a new state heard ... John Oldfield logged KTKN for this 7th Alaskan ... Bill Nittler received a verie from JOOR. // December 15 1990 issue of "DX Monitor" ... Rick Evans of Milwaukee WI logged 9 new stations in 4 days to bring his Milwaukee total to 200 ... RC Watts of Louisville KY told about new TIS stations on the air in his area.

OPEN MIKE

Thanks to Eric we have a column this week. This column was typed 12-9-16. 73, John



EASTERN DX ROUNDUP – Eric Bueneman (N0UIH) – 631 Coachway Lane – Hazelwood MO 63042-1347
E-mail: n0uiheric@gmail.com DEADLINES: Thursday 2000 EL

TUNING THE DIALS THIS ISSUE:

- (KK-VA) **Kraig Krist** (KG4LAC), Manassas VA
Winradio G33DDC software-defined receiver, Wellbrook ALA1530S+ Imperium loop
- (PS-ON) **Paul Snider**, Welland ON, Canada
ICOM IC-R75, Pixel RF Pro-1B loop, MFJ-1020C tuner, homemade loop

ACROSS THE DIAL

- 580 WELO **MS**, Tupelo – 11/24 0702 noted with an Urban Adult Contemporary format, mention of 104.3 FM by a male announcer. The signal was noted mixing with WCHS, WHP, WHYM and WIBW. (KK-VA) (The 104.3 reference is to W282AS Saltillo MS, which relays WELO – eb)
- 600 CKAT **ON**, North Bay – 12/2 0621 noted with mention of “The wakeup call; we (make it) easy” by a male announcer, followed by a “Country 600” ID by a female announcer. A male announcer was later heard with Ontario news. Note that CJWW also uses the “Country 600” ID. The signal was noted mixing with WCAO and unidentified stations carrying rap music, talk, Oldies and Spanish language programming. (KK-VA) (Your Oldies station is likely WVAR Richwood WV; your talker may be WMT Cedar Rapids IA, and your Spanish is CMKV Urbano Noris, Cuba – eb)
- 620 WVMT **VT**, Burlington – 12/2 0559 noted with “News/Talk 620 WVMT” ID by a male announcer. The signal was noted mixing with WHEN and unidentified stations carrying ESPN, Oldies, and talk programs in English, Spanish and possibly Russian. (KK-VA) (Your Russian talker is likely WSNR Jersey City NJ; your Oldies station may be WAKY Louisville KY; your Spanish may be Cuba – eb)
- 640 WMFN **MI**, Zeeland-12/2 0616 noted with mention of “Michigan Business-dot-org... go to Michigan Business-dot-org to learn more” by a male announcer. The signal was noted mixing with CFMJ, WFNC, WHLO, WWJZ and Cuba. (KK-VA) (This is definitely WMFN; this station holds a CP to move to Peotone IL to serve either Chicago or that city’s southern suburbs – eb)
- WFNC **NC**, Fayetteville – 12/2 0657 noted with a “Your Source, WFNC” ID by a male announcer. The signal was noted mixing with CFMJ, WHLO, WWJZ and Cuba. (KK-VA)
- CFMJ **ON**, Richmond Hill – 12/2 0559 noted with an ad by a male announcer, giving the number as (416) 917-6466. Area Code 416 is the Greater Toronto Area (GTA). The signal was noted mixing with WFNC, WHLO, WWJZ and an unidentified Spanish language station. (KK-VA) (Your Spanish is from Cuba – eb)
- 910 WAVL **PA**, Apollo – 12/7 0031 noted with an ad for a cable system, clear “WAVL” ID at 0033, *The Jason Smith Show*, Fox Sports mentions, ad cluster including one mentioning a number in Area Code 724, into a weather forecast from the PA Talk Weather Center. A poor to very poor signal was noted, mixing with WFDF and other stations. (PS-ON)
- 1120 WBNW **MA**, Concord – 12/4 2040 noted with *The Twilight Zone* radio show, ad cluster, a promo for The Legal Exchange Show, “on 1120 WBNW” ID at 2051. A very poor signal was noted under KMOX and sometimes WPRX; confirmed via Tune-In Web stream. (PS-ON)
- 1190 KQQZ **MO**, De Soto – 11/27 2328 noted with a Classic Country format, “The Patriot, KQQZ” ID at 2332, Christmas announcements from various Country music artists. “1190 KQQZ” jingle into a Christmas tune by Tammy Wynette. A fair at times to very poor signal over WOWO; must be on day power. (PS-ON) (They could be running 650 watts at night; I can put a tight null on this one at my location and pull in WOWO – eb)
- 1200 WZPS **WV**, Huntington – 12/4 1938 noted with talk by announcer with a “Home of Southern Gospel, WZPS” ID at 1940 into a Southern Gospel format, “1200 WZPS, the Spirit” IDs at 1946 and 1950 between songs. A fair at times to very poor signal was noted, mixing with CFGO and other stations. (PS-ON)
- 1250 WARE **MA**, Ware – 12/4 0138 noted with an Oldies format, “Real Oldies 1250” jingle at 0140, “WARE” ID at 0146. A fair to very poor signal was noted, mixing with CJYE and WPGP. (PS-ON)
- 1270 WQTT **OH**, Marysville – 12/4 0109 noted with an Oldies format, news promo and mention of WQTT Radio-dot-com. A poor to very poor signal was noted under WHLD and WXYT. (PS-ON)
- 1310 WDCT **VA**, Fairfax – 12/4 0009 noted with continuous Christmas music, with long pauses between most songs. A poor to very, very poor signal was noted, mixing with two Spanish language stations, including WDTW. Also heard an ID for WTLC Indianapolis, IN “1310 the Light” at 0047, confirmed via Tune-In Web stream. (PS-ON)
- 1370 KDTH **IA**, Dubuque – 12/5 2322 noted with Christmas music, a pair of spots for Real Warriors, “Tri-State Weather” jingle, “KDTH” ID, weather forecast, “1370 KDTH” ID at 2329, mention of the show’s sponsor, Dubuque Vacuum, before going back to Christmas music. A poor to very, very poor signal was noted, mixing with usual WTAB and other stations. (PS-ON)
- 1490 WKVT **VT**, Brattleboro – 12/5 2232 noted with a spot mentioning “100.3 and 1490” very clearly, followed by a promo with a possible mention of “Talk” and a clear mention of Vermont before fading into the mess. A poor signal was noted briefly as a part of the mix. (PS-ON)

UNIDENTIFIED

- 640 12/2 0607 noted with a recording of “The Star-Spangled Banner”; the signal was noted mixing with CFMJ, WFNC, WHLO, WWJZ and Cuba. Who on 640 goes off for the night and would be signing on? (KK-VA) (This could also be a full-time station; my local KMOX 1120 plays this around 0658 ELT – eb)

EDITOR'S NOTES

Once again, thanks to Kraig and Paul for their logs this week. 73 and good DX from NØUIH



DX WORLDWIDE – WEST – Temp: Phil Bytheway – 9705 Mary Ave NW – Seattle WA 98117-2334
E-mail: phil_tekno@yahoo.com all times UTC

Mondays 1201 PM PLT. All times UTC/GMT. We are looking for a new editor for this column, contact me if interested phil_tekno@yahoo.com.

- 567 **UnID**. Very weak audio at 1410 12/07. (BB-AZ)
- 594 **JAPAN** JOAK, Tokyo, NHK1. Man in Japanese at 1441 12/05, just above the IBOC noise. (NP-AB)
+Still only a weak carrier at 1400 12/06, but rose rapidly after 1410, up to fair-good level with woman in Japanese leading into Latin American music at 1450. (NP-AB)
+Heard at 1404 12/07. (BB-AZ)
+Man in Japanese at 1445 12/07. Fair strength, but much stronger US QRM from 590 today. (NP-AB)
+Man in Japanese at 1447 12/09. Poor, but the best TP audio of the day. (NP-AB)
- 693 **JAPAN** JOAB, Tokyo, NHK2. Man and woman with language lesson at 1435 12/05. (NP-AB)
+Man/woman in Japanese at 1442 12/06 with language lesson. (NP-AB)
+Heard at 1405 12/07. (BB-AZ)
+Man/woman with English lesson at 1455 12/07. (NP-AB)
+Heard a few words, and then the time pips at 1500 12/09. (NP-AB)
- 747 **JAPAN** JOIB, Sapporo, NHK2. Language lesson at 1440 12/05, //693. (NP-AB)
+Language lesson at 1443 12/06, //693. (NP-AB)
+Heard at 1406 12/07. (BB-AZ)
+Fair with language lesson at 1447 12/07. (NP-AB)
- 774 **JAPAN** JOUB, Akita, NHK2. The only one I would rate as good today, with language lesson at 1440 12/05. (NP-AB)
+Had a barely audible to poor signal at 1157-1221 12/06, fading away and not heard afterward. (RA-OK)
+Very faint audio from 1447 12/06 for a couple of minutes. (NP-AB)
+Fair at 1205 12/07 soon fading away. It faded in and out with brief barely audible traces afterward, last heard briefly at 1338 (LSR at 1330). (RA-OK)
+Heard at 1407 12/07. (BB-AZ)
+Weak, but a bit stronger than yesterday with language lesson at 1448 12/07. (NP-AB)
- 828 **JAPAN** JOBB, Osaka, NHK2. Weak audio at 1438 12/05, with language lesson //774. (NP-AB)
- 1098 **MARSHAL ISLANDS** V7AB, Majuro. At very very listenable levels, all things considered (Hey, that's a show on the NPR station I work for!). (Recording was made at 0710 12/11). Anyways, I heard what sounded like island christian/religious music followed by an announcer talking and then more religious music <https://www.youtube.com/watch?v=G1z3gPdsAac>. (PW-AK)
- 1116 **AUSTRALIA** 4BC, Brisbane. Announcer gave phone numbers, then time check at 1351 12/07. (NP-AB)
+Usual talk show host noted at 1406 12/08, and hung around at a poor level (with the odd moment of fair) for the next 40 minutes. (NP-AB)
- 1134 **REP KOREA** HLK, Kimpo, KBS. 12/11 was about the strongest, signal wise with music. <https://www.youtube.com/watch?v=60HCHIsoldM>. (PW-AK)
- 1188 **JAPAN** JOKP, Kitami, NHK1. 1188 12/11 was pretty good too, not quite as strong as 1134 KBS but there wasn't as much noise. I happened to catch the top of hour station ID on JOKP/NHK Radio into the NHK Newsdesk. Audio: <https://www.youtube.com/watch?v=5vzPjr8j1M8>. (PW-AK)
- 1548 **AUSTRALIA** 4QD, Emerald. Pretty strong 12/11. I've had it before, but it's not usually very strong. https://www.youtube.com/watch?v=11UwMyi_Xi8. (PW-AK)

1566 **REP KOREA** HLAZ, Jeju, FEBC. Fair, with woman in Chinese at 1439 12/05. (NP-AB)
+With its 250KW and 6 towers was a bit fadey 12/11, which isn't usual here. It's usually pretty strong, solid and steady. Today, as usual when I catch it, it's a man talking in Russian. <https://www.youtube.com/watch?v=RE0lqiSNm-s>. (PW-AK)

PAN AMERICAN DX ROUNDUP

540 **MÉXICO**, XEWA, San Luis Potosi, SLP. 12/06 0503-0524 crisp audio u/CBK: continuous music, Spanish and English current Hot AC hits, then several minutes of 30 second recorded Spanish ads; no ID heard. (JP-AB)
1410 **MÉXICO**, XEBS, México, DF. 12/8 on top 1410. 1158 with Mexican National Anthem and "XEBS" ID. New for me. (JcJ-AZ)

ODDS AND ENDS

12/10 (via eGroup). Here is the Seoul AM band in the most condensed fashion possible: 90 stations in 10 minutes (edited down from 18 hours of recordings). Please feel free to share on any other e-mail lists as this is the only AM-related one I take any part in:

http://www.beaglebass.com/dx/audio/seoul/Seoul_AM_Radio_in_10_Minutes.mp3

My very detailed audio bandscans will be released at the end of this month after 14 months of work. The audio-only one will run around 100 minutes and the one with commentary at over 2 hours, one frequency and station at a time.

So for the ADHD listeners among us, please enjoy this one in the meantime. There are plenty of radio stories, IDs, baseball, music, and more, including some English content, though all clips at 10 seconds or less. And kudos to anyone who can name at least 5 of the stations in the compilation (of which are in no particular order)! For many of you in the west, a good number of these are your everyday TP stations.

Chris Kadlec, Seoul AM Radio Listening Guide

12/11 (via eGroup). Though I realize perhaps only one or two people listened to more than one minute of this (ha!), for the previously posted recording of 90 stations from Seoul in 10 minutes, here is the station list:

00:00 – 1251 Shandong Country Radio (0:05)	03:21 – 792 SBS Love FM Seoul (0:04)	06:50 – 1323 China Radio Int'l Korean (0:09)
00:07 – 1332 Tokai Radio Nagoya (0:07)	03:25 – 981 CNR1 Changchun (0:08)	07:00 – 666 NHK1 Osaka (0:05)
00:14 – 720 KCBS Kanggye (0:06)	03:33 – 1557 Taiwan Int'l I Love Music (0:07)	07:06 – 684 NIS Jammer Seoul (0:03)
00:21 – 558 KBS2 Radio Daegu (0:03)	03:41 – 1305 Jinan Literature Radio (0:06)	07:09 – 1314 Radio Osaka OBC (0:09)
00:25 – 1188 FEBC Seoul (0:04)	03:47 – 1062 KBS1 Radio Cheongju (0:06)	07:18 – 1017 China Radio Int'l Korean (0:09)
00:29 – 1161 MBC Busan (0:07)	03:54 – 1305 CNR8 Helong (0:09)	07:27 – 882 Shenyang Life Radio (0:07)
00:37 – 1134 KBS3 Radio Seoul (0:02)	04:03 – 801 Pyongyang B/NIS Jammer (0:06)	07:35 – 711 DPRK Jammer (0:03)
00:39 – 1494 RSK Sanyo Broadcasting (0:07)	04:09 – 747 NHK2 Sapporo (0:01)	07:38 – 1575 AFN The Eagle Iwakuni (0:08)
00:47 – 1188 VOA Seoul (0:06)	04:11 – 1467 KBS1 Mokpo/DPRK Laser (0:10)	07:47 – 1323 China Radio Int'l Korean (0:07)
00:53 – 603 KBS2 Radio Seoul (0:04)	04:21 – 1206 Yanbian Comprehensive R. (0:04)	07:55 – 837 CBS Seoul (0:05)
00:58 – 963 China Radio Int'l Russian (0:04)	04:25 – 1125 Hebei Story Radio (0:02)	08:00 – 1566 Yanbian People's Radio (0:07)
01:03 – 1080 MBC Yeosu (0:06)	04:27 – 1575 Voice of America Rasom (0:09)	08:07 – 945 CNR1 Jiaohu (0:05)
01:09 – 1143 Jilin City Story Radio (0:06)	04:37 – 1098 KBS1 Radio Jinju (0:07)	08:13 – 1080 Echo of Unification Haeju (0:08)
01:15 – 1278 RKB Mainichi Broadcasting (0:07)	04:44 – 1242 NBS Nippon Broadcasting (0:07)	08:21 – 1440 STV Radio Sapporo (0:05)
01:23 – 1179 Hubei Information Radio (0:05)	04:52 – 1215 MBC Jinju (0:04)	08:27 – 756 CNR1 Laiyang (0:02)
01:29 – 1143 Radio Free Korea (0:08)	04:56 – 657 NIS Jammer Hwaseong (0:03)	08:29 – 1584 DPRK Helicopter Jammer (0:03)
01:37 – 720 CNR16 Beijing (0:04)	05:00 – 1386 MBC Mokpo (0:08)	08:33 – 1440 AFN Daegu (0:05)
01:41 – 1278 RKB Mainichi Broadcasting (0:04)	05:08 – 1242 NBS Nippon Broadcasting (0:05)	08:38 – 1566 FEBC Jeju (0:08)
01:46 – 1134 Nippon Cultural Tokyo (0:06)	05:13 – 810 Voice of Zhejiang (0:07)	08:47 – 1422 CBN Radio Shanghai (0:08)
01:52 – 864 KBS1 Radio Gangneung (0:06)	05:20 – 1530 Zhejiang News Radio/AFN (0:08)	08:56 – 855 NIS Coastal Jammer (0:03)
01:58 – 873 NHK2 Kumamoto (0:05)	05:29 – 1269 China Radio Int'l (0:06)	08:59 – 1170 KBS Hanminjok 2 Radio (0:06)
02:04 – 819 KCBS/DPRK jammer (0:03)	05:35 – 792 SBS Love FM Seoul (0:04)	09:05 – 900 MBC Seoul/DPRK Jammer (0:04)
02:07 – 1206 Jiangsu Story Radio (0:07)	05:39 – 1143 DPRK Jammer (0:03)	09:10 – 1593 CNR1 Changzhou (0:10)
02:15 – 621 Pyongyang Broadcasting (0:05)	05:43 – 819 KCBS Pyongyang (0:06)	09:20 – 585 Jiangsu Finance Radio (0:07)
02:20 – 1548 Shandong People's Radio (0:08)	05:50 – 918 Shandong People's Radio (0:04)	09:27 – 657 NIS Jammer Hwaseong (0:03)
02:28 – 1566 FEBC Jeju (0:08)	05:54 – 738 Jilin Comprehensive News R. (0:07)	09:31 – 1233 NBC Nagasaki Broadcasting (0:06)
02:37 – 1431 Babcock Int'l Test (0:06)	06:01 – 1053 NIS Jammer Gimpo (0:03)	09:37 – 927 Liaoning Rural Radio (0:07)
02:44 – 1188 Radio Free Asia Seoul (0:05)	06:04 – 963 Liaoning Comprehensive R. (0:07)	09:44 – 1080 AFN Daegu/NIS Jammer (0:07)
02:49 – 648 AFN Okinawa Surf 648 (0:03)	06:12 – 1458 Anshan Traffic Radio (0:06)	09:52 – 1170 KBS Hanminjok 2 Radio (0:08)
02:52 – 1296 NHK1 Matsue (0:05)	06:18 – 1476 Great Northern Wilderness (0:06)	10:00 – 1566 DPRK Laser Jammer (0:05)
02:58 – 891 DPRK Jammer (0:03)	06:24 – 1026 Beijing Public Service Radio (0:07)	10:06 – 1350 RCC Broadcasting (0:06)
03:02 – 1395 Anhui Story Radio Hefei (0:05)	06:32 – 972 KBS Hanminjok 1 Radio (0:09)	10:12 – 1179 MBS Mainichi Broadcasting (0:07)
03:07 – 1476 Great Northern Wilderness (0:06)	06:41 – 639 CNR1 Beijing (0:05)	10:19 – 873 NHK Radio 2 Kumamoto (0:09)
03:14 – 657 Pyongyang Broadcasting (0:06)	06:47 – 999 KCBS Hamhung/NIS Jammer (0:03)	

Chris Kadlec, Seoul AM Radio Listening Guide

THANKS TO THESE REPORTERS

BB-AZ **BILL BLOCK**, Prescott Valley AZ
Drake RB
JcJ-AZ **JOHN C JOHNSON**, Mesa AZ
IC-R75, Wellbrook ALA1530LNP loop
JP-AB **JON PEARKINS**, Edmonton AB jon@pearkins.com
Sangean HDR-18
NP-AB **NIGEL PIMBLETT**, Dunmore AB
Perseus SDR with a Wellbrook Phased Array
PW-AK **PAUL WALKER**, Galena AK (via eGroup)
Grundig Satellit 750, Lowe HF225, 2 225 foot long wires, Wellbrook ALA 1530 LNP, DXEngineering HF PreAmp
RA-OK **RICHARD ALLEN**, near Perry OK
WR-G313e, ALA1530LNP-NA. C Crane Skywave and Tecsun PL-380 with an 8-inch FSL antenna.

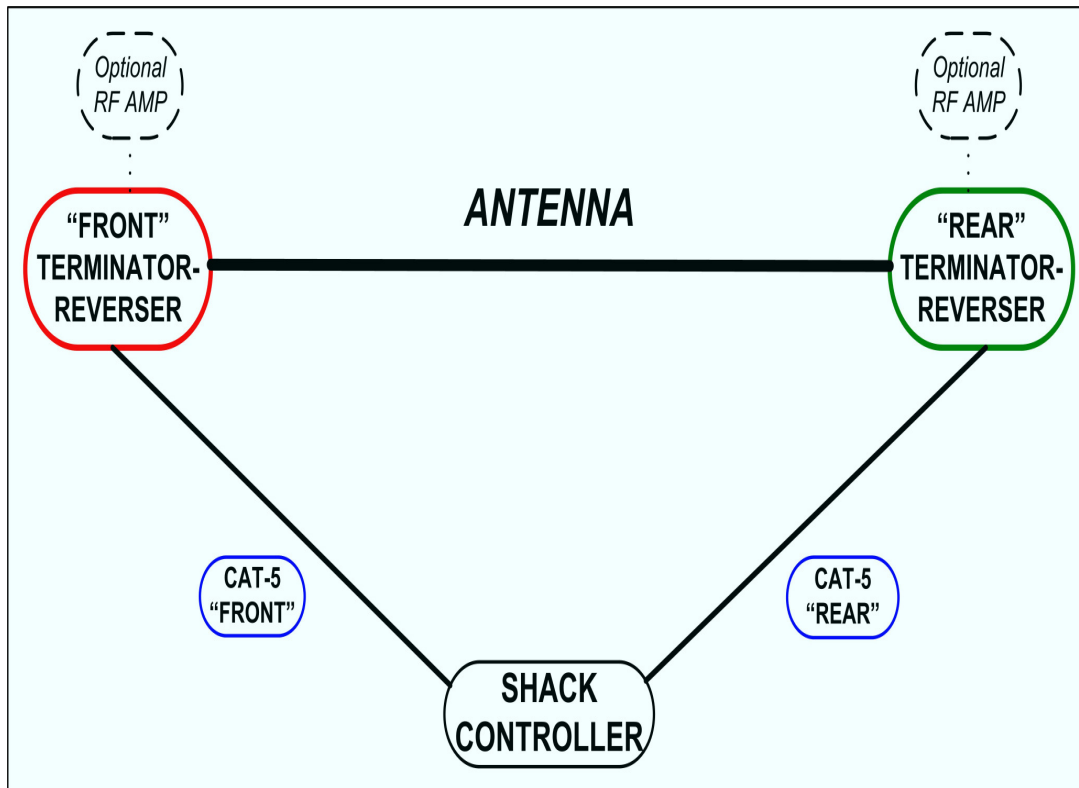
SPECIAL FEATURE

A few months ago (*DXM Vol 53 Nr 35*) we shared ideas on construction of a termination/reverser device for Flag antennas. Developments since that story was written would now suggest an update.

The engineering behind the original devices proved okay and circuitry outlined in the previous DXM article is still appropriate. However, some hardware concerns have emerged from "in-the-field" usage. They include:

- 1) The scarcity of the variable (opto) resistor ("Vactrol") at a reasonable price.
- 2) Concern about the contact reliability of relays used in the original devices.
- 3) The *hard-knock lesson* of using *solid-copper* Cat-5 for the lead-ins.
- 4) An interest in building any modified terminators in a weatherproof package.

BACKGROUND: Without reprinting all of the earlier discussion, we can revisit the basic concept of a remotely-controlled reversible antenna:



All three of the "nodes" will be simultaneously switch-reversed so the "Front" becomes the "Back." The "Terminator-Reversers" perform dual functions on the ends of the antenna. In mode "A" they terminate their antenna port and match it to the lead-in. In mode "B" they instead connect the antenna port to a remote-controlled variable resistance. The **Shack Controller** in mode "A" listens to the desired signal coming down one Cat-5 while sending Vactrol control voltage up the other. That's reversed when the antenna ends are switched from "A" to "B" by the relays.

Feedback from the earlier article included concerns about using extra-length lead-ins. We found over a summer of experimenting that there was no practical limit to lead-in length since we were using a balanced-pair lead-in (in this case Cat-5).

Now... of *course* there *is* a *practical* limit! We just haven't found it. We routinely used lead-in lengths of 400 to 600 feet, with no degradation in Carrier-to-Noise (C/N) at the shack, as compared to the C/N right at the antenna.

Just for grins, in the longer lead-ins we also tried common-mode chokes, and they made no measurable difference. (*Disclaimer*: There were no strong MW signals present. YMMV in different environments or with *very* long lead-ins.)

As to additional resistance in extra-length lead-ins affecting the DC path to the Vactrol: that's overcome by asking for a bit more energy from the Vactrol shack controller.

AMPLIFIER PLACEMENT: Commenters also suggested it was important to them to mount the RF preamplifier right at the antenna. These folks usually use the superb Wellbrook FLG100 and use coax for the entire lead-in. Some thoughts on this:

- 1) The Wellbrook FLG100LN approaches 'perfection' and is an ideal match at the antenna. However, there may be some practical limit to the coax lead-in length (Wellbrook suggests 100 meters, though Bill Whitacre and others routinely exceed that limit). I'm just sayin.' Moreover, (nit-pickin?), coax is an inherently-unbalanced form of transmission line by virtue of its construction and as such... *in theory...* is more susceptible to Common-Mode Noise than a *balanced* twisted-pair. (Wellbrook has done a bang-up job of working around this....)
- 2) As noted above with the antenna signal-port *matched* to Cat-5 lead-in (9:1 transformer) and the Cat-5 *matched* to the amplifier sitting in the shack, *noise and signal numbers at the shack are virtually identical to those measurements made directly at the antenna.* (When we moved the amplifier to the shack we placed a 1:8 transformer at the shack, matching the Cat-5 to the 800-ohm FLG100 input.)
- 3) Finally, a *single amplifier at the shack* makes switching/reversing simpler.

Having said all that, the Cat-5 has a spare pair for remote-powering of an antenna-mounted amp if you find a single, switched-input amplifier not a desirable solution.

PROJECT UPGRADES: Since the shack-controller section was discussed previously, we'll focus on the changes in components that address the hardware issues above:

First: **The availability of "Vactrols"** (VTL5C4s). They're getting harder to find and their price has doubled. At Mark Connelly's suggestion we're now evaluating a device by API/Luna (see parts list below). These seem readily available, at a fraction of the Vactrol costs. **TBD:** How they hold up in the field... and whether *the resistance drifts with warm-up*, as the Vactrols have been accused of doing. (Recent measurements suggest the drift performance of the API/Lunas might in fact be a tad tighter.)

Next was a concern about **using "garden-variety" switching relays** to handle the micro-current antenna signals. We've now selected a relay that manufacturers call a "low-signal device." These are miniature relays whose contacts are designed to reliably switch very low currents.

"Hard knocks" with solid-copper Cat-5. The original report blathered on about the low cost of pure-copper Cat-5 and Cat-5e and paid no attention to the mechanical aspects of continuous reconnection when using banana plugs. The wires broke! We solved that one by using *stranded* Cat-5 and added some insurance by hard-wiring the lead-ins to the antenna terminator units. (The other end of the lead-in still uses banana plugs but the stranded wire makes their connection much more solid.)

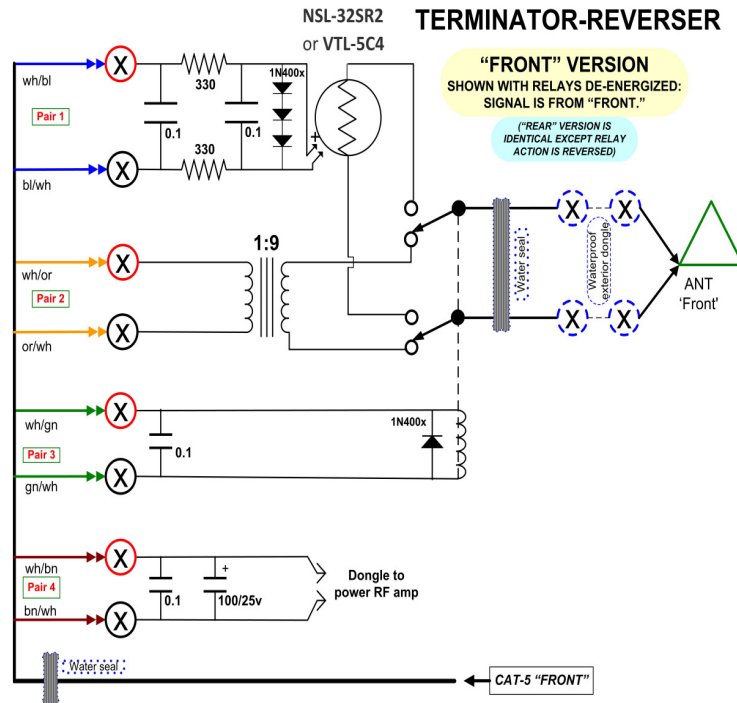
Stranded Category-cables cost about twice as much as single-conductor solid-copper types... but now and then you can get lucky on eBay. (I just scored a 944-foot 'construction remnant' spool of *stranded* Cat-5e for about \$35.) Stranded cable is mechanically superior; period. We've also done some research into the advantages of *tinning* these wires; the consensus seems to be that tinning any wire makes it mechanically tougher (YMMV). But as Nick Hall-Patch points out, "the interface between the tinning and the stranded wire becomes a new weak point if there is any flexing." He recommends the use of crimped ferrules for additional strength.

The "weatherproofing?" Addressed by paying attention to ingress/egress and by employing easy-to-procure weatherproofing parts. I'm a fan of Amazon... which means we pay slightly more... in exchange for a wide parts selection and easy ordering.

A project parts list is included below.

The weatherproof enclosures used below are just the right size and easy to work. Wire glands as listed below are popular and cheap. While the finished devices are not meant to be submerged, they will easily combat even torrential weather conditions.

Here's the revised floor plan for one of the two terminator-reverser modules from the original design. We added the weatherproofing and the hard-wiring of the stranded Cat-5, replacing the banana plugs at the terminator end of the lead-in:



"Water seals" are weatherproof glands; see parts list.

The only difference between "Front" and "Back" devices is: relay functions are reversed.

PARTS LIST: All but the T9-1 transformer are available through Amazon; we're providing their URLs as an example, so you can get a look at them for your own comparative shopping. (Other sources are Digikey, Newark, Mouser, Allied):

Opto-isolator: API/Luna **NSL-32SR2** https://www.amazon.com/ADVANCED-PHOTONIX-NSL-32SR2-OPTOCOUPLER-RESISTOR/dp/B00LQROW82/ref=sr_1_1?ie=UTF8&qid=1480969278&sr=8-1&keywords=NSL-32SR2+OPTOCOUPLER

Alternate: Excelitas **VTL-5C4** https://www.amazon.com/EXCELITAS-TECH-OPTOCOUPLER-RESISTOR-2500VRMS/dp/B011NAV2F2/ref=sr_1_1?ie=UTF8&qid=1480970225&sr=8-1&keywords=Excelitas+VTL5c4

Relay: Omron **G6K-2P-Y (12v dc)** (You may wish a different version) https://www.amazon.com/Low-Signal-Relays-ThruHole-NoLatch/dp/B00MEIC9UA/ref=sr_1_fkmr0_1?ie=UTF8&qid=1480969567&sr=8-1-fkmr0&keywords=Omron+G6K-2P-Y+%2812v+dc%29

Weatherproof boxes: Uxcell https://www.amazon.com/gp/product/B00E0H7HFK/ref=oh_aui_detailpage_o02_s01?ie=UTF8&psc=1

Weatherproof cable joints (Cat-5): Uxcell https://www.amazon.com/gp/product/B00841YDSM/ref=oh_aui_detailpage_o02_s02?ie=UTF8&psc=1

Weatherproof cable joints (ant feed): Uxcell https://www.amazon.com/gp/product/B01072781Y/ref=oh_aui_detailpage_o02_s02?ie=UTF8&psc=1

Weatherproof connector ("dongle"): https://www.amazon.com/gp/product/B00DREUQNM/ref=oh_aui_detailpage_o03_s00?ie=UTF8&psc=1

Matching Transformer: (9:1) MiniCircuits T9-1 <http://www.minicircuits.com/pdfs/T9-1.pdf>

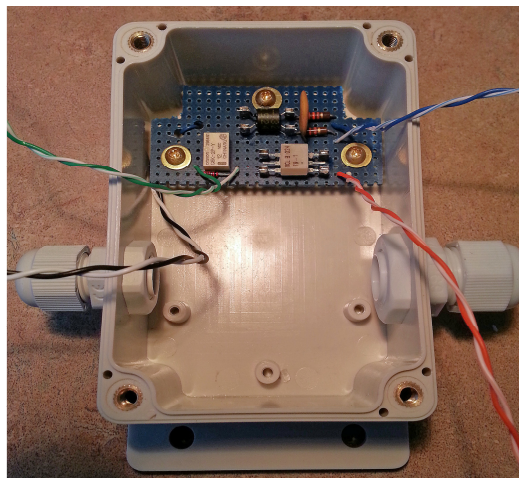
Diodes: 1N4001 to 1N4004 or other "garden-variety" diodes.

Crimped Ferrules for wire termination can be found at <http://www.mouser.com/catalog/645/usd/1718.pdf>

The circuit board is often called a "prototype" or "perforated board" and is available from any supplier dealing in electronics parts.

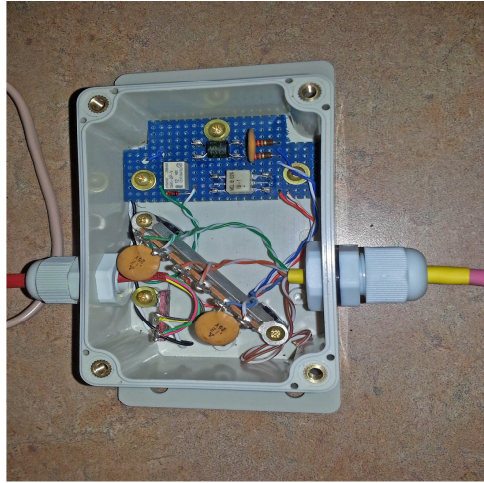
The **6-pin terminal strip** looks like this: https://www.amazon.com/gp/product/B00J8QV30I/ref=oh_aui_detailpage_o07_s00?ie=UTF8&psc=1

All the parts come together in the small weatherproof box. The control stuff all mounts nicely on push-through pins on the prototype circuit board. The low-signal relay is on the left; the opto-isolator is near the back of the board and the T9-1 transformer is at the front. The use of push-pins makes it easy to swap/replace parts.



This box is 3.9 x 2.7 x 2 inches and has mounting flanges top and bottom. There is no penetration of the enclosure; 6 raised "standoffs" accept #4 self-tapping screws for mounting stuff. Note the two side-mounted weatherproof glands; the one on the right will bring in the Cat-5 and the one on the left passes the cable to the antenna.

Ready for the cover:



The Cat-5 pairs are terminated on a 6-pin terminal strip that's screwed to 1/4-inch standoffs. Standoffs are super-glued to the case (the strip mounting holes didn't coincide with those three raised box mounting pedestals). The external antenna wire is a piece of weatherproof telephone "quad" wire; 4 wires doubled up into two and terminated at the lower left. Externally this is connected to a weatherproof dongle for disconnect from the antenna. The fourth pair (white/brown) is available to power an antenna-mounted amplifier. If such external powering is used, there's room for another gland at the bottom of the case.

The finished unit with Cat-5 entering at the bottom. Note the afore-mentioned weatherproof plug/connector dongle at the top. The tinned leads from that dongle will be connected to the antenna via weatherproof splices.

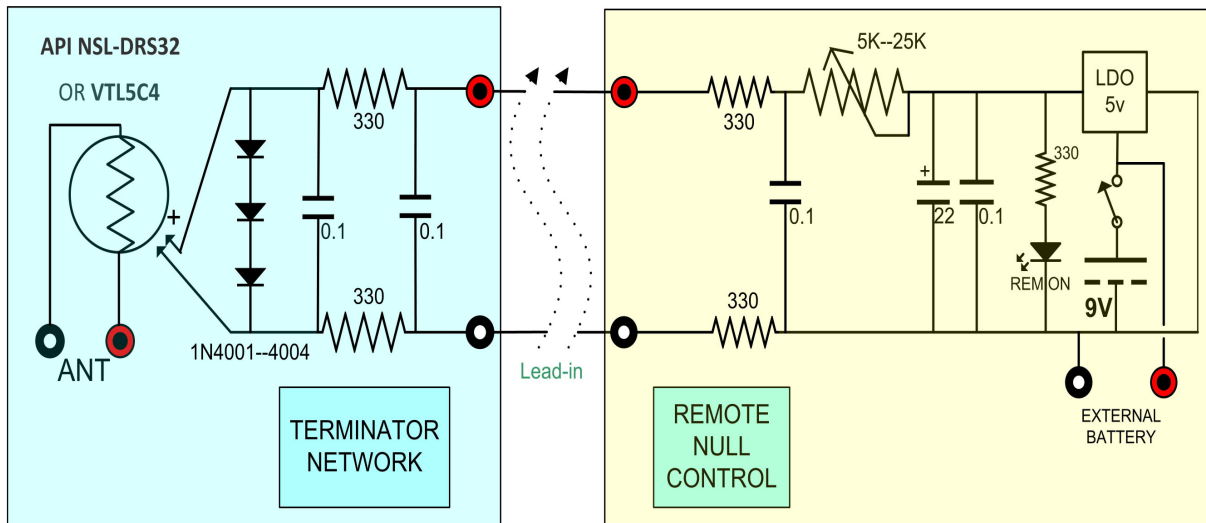


Someday we'll learn to put labels on straight ☺

Another thread circulating among those with opinions on the subject is whether NEMA-seal boxes like this need a "weep-hole" to drain moisture. We went to Bud for answers. Their firm advice was that if you put the assembly together in a dry environment and close it properly, moisture will not get into the box. They suggested that a "weep-hole" is in fact a way for moisture to enter the enclosure.

Before I could ask the question, they also advised that desiccants aren't necessary if the interior was dry when the cover was screwed on. But I guess if I lived near Pat Martin I'd throw in some desiccant-packages just for grins.

Oh before we go: In case you can't lay your eyes on the original schematic, here's the entire layout for a *single-channel of remote-null control*. Our thanks to the spirited, knowledgeable and resourceful "wiki" group of IRCA-ers for this collaboration:



SINGLE-CHANNEL ANTENNA REMOTE-NUL CONTROL

One-click antenna-reversing may not be your cup of brew but it's certainly useful when a DX-target's co-channels surround you, or you're chasing sunset skip. Weatherproofing the terminators makes sense for antennas left up in the elements. (Rust around exposed antenna terminals may impact those tiny signal currents.)

With this upgrade behind us, the next project is the deployment of a *directive* 'noise antenna' to be phased with the reversible D-KAZ... to start looking for serious *daytime* DX. (Might as well... nighttime CX have been rather sucky these past weeks.)

Consider the merits of a well-spaced end-fire array. Hot stuff.

But what if, by switching, we could reverse things so that two D-Kaz antennas had their *nulls facing each other* and the two individual antennas were phased together?

Mad thought? Wouldn't be our first <g>

Hope this is useful information; as usual, please feel free to sass back.

Mark Durenberger, 12/05/16, Mark4@Durenberger-dot-com

Beverage and Longwire Antennas Design and Theory (BAM)

This manual is a compilation of numerous articles on the subject of design and theory of the beverage and longwire antennas that have appeared through the years in **DX News**. Some articles are available as reprints. This book gives details information on the theory of operation, construction and maintenance of a beverage antenna. Serves as an enhancement to Antenna Reference Manuals Volume 1 and 2. 8 1/2" X 11" booklet format.

BAM Contents:

The Coolum Beach Beverage 1983

A Non-Resonant Longwire Remote From Earth Ground

Beverage Basic Theory

Two-Wire Phased Antennas

The Florida Beverage

Analysis of the Beverage Antenna

The Care and Feeding of the Wave Antenna

Price: **IRCA/NRC Member USA** \$8.95, Non-Member USA \$12.95. Other countries write for quote **sales@nrcdxas.org**.

Loop Antenna Design and Theory (LAM)

Revised and updated in 1996, this manual is a compilation of numerous articles on the subject of design and theory of the loop antenna that have appeared through the years in **DX News**. This book gives detailed information on the theory of operation, construction and maintenance of a loop antenna. Serves as an enhancement to Antenna Reference Manuals Volume 1 and 2. 8 1/2" X 11" bound book format.

LAM Contents:

Multi-Rod Ferrite Loop Antennas

Roll Your Own! (Loop)

Loop Antenna Theory and Practice

Long Wave Converter Detail

Loop Distortion Why get Skewed?

Pattern Controlled Loops

High Dynamic Range Balun Loop

BFE-C Loop Amplifier Card

The Hot Rod- Ferrite Loop Antenna

Loop Antenna Sensitivity

High Precision Direction Finding

High Performance Loop Amp

What's Wrong With Present Day Loop Antennas?

Price: **IRCA/NRC Member USA** \$9.95, Non-Member USA \$13.95. Other countries write for quote **sales@nrcdxas.org**.

Antenna Reference Manual Volume 1 (ARM1)

8th Printing Digitally Enhanced and Updated for 2005! This book features the plans for the original NRC 4' FET Altazimuth loop antenna. Revised in the Spring of 2005 with digitally enhanced drawings and updated material sources! This manual also contains other articles on the subject of antennas for medium wave DXers, most were originally published between 1969 and 1974 in **DX News**. Includes articles on air-core and ferrite core loops, antenna tuners for longwire antennas and antenna couplers. This is the original book which has been available for over 20years. 8 1/2" X 11" bound book format.

ARM-1 Contents:

NRC FET Altazimuth Loop

Balanced FET Amplifier

Thoughts on FET Loop Construction

NRC Two Foot Loop

Tips on Loop Construction

One Transistor Loop amplifier

Balanced and Unbalanced Loops

Direct Coupled Loops

A 'Collapsible' Loop for Travel

BCB DXers Beverage

Antenna Tuning Devices for Longwires

'Bob Flick' Loop Antenna Coupler

The Hawk Loop

Alternative Methods of Air Core Loop Amplification

Price: **IRCA/NRC Member USA** \$8.95, Non-Member USA \$11.95. Other countries write for quote **sales@nrcdxas.org**.

Order from NRC, PO Box 473251, Aurora CO 80047-3251 or **www.nrcdxas.org**. Colorado residents, please add 3.5% sales tax. Please state club affiliation when ordering.

The **IRCA** is a non-profit organization devoted to the hobby of hearing distant stations on the Broadcast Band (510-1720 kHz). **DX Monitor**, the official publication of the IRCA, is published in "soft" form 35 times a year (weekly from November through March, twice monthly from April to November.) **DX Monitor** contains members' loggings, articles on radio stations, receiver reviews, technical articles, DX tips, and other material of interest to Broadcast Band DX hobbyists.

CLUB OFFICERS AND CONTACT INFORMATION

President: Phil Bytheway, 9705 Mary Ave NW, Seattle WA 98117-2334 **E-mail:** **phil_tekno@yahoo.com** (all proposals, suggestions and gripes go here)

Secretary-Treasurer: Lynn Hollerman, PO Box 60241, Lafayette LA 70596
e-mail: **lynnhollerman@yahoo.com** – (dues, address changes, IRCA mailing list sign-ups)

Board of Directors: Bill Block – **billblock@cableone.net**, Dennis Gibson – **wb6tnb@yahoo.com**, John C Johnson – **John_Johnson@prodigy.net**, Patrick Martin – **mwdxer@webtv.net** (Chairman), Bruce Portzer – **bpportzer@comcast.net**, Mike Sanburn – **mikesanburn@hotmail.com** and Robert Wien – **wienbob@aol.com**

Publishing Committee: Temporary Editor-in-Chief: Phil Bytheway, 9705 Mary Ave NW, Seattle WA 98117-2334
E-mail: **phil_tekno@yahoo.com** (all material for publication goes here).

MEMBERSHIP DUES

Destination	Rate
USA	\$10
Canada and Mexico	\$10
Western Europe	\$10
Australia/NZ/Japan	\$10
Rest of world	\$10

Make checks and Money Orders in US funds payable to IRCA.

All **dues** and **address changes** go to: **IRCA, PO Box 60241, Lafayette LA 70596**

Pay electronically with **PayPal** – add \$1 to the price above. Go to **www.paypal.com**, then send your dues to **ircamember@ircaonline.org** – contact Lynn Hollerman for more information.

Sample copies of **DX Monitor** are available at **phil_tekno@yahoo.com**

For information on **subscribing to the IRCA mailing list** at Hard-Core-DX, a group e-mail service, contact the moderator, Lynn Hollerman at **lynnhollerman@yahoo.com**.

Unless otherwise noted, permission is granted to publish, broadcast, or otherwise reproduce non-copyrighted material appearing in **DX Monitor** provided credit is given to the IRCA and permission is obtained from the original contributor. Opinions in **DX Monitor** are those of the original contributors and do not necessarily reflect those of the IRCA, its publishing staff, editors or officers.

©2016 International Radio Club of America

THE INTERNATIONAL RADIO CLUB OF AMERICA
PO Box 60241, Lafayette LA 70596
<http://www.ircaonline.org>