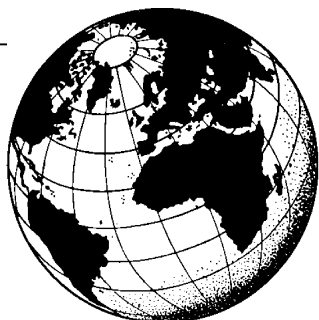


MEDIUM WAVE NEWS

MEDIUM WAVE CIRCLE

February 2007 Volume 52 No. 9



- ♣ *Mainflingen on MW*
- ♣ *3 new CDs for 2007*
- ♣ *MW DXing in the mid 60s*
- ♣ *First Sheigra DX-pedition*
- ♣ *Membership rates frozen*

Hon. President*	Bernard Brown, 130 Ashland Road West, Sutton-in-Ashfield, Notts. NG17 2HS	
Treasurer/ Secretary*	Clive Rooms, 59 Moat Lane, Luton LU3 1UU ☎ 01582-598989 (after 1800 hours)	(all general club enquiries) treasurer@mwcircle.org
MWN General Editor*	Steve Whitt, Landsvale, High Catton, Yorkshire YO41 1EH ☎ 01759-373704	editor@mwcircle.org (editorial & stop press news)
Membership Secretary	Paul Crankshaw, 3 North Neuk, Troon, Ayrshire KA10 6TT ☎ 01292-316008	membership@mwcircle.org (all changes of name or address)
MWN Despatch	Peter Wells, 9 Hadlow Way, Lancing, Sussex BN15 9DE ☎ 01903 851517	despatch@mwcircle.org (printing/ despatch enquiries)
External Representative	George Brown, 6 Glassel Park Road, Longniddry, East Lothian, EH32 0NT ☎ 01875-852317	(inter club liaison, advertising, publicity)
Reprints Manager	Clive Rooms	reprints@mwcircle.org (all orders for club publications & reprints)
MWN Contributing Editors (* = MWC Officer; all addresses are UK unless indicated)		
DX Loggings	Martin Hall, Glackin, 199 Clashmore, Lochinver, Lairg, Sutherland IV27 4JQ ☎ 01571-855360	dxlogs@mwcircle.org
Mailbag	Herman Boel, Papeveld 3, B-9320 Erembodegem (Aalst), Vlaanderen (Belgium) ☎ +32-476-524258	mailbag@mwcircle.org
Home Front	John Williams, 100 Gravel Lane, Hemel Hempstead, Herts HP1 1SB ☎ 01442-408567	homefront@mwcircle.org
Eurolog	John Williams, 100 Gravel Lane, Hemel Hempstead, Herts HP1 1SB	
World News	Renato Bruni, Strada Borghetto 43, 43100 Parma, Italy	world-news@mwcircle.org
Beacons/Utility Desk	David Towers, 20 Valiant Close Glenfield Leicester LE3 8JH ☎	utility@mwcircle.org
Central American Desk	Tore Larsson, Frejagatan 14A, SE-521 43 Falköping, Sweden ☎ +46-515-13702 fax: 00-46-515-723519	ca-news@mwcircle.org
S. American Desk	Tore B Vik, Post Box 88, NO-1851 Mysen, Norway ☎ +47-69891192	sa-news@mwcircle.org
N. American Desk	Barry Davies, 20 Ryehill Park, Smithfield, Carlisle CA6 6BH	na-news@mwcircle.org
Verifications	Clive Rooms, 59 Moat Lane, Luton LU3 1UU	verifications@mwcircle.org
KEEP IN TOUCH	Internet: MWC Web site e-mail news service:	http://www.mwcircle.org FREE service for members; e-mail postmaster to join
Webmaster	Tony Hudson	webmaster@mwcircle.org
Postmaster	Rémy Friess	postmaster@mwcircle.org

STOP PRESS:

This month we'd like to extend a warm Circle welcome to the following new members: Brian Eatherton, Wisbech; Robert La Morgese, New City, NY – rejoin; Jeffrey Ball, Decatur, IL; Stephen Bass, Hilliard, OH; Torgeir Nyen, Norway; Salvo Micciche, Sicily, Italy; D C Nott, Bristol and David Birrer, Turgi, Switzerland. **WELCOME TO THE CIRCLE!**

ITALY LATE NEWS; 846kHz reactivated 31st January. Apparently with 50kW for tests. Heard broadcasting Radiotre (3rd channel), and Radiouno (1st channel); (*Giampiero Bernardini et al*)

Stop Press Deadlines:	26 th February for March 2007	31 st March for April 2007
-----------------------	--	---------------------------------------

Cover illustration: Practical Wireless from 50 years ago
--

Medium Wave News is published 10 times a year by the Medium Wave Circle

© 2007

EDITORIAL

with Steve Whitt

✉ Landsvale, High Catton, Yorkshire YO41 1EH
e-mail: editor@mwcircle.org ☎ 01759-373704

Membership Renewal Time

If your full membership subscription to the Circle is due to run out at the end of March 2007 you will find an appropriate renewal included with this issue of MWN. Please note that if you do not renew promptly the next issue will be the last copy of MWN that will arrive through your letter-box and you will lose access to e-MWN and the e-news service at the end of March.

MEMBERSHIP FEES FROZEN FOR 14th YEAR RUNNING!!

Unique Benefits of Circle Membership:

10 issues of printed MWN (over 500 pages)

e-MWN instantly available via the internet

MWN e-news service (e-mail)

Big discounts on WRTH/PWBR books

Reprint service (print and CDs)

When you renew your membership please do consider the benefits of taking out a 2 or 3 year membership. These reduce the administration costs of the Circle and make print runs much more predictable so they help us hold down subscription rates. Members also benefit by avoiding any forthcoming increase in membership rate (just how much longer we can hold subscription at current levels we don't know!). [N.B. **postage rates will increase** here in the UK in April] And our overseas members save on commission charges from their bank when converting funds to Sterling; one transfer for a 3 year membership attracts one third of the bank fees associated with three separate annual fees.

	1 year to Mar 2007	2 year to Mar 2008	3 year to Mar 2009
UK	£12	£22	£33
Europe (Inc Eire)	£16/30Eu	£30/50Eu	£45/75Eu
Rest of World	Airmail £21 / \$35US	£39 / \$65US	£59 / \$95US
	Surface £16 / \$27US	£30 / \$50US	£45 / \$75US

Payment

Our preferred method of membership renewal is by Sterling cheque, bankers draft or Postal Order but we welcome Paypal particularly for payment from outside the UK. Please note that the PayPal prices include a 5% surcharge levied by PayPal.



Payments should be made to "Medium Wave Circle". All overseas non-cash payments (e.g. bank draft, International Postal Money Order, Girocheque) must be in GBP Sterling. Cash payments can be accepted in GBP Sterling or the equivalent in any major currency (please do not send coins through the post). We recommend registered post for cash sent via the post. If you cannot transfer money we will accept correctly franked International Reply Coupons at a rate of 2.5 per GBP (e.g. 25 IRCS = GBP10). For on-line renewal via the Circle's electronic shop just start by visiting <http://www.mwcircle.org/page12.htm>

Circle Website News

The Circle website has been translated into Japanese and we've now had contact and orders from that part of the world.

Tony has also added a listing of UK LPAM stations and BBC local stations (ILR listing anticipated soon).

We've expanded the In Memory section and we have information and photos on several Silent Keys: Ken Brownless, Harold Emblem, Charles Molloy, Erland Nilsson, Arthur Oglesby and Al Slater. We are still looking for an image of Ken, if you have one, or any other material we would be interested in hearing from you.

First new set of CDs for 2007

The various CDs produced by the Circle in 2006 have proved to be extremely popular, so without further ado we are launching a brand new triple CD set called the Land based pirates (Volume 1-3).

All recordings are digital conversions of first generation off air recordings made by Clive Rooms. Note all recordings are mp3s.

Volume 1: 28+ hours of London Pirates 1983-1991; including JFM, Alice's Restaurant, Asian Peoples R, CDR, City Sound, Contrast R, DBC, FM101.5, Fresh FM, Horizon FM, JBC, 3 Boroughs R, K-Jazz, Kiss FM, Laser, London Weekend Radio, Medina R, Obsession R, Phase 1, Q102

Volume 2: 26+ hours of London Pirates 1983-1991; including Quest FM, Andromeda, R Amanda, R comsat, R Floss, R Invicta, R Jackie (4hrs), R Memphis, R Shoestring, R Sovereign, R Veronica, Renegade R, RJR, Sky R, Skyline R, Sola R, South East Sounds, Starpoint FM, Studio 1, Sunrise R, Time R, TKO, Traffic FM, West London R.

Volume 3: 28+ hours of UK pirates outside London 1983-1990; including Channel %, R Atlantis, R Eleanor, Storton Community R, Central R, WIBS, Newtown R, Pulse FM, Sound of Stevenage, Stevenage Alternative R, Sunshine Radio, R Fiona, R Neptune, Bedfordshire Ind Broadcasting, R Radar, R Rainbow, Jive FM, Peoples FM, Pressure FM.

Clive recalls; "I made recordings all over London. I can remember spending most of one weekend in a park in Dulwich recording. I often used to record in the car park at Barnet athletics track in North London which is not far from the M1 and A406. I think the first time I recorded in London was when I recorded R Sovereign and Jackie in Richmond Park. Often, I would just pull over and record a particular station if it was coming in strong." The result is a comprehensive collection of good quality recordings.

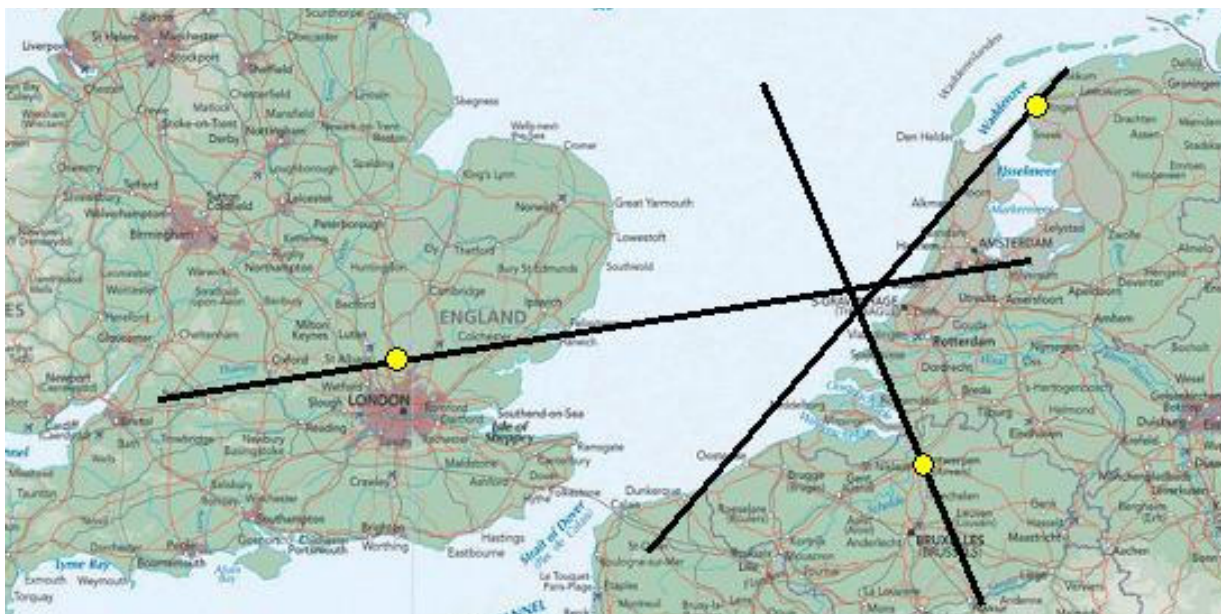
Ordering: UK one CD £5; 2CDs £9; all three for £12. Europe: 10 Euro/15 Euro/ 20Euros. Rest of World \$12US/ £19 / \$26. Prices include postage. You can order on-line at the Circle shop on our web site www.mwcircle.org or by cheque (or bank notes) from MWC, 59 Moat Lane, Luton, LU3 1UU.

Direction finding

During early January a mystery digital signal re-appeared on 1680kHz. This was considerable strength all over the UK and NW Europe and hampered reception of any DX on channel. This station (or a similar one) had used 1680kHz previously in the past, but we have no firm data on its purpose. Indeed one of the puzzles was the choice of frequency used day and night. A MW signal this high in frequency has poor daytime ground-wave coverage over land.



Circle members conducted a successful direction finding exercise and several members contributed to the exercise. A quick analysis of three measurements from Harlingen (provided by Max van Arnhem), Antwerp (Guido Schotmans) and Hertford UK (Jack Weber) put the source in the North Sea just off shore from Scheveningen in Holland. A ship-based operation could explain the choice of frequency as this would give much better ground wave coverage than if the transmitter was on



land. In fact at 1680kHz sea water with a conductivity of 5000mS would increase ground wave reach by a factor of about 3 compared with land with a moderately good conductivity of 20mS.

But what was the transmitter used for? Who was listening, and why?

By the way, notwithstanding the excellent K9AY or EWE or Beverage antennas around, the best antenna easily available for MW direction finding remains the humble loop! Even though this has 180 degree ambiguity it is possible to get a good result from ground wave measurements, as this exercise proves.

Unique idea

The DX hobby can lack opportunity for like-minded individuals to get together and a means of promoting the hobby. So thinking ahead we are considering an interesting idea for early 2008. Yes, a year away but its something that will take considerable planning and co-ordination from members.

We are assessing the viability of the Circle activating a low power radio station for a few days perhaps combined with a get together /members convention. This idea is at very early planning stages and we'd be interested to hear from members who would be interested in participating or just joining in the fun. We'll need the following skills: Engineering, Health and Safety; QSL Manager; Programme Manager; Publicity Manager; Site/ Security/ Station Manager and a Catering Manager To start the ball rolling Tony Hudson has put a private website together to coordinating thinking and information <http://mediumwaveradio.org>

This project will obviously only happen if there is enough interest so please let us hear your ideas, offers of support and assistance; please contact Tony Hudson, Clive Rooms or myself.

73s

Steve

IONOSPHERIC REPORT

from U.S. Dept. of Commerce, NOAA, Space Environment Center

Daily Geomagnetic Data

Date	Middle Latitude -- Fredericksburg --								High Latitude ---- College ----								Estimated ---- Planetary ----										
	A	K-indices							A	K-indices							Ap	K-indices									
2007 01 07	1	0	0	0	0	1	2	0	0	2	0	0	0	2	2	0	0	0	2	0	0	0	0	1	1	1	1
2007 01 08	2	0	1	0	0	1	1	1	0	1	0	0	0	0	2	0	0	0	4	0	2	0	0	1	1	2	1
2007 01 09	3	0	1	1	1	1	1	1	1	3	0	0	1	2	1	1	1	0	4	1	0	1	1	2	2	2	1
2007 01 10	4	0	2	1	2	1	2	1	1	10	0	1	1	3	4	4	1	1	7	1	2	2	2	2	3	1	1
2007 01 11	4	1	2	2	1	2	1	1	1	5	0	1	2	2	3	2	1	1	6	1	2	2	1	2	2	1	1
2007 01 12	2	2	0	1	0	1	0	0	0	2	2	1	1	0	0	0	0	0	3	3	0	0	0	0	0	0	1
2007 01 13	0	0	0	0	0	0	0	1	0	0	0	0	0	0	0	0	0	0	1	0	0	0	0	0	0	0	0
2007 01 14	2	0	0	0	0	2	0	1	1	0	0	0	0	0	0	0	0	0	2	0	0	0	0	1	1	1	1
2007 01 15	14	2	3	2	2	5	3	2	1	35	0	1	5	5	7	4	3	1	22	2	2	3	2	6	4	3	1
2007 01 16	9	0	4	2	1	2	2	2	3	15	0	3	0	3	4	4	2	4	13	1	5	1	1	2	2	3	3
2007 01 17	15	4	3	2	3	3	2	4	2	43	3	4	5	6	6	4	5	3	26	4	4	4	3	3	3	5	4
2007 01 18	9	1	2	2	2	2	3	2	3	34	2	2	6	6	4	5	2	3	16	3	3	3	3	3	3	3	4
2007 01 19	9	3	4	1	1	2	2	1	2	21	2	3	2	4	5	5	2	2	11	3	4	1	2	2	2	2	2
2007 01 20	6	3	1	2	2	1	1	1	1	11	2	2	2	5	2	1	1	2	7	3	1	2	2	1	1	2	2
2007 01 21	7	2	3	3	2	1	1	1	1	12	1	2	3	5	3	1	1	0	7	2	3	3	2	1	1	1	1
2007 01 22	2	0	0	2	1	1	1	1	0	3	0	0	1	2	2	0	1	1	3	1	0	1	1	1	0	1	1
2007 01 23	3	1	1	0	1	1	3	0	0	1	1	1	0	1	0	0	0	0	2	1	1	0	0	0	0	0	1
2007 01 24	1	0	0	0	0	1	1	0	0	1	0	0	0	1	0	1	0	0	1	0	0	0	0	1	1	0	1
2007 01 25	1	0	0	0	0	0	2	1	0	1	0	0	0	2	0	0	0	0	1	0	0	0	1	0	0	0	1
2007 01 26	3	0	0	1	1	2	2	0	0	3	0	0	2	2	2	0	0	0	2	0	0	1	0	1	0	0	1
2007 01 27	3	0	2	1	0	2	1	1	1	0	0	0	1	0	0	0	0	0	3	1	2	0	0	0	0	0	2
2007 01 28	2	2	1	1	0	1	0	0	1	2	0	0	0	3	1	0	0	0	5	1	1	0	1	1	1	2	2
2007 01 29	19	2	1	2	2	5	5	3	3	41	1	2	4	2	7	6	5	3	36	3	2	3	2	6	7	5	3
2007 01 30	17	4	4	3	2	3	3	3	3	40	2	4	6	6	6	3	3	3	21	4	5	4	3	3	3	3	3
2007 01 31	13	3	3	3	3	2	3	3	2	33	3	3	5	6	5	3	4	3	16	3	3	3	3	3	3	3	3

Short term Forecast

UTC Date	Radio Flux 10.7 cm	Planetary A Index	Largest Kp Index
2007 Feb 02	85	5	2
2007 Feb 03	85	5	2
2007 Feb 04	85	5	2
2007 Feb 05	85	5	2
2007 Feb 06	85	8	3
2007 Feb 07	85	5	2
2007 Feb 08	80	5	2
2007 Feb 09	80	5	2
2007 Feb 10	80	5	2
2007 Feb 11	75	15	3
2007 Feb 12	75	15	3
2007 Feb 13	75	20	4
2007 Feb 14	75	15	3
2007 Feb 15	75	12	3
2007 Feb 16	75	8	3
2007 Feb 17	75	5	2
2007 Feb 18	75	5	2

MW DXing IN THE MID 60s

with Joe Kasser G3ZCZ

I was in my late teens early 20's back then. I became interested in amateur radio when listening to amateurs on the 40 Meter band. I joined the RSGB as A3571 and received the strange listener

designation of G7PE5S (I think – it was that kind of format in any event) from Popular Electronics magazine. I don't remember how I found out about the circle or actually meeting any members in person. My interest was in the challenge and hunt for the elusive and distant stations. My receiving set up was in my bedroom. The receiver was a Lafayette HE-30 next to the bed, and the aerial was a long wire end fed, passing between the window and frame, then around three sides of the house suspended a few inches under the gutters. Since the bedroom was on the first floor of the house, the ground was via the mains.

I used to listen for DX late at night wearing headphones, tuning in a station then dozing off trying to wake up on the hour and half hour for the station identification. I heard and received QSL card and letters from a number of stations in the north east and north central USA. The logs and cards seem to have been misplaced, but I do have the QSL letters. I don't remember hearing anything from South America. The best capture was one instance of WCSM in Celina, Ohio, transmitting with 500 Watts, whose response to my report was that it was the most distant report they had received. The one that got away was a very weak English language station I was hearing while dozing one night for about two hours. It faded in and out and was never strong enough when it identified for me to catch the complete identification (which was a number followed by two or three letters) or location. If I had realised that night that it was a pacific station format, I would have tried harder.

However, I didn't think that I had a good receiving set up since the aerial was less than optimal, but the location must have been good at all frequencies. For example, when I built the Quickstarter 144 MHz converter out of the RSGB journal, I heard the local beacon without an aerial. I thought it was an internally generated signal. Later, the first amateur station I heard after the local beacon was on the Isle of Wight. And I was using a quarter wavelength piece of wire on the bench as the aerial connected to the aerial socket with a crocodile clip!

I heard the first pirate radio stations, Radio's Caroline and London. I remember when Sir Winston Churchill died, one of the pirate stations played recordings of his speeches for most of a day.

When we moved from that house, to a poorer location, I stopped listening for DX on the medium waves, built simple transmitters for 1.8, 145 and 432 MHz. I passed the Radio Amateurs Exam and started talking to people on 145 MHz as G8BTB from home and G3NHZ lunchtimes from work (Dollis Hill Amateur Radio Club). In early 1970, I became G3ZCZ and moved to the USA; WTOP became a local station rather than a DX capture. I continued to listen for DX, but not in any consistent manner, nor did I log any of the stations.

I'm more interested in construction than operating. After years of building hardware projects, I became interested built software. It is the challenge that got me interested in MW DX that has continued to shape my interests. I listened to OSCAR 5 from London and years later when I moved to the Washington DC area my request for a QSL card led to years of involvement in AMSAT and satellites. I wrote software for predicting satellite communications windows, and when living as 4X/G3ZCZ in Jerusalem, started writing software for the PK-232 for the late 4X6AA. That software evolved into LAN-LINK.

I'm now in Australia as VK5WU but planning to come back to the UK for a few years. The radio spectrum use in Australia is totally different to that of the UK and USA. There are actually gaps between the stations here. I can easily hear stations in Melbourne and Sydney on the broadcast band at night in the car with 3 inches of aerial in winter evenings.

Wherever I am still tune the broadcast band for DX occasionally, but don't take it as seriously as I did all those years ago. I can drive my partner crazy by listening to that noisy crackling station on the broadcast band when we are driving late at night just to hear if it is DX.

THE FIRST SHEIGRA MW DX-PEDITION

with John Faulkner travels back to 1985

The first visit to Sheigra represented a milestone in high latitude DXing in the UK. It opened the door to a new world of DX possibilities, which UK DXers had thought could never be achieved. We need to go back in time a little for this. 1985 to be precise, from October 3rd to October 12th..

For years, DXers across the UK had read about the exotic medium wave DX which was possible at higher latitudes in Europe, particularly in Scandinavia and had accepted that it was probably impossible to hear the same kind of trans-polar DX because of signal absorption across the North Pole. DXers at higher latitudes had less of the problems associated with absorption. Not only could they hear exotic medium wave stations from the west coast of the USA and Canada, but also from Japan, Australia, New Zealand and even the Pacific Islands!

Until 1985, such reception had never graced the medium wave band in the UK, though a few of the higher powered west coast stations had made it through in previous solar minima, including 640 KFI Los Angeles CA, 1000 KOMO Seattle WA, 1070 KNX Los Angeles CA, 1090 KING Seattle WA and 1410 CFUN Vancouver BC.

DXers in Scandinavia made use of large directional antennas called 'beverage antennas' which could be stretched out many hundreds of metres across the land and through forests. Such large antennae had never really been tried in earnest in the UK, other than at places like the BBC Monitoring Service in Reading. The more we thought about it, the more we wanted to find suitable locations and run out such antennas to see if we could come close to hearing what the Scandinavians were hearing.

If we were to attempt this in the UK, where should we go? The general consensus was 'as far north as possible', and for good reason. The 'scientists' among us had always stated that trans-polar reception on the medium wave band would **never** be possible in the UK due to the polar absorption. So what if we were to travel as far north as possible in the UK? How about the north of Scotland? Surely this would be sufficiently northerly to minimise the absorption and achieve our goals.



Sheigra: Gaelic for "Peaceful Valley"

In October 1985, four intrepid DXers made the long journey north, to the beautiful Highland region of Scotland and near Cape Wrath in the north-west corner. Ian Kelly, John Faulkner, Mark Hattam and David Hyams travelled hundreds of miles purely to see if they could break the records. Mark had found a holiday cottage in the crofting village of Sheigra (population 12) just a few miles from the Cape. There was sufficient room to erect beverage antennae in several directions. Several other locations were also considered but this one seemed to fit as many of the criteria as possible for our purposes, i.e. sufficient farmland in the required directions, no nearby roads, etc., however, It was impossible to tell for certain just how suitable this location was until we had seen it for ourselves as this was our first visit to the area.

The journey seemed to take for ever as the roads above Inverness were mostly single track in those days and not at all straight. Some 120 miles of these roads had to be negotiated in order to reach our destination. It was after midnight when we arrived and it was cold and dark and seemingly unwelcoming as we entered the damp holiday cottage in the middle of nowhere. It was like going back in time 50 years. The cottage was very old and the walls were half a metre thick so as to provide insulation from the extreme weather, which can often be experienced up there. The wood-panelled walls and linoleum covered floors were also something of a shock. Bits of carpets attempted to cover the floor and the heating was coal-fired. All the furniture and kitchen equipment seemed to be as old as the hills outside! There were no modern facilities such as a microwave or dishwasher. The water supply was brown due to the peat hills and it had a strange odour. We decided to boil it first before drinking it but we discovered it made an excellent cup of tea! What were we letting ourselves in for?



The cottage at Sheigra (DX-central!)

Daybreak soon arrived and we caught our first glimpse of the terrain around us. It was a near-mountainous landscape. Dramatic cliffs fell away into the sea and we were concerned that it was wholly inappropriate for our purposes. Indeed we had to negotiate some very uneven terrain in order to erect the antennas. Mark had prepared bamboo canes on which the aerials were to be mounted. These were mostly 1.5m in length and had a small groove cut across one end and with some sticky tape wrapped around the top to prevent splitting. This formed a good grip for the wire which was pushed a few mm into the groove. This simple design was very successful and hasn't really changed to this day. The bamboo canes were pushed into the soft, boggy terrain and generally stayed put, albeit with some minor re-arrangement from the local sheep.



The beach at Sheigra

Beverage termination was made using variable resistors, generally set to around 600 ohms. This needed checking on a daily basis and minor adjustment was sometimes necessary. The ground provided an excellent earth due to its saturated, boggy nature. Setting up the final termination value was done using precision timing with someone sat at the dials and another setting the resistor



to different values each minute. We did not have mobile phones or walkie talkies in those days.

← *A section of the north-east / south-west beverage*

Sheigra is remote. We were well away from city life and were slightly surprised to learn that there were no local amenities in the village. There was a post office in the neighbouring village of Balchrick at the top of the hill and a small general store four miles away in Kinlochbervie (population 200) which only opened for a few hours each day. All other services such as a bank and a library seemed to be provided by a van which drove into the village, offering a different service with each visit. Moving to more important things – the nearest public house was four miles away. This was the Kinlochbervie Hotel. Another hostelry was located at Rhiconich, some eight miles away.

The name "Sheigra" is Gaelic for "peaceful valley" and that's exactly what it was, at least when the sun was out! At other times we found the power would occasionally trip out when the weather became windy or when a storm was close by. It wasn't unusual to be sitting in the hotel in

darkness either. We were well and truly out in the wilds, exposed to all the elements. The climate in this part of the UK is such that you can literally experience four seasons of weather in just a few hours, but it was great fun and that little holiday cottage proved to be a very pleasant, homely kind of place and the record-breaking DX which followed proved to be more spectacular than we could have wished!

Our first night of listening was met with disturbed geomagnetic conditions. The planetary K indices had seemingly shot through the roof and the previous daily A indices were also higher than we would have wished. Brazil dominated the DX channels across medium wave. Signals were very strong in some cases audible before 2200 hours GMT. These signals gradually faded away as the night went on. The band was virtually devoid of transatlantic DX by 0200, though an interesting signal on 820 kHz appeared around this time which out to be WBAP in Fort Worth TX. How odd – WBAP is regarded as the sort of station you would normally associate with very good conditions and would appear when the band was full of other North American signals, yet it was possibly the only transatlantic signal on the band at the time and certainly the only one from North America.

Daybreak came on the second day and we continued to construct our beverage antennas across the farmland. Approximately 300 metres of wire was run out to the north-west. Another 700 metres was run out to the north-east. This one formed a beverage for the far-east during the daytime and was un-terminated at night to make it bi-directional so it would serve as our South American antenna. It was not possible to have a 'proper' South American beverage because of the nearby farm buildings and homes in that direction. A shorter beverage was run out to the west for Central America and the Caribbean and finally a wire fence was utilised to form a northerly beverage for Alaska. A little optimistic perhaps but you never know!

We were now well prepared for our DX pursuits. Cassette tape recorders were ready to record our reception and we settled down to listen by the middle of the evening. Once again, by 2200 hours we were receiving what can only be described as 'powerhouse' signals from Brazil and a solitary North American signal, CJYQ in St Johns NL on 930 kHz. Conditions were still very unsettled and, like the previous night, signals began to take a dive after an hour or more. But while this was very disappointing we realised that reception was somehow very 'different' to home and our excellent reception of Brazilian stations, some of which were at near-local strength, was rather unusual. We realised there was potential for something impressive if only the conditions would improve. Thankfully, we did not have to wait much longer for this.

The time was approaching 04:00 and once again we were scratching our heads with disbelief that the band had died once more. Transatlantic DX was virtually non-existent and we were all very close to pulling the plugs at this point but we suddenly noticed that there was a second station on 930. Minutes earlier we could only hear CFBC in St John, New Brunswick but this was far more interesting. The station appeared to be North American and was discussing matters in Alberta. We dismissed this as 'just CJYQ' but seconds later were amazed to hear the signal quickly lift from being weak to S9+50dB on the Trio 9R59D display! Next came a weather report giving out –4 degrees (surely a little cold for St Johns?) and a time check for six hours behind GMT, which ruled out CJYQ. At 04:00 we were speechless as we were treated to an ID "This is 9-30 CJCA Edmonton". A UK first! Scarcely able to believe our ears we tuned around and discovered that the whole of the medium wave band had suddenly become alive with strong signals from the Canadian Prairies! Such reception was unheard of in the UK. Never before had UK DXers been treated to such a barrage of 'first time' signals. But the best was yet to come.

Almost an hour later an unusual signal was detected on 680kHz. It was buried in heavy European splatter from adjacent channels and therefore not particularly easy to hear, but the language sounded like Eskimo. Baffled, we scratched our heads some more and wondered who could be carrying a broadcast in the Eskimo language on 860. Surely not Alaska? It couldn't be. But who

else? The time was approaching the top of the hour and the signal had peaked up a little. With only a few seconds to go for a possible identification it had started to dip down as is often the case as the top-of-the-hour approaches. We were counting the seconds, hoping this would not fade out completely. At last, the top of the hour was upon us and the language changed from Eskimo to English and a male voice announced something which sounded like "... radio ... K??? ... Barrow". Scarcely able to believe our ears that this was a K call and not being entirely sure of what we had heard we played the tape back and heard the words which were to mark a milestone in British DX history, "Top of the world radio, KBRW Barrow"! We had done it! The first recorded Alaskan reception in the UK! Those scientists among us had said it could not be done and we had shown that it was indeed possible! From that moment we knew we were in for a real DX treat.

Transatlantic channels were opening up everywhere and North American stations dominated, but nothing we heard sounded familiar to us. Instead of hearing the news from WINS or CFRB on 1010 we had an English CBC station. 790, 940, 1050 and 1110 were dominated by country music. It was all rather strange and exciting. Furthermore, many signals were reaching armchair listening levels, some pinning the S meter right across into the red! To this day, I have never experienced a more surprising and stunning opening across medium wave than that night in Sheigra. We were literally re-writing DX history!

The DX Log:

570 Gronlands R, Nuuk	1090 KING Seattle WA
580 ZYI776 R Globo, Recife	WBAL Baltimore MD
600 CFQC Saskatoon SK	1100 ZYK694 R Globo, Sao Paulo
BED76 CBS Luchiang	ZDK St Johns, Antigua
ZYK278 R Gaucha, Porto Alegre	HJ- R Reloj, 2 possible sites
HJHJ R Libertad, Barranquilla.	UNID. KFAQ San Francisco CA ??
621 Batra, Egypt	1110 CHQT Edmonton AB
650 KYAK Anchorage AK	ZYI786 R Tabajara, Joao Pessoa
Gronlands R, Quqertarsuaq	YVQT R Carupano, Carupano
680 KBRW Barrow AK	1120 KPNW Eugene OR
CHFA Edmonton AB	ZYK275 R Globo, Porto Alegre
ZYK275 R Faroupilha, Porto Alegre	1130 2 North Americans mixing
710 YVKY R Capital, Caracas	ZYJ460 R Nacional, Rio de Janeiro
740 CBX Edmonton AB	1140 CKXL Calgary AB
750 CJWW Saskatoon SK	KCSY Soldotna AK (tentative)
BED2 CBS Minhsiung	1190 LR9 R America, Buenos Aires
ZYH709 R Alvorada, Brasilia	1200 WOAI San Antonio TX
760 8RG GBC Channel 1, Georgetown (tent)	YVOZ R Tiempo, Caracas
765 ORTS Dakar, Senegal	BED50 CBS Minhsiung
790 CFCW Camrose AB	1210 WCAU Philadelphia
800 PJB Bonaire, Netherlands Antilles	YVQZ R Anzoategui, Barcelona
820 WBAP Fort Worth TX	YVMN R Coro, Coro
825 R Paradise, St Kitts	1220 CKCW Moncton NB
850 BED-CBS Linkou	ZYJ458 R Globo, Rio de Janeiro
860 ZYJ459 R Mundial, Rio de Janeiro	1250 BEC22 CBS Linkou
2 North Americans mixing	1290 YVLF R Puerto Cabello, Puerto
870 HJSB Mar Caribe AM, Barranquilla	Cabello
890 ZYK690 R Gazeta, Sao Paulo	CHRM Matane QC
900 R Barbados, Bridgetown (tentative)	1300 CJME Regina SK (presumed)
920 CJCH Halifax NS	ZYH586 R Iracema, Fortaleza
930 CJCA Edmonton AB	1320 UNID NA. CHQM Vancouver BC ??
CJYQ St Johns NL	1355 Voice of the Saharan Arab Republic,
CFBC St John NB	Algeria
CX20 R Montecarlo, Montevideo	1380 YVJD Ondas Del Mar, Maracaibo
ZYL229 R Araguari, Araguari	1400 AFRTS Hofn, Iceland (10 watts power)
940 ZYJ453 R Jornal do Brasil, Rio de	1402 SPLAJBC Tripoli, Libya
Janerio	1404 RTV Conakry, Guinea
950 Unidentified North American	1410 CFUN Vancouver BC
LR3 R Belgrano, Buenos Aires	CIGO Port Hawkesbury NS
ZYL212 R Atalaia, Belo Horizonte	WPOP Hartford CT
YVKG R Vision, Caracas	1420 CJVR Melfort SK
960 CFAC Calgary AB	1430 CJXX Grande Prairie AB
CHNS Halifax NS (tentative)	1440 UNID North and South Americans

980 ZYH707 R Nacional de Brasilia, Brasilia	Ras as Zawr, Saudi Arabia
981 RTA Algiers, Algeria	1448 SPLAJBC Misurata, Libya
984 NIRT Kermanshah, Iran	1470 YVFG R Vibracion, Carupano
1000 BED62 CBS Luchiang	1481 RCTV Dubai, UAE
ZYK522 R Record, Sao Paulo	1492 Abidjan, Ivory Coast
1008 EAJ50 R Las Palmas, Canaries	1500 WTOP Washington DC
1010 CBR Calgary AB	1510 WMRE Boston MA
ZYH625 R O Povo, Fortaleza	1521 BSKSA Duba, Saudi Arabia
1040 R Capital, Sao Paulo	1554 RTG Melene, Gabon
1050 CFGP Grande Prairie AB	1570 TGVE R Voz Evangelica, Guatemala
YVNQ R Mundial Caroni, Puerto Ordaz	1580 VOA St Johns, Antigua
1060 CJAM Calgary (presumed)	1610 Caribbean Lighthouse, The Valley
1070 YVMA R Mundial Zulia, Maracaibo	
RFO Cayenne, French Guyana (pres.)	

Reception Summary:

- 03-10-85: (Using only a basic aerial set-up) Good late evening South American reception.
- 04-10-85: Limited east coast North America. Good South American reception late evening.
- 05-10-85: Alaska and good Prairie reception mid to late morning.
- 06-10-85: V poor, little DX heard.
- 07-10-85: Mainly South American reception.
- 08-10-85 Excellent to South America around 05:00. Good African reception too.
- 09-10-85: Very good to the far east late afternoon/early evening. Limited Prairies and possibly Alaska mid/late morning.
- 10-10-85 Excellent Prairies and some west coast North America.
- 11-10-85: Disruption due to force 12 winds (a full hurricane as mentioned on the BBC shipping forecast) which blew down our aerials!
- 12-10-85 Excellent Prairie reception and some west coast again.

Other notes worthy of mention were the fact that Brazil was the dominant feature every night during the late evenings. East coast North American reception was very scarce, no doubt due to



the high A and K indices, which are listed below.

← *Stormy weather in the mountains*

The night of the 10th/11th was 'an experience' to say the least as the BBC Shipping Forecast had warned of "a vigorous area of low pressure" to the north of Cape Wrath. The winds actually reached hurricane strength for a time around 01:00. Our daily evening trip to the phone box in Balchrack to get the WWV

geomagnetic indices and forecast was made more tricky that evening as the winds were already reaching storm force by mid-evening. For the fun of it we actually ventured outside the cottage later that evening. It was impossible to stand upright in the howling winds and I personally had to wait several minutes before my lungs became accustomed to this before I dare go out. I can remember us walking a few metres towards the gate at the end of the footpath and having to return

walking on all fours back to the door. Looking back now, it was a wonder we weren't blown away or injured because the winds were so bad that night that they blew down one of the chimney stacks. I remember hearing it crash onto the roof of the kitchen extension. Apparently these winds were rough even by Cape Wrath standards!

The A / K indices for the period:

DATE	A Index	K Index									
03-10-85	12	2	2	4	3	3	3	2	1		
04-10-85	15	3	3	4	3	1	1	3	4		
05-10-85	43	3	5	5	5	4	4	5	6		
06-10-85	33	5	4	5	4	4	4	3	5		
07-10-85	21	4	4	4	3	3	3	3	4		
08-10-85	15	4	4	3	3	2	2	3	2		
09-10-85	7	2	3	3	0	1	1	1	2		
10-10-85	6	2	2	3	1	1	1	2	1		
11-10-85	17	3	3	4	3	3	3	3	3		
12-10-85	9	4	1	1	1	2	3	2	2		

So there you have it. The UK is indeed a fine location for exotic medium wave DX! We proved that Alaska IS possible in the UK, contrary to popular belief. There is no need to travel to Scandinavia to enjoy excellent high latitude DX.

There were many other North American stations heard than those listed above but, as is always the case, so many just would not ID for us. The same can be said for South Americans too. One thing was certain, we were not letting it rest at this. More DX trips were planned and Sheigra became a regular hotspot for winter DX trips for many years, until the owners, Leona and Angus McLeod passed away in the late nineties.

Beverage Performance:

Our beverage antennas performed well with good nulls on stations to the rear. As an example: According to S meter readings, powerhouse BBC Radio Scotland on 810kHz was reduced by up to 40dB in strength.

Notes:

650 KYAK Anchorage AK was tentatively heard with country music. KYAK's format is modern country.

650 Gronlands R, Qeqertarsuaq was heard as early as 18:00 GMT.

680 CHFM Edmonton AB is part of the French CBC network.

740 CBX Edmonton AB is part of the English CBC network.

750 CJWW Saskatoon SK is now here ex 1370.

790 CFCW Camrose AB has the ID "CFCW Super Country"

930 CJCA Edmonton AB was the most consistent and strongest North American.

960 CFAC Calgary AB has a country music format.

1010 CBR Calgary AB is part of the English CBC network.

1090 KING Seattle WA was logged with talk. This has recently moved from a rock music format.

1100 KFAX San Francisco CA – tentative logging. Noted with discussion/chat show.

1110 CHQT Edmonton AB is on MoYL format.

1120 KPNW Eugene OR was ID'd later by their studio phone number which was given out on air. The city name was also mentioned in a commercial.

1140 KCSY Soldotna AK: A time check for "Fourteen to ten" was heard when playing tapes back (05:46 GMT). British Columbia would be fourteen minutes to eleven and Alberta would have been fourteen minutes to twelve, so this points to Alaska.

1220 ZYJ458 R Globo, Rio de Janeiro, was stronger than the local BBC R3 outlet on 1215 on just about all of our aerials - not just on the beverage, even on the car radio!

1400 AFRTS Hofn, Iceland is listed with just 10 watts and relays the Keflavik transmitter on 1485. This was audible throughout daylight hours and had the ID "AM 14-85 Keflavik Iceland".

Interestingly, the day after our KBRW reception we were out in the fields and noticed that the wire fence beverage on which we had heard this had a gate half way along its length which we had overlooked so this had not been functioning as a beverage at all but merely a 200m long-wire!

Receivers:

* Mark Hattam: Drake TR7; Drake RV7 VFO; pre-amp.

* John Faulkner: Trio 9R59D.

* Ian Kelly: Yaesu FRG7, Realistic DX302.

* David Hyams: Yaesu FRG7700; Yaesu FRT7700; audio filters.

Aerials:

305m beverage at 350 degrees, for the Canadian Prairies and west coast North America.

210m beverage at 290 degrees for the far east and central North America, also good for Venezuela and Colombia.

610m longwire running SW/NE, terminated in the daytime for the far-east and un-terminated at night for South America.

Two antenna phasing units and two medium wave loops.

183m wire fence, un-terminated for KBRW reception.

Various random long-wires ranging from roughly 30m to 900m for general listening and phasing.



MAINFLINGEN ON MW

with Bernd Waniewski; TransRadio

Transradio SenderSysteme Berlin AG recently was tasked with building a horizontal cross dipole antenna for medium-wave broadcasting from the Deutsche Telekom Mainflingen Transmitter site, about 35 kilometres southeast of Frankfurt am Main, Germany.

Horizontal antennas have a special property of providing skywave propagation in the evening and overnight. The aim is to obtain coverage of several hundred kilometres without a large fading zone due to the interference from groundwave and skywave associated with using a vertical antenna.



← Horizontal cross dipole antenna for MW broadcasting in Mainflingen

Guided supporting masts

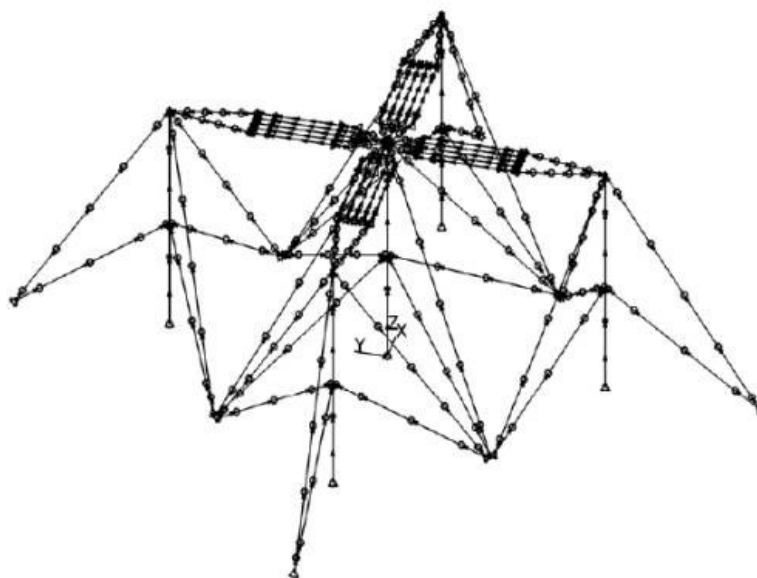
Until now, only a few horizontal medium-wave broadcasting antennas have been erected. These included a directional antenna with two folded dipoles in parallel, also installed at Mainflingen, and test antennas for vertical radiation at Beromünster and Sarnen in Switzerland. None of these is still in operation.

There is also a half-wave folded dipole in Wolvertem, Belgium, still standing but not in use, and a cross dipole antenna in Arganda, Spain, that is still used to cover whole of Spain. Another cross dipole antenna in Berlin – Britz served East Germany before the unification, but it has since been dismantled.

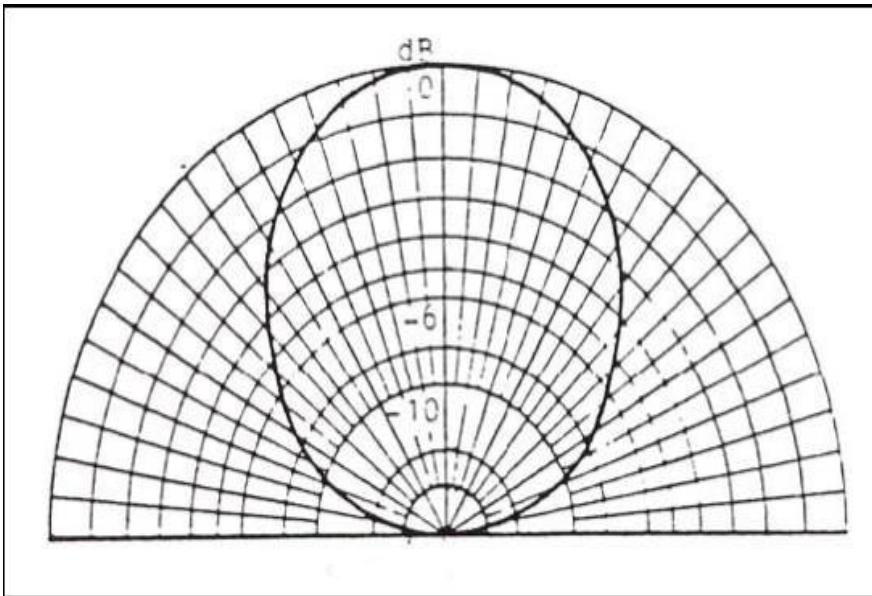
The cross dipole antenna in Mainflingen consists of five guided supporting masts and the two horizontal dipoles arranged orthogonally atop of the masts.

Computer model →

The most important criterion for the shape of the vertical pattern is the suspension height of the dipoles. The radiation pattern must have the maximum in the vertical direction when the skywave coverage is for short distance



It is possible to achieve this by means of low suspension height, for example one-tenth of the wavelength ($0,1 \lambda$).



← *Vertical pattern of cross dipole antenna for suspension height of $0,1 \lambda$*

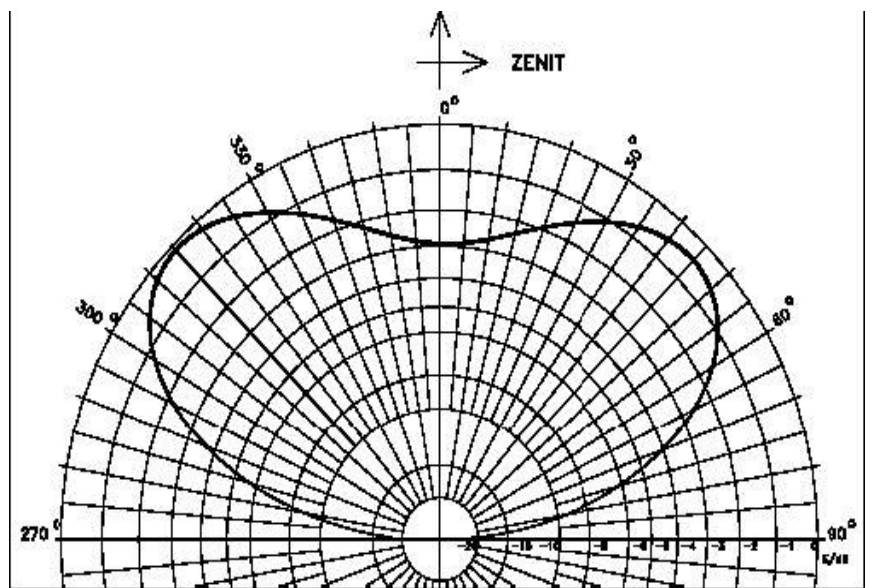
A much larger coverage area was necessary for the cross dipole antenna in Mainflingen. A suspension height of four-tenths of the wavelength ($0,4 \lambda$) was chosen in order to obtain a broader vertical pattern.

Furthermore, the polarization of the vertically radiated waves must correspond to the

polarization of the ordinary wave. The wave, being incident to the ionosphere, splits into an ordinary and an extraordinary wave.

The extraordinary wave is attenuated nearly completely, and thus does not contribute to the field strength received at the ground.

Vertical pattern of cross dipole antenna for suspension height of $0,4 \lambda$ →



Correct sense of rotation

Only the correct sense of rotation of the polarization excites the ordinary wave. Therefore, the two dipoles are fed with the same amplitudes but with a phase shifting of 90 degrees. The dipole located in the x-axis leads to the dipole located in the y-axis.

Each dipole is fed via 75-ohm cable, which is supplemented to a balun by an additional outer cable.

It is possible to ensure the matching of the dipole impedance to the characteristic impedance of the cable by properly choosing the length of the dipole and the length of the balun.

The four outer masts are insulated at the base. The base insulator is bridged by an inductance. When varying the value of this inductance, it is possible to minimize the excitation of the vertical mast, avoiding ground wave propagation into villages near the antenna site.

Bernd Waniewski is an antenna R&D engineer at TRANSRADIO SenderSysteme Berlin AG

NORTH AMERICAN NEWS

✉ 20 Ryehill Park, Kirklington, Carlisle CA6 6BH

with Barry Davies

e-mail: na-news@mwcircle.org

Welcome to another round up of what's been happening on the North American AM dial. May I express my gratitude to the organisations which make this resume possible? Thanks this month to:
- Upper Midwest Broadcasting, IRCA, KOJE, NERW, NRC, DX-midAMerica and dcrtv.com,



- 560 WEBC** Duluth MN. Clear Channel's Fox Sports station has been sold.
- 920 WOKY** Milwaukee WI. The station drops nostalgia and flips to hits from the 60s & 70s. The station ID tag is now "The mighty 92."
- 1050 CJNB** North Battleford SK. The station's application to move to the FM band has been refused. If agreed it would have resulted in common ownership of 3 FM stations in the same market.
- 1070 CBA** Moncton NB. Move to 106.1 FM has been agreed. (Paul Crankshaw) The 1070 licence expires on 31st August 2007. (Deane McIntyre)
- 1070 CHOK** Sarnia ON. Station changes format from pop oldies to country music.
- 1200 WAGE** Leesburg VA. This talker has requested a move to 1190 and a hike in day power to 50kW and night power to 1300Watts. (Dave Hughes)
- 1260 WSUA** Miami FL. This SS news/talk station has the OK for a **20,000watt** night signal.
- 1300 WEEV** Rensselaer NY. New calls. (ex WTMM) ESPN sports are dropped in favour of women orientated talk. The station slogan is "Eve 1300."
- 1300 WAVZ** New Haven CT. This station is reported as dropping progressive talk in favour of sports. (Scott Fybush)
- 1330 WFNN** Erie PA. Format flips from sports to oldies.
- 1360 WKAT** North Miami FL. Station switches from straight talk to religion
- 1380 CKPC** Brantford ON. This oldies station has increases its power from 10kW to 25kW. I guess it should be a regular visitor now? (Saul)
- 1430 WNSW** Newark NJ. This multicultural station has requested night power uplift to 7kW.
- 1450 CHUC** Cobourg ON. This pop station has got the OK to stay on the AM band. CHUC is having problems with their FM signal. The AM reprieve runs out 11/11/2007.
- 1600 WAMS** Dover DE. New calls. (ex WJRE) Still playing 50s, 60s and 70s oldies + USA NX.
- 1650 CJRS** Montreal QC. This Hebrew station will not be CHAL as reported recently.
- 1660 WDAF** Kansas City KS. New calls. (ex KXTR) The format stays as classical music. This is a business move by the owners to keep the WDAF call letters. (Scott Fybush)

That just about clears my "In Tray" for another month. The column is a little shorter this month but should be back to normal next time round hi! I will sign off with best wishes for some good DX all around The Circle.

Barry

CENTRAL AMERICAN NEWS

✉ Frejagatan 14A, SE-521 43 Falköping, Sweden
e-mail: ca-news@mwcircle.org ☎ +46-515-13702

with Tore Larsson

Cuba

1610 CM.. R. Reloj, a new Cuban, location unknown

W. Curt Deegan via IRCA

Dominica

590/595 Dominica Broadcasting Corporation

I stopped in Dominica on a cruise in spring of 2006. While wandering around the city of Roseau I saw the building that houses the DBS offices and studio. I was taking a few pictures when a woman came out of the building carrying a briefcase and clipboard. She said she worked at the station and agreed to answer a question I had. I asked her about the fact that as our ship pulled into the harbour that morning I was unable to detect their AM signal on either 590 or 595 kHz. She explained that the AM transmitter consumed a lot of electricity and was mostly off the air due to electricity cost. She did offer that it was on the air early on Sunday mornings for a church broadcast where the church covered the cost of operating the AM transmitter.

Much of the electricity on the island comes from hydroelectric sources. There are some high lakes in the mountains feeding waterfalls that have been redirected to power generators. The rest of their power comes from petroleum that is imported by ship from Trinidad and which is very expensive.

The FM side of DBS was interesting in that a frequency at the upper end of the FM band (107 MHz) was used for their studio-transmitter link. A Yagi beam about 40 feet above ground sent the signal to a mountain top where it was retransmitted on 88.1 MHz. Many other frequencies were also in use around the island as shown on the billboard (88.5, 89.5, 103.1, 103.5) above the office/studio building. I presume these are translators fed by the 88.1 signal.

Joe Buch via DXLD

México

Hispanic presence on the US market

The Mexican Radio Fórmula network is being heard on various US AM and FM outlets. A website which is partially in English gives further details. See: <http://www.radioformulanetwork.com>

For a frequency list and a coverage map, see <http://www.radioformulanetwork.com/cobertura.asp>

<http://www.radioformulanetwork.com.mx/amap.htm>

Henrik Klemetz

<u>720</u>	XEDE	La Caliente, Saltillo, 24h, 8/0.25 kW	John Wilkins, NRC IDX 74/12
<u>730</u>	XEEBC	Involvidable, Ensenada, ex R Felicidad	Richard E Wood, NRC IDX 74/8
<u>770</u>	XEANT	LV de las Huastecas, Tancanhuitz de Santos, ex 1070	John Callarman, ABX via DXLD
<u>920</u>	XERE	La Tremenda, Celaya, ex La Comadre, now 24h	Richard E Wood, NRC IDX 74/8
<u>1410</u>	XECF	R. Unica, Los Mochis, ex La Mexicana	Richard E Wood, NRC IDX 74/8
<u>1590</u>	XEVOZ	R. Tráfico, Mexico, DF heard by Alf Årdal and identified by Bill Harms. Ex R. Reloj	Alf Årdal/Bill Harms, MWDX 31.12.2006

Puerto Rico

940 WIPR San Juan. According to a QSL, the station's slogan is "940 AM". The station has been off the air since March 2006 for refurbishing of their studios. They plan to be back on the air at the end of January. New web addresses: to the company: <http://www.tutv.puertorico.pr> and to the station <http://www.tutv.puertorico.pr/radio940am/index.htm>

Gert Nilsson, ARC 18.12.2006

1040 WZNA Moca – the CP to increase their daytime power has been deleted from the FCC database.
WZNA remains U5 5/0.245 kW

NRC AMS 74/12

1510 WBSG San Germán, ex WSQD

NRC AMS 74/11

WORLD NEWS

[Europe, Asia, Africa]
with Renato Bruni

Strada Borghetto 43, 43100 Parma, Italy
e-mail:world-news@mwcircle.org

Denmark

- On February 14th 2006 at 2330 UTC the 300 kW transmitter in Kalundborg operating on 243 kHz will be switched off for the last time.

And starting February 15th there will be a strong reduction of airtime on the 250 kW transmitter in Kalundborg operating on 1062 kHz. This is the new schedule: 0445-0507, 0730-0807, 1045-1130, 1645-1716, 2145-2205 (All times in UTC). I believe that the transmitter will be switched on some 5 minutes prior to these s/on times and may also stay on the air a couple of minutes after official s/off times. The programmes to be carried are: 0445-0451: Weather forecast; 0451-0500: // DR P4; 0500-0507: News (// DR P4); 0730-0740: Gymnastics; 0740-0745: Interval signal; 0745-0800: Weather forecast; 0800-0807: News (// DR P4); 1045-1100: Weather forecast; 1100-1130: News (// DR P1 and DR P4); 1645-1700: Weather forecast; 1700-1716: Navigational warnings; 2145-2200: Weather forecast; 2200-2305: News (// DR P4). The news in Danish from KNR, Greenland, currently heard Mo-Fr 1755-1800 UTC will be discontinued on 1062 and will only be available on DR P1 (on FM and the internet).

The reason for the closure of 243 kHz and the reduced schedule on 1062 kHz is the fact that hardly anyone in Denmark listen to LW and MW - and due to the high cost of running the transmitters. Additional information (in Danish) here: <http://www.radionyt.com/artikel/default.asp?id=13404>
Stig Hartvig Nielsen via mwc (18/1-2007)

- DR (Danish Broadcasting Corporation) wanted to close down both the MW and the LW transmitters in Kalundborg operating on 243 and 1062 kHz by the end of 2006. But the Danish Ministry of Culture has decided that DR must continue using medium wave till at least Dec 31, 2010. It is however uncertain which programmes will be carried on 1062 MW in the future. Director of DR Radio, Leif Lensmann, says to radionyt.com, that DR is going to air navigational warnings, weather forecasts and possibly newscasts on MW - but no final decision on this has been taken yet. The switch off of the LW station in Kalundborg is expected sometime during the spring of 2007. (*Hartvig Nielsen-DEN, dswci DXW Jan 4*)

Djibouti

Starting on 12 February, the Voice of America (VOA) begins a new daily radio broadcast in the Somali language to the Horn of Africa. A group of Somali broadcasters at VOA's headquarters in Washington, DC will team up with freelance reporters in Africa and elsewhere around the world to provide millions of Somali speakers with accurate, up-to-date news and information.

VOA's Somali-language service is being funded by a grant from the US Department of State. The new service will supplement VOA's current broadcasts to the Horn of Africa in Amharic, Afan Oromo and Tigrigna. VOA previously broadcast in Somali between 1992 and 1994.

The VOA Somali broadcast will air on AM, FM and shortwave radio at 1600 UTC and repeats at 1700 UTC. The 1700 UTC broadcast will also air on HornAfrik (88.8 FM), a VOA-affiliated station. The programmes will also be available live and on demand on the service's website.

1600-1630 UTC: 13580, 15620, 1431 kHz

(via RN weblog)

Georgia

At 1530-1600 UTC on MW 1350 instead of Abkhaz Radio (// 9495 kHz) was heard a local Russian FM Radio "Relax FM". Often ID in Ru plus rock mx in Ru and En. From 1600 hrs Radio Rossii. Not checked on 9495 kHz due to the stronger signal of TWR in Ru. (Dec 17 and 30). (*Rumen Pankov-BUL, wwdxc BC-DX Jan 5*). Again Abkhaz Radio at 1500-1600 UT after a week with Radio Relax program in Russian, Jan 13. (*Rumen Pankov-BUL, wwdxc BC-DX Jan 13*).

Germany

- ERF on 1539 kHz in foreign languages 04-05 UT: there are quarter-hour programs differing by day of week in: Croatian, Arabic, Persian, Russian, Turkish, Spanish, English, French, Greek, Kurdish. *ERF website* via *Tony Rogers*, Jan *BDXC-UK* Communication via *DXLD 7-006*

- From 2nd of February Radio Joystick can be heard every weekend on 1602 kHz (via Radio Seagull transmitter). Every Friday, starting 19:00 h UTC, 1 hour "Funky Sounds 4 Central Europe". February is a test, so please write in with reception reports to P. O. Box 10 08 12, 45408 Muelheim on the Ruhr, Germany.
http://www.radiojoystick.de/Aktuelle_Frequenzen/aktuelle_frequenzen.html

Greece

Radio Filia noted only on MW 666 kHz from 1400 UT in Ar, from 1430 in Serbian, from 1500 in Bulgarian etc. It seems not a broadcast already in German yet. (Jan 3). (*Rumen Pankov-BUL, wwdxc BC-DX Jan 5*)

Hungary

- Hungary is testing on 1188 kHz (probably Marcali) at this moment with test tones (22 JAN 2007, 0930 UTC) . They intend to use this frequency for minority languages. This is the first short message only as I have no sufficient details at hand at this moment... *Karel Honzik, the Czech Republic (Czechia) via mwc*

- Hungarian radio - MR4 --- The ethnic programme of the Hungarian Radio (Magyar Rádió) is going to broadcast under the name of MR4 from 1. February 2007, daily 08.00-20.00 CET on the following frequencies: [UT +1 now, UT +2 in summer] Marcali 1188 kHz, Szolnok 1188 kHz, Lakihegy 873 kHz, Pécs 873 kHz. On Satellite Hotbird 3, the ethnic programmes broadcast 36 hours earlier are going to be repeated every day from 20.00 to 08.00 CET.

The ethnic programmes can be heard at the following time: Monday - Friday: 08.00-10.00 Croatian; 10.00-12.00 German; 12.00-13.00 music; 13.00-13.30; on Monday Slovene; Tuesday Ruthenian; Wednesday Bulgarian; Friday Ukrainian; 13.30-14.00 Gypsy/Roma; 14.00-16.00 Serbian; 16.00-18.00 Romanian; 18.00-20.00 Slovak; Saturday; 08.00-10.00 Croatian; 10.00-12.00 German; 12.00-13.00 music; 13.00-13.30 Armenian; 13.30-14.00 polish; 14.00-16.00 Serbian; 16.00-18.00 Romanian; 18.00-20.00 Slovak; Sunday 08.00-10.00 Croatian; 10.00-12.00 German; 12.00-13.00 music; 13.00-14.00 Hungarian; 14.00-16.00 Serbian; 16.00-18.00 Romanian; 18.00-20.00 Slovak. (*István Kiss, Balassagyarmat, Hungary, Jan 19*)

Lithuania

- Radio Baltic Waves (Vsl Baltijos bangu radijas) Vilnius/Virsuliskes 612 kHz 100 kW ND 0345-0400 Radio Baltic Waves morning music 0400-0600 Radio Free Europe/Radio Liberty, Belarusian 0600-0700 European Radio for Belarus, Belarusian 0700-0800 Radio Racija, Belarusian 0800-1000 Voice of Russia/Russkoye Mezhdunarodnoye Radio, Russian 1000-1400 Voice of Russia/Russkoye Mezhdunarodnoye Radio, Russian 1400-1600 Voice of Russia/Russkoye Mezhdunarodnoye Radio, Russian 1600-2200 Radio Free Europe/Radio Liberty, Belarusian 2200-2300 Polish Radio/Radio Polonia, Belarusian

• Radio Baltic Waves International (UAB Tarptautinis Baltijos bangu radijas) Kaunas/Sitkunai **666 kHz** 500 kW ND 1800-2000 Radio Racija, Belarusian (until October 31, 2007) NOTE: From November 1, 2007 the program of R. Racija at 1800-2000 UT will be transmitted on 1386 kHz. **1386 kHz** 500 kW ND 2002-2100 China Radio International, Czech 2100-2200 China Radio International, English 2200-2300 KBC Radio, English (only on Saturdays) **1557 kHz** 150 kW ND 1700-1800 Polish Radio/Radio Polonia, Polish 1800-1900 Polish Radio/Radio Polonia, Belarusian 1900-2100 China Radio International, Russian 2100-2200 China Radio International, Polish 2200-2300 China Radio International, Chinese. All times in UT. NOTE: From March 25 all programs will be transmitted 1 hour earlier. Mailing address: Radio Baltic Waves, Svitrigailos Str. 11A, Office 211, Vilnius LT-03228, Lithuania Phone: +370-699-05074 Fax: +370-5-2652532 E-mail: "Radio" at domain "BalticWaves.cjb.net" (*Rimantas Pleikys, Lithuania, via Dr. Hansjoerg Biener, Germany via wwdxc*)

• Mighty KBC Radio via Sitkunai 1386 kHz is heard every Saturday 2200-2300 UT with a musical program announced in English. The manager Tom de Wit has sent me an E-mail in which he writes that as from next week KBC will be on both 1386 kHz and new 6255 kHz Address: KBC, Argonstraat 6, 6718 WT Ede, Holland. E-mail addresses kbc@wxs.nl (seems to be the most reliable) and info@k-po.com Funny enough there is another KBC on 1386 kHz - Kenya Broadcasting Corporation - but I think the risk for confusion is almost non-existing! 73 from (*Ullmar Qvick in Norrkoping, Sweden, Jan 21, DXLD*)

Netherlands

The Mighty KBC 1386 kHz AM will soon start with transmissions on shortwave on Saturday evening. Next year (2008) The Mighty KBC will be on the air daily with one hour on shortwave. A new QSL card is coming soon <http://k-po.com/radio/qsleard/qsleard.pdf> Also the website <http://www.kbcradio.eu> is now under construction. KBC Argonstraat 6 6718 WT Ede The Netherlands kbc@wxs.nl *Eric van Willegen via Ydun Ritz*

Due to the severe storm that affected the Netherlands and other parts of Northern Europe during January 18-19th, the medium wave transmitter in Norway on 1314 kHz was put on air carrying our Dutch service which is providing continuously updated information on the travel situation. The transmitter was on the air until 2300 UTC with a power of 600 kW. (*Andy Sennitt*).

An emergency website www.crisis.nl was operational but seemed not to mention the 1314kHz broadcast. (*Max van Arnhem*) It is still remains unclear how anyone (apart from DXers) found out about the special emergency broadcast.

Netherlands Antilles

The Netherlands Antilles are scheduled to be dissolved by 1 July: http://www.iht.com/articles/ap/2006/11/03/europe/EU_GEN_Netherlands_Antilles.php http://en.wikipedia.org/wiki/Netherlands_Antilles; <http://www.britannica.com/nations/Netherlands-Antilles> SW-related, Bonaire will get the status of a "city" within the Netherlands (Bernd Trutenau, Lithuania, Jan 9, dxldyg via DX LISTENING DIGEST) Interesting! Especially that Curaçao will be a new radio country, as it will be a separate political entity. St Maarten has been separate for geographic reasons anyway, but will be separated from Saba and St Eustatius. Bonaire, Saba, and St Eustatius seem to become parts of the European Union then. They will surely retain their status as radio country just as Martinique and Guadeloupe do, in spite being part of France proper. So the Dutch islands should then make up the following 5 radio countries, instead of 3 (Aruba, ATN, Leeward Isl.) so far: ARUBA, autonomous territory since 1986; BONAIRE, part of the Kingdom of the Netherlands; CURAÇAO, autonomous territory; Leeward Islands: ST MAARTEN, autonomous territory SABA AND ST EUSTATIUS, part of the Kingdom of the Netherlands (*Eike Bierwirth, Germany, DXLD*)

Norway

During the severe storm of 19th Jan medium wave transmitter in Norway on 1314 kHz was reactivated by the Dutch authorities for an emergency broadcast. Previously the Dutch used this transmitter for election news coverage so they must have some sort of agreement in place with NRK (??) for short term use of the transmitter, complete with suitable audio feed to the transmitter site (was it satellite or landline?)



This is a hint for future reactivations of the Kvitsoy tx during emergencies in Northern Europe.

Pakistan

Transradio antenna engineer Bernd Waniewski has again added more material to his website <http://www.waniewski.de/index.htm> 1134, 1170 and 1332 are now new facilities, each with a 100 kW TRAM transmitter. "Lahore-1" (listed as such in WRTH 2007) on 630 must be a different site than 630/1332, since a diplexing into the only mast of the 1332 site would have no doubt been mentioned in the description. (*Kai Ludwig-D, dxld Jan 13*)

Philippines

The Philippine Bureau of Broadcast Services (BBS) is putting up a 1 kW AM radio station at the Government Center in Pawing, Palo, Leyte. The Radyo ng Bayan radio station is a project under a tripartite Memorandum of Agreement entered into last July 2006 by the BBS, the First Congressional District of Leyte and the Provincial Government of Leyte. As stipulated in the contract, the BBS will provide the transmitter, the antenna tower and other accessories of the station, and the Philippine Information Agency (PIA) will assume full responsibility for the operations and maintenance of the station and its facilities. The 1 kW transmitter will be upgraded to 10 kW within five years. The frequency was not mentioned in the report. (*Philippine Information Agency via Media Network*)

Poland

From simple back offices in a provincial Polish town, a radio station is broadcasting around the clock to Belarus, giving the country one of its few sources of independent news. Run by opponents of Belarussian President Alexander Lukashenko, Radio Racja, or Radio Truth, is helping wage an information war against a regime branded by U.S. Secretary of State Condoleezza Rice as "Europe's last dictatorship."

Russia

Since Jan 1st:

936 1500-1700 VOR in Ru KS.

999 1550 Soviet pips, 1600 DW in Ru and as usually

1170 1500 VOR in Turkish, 1600 VOR in Ru ER, 1700 VOR in Ar

1089 1500-1800 as 936 kHz.

1548 1550 pips, 1600 VOR in Alb, 1630 VoR in Serb

1377 1600-1800 as 936 kHz.

1413 1530-1730 CRI in Ru (but not // prgr of 1521 kHz !), 1730 break, 1800 VOR in Bulg, 1900 VOR in Greek, 2000 close down.

1431 1500-1800 VOR in Ar (from 1700 // to 1170, and pres on 1314).

After close of use of 972, maybe same will be with 936 ? I will check it ! Above 1170, 1089 from RUS; 936, 1431 from UKR; 999, 1548, 1413 from MDA; 1314, 1377 from ARM. Observed on Jan 2nd. (*Rumen Pankov-BUL, wwdxc BC-DX Jan 17*)

South Africa After false rumours that did the rounds last week, Dr Roelf Petersen, CEO of South African Christian Broadcaster Radio Pulpit, has reassured listeners and media that it is still on the air. It is currently available on mediumwave 657 kHz [Meyerton 50 kW] in the greater Gauteng area, on www.radiopulpit.co.za and via satellite. Radio Pulpit's contract with SABC's Radio 2000 expired at the end of December and was not renewed, so the station is no longer on FM.

A licence application has been submitted to the Independent Communications Authority of South Africa (ICASA) for two high-powered medium wave transmitters that will cover more than half the country as well as a number of smaller FM transmitters that will reach listeners in more remote areas. Radio Pulpit plans to be the first radio station in South Africa to conduct digital broadcasting. When the licence application is approved, the medium wave transmitters will be prepared for digitalization. The current medium wave transmitter, 657 kHz will also be replaced by a brand new, already delivered transmitter that will form part of the digitalization. (*Radio Pulpit via Media Network*)

Syria

The Hezbollah-controlled radio station, al-Nur Radio (Light radio), has been logged in recent months on 1071 kHz. The transmitter site is believed to be in Syria and transmission power 100 kW. The programme consists of relays of a FM -station of the same name and newscasts from al-Manar Television station. (*Jan-Mikael Nurmela, Jari Savolainen, Tarek Zeidan, via Wolfgang Büschel via NTT Aktuell*). Reception in Southern Europe is made difficult by Egypt and Iran on the same frequency. (*R. Bruni*)

Sweden

20 Jan 07 - Either a Teracom engineer fell asleep at 1000 and left 1179 running throughout the remainder of the day OR this is a test before all-day transmission is permanent with 600 kW. In any event - great to hear pure 55555 reception of SR P1 in winter daylight without QRM from Galbeni and Valencia. Ironic that this mistake/improvement occurs immediately after Denmark announces its imminent reductions at Kalundborg! 73's (*Dan Goldfarb, Brentwood, England, DXLD*)

There is an item on the Swedish Radio website that probably explains the 24 hr operation on 1179 at the moment: - the text reads: Radio Sweden's MW transmitter at Solvesborg on 1179 kHz is again on the air after long breaks that hit our broadcasts Thursday evening and Friday morning. Because of continued fear about the control system, the transmitter will be on the air 24 hours from Friday evening Jan. 19 until Monday morning, Jan. 22. Besides the usual Radio Sweden programs listeners can also hear P1 and P4. (*Alan Pennington, Caversham, UK, dxldyg via DXLD*).

I think they run the transmitter with only 300 kW already for some years now. Of course this does not help with the rather bad interference situation. If I understand it correct they had a problem with PCB contamination of the old Thomson transmitter from 1973 when replacing it in 1993, and they sent the parts that could still be used to Fredrikstad from where they later went further away to Moyabi. (*Kai Ludwig, Germany, dxldyg via DXLD*)

Tunisia

963 kHz no longer carries R. Tunis International but is now heard with programming in Arabic from sign-on at 1100 UT. It is not // the main Arabic service on 585, 630 and 684 kHz. RTT International channel in French, English, etc., is still on FM – the FM frequencies can occasionally be heard in Malta. *Peter Zerafa, Malta, phone call to Dave Kenny 21 Dec, BDXC-UK Communication via DXLD 7-006*

UTILITY COLUMN

The home of non-broadcast news
with David Towers

20 Valiant Close Glenfield Leicester LE3 8JH
e-mail:utility@mwcircle.org

Amateur News

Have any members received the 600metre amateur beacons yet? They are active from 505.300kHz to 506.300kHz. As yet I have not heard any here in Leicester. US signals from Conrad WD2XSH/11 have been received in UK last year by Laurence G3AQC. Reports welcomed.

WD2XSH 505-510KHz stations reported on-the-air: 28 Jan07

<u>CALLSIGNS</u>	<u>QTH</u>	<u>LAST REPORT</u>	<u>LAST FREQ</u>	<u>REPORTED</u>
WD2XSH/1 W1NZR	RI	21Jan07	--	
WD2XSH/2 W5TVW	LA	14Jan07	--	
WD2XSH/5 KW1I	NH	28Jan07	507.500	CW QSO
WD2XSH/6 W5THT	MS	28Jan07	505.254	QRSS3/CW beacon
WD2XSH/9 W2ILA	RI	23Jan07	507.21	CW CQ
WD2XSH/10 W4DEX	NC	28Jan07	506.150	CW beacon
WD2XSH/11 WS4S	TN	16Jan07	--	
WD2XSH/12 AI8Z	CO	27Jan07	505.400	CW beacon
WD2XSH/13 K0JO	MN	28Jan07	507.433	CW test
WD2XSH/14 W1FR	VT	07Jan07	--	
WD2XSH/15 W5OR	AR	28Jan07	505.700	CW beacon at 5min intervals
WD2XSH/17 AA1A	MA	28Jan07	505.750	CW beacon
WD2XSH/19 K9EUI	IL	28Jan07	505.55~	CW beacon at 5min intervals
WD2XSH/20 N6LF	OR	15Jan07	--	QRT until early February
WD2XSH/21 W0RW	CO	03Dec06	--	WA2XRM 3min 480kHz beacons at H:00 & H:30 0000-0700UT daily
WD2XSH/23 K2ORS	MA	19Jan07	--	http://www.w4dex.com/wd2xgj.htm

Additional station status info at: <http://w5jgv.com/cgi-bin/lwlread-online.pl>. See http://www.500kc.com/downloads/technical_data_about_station_locations.pdf for station operators and locations. A map is available at <http://www.500kc.com/>. Also see the ARRL story at <http://www.arrl.org/news/stories/2006/11/10/101/?nc=1>.

600metre 2 way QSOs

<u>CALLSIGNS</u>	<u>DATE</u>	<u>MILES</u>
WD2XSH/5 <> WD2XSH/11	29Nov06	884mi
WD2XSH/2 <> WD2XSH/19	04Dec06	775mi
WD2XSH/10 <> WD2XSH/14	03Nov06	747mi
WD2XSH/5 <> WD2XSH/10	04Nov06	721mi
WD2XSH/5 <> WD2XSH/10	17Nov06	721mi
WD2XSH/5 <> WD2XSH/10	07Jan07	721mi
WD2XSH/5 <> WD2XSH/10	28Jan07	721mi
WD2XSH/10 <> WD2XSH/23	07Jan07	690mi
WD2XSH/10 <> WD2XSH/17	28Nov06	636mi
WD2XSH/10 <> WD2XSH/17	30Nov06	636mi
WD2XSH/6 <> WD2XSH/10	04Nov06	617mi

WD2XSH/6 <> WD2XSH/10 07Jan07 617mi
WD2XSH/6 <> WD2XSH/10 28Jan07 617mi
WD2XSH/10 <> WD2XNS 15Jan07 600mi Cross-band 600m/2200m (W1VD)

Battleship USS Massachusetts and the N1EPL 500kc test January 2007

Thanks to those who reported on my test on 500kc last weekend. I was running the Westinghouse-built TAJ-10 from USS Massachusetts. It runs an 861 tetrode in the final and was putting 15 Amperes up the pipe to a 30-foot whip with a very large counterpoise. *Rob Flory K2WI*

Battleship USS Massachusetts, BB-59 is located at Battleship Cove in Fall River, Massachusetts. This is my favourite museum ship because it has so much functional WWII gear and is within my normal travels. Battleship Cove encompasses the worlds largest collection of historic naval vessels, including USS Joseph P, Kennedy Jr, destroyer, USS Lionfish submarine, a PT boat, and a Soviet-built Corvette Hiddensee.

Battleship *Massachusetts* was built in Quincy, Massachusetts at the Fore River Shipyard of the Bethlehem Steel Corporation. The ship was launched on September 23, 1941 and holds the record as the heaviest ship ever launched in Quincy.

With peace achieved, "Big Mamie" returned to the United States and operated with the Pacific Fleet until mid-1946, when she was ordered deactivated. The Battleship remained in the Reserve Fleet in Norfolk, Virginia until she was stricken in 1962 from the Navy Register and ordered sold for scrap. However, her wartime crew had held annual reunions since 1945 and lobbied to save their ship as a memorial. With the assistance of Massachusetts school children, they raised enough money to bring Big Mamie to Fall River in June 1965. She was opened to the public two months later. Now the centerpiece of Fall River's revitalized waterfront and one of the five National Historic Landmark ships at Battleship Cove, USS Massachusetts can be heard on the air as N1EPL, reflecting the original callsign NEPL. A picture of the TAJ is on the page called Museum Ships of my Navy Radio web site. USS Massachusetts can be heard on the air as N1EPL, reflecting the original callsign NEPL.

robandpj@earthlink.net www.home.earthlink.net/~navyradio WWII Navy Radio

DI2BO (still on 440 kHz) was knocked off air on 19th January due to a major storm in Northern Germany that tore down the antenna. I just read on the RSGB-LF reflector that also Walter's (DJ2LF) beacon DI2AG on 505,1 kHz is down due to the same reason. *Not sure if these signals are back on air at time of writing.*

1.8MHz Beacons

There a few HF beacons active within the 1.8MHz band and should be within reach of UK monitors.

1805 VO1NA St John's Canada
1840 OK0EK Kromeriz Czech Republic
1853 OK0EV Near Prague Czech Republic

NAVTEX news

There have been some major changes to the Argentinian Navtex service recently, all of the Spanish language broadcasts are now on 490 kHz, with only English language broadcasts on 518 kHz. This means that a number of the slot numbers will now change, which will have an effect on the RNA numbers used. There are also some schedule changes too, and I have listed the new details below. These changes could be good news for DXers, since 490 is quiet enough to offer good reception possibilities if conditions are right:

490 kHz:

[E]	Buenos Aires	0040, 0440, 0840, 1240, 1640, 2040	SS
[F]	Mar del Plata	0050, 0450, 0850, 1250, 1650, 2050	SS
[G]	Bahia Blanca	0100, 0500, 0900, 1300, 1700, 2100	SS
[H]	Comodoro Rivadavia	0110, 0510, 0910, 1310, 1710, 2110	SS
[I]	Río Gallegos	0120, 0520, 0920, 1320, 1720, 2120	SS
[J]	Ushuaia	0130, 0530, 0930, 1330, 1730, 2130	SS

518 kHz:

[M]	Ushuaia	0200, 0600, 1000, 1400, 1800, 2200	EE
[N]	Rio Gallegos	0210, 0610, 1010, 1410, 1810, 2210	EE
[O]	Comodoro Rivadavia	0220, 0620, 1020, 1420, 1820, 2220	EE
[P]	Bahia Blanca	0230, 0630, 1030, 1430, 1830, 2230	EE
[Q]	Mar del Plata	0240, 0640, 1040, 1440, 1840, 2240	EE
[R]	Buenos Aires	0250, 0650, 1050, 1450, 1850, 2250	EE

Miscellaneous news

MSF Rugby

The 60kHz signal from MSF is still being transmitted from Rugby, and not as published in February edition of RADCOM, where Dave Pick G3YXM states that “Now that MSF has moved north, the 850ft masts, dating from the 1920s will soon be demolished”. It will not cease until April 2007 when it will be transmitted from Anthorn in Scotland.

Grimeton Radio SAQ Christmas Broadcast on 17.2 kHz

CQ CQ CQ DE SAQ SAQ SAQ =

THIS IS GRIMETON RADIO/SAQ IN A TRANSMISSION USING THE ALEXANDERSON 200 KW ALTERNATOR ON 17,2 KHZ.

TODAY WE CELEBRATE THE CENTENARY OF THE FIRST WIRELESS TELEPHONY TRANSMISSION IN THE WORLD, PERFORMED BY REGINALD A FESSENDEN FROM MASSACHUSETTS, USA.

WE WISH YOU ALL A MERRY CHRISTMAS AND A HAPPY NEW YEAR. =

SIGNED: THE ALEXANDER-GRIMETON VETERANRADIO VAENNER ASSOCIATION +

FOR QSL INFO PLEASE SEE OUR WEBSITE: WWW.ALEXANDER.N.SE =

DE SAQ SAQ SAQ @

Reception reports summary:

Australia: 1, (1 unheard), **Austria:** 1, **Belgium:** 2, **Czech Republic:** 5, **Denmark:** 7.
Finland: 2, **France:** 15, **Germany:** 40, (1 unheard), **Great Britain:** 18, (1 unheard)
Italy: 4, **Netherlands:** 7, **New Zealand:** 1, (1 unheard), **Norway:** 2, **Poland:** 1, **Russia:** 1,
Spain: 2, **Sweden:** 40, **Switzerland:** 5, **USA:** 12, (6 unheard). **TOTAL 166 (10 unheard)**

Logs

kHz	Callsign	Station, location; details heard etc	SIO	UTC	Date	Who
220.0	BX	Blanc Sablon QC	333	0236	16/01	AG
276.0	YHR	Chevery QC	333	0200	16/01	AG
281.0	CA	Cartwright NL	343	0205	16/01	AG
340.0	YY	Mont Joli QC	343	0208	16/01	AG
350.0	DF	Deer Lake NL	343	0239	16/01	AG
356.0	AY	St Anthony NL	333	0240	16/01	AG
360.0	PN	Port Menier QC	333	0241	16/01	AG

372.0	OZN	Prins Christian Sund	343	0242	16/01	AG
378.0	HO	Hopedale NL	343	0244	16/01	AG
396.0	JC	Rigolet NL	333	0245	16/01	AG
615.0	OM	Dab Duc Gorm GA		1458	01/01	VL
470.0	UZ	Uzice/Ponikve SRB Serbia		1725	01/01	VL
490.0	TFR	Algeria?		1741	01/01	VL
290.0	TR	Albania		1708	03/01	VL
338.0	PST	Madera		1734	04/01	VL
263	QY	Canada		0632	07/01	VL
350.0	DF	Canada		2219	06/01	VL
360.0	ASN	Ascension Islands		2252	14/01	VL
452	LB	Balandino 3161 Russia		2030	08/01	
256	YCY	Clyde River, NU 3971 Canada		0350	12/01	CM
350	RB	Resolute Bay, NU 4381 Canada		0345	12/01	CM
237	YJI	Broughton island/Qikiqtarjuaq, NU 3723 Canada		0130	12/01	CM
332	YFM	LA Grande 4, QC 4920 Canada		0650	14/01	CM

Many more logs submitted than space allowed

AG Alan Gale, VL Vincent Lecler, CM Christoph Mayer and Wilhelm Herbst, the logs were made at Wilhelm Herbst's DX 183 site in northern Denmark. Rec: AR7030, FRT7700, MFJ-1026
Ant: beverage antennas

NAVTEX LOGS: Alan Gale and Christoph Mayer

dd/mm	utc	kHz	Location	COU	Slot	Lang
17/01	0120	518.0	Irakleio Radio	GRC	H	EE
18/01	0020	518.0	Haifa Radio	ISR	P	EE
19/01	0243	518.0	Halifax NS	CAN	Q	EE
21/01	0050	518.0	Arkhangelsk	RUS	F	EE
21/01	0415	518.0	Miami FL	USA	A	EE
11/01	0000	490	EAL Las Palmas	CNR	A	EE
11/01	0100	490	CTQ Monsanto Radio	POR	G	
11/01	0150	490	YQI Constanta Radio	ROU	L	
11/01	0255	490	VCO Sydney NS	CAN	J	
11/01	0255	490	VON Canada	CAN		
11/01	1850	518	IAR Roma	ITA		EE

Thanks to you all for these excellent logs. I only wish more space was available to do them justice.

In closing:

I have extra work to carry out here at home as the storms and high winds destroyed my 160ft aerial when it shook the trees with such force that the wire snapped. This despite relaxing the guy tension days before the event. This gives me reason to take a fresh look at my aerial requirements and decide anew as to what I will put in place. I trust your aerials withstood the elements and bear in mind as spring approaches maintenance will be needed to prevent poor contacts and the inevitable interference that will follow.

Can I ask those who wish to submit Utility logs do so in the MWN format, I can supply a template to aid this. I can then cut and paste so saving hours of manual entry and errors on my part.

Good DX and note the next deadline 23rd February 2007.

Dave G8SZX

THE HOME FRONT

[British & Irish News]
with John Williams

✉ 100 Gravel Lane, Hemel Hempstead, Herts HP1 1SB, UK
e-mail: homefront@mwcircle.org ☎ 01442 408567

OFCOM News

Ofcom to revamp radio licences

16 January, 2007

Ofcom is to shake up its regulation of short-term radio licences, paving the way for a new generation of small-scale stations. Short-term licences that are available to the organisers of big sporting events - for example to broadcast information and running commentary to spectators - will be extended to non-sporting events such as conferences.



The changes follow an Ofcom consultation which showed support for proposals to liberalise the restrictions on short-term, 28-day restricted service licences, or RSLs. The number of short-term RSLs is also being extended. Long-term restricted service licences, or RSLs, are also to be made more flexible.

Commercial as well as non-commercial establishments will be able to apply for a long-term RSL, which will run for between one and five years. Ofcom also said it would consider requests for use of the currently unused spectrum between 55 and 68MHz.

Among the many suggestions Ofcom received in its consultation, the Hospital Broadcasting Association said the spectrum could be used to provide "point to multi-point audio signal distribution, for example to distribute a hospital radio service to multiple hospitals, care homes and other healthcare facilities within a particular locality".

Student radio stations also rely on short and long-term RSLs. A total of 498 short-term RSLs were licensed in 2006, along with 10 new long-term RSLs, taking the total number of long-term licences to 138.

Commercial Radio News

Fresh Radio moves to FM

11 January, 2007

Fresh Radio, the commercial radio station for Skipton and the Yorkshire Dales will finally make the move to FM in the coming months after serving the Dales for 10 years on medium wave. Five new FM transmitters will broadcast on three FM frequencies, along side the current 936kHz service. The largest AM transmitter, based at Hawes in the central Dales will continue to operate to ensure that coverage for listeners in the sparsely populated rural areas remains.

All other transmitters, in Skipton, Richmond, Ilkley, Pateley Bridge and Settle on 1413 and 1431, will move to FM, starting with Richmond in early February. An additional relay transmitter for the Grassington area has also been approved. Industry regulator, Ofcom, has cleared three FM frequencies for the changes. There will be separate, individual, frequencies for Skipton and Richmond. The relay transmitters at Ilkley, Pateley Bridge, Settle and Grassington will all utilise the third frequency. The switchover is expected to be completed by April.



Member Mike Barraclough writes "I can't find details of which FM frequencies they will be using. The topography of the area means that medium wave is needed to serve the rural areas and when the licence was advertised The Radio Authority would not allow a mixed FM/AM licence"

Fresh Radio's response to the recent Ofcom Future of Radio document includes them offering to trial DRM, particularly since they can't see the prospect of any DAB coverage in the Yorkshire Dales, indeed they don't think many areas will be covered by Freeview either!
(<http://www.radiotoday.co.uk/news.php?extend.1512and> via Mike Barraclough)

RSL & LPAM News

Details of the football club's broadcasting their home games are as follows:

Football Club	Station	Feb fixtures	March fixtures
Crystal Palace	Palace Radio 1278 kHz	3 Ipswich 17 Birmingham 24 Luton	10 Leicester 31 Sheffield Wed
Blackburn	Radio Rovers 1404 kHz	3 Sheffield Utd 24 Portsmouth	17 West Ham
Manchester Utd	Manchester Utd Radio 1413 kHz	10 Charlton	17 Bolton 31 Blackburn
Barnsley	Oakwell 1575 kHz	10 Colchester 20 Hull	3 Norwich 10 Sunderland 31 Derby
Rushden and Diamonds	Radio Diamonds 1503 kHz	3 Weymouth 17 St Albans	3 Exeter 6 Morecambe* 17 Northwich 23 Crawley*

* Evening Games

Garrison Radio Aldershot has ceased broadcasting on AM is now on FM only. (BDXC-UK)

Last month I produced the outcome of the LPAM survey – and identified 12 stations where there was insufficient information to confirm whether or not the station was still broadcasting. All these stations – apart from one - related to those run by Schools/Colleges and Universities. I have telephoned all the stations' concerned and obtained the following updated information:

Frequency	Station	Location	Details
1251kHz	KCC Live Knowsley Community Station	Liverpool	No information from switchboard – email sent
1278 kHz	D:One University of Derby	Derby	BB checked –not currently broadcasting
	SNC South Nottingham College	Nottingham	Not currently broadcasting
	Radio Coombeshead Coombeshead College	Newton Abbey	Now on FM
1287 kHz	Radio Hotspot Holbrook School	Ipswich	Recommencing in 2 weeks
1350 kHz	Livewire University	Norwich	Recommenced 23 January
	Radio Stortford Hospital	Bishops Stortford	Not currently broadcasting
	WCR AM Wulfun College	Wolverhampton	On air 24 hours a day
1386 kHz	Halesowen College Radio	SW. Birmingham	No information –email sent
	VI Radio School	Exeter	Not currently broadcasting
	Viva AM Penkith High School	Warrington	Not currently broadcasting
1449 kHz	The Hub University	Bristol	No information – email sent

Bernard Brown our Hon.President checked the Derby location.

I owe an apology to Roger Bunny for failing to include his name in the details of the LPAM's he provided in last month's survey.

Ireland

Herman Boel writes "I just got the following interesting answers from RTE:

- 1) Yes we do still broadcast RTE Radio 1 on 729 kHz with an ERP of 10kW.
- 2) RTE has no plan to shut down either 567 or 729 at this point in time.
- 3) RTE has no plan to shut down LW on 252 kHz at this point in time, and of course we are looking at DRM as a possibility among others".



BCI receives applications for AM band

21 January, 2006

The Broadcasting Commission of Ireland has announced that, of the five applications received for a new quasi-national Christian and religious sound broadcasting service on the AM band, it has decided to call two groups to the next stage in the process. The two are Spirit Radio and Yes Radio.

A public oral hearing will now be held in Dublin on Monday 26th March, 2007. Each applicant will make a presentation followed by a question and answer session with the Board of the Commission. Further details regarding the venue and times for the oral hearings will be announced shortly. It is anticipated that a decision on the award of this licence will be made by the Board at their meeting in May.

The decision will come as blow to United Christian Broadcasters, which had operated without a licence for some years, and had been waiting for 10 years for the opportunity to run a licensed station in Ireland. (Media Network)

The three other applicants, CCN Radio, Radio Maria and UCB Ireland had all proposed leasing facilities from RTE. Spirit Radio have purchased their own site 10km south of Athlone and have proposed using a new 100kw transmitter, capable of possibly switching to DRM, on 612 kHz plus FM relays in Dublin, Cork, Limerick and Waterford.

Yes Radio would come on immediately from their site in County Monaghan on 549 kHz using 25 kw supplemented by FM transmitters in 16 cities, they would later establish a second 25kw medium wave transmitter at an unspecified site, their proposals for this are in a confidential part of their submission. Yes Radio is the former Irish Christian Broadcasters who broadcast UCB and other religious programmes on 549 kHz for 5 and a half years without an official licence. Detailed proposals at: http://www.bci.ie/licensing/radio/commercial_apps.html via Mike Barraclough

EUROLOG

100 Gravel Lane Hemel Hempstead, Herts. HP1 1SB, UK

with John Williams

e-mail: eurolog@mwcircle.org ☎ 01442 408567

kHz	Station, location; details heard etc	SIO	UTC	Date	Who
177	'Deutschland Radio Kulture'	233	2130	22/01	JMS
207	'Deutschland Funk'	444	2135	22/01	JMS
531	Truck Radio Magdeburg		*	10/12	NR
531	Faroe Islands – Nordic language announcement + folk music	544	1930	22/01	JMS
540	VRT 2 Wavre-Overisje		*	10/12	NR
540	OCR Catalunya Barcelona; SS OM/YL ID "Sing Sing Sing"	444	1559	20/1	NH
549	DLF Neukirchen		*	10/12	NR

kHz	Station, location; details heard etc	SIO	UTC	Date	Who
549	Deutschlandfunk (presumed); (only DD listed on 549)	444	2318	14/01	JMS
558	RNE5 Tx's ?; SS OM and YL news	444	1604	20/1	NH
558	'Radio Cinco' RNE5	343	2118	15/01	JMS
558	R. Svizzera, Monte Ceneri, ID, News	444	2300	14/01	FW
558	Spectrum Radio 558, Px CRI Russian	121	2305	14/01	FW
567	RNE5 //558//576	333	2145	16/01	JMS
567	RAI Uno various, National anthem	333	2259	14/01	FW
567	RTE 1 Tulamore, Folk Music, Talk	333	2315	14/01	FW
576	SWR Muhlacker		*	10/12	NR
576	RNE5 Barcelona; ID //558	555	1606	20/1	NH
576	'Radio Cinco' RNE5	343	2130	15/01	JMS
585	RNE 1 Madrid		*	10/12	NR
594	HR Info Hohen Reissner		*	10/12	NR
594	'MDR Info'	444	2200	16/01	JMS
612	RNE 1 (2 tx's) //585	444	1612	20/1	NH
612	RNE 1 various, Talk about Real Madrid	333	0215	14/01	FW
612	BH Radio 1, Folk Music, ID, news	222	2300	13/01	FW
621	RTBF Wavre		*	10/12	NR
630	CzR Prague		*	10/12	NR
630	Radio Cornwall Redruth; News and ID	444	1614	20/1	NH
630	Three Counties Radio Luton; Asian news and ID	333	1205	22/1	NH
657	RNE 5 Madrid		*	10/12	NR
657	SS pres 'RNE5' (only SS station listed on 657)	555	2345	13/01	JMS
666	LR 1 Sitkunai		*	10/12	NR
666	'Classic Gold', Exeter	131	2335	13/01	JMS
666	SER Radio Barcelona, ID, news	333	0200	13/01	FW
666	RDP 1 various, Music,	222	0210	13/01	FW
675	Arrow Rock R Lopik		*	10/12	NR
675	'Arrow'	555	2135	13/01	JMS
684	RNE 1 Sevilla		*	10/12	NR
684	SS football commentary, pres. RNE1, Seville	444	2130	13/01	JMS
702	NDR info Flensburg		*	10/12	NR
702	Truckradio, Jülich: Country music ID		1301	26/12	HB
702	Radio Regnia Kosice, ID, national anthem, news	333	2300	16/01	FW
711	'France Info', Rennes	444	2115	13/01	JMS
738	RNE 1 Barcelona ; SS YL's discussing "Casino Royale" ID news	555	1600	24/11	NH
765	'Option Musique' Sotens, Switzerland	454	1415	07/01	JMS
774	'Forest of Dean Classic Gold'	454	1410	07/01	JMS
774	RNE 1 various, talk	333	1744	11/01	FW
774	BBC Radio 4, ID, news	333	2300	10/01	FW
783	'Rock y Gol'	444	2215	08/01	JMS
792	'Radio France'	252	1405	07/01	JMS
801	'BBC Radio Devon – the weather for Devon'		1405	07/01	JMS
801	'Radio Nacional de Espana'	332	2130	11/01	JMS
828	'Bournemouth and Poole Classic Gold'		1330	07/01	JMS
828	BBC Asia Network, Px BBCWS South Asia Service	121	0200	21/01	FW
828	MDR-Info, ID, News	444	2300	20/01	FW
855	'Radio Nacional de Espana' RNE1	444	2255	19/01	JMS
864	'France Bleu'	354	1225	20/01	JMS

kHz	Station, location; details heard etc	SIO	UTC	Date	Who
864	France Blue, Paris, talk	333	0625	22/01	FW
873	'AFN'	444	2300	19/01	JMS
873	AFN Frankfurt, ID "AFN Europe"	444	0629	22/01	FW
918	'Radio Slovenia'	545	1940	20/01	JMS
945	'Capital Gold', Bexhill	444	1955	20/01	JMS
963	Radio Euskadi, Vitoria: Spanish Endless talks, on fish in Iceland, ID		0825	7/1	HB
963	Club Asia, London; ID, //972 (but weaker), Asian music		1333	26/12	HB
963	Radio Horizont, ID "Horizont", News	444	0200	02/01	FW
963	R. Euskadi, Vitoria, ID, News	333	0200	03/01	FW
963	Radio Renascenca, Music (spiritual choral)	222	0210	03/1	FW
999	Valleys Radio, Aberdare; ID, music /best in lsb QRM from SWR		0835	7/1	HB
1017	Classic Gold, Shrewsbury; ID Queen music		0825	31/12	HB
1017	'NDR Info' OR 'MDR Info'	544	22:45	5/01	JMS
1026	BBC R. Cambridgeshire, ID, News	322	2300	24/01	FW
1026	Radio Skopje, information	222	2315	24/01	FW
1035	Northsound Two, Nigg (Aberdeen); ABT competition, music		0829	31/12	HB
1035	'Kismat Radio'	332	2212	06/01	JMS
1053	'Talksport'	544	2330	05/01	JMS
1062	Radio Vaticana via Rai ; Italian ID, religious prog		0830	31/12	HB
1062	Telerama Paris – FF announcement then poem	333	2345	05/01	JMS
1071	'Euskadi', Bilbao	444	2343	05/01	JMS
1116	BBC Radio Derby; Jingle ID, clashing with other UK stations		0837	31/12	HB
1116	Kossuth Radio, talk. Music	222	2300	23/01	FW
1116	RAI Uno various, news	333	2310	23/01	FW
1116	BBC R. Guernsey, talk, music LÜNEN FIRST	121	2315	23/01	FW
1170	BBC SCR Bexhill – ID news	533	1502	02/1	NH
1170	Magic 1170, Teesside; "Magic 11-70, 7.23, good morning" ID	F	0723	25/1	mah
1188	MDR-Info, ID, News	444	2300	22/01	FW
1188	RAI Uno San Remo, Information	222	2318	22/01	FW
1206	'France Info sport'	444	2212	06/01	JMS
1215	Virgin Radio Hoo; //1215	533	1442	2/12	NH
1233	'Virgin Radio' fading in and out	454	1320	07/01	JMS
1260	Classic Gold Marcher 1260, Farndon; wx, ID "Classic Gold Marcher – Fpks the local news comes first"		1303	21/1	mah
1269	Deutschlandfunk Neumunster; GG YL and OM Tom Jones record	555	1421	02/1	NH
1278	Pulse Classic Gold, Bradford; local ads, "Across West Yorkshire on 12-Gpks 78 and 15-30 AM and DAB digital radio, Pulse Classic Gold", news; at 1202 "Pulse Classic Gold, West Yorkshire's entertainment guide"		1159	23/1	mah
1287	Garrison Radio, 4 sites listed; "Garrison Radio weather watch" heard in vW the mix		1203	24/1	mah
1287	BFBS Northern Ireland, 10 sites listed; pops, "Northern Ireland's BFBS vW ... 'til 1", wx for Northern Ireland; dominant		1211	24/1	mah
1305	Pure FM, Marche, Belgium; pops, FF anns, IDs "Pure FM digital" etc	G	1015	24/1	mah
1305	Magic AM, Barnsley; "Across south Yorkshire and the north Midlands, F on DAB digital radio, and on 9-90, 13-05 and 15-48 medium wave, this is Magic AM"	F	1200	24/1	mah
1314	ERA 2 (tent), ID, Information	222	0200	05/01	FW
1314	Loisirs AM, Villebon-sru-Yvetee, Music (French and English)	444	1921	05/01	FW
1314	RNE 5 various, ID, information	333	1929	04/01	FW

kHz	Station, location; details heard etc	SIO	UTC	Date	Who
1314	Romana Actualitata, ID, News	333	2300	04/1	FW
1323	Classic Gold 1323 Brighthon, ID, News, Music	333	2300	07/01	FW
1332	Classic Gold Capital 1332 AM, Musc (ABBA, Toto)	222	0215	07/01	FW
1332	CR 2/6, S/off	333	2258	06/01	FW
1332	BBC Wiltshire, Lacock, BBC News	222	2300	06/01	FW
1332	Romana Actualitata, Galati, Music, Telephone Interview	444	2315	06/01	FW
1332	Classic Gold, Peterborough; "Classic Gold 13-32, for Peterborough and Cambridge"	Fpks	1545	21/1	mah
1359	Classic Gold 1359 Coventry; "In Coventry and Warwickshire, this is Classic Gold, where local news comes first"; at 1303 "Classic Gold 13-59, where local news comes first"	Gpks	1300	23/1	mah
1359	Classic Gold Breeze 1359/1431, Chelmsford; "Classic Gold 13-59 and 14-31, where local news comes first"	Fpks	1303	23/1	mah
1368	Manx R, Douglas; local ads, "Manx Radio" jingle	Gpks	0942	24/1	mah
1368	BBC R Lincolnshire, Lincoln; "BBC Radio Lincolnshire with Martin Daniels live, local, and loving Lincolnshire"	Wpk	1003	24/1	mah
1386	Relays Situanai; GG YL Slav type music	555	1910	20/11	NH
1386	Carillon Radio, 2 sites listed; "Carillon Radio 13-86 kHz medium wave, it's that time of the morning when we have our time to reflect"	W/Fpk s	1046	23/1	mah
1395	Radio London Trintelhaven; EE pops and ID	444	1550	22/12	NH
1395	Big L, Trintelhaven, Netherlands; "It's 2 minutes to 11. This is Big L"	G	1058	23/1	mah
1413	BBC Radio Gloucestershire, 2 sites listed; "You're listening to BBC Radio Gloucestershire"	Fpks	1052	23/1	mah
1413	Premier Christian Radio, 2 sites listed; promo "... on Premier Christian Radio"	Fpks	1054	23/1	mah
1431	Classic Gold Breeze, Southend-on-Sea; local ads, "Across Essex, this is Classic Gold, where local news comes first"; at 1003, "Classic Gold 13-59 and 14-31, where local news comes first"	Gpks	1000	23/1	mah
1431	Classic Gold 1431/1485, Reading; local news, ID "Classic Gold 14-31 and 14-85, where local news comes first"	Gpks	1003	23/1	mah
1449	BBC Asian Network, Peterborough; EE news, sports news, promo, "Saturday afternoon from 3 on the BBC Asian Network"	Fpks	0937	24/1	mah
1458	Sunrise Radio, Brookman's Park; EE Asian news, "That's the latest from the Sunrise Radio Newsroom"	Gpks	1005	23/1	mah
1458	Capital Gold 1458, Manchester; promo "... on 14-58 AM Capital Gold Manchester"	Fpks	0904	24/1	mah
1458	BBC R Devon, Torquay; tfc, "BBC Radio Devon travel ...", and "... from BBC Radio Devon"	Fpks	0905	24/1	mah
1485	BBC R Merseyside, Wallasey; "Your views, your voice, your values, BBC Radio Merseyside, ring 0151 709 9333"	Gpks	1205	23/1	mah
1485	BBC R Humberside, Hull; "BBC Radio Humberside ... log onto our website bbc.co.uk/humber/ ..."	Fpks	1206	23/1	mah
1503	BBC R Stoke; news, wx, "BBC Radio Stoke" ID and jingle	F	0933	23/1	mah
1521	Classic Gold Digital, Internet address	222	0630	22/01	FW
1521	SER R. Castellon, Telephone Interview	222	0633	22/01	FW
1521	Classic Gold 1521, Crawley; "Classic Gold 15-21, where local news comes first"	Fpks	1103	22/1	mah
1530	Pulse Classic Gold, Huddersfield; "Stay with Pulse Classic Gold for the news that matters to West Yorkshire"	W/F	0831	22/1	mah

kHz	Station, location; details heard etc	SIO	UTC	Date	Who
1530	Classic Hits 954/1530, Worcester; "In Herefordshire and Worcestershire, on 9-5-4 and 15-30 AM, this is Classic Hits"	Fpks	1500	22/1	mah
1548	Magic 1548, Liverpool; Liverpool ads, "Magic 15-48" ID	Fpks	0952	22/1	mah
1548	Capital Gold 1548, London; "Stay with Capital for the news that matters to London", and "We are Capital Gold"	Gpks	1002	22/1	mah
1548	Forth 2, Edinburgh; "Live, across Edinburgh, the Lothians, and Fife, with the latest local, national and world news, this is 15-48 Forth ..."; at 0903 "And that's Forth News at 3 minutes past 9"	Gpks	0900	24/1	mah
1557	BBC R Lancashire, Lancaster; "BBC Radio Lancashire"	Fpks	0917	22/1	mah
1557	Capital Gold 1170/1557, Southampton; ads, "Capital Gold, across the south – music while you work"; also 1132	Wpks	0931	22/1	mah
1557	Classic Gold 1557, Northampton; "What's happening in Northampton", "Classic Gold 15-57"	Fpks	0941	22/1	mah
1566	County Sound Radio, Ad, ID, News	333	0658	20/01	FW
1566	BBC Somerset Sound, Taunton; "You're listening to your local radio station Somerset Sound from the BBC"	Fpks	0911	22/1	mah
1566	County Sound Radio, Guildford; "Country Sound Radio ... on Country Sound Radio 15-66 medium wave"	Fpks	0930	22/1	mah
1575	RAI Uno various, National anthem, S/off	222	2259	18/01	FW
1575	Radio Nouveaux Talents, Meudon, ID, Music	333	2305	18/01	FW
1584	RAI Uno Terni, National anthem S/off	222	2259	19/01	FW
1584	RMC Info various, Information	433	2300	19/01	FW
1584	BBC R. Nottingham, talk, Music	121	2315	19/01	FW
1584	Tay AM, Perth; wx, "Tay AM" IDs, ads	W/F	0838	22/1	mah
1584	BBC R Nottingham; ID on peak "BBC Radio Nottingham"	Fpks	0904	22/1	mah
1584	BBC R Hereford & Worcester, Woofferton; promo for "Retro-files on BBC Hereford and Worcester"	Fpks	0905	22/1	mah
1602	Radio Vitoria, Vitoria ; SS YL's OM discussion ID	444	1652	28/12	NH
1602	R Waddenzee, Pietersbierum, Netherlands; pop songs, jingle ID	G	1020	22/1	mah

Many thanks to:

FW Friedrichhelm Wittlieb, Grundig Satellite 700, Martens-Fram Dortmund Germany
 HB Herman Boel Aalst Vlaanderen Belgium Receiver: Kenwood R-5000 (backup: Sony SW-77)

Antenna: Kiwa Loop Antenna + longwire 15 meter

mah Martin Hall, Clashmore, Sutherland. NRD-545, RPA-1 preamp, beverages: 513m at 240°, unterminated; 506m at 290°, terminated; 588m at 315°, terminated; 550m at 340°, terminated.; TotalRecorder, Technics RS-BX404 cassette deck as backup.

NH Norman Histon, Poole. Palstar R 30CC and 1m Hexagonal loop

NR Nigel Reid, Enfield ICF 2001D with indoor longwire:

May I remind all contributors that I have a Microsoft Word pro forma designed for contributing logs to this column. Please email me for a copy if you need one. Please also include as much information on the station to positively identify that being heard. Many thanks.

The **deadline** for the next issue is 21 February, 2007

73's John

DX LOGGINGS

✉ Glackin, 199 Clashmore, Lochinver, Lairg, Sutherland IV27 4JQ, Scotland
with Martin Hall e-mail: dxlogs@mwcircle.org ☎ 01571-855360

kHz	Callsign	Station, location; details heard etc	SIO	UTC	Date	Who
550	WSAU	Wausau WI; C2C, ads, toth ID "... News Radio 55 SAU wsau.com", ABC News; also W/F 0835 11/1	P/Fpks	0856	10/1	mah
560	WGAN	Portland ME; tlk & standards // no VOXM-programme	W/Fpks	0820	3/1	Rha-Fj
560	CHVO	Spaniard's Bay NL; VOXM - with bad splatter	W	0833	7/1	PC
580	CFRA	Ottawa ON; ID "... News Radio 5-80 CFRA ... it's 3 o'clock ... CFRA News"	F	0800	16/1	mah
580	WKAQ	San Juan, PR (pres); male Spanish talk px	W	0732	9/1	Rha
580	UNID	deep voiced male speaker, making copy difficult – could have been religious or health; propagation would suggest KRSA rather than CKUA	P/F	0926 -	9/1	mah
590	VOXM	St John's NL; talk // 620, 710 kHz	W	0806	6/1	AB
590	VOXM	St John's NL; // 740 kHz but less strong	W	0816	6/1	PC
590	VOXM	St John's NL; OM "More music coming up on VOXM"	W	2347	6/1	JW
590	VOXM	St John's NL; country music; also W 0742 9/1	222	0758	21/1	Rha
594		AIR Chinsurah, India ; local Indian mx/drums & local anns & tlk	W/Fpks	1745	22/1	Rha
600	KSJB	Jamestown ND ; ads; poor ID "600 KSJB is ..." at 0846; at 0853 "aftermidnite.com" wx, ads; at 0857 "It's After Midnite on 600 KSJB, your ... in the north" ; xf CJWW	Fpks	0857	11/1	mah
600	CBNA	St Anthony NL; CBC // 1400 and 1070 kHz	F	0835	7/1	PC
600	CBNA	St Anthony NL; BBC WS-reports on CBC 1 audible	233	0725	21/1	Rha
600	CBNA	St Anthony NL; CBC round table discussion // 640 kHz	W	0112	27/1	BD
600	CJWW	Saskatoon SK; country, ID "... on CJWW ... the Overnight Show ..."	Fpks	0911	11/1	mah
600	CMKV	R Rebelde, Urbano Noris; SS, Cuban songs xd CBNA	233	0727	21/1	Rha
610	CKYL	Peace River AB; country "You're ... away from more of the best country from today and yesterday on YL Country", ads, www.ylcountry.com ; also Fpks 1019 9/1, W/F 0926 12/1	Gpks	0915	11/1	mah
610	CHNC	New Carlisle QC; FF ID "CHNC CHGM la plus grande ... Gaspé ... radiodiffusion AM 6-10 New Carlisle 11-50 Gaspé ... country ... plus de 70 ans"	Gpks	0843	12/1	mah
620	CKCM	Grand Falls NL; talk // 590, 710 kHz	W	0806	6/1	AB
620	CKCM	Grand Falls NL; Johnny Cash // 590 kHz	F	0818	7/1	PC
620	CKCM	Grand Falls NL; VOXM basketball promo, nx & wx	W	0130	27/1	BD
620	CM--	R Rebelde, 2 sites listed; sports // 710 & 5025 kHz	vW	0343	13/1	JF
640	CBN	St John's NL; CBC Radio news // 1070 kHz	F	0804	6/1	AB
640	CBN	St John's NL; classical music // 750 & 1140 kHz	F	0347	13/1	JF
640	CBN	St John's NL; CBC MOR mx px // 1070 kHz	W/F	0120	21/1	BD
640	CBN	St John's NL; Deutsche Welle(?) German song // 1070, 1400	W/F	0838	21/1	PC
650		KNR Qerqertarsuaq, Greenland; Greenlandic studio tlk & rpts	243	2210	2/1	Rha-Fj
650		KNR Qerqertarsuaq, Greenland (tentative); Greenlandic talk	W/Fpks	0909	9/1	Rha
650		KNR Qerqertarsuaq, Greenland; religious music and talk in Greenlandic	W	0808	14/1	PC
650		KNR Qerqertarsuaq, Greenland; Nordic studio talk	F	0125	21/1	BD

kHz	Call sign	Station, location; details heard etc	SIO	UTC	Date	Who
650	UNID	talk px, ID at 0915 as "who ... the boat, coming up on ... News Talk Radio"; CKOM, KENI or CKGA? - zapped by KNR from 0917	W	0915	12/1	mah
660	WFAN	New York NY; new s& weather followed sports talk	233	0710	1/1	Rha-Fj
660	WFAN	New York NY; Sports talk. WFAN jingle	F	0619	7/1	PC
660	WFAN	New York NY; WFAN ID after promo and sports talk	F	0523	9/1	JF
660	CFFR	Calgary AB; "6-60 News time 2.12", rolling nx; also F 0955 8/1	Fpks	0912	12/1	mah
670	CMBA	R Rebelde, Arroyo Arenas; SS music // 5025 kHz	F/G	0821	7/1	PC
670	CMBA	Radio Rebelde, Arroyo Arenas; Cuban mx // 5025 kHz	W	0806	8/1	BD
680	KBRW	Barrow AK; talk & NPR reports	232	2110	5/1	Rha-Fj
680	KBRW	Barrow AK; F/G at 0849 with rock mx, toth ID "From Barrow Alaska we are KBRW and kbrw.org"; Alaska wx	F/Gpks	0900	8/1	mah
680	CJOB	Winnipeg MB; CJOB news following Coast to Coast	W/F	0802	27/1	PC
680	CJOB	Winnipeg MB; "CJOB Sports", sports news; also vG 0903 11/1	Fpk	0931	28/1	mah
680	HJZO	R Nacional de Colombia, Barranquilla; SS, mx, anns	233	0703	5/1	Rha-Fj
680	UNID	still slow music – Alaska station perhaps ! 345° antenna	W	0904	9/1	Rha
700	KBYR	Anchorage AK (presumed); Fox News Radio; hrd from 0908, but never good enough to catch an ID	P/Fpks	1002	8/1	mah
700	LV3	Radio Córdoba, Córdoba; peculiarly a time signal, two repeated musical box phrases, "Cadena Tres" ID then another time signal; afterwards an introduction to a concert, mentioning Placido Domingo and Maria Callas	Fpks	0400	7/1	AB
700	HCRS2	Radio Sucre, Guayaquil; SS pops & "Radio Sucre" IDs	W	0758	8/1	BD
710	CKVO	Clarenville NL; VOXM weather	W	0808	3/1	PC
710	CKVO	Clarenville NL; talk // 590, 620 (strongest signal of the three)	F	0806	6/1	AB
710	CKVO	Clarenville NL; Country music // 590 kHz	W	0746	9/1	JW
710	CM--	R Rebelde, 4 sites listed; music that appeared to be being played at nearly double normal speed, heard in // 5025 kHz and usual Rebelde attention jingle before news	G	0501	7/1	AB
710	CM--	R Rebelde, multi-site; Cuban baseball: Sancti Spiritus vs. Ciego de Avila. Thanks to Henrik for listening to my clips. I was hoping this was something more interesting as it was the only TA on the band at this time. Lousy conditions!	F	04:15	10/1	JF
710	CM--	Radio Rebelde, 4 sites listed; program announcement sounding like "Cuba de nada" Interval signal	W	0802	18/1	PC
710	UNID	EE preacher	W	0812	14/1	PC
730	CKAC	Montréal QC; FF talk show	W	0157	21/1	BD
740	CBX	Edmonton AB; CBC Overnight, // 1010 kHz; also W/P 1031 9/1, W/F 1100 11/1, vW 0933 28/1	G/Exc	1024	8/1	mah
740	CHCM	Marystown NL; "You're listening to Radio Newfoundland on stations of the VOXM radio network"	W	2323	1/1	PC
740	CHCM	Marystown NL; seemed to be own programme! Local ID. Oldies	F	0652	6/1	JF
740	CHWO	Toronto ON; NOS, "Toronto's AM 7-40"; dominant	Gpks	0903	12/1	mah
740	ZYH446	R Sociedade da Bahia, Salvador; PP talk with mentions of Bahia	G	0005	2/1	PC
740	ZYH446	Sociedade da Bahia, Salvador; songs & talks PP great ID 0230	F	0125	4/1	BOC
740	ZYH446	R Sociedade da Bahia, Salvador; lively Brazilian mx, PP anns, "Sociedade da Bahia" ID, "Sociedade" IDs etc	vGpks	0741	10/1	mah

kHz	Callsign	Station, location; details heard etc	SIO	UTC	Date	Who
740	ZYH446	R Sociedad da Bahia, Salvador; clear ID by OM with frequency	W	0159	12/1	JF
740	ZYH446	R Sociedade de Bahia, Salvador; OM talk in PP	F/G	0247	9-16/1	SM
740	ZYH446	R Sociedade de Bahia, Salvador; weak signal, YL with clear ID seemingly as part of an address although I could not decipher the address	W	0021	17/1	AB
740.01	ZYH446	Rádio Sociedade da Bahia, Salvador; PP talk show with references to Salvador	F	0720	17/1	BD
750	CBGY	Bonavista Bay NL; political discussion // CBC NL internet stream mixing Brazil	F	0225	4/1	JF
750	CBGY	Bonavista Bay NL; World service broadcast // 1070 kHz	W	0818	6/1	PC
750	CBGY	Bonavista bay NL (pres); with tlk & reports I guess the same as on // 600 kHz	weak	0723	21/1	Rha
750	ZYH709	R Jovem Pan, Brasília (presumed); sports commentary and discussion, mostly in // with their 620 kHz internet stream	G	0130	4/1	JF
750	HJDK	Caracol, Medellín; tnx to Henrik Klementz	W/F	0144	16/1	SM
750	YVKS	R Caracas R, Caracas; "... por RCR ... en la noche" ID or promo in break from football commentary. Their website lists "Todo Fútbol Domingos a las 7pm" at this time. Further "RCR" ID at 0300	F	0110	5/1	JF
760	WORA	Mayaguez PR (presumed); discussion with many mentions of Puerto Rico and local areas, seemingly // "NotiUno" internet stream	Fpk	0145	6/1	JF
760	LU6	Radio Atlántica, Mar del Plata; back to my rx after so many years	G	0136	13/1	SM
760	ZYH788	R Uirapuru, Fortaleza; PP talk, religious sounding, with mention of Fortaleza. Nice ID at 0359 "Rádio Uirapuru, 760 kHz, Fortaleza, Ceara"	W	0324	22/1	PC
770	WABC	New York NY; ads, news & development tlk	W	0706	1/1	Rha-Fj
770	CHQR	Calgary AB; Art Bell, promo for "am770chqr.com" etc; also W/F 0903 8/1, W/F 0908 11/1, W/F 0830 25/1	F/Gpk	0930	28/1	mah
770	HJJX	RCN, Bogotá (pres); sports commentary with several mentions of Colombia	F	0205	22/1	PC
770	CX12	Radio Oriental, Montevideo (tentative); talks SS	P	0250	5/1	BOC
774		IRIB 1, Arak, Iran; news	433	2305	10/1	FW
780	KNOM	Nome AK (tentative); religious talk programme	232	2120	5/1	Rha-Fj
780	KNOM	Nome AK; light songs, "You're listening to KNOM AM and FM in Nome; it's 4 o'clock"; also W 1101 11/1	W	1300	8/1	mah
780	WBBM	Chicago IL; "WBBM News time ..."	W/Fpks	0824	11/1	mah
780	CFDR	Dartmouth NS; anns, classic country	W/Fpks	0710	1/1	Rha-Fj
780	CFDR	Dartmouth NS; "Classic Country 7-80 Kixx"	W	0917	5/1	PC
780	CFDR	Halifax NS; still playing country mx	F	0208	21/1	BD
780	CFDR	Dartmouth NS; classic country songs	W/F	0710	21/1	Rha
780	YVMM	RCoro; SS, Latin mx, ID "en minuto Radio Coro"	F	0712	5/1	Rha-Fj
780	YVMN	R Coro; SS music "Radio Coro 7-80 AM"	F	0806	3/1	PC
780	YVMN	Radio Coro, Coro; bright Latin songs & "Radio Coro" IDs	W/F	0820	8/1	BD
790	WAXY	South Miami FL; "You're listening to Fox Sports Radio on Sports Talk 7-90 The Ticket"	F	0806	6/1	mah
790	WAXY	South Miami FL; sports talk on 7-90 AM the ticket	W/Fpks	0712	21/1	Rha

kHz	Callsign	Station, location; details heard etc	SIO	UTC	Date	Who
790	CFCW	Camrose AB; country, promo "... on 7-90 CFCW"; also Fpks 0814 6/1, W 0824 7/1, F/G 0918 8/1, F/G 1014 11/1	F/Gpks	1019	12/1	mah
790	CMAQ	R.Reloj, Pinar del Río; SS; tlk mentioning Cuba	243	0735	4/1	Rha-Fj
790	CMAQ	R Relej, Pinar del Río; usual time pips and RR IDs. Mixing presumed WAXY	W	0331	13/1	JF
790	LR6	R Mitre, Buenos Aires (tentative); talks SS	P	0225	4/1	BOC
800	VOWR	St John's NL; light music	233	0830	5/1	Rha-Fj
800	VOWR	St John's NL; VOWR ID heard	F	0708	6/1	JF
800	VOWR	St John's NL; Irish folk music	F	0823	7/1	PC
800	VOWR	St. John's NL; Scottish style folk mx	W	0835	8/1	BD
800	VOWR	St John's NL; light music & Irish folk songs	W/Fpks	0717	21/1	Rha
800	PJB	TWR, Bonaire Netherlands Antilles; OM full ID on the half hour	G	0230	4/1	JF
800	PJB	TWR, Bonaire, Netherlands Antilles; religious talk (Southern USA accent)	G	0011	5/1	PC
800	UNID	C2C, only on the 340 degree beverage – possibly KINY; faded by toth	Wpks	0855	9/1	mah
800	UNID	in EE, talk religious OM, TWR Bonaire?	W/F	0021	16/1	SM
820	KCBF	Fairbanks AK; ESPN Radio, "We're in the game – we're 8-20 Sports", ads; also P/Fpks 1302 8/1, Fpks 0937 9/1	F/G	0816	6/1	mah
820	WNYC	New York NY; NY public radio talk	243	0013	1/1	Rha-Fj
820	KGNW	Burien-Seattle WA (presumed); tuned in to catch the tail end of the toth ID "... a service of Salem Communications", then "Thru the Bible"	Fpk	0900	2/1	mah
820		TBN, Charlestown, Nevis; hoarse animated preaching. "The all new TBN ..?..."	F	0827	4/1	PC
820		Radio Paradise, Saint Kitts & Nevis hrd on 9, 13, 16 Jan	W	0059	9/1	SM
820		TBN Charlestown; US gospel preaching	F	0748	10/1	BD
820	HJED	Caracol, Cali; SS tlk, at toth fanfare and "Caracol Radio" IDs, "noticias"; xf TBN and Radio Relej from Cuba	Fpks	0800	8/1	mah
830	WCRN	Worcester MA (pres); tlk & anns "Boston's legendary talk station"	233	0720	1/1	Rha-Fj
830	WCCO	Minneapolis MN; local nx, ID "WCCO Radio News"	F/Gpks	0831	11/1	mah
830	CKDY	Wainwright AB (presumed); country mx hrd back to back from 1024 to 1033, with no IDs noted	Fpks	1024	8/1	mah
830	YVLT	R Sensación, Caracas (pres); Lively SS music. "Son las 4 y 25 minutos"	F	0825	4/1	PC
830	YVLT	R Sensación, Caracas; SS promo "...por 830 AM, de la Nueva Sensación", TC; also F/Gpk 0813 8/1	Fpks	0826	17/1	mah
830	UNIDs	two stations in PP, I think one of them was tentatively Cultura Belo Horizonte	W/F	0223	16/1	SM
840	CMHW	Doblevé, Santa Clara; SS, Cuban music & ballads	344	0725	4/1	Rha-Fj
840	CMHW	Doblevé, Santa Clara; lively Cuban / tropical mx, SS anns, TC, ID	G/Exc	0830	8/1	mah
840	CMHW	Doblevé, Santa Clara; SS, Cuban talk of Habana	W/Fpks	0725	9/1	Rha
840	LV9	Radio Salta (tentative); then ZYH447 Radio Excelsior da Bahia, Salvador, Brasile, Rede Aparecida de Comunicações and few seconds before news from ZYK687 Radio Bandeirantes, São Paulo	F/G	0153	13/1	SM

kHz	Callsign	Station, location; details heard etc	SIO	UTC	Date	Who
840	ZYH447	R Excelsior da Bahia, Salvador; overnight recording from 2355 Fpks to 0610 looking for R Bandeirantes; but R Excelsior dominant all night, carrying the Rádio Aparecida network for much of the time; best around 0500; also W/Fpks 2220-2310 7/1, Fpks 2240 8/1, Fpks 2150-2310 9/1, Fpks 2328 15/1	Fpks	2355 - 0610	20/1- 21/1	mah
850	KICY	Nome AK; light mx, ID at 1101 "KICY Nome", then nx	Fpks	1052	1/1	mah
850	KICY	Nome AK (presumed); RR rlgx px; vW at toth and no ID copied	Fpks	0840	9/1	mah
850	KOA	Denver CO; own phone-in; TC "2.26", anns, ID "You're listening to News Radio 8-50 KOA"	G/vG	0936	11/1	mah
850	WEEI	Boston MA; country sports tlk on great "Boston's AM 8-50"	243	0727	1/1	Rha-Fj
850	WEEI	Boston MA; Toyota advertisement followed by "The one and only Sports Radio 8-50 WEEI"	G	0336	9/1	AB
850	YVZC	R Fé y Alegría, Maracaibo; LA songs, ID "... Fé y Alegría, la 8-50"	F	0917	20/1	mah
860	CJBC	Toronto ON (presumed); FF tlk	F/G	0829	15/1	mah
870	WWL	New Orleans LA; "On the big 8-70, WWL" ID heard weakly after an advertisement	W	0706	1/1	AB
870	WWL	New Orleans LA; up briefly out of the noise. Surprised to receive this as conditions were very poor with only a handful of the regular North Americans elsewhere. YL with news, ID "The Big 8-70 WWL", mentioning 105.3 FM and wwl.com, then weather and the Bob Mitchell programme	W	0133	12/1	JF
870	WWL	New Orleans LA; "... and 105-3 WWL-FM ... New Orleans"	F	0830	15/1	mah
870	WQBS	San Juan PR; "QBS (jingle) 8-70 AM ..."; tropical mx	Fpks	0832	4/1	mah
870	UNID	"... Continente, 8-70 AM su radio ...", immediately before WQBS ID; perhaps just QBS, even if different voice	Fpks	0832	4/1	mah
880	WCBS	New York NY; ID "10-10 WINS.. we'll give you the World" OM with news reports	W	0759	5/1	JW
880	WCBS	New York NY; "WCBS Newstime 2:50"	W	0750	6/1	AB
880	WCBS	New York NY; WCBS IDs in traffic and weather news	W	0810	6/1	PC
880	YVYM	R Venezuela, Puerto Ordaz; SS IDs; xf WCBS	Fpks	0756	17/1	mah
890	WAMG	Dedham MA (pres); ESPN sports	W	0715	22/1	PC
890	WAMG	Dedham MA; usual ESPN sports.	W	0655	6/10	JF
890	CM--	Radio Progreso 2 sites listed; SS, Cuban reports and nx etc	343	0800	4/1	Rha-Fj
890	CM--	R Reloj, 2 sites listed; ID at top of hour	W	0500	13/1	JF
910	CKDQ	Drumheller AB; country mx, ID "... on Q91. Q91 AM 9-10 is CKDQ Drumheller. We're playing the best ..." and ...; also Fpks 0934 12/1	P/Gpks	1020	8/1	mah
920	KSRM	Soldotna AK; "This is News Talk 92 KSRM"; xf KXLY and presumed CFRY	Fpks	1000	8/1	mah
920	KXLY	Spokane WA; difficult / unclear "KXLY" and "News Radio 9-20" at 0859; at 1000 just after the KSRM ID "KXLY Spokane ..."	W	1000	8/1	mah
920	WOKY	Milwaukee WI; "WOKY" ID noted in the mix	Fpk	0748	13/1	mah
920	CJCH	Halifax NS; "Join Brian Phillips and Deb (?) for The Morning Show. Everything you need to start your day and great oldies too. 92 CJCH"	W	0012	5/1	JF
920	CJCH	Halifax NS; "92 CJCH – All oldies all the time" – not quite true since it was preceded by the X-Zone chat programme.	G	0900	6/1	PC

kHz	Callsign	Station, location; details heard etc	SIO	UTC	Date	Who
920	CJCH	Halifax NS; promo for "tomorrow's Morning Show here on 92, CJCH, all oldies, all the time"	G	0525	7/1	AB
920	CJCH	Halifax NS; 'Rhinestone Cowboy', "The greatest oldies of all time, 92 CJCH"	F/G	0723	8/1	mah
920	CJCH	Halifax NS; oldies format	W	2346	8/1	BD
920	CFRY	Portage la Prairie MB; "It's Real Country Radio CFRY, celebrating 50 years of community service in the central plains"; also Fpks 0947 2/1, P/Fpks 0815 7/1, Gpks 0842 12/1, Fpks 0804 13/1, Fpks 0952 25/1	G	0824	11/1	mah
920	ZYH519	R Novo Tempo, Salvador; PP anns, jingle "Novo Tempo" and ID "Frecuência Novo Tempo uma ..." (pronounced more like "Novo Tiempoo"); light songs; xf YVQX	Fpks	0017	7/1	mah
920	YVQX	R Nueva Esparta, Porlamar; Lively SS Music followed by ID "Nueva Esparta, 9-20 AM, 3 7 minutos	W	0707	5/1	PC
920	YVQX	R Nueva Esparta, Porlamar; SS ID "Nueva Esparta 9-20 AM 4, 6 minutos"; also F/Gpks 0721 3/1	F	0807	16/1	mah
930	CJCA	Edmonton AB; southern gospel mx "Whenever you hear southern gospel music, you're listening to AM 9-30 CJCA"; also F/G 1021 12/1	F/G	1012	8/1	mah
930	CJYQ	St John's NL; "This is Radio Newfoundland, CJYQ, 930 AM, St John's"	F	2331	1/1	PC
930	CJYQ	St John's NL; Irish folk music & ID "Radio Newfoundland"	243	0825	3/1	Rha-Fj
930	CJYQ	St John's NL; folk mx & "Radio Newfoundland" ID	W	2340	8/1	BD
930	CJYQ	St John's NL; ad for "Atlantic Woodworking", more ads, "Radio Newfoundland" ID. On top in a mix of stations.	F	0252	19/1	JF
930	CM--	R Reloj, multi-site; time pips, etc.	vW	0658	19/1	JF
930	CX20	Radio Montecarlo, Montevideo; talks	F	0215	4/1	BOC
940	CINW	Montreal QC; "940montreal.com" heard through splatter	W	0807	6/1	PC
940	CINW	Montreal QC; "The New 9-40 Montreal"	Fpks	0831	15/1	mah
940	ZYJ453	Super Rádio, Rio de Janeiro (pres); prg Boa Vontade, religious PP	F	0312	5/1	BOC
950	KJR	Seattle WA; ESPN Radio, ads, ID "You're listening to Seattle's W/F ..."; also Gpks 0917 25/1, W/Fpk 1015 28/1	W/F	0900	1/1	mah
950	CFAM	Altona MB; classical mx, anns, ID "Now, more Classics 'til Dawn on CFAM Radio 9-50", more classical mx	F/Gpks	0629	13/1	mah
950	CKNB	Campbellton NB; "Max 9-50" ID between tracks Wings/Kinks	W/F	0836	5/1	PC
950	CKNB	Campbellton NB; pops & "95 CKNB" ID	W/F	0156	27/1	BD
950	CM--	Radio Reloj, 2 sites listed; rolling news OM/YL, "Radio Reloj", CW IDs	F	0813	4/1	PC
950	CM--	Radio Reloj, 2 sites listed (tentative); SS, Cuban info	242	0815	4/1	Rha-Fj
950	CM--	Radio Reloj, 2 sites listed; SS nx over ticking clock & distinctive minute tones	W	2335	8/1	BD
950	LR3	Radio Belgrano, Buenos Aires; songs, news at 0200	F	0138	4/1	BOC
950	LR3	R Belgrano, Buenos Aires (tent); strong but difficult to copy	W/F	2357	8/1	SM
950	LR3	La 950, Buenos Aires; "en (or perhaps desde) Buenos Aires, AM 9-50"	W/F	0306	21/1	PC
960	CFAC	Calgary AB; ESPN Radio, "CFAC 9-60 AM Calgary The Fan 9-60, a division of Rogers Broadcasting"; also P/Fpks 1000 11/1	F/G	1000	12/1	mah

kHz	Callsign	Station, location; details heard etc	SIO	UTC	Date	Who
960	CM--	Radio Reloj, 3 sites listed; "Radio Reloj, 3 y 17 minutos" then CW ID	W/F	0817	4/1	PC
960	CM--	R Reloj, multi-site; time pips, etc.	W	0006	5/1	JF
960	YV--	Radio Venezuela, Acarigua (pres); lively SS rhythms with song about Venezuela – then overwhelmed by R Reloj	Fpk	0817	4/1	PC
960	UNID	SS, LA mx, no ID	W	0757	3/1	Rha-Fj
970	KFBX	Fairbanks AK; Art Bell, "News Radio 9-17 KFBX" jingle; also F/G 1003 1/1, P/Fpks 0900 6/1	F	1230	8/1	mah
970	WZAN	Portland ME; "9-70 WZAN" after ads	W	0827	7/1	PC
970	WZAN	Portland ME; end of network nx & "9-70 WZAN" ID	W	0605	24/1	BD
970	CFXE	Edson AB; songs, ID "You're in the middle of the greatest songs back to back on The Fox, playing all kinds of stuff"; xf presumed KFBX	Gpks	1053	8/1	mah
970	LV2	Córdoba; poor "Transmite LV2 ..." ID at 0759; mixing with a Brazilian station, which was what I really wanted an ID from!	Wpks	0800	10/1	mah
980	CKNW	New Westminster BC; promo "... on the Corus Radio Network", and "News Talk 9-80" ID; not CJME, which is a Rawlco station	vWpk	1042	12/1	mah
980	CKRU	Peterborough ON; oldies, very poor ID "Your hometown ... Peterborough's 9-80 Kruz"	Fpks	0848	15/1	mah
1000	KOMO	Seattle WA; talk followed "KOMO" ID; news & weather	233	0905	31/12	Rha-Fj
1000	KOMO	Seattle WA; ID "Komo 1000 News"; also W/F 0754 1/1, Wpks 0928 2/1, P/Wpks 0945 6/1, P/F 0910 8/1, P/W 0825 9/1, W/Fpks 0855 10/1, P/Fpks 0745 12/1, Fpks 0902 15/1, W/F 0909 25/1	Fpks	1013	28/1	mah
1000	ZYK522	Rádio Record, São Paulo; "Super Rádio, AM 1000 kHz, ondas curtas ... 49 metros"	F	0403	4/1	PC
1010	WINS	New York NY; "10-10 Wins" ID	W	0859	5/1	PC
1010	WINS	New York NY; "All News All The Time, this is Ten Ten Wins"	F	0650	6/1	JF
1010	WINS	New York NY; traffic and "the official 10-10 WINS ? four day forecast" for New York	W	0752	6/1	AB
1010	WINS	New York NY; one and only NA here	F	0201	9/1	SM
1010	CBR	Calgary AB; Voice of Russia WS on CBC Overnight; also G 1013 8/1	Fpk	0932	28/1	mah
1010	CFRB	Toronto ON; "CFRB Newstime – 3.02"	F	0802	3/1	PC
1010	CFRB	Toronto ON; "Newstalk Ten Ten CFRB" ID and news!	F	0650	6/1	JF
1010	CFRB	Toronto ON; medical health show, station disclaimers, "News Talk 10-10 CFRB"; no sign of WINS	Gpks	0835	10/1	mah
1010	CFRB	Toronto ON; YL concluding weather then "log on to cfrb.com"	W	0901	20/1	AB
1010	CFRB	Toronto ON; CFRB talk show	F	0720	24/1	BD
1020	KDKA	Pittsburgh PA; ID "right here on The Voice of Pittsburgh, News Radio 10-20 KDKA" – first time heard since 12 th October	F	0657	23/1	AB
1020	CM--	Radio Reloj, 2 sites listed; snatches of SS news and "RR" CW ID (new for me on very difficult channel)	W	0833	4/1	PC
1020	YVMX	R Continente, Maracaibo; SS ID "Transmite, desde Caracas, ... Radio Continente, 590 AM"	F/G	0830	4/1	mah
1020	YVMX	R Calendario, Maracaibo; "Esta es Radio Calendario ...", TC	F	0853	15/1	mah
1030	WBZ	Boston MA; national talk mentioning Boston	243	0740	1/1	Rha-Fj
1030	WBZ	Boston MA; "wbz1030.com"	F	0837	19/1	mah

kHz	Callsign	Station, location; details heard etc	SIO	UTC	Date	Who
1030	LS10	AM del Plata, Buenos Aires; reports	G	0205	4/1	BOC
1030	LS10	Radio del Plata, Buenos Aires; hrd 13-16 Jan	G	0121	13/1	SM
1040	WHO	Des Moines IA; Michael Legg a couple of tlk & politics Africa, Iraq and Iran	243	0738	1/1	Rha-Fj
1040	CKST	Vancouver BC; sports tlk & jingles "CKST The Team 10-40"	233	0738	5/1	Rha-Fj
1040	ZYK537	Rádio Capital, São Paulo; melodic songs, PP	G	0118	4/1	BOC
1040	ZYK537	Radio Capital, São Paulo;	F	0206	13/1	SM
1050	WEPN	New York NY; ESPN radio	G	0828	6/1	PC
1050	WEPN	New York NY; ESPN sportstalk	F	2256	6/1	JF
1050	WEPN	NYC NY; sports talk & "10-50 ESPN Radio" ID tag	F	2352	8/1	BD
1050	CHUM	Toronto ON; plus tentative WEPN New York, both w tlk	W/F	0446	??	SM
1060	WBIX	Natick MA; "Here on AM 10-60 WBIX" appeared among the mix	F	0112	9/1	AB
1060	CMDX	CMDX Baracoa (pres); Cuban basketball with mentions of Camaguey and Matanzas (check of Cuban basketball site shows they were involved in championship play-offs)	W	0255	19/1	PC
1060	ZYL278	Rádio Grande Belo Horizonte Deus é Amor, Pedro Leopoldo; tnx to Rocco Cotroneo	F/G	0000	13-18/1	SM
1060	UNID	mx and sermon in PP (OM), ZYJ597 Rádio Tapuyo, Mossoró, Brasil? or ZYL278 Rádio Grande Belo Horizonte, Pedro Leopoldo?	W/F	0113	9/1	SM
1070	KNX	Los Angeles CA; "Traffic on the 5's KNX 10-70"	P/F	0847	10/1	mah
1070	CBA	Moncton NB; CBC Overnight talk & reviews	344	0018	1/1	Rha-Fj
1070	CBA	Moncton NB; CBC News // 1140 kHz	W	0700	1/1	AB
1070	CBA	Moncton NB; music then ID "CBC Radio 1"	W	2329	1/1	JW
1070	CBA	Moncton NB; CBC News	F	0002	2/1	PC
1070	CBA	Moncton NB; ID and CBC News	F	2300	6/1	JF
1070	CBA	Moncton NB; CBC o/n px	W/F	0850	8/1	BD
1070	CBA	Moncton NB; CBC talk px C2C format mentioning Moncton	W/F	0811	9/1	Rha
1070	CBA	Moncton NB ; CBC Radio One	W/F	0125	24/1	RB
1070	LR1	Radio El Mundo, Buenos Aires; talks	P	0230	5/1	BOC
1080	KUDO	Anchorage AK; political statement criticizing the State Governor, ending "For KUDO, I'm Richard ..."; over Euros	F/G	1132	1/1	mah
1080	WTIC	Hartford CT; C2C & ID "This is WTIC 10-80"	243	0734	1/1	Rha-Fj
1098		CBS Kouhu (RTI), Taiwan; EE info talk under Radio Rossi	242	1441	4/1	Rha-Fj
1100	WTAM	Cleveland OH; sports commentary, many refs to Cleveland	F	0035	8/1	JF
1100	WTAM	Cleveland OH (pres); news, "You're listening to Fox News Radio"	W	0802	14/1	PC
1100	WTAM	Cleveland OH; advertisement for the 'Starlight Starbright Children's Foundation' then ID "here on WTAM eleven hundred" then Fleetwood Mac's 'Tell me Lies'	W	0806	20/1	AB
1100	ZYK694	Rádio Globo, São Paulo (pres); PP talk	W	0755	15/1	PC
1100	ZYK694	Rádio Globo, São Paulo;	W/F	0015	18/1	SM
1110	WBT	Charlotte NC (pres); CBS News	W	0903	6/1	PC
1110	UNID	only nostalgia programme no Id.- WBT not active !	W/Fpks	0730	21/1	Rha
1120	KMOX	St Louis MO; phone-in talk	233	0743	5/1	Rha-Fj
1120	KMOX	St Louis MO; CBS News, wx "56 degrees on the Voice of Saint Louis"; local news, at 0811 "KMOX News time 2.11"	Gpks	0804	12/1	mah
1130	KFAN	Minneapolis MN; sports, ice hockey finals	233	0745	1/1	Rha-Fj

kHz	Callsign	Station, location; details heard etc	SIO	UTC	Date	Who
1130	KFAN	Minneapolis MN; promo "Exploring Minnesota, check out the Fan and Mankato on KYSM AM 12-30"; also Gpks 0817 10/1	Fpks	0802	11/1	mah
1130	WBBR	New York NY; "The markets never sleep, stay with Bloomberg around the clock" slogan heard	W	0717	1/1	AB
1130	WBBR	New York NY; Wall Street & business markets	254	0742	1/1	Rha-Fj
1130	WBBR	New York NY; business talk	W	0826	3/1	PC
1130	WBBR	New York NY; business talks	F	0550	4/1	BOC
1130	WBBR	New York NY (presumed); finance talk	W	0801	5/1	JW
1130	WBBR	New York NY; Bloomberg business nx	W/F	0853	8/1	BD
1130	WBBR	Bloomberg NY; "Bloomberg 11-3-0" ID, news/traffic	F	0805	9/1	Rha
1130	WBBR	New York NY; talk	222	0830	9/1	MvA
1130	WBBR	New York NY; Bloomberg Business Radio financial news	W	0350	13/1	JF
1130	CKWX	Vancouver BC; lots of IDs, as usual; "Vancouver's news station, News 11-30"; also W/F 0802 1/1, Fpks 0910 2/1, Wpks 0932 7/1, W 0833 8/1, Fpks 0936 25/1	Wpks	1022	28/1	mah
1130	ZYJ460	R Nacional, Rio de Janeiro; pop music and PP talk // webcast	W	2335	6/1	PC
1130	ZYJ460	Rádio Nacional Rio; ID "nacional"	F/G	0033	18/1	SM
1140	KSLD	Soldotna AK; PSA, ID as "We're back now, and hotter than ever, KSLD - The King", mx; dom	F	0848	9/1	mah
1140	KHTK	Sacramento CA (presumed); "Fox Sports Radio"; xf CHRB	Fpks	0942	8/1	mah
1140	CBI	Sydney NS; CBC programme // 1400kHz	W	0636	1/1	JF
1140	CBI	Sydney NS; toh CBC News // 1070 kHz	W	0700	1/1	AB
1140	CBI	Sydney NS; Polish Radio Broadcast - Polish HGV drivers in the UK	F/G	0838	3/1	PC
1140	CBI	Sydney NS; CBC nx	W	0900	8/1	BD
1140	CHRB	High River AB; light songs, "You're tuned in to us, we're tuned in to you - southern Alberta's community radio station, AM 11-40"; also Wpks 0925 2/1, Gpks 0943 8/1, F 0753 12/1	W/P	0845	28/1	mah
1140	HJDL	R Paisa La Cariñosa, Medellín; some religious talk then clear ID "Radio Paisa La Cariñosa"	G	0737	14/1	AB
1140	HJDL	R Paisa, Medellín; SS anns, ID "Radio Paisa ... 40 kHz"	Fpks	0729	15/1	mah
1150	WHBY	Kimberly WI; CBS News, ads, "11-50 WHBY", and into C2C; xf CHGM	Fpks	0904	12/1	mah
1150	ZYL283	Rádio Globo Belo Horizonte, Brasil, uncommon tx from Mina Gerais's area, mixed with unid, (tnx Cotroneo)	F/G	0040	13/1	SM
1170	WWVA	Wheeling WV (pres); tlk & phone call mentioning WV	232	0751	1/1	Rha-Fj
1170	WWVA	Wheeling WV; public service announcement to miners; WWVA ID	W	1007	7/1	PC
1180	WHAM	Rochester NY; still talking	W/F	0210	27/1	BD
1180	CM--	Radio Rebelde, 2 sites listed; OM talk // 5025 kHz	W	0814	3/1	PC
1180	CM--	Radio Rebelde, 2 sites listed; in echo SS chat // 5025 kHz	F	2358	8/1	BD
1180	CM--	Radio Rebelde, 2 sites listed; música Viva programme; usual Rebelde tones; // 5025 kHz	Gpks	0100	9/1	AB
1180	CM--	R Rebelde, 2 sites; presumably both transmitters received as long echo heard between the two, however, one kept dropping out of // and into own music programming. Monitored for an hour or so. One // 5025 kHz	F	0335	13/1	JF
1188		Egyptian Radio, Ras Gharib; music, news	222	2258	22/1	FW
1190	WLIB	New York NY; talk and gospel; QRM from unid Brazilian	F	0008	13- 18/1	SM

kHz	Callsign	Station, location; details heard etc	SIO	UTC	Date	Who
1190	CFSL	Weyburn SK; country; "... we're AM 11-90"	Fpks	0952	11/1	mah
1190	XEWK	Guadalajara; melodic mx and "Doble-U" ID	W/F	0628	26/1	GG
1190	UNID	OM in PP, I think tentatively CBN (Rádio Trairy) Natal	W/F	0045	18/1	SM
1200	WKOX	Framington MA; "WKOX Boston's progressive talk station"	234	0757	1/1	Rha-Fj
1200	WOAI	San Antonio TX (presumed); OM talk	F	2358	8/1	SM
1200	CFGO	Ottawa ON; Fox Sports // 1430 but a few seconds behind	W	0910	7/1	PC
1200	CFGO	Ottawa ON; Fox sports talk	W/F	0817	22/1	BD
1200	ZYH585	Ceará Rádio Clube, Fortaleza; tnx Cotroneo	F/G	0010	8-18/1	SM
1200	ZYK520	Rádio Cultura, São Paulo; OM in PP	W/F	0029	10/1	SM
1200	UNID	EE talks, no ID, presumed WOAI	F	0545	4/1	BOC
1220	ZYJ458	Rádio Globo, Rio de Janeiro; news PP	F	0103	4/1	BOC
1220	ZYJ458	R Globo, Rio de Janeiro; "Rádio Globo" jingles, PP talk	Fpks	0725	7/1	mah
1220	ZYJ458	Rádio Globo, Rio de Janeiro; several sung "Rádio Globo" IDs	F	2338	14/1	PC
1220	ZYJ458	Rádio Globo, Rio de Janeiro;	G	0101	16/1	SM
1230	CFFB	Iqaluit NU; national weather forecast, "You're listening to CBC Radio Overnight", and into Radio Prague	Gpks	1016	25/1	mah
1242		Vo of Vietnam, Thoi Long; Female talk, anns and songs	W/F	1428	31/12	Rha-Fj
1250	WEAE	Pittsburgh PA; talk C2C programme "WEAE 12-50" ID	233	0913	31/12	Rha-Fj
1250	WSSP	Milwaukee WI (presumed); numerous Fox Sports promos	W	0046	8/1	JF
1250	CHSM	Steinbach MB; classical light songs – no anns	243	0910	31/12	Rha-Fj
1260	WMKI	Boston MA; Radio Disney // 1560 kHz	W/F	0848	7/1	PC
1270	CJCB	Sydney NS; country music // webcast	W	0907	5/1	PC
1270	LS11	AM 12-70 Radio Provincia, Buenos Aires; ID "AM 12-70"	F/G	0208	13/1	SM
1278		Hebei, Shijiazhuang, China (tentative) CC talk	232	1341	4/1	Rha-Fj
1280	WFAU	Gardiner ME; weak sports talk	232	0804	1/1	Rha-Fj
1280	WFAU	Gardiner ME (pres); Fox Sports program	F	2353	21/1	PC
1280	WFAU	Gardiner ME; Fox Sports programming	W	0000	25/1	JF
1280	CJSL	Estevan SK; country, "Today's best country – and your all time favourites – this is CJ 12-80"	Gpks	0948	11/1	mah
1280	VS2	Hamilton, Bermuda (pres); Christian song then WYFU ID. WYFU is also a station of the Bible Broadcasting Network	W	0000	9/1	PC
1280	WCMN	Arecibo PR; // "NotiUno" internet stream	F	0140	6/1	JF
1280	ZYJ455	Rádio Tupi, Rio de Janeiro; PP talk but the only ID I could find was "Tupi – Noticias". Dominant on frequency in early hours.	W	0225	16/1	PC
1290	WJNO	West Palm Beach FL; "News Radio 12-90 WJNO"	W/F	1055	6/1	mah
1290	XEDA	Radio Trece, México DF ; multiple cuckoo calls every five seconds; tnx to Henrik who transcribes "Medianoche (or Diez de la noche). Aquí estaremos nuevamente. Gracias". Then Mexican National Anthem, and call XEDA repeated slowly at the end of the NA. UK FIRST	F	0603	26/1	AB
1290	ZYH888	R Timbira de Maranhão, São Luís (tent); long religious talks PPP no ID		0106	4/1	BOC
1300	UNID	OM talk religious in PP: tent ZYH586 Iracema Fortaleza?	W/F	0215	18/1	SM
1310	WLOB	Portland ME; "News Talk 96-3 WLOB"	Fpks	0021	26/1	mah
1310	CHLW	St Paul Bonnyville AB; "The best country music – we're playing it all night long, right here - Cat country 13-10 CHLW Saint Paul Bonnyville"; also Fpks 0942 2/1, F/G 0916 8/1	F/G	1024	11/1	mah
1310	CIWW	Ottawa ON (pres); some truly oldies on 13-10; also W 0833 9/1 W	W	0533	25/1	Rha

kHz	Call sign	Station, location; details heard etc	SIO	UTC	Date	Who
1310	YV--	R Nacional de Venezuela, various sites; SS, mx jingles & ID "Radio Nacional de Venezuela para noticias"	243	0759	5/1	Rha-Fj
1310	YV--	Radio Nacional, 3 sites listed; "Radio Nacional de Venezuela" ID heard; also W/F 0400 23/1	W	2332	19/1	PC
1314		Egyptian Radio, 3 sites listed; Koran, National anthem S/off; also 222 0200 6/1	444	2258	5/1	FW
1320	CKEC	New Glasgow NS ; folk music, at 0045 country	244	0005	1/1	Rha-Fj
1320	CKEC	New Glasgow, NS;"13-20 CKEC"	F	0921	2/1	PC
1320	CKEC	New Glasgow NS; likely country music; 290° strongest	W/F	0838	9/1	Rha
1320	CKEC	New Glasgow NS; some sort of top-40 countdown hosted by a DJ in Hamilton, CKEC ID at 0300 followed by broadcast news including reports of severe windy weather conditions affecting US and Canada	Fpks	0300	15/1	AB
1320.01	CKEC	New Glasgow NS; still playing pops	W	2335	24/1	BD
1320	WSKN	La Isla, San Juan PR; Super Cadena Noticias, ID "La Isla"	F/G	0231	13/1	SM
1320	HJTA	Radio María, Medellín ; Holy Rosary in SS // 1500 kHz and web; xf (presumed) YVWP. UK FIRST	F pks	0802	14/1	AB
1320	YVWP	R Apolo, Turmero; "Radio Apolo, la emisora ... " Lively Latin music	W	0013	5/1	JF
1320	YVWP	R Apolo, Turmero; SS anns "Venezuela ... escuchas Apolo" followed much LA salsa mx	W/F	0450	25/1	Rha
1323		BBC WS, Zyyi, Cyprus; ID, News	222	0200	8/1	FW
1329.71	HJER	RCN, Pereira (presumed); with sports commentary.	F	0108	8/1	JF
1329.72	HJER	RCN, Pereira ; OM with ID after talk. "Radio El Sol de RCN". Thanks to Henrik Klemetz for confirming the ID. Henrik adds that Pereira is almost certainly the transmitter I heard (there are others listed here too) based on the fact that this tx has been 'on' or 'next to' this offset for years. UK FIRST (accidentally omitted from last month's column - apologies - mah)	W	0102	29/12	JF
1330	WRCA	Waltham MA; heard "... Beasley Broadcasting, 13-30 WRCA. The following is a public service announcement on WRCA."	W	0730	23/1	AB
1330	CJYM	Rosetown SK; country; poor ID "13-10 12-10"; also W/Fpks 1016 6/1	W/F	1030	11/1	mah
1330	ZYK736	Super Tupi, Osasco, São Paulo; PP OM, this is "Iguatemi"	F/G	2344	8/1	SM
1340	CFYK	Yellowknife NT; "You're listening to CBC Radio Overnight" and then into BBC WS	F	1034	1/1	mah
1350	WOYK	York PA; "ESPN 13-50 WOYK"; ESPN Radio Sports Centre	Wpks	0920	3/1	mah
1350	WGPL	Portsmouth VA (presumed); preacher promoting service "... in the city of Portsmouth, Virginia", gospel songs; xf WOYK	Wpks	0918	3/1	mah
1350	ZYH520	R Cristal, Salvador; PP anns as per my log of 16/12/06	Fpks	2309	6/1	mah
1350	ZYH520	Rádio Cristal, Salvador; PP church service – hymns, preaching and then religious orchestral/choral music – all // webcast of Rede Boa Vontade network which is transmitted by "Rádio Cristal" ID at 0054	F	0009	15/1	PC
1350	UNID	SS anns by YL/OM sounding like "Muy Buenos días ... en Joaquín ... www laestacion punto fm ... 13-50 ... radio punto am ... 2-80 ..."	Fpk	0836	23/1	mah
1359		CNR1, China; CC male talks // 7270, 7130 kHz	242	1359	7/1	MvA
1358.99		CNR1, China; CC, intense male/female talk	W/F	1508	9/1	Rha

kHz	Callsign	Station, location; details heard etc	SIO	UTC	Date	Who
1359	UNID	Mayak IS	232	1400	7/1	MvA
1360	WDRC	Hartford CT; "This is the Voice of Connecticut, AM 13-60 WDRC Hartford"	W	0602	6/1	PC
1360	WDRC	Hartford CT; "Joey Reynolds on WDRC AM 13-60 The Talk of Connecticut"	W/F	0822	19/1	mah
1360	KKMO	Tacoma WA; SS anns, ID "... Radio Sol", and "13-60 Radio Sol"	W/F	0933	1/1	mah
1370	WDEA	Ellsworth ME; info talk, phone no. & ID mentioning Ellsworth, 243 followed by nostalgia	243	0033	1/1	Rha-Fj
1370	WDEA	Ellsworth ME (pres); CBS News	W	0903	5/1	PC
1370	CFOK	Westlock AB; "... The Fox ... music on The Fox, playing all kinds of stuff"	F	0944	11/1	mah
1370	HJKX	R Mundial, Bogotá; "Cadena Radial Autentica" ID and list of affiliates with frequencies and locations	W	0300	9/1	RB
1370	ZYK766	R Super Iguatemi, São Paulo; the most regular LA this month. Mx and IDs in PP	F	0010	often	RB
1370	ZYK766	Super Iguatemi (ex Radio Atual AM), São Paulo;	F	0016	often	SM
1370	ZYK766	R Super Iguatemi, São Paulo; iID "Super...Super Iguatemi"	F	0050	4/1	BOC
1380	CB138	Radio Corporación, Santiago (tentative); plus UNID SS	W/F	0524	12/1	SM
1380	YVNG	Ondas del Mar, Puerto Cabello; LA mx, SS ID "Ondas del Mar 13-80 5, 32 minutos"	W/F	0932	16/1	mah
1380	UNID	Mexican with "Centro exoterico la casa de la suerte" (and a station disclaimer ..) presumed Romantica	F/G	0605 0620	26/1	GG
1386		Tianjin RGM, China; CC ; male/female tlk & ID "Tianjin Renmin Guangbo Dientai"	W/Fpks	1541	3/1	Rha-Fj
1385.95		Tianjin RGD, China; CC, info, tlk & reports "Tianjin RGD" ID	W/F	1432	9/1	Rha
1390	WEGP	Presque Isle ME; "13-90 AM WEGP" ID heard	W/F	0834	6/1	PC
1390	WEGP	Presque Isle ME; heard weakly behind severe QRM from Big L with YL saying "WEGP 13-90 ... radio"; first log since 7 th Sept 06	W	0732	23/1	AB
1390	WGEP	Presque Isle ME; US-radio network talk	243	0056	1/1	Rha-Fj
1390	WPLM	Plymouth MA; "Easy 99.1" IDs	W/F	0851	7/1	PC
1390	YVZA	R Fé y Alegría, Caracas; LA songs, SS ID "En Fé y Alegría, 4, 16 minutos"; also W/F 0829 16/1	F	0816	3/1	mah
1390	YVZA	R Fé y Alegría, Caracas; SS anns and LA mx programme	W	0446	25/1	Rha
1400	CBG	Gander NL; // 1140 kHz Polish World Service	W	0843	3/1	PC
1400		Harbour Light Of The Windwards, Carriacou; Bible, God, Jesus, Holy this, holy that, etc. over lively Latin station	F	0129	14/1	JF
1410	WPOP	Hartford CT; sports talk on ESPN sports	233	0051	1/1	Rha-Fj
1410	WPOP	Hartford CT; ESPN Radio, YL presenter	W/F	0830	7/1	PC
1410	WPOP	Hartford CT; usual ESPN sports	F	0610	18/1	JF
1410	CFUN	Vancouver BC; "C-fun 14-10 AM"	W/P	1000	25/1	mah
1410	XEBS	R Sinfonola, México DF, traditional mx px and "Sinfonola" ID	F	0615	26/1	GG
1413		CNR Xinjiang XJ, China; CC, ID "Xinjiang Renmin Guangbo Dientai" in mixed with JOIF	W/F	1500	3/1	Rha-Fj
1413	JOIF	Fukuoka; ID "KBC-Radio" & Japanese news/reviews	323	1500	3/1	Rha-Fj
1420	WDJA	Delray Beach FL; "AM 14-20 WDJA Delray Beach, ... a service of Professional Broadcasting", CNN Radio; xf YVNZ	W	0800	18/1	mah
1420	YVNZ	R Marabina, Maracaibo; "Marabina 14-20" SS music	W	0758	3/1	PC
1420	YVNZ	R Marabina, Maracaibo; ID and lively Latin music	F	0113	14/1	JF

kHz	Callsign	Station, location; details heard etc	SIO	UTC	Date	Who
1430	WENE	Endicott NY; sports on ESPN AM-1430	243	0027	1/1	Rha-Fj
1430	WENE	Endicott NY; " ... on your sports station, 14-30 The Team" "On Fox" Fox sports radio. Fair later	W	0146	6/1	JF
1430	WENE	Endicott NY; Fox sports talk // 1200 but a few seconds ahead	F	0910	7/1	PC
1430	WENE	Endicott NY; "Sports Radio 14-30 The Team"; xf CHKT	Fpks	2358	12/1	mah
1430	WENE	Endicott NY; very weak and noisy "14-30 the Team"	W	0719	20/1	AB
1430	CHKT	Toronto ON; EE anns, including "This is AM 14-30 CHKT, Fairchild Radio, Toronto"; xf WENE	Fpks	0100	13/1	mah
1430	WNEL	Caguas PR; "Noti Uno" heard during very lengthy discussion programme	Gpks	0451	16/1	AB
1430	ZYJ200	R Clube Paranaense, Curitiba; "Rádio Clube Paranaense" heard amid predominantly talk programming	F	0422	7/1	AB
1430	YVTP	R Bahia, Puerto La Cruz; ID and very lively Latin music programming	F	0110	14/1	JF
1430	UNID	Preacher rising above WENE for just a few seconds	W/F	0917	7/1	PC
1440	WJAE	Westbrooke ME (pres); talk about American Football play-offs	W	1013	6/1	PC
1450	WENJ	Atlantic City NJ; ESPN radio	W	0923	2/1	PC
1450	KONP	Port Angeles WA; C2C, straight into news headlines at 0930, ID "Miss a minute, miss a lot, from the station you can rely on for complete news coverage, News Radio 14-50 KONP" at 0932, then wx	Fpks	0932	1/1	mah
1460	WDDY	Albany NY; Radio Disney IDs	F	0612	18/1	JF
1467		TWR Bishkek Kyrgyzstan; "Govorit Kasach" & Kyrgyz TWR R Bishkek	433	1500	1/1	Rha-Fj
1467		Kyrgyz State Radio, Bishkek; TWR IS, Russian px	242	1437	7/1	MvA
1467		TWR Bishkek, Kyrgystan; Russian tlks & ID "drastutsje Bishkek"	W/F	1500	9/1	Rha
1467		R Thailand Lamphun; Thai ID "Radio Thailand" news & standards	433	1500	4/1	Rha-Fj
1470	WWNN	Pompano Beach FL; heard an announcement "on AM 14-70 and AM 7-40" then later reference to a telephone number 1- 877-275 2326 which is the phone-in number for the Steve Kane Show on WWNN (SW's report dated 15/10/06 confirms, also WWNN web site)	W	0650	16/1	AB
1470	WWNN	Pompano Beach FL; first noticed at 06:45 with talk show. Ads at 07:10 including "bestvision.com" ophthalmology consultants in Margate FL. ID at 07:13 "AM 14-70" and the Steve Kane Show as per schedule. Still present at 08:00.	vW	0713	16/1	JF
1470	WWNN	Pompano Beach FL; promo "AM 14-70 WNN", generally dominant	F	0754	18/1	mah
1470	WWNN	Pompano Beach, FL; Steve Kane Show, ID in EE at toh	W/F	0450	25/1	RB
1470	WLAM	Lewiston ME; ESPN Radio; basketball highlight from affiliates	W	0749	4/1	PC
1470	WLAM	Lewiston ME; ESPN sports talk	W	0705	5/1	BD
1470	WLAM	Lewiston ME; ESPN programming. Advertisement for Gateway Auto Sales, 1876 Lisbon Street, Lewiston.	G	0231	6/1	AB
1470	WLAM	Lewiston ME; sports results "Sports (headlines?) every 20 minutes on ESPN Radio"	W	0500	7/1	JW
1470	WLAM	Lewiston ME; ESPN Radio with some sports & events	F	0655	9/1	Rha
1470	WLAM	Lewiston ME; alone on channel at 0910	W	0910	9/1	JF
1470	WLAM	Lewiston ME; ESPN Radio	232	0650	26/1	MvA

kHz	Callsign	Station, location; details heard etc	SIO	UTC	Date	Who
1470	WNYY	Ithaca NY; "Air America Radio" and "14-70 WNYY" heard (and dominant at 0300 with CNN news)	F	0020	24/1	PC
1470	CJVB	Vancouver BC; CC anns & English pops	443	0810	1/1	Rha-Fj
1470	CJVB	Vancouver BC (tentative); some English pops & Chinese announcements; at 0803 Chinese studio talk	W/Fpks	0809	9/1	Rha
1470	CJVB	Vancouver BC (pres); Chinese talk (YL) rising up above SS station for less than one minute.	Fpk	0219	24/1	PC
1470	CJVB	Vancouver BC; CC px, EE ID "This is the spirit of multicultural Vancouver, AM 14-70 CJVB, Fairchild Radio, Cable 103.3 FM"; also Fpks 0940 9/1, Fpks 0940 10/1	W/F	0900	25/1	mah
1470	XEAI	Radio Fórmula, México DF; studio talk, some music and 'Fórmula de la Noche' programme name mentioned at 0745 and 0814.	W	0814	1/1	AB
1470	XEAI	Radio Fórmula, Mexico City; OM YL chat, MOR mx & "Fórmula" network ID	W/F	0657	6/1	BD
1470	XEAI	Radio Fórmula, Mexico City; "Radio Fórmula" heard	F	0700	7/1	JW
1470	XEAI	R Fórmula, Mexico City; "Fórmula de la Noche" ID and Spanish love songs. Hanging on v weakly beyond 0900!	W	0745	9/1	JF
1470	XEAI	Radio Fórmula, Ciudad de México; la "Tercera Cadena Nacional ..."	F	0515	12/1	SM
1470	XEAI	Rádio Formula, Mexico City; "Radio Fórmula AM 14-70" and "Radio Fórmula presenta ..." xd WLAM	W	0200	24/1	RB
1470	XEAI	R Fórmula, México DF; "Fórmula de la Noche"; also F/G 0901 7/1, F/G 0817 12/1	W/F	0820	26/1	mah
1470	XEAI	Radio Fórmula, Mexico City; SS Mexican songs, ID	344	0714	27/1	MvA
1470	CX147	R Cristal del Uruguay, Las Piedras; OM ID, mentions of "futbol", usual happily sung jingle ID	W	0053	6/1	JF
1470	ZYJ616	R Rural AM de Parelhas; "A rádio da familia seridoense"	W/F	2359	10/1	RB
1470	ZYJ616	Rádio Rural AM de Parelhas;	F/G	0030	13/1	SM
1470	ZYJ616	R Rural de Parelhas, Parelhas; several IDs by OM, IDs ranging from "R Rural", "R Rural de Parelhas" and "R Parelhas". Local ads heard at 0118	vW	0015	16/1	JF
1470	ZYJ676	R Rondônia, Cacoal ; distinctive 'child and OM' ID at the top of the hour. UK FIRST?	W	0600	16/1	JF
1470	ZYJ676	R Sociedade Rondônia, Cacoal ; lots of music, infrequent TCs and a couple of IDs. The IDs used 'Rádio Rondônia' omitting the 'Sociedade'. Thanks to Jean Burnell for identification. UK FIRST?	Gpks	0602	16/1	AB
1470	HJT B	Ondas del Ibagué, Ibagué ; ID and short musical jingle prior to the top of the hour. Lucky to have just arrived on the channel to catch this before it faded out. Thanks to Henrik for spotting the ID. Rare.	W	0057	14/1	JF
1470	OAU4B	CPN R, Lima; ID over the top of the hour. Unusual to hear this so early. Thanks to Henrik Klemetz for listening and confirming my clip.	vW	2359	22/1	JF
1470	OAU4B	CPN, Lima; religious px in SS; preacher with Brazilian accent and address in Av. Venezuela 681	W/F	0540	25/1	RB
1470	OAU4B	CPN Radio, Lima ; SS light mx, song	322	0705	25/1	MvA
1470	YVSY	R Vibración, Carúpano; Unión R Noticias programme; not heard much recently	vW	0600	9/1	JF

kHz	Call sign	Station, location; details heard etc	SIO	UTC	Date	Who
1475		RTM Sabah Kota Kinabalu ; Malay music- fade out 1531UTC	232	1526	3/1	Rha-Fj
1480	WHBC	Canton OH; "14-80 WHBC" High school sports preview	W	0351	6/1	PC
1480	WSAR	Fall River MA; "We are 14-80 WSAR" then ABC News	W	0301	6/1	PC
1480	WSAR	Fall River MA; ads, promo "... number one home for news and talk 14-80 WSAR"; also Fpks 0904 21/1	W	0720	8/1	mah
1480	WSAR	Fall River MA (tent); OM in EE	W/F	0359	9/1	SM
1480	WSAR	Fall River MA; weather then ID	F	0603	18/1	JF
1480	WMDD	Fajardo PR (pres); SS anns, tlk about Puerto Rico	233	0810	5/1	Rha-Fj
1480	WMDD	Fajardo PR; "... noticias, deportes ..?... el tiempo y mucho mas y sobre todo la participacion de nuestra gente .. Tropical 14-80"	W	0405	6/1	PC
1480	WMDD	Fajardo PR; "Tropical" IDs and lively music. Over presumed WSAR	G	0044	8/1	JF
1490	WBAE	Portland ME; adverts, then several IDs "14 Hundred and 14-90 The Bay". Nostalgia	W	0022	8/1	JF
1490	WTKU	Atlantic City NJ; "TKU FM" ID heard so checked internet stream and heard a string of adverts in // for several minutes	W	2355	7/1	JF
1490	WTKU	Pleasantville NJ; programme trailer "Right here on Kool 98 3, TKU FM"	W/F	0057	8/1	PC
1490	WTKU	Pleasantville NJ; easy oldies, ads, ID "The new sound of Cool 98-3 TKU-FM"	Fpks	0843	21/1	mah
1494		Xinjiang RGD, China; // also 738 kHz; CC; infos & ID "Xinjiang Remin Guangbo Dientai"	242	1339	4/1	Rha-Fj
1500	KUMU	Honolulu HI ; first noted with weak peaks at 0934; then in and out of the noise with occasional fair peaks; tentative ID at 0952, then in fades at expected ID times until 1032 when a weak ID as "Kumu AM 1500, the voice of ..."; better ID a minute later "... on the issues that affect our island lifestyle, and is heard exclusively on Kumu AM 1500, the new talk of Honolulu"; clip: http://www.clashmore.mwcircle.org/audio/1500_KUMU_1033-1Jan07.mp3	Fpks	1032	1/1	mah
1500	WTWP	Washington DC; current affairs round table discussion	W/F	0555	??	BD
1500	WTWP	Washington DC; "Washington Post Radio"	W	0830	3/1	PC
1500	WTWP	Washington DC; reports	F	0530	4/1	BOC
1500	WTWP	Washington DC; "Washington Post Radio"	Fpks	0904	6/1	mah
1500	WTWP	Washington DC; end of a programme produced by Radio Netherlands for Washington Post Radio	F	0500	7/1	AB
1500	WTWP	Washington DC; "Washington Post Radio, WTWP"	F	2300	7/1	JF
1500	WTWP	Washington DC; talk on Iraq then ID "Washington Post Radio"	F	2330	7/1	JW
1500	XEDF	R Fórmula, México DF; SS tlk, anns, references to "la Colonia Roma" and "El Doctor Abel Cruz"; also W/P 0814 7/1	F	0823	12/1	mah
1500	XEDF	Radio Fórmula, México DF; Midnight legal ID followed by Mexican National Anthem	F	0600	26/1	AB
1500	XEDF	Radio Fórmula, Mexico City; SS salud px of doctor Avel Cruz	232	232	27/1	MvA
1500	HJUW	Radio María, Manizales; Holy Rosary in SS // 1320kHz and web	Fpks	0803	14/1	AB
1500	YVRZ	R Dos Mil, Cumaná; ID and references to Venezuela	F	2301	7/1	JF
1500	YVRZ	R Dos Mil, Cumaná; SS, love songs and Latin ballads; equal in the background religious speech from presumed R Santa Maria, Peru	W/F	0442	25/1	Rha

kHz	Call sign	Station, location; details heard etc	SIO	UTC	Date	Who
1500.0	UNID	in SS with endless rosario by female voice until 0530, then instrumental mx; as per their schedule would match with Radio María, Manizales but no IDs nor useful details where heard. Plus, their online stream was unavailable at that time! No luck.	W	0502	25/1	RB
1510	WWZN	Boston MA; ads then ID "Boston's Sports station 15-10 the Zone"	F	2324	1/1	JW
1510	WWZN	Boston MA; "Sporting News Radio"	W/F	0742	2/1	PC
1510	WWZN	Boston, USA, talks, much QRM	P	0533	4/1	BOC
1510	WWZN	Boston MA; ID heard in programme promo for the Tony Bruno Show: "Weekdays 9 to 1 on 1510 – the Zone"	F	0323	6/1	AB
1510	WWZN	Boston MA; sports	322	0022	10/1	MvA
1510	WWZN	Boston MA; "15-10 The Zone" ID and usual sports.	F	0100	11/1	JF
1510	WWZN	Boston MA; sports talk	W	2350	19/1	BD
1510	WWZN	Boston MA; the same sports info programme	W/F	0437	25/1	Rha
1510	WLAC	Nashville TN; "WLAC" ID made out at toth on busy frequency	W	0000	18/1	PC
1510	WLAC	Nashville TN; sports phone in and several IDs. Dominating WWZN!	F	0024	18/1	JF
1520	WWKB	Buffalo NY; tlks & infos of Buffalo's left channel	243	0021	1/1	Rha-Fj
1520	WWKB	Buffalo NY; toh legal ID "Buffalo's Left Channel, AM 15-20 WWKB Buffalo"	W	1000	1/1	AB
1520	WWKB	Buffalo NY; "Buffalo's Left Channel AM 15-20 WKKB"	F	2326	1/1	JW
1520	WWKB	Buffalo NY; "Buffalo's Left Channel, AM 15-20"	F	0833	2/1	PC
1520	WWKB	Buffalo NY; USA, talks	F	0525	4/1	BOC
1520	WWKB	Buffalo NY; still talking	W/F	0745	8/1	BD
1520	WWKB	Buffalo NY; "Buffalo's Left Channel" IDs. Ed Shultz Show	F	2352	17/1	JF
1520	WWKB	Buffalo NY; ads, ID	322	0631	18/1	MvA
1520	WVOZ	San Juan PR; single "Radio Voz" ID between SS music tracks	W/F	0819	5/1	PC
1520	WVOZ	San Juan PR; sports live and Gran Cadena IDs in SS	W	0220	10/1	RB
1520	WVOZ	R Voz, San Juan PR; Puerto Rican baseball: Los Gigantes de Carolina V Los Indios de Mayaguez. "llegando donde otros no llegan, al corazón del pueblo puertorriqueño" ID and ad for "El Vocero de Puerto Rico" newspaper. Fair at this time but weak when ID heard prior to 0100. Thanks to Henrik Klemetz for help	F	0035	15/1	JF
1520	HJLI	Vida AM Música Bogotá;	W	0555	??	BD
1520	HJLI	Vida AM Música, Bogotá; "Vida AM Música" ID in promo	W	0035	15/1	JF
1521		CRI Urumqi, China; Russian px	333	1335	??	MvA
1521		CRI Urumqi; Radio Peking RR service	W	1420	14/1	BD
1540	KXEL	Waterloo IA; promo/ID "... weekday mornings at 6 on News Talk 15-40 KXEL"	W/F	0757	9/1	mah
1540	WDCD	Albany NY; ID at top of the hour "15-40 WDCD Albany" ID heard between Big Ben chimes splatter	W	0000	1/1	JF
1540	WDCD	Albany NY; the Truth of Life ID & religious talk	233	0000	1/1	Rha-Fj
1540	WDCD	Albany NY; "Life 15-40 WDCD"	F	0814	2/1	PC
1540	WDCD	Albany NY; light Christian songs then OM with ID "WDCD Albany" then "WDCD" promo... Into light music and OM with "This is Jesus"	F	0058	8/1	JW
1540	WDCD	Albany NY; "Listen on-line ... wdc.com", light rlgms mx	F	0840	17/1	mah
1540	WDCD	Albany NY; religious studio talk	F	2340	17/1	BD

kHz	Callsign	Station, location; details heard etc	SIO	UTC	Date	Who
1540	WDCD	Albany NY; usual inspirational music and toh ID "Life 1540 WDCD Albany" – relatively late in the morning	W	0900	20/1	AB
1540	CHIN	Toronto ON; oriental programming over WDCD	G	2326	7/1	JF
1540	CHIN	Toronto ON; news in Ukrainian and IDs	W	0215	24/1	RB
1540	ZNS1	R Bahamas, Nassau; "... new dawn ... on Radio Bahamas" sung jingle ID between old standards	F	0012	1/1	JF
1540	ZNS1	Nassau, Bahamas; Steel band music. Song in praise of "Bahama-land". News piece about the Governor-General	F	0105	6/1	PC
1540	ZNS1	Nassau; "Good morning Bahamas"	F	0944	26/1	mah
1557		WYFR Family Radio, Kouhu, Taiwan; through the bible-readings & ID	F	1436	4/1	Rha-Fj
1557		WYFR Family Radio, Kouhu, Taiwan; hymn, from Mandarin to English ID "This is Family Radio", lessons of God & Lord praise	W/F	1403	9/1	Rha
1557		WYFR Kouhu, Taiwan; CC px, "familyradio.com" (also spelt out), IS at 1500, then into EE for "Open Forum"	Gpks	1352	22/1	mah
1560	WQEW	New York NY; Radio Disney	W	0819	2/1	PC
1560	WQEW	New York NY; R Disney, usual pop songs	P	0536	4/1	BOC
1560	WQEW	New York NY; Radio Disney pops	F	0654	5/1	JF
1560	ZYH520	Rádio Grande Rio, Itaguai ; "ZYJ501 1560 kHz Rádio Grande Rio AM, Rio de Janeiro, Brasil" heard. Recording http://paulc.mwcircle.org/1560.mp3 (tnx to Henrik Klemetz for help with ID); UK FIRST	W/F	2253	15/1	PC
1565.98	HLAZ	Jeju , Korea; local opera song (female) & choir with Korean anns between, followed the ID "HLAZ Jeju-Far East Broadcasting" in Korean	W/Fpks	1900	9/1	Rha
1566		AIR Nagpur, India; EE/V, Indian local songs & drum music	F	1455	4/1	Rha-Fj
1566		AIR Nagpur, India; EE news	343	1434	6/1	MvA
1570	WECU	Greenville NC; I lost my presumed recording from the previous morning – this time I was prepared and was able to confirm // webcast. Gospel music with organ accompaniment.	W	0920	7/1	PC
1570	CKMW	Winkler MB; "Country 15-70 CKMW"	F	0943	11/1	mah
1570	CFAV	Laval QC; songs, FF short talks	P	0540	4/1	BOC
1570	CFAV	Laval QC; "Bonsoir vous êtes a l'antenne(?) de Boomer 15-70" at toth then back to music	W/F	0300	8/1	PC
1570	CFAV	Laval QC; FF, some talk & pops	W/F	0450	22/1	Rha
1570	CFAV	Laval QC; light pop songs, FF ID "Radio Boomer AM 15-70"; also F/Gpks 0826 20/1	F/G	0738	22/1	mah
1570	TGVE	Radio VEA (Voz Evangélica de América), Guatemala; (tnx Henrik Klemetz) "44 años sirviendo a Dios ..." + tent. HJZT Radio Sensación, Manizales, Colombia	??	??	12/1	SM
1570	XERF	Ciudad Acuña; finally a single "La Poderosa" ID having listened to SS talk/music on and off for 30 minutes	W	0831	6/1	PC
1570	XERF	Cd Acuña; songs, SS promo for Ecos del Sierra "... por La Poderosa 15-70"; also F 0846 12/1	W/F	0803	7/1	mah
1570	XERF	Ciudad Acuña; YL with programme that seemed to be broadcasting a lot of telephone numbers, but clear OM with "La Poderosa" ID	Fpks	0519	23/1	AB
1575		Radio Farda, Al-Dhabbiya, UAE; news	222	2300	18/1	FW
1580	CKDO	Oshawa ON; 60s/70 music // webcast	W	0815	6/1	PC

kHz	Callsign	Station, location; details heard etc	SIO	UTC	Date	Who
1580	CKDO	Oshawa ON; sports // internet stream. Checked for several minutes. 100%.	W	0002	8/1	JF
1580	CKDO	Oshawa ON; oldies, jingle ID "Oldies – CKDO"	W/F	0912	20/1	mah
1600	WMNE	Riviera Beach FL; Radio Disney ID just before the top of the hour	W	0200	2/1	JF
1600	WUNR	Brookline MA; "This is WUNR Brookline"	W	0000	8/1	PC
1600	WUNR	Brookline MA; SS, at 0540 EE ID "This is WUNR Brookline"; continued w Spanish ethnic talk & another SS IDas "el mundo WUNR 1,600 AM"	W/fpks	0555	9/1	Rha
1610	CJWI	Montréal QC; FF Cajun style music then EE big band; FF announcer // webcast	W/F	2352	7/1	PC
1610	CJWI	Montréal QC; predominantly FF talk – heard reference to Caribbean football. toh ID "CPAM". Audible most of the night.	F	0200	25/1	AB
1610		Caribbean Beacon, Anguilla; religious talk about the Ark of the Covenant	W/F	0850	5/1	PC
1610		The Caribbean Beacon, The Valley, Anguilla;	W/F	0224	13/1	SM
1620	KSMH	Auburn CA; religious preaching & tlk in between choir px	W/Fpks	0650	21/1	Rha
1620	WNRP	Gulf Breeze FL; country mx, partial ID at 0759½ under WDHP "Music's all time tradition – Classic Country"; xf WDHP	W/Fpks	0758	9/1	mah
1620	WTAW	College Station TX; "Newstalk 16-20 WTAW College Station-Bryant", wiping out WDHP with BBC programming. Alan Comes Show at 0450, followed by C2C	F/G	0445	23/1	RB
1620	WTAW	College Station TX; "News Talk 16-20" Coast-to-Coast px	343	0728	25/1	MvA
1620	WDHP	Frederiksted, USVI; SS announcement at end of religious programme "La Gran Familia de Radio República"	F	2357	4/1	PC
1620	WDHP	Frederiksted, USVI; YL with ID "You are listening to WDHP ... in the United States Virgin Isles" followed by BBC News	F	0558	6/1	JW
1620	WDHP	Frederiksted, USVI; BBC WS rpts & tlk; ID "This is WDHP"	W/F	0600	9/1	Rha
1620	WDHP	Frederiksted, USVI; top of hour ID then BBC World News	W	0101	11/1	JF
1620	WDHP	Frederiksted, USVI; West Indies YL with "You are listening to WDHP 16-20 AM" ID & President Bush speech	W	0505	14/1	BD
1620	WDHP	Frederiksted, USVI; BBC news	252	0702	27/1	MvA
1630	WRDW	Augusta GA; sports time with reports &	W/Fpks	0713	9/1	Rha
1630	WRDW	Augusta GA; ID, John and Jeff Show	242	0649	3/1	MvA
1630	WRDW	Augusta GA; "News Talk Sport 16-30 WRDW Augusta"	W	0827	5/1	PC
1630	WRDW	Augusta GA; ID at the top of the hour. Mixing KCJJ.	vW	0000	18/1	JF
1630	KCJJ	Iowa City IA; wx, "A Happy New Year ... 16-30 KCJJ"	W	0922	1/1	mah
1630	KCJJ	Iowa City IA; jingle ID heard between pop tracks. Suddenly over WRDW	W	0008	18/1	JF
1630	KKGM	Fort Worth TX; religious talks by female voice and soft mx in background in clear // with their webstream http://www.kkgmam.com/final/index2.html Confirmed after clip reviewing via email by Jack Davis KKGM Program Dir. as "Moments of Scripture" with Jan Coleman"; peaked at 0505, faded at 0525	W	0435	23/1	RB
1630	KKGM	Fort Worth TX; rlg talk ID, Information Network News, mx	243	0655	24/1	MvA
1640	WTNI	Biloxi MS; Long trailer of ESPN Radio	F	0719	2/1	PC
1640	WTNI	Biloxi MS; promo "Mike and Mike in the morning" ID "ESPN Radio"	F	0737	3/1	JW
1640	WTNI	Biloxi MS; ESPN Sports	W	0720	5/1	JF

kHz	Callsign	Station, location; details heard etc	SIO	UTC	Date	Who
1640	WTNI	Biloxi MS; C2C talk programme	W/F	0708	9/1	Rha
1640	WTNI	Biloxi MS; ESPN sports talk	W	0720	22/1	BD
1640	WTNI	Biloxi MS; ESPN Radio IDs	W	0225	24/1	RB
1640	WTNI	Biloxi MS; ESPN Radio	343	0715	25/1	MvA
1640	WKSH	Sussex WI (presumed); Radio Disney, too poor for ID at toth	vW	0757	15/1	mah
1640	HI--	R Juventus Don Bosco, Santo Domingo; SS, choir songs - and ID "la ba vista"	W/F	2246	2/1	Rha-Fj
1640	HI--	R Juventus Don Bosco, Dom Rep; SS rlg px	322	0721	16/1	MvA
1640	HI--	Radio Juventus Don Bosco, Santo Domingo; rel in SS and "Radio Católica Mundial" anns. Gave a phone number, 93-301-3194 corresponding to a Cruzada Mariana office in Barcelona, Spain.	W	0455	23/1	RB
1640	HI--	R Juventos Don Bosco (presumed); SS religious programme	W	0453	25/1	Rha
1650	KWHN	Fort Smith AR; "This is Newstalk 16-50 KWHN" ID	vW	0632	2/1	JF
1650	KWHN	Fort Smith AR; talks, pop mx	232	0632	3/1	MvA
1650	KWHN	Fort Smith AR; C2C, weak promo at 0858 "... on 16-50 KWHN F ... - more information now at kwhn.com"	F	0847	23/1	mah
1650	WHKT	Portsmouth, VA; Radio Disney // 1560 kHz	W	0837	2/1	PC
1650	WHKT	Portsmouth VA; R Disney, pop songs, so many ids!	F	0625	4/1	BOC
1650	WHKT	Portsmouth VA; "Radio Disney" ad , mx	343	0628	6/1	MvA
1650	WHKT	Portsmouth VA; Radio Disney pop show	W	2350	17/1	BD
1650	WHKT	Portsmouth VA; "Radio Disney, Your Music, Your Way" ID	W	2350	17/1	JF
1650	WHKT	Portsmouth VA; R Disney pop music programme	W/F	0445	22/1	Rha
1650	UNID	two OM talk in EE, should be WHKT "The big H", Jollif Road, Virginia	W/F	0436	9/1	SM
1660	UNID	OM talk SS and IDs in EE, tentatively WGIT Canóvanas El Gigante, San Juan	W/F	0231	10/1	SM
1660	WCNZ	Marco Island FL; religious talk. "Relevant Radio" IDs at 0730	G	0710	2/1	PC
1660	WCNZ	Marco Island FL; ID "Relevant Radio for South West Florida "AM 16-60 and 14-10 AM" (not heard this additional frequency before)	F	0735	3/1	JW
1660	WCNZ	Marco Island FL; "Relevant Radio"	W	0728	5/1	JF
1660	WCNZ	Marco Island FL; religious talk & "Relevant Radio" ID tag	W	0558	6/1	BD
1660	WCNZ	Marco Island FL; closing announcement for "the Vatican Radio Hour - on Relevant Radio", followed by a promo to urge listeners to tune in to 1410 or 1660 AM throughout the day for the latest news from the Diocese of Venice	G	0457	7/1	AB
1660	WCNZ	Marco Island FL; "Relevant Radio"	343	0624	10/1	MvA
1660	WCNZ	Marco Island FL; business talk & politics	W/F	0447	22/1	Rha
1660	WCNZ	Marco Island FL; "Southwest Florida's Relevant Radio 16-60 and 14-10 AM", and toth ID "Radio that bridges the gap between faith and everyday life WMYR Fort Myers WCNZ Marco Island Naples" ; xd ESPN Radio	F/G	0644	22/1	mah
1660	WCNZ	Marco Island FL; "This is Relevant Radio"	F	0558	23/1	RB
1660	WWRU	Jersey City NJ; Talks in Asian language, id in EE	F	0700	4/1	BOC
1660	WWRU	Jersey City NJ; KK talk, spots & "...16-60 AM WWRU" ID	F	0600	6/1	BD
1660	WFNA	Charlotte NC; ESPN Radio	W	0755	4/1	PC
1660	WFNA	Charlotte NC; usual sports, mixing WWRU. Call letters heard in fade	W	0725	5/1	JF

kHz	Callsign	Station, location; details heard etc	SIO	UTC	Date	Who
1660	WFNA	Charlotte NC; ID "ESPN sports - Sports Radio 16-60 WFAN the franchise" followed by national sports & sports talk	F	0700	9/1	Rha
1660	WGIT	R Gigante, Canóvanas PR; Latin mx and full ID with affiliates. Booming in; also with baseball F/G 0115 24/1	G	0200	9/1	RB
1660	WGIT	Canovanas PR; SS, tlk and songs	243	0447	20/1	Rha
1670	WVVM	Macon GA; "Somos Viva 16-70" SS music	F	0712	2/1	PC
1670	WVVM	Dry Branch GA; Viva ID, SS song	242	0724	14/1	MvA
1670	WVVM	Dry Branch GA; SS spots & SS pops	W	2352	17/1	BD
1680	WLAA	Winter Garden FL; usual Mexican music and "Que Buena" IDs	W	0724	1/1	AB
1680	WLAA	Winter Garden FL; Many "la Que Buena" IDs. SS music and ads	F/G	0724	2/1	PC
1680	WLAA	Winter Garden FL; Mexican songs, "Que Buena" ID	W/F	0815	5/1	Rha-Fj
1680	WLAA	Winter Garden FL; Mexican mx & "Buena" ID tag. No EE toh ID now!	W	0600	8/1	BD
1680	WLAA	Winter Garden FL; SS "Que Buena 16-80" ID noted in passing	F/G	0802	10/1	mah
1680	WLAA	Winter Garden FL; "La que buena" ID. Lively Mexican rhythms, then a string of ads	vW	0323	17/1	JF
1680	WLAA	Winter Garden FL; SS, Mexican songs and "Que Buena" ID	F	0442	22/1	Rha
1680	WLAA	Winter Garden FL; SS "La Que Buena"	343	0731	27/1	MvA
1680	KRJO	Monroe LA; ads last one for "Criminal Justice" recruitment then OM with ID "KRJO 16-80". Gospel songs then song "Rejoice" more ads then another ID at 0751 "KRJO 16-80" – Personal First	F	0733	9/1	JW
1680	KRJO	Monroe LA; gospel mx, ID	333	0748	9/1	MvA
1680	WDSS	Ada MI; Radio Disney popmusic programme	W/F	0704	9/1	Rha
1680	WTTM	Lindenwold NJ; SS music EE ID "16-80 WTTM Lindenwold Philadelphia" then back to SS music	F	0600	4/1	JW
1680	WTTM	Lindenwold NJ; songs, legal ID in EE at 0658	F	0655	4/1	BOC
1680	HI--	Radio Senda, San Pedro de Macoris; SS; ID "Radio Senda", tlk	W/F	2230	2/1	Rha-Fj
1680	HI--	R Senda, San Pedro de Macoris (tentative); gospel in SS, xd WLAA "la que buena"; likely the same hrd by MvA	W	0420	9/1	RB
1680	HI--	Radio Senda, San Pedro de Macoris; SS rlg px, mx, songs, ID's and s/off 0438 w NA	343	0423	15/1	MvA
1690	WMLB	Avondale Estates GA; "The Voice Of The Arts" ID and classical music. Thanks to Max van Arnhem for spotting this.	vW	0706	3/1	JF
1690	WMLB	Avondale estates GA (presumed); classical Piano music for over 5 minutes!	W	0807	5/1	JW
1690	WMLB	Avondale Estates GA (pres); classical piano music	W/F	0845	5/1	PC
1690	WMLB	Avondale Estates GA; classical mx	W	0655	8/1	BD
1690	WMLB	Avondale Estates GA; mx CBS news, ID	252	0659	9/1	MvA
1690	WPTX	Lexington Park MD; talks, reports	F	0630	4/1	BOC
1690	WPTX	Lexington Park MD; ads, then YL with CNN news	W	0804	5/1	JW
1690	WPTX	Lexington Park MD; talk px	343	0643	6/1	MvA
1690	WPTX	Lexington Park MD; medical PSA about stroke, then toh ID "You're listening to Newstalk 16-90 WPTX Lexington Park"	W	0700	20/1	AB
1690	WPTX	Lexington Park MD; CNN rolling nx	W/F	0808	22/1	BD
1690	UNID	OM talk in EE, tentatively WPTX News talk, Lexington Park, Maryland.	W	0234	10-13/1	SM
1700	WEUP	Huntsville AL; hot gospel MX	W	0806	22/1	BD
1700	WJCC	Miami FL; SS preaching non-stop	W/F	2240	2/1	Rha-Fj

kHz	Call sign	Station, location; details heard etc	SIO	UTC	Date	Who
1700	WJCC	Miami Springs FL; Radio Television Cristiana	F	0730	3/1	PC
1700	WJCC	Miami Springs FL; EE/SS ID	232	0658	26/1	MvA
1700	KKLF	Sherman TX; "News at the top of the hour – 5-70 KLIF"	W	0757	10/1	PC
1700	KKLF	Sherman TX; "talk Radio" phonecall on UFO's	222	0714	15/1	MvA
1700	KVNS	Brownsville TX; many "La Preciosa" IDs between tracks	F	0823	6/1	PC
1700	KVNS	Brownsville TX; SS ID "KVNS 17 hundred AM Brownsville Texas" - nice Mexican songs	F	0602	7/1	BD
1700	KVNS	Brownsville TX (presumed); Mexican music and YL in SS	W	0500	10/1	JW
1700	KVNS	Brownsville TX; "ranchera" mx, many "La Preciosa" IDs, jingles and talk in SS	Gpks	0425	12/1	SM
1700	KVNS	Brownsville TX "La Preciosa" ID	343	0651	26/1	MvA
1700	KVNS	Brownsville TX; more 'La Preciosa' IDs than you can shake a stick at	F	0737	27/1	AB
1700	XEPE	Tecate; EE business news, "Cash 1700" ID	Fpks	0910	10/1	mah

Many thanks to the following reporters:

- AB Andrew Brade, Holme-on-Spalding Moor, East Riding of Yorkshire. AOR AR 7030 plus, 40m EWE at 290°, 305m beverage at 220°. Recording on Sony MZ-NH1 minidisc + Total Recorder.
- BD Barry Davies, Carlisle, Cumbria. AOR AR 7030, 130m longwire.
- BOC Giampiero Bernardini; Bocca di Magra (SP) Italy; SDR-14, CiaoRadio, Winradio G33EM; antenna Wellbrook LFL 1010.
- FW Friedhelm Wittlieb, Lünen, Germany. Satellit 700, KW-Loop and Martens frame antenna.
- GG Giampaolo Galassi, Italy. R75 and K9AY.
- JF John Faulkner, Sutton-in-Ashfield, Notts. AOR AR7030, Dream v1.6.38csv, ewe antenna.
- JW John Williams, Hemel Hempstead. AOR 7030 and 40m long wire.
- mah Martin Hall, Clashmore, Sutherland. NRD-545, RPA-1 preamp, beverages: 513m at 240°, unterminated; 506m at 290°, terminated; 588m at 315°, terminated; 550m at 340°, terminated.; TotalRecorder, Technics RS-BX404 cassette deck as backup.
- MvA Max van Arnhem, Hoenderloo, The Netherlands; AOR7030plus; Super KAZ 70,250 and 290 degrees
- PC Paul Crankshaw, Troon, Scotland, AOR AR7030, EWE, DREAM IF Filter, RecAll-Pro
- RB Renato Bruni, Parma, Italy. JRC525, K9AY.
- Rha Ronald Hagensen, Ottersberg, Germany. AOR 7030plus, 22m longwire in direction 315°, 28m longwire in direction 290° & Mizuho AT-2000 antenna coupler
- Rha-Fj Ronald Hagensen, DX 183, Fjerritslev, Denmark (31/12 to 6/1). Using Wilhelm Herbst's Yeasu FRG-7700, FRT preselector, and diverse beverages in various directions.
- SM Salvo Micciché, Ragusa, Sicily. WiNRADiO G313e – AOR 7030+, Wellbrook ALA 1530+

Now, a warm welcome to **Salvo** – it's very interesting to know what can be heard in Sicily. I hope this is the first of many contributions – mah.

John F writes: "I suppose my logbook is quite full on the face of it, but some would rightly argue that there is very little of any interest in it. I have simply tried to log everything I heard. Everything is upside-down: Quiet conditions are producing very poor North American reception while active or minor storm conditions are improving North American reception to a degree. Nothing makes sense anymore. 'Sod this for a lark, I'm going to take up hang-gliding instead!' ;0)".

Max notes: "Although bad conditions, still some nice loggings, especially from Texas. Also Radio Senda, with a very nice signal came through. Strange enough, I heard hardly any station outside

the X band”. **Renato** adds: “I had some time for DX, this month. Had also some luck, as both. Juventud and KKGGM are personal firsts”. **John W** tells us: “Nice to hear KRJO - a personal first”.

Paul C tells us: “Conditions improved slightly over the past few weeks, but still S America is far more evident than would be expected at this time of year. Signals to E Coast North America but it has been hard work getting beyond there - I wouldn't normally expect to go a whole month without hearing 760 WJR, for example. I had some problems with the EWE antenna during the month - in addition to being blown down twice in gales the nulling to the rear of the antenna was far less effective than it had been so difficult conditions were made worse by the additional noise. However, I seem to have got it up and running correctly now!”

Here in **Clashmore** the new year got off to a good start with my first reception of 1500 KUMU this season on New Year's Day, and propagation remained quite good to west coast North America, Alaska, and the prairies until the middle of the month, the best days being 1, 2, and 8-12, 25 and 28 Jan. However, conditions were less good to North America than might have been expected from the geomagnetic indices, and South American stations were coming in well on a good number of days in the month.

As regular readers and contributors will know, I'm keen that we recognise the need to differentiate stations with the same name on a frequency when more than one transmitter site is in use – we can't just assume it's the most powerful transmitter we're hearing. **Barry** has come up with a link that provides useful additional information on all the Mexican MW channels. I've taken an extract for 1470 kHz, where three “Radio Fórmula” stations are listed in WRTH - it shows the slogans used by each station, which may help differentiate them:

AM 1470	Slogan/Nombre	Plaza o Ciudad
XERCN	Radio Hispana	Tijuana, B.C.
XEBAL*	Radio Voz Maya de México	Becal, Camp.
XEAI	Metropoli Radio Fórmula	México, DF
XECAV	Stereo Imagen	Durango, Dgo.
XEIND*	Hidalgo Radio	Tlanchinol, Hgo.
XEACE	Radio Formula Mazatlan + 91.3 FM	Mazatlan, Sin.
XEHI	La Que Se Oye Aquí	Cd. Miguel Aleman, Tamps.

The full list may be found at http://www.mexicoradiotv.com/frec_am.htm

The **deadline** for the March DX Loggings is **Sunday 18th February**. I look forward to receiving your logs by then, preferably electronically/via e-mail using the Word pro-forma, which I can supply on request. Please remember that I don't automatically include loggings sent to the MWC e-List, so please copy me separately if you would like them included in DX Loggings.

73's Martin

Echten DXpedition, The Netherlands by David Onley

Here are some extracts from David Onley's DX-pedition report. The full article, including pictures, may be found at: <http://ozclog.googlepages.com/echtendxpedition>

January 19 – 22 2007 I ventured out of my comfort zone of Rijswijk in South Holland and drove up to Echten in the Drenthe Province via Utrecht and Zwolle. It had been a nightmare month and I must admit I drove up there with trepidation but nevertheless looking forward to the dx. This was my first dx outing since my month in Gove - Northern Territory (Australia) in July 2006.

I arrived in the sleepy village of Echten at 10:30am after the 2 hour journey from Den Haag. Yes I survived the battle of wits on the A4, A12, A27, A28 etc. Holland is certainly a pot-pouri of road networks and if you blink you can miss your turn-off and end up in Germany or Stringy Bark Creek. (Or in this case Canal).

Being early I decided on a Koffie Verkeerd in nearby Ruinen. A delightful village I had discovered a few weeks earlier. Ben Korbeeck the 'Ice Man' was the first to arrive at 11:45am and shortly after Han Hardonk, Marc van Gerwen and Bob Grevenstuk

The first job on the agenda was to get the antennas out. The previous few days in Holland we had endured destructive storms and the weather threatened to close in again. We put out 2 x 200 -250m beverage antennas towards Nth America. The blue beverage went out at about 300 degrees towards the East Coast of USA while my red beverage went out at 320 degrees and was more for the West Coast. During the weekend both antennas performed quite well and different signals were attainable, even though they were only a matter of 20 degrees apart.

In addition to the Bev's we had a Super Kaz antenna. And I can tell you that it was not only SUPER in name. The antenna was a wee ripper.

Finally On the last evening I ran a 500m BOG out towards South America however it was not that successful other than to hear a few interesting signals such as 590 and 1470 kHz. It would have been nice to get it up on poles and terminated properly.

Okay a few observations on the antennas: The Super KAZ was the star performer and when it came to Asia, ME and Australia it certainly pulled in the signals. On the first two nights we were able to reverse the direction of the antenna. We won't tell you that we forgot to change it back for the Nth Americans on the last evening.

930 kHz is a big mystery for me hearing French in the evening 2107 and again in the morning 0606. I presumed it was a FF Canadian but Ben Korbeeck thinks otherwise which then leaves the Caribbean / Central American French countries.. or of course something new. It could well be something exotic like Haiti or Guadeloupe.

1320 2234 CKEC Radio New Glasgow NS was tough and the ONLY Canadian I heard on the trip. Lots of oldies like Doris Day and Eddie McMillan. Very happy with that.

1690 0617 WMLB Avondale Estates GA. Voice of the Arts with classical mx.

1690 0627 WPTX Lexington MD.

1680 0623 WLAA Winter Gardens FL

1670 0602 WVVM Dry Branch GA,

1660 0704 WWRU NJ with Relevant Radio. Dominant station on this channel

1660 0749 WFNA Charlotte NC. ESPN

1650 0740 WHKT Portsmouth VA. Disney.

1640 0733 WTNI Biloxi MS. ESPN

1630 0655 WRDW Augusta GA,

1620 0347 WDHP Virgin Islands. Great ID "Virgin Islands AM" Song: Peace Train. BBC at 0500

1620 0501 KOZN NE ESPN.

1560 0801 WQEW New York. Radio Disney

1510 0346 WWZN Boston. NBA basketball. Ads for hair tonic. ID as "Boston's The Zone"

1645 1305 Radio James Bond

1620 0908 Shadow Hunter (Dutch Pirate)

1575 1629 Radio Farda

1566 1542 AIR Nagpur - Nice signal at times. No sign of Sth Korea.

1521 1502 Duba Monster of a signal // 594, 585.

1521 1630 CRI Urumqi which was huge at times as well.

1476 1620 Lamphun Thailand (50kw)

1242 1607 Voice Of Vietnam. Only briefly but them.

594 1502 Call to Prayer // 585 1521

585 1505 Call to Prayer // 594, 1521

VERIFICATIONS SECTION

✉ 59 Moat Lane, Luton, Bedfordshire LU3 1UU, UK

with Clive Rooms

e-mail: verifications@mwcircle.org ☎ 01582 598989

Station	kHz	A	B	C	who	Station	kHz	A	B	C	who		
<u>Armenia</u>						<u>Kyrgystan</u>							
VoR Gavar	1377	cd	no	49	SS	TWR Bishkek	<u>5</u>	1467	cd	no	28	SS	
Yerevan	1395	cd	no	91	SS	<u>Mexico</u>							
<u>Canada</u>						XEPE Tijuana	<u>6</u>	1700	e	no	10	VS	
CHNS Halifax NS	960	lt	no	150	SS	<u>Pakistan</u>							
CKLC Kingston ON	<u>1</u>	1380	e	no	HR	RP Rawalpindi	1152	cd		45	HR		
CKDO Oshawa ON	1580	e	no	2	HR	RP Lahore	1332	cd		45	HR		
<u>France</u>						<u>Puerto Rico</u>							
Paris	1062	lt	no	28	SS	WKAQ San Juan	580	e		30	HR		
<u>Germany</u>						WVOZ San Juan	1520	lt	no	56	SS		
MDR Info Leipzig	<u>2</u>	783	cd	no	76	VS	<u>Switzerland</u>						
BR Bayern 1	<u>3</u>	810	e	no	14	VS	RSR Sottens	7	765	cd	no	72	VS
<u>India</u>						<u>USA</u>							
AIR Indore	<u>4</u>	648	cd		30	HR	WTAM Cleveland OH	1100	lt		70	MvA	
AIR Jammu	<u>4</u>	990	cd		30	HR	WKAT Miami FL	1360	lt	no	42	SS	
<u>Iran</u>						WOND Pleasantville NJ	1400	lt	no	63	SS		
IRIB Hamadan	981	cd	no	85	SS	WPSL Pt St Lucie FL	<u>8</u>	1590	lt		15	GB	
IRIB Makshahr	1080	cd	no	85	SS	KVRI Blaine WA	1600	lt		45	HR		
R Payam Tehran	1188	cd	no	85	SS	WNRP Gulf Breeze FL	1620	cd		18	MvA		
IRIB Khalkhal	1269	cd	no	85	SS	KWHN Ft Smith AR	1650	lt	no	42	SS		
IRIB Gorgan	1539	cd	no	85	SS	WFNA Charlotte NC	1660	cd	\$1	21	MvA		
						WWAA Atlanta GA	1690	lt	no	77	SS		

A= what was received; B= what return postage was sent; C = days to get a reply

Notes:

- 1 Needed a follow-up reception report.
- 2 e-mail report sent to techinfo@brnet.de
- 3 The address on the QSL is MDR, Betriebsdirektion, RF Ubertragungs-/Sendertechnik, Kantstrasse 71-73, 04275 Leipzig.
- 4 The V/S is the Director Spectrum Manager & Synergy at the New Delhi HQ.
- 5 Postfach 141, A-1235 Vienna.
- 6 blipis@earthlink.net
- 7 Vince sent an email and a letter and he's not sure which one worked! Address on the QSL is Ave du Temple 40, 1010 Lausanne.
- 8 Giampiero sent an audio clip and was rewarded with a personal letter, post card and large sticker. 4100 Metzger Road, FL 34947.

Verification Signers

WPSL-Joel Traynor, Chief Engineer
Paris 1062-Bertrand Beuf, Producer
WVOZ-Margarita Nazario, Gerente
WWAA-Gil Moor

XEPE-Bill Lipis
TWR-Bett Chick
WOND-John Ford, General Manager

Contributors

VS-Vince Stevens in South Africa, SS-Stefan Schliephacke in Germany, HR-Hannu Romppainen in Finland, MvA in the Netherlands and GB-Giampiero Bernardini in Italy. Many thanks to one and all.

Patrick Martin in Oregon reports QSLs from a couple of South Korean stations which can be heard here in the UK and Europe. 1188 HLKX sent a beautiful colour photo QSL of the transmitter site. The v/s was Karen Chase, the English language Secretary. The address is FEBC, MPO Box 88, Seoul 121-707. 1566 HLAZ also sent a similar QSL from the same address and the same v/s.

Here's a few recent v/s (verification signers) of stations that are quite often logged here in the UK and Europe.

1310 CIWW – Terry McDougall, Regional Engineering Manager
1380 CKLC – Dan Mellon, Programme Director
1460 CJOY – Larry Mellot, Programme Director
1460 WHICH – William Halas, Chief Engineer
1510 KGA – Rebecca Mack
1510 WWZN – Jon Anik, Programme Director
1640 WTNI – Keven (Special K) Harris, Promotions Director
1660 WGIT – Olga Rosario
1680 KRJO – Russell Kendrick, Chief Engineer

That's just about it for another month. The Verifications Section, as with all the other sections in MWN, could do with some more support. If you do send out reception reports to stations, how about sharing your QSL info with the rest of us? As soon as I get enough material for another page or two, I'll be back with another VS. Until then – 73s Clive

