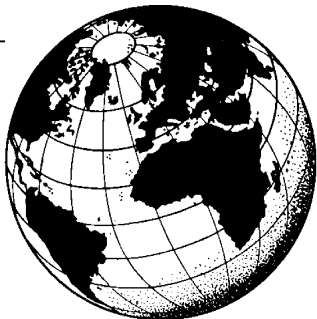
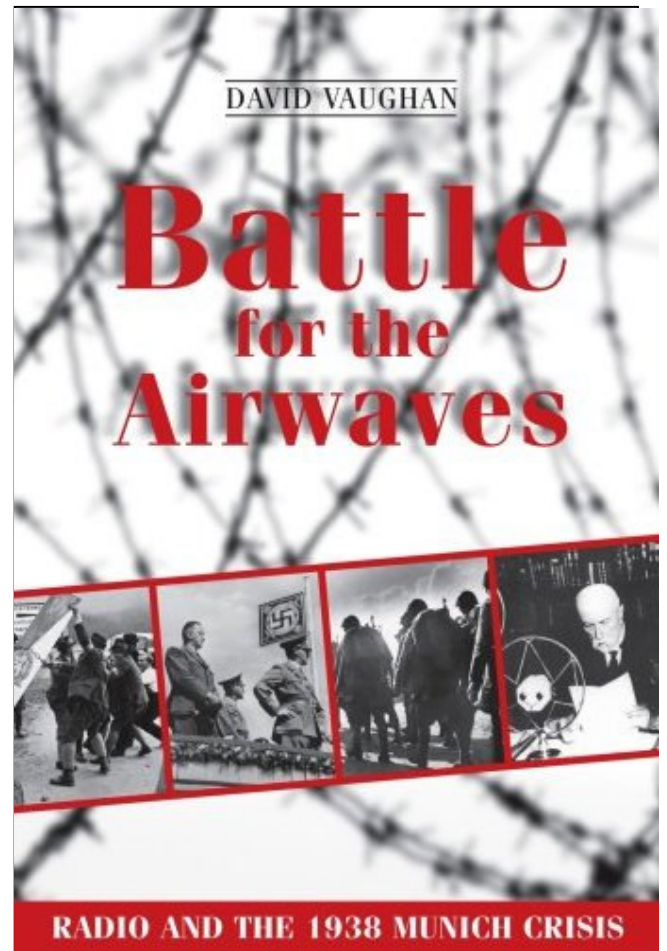


MEDIUM WAVE NEWS

MEDIUM WAVE CIRCLE

January 2009 Volume 54 No. 8



- ♣ *Sunspot minimum?*
- ♣ *2009 membership rates*
- ♣ *Eton E100 shootout part II*
- ♣ *Hawaii returns to Scotland*
- ♣ *Ultralight pioneer honoured*
- ♣ *Radio history; 80 yrs ago*

Hon. President*	Bernard Brown, 130 Ashland Road West, Sutton-in-Ashfield, Notts. NG17 2HS	
Treasurer/ Secretary*	Clive Rooms, 59 Moat Lane, Luton LU3 1UU ☎ 01582-598989 (after 1800 hours)	(all general club enquiries) treasurer@mwcircle.org
MWN General Editor*	Steve Whitt, Landsvale, High Catton, Yorkshire YO41 1EH ☎ 01759-373704	mwneditor@mwcircle.org (editorial & stop press news)
Membership Secretary	Paul Crankshaw, 3 North Neuk, Troon, Ayrshire KA10 6TT ☎ 01292-316008	membership@mwcircle.org (all changes of name or address)
MWN Despatch	Peter Wells, 9 Hadlow Way, Lancing, Sussex BN15 9DE ☎ 01903 851517	despatch@mwcircle.org (printing/ despatch enquiries)
Publications	Clive Rooms	contact@mwcircle.org (all orders for club publications & CDs)
MWN Contributing Editors (* = MWC Officer; all addresses are UK unless indicated)		
DX Loggings	Martin Hall, Glackin, 199 Clashmore, Lochinver, Lairg, Sutherland IV27 4JQ ☎ 01571-855360	dxlogs@mwcircle.org
Mailbag	Herman Boel, Papeveld 3, B-9320 Erembodegem (Aalst), Vlaanderen (Belgium) ☎ +32-476-524258	mailbag@mwcircle.org
Home Front	John Williams, 100 Gravel Lane, Hemel Hempstead, Herts HP1 1SB ☎ 01442-408567	homefront@mwcircle.org
Eurolog	John Williams, 100 Gravel Lane, Hemel Hempstead, Herts HP1 1SB	
World News	Ton Timmerman, H. Heijermanspln 10, 2024 JJ Haarlem, The Netherlands	world-news@mwcircle.org
Beacons/Utility Desk	Andy Robins KB8QGF, 1529 Miles Avenue, Kalamazoo, MI 49001, USA ☎	utility@mwcircle.org
Central American Desk	Tore Larsson, Frejagatan 14A, SE-521 43 Falköping, Sweden ☎ +46-515-13702 fax: 00-46-515-723519	ca-news@mwcircle.org
S. American Desk	Tore B Vik, Post Box 88, NO-1851 Mysen, Norway ☎ +47-69891192	sa-news@mwcircle.org
N. American Desk	Andrew Brade, Sand Gap, Bursea, Holme-on-Spalding Moor York YO43 4DF	na-news@mwcircle.org
Verifications	Clive Rooms, 59 Moat Lane, Luton LU3 1UU	verifications@mwcircle.org
KEEP IN TOUCH	Internet: MWC Web site e-mail news service:	http://www.mwcircle.org FREE service for members; e-mail postmaster to join
Webmaster		webmaster@mwcircle.org
Postmaster	Rémy Friess	postmaster@mwcircle.org

STOP PRESS:

This month we'd like to extend a warm Circle welcome to the following new members: Peter Hendrickx, Tremelo, Belgium; Lucas Tius, Italy; Chris Player, Norfolk; Hugo Matten, Veurne, Belgium; Steven Overall, London; Paul Swain, Wilmslow (re-join).

WELCOME TO THE CIRCLE!!

Stop Press Deadlines:	30 th January for February 2009	28 th February for March 2009
-----------------------	--	--

Cover illustration: "Battle for the Airwaves" by David Vaughan
--

Medium Wave News is published 10 times a year by the Medium Wave Circle

© 2009

EDITORIAL

with Steve Whitt

✉ Landsvale, High Catton, Yorkshire YO41 1EH
e-mail: mwneditor@mwcircle.org . ☎ +44-1759-373704

The last few weeks have continued to produce some great DX for listeners in Europe & elsewhere, so we make no excuse for a bulging column from Martin Hall. This month trans-polar reception of Hawaii has returned for Martin Hall who now has three Hawaiian stations logged in Scotland! It seems as KBRW Alaska is being heard by everyone (except me!). Also this month we welcome back Andy Robins. Below you will also find advance news about 2009 membership rates.

MWC CDs prices reduced

Clive informs us that he's able to cut the price of most Circle CDs as follows:

Single CDs, the new prices are: £4/8 Euros/\$10

Double CDs, the new prices are: £7.50/12 Euros/\$16

For the Landbased Pirates triple set, the new price is: £10/16 Euros/\$20

The prices for the following CDs remain unchanged: Sony ICF2001; R Caroline double CD; Laser 558 double CD

Full details of CDs are on the Circle website www.mwcircle.org where CDs can be ordered safely on line. (New prices will be on line shortly.)

Online recommendations

Five minute video on America's most dangerous job, radio/TV tower work:

<http://tinyurl.com/TowerWork>

Virtual radio transmitter site tours courtesy of Jim Hawkins' "Radio Room:"

<http://hawkins.pair.com/radio.html>

Welcome Paul Swain

I thought I say a familiar name amongst this month's list of new members, but an e-mail from Paul soon confirmed my thoughts, "I have actually re-joined after about 30 yrs. I was an active MW DXer in the 1970s and for a time edited the Verifications Section of MWN for Ken Brownless.

I cannot remember my membership no. - It might still be on record somewhere.

Bringing up a family and a change to a poor MW DXing QTH resulted in any limited spare time I could give to radio activities being spent obtaining and using my G8OJJ then G4GXQ call signs.

More recently my eldest son got interested in MWDX and encouraged me to start listening on MW again."

Welcome back to the Circle – once the bug bites it rarely lets go!

Important News: Circle Membership Rates

For the last 15 years membership fees for the Circle have been frozen which is quite an amazing feat in the face of continuing inflation. Unfortunately, last year postage rates were increased by the Royal Mail here in the UK and this is going to happen again in April 2009. UK rates are increasing by around 11%.

Consequently, this year we have to bring you advance notice that some membership rates will have to change. – **DOWNWARDS!!**

This year despite imminent postal increases we will be freezing membership rates for UK members because we will be taking steps to minimise the impact of the postage increase. Meanwhile, rates for our European members will come down significantly because of recent dramatic changes in the £/Euro exchange rates. Since the Summer of 2008 the £ has devalued by over 25% relative to the Euro.

Last year a 2 year European Circle membership was 50Euros; this year it will be 40Euros, a 20% reduction! If you live anywhere in Europe (the EU and the following countries/territories: Albania, Andorra, Armenia, Azerbaijan, Belarus, Bosnia Herzegovina, Canary Islands, Croatia, Faroe Islands, Georgia, Greenland, Iceland, Kazakhstan, Kosovo, Kyrgyzstan, Liechtenstein, Macedonia, Moldova, Montenegro, Norway, Russia, San Marino, Serbia, Switzerland, Tajikistan, Turkey, Turkmenistan, Ukraine, Uzbekistan, Vatican City State) then now must be the best time to renew for 2 or 3 years.

FULL membership for European members SAVE up to 33%

1 year – £16/30 Euro (unchanged)

2 years - £30/40 Euros PAY in Euros & **SAVE 33%** on 1 year rate

3 years - £45/65 Euros

Full membership for the UK and Rest of the World remains unchanged.

Electronic membership (worldwide)

1 year – unchanged
Euros/\$30

2 years + 2 months - 15 Euros/\$20

3 years + 4 months - 25

Full details and renewal forms will appear as usual with February MWN. In the meantime why not pass on this good news to your friends in Europe who might like to take advantage of the exchange rates to join the Circle at the best rates for perhaps 20 years!

Publication NRC AM Radio Log, 29th Edition

The 29th Edition of the definitive printed list of all MW stations in the USA/Canada is available. The NRC AM Radio Log is unbound and threehole punched for standard binders.

Media Rate: \$25.95 to U. S. non-members; \$28.95 to Canadian non-members; add \$3.00 for Priority Mail. Airmail to all outside of USA/Canada: \$32.00. Canadian orders: PayPal or postal M. O. only. Order from: NRC Publications - P.O. Box 473251, Aurora CO - 80047-3251, or via www.nrcdxas.org. (CO residents, please add 3.5% sales tax.)

Gary Debock honoured by ultra-lighters

[From John Bryant,] - As the second year of the exciting Ultralight radio (ULR) hobby began, it was fitting to honour the DXer who started it all - Gary DeBock of Puyallup, Washington. On Friday night, November 21, 2008, Gary was honoured as the surprised recipient of an attractive, framed "Founders Award", beautifully designed and framed by John Bryant and presented by Guy Atkins on behalf of all ULR enthusiasts.

Gary's initiative, drive, and enthusiasm has given dozens and dozens of DXers new-found excitement for DXing. His reception of Japanese stations JOIB (747 kHz) and JOAK (594 kHz) in Puyallup on November 20, 2007 lit a fire in Gary, and he has done all he can to share the excitement with others since then. Gary's numerous articles on Ultralight radio and many upbeat, helpful forum postings and emails have encouraged DXers to push the boundaries of what UL radios can accomplish. His discovery of the "slider coil" technique provided a simple way to

greatly boost the sensitivity of small radios, helping to make them capable of eyebrow-raising DX formerly expected only of communications receivers.

The Founder Award, individually signed by 13 Ultralight DXers is inscribed “

GARY DEBOCK, FOUNDER

IN APPRECIATION FOR HIS SEMINAL RECEPTION OF JOIB, SAPPORO, JAPAOUR GRATITUDE TO ITS FOUNDER, GARY DEBOCK OF PUYALLUP, WA

[13 signatures]

AND THE ONE HUNDRED OTHER MEMBERS OF THE ULTRALIGHTDX INTERNET GROUP

Gary, thank you for almost single-handedly starting a new niche of the DXing hobby, and for your enthusiasm that has spread around the world in only a year!



Grimeton SAQ report

Lars/SM6NM has sent a preliminary report on the SAQ transmission made on Christmas Eve at 08:00 UTC and 08:30 UTC on 17.kHz. Reception was confirmed by 143 listeners in 21 countries, including east coast USA & Canada:

Canada	Greenfield, Nova Scotia	<u>RST599</u>	VE1VDM/ Vernon Matheson	Antenna 1200' longwire. Best I have ever heard it
--------	-------------------------	---------------	-------------------------	---

WWVB occasionally goes off the air

The time and frequency station that synchronizes radio-controlled clocks and wristwatches across the U.S. is WWVB, 60 kHz, near Fort Collins, Colorado. The station broadcasts with two antennas and two transmitters for reliability but still drops off the air on occasion. That was the case on December 11, 2008 from 11:36 AM to 12:17 PM PST and we asked what happened.

It turns out that winds of about 50 MPH or more physically move WWVB's wire antennas enough to upset the impedance match to the transmitters. Even though an automated tuning system is in place, it can't keep up with rapid reactance shifts caused by big winds according to the facility manager.

The best solution for WWVB in the presence of high winds is to assign an operator (when possible) to manually correct the antenna reactance, just the way a board operator "rides gain" on audio from a live stage production. An operator can react faster than the present automated impedance controller.

During normal operation, WWVB transmits 24 hours per day, seven days a week, providing the nation with reliable time and frequency information. CGC uses WWVB to synchronize its master oscillator which is then used in CGC's frequency measuring service. (GPS is not authorized for this purpose; see FCC Rule 73.1540(c).)

To learn much more about WWVB, visit: <http://tf.nist.gov/stations/wwvb.htm>

Written by Robert Gonsett, W6VR, December 15, 2008 courtesy The CGC Communicator newsletter #872)

Happy New Year

Good listening in 2009

73s *Steve* .

MAILBAG

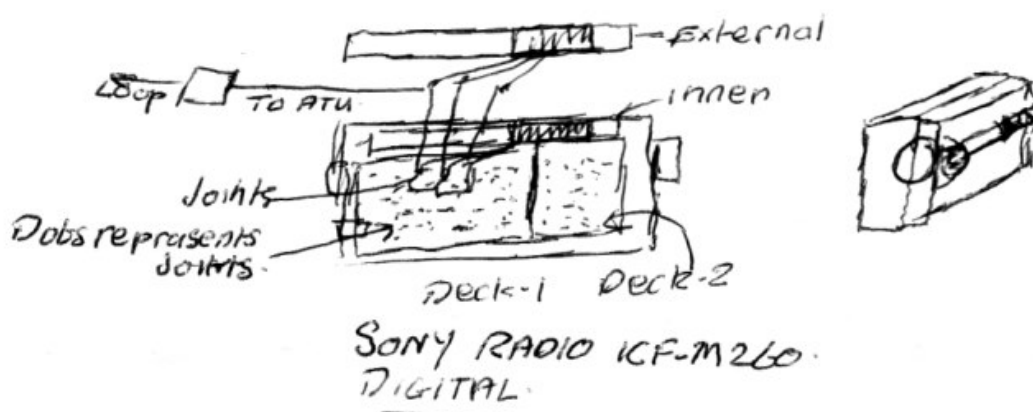
Papeveld 3, B-9320 Erembodegem (Aalst), Vlaanderen (Belgium)
with Herman Boel e-mail: mailbag@mwcircle.org ☎ +32-476-524258

John Robert Sadler has sent in another letter with information on his antenna experiments

“Just thought I’d drop a line. I have been experimenting with a 40mtr wound loop Home Brew ATU. I then went a stage further in modifying my Panasonic to run a loop and ATU. Then I saw the projects in MWNews using loopsticks for lightwards, so I had a go at adding a loopstick extra to my Sony with a length of wire hooked up to my ATU.

I had to make careful solder joint to which I taped three contact points using three short lengths of litz wire. I then positioned the stick on the back of the Sony. The results are beginning to pay off.”

Here is an image of John’s set-up:



Thanks for the info, John.
73 - Herman -

IONOSPHERIC REPORT

from U.S. Dept. of Commerce, NOAA, Space Environment Center

Daily Geomagnetic Data

Date	Middle Latitude -- Fredericksburg --								High Latitude ---- College ----								Estimated ---- Planetary ----																				
	A		K-indices						A		K-indices						Ap		K-indices																		
2008 11 30	1	0	0	0	0	1	1	1	0	0	0	0	0	0	0	0	0	1	1	0	0	0	0	0	0	0	0	0	0	0	0	0	0	0			
2008 12 01	0	0	0	0	0	0	0	0	0	0	0	0	0	0	0	0	0	0	0	0	0	0	0	0	0	0	0	0	0	0	0	0	0	0			
2008 12 02	0	0	0	0	0	1	0	0	0	0	0	0	0	0	0	0	0	0	0	0	0	0	0	0	0	0	0	0	0	0	0	0	0	0			
2008 12 03	4	1	1	1	1	1	1	1	2	4	0	0	0	0	2	3	1	1	4	0	1	1	0	1	2	1	2	1	2	1	2	1	2	1	2		
2008 12 04	4	1	2	1	2	2	1	0	0	20	1	3	2	6	5	2	1	0	6	1	3	1	2	2	1	0	1	0	1	0	1	0	1	0	1		
2008 12 05	7	1	1	1	3	2	2	1	3	24	0	1	5	6	3	4	3	2	10	1	1	2	4	2	3	2	1	1	1	1	1	1	1	1	1		
2008 12 06	14	4	4	3	2	2	3	2	1	26	3	3	4	6	4	4	3	1	7	2	3	3	3	0	2	1	0	1	0	1	0	1	0	1	0		
2008 12 07	6	1	2	1	3	2	2	1	0	11	1	2	1	5	3	2	2	0	6	0	2	1	3	2	1	1	0	1	0	1	0	1	0	1	0		
2008 12 08	1	1	1	0	0	0	0	0	0	1	1	0	0	2	0	0	0	0	5	0	1	1	1	2	3	2	0	0	0	0	0	0	0	0	0		
2008 12 09	1	0	0	0	0	0	1	1	0	0	0	0	0	0	0	0	0	0	0	0	0	0	0	0	0	0	0	0	0	0	0	0	0	0	0		
2008 12 10	2	0	0	0	0	1	1	1	2	2	0	0	0	1	1	0	1	1	2	0	0	0	0	1	1	0	2	0	0	0	0	1	1	0	2	0	
2008 12 11	4	1	1	1	1	1	2	1	1	4	0	0	1	1	2	2	1	0	3	1	1	1	1	1	1	0	1	0	1	0	1	0	1	0	1	0	
2008 12 12	2	1	0	0	1	2	1	0	1	3	0	0	0	2	3	0	0	0	2	1	0	0	1	1	1	0	1	0	1	0	1	1	1	0	1	0	
2008 12 13	1	1	1	0	0	0	0	0	0	0	0	0	0	0	1	0	0	0	1	1	1	0	0	0	0	0	0	0	0	0	0	0	0	0	0	0	
2008 12 14	1	1	0	0	0	0	0	1	0	0	0	0	0	0	0	0	0	0	0	1	0	0	0	0	0	0	0	0	0	0	0	0	0	0	0	0	
2008 12 15	1	1	1	0	0	0	0	0	1	0	0	0	0	1	0	0	0	0	1	1	0	0	0	0	0	0	0	0	0	0	0	0	0	0	0	0	
2008 12 16	4	1	1	0	1	1	1	2	2	2	0	0	0	1	1	1	1	1	4	0	1	1	0	1	0	1	2	1	1	1	1	1	1	1	1	1	
2008 12 17	3	2	2	1	0	1	1	1	0	6	1	1	2	1	3	3	0	0	5	2	2	1	0	1	2	1	1	1	1	1	1	1	1	1	1	1	
2008 12 18	0	0	0	0	0	0	0	0	0	0	0	0	0	0	1	0	0	0	1	0	0	0	0	0	0	1	1	0	0	0	0	0	0	1	1	0	
2008 12 19	2	0	0	0	2	1	1	0	1	3	0	0	1	2	2	1	0	0	3	0	0	1	1	1	1	0	1	0	1	0	1	1	1	0	1	0	
2008 12 20	2	0	0	1	1	1	0	1	0	3	0	0	1	1	2	2	0	0	2	1	0	0	0	1	0	0	1	0	0	1	0	0	1	0	0	1	
2008 12 21	1	1	1	1	0	0	0	0	0	0	0	0	0	0	0	0	0	0	2	1	0	1	0	0	0	0	0	0	0	0	0	0	0	0	0	0	
2008 12 22	3	0	1	0	0	0	3	1	1	4	0	0	0	0	0	3	3	1	4	0	1	0	0	0	3	2	1	0	0	0	3	2	1	0	1	0	
2008 12 23	8	1	3	1	2	2	2	2	3	11	1	3	1	3	3	4	2	2	9	2	3	1	2	2	2	3	2	1	1	1	1	1	1	1	1	1	
2008 12 24	5	2	2	2	2	1	1	1	0	5	2	1	2	3	1	1	0	0	5	2	3	1	2	1	1	1	1	1	1	1	1	1	1	1	1	1	
2008 12 25	2	0	0	0	1	1	1	1	1	3	0	0	0	1	3	1	1	1	3	0	0	0	1	2	1	1	1	0	0	0	0	0	0	0	0	0	0
2008 12 26	2	1	1	0	0	1	1	1	1	0	0	0	0	0	0	0	0	0	1	1	0	0	0	0	0	0	0	0	0	0	0	0	0	0	0	0	
2008 12 27	1	1	0	0	0	0	0	1	1	0	0	0	0	0	0	0	0	0	1	1	0	0	0	0	0	0	0	0	0	0	0	0	0	0	0	0	
2008 12 28	1	1	0	0	0	0	1	0	0	1	0	0	0	2	1	0	0	0	2	1	0	0	0	1	1	0	0	0	0	0	1	1	0	0	0	0	
2008 12 29	1	0	0	0	0	0	1	1	0	0	0	0	0	1	0	0	0	0	0	0	0	0	0	0	0	0	0	0	0	0	0	0	0	0	0	0	
2008 12 30	1	0	0	0	0	0	1	0	1	0	0	0	0	0	0	0	0	0	1	0	0	0	0	0	0	0	0	0	0	0	0	0	0	0	0	0	
2008 12 31	8	3	2	3	2	2	2	1	1	13	1	3	3	5	2	2	1	2	10	3	3	3	3	2	1	2	2	1	2	2	1	2	2	1	2	2	
2009 01 01	5	1	2	2	2	1	1	1	1	12	1	1	4	4	4	2	0	0	6	1	2	3	3	2	1	0	1	0	1	0	1	0	1	0	1	0	

Short term Forecast

UTC Date	Radio Flux 10.7 cm	Planetary A Index	Largest Kp Index
2009 Jan 05	70	5	2
2009 Jan 06	70	5	2
2009 Jan 07	70	5	2
2009 Jan 08	70	5	2
2009 Jan 09	70	5	2
2009 Jan 10	70	5	2
2009 Jan 11	70	5	2
2009 Jan 12	70	5	2
2009 Jan 13	70	5	2
2009 Jan 14	70	5	2
2009 Jan 15	70	5	2
2009 Jan 16	70	5	2
2009 Jan 17	70	5	2
2009 Jan 18	70	8	3
2009 Jan 19	70	8	3
2009 Jan 20	70	5	2
2009 Jan 21	70	5	2
2009 Jan 22	70	5	2
2009 Jan 23	70	5	2

SUNSPOT MINIMUM:

The latest figures suggest that the smoothed sunspot minimum occurred in July 2008. The current sunspot figures are approximately double those of last summer.

RADIO HISTORY - 1928

with John Williams

From The Times May 4, 1928

BROADCASTING IN AMERICA - A COMPARISON WITH THIS COUNTRY.

(FROM OUR NEW YORK CORRESPONDENT.) American radio programmes may justly be compared to quartz. The genuine metal is there, but it requires careful tuning-in to separate it from the ore. The reason is that radio has followed a very different history in the States compared with its progress in England. No central organization took broadcasting in hand; that would have been to create a monopoly repugnant to the American mind. Instead, any person under certain limited conditions was allowed to erect a broadcasting station. Further, the public was not required to obtain a receiving licence.



People bought their sets and began to tune-in, selecting from among the wide variety of programmes offered them - those items which appealed most to their individual tastes. This explains the whole trend of broadcasting in the States. It explains the shortcomings of the programmes and their excellences.

Looking around for means to make their stations profitable, radio companies found that advertising was their only source of revenue. The business world, delighted with a new idea, took energetically to the present practice of supplying items for the radio. Solos, quartets, one-act plays, every sort of entertainment that would occupy from 15 to 20 minutes, were introduced by business firms for the pleasure of the public, with the careful proviso that the firm's name and address should be mentioned before and after the entertainment.

Listen to an American announcer and you will usually hear that "this item is given by the courtesy of -," and the name of the firm follows. Some of these programmes have won a definite place in the affections of radio "fans:" In their class they are excellent. The New York and Boston symphony orchestras are engaged by certain prosperous firms. But many of the items are very ordinary, a - poor advertisement; for the quality of goods they are supposed to praise. But it is through this method of advertisement that the broadcasting stations earn their dividends. They charge a certain sum for the time allotted to the firm, which, in addition, must pay its entertainers.

The broadcasting stations may be compared to a newspaper that does not reveal its circulation. A station does not know the number of its listeners-in and therefore cannot guarantee the advertiser a definite circulation of shall we say P- 2.000,000. But, like a good newspaper, a station earns a reputation for initiative, energy, and good quality programmes, and this is its means of appeal to the advertising world. And it is here that the American energy and enthusiasm in the radio world show to best advantage. Eager to prove their quality as a medium of advertising, many stations throughout the country have searched every field of human interest for effective programmes.



With a public keen for knowledge and docile in following instructions it is no exaggeration to say that an amazing new world of thought and action has been opened to the American citizens. Their

appreciation is testified by the thousands of letters that pour daily into the broadcasting stations: not all complimentary, but all proving that listeners- in are truly attentive.

The great continent can readily be linked up for great occasions of national festivity. It is prophesied that the coming Presidential election will be fought largely on the "air." Mr. Hoover is reported to be a better speaker before the microphone than he is in -front of a visible audience. A beautiful instance of the wide use of the radio was afforded the other day when millions of Americans heard the news of the ill-fated English flyers Captain T. Hinchcliffe and his companion, the Hon. Elsie Mackay, and then stood in a minute's silence in their honour. The Churches have been quick to organize radio services, and last year the New York Federation of Churches held 582 services by means of the radio.



A popular item, and one that shows the increasing intelligence of a great democracy, is given by the foreign editor of a New York newspaper. He explains in chatty language the current foreign events. Letters of appreciation received by him come from every walk of life. The morning "physical exercises" have become an institution. An instructor, aided by music, puts his invisible classes through their physical development before they disband for breakfast and the commuter's (suburban resident's) train to town and office. One insurance company has created a special department from this item in the day's radio programme. Like the chemist of Victorian days, it has become an adviser on common ailments in response to the letters that flow into the office from parents whose children have been doing the daily exercises. In the afternoon bridge hands will be played under, the guidance of a famous professional, the "fan" (enthusiast) having the

cards out on the table in front of him.

In the field of sport radio announcers have become as well known as the President. Many football and baseball enthusiasts follow every point of the, game from the descriptions that come over the air. Eighty thousand people may attend the Yale and Harvard football match, but thousands more with pencil and paper follow the points of that intricate game.. Dr. Robert Millikan, the American physicist, paid a warm tribute recently to the influence of the British Broadcasting Company's programmes on modern English civilization, A comparison between the English and American methods of broadcasting for entertainment and instruction would probably favour the English mono poly system on point of quality, but for variety the American free-for-all style must hold the field.

Some key dates for US radio in 1928

March 19 – Amos 'n' Andy debuts through the NBC Blue Network, broadcasting from WMAQ-AM, a radio station owned by the Chicago Daily News.

March 27 – KGB (AM) in San Diego begins broadcasting.

May 2 – KPQ (AM) in Wenatchee, Washington begins broadcasting.

September 13 – KOH-AM in Reno, Nevada begins broadcasting.

November 11 – WOL (AM) in Washington D.C. begins broadcasting.

November 11 – WMT (AM) in Cedar Rapids, Iowa begins broadcasting.

November 11 – WGL (AM) in Fort Wayne, Indiana begins broadcasting.

November 11 – KXO (AM) in El Centro, California begins broadcasting.

November 20 – WGH (AM) in Newport News, Virginia begins broadcasting.

December 23 – NBC sets up its first permanent, coast-to-coast radio network.

E100 FOUR VARIANT SHOOTOUT Pt: II

Gary DeBock, Puyallup, WA USA November 2008

Curious how a stock E100 stacks up against a Murata IF filter model, or a Slider loopstick model? Or is the DX performance of a fully modified (filter plus Slider loopstick) model worth the cost? Here is your chance to find out!

Continued from MWN December 2008....

The Fully Modified E100 (Murata IF filter + Slider loopstick)

Occasionally in electronic experimentation, breakthrough discoveries combine to produce an astonishingly effective result. By fortunate coincidence, the development of the E100 Slider loopstick was followed very closely by Guy Atkins' recommendation of the premium Murata CFJ455K5 IF filter as the optimum selectivity upgrade for the E100. All three transoceanic DXers working on this project (John, Guy and I) rushed to combine the modifications in our own personal E100's, and were astounded at the result! The resulting "fully modified" E100 was a compact DXing wildcat, with transoceanic performance far out of proportion to its size. In the very tough mission of South Pacific (DU) DXing during the summer in Washington, the fully modified E100's not only made reception of the relatively weak DU's routine, but did so in the face of strong in-line domestic QRM that could not be nulled. Transoceanic DXers had finally succeeded in combining extreme sensitivity with extreme selectivity in a modified Ultralight—with thrilling results.



Such great performance comes with a premium price, however. A Murata filter purchase and installation can cost about \$110, and the Slider parts will require an additional \$35. Custom additions (like an external antenna connector) will also raise the price. The humble \$50 E100 can easily become a \$200 portable, assuming that the DXer can indeed secure the Murata filter (currently facing a two-week shipping delay). So, is the DXing performance of the fully modified E100 worth such a costly outlay, especially in these days of financial stress?

For dedicated transoceanic DXers looking for outstanding performance in a very tiny package (either as a stand-alone portable, or as a receiver connected to effective external antennas), the answer is probably yes. Either with or without external antennas, the premium Murata IF filter is highly effective in separating the 9 kHz split DX from domestic QRM, and the Slider loopstick has the sensitivity to really dig out the weak stations. Even with external antennas, the Slider coil can act as a preselector, allowing the DXer to filter out images and other urban nuisance signals during hometown DXing sessions.

Domestic DXers can use the superb IF filter and sharp nulling ability of the Slider loopstick to chase DX only 10 kHz away from extremely strong locals (and dodge IBOC hiss), but whether this will justify the fully modified E100's premium price is an open question. Each DXer must decide for himself, and hopefully the following live shootout information will be helpful in that decision.

Competitive Testing—Daytime DX

The four E100 variants were thoroughly tested in daytime DX conditions at 12:30 PM, November 8, 2008 in the typical suburban environment of Puyallup, Washington (35 miles south of Seattle). Seven relatively weak fringe stations were used to check sensitivity, and seven weak adjacent-channel stations (normally covered with local splatter) were used to test selectivity.

SENSITIVITY

<u>STATION</u>	<u>Slider + Filter E100</u>	<u>Slider-Only E100</u>	<u>Filter-Only E100</u>	<u>Stock Model</u>
530-TIS stations	3 stations* (strong)	3 stations* (strong)	Tacoma TIS (weak)	Tacoma TIS (wk)
550-KARI/KOAC	both stations (weak)	both stations (weak)	nil	nil
790-KGMI	weak	weak	nil	nil
1040-CKST	strong	strong	trace	trace
1510-KGA	weak	weak	nil	nil
1600-KVRI	strong	strong	weak	weak
1640-KDZR	weak	weak	nil	nil

*Tacoma TIS, Highway 410 TIS, Sea-Tac Airport TIS

Sensitivity Summary: Both Slider models have an equally supreme advantage in sensitivity across the band. The stock loopstick models perform better on the high frequencies, but cannot come close to the Slider models' sensitivity. By way of comparison, a stock ICF-2010's sensitivity is also inferior to that of the Slider E100's across the band, but superior to that of the stock E100 across the band.

SELECTIVITY

<u>STATION</u>	<u>Slider + Filter E100</u>	<u>Slider-Only E100</u>	<u>Filter-Only E100</u>	<u>Stock Model</u>
700-KXLX	weak; little KIRO slop	all KIRO slop	all KIRO slop	all KIRO slop
810-KTBI	mod., no KGNW slop	mod., mod. KGNW	all KGNW slop	all KGNW slop
860-KPAM	weak, mod. KHHO slop	all KHHO slop	all KHHO slop	all KHHO slop
960-KALE	mod., no KJR slop	all KJR slop	all KJR slop	all KJR slop
1080-KFXX	mod., no KPTK slop	mod., hvy KPTK slop	trace, no slop	all KPTK slop
1370-KAST	weak, mod. KKMO slop	all KKMO slop	all KKMO slop	all KKMO slop
1460-KARR	mod., no KSUH slop*	mod., mod. KSUH slop	trace, no slop	all KSUH slop

*KUTI also was weakly received in the null of KSUH-1450, only on this model

Selectivity Summary: The Slider + Filter model has a decided advantage across the band in total reception of weak adjacent-channel stations. The Slider-Only model can occasionally use its great sensitivity and nulling ability to receive these stations, but with much more local splatter. The Filter-Only model has great selectivity, but cannot receive many weak adjacent-channel stations due to inadequate sensitivity. The Stock Model is completely outclassed in this competition. By way of comparison, of the classic AM DXing portables (the stock ICF-2010, E1

and ICF-S5W), none of these could receive any of the Daytime DX selectivity catches made by the Slider + Filter E100 except for the ICF-S5W, which weakly received KTBI-810 in the null of KGNW-820.

Competitive Testing—Transoceanic DX

The four E100 variants were thoroughly evaluated during a one night DXpedition to Grayland, Washington from November 1-2, 2008. Exceptional conditions prevailed throughout the night, providing multiple opportunities to judge the relative performance of each variant in actual TP-DXing ability.

Grayland is an isolated ocean beach location with relative freedom from local splatter and spurious products, allowing the stock and Slider-only E100 models to receive DX without these typical urban afflictions. As a result, during the Alaskan sunset skip period around 0300 UTC, both the stock and the Slider-only E100's were fully competitive with the filter-equipped models in receiving KBBI-890 in Homer, and KFQD-750 in Anchorage (which was mixing with KXL in Portland, OR). Without local splatter or spurious products, the Slider-only model was especially enjoyable to use in this domestic DXing simulation, combining outstanding sensitivity with excellent audio fidelity.

During the later 9 kHz split DXing session, however, the Slider + Filter E100 was exceptional in splitting very weak Asian DX signals away from domestic stations, providing reception of 11 adjacent-channel TP's completely inaudible on the other models. The Slider-only E100 was competitive in receiving TP's on relatively open frequencies, or those in which its great nulling ability could be used to advantage. The Filter-only E100 generally did not have the sensitivity to compete with the Slider models in reception of weak TP's, although its selectivity did allow clearer reception of split-channel Asians than did the stock model. Details of the relative TP-DXing performance of the four variants is given below:

Slider + Filter E100 Reception of 702-NHK synchros (unique), 846-NHK1 (unique), 855-Pyongyang (unique), 927-China (unique), 945-China (unique), 954-JOKR (unique), 981-CNR1 (unique), 1008-JONR (unique), JOLF-1242 (unique), 1278-JOFR (unique), 1332-JOSF (unique), 531-JOQG, 558-JOCR, 567-JOIK, 576-R.Mayak, 585-JOPG, 594-JOAK, 603-HLSA, 639-CNR1, 648-VOR, 657-Pyongyang, 666-JOBK, 675-VOV, 693-JOAB, 738-BEL2, 747-JOIB, 756-KBS, 774-JOUB, 828-JOBB, 837-China, 864-HLKR, 873-JOGB, 891-JOJK, 918-China, 936-China, 963-CRI, 972-HLCA, 1044-China, 1053-JOAR + Jammer, 1062-China, 1098-R.Marshalls, 1134-JOQR, 1206-China, 1422-JORF, 1467-HLKN, 1566-HLAZ, 1575-VOA, 1593-CNR (Total of 49 TP's)

Slider-Only E100 Reception of 531-JOQG, 558-JOCR, 567-JOIK, 576-R.Mayak, 585-JOPG, 594-JOAK, 603-HLSA, 639-CNR1, 648-VOR, 657-Pyongyang, 666-JOBK, 675-VOV, 693-JOAB, 738-BEL2, 747-JOIB, 756-KBS, 774-JOUB, 828-JOBB, 837-China, 864-HLKR, 873-JOGB, 891-JOJK, 918-China, 936-China, 963-CRI, 972-HLCA, 1044-China, 1053-JOAR + Jammer, 1062-China, 1098-R.Marshalls, 1134-JOQR, 1206-China, 1422-JORF, 1467-HLKN, 1566-HLAZ, 1575-VOA, 1593-CNR (Total of 38 TP's, some with serious domestic splatter)

Filter-Only E100 Reception of 594-JOAK, 648-VOR, 657-Pyongyang, 666-JOBK, 693-JOAB, 747-JOIB, 774-JOUB, 828-JOBB, 864-HLKR, 873-JOGB, 972-HLCA, 1053-Jammer, 1098-R.Marshalls, 1206-China, 1422-JORF, 1467-HLKN, 1566-HLAZ, 1575-VOA (Total of 18 TP's)

Stock Model Reception of 594-JOAK, 648-VOR, 657-Pyongyang, 666-JOBK, 693-JOAB, 747-JOIB, 774-JOUB, 828-JOBB, 972-HLCA, 1053-Jammer, 1566-HLAZ, 1575-VOA (Total of 12 TP's)

Stock Model Verdict

The basic E100 model, currently offered at \$44.97 from Durham Radio (mention dxer.ca), provides Ultralight class-leading selectivity and operating convenience. Domestic DXers can truly enjoy its performance on the higher frequencies, and when properly aligned, its mid-band performance is also competitive with any other Ultralight radio model. Transoceanic DXers will find it capable of the best split-frequency performance in the stock Ultralight radio class, primarily because of its above-average IF filter. For DXers longing for more sensitivity or selectivity, however, the E100 is the perfect platform for modification. It can be completely transformed into an astonishingly effective DX machine, capable of legendary performance.

Filter-Only E100 Verdict

As a stand-alone portable, the filter-only E100 is similar to a high-performance race car with an underpowered engine. The outstanding capability of the Murata CFJ455K5 IF filter can be used only when the DX station's signal has sufficient strength to energize the mediocre stock loopstick, a handicap which significantly compromises the filter's ability to improve overall DXing performance. The superb Murata filter certainly does an outstanding job in splitting off the adjacent-channel DX stations, and performance is indeed improved over the stock unit—so long as the tiny stock loopstick can receive a fairly strong DX signal. Unfortunately, the stock loopstick has nowhere near the sensitivity or nulling ability of a 7.5" Slider loopstick, making the reception of weak domestic or transoceanic signals marginal at best. For a DXer investing significant resources to improve selectivity with this premium filter, the filter-only E100 ultimately provides an unwanted lesson on the importance of improving upon stock sensitivity.

The filter-only E100 is very sensible as an Ultralight connected to an effective external antenna, however—especially in quiet, isolated locations where overloading is unlikely to be an issue. It has been used with phenomenal success by John Bryant at Grayland, and DXers in isolated rural environments should have similar success with their long wires, beverages and other effective antennas. In these locations, the massive gain of the external antennas should not come with the typical urban side effects of spurious signals and images, and the Murata filter can perform superbly in separating the many DX signals provided by the high-gain external antenna systems. For those DXers living in suburban and urban locations who still wish to use effective external antennas with their E100's, the filter-only E100's tendency to overload will probably be a disappointment. A more practical solution is to use a Slider loopstick's coil as a preselector, to tune out a major portion of the urban nuisance signals. Even if never used as a stand-alone antenna, the Slider can make a major difference in the ability to use the E100 with effective external antennas in high-RF urban areas.

Slider-Only E100 Verdict

The addition of a 7.5" Slider loopstick to an E100 truly opens up a new world of weak-signal DX possibilities, and provides its owner with the ticket to thrilling domestic or transoceanic DX. A very cost-effective solution to the stock loopstick's relatively feeble sensitivity, the performance of the Slider-only model increases dramatically in more isolated rural locations, where its full sensitivity potential can be enjoyed.

For domestic DXers in such rural locations, the Slider-only E100 may be the ideal Ultralight, capable of extreme sensitivity and razor-sharp nulling ability. In the absence of serious local splatter or spurious products, it should be fully competitive in providing DXing excitement from 530- 1700 kHz.

For transoceanic DXers, or for those living in RF-intense areas, the Slider-only E100 is still a cost-effective radio capable of providing a lot of weak-signal DXing excitement, but it will be somewhat of a mixed bag due to modest selectivity. The superior nulling ability must be used

repeatedly in avoiding splatter, IBOC hiss and co-channel QRM. Although the Slider-only E100 will never be capable of matching the Slider + filter model in total DXing performance, its owner can certainly have a thrilling time with superior sensitivity on the open frequencies, and occasionally make a nice adjacent-channel catch because of an ideal nulling position. The 38 TP's received by this model in one night at Grayland provide solid evidence that the Slider, by itself, can provide a lot of transoceanic DX-- although the hobbyist will have to work hard to avoid, null or otherwise deal with pervasive domestic splatter. For those willing to accept the challenge, however, this \$35 modification certainly provides a lot of transoceanic bang for the buck.

Slider + Filter E100 Verdict

This very rare combination of extreme sensitivity, selectivity and nulling ability has truly unleashed a new portable DXing sensation, with the potential to outperform any stock portable on the planet. Obviously superior to the other three E100 variants in overall DX capability, the relative performance of the Slider + filter E100 can most accurately be judged in comparison to the other classic AM-DXing portables, the Sony ICF-2010, the Eton E1, and the Sony ICF-S5W (all of which are owned by the author). In each of these comparisons, the Slider + filter E100 has one or more advantages, giving it the edge in overall DXing capability.

In comparison with the stock ICF-2010, this hot-rodded E100 has superior sensitivity on all AM frequencies, plus a superior narrow IF filter. Its loopstick is also larger and more isolated than that of the ICF-2010, providing greater nulling ability. Overall DXing capability is in favor of the modified E100, despite its lack of SSB capability

In comparison with the stock E1, both models share the same outstanding Murata IF filter. Selectivity is thereby equivalent, although whereas the E1 deploys a non-directional whip antenna, the hot-rodded E100 has an extremely effective, isolated loopstick capable of producing sharp nulls on offending stations. In addition, the modified E100's Slider loopstick provides a sensitivity advantage over the stock E1, allowing superior weak-signal reception.

In comparison with the legendary ICF-S5W, the superior narrow filter of the modified E100 gives it a decided advantage in selectivity. Sensitivity is slightly superior in the hot-rodded E100, although the stock ICF-S5W comes closer in this comparison than either the ICF-2010 or E1. The modified E100 also has a larger and more isolated loopstick, giving it the edge in nulling ability.

Finally, the Slider + filter E100 has one more huge advantage over all these classic portables: smaller size and weight. It is compact enough to retain the essence of the Ultralight class: outstanding DX performance in a very tiny package. It is the ultimate overachiever, and the perfect example of Ultralight radio's potential to bring new innovation and excitement to our cherished hobby.

73 and Best Wishes to All,

Gary DeBock

(The author wishes to express sincere gratitude to John Bryant for his extensive assistance in the preparation of this article, and to Guy Atkins for his assistance in the E100 Modification project.)

Coming soon, what Gary did to his Sony ICF2010!

NORTH AMERICAN NEWS

✉ Sand Gap, Bursea, Holme-on-Spalding Moor York YO43 4DF

with Andrew Brade

e-mail: na-news@mwcircle.org

Hello again.

This month there is a lot of Canadian news, the including a news X-bander and proposals for no fewer than four new stations. Here is what's been happening on the North American AM dial. May I express my gratitude to the organisations which make this resume possible? Thanks this month to: - IRCA, DXLD, NRC DX News, FCC.



- | | | |
|------|------|---|
| 780 | CFDR | Dartmouth NS – granted move to FM. |
| 790 | CIGM | Sudbury ON – applies for move to FM |
| 1550 | CBE | Windsor ON – applies for move to FM |
| 1560 | KGOW | Bellaire, TX – a European daytimer target - currently has a licence for 50kW days and 100W at nights. It has been awarded a construction permit for 1kW night time. It has further been awarded a construction permit for a reserve facility in a different transmission site with 1.0kW (days) and 100W (nights).
Meanwhile it has also applied for 15kW nights at its main site. |
| 1600 | WAAM | Ann Arbor, MI – applies for 15kW day/night from 5kW currently. |
| 1650 | CINA | Mississauga ON - New is now on the air. The station is IDing as "CINA Radio", with CINA being pronounced like "seena". All the talk I heard was in English, but all the music was South Asian. Greg Shoom, Toronto, Ontario, Canada, 2209 UT Dec 21, ODXA yg via DXLD, IRCA e-Group via Glenn Hauser. |

Here is a general round up of what's been happening on the North American AM dial courtesy of our friends at the **International Radio Club of America and NRC.**

CANADIAN RADIO NEWS

NEW STATIONS ON THE AIR

1650 ON Mississauga CINA 1,000 watts days - 680 watts nights

PROPOSED NEW STATIONS

700	AB	Calgary	50,000 watts days - 20,000 watts nights (Gospel) (Touch Canada)
960	ON	Markham	1,000 watts days - 175 watts nights (South Asian) (Kumar Nadarajah)
1230	BC	Merritt	1,000 watts fulltime (News-Talk) (will simulcast CHNL 610 Kamloops) (will take over existing 1230 facilities if proposed CJNL FM flip is approved)
1350	ON	Scarborough	1,000 watts days - 87 watts nights (South Asian) (Subanasiri Vaithilingam)

AM FREQUENCY CHANGES

790 AB Camrose CFCW Move to 840 with 50,000 watts days -
40,000 watts nights

830 AB Wainwright CKKY The application of CKKY to move to FM has been DENIED by the CRTC as the owner, Newcap, owns two FM stations in Lloydminster, Alberta. As the FM transmitter for CKKY would be located between Wainwright and Lloydminster, it would provide a good signal into the Lloydminster market giving, according to the CRTC, three Newcap owned FM signals in that market, which is not allowed by the CRTC regulations. This will also mean that CFCW-790 Camrose, Alberta will not be able to move to 840 as Camrose and Wainwright are too close to permit the use of adjacent frequencies.

1450 NS Windsor CFAB Extension granted to November 27, 2009 to get earlier approved FM flip (from 2006) on the air. Finding an acceptable frequency is the cause of the delay.

FORMAT CHANGES

650 BC Richmond CISL From Oldies (C-"isle") to Adult Standards (AM 650)

CALLSIGN CHANGES

1490 BC Campbell River CFWB Will become CIQC (when flip to 99.7 occurs)

OFF THE AIR

1280 BC Powell River CHQB Simulcast time for FM conversion expires

1450 ON Cobourg CHUC Simulcast time for FM conversion Expires

PROPOSED AM TO FM CONVERSIONS

1020 AB High Prairie CKVH Move to 93.5 with 25,000 watts (format will remain Classic Hits)

1230 BC Merritt CJNL Move to 101.1 with 200 watts (no format details available)

1310 AB Saint Paul CHLW Move to 97.7 with 16,000 watts (36,000 watts Max. ERP) (format will remain Country)

1550 ON Windsor CBE Move to 97.5 with 3,200 watts (19,000 watts Max. ERP) (earlier grant for a CBC Radio One nested repeater for Windsor on 102.3 will be rescinded if this application is approved)

GRANTED AM TO FM CONVERSIONS

780 NS Dartmouth CFDR Move to 92.9 with 63,000 watts (100,000 watts Max. ERP)

790 ON Sudbury CIGM Move to 93.5 with 100,000 watts

CALL LETTER CHANGES

FREQ	OLD CALL	CITY	NEW CALL
540	WMIN	MN Sauk Rapids	WPPI
		[CP not yet on the air]	
980	WUUQ	GA Rossville	WUUS
1010	WPPI	MN Sauk Rapids	WMIN
1450	WAVG	IN Jeffersonville	WQKC

FORMAT CHANGES

FREQ	CALL	CITY	OLD INFO	NEW INFO
550	WAME	Statesville, NC	adult standards	classic country
590	WLVA	Lynchburg, VA	religious teaching	silent
610	KVLE	Vail, CO	business news	silent
610	WTFX	Winchester, VA	sports	silent
660	WPYT	Wilkinsburg, PA	talk	sports
810	WYRE	Annapolis, MD	Spanish	CHR
810	WCTA	Alamo, TN	format not known	silent
910	WRKL	New City, NY	ethnic	talk
920	WIRD	Lake Placid, NY	sports	adult standards //WNBZ-1240
930	WWON	Waynesboro, TN	classic country	oldies
940	WIDG	St. Ignace, MI	silent	EWTN religious teaching
960	KIMP	Mt. Pleasant, TX	talk	regional Mexican "La Super K"
1010	KCHI	Chillicothe, MO	classic rock	classic hits
1010	WMIN	Sauk Rapids, MN	modern rock	adult standards "Uptown 1010"
1020	WURN	Kendall, FL	ethnic Spanish news-talk	"Union Radio"
1070	WTSO	Madison, WI	Now an ESPN affiliate, will drop ESPN and carry more local sports, using "The Big 1070," ex-"ESPN Radio 1070" (Bill Dvorak)	
1130	WOFC	Murray, KY	adult contemporary	sports
1180	WFYL	King of Prussia, PA	talk	sports
1190	new	Pine Bluff, AR	new	format not known
1190	WVUS	Grafton, WV	adult contemporary	adult standards
1230	KEXO	Grand Junction, CO	regional Mexican	talk
1230	KHAS	Hastings, NE	oldies	adult standards
1240	KJAA	Globe, AZ	talk	stunting
1240	WBGC	Chipley, FL	variety	silent
1290	KAZA	Gilroy, CA	Spanish oldies	Spanish religion "Vida Abundante"
1290	WRRR	Frederiksted, VI	variety	silent
1330	WMOR	Morehead, KY	country	news/talk //WLKS-1450
1340	KQJZ	Evergreen, MT	new	smooth jazz
1350	WZGM	Black Mountain, NC	oldies	southern gospel
1360	KBKB	Ft. Madison, IA	sports	classic country "Country Legends 1360"
1360	KMRN	Cameron, MO	business news	country "1360 US Country"
1380	WABH	Bath, NY	oldies	ESPN sports
1390	WTNL	Reidsville, GA	silent	southern gospel
1410	WMSX	Brockton, MA	tropical	silent
1410	WQBQ	Leesburg, FL	regional Mexican	silent
1450	WLKS	West Liberty, KY	oldies	news/talk //WMOR-1330
1460	WXOK	Baton Rouge, LA	silent	black gospel "Heaven 1460"
1490	KZZN	Littlefield, TX	classic rock	contemporary Christian
1540	WRTK	Niles, OH	black gospel	stunting (Christmas music)
1550	WMRE	Charles Town, WV	adult standards	sports
1550	WZRK	Lake Geneva, WI	religious teaching	format not known
1560	WINT	Melbourne, FL	oldies	ESPN sports
1570	WVTL	Amsterdam, NY	talk	format not known
1580	WDQN	Du Quoin, IL	adult contemporary	country
1580	WLIM	Patchogue, NY	Spanish	Spanish religion

FACILITY AND PARAMETER APPLICATIONS

540	KMLB	Monroe, LA	5000/1000 DA-2 to 4000/59 ND
540	WETC	Wendell-Zebulon, NC	8000/500 DA-2 to 10000/500 DA-2
540	WGOP	Pocomoke City, MD	500/243 ND to 1000/1000 DA-2
540	WLIE	Islip, NY	2500/220 DA-2 to 10000/250 DA-2
540	WXNH	Jaffrey, NH	250/330 DA-2 to 220/350 DA-2
550	WASG	Atmore, AL	10000/143 ND to 2500/19 ND

670 KPUA Hilo, HI 50000/50000 ND to 5000/5000 ND
670 WVVT Essex Junction, VT 50000/300 DA-3 to 15000/260 DA-3
680 WRGC Sylva, NC 1000/250 DA-N to 5000/210 DA-N
690 NEW Tyndall SD Applies for DA-2 1300/400.
700 WDMV Walkersville, MD 5000 DA-D to 50000 DA-D
720 WVOA Dewitt, NY 2500/390 DA-N to 10000/390 DA-2
770 new Nassau Village-Ratliff, FL 50000/410 DA-2 to 50000/500 DA-2
780 WAVA Arlington, VA 5000 ND-D to 12000 ND2
840 KXNT North Las Vegas, NV 50000/25000 DA-2 to 50000/16000 DA-2
850 WFTL West Palm Beach, FL 50000/24000 DA-2 to 50000/20000 DA-2
860 WAMI Opp, AL 1000/47 ND to 250 ND
860 NEW Black Hawk SD Applies for DA-2 50000/350.
870 KPRM Park Rapids, MN 25000/1000 DA-N to 50000/1000 DA-N
910 WGTO Cassopolis, MI 1000/35 DA-2 to 5700/25 DA-2
920 WGNU Granite City, IL 450/500 DA-2 to 2000/600 DA-2
920 WURA Quantico, VA 2000/970 DA-2 to 7000/970 DA-2
940 KDIL Dillon, MT 10000/350 DA-2 to 1000/250 DA-2
950 WDWD Atlanta, GA 5000/4500 DA-2 to 12000/4500 DA-2
970 KHVN Ft. Worth, TX 1000/270 ND to 400/215 ND
1010 KCPW Tooele, UT 50000/194 DA-2 to 50000/218 DA-2
1010 KXEN St. Louis, MO 50000/500 DA-2 to 50000/420 DA-2
1010 WCNL Newport, NH 10000/37 ND to 10000/1500 DA-N
1010 WFGW Black Mountain, NC 50000/500 DA-1 to 47000/90 ND
1010 WOLB Baltimore, MD 250/30 ND to 1000/30 ND
1030 WDRU Wake Forest NC City-of-Licence to Creedmoor
1040 WPBS Conyers, GA 12000/76 ND-D to 50000 ND
1050 KLOH Pipestone, MN 9000/400 DA-2 to 9380/410 DA-2
1050 KTCT San Mateo, CA 50000/10000 DA-2 to 50000/50000 DA-2
1050 WDMV Eau Claire, WI 1000/500 DA-1 to 860/430 ND
1050 WTOP Silver Spring, MD 3500/44 ND to 10000/44 ND
1080 WHOO Kissimmee, FL 19000/190 DA-2 to 27000/2000 DA-3
1100 WISS Berlin, WI 2500 ND-D to 14000 DA-D
1110 KJSA Mineral Wells TX 20000DAD to 50000/39000 DA-2
1140 KZMQ Greybull WY City-of-Licence to Ten Sleep
1150 WSNW Seneca, SC 1000/58 ND to 1000 ND-D
1160 WCXI Fenton, MI 1000/1000 DA-1 to 15000/1000 DA-2
1180 KGOL Humble, TX 50000/1000 DA-2 to 50000/3000 DA-2
1200 NEW Chanhassen MN Applies for DA-N 1300/1000.
1200 WPTK Pine Island Center, FL 10000/1000 DA-2 to 50000/1000 DA-2
1210 KEBR Rocklin, CA 5000/500 DA-D to 5000/1500 DA-2
1210 KQEQ Fowler, CA 370/370 ND to 5000 DA-D
1210 WDGR Dahlonga, GA 10000 ND-D to 16800 ND
1220 WGNY Newburgh, NY 5000/180 DA-2 to 10000 DA-D
1220 WSRQ Sarasota, FL 1000/159 DA-2 to 1000/39 DA-2
1220 NEW Lakeville NY Applies for DA-2 2500/2500.
1220 NEW Valencia GA Applies for DA-N 400/250.
1230 NEW Beaver UT Applies for ND-2 1000/1000.
1230 KXO El Centro, CA 830/1000 ND to 1000/1000 ND
1230 KYP A Los Angeles, CA ND to DA-2
1260 WSDZ Belleville, IL 5000/5000 DA-2 to 20000/5000 DA-2
1290 WWHM Sumter, SC 1000/1000 DA-N to 1000/12 ND
1290 NEW Santa Clara UT Applies for DA-2 2000/250.
1320 KSDT Hemet, CA 500/300 DA-2 to 230/285 DA-2
1330 NEW Porterville CA Applies for DA-2 1500/500.
1340 WIRY Plattsburgh, NY 1000/1000 ND to 1000/940 ND
1360 KBUY Ruidoso, NM 5000/199 DA-1 to 9000/201 ND
1360 WWWJ Galax, VA 5000/31 ND to 2200/1400 DA-3

1370 KHNY Big Horn, WY 10000/250 DA-N to 10000/430 DA-N
1390 WBLL Bellefontaine, OH 500/81 ND to 1000/22 ND
1400 NEW Central Point OR Applies for ND-2 1000/1000
1430 WEEF Highland Park, IL 1000/29 DA-2 to 1000/250 DA-2
1450 KWES Ruidoso, NM 1000/860 ND to 1000/910 ND
1450 NEW Brooklet GA Applies for ND-2 1000/1000.
1460 NEW Stanfield AZ Requests DA-2 2000/2000.
1480 WSPY Geneva, IL 1000/500 DA-2 to 400/300 DA-2
1480 WTLO Somerset, KY 1000/28 ND to 1000/27 ND
1490 NEW Ellisville MS Applies for ND-2 900/900.
1500 KIEV Culver City, CA 50000/4300 DA-2 to 49000/5000 DA-2
1510 KSPA Ontario, CA 10000/1000 DA-2 to 50000/6000 DA-3
1530 WENG Englewood, FL 1000 ND-D to 1
1540 WGRK Greensburg, KY 1000 ND-D to 3500 ND
1550 WQZQ Clarksville, TN 2500/10 ND to 2000 ND-D
1560 KGOW Bellaire TX 50000/100 DA-D to 50000/15000 DA-2
1590 WGBW Two Rivers, WI 1000/33 ND to 10000/100 DA-2
1590 WPVL Platteville, WI 1000/500 DA-N to 930/470 DA-N
1600 WAAM Ann Arbor, MI 5000/5000 DA-2 to 15000/15000 DA-2

CONSTRUCTION PERMITS ON THE AIR

630 WREY MN St. Paul - CP to move here (from Hudson, Wisconsin) is on the air with DA-2 1000/2500.
900 WFIA KY Louisville - CP for ND-2 930/162 is on the air.
1010 WMIN MN Sauk Rapids - CP for DA-2 1700/240 from 4 towers (3-day/4-night) is on.
1130 KPHI HI Honolulu - New station with ND-2 1000/1000 now on.
1130 WACQ AL Carrville - CP for ND-D 25000/0 CH 1000 is on the air.
1170 KJXX MO Jackson - CP for ND-2 250/5 is now on, adding night service.
1190 WSDE NY Cobbleskill ND-2 1000/20 is on air, with night service.
1230 KWNO MN Winona - CP for ND-2 1000/990 is on the air from a new tower. See details below in KAGE item.
1230 KCBQ NM Roswell - CP for DA-2 620/1000 is now on.
1340 KQJZ MT Evergreen - New station is on the air with ND-2 1000/670.
1360 WMOV WV Ravenswood - CP for ND-D 5000/0 is on the air.
1380 KAGE MN Winona - CP for ND-2 2200/28 is on the air, after moving its transmitter to, and diplexing with, a new tower along with co-owned KWNO-1230. Since the new tower is almost twice as tall as KAGE's former facility, they are required to reduce their power levels accordingly.
1400 WSTK NC Jacksonville - [Update] Presumed still testing as heard (but with no legal ID) and no spots. On apparently 24/7. The following slogans have been heard: "Beachin' Oldies"; "Beachin' Oldies for Eastern Carolina - The Wave"; "The Wave"; and "The Home of Beach and Oldies - The Wave".
1430 KMRB CA San Gabriel - CP for DA-2 50000/9800 is on using four towers (day and night) at 34-07-08 W118-04-54.
1490 KEYG WA Grand Coulee - CP for ND-1 1000/960 is on the air.
1520 KYND TX Cypress - CP for DA-D 3000/0 CH 2600 is on the air. The CP for U7 3000/260 CH 260 has been dismissed by request of the applicant. They have now applied for U16 3000/2 CH 2600 adding the night facilities.
1530 KZNX TX Creedmore - CP for DA-3 10000/220 CH 1000 is on.
1570 WBGX IL Harvey - CP for DA-2 1100/500 is on the air.

FACILITY AND PARAMETER GRANTS

540 WWCS Canonsburg, PA 5000/500 DA-2 to 3800 DA-D
590 WLVA Lynchburg, VA 5000/1000 DA-2 to 250/15 ND
590 WDWD Atlanta, GA 500/4500 DA-2 to 12000/4500 DA-2
610 WVBE Roanoke, VA 5000/1000 DA-2 to 10000/2500
630 WUNO San Juan, PR 5000/5000 DA-1 to 5000/5000 DA-2
640 WMEN Royal Palm Beach, FL 7500/460 DA-2 to 50000/25000 DA-2

648	WVUS	Leone, American Samoa	10000/10000 ND to 5000/2000 ND
770	WEW	St. Louis, MO	1000 ND-D to 10000/200 DA-2
770	WWCN	North Ft. Myers, FL	10000/1000 DA-2 to 10000/630 DA-2
790	KBRV	Soda Springs, ID	5000/29 ND to 50000/29 ND
790	KWSW	Eureka, CA	5000/112 ND to 5000/750 DA-N
790	WRMS	Beardstown, IL	500/59 DA-2 to 500/55 DA-2
800	KINY	Juneau, AK	10000/7800 ND to 10000/7600 ND
810	KLVZ	Brighton, CO	2200/430 DA-2 to 10000/430 DA-2
810	WYRE	Annapolis, MD	250 ND-D to 240 DA-D
820	WCPT	Willow Springs, IL	5000 ND-D to 5000/1500 DA-N
860	KMVP	Phoenix, AZ	1000/1000 DA-N to 940/1000 DA-N
860	WFMO	Fairmont, NC	1000/12 to 50000/740 DA-2
880	WMDB	Nashville, TN	2500 DA-D to 2500/2 ND
900	new	Bend, OR	50000/2000 DA-2 to 50000/2400 DA-2
910	KTRO	Vancouver, WA	5000/5000 DA-2 to 2600/4300 DA-2
910	WAVL	Apollo, PA	5000/69 DA-2 to 6700/700 DA-2
910	WFDF	Farmington Hills, MI	50000/19000 DA-2 to 50000/25000 DA-2
910	WUBR	Baton Rouge, LA	1000/1000 DA-1 to 1200/51 DA-2
930	WHLM	Bloomsburg, PA	1000/18 ND to 2000/18 ND
930	WSFZ	Jackson, MS	5000/5000 DA-N to 3800/3100 DA-N
940	KICE	Bend, OR	10000/60 DA-2 to 10000/95 DA-2
940	WHIT	South Haven, MI	1000/5 DA-2 to 300 DA-D
960	KOVO	Provo, UT	5000/1000 DA-N to 50000/940
990	KATD	Pittsburg, CA	5000/5000 DA-2 to 10000/5000 DA-2
990	WLEE	Richmond, VA	1000/13 ND to 4000/2000 DA-2
1000	WJTP	Walhalla, SC	1000 ND-D to 5000 ND-D
1030	KWFA	Tye, TX	5000/370 DA-2 to 5000/650 DA-2
1040	WZNA	Moca, PR	5000/245 DA-D to 9000/245 DA-2
1040	WPBS	Conyers GA	12000/5000 ND-2 to 50000/5500 ND-2
1050	KCAA	Loma Linda, CA	1400/35 DA-2 to 10000/35 DA-2
1050	WJOK	Kaukauna, WI	1000/500 DA-1 to 5000/1000 DA-2
1060	WILB	Canton, OH	5000 DA-D to 15000 DA-D
1080	KGTV	Green Valley, AZ	1000 ND-D to 1400 ND-D
1080	WOAP	Owosso, MI	1000 ND-D to 50000/4500 DA-2
1090	KEXS	Excelsior Springs, MO	1000 ND-D to 3000 DA-D
1090	KUCU	Farmington, NM	1500/250 DA-2 to 10000/250 DA-2
1110	WGNZ	Fairborn, OH	2500 DA-D to 5000 DA-2
1110	WOMN	Franklinton, LA	1000 ND-D to 50000/250 DA-3
1140	KLTK	South West City, MO	210 ND-D to 700 ND-D
1150	KCKY	Coolidge, AZ	5000/1000 DA-2 to 5000/185 DA-2
1150	KRMS	Osage Beach, MO	1000/55 ND to 840/55 ND
1150	KXMG	Portland, OR	5000/47 DA-2 to 5000/9.8 ND
1150	WDEL	Wilmington, DE	5000/5000 DA-2 to 10000/5000 DA-2
1150	WJBO	Baton Rouge, LA	5000/5000 DA-1 to 15000/5000 DA-2
1150	KTLK	Los Angeles CA	Application for auxiliary facilities of U3 4000/4000 cancelled per applicant's request.
1170	WPLX	Germantown, TN	1000 ND-D to 5000/26 DA-3
1180	KORL	Honolulu, HI	1000/1000 ND to 330/140 ND
1190	KRFT	De Soto, MO	10000/22 DA-2 to 10000/6500 DA-2
1190	WAMT	Pine Castle-Sky Lake, FL	5000 ND-D to 4700/230 DA-N
1190	WJES	Saluda, SC	350 ND-D to 10000/4 ND
1190	NEW	Pine Bluff AR	CP granted for DA-N 10000/350.
1200	KFNW	West Fargo, ND	50000/700 DA-D to 13000 DA-2
1200	WRTO	Chicago, IL	10000/1000 DA-2 to 20000/4500 DA-2
1220	WSRQ	Sarasota FL	Application for DA-2 2000/240 has been dismissed. Licensed for DA-2 1000/159, CP granted for DA-2 1000/39.
1230	KSIX	Corpus Christi, TX	1000/1000 ND to 720/720 ND

1250 KBSZ Wickenburg, AZ 350/100 ND to 320/50 ND
1250 KCST Florence, OR 1000/68 ND to 900/37 ND
1250 WVKY Nicholasville, KY 500/59 ND to 700/45 ND
1260 KIMB Kimball, NE 1000/112 ND to 50000/110 DA-D
1260 KWNX Taylor, TX 1000/144 ND to 2500/400 DA-2
1270 WMKT Charlevoix, MI 27000/5000 DA-N to 50000 ND-D
1270 WQKR Portland, TN 1000 DA-D to 500/29 DA-2
1270 WTJZ Newport News, VA 1500/900 DA-N to 15000/1800 DA-2
1270 WXGO Madison, IN 1000/58 DA-2 to 330 DA-D
1280 WNAM Neenah-Menasha, WI 5000/5000 DA-2 to 50000/5000 DA-2
1280 WWPG Tuscaloosa, AL 5000/500 DA-N to 7000/25 ND
1290 KKAR Omaha, NE 5000/5000 DA-N to 50000/5000 DA-2
1290 WCHK Canton, GA 5000/500 DA-2 to 10000/500 DA-N
1290 WOWZ Appomattox, VA 6000/17 ND to 10000/17 ND
1290 WWHM Sumter SC Application for ND-2 1000/12 while moving to
Wedgfield has been dismissed (not per FCC website - AB). WWHM continues to be
re-broadcast on W227BI - 93.3 MHz Sumter.
1300 KAZN Pasadena, CA 5000/1000 DA-2 to 23000/1000 DA-2
1300 KSET Silsbee, TX 500 ND-D to 1500/320 DA-2
1300 WGDJ Rensselaer, NY 5000/5000 DA-2 to 10000/8000 DA-2
1310 WJUS Marion, AL 5000/34 ND to 1100/16 ND
1330 WKTA Evanston, IL 5000/17 DA-D to 5000/110 DA-2
1350 KTIK Nampa, ID 5000/600 DA-N to 25000/600 DA-N
1360 KDJW Amarillo, TX 500/137 ND to 6000/320 DA-2
1360 WMNY McKeesport, PA 5000/1000 DA-N to 7000 DA-D
1370 KGEN Sanger, CA 710/72 to 3800/102 DA-D
1370 WFDR Manchester, GA 1000/28 ND to 2300/28 ND
1370 WGHC Clayton, GA 250 ND-D to 5000 ND
1380 KOSS Lancaster, CA 1000/20 DA-D to 1000/11 DA-2
1380 KRCM Beaumont, TX 1000/127 DA-1 to 250/69 ND
1380 WFNW Naugatuck, CT 5000/500 DA-2 to 3500/350 DA-2
1380 WGVY Greenville, AL 1000/89 ND to 250 DA-2
1390 WISK Americus, GA 1000 ND-D to 950/25 ND
1390 WLCM Charlotte, MI 5000/70 DA-1 to 5000/4500 DA-2
1410 WEGO Concord, NC 1000/182 ND to 1000/68 ND
1420 KJDL Lubbock, TX 500/500 DA-N to 500/140 ND
1420 KUJ Walla Walla, WA 5000/900 ND to 10000/650 ND
1420 WATB Decatur, GA 1000/51 DA-2 to 50000/174 DA-D
1430 KLO Ogden, UT 10000/5000 DA-2 to 25000/5000 DA-2
1430 KMRB San Gabriel, CA 5000/5000 DA-2 to 50000/9800 DA-2
1430 WHAN Ashland, VA 1000/31 ND to 50000 DA-D
1430 WION Ionia, MI 5000/330 DA-2 to 4700 ND-D
1440 WJJL Niagara Falls, NY 1000/55 ND to 5000/190 DA-2
1440 WNYG Babylon, NY 1000/38 ND to 1000/189 DA-N
1450 KOBO Yuba City, CA 500/1000 ND to 160/500 ND
1450 KQYX Galena, MO 1000/1000 ND to 940/940 ND
1450 KGFF Shawnee OK CP for U1 1000/560 has been deleted, leaving KGFF as
U1 1000/1000.
1460 KHOJ St. Charles, MO 5000/85 DA-D to 5000/350 DA-2
1460 WHIC Rochester, NY 5000/5000 DA-N to 3700/5000 DA-N
1460 WJTI Racine, WI 500/62 ND to 350/49 ND
1460 WNPL Golden Gate, FL 850/340 DA-2 to 7000/2000 DA-2
1460 WXOK Baton Rouge, LA 5000/1000 DA-N to 4700/290 ND
1470 KFMZ Brookfield, MO 500/20 DA-1 to 5000/50 DA-2
1470 WRWB Huntington, WV 5000/72 ND to 22000/9 ND
1470 KUOL San Marcos TX CP for DA-2 500/250 has been rescinded. KUOL
remains DA-N 250/250.
1480 WCKG Panama City Beach, FL 500/87 ND to 5000/34 ND

1480	WSRC	Fair Bluff, NC	1000/50 ND to 10000/48 ND
1490	WICY	Malone, NY	1000/1000 ND to 50000 DA-2
1500	WPJX	Zion, IL	250 DA-D to 250/2 DA-D
1500	WPMB	Vandalia, IL	250 ND-D to 250/2 ND
1510	KGA	Spokane, WA	50000/50000 DA-2 to 15000 DA-2
1510	KPIG	Piedmont, CA	8000/230 DA-2 to 2400 DA-2
1510	WBSG	Lajas, PR	1000/1000 DA-1 to 1000/1000 DA-2
1520	KYND	Cypress, TX	3000 DA-D to 3000/260 DA-3
1520	new	Savannah, GA	50000/700 DA-2 to 50000/780 DA-3
1520	WEXY	Wilton Manors, FL	3500/250 DA-N to 5000/800 DA-N
1530	KQSP	Shakopee, MN	8600/10 DA-2 to 50000/26 DA-2
1530	WMBE	Chilton, WI	250 ND-D to 4500 ND-D
1530	WRPM	Poplarville, MS	10000 ND-D to 5000 DA-2
1550	KQNM	Albuquerque, NM	5000/120 ND to 10000/27 ND
1550	KWBC	Navasota, TX	250/26 ND to 1400/24 DA-D
1550	WCVL	Crawfordsville, IN	250/250 DA-N to 250/5 ND
1560	KGOW	Bellaire, TX	50000/100 DA-D to 1000 DA-2
1560	KKAA	Aberdeen, SD	10000/5000 DA-2 to 10000/10000 DA-2
1560	KLTI	Macon, MO	1000 ND to 1500/44 DA-2
1560	WCMA	Daleville, AL	50000 ND to 46700/7 ND
1560	WRSJ	Bayamon, PR	5000/750 ND to 10000/5000 DA-2
1570	KUAU	Haiku, HI	1000/500 ND to 15000/15000 ND
1570	WFTU	Riverhead, NY	1000/500 DA-2 to 5000/1500 DA-2
1580	WANB	Waynesburg, PA	720 ND-D to 5000 ND
1580	WKKD	Aurora, IL	250/250 DA-2 to 1400/1000 DA-2
1580	WNTF	Bithlo, FL	2100 DA-D to 10000 DA-D
1580	WTTN	Watertown, WI	1000/6 ND to 5000/4 DA-D
1590	WHGT	Chambersburg, PA	5000/1000 DA-N to 15000/15 DA-2
1590	WONX	Evanston, IL	3500/2500 DA-2 to 7000/2500 DA-N
1590	WPVL	Platteville, WI	CP granted for U2 930/470
1600	KATZ	St. Louis, MO	5000/5000 DA-N to 6000/3500 DA-2
1600	KLEB	Golden Meadow, LA	5000/250 DA-2 to 7500/250 DA-D
1600	WCGO	Chicago Heights, IL	1000/23 DA-2 to 10000 DA-D
1600	WLAA	Winter Garden, FL	2200/35 ND to 4000 DA-D
1600	WPDC	Elizabethtown, PA	500/79 ND to 1000/17 ND

PUBLIC LISTINGS COURTESY OF THERADIOJOURNAL.COM AND 10000WATTS.COM:

610/1550: WTFX 610 Winchester VA goes silent after losing its tower site; its Fox sports format replaces standards at sister station WMRE 1550 Charles Town WV.

1040: WQBB 1040 Powell TN changes calls to WKTI, taking the calls formerly used on 94.5 Milwaukee, now WLWK.

1260/1230: WHYM 1260 Lake City SC and WOLH 1230 Florence SC return to the air with a simulcast of soft AC "Star 93.7" WSIM Lamar SC.

1350: KWMO 1350 Washington MO flips from country to talk as "The Mouth."

1400: WYKC 1400 Grenada MS flips from country "B-100" (simulcasting WQXB 100.1) to talk as "News Talk 1400."

1410/1180: KERN 1410 Bakersfield CA and KERI 1180 Wasco CA will swap calls and formats on Dec. 29, moving KERN's news-talk format to the more powerful 1180 signal.

1450/1030: WFBX 1450 Spring Lake NC flips from ESPN sports, simulcasting WFAY 1230 Fayetteville NC, to southern gospel "Faith 1450."

1560: KVAN 1560 Burbank WA returns to the air with smooth jazz, simulcasting KUJJ 101.9 Weston OR.

That just about clears my "In Tray" for another month so I'll sign off with best wishes for some good DX all around The Circle.

Andrew

CENTRAL AMERICAN NEWS

✉ Frejagatan 14A, SE-521 43 Falköping, Sweden
e-mail: ca-news@mwcircle.org ☎ +46-515-13702

with Tore Larsson

Cuba

The items from Terry Krueger are accompanied by the following conditions of use: DISCLAIMER. No portion of the below may be reproduced or redistributed by the National Radio Club, their editors or current members without expressed written permission, which will then be swiftly, and we do mean swiftly denied. Editors receiving this directly from me are excluded provided this entire disclaimer is included where any of the below is reproduced.

- 650 CMBC R. Progreso heard on this fq Bruce Conti, NRC IDXD 76/10
660 CMBC R. Progreso, Sta Clara, ex R Rebelde Bruce Conti, NRC IDXD 76/10
900 CM.. R. Guamá, San Luís, Pinar del Río logged by Terry Krueger on November 9, 2008.
Parallel weaker 1020 and 1030 kHz. Terry Krueger, DXLD
1140 CMIP R. Surco, Ciego de Avila "Transmite CMIP Radio Surco desde Ciego de Avila." Verified
by Gert Nilsson. Not listed in WRTH. R. Rebelde and R. Cadena Habana previously
logged on this frequency. Chris Black, NRC IDXD 76/08

Dominican Republic

- 1580 HIAJ R. Amanecer Internacional, Santo Domingo - An unid station heard on a Parkalompolo DX
expedition by Mats Andersson has turned out to be R. Amanecer Internacional, ex 1570.
Henrik Klemetz

Mexico

- 800 XEROK R. Cañon, Ciudad Juárez has a spiffy new Harris 150 kW rig and is Mexico's first station
to broadcast in AM HD-Radio. "Kevin", ABDX via Barry Davies, MWC
1030 XESDD Tecate, now Spanish sports IRCA's "soft" DX Monitor 46/11

Puerto Rico

- 1240 WALO Humacao – tower relocation to N18-09-17 N65-46-16, remaining U1 1/1 kW.
NRC AMS 76/8
1600 WLUZ Acción 1600, Bayamón/San Juan, reported silent by IRCA, now back with a new slogan.
"La estación más completa, con más información, Acción 1600"
IRCA's "soft" DX Monitor 46/11/Jan Edh, ARC MVE 49/12

Turks & Caicos

- 530 R. Visión Cristiana - Power has just been restored on South Caicos to the RVC transmitter site so I
expect they'll be starting to rebuild their tower shortly for 530.
Jerry Kiefer 21.11.2008 via amfntvdx at qth.net via DXLD

CADENA
WAPA-RADIO
EN TODO PUERTO RICO

SOUTH AMERICAN NEWS

✉ Kirkåsveien 15, NO-1850 Mysen, Norway

with Tore B. Vik

e-mail: sa-news@mwcircle.org ☎ +47-69891192

Argentina

1700

R. Príncipe Cristiana, Principe con Dios, new station in Buenos Aires.

Marcelo A. Cornachioni

Bolivia

The new Bolivian radio network Red Patria Nueva now has a website at <http://www.patrianueva.bo/>. This network is in close co-operation with the network of Community Stations - "Sistema de la Red de Radios de los Pueblos Originarios".

finndxer

Brazil

<u>550</u>	ZYI429	R. Banda, Sinop (MT29) – ex. R. Capital do Norte	web
<u>660</u>	ZYI401	R. Juventude AM, Rondonópolis (MT07) – ex. R. Amorim	DX Clube do Paraná
<u>690</u>	ZYJ360	Voz do Sudoeste, Coronel Vivida (PR143) – ex. R. Voz	DX Clube do Paraná
<u>910</u>	ZYK536	R. Onda Livre, Piracicaba (SP66) – ex. R. Globo	web
<u>1050</u>	ZYJ867	R. Vale, Braco do Norte (SC26) – ex. R. Verde Vale	web
<u>1290</u>	ZYK745	R. Eldorado, São José dos Campos, (SP216) – ex. R. Metropolitana	DX Clube do Paraná
<u>1300</u>	ZYK649	R. Onda Vive (SP252) – ex. R. Cultura Regional	web
<u>1390</u>	ZYI209	R. Educadora, Afonso Cláudio (ES13) – new QRG ex. 1580	DX Clube do Paraná
<u>1440</u>	ZYK568	R. Eldorado Centro Norte Paulista (SP253) – ex. R. Cultura	DX Clube do Paraná
<u>1480</u>	ZYK767	R. Nova América (SP255) – ex. R. Boituva AM	DX Clube do Paraná
<u>1530</u>	ZYJ761	R. Difusora, Itajaí (SC77) – F.Pl.: change to 1500 kHz	DX Clube do Paraná
<u>1540</u>	ZYL335	R. Nova Guaranésia AM, Guaranésia (MG133) – ex. R. Rural	DX Clube do Paraná
<u>1570</u>		R. Querência de Santo Augusto Ltda, São Martinho, RS – CP	Cláudio Moraes
<u>1580</u>	ZYI209	R. Educadora, Afonso Cláudio (ES13) – moved to 1390	DX Clube do Paraná

Colombia

Some of the remaining Radio Reloj stations seem to have changed control, now to Sistema Vida Internacional. This was apparent from an announcement I heard in the Internet transmission of Radio Manantial: 1380 Valledupar, 1420 Manizales and 1550 Armenia (actually Calarcá).

It was not mentioned what the stations are calling themselves or what programme they carry, but it is maybe the Radio Vida programme, which can be downloaded from a satellite.

Henrik Klemetz

The Tunja station on 1120, for a year or so known as JB Radio and with its home page still up on the Internet, now seems to have changed ownership. An unid station heard by Pekka Kostiainen turned out to announce **La Voz de Boyacá** and this can hardly be anything but this very station.

Henrik Klemetz

Peru

1340 OAQ4Q R. Alegría, Calle Joaquín Bernal 1033, Zona D, San Juan de Miraflores, Lima.
Tel: 276 0557 – ex R. La Luz. Official inauguration on December 7th.

Information from Tarmo Kontro and Bernt Ivan Holmberg who logged an oid “R. Alegría” on the 7th of October. Identified with cooperation between Henrik Klemetz, DX Space Master, Tetsuya Hirahara, Violeta Tumen and Rómulo Leanderas.

Henrik Klemetz

WORLD NEWS

with Ton Timmerman

e-mail:world-news@mwcircle.org

Hello dear friends,

At the start of this column I like to wish you all a happy new year and lots of new catches on mediumwave! This month we start with a nice story on longwave DX'ing by my good friend Bob Grevenstuk from Emmeloord in the Netherlands.

DX'ing on the Asian longwave

A lot of European are closing down around 2300 UTC (midnight in Western-Europe). Following the sunrise and early morning in Asia you can listen to stations here, starting in the east and slowly moving to the west. Further details you can find in the WRTH and PAL-Asia list. My listening scheme in winter is as follows (using a real 30m longwire):

279 kHz: For a few month's Sasnovy/ Minsk has been closing down at 2300 UTC already and sometimes earlier. At that moment Ashgabat in Turkmenistan is audible with a weak signal. About an hour later the station is much easier to follow.

216 kHz: Radio Monte Carlo is closing down around 2310 UTC after playing the National Anthem. Then Krasnojarsk from Siberia is coming in with news and the morning workout. Weak at first but later on easy to understand.

162 kHz: The transmitter in Allouis is only closing down for maintenance in the night of Monday to Tuesday from 0005 to 0358 UTC. At first the technicians are playing with the on/off button, then the transmitter is really shut down. From North-Siberia the transmitter in Norilsk will be heard very weak now, later on it is becoming stronger. Ulan Baatar is a difficult nut to crack, because the distance is too big and the sun is already further in rising. Taskkent in Uzbekistan is another opportunity in these hours.

270 kHz: The Check transmitter Uherske Hradiste is closing down at 2300 UTC precisely. You have to wait until 0000 UTC to have a chance to hear Novosibirsk. I didn't succeed in hearing them this winter. So no news and morning workout. Some years ago there were parallels from Siberian transmitters in the tropical bands usable for verification of longwave stations. Unfortunately they are gone.

Because of 24h transmissions from European stations other longwave frequencies are not available for DX'ing. Maybe you can try something with tunable loopantennas. *(Bob Grevenstuk)*

Austria

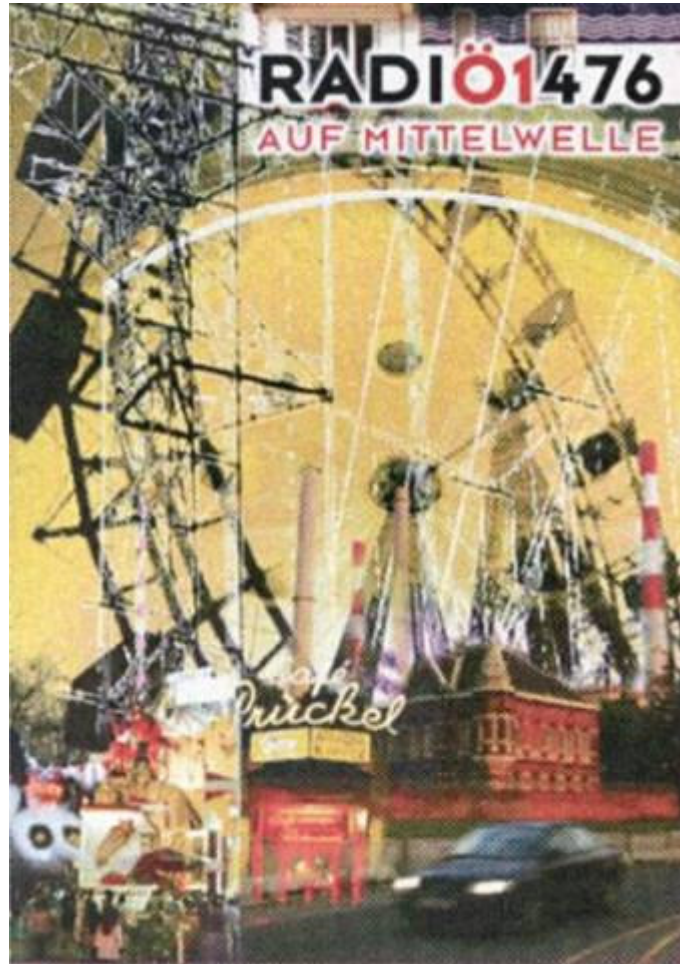
ORF Radio 1476 will close down at yearend --- Harald Süß of the ADXB-OE listeners club has been told by ORS (the Austrian transmitter operator, outsourced by ORF a few years ago) that ORF's Radio 1476 on mediumwave will be closed down at yearend. Radio Afrika International already confirmed that hereby their terrestrial radio service will end. A remarkable case is ORF's



broadcasts in Czech, Slovak, Slovenian, Croatian, Hungarian and Romanes: here the options are to either continue online or phase them out altogether. ORS plans to remove the former 585 kHz mast at the Bisamberg MW site in the next year because it would have to be reconstructed and is no longer needed. This does not affect the availability of 1476 kHz, ORS emphasizes that it could still be used by another broadcaster.

Concerning ORF's shortwave service ORS said that it is planned to keep five hours a days in the long term. Here it remains unclear if this information is still valid after the recent escalation. Something else could just be heard from somebody at ORF, but these remarks were off the record and the person did not bother to enquire for such an irrelevant detail. Anyway the airtime at Moosbrunn no longer used by ORF will be offered to other customers; ORS does not intend to close the site. *(Kai Ludwig via DXLD)*

In a press release send out today ORF confirms that the transmissions on 1476, in the headline of this release declared as "tests" (this would be a "test" that lasted 11 years), will cease as of New Year's Day. As remaining border-crossing services they refer to shortwave and the unencrypted satellite transmissions of the ORF 2 TV network (in fact all ORF radio transmissions via satellite are FTA, too).



Beyond that the press release reveals that DAB will be closed down as well. No commercial broadcasters participate in this DAB service, thus hereby DAB will be shut down in Austria altogether. The press section at orf.at is password-protected (I can't remember any other organization hiding its press releases from ordinary people), so I have to refer to a third-party service here:

http://www.ots.at/presseaussendung.php?schluessel=OTS_20081223_OT0164&ch=medien *(Kai Ludwig via DXLD)*

China

1053 Hubei PBS Economic Service has a new transmitter on 1053 kHz, which is audible in parts of SE Asia at night. According to the station's website, the new transmitter is a 50 kW unit at Qianjiang. *(Alan Davies, ARC MV-eko via WWDXC)*

1053 Liaoning PBS Story Station moved to 1053 kHz in late October 2008 (ex-900 kHz), using a new transmitter at Liaoning Transmitting Station 033 near Shenyang. *(Alan Davies, ARC MV-eko via WWDXC)*

Denmark

Today the power of the Kalundborg longwave transmissions on 243 kHz was further increased in two steps to 200 watt DRM, which is an 8 dB improvement on the previous 34 watt. Listeners' reports are very much appreciated and may be sent to the BSD info mailbox. *(News and photo by Ydun Ritz via mediumwave.info)*



Latvia

1485 Radio Merkurs has not the same transmitter that was carrying Radio Nord. Radio Nord was broadcasting from Ulbroka with 2.7 kW, but Radio Merkurs is broadcasting from Riga (Agenskalns, Western Riga). Power should be 1 kW, but most likely power used now is much lower (maybe about 100 W). After absence in the end of August and in September radio station is on air again since September 30 (not only non-stop music like it was before, but also some programs). Though transmission isn't considered test anymore, engineers are still trying to improve quality of reception.

This transmitter in Agenskalns is carrying not only Radio Merkurs, but also a plenty of FM stations, though many people are worried that antenna is too old and because of strong wind can fall down. Radio Merkurs is the same radio station as former Radio Nord 945 kHz - the same programs, the same music and the same DJs. Relocation was necessary as land of Ulbroka mediumwave transmitter (945 kHz) was sold to someone, future of 9290 kHz Ulbroka transmitter is also unclear. I heard rumours about cancelling all relays via this transmitter December 31. *(Yuri Dimbovsky via Mediumwave.info)*

Netherlands

GrootNieuwsRadio, the Dutch Christian station broadcasting on 1008 kHz, stopped its regular programmes at 1100 UTC today (12/12-2008, ed.) due to financial problems. A press release on the station's website says that non-stop music will be broadcast for the next few days, and it will then go silent unless new financial support is found. Director Evert ten Ham describes the decision as a very painful one, as the number of donors and the amount of advertising income are actually on the increase. But the station is still in serious financial difficulties. Its operating costs are around one million euro a year. One of the major donors, a printing company, says that it can no longer afford to subsidise the station as it needs to protect its own business. GrootNieuwsRadio began broadcasting a year ago, and claims a weekly audience reach of 100,000. *(Andy Sennitt, Media Network weblog)*

GrootNieuwsRadio says donations mean immediate bankruptcy avoided. Beleaguered Dutch Christian station GrootNieuwsRadio says that it has received more than 300,000 euro in donations since it suspended its regular programmes on Friday, and the immediated threat of bankruptcy has been lifted. However, although the station is now able to pay its existing debts, it needs another 700,000 euro to finance its operations in 2009. A statement on its website says that there will be a lot of discussions in the coming days on the future of the station, and an announcement will be made when a decision is reached. Meanwhile, Station Manager Evert ten Ham has told the Nederlands Dagblad that, as a result of the listener donations, which are still coming in, the station intends to relaunch with presented programmes on 5 January. *(Andy Sennitt, Media Network Weblog)*

Arrow Classic Rock is now on 828 replacing Caz!. Signal reasonable here but even a medium wave loop doesn't effectively null out Gold. Arrow had plans to put a talk station on this frequency.

Andy Sennitt on Media Network reports that, unfortunately for Arrow Classic Rock fans, this was a technical fault and the channel has reverted back to Caz! around 1530. No news of the planned Arrow Talks station. *(Mike Barraclough)*

Pakistan

According to Online, run by the Islamabad-based International News Network (INN), Pakistani army personnel want Radio Pakistan to resume 24-hour broadcasting on mediumwave in the Kashmir region. Originally, broadcasts were on 585 kHz, but INN says these were jammed by open carrier transmissions from India in the border areas.

So Radio Pakistan shifted the mediumwave transmissions from 585 to 1152 kHz, and in February 2003 24-hour broadcasts were introduced. But these have been terminated, and at midnight local time the mediumwave transmitter now closes down and broadcasts are only available on FM 103 MHz, which INN says has isolated frontline soldiers engaged in army missions in wilderness areas of Siachin, Kargil, and other regions of Kashmir. INN says the Pakistani Ministry of Information and Broadcasting is reported to be oblivious to the problem. It says that army personnel have strongly demanded that Radio Pakistan restarts nighttime mediumwave transmissions immediately in order to remove any sense of isolation and demoralization of troops. *(Onlinenews.com via Media Network weblog)*

Switzerland

Voice of Switzerland prepares to bow out. The medium wave transmitter at Beromünster in central Switzerland will go silent forever on Sunday night, 77 years and seven months after it first came into service. For many Swiss, there will be more than a touch of sadness, as Beromünster was a household name they grew up with; it is without doubt an integral part of the country's radio history. Look on the dial of any decent radio from the past. Beromünster features on the far right along with other great names, for example Lyons, Stuttgart, Vienna, Berlin, Monte Ceneri (southern Switzerland), AFN and Budapest.

With technology advancing to VHF and now DAB, the transmitter's days were numbered and the decision was made a few years ago to pull the plug on what finally was broadcasting a Swiss country music programme on 531 kHz. Two men who "grew up" with the transmitter, technicians Hermann Weber and Hans Moser, have been looking after it in its final years. They have each clocked up 40 years of service. "At present there are only two of us here and we do everything from being caretakers to repairing the transmitter, and we're responsible for the programme being broadcast until midnight on December 28," Weber told swissinfo.

"Nostalgia" He said he would look back on his career at Beromünster with "a little bit of nostalgia, but then a new stage in life will begin - retirement - that's also nice". Beromünster is something of a misnomer because it is not actually located in the commune of the same name but in neighbouring Gunzwil. It's worth remembering that at the beginning, the radio transmitter was considered great competition for the daily newspapers and that after a struggle, the transmitter broadcast only two new bulletins a day. Then came the Second World War. There were weekly commentaries on the situation from radio legend Jean-Rodolphe von Salis, and everyone was glued not to the box but to the radio. Beromünster was respected, not just in Switzerland, as the only independent German-language broadcaster. After the war, Beromünster was as popular as ever. The programmes were not just about national events and music, but also entertainment. "At that time we only had a radio at home with medium wave, so we always had Beromünster on," Weber recalls.

"Keep quiet" "At 12.30pm the news came on and we all had to keep quiet. We didn't have a television then, so in the evening we listened to the stories of [Swiss author] Jeremias Gotthelf and

the whole family sat in front of the radio." Later on, Weber recalls that he had reached the "awkward adolescent age", switched off from Beromünster and tuned into Luxembourg, where there was different music. "When our parents came into the room, they used to say: 'This music is not for you!'" Significant moments for Beromünster fans were also commentaries from Heiner Gautschi in New York and Theodor Haller in London. And there were concerts from radio orchestras in Switzerland that no longer exist. After 40 years working at the installation, now run by Swisscom Broadcast, Weber is still very much a fan of what the transmitter broadcasts.

"Transmitter is working?" "When I listen to the radio, it's on the Musikwelle (mostly Swiss traditional music played by German-language Swiss radio from the transmitter). On the one hand it's to hear whether the transmitter is working (laughs), on the other I like the programme. It's varied and plays music I like."

The transmitter will die on December 28 but there are proposals to keep the installation intact as a museum. Weber is certainly not convinced about that idea. "After the closure, I'd prefer that all the signs of the transmitter disappear. When a transmitter doesn't broadcast, it's not a transmitter anymore and there's not enough here for an interesting museum." Weber and his colleague Moser are not giving too much away about what they will be doing when midnight strikes on Sunday. But you may just find them in the control room drinking a glass to an old friend that has been with them for the best part of their working lives.

http://www.swissinfo.ch:80/eng/front/Beromuenster_takes_its_leave_of_the_airwaves.html?siteSection=105&sid=10126763&rss=true&ty=st *swissinfo.ch* (Robert Brookes via Mike Terry via DXLD)



At 215 metres the Beromünster tower is a landmark (photo SR DRS - Thomas Studhalter)

Beromünster ended programming at 2300UTC on 28/11 and then broadcast a recorded loop message until the transmitter was switched off at end of 2008.

UTILITY DESK

The home of non-broadcast news
with Andy Robins KB8QGF

1529 Miles Avenue, Kalamazoo, MI 49001, USA
e-mail: utility@mwcircle.org

A Different Approach to NDB DXing

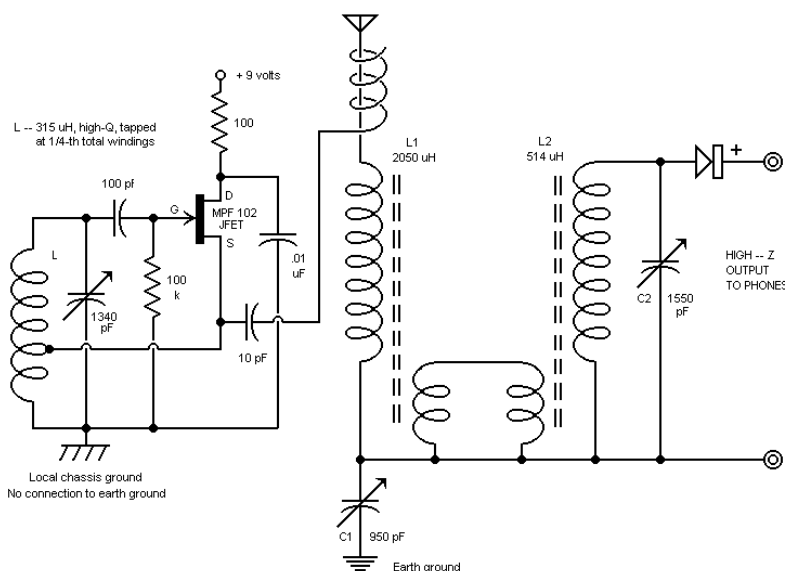
There are probably as many ways to DX non-directional beacons as there are listeners looking for them. One of the more interesting on the receiver side is the “simple” homebuilt approach taken by NDB List member Mike Tuggle WY3B in sunny Hawaii. Mike kindly agreed to discuss his NDB receiver designs in the first of a two-part series:

Minimalist Approaches to NDB DXing – Part One

In recent years I've had a lot of fun combining my interest in NDB DXing with the concept of simple “One Active Device” (1AD) receivers. These came about several years ago as the basis for an annual contest for medium- and shortwave broadcast band DXers using home-built radios that with only one tube (valve), transistor, or some other device such as a tunnel diode. The objective was to build the most effective receivers possible that are limited to just one active device. This prompted a lot of ingenuity in designing 'simple' receivers, as you will see at the 1AD Contest website: <http://www.crystalradio.us/contests/index.htm>. There you'll find a 1AD direct-conversion receiver, a regen-reflex design, and even a 1AD superhet.

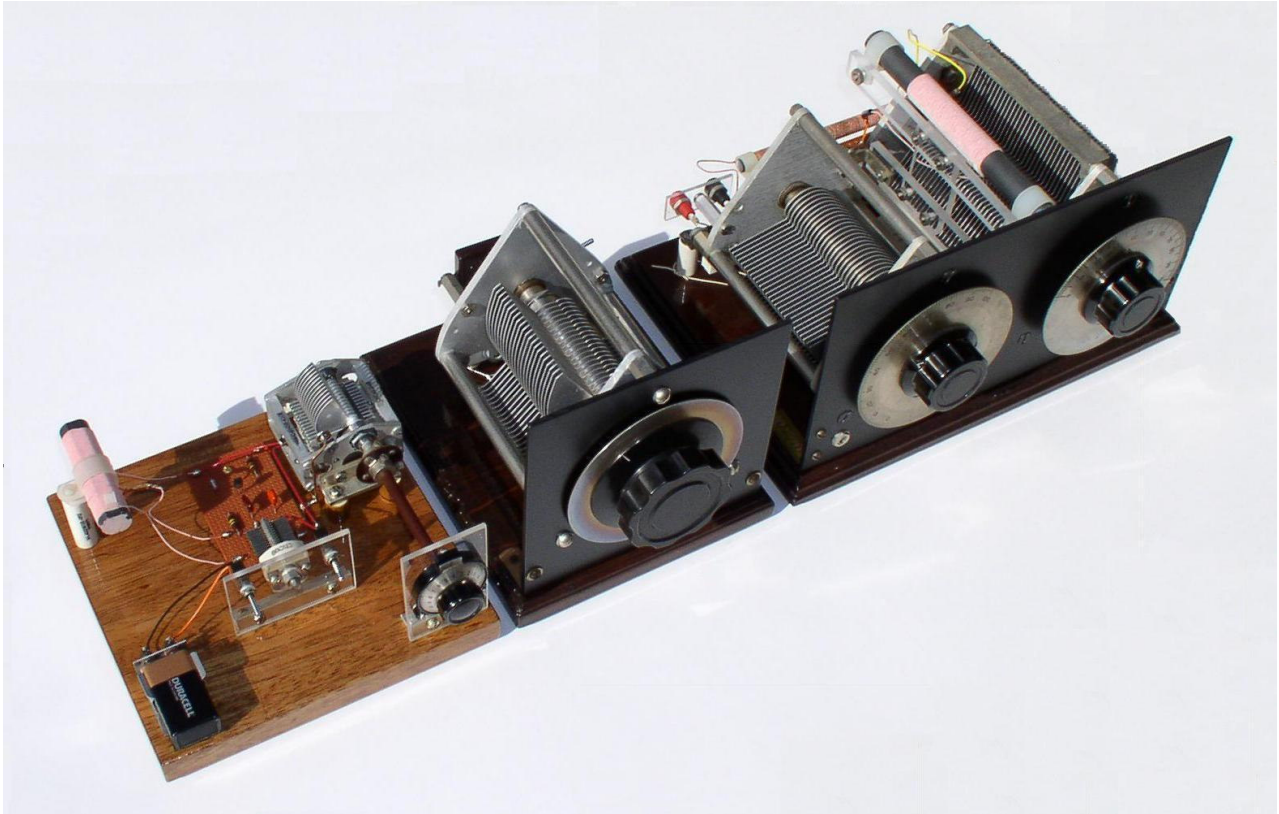
Two applications of a single active device that appealed to me are the beat frequency oscillator (BFO) for exalted carrier reception, and the good old regenerative receiver. At one time I was convinced that the BFO approach was the most effective use of a single active device possible. Now I'm not so sure.

There are two 1AD approaches that have worked well for me in NDB DXing. The first is the Long Wave (LW) BFO Receiver. I started casual NDB listening with my favorite kind of receiver, a crystal set, but the results were disappointing. Three local beacons could be heard but no DX. By loosely coupling the output of a small signal generator and tuning it to the same frequency as the LW crystal set, many more beacons were heard. In keeping with 1AD tradition the signal generator was replaced with a 1-FET Hartley BFO. It is connected to the crystal set by a clip lead loosely wrapped around the antenna lead-in wire. The BFO tank should be high “Q” to keep the oscillations as sharp as possible. You'll see the 1-FET BFO on the left and a double-tuned crystal set on the right in this circuit diagram.



Applying the BFO this way is called exalted carrier reception. Crystal sets by their nature are inefficient in detecting weak DX signals. Tuning a BFO to the carrier of a weak DX signal raises the voltage of the signal to a region of much more efficient detection. Exalted carrier is amplification of sorts but it is different from regeneration or “reflexing” – here, the set is continuously in oscillation. In the case of an isolated weak DX signal, use of an exalted carrier raises the signal to the level of

readability. When the DX is buried by a strong interfering signal, the exalted carrier selectively raises the level of the weak signal. The hope is that will raise it to a level at which the brain can select the desired DX despite the QRM. There must be more technical explanations but that's the gist of it.



In this photo, the 1-MPF 102 JFET BFO is on the left. At center is a 1000 pF variable capacitor shunted across the BFO's tuning capacitor to get to low frequencies (the BFO was originally designed to cover the mediumwave band). The two-dial unit to the right is a double-tuned LF crystal set. It is a series-tuned front-end design loosely coupled to a parallel-tuned secondary detector section.

Of several designs I have tried, this one seems to work best. From my location in Hawaii this set has received NDBs throughout the Pacific from New Zealand to central Alaska, west to Japan, and even as far east as Quebec in Canada. In mid-winter months when propagation is best, 'local' beacon LLD on the island of Lana'i, provides a very powerful signal. In fact, LLD's carrier is so strong that it can exalt the weaker signals of other beacons on adjacent frequencies. Stations heard with the local BFO turned off include some in British Columbia in Canada, the U.S. states of Alaska and Montana, and the Cook Islands in the South Pacific. All it takes is some careful listening in the silence between the loud LLD idents. This is crystal set operation with a remote BFO that's 70 miles (113 kilometers) away!

Next time, in the second part of his article, Mike will describe the design of his current homebuilt NDB DX receiver: a MOSFET regenerative rig. Questions about his designs may be directed to Mike by e-mail at tuggle@lava.net or by regular post: 46-469 Kuneki Street., Kaneohe, HI 96744-3536 USA.

In coming months, I plan to feature the thoughts of two beacon DXers who have begun using the Perseus SDR and its ability to record a good chunk of the RF spectrum for later analysis.

73, Andy

THE HOME FRONT

with John Williams

e-mail: homefront@mwcircle.org ☎ 01442 408567

Commercial Radio

Pulse Gold becomes Pulse 2

2 December, 2008



UTV Radio has re-launched Pulse Gold in West Yorkshire as Pulse 2. The station originally launched in 1975 and has also been known over the years as Pennine Radio, Big AM, Great Yorkshire Gold and Classic Gold. The station is now "the brand new radio station for Good Times and Great Music in West Yorkshire playing the greatest hits of the 60s 70s & 80s." The name change brings the station in line with sister stations Signal 1 and Signal 2.

talkSPORT fined £20,000

8 December, 2008

Ofcom has today fined talkSPORT Limited £20,000 for breaches of the media regulator's Broadcasting Code in respect of its service talkSPORT. The fine was for an edition of The James Whale Show on the 20th March 2008.

Ofcom found that the Licensee had seriously breached the due impartiality rules at the time of an election. Whale criticised the labour candidate Ken Livingstone for the London mayoral elections, saying: "He has been nothing but a complete and utter tragedy for the capital city". He then also directly encouraged listeners in London to vote for the Conservative candidate, Boris Johnson. Ofcom received three complaints about the show and ruled that breaches of this nature have potential to cause considerable to the democratic process by conferring an unfair electoral advantage on a particular candidate.



Whale, later lost his job over the incident. A spokesman for talkSPORT said: "We took all reasonable steps to ensure compliance with the requirements of the Programme Code, which were thwarted by the efforts of a determined presenter in a live programme. In terminating our contract with James Whale, we sent a very clear message to all our broadcasters that we would not tolerate deliberate breaches of the Code." (www.radiotoday.co.uk)

UK Radio Advertising 2008

27 December, 2008

Ashley Tabor's Global Radio bought GCap Media in the spring for £275 million. The deal added GCap to the former Chrysalis business, and created Britain's largest-ever commercial radio group just as the advertising market collapsed. By the end of the year, radio advertising was down by nearly 20 per cent. (www.timesonline.co.uk)

RSL & LPAM News

In addition to the home games listed it is expected that cup games will be played but at present no such games have been listed.

Football Club	Station	January, 2009	February, 2009
Crystal Palace	Palace Radio 1278 kHz	17 Ipswich 31 Blackpool	3 Birmingham 14 Coventry
Blackburn	Radio Rovers 1404 kHz	17 Newcastle 28 Bolton	7 Aston Villa
Rushden and Diamonds	Radio Diamonds 1503 kHz	1 Stevenage 24 Forest Green	14 Lewis 24 York*

		31 Cambridge Utd	28 Mansfield
--	--	------------------	--------------

*Evening Game

I received a telephone call from member Ken Lancaster in Barnsley who tells me that the Barnsley FC transmitter has been left switched on since Summer 2007 although he has not heard a match commentary.

Steve Whitt sent an email to JCom the Leeds Community station in response to his reporting of hearing station test transmission in August on **1386 kHz**. "Thanks for your contact. Sorry for the very late reply, but we have just unclogged the email system and have found several hundred emails that I am now trying to answer. You heard the test transmissions, and Ofcom has approved the results. We are now arranging our permanent transmitter and aerial system, and hope to be on-air around the end of March. I will drop you a line so you can tune in again. Kind regards Andrew Ullmann Technical director"

Transport chiefs in Edinburgh are considering spending a six-figure sum on creating a dedicated radio station to guide drivers through traffic during the tram project. The move would see the city council apply for a temporary licence for "Radio Roadwork's" on an AM frequency, which would provide up-to-the-minute updates on the roadwork's situation.

A decision on setting up a temporary radio station will be taken in the New Year.

<http://edinburghnews.scotsman.com/latestnews/Radio-Roadworks--to-4791042.jp> via Steve Whitt

Steve also reports 1287 Catterick has resumed broadcasting audio following many weeks of blank carrier. Seems to be same format of recorded spoken magazine items rather than regular Garrison Radio programming; and

1350 URY York went off air yesterday 20/12/08 at end of student term. I expect they will return on or around 12th January 2009.

Irish News

Just to let you know that **Zenith Classic Rock** has a temporary licence from the Broadcasting Commission of Ireland. Frequency is **1584 kHz**, C-Quam Stereo, 1 kW into a 1/4 wave vertical antenna, (also on 103.8 FM), broadcast dates are as follows:

28th - 31st December 2008 ; 1st - 5th Jan 2009; 9th - 11th Jan 2009; 16th - 18th Jan 2009 ;
23rd - 25th Jan 2009; 30th Jan - 1st Feb 2009; 6th - 8th Feb 2009; 13th - 15th Feb 2009 and
20th - 22nd Feb 2009



(via amstereoforumeurope@yahoo.com) and Steve Whitt. Who asks the following: This prompts two questions: "Why?" and "Who is listening to AM stereo?" - Steve

I have also seen the following information reported; "The AM will cover approx 30 miles radius, tx location is a couple of miles west of Waterford City". Also will QSL apparently. Their

contact details are: Total Broadcast Consultants Ltd. City Enterprise Centre Waterford Business Park Cork Road Waterford Ireland. Tel: +353 (0)51 845422 Fax: +353 (0)51 845414 Web address <http://totalbroadcast.net/zenith/> and Email: info@totalbroadcast.net

EUROLOG

100 Gravel Lane Hemel Hempstead, Herts. HP1 1SB, UK

with John Williams

e-mail: eurolog@mwcircle.org ☎ 01442 408567

kHz	Station, location; details heard etc	SIO	UTC	Date	Who
171	Radio Rossii, Bolshakovo, Music from ABBA "I do.."	333	2040	22/ 12	FW
252	RTE Radio 1, Clarkstown , divin service	333	1050	21/ 12	FW
621	RTBFi, Waver-Overijse, Music, ID,	444	2258	23/ 11	FW
630	Russian Inter. R. Braunschweig-Cremlingen, Russian News	444	2015	25/ 11	FW
630	Radio Timisoara, Ortisoara, News	222	2302	25/ 11	FW
630	NRK 1, Vigra, Pop Music "You never work alone"	444	2315	25/ 11	FW
630	BBC Three Counties "In Beds and Herts and Bucks"	G	1030	13/12	BB
666	SER Radio Barcelona, Sant Boi de Llobregat, ID, News	333	2300	26/ 11	FW
684	Radio Nacional, Dos Hermanas (Sevilla), ID, News	333	2300	27/ 11	FW
684	Radio Beograd 1, Beograd, News	322	2305	27/ 11	FW
702	RMC-Info, Le Col de la Madonne, Px CRI S/off	444	2258	28/ 11	FW
702	NDR Info, Flensburg, Seawater report	322	2310	28/ 11	FW
702	Radio Christo Botev, Pirin, Bulgarian Folk Music	222	2315	28/ 11	FW
756	Radio Maldwyn "Magic" ID and local ads	F	1045	13/12	BB
765	BBC Essex Travel news	G	1030	22/11	BB
774	Radio Nacional, various, Talk, ID, News	333	0158	1/ 12	FW
774	BBC Radio Leeds Interviews	G	1050	13/12	BB
774	Gold Gloucester; "This is Gold" in Leeds null	F	1050	13/12	BB
792	NDR Info, Lingen, ID, News	333	2259	30/ 11	FW
792	BBC Radio Foyle, Londonderry, BBC News	222	2303	30/ 11	FW
792	SER Radio Sevilla, Sevilla, Talk	222	2310	30/ 11	FW
792	Gold Luton and Bedford: Oldies music	F	1055	13/12	BB
810	BBC Radio Scotland, various, Music Px	444	2255	1/ 12	FW
810	SER R. Madrid, Ctra. Carabanchel , ID, News	222	2300	1/ 12	FW
810	Radio Skopje 1, Ovce Polje, Folk Music	222	2315	1/ 12	FW
819	Rai Radio 1, Trieste, Nat. Anth.	222	2258	2/ 12	FW
828	Gold 828, Fern Barrow (Bournemouth), ID "Gold", News	433	2258	3/ 12	FW
828	SER Radio Tarrassa, Tarrassa, News	222	2302	3/ 12	FW
837	France Info, Nancy-Nomeny, ID, News	444	0200	5/ 12	FW
855	România Actualitata, Tancabesti, ID, news	444	2300	7/ 12	FW
855	BBC Radio Norfolk Norwich; News in mix	W	1100	13/12	BB
855	Sunshine Radio 855; Local ads and weather, dominant	G	1130	2/12	BB
864	France Bleu, Paris - Villebon-sur-Yvette, News	444	2300	8/ 12	FW
873	AFN Power Netw., Oberursel-Weißkirchen, ID, News	444	2300	9/ 12	FW
873	BBC Norfolk West Lynn; //855 news	G	1100	13/12	BB
882	BBC Radio Wales, various, Musil	322	2250	10/ 12	FW
882	MDR Info, Wachenbrunn, ID "MDR-Info"	322	2300	10/ 12	FW
891	Radio 538, Hulsberg, Pop Music, Infos	333	2250	12/ 12	FW
900	Rai Radio 1, Milano, Px "Notturmo Italiano"	444	2310	12/ 12	FW
909	BBC Radio 5 Live, various, ID, news	444	2300	15/ 12	FW
909	Radio Cluj/România Actualitata, Jucu, News	222	2304	15/ 12	FW
918	Radio Slovenija 1, Ljubljana-Domzale, ID, News	444	2300	16/ 12	FW
918	Radio Intercontinental, Ctra Humera (Madrid), News	222	2305	16/ 12	FW
936	Radio Bremen 1, Bremen-Oberneuland, ID, News	333	2300	19/ 12	FW
936	Rai Radio 1, various, News	222	2305	19/ 12	FW
936	Fresh Radio Skipton; News	W	1100	16/12	BB

kHz	Station, location; details heard etc	SIO	UTC	Date	Who
945	France Info, Toulouse-Muret, Sport Reportage	333	2112	20/ 12	FW
954	Ceský rozhlas 2/6, various , Talk, Interview	444	2044	21/ 12	FW
954	Onda Cero Radio, Ctra Humera (Madrid), News, Talk	333	2304	21/ 12	FW
963	Club Asia, Lea Bridge Rd (Ea.London), ID "Club Asia"	222	2300	22/ 12	FW
963	Radio Horizont, various, ID, Bulgarian Music	333	2310	22/ 12	FW
972	Club Asia London; "Club Asia 963 and 972"	W	1140	2/12	BB
981	Radio Star Country Co Monaghan; Country music and local ads	F	1835	13/12	BB
1035	Northsound Two, Nigg (Aberdeen). Music from Sweet	333	1416	30/ 11	FW
1107	AFN Power Network, Kaiserslautern, ID, News	444	0200	2/ 12	FW
1107	Rai Radio 1, Roma, News	222	0205	2/ 12	FW
1107	Moray Firth Radio Inverness; "MFR" and local ads	F	1430	23/11	BB
1116	SER Radio Pontevedra, Pontevedra, ID, News	444	0200	3/ 12	FW
1116	Kossuth Radio, Miskolc, News	333	2109	9/ 12	FW
1116	Rai Radio 1, various, Talk	222	2112	9/ 12	FW
1125	RTBF Vivacité, Houdeng, ID, Infos, news	444	0200	4/ 12	FW
1143	AFN Power Network, various, ID, Pop Music	333	2255	4/ 12	FW
1143	Radio Horizont, Varna, ID Mews	222	2300	4/ 12	FW
1143	COPE various, Talk	222	2315	4/ 12	FW
1152	Radio Nacional 5, various, ID, News	333	0200	8/ 12	FW
1152	LBC News 1152, Saffron Green, News	222	0205	8/ 12	FW
1152	Clyde 2, Dechmont Hill (Glasgow), ID Local Infos Glasgow	222	0215	8/ 12	FW
1161	Gold 936/1161, Blunsdon, ID "Gold",	222	0200	9/ 12	FW
1161	Euskadi Irratia, San Sebastián, News	333	0203	9/ 12	FW
1170	Voice of Russia, Sasnovy, Px Russian Radio	444	0200	10/ 12	FW
1170	Magic 1170 AM, Stockton, ID, Music	222	0215	10/ 12	FW
1170	Magic Teeside; "Magic" ID in mix	W	1130	26/11	BB
1179	România Actualitata, various, ID "Radio Rumania"	444	0200	11/ 12	FW
1179	SER Radio Rioja, Logroño, News	222	0205	11/ 12	FW
1188	MDR-Info, Reichenbach, ID "MDR-Info", News	333	2300	11/ 12	FW
1197	Absolute Radio, various, ID, Music from AC DC"	444	0200	16/ 12	FW
1197	Euskadi Irratia, Vitoria, News	222	0205	16/ 12	FW
1206	France Info, Bordeaux-Néac, ID, News	333	0200	17/ 12	FW
1215	Absolute Radio, various, ID, Music	444	0200	18/ 12	FW
1224	Radio Bulgaria, Vidin, Px in Serbian	444	2250	18/ 12	FW
1224	Radio Popular de San Sebastián, ID, News	222	2300	18/ 12	FW
1224	COPE various, ID, News	444	2303	18/ 12	FW
1233	Absolute Radio, various; ID, Music	333	0300	20/ 12	FW
1233	RTBF Pure FM, Rocourt, News	222	0303	20/ 12	FW
1242	France Info, Marseille-Cabriès-Réaltor, Sport Reportage	333	2113	20/ 12	FW
1251	Gold Digital Amber, Great Barton, ID, Infos, Music	222	0200	22/ 12	FW
1260	Absolute Radio, various, ID: "Absolute Radio"	333	0155	23/ 12	FW
1260	Gold 1260, Mangotsfield (Bristol), ID. Gold, Music (Oldies)	222	0205	23/ 12	FW
1314	BBC Radio Ulster, Lisnagarvey, Talk	333	1414	30/ 11	FW
1485	AFN Bavaria, various, ID: AFN-Radio, News	333	0200	24/ 11	FW
1485	Punto Radio Vilanova, Masía Padruel, ID, News	222	0205	24/ 11	FW
1503	BBC Radio Stoke, Stoke-on-Trent, Px 5Live	444	0300	28/ 11	FW

Many thanks to:

BB Bernard Brown Sutton-in-Ashfield; Sangean DT1400W
FW Friedhelm Wittlieb, Grundig Satellite 700, Martens-Fram Dortmund Germany

The closing date for the next issue is **25 January, 2009** 73's John

DX LOGGINGS

✉ Glackin, 199 Clashmore, Lochinver, Lairg, Sutherland IV27 4JQ, Scotland
with Martin Hall e-mail: dxlogs@mwcircle.org ☎ 01571-855360

kHz	Callsign	Station, location; details heard etc	SIO	UTC	Date	Who
189		R Rossii, Belogorsk, FE Russia; RR tlk under huge Iceland	P	1500	20/11	JF/TB
279		R Rossii, Yekaterinburg, Russia; RR OM ID, nx	222	0100	14/12	TB
529.97	CIAO	Brampton ON (pres); Italian programme with diverse tlk, chat, culture, but no ID; not so strong as Paul's log dated 4th October! personal first	W/Fpks	0735	2/12	Rha
531		Zhejiang PBS, Jinhua, China; YL CC tlk, music link/IS	253	1419	11/12	JF/TB
540	CBT	Grand Falls NL; CBC Radio& CBC overnight programme	W/F	0745	2/12	Rha
540	CBT	Grand Falls NL; BBC WS then news	G	0758	2/12	PL
540	CBT	Grand Falls NL; CBC // others but unusually good signal	G	2331	28/12	SW
540	CBGA1	New Carlisle QC; OM with CBC ID.	F	0800	1/12	PL
540	CBGA1	New Carlisle QC; FF tlk (phone-in), anns "... la première chaîne de Radio Canada" & web address, then TC "CBGA Gaspésie et le Iles ..."; personal first	W	0800	2/12	Rha
540	CBK	Watrous SK ; mx, "That was Radio Romania International. After a local information break, some of you may be joining regional programming", anns, "O Canada"; then local ID "Good morning and welcome to the world of Radio One in Saskatchewan. Our daily programming originates in studios in Regina, Saskatoon, ... We broadcast from our main transmitter CBK in Watrous on a frequency of 540 kHz, power of 2000(?) watts"; personal first	F/G	1130	2/12	mah
540	XEWA	San Luis Potosi ; very weak "W Radio" IDs under CBC; personal first	vW	1100	2/12	mah
550	KTZN	Anchorage AK ; Mike & Mike in the Morning, ESPN Radio, ID "Jim Rome 9 to noon on Alaska's ESPN 5-50 The Zone", then ESPN Radio Sports Centre; personal first ; 531 Faroes OFF, so free of splatter	F	1339	2/12	mah
550	WGR	Buffalo NY; "All sports, all the time. Sports Radio 5-50 WGR Buffalo"; also F 0755 1/12	W	0900	21/12	mah
550	KFYR	Bismarck ND; "K-fire. Fox News Radio", news; "Now, from North Dakota's largest and most experienced news team ... K-fire's radio news", local wx and news; xf NPR – KOAC?	Fpks	1130	2/12	mah
550	WSAU	Wausau WI; C2C, "News Radio 55 SAU"; also W/F 0805 2/12	W/F	0657	15/12	mah
550	WSAU	Wausau WI; "News Talk 5-50 ... WSAU Wausau"	W	0800	19/12	PC
550	KMVI	Wailuku HI ; "(You're listening to?) Maui's ESPN radio station KMVI AM 5-50 Wailuku", then ESPN Radio Sports Centre; tnx to SW and AB for checking the clip; personal first	vW	1200	2/12	mah
555	ZIZ	Basseterre, St Kitts; BBC WS	W	0730	2/12	Rha
558		Xinjiang PBS, Urumqi, China; Uighur tlk, martial mx, IS, nx	P	1500	11/12	JF/TB
560	WQAM	Miami FL; "You're listening to Sports Radio 5-60 WQAM Miami Dade Fort Lauderdale", ESPN Radio Sports Centre	W	0900	22/12	mah
560	WGAN	Portland ME (pres); news, info – no ID!	W	0727	2/12	Rha
560	WGAN	Portland ME; news " WGAN News starts now"; personal first	F	2330	15/12	PL
560	WGAN	Portland ME; toth ID "News Radio 15-10 WGAN"	W	0700	19/12	AB

kHz	Callsign	Station, location; details heard etc	SIO	UTC	Date	Who
560	WGAN	Portland ME; "News Radio 5-60 WGAN, Portland"	W	0900	21/12	mah
560	KMON	Great Falls MT; "Big Sky Country 5-60 KMON", country	W	1059	2/12	mah
560	KPQ	Wenatchee WA; "5-60 KPQ, your ABC News station, 5-60 KPQ Wenatchee"	vW	1200	2/12	mah
570		KNR Nuuk, Greenland; traces of Greenlandic tlk then light mx	W	0830	27/11	Rha
570	WMCA	New York NY; "AM 5-70 WMCA New York's Christian Talk"	F	0858	22/12	mah
570	WSYR	Syracuse NY; over-riding CKGL	vP	2005	26/11	TB
570	WSYR	Syracuse NY. "Newsradio 5-70 WSYR" ID mixing R Reloj	W	0600	21/12	JF
570	WSYR	Syracuse NY; "News Radio 5-70 WSYR" noted in the mix	W	0900	21/12	mah
570	KVI	Seattle WA ; ad for seattleservicemagic.com, then toth ID "Fox News now on AM 5-70 KVI ... the talk station"; personal first	Wpks	1159	2/12	mah
570	CFCB	Corner Brook NL; local weather // 790 kHz	F	2300	16/12	PC
570	CKGL	Kitchener ON; fade-in 1922	vP	1922	26/11	TB
570	CKGL	Kitchener ON; ESPN sports on "... Sports Radio 5-70", Toronto sports comments	W	0720	2/12	Rha
570	CKGL	Kitchener, ON; "... CKGL, a division of Rogers Communications", ESPN ID	W/F	0800	4/12	PC
570	CKGL	Kitchener ON; Pontiac.ca advert; traffic report in Kitchener	Fpk	0023	17/12	SW
570	CKGL	Kitchener ON; difficult ID "You're tuned to 5-70 CKGL, a division of Rogers Communications"; ESPN Radio Sports Centre	W/P	0900	21/12	mah
570	CKSW	Swift Current SK; country mx, "CKSW 5-70" ID	F/G	0834	1/12	mah
570	CMDC	R Reloj, Santa Clara; OM & YL w rolling SS nx over ticking clock	W	0657	28/11	BD
570	CMDC	R Reloj, Santa Clara, SS OM fading out	222	0935	10/12	TB
570	CMDC	R Reloj, Santa Clara; pips, news, Morse code; regular IDs	F	0026	16/12	SW
570	CMDC	R Reloj, Santa Clara; toth announcement "son las dos en punto de la madrugada ... transmite Radio Reloj"	W	0700	19/12	AB
570	UNID	Weather gave high temperature of -15; checking weather online had Swift Current at -18; Kitchener at -7; Corner Brook at -4 and Syracuse at -3; so I strongly think this was CKSW briefly peaking through R Reloj	P	0002	17/12	SW
570	UNID	Fox News; who could this be? KVI, KLIF and KLAC are possible candidates - anything more likely?	Fpk	0034	24/12	SW
576		R Mayak, UNID site, FE Russia; // many	Fpks	1421	11/12	JF/TB
580	CFRA	Ottawa ON; nx, wx, CFRA ID	W	0703	13/11	MM
580	CFRA	Ottawa ON; economic discussion // with webstream; also good 2/12 with "Talk Radio 5-80 CFRA"	W	0912	27/11	SW
580	CFRA	Ottawa ON; "serving Ottawa" behind "WKAQ"; reports & comments; also Toronto sports	W/Fpks	0715	2/12	Rha
580	CFRA	Ottawa ON; OM with news	W	2245	4/12	PL
580	CKWW	Windsor ON (pres); oldies audible & pieces of anns "... 5-80 Great Oldies"	W	0557	28/11	Rha
590	KHAR	Anchorage AK; EZL style songs, ID "KHAR 5-90 Anchorage, a Morris Communications station", then CNN Radio News; fairly steady signal, just above the noise for about 5 minutes - haven't heard this one for a while! Also W/F 1230-1440 2/12	W	1300	1/12	mah
590	KQNT	Spokane WA; "Eastern Washington's official news, weather and traffic station. This is News Talk 5-90 KQNT Spokane"	W	1100	2/12	mah
590	VOCM	St John's NL; ads	G	0944	3/12	PL

kHz	Callsign	Station, location; details heard etc	SIO	UTC	Date	Who
589.99	VOCM	St John's NL; with 20-20 weather report	W	0524	13/12	Rha
590	VOCM	St John's NL; country music ads	W	2051	16/12	JW
590	CJCL	Toronto ON; "thefan590.com" and Toronto ads	W/F	0842	1/12	mah
599.99	CBNA	St Anthony NL; CBC reports	W	0532	13/12	Rha
600	CKPK	Vancouver BC ; light songs, YL anns ID "100.5 The Peak, this is (Barrington?) music"; 1203 YL/OM with "... music. Ben Folds featuring Regina Spektor 'You Don't Know Me' ... point 5 The Peak" - web check has this as #18 on their playlist this week; another "100.5 The Peak" ID at 1206; personal first	Fpks	1200	2/12	mah
600	CBNA	St Anthony NL; Deutsche Welle programming	G	0821	4/12	PL
600	CMKV	R Rebelde, Urbano Noris; SS, Cuban songs/mx // 5025 kHz	W/F	0814	27/11	Rha
600	CMKV	R Rebelde, Urbano Noris; YL in talk // 670 kHz	W/F	0759	28/11	PL
610	WIOD	Miami FL (pres); C2C talk & sporadic anns "wiod.com"	W	0605	28/11	Rha
610	WIOD	Miami FL; weather forecast (a cold front hitting Florida) "John Little on News Radio 6-10 WIOD"	W	0703	30/11	AB
610	WIOD	Miami FL (presumed); ads for Florida Panthers Hockey tickets mixing Quebec	F	0759	5/12	PL
610	WIOD	Miami FL; promo, news, weather, ID	Fpk	2355	8/12	SW
610	WIOD	Miami FL (presumed); OM News reports	W	0701	11/12	JW
610	CHNC	New Carlisle QC (pres); pop music	W	0635	29/11	Rha
610	CHNC	New Carlisle QC; ads	F/G	0802	3/12	PL
610	CHNC	New Carlisle QC; usual FF chat & pops	W/F	0001	5/12	BD
610	CKYL	Peace River AB; "It's 6 o'clock. Good morning, it's Steve McArthur with YL Country News"	G	1300	2/12	mah
610	CHNL	Kamloops BC ; two mixing, first went into CP news with no ID, the second had "News Talk Sport (AM 6-10 in?) Kamloops, this is CHNL. From the national newsroom of the Canadian Press ..."; both before and after the news I was hearing light popular songs; personal first	Wpk	1200	2/12	mah
620	KGTL	Homer AK; "From the ... 6-20 AM KGTL Homer"	W	1100	2/12	mah
620	CKCM	Grand Falls NL; VOCM light pops	F/G	0759	3/12	PL
620	CKCM	Grand Falls NL; ad "Newfoundland Power" and for "A&P Music in Clarendville"	Ex	2322	16/12	JW
621		Voice of the Arabs, Batrah, Egypt; Arabic music	222	2305	23/11	FW
630		RTT, Tunis-Djedeida, Tunisia; ID, news, Arabic music	444	2300	25/11	FW
640	KYUK	Bethel AK ; "This is Brandon Leary and Crowley Petroleum Distribution listen to KYUK's local news every weekday evening at 5.30 PM", and "Hi I'm Mike from Swanson's Deli with KYUK 6-40 AM in Bethel Alaska"; then ads and NPR News, followed by light and seasonal songs; personal first ; although KOJE lists the station operating from 1500-0900, the schedule on the web is 24h; names checked out via Google	W/F	1300	2/12	mah
640	CBN	St John's NL; BBC WS, then news	F/G	0758	2/12	PL
640	CFMJ	Toronto ON; "AM 6-40" and ... IDs	F/G	0802	1/12	mah
648		TWR Orzu, Tajikistan (tentative); IS under BBC nx	vP	1500	11/12	JF/TB
650	WSM	Nashville TN; reference to "2008 Marconi award for legendary station of the year" then ID under NL	F	0801	2/12	PL
650	WSM	Nashville TN (tent); appeared mixing VOCM with various talk about the "Hall of Fame"	P	0010	17/12	SW

kHz	Callsign	Station, location; details heard etc	SIO	UTC	Date	Who
650	CISL	Vancouver BC; light songs, ID "We're playing all the songs you love (all night?) on AM 6-50. All time favourites, AM 6-50"; again at 1236 "More of the music ... All time favourites AM 6-50"; difficult xf presumed Greenland/KENI; personal first	Wpks	1232	2/12	mah
650	CKGA	Gander NL VOXM light pops	vG	0759	3/12	PL
650	CKOM	Saskatoon SK; ads, "CKOM Saskatoon" ID, news; xd KNR	Fpks	1130	2/12	mah
650		KNR Qerqertarsuaq, Greenland; local Greenlandic tlk tentative; W it's unusually that 570.02 KNR Nuuk noted stronger with W/Fpks than 650 kHz!	W	2342	29/11	Rha
656.97		KCBS Pyongyang, North Korea; KK Tlk, behind BBC Wales (-322 96.4 dBm)		1700	20/11	JF/TB
657.01		CNR Henan, China; CC tlk, soft mx at toth (-114dBm)	222	1700	20/11	JF/TB
660	KFAR	Fairbanks AK; Fox News Radio, Alaska ads, ID "You've found a place to blow off some steam - KFAR", talk; xf CFFR	Fpks	1305	2/12	mah
660	WFAN	New York NY; "Fan Sports-66 WFAN"	W/Fpks	0627	28/11	Rha
660	WFAN	New York NY; "Sports Radio 66 WFAN New York" then into ads	F	0723	1/12	JW
660	WFAN	New York NY; Burger King / WFAN promotion	vG	0946	3/12	PL
660	WFAN	New York City NY; invitation to advertisers: "WFAN is Sports Radio 66 the top station for New York sports and we provide a variety of ways for you to advertise ..."	F	0456	18/12	AB
660	WFAN	New York NY; ID & Devil's Hockey; excellent; usually impossible because of local BBC on 666kHz	Exc	0143	31/12	SW
660	CFFR	Calgary AB; "You're listening to 6-60 News Overnight"	Gpks	0806	2/12	mah
670	WSCR	Chicago IL; OM in sports talk; also F ID on toth 0700 4/12	W/F	0830	3/12	PL
670	WSCR	Chicago IL (pres); poor sports, seemed // webstream	222	0906	10/12	TB
670	WSCR	Chicago IL; several ads for Chicago businesses	F	0900	16/12	PC
670	WSCR	Chicago IL; toth ID "Non-stop sports ? WSCR, WSCR HD Chicago, sports ?" then Sporting News Flash; personal first due to heavy QRM from BBC York 666	F	0700	21/12	AB
670	WSCR	Chicago IL; ID as "WSCR HD" and Sporting News Radio jingle	W	0700	21/12	JF
670	CMQ	Radio Rebelde, Arroyo Arenas; Cuban mx // 710 kHz	F	0657	28/11	BD
670	CMBA	Rebelde, Arroyo Arenas; OM in talk	G	0800	2/12	PL
680	KBRW	Barrow AK; low modulation, deep voiced OM with serious talk, // www; also 30/11, 1/12, 2/12; in all afternoon on all four days	vP	1530	29/11	TB
680	KBRW	Barrow AK; NPR morning show, local Alaskan weather forecast and then over to the National Weather Service; personal first	W	1719	1/12	JF
680	KBRW	Barrow AK; NPR anns, then KBRW ID and a couple of rock'n' roll songs/music; best noted since first of October!		2220	1/12	Rha
680	KBRW	Barrow AK; "You're listening to the Morning Show on KBRW W AM and KBRW FM Barrow Alaska"		1600	2/12	PC
680	KBRW	Barrow AK; light nx, "Good morning, it's 7 o'clock. You're listening to top of the world radio KBRW 6-80 AM, 91.9 FM kbrw.org"; heard most days in December	vG	1600	2/12	mah
680	KBRW	Barrow AK; OM in talk, then into Bangles tune // webstream; also weak 2058 21/12 concert // webstream; personal first	W	2115	3/12	PL

kHz	Callsign	Station, location; details heard etc	SIO	UTC	Date	Who
680	KBRW	Barrow AK; slightly better reception today. NPR Morning Edition. Weather with Glenn Hoffman in Barrow, sponsored by the Power & Brown law firm (in Bethel AK) at 'powerbrown.com'. NPR jingle. Christmas song "Here Comes Santa Claus" interlude, followed by the NPR Economic Report.	W	1619	2/12	JF
680	WRKO	Boston MA; magazine on tlk AM 6-80 WRKO powered with 50,000 watts on talkradio	F	0543	29/11	Rha
680	WRKO	Boston MA; "This is Boston's talk station 6-80 WRKO Boston" & Fox News	W	0800	18/12	BD
680	CJOB	Winnipeg MB; "CJOB 6-80 Winnipeg"	W	0800	14/12	PC
680	CFTR	Toronto ON; nx, wx reports, "6-80 News"	F	0554	16/10	MM
680	CFTR	Toronto ON; "Toronto's only all-news radio station, this is 6-80 News"	G	0000	27/11	JWe
680	CFTR	Toronto ON; Canadian sports/infos	W/Fpks	0648	28/11	Rha
680	CFTR	Toronto ON; "6-80 News"; time check	F	0806	29/11	SW
680	CFTR	Toronto ON; "You're listening to all-news radio 6-80 News", then weather for Toronto	F	0737	30/11	AB
680	CFTR	Toronto ON; "Toronto's only all news radio 6-80 news"	W	0800	30/11	JW
680	CFTR	Toronto ON; "6-80 Newstime its 4.55" after entertainment news	G	0955	4/12	PL
680	CFTR	Toronto ON; "6-80 News time 5.06"	W/F	1006	14/12	mah
680	WAPA	San Juan PR; network ID at toh, noticias; personal first	W	0200	6/12	JF
690	CBU	Vancouver BC; some audio noted in strong 693 kHz splatter; news, referring to "liberal MP"; 1204 "This is CBC Radio Overnight ... Coming up Polish Radio External Service, but next we present DW Radio ... CBC Radio 1"; ties in with the published schedule; personal first	P/Wpks	1200	2/12	mah
700	WLW	Cincinnati OH; local ads, "The Big One 7-00 WLW"	G	0020	27/11	SW
700	WLW	Cincinnati OH; WLW News; it's difficult for me because of NDR Info on 702 kHz, but I heard the ID "Newsradio 700 WLW on news center of America's Trucking Network"	W/Fpks	0549	29/11	Rha
700	WLW	Cincinnati OH; "News Radio 7 hundred WLW" ID & WLW News	W	0001	4/12	BD
700	WLW	Cincinnati OH "Tonight at 9 on the big one - WLW"	F	2345	4/12	PL
700	WLW	Cincinnati OH; "News Radio 700 WLW" heard at toth	W	0800	21/12	AB
700		NBC Radio Kingstown St. Vincent; programme promo "on your station NBC radio this Saturday" & events diary	W	2357	5/12	BD
700		NBC Kingstown, St Vincent; local programming - music - //webcast	W/F	2340	9/12	PC
700		NBC Radio Kingstown, St Vincent and Grenadines; YL in talk about health issues / HIV; personal first	F	0008	10/12	PL
702		RTM B, Sebaâ-Aioun, Morocco; ID, music	322	2300	28/11	FW
710	WOR	New York NY; Joey Reynolds Show // 1520 kHz	G	0828	2/12	PL
710	WOR	New York NY (presumed); talk show under Country music	W	0706	16/12	JW
710	WOR	New York NY; "WOR and WOR HD, the New York home of John Gambling, weekday mornings at 6"	W	0800	21/12	AB
710	KIRO	Seattle WA; ads, ID "KIRO Seattle ... This is Money Talk"	W/F	1124	1/12	mah
710	CKVO	Clarendville NL; Christmas songs	F/G	0825	4/12	PL
710	CM--	Radio Rebelde, 4 sites listed; Cuban mx // 670 CMQ	F	0658	28/11	BD

kHz	Call sign	Station, location; details heard etc	SIO	UTC	Date	Who
720		KNR Simiutaq, Greenland; clear interval signal xf Lisnagarvey, then YL talk and singing; personal first	F	0929	2/12	PL
720	WGN	Chicago IL ; "Newstalk 7-20 WGN Chicago, at the tone its exactly 2 am"; under Lisnagarvey; personal first	F	0800	3/12	PL
720	WGN	Chicago IL ; "It's 4 o'clock in ...Chicago, Newstalk 7-20 WGN"; personal first ; heard through BBC 'pips'	W	2200	18/12	PC
720	WGN	Chicago IL ; heard at equal strength to BBC R4 cricket commentary: "The Voice of Chicago, Newstalk 720 WGN Chicago, we're ... <pips> We have 10° and cloudy skies and some light snow and partly blizzards this morning in some of our western and northern suburbs, a dusting of snow in the city of Chicago"; personal first	Fpks	0800	21/12	AB
720	WGN	Chicago IL; "The Voice of Chicago News Talk 7-20 WGN Chicago"; under mx	vW	0900	21/12	mah
730	CKAC	Montréal QC; French infos also comments& talks	W/Fpks	0609	28/11	Rha
730	CKAC	Montréal QC; "CKAC - Sport" talk and ads	G	0800	2/12	PL
730	HJCU	Radio Lider Bogotá; discos romanticos & "La Lider Colombia"	F	0758	1/12	BD
730	HJCU	R Lider, SF de Bogotá; "Radio Lider" ID with mention of Colombia	W	0900	10/12	PC
738		Xinjiang RGD, China; Russian infotalk // 7155 kHz	W/F	1320	28/11	Rha
740	CBX	Edmonton AB; local px, mentioning "Don Barrow has kindly agreed to come in and take care of the CBC Edmonton News"	F	1258	2/12	mah
740	CHCM	Marystown NL; folk tunes under Toronto	F	2240	3/12	PL
740	CFZM	Toronto ON; anns, "All Time Favorites from Toronto's 7-40", oldies out of the 60's, – anns "it's the night jukebox music programme on AM 7-40"; personal first	W/F	0430	28/11	Rha
740	CFZM	Toronto ON; MOR mx & "You're listening to the best of the best on AM 7-40"	W/F	0757	28/11	BD
740	CFZM	Toronto ON; nostalgic music	G	0828	2/12	PL
740	CFZM	Toronto ON; time checks; Toronto traffic & weather;	G	2318	2/12	SW
747		ORTAS Sarakeb, Syria, OM ID// 783 kHz; Holland off!	vP	1453	11/12	JF/TB
747	JOIB	NHK2 Sapporo; "NHK Daini Hoso" noted under the Dutch station	W/F	1320	20/12	mah
750	KFQD	Anchorage AK; CBS News, "This is News Talk 7-50 KFQD"; also W/F 1200 18/12, W/F 1300 20/12	F	1304	2/12	mah
750	WSB	Atlanta GA; two "WSB" IDs prior to the top of the hour, then full ID at toh partly obscured by CBGY; further mentions of WSB after this	W	0600	30/11	JF
750	WSB	Atlanta GA; YL / OM rolling weather and news, hard copy; better 0800 5/12	W	0830	3/12	PL
750	WSB	Atlanta GA; "News Talk 7- 5 0 WSB Atlanta" & "WSB News Centre news	W/F	0030	5/12	BD
750	CBGY	Bonavista Bay NL; BBC overnight from CBC	G	0800	3/12	PL
750	CBGY	Bonavista Bay NL; CBC Radio One ID then Radio Netherlands	F	0600	18/12	AB
760	WJR	Detroit MI; "Newstalk 7-60 WJR"	P	0051	27/11	SW
760	WJR	Detroit MI; Midnight Radio Network programming, end of commercials mentioned "On newstalk 7-60 WJR"	G	0754	29/11	AB
760	WJR	Detroit MI; ID "The Great Voice of the Great Lakes"; also a sung jingle "WJR"	W	2241	29/11	Rha

kHz	Callsign	Station, location; details heard etc	SIO	UTC	Date	Who
760	WJR	Detroit MI; " From the golden tower of the fisher building" ID and news	F/G	0800	2/12	PL
760	XEABC	Mexico City ; YL/OM with ID; personal first	F	0801	28/11	PL
770	CHQR	Calgary AB; "am770chqr.com"	W/F	1200	1/12	mah
770	CHQR	Calgary AB; Coast to Coast then "CHQR" jingle; surprising given flat conditions	W/F	0800	21/12	PC
774		Middle East Radio, Abis, Egypt; news	322	0200	1/12	FW
780	KNOM	Nome AK; light mx, ID "KNOM in Nome. It's 5 o'clock", ABC News; W/Gpks 1300-1400 1/12, F/Gpks 1400-1600 2/12	F/G	1400	20/12	mah
780	WBBM	Chicago IL; rolling news & "Chicago's all news station WBBM AM WBBM HD"	W/F	0200	29/11	BD
780	WBBM	Chicago IL; "WBBM Newstime 11.30" and various advertisements including one for Mercedes in Chicago; personal first due to QRM from BBC Leeds on 774	W	0530	29/11	AB
780	WBBM	Chicago IL; "This is Newsradio 7-80 WBBM Chicago" & CBS News; over CFDR's classic country	W/Fpks	0600	29/11	Rha
780	WBBM	Chicago IL; CBS news under then over CFDR	F/G	0800	2/12	PL
780	WBBM	Chicago IL; "WBBM News time 1.05"; also F/G 0955 29/11	F	0705	15/12	mah
780	WBBM	Chicago IL; storm warning; "News Radio" UTC -6 time check	Fpk	0229	18/12	SW
780	CFDR	Dartmouth NS; "Classic Country 7-80 Kixx" between tracks	W	0510	29/11	AB
780	CFDR	Dartmouth NS; Classic Country & full ID	F	0745	2/12	SW
780	CFDR	Dartmouth NS; country music	vg	0759	2/12	PL
790	KCAM	Glenallen AK; light rlg songs, promo for gospel mx, "... Sunday afternoons at 1 o'clock on KCAM", and another promo "... from KCAM Glenallen, ... Tuesday afternoons at 6"	W/F	1300	1/12	mah
790	WAXY	South Miami FL; "Ticket sports 7-90" with live sports	W	2348	29/11	Rha
790	WAXY	South Miami FL; ads and then "sporting news flash"	F/G	0800	2/12	PL
790	WAXY	South Miami FL; "WAXY South Miami" & Fox sports talk	W	0800	23/12	BD
790	KJRB	Spokane WA; "News and talk 7-90 KJRB, powered by the Spokesman-Review"; tnx Bill Harms for correcting the name of the Review	Fpk	1134	2/12	mah
789.99	CFNW	Port au Choix NL; country music/songs	W	2208	27/11	Rha
790	CFNW	Port au Choix NL; CFCB Christmas songs // webstream	w	2028	3/12	PL
790	CFNW	Port au Choix NL; local weather // 570 kHz	F	2300	16/12	PC
790	CMAQ	Radio Reloj, Pinar Del Rio; talk and pips under WAXY	F	0800	2/12	PL
800	VOWR	St John's NL; country tunes	F/G	2047	3/12	PL
800	CKLW	Windsor ON; coast to coast ad in mix under VOWR	F	0830	2/12	PL
800	CKLW	Windsor ON; toth ID "For News and Information you've come to rely on, this is AM 800 CKLW, a CHUM radio station"	F	0500	18/12	AB
810	CJVA	Caraquet NB; country mx same loudness as Radio Scotland	G	0800	2/12	PL
819		General Programme, Batrah, Egypt; ID, news	444	2300	2/12	FW
820	KCBF	Fairbanks AK; "This is 8-20 Sports KCBF Fairbanks, an NNB radio station"; ESPN Radio Sports Centre; often in December	Fpks	1400	1/12	mah
820	WNYC	New York NY "WNYC New York", weather forecast	W	2300	26/11	PC
820	WNYC	New York NY; " 93.9 and 8-20 AM WNYC"; personal first	F	0800	28/11	PL
820	WNYC	New York NY; "WNYC" noted under CHAM, then wx	W	0900	21/12	mah
820	WBAP	Fort Worth TX; Midnight Radio Network and "WBAP Newstime is 1.30"	F peak	0728	29/11	SW
820	WBAP	Fort Worth TX; trucking commercials then WBAP weather forecast	W	0833	29/11	AB

kHz	Call sign	Station, location; details heard etc	SIO	UTC	Date	Who
820	WBAP	Fort Worth TX; "WBAP News time 4.30"	W/F	1030	29/11	mah
820	WBAP	Fort Worth TX; "WBAP newstime 2-30" out of Midnight Trucking show	G	0830	2/12	PL
820	WBAP	Fort Worth TX; "2 o'clock" TC & ABC News	W	0800	19/12	BD
820	KGNW	Burien-Seattle WA; light mx, ID "Don't touch that dial. You're listening to the best of praise and worship on 8-20 AM KGNW"; over KCBF; also Fpks 0927 1/12, Gpks 1200 2/12	G	1131	2/12	mah
820	CHAM	Hamilton ON; "Hamilton's all newstalk station Talk 8-20 online at talk820.com"	F	1000	4/12	PL
820	CHAM	Hamilton ON; "A breath of fresh air from Hamilton Radio. Hamilton's all new talk station Talk 8-20, on-line at talk820.com"; xd WBAP and WNYC	W	0900	21/12	mah
820	CM--	Radio Reloj, Contramaestre; Morse ID under US news; also W 0800 28/11	F	0801	3/12	PL
820		TBN Charlestown, Nevis; usual US preacher px	W	0005	4/12	BD
830	KSDP	Sand Point AK (presumed); NPR programming, gap at toth where ID should have been, NPR News	F/Gpks	1400	1/12	mah
830	WCRN	Worcester MA; reporter's names, comm, jingle IDs	W	0626	29/9	MM
830	WCRN	Worcester MA; "50,000 watts of talk for New England. AM 8-30 WCRN Worcester Boston"; now has CBS News	W	2359	28/11	BD
830.01	WCRN	Worcester MA; "This is True Talk 8-30 WCRN Worcester", in splatter	W	0610	29/11	Rha
830	WCRN	Worcester MA; ad for the Dennis miller show and ID	G	0830	2/12	PL
830	WCRN	Worcester MA; poor v brf pk	P	2018	8/12	TB
830	WCCO	Minneapolis MN; "News Radio 8-30 WCCO"	W	0800	14/12	PC
830	WCCO	Minneapolis MN; ID "This is News Radio 8-3-0 WCCO", then CBS news	F/G	0900	16/12	PL
840	WHAS	Louisville KY (pres); talk	W	0620	29/11	Rha
840	WHAS	Louisville KY; Fox News after ID	G	0800	2/12	PL
850	KICY	Fairbanks AK (pres); very poor tlk, seemed // webstream; gone by 1320	vP	1302	3/12	TB
850	KOA	Denver CO; "News Radio 8-50 KOA"	W	1101	2/12	mah
850	WFTL	West Palm Beach FL; "Newstalk 8-5-0 WFTL", mixing WEEI	F	0758	2/12	PL
850	WFTL	West palm Beach FL; nx talk OM xf WEEI	222	0942	10/12	TB
850	WEEI	Boston MA; sports talk and news	G	0800	2/12	PL
850	WEEI	Boston MA; Fox Sports on "Sportsradio WEEI"	W	0608	13/12	Rha
850	WEEI	Boston MA; sports news, then "on air, on TV, on line redsoxsports.com, sports radio WEEI"	G	0802	18/12	AB
860	CFPR	Prince Rupert BC; BBC WS to 1159, mx, faded at toth; returned with CBC News; 1205 "This is CBC Radio Overnight, I'm Cathy Haag. Coming up Polish Radio External Service, but next we present DW Radio. This programme was recorded at 100 hours UTC. Stay tuned to CBC Radio 1"; xf another station; no local ID, but // 690 kHz and ties in with the published schedule; personal first	Gpks	1200	2/12	mah
860	CHAK	Inuvik NT; local px, anns, "It's 7 o'clock" (so UTC -7h = Mountain Time), then "This is CBC News"; in and out of noise	Fpks	1400	2/12	mah
860	CHAK	Inuvik NT; CBC North in splatter, weak ID "CBC North, Radio W One", with CBC News at top of hour; personal first		1000	14/12	Rha
860	CJBC	Toronto ON; usual classical mx & FF nx	W	0757	28/11	BD

kHz	Call sign	Station, location; details heard etc	SIO	UTC	Date	Who
860	CJBC	Toronto ON; "plaisirs de la nuit" "radiocanada.ca"	F	0933	29/11	SW
860	CJBC	Toronto ON; "Vous écoutez le première chaîne de Radio Canada - CJBC, Toronto"	G	0800	2/12	PL
864		Holy Quran Programme, Santah, Egypt; Quran singing	222	2305	8/12	FW
870	KSKO	McGrath AK; light mx, ID "This is ... KSKO McGrath ... members of Community Radio of Alaska. Stay with us for the Morning Concert and music coming up. It's 4'oclock. Good morning", then music; also F 1100 2/12	W/F	1300	1/12	mah
870	WWL	New Orleans LA; traces of BIG 8-70 talk	W	0600	13/12	Rha
870	WWL	New Orleans LA; "The regions top sports news, this is 8-70 WWL New Orleans and WWL.com"	W	0700	19/12	AB
870	WWL	New Orleans LA; "The news, talk and sports centre, the big 8-70 WWL New Orleans" & WWL News	W/F	0800	23/12	BD
870	KFLD	Pasco WA (tentative); very weak possible ID "... only on News vW Talk 8-70 the ... KFLD"; under light songs from presumed KSKO; will seek further opinions, but maybe not clear enough to be sure		1133	2/12	mah
880	WCBS	New York NY; YL "WCBS News time 3.47"	F	0747	30/11	JW
880	WCBS	New York NY; OM current affairs tlk, poor	222	0842	2/12	TB
880	WCBS	New York NY; weather report	F/G	0849	3/12	PL
890	WLS	Chicago IL; WLS News	W/F	0800	29/11	BD
890	WLS	Chicago IL; WLS promotion "enter promo code WLS"	Fpk	0732	2/12	SW
890	WLS	Chicago IL; Coast to Coast AM	G	0830	2/12	PL
890	WLS	Chicago IL; WLS weather with a winter storm watch in operation; mention of wlsam.com	F	0734	18/12	AB
890	WAMG	Dedham MA; "Lew and Mike show on 8-90 ESPN" scheduled call in sports show.	W/F	2121	26/11	BD
890	WAMG	Dedham MA; sports talk over WLS	F	0828	3/12	PL
890	WAMG	Dedham MA; "ESPN WAMG Dedham Boston and 14 hundred WLLH ..." the remainder being lost to QRM	W	0800	14/12	AB
890	CJDC	Dawson Creek BC; country mx, ID "Country history gets you up and moving. The Peace Country's country 8-90 CJDC"	Fpks	1134	2/12	mah
890.99		Saraburi, Thailand (pres); v poor Thai Tlk way behind Netherlands and Algeria	222	1424	9/12	TB
891		Alger Chaîne 1, Alger, Algeria; ID, news	222	2300	12/12	FW
900	CHML	Hamilton ON; hockey coverage, reference to the "AM 6-40 network" - heard same reference a few minutes later on the webstream	F	0309	21/12	PL
900	CHML	Hamilton ON; "AM 9-hundred CHML" heard in mix	W	0759	21/12	PC
900	CHML	Hamilton ON; "In the midst of the holiday season AM 900 CHML would like to simply say 'Thanks - thanks for your continuing support and generosity during our Christmas Tree of Hope Campaign'"	F	0759	22/12	mah
900	XE--	W Radio, 2 sites listed; SS anns, "W Radio" IDs	F/G	0900	22/12	mah
900	XEW	Mexico City; underwater pips and YL ID on toth	F	0800	2/12	PL
900	YVMD	Radio Mara Ritmo, Maracaibo; usual bright LA mx & "Venezuela Mara Ritmo" IDs	W	0800	11/12	BD
900	UNID	"Tune in Sunday mornings at 10 ... 7 right here on ... (charities?) 900 ... broadcasters of ..."; under Greenland/Euros - KZPA?	W	1130	2/12	mah

kHz	Call sign	Station, location; details heard etc	SIO	UTC	Date	Who
910	CKDQ	Drumheller AB; country mx, toth "Q-91" ID	Fpks	1100	2/12	mah
920	KSRM	Soldotna AK; "This is News Talk 92 KSRM ... 3 o'clock"	W/P	1200	18/12	mah
920	CFRY	Portage la Prairie MB; country mx, "Real Country Radio – CFRY" ID	F/G	0932	14/12	mah
920	CKNX	Wingham ON; " Mid western Ontario – 9-20 CKNX", then into news	F/G	0900	3/12	PL
920	CKNX	Wingham ON; "AM 9-20 CKNX" & CKNX wx	W	0059	20/12	BD
920	CKNX	Wingham ON; "This is your information leader in mid-western Ontario. AM 9-20 CKNX. And now the news"	F	0858	21/12	mah
930	KNSA	Unalakleet AK ; faded up seconds before the toth with list of Alaskan stations, including "... KSDP Sand Point, KNSA Unalakleet ...", but rather difficult ; then BBC News; xf CJCA; personal first	Fpks	1300	2/12	mah
930	WBEN	Buffalo NY; weather & promo ID (no sign of CJYQ)	Fpks	0049	28/11	SW
930	WBEN	Buffalo NY; "Radio 9-30 WBEN Buffalo" & CBS News	W/F	0200	29/11	BD
930	WBEN	Buffalo NY; ID, news	F	0800	2/12	PL
930	WBEN	Buffalo NY; CBS News, "News Radio 9-30 WBEN"	W	0903	21/12	mah
930	CFBC	Saint John NB; "Good time oldies 93 - CFBC", Beatles tune	F/G	0758	3/12	PL
930	CFBC	Saint John NB; "Good Time Oldies 93 CFBC"	Vg	2332	8/12	SW
930	CFBC	Saint John NB(presumed); oldies, Dion "The Wanderer"	F	2328	16/12	JW
929.97	CJYQ	St John's NL (pres); Bible lessons & religious px, spirituals	W	2222	29/11	Rha
940	CINW	Montréal QC; oldies 7 "AM 9-40 Montreal's greatest hits"	F	2358	29/11	BD
940	CINW	Montréal QC; "Montreal's greatest hits" oldies	G	0802	3/12	PL
940	XEQ	Bésame, México DF; SS anns, OM ID "Las tres de la mañana en México. Bésame 9-40 amplitud modulada" (the part in italics was sung); then full ID by YL; xf CINW; personal first	Fpks	0900	22/12	mah
950	KOZE	Lewiston ID ; "Talk Radio 9-50 KOZE AM Lewiston" ID took a while to pick out from under presumed KJR, but eventually clear; ABC News; personal first	W	1130	2/12	mah
950	KJR	Seattle WA; ESPN, "Sports Radio 9-50 KJR Seattle"; regular	G	1200	18/12	mah
950	KJR	Seattle WA; "Seattle's only all sports station, your home for the Huskies and the (?), Sports Radio 9-50 KJR Seattle" ESPN	W	0900	19/12	PC
950	CFAM	Altona MB (pres); ex poor tlk seemed // webstream	222	0903	2/12	TB
950	CFAM	Altona MB; " CFAM Radio 9-50"	G	0100	3/12	PL
950	CFAM	Altona MB (pres); classical mx	W	0726	15/12	Rha
950	CFAM	Altona MB; local news, wx, sports; no ID noted	W/F	1132	15/12	mah
950	CFAM	Altona MB; "You're listening to Southern Manitoba's classics choice – CFAM AM 9-50"	F	0900	16/12	PC
950	CKNB	Campbellton NB; pops & "95 CKNB" ID	W	0000	29/11	BD
950	CKNB	Campbellton NB; announcements & ID "95 CKNB", then more oldies	W/Fpks	2215	29/11	Rha
950	CKNB	Campbellton NB weather report then into Donovan tune	G	0802	3/12	PL
950	CKNB	Campbellton NB; "...95 CKNB, a Maritime Broadcasting Systems Radio", followed by more pops	W	0946	7/12	AB
950	CM--	Radio Reloj, 2 sites listed; SS rolling nx over ticking clock	W	0157	29/11	BD
950	CM--	Radio Reloj, La Habana; YL in talk / pips in mix	F	0800	3/12	PL
950	XETO	Romántica, Tampico ; Mexican mx, SS anns, ID "... XETO Romántica 9-50, ... Romántica 9-50 la emisora ... la cadena que une a México. Romántica 9-50 las tres"; xf CKNB; personal first	W	0900	21/12	mah

kHz	Call sign	Station, location; details heard etc	SIO	UTC	Date	Who
950	UNID	Tuned in at 2155 UTC to hear Christmas Carol "Oh Come Let Us Adore Him". This finished at 2159 leaving silence & nothing more. It certainly did not seem to be a fade out. I stayed with 950 for several more minutes and nothing reappeared. Was this someone signing off/reducing power at 2200utc? CKNB didn't seem to have a Xmas music format	F	2155	18/12	SW
954		QBS Arabic, Al Arish, Qatar; Arabic story with music jingle	333	2315	21/12	FW
960	KMA	Shenandoah IA ; "Regional Radio this is KMA Shenandoah" mixing WEAV, ID then news; personal first .	G	0800	2/12	PL
960	KMA	Shenandoah IA ; "... all night radio ... Regional Radio, this is KMA Shenandoah"	W/F	0800	17/12	PC
960	WEAV	Plattsburgh NY; "The Zone 9-60 AM" news and ads; good at 0800	F	0830	2/12	PL
960	WEAV	Plattsburgh NY; poor //webstream	222	2020	8/12	TB
960	WEAV	Plattsburgh NY; "News Talk 9-60 WEAV Plattsburgh" & Fox News	W	1000	18/12	BD
960	WEAV	Plattsburgh NY; "9 60 AM WEAV" appeared briefly out of the noise	W	0700	20/12	AB
960	CFAC	Calgary AB; ESPN sports, in at same time as 1060 kHz; personal first	W	1045	3/12	PL
960	CMDJ	Radio Reloj, Guantanamo; OM YL in talk with pips and Morse ID	F	0731	28/11	PL
963		Radio Tunisia Cultural channel, Tunis; ID, National Anthem	444	2248	22/12	FW
970	KFBX	Fairbanks AK; "The Wall Street Journal this morning is next, at F/G News Radio 9-70 KFBX Fairbanks. It's 5 AM"; often	F/G	1400	1/12	mah
970	WFLA	Tampa FL; poor ID in splatter,	222	0913	10/12	TB
970	WZAN	Portland ME; "9-70 WZAN Portland" ID before news.	F	0800	2/12	AB
970	WZAN	Portland ME; ads for identity theft & condoms; ID	Fpk	2330	4/12	SW
970	WZAN	Portland ME; "9-70 WZAN Portland" & CNN News	W/F	0759	14/12	BD
970	KCMD	Portland OR ; I think this was the one with sports "Third Shift"; ID "You're listening to AM 9-70 9-70 9-70 The Talker", and again at 1202 "AM 9-70 The Talker", ads; xf KTTO ; personal first	W/F	1201	2/12	mah
970	KTTO	Spokane WA ; "KTTO Spokane. This is the Sacred Heart Radio broadcasting 24 hours a day right here at AM 9-70", then "This is the EWTN Global Catholic Radio Network, listen online at ewtn.com"; xf KCMD ; personal first	W/F	1200	2/12	mah
980	KBBO	Selah WA; "K-USA" ID noted in the mix	W	1130	2/12	mah
980	CKNW	Vancouver BC; tlk, Vancouver ads, news, wx "... and outside Pacific Centre at the moment it's 8 degrees. At 4.06 next news when it happens, you're up to date on CKNW News Talk 9-80. I'm Terry Bell"; in and out of 981 kHz splatter	Gpks	1200	2/12	mah
980	CKRU	Peterborough ON; oldies // webstream, very difficult because of local 981	W/F	0950	4/12	PL
980	CKRU	Peterborough ON; weather report on "Hometown Radio"	Fpk	2206	18/12	SW
981.01		CNR1, UNID site, China; CC tlk	222	1500	20/11	JF/TB
990	CBW	Winnipeg MB (presumed); "This is CBC News"; xd Euros	W	1100	2/12	mah
990	CKGM	Montréal QC; "Montreal's first and only all sports radio station. This is Montreal's ... The Team 9-90"; under BBC Radio Scotland	W	0900	21/12	mah

kHz	Callsign	Station, location; details heard etc	SIO	UTC	Date	Who
1000	WMVP	Chicago IL; ESPN ID and sports talk	F	0800	2/12	PL
1000	WMVP	Chicago IL; ESPN talk about Notre Dame football	G	0903	3/12	PL
1000	WMVP	Chicago IL; promo "... weekdays at 2 exclusively on ESPN 1000, ESPN 1000 HD, and espnradio1000.com. WMVP Chicago" and ESPN Radio Sports Centre	F	0900	21/12	mah
1000	KOMO	Seattle WA; "KOMO Seattle, Fisher Communications. The north-west's news, traffic and weather station. Komo 1000 News Radio"; often , but not so consistent as KGA this season	G	1300	1/12	mah
1000	KOMO	Seattle WA; ID on toth, news after ads; good signal high local noise	G	0900	2/12	PL
1000	KOMO	Seattle WA; noted now KOMO announcement & weather	W/F	0808	15/12	Rha
1000	KOMO	Seattle WA; "KOMO 1000 newstime is 1257 – ABC news ... at the top of the hour"	W/F	0800	19/12	PC
1008	BED62	CBS Lukang ; poor CC tlk under Holland	P	1500	20/11	JF/TB
1010	WINS	New York NY; "Wins news" ID	W	0533	29/11	Rha
1010	WINS	New York NY; " All news all the time this is 10-10 WINS" rolling news	G	0800	3/12	PL
1010	CBX	Calgary AB; local px, "Right now in Calgary our temperature is -4 World Report is next"	W/F	1258	2/12	mah
1010	CFRB	Toronto ON; "On News Talk 10-10 CFRB"	W	0800	30/11	JW
1010	CFRB	Toronto ON; repeat of "Toronto at noon"	vG	0952	3/12	PL
1020	KDKA	Pittsburgh PA; news & talk on "News Radio 10-20"	W/Fpks	0654	28/11	Rha
1020	KDKA	Pittsburgh PA; ID; weak but surprisingly clear	W	0003	29/11	SW
1020	KDKA	Pittsburgh PA; "Pittsburgh's most dependable" wx report out of Midnight Trucking show	G	0828	2/12	PL
1020	KDKA	Pittsburgh PA; disclaimer, info, news hrd briefly, then back into Eurosplatter!	W	0643	15/12	Rha
1020	KDYK	Union Gap WA ; Mexican mx, rather poor SS ID, the only clear part being "La Gran D"; tnx AB for checking the clip; personal first	vW/Fpk	1101	2/12	mah
1020	KWIQ	Moses Lake North WA ; "It's Mike and Mike in the Morning on your worldwide leader for sports ESPN Radio 900 Wenatchee and ESPN Radio 10-20 Moses Lake North"; xd KDYK; personal first	W	1102	2/12	mah
1020	CM--	Radio Reloj, 3 possible sites; Morse ID and pips, OM in talk mixing KDKA	F	2356	15/12	PL
1020	CMAP	Radio Guamá, Bahia Honda, OM/YL with ID on hour and 4 note chime; personal first .	F	0800	28/11	PL
1020	CMAP	R Guamá, Bahia Honda; announcement at the top of the hour and YL with info. Thank you to Chris, Gert and Henrik at Real DX for the help with this one; personal first	W	0600	30/11	JF
1030	WBZ	Boston MA; tlk on "WBZ 10-30" comes in clearly!	W/F	0652	28/11	Rha
1030	WBZ	Boston MA; "WBZ News time 5.45"	F	2245	28/11	JW
1030	WBZ	Boston MA; "The most listened station in New England - WBZ"	vG	0800	2/12	PL
1030	WBZ	Boston MA; speaker "Newstalk W-B-Z"	W/Fpks	0635	15/12	Rha
1040	WHO	Des Moines IA; "Newsradio 10-40 WHO. Hi I'm Don Thompson ..."	Fpks	0800	29/11	JWe
1040	WHO	Des Moines IA; ID and Fox News Radio news	G	0800	2/12	PL
1040	CKST	Vancouver BC ; very difficult "The Team" toth ID	222	1000	9/12	TB

kHz	Call sign	Station, location; details heard etc	SIO	UTC	Date	Who	
1040	CKST	Vancouver BC; sports mentioning Toronto & Vancouver before the top of hour ID "The home station of BC Lions ... here is the Team 10-40"	W	0700	15/12	Rha	
1050	WEPN	New York NY; "ESPN New York" sports promotion	G	0047	29/11	SW	
1050	WEPN	New York NY; ESPN sports talk & web address "1050espnradio.com"	F	2330	29/11	Rha	
1050	WEPN	New York NY; ID and sports news, mixing CHUM	G	0900	3/12	PL	
1050	WEPN	New York NY; ESPN sports briefly audible	W	0629	15/12	Rha	
1050	WEPN	New York NY; sports results	W	2313	20/12	JW	
1050	CHUM	Toronto ON (pres); oldies appeared under ESPN sports "chum" ID	W	2333	29/11	Rha	
1050	CHUM	Toronto ON; Kinks record; local adverts; also	G 2332 4/12	Exc	2350	1/12	SW
1050	CHUM	Toronto ON; oldies; also excellent	1000 4/12	vG	0955	3/12	PL
1050	CHUM	Toronto ON; oldies "Toronto's ... music" then Elvis Presley "It's Now or Never"	W	2336	5/12	JW	
1060	KYW	fade-out	1013		1013	27/11	TB
1060	WBIX	Natick MA; Boston business info commercials.	F	2123	26/11	BD	
1060	WBIX	Natick MA; traces of tlk & financials on "WBIX Digital Talk Radio"; personal first	W/Fpks	2318	29/11	Rha	
1060	WBIX	Natick MA; ad for the Boston Herald then into news	F	0800	3/12	PL	
1060	WBIX	Natick MA; ID at toh	Fpk	0400	8/12	SW	
1060	WBIX	Natick MA (presumed); finance talk on managing monthly payments	W	2333	16/12	JW	
1060	CKMX	Calgary AB; 'Away in a Manger', country style; better peak at 1038; personal first	F	1033	3/12	PL	
1060	XEEP	Mexico City; "Radio Educación" ID from OM, then into music	F/G	0700	4/12	PL	
1060	XEEP	R Educación, México DF; formal ID "Radio Educación, XEEP, 1060 kHz"	F	0000	16/12	PC	
1060	XEEP	Radio Educación, Mexico City; "Radio Educación XEEP" IDs & speeches	W/F	0658	17/12	BD	
1070	KNX	Los Angeles CA; "KNX News Talk"; also	0915 2/12	vP	1013	27/11	TB
1070	KNX	Los Angeles CA; "KNX 10-70 News Radio"; Fpks	1048 29/11	W/F	0746	1/12	mah
1070	CFAX	Victoria BC; "... CFAX Santas Anonymous. Find out how at cfax1070.com", then "This is CFAX 10-70, Victoria's news authority. It is 5 o'clock in Victoria" and tlc reports	F/G	1300	2/12	mah	
1069.99	CHOK	Sarnia ON; poor tlk xf KNX	vP	0916	2/12	TB	
1070	CHOK	Sarnia ON; "Sarnia's Country Home CHOK", country music	F	2333	16/12	PL	
1080	KUDO	Anchorage AK; "This is News Talk 10-80 KUDO, Anchorage, Alaska's progressive voice"; also W/P	1300 1/12	W	1300	2/12	mah
1080	WTIC	Hartford CT; C2C talk & weather noted	F	0656	28/11	Rha	
1080	WTIC	Hartford CT; C2C talk show, WTIC traffic promo, "WTIC news talk 10-80" & CBS News	W/F	0757	3/12	BD	
1080	WTIC	Hartford CT; ads then extensive ID and into news	F/G	0900	3/12	PL	
1080	WTIC	Hartford CT; "The only place where you can get local news twice an hour, every hour, WTIC Newstalk 1080 and wtic.com"	F	0700	21/12	AB	
1080	KWAI	Honolulu HI ; clear ID "This is KWAI" immediately before the KUDO ID; personal first ; KOJE incorrectly lists this as KORL; tnx SW and AB for checking the clip	W	1300	2/12	mah	
1090	WBAL	Baltimore MD; sports news and ID. Difficult with 1089 splatter	F	0831	28/11	PL	
1090	KPTK	Seattle WA ; talk show // webstream; personal first	222	0958	9/12	TB	

kHz	Callsign	Station, location; details heard etc	SIO	UTC	Date	Who
1100	KFAX	San Francisco CA; "KFAX San Francisco Oakland San Jose. We are AM 11 hundred KFAX, the Spirit of the Bay"	Fpks	1102	2/12	mah
1100	WTAM	Cleveland OH; promo/ad "... ring ring shopping for Christmas & newslines- 1100"; I am surprised WTAM possible at this time!	W/Fpks	2321	29/11	Rha
1100	WTAM	Cleveland OH; ID and Fox News; late reception of this one	F	1047	3/12	PL
1110	WBT	Charlotte NC; reference to "wbt.com" news	F	1030	3/12	PL
1120	KMOX	St Louis MO; C2C Talk	W	0527	29/11	Rha
1120	KMOX	St Louis MO; KMOX talk show, "kmox.com" promo, CBS News	W/F	0800	29/11	BD
1120	KMOX	St Louis MO; weather "KMOX News"; KMOX holiday radio show	Fpk	0914	29/11	SW
1120	KMOX	St Louis MO; talk about financial crisis	G	0828	2/12	PL
1120	KMOX	St Louis MO (presumed); talk show	W	0740	22/12	JW
1120	KPNW	Eugene OR; poor/difficult ID "... here on your home for Fox News, News Radio 11-10 KPNW Eugene ..."	Fpks	1100	2/12	mah
1130	KFAN	Minneapolis MN; ESPN Radio, "kfan.com" ID	F	0929	14/12	mah
1130	KFAN	Minneapolis MN; "The radio home of the Vikings, AM 11-30 KFAN Minneapolis St Paul"; absolutely no sign of WBBR	F/G	0900	16/12	PC
1130	KFAN	Minneapolis MN (presumed); sports news over WBBR	F	0901	16/12	PL
1130	WBBR	New York NY; "Bloomberg Radio"	W	0955	29/11	SW
1130	WBBR	New York NY; ad for New York Community Bank then ID	G	0954	3/12	PL
1130	WBBR	New York NY; mentions of 1-800 number, New York, and Bloomberg; in the mix	W	0630	21/12	BB
1130	WWBR	New York NY; finance talk on businesses	W	0701	12/12	JW
1130	CKWX	Vancouver BC; "Your information station 24 hours a day. This is CKWX News 11-30, a division of Rogers Communication"	F/G	1400	1/12	mah
1130	CKWX	Vancouver BC; news & info	Wpks	0950	14/12	Rha
1134		CNR1 Golmud, China; soft mx, then ID at toth // 1377 kHz	vP	1500	20/11	JF/TB
1134	UNID	Chinese talk with apparent references to CR at 1333	F	1325	7/12	SW
1140	KSLD	Soldotna AK; rock mx, ID "Rocking the platform, it's the classic rock you love. KSDL, The King"	F/G	1358	1/12	mah
1140	KHTK	Sacramento CA; "Sports 11-40 KHTK and KHTK HD Sacramento, a CBS radio station"; in gap in CHRB tlk	W	1100	2/12	mah
1140	WQBA	Miami FL; "WQBA Once Quarenta" then YL after hour with English ID over CBI	F	0800	28/11	PL
1140	WQBA	Miami FL; Spanish, "La Voz de Miami"	W	0800	10/12	JWe
1140.02	WBQA	Miami FL; SS talk	222	0911	10/12	TB
1140	CHRB	High River AB; "AM 11-40" ID; often	W	1236	14/12	mah
1140	CBI	Sydney NS; jazzy music	G	0954	3/12	PL
1150	WHBY	Kimberley WI; "Newstalk 11-50 WHBY", ads and news	F	0830	2/12	PL
1150	WHBY	Kimberly WI; "We are AM 11-50 WHBY Kimberly" ID at toh	W	0600	16/12	JF
1150	WHBY	Kimberley WI; "11-50 WHBY" & CBS News	W	0759	23/12	BD
1150	KKNW	Seattle WA; anns "... 1150kknw.org"	W/P	1159	18/12	mah
1150	CHGM	Gaspé QC; French sports talk & live reviews; also CHGM anns	W/Fpks	2325	29/11	Rha
1150	CJRC	Gatineau QC; weather report then on in talk about Quebec politics	vG	1016	3/12	PL
1160	WYLL	Chicago IL; various programme promos on "AM 11-60 WYLL"; a difficult channel due to Magic 1161 in Hull, phased out; personal first	G	0844	29/11	AB

kHz	Callsign	Station, location; details heard etc	SIO	UTC	Date	Who
1160	WYLL	Chicago IL; ad for morning shows and ID	G	0830	2/12	PL
1161		Alger Chaîne 1, Ahaggar, Algeria; Arabic music, talk OM/YL	222	0210	9/12	FW
1170	WWVA	Wheeling WV; truckers' talk show from WLW & "This is The Big One 11-70 WWVA" ID	W/F	0859	29/11	BD
1170	WWVA	Wheeling WV; Fox News Radio, ID and news	G	0830	2/12	PL
1170		VOA, Poro Point, Luzon, Philippines; Yankee Doodle on hour after programme in Special English	F/G	1700	17/12	PL
1180.01		VOA Marathon FL; ex poor tlc xf Cuba	222	0921	10/12	TB
1180	WHAM	Rochester NY; local news / weather	vG	1017	4/12	PL
1180	WHAM	Rochester NY; a welcome ID from this station – "WHAM's Bill Cunningham – this Sunday night it's Bill Cunningham ..."	F	0805	14/12	AB
1180	WHAM	Rochester NY; "Rob Jacobs with Wham News"	vG	1000	15/12	SW
1180	CMBA	Radio Rebelde, Villa María; OM in talk, echoes from multiple transmitters	G	0830	2/12	PL
1188		RTM C, Casablanca, Morocco; Arabic music, talk	222	2310	11/12	FW
1190	WOWO	Fort Wayne IN; glimpsed with "wowo.com" spot & "11-90 WOWO Fort Wayne" ID	W	2359	28/11	BD
1190	WOWO	Fort Wayne IN; weather report / ID	F	1028	3/12	PL
1190	WOWO	Fort Wayne IN; "WOWO Fort Wayne, depend on it"	W	0800	9/12	PC
1190	WOWO	Fort Wayne IN; ads, ID "This the station north-eastern Indiana turns to first for breaking news and weather. WOWO Fort Wayne. Depend on it!"	W	0800	21/12	mah
1190	WLIB	New York NY; first time since station went 24h	vP	1008	27/11	TB
1190	WLIB	New York NY; gospel music	F	0919	4/12	PL
1190	WLIB	New York NY; religious tlc	W/Fpks	0545	13/12	Rha
1190	WLIB	New York NY; R&B style Christian mx & "on 11-90 WLIB"	W	0759	14/12	BD
1200	WKOX	Framingham MA; SS tropical sounding songs	W	2137	29/11	Rha
1200	WOAI	San Antonio TX; "News Radio 1200 WOAI" ID in CFGO fade down	F	0900	16/12	PL
1200	WOAI	San Antonio TX; "News Radio 12-hundred WOAI"	W/F	1000	16/12	PC
1200	WOAI	San Antonio TX; "News Radio 12 hundred WOAI"; under CFGO	W/F	0800	21/12	mah
1200	CJRJ	Vancouver BC; anns, "RJ-1200" ID, EE programming!	Fpks	1400	1/12	mah
1200	CFGO	Ottawa ON; sports talk, 1one1 also comments	W/F	0731	27/11	Rha
1200	CFGO	Ottawa ON; ad Canadian blood services	vG	1004	3/12	PL
1200	CFGO	Ottawa ON; "Sports Radio 12-00 The Team"; "Give blood in Ottawa"	G	2155	4/12	SW
1200	CFGO	Ottawa ON; sports talk and results on "National High Team"	W	2333	13/12	JW
1200	CFGO	Ottawa ON; sports reports	W/Fpks	0616	15/12	Rha
1205.97	UNID	CC tlc (not Yanbian RGD) poor Behind France	222	1500	20/11	JF/TB
1206		Reshet Dalet (Programme D), Akko, Israel; news	211	0203	17/12	FW
1210	WPHT	Philadelphia PA; "The home of the world series champions" partial toth ID caught	W	1000	4/12	PL
1210	WPHT	Philadelphia PA; wx, ID "The Big Talker 12-10 WPHT"	W/F	0800	21/12	mah
1209.98	VOAR	Mount Pearl NL; religious tlc & lessons, ID "... VOAR on your radio dial Mount Pearl"	W	2157	29/11	Rha
1220	WHKW	Cleveland OH; ID from YL/OM "AM 12-50 - The Word"	W	0959	4/12	PL
1230	KVAK	Valdez AK (tentative); came up out of the splatter just after the toth for CNN Radio News for few brief peaks	Fpks	1400	1/12	mah

kHz	Callsign	Station, location; details heard etc	SIO	UTC	Date	Who
1230	WSOO	Sault Sainte Marie MI ; “WSOO, Sault Ste Marie’s Sports Leader”, ABC News	W	0800	17/12	PC
1230	KKEE	Astoria OR ; “Finally it’s the Talk Alternative for the lower ... Radio KKEE Astoria Warrenton”, CNN Radio news; personal first	Wpks	1200	2/12	mah
1230	CFGN	Port Au Basques NL; YL with reference to Labrador, then into silent night, not CFCB	W	2015	3/12	PI
1230	HJLK	Radio Calidad Cali; discos romanticos & sung ID “La Calidad”	W	0802	1/12	BD
1240	UNID	SS prayers from YL - HIAU?	W	0800	6/12	PC
1241.96		Voice of Vietnam, Can Tho; local Vietnamese talk & info	W/Fpks	1545	13/12	Rha
1250	WNEM	Bridgeport MI ; “News Radio 12-50 WNEM”	W	0700	13/12	PC
1250	WGAM	Manchester NH; “Sportsradio WGAM Manchester, WGAM (Nashua?) ID at toh	vW	0900	14/12	JF
1250	WEAE	Pittsburgh PA; “WEAE Pittsburgh” heard in the mix at the toh	W	0700	16/12	JF
1250	KKDZ	Seattle WA; Radio Disney promos, ID “This is KKDZ and KKDZ HD-1 Seattle”	Gpks	1159	2/12	mah
1250	WSSP	Milwaukee WI; WSSP ID briefly dominating Christmas music	W	0400	30/11	JF
1250	WSSP	Milwaukee WI; “This is your ?? Milwaukee’s Sports Leader” – faded in above QRM briefly	W	0640	5/12	AB
1250	CHSM	Steinbach MB; classical music in mix, same time 960 was in	F	0102	3/12	PL
1250	CJYE	Oakville ON; ads // 1250 kHz, then into Christmas music	G	1025	3/12	PL
1251		Voice of Africa, Tripoli, Libya; Arabic music, ID, news	444	0155	22/12	FW
1270	WMKT	Charlevoix MI ; “It’s 5 o’clock at 12-70 WMKT Charlevoix, Traverse City and ?, and 92.1 FM Fox News Radio”; personal first ; also 0900 19/12	W	1000	16/12	PC
1270.01	WTSN	Dover NH; poor tlk // www; xf WXYT which was on freq	222	0918	30/11	TB
1280	WFAU	Gardiner ME (presumed); Fox sports	F	0830	3/12	PL
1280	WFAU	Gardiner ME; “Fox Sports Maine” ID	W/F	0800	9/12	PC
1280	KVXR	Moorhead MN ; "Your local Catholic radio station, we are AM 12-80 KVXR Moorhead Fargo - The Voice"; then into Relevant Radio news with YL; personal first	F	0900	16/12	PL
1280	KIT	Yakima WA (tentative); at 1158 “News talk 12-80 KI...”; xf CHQB	vW	1158	2/12	mah
1280	WNAM	Neenah WI; adult standards, ID at toh “WNAM Neenah Menasha, a Cumulus station”, news	W	0500	30/11	JF
1280	WNAM	Neenah WI; “This is AM 12-80 WNAM Neenah-Menasha”	W	0900	2/12	PC
1280	WNAM	Neenah WI; " This is WNAM Neenah" then into ABC News	W/F	0900	2/12	PL
1280	WNAM	Neenah-Menasha WI; Christmas songs, ID “Take a break with Mad Dog and Merrill weekday mornings from 10 AM til noon on AM 12-80 WNAM Neenah Menasha Green Bay. A Cumulus station”	F	0900	21/12	mah
1280	VS2	Hamilton; "This is BBN"	W	0100	2/12	JWe
1280	VS2	Hamilton, Bermuda (pres); religious talk	W/F	0803	11/12	PC
1280	CHQB	Powell River BC; light songs, nice clear ID “You’re listening to 95-7 Sun FM, the energy of Powell River”; Wpks 1158 1/12	Fpks	1204	2/12	mah
1280	CFMB	Montréal QC; Italian programming, OM in talk	F/G	2016	3/12	PL
1280	WCMN	Arecibo PR; SS sports & Noti Uno programme promo	W	0157	29/11	BD
1280	WCMN	Arecibo PR; OM in talk, ID	W	0800	2/12	PL
1290	KGVO	Missoula MT ; weak promo “... on 12-90 KGVO”; personal first ; also W 1200 18/12	Wpk	1206	2/12	mah

kHz	Callsign	Station, location; details heard etc	SIO	UTC	Date	Who
1290	WKBK	Keene NH (pres); Red Sox Network sports reports	W/Fpks	2308	29/11	Rha
1290	KUMA	Pendleton OR; "Good morning ... 24 hour news centre ... News Talk 12-90 KUMA and 1290kuma dot ..."	Fpks	1205	2/12	mah
1290	WRNI	Providence RI; BBC news after ID; also W 0800 28/11; personal first	W	0800	4/12	PL
1290	WRNI	Providence RI; news headlines with mentions of Rhode Island, "This is WRNI"	W	2300	15/12	PC
1290	WMCS	Greenfield WI; "For breaking news ... log onto 1290wmcs.com 12-90 WMCS ... Greenfield Milwaukee"	W/P	0900	21/12	mah
1290	WMCS	Greenfield WI; "... and on line at 1290wmcs.com 12-90 WMCS Greenfield, Milwaukee"; personal first	W	0900	22/12	PC
1290	CJBK	London ON (presumed); C2C, faded at 0830 break	F/G	0828	3/12	PL
1290	CJBK	London ON; OM "... weekdays on Newstalk 12-90 CJBK"; then YL "From the National News Service ..."	W/F	0600	17/12	JF
1290	XEDA	Radio Trece, Mexico City ; SS talk station, OM with "XEDA" & YL with "Radio Trece"	W/F	0801	1/12	BD
1290	YVLF	R Puerto Cabello; "Radio Puerto Cabello, primer lugar de sintonia, las 3 y 33 minutos"	F	0803	11/12	PC
1300	KGLO	Mason City IA; "KGLO weather update"	Fpk	0858	21/12	mah
1300	WOOD	Grand Rapids MI; "For the most complete package of news, weather, traffic and ___?___ every morning on your radio, on Newsradio 13 Hundred WOOD Grand Rapids"	F	0300	30/11	JF
1300	WOOD	Grand Rapids MI; "This is News Radio 1300 WOOD Grand Rapids" then Fox News	F/G	0900	3/12	PL
1300	WOOD	Grand Rapids MI; "Newsradio 13 hundred WOOD", Fox News	W	1000	14/12	BD
1300	WJMO	Cleveland OH; ID and back into gospel music	G	0901	2/12	PL
1300	KKOL	Seattle WA; "The north-west's business leader, the new 13 hundred, KKOL Seattle, a service of Salem Communications"; Bloomberg programming; often	Gpks	1200	2/12	mah
1310	WLOB	Portland ME; glimpsed with "WLOB Portland 13-10 AM WLOB" & Fox News	W	0800	14/12	BD
1310	WLOB	Portland ME; "13-10 WLOB Portland, wlobradio.com"	W	0800	9/12	PC
1310	WCCW	Traverse City MI; "13-10 ESPN Radio WCCW AM Traverse City"	F	0900	16/12	PC
1310	WDTW	Dearborn MI; "This is Detroit's Progressive Talk 13-10 WDTW Dearborn Detroit. CNN News is next"	W	0800	22/12	mah
1310	KZXR	Prosser WA ; EE phone talk, at 1159 ID as "This is KZXR AM 13-10 The Source KZXR Prosser Sunnyside Yakima", ads, then toth ID "Get the latest weather with Todd Summers daily on KZXR-AM Prosser Sunnyside Grandview"; then long silence before joining the IRN USA Radio News, which was already under way; format change from Mexican?; personal first	F/Gpks	1100	2/12	mah
1310	WIBA	Madison WI; "wiba.com" and "Newstalk 131-10 WIBA"	W	0900	22/12	PC
1310	CIWW	Ottawa ON; oldies // webstream; personal first.	F/G	0924	4/12	PL
1310	CIWW	Ottawa ON; OM talk // webstream; xf WLOB	222	2038	8/12	TB
1310	CIWW	Ottawa ON; "Top 40 classics, Oldies 13-10"	W	0906	11/12	mah
1310	CIWW	Ottawa ON; oldies, "CIWW Ottawa" at 0701	W	0700	13/12	JWe
1310	CHLW	St Paul Bonnyville SK; country mx, local ads	Fpks	1406	20/12	mah
1314	JOUF	OBC, Osaka (tentative); traces of JJ talk noted in the mix	Wpks	1400	20/12	mah

kHz	Call sign	Station, location; details heard etc	SIO	UTC	Date	Who
1320	WBOB	Jacksonville FL; "Happy holidays to you and your family from all of us, AM 13-20 WBOB Jacksonville"; ABC news followed	F	0800	9/12	AB
1320	WBOB	Jacksonville FL; "Merry Christmas and Happy Holidays to you and your family from all of us at 13-20 WBOB Jacksonville"	F	0800	9/12	PC
1320	WBOB	Jacksonville FL; ID, promo, advert	Fpk	0054	10/12	SW
1320	WILS	Lansing MI; "This is 13-20 WILS Lansing"; also W 0600 13/12	W	0100	2/12	PC
1320	WJAS	Pittsburgh PA; ID in mix then into oldies; also good at 0800; personal first	F	0830	2/12	PL
1320	WJAS	Pittsburgh PA; "WJAS Pittsburgh, it's 4 o'clock"	Wpks	0900	11/12	mah
1320	CHMB	Vancouver BC; CC programming, EE ID "This is CHMB AM 13-20 Vancouver"	W/Gpk	1400	1/12	mah
1320	CHMB	Vancouver BC; glimpsed with CC talk	W	0701	20/12	BD
1320	CJMR	Mississauga ON; ads // 1250 then into Christmas music	G	1025	3/12	PL
1320	CJMR	Mississauga ON (presumed); soft pops	W	2310	14/12	JW
1320	CJMR	Mississauga ON; soft pop music in splatter and noise	W	0802	15/12	Rha
1330	WRCA	Waltham MA; OM with ID then Christmas music	W	0759	28/11	PL
1330	WRCA	Watertown MA; elevator mx & "on 13-30 WRCA a member of the Beasley ..."	W	0800	28/11	BD
1330	WRCA	Waltham MA; Spanish language toth ID "WRCA 13-30 AM, 13-30 AM"	F	0300	14/12	AB
1330	WRCA	Waltham MA; light classical mx & "AM 13-30 WRCA"	W	0659	20/12	BD
1330	WRCA	Waltham MA; "You're listening to music in the night on 13-30 WRCA"	F	0654	21/12	SW
1330	WFNN	Erie PA; "Fox Fan Radio" ID before hour then "WFNN Erie" personal first	W	0800	28/11	PL
1340	CFYK	Yellowknife NT (presumed); tlk/anns, wx, "... light snow, winds north-west at 36 miles per hour at -16 ...", then "This is CBC News"; cold enough for Yellowknife, but the mph is interesting!	W/Fpks	1200	1/12	mah
1350	KTIK	Nampa ID; Mike and Mike, "The sports station 13-50 KTIK Nampa Boise - The Ticket", ESPN Radio Sports Centre	F/G	1100	2/12	mah
1350	WOYK	York PA; "Sports Radio 13-50 - WOYK", then into sports news	F	0940	4/12	PL
1350	WGPL	Portsmouth VA (presumed); black gospel music; personal first	G	1021	3/12	PL
1350	CKAD	Middleton NS; country mx "This is AVR" in mix of other stations	W	0000	17/12	PL
1350	JOER	RCC, Hiroshima ; JJ tlk, two "RCC" IDs; TS at 1400 two short, one long pip, more talk; personal first ; tnx to Hiroo Nakagawa, Bjarne Mjelde and Henrik Klemetz via the RealDX Group for listening to my clip and confirming JOER. Hiroo writes "At 18', the announcer said "Kinjo niha aruite ikou jitensya de ikou. Eco ni bin kan RCC". In English, "Let's go to neighborhood on foot or by bicycle. RCC is eco-concious." As for the rest, I can pick up the word "Hiroshima Ginko (Bank)" which is the sponsor of the program. Hiroshima is a home city of RCC".	Gpks	1400	20/12	mah
1358.58		CNR1, multiple sites, China; behind UK stations	Ppk	1446	27/11	TB
1360	WKAT	North Miami FL (pres); SS talk	222	0952	10/12	TB
1360	WDRG	Hartford CT; ID and news; personal first .	F	0900	3/12	PL
1360	KKMO	Tacoma WA; Mexican mx; echoey "K-K-M-O Tacoma ..."	G	1201	2/12	mah
1360	WTAQ	Green Bay WI; "Newsradio 13-60 WTAQ" repeated twice	W/F	0900	16/12	PC

kHz	Callsign	Station, location; details heard etc	SIO	UTC	Date	Who
1370	WDEA	Ellsworth ME; Beatles tune // webstream	F/G	1042	4/12	PL
1370	WDEA	Ellsworth ME; "AM 13-70 WDEA Ellsworth a Cumulus station" & CBS News	W	0600	20/12	BD
1370	WXXI	Rochester NY; BBC News after toth ID; personal first .	F/G	0900	4/12	PL
1370	WXXI	Rochester NY; "This is WXXI AM Rochester" followed by calls of other stations	W/F	1000	10/12	PC
1370	WVLY	Moundsville WV ; "Happy holidays from Real Life Radio 13-70 WVLY (Wheeling?)" ; tnx AB for checking the clip; personal first	W	0800	22/12	mah
1376.99		CNR1 Henan, China; under France	P	1420	27/11	TB
1377		Huayi BC, FJ, China; pips (last pip is higher) YL ID behind Lille, no sign of CNR1!	222	1500	11/12	JF/TB
1380	WTJK	South Beloit IL ; "ESPN Radio 13-80 WTJK South Beloit"	W	0800	13/12	PC
1380	WTJK	South Beloit IL ; "ESPN Radio 13-80 WTJK South Beloit Rockford, the State Line's Sports Leader"; personal first	Wpk	0900	21/12	mah
1380	WKDM	New York NY ; partial legal ID on toth - " New York city..." then faded; personal first .	W	0900	2/12	PL
1380	CKPC	Brantford ON; oldies // webstream	F	0926	4/12	PL
1380	UNID	Sports anns & report comments ... is it WPHM, MI?	W	0758	15/12	Rha
1386		2 Chinese stations; YL talking and CC string instrumental heard under	F	1710	13/12	PCh
1386		Tianjin RGD (presumed); CC tlk; ID, I think, as "Tianjin Ren Min Guangbo Dian Tai. Shenghuo (kwung huo?). ... FM ... AM ... Radio"; still need to work on this	Fpks	1400	20/12	mah
1390	WEGP	Presque Isle ME; "The talk of the county" ID and into Fox News	vG	0800	3/12	PL
1390	WEGP	Presque Isle ME; Fox News, "Here's a look at your Friday evening weather on 13-90 WEGP"	F	2331	5/12	JW
1390	WPLM	Plymouth MA; easy listening music "Because of You" under/over WEGP	w/f	2308	13/12	JW
1390	WPLM	Plymouth MA; "You're listening to WBNW 11-20 Boston (?), WPLM 13-90 Plymouth ..."	W	0000	20/12	PC
1390	WFBL	Syracuse NY; "... right here on WFBL Oldies Radio 13-90. Oldies 13-90, where rock and roll from the 50s and 60s plays every day"; xf WEGP	Fpks	0906	21/12	mah
1390	KKSM	Salem OR ; "... 3 to 7 Portland Vancouver KKSM Salem", then ESPN Radio Sports Centre; personal first	W/P	1200	18/12	mah
1390	WRIG	Schofield WI; oldie song from "The Beatles"& sung jingle "the Big Rig" followed the song and full ID "coming in your hometown station with more grew up your greatest hits "Big Rig 13-90 WRIG Schofield Wausau"	W/Fpks	0510	29/11	Rha
1390	WRIG	Schofield WI; "More of your greatest hits, the music you grew up with on Big Rig 13-90 WRIG Schofield-Wausau"	W/F	0900	15/12	PC
1390	WRIG	Schofield WI; "WRIG Schofield-Wausau" and "a service of Midwest Communications" ID mixing WEGP at toh	W	0900	17/12	JF
1395		AIR Bikaner, India (pres); YL singing	Gpk	1604	13/12	PCh
1395		AIR Bikaner, India; local Indian info also talk	W/Fpks	1827	14/12	Rha
1400	WOND	Pleasantville NJ; rushed programme promo "hospitality radio station, Saturday mornings, three hours beginning at 10 AM from ??? on Newstalk 1400 WOND"	F	0859	7/12	AB

kHz	Callsign	Station, location; details heard etc	SIO	UTC	Date	Who
1400	KITZ	Silverdale WA; promo "...right here on KITZ 14 hundred Silverdale"; personal first	Wpks	1133	2/12	mah
1400	KLCK	Goldendale WA; simple "14 hundred KLCK" ID; personal first	Wpk	1136	2/12	mah
1400	CKSQ	Stettler AB; country mx, "This is Q-Country, Q-14"	Wpks	1003	22/12	mah
1400	CBG	Gander NL; CBC News	G	0900	3/12	PL
1400	CBG	Gander NL; beginning of local px with "the time is 5.30 in most of Labrador, ? on the hour"; followed by local "CBC news for Newfoundland and Labrador"	W	0928	7/12	AB
1400	CBG	Gander NL; OM Talk "CBC" mentioned	W	2300	12/12	JW
1400		Harbour Light of the Windwards, Carriacou, Grenada; religious choir songs audible for coming in ... I am sure to get listen that programme !	W	2150	29/11	Rha
1404.02	UNID	CC	P	1408	27/11	TB
1410	WPOP	Hartford CT; ESPN sport reports & "ESPN 14-10" ID	W	0800	27/11	Rha
1410	WPOP	Hartford CT; ID and news	F	0800	3/12	PL
1410	CFUN	Vancouver BC; "Talk 14-10, The Buzz of Vancouver, is CFUN 14-10 AM", traffic	W/Fpks	1400	1/12	mah
1410	CFUN	Vancouver BC; "Canadian Press news"	G	0900	2/12	PL
1410	CFUN	Vancouver BC; C2C tlk on "Talk 14-10"	W/Fpks	0730	15/12	Rha
1410	ZYJ614	R Santa Cruz; Portuguese mentions of Santa Cruz, info and culture px; personal first	W	2302	29/11	Rha
1412.99	JOIF	KBC Fukuoka ; JJ, info tlk & game show "KBC" anns	W/Fpks	1541	13/12	Rha
1420	WOC	Davenport IA; glimpsed with "Newstalk 14-20 WOC"				
1420	WOC	Davenport IA; ID at toth above others; personal first	F	0800	28/11	PL
1420	WOC	Davenport IA; "Newstalk 14-20 WOC Davenport-Quad Cities" ID still audible at 1000!	W	1000	2/12	JF
1420	WOC	Davenport IA; "Newstalk 14-20 WOC"	W	0800	13/12	JWe
1420	WOC	Davenport IA; C2C tlk show, "W-O-C" call & Fox News; personal first	W	0733	15/12	Rha
1420	WHK	Cleveland OH ; "Newstalk 14-20 - WHK"	F	1000	4/12	PL
1420	KUJ	Walla Walla WA ; light country music, ID "14-20 KUJ-AM and 106.9 FM. KUJ, a better brand of country music"; frequency of FM sister station KUJJ is listed as 101.9, but the announcement sounds like 106.9 to me; format change; personal first	Fpks	1059	2/12	mah
1420	CKDY	Digby NS; country song // AVR webstream	F	0839	6/12	PL
1430	WENE	Endicott NY; "Sports Radio 14-40 The Team"	Fpk	0500	30/11	SW
1430	WENE	Endicott NY; ID on toth mixing CHKT; " Sports Radio 14-30"	F	1000	4/12	PL
1430	WENE	Endicott NY; Fox Sports talk, "Sports Radio 14-30 The Team"	F	0001	5/12	BD
1429.99	WENE	Endicott NY; Fox Sports reports; also tlk & "1430theteam.com"	W/F	0743	15/12	Rha
1430	KCLK	Asotin WA; "AM 14-30 The Sports Fan", ESPN Radio Sports Centre	Fpks	1100	2/12	mah
1430	CHKT	Toronto ON; "This is AM 14-30 CHKT Fairchild Radio Toronto" and legal disclaimer"	Fpk	0300	30/11	SW
1430	CHKT	Toronto ON; reference to Fairchild Radio on toth	F	1000	4/12	PL
1430	CHKT	Toronto ON; CC px	W	0802	23/12	BD
1440	WRED	Westbrook ME; "The Big Jab", sports "Portland's Sport Authority"	F	0055	30/11	SW

kHz	Callsign	Station, location; details heard etc	SIO	UTC	Date	Who
1440	WRED	Westbrook ME; toth ID and " Sporting News Flash"	F	0100	3/12	PL
1440	WHKZ	Warren OH; "WHKZ Warren, your ... to the word, AM 14-40, AM 14-40 (repeated), a service of Salem Communications"	Gpks	0100	28/11	JWe
1440	WHKZ	Warren OH; SRN news.com mixing Sporting News Flash	Fpk	0000	9/12	SW
1440	UNID	sounded like Japanese, rather than Chinese tlk noted in DRM-QRM – couldn't be JOWF, could it?	Fpks	1200	18/12	mah
1450	KONP	Port Angeles WA; "We are News Radio 14-50 KONP", ABC News	P/Fpks	1200	2/12	mah
1460	KXNO	Des Moines IA ; ID just after hour, in mix with several others but clear ID; personal first .	W	0900	28/11	PL
1460	KXNO	Des Moines IA ; "14-60 KXNO, Des Moines' Sports Station"; personal first	W	1000	16/12	PC
1460	KXNO	Des Moines IA ; "Have some fun with Des Moines' sports station KXNO", Fox Sports Radio; personal first	Fpk	0906	21/12	mah
1460	WDDY	Albany NY; "This is WDDY and WDDY HD Albany - Radio Disney"	F	1000	4/12	PL
1460	WHIC	Rochester NY; Catholic religious talk EWTN; personal first	G	1002	4/12	PL
1460	CJOY	Guelph ON; oldies / ID	F	0936	4/12	PL
1470	WLAM	Lewiston ME; sports report, NBA	222	0310	26/11	FW
1470	WLAM	Lewiston ME; ESPN and local ID "Maine's Sports Station"	Fpks	0711	27/11	AB
1470	WLAM	Lewiston ME; ESPN Radio sports talk & "14-70 WLAM Lewiston Auburn" ID	W	0757	3/12	BD
1470	WLAM	Lewiston ME; ESPN sports	F/G	0700	4/12	PL
1470	WLAM	Lewiston ME; sports talk	W	0731	24/12	JW
1470	KBSN	Moses Lake WA; "Tune in to KBSN every week night at 5.56 for (Urgent Talk?). Only on your first choice for news and information, KBSN Moses Lake"; in CJVB fade	Fpk	1100	2/12	mah
1470	KELA	Centralia-Chehalis WA; "... by staying right here with us KELA ... Centralia Chehalis news leader"; under CJVB	W	1200	18/12	mah
1470	WBKV	West Bend WI; "Yesterday's Oldies WBKV" heard over WLAM, followed by "Green Green Grass of Home" – perhaps by Tom Jones; also 30/11 at 0900	W	0707	27/11	AB
1470	WBKV	West Bend WI; "WBKV West Bend" ID	W	0800	17/12	PC
1470	CJVB	Vancouver BC; Chinese music to toh then three pips and usual lengthy OM ID; also W 0800 14/12	W	0600	2/12	JF
1470	CJVB	Vancouver BC (presumed); OM in Chinese talk; surprised to hear this! A 13 K 5	F	0804	6/12	PL
1470	CJVB	Vancouver BC; CC talk, music & 3 time pips	W/F	0700	20/12	BD
1470	CJVB	Vancouver BC; "AM 14-70 CJVB Fairchild Radio"	W	0600	22/12	PC
1470	XEAI	Radio Fórmula, Mexico City; OM in talk, spoken ID on hour; personal first	F/G	0800	1/12	PL
1470	XEAI	Radio Fórmula, Mexico City; SS chatter, "Radio Fórmula" & 3 note time signal some 15 seconds late	W/F	0800	1/12	BD
1470	XEAI	Radio Fórmula, México, DF; Fórmula de la Noche programming	F	0801	7/12	AB
1470.01	HJHQ	R Futurama, Pacho ; SS, ID "Radio Futurama" at the top of hour 0700, continued "al dante de informa"& popular Latin songs in between discussions	W/F	0705	2/12	Rha
1470	YVSY	Radio Vibración, Carúpano; music, "en Vibración son las siete y treinta minutos"	G	0000	27/11	JWe

kHz	Call sign	Station, location; details heard etc	SIO	UTC	Date	Who
1470	YVSY	Radio Vibración, Carúpano; bright Latin rhythms & "Radio Vibración" ID	G	2357	3/12	BD
1470	YVSY	Radio Vibración, Carúpano; ID "Radio Vibración"	222	0110	6/12	FW
1470	YVSY	R Vibración, Carúpano; "En Vibración son las 11 y 33 minutos"	F	0402	7/12	PC
1480	WSAR	Fall River MA; weather& ID "All day, every day on the region's No1 WSAR Fall River", followed Hot Talk as C2C talk show	W	0740	27/11	Rha
1480	WSAR	Fall River MA; "All day, every day we are 14-80 WSAR - Fall River"	F/G	0830	28/11	PL
1480	WGVU	Kentwood MI; usual full ID followed by BBC WS	W	1100	3/12	PC
1480	WHBC	Canton OH; "Newstalk WHBC" toth ID and into news	F	0900	2/12	PL
1480	KBMS	Vancouver WA ; "28, 28 before the hour. 14-80 KBMS", soul; Wpk personal first		1132	2/12	mah
1490	WBAE	Portland ME; nostalgia	W	0747	27/11	Rha
1494	UNID	Chinese (2 tx with audible echo) mixing with France	Fpk	1342	7/12	SW
1500	WFED	Washington DC; news on US auto bail out	vG	1007	3/12	PL
1500	WFED	Washington DC; "From Washington DC this is Federal News ..."	F	0600	4/12	JW
1500	WFED	Washington DC; ID "Federal News Radio WFED", news	222	0100	14/12	FW
1500	WLQV	Detroit MI; "Michigan's most listened to Christian talk, AM 15-hundred WLQV Detroit, Life Changing Talk Radio"	F	0900	2/12	PC
1500	WLQV	Detroit MI; toth ID "AM fifteen hundred WLQV Detroit, Life changing talk radio, serving the northern mid-west west since 1927"; personal first	W	1000	15/12	AB
1500	WLQV	Detroit MI. "This is the most listened to Christian talk, AM 15 Hundred WLQV Detroit M__.?__'s (not Michigan's) talk radio"; personal first	W	0600	21/12	JF
1500	WLQV	Detroit MI; "Michigan's most listened to Christian talk AM 15 hundred WLQV Detroit. Life changing talk radio"	G	0900	21/12	mah
1500	WLQV	Detroit MI; promo with full ID then Albert Mohler programme; Fpk also 0729 on 23/12 and 0006 19/12	Fpk	0044	26/12	SW
1500	KSTP	St Paul MN; ABC news and "AM fifteen hundred KSTP" ID; at 0900 "The Talk Station AM 1500"; personal first	F	0705	15/12	AB
1500	KSTP	St Paul MN; some talks, "KSTP" ID	W/F	0830	15/12	Rha
1500	KSTP	St Paul MN; "AM 15-hundred KSTP" mixing with WFED	W	1000	15/12	PC
1500	KUMU	Honolulu HI; "AM 15 hundred The Team. KUMU Honolulu, the home of Sporting News Radio. The Team"; hrd 1100-1500 today; often heard in December around 1100-1300	F	1500	2/12	mah
1500	XEDF	Radio Uno, Mexico City; usual SS info, "XEDF México" & Grupo Formula IDs	W	0858	1/12	BD
1500	YVRZ	Radio Dos Mil, Cumaná; network LA rhythms // 1470 kHz	F	0229	25/12	BD
1503		AFRTS Lajes, Terceira, Azores; ID "Is ... AM", country music	211	0310	28/11	FW
1509.98	KCKK	Littleton CO; poor in pile-up; tnx PC for the tip	P	0950	27/11	TB
1510	KCKK	Littleton CO; "Sports Radio 15-10 KCKK"	W	2300	1/12	PC
1510	WWZN	Boston MA; ID, ad	222	0015	7/12	FW
1510	WWZN	Boston MA; "...Right here on 15-10 the Zone"	F	2324	20/12	JW
1510	WLAC	Nashville TN; poor in pile-up; tnx PC for the tip	P	0950	27/11	TB
1510	WLAC	Nashville TN; weak "News Radio 15-10 WLAC" behind Bro. Stair	W	0710	28/11	AB

kHz	Callsign	Station, location; details heard etc	SIO	UTC	Date	Who
1510	WLAC	Nashville TN; "News radio 15-10 WLAC", only audible USB under WWZN	W	0600	9/12	PC
1510	WLAC	Nashville TN;	Fpks	2300	14/12	mah
1510	KGA	Spokane WA; poor in pile-up; tnx PC for the tip	P	1003	27/11	TB
1510	KGA	Spokane WA; "Sports Radio 15-10 KGA"; no sign of WWZN	F	0820	15/12	Rha
1510	KGA	Spokane WA; "Sports Radio 15-10 KGA"; regular during December, and the best marker for west coast reception this season	W/G	1040	17/12	mah
1510	KGA	Spokane WA; Fox sports & "Sports Radio 15-10 KGA"	W/F	0657	20/12	BD
1510	KGA	Spokane WA; "Sports Radio 15-10 KGA – Everything Sport" heard behind Bro Stair	W	0702	21/12	AB
1520	KOLM	Rochester MN (tent); underneath WWKB; "Sports Radio 15-20 W **LM" then possible 'Rochester'. Two sports stations ending in **LM on 1520 but conditions would indicate this one		0700	14/12	PC
1520	KOKC	Oklahoma City OK; "KOKC Business Report"	W/F	2250	1/12	PC
1520	WWKB	Buffalo NY; usual talk on "WWKB Buffalo" & CNN News	W/F	2200	26/11	BD
1520	WWKB	Buffalo NY; promo "Money matters, the hit radio show of the year ... every Sunday night on AM 15-20"	G	0559	29/11	JW
1521		CRI Urumqi, China; Russian infos & ID "Govorit Radio Kitaya"	F	1310	28/11	Rha
1521		CRI Urumqi, China; CC songs 20yrs popular songs, RR lang; also vG 2000 13/12	F	1950	13/12	PCh
1521		CRI Urumqi, Xinjiang; IS, CC ID "Zhongguo guoji guangbo diantai" and into RR language px w "Radio Kitaya" IDs	Gpks	1400	20/12	mah
1521		IRIB Kiashahr, Iran; clear ID	vG	2000	13/12	PCh
1530	WCKY	Cincinnati, OH (tent); sports program mixing with Celtic Radio	W	2300	16/12	PC
1540	KXEL	Waterloo IA; "Iowa's News Talk 15-40 KXEL Waterloo Cedar Falls" & ABC News	W	0900	29/11	BD
1540	KXEL	Waterloo IA; booming in around 02:00, equal CHIN. (Still a regular station lately)	G	0200	30/11	JF
1540	KXEL	Waterloo IA; Midnight Radio Network, commercials and mention of kxel.com	F	0755	30/11	AB
1540	KXEL	Waterloo IA; "This is newstalk 15-40 KXEL Waterloo, Cedar Falls"	W	0100	2/12	PC
1540	KXEL	Waterloo IA; discussion about UNI; also 0033 on 29/12 with Autoworld	Fpks	2348	2/12	SW
1540	KXEL	Waterloo IA; ad encouraging kids to play outside (!)	F/G	1055	3/12	PL
1540	KXEL	Waterloo IA; "Iowa's news and talk station, Newstalk 15-40 KXEL Waterloo, Cedar Falls" followed by ABC News	G	0800	13/12	JWe
1540	KXEL	Waterloo IA; "Newstalk 15-40 KXEL Waterloo Cedar Falls" & ABC News	W	0000	20/12	BD
1540	KXEL	Waterloo IA; "Iowa's news and talk station News Talk 15-40 KXEL Waterloo Cedar Falls"	Fpks	0900	21/12	mah
1540	WDCD	Albany NY; "50000 watts of Christian Gospel WDCD Albany"; very quick legal ID	G	0100	14/12	SW
1540	CHIN	Toronto ON; sports results from Canadian press; weather ID	F	0804	29/11	SW
1540	CHIN	Toronto ON; RAI ID and Italian news	G	0900	3/12	PL
1540	CHIN	Toronto ON; Saturday night EE Caribbean soul mx	W/F	0800	14/12	BD
1540	CHIN	Toronto ON; CC Talk	F	2323	22/12	JW
1540	ZNS1	Nassau Bahamas; MOR mx & Bahamas weather forecast	W/F	2359	28/11	BD

kHz	Callsign	Station, location; details heard etc	SIO	UTC	Date	Who
1550	CBE	Windsor ON; CBC Radio with "CBC News"	W	0802	2/12	Rha
1550	CBE	Windsor ON; CBC overnight	F	0935	4/12	PL
1560	WQEW	New York NY; Radio Disney, pop	G	0100	3/12	PL
1560	WQEW	New York NY; Radio Disney pops	W	0957	19/12	BD
1566		AIR Nagpur, India; radio play in English with Indian accent; play ended 1457 with long list of acting credits	S	1449	10/12	SW
1570	CKMW	Winkler MB; dominant for five minutes over CFAV with C&W/F/G music		0824	15/12	Rha
1570	CFAV	Laval QC; usual FF chatter and soft pops	W	2125	26/11	BD
1570	CFAV	Laval QC; ad for show at 9 pm then into French light pops over XERF	F	0800	28/11	PL
1570	CFAV	Laval QC; "Radio Boomer" // webstream	Fpk	2333	8/12	SW
1570	XERF	Cuidad Acuña; nice clear "La Poderosa" slogan	Fpk	0916	29/11	SW
1570	XERF	Ciudad Acuña; typical Mexican mx, cuckoo noise & 2 o'clock TC	G	0757	1/12	BD
1570	XERF	Ciudad Acuña; two YLs in talk	G	1009	3/12	PL
1580	CKDO	Oshawa ON; oldies out of the 50' & 60's, in splatter	W	0757	27/11	Rha
1580	CKDO	Oshawa ON; oldies & "broadcasting on 15-80 kHz and 107.7 MHz CKDO"; a true oldies ID hi!	W	0900	28/11	BD
1580	CKDO	Oshawa ON; Rolling Stones tune	G	0933	4/12	PL
1580	CKDO	Oshawa ON; "Ottawa's oldie station CKDO"	W	0955	15/12	SW
1590	WARV	Warwick RI; "Life changing Radio - WARV" brief ID up out of mix	F	0830	28/11	PL
1590	KLFE	Seattle WA; "At 15-90 (K-life?) KLFE Seattle"	Wpk	1100	2/12	mah
1600	KEPN	Lakewood CO; "ESPN Radio 16 hundred KEPN Lakewood Denver"	W	1000	16/12	PC
1600	WUNR	Brookline MA (presumed); Latin music	G	0930	9/12	PL
1600	WAAM	Ann Arbor MI; talk, weak "WAAM" ID	W	0800	13/12	JWe
1600	WWRL	New York NY; "WWRL 16 hundred, New York"	W	1000	15/12	PC
1600	WLUZ	Bayamon PR; poor SS OM tlk	121	0940	10/12	TB
1610	CHHA	Toronto ON; light mx, SS/EE ID "CHHA 16-10 AM Radio Voces Latinas ... 24 horas ... continuar. CHHA 16-10 AM Radio Voces Latinas. Call us now to play your favourite tunes 416 785 0680, remember 416 785 0680 or send us an e-mail to info@voceslatinas.ca"	W	0859	21/12	mah
1610	CJWI	Montréal QC (presumed); OM in FF talk	W/F	0800	3/12	PL
1610	CJWI	Montréal QC; "Vous écoutez a CJWI a Montréal" shortly after 0103, then modern version of Oh Come All Ye Faithful	W	0103	15/12	JF
1620	WNRP	Gulf Breeze FL; news, "here on news radio 16-20 WNRP"; mixing with BBC via WDHP	W/F	0700	5/12	JWe
1620	KOZN	Bellaire NE; "16-20 The Zone Omaha's ESPN Radio"	W	0800	17/12	PC
1620	KOZN	Bellevue NE; "16-20 The Zone" weather mentioned Lincoln but faded down at top of hour; personal first – station & state	F	2258	18/12	SW
1620	KOZN	Bellevue NE; "... tune in 6 weekdays on 16-20 The Zone", ESPN Radio Sports Centre	W	0900	21/12	mah
1620	WTAW	College Station TX; appeal for Christmas Angels – a joint programme sponsored by Bryan Broadcasting and Blue Baker restaurants in College Station	F	0805	7/12	AB
1620	WTAW	College Station TX; local ad for Lasersmooth; "Newstalk WTAW"	F	2359	16/12	SW

kHz	Callsign	Station, location; details heard etc	SIO	UTC	Date	Who
1620	KYIZ	Renton WA; soul, "28, 28 before the hour. 16-20 KYIZ, the north-west's first home of hip hop and r'n'b"	Fpks	1132	2/12	mah
1620	WDHP	Frederiksted, USVI (pres); talk programme	W	0428	27/11	Rha
1620	WDHP	Frederiksted, USVI; BBC WS News at toth	W	0800	5/12	PL
1630	WRDW	Augusta GA; ID and news weak then fair	W/F	0800	28/11	PL
1630	KCJJ	Iowa City IA; pop music / ID	F	0856	28/11	PL
1630	KCJJ	Iowa City IA; Mike O'Meara Show; ad break; ID sung jingle	Fpk	2330	1/12	SW
1630	KCJJ	Iowa City IA; still with pops & "16-30 KCJJ Iowa City Coralville" ID	W/F	0757	13/12	BD
1630	KKGM	Fort Worth TX; "16-30 KKGM Fort Worth Dallas"	W	0800	17/12	PC
1630	KRND	Fox Farm WY; usual Mexican music, "La Grande 16-30" ID	W	0700	19/12	AB
1630	KRND	Fox Farm WY; SS ID "KRND La Grande 16-30 AM" etc	W	0902	21/12	mah
1640	KDIA	Vallejo CA; rlg, very weak "KDIA" ID at toth; under KDZR	vW	1100	2/12	mah
1640	WTNI	Biloxi MS (pres); C2C tlk	W	0705	28/11	Rha
1640	KDZR	Lake Oswego OR; "This is KDZR and KDZR HD-1 Lake Oswego Portland", Radio Disney	Fpks	1159	18/12	mah
1640	WKSH	Sussex WI; Radio Disney but no ID (unlikely to be KDZR)	W	2214	18/12	SW
1650	KCNZ	Cedar Falls IA; ID ; "log on to foxsports.com"	Fpk	0022	19/12	SW
1650	KCNZ	Cedar Falls IA; "16-50 KCNZ Cedar Falls, Waterloo"	W	0000	20/12	PC
1650	WHKT	Portsmouth VA; Christmas songs // 1560 kHz in mix	F	0731	28/11	PL
1650	CJRS	Montréal QC; EE talk show & "16-50 AM CJRS Radio Shalom" ID	W	0757	3/12	BD
1650	CJRS	Montréal QC; " CJRS 16-50 Radio Shalom" ID from OM; also toth ID G 0700 28/11	F	0800	3/12	PL
1650	CJRS	Montréal QC; "Radio Shalom" mentioned in talk	W	0702	12/12	JW
1650	CJRS	Montréal QC; talk about Jewish films	Fpk	0030	15/12	SW
1650	CJRS	Montréal ON; toth ID "Radio Shalom. Welcome to the Howie Silbiger Show live on 16-50AM CJRS Radio Shalom Montréal"	F	0700	19/12	AB
1660	WWRU	Jersey City NJ; usual KK chatter	W	2123	26/11	BD
1660	WWRU	Jersey City NJ; ID from OM	W	0700	4/12	PL
1660	WWRU	Jersey City NJ; "WWRU Jersey City, New York. 16-60 AM WWRU"	F	0800	4/12	PC
1660	KQWB	West Fargo ND; "... here on KQWB West Fargo, Fargo Moorhead 16-60 ESPN Radio"	F	0100	3/12	PC
1660	KQWB	West Fargo ND; "KQWB AM West Fargo, Moorhead - Fargo" ad for morning show and toth ID	F	0900	16/12	PL
1660	KQWB	West Fargo ND; "... right here on ESPN Radio for the Red River Valley KQWB AM West Fargo ..."	W	0900	21/12	mah
1660	KRZI	Waco TX ; ID "Your home for ESPN game nights 16-60 ESPN Radio, Central Texas' Sports Leader", ESPN Radio Sports Centre; personal first	W/Fpks	0940	29/11	mah
1670	KNRO	Redding CA; rock mx, squeal of pig, "... K-pig 16-70 KNRO" followed by another squeal; in and out of the noise	W	1102	2/12	mah
1670	WTDY	Madison WI; "AM 16-70 WTDY"	W	0100	17/12	PC
1670	CJEU	Gatineau QC ; FF chatter, spots & "CJEU AM" ID	W/F	2301	4/12	BD
1680	WOKB	Winter Garden FL; announcement of end of programming for the day. Full address given	F	0200	2/12	PC
1690	CHTO	Toronto ON; ID "You're listening to CHTO AM 16-90", then web address then in to ethnic mx	F	0656	23/10	MM

kHz	Callsign	Station, location; details heard etc	SIO	UTC	Date	Who
1690	CHTO	Toronto ON; Greek music mixing with Latin station	F	0830	3/12	PL
1690	CHTO	Toronto ON; reference to AM 16-90 and www.am1690.ca	F	0700	19/12	AB
1690	CJLO	Montréal QC; mx, promo ID, rap mx, nx	F	0654	23/10	MM
1690	CJLO	Montréal QC; "...more news on CJLO.com ..."; also vG at 0035 Fpks 15/12		0107	14/12	SW
1700	WEUP	Huntsville AL; phone-in show "We-Up"	F	2357	4/12	SW
1700	WJCC	Miami Springs FL; ID in EE & SS with long list of frequencies	Fpk	0802	8/12	SW
1700	KKLF	Sherman TX; Cowboys match preview "here on The Ticket"	F	2300	15/12	PC
1700	KKLF	Sherman TX; Dallas Cowboys credit card; ad for Texas Ford Dealers; ESPN; presumed KKLf	F	2305	18/12	SW
1700	KVNS	Brownsville TX: oldies & "17 hundred KVNS and in the Rio Grande Valley" ID	F	0858	1/12	BD
1700	KVNS	Brownsville TX; ID and news	F	0900	3/12	PL
1700	KVNS	Brownsville TX; legal ID then ABC news	G	0000	4/12	SW
1700.01	KVNS	Brownsville TX; oldies ex poor, through weird local diginoise1600-1700 kHz	111	0938	10/12	TB
1700	KVNS	Brownsville TX; oldies ID "KVNS Seventeen hundred"	F	0724	12/12	JW
1700	KVNS	Brownsville TX; usual oldies music and "We are Oldies Radio 1700 KVNS Brownsville and the Rio Grande Sound"	F	0700	19/12	AB

Many thanks to the following reporters:

- AB Andrew Brade, Holme-on-Spalding Moor, East Riding of Yorkshire. AOR AR 7030 plus and Perseus SDR from 21/12, Wellbrook phased array 290°. Recording on Sony MZ-NH1 minidisc + Total Recorder.
- BB Bernard Brown, Sutton-in-Ashfield, Notts. Sangean DT400W – **ultralight**.
- BD Barry Davies, Carlisle, Cumbria. Perseus, 12' x 33' EWE.
- FW Friedhelm Wittlieb, Lünen, Germany. Grundig Satellite 700 with martens fram-antenna.
- JF John Faulkner, Sutton-in-Ashfield, Notts. Perseus SDR & ewe antenna.
- JF/TB John Faulkner/Tim Bucknall, Matlock Forest. Perseus SDR, 300m beverage at 30°.
- JW John Williams, Hemel Hempstead. AOR 7030 and 40m long wire.
- JWe Jack Weber, Hertfordshire. Perseus SDR, KAZ at 280° and Wellbrook ALA1530,
mah Martin Hall, Clashmore, Sutherland. Perseus SDR, NRD-545, RPA-1 preamp, MFJ-1026 phaser (modified), beverages: 513m at 233 degrees, terminated; 506m at 279 degrees, terminated, 550m at 338 degrees, terminated, 50m at 321 degrees, unterminated; TotalRecorder.
- MM Martyn Madeley, Malvern Link, Worcestershire. AOR 7030 and Wellbrook ALA1530.
- PC Paul Crankshaw; Troon, Ayrshire; Perseus SDR, EWE, MFJ-1025 Phaser(modified).
- PCh Peter Chalkley, Luton. AOR AR7030 and a long wire running round the garden.
- PL Paul Logan, Lisnaskea, N. Ireland. NRD-545, Perseus SDR, outdoor KAZ/Conti loops.
- Rha Ronald Hagensen, Ottersberg, Germany. AOR 7030plus, 22m at 315°, 28m at 290°, 243m beverage at 345/360° , coupled with the Mizuho AT-2000, Wellbrook ALA 1530 outdoors.
- SW Steve Whitt, High Catton near York. AOR7030+ and HF225 Europa with dual loop K9AY.
- TB Tim Bucknall, Congleton. Icom IC-R9500 + Wellbrook ALA 1530 Loop.

It's been good to receive a contribution from **Martyn** who writes: "I recently received a two page letter from Rádio Tupi in Portuguese, enclosed in a bright red folder. I was a little late in sending the report in Portuguese, and a tape, so it was quite a surprise to receive a reply. Sorry I did not send a logging for this which I heard in August".

And in a short note, **Peter** tells us: "Trying to get back into the hobby. Inspired by the latest logs with AIR and the Chinese receptions".

John F tells us about his experiences over the last month: “December has been a wash-out here in the North Midlands, despite other DXers in more northerly / west-coast areas hearing far more. I noted several days when west coast was being received north of the border and also by Barry in Carlisle when the band was struggling with only weak east coasters here. Maybe a case of that old 'Midwinter Anomaly'. I can hardly be dissatisfied since there have still been a few days of decent DX activity, not to mention the reception of Alaska on December 1st and 2nd. I never expected to hear such exotic DX this far south. Thanks to this, I now realise that the ‘impossible’ may not be quite so ‘impossible’ in the future, given the right conditions of course”.

Other southern DXers have noted similar conditions, and **John W** observed: “A very disappointing month for DX here in the South as you will see from my logs. It can only get better!” **Jack** noted the same: “Generally, an unexciting month compared to the previous one, but a few openings did pop up. I had hoped to catch at least a bit of audio from 680 KBRW during the days, but didn't manage it although a carrier was clearly visible on quite a few days, usually peaking around 1600. I'll keep looking”.

Moving further north, **Steve** writes: “I have omitted regulars heard such as the VOCM network, CBC in Newfoundland, CKAC, CHIN, WWKB, CFRB etc unless something notable observed. China on 1521 kHz audible most days from 1200 UTC. Earliest DX from North America before 2000 UTC on several days (e.g. 28/12). After a hectic November this month seemed to be a bit of a come down, but I still logged several stations that I had not heard this season and I added one new US state to my total. Some “rare” stations were reasonably regular (e.g. WLW, WJR, KCJJ) but regulars like CJYQ remain absent!”

Andrew comments: “Please find attached herewith logs for December 2008 which are a little sparse reflecting time spent studying for amateur radio licence in the first part of the month and generally poor conditions later in the month. Nevertheless the log includes six personal firsts, all from the Great Lakes area, with four of them from Chicago. Only one of these firsts was heard on the newly-acquired Perseus. There are also six US stations with three-letter call signs”.

Moving further north still, conditions have proved to be rather better, as **Paul L** tells us: “Lots of personal firsts this month - some real thrillers like KMA on 960 kHz. A few things came together to make this possible - some great conditions, a new Perseus receiver, and a new outdoor Conti loop which is better oriented for North America. The Perseus is fantastic, both real time and playing back recordings - an outstanding receiver. It gives me a better chance of logging stuff in the short time periods when QRM from my neighbour's house is absent. I made a lot of recordings at the month's start but still have not got around to going through them so some logs for this period may appear later”.

Paul C experienced good conditions also: “My log is attached. I have decided to exclude the more common stations and just to report the less common ones. Conditions in general have been good to very good over the period with openings to the west coast and Alaska. Only once before have I heard Alaska - December 1997! When used in conjunction with known carrier offsets Perseus is very useful for indicating when such stations are approaching audio levels and merit further attention.”

Here in the far north, in **Clashmore**, conditions have been superb this month, with December 2nd being one of the best (if not *the* best) day for reception of west coast North American and Hawaiian DX this sunspot minimum. Fortunately, 531 kHz Faroes was off on this day – when it's on, noise sidebands extend to beyond 700 kHz, making reception of all but the strongest stations impossible on the 338 degree beverage. Some days have been better than others, but west coast stations have been audible on the majority of days this month, with end November / early December and 17-22 December being exceptionally good. Other days may throw up some new catches when I have time to check the remainder of the Perseus recordings made over recent weeks. Perseus came along just in time to take advantage of the end of the sunspot minimum! – **mah**.

Tim provides a different slant on DXing in a letter that I've edited slightly. He writes: "Please feel free to truncate any ridiculously long numbers after the decimal point (*in the frequency*), or indeed edit/leave out anything at all (*I've truncated from 3 decimal places to two – mah*). I'm sorry for all the "presumed" and "tentative" loggings, but the QRM problem is really making life hard. As you can see I only heard definite IDs on about half; all the rest (tentative and presumed) were a case of web stream // + offset + propagation conditions and fade in/fade out times, and also conferring with the guys on the MW offsets Yahoo Group (<http://groups.yahoo.com/group/mwoffsets>). (*Another useful source of information is <http://www.myradiobase.de/mediumwave/mwoffset.txt> - mah*).

I used to use Spectrum Lab for carriers before the hand pain problem made it difficult; however, the IC-R9500 thankfully has its own waterfall display and stability of better than +/-0.05ppm (over the entire range) within 5min of turning on mains power (I never turn it off). The 9500's waterfall display isn't as sensitive as Spectrum Lab obviously, but any carrier too weak to be seen on the 9500 would never produce audio anyway so they'd be no use for proper loggings anyway. I tune the carriers until they line up with the Buxton Ham Beacon on 70.000 - BBC Radio 4 is slightly unstable due to the data transmission so it's not a good marker. (This technique) just gives me a bit of an edge when the audio is difficult. I'm glad to have caught the amazing conditions anyway. John F is talking about another beverage expedition so there's that to look forward too. In addition to those listed in DX Loggings above, Tim also reports presumed/tentative reception of 820.004 kHz KCBF 1647 on 30/11 and 1521 on 1/12; 969.996 kHz KFBX at 1213 on 29/11, 30/11, 1/12, 2/12; 1140.000 kHz KSLD at 1559 on 28/11; 1229.997 kHz CFFB at 2000 on 27/11; 1499.998 kHz KUMU at 1443 on 1/12; 1420.003 kHz KKEA at 1508 on 1/12 (*I haven't included these in the DX Log since no supporting programme detail was provided – mah*). He adds "1st December was amazing! I was out part of the 2nd, so it may have been good".

Continuing his theme from last month on ultra-light DXing, **Bernard** writes: "I appreciate that the USA DXers will undoubtedly have claimed ultralight TA reception, but I would like to know if any of our UK or Continental (European) neighbours are giving it a try". *Any comments from other readers? – mah*.

The **deadline** for the February 2009 DX Loggings is **Monday, 26th January**. I look forward to receiving your logs by then, preferably electronically/via e-mail using the Word pro-forma, which I can supply on request. I regret that I am unable to accept logs of more than 20 stations in manuscript, paper or fax copy, and all contributions should follow the format used in DX Loggings as closely as possible. Please also remember that I don't automatically include loggings sent to the MWC e-List, so please copy me separately if you would like them included in DX Loggings.

Happy New Year, Good DX in 2009 and 73,

Martin

P.S. from the Editor

A note by post from Brendon Rooney in Glencar, Ireland comes with update on what he's been doing in recent months. This includes building a 500 metre Beverage antenna at 300 degrees.. Using this gave Brendon surprise daytime reception of OZN beacon in Greenland on 372kHz. Brendon has also erected a K9AY antenna for comparison purposes.

Recently Brendon has upgraded to a Perseus receiver and compares reception with his Icom Pro. He says, " ..the Perseus may not be as sensitive as the Icom Pro... but the recovered audio are much clearer on the Perseus..".

Brendon hasn't submitted a full log but notes that on 22/11/08 at 1108utc he was hearing CJVB 1470, CFUN 1410 and KGA 1510 all with good readable signals levels. He adds that on 2nd December he heard at 1100utc: CJVB, CFUN and KBRW 680 from Barrow, the latter being audible all afternoon on 2nd December with an S3/4 signal until about 1600utc.

It's interesting to note that Brendon is on a similar latitude to York in England (but no chance of KBRW here due to BBC on 666 and 693 with considerable splatter.

VERIFICATIONS SECTION

✉ 59 Moat Lane, Luton, Bedfordshire LU3 1UU, UK

with Clive Rooms

e-mail: verifications@mwcircle.org ☎ 01582 598989

Station	kHz	A	B	C	who	Station	kHz	A	B	C	who
<u>Alaska</u>						<u>Ukraine</u>					
KIAK Fairbanks	<u>1</u>	970	cd	ms	1782 MaH	Ukraine R Company	1378	cd	\$1	22	MvA
<u>Canada</u>						<u>UK</u>					
CKRM Regina SK	<u>2</u>	620	e	no	4 GH	Magic, Stockton	<u>4</u>	1170	lt	\$1	9 MvA
CBI Sydney NS	<u>3</u>	1140	lt	\$1	22 MvA	Blast 1386 Reading	<u>5</u>	1386	lt	\$1	18 MvA
CFSL Weyburn SK	<u>2</u>	1190	ppc		14 GH	<u>USA</u>					
<u>China</u>						KRAI Craig Co	<u>2</u>	550	e,cd		7 GH
Xinjiang PBS		1413	cd	\$1	29 MvA	KSVN Ogden UT	<u>2</u>	730	ppc		77 GH
<u>Cyprus</u>						KATL Miler City MT	<u>2</u>	770	ppc		56 GH
CBC1 Nicosia		963	cd	\$1	18 MvA	WBBM Chicago IL	<u>2</u>	780	ppc		14 GH
<u>Kaliningrad</u>						KRVN Lexington NE	<u>2</u>	880	cert		63 GH
V of Russia		1215	cd		32 JR	KBLL Helena MT	<u>2</u>	1240	e	no	7 GH
<u>Netherlands</u>						KDZA Pueblo CO	<u>2</u>	1350	e	no	3 GH
Caz! Heinoord		828	e	no	1 GH	<u>USA TIS</u>					
<u>Taiwan</u>						WPJR Winter Park CO	<u>2</u>	530	e,lt		21 GH
R Free Asia		1098	cd	\$1	60 MvA	Wind Cave NP SD	<u>2</u>	1600	ppc		70 GH
						Yellowstone MT	<u>2</u>	1600	ppc		84 GH
						Ellsworth AFB SD	<u>2</u>	1610	ppc		63 GH
						WQBJ389 Evanston WY		1610	e	no	84 GH
						WPPZ Loveland CO	<u>2</u>	1610	e	no	7 GH

A= what was received; B= what return postage was sent; C = days to get a reply

Notes:

- 1 Yes, this one really did take just over 5 years to come back to Martin! They also sent a KFBX headed letter but confirmed the old KIAK call.
- 2 All these were heard by Ge whilst in the USA.
- 3 They also sent Max a refrigerator magnet, postcard, a pin and some teabags!
- 4 They also sent Max a sticker, a pen and a shopping bag!
- 5 The \$ Max sent was returned

Verification Signers

KBLL-Jared Dickert, Chief Engineer
 KRAI-Frank Hanel, General Manager/Owner
 KRVN-R V Ziegler, Dir of Engineering
 CKRM-Willy Cole, Prog Manager/Morning Host

KDZA-Tony Lopez, CE
 WBBM-Donald Coleman, CE
 KSVN-Maria Covia
 Wind Cave NP-Tom Frend, Park Ranger

Contributors

This month they were: GH-Ge Huijbens in Belgium, MvA-Max van Arnhem in Netherlands and JR-Jim Renfrew in the USA. Until next time, best 73s – Clive.