

MEDIUM WAVE NEWS

MEDIUM WAVE CIRCLE

February 2009 Volume 54 No. 9



- ♣ *Subs. frozen/reduced*
- ♣ *Membership renewals*
- ♣ *Radio fading 80 years ago*
- ♣ *Minimalist NDB DXing*
- ♣ *DX log; many personal firsts*

Hon. President*	Bernard Brown, 130 Ashland Road West, Sutton-in-Ashfield, Notts. NG17 2HS	
Treasurer/ Secretary*	Clive Rooms, 59 Moat Lane, Luton LU3 1UU ☎ 01582-598989 (after 1800 hours)	(all general club enquiries) treasurer@mwcircle.org
MWN General Editor*	Steve Whitt, Landsvale, High Catton, Yorkshire YO41 1EH ☎ 01759-373704	mwneditor@mwcircle.org (editorial & stop press news)
Membership Secretary	Paul Crankshaw, 3 North Neuk, Troon, Ayrshire KA10 6TT ☎ 01292-316008	membership@mwcircle.org (all changes of name or address)
MWN Despatch	Peter Wells, 9 Hadlow Way, Lancing, Sussex BN15 9DE ☎ 01903 851517	despatch@mwcircle.org (printing/ despatch enquiries)
Publications	Clive Rooms	contact@mwcircle.org (all orders for club publications & CDs)
MWN Contributing Editors (* = MWC Officer; all addresses are UK unless indicated)		
DX Loggings	Martin Hall, Glackin, 199 Clashmore, Lochinver, Lairg, Sutherland IV27 4JQ ☎ 01571-855360	dxlogs@mwcircle.org
Mailbag	Herman Boel, Papeveld 3, B-9320 Erembodegem (Aalst), Vlaanderen (Belgium) ☎ +32-476-524258	mailbag@mwcircle.org
Home Front	John Williams, 100 Gravel Lane, Hemel Hempstead, Herts HP1 1SB ☎ 01442-408567	homefront@mwcircle.org
Eurolog	John Williams, 100 Gravel Lane, Hemel Hempstead, Herts HP1 1SB	
World News	Ton Timmerman, H. Heijermanspln 10, 2024 JJ Haarlem, The Netherlands	world-news@mwcircle.org
Beacons/Utility Desk	Andy Robins KB8QGF, 1529 Miles Avenue, Kalamazoo, MI 49001, USA ☎	utility@mwcircle.org
Central American Desk	Tore Larsson, Frejagatan 14A, SE-521 43 Falköping, Sweden ☎ +46-515-13702 fax: 00-46-515-723519	ca-news@mwcircle.org
S. American Desk	Tore B Vik, Post Box 88, NO-1851 Mysen, Norway ☎ +47-69891192	sa-news@mwcircle.org
N. American Desk	Andrew Brade, Sand Gap, Bursea, Holme-on-Spalding Moor York YO43 4DF	na-news@mwcircle.org
Verifications	Clive Rooms, 59 Moat Lane, Luton LU3 1UU	verifications@mwcircle.org
KEEP IN TOUCH	Internet: MWC Web site e-mail news service:	http://www.mwcircle.org FREE service for members; e-mail postmaster to join
Webmaster		webmaster@mwcircle.org
Postmaster	Rémy Friess	postmaster@mwcircle.org

STOP PRESS:

This month we'd like to extend a warm Circle welcome to the following new members: Philippe Aeby, Wollerau, Switzerland; David Jones, IN, USA; Mauricio Molano, Spain; Allan Helm, Sweden; Sigvard Andersson, Norrköping, Sweden; Henk Verdru, Belgium; Hermann Burgy, Grolley, Switzerland; Joe Lanoue, CT, USA and Stuart Senior, Taunton, England.

A VERY INTERNATIONAL WELCOME TO THE CIRCLE!!

MEMBERSHIP RATES FROZEN OR REDUCED

RENEW NOW!

Renew on-line at www.mwcircle.org/join2.htm

Stop Press Deadlines:	28 th February for March 2009	29 th March for April 2009
Cover illustration:	.	
Medium Wave News is published 10 times a year by the Medium Wave Circle		© 2009

EDITORIAL

with Steve Whitt

✉ Landsvale, High Catton, Yorkshire YO41 1EH
e-mail: mwneditor@mwcircle.org ☎ +44-1759-373704

The great MW DX continues even though thoughts turned towards a possible “mid-winter anomaly” in the early days of 2009. Again we have a **HUGE** log from Martin including dozens of members personal firsts and probably many UK firsts too. So with limited space I apologise for the lack of feature articles this month.

Membership Renewal Time

If your full membership subscription to the Circle is due to run out at the end of March 2008 you will find an appropriate renewal included with this issue of MWN. Please note that if you do not renew promptly the next issue will be the last copy of MWN that will arrive through your letter-box and you will lose access to e-MWN and the e-news service at the end of March.

MEMBERSHIP FEES FROZEN FOR 16th YEAR RUNNING!!

Unique Benefits of Circle Membership:

10 issues of printed MWN

e-MWN instantly available on-line

MWN e-news service (e-mail)

Big discounts on WRTH/PWBR books

When you renew please do consider the benefits of taking out a 2 or 3 year membership. These reduce our administration costs and make print runs much more predictable so they help us hold down subscription rates. You'll also benefit by avoiding any forthcoming increase in membership rate. And remember there are **BIG SAVINGS** for European members this year due to the current £/Euro exchange rate.

	1 year to Mar 2010	2 year to Mar 2011	3 year to Mar 2012
UK	£12	£22	£33
Europe (Inc Eire)	£16/30Eu	£30/40Eu	£45/65Eu
Rest of World Airmail	£21 / \$35US	£39 / \$65US	£59 / \$95US
Surface	£16 / \$27US	£30 / \$50US	£45 / \$75US

If your membership has not yet run out you can of course extend it now to take advantage of favourable exchange rates.

Payment

Payment methods remain unchanged and full details are on the forms and on our website. The quickest way to renew membership is on-line www.mwcircle.org/join2.htm.

Membership Survey

This year we are rethinking the effectiveness of the traditional survey, which is becoming less representative each year as we add more e-members. For that reason there is no survey on the printed renewal forms. We will reinstate the survey but in a different form.

MWC Club Accounts

Clive Rooms has prepared the club accounts for 2008 and copies are available to members either via e-mail or in return for a stamped self addressed envelope.

Now on with the show

73s *Steve* .

IONOSPHERIC REPORT

from U.S. Dept. of Commerce, NOAA, Space Environment Center

Daily Geomagnetic Data

Date	Middle Latitude -- Fredericksburg --								High Latitude ---- College ----								Estimated ---- Planetary ----										
	A	K-indices							A	K-indices							Ap	K-indices									
2009 01 01	5	1	2	2	2	1	1	1	1	12	1	1	4	4	4	2	0	0	6	1	2	3	3	2	1	0	1
2009 01 02	3	0	1	0	0	1	2	2	2	2	0	0	0	0	1	1	1	2	3	0	1	0	0	1	1	2	2
2009 01 03	8	3	3	2	3	2	1	0	1	15	1	1	2	6	2	3	1	1	9	3	3	2	4	2	2	0	1
2009 01 04	5	2	1	0	2	1	1	1	3	3	1	0	0	2	1	2	1	0	4	2	1	0	1	1	2	1	0
2009 01 05	3	1	1	1	1	1	1	1	0	4	0	0	1	3	1	2	0	0	4	1	1	1	1	1	1	1	2
2009 01 06	2	2	1	0	0	0	1	0	0	5	0	0	0	3	2	3	0	0	3	2	1	0	1	1	1	0	0
2009 01 07	1	0	0	1	0	0	1	1	0	1	0	0	2	1	0	0	0	0	3	0	0	1	0	0	1	1	1
2009 01 08	2	0	0	0	0	2	1	1	1	4	0	0	1	2	3	2	0	0	3	0	0	0	2	1	1	1	1
2009 01 09	4	1	1	1	0	2	2	1	1	5	0	0	2	1	4	1	1	0	4	1	1	1	0	2	1	1	1
2009 01 10	2	2	1	0	1	0	0	0	0	3	1	1	1	3	0	0	1	0	4	2	1	1	1	0	0	1	1
2009 01 11	1	1	0	0	0	0	1	0	0	1	0	0	0	2	0	0	0	0	2	1	0	0	0	0	1	1	1
2009 01 12	0	0	0	0	0	0	0	0	0	0	0	0	0	0	0	0	0	0	0	0	0	0	0	0	0	0	0
2009 01 13	2	0	1	1	0	1	1	1	1	1	0	0	0	0	1	1	0	0	3	1	1	1	0	1	1	0	1
2009 01 14	6	2	2	2	2	2	1	1	1	8	1	0	0	4	4	1	0	0	5	2	2	1	2	2	1	0	2
2009 01 15	4	1	1	1	1	1	2	2	1	5	0	1	1	3	2	0	2	1	4	1	1	2	1	0	1	2	2
2009 01 16	2	1	1	0	0	1	1	1	0	1	1	1	0	0	1	0	1	0	2	2	1	0	0	0	0	1	0
2009 01 17	2	0	1	1	0	0	1	1	0	1	0	0	0	1	1	0	1	0	2	0	1	1	0	0	1	1	1
2009 01 18	2	1	0	0	0	0	1	1	1	1	0	0	0	1	1	0	0	0	2	0	0	0	0	0	0	1	1
2009 01 19	7	4	2	2	0	1	1	1	2	4	2	1	2	2	0	1	0	1	9	4	2	2	0	1	1	2	2
2009 01 20	1	1	0	1	0	0	0	1	0	1	2	1	0	0	0	0	0	0	3	2	0	0	0	0	0	1	1
2009 01 21	2	0	0	0	1	0	2	1	0	2	0	0	0	2	1	1	0	0	2	0	0	0	1	0	1	1	1
2009 01 22	0	0	0	0	0	0	0	1	0	0	0	0	0	1	0	0	0	0	1	0	0	0	0	0	0	0	1
2009 01 23	1	0	0	1	0	1	0	0	0	0	0	0	0	0	0	0	0	0	1	0	0	0	0	0	0	0	1
2009 01 24	1	1	1	0	0	0	0	0	1	0	0	0	0	0	0	0	0	0	1	1	0	0	0	0	0	0	1
2009 01 25	1	0	0	0	0	0	0	0	2	1	0	0	0	0	2	0	0	0	1	0	0	0	0	0	0	0	2
2009 01 26	9	3	2	2	2	3	2	2	1	22	1	0	2	4	6	5	2	0	10	3	2	2	2	3	3	2	0
2009 01 27	2	0	1	0	0	1	2	1	1	2	0	1	0	0	1	1	1	1	4	0	1	0	0	1	1	2	2
2009 01 28	1	0	0	0	2	0	0	1	0	0	0	0	0	1	0	0	0	0	2	0	0	0	1	1	1	0	1
2009 01 29	3	0	2	2	1	1	0	0	0	3	0	0	2	3	0	0	0	0	4	0	2	2	1	1	1	0	1
2009 01 30	3	0	1	1	2	0	0	1	2	1	0	0	0	1	0	0	0	1	4	0	1	0	1	1	1	1	2
2009 01 31	4	1	1	2	1	2	1	1	1	9	1	0	3	3	4	2	1	1	7	1	1	2	2	2	2	1	2

Short term Forecast

UTC Date	Radio Flux 10.7 cm	Planetary A Index	Largest Kp Index
2009 Feb 03	70	5	2
2009 Feb 04	70	5	2
2009 Feb 05	70	5	2
2009 Feb 06	70	5	2
2009 Feb 07	70	5	2
2009 Feb 08	70	5	2
2009 Feb 09	70	5	2
2009 Feb 10	70	5	2
2009 Feb 11	70	5	2
2009 Feb 12	70	5	2
2009 Feb 13	70	5	2
2009 Feb 14	70	5	2
2009 Feb 15	70	8	3
2009 Feb 16	70	5	2
2009 Feb 17	70	5	2
2009 Feb 18	70	5	2
2009 Feb 19	70	5	2
2009 Feb 20	70	5	2
2009 Feb 21	70	5	2
2009 Feb 22	70	5	2
2009 Feb 23	70	5	2

RADIO FADING; 1928 STYLE

from The Times May 3, 1928

It is generally agreed nowadays that a satisfactory and reliable broadcasting service is one which is always available at the advertised programme times, independently of the weather and -equally in daylight or darkness. -The received signal must, in addition, be of adequate strength and free from interference, of any kind, and, also must not be subject to the phenomenon know as fading. Most of these requirements can be met nowadays in the design and construction of the transmitting station by placing it in a suitable locality and by supplying it with sufficient power. The one factor which up to the present has always set a definite limit to the range of a satisfactory broadcasting service is the occurrence of fading.

Modern research upon the subject of the propagation of wireless waves around the earth's surface has shown that in general two sets of waves are involved. First, a direct wave sent out by the transmitting station travels straight along the earth's surface becoming rapidly weaker with increasing distance, owing to the loss of energy by currents induced in the earth itself. At any one receiving station this wave remains constant in strength at all times of the day or night and at all seasons. In the second place, an indirect wave is sent upwards from the transmitting station, and during the hours of darkness this wave is deflected in the upper layers of the atmosphere and returned to the earth, thus arriving at the receiving station travelling in a downward direction.

When reception is attempted at very long distances, the direct wave may be too weak to give an audible signal, and thus the indirect wave must be relied upon. This wave is constantly varying in its characteristics during the night, while in daylight it is absorbed very rapidly in the atmosphere. Hence in long-distance reception on the broadcasting band of wave- lengths between 300 and 500 metres those signals are only audible during the night, and they are then constantly varying in strength. At more moderate distances where the direct wave becomes effective this will give a steady signal during the daytime, but at night the indirect wave will also be received, and the resulting signal will be the combined effect of the two sets of waves. Now, the changing characteristics of the indirect wave will result in its phase constantly varying in relation to that of the direct wave.

At one instant the two waves will be assisting each other, while at another time they will be opposing each other, resulting in a 'complete disappearance of the signal. This variation in the intensity of the received signal by night is commonly referred to as "fading", an occurrence which is familiar to every listener. When the distance between transmitter and receiver is still further reduced, the direct wave becomes much stronger, so that the indirect wave, even when it is present, produces only insignificant variations in the strength of the audible signal. Hence it is evident that the reliable service area of a broadcasting station is limited to the radius within which the direct wave is very strong compared with the indirect wave.

Outside this area a lower grade is available, but the occurrence of fading must be appreciated and accepted. While the problem is not entirely independent of the design of the transmitting station, it cannot be solved by a mere increase in power. To give some idea of the variations in signal strength to be expected within the first few hundred miles, the following figures may be quoted from the results of measurements made over a period of several months at a receiving station situated at about 20 miles from the London broadcasting station, 2LO.

At this distance the signal intensity of 2LO varied by more than 1.0 per cent from the mean day value, this amount being quite un- observable in ordinary aural reception. Signals: from Bournemouth, 80 miles distant, were, quite steady during the daytime, but at night they varied at times from about one-third to nearly twice this day value. Similar results were obtained on the transmissions from Birmingham, nearly 90 miles away. On the other hand, the signals from Newcastle, at a distance of 240 miles, were very weak, although quite audible in the daytime. At night time the average signal intensity was much higher, but it was subject to very erratic fading, varying from practical inaudibility to hardly 10 times the day value.

It need hardly be said that the reception of broadcasting in such circumstances is not all that it should be, but as most readers will be aware, it is typical of the reception obtained from many Continental broadcasting stations.

WORLD NEWS

(Europe, Asia, Africa)
with Ton Timmerman

H. Heijermanspln 10, 2024 JJ Haarlem, The Netherlands
e-mail:world-news@mwcircle.org

Belgium

The transmitter on 927 kHz has been running all night during a cold day in January. Three years ago 927 kHz was likewise kept on air throughout the night, in order to use the transmitter heat to keep the buildings warm. But apparently this is necessary only during crisp frost, i.e. all-night operation is an exception, no regular winter season feature. (Kai Ludwig via DXLD)

Far Oer

531 kHz, fair, mostly atop second TA 2128-2145+ with hymns in English and presumed Faroese interspersed with phone calls in Faroese. The DJ plays one minute of a hymn and then yaks with a caller for 3-5 minutes. Now, at 2149 UT, up to good level and alone. LSS here today is 2151 UT (Marc DeLorenzo, amfintvdx at qth.net via DXLD)

"I gather that in Europe it is a pest" Not really, as far as Central Europe is concerned. Here 531 is now usually an incomprehensible jumble of all the transmitters in Romania, Spain and Algeria, with Romania providing the audio that can be recognized best in this mess of fast SAH. Akraberg is still a true DX catch here, although it perhaps contributes to the described jumble now.

Btw, the Arabic described as Iran was certainly the mentioned 600 kW transmitter in Algeria. This is indeed a pest here, so much that it prompted Switzerland back in the seventies to use another frequency (1566) for nighttime coverage, which in turn lead to the arrangement that Leipzig-Wiederau can use 531, too (Kai Ludwig via DXLD)

Greenland

I don't see calls reported much during Greenland DX reports, but for those wondering, here they are: 570 OXI Nuuk, 650 OZM Godhavn, 720 OXF Simiutaq, 810 OYN Upernavik and 900 OYJ Umanaq. (Bill Hepburn via DXLD)

Hawai

ART of RADIO HAWAII Competition

To celebrate Hawaii's 50 years of statehood in 2009, the Radio Heritage Foundation [www.radioheritage.net] is running a new competition open worldwide. It's on-line exhibition 'Art of Radio Hawaii' features great art work of letterheads and logos from Hawaiian AM radio stations since the 1930's, and is already amongst the most popular content at www.radioheritage.net.

To enter the competition, simply visit the 'Art of Radio Hawaii' exhibition before February 14 2009, and send an email to info@radioheritage.net headed 'Art of Radio Hawaii Competition' with the answer to this question:

What is the callsign of the Hawaiian AM radio station that began broadcasts in 1957 from the Kaiser Hawaiian Village Hotel in Waikiki?

You'll see the art work for this station logo in the exhibition, along with many others in a nostalgic tour of the island state's radio dial. The prize is a brand new copy of the 2009 World Radio TV Handbook that also contains a full list of all 32 AM and 57 FM radio stations on air in Hawaii today. It also includes many website details, so you can listen in to your favorite Hawaiian radio stations wherever you live in the world! Judges decision is final and no correspondence will be entered into. Entries are only by email and must be received by February 14 2009. As a condition of entry, your email address will be added to a mailing list to receive newsletters and other mailings from the Radio Heritage Foundation.

The Radio Heritage Foundation is a registered non-profit organization that connects radio heritage

and popular culture across the Pacific. It's volunteer based and welcomes donations of time, skills, memorabilia and funds to continue its projects.

(Radio Heritage Foundation newsletter)

Morocco

Medi 1 noted with much improved signal recently on LW 171 kHz // SW 9575. It sounds like a new or revamped LW transmitter. The signal is even audible during the day whereas in the past it could only be heard at night with a weak signal. Audio also sounds better. *(David Duckworth, Dave Kenny via BDXC-UK)*

171, Medi Un, Nador JAN 14 0405 - tuned-in to a program which did consist of mostly back-to-back plaintive Arabic vocals with male comments in Arabic, then at 0500 had a short newscast in Arabic that was followed by a weather report in French. Then a pop-dance number by Akon which was followed by a French newscast which mentioned an earthquake that did shake neighboring Algeria not a long time ago, known in French as "glissement de terrain", then international weather forecast for a few neighboring worldwide cities, most of them being in southern France (where the daytime groundwave signal of Medi Un does a good job covering those areas). Fair-good. SINPO 34343 with occasional QRM from a long tone popping up; was it a LowFER? *(Bogdan Chiochii via HCDX)*

Netherlands

The long-awaited Dutch talk station with the working title Arrow Talks is set to launch on mediumwave 828 kHz in the second quarter of 2009. The station will also take over the cable frequencies and Internet stream of Caz!, which will be closed. That's apparent from an advertising rate card issued by the station's owners, as reported on various Dutch media sites. The actual on-air name of the new station has not yet been announced. *(Andy Sennitt via Media Network weblog)*

Norway

Open letter from Northern Star: Very shortly Northern Star International Broadcasters AS(Norway) will be awarded the 216 kHz 1200 kW Norwegian license. We are planning a commercial International English sce on the channel. We have struggled for this for 7 years through various offices, Depts, Parliament and licensing authority, so you will understand it is quite a feat! We have done much research already re. the signal potential of the Norway allocation and are confident in view of the results. At this moment we are interested addressing the radio listener community for volunteers who may be able to assist us. Thus we hope to start a meaningful interactive relationship with our audience not only in feedback to programming, but also the technical aspects.

We are now interested in researching the groundwave and skywave signals of some LW stations from locations in the British Isles, Northern France, The Benelux, Germany, and the Baltic coast. Cooperators have to be experienced DXers/radio listeners who know what they are doing. The stns are: 216 kHz R Monte Carlo, Roumoules, France, 1400 kW emrp (effective measured radiated power), 207 kHz DLR Aholming, Germany, 500 kW emrp, 207 kHz RUV Eidar, Iceland, 100 kW emrp, and 225 kHz PR Solec Kujawski, Poland, 1000 kW emrp.

On 216, there will be a fluxuating transmission zone between the Northern Star and RMC signals. This zone will move back and forth all the time, and can be several hundred kilometres wide. We are especially interested in estimating in which areas Northern Star will be interference-free of our co-channel neighbour. Professional equipment should be used so that the readings could be as accurate as possible. What we really need are precise signal strength levels in exact milliVolts/m figures, however measurements made on domestic equipment will also be helpful.

Please tune each station in turn for maximum signal strength rotating loops (note bearing) / optimizing antennas and record the signal reading on each frequency. We would propose ground wave reading between 1000-1400 UTC and skywave between 2000-2400 UTC. Listeners have to keep receiver settings of RF gain etc. constant whilst doing the tests. Uncalibrated readings, such as S9+? or SINPO 55555 are better than nothing.

We also need NGR and/or Latitude and Longitude at the reception site for the exercise to be meaningful. The data will be collated in MS Excel and the results added to a map in numerical form. The results will be shared with those participating. Additionally, we are seeking listeners having data of how the former Norwegian stn on 216/218, LKA Oslo Kringkaster, Kloefta, 200 kW did versus R Monte Carlo. LKA closed down on Jan 2, 1995 at 1348 UTC. We look forward to replace that stn with a GREAT signal, and GREAT programming from a GREAT country!

sincerely for The "AMazing AM", Svenn Martinsen General Manager/Chairman (C)NSIBC AS
"mailto: <svnm@c2i.net> "

We estimate that the first portion of our new webpages at <<http://www.northernstar.no>> will be up during this autumn. A permanent e-mail address will then be announced. but suggestions, comments and greetings are welcomed to address above as from now.

PRESS RELEASE

Dated 31st of December, 2008 - For Immediate release.

Open future for Northern Star International Broadcasters AS.

On its General Meeting December 8th, in Bergen, Norway, the shareholders of Northern Star International Broadcasters AS (66,48 % of the issued shares represented) voted to be open for different future scenarios for Northern Star International Broadcasters AS, the company still holding a provisional license for the AM frequency Longwave 216 kHz, power 1.2 Million Watts, offered by Norway's Mass Media Authority. The founder and chairman Svenn Martinsen comments in the form of this editorial: "Early in 2008 our company invited its shareholders to an internal debate as to the future of our radio project. On the background of the received inputs the board in the fall has attempted to formulate a strategy for the way forward. This was voted over in the recent GM. For the public, we'd like to offer the following honest evaluation as to where we stand as of January 1st, 2009: see details at <http://northernstar.no/> "

Northern Star International Broadcasters AS, PO Box 100, N5331 RONG, NORWAY, Email: 1000@northernstar.no (Mike Terry via DXLD)

Saudi Arabia

January 29, 2009 - Harris Corporation (NYSE:HRS), an international communications and information technology company, was selected to provide a range of radio and television broadcast transmitters to Saudi Arabia's Ministry of Culture and Information (MOCI) as part of the ongoing modernization of Saudi TV and Radio's transmitter infrastructure.

To support the upgrading of its network, the Saudi MOCI chose a wide range of Harris transmitters: 21 AM radio transmitters, including 3DX® digital solid-state transmitters; 40 FM radio transmitters, including the ZX® range of low-power transmitters; and 36 TV transmitters, including AtlasT digital solid-state air-cooled transmitters. These transmitters have been deployed across multiple Saudi TV and Radio facilities to allow for the broadcast of audio and TV programs terrestrially throughout the kingdom. The new TV transmitters are an especially critical element of Saudi TV and Radio's program to upgrade its television infrastructure to digital. Four DVB-T

transmission sites have already gone live this year with Harris transmitters. (*Harris Corporation via Steve Whitt*)

Slovakia

Slovensky Rozhlas will be on air via mediumwave for the last time on Feb 1st. Since one year ago they were still using three transmitters, Presov/Haniska on 702 kHz (100 kW), Rimavska Sobota on 1017 kHz (50 kW) and Nitra/Jarok on 1098 kHz (50 kW; was supposed to be upgraded to 100 kW, but I think this would have required a new transmitter, and it is highly unlikely that one has been installed). All other transmitters were already closed back then, and high power transmitters were no longer in use since 2003/2004.

So far mediumwave has still been kept for Radio Patria, the minority service. From Feb 2 its Hungarian service will be expanded to 12 hours a day (6 AM to 6 PM) and carried via seven frequencies along the Slovak-Hungarian border that otherwise belong to the networks of either the culture program Radio Devín or the youth station Radio FM. Listeners who will have trouble to get these programs on FM are being referred to satellite (Astra 3A) and the internet. The shorter minority broadcasts in other languages will be included after 6 PM in the program line-up of Radio Regina. Slovensky Rozhlas wants to get rid of mediumwave already since 2007. Closing Radio Patria turned out to be impossible, frequencies for a fifth FM network could not be found either, and so Slovensky Rozhlas now implements this solution. It appears to be a troublesome one: On one side SMK, the coalition of the Hungarians in Slovakia, already lamented that the Bratislava/Trnava area and the rural regions around Kosice will not be covered by Radio Patria anymore. On the other side ethnic Slovaks already criticized that Radio Devín and Radio FM will be taken off certain transmitters in favour of the Hungarian service. (*Karel Honzik,*)

The last 3 transmitters from Slovakia will close down on mediumwave. This will be at 1 Febr. 2009. It will be the TX from Presov 702 kHz, Rimavska Sobota 1017 and Nitra 1098 kHz. Radio Patria, a program for national minorities will change to FM. (*Karel Honzik via Johan Meezen*)

South Africa

This morning 090117 at 0130 I detected a new transmitter on 639 kHz running // programming to R. Lesotho on 891. The station is about 10 dB stronger than 891. Also, 846 Komga [South Africa] was off air as unusual. I will keep an eye on that. (*John Plimmer via DXLD*)

Switzerland

I have been in touch with Musicwelle and it looks like the AM frequencies will be open to private broadcasters in this year. Even hope to get a licence in Germany to broadcast towards Denmark and Sweden during daylight. (*Roy Sandgren, www.starwaves.se via mediumwave.info*)

Ukraine

Aleksandr Egorov NEWS of Home Service of Ukraine. I wish to you happy New Year, I wish successes in life and radioreception! Unfortunately, not all is good from the very beginning of 2009. In connection with limitation of budgetary financing this year the National Radio company of Ukraine is compelled to reduce volumes of the transmissions again : Radio programs. In this connection following changes are made to work Transferring means:

549 kHz : Nikolaev (Beam); reduction of capacity up to 150 kW and reduction operating time to 0400-2200, 549 kHz: Lvov, reduction of operating time to 0400-2200, 810 kHz: Lutsk, the termination of transmissions, 936 kHz: Lvov, reduction of capacity to 600 kW, 936 kHz: Lvov, the termination of transmissions at 2300-0300, 1431 kHz: Nikolaev (Beam), reduction of operating time to 0400-2200, 1530 kHz: Vinnitsa, the termination of transmissions, 1557 kHz: Putyla (Chernovtsy region), the termination of transmissions. (*Alexander Egorov via playdx*)

NORTH AMERICAN NEWS

✉ Sand Gap, Bursea, Holme-on-Spalding Moor York YO43 4DF

with Andrew Brade

e-mail: na-news@mwcircle.org

Hello again.

Here is what's been happening on the North American AM dial. May I express my gratitude to the organisations which make this resume possible? Thanks this month to: - IRCA, ABDX, NRC DX News, FCC.



- 600 CKBD** Vancouver – is the latest Canadian to leave the MW band for FM.
- 610 CHNC** New Carlisle – has begun simulcasting on 107.1 FM prior to leaving the MW band. The same applies to its sister station CHGM which has begun on 99.3 FM.
- 648 WVUV** Leone AS – Any remote chance of hearing this station from American Samoa will be reduced with a construction permit to change frequency to 720kHz but at lower power.
- 1050 WTOP** Silver Spring MD has applied for 10kW daytime from current 3.5kW – this is the former call sign for WFED on 1500, the calls being used between 1943 and 2005. WTOP 1050 repeats WTOP-FM from Washington.
- 1320 WBOB** Jacksonville FL; Construction permit for 5kW nights is on the air.

Here is a general round up of what's been happening on the North American AM dial courtesy of our friends at the **International Radio Club of America and NRC.**

CANADIAN RADIO NEWS

OFF THE AIR

CKBD 600 Vancouver --- Formerly CJOR - Station was simulcasting with its new FM station (new rock Muzak format replacing golden oldies-Frank Sinatra period) up to midnight Dec. 31, then went off the air. I haven't heard anything at that dial point that the local station would have been masking. (The Muzak reference is particularly apt as the 'OR owner was also the local Muzak supplier) (Ron Keillor, Canada, Jan 1, DX LISTENING DIGEST)

PROPOSED AM TO FM CONVERSIONS

610 CHNC	QC	New Carlisle	New FM on 107.1 is on the air.
850 CKBA	AB	Athabasca	Move to 94.1 with 9,000 watts format will remain Classic Hits.
900 CKDH	NS	Amherst -	Applies to move to 101.7 MHz.
1090 CKKW	ON	Kitchener -	FM station slated to replace CKKW on 99.5 MHz is on the air, so the AM days are numbered.
1150 CHGM	QC	Gaspe	New FM on 99.3 is on.

1490 CFWB BC Campbell River New CIQC-99.7 is on the air with Hot AC format as The River.

BROADCASTING INFORMATION - BCIN

Editor: Robert Wien - 7190 Abigail Pl - Fontana, CA 92336-5752
E-mail: wienbob@aol.com phone: 909-350-4898 Ham calls:
KG6RJW

CALL LETTER CHANGES

FREQ	OLD CALL	CITY	NEW CALL
940	WHIT	Hudsonville MI	WCSY
1020	KOIL	Omaha NE	KYDZ
1180	KERI	Wasco CA	KERN
1180	KYDZ	Bellevue NE	KOIL
1240	KSON	San Diego CA	KNSN
1320	new	Keystone CO	KWLW
1380	WSCG	Greenville MI	WGLM
1390	KKSN	Salem OR	KVXX
1410	KERN	Bakersfield CA	KERI
1550	KYCY	San Francisco CA	KFRC
1550	WTUX	Madison WI	WHIT

FORMAT CHANGES

FREQ	CALL	CITY	OLD INFO	NEW INFO
600	WFRM	Coudersport, PA	country	adult standards
630	KFXD	Boise, ID	talk	sports
690	WIST	New Orleans, LA	talk	adult standards
720	KFIR	Sweet Home, OR	country	talk
860	WNOV	Milwaukee, WI	urban contemporary	urban AC
910	KIYU	Galena, AK	variety	silent
910	KTRO	Vancouver, WA	talk	country
910	WSRP	Jacksonville, NC	Spanish CHR	silent
910	WWWR	Roanoke, VA	southern gospel	religious teaching
930	WIZR	Johnstown, NY	adult hits	silent
930	WKY	Oklahoma City, OK	sports	regional Mexican "La Indomable"
960	WCHQ	Quebradillas, PR	silent	Spanish
980	KRTX	Rosenberg-Richmond, TX	Tejano	Spanish
980	WBZK	York, SC	silent	contemporary Christian
980	WFGL	Fitchburg, MA	silent	religious teaching
990	WNRV	Narrows-Pearisburg, VA	southern gospel	bluegrass
1010	KIND	Independence, KS	country	southern gospel
1010	WGUN	Atlanta, GA	talk	religious teaching
1020	KMMQ	Plattsmouth, NE	KOIL, R. Disney	Spanish adult hits
1060	KHBC	Hilo, HI	ethnic	silent
1060	WGSB	Mebane, NC	Spanish	silent
1060	WIXC	Titusville, FL	classic country	talk
1070	WNCA	Siler City, NC	adult contemporary	R&B oldies
1070	WNCT	Greenville, NC	contemporary Xtian	rhythmic oldies
1090	KMXA	Aurora, CO	Spanish adult hits	regional Mexican
1180	KERN	Bakersfield, CA	KERI, religious teach.	Talk
1180	KOIL	Bellevue, NE	KYDZ, Sp. Adult hits	talk
1220	KMVL	Madisonville, TX	country	classic country
1230	WFOM	Marietta, GA	talk	sports
1230	WLNR	Kinston, NC	Spanish CHR	silent
1240	KNSN	San Diego, CA	KSON, black gospel	religious teaching
1240	WKIQ	Eustis, FL	urban contemporary	talk
1270	WHGS	Hampton, SC	gospel music	talk
1290	WTYL	Tylertown, MS	silent	country
1310	KZXR	Prosser, WA	Tejano	regional Mexican
1340	KWOR	Worland, WY	oldies	talk

1340	KYLT	Missoula, MT	talk	Fox sports
1340	WAGN	Menominee, MI	oldies	talk
1340	WSDT	Soddy-Daisy, TN	oldies	silent
1350	WHWH	Princeton, NJ	format not known	silent
1370	WLLN	Lillington, NC	Spanish	silent
1380	KDXE	North Little Rock, AR	format not known	silent
1380	WMTA	Central City, KY	southern gospel	religious teaching
1380	WSCG	Greenville, MS	talk	adult hits
1400	KCLA	Pine Bluff, AR	format not known	silent
1400	KENT	Parowan, UT	adult standards	silent
1400	WSTK	Jacksonville, NC	new	oldies
1410	KERI	Bakersfield, CA	KERN, talk	religious teaching
1410	WQBQ	Leesburg, FL	silent	regional Mexican "La Ley 1410"
1430	KWST	El Centro, CA	country	Spanish adult hits
1440	KPTO	Pocatello, ID	format not known	silent
1450	new	Brooklet, GA	new	format not known
1450	WHKP	Hendersonville, NC	adult contemporary	adult standards
1460	new	Stanfield, AZ	new	format not known
1470	WHBO	Dunedin, FL	sports	adult standards
1470	KNFL	Tremonton, UT	format not known	silent
1480	KPHX	Phoenix, AZ	talk	adult standards
1490	KOTN	Pine Bluff, AR	format not known	silent
1490	KFON	Austin, TX	regional Mexican	Spanish adult hits
1490	KOGN	Ogden, UT	adult standards	silent
1490	KQDS	Duluth, MN	oldies	sports "K-Fan 1490"
1530	WRPM	Poplarville, MS	southern gospel	silent
1540	WRTK	Niles, OH	black gospel	Christian CHR & rock
1550	KFRC	San Francisco, CA	KYCY, business news	oldies
1570	WLKD	Minocqua, WI	sports	adult standards
1570	WVTL	Amsterdam NY	newstalk	oldies "beautiful music"
1580	WKKD	Aurora, IL	travel information	silent
1580	WNTF	Bithlo, FL	regional Mexican	format not known
1580	WVKO	Columbus, OH	talk	religious teaching

FACILITY AND PARAMETER APPLICATIONS

630	KTKK	Sandy UT	1000/500 DA-2 to 500/500 DA-2
730	WOHS	Shelby NC	1000/160 ND to 10000/190 ND with a change in CoL to Cramerton.
840	WHAS	Louisville, KY	50000/50000 ND to 50000/50000 ND2
930	WEZZ	Monroeville AL	Applies to move to 920 kHz with D1 450/0 CH 450 while changing their City-of-License to Brantley.
950	WAKM	Franklin TN	5000/80 ND to 2500/80 ND
960	WLPR	Prichard AL	Applies for U1 5000/32, reducing the night power and doing away with the night directional pattern.
970	WJFN	Brandon MS	Applies for U1 350/90 , reducing the day power and going nondirectional at night.
980	KGLN	Glenwood Springs CO	Applies for U1 2000/225.
1010	NEW	Reno NV	Applies for U4 50000/2000.
1080	WTIC	Hartford CT	50000/50000 DA-N to 50000/50000 ND
1120	KTXW	Manor TX	250/153 DA-2 to 1100/153 DA-2
1140	KCXL	Liberty MO	500/5 ND to 5000/6 ND
1160	KCTO	Cleveland MO	Applies for U4 5000/230, maintaining the same patterns as with the presently licensed U4 500/230.
1170	WLEO	Ponce PR	250/250 ND to 200/200 ND2
1190	NEW	Juneau AK	Application dismissed for U1 1000/1000 CH 1000. Station still has a pending application for U1 1000/1000 on 1210.
1200	WAGE	Leesburg VA	5000/1000 DA-N to 50000/1300 DA-2
1210	NEW	Osceola IN	Applies for U4 2500/219.
1250	NEW	Ketchikan AK	Applies for U1 1000/1000.
1260	WI3XSO	Aguadilla PR	Applies for U4 2500/4800.

1260 KIMB Kimball NE CP dismissed for U5 50000/110 moving to Ogallala.

1270 WSPR Springfield MA Applies for an auxiliary permit for U1 1000/350, sharing what would be a newly-constructed tower at N42-06-06 W72-37-23 with co-owned WACM.

1290 KEAS Eastland TX 500 ND-D to 1000 ND-D

1310 NEW Bakersfield CA Applies for U4 1400/2500.

1380 WMJR Nicholasville KY 5000/38 ND to 2500 ND

1400 NEW Lemon Grove CA Initial application was for U1 1000/1000. This amended request is for U1 500/500 relocating to Santee, California. [reinstatement]

1400 NEW Columbia Falls MT Applies for U1 1000/670.

1450 NEW Hilo HI Applies for U4 5000/5000 [correct].

1460 NEW Stanfield MA Applies for U4 2000/2000.

1470 WHBO Dunedin FL Applies for U4 3600/800, changing their CoL to Egypt Lake. They propose to move to the WQBN-1300 array for daytime service, while the night pattern is proposed to be di-plexed from the towers of WTMP-1150.

1470 WKCK Orocovis PR 1000/2500 ND to 2400/2500 ND

1470 WNAU New Albany MS Applies for U1 2500/58, reducing their nighttime power and eliminating the night DA.

1490 WACM West Springfield MA Applies for an auxiliary permit for U1 1000/850.

1520 KHLT Hallettsville TX Applies for D4 2500/0 CH 2500 and change the City-of-License to Stockdale.

1590 WABV Abbeville SC 1000/26 ND to 14000 DA-D

CONSTRUCTION PERMITS ON THE AIR

870 WGHC Mount Holly NC CP to move from 1370 and change the City-of-License (CoL) from Clayton, Georgia is on the air with D1 5000/0.

910 WFDF Farmington Hills MI CP for U4 50000/25000 is on the air.

1260 WIYD Palatka FL CP for U1 400/135 is on the air, relocating the transmitter to the tower of co-owned WPLK-800.

1320 WBOB Jacksonville FL CP for U2 50000/5000 is on the air.

1340 WSGF Augusta GA CP for U1 1000/990 is on the air co-locating with WKZK-1600.

1390 WLCM Holt MI CP for U4 5000/4500 is on the air, moving from Charlotte. They built a new four tower array for nights only at N42-33-07 W84-33-05. The new night pattern is balloon-shaped headed due north. So we have a new 2-site station.

1430 KMBQ Wasilla AK New station is on the air with U1 1000/1000 and // KMBQ-FM 99.7.

1450 KQYX Galena KS CP for U1 940/940 along with a change in City-of License from Joplin, Missouri is on the air.

1490 WXTG Hampton VA CP for U1 970/970 is on the air.

1490 WACM West Springfield MA STA for U1 1000/850 is on.

1580 WNTF Bithlo FL CP for D3 10000/0 is on the air. The main lobe of the new pattern balloons to the northwest, with smaller lobes headed to the northeast, south west and southeast.

1600 WKZK North Augusta SC CP for U1 4000/27 is on the air, increasing their day power and adding the night service.

FACILITY AND PARAMETER GRANTS

580 WYHM Rockwood TN CP granted for U1 5000/49, increasing day power and adding the night service.

648 WVUV Leone AS 10000/10000 ND to 5000/2000 ND and change to 720kHz

670 KMZQ Las Vegas NV STA granted for U4 600/600.

820 WGGM Chester VA Granted extension of their STA to operate U4 1000/1000 while they replace/repair their phaser assembly.

1050 WTOP Silver Spring MD CP granted for U1 10000/44, increasing their day power.

1120 KANN Roy UT CP granted for U4 10000/1100, increasing the night power by a whole 100 Watts.

1220 WSRQ Sarasota FL CP granted for U4 1000/39, decreasing the night power.

1230 KYPA Los Angeles CA CP granted for U4 1000/1000.

1250 WTMA Charleston SC STA extended for U1 1000/240 (licensed for U2 5000/1000) as repairs to their fire-damaged equipment progresses.

1450 NEW Brooklet GA CP issued for U1

1460 NEW Stanfield AZ CP granted for U4 2000/2000 from four towers (using all 4 day and night). The day pattern sends equal lobes to the northeast and southwest, while the night pattern shoots 95% the signal to the southwest, and a small lobe to the northeast. Stanfield is southeast of Phoenix.

1480 WKGC Panama City Beach FL 500/87 ND to 5000/74 ND

1550 WHIT Madison MI STA granted for D1 1250/0*

*The application states: ". . . to operate its daytime directional antenna system with parameters at variance and also to operate non-directionally during daytime hours at a power level of 1.25 kilowatts (25% of the licensed daytime directional power) using one tower of the WHIT antenna system to facilitate the replacement of the towers and antenna coupling units and modifications to the remainder of the WTUX phasing system."

PUBLIC LISTINGS COURTESY OF THERADIOJOURNAL.COM AND 100000WATTS.COM:

910 KTRO Vancouver WA/Portland OR flips from talk to a simulcast of country "Wolf" KWJJ 99.5 Portland OR.

980 KRTX Rosenberg/Houston TX flips from Tejano to Spanish Christian contemporary "Radio Aleluya."

1010 WCOC Dora AL returns to the air with regional Mexican.

1020 WSBX Ochlocknee GA returns to the air with talk as "Active Talk."

1070 WNCT Greenville NC flips to rhythmic oldies as "Beach, Boogie and Blues."

1180/1410 KERI Wasco-Greenacres/Bakersfield CA flips from religion to news-talk, picking up the calls and format from sister station KERN 1410 Bakersfield. The religion and KERI calls will move to 1410.

1230 WFOM Marietta GA flips from talk/sports to ESPN sports as "The Fan 2," a sister station to WCNN 680 North Atlanta GA.

1380 WSCG Greenville MI/WSCG-FM 106.3 Lakeview MI flip to adult hits "M 106.3" from talk/sports (on AM) and country (on FM), changing calls to WGLM/WGLM-FM.

1430 KMBQ Wasilla AK signs on, simulcasting AC KMBQ-FM 99.7 Wasilla AK.

1430 KSEH 94.5 Brawley CA and KWST 1340 El Centro CA flip to "Jose FM" Spanish adult hits from "Super Estrella" Spanish hits and country, respectively.

1450/1230: WFBX 1450 Spring Lake NC flips from ESPN sports, simulcasting WFAY 1230 Fayetteville NC, to southern gospel "Faith 1450."

1460 KCLE Burleson/Fort Worth TX flips from Fox sports to classic country as "Big Country."

1480/1190: KPHX Phoenix AZ flips from progressive talk (which has moved down the dial to KNUV 1190 Tolleson AZ) to standards.

1490/600: WSGB 1490 Sutton WV flips from oldies to classic hits, and is now being simulcast on formerly silent WVAR 600 Richwood WV.

That just about clears my "In Tray" for another month so I'll sign off with best wishes for some good DX all around The Circle.

Andrew

CENTRAL AMERICAN NEWS

with Tore Larsson ✉ Frejagatan 14A, SE-521 43 Falköping, Sweden
e-mail: ca-news@mwcircle.org ☎ +46-515-13702

Barbados

The Caribbean Broadcasting Corporation are moving their medium wave antennas from Black Rock where they have been for 45 years to the Belle (plantation) which should be completed by early next year, as the University of the West Indies need the land for development. The university will bear the cost of the new antenna.

"The Nation" via Winston Lashley via nzdxt via IRCA's "soft" DX Monitor 46/16

Cuba

The items from Terry Krueger are accompanied by the following conditions of use: DISCLAIMER. No portion of the below may be reproduced or redistributed by the National Radio Club, their editors or current members without expressed written permission, which will then be swiftly, and we do mean swiftly denied. Editors receiving this directly from me are excluded provided this entire disclaimer is included where any of the below is reproduced.

1000 CM.. R. Cadena Habana, unknown western Cuba site, heard on January 1. Terry Krueger

Mexico

690 XEWW Tijuana, BCN ex XETRA IRCA's "soft" DX Monitor 46/15

The government knows there will be spectrum scarcity issues near the U.S. border at places like Tijuana and Monterrey, and down in the capitol of Mexico City. But generally, it expects most AM operators to apply for this once-in-a-lifetime chance to jump to the FM band. The government's giving licensees one year to build their new FM facility and another year to shut down the AM operation. There are 854 AM stations in the country and 726 FMs. No doubt the FCC will be watching the frequency coordination issues for potential conflicts. For decades there have been accusations of over-power AM transmitters in Mexico. This might ease up on some of that.

"Taylor on Radio-Info" newsletter via Dale Park via IRCA's "soft" DX Monitor 46/16

Puerto Rico

630 WUNO San Juan from 5/5 DA-1 to 5/5 kW DA-2 IRCA's "soft" DX Monitor 46/15
1260 WI3XSO Aguadilla, applies for U4 2.5/4.8 kW NRC AMS 76/14

US Virgin Islands

1290 WRRR Frederiksted, reported silent IRCA's "soft" DX Monitor 46/15

SOUTH AMERICAN NEWS

with Tore B. Vik ✉ Kirkåsveien 15, NO-1850 Mysen, Norway
e-mail: sa-news@mwcircle.org ☎ +47-69891192

Brazil

690 ZYJ360 Voz do Sudoeste, Coronel Vivida (PR143) – ex 1170 DX Clube do Paraná
700 ZYI890 R. Globo, Teresina (PI04) – ex R. Clube DX Clube do Paraná
1210 ZYJ219 Super Rádio Deus é Amor (PR60) – ex R. Tupi, Curitiba – web: DX Clube do Paraná
www.superradiodeuseamor.com.br

UTILITY DESK

The home of non-broadcast news
with Andy Robins KB8QGF

1529 Miles Avenue, Kalamazoo, MI 49001, USA
e-mail:utility@mwcircle.org

A Different Approach to NDB DXing, Continued

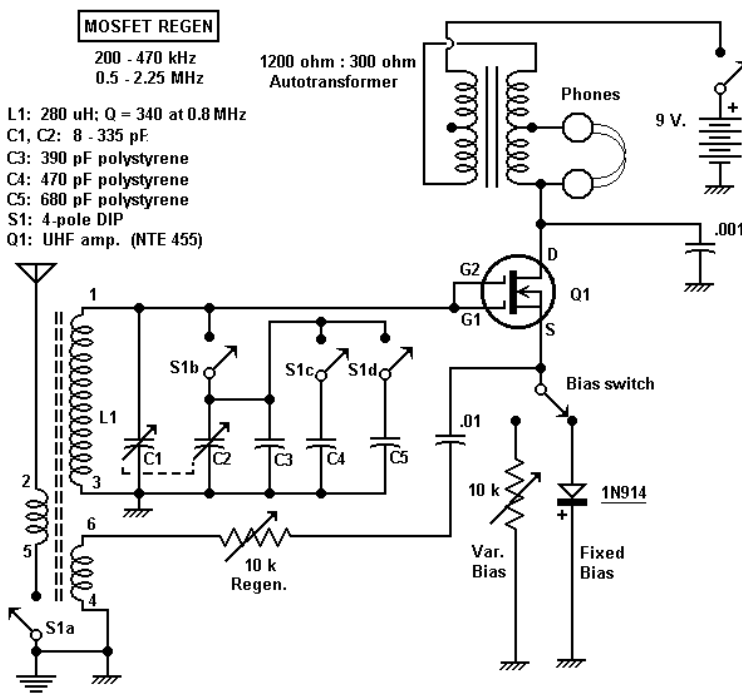
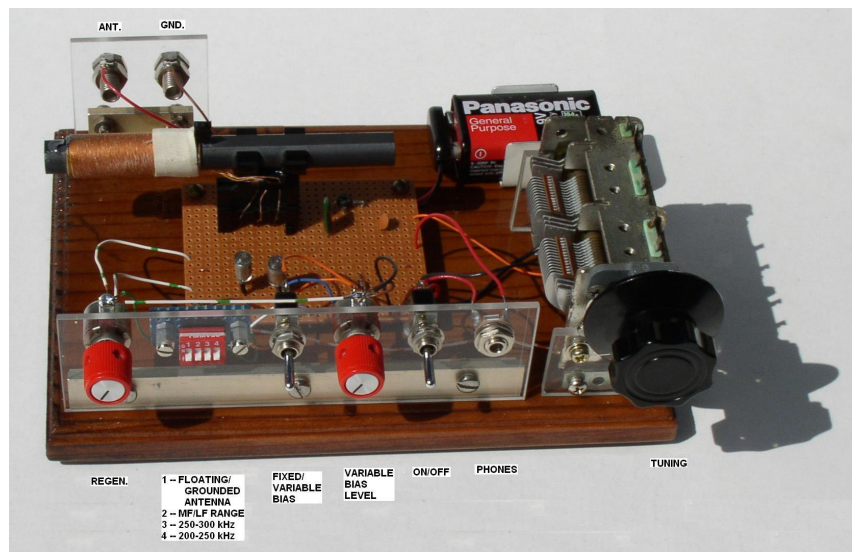
Last time we heard about a home-built modified crystal receiver for NDB DXing built by Mike Tuggle WY3B in sunny Hawaii. Mike has since moved on to a different "One-Active Device" (1AD) receiver, which he describes in the second part of his article.

Minimalist Approaches to NDB DXing – Part Two

The second "one active device" approach to LF/MF DXing I've had success with is the MOSFET Regenerative LW Receiver. This set started out by replacing the tube in the "Hellenedyne" set (http://home.comcast.net/~phils_radio_designs/) with a MOSFET. Distinctive, but not unique, features of this receiver are

source-derived positive feedback link and use of the forward drop across a silicon diode to establish gate-to-source bias. The diode bias works particularly well on LW. The ferrite rod coil and variable capacitor were salvaged from a junked Pioneer tuner. Along the way a few tweaks were needed to get regeneration, most notably very light antenna coupling. And, the question arose, what to do with gate two? I tried grounding it and applying

positive bias from a voltage divider, but the best results were obtained by simply tying it to gate one.



With the extra gang on the tuning capacitor it took little effort to rig it up for longwave. Unlike with mediumwave, LW reception is much better when the antenna is connected through to the ground. Extra Mylar capacitors are used in shunt to get down to 200 kHz. It has now become my primary LW set.

The MOSFET used is a Siemens "1216" obtained from an old rusty UHF tuner out of a Zenith TV set - after some prying and de-soldering. I can find no info on this device but suspect it may be an NTE455 equivalent. Provenance aside, this MOSFET is orders of magnitude

more sensitive than a BF960 which was marginally more sensitive than the 3N211 that I started out with. The moral of the story: don't be too proud to scrounge!

NDB DXing is a somewhat different game with these minimalist receivers. Selectivity is relatively low so several NDBs are usually heard at the same time. They can be separated by mentally focusing on tone pitch, something that Dan Petersen W7OIL has labeled "synaptic audio filtering." Of course there's no provision for determining offsets, but cycle times can be noted for confirmation. On-line lists such as RNA/REU are indispensable.

Questions about Mike's designs may be directed to him by e-mail at tuggle@lava.net or by regular post: 46-469 Kuneki Street., Kaneohe, HI 96744-3536 USA.

Another View of the WY3B MOSFET NDB Receiver

Mike's success with this receiver has inspired other NDB buffs to give it a try, including Finbar O'Connor EI0CF at Malin Head, County Donegal, in Ireland. He recently sent the following observations to the *NDB List*:

"Another breath taking switch on and - signals. Longwave broadcasting stations. More fiddling around with the regeneration and bias control. Tiring, I tuned way up almost to the lower limit of the 55 pf to 1050 pf main tuning capacitor. Bingo, I hear a NDB. I hear two of them. Rocking back on my heels, a broad smile on my face, I thought, 'This is just amazing'. Next a gentle touch on the dial and I heard YY (Mont-Joli, Quebec, 340 kHz) with the distinctive Canadian DAID ('dash after ID'). What, Canada on this nine-volt wonder? Sure enough, and all of 4121 km away.

"Tuning at random, gently coaxing the regeneration and bias, I heard loads of signals. Then came another Canadian: UWP on 323 kHz, 3308 km distant. Mixed in between Portugal, Sweden, Iceland, then OZN from Greenland, just up the road at 2175 km. Canadian DF at Deer Lake (Newfoundland, 350 kHz), he's 3416 km, followed by JC another Canadian (Rigolet, Labrador) on 396 kHz at 3222 km.

"Last night I had another session on my new magic machine. This is not dial-by-number reception. You scoop up what you can, jot down the proceeds and move on, enjoying the moment. Canadians JC and JT (Stephenville, Newfoundland, 390 kHz). Very nice. Loads of European stations, not loud but crystal clear. Since I was hearing JT I knew where I was on the dial. Let's try, I thought, for DDP in San Juan (Puerto Rico). Rocking back and forward gently I got a D, then another, and finally the P. Then clearer. Eventually it was perfectly clear: DDP DDP. That is 6395 km away.

"Finally, this morning and having heard thunder during the night, I switched on the set to see if it had been zapped by lightening overnight. Imagine my surprise at 0830 UTC to hear ML from Canada (Charlevoix, Quebec, 392 kHz) coming through on the headphones. He's 4307 km distant from me and was very loud and clear.

"This simple one active device set really does work. Despite my almost 'open cast mining' efforts at construction, it does the business. Now I have replicated Mike's design, I will refine it to the components I feel will make it easier to tune my favourite NDB band segment. A new ferrite rod and coils; perhaps change the big variable capacitor for a smaller one and definitely change the fine tune control from 25 pf to something like 10 pf.

"Antenna used was a 15-foot high top loaded vertical resonated at 500 kHz and fed back to the shack with 120 metres of coax. No antenna tuning unit to peak at any of these received frequencies, just straight in." Many thanks to Finbar for providing these insights!

73, Andy

THE HOME FRONT

with John Williams

e-mail: homefront@mwcircle.org ☎ 01442 408567

Commercial Radio

DAB recommend existing FM and AM transmitters should be switched off 6 January, 2009

Analysis In 2008, the wheels fell off the DAB digital radio platform. Last week, after a year of deliberation, the government's Digital Radio Working Group concluded that outdated DAB technology should be the sole broadcast platform for UK radio, irrespective of global market conditions or the impractical cost of its implementation. Whilst nobody would argue against a digital future for radio, the Group's particular and peculiar vision of that digital future is more contentious. It recommends that existing FM and AM transmitters should be switched off, to be replaced by DAB, once radio listening has passed a threshold of 50 per cent via digital platforms.

In radio, the existing analogue spectrum is already sufficient to offer many more services than TV (32 stations in London, local and national), while Ofcom research finds that most consumers are satisfied with their existing choice of radio stations. Neither does the AM nor FM spectrum hold value for the Treasury, as much is likely to be re-assigned to non-profit community radio services.

For commercial radio, the Working Group's recommendation that it invest in launching further digital-only services to attract listeners to the DAB platform would only exacerbate the sector's precarious financial situation. In fact, 2008 witnessed the closure of many digital radio brands – OneWord, Core, Virgin Radio Groove, Capital Life, Mojo Radio – that had already failed to generate sufficient audiences or revenues. Ratings for existing analogue 'heritage' stations are declining, and sector revenues were falling even before the Credit Crunch, making it impossible for the commercial radio sector to divert more resources into new digital ventures.

In terms of UK market penetration, nearly a decade after the DAB platform launched, only a minority of consumers are demonstrating an interest in purchasing DAB radio receivers. 79 per cent of new radios sold during the last 12 months were analogue rather than DAB, and the decade-plus lifespan of the average radio makes the natural replacement cycle slow, particularly when a typical household owns six radios. The Working Group's expectation that, by the end of 2010, unit sales of DAB radios will exceed those of analogue radios looks very unlikely.

Even amongst the minority of consumers who own DAB radio receivers, the majority of their listening via digital platforms is to stations they can already receive on analogue radio. Only 27 per cent of commercial radio listening via digital platforms (DAB + digital TV + internet) is to digital-only stations, a proportion that has declined during 2008 as many digital-only brands have closed.

Data from the same RAJAR survey shows that in-car listening accounts for 20 per cent of total radio usage in the UK, though DAB radios remain a rarity in cars. In 2007, 2.4 million new vehicles were registered in the UK, of which around a third offered the option to include a DAB radio as a standard 'line-fit' or as an optional extra. Yet only 20,000 buyers chose to install a DAB radio. It is estimated that, out of 34 million cars on the road in the UK, only 170,000 to 200,000 presently have DAB radios fitted. (www.timesonline.co.uk via Steve Whitt)

National radio station for prisoners to be launched 20 January, 2009

The Government has lent its support to a £2m scheme to create a national radio station to run in Her Majesty's prisons. The station will be launched by a partnership between the Prison Radio Association, a charity backed by Channel 4 News presenter Jon Snow, and the Ministry of Justice headed by Jack Straw. No details of the radio system to be used have been given. A spokesman for the Ministry of Justice said the creation of the station will allow the prison service to communicate

messages and educational programmes. The ministry has ruled out adding any commercial angle to the station's remit. (<http://www.brandrepublic.com/News/874582>)

RSL & LPAM News

In addition to the home games listed it is expected that cup games will be played but at present no such games have been listed.

Football Club	Station	February, 2009	March 2009
Crystal Palace	Palace Radio 1278 kHz	3 Birmingham 14 Coventry	3 Wolves 7 Preston 21 Reading
Blackburn	Radio Rovers 1404 kHz	7 Aston Villa	4 Everton 21 West Ham
Rushden and Diamonds	Radio Diamonds 1503 kHz	14 Lewis 24 York* 28 Mansfield	21 Oxford Utd

*Evening Game



A new LPAM station has been listed by Ofcom. **Castle Radio 1278 kHz** Castle College Nottingham Contact Number: 0115 884 2273 and their address: Castle College, Maid Marian Way Nottingham NG1 6AB. Website: <http://www.castlecollege.ac.uk>

EUROLOG

100 Gravel Lane Hemel Hempstead, Herts. HP1 1SB, UK

with John Williams

e-mail: eurolog@mwcircle.org ☎ 01442 408567

kHz	Station, location; details heard etc	SIO	UTC	Date	Who
162	France Inter, Allouis , Music Px	444	1915	12/ 1	FW
216	Krasnojarsk Radio, Sibirien , News: Gazprom, Talk OM/YL, Music	222	0203	12/ 1	FW
261	Radio Horizont, Vakarel, Music, ID	222	0155	18/ 1	FW
261	Radio Rossii, Taldom, ID, News	333	0200	18/ 1	FW
270	Ceský rozhlas 1, Topolná, Pop music	444	1820	14/ 1	FW
279	Belaruskaye Radio 1, Sasnovy, Music	333	1920	12/ 1	FW
531	Radio Nacional 5, various, ID, news	333	0200	10/ 1	FW
531	Kringvarp Føroya, Akraberg, Non stop Music Px	333	0210	10/ 1	FW
531	DRS Musigwälle, Beromünster, Christmas song	333	1530	24/ 12	FW
531	Radio Nacional 5, various, Talk	222	1535	24/ 12	FW
540	Onda Cero Radio Cataluña, Barcelona, Infos, Talk, ID	333	2250	10/ 1	FW
558	Radio Slovenija 1, Murska Sabota, ID, news	222	2300	11/ 1	FW
558	Spectrum Radio, Crystal Palace, Px CRI	222	2314	11/ 1	FW
558	Spectrum Radio, Crystal Palace, India Music	333	2011	18/ 1	FW
558	Radio Slovenija 1, Murska Sabota, Music	333	2210	19/ 1	FW
567	Rai Radio 1, various, Talk YL	333	1736	15/ 1	FW
567	România Actualitata, various, ID: "R. Rumania", News	333	2300	15/ 1	FW
576	Radio Christo Botev, Vidin, News, Music Px	222	2000	18/ 1	FW
576	SWR Cont. Ra, Mühlacker, News	333	2005	18/ 1	FW
585	Radio Nacional, Majadahonda (Madrid), ID, News	222	2300	18/ 1	FW
603	France Info, Tramoyes (Lyon), ID, News	444	2300	19/ 1	FW
603	Radio Nacional 5, various, News	222	2302	19/ 1	FW
612	BH Radio 1, Donje Moštre, News, Music Px	333	2305	20/ 1	FW

kHz	Station, location; details heard etc	SIO	UTC	Date	Who
621	RTBFI, Waver-Overijse, News	444	2305	21/ 1	FW
630	Radio Timisoara, Ortisoara, News	222	0203	22/ 1	FW
630	NRK 1, Vigra , Infos, ID, Music, News	444	0200	24/ 1	FW
657	BBC Wales; phone in	F	2250	14/1	BB
828	Magic 828 Leeds; “Even more music and less talk”	G	1430	15/1	BB
873	AFN Frankfurt; Discussion, dominant	G	1440	15/1	BB
972	NDR Info, Hamburg, ID, News	444	2300	23/ 12	FW
972	Radio Nacional, various, News	222	2305	23/ 12	FW
972	Club Asia, Glade Lane (London), asiat. Musik	222	2310	23/ 12	FW
981	Rai "Triest A", Trieste, Christmas song	222	2303	24/ 12	FW
990	Magic AM Doncaster; “This is Magic AM”	F	1445	15/1	BB
990	Deutschlandradio Kultur, Berlin-Britz, Song "Santa Baby", M. Monroe	444	2255	25/ 12	FW
990	BBC Radio ??, Px 5Live	222	2312	26/ 12	FW
999	Russian International Radio, Mayac, News, Musikpx	444	2300	26/ 12	FW
1008	GrootNieuwsradio, Zeewolde (Flevoland), ID, rel. Mx	444	2300	28/ 12	FW
1017	Gold Wolverhampton; Local ads	W	1450	15/1	BB
1017	SWR Cont.Ra, Wolfsheim, ID: MDR Info, News	444	2300	29/ 12	FW
1017	Radio Horizont, Kardzali, Musikpx	222	2310	29/ 12	FW
1026	BBC Radio Cambridgeshire, Chesterton Fen, Px with Nick Risby	333	2250	30/ 12	FW
1026	BBC Radio Jersey, Trinity, ID, News, Px with Vic Morgan	222	2300	30/ 12	FW
1035	Northsound Two, Nigg (Aberdeen), ID, News, Talk, Music	333	2300	31/ 12	FW
1044	MDR-Info, Wilsdruf , News	444	2300	1/ 1	FW
1044	SER Radio various, News	222	2303	1/ 1	FW
1053	COPE Zaragoza, Zaragoza, Local news Zaragossa	222	2258	2/ 1	FW
1053	TalkSPORT, various, News	444	2300	2/ 1	FW
1062	Rai Radio 1, various, Nat. Hymne	222	2258	4/ 1	FW
1062	Country Radio, Zbraslav, Czech Country music	333	2310	4/ 1	FW
1071	TalkSPORT, various, ID, news	444	2300	5/ 1	FW
1080	SER Radio Coruña, Elviña (La Coruña), ID, Local news and Infos	333	2255	6/ 1	FW
1089	TalkSPORT, various, News	444	2300	7/ 1	FW
1098	Rádio Patria, Jarok (Nitra), Talk	333	1534	9/ 1	FW
1152	Magic 1152 Manchester; “On Manchester’s Piccadilly Magic 1152”	F	1500	15/1	BB
1161	Magic 1161 Hull; “This is Magic Gold weekend”	G	1045	3/1	BB
1170	Signal 2 Stoke on Trent; “Signal 2 get a job day”	G	1040	3/1	BB
1269	Deutschlandfunk, Neumünster, ID, News	444	0200	24/ 12	FW
1269	COPE various, News	222	0203	24/ 12	FW
1278	France Bleu, Sélestat, ID, News	444	0200	25/ 12	FW
1287	SER Radio Lugo, ID, News	333	0200	26/ 12	FW
1296	COPE Valencia, Castellar, ID: COPE, News	333	0200	27/ 12	FW
1296	R. XL 1296 AM, Langley Mill (Birmingham), News	222	0205	27/ 12	FW
1305	RTBF Pure FM , Marche, Musikpx	222	0155	29/ 12	FW
1305	Premier Christian Radio, various, Christmas Song, ID: Pr. Christian R.	333	0158	29/ 12	FW
1305	Magic AM, Ardsley (Barnsley), News	222	0205	29/ 12	FW
1314	Radio Nacional 5, various, ID, News	333	0200	30/ 12	FW
1314	Antena Satelor, various, News	222	0207	30/ 12	FW
1323	Gold, Southwick (Brighton), ID Digital Radio Gold	333	0159	31/ 12	FW
1332	Gold Digital 1332 AM, Gunthorpe, Music (Tom Jones)	333	0155	1/ 1	FW
1332	România Actualitata, Galati, News	222	0203	1/ 1	FW
1341	BBC Radio Ulster, Lisnagarvey, News	222	0200	2/ 1	FW
1341	Magyar Katolikus Rádió, various, News	333	0203	2/ 1	FW
1350	Radio Nightingale Rotherham; ID and music	W	1535	9/1	JW
1350	Radio Orient, Nice, Arabic Music	444	0210	3/ 1	FW

kHz	Station, location; details heard etc	SIO	UTC	Date	Who
1359	Gold Coventry; Giving email address	F	1545	13/1	BB
1359	BBC Radio Solent, Fern Barrow, Px 5Live	322	0200	5/ 1	FW
1359	Radio Nacional, Arganda del Rey, News	333	0205	5/ 1	FW
1359	Gold 1359, Shilton (Coventry), Oldies	222	0210	5/ 1	FW
1368	Radio Lincolnshire, Swan Pool, Px "Folkwaves with Mike Peat	333	1951	5/ 1	FW
1368	Manx Radio, Foxdale, ID, news	333	0200	6/ 1	FW
1377	France Info, Lille-Camphin en Carembault, ID, news	444	0200	7/ 1	FW
1404	France Info, various, ID, news	333	2300	9/ 1	FW
1404	France Bleu, Ajaccio, Music Px	222	2310	9/ 1	FW
1413	Radio Nacional 5, various, Talk YL	433	0155	16/ 1	FW
1413	BBC Radio Gloucestershire, various, Px 5Live (Talk YL/OM)	333	0210	16/ 1	FW
1431	Gold 1431/1485, Manor Farm, ID "This is Gold", News	222	0200	19/ 1	FW
1431	Radio Sawa, Arta, Musikc	333	0205	19/ 1	FW
1449	Rai Radio 1, various, Talk	222	0158	20/ 1	FW
1449	BBC Radio 4, Redmoss, ID, BBCWS News	333	0200	20/ 1	FW
1458	Sunrise Radio, Brookmans Park, Asia Mx	444	0210	21/ 1	FW
1467	Trans World Radio, Roumoules, ID: Transworld Radio	444	0400	22/ 1	FW
1485	BBC Humberside; "Across Northern Lincolnshire and East Yorkshire"	G	1035	3/1	BB
1485	Gold 1431/1485, Washwater, Odlies ID: Gold	222	2308	23/ 1	FW
1485	SER Radio various, Talk	222	2258	23/ 1	FW
1485	BBC Radio Humberside, Hull , ID: BBC R. Humberside, News	333	2300	23/ 1	FW
1503	BBC Radio Stoke, Stoke-on-Trent, Music from the Hollies	333	2145	19/ 1	FW
1503	Radio Nacional 5, various, Talk	222	2146	19/ 1	FW
1521	SER Radio Castellón, Ctra Valencia, Talk OM/YL	333	2130	19/ 1	FW
1521	Gold Digital, Duxhurst, Music	222	2135	19/ 1	FW
1530	Sunshine Worcester; Travel news and local ads	F	1540	18/1	BB
1530	Pulse 2 Huddersfield; "Music for West Yorkshire"	F	1540	8/1	BB
1557	France Bleu Nice; (presumed) FF speaker dominant	W	1530	13/1	BB
1557	France Info, Nice-Fontbonne, Talk	444	2140	19/ 1	FW
1557	Radio Baltic Waves Intern.Kaunas/Sitkunai, Radio Polonia Folk music	222	2143	19/ 1	FW
1602	Euskadi Irratia R. Vitoria, Cerro Estibaliz, Talk OM	333	2150	19/ 1	FW
1656	Radio Calypso Groningen, Mx Shadows, Tina Rainford, ID	333	2155	19/ 1	FW

Many thanks to:

BB Bernard Brown Sutton-in-Ashfield; Sangean DT1400W *Ultralight*

FW Friedhelm Wittlieb, Grundig Satellite 700, Martens-Fram Dortmund Germany

And finally – **It's a small World!** I am a season ticket holder at Watford Football Club (somebody has to be!) and on a cold Tuesday night (my usual group of fans were unable to accompany me) and for something to do at half time I was reading my copy of the Medium Wave News – received that morning – when a voice behind me said "Is that the Medium Wave News Magazine you are reading?" To my surprise he said that he used to be a member of MWC. It turned out that **John Fitzgerald** was a member a number of years ago but his main interest in radio is now with the International Short Wave League. He is a licensed Amateur. So at the matches the talk is not only how Watford will do on the day, but what radio stations have been heard/worked recently! I am attempting to cultivate him for a return to MWC!

The closing date for the next issue is **25 February, 2009**

73's John

DX LOGGINGS

✉ Glackin, 199 Clashmore, Lochinver, Lairg, Sutherland IV27 4JQ, Scotland
with Martin Hall e-mail: dxlogs@mwcircle.org ☎ 01571-855360

kHz	Callsign	Station, location; details heard etc	SIO	UTC	Date	Who
40	JJY	Tokyo; very faint CW in mains buzz	-131dBm	1550	11/12	JF/TB
50	RTZ	Irkutsk; time signal; slow CW poor in mains buzz	-98dBm	1550	11/12	JF/TB
162v		GTRK Norilsk; RR tlk under Allouis, -65dBm	312	1400	20/11	JF/TB
252		Radio Alger International, Tipaza; talk, Arabic mx	333	2148	23/12	FW
279		Turkmen Radio 1, Asgabat; music, talk	121	2330	14/1	FW
518	4XO	Haifa Radio; navtex messages	G	0023	27/1	MvA
518	7TA	Algiers, Algeria ZCZC BE35 ALGIERS RADIO 29.01 AT 1347 WEATHER FORECAST FOR SHIPPING ISSUED BY METEO ALGIERSGALE WARNING NIL; personal first		0015	30/1	SW
518	9AS	Split Radio; navtex messages	G	0241	27/1	MvA
518	A9M	Bahrain; ZCZC BA45 BAHRAINRADIO/A9M _0635 UTC 30TH NOV. 2008_ NAVAREA IX(ARABIAN GULF AND APPROACHES)_		2016	24/1	SW
518	NMA	Miami FL; ZCZC AA56 DGPS BNM 057-09 GA MACON, GA DGPS BROADCAST SITE IS UNMONITORED.		0028	24/1	SW
518	NMA	USCG Miami FL; navtex messages	F	0018	27/1	MvA
518	NMG	New Orleans LA; ZCZC GA29 CCGDEIGHT BNM 0004-09 MS - GULF OF MX.		0307	24/1	SW
518	NMG	USCG New Orleans; navtex messages	F	0305	25/1	MvA
518	NMN	Chesapeake, VA ZCZC NA34 CCGD5 BNM 012-09 NC - CAPE HATTERAS - HATTERAS INLET		0552	24/1	SW
518	NMN	USCG Portsmouth VA; navtex messages	F	0600	26/1	MvA
518	OXI	Nuuk Greenland; ZCZC WA71 GREENLAND 090124 0340 UTC NAVIGATIONAL WARNING ISLAND COMMANDER GREENLAND NO. 001/09.		0341	24/1	SW
518	OXI	Nuuk, Greenland; navtex messages	G	2341	26/1	MvA
518	PCJ	Curacao, Neth. Antilles; navtex messages	F	0112	27/1	MvA
518	PJC	Curacao; Netherland Antilles; IF THERE ARE ANY REPORTS PLEASE CONTACT RCC CURACAO _N K_ OR TEL:00-5999-463-7700 RCC CURACAO NNNN; personal first		0111	24/1	SW
518	TAN	Izmir, Turkey, ZCZC IA30 040953 UTC MAR 08 IZMIR TURK RADIO NAVTEX NW NR:117/08 SEA OF MARMARA		2130	24/1	SW
518	TFA	Greenland Grindavik, Iceland; navtex messages	G	2352	25/1	MvA
518	TFA	Saudanes, Iceland; navtex messages	G	0252	27/1	MvA
518	UGE	Arkhangelsk, Russia ZCZC FA08 130700 UTC JAN 09 COASTAL WARNING ARKHANGELSK 10 PORT ARKHANGELSK		2052	24/1	SW
518	UJB	Astrakhan, Russia ZCZC WA38 241940 UTC JAN 09 COASTAL WARNING ASTRAKHAN 6 MIDDLE PART OF CASPIAN SEA		1943	24/1	SW

kHz	Call sign	Station, location; details heard etc	SIO	UTC	Date	Who
518	VAR-9	Saint John, NB ZCZC UE52 240724UTC NAVTEX FOR SAINT JOHN VAR AT 8:00 PM AST FRI 23 JAN 2009.		0728	24/1	SW
518	VBR	Warton-Prescott, ON; "ZCZC HA77 240110UTC SAFETY NOTSHIP C2929 DGSTONE CHANNEL _ _ T 14853 IN ACCORDANCE WITH THE PROVISIONS OF UNITED STATES 33 C_R_162.134(D) GOVERNING T_ CONNECTING WATERS FROM LAKE ERIE TO LAKE HURONTROIT RIVER personal first		0112	24/1	SW
518	VCK	Sept-Îles-PQ; ZCZC CA69 240424_ NOTSHIP Q1928 ILES DE LA MADELEINE - GRANDE ENTREE		0424	24/1	SW
518	VCK	Sept Isle QC (Riviere-au-Renard)	F	0421	26/1	MvA
518	VCO	Sydney NS ZCZC QA16 240240UTC NOTSHIP M173		0242	24/1	SW
518	XMJ329	Prescott ON; navtex messages	F	0118	25/1	MvA
531		Alger Chaîne 1, El Ain Beida; ID, news	433	2200	9/1	FW
540		Main Arabic Programme, Sulaiyah, Kuwait; AA ID "Huna al Kuwayt", news	222	2300	10/1	FW
540	WFLF	Pine Hills FL ; "5-40 WFLA Pine Hills, Orlando. 540wfla.com. W Orlando's home for Rush Limbaugh"		0800	23/1	PC
540	CBT	Grand Falls NL; "CBC Radio One" heard in pile-up.	W	0230	11/1	AB
540	CBT	Grand Falls NL; "CBC Radio One" & CBC nx	W	0800	12/1	BD
540	CBEF	Windsor ON; FF anns, ID "Vous écoutez la première chaîne de Radio Canada CBEF Windsor"; a fraction of a second ahead of CBGA-1 with // programming apart from the ID, which could be made out clearly; both equal strength; personal first	W	0900	6/1	mah
540	CBEF	Windsor ON; "Vous écoutez la première chaîne de Radio Canada, CBEF Windsor"; personal first	W	0900	20/1	PC
540	CBGA-1	New Carlisle PQ; "Vous écoutez la première chaîne de Radio Canada, CBGA Gaspésie Les Iles. Il est 22 heures"; personal first	F	0300	14/1	AB
540	CBK	Regina SK (tentative); start of CBC news; Newfoundlanders in F fade at this time; personal first	F	0900	25/1	PL
550	KFYR	Bismarck ND; "This is KFYR Bismarck AM 5-50, the Voice of F the Northern Plains"; also W 0900 25/1		0800	24/1	PC
550	KFYR	Bismarck ND; "This is KFYR Bismarck AM 5-50 The Voice of F/G the Northern Plains"; over a weak WSAU		0900	24/1	mah
550	WSAU	Wausau WI; "55 SAU - WSAU Wausau" ID and then into news G		0800	13/1	PL
550	WSAU	Wausau WI; multiple mentions of WSAU in program trailer	W/F	0800	16/1	PC
550	WSAU	Wausau WI; OM WSAU ID, then full toh ID by OM "On Newstalk __?__ (the Newstalk Super Station?) ... sung jingle ... WSAU Wausau" then ABC News; personal first!	W	0800	24/1	JF
550	YVKE	Radio Mundial, Caracas; melancholy LA mx & "Mundial" IDs	W/F	0700	11/1	BD
558		Alger Chaîne 1, Touggourt; music	222	2310	11/1	FW
558.04		IRIB Farhang, Iran; Farsi OM tlk under Spectrum - R Rossi Relay; -100dBm	222	1419	20/11	JF/TB
560	WQAM	Miami FL; "WQAM 24 hours news center", many IDs		2359	24/1	A
560	WIND	Chicago IL ; "WIND Chicago" heard in mix; personal first	W	0800	20/1	PC
560	WGAN	Portland ME; CBS News	W/Fpks	0825	2/1	Rha183
560	WGAN	Portland ME; "News Radio 5-60 WGAN", CBS News	W	1000	6/1	mah
560	WGAN	Portland ME; WGAN wx, "5-60 WGAN" & CBS nx	W	0700	13/1	BD

kHz	Call sign	Station, location; details heard etc	SIO	UTC	Date	Who
560	WGAN	Portland ME; "560 WGAN all talk"	W	0401	17/1	AB
560	CM--	R Rebelde, Moa, Holguin; Rebelde news // 670 kHz	W	0800	23/1	PC
560	UNID	ESPN radio ID on hour	W	0800	18/1	PL
567		R Rossi, Kyzyl; 2nd RR poor under Volgograd; also JOIK Sapporo present at carrier level	222	1400	20/11	JF/TB
570		KNR Nuuk, Greenland; // 650 kHz	W	0800	29/12	PC
570		KNR Nuuk, Greenland; Greenlandic talk, male/female px	W/F	2127	29/12	Rha183
570.05		KNR Nuuk, Greenland; Greenlandic male talks, music	W	2315	23/1	MvA
570	WMCA	New York NY; "AM 5-70 WMCA, New York's Christian Talk"; xf Reloj, KNR, ESPN	W	0900	6/1	mah
570	WMCA	New York NY; toth ID "AM 570 WMCA New York" mixing with WSYR	W	0800	13/1	AB
570	WSYR	Syracuse NY; "ESPN sports on 5-70 WSYR"	W/F	0633	30/12	Rha183
570	WSYR	Syracuse NY; "Radio 5-70 WSYR" weather from the weather channel, then Monday morning news	Fpk	1021	5/1	SW
570	WSYR	Syracuse NY; toth ID "Newsradio 570 WSYR"; personal first	W	0800	11/1	AB
570	WSYR	Syracuse NY; weak WSYR ID in mix	W	0000	13/1	PC
570	WSYR	Syracuse NY; "News radio 5-70 WSYR"	W/F	0732	13/1	mah
570	WSYR	Syracuse NY; "News Radio 5-70 WSYR" then into news	w	0800	16/1	PL
570	WNAX	Yankton SD; local wx, "... on Radio 5-70 WNAX"; in CKSW fade	Fpks	0859	24/1	mah
570	WNAX	Yankton SD; "This is Coast to Coast on Radio 5-70 WNAX Yankton"; personal first	F	0900	25/1	PC
570	CKGL	Kitchener ON; Canadian news, promo ""... on 5-70 News"; in and out of the mix	Fpks	0852	13/1	mah
570	CKGL	Kitchener ON; "5-70 News" ID "-14 in downtown Kitchener"	W/F	0000	15/1	PC
570	CMDC	R Reloj, Santa Clara; SS; non-stop Cuban tlk	W	0827	2/1	Rha183
570	CMDC	R Reloj, Santa Clara; SS rolling nx & time ticks	W/F	0800	12/1	BD
570	CMDC	R Reloj, Santa Clara; SS talks	F	0625	26/1	Rha
570	CMDC	R Reloj, Santa Clara; SS nx; TC, IDs every minute	W	0652	26/1	MvA
580	CFRA	Ottawa ON (pres); commercials & talk in splatter	W	0638	30/12	Rha183
580	CFRA	Ottawa ON; "Ottawa and the ??'s voice for news and talk, this is Newstalk Radio 580 CFRA", then CFRA news	F	0800	13/1	AB
580	CFRA	Ottawa ON; "60 years of serving Ottawa and the valley - we are newstalk radio 580 CFRA" news	vG	0800	14/1	PL
580	CFRA	Ottawa ON; "News Talk Radio 5-80 CFRA"		0306	26/1	A
580	CFRA	Ottawa ON; commercials & other talks; also vW/W 0816 8/1	W/Fpks	0618	26/1	Rha
580	CKKW	Windsor ON (tentative); 1940s/1950s style tunes and old time radio comedy clips. Unfortunately CKKW webstream disabled but fits their listed schedule; personal first	Fpks	0825	13/1	SW
585		RTT, Gafsa, Tunisia; music, ID	333	2255	18/1	FW
590	VOCM	St John's NL; many "VOCM"		early	often	A
590	VOCM	St John's NL; country music "VOCM news"	F	2329	28/12	JW
590	VOCM	St John's NL; VOCM network-news; later C&W	F/Gpks	2100	29/12	Rha183
590	VOCM	St John's NL; country pops	F/G	0800	12/1	BD
590	VOCM	St John's NL; Elvis Presley song; also W 0455 6/1	W/F	0421	17/1	Rha
590	CJCL	Toronto ON; Toronto sports xd VOCM	W	0830	2/1	Rha183
590	XEPH	Sabrosita 590, México DF; SS ID "Sabrosita cimientos noventa" and relaxing Mexican songs	Fpks	0821	20/1	mah
594		AIR Chinsurah, India; EE tlk	W/Fpks	1535	1/1	Rha183

kHz	Callsign	Station, location; details heard etc	SIO	UTC	Date	Who
600	CBNA	St Anthony NL; CBC report		2218	14/11	A
600	CBNA	St Anthony NL; CBC One outlet sports; later BBC WS px	F	2110	29/12	Rha183
600	CJWW	Saskatoon SK; news and local ads; personal first	F	0901	25/1	PL
600	CJWW	Saskatoon SK; C&W	W/Fpks	0546	26/1	Rha
603		Lukang, Changhua, Taiwan (pres); Chinese tlk	W/Fpks	1532	30/12	Rha183
602.97		CBS Lukang, Changhua, Taiwan; traces of CC male tlk mentioning Taiwan; in Eurosplatter!	W	1512	9/1	Rha
610	WIOD	Miami FL; Fox News Radio two minute bulletin, then local news on "News radio 610 WIOD"	W	0800	12/1	AB
610	WIOD	Miami FL; "WIOD Miami Fort Lauderdale"	W	0200	14/1	PC
610	WIOD	Miami FL; reports & C2C phone-in programme	W/Fpks	0425	17/1	Rha
610	CKTB	St Catharines ON; "CKTB" with C2C through the FF of CHNS		0634	24/11	A
610	CHNC	New Carlisle QC; FF announcements & pop music	W/F	0640	30/12	Rha183
610	CHNC	New Carlisle QC; traditional FF country/folk mx	F	2355	15/1	BD
620	CKCM	Grand Falls NL; "Ladies and Gentlemen VOXM presents ..."	F	2310	29/12	JW
620	CKCM	Grand Falls NL; "VOXM, CFCB Radio Service"		0118	25/1	A
620	CKRM	Regina SK; CP news, ID "6-20 CKRM ..."	Wpks	0906	24/1	mah
620	HJZO	Radio Nacional, Sabanagrande; MOR LA mx & "Radio Nacional de Colombia"	W	0800	3/1	BD
621.03		IRIB, unid site; Farsi OM tlk just behind RTBF	322	1419	20/11	JF/TB
630	CHED	Edmonton AB; "Live, local and late-breaking 6-30 Ched CHED Edmonton, a Corus Entertainment station. The news begins right now"	F/G	0900	24/1	mah
630	CHED	Edmonton AB; "6-30 Ched, CHED Edmonton, a Corus Entertainments station"; heard between pips of NRK; personal first	W	0700	25/1	PC
639		CNR1, 10 sites listed; distinctive time pips buried in weak mess	322	1400	20/11	JF/TB
640	KYUK	Bethel AK (pres); occasional poor audio in Eurosplatter; all Alaskans and most high latitude DX gone by 1527	222	1455	11/12	JF/TB
640	KFI	Los Angeles CA; "KFI AM 6-40", news, tfc "... and that's traffic on KFI"; news reports	F/G	0858	24/1	mah
640	CBN	St John's NL; CBC Radio One nx	W	0800	29/12	BD
640	CBN	St John's NL; "This is CBC news"		0200	25/1	A
640	CFMJ	Richmond Hill ON; "You're listening to AM 6-40.....CFMJ"		0100	25/1	A
650		KNR Qeqertarsuaq, Greenland; news in Greenlandic	W/F	0800	29/12	PC
650		KNR Qeqertarsuaq, Greenland; Greenlandic talks & light music in between of talk programme	W	2122	31/12	Rha183
650	KENI	Anchorage AK(pres); occasional audio under KNR; also 680 KBRW in	222	1455	11/12	JF/TB
650	WSM	Nashville TN; country type music, mention of "WSM" in southern drawl with the rest unintelligible.	W	0219	13/1	AB
650	WSM	Nashville TN; CBS nx, country mx & "The legend, all day, 6-50 WSM"	W/F	0804	14/1	BD
650	CKGA	Gander NL; // VOXM Country & Western programme	W/F	0641	30/12	Rha183
650	CKGA	Gander NL; C&W, VOXM programming // 590 kHz	W	0453	9/1	Rha
650	CKGA	Gander NL; "VOXM" //620 //590		0201	25/1	A
650	CKOM	Saskatoon SK; Saskatoon ads, "The heartbeat of Saskatchewan, News Talk 6-50 CKOM, Saskatoon, a Rawlco radio station"	Fpks	0900	24/1	mah
650	HJKH	RCN Bogotá; "RCN La radio Colombiano" & nx	W/F	0759	10/1	BD
657		Reshet Radio, Tel Aviv, Israel; Hebrew tlk re Gaza	F/G	1538	30/12	Rha183

kHz	Call sign	Station, location; details heard etc	SIO	UTC	Date	Who
660	WFAN	New York NY; Fan Sports 66 on sports centre; NBA facts	F	0643	30/12	Rha183
660	WFAN	New York NY; best signal this season; Devils Hockey; ID	vG	0143	31/12	SW
660	WFAN	New York NY; sports results then mention of "wfan.com/sports	F	0741	13/1	JW
660	WFAN	New York City NY; WFAN 20/20 sports. "Listen to the Devils and the Islanders, tonight at 6.50 here on the Fan Sports Radio 66 WFAN New York" – rare here. That's the New Jersey devils and the New York Islanders in a local ice hockey derby.	F	0523	17/1	AB
660	WFAN	New York NY; "R 66 WFAN New York", "WFAN 20-20 Spt"		0000	25/1	A
660	KEYZ	Williston ND; country mx., "News Radio 6-60 KEYZ Williston", ABC News ; xf CFFR	F	0900	24/1	mah
660	CFFR	Calgary AB; "24 hours radio station, 6-60 News is CFFR"		0559	24/11	A
660	CFFR	Calgary AB; "You're listening to 6-60 News"	Wpk	0922	20/1	mah
660	CFFR	Calgary AB; "This is Calgary's only live 24 hour radio station. 6-60 News is CFFR"	W/F	0900	24/1	PC
660	CFFR	Calgary AB; " Calgary's all news radio station" under WFAN slightly better @ 0900; personal first	F	0800	25/1	PL
660	XEAR	La Mexicana, Tampico ; Mexican songs, ID "... del nuevo en mejor de la Música del México, en La Mexicana 660 AM"; in & out of the mix; tnx AB for picking out the ID; personal first	W/F	0919	20/1	mah
670	KBOI	Boise ID; "... 6-70 KBOI", jingle ID, ABC News; xf WSCR	W/F	0900	24/1	mah
670	KBOI	Boise ID; reference to midnight radio network and then KBOI spoken is under WSCR; personal first	W	0830	25/1	PL
670	WSCR	Chicago IL; "WSCR, WSCR-HD Chicago, The Score, a CBS radio station", then Sporting News Flash	W/F	0900	6/1	mah
670	WSCR	Chicago IL; "we now join Sporting News Radio here on WSCR the score" & SNR sports talk	W/F	0501	19/1	BD
670	WSCR	Chicago IL; sports, "Sports radio 6-70" and "Chicago sports ... brings you the score at 670thescore.com"	F	0006	20/1	JWe
670	WSCR	Chicago IL; WSCR ID heard under Cuba.	W	0600	23/1	JF
670	WSCR	Chicago IL; commercials, WSCR and WSCR HD The Score ID then sporting news flash	W	0800	24/1	AB
670	WSCR	Chicago IL; "WSCR Chicago"		2359	24/1	A
670	WSCR	Chicago IL; ID and sporting news flash	G	0900	25/1	PL
670	WSCR	Chicago IL; sports reviews, Chicago Bears px	W/F	0548	26/1	Rha
670	CMQ	Radio Rebelde, Arroyo Arenas; SS nx // 1180 kHz	G	0700	26/1	BD
680	KBRW	Barrow AK; pop & rock music	W/Fpks	2120	29/12	Rha183
680.01	KBRW	Barrow AK (pres); NPR rpts and tlk	W	1740	6/1	Rha
680	KBRW	Barrow AK ; NPR overnight //www; also 1832 23/1	222	1640	12/1	TB
680	KBRW	Barrow AK ; Studio talk //webstream; tnx DH for spot	W	1816	19/1	PC
680	KBRW	Barrow AK; continuous pop mx, no toth ID; above Faroos 531 kHz splatter; there most of the day -65 dBm at 1827, -50 dBm at 1927!	Gpks	1100	23/1	mah
680	KBRW	Barrow AK ; EE songs // webstream; personal first	W	1922	23/1	MvA
680	KBRW	Barrow AK ; first noted with haunting flute music and OM phone-in // webstream at 1817, but peaked an hour later with oldies; also heard around 1800 24/1	W	1817	23/1	JF
680	KBRW	Barrow AK (presumed); playing "American Pie" followed by another song, with no announcement in between. Thanks to Mark Hattam for helping to match this against his IDed reception	W	1925	23/1	JWe

kHz	Callsign	Station, location; details heard etc	SIO	UTC	Date	Who
680	KBRW	Barrow AK; pop mx, OM/YL ID "From the top of the world your listening to KBRW broadcasting KBRW 6-80 AM ... Barrow", NPR News; also Gpks -60 dBm at 1727	F/G	1500	24/1	mah
680	KBRW	Barrow AK (tentative); audible carrier detected at 1558 UTC on 23/1; 1838 UTC on 24/1 heard weak fragments of music on with a weak carrier. Carrier and audio traces of music noted at 2010 UTC and again at 2125 25/1 Stronger audio on at 2127 UTC light music followed by YL talking in mellow voice. Splatter blocking readability but very definitely usable audio. (Not 680 News Toronto in early); personal first			23/1- 25/1	SW
680	WRKO	Boston MA; toth ID "WRKO Boston" heard behind CFTR	W	0800	17/1	AB
680	WRKO	Boston MA; "Fox News Radio"		0103	28/1	A
680	WRKO	Boston MA; basketball sports px on "Talk Radio AM 6-80 WRKO"	W/Fpks	2209	31/12	Rha183
680	CJOB	Winnipeg MB; C2C talk show, Winnipeg spots & "from the CJOB news centre"	F/G	0757	24/1	BD
680	CJOB	Winnipeg MB; "We'll return you to Coast To Coast on the Super Station, CJOB"; mixing equal levels WRKO	F	0800	24/1	JF
680	CJOB	Winnipeg AB; "We'll return to Coast to Coast on the Superstation, CJOB 6-80 in Winnipeg"	G	0800	24/1	PC
680	CJOB	Winnipeg MB; ad for Trevor's Touchups, 1213 Fife Street, for Reimer Express Lines and Winnipeg's Automotive Dealers. "We'll be returning to Coast to Coast on the Super Station CJOB 6-80 in Winnipeg", then CJOB News	Gpks	0800	24/1	AB
680	CJOB	Winnipeg MB; pops, PSAs, ads, "The Superstation CJOB 6-80 in Winnipeg"; also Fpks 0938 20/1	vGpks	0900	24/1	mah
680	CJOB	Winnipeg, MB, OM in talk before news. Sports report good @ 0833	F	0800	25/1	PL
680	CJOB	Winnipeg MB; pop music "CJOB" sung jingle	W/F	0555	26/1	Rha
680	CFTR	Toronto ON; ID "This is Ontario's sport communication" & "6-80 CFTR" with sports superbowl	F/G	0645	30/12	Rha183
680	CFTR	Toronto ON; weather for downtown Toronto then news	F	1000	5/1	AB
680	CFTR	Toronto ON; Toronto wx & 2 o'clock TC	F	0659	11/1	BD
680	CFTR	Toronto ON; "6-80 news time 6.11" Then into traffic and weather "401 in Toronto ..."	F	2311	14/1	JW
680	CFTR	Toronto ON; "All news radio 6-80 News"; amazingly good signal	Exc	2344	19/1	SW
680	CFTR	Toronto ON; noted in mix with Toronto sports anns	F	0556	26/1	Rha
680	CFTR	Toronto ON; "6-80 News"		0024	28/1	A
690	CBU	Vancouver BC ; "This is CBC Radio One 88.1 FM and 6-90 AM in Vancouver"; first full ID from this one, in 693 kHz splatter	W/P	0859	24/1	mah
690	CBU	Vancouver BC ; with CBC One reports on 88.1 FM & 6-90 in Vancouver; another UNID C&W station in background; personal first	W	0600	26/1	Rha
690	CINF	Montréal QC; FF anns, "... 6-90 ... a Montréal"; in and out of 693 kHz splatter	Fpks	2358	9/1	mah
693	JOAB	NHK2, Tokyo; OM "NHK" ID, traces of JJ tlk briefly in mix with Radio Kitaya & BBC Radio 5	W	1512	5/1	Rha
700	WLW	Cincinnati OH; American Truckers' Network talk show, "News W/F Radio 7 hundred WLW Cincinnati" & WLW nx	W/F	0758	1/11	BD

kHz	Call sign	Station, location; details heard etc	SIO	UTC	Date	Who
700	WLW	Cincinnati OH; "News Radio 700 WLW"	W	0900	27/12	PC
700	WLW	Cincinnati OH; "this is the home of the Reds 700 WLW"	W	0700	11/1	AB
700	WLW	Cincinnati OH; news after toth ID. Three o'clock report	F/G	0800	18/1	PL
700	WLW	Cincinnati OH; talk with many local references to Cincinnati	F	0010	19/1	SW
700	WLW	Cincinnati OH; "700 WLW"		0201	25/1	A
700	WLW	Cincinnati OH; Newsradio 700 audible with tlk & sports	W/F	0611	26/1	Rha
700	KALL	North Salt Lake City UT ; "... KALL North Salt Lake", "Fox National Sports Report"; quite a mix on the channel, including WLW; personal first	W/P	0900	24/1	mah
710	WOR	New York City NY; toth ID "This is 710 WOR New York" followed by news	F	1000	5/1	AB
710	WOR	New York NY; "I'm Joey Reynolds on News Talk Radio 7-10 WOR"	F	0732	13/1	JW
710	WOR	NYC NY; "7-10 WOR & WOR HD. New York's best newstalk W/F radio" & CNN nx		0800	13/1	BD
710	WOR	New York NY; "News Talk Radio 7-10 WOR"		0000	25/1	A
710	KXMR	Bismarck ND; sports, "This is your local sports authority ESPN W/F 7-10 KXMR Bismarck Mandan"		0900	24/1	mah
710	KXMR	Bismarck ND; ESPN. "KXMR Bismarck-Mandan" ID	W	0800	25/1	PC
710	KIRO	Seattle WA ; news, ending "on Newstalk 9-7-3 KIRO FM"; then the KIRO weather forecast "for the KIRO 24 hour news centre, I'm Lan(?) Archer, Newstalk 9-7-3 KIRO FM"; personal first	F	0805	24/1	AB
710	KIRO	Seattle WA; Phil Hendrie Show, north-west ads, "This is News Talk 97-3 KIRO Seattle"	F/G	0900	24/1	mah
710	WDSM	Superior WI ; "7-10 WDSM"; personal first	W	0900	25/1	PC
710	CKVO	Clarenville NL; "VOCM news" then into country	F	2334	3/1	JW
710	CKVO	Clarenville NL; VOCM news	W	1000	5/1	AB
710	CKVO	Clarenville NL; mx // 620 // 590		0109	25/1	A
720	WGN	Chicago IL; "Newstalk 7-20 WGN Chicago"	W/F	0800	6/1	PC
720	WGN	Chicago IL; "WGN" ID heard clearly in gap on 720 BBC talk	W	0800	23/1	JF
720	WGN	Chicago IL; "It's 3 o'clock at the Voice of Chicago, News Talk 7-20 WGN Chicago"; well over BBC	G	0900	24/1	mah
720	WGN	Chicago IL; ID behind BBC	W	0800	25/1	PL
730	CKDM	Dauphin MB; "We are the Parkland's best music – 7-30 CKDM"	vG	0900	24/1	mah
730	CKDM	Dauphin MB; "The Parklands CKDM" Weak ID between C&W tracks; personal first	W	1000	25/1	PC
730	CKAC	Montréal QC; "CKAC Sport" then FF news about Gaza	W	1000	4/1	AB
730	CKAC	Montréal QC; YL & FF sports nx	W	1000	14/1	BD
730	CKAC	Montréal QC; FF talk	W	2309	14/1	JW
730	CKAC	Montréal QC; "CKAC Sport"		0159	25/1	A
730	XEX	México City, DF; Pare de Sufrir programming with reference to "Avenida Revolución 253, Colonia Tacubaya, ante Cine Jalisco"	F	0755	10/1	AB
730	XEX	Estadio W, México DF; SS anns, Pare de Sufrir programming, mentioning "Santuario Mayor" "Colonia Tacubaya" and "Antes Cine Jalisco"; agrees with website – tnx AB checking the clip and for the info; xf CKAC and a Brazilian; personal first	Fpks	0938	20/1	mah
730	HJCU	R Líder Bogotá; SS "cadena melodía" anns	W/F	0455	9/1	Rha

kHz	Callsign	Station, location; details heard etc	SIO	UTC	Date	Who
730	HJCU	Radio Lider Bogotá; bright LA mx & "Radio Lider AM"	W/F	0759	9/1	BD
730	HJCU	R Líder, SF de Bogotá; I was surprised to hear "...Colombia, presenta, en Radio Líder AM, ..." beneath CKAC	W	0700	11/1	AB
738		Xinjiang RGD, China; Chinese female talk in Eurosplatter	Wpks	1543	30/12	Rha183
737.99		Xinjiang RGD; CC; Chinese talk in splatter	W/Fpks	1517	5/1	Rha
740	CBX	Edmonton AB; CBC Radio Overnight. CBC News	W	0800	24/1	PC
740	CBX	Edmonton AB; Radio Netherlands, CBC Radio Overnight anns	Exc	0900	24/1	mah
740	CBX	Edmonton AB; CBC Overnight then into CBC News; personal first ; also W 0900 25/1	F	0900	24/1	PL
740	CHCM	Marystown NL; // VOXM C&W programme noted	F/G	0648	30/12	Rha183
740	CFZM	Toronto ON; "AM 7- 40 the best of the best" & nostalgia mx	W	0757	11/1	BD
740	CFZM	Toronto ON; nostalgic tunes "am740.ca"	vG	0006	20/1	SW
740	CFZM	Toronto ON; nostalgia/oldies from the 50's & 60's	F	0627	26/1	Rha
750	WSB	Atlanta GA; WSB sports; later pop mx/songs; at toth "7-50WSB Atlanta's news"	Wpks	2200	31/12	Rha183
750	CBGY	Bonavista Bay NL; "CBC Radio"		2300	15/11	A
750	CBGY	Bonavista Bay NL; CBC One rpts with BBC WS	W	2134	29/12	Rha183
750	CBGY	Bonavista Bay NL; "CBC Radio one" then news	W	0700	11/1	AB
750	CBGY	Bonavista Bay NL; CBC Overnight reports on CBC Radio	W	0631	26/1	Rha
750	CKJH	Melfort SK; oldies, "7-50 CKJH" anns	W/Fpks	0840	3/1	Rha183
750	CKJH	Melfort SK; oldies, "Oldies CK 7-50" IDs/promos, jingle	F/G	0900	24/1	mah
750	CKJH	Melfort SK; "All I Need Is A Miracle" by Mike & The Mechanics, then ID "CK 7-50"; oldies format, fair on brief peak; personal first!	F	0731	25/1	JF
750	CKJH	Melfort SK; "CK7-50" ID between oldies tracks	W	0759	25/1	PC
750	CKJH	Melfort SK; "Rock and rolls greatest hits on oldies CK 750" oldies; personal first.	F/G	0833	25/1	PL
750	CHMV	R Progreso, 2 sites listed; "Radio Progreso, cadena nacional"	F	0800	23/1	PC
750	YVKS	Radio Caracas, Caracas; seems to be nx & info format with simple "Radio Caracas" IDs	F/G	0358	17/1	BD
760	WJR	Detroit MI; tlk on WJR 7-60, "The Great Voice of the Great Lakes"; American Midnight Radio	F	0652	30/12	Rha183
760	WJR	Detroit MI; "From the golden tower of the Fisher Building this is ... Newstalk 760 <sung> WJR" – missing words lost in fade; heard almost daily in January	F	0201	13/1	AB
760	WJR	Detroit MI; briefly ID "Fisher Building Newstalk 7-60"; also W W 0457 9/1, W/F 0634 26/1		0558	16/1	Rha
760	WJR	Detroit MI; toth ID and into news	F	0900	23/1	PL
760	WJR	Detroit MI; "Newstalk 7-60 WJR"	F	0000	24/1	JWe
760	WJR	Detroit MI; "News Talk 7-60 WJR"		0553	25/1	A
760	WCHP	Champlain NY (pres); religious tlk programme with gospel choir songs; personal first	W	2140	2/1	Rha183
760	ZYH588	R Uirapuru, Fortaleza; PP info about Fortaleza	W/F	2249	31/12	Rha183
770	WABC	New York NY; talk, ABC News from "7-70 WABC"	W/F	0100	1/1	Rha183
770	WABC	New York NY; OM with ID then ads; hard one under local 774	F	0044	25/1	PL
770	WABC	New York NY; "77 WABC"		0216	25/1	A
770	KTTH	Seattle WA; "7-70 KTTH The Truth – KTTH Seattle", ABC News	F/G	1100	20/1	mah
770	CHQR	Calgary AB; Alberta news reports "CHQR" jingle and ID	35543	1220	30/12	DX183

kHz	Callsign	Station, location; details heard etc	SIO	UTC	Date	Who
770	CHQR	Calgary AB; sung "CHQR" ID; "Local news" "AM770CHQR.com"	F/G	0900	24/1	PC
770	CHQR	Calgary AB; sung ID after jazzy music, incredible seeing as 774 is local here; personal first .	G	0800	25/1	PL
770	CHQR	Calgary AB; "QR 77", "77 CHQR"		0907	25/1	A
770	HJJX	RCN Bogotá; talk, information & "RCN Radio punto dos, dos, dos"	F	0757	3/1	BD
773.99	JOUB	NHK2, Akita; JJ talk & NHK anns; also "JOUB Akita Daini Hoso"	W/Fpks	1445	5/1	Rha
780	KNOM	Nome AK; pop music, ABC News; no ID but followed by long Alaska weather	35543	1255	30/12	DX183
780	KNOM	Nome AK; "KNOM" ID then ABC News	W/Fpks	1400	30/12	Rha183
780	KNOM	Nome AK (pres); light music, later announcements mentioning Alaska	W	1744	6/1	Rha
780	KNOM	Nome AK; "KNOM Nome, it's 3 o'clock"	W/F	1200	23/1	mah
780	WBBM	Chicago IL WBBM rolling nx	W	0759	29/12	BD
780	WBBM	Chicago IL; newslines on 7-80 WBBM	W/F	0654	30/12	Rha183
780	WBBM	Chicago IL; ID & traffic	W	0158	25/1	SW
780	WBBM	Chicago IL; "WBBM 7-80"		0552	25/1	A
780	WBBM	Chicago IL; news with YL, frequent IDs	F/G	0831	25/1	PL
780	WBBM	Chicago IL; "7-80 WBBM" ID; also W/Fpks 0453 7/1, W 0814 F 8/1, W/F 0551 16/1	F	0640	26/1	Rha
780	WBBM	Chicago IL; CBS news, "WBBM Newstime"; personal first	W	0705	26/1	MvA
780	CFDR	Dartmouth NS; "Classic Country 7-80 Kixx", every night		early	alw.	A
780	CFDR	Dartmouth NS; strong noted with Classic Country	G/Spks	2137	29/12	Rha183
780	CFDR	Dartmouth NS; classic C&W; also W 0842 25/1	W/Fpks	0458	9/1	Rha
780	YVMN	Radio Coro; bright LA mx & "en Radio Coro 27 minutos"	W/F	0757	10/1	BD
790	WAXY	South Miami FL; "the talk in South Florida" & Fox sports	W/F	0403	17/1	BD
790	WAXY	South Miami FL; ID. 12/11: "Sportstalk 7-90 WAXY South Miami, your home for South Florida's sports"		0157	25/1	A
790	WTNY	Watertown NY ; "George Neher on Watertown's Morning News, weekday mornings at 5 on Northern New York's Newstalk radio, 7-90 WTNY Watertown"; real surprise and a personal first	F	0800	13/1	AB
790	WTNY	Watertown NY ; "Listen to the 7-90 WTNY"		0529	24/1	A
790	KFGO	Fargo ND; "Live, local ... radio Fargo-Moorhead The Mighty 7-90 KFGO Fargo"	W	0900	16/1	mah
790	KFGO	Fargo ND ; ID and weather (really cold 20-40 below!); personal first	W	0805	25/1	SW
790	CFCW	Camrose AB; Country Countdown & CFCW anns	34443	1230	30/12	DX183
790	CFCW	Camrose AB; C&W mx/songs on Country Countdown; my favorite radiostation!	W/F	0845	3/1	Rha183
790	CFCW	Camrose AB (presumed) classic C&W music mixing WAXY & W R Reloj between 0700 & 0800 24/1		0700	24/1	JF
790	CFCW	Camrose AB; jingle: "7-90 CFCW"		0200	25/1	A
790	CFCW	Camrose AB; country mx followed by Canadian press news; personal first	F/G	0800	25/1	PL
790	CFCW	Camrose AB; country music mixing WAXY then sung jingle at W 0804 and back to music		0804	25/1	SW

kHz	Callsign	Station, location; details heard etc	SIO	UTC	Date	Who
790	CFCW	Camrose AB; "all country stars on Alberta's country legend 7-90 CFCW" :-) it's a pity CFCW is going to change to move to FM and close on 790 kHz !	F	0646	26/1	Rha
790	UNID	With oldies music format mixing with WAXY & others various peaks between 0130 and 0230. Probably CFNW	Weak	0130	25/1	SW
790	CMAQ	Radio Reloj, Pinar Del Rio; SS rolling nx over time ticks	W/F	0405	17/1	BD
800	VOWR	St John's NL; "VOWR 800"		2332	19/12	A
800	VOWR	St John's NL; light music & nostalgia px; better on 799.98 kHz	Weak	2143	29/12	Rha183
800	VOWR	St. John's NL; "Your dial is set to 8 hundred. This is VOWR St John's" & studio talk	W/F	2359	12/1	BD
800	CKLW	Windsor ON; C2C, "8 hundred CKLW" & wx	W	0828	12/1	BD
800	CKLW	Windsor ON; "AM 800 CKLW, a Chum Radio Station"		0059	19/1	A
800	CKLW	Windsor ON; "We are AM 800 CKLW" then into Canadian press news; also G 0900 18/1	F/G	0900	19/1	PL
800	CHRC	Québec QC (presumed); FF programming, no IDs copied; dominant	Fpks	1000	1/1	mah
800	CHRC	Québec QC; YL with FF news	F	0900	16/1	PL
800	CHRC	Québec QC; "CKAC Sport, Québec" (CKAC // CHRC), also "CHRC 80 Québec"		0606	19/1	A
800	CHAB	Moose Jaw SK; ID noted	F	0938	25/1	mah
800	XEROK	R Cañon; SS ID; xf CHAB	F	0938	25/1	mah
820	WNYC	New York NY; "This is WNYC 800 AM New York"		0100	30/11	A
820	WBAP	Fort Worth TX; "News talk 8-20 WBAP Fort Worth"	W/F	0800	29/12	PC
820	WBAP	Fort Worth TX; ads, ID "Newstalk 8-20 WBAP" & Midnight Radio website anns	F/G	0658	30/12	Rha183
820	WBAP	Fort Worth TX; Midnight Radio Network, toth ID "Newstalk 8-20 WBAP Fort Worth Dallas" then CBS news	W	0800	3/1	AB
820	WBAP	Fort Worth TX; WBAP promo & WBAP nx	W	0700	11/1	BD
820	WBAP	Fort Worth TX; "Newstalk 8-20 WBAP Fort Worth, wbap.com" followed by news	W	0600	24/1	JWe
820	WBAP	Forth Worth TX; toth ID out of trucking network	F/G	0800	24/1	PL
820	WBAP	Ft Worth TX; "Newstalk 8-20 WBAP Ft Worth", ABC nx		0600	2/12	A
820	KUTR	Taylorville UT ; "You're listening to ... and around the world at 820kutr.com"	W/P	0900	24/1	mah
820	KGNW	Burien Seattle WA; Christian preaching & kgnw.com anns	24442	1240	30/12	DX183
820	KGNW	Burien-Seattle WA; religious studio talk, xd WBAP :-), ID "8-20 KGNW Burien-Seattle Tacoma ... a service of Salem"	W/F	0805	16/1	Rha
820	KGNW	Burien-Seattle WA; "8-20 AM KGNW Burien Seattle Tacoma, a service of Salem Communications"	F	1058	20/1	mah
820	CHAM	Hamilton ON; "Hamilton's all new talk station, Talk 820 and on line at talk820.com"	W	0700	11/1	AB
820		TBN Charlestown, Nevis; religious studio talk & TBN California promo	W	0801	9/1	BD
830	WCRN	Worcester MA; "True Talk 8-30" and sports reports	W/F	2147	29/12	Rha183
830	WCRN	Worcester MA; true talk, short anns "it's 8-30 WCRN"	W/Fpks	0500	9/1	Rha
830	WCRN	Worcester MA; "50,000 watts is talk for New England, AM 8-30 WCRN Worcester Boston"		0100	24/1	A
830	WCCO	Minneapolis MN; "News Radio 8-3-0 W-C-C-O, News Radio 8-3-0 WCCO"		0603	14/11	A
830	WCCO	Minneapolis MN "This is news radio 8-3-0 WCCO"	W	0800	29/12	PC

kHz	Callsign	Station, location; details heard etc	SIO	UTC	Date	Who
830	WCCO	Minneapolis MN (pres); US football comments, sports talk	F	2316	30/12	Rha183
830	WCCO	Minneapolis MN; "WCCO Radio" promo & CBS nx; another Sheigra station comes South of the border hi!	W	0757	11/1	BD
830	WCCO	Minneapolis MN; ID in mix; better @ 0833 with "Imagination theatre"; also G 26/1 0800	F	0800	25/1	PL
830	WCCO	Minneapolis MN; "Your information for the Tri Cities and (Minnesota?), ... CCO eight-three-oh, WCCO Radio News ... "; no trace of WCRN; personal first!	F	0503	26/1	JF
830	CKKY	Wainwright AB; country, ID "Key 83 and 8-30 CKKY ... Wainwright Lloydminster .."; 0905 "We're the mid-west country giants ... country classics ..."; under WCCO	W/P	0858	24/1	mah
840	WHAS	Louisville KY; "on line at WHAS.com and on the air in high definition digital, (sung) we are WHAS", then Fox News Radio	F	0800	3/1	AB
840	WHAS	Louisville KY; "84 WHAS" jingle & Fox nx	W/F	0800	12/1	BD
840	WHAS	Louisville KY; "On the line WHAS.com", "84 WHAS", Fox nx		0000	19/1	A
840	WHAS	Louisville KY; "84 WHAS" ad for upcoming sports coverage, toth ID and into news	G	0900	19/1	PL
840	KXNT	North Las Vegas NV ; "News Radio 8-40 KXNT voices you know, news you trust", repeated; xf WHAS	Fpks	0906	24/1	mah
840	WHAS	Louisville KY (pres); C2C talkshow px	W	0655	26/1	Rha
840.01	HJKK	H- J doble K Bogotá; bright LA mx & "H-J doble K"	W/F	0814	12/1	BD
850	KICY	Nome AK; local attraction light mx & "8-50 KICY Nome"	33543	1325	30/12	DX183
850	KOA	Denver CO (pres); news talk px, Denver mentioned	W	0456	6/1	Rha
850	KOA	Denver CO; "On-air, on-line, on-demand, and (on your iPod?), News Radio 8-50 KOA Denver 850koa.com"	F	0900	16/1	mah
850	KOA	Denver CO; "Newsradio 8-50 KOA"; a few mentions of KOA and Denver; bad splatter	W	0900	22/1	PC
850	WFTL	West Palm Beach FL; "Your number one station for North Florida's information, news talk 8-5-0 WFTL"	W	0800	3/1	AB
850	WFTL	West Palm Beach FL; "Newstalk 8-5-0 WFTL" mixing WEEI	F	0800	16/1	PL
850	WFTL	West Palm Beach FL; "news talk 8-5-0 WFTL"	W	0800	20/1	PC
850	WEEI	Boston MA; "Sports Radio 8-50 WEEI Boston"		0000	19/1	A
850	WEEI	Boston MA; legendary sports talk on "WEEI Sportsradio 8-50"	W	0828	25/1	Rha
850	WEEI	Boston MA; "Sports radio 8-50" anns	W	2142	31/12	Rha183
850	WKNR	Cleveland OH ; promo/ID "... from 6 to 9 on ESPN 8-50 WKNR, Cleveland", ESPN Radio Sports Centre; personal first	F	1000	20/1	mah
850	WKNR	Cleveland OH ; "Your home for ESPN Radio, ESPN 8-50 WKNR Cleveland"		0800	24/1	A
860	CFPR	Prince Rupert BC ; talk report & "CBC One" anns	24442	1245	30/12	DX183
860	CFPR	Prince Rupert BC ; CBC Radio One with CBC Overnight :-); personal first (Note regarding CFPR loggings: take care not to confuse with CHAK, which also carries some CBC Radio Overnight programming – mah) <i>How do you distinguish? -Ed</i>	F	0712	26/1	Rha
860	CJBC	Toronto ON; FF "Radio Canada"		2300	23/1	A
860	CJBC	Toronto ON; "Vous écoutez la première chaîne de Radio Canada, CJBC Toronto"	W	0800	24/1	AB
860	CJBC	Toronto ON; FF MOR songs, "Radio Canada CJBC Toronto" & FF nx	W/F	0755	26/1	BD
860	CBKF-2	Saskatoon SK; FF ID "Vous écoutez la première chaîne de Radio Canada CBKF en Saskatchewan. Il est 3 heures"	F	0900	24/1	mah

kHz	Call sign	Station, location; details heard etc	SIO	UTC	Date	Who
870	WWL	New Orleans LA; CBS News then "The spirit of New Orleans. People you trust – WWL-AM, FM and wwl.com"	W	0805	27/12	AB
870	WWL	New Orleans LA; C2C in splatter on noise, but no ID!	W	0710	30/12	Rha183
870	WWL	New Orleans LA (presumed); news reports	W	0701	3/1	JW
870	WWL	New Orleans LA; traces of Big 8-70 tlk & sports	W	0458	6/1	Rha
870	WWL	New Orleans LA; "the big 8-70 WWL New Orleans, 105.3 WWL-FM Kenner, New Orleans and wwl.com" followed by CBS News	G	0800	19/1	JWe
870	WWL	New Orleans LA; "Easy Talk and Sports Leader, the Big 8-70 WWL New Orleans, 10-5-3 WWL FM New Orleans and WWL.com"		0000	24/1	A
870	WWL	New Orleans LA; talk show, phonecall, IDs	W	0825	25/1	MvA
880	WCBS	New York NY; "WCBS morning time"	F/G	0708	30/12	Rha183
880	WCBS	New York NY; news items – "WCBS Newstime 1122"	F	0422	11/1	AB
880	WCBS	New York NY; news reports "newsradio 8-80" anns	W	0620	16/1	Rha
880	WCBS	New York NY; "The latest from the WCBS newsroom"		2359	18/1	A
880	CHQT	Edmonton AB; "This is Edmonton's only all-news radio station, i-News 8-80", and "You're listening to i-News 8-80"	F	1000	20/1	mah
880	CKLQ	Brandon MB (presumed); country mx; xd CHQT	F	0900	24/1	mah
890	WLS	Chicago IL; C2C WLS programme promo & ABC nx	W	0758	29/12	BD
890	WLS	Chicago IL; "The world is changing – are you listening?" <sung> WLS Chicago then ABC news	W	0800	12/1	AB
890	WLS	Chicago IL; talk running over toh. "You heard the ...? on WLS" W/F followed by ABC News		0102	24/1	JWe
890	WLS	Chicago IL; "WLS weather is next, WLS newstime ..."		0105	24/1	A
890	WLS	Chicago IL; ad for the Rush Limbaugh show then into news	G	0831	25/1	PL
890	WAMG	Dedham MA; very weak toth ID "WAMG Dedham Boston"	vW	1000	5/1	AB
890	WAMG	Dedham MA; ID "ESPN WAMG Dedham, Boston & 14 hundred WLLH"	W	0625	16/1	Rha
890	WAMG	Dedham MA; "ESPN Radio", "WAMG Dedham Boston, WLLH Lowell"		2259	18/1	A
900		KNR Uummanaq, Greenland; YL with talk totally dominating vg freq! Personal first		0800	25/1	PL
900	CKBI	Prince Albert SK; country mx, ID "You're listening to 900 CKBI, 95.9 FM in La Ronge. This is today's country 900 CKBI, a Rawlco radio station", then news from CP	Fpks	0900	24/1	mah
900	CKBI	Prince Albert SK; ads and mentions of Prince Albert and Saskatchewan, then ID @ 0834; personal first	F/G	0833	25/1	PL
900	XE--	W Radio, 2 sites listed; SS "W Radio" IDs	Gpks	1000	1/1	mah
900	XEW	2 sites listed; "W Radio al aire"	F	0900	11/1	PC
900	XEW	México DF; news after long ID from YL	F/G	0900	16/1	PL
900	XEW	W Radio, México DF; "W Radio al Aire...", many IDs		0700	24/1	A
900	YVMD	Mara Ritmo, Maracaibo; "Venezuela, Mara Ritmo 900, las 24 horas del día, con la vibración ? que tu quieres"; personal first	F	0200	13/1	AB
900	YVMD	Venezuela Mara Ritmo, Maracaibo; bright LA mx & "Venezuela" jingle & "Mara Ritmo"	W/F	0700	13/1	BD
910	CKDQ	Drumheller AB (pres); C&W in splatter	W	0707	30/12	Rha183
910	CKDQ	Drumheller AB; country mx, "Q-91" ID; under/over 909 kHz splatter	W/F	0952	20/1	mah

kHz	Callsign	Station, location; details heard etc	SIO	UTC	Date	Who
910	CKDQ	Drumheller AB; Q91 ID @ 0801, weak country music // webstream; personal first	W	0815	25/1	PL
920	WBAA	West Lafayette IN; jazz, ID "... 9-20 WBAA West Lafayette, available worldwide online ... wbaa.org", more jazz; heard in presumed CKNX fade; personal first	W	0900	6/1	mah
920	KDHL	Faribault MN (tentative); Radio America network "This is the voice of the nation, Radio America"	W	0600	24/1	JF
920	KDHL	Faribault MN (presumed); "From this is The Voice Of The W Nation, this is Radio America" by YL. Conditions were good into Minnesota at the time. ABC News – which is carried by KDHL	W	0600	26/1	JF
920	KWAD	Wadena MN; country mx, ID "92 KWAD 14-30 KNSP" and straight into more country; xd others; personal first	Fpks	0953	15/1	mah
920	KXLY	Spokane WA; I noticed the "KXLY" call at the toh, over Crystal Gale's "Brown Eyes Blue" presumably on CFRY; personal first	F	0800	24/1	AB
920	CFRY	Portage la Prairie MB; country, wx, "CFRY" jingle, country	Fpks	0719	13/1	mah
920	CFRY	Portage la Prairie MB; weather – highs of -39!!! Sung CFRY jingle ID at 0803	F	0800	24/1	JF
920	CFRY	Portage la Prairie MB; "From the Portage la Prairie news centre" Manitoba news	F	0900	24/1	PC
920	CFRY	Portage la Prairie MB; C&W mx in splatter but caught the "CFRY jingle" ID :-)	W	0830	25/1	Rha
920	CFRY	Portage la Prairie, MB; YL with Manitoba weather; huge @ 0831 w country mx	G	0843	25/1	PL
920	CKNX	Wingham ON; "AM 9-20 CKNX" & Canadian Press nx	W	0700	11/1	BD
920	CKNX	Wingham ON; "Mid western Ontario's information leader - this is AM 9-20 CKNX"	G	0830	16/1	PL
920	CKNX	Wingham ON; "AM 9-20 CKNX"		0022	24/1	A
920	UNIDs	Top of the hour IDs include a mention of ESPN and Mike & Mike In The Morning, plus another station with USA Radio Network News ID	W	0800	25/1	JF
930	WBEN	Buffalo NY; with sports on "newsradio 9-30"	W/Fpks	0704	30/12	Rha183
930	WBEN	Buffalo NY; "News Radio 9-30 WBEN, Buffalo"	F	0000	12/1	mah
930	WBEN	Buffalo NY; "This is WBEN's weather forecast" and "WBEN news time"	F/G	2359	13/1	JWe
930	WBEN	Buffalo NY; "News Radio 9-30 Buffalo," WBEN wx & WBEN W/F nx		0400	17/1	BD
930	WBEN	New York NY; New York weather ("general snowfall for all of W us in New York"), local news, then CBS news		0430	18/1	AB
930	WBEN	Buffalo NY; "News Radio 9-30 WBEN"		0031	19/1	A
930	WBEN	Buffalo NY; adverts & several IDs dominant over CFBC; still no sign of CJYQ!	G	0037	29/1	SW
930	CJCA	Edmonton AB; "CJCA", "AM 9-30 the Light"		0058	19/1	A
930	CJCA	Edmonton AB, "This is AM 9-30 The Light, CJCA Edmonton"; personal first		0700	25/1	PC
930	CFBC	Saint John NB; "Good Time and Great Oldies never sleep, Good Time Oldies 93 CFBC"		2259	18/1	A
930	CFBC	Saint John NB; mention of Saint John promo with highlights of oldies then Little Eva "Locomotion"	F	2249	20/1	JW

kHz	Call sign	Station, location; details heard etc	SIO	UTC	Date	Who
930	CJYQ	St John's NL; "Radio Newfoundland" talking, under CFBC's oldies. The only occasion this season here. Earlier seasons CJYQ was heard almost every night and often early in the evening		0101	20/12	A
930	CJYQ	St John's NL (pres); Back to the Bible programme	W	2157	29/12	Rha183
940	WINZ	Miami FL; "WINZ Miami" ID at toth	W	0700	23/1	PC
940	WCPC	Houston MS ; "WCPC AM 9-40 Houston Mississippi", they forgot(?) to change to night power! (50kW/250W)		0613	19/1	A
940	CINW	Montréal QC; greatest oldies hits, sung jingle "AM 9-40" Montréal's greatest hits	Fair	0702	30/12	Rha183
940	CINW	Montréal QC; spots, "AM 9-40 Montréal's greatest hits" & oldies	F	0757	17/1	BD
940	CINW	Montréal QC; "This is 9-40, Montreal's Greatest Hits"		2304	18/1	A
940	CINW	Montréal QC; something like "C 92, AM 9-40 Montreal's greatest hits"	W	0758	24/1	AB
940	CJGX	Yorkton SK; country mx, ID "CJGX 9-40 stereo Yorkton, serving Saskatchewan and Manitoba. We are GX-94", CP news	F	0900	24/1	mah
940	CJGX	Yorkton SK; country music // webstream; good peaks; personal first	G	0848	25/1	PL
940	CJGX	Yorkton SK; "CJGX 9-40 AM stereo Yorkton, serving Saskatchewan and Manitoba. We are GX 94"	F	0900	25/1	PC
940	XEQ	R Besame, México DF; "Esta es la señal de XEQ, en amplitud W/F modulada, Besame 9-40"		0900	11/1	PC
940	XEQ	México DF; "XEQ amplitud modulada 9-40 transmitiendos con cinco watos...."		0659	25/1	A
950	WWJ	Detroit MI; "WWJ News Radio 9-50"		0315	20/12	A
950	WWJ	Detroit MI; simple "WWJ Detroit" ID at toth	W/F	0900	20/1	PC
950	KTNF	St Louis Park MN ; "AM 9-50 KTNF St Louis Park"; personal first	W	0700	25/1	PC
950	KJR	Seattle WA; ESPN radio sports talk "KJR"anns	W/F	1134	30/12	Rha183
950	KJR	Seattle WA; "Sports Radio 950, KJR - Seattle" toth ID after YL F/G with ads; personal first		0800	24/1	PL
950	CFAM	Altona MB; 'Silent Night' carol // 1250 kHz	W	0900	27/12	PC
950	CFAM	Altona MB; usual classical mx // 1250 kHz	F	0758	24/1	BD
950	CFAM	Altona MB; woodwind piece // CHSM 1250 for several minutes; personal first!	F	0802	24/1	JF
950	CFAM	Altona MB; classics; also G 0900 18/1	F	0806	24/1	PL
950	CKNB	Campbellton NB; with chart pop music	W/F	2326	30/12	Rha183
950	CKNB	Campbellton NB; "Your community, your radio station, 95 CKNB"		2359	18/1	A
960	KIXW	Apple Valley CA ; "... and the ad council KIXW Apple .." noted in gap in CFAC ID; personal first	vW	0900	24/1	mah
960	KMA	Shenandoah IA; "Regional Radio. This is KMA Shenandoah, and for the latest news, weather. Sportit's kmland.com"	W/F	0900	22/1	PC
960	KMA	Shenandoah IA; "Regional Radio this is KMA Shenandoah ... the latest news weather sports ..."; personal first	W	0800	24/1	AB
960	KMA	Shenandoah IA; "Regional Radio KMA Shenandoah." & ABC nx	W	0800	26/1	BD
960	WEAV	Plattsburgh NY; "The zone, 9-60 AM WEAV Plattsburgh, Burlington, Saint John" Fox nx	F	0800	12/1	BD

kHz	Call sign	Station, location; details heard etc	SIO	UTC	Date	Who
960	WEAV	Plattsburgh NY; "Fox Talk, News Talk, Sports Talk, Today's Talk, the Zone 9-60 AM is WEAV Plattsburgh Burlington"		0059	19/1	A
960	CFAC	Calgary AB; "This is CFAC 9-60 AM Calgary, ESPN 9-60"		0659	24/11	A
960	CFAC	Calgary AB; ESPN sports talk & "This is CFAC 9-60 AM Calgary"	W/F	0800	24/1	BD
960	CFAC	Calgary AB; ESPN sports, in and out all morning, some good peaks; also W 0800 26/1	G	0826	25/1	PL
960	CM--	Radio Reloj, 4 sites listed; SS rolling nx & time ticks	F	0805	12/1	BD
970	KFBX	Fairbanks AK; "Coast to Coast AM on News Radio 9-70 KFBX"	W	1200	23/1	mah
970	WZAN	Portland ME; usual "Radio for men" slogan, 9-70 WZAN Portland then CNN news	F	0800	3/1	AB
970	WZAN	Portland ME; "9-70 WZAN"		0600	19/1	A
970	KQAQ	Austin MN (tentative); "Classic Country" ID and fair peaks mid-song	F	0454	26/1	JF
970	WWDJ	Hackensack NJ (pres); religious choir songs& later preaching px personal first	W/F	2200	29/12	Rha183
970	WDAY	Fargo ND; "AM 9-70 WDAY Fargo Moorhead USA"; personal first	W	1000	25/1	PC
980	KKMS	Richfield MN; "AM 9-80 KKMS"		0057	20/12	A
980	KKMS	Richfield MN; "Spread the Word, AM 9-80 KKMS Richfield Minneapolis <St Paul> A service of Salem Communications. More Spirited Talk Radio"; personal first	W	0600	24/1	AB
980	WCUB	Two Rivers WI; "AM 9-80 WCUB"		0602	24/1	A
980	CKRU	Peterborough ON; "Old Time Radio 9-80 Cruise"		0600	20/12	A
980	CKRU	Peterborough ON; noted Ontario's music station- "oldies right here 9-80 Kruz"	F	2330	30/12	Rha183
980	CKRU	Peterborough ON; still there with its "Hometown Radio 9-80 Kruz" ID	F	1000	4/1	AB
980	CKRU	Peterborough ON; oldies, ID "We're your button for fun and great music. Lock us in. 9-80 Kruz"	F/G	1000	6/1	mah
980	CKRU	Peterborough ON; "Your hometown radio station 9-80 Cruise"; Fpks surprisingly this station pops up well after sunrise; heard well at 1017-1034 UTC 5/1 with excellent signal		1021	31/12	SW
981		Alger Chaîne 2, Ouled Fayet; news	333	2300	24/12	FW
990		Radio Sawa, Cape Greco, Cyprus; news	222	2305	26/12	FW
990	CKGM	Montréal QC; "Caution – sports on your radio are always better in Montreal. Montreal's Sports Authority, The Team 9-90, a Chum radio station", ESPN Radio Sports Centre	W/F	0900	6/1	mah
1000	WMVP	Chicago IL; talk about superbowl 43, station ID	G	0900	19/1	PL
1000	WMVP	Chicago IL; "ESPN Radio"		0258	23/1	A
1000	WMVP	Chicago IL; "Listen all day to ESPN 1000 ... on WMVP-AM and HD Chicago", then ESPN Sports Centre	F	0800	23/1	AB
1000	WMVP	Chicago IL; usual ESPN sports talk	F	0749	24/1	BD
1000	KOMO	Seattle WA; short traces of "Komo 1000 news"& traffic weather ... a Fisher Communication station"; also F 1115 30/12	W	1112	2/1	Rha183
1000	KOMO	Seattle WA; tk, ID "KOMO 1000 news"; also W 0810 16/1	W	1100	8/1	Rha
1000	KOMO	Seattle WA; "KOMO 1000 News radio" news about governor of Illinois; also F 0825 25/1	F	0815	24/1	PL
1000	KOMO	Seattle WA; local weather and ads	W	0859	25/1	PC

kHz	Call sign	Station, location; details heard etc	SIO	UTC	Date	Who
1010	WINS	New York NY; "New York's weather station 10-10 wins", "All news, all the times"		0612	14/11	A
1010	CBR	Calgary AB; "This is CBC Radio 1, 99.1 FM and 10-10 AM in Calgary"		0559	14/11	A
1010	CBR	Calgary AB; "This is CBC Radio 1, (static crash) and 99.1 FM"; personal first	W/F	0759	24/1	PC
1010	CBR	Calgary AB; CBC Radio ID after news at 08:03:30	F	0803	24/1	JF
1010	CBR	Calgary AB; CBC news jingle clear xf CFRB; personal first	F	0800	25/1	PL
1010	CFRB	Toronto ON; CFRB traffic & Toronto area wx	W	1032	30/12	BD
1010	CFRB	Toronto ON; "On News talk 10-10 CFRB"	F	2259	30/12	JW
1010	CFRB	Toronto ON; Toronto sports with football reporting; also sports talk "CFRB 10-10"	W/Fpk	0735	16/1	Rha
1010	CFRB	Toronto ON; "10-10 CFRB", "CFRB news"		0101	19/1	A
1020	KDKA	Pittsburgh PA; KDKA talk show & CBS nx	W	0758	3/1	BD
1020	KDKA	Pittsburgh PA; "The Voice of Pittsburgh, News Radio 10-20 KDKA and KDKA-HD"	W	0800	12/1	AB
1020	KDKA	Pittsburgh PA; "Right here on KDKA"		0059	19/1	A
1020	CKVH	High Prairie AB ; oldies, "10-20 The Fox"	Fpks	0922	24/1	mah
1020	CMAP	Radio Guamá, Bahia Honda; bubbling noise effect, "Guamá informe" & Radio Guamá nx	F/G	0700	26/1	BD
1020	UNID	SS "... a la cuatro de la tarde por la 10-20", tlk; 0838 ad for University of Phoenix; in and out of the noise; KTNQ, perhaps?	Fpks	0836	24/1	mah
1030	WBZ	Boston; ID "WBZ Newsradio", CBS News?	222	0500	28/12	FW
1030	WBZ	Boston MA; religion then "WBZ, WBZ HD, Boston. The most listened-to station in New England ... WBZ news radio"	W	1000	4/1	AB
1030	WBZ	Boston MA; "News radio WBZ Boston" & CBS nx	W/F	0700	14/1	BD
1030	WBZ	Boston MA; "Listen to the stn in theWBZ News Radio 10-30 every day"		0000	19/1	A
1030	WBZ	Boston MA; WBZ ID through big splatter from 1035	F	0800	23/1	PC
1030	KTWO	Casper WY ; C2C, ID in promo for "Sean Hannity on AM 10-30 K-2 Radio", Fox News Radio; 0933 Wyoming ads, wx; personal first	W/Fpks	0930	24/1	mah
1040	WHO	Des Moines IA; "News Radio 10-40 WHO"		0450	14/11	A
1040	WHO	Des Moines IA; Fox News, "10-40 WHO" ID	W	0303	13/1	AB
1040	WHO	Des Moines IA; short Fox nx, WHO nx & "right here on 10-40 WHO"	W	0603	19/1	BD
1040	WHO	Des Moines IA; toth ID then into news	W/F	0900	23/1	PL
1040	WHO	Des Moines IA; "we (review?) the local community every way we can on Des Moine's Newsradio 10-40 WHO" then news	G	0730	24/1	JWe
1040	WHO	Des Moines IA; "...on newsradio 10-40 WHO Des Moines"	W	0800	25/1	PC
1040	CKST	Vancouver BC; "Team Sports" from ESPN radio sports centre	W/Fpks	1124	30/12	Rha183
1040	CKST	Vancouver BC; home sports reporting on 10-40 also comments	W	0820	25/1	Rha
1050	WEPN	New York NY; with ESPN sport comments & talk	W/F	2233	29/12	Rha183
1050	WEPN	New York NY; ESPN programming then QRM-disrupted local ID "The New York Rangers' home is right here - this is WEPN ..." followed by ESPN Sports Centre	W	0800	12/1	AB
1050	WEPN	New York NY; "ESPN Radio"		2213	25/1	A
1050	WEPN	New York NY; OM "Thank you for listening to the NBA on ESPN Radio"	F	2324	25/1	JW

kHz	Callsign	Station, location; details heard etc	SIO	UTC	Date	Who
1050	CKSB	Winnipeg MB; FF ID "Vous écoutez la première chaîne de Radio Canada, CKSB au Manitoba. Il est 3 heures"	Gpks	0900	24/1	mah
1050	CKSB	Winnipeg MB; OM in French talk; personal first	F	0831	25/1	PL
1050	CHUM	Toronto ON; greatest oldies "CHUM" jingle over WEPN	F	2235	29/12	Rha183
1050	CHUM	Toronto ON; "10-50 Chum, Toronto's greatest hits"		0000	19/1	A
1050	CHUM	Toronto ON; "10-50 chum, Toronto's greatest hits" & oldies	W/F	0900	20/1	BD
1050	CHUM	Toronto ON (presumed); oldies	W	2304	25/1	JW
1060	WLNO	New Orleans LA; "10-60 AM WLNO, New Orleans most powerful Christian station"	W/F	0700	23/1	PC
1060	WBIX	Natick MA; Boston Herald spot & USA network nx	W	0700	10/1	BD
1060	WBIX	Natick MA (presumed); finance ads and talk	W	2332	25/1	JW
1060	CKMX	Calgary AB; news, weather "10-60 CKMX" anns & country	35543	1305	30/12	DX183
1060	CKMX	Calgary AB; country music, ID "Classic Country AM 10-60"; personal first	W	0801	24/1	AB
1060	CKMX	Calgary AB; "Classic Country AM 10-60 presents the Valentine's Sweetheart's Ball at the Executive Royal Inn Call 403 291 2003"; personal first!	F	0820	24/1	JF
1060	CKMX	Calgary AB; "Classic country AM 10-60" OM with ID and then into music; also F/G 0826 25/1	F	0831	24/1	PL
1060	CKMX	Calgary AB; EE px // webstream; personal first	W	0843	24/1	MvA
1060	CKMX	Calgary AB; "... barn dance...only on Classic Country AM 10-60"; personal first	W	0700	25/1	PC
1060	CKMX	Calgary AB (pres); C&W music in splatter	W	0823	25/1	Rha
1060	CKMX	Calgary AB; country mx & "Southern Alberta's classic country AM 10-60"	F/G	0653	26/1	BD
1060	XEEP	R Educación, México DF; mx nostalgia/romantica // 6185 kHz	34543	0830	31/12	DX183
1060	XEEP	R Educación, México DF; SS tlk, Mexican romantic music and songs	W/Fpks	0842	31/12	Rha183
1060	XEEP	R Educación, Distrito Federal; mentions of Radio Educación and websites ending ".mx"	W	0901	1/1	AB
1060	XEEP	R Educación, México DF; light mx, SS ID "Radio Educación XEEP 1,060 de amplitud modulada"; over presumed WBIX	Fpks	0959	6/1	mah
1060	XEEP	Radio Educación, México DF; "Radio Educación" ID, then classical piano music	W	0200	17/1	JWe
1060	CM--	R 26, Matanzas; "Aquí Radio 26, ?, Cuba" amid music	F	0632	10/1	AB
1070	KNX	Los Angeles CA; news reports, ads, "KNX News time 11.45"	Gpks	0745	13/1	mah
1070	KNX	Los Angeles CA; ad break, "KNX news time 11:49" & sports nx	W	0749	24/1	BD
1070	KNX	Los Angeles CA; "This is KNX 10-70 news radio"; fine signal http://www.geocities.com/paulcrankshaw/1070knx2.way	F	0800	25/1	PC
1070	KNX	Los Angeles CA; OM with rolling news, ads and "KNX Newstime" ID, // web; personal first	W/F	0823	25/1	PL
1070	CHOK	Sarnia ON; country mx & Canadian Press nx	W	0800	24/1	BD
1070	CHOK	Sarnia ON; Country & Western mx/songs	F	2229	29/12	Rha183
1070	WMIA	Arecibo PR; SS anns, ID "... WMIA Radio Arecibo, Arecibo, Puerto Rico"	P/Fpks	0000	10/1	mah
1080		IRIB Abadan, Iran; Arabic px, Iranian mx	F	0010	13/1	MvA
1080	KUDO	Anchorage AK; talk & "KUDO 10-80" anns behind	23542	1315	30/12	DX183

kHz	Callsign	Station, location; details heard etc	SIO	UTC	Date	Who
1080	KUDO	Anchorage AK; "This is Alaska's Progressive Voice, News Talk 10-80 KUDO Anchorage, streaming online at kudo1080.com"	W	1200	23/1	mah
1080	WTIC	Hartford CT; toth ID "This is WTIC Newstalk 10-80, local news on the hour, every hour, WTIC, WTIC HD Hartford"	F	1000	5/1	AB
1080	WTIC	Hartford CT; "Newstalk 10-80" "wtic.com"	F	1023	5/1	SW
1080	WTIC	Hartford CT; powerful C2C talk of talkshow mentioning	F	0738	16/1	Rha
1080	WTIC	Hartford CT; "WTIC 10-80 Hartford"		2259	18/1	A
1080	WTIC	Hartford CT; Coast to Coast	W	0734	23/1	MvA
1080	KRLD	Dallas TX ; ads and then ID " News traffic weather and you - all on one station - News radio 10-80 KRLD, Dallas - Fort Worth" then fade into WTIC; personal first	G	0900	20/1	PL
1090.1	WBAL	Baltimore MD; sports news under UK; just caught pieces of comments on football, basketball & baseball; personal first	W	0726	26/1	Rha
1090	KPTK	Seattle WA; PSA, ID "Seattle's Progressive Talk, AM 10-90 ... KPTK Seattle"	G	0900	24/1	mah
1098		CBS-RTI Kouhu, Taiwan;	F	1450	17/1	MvA
1098		CBS Taiwan; CC talk px under UK splatter	W/Fpks	1452	18/1	Rha
1100	KFAX	San Francisco CA; religious px, KFAX promos at 0901; at 0903 ID "KFAX San Francisco Oakland (Hayward?). We are AM 11 hundred KFAX, the Spirit of the Bay"; xf others	W/Fpks	0900	24/1	mah
1100	WTAM	Cleveland OH; obligatory advertisement to buy gold, then "Fox F News Radio, This is the big one, WTAM 1100 Cleveland"		1000	4/1	AB
1100	WTAM	Cleveland OH; "It's the big one, WTAM 11 hundred Cleveland" & Fox nx	F	0900	16/1	BD
1100	WTAM	Cleveland OH; "Newsradio WTAM 1100, news on the hour, on demand at WTAM.com"		0100	19/1	A
1100	WTAM	Cleveland OH; "Cleveland News Radio WTAM"	Fair	0130	25/1	SW
1100	WTAM	Cleveland OH; "The Big One WTAM 1100 Cleveland" Fox News	G	0900	19/1	PL
1100	WTAM	Cleveland OH; news	W/F	0713	23/1	MvA
1110	WBT	Charlotte NC; "WBT Charlotte, Charlotte's news, weather and traffic station" then CNN news	W	0930	4/1	AB
1110	WBT	Charlotte NC; programme promo "on newstalk 11-10 WBT" & CBS nx	W/F	0659	12/1	BD
1110	WBT	Charlotte NC; "News Talk 11-10 WBT"		0559	19/1	A
1110	WBT	Charlotte NC; C2C talk around "WBT" anns	W/Fpks	0730	26/1	Rha
1110	YVQT	R Venezuela, Carúpano; SS "Venezuela Carúpano, 7 y 28 minutos", xf WBT	W	2358	9/1	mah
1120	KMOX	St Louis MO; "news talk 11-20 KMOX"	W/F	0900	27/12	PC
1120	KMOX	St Louis MO; talk; promo on free parking "On News talk KMOX"	W	0758	3/1	JW
1120	KMOX	St Louis MO; "On the Voice of St Louis, 11-20 KMOX" heard at toth before advertisement for sleeping pills!	W	0800	3/1	AB
1120	KMOX	St Louis MO; "Newstalk 11- 20 KMOX, KMOX HD St Louis"	F	0800	12/1	BD
1120	KMOX	St Louis MO; "KMOX report"		0103	19/1	A
1120	KMOX	St Louis MO; ads toth ID, then into CBS news	G	0900	19/1	PL
1120	KPNW	Eugene OR; "This is ... station News Radio 11-20 KPNW Eugene Springfield"	W	0900	24/1	mah
1130	KFAN	Minneapolis MN; "On the Fan"		0740	14/11	A
1130	KFAN	Minneapolis MN; sports info interviews & "K-Fan" ID	25532	1020	2/1	DX183

kHz	Callsign	Station, location; details heard etc	SIO	UTC	Date	Who
1130	KFAN	Minneapolis MN; sports talk	W	1052	2/1	Rha183
1130	KFAN	Minneapolis MN; "... on The Fan"	Fpks	0713	13/1	mah
1130	KFAN	Minneapolis MN; "...right here on AM 11-30 KFAN Minneapolis St Paul" ESPN; all alone on frequency	F	0900	14/1	PC
1130	KFAN	Minneapolis MN; "AM 11-30 KFAN - The Fan" then ESPN sports news; no sign of WBBR	F/G	0900	19/1	PL
1130	KFAN	Minneapolis MN; ESPN IDs equal WBBR	F	0400	26/1	JF
1130	KFAN	Minneapolis MN; "AM 11-30 KFAN Minneapolis St Paul, The Fan" & ESPN sports talk	W/F	0700	26/1	BD
1130	KFAN	Minneapolis MN; sports talk football of ESPN sports center	W/F	0735	26/1	Rha
1130	WBBR	NYC NY; business nx & "This is WBBR New York"	W	1000	29/12	BD
1130	WBBR	New York NY; traffic, wx	W/F	0735	8/1	Rha
1130	WBBR	New York NY; "WBBR New York, Bloomberg 11-3-0"		2300	19/1	A
1130	WBBR	New York NY; finance talk on oil prices	Ex	0737	20/1	JW
1130	CKWX	Vancouver BC; "CKWX 11-30"	F/G	1120	30/12	Rha183
1130	CKWX	Vancouver BC; "From the News 11-30 weather centre ..."	Fpks	0752	13/1	mah
1130	CKWX	Vancouver BC; "CKWX News 11-30"; also W 1047 7/1	W/F	0815	25/1	Rha
1140	KHTH	Sacramento CA; "The Sports 11-40 KHTK and KHTK-HD Sacramento, a CBS radio station and your home for (sharks?) hockey", "The Fox National Sports Report starts right now"	W/F	1100	20/1	mah
1140	WQBA	Miami FL; SS chat & "This is WQBA 11-40 AM Miami"	W/F	0802	29/12	BD
1140	WQBA	Miami FL (pres); SS tlk px ... I cannot catch an ID!	W	0757	8/1	Rha
1140	WQBA	Coral Gables FL; bilingual ID "WQBA 1140 AM ¿ siempre la voz de Miami. This is WQBA, 1140 AM Miami" under CBI	W	0800	24/1	AB
1140	WQBA	Miami FL; "This is WQBA 11-40 AM"		0701	25/1	A
1140	KSFN	North Las Vegas NV ; ads, "All sports all the time, no excuses. Sports Radio 11-40 KSFN"	Gpk	0906	24/1	mah
1140	KSFN	North Las Vegas NV ; "Sports radio 11-40 North Las Vegas, the home of the (?) Show" "Sporting News Flash" jingle; personal first	W	1000	24/1	PC
1140	CHRB	High River AB; C&W mx/songs just noted for a while	W/Fpks	1127	30/12	Rha183
1140	CHRB	High River AB (presumed); country mx, mixing CBI also dominant at 0800; personal first	F	0904	25/1	PL
1140	CBI	Sydney NS; CBC Overnight programme	F	0815	2/1	Rha183
1140	CBI	Sydney NS; EE px	F	0844	13/1	MvA
1140	CBI	Sydney NS; "This is CBC"		2300	19/1	A
1140	HJDL	Radio Paisa, Medellín; mx, SS IDs; personal first	F	0705	29/1	MvA
1150	KKNW	Seattle WA; ID "Alternative Talk 11-50 Seattle"; personal first	W	1100	2/1	Rha183
1150	KKNW	Seattle WA; "Kiro 7 Forecast", "check out 1150kknw.com for a schedule of programming", "Alternative Talk 11-50 AM"	F/G	1051	20/1	mah
1150	WHBY	Kimberly WI; "This is the Voice of the Fox CitiesWHBY"	W	0100	13/1	PC
1150	WHBY	Kimberly WI; "This is the Voice of the Fox Cities, where news comes first, Newstalk 11-50 WHBY, Kimberly" then CBS news; also 24/1	F	0200	13/1	AB
1150	WHBY	Kimberly WI; "Newstalk 11-50 WHBY Kimberly Appleton Fox City" & CBS nx	W/F	0700	16/1	BD
1150	WHBY	Kimberly WI; "Newsradio 11-50 WHBY Kimberly" ID, CBS News	F	0000	24/1	JF
1150	WHBY	Kimberly WI; "The Voice of the Fox Cities where news comes first, News Talk 11-50 WHBY Kimberly Appleton Fox Cities"		2359	24/1	A

kHz	Callsign	Station, location; details heard etc	SIO	UTC	Date	Who
1150	WHBY	Kimberly WI; talk, "WHBY" ID	W/F	0740	26/1	Rha
1150	CKOC	Hamilton ON (pres); oldies; no ID	24442	1035	2/1	DX183
1150	CKOC	Hamilton ON; oldies under WHBY talk programme	W	0738	26/1	Rha
1150	CHGM	Gaspé QC; pop & rock music/songs FF anns // 610 kHz	W/F	0812	2/1	Rha183
1160	WYLL	Chicago IL; "Celebrating 20 years of Chicago's Christian talk -G AM 11-60 WYLL Chicago" then into rlg show		0900	19/1	PL
1160	WYLL	Chicago IL; "AM 11-60 WYLL Chicago"		2359	19/1	A
1160	WYLL	Chicago IL; WYLL px promo & "AM 11-60 WYLL Chicago"	W/F	0758	23/1	BD
1160	WYLL	Chicago IL; Celebrating 20 years of Chicago's Christian Talk, AM 11-60 WYLL Chicago, on air at AM 11-60, on line WYLL.com"		0559	25/1	A
1159.97	KSL	Salt Lake City UT; US economy & politics, ABC News	W/Fpks	0800	8/1	Rha
1160	KSL	Salt Lake City UT; ads, "KSL-FM Midvale KSL Salt Lake City" and ABC News	F/G	1000	20/1	mah
1160	KSL	Salt Lake City, UT; Coast to Coast then "KSL Salt Lake City"	W	0900	24/1	PC
1160	KSL	Salt Lake City UT; toth ID ABC News	F	0800	25/1	PL
1170		VOA Poro Point, Philippines; Chinese promos & Cantonese talk programme on VOA	W/Fpks	1439	2/1	Rha183
1170		VOA Poro, Philippines; Chinese talk through UK local station (Magic) at 1449utc then interval signal and ID at 1459utc; personal first	Fpks	1449	4/1	SW
1170.01		VOA Poro Point, Philippines; Cantonese male/female tlk	W/F	1439	5/1	Rha
1170		VOA Poro, Philippines; Cantonese px	W	1421	17/1	MvA
1170	KJNP	North Pole AK ; clear ID "You've just heard the latest news on KJNP North Pole Alaska, your 50,000 watt gospel voice in the Arctic. The time at North Pole is 12.04. And here at North Pole we have 12 degrees", wx; last heard in Sheigra in 1990	Wpk	0904	24/1	mah
1170	WWVA	Wheeling WV; trucker's call in talkshow on "Big One 11-70"	W/F	0740	30/12	Rha183
1170	WWVA	Wheeling WV; Midnight Trucking Network programming. Very difficult ID behind Magic 1170 in Stockton "News Radio ... WWVA"; personal first	W	0800	12/1	AB
1170	WWVA	Wheeling WV; "This is the big one 11-70 WWVA Wheeling" & ABC nx	W	0800	21/1	BD
1170	WWVA	Wheeling WV; "This is The Big One Newsradio ...?..." WWVA Wheeling. We know the way"; ID buried in UK pile-up! Personal first!	G	0700	23/1	JF
1170	WWVA	Wheeling WV; "Radio 11-70 WWVA Wheeling"		0559	25/1	A
1180	WHAM	Rochester NY; PSA about identity theft, then toth ID "this weekend on the sports leader, News Radio 11-80 WHAM Rochester" followed by Fox News Radio	W	0900	1/1	AB
1180	WHAM	Rochester NY; legal ID then strangely into a choir singing	F	1000	4/1	SW
1180	WHAM	Rochester NY; "11 -80 WHAM Rochester news radio & Fox nx	W/F	0900	20/1	BD
1180	WHAM	Rochester NY; "News Radio 11-80 WHAM"		0005	25/1	A
1190	WOWO	Fort Wayne IN; ID under WLIB "News Talk 11-90 WOWO"	W	1000	6/1	mah
1190	WOWO	Fort Wayne IN; C2C talk possibility on "WO-WO 11-90" newstalk	W/Fpks	0451	7/1	Rha
1190	WOWO	Ft Wayne IN; personal first and my first log of 2009, difficult in QRM	222	1008	8/1	TB
1190	WOWO	Fort Wayne IN; "WOWO Fort Wayne. Depend on it"	W/F	0000	13/1	PC

kHz	Call sign	Station, location; details heard etc	SIO	UTC	Date	Who
1190	WOWO	Fort Wayne IN; reference to wowo.com at the toh under WLIB. WOWO spoken as a word	W	0000	15/1	JF
1190	WOWO	Fort Wayne IN; ads then into news after ID	G	0900	19/1	PL
1190	WOWO	Fort Wayne IN; Fox nx & "11-90 wowo weather alert"	W/F	0805	23/1	BD
1190	WLIB	New York NY; contest – "for more information log on to wlib.com", followed by commercials	F	1003	5/1	AB
1190	WLIB	New York NY; modern Christian soul mx & "WLIB New York"	W	0001	13/1	BD
1190	CFSL	Weyburn SK; PSAs, "Community Service Radio AM 11-90", "am1190@goldenwestradio.com", "weyburn.com"	W	0845	25/1	mah
1190	XEWK	W Radio, Guadalajara ; "W Radio" IDs in SS speech at toh	W	0600	21/1	JF
1200	WOAI	San Antonio TX; "News radio 12-hundred WOAI San Antonio"	W	0800	6/1	PC
1200	WOAI	San Antonio TX; very purposeful "News Radio 1200 W-O-A-I" – no sign of CFGO!	F	0758	12/1	AB
1200	WOAI	San Antonio TX; "News Radio 1200 WOAI, San Antonio's news and weather station" then into Fox News; no sign of CFGO	G	0900	25/1	PL
1200	WOAI	San Antonio TX; C2C talk show, "News Radio 12 hundred WOAI San Antonio" & Fox nx	W/F	0656	26/1	BD
1200	CJRJ	Vancouver BC; Indian pop mx, usual strange EE ID "3-1 Attention! Attention! RJ-12 hundred. I hope you like what you hear. It's the new (Gupta set?)"	F/G	1101	20/1	mah
1200	CFGO	Ottawa ON; sports reports on "Team 1200"	W/F	2225	29/12	Rha183
1200	CFGO	Ottawa ON; "Sports Radio Team 1200, this is CFGO Ottawa", "ESPN"		0059	25/1	A
1200	CFGO	Ottawa ON; sports talk px Toronto sports/basketball mostly	W/Fpks	0827	25/1	Rha
1210	WPHT	Philadelphia PA (pres); C2C talk ... but impossible to identify!	W	0737	30/12	Rha183
1210	VOAR	Mount Pearl NL; OM/YL with organ & choral mx	W	0800	20/1	BD
1210	VOAR	Mount Pearl NL; "you're listening to VOAR your Christian family radio station"	W/F	0800	20/1	PC
1220	WHKW	Cleveland OH; "WHKW Cleveland, WHKZ Warren, Northern Ohio's Word, a service of Salem Communications"	F	0959	6/1	mah
1220	WHKW	Cleveland OH; "WHKW Cleveland, WHKZ Warren ... a service of Salem Communications"	W	0800	20/1	PC
1220	WHKW	Cleveland OH; "every weekday morning at 6:30 AM 12-20 the word WHKW" & religious studio talk	F/G	0800	23/1	BD
1230	WTKG	Grand Rapids MI (pres); extremely poor audio seemed // stream, but offset nails it	222	1011	8/1	TB
1230	UNID	very weak ID sounding like "... AM 12-30 KGCR ...", ABC News; possibly KZZR, or KBCR	vWpk	1200	20/1	mah
1240	KDLR	Devils Lake ND ; country, ID "KDLR your kind of country" and then into local sports results; 1947 another ID "... on KZZY 103.5 FM ... Sunday on KDLR ..."; personal first	Wpk	0945	24/1	mah
1240	KEJO	Corvallis OR ; end of Fox News, then promo "... on the Joe Beaver Show ... on www.kejoam.com ... that's www.kejoam.com 12-40 Joe Radio"; personal first	Wpk	1105	20/1	mah
1240	WOON	Woonsocket RI ; Morse ID in DX test; personal first	W	0800	18/1	PC
1240	WJMC	Rice Lake WI ; "AM 12-40 WJMC Rice Lake" CNN; personal first	W	0900	22/1	PC

kHz	Callsign	Station, location; details heard etc	SIO	UTC	Date	Who
1240	CJAR	The Pas MB ; country, ID “CJ 12-40 CFAR 5-90 ... 867 5309”; personal first	Wpk	0952	24/1	mah
1242	JOLF	Tokyo, Japan; Japanese talk chat-show & games	W/Fpks	1442	5/1	Rha
1250	WNEM	Bridgeport MI ; “News radio 12-50 WNEM, Bridgeport”	W	0900	11/1	PC
1250	WEAE	Pittsburgh PA; ID at toh “WEAE Pittsburgh – This is ESPN”	G	0000	15/1	JF
1250	WEAE	Pittsburgh PA; "WEAE Pittsburgh" mentions of ESPN and sports news; mixing others	F	0800	16/1	PL
1250	WEAE	Pittsburgh PA; “ESPN Radio”		0702	18/1	A
1250	WSSP	Milwaukee WI; glimpsed with “Milwaukee’s sports leader” slogan & Fox sports talk	W	0800	6/1	BD
1250	WSSP	Milwaukee WI; toth ID “You’re listening to 12-50 WSSP, Milwaukee’s sports leader and on line at sportsradio1250.com”	W	0200	13/1	AB
1250	WSSP	Milwaukee WI; “12-50 WSSP Milwaukee. 12-50 Milwaukee Sports Report”	W/F	0100	15/1	PC
1250	WSSP	Milwaukee WI; "Only on 1250 WSSP the sports leader" ads and ID, talk about the cardinals; personal first	G	0900	19/1	PL
1250	WSSP	Milwaukee WI; “WSSP Milwaukee” heard in pile-up	W	0800	24/1	JF
1250	WSSP	Milwaukee WI; “12-50 WSSP Milwaukee”		0559	25/1	A
1250	CHSM	Steinbach MB; ‘Silent Night’ carol // 950 kHz	W	0900	27/12	PC
1250	CHSM	Steinbach MB; usual classical mx // 950 kHz	W/F	0758	24/1	BD
1250	CHSM	Steinbach MB; woodwind piece // CFAM 950. Good peaks!	G	0802	24/1	JF
1250	CHSM	Steinbach MB; classical music, "This is AM 12-50 News", short news bulletin	W/F	0600	25/1	JWe
1250	CHSM	Steinbach MB; classics	F	0900	25/1	PL
1250	CJYE	Oakville ON; “..... gospel music on Joy 12-50”		2359	30/11	A
1250	CJYE	Oakville ON; modern Christian songs // 1320 kHz	W/F	0929	30/12	BD
1250	CJYE	Oakville ON; Christian songs “... the spirit of CJYE” & tlk	33543	0820	31/12	DX183
1250	CJYE	Oakville ON; soft religious songs/mx	W	0848	31/12	Rha183
1260	WMKI	Boston MA; “This is WMKI Boston”, “ R Disney”		0057	25/1	A
1260	WNSS	Syracuse NY; promo “... on WNSS Syracuse, all sports, all the time. ESPN Radio 12-60”	W	1100	6/1	mah
1260	WNSS	Syracuse NY; “The home of major league football, WNSS Syracuse, all sports all the time, ESPN Radio 12-60”	W/F	0000	13/1	PC
1260	CFRN	Edmonton AB; “When you want the latest sports and the stories behind the stats, keep it logged on Edmonton’s sports radio, Team 12-60”, ESPN Radio Sports Centre	F/G	1100	20/1	mah
1270	WMKT	Charlevoix MI ; “It’s 3 o’clock at 12-70 AM WMKT, Charlevoix, Traverse City and (location?) and 92.1 FM W221BQ” (location?)	W/F	0800	6/1	PC
1270	WMKT	Charlevoix MI ; "It's 3 o'clock at 12-70 AM WMKT Charlevoix - Traverse City" then into news; personal first	F	0800	26/1	PL
1270	WXYT	Detroit MI; sports talk & Sporting News Radio jingle, WXYT affiliate	F/G	0756	23/1	BD
1270	WXYT	Detroit MI; sung “Sporting News Flash” SNR jingle in pile-up	W	0800	23/1	JF
1270	CJCB	Sydney NS; “12-70 CJCB”		0359	1/12	A
1280	WFAU	Gardiner ME; “12-80 WFAU Gardiner” in list of several stations	W/F	2300	13/1	PC
1280	WFAU	Gardiner ME; “Fox Sports Maine, 97-5, 12-80, 14-50” amid Fox Sports Radio	F	0623	17/1	AB
1280	WWTC	Minneapolis MN; “AM 12-80 The Patriot. Intelligent Radio	W	0900	22/1	PC

kHz	Callsign	Station, location; details heard etc	SIO	UTC	Date	Who
1280	WWTC	Minneapolis MN; "The Patriot" ID from OM; personal first	F	0800	25/1	PL
1280	KVXR	Moorhead MN; "... 24 hours a day we are AM 12-80 KVXR Moorhead-Fargo ..."	W	1000	15/1	mah
1280	KLDY	Lacey WA ; poor SS ID, with only the call "KLDY" picked out, Wpks followed by "ESPN Desportes Radio Sports Centre"; in and out of the noise; personal first		1100	20/1	mah
1280	WNAM	Neenah-Menasha WI; "It's Impossible" then promo "Wake up with ??? and friends – a great way to start your day on 12-80 WNAM" then Lionel Richie track	F	0330	29/12	JF
1280	WNAM	Neenah-Menasha WI; nostalgia mx, "This is AM 12-80 WNAM Neenah-Menasha Green Bay. A Cumulus station" & ABC nx	W/F	0000	13/1	BD
1280	WNAM	Neenah WI; "This is AM 12-80 WNAM Neenah Minosha, Green Bay"	W	0000	13/1	PC
1280	WNAM	Neenah WI; ID then into ABC News	F/G	0900	19/1	PL
1280	WNAM	Neenah WI; "AM 12-80 WNAM"		0327	23/1	A
1280	WCMN	Arecibo PR; "WCMN", also "Radio Puerto Rico"		0030	26/1	A
1280	CJSL	Estevan SK; country mx, "CJ 12-80 News community service radio", ads	W/F	0839	25/1	mah
1287		Galei Zahal, Ramle, Israel; news	222	0205	26/12	FW
1290	WIRL	Peoria IL ; "Classic Country 12-90 WIRL"		0704	25/1	A
1290	WKBK	Keene NH; I just caught "... station, 12-90 WKBK Keene" – not heard here for a while	W	0700	10/1	AB
1290	KKAR	Omaha NE ; "K-kar Omaha area weather forecast"		0805	25/1	A
1290	KKAR	Omaha NE ; "... Dr Laura, only on Newstalk 12-90 K-Kar, KKAR Omaha" ABC News; personal first!	F	0500	26/1	JF
1290	WKBK	Keene NH; "AM 12-90 WKBK Keene" & CBS nx	W/F	0700	16/1	BD
1290	WKBK	Keene NH; "AM 12-90 WKBK Keene" ID and CBS News	W	0600	23/1	JF
1290	WKBK	Keene NH; "AM 12-90 WKBK Keene"	W	0900	24/1	PC
1290	WNBF	Binghamton NY; "12-90 WNBF"		0055	24/1	A
1290	WHIO	Dayton OH; "12-90 ... 95.7 FM News Talk Radio WHIO Dayton's ... The Miami Valley's weather, traffic and news station"	W	1100	6/1	mah
1290	WHIO	Dayton OH; "AM 12-90 WHIO Dayton" & CBS nx	W	0700	10/1	BD
1290	WHIO	Dayton OH; "News Talk Radio 12-90 WHIO"		0758	25/1	A
1290	WOMP	Bellaire OH ; "ESPN Radio 12-90 WOMP Bellaire, 13-40 WSTV Steubenville"; ID picked out of the mix; personal first	W	1000	6/1	mah
1290	WRNI	Providence RI; "This is 12-90 WRNI Providence"		0339	15/11	A
1290	WRNI	Providence RI; ID "WRNI Rhode Island", BBC world news	W/Fpks	0700	16/1	Rha
1290	WMCS	Greenfield WI; "12-90 WMCS" "and online at 1290wmcs.com"	W	0900	14/1	PC
1290	WMCS	Greenfield WI; "12-90 WMCS, Talk of the Town, Greenfield Milwaukee"		0601	25/1	A
1290	CFRW	Winnipeg MB; "12-90 CFRW, a Chum radio station"	W	0900	27/12	PC
1290	CFRW	Winnipeg MB; greatest oldies out of the 50s & 60s playing; "CFRW" sung jingle	W/F	0735	30/12	Rha183
1290	CFRW	Winnipeg MB; ads for a lottery and local Elvis tribute show "Aloha from Hawaii"; two "CFRW" IDs	W/F	0000	24/1	JWe
1290	CFRW	Winnipeg MB; oldies & "You're listening to CFRW a Chum radio station"	W/F	0745	24/1	BD

kHz	Callsign	Station, location; details heard etc	SIO	UTC	Date	Who
1290	CFRW	Winnipeg MB; jingle: "CFRW"		0742	25/1	A
1290	CFRW	Winnipeg MB; greatest oldies "here on 12-90 CFRW" a Chum Radio station :-); also W/Fpks 0448 7/1	F/G	0800	25/1	Rha
1290	CFRW	Winnipeg MB; record "Take it Easy" by The Eagles (Confirmed from station playlist, and time of playing); personal first at this QTH	W	0806	25/1	JW
1290	CFRW	Winnipeg MB; Anne Murray's "A Love Song" at fair levels, faded a little for ID but heard the all-important "CFRW" ID, then The Paris Sisters "I Love How You Love Me". All in accordance with the playlist on CFRW's website.	F	0827	25/1	JF
1290	CFRW	Winnipeg MB; appeal for kids charity	G	0927	25/1	PL
1290	CJBK	London ON; glimpsed with "News Talk 12-90 CJBK"	W	1000	30/12	BD
1290	CJBK	London ON; heard "... on Newstalk 12-90 CJBK" at toh	W	0700	21/1	JF
1290	CJBK	London ON; "News Talk 12-90 CJBK"		2339	23/1	A
1290	CJBK	London ON; "Newstalk 12-90 CJBK" then Canadian Press nx	F	0800	26/1	PL
1290	XEDA	Radio Trece, México DF; news, then "Las dos con uno minuto. Once grados es la temperatura en la capital de la república mexicana. ... ése fue un report informativo de Radio Trece" and later "...EDA", the "X" was missing in noise.	W	0801	3/1	AB
1290	XEDA	Radio Trece, Mexico City; "Radiotrece.com.mx" and "Radio Trece" ID; OM and YL in talk; personal first	F/G	0830	14/1	PL
1290	YVLF	Puerto Cabello; SS tlk	W/Fpks	0247	9/1	Rha
1300	KGLO	Mason City IA; "AM 1300 KGLO"		0800	24/1	A
1300	KGLO	Mason City IA; "news breaking on 13 hundred KGLO Mason City located north Iowa"	W/F	0804	25/1	Rha
1300	WOOD	Grand Rapids MI; "This is news radio 13-hundred WOOD Grand Rapids"	W/F	0900	27/12	PC
1300	WOOD	Grand Rapids MI; C2C talk show, "News Radio wood 13 hundred" & Fox nx	W	0857	29/12	BD
1300	WOOD	Grand Rapids MI; "This is News Radio 1300 WOOD Grand Rapids" under 1296 splatter	W	0200	13/1	AB
1300	WOOD	Grand Rapids MI; "Official weather stn, Newsradio Wood 1300"		0804	14/1	A
1300	WOOD	Grand Rapids MI (pres); I guess it's newsradio 1300	W/F	0718	16/1	Rha
1300	WOOD	Grand Rapids MI; "Newsradio Thirteen Hundred WOOD Grand Rapids" heard in 1305 splash	W	0800	23/1	JF
1300	WXRL	Lancaster NY; "WXRL, Lancaster, Buffalo, Western New York's family radio station"	W/F	0000	13/1	PC
1300	WXRL	Lancaster NY (pres); C&W mx in background of WOOD; personal first ; no ID	W	0719	16/1	Rha
1300	WJMO	Cleveland OH; "WJMO Cleveland, a Radio One station"	F	1000	11/1	PC
1300	WJMO	Cleveland OH; "Non-stop inspirational music 24-7 - Cleveland's inspiration station, New Praise 1300 AM"	G	0800	26/1	PL
1300	WJMO	Cleveland OH; Gospel and a good "WJMO"		0018	20/12	A
1310	WLOB	Portland ME; C2C	W/Fpks	0050	1/1	Rha183
1310	WLOB	Portland ME; "WLOB Portland 13-10, WWMR Radio", Fox		0659	14/1	A
1310	WDTW	Dearborn MI; "WDTW.com", "Detroit's Progressive Talk, 13-10 WDTW Dearborn Detroit"		0022	20/12	A
1310	WCCW	Traverse City MI; "13-10 ESPN Radio, WCCW AM Traverse City"	W	0900	11/1	PC
1310	WCCW	Traverse City MI; ID then into news; personal first	W	0900	19/1	PL

kHz	Callsign	Station, location; details heard etc	SIO	UTC	Date	Who
1310	KNOX	Grand Forks ND; "This is Talk Radio AM 13-10 KNOX Grand Forks ... it's 4 o'clock"; xf WLOB	W/F	1000	20/1	mah
1310	KNOX	Grand Forks ND; "This is Talk Radio 13-10 KNOX Grand Forks"	W	0800	24/1	PC
1310	KNOX	Grand Forks ND; "Talk Radio 1310 KNOX" brief peak with ID; personal first	F	0840	24/1	PL
1310	WDCT	Fairfax VA; "The Family Radio Network" (Format: ETH:REL)		2330	19/12	A
1310	WIBA	Madison WI; "...on newstalk 13-10 WIBA"	W/F	0000	15/1	PC
1310	WIBA	Madison WI; ID up out of mix; personal first.	W	0800	24/1	PL
1310	WIBA	Madison WI; "News Talk 13-10 WIBA"		0600	22.11	A
1310	CHLW	St Paul-Bonnyville AB (pres); C&W under WLOB's talk	W/Fpks	0731	30/12	Rha183
1310	CHLW	St Paul-Bonnyville AB; C&W on "Cat-Country"; W 0810 8/1	W	0809	25/1	Rha
1310	CHLW	St Paul-Bonnyville AB; "The Lakeland's country music leader 13-10 CHLW" country mx OM DJ; personal first	F	0901	25/1	PL
1310	CIWW	Ottawa ON; "CIWW Ottawa, Oldies 13-10"		2300	19/12	A
1310	CIWW	Ottawa ON; "I love Rock 'n' Roll" by Joan Jett and the Blackhearts then ID at 0803 "CIWW Ottawa Oldies 13-10", followed by "Light my Fire" by The Doors; personal first	Fpks	0803	27/12	AB
1310	CIWW	Ottawa ON; oldies & "CIWW we're Oldies 13-10"	W/F	0801	17/1	BD
1320	WATR	Waterbury CT; "...station for news, talk and golden oldies ..this is WATR Waterbury"	W	0900	24/1	PC
1320	WILS	Lansing MI; "This is Monica Crowley inviting you to join me on 13-20 WILS" mixing with oldies station (maybe WJAS); personal first	Fpk	0024	15/1	SW
1320	WILS	Lansing MI; tlk about Detroit car show, ID "more compelling talk on WILS 13-20"; personal first	W	0600	16/1	Rha
1320	WILS	Lansing MI; "Talk Radio 13-20 WILS Lansing"		0006	20/12	A
1320	KOZY	Grand Rapids MI; "13-20 KOZY Grand Rapids..."; personal first	W	0900	18/1	PC
1320	WJAS	Pittsburgh PA; "13-20 WJAS.com and WJAS Pittsburgh"		2359	19/12	A
1320	WJAS	Pittsburgh PA; "... on 13-20 WJAS Pittsburgh, it is 6 o'clock", W then "13-20 WJAS News"	W	1100	6/1	mah
1320	WJAS	Pittsburgh PA; "WJAS Pittsburgh" then into CNN news; mixing Ontario	F	0800	16/1	PL
1320	WJAS	Pittsburgh PA; "Pittsburgh's great music station is 13-20 WJAS Pittsburgh. It's 6 o'clock"	W/F	2300	16/1	PC
1320	WJAS	Pittsburgh PA; CNN news, after ID	W	0900	19/1	PL
1320	WJAS	Pittsburgh PA; oldies and promo for "Pittsburgh's WJAS alarm call" first time with an ID; personal first	Fpk	0013	26/1	SW
1320	WJAS	Pittsburgh PA; oldies and WJAS drop-in jingle noted at 06:18:40. Personal first!	W	0618	26/1	JF
1320	CHMB	Vancouver BC (tentatively); Chinese talk briefly heard	W	0501	16/1	SW
1320	CHMB	Vancouver BC; Chinese talk, 14-10 in at same time	F	0901	18/1	PL
1320	CJMR	Mississauga ON; "CJMR 13-20, the Voice of the City"		0100	20/12	A
1320	CJMR	Mississauga ON; modern Christian songs // 1250 kHz	W	0929	30/12	BD
1320	CJMR	Mississauga ON; with Punjabi & Russian programming but no ID; adverts often have English numbers and roads this is usually the most common signal on 1320	Fpks		Jan	SW
1320	CJMR	Mississauga ON; Christian popular songs & ID "The Voice of the City"	W/F	0242	9/1	Rha

kHz	Callsign	Station, location; details heard etc	SIO	UTC	Date	Who
1320	CJMR	Mississauga ON (presumed); Indian music	W	0503	17/1	JW
1320	YVWP	R Apolo, Turmero; SS tlk xd CJMR	W	0239	9/1	Rha
1320	YVWP	R Apolo, Turmero; "Radio Apolo" several clear IDs then Anthem; personal first	F	0430	16/1	SW
1320	YVWP	R Apolo, Turmero; Venezuelan NA, followed by another anthem-type piece (State anthem perhaps?) then "R Apolo desde Turmero"	Fpks	0435	16/1	AB
1320	YVWP	Radio Apolo ,Turmero; LA songs, sung "Radio Apolo" ID. Unexpectedly good signal as no other Venezuelan was audible.	F/G	0458	20/1	JWe
1323		BBC World Service, Zyyi, Cyprus; BBCWS News	222	0200	31/12	FW
1330	WRCA	Waltham MA; 2 good "WRCA"		0201	20/12	A
1330	WRCA	Waltham MA (pres); ethnic programming, talk; no ID	W	2218	29/12	Rha183
1330	WRCA	Waltham MA; traces of ethnic talk noted	W/Fpks	0235	9/1	Rha
1330	WRCA	Watertown MA; light "elevator" mx & "AM 13-30 WRCA Watertown"	W	0701	10/1	BD
1330	WLOL	Minneapolis MN; "This is Relevant Radio 13-30 WLOL Minneapolis - St Paul. <sung Relevant Radio> Relevant Radio for the Twin Cities It's eight o'clock"	W	0200	13/1	AB
1330	WLOL	Minneapolis MN; "WLOL Minneapolis St Paul"; also 0800 18/1 with "Relevant Radio"	W	0900	15/1	PC
1330	WLOL	Minneapolis MN; " WLOL Minneapolis-St Paul, Relevant Radio, It's three o'clock" then into religious news; personal first	W/F	0900	19/1	PL
1330	WLOL	Minneapolis MN; "WLOL Minneapolis, St Paul, Relevant Radio 13-30"		0059	28/1	A
1330	WFNN	Erie PA; usual sports programming and ID "This is Fox Sports Radio, AM 13-30 The Fan"	W	0933	1/1	AB
1330	WFNN	Erie PA; Fox Sports radio, ID "The Fan 13-30" under WRCA	W	0233	9/1	Rha
1330	WFNN	Erie PA; "Fox sports radio AM 13-30 WFNN Erie" & CNN nx	W	0900	12/1	BD
1330	WFNN	Erie PA; "Fox Sports Radio, AM 13-30 The Fan, WFNN Erie"	F	0800	23/1	JF
1330	WFNN	Erie PA; " AM 13-30 - The Fan WFNN Erie" then into CNN radio news	F/G	0900	24/1	PL
1340	CFYK	Yellowknife NT ; 1341 kHz splatter cleared to reveal list of local CBC FM repeater stations, followed by "If you have any comments ... please write to The Area Manager, CBC North, (Box?) 160, Yellowknife, North-west Territories, X1A 2N2, or you can ..."; best ID I've had from this one	Wpk	1059	20/1	mah
1350	WARF	Akron OH ; "WARF Akron sports radio 13-50" & SNR sports talk	W/F	0800	21/1	BD
1350	WOYK	York PA; sports news, unusual ID "13-Europe, 13-sports WOYK also keeps you up to date with the latest news from across the state. I'm Kathy Clarke of Radio PA"	Fpks	1105	6/1	mah
1350	KRLC	Clarkston WA; country mx, ID very poor "The mighty ... This is ... Lewiston Clarkston"; xf presumed KTIK with sports	Wpk	1101	20/1	mah
1350	CKAD	Middleton NS; country mx 7 network ID including "...13-50 CKAD Middleton ... an MBS station"	W/F	0702	17/1	BD
1350	CKAD	Middleton NS; "CKAD ..103 FM"	W	0800	20/1	PC
1358.98		CNR1 reported last month on 1358.58 should read 1358.98				TB
1359		CNR 1, China; Chinese infos & talk // 1377 kHz Henan but weaker	W/F	1517	1/1	Rha183

kHz	Call sign	Station, location; details heard etc	SIO	UTC	Date	Who
1360	WDRC	Hartford CT; "Talk of Connecticut, WDRC AM 13-60 Hartford"		0100	20/12	A
1360	WDRC	Hartford CT; "This is the talk of Connecticut WDRC AM 13-60 Hartford" & AP Radio News?	W	0700	10/1	BD
1360	WDRC	Hartford CT; tlk, "I'm James Barclast ...13-60 AM this is tlk of W/F Connecticut"		0726	16/1	Rha
1360	WDRC	Hartford CT; toth ID in mix with others, improved after ID	F/G	0800	16/1	PL
1360	WKAT	North Miami FL; "Esta es Radio WKAT North Miami 13-60 AM, this is WKAT North Miami 13-60 AM"		0701	28/11	A
1360	WKAT	North Miami FL; SS ID "WKAT"; religious	W	0200	14/1	PC
1360	WKAT	North Miami FL; ID in Spanish / English @ 09:00:24	W	0900	25/1	PL
1360	KKBJ	Bemidji MN; "The North Land Talk Radio, AM 13-60 KKBJ Bemidji"; personal first	W	0800	18/1	PC
1360	WTAQ	Green Bay WI; "News Radio 13-60 WTAQ"		0100	20/12	A
1360	WTAQ	Green Bay WI; "News radio 13-60 WTAQ Green Bay" WTAQ W sung jingle	W	0900	15/1	PC
1360	WTAQ	Green Bay WI; "Newsradio 13-60 WTAQ Green Bay a service of (?) Mid West Communications" then into CBS news; personal first	W/F	0900	16/1	PL
1370	WDEA	Ellsworth ME; nostalgia mx, "AM 13-70 WDEA Ellsworth. A Cumulus station" & CBS nx	W	0658	10/1	BD
1370	WDEA	Ellsworth ME; "AM 13-70 WDEA Ellsworth, a Cumulus Radio Station"		0659	14/1	A
1370	WDEA	Ellsworth ME; nostalgia/oldies in splatter	W	0746	26/1	Rha
1370	WXXI	Rochester NY; "This is WXXI AM Rochester"		0359	28/11	A
1370	WXXI	Rochester NY; NPR, ID "This is WXXI-AM Rochester WRUR-FM Rochester WJSL-FM Houghton* and WXXI-FM HD2 Rochester" (* seemingly pronounced "Hockney")	F	1059	6/1	mah
1370	WXXI	Rochester NY; WXXI ID at toth	W	0000	13/1	PC
1370	WXXI	Rochester NY (pres); BBC news updates - no ID!	W	0730	16/1	Rha
1370	WGIV	Pineville NC; "WGIV 13-70 AM, your community connection and the best of talk and inspiration"		2304	19/12	A
1370	KAST	Astoria OR; light mx, difficult/unclear anns "And now, from Kim Komando, Saturday mornings 10 to ?? on KAST"; splattered by 1368 kHz; tnx to AB, and to Jan Alvestad, Russ Edmunds, Bruce Portzer and Barry McLarnon via the RealDX Group for their confirmation that this is 100%; personal first	Fpks	1230	2/12	mah
1370	CFOK	Westlock AB; "This is a Newcap Radio station 13-70 CFOK. ..., all kinds of stuff"	Fpks	1200	20/1	mah
1377		IRIB1, location ?; Farsi px	F	1505	17/1	MvA
1380	WTJK	South Beloit IL; weak ID and then "ESPN radio 1380"; personal first	W	0900	18/1	PL
1380	KLIZ	Brainerd MN; "Sporting News Radio", "The Fan"		0738	22/11	A
1380	WMYF	Portsmouth NH; "AM 13-80 WMYF Portsmouth..."		0200	15/11	A
1380	KOTA	Rapid City SD; "news talk radio ... KOTA"	W	0900	18/1	PC
1380	KRKO	Everett WA; ESPN radio talk & sports "KRKO" anns; personal first	F	0728	30/12	Rha183
1380	CKPC	Brantford ON; "CKPC" in the jazz px		2321	19/12	A
1380	CKP C	Brantford ON; soft pops, "You're listening to CKPC radio" & Canadian Press nx	F	0758	23/1	BD
1380	CKPC	Brantford ON; "You're listening to CKPC radio"	W	0900	11/1	PC

kHz	Callsign	Station, location; details heard etc	SIO	UTC	Date	Who
1380	XECO	Radio Romántica, México DF; Pare de Sufrir programming. ID "1380 AM música, Romántica, siempre en tu corazón". NA at 0557, followed by "Estás escuchando XECO, Romántica, AM música. 50,000 vatios de potencia, siempre en tu corazon ... desde Radio Valle de México, Avenida Paseo de la Reforma no. 56, México, Colonia Juárez, teléfono 5... 6606"; personal first	F	0559	11/1	AB
1380	XECO	13-80 AM Musica Romantica, Iztacalco; Thank you to AB for the transcription: "Estás escuchando XECO, Romántica, AM Música. 50,000 vatios de potencia ... desde Radio Valle de México, Avenida Paseo de la Reforma no. 56, México, Colonia Juárez, teléfono 5... 6606"; personal first!	W	0600	11/1	JF
1386		Tianjin RGD, China; talk & Chinese music	W/F	1500	1/1	Rha183
1386		Tianjin RGD, China; CC talk px & very clear ID "Tianjin Guangbo Dientai", then promo; also W/F 1417 5/1	G/Spks	1444	11/1	Rha
1386		Tianjin PBS, China; CC songs, talks	F	1449	17/1	MvA
1390	WEGP	Presque Isle ME; "It's One AM. You're listening to the Talk of the County 13-90 WEGP"	F	0102	29/12	JW
1390	WEGP	Presque Isle ME; C2C talk show & WEGP website promo	W	0928	30/12	BD
1390	WEGP	Presque Isle ME; Rush Limburgh I'm Jim Bohannan on "WEGP 13-90 weekend", "wegp.net"	F/G	0046	1/1	Rha183
1390	WEGP	Presque Isle ME; "13-90 WEGP Presque Isle"		0659	14/1	A
1390	WEGP	Presque Isle ME; ID "13-90 WEGP", news, report YL; also 322333 0400 4/1		0500	18/1	FW
1390	WEGP	Presque Isle ME; contemporary talk & "wegp.com"	G	0519	24/1	Rha
1390	WPLM	Plymouth MA; "Easy 99.1" "Another hour of your favorites"; over WEGP	F	0800	5/1	SW
1390	WPLM	Plymouth MA; WPLM ID in a few seconds of WEGP silence	F	0200	14/1	PC
1390	WPLM	Plymouth MA; "You're listening to the Lionel (?), Today's Easy 99.1"		0116	20/12	A
1390	WPLM	Plymouth MA; ID Sung "Easy99.1" then "on today's Easy 99.1" In to record "I Don't Know Why"	F	0501	29/12	JW
1390	WLCM	Holt MI ; tuned to channel to hear "AM 13-90 WLCM". Not recording at the time, though! Also logged W 0900 18/1 "Victory 13-90 WLCM"	W	2330	12/1	PC
1390	WFBL	Syracuse NY; station ID and start of doo wop oldies show, mixing, WEGP, hrd on crate loop and Sony ultralight; personal first	F/G	0000	15/1	PL
1390	WFBL	Syracuse NY; "The hits of the 50s and 60s on Oldies 13-90", then sung jingle "Oldies Radio WFBL"; not frequent here	G	0437	16/1	AB
1390	WFBL	Syracuse NY; "The golden age of rock & roll on Oldies 13-90 WFBL, Solid Gold Radio"	W	0600	23/1	JF
1390	KRRZ	Minot ND; ".. Feels good. Oldies Radio 13-90 KRRZ"; personal first	W	0900	25/1	PC
1390	WRIG	Schofield WI; "Big Rig 13-90"		0456	20/12	A
1390	WRIG	Schofield WI; mixing with WEGP "WRIG Schofield Wausau, proudly serving Central Wisconsin"	W/F	0800	11/1	PC
1390	WRIG	Schofield WI; toth ID "AM 13-90 WRIG Schofield-Wausau, a service of Midwest Communications" – WEGP not evident	F	0300	14/1	AB
1390	WRIG	Schofield-Wausau WI; "This is 13-90 WRIG Schofield-Wausau, a service of Midwest Communications"	W	0300	14/1	JF

kHz	Callsign	Station, location; details heard etc	SIO	UTC	Date	Who
1390	WRIG	Schofield WI; full legal ID, mixing with WEGP and a gospel station; also IDs on 26/1 at 0300 and 0600	Fpk	0300	14/1	SW
1390	WRIG	Schofield WI; songs "Big Rig" as sung jingle in between	W/Fpks	0730	25/1	Rha
1390	YVZA	R Fé y Alegría, Caracas; SS; LA mx, ID "Radio Fé y Alegría"	W/Fpks	0500	5/1	Rha
1395		Al- Jazeera; AA talks, live audio TV channel // webstream; location?; personal first	W	2218	12/1	MvA
1395	UNID	Chinese signal with audible echo from two transmitters with about 100ms delay; not heard this echo before on 1395kHz	F	1502	4/1	SW
1400	WOND	Pleasantville NJ; "News Talk 1400 WOND Pleasantville, Atlantic City"		0100	19/12	A
1400	WSLB	Ogdensburg NY; "ESPN radio 14-hundred WSLB Ogdensburg"; personal first	W	0900	20/1	PC
1400	KLCK	Goldendale WA; "Every day the great oldies are playing right here on 14 hundred KLCK Goldendale. Good morning, it's 4 o'clock"	W	1200	20/1	mah
1400	CBG	Gander NL; CBC px. Every evening – morning		nite	alw.	A
1400	CBG	Gander NL; CBC One overnight, ID "on CBC Radio"	W/F	0044	1/1	Rha183
1400	CBG	Gander NL; OM "On CBC overnight" and "CBC Radio 1"	F	0759	11/1	JW
1400		Harbour Light of the Windwards, Carriacou; religious talk & announcements of spirituals	F	0726	30/12	Rha183
1400	HJKM	Emisora Mariana, Bogotá; studio talks, serious mx, music box tune & "Mariana informe"	W/F	0800	13/1	BD
1410	WPOP	Hartford CT; ESPN sports	W/Fpks	0724	30/12	Rha183
1410	WPOP	Hartford CT; ESPN programming with toth ID "ESPN Radio 14-10 WPOP Hartford"	W	0700	10/1	AB
1410	WPOP	Hartford CT; ESPN sports talk & "This is ESPN Radio 14-10 WPOP Hartford"	W	0700	10/1	BD
1410	WPOP	Hartford CT; "ESPN Radio 14-10 WPOP Hartford"		0759	14/1	A
1410	CFUN	Vancouver BC; car ad in talk of "14-10 CFUN"	W/F	1047	30/12	Rha183
1410	CFUN	Vancouver BC; Coast to Coast "Talk 14-10 is CFUN14-10 is CFUN, 14-10 AM Vancouver"	W	1000	24/1	PC
1410	CFUN	Vancouver BC; C2C talk & reviews; "Team Sports 10-40"	W/F	0747	25/1	Rha
1410	CFUN	Vancouver BC; "Talk 14-10" during ad for Saturday talk show; also G 0900 19/1	F	0832	25/1	PL
1410	XEBS	Perrona, Mexico City; MOR Mexican songs "XEBS"	W	0758	29/12	BD
1410	UNID	"Radio Globo" ID. All-time list shows one logging of R Globo ID on this frequency in 1993 at Sheigra.	W	0900	31/12	PC
1413		BBC World Service, A'Seela, Oman; ID "BBC WS", news	222	0200	16/1	FW
1413		Xinjiang PBS, China; talk in splatter of KBC	W	1430	5/1	Rha
1413	JOIF	KBC Fukuoka; Japanese talk & "KBC" anns as jingle	W/Fpks	1513	1/1	Rha183
1413	JOIF	KBC Fukuoka; JJ talk noted just this moment "KBC"; also W/Fpks 1503 18/1	W/F	1427	5/1	Rha
1413	JOIF	KBC Fukuoka; Japanese male and female talk	W	1455	17/1	MvA
1420	WOC	Davenport IA; "News Talk 14-20 WOC Davenport"		0559	14/11	A
1420	WOC	Davenport IA; "When people talk, WOC news listens. News where we live." and "The Quad Cities' News Leader, WOC, Talk Radio 1420"; personal first	F	0958	5/1	AB
1420	WOC	Davenport IA; "Newstalk 14-20 WOC Davenport quad cities" & Fox nx	W	0800	6/1	BD
1420	WOC	Davenport IA; "News talk 14-20 WOC...Quad Cities"	W	1000	11/1	PC

kHz	Callsign	Station, location; details heard etc	SIO	UTC	Date	Who
1420	WOC	Davenport IA; "Newstalk 14-20 WOC Davenport Quad Cities" ID; xd WHK	F	0800	23/1	JF
1420	WOC	Davenport ID; ID in toth mix	W	0900	23/1	PL
1420	WBEC	Pittsfield MA; "The only station ... that really talks. AM 14-20 Fpks WBEC Pittsfield"		1000	1/1	mah
1420	WBEC	Pittsfield MA; " ... exclusively on AM 14-20 WBEC, the only station in the Berkshires that really talks, AM 14-20 WBEC Pittsfield"; personal first	W/F	2200	16/1	PC
1420	KTOE	Mankato MN; jingle "Information Radio 14-20 KTOE Mankato"		0759	22/11	A
1420	WHK	Cleveland OH; two "Newstalk 14-20 WHK" mentions in quick succession	F	0930	4/1	AB
1420	WHK	Cleveland OH; "This is News Talk 14-20 WHK, a service of Salem Communications"	W/F	0900	6/1	mah
1420	WHK	Cleveland OH; "Newstalk 14-20 WHK" ID xd WOC	F	0800	23/1	JF
1420	WHK	Cleveland OH; SRN nx & "Cleveland's choice for intelligent talk, newstalk 14-20 WHK"	W/F	0802	23/1	BD
1420	WHK	Cleveland OH; "This is Newstalk 1420 WHK a service of Salem Communications", then into news	G	0800	26/1	PL
1420	CKDY	Digby NS; country mx & network ID including "14-20 CKDY Digby"	W	0800	20/1	BD
1430	WNSW	Newark NJ; "AM 14-30 WNSW New York City"		0200	29/11	A
1430	WNSW	Newark NJ; "WNSW, Newark, New York City"	W	0900	24/1	PC
1430	WENE	Endicott NY; toth ID "Sports Radio 14-30 The Team" with presumed CHKT for company	W	0800	27/12	AB
1430	WENE	Endicott NY; Fox sports talk & "14-30 AM sports radio WENE"	W	0800	3/1	BD
1430	WENE	Endicott NY; sports on "Sports Radio 14-30"	W	0741	16/1	Rha
1430	WENE	Endicott NY; "Sports Radio 14-30 The Team"		0526	24/1	A
1430	KLO	Ogden UT; "World class talk on air, AM 14-30 KLO"	W	0900	24/1	PC
1430	KLO	Ogden UT; Midnight Radio Network, "This is KLO", ads	Gpks	0830	25/1	mah
1430	KBRC	Mount Vernon WA ; "From Concrete to Coupeville it's Classic Hits AM 14-30 KBRC and FM 102-1", oldies; personal first	Wpk	1232	2/12	mah
1430	KCLK	Asotin WA; "From the (Lewiston Bengals to the ... Sea Lions?), your home for all things football, AM 14-30, The Sports Fan", then ESPN Radio Sports Centre; no call ID	Fpks	1200	20/1	mah
1430	CHKT	Toronto ON; "AM 14-30 CHKT"		0500	20/12	A
1430	CHKT	Toronto ON; "This is AM 14-30 CHKT Fairchild Radio, Toronto"	G	1000	1/1	mah
1430	CHKT	Toronto ON; 14-30 CHKT ID then disclaimer regarding following programme for the "international community here in Toronto"	F	0200	13/1	AB
1430	CHKT	Toronto ON; EE, Punjabi spots for Toronto & Indian film mx	F/G	0858	24/1	BD
1430	YVTP	Radio Bahia, Puerto La Cruz; bright LA mx & "Super Musical Bahia" slogan	W	0804	15/1	BD
1440	WRED	Westbrook ME; "Sports Radio WJAB Westbrook" or did they say "WJJB". How about the call? Has been a mess for some years.		0301	20/12	A
1440	WRED	Westbrook ME; "The Jab, Sports Radio WRED Westbrook Portland..."	W	0900	27/12	PC
1440	WRED	Westbrook ME; legal ID for WJJB and WRED	F	0100	31/12	SW

kHz	Call sign	Station, location; details heard etc	SIO	UTC	Date	Who
1440	WRED	Westbrook ME; "The Big Jab" ID followed by Sporting News Radio programming	F	0925	4/1	AB
1440	WRED	Westbrook ME; sports talk WJJB FM Gray Portland WRED AM Westbrook Portland"	W	0800	17/1	BD
1440	WHKZ	Warren OH; "Your home for the Word, AM 14-40 and ..."		0159	20/12	A
1440	WHKZ	Warren OH; "Christian Talk 12-20 WHKW"	W	1042	30/12	Rha183
1440	WHKZ	Warren OH; religious studio talk & "14-40 WHKZ Warren"	W	0200	31/12	BD
1440	WHKZ	Warren OH; religious programming, toth ID"AM 12-20 The Word, WHKW Cleveland, WHKZ Warren (repeated), SRN news is next on The Word, a service of Salem Communications"	F	1000	4/1	AB
1440	WHKZ	Warren OH; Insight for Living; religion matching WHKW schedule	Fpks	0006	16/1	SW
1440	WHKZ	Warren OH; YL with toth ID then into religion, fair later; personal first	W	0900	19/1	PL
1440	CKJR	Wetaskiwin AB; oldies from the 50's "...at 14-40 CKJR" ID	23542	1335	30/12	DX183
1450	VSBI	Hamilton, Bermuda; nostalgia mx & "14-50 AM Gold"	W/F	0801	12/1	BD
1450	WATZ	Alpena MI ; "North Eastern Michigan's news and information station, this is WATZ AM". Marginal reception. Many thanks to the many who listened to the recording. Personal first	W	1000	22/1	PC
1450	WENJ	Atlantic City NJ; Usual "WENJ 1450 Atlantic City and on the web at 1450espn.com" ID.	vW	1000	5/1	AB
1450	WENJ	Atlantic City NJ; ESPN sports talk & "WENJ 14-50 Atlantic City"	W	0900	24/1	BD
1460	KXNO	Des Moines IA; "ESPN"; "14-60 KXNO"		0600	22/11	A
1460	WDDY	Albany NY; Radio Disney pops // 1560 WQEW	W	0702	10/1	BD
1460	WHIC	Rochester NY; REL px, "... from Rochester New York"		2359	19/12	A
1460	WHIC	Rochester NY; "This is WHIC Rochester, the Station of the Cross. It's 7 0' clock"	F	0000	13/1	PC
1460	CJOY	Guelph ON; "14-60 CJOY, the Royal City's greatest hits"	Fpks	0904	8/1	mah
1460	CJOY	Guelph ON; oldies and "14-60 CJOY, The Royal City's Greatest Hits" ID	F	0602	23/1	JF
1460	CJOY	Guelph ON; oldies, sung ID	F	0831	26/1	PL
1467		TWR R Bishkek, Kyrgyzstan; EE ID "TWR Bishkek"; religious anns & Bible px	W/F	1853	29/12	Rha183
1467.3		Sanadaj, Iran; unusually massive S9+10 signal	Exc	2331	7/1	SW
1470	WLAM	Lewiston ME; "WLVP Gorham, WLAM Lewiston Auburn, 8-70 and 14-70 ESPN Radio means Sports station"		2346	19/12	A
1470	WLAM	Lewiston ME; ESPN radio sports with football comments	W/F	0748	2/1	Rha183
1470	WLAM	Lewiston ME; ESPN sports talk & "WLAM Lewiston Auburn"	W	0700	3/1	BD
1470	WLAM	Lewiston ME; sport talk	222	0508	11/1	FW
1470	WLAM	Lewiston ME; "ESPN Radio"	W	0739	17/1	JW
1470	WNYN	Ithaca NY; CNN nx, "one great station, progressive talk 14-70 WNNY" & John and Jeff Show	W/F	0805	16/1	BD
1470	WBKV	West Bend WI; "... BKV West Bend"		0459	20/12	A
1470	WBKV	West Bend WI; personal first ; very weak but welcome mid west opening, totally alone on channel after WLAM & others faded out	222	1010	8/1	TB
1470	WBKV	West Bend WI; "Classic Country 14-70, WBKV West Bend"	W	0200	14/1	PC
1470	WBKV	West Bend WI; country mx, "14-70 WBKV West Bend for your country classics" & CNN nx	W	0200	19/1	BD

kHz	Callsign	Station, location; details heard etc	SIO	UTC	Date	Who
1470	WBKV	West Bend WI; "If it happens in West Bend, you'll hear it on WBKV" then CBS news	W	0800	24/1	AB
1470	CJVB	Vancouver BC; CC talk, "CJVB Fairchild Radio" ID	F/G	1044	30/12	Rha183
1470	CJVB	Vancouver BC; CC language tlk & partial ID "CJVB" as Chinese jingle; also F/G 0745 25/1	W	0730	8/1	Rha
1470	CJVB	Vancouver BC; glimpsed with usual CC studio talk	W	0758	16/1	BD
1470	CJVB	Vancouver BC; three pips on hour over mix of stations	W	0800	20/1	PL
1470	CJVB	Vancouver BC; three time pips mixing WLAM just after toh, then Chinese music heard	W	0400	23/1	JF
1470	CJVB	Vancouver BC; "This is the (?) of multicultural Vancouver. AM 14-70 CJVB Fairchild Radio....", three pips	W	1000	24/1	PC
1470	XEAI	México DF; "Radio Fórmula 14-70" "Grupo Fórmula"	F	0500	11/1	SW
1470	XEAI	Radio Fórmula, Mexico City; SS discussion px & "Radio Fórmula de la noche" slogan	W/F	0804	29/12	BD
1470	XEAI	Radio Fórmula, México City, DF; Fórmula de la noche programming with soft SS music	F	0830	29/12	AB
1470	YVSY	Radio Vibración, Carúpano; bright LA mx, "en Vibración 14-70" & TC	F	0358	31/12	BD
1470	YVSY	Vibración, Carúpano; SS, nice Venezuelan music on top for a while; also W 0455 5/1	F/G	0224	12/1	Rha
1470	UNID	Latin American station with lengthy live politic speech with numerous shouts of "Viva Palestina!" Hugo Chaves perhaps?	G	0018	14/1	SW
1476		IRIB1 Sahandaj, Iran;	F	2305	15/1	MvA
1480	WSAR	Fall River MA (pres); talk of US economy & politics	W	2213	29/12	Rha183
1480	WSAR	Fall River MA; "... one radio station all day long every day, we're 14-80 WSAR Fall River" & ABC nx	W	0800	20/1	BD
1480	WGVU	Kentwood MI; WGVU and WGVU IDs "Grand Valley State University"	W	0900	11/1	PC
1480	WGVU	Kentwood MI; "14-80 WGVU Kentwood and W..." ?	F	0800	23/1	JF
1480	WHBC	Canton OH; local tlk mentioning Canton "WHBC"; xd WSAR	W	0742	2/1	Rha183
1480	WHBC	Canton OH; "14-80 WHBC" ID; xd WGVU	F	0800	23/1	JF
1480	WHBC	Canton OH; WHBC wx & "basketball on the radio this Friday night on 14-80 WHBC"	W	0803	23/1	BD
1480	WLMV	Madison WI; "Esta escuchando La Movida 14-80 AM ... WLMV"	W/F	0900	18/1	PC
1480	WLMV	Madison WI; La Movida and WLMV 14-80 ID heard after Mexican music; personal first!	W	0804	24/1	JF
1480	WMLV	Madison WI; bright LA mx, promo for a concert in Chicago & "La Movida" slogan; thanks to Andrew Brade for pointing me in the right direction	W	0744	23/1	BD
1490	WBAE	Portland ME; nostalgia/oldies	W/Fpks	2210	29/12	Rha183
1490	WBAE	Portland ME; nostalgia/oldies and anns "14-90 WBAE"	33533	0810	31/12	DX183
1490	WBAE	Portland ME; top of hour ID with brass fanfare "1400 WVAE Biddeford, 1490 WBAE Portland" mentioning the 1400 call but too weak in noise	W	0000	24/1	JF
1490	WBAE	Portland ME; usual multi-station ID	W	0900	24/1	PC
1500	WFED	Washington DC; "on WFED" federal talk	F	0715	16/1	Rha
1500	WFED	Washington DC; ads web site www.federalnewsradio .com Washington the home of ??	F	2300	22/1	JW
1500	WFED	Washington DC; "Federal News Radio 1500 AM"		0020	24/1	A

kHz	Call sign	Station, location; details heard etc	SIO	UTC	Date	Who
1500	KUMU	Honolulu HI; SNR, "AM 1500 The Team, Hawaii's Sporting News"; also Wpks 1105 20/1	Wpks	1125	24/1	mah
1500	WLQV	Detroit MI; "AM 1500 WLQV Detroit, Life changing talk radio" over WFED; also 18/1	F	0800	27/12	AB
1500	WLQV	Detroit MI; "This is Life Changing talk radio, AM 15-hundred WLQV Detroit"	F	0900	27/12	PC
1500	WLQV	Detroit MI; "Michigan's most listened to Christian Talk, AM 15 hundred WLQV Detroit, Life Changing Talk Radio"; best on USB, obliterated on LSB by WFED	W/F	0000	16/1	mah
1500	WLQV	Detroit MI; religious studio talk, "... Christian talk station AM 15 hundred WLQV Detroit" & SRN nx	W	0800	21/1	BD
1500	WLQV	Detroit MI; "This is Life talk Changing Radio, AM Fifteen Hundred, WLQV Detroit. ... Salem communications"	G	0800	23/1	JF
1500	WLQV	Detroit MI; ID in toth mix " WLQV a service of Salem communications" then into news; personal first .	F/G	0900	23/1	PL
1500	KSTP	St Paul MN; Minnesota sports comments & talk; possible ID "KSTP"	F	0722	30/12	Rha183
1500	KSTP	St Paul MN; "This is Talk Station (?)Fifteen Hundred KSTP St Paul Minneapolis, stay tuned ..."	F	0000	24/1	JF
1500	KSTP	St Paul MN; promos & "KSTP" ID; also W/Fpks 0732 8/1	F	0733	25/1	Rha
1500	XEDF	Radio Fórmula Mexico City; SS current affairs & "Radio Fórmula"	W	0800	29/12	BD
1500	YVRZ	Radio Dos Mil, Cumaná; SS; LA mx/chants "...en Dos Mil"	W/Fpks	0452	5/1	Rha
1503		R Tsentr, Russia; EE with Family Radio px	W/Fpks	1530	5/1	Rha
1510	WWZN	Boston MA; contemporary religious preach	W/F	0448	5/1	Rha
1510	WWZN	Boston MA; "Right here on 15-10 the Zone"	F	2300	13/1	JW
1510	WWZN	Boston MA; back to sports talk & "The sports station WWZN Boston"	W	0900	16/1	BD
1510	WWZN	Boston MA; "We are Sports News Radio"		2318	23/1	A
1510	WLAC	Nashville TN; "News Radio 15-10 WLAC, and WNRQ-HD3, Nashville's home for Fox News. It's 5 o'clock"	vW	1100	6/1	mah
1510	WLAC	Nashville TN; "Newsradio 15-10 WLAC Nashville" heard just behind WWZN disclaimer	W	0200	13/1	AB
1510	WLAC	Nashville TN; "News radio 15-10 WLAC and WNRT HD3"	F	2300	19/1	PC
1510	WLAC	Nashville TN; "Talkradio 15-10 WLAC Nashville" heard mixing equal levels WWZN	F	0700	21/1	JF
1510	WLAC	Nashville TN; "News Radio 15-10 WLAC Nashville's homeland and sports land" & Fox nx	W	0800	21/1	BD
1510	WLAC	Nashville TN; talk "... tomorrow morning at 5 on 15-10 WLAC" dominant over WWZN and WRRD	Gpks	2255	23/1	JWe
1510	WLAC	Nashville TN; ID through splatter; better @ 0830	F	0800	25/1	PL
1510	WRRD	Waukesha WI ; SS "RRD Waukesha ESPN Deportes" Golazo. Mention of " el equipo de Monterrey" after ID at toth; also 2330 14/1	F	0000	9/1	PC
1510	WRRD	Waukesha WI ; obliterating WWZN at this time, obviously on day power. Phone-in and commercials, compared with WRRD's webstream for several minutes. Personal first!	G	2305	14/1	JF
1510	WRRD	Waukesha WI (tentative); Spanish live sports mixing & sometimes over WWZN; heard briefly. Daytimer but apparently noted by other DXers, maybe staying on late; personal first – what ever it was ☺	Fpk	2307	16/1	SW

kHz	Callsign	Station, location; details heard etc	SIO	UTC	Date	Who
1510	WRRD	Waukesha WI (presumed); Spanish sports talk	Gpks	2301	23/1	JWe
1510	KGA	Spokane WA; ads & sports news "15-10 KGA" ID	34543	1345	30/12	DX183
1510	KGA	Spokane WA; "Sports radio 15-10 KGA"	W/F	0959	24/1	PC
1510	KGA	Spokane WA; "Sports Radio 15-10 KGA"; also W/F 0710 8/1, F 0800 16/1	F	0736	25/1	Rha
1520	KOLM	Rochester MN (presumed); "we're ...? professionals on Sports Radio ..." up briefly over WWKB	Fpks	2330	24/1	JWe
1520	WWKB	Buffalo NY; still with "The new voice of the new majority ..."	F	2358	27/12	JW
1520	WWKB	Buffalo NY; advertising & promo on CNN radio	W/Fpks	0720	30/12	Rha183
1520	WWKB	Buffalo NY; "WWKB Buffalo" & CNN nx	W	1000	30/12	BD
1520	WWKB	Buffalo NY; ID "the voice of new majority", tlk	F	0738	8/1	Rha
1520	KOKC	Oklahoma City OK; "Paul Harvey on Talk Radio 15-20 KOKC Tune in and lock it down! This is the new home for talk radio in Oklahoma City, 50,000 Watts Talk Radio 1520 KOKC"; personal first – thanks to SW for tip!	G	1005	5/1	AB
1520	KOKC	Oklahoma City OK; mixing for a while with WWKB but came up with ABC news followed by clear IDs; also reappeared following day 0932 6/1	Fpk	1005	5/1	SW
1520	KOKC	Oklahoma City OK; "KOKC, Oklahoma City" heard under WWKB	W	0900	6/1	PC
1520	KOKC	Oklahoma City OK; "15-20 K-OKC, K-OKC Talk Radio 15-20 K-OKC" IDs; xf WWKB; tnx SW tip; personal first	Gpks	0933	6/1	mah
1520	KOKC	Oklahoma OK; US financial & business tlk, IDs "KOKC nationals & business report" ID, Oklahoma City; personal first ; in WWKB splatter glimpsed through!	W	0750	16/1	Rha
1520	KOKC	Oklahoma City OK; "Newstalk 15-20" report on financial situation; fading over/under WWKB	Gpks	2336	23/1	JWe
1520	KGDD	Oregon City OR; nice SS "15-20 AM La Gran D" ID	G	1129	20/1	mah
1521		CRI Urumqi, China; Russian talk px "Radio Kitaya"	W/F	1402	11/1	Rha
1521		Call of Islam, Duba, Saudi Arabia; talk	333	1552	21/1	FW
1530	WCKY	Cincinnati OH; Cincinnati car center ad, medical infos & also Brother Stair; xd Celtic Radio	W/F	0750	8/1	Rha
1530	WCKY	Cincinnati OH; "WCKY 15-30 Ohio". Fox Sports; also 0000 15/1	W	2300	13/1	PC
1530	WCKY	Cincinnati OH; "15-30 Homer the Sports Animal"		0759	18/1	A
1530	WCKY	Cincinnati OH; "15-30 Homer and 1530homer.com ... 15-30 WCKY Cincinnati Homer, The Sports Animal"	F/G	1000	20/1	mah
1530	WCKY	Cincinnati OH (presumed) Bro. Stair at 0730, toth ID "50,000 Watts ... WCKY Cincinnati..." difficult under Pulse Gold; personal first	W	0800	21/1	AB
1530	WCKY	Cincinnati OH (assumed); The Over Commeth religious talk show from South Carolina	G	0750	23/1	BD
1530	WCKY	Cincinnati OH: "The Over Commeth" religious talk px & "You're listening to 50,000 watt Homer ... dirty Homer for Cincinnati"	G	0757	23/1	BD
1530	WCKY	Cincinnati OH; "You're listening to the fifty thousand watt ... WCKY Cincinnati 15-30. Jesus Christ is coming!!" in co-channel UK mess. Personal first!	G	0800	23/1	JF
1530	WCKY	Cincinnati OH (presumed); religion; huge signal	G	0831	25/1	PL
1539		CRI Kashi, Xinjiang; unid lang; v poor tlk & Jingles/music beds behind D	222	1455	11/12	JF/TB

kHz	Call sign	Station, location; details heard etc	SIO	UTC	Date	Who
1539		CNR1 Qinghai; CC tlk //981 far behind D & E	222	1455	11/12	JF/TB
1540	KXEL	Waterloo IA; Midnight Radio Network then "Iowa's news and talk station, Newstalk 1540 KXEL Waterloo Cedar Falls" – over CHIN	F	0800	3/1	AB
1540	KXEL	Waterloo IA; Midnight Truckers' talk show, "15-40 KXEL Waterloo Cedar Falls" & ABC nx	W	0757	11/1	BD
1540	KXEL	Waterloo IA; "15-40 KXEL Waterloo Cedar Falls"	W	0800	11/1	PC
1540	KXEL	Waterloo IA; "Iowa's news and talk station - news talk 15-40 KXEL Waterloo - Cedar Falls" then into ABC news	G	0900	23/1	PL
1540	KXEL	Waterloo IA; "News talk 15-40 KXEL Waterloo, Cedar Falls" then ABC News	G	0000	24/1	JWe
1540	CHIN	Toronto ON; EE Caribbean mx & Canadian Press nx	F	0759	3/1	BD
1540	CHIN	Toronto ON; CC Talk	W	2338	3/1	JW
1540	CHIN	Toronto ON; Italian px	F	0718	23/1	MvA
1550	WRHC	Coral Gables FL; SS anns, EE ID "This is WRHC 15-50 AM Coral Gables, Florida"	P	2300	9/1	mah
1550	KKAD	Vancouver WA; "15-50 KKAD ..."	Fpks	1200	20/1	mah
1550	KRPI	Ferndale WA; "... KRPI in Ferndale", following on from KKAD ID	Fpks	1200	20/1	mah
1550	KRPI	Ferndale WA; with Indian talk "Punjab", ID "KRPI"; personal first	W/Fpks	0803	26/1	Rha
1550	CBE	Windsor ON; CBC One reports	W/Fpks	0719	30/12	Rha183
1550	CBE	Windsor ON; glimpsed with CBC nx	W	1000	30/12	BD
1550	CBE	Windsor ON; CBC News	33543	0800	31/12	DX183
1550	CBE	Windsor ON; CBC Radio Overnight, then "The hourly news is next, here on CBC Radio One"; over Cuba	F/G	0900	6/1	mah
1550	CBE	Windsor ON; CBC Radio One reports	W	0753	8/1	Rha
1550	CBE	Windsor ON; CBC Radio News	F	0700	21/1	JF
1557		Family Radio, Kouhu, Taiwan; Open Forum religious phone-in show; Harold Camping; ID, phone number & website. Fantastic signal today	Exc	1440	4/1	SW
1557		WYFR Kouhu, Taiwan; EE, Family Radio px; W/Fpks 1447 11/1	F	1415	5/1	Rha
1557		WYFR Family Radio, Kouhu, Taiwan; EE male ID,	F/G	1426	17/1	MvA
1560	WQEW	New York NY; usual R Disney pop music programme	F	0718	30/12	Rha183
1560	WQEW	New York NY; Radio Disney pops	W	1030	30/12	BD
1560	WQEW	New York NY; "Radio Disney"			often	A
1560	WQEW	New York NY; Radio Disney pop in splatter	W/Fpks	0811	16/1	Rha
1560	WQEW	New York NY; Disney pops then OM with ID "WQEW and ... (faded) (Long time since I heard the actually station ID!)"	F	0759	21/1	JW
1560	KVAN	Burbank WA; jazz, ID "Smooth any time, anywhere, you're listening to KUJJ western Walla Walla tri-cities and AM 15-60 KVAN Burbank. Smooth jazz"	G	1200	20/1	mah
1566		AIR Nagpur, India; local English info; also local Indian gamelan music	W/F	1538	31/12	Rha183
1566		AIR Nagpur, India; local songs & gamelan music just noted over County Sound	W/F	1800	15/1	Rha
1566	HLAZ	Cheju; KK tlk, "Far East Broadcasting" anns	W/Fpks	2015	8/1	Rha
1570	CKMW	Winkler MB; "... another hour of continuous country favourites, serving Winkler, Carman and Altona, Country 15-70 CKMW"; also F 0900 24/1	W/F	0900	22/1	PC

kHz	Callsign	Station, location; details heard etc	SIO	UTC	Date	Who
1570	CKMW	Winkler MB; ID from OM and country mx; 1st hearing in years	F/G	0900	24/1	PL
1570	CKMW	Winkler MB; country mx, ID "Country 15-50 CKMW, the heartland of country music"	W/F	0821	25/1	mah
1570	CFAV	Laval QC; MOR EE/FF pops & "Radio Boomer" slogan	W/F	0800	29/12	BD
1570	CFAV	Laval QC; French anns, "Boomer 15-70" ID	F/G	0716	30/12	Rha183
1570	CFAV	Laval PQ; toth ID "Radio Boomer 15-70 est nouvelle"	F	0800	12/1	AB
1570	CFAV	Laval QC; French; "Radio Boomer"	G	0700	20/1	JWe
1570	CFAV	Laval QC; FF talk and FF songs	F	0740	20/1	JW
1570	CFAV	Laval QC; FF px	F	0737	23/1	MvA
1570	CFAV	Laval QC; pop music, FF anns; also W 0803 16/1	F	0754	25/1	Rha
1570	XERF	La Poderosa, Cd Acuña; SS; tlk	W	0450	6/1	Rha
1575		VOA Ayutthaya, Thailand; Thai anns & programme trailer; EE anns "VOA", female speaker	W	1415	2/1	Rha183
1580	CKDO	Oshawa ON; Praise and Inspiration type music then "You're listening to Oshawa's Radio Station, CKDO, at 107.7 FM and 15-80 AM, celebrating over 6 decades in Oshawa, this is Oshawa's oldies, CKDO"	G	0801	27/12	AB
1580	CKDO	Oshawa ON; oldies	W	0957	29/12	BD
1580	CKDO	Oshawa ON; oldies, "CKDO" sung jingle	W/Fpks	0731	2/1	Rha183
1580	CKDO	Oshawa ON; live ice hockey sports commentary, Oshawa Generals vs Peterborough Petes	F/G	0000	12/1	mah
1580	CKDO	Oshawa ON; "15-80 CKDO"		0619	18/1	A
1580	CKDO	Oshawa ON; oldies "You've Lost That Loving Feeling" then ID "On 107.7 FM and 15-80 this is KDO"	F	0744	21/1	JW
1580	CKDO	Oshawa ON; ann, adv on Oshawa	F	0719	23/1	MvA
1580	CKDO	Oshawa ON; "Broadcasting on AM on CKDO" in local Nottingham 1584 splatter	F	0800	23/1	JF
1580	CKDO	Oshawa ON; "You're listening to CKDO"	W	2300	23/1	JWe
1590	KVGB	Great Bend KS; "15-90 KVGB Great Bend, (?) favourite radio station"; personal first	W	0900	18/1	PC
1590	WAKR	Akron OH; "with news – 15-90, Akron's News Authority"; difficult in digital splatter	F	0800	23/1	JF
1590	WAKR	Akron OH; Motown oldie, "WAKR Akron's news authority" & ABC nx	W	0758	24/1	BD
1590	WAKR	Akron OH; "15-90 WAKR Akron's news authority"	W	0800	24/1	AB
1590	WAKR	Akron OH; toth ID in mix	W	0800	24/1	PL
1590	WARV	Warwick RI; "15-90 AM, Life saving radio, WARV Warwick Providence"	W/F	1000	16/1	PC
1590	WARV	Warwick RI; studio talks, "Life saving radio 15-90 WARV AM Warwick Providence" & SRN nx	W/F	0757	20/1	BD
1590	WARV	Warwick RI; ID mixing two other stations; difficult in digital splatter	F	0800	23/1	JF
1600	KGYM	Cedar Rapids IA; "..... KGYM Cedar Rapids and KZIA HD3 Cedar Rapids, 16-hundred ESPN Radio"; personal first	W	0900	11/1	PC
1600	WUNR	Brookline MA; SS talk programming and WUNR, wunr.com mentioned	F	0802	13/1	AB
1600	WUNR	Brookline MA; LA mx, SSA announcements & "Doblebay OO EN ER"	W	0802	13/1	BD
1600	WUNR	Brookline MA; back to back music (Bob Marley, Blondie); no ID but // WUNR webstream; first time this season	F	0849	13/1	SW

kHz	Callsign	Station, location; details heard etc	SIO	UTC	Date	Who
1600	WUNR	Brookline MA; SS anns, EE ID "This is WUNR Brookline"; much stronger on USB	W/F	0000	16/1	mah
1600	WUNR	Brookline MA; "WUNR" ID in Spanish at toh.	F	0500	23/1	JF
1600	WAAM	Ann Arbor MI; "News, weather ..(?).. this is WAAM Ann Arbor"	W	0900	24/1	PC
1600	WKKX	Wheeling WV; "The Valley's Watchdog AM 16 hundred WKKX Wheeling", Fox National Sports Report	Fpk	1000	6/1	mah
1600	WKKX	Wheeling WV; up to the toth WUNR had been heard, but it faded to leave "The Valley's Watchdawg, AM1600 WKKX Wheeling"; personal first	F	0800	16/1	AB
1600	WKKX	Wheeling WV; "The Valley's Watchdog, AM 16-hundred WKKX wheeling"	W	0800	16/1	PC
1600	WKKX	Wheeling WV; "WKKX Wheeling" ID and "The Fox National Sports Report". News about a coach being fired. Thanks to Paul Crankshaw for confirmation. Personal first!	W	0800	23/1	JF
1600	KVRI	Blaine WA ; Indian Hindu chants; toth ID "This is KVRI, Blaine"; personal first ; also vW 1200 20/1	Fpks	1300	2/12	mah
1600	UNID	Unid ESPN in mix	W	0800	24/1	PL
1610	CJWI	Montréal QC; FF spots for Montréal & FF YL/OM chit chat	W/F	0655	16/1	BD
1610	CJWI	Montréal QC; ID and heavily accented FF then into Caribbean music	G	0800	19/1	PL
1610	CJWI	Montréal QC; FF px ; Montréal ann	F	0653	21/1	MvA
1610		Caribbean Beacon, Anguilla; Caribbean mx/songs, perhaps reggae sounding	W/F	0729	2/1	Rha183
1610		Caribbean Beacon, Anguilla; YL with religion through toth	G	0900	21/1	PL
1610		Caribbean Beacon, The Valley, Anguilla (presumed); long time no hear. Good signals with gospel programming. No ID but who else?	G	0500	22/1	JF
1610		Caribbean Beacon, Anguilla; rlg	F	0650	22/1	MvA
1610		Caribbean Beacon, Anguilla; female preacher & Back to the Bible - amazing	G	0525	24/1	Rha
1610		Caribbean Beacon, Anguilla; typical religious programme, "...once again, that's University Network, Box 1, Los Angeles, California 90053, USA"	Fpks	0653	25/1	JWe
1620	WPNT	South Bend IN ; PSA, "Real news, real fast from CNN Headline News 24/7 WPNT South Bend"	Fpk	1000	20/1	mah
1620	KOZN	Bellevue NE; "16-20 The Zone Omaha's ESPN Radio"	W	0200	13/1	AB
1620	KOZN	Bellevue NE;" KOZN – Omaha's ESPN Radio"	W/F	2300	16/1	PC
1620	KOZN	Bellevue NE; "16-20 The Zone" ID heard in pile-up	W/F	0800	23/1	JF
1620	KOZN	Bellevue NE; sports, "16-20 The Zone, Omaha's ESPN Radio. ESPN sports are on 16-20 The Zone"; also weaker 17/1 at 0000	Gpks	2300	23/1	JWe
1620	WTAW	College Station TX; C2C "on 16-20 WTAW College Station Bryan"	W	0800	3/1	AB
1620	WTAW	College Station TX; "We'll talk to you again tomorrow night here on WTAW"	F	0000	13/1	PC
1620	WTAW	College Station TX; ID after Coast to Coast	F	0800	19/1	PL
1620	WDHP	Frederiksted USVI; YL with long ID announcement & BBC nxW		0700	6/1	BD
1620	WDHP	Frederiksted USVI; "WDHP 16-20 AM..."		0459	20/1	A
1620	WDHP	Frederiksted USVI; "WDHP 16-20 AM in the United States Virgin Islands"	G	0500	20/1	JWe
1620	WDHP	Frederiksted USVI; ID "WDHP", talk; also W/F 0253 9/1	W/F/G	0514	24/1	Rha

kHz	Call sign	Station, location; details heard etc	SIO	UTC	Date	Who
1630	KCJJ	Coralville IA; adverts and ID	F	0037	30/12	SW
1630	KCJJ	Iowa Falls IA; soft music overlaid by “?’s 16-30 KCJJ”; heard almost daily in January	W	0650	3/1	AB
1630	KCJJ	Iowa City IA; “Broadcasting from Coralville’s Iowa River Landing this is Coralville 16-30 KCJJ Iowa City & Coralville”	F/G	0000	13/1	PC
1630	KCJJ	Iowa City IA; pop mx, “Coralville’s 16-30 KCJJ Iowa City Wilton” & KCJJ nx	W/F	0658	23/1	BD
1630	KCJJ	Iowa City IA; pops, "This is Coralville's 16-30"	F	0000	24/1	JWe
1630	KCJJ	Iowa City IA; "This is Coralville 16-30 KCJJ, Iowa City and Coralville" news	G	0800	24/1	PL
1630	KKGM	Fort Worth TX; toth ID “This is KKGM Fort Worth Dallas, a Mortenson Broadcasting Station”; a rarity here; also 21/1	W	0900	2/1	AB
1630	KKGM	Fort Worth TX; Christian pops & “You’re listening to AM 16-30 KKGM Fort Worth Dallas”	W	0758	6/1	BD
1630	KKGM	Fort Worth TX; “Southern gospel 16-30 is KKGM Fort Worth Dallas”	W/F	1000	20/1	mah
1630	KRND	Fox Farm WY; more Mexican music and “La Grande 16-30” ID; also legal ID at 0801 on 22/1	W	0830	28/12	AB
1630	KRND	Fox Farm WY ;” La Grande 16-30”	F	2300	16/1	PC
1630	KRND	Cheyenne WY; “La Grande” IDs. KRND ID at toh	W	0600	21/1	JF
1630	KRND	Fox Farm WY; Mexican music; “La Grande 16-30” still mostly USB signal	F	0823	22/1	SW
1630	KRND	Fox Farm WY; SS male shouting and Mex mx	W	2338	24/1	MvA
1630	KRND	Fox Farm WY; Mexican songs, "esta es La Grande, dieciseis trenta"	G	2351	24/1	JWe
1640	WTNI	Biloxi MS; C2C, ID"AM 16-40 WTNI"	W	0441	9/1	Rha
1640	WTNI	Biloxi MS; Dennis Miller Show “WTNI Biloxi”	W	0600	13/1	PC
1640	WTNI	Biloxi MS; “Laura Ingraham, weekday mornings 9-11 on Talk Radio 16-40 WTNI, the talk(?) station”	F	0600	18/2	AB
1640	KFXY	Enid OK ; legal ID “16-40 KFXY Enid Oklahoma” then sports news; personal first	W	0800	21/1	AB
1640	KDZR	Lake Oswego OR; Radio Disney promos, ID “This is KDZR and KDZR-HD1 Lake Oswego Portland”	F/G	0959	20/1	mah
1640	WKSH	Sussex WI; quick Radio Disney legal ID “This is WKSH and WKSH-HD1, Sussex Milwaukee” amid the usual programming; thanks to MAH for confirming. I’ve heard Disney here before but this is a personal first as it’s the first time I’ve heard the ID	W	0758	27/12	AB
1640	WKSH	Sussex WI; “This is WKSH and WKSH HD”	W	2200	16/1	PC
1640	WKSH	Sussex WI; Radio Disney pops // 1560 WQEW	W	0700	21/1	BD
1640	WKSH	Sussex WI; Radio Disney; legal ID at 0657 and 0757	F	0657	23/1	SW
1640	WKSH	Sussex WI; “This is W??? And WKSH ? - Sussex – Milwaukee” ID	F	0756	23/1	JF
1640	WKSH	Sussex WI; Radio Disney, teen pops	F/G	0800	24/1	PL
1650	KCNZ	Cedar Falls IA; promise to “catch up on postponements and cancellations that we have ...still snowing ... on 16-50 KCNZ”	W	0300	14/1	AB
1650	KCNZ	Cedar Falls IA; “This is the home of the (?), 16-50 The Fan KCNZ Cedar Falls, Waterloo” (24/01 0900 F)	F	0000	15/1	PC
1650	KCNZ	Cedar Falls IA; "This is 16-50 The Fan KCNZ" mixing Radio Disney; also F 0900 23/1	F/G	0800	24/1	PL
1650	WHKT	Portsmouth VA; “Radio Disney”		0643	21/1	A

kHz	Callsign	Station, location; details heard etc	SIO	UTC	Date	Who
1650	CINA	Mississauga ON; Asian mx –NEW STATION	W	0728	23/1	MvA
1650	CJRS	Montréal QC; “CJRS Radio Shalom in Montréal” & Voice of Israel radio nx	F	0700	65/1	BD
1650	CJRS	Montréal QC (pres); Radio Shalom Montréal in Hebrew,	Wpks	0443	9/1	Rha
1650	CJRS	Montréal QC; light mx; FF anns	F	0719	10/1	MvA
1650	CJRS	Montréal QC; “16-50 AM Radio Shalom CJRS Montréal”	F	0800	12/1	AB
1650	CJRS	Montréal QC; Radio Shalom ID then OM in talk	G	0800	19/1	PL
1650	CJRS	Montréal QC; Yiddish music	F	0720	23/1	OH
1660	KTIQ	Merced CA; light SS songs, SS anns, “Estas escuchando Radio Amistad Cristiana en 16-60 AM ... Amistad Cristiana Radio, frecuencia del cielo” ; in KXOL fade	Gpk	1150	24/1	mah
1660	WCNZ	Marco Island FL; “WMYR Fort Myers WCNZ Marco Island Naples Relevant Radio” & Vatican nx	F	0600	19/1	BD
1660	WCNZ	Marco Island FL; “Relevant Radio 14-10 and 16-60 AM”		0304	14/11	A
1660	WQLR	Kalamazoo MI; “1660thefan.com” and “16-60 WQLR”	W/F	2300	13/1	PC
1660	WQLR	Kalamazoo MI; “WQLR Kalamazoo 16-60 The Fan. The Fox National Sports Report; personal first!	W	0700	23/1	JF
1660	WQLR	Kalamazoo MI; promo for programme “Weekdays at 6a.m. on AM 16-60 WQLR Kalamazoo, 16-60 The Fan”	F	0800	23/1	AB
1660	WWRU	New York NY; toth legal ID “WWRU Jersey City New York 16-60 AM WWRU” then more KK; KQWB also there	F	0700	16/1	AB
1660.06	WWRU	Jersey City NJ; usual KK studio talk & “WWRU Jersey City New York 16-60 AM WWRU”; ruining 1660	F	0700	16/1	BD
1660	WFNA	Charlotte NC; “Charlotte’s Sports Leader WFNA” heard in a WCNZ lull	W	0700	20/1	AB
1660	KQWB	West Fargo ND; ESPN. Mentions of “Red River Valley” and “West Fargo, Fargo Moorhead”	W	0900	27/12	PC
1660	KQWB	West Fargo ND; toth ID “KQWB AM West Fargo, Fargo-Moorhead” then ESPN Radio Sports Centre” – heavy QRN	W	0800	14/1	AB
1660	KRZI	Waco TX; “ESPN Sports Center. KRZI Waco ... Fort Worth”	W/F	0100	17/1	PC
1660	KXOL	Brigham City UT; lively Mexican mx, SS ID “Todo, escucha La Favorita 9-60 y 92.9 FM”	Gpks	1146	24/1	mah
1670	WVVM	Dry Branch GA; “Viva seis-setenta” over usual music; also legal ID “WVVM Dry Branch Georgia Warner Robbins; Radio Viva mil seiscientos sesenta AM” 16/1	W	0627	2/1	AB
1670	WVVM	Dry Branch GA; LA mx & “WVVM Dry Branch Macon Warner Robins. Viva 16-70”	F	0802	21/1	BD
1670	WVVM	Dry Branch GA; LA songs, "Viva, dieciseis setenta"	W/F	0757	25/1	JWe
1670	WTDY	Madison WI; ABC news then “Happy New Year from Madison’s 16-70, WTDY”, then weather	F	0605	2/1	AB
1670	WTDY	Madison WI; “WTDY Madison” at toth. ABC News	W	0000	13/1	PC
1670	WTDY	Madison WI; “from the Madison 16-70 WTDY news desk”	W/F	0700	24/1	BD
1670	WTDY	Madison WI; “From Madison 16-70 WTDY’s news centre, this is an ABC News Update”	F	0800	24/1	JF
1670	WTDY	Madison WI; "WTDY Madison" then three musical notes" and into ABC News	G	0800	24/1	PL
1690	WPTX	Lexington Park MD; CNN rolling nx	W	0657	10/1	BD
1690	CHTO	Toronto ON; Greek mx & “You’re listening to CHTO AM 16-90 Toronto”	W	0728	27/12	BD
1690	CHTO	Toronto ON; “CHTO AM 16-90 Toronto” at toth amid plentiful Greek style music	F	0759	27/12	AB

kHz	Callsign	Station, location; details heard etc	SIO	UTC	Date	Who
1690	CHTO	Toronto ON; "You're listening to CHTO AM 16-90 Toronto"	F	0900	27/12	PC
1690	CHTO	Toronto ON; Greek mx/songs in mix with ethnic programming	W/F	0720	2/1	Rha183
1690	CHTO	Toronto ON; www.am1690.ca ; ID "Welcome to the Greek Canada Hour"; personal first (dominant most of the night)	G	0102	3/1	SW
1690	CHTO	Toronto ON; Greek and Latin pop music	G	0713	23/1	OH
1690	CJLO	Montréal QC; ethnic music & "CJLO magazine"	W	0722	2/1	Rha183
1690	CJLO	Montréal QC (pres); with hip hop music xd WPTX	W/F	0448	9/1	Rha
1700	WJCC	Miami Springs FL; FF Creole px & "We're WJCC 17 hundred Miami Springs"	W/F	0557	19/1	BD
1700	WJCC	Miami Springs FL; piano music interrupted by bilingual legal ID "This is WCJJ 1700 AM. Ésta es WJCC 1700 AM Miami Springs Miami"	F	0759	20/1	AB
1700	KVNS	Brownsville TX; We are Oldies Radio 1700 KVNS Brownsville		0659	20/12	A
1700	KVNS	Brownsville TX; oldies	W	0728	29/12	BD
1700	KVNS	Brownsville TX; oldies, xd presumed XEPE	W/Fpks	0450	9/1	Rha
1700	KVNS	Brownsville TX; oldies format as usual and toth "Tell your friends about Oldies Radio 1700 KVNS Brownsville and Rio Grande Valley. ABC News now, I'm Jake Schreiber"	G	0700	11/1	AB
1700	KVNS	Brownsville TX; oldies, ID, news, weather	F	0657	13/1	OH
1700	KVNS	Brownsville TX; "Oldies radio 1700 KVNS Brownsville and the Rio Grande valley"	vg	0800	19/1	PL
1700	XEPE	Tecate; with sports px on "San Diego's Talk 17 hundred" noted	W/F	0451	9/1	Rha
1700	XEPE	Tecate, Baja California; EE "News, talk, (?) on San Diego 17 hundred" ID	W/F	0900	18/1	PC

Many thanks to the following reporters:

- A Sigvard Andersson, Norrköping, Sweden. SDR-14, -IQ, Icom R9000, R75, AR7030+, 440m at 296°.
- AB Andrew Brade, Holme-on-Spalding Moor, East Riding of Yorkshire. AOR AR 7030 plus and Perseus SDR, Wellbrook phased array 290°, 305m beverage at 220°. Recording on Sony MZ-NH1 minidisc + Total Recorder.
- BD Barry Davies, Carlisle, Cumbria. Perseus, 12' x 33' EWE.
- DX183 Wilhelm Herbst, DX183, Fjerritslev, Denmark. Lowe HF-150, Yeasu-antenna-tuner, & SEM QRM-Eliminator working with the 315/330° & the 345/360° beverages.
- FW Friedhelm Wittlieb, Lünen, Germany. Grundig Satellite 700 with martens fram-antenna.
- JF John Faulkner, Sutton-in-Ashfield, Notts. Perseus SDR & ewe antenna.
- JF/TB John Faulkner/Tim Bucknall, Matlock Forest. Perseus SDR, 300m beverage at 30°.
- JW John Williams, Hemel Hempstead. AOR 7030 and 40m long wire.
- JWe Jack Weber, Hertfordshire. Perseus SDR, KAZ at 280° and Wellbrook ALA1530.
- mah Martin Hall, Clashmore, Sutherland. Perseus SDR, NRD-545, RPA-1 preamp, MFJ-1026 phaser (modified), beverages: 513m at 233 degrees, terminated; 506m at 279 degrees, terminated, 550m at 338 degrees, terminated, 50m at 321 degrees, unterminated; TotalRecorder.
- OH Olaf Haenssler; Oldenburg, Germany. Sony SRF-59; 1m2-Loop.
- PC Paul Crankshaw; Troon, Ayrshire; Perseus SDR, EWE, MFJ-1025 Phaser(modified).
- PL Paul Logan, Lisnaskea, N. Ireland. Perseus SDR, Conti loop 12 x 25 feet approx.

- Rha Ronald Hagensen, Ottersberg, Germany. AOR 7030+, 22m longwire direction 315°, 28m longwire direction 280°, 42m longwire direction 065°, 325m beverage direction 345° coupled with the Mizuho AT-2000 antenna coupler & probably also with my WiMo phaser.
- Rha183 Ronald Hagensen at DX 183, Fjerritslev, Denmark. Yaesu FRG-8800, Yaeasu antenna tuner 21 beverage antennas in various directions.
- SW Steve Whitt, High Catton near York. AOR7030+ and HF225 Europa with dual loop K9AY.
- TB Tim Bucknall, Congleton. Icom IC-R9500 + Wellbrook ALA 1530 outdoor loop.

John F notes: “Most of this month has been dominated by poor conditions. I can only put it down to that “midwinter anomaly” thing again as DXers not much further north of here have still been reporting good DX conditions when the band has been dead here. I was also out of action for a week in mid-January due to computer problems. Conditions suddenly improved on January 23rd. The 24th provided me with some of the best transatlantic DX I have ever had. I have another 14 personal firsts this month”!

Paul L agrees: “The nights of the 24th / 25th are probably the best conditions I have ever seen with many personal firsts. Wish I had made more recordings!” Paul C’s experiences are similar: “After a pretty average month the last few days have been sensational. The Perseus receiver has really been pushed to its limits extracting so many IDs from the Prairies and beyond. KBRW audio had been pretty regular here over the past ten days - peaking 18-1900. In fact the spell of excellent conditions has been reminiscent of December 1997”.

Barry, writing on 24 Jan, says: “Had it not been a sunny afternoon in Carlisle I would have thought I was at the end of a 400m Beverage at the old DX site in Sheigra in NW Scotland. After the 24th, I guess anything is possible South of the border. Logs wise this must be one of my best months ever! I cannot image what stuff has been getting through on 1230/1240/1490 North of the border. And, writing on the 26th: “Comment on January's logs. A month I have not seen the like of South of the border!”

On the down side the early January sundown DX did not happen here in Carlisle. On the upside, this has been my biggest log submission to your column. I cannot recall hearing Chicago on so many different days. Healthy signals from the Prairies and mid West. The highlight for me was 1070 KNX, a station I did not think I would hear again without a 400m beverage! A big thanks to John Faulkner who persuaded me to swap to an EWE antenna and the PERSEUS receiver”.

Jack says: “Here's a log for this month. I'm afraid it's not complete as I still have quite a lot to check from the past two days. For most of this month, I didn't have much time to do any DXing. Fortunately, that was when conditions weren't so good, but I've been able to devote more time to it recently just as propagation improved. And how nice to have some better DX making its way down south. It's interesting though, to see how differently the band has behaved down here. It appears that further north the best reception recently has been around and after sunrise. Whereas for me, the best times have been before midnight.

If anything, the band has been closing down earlier than usual lately with not much of the sunrise enhancement that I expect and noise levels rising towards the end of the night. Anyway, I managed some very welcome new loggings and the last few days have seen some of the best propagation I can remember. Let's hope we get some more of it. The only problem is - I'll need to buy more hard disks”. I understand the problem! Here in **Clashmore** conditions also peaked on 24th and 25th January; however, I have had rather a busy month, and haven't been able to check all the Perseus

recordings that I've made; I now have a backlog of about 2 TB. Results will emerge in due course when I have more time to spare for DXing" – mah.

Steve tells us: "I have omitted regulars and even some other rarer signals in the interests of brevity. I was astonished to catch KBRW along with many others because 680kHz is badly affected by splatter from the UK on 666 and 693 and Spain on 684kHz. I never thought I'd ever get Alaska at home. I also tried out Navtex and had probably the best 48 hours or so which resulted in three personal firsts and high quality decodes from at least 49 navtex stations".


Contributing to DX Loggings for the first time, **Sig** writes: "I've heard quite many North American stns this season, so I'd better contribute when I have something in the log. Coming seasons will probably be as it used to be here; then I hear just the strongest stns in Eastern Canada and Northeastern US. There are too much background noise and electric QRM here in the suburb where I live. So every year I go to Parkalompolo in Northern Sweden for DXpeditions and bring home recordings which last for the rest of the year to listen for. But this season is something extra ordinary! The stations are very strong, so I hear them good here; the noise does not matter. The best season for me since I started listening for North America in 1972. Last time with sunspot minimum, 1997, it was also this good but only for a couple of weeks in December. This time it has last for 3 months till now!

Finally, a few words from **Olaf**: "Enclosed you will find only my Ultralight-Logs. Only three but 100%. Crosschecked with my Drake R8. The 23rd of January was a very exciting morning here, time to put the Sony SRF-59 inside the loop. I am sure that I missed many more stations on this day. But it was fun!"

Ronald tells us about his New Year holiday: "I visit with my wife Annette & daughter Cindy Wilhelm Herbst's antenna farm "DX 183" over the year change from 29th December until 3rd January. (As well as DXing) we relaxed on this little holiday trip - Fjerritslev with its Fjords, and hilly landscape is good for body and soul, so I get every day and walk a three kilometer way".

The **deadline** for the March 2009 DX Loggings is **Tuesday, 24th February**. I look forward to receiving your logs by then, preferably electronically/via e-mail using the Word pro-forma, which I can supply on request; all contributions should follow the format used in DX Loggings as closely as possible.

73, Martin

	To: <u>Barry Davies</u>
	Of <u>Carlisle, England</u>
	Confirming your DX reception report
	On <u>24 Feb 2008</u>
	At <u>00:15 EST</u>
	QSL Serial # <u>003</u>
	We are also be on the internet at <u>WBIX.COM</u>
	We thank you for the report and wish you Happy Dzing
	Paul Andrews, Engineer

VERIFICATIONS SECTION

✉ 59 Moat Lane, Luton, Bedfordshire LU3 1UU, UK

with Clive Rooms

e-mail: verifications@mwcircle.org ☎ 01582 598989

Station	kHz	A	B	C	who	Station	kHz	A	B	C	who
<u>Afghanistan</u>						KWYS Yellowstone MT	2 920	e		126	GH
VOA Kabul	1	1296	cd	99	MvA	KNEB Scotts Bluff NE	2 960	e		105	GH
<u>Canada</u>						KTWO Casper WY	2 1030	cert		98	GH
CHAB Moose Jaw SK	2	800	e,lt	105	GH	KGFX Pierre SD	2 1060	e		98	GH
<u>France</u>						KMOX St Louis MO		lt	ret	51	MvA
R Notre Dame des Ondes	603		lt ms	14	MvA	KIMM Rapid City SD	2 1150	ppc		119	GH
<u>Portugal</u>						KSEN Shelby MT	2 1150	e		98	GH
R Sim, Muge	594	cd		7	GH	KGNV Denver CO	2 1390	ppc		91	GH
<u>USA</u>						KCKK Littleton CO	2 1510	e		98	GH
KLZ Denver CO	2	560	ppc	91	GH	<u>USA TIS</u>					
KCSR Chadron NE	2	610	ppc	105	GH	Devils Tower WY	2 1610	e		119	GH
KGHL Billings MT	2	790	ppc	98	GH	KOE731 Glacier NP	West				
						Entrance MT	2 1610	ppc		98	GH
						KOP744 Cody WY	2 1610	e		91	GH

A= what was received; B= what return postage was sent; C = days to get a reply

Notes:

- 1 Via Washington. Also sent schedules, calendar, magnetic sticker.
- 2 All these were heard in the USA.

Contributors

This month they were: GH-Ge Huijbens in Belgium and MvA-Max van Arnhem in the Netherlands.

The new station in Montreal 1690 CJLO has verified recently via email. The v/s is General Manager Chriss Quinnell at manager@cjlo.com

Here's a few recent verification signers just to fill the page up.

- 610 WIOD, Ken Charles, Director of AM Programming
- 620 CKRM, Willy Cole, Programme Director
- 920 CFRY, Laverne Siemens, Director
- 970 WDAY, Ken Weaver, General Manager
- 1500 WFIF & 1590 WARV, Bill Blount, President
- 1600 WWRL, Rennie Bishop, Programme Director
- 1600 WKWF, Mark Mills, General Manager

That's it for another month. Thanks go to Max and Ge for keeping the column going. 73s – Clive.