

DX News

•Serving DXers since 1933•

Volume 61, No. 11 - December 13, 1993 (ISSN 0737-1659)



Inside...

- 1. AM Switch
- 5. DXDX
- 12. DXD
- 16. Normals

- 17. WAKD Profile
- 19. Regenerative tuner use
- 20. Geomagnetic indices
- 21. CPYV page
- 22. Meetings

CPC East Calendar

Call	Freq.	Date	EST Time
WJSM	1110	Dec. 11, 1993	0000-0100
WCEI	1460	Dec. 12, 1993	0100-?
WNEZ	910	Dec. 13, 1993	0100-0130
WCCG	1270	Dec. 20, 1993	0000-0030
WTAS	1480	Dec. 20, 1993	0100-0200
KVNC	1370	Dec. 20, 1993	0300-0330
KVON	1440	Dec. 27, 1993	0300-0330
KOKE	700	Dec. 27, 1993	0330-0400
WAMZ	1270	Jan. 2, 1994	0100-0300
W8TH	540	Jan. 3, 1994	0200-0230
WJIB	740	Jan. 17, 1994	0130-0200
W0C	1420	Jan. 17, 1994	0130-0230
WJIB	740	Jan. 24, 1994	0130-0200
WADV	940	Jan. 29, 1994	0230-0300
WVNI	930	Feb. 1, 1994	0200-0230

WGCC-1270 - P.O. Box 888 - Belmont, NC 28012. 0888 will conduct a DX test Monday, December 20, between 12 midnight and 12:30 am EST. The test will include Morse code and country music. Reception reports may be sent to Mr. Bruce Musso, CE. Arranged by J. D. Stephens for the IRCA CPC.

WDAS-1480 - Belmont Ave. and Edgely Drive - Philadelphia, PA 19131 will conduct a DX test between 1:00 and 2:00 am EST Monday, December 20. The test will include Morse code, tones, and Black gospel music. From 1:00 to 1:30 am, power will be 5 kW; from 1:30 to 2:00 am, the power will be at 1 kW. Reception reports may be sent to Mr. William R. Sullivan, CE. Arranged by J. D. Stephens for the IRCA CPC.

KWNC-1370 - P.O. Box 607 - Quincy, VA 98948-0607 will conduct a DX test between 3:00 and 3:30 am EST Monday, December 20, 1993. The test will include Morse code, tones, and 'classic' music. Reception reports may be sent to Mr. Donald Lockwood, CE. Arranged by J. D. Stephens for the IRCA CPC.

DXAS member Jim Snowbarger, who arranged the WCAZ and KJTI tests which did not run, reported that one station left the air before the test and the other was turned over to another owner who was

not predisposed to run tests. Economic factors brought on by the flooding this summer were given as the main reasons for the demise of the stations.

From the Publisher ... We've had a few copies of DXN reported as no-shows recently, and with the advent of the holiday season, a few more might get lost or delayed. Remember, I'll send you a replacement by return mail if you notify me by postcard or, if you're in a hurry, by phone. Should you receive a mangled issue or one with pages missing, there's no need to send the aberrant copy (I've seen everything, hill) Just let me know (in Tepepla, see back cover) and I'll get you the missing issue ASAP. And ... don't forget that old copies of DXN will go to the recycler, so get your requests to me by December 24 for any copies from Volumes 57-60.

For those who collect current antichecks, \$300 will connect you with Media Dialup™, for more information, contact them at 3102 Tennessee Ave., Dallas TX 75224. FAX (214) 330-7060. The system offers real-time station monitoring by phone, currently in New York, Los Angeles, and Dallas.

DXChange ... Chris Cuomo - 670 Third Ave., Verona, PA 15147 (412) 828-6376, from 5-10 pm EST, is looking for a carrier current AM transmitter and antenna coupler in working condition only ... Glen Swiderski - 19 Willa Drive - Buffalo, WY 82834. (307) 684-5496 is offering a pair of COM1K7LVA's @ \$650 each.

DX Time Machine

From the pages of DX News:

50 years ago ... from the Dec. 11, 1943 DXN: Frank Wheeler Erie, PA reported that he sent out 60 reports in the 61 days of October and November. Pat Kelley, Jamestown, NY solved the mystery of why he missed several recent DX programs: he caught his wife resetting the alarm clock to 6:15 am, adding, "This is not an alibi, either!"

25 years ago ... from the Dec. 14, 1968 DXN: Dave Carlson, St. Louis, MO reported that after going nearly three years without a Nevada verid that he got two in a row: KLUC and KENO.

10 years ago ... from the Dec. 12, 1983 DXN: John Clements announced that he was planning to import and sell the Marrens loop for about \$95.

AM Switch

Status changes in AM stations, supplied by the FCC and listeners

Jerry Starr
c/o WHOT Radio
4040 Simon Road
Youngstown, OH 44512-1320

CALL LETTER CHANGES
Old call: New call:

1240	WACD	PA	Reading	W10V
1280	WPXY	NY	Rochester	WHTK
1310	KAAM	TX	Dallas	KTKC
1340	KDEN	CO	Denver	KKID
1350	WAVJ	NC	Black Mountain	WZCR
1400	KIXT	CA	San Luis Obispo	KIID
1460	WKXV	WI	Racine	WBSJX
1470	KWFI	CA	Sierra Vista	KRON
1480	WYEX	SC	Georgetown	WLMC
1580	KZKL	NM	Concord	KKIS
			Albuquerque	KRLL

APPLICATIONS/GRANTS FOR NEW STATIONS

None

APPLICATIONS FROM EXISTING FACILITIES

- 800 KAGH AR Crosssett: day power to 240 watts
- 950 WCOV GA Valdosta: night power to 63 watts, antenna to U3
- 1260 WMMN CT Westport: reduce night power to 200 watts (We find this rather mysterious, the Log shows their night power at 9 watts now. We suggest this is probably a reduction in their 500 PSRA rather than "night" power)

GRANTS TO EXISTING FACILITIES

- 1540 WPRR PA Philadelphia: add 500 watts nights, antenna to U4, city of license to Bala Cynwyd, PA

OTHERNESS

- 580 KJRH TX Lubbock: station is SILENT
- 1030 WQSE TN White Bluff: station is SILENT
- 1230 WCKJ GA Augusta: silent station is ON THE AIR
- 1410 KTRM CA Lompoc: silent station is ON THE AIR
- 1470 WCLA CA Claxton: station is SILENT
- 1570 KLEX MO Lexington: station is SILENT
- 1590 WKTD TN Jonesborough: OK, the suspense is over, we can all sleep well tonight. The official spelling of Jonesboro has been changed back to the original Jonesbororh in keeping with the town's efforts to promote itself as a cultural and historic tourist destination. The Tennessee Department of Transportation now designates this place with the "ugh" and the USPS and various cartographers have just not caught up with the change. Thus endeth this saga.....finally!!!!!!

THANKS: Gregory Henson, Tom Bryant, Ed Krcjny and MSJ. And thanks Gary Froemming WBTGAG for the ARRL Radiogram greeting!

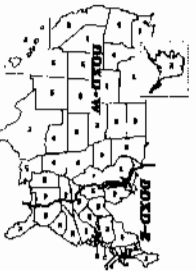
73 and Good DX, *Dumy's BKF* Jerry Starr & Buffalo K. Footman



Domestic DX Digest

West: Bill Hale
495 Creechway Drive - Meridian, ID 83642-3241
East: Dave Braun
11 Mill Bend Acres - Wyothing, DE 19934-9523

(Distion line is between East and Central time zones)



DX Catches in the U. S. and Canada, with 24-hr. EIT

DDXD-W



- Wow! Great conditions are making the start of this season a memorable one. So say almost all reporters this week. I don't think we've seen this many "new" stations reported so soon in a young season since I've been doing this column. Keep up the good work on the dials... and reporting on those typewriters and computers. But don't cut your reports into "snips". That makes me @.
- A good time was had by all. That's the word from *Eric Bussmann*, along with several others in Kolla, Missouri during a recent DX get-together. Another GTG is being discussed for this Spring in the St. Louis area. More details to come from Eric.
- Tom Sanden notes that on a recent trip to Anaheim, California, he heard only silence on 1590, although road signs advising motorists to tune there. See Issue 7 for previous data on this TTS. Keep track of who holds the distance record for each GY (1230, 1240, 1340, 1400, 1450, 1490) station. Plus, no matter if you hold any records or not, we print a seventh column with everybody's totals on each of these frequencies. To submit your GY loggings, just separate by frequency, in state and city order, and let me know whether you heard the station before or after January 1, 1990. My trusty computer figures the distances, and in a near future issue of DX News, the results appear. But remember, everybody wins in the Totals column, even if you don't grab any mileage records. These must be submitted in list form, separate from DDDXD items. At one time I dragged GYers out of the DDDXD column, but "caught back" from one member who didn't want his records in the books. That's all there is to it.

SPECIAL

- 570 KESN UT Salt Lake City - Now all-sports format, including Utah Jazz basketball. Ex. oldies. (DL-ID)
- 1030 WQSE TN White Bluff - 11/18 - Appears to be OFF again. Haven't heard them for about a week. Guess their *Phantom Radio* format was invisible to paying advertisers! (TB-TN)
- 1280 WBYK NY Rochester - and NY Syracuse - Address all reports to: Tim Peunly, Contract Engineer at Log address or via Prodigy@ at JKRN587. (EB-MO)
- 1490 KTRM MO Bala - New NewsTalk. (EB-MO)
- 1590 KMOZ MO Bala - 11/20 2346 - Excellent on 85 watts night power with weather forecast, CUS and NOS. Change from EZL, and hours are 0700-0100. (EB-MO)

UNIDs and UNID

- 1250 UNID TT - 11/20 0316-0356 - Heard about six long TTs during this time period, increasing in pitch each time. Called KWSU after their test, but the gentleman I talked to said my DX description didn't match their programming. Heard no CIDs or VIDs during the hour. Who might this have been? (ED-TA)
- 1440 WMAX ME Bay City - Is Black Devil's unID of 107.5. Now Sportstalk 1440 with SEN, Red Wings and Pictank. (TS-MD)



77 - 10/29 2100 - With mentions of Florence, Minersville... here in Demersville... Marvel of Marvo County. Ad about... the best chicken this side of the Mississippi. All this during a high school football game between the Bulldogs and the Wildcats. Log suggests Morganfield, KY on 1550, WMSK 1550 and Irvine, KY. Sam McInally doesn't help. (SW-OB) Hey Shaw, not that I don't appreciate hearing from you, but since you live in the Eastern Time Zone you're in Dave Brown's area now. But I will take those GY logs!

DX AND EQUIPMENT TESTS

MN Dabuth - 11/15 0106-0130 - Weak in mix of WZZK/WDAF/WJOD. Moderate speed CIDs, consisting of 3 or 4 call groups with slightly higher tones than past tests, heard at 0115, 0119, 0122, 0125 and 0128 and VIDs after 0119 and 0128 CIDs. KDAL Dabuth. Carrier disappeared @ 0129. New. (TR-TN) MN Dabuth - 11/15 0129 - Was ready to give up and tune out when 3 rapid CIDs appeared at 0128, followed by VID. I ought getting around the huge signal of KZSS. New for MN #32. (SW-CO) MN Dabuth - 11/15 0106-0126 - In well on day pattern, as I thought they would be. With music and fast CIDs. (RD-LAI) MN Dabuth - 11/15 0106-0130 - With offices, C & VIDs. Disappeared in mid-song at 0130. Over WTVN/WTP. (KDF-IL) MN Dabuth - 11/15 0106-0130 - Not heard. (MS-CA) Nothing heard. (FA-ID) MN Onaloesa - 11/21 0136-0158 - Poor with TT and CIDs. (KDF-IL) MN Onaloesa - 11/21 - Not heard. Just KRMG/CBL. (MOGTC) Nothing heard. KGBS dominant. (FA-ID) WI Hayward - 11/16 0015-0045 - Nothing heard. (FA-ID) WI Carthage - 11/16 0100 - Test not heard. Only usual mix of WYK/CBW/WYAT/XET. Heavy TStorm QRM. (TR-TN) Not heard. Only CBW/XECL/penally-milled KRKS. Logged about a decade ago - verne said they were using 9 watts! (SW-CO) IL Centralia - 11/21 0230-0300 - Nothing heard. (FA-ID) WA Sumaryside - 11/16 0306 - Mostly atop frequency with CIDs, march music at 0307 and VID. Gave address and mentioned RICA. (MS-CA) WA Sumaryside - 11/16 0305 - Weak with CIDs marked number Philly. Second Washington logging here and my 1000th station in the Iowa City logbook, which began on 9/26/87, with WKBF-1270. (RD-LAI) OK Salem - 11/22 0330-0340 - Fair signal. Heard ten minute section of several CIDs, with a different pitch used every time. (FA-ID) OR Salem - 11/22 0500-0529 - Nope. Still need Oregon. (RD-LAI) WA Pullman - 11/20 0334 - Heard with QRM from KTMK/KHOT/REDL. Numerous CIDs/VIDs. Music W/Phn Johnny Comes Marching Home. (MS-CA) WA Pullman - 11/20 0322 - Poor with tones and CIDs cutting through WEMP/WREN. (EB-MO) WA Pullman - 11/20 0300-0400 - Fair signal with march music, several CIDs and talk of test for RICA and BCB DXing hobby. (FA-ID) ME Doroit - 11/15 0130-0200 - Announcer with 3 day weatherwatch @ 0130, then 1st CID @ 0133 sent once. Only other CID noted was at 0152. Very Au conditions, as WJK almost wiped out. Heavy QRM from WKBF and KESS. New. (TR-TN) ME Doroit - 11/15 0130-0158 - Sounded in several CIDs during talk show. Not needed, but not often heard here. (RD-LAI) ME Doroit - 11/15 0152 - With CID noted after regular ID. Also heard during regular schedule before 0130 test start time. (KDF-IL) ME Doroit - 11/15 0330-0200 - Heard some code from 0130-0135, but too weak to make out. (FA-ID) ME Doroit - 11/15 0131 - No dice. (SW-CO) CT Merford - 11/22 0530-0600 - Nothing heard. CKAY and KSTP fighting it out. (FA-ID) Nope. KSTP ruled the channel. (MS-CA) MA Boston - 11/1 0300-0400 - Not heard. (RD-LAI) MO Mason - 11/20 0101-0113 - Lo and behold, KCCJ, for some strange reason was on low power until 0113 and I was able to snag a couple of CIDs out of KLTJ. 1560 #5. (RD-LAI) MO Mason - 11/20 - Not heard. Just WPAJ/WQEW/HD AC (KCJ17). (EB-MO) Tired for, but not heard. (BMS-EX) IA Waterloo - 11/13 0100 - Not heard, only KOSZ/CKTA/couple others. (PW-CO) Nothing heard. (FA-ID)

TIS & WHODAT?

TX 77 - 11/15-16 - Heard on business trip to Houston at various times in the evening while driving to/from airports/restaurants, etc, but never heard an ID or other clues. Severe T-Storms and urban noise made reception very difficult. Reception was better in Tulsa. (BW-OK) 77 - 11/24 0017 - Very weak audio, sounded like a male voice, into instrumental music. 0018 at better signal strength, but still very weak. Any practices reported here or other stations testing? (BW-OK)

1556 0171 - 11/23 2400 - Code ID preceded by tone lasting about 1 second. This repeated three times and gone. (BW-OK) 1557 KA90 - 11/24 0004 - With code, unsure of last two characters due to fades and noise. Could have been 1P or 2R or something else. Repeated three times and gone. (BW-OK) 1563 B468 - 11/23 2127 - With code "ID" preceded by tone lasting about one second (like the 1556 logging), repeated three times and gone. (BW-OK)

MIDNIGHT TO 0800 HOURS EIT

550 WLWA OH Questioned - 10/30 0814 - With ad for Bill's Auto Services Cincinnati, then weather. Into older *Body In The Fuzz*. CL. Weak New. (SW-OB) 590 CKWW OH Waterloo - 11/15 0210 - With MoYL, station promo, several IDs. First tone heard here. (KDF-IL) 650 KSTZ CA Rancho Conejo - 11/20 0635-0715 - Good with telephone talk-back program. After a promo for rebranding *The Faithful Hour* for 30th anniversary of President Kennedy's death, announcer Z-Talk STE. KSTZ Rancho Conejo-Suzerinto into ABC News. (AM-WA) 670 KWTI AR Glenwood - 11/15 0747 - C&W time. 0750 ARN sports feature. Mention of Arkansas Great Outdoors, maybe a program name. Poor in WMAQ/XETOR partial null. Eventually lost to KBOJ. Trying to clean up on 670 before KMTV has the air (apparently never). (SW-CO) 680 KNBR CA San Francisco - 11/21 0050 - Good with Golden State Warriors vs Seattle SuperSonics basketball. (MOGTC) 700 KCEV TX Tomball - 11/24 0735 - Looking for Jamaica, and this came up with three morning drive chuds who were "veg" too happy for this time of day... lotsa Houston traffic reports. (BS-MO) 750 CKCB ON Timmins - 11/15 0150 - On top with WSB, with *Today's Hot New Country*, 730 CKCB. Never heard before at this time. (KDF-IL) 810 WCV NY Schenectady - 11/25 0359 - With Best of Rush... clear ID into CBS News. In tight KCMO null... lotsa fading, but worth the wait. (BS-MO) 880 KRVN NE Lexington - 11/22 0707 - Poor with South Dakota and Nebraska weather and forecast (for snow). Poor through the crown. Rare here. (SW-OK) 970 WAVG KY Louisville - 11/21 0228 - With NOS, local ads and *How 970* IDs. Good over WMAV/KRCO. (EB-MO) 1090 CKKX AB Lethbridge - 11/20 0338-0352 - Good with program *Overnight*. ID: 1090 CKRX. Southern Alberta's best rock. KING off for a while. (AM-WA) 1140 CFXL AB Calgary - 11/14 0739 - With local ads, X1-1140 slogans and back to Coast to Coast syndicated program. Presumes CFXL, ex CFKX. Fair with KHEM QRM. (SW-CO) 1170 KLOK CA San Jose - 11/6 0900 - Picked up for ID in EE at :00 This is KLOK 1170 AM, San Jose-San Francisco. (MS-CA) CA Beldin - 11/6 0400 - With ID 1210 KEBR Rocklin, 89.9 KEBR <any?> PSA on education system into *Unshackled*. (MS-CA) NV Las Vegas - 11/14 0754 - With ads and... todo on KLAY, Door T-Storms AM, la frecuencia de las esteras en Las Vegas. Labeled as Talk. Don't know if a format change or just a Sunday SS program. (SW-CO) CA Sausalito - 11/20 0500 - Dominant tonight with ID KSUE Sausalito + MBS News. Then *Twist and Shout* by the Beatles with female DJ. (MS-CA) KS Topeda - 11/21 0303 - With USA Radio Network News, ad for the Exposed 10000 Hearing Aid, CLS and Southern GOS. Good in WEMP null while looking for KWSU test. (EB-MO) TX Fort Worth - 11/25 0200 - With SS talk show, lotsa giggling... clear sent-ID at :00 for KESS *Fort Worth - Dallas*. The old Texas pipeline just keeps on rolling into MO. (BS-MO) AR Searcy - 11/15 0209-0215 - Announcer Jay Hawkins... I *Quit* 99 FM. New. (TR-TN) NM Albuquerque - 11/1 0454 - Practically alone with song *26 Miles*, then instrumental ID *Memory* 1310 AM KTYA - 1310 KTYA Albuquerque. CNN News sent ad for *Follies Concert*. (MS-CA) AR Hot Springs - 11/13 0427-0433 - Up with Judy Garland singing *Somewhere Over The Rainbow* + AM 1310 KZNG + instrumental of *You'll Never Know*. Lost in jumble at 0433. (SB-EX) (Great Times! - Ed.) NM Redondo Down - 11/15 0301 - In & out of QRM with C&W music. *KRUI*, your Number One choice in County Music, 24 hours-a-day. (SW-CO) ND West Fargo - 11/1 Midlight - Finishing song by Randy Travis, then legal ID *KQ Country*, *KOWB* *Wet Fargo-Rango*. AP News, ad for life insurance, then song *Two Of A Kind*. In loud and clear for 5 minutes. ND #1 for me - report sent. (MS-CA) (Great catch - Ed!) WA Vancouver - 11/14 0540-0555 - Good with CNN *Headline News* and ID: *K7AN Orange County*. Silent station is now back with *Survival*. (AM-WA) MO St. Louis - 11/21 0225 - Good over others with *The Legendary AM 1600 KATZ* ID and UC. Local KMOZ-1590 off. (EB-MO)

0800 TO 1600 HOURS ELT

- 620 WTMD MIW/mike - 10/20 1225 - Good with pregame show before the Wisconsin-Michigan battle... on the *Bogder Football Radio Network*. (RD-1A2)
- 680 WFTF Raleigh - 10/20 0817 - Tail-end of *WFTF News*; ad for Raleigh *Gun Show*. Weak here, but good with CL later, then gone. New. (SW-OB)
- 790 CRCW AB Camrose - 11/16 0833 - News, local ads, Ds. *Older Report*. Fair over QRM for Alberta #27. (SW-CO)
- 856 WKIX NC Raleigh - 10/20 0826 - With *Live 85 WKIX*, WKIX weather and CL in the clear. NOS music. (SW-OB)
- 950 KAZR WY Kennewick - 11/16 0925 - In solid, dominating 930 in this post-annunciate fogging. C&W music, ID and TC by Jim Kane(?) Ad for '94 Ford Crown Victoria at *Frontier Ford*. (MS-CA)
- 960 KFLN MT Baker - 11/13 0904 - Poor in QRM with ad for a store in the 603 area code (SD). Announcer with *KZLN News*. Soon lost. A newbie for Montana #18. (SW-CO)
- 1190 KRLD MD DeSoto - 11/15 0732 - Poor with *KYSV/KRDS QRM* with *SSB*, then sign-on announcement, soon lost. Last heard a decade ago, and still trying to get reception verified. (SW-CO)
- 1270 KRLG CA Tahoe - 11/14 0801 - Finally logged this old call change. Noted with *K-Jug* slogan and call ID. Last heard as *KCOK* a few years ago. (SW-CO)
- 1420 KUIJ WA Walla Walla - 11/13 0858 - With *The Lion Sleeps Tonight* 0900 ID *Oldies 95.7 KNLT*. *KNLT Walla Walla - Kennewick - Pasco - Richland - Olney*. Didn't catch any mention of AM. Into more oldies. Barely thru QRM. (SW-CO)
- CYR 51K Medford - 11/13 0909 - Over/under QRM with weather, temps in C°. No ID until 0935, then local ads. New for Saskatchewan #20. (SW-CO)
- 1490 KCID ID Caldwell - 11/15 0959 - Ad for local bank, ID at 0959:50 *You're in tune with KCID Caldwell - Nampa, serving all the Treasure Valley (?)* → net news at 1009, either AP or ABC (mixing with a couple of others). New for Idaho #20. (SW-CO) [Yup, we're in the *Treasure Valley*, and KCID is on the ABC Bird - Ed.]
- 1520 KMPG CA Boulder - 11/14 0921 - SS language with local weather, something about *Battle Santa Clara*, call ID. Fair at best over *KTRO* (also SS). XEBIC nullified (also SS). *KDRC* stop mostly nullified. New for CA #71. (SW-CO)

1600 TO 2400 HOURS ELT

- 580 WILL IL Urbana - 10/20 1610 - In there with NPR programming, about even with *WKTY*. (RD-1A2)
- 590 KENS IL Wood River - 11/20 1814 - With sports talk, *All Sports Radio*, *Ross 590* ID. Good over *WOW*. (SB-MO)
- 640 KFI CA Los Angeles - 11/20 (no time) - With talk. Fair with *WVLS/CMBB*. (SB-MO)
- 930 WVLS OK Moore - 11/20 2340 - With sports talk. Good w/*KFHC/CMBB*. (SB-MO)
- KAFI AZ Flagstaff - 11/16 1921 - Loud over *KUIP* & everything else for a few minutes on *SSB*. Local ads, PSAs, then back to C&W music on *All American Country 93 Calif.* [WVLS] Well Reno has a *Crow* (KROW-790) and a *Langhlin* has a *Cow* (KOWA-870), so a *Call* in *Flagstaff* is appropriate. In - Ed.]
- WSIL MS Jackson - 11/17 2359 - ID during break in sports talk show (not *AC/DC* #727. (TB-TN) ... at least during this time period). Good over predominant *WTKZ*. New for #727. (TB-TN)
- 970 WWTI NC Canton - 10/28 1841 - Good with ads for businesses in *Maggie Valley* and *Waynesville*. THANK YOU, *Randa-McDonald!* (RD-1A1)
- 990 WYK TN Knoxville - 11/6 2013 - With mention of *University of Tennessee* and ad for *First Central Bank* ID as *WYK Knoxville*. Weak with *QRM*. New. (SW-OB)
- 1010 WPTK AL Doon - 11/11 1805 - With sign-off and *SSB*. ID'd as *Birmingham* and mentioned *W* with at least one other station. Very poor under *KDKA*. (TB-TN)
- 1030 WBLZ MA Boston - 11/24 1930 - Adip post *KBEQ* with news/weather... always good to hear traffic reports from old *homework*. Not heard on *N/S* w/. (BS-MO)
- 1130 KWKH IA Show-report - 10/26 1933 - With *CLs* and then faded quickly. Heard mention of *Legendary KWKH* and *AM 1130 KWKH*. New. (SW-OB)
- 1140 WRVA VA Richmond - 11/20 1811 - Good with *OLD*. *AM 1140 WRVA* ID and EST TC. (SB-MO)
- 1150 WGOV TN Chattanooga - 11/20 1750 - Good over others with a *University of Tennessee* promo and *New's of the Day 1150* ID. Heard after returning from touring *KSMO-1340*. (DX-Mable)
- 1170 KDDC IA Davenport - 10/20 1620 - Very good with *Iowa State football*. (RD-1A2)
- 1280 KDOL NV Henderson - 11/8 2300 - In SS, with *Ranchero-type* music and *This is KDOL Henderson, Nevada* in "loud" Mexican-type accent. (FA-ID)

- 1300 KAKC OK Tulsa - 11/12 2132 - More-or-less dominant for over an hour with high school football (*Broken Army Tigers vs Washington Homer*). Uexarching, with 28 to 3 1st quarter score. Seems to be a common thing for stations to "accidentally" forget to turn down the power during Friday rule football games. (SW-CO)
- 1310 KOXX IA Keokuk - 11/13 1837 - Very strong with west ad, station promo, ID. Unneeded. (EDF-IL)
- 1340 KKAM TX Lumbert - 11/13 1800 - Barely over *QRM* for a nice ID, USA Network News, then quietly lost. New for Texas #120. (SW-CO)
- 1400 KPAC CO Pegasus Springs - 11/15 1903 - Out of *NBC News* and announcer with *A nd now, live from Broadcast Hill in Pegasus Springs, Colorado, KPA-G-AM and KEUS-FM present state and regional news*. Soon gone, but a new catch for Colorado #88. This was my 6th *Closed Unheard Station*. (SW-CO)
- 1450 KATE MN Albert Lea - 11/13 1890 - With *CLs* only. A1 News, other *KATE* mentions at 1805. Also heard with *POP* music and ID at 0049. (KDF-IL)
- 1500 WRCO WI Richland Center - 11/13 1900 - Fair to good with oldies show, *AM-FM* ID. (KDF-IL)
- 1570 CKTA IA New Royals - 11/20 2358-2400 - Think this is the one with *Kate 15*, the best of the blues blues music. Fair in *KSTP* null. Also heard 11/21 2023 with *REL* talk. Did I miss an *AM Switch* about *KCLF* nighttime operations? (BW-OK)
- 1590 KELF AB Tabor - 11/13 2137-2147 - Good with *C&W* music and ID: 1370 *CKTA is Southern Albert's best country music*. My unID in Issue 5. (AM-WA)

TX El Paso - 11/7 2131 - Good signal in recent absence of *KOQO* Ventura with ID *KELF El Paso's Christian Station* → inspirational music. (MS-CA)

REPORTERS

- MS-CA Mike Santam Bellflower, CA GE Superadio II
- AB-TX Tom Boudan San Antonio, TX Superadio II + MEJ Tunes Audio Filter + downpout ant.
- TB-TX Tom Bryant Nashville, TN Yamaha TX-930 + KTW A air core loop
- FW-CO John Wilkins Wheat Bread, CO Drake R-8 + 4' Box Loop + GE Coffee Maker
- MOCKTG Missoula DX C&W Together Moila, MO (John Tindeman, Eric Bessent), Eric Wesoelwald, John Callahan and Gil Mjorgum) GE Superadio II, Carver TX-11a with a 70' longwire, and a John Tindeman-modified Resiliatic Astromet 6 all-bander. Above group on Mission 72 between *Seattle* and *Bella*, MO Ernie's DeLoz *AMS/TMS* Eric Bessent Hazletwood, MO DX-200, TM-152 C-Quan tuner, SM-2 (proud to receive a *KREW-1210* vertel)
- EB-MO Eric Bessent, Moila, MO GFG DX-60
- EB-MO Avarah Mestamee Seattle, WA JRC-NRD 525 + KTW A loop
- AM-WA Tom Samuels Davison, MI JVC Canada
- TS-MI Frank Aden, Jr. N79OK Boise, ID modified FRG-7 + 180' L-longwire or 4' box loop
- FA-ID Shave World Mc-Carlserville, OH Admiral World-Band hamfest
- SW-OR B.R. McCordian Irving, TX
- BRMS-TX Rocky Stone Hollister, MO R-2000 + SM-1 or 230' lw
- MS-MO Rick Darr Iowa City, IA R-1000 + Radio West Loop
- RD-1A2 Rick Darr Dubuque, IA Ernie Wesoelwald's carloop
- KDF-IL Karl Firth Chicago, IL Icom IC-R-70, Hammerhead HQ-160, 75' LW, spiral loop
- BW-OK Bruce Winkelman, AA5CO Tulsa, OK R390A, KTW A Loop, Super MWDX-5, 2-90' lws
- WV-OR Jack Woods Waldport, OR SP-600, 100' longwire
- EA-ID Editor Mendham, ID lots listening... nothing special logged

ABBREVIATIONS AND SPECIAL SYMBOLS USED IN DDXXD

|| parallel with to 3:30 or into :00 on the hour AC:Adult contemporary AP:Associated Press
 BBD:Big band BRN:Business Radio Net C&W:country & western CCR:contemporary Christian
 radio CHR:contemporary hit radio CID:code ID CL:call letter EZL:easy listening EE:English
 FF:French GOS:gospel INV:Interstate Radio Net LSR:local sunrise LSS:local sunset
 NBA:National Basketball Assn NFL:National Football League NHL:National Hockey League
 NPR:National Public Radio OC:open carrier POL:political PSRA:pre-annunciate authority PSSA:post-
 annunciate authority QRM:man-made interference QRN:natural interference QTH:location REL:religions
 ROK:rock 'n' roll RS:regular schedule SSS:sunrise SID:singing ID SRS:sunrise skip SS:Spanish
 SSB:Star Spangled Banner SSS:sunrise skip TC:time check TT:test tones UC:urban contemporary
 UP:United Press International

HAWAII
 PUBLIC
 RADIO

718 Kabela Street
 Honolulu, HI 96814-3726

73, 74

DDXD-East

NEWS AND VIEWS

Thanks to Ron Bailey for the map showing Richard, MS, following my comments of a couple of issues ago on WDFW-720. Turns out it is in my Rand McNally, but not in the index, so I didn't know where to look!

John Malicky says that his log of WSEV-930 in DX News No. 7 was of them testing. That was on 10/4 at 0116.

Some excellent DX is included this week, great catches still seem to be going around through mid-November. And thank you all for the kind holiday wishes.

SPECIAL

- 980 WBZK SC York - 11/19 0500 - A top with AM-FM sign-on, format announced as "oldies and beach" and into Elvis' His Latest Flame. Leaves five unheards here from the Palmetto State. (SF-TN)
WBZK SC York - 11/19 1710 - With Monster Mash by Bobby "Boris" Pickett and "Classic Oldies WBZK" call ID and brief weather report. Log says CW. (REH-ON)
IL Chicago - 11/6 1853 - With ID as "Sports 1000 WMYV", Ohio State vs. Wisconsin football. 11/7 0300 - With classic rock, ID as "WLUP 97.9" obviously simulcasting their FM. Not 24-hour sports, unless listening to beer-swigging 70's-era heavy metal rock is considered a sport! (MB-ON)
GA Cumming - 11/20 1727 - Briefly with "1170 WMLB" call ID and ad for The Dawsonville Pool Room. Ex-WHNE. (REH-ON)
NY Brockport - 11/21 0005-0035 - Heard playing non-stop hymns. ID at 0030 said just that and gave call letters. (RM-CT) (No longer 2400 sign-off as in log? - db)

DX TESTS

- 610 KDAL MN Duluth - 11/15 0100-0130 - Tentative on test with code IDs barely audible under WIP at 0106, 0111 1/4, 0116 1/4, 0122 and 0125 1/4, code IDs very rapid, report sent. (RA-MA)
KDAL MN Duluth - 11/15 0105-0130 - Very good with WIP/WTVN QRM. Oldies, ID "AM 610 KDAL Duluth-Superior", no sign-off, switch back to directional pattern. (JM-PA)
KDAL MN Duluth - 11/15 0100-0130 - Unneeded but noted in passing with voice ID and OLD in WTVN null. (REH-ON)
KDAL MN Duluth - 11/15 - Not heard. (RM-CT)
740 KBOE IA Oskaloosa - 11/21 0112-0157 - Weak but clear with call letters in slow, high-pitched code as soon as CBL's O Canada ended at 0112, continuing until 0115-40. Heavy QRM from Cuba and KRMG, but other code periods (each lasting about three minutes) started at 0133 1/4, 0138, 0149 1/4 and 0153. (SF-TN)
KBOE IA Oskaloosa - 11/21 0100-0200 - Voice IDs listing city and power of 250 watts non-directional, slow code IDs, 1 kHz TT for one minute each TT, rotated in sequence throughout the test. Extremely weak, but got an armchair copy anyway because the frequency was dead. (JL-OH)
KBOE IA Oskaloosa - 11/21 0105-0158 - Fair-good over/under SS QRM with many code IDs, tone, one lone voice ID heard at 0127. This is KBOE, Oskaloosa, Iowa on the air conducting equipment tests on 740 kilohertz with 250 watts non-directional. KRMG absent mainly, some WSB stop. (JM-PA)
KBOE IA Oskaloosa - 11/21 - Heard Morse code and tone between 0115-0150. (RM-CT)
KBOE IA Oskaloosa - 11/21 0100-0200 - With voice IDs, 1 kHz TT and codes of 2.2 kHz code IDs. Code IDs easily read even before CBL sign-off. Low #70. (REH-ON)
KBOE IA Oskaloosa - 11/21 0100-0200 - Test tried for but not heard. (RA-MA)
910 WHSM WI Hayward - 11/9 - This test was scheduled for 11 pm their time, thusly not heard here. (RM-CT)
990 WCAZ IL Carthage - 11/14 - Tuned for, nothing heard. (JM-PA)
1210 WILY IL Centralia - 11/21 0230-0300 - Test tried for but not heard, WOGL covering channel. (RA-MA)
WILY IL Centralia - 11/21 0230-0300 - No sign of 'em. (SF-TN)
WILY IL Centralia - 11/21 0230-0300 - Not heard as WOGL dominates. (JL-OH)
WILY IL Centralia - 11/21 - Really hoped for, only WOGL. (JM-PA)
1220 KCCS OR Salem - 11/22 0530-0600 - Nothing but WKNR during random checks. (DB-DE)
OR Salem - 11/22 - DX test not heard. Up late, but checked 0515-0535, but noted only WKNR and UNID with NC News Network (WENC listed). (MH-NC)

- KCCS OR Salem - 11/22 0330-0400 - Not heard. Too much WKNR and splash from WCWA. (JL-OH)
1250 KWSU WA Pullman - 11/20 0300-0400 - TT's of varying pitch, quite strong at times throughout the hour. At least I hope it was them as I left the antenna oriented to the southwest from a previous test. I guess that's what I get for being lazy and using a VCR to record all my tests! Good over/under WTAE. (JL-OH)
KWSU WA Pullman - 11/20 0300-0400 - Not heard. (SF-TN)
1270 WXYT MI Detroit - 11/15 0130-0200 - In like a local (hi) with regular schedule and quickie "WXYT" code IDs at 0133, 0152 and 0158. (REH-ON)
WXYT MI Detroit - 11/15 - Did not appear to test with any code IDs or tone, just regular speed, did they know about this? (JM-PA) (See above log and last week's DDXD - db)
1500 WTEF CT Milford - 11/22 0530-0600 - Nothing heard, just WTOP. (DB-DE)
WTEF CT Milford - 11/22 0530-0600 - Nope. (SF-TN)
WTEF CT Milford - 11/22 0535-0550 - Checked but WTOP was dominating the frequency. Could partially null WTOP, but only a weak UNID to the NW/SE noted. (MH-NC)
WTEF CT Milford - 11/22 0530-0600 - Nothing heard as WLQV and WTOP battle it out. (JL-OH)
1560 KLTI MO Macon - 11/22 - Tried for, only WTOP. (JM-PA)
KLTI MO Macon - 11/20 0100-0200 - Not a trace. (SF-TN)
KLTI MO Macon - 11/20 0100-0200 - Not heard, only WQEW and WPAD along with a high-pitched hat which I mistook for TT at first. (JL-OH)
1570 KXCD MO Macon - 11/20 - Not heard. (RM-CT)
KLTI MO Macon - 11/20 - Stead test not tried. (RA-MA)
KLTI IA Fairfield - 11/13 0100-0140 - Tried for but not heard. (RA-MA)



1120 UNID

OR Salem - 11/22 0330-0400 - Not heard. Too much WKNR and splash from WCWA. (JL-OH)
WA Pullman - 11/20 0300-0400 - TT's of varying pitch, quite strong at times throughout the hour. At least I hope it was them as I left the antenna oriented to the southwest from a previous test. I guess that's what I get for being lazy and using a VCR to record all my tests! Good over/under WTAE. (JL-OH)
WA Pullman - 11/20 0300-0400 - Not heard. (SF-TN)
WA Pullman - 11/20 - No way with local WTAE out. (JM-PA)
MI Detroit - 11/15 0130-0200 - In like a local (hi) with regular schedule and quickie "WXYT" code IDs at 0133, 0152 and 0158. (REH-ON)
MI Detroit - 11/15 - Did not appear to test with any code IDs or tone, just regular speed, did they know about this? (JM-PA) (See above log and last week's DDXD - db)
CT Milford - 11/22 0530-0600 - Nothing heard, just WTOP. (DB-DE)
CT Milford - 11/22 0530-0600 - Nope. (SF-TN)
CT Milford - 11/22 0535-0550 - Checked but WTOP was dominating the frequency. Could partially null WTOP, but only a weak UNID to the NW/SE noted. (MH-NC)
CT Milford - 11/22 0530-0600 - Nothing heard as WLQV and WTOP battle it out. (JL-OH)
CT Milford - 11/22 - Tried for, only WTOP. (JM-PA)
CT Milford - 11/20 0100-0200 - Not a trace. (SF-TN)
MO Macon - 11/20 0100-0200 - Not heard, only WQEW and WPAD along with a high-pitched hat which I mistook for TT at first. (JL-OH)
MO Macon - 11/20 - Tried for, only WQEW in strong, test could have ran 11/22 when WQEW was off. (JM-PA)
MO Macon - 11/20 - Not heard. (RM-CT)
MO Macon - 11/20 - Stead test not tried. (RA-MA)
IA Fairfield - 11/13 0100-0140 - Tried for but not heard. (RA-MA)

UNID AND UNID HELP

10/16 0640 - Re: I.K.-ON's UNID, according to the CBC list I have there is no CBOE relay on 710. However CBF18-Parent, CBF1-Semeterre and CBF17-Loc Edouard all relay CBF, and CBS15-Ferment relays CBS1-FM. All are French CBC (actually SRC) relays in Quebec. Laurence will have to pick and choose. The only CBOE relay on AM is CBOF4-1400-Rolphon. Afraid this is a lot of useless info as it won't ID the station unless CBOE relays one of these. (SA-MB) (Shawn also mentions that he has a list that is accurate to 11/1/93 of all CBC/SRC AMs - db)
11/9 0700 - Poor-fair in KMOX/WHIT null with news in French, not //CJBC-860 (rules out spur or image) and there are no Canadian stations on 1120. Perhaps ethnic-format WADN? (But how many EF speakers could there be in Concord, MA?) (MB-ON) (More likely WUST-DC with their new ETH format and CP - db)

0000 to 0800 ELT

- 640 WGOC TN Blountville - 11/22 0759 - Poor but clear ID after CW music under WFNC/WHLO. (DB-DE)
800 WTMR NJ Camden - 11/10 0659 - Good over CKLW/CJBC with promo for Christian Business Guide, ID at 0700 as "WTMR, Camden, New Jersey-Philadelphia, Where The Master Reigns at 800 on your AM dial, your favorite inspirational radio station", into Pastor Bob Palmer program. (MB-ON)
910 WWWR VA Roanoke - 11/20 0610 - On top with weather forecast followed by "Three W R" sung ID and ad for Roanoke Express hockey. (REH-ON)
940 WMAZ GA Macon - 11/12 0725 - Fair-poor with ID. Limbaugh morning update. Lost to WCPC at 0730. (MB-IN)
WPCPC MS Houston - 11/12 0730 - Good with ID, local news, ad for Roland True Value New. (MB-IN)
1120 WUST DC Washington - 11/14 0714 - "New World Radio, WUST, Washington." Then into Tri-Stone Church of Christ service. Killer signal now with 20 kw; KMOX not even detectable here when on NE beverage. (RB-NC)
1140 WBXR AL Hazel Green - 11/23 0716 - Excellent signal from southwest at sign-on with usual info and announcer promoting "Christian radio" format than SSB. Covered up what, I believe, was WSAO which would have been new here. (RB-NC)

WQBA

FL Miami - 11/23 0657 - Several IDs in Spanish (Yes, my Spanish is getting better out of necessity!) then "WQBA Miami" in English and back to SS saying "La Cubanista". Dominant signal to south. (RB-NC)

1190 WANN

MD Annapolis - 11/11 0730 - Fair in WOWO null with CW music. ID as "Big Country 1190" into "the latest WANN information update", local news and Baltimore traffic report. When did they go from black/urban to CW? (MB-ON) (It was first noted here last November - db)

1280 WPID

AL Piedmont - 11/16 0658 - Sign-on with complete info including fact they were on 500 watt gear followed by SSB. Been listening every sunrise for a week for this one to come up out of the mud enough to tell whether it was WPID or WWPFG. (RB-NC)

1300 KELO

LA Shreveport - 11/21 0700 - Sign-on beginning with woman saying "Good morning, this is KELO Shreveport", next a man announcing "Gospel Radio 1300, KELO Shreveport". (RB-NC)

1330 WKTA

IL Evanston - 11/17 0800 - Good over post WEYZ with triple-header ID: "WKTA Evanston-Northbrook-Chicago" into USA Radio news. Have heard them in several previous call letter incarnations: QSJed as WSSY in 1988. (MB-ON)

1470 WMANW

CT Meriden - 11/13 & 11/15 0100+ - Very good at times, becoming almost a night regular with "Statust 1470" mentions. SNN news, local break at :06 over/under WXXW, pattern change? Report sent. (JM-PA)

1590 WSMN

NH Nashua - 11/21 0000 - Sign-off heard with SSB (RM-CT)

WERA

NJ Plainfield - 11/21 0002 - Sign-off heard in the clear. (RM-CT)

0800 to 1600 ELT

NY Buffalo - 11/16 1551 - In WQBH null with motivational talk and "Three W S Money 1400" slogan. (REH-ON)

1600 TO 2400 ELT

1400 WWWW

NC Asheville - 11/16 1700-1730 - Fades in strong in WKBN null with ID "Western Carolina's number one country music station", ABC news, ads, CW music. (JM-PA)

570 WWNC

NC Raleigh - 11/23 1808 - Very good at times this evening in WKBN null over/under WUNC with UC/fair music and "Hot 57" slogan. (JM-PA)

700 KSEY

TX Tomball - 11/19 1827 - Fair under WLV with Rush Limbaugh, plug for ESPN weekends on "Super Talk Radio 700, KSEY", Houston traffic report and local news by woman, vanished at 1831 power and pattern change. (SE-TN)

990 WMLF

TN Paris - 11/15 1742-1745 - Strong in WLDP null with ad, promo, funeral announcement and full sign-off mentioning address and Gary Benson, General Manager, verified in '86. (JM-PA)

1030 WCTS

MN Maplewood - 11/26 1625 - Good in WEBZ null with ID, REL music. (MB-IN)

1050 WLON

NC Lincolnton - 11/19 1747 - Good with local ads then back to "The Piedmont Superstation Radio Network", later 2052 with high school football. (JM-PA)

1140 KSSQ

TX Course - 11/20 1830 - Full info sign-off in WRVA null giving address as 300 Bryant Road and calling themselves "The station that plays traditional gospel music... we are the all new KSSQ Heaven 1140 AM" (REH-ON)

1160 WTYN

NC Tryon - 11/19 1712 - Good with local ads, REL message then back on UNID network and *Prayer Time* (JM-PA)

1200 WGNV

NY Newburgh - 11/21 2231 - Fair with promo for local sports talk show on Monday evenings "on 1200 WGNV", ads, one mentioned Cornwall before fading. (DB-DE)

1260 WMLU

SC Greenville - 11/24 1711 - Good with weather forecast for western North Carolina and Georgia, temperatures given for Greenville/Spartanburg, Asheville and Charlotte, mention of "FM 94.5 and AM 1260". No call letters heard, but don't know who else this could be. (DB-DE)

1270 WJJC

GA Commerce - 11/20 1700 - Up briefly at top of the hour with call letters and spot for *Automotive Parts and Supply* store in Commerce, church activities calendar, then fade away. (GVH-VA)

1280 WADO

NY New York - 11/12 1830 - Strong signal with talk show in Spanish discussing the (them) upcoming vote on Puerto Rican statehood. Followed by ad for *HBO en Español*, singing female group with "Radio WADO" (pronounced as a word), then a deep male voice with call letter ID in English. (RB-NC)

1290 WBTC

AL Sheffield - 11/19 1900 - REL music and legal ID "WBTC-AM Sheffield, the Shoal's Love 1290". Alabama #155. (REH-ON)

1320 WARA

MA Attleboro - 11/22 1801 - In daylight with WIAS but was able to copy a test of *The Emergency Broadcaster System* then "If this had been a real emergency," etc. Call to station was answered by some cable company taking requests for movies??? - leaving me "addled". (RB-NC)

1370 WGCL

IN Bloomington - 11/20 1736 - Poor to good with promo for *Rush Limbaugh Show*, many "AM-13-70" slogans. Sung ID "WGCL, AM-13-70" into QLD. (GVH-VA)

1410 WDOV

DE Dover - 11/23 1800 - Shooting up through KOY null with "Serving central Delaware, we are WDOV-Dover, WYEH-Smyrna" to CNN news. (JM-PA)

1490 WANA

AL Anniston - 11/19 2005 - USA Network news followed by "This is WANAA Anniston Alabama" legal ID and weather forecast. (REH-ON)

WVGB

SC Beaufort - 11/19 2038 - With "Percy Sledge by request on solid gold soul WVGB" followed by weather for Beaufort and area. (REH-ON)

1530 KKCM

MN Shakopee - 11/13 1800 - In WCKY null with legal ID and first 2 minutes of USA Network news followed by "KKCM News" (REH-ON)

1540 CHIN

ON Toronto - 11/21 1801 - Excellent with Italian programming before the hour then "you're listening to CHIN AM, Toronto" in English. (RB-NC)

1610 WTAT

FL Anastasia State Recreation Area - A letter from Todd Roberts in South Carolina says he has heard this station with a tape loop closely approximating my "WPAT UNID heard 10/25". An inquiry has been sent, and my thanks to Todd for his help. (MH-NC)

OTHER STUFF

REPORTERS

RA-MA Ray Arruda, Acushnet, MA: SX-122, HQ-180A, Radio West Loop, Palomar Loop
 SA-MB Shawn Axelrod, Winnipeg, MB:
 RB-NC Ron Bailey(AAS), Shelby, NC: Icom IC-765, 7 beverages
 MB-ON Mike Brooker, Toronto, ON: Panasonic RF-2200, RFB-45
 MB-IN Mark Butrin, Terre Haute, IN:
 SE-TN Steve Francis, Alcoa, TN: Realistic TRF
 MH-NC Mike Hardester, Jacksonville, NC: ICOM R-70, Radio West 22° Ferris Loop
 GVH-VA Gregory V. Benson, Reston, VA: Superadio II
 JL-OH Jeffrey Less, 223 Pasadena, Toledo, OH 43612: Panasonic RF5000A
 JM-PA John Malicky, Pittsburgh, PA: Superadio II
 RM-CT Ron Munson, Poquonock, CT:
 REB-ON Chuck Reh, Leansington, ON: R-390A, Sanscristo Loop, Registic TR-3000 open reel tape deck
 DB-DE Dave Braun, Wyoming, DE: R-5000, Palomar Loop

Broadcasters' Guides to DX *Fair different 3rd-fold guides for use with reception reports explaining AM editions in English, Spanish, and French; FM edition in English. \$51.50 for 20. From NRC Publications. (NY residents, add sales tax)*

Put some fun into your DX'ing - enter a contest!

- #1. CRC Log the most NRC or IRLA CRC tests. 1 point per station. Runs Oct. 1, 1993 to Mar. 31, 1994. Prize: \$5 certificate toward any NRC product or subscription.
- #2. Alphabet Log calls in an order: the last letter must run from A to Z. First alphabet run must be complete before second run will count. 1 point for each station. Runs Oct. 1, 1993 to Jan. 15, 1994. Prize: \$4 certificate.
- #3. Alphabet Same as #2 except. Runs Jan. 16, 1994 to Mar. 31, 1994, and you cannot use any station in contest #3 used in #2. Prize: \$4 certificate.
- #4. Ten-Day Spree Choose any ten (10) consecutive days during the month of October, 1993. Loggings count 1 point for a clear channel station, 2 points for a regional channel station, 3 points for a local channel station. You pick the days; loggings on all ten days not necessary. Prize: \$3 certificate.
- #5 Same as #4 except during December 1993.
- #6 Same as #4 except during January 1994.
- #7 Same as #4 except during March 1994.
- #8. Canadian Special (Canadian members only). Log U.S. stations only, but stations in any state bordering your province cannot count. A clear channel station counts 1 point, regional channel station counts 2 points, and a local channel station counts 3 points. Runs: Oct. 1, 1993 to Jan. 31, 1994. Prize: \$5 certificate.
- General Rules: Entrants please send a postcard of intent to enter. All correspondence goes to Ken Chatterton - P.O. Box 164 - Manserville, NY 13161-0164 ten days after the closing date of that particular contest, or postmarked within seven days of closing. To count a station: list call, city, frequency, date, time of logging; plus enough material to ID station if asked.

International DX Digest

Foreign DX Catches. Times are UTC; for EDT, subtract 5 hrs.

Jim Renfrew

61 Wilcox Street
Rochester, NY 14607-3832

My apologies to Shawn and others for misplacing the sheet of TA loggings that went along with last week's Hawaii loggings. They appear here. Thanks to Werner Funkenhauser for detailed info about his reception of ERA 870 from Ontario.

Jim

- I remind you that you can send loggings via e-mail to: "JimRenfrew@aol.com", although I have not had any luck sending files to CompuServe members, and at least one CompuServe member has not been able to send a file to me.
- 738 TAHITI 11/4 1124-1205 - Poor under
TRANS-PACIFIC DX
KCBS splatter with music program with Polynesian-sounding vocalists. After the hour, man and woman speaking French (WRTH does not list news in French at this time). [W-OR] [W-OR]
- 828 JAPAN Osaka, 11/16 1245 - Fair with Spanish lesson. This is a change - have heard this station often with English lessons, but never before any other language. [W-OR] (Everyone's getting ready for NAFTA, I guess! - Jim)
- 1566 SOUTH KOREA HLAZ Cheju, 11/17 1138-1150 - Fair to good with Korean talk and Western-style semi-classical instrumental music. [W-OR]
- 535 TURKS AND CAICOS ISLANDS RVC South Caicos, 11/22 0601 - Good with English ID between Spanish religious programs. [SF-TN]
- 550 MEXICO XEPL Cd. Cuahémoc CHIH, 11/15 1158 - Fair in QRM with XE national anthem, sign-on or ID by man: "Transmite XEPL, La Superestación, 550 KHz, 5 mil watts de potencia. Estudios y oficinas en Av. Morelos Fernando ...". I think all XE stations play the National Anthem at 6:00 AM local time, even if they're 24 hours. A nice full data ID usually follows the anthem. [ØW-CO]
- 555 ST. KITTS ZIZ Basseterre, 11/1 0150-56 - Fair in English with Gospel music, preacher, gave address for "Old Time
- Gospel Hour at 0155, religious talk until 0156 fade. [RSR-ON]
- 550 unID, 11/24 0320 - poor, salsa music and Spanish talk, under WDEV/WGR/WICE, noted the past few nights. [BC-NH]
- 560 JAMAICA [BC R. One, Kingston, 11/20 0537 - good, telephone talk and reggae music. // 700. [BC-NH]
- 595 DOMINICA DBS Hillsborough, 11/1 0202-0214 - Rock music, ID by Carb- accent man as "This is DBS, the time is now ten minutes after 10", said hello to a listener, 0214 fade. [RSR-ON]
- 600 CUBA R. Rebelde, Urbano Noris, 11/20 0525 - excellent, "Sonido Rebelde" ID, music and interview with local artist. [BC-NH]
- 650 COLOMBIA HJKH Bogota, 11/7 0344-0352 - Spanish vocals and accordions, bombing in with great signal, no WSM on loop, "Colombia en ...", trumpet music. [RSR-ON]
- 660 MEXICO XEAR Tampico TAMA, 11/22 0907 - Fair under WFAN with ranchera music, "La Mexicana" jingle and time check after each song. [SF-TN]
- 690 UNID BBC World Service, 11/26 2104-2132 - Heard weak in CBF null // BBC on shortwave. Suspect domestic, but who? Might this be Anguilla? [JR-NY]
- 700 JAMAICA IVB Radio 1, Montego Bay, 11/8 0306-0323 - Fair to good with Carb-accented male DJ with local concert promo on 11/9, local island reggae music. [RSR-ON]
- 720.15 NICARAGUA Managua, 11/19 0255 - Zero-beat this on USB just in time for a swell ID: "YNRC 720 KHz, transmite desde Managua, R. Católica de Nicaragua, La Emisora de la Iglesia"; then a few seconds later, "Cantemos y exaltemos a la Virgen María, como una ... del mis profundo amor ..." and into choral singing, pastor spoke at 0300. Ticked pink with this, and nice to beat Murphy for a change. New catch, YN #2! Call definitely given as YNRC, not YNACE as per WRTH. [ØW-CO]
- 740 CUBA R. Progreso, 11/21 0620 - good, ID with address "Radio Progreso, Apartado 30-42", Spanish ballads. [BC-NH]
- 750 JAMAICA Port Maria, 11/8 0615 - Poor in QRM, but definitely // to 700, which I did ID, so I'm counting it! Woman with talk program on land values, took a couple of phone calls. [ØW-CO]
- JAM #2. [ØW-CO]
- 750 MEXICO XEOH Cd. Camargo CHIH, 11/12 1301 - Nice ID by man "Escucha Ud. XEOH, O-H, 750 Numeral Mágico (?) ... con mil watts de potencia efectiva radial". Fair, no QRM. [ØW-CO]
- 790 VENEZUELA YVMAN R. Coro, 11/7 Good with male DJ, long Spanish talk, IDs, lively Spanish pops and percussion music. [RSR-ON]
- 830t ST. KITTS R. Paradise, 11/13 0110-0113 - Fair with English preacher with religious talk, TBN's "Raise-a-Thon", Anthem CA address, mixed with WCCO. [RSR-ON]
- 860 MEXICO XECCN Cancun QR, 11/14 0100-0210 - Atop at times during normal conditions. Tracking a live Paul Simon album with ads and announcements only on the hour and half-hour. 0103 and 0202 full taped ID by woman with seagull sounds in background, ID included call, "Radio Caribe" slogan and mention of 5 kW power. Archair copy on peaks until CBCW began returning at 0210. Noted twice the following week during mild auras, so should be widely heard. Is this Mexico's easternmost AM station? [SF-TN] (Looks like it. You're the first to report it in DXD - Jim)
- 910t SAN ANDRES HIMY, San Andrés, 11/9 0528 - Heard during fruitless try for WHSM test with frequent "RCN" mentions and "RCN, la radio de Colombia" at 0528, over WTMZ/WALI/WBRJ. With this island belonging to Colombia, but lying 120 miles off Nicaragua, do DXers regard it as part of South America, Central America or the Caribbean? Location presumed per WRTH, which lists it as 1 kW in front section, and 30 kW in the back. [SF-TN] (Ah ... country counting! I do believe that San Andrés is considered to be a separate country on most lists. The only difficulty comes in determining if San Andrés is the only RCN outlet on this frequency. I would send a report to
- San Andres AND the RCN HQ and see what they say. Perhaps Cesar o Don can give a listen on this frequency, too. If San Andrés, a very nice catch! - Jim)
- 870 ARGENTINA LRA, 11/12 0660 - 1 had beautiful segment with 5 pips and beep then spoken ID -- all on tape (copy and a report is already in the hands of Ivan Barrera). Also on 11/19, but under poorer conditions, had the same program (man & woman, lots of talk, playing musical vocals) with pips at 0530, again a 0600. Heard a third time (general poor) on 11/22, with Mar (Caribb pip) on 11/22, with Mar (Caribb going off and a weak WWL, -- him pips at 0500, fanfare and news read by a man and woman, then 5 minutes of varied light music and lots of talk by the man and woman. At 0534 the man made a program announcement which included "ve Nacional.... Musica e madrugada.....". Both sets of tim pips were heard at 0530 and 0600. One thing that I've noticed (in at three recent logs) is that they have some sort of telephone prom around 0547. There are phone-ton sounds in the spot. I've noticed that the half-hour pips always play atop music or talk but at the hour, there's a distinct lead in. Most recently heard "... en Republica Argentina! hora..." then pips, fanfare/ID as "L division nueves de Radio Naciona presenta..." followed by news. B 0607 WWL's C&W blows it away. Fortunately before then WWL has religious call-in show. "You can hear'em through talk but not through rock!" All told, I've logged LRA seven times in the past 5 years. T summarize: Hourly - 5 pips and beep ending exactly at 0500, 0600 Half-hourly - 2 pips and a beep ending exactly at 0530. WWL has talk in the 0500-0600 segmen HJSA-Mar Caribe signs-off at 0500 [WFO-ON] (Thanks Werner, for the detailed info to help others get th one. Before WHCU went full-tim some years ago, I heard the pips but no ID, so I'm still looking - Jim)
- 890 CUBA R. Progreso, 11/7 0410-0420 - Fair lively music/vocals, man yelled "Ritmo" many times. Cuban rhythms/vocals faded under W15 a 0420. [RSR-ON]
- 920 MEXICO XETFA Torreon COAH, 11/11 0101 - Poor in QRM with ID by mar

"X-E. T-Doble A", the rest garbled, although address and power were announced. Pleasantly surprised - was expecting either KYST or KBNA, both Spanish. New, XE #118. [ØW-CO]

990 MEXICO XET Monterrey 11/11 0200 - New, heard with ID and Mexican anthem at what would have been the end of the WCAZ test period. [TB-TN]

1020 TURKS AND CAICOS ISLANDS CCR, Grand Turk, 11/16 0400 - Rivals KDKA nightly here, power per sign-off is 20 kW. [SF-TN]

1030 MEXICO XEMPM Los Mochis SIN, 11/19 0320 - Excellent with Pacific Coast League BB in KTWO null. Local spots 0335, quick ID by play-by-play announcer at 0337 - XEMPM, R. Fama... [ØW-CO]

1080 MEXICO XEDT Cd. Chahémoc CHIH, 11/17 2319 - Btely up with call ID, "La Diverdida" slogan, JUV/pop music. New, CHIH #29. [ØW-CO]

1080 MEXICO XEDY Cd. Morelos BCN, 11/14 1343 - "XEDY, Diez Ochenita AM, R. Gallo, te da más - más calidad en música, más noticias, Entérate aquí primero." Very good in KRLD null. [ØW-CO]

1170 MEXICO XEYH Hemisillo SON, 11/15 1240 - ID by man: "XEYH, La Tremenda, 1170 kHz... con cinco mil watts de potencia efectiva desde Hemisillo, Sonora." So new power and slogan from what's listed in the RCA Mexlist and WRTH. [ØW-CO]

1180 CUBA R. Taino/R.Rebelde/R. Reloj, 11/17 0620 - Spare us! Three Cubans are now on this frequency, with a fair Rebelde joining the faint Reloj and powerhouse Taino that have been here a few years. Took nearly 40 minutes to hear all three simultaneously (necessary, since other nets sometimes plug into Reloj late at night and I had to make sure no one was switching back and forth), but at 0657 Taino and WHAM were far down enough to tape some decent Rebelde audio with top-of-the-minute "RR" code audible way under. [SF-TN] (Is it possible that you're getting a harmonic of 590 kHz? Interesting detective work, Steve! - Jim)

1205 CAYMAN ISLANDS - I've also noticed activity on 1205 with the a couple of bits of audio amid the sloop here and there. I never did QSL them so

maybe I'll try before it really goes off the air. [WF-ON]

1210 VENEZUELA R. Anzoategui Barcelona, 11/22 0102 - fair, pre-recorded ID "escuchando Radio Anzoategui 1210" with ad, mostly under WOGL. [BC-NH]

1370 MEXICO XEMOM Monterrey NL, 11/18 0600 - Fair under WSPD/WDEF/WCOA with call ID at sign-off. Their choral national anthem is audible most nights, but usually nothing else. [SF-TN]

1375 ST. PIERRE ET MIQUELON REO, 11/14 0500-0505 - Fair, nice net with bits of French talk and music. No ID, of course, so tentative. Nice opening to the east this evening, with F9 530 (Chatham NB) and VCS 500 (Halifax NS) heard. [RSR-ON] (I can't normally hear this one because of a local on 1370, but I found them // to French Guiana shortwave the last time I did - Jim)

1500 VENEZUELA YVRZ R. Dos Mil, Cumana, 11/9 0206-0223 - Lively Spanish music/trumpets, ID by male DJ "atención... Radio Dos Mil" mentions of Caracas. Romantica vocals several nice IDs. [RSR-ON]

1510 MEXICO XEOF Cortaza, 11/22 0038 - With WJAC preacher null'd, clear call letters heard in Spanish, into presumed ads by man and woman, thought I heard mention of "R. Candido" two times but not sure. Very good signal for 5 kW. [BW-OK]

1540 BAHAMAS ZNS-1 Nassau, 11/10 1917 - Loud with political address. First time heard here since they began directional operation about 15 years ago. Suspect they may have been ND as their pattern is so tight I doubt they would make it up here, even with the heavy aural enhancement present tonight. Thanks to JD. Stephens for the tip. 11/15 0055-0105 - Back in again, completely taking out KXEL and CHIN. End of religious program, several mentions of Nassau and Bahamas, singing "Radio Bahamas" ID at 0105. [TB-TN]

TRANS-ATLANTIC DX
153 ALGERIA RTA, 11/14 0130 - Poor with hat and bits of Arabic talk. [DX*MB]

162 FRANCE Allouis, 11/14 0044 - Fair with very big hat and French talk, best LW signal of the night. [DX*MB]

183 GERMANY ERF Saarlauts, 11/14 0123 - Fair with music program. [DX*MB]

198 UNITED KINGDOM Radio 4, Droitwich, 11/14 0052 - British accented talk, new. [DX*MB]

1314 NORWAY Kvitsoy, 11/14 0302 - Poor, with great hat and bits of audio, not heard in 2 years. [DX*MB]

1530 SAO TOMÉ VOA, 11/20 0330 - poor, just bits and pieces of pop music heard under an und LA station, not enough to match with 7405 parallel, attempted per phone-tip from Mark Connelly. [BC-NH]

1566 likely INDIA AIR Nagpur, 11/21 2009 - Indian sitar mix over Tunisia. No breaks or announcements for at least 15 minutes, then began losing it to a third station, which I later ID'd as Iran. This would have been "best ever" if there had been any announcements! SID 233. [JB-NH]

Sharon also reports hits and no audio on 738, 756, 846, 1017, 1107, 1125, 1494, 1521 and 1593 from 0100-0155 on 11/14.

Mark comments on recent high band conditions: "Yesterday [11/26] Azores - 1566 was in (over others) around 1950 UTC, that's fairly early for here at the house (although at eastern MA beach QTH's I've gotten Saudi - 1521 and others as early as 1830). Last night [11/27] was reasonably good on the high end with Sao Tome under WCKY - 1530 at 0910 and Vatican well over WCKY around 0519. Ceuta was again good on 1585.2; it doesn't seem to be moving off this frequency. I had Vatican - 1611 better than Anguilla - 1610; also those annoying beacons 'LGB TLX' and 'CKR1' were getting into the act. Does anyone know where the beacons are located? I've heard them from here in the Boston area, from Cape Cod, and also when I was in Cappahayden, NF. Wherever they are, they sure get out! I noted the PCH beacon on 1619.4 as well: it is supposed to be in Holland, Saudi - 1521 was enormous at its 0300 sign-on, but that's no big deal. There wasn't too much of interest below 1521; Russia - 1386 and Norway - 1314 were noted, but they had wildly fading signals. Spain was in on numerous channels per usual, including 1215 where they dominated over Virgin Radio."

STATION NEWS
AZORES: R. Clube de Angra noted on

908.5. [U Almeida DSWCI in NZDXT 11/93] BRAZIL: Is now on daylight savings time 10/17 - 2/20, observed by these state AM/BASE CO DE MG, MT, MS, RJ, SP, RS, CR. [RE Aargan in PDX in Distance 11/15]

CLANDESTINE: National Radio of the Saharan Democratic Republic (Ad-fahat a Vatan yah ad-Dimroqrahiyah") 1544 kHz 1700-2400 UTC // 11520. Address is Vg Sahara Libre, B.P. 10 El Mourahia, Algerie [Radiomozia Finland via DSWCI in NZDXX 11/93]

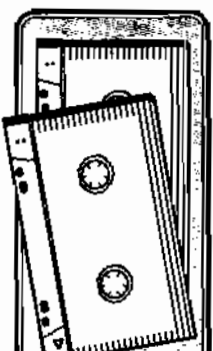
CONTRIBUTORS
[DX*MB] Shawn Axelrod, Wayne McGarra John Peters, and Mike Bates, DXin from Valahalla Beach MB; ICRON ICR-70 with PLAM Board and 4, 2, 2, 0.5 kHz filters, Drake R-8, Lowe 150 9 beverages.

[BC-NH] Bruce Conti, Nashua, NH, R70, ICEF-2010, MWDX-5, (2) 25-m wires. [ØW-CO] John Wilkins, Wheat Ridge CO Drake R-8, 4' Box Loop (John, I can seem to get my computer to make zero with a slash, without reconfiguring the whole printin program). (No sweat; I'll make that Mac do it, although you'll have to settle for the Swedish character instead of the zero!) [JB-OR] Jack Woods, Waldport OR; SP-600 ICEF-2010, Martens Loop, 1000 longwire.

[RSR-ON] Robert S. Ross, London ON; SP-600, Collins 651S-1, Dipoleless longwires, homemade diamond loop [TB-TN] Tom Bryant, Nashville TN; Yamah TX-930, Kiwa air core loop. [JB-NF] Jean Bunnell, St. John's NF; ICOM R 71A with small loop. [MC-MA] Mark Connolly WATION, Billerica MA (see last week for equipment).

[WF-ON] Werner Funkenhauser, Ontario DX Association, Medium Waver International editor. [BW-OK] Bruce Winkelman AA5CO, Tulsa OK; R390A, KIWA A Loop, Super MWDX-5, 2, 90' longwires. (thanks for the e-mail) [SF-TN] Steve Francis, Alcoa TN; Realistic TRF. [JB-NY] Jim Renfrew, Rochester NY; HQ-180 Radio West Loop, Sony ICEF-2010.

Music Grade audio cassettes
C-90 tapes: retail value \$4.00 each; just \$9.00 per 10, \$22.00 per 25, or \$42.00 per 50. C-12 tapes, perfect for airchecks: 10 for \$7.50. Order from NRC Publications - Box 164 - Marnsville, NY 13661. NY orders, please add sales tax.



STATION NEWS
AZORES: R. Clube de Angra noted on

Music Grade audio cassettes
C-90 tapes: retail value \$4.00 each; just \$9.00 per 10, \$22.00 per 25, or \$42.00 per 50. C-12 tapes, perfect for airchecks: 10 for \$7.50. Order from NRC Publications - Box 164 - Marnsville, NY 13661. NY orders, please add sales tax.

Formats

Changes in programming status; reported by listeners

Tony Fitzherbert
356 Jackman Avenue
Fairfield, CT 06430-1728

Dave Schmidt writes that WING-1300, in Spring Township (Trenton), New Jersey, has dropped its Black gospel format in favor of Oldies, in a local marketing agreement with WMMR-1350, just up the road in Princeton. WING with very rustic studios (rundown is perhaps more accurate - some years ago, the local board of health closed them down because the toilet would not work!) and a four tower array in a field in Washington Crossing, PA, perhaps has the most spartan quarters of any broadcast facility in the country. Dave also notes that WBBB-560, Philadelphia goes to a brokered religion format on November 1, with its sale to Salem Communications.

And here is our column, courtesy of Dave and the *W Street Journal*. Thank you very much!

- 680 WOCG MI Hallie
 - 810 WYRE MD Annapolis
 - 960 WTGM MD Salisbury
 - 980 WQPA GA Perry
 - 1050 WTCB IN Plymouth
 - 1060 WKKO AZ Tempe
 - 1210 WOGI PA Philadelphia
 - 1230 WOLC SC Columbia
 - 1290 WMLJ WI Sparta
 - 1310 WILC IN Indianapolis
 - 1470 WMYC NV Las Vegas
 - 1480 WMTM NV Las Vegas
 - 1360 WMAP AL Monticelloville
 - 1370 KAVL NE York
 - 1400 KIDD CA San Luis Obispo
 - 1400 WICY PA Harrisburg
 - 1400 WXPY TN Kingsport
 - 1450 WODZ NY Rome
 - 1450 WXPY TX Palastine
 - 1460 KRNO NV Las Vegas
 - 1470 WFRNT MI Flint
 - 1470 WYOL TN Berry Hill
 - 1490 WMAP AL Decatur
 - 1490 WPOB CA Petaluma
 - 1490 WPOB TN Chattanooga
 - 1510 KGLF TX Robston
 - 1560 KRSG TX Dalingfield
 - 1570 CKKA AB Taber
 - 1570 WIZK MS Bay Springs
 - 1580 WAMW IN Washington
 - 1590 WFTT MD Ocean City
 - 1590 WPTP TN Jonesborough
 - 1590 KXOK TX Houston
- Beach southern gospel (M).
 - "voice of the Bay" Ac/Oldies with real live DJs (DS).
 - "The Game" SMN Sports (DS).
 - SMN Urban Gold (M).
 - SMN Oldies (M).
 - Talk (M).
 - Adda SMN Sports (M).
 - SMN Urban Gold (M).
 - Classic country music (M).
 - SMN Urban Gold, Gospel, talk (M).
 - All talk as of 10/1 (M).
 - UNIS CNR Headline News (M).
 - Country music/FM (M).
 - UNIS country music (M).
 - Drops home shopping for CSN Pre-teen (M).
 - "The Touch" SMN adult standards as of 9/27 (DS).
 - SMN adult standards (M).
 - Oldies//FM (M).
 - UNIS CNR Headline News (M).
 - ASN Sports (M).
 - Talk (M).
 - SMN Urban Gold (M).
 - Talk (M).
 - JSM adult contemporary (M).
 - Reach southern gospel (M).
 - Country//FM (M).
 - Adult contemporary (M).
 - Country music (M).
 - SMN Real Country//FM (M).
 - Reach Southern Gospel (M).
 - //WMTM-89.9 6:00am to 10:00am, talk, news, and sports the rest of the day (DS).
 - SMN Standards//WXPY-1400 (M).
 - Urban gold and talk (M).

And that is our column for this week. Do get your contributions in to your FORKARTS Column!

731
T

The improved NRC AM Radio Log, 14th Edition, is the most accurate listing of AM radio stations in the U. S. and Canada, with cross reference listings. 3-hole punched for standard binders. Only \$16.95 to U. S. and Canadian members, \$19.95 to U. S. non-NRC member, \$20.95 Canadian non-NRC member. Airmail: to Latin America, \$21.00; Europe, \$24.00; rest of the world: \$28.00.

Order from: NRC Publications - Box 164 - Mannsville, NY 13661 (NY residents, please add sales tax)

Station Profile

A special feature about a unique station

Tony Fitzherbert
356 Jackman Avenue
Fairfield, CT 06430-1728

**THE POWER
WKNND**

An upbeat, lively "The Power - 1480-AM" identifies WKNND, which has been the only full service voice for Hartford, Connecticut's Black community for almost 25 years. WKNND, licensed to the Hartford suburb of Windsor, daily offers its audience in Windsor (demographically over 50% Black), Bloomfield, and the capital city, with a population of over 150,000, a daily format of talk, local news, urban contemporary music, and an hour of gospel music each week day. As a result, WKNND's signal is a welcome companion in many area homes.

WKNND originally signed on the air as WGOR, from a small studio building on Bloomfield Avenue, in 1961. The 500 watt daytime directional station also broadcast from a tiny structure at its transmitter site, in a field off Bloomfield Avenue, in the northern part of Windsor. The original format was a mix of country and western music and ethnic (primarily Polish) programming.

The tiny station was sold in 1964 and the new owners changed the call to WBSM - for East Hartford - Windsor. The country / ethnic format stayed, but again failed to build an audience or attract sponsors. The station was again sold in 1969, to a group headed by Kenneth Dawson. The call sign was changed to WKNND for its new owner, and he replaced the faltering country music format with rhythm and blues, which quickly appealed to the region's previously untapped Black community. In the early 1970's, the present studios and offices were built in rooms in the rear of the Windsor Shopping Center, and WKNND added a full time news department.

Through its almost quarter century as a Black - oriented station, WKNND has offered a variety of urban contemporary, rhythm and blues, gospel, jazz, reggae, and rap music. In 1990, as the station's marketing strategy targets 25-54 year olds, the rap was dropped. The station presently airs news from the Sheridan - Urban America network. Additionally, realizing that WKNND's audience wants more than music, General Manager Marlon Anderson has added many programs on community issues, local news and topics of concern to the area's Black community. "Urban Agenda" is aired on Saturdays, and is hosted by the local Urban League Director.

WKNND's information commitment includes morning announcer Eddie Jordan's show with traffic, and sports. Power 1480's news staff includes News Director Lloyd Kimblish, and four full and part time news reporters, who aggressively cover events of interest to throughout Hartford and the surrounding area.

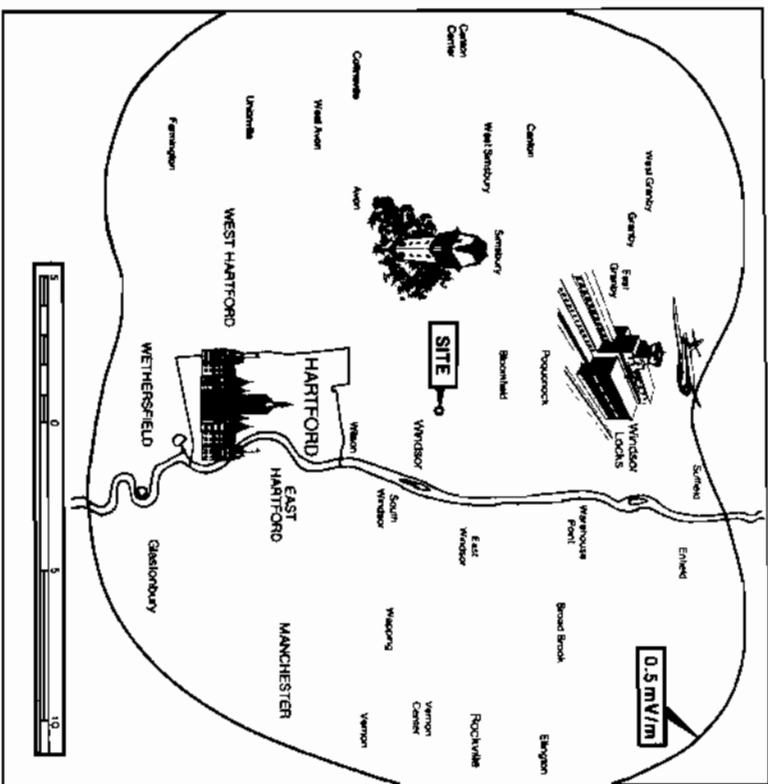
WKNND carries many remote broadcasts, and offers a "Power Card" promotion. Holders of WKNND "Power Cards" can receive discounts from area merchants.

WKNND also serves its listeners with a job line, offering employment opportunities twice daily, the Legal Minute, Health Update with Dr. Fred Adams, and its Minority Business Report. One "Good Morning" hour of gospel music is heard daily, and Sunday morning is given to live hours of gospel music, followed by reggae music and jazz in the afternoon.

WKNND has been owned since 1981 by Hartcom, Inc. The Windsor Shopping Center facility includes a large control room (with picture window overlooking a pedestrian walkway), a production studio, offices, and a news room.

General Manager Marlon Anderson has built her career with WKNND. In her role as traffic department secretary, she organized a fairly loosely run section, and progressed through increasing responsibilities in sales, production, and public service. In 1989, she was promoted to General Manager, and developed WKNND's full service approach for its audience. She manages a staff of 23 full and part time employees.

WKNND's transmitter is still at the original site, off a dirt road south of Bloomfield Avenue. The original building houses the transmitter, a control booth, and space for the attendant. The 500 watt daytime signal, with no pre-licence or post sunset authorizations, originating from two very short towers, covers a 33 town area, populated by over 650,000 people. The signal is



HARTFORD, INC.
 BOX 1480
 WINDSOR, CT 06095
 (203) 886-6221

WKND 1480
 HARTFORD'S POWER-PACKED RADIO

directional east and west, blanketing Windsor, Bloomfield, and Hartford. WKND must protect WMM-1470, in Meriden, and WACW-1490, a few miles north, in West Springfield, Massachusetts.

WKND is an excellent example of a full service urban station which knows its audience's needs, and responds to them in a timely, effective manner. WKND's business objective is best described by the station motto "The Music You Want and the Information You Need".

The editor extends a hearty "Thank You" to WKND GM Marion Brown for her help in preparing this station profile.

Improvements to Regenerative Tuner Designs

By Mark Connelly - VALIION

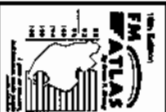
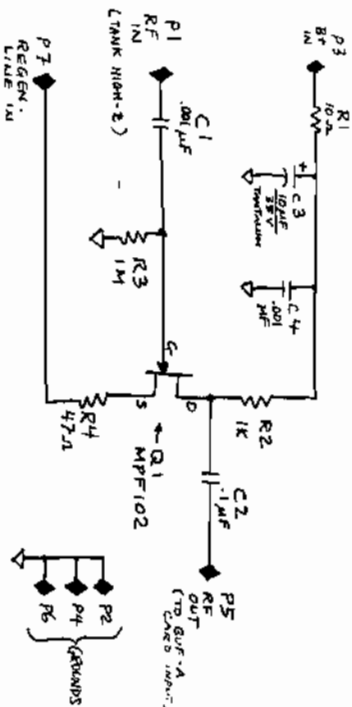
Regenerative tuners / preselectors have the ability to provide gain and selectivity improvements that frequently allow the reception of weak DX signals that could not be detected otherwise. My previous regenerative tuner articles (e.g. AP1-3, MWT-1, MWT-2) go into considerable detail on the value of this method and ways to implement it.

Ken Cornell of the Longwave Club of America has done much innovative research in this area. Variations of his designs are the basis of the RFE family of Regenerative Front-End cards - the heart of my MWT tuners. The most recent of these cards, RFE-C, has good performance with low-level signals. Signal generator / oscilloscope and urban spur tests on RFE-C indicate that its strong-signal performance could use some improvement. The major contributor to clipping / distortion on strong signals is the 2N3904 (or 2N2222) NPN output transistor, not the MPF102 input FET. The output transistor's main role is to transform the FET's output impedance (approximately 1K) down to 50 ohms and to provide a bit of voltage gain in the process. My recent work with the BUF-A Buffer

Amplifier circuit, using the National Semiconductor LH0033CG, pointed the way out of these overloading problems. A regenerative front-end just consisting of the FET and a few passive components can be put ahead of a BUF-A card. Thus the RFE-D card was born. This single-transistor regenerative front-end is only meant to be used ahead of the BUF-A, not to be operated alone. A schematic is shown in Figure 1. A physical layout drawing is not included because of the circuit's simplicity. Figure 2 shows a typical regenerative tuner suitable for amplifying the RF from a loop, longwire, active whip, or phasing unit. The reader is advised to consult the article "BUF-A Buffer Amplifier Card: A Valuable Building Block for DX Projects" for full documentation of the BUF-A circuit.

Results using the RFE-D / BUF-A combination are a vast improvement over the RFE-C. Gain is higher and much more signal can be handled before distortion occurs. This set-up is more "crunchproof" than the front-ends of many receivers, largely because of the high Q achievable with regenerative tuning.

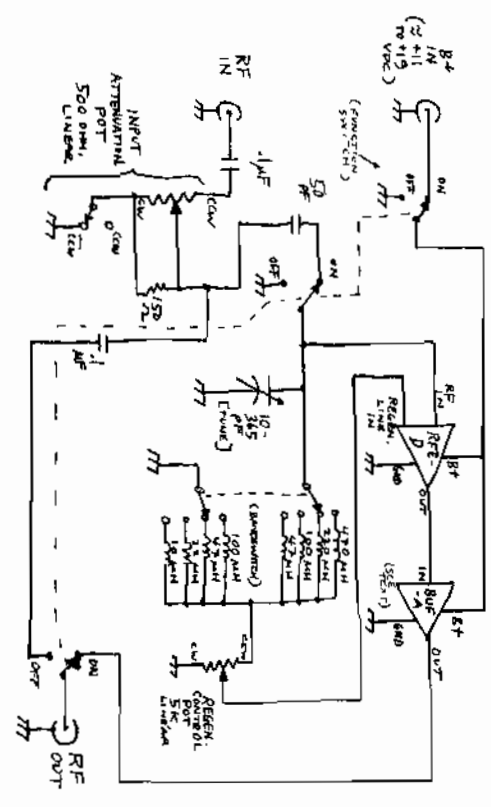
FIGURE 1: RFE-D Regenerative Front-End Card (SCHEMATIC)



Bruce Eving's FM ATLAS ... 15th Edition

The world-famous guide which has served FM DX'ers for over 20 years is available from NRC Publications at the special price of \$16.00. NY orders, please, add sales tax.

FIGURE 2: SIMPLE MEDIUM-WAVE TUNER USING REF-D (SCHEMATIC)



Geomagnetic Summary

Phil Bytheway
9705 May NW
Seattle, WA 98117-2334

High "A" values indicate possible auroral conditions

Geomagnetic Summary October 31 1993 through November 27 1993

Date	FLUX	A	K	SA	GEO	OTHER
10/31	91	4	2	Low	quiet	-
11/1	91	7	1	Low	quiet	-
2	93	3	0	Very Low	quiet	-
3	94	8	5	Low	quiet-mis	-
4	96	40	2	Very Low	unsettled-mas	mas 2400
5	96	20	3	Very Low	quiet-mis	end mis 0600
6	97	21	4	Very Low	active	-
7	95	18	3	Very Low	quiet-active	-
8	92	14	3	Very Low	unsettled	-
9	90	8	3	Very Low	quiet-unsettled	-
10	90	9	0	Very Low	quiet-unsettled	-
11	89	4	2	moderate	quiet	-
12	91	4	2	moderate	quiet	-
13	94	9e	2	Low	quiet-unsettled	-
14	94	9	2	Low	quiet-unsettled	-
15	102	8	2	Very Low	quiet-unsettled	-
16	100	7	3	Low	quiet-unsettled	-
17	100	5	1	Very Low	quiet-unsettled	-
18	103	15	6	Low	quiet-active	-
19	101	20	3	Low	quiet-storm	-
20	100	7	2	Low	quiet-unsettled	-
21	97	4	1	Very Low	quiet	-
22	99	3	2	Low	quiet	-
23	100	4	2	Very Low	quiet	-
24	100	2	1	Low	quiet	-
25	97	3	2	Low	quiet	-
26	93	9	1	Low	quiet	-
11/27	90	2	0	Very Low	quiet	-

the CPRV page

Jerry Berg, Chairperson
38 Eastern Avenue
Lexington, MA 02173
(617) 861-8481

Emil Denmark Cadillac Automobile Corp.

Recognizes with thanks your comments of 10/27/93
We shall be pleased to receive your suggestions or criticisms at all times.

Radio Station W. E. D. S. CHICAGO
3800 Ogden Avenue
CHICAGO, ILL. 60641

WMC
WMC Thanks You for Advancement of Completion of
MAR 11 1974

The Commercial Appeal Broadcasting Station
Memphis, Tenn.

WVXY WVAO
We have a 100% experimental license
We are a 100% experimental station
We are a 100% experimental station
We are a 100% experimental station

WVXY WVAO
We have a 100% experimental license
We are a 100% experimental station
We are a 100% experimental station
We are a 100% experimental station

WVXY WVAO
BROADCASTING STATION
GENERAL ELECTRIC COMPANY, Schenectady, N. Y., U. S. A.

The CPRV's purpose is to preserve old DSL's from loss or destruction. One way we do this is through our Registered Collections Program.

The program works like this: CPRV supplies you with stickers to place on your DSL-albums, shoeboxes, envelope bags or whatever else you like to keep your DSL's. The stickers contain the Committee's permanent post office box number, and a statement that you wish your DSL's to be donated to the Committee when you are no longer able to enjoy them. This is not a "legal" donation (which would require a will), nor is it irrevocable (you can change your mind at any time just by removing the stickers). Rather, it is an indication to family and friends of what you would like done with your DSL's when the time comes. Your family takes it from there.

The stickers are professionally printed, due on white, they cost 50 cents each, and you can get as many as you want. For a registration form and more detailed information, send a business size SASE to the above address.

There are many instances of major DSL collections being lost or discarded because family and friends didn't know what to do with them or had no interest. Protect your collection.

Jerry Berg

A Committee of the Association of North American Radio Clubs

Musings

Dave Schmidt
P. O. Box 11502
Wilmington, DE 19850-1502

These are local per Musings submit double-spaced only. Thoughts from NRC members... the opinions expressed in this column are those of the individual writer and do not necessarily reflect those of the editors, publishers, or the National Radio Club, Inc.

RON MUSCO - BOX 118 - POUNDONCK, CT 06064

(WANNING - MAY BE RATED P013) - I was honored Friday 11/19 about 3PM by returning home from work in pouring rain and finding DAVE SCHMIDT & AL MERRIMAN sitting in my basement. I promptly returned to work. We went out to a pizza joint and then looked at a lot of veries. Al had brought me a new phasing unit and we experimented with that and I tried for the KLR1-1560 TEST with them looking over my shoulder but no luck. WGM was strong. Earlier in the evening, Al heard Se. Vincent-705 with good audio at times and fair audio at times from Montserrat-885. Numerous Spanish speakers were all over the dial. They departed about 1:30 AM and returned at 9AM for the sojourn to ROCKY RAYS' in Acushnet Saturday afternoon. A great time was had and MARK CONNELLY again impressed me with his Drive R8 and phasing unit. This guy is a great asset to DXers and you don't know what your missing if you don't have a phasing unit in your shack. ERC was there. GLENN COOPER, THE "BRUISER" BRUCE CONNIT, BURTON Q. ZAGAS, BOB STONIER, WARREN G. et al. I then proved my driving prowess once again by finding my way home without getting lost! SCHMIDT was a great help by not helping! So there we were, at the annex, finding conditions still auroral and SCHMIDT promptly hears 3 on 1590 in 30 minutes! MSN sign off with the Star Spangled Banner at 12 midnight. WERA signed off at 12:02AM, and non stop hymns from WNSB which I ded at 12:30AM, change your log on all 3. Well, down to 740 for the KBOE test, CBI finally signed off at 1:30AM leaving a Venezuelan (?). Patient listening paid, Al wanted to go back to the hotel, Musco prodding, Schmidt sleeping but it did produce more code ID's and some tone before we quit at 1:55AM. Upon their leaving, I once again got down on my hands and knees giving thanks I survived (deleted!). Much to my chagrin, they returned Sunday morning for tearful goodbyes. A great time was had and we said we'll do it again next year (but Nashua first!). (khevi-DMS)

RAY ARRUDDA - 47 BURT STREET - ACUSHNET, MA 02743-1939

I'd like to thank ROBERT RUSH, JOHN MALICKI, CHARLES HARRISON & ANDY KING for their recent communications by letter, maybe a trip to the Lower Deck next year gentlemen? Speaking of The Lower Deck, our most recent Thanksgiving get-together was attended by ERNIE COOPER, BURTON ZAGAS, WARREN GREENBURG, BOB & PAMMY STONIER, MARK & MIKE CONNELLY, GLENN COOPER, International DXer, & 1994 Convention host BRUCE CONNIT, 1993 Convention host RON MUSCO, ALAN MERRIMAN, DAVE SCHMIDT & TOM BEYTON (our apologies if we left anyone out). This is a very low key and informal get-together we enjoy hosting and Arlene and I thank you for attending. We enjoyed the company of all! Only DX done this season is chasing after DX TESTS with mixed results. There have been many good CPC TESTS this season but only a handful have been noted here, most notable was the KATU-770 TEST on 10/25 for MT #2. Other TESTS have been heard including WELC-1150, WTL-670, WQCA-1330, WSSH-1510 & KDAI-610. All other TESTS were either unneeded or not heard. Veries are back from CDFX-580, WYLS-670-TEST, MUP-1000 & WELC-1150-TEST. Best wishes for this Christmas and the New Year! (Thanks for the enjoyable time, Ray, even the coffee was great!-DMS)

ERNEST COOPER - 5 ANTHONY STREET - PROVINCETOWN, MA 02657

I & 11 others had a great time at RAY & ARLENE ARRUDDA's annual Sat. before Thanksgiving bash at his "Lower Deck". There were NRCERS from 6 different states attending: MA, NH, RI, CT, NJ, DE & VA, including our humble MUSINGS editor! (Needed to talk to the coach!-DMS) ARLENE made some delicious meat pies & rice, and everybody was happy with the food & drink! Some veries have come in, 2 in one month ago!! and WNNW-1110, making the total 4439, 5 to go for my goal! Let me make it perfectly clear (a la Nixon!), the majority of my veries were obtained from reception in Brooklyn, NY. I did not start a new log when I retired and moved here to Provincetown, and I do count call changes. That's the way virtually everybody did it when I first started DXing in 1971! As I mentioned in my last MUSING I tried for WQCA-1330 on Sunday AM 11/7 with local WFLM off but they seem also to have a Sunday silent period. WQCA was in complete charge of 1390. J1/8, my 2nd tried "Tizzy" was noted with a woefully weak signal on 1620, IDing as "CT Dept. of Transportation", with mentions of car pooling, traffic, etc. RON MUSCO is going to send me the address to try for a verie from this one, they were noted 1:22AM & 1:19, sometimes fading completely out. 11/9 WNCN-1070 atop at 4:46PM. Incidental-ly, the carrier noted every morning on 1070 belongs to CBA. Unneeded WTLN-1520 was in at 5:27PM with WKB only a whisper in auroral conditions. But at 5:29PM, still on 1520, in saluted WNY for a report, this is a station I often listened to

when I was in Frederikstad, VI, nice music, all announcements in Spanish. 11/12 WNNW-1110 in Spanish and on top at 4:23PM, reported. The verie, however, says what's verified is my reception of their test of last season, which I couldn't hear! 11/17 WXR-750 "Elephant", PA riding in nicely for a report at 4:25PM. 11/19, a real surprise, as on 980, I stumbled on to WAAV at 1AM with Jim Bohannon and a local ID in auroral conditions. Then on 1520, WQCA was beaming in 4:51-5:17PM when all of a sudden, they faded out and in roared WKB, it seemed the auroral conditions ended abruptly and things returned to normal. Somebody said at RAY's get-together that WICE-550 had a silent period on Sunday AM's, not so, they were on all night Sunday 11/21 as I looked for WIMA. And that is where we stand DX wise as of 11/23. I had the pleasure of airing the world premier performance of the brand new "WOMR March" on my show on Sat. 11/20 on WQMR-91.9 before taking off for Acushnet! Have great holidays, everybody & FORWARD - MARCH!

JOHN SAMPSON - 4949 ALDRICH AVENUE S - MINNEAPOLIS, MN 55409

Greetings again! Recently returned from a 6 week trip, a month of game viewing & travel in Africa (Kenya, Zimbabwe & Botswana) and a week on each end of that visiting in the E. I also took a Sony ICR750L with LW, MW & FM bands along for the ride and found that DXing in Africa is another different experience! In Kenya, most of my DX opportunities were in the Samburu Game Reserve in N central Kenya and the Masai Mara Game Reserve in SW Kenya during mid afternoon breaks from game drives. There are 2 predominant "networks" run by the Kenya Broadcasting Company, one in English & the other in Kiswahili, which have several repeater stations around the country. The strongest seemed to be Nairobi (English on 746 & Kiswahili on 612) but others were noted (in English), Meru-900, Nyeri which is listed on 1368 but seemed to be higher, (in Kiswahili) Meru-702, Garissa-720, the 846 western Kenya station, Kisumu on 954 & Nyeri on 1017. Also noted was a non-network station in Kisumu on 557. In Zimbabwe, there appear to be no MW stations on the air (the Zimbabwean "Look & Listen" magazine only shows VHF FM radio frequencies), and in Harare, the daytime AM dial was completely vacant! In Victoria Falls, the only 2 stations that were listenable during the day were Zambian stations in Livingstone (English-977 & African Dialects-729). 2 others were barely audible, 648 (probably from Botswana) & 819 (probably from Zambia). Did have a chance to do a bit of night listening, mostly from the vic. Falls area and from a camp near Hwange NP. Stations noted included lots of South Africans (Strongest were Radio 702 & Bophuthatswana-1098), the BBC relay in Lesotho-1197, (recently heard by MARK CONNELLY (an excellent catch indicating that it might be possible to log some other stronger S African stations on the E Coast), the QRM outlet on 1170 is Swaziland, the VOA station in Botswana-621, and other botswana stations on 648 & 972, another VOA station around 1521 and Malawi on 594, 675 & 756. One strong, UNID station was "Nation Radio" around 747 (this was quite interesting because of the liquor & cigarette ads that were run, quite a departure from here!). Again, we were hampered by a good, up-to-date log (used a 92 WRVH, pretty good but not complete) and it would also have been nice to have had more time to ID some of the many non-English stations heard. No DXing done locally yet, am still catching up on the mail, bills, etc., that accumulate after 6 weeks away. Hope to get more active in the next couple weeks, though.

RON BALLEW (A44S) - 420 COMMUNITY ROAD - SHELBY, NC 28152-8230

Don't get to do to much sunset DXing this time of year as I am usually outside "winterizing" beverages, feed lines, etc. I'm pretty faithful at sunrise though, and it has been quite productive. Purchased & installed 2 brand new but DEFECTIVE beverage antenna switches from Unadilla which, until discovered, cost me a good deal of time trying to track down what I thought were either feed line or impedance matching transformer problems. Things are working as intended now and I'm having a ball making stations appear & disappear with the flip of a switch! 11/4, KMOX-1120 was not even detectable on the NE beverage while WNST was booming in. By the way, I've recently had (and am always glad to answer) questions about my system. Total now stands at 835 logged from Shelby since 5/92 using them exclusively. Received a letter from JOHN & LINDA ROMER in Sun City Center, FL who appear to have settled down there. JOHN demoted the fact he couldn't get a 1500 MILE LONG beverage antenna to work, apparently he tied into the tracks of a local railroad! I wrote back, telling them they had to be AM-Trac to be any good! Regarding line noise problems and solutions, I'm very fortunate here in that the gentleman who assigns crews to fix line noises for Duke Power Co. is also an amateur radio operator. So far, I've been able to get nearly "next day" service from them. I just leave my DX400 on the back porch, they come, use it to locate the noise and fix it! Very 73 til next time!

DAVE SCHMIDT - P O BOX 11502 - WILMINGTON, DE 19850

E coast members, have you noticed the poor night signal from WARR-1500? For many years, it was a listenable local like signal here, now very rarely heard! Having heard WSM at RON's last week, I've been trying here and have heard the SSB at midnight, still nothing for a report, though. Being that our DX space is at a premium, please keep your MUSINGS to DX related material, items such as ratings, etc. will be edited. That's it - CUNT - 73