

# DX News

\*Serving DXers since 1933\*

Volume 62, No. 30 - September 18, 1995 (ISSN 0737-1659)



## Inside...

- 2 .. AM Switch
- 3 .. Colorado In retro
- 4 .. DDXD
- 16 .. KTOZ
- 17 .. IDXD
- 25 .. Formats

- 29 .. WGIR
- 31 .. DX'ing in Cuba
- 32 .. Pro Sports Net
- 33 .. DI-2 Phasing Unit
- 40 .. Confirmed DX'er
- 42 .. Geomagnetic Indices
- 44 .. Mustangs

### CPC Test Calendar

KLZ	560	Oct. 2, 1995	0200-0230
WOBL	1320	Oct. 5, 1995	0000-0030
WZEP	1460	Oct. 7, 1995	0530-0600
KFAY	1030	Oct. 30, 1995	0300-0400
WSEZ	1560	Nov. 6, 1995	0100-0130
WOON	1240	Nov. 20, 1995	0100-0200
WPWA	1590	Dec. 11, 1995	0000-0030

KLZ-560 - 2150 West 29th Avenue - Denver, CO 80222 will conduct a DX test on Monday, Oct. 2, between 2:00 and 2:30 am EDT. The test will include voice ID's, contemporary Christian music, and Morse code. Reception reports may be sent to Mr. K. C. O'Brien - Chief Operator. Arranged by J. D. Stephens for the IRCA CPC.

WOBL-1320 - P. O. Box 277 - Oberlin, OH 44074 will conduct a DX test between 12:00 and 12:30 am EDT on Thursday, Oct. 5. The test will include test tones and Morse code ID's. Reception reports may be sent to Mr. Tracey Liston, CE. Arranged by J. D. Stephens for the IRCA CPC.

WZEP-1460 - P. O. Box 627 - DeFuniak Springs, FL 32433 will conduct a DX test on Saturday, Oct. 7, between 5:30 and 6:00 am EDT. The test will include voice ID's, test tones, and Morse code ID's. Reception reports may be sent to Mr. Art Dees, GM. Arranged by J. D. Stephens for the IRCA CPC.

KFAY-1030 - P. O. Box 878 - Fayetteville, AR 72702 will conduct a DX test between 3:00 and 4:00 am EST. The test will include Morse code ID's. Reception reports may be sent to Mr. Andrew Stephens KB5ZSV, CE. Arranged by J. D. Stephens for the IRCA CPC.

**From the publisher ...** Fred Vobbe and others informed us of the sudden death of long-time NRC member Ken Romstadt, Ottawa Lake, MI of a heart attack on August 6. Our sincerest condolences to his wife and family.

The Aurora, CO NRC convention was a great success, thanks to the hard work of the Denver area contingent, and especially Wayne Heinen, who adds a commentary on page 3. And thanks to Steve Francis for volunteering to bid Knoxville, TN for next year's convention. You gotta lotta nerve, Steve ...!

Ken Chatterton and his daughter have just completed overhauling the loop antenna and two an-

tenna reference books, which are really "new and improved" now. See inside for ordering information. And Bill Hale's "Station Location" book is now in its third revision. Finally, the 16th edition of the NRC AM Log is only weeks away from delivery, with the good news being that, in spite of paper prices increasing 25%, the cost to NRC and IRCA members will remain the same as for the 15th edition. The book will ship early in October.

**DX GTG ...** John Tudenham is hosting a "Weekend in Cuba" ... Missouri, that is, Friday-Sunday October 6-8 at the Super 8 Motel. Those interested should contact John Tudenham W0JRP at 417-624-8058 (2824 Missouri - Joplin, MO 64804-2755) or Gil Morgan at 417-532-1851.

### DXN Publishing Schedule, Volume 63

#	Deadline	Pub. Date		
1.	Sept. 23	Oct. 2	4. Oct. 14	Oct. 23
2.	Sept. 30	Oct. 9	5. Oct. 20	Oct. 30
3.	Oct. 6	Oct. 16	6. Oct. 28	Nov. 6

### DX Time Machine

**From the pages of DX News:**  
50 years ago ... from the September 8, 1945 DXN: Editor Ray Edge noted that this was the beginning of the 13th year for the NRC, and that from all appearances, it looked like a banner year with plenty of new stations ... from the September 22, 1945 DXN: Full-age reports by the host, Phil Nichols, and by Mr. Up Paul Knight on the NRC mini-convention held at Hartford, CT of Sept 8-10 with 13 NRCers in attendance. On display was Norma Maguire's KINYerie.

25 years ago ... from the September 5, 1970 DXN: Ernie Wesolowski reported that two of KFAB-1110's towers toppled in high winds, leaving one which was radiating 50 kW and providing a DX catch to the east ... and KDKA's vertical dipole recently had its center insulator fracture, according to Jerry Starz, leaving them operating at 5 kW into a horizontal loagwire ... and a "bootlog" station was operating on 1617 kHz near New York City.

10 years ago ... from the September 22, 1985 DXN: 48 DX'ers showed up at the Portsmouth, RI NRC convention, along with about five inches of rain ... and Fred Vobbe moved (again) to Lima, OH to become chief engineer of WLO-TV

Once again, thanks to Kermit Geary for providing the 50-year-ago items and to Skip Dabelstein for the DXN's from which the 25-year-ago items are taken.

**Jerry Starr**  
c/o WHOT Radio  
4040 Simon Road  
Youngstown, OH 44512-1320

**Status changes in AM stations, supplied by the FCC and listeners**

**CALL LETTER CHANGES**

Old call	New call
540 WLIX NY Islip	WLUX
620 KWFT TX Plano	KAAM
630 KRCV NV Reno	KNRC
740 WLWI AL Montgomery	WMSP
780 WLWM MS Ridgeland	WIIN
840 *New WA Colfax	KRAO
850 WYLT NC Raleigh	WRBZ
1080 WRES KY Louisville	WHKW
1120 WCGM TN Maryville	WKCE
1240 KLFE CA San Bernardino	KKLA
1240 KKAJ OK Ardmore	KVSO
1320 KZZK OR Eugene	KVRQ
1340 KMTW NV Las Vegas	KRLV
1490 KMXZ AZ Tucson	KKND
1500 KXVQ OK Pawhuska	KRIG
1590 KCIN CA Victorville	KROY*
1590 KHIT NV Sun Valley	KIRS
1590 KPOZ WA Seattle	KLFE
1600 KVRD AZ Cottonwood	KKLD

\*Note: KCIN change to KROY salutes Victorville's most famous resident, cowboy star Roy Rodgers.



**APPLICATIONS / GRANTS FOR NEW STATIONS**

None

**APPLICATIONS FROM EXISTING FACILITIES**

- 850 WYLF NY Penn Yan: add 46 watts night, antenna to U1
- 1370 CHPQ BC Parksville: to 1350 kHz with 10000/10000 U4

**GRANTS TO EXISTING FACILITIES**

- 560 WMIK KY Middleboro: day power to 2500 watts
- 840 WRYM CT New Britain: add 125 watts night, antenna to U1
- 1180 KGOL TX Humble: powers to 8500/4700, antenna to U2, relocate transmitter site
- 1200 WQLS AL Ozark: to 1210 kHz with 10000/4 (5000 CH) U1
- 1230 WJNO FL West Palm Beach: relocate transmitter site
- 1530 KKCM MN Shakopee: relocate transmitter site
- 1580 WBGB FL Mount Dora: reduce day power to 3500 watts, relocate transmitter site, city of license to Bithlo, FL (station is presently silent)

**OTHERNESS**

- 540 KDFT TX DeSoto: CP to move here from Ferns, TX is on
- 580 KSAZ AZ Marana: CP for 320 watts nights U2 is on
- 620 WXLX NJ Newark: requests reinstatement of expired CP to move to Rutherford, NJ
- 620 KAAM TX Plano: station has moved here from Wichita Falls and expects to return to the air in September
- 740 WRWB TN Harrogate: station is SILENT
- 910 KAMD AR Camden: CP for 1000/125 U1 is on
- 1060 KHYM TX Gilmer: station is SILENT
- 1080 WRYT IL Edwardsville: requests reinstatement of cancelled CP for 500/250 U4 (some stations whose long-standing unbuilt CPs were cancelled in the FCC's house cleaning mentioned last issue are evidently still planning to use these CPs)
- 1130 KAAB AR Batesville: despite the FCC's claim that they cancelled their CP to add 20 watts at night (see Issue 29) this station is being heard at night by numerous monitors in the area announcing that they are on 24 hours a day, seems to be a similar situation as with WHJM-1180 (Otherness, Issue 29)

- 1150 KCKY AZ Coolidge: station is SILENT
- 1260 WALM MI Albion: station is SILENT
- 1270 WKBF IL Rock Island: operating daytime only until faulty antenna system can be repaired
- 1280 KARW TX Longview: station is SILENT
- 1330 WPJS SC Conway: silent station is ON THE AIR (station claims they were never off but a very experienced member was in Conway for several days last month and could find no signal on 1330 kHz)
- 1340 KOMY CA Watsonville: application for 850/850 DISMISSED
- 1340 KCRN TX San Angelo: silent station is set to return to the air with a REL format "soon"
- 1340 CHOH ON Hearst: requests move to 92.9 FM and will surrender AM license if approved
- 1450 WELY MN Ely: silent station is ON THE AIR
- 1460 WBAN IL Rantoul: station is SILENT pending a sale
- 1500 KRIG OK Pawhuska: silent station is ON THE AIR
- 1520 WTLN FL Apopka: CP for 5000/350 U3 is on
- 1550 WRHC FL Coral Gables: requests reinstatement of cancelled CP for 45000/4400 U4 on 1560 kHz (comments from 1080 above apply here too)
- 1560 KEGG TX Daingerfield: station is SILENT
- 1570 KLEX MO Lexington: station is SILENT
- 1570 WBUX PA Doylestown: station is SILENT
- 1580 KNIM MO Maryville: CP for 710/11 U1 is on
- 1600 KEED OR Eugene: silent station is ON THE AIR



THANKS: Al Merriman, Shawn Axelrod, John D. Bowker, Dave Schmidt, Dom DeMain, Les Johnson, Wayne Heinen and MSJ

73 and Good DX,

Jerry Starr & Buffalo K. Foonman

*Jerry & BKF*

**Colorado Revisited - Comments from your host**

by Wayne Heinen

Eleven years ago, I hosted a convention in Colorado Springs. Some things went wrong with that convention, and having learned from my mistakes, I decided to host this convention in Aurora.

This convention had the same basic theme. Welcome to Colorado! Go out and see it! I was very pleased that 46 people came and enjoyed the state that I now call home. For those of us from Colorado who attended, it was a great experience to meet and talk with other NRCers who have, until this weekend, been names in the pages of *DX News* or voices on DXAS tapes.

There are those persons who deserve a special place in this report. Most special are John and Linda Bowker. They have started and continued some fine traditions at the conventions. They have my heartfelt thanks for keeping up with the arrivals, printing name badges, correcting my mistakes and greeting all those who arrived with smiling faces and that great "look who's here" board. Their work made our convention more organized and enjoyable. Having done all that, the traditional NRC quiz takes on a new

meaning when created by John. The addition of the oral quiz is a nice touch that allows both *DX News* and DXAS subscribers to compete on an equal footing.

Ken Chatterton arrived early and pitched in with the final details before the convention goes arrived as he did in Colorado Springs, assisting with those minor "last minute" details that make the difference between a good convention and a great convention.

My thanks also go to Paul Origlio for assisting with transportation, Ron Kashner and Ernie Wesolowski for memorabilia from past Colorado conventions and Denver radio. Also a thank you to all those who had cars. Your willingness to drive others around to restaurants, attractions and points of interest helped create the fine atmosphere we enjoyed this weekend.

This is by no means a convention report; that will follow with names and places. This is the host's public thank you to those who made this Colorado 1995 convention the success that it was...

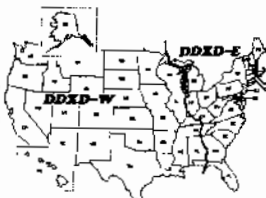
Thanks Again

# Domestic DX Digest

West: **Bill Hale** MTPH12A@Prodigy.com  
billhale@micron.net  
495 Creekview Drive - Meridian, ID 83642-3241

East: **Dave Braun** DPHT10A@Prodigy.com  
863 Allabands Mill Road - Wyoming, DE 19934-9523

(Division line is  
between East and  
Central time zones)



**DX Catches in the U. S. and Canada, with 24-hr. ELT**

## DDXD-West

### MEDIUM WAVE RAMBLINGS

- After getting squared away on a couple of additional DX locations from Shawn Axelrod, I was able to complete his massive list of Graveyard catches (see last issue). Yup. He garnered two more. Shawn ventured into the Manitoba bush country for a DX session, but before he and the boys could garner more stations than reported here, a moose decided to carry a couple of longwires away. Maybe Mr. Moose has a -2010 tucked away, eh? A reminder to all who submit GY loggings for possible records ... if you DX from an out-of-the-way site, please let me know its location. Otherwise I can't figure the mileage.
- Phil Bytheway of Seattle puts out an informal, yet informational, weekly E-Mail bulletin called the AM-DX NEWSFLASH. If you aren't already on his E-Mailing list, and want to be, send him a request at the address below. Speaking of Phil, he graded my E-Mailbox with 243 Graveyard loggings, which kept me busy for most of two to three days. But, after much consternation and computer finagling, we came up with the records below. Michael Rolph of Inverell, New South Wales, Australia checks in with some dandy North American DX. Although he reports hearing three North Americans on 7/30, he only claims KVEN-1450 for the Graveyard column. Naturally, it's a record (see later on). He says KVEN was especially tough, as has a 2 KWER on 1449 kHz 200 miles distant. Michael mentions he is editor for the "Broadcast Band" pages for the *South Pacific Roundup*, the magazine of a new club, "South Pacific Union of DXers". Thanks for the report, Michael. I'm looking forward to getting more of your NA loggings, and that promised copy of your magazine!!! And Larry says that conditions have improved some, but remain poor compared with mid-August a year ago. And the US Army wants you ... to listen. See Special.
- According to Jeff Miller's post on the Fido-Net, the April-June Arbitrons from Tampa - St. Petersburg show the top-rated AMers to be WFLA-970 (talk) with a 3.9 and WSUN-620 (talk) with a 3.4. These were #10 and 11 respectively. The rest of the AM stations line up like this: #12 WRBQ-1380 (*The Touch*); #14 WTMP-1150 (urban); tied at #15 are WHNZ-570 (news), WFNS-910 (sports talk), and WQYK-1010 (talk); #16 WRXB-1590; #19 WTIS-1110 (religion); and tied at #22 are WGUL-860 (BBD), WMTX-1040 (AC simulcast w/Mix 96) and WDAE-1250 (AC simulcast of top-rated WMTX-FM). In other ratings news gleaned off the Internet for the Spring book: in Buffalo, the #1 AM station (#3 overall) was WBEN-930 (*NewsTalk 930*) down from #2 last book. WECK-1230 (adult standards) was up 1.3 at 6.5 for #4 overall. WGR-550 (*NewsRadio 550*) slipped .2 to 6.3 to garner #7. WWKB-1520 (*The Big 1520*) hot talk (*The Big 1520*) rated #14 overall with a 1.6, down .1 from last time. #15 was WWWS-1400 Urban oldies/O.J., up .4 to a 1.3 and rated #16 was WUFO-1080 urban AC/gospel (*The Pacesetter*) at 1.2, +0.2. In San Francisco, Numero Uno overall was KGO-810 (*News/talk*) with a 6.9. #2 was KCBS-740 (all news) with a 4.8. KNBR-680 (sports) came in 4th with a 4.1. Those folks by the Bay have very good taste when it comes to radio! And it's good to see a couple of smaller markets' ratings show up on the Net. The Bakersfield report says news-talker KERN-1410 finished in the #3 position with a 7.1, news-talk KNZR-1560 in 10th place with a 2.4, Spanish KWAC-1490 in at #11 with a 1.7, KCWR-550 (SMN-Country) in 12th with a 1.5, KBID-1350 in 18th place with their BBD/NOS/sports format with a 1.4, KGEO-1230 (talk) placing 20th with a .8 and in 21st position was Sser KCHJ-1010 with a .6. Up in Spokane, the top-rated AM station was KAQQ-590 (Oldies) in 7th place with a 6.1, then tied for #10 with a 4.3 was KGA-1510 (Talk), followed at #11 by news-talker KXLY-920 with a 4.1, and in 15th place, KJRB-790 (talk) with a 1.7 rating. Remember, any Internet item presented here is not "gospel", but only reprinted for informational purposes.
- With the new "season" upon us, I am issuing this challenge to every member of the NRC to report at least once to their respective DDXD editor. Looking at an updated membership list, I see literally hundreds of names from whom we never hear a peep. Some places from where I seldom, if ever, receive reports are Arkansas, Arizona, the Dakotas, Indiana, Kentucky, New

Mexico, Montana and maybe your state. There are over 250 NRCers in the DDXD-W reporting area. But we only hear from 20% or so each year. Remember, this column is by you, for you and edited by one of you. So, let's hear what you're hearing this DX season.

We begin the weekly schedule with the next issue. Deadlines are Saturday's mail, and Sunday morning for those who E-Mail their reports. Remember to submit your reports in the format seen here, divided into time/special interest groups in frequency order. Keep your reports current. DX older than 30 days by the time I send the column to Topeka is edited out. And our standard is Eastern Time (standard or daylight, whatever is in effect). Also, if you want your address printed, either mail or E-Mail, let me know. Our policy is not to print addresses in the DDXD columns, but I'll include yours if you request.

## REPORTERS

DS-TN Doug Smith Pleasant View news  
PB-WA Phil Bytheway Seattle news (phil\_bytheway@atk.com)  
MBDXP Shawn Axelrod, Wayne McRae & Lorne Chestnut DXing at Turtle Mountain Provincial Park, Manitoba 2-ICOM R-70s with filter mods and PLAM board, Grundig 700 + 6 longwires, 2 Quantum Loops, 1 Palomar Loop  
LBG-MT Larry Godwin Missoula HQ-150 + Sanserino air-core box loop + Kiwa Loop  
BK-CA Bob Karchewski Sunnyvale ID help  
CB-CO Craig Barnes Wheat Ridge  
GC-CO.D Greg Coniglio Durango Panasonic FT560 boombox with internal AM antenna  
GC-CO.C Greg Coniglio Cortez equip: see Durango  
GC-UT.C Greg Coniglio Cedar City Ford Windstar AM Stereo  
GC-UT.R Greg Coniglio Roosevelt equip: see Durango, CO  
TB-TN Tom Bryant Nashville news  
KGS-BC Gray Scrimgeour Victoria news  
KW-WI Kent Winrich Waukesha Clarion DRB 5176 car radio  
BBM-TX BB McClurkan Irving news  
RD-MO Ron Donath (Las Vegas) vacationing in Festus, Missouri borrowed GE SRI  
[Internet items are provided for informational purposes. The editor does not claim validity]  
Ed-ID Editor Meridian

# KBRS

SPRINGDALE, ARKANSAS  
BOX 391 72714

## SPECIAL

- 540 XETIN BCN Tijuana - "A new 'news' station is slated to kick off Monday (July 17). XETIN has joined with KNNZ, both at 540. The station, which will carry the Bloomberg news and financial features lacks one thing: acceptable coverage from San Diego's Sorrento Valley to north of Camp Pendleton -- which is part of their intended audience. Today, at my home in Oceanside, I apparently received both stations, the Mexico a split second after the Hesperia transmissions. Both signals are weak. Why am I bringing this up? Last Sunday's (8/13/95) *Orange County Register's* ad for the 'K-News' station promised to cover the area from San Diego to Los Angeles." [Chris Carmichael of San Diego on the Internet]
- 580 CFRA ON Ottawa - "... has become Canada's first 24-hour, real-time commercial radio station transmitting around the world on the Internet. We invite you to check us out, and because we're fairly new to the Internet, invite your comments on this posting." Their homepage is: <http://www.worldlink.ca/koolcfra/cfra.htm> [Internet] [Try it. It works! - Ed.]
- 620 KJGM CO Grand Junction - Now with these calls (adult standards, "K-Gem"). (GC) [My Log sez KJGM. Reference AM Switch Volume 62, Issue 6. - Ed.]
- KAAM TX Plano - 8/24 - Talked to KAAM today and was told they are targeting the first two weeks in September for testing, and mid-month to begin regular programming. (BBM-TX)
- 740 WMSP AL Montgomery - 8/30 - Now these calls? Announcement on *One-on-One* sports welcomed this station, as WMSP and *Sportsradio 740*, to their network. [Ed-ID]
- 750 (KJEL) MO Lebanon - 7/17 - Not heard on pass through area on I-44. Silent, or just technical trouble? (GC)
- CJVR SK Melfort - 7/29 1833 - Good signal, new on this frequency, ex: 1420, with lots of C&W music and talk about Melfort and Prince Albert. *CJVR, Today's Country* IDs. (MBDXP)
- 760 KTKR TX San Antonio - 7/31 - Now all sports, according to Jim Roam (sp) sports show He welcomed station to list of his affiliates today, along with WSPD-1370-OH. [Ed-ID]

- 900 (CKBI) SK Prince Albert - 7/29 1910 - No sign of this station at all, even with all other Saskatchewan stations in the area heard. Are they off? Or was this a bad day? (MBDXP)
- 920 KVEL UT Vernal - 7/25 - Noted with News/Talk format. (GC)
- 930 KRKY CO Granby - 7/26 - Back on the air with country. The ID mentioned simulcast by KHTH-1140 and KSKE-610. (GC)
- 940 KBRE UT Cedar City - 7/24 - Oldies, slogan "Pure Gold 94". (GC)
- 1200 WLXX IL Chicago - 7/29 2221 - Fair-to-good, with new calls. Mexican music and SS talk. CL ID in EE at :00. New for all of us. (MBDXP)
- CKDA BC Victoria - "The CRTC has approved the sale of CKDA-1200 and CFMS (FM) to Rogers Broadcasting. Rogers will then sell CKDA to OK Radio Group (owner of rock FM station CKKQ). CFMS will become the FM twin of CJVI-900, but will have new calls. Broadcasting on CKDA will have to be interrupted for an unknown period to allow for technical upgrade and changeover." Possibly some new logs on or near 1200 for those in the area. News from a local newspaper (8/23/95). (KGS-BC)
- 1280 KARW TX Longview - The FCC has denied the application of Pine Tree Media, Inc., and its alleged successor in interest, Praise Media, Inc., for renewal of license of this station. [FCC on the Internet]
- 1340 KSSR NM Santa Rosa - 7/18 - Had SS programming on our pass through that area. (GC)
- 1380 KMJI CA Sacramento - 8/6 2300 - Ex: KSMJ and KIMN, with announcer saying *The Bob and Ted Show on KMJI, Sacramento Sports* . . . I phoned station. They switched CLs from KIMN on 8/2. (LBG-MT)
- 1460 KULA HI Muanawili - "After being silenced for more than a year, KULA 1460 AM recently returned to the airwaves, simulcasting the exact programming as its sister station, KRTR (Krater) FM. Now commuters and others who cannot catch KRTR on FM now have the opportunity to listen to them on AM. KRTR's programming is a mix of adult contemporary music and is the home of the popular Michael Qseng morning show. KRTR FM is also simulcast at 105.5 in the Kona area of the Big Island." [Melvin Ah Ching on the internet]
- KZUE OK El Reno - 7/18 - Heard with religion on a Tuesday morning. Format change? (GC)
- WEEN TN Lafayette - WLCT-102.1 is on in Lafayette, TN. It relays WEEN-1460, or is it the other way around? Kinda unclear, but you can expect to hear both calls on both frequencies. Format is satellite-fed country. (DS-TN)
- 1550 KZRK TX Canyon - 7/18 - Heard with "Z-Rock" // FM 107.9. (GC) [These are correct calls, which makes sense with the new format - Ed.]
- WHIT WI Madison - 8/28 - Now carrying One-on-One sports network, according to announcement on the net today. [Ed-ID]
- 1580 KTGR MO Columbia - 7/31 - Back on the air, with country. // KCMQ 96.7 Kicks 96.7, Young Country. (GC)
- 1590 KLFF WA Seattle - Effective 8/1, is now these call letters! Ex: KPOZ. (PB-WA)
- 1670 ABS VA Alexandria - From Radio World magazine, August 9. "While the Federal Communications Commission hashes out permanent assignments to the AM band, Army Broadcasting Service will test a new studio on 1670 kHz. The Army will use the frequency to test its new Mobile Radio Station in the coming months. It expects to broadcast for a week and perform tests on the signal. A spokesman said the signal could possibly travel 2000 miles at night. The Army is hoping to hear from DXers." Yeah, but where do we send our QSLs? hi No other details were printed, such as power, what to listen for, what "week" they were planning to operate, etc. [Internet]

### UNIDs and UNID HELP

- 570 UNID ?? - 7/20 2223 - Las Vegas minor league baseball, vs. ?? KISN-UT? (GC-CO.D)
- 1380 UNID ?? - 7/24 2055 - Mention of being on the San Francisco Giants BB network. Sacramento? (GC-UT.C)
- 1470 UNID ?? - 7/30 2300 - Announcer seemed to say, *Morgan County's News Leader*. (LBG-MT)
- 1500 KSJX CA San Jose - A follow-up to Larry Godwin's report last issue . . . it's *The Bay Area's International Station, 24 hours a day, this is KSJX, San Jose* for their ID. The on to Chinese programming (mostly), although I heard what sounded like Arabic or Farsi the other day. ID is given at the top of the hour probably, but since I don't listen to them, I'm guessing. The one I heard was at 11:00 PM PDT. (BK-CA)

- 1550 UNID ?? - 7/20 2131 - Strong SS station, heard in other areas of the SW as well, long promo mentioning powerful signal and I think a "Mega Radio" slogan. (GC-CO.D)
- 1600 UNID ?? - 7/24 2054 - Mention of Utah, with AC music, possible "B" slogan heard, maybe KCPX-1600 has changed to simulcast the new hot AC KBEE- 98.7 SLC? (GC-UT.C)

### TIS & OTHER STUFF

- 840 TIS CA Belvedere - "This city (north of the Golden Gate Bridge) has their Emergency Information Service station on 840 kHz". [Internet]
- 1080 WPDY865 WI Pewaukee - 8/19 2000 - This is WPDY865, Milwaukee area tourism radio. GRRRRRR, TIS on the normal band, now if I can only loop them out. (KW-WI)

### MIDNIGHT TO 0800 HOURS ELT

- 570 WAAX AL Gadsden - 8/20 0159 - Ad for Alabama State Parks 24 state parks located all over Alabama. Alabama State Rally, 1-800-ALA-PARK. North East Alabama news/talk.. WAAX Gadsden. Format change? (KW-WI)
- 630 KJSL MO St. Louis - 8/20 0157 - Ad for the *Prophecy Club, 10:00 PM on KJSL*. (KW-WI)
- 650 KSTE CA Rancho Cordova - 8/4 0759 - Ended ABC's *First Light* program, and announcer said *Talk 650, KST* (no E). (LBG-MT) [It's NBC's program, Larry - Ed.]
- 900 CHML ON Hamilton - 8/19 0100 - AM 900, *CHML News*. (KW-WI)
- 1100 KNZZ CO Grand Junction - 8/15 0559:30 - Very strong with sign-on with instrumental *America the Beautiful*. (LBG-MT)
- WWWE OH Cleveland - 8/20 0003 - ID as *Three W-E*. Announcer Mary Grace Mayo into the Gary Burbank Show interviewing the actor who was "Thing" the hand in The Addams Family. (RD-MO)
- 1140 CFXL AB Calgary - 8/19 0500 - The *Good Time Oldies* format was a strong clue. ID on the hour as XL 1140 and Broadcast News clinched it. Been looking for this one for a I. O. N. G. time. Log total now 920. (TB-TN)
- 1150 CKOC ON Hamilton - 8/19 0120 - *At the Hop*. This is oldies 11-50, CKOC Hamilton. (KW-WI)
- 1200 WOAI TX San Antonio - 8/20 0100 - With taped REL program. (RD-MO)
- 1210 WGMF PA Philadelphia - 8/20 0038 - *The New 1210 AM* ID. (RD-MO)
- 1260 KPOW WY Powell - 8/15 0559 - Very strong at sign-on with instrumental SSB. (LBG-MT)
- 1280 WWOK IN Evansville - 8/19 0136 - AM 12-80 WWOK, the *Tri-States' Memories Station*. (KW-WI)
- 1450 KDMN CO Buena Vista - 8/6 0720 - With ID as *All new KDMN, in Buena Vista, C&W* music. Relaying KHTH-1130 Dillon (from lake Granby area). (CB-CO)
- 1490 KOKC OK Guthrie - 6/23 0657 - With sign-on and ID, followed by news. (CB-CO)
- KMOW TX Austin - 6/18 0652 - With ID and NOS music format. (CB-CO)
- KGOS WY Torrington - 6/29 0203 - Out of the mud, with 2 legal IDs and local announcements. Mention of Torrington. (CB-CO)
- 1600 KATZ MO St. Louis - 8/19 0219 - *Kenny* is in the house. 0223 Ladies choice followed by *For the Love of Money*. 0230 *It's a Friday night on KATZ*. (KW-WI)

### 0800 TO 1600 HOURS ELT

- 540 KVIP CA Redding - 8/2 0800 - Even with CBK, with legal ID. Power apparently 17 or 240 watts. (LBG-MT)
- 790 WSGW MI Saginaw - 8/2 1134 - . . . from *Newsradio 7-90 WSGW*. Received only while WBBM was somewhat quiet. (KW-WI)
- 820 KORC OR Waldport - 8/5 0800 - Maybe the one, with nostalgia programming (big band jazz), then ABC News. Format and loop bearing suggest this. (LBG-MT)
- 850 KHLO HI Hilo - 7/31 - Dominated with C&W, and IDs at 0800 and 0803. (LBG-MT)

### 1600 TO 2400 HOURS ELT

- 580 WKTY WI LaCrosse - 7/29 2324 - Fair under CKY, with Milwaukee Brewers baseball and WKTY IDs. New for Wayne and Lorne. (MBDXP)
- 590 KGLE MT Glendive - 7/29 1822 - Fair, in CKY slop, with *Focus on the Family* program. New for Lorne. (MBDXP)
- KSUB UT Cedar City - 7/21 2226 - CL mention and reference to Iron County. (GC-CO.C)
- 620 KTAR AZ Phoenix - 7/20 2136 - Strong with local ads. (GC-CO.D)

690	KGGF	KS Coffeyville - 7/25 2155 - This one surprised me, with storm warning for Montgomery Co. (GC-UT.R)
	KHEYI	TX El Paso - 7/20 2218 - Tentative, with local minor league baseball, dominating XETRA. (GC-CO.D)
740	KBRT	CA Avalon - 7/24 2045 - End of program <i>Renewal</i> at an odd time, then call letters. (GC-UT.C)
790	KXXX	KS Colby - 7/25 2151 - Quite strong with satellite country, 79 K Triple X slogan. Later heard a promo for the Trego County Fair. (GC-UT.R)
810	KBHB	SD Sturgis - 7/29 1841 - Poor, under CKJS, with C&W music and local talk. New for Lorne. (MBDXP)
830	WCCO	MN Minneapolis - 7/20 2200 - Weak, but steady, with promo for <i>Twin City Marathon</i> , calls. Is this normal? (GC-CO.D)
	WCCO	MN Minneapolis - 8/20 2330 - IDed as <i>Eight-three-oh</i> . <i>Laura Lee Garrity</i> and the <i>Good Neighbor Hour</i> . News story on an insect eating entomologist!! (RD-MO)
860	CKSB2	MB St. Lazarre - 7/29 1841 - Fair, under CKBF2, with FF music and talk // 1050. Good for 40 watts. New for Lorne. (MBDXP)
950	KWAT	SD Watertown - 7/29 2340 - Fair, under CFAM, with local weather and KWAT ID. New for Wayne and Lorne. (MBDXP)
1080	KWJJ	OR Portland, 7/25 2157 - Tentative, with local ads. For a brief time over KRLD. Mentioned I-84. (GC-UT.R)
1090	KAAY	AR Little Rock - 8/20 2349 - With <i>Bayside Prophecies</i> by <i>Veronica Lukens</i> . The end of the world is coming soon!! Will God let us bring our loop antennas? How will we find a good earth ground? (RD-MO)
	KKYN	TX Plainview - 7/20 2205 - Out of ABC news, promo of an upcoming rodeo in the area, calls. Surely they weren't only 500w. This was strong! (GC-CO.D)
1140	KCMJ	CA Palm Springs - 7/24 2034 - Heard loud and clear with <i>Memories 1140</i> slogan, and also calls. (GC-UT.C)
1150	KHSt	CA Los Angeles - 7/24 2037 - Tentative. Heard several ads for <i>Southern California</i> , but it faded too soon. (GC-UT.C)
1170	KCBQ	CA San Diego - 7/24 2038 - Clear for awhile, with local ads. Not much from KVOO. (GC-UT.C)
1210	KGYN	OK Guyton - 7/25 2132 - Local weather for that region, call letters, info, AC music by <i>Surface</i> . (GC-UT.R)
1240	KDLR	ND Devils Lake - 7/29 1929 - Good, with local ads and news program. (MBDXP)
1250	KBRF	MN Fergus Falls - 7/29 2205 - Good, under WEMP, with local talk about Elbow Lake. (MBDXP) [These are correct calls, Shawn - Ed.]
1340	KXPO	ND Grafton - 7/29 1917 - Very good, with SS music and talk. Who are they targeting with this format? (MBDXP) [Maybe the Spanish teachers in the area, hi - Ed.]
1360	KPOP	CA San Diego - 7/24 2032 - Heard above the mess, with slogan " <i>San Diego's K-Pop</i> ". (GC-UT.C)
1410	KRIL	TX Odessa - 7/23 2126 - With ID and CLA music. (CB-CO)
1420	KGIM	SD Aberdeen - 7/29 1915 - Fair-to-poor, with C&W music and KGIM ID. (MBDXP)
1460	KTYM	CA Inglewood - 7/24 2030 - With calls. (GC-UT.C)
1490	KOVC	ND Valley City - 7/29 1920 - Good, with local ads, non-ID as <i>Dakota Country</i> and into baseball game. (MBDXP)
	KORN	SD Mitchell - 7/29 1927 - Poor, with oldies. Under KOVC. (MBDXP)
1510	KFNNT	AZ Mesa - 7/24 2050 - Tentative, with many business-oriented ads, and some local ads mentioning Scottsdale. (GC-UT.C)
	KLLB	UT West Jordan - 7/26 2300 - Tearing up KGA with REL programming. Anncr: <i>KLLB, serving Salt Lake City, Ogden and Provo</i> . (LBC-MT)
1550	KUAT	AZ Tucson - 7/24 2028 - Strong, with sign off, with mention to tune to 7.89 FM. Left probable KCWW. (GC-UT.C)
1570	KPRO	CA Riverside - 7/25 2038 - Local promos. Format sounded like religion. (GC-UT.R)
1590	KVGB	KS Great Bend - 7/21 2232 - Strong, above mess, with slogan of <i>KVGB and B104 (104.3 FM)</i> . Promo for the morning show, which was being done by a "fill-in". (GC-CO.C)

## GRAVEYARD DX UPDATE

\* indicates North American record

		1230 kHz:		
KINO	AZ	Winslow	Phil Bytheway	Seattle, WA 1055
KRDG	CA	Redding	Phil Bytheway	Seattle 487
KWG		Stockton	Phil Bytheway	Seattle 669
KOAL	UT	Price	Phil Bytheway	Seattle 801
KSPO	WA	Spokane	Phil Bytheway	Seattle *229
KREW		Sunnyside	Phil Bytheway	Seattle 139
CJOK	AB	Ft. McMurray	Phil Bytheway	Seattle 781
CTYR		Hinton	Shawn Axelrod	Cardinal Divide, AB 40
CKQR	BC	Castlegar	Phil Bytheway	Seattle 251
CFBV		Smithers	Phil Bytheway	Seattle 540
		1240 kHz:		
KPOD	CA	Crescent City	Phil Bytheway	Seattle, WA *414
KOAD		Lemoore	Phil Bytheway	Seattle 792
KROY		Sacramento	Phil Bytheway	Seattle 625
KSON		San Diego	Phil Bytheway	Seattle 1067
KSMA		Santa Maria	Phil Bytheway	Seattle 880
KSUE		Susanville	Phil Bytheway	Seattle 506
KSLV	CO	Monte Vista	Phil Bytheway	Seattle 1072
WWCO	CT	Waterbury	Dave Braun	Falls Church, VA 286
KVNI	ID	Coeur d'Alene	Phil Bytheway	Seattle 262
KFLI		Mountain Home	Phil Bytheway	Seattle 445
KWIK		Pocatello	Phil Bytheway	Seattle *579
KLYQ	MT	Hamilton	Phil Bytheway	Seattle 397
KPRB	OR	Redmond	Phil Bytheway	Seattle 236
CKBX	BC	100 Mile House	Phil Bytheway	Seattle 285
CFVR		Abbotsford	Phil Bytheway	Seattle 108
CFEK		Fernie	Phil Bytheway	Seattle 369
		1340 kHz:		
KPGF	AZ	Page	Phil Bytheway	Seattle, WA 924
KBTA	AR	Batesville	Phil Bytheway	Seattle 1769
KATA	CA	Arcata	Phil Bytheway	Seattle 475
KBOS		Fresno	Phil Bytheway	Seattle 761
KSKI	ID	Hailey	Phil Bytheway	Seattle 480
KACH		Preston	Phil Bytheway	Seattle 637
KPRK	MT	Livingston	Phil Bytheway	Seattle 558
KSIL	NM	Silver City	Phil Bytheway	Seattle 1262
KPOK	ND	Bowman	Phil Bytheway	Seattle 900
KTOQ	SD	Rapid City	Phil Bytheway	Seattle *953
KSMK	WA	Kennewick	Phil Bytheway	Seattle 177
KWWN		Wenatchee	Phil Bytheway	Seattle 97
KYCN	WY	Wheatland	Phil Bytheway	Seattle 933
KWOR		Worland	Phil Bytheway	Seattle *734
CJCM	AB	Grand Centre	Phil Bytheway	Seattle *708
CHNL2	BC	Ashcroft-Cache Creek	Phil Bytheway	Seattle 242
CFKC		Creston	Phil Bytheway	Seattle 286
CKGF		Grand Forks	Phil Bytheway	Seattle 213
CKCR		Revelstoke	Phil Bytheway	Seattle 316
CIVH		Vanderhoof	Phil Bytheway	Seattle 450
XEAA	BCN	Mexicali	Phil Bytheway	Seattle *1095
KQMS	CA	Redding	Phil Bytheway	Seattle, WA *487
KSly		San Luis Obispo	Phil Bytheway	Seattle 858
KQIQ		Santa Paula	Phil Bytheway	Seattle 933
KEYX		Visalia	Phil Bytheway	Seattle *793
KBRB	NE	Ainsworth	Phil Bytheway	Seattle 1149
KBMJ	NV	Henderson	Phil Bytheway	Seattle 882
KJDY	OR	John Day	Phil Bytheway	Seattle *273
KBCH		Lincoln City	Phil Bytheway	Seattle 197



KVOP	TX	Plainview	Phil Bytheway	Seattle	1413
KIXX	UT	Provo	Phil Bytheway	Seattle	*732
KLCK	WA	Goldendale	Phil Bytheway	Seattle	142
KTNT		Tacoma	Phil Bytheway	Seattle	25
KATI	WY	Casper	Phil Bytheway	Seattle	(Tie) 840
CFLD	BC	Burns Lake	Phil Bytheway	Seattle	499
CKGR		Golden	Phil Bytheway	Seattle	356
CJNLI		Princeton	Phil Bytheway	Seattle	*163
CKSW	SK	Swift Current	Phil Bytheway	Seattle	683

**1450 kHz:**

KAWI	AZ	Douglas	Phil Bytheway	Seattle, WA	1311
KVEN	CA	Ventura	Michael Rolph	Wallangra, NSW, Australia	7319
			Phil Bytheway	Seattle	*937
			Phil Bytheway	Seattle	*587
KOBO		Yuba City	Phil Bytheway	Seattle	651
KVSI	ID	Montpelier	Phil Bytheway	Seattle	651
WTBO	MD	Cumberland	Dave Braun	Dover, DE	175
KGMV	MT	Missoula	Phil Bytheway	Seattle	394
KRBN		Red Lodge	Phil Bytheway	Seattle	(Tie) 644
KTXX		Whitefish	Phil Bytheway	Seattle	(Tie) 375
KOBE	NM	Las Cruces	Phil Bytheway	Seattle	1336
KSIW	OK	Woodward	Phil Bytheway	Seattle	1401
KBPS	OR	Portland	Phil Bytheway	Seattle	144
KCLX	WA	Colfax	Phil Bytheway	Seattle	238

**1490 kHz:**

KCUZ	AZ	Clifton	Phil Bytheway	Seattle, WA	1216
KYCA		Prescott	Phil Bytheway	Seattle	1037
KAIR		Tucson	Phil Bytheway	Seattle	1226
KWAC	CA	Bakersfield	Phil Bytheway	Seattle	*861
KBLF		Red Bluff	Phil Bytheway	Seattle	513
KDB		Santa Barbara	Phil Bytheway	Seattle	(Tie) 921
KSYC		Yreka	Phil Bytheway	Seattle	*407
KEDI	CO	Manitou Springs	Phil Bytheway	Seattle	1062
KOFE	ID	St. Maries	Phil Bytheway	Seattle	271
KBSR	MT	Laurel	Phil Bytheway	Seattle	*658
KVOG	UT	Ogden	Phil Bytheway	Seattle	*653
WPAK	VA	Farmville	Dave Braun	Falls Church, VA	127
KBRO	WA	Bremerton	Phil Bytheway	Seattle	*15
KENE		Toppenish	Phil Bytheway	Seattle	*127
KTEL		Walla Walla	Phil Bytheway	Seattle	*218
KOJO	WY	Laramie	Phil Bytheway	Seattle	935
CFWB	BC	Campbell River	Shawn Axelrod	Cardinal Divide, AB	*388
CKGO		Hope	Phil Bytheway	Seattle	140
CHPG		Prince George	Phil Bytheway	Seattle	438
CJSN	SK	Shaunavon	Phil Bytheway	Seattle	*658
XECJC	CHIH	1384	Ciudad Juarez	Phil Bytheway	Seattle

Totals:	1230	1240	1340	1400	1450	1490	Total
Phil Bytheway Seattle, WA	37	3 8	48	42	4 4	34	243
Elliot Straus New Jersey	23	26	20	19	2 2	21	131
Craig Barnes Wheat Ridge, CO	9	1 3	27	17	2 3	19	108

**ABBREVIATIONS USED IN DDXD**

/ :/parallel to :00: on the hour AC:Adult contemporary AP:Associated Press BBD:big band BRN:Business Radio Net C&W:country & western CCR:contemporary Christian radio CHR:contemporary hit radio CID:code ID CL:call letter EZL:easy listening EE:English FF:French GOS:gospel IRN:Interstate Radio Net LSR:local sunrise LSS:local sunset NBA:National Basketball Assn NFL:National Football League NPR:National Public Radio OC:open carrier POL: political PRI: Public Radio International PSRA:pre-sunrise authority PSSA:post-sunset authority QRM:man-made interference QRN:natural interference QTH:location PRI:Public Radio International REL:religious ROK:rock 'n' roll

RS:regular schedule S:stereo SID:singing ID SRS:sunrise skip SS:Spanish SSB:Star Spangled Banner SSS:sunset skip TC:time check TT:test tones UC:urban contemporary UPI:United Press International



1111 EAST RIVER DRIVE • P.O. BOX 5788  
DAVENPORT, IOWA 52808

**DDXD-East  
NEWS AND VIEWS**

Well, here we are with the last issue of Volume 62! Hope everyone enjoyed the convention! Welcome to new member John C. Thresher of Wakefield, RI who has sent along the first of many reports to DDXD-East, I'm sure! This report is from Prudence Island, RI, in the middle of Narragansett Bay, across the street from William Wyllie!

I received a list of the Maryland Department of Transportation TAR stations from both Hank Holbrook and Joe Kureth. Some updates and/or questions on the list from Joe are included in Other Stuff.

Received the following from Dale Park in Honolulu: "The following stations add "Coast-To-Coast AM With Art Bell", starting at 0200 ELT Tue-Sat and usually running to 0500 or 0600 ELT: 980 WCAP-MA Lowell; 1550 WARD-PA Pittston; 1190 WHYS-VA Bluefield & 1440 WHIS-WV Bluefield; 950 WQBE-WV Charleston; 1490 WSTP-NC Salisbury; 1490 WABJ-MI Adrian; 1340 WBMS-NC Wilmington; 1350 WLMA-SC Greenwood. Info per program newsletter "Art Bell...After Dark" 9/95."

And the following came from Mike Hardester via the rec.radio.shortwave newsgroup, originally from Jeff Miller in New Port Richey, FL: "On Aug. 3, 1995, Kintronic Lab Inc., 144 Pleasant Grove Rd., Bluff City, Tennessee, applied for an experimental AM on 1680 kHz, with 400 watts. I don't have any other information. I believe this is a broadcast-equipment manufacturer "

I have edited quite a number of logs that were sent this summer, basically because I didn't feel there was any benefit to the members to include them. For future reference, please include some program details, or something that made you feel the station you have listed is the one you've heard. This column is a great way to let people know what you've heard, but is used more importantly to help others identify stations that they may be hearing. And again, it is not meant for loggings of clear-channel stations or regular catches at your location, barring facility or programming changes. Just listing a station and saying you heard it will not get it included. And when I'm short on time (or patience!) questionable logs that have no backup information will be the first to go. I don't want anybody to take this personally, but review the bulk of the logs over the last few issues, and try to provide similar information. And if you have concerns about my decisions of what to include, please let me know. (Let me reinforce what Dave and Bill have stated: the primary purpose of everything in DX News is to provide useful DX information to other DX'ers, and if an item isn't useful, it may be edited out -pls.)

Remember, beginning September 16 I have a deadline every Saturday until Christmas. So beat the holiday rush and send in your loggings when you can!

**SPECIAL**

- 620 WXLX NJ Newark - Now with these calls, ex-WSKQ. Still has same Spanish format, "Super Ka-Coo" IDs; call ID can be heard 8-10 minutes before the hour. (DY-CI)
- 930 WYUS DE Milford - Has switched to all Spanish format. (DB-DE)
- 940 WINE CT Brookfield - 7/29 0853 - Now with CW music; heard ID "The new 9-40, Wine Country" ID. (DY-CT)
- 1220 CKSM PQ Shawinigan Falls - Is now simulcasting CHLN-550 all day long. The CKSM call letters can be heard sometimes, though. (DP-PQ)
- 1360 WWLG MD Baltimore - Has sports talk weeknights 1800-0100; it's locally produced and simulcast with WASA-1330 with the slogan "WLG Sports Talk" or "The Legend Radio Network." Joint WWLG/WASA ID heard 8/9 2200. (DY-CT)
- 1490 WUSS NJ Atlantic City - There is some speculation in No.29 whether WUSS is silent or just low power. I spent two weeks in Surf City, NJ which is on a barrier island just 25 miles NE of Atlantic City. The Atlantic City graveyards have always boomed in there with a short salt water path. WUSS in July was DEFINITELY SILENT. I also took two trips to Cape May passing within 5 miles or so of the towers of the graveyards. Absolutely no sign of WUSS then either. (JD-MA)
- 1590 WETT MD Ocean City - Station is definitely on. Format is 50-60-70's oldies, many IDs (one including the 60's Music a-go-go!). Signal is obviously different as they were heard well west of Salisbury. Before, when they were on regular DA pattern, were never heard as far as Salisbury. Has a spur or some kind of harmonic on 690 during the day...great signal and audio. Carries the Orioles games. What's missing? Local

ads! None heard, no news and during *Oriole* games the network spots are carried but when local time is given for ads, only dead air! Just before leaving 8/10, I called 411 for phone number but after many rings only got "...transmitter site. Enter your access code". Phone # is 410-352-5900. (JEK-MD)

1590 WMIM PA Mount Carmel - Silent station is back on the air; heard with NOS music and "The station for great memories, WMIM" ID into CNN news 8/9 2100. Call to station revealed they've been on since early April with *Westwood One* satellite feed; correct address is Box 100, Mount Carmel PA 17851. 17 watts puts in a good signal here at 175 miles or so. (DY-CT)

### UNID AND UNID HELP

960 UNID 8/18 17:05 - "WABR - WATX" mentioned. "Choice 102" was the slogan. Fair. (JD-NY) (How about WATS, Sayre, PA - shown as //102.3, which would be WAVR, Waverly, NY - db)

1130 UNID 8/30 1934 - CW music under WBBR, mention of 94.9 FM, and ads mentioned Uniontown. My 14th edition *FM Atlas* shows a CP for 94.9 in Oliver, PA, which is about 20 miles from Brownsville (WASP) and about 40 miles from Waynesboro (WEEO) which is shown as silent. (DB-DE)

1260 UNID 8/16 2321 - National ads, PSA's including *Muscular Dystrophy* and *HIV* associations, canned "Today's best country and yesterday's favorites" into CW music, then faded. (DB-DE)

1480 UNID 7/24 2207 - *Red Sox* game, same as WTIC so it was *Red Sox Radio Network*. Weak. (JD-MA) (1995 *Red Sox* list shows only WSAR on 1480 - db)

1490 UNID 8/15 2213 - *Pirates* baseball that faded to the mess, four shown on list, three of them needed. Oh, well... (DB-DE)

1570 UNID 8/18 16:54 - "Country 1570", possibly WFLR. Good. (JD-NY)

### 0000 to 0800 ELT

770 WLWL NC Rockingham - 8/31 0608 - Man with southern drawl mentioning some schedules in North Carolina, faded with no ID heard. Way under WABC. (DB-DE)

800 WCHA PA Chambersburg - 8/9 0618 - CW under WTMR, ID sneaked through. Had been one of my closest unheards. (DB-DE)

910 WABI ME Bangor - 7/26 0040 - Nostalgia music. (WM-MD)

WRKL NY New City - 8/9 0629 - "910 WRKL and Pepsi..." with bits from residents of what they like about "the Rockland area". (DB-DE)

920 WHJJ RI Providence - 8/3 0135 - Ad for *Gold Bond Powder*, *Wall Street Journal*, update on Hurricane Erin. (WM-MD)

990 WEEB NC Southern Pines - 8/15 0700 - Possibly the one noted with bits of audio (this heard in Jacksonville). Signal faded in/out, and finally a positive ID while in Clinton, NC at 1220 with end of *Paul Harvey News*, into local spot for *Pitkin (?) Cars*, ID and slogan, "WEEB: We Entertain the Thought." Still weakly (some station was) audible on return into Jacksonville at 1600. Storm related reception? (MH-NC2) (Mike mentioned that this and his WLLN log were during the approach of Felix to the NC coast - db)

1070 KNX CA Los Angeles - 7/23 0110-0203 - Talk show, ID by woman announcer as "KNX, Los Angeles" under WAPI and UNID SS. (DT-JAM)

1150 WRUN NY Utica - 7/25 0210 - Business radio, financial talk. (WM-MD)

1290 KKAR NE Omaha - 7/28 0125 - Weather report nulled over mention of pilots and talk from WHIO. (WM-MD)

1320 KSIV MO Clayton - 8/22 0658 - Fair, in-out with call letters, ad for local Christian bookstore, *USA Radio Network* news at 0700. (MB-IN)

1370 WLLN NC Lillington - 8/15 0710 - Possibly the one noted (in Jacksonville) with gospel music - continually audible between checks of 990-WEEB. Fair to poor level. IDd in Clinton, NC, at 1300, into *USA Radio News*. News followed by local update on Hurricane Felix, and then into *Landmark Christianity* program. Still weakly audible (gospel music) on return into Jacksonville at 1600. Storm related reception? (MH-NC2) (See ed. note on WEEB-990 - db)

1420 WVJS KY Owensboro - 8/3 0155 - ID, "Classic 1420", promo for *Paul Harvey Show*, oldies music. (WM-MD)

1440 WGCB PA Red Lion - 7/25 0015 - Right-wing sermon. (WM-MD)

1490 WNTJ PA Johnstown - 7/25 0130 - *The Bruce Williams Show*. (WM-MD)

### 0800 to 1600 ELT

630 WPRO RI Providence - 7/12 1512 - Weather and ID, good signal. (JD-NJ)

640 WWJZ NJ Mount Holly - 8/8 1300 - Weak with ID and NOS. Off this time last year. (JEK-MD)

930 CFBC NB St. John - 8/7 1352 - Fair, "Oldies 93" with WZNN nulled. (JD-MA)

1000 WLNL NY Horeheads 0 8/18 1100 - "Light House 1000", weak. (JD-NY)

1180 WJFF RI Hope Valley - 7/12 1535 - Country, fair signal. (JD-NJ)

1460 WCEI MD Easton - 8/9 1315+ - Fair signal, looking for WIFL. Never heard here before, even with much better equipment. Pattern change? (JEK-MD)

1480 WSAR MA Fall River - 8/9 1240 - ID under WDAS. (JEK-MD)

1490 WGCH CT Greenwich - 8/9 1230 - Weak ID but WOJY missing (off?) (JEK-MD)

WOJY VA Hampton - 8/8 1300 - Good signal with REL, also noted well in Salisbury, MD. Not heard 8/9, see WGCH. (JEK-MD)

1500 WFIW CT Milford - 8/9 1220-1230 - Black religion, ID. Not heard until this year, probably because WUSS-1490 now off. WTOP nulled. (JEK-MD)

1520 WTNE NY Mineola - 8/9 - Is the regular here since WIBG-NJ moved to 1020. (JEK-MD)

1530 WDJZI CT Bridgeport - 8/9 1400+ - Probably this one with much SS music and talk, but couldn't pull out a clear ID with WOBR nulled. WOBR seemed stronger this year, also. (JEK-MD)

1540 WNWR PA Bala Cynwyd - 7/28 1058 - On the air with a variety of religious and ethnic programs; call ID and "New World Radio" slogan. Ex-WPGR. (DY-CT)

WNWR PA Bala Cynwyd - 8/9 - Ex-WPGR with ethnic programs. Much weaker than previous monitorings. WADK-RI noted well on frequency. (JEK-MD)

WABK RI Newport - 7/12 1516 - Mention of *Long Wharf Steakhouse* of Newport, good signal, WPGR nulled. (JD-NJ)

### 1600 TO 2400 ELT

530 CIAO ON Brampton - 8/19 2023 - Ethnic music, request line 416-798-4888. Good. (JD-NY)

750 WMXH PA Olyphant - 8/24 2001 - Fair-good. ID and slogans "Music mix 750, WMXH, Olyphant...we're the station where the music is all mixed up" into abrupt sign-off. (JC-NY)

790 CIGM ON Sudbury - 7/24 2150 - CW music nulled by WAEB with baseball. (WM-MD)

830 WCRN MA Worcester - 8/1 2158 - Good with GOS preacher, dual ID for WROL and WCRN. (DB-DE)

850 WEEI MA Boston - 7/31 2300 - News report, mention of hurricane coming to Florida. (WM-MD)

900 CJBR PQ Rimouski - 8/5 2137 - Instrumental jazz music, FF announcements // CBF. Heard briefly atop jumble of stations. Usually CHML and CKTS dominate here. (JCT-RI)

920 CKNX ON Wingham - 7/24 2155 - CW music. (WM-MD)

960 WEAV NY Plattsburg - 8/19 20:20 - *Expos* baseball, good. (JD-NY)

1050 WFBL NY Baldwinsville - 7/27 1955 - Local ads, "The station that brings you closer to the stars," Watertown mentions, good in WEVD null. (DY-CT)

1070 WZBZ NY Plattsburgh - 7/27 2032 - Possible sign-off, mention 5000 watts day power, several call IDs, fair in pile. (DY-CT)

CBA NB Moncton - 7/31 2155 - Classical music, then CBC news. (WM-MD)

1150 WTMM FL Temple Terrace - 7/25 2149-2200 - UC or soul music, ad for *Gold Bond Powder* and insurance company. ID as "The new WTMP, Tampa, Temple Terrace and St. Petersburg", poor, popped up all of a sudden over UNID SS. (DT-JAM)

CKOC ON Hamilton - 7/25 2320 - Good-fair with ID as "This is oldies 1150 CKOC", OLD music. (MB-IN)

1230 WNTR MD Cumberland - 8/1 2345 - Talk show with woman, barely audible. (WM-MD)

1240 WKDA TN Nashville - 8/2 0145 - Update on Florida hurricane. (WM-MD)

1250 CBGA PQ Matane - 8/19 2105 - "Radio Canada" FF ID heard in jumble of stations. Came in again briefly with FF jazz music at 2114. New one for me. (JCT-RI)

1260 WNDE IN Indianapolis - 8/31 2044 - *Indianapolis Indians* baseball, ID vs. *Buffalo*, local ads, ID, very good. (DY-CT)

WBUD NJ Trenton - 8/24 1950 - Fair with QRM. *Dean Martin's Everybody Loves Somebody* followed by weather with talk on dangers of warm water temperatures of late into ID "WBUD 1260". (JC-NY)

1270 WDLA NY Walton - 8/29 1800 - Satellite CW, AM/FM ID, *USA* news, good, atop. (DY-CT)

- 1280 WQUE LA New Orleans - 7/24 2325 - Sports Byline USA talk show. (WM-MD) (William, I show this as WODT now - db)
- WKST PA New Castle - 8/2 2120 - Pirates vs. Cubs baseball. (WM-MD)
- 1310 WTIK NC Durham - 8/2 2125 - Phillies vs. Braves baseball. (WM-MD)
- 1360 WOAZ OH Cincinnati - 8/9 2105 - Kids show, Radio Aahs over WPPA with Philes vs. Mets baseball. (WM-MD)
- WPPA PA Pottsville - 7/24 2350 - Des'ree song You Gotta Be, AC. (WM-MD)
- 1370 WELV NY Ellenville - 8/28 2151 - "Talk radio 1370 WELV" ID heard, then into a talk show about going to college. "Talk Radio Network" announcement at 2159, ID at 2200 into CBS news. Generally good, on top of WFEA and some others. (JCT-RI)
- WMJT WV Moundsville - 8/28 2206 - PSA with announcement to send notices to Glen Dale, WV into network talk show. "People's Radio Network" announcement heard with ID at 2213, followed by "WMJT Moundsville" ID. Comes in briefly, but often mixing with QRM. Seems to be a bit off frequency, since I hear a low buzzing het when it fades in. Must be a recent call change since station is listed as WZAO. (JCT-RI)
- 1420 WWSR VT St. Albans - 8/31 2045 - Call ID poked out under WHK, WBEC, others. 107 watts. (DY-CT)
- 1450 WODZ NY Rome - 7/27 2359 - "Oldies 96" IDs, ads, promos, AM/FM ID, good. (DY-CT)
- 1470 WZOU ME Lewiston - 7/25 2200 - Nostalgia music. (WM-MD)
- 1540 WTBI SC Pickens - 8/6 2225 - Religious sermon over CHIN with ethnic music. (WM-MD)
- 1550 WKBA VA Vinton - 8/24 2016 - Fair-good, "WKBA 1550 AM" into statement of power/ownership and sign-off over GOS. (JC-NY)
- 1580 WLIM NY Patchogue - 7/29 2018 - Slipping in with weather report, 83 degrees at 77% humidity! Heard this one a couple times lately. (JW-PA)

### OTHER STUFF

- 530 TIS DE Bethany Beach - 8/9 - DelDOT station giving alternate routes to Bethany and Fenwick Island rather than Route 1. No calls given. A ten-second silent period on the tape revealed another message which sounded exactly like the one broadcast. Did not tell if this was a separate station or the same station with the tape not completely erased. Believe this one is at Bethany or farther up the coast as the signal is not that strong a few miles from the border. (JEK-MD) (I think it's in Rehoboth; that's also about the only area people would need an alternate route from. BTW, Dave S. may correct me on this, but I don't think I've ever heard a call sign on a DelDOT TIS - db)
- 530 KNJX865 MD - 8/8 & 8/10 - Heard this temporary station on I-97 from US 50 to Route 3. Signal was very weak and message warned of construction delays on I-97 at the northern end towards Baltimore. Have no idea where the transmitter could have been set up but it surely couldn't have helped anyone coming from the east off US 50. (JEK-MD) (The MD TAR list says the KNJX865 calls area used for all portable TAR's - db)
- 530 TIS NY Syracuse - 8/18 1720 - Syracuse Hancock International Airport TIS strong. (JD-NY)
- 530 TIS NC Greenville - 8/16 1130 - East Carolina University TIS noted about 10 miles south of the Campus. Woman announcer with parking regulations, and warnings of flood prone areas to avoid if Hurricane Felix hit area. A second woman announcer with digitalized day/date/time announcement also noted. Not that strong on campus - fair level at best. (MH-NC1)
- 1610 WPEW740 MD Ocean City - Not at listed US 50 & Route 90, signal not heard until Route 90 east of US 113 Fair in Ocean City, north of Route 90 bridge, but still able to null and receive Chincoteague TIS. (JEK-VA)
- 1610 WPEF882 MD Ocean City - 8/10 - This one replaced WPEW740! Maybe same transmitter and a TIS station rather than a TAR? In any case, suspect the transmitter is located somewhere in the Taylorsville area, west of Ocean City. (JEK-MD) (Joe, this was on the list Hank sent, but WPEW740 was not Maybe WPEW740 run by City or Chamber of Commerce? - db)
- 1610 WTAN997 8/19 23:00 - New York State Thruway TIS weak. (JD-NY)
- 1610 KTC756 VA Chincoteague - 8/9+ - On Assateague Island. TAR message not to feed or pet the ponies or other animals for fear of rabies! Campers and visitors fees mentioned. Note: This call not the same as in JRCA update. (JEK-MD) (Perhaps there is a separate station at Assateague? - db)

670AM  
1530-1600  
WWFE

### REPORTERS

- MB-IN Mark Burns, Terre Haute, IN: Drake R-8, Quantum Loop, 80' longwire
- JC-NY Jim Clar, Rochester, NY: Drake R-8, Superadio JII, longwire, Kiwa Loop
- JD-MA John Dunn, N1VPU, Holbrook, MA, DXing in Plymouth, MA: Superadio, Select-a-tenna, DX 440, and AOR Loop
- JD-NJ John Dunn, N1VPU, Holbrook, MA, on vacation in Long Beach Island in the town of Surf City, NJ: ICOM R71A, DX 440, AOR LOOP, Select-a-tenna
- JD-NY John Dunn, N1VPU, Holbrook, MA, DXing in Manlius, NY (SE of Syracuse): Car Radio, DX 440, Superadio, AOR Loop, and Select-a-tenna
- MH-NC1 Mike Hardester, approaching/in Greenville, NC: 1986 GMC Jimmy with fender antenna
- MH-NC2 Mike Hardester, in Clinton, NC: 1986 GMC Jimmy with fender antenna
- JEK-MD Joe Kureth, Uniontown, MD, DXing in Ocean City, MD and on trips to and from: DX-375
- WM-MD William McGuire, Cheverly, MD: Realistic DX-380
- DP-PQ Denis Picard, Trois-Rivieres-Ouest, PQ:
- JCT-RI John C. Thresher, Wakefield, RI, DXing at Prudence Island, RI: Lafayette HA-700, 80-meter dipole, Realistic AM/FM portable
- DT-JAM Don Trelford, St. Anns Bay, Jamaica:
- JW-PA Jim Weber, Lancaster, PA: Delco radio, auto beverage
- DY-CT David Yocis, Norwalk CT: R71A, Kiwa loop
- DB-DE Dave Braun, Wyoming, DE: R-5000, Quantum Loop

### MARYLAND TAR LIST

The following is a list of the TAR stations operated by the Maryland Department of Transportation, State Highway Administration, which was received by Hank Holbrook and Joe Kureth. As noted above, Joe made some observations on a recent trip that are included in this week's column.

- 530 WNQA284 Cumberland, I-68 at Willowbrook Road.\*
- 530 WNVY510 Frederick, US 15 at US 340.\*
- 530 WNQA287 Frederick/Washington County Line, I-70 at South Mountain Rest Area.\*
- 530 WNSL337 Hancock, I-70 at US 522.\*
- 530 WNQA285 Piney Grove, I-68 at Orleans Road.
- 530 WPEW741 West Friendship, I-70 at Weight Station between Route 32 and Route 97.
- 530 WNSL338 Williamsport, I-81 at US 11.\*
- 1040 WPEI224 Glen Burnie, BWI Airport.
- 1290 WNVY507 Bethesda, I-270 at I-495 and Route 187.
- 1290 WNQI569 College Park, I-95 at Old Gunpowder Road.\*
- 1290 WNVY508 Largo, I-95 at Route 202, USAir Arena.\*
- 1290 KNIC273 Rockville, I-270 at Shady Grove Road.
- 1610 WNQA286 Annapolis, US 50 at Route 2 (ex-530).\*
- 1610 WPCF627 Baltimore City, I-895 at Moravia Road.
- 1610 WPED444 Cambridge (Rest Area), US 50 at Route 16.
- 1610 WNQA288 Denton, Route 404, east of Route 16.
- 1610 WNQA290 Easton, US 50 at Route 322.\*
- 1610 WNVY506 Elkridge-Waterloo, I-95 at Route 100.\*
- 1610 WPEP712 Elkton, I-95 at Route 279.\*
- 1610 WPEF882 Ocean City, Route 90 at the bridge.
- 1610 WNQA289 Queenstown, US 50, south of US 301 (KM659).
- 1610 WPCF627 Randallstown, I-695 at Route 26.
- 1610 WPEW742 Reisterstown, I-795 at Route 140.
- 1610 WNQA283 Salisbury, US 50 at US 13.
- 1610 WNPV742 Timonium, I-83 at Shawan Road.
- 1610 WNVY509 White Marsh, I-95 at Bradshaw Road (ex-530)\*
- CB Channel 19 Prince Georges County, I-95 at Woodrow Wilson Bridge.



**Archived Publications**

... are still available and listed in the "NRC Archived Publications List". If you're interested in older technical articles, computer programs, receiver reviews, bandscans, station profiles, and foreign DX information, order ZAL-1 (40¢ with your next reprint order over \$2.00, 90¢ by itself). From NRC Publications. (NY residents, add sales tax)



Unit No.	Freq.	Location
1	530	Salisbury Shop
2	530	Centreville Shop
3	530	Laurel Shop
4	530	Owings Mills
5	530	Annapolis
6	530	Cumberland
7	530	Frederick
8	1610	Laurel
9	530	Golden Ring
10	530	Hanover Traffic

Note: All portable TAR's use call sign KNJX865.

\* - TAR's that have Shazam signs (flashers) (Yep, that's what the list says! - db)

### The Topeka Metro News -via Paul Swearingen



From NRC's DX Audio Service ...

### 'After Dark 5'

You wanted receiver reviews ... graveyard station Travellogs ... airchecks ... Harry Caray, Clark Weber, Shotgun Tom Kelly, and Fred Richards ... paging cows ... DX techniques ... eclipse DX ... and a round-table discussion? Then order "After Dark 5" today! 12 C-90 tapes in a holder. \$19.95 postpaid from NRC Publications - Box 164 - Mannsville, NY 13661. NY orders, please add sales tax.

## Broadcasters' Guides to DX

Four different tri-fold guides for use with reception reports explaining DX'ing, how the NRC was formed, and the importance of QSL's to DX'ers. AM editions in English, Spanish, and French; FM edition in English. US\$1.50 for 20. From NRC Publications. (NY residents, add sales tax)

### Portable Trailers



P.O. BOX 1804 • LINCOLN, NEBRASKA

## Volunteer-powered radio station to strike back at Labor Department

SPRINGFIELD, Mo. (AP)—An average 500-watt radio station that had just fended off a U.S. Labor Department investigation might breathe a sigh of relief and move on.

KTOZ-AM is not the average tiny radio station.

"We're going after them," general manager Ron Johnson said Tuesday, referring to the Labor Department's Wage and Hour Division.

"They're not getting off the hook this easy." The station, specializing in big band music, ran afoul of the Labor Department because it uses volunteers as disc jockeys and clerical workers.

Officials of the agency had said the for-profit station could be forced to pay its volunteers — including back wages — under the Fair Labor Standards Act of 1938.

After a 3 1/2 month review of the station, the Labor Department on Monday called off the probe. Johnson was notified Tuesday morning.

Labor Department officials "did a very preliminary screening and said it's not in our priority area," spokeswoman Liz Rose said. "The Labor Department has limited resources and we focus on low-wage employees."

Johnson, a businessman and one-time big band director, is a part owner of the sunup to sundown station. On a good day the signal travels 40 miles through the Ozarks.

He and 18 other investors who share a love for the big-band sound bought the station out of bankruptcy 14 months ago for \$40,000.

The radio station has gotten national media attention since The Associated Press carried a story about the station's troubles. CBS Evening News and NBC Nightly News recently filmed segments at the station.

KTOZ will not let the issue die. "We're all set for a 10 year battle if we

have to do it," Johnson said.

He has demanded that the rules governing volunteer work at for-profit companies be changed.

"They should specifically spell out very clearly that any citizen of the United States who wants to volunteer their time for any company ... can do that," Johnson said.

He also vows litigation looms in the department's future.

Some 50 attorneys from around the country who heard about the station's difficulties with the Labor Department have offered their legal services to the station for free, Johnson said.

"There is a way we can go after them for a monetary standpoint," he said, although he would not elaborate on the station's legal plans.

Johnson said he hopes legal retaliation against the Labor Department will spare others the strain and stress of what he describes as an out-of-control bureaucracy.

"You never know if they're gonna walk in with the subpoenas or lawsuit. I've had to devote so much time to this thing, I haven't been able to go out and sell (advertising) in three and a half months. I haven't been able to go out and talk to anybody," Johnson said.

There is a positive side for the station to all this publicity.

The station brings in about \$1,400 to \$1,500 a month in advertising revenue and spends about \$2,000 on overhead. Johnson said the station needs to collect \$8,000 or more a month to pay minimum wage to all its employees.

The attention from the investigation earned the station a much higher profile among the 28 stations in the Springfield area.

"The wage-an-hour investigation, they did us a favor," Johnson said.

**WEOL  
AM 930**  
Where Lorain County tunes for  
News, Sports and Information  
☎ 216 322-3761

# International Jim Renfrew [JimRenfrew@Delphi.com](mailto:JimRenfrew@Delphi.com) 61 Wilcox Street Rochester, NY 14607-3832

Foreign DX Catches. Times are UTC; for ELI, subtract 5 hrs.

At this writing, Hurricane Luis has passed by the Leeward and Virgin Islands, with many reports of serious building damage, trees blown down, and flooding. I haven't seen anything in the papers about the effect on communications and radio.

A special request - I am looking for someone willing to receive faxes from IDXD reporters outside of the USA and Canada, to forward to me through the regular mail.

We finish the 62nd Volume of *DX News* with a bang: 17 reporters! Well, here are the final reporter statistics for Volume 62. We had reports from the following states: ME, NH, MA, RI, CT, NY, NJ, PA, DE, MD, DC, VA, NC, SC, FL, OH, MI, WI, IL, TN, LA, IA, MO, OK, CO, MT, AZ, CA, OR, WA, HI (31 of 51 = 61%), provinces: NF, NB, PE, PQ, ON, MB, AB, BC (8 of 10 = 80%), and countries: Brazil, Costa Rica, Dominican Republic, Ecuador, Jamaica, Nicaragua, Spain, Sweden, United Kingdom, and Venezuela (10). Since 8 Canadian provinces is a greater percentage of the whole than 30 states, the coveted IDXD Reporters Cup goes to the Canadian contingent for 1994-'95!

Up-coming deadlines for Volume 63: beginning SEP 17, the weekly deadline is Saturday's postal delivery or Sunday e-mail. Late items are held over. Some hot-tips may get in at the last minute. Thanks to all who send their reports by e-mail, saving me hours of typing each week.

Read on, to hear a wondrous tale from Shawn Axelrod which explains, for the first time, what the "M" in QRM really stands for! And welcome to John Thresher, first time reporter from Rhode Island.

### TRANS-PACIFIC DX

- 234 RUSSIA Armom FE, AUG 29 1148-1210 - // 279, very good to fair with vocal and instrumental music, news after the hour. RR-sounding talk may not be European RR. [Woods-OR]
- 243 RUSSIA Razdelnoye FE (tent), AUG 29 1145-1205 - Poor with RR-sounding talk, instrumental music. // 234 after 1200. [Woods-OR]
- 279 RUSSIA Yuzhno-Sakhalinsk FE - AUG 29 1145-1206 - Fair to good with program // to 234. [Woods-OR]
- 774 JAPAN JOUB Akita, AUG 29 1123 - Poor under splatter from 780, with Basic EE lesson. [Woods-OR]
- 930 ALASKA KTKN Ketchikan, AUG 26 0905 - Fair under unIDs with ID, slogan "more music - more often", ABC news, into AC music. [Woods-OR]

### PAN-AMERICAN DX

- 526 BAHAMAS Stella Maris, AUG 12 0223 - ZLS beacon; good. [Connelly\*H-MA]
- 532 TURKS & CAICOS IS, RVC1, JUL 30 0241 - Poor signals, solid het but weak audio with SS religious programming. [DX\*MB] AUG 12 1441 - woman in SS, then music. AUG 12 1805 - talk & SS vocal; groundwave good on loop. [Connelly\*H-MA]
- 535 GRENADA St. George's, JUL 20 0028 - sports report; excellent - better than RVC-532! [Connelly\*rw-MA] JUL 23 0219 - wild drumming & soca music; good. [Connelly\*H-MA] AUG 12 0449 - sports awards ceremony; excellent, almost as loud as RVC-532. [Connelly\*H-MA]
- 540 COLOMBIA, HJKA Bogotá, AUG 12 0231 - religious SS talk & mentions of Colombian cities; over growl. [Connelly\*H-MA]
- 555 ST. KITTS & NEVIS, ZIZ Basseterre, JUL 23 0218 - soca version of 1977 disco song "Keep It Comin' Love"; very good. [Connelly\*H-MA] AUG 12 0235 - political speech to good peaks. [Connelly\*H-MA] AUG 16 0322 - Fair level with music, then man talking. [Braun-DE]
- 563 CUBA, R. Reloj, AUG 12 0237 - off-channel Reloj outlet with usual SS news & time show. Carrier was "wobbly" when spotted with BFO. Strong signal. [Connelly\*H-MA]
- 570.5 unID, AUG 12 0243 - SS talk, killer het against WMCA. [Connelly\*H-MA]
- 580 CUBA, R. Rebelde, synchronos, AUG 10 0424 - Instrumental music, SS talk by man // 590, 600; not even a carrier on 582 kHz, so this one may be back on channel. [Yocis-CT]
- 595 DOMINICA, DBS Hillsborough, AUG 12 0241 - soul/reggae song, woman in Caribbean FE; fair. [Connelly\*H-MA]
- 640 GUADELOUPE Arnouville, JUL 18 0102 - man & woman in FF; mixed with CBN, WNNZ, Venezuela, others. [Connelly\*mb-MA] AUG 12 0455 - FF talk by woman // 1375 St. Pierre; over several others. [Connelly\*H-MA]

- 640 CUBA, R. Progreso, Guanabacoa/Las Tunas, JUL 23 0212 - SS vocal // 740; strong & dominant with loop SW/NE. [Connelly\*H-MA]
- 650 COLOMBIA, HJKH Bogotá, AUG 12 0247 - Antena Dos ID, accordion music; over others. [Connelly\*H-MA]
- 670 CUBA, Arroyo Arenas, R. Rebelde, AUG 12 0258 - SS female vocal // 710; mixed with likely Venezuelan. [Connelly\*H-MA]
- 670 VENEZUELA R. Rumbos (YVLL), Caracas, AUG 31 0055 - Dance music, "en Rumbos, la emisora de Venezuela" before TC and news at 0058. SIO 333 [Burnell-NB]
- 690 ANGUILLA, AUG 12 0252 - US EE preaching behind CBF. [Connelly\*H-MA]
- 700 COLOMBIA, HJCX Cali, AUG 12 0256 - SS talk by woman, Cali ad or mention; over/under other SS that was probably one of the Venezuelans. [Connelly\*H-MA]
- 710 CUBA, La Julia et al., R. Rebelde, AUG 12 0258 - SS female vocal // 670; under WOR. [Connelly\*H-MA]
- 720 VENEZUELA, YVQE Porlamar, AUG 12 0321 - folk-style SS music, R. Oriente ID; good, atop CHTN. [Connelly\*H-MA]
- 740 CUBA, R. Progreso, Sagua de Tanamo/Camaguey, JUL 23 0212 - SS vocal // 640; good, over CHCM with CBL nulled. [Connelly\*H-MA]
- 750 VENEZUELA, YVKS Caracas, JUL 20 0058 - Radio Caracas Radio ID, SS talk; good, over CBY/WSB. [Connelly\*H-MA] AUG 29 0037 - SS sports talk, initially regarding the US Open, then all Venezuelan items. SIO 443 [Burnell-NB]
- 760 CUBA R. Reloj, AUG 28 0544 - Not a big deal, with usual "RR" in code, but my first foreign logging of the new season. [Renfrew-NY]
- 770 COLOMBIA, RCN (HJXX), Bogotá, AUG 31 0238 - Under WABC with sports play-by-play. SIO 322 [Burnell-NB]
- 780 COLOMBIA R. Almirante, Riohacha, JUL 25 0034 - ID and some ads. [Objfo-DR]
- 790 BARBADOS BRS Bridgetown, JUL 14 0135-0200 - End of news, program promo, soca music, poor, splash from PJB 800. [Trelford-JAM]
- 790 VENEZUELA, YVXM, Barquisimeto, AUG 10 0033 - Shouted announcements including a "Radio Minuto!" ID, short music bursts in between, fair but mostly under WKLW; CIGM faded in later. [Yocis-CT]
- 800 NETHERLANDS ANTILLES, PJB Bonaire, JUL 20 0100 - SS religious talk, R. Transmundial ID. [Connelly\*H-MA]
- 840 PUERTO RICO R. Victoria, Yabucoa, JUL 25 0039 - Ads for Ferreteria, Budweiser, baseball game. [Objfo-DR]
- 850 DOMINICAN REPUBLIC HILR Santo Domingo, JUL 16 0316-0349 - LA pop music, ID as "Radio Clarin", interference. [Trelford-JAM]
- 860 MEXICO UNID, SEP 2 0602 - Mexican Anthem noted in CJBC null, then off I think. Probably R. Unam. [Renfrew-NY]
- 860 CUBA R. Reloj, SEP 2 0607 - Weak in CJBC null with morse code IDs, after Mexican station gone, probably Havana station carrying Reloj late night. [Renfrew-NY] 870 COLOMBIA R. Mar Caribe, Barranquilla, JUL 25 0045 - Ads for Cafe Sello Rojo. [Objfo-DR]
- 880 MEXICO XECTL Chetumal, JUL 16 0850-0945 - LA pop music, ID as "Quintara Radio", fair, some interference from WCBS. [Trelford-JAM]
- 885 MONTSERRAT, ZJB Plymouth, JUL 20 0021 - song "Say You Say Me"; to good peak. [Connelly\*rw-MA] AUG 27 0007 - mellow vocal music; to good peaks. Apparently, this has not been effected by the recent nearby volcanic activity. [Connelly-MA]
- 895 ST. KITTS & NEVIS, Charlestown, JUL 20 0022 - fair with soca music. [Connelly\*rw-MA]
- 920 MEXICO XELAR Las Palmas or XEBN San Luis Potosí, JUL 18 0750-0837 - LA pop music, "Radio Jumbo Power", singing IDs (unreadable), reports sent to both! [Trelford-JAM] (Egad! What if they both confirm! - Jim)
- 980 COLOMBIA HJES Cali, JUL 19 0320-0334 - Talk show, ID as "Radio Cadena, Colombia", promo for fútbol, fair with minimal interference. [Trelford-JAM] JUL 29 0315 - RCN ID, SS talk by man, good and mostly atop. [Yocis-CT]
- 990 COLOMBIA RCN Medellín, JUL 25 0045. [Objfo-DR]
- 1000 COLOMBIA HJAJ Cartagena, JUN 9 0139-0230 - Talk show, ID as "Radio Nacional", "Radio Colombia", fair. [Trelford-JAM] AUG 28 0547 - Heard with RCN ID. [Renfrew-NY]
- 1020 TURKS & CAICOS IS., CCR, JUL 11 0030 - good signal. [Dunn\*NJ] JUL 30 0308 - Good signals over/under KDKA, Peoples' Gospel Hour program. [DX\*MB]
- 1050 MEXICO XEQOO R. Pirata, Puerto Morelos, Quintana Roo - been hearing new XE here since AUG 7 (first discovered several days earlier by David Crawford in Gainesville, FL). Blasts in all night (XEG only rarely making it through on fades) with tourist format in SS for Cancun resort. Lots of commercials, including the "Rio Ecstasy" and "Up and Down" clubs, runs "NotiUno" net news roughly 0100-0200, then from 0200 reggae/ska (mostly

- EG songs) music programs. Rarely gives legal IDs, and then almost never on hour. Calls sounded like XEQWO on my own hearing, but Crawford just e-mailed me that it sounded like XEQOO for 1050 and XHQOO for 90.7 FM. I often hear carted IDs as "R Pirata, mil cincuenta A-M estéreo". One cart even has a US EE accented male under the SS voice-over saying, "I have a secret radio transmitter!" Per observations by David Crawford and myself, the 1050 station is indeed XEQOO, 50 kW AM stereo, XHQOO 90.7 FM 3kW, address: Avenida Rojo Gomez 801, Puerto Morelos, Quintana Roo. Some IDs as "X-E-Q-double-O". [Krueger-FL] (Don Trelford heard them in Jamaica on JUN 13, as reported in the last column - Jim) (Coincidentally, XEG-1050 is also stereo -pls)
- 1060 CUBA Baracoa, JUL 18 0053 - absolutely destroying KYW; loud with SS talk mentioning "Cubano" and "Baracoa". [Connelly\*mh-MA]
- 1080 HAITI R. Nationale, Port-au-Prince, JUN 14 0035-0100 - Haitian music, FF or Creole talk, ID as "Radio Nacional", poor with interference. [Trelford-JAM] JUL 25 0048 - Good with news in Creole, very rare to hear this station. Really with 20 kW? It is a long time since I heard this one. [Objfo-DR] (When I was in Puerto Plata several years ago, I was able to hear this one only once in the early morning - Jim)
- 1100 COLOMBIA, HJAT Barranquilla, JUL 23 0159 - SS talk, local mentions; in mix with WWWE. ZDK still a no-show. Growl/low hets present. [Connelly\*H-MA]
- 1110 COLOMBIA HJEW Cali, JUN 16 0812-0832 - Music and talk, ID as "Radio Reloj", poor with WBT interference. [Trelford-JAM]
- 1160 BERMUDA, VSB3, Hamilton, JUL 29 0333 - BBC talk on Latin America // 5975, good. [Yocis-CT]
- 1180 CUBA R. Taíno, JUL 12 0215 - SS talking, playing song in EE real good signal, WHAM nulled. [Dunn\*NJ] JUL 30 0230 - Good signal mixing with WHAM, with lively music and Radio Taíno IDs. [DX\*MB]
- 1180 CUBA R. Rebelde, JUL 30 0235 - Good signal mixing with WHAM and Taíno, with an SS baseball game. [DX\*MB]
- 1205 CAYMAN ISLANDS George Town, JUL 23 0155 - bits of music; poor. [Connelly\*H-MA]
- 1210 COLOMBIA RCN Antena 2, Cucuta, JUL 25 0143 - with sports news. [Objfo-DR]
- 1360 VENEZUELA R. Venezuela Internacional, Maracaibo JUL 25 0112 - With typical Venezuelan harp music, announced time as 9:12, then Leo Marini with an old song "En La Palma de La Mano" (In the Palm of My Hand). [Objfo-DR]
- 1380 COLOMBIA RCN, JUL 25 - time pips heard. Ad for Granahorrar, sports news, speaking about Indurain winning the Tour de France, and the celebration in his home town. Announcing, also, news from CNN, very strong. [Objfo-DR]
- 1440 MEXICO XEEST Mexico DF, JUL 3 0802-0837 - older American pop music, ID as "Radio Exitos", fair with interference. [Trelford-JAM]
- 1520 COLOMBIA R. Ecos del Palmar, Bogotá, JUL 25 0105 - With very loud and clear ID as "Ecos del Palmar", then pop music. [Objfo-DR]
- 1590 MEXICO XEVOZ Mexico DF, JUL 9 0820-0832 - LA pop music, ID as "XEVOZ - Mexico - Nacional Radio", fair. [Trelford-JAM]
- 1610 ANGUILLA, JUL 18 0034 - southern US preacher; loud. [Connelly\*mh-MA]
- 1700 BRAZIL Maraba, AUG 16 0236 - Beacon CRJ with continuous CW ID, poor with QRN. [Braun-DE]

The Dunns also had CUBA on 550, 590, 670 and 710, all parallel.

*Shaun speaks:* "This was our first DXpedition to western MB, and it was fun and some new stations were heard which always makes any trip worth it. We were awakened at 0230 by a horrible sound that sounded like a dog being strangled. We could not tell what happened and a look around our luxury accommodations (Lorne's 32' Airstream trailer) found nothing. We woke up at 0445 to DX but found a new storm just moving in so it was to sleep with no chance for SRS DXing. This DXpedition saw more sleeping than any two to Valhalla Beach! When we went to wind up the wires we found two were torn up and going off into the bush. Seems the noise we heard earlier was a moose snagging itself on the wires and then taking them off into the bush. Add moose to cars, farm tractors, snow plows and snowmobiles that have "terminated" our beverages." (This phenomenon is technically known as a Variable Direction Longwire, but seasoned DXers often refer to it as "getting Bullwinkled" - Jim)

*Dave speaks:* "I've moved over the summer from Darien to Norwalk CT; only seven miles distance but it's (a) 7 miles farther away from the NYC powerhouses, which makes a big difference in nulling, and (b) I'm only a mile or so from Long Island Sound, as opposed to 3-4 miles before, and the difference on Latin American stations is astounding. I haven't had too much time so far to take advantage of this situation, but what I've heard so far makes me think I'm going to like this QTH!"

## TRANS-ATLANTIC DX

- 153 GERMANY Donebach, JUL 20 0202 - news by man in GG, Sarajevo mentioned; good signal. [Connelly\*rw-MA]
- 162 FRANCE Allouis, JUL 20 0202 - FF news by woman; good. [Connelly\*rw-MA]
- 198 ENGLAND Droitwich, JUL 20 0201 - excellent with EE news mentioning Bosnian Serbs. [Connelly\*rw-MA] JUL 21 0221 - Weak, parallel 5975 kHz. [Dunn\*NJ]
- 207 UNID, JUL 21 0225 - felame (??-pls) music, female speaking. [Dunn\*NJ]
- 216 UNID, JUL 21 0230 - Possibly France. [Dunn\*NJ]
- 216 FRANCE/MONACO, TWR Monte Carlo, AUG 24 0237 - FF religious talk. SIO 444 [Burnell-PE]
- 234 LUXEMBOURG Junglinster, JUL 20 0200 - emotional FF vocal; very good. [Connelly\*rw-MA]
- 234 UNID, JUL 21 0234 - Very weak. [Dunn\*NJ]
- 252 IRELAND Clarkestown, JUL 20 0159 - excellent with ID "More of today's best music mix - Longwave Radio Atlantic 252". [Connelly\*rw-MA]
- 252 UNID, JUL 21 0158 - Female singing, weak. [Dunn\*NJ]
- 603 SPAIN Sevilla/Palencia, AUG 27 0112 - vocal // 738, 774; poor. [Connelly-MA] AUG 16 0318 - Poor with music // 774/738. First time heard here. Wouldn't have checked here, but noticed it listed in Mark Connelly's // updater (not yet printed in DXN - Jim). WRTH shows it as RNE5, not in the RNE listing. [Braun-DE]
- 612 MOROCCO Sebaa-Aioum, JUL 23 0215 - AA talk by man; fair to good. [Connelly\*H-MA] 621 CANARY ISLANDS Santa Cruz de Tenerife, JUL 20 0026 - SS teletalk by man & woman, S9+35! [Connelly\*rw-MA] JUL 22 2305 - het against WZON/WSKQ in an hour before sunset JUL 22 2340 - fast SS talk; LOUD. [Connelly\*H-MA] AUG 22 0321 - SS talk; poor to fair. [Connelly-MA] AUG 31 0227 - SS Female talking to male by phone, // 684. SIO 242 [Burnell-NB]
- 639 SPAIN, RNE 1, synchros, SEP 1 0009 - Male singing in SS, // 684. SIO 242 [Burnell-NB] 684 SPAIN Sevilla, AUG 12 0250 - man & woman in SS; fair to good. [Connelly\*H-MA] 711 unID (probably Morocco), JUL 22 2339 - big het, but too much WOR for audio. [Connelly\*H-MA]
- 666 PORTUGAL RDP, Lisboa, AUG 27 0145 - Good, songs by Michael Jackson and Prince, news in Portuguese at 0200. [Conti-MA]
- 738 SPAIN Barcelona, AUG 16 0316 - Poor with music // 774. [Braun-DE] AUG 27 0110 - romantic SS vocal // 774; good. [Connelly-MA]
- 747 NETHERLANDS Flevoland, JUL 20 0151 - C&W-influenced song, then man in Dutch; slightly over other station; fair with sloop from classical music on CBYG. [Connelly\*rw-MA] AUG 27 0115 - Fair, pop music and talk in Dutch language. [Conti-MA]
- 747 unID's, AUG 27 0109 - jumble (Netherlands, Spain/Canaries, and maybe Burkina Faso). [Connelly-MA]
- 756 SPAIN/GERMANY, JUL 20 0150 - SS talk slightly over Germany's classical music. [Connelly\*rw-MA]
- 756 GERMANY Braunschweig/Ravensburg, JUL 23 0223 - classical music // 1422; good. [Connelly\*H-MA] AUG 27 0108 - classical music; poor to fair. [Connelly-MA]
- 765 SENEGAL Dakar, JUL 18 0058 - big open carrier after end of normal programming. [Connelly\*rw-MA] JUL 22 2336 - female AA vocal, light audio on good strength carrier; some T-storm QRN. [Connelly\*H-MA]
- 765 SWITZERLAND Sottens, JUL 20 0149 - soft classical music; fair. [Connelly\*rw-MA]
- 765 likely SWITZERLAND, RSR, Sottens, AUG 24 0225 - Very weak: female ancr, possibly in FF, then classical music. SIO 232 [Burnell-PE] AUG 31 0228 - Classical music. SIO 232 [Burnell-NB]
- 774 SPAIN synchros., JUL 20 0147 - SS talk by man; fair. [Connelly\*rw-MA] JUL 22 2338 - SS talk, starting fade-in. [Connelly\*H-MA] AUG 16 0312 - Poor-fair with music // 855. [Braun-DE] AUG 27 0105 - '50s type song, then man in SS; fair to good over WABC sloop. [Connelly-MA] 765 SWITZERLAND RSR Sottens, AUG 27 0220 - Excellent, classical music. [Conti-MA]
- 774 SPAIN RNE1, AUG 27 0135 - Fair, songs by Phil Collins and Sting, then telephone talk, Radio Nacional mentions. [Conti-MA]
- 837 UNID, AUG 28 2340-2410 - Pop and folk music in SS, male SS DJ, very clear signal in peaks. Played "Paint It Black" by Rolling Stones at 0005. Most likely Canary Islands. A very loud het noted on 621 earlier around 2250. [DeLorenzo-MA]
- 837 CANARY IS./SPAIN, COPE sta(s), SEP 1 0310 - SS talk, program promo. SIO 242 [Burnell-NB]
- 846 ITALY Rome, JUL 20 0146 - operatic male vocal; poor in sloop. [Connelly\*rw-MA]
- 855 SPAIN Murcia et al., JUL 20 0144 - SS talk to good peak. [Connelly\*rw-MA] JUL 23 0209 - SS talk & music; good [Connelly\*H-MA] AUG 16 0310 - Poor with music // 774. [Braun-

- DE]
- 891 ALGERIA Algiers, JUL 20 0037 - string instrument & AA vocal; strong signal. [Connelly\*rw-MA] AUG 27 0002 - AA violin & guitar music; good. [Connelly-MA]
- 909 ENGLAND synchros., JUL 23 0206 - EE news; poor to fair. [Connelly\*H-MA]
- 954 SPAIN Madrid, JUL 20 0141 - man in SS; poor to fair. [Connelly\*rw-MA] AUG 27 0250 - woman in SS; to fair peaks. [Connelly-MA]
- 972 unID, AUG 22 0210 - bits of rock music; maybe Ukraine on pre-dawn enhancement as a het was also present on 1431. [Connelly-MA]
- 981 ALGERIA Algiers, JUL 20 2334 - het on WCAP, bits of AA talk. [Connelly\*H-MA]
- 999 SPAIN Madrid, JUL 23 0203 - SS talk; through CKBW/CFLP/WMVP sloop. [Connelly\*H-MA]
- 1008 SPAIN // CANARY ISLANDS, JUL 20 0211 - SS talk; poor/fair. [Connelly\*rw-MA]
- 1017 GERMANY Rheinsender, JUL 20 0139 - C&W-influenced GG vocal; good to excellent. [Connelly\*rw-MA] AUG 27 0300 - bits of GG talk; over others. [Connelly-MA]
- 1044 MOROCCO Sebaa-Aioum, JUL 18 0055 - blues-influenced vocal; fair, over WBZ sloop. [Connelly\*rw-MA] JUL 19 2358 - pop-rock female vocal music, then man & woman in FF; huge signal, pinning the R8 5-meter on peaks. [Connelly\*rw-MA] fade-in. [Connelly\*H-MA] AUG 28 2358-0000 - good signal with Middle Eastern instrumental music. [DeLorenzo-MA]. AUG 26 2345 - Fair, African folk music, over/under SER-Spain. [Conti-MA]
- 1134 SPAIN/CROATIA/unID, AUG 26 2358 - Three stations; two with talk in different languages, one with classical or instrumental music, with no single station dominant as this frequency exhibited graveyard-like characteristics. [Conti-MA] 1215 ENGLAND Virgin Radio, AUG 27 0300 - Fair, usual '80s rock hits, including songs by Joan Armatrading and Elton John. [Conti-MA]
- 1044 MOROCCO/SPAIN, AUG 27 0040 - oldies music ("Sugar and Spice" by the Searchers) (Cryan Shames?!-pls) likely Medi Un, then SS talk overtook the channel. [Connelly-MA]
- 1044 SPAIN San Sebastian et al., JUL 23 0202 - SER SS news; good to excellent. [Connelly\*H-MA]
- 1053 ENGLAND TalkRadio UK synchros., JUL 20 0131 - EE business discussion; to good peak. [Connelly\*rw-MA] AUG 27 0303 - // 1089 with excited EE newstalk, short musical interlude, then teletalk about racing; fair. [Connelly-MA]
- 1062 DENMARK Kalundborg, AUG 22 0315 - female pop ballad in Scandinavian language; good. AUG 27 0302 - news by man in Danish; fair. [Connelly-MA]
- 1071 SPAIN, JUL 20 0130 - bits of SS talk; in mess with co-channel stations & CBA sloop. [Connelly\*rw-MA]
- 1089 ENGLAND TalkRadio UK synchros., AUG 24 0220 - Brit-accented male with talk about a British comedian who wears a wig. SIO 343 [Burnell-PE] AUG 27 0303 - // 1053 with EE talk, musical interlude, then teletalk about racing; good. [Connelly-MA] AUG 28 0128 - Female host taking phone calls, male gave number at 0130. Used LSB to cut splatter, SIO 232 [Burnell-NB]. AUG 26 2350 - Fair/good, promos and ads, then "You're on TalkRadio UK" and caller from Liverpool. [Conti-MA]
- 1098 SLOVAKIA Nitra, JUL 23 0201 - fair with "Muzak". [Connelly\*H-MA]
- 1107 EGYPT/SPAIN, JUL 23 0159 - AA & SS talk mix; in WHIM sloop. [Connelly\*H-MA] AUG 27 0308 - classical music. This doesn't seem to fit usual format of Egypt or Spain on this channel. [Connelly-MA]
- 1134 CROATIA (t), JUL 23 0156 - classical music; to good peaks, but fadey. [Connelly\*H-MA] 1143 SPAIN, JUL 20 0129 - scratchy SS teletalk. [Connelly\*rw-MA]
- 1215 ENGLAND, Virgin R., synchros, AUG 24 0023 - Pop music. SIO 333 [Burnell-PE] AUG 27 0312 - man in EE talking about rock music; fair. [Connelly-MA] AUG 28 0126 - Pop music, Brit-accented male DJ. SIO 222-1 [Burnell-NB]
- 1251 LIBYA Tripoli, AUG 22 0205 - AA vocal. AUG 27 0314 - male AA vocal & drums; HUGE local-like signal. [Connelly-MA]
- 1251 LIBYA Tripoli, JUL 20 0048 - man in AA; atop second station. [Connelly\*rw-MA]
- 1296 SUDAN (t), JUL 20 0124 - AA-sounding vocal; poor. [Connelly\*rw-MA] JUL 22 2347 - carrier, possible AA music; in bad sloop. [Connelly\*H-MA] AUG 27 0250 - Fair, Quranic chants, over unID station. [Conti-MA]
- 1349 MAURITANIA R.Mauritanie, Nouakchott, AUG 26 2310 - Fair, talk in what sounded like French language, later Arabic music, interference from pesky CKAD-1350. [Conti-MA] AUG 28 0030 - Fair to poor, Arabic music, believed to have signed off at 0100 when het against WOYK-1350 abruptly disappeared. [Conti-NH] 1314 NORWAY Kvitsoy, JUL 20 0107 - pop vocal, Norwegian talk; fair, over Spain. [Connelly\*rw-MA] JUL 23 0152 - mellow vocal; loop bearing good for Norway. [Connelly\*H-MA] AUG 6 0258 - Sinatra's "Luck Be A Lady Tonight", man with announcements in NN, but fades out at 0300 ID

- time, although I picked up "Dette er ..." before QRM from WARA wiped it out. Good for a while at 0303 with quiet NN vocals. [Thresher-RI] AUG 7 0052 - US pop music, male DJ in NN, excellent level, almost equal to 1310/1320 domestics on peaks. First TA of the season. [Yocis-CT] AUG 27 0230 - Good, Bee Gees' "Stayin' Alive", then talk in distinctive Norwegian and local music, over RNE5-Spain. [Conti-MA] AUG 30 0229 - Music by Joni Mitchell, heard Norwegian talk some minutes later. SIO 343-2 [Burnell-NB]
- 1325 MOROCCO Safi, JUL 18 0042 - bits of vocal music; poor through static and heavy slop. [Connelly\*mh-MA] JUL 20 0013 - mellow male vocal [Connelly\*rw-MA]
- 1349 MAURITANIA Nouakchott, JUL 18 0027 - female chanting; strong het. [Connelly\*mh-MA][Connelly\*rw-MA]
- 1422 ALGERIA Algiers, JUL 18 0030 - AA-sounding vocal, in slop. SAH present, likely from Germany. [Connelly\*mh-MA] JUL 20 0055 - AA vocal at low audio level on big carrier. [Connelly\*rw-MA]
- 1422 GERMANY Heusweiler, JUL 23 0150 - chorus, then GG talk; to fair peak. JUL 23 0223 - classical music // 756; fair. [Connelly\*H-MA] 1458 ENGLAND (t), JUL 20 0116 - het, possible EE talk; in CKRB slop. [Connelly\*rw-MA] 1512 SAUDI ARABIA Jeddah, JUL 20 0115 - female AA a cappella vocal; good during pauses in audio on local WNRB - 1510. [Connelly\*rw-MA]
- 1521 SAUDI ARABIA, BSKSA, Duba, AUG 10 0304 - AA chanting, fair in WWKB slop. [Yocis-CT] AUG 22 0303 - male AA vocal, acoustics were those of a large empty room; good signal. AUG 27 0317 - a cappella AA Koranic vocal; excellent. [Connelly-MA] SEP 3 0311 - AA music poor but covered by KB slop. [Braun-DE]
- 1530 VATICAN, AUG 5 0341 - man talking in eastern European language; often over WSAI. [Connelly-MA]
- 1544 CLANDESTINE (ALGERIA or MOROCCO), JUL 18 0032 - man in AA; good, 59+20; by 0036 it was up to a huge 59+35 level when it had a woman chanting and screaming, followed by several AA announcers at a public gathering. [Connelly\*mh-MA] to good peak. Nothing noted on 1539 at the time: just WPTR slop there. [Connelly-MA] political speech or sermon; good. [Connelly-MA] AUG 27 0055 - Song or chant in AA. A monotonous song with guitar and 1 second beat. Man with announcement or ID 0101, but fades of course. Much QRM from QPTR, but fairly good signal. I'm guessing this is what I heard, since Mark Connelly heard this last month. WRTH 95 lists this as LVD de Sahara from Morocco, but gives no other details. [Thresher-RI] (Noted on 1534 kHz JUL 6 at 2245 by Bjorn Fransson in Distance AUG 16 - Jim)
- 1544 ALGERIA (or Morocco), R.Nacional, AUG 27 0015 - Fair to good, long speech or preaching by man in Arabic, tentative "Nacional" mentions may have been political or station reference as suggested in '95 NF DXpedition report. [Conti-MA] 1548 ENGLAND, JUL 20 0104 - EE talk by man; poor, in bad slop. [Connelly\*rw-MA]
- 1575 SPAIN, JUL 20 0102 - SS news; just slightly over other (probably Italy). [Connelly\*rw-MA]
- 1575 SPAIN SER Cordoba/Pamplona, AUG 27 0025 - Good, Little Richard's "Tutti Frutti", then news/talk, varying levels of echo indicating reception of both SER stations on this frequency. [Conti-MA]
- 1584 SPAIN, JUL 18 0035 - fast SS talk, fluttery SAH. [Connelly\*mh-MA] JUL 20 0059 - fast SS talk by man, to fair peaks. [Connelly\*rw-MA] AUG 27 0015 - SS talk by 2 men; poor in CBJ slop. [Connelly-MA] SER synchros, AUG 27 0035 - Fair, oldies music including Lovin' Spoonful's "Summer In The City", // 1575. [Conti-MA]
- 1585.15 unID - probably CEUTA, AUG 27 0015 - het against 1584 Spain; it seems that the "drifter" is back. [Connelly-MA]
- 1602 SPAIN, JUL 18 0034 - SS news; in WUNR slop. [Connelly\*mh-MA] JUL 20 0100 - fast SS talk over possible EE station. [Connelly\*rw-MA]
- 1602 SPAIN R.Vitoria, Vitoria, AUG 27 0100 - Good, "grupos importantes de los Estados Unidos" oldies music, "Radio Euskadi y Radio Vitoria" ID and "servicios Informativos" news. Echo (especially noticeable in time beeps at the top of the hour) indicates more than one Vitoria network station on this frequency. WRTH lists only one, with the remainder as SER network stations.
- 1611 VATICAN, AUG 5 0339 - classical music, then Vatican musical interval signal; excellent, annihilating 1610. [Connelly-MA] SEP 3 0308 - Strong signal, thought there was some audio but was not // 7305 which was playing the IS. [Braun-DE]
- 1620 NETHERLANDS, PCH, AUG 1 0148 - Poor to fair on peaks with code IDs. [Braun-DE]

## STATION NEWS

AFGHANISTAN: 1278 is the only active transmitter in the country according to Victor Goonatileke in *Media Network*. [BE in ARC AUG 4]

- ARGENTINA: The government has announced 710 kHz for the installation of a new private station. This new station will use the call LRL202 and will be authorized to use 25/5 kW. LSI Radio Municipal is still using 710 kHz, but is to move to 1650 kHz in the future. [From clippings, via Nestor Rubio in ARC AUG 4]
- CEUTA & MELILLA: R. Ceuta was accurately on 1548 (not 990 kHz, as in WRTH 95) and not drifting to previous 1585.2. R. Melilla is confirmed on 1539. Both are SER network affiliates but carry much local programming during the daytime. [Steve Whitt in MWN AUG-SEP 1995] (Steve has since heard a carrier/het on 1585 back in the UK, on AUG 8 2140 UTC, Ceuta drifting again?)
- CZECH REPUBLIC: CRo, Czech Radio, will start a new program from OCT 1 1995. It will be named CRo/RSE. RSE stands for Radio Svobodna Evropa. This service will use the current MW frequencies of RFE and will consist of reports by RFE, DW and VOA. [DX *Review* #7 via BE in ARC AUG 4]
- ISLE OF MAN: 225 kHz, Paul Rusling, the man behind the Baltic Radio International project informed EDXC-95 that a new project is under study. There will be an international service from Isle of Man based on a niche market 25-40 years age. It will be a music/ad based service. Application has been sent to the UK authorities, and Marconi has come up with the antenna/transmitter design. The MD of Manx Radio was interviewed on Media Network and he is skeptical. He thinks that the 300m high antenna on the island wouldn't be approved by the environmental authorities. [Paul Rusling/*Media Network* via BE in ARC AUG 4]
- MEXICO: XETIN 540 Tijuana BCN changed format in July from Spanish to Associated Press/BBN News. [IRCA via NZDXT AUG 1995]
- MOROCCO: Steve Whitt (*Medium Wave News*) surveyed Moroccan MW/LW while visiting the Costa del Sol, Spain. Some general comments about stations follow. Many stations have low or very low modulation on a regular/irregular basis, varies hour-by-hour and day-to-day (noted on 207, 549, 702, 819, 1053, and 1492.7). Many transmitters are off the air at odd times during daylight hours; for some this seems to be part of a schedule, others seem to be totally random outages (540, 549, 612, 702, 819, 1044, 1053, 1233, and 1492.7 all examples of this condition). One transmitter (1188) was consistently over-modulated and had badly distorted audio. Frequency accuracy was not perfect, allowing for the limitations of the Sony 2001D (Euro-version of Sony 2010 - Jim). 1492.7 and 827.9 were measured rather than nominal 1494 and 828 kHz. The network arrangement is interesting, probably unpredictable and more complex than the WRTH would lead one to expect. In mid-evening (around 2100 UTC) there are 4 networks operating: "A" 207, 540, 594, 612, 819, 1053 and FM (other listed transmitters on 711, 864, 936, 999 and 1080 were not heard, but they may be on the air. "B" 1188 and FM (other B transmitters not heard), sign-on 0600 UTC. "C" 702, 828, 1492.7 (other C transmitters not heard). "Medi-Un" 171 and 1044 kHz. During the early morning (around 0200 UTC) the only transmitters detectable were 540, 612, 819 and 207 all in parallel, which seems to confirm 24 hour operation of network "A". During the day up to ten different program sources were noted at one time (1200 UTC). Most of these were opt outs of the A network and were often marred by poor modulation, silent air and mains hum. Spanish programs are heard on 828, 1053, 1188, and 1492.7 at 0900-1000 UTC, this is a mix of B & C transmitters. English breakfast is 1005-1130 UTC weekdays only on 1188, identifying as "RTM International from Rabat". [Steve Whitt, MWN AUG-SEP 1995; condensed]
- NETHERLANDS: 1395 Veronica's "AM Nieuws" is now preparing for tests, so look out! [*Media Network* via BE in ARC AUG 4]
- NICARAGUA: R. Nicaragua 620 YNMM 0900-0500, relayed on 640 with 15 kW. [From station in ARC AUG 4]
- NICARAGUA: Bruce Winkleman AA5CO was in the country AUG 6-14 as part of a medical mission team. Stations heard AUG 8: 540 R.Corporacion YNOW 0150, 550 R.10 de Julio YNCH 0151 (tent), 600 R.Ya YNLD 0200, 620 R.Nicaragua YNMM 0201, 640 R.Nicaragua YNLD 0207 (not // 620 as listed in WRTH 94, this one much stronger than 620) (tent), 680 R.La Primerisma YNAM 0210, 700 R.Istmo YNMM 0217 (tent), 720 R.Catolica YNRC 0219 (very distorted audio) (tent), 740 R. Sandino YNRS 0220, 800 UNID 0220 (probably not PJB or XEROK), 820 R.Ondas de Luz YNOL 0232 (tent), 840 R. Noticias YNRR 0233 (tent), 880 R.Pensamiento YNAT (tent), 900 R.Tiempo YNRT 0236 (tent), 920 R.Mundial YNW 0235, 1000 R.Fiesta (not on!), 1440 R.Maranatha YNRM 0252 (tent), 1530 VOA 0256, 1560 R.America YNCN 0257, 1580 VOA 0258. Bruce also heard 570 TICDL Costa Rica and 1540 ZNS- 1. Station heard on 2680 might be R. Sonora, Managua, but 1340 was NOT heard in Managua. Station heard on 2800 was 1400 R. Punto, Honduras, sign off 0257. [Winkleman/NIC] SAN ANDRES: HJPA 1110 La Voz de Las Islas, future plans 5

kW transmitter and 24 hour schedule. Slogan: *LV de la Islas, Su estación amiga*. [From station in ARC AUG 4]

**SAUDI ARABIA:** A strong transmitter of the BSKSA 2nd program is booming in with news in Arabic at 2030, signing off around 2050 and continuing with IS until 2100, on 1476 kHz. [BE in ARC AUG 4]

**SPAIN:** New stations opened: 693 RNE1 Toledo, 1125 RNE5 Toledo, 1125 RNE5 Vitoria. Stations taken out of service: 882 COPE Sabadell, 936 RNE5 Bilbao, 1035 RNE5 Bilbao, 1098 RNE5 Tortosa, 1134 COPE Palma de Mallorca, 1269 COPE Reus, 1296 COPE Cordoba, 1314 RNE5 Valencia, 1476 RNE5 Toledo, 1503 RNE5 Tarragona. Changes: COPE Caceres 5 kW (ex-1224), 1053 COPE Castellon 5 kW (ex-1215), 1134 COPE Puertollana 5 kW (ex-1224), 1143 COPE Jaen 5 kW (ex-1134), 1215 COPE Leon 5 kW (ex-1269), 1269 COPE Zamora 5 kW (ex-1215). [EUBU via BE in ARC AUG 4]

**UNITED KINGDOM:** Bessemer Broadcasting 2404.5 kHz seems to be off the air at the moment. [Dave Kenny in ARC AUG 4]

**VATICAN:** 1611 Citta del Vaticano has increased to 100 kW. [EUBU via BE in ARC AUG 4]

**VENEZUELA:** R. Nacional de Venezuela 1240 plans to go on the air with 500 kW from Punta Tumatey, Falcon. [DSWCI in ARC AUG 4] Active on the air since AUG 8! [Dr. G.Klapka, Venezuela, in PLAY-DX #850]

### DXPEDITIONS PLANNED

Clive Rooms is currently organizing the longest ever DX-pedition in the UK, which will run for 4 weeks (OCT 28 - NOV 25) at the traditional location of Sheigra in NW Scotland.

### EQUIPMENT

For the Moroccan loggings above Steve Whitt used an ATL-3 loop, designed by Graham Maynard (16 Woodford Avenue, Newtownabbey, BT36 6TL, Northern Ireland), for these loggings. Steve describes the loop: the whole loop cunningly collapses into a cardboard tube 56 cm long and 3 cm diameter and it can be dismantled and re-erected in under 3 minutes! Its amplifier box, which also is the base for the antenna, occupies a space about 12x10x9 cm in your suitcase and weighs little more than the batteries used to power it.

A globetrotting member of NZ DX Times reports that the cheapest ICF7600G sells for NZ\$305 at Heathrow Airport Duty-Free, London (NZ\$433 at Frankfurt Duty-Free). The SW100 is NZ\$629 at Frankfurt and NZ\$419 at Heathrow. [NZDXT AUG 1995]

### CONTRIBUTORS (@ = e-mail)

**Shawn Axelrod, Wayne McRae and Lorne Chestnut**, DXing from Turtle Mountain Provincial Park MB; 2 x ICOM ICR-70 with filter mods and Plam Board, Grundig 700, 6 long wires, 2 Quantum Loops, 1 Palomar Loop.

@David Braun, Wyoming, DE; Kenwood R-5000, Quantum Loop

@Jean Burnell of St. John's, Newfoundland, DXing at Cavendish, Prince Edward Island and Fredericton NB; Sony 2010 with no external antenna.

@Allan and John Dunn, DXing from Surf City NJ; ICOM R71A, DX 440, AOR LOOP, Tenna Select (via Dave Braun e-mail)

@Mark Connelly WA1ION, [Connelly\*rw-MA] = Rowley MA; [Connelly\*nh-MA] = Marblehead MA; [Connelly\*H-MA] = East Harwich, Cape Cod MA; Sony ICF-2010, Quantum Loop; [Connelly-MA] = Billerica MA (home) Drake R8, Sony ICF-2010, (homebrew) remotely-tuned loop phased against remotely-tuned whip; 50 m east wire on ground; RSM-105 loop; Mini-MWT-3 regenerative preselector, two 37 m slopers with 50 m floating ground for noise reduction; DL-2 phasing unit, Mini-MWT-3 regenerative preselector. [MarkWA1ION@aol.com]

**Bruce Conti**, [Conti-MA] MWDX-5, 500-ft and 1000-ft wires running parallel due east [Conti-MA], Nashua, NH; Lowe HF-225E, MWDX-5, 100-ft wire, 100-ft east sloper [Conti-NH].

**Marc DeLorenzo**, DXing from Eastham MA; Clarion car radio.

@Terry Krueger, FL.

**César Objío**, Santo Domingo, DOMINICAN REPUBLIC; Realistics TRF and DX440.

@Jim Renfrew, Rochester NY; HQ-180, Radio West Loop. [JimRenfrew@Delphi.com]

**John C. Thresher**, DXing from Prudence Island, RI (across the street from William Wyllie!); Lafayette HA-700 with 80m Diploe used as a longwire

**Don Trelford**, St. Ann's Bay, JAMAICA.

**Bruce Winkleman AA5CO**, DXing from Managua, Corinto and Matagalpa, NICARAGUA; Sony ICF-2010, 30' wire.

**Jack Woods**, Waldport OR, Lowe Europa, ALN-1 untuned outdoor loop.

@David Yocis, Norwalk CT; R71A, Kiwa loop [73564.203@compuserve.com]

# Formats

**Tony Fitzherbert**

356 Jackman Avenue

Fairfield, CT 06430-1728

*Changes in programming status; reported by listeners*

Welcome to the summer Formats column. Bill Moser, of Fort Pierce, SD, writes that KOVC-1490, Valley City, ND, flagships a new local network - "Dakota Country" KOAK-1600, Carrington, ND, KDOR-1220, Oates, ND, and KDRQ-1330, Wishek, ND carry it plus local programming during drive times. Pete Taylor writes from San Francisco that KLLK-1250, Willis, CA, now airs alternative rock. Gary Houdek notes that KFRM-550, Salina, KS is now a mix of talk and country music and KMMJ-750, Grand Island, NE is now all news and talk. Here, WGSM-740, Huntington, LI, NY, is now all "Hot New Country" - the long time on air staff, and the full service format are just about gone in favor of automation and satellite fed country music...a sad fate for a formerly great full service station serving the "World's Greatest Suburban Market".

Most of this column comes from the annual railroad and radio trip. This year's trip was heavily radio-based, with three more profiles waiting in the wings, and visits to over 45 stations, primarily transmitter sites. The next convention slide show, on the east coast, or where there is a commuter rail system, will be all-new, ranging from a long wire antenna to nine of the tallest towers that I have seen, in three closely-spaced rows. Also heard Jerry Starr on the radio, and Chris Cuomo broadcasting on one of John Malicky's tapes. Four of you were most enjoyable and helpful guides, and should you get to suburban CT, I will be delighted to serve as a guide, although we have no twelve-tower arrays! Transmitter photography is not without hazards - being chased twice by dogs, a nervous station manager wondering why pictures were being taken of his ultra-right-wing Christian station - he could have not been more gracious when I told him about the hobby - and one semi-naked, grossly obese Jabba the Hutt astride a power mower. His royal porkiness wanted to have us arrested "for taking pictures - you know that the FCC licenses this" (what a revelation!). We ignored him and left - with pictures.

With gratitude to Dave Whatmough, we start with an Ontario dial scan. Dave knows the location of every studio and tower site in Ontario and was a wonderful guide, as my rental car visited some very out of the way places.

- |      |      |                |   |
|------|------|----------------|---|
| 530  | CIAO | Brampton       | - Ethic, only four of the half mile long eleven tower array remain.   |
| 570  | CKGL | Kitchener      | - "Country 570", five huge in line towers, WSYR is heard in the nuls right next to the array.   |
| 590  | CJCL | Toronto        | - "The Fan", all sports, never legally ID's. nine huge towers 60 miles south of Toronto.  |
| 610  | CKTB | St. Catherines | - AC, talk, ethnic, full service, 5 in line towers cover perhaps a quarter mile.  |
| 640  | CHOG | Toronto        | - Toronto is city of license, always id's as "AM 640", Jesse and Jean are obnoxious AM hosts, talk days, rap during PM drive, rock at night.                                  |
| 680  | CFTR | Toronto        | - "680 News" is ID, all news on WINS-1010 format, eight huge towers on shore of Lake Erie.  |
| 710  | CJRN | Niagara Falls  | - AC, easy listening, oldie mix, sports, even a golf talk show, 12 towers cover perhaps a square mile.  |
| 740  | CBL  | Toronto        | - Standard CBC fare.  |
| 820  | CHAM | Hamilton       | - Country music around the clock, "CHAM Center" in downtown Hamilton, #3 in market ratings.   |
| 900  | CHML | Hamilton       | - Full service AC, talk, oldies, eight tower array covers over a quarter mile.  |
| 910  | CKLY | Lindsey        | - Full service country music, studios are in a beautiful old brick house.   |
| 960  | CIAM | Cambridge      | - Satellite fed "Good Time Oldies", from Oldies Coast to Coast, based in Vancouver.   |
| 980  | CFPC | London         | - AC, call stands for former owner, "Free Press - London".  |
| 980  | CKRV | Petersboro     | - "Cruise 98", satellite fed "Good Time Oldies".  |
| 1090 | CKWW | Kitchener      | - "Oldies 1090", live assist (DJ plays the music), more extensive playlist than "Good Time Oldies", nine of the tallest towers that I have ever seen tightly packed together. |
| 1150 | CKOC | Hamilton       | - Oldies and sports "Good Time Oldies, ten towers.  |

- 1220 CHSL St Catherines - Oldies "Good Time Oldies", nine towers.  
 1240 CJCS Stratford - "Good Time Oldies", - and non directional!  
 1250 CHWO Oakville - Music 1930's to 1960's, all live assist "Radio to Remember", shares 7 towers with CJMR.  
 1290 CJBK London - You guessed it! "Good Time oldies", eight towers.  
 1320 CJMR Missassauga - Nostalgia music//1250 all night, ethnic, religion.  
 1350 CKDO Oshawa - "Durham (County) Oldies", and "Good Time Oldies".  
 1380 CKPC Brantford - "Good Time Oldies", AC, five very short towers.  
 1410 CKSL London - All talk, five in line towers.  
 1420 CKPT Petersboro - AC and oldies.  
 1460 CJOY Guelf - AC, "Good Time Oldies".  
 1470 CHOW Welland - Country music, local talk (gardening and garage sales during the day), eight towers including four of the shortest towers I have seen at any station.

- 1510 CKOT Tillsonburg - Full service oldies and AC, Ontario's only daytimer, only three towers, although two extra little transmitter buildings are up for a move to 1200 khz.  
 1600 CHNR Simcoe - Full service live assisted adult contemporary.

Thank you, Dave, for the excellent tour. From Ontario, we go to Cleveland for a dial scan hosted, with profound thanks to Ed Krejny....

- 640 WHLO Akron - Religion.  
 850 WRMR Cleveland - Nostalgia "Warmer", five tower array.  
 1000 WCCD Parma - "Cleveland Family Radio, religion, and far right talk.  
 1100 WWWE Cleveland - "Newstalk 1100", mostly talk, some of which transcends the limits of good taste.

- 1150 WCUE Cuyahoga Falls - A Family Radio repeater.  
 1220 WKNR Cleveland - All sports, five tower array nuls Mexico City.  
 1260 WMIH Cleveland - All Catholic, talk, studio is in WWWE XR building, five in line towers are a mile away.

- 1300 WERE Cleveland - News and talk original slogan was "We're Cleveland", thus the call, four huge self supported towers, once a rock station.

- 1420 WHK Cleveland - All talk, once a major rocker.  
 1490 WJMO Cleveland Hgts. - Black gospel.  
 1540 WABQ Cleveland - Black gospel, tower is next to the RTA's rapid transit line at 120th Street Station.

Thank you, Ed, for an outstanding tour, and for the format info! Down the road is Hubbard, Ohio, on the PA border, where Jerry Starr (and BKF) takes us on a tour of the Youngstown area. Thank you, Jerry! It was a great visit!

- 570 WKBN Youngstown - Talk, news, six 470 foot high towers are an impressive antenna system.

- 790 WPIC Sharon, PA - Oldies, standards, full service, all kinds of local talk.  
 1240 WBBN Youngstown - All sports talk, some local and some satellite fed.  
 1330 WASN Youngstown - All satellite-fed sports, six towers at the studio for the 500 watt day signal, and five 500 foot towers at the night site for the 1000 watt night signal.

- 1390 WRTK Youngstown - News, talk, 10000 watts temporary non directional, get 'em before the 6 tower permanent facility is up.

- 1440 WRRO Warren - Oldies, AC, immense 6 tower array.  
 1470 WRQQ Farrell, PA - Classic rock//WRKU, no studio, just three towers out on a farm, unattended, is silent now.

- 1500 WGFT Youngstown - "The Gift", all black gospel.  
 1540 WNIO Niles - Big band music.  
 1570 WANR Warren - Business news and motivational talk (what a combination - I listened constantly while there!!)

Again, thank you, Jerry! On to Pittsburgh where John Malicky graciously provides a dial scan.....

- 540 WNCS Canonsburgh - BBC satellite feed all day, ethnic nights and weekends, classical 2400-0600, "Station of the Nations".  
 590 WMBS Uniontown - Local news, sports, CBS, AC and easy listening music, ethnic on weekends.  
 620 WHJB Greenburgh - AC, oldies. "Classic Favorites", full service.  
 730 WPIT Pittsburgh - All paid religion.

- 810 WEDO McKeesport - Ethnic and religion, now MSJ says, is all talk.  
 860 WYJZ Pittsburgh - Black oldies, urban contemporary "Cool and Classic 860"  
 910 WAVL Apollo - Paid religion.  
 940 WESA Chalroi - AC//FM, syndicated talk.  
 970 WWSW Pittsburgh - All oldies, total//FM, 8 towers adorn two hills.  
 1020 KDKA Pittsburgh - All talk and sports, morning man babbles non stop about trivial items, but people listen to him!

- 1080 WDSY Pittsburgh - Country music//FM.  
 1130 WASP Brownsville - Country music.  
 1150 WGBN New Kensington - Religion and Gospel.  
 1230 WBVP Beaver Falls - Local talk and sports for Beaver County, ABC feed.  
 1250 WTAE Pittsburgh - Local live talk, sports.  
 1320 WJAS Pittsburgh - Music of Your Life, sports talk 1700-1900.  
 1360 WIXZ McKeesport - Satellite fed Prime Sports.  
 1410 KQV Pittsburgh - CBS, all news, Bruce Williams 1700 to 2300, CNN News overnights. Five very close self supported in line towers

- 1450 WJPA Washington - Oldies//FM, local sports.  
 1460 WMBA Ambridge - Miners' Broadcasting Association, talk, ethnic on Sundays.  
 1510 WXVX Monroeville - "X-15" (note the call letters) alternative rock, DJ's include the NRC's Chris Cuomo, they are volunteers!  
 1550 WCXJ Braddock - Black gospel, urban contemporary.  
 1590 WPLW Carnagie - Call stands for "We Praise the Lord's Work", religion, of course.

Thank you, John for the information. I enjoyed our visit greatly! Now comes a dial scan from Buffalo and Erie by your editor.

- 550 WGR Buffalo - News and talk, their two towers share a common site with a three tower system for WWKB.  
 970 WEBR Buffalo - Talk, jazz overnights, five towers protect WFUN and WWSW, all of which were visited on this trip!  
 1080 WUFO Amherst - Urban contemporary and Gospel, "Pacesetter Radio".  
 1120 WWOL Buffalo - "Oldies 104", total//FM.  
 1230 WECK Cheektawoga - Hits 1940's thru 1960's, "Buffalo's Original Hits Station".  
 1260 WRJE Erie, PA - Nostalgia, temporarily non directional, until four tower array is restored, DX 'em now!

- 1300 WXRL Lancaster, NY - Classic (old) country music.  
 1330 WFLP Erie, PA - "Flagship 1330", conservative talk and sports.  
 1400 WLKK Erie, PA - Local and syndicated, liberal talk, 150 foot rooftop antenna on single story building next to a junkyard!  
 1410 WDOE Dunkirk, NY - Oldies.  
 1450 WPSE Erie, PA - Owned by Penn State University, business news and sports.

- 1520 WWKB Buffalo - Talk, business news.  
 And here are format changes for the rest of North America, mostly from the *M Street Journal*.

- 540 KNNZ CA Costa Mesa - AP and BRN Business news // XETIN!  
 540 WGTH VA Richlands - Southern Gospel.  
 560 WYOR TN Brentwood - Urban contemporary and Lifestyle religion.  
 590 WGNE FL Panama City - Adult standards.  
 620 KGTL AK Homer - WW-I Adult Standards.  
 690 WVCY WI Oshkosh - Religion//FM.  
 700 WGZS AL Dotham - New station, Southern Gospel.  
 730 WBZS VA Alexandria - Business news.  
 760 WBDN FL Brandon - Sun talk.  
 800 KSOE UT Brigham City - WW-I oldies.  
 830 WAFL FL Hialeah - Spanish news and sports.  
 860 KTRB CA Modesto - Spanish variety.  
 870 KLSQ NV Laughlin - Regional Mexican.  
 880 WPIP NC Winston-Salem - New station, religion.  
 900 WGOK AL Mobile - Black gospel.  
 920 KLOC CA Ceres - Regional Mexican.  
 920 KWYS MT West Yellowstone - WW-I oldies.  
 920 CJCH NS Halifax - CIUM Satellite Network Talk.  
 930 WTNR TN Waynesboro - Sun Talk.  
 950 WNZZ AL Montgomery - AP News and talk.



950	KKIC	ID	Merion	- Country music.
950	KMTX	MT	Helena	- SMN Adult Standards.
960	WELI	CT	New Haven	- Is now all talk (TF).
970	WVOJ	FL	Jacksonville	- Spanish salsa and talk.
980	KJCA	NM	Grants	- WW-I oldies.
980	WHAW	WV	Weston	- PRN Talk.
1000	KNDA	TX	Odessa	- Spanish.
1080	WRFS	AL	Alexander City	- Talk.
1070	WZBZ	NY	Plattsburgh	- Gold based AC.
1070	KENR	TX	Houston	- // WIFL, Florence, NJ overnights!!! Otherwise religion.
1070	WINA	VA	Charlottesville	- Full service talk.
1110	WCRO	VA	Norfolk	- Satellite R & B oldies.
1120	WKQW	PA	Oil City	- WW-I CNN Headline News.
1130	WWRC	WV	Raineele	- All southern gospel.
1150	WCNX	CT	Middletown	- PRN Talk.
1170	WKPE	MA	Orleans	- Rock//FM.
1190	WLAZ	FL	Royal Palm Beach	- JSN Regional Mexican.
1200	WLXX	IL	Chicago	- Ex-WOPA, regional Mexican, to compete with WTAQ and WIND (TF).
1220	WOTS	FL	Kissimmee	- Travel Info and Imus, "Vacation radio".
1230	KMUZ	OR	Gresham	- Soft AC, classical at night.
1230	KSIX	TX	Corpus Christi	- Dropped half news and half standards (30 minutes of each every hour) for all news.
1240	KMAY	MT	Billings	- Rock and rap.
1250	KZDC	TX	san Antonio	- Rock, "KZDC Rocks".
1270	WCKN	SC	Surfside Beach	- Satellite R & B oldies.
1280	WJAY	SC	Mullins	- Black gospel.
1280	WWAR	VA	Appomattox	- Ex-WTTX, now country music.
1290	WB TG	AL	Sheffield	- MSG Christian country and western.
1290	KNSN	CA	Chico	- Talk.
1290	CIFX	MB	Winnipeg	- CHUM Satellite Network Talk.
1300	WFFG	FL	Marathon	- Talk.
1310	KEIN	MT	Great Falls	- SMN Oldies.
1310	WOCV	TN	Oneida	- PRN Talk.
1340	WIGO	GA	Atlanta	- Urban AC//WALR.
1340	WNBH	MA	New Bedford	- All talk.
1350	WDAR	SC	Darlington	- Talk.
1360	WHNR	FL	Cypress Gardens	- Urban contemporary, "Lucky 13".
1360	KMRN	MO	Cameron	- Soft AC.
1360	WJNC	NJ	Washington Twp.	- Oldies and talk//WIFL, when not airing brokered Spanish.
1370	KWRT	MO	Boonville	- Country music.
1380	KJUS	TX	Beaumont	- Contemporary Christian.
1380	WFCL	WI	Clintonville	- PRN Talk.
1390	KKSO	IA	Des Moines	- CSN Childrens programming.
1390	WPLM	MA	Plymouth	- Smooth jazz//FM.
1400	KUNA	CA	Indio	- Regional Mexican//FM.
1410	WYIS	GA	McRae	- Southern Gospel.
1410	WKZB	MS	Cleveland	- PRN and EFM talk.
1410	KKDD	NV	North Las Vegas	- CSN Childrens programming.
1410	WELM	NY	Elmira	- Prime Sports.
1420	WATB	GA	Decatur	- Black gospel.
1420	WNRS	NY	Herkimer	- Back on the air with JSN Team Sports.
1450	KBRW	WA	Aberdeen	- Ex-Kayo, sports.
1460	WIFL	NJ	Florence	- Oldies and talk.
1490	WESL	IL	East St. Louis	- Urban AC.
1490	WUSS	NJ	Atlantic City	- Oldies and talk//WIFL.
1490	KJET	WA	Hoquiam	- Hot AC, "K-Jet".
1500	KUMU	HI	Honolulu	- WW-I Adult Standards.
1510	WLKM	MI	Three Rivers	- PRN Talk.
1520	KTRO	CA	Port Hueneme	- JSZ Z-Mexican. (!)
1520	WQCT	OH	Bryan	- PRN Talk.
1530	WCRJ	FL	Jacksonville	- Talk.

**KNRB**  
am 1360

A MARSH Broadcasting Station

1540	WMWR	PA	Bala Cynwyd	- Ex-WPGR, now brokered ethnic. Legendary WPGR jocks with decades in the Philly market are landing elsewhere in the area.
1560	KDDA	AR	Dumas	- MSG Christian Country.
1560	WRSJ	PR	Bayamon	- AP News.
1560	WGLB	WI	Port Washington	- Soft AC and smooth jazz.
1570	KLOU	CO	Loveland	- AP News and talk.
1580	WPUV	VA	Pulaski	- Southern gospel and MSG Christian Country.
1590	KSTP	CA	Ventura	- Spanish oldies.
1600	WOKB	FL	Winter Garden	- WW-I CNN Headline News.

All for now...a summer's collection of format changes. Thank you again to Jerry, Dave, Ed, and John! 73's to all.

## Station Profile

*A special feature about a unique station*

**Tony Fitzherbert**

356 Jackman Avenue  
Fairfield, CT 06430-1728

Former New Hampshire Governor Francis Powell Murphy, having left public office, wanted to maintain a high profile around the Granite State. What better way to do so than radio! He founded "The Radio Voice of New Hampshire", and, in September, 1940, received FCC approval to build Manchester's second radio station. He chose the call WMUR, for his last name, for the station which would air at 610 khz, with 500 watts daytime power, and 1000 watts at night.

Murphy and two partners invested over \$200,000 in WMUR, for studios, and offices at 1819 Elm Street, and four 300 foot high, self supported towers along the west bank of the Merrimack River. 1819 Elm Street was a spacious brick house, into which \$75,000 was spent, to turn the home into an elegant broadcasting facility. A Manchester Union Leader feature of the era described WMUR's deep pile rugs, and opulent furniture adorning three studios. The largest studio was equipped with an organ, piano, and 75 blue leather upholstered chairs. The second studio featured a grand piano, and the third was a fully equipped recording studio. Murphy purchased over 60,000 records for WMUR's library. Even though his station had yet to go on the air, Murphy applied for an FM license, and WMUR's huge control room had the necessary space to add FM controls.

On October 1, 1941, at 5:45pm, Governor Murphy signed his station on the air, with a welcome to his listeners, and staff announcer Arthur Amadon rendered a solo, the title of which has vanished into posterity! WMUR became Manchester's Blue Network outlet, and in 1945, WMUR became along with the rest of the Blue Network, an ABC affiliate. Soloist Amadon was WMUR's morning announcer. His show included 15 minutes of local news in English, and then in French for the thousands of French Canadians calling Manchester home, laboring in the Ameskeg Textile Mills lining the Merrimack River.

Another WMUR personality was Sherman Feller, who later moved to Boston radio, and for decades was the announcer in Fenway Park until he died in 1993. Sherm was the on-duty announcer early Sunday morning on December 7, 1941, when the AP teletype started ringing wildly signifying a bulletin of earth influencing magnitude. He performed the dismaying task of informing his listeners, most on their way to mass, of the Pearl Harbor attack, "The day that will live in infamy".

A happier time in 1945 saw WMUR's live remote on Elm Street, Manchester's main street, in the midst of thousands of joyous citizens celebrating VJ Day. Regular WMUR features of the era included the live Bernie Mack Original Radio Juke Box, a telephone request program. He would drop a nickel in a specially adapted juke box and then play the request. In 1946, WMUR and the Manchester Union Leader teamed up to present eight local newscasts throughout the day from the paper's office. World War II began the trend for people to rely on radio for current news. These joint newscasts lasted well into the 1950's.

Through the 1940's, WMUR brought the "Farm and Home Digest" - daily farm news from the University of New Hampshire's Agricultural School at the Durham campus, to its listeners, many

**WGIR AM 610**

of whom were farmers. Each Saturday afternoon Bernie Mack hosted a live two hour dance for teens from Manchester's Cocoa-nut Grove Ballroom.

WMUR-FM became a reality on December 21, 1947, as a 2300 watt station, at 95.7 mhz. It broadcast from 4:15pm to 11:00pm, simulcasting WMUR-AM with the exception of three hours of classical music from 5:00pm to 8:00pm. A temporary transmitter topped the garage at 1819 Elm Street. The permanent antenna was erected in the spring when more temperate weather arrived, atop Goffstown's Mt. Uncanoonuk. WMUR-FM never turned a profit and went silent in 1951.

Also in 1951, the present studio building was built at the transmitter site, on Stark Lane, although operations remained downtown. In 1954, WMUR joined the New England - wide Yankee Network.

WMUR aired Irish and French programs through the 1950's. Joe Maltais hosted a Sunday morning French show on WMUR (as well as on other New Hampshire stations). Tom Powers began a thirty-year stint as WMUR's Irish show host, on St. Patrick's Day, 1948. Irish melodies also were heard on WMUR's Jimmy Dooley Show.

WMUR put New Hampshire's first and only VHF TV Channel on the air, from 1819 Elm Street, on March 26, 1954. Many WMUR radio staffers did double duty on TV. Channel 9, easily received throughout metropolitan Boston, 50 miles away, developed quite an audience, because it carried movies not seen on Boston stations.

Francis Murphy sold WMUR Radio in 1956 to insurance company owner Madeline Girolimon, wife of WMUR announcer "Speedy" Girolimon, for \$150,000. The station's call sign was changed to WGIR for the new owners. The Northeast Broadcasting Corporation, station owners, dropped ABC for the CBS network, and promoted announcer Bernie Mack to station manager. The Northern New England Network was founded with WGIR, WKNE-1290, Keene, and WWHN-930, Rochester, simulcasting much programming.

WGIR was to be sold again in 1960 to Norman Knight, the present owner, for \$327,000. He promoted Bernie Mack to General Manager, a position he would hold until 1977, when he was injured in an automobile crash. WGIR's entire operation moved from Elm Street to the present Stark Lane site. In 1963, WGIR-FM again went on the air, this time on 101.1 mhz, with 5 kw power, from Uncanoonuk Mountain, site of all of Manchester's FM and TV antennas. 101.1 FM mostly simulcast AM programs.

WGIR expanded its news programming. "Operation News" became a thirty minute local news summary at 6:00pm. The AM Report was the beginning of today's daily AM drive four hour "New Hampshire's Morning News". Entertainment was sloganized "The Wonderful World of Music", essentially middle of the road selections. By 1970, WGIR had developed into an adult contemporary station with two hour news blocks during drive times - popular because of the long drives to jobs in Boston and along Route 128's "Technology Row" by many New Hampshire workers. WGIR News made a point of covering stories all over Manchester in its highly distinctive mobile units.

In 1983, WGIR "The Spirit of New Hampshire" added Talknet, starting the transition to today's all talk format. The FM went to an album - oriented rock format on "Rock 101", and later to hard rock. "Rock 101" received a power increase to 13,500 watts with a new tower atop Uncanoonuk Mountain. Today WGIR-FM is back to an AOR format with continuous classic rock.

Norman Knight's "Knight Quality Stations" operates WGIR 24 hours a day with no silent period. It is all talk, with the exception of the morning news block, augmented by sports, Wall Street Journal Business at :20 and :50, traffic and weather. ABC News is heard on each hour. Co-anchors Bill Ross and Maureen Egan host WGIR's ambitious news effort. Four full time news people insure continuous area coverage. The WGIR Storm Center keeps southern New Hampshire informed when the area is attacked by the snow storms for which New Hampshire is noted (and skiers love!)

After 9:00am, WGIR carries the popular Dr. Dean Edell with medical advice. At 10:00am, Program Director Dan Pierce hosts a two hour talk show. Rush Limbaugh, Paul Harvey, G. Gordon Liddy, Pete Rose Sports, and Gil Gross round out the day. Over nights, Rush Limbaugh and Dan Pierce are repeated.

Saturdays feature the four hour morning news block and syndicated talk, and Sunday's schedule is featured programming. WGIR sports include Red Sox baseball, Bruins Hockey, (when not on strike!), Patriots football, and New Hampshire College Basketball, as well as local sports talk shows, hosted by Sports Director Rich Levine. On both Saturday and Sunday, a locally produced hour of news is heard at noon.

WGIR's 71 Stark Lane headquarters includes offices, the FM station, a new AM control room, an AM production room, and the station's two transmitters, a Harris SX-5, backed up by a Gates unit. WGIR protects WIP-610, Philadelphia, WSKQ-620, Newark, WICC-600, Bridgeport, and CGNC-610, New Carlisle, PQ. Different patterns are required for day and night. The four towers, immediately adjacent to Route 3, send the signal mostly north, into the White Mountains.

WGIR is Manchester's full service radio station, to which the over 80,000 city citizens and thousands of other Granite State residents tune to learn what is going on in their region, the state, and the world.

*The Profiles editor thanks Robin Bonneau, WGIR Assistant Manager, with over 40 years' experience in New Hampshire radio, and PD Dan Pierce for their help in the preparation of this Station Profile. Robin is an former staffer of WTSL-1400, Lebanon, and WWHN-930, Rochester. Dan is a graduate of Bates College, in Lewiston, ME., and began his career with the now defunct WCOU-1240, while at Bates. He has worked at WBLM-FM, and WLAM-1470, before joining WGIR. Some early information came from "Granite and Ether - A Chronicle of New Hampshire Broadcasting, by Edward W. Brouder, Jr, of the WFEA-WZID staff.*

## DXing at Baconao, Santiago de Cuba

By César Objio

Surprised on the heading? Yes, this is a short bandscan at a place some 25 kms. east of Santiago de Cuba, named Baconao; this is where the hotel is located. But don't think ahead, I did not go to Cuba. Who did? And how did I get this? Can you imagine? Simple. It was my cousin Franklin. He is a civil engineer and for many years a professor at one of the leading universities in Santo Domingo. We once intended to visit, both of us, Puerto Rico in order to rent a car and see the whole island, but the Consul in Santo Domingo who attended him did not even look at his documents and he was rejected, no visa, why? who knows? So, he said, "If I can't to Puerto Rico or the U.S. I'll go to Cuba, they don't ask any questions, they just want you to spend your dollars with them." So he took the trip and spent a weekend there.

The DXing was too hard as he took with him the worst receiver he had, just in case he could lose it, as he did not wish to lose a good one, it was that famous Realistic 12-625, which is very weak and un-calibrated and he was not prepared for that, as I usually place marks every 50 kHz on the dial in order to make it easier for me, he did not do that. He said that it was really hard to guess the frequency as local stations did not help or any other one around either. He did not even take with him his old WRTH, so you can guess with no help of any kind. I had told him about the trip of Ronald Schatz who lost his TRF in Cuba and was thrown to jail just for listening to the radio there, and he was lucky that he returned alive.

But he said that nothing happened to him and he was not bothered, naturally he did not do any DXing in public, just in his room at the hotel and all alone, just in case. He said that things are very bad there, you don't have an idea of how desperate the people is because of lack of everything, he thought that perhaps some day there could be an uprising due to the desperation of the people. But on the other hand they are in a much better condition than we are in relation to the electricity. We normally have blackouts for about ten or twelve hours a day and they only have some five hours and they are programmed so they know in advance when they are not going to have electricity. In Santo Domingo you never know.

The real checking was done on his return here. He was surprised to hear as locals some Jamaican stations for instance JBC in 560, 750 and RJR on 580. Locals in Santiago de Cuba were 600 Urbano Noris, of course, 650 and 680, 810, 840, 930, 1150, 1280. He said that he heard a station in the USA on 1000 but he could not ID, and he was sure of the frequency as he said that it was between 990 RCN, Medellín and 1010 R. Aragua, Venezuela. I could not help him either with my books. He said that there may be some changes even though he does not know anything about the Cuban dial, but there are some stations that are not on his old copy of the WRTH. 890 R. Musical, Santiago, was not heard. 960 R. Reloj, Guantánamo, not heard either. 1000 R. Musical, Sanch Spiritus, not on the air. But WQBA, La Cubansima, from Miami could be heard very well at night on 1140, no QRM. Yes, he says that there is a strong jammer on 1180 at Havana and other stations on the frequency around the island. A couple of weak Haitians, R. Nationale on 1080 and R. Antilles International on 1240, naturally, remember that the receiver was not a good one, so it did not help. Main foreign stations were from Jamaica, then Colombia and Venezuela. Nothing from Santo Domingo. The AFRST station on 1340 in Guantánamo Bay was not heard either, perhaps too weak, only 250 watts? Or was it the receiver. He was only some 15 or 17 kms. west of Guantánamo and did not hear a thing. Strange, eh?

From 1370 up the receiver is practically useless so nothing good could be heard around there at any time. So here is a glimpse on the dial from inside Oriente, Cuba. How do you like that?

### DXing AT BACONAO, SANTIAGO DE CUBA July 8th., 1995

Freq	LT	Call	STATION	LOCATION	Overall
550	0947		RJR/The Supreme Sound	Montego Bay	Jamaica (4)
560	0955		JBC/Radio One	Kingston	Jamaica (5)
580	1002		RJR/The Supreme Sound	Obina	Jamaica (5)
590	1004	CMCA	R Rebelde	Guantánamo	Cuba (4)
600	1010	CMKA	R Rebelde	Urbano Noris	Cuba (5)



620	1903	JBC/Radio One	Mandeville	Jamaica	(1)
650	1013	CMJC R. Rebelde	Santiago de Cuba	Cuba	(5)
680	1015	CMJE R. Progreso	Santiago de Cuba	Cuba	(5)
700	1023	JBC/Radio One	Montego Bay	Jamaica	(3)
720	1040	RJR/The Supreme Sound	Kingston	Jamaica	(3)
750	1042	JBC/Radio One	Port Maria	Jamaica	(5)
770	1048	RJR/The Supreme Sound	Spar Tree	Jamaica	(1)
780	1050	HJZW R. Almirante	Riohacha	Colombia	(0.5)
790	1932	HJDC La Voz de Colombia	Medellin	Colombia	(1)
810	1052	CMMB R. Progreso	Guantanamo	Cuba	(5)
	1942	HJCY Caracol	Santa Fe de Bogotá	Colombia	(2)
840	1057	CMJL CMKC/R. Revolucion	Santiago de Cuba	Cuba	(5)
850	1140	JBC/Radio One	Savanna-la-Mar	Jamaica	(0.5)
870	1148	HJSB R. Mar Caribe	Barranquilla	Colombia	(1)
900	1150	CMKE R. Progreso	Cacocum, Holguin	Cuba	(4)
	1957	YVMD R. Mara	Maracaibo	Venezuela	(2)
910	2002	YVRQ YVRQ 910	Caracas	Venezuela	(2)
920	2003	HJAA Emisora Fuentes	Cartagena	Colombia	(3)
930	1200	CMJC R. Reloj	Santiago de Cuba	Cuba	(5)
940	1204	CMKD R. Reloj	Holguin	Cuba	(4)
	2020	HJTL RCN	Cucuta	Colombia	(3)
950	2024	HJFN Caracol	Perera	Colombia	(3)
	2025	CMGD R. Reloj	Sancti Spiritus	Cuba	(2)
970	1207	HJME RCN	Macao, Guajira	Colombia	(1)
990	2029	HJDB RCN	Medellin	Colombia	(4)
1000	2036		USA	USA	(3)
1010	1211	CMKM R. Musical	Cuba	Cuba	(2)
	2038	YVPC R. Aragua	Cagua	Venezuela	(1)
1020	2048	YVMX R. Calendano	Maracaibo	Venezuela	(1)
1060	2100	CMDX CMKS	Guantanamo	Cuba	(2)
1070	2103	YVMA Mundial Zuba	Maracaibo	Venezuela	(2)
1080	2106	4VDN R. Nationale	Port-au-Prince	Haiti	(1)
1090	1228	HJBC Caracol	Cucuta	Colombia	(1)
1100	1231	CMKP R. Angulo	Banes, Holguin	Cuba	(2)
	2113	HJAT Caracol	Barranquilla	Colombia	(2)
1110	2115	CMKO R. Angulo	Holguin	Cuba	(2)
1120	1242	CMKQ R. Angulo	Mayari, Holguin	Cuba	(2)
1130	1247	CM- R. Angulo	Sagua de Tanamo, Holguin	Cuba	(1)
1140	1254	HJRW Caracol	Villavicencio	Colombia	(0.5)
	2120	WQBA La Cubansima	Miami	USA	(3)
1150	1256	CMNQ R. Bayamo	Bueyito, Granma	Cuba	(5)
1170	2130	HJNW Caracol	Cartagena	Colombia	(4)
1180	2142	CMJV R. Progreso	Mayari Arriba, Santiago	Cuba	(3)
1200	2144	CMJQ CMKC/R. Revolucion	Palma Sotano, Santiago	Cuba	(2)
1210	1302	CMJX CMKC/R. Revolucion	Churrizco, Santiago	Cuba	(4)
1240	1305	4VSI R. Antillas Internacionales	Port-au-Prince	Haiti	(2)
1270	2149	CMJG R. Reloj	Camaguey	Cuba	(1)
1280	1309	R. Rebelde	Cuba	Cuba	(5)
1310	2158	HJDG Caracol	Monteria	Colombia	(3)
1330	1317	CMDO R. Banes	Banes, Holguin	Cuba	(4)
	2200	HJFE Antena 2 RCN	Perera	Colombia	(2)
1370	2203	R. Rebelde	Cuba	Cuba	(4)
	2208	HJNJ Caracol	Sincelajo	Colombia	(2)

## DL-2 Delay-Line Phasing Unit - by Mark Connelly - WA1ION

The DL-2 phasing unit is an updated version of the DL-1, a delay-line based design similar to Gerry Thomas's Phase One. The 1994 DL-1 article and Gerry Thomas's 1985 article "The Phase One - A Delay Line Phasing Unit" are available through the NRC and IRCA reprints services. Gerry's design was the first real usage of this technology as applied to medium-wave DXing. The Phase One was derived from an HF phaser presented by John Webb in QST (October 1982). The DL-1 had used the RCD P2420-600NS-100 delay-line costing about \$20; the Phase One used a more expensive device, the Allen Avionics LC300Z050A. After I did some further research of delay-lines by Polara, Toko, and Rhombus, I settled on the Rhombus TZB98-10 which costs about \$10 each in 25-pieces lots.

The DL-2 has a 15 dB broadband amplifier that can be switched in when extra gain is required. Although this amplifier (BUF-C1-25, or similar BUF-C1-36) has very good dynamic range, use of it is not suggested in urban environments where overload could occur. In those situations, a high-Q tuned, high-intercept amplifier between the DL-2 output and the receiver input is suggested. The Mini-MWT-3 regenerative preselector described in the DL-1 article will work quite well. Dallas Lankford has designed several circuits which could also be used.

In most cases, at least with longer wires and a good receiver such as a JRC NRD-535D, Drake R8, or Hammarlund HQ-180A, amplification is not necessary. This is especially true on "normal" skip nights when the desired DX left after "pest" nulling can still be of appreciable strength.

As on the DL-1, the DL-2 allows control of the levels of Antenna Line 1 and Antenna Line 2. Each line can be connected alone to facilitate level balancing and appraisal of each antenna's directional pickup characteristics.

Noise-reducing principles have been incorporated by the provision for floating (non-chassis) grounds at the J3 and J4 inputs.

### Principles of Delay-Line Phasing

In order to null out unwanted station "A" and hear subdominant (desired DX) station "B" when using two wires, the difference in phase between "A" and "B" on Antenna 1 should differ appreciably from the difference in phase between "A" and "B" on Antenna 2.

This condition will most often occur when the "A" and "B" signals are coming from different directions and the wire antennas are oriented somewhat differently. What the phasing unit must do is to equalize the levels

of Antenna 1's pest station "A" contribution to that from Antenna 2 and to provide a 180 degree phase shift of "A" from Antenna 1 to Antenna 2 entering the summation point. Level-equalization is most easily accomplished when the two wires are of similar length. If the equal-amplitude / opposite-phase condition is met, station "A" is nulled, leaving "B" in the clear. Station "B" might be reduced somewhat as well, or it may actually be increased in level, depending on how different the phase difference ("A" to "B") is on Antenna 1 relative to that difference on Antenna 2. The occasional instances of desired DX stations getting nulled along with co-channel pests from a different direction can be minimized by having more than two longwire antennas available. Three wires give 6 possible pairing combinations (1 v 2; 1 v 3; 2 v 3, 1+2 v 3, 1+3 v 2, and 1 v 2+3). If there are substantial angular spreads between the three wires, almost any nulling situation can be managed. Desired DX close in bearing to pests to be nulled can sometimes still be listenable if the vertical arrival (skip) angles differ. Use of Beverage-length (over 300 m / 1000 ft.) wires helps in such cases.

The goal of both the delay-line and the L/C type (e. g. MWDX-6) phasing units is to provide a continuously-variable phase shift of the signal contributions from one or both of the antenna inputs. The delay-line method provides continuous shift on one of the two lines: Line 2 in the DL-2 case. To provide a full 360 degrees of shifting, a 0-deg. / 180-deg. vector is provided by R2 across the T2 balun secondary and a 90-deg. / 270-deg. (approximate) vector is provided by R3 after the delay-line with delay range switch S4 set to the tap providing a delay time of a quarter of a cycle of signal frequency (300 ns at about 830 kHz). The 0/180 and the 90/270 vectors are summed to provide a variable-amplitude vector that can be "rotated" through a complete 360 degrees of shift. The delay time (tap) setting is a good deal less critical than you would think. Most medium-wave nulls should be executed with S4 set to 300 ns. In a few low-band cases, 500 ns may work better and the 50 or 150 ns settings might occasionally do better above 1100 kHz.

The R1 (Line 1) potentiometer reduces the level of pest station signal from Antenna 1 in cases when it is substantially larger than pickup of the same station on Antenna 2. Without this capability, it would not be possible to equalize the Antenna 1 contribution with the 180-degree shifted Antenna 2 contribution and a null would not be produced.

The Rhombus TZB98-10 delay-line has 10

## Professional Sports Networks

Barry S. Finkel BSFINKEL@ANL.gov

10314 S. Oakley  
Chicago, IL 60643-2409

Network listings for team sports stations

Only one Major League Baseball network in this column. I just missed the deadline for the last issue; thus there was no column in that issue. I am in need of ALL information (flagships, announcers, and network lists) for the National Football League season, which has begun. Remember that I do not handle college sports lists; I believe that Rick Dau still handles them.

Florida Marlins 1995 Joe Angel, Dave O'Brien  
(from Media Guide via Bob Galerstein)

540	WGTO-FL	1010	WQYK-FL	1230	WTKX-FL	1330	WEBY-FL	1500	WKIZ-FL
560	WQAM-FL *	1150	WSPZ-AL	1240	WFOY-FL		WJNX-FL		
590	WGNE-FL	1200	WDCQ-FL	1250	WQHL-FL	1350	WLMA-SC	99.3	WLRQ-FL
600	WOKV-FL	1230	WJNO-FL	1280	WELE-FL	1450	WTAL-FL		

taps on it; these provide more delay times than needed. The four taps connected to S4 have been chosen for best performance at medium-wave frequencies. I've tested the DL-2 on longwave, 160-meters, and tropical bands and nulls of electrical noise and of steadier signals have been obtainable. Of course, a switch with more positions could be used at S4 if a given DXer wanted to utilize more of the taps.

The user will find that nulling with the DL-2 can be simpler than nulling with L/C design units because there are fewer knobs to tweak. The broadband delay-line based phasing approach does have as an advantage the ability to QSY (change frequency) to scan the band and to check parallel frequencies on both medium-wave and shortwave quickly. These features can come in handy on Beverage DXpeditions and in other cases when a good opening is bombarding you with rare DX and you want to get maximum loggings in minimum time.

With some antennas (especially shorter ones), a tuned L/C phaser (e. g. MWDX-6) can provide somewhat higher signal levels than broadband delay-line based units such as DL-1 and DL-2. Also, in urban areas, the preselection provided by an L/C phaser can reduce the likelihood of the receiver being overloaded and producing spurious signals. There are advantages and disadvantages to both delay-line and tuned L/C type phasing unit designs.

For adequate signal levels with the DL-2, the minimum suggested wire length for each antenna is 20 m. / 66 ft. Wires much shorter than Beverage length should be aligned for an angular spread of 45 to 135 degrees, or 225 to 315 degrees, between them. Slopers and Beverages may work best with a 180 degree spread as they would each have distinct inherent nulls in opposite directions. I use one sloper that nulls about 10 dB to the west and another that nulls about 10 dB to the east. Phasing with that set-up is good because virtually no eastward signals come off the westward-favoring sloper when the amplitude of its western pick-up is reduced to the same level as the fairly-low (180-degree shifted) western pick-up of the eastward-favoring antenna. The result is little or no cancellation of eastward Trans-Atlantic stations when pesty stateside clears are nulled. Indeed, stations easily heard on the phased wires (such as Algeria - 891 with WBMA/WLS - 890 nulled and England - 1089 with WBAL - 1090 nulled) are often just loud hets on any loop used.

A loop or an active whip can be substituted for one or both wire antenna inputs. If two active whips are used, they must be spaced at

least 30 m / 100 ft. apart. If two loops are used, the preferred orientation is 90 degrees to each other and 45 degrees (one clockwise, one counterclockwise) off the pest station's bearing.

#### Operating the DL-2: Initial Set-Up

The controls, as shown in Figures 1 and 2, are R1 (Line 1: level), R2 (Line 2: 0/180 deg. level), R3 (Line 2: 90/270 deg. level), S1 (Line 1 Ground Mode: FLOAT or COMMON), S2 (Line 2 Ground Mode: FLOAT or COMMON), S3 (Function: Ant. Line 1, Ant. Line 2, Null-a, Null-b), S4 (Delay Range), and S5 (Amplifier On / Off).

Connect one antenna wire to J1 and the other wire to J2. Floating grounds (e. g. sets of ground rods separated in distance from mains / receiver chassis ground) may be connected to J3 and J4 for reduction in electrical noise. Coaxial feeders from remote noise-reducing 'Beyvmatcher' style matching pads / stepdown transformers can be connected to J1/J3 (Line 1) and to J2/J4 (Line 2). S1 is set to FLOAT if noise-reducing grounding is available on Line 1 (i. e. connected to J3); otherwise it should be set to COMMON. Similarly, S2 is set to FLOAT for a noise-reducing ground connection to J4 or COMMON for other Line 2 set-ups. Delay range switch S4 should usually be initialized to 300 ns. Experimentation may determine those occasional needs to use a different setting. Settings of S3, R1, R2, and R3 are discussed in the Nulling Procedure to follow. S5 (the Amplifier switch) should be set to OFF until a null has been completed.

#### Operating the DL-2: Nulling Procedure

Initially set R1 and R2 fully counterclockwise (CCW) and set R3 to mechanical center (12 o'clock).

1. Set S3 to 1 and then to 2. If the level (of the "pest" station or noise to be nulled) is stronger with S3 set to 1, adjust R1 until the strength at S3 position 1 is equal to that at S3 position 2. An S-meter observation is best, but an audible comparison may be adequate.

2. Set S3 to Null-a and then to Null-b. Leave it at the position that gives the lower signal indication on the station to be nulled. Default to Null-a if there is no observable difference.

3. Run R2 through its range. If a dip occurs, leave R2 at the position of best null; otherwise, set it to mechanical center (12 o'clock).

4. Run R3 through its range. If a good null develops, leave R3 at the position of best null and then proceed to Step 5. Otherwise, run R3 through its range as you try different positions of the S4 Delay Range switch.

5. By this time, a null should be well-established. Make VERY SMALL successive adjustments of R2 and R3 to finish up the null. Sometimes moving a bit past the best dip on a given pot (e. g. R2) might result in a superior overall null when the slight adjustment of the other pot (e. g. R3) is made.

6. When nulling has been completed, the S5 Amplifier switch may be set to ON if signal levels are at, or below, the receiver's noise floor. As noted above, a tuned external amplifier will do better at urban sites.

#### Application Notes

Nulling procedures given above are a good starting point. Over time, users may develop other procedures that work as well, or better. As with any nulling system (phasing or looping), the best results will be on daytime groundwave and on lower-angle skip at night. Nulls of low-band stations are somewhat more stable than those of high-banders. "Easy" nulls of daytime regional and "graveyard" stations (already exhibiting evidence of sub-dominant stations) should be pursued first in order to gain proficiency in adjusting the DL-2 controls. High-angle skip, mixed groundwave / skywave, and various multipath / multi-skip situations are difficult nulls to set up on any looping or phasing system. Phased Beverages seem to do the best and Adcock arrays are supposed to work well also.

Developing a table of R1/R2/R3/S3/S4 settings known to null key stations (e. g. midwest clears) can speed up the nulling process for these stations and for others on similar frequencies and bearings. Once experience has been gained with the DL-2 on a given pair of antennas, the knob positions can often be preset and just tweaked slightly to get to a good null.

For instance, from a New England QTH, null control set-ups for WMAQ-670 (IL), WLW-700 (OH), WGN-720 (IL), CBL-740 (ON), WJR-760 (MI), WBBM-780 (IL), CKLW-800 (ON), and WLS-890 (IL) do not vary much from a single approximate set-up of the controls. That comes in handy in situations such as mine where the majority of pest stations come from similar bearings. This result is similar to what Gerry Thomas

#### LEFT SIDE

Hole #	Comp. Desig.	Description	X	Y	D
1	J1	Ant. #1 In - red banana jack	-1.375	0.625	0.3125
2	S1	GND. #1 mode switch - shaft	-0.625	1.625	0.25
3	S1	GND. #1 mode switch - tab	-0.625	1.375	0.125
4	J3	GND. #1 In - black banana jk	-0.625	0.625	0.3125
5	G1	ground E/W - int & ext lugs	0.0	0.625	0.125
6	S2	GND. #2 mode switch - shaft	0.625	1.625	0.25
7	S2	GND. #2 mode switch - tab	0.625	1.375	0.125
8	J4	GND. #2 In - black banana jk	0.625	0.625	0.3125
9	J2	Ant. #2 In - red banana jack	1.375	0.625	0.3125

observed with his Phase One.

If a tuned source such as a loop (or tunable preselector) is to be phased against a broadband source such as a wire or an active whip, the Q (selectivity) of the loop should be reduced somewhat from normal. This is done by switching in a Q-spoiling resistor of about 20K across the loop's L/C tank. Doing this will also improve in two-loop nulling cases. If there is too much difference in Q between the two inputs, insufficient nulling of sideband splash will result because of the different frequency-response curves and group-delay properties of the sources. Your carrier may null 50 dB, but the sidebands maybe only 20 dB or so. There is a crossover point at which reducing Q results in too much degradation of the signal-to-noise ratio. Only reduce Q as much as necessary to result in an adequate null of a pest station's carrier and sidebands. Use of a 50K or 100K potentiometer, with a integral switch to open up the connection for normal (non-phasing) loop use, may be the best approach to Q-spoiling a loop for best phase-nulling results.

When two-loop nulling is nearly completed using normal DL-2 procedures, the last few dB of null may be "squeezed out" through fine adjustment of either loop's physical position and/or loop tuning capacitor settings.

#### DL-2 Construction Data

Table 1: DL-2 hole-drilling list

X = Horizontal distance, in inches, from the vertical centerline (VCL) on the side observed. Negative values of X are left of VCL, positive values of X are right of VCL.

Y = Vertical distance, in inches, from the bottom horizontal edge of the side observed.

D = Hole diameter in inches.

Hole loci are first marked on the box with a scriber and are then drilled with a .125" bit. Subsequently, as required, the holes are enlarged to the proper size by using progressively larger bits up to that corresponding to the final desired diameter.

Chassis Box = Mouser 537-TF-779 (metal): 5" X 4" X 3"

## TOP SIDE

Hole #	Comp. Desig.	Description	X	Y	D
1	R1	Line 1 pot. - shaft	-1.75	3.25	0.3125
2	R1	Line 1 pot. - tab	-1.75	2.9375	0.144
3	R2	Line 2 (0/180) pot. - shaft	-1.75	2.0	0.3125
4	R2	Line 2 (0/180) pot. - tab	-1.75	1.6875	0.144
5	R3	Line 2 (90/270) pot. - shaft	-1.75	0.75	0.3125
6	R3	Line 2 (90/270) pot. - tab	-1.75	0.4375	0.144
7	M1	DLC-A card mounting H/W 1	0.125	2.75	0.125
8	M1	DLC-A card mounting H/W 2	0.125	1.25	0.125
9	S3	Function switch - shaft	1.0	3.0	0.375
10	S3	Function switch - tab	1.5	3.0	0.144
11	S4	Freq. Range switch - shaft	1.0	1.125	0.375
12	S4	Freq. Range switch - tab	1.5	1.125	0.144

## RIGHT SIDE

Hole #	Comp. Desig.	Description	X	Y	D
1	A1	BUF-C1-25 card mounting H/W1	-0.5625	2.0	0.125
2	A1	BUF-C1-25 card mounting H/W2	-0.5625	1.2	0.125
3	J5	RF out - BNC jack	0.0	0.5	0.375
4	S5	Amp On/Off switch - shaft	1.125	1.5	0.25
5	S5	Amp On/Off switch - tab	1.125	1.25	0.125
6	J6	B+ in - RCA phono jack	1.125	0.5	0.25

Table 2: DL-2 "upper level" parts list

\* Note follows parts list.

Vendor codes for this and subsequent parts lists:

ALD	= Allied Electronics	/ 7410 Pebble Drive / Fort Worth, TX 76118 /Tel. 1-800-433-5700
AST	= Astrum Electronics (Rhombus distributor)	/ 3 Commerce Drive / Atkinson, NH 03811 /Tel. 1-603-898-3399
CS	= Circuit Specialists	/ P. O. Box 3047 / Scottsdale, AZ 85271-3047 /Tel. 1-800-528-1417
MCL	= Mini-Circuits Lab.	/ P. O. Box 350166 / Brooklyn, NY 11235-0003 /Tel. 1-800-654-7949
MOU	= Mouser Electronics	/ 11433 Woodside Ave. / Santee, CA 92071 /Tel. 1-800-346-6873
RS	= Radio Shack	/ Many locations worldwide

Schematic = Figures 1, 2 / Assembly = Figures 3, 4, 5

Item #	Designator	Description/Value	Vendor	Vendor Stock #	QTY
1	-	chassis box 5X4X3"	MOU	1537-TF-779	1
2	A1	BUF-C1-25 amp. card	-	(see Table 4)	1
3	M1	DLC-A delay-line cd	-	(see Table 3)	1
4	-	*knob	RS	1274-416	5
5	C1,2,3	capacitor, 0.1 uF	MOU	1539-CR05104K	3
6	G1	screw, 4-40 X.375"	MOU	1572-01881	1
7	G1	*solder lug, #4	MOU	1534-7311	2
8	G1	hex nut, 4-40	MOU	1572-00484	1
9	(A1,M1)	*screw, 4-40 X .25"	MOU	1572-01880	4
10	(A1,M1)	*split lockwasher, #4	MOU	1572-00649	4
11	J1,2	red banana jack	RS	1274-662	2
12	J3,4	black banana jack	RS	1274-662	2
13	J5	BNC jack	RS	1278-105	1
14	J6	RCA phono jack	RS	1274-346	1
15	R1,2,3	pot., 500 ohm, linear	MOU	131CR205	3
16	R4,5,6	resistor, 10 ohm	CS	1RA10	3
17	R7	resistor, 150 ohm	CS	1RA150	1
18	S1,2	switch, DPDT, on-on	CS	18011	2
19	S3,4	switch, 3pole/4pos. x	MOU	110TX034	2
20	S5	switch, 3PDT, on-on	MOU	110TC280	1
21	T1	RF transformer, 1:1	MCL	TT1-6-X65	1
22	T2	balun transformer	MCL	TT2-1T-X65	1

Misc. items: hook-up wire, buss wire, solder, labels "AS REQUIRED"  
 \*Item 4 note: for R1, R2, R3, S3, S4.  
 \*Item 7 note: two each for G1  
 \*Item 9 note: two each for A1 mount; two each for M1  
 \*Item 10 note: two each for A1 mount; two each for M1

Table 3: (M1) DLC-A Delay Line Card subassembly parts list  
Vendor codes per Table 2.  
Schematic & Assembly = Figure 6

Item #	Designator	Description/Value	Vendor	Vendor Stock #	QTY
1	BD	perfbboard: 1.1"X1.9"	RS	1276-1396 (cut)	1
2	H1,2	screw, 4-40 X .25"	MOU	1572-01880	2
3	H1,2	spacer, 4-40 X .5"	MOU	1534-1450C	2
4	H1,2	solder lug, #4	MOU	1534-7311	2
5	P1-P6	flex clip, .042"hole	MOU	1574-T42-1/100	6
6	(for X1)	14-pin DIP socket	RS	1276-1999	1
7	Z1	500 ns delay-line	AST	(Rhombus) T2B98-10	1

Misc. items: buss wire, solder "AS REQUIRED"

Table 4: (A1) BUF-C1-25 Buffer Amplifier Card subassembly parts list  
Vendor codes per Table 2.  
Schematic = Figure 7 / Assembly = Figure 8.

Item #	Designator	Description/Value	Vendor	Vendor Stock #	QTY
1	BD	perfbboard: 1.2"X2.0"	RS	1276-1396 (cut)	1
2	C1	capacitor, 10uF tant	MOU	1581-10K35	1
3	C2	capacitor, 0.001 uF	MOU	1539-CR05102K	1
4	C3,5	capacitor, 0.01 uF	MOU	1539-CR05103K	1
5	C4,6,7	capacitor, 0.1 uF	MOU	1539-CR05104K	3
6	H1,2	screw, 4-40 X .25"	MOU	1572-01880	2
7	H1,2	spacer, 4-40 X .5"	MOU	1534-1450C	2
8	H1,2	solder lug, #4	MOU	1534-7311	2
9	P1-14	flex-clip/.042"hole	MOU	1574-T42-1/C	14
10	R1,5	resistor, 5.1 ohm	CS	1RA5.1	2
11	R2,3	resistor, 560K	CS	1RA560K	2
12	R4	resistor, 47 ohm	CS	1RA47	1
13	T1	RF transformer 1:4	MCL	TT4-6T-X65	1
14	T2	RF transformer 1:25	MCL	TT25-1-X65	1
15	U1	buffer amplifier IC	ALD	(National) LM0002CR	1

Misc. items: hook-up wire, buss wire, solder "AS REQUIRED"

**The AM**  
**Now taking NRC members' orders for the 16th edition at \$16.95. Available in October.**  
**Log. 15th Edition, is the standard listing of U. S. and Canada. Cross-referenced, 3-hole binders. Only \$16.95 to U. S. and Canadian S. non-NRC members; \$20.95 Canadian mail; to Latin America, \$21.00; Europe, \$28.00.**  
**Publications - Box 164 - Mannsville, NY 13661**  
**agents, please add sales tax)**

Table 5: control orientation conventions

Ensure that components are mounted and wired in accordance with this table; align knob pointers to clock positions indicated. Orientations are as viewed from outside the chassis box assembly.

Side	Control	Orientation Conventions
left	S1	COMMON = down; FLOAT = up
left	S2	COMMON = down; FLOAT = up
top	R1	CCW = Line 1 maximum level = 7:00 CW = Line 1 minimum level = 5:00
top	R2	CCW = Line 2 maximum level (0 deg.) = 7:00 CW = Line 2 maximum level (180 deg.) = 5:00
top	R3	CCW = Line 2 maximum level (90 deg.) = 7:00 CW = Line 2 maximum level (270 deg.) = 5:00
top	S3	Line 1 = 10:30; Line 2 = 11:30, Null-a: 12:30; Null-b = 1:30
top	S4	500 ns = 10:30; 300 ns = 11:30, 150 ns = 12:30; 50 ns = 1:30
right	S5	Amplifier On = up, Amplifier OFF = down

FIGURE 1: DL-2 DELAY-LINE PHASING UNIT INPUT SECTION SCHEMATIC

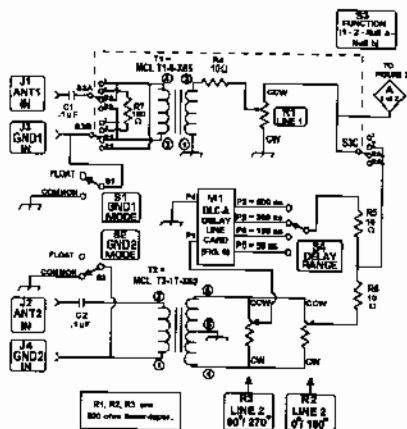


FIGURE 2: DL-2 DELAY-LINE PHASING UNIT OUTPUT SECTION SCHEMATIC

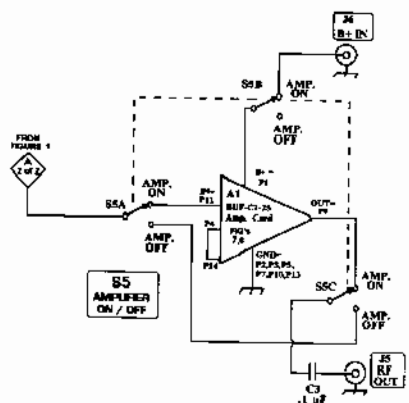


FIGURE 3: DL-2 CHASSIS PICTORIAL (TOP)

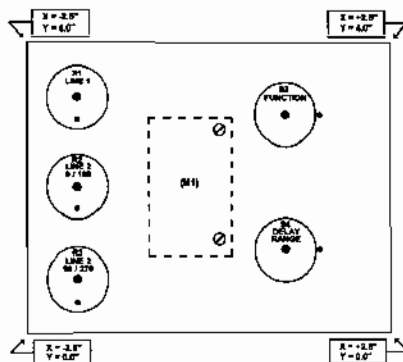


FIGURE 6: DL-2 ASSEMBLY PICTORIAL (SCALE IS APPROXIMATE)

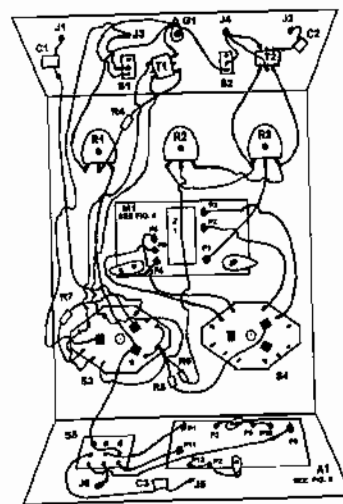


FIGURE 8: BUF-C1-25 BUFFER AMPLIFIER CARD (ASSEMBLY)

FIGURE 4: DL-2 CHASSIS PICTORIALS (LEFT, RIGHT SIDES)

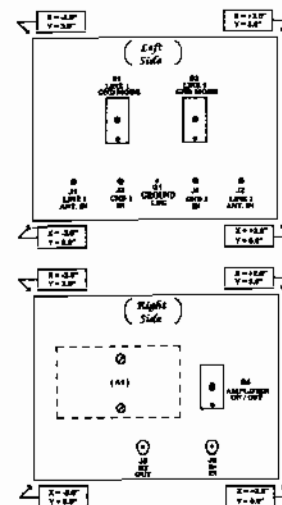
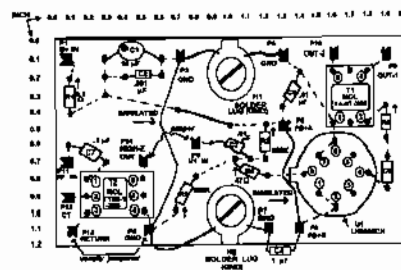
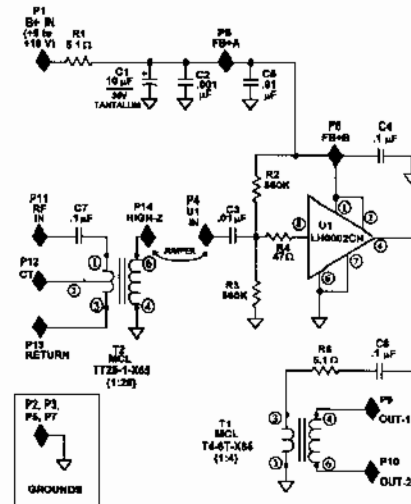


FIGURE 7: BUF-C1-25 BUFFER AMPLIFIER CARD (A1 OF DL-2 PHASING UNIT) SCHEMATIC



**Notes:**  
 For schematic, see Figure 7.  
 For parts list, see Table 4.  
 † Large lead side of vertically-mounted component  
 ... Shows wire on outside side of board  
 --- Shows wire on component side of board  
 □ "Flux clip" terminal pin  
 ○ OPEN END

**RELATED VERSIONS OF THIS CARD:**  
 BUF-C1-26: Substitute MCL 73M-4-266 for T1, change P12. (BUF-C1-26 may be used in place of BUF-C1-25 in box 12-1.)  
 BUF-C1: Omit C1, T1, P13-14 shown above. (BUF-C1 may be used in place of BUF-A in MW-2, MW-3A, MW-3B, MW-3C, etc.)

## Are you expiring?

We hope not! To avoid expiration, mail your remittance to the *DX News* Membership Center early. Allow at least three weeks after mailing your check or money order for new renewal data to appear on your mailing label. Please provide full nine-digit ZIP numbers, too.

## NRC's antenna manuals ...

Now completely revised and up-to-date!

Antenna Reference Manuals, Vol. 1 and 2, \$4.00 each (\$5.00 non-members)

Loop Antenna Design & Theory, \$7.95 (\$9.95 non-members)

Order from NRC Publications - Box 164 - Mannsville, NY 13661. NY orders, please add sales tax.

# Confirmed Ken MacHarg [kmacharg@mks.hcjb.com](mailto:kmacharg@mks.hcjb.com)

HCJB - Box 39800 - Colorado Springs, CO 80949, or  
HCJB - Box 17-17-691 - Quito, Ecuador (.5 oz.: 50¢)

Your successes in obtaining QSL's and other station items

Well, the summer months have been slow, but we have some good reports, so let's get underway:

## NORTH AMERICA CANADA

ALBERTA, CFAC, 960, Calgary, letter and prepared card in 4 months after follow-up. V/s Robin Hildebrand, Office Manager (Lazarus—LA)  
NEWFOUNDLAND, CBV, 990, Corner Brook, QSL card, sticker, station list for Nfld in 38 days. V/s Elaine James. (Trelford—JA)

## USA

ALABAMA, WMOB, 1360, Mobile, letter, prepared card and sticker in 18 days. V/s Buddy Tucker, GM and D. Levaughn Tucker, VP who signed the card. [Buddy Tucker is the man behind Caribbean Christian Radio in Turks and Caicos. —Ken] (Lazarus—LA)  
ARKANSAS, KAAY, 1090, Little Rock, f/d logo card plus sticker, bookmark in 1 year and 6 months. Letter said they had found old reports and were QSLing. (Reiser—IL)  
ARKANSAS, KFAY, 1030, Farmington, f/d letter stickers in 46 days after follow-up. V/s Andrew Stephens, CE. (Wilkins—CO)  
ARKANSAS, KSYG, 1010, Little Rock, f/d letter and a list of the 25 DX'ers who reported their test, in 3 weeks. V/s Norm Laramee, CE. (Perdue—AL)  
CALIFORNIA, KSTE, 650, Rancho Cordova, prepared card in 7 days and FOUR follow-ups!! (Wilkins—CO)  
FLORIDA, WBSR, 1450, Pensacola, note on my letter in 37 days. V/s Jack Hixon, CE. (Trelford—JA)  
FLORIDA, WNZS (?), 930, AND WZNZ (?), 1460 Jacksonville, letter and coverage map in 28 and 42 days V/s Kyle Dickson, CE. [Don, I assume those are the call letters, you left them out of this listing. (Trelford—JA)  
FLORIDA, WONN, 1230, Lakeland, letter, bumper sticker, key chain, T-shirt in 39 days. V/s Lorin Duncan, Prod manager/Air talent. (Trelford—JA)  
FLORIDA, WRNE, 980, Gulf Breeze, letter, bumper sticker in 30 days. V/s Robert Hill, GM. New address: 312 E Nine Mile Road, Pensacola, 32541. (Trelford—JA)  
FLORIDA, WWCN, 770, North Ft. Myers, letter in 45 days. V/s Diane Desmont. (Trelford—JA)  
GEORGIA, WMXY (?) 720, LaGrange, f/d prepared card in 55 days after follow-up. [Mike, I assume it is WMXY in Hogansville—that's the GA station on 720 listed in the NRC log-book—WRTH has it in LaGrange—the call letters got bumped in your e-mail—Ken]

(Hardester-NC)  
ILLINOIS, WOPA, 1200, Chicago, prepared card, n/d letter in 20 days after several follow-ups. V/s John McGuinness, CE., who says mine was the only verie WOPA ever issued, and will remain unique, since the station has changed call letters to WLXX. [Now, there's a collector's item! —Ken] (Wilkins—CO)  
INDIANA, Better Homes & Gardens #5t, 1610, Terre Haute, f/d prepared card in two weeks for real estate "talking house" transmitter. Mark says "What a hobby." (Burns—IN)  
KENTUCKY, WLAP, 630, Lexington, personal letter, prepared card and business card in 6 weeks after follow-up. V/s Scott Masteller, PD. [Nice to see a verification from Kentucky's first radio station. —Ken] (Lazarus—LA)  
KENTUCKY, WTMT, 620, Louisville, personal and friendly f/d letter, coverage map and bumper sticker in 6 weeks. V/s Dean Taylor, KD4MDN, PD. [Hey, I used to work with Dean when we both toiled at WXVW across the river from Louisville. Small world, isn't it? —Ken] (Perdue—AL)  
LOUISIANA, KACY, 1520, Lafayette, prepared card and sticker in 8 days. V/s Jimmie Cole. (Lazarus—LA)  
MISSISSIPPI, WBKH, 950, Hattiesburg, f/d letter and business card in one week. V/s Freddie Kirkland, Owner/GM. (Lazarus—LA)  
MISSOURI, WKOC, 930, Poplar Bluff, f/d form letter and bumper sticker in 2 months. V/s Dave Obergoenner, Dir of Engineering. (Perdue—AL)  
NEW MEXICO, KCCC, 930, Carlsbad, prepared card in 4 days after follow-up. (Wilkins—CO)  
NEW YORK, WHCU, 870, f/d letter and T-shirt in 4 months, 7 days after follow-up V/s Kenneth Cowan, P/GM. (Myers—VA)  
NORTH CAROLINA, WHKP, 1450, Hendersonville, letter in 21 days. V/s Norman Lyda. (Trelford—JA)  
NORTH CAROLINA, WIZS, 1450, f/d letter, bumper sticker, pencils, postcard & station info in 6 days. V/s John Rose, Pgm Manager [It probably took them 5 of those days just to gather up all of the stuff and put it into the envelope! —Ken] (Myers—VA)  
NORTH CAROLINA, WPHE255, 1610, Durham, Duke University and Duke Medical Center TIS, returned PFC with full data in 13 days for return postage and address label. Power is 6.5 watts. V/s John LeMay. (Hardester—NC)  
NORTH CAROLINA, WWMO, 830, Eden, on cov-

erage map in 75 days. New address: 405 Bridge St., Eden, 27288. (Trelford—JA)  
OHIO, WSAI, 1530, Cincinnati, prepared card in 8 days after follow up. (Wilkins—CO)  
SOUTH CAROLINA, WMUU, 1260, f/d letter in one month. V/s Joe Norris, CE. (Myers—VA)  
TENNESSEE, WHJB, 1180, Knoxville, f/d letter confirming my reception of them on ONE WATT night power, distance of 187 miles, plus keychain. V/s Harry J. Morgan, owner/manager. Neal says, "My best QSL EVER." [Congratulations!!! —Ken] (Perdue—AL)  
TENNESSEE, WMRO, 1560, Gallatin, [Greg, please include city in all of your reports, thanks. —Ken] f/d letter in 2 months. V/s Scott Bailey. (Myers—VA)  
TEXAS, KRYS, 1360, Corpus Christi, prepared card in 2 weeks. V/s Kent Cooper. (Lazarus—LA)  
WYOMING, KMER, 950, Kemmerer, p/d letter, program long in 40 days after follow-up. (Wilkins—CO)

## OUTSIDE OF NORTH AMERICA

ARGENTINA, Radio Nacional (LRA1), 8760, Buenos Aires, f/d card and letter 10 months after follow-up. V/s Gabriel Ivan Barrera, Editor DX, and Marcela G.R. Campos, director RAE. (Burnell—NF)  
BONAIRE, Trans World Radio, PJB, 800, p/d letter in one month, plus loads of information. Letter says they no longer have QSL's. V/s Daniel Canfield. (MacHarg—EC)  
COLOMBIA, CARACOL, 700, Cali, p/d personalized computer confirmation letter, sticker, post card and cassette tape of "Lo Mejor de Colombia" in 23 days. (MacHarg—EC)  
COLOMBIA, RCN, 910, San Andres, f/d QSL card, letter and stickers from RCN hdq in Bogotá in 6 weeks after follow-up. V/s Antonio Pardo Garcia, Gerente de producción y programación. (Lazarus—LA)  
ECUADOR, HCJB1 [Yep, that's the official call — Ken], 690, Quito/Mt Pichincha xmtr, f/d QSL card from Richard McVicar in 2 months. For reception of regular programming, not test. Thanks Rich! (Burnell—NF)  
ENGLAND, Radio XL, 1296, Birmingham, n/d "confirmed" penned onto promotional material, plus sticker in 17 days. (Burnell—NF)  
HAITI, Radio Democratie, 1035, frequency only verie statement on photo sheet of aircraft type used; nomenclature and unit identification given, in 5 weeks. V/s Lt. Col. James Zambo. (Myers—VA)  
HAITI, 4VEH, 840, Cap Hatien, note, program schedule in 50 days. Mail may be sent either

to: Box 15665, W. Palm Beach, FL 33416, or to Box A, Greenwood, IN 46412. V/s M. Shaperly. (Trelford—JA)

MEXICO, XEEL, 610, Fresnillo, letter, prepared card and stickers four and a half months after follow-up. V/s Jaime Torres Gallegos, Gerente General. (Lazarus—LA)

MEXICO, XEEP, 1060, Mexico City, card, brochure, sticker in 66 days. (Trelford—JA)

MEXICO, XEMA, 690, Fresnillo, prepared card in 4 weeks after follow-up. V/s Heriberto Alvarez, G., Programador. (Lazarus—LA)

MEXICO, XEMR, 1140, Monterrey, personal letter via registered mail 17 days after follow-up. V/s Alberto Estrada Torres, Director. [These reports illustrate the value of follow-ups — Ken] (Lazarus—LA)

PARAGUAY, ZPI, 920, Radio Nacional, Asuncion, verification letter in 3 months after follow-up, plus tourism literature in Spanish. V/s Julio Cesar Cardozo, Jefe de Personal de Radio Nacional del Paraguay [Hilding says this is country 118 verified—congratulations. No, I don't know who the person was driving a car in Dunedin with an HCJB license plate, but thanks for asking —Ken] (Gustafson—FL)

ST PIERRE ET MIQUELEON, RFO, 1375, f/d letter in French, in 6 months for a French report. V/s Louis Langlois. [It's a good thing that French has some similarities to Spanish, Greg, or I would have never figured this out from your French report! —Ken] (Myers—VA)

VENEZUELA, YVEC, 820, Coro, letter, program schedule in 16 months. V/s David Gutierrez. (Trelford—JA)

WALES, BBC Radio Wales, 1125, Llandrindod, p/d 2 page letter in 82 days. V/s Edward Trickett, Information Engineer (Burnell—NF)

Contributors this month include: Jean Burnell, St. John's, Newfoundland, Mark Burns, Terre Haute, IN, Hilding Gustafson, Dunedin, FL, Mike Hardester, Jacksonville, NC, Henry Lazarus, New Orleans, LA, Ken MacHarg, Quito, Ecuador, Greg Myers, Richmond, VA, Neal Perdue, Madison, AL, Don Trelford, St. Anns Bay, Jamaica, John Wilkins, Wheat Ridge, CO.

Please note, I'm still receiving some material in the form of a "verie signers" list. Unfortunately, there's not enough information in that type of report for this column. Thanks to those who send it, but I really need it in the more complete form you see here. Until next time...take care. —Ken

[Contributors: Please submit listings to Ken in the form you see it here. Thanks. —pls.]

## What a Time-saver - the County Cross Reference

A complete list of counties, parishes, and similar political divisions in the U. S. and Canada. Two lists are included: alpha by county, and by state. Compiled by Bill Hale and designed and produced by Wayne and Joan Heinen. \$4.95 for members, \$8.95, non-member. Order item CCR from the NRC Publications center; NY residents, please include sales tax.

# Geomagnetic Summary

Phil Bytheway bytheway@ATK.com  
9705 Mary NW  
Seattle, WA 98117-2334

High "A" values indicate possible auroral conditions

Geomagnetic Summary May 21 1995 through September 6 1995

GEO - Geomagnetic activity  
maf - major flare  
mas - major storm  
mis - minor storm  
pca - polar cap absorption  
SA - Solar Activity  
spe - satellite proton event  
ss- severe storm

Date	FLUX	A	K	SA	GEO	OTHER
5/21	75	3	3	very low	quiet	-
22	71	6	2	very low	quiet-unsettled	-
23	69	9	3	very low	quiet-active	-
24	67	20	2	very low	quiet-mis	-
25	67	10	2	very low	quiet-active	-
26	66	13	3	very low	quiet-active	-
27	66	7	1	very low	quiet-unsettled	-
28	67	6	1	very low	quiet-unsettled	-
29	67	7	2	very low	quiet-unsettled	-
30	68	26	4	very low	quiet-mis	-
5/31	69	21	5	very low	unsettled-mis	-
6/ 1	71	22	4	very low	unsettled-active	-
2	73	16	3	very low	quiet-active	-
3	75	15	1	very low	quiet-active	-
4	79	8	2	very low	quiet-unsettled	-
5	82	6	2	low	quiet-unsettled	-
6	79	7	2	low	quiet	-
7	82	6	3	very low	quiet-unsettled	-
8	84	4	1	very low	quiet-unsettled	-
9	86	3	4	very low	quiet-active	-
10	84	9	2	very low	quiet-active	-
11	83	8	1	very low	quiet-active	-
12	81	3	1	very low	quiet	-
13	77	2	0	very low	quiet	-
14	76	3	1	very low	quiet	-
15	73	5	4	very low	quiet-active	-
16	71	11	2	very low	quiet-unsettled	-
17	70	6	0	very low	quiet	-
18	70	10	3	very low	quiet-active	-
19	71	21	3	very low	quiet-active	-
20	72	7	3	very low	quiet-active	-
21	72	11	2	very low	quiet-active	-
22	73	6	3	very low	quiet-unsettled	-
23	72	7	1	very low	quiet-unsettled	-
24	71	2	0	very low	quiet	-
25	71	11	4	very low	quiet-active	-
26	71	16	2	very low	quiet-active	-
27	72	6	2	very low	quiet-unsettled	-
28	74	5	2	very low	quiet	-
29	78	4	2	very low	quiet	-
6/30	78	11	2	very low	quiet-active	-
7/ 1	79	12	1	low	quiet-active	-
2	78	3	2	very low	quiet	-
3	78	8	2	very low	quiet-active	-
4	81	6	0	very low	quiet	-
5	80	3e	1	very low	quiet	-
6	81	2e	1	very low	quiet	-
7	81	4	1	very low	quiet	-
8	81	4	0	very low	quiet	-

9	80	4	0	very low	quiet-unsettled	-
10	77	0	1	very low	quiet	-
11	76	1	0	very low	quiet	-
12	74	3	2	very low	quiet	-
13	73	5	1	very low	quiet-unsettled	-
14	74	4	2	very low	quiet	-
15	74	6	1	very low	quiet	-
16	73	22	5	very low	quiet-mis	-
17	72	23	3	very low	unsettled-mis	-
18	72	10	3	very low	quiet-unsettled	-
19	71	9	3	very low	quiet-unsettled	-
20	70	9	1	very low	quiet-active	-
21	69	5	0	very low	quiet	-
22	69	5	2	very low	quiet	-
23	68	4	3	very low	quiet-unsettled	-
24	69	19	4	very low	quiet-mis	-
25	70	7e	0	very low	quiet-active	-
26	69	5	1	very low	quiet-unsettled	-
27	70	4	1	very low	quiet	-
28	70	5	3	very low	quiet	-
29	70	4	1	very low	quiet	-
30	70	5	2	very low	quiet-unsettled	-
7/31	71	7	1	very low	quiet-unsettled	-
8/ 1	73	4	0	very low	quiet-unsettled	-
2	74	4	2	very low	quiet	-
3	73	8	2	very low	quiet-unsettled	-
4	73	4	1	very low	quiet	-
5	75	4	1	very low	quiet	-
6	75	3	1	very low	quiet	-
7	74	5	3	very low	quiet-unsettled	-
8	74	13	4	very low	quiet-mis	-
9	73	20	4	very low	quiet-active	-
10	73	19	1	very low	quiet-mis	-
11	73	9	2	very low	quiet-unsettled	-
12	72	7	4	very low	quiet-active	-
13	71	14	4	very low	quiet-active	-
14	70	15	4	very low	quiet-active	-
15	71	14	3	very low	quiet-active	-
16	70	10	2	very low	quiet-active	-
17	70	11	2	very low	quiet-active	-
18	72	6	2	low	quiet	-
19	72	8	1	very low	quiet-unsettled	-
20	71	5	0	very low	quiet	-
21	71	2	0	very low	quiet	-
22	70	7	3	very low	quiet-unsettled	-
23	74	9	1	very low	quiet-unsettled	-
24	77	4	4	low	quiet-active	-
25	77	18	2	very low	quiet-active	-
26	77	9	2	very low	quiet-unsettled	-
27	80	6	0	very low	quiet	-
28	82	2	3	very low	quiet-unsettled	-
29	78	12	1	very low	quiet-unsettled	-
30	77	3	0	very low	quiet	-
8/31	-	-	-	-	-	-
9/ 1	74	1	0	very low	quiet	-
2	73	3	2	very low	quiet	-
3	74	3	0	very low	quiet	-
4	74	4	2	low	quiet	-
5	75	18	6	very low	unsettled-mas	-
9/ 6	72	27	5	very low	quiet-mis	-

# Musings

of the Members

Thoughts from NRC members ... the opinions expressed in this column are those of the individual writer and do not necessarily reflect those of the editors, publishers, or the National Radio Club, Inc.

**CHARLES C. HARRISON - 3  
HOLLYWOOD LANE - LINCOLN, RI 02865-  
2213**

Inordinate, horrendously thick RFI tripped news boy prompting reluctant sale of R390A. Yes, miss it. Wish to reenter hobby, tentatively with a Sony 2010 with tight filters. Who does this? I cannot. Plan no mini DXpedition but wish to attempt some micro DXpeditions. Is there such a thing as a portable with LW capabilities, not desensitized? Presumably LW desensitization could not be thwarted without adverse results. Do European portables have desensitized LW bands? Earnestly solicit comments and suggestions from the membership. Good health, good luck, good DX and much longevity to everyone.

**MIKE HARDESTER - 3118 GAITWAY  
COURT - JACKSONVILLE, NC 28546-6973**

Greetings! Hopefully everyone's summer is going great, and while you're out there traveling the highways and byways, please keep an ear and radio tuned for Travelers Information Stations and the like, and report your catches to Bill or Dave or mention them in a Musing. I'm always looking for new information to keep the TIS/HAR list current. This includes college carrier current stations, MEDFERS, NDBs and other similar stations in the 510-1700 khz range. Earlier this summer, I began gathering 'Station Slogans' for submission to RICH TOEBE, who is working on IRCA's 'Slogan List' and any input on your local AM or FM stations slogans (Q-105, Kool-FM) would be welcome. While gathering this information, I became aware of a very real need for this list. On quite a number of occasions, it took several tries to get a legal ID during checks from roughly :45 to :15. Although a station slogan will not substitute for an ID for DX purposes, it may help give an idea of which station you heard. Any and all input would be appreciated. Thanks! 73's and best of DX! (The rule of thumb seems to be now that a station can give a legal ID ANY time in the hour (ie: 20 after, 25 of, etc.) but it must be given EACH hour at the SAME TIME. This is usually the case where an FM station will bury the ID in a stop-set (ad break), falling at the same time each hour. The traditional legal ID at the top of the hour, though, still seems to be the norm-DWS)

## Dave Schmidt

P. O. Box 11502

Wilmington, DE 19850-1502

Times are local per Muse; submit double-spaced only.

Thoughts from NRC members ... the opinions expressed in this column are those of the individual writer and do not necessarily reflect those of the editors, publishers, or the National Radio Club, Inc.

**WILLIAM LOYD VAN HORN - P O BOX  
176 - BRASSTOWN, NC 28902**

Hello once again to all from 'DX Central'. Things on the AM band are slowly starting to regain their luster. #558 from Brasstown recently heard in just over 2 years of DXing from this locale. Some really weird conditions lately. Local WCVP-600 has been a real nuisance to me. For one thing, they completely take out the AM band from 530-700 during the morning, day and evening hours. A few days ago, they weren't even on 600 but 640! And calling the station does absolutely no good. So I am about ready to give up, unless someone else has a better solution to my problem. (Call the GM next time-DWS). On the brighter side, I have added a new (well, sorta new) receiver to the shack. Due to lack of use, my parents have allowed the Kenwood R2000 to be moved downstairs to my shack. Connected to the world's strangest longwire (it's kind of a V pattern but it is long), the radio does wonders for my aching DX heart. It also frees up the R8 for my mother and the R72 and SPR4 for my father. Now if I can get a good loop, I might be all right! News for all modern users, the Grove Bulletin Board (Grove BBS) now has an AM voice! That is right, stop by the BBS and join conference 44 to discuss anything and everything related to AM DX, as well as FM/TV DX, too! Come by and check us out, or write me for more details. Sometime in the coming weeks, we hope to be on the Internet so there will be even more people on board talking AM DX, etc. Well, that covers it for this issue, I'll send in a reintro once V63 kicks in. 73's and best of DX to all.

**BOB HARRISON - 166 RENNER  
AVENUE - UNION, NJ 07083-8839**

This past DX season was among the best ever here. 30 new stations heard, bringing the total to 1040 in 12 years of listening (call letter changes not counted). 921 of those are domestics. Total veries now stand at 734, with 40 new ones arriving this past season. At one point, 14 stations in a row verified. But then I had 7 in a row which didn't answer. You never can tell!

Biggest disappointment: no veries from WMUF-1000 or CKAP-580, 2 of the season's best catches. But finally heard from WBB-D-1600, WADJ-1330 and WPAD-1560 after several attempts. On the FM side, count stood

at 92 heard in 1987 and 98 at the beginning of 1995, 6 new stations heard in 8 years. Then, in 3 spectacular days in June, heard an incredible 40 new ones! Absolutely unbelievable! Biggest catch of the season, obtained a nice package of old station logs from veteran DXer SID STEELE in December. Listings ranged from the '30's to the '80's. This information allowed me to upgrade the NYC call letter history charts; hope everyone enjoyed the article (They did! -pls). Also set up a series of charts for Chicago, which was recently printed. Next stop is Los Angeles. If you have some knowledge of LA and wish to help me on that one, please drop me a line. Meanwhile, hope the upcoming DX season is kind to all. Maybe we'll see some action on 1610-1700 khz soon? (Yeah, your 1530 local may be the first one!-DWS)

**MORRIS SORENSON - 29 JANEY BLVD  
- SCARBOROUGH, ON M1R 1H7**

Time to report on some radio related activities this summer. On 8/5, Toronto DXer STEVE MACEY and I visited NRC/ODXAer BILL DULMAGE at his home in Wicklow, ON just N of Lake ON between the towns of Cobourg and Colborne. DXers in this area may recognize his name as he is news director at classical station CFMX-103.1 Cobourg/96.3 Toronto. Bill has an outstanding set up for TV DX with 2 gigantic towers and rotors. On what he assured us was a rather routine day, we received UHF tropo from as far away as Erie and Scranton, PA, Elmira and Binghamton, NY and London, ON. We also enjoyed good reception on FM and noted daytime reception of some NYC clears on AM. Bill is a great collector of radio memorabilia with a vast collection of coverage maps, logos, key chains, coffee mugs and even an old microphone from WNBC-660. He took us on a tour of CFMX's Cobourg studios showing us their newsroom, CD library, etc. It is a very modern set up and completely computerized. Thanks Bill for a great day! On 8/2, I received a call from ODXA MW International editor WERNER FUNKENHAUSER of Cambridge, ON to tell me that Arnie Coro, the host of Radio Habana Cubas 'DXers Unlimited' program was a guest on Jay Marvin's talk show on WLS. I quickly tuned in on the Superadio II and in a few minutes, heard Werner call in and chat with Arnie. Most of the callers, many of them ex-Cubans now living in Chicago had been discussing whether or not the US should lift sanctions against Cuba. They must have wondered what was going on when the discussion hit of things such as transmitter sites for Progresso and other Cuban stations and the fact that Algeria on 891 was hetrodyning WLS in S. ON that night! Well, that's about it for now. It's

been a hot/humid summer here and I'm looking forward to the upcoming DX season. 73

**MIKE SANBURN - P O BOX 1256 -  
BELLFLOWER, CA 90707**

Greetings. I had fun at this years IRCA convention in Boise. It looks like all systems are go for Denver Labor Day. If you're a true radio fan, then these get-togethers are the happening places to be. On 8/19, after playing some electronic trivia, Steve Jarvis and I decided to drive down to the Crystal Cove-Laguna Beach area and do some DXing near the shore. We took a Sony 2010, Kiwa Loop and a power pack (they should be on all Christmas want lists!). We set up shop right on the hood of a '95 Pontiac. Some summertime static conditions were prevailing, but we managed to pick up some good beacons and TIS. We heard a loud CID on 526 (RWE?) and the signal from INE-521 was loud and clear. I first heard that one while DXing on the OR Trail last month at the IRCA convention but wasn't expecting to catch it in S. CA. We also had a possible fishnet beacon on 1645 that sounded like the letter 'A'. We tried a few Aussie splits but no luck that night. The San Diego TIS on 1700 was in well and so was the one in Lakewood, CA on 1620. They have added an extra letter and are now WPGG527. Ironic they come on the air right when I had a tentative signal from the TX TIS.

Looks like the local 890 CP is dead. I did manage to log KUSA-1660 but I still don't have a verie; I'll keep my fingers crossed. I have 90 minutes of it on tape in the event I need to send a follow up. No other veries lately. I'll see what this seasons CPC action brings. I hope all has primo DX in 95-96! 73

**ROCKY STONE - 1824 GRAHAM CLARK  
DRIVE - HOLLISTER, MO 65672-5168**

Howdy everyone. It was with great glee that I read the KTOZ story in the last DX News, as I was about to submit an AP Wire along the same lines. KTOZ-1060 is D1 at 500 watts in Springfield, MO, about 50 miles N of here. A call to a DJ found him surprised that he could be heard 'that far S'. The format is mostly big band, which is how I stumbled upon them in the first place. A casual listen will re-emphasize that this is a voluntary operation; some of the DJs are so bad that it's actually refreshing! One program had a



record stuck in the outgrove, the dude finally comes on and announces that he was stuck in the bathroom! The announcer that I called had just started a Sunday morning R and B show and was going to haul in his personal record collection (now that's how I'd want to run my show!) (Done that! -pls). But the ads were the best feature, one asking if you'd like to have your own show or write and produce commercials or paint the ceilings in the basement...just call and we'll train you in 2 weeks!...or this ad asking listeners to send in a \$1 donation for a new AM stereo transmitter. I just downloaded another AP wire (8/15) stating that the Labor Dept. has dropped the investigation due to lack of funds, but the station now plans to sue for changes in the rules for volunteers working at for-profit companies. The station is pushing bumper stickers, of which I'll get a fistful as the longevity of this operation is still in question. Personally, I hope it never goes away; they keep me laughing, and they play lots of Sinatra. Later!

#### BEN DANGERFIELD - 202 GOVERNORS DRIVE - WALLINGFORD, PA 19086

I thought I'd better touch base with you and MUSINGS before departing on yet another trip. I don't think you've heard from me since early in the year, just prior to our Mallorca trip although we did talk a little at the Kulpville session where I did enjoy the few hours I spent with you guys. I believe I was telling you about the bothersome buzz I've been getting here since early last fall, and I am still being bothered by it. It's not a continuous thing, sometimes not appearing on the AM band for several days, or maybe for just a few hours in the evening. But every time I turn on the radio, I hold my breath for fear it's there, and if it isn't, for fear it may suddenly appear. Even when it's not on the BCB it can usually be found on the LW band, but when it's really bad, as it is today, it extends from 153khz all the way to 29995 in the SW band varying in intensity being particularly severe at the low end of the band up to around 700 khz. Fortunately, I can null it considerably with the tilt feature of the Kiwa loop and it doesn't really cause too much of a disturbance from 700 through 1610, but my feeling is that any excessive sort of noise making long distance DXing just that much more difficult and I can't stand putting up with it. I've worked with 2 guys from the Philadelphia Electric Company who both agree that the noise is coming through the power lines but no one has yet pinpointed the source. I've gone out in my car several times when the buzz is severe and found it in most

directions for miles. So I don't know what to do, but I will again call the fellow from PECO tomorrow, if the buzz is buzzing tomorrow! I called the FCC once, but since my noise wasn't interfering with any major AM stations in the area, they couldn't care less. (Your experience is exactly the same as mine, Ben, except that my buzz is on 24 hours a day, except for a handful of odd times. -pls) I have been hearing a number of TA stations this month despite my buzz, and those with the best signals include Seville-684, Murcia-855, BBC-1089, Nitra-1098, Zadar-1134, Norway-1314, Germany-1422, Monte Carlo-1467 and Duba-1521. Just run of the mill stuff but OK for hot August. On 2 recent nites, I counted 55 and 60 TA signals, mostly hets, but they should soon develop into interesting signals. Locally, I of course have noted the demise of WBUX and now on 1570 the usual dominant one in the daytime is WKDB with its Kiddies stuff although sometimes WPGM takes over. I have also heard a strong carrier testing on 700 which would be the new station in Walkersville, MD, and a while back, I heard a strong carrier in the evening on 1040 which could have been the new Flemington, NJ testing (Still no construction on that one, Ben-DWS). The new Penns Landing TIS on 830 in Philadelphia is strong here, better than the Walt Whitman Bridge TIS on 530, but not as good as the Philly Airport on 1610. I don't do much DX domestically speaking, but I do regularly listen to WQEW each Saturday and Sunday night because I really enjoy the old, old records played by Rich Conaty, who is only 40! I was able to pick WQEW up easily on a car radio while up in VT last month. Where we're going next month (9/21-10/12) is one of my favorite places, the British Isles. My wife, daughter and I will spend a week in Scotland, and when my daughter leaves for home, my wife and I will visit friends on the Isle of Man. We met them in Mallorca. Then we will continue on through Wales to London and return home ourselves. I am particularly looking forward to the DX from the Isle of Man, which is a semi-independent country between Scotland, England and Northern Ireland. So you will be hearing from me when I get back.

**kfjb** 1230  
K-101  
MANSFELDTOWN, PA 01106 123 W. MAIN (910) 780-3301

#### JEFF ROSS - 7 TIMBERWICK DRIVE - FLEMINGTON, NJ 08822

I hope everyone has had an enjoyable summer - hard to believe it is just about over. Although no real DX has rolled in, I have managed to log a bunch of long needed stations within a 75 mile radius: 7/17 WSNJ-1240 3:34PM, WIOV-1240 3:59PM, WWCC-1590 4:29PM. 7/24 WILM-1450 8:57PM, 8/3 WFBL-1050 7:55PM. 8/7 WPDC-1600 7:05PM. I'd like to hear from other Drake R8 owners regarding a problem mine seems to have, when tuning across strong signals a very distinct "synthesizer pop" is audible. Drake claims this is normal operation but I'm not convinced. It's especially annoying when tuning back and forth across a strong station while trying to pull out what is underneath. On 8/6, I had a very enjoyable visit with RON BAILEY who was in NJ at the time. I must admit I was a bit jealous of Ron's incredible antenna system at his NC location. At least I'll have 1 guaranteed contact when I fire up my 100mw QRP transmitter! Nothing else going on other than work and chores around the house. Hopefully, I'll have more to report when the fall DX season begins.

#### DAVE SCHMIDT - P O BOX 11502 - WILMINGTON, DE 19850-1502

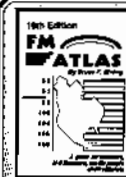
Not a whole lot new to report this issue, busy with work. I did attend the hamfest at Mullica Hill, NJ on 8/27 and while there, noted a vendor selling a number of hollow state receivers and transmitters (Vikings, Hammarlunds, Nationals, et al). Toward the

end, I noted he still had a fairly good shape Hammarlund HQ129X on the table (considering it has a 1946 date code on it), so I went in and made an offer on it, which he took. His comment: "I didn't want to take it back home again!" so I took it home for him.....to my home! A full instruction book was included and I was shocked to see the name of R L FOXWORTH written in it, a number of modifications made to it (and drawn out in the book). BOB FOXWORTH was an active member in the NRC through the 70's and had a few get togethers at his home in Mineola, NY, one which I attended and believe he was using this set then. It's interesting how equipment can be recycled! I also saw a EAC R390A and a Hammarlund SP600; the R390A was sold but the SP600 was there when I left. If you shop around, you can still find some good items. The new season is upon us, next issue starts out the new Volume year. So get in gear, report what you hear, don't forget to send it in so your DX News won't be thin!

*Publisher's note:* We're going to try the two-column format in "Musings" for now. Most of the other straight-text articles and columns in DXN are formatted in two columns, as nearly all magazines use the narrower column format for increased readability, and I thought it was time for "Musings" to be consistent with the rest of the DXN layout. It provides for more flexible insertion of graphics, too. Feel free to comment in your next Musing! -pls.

### How to place mail orders ...

Write to NRC Publications - P.O. Box 164 - Mansville, NY 13661-0164. Enclose check or money order; NY residents, please add state and local taxes. Please allow 3-6 weeks for shipping.



### Bruce Elving's **FM Atlas** - 16th Edition

The world-famous guide which has served FM DX'ers for over 20 years is available from NRC Publications at the special price of \$18.00. NY orders, please add sales tax.



### **AM Station Map Book**

3rd edition - \$8.00, postpaid.

Edited by DDXD editor Bill Hale, this book of station location maps is a companion to the AM Radio Log. Now easier to read than ever, the 170-page book is three-hole punched for a ring binder. Order from NRC Publications - Box 164 - Mansville, NY 13661. NY orders, please add sales tax.