



# NEW ZEALAND DX TIMES

VOLUME 25 No.7.

MARCH 1973

By the time you read this your Editor will be sightseeing in London and enviously eyeing the Duty-Free shops and Radio Dealers. Meanwhile there's news aplenty so lets dig straight into....

## BOX 2956

Glad to hear that Life Member Des Lynn is back at work after his recent illness...Due to heavy commitments in other areas Membership Secretary Bruce Cavanagh has resigned. New man at the helm is Edgar Macaskill, a stalwart member of Southland Branch for many years...Arthur Cushen advises that the 1973 World Radio Handbooks were due in early March...A romantic spin-off for the DX hobby occurred in Christchurch recently, with the engagement of Canterbury Branch President Lance Johnston to Gay Stevens, the Branch Secretary. Congratulations to you both and best wishes for your marriage later this year! ...Fred Clements of Wellington recently submitted a mammoth 33-page script detailing his DXpedition to Taranaki. A fine effort Fred! Hope that we may publish the highlights when space permits...FOR SALE Trio 9R59DE Series M communications receiver, 10 valves, covering all broadcast and shortwave up to 30MHz. 2 years old but condition as new. Also a Citizens Band base rig, Tait transceiver and power supply, 8 radial ground plane. All enquiries to Alan Wallace, P.O. Box 75, Spring Creek, Marlborough... ...A tip from Harry Searle of Invercargill: for details on how to obtain a free 'Great Circle' map of the world centered on NZ obtain a copy of "Health" Vol 24, No 4 from your Chemist or nearest Dept. of Health Office...Welcome to the following new members who have joined us in the last two months: John Watson of Waipawa, George Chester and N. Henry of Invercargill, Jim Selby of Porirua, A.E. Wilson, G. Simpson and Robert Shaw of Auckland, W.D. Young of Wainuiomata, J. Farrow of Lower Hutt, M. Robson of Christchurch, K. Bradley of Stratford, C.E. Douglas from Te Awamutu, B. Lilley of Dunedin and 2 new members from Tasmania: E. Carter and Hans de Jong. Hope you all find League membership beneficial to your DX listening! Thanks to all members who have renewed their subscription since the increase in dues late last year. Your support is appreciated! BC

### IN THIS ISSUE

An Extra for Your Loop.....Page 5  
Macau 735 khz on a 6 Transistor...P. 7  
ORTF Paris using 11 metres...P. 14  
25th Anniversary enrolment form  
.....Page 8  
St Helena on Shortwave.....Page 16  
Friendship Year stickers...Page 10

- 73 in 1973 - INTERNATIONAL DX FRIENDSHIP YEAR -

CLOSING DATE FOR NEXT ISSUE: WEDNESDAY 4 APRIL. DETAILS OF YOUR DX ACTIVITY, QSL's, BEST-OF-MONTH ENTRIES & LADDER TOTALS TO BOX 2956, WELLINGTON, NZ.

## From Headquarters

2

LEAGUE STATIONERY. Revised prices are: Aerogramme report forms 50 for 50c; Aerogramme report forms in Spanish with glossary 50 for 75c; 'surface' report forms 50 for 45c; Prepared Cards in English 25 for 65c; Prepared Cards in Spanish 25 for 65c; NZRDXL Log Books 90c each; League Envelopes 50 for 50c; 10 cent mint US postage stamps 10c each; 7 cent Australian stamps 7c each; Aerogrammes with NZRDXL letterhead 50 for 60c; 'surface' letterhead 50 for 55c; Metal badge \$1.00 each; and League Pennants 40c each, or 5 for \$1.50, or 10 for \$2.50. Postage must be added to all orders. Pricelist/Order Forms available from Stationery Secretary, P.O.Box 1313, Invercargill.

EUROPEAN DX COUNCIL. As membership of the EDXC has proved of little value to the League, it is intended to resign when our subscription falls due.

ABBREVIATIONS LIST. Magcom are preparing a list of abbreviations commonly used in the DX hobby, for use in conjunction with the Times and as an aid to new members. Branches have been circulated for their comments and it is hoped to publish the results about May.

## FROM THE BRANCHES

SOUTHLAND The February meeting was held at Lindsay Robinson's with 13 present. Discussion included a DX trip to Riverton, the Times' abbreviation list, hand-icaps, competition results and a DX chat. Competition Results: BC to R.Crawford with WSZD 1450 1kw; merit to S.Burtenshaw CKNW 980. SW Over 9 Zambia 11890 50kw S.Greenyer and Athens 21605 L.Robinson; Under 9 Mount Hagen 2450 - S.Greenyer.

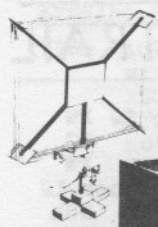
OTAGO The League's future looks bright in Dunedin with 10 present for the February meeting! The 5 new members included Alec Stuart, down from Oamaru. Lloyd Townley demonstrated his 'loop' antenna; Brian Lilley displayed his Grun-dig receiver, and Graeme Shillito's taped quiz on interval signals and language -s was won by Arthur Campbell. All correspondence to Arthur at 170 Taieri Road, Dunedin. Competitions: SW BBC 7150 to Denise Shillito & Lloyd Townley; BC Junior to Don Bruce with JOWF, BC Senior Graeme Shillito and WDAF.

NORTH OTAGO 13, including Arthur Williams from Timaru, were present at February's meeting to hear a Radio Amateur Mr Jim Grant give a most interesting talk on Antennas and Wavelengths. The testing of antennas for the new branch shack is progressing, under the supervision of Ito Tsukigawa. Next meeting 29 March.

WELLINGTON The 9 members present at the February meeting discussed the Times' abbreviation list and the proposed programme for the Jubilee celebrations in Dunedin. Little interest was evident in the proposed plans for the weekend and it was felt that greater interest would be shown if some DX content was included, especially for the benefit of those to whom the Jubilee meant little. A visit to NZBC Receiving Station, Quartz Hill is planned for 17 March. Competitions: SW Senior: RSA 25770 Bryan Clark, SW Junior: RSA 21545 Richard Walshe & Nigeria 7255 Nigel Robins, BC Nth Am: WUNI Tony King, BC Open: JOHR Bryan Clark, Utility: Italcable 9855 Bill Pearson. Next meeting: 25 March at 8 John St, Titahi Bay, 1450.

CANTERBURY 11 were present at the February meeting. Craig Crawford gave an interesting talk on his visit to the North Island, during which he visited several radio stations. Competition results: MW A/NZ 6BS Lance Johnston, Open KHAI Craig Crawford, N.Am CKDM David Ricquish and Craig Crawford. SW Over 9 to Lance Johnston and Bob Boundy with RSA 25790, Under 9 RNI 6205 Michael Pollard.

Editors Note: Great to see activity in all our branches, especially the Otago boys who return with a 'vengeance'. The future of the League is assured in this our 25th year! BC



# BROADCAST DX with George Masson

Summer daylight saving time should be effective for most of the U.S.A. in mid April. Reception for February has been good with South Americans being heard on many frequencies. North American reception peaked on the 11th, 16th, 17th and 26th on which dates reception was truly outstanding, with reception of WNJR Newark N.J. 1430

(first heard by Bryan Clark on the 11th) again heard on the 16th along with WFPG Atlantic City N.J. on 1450 with CBS news at 8. Also KOTA 1380 Rapid City, S.D. signs off at 7 after news and weather. Both these are seldom heard states. Who said medium wave was dead ?

BRYAN WITHERS, Twizel has reported WXLE JOUR Lille 1 1376, WING CKVN and VL2UV. QSL's in from 6BS and BBC Muscat 701.

RAY CRAWFORD, Invercargill has reports out to KJJK KJR KACY JORR JOJF AFNT 1550 Sharjah 1575 HLSA 967 9PA. Veries in from 5SE and WSZD. You are not the only one finding the veries slow !

GRAEME SHILLITO, now operating from Dunedin has logged KPAY KHAI KMEN KGW Burma 955, KTW KICY 2ZN 1ZU KARK. Veries in from WDAF KALI CKWX KPAY. Still keeping up the good work !

KEITH ROBINSON, Kapuka has reported A3Z 4IP 5AU 5DN KQIK 1230 WXLE 2DU 2MW 2MO and verified are 4IP A3Z JOWF KQIK. In amongst the 250 watters and set's "on the blink ?"

JOHN BATHURST, Christchurch has reported Fiji 560 and XERF, with QSL's from 2VM and WLAC.

CHRIS MARTIN, Croydon, N.S.W. using a Trio 9R59DS with loop has reports out to KKHI KDKA KOMO KKIS KOL KXYZ KGPX KHSL WBBM WCGO KWKH KJR KLAC KCRL KFAB WWL XELO XEPRS XEGM XEDM XET 9RB 4CA KYXI CFOX. QSL's in from KNBR CBW JOQR JOIR CKWX CFAC WBZ KIKI KBOI KFAX KFAB KOA WVUV CKVN VQO KOB KORL KOHO KGMB KXL KFQD KGW 4CA 9RB Mombasa 791 and Nairobi 746. Nothing wrong with that lot. There must be something about a cruise.... Thought Aussie was no good for Yanks.

MIKE SMITH, Matamata has logged 2WL 4QR WBAP 4MK 3AR 4GR JOBB 2DU 3TR 2NR 2TM 2NC 5AN CHQM 5PA 4BH 4QL 3SH 8TC. QSL'd 7HO 2DU 3TR and 8TC. An excellent BOM. Would appreciate times heard on North Americans Mike to maybe go in Trail.

LLOYD TOWNLEY, Dunedin has sent them to WSUN 620 DYLA and WXLE. QSL's from CHWK and KOMA. Good to see you amongst the Yanks again Lloyd.

LANCE JOHNSTON, Christchurch has logged WGN WBZ KMJ KOHO KGW WHAM KOL KPOL WMAQ KBOI. Veried KBOI KSCO KOMA. Good effort Lance.

LINDSAY ROBINSON, Invercargill has logged 2NA 3GL 4GG 4AK. QSL: KUAI

NIGEL ROBINS, Wellington has log-  
-ged XERF WLAC KING Fiji 710 with veries from KXEL and A3Z. MW bug ?

BILL WOLLER, Opunake has mailed to KFQD WXLE HJDP 1025, Niue 620 Fiji 710 810. Verie from KFQD. Good to see you in BC pages Bill. Thanks for comments.

GAY STEVENS, Christchurch has log-  
-ged WBZ KAIM KGMB KFRC KOA WGN KOB KMJ KOHO KPNW KGW. Verie WMAQ. Pulling in the Yanks now Gay ?

ARTHUR CUSHEN, Invercargill has QSL'd Sharjah 1575, and reported 4AY 4WK 4AT. With your total it must be harder to hear new ones!

SINCLAIR BENNETT, Christchurch has logged 5AD A3Z 4MK 4AT 2YX 2IM 5KA. QSL'd are 2PK 5PI 4MK A3Z 5AD 4SB 2CN 3B0.

BRYAN CLARK, Wellington has logged Nuie 620 KTAR WNJR 1430 CKFH 1430 KJJJ, Radio Colosal 1025 and R. Nacional Peru 855. Veries KLIF, JOHR, Nuie 620 (First NZ)

G. SIMPSON, Auckland in his first letter to the Times advises that he has QSL'd 2ZP 1ZM and 1XW. Good luck with studies.

ELIZABETH HELLYAR, Bulls has reported 3ZM 1ZB 1XA 2ZA 2ZE 1ZM 1ZK 4XO 4YW 1XI 1XK 2ZC 2ZG 2ZH 3YW 2ZM 1ZE 2ZP 1ZD 2ZN 3ZC 1ZC 3ZA with veries in from 4ZA 2ZW 2ZC 2ZB 2ZA 1ZK 3ZM 2ZG 4ZB 4XO 2ZM 1XX 3ZB 1ZM 2ZH 1ZB 3YW 1ZH 2ZH. Keep it up !

FRANK A. WILSON, Dunedin, has logged WXLE KSTP WCGO KSCJ KRLA WFAA KLEI Paradise 1265, KACY ZK2ZM CKNW. Veries in from 4AT 5SE KABC which brings Frank's BCB total to 1548. Congratulations with KLEI. Alan R will be interested ! Hope to see you in my holidays Frank.

CRAIG CRAWFORD, Christchurch just back from an NZBC-won holiday in the North Island has logged WXLE CKDM CFCN KCBS KRLD KPAY KKIS with veries in from KHAI KPOL CKDM WBZ KOMA KABC KPAY. KTOM has been signing off around 8 (when on PST) and 7 (when on PDT) for the last few years and still is. Still using KTOM call.

DAVID RICQUISH, Christchurch has logged A3Z VL2NI ORTF France 1430, VOA Florida 1180, CFGP CHAT KMJ WSM WLW CKDM KFQD KGHL KKON WXLE and Paradise 1265. QSL's in from 2ST 3HA 5PA KAIM KMJ KGHL KFQD CKDM CFGP CHAT JONR JOLF JOIR JOHR JOWF.

GEORGE MASSON, Upper Hutt has reported KOTA WNJR WVOX 1460 WFPG 1450 KOFF 1450 XEG 1050. Only one verie from KOTA 1380 - first QSL from South Dakota, making 45 U.S. states verified !

## QSL OF THE MONTH

### SENIOR & JUNIOR

8TC Tennant Creek 680khz 50 watts  
Michael Smith, Matamata  
(149 points)

### Second equal

CKDM Dauphin Manitoba, 730khz  
5kw. David Ricquish, Craig  
Crawford of Christchurch.

# BROADCAST TRAIL

580	KMJ 7.40.	LJ FW
590	GMW 7.29 exc 27/2	BC
	Also heard 7.55	FW
610	KFRC 7.30 strong talk show LJ	
620	KGW 7.15-7.40. fair LJ	GSh
	ZK2ZN 7.35 off 8	FW
720	WGN 7	LJ
730	Spanish mixed CKIG 7.50.	
	Very slow - could have been Portuguese	BW
	CKIG ID 8.05	FW
779	KOB 7.05 strong	LJ
810	WGY strong 10.15	GM
830	WCGO 7.30	FW
854	OAXLH fair 7.45	BW
	Full ID 9.17 fair	BC
890	WLS 6.55 (LJ) over Fiji 7.22.	
900	GJVI ID 11.30. and earlier	FW
910	KNEW very good 7.	
950	KJR news 9	RGr
1000	KOMO regular 11 after 1ZD	GSh
1020	KGBS 7.05 (LJ) Spanish mixed Tonga 7.10 (BW)	
1025	Colosal Columbia 7.28 (x 1020) (BG) HJDP 7 to 8	BW
1030	WBZ 7.20 strong	LJ
1034	CSB2 weak 7.15	BW
1050	XEG frequent album ads 7.15 (GM) 8.09 (BG) Spanish weak 7.15 (BW)	
1055	Spanish weak 8.22. Radio Cinco or similar	BW
1060	KYW on news 9.02.	GM
1110	KRLA good 8.30.	RGr FW
1120	KPNW good 7.30.	RGr
	Also 7.05 (LJ) WVUV 8.20. BRW	
1160	KSL strong reg with 3XC 7.15	
1180	WHAM 7.05	LJ
1190	KEX strong often Phone show 7.30	GM
1195	Philippines ? 11.20	BW
1230	KQIK usually test 1st Mon with 1 kw. Heard Feb 12 with morse ID's.	KR
1260	KGIL 7.32.	FW
1265	Paradise opening 9.03	
1270	CHAT news 8 off 8.10.	KR
	KFJZ call 8.10	KR
1290	KMEN good 7.15 pops	GM
	KHSL news 9 mixed KMEN who also mentioned KUOA	KR
	KHSL on sports nx 7.30	RGr
1300	KOL 7.30	LJ
1310	WRR news 8	KR
1320	KUDE ID 7.25	FW
1330	KPH 7.30 Telephone show	GSh GM
1360	KSCJ ID 6.56.	FW

EVENING TRAIL (Continued)

1380 KOTA 6.54 news wx sports s/off 7  
with SSB 17/2 GM  
XECO Radio Eco off 8 BC  
KTOM 8.02 off strong - has  
not changed call yet GM GSh  
Chilean excellent on elections  
5/3 7.30 to 9.30. BC  
Until 10.30 GSh  
1410 WUNI strong 7.15 female ann GM  
1430 WNJR 7.25 briefly 11/2 BC  
Also heard 16/2 mixed CKFH GM  
CKFH strong 7 often GM  
KELI good on news 7.02 GM  
1450 WFPG on news 8 16/1  
KGFF 7.30 - 8.15 tone test  
26/2 mixed another on mood m.  
Also another TT 8.10 same night  
(All GM)  
1460 WVOX on religious 10.30. fair  
11/2 (GM) WPNX ? under NZer  
9.10 GM  
1470 Raki raki Fiji Hindi 9.40 BRW  
1490 KAIR news 8 WX for Tucson KR  
1520 KOMA 7.10 RCr  
1530 WCKY 9 mixed KFBK RCr  
1550 KKHI very good 7.15 GM  
1570 CHLO good pop 7.20 GM  
CHUB ID 7.30. FW  
VL2NI Norfolk good 7.45. BRW

MORNING TRAIL

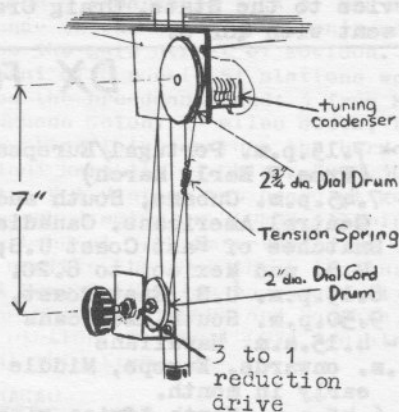
620 KGW 2.30 blocked by Russian GM  
740 JORR s.off 4. JOJF after 4  
heard until 6 RCr  
750 KFQD over KXL 3.15 CM/NSW  
790 Singapore. Eng requests Sun  
morns at 3 RCr  
820 WBAP C&W 1.15 weak CM/NSW  
WFAA ID 12.50 FW  
850 KICY 4.57 opening weak GSh  
880 KRVN strong reg 12.15 GSh  
Nx 1.15(RCr)  
885 Damman Saudi Arabia at 5.30 RCr  
920 KARK 12.35 fair GSh  
940 KAHU fair 4.15 RCr  
955 Burma 4.10. weak. Lady ann. GSh  
980 CKNW call 2.01 FW  
1020 KGBS opening 2 FW  
1030 KCTA 12.30. spanish prog  
then Eng GSh  
1060 KPAY 2.45 fair/ good GSh  
1130 KLEI opening 4 FW  
1250 KTW 2.55 local news over USSR.  
(GSh)  
1259 VOA Rhodes in arabic 5.30. BC RCr  
1290 KHSL ID 2.02 FW  
1330 KFAC News 2 RCr  
1380 KEEN sports Nx 2.30 RCr

MORNING TRAIL (Continued)

1460 KDON news 12.20 RCr  
1470 GFOX 12.45 choir mx and Mon-  
-treat ads CM/NSW  
1480 Thai exc 1.15 CM  
1520 KYXI and KACY at 1. RCr  
KYXI also 12.50 CM  
KACY heard 2.20 FW  
1530 Cambodian language over KFBK  
excellent 1.15 CM  
1550 AFNT good 4.30 RCr  
1554 Nice France good 6 BC  
1575 Sharjah good 5 RCr  
1602 West Germany good 5.45 RCr

A NECESSARY LOOP AID

When tuning a loop you may notice the tuning peak shift slightly as you remove your hand from the tuning condenser knob. This detuning effect is brought about by the proximity of your hand adding capacitance to the loop tuning circuit. The arrangement in the diagram will overcome this effect, while the use of a Jackson 3 to 1 vernier reduction drive to drive the lower dial cord drum, gives a smooth tuning action essential for spot on peaking of the loop. 2" and 2 3/4" dial drums will fit the metal vane type tuning condenser (1/2" spindle) and the Jackson 3 to 1 drive shaft.



Wind the dial cord around both drums about 4 times and position the light tension spring to the upper right (front view) with the loop condenser fully anti-clockwise.  
-- George Masson

NIUE A letter from the Resident Commissioner advises that the new 2ZN was officially opened on January 29 and broadcasts on 620 khz with 200 watts. The station uses a new 250 foot tower located one mile west of Alofe. Studios and offices are being rebuilt and when completed the hours of transmission will be extended. The present schedule is: Monday to Friday 2300 - 0030 GMT, Tuesday to Saturday 0500 - 0810 and Subday 0500 - 0810. =AC

Gilbert & Ellice Islands 1973 WRTVH lists a second station on 580 khz with 2 kw - possible planned relay of VSZ1 = via MB

AUSTRALIA 4MS Mossman Queensland 600 khz 1kw an ABC repeater opened on 26th February. 4NA has moved from 1320 to 940. A commercial station is planned for Charters Towers, Queensland, power not in excess of 2 kw =AC

Asiatic RSFSR Verkhoyansk 655 khz noted with s/on under Pyongyang 1300 GMT

IRAQ A new super power station at Kirkuk on 692 khz is thought to be 1000 kw =NRC

Canton Island David Ricquish reports WXLE power announced as 25,000 watts. Is there are listening audience to warrant such power ?

Sharjah Arthur Cushen has received a QSL from this station in the form of a gold and blue card which shows a map of the area. According to the verification the station was opened recently and operates on 1575 khz with 50kw from 0230 - 0630; 0830 - 1030; and 1300-1900 GMT in Arabic. The verification came from John S. Landsbergen, a Dutch Engineer who is training the staff. The station address is P.O. Box 70 Sharjah.

JAPAN: JOWR Fukushima increased power to 1 kw and moved to 1060 ex 1460 on 1/27/73. JO-- Tusuchiura (Ibaraki BC) now 1 kw on 1460 ex 1560 effective 1/12/72 =JSWC

India Reports to AIR Rampur 1060 can be addressed direct to Station Engineer Government of India, All India Radio, Rampur (U.P.) India = R. Chambers.

U.S.A. The week 2-8 April has been designated KOB Radio Week by the Governor of New Mexico in recognition of the Albuquerque station's half century of service to the State. Craig Crawford advises that commemorative coins are being sent with QSL's.

## DX FORECAST

### MARCH

- 6.20. - 7.15.p.m. Portugal/Europeans  
(From 7 Early March)
- 7.00 - 7.45.p.m. Cubans, South and Central Americans. Canadians. Snatches of East Coast U.S; U.S. and Mexico. to 8.20.
- 8.00 - 8.15.p.m. U.S. East Coast.
- 9.15 - 9.50.p.m. South Americans
- 4.00. - 4.15.a.m. Hawaiians
- 4.45.a.m. onwards. Europe, Middle East early in month.
- 5.15 - 6.45.a.m. North Africa with Europeans.

### APRIL

- 4.15 - 4.30.p.m. South Americans late in month.
- 5.00. - 5.30. Central & South Am.
- 6.00 - 6.30. South Americans
- 6.00 - 7.30. North Americans
- 6.05. Portugal
- 4.30. - 4.a.m. Asians good.
- 5.20. - 7.40.a.m. Europe/ middle East/ North Africa/ - Best month for Europe !

You could hardly have called it a DXpedition! Even a DXer likes to get away from it all once in a while, but on a trip around the Far East last April your Editor couldn't resist the opportunity to check the local radio waves now and again. As a result, our first duty-free purchase was a small radio/cassette recorder, with broadcast coverage and the handy facility of direct radio-to-cassette recording, without bothering with microphones etc. A circular tuning dial the size of a 20 cent coin meant that my frequencies would be guesstimates but it wasn't bad for NZ\$30. In trying to get away "from it all" my only guide to the broadcast scene was my limited experience of Asian DX. Anyway here's how it went.....

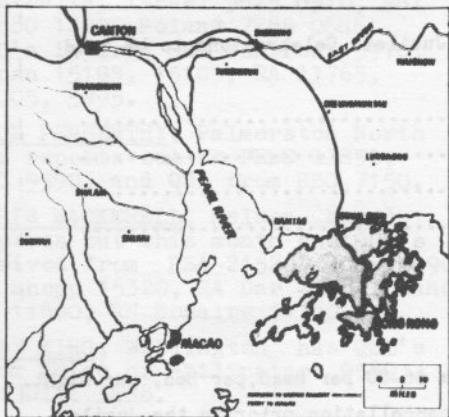
### HONG KONG

2 companies vie for the radio listener in this British Crown Colony of some 5 million citizens. My first impression of the Government-controlled Radio Hong Kong "RHK" was its use of Australian announcers; at least 5 of them. RHK's 545 kHz English outlet can be heard quite well by DXers in NZ. The station commenced broadcasting in 1929 as ZBW. A 25kw shortwave transmitter was operated until the late 1960's.

The private enterprise Commercial Radio-Hong Kong (1050kHz) seemed to broadcast mainly cigarette and wristwatch commercials. (I came home singing about 'Viceroy' cigarettes and 'Giraud Perregaux Quartz Watches') Another with different impact was a one-liner heard before the weather forecast: - "The road to Hell is lined with Narcotics". Commercial Radio's English announcers are mainly fluent young Chinese.

A third English-language station, operated by the British Forces Broadcasting Service could not be heard and I found no reference to it in local papers.

Television in Hong Kong was at a turning-point during our stay, with a government decision to grant 2 further TV broadcasting licences late in 1972: one for a two channel network (1 English, 1 Chinese), the other for a single channel in Chinese. These would be in addition to 2 colour channels and 2 black-and-white rediffusion channels currently operated.



There was a remarkable lack of man-made interference in our hotel room, only one block from the main street of Kowloon. At 8 am a total of 8 non-local stations were audible on the broadcast band: 5 from Macao, the Portuguese Colony 40 miles south; the other 5 most certainly across the border in the Peoples' Republic of China. By 9.30 in the evening VOA Vietnam was heard at good level through jamming on 260kHz. A spin along the band at 9.45 pm revealed 66 (1) stations audible, besides the 5 locals. At 11 pm VOA News in English was heard at V.G. level from Okinawa 1173kHz and Bangkok 1580. An AFRE station (Taiwan 1402) was also audible at this time.

### MACAO

A 20 minute trip by hydrofoil down the Chinese coastline brought us to this little piece of Mediterranean Europe in Asia. Our hotel room featured 'piped RHK and Commercial Radio HK' but these were obliterated when anyone turned on their airconditioning. In fact, by 10.15pm neither station gave satisfactory reception due to co-channel QRM!

Unifora Vila Verde, a commercial enterprise, gives Excellent reception in Chinese throughout the 'enclave' on 759kHz.

-to be continued



JUBILEE CELEBRATIONS

SEPT 29th & 30th 1973

AT DUNEDIN



8

PROGRAMME.

SATURDAY 29th.

- 12-30 PM. Luncheon "Cherry Court"
- 1-00 PM. Roll Call
- 1-30 PM. Depart for NZBC TV Studios
- 2-30 PM. " " " " Transmitter
- 6-30 PM. Cocktail Hour "Cherry Court"
- 7-30 PM. JUBILEE DINNER " "

Tick for Attendance

\_\_\_\_\_

\_\_\_\_\_

\_\_\_\_\_

\_\_\_\_\_

\_\_\_\_\_

\_\_\_\_\_

SUNDAY 30th.

- 9-30 AM. Bus departs for Scenic Drive (Wives & Girlfriends)
- 9-35 AM. ANNUAL GENERAL MEETING
- 12-30 PM. Luncheon "Cherry Court"
- Farewell.

\_\_\_\_\_

\_\_\_\_\_

\_\_\_\_\_

JUBILEE REGISTRATION FORM

THE JUBILEE COMMITTEE  
 86 MIDDLETON RD  
 KEW  
 DUNEDIN

Dear Sir,

I wish to attend the Jubilee Celebrations to be held  
 on September 29th & 30th 1973 at DUNEDIN

NAME.....

ADDRESS.....

.....

.....

I will be accompanied by my wife YES / NO

I will require Motel Accommodation YES / NO

Jubilee Costs : \$11-00 per head

Motel Accommodation extra. Approx \$6-00 per Head, per Bed, per Night.

PLEASE REGISTER NOW (In the event of a late cancellation prior to the Jubilee  
 the deposit will be refunded.)

PLEASE POST BY RETURN WITH A DEPOSIT OF 1 DOLLAR TO : THE JUBILEE COMMITTEE

86 MIDDLETON ROAD

KEW

DUNEDIN.



# SHORTWAVE MAILBAG

9

with John Mainland

Another good fistful this month to keep our typist busy!

LINDSAY ROBINSON, Invercargill has logged 38 stations and QSL'd Timor 3668 RAI 5990, HCJB 9560, 5990, CBC 15315, Moscow 6000, Vienna 21705, Popondetta 2468, BBC 21530, VOA Monrovia 7195, 21670, UN Dixon 6145 NHK 9560.

PETER HERMAN, N.S.W. Australia has 7 loggings and the following QSL's: Budapest 11910, Portugal 17880 & 21495, Korea 9640, XERMX 15385 (A 1st report on new Tx of 75kw), Sweden 9670. Listings in columns would help our typing immensely Peter.

BRIAN WITHERS, Twizel has four reports out and QSL's from Nederland 15350, DW-Werch 7185, 7150, DW-Julich 7105, RA Perth 9665, FEBA 11955, RA Shepp 15265 RA Dar 6120, Nigeria 15120.

HARRY SEARLE, Invercargill has reports out to SBC 9590 0700, Ned Bonaire 9715 0800, Bagdad 9745 1938, VOA Greenville 6040 1940. No veries.

JOHN HILLIER, Masterton, has five reports out to Radio Japan, 4 to Australia, Israel 9625 0510, RBI 17880 1220, Poland 7285 0646. QSL's in from CBC Montreal 5970, Japan 15195, 15105, RA 11765, 15405, 5995.

PAUL PENBERTHY, Palmerston North has reports out to FEBC 11890, SBC 9590, and QSL from BBC 7150.

CHRIS MACKERELL, Nelson has 3 reports out this month and QSL's arrived from RSA 21520, HCJB 5990, RA Shepp 15320, RA Dar 21480, Canary Is 11800, RN Bonaire 11730.

TONY KING, Wellington has QSL's from Voice of Philippines 9580 and Dili 3668.

KEITH ROBINSON, Kapuka has verified HCJB 21460, BBC 25710, XERMX 21705.

DENE LYNNEBERG, Titahi Bay, 7 out, with QSL's BBC Tebrau 9570, 9580. DW/Werch 9545, 15275.

ARTHUR CUSHEN, Invercargill tops this column with the following QSL's: Athens 21610, CBC/BBC 9545, 11740, 9690, 11735, 11780, CBC via WNYW 11950, CBC 11960, V of Hope 9640, Sweden 21715, BBC 7150, RBI 21500, RSA 15285, 17870, Sweden 15295, HCJB 15375, Austria 9625, Lagos 7275, 7255. Nine reports out.

MIKE SMITH, Matamata has three reports out and the following veries: Prague 21690, ORF 21705, Moscow 9450, 21505, RAI 21695, 15320, P&P 9480, HCJB 5990, RSA 17815, SBC 21520 TWR/Monte Carlo 11955, RBI 15100, Sofia 6160, NHK 17710, Sweden 9760 9715, RNE 15420, AIR 9912.

ALAN CRAWFORD, Invercargill has six loggings and a QSL from VLM4. Notes mailed too late. Arrived Thursday.

NIGEL ROBINS, Wainuiomata has sent out four, and has received rewards from ORTF 15155, AIR 9912, 15205, Noumea 11710, Rome 9630, Athens 7215 Sweden 9715, Vienna 6155, RSA 11970, Canaries 15365, Nigeria 7255, RA Lyn 17785, V of Hope 9670.

BRUCE WILLIAMS, Wellington has sent a long list of observations and news of a QSL from VLR6.

JOHN BATHURST, Christchurch has 6 logs in Bandwatch, and now awaits results. Worth waiting.

BRYAN MARSH, Auckland has logged 8 in the last two months and received QSL's from TWR Bon 11725, BBC Atl 15260, Timor 3668, Greece 7215, Sweden 6175.

LANCE JOHNSTON, Christchurch. Four reports out. Veries Japan 7195, Norway 17800, Belgrade 7240, RSA 25790. OEY21 6255.

MICHAEL POLLARD, Christchurch has one QSL from RNI 6205. Would you like your Times in Ch'Ch ?

MICHAEL COLE, Auckland has QSL's from Canada 9655, TWR Monte 9540, Timor 3668.

**IAN WELLS**, Milton has 9 loggings this month and QSL's from BBC-UK 7150, WNYW 9690, Austria 21705, Cairo 9475, TWR Bon11725, DUH2 6170, Sweden test 6175 (12/1) Madang 3260, Goroka 2410.

**RAY CRAWFORD**, Invercargill also has 9 reports out and QSL's in from RN Mad 9715, 11730, NHK 17710, Canada 11860, Timor 3668, YDV5 Madaram 3223, RA Dar 15355 9730 7145 9700, RA Shepp 3 freqs, RA Lyn 2 freqs.

**JOHN DURHAM**, Whangarei has logged 40 in the last two months, and received QSL's from BBC 9580 11965, HCJB 11745 17885, RNE 15145 11775, SBC 9750, RA (5 freqs), Tahiti 15170, P&P 9780, Lib Radio 10040, Peking 11725, VOA Dixon 17895, Vatican 15200 Prague 11855 9630 11990, Tashkent 15415, WINB 15185, BBC Cyprus 9650, 15420, BBC Tebrau 9740, RN Bon 15375, RNZ 1770 9755 15110, Japan 11780. A very busy summer John!

**BRYAN CLARK**, Wellington has 6 reports out and veries to hand from South Africa 25770 17870 UN Greenville 21670, CBC Montreal 11860.

**STEVEN GREENYER**, Invercargill has logged 14 and verified Israel 9625, Zambia 11890, Singapore 5052, Timor 3668, Mt Hagen 2450, RFE 11895, Madang 3260, Bangladesh 17935, Popondetta 2468, RRI Menado 5987.

**JOHN MAINLAND**, Wellington added 14 to Bandwatch and has verified FEBC 15235 Karlsborg 6175, Buenos Aires 9690, 15345, Cairo 17920, CBC-S 11860, Noumea 11710, Athens 7215, RBI 11870, Budapest 7220, Vienna 9625, Timor 3668, ETLF 11955, XERM 11770, Doha 9570, Bangkok 4830, Jerusalem 11960.

**JOHN WATSON**, Waipawa has made 154 loggings during the last few months and with the addition of the following brings his QSL total to 789. Japan (10 freqs), RN Hil 17830, RN Bon 5 freqs, RA Shepp 4 freqs, HCJB 11745 11715 5990, Peking 15240, Warsaw 7285, Manila 9580, Dili 3668, RFE 11900, Goroka 2410, Kerema 3245, Madang 3260.

10

**NSB** (1st Program) 100.1 100.1 100.1  
(2nd Program) 100.1 100.1 100.1

JAPAN



NSB's QSL shows how to get a QSL!

**RADIO NEDERLAND**  
**WERELDOMROEP**

To promote the World DX Friendship Year '73 Radio Nederland is issuing a gummed letter seal for DXers use. A sheet of 20 seals can be obtained FREE from DX Jukebox c/o Radio Nederland, P.O. Box 222, Hilversum, Holland.

WORLD DX FRIENDSHIP YEAR  
**73**  
RADIO NEDERLAND

Enter the League's 25th Anniversary Contest

# SW BANDWATCH

ALL TIMES GMT. FREQUENCIES IN KILOHERTZ.



During February unsettled ionospheric conditions affected reception on the higher frequencies, but as contributions to Bandwatch show, considerable DX has been achieved on the lower frequencies. Of note this month is yet another new station in Papua-New Guinea: Radio Chimbu at Kundiawa. (See 2376kHz) Also, reception of Paris is noted on 25630kHz, their first use of this waveband.

FREQ	TIME	COUNTRY	PROGRAMME & RECEPTION DETAILS	INITS
2307	1600	INDONESIA	RRI Djakarta with local programme.	<u>AC</u>
2376	1100	PAPUA-NEW GUINEA	Radio Chimbu, P.O.Box 228, Kundiawa 2kw fair in Pidgin English to s/off 1200. Sked 0700-1200. (Watch for Kavieng 2428, Vanimo 3205, Mendi 3275 and Lorangau 3905 all planned to open soon)	<u>DL SG</u>
2410	1019	PAPUA-NEW GUINEA	Radio Goroka VG with Pidgin anncts. <u>IW</u> 1100.	<u>SG</u>
2450	1205	PAPUA-NEW GUINEA	Radio Mt Hagen English & local songs, s/off 1230	<u>SG</u>
2468	1030	PAPUA-NEW GUINEA	Popondetta fair at s/off 1102.	<u>SG DL</u>
3205	1620	INDIA	Lucknow fair-good with relay of Delhi in English.	<u>DL</u>
3260	0900	PAPUA-NEW GUINEA	Radio Madang. QSL in 11 days. <u>SG</u> 1040 good.	<u>IW</u>
3305	1146	PAPUA-NEW GUINEA	Radio Western District, Daru good signal.	<u>JD</u>
3335	1220	PAPUA-NEW GUINEA	Wewak fair with requests on Saturday.	<u>SG</u>
3360	1040	PAPUA-NEW GUINEA	VL8AS Milne Bay good with indigenous music.	<u>BW</u>
3400	1530	INDONESIA	Madang logged with local programme.	<u>AC</u>
3668	1031	PORTUGUESE TIMOR	Dili fair in Portuguese, music programme.	<u>IW BW</u>
3925	0935	JAPAN	JOZ1 has English lesson Tuesday. Poor, mixed VLK3.	<u>JB</u>
3952	0630	GREAT BRITAIN	BBC European Service, fair in French.	<u>BC</u>
3960	0556	WEST GERMANY	RFE Biblis (20kw) clear s/on Sundays in Polish.	<u>BC</u>
3970	0630	WEST GERMANY	Radio Free Europe (20kw Biblis) fair in Hungarian.	<u>BC</u>
3975	0645	GREAT BRITAIN	BBC good with English by Radio.	<u>BC</u>
3980	0600	WEST GERMANY	VOA Munich (8kw) at good level with Breakfast Show	<u>BC</u>
3990	0645	WEST GERMANY	Radio Liberty occasionally audible thru jamming.	<u>BC</u>
3985	0635	SWITZERLAND	SBC Berne very good in French.	<u>BC</u>
3995	0550	WEST GERMANY	RFE (Biblis 20kw) fair in Czech. Later jammed.	<u>BC</u>
3995	1100	SOLOMON ISLANDS	SIBS Honiara relays Radio Australia news.	<u>BW</u>
4650	1500	INDONESIA	Simeulue with spoken programme.	<u>AC</u>
4750	1852	ZAIRE	Lubumbashi with talk in French by a lady.	<u>ADXN</u>
4765	1852	CONGO	Brazzaville with a French play.	<u>ADXN</u>
4815	1940	UPPER VOLTA	Ouagadougou with French talks.	<u>ADXN</u>
4820	1850	GAMBIA	Radio Gambia good with English variety prgm, full ident at 1900 then into vernaculars.	<u>DL</u>
4820	1903	ANGOLA	Emisora Oficial, Luanda with Portuguese songs.	<u>ADXN</u>
4832	0522	COSTA RICA	Radio Capital frequent ident. BW Sign-off 0725.	<u>BM</u>
4839	1905	ZAIRE	Bukavu popular songs in local language.	<u>ADXN</u>
4845	1810	BOTSWANA	Gaberones, light music during English service.	<u>ADXN</u>
4890	1842	MOZAMBIQUE	Beira with talk in vernaculars.	<u>ADXN</u>
4911	1800	ZAMBIA	Lusaka has English news.	<u>ADXN</u>
4915	0600	GHANA	Radio Ghana very good with English Nx. DL Fair //4980.	<u>BW BC</u>
4926	0501	RIO MUNI	Radio Bata with Spanish & African music. Jim Young	<u>NASWA</u>
4930	0654	DOMINICAN REPUBLIC	Radio Mil full id, anthem to s/off 0657 good.	<u>BC</u>
4945	0655	COLOMBIA	HJDH Radio Colosal good in Spanish <u>JB</u> 0700 V.G. <u>LJ</u> fair	<u>BW</u>
4965	0715	COLOMBIA	HJAE Radio Santa Fe good in Spanish. (Note correct call)	<u>JB</u>
4972	0540	CAMEROONS	Radio Yaounde good with local songs. English Nx 0545.	<u>DL</u>
4980	0700	GHANA	Radio Ghana, Accra logged with English news.	<u>BM</u>

FREQ	TIME	COUNTRY	PROGRAMME & RECEPTION DETAILS	INITIALS
4985	1903	MALAGASY REPUBLIC	Tananarive with Malgache Service.	ADXA
5010	1005	PERU	Radio Eco s/on heard 0930 but often 24 hrs.fair strength.	SG
5030	0900	VENEZUELA	Radio Continente good with s/on.	SG
5050	1843	TANZANIA	Dar Es Salaam presenting a discussion in Swahili.	ALXN
5052	1120	SINGAPORE	Radio Singapura fair with news at 1130.	SG
5063	0630	ALBANIA	Radio Tirana Home Service good signal. Ident at 0700.	DL
5960	0600	SIERRA LEONE	in English with old pops,time checks and many advertisements. (Hoogerheide,Sykes,Fuchscherer NASWA)	
5990	1830	UNITED STATES	AFRS new frequency with ABC news.	AC
5990	1300	JAPAN	NHK Radio Japan s/on in English.	RC
6000	1300	USSR	radio Moscow concludes programme in English.	RC
6015	0910	PARAGUAY	Radio Paraguay s/on, id "Emisoras Paraguaya".Coke advtss	SG
6025	0600	NIGERIA	Enugu with English News. (Perry,Young,NASWA)	
6065	0718	SWEDEN	Home Service in Swedish,weather & Shipping reports.	NR
6070	0516	ECUADOR	Radio El Mercurio,pops,ident and s/off. Behr,Dexter,NASWA	
6085	0416	CONGO	Radio Kisangani with French & vernacular talks.Churchill/	
6085	0800	ESTONIA	Tallinn int/sig then talk. Young NASWA. Noted at NASWA 1300 with Russian anncts & classical mx. (Patterson NASWA)	
6090	0700	LUXEMBOURG	in German with wx,mx and Advts.Fair with QRM ABC.	NR
6110	1630	AZERBAYDZHAN	SSR Radio Baku with transmission in Arabic.	JF
6140	0930	HOLLAND	Radio Nederland opening,blocked 0945 by ABC Perth.	AC
6135	0830	BRAZIL	PRC21 Radio TV Gaucha fair reception nightly.	BF
6140	0411	BURUNDI	La Voix de la Revolution,Nx in kirundi. Churchill NASWA	
6147	0441	HAITI	Radio Citadelle,music & idents x6155. (Hauser NASWA)	
6155	0855	JAPAN	F.E.N at fair strength. 3910 covered by Russian.	SG
6170	0957	PHILIPPINES	DUH2 good signal. English Nx at 1000.	IW
6185	1700	LIBYA	Tripoli with Arabic Nx,Mx and talk. (Wootten NASWA)	MC
6210	0600	INTERNATIONAL WATERS	Radio Nordsee good with English,Sundays	CM BW
6255	1820	AUSTRIA	OEY21 Austrian Army with fair signals.	LJ
9009	0500	ISRAEL	Kol Israel English Nx at very good strength.SG//9625.	IW
9505	0042	PORTUGAL	IBRA Radio via RTE Sinnes,testing to India in reb.	JM
9515	0637	TURKEY	Ankara Radio with popular music.	JD
9530	1830	MOROCCO	VOA Tangiers s/on in Bulgarian,strong signals.	BW
9545	2240	PHILIPPINES	VOA via Poro good with English to S.E.Asia.	IW
9560	1015	JAPAN	NHK with QRM from Poro 9555.Both JD English s/on 1300.	RC
9570	0535	QATAR	Radio Doha noted with Arabic news.	JF
9580	1106	UNIDENTIFIED	"Voice of the East" ident in English under RA. (Possibly the "Voice of the Philippines" JM)	RS
9590	1500	RUMANIA	Radio Bucharest English to Asia // 11940,15250.	JH
9610	0410	PERU	Radio Sideral,Pucalpa new station with slogans in Span.	NZDX
9630	0955	SWEDEN	Radio Sweden logged in French.	SH
9635	0930	BRAZIL	Radio Aparecida ZYK85 difficult reception with ident.	LF
9640	0500	PORTUGAL	Voice of Hope has english religious & dx prgas on Sundays.0515 Serbian, 0530 Croatian.JM RC Offers LP for reports.	AC
9650	2220	PORTUGAL	Deutsche welle via Sines Exc in Bulgarian.	HR
9670	2130	PORTUGAL	SEIT (Secretaria de Estado de Informacao e Turismo) via Sines good in Swedish,then Dutch 2200-2230.C/o box 2475,Lisbon.	JM DL
9685	1900	AUSTRIA	Vienna noted with s/on to Europe.	RC
9700	2300	AUSTRALIA	RA-Darwin noted at fair level.	JD
9710	2200	ITALY	RAI Rome radio has English news.	JD
9715	2130	MALAGASY REPUBLIC	radio Nederland relay,English to Aust.Fair.	HR
9725	0425	BURMA	Rangoon poor with music and Burmese.	AP
9730	0410	MONACO	TWR Monte Carlo English test,fair to 0445 1/2.	JR
9750	1230	PHILIPPINES	SEARV heard with Christmas Carols 4/3!	BF
9755	1030	SOUTH VIETNAM	VIVA Saigon with transmission in Chinese.	JH



# ARTHUR CUSHEN'S SHORTWAVE REVIEW

14

This month finds many changes which took place on 4 March now in operation, including a new schedule from Austria to New Zealand, an additional frequency for Radio RSA to this area, a frequency change for Radio Sweden and many other items of interesting news. The advent of the Autumn schedule shows an increase in daylight reception in this area. From 25 February and at least a week following, signals have been below normal due to severe disturbances effecting reception particularly at dawn and dusk. All times are GMT; frequencies in kHz.

AUSTRALIA Radio Australia has 3 new frequencies in operation from 4 March: 6075kHz 2130-2230 from Darwin in Vietnamese; 9690 1130-1500 from Darwin, mainly in Cantonese; 11790 1100-1730 from Shepparton in English; and 11870 1330-1500 from Shepparton with English for the last half-hour.

AUSTRIA Vienna now has two transmissions to Australia, NZ and the Far East. From 0400-0700 on 17740 and 1200-1700 on 17780kHz.

BELGIUM Brussels was noted on 11770 closing at 0540 with a Home Service relay.

CANADA CBC advise that they have deleted 6090 from their March 4 schedule. It was to have operated 0415-0630 GMT.

COLOMBIA 3 all-night stations continue to be heard in the 49 metre band. Radio Super 6065, Radio El Sol 6140 and Radio Nueva Granada 6160 are noted at 0800.

FINLAND Helsinki has English 2030-2100 on 21605 and 15185 to South America, and 11755 and 9555 to Europe.

FRANCE ORTF Paris has been heard for the first time in our memory using the 11 metre band. Opening is at 0800, French news at 0900 and interval signal at 0905. Parallel frequencies are 5960, 6175 and 9560kHz, to 25630kHz.

GREAT BRITAIN The BBC has dropped the frequency of 25620 from its schedule for the World Service to the Pacific area from 0900 GMT.

INDIA Delhi is heard with English at 1000 on 11910 beamed to Australia & NZ.

INDONESIA RRI Djakarta on 2307kHz has been heard with a local programme at 1500 GMT.

JAPAN Radio Japan's regional services have made some frequency changes from March 4:

Area	GMT	kHz
North America	0100-0300	17745(new), 17825, 17725, 15235.
Europe	0645-0845	21570(new), 17825.
South Asia	1430-1730	11705(new), 9670.
Middle East	1745-1915	11965(new), 9670.
Europe	1930-2100	11960(new), 9735.

NETHERLANDS ANTILLES TWR Bonaire has French to Europe on 11840 to close 2215.

PORTUGAL The Voice of Hope continues to be heard on 9640 on Sundays opening at 0500. There is some interference from BBC Arabic Service also opening.

SOUTH AFRICA Radio RSA now uses 3 transmitters in its service to NZ 0756-0850. They are using 15220, 17815 and 21520kHz. The service to Australia has been brought forward an hour and is now broadcast 0856-0950 on the same frequencies as to New Zealand.

SWEDEN Radio Sweden is using its first 500kw transmitter on 17840 to South Asia 0430-0615. The service to New Zealand 0515-0615, with English for the first 30 minutes, is now broadcast on 11940, replacing 9760kHz.

UNITED STATES AFRS on 5990 a new frequency, noted at 1830 but blocked from 1950 by Rome Radio.

**SELL**

TRIO 9R59DEM communications receiver. 10 tubes, covering all MW and SW up to 30 mhz. Two years old. As new condition.

TAIT CB base rig. Tait transceiver and power supply and 8 radial ground plane. No ham licence required.

All enquiries to Alan Wallace, P.O. Box 75, Spring Creek, Marlborough.

# UTILITY DXING

with Bill Pearson

15

Only three contributors this month so these pages may only appear two monthly in future unless I have some notes to print. What about it chaps; DENE LYNNEBERG, Titahi Bay, advises that veries are nil, but one report off to WWK39 Loretha, Puerto Rico 9940 0615.

RICHARD WALSH, Wainuiomata, has QSL's from VNV56 12035 and reports to SVA Athinaí Radio 13168 0617; Kuwait PTT 13833 0611; CHU 7335 0340.

BILL PEARSON, Wellington, has reports off to ODI57 Beirut 10570 0513; ATTC New York 7765 0520; CUB27 Madeira 9945 0910; Netherlands PTT 14965 1025; IRL27 14736 0700; Verifications from VJM MacQuarie Is 7920; CLN-236 Cuba 10250; Fort de France 11613;

<u>SHORT TRAIL</u>	<u>SHORT TRAIL</u>	<u>SHORT TRAIL</u>	<u>SHORT TRAIL</u>	<u>SHORT TR.</u>
2182	International Distress Frequency.	Worth continuous monitoring.		
2500	1500	ZUO Rep. Observatory, Johannesburg.	with t/s. (4 kw)	CM
7380	1920	HEK3 STTA Berne, fem vm, fair,	QRM R.Moscow (in SSB)	CM
13168	0650	Haifa Radio, Israel.	good in AM with male t. tape	WP
15467.5	0750	6VK415 STIS Dakar, fair	with fem in Eng/Fr (in SSB)	CM
15650	1430	TJF55 IT Cameroun, Douala,	Eng/Fr vm good in SSB	CM
15755	0515	SUA238 Cairo R/T Terminal	with male in Eng/Arabic SSB	CM
16200	0755	TUP62 ITCIC Abidjan	good with vm in SSB	CM
17072	0915	GKG Portishead Radio	with fair signal of CQ marker	CM
19075	0315	5YF90 EAETC Nairobi,	good with male voice in SSB	CM
22005	0805	Greek ships calling Athinaí Radio	in AM	CM

**SOUTH AFRICA;** Cape Town Radio communicates in CW on Mon-Sat at 0900 GMT with ZOE Tristan da Cunha (S. Atlantic) on 12651 kHz and 16432 kHz. Cape Town Radio uses the callsign ZSC. (SADXC)

Dept of Civil Aviation transmitters can be heard testing from 1800 on 3990kHz. These transmitters are 'back up' facilities in event of teleprinter break downs. Reports to D.C.A. at airport concerned.

Thanks this mth to Colin Miller for trail items.

የራዲዮ መስማት ለሚደርሰው መግለጫ ።

## VERIFICATION OF RECEPTION REPORT for Mr. W.J. Pearson.



Freq. 10370 kcs.

**RADIO**

**ADDIS ABABA**

**ETHIOPIA**

የ ራ ዲ ዮ ፡ አ በ በ ፡

ራ ዲ ዮ ፡ ጣ በ ያ ፡

ኢ ት ዮ ጵ ያ ።

We thank you for your report.

Date. 6.5.72

የኢትዮጵያ ንጉሠ ነገሥት መንግሥት ፡

የቴሌኮሙኒኬሽን ቦርድ ።

የፖስቶ-1047 አዲስ አበባ ኢትዮጵያ ።

Imperial Board of Telecommunications  
of Ethiopia

P. O. Box 1047 Addis Ababa Ethiopia

# New Zealand Radio DX League

Founded 1948

16

ANNUAL SUBSCRIPTION: \$4.00  
(Secondary Students: \$3.00)

## ADMINISTRATIVE OFFICE

### Editorial Office

P.O. Box 2956 Wellington.

Editor: Bryan Clark  
Publisher: Tony King

Only correspondence related to the content and distribution of the Times should be addressed to Wellington.

Closing date for contributions is the first Wednesday in the month.

Advertising: Classified up to 30 words 50 cents cash with advertisement. Other rates on request.

P.O. Box 1313 Invercargill

National President: A. Mervyn Branks  
Vice Pres: Eric McIntosh  
National Sec: Ray Crawford  
Public Relations: Arthur Cushen  
Stationery Sec: Paul Aronsen  
Membership Sec: Eddie Macaskill  
Competitions Sec: S. Burtenshaw  
Hon. Treasurer: Mrs O. Crawford

All subscriptions, membership enquiries, policy matters, and stationery supplies should be addressed to Invercargill.

## ..sign-off.

"CATCH OF THE MONTH" According to the IFRB (International Frequency Registration Board) in Geneva, St Helena in the South Atlantic broadcasts on 6100 and 11830 KHZ with 400 watts, daily 2000 to 2200 GMT and 0915-1145, 1530-1830 and 1900-2000 on an irregular basis. DL

RADIO FINLAND's 1kw experimental transmitter on 15 metres was built by their technicians to see how well transmission -s at very low power reach listeners. Results have been unexpectedly good, when one considers the output and low costs. From 4 March 21605 KHZ is used for English programmes 1400-1430, 1800-1830 and 2030-2100 GMT. 21595KHZ: see Bandwatch.

WANTED TO BUY: Old radio magazines and books pre-1935; Old catwhisker type crystal set; early shortwave receiver or converter e.g. Philips 2802, National, Silver-Marshall etc. Write to Arthur R. Williams, 24 Rhodes St, Timaru. He plans to restore early equipment for the Oamaru-based NZRDXL Archives.

FEBA Seychells. Construction of their new offshore antenna system (cf May 1972 Times) is underway, with 10 of the 70 1 ton concrete foundations being laid underwater along the reef, already positioned.

AUSTRALIA reverted to Standard Time on 4 March. Maybe it will be NZ's turn next Summer?

PEACE RADIO is a shipborne station due to operate during 1973 in the Eastern Mediteranean. A 50 kw MW transmitter will beam programmes to Israel and the Arab World 12hrs daily.

25th ANNIVERSARY COMPETITION. Detail -s of this contest are repeated for the benefit of all members: 2 section -s, Broadcast & Shortwave; Entrants to verify 1 station from each of 25 countries for each section; NZRDXL verification rules apply; relogs are acceptable for this contest only; all loggings & QSL's must be reported in the Times; the 25 stations must be logged during our anniversary year 1973; QSL's must be to hand by 30 June 1974; all successful entrants will receive Anniversary Certificate. Come on everyone! Who will be first to qualify in each section?

IF YOUR SUBSCRIPTION IS DUE THIS MONTH, A COLOURED STICKER WILL APPEAR HERE. RENEW YOUR SUB PROMPTLY TO ENSURE THAT YOU RECEIVE NEXT MONTH'S ISSUE. OVERSEAS MEMBERS WILL RECEIVE THEIR NOTICE PRIOR TO THE MONTH DUE.