



# NEW ZEALAND DX TIMES

VOLUME 26 No. 4

DECEMBER 1973

FROM THE NATIONAL PRESIDENT, NZRDXL.

With 1974 almost here and the new Broadcasting Act now law, we can look forward to changes in the administration and structure of radio in New Zealand, during the coming year.

It has been a pleasure to receive the DX Times each month and I must congratulate the Magazine Committee on the excellent work they do. Thanks to members who regularly send in contributions. There has been an increase in the number of contributors, but still more are needed to enable our publication to reach an even higher standard. Make this your New Year Resolution....to begin sending in details of your DXing activities and to take part in the League Competitions.

I hope that the forthcoming holiday period will be an enjoyable and restful one with plenty of time for listening and reporting. A Merry Christmas and a Happy New Year to everyone!

ERIC MCINTOSH

FROM THE BOX 2956 MAILBAG

PLANS AFOOT FOR WAIKATO-BAY OF PLENTY BRANCH

On 9 December, League members from Tauranga, Hamilton, Rotorua, Matamata, Tokoroa and Whakatane were expected to attend a meeting at Paul Frosts in Tauranga to discuss the formation of a new branch for the League. We wish them well in their efforts and hope that the geographical separation of the participants will in no way deter their keenness to meet from time to time to share their common interest in DXing and Shortwave listening. Incidentally, if any members are visiting Tauranga during the Christmas/New Year Holidays, Paul Frost - telephone 65-864 would be pleased to hear from you.

NEXT ISSUE

Closing date for the January issue will be Wednesday 2nd. Please send details of your holiday listening, QSL's and Best-of-the-Month entries to P.O.Box 2956, Wellington. Please note that due to several Editors being on holiday mailing of the January issue will be slightly delayed.

**IN THE  
DECEMBER  
ISSUE**

BUILDING A BOOSTER FOR  
YOUR COB LOOP AERIAL  
COMMONWEALTH GAMES DX  
AWARD COMPETITION

SW LISTENING IN THE  
SUMMER, BY ART CUSHEN

ABC TO EXTEND HOURS ON  
BROADCAST BAND

DENE LYNNEBERG QSL's  
RADIO NACIONAL ESPERO  
AND ICELAND ON SW.

## FROM THE BRANCHES

SOUTHLAND. The November meeting at Harry Searles on 27th November was attended by 13. Vice-President Alan Crawford chaired the meeting and Stephen Greenyer was appointed acting Secretary in the absence of Irene Simpson. Discussion and explanation of the new Countries List followed, and congratulations were extended to Keith Robinson on his 2000th MW verification and Arthur Cushen on his 4000th SW verification. Merv Branks played further tapes made at the League 25th Anniversary dinner in Dunedin. Competition Results: BCB to Arthur Cushen with CKLC Ontario 1360 10kw; merit to Neville Henry VOA Kavala 791 150kw. SW Over 9 to Lindsay Robinson Deutsche Welle 17780 100kw; Under 9 to Steven Greenyer with Gambia 4820kHz 3.1kw.

OTAGO. The final meeting for '73 was held at Thomson Street with 8 present. With Arthur Campbell moving to Whakatane, Basil Raper is now Branch President and Graham Pont Vice President. The Bring And Buy Auction proved successful as the funds were boosted by over \$20. Competitions: SW over 9: Errol Monson South Africa 15220; Under 9: Graham Pont and Errol Monson VI2UV 1750kHz. Broadcast: Senior to Graeme Shillito KIOE, Junior to Peter Jackson XEPRS. Next meeting at 25 Ryehill Street on 31 January.

NORTH OTAGO. On the 22nd November, branch members participated in a conducted tour of the new Woollen Mills in Oamaru. The seven members making up the party were most appreciative of the efforts of Trevor Kerron in showing them the Electronics and computerised machinery which make a vivid contrast with the old fashioned machines of yesteryear.

CANTERBURY. 10 members attended the November meeting and the usual lively DX chat at the home of Lance and Gay Johnston. Competition Results: BCB Nth Am. to David Ricquish KLAC 570, Open to Craig Crawford Radio Monte Carlo-Cyprus 1232, Aust/NZ to Andrew White with 2GZ 990. SW Over 9: a tie for Bob Boundy BBC 21710 and Tony Smith BBC 21470; Under 9: Ivory Coast 4940 entered by Lance Johnston. The Christmas meeting will be held at the Johnstons on 15th December.

WELLINGTON. The November meeting at Bryan Clarks was attended by 12 members. Discussion again centred on the DXpedition to Castlepoint and the 1974 programme of visits to various radio-oriented installations. Due to other commitments Tony King stepped down as Vice President and John Mainland was elected as his successor. Competition Results: SW Senior. Dene Lynneberg with Iceland 12175 and John Mainland with Comores 3331. SW Junior. Jack Farrow Budapest 11910 and Bruce Williams with VLT4 4890. BCB to Bryan Clark with KSC0 1080 and La Voz del Centro, Colombia 1055. Utility to Richard Walshe for ZME Raoul Is 7890 250w. Next meeting at 45 Upper Watt Street Wadestown at 1830hrs on Monday 28 January. (Note new time and day)

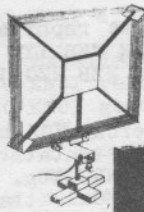
### FROM THE BOX 2956 MAILBAG

NEW COUNTRIES LIST. The efforts of Southland Branch's Countries List Committee are now in the hands of the branches for final comments and suggestions before final publication. Major changes include splitting of Indonesia into 4 'radio countrys', the Russian Republics treated as separate 'countries', Alaska and Puerto Rico treated as separate from the Continental USA and increased points values for African countries and various 'difficult' American States. It is hoped to distribute the completed product to all members within a few months.

MILESTONES are aplenty in the results of the six-monthly Ladder Competitions, but two are especially worthy of commendation: Possibly without parallel in the World today is the 4000th QSL total on shortwave just attained by Arthur Cushen. Heartiest congratulations to Arthur for this success and our gratitude for his efforts for the DX hobby and the League. Keith Robinson is also to be commended for reaching the 2000 mark on Medium Wave. Tremendous effort, Keith!

CONSIDERATION. With many members holidaying throughout the country in coming weeks, it is an opportune time for us to remind everyone that whilst most League members welcome contact with fellow DXers and SWL's on holiday, it is wise and courteous to drop a note or make a telephone call before 'dropping-in' for a visit. Several instances have come to our notice recently, where holidaying DXers, with the best of intentions, have appeared on members' doorsteps without warning and created difficulties for their host. The courtesy of prior contact by letter or telephone will enable the 'would-be host' to make the appropriate arrangements for your visit if feasible. There are times for everyone when an unannounced visitor has not received full hospitality simply because we have had prior commitments to other persons or causes.

GREETINGS to all contributors and members from the Magazine Committee. May you have a happy Christmas, a New Year which holds promise for you and your family, and a festive holiday season which is peaceful and safe for you all.



# BROADCAST DX with George Masson

Conditions continue to be good for North Americans, with Alaskans being heard both in the early evening and mornings. Also some 250 watters are being heard but are proving hard to identify. North American DX is not going to be made any easier by the latest ABC bombshell that effective

28th December the ABC will extend all broadcast times for domestic services by one hour. All ABC stations will sign off at 1 a.m. local time. This means that nocturnal DXers will have to wait an extra hour for those clear channels. One of the ultimate goals of the MW DXer is to pass the 2000 mark for stations verified. Keith Robinson has just passed this milestone with 2004 BC veries - a terrific achievement. Congratulations from the rest of us Keith! Not many of us are going to get near that total. In respect to the Loop Booster described in this issue - every endeavour has been made to ensure simplicity of data and pictorial layout, but any member striking difficulties is invited to write to the Broadcast Editor, Box 2956 Wellington enclosing a 4c stamp for a reply.

CRAIG CRAWFORD, Christchurch has QSL's from WHAM PJB KXEN Tahiti KYOS 2XW KIOE. 2XW QSL printed by Norfolk QSL printer. Did Norfolk ever use them?

PAUL FROST, Tauranga has logged KPNW Hong Kong 545 Pakistan 630 KHVH 2KY 5KA Malaysia 660 4QD CJVI KABC 2XW 2NR 2VM KBOI KGA KSL CKLG KUAI KMVI JOVR 4BH JOIR KIKI AIR Bhadravalhi 800 JOOR Alma Ata 1340 KGIL WXLE KBOK KABC KKHI. QSL's in from AIR Calcutta 1130 JOSF Kuwait 1133 5KA CJVI HJDK Medellin. The conditions you have mentioned quite often occur at this time of the year.

DES DAVEY, Te Kuiti has logged Noumea 670 Suva 560 710 VOFA 1580 with QSL's in from 2WL 2KY.

DAVID RICQUISH, Christchurch has logged KICY KWJF HLKX 1190. Veries KICY KLAC (after 2 years).

SINCLAIR BENNETT, Christchurch has logged 2XA and 4QO. QSL's 2XA (????) CFRN and 2NM. Y'wouldn't mean Windy would'ya? 2XW.

ALAN CRAWFORD, Invercargill has logged KWJF 2XW XEPRS and QSL'd Vatican 1529 Kuwait 539 KSCO 1080.

MICHAEL STOCKLEY, Tauranga has had a nusy month with loggings as 2NU 2CO 2KP KDIA 2LF Fiji 890 KPNW 2XW 3KZ 2KY 3DB 4AK 3AK 2SM 2ZH 2YA KNEW with a QSL from 2LF. Years ago 2LF was impossible to QSL.

STAN LARKING, Whakatane, has reported 2XW and verified BEC Masirah 1412 and CMKV after 12 months.

PAUL ARONSEN, Invercargill. Out - nil in: XEQR.

TONY SMITH, Christchurch has logged KEX 2ZH 3XA 3ZB 3ZM 4ZB 2ZB 2ZM 4XO 2XW 2KY 2UE 2UW 2CH 1XA 4YZ 4ZA 1XW Moscow 620 1250. Veries in from 3ZB 3ZM 4XO 2ZM 1XW 2XW Moscow 620 3UZ 1XI

ANDREW WHITE, Christchurch has logged KOA KVOO 2XW. Verified WCKY KOB PJB KFI KHVH KIKI KORL 7LA 4QR 2WL 2KM 2GZ 2UE 2KO 2VM 2QN 2XW.

ALAN ROBSON, Christchurch has logged 1YE 2CH 4AK 2UW 7LA 4BC 2GB 5AN 7HO 7EX 4IP 7HT 2WL 2UE KUAI Windy 1YK 3XY 2MG 4QD with QSL's from 2WL 4BC 4IP Windy 3XY 2UE 7EX 7HO 7LA 7HT 4AK 1YE.

STEVEN PROUT, New Plymouth advises QSL's from 2KM 2ZN 2ZW 2ZB 1ZM 1ZK 1XA.

ELIZABETH HELLYAR, Bulls has only a verie from 2UW and 2YB this month.

P. BROOKS, Wanganui has reported and verified 2KO and 1XA.

PETER JACKSON, Dunedin has logged 2MW KMOX CKWX KPAY Fiji 710 XEPRS KNBR VOA 1259 KCPX KUDE 2XW with a QSL from KGIL. Your location sounds promising.

JONATHAN AITCHISON, Dunedin has reported 2ZN 2XW 3AR 2ZN 2ZM with QSL's back from 1XX and 2ZN.

KEITH ROBINSON, Kapuka has been active again with reports to DZDL 1415 KRVN KBOI 3HA WXLE 2XW CFCN KIKI 7QN 4QA. Veries from Antalya 881 6WF 5SY Pap-eete 740 KBOI 2XW Addis Ababa 872 making 2004 from 171 countries.

LINDSAY ROBINSON, Invercargill has logged 2XW XERF Norfolk 1YK.

GEORGE MASSON, Upper Hutt has logged 4 Norfolk Island 1570, and also verified it. Took a visit from Neville Henry to spur a logging!

ARTHUR CUSHEN, Invercargill, has verified CKLC WKLE 1YK 4JK 2XW.

NEVILLE HENRY, Invercargill has logged Windy 7ZL Noumea 670 Muscat 701 Solomons 1030 Norfolk VOA Philippines 1140. Veries in from Windy 7ZL Norfolk Muscat 701 Sharjah 1575 FEN 650 Solomons Noumea USSR 935 A3Z Israel 737 Kuwait 539 1133 JOQR JOSF FEN 810 Turkey 1061 Saudi Arabia 587 Monaco 1232 1466 Vatican 1529 Sing -apore 630 Jordan 800 WBZ WLAC CHQM VOA Kavala 791.

B. WITHERS, Twizel has reported Avon and verified Avon and Austrian Radio 1475.

HARRY WEATHERLEY, Victoria has none out this month but rewards from Algeria 890 XERF AFNT 1550.

RICHARD KNOWLES, Carterton has logged 4GR 3XA 2XW KING Fiji 1570. Veries from 4GR 3XA 2XW.

GRAEME SHILLITO, Dunedin has reports away to 2XW CBK KJR KIOE. Veries from KIOE JOKR JOLB.

BRYAN CLARK, Wellington has logged KSCO 2MO and 2XW all on 1080. 2nd to KJR. QSL's from TWR Cyprus 1232 JOOR 1210 HJFZ La Voz del Centro 1055 BBC Masirah 1412 JOHK 890 KSCO 2XW Bucharest 854 making 18 countries for 25th Competition.

DENE LYNNEBERG, Titahi Bay has nil out but veries from 1YK (first) WKLE Monte Carlo/Cyprus 1232 ANNT 1550 2MW.

ROBIN CHAMBERS, Opunake has reports out to PM2DCL 1566 DXSS Tirana 1457 KRVN 2XW JOCK KNEW. Veries in from Antalya 881 Peking 560 Yemen 755 Monte Carlo Cyprus 1232 Lisboa 755 Peace 1540 2XW and Addis Ababa 872. Peace probably a FIRST for Australasia!

MERV BRANKS, Invercargill has veries from 2MW 6TZ. Report off to Windy on first day on air.

ROBERT CHESTER, South Australia has reports to Singapore 990 HLKX 1190 Mbabane (Swaziland) 1376 3WV 9PA 5RM. QSL's from 4TO and Singapore 990.

ERIC MCINTOSH, Invercargill has them off to 1YK and 4NA with veries from Israel 737 1YK 4JK 4NA 4QY and 6VA.

FRANK WILSON, Dunedin has logged WHO 1040 and verified FEN 810 JOBK and 2XW. Now 1590 QSL's from 82 countries.

JACK SEARLE, Haumoana has reports out to KING KUBA 3ZO 2ZG 1ZN 2ZB 1YK 2XW with veries in from 1YK 2ZB 2ZG 1ZN 3ZO CJVI.

SUTTON BURTENSHAW, Invercargill has logged 2YX and WAAM 1440 tentative. (Listed as 1600 in 1973 NRC log.) Veries from 1YK 5SY HLDA Calcutta 1130 KIOE KRVN.

## BEST OF THE MONTH

### JUNIOR

HJFZ La Voz del Centro, 1055 khz  
15 kw 142 points  
Bryan Clark.

### 2nd

HJDK Medellin Colombia 750 Khz  
50 kw 134 points  
Paul Frost.

### SENIOR

KICY Nome Alaska 850 Khz  
5 Kw 153 points  
David Ricquish

### 2nd

CKLC Kingston Ontario 1380 khz  
10 kw 146 points  
Arthur Cushen

## BROADCAST TRAIL

### EVENING

570	KIAC after 2YA	KR
584	Svobodny in Chinese 8.59.	
	Kremlin bells 9	Rch
610	KFRG Exc 7.45	GM RCH
650	KORL 11.25 VG with phone show	BC
660	WNBC Wx 11.06	KR
720	WGN after 4YZ	KR
730	JOCK good at times 9.15	Rch
770	KOB good 7.45.	GM
780	WBBM wx 11.30	Rch
790	KABC talk show 11.45	KR
870	KAIM off 10.05	KR
880	KRVN after 11 s/on 12 Suns	GM KR
890	WLS 8	KR
900	XEW 12	KR
910	KNEW good 8 - 8.15	Rch
960	KOOL Nx 1105	KR
990	CBW 11.15 news. S/on 12 Sun	KR
1030	WBZ still strong 8.30	BC
1080	KSCO very good s/off 7.33 8/11	
	Windy blowing in here now.	
1130	KWKH wx 11.40	GM KR
1140	KRAK after 1YW	KR
1150	XEJP 11.50	GM
1180	VOA Marathon Sp 11.35	KR
1190	KING 6.42 mixed XEPRS	3S

1200 WOAI after 22W KR  
 1260 CFRN good a/n RCh KR  
 Excellent 8 with news BC  
 1270 KNDI religious talk 7.38 fair BC  
 1310 KNUI good a/n 8.15 when 1ZH was off KR  
 1330 KFAC on music mixed KFH on phone show GM  
 1360 Californian KGB ? 7. 45 GM  
 1380 KTOM like a 50kwer 7.45 reg GM  
 1390 KGER call mxed 7.10 RCh  
 1425 DZDL 11.15 ann 1420 khz KR  
 1450 Unid on Canadian nx 8 Gone 8.03 after MST T/c. GM  
 Unid<sup>m</sup> at 2.54..... 6 minutes away from CBS News" EST 250 watter but who ? 7.54. 10/11/ BC  
 KEST on mx 7.45. GM  
 Unid PST s/off 8.01 prob KVEN GM  
 11465 Unid Latin noted 7.07 - 7.15 8/11  
 11490 Unid on MST on Orchestral.. KAIR ? 7.47 GM  
 1510 KGA powerhouse often 8 GM  
 1530 KFBK s/off 9.05 nitely KR  
 1540 KPOL strong often sometimes mixed with Bahamas around 8.15 - 8.40.  
 1600 KWOW 8.50 KR KUBA 6.30 JS  
 Reporters: Keith Robinson, Robin Chambers, Jack Searle, Bryan Clark, George Masson.

MORNING

590 KGMB strong 4.15 RCh  
 610 KFRC good after 1 GM KR  
 620 KTAR news 1.15 KR  
 650 KORL strong 4.15 RCh  
 670 KBOI 1.15 KR GM  
 680 KNBR 1.05 KR  
 730 CKLG 2 KR  
 750 KXL 2.15 KR GM  
 KFQD wx for Fairbanks after news 4.15. Fair Quickly faded. RCh  
 845 Rome good 5.45 RCh  
 850 KIGY good 3.55 on religious RCh  
 854 Bucharest good 5.35 RCh  
 880 KRVN strong 12.05 RCh GM  
 900 XEW 12 KR  
 920 KOLO news 12.30 KR  
 940 KFRE after 1 GM KR  
 960 KABL 1. KOOL exc 12.10 RCh  
 980 KFWB 1.30 KR  
 990 KKIS 1.45 GM KR  
 1000 KOMO 1. KR  
 1040 WHO after 4ZB KR  
 1060 CFCN KPAY mixed 1.05 KR  
 1070 KNX strong 12.05 RCh  
 1080 KRLD good 12.05 RCh  
 1100 KFAX 1.15 KR  
 1130 CKWX 12.15 KR  
 1148 Philippino s/off 4.01. strong het. KR  
 1190 XEWK 12.05 KR  
 1200 WOAI good 12.05 RCh GM  
 1230 DXSS good off 5 RCh  
 1350 KSRO 2.10 KR  
 1370 KEEN 1.30 KR  
 1457 Tirana over Rumania. 'Internation-al' 5.55 and off. RCh

1554 Nice good 3.55 RCh  
 1566 Radio Anta Nusa clear call 3.15.  
 1572 Philippine Nat Anthem 4.05. RCh  
 1575 Sharjah good 3.35 RCh

**PACIFIC ASIAN REPORT**

AUSTRALIAN SUMMERTIME

Full details are:  
 GMT plus 11 Victoria NSW Tasmania.  
 GMT plus 10½ South Australia, plus the city of Broken Hill in NSW.  
 GMT plus 10 Queensland  
 GMT plus 9½ Northern Territory  
 GMT plus 8 Western Australia.  
 In effect 28 October till 3 March '74.  
 Thanks to ADXN

PROJECTED AUSTRALIAN CHANGES

570 2BH power increase from 200 to 500w  
 680 8TC increase 50w to 1 kw with improved antenna system. Exp-ected during December.  
 720 4AT now 4kw. To get an 'anti-fade' antenna.  
 1000 2TR 2kw directional from 200w on 720. Site change May 1974.  
 1370 2LT 2kw increase from 500w, and site change.  
 1380 8AL 2kw ex 1530 200 watts.  
 - Frank Aue, Ian Stanley ADXN

CANTON ISLAND

WKLE Broadcasts for 168 hours per week using 250 watts. They think excellent reception in New Zealand is because of their 184 foot tower and excellent conditions at sea. The station is operated by Kentron Hawaii Ltd under contract to the USAF. The installation at Canton supports missile operations of the Space and Missile Test Centre. The station exists solely for the morale and welfare of the contractor and military personnel. A Second QSL letter to hand says " We hope the mix-up in the mail channels that prevented your letter from arriving has not strained our relations too far. We do appreciate your interest and we are happy that someone is benefiting from the broadcasts however unintended. We extend our best wishes to members of the New Zealand Radio DX League."  
 -- David Ricquish

ALASKA KIGY has applied for a power increase permit to 10kw and has every prospect of succeeding.

U.S. DAYLIGHT SAVING 'Time' magazine forecasts this will be introduced in the States in early January.

PACIFIC IS. A grant by the Carnegie Trust has gone to the University of the South Pacific for the founding of a network of educational stations in the Pacific.

Division	June	Dec.	Inc.	Division	June	Dec.	Inc.
<u>GOLD STAR (1251 &amp; Over)</u>				<u>GOLD STAR (1251 &amp; Over)</u>			
Arthur Cushen	2107	2127	20	Arthur Cushen	3937	4016	79
Keith Robinson	1977	2004	27	Dene Lynneberg	1719	1787	68
Merv Branks	1975	1989	14				
Frank A. Wilson	1572	1590	18	<u>GOLD ACE (1001-1250)</u>			
				Ray Crawford	1063	(1082)	19
<u>SILVER ACE (751-1000)</u>				John Mainland	952	1041	89
Ray Crawford	892	(909)	17				
Eric McIntosh	810	839	29	<u>SILVER ACE (751-1000)</u>			
				John Watson	889	1000	111
<u>ACE (501-750)</u>				Stan Larking	918	988	70
Robin Chambers	687	711	24	Bryan Clark	899	942	43
Sutton Burtenshaw	622	665	43	Brian Withers	856	862	6
Stan Larking	643	654	11	Hans de Jong	818	856	38
Dene Lynneberg	590	615	25				
Graeme Shillito	542	575	33	<u>ACE (501-750)</u>			
				Bill Huddleston	665	721	56
<u>SENIOR (301-500)</u>				John Durham	552	662	110
David Ricquish	412	438	26	Erin Ardley	631	658	27
Paul Aronsen	379	388	9	Lindsay Robinson	497	568	71
Brian Withers	342	350	8	Eric McIntosh	543	561	18
George Masson	311	312	1				
				<u>SENIOR (301-500)</u>			
<u>INTERMEDIATE (151-300)</u>				Paul Aronsen	449	464	15
Lance Johnston	254	268	14	Keith Barton	422	(428)	6
Bryan Clark	239	264	15	John Hillier	373	412	39
Alan Crawford	215	231	16	Jack Searle	312	392	80
Gordon Simes	228	(230)	2	Lance Johnston	365	373	8
Tony King	217	219	2				
Arthur Williams	212	(218)	6	<u>INTERMEDIATE (151-300)</u>			
Richard Knowles	173	176	3	Alan Robson	89	242	153
Lindsay Robinson	143	165	22	Tony King	231	232	1
Sinclair Bennett	128	161	33	John Newman	184	217	33
				John Bathurst	(186)	212	26
<u>JUNIOR (51-150)</u>				Colin Campbell	164	199	35
John Newman	136	146	10	Stephen Greenyer	139	186	47
Jack Searle	109	129	20	Des Davey	-	(233)	-
Gay Johnston	101	108	7	Mike Highley	182	182	0
Alan Robson	16	92	76	Murray Robson	112	(163)	51
John Bathurst	90	91	1				
Michael Smith	82	(91)	9	<u>JUNIOR (51-150)</u>			
				Michael Smith	139	(139)	0
<u>NOVICE (1-50)</u>				Norman Clover	-	128	-
Elizabeth Hellyer	35	41	6	Tony Smith	-	120	-
Jonathan Aitchison	24	38	14	Michael Pollard	90	(119)	29
Paul Frost	3	(38)	35	Paul Frost	95	(121)	26
Michael Pollard	22	(30)	8	Leigh Morris	-	109	-
Colin Campbell	18	18	0	Gay Johnston	86	86	0
Chris Mackerell	-	(11)	-	Chris Mackerell	63	69	6
Tony Smith	-	11	-	Jonathan Aitchison	(25)	67	42
				Charles Douglas	(49)	(66)	17
				<u>NOVICE (1-50)</u>			
				Jack Farrow	-	29	-

WINNERS AND MILESTONES

**BROADCAST:** Gold Star - Keith Robinson, Silver Ace - Eric McIntosh, Ace - Sutton Burtenshaw, all from Invercargill; Senior - David Ricquish of Christchurch, Intermediate - Alan Crawford, Junior - Sinclair Bennett of Christchurch and Novice - Alan Robson also from Christchurch. A South Island clean-sweep with special congratulations to Keith Robinson on reaching 2000 QSLs and a welcome to new entrant Tony Smith.

**SHORTWAVE:** Gold Star - Arthur Cushen, Gold Ace - Ray Crawford both from Invercargill, Silver Ace - John Watson of Waipawa, Ace - John Durham of Whangarei, Senior - Jack Searle of Hawkes Bay, Intermediate - Stephen Greenyer of Invercargill, Junior - Alan Robson of Christchurch and Novice - Jonathan Aitchison from Dunedin. Important milestones reached during this period include 4000 QSLs for Arthur Cushen, and 1000 QSLs reached by John Mainland and John Watson. Congratulations to you all, and welcome Norman Clover, Tony Smith, Leigh Morris, Jack Farrow.



# COMMONWEALTH GAMES AWARD



## RULES

- (i) The period of time for logging stations for the award shall commence at 0000 GMT on 1 January 1974 and close at 2400 GMT on 28 February 1974.
- (ii) All entries must be in the hands of the Competitions Secretary at P.O.Box 1313, Invercargill no later than 30 August 1974 and must include all pertinent details of each station, date and time logged, date submitted to the NZ DX Times. and the date when the QSL was received and notified in the DX Times.
- (iii) A Commonwealth Award Certificate will be forwarded to all DXers and SWIs who meet the requirements of the Award.
- (iv) A separate Award will be given for Broadcast and Shortwave.
- (v) Broadcast Requirements: Each entrant must have logged and verified one station from each New Zealand prefixed area - 1, 2 and 4 (E.G. 1ZB, 2ZB, 4ZB) and 2 stations from the Christchurch area, which is the venue for the Tenth Commonwealth Games. In addition, each entrant must log and verify two stations from LIST 1, two stations from LIST 2 and 2 stations from LIST 3.
- (vi) Shortwave Requirements: Each entrant must have logged and verified one Radio New Zealand frequency on each of four metre bands, and two stations from LIST 1, two stations from LIST 2 and two stations from LIST 3.
- (vii) Broadcast and Shortwave entries must be on separate sheets of paper and please remember to sign your name in a legible manner.
- (viii) If you have to relog a station already verified to help make up the totals, please remember that such stations must not be entered in your Ladder Totals a second time.

LIST ONE: Antigua Australia Bahamas Barbados Bermuda Brunei Canada Cook Islands

LIST TWO: Dominica England Fiji Gambia Ghana Gibraltar Guernsey Guyana  
Honduras-(British) Hong Kong India Northern Ireland Jamaica Jersey Kenya Malawi

LIST THREE: Malaysia Malta Isle of Man Mauritius Nigeria Niue Papua-New Guinea  
St Lucia St Vincent Scotland Sierre Leone Singapore Sri Lanka Western Samoa  
Swaziland Tanzania Tonga Trinidad & Tobago Uganda Wales Windward Islands Zambia

*Personalised Printing*

*Let us Quote for*

Letterheads  
Prepared Cards  
Report forms

*To your own design*

**MERIDIAN PRESS**

**Box 3160 Wellington**

## DX FORECAST

### DECEMBER

North Americans: 7.30 to 8.30 p.m. with Pacific States peaking 2.30 a.m.

Central America: 8 to 9 p.m.

Pacific Islands: Peak 8.30 p.m.

Hawaiians: Good 3.30 to 4 a.m.

Asians: From 8 p.m. Philippines around 10. Often VG 3-4 a.m.

Canary Is sometimes brief appearance 8 - 8.45 p.m.

### JANUARY

USA: Conditions will favour all parts of the States 7.30 - 9 p.m. Pacific Coast midnight to 3.30 a.m.

Europe: From 7.30 p.m. late in the month. Watch split freqs for reception from Iberian peninsula area.

Asia: Peak 8.30 - 9.30 p.m.

A new service to the Far East has been commenced by KGEI from San Francisco, while Radio Australia now has a service for Papua-New Guinea. The November 4 frequency changes found some stations moving to channels which were occupied by another, and in the case of Radio Sweden in their transmission to Australia/New Zealand at 0515 GMT, a new frequency is to be used following request for a new channel.

ALL TIMES IN G.M.T.

ALL FREQUENCIES IN KILOHERTZ.

AUSTRALIA Radio Australia's Papua New Guinea Service from December 1 is scheduled 0630-1000 on 9755kHz Shepparton 100kw, 11880 Brisbane 10kw and 15140 Shepparton 10kw. United Kingdom service is noted on 7290kHz replacing 9660, 1900-2000 GMT. RA has also been heard 0030 to 0200 on 17715 relaying Parliamentary debate from the House of Representatives in Canberra.

BONAIRE. TWR Bonaire is heard on 9760kHz with Arabic at 0500 and Dutch at 0515 to sign-off 0535 mixed with Radio Sweden. Another frequency 11895 is heard in German 1000-1030 but suffers sideband from FEBC Manila on 11890.

ECUADOR. HCJB Quito is heard from 0630 to 0830 on 9760kHz to Europe, with the same programme on 6080kHz.

GREAT BRITAIN. The BBC is relaying the Voice of America 1830-2230 which causes interference to the BBC World Service from Tebrau operating from 2200.

MONACO. Trans World Radio's English broadcasts include the following:

0725 - 0900GMT on 7100kHz	Daily.	1500 - 1655GMT on 7205kHz	Sundays.
0900 - 1100	9525	1900 - 1915	9730
1030 - 1115	9525	1930 - 1955	7180
1030 - 1100	9525		Tuesdays.

SABAH. Kota Kinabalu has been heard at 1000 GMT with news in local dialect on 5980 kHz.

SAUDI ARABIA. Tests continue to be heard from Riyadh and the present schedule includes:

0300 - 0430GMT on 9607kHz	0430 - 0800GMT on 15130kHz
0300 - 0500	5965
0300 - 0515	9695
	0500 - 0800
	0515 - 0800
	15120

At 1245 signals have been noted on 21665 and 11870. At 2200 11890kHz is well received.

SWEDEN. Stockholm 0515 - 0615 to Australia and New Zealand is using 9760kHz, but is blocked by TWR Bonaire up to 0535 GMT. Following a cable request from Sweden, I have suggested that they return to 11940kHz for the rest of the present period.

UNITED STATES. KGEI San Francisco is now broadcasting to the Far East 0700 - 1100 on 9585kHz. English 0700-0900, Russian 0900-0930, Chinese 0930-1000 and Japanese 1000-1100 seem to be the languages used for this experimental broadcast. English news is broadcast each half hour during the English period. KGEI is also noted on 9520 mixed with Radio New Zealand until 1145 GMT. This transmission has Russian 1000-1100, Chinese 1100-1200, Japanese 1200-1300 and then English.

WINB Red Lion Pennsylvania operates:

1700 - 2000 on 17865kHz
2002 - 2200 on 11775kHz.

VATICAN. Vatican Radio now broadcasts to Australia and New Zealand 1125-1140 on 17840 and 21485 kHz. From 2210 to 2225 on 9615 and 11705 and at present 7235kHz which is to be replaced, and I have suggested 11810 be used in this transmission.

CHRISTMAS GREETINGS TO YOU ALL,

ARTHUR CUSHEN.

BANDWATCH CONTRIBUTORS:	JS Jack Searle	JM John Mainland	AK Arthur Kindell	MH Mike Highley
HW Harry Weatherley(Aust)	FF Paul Frost	CC Colin Campbell	AC Arthur Cushen	JD John Durham
ID Ian Donaldson(Aust)	JH John Hillier	MC Michael Cole	LM Leigh Morris	BC Bryan Clark
JA Jonathan Aitchison	TM Tony Marr	EM Errol Monson	DD Des Davey	BG Bryan Gall
LR Lindsay Robinson	AR Alan Robson	JF Jack Farrow	NG Nigel Greene	BW Brian Withers
SG Steven Greenyer	EC Eric Carter	HdJ Hans de Jong	RCh Robert Chester	- all from Aust.
DL Dene Lynneberg	SRK Swedish Radio Club	ADXN Australian DX News	JSWC Japan SW Club	
NASWA North American Shortwave Association.				



# A MEDIUM WAVE LOOP BOOSTER

by Nigel Robins

Those using the increasingly popular loop for Medium Wave DXing will recognise that the loop has less gain than the normal longwire, although its directional properties and low noise make it excellent in all other respects.

In order to make up for the loss in sensitivity, a good high gain RF amplifier is needed. While most communications receivers have an RF amp. in their circuit, these sets are expensive and in many instances the DXer may not feel that the expense on such a set is justified. This article concerns an inexpensive, low noise, high gain amplifier that will turn a mediocre five valve set into a really sensitive receiver. This booster is essentially a wide band amplifier. It is installed between the receiver's aerial/earth sockets and the loop. It can be made up in a metal box and mounted next to the receiver, or on the loop itself. As is usual with high gain boosters it is necessary to keep leads short, especially between the booster and the receiver, and if the loop cannot be used in such close proximity to the set then it is advisable to increase the length of feedline between booster and loop rather than between the booster and the receiver.

## CONSTRUCTION

The circuit is a normal amplifier with a simple emitter-follower providing the necessary low impedance output to the receiver, which means that there is better matching of the loop to the receiver than the loop's link turn normally provides.

All the parts are obtainable in New Zealand, and although prices may vary, most suppliers should stock them.

The method of layout that I use is in no way critical, but unless you are sufficiently experienced in laying out components I would advise you to keep to the layout illustrated.

Using Veroboard ensures goof-proof construction, and provides rigid mounting of the components.

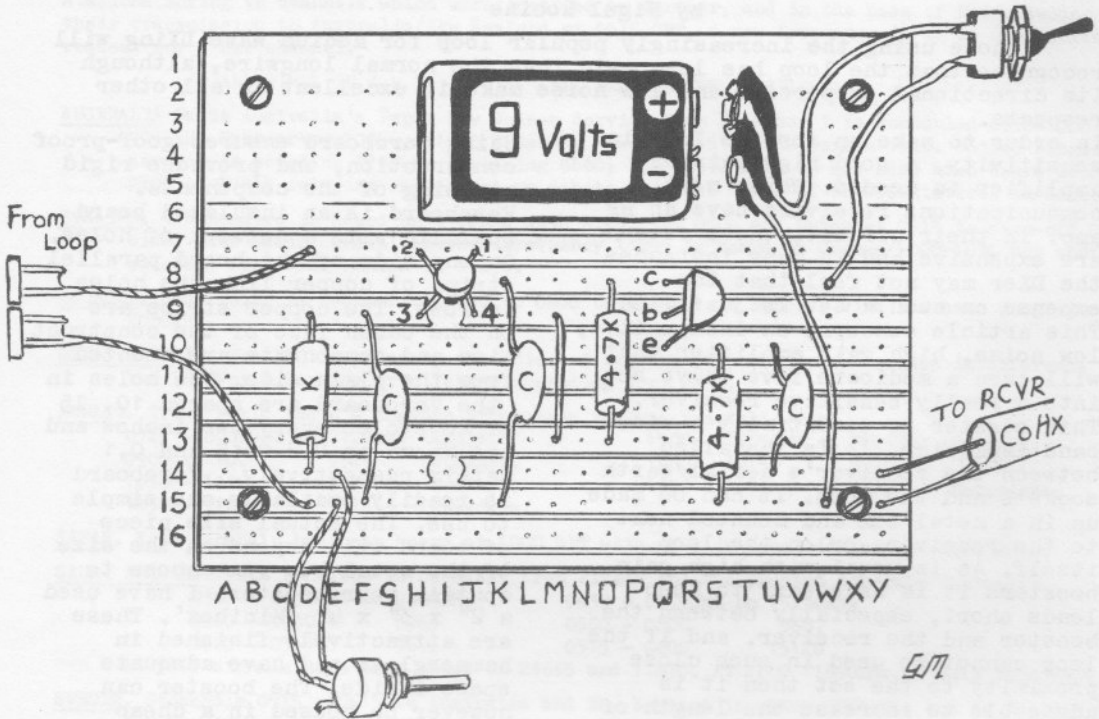
Veroboard is an insulated board (paxolin) with a network of holes. On one side of the board parallel strips of copper link the holes in rows. The copper strips are on the UNDER face of the construction and components are mounted from the plain side. The holes in the Veroboard are spaced 10, 15 or 20 etc to every two inches and are known as 0.2 0.15 and 0.1 matrix respectively. Veroboard is readily available and simple to use. The actual size piece of board will depend on the size of the metal box you choose to contain your booster. I have used a 2" x 3" x 4" 'Minibox'. These are attractively finished in hammergeaze and have adequate space inside. The booster can however be housed in a cheap 'lunchbox' without any drop in performance.

Because we are dealing with Radio Frequency (RF) signals, the variations in signal voltage are

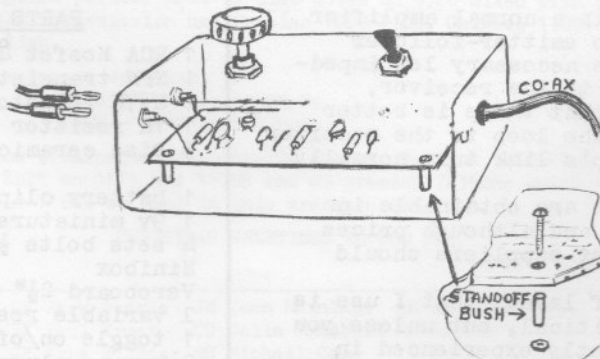
## PARTS LIST

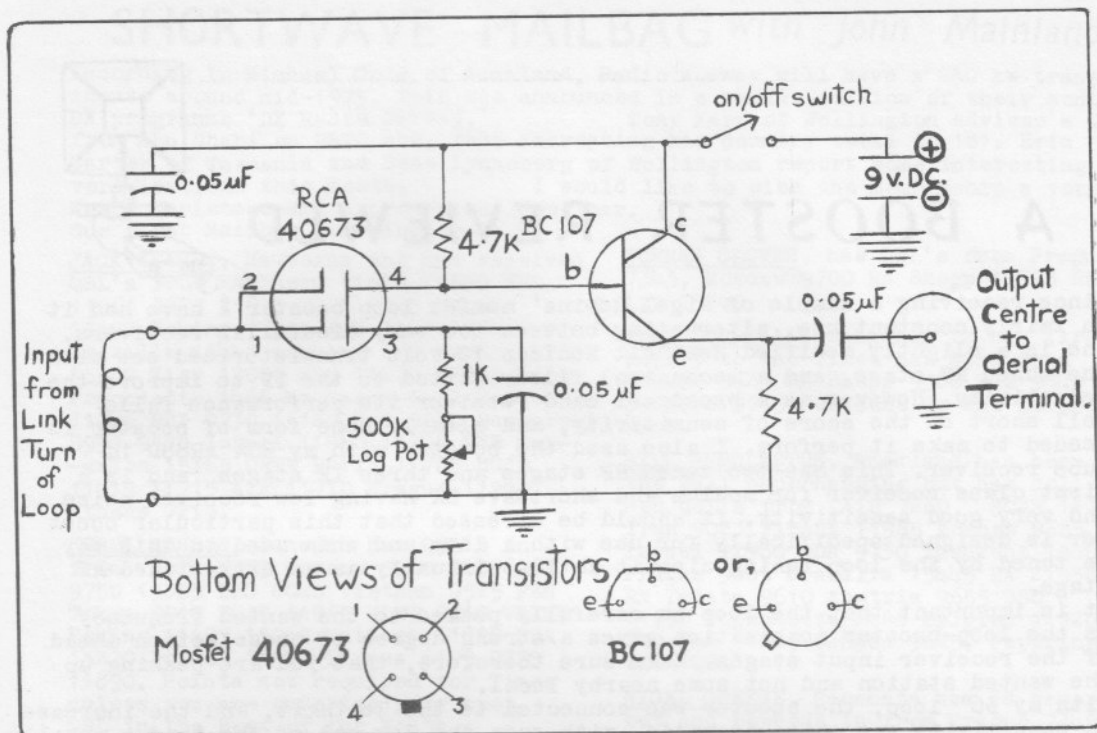
- 1 RCA Mosfet 40673
- 1 NPN transistor BC107
- 2 4.7K resistors 10% tolerance  $\frac{1}{4}$ W
- 1 1K resistor 10% tolerance  $\frac{1}{4}$  watt
- 3 Disc ceramic capacitors 0.05 mfd  
50 volt.
- 1 battery clip to suit.
- 1 9v miniature battery
- 4 sets bolts  $\frac{1}{2}$ " , nuts, standoffs  $\frac{3}{8}$ "  
Minibox
- Veroboard  $2\frac{1}{2}$ " x  $3\frac{3}{4}$ " 0.15 matrix
- 1 variable resistor 500K log.
- 1 toggle on/off switch
- 2 banana plugs and sockets
- 4" twin lead mains flex. Knobs.
- 1 pc coax (50-70 ohms and plug.

The copper strip must be 'broken' at 9I (between legs 3 & 4 of the transistor) and 14I. Place a drill bit in the hole and rotate with the fingers to break the continuity of the line.



Components are shown on this diagram as though they are mounted on the copper striped side of the Veroboard. This is purely for illustration purposes.

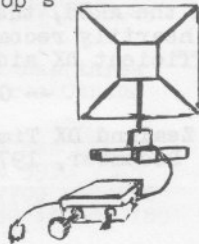




very small and consequently there is very little current drawn from the battery, and it should last for three to four months at least, left running, while the addition of a switch will extend its life further. The Veroboard with your booster assembled on it may be mounted in the case with standoffs and bolts.

#### OPERATING THE BOOSTER

Connect the twin lead between the banana plugs and sockets, and the link turn. Adjust the variable resistor to one extreme and 'back it off' if the signal is too strong. Tune the loop as normal. It may be necessary to instal a dial on the loop's variable capacitor.



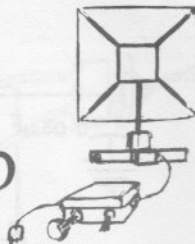
#### HINTS ON CONSTRUCTION

Be careful not to overheat the transistors when soldering. Use a 25-30 watt iron with a fine tip and solder quickly. Make sure the iron has had time to reach a good heat before using. Hold the transistor 'leg' being soldered with pliers to 'shunt' heat away from the transistor itself.

The holes in the Veroboard to take the mounting bolts can easily be made by using a tapered pair of scissors as a reamer and then drill by hand.

Your Veroboard will not have an A to Z, 1 to 16 grid printed on it. To ensure that your components are correctly placed it is suggested you draw up a grid on paper around your piece of board. Mark on the 'plain' side with a pencil the holes through which components are to be mounted. Your grid can then be discarded and the components placed on the board.

# A BOOSTER REVIEWED



Since receiving a sample of Nigel Robins' mosfet loop booster I have had it in fairly constant use, alternating between too very dissimilar receivers. One is a slightly modified Heathkit Mohican 12 volt transistorised set with one tuned RF stage, and a mechanical filter fitted to the IF to improve the selectivity. However as a broadcast band receiver its performance falls well short on the score of sensitivity, and clearly some form of booster is needed to make it perform. I also used the booster with my RCA AR88D 14 tube receiver. This has two tuned RF stages and three IF stages and is a first class receiver for medium and shortwave DX having low receiver noise and very good sensitivity. It should be stressed that this particular booster is designed specifically for use with a loop and when used in this way is tuned by the loop tuning circuit acting virtually as an extra tuned RF stage.

It is important that the loop is carefully peaked to the wanted frequency as the loop-booster combination gives a strong degree of preselection ahead of the receiver input stages. Make sure therefore, that you are peaking up the wanted station and not some nearby local.

With my 36" loop, the booster was connected to the Heathkit, and the increase in sensitivity was quite dramatic, with even the low end of the band - usually dead - coming to life. The loop 'peaked' beautifully and the booster did everything it should do. i.e. plenty of gain and low noise. I then connected the loop and booster to the RCA AR88 and again the unit worked perfectly.

I have been convinced for some time that a good low noise booster is a distinct advantage when using a loop, no matter how good you think your receiver is. If nothing else, it corrects the mismatch which a loop presents to the input of most receivers. Certainly a good receiver will work well with a loop on its own, and indeed my AR88 does work very well. However I believe that the ultra low noise characteristics of this unit will allow the very good signal-to-noise performance of a good loop to be fully exploited, especially if you can operate away from power noise, say, with a battery set on the beach.

If you experience any problems of instability, such as 'birdies' and noisy operation, you will probably find that the leads between the receiver and the booster are too long. Shorten them as much as you can, and if this doesn't work, try reversing the connections between the receiver and the booster. I have mounted my unit just under the loop windings on my support pole with all the leads as short as possible. No problems have been experienced using this combination with the AR88, the Heathkit, and a Philips transistor portable, and I can heartily recommend this simple-to-build unit as a very worthwhile and efficient DX aid.

-- George Masson

Written specially for the New Zealand DX Times,  
P.O. Box 2956, Wellington. December, 1973.

# SHORTWAVE MAILBAG with John Mainland 13

According to Michael Cole of Auckland, Radio Norway will have a 250 kw transmitter in use around mid-1975. This was announced in a recent edition of their monthly DX programme 'DX Radio Norway.' Tony Marr of Wellington advises a QSL from Abu Dhabi on 9620 khz, thus increasing his country total to 181. Eric Carter of Tasmania and Dene Lynneberg of Wellington report some interesting verifications this month. I would like to wish the membership a very Merry Christmas and a prosperous New Year.

Our first Mailbag contributor is -

JACK SEARLE, Haumoana who has received QSL's from RA Shepp 11850 21680 NHK 11960 9675 21570 TGNA 5955 Canada 15190 Peking 17855 FEN Tokyo 15260 Brasilia 15445 pennant and cards, ETLF 15250 Kiev 12000 SBC 11870 15305 6165 Popondetta 1468 Mt Hagen 1450 Moscow 11720 RBI 9730 15160 RNE 9630 Bucharest 5990 9570 Israel 11960 11705 RNE Cannes 15365 ORTF Paris 11705 HGJB 11915 11715 AIR 11710 Prague 11990 Athens 7215.

ERROL MONSON, Dunedin has QSL's in from VLT4 VLT9 Moscow 5960 SBC 6165 9750 15305 BEC 6040 Vietnam 9525 FEN Tokyo 3910 HGJB 11915 VLW9 9610 VL2UV Peking 11695 15060 Vatican 11810 RSA 15220 Israel 11960 Tirana 6195 DZE9 11890. Points not required for Times unless you are entering your best QSL in the Best of the Month competition, in which case the best QSL should be isolated on a separate sheet of paper as your entry.

ARTHUR KINDELL, Levin has three reports out and a QSL from Vila 3945.

JOHN WATSON, Waipawa has QSL's in from DW Julich 4 freqs Werch 9690 7285 BBC Tebrau 3915 BBC 11750 Lisbon 17880 RNE Madrid 6140 15145 Japan 9705 15445 11875 Vila 3945 TWR Bonaire 15350 11815 Nepal 5000 Tashkent 11730 P & P 11690 Bucharest 11940 Vatican 11845 HGJB 9745 RAI 11905 SBC 9590 Canada 5970 5960 AIR 7260 RA Shepp 17715 9695 RA Dar 17715 17870 Ned Bonaire 9715 Brussels 11920. 12 reports out.

PAUL FROST, Tauranga has them back from BBC/FES 11750 London 11955 Moscow 21600 Bucharest 9570 11775 Milne Bay 3360 RSA 21545 Vila 3945 TWR Monaco 11855.

PHILIP BROOKS, Wanganui has three reports out and QSL's from Canada 9625.

JOHN HILLIER, Masterton has QSL's from Canada 9625 Prague 5930 7345 11990 RBI 15425 9720 17700 BBC/FES 15310 NHK 17825 BBC 7150 11750 7180 9725.

NORMAN CLOVER, has QSL's from Prague 7345, Moscow 9700 RA Shepp 17795 RA Lyn 15240.

MARK CORRIGAN, Wanganui in his first report to the Times has QSLs from Canada 9625 RA Shepp 9580 RNZ 9540 RN Bonaire 9715. Welcome to the League Mark.

BILL HUDDLESTON, Auckland has been up the wall paperhanging but has collected QSL's from AIR 7260, HGJB 11745 Iran 9023 Tirana 11985 Moscow 9685 Israel 11960 DDR 9730 Tashkent 15460 Prague 9605 Brasilia 15445 RA 21550 RN Talata 9610 Austria 9655 BEC 11750 Popondetta 2468 Belgium 11920 TWR Bon 11815 Canada 9625. Papering with QSL'S ??

NIGEL GREENE, Paremata has 38 reports out and rewards in from Prague 7345 RN 9715 CHU 7335 IBA 11735 RA 15240 and 11765. Maybe we'll see you in the New Year.

HANS DE JONG, Tasmania has QSL's in from AFRTS Bethany 6030 BBC/FES 6065 DW Julich 6185 11850 Sines 9650 Vatican 6190 ORTF Paris 7135 15155 SEIT Portugal 9670 VOA Tinang 15290 CRF Vienna 17740 RA Shepp 17870 21655. Hans uses a Drake SPR4.

PETER JACKSON, Dunedin has them from Kiev 11900 IBA 9009 Moscow 9610 RBI 7300 Pyongyang 6580 SBC 9750.

JOHN BATHURST, Christchurch has QSL's from Iran 9023 Prague 11855 TWR Monaco 7290 Moscow 12000 Cuba 11760 BBC 11750 RNE 11925 AIR 12205 NHK 9530 9605 11705.

ELIZABETH HELLYAR, Bulls has one QSL in from Radio Japan. Frequency ?

DAVID OSBORNE, Hastings has QSL's from Canada 9625 5970 Moscow 9700 RA 21680 Japan 11875 21570 15235 17725. Twenty reports out. Yes we have heard about the new club.

ALAN CRAWFORD, Invercargill has two reports out and a QSL from Cuba 11930. Resting ?

DENE LYNNBERG, Titahi Bay has four reports out and QSL's in from HIN 4910, Bagdad 9745 Iceland 12175 (Country 165) Baku 6110, Luxembourg 15350 RRI Yogyakarta 7098 Vila YJB7 7260 2kw Nacional Espejo 4679 (First from N.Z. and possibly the world) Spain Aganda 9515 Israel 11960. An exciting verie list Dene !

ALAN ROBSON, Christchurch has logged 46 and qsl'd NHK 9 freqs, RA 11 freqs, Italy 11905 Lagos 7275 Korea 9640 SBC 5 QSL's, RN Lopik 11845 Bonaire 11730 VOA 9555 Greece VOA 6015, BBC 9640 11955, Norway 11850, CBC 11845 17820 Peking 11720 HCJB 5990 11915 DW 9690 9765 Finland 15185 AIR 9525 Prague 3 freqs, WNYW 11885 P & P 16 mb WINE 11830 INRA 9670 Budapest 9833 ORTF 9680 RM 15240 Stockholm 11870. Note that the BOM contest is for the best QSL received. Enter yours when QSL received.

BRYAN CLARK, Wellington has ten loggings and QSL's from Montreal 5960 VL9BA 3322 BBC UK 18080 17790 NHK 11960 BBC Cyprus 9690 ELWA 15170 VOA greenville 21560 VOA Kavala 11845.

BRIAN WITHERS, Twizel has twelve out and QSL's from RA 7180. Lone month.

STAN LARKING, Whakatane has 14 out with QSL's from BBC 17705 IBRA 9670 plus pennant SBC 9750 RN Mad 21480 Madrid 9630 RFE 9505 11815 Paris 15155 RA Shepp 21550 Kuwait 21605.

STEVEN GREENYER, Invercargill has only three this month from SBC 11715 Belgrade 6100 Prague 11990.

PAUL ARONSEN, Invercargill has dem back from Vila 3945 Morobe 3220.

JACK FARROW, Lower Hutt has them back this month from DW 9545 VOA 9555 CBC 9625 HCJB 11715 RN 11730 Budapest 11910 Israel 11945. Countries mounting up Jack !

ERIC CARTER, Tasmania has them back from Morobe 3220 Popondetta 2468 RRI Ujung Pandang 4720 ORTF 6095 Burma 4725 TWR Bon 9570 DW Julich 15425 9545 Suara Gama Jogjakarta 5490 BBC 9600 VOA-M 6036 Jerusalem 11960 AFNT 3990 Brussels 9655.

LINDSAY ROBINSON, Invercargill has QSL's from Prague 9740 DW Koln 11795 DW Kigali 17780 Madrid 6065.

HARRY WEATHERLEY, Victoria has 11 out with Vila 3945 back.

TONY MARR, Wellington has reported Sahara 7231 with QSL from Abu Dhabi 9620, being country 181.

4 IAN DONALDSON, Victoria has three out and now awaits the rewards.

JOHN MAINLAND, Wellington has QSL's in from Sofia 9580 Lourenco Marques 11820 Luxembourg 15350 Madrid 9530 WNYW 15360 Ethiopia 6185 DW Kigali 21540 HIN 4910 Jerusalem 9585 11700 Stockholm 9605 plus pennant and Havana 11800 plus pennant.

BRIAN GALL, Palmerston North has QSL's from Singapore 5052 Bonaire 11730 Sweden 11840 Peking 9460 Korea 9640 Israel 9009 RFE 11815 ORTF Paris 7135 Iran 9022 Prague 7345 Vietnam 10010 10040 Budapest 9833 RBI 7260 Vila 3945 DW Koln 7105 SBC 11775.

JOHN DURHAM, Whangarei has a pile this month from Sweden 11705 Moscow 12060 11920 Portugal 9740 AIR Delhi 11775 BBC 15200 Bucharest 11915 FEBC 9505 Vilnius 11960 11920 15445 BBC Cyprus 11955 RBI 15145 9620 11870 RSA 15155 Peking 3 freqs RNE 9630 ORF 17780 KGEI 15285 ORU 15235 ORTF 11710 9730 TWR Bon 15350 15295 VOA Tangiers 15270 11790 Kavala 11705 Tebrau 15435 Brasilia 15445 Helsinki 9555 Oslo 11860 DW Koln 11795 Kigali 11905 Vatican 11705 Prague 15410 Israel 9585 TWR Monaco 9525 VOA Delano 21460 Greenville 9530.

DES DAVEY, Te Kuiti has five out with QSL's from RSA 11970 Ned Bonaire 11730 9715 NHK 11875 RA 5 freqs. Hope the Trio 9R59DS works out OK.

JONATHAN AITCHISON, Dunedin has 14 back from Albania 9505 Norway 11860 Canada 9625 11845 Sofia 9700 Vatican 11705 NHK 9670 RNZ 6020 HCJB 6130 SBC 11715 Austria 6155 Moscow 6050 Israel 11705 ORTF 7135.

ARTHUR CUSHEN, Invercargill has verified Vienna 11960 HCAV3 4925 Horby 17815 TWR 7100 HJDF 6015 Madrid 9630 DW 6120 7235 9690 Stockholm 9760 WINB 11830 Poland 7285 BBC UK 21610 Tebrau 17860 9725 Ascension 9765.

HARRY SEARLE, Invercargill has four reports out, with QSL's from CBC 5970 RA 5995.

BOB BOUNDY, Christchurch has QSL's from Prague 5 freqs, Japan 9505 17855 BBC London 21710 Budapest 9833 Mad 17730 Peking 15435 VOV 15270 FEBC 21515. Only current verifications apply Bob.

STEVEN PROUT, New Plymouth advises QSL's in from NHK 17825 DZ18 21515 WNYW 17760 Moscow 9720 RA 15320. Thanks for the news. Good luck with exams.

TONY SMITH, Christchurch has 100 reports out this month with QSL's back from BBC 7 freqs RN 4 freqs RA 29 freqs HGJB 11915 NHK 6 freqs Peking 6 freqs RCI 3 freqs Portugal 21495 SBC 21520 AIR 11710 VLM4 Moscow 5960 9750 YJB4 3945 ZL2 9540. Please clearly identify loggings and QSL's in your letters Tony. Loggings must be in format shown in Bandwatch while QSL's should be in columns call/ freqncy.

BRUCE WILLIAMS, Wellington has a QSL from FEBC 21515.

MICHAEL STOCKLEY, Tauranga has veries from Spain 9520 RN Bon 11730 RA Shepp 11765 9570 VOA-G 9670 15205 RNZ 9540 HGJB 6130 9745 11915 Peking 11720 TWR Bonaire 15295.

LEIGH MORRIS, Palmerston North has 7 reports out and QSL's in from RNZ 6080 and Montreal 5970.

COLIN CAMPBELL, Rotorua has veries from DW 9765 11785 21560 ORTF Paris 9710 ETLF 15250.

MICHAEL GOLE, Auckland has QSL's from RCI 9615 11945 6125 RBI 7260 9620 RN 9605 Sweden 11940 DW 9735 RM Kiev 11770 Kazan 11965 Khabarovsk 12050 Israel 11960 11705. 14 reports out.

ROBERT CHESTER, South Australia has 36 out recently and QSL's back from Israel 11960 UN poro 17830 Tinang 17860 RM 6115 17815 11950 Armivar 11880 Lvov 11900 Moscow 9685 11930 Ivano-Frankovsk 9665 Tula 9610 Sverdlovsk 15330 P & P 9665 17815 VOA Dix 11850 Tinang 9760 11760 17740 Delano 6095 9660 Wooff 7200 Greenv. 9565 Poro 15410 AFRTS Delano 6110 9700 Tashkent 15460 11730 RBI 17700 Vatican 9615 Hope Sines 9640 RA Dar 6120 11740 RNE Noblejas 9630 Sweden 11940 RCI 9625 YDO 3250.

DUDLEY CARTER, Invercargill has QSL's back from Sofia 9700 DW 9545 Tirana 9480 Prague 9540 VOA Phil 11715 Madrid 9620 Pyonyang 9440 Budapest 9833 Morobe 3220.



# ARCHIVES

15

For some years now, members of the Oamaru branch have been interested in preserving old QSL collections and anything to do with DXing in the early days of Radio.

We have been amazed by how much material is around when you look for it. As with most things old, it is always so easy to throw out or burn something that is just defined as junk. It is also a curious thing that at the minute something is destroyed, lost or burnt, there is always someone who would have a use for this so-called junk.

Invercargill Branch, under the supervision of Merv Branks and Arthur Cushen, has for many years arranged to preserve QSL collections and this foresight will indeed interest future generations of DXers. Canterbury Branch recently forwarded to Oamaru some old verifications that were found at their DX shack. These included some of the early North American and Australian broadcast stations, and we are sure that in years to come these QSLs will be unique and priceless museum pieces.

We would urge you to be on the lookout for any item from the early days of radio, particularly in connection with DXing: old QSL's, programme schedules, newspaper and magazine clippings, even the old station logs that were put out when a new radio was purchased. If you do come across any of these items, we would be pleased to hear from you if you think they may be of interest.

At this stage we feel it would be sufficient if branches would appoint someone to organise a Branch DX Archive and keep everything at local level until sufficient material has been gathered for a National Archives to be established.

If you have anything of interest we would be pleased to hear from you. Our address is: Honorary Secretary, DX Archives, c/o P.O.Box 112, Oamaru.



## BEST OF THE MONTH

Over 9 mHz: Iceland State Broadcast Service  
12175 kHz 5kw 107 points  
Dene Lynneberg, Titahi Bay.

Under 9 mHz: Vila, New Hebrides  
3945kHz 2kw 89 points  
John Watson, Waipawa.



Riyadh, Saudi Arabia continues the three daily test transmissions with members reporting good signals at various times in the 31 and 13 metre bands. The Voice of Friendship in San Francisco has introduced an Asian Service in English, Japanese, Russian and Mandarin: reception is noted on 9585 and 9520kHz. Since November 4, Radio Canada International has introduced several transmission changes, including an evening service for the U.S.A on 6135 and 9655. Test transmissions have also been noted in the last month from Radio Nederland, Lopik and the Greek Radio in Athens. On 1 December, Radio Australia commenced a special service for Papua-New Guinea: favourable reception is from Shepparton on 9755 (100kw) from 0630 GMT. A highlight of afternoon DX has been reception of Conakry, Republic of Guinea on 9650 and 11965kHz.

Thanks so much for your valued support of the Shortwave section during 1973 and hoping this support will continue during 1974.

ALL TIMES IN G.M.T. ( Add 12 hours for N.Z.T.) FREQUENCIES IN KILOHERTZ.

FREQ	TIME	COUNTRY	PROGRAMME & RECEPTION DETAILS	INITS
2410	1240	PAPUA-NEW GUINEA	Radio Goroka with local music until sign-off at 1300.	SG
3223	1500	INDONESIA	RRI Mataram with News. Local ident at s/off 1536, fair.	RCh
3250	1855	INDONESIA	RRI Bandjarmasin, Kalimantan with Indonesian songs. Local ident at 1900 followed by Koran chanting. Very good.	RCh
3275	0300	BRAZIL	Radio Cultural de Ribeirao Preto is a new station in // 1090 MW.	SRK
3322	1005	PAPUA-NEW GUINEA	Radio Bougainville ending a Church Service in EE, Sundays.	SG
3355	1000	NEW CALEDONIA	ORTF Noumea good in French.	DD
3385	1000	PAPUA-NEW GUINEA	VL9BR Rabaul logged at fair level.	DD
3555	1000	NORTH KOREA	Radio Pyongyang noted with EE talks & martial mx // to 9460kHz (EM note this would be your unidentified station on 3550.)	BC
3668	1044	PORTUGUESE TIMOR	Dili logged with light mx in PP, then Chinese from 1104.	AK
3985	0700	SWITZERLAND	SBC Berne good reception. (EE to Europe at this time. Ed.)	BG
4045	1300	INDONESIA	RRI Benkula fair with news relay.	AC
4775	1735	AFGHANISTAN	Kabul good to close at this time.	TM
4785	0412	PERU	OAX&F Radio Atlantida very good to s/off 0458.	JS
4980	1000	VENEZUELA	Ecos del Torbes logged at excellent level.	BC
5000	1320	NEPAL	Radio Nepal logged with pipe music and talks in Nepali.	HW
5960	0602	CANADA	CBC Sackville fair-good in EE and FF for Service personnel.	HdJ
5980	0600	SWITZERLAND	SBC German prgm concluding then into French, excellent.	EC
5980	1000	SABAH	Radio Malaysia Kota Kinabalu fair with local news.	AC
5997	1230	AFGHANISTAN	Kabul Home Service drift from 6000. Nx in Pushto, Id 1237.	Yeo ADXN
6025	0420	PORTUGAL	Lisbon fairly good in English to North America.	JH
6045	0800	HOLLAND	Radio Nederland sign on in Dutch to Europe, fair to good.	EC AC
6055	0600	UNITED STATES	UN Radio, Greenville closes as Radio Prague signs on. (note freq) NG	
6080	0715	ECUADOR	HQJB to Europe on new freq ex 5990 poor-fair in EE. RCh 0721 Young Canada Bible Hour. HW 0730 good-exc. HdJ 0830 EE gospel good. AC EC // 9745.v.g. JA	JM
6135	0403	CANADA	Montreal in EE to USA till 0455. Also 0500-0555. Fair // 9655kHz.	JM
6150	1630	SUDAN	Radio Omdurman noted with EE news during External Service.	Yeo ADXN
6150	0730	AUSTRALIA	VLH6 Melbourne good with sports nx in EE.	ID
6165	0700	SWITZERLAND	SBC Berne, good reception with 'Dateline'.	JA
6165	0500	NETH.	ANTILLES Radio Nederland via Bonaire fair in EE on new freq // 9715 to the United States. S/off 0620. JM. 0550 poor with severe QRM.	JS
6205	1815	BULGARIA	Sofia in Italian to Europe to 1825 on this new frequency.	JM
6300	1706	TURKEY	Ankara Police Station good reception with prgm in Turkish.	Aydn JSWC
6540	0955	NORTH KOREA	Radio Pyongyang good in Japanese.	FF
7150	2030	GREECE	VOA Kavala excellent with VOA Jazz Hour.	RCh
7165	1100	RYUKYU ISLANDS	VOA Okinawa good level in EE although prgm announced as Vietnamese!	
7180	1035	MALAYSIA	BBC Tebrau good in Indonesian. JH. News & music at good level. HdJ / EC	EC
7195	0730	ALGERIA	Algiers logged with FF news on new freq. Also 9610 in AA 0650, 6145 0615. JM	JM
7215	2056	GREECE	Athens HNBI s/on with Greek to Australia. Good.	RCh
7231	0750	SPANISH SAHARA	logged with 'latin-style' programming in SS. Carrier often seems unmodulated. Japanese station on at 0800.	TM
7245	0756	MAURITANIA	Nouakchott guitar interval signal, s/on 0800 with ident then chants. Fair level. Sundays only // 9612.	Gunning ADXN



FREQ	TIME	COUNTRY	PROGRAMME & RECEPTION DETAILS	
7260	0045	NEW HEBRIDES	Vila logged with FF prgm. EE news 0102 on 15 Nov. Poor-fair.	JM
7270	0630	POLAND	Warsaw fair to good in EE // 7285. Both JA. 0630 Nx. LM. Fair with QRM JS. 7285 good copy with EE nx 0635. TM. 7285 good. BG 7285 & 9675 good. Both JH	LM
9009	0500	ISRAEL	IBA Jerusalem good with news in English.	LM
9455	1000	NORTH KOREA	Pyeongyang beamed to Americas // 11725. Good. Not R. Pusan rptd earlier.	JM
9480	2036	ALBANIA	Radio Tirana good signal in English.	JS /NG
9520	0809	GREECE	Athens testing to Australasia in Greek 26 Nov, fair-good // 21460.	JM
9520	1000	UNITED STATES	KGEI with Russian gospel programme mixed Radio NZ.	AC
9545	0230	LEBANON	Beirut logged in English. Fair reception.	JA
9570	0230	CHILE	Emisoras Diego Portales VG in SS with mx prgm. Full ident 0303.	BC
9585	0700	UNITED STATES	KGEI Voice of Friendship fair in EE. AC 0730 Nx QRM from Radio Australia. EM 0830 Hour of Decision. HW 0855 poor. BG 0815 new service to Asia in EE till 0900 then Russian. Sideband interference spoils good signal in EE. JM	JM
9605	1230	SWEDEN	Stockholm in EE to Far East. Swedish 1300-1330. New freq ex 15105. HdJ	JM
9600	1845	KUWAIT	Radio Kuwait good in EE with music programme.	JA
9605	0300	SAUDI ARABIA	Riyadh s/on in Arabic at good level. JD 0515 good signal. Also noted on 5965 at 0440 BG. 0415 Arabic very strong. Occasional ident in EE and requesting reports. JS 0554. LR 0600 Test transmission - good level. AC EC	EC
9610	0330	SAUDI ARABIA	very good in AA with Koran. 0410 full id in AA and EE giving long list of wavelengths and asking for reports. Abrupt s/off 0430.	
9610	0429	ETHIOPIA	Radio Ethiopia in Amharic after Riyadh s/off. Nx 0500 fair signal.	JM
9610	2058	CANADA	Montreal fair in EE. FF RCI changes from FF to EE at 2100, good. JS	AR
9630	2200	SPAIN	Radio Nacional de Espana, Madrid exc in SS. FF 0437 Mx, Nx in SS good. HdJ	HdJ
9650	0920	WEST GERMANY	DW Cologne very good in EE to NZ. JA Fair in EE at 0922.	JD
9650	0200	GUINEA REPUBLIC	Conakry FF prgm, long periods of African vocal & instrumental music, poor. Also noted 0345-0600 on 11965 with similar prgm, fair. JM	JM
9675	0320	POLAND	Warsaw poor reception. BG. 0643 news in English, good.	JF
9695	0832	AUSTRALIA	RA Shepparton (100kw) Indonesian Nx and Mx. HdJ 1030 good in JJ. Shepparton (10kw) also noted on new 9650 at 1241 hrs in EE, fair-good. HdJ	BW
9695	0545	SAUDI ARABIA	Riyadh excellent with EE annot in test transmission. AC 0408. JD HW	HW
9715	0500	HOLLAND	Radio Nederland s/on in EE to North America, good and clear.	NG
9720	1830	KUWAIT	Radio Kuwait excellent in EE to India, Pakistan. CC EE pops, good.	JD
9725	0600	ALGERIA	RTA Algiers fair in French.	LM
9745	1950	IRAQ	Baghdad noted with Local Press Roundup in English.	HW
9755	0900	AUSTRALIA	RA Shepparton very good in EE. JA Excellent. HdJ New Service to Papua-New Guinea 0630-1000 in //11880, 15140. BW Nx 0900. JD 0630 mixed with Cairo. AC Fair-good at times on this new freq. 100kw transmitter. CC	CC
9760	0515	SWEDEN	Radio Sweden to Aust/NZ with interference from TWR Bonaire until 0535 NG AC LM JF JA BG. (see Shortwave Review - freq. change planned)	
9770	0600	WEST GERMANY	VOA Munich fair with news and Breakfast Show.	RCh
9833	0415	HUNGARY	Budapest s/on to North America, very good.	NG
9820	0712	NORTH KOREA	Pyeongyang noted in EE on this Peking frequency.	MH
10060	0215	CURACAO	Radio Curon in Dutch with pop & classical mx till 0300. Shaw NASWA	NASWA
11535	0500	NORTH KOREA	Pyeongyang excellent to Mid-East & Nth Africa. S/off 0530.	NG
11730	1030	USSR	Radio Station Peace & Progress, Moscow at very good level. Also on 11785 //11840 at this time MC At 0800 in EE on 17730 MH and 21600 strong. JS At 0900 logged on 21600 by BG 17710 in //17730, 17775, 17870, and 17900. MC 17730 good in EE at 0900.	DD
11745	0500	ISRAEL	IBA Jerusalem with EE nx but severe QRM from HCJB. JD Excellent at this time on 11725. JD NG AC Good signal with FF nx from 0515. HdJ	JA
11740	1700	MALAGASY REP.	Radio Nederland, Talata s/on in Dutch to Africa. Poor due side-splash from Paris 11745.	BG
11758	2335	COOK ISLANDS	Rarotonga logged, but poor copy. (but will they verify? Ed)	JM
11770	0450	INDONESIA	RRI Jakarta with National Service in Indonesian.	JS
11785	0600	IRAQ	Radio Baghdad fair signal in Arabic.	SG
11790	2200	UNITED STATES	APRFS Greenville good to Europe. Sked 1745-2300.	EC
11815	0540	ETHIOPIA	ETLF fair with EE to West Africa. Also in EE at 1945 on 11960.	NG
11840	0330	PORTUGAL	Lisbon good & clear in EE. 11935 also good. Both AR Fair 0300. 0215 dialogue & light Mx in FF. AK 11935 fairly good at 0415 //6025.	JM
11855	0730	CZECHOSLOVAKIA	Prague in EE to Pacific excellent. //15310 and 21700.	BG
11860	0900	TAIWAN	Voice of Free China Taipei good level in Japanese.	JH
				CC
				EC

11860	1735	SWEDEN Stockholm new freq in PP to 1800, then FF to 1830. For Africa.	JM
11865	2030	ECUADOR HCJB fair in EE to Europe. MC 2125 GG then SS. JS(now moved to 11945,Ed)	Ed
11905	1805	SAUDI ARABIA Experimental tx in AA & EE. JM. Also noted on 11890 at 1750 at fair level with full EE id 1754.DL 11950 logged 0445 with mx,nx in AA, v.g.	AK
11920	2100	SPAIN RNE Madrid in SS to s/off 2130,very good. EC 1630 Nobeljas good in SS.	RCh
11925	2000	CYPRUS BBC Relay station s/off 2030. Severe sideband splatter.	JS
11985	0700	ALBANIA Radio Tirana s/on to Australia,excellent. NG Nx //9500,excellent.	CC
12060	1100	USSR Radio Moscow good in EE,JA 1200 poor with nx in EE.ID.12045 opens 0600.	TM
12175	1235	ICELAND weak with talks. TM 1216 Reykjavik with Mx.QRM Moscow Home Service.	LR
15120	0530	SAUDI ARABIA Riyadh with ident in AA & EE,good level in experimental tx.	JD
15125	0235	MEXICO XERMK Radio Mexico strong in SS. AR 2306 several idents 2325.	HW
15135	0800	FRANCE ORTF Paris good in French, some interference.	PF
15140	0800	AUSTRALIA RA-Shepparton (10kw) has Nx in Special EE for Papua-New Guinea 0930.	MC
15220	0515	SOUTH AFRICA Radio RSA fair in EE with nx.AR 0810 good in EE, deteriorating.	BG
15225	2115	ALGERIA Algiers at good level with Arabic programme.	BC
15250	0645	RUMANIA Bucharest in EE to South Pacific,occasionally good.MC.//11940.	AK
15260	2330	ASCENSION ISLAND BBC Atlantic Relay with World Service, fair.	JS
15270	0640	SEYCHELLES FEBA poor with rlg prgms in EE. Suffers from noise & jamming.	DL
15305	0930	HOLLAND Radio Nederland, Hilversum with test transmission in EE.	LR
15340	0105	INDIA All India Radio logged at fair level in English.	JS
15420	0930	HOLLAND RN-Lopik testing to Far East till 1050 24/11 //15305. Both good.	JM MC
15425	0800	GREECE Athens with experimental tx in Greek 19-25/11. Also 11745 weak 18/11.	HW
15425	2030	CUBA Havana good signal in SS to 2040, then Arabic programme.	BC
15435	1900	TANZANIA Radio Tanzania with nx, ident, English & African Mx.	Several NASWA
17690	1230	BANGLADESH Dacca excellent with EE nx. JD 0900 Good signal in Bangla to 0930.	BC
17705	2116	CUBA Radio Havana good in English with music programme.	AR
17735	0800	IRAN Radio Iran fair during Parsi prgm in //15085.	Chear SRK
17760	2230	UNITED STATES WYFR Family Radio with 'Back to the Bible'. Also 11885 at 2030.	JM
17780	1800	SOUTH AFRICA Radio RSA with German to Europe, fair. EE on 17785 at 1840 1/12	JM
17790	0100	PHILIPPINES VOA with Breakfast Show fair on this new freq to s/off 0200.	JM
17850	0645	RUMANIA Radio Bucharest fair with EE nx //15250 and 11940.	LM
17840	0900	INDIA AIR with news at slow speed in EE. Good. S/off 0935.	BC
17865	1732	UNITED STATES WINB new freq ex 17720 28/11. EE ident then SS to 1800.Poor-fair.JM	JM
17875	2200	LIBERIA VOA Monrovia fair with news in Special English.	AC
21455	0700	AUSTRALIA RA-? testing in EE to Asia at strong level in early December.	BC
21465	1115	EGYPT Cairo excellent at s/on in French. JD Music, nx in FF at 1130, fair.	JM
21460	1000	BELGIUM Brussels good signing on in French.JD GREECE here at 0820 very good.	LM
21480	1058	MALAGASY REP. Radio Nederland Talata with ident for Tx then Indonesian,good.JD MC	JD MC
21485	1055	VATICAN Vatican Radio good with EE for Africa.JD very good in English 1125.	MC
21490	0700	SOUTH AFRICA Radio RSA Afrikaans Service on Sundays //21535 - both fair level.BC	BC
21495	0835	PORTUGAL Lisbon good reception. BG // freq 17880 has EE nx 0730 fair to A/NZ.	LM
21510	1000	SAUDI ARABIA Riyadh experimental service good at s/on with ident in Arabic then Koran chants till full EE ident 1117-1120. DL CC JD 21635 in // . BC JD DL	DL
21515	0130	PHILIPPINES FEBC International with nx in EE,excellent.CC 2330 EE nx, rlg. BG AK	AK
21540	0920	RWANDA Deutsche Welle via Kigali relay in EE to East Asia, fair with transmitter location ident in French at s/on //17780. Both BC 0924 fair.	AR
21560	0920	WEST GERMANY DW Cologne very good in Asian Service in EE. DD Fair reception.	BG
21580	1030	FRANCE ORTF 'Paris Calling Africa' exc in EE //17730,17720,15190,15155,11705.CC.JD	CC.JD
21595	0630	USSR Radio Moscow Home Service on new freq. Other N.F.21515 at 1000 and 21530 under Radio Moscow's Chinese Service at 0815.	BC
21625	1000	PAKISTAN Rawalpindi now here ex 21510. Very good in Urdu. BC.(21510 logged by JD)	JD
21695	0830	ITALY RAI Rome poor in Italian to Aust/NZ QRM Prague 21700. Very good 0850. (On one night only noted on old freq of 21560 at exc level over Cologne. BC)	LM
21705	1000	USSR Radio Moscow Asian Service in EE. Very good on this new frequency.	BC
21720	0830	AUSTRIA ORF Vienna very good with 'Report from Austria' in English.	LM
21730	0230	PAKISTAN Radio Pakistan with Dictation Speed news in EE, good.	JD
21735	1027	PORTUGAL Lisbon in Portuguese for Macau and Timor //21700.	JD
25710	1410	ISRAEL Jerusalem good reception during prgm in Russian.	Aydin JSWC

When asked to write about shortwave listening in the Summer, one is always impressed with the fact that our hobby is arranged not only to suit our seasons, but also our weather conditions. As readers will know, in the winter months when it is cold outside many warm shortwave voices cover the dial during our daylight hours, and when summer comes along these voices can only be heard in the hours of darkness. This convenient arrangement means that we can enjoy the outdoors without the feeling that we are missing out on interesting DX, as daylight reception in summer in this area is very much restricted to stations in the Pacific Basin.

Though the sun spot count is dropping and therefore the higher frequencies are not as active as in past years, there are still many countries scheduling broadcasts in the 11 and 13 metre bands, and schedules to hand show many European broadcasters using the high frequencies this summer.

On the lower frequencies, the 41 and 49 metre band should remain open for signals from Europe to after 0900 GMT and active again from 1600 GMT, while even on 90 and 120 metres signals from Latin America are possible around 0900 till 1200 when replaced by Indonesian and Asian stations. The long twilights mean that it may not be dark until after 0900 GMT, and the hour before darkness is ideal for Brazilians in the 49 and 60 metre bands. Later, around 1000 Venezuelans and at 1100 most other Central and South Americans are commencing their days' transmissions and are heard at good level. At dawn, which is around 1600 GMT there is little hope for signals from Africa on the lower channels, but in the equinox periods of September and March Africans are best just after sunrise.

As mentioned earlier, daylight reception is restricted to the Pacific area, but when conditions are better than usual, it is not uncommon to hear signals from Brazil and other South American stations during our mid afternoon, but lower frequencies will be out of action until as late as 0500 in mid-Summer. This time of the year is a difficult one for broadcasters serving New Zealand in the early evenings with Radio Nederland via its relay in Bonaire the best signal, but other stations broadcasting direct from Europe have difficulties in finding a transmission path which will give us a good signal. The BBC for instance, will be relying heavily on its Tebrau - Malaysia relay station to provide us with a service from 2200 to 0415 GMT. It is this time of the year that Asian stations are often heard at good strength during our afternoons, and Radio Ceylon and others which are uncommon as far as regular reception goes, often provide outstanding signals.

Another event in the Summer months is New Years Day, when many Latin American stations run all night broadcasts to celebrate the coming of the New Year, and some interesting stations on extended schedules are often heard during our afternoon of January 1.

The Summer period is one of the two seasons of the year when international shortwave stations and their transmissions are most stable, for following the November 4 frequency changes it will not be until the first Sunday in March 1974 that any major changes will be made. As far as the more local stations go, their schedules are relatively stable and so there should be many interesting catches made this summer on the lower frequencies as we near the bottom of the 11-year sun spot cycle which governs our shortwave reception. At the bottom of the curve as we are now, means that the lower frequencies should perform their best for some years.

## STATION OF THE MONTH

### ISRAEL BROADCASTING AUTHORITY.

Tentative schedule for November-March.

0500-0515 EE on 7095,9009,9625,9785,11725,11745.

1130-1200 EE on 10250, 15130 and 17720.

2000-2045 EE on 7280,9785,10250,11700,11725,9009  
15100 and 17720kHz.

Home Service Relay in various languages including

English, French, Russian, Hebrew & Yiddish:-

0100-0340 on 9525,7095,7280,9009,9625,9785.

0000-1730 on 12050 and 1730-2400 on 9625.

Reception reports very much wanted. Address is  
P.O. Box 7139, Roma, Jerusalem, Israel.

Credit to Larry Vagne NASWA.

In fact two stations feature this month.

Here are the very latest schedules to hand for Kol Israel and WYFR Family Radio.

### WYFR FAMILY RADIO

Address 290 Hegenberger Road, Oakland, Calif. 94621, United States of America.

Schedule effective November-February.

English 1700-2300. Spanish 2300-0230

To Europe: 1700-1800 21525; 1700-1930 on

17845 & 15440; 1815-1945 15130; 1930-2300

9690; 2000-2215 on 11885; 2230-2400 6075kHz

To Africa: 1700-1945 21525; 2000-2200 15130.

To Caribbean/Americas: 1945-0030 17760kHz;

2315-0230 15215; 0015-0230 11855; 0045-0230

on 9715 and 5985kHz. Frequencies subject to change.

# ..sign off

RNE RELAY, CANARY ISLANDS. Radio Nacional de Espana advise that reports of reception of their network station at Santa Cruz de Tenerife should only be addressed to Madrid. Scheduled on 11800 and 15365kHz 2000-0400 GMT in Spanish.

Jack Searle

ANOTHER PAPUA-NEW GUINEA station is on the air. Martin Hadlow, Station Manager of Radio Bougainville advises that Radio Kimbe in West New Britain commenced transmissions on 3 November. Frequency is thought to be 2340kHz but no reports of reception have yet come to hand. Still to open are stations at Lorengau, Manus Island 3905kHz and Vanimo in the West Sepik District 3205kHz. BC

DXERS PARADISE? The South African Broadcasting Corporation is to terminate MW broadcasts in the next year or two, as FM coverage is now considered adequate. The move will eventually mean 36 vacated channels become available to South African DXers. First tests for TV are expected in June/July 1974 with full introduction in January 1976.

Richard Ginbey SCDX

## HEARD ANY GOOD MYSTERIES LATELY?

David Ricquish is at again - that unidentified French station he heard last December around 1430 kHz is back again! Reception has been almost every night from 6.45 to signoff 7.30pm NZT with an id. as "Office de...Francais ..transmitte..de station de...regionaux..", followed by La Marseillaise. Reception has been such that 4XD is covered by the ORTF signal! Another Christchurch member, Alan Robson has logged a station in the 49 metre band announcing as transmitting on 103.5 FM with a call of KOA. If an image of the FM frequency, that would make it the 18th image, he writes. KOA in Denver is well heard on 850kHz MW in New Zealand.

RADIO HAVANA, CUBA's curent English sked to 4 March 1974 is: 2010-2140 GMT to Northern Europe on 15140 kHz and to the Americas as follows: 2050-2150 on 15285 and 15425; 0100-0450 on 11930; 0100-0600 on 11910; 0330-0600 on 11760 and 0630-0800 on 9525kHz.

Robert Crawford

CHRISTMAS STATIONERY ORDERS. Stationery Secretary Paul Aronsen asks that members get their orders for stationery into Box 1313, Invercargill as soon as possible to avoid any delays due to the Christmas holidays.

IF YOUR SUBSCRIPTION IS DUE THIS MONTH,  
A COLOURED STICKER WILL APPEAR HERE. RENEW  
YOUR SUBSCRIPTION PROMPTLY TO  
ENSURE THAT YOU WILL RECEIVE  
NEXT MONTH'S ISSUE. ADVICE WILL  
BE GIVEN TO OVERSEAS MEMBERS  
PRIOR TO THE MONTH DUE



## New Zealand Radio DX League

### ADMINISTRATIVE OFFICE

P.O.Box 1313, Invercargill.

All subscriptions, membership enquiries, stationery requirements and policy matters should be addressed to Invercargill.

### EDITORIAL OFFICE

P.O.Box 2956, Wellington.

Only queries relating to content and distribution of the Times should be addressed to Wellington. Closing date for contributions:- first Wednesday of the month. Advertising:-\$0.50 up to 30 words. Other rates on request.

Annual Subscription: \$4.00  
(Secondary Students: \$3.00)

RADIO FREE AMERICA, CONTINUED. Since last month's report, a Federal Court decision has prevented resumption of broadcasts by this 'pirate' operation off the New Jersey Coast. Appeal proceedings were scheduled for 16 Nov headed by a former Chief Counsel of the FCC! In challenging the Court decision, US Govt involvement in such clandestine efforts as Radio America - Swan Island, Radio Free Cuba etc will be cited, but most likely action will be for Radio Free America to resume operation from a ship under foreign registry. Frequency is still planned to be 1608-10kHz.

Credit to Larry Magne, NASWA

## BUY & SELL

FOR SALE: PYE INTERCOM SYSTEM FOR UP TO 12 SPEAKERS. NEVER USED. NEW PRICE WAS \$195. PRICE WANTED \$170 OR NEAR OFFER. ONE SPEAKER PROVIDED. APPLY: ROBERT WILLIS, 33 GILLIES AVE. TAUPO. TEL 2848

FOR SALE: EDDYSTONE 870A IN MINT CONDITION. 5 BANDS - LONGWAVE THRU TO 28MHz 5 VALVES & REALLY PERFORMS WELL. BEST OFFER OVER \$75. APPLY STEVEN PROUT, FLAT 3, 367 DEVON ST. EAST, NEW PLYMOUTH.



FAMILY RADIO NETWORK

LATEST SCHEDULE OF  
WYFR

SEE PAGE 19.