



# NEW ZEALAND DX TIMES

Registered at P.O.H.Q. Wellington as a magazine

VOLUME 29 No. 12

AUGUST 1977

## PEOPLE

One of the League's 'founding fathers', Merv Branks of Invercargill was recently in hospital with pneumonia, but we're pleased to advise that he is now well on the road to good health again. Fellow Southlander Ray Crawford, National Secretary of the League, is off to Australia in mid-August for a long-awaited holiday accompanied by wife Raewyn. We understand the main highlight of the visit will be a 'mini-convention' at Cape Jervis, south of Adelaide. Ray will be spending 4 days looking and listening to the West - for Africans on MW! Cecil Symmes of Wellington has been touring North America for several months. In a postcard from Washington DC he reports on a visit to the Voice of America and an interview with Pat Gates, which is expected to be broadcast in her popular "Breakfast Show" on Sunday 14 August, give or take a day. We look forward to hearing more of his experiences on his return. Queensland member Sam Dellit married Jenny on 30 July - congratulations! Sam will be the next in a long line of trans-Tasman visitors to NZ to taste the DX. The Dellits will be touring the country around Christmas, with well-known DX locations featuring heavily in their itinerary. Congratulations to Auckland member Douglas Doull for taking one of the 9 top prizes in Radio Sweden's International Red Cross Contest (featured in the April Times). A progress report from Arthur Williams and Neville Henry of Invercargill, but currently holidaying in Europe, will be featured next month. It includes news of their visit to Radio Andorra. Listeners to the BBC "World Radio Club" will have noted the passing of host Frank Hennig in mid-July. Finally, Lawrence McCraw, operator of Radio Sunshine (see April Times), was recently convicted in the Balclutha Magistrates Court and ordered to pay costs totalling \$96, for interfering with the telephone system and running an illegal radio station. It appears he has also lost the many hundreds of dollars worth of equipment which was confiscated.

## DX CLUBS

Congratulations to our sister club in Adelaide, South Australia - the Southern Cross DX Club on their 4th anniversary last month. Distribution of their magazine "DX Post" illustrates the progress of the club; the first issue had a distribution of 12 copies, that for June 1977 - 100 copies! Best wishes also to Asia's premier DX organisation, the Union of Asian DXers on their recent 5th anniversary. A tip of the hat to our friends in the International Radio Club of America, which has relocated from Seattle to San Francisco. They offer an annual airmail sub of US\$13.50 outside North America, with the "DX Monitor" published 34 times a year. New address for the IRCA is P.O. Box 26254, San Francisco, California 94126, USA.

**IMPORTANT:** Due business commitments of Times' staffers, closing date for the September issue is delayed one week to MONDAY 12 SEPTEMBER. We regret this unavoidable delay in bringing you our 30th anniversary issue. Let's hear of your recent DX, QSLs and CONTINENTS LISTINGS featuring Europe.

## FROM THE BRANCHES

2

SOUTHLAND The July meeting was held at Sutton Burtenshaw's, with 7 present & several apologies. Discussion included nominations for the branch annual general meeting, to be held at the home of Mr & Mrs O.Crawford on Saturday 27 August. There were reports from recent meetings of the Convention 78 Committee and details of a raffle being organised. A DX chat followed, and Competition Results were: Broadcast Ray Crawford Monteria Colombia 1080 10kw & RNE Madrid 1223 50kw. SW Over 9 Arthur Cushen Helsinki 15265, Under 9 Paul Aronsen SABC Johannesburg 3955 100kw.

OTAGO The July meeting was held on the 21st at Ash's home. We welcomed new member Jim and evaluated Kirk's 'Dick Smith Communicator' VHF receiver. Interest in Utility DX and CB activity is increasing. Ian Rush, 75 Tahuna Road, Dunedin has replaced former member Jonathan Aitchison as Branch Secretary. We are grateful to Jonathan for his contribution to the League in past years. For details of the August meeting, contact Ash Nallawalla Tel. 69543.

NORTH OTAGO 7 members were present for the July meeting, and it was agreed to hold an auction at the Listening Post on 24 September. Discussion was also held on the League's Annual General Meeting to be held in Oamaru in October. There will be a meeting for Junior Branch members on 11 August and the Annual General Meeting of the Branch on 25 August. Don't forget to bring your QSLs!

CANTERBURY The July meeting was held on the 22nd at Bruce Officer's with 5 members present. 2 members have just taken delivery of new FRG7 receivers, so many loggings should be made from Christchurch in the coming months. Discussion at the meeting centred on DX Times publication and the future of the Branch. The Branch AGM will be held at 8pm on Saturday 20 August at the Riccarton Lodge Hall, Brake Street, Upper Riccarton. It is ABSOLUTELY VITAL for the future of the Branch that all League members in the Christchurch area attend this meeting. Because of other commitments, several Branch officers will have to stand down next month, so there is a very real possibility that the Branch could go into recess unless support is forthcoming from other members. There are several League members in Canterbury who think that the branch is worthwhile and should continue, but what about the others from whom we seldom or never hear? If you do not attend the AGM or fail to enter an apology, we can only assume that you disagree! For transport assistance or apologies, please phone Austin Hadler (843-583) or Peter Mott (382-215) or other members.

WELLINGTON 7 members attended the July meeting at which it was proposed to raise branch subscriptions to \$2. This will be voted upon at the August AGM. Various topics which the branch could participate in were discussed, and these would be evaluated by the new committee. Competitions: SW Junior RAI 21690 Trevor Phillips, TWR Swaziland 4760 Paul Edwards. ECB Nth Am KFBK 1530 Trevor Phillips, A/NZ 2MG 1450 Trevor Phillips, Open WXLE 1385 Trevor & Paul Edwards. The Branch ANNUAL GENERAL MEETING will be held at Bryan Clarks, 47 Upper Watt Street, Wadestown, at 8pm on Friday 26 August. Please be there!

WAIKATO-BAY OF PLENTY The last meeting was held at David Feldon's on 16 July. Also present were Colin Campbell, Peter Maindonald and Duncan Watson, with apologies from Stan Larking, Bob Harman and Graeme Bamford. A DXPEDITION is to be held at Ohope Beach on the weekend 24/25 September. Cost will be \$5 and all League members in the area are invited to attend. An invitation is also issued to Auckland members and any other interested members, but notification of interest and the \$5 fee must reach Colin Campbell, 6 Clouston Crescent, Rotorua by 3 September. This is essential for accommodation arrangements to be concluded. Those attending will need to bring food, toilet gear, sleeping bag or blankets, and pillow. Good comfortable mattresses are available. The next meeting will be held on Saturday 3 September at 1.30pm at Duncan Watson's, Grieves Road, Edgecumbe. RFD No.933 on Gate. Tel. 28-035 Whakatane. Graeme Bamford is actively pursuing the possibility of forming a branch in TAURANGA, and reports he has 6 interested people, but they have yet to join up. Other topics discussed were NZ TV channels, common frequency allocation for Northland stations, and the adoption of the 9kHz plan.

# BROADCAST DX with Bryan Clark

3

Things are hotting up on the broadcast band in NZ and most of the news isn't good from the DXers point-of-view! So the 'good' items first....

Synchronisation of the Whangarei and Kaitiaki National Programme outlets on 830kHz is imminent, according to Tune In. 1YK will join 1YX on 830, leaving 1010kHz vacant for a period. Later, it is understood that 1ZK 1440 and 1ZN 970 will synchronise on 1010kHz, so it would pay to check these channels in the months to come. Radio Active, Victoria University's short-term warrant station will be back on the air 15 to 27 August with 100w on 1260kHz. Hours of transmission are 7-9am and 2pm-midnight. An application for FM was declined. Reception reports, with return postage, should be addressed c/- Victoria University Students Association, Private Bag, Wellington. Radio Active's last broadcasts, in February, were heard by members as far afield as Invercargill and Auckland. Festival Radio, Wainuiomata College's short-term warrant holder using the Radio Active transmitter, hopes to be on the air again at Christmas. An incorporated society to run the operation is proposed, and the organisers hope to have a 'beautiful music format'. A new station title is also proposed. Radio Caroline is the name of the world's best known pirate radio station (still operating off the Dutch Coast) and the name that 3ZC 1160kHz will be known by from this summer! The new title is intended to give the station more identity in the community and is taken from Timaru's most popular feature - Caroline Bay. (The sea-borne Radio Caroline recently moved from 953 to 961kHz, per SCDXers.)

  
sweet CAROLINE flying to the sun

Radio Caroline every evening on 259

Silent Periods for the National Programme transmitters, as advised to Arthur Cushen by the BCNZ Controller of Engineering Services, are as follows. These are the times allocated for maintenance should it be required. If no maintenance is required, the transmitter continues its normal transmissions. The span of closedown is 12.15am until 5.30am.

First Monday of the month: 1YA, 3YZ/3YW, 4YZ  
First Tuesday of the month: 2YW  
2nd Monday: 2YA, 1YZ 2nd Tuesday: 4YW  
2nd Wednesday: 4YQ 3rd Monday: 3YA, 2YZ, 1ZO  
3rd Tuesday: 1YK 3rd Wednesday: 1YE, 1ZU  
4th Monday: 4YA, 2YM 4th Tuesday 1YX, 1YW,  
1ZA/1ZT and 2YX.

The 'bad' news for DXers is the apparently inevitable loss of clear channels to more private broadcasters. Later this month, the Broadcasting Tribunal will hear the first of a number of broadcasting warrant applications -s, from Gordon Dryden's Radio Manukau in Auckland. Other hearings on the agenda are: Radio Rhema, operated by the Gospel Radio Fellowship, requests 24hr operation with 2kw from Christchurch. A frequency of 1570 has been allocated by the Post Office, but a lower one will be sought. The non-commercial programmes will include talkback, educational, childrens and senior citizens prgms. No objections have been received from RNZ or Radio Avon. Radio NZ have announced plans for a repeater station at Ashburton to mainly relay 3ZB daytime and 3YA all-nighter, plus weekend relays of 3ZM Nova. There would be a local studio. Canterbury Broadcasting Company are seeking 5kw 18 hours a day. News reports have mentioned the frequency of 1575kHz but this seems correct. They may also seek a repeater to cover Ashburton and other parts of Mid-Canterbury. Next is Radio Avon which has applied for a warrant for a new company to operate a net-work of 3 stations in South Canterbury area. Programmes will be originated from studios in Timaru, Oamaru and Ashburton through 3 synchronised transmitters (The Post Office have allocated 1360 for the network). Continued Page 7

## TRANS-TASMAN ECB INFORMATION

3ZZ 1220 was closed down by the police during July on the order -s of the Australian Government following considerable local resistance. 1220 is now clear channel in Australia. 2KA 780 was severely damaged by fire in July and operated with only 50w for a period. They now seem to be back to normal power. 3TR 1240, 2BS 1500 and 3UL 530 are the latest commercials to go to 5kw directional. 6MN Mt Newman 570 100w opened 2776. This is an ABC station established under agreement with the Mount Newman Mining Company, whereby the company bears the total capital & operating costs. Chris Martin & Ian Stanley 'RA'

DUNCAN WATSON Edgecumbe has reports away to WXLE and KPOI. QSLs in from 1YC, ZH, ZM and 4QD. Mid-year lull for many of us Duncan.

ARTHUR CUSHEN Invercargill has veries from 3YR 1510, 2EA and 7SH 1570. Logs are RRI Padang 1485, RRI Biak 1044 & RRI Pontianak 1233. Thanks for useful silent period news Arthur.

TED OSBORNE Wanganui is back amongst the DX with reports away to BEC Masirah 1412 and AIR Calcutta 1130. Veries from WABC, Sharjah 1575, Riyadh 587 and VOA Bangkok 1580. Hope the luck with equipment improves Ted.

STEPHEN LILLIS Auckland advises QSLs from 2ZK, CH, NX, 3ZC (in 223 days!) and 4QD (an interesting card with 4QD in bold print on the front and details in green on reverse. Printed by lino or screen method.) Reports to 2GZ, 3NE and 5DN. Re DR22 suggest you enquire of Bryan Marsh at Mangere Bridge. Miles & Carlaw have brochures. See P14 last month for prices - Singapore is all duty free. Leigh's address is 14 Kettle Avenue, Palmerston Nth for any info on where it's available.

KEITH ROBINSON Kapuka reports 2TR, MW, 2BH on 567, HICA 603, 3YR, 7FG, Tenom 565 and 4JK. Veries Lahad Data 665, 2EA, TR, 4NA and 7SD. Thanks Keith.

PAUL ORMANDY Camaru rests on his laurels with a lone reply from 4MK and log-gings of 3YR and 2ZK. Yr Utilities suggestion would need AGM approval. BBC MS confirm location of Cameroons. Still no info on RNI or 6046. No chance for TIRS here I'm afraid. See you at AGM.

NORM MAGUIRE Honolulu has a fine bag of QSLs: 5PI, IC, AA, 4YQ, MK, GG, QL, 1ZC, ZC, ZA, 2ZM, ZC, XW, ZN, ZE, WN, LF, NC, SM, MG, 3YW, ZM, XA, XY, CR, Singapore 790, Austria 1475, Calcutta 1130, Cooks 600, WVUV, Fiji 710, Kuwait 1133, Bucharest 1457, Vatican 1529, TWR Monte Carlo 1466, VOA Rhodes 1259, Lighthouse 1165. Not far from 3 grand now Norm! 2ZH would be on networked 'Tonight Show' 0700-1205 GMT daily along with other RNZ commercial stations. Regards.

BRYAN CLARK Wellington has verified HJCR Sutatenza 590, Nairobi 746, 3YR. Lone report away was 3YR 1510 1st day.

IAN CATTERMOLLE Blenheim advises QSLs from 1ZH, YC, YZ, YX, 2Y, YC, 3YW, YC, KZ, ZC, 4RO, XD, JOE. Reports to 1YE, YX, ZC, 2CO, RG, GN, KY, 3KZ, OV, UL, 4XD, GG SB, 5SE, 7SD, JOOR & WXLG 1220 tent. Format certainly fits them Ian. Thanks.

TREVOR KNOWLES Auckland advises QSLs from 2WL, Radio Fiji 710 and 4ZA. He is using the National Panasonic DR22 which featured in last month's Times. Welcome to this section Trevor, but please remember to submit SW notes on separate paper from your MW report.

ALAN GILMOUR Greymouth reports a quiet month with only 3YR logged and verified. Alan's address is 2877 Kalakaua Avenue, Honolulu, Hawaii 96815 with r.p. a must. Will take up other problem with Adcom. Regards.

PAUL ARONSEN Invercargill has a nice lone QSL - ppc from Radio Sunshine 1580 with 25 watts.

CHRIS MARTIN Sydney has me green with envy with a report & verification of Pietersburg, South Africa 1115. QSLs also from RRI Jayapura 1053, Mersing 1055, WIOD, WLCY and WSUN.  
¡Fantástico chico! Enjoy Cape Jervis!

LEIGH MORRIS Palmerston Nth advises QSLs from XZK1, RTM Kuala Lumpur 590 & 720 plus FM 95MHz. Bunk here 26/8!

PAUL EDWARDS Wellington has 'em in from WXLE and VOA Rhodes 1259. Ta.

CRAIG STRATHERN Timaru has QSLs from 2AY and 2SM. Let's know who you report too Craig. Many thanks for the big bundle of clippings! Hope I can precis them all. Will ask HQ for the list of addresses for you.

SUTTON BURTENSHAW Invercargill logs 3YR 1510, 7FG 1160, Biak 1045a and Surabaya 585. At Tiwai logs are HJZI 1550, HJRQ 1540, HJZF 1540, HCDP 1545, HJFT 1025, HJDL 1140, HJLT on 1260, HJLX 1260. ¿Algo más? Veries in from 3YR 1510 & Tirana 1394. Hi!

ROBIN CHAMBERS Opunake advises another interesting month with reports to Zaracay 965, Sudan tests 1295 (Is on half of full 1500kw power says BEC Ed), YVTT 1390, XEL, 3YR and contemplating tentative to EAK31 on 1394! QSLs Sudan 764, 4MK, 4CD. Ta!

JIM BENZONI Hamilton has a lone QSL from 2XW Windy Music. Photo sent.

JOHN ALLCHIN Auckland has reports to 2NU, KP, NC, 1YX, YZ and 4MS. QSLs in from 2NU and 2KP. Nothing official at all on Aussies - seems random. See 567 in trail for one!

DAVID VALOIS Timaru is another Sth Cantabrian to supply us with press reports on local radio developments. Many thanks David.

# BROADCAST TRAIL

5

- 1313 AA good 1950. Russian Ext. Svce?
- 1322 BEC Cyprus fair mxd 2000.
- 1345 Kuwait good in AA 2010.
- 1394 SS here some mornings on west beverage 1930-2015. On 24/7 at 1959: "Desde Radio Popular con ...iamante Fernandez." then apparently nx. 25/7 Albania.
- 1448 Italian fair 1945.
- 1457 Roumania strong 1945.
- 1466 Russian good 1930.
- 1493 Russian poor 1945.

## EVENING

- 567 2BH on this freq lately. KR
- 603 HICA with EE talk 1145 KR
- 740 Tahiti good in Maori 0538. BC
- 770 KOB country music 0607 good. BC
- 800 PJB vg in SS from 0900. BC
- 975 TIRS Centroamericana on late 0620 19/7 with "Programa Sensacion" PO
- 990 XET good here 0520 5/7. RCh
- 1034 Portugal in deep fades 0533 31/7
- 1035 Unid SS poor 0535 5/7. RCh. /BC
- 1025 Unid Latin often 0525. BC
- 1020 KTNQ mixed YVRS 0600 good. BC
- 1030 WBZ regular phone show 0525. BC
- 1055 HJFZ Centro steady, gd 0554. BC
- 1080 KRLD 0544 fair mx prgm. BC
- 1224 TIPJ Nueva Victoria fair 0441. BC
- 1252 Unid SS fair 0512-0525. RCh
- 1260 XEL Radio Capital good 0515. RCh
- 1270 HCUM2 Universal vg 0545 31/7. BC
- 1320 CHQM very good 1015 16/7. RCh
- 1390 YVTF good at times 0520-0550, 5/7 "Radio Vision" jingle. RCh
- 1465 Latin here fair 0451 17/7. BC
- 1470 XESM strong 0520 5/7. RCh
- 1570 XERF EE gospel prgm Sat. 0612. BC

## EVENING TRAIL FROM TIWAI - SITE OF CONVENTION 78. Stations heard from 0445 to 0630 GMT on 24 July by SB.

- 590 Cuban here. 1190 Cordillera.
- 670 Radio Rumbos. 1260 HJET Vision
- 760 Radio Mar, Peru mxd HJLX Cinco. and HJAJ. 1450 Radio Galeon
- 850 Nuevo Mundo. 1480 Unid SS here
- 854 Nacional Peru. 1490 Punto Cinco.
- 1020 YVRS Margarita Bogota's pest!
- 1025 Ecos del 1540 HJZF Condor Combeima. mxd HJRQ Austral
- 1140 HJDL Cristal. 1545 Caracol, Quito
- 1155 Unid SS here. 1550 HJZI Fantasia

## MORNING TRAIL from RCh in Opunake.

- 539 Kuwait excellent here 1945.
- 612 Iran good 1945.
- 620 Cairo excellent 2000.
- 728 Abu Dhabi fair 1930.
- 737 Israel good 1930.
- 770 Sari Iran strong 1945.
- 773 Cairo good 2000.
- 800 Russian strong 2000.
- 908 Baghdad good 1945.
- 1088 Russian strong 1945-2000.
- 1124 Libya AA fair 2005.
- 1133 Kuwait strong with pops 1945.
- 1214 Albania good around 1945. Pop mx occasionally mxd or thru. Who?
- 1223 Vidin Bulgaria strong 1945.
- 1232 RMC Cyprus EE rlg songs loud 2005

CONTRIBUTORS: Thanks to our regulars Keith Robinson, Paul Ormandy, Bryan Clark, Sutton Burtenshaw and Robin Chambers.

## BEST OF THE MONTH - AUGUST

Our only contribution!!

### OPEN

WXLE Canton Island 1385kHz 250w  
Paul Edwards, Wellington

## MAILBAG continued

DENE LYNNEBERG Titahi Bay has reports to DWXL, DWWW, DZRH, DWBC, DWWJ, DZXX, DZEM, DZME, DZUP, DWKW, DZHH, DZCA & DWLM-FM from his Phillipino trip. QSLs from Constanta 1457, Multan 1035, DXED 1017, DWXL 1130, RRI Jayapura 1053, DWWJ 980, DZME 1540, Peru 854.

ERNIE MOORE Brisbane has one away to RRI Jayapura 1053 and one in from KRIO 910. Ernie & Merv Joyce have an UNID station noted on 1188 and 1185kHz around 1000 GMT. Am writing Ernie.

American preparation for the 1979 World Administrative Radio Conference includes proposals for extension of the broadcast band down to 525kHz worldwide, and up to 1805kHz in some areas. In a statement on 8/9kHz channel spacing, the FCC's AM Service Working Group comments "this scheme affects adjacent channel interference, the development of AM stereo, and poses serious conversion problems for the US which has developed it's AM service largely around the use of directional antennas, designed for use only on specific frequencies" T. Sundstrom/NRC

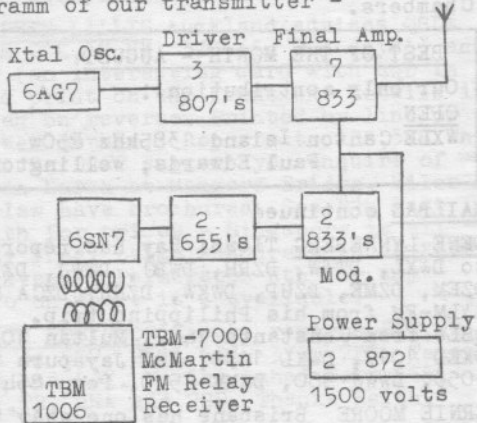
A more recent report from Alan Roycroft says that it is proposed to extend the BC band to 490-1800kHz. Chris Martin

TREVOR PHILLIPS Porirua has verified KHVH, KFBK, Pyongyang 655, 2MG, Tarawa 844, WXLE and Fiji 710. Tx Trev.

# CAN-AM REPORT 6

**ARGENTINA** Radio General Madariaga on 840 is reported to have increased pwr to 10kw on 20 June. BBC MS.c.

**COSTA RICA** In a verification letter from Radio Columbia 1525, technician Manuel Antonio Fallas Carmiol wrote: "Our transmitter is installed in Turrialba, a small city which is 67km from San Jose. This transmitter was made in our workshop utilising second-hand materials and those dismantled from other equipment. Here is a block diagram of our transmitter -



Antenna details: R 38X-J42, 750ft high mast insulated at the base. 2.24 amp current in the line and power 250.00w approx measured with Delta Bridge OB7. Our station is one of a chain of 8 stations which transmit the same prgm as TILX and the said stations are distributed throughout the nation." Their address is Apartado Postal 708, San José, Costa Rica. Robin Chambers

- CANADA** Items from John Oldfield IRCA
- 550 CHNO Sudbury Ont. wants 10kw U.
  - CFJC Kamloops BC wants 10kw days, 5kw nights, ex 910kHz.
  - 570 CKSW Swift Current, Sask. here 24 hrs 10kw since 11/5. Address P.O.Box 570. Zip code S9H 3W2
  - 630 CHED Edmonton 50kw NSP rock & roll
  - 680 CHFA Edmonton 10kw U with CBC FF net. Beams 90% north to protect co-channel KNBR.
  - 850 CFVR relays CHWK/CKGO evenings.
  - 860 CBH Halifax applying for 50kw U.
  - 930 CJCA Edmonton soon to be 50kw U.
  - 1140 CKXL Calgary wants 50kw U.
  - 1380/1390 Applications for 10kw U. for Medicine Hat, Alberta.
  - 1580 CBJ Chicoutimi PQ seeks 50kw U.

**PARAGUAY** Radio Primero de Marzo 780 is reported to be 24hrs since 2 June. BBC MS (c)

**DOMINICA** Heard occasionally in the past year in NZ, Radio Dominica 595 commenced transmissions on 1/11/71. Now known as the Dominica Broadcasting Corporation, the station uses a 10kw Marconi B6029 transmitter on MW, feeding into a 1/4 wave length vertical mast 300ft high, at a location 700ft above sea level. The mountainous island of Dominica is 289.5 square miles in area at latitude 15° north, longitude 16° west. Main crops are coconuts, oranges bananas and grapefruit. A 100w FM tx is operated on 88.1MHz, being of American Marti manufacture. Transmissions open at 1000 GMT, the best time for reception in NZ. Also broadcasting from Dominica is religious station the Voice of Life on 1060kHz with 10kw. This commenced transmission late 1976. These details included in a friendly QSL letter from DBC's Chief Technician George Buckmire, who sends greetings to all League members. Reception reports should be addressed to George at Dominica Broadcasting Corporation, Victoria Street, Roseau, Dominica, West Indies. Bryan Clark

- USA** KOIN Portland Oregon 970 has the new call KYTE and idents as "the new Kite". Nick Hall-Patch IRCA
- 580 WIBW Topeka now carries Herb Jepko's Talk Show, viz KTRH. NRC
  - 590 WRTH Illinois, KID Idaho both 24hrs
  - 620 WJDX Jackson Ms now 24hrs NSP/NRC
  - 920 KITN Olympia Wash. now apparently full time operation. IRCA
  - 1090 WBOZ San German PR 250w new. IRCA
  - 1100 KFAX now 50kw SH-N, DA-2. IRCA
  - 1150 CP for 5/5kw at Long Is. Alaska. WCOB Boston 5/5kw granted WACQ. N
  - 1190 KEX silent period is Sunday 2am to 5am local time. NRC (0900 GMT Sun)
  - 1230 KGEK Colorado seeks KSTC call. IRCA
  - KBCR Steamboat Springs, Colorado is now on the air. NRC
  - 1260 KYA is believed to be seeking 5kw fulltime. R.Heald IRCA
  - 1240 KBWA Williams Arizona 1/0.25kw new
  - 1270 KTFI Idaho seeks KTLF 5/1kw. IRCA
  - 1300 WMEE Indiana now 24hrs NSP. NRC
  - 1310 KQXE Mesa, Arizona is 24hrs. NRC
  - 1350 WKLX Portsmouth Va. 5/5kw granted new call WHNE. IRCA
  - 1360 KSCJ Sioux City, Indiana s/off is midnight local time. Has easy listening format nights. NRC
  - KKBJ Bemidji Montana 5/5kw CP.
  - 1390 KKOA Minot, ND ex KLPM noted to s/off 0158 ELT Mondays. NRC

SRI LANKA A new station at Amparai was to be officially commissioned on 8/7 using two transmitters donated by West Germany to relay Sinhala & Tamil services. Frequencies expected to be 860 and 975kHz. Amukotuwa SCDXers

SABAH Radio Malaysia Sabah EE "Blue Network" is carried by Kota Kinabalu 690 (693) and Lahad Datu 830 (828). "National Network" in Bahasa uses Sandakan 565, Kota Kinabalu 600 (603) Lahad Datu 665 (675), Tawau 750 (747) and Kudat 800 (801) Killick Tune In (Frequencies in brackets are per 1977 WRTVH so it looks like they published their new 1978 channels prematurely!)

IRAN Arbadil 1340 moves to 1313. NRC

SOUTH KOREA KBS 1st Network operates on 710 1955-1800, with news every hr except 1300 and 1700. Approx 50 MW regional stations devote most of their time to 1st network relays. The 2nd Network on 600 2055-1800 carries special prgms for soldiers, farmers & students (including lang.lessons in EE, FF, GG, SS and standard CC). The network also has EE 1330-1200 (sic, but see our Trail for report of EE on 603 at 1145, so assume starts 1130.Ed) for listeners in Korea & abroad. The KBS Public Educational Station, Seoul on 970 operates 0858-0103. From 1100-1400 Radio Korea's External Service in KK and JJ for Japan carried. BBC MS

PAPUA NEW GUINEA NBC Wewak has moved to 860 to share frequency with Lae. This action is to accomodate more MF stations throughout the country.

Martin SDC DX Post

PHILIPPINES DYFR Borongan in Samar province is back on air after leaving the air in early 1976 due to 'some unavoidable circumstances'. Freq? DXFE Davao was burnt down on 1/3/77. Only the aerial tower remained. DWRP 1470 is simulcast with SW for the Mandarin prgm 1445-1600. FEBC

JAPAN JOOR Osaka moved from 1220 to 1180 on 15/5/77 and will move to 1179 on 23/11/78. D.Ricquish

AUSTRALIA NSW stations have local programming 0515-0600 GMT weekdays ie ABC Regional Stations, which is a good time to catch them for a report eg 2NC/2UH, 2KP/2TR, 2NU, 2BA/2CP & 2CO. John Allchin

HAWAII KHVH 1040 wants 10kw U. IRCA

It is proposed that the Ashburton studio originate the network programme 9am-1pm daily, Camaru 1pm-4pm, Timaru 4pm-midnight and 5am-9am, and the balance of the 24 hour operation be relays of 3XA Christchurch from midnight to 5am. Radio Avon would have a 25% shareholding in the new company. With 3ZC Timaru one of RNZs least profitable operations, it will be interesting to see how the Broadcasting Tribunal regards the economics of a second commercial station in a centre the size of Timaru.

According to press reports Radio Avon has even bolder plans for the future, such as seeking a 25% shareholding in 4XO Radio Otago, and then using it as the base for a similar quazi-network including transmitters in Invercargill and Queenstown. They were also toying with a controlling interest in 2XW Windy Music in Wellington, but seem to have opted for expansion in the South Island. Not to be outdone, Radio NZ is putting into effect a nationwide plan to carry a radio presence into previously neglected areas" says director-general Mr Whitehead. This involves development of branch offices staffed on a part-time basis, and used mainly for news gathering and as a base for commercial development. Centres involved include South Auckland, Mt Maunganui, Levin, Kaitiaki, Te Kuiti, Ashburton and Camaru. Thanks to David Ricquish, Gary Lewis, Ash Nallawalla, David Valois & Craig Strathern for their information.

It seems only FM can save us now, hi!



PLEASE NOTE!!!!

OUR SEPTEMBER ISSUE

Closing date is delayed one week to MONDAY 12 SEPTEMBER due to other business commitments.

LISTINGS BY CONTINENTS

September is also time for our twice yearly statistical breakdown of QSLs received by members according to continental groupings. See the March 1977 Times for what is required. You should also advise your favourite or best QSL from Europe on SW and MW.

EQUIPMENT REVIEW

Comments from Ash Nallawalla and Steve Clearwater held till Sept.

# LEAGUE LADDERS

Shortwave

8

Broadcast

DIVISION	June	Aug	Inc	Cnt
<u>GOLD STAR (Over 1250)</u>				
Norman Maguire	2926	2964	38	70
Arthur Cushen	2225	2230	5	145
Merv Branks	2110	-	-	132
Keith Robinson	2077	2086	9	114
Laurie Boyer	1295	-	-	94
<u>GOLD ACE(1001-1250)</u>				
Ray Crawford	1125	-	-	129
<u>SILVER ACE (751-1000)</u>				
Sutton Burtenshaw	882	889	7	99
Robin Chambers	862	886	24	-
<u>ACE(501-750)</u>				
Dene Lynneberg	721	728	7	89
Chris Martin	552	565	13	137
David Ricquish	515	516	1	47
<u>SENIOR(301-500)</u>				
Paul Aronsen	433	435	2	-
Bryan Clark	414	421	7	83
Ray Babbage	407	411	4	40
Hank Wilkinson	400	-	-	70
Paul Ormandy	311	317	6	48
<u>INTERMEDIATE(151-300)</u>				
Lance Johnston	278	-	-	30
Jim Benzoni	238	246	8	25
Alan Gilmour	233	236	3	29
Jack Searle	165	165	-	18
Ash Nallawalla	166	-	-	18
Paul Rawdon	165	-	-	20
<u>Junior(51 - 151)</u>				
Ian Cattermole	172	193	21	17
John Allchin	134	141	7	17
Andrew White	134	-	-	14
Bruce Cavanagh	129	-	-	20
Phillip Brooks	125	-	-	16
Gavin Bennett	114	-	-	18
Paul Edwards	-	103	-	36
Leigh Morris	99	106	7	25
Stuart Forsyth	-	69	-	5
David Feldon	64	-	-	8
Jack Farrow	54	-	-	4
Trevor Phillips	54	-	-	41
Gordon Hutchison	51	-	-	4
<u>NOVICE (1 - 50)</u>				
Steven Greenyer	47	47	-	25
Alex Wellner	20	21	1	5

DIVISION	June	Aug	Inc	Cnt
<u>GOLD STAR(over 1250)</u>				
Arthur Cushen	4396	4423	27	240
Dene Lynneberg	2115	2139	24	192
John Mainland	1318	1333	15	182
Ray Crawford	1317	-	-	152
<u>GOLD ACE(1001-1250)</u>				
Ray Babbage	1229	1242	13	121
Bryan Clark	1120	1132	12	174
John Durham	1118	1127	9	134
<u>ACE (501-750)</u>				
Jack Searle	801	829	28	109
Lindsay Robinson	758	-	-	116
Paul Aronsen	583	597	14	-
Paul Ormandy	554	598	44	126
Austin Hadler	514	-	-	78
<u>SENIOR (301-500)</u>				
Jim Benzoni	468	483	15	90
Peter Greener	414	440	26	89
Alan Gilmore	424	434	10	85
Lance Johnston	405	-	-	70
Brent Allred	397	410	13	53
Bruce Cavanagh	394	-	-	93
Steven Greenyer	347	354	7	127
Paul Rawdon	341	-	-	114
Cecil Symes	323	-	-	74
<u>INTERMEDIATE(151-300)</u>				
Bill Vogel	287	-	-	104
Paul Edwards	264	284	20	134
Ian Cattermole	257	308	51	69
Jack Farrow	238	240	2	48
<u>JUNIOR (51-151)</u>				
Alex Wellner	147	156	9	74
Ian Wells	128	-	-	57
Leigh Morris	127	130	3	65
David Feldon	105	-	-	27
Peter Mott	-	84	-	36
Gordon Hutchison	73	-	-	23
Ash Nallawalla	64	-	-	36
Ian Hitchiner	59	69	10	32
Andrew White	61	-	-	28
David Ricquish	61	-	-	38
<u>NOVICE( 1 -51)</u>				
Bill Jolly	47	64	17	24
Tim Mc Sweeny	46	52	6	26
Craig Strathern	38	45	7	-
John Allchin	10	14	4	16
John Wysocki	-	12	-	11



Welcome to John Wysocki a new face.  
 Also good to see Peter Mott and Paul Edwards back again.  
 No will not be at the AGM Paul, see you in the deep south next Easter.  
 Maybe over your way about October Chris, will drop you a line sometime.

Ray Babbage....





Part IX of our continuing series by Brian Oliver. 9



FM RECEIVERS Briefly let's see what FM really means. It refers to the way the sound information is influencing the radio waves in the transmission process. This process is called modulation. Two

ways of doing this are - altering the amplitude of the radio wave (Amplitude Modulation or AM) or altering the frequency of the radio wave slightly (Frequency Modulation or FM).



FM is used by broadcasting stations in many parts of the world for transmissions in the band of 88 to 108mhz, often referred to as the 'FM Band'. But it should also be remembered that FM is not confined to that band only; for most countries transmit the sound information of their television signals in this way. Conversely, AM is often used in this 'FM Band' in New Zealand by radio telephone operators. Often we hear them on our FM receivers, but sound is distorted due to the different modulation.

Anyway, what we are really interested in is the DX reception of broadcast stations in Band II (88 to 108mhz) which so happen to use FM. There are a number of suitable receivers in the country nowadays with an 'FM Band'. Most are acceptable for DX work, although preferably those which allow an external aerial to be connected. The FM receivers in imported Hifi tuner-amplifiers are often very good even though the AM broadcast band in the same set is of poor performance. The design and money has gone into the FM receiver circuit!

Australia now has FM radio stations but the FM Band is also useful for chasing the sound signals of their TV channels 3, 4 and 5, the frequencies being 91.75, 100.75 and 107.75mhz respectively.

MAILBAG Being the off-season for TV-FM DX, just a few odds-and-ends on hand. 2MBS-FM Sydney has, as suspected, changed frequency from 92.1 to 102.5mhz, to get away from the local ABC FM outlet on 92.9mhz. This confirmed in letter from the station to BC. Detailed information on their operation, and also that of ABC-FM is to hand, and will be published as soon as space permits. Also an article by Fred Humphries on the art of photographing the TV screen as a record of your TV-DX.

**TRANS WORLD RADIO  
AGANA, GUAM**

The first NZ QSL, as received by John Mainland of Wellington.

Des Davey, 16 View Rd, Te Kuiti is a fan of Tahitian island music and would like to hear how other members are receiving Tahiti 6135 and 15170kHz in the time period 0300-0500 GMT, so that he can determine if better reception is possible from his location.

To : John C. Mainland June 22, 1977

This card verifies that you have been listening to a transmission from Trans World Radio, as indicated by the following details :

Date June 13, 1977 Transmitter located at :  
Time 0900-0909 Agana, Guam 96910  
on 9505 kHz Power 100 kw  
31 meters

Thank you for your reception report. We hope you will continue listening to the programs of TWR, and we look forward to hearing from you again.

## THE 6205/6210 MYSTERY MUSIC STATION!

Since May, many members have observed a station broadcasting mainly popular western music between 1900 and 2300 GMT on the frequency of 6205 or 6210 kHz. The use of former seaborne pirate Radio Nordsee International's theme tune and jingles leads us to believe that the broadcasts come from RNI's ship Mebo II, which was reported to have gone to Libya to provide training for Libyan radio people. The whole operation is still shrouded in secrecy it seems, with DXers searching for a way to QSL this exotic broadcaster, but so far in vain.

The following additional information was released by the BEC Monitoring Service recently: At 1630 on 28/6 the station was heard to identify as "The Socialist People's Libyan Arab Jamahiriya Broadcasting Station" and EE news was aired at 1630 and 1730. At 1727 a time check was given as "the time in Tripoli is 7.27". The station left the air at 1745, but returned at 1756 with the usual unannounced music programme. Subsequent monitoring revealed a FF prgm was carried on 6205 between 1415 and 1600, followed by EE. On 29/6 the only frequency announced in the EE prgm was 1406kHz. This FF segment was missing in early July, but EE was still aired at 1600 GMT.

So it certainly seems that the station we are hearing so well is indeed in Libyan territory, probably moored in Tripoli Harbour! Observations here showed that the station was not on-air on 23/7, the day that Egyptian military raids on Libya took place. We understand that contact with the Mebo Ltd company in Zurich has resulted in confirmation that the Mebo II transmitters are in use, and a League member visiting Switzerland is hoping to learn further about the operation.

BBC MS (c) and EC



6185 Bandiarantes, Brazil 0947 gd PP.  
6190 Ecos del Torbes, Venezuela s/on  
around 1000 exc. Mixed by 1218.  
6195 Radio Nacional de Chile over/mxd  
BBC 0940. Fair-good. Poor by 1040.

Thanks to Paul for his initiative!

## LATINS ON 49 M. 10

Monitoring by Paul Edwards, Wellington during late June and July, with an Eddystone 680X communications receiver & 15 and 17 metre longwires connected as for a dipole.

- 5955 Radio Gazeta, Brazil PP fair over VOA to 0600 s/off, but usually hrd past this time & noted vg at 0740.
- 5962 Voz de los Centauros, Colombia exc until USSR s/on in JJ 0830.
- 5965 Nacional Huanuni, Bolivia fr 0520 also at 0907 and past 1115.
- 5970 El Sol, Peru poor mixed RR 1027.
- 5980 Panamericana, Peru 0520 vg till 0700 sign off.
- 6006 Reloj, Costa Rica good 0610 past 1218. Exc when 6005 is vacant.
- 6010 Unid, most likely Radio America Peru 0820 vg past 0855. Also 1039.
- 6035 Radio Globo, Brazil fair 0945 PP.
- 6035 Panamericana, Bolivia vg 1103 to past 1158.
- 6045 Unid, sounded Mexican at weak level 0845 30/7.
- 6046m Unid, tentatively Santa Rosa, Peru 1110 past 1150 in SS. Local mx.
- 6050 HCJB Quito s.on 1100 with Home Service poor-fair mixed USSR.
- 6060 Radio Nacional Argentina s/on at 0755 with anthem. Exc past 0930.
- 6066m Radio Super, Colombia 0610 past 0755. Sometimes very good.
- 6075 Sutatenza, Colombia 1133 exc, still good 1215. Appears irregular.
- 6082 Radio Nacional, Peru 0340 past 1030 poor-vg, when no QRM on 6080-85.
- 6100 Radio Calama, Chile 1118 SS vg past 1245, but not hrd for a while.
- 6105a Tentatively Su Pantera, Mexico with SS talks often 1151 past 1216 poor-fair. Many advts. Big het.
- 6115 Voz del Llano, Colombia 0912 good s.on. Later mxd USSR. Poor to 1100 when Union signs on.
- 6115 Union Peru good 1105. Mixed 1217.
- 6120 El Mundo, Argentina 0345 past 1130 varying levels to VG. Light pops, nx.
- 6135 Radio Gaucha, Brazil tent. 0857 pr
- 6135 Universidad de Concepcion, Chile poor under Korean at 1107.
- 6150 Voz de Huila, Colombia believed the Latin under ABC.
- 6160 Nueva Granada, Colombia RCN net 0630 good. Exc past 1218.
- 6165 Sao Paulo Brazil poor in PP 0903
- 6170 Voz de la Selva, Colombia s/off fair 0355.0858 exc clear past 1130, mxd Manila later. Caracol Network.
- 6175 Guarani, Brazil PP 0910 poor.
- 6180 Mendoza, Argentina 0940 good lvl.

**SW  
QSL**

Your Section Editor this month is Bryan Clark, standing in for Dene Lynneberg who has spent the last two months in the Philip-pines. All members will join me in wishing Dene and his wife Bebot every success in their marriage! Now into the offerings received here during Dene's absence. (Dene has some items sub-mitted earlier on, which have still to appear in this section.)

BENIN La Voix de la Revolution, 4870. Bright colourful card with 6 boxes depicting flag, map of Africa etc. Full details & address in FF on the reverse side. In 7½ months for EE report with 1 IRC. (Searle) Same card received in 3 weeks for EE report on FF transmission with 2 IRCs & mint NZ stamps. In fact, I received 2 separate identical cards completed by the same hand for the same transmission! (Greener)

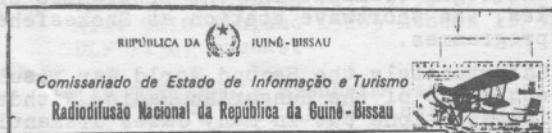
BRAZIL Radio Nacional de Brasilia 11780 card with full details but wrong frequency, by airmail in 4 weeks. V/s illegible. No r.p. sent. (Benzoni) 15245 panic report sent due to sudden closure was rewarded in 3 weeks with plain white QSL card, personal note, calendar, 2 postcards of Brasilia, RNB history and transmitter data, Brazilian stamps and programme schedule. All this for EE report with 1 IRC, postcards, stamps (Allred)



New card from Cotonou

EGYPT 9805 QSL card with full details and letter from Mrs Nagla Waked, in 4 weeks airmail. No return postage. (Benzoni)

GUINEA BISSAU Bissau 5041 and 4780 large pale green QSL cards in 18 mth and 1 month respectively, both to hand on same day! Sent PP report, NZ stamps and IRC in each case. (Clark)



INDONESIA RRI Jayapura card in English with full details of freq, time, date etc, in 13½ months for EE report. V/s Sardjana Bainbang Prainonoj. (Searle)

**Q. S. L.**  
CONFIRMAÇÃO OFICIAL DE RECEÇÃO  
VERIFICATION OFFICIELLE DE RECEPTION  
OFFICIAL VERIFICATION OF RECEPTION

*Agradecemos e confirmamos as vossas informações*  
Nous remercions et confirmons vos informations  
We gratefully acknowledge as correct your report

*De escuta da nossa emissão do dia*  
Au sujet de notre émission de  
Concerning our broadcasting of

*Na frequência de*  
Dans la fréquence de  
In the frequency of

15 / 10 / 1975

59.41 Kcs.

Bissau, 15 / 4 / 1977

IRAN 9022 card w/full details by airmail in 5 weeks, featuring picture of TV transmitter. V/s M.Frasyon. Also sent pennant. No r.p. (Benzoni)

KENYA 4804 Nairobi in 5½ weeks, full detail aerogramme QSL featuring multi-colour impressions of Broadcasting House & SW Transmitting Station. V/s Rashid Bakuli. Airmail report with 2 IRCs and used NZ stamps. (Clark)

PAPUA NEW GUINEA NBC 4890 map card with full details in 4 weeks for 1 IRC. No verie signer. (Benzoni)

PERU Radio Inca del Peru 4762, plain black & white card with green QSL lettering in background, plus letter and car sticker in 8 months for surface rpt & 3 IRCs. Station owned by 'Corporacion Electronica Peruana' and verie signer was Rosa Kuwae T., Gerente Administrativo. (Ormandy)

SWAZILAND TWR Manzini 11955 folder QSL in 36 days for airmail report & IRC. V/s Jeanne Olsen. Location map & station history details inside. (Ormandy)

TANZANIA Dar es Salaam 4785, yellow card with tamtam & Radio Tanzania bldg depicted. On reverse, details of date, freq, power, antenna and unreadable signature for Chief Engineer. EE report sent with IRC & Aussie stamps. (Vogel)

Out of space again! Thanks to our contributors Jack Searle, Peter Greener, Jim Benzoni, John Allchin, Paul Ormandy, Bill Vogel and yours truly BC. 73.

## THE HISTORY OF RADIO BUDAPEST



The building of another transmitter, named by the Press at the time 'The Giant of Lakihegy', began in 1933, with an output of 120kw. The entire manufacture and construction of this transmitter was carried out by the Hungarian Standard Electricity Factory.

This new transmitter began operating in December 1933 and was officially named Budapest One. It was seven staged, with a modified Heising system modulation with 120kw tubes, driven into a push-pull through system of stages to the final amplifier stage. The new antenna was a tower of the Blow-Knox system, which in proportions and method was far ahead of countries richer and more developed than Hungary. At that time it was the highest steel construction in the world, reaching a height of 314 metres. As a point of interest it should be mentioned that the 480 ton weight of the tower was supported against the wind by a 9cm thick porcelain wall insulator! The antenna was very good from the electrical point of view, because its height surpassed half of the transmitted wavelengths, ensuring transmission without fading to the entire country, day and night. The 20kw equipment was modernised and began transmitting the programmes of Budapest Two. Also during the thirties, the shortwave station at Székesfehérvár began transmission of overseas programmes.

Unfortunately the Second World War resulted in the complete demolition of the equipment of the Hungarian Radio. Withdrawing Nazi troops not only blew up installations but in many cases dismantled equipment, so that by the end of the war the country was without any radio station whatsoever. The staff of the Hungarian Post Office did heroic work in reconstructing the stations, finding some of the equipment which had been carried away to the western frontier of the country. Radio Budapest returned to the air again on 1 May 1945. By the end of 1948, the Hungarian Standard Electricity Factory had built a new 135kw transmitter, equipment that has been functioning without interruption ever since. The 314 metre antenna tower was rebuilt and Budapest Two was reconstructed at its new location in Szolnok, also with a capacity of 135kw. This transmitter is also used for broadcasting to foreign countries on medium wave.

The 2 shortwave transmitters of 100kw each and 3 transmitters of 15kw are broadcasting on the 13, 16, 19, 25, 31, 41 and 49 metre bands in 6 languages - English, Spanish, German, Italian, Greek and Turkish. In 1974 two new 250kw SW transmitters were put into operation near the town of Jászberény, equipped with up-to-date shortwave antennae directed to North America, Asia, Australia and New Zealand, for the overseas services. In addition to the new Jaszbereny station, the antennae of the old 100kw stations have been modernised, and a rotary log-periodic antenna is also used for the external services.

For the Home Services there are now 3 channels, two on medium wave and one on VHF-FM. Radio One tends to specialise in serious analyses, discussion programmes, talk features, drama and music. Radio Two draws heavily on pure entertainment and long-run features. Radio Three on VHF specialises in stereo, high quality beat, rock, folk, jazz and other music programmes. The most recent milestone in Hungarian broadcasting was the inauguration of the new 2000kw outlet for Radio One earlier this year. (See May DX Times page 9) Today programmes are broadcast from 26 modern studios to more than 2½ million subscribers throughout Hungary. The studios are almost entirely equipped with the products of modern Hungarian industry. The Hungarian Radio has links in internationally produced programmes, participates in the work of UNESCO's radio section, has regular exchanges with broadcasters in both the East and Western blocs, and has very good contacts with radio enthusiasts from clubs and organisations all over the world.

On the initiative of DX listeners, in 1965 the Radio Budapest SW Club was formed. There are now some 7000 members in all continents acting as official monitors of Radio Budapest and maintaining permanent contact with the station.

# Shortwave Mailbag with Tony Marr

13

Another month is behind us, and no doubt some of our lucky members are looking forward to an increase in DXing with the coming school holidays. The high frequency bands should be worth watching as the days lengthen; 19 metres can offer some good signals from Africa and South America with the right conditions, so take a spin around 15mhz after sunrise and watch for Brazzaville on 15190khz.

Several members have mentioned this month that they have acquired FRG7 receivers. these certainly seem to be taking our DX world in NZ by storm.

One last thing; please make sure you put your name on each piece of paper that you send us, as your various items are split around the editors and from time to time we finish up with anon. notes, which aren't much use to anyone.

Now, let's see what the mail has brought in :

DENE LYNNEBERG Wellington is first up this time with QSLs from AIR 17387 DW Ant 9545 Sweden SSB 17775 21680 HCJB 15375 Saudi 5972 Veritas 9645 Moscow/Minsk 11745 WYFR 11780 Burma 5985 KBS 9525 9580 DFL Sines 7130 YVJX 9510 RA 15410 Benin 4870. Welcome back.

TREVOR KNOWLES Auckland has them in from DW RCI and Cuba 11725. Thanks Trevor, could you give us the freqs of all your veries please. Ta.

PAUL ORMANDY Oamaru has as usual a large list HCJB 9680 11900 9620 CFRX 6070 DLF 7135 RRI Banjarmasin 3250 Saudi 21555 11950 RA 11790 15410 RM 9660 12050 9655 11960 11870 17700 RRI Palembang 4855 Malawi 3380 Ibadan 6050 Guiba 11785 NBC 7275 ORF 7125 Tanzania 5050. Very good.

JOHN MAINLAND Wellington has 3 from KTWR 11705 15155 17830. Mmmm...

STEPHEN LILLIS Auckland has QSLed DW Ant 9545 Tirana 9480 Bucharest 9690 TWR Monaco 7105 Budapest 15160 RA 17870.

BRENT ALLRED Motueka has 25 away, QSLs from RSA 11900 plus pennant RM 15130 NHK 15235 Pakistan 17830 RA 9540 15240 HCJB 9585 11915 RNE 9530 Peking 9460 Tahiti 6135. Ta.

IAN HITCHINER Auckland has 10 out, QSLs have returned from RFE 11815 VOH 9670 NHK 5990 17725 DW 9765 RSA 5980 AIR 9525 RAI 6010 FEBA 11800.

TIM McSWEENEY Queensland has 5 out and replies from AIR 11740 in 1 year to the day, RN Talata 11740 Pori 15260 UN 9650 IBA 11960 15465.

ALEX WELLNER Bondi has QSLed FEBA 11800 TWR Bon 11815 Gwelo 3396 RSA 5980.

MASAMI ONIZAWA Japan has had luck with Tanzania 5050 15435 Praha 21700 Lisbon 21735 Barquisimeto 4990 and 2 QSLs from Sutatenza 5095. Good.

ARTHUR CUSHEN Invercargill has QSLs from WYFR 11855 Sth Highlands 3275 FEBA 11755 Cyprus 7195 9755 9770 Kiev 9610 Finland 15265 Athens 11730 DLF 7130. Thanks.

IAN CATERMOLE Blenheim has a good list Accra 4915 AFRTS 11805 HCJB 9585 Sweden 15240 Sri Lanka 9720 RAI 9710 RM 11870 NHK 9705 7195 DW Ant 6085 6145 Bucharest 5990 Thailand 9655 RA 9550 11885 RNE 11965 HJOG 6180 Nueva America 4797 Concepcion 6135.

BILL JOLLY Kaueru has 10 out and has verified RM 12050 15130 9700 9780 DW 9765 Peking 17635 Oslo 15135 Bucharest 11940 9530 Sofia 7115 Lisbon 6025 NHK 9505 17725 7205 15195 Praha 11855.

BRYAN CLARK Wellington has 4 out plus some freq recommendations for TWR Guam and has QSLed Mozambique 4865 Nairobi 4804 RSA 3230.

JACK SEARLE Haumoana has 7 out, QSLs back from AIR 11810 VOFc 17890 LIG4 15135 Athens 6140 9760 9655 RA 11810 15205 Kiev 9610 Andorra 6230 Sth Highlands 3275.

STEVEN GREENYER Invercargill has them in from Mozambique 4865 Impacto 3355 Ecos del Torbes 6190 Nueva Grenada 6160 Tahiti 4975 Centauros 5962 after 14 months Grenada 15105 after 1 year.

JOHN DURHAM Meremere has QSLs from SBC 11945 Sofia 7115 5915 FEBC 11765 NSB 9595 Benin 4870 Tanzania 5050 Monaco 7125 Vatican 9625. 12 out, too.

CRAIG STRATHERN Timaru has 11 out and QSLs from VL9, RNE 9505, RNB 15245 and AFRTS 6030. Thanks.

14 PAUL EDWARDS Wellington has QSL'd Radio Moscow 11805, 11845, 11890, Baku 6110, RSA 5980, Kenya 4915, KTRW Guam tests 9505, 11705, Voz de Nahuala 3360 with big pennant & stamps, VOA Okinawa 6010, 7165, TWR Swazi 4760, Tropical Peru 4935, Upper Volta 4815. 13 reports & 9 follow-ups out.

ALAN GILMOUR Greymouth has 5 out, QSLs in from Finland 11755 Tashkent 15115 IBA 11655 ZYF263 15245 LLM 15175 Chad 4904.5. Good.

TREV PHILLIPS Porirua advises veries from Greece 9655, Austria 15105, RAI 21690, Radio Nacional Venezuela 15400 Pakistan 17665, Universo 4880, Cook Islands 3265, Sofia 7115, VOA Liberia 9530, VOA Okinawa 7165.

JOHN ALLCHIN Auckland has 4 out this time and veries from VOA Tinang 11760 Cairo 9475 Praha 7345 KBS 9525 plus a pennant. Sounds like more next month.

PAUL ARONSEN Invercargill has a couple in from Thailand 4830 SABC 3955.

JACK FARROW Lower Hutt also has 2 in from Athens 9655 DW 9565. Ta.

DES DAVEY Te Kuiti has 8 off, QSLs in are Sweden 9695 SBC 9560 NHK 11875.

PETER MOTT Christchurch has a good lot with Praha 6055 Bucharest 9690 9570 15380 5990 11940 Poland 7270 SBC 9590 NHK 7140 RM 15150 15380 11690 9780 RA 9530 15160 11885 IBA 9009 Iraq 9745 BBC 9825 AIR 9912 in 2½ years....

+THE FUTURE OF RADIO NZ'S EXTERNAL SERVICE is surely related to the 3/8 announcement that RNZ is to expand it's Maori and Pacific Island Unit and base it in Auckland, to provide news and programmes for both its domestic and external services. The Unit will link existing staff from the RNZ Maori Programmes Unit and its Overseas Programmes Unit. There will be a small section in Wellington, but most staff will be in Auckland.

JOHN WYSOCKI Lower Hutt has 6 out, QSLs from RN 6165 BBC 9410 Sweden 15305. VNG qualifies as a utility, John.

+BBC EXTERNAL SERVICES are strongly threatened in a 'think tank' report released on 3/8. Recommendations included closedown of all transmissions in the 2000 - 0400 time period, with concentration on broadcasts to Eastern Europe and developing countries. Services to Australasia, North America would be dropped if the proposals were accepted.

JIM BENZONI Hamilton has 2 away and has heard from RA 15215 DW 9545 SBC 3985.

STEVE CLEARWATER tells us he's taking the hobby up again after a break of 6 years or so, and is now the proud owner of a Drake SSRL. I'd count your veries from before as well, if I were you... Hope those aerials work out ok, and welcome back.

+RADIO ESPANA INDEPENDIENTE closed down on 14/7 after 36 years of broadcasting ant-Franco Government programmes on behalf of the Spanish Communist Party. At the time, 4 transmitters, probably located in Roumania, operated on out-of-band frequencies with 13½ hours of programming in Spanish daily. REI is believed to have started broadcasting in 1941 from transmitters in the USSR, but later moved to Eastern Europe. During the early 1970s sites in Hungary and Bulgaria were reported used. In final broadcasts it was stated that "the Spanish Communist Party has decided that Radio Espana Independiente should suspend its broadcasts because it considers that its mission has been accomplished...". BBC MS(c)

## BEST OF THE MONTH

UNDER 9Mhz  
Nairobi 4804khz 5kw 126 points  
Bryan Clark

OVER 9Mhz  
Riyadh 21555khz 350kw 84 points  
Paul Ormandy.

Well, TWR Guam didn't make their 15 July on-air date, nor a subsequently advised date of 1 August! All we can suggest is that you keep an ear open, using info on P1 last issue.



**Trans World Radio**  
KTWG - KTRW  
P. O. Box 3518  
Agaña, Guam 96916

+RADIO LIBERTAD, the Portuguese Communications Ministry's broadcasts for Portuguese workers living in Europe via Sines, concluded 30/6. Responsibility for the task is now with Radio-difusao Portuguesa. BBC MS(c)

# SHORTWAVE BANDWATCH

coordinated by John Mainland



Many Latin American and African signals continue to be heard on 3 and 4mHz; Radio Finland has been heard on a new frequency on 11mHz; Libyan Radio has new transmitters broadcasting on 9 and 11mHz. Some recent items from the BBC Monitoring Service (c): La Voz de Chile in Santiago has been heard on two new channels, 9581 and 11825kHz; Radio Nederland plans to install 4 transmitters of 500kw and Radio Norway has plans for two 500kw outlets; Radio Cairo is test-ing to North America on 7260kHz; Voice of Indonesia is using 9585kHz again, in place of 9710; Radio Korea is heard on 7550kHz 1500-1730GMT; and another new frequency for Radio Cameroun is 4750kHz.

FREQUENCIES IN KILOHERTZ		TIMES ARE GMT (Add 12hrs for NZ Time)			
FREQ	TIME	COUNTRY	STATION	PROGRAMME & RECEPTION DETAILS	INITS
3215	0935	INDONESIA	RRI Ujung Padang	fair-good with lagu melaya(exotic) mx and idents.	PO
3220	1140	PAPUA NEW GUINEA	Radio Morobe	exe with mx. Also giving strong signals around this time: 3245 Radio Kerema, 3260 R.Madang, 3275 Radio Southern Highlands, 3385 Radio Rabaul.	PM
3222	0535	TOGO	Lama-Kara	poor with news in FF to 0540.	JD
3227	0610	LIBERIA	ELWA Monrovia	fair with int.sig. EE S/on 0615.	JD
3275	0955	PAPUA NEW GUINEA	Radio Southern Highlands	Pidgin anncts,fair.	JR
3285	0445	SOUTH AFRICA	Radio RSA	annog as The General Service till f/out 0500. In EE.	SG
3285	0450	BELIZE	Radio Belize	finally hrd 9/7 poor-fair with EE mx prgm, news & s/off with anthems 0512. SABC Springbok Radio has been dominant here on previous occasions.	BC
3290	1200	PAPUA NEW GUINEA	Radio Central	good signals with mx prgm.	PM
3315	1128	UNID	Latin American	regular with commercial mx prgm.	PE
3316	0655	SIERRE LEONE	Freetown	fair with local nx in EE. BEC Nx 0700. 1929 SLBS with EE adverts at fair-good level.	JD
3322	1100	PAPUA NEW GUINEA	Radio Bougainville	with excellent signals.	PM
3350	0558	GHANA	GBC Ejura 1	vernacs service. Poor with EE news 0600.	LE
3380	1144	ECUADOR	Radio Iris	good thru noise. Perhaps the unid s/off 0500."	SG
3385	0424	PERU	Unidentified Peruvian,	probably Centro. Good some days.	SG
3395	1050	VENEZUELA	Radio Universidad	very strong.Also Zaracay 3390.	PO
3396	2000	RHODESIA	Salisbury	very poor with EE nx. Orchestrals at 2020.	JD
3560	1920	NORTH KOREA	Radio Pyongyang	good in EE, some QRM.	JR
3925	1930	PAPUA NEW GUINEA	Port Moresby	s/on & ident,native mx. Good.	SC
3945	0630	NEW HEBRIDES	Vila	with EE newscast, very good.	LM
3970	1830	CAMEROUNS	Radio Buea	news & ident. Fair with utility QRM.	JR
3975	2100	GREAT BRITAIN	BBC London	opening in Italian. Good.	JS
3985	1137	ECUADOR	Escuelas Radiofonicas Populares	vg in SS.Past 1200.	PE
3985	2100	SWITZERLAND	SBC Berne	good in EE.	JS
3990	0429	LIBERIA	VOA Monrovia	fair some days with Breakfast Show.	SG
4696	0353	BOLIVIA	Almost certainly Radio Riberalta	s/off 0430.No id hrd.	SG
4770	1830	LIBERIA	ELWA Monrovia	fair with EE religious prgms.	JD
4809m	0501	PERU	Radio Inca	here ex anned 4762 31/7.Full ident 0530.Good.	BC
4810+	0900	VENEZUELA	Radio Popular	s/on with marches,ident,frequencies.	AW
4815	0530	UPPER VOLTA	Ouagadougou	poor with news in FF.	JD
4820	0445	HONDURAS	HRVC Tegucigalpa	fair EE rlg prgms.S/off ident 0500.	JD
4825	0340	PERU	La Voz de la Selva	fair with some classical music.	SG
4832	0700	COSTA RICA	Radio Reloj 'Aqui Costa Rica'	good in SS. EE annct at 0709 and 0725 Sunday.	LM
4845	0600	MAURITANIA	Nouakchott	s/on with AA & FF ids,then Koran & mx prgm. Fade out 0720.PQ. 1900 good most mornings in FF.	JD
4850	0500	ECUADOR	Unid in previous issues	may be HCCV3 Ondas del Zamora Loja which used this channel before moving to 4857.	DP

<u>FREQ</u>	<u>TIME</u>	<u>COUNTRY</u>	<u>STATION</u>	<u>PROGRAMME &amp; RECEPTION DETAILS</u>	<u>16</u>	<u>INITS</u>
4870	0512	BENIN	FF prgm of nx & information.	AC. 0515 Cotonou good most nights at s/on in FF. Id as "La Voix de la Revolution".		JD
4875	0426	BRAZIL	Radio Jornal	good, regular with light pops in PP.		FE
4875	1850	SOUTH AFRICA	RSA Johannesburg	fair at s/off in FF, with int. sig.		JD
4885	1845	KENYA	Kisumu	fair with prgms in vernaculars.		JD / JD
4885	0445	PERU	Radio Huancavelica	fair but het till s/off 0500.		SG
4895	0357	PERU	Radio Chanchamayo	fair with Andean mx. SG. 0610 fair.		JS
4904	0430	CHAD	Ndjamana	fair to good most nights in FF.		JD
4911	2005	ZAMBIA	Lusaka	good with full ident & s/off in local dialect.		JD
4925	1814	CAMEROON	Yaounde	with FF to 1830 then EE nx. FO. 1829 Exc with EE nx, FF songs. PGr 1835 good with EE nx. JD 1900 time pips.		AC
4930+	1045	DOMINICAN REP.	Radio Mil Latin	mx, talk in SS, good.		AW
4935	0327	PERU	Radio Tropical	fair to s/off 0400, mixing Bolivia 4938.		SG
4940+	1030	VENEZUELA	Radio Yaracuy	SS ident and Latin mx. Fair only.		AW
4950+	1530	SARAWAK	Kuching	with EE pops in request show. Distorted.		AW
4960	0248	ECUADOR	Radio Federacion	fair over Venezuela. S/off 0300.		SG
4972	0936	FRENCH GUYANA	Cayenne	long FF talk prgm, then popular mx thru to 0957 when teletype dominated, 28/7. Difficult due Rumbos.		PE
4975	1101	COLOMBIA	Ondas del Orteguaza	SS mx & frequent time checks.		PE
4980	0500	SWAZILAND	Swazi Commercial Radio	hrd often but very poorly here since 10/7 with various mx, rlg prgms. Ghana blocks 0515.		BC
4985	1140	MALAYSIA	Penang	concluding EE news with ident. Fair.		JR
4990	0355	VENEZUELA	Radio Barquisimeto	closing in SS, fair.		JS
4990	0445	NIGERIA	Lagos	fair to good with EE news 0500. SG. 1830 good some mornings in EE, usually mixed with Yerevan in AA.		JD
5010	0932	COLOMBIA	Radio Surcolombiana	fair with het. Full id, mx prgm.		PE
5010	0510	CAMEROON	Garoua	fair with EE Nx. JD 0513 past 0550 vg. also at 1814. FE. 0515 good with indig mx. JW. 0523 good, FF ids, t/chks. PO 1830 EE Nx poor. PGr 2042 tentively here till f/out 2130.		SG
5039	0440	CENTRAL AFRICAN EMPIRE	Bangui	occasionally fair, indig mx.		JD
5045+	0730	COOK ISLANDS	Rarotonga	back on this frequency ex 3265 for the afternoon time slot till 0830 s/off. Maori mx, nx, very weak.		AW
5047	0540	TOGO	Lome	fair-good with FF anncts and indigenous mx.		JD
5047	1122	INDONESIA	RRI Jogjakarta	poor. EE Nx 1130. JS. EE Nx, cmt, fair.		AW+
5050	1830	TANZANIA	Dar es Salaam	good with prgms in Swahili.		JD
5052+	1216	SINGAPORE	Radio Singapore	with music prgm, fair.		MO
5095	0845	COLOMBIA	Radio Sutatenza	with Pop mx & SS anncts. Very good.		JW
5925	1920	AUSTRIA	ORF Vienna	testing vg with mx, GG anncts. JR. 2055 FF. GG Nx 2100 fair ex 6155 23/7. JM 2055 new out-of-band freq. 2100 moved from 6155 and hrd to closing at 2156.		BL
5930	0300	CZECHOSLOVAKIA	Prague	good in EE to USA //7345 good.		AC
5954	0553	COSTA RICA	Radio Casino	poor with severe het. EE at s/off 0601.		SG
5955	0529	BRAZIL	Radio Gazeta	PP good over VOA. FE. 0606 fair-good after Casino s/off. Noted past 0630 some nights.		SG
5970	0615	PERU	Radio El Sol	good signals. Appears to be all-night.		SG
5985	0443	USA	WYFR Family Radio	good in SS to Central America. Off 0500.		BA
5990	2045	MALTA	Broadcasting Malta	EE prgm Sat 30/7 to 2115, ex 6080.		JM
6000+	0330	HUNGARY	Radio Budapest	in Hungarian. Freq seems jammed.		AW
6005	0740	CANADA	CFCX Montreal	fair pop & Country mx format. 0800 EE nx, ident. During Radio Reloj 6006 silent period Mon 23/6. LM		LM
6012	0620	ANTARCTICA	AFAN American DJ	with pop mx prgm. 0800 clear id, gd.		LM
6015	1936	GREECE	VOA Rhodes	vg in AA with 'Washington Best Sellers'.		FE
6046	0830	UNID	Latin again.	Tegucigalpa mentioned. RRI hets later. Who?		PO
6065+	0730	COLOMBIA	Radio Super	with Latin music, SS ident. Noisy.		AW
6082+	0803	PERU	Radio Nacional	Lima poor in SS.		MO
6090	2025	LUXEMBOURG	Radio Luxembourg	good with GG pop mx pgm. 6095 QRM.		BC
6095	0306	POLAND	Polskie Radio Warsaw	good in EE to Nth America.		JS
6115	0918	COLOMBIA	La Voz del Llano	poor. MO+ 0915 good, clear at s/on.		PE
6125	1715	HUNGARY	Budapest	in Greek to 1727, fair ex 6110. 5955 replaces 6110 for Italian noted 1805-1826, fair 21/7.		JM



FREQ	TIME	COUNTRY	STATION	PROGRAMME & RECEPTION DETAILS	INITIALS
6135	0300	POLAND	Warsaw	good in EE. JW. 0124 poor with EE mx prgm.	BL
6135+	0600	TAHITI	Papeete	with Island music & talk //15170, fair.AW.0502	BA
6140	2115	GREECE	Athens	good in Greek. EE news 2116 to 2125.	BA
6155	1859	JAPAN	Far East Network	clear with frequency ident & EE news, after Vienna & USSR vacate channel.3910 also good this time.	BC
7150	0600	GREAT BRITAIN	BBC World Service	vg in EE with 'Paperback'.	JW
7155	2030	SPAIN	Madrid exc at s/on in EE. Anncd 9505 and 11840kHz.		SC
7285	2330	MADAGASCAR	Radio Nederland	relay with Indonesian ids often.	PO
7345	0338	CZECHOSLOVAKIA	Prague	in EE fair.BL.0343 EE vg.DX prgm Fri.	BA
7412	0500	ISRAEL	Jerusalem	good with nx,editorial cmt in EE.	JW
9009	2000	ISRAEL	Jerusalem	vg in EE //9815,9425,11655 all heard.	SC
9420	2000	NORTH KOREA	Pyongyang	with ident in EE and nx, strong.	SC
9475	0304	EGYPT	Cairo	with EE to USA very good. Light QRM.	BA
9500	2115	LIBYA	Tripoli	with AA mx,chimes, time signal, ident in AA, then news. New freq 29/7. Also observed 11700 with AA nx 0800 25/7. These are new 500kw transmitters per BBC.	JM
9525	1000	SOUTH KOREA	Seoul	with EE nx,fair.SC.1015 KBS gd in EE to 1030.	
9535	2125	SWITZERLAND	SBC Berne	with Dateline prgm in EE, fair.	JR./JR
9555	0730	USA	KGEI with EE Nx,good.JS 0750 id for KGEI USA & FEBC Manila!		
9580	1700	KUWAIT	Radio Kuwait	exc with mx prgm. Nx 1730.	PGr./BA
9585	1000	JAPAN	NHK Tokyo	good with Nx & Current Topics in EE.	JW
9605	0700	MALTA	Voice of Hope	on Sundays under Radio Sweden.	AC
9615	0632	USA	KGEI San Francisco	fair in EE to s/off 0700.	BA
9620+	2000	YUGOSLAVIA	Belgrade	with EE Nx & music. Very poor.	AW
9670	0700	PORTUGAL	Vox Fidei, Voice of Faith, Zurich	via Sines fair with new svce in EE 23/7. FF from 0710.	JM
9675+	0816	BRAZIL	Radio Diario da Manha	good in PP.	MO
9685	0500	ALGERIA	Algiers	with AA nx,mx at earlier time,possibly due to summer time. Fair 25/7 //6145.	JM
9690	0950	ANTIGUA	Deutsche Welle Caribbean	Relay s/off in EE, exc.	PGr
9690	0427	ROUMANIA	Bucharest	weak to USA //11940, 11735, 9570, 6190.	BA
9700	1200	AFRTS	Dixon	with EE prgm, excellent.	PM
9710	2159	ITALY	Rome	signs on in EE with strong signals.	PM
9700	2145	BULGARIA	Radio Sofia	DX prgm in EE. Co-channel QRM. Fair.	JR
9720	1906	USSR	Radio Moscow	EE to UK & Ireland fair, //7205,7250 & 11830.	PE
9725	0430	SWITZERLAND	SBC Berne	good in EE to USA with 'Dateline'.	BA
9740	2045	PORTUGAL	Lisbon	with EE mx prgm, good.	PM
9770	0620	GREECE	VOA Kavala	with EE "Breakfast Show", good.	PM
9770	0130	AUSTRIA	Vienna	poor in EE to North America.	BL
9770	0730	MALTA	AWR Voice of Hope	with FF prgm,new freq ex 9745 17/7.	JM
9785	0615	CANADA	RCI Sackville	EE for Europe,good ex 9660 25/7.	JM
9815	2025	ISRAEL	IBA Jerusalem	EE entry & Nx. Excellent closing 2030.	JR
9825	0615	GREAT BRITAIN	BBC European Service	s/on in Czech, strong.	PM
11620	2010	INDIA	AIR New Delhi	EE nx,political cntry,fair //9525,7215.	SC
11715	0430	SWITZERLAND	SBC Berne	vg in EE.JW. 0433 fair with EE prgms.	BL
11730	0145	USA	WINB Red Lion	fair, but blocked by Athens at 0200.	AC
11735	2259	FINLAND	Helsinki	here 22/7 ex 11755 to Nth America, following tip from Theo Donnelly.Finnish 2300,EE 2330-2356.Fair-good.	BC
11745	0735	FRANCE	RFI Paris	good in FF // 11705 and 11735.	PGr
11750	1030	MALAYSIA	BBC Far Eastern	Relay,Tebrau with EE prgms.	PGr
11755	2030	FINLAND	Helsinki	good in EE.BL. 2100 s/off strong.PM. 1756.	MO+
11760	0513	CUBA	Havana	exc in EE to Americas.Off 0542 with Nat.Anthem.	BA
11775	1000	INDIA	AIR	good in EE. PGr. Nx, sitar music, good in EE.	JW
11780	1000	NORTH KOREA	Pyongyang	with EE nx & music prgm, good.	PGr
11800	0400	SEYCHELLES	FEBA	noted vg s/on for EE prgm. Also back on 11755 with Farsi vg and Clear to s/off 0340.BC. 0450 Interval signal & s/on in Swahili on 11800.	BL
11810	1000	ANTIGUA/MONTserrat	DW Caribbean	Relay vg at s/on in SS prgm.	PGr
11840	2215	SPAIN	RTVE	EE service,strong.PM. 11880 good in EE at 0230.	JW
11835m	1953	LIBERIA	ELWA	good s/on with EE,FF,AA ids to 2000 AA prgm. 1957 best ever hrd,with tuning sig & multi-lang idents.	PE
					BC

FREQ	TIME	COUNTRY	STATION	PROGRAMME & RECEPTION DETAILS	18 INITS
11860	1150	SOUTH KOREA	Radio Korea	with EE good to close 1200.	JS
11900	0345	SEYCHELLES	FEBE	with gospel prgm, fair signal.	AC
11900	0558	SOUTH AFRICA	RSA	good in EE. BL.0600 EE Nx to West Africa // 17780 & 15220.SC. 0600 s/on strong in EE.	PM
11940	0415	KUWAIT	Radio Kuwait	mx,AA talk,Nx 0500.New freq 24/7, fair.	JM
11940	0740	SINGAPORE	Radio Singapore	EE Svce with pop mx. Nx 0600 fair.	JM
11950	2023	USSR	Radio Moscow	EE to Africa fair, //11970 and 11745.	PE
11955	2015	SRI LANKA	SLBC	testing 16/7 preparatory for General Election. EE anct 2058,also using 9670,9720,15120 & 11800, latter to Australia. Address for reports: Director Engineering, SLBC, P.O.Box 574, Colombo 7, Sri Lanka.	JM
11960	0449	ECUADOR	HCJB	id in EE,then prgm in Nordic lang.Israel over 0500.	JM
12015	1525	AUSTRIA	Vienna	with GG classical mx prgm.Fair ex 11855.	BL
15070	2127	GREAT BRITAIN	BBC	World Service with pop music in EE,strong.	PM
15120	0645	NIGERIA	Lagos	with ident 0700 in EE.Political cmtry,strong.	SC
15135	1100	NORWAY	Radio Norway	Oslo s/on with EE ident, strong.	PM
15160	1030	HUNGARY	Budapest	good in EE, //17715.	Both JS
15195	2200	JAPAN	NHK Tokyo	s/on in EE good. Also rptd 15235 in EE to NZ at 0940; 15420 in EE to USA at 0145, Fair with RA QRM.	BA
15220	0600	SOUTH AFRICA	RSA	EE s/on good. Also 17780 in //,good sigs.	PM
15270	2258	AUSTRIA	Vienna	s/on with int.sig. QRM from Japan at 2330.	AC
15295	1231	USSR	Radio Station	Peace & Progress vg //15185,11835,11845.	PE
15345	0005	ECUADOR	HCJB	Quito with GG lang prgm.	AC
17720	2217	TAIWAN	VOFC	Taipeh good in EE to Africa & Europe.Fair QRM.	BA
17755	2020	ECUADOR	HCJB	Voice of the Andes in EE.	BL
17845	0105	EGYPT	Radio Cairo	mx prgm & SS news at 0115. New freq.	JM
21515	0945	USSR	Radio Station	Peace & Progress good in EE.	JW
21660	1000	CYPRUS	BEC	East Mediterranean Relay good in EE.	JW

**CONTRIBUTORS:** Thanks this time round to: PM Peter Mott PO Paul Ormandy SG Steven Greenyer SC Steve Clearwater JD John Durham PGR Peter Greener JM John Mainland JW John Wysocki LM Leigh Morris DP Dick Pollard AC Arthur Cushen BC Bryan Clark JR John Ridge PE Paul Edwards MO Masami Onizawa (Japan) AW Alex Wellner (NSW) BA Brent Allred and JS Jack Searle, who is off for a holiday in sunny Fiji! Roll on Summer!



**RADIO GHANA's** External Service transmissions are still suspended on all frequencies except 6130kHz, according to a note received recently by Ian Cattermole. This has been the case since last October at least, and no further details are known.

The External Service of the Ghana Broadcasting Corporation began transmissions on 1 June 1961 in 7 languages - English, French, Hausa, Swahili, Portuguese, Arabic and Bambara, but Bambara was later dropped. Four 100kw transmitters are sited at Tema, about 20 miles from Accra, the Ghanaian capital. They are augmented by two high-powered 250kw transmitters at Ejura, in the centre of the country.

Ghana Broadcasting Corporation employs about 3700 people including programme staff of both the domestic and external services, newsmen, engineers, technicians, administrators, accountants and other supporting staff. At Broadcasting House in Accra there are over 20 studios which serve both the external and domestic services. All GBC transmitters beam programmes on SW, there being no MW service in Ghana. The best receptions of Ghana in NZ are in fact of the domestic transmissions - with EE news at 0600 GMT on 4915 and 4980kHz.

**BBC MONITORING SERVICE - RECENT NEWS** Copyright

- + Radio Ethiopia was to discontinue its EE broadcasts on 18 July, when Radio Voice of Revolutionary Ethiopia (using ETLF's two 100kw outlets) was to retime its daily EE service to 1500-1600 GMT. Frequencies are 7180 and 6015, with Somali 1200, Afar 1300, AA 1400, Amharic 1600, FF 1700.
- + Jibuti is the correct spelling for the independent Affairs & Issas. The former Djibouti radio is now "The Radio of the Republic of Jibuti."

# ARTHUR CUSHEN'S SHORTWAVE REVIEW 19

Higher power, new countries and new frequencies from September 4 are highlights this month. The following was aired in "Arthur Cushen's DX World" on Radio New Zealand's National Programme and shortwave service at 1015 GMT on Sunday 7 August.

All times GMT

All frequencies kHz

Austria: On July 15 Vienna made the following changes. 1900-2200 6155 has been replaced by 5925, and 1400-1700 11855 has been replaced by 12015. 5925 is providing excellent reception with a German programme to sign off at 2156.

Cameroons: Yaounde has been heard on 4925 at good strength at 1900 when the interval signal has been noted. Some sideband interference from Brisbane on 4920.

Canada: Montreal has made the following change in its transmission to Europe in French and English 0600-0700. 9660 is replaced by 9785 and 11790 replaced by 11935.

Ecuador: HCJB Quito has been heard on new frequencies, 15295 replaced 15300 from 2200-0230 and has been heard in Portuguese at 0100. 15375 has been replaced by 15345 for the period 2230-0030 and has been heard in German to sign off 0030.

Finland: Helsinki is at present being well received on 15265 between 2030 and 2100, with English. The same transmission is noted on 11755 which will be the only frequency carrying the transmission from 4 September. English can also be heard 1900-1925 on 15265.

Great Britain: The BBC has been heard relaying Radio Canada in Russian on 9645 from 0315-0345. Also in parallel with 9615.

Netherlands: Radio Nederland has announced plans for the introduction of four transmitters of 500kw to be located either at the present Lopik site or at a new location in Zeeland in the South West of Holland. The present transmitters at Lopik consist of four of 100kw, one of 50kw and one of 10kw.

Norway: Radio Norway at Oslo has made some frequency adjustments for its schedule from 4 September. Best received in this area will be 0700-0830 on 5965 11850 15135 and 15175, and 1100-1230 on 15175 17795 and 21730. English is broadcast for the last thirty minutes on Sunday.

Philippines: The Voice of America transmission to Oceania from 2200-0000 on 15290 has been reallocated a beam to North East Asia so that this Oceania transmission is only beamed to this area on 17820 and 21610 from Dixon.

Poland: Warsaw has been noted in English to North America on 11815 at 0200 and 0300.

Saipan: FEBC hopes to have its 10kw transmitter on the air next month on medium wave. Once operating the station hopes to increase its coverage to cover Guam 160 km away, and later to increase power to 100kw to cover the Asian area.

Seychelles: FEBA returned to the air at midday on 27 June with 50kw. Recent frequencies noted include 11755 0310-0345 in Farsi, 11800 from 0400-0450 in English, 11900 replacing 11845 0345-0445 in Arabic.

South Africa: Radio 5 programme of SABC is on shortwave 0300-0350 on 3388; 0530-1530 on 6010; 1530 to 2200 on 3388. 3388 may be altered to avoid MBC on 3380 and RBC 3396.

Vatican: Vatican Radio will introduce shortly their new 500kw transmitter with plans to reinstate the transmission to Australia and New Zealand which was formerly broadcast at 1130. Vatican is presently heard at 2210-2225 on 7235 9615 and 11705.

# ..sign off..

GABON Radio Libreville is reported to have inaugurated it's new SW transmitters at Mayabi, with broadcasts heard on 5105kHz, according to SCDX. A report in January Times says four 500kw transmitters were planned. Ed.

WYFR FAMILY RADIO's current sked in EE for Europe & Africa includes:  
1230-1600 Sunday on 15110, 17785;  
1605-1700 Daily on 15110, 11805, 17845;  
1700-1800 Daily on 15110, 11805, 15440;  
1900-2000 Daily on 15110, 11805, 17845;  
2000-2300 Daily on 11805 and 17845;  
1800-1900 Daily on 15110, 15440, 17845.

RADIO VERITAS, P.O.Box 939, Manila in the Philippines now broadcasts in EE 0100-0200 on 11725 & 15280 and 1400-1500 on 9605, 11780, 11955 & 15215. A DX prgm is hosted by Miss Evely A. Salvadora on Mondays at 1440. SCDX

RADIO FINLAND's External Schedule in EE from 4/9 is: 0930-0955 Sat/Sun on 9550, 11755 & 15270; 1300-1325 on 11755, 15105 & 15260; 1900-1925 on 11755 & 15265; 2030-2055 on 9550 & 11755; 2330-2355 on 11755kHz.

IBA Jerusalem has a new QSL policy. Verifications will now only be dispatched if specifically requested in the reception report, and only one will be verified, regardless of how many reports are sent in. Reports should include programme details and use the SINPO code. Devereux SCDXers

## market square

FOR SALE: Trio 9R-59DEM communications receiver & speaker. Excellent condition. Factory mods comprise VR tube, calibrator circuit and cathode follower oscillator circuit. \$150 freight paid. Also Codar PR40 preselector. Transistorised commercial unit covers 1.5-30MHz. \$15 posted. Write: John Ridge, 5 Papawai Place, Palmerston Nth. Tel. 73958

SELL: Grundig Satellit 1000 receiver, good condition, just realigned, with Handbooks & Battery Pack. Also 12 hour Digital alarm Clock, 2 inch high green digits. Offers to Chris Mackerell, c/- 67 Selwyn Street, Christchurch 2.

## market square

## NEW ZEALAND RADIO DX LEAGUE

### ADMINISTRATIVE OFFICE

P.O.Box 1313, Invercargill

All queries re membership, policy matters, stationery requirements, subscriptions & competition awards, should be addressed to Invercargill.

### EDITORIAL OFFICE

P.O.Box 2956, Wellington.

Only queries relating to content & distribution of the Times should be directed to Wellington.

Closing date for contributions is usually 5pm on first Monday of the Month. Advertising: 50 cents for up to 30 words. Other rates on request.

ANNUAL SUBSCRIPTION: NZ\$5.00

Joining fee surcharge of \$1.00 for new members only. Overseas rates available from Invercargill.

MARIANAS ISLANDS Further to DL's report in last issue (page 6) FEBC, the Manila based religious broadcaster expects to have a 10kw MW station on-air this month, broadcasting from Saipan to the local islands. Later it will 'extend its beam' to Guam, which is 100 miles away'. The installation of 2 100kw SW transmitters that will concentrate their beams to Japan, Russia and China is being planned. Two powerful antennae will cost more than 1 million pesos each and the transmitters 1.4 million each.

FEBC Signal 6/77

BOLIVIA Radio Batallon Topater, the Voice of the National Army, operates from Oruro on 4980 and 1220kHz. BBC MS(c)

LAOS Radio Laos' External Service has been heard with FF 1300-1330 and EE to 1400 on a frequency varying between 7070 and 7080kHz. V.Goonetilleke SCDXers

ETLF POSTSCRIPT The General Secretary of the World Lutheran Federation has told reporters in Tanzania that the Federation was having talks with world governments for permission to use their radio stations to broadcast programmes which had been channelled through ETLF Radio Voice of the Gospel, before it's nationalisation by the Ethiopian Govt on 12/3/77. These facilities had already been granted by some governments, he said. BBC MS(c)

HCJB have an interesting pamphlet called 'SW Antenna Systems', written by

Engineer Jim Heck and available on request. Amongst contents are details of a Cubical Quad antenna for 19, 16 and 13 metre bands. via Technical Cnr, ASWLC