



NEW ZEALAND DX TIMES

ISSN
0110-3636

Registered at P.O.H.Q. Wellington as a magazine

Vol.33 No.12

AUGUST 1981.

~~SPARC~~

LOGO - a copy of the 1982 WRTVH is offered for the best design of a logo which should incorporate the initials 'SPARC' and should contain some radio symbol or DX type background. Entries should be submitted to P.O.Box 1313, Invercargill by mid-October. Queries? Is the winner to be announced at the League AGM? Have members of other clubs been asked to enter? Who is to do the judging?

These are only some of the queries and two comments which have been made since last month are cause for concern. First a comment in 'Tune In' that the release carried in the July 'Times' was premature and a number of issues are still to be resolved. Second, the mention in the Auckland Branch notes this month regarding the lack of information on the new body. Whatever the merits of the former, there is certainly truth in the latter. So far a bald statement of a 'fait accompli' with no indication of costs or any mention of the possible advantages or disadvantages - only a vague promise of competitions, country lists and so on to be used jointly by member clubs.

It is to be hoped that Branches - and members - will be given the reasons for the formation of 'SPARC', an outline of the expected advantages and, perhaps, a timetable for the introduction of the proposed joint competitions and so forth. It would also be of interest to learn why the original proposal for an Asian/Pacific body failed to get off the ground. The early supply of such background should result in more valuable discussion at the AGM.

SUBSCRIPTIONS

At the request of ADCOM members are again reminded that subscriptions for the financial year 1981/82 are due for payment on the 1st September 1981. The names of members who have not paid by 31 October will be removed from the 'Times' distribution list. At the foot of the back of this page is a short panel which members are asked to remove, complete and return when forwarding their subscription.

Subscription Rates are as listed below:

	<u>New Zealand</u>	<u>Australia & South Pacific</u>	<u>North America & Asia</u>	<u>Europe, Africa, South America & Middle East</u>
Subscription	\$12.50	\$17.50	\$21.00	\$22.50
Joining Fees	\$4.00	\$5.00	\$6.00	\$6.00

NEW ZEALAND RADIO DX LEAGUE

President: A.T.Cushen, M.B.E.
Hon.Secretary: Mrs.Irene Simpson
Administration Committee (Membership, Policy, Competitions, Subscriptions) - P.O.Box 1313, INVERCARGILL.
Editorial (Enquiries regarding content & distribution of the 'Times' ONLY) - P.O. Box 2956, WELLINGTON. CLOSING: Noon on 1st Monday monthly.
Stationery - P.O.Box 450, OAMARU.
Competition Awards - P.O.Box 3011, AUCKLAND.

DEADLINE: NOON, Monday, 7 September. Loggings, Veries, B.O.M., SW/QSL.

FROM THE BRANCHES

AUCKLAND: The July meeting was attended by 19 members. Among the matters discussed were the proposed lack of information on SPARC, and the Branch AGM. It was noted that Branch members Bryan Marsh and Douglas Doull had placed 1st and 5th respectively in the recent RMI Mini Contest. A question and answer session on aspects of the hobby followed the formal part of the meeting. COMPETITIONS: Broadcast - Bryan Clark KGTL 620 50kW, SW over 9 - Frank Vader Austria 12015. Under 9: Senior Frank Vader R.Dublin 6910 Junior - Nicholas Pacey R.San'a, Yemen 4853. NEXT MEETING: This will be the Branch ANNUAL GENERAL MEETING and all members are expected to attend. The venue is, as usual, the Western Suburbs Radio Club rooms, 3000 Gt.North Rd., New Lynn. SUNDAY, 30 August at 2 pm. Enquiries to Jim Gorman - Tel. (09)298 5534.

CANTERBURY: There was a good attendance at the July meeting and proposals for the Branch AGM in September were discussed. COMPETITIONS: Broadcast - Alistair Stewart 4XT. SW: Liz Jackson Nigeria 15120 and Portugal 6185. NEXT MEETING: 2 pm on Sunday 30 August at Bruce Lister's, 53A Celia Street. All members and non-members in Christchurch are invited.

NORTH OTAGO: Members attending the July meeting enjoyed their visit to the Post Office. Final details of the League AGM were discussed. It is hoped to get a few specials for the Saturday evening when everybody is at the shack. The Branch is planning a display at the Festival of Youth. The raffle was drawn and the Branch hopes to make about \$100 after providing for the prize.

SOUTHLAND: Twelve members attended the July meeting at Harry Searle's where discussion centre on the enjoyable 'pot Luck' evening the previous Saturday at Paul Aronsen which had attracted 25 members and wives. Nominations for Branch officers were discussed and will also be accepted at the Annual General Meeting to be held at the residence of the Branch Patro, Owen Crawford, 20 York Street, Invercargill at 7.30pm on Saturday, 29 August. COMPETITIONS: Broadcast - B.O.M. A.Cushen HJTZ Colombia 1480. Rest of World - T.Magon Voice of Asia 621. Consolation - L.Robinson KGBT Marlingen Texas 1530. SW: Under 9 - S.Greenyer Dublin 6910. Over 9 - R.Winter Austria 21500.

WAIKATO: There was a rather disappointing turn out of 3 members at the July meeting due to illness and other commitments. There was discussion of the new Pacific DX Alliance and also on the admissibility or otherwise of point-to-point stations. NEXT MEETING: Friday, 28 August at Malcolm Williams' residence, Koromatua. Special Guest, Richard Lemmon of HCJB, will show films and speak. There will also be an opportunity to connect members' equipment to Malcolm's new rhombic aerial system. For directions and/or transport, contact David Munn, Tel 492 667 (home) or 394 091 (business)

WELLINGTON: News has reached us that there was a meeting in July at Ralph Sutton's place. For information on future meetings members are asked to contact Ron Cundy, Tel. 792 058 (Home) or 726 135 (business).

TO: The National Secretary, New Zealand Radio DX League, P.O.Box 1313, INVERCARGILL.

FROM: Name Address (Block letters Please!)

I enclose cheque/money of for \$12.50/ (overseas rates on front cover) in payment of my subscription to the NZ Radio DX League for the year 1981/82.

.....(Signature)

BROADCAST DX POR EL PERSONAL NECESARIO

The mailbag is very small this month, with no trail contributions received, hence the absence of a mw trail. Only one comment was received on the change of trail layout last month, and the thought was that it was wasteful of space, I agree, remember that it was not too long ago that some members requested we set the trail out the same as the sw trail. I feel that the nature of mw loggings does not lend itself to the sw formate. So as of the next trail we will revert to the half column listing.

This is the last time that we will be listing Caribbean Beacon in the mw pages it is according to League Rules a shortwave station, and should not appear here. With a possible International move to extend the Broadcast Band, it may one day become a broadcast logging. Old timers will recall that the broadcast band once ended at 1500 kHz, so it is possible that it may be extended again. As far as propagation goes the signal is more akin to broadcast and is obviously intended as such by the station. But until a change in the rules take place send all further loggings to the shortwave section.

NEW ZEALAND NEWS.

2XO -?? KHz Mountain Radio, will operate from Ohakune, August 21 to September 13, 24 hours a day, relaying 2XS, for the Ohakune Winter festival. No frequency available, suggest you listen to 2XS who are bound to advertise it.

Radio Kapiti. Paraparaumu, Intends applying for a full time warrant to serve the Kapiti area, also applied to be on the air again December 1 to to January 18, with relays of Windy.

Waiheke Island. Tony Storey a 14 year old fourth former has applied for a short term warrant to run a radio station on the Island at Labour Weekend. He will be aided by school mates, and hopes to raise money for a new school projector. Good luck.

The annual report of the Broadcasting Tribunal to 31 March 1981, states that they received 89 applications of which 68 where for short term broadcasting authorisations. The authorisations fell into three main categories, and the main interest was for holiday or special event radio stations which reflect a development in radio that has occurred since the creation of the Tribunal. The balance was for alterations in existing schedules, and for student radio stations.

Thanks to A.Cushen for later and B.Clark for the station news.

Central Otago Call signs, confirmation to A.C from Broadcasting Tribunal 4XQ Queenstown is now 4XC, 4XW Wanaka now 4XE.

If you have had trouble with reports to 4XR, then try Mr Alistair Traves, 41 Caldwell street, Brockville, Lunedin, should get a reply.

Radio Sunshine may be on again in Labour weekend for Sawyers Bay Boy Scouts

Otago Excursion Train trust Broadcast now on in December, another 5zB.

MAILBAG.

LAURIE BOYER, INVERCARGILL, veries of 2EN, 2EA, 2XG, KCRL, 4XT, 3WV, Andorra 819 Latoka 639, Labassa 684, 5SE and 1ZL, 4RK. Ta.

LYALL MATHIESON, MORRINSVILLE. Logs 2XS, 4QD, 4QB, 2QN, 2BS, 2RE, 4QS, 4RK, 2DU KIOE, 2MG, 4BC, 2UW and KNIX, QSLs are 3XG, 1XR, 2XS, 2DU, 4QD, 4QB, 4QS, & 4RK.

PETER JONES, HAMILTON, QSL from Fiji 774 only, none out.

DENE LYNNEBERG, PUKERUA BAY, veries in from 2XS, 1YW, 1ZE, 1ZH, Kapiti, 2NR, 4XT, 85 watts, Fiji 558, Singapore 792, and HLAZ 1566, good. none out.

ALASTER STEWART, CHRISTCHURCH, veries from 1XG, 1XR, 1YB, & Nambassaland, 2XK 2XM, 3YZ, 4ZF, 4ZA, 4ZG, 4XT, reports out to 4XA, 4XF and 2XS. thanks.

ALAN GILMOUR, GREYMOUTH, reports CB106, verification from KCCN 1420. also rp to Vanuatu 1125.

I recently received an interesting letter from Norm Jackson, General Manager of 4MK Mackay. He makes some comments about requirements 4MK has for reception reports and as they apply generally for all broadcast Australian stations, members might like to take a note of them.

"We have a continuous problem of members asking for a reception confirmation and only providing names of music played for identification purposes. This information is useless as we don't keep a continuous log of music played and most stations during the course of the day play the same records. Would you please ask your members to give us some identification such as place names, advertisers names, announcer's name or some other local identification."

Most members send reports off to Australian stations particularly when just starting in the hobby, so in many ways they are practicing with their reports. It is important therefore to write a good standard report right from the start. These days most Australian stations know they can be heard from North Cape to Tiwai, and confirming reports is largely a public relations and simple friendship exercise. Members should try and provide a report that meets the known requirements of the station so that this fund of goodwill is not lost for future DXers. With directional antennae in use by many stations and sharing of frequencies, Australian DX is more challenging than in the past but it should still be possible to prepare a report with some of the information mentioned by 4MK. Thanks to Norm Jackson for this information, helping DXers to help his and other Aussie stations with good quality reports.

MAILBAG CONTINUED.

ARTHUR CUSHEN, INVERCARGILL. reports Reloj 1300, Turismo 1290, Principe 1580, La voz de la Patria 1310. verified are 1YT, 4XT, HJTZ, 3WM 2XS, VOA Antigua 1580, good.

JOHN CAMPBELL, ENGLAND & SWEDEN. has QSLed Irish non illegal comm, Sunshine 529, Youghal 1511 1/4 Santandar 1107, Bilbao 1476, Voice of Peace 1546, Victoria 1602 and KGA, thanks for note, always interested to hear from you.

BRYAN CLARK, AUCKLAND. has QSLs from KGTL and Caribbean Beacon, very nice Alaskan.

RADIO SUNSHINE NUIE.

ZK2ZN, 837 kHz, 250 watts, broadcasts, Mon-Frid Local Nuietime, 0530pm to 9.15pm with RNZ and ABC news at 7 pm and local news at 9pm. And ABC news again at 9pm. Morning transmissions are Mon-Fri 5.30 am to 8.30 am, RNZ and ABC news at 6, 7, and 8 am. On Saturdays broadcasts are 5.30 am till mid day. Lunch Time transmission 11.30 am till 1.30 pm with RNZ news at 12 noon and local news at 12.20. With midday report from RNZ at 1 pm.

Programme schedule, Tohai Talo,
via Bruce Williams.

BRIAN WEBB, UPPER HUTT. reports out to 2XM, 2XS, 4XF, & 7ZR, Pkg 585, varies in are 2XM, 2XS, 4XF, 2YW and 7ZG. ta.

LINDSAY ROBINSON, INVERCARGILL. logs Noumea 666, Suva 774, KHVH, and QSLs 2MW, 2XS, Fiji 1467, and KGBT. good.

ANDREW GARDNER, WELLINGTON. reports 1ZT, 2BY, LT, ZB, YZ, 3KZ, NE, 4ZB, 7MT, Calcutta 657, varies in are 1ZO, ZU, 2BL XS, ZB, ZG, 3KZ, NE, ZA, 4QD, QR, XD, 5RM and Fiji 774. No rush on diagram.

LEIGH MORRIS, ADELAIDE, has reports out to VOA Thailand, Voice of Asia 621, 2BE relay, test. varies in from 1XX, 1XW, 2XW, 3ZM, 3XG, 4XO, 1XL and 2XK after follow up.

It is interesting to trace the previous use of callsigns that are still in use today. The old Gisborne "Private" station of the early 30's used 2ZM as its call. When the NZBS instituted the part time commercial stations, they introduced the "X" prefix to differentiate between them and the fulltime commercials. The old Gisborne and Dunedin private stations, 2ZM and 4ZD took over 2XM and 4XD. When the "X" stations became fulltime commercials they adopted the "Z" sign, leaving the "X" to the private stations. This prefix is now being used by the new generation of Private stations.

4ZW Oamaru revives the call of a former "B" class Dunedin station, a victim of the mid 30's buy up. The authors records only go back to 1933 but he knows that the station was on the air before that and operated on 1080 and later on 1470 K/hz. After several moves from building to building they finally ended up above Bartons Butchery in Dunedin. Because of the fame of Bartons for their pork, they had a "Piggy" sign made for their building, and 4ZW adopted the slogan of the "Piggy Wiggly" station.

4ZF Te Anau on 612 makes the third station to use this call. The first was in Dunedin in the 1930's, being a low power station and operated a split hour schedule on 1080. Robbie Cook the Technician, has done a lot towards restoring old receivers for the Otago Museum of Technology, being established in the old hospital at Seacliff. Jim Howarth, one of the Announcers became a strong advocate of HCJB in later years. The call was also used for the emergency transmitter for 4ZR. The transmitter is believed to have been used for 5ZB.

Thanks to Tune In. March 1981.

QSL Details

KGTL 620. Full data verie letter from David F. Becker, President and Chief Engineer (ham call KL7 HSB). Station commenced broadcasting on 11th Feb 1981 and simulcasts with KGTL-FM. "Alaska's" most powerful radio station" at 100 kw on 10315 nHz. KGTL-AM uses a 5kw Continental Electronics 316 F transmitter with a 406 foot mast vertical 1/4 wave non-directional antenna, at an elevation of 1130 feet above sea level. Currently operates 6.00am to midnight. Address- P. O. Box 103, Homer, Alaska 99603. U.S.A.

KVEG 1400. verie letter from Gordon N. Alsum, Director of Engineering, at 1555 East Flamingo Road, Las Vegas, Nevada 89109. Advises that the station has a construction permit for 5kw day and night on 1410 with the city of license changing to North Las Vegas.

KUAT 1550. Verie letter from Tom Boone, Chief Engineer

for equipment test at midnight local time on 1st April. Operates 50 kw Harris MW-50A transmitter into a 383 foot vertical guyed tower.

VOA Antigua 1580. Full data QSL from Fran La Falce, Audience Relations Office, along with personal note and Caribbean programme schedule, received in 2 weeks.

Caribbean Beacon 1610. Anguilla, West Indies. Sent an attractive QSL depicting transmitter building, plus a picture postcard and promotional literature on station and target areas. Verie signer Bob Jensen advises reports also received from USA, Canada, UK, South Africa, Brazil and throughout the Caribbean area. Bryan Clark.

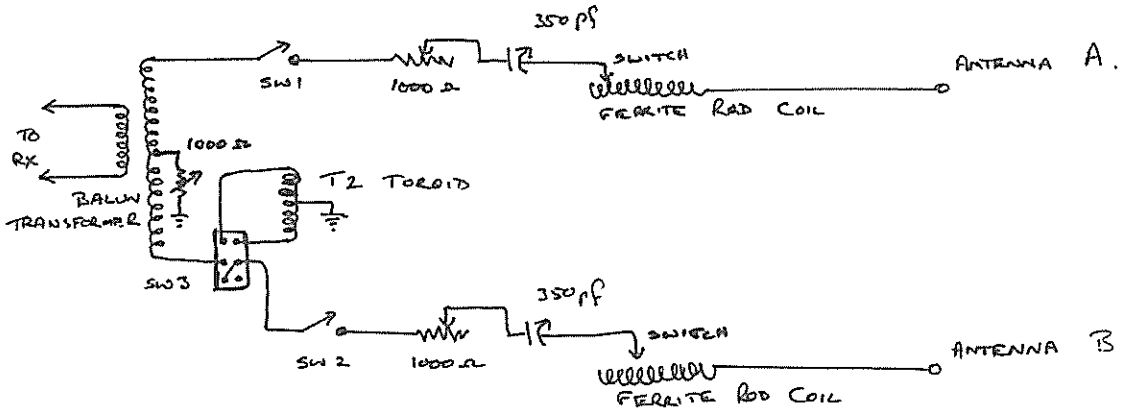
JUNIOR. Alan Gilmour, Greymouth. KCCN Honolulu, Hawaii. 1420 khz 5kw. 96 points. Senior. Bryan Clark, Auckland. KGTL Homer, Alaska. 620 kHz 5kw. 154 points.

This is an attempt to explain simply the two wire beverage system and the controls, construction and benefits of it.

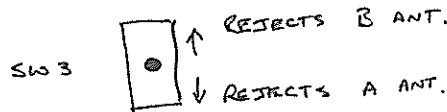
Perhaps the benefits first. Great directivity and the ability to null most unwanted stations in order to hear the more distant and interesting ones on the same frequency. It has low noise characteristics and the ability in some cases to null or control noise levels.

Ideally the long wires should be parallel and not closer than 3 feet. The two wires should preferably be the same length. If you are interested in nulling the stations off the front end of the antennas then it may be advantageous to have the wires in different directions. With two wires, NW and W it is possible to null Australian stations to hear Asians. You may also null a Sydney station to hear one in Queensland.

Below is a diagram of the tuner. The two long wires or beverages are connected to A and B respectively.



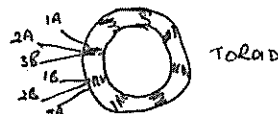
- Parts required
- 2 x on/off switches
 - 2 x toroidal cores
 - 2 x 1000 ohm potentiometers
 - 2 x 350 pf variable capacitors
 - 2 x ferrite rods 3/8" diameter 6" long
 - 1 x DFDT switch



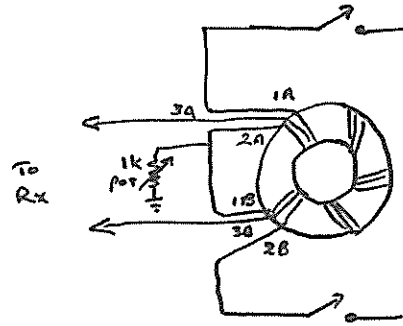
To wind Balun Transformer.

You need three lengths of copper enamelled or insulated wire, each exactly one foot long. Label ends of wires as shown. Twist wires by putting one set of ends in vise and twisting other set of ends. Wind coil on toroid core as in diagram.

- 1A _____ 1B
- 2A _____ 2B
- 3A _____ 3B



Solder 1B to 2A and also a short piece of wire. This is the centre tap of the transformer. The short piece of wire connects to the potentiometers. Wires 1A and 2B are the wires to which the antennas are attached. Wires 3A and 3B are the wires connected to the receivers. When Balun is completed glue or tape wires into place.



Another view of the balun to clarify connections.

To wind toroid
Wind onto toroid core 84 turns of 28 gauge approx. enamelled wire leaving a tapping midway at the 42 turn. This centre tap goes to earth.

Winding the ferrite rod coils.
Start winding at the end connected to the capacitor. This point is also connected to the central terminal of the rotary switch. Wind on 50 turns then make a tapping and continue to make tappings every 25 turns until 200 turns have been wound. Connect tappings to rotary switch.

Operating procedures.

1. Tune in station to be nulled.
2. Switch in leg A using SW1. Leg B is switched out.
3. Check pots for minimum resistance, i.e. maximum signal.
4. Adjust coil switch in conjunction with variable capacitor for maximum gain.
5. Reverse switches SW1 and SW2 and repeat tuning procedure on antenna B.
6. Switch in leg A (Both antennas now in use) and there should be a slight or substantial drop in the signal strength of the station to be nulled.
7. Adjust A tuning capacitor for a null. Likewise capacitor C.
8. Adjust pots for null as above.
9. Adjust capacitors again.
10. If this does not work then try phase reversal by switching SW3 the other way and repeat procedure.

Final comments from Robin.

The transformers should be wound with care but they are not critical. If antennas run in parallel it should be possible to null stations in almost any direction. If antennas form a "V" (NW & W) the stations can be nulled from the front and rear of the antennas, but not from the sides. A chart is used for recording tuning positions for nulling stations from certain areas. The beverage antennas should be at least 450 metres long. The antennas Robin uses are 450 metres running west, 450 metres running North West and 750 metres running ESE. Antennas are 4-5 metres high.

If you run into trouble constructing or operating this tuning unit for beverage antennas then contact Robin at the following address.
Robin Chambers, Namu Rd., Opunake RD31, Taranaki.

The quality of Robins medium wave DX is proof of the effectiveness of his beverages and tuner. For those fortunate in having the space it may be worthwhile considering Robins antenna system.

Barry Williams

TROPICAL BANDS SURVEY Edition 3 of the survey of Afro-Asian-Pacific Broadcasting Stations is based on monitored observations in the region between February and April 1981. It is edited by the Union of Asian DXers, Sri Lanka, and compiled in co-operation with the Down Under DX Circle, Australia. Available only from: Gerhard Werdin, Niederbectstr. 43, 4000 Dusseldorf 30, Fed. Republic of Germany. Cost 5 IRCs Airmail.

LEAGUE LADDERS

Broadcast

DIVISION	JUN	AUG	INC	GNT
GOLD STAR (1250+)				
Arthur Cushen	2497	2507	10	145
Keith Robison	2376	-	-	116
Ray Crawford	1614	1622	8	167
Laurie Boyer	1453	1504	51	108
GOLD ACE (1001-1250)				
Eric McIntosh	1152	1160	8	90
Robin Chambers	1036	1040	4	123
SILVER ACE (751-1000)				
Dene Lynneberg	879	905	6	104
Chris Martin	771	-	-	154
ACE (501-750)				
David Ricquish	681	-	-	56
Bryan Clark	546	553	7	97
Barry Williams	607	-	-	71
Hank Wilkinson	524	-	-	79
SENIOR (301 - 500)				
Ian Cattermole	481	482	1	28
Paul Ormandy	434	-	-	63
John Campbell	383	389	6	113
Stuart Forsyth	306	307	1	20
INTERMEDIATE (151-300)				
Alan Gilmour	272	278	6	39
Paul Rawdon	193	-	-	27
Jack Searle	193	196	3	20
Günter Jacob	174	-	-	34
Paul Ramsay	-	172	-	6
Peter Jones	161	165	4	13
JUNIOR (50-150)				
Mike Smith	136	-	-	13
Jim Gorman	112	113	1	7
Steven Greenyer	75	75	0	27
Paul Schnell	55	-	-	5

Thanks to those who entered this time, the standard of submission was much easier to deal with, even from that intrepid little man who sent a telegram Will you please write and explain last cryptic mess -age.

A big welcome to the ladders section to Andrew Gardner who appears above ↑, it's always nice to see new names. Could you possibly let me know how many countries you have next time. Thanks for the note Jack, will write. By the way, "the period" in last month's Times, means the 6 month period. Thanks also to Paul Ramsay for your note. I must say confusion reigns here sometimes, so forgive the errors. C.U. in September

Stuart

Shortwave

DIVISION	JUN	AUG	INC	GNT
GOLD STAR (1250+)				
Arthur Cushen	5107	5138	31	245
Dene Lynneberg	2446	2466	20	220
Barry Williams	2222	-	-	224
Ray Crawford	1757	1759	2	175
John Mainland	1647	1663	16	210
Ian Cattermole	1523	1536	13	142
Bill Huddleston	-	1459	-	150
Bryan Clark	1369	1375	6	210
Günter Jacob	1360	-	-	131
GOLD ACE (1001 - 1250)				
Jack Searle	1144	1167	23	141
SILVER ACE (751-1000)				
Paul Ormandy	896	-	-	163
John Campbell	879	906	27	228
Lindsay Robinson	813	-	-	120
Peter Jones	783	800	17	126
ACE (501-750)				
Eric McIntosh	690	692	2	119
Laurie Boyer	684	704	20	118
Jim Gorman	595	596	1	81
Paul Rawdon	591	-	-	139
Alan Gilmour	546	556	10	114
Cecil Symmes	543	547	4	114
SENIOR (301-500)				
Steven Greenyer	490	496	6	142
Bill Jolly	383	387	4	79
Mike Smith	353	-	-	76
Jack Farrow	345	349	4	57
INTERMEDIATE (151-300)				
Stuart Forsyth	200	200	0	67
Ian Wells	169	-	-	65
JUNIOR (50-150)				
Michael Williams	144	152	8	44
Ron Bower	136	206	70	55
Arthur deMaine	130	131	1	59
Les Boyd	110	-	-	39
Paul Schnell	83	-	-	45
Frank Crow	77	-	-	24
Bill Mannix	60	-	-	49
Nicholas Pacey	54	93	39	60
Andrew Gardner	-	53	-	-

bits & pieces

put together by cecil symmes

LATE DELIVERY - JULY Well I don't know what the weather was like in other parts of New Zealand around mid-July but here in Wellington it was wet, very wet. Unfortunately some of that wet got into the building which houses the computer which produces our address labels. Apparently 'computer' is an animal which is very sensitive to damp and the keepers had problems drying him out. And that is the reason why you all got your 'Times' rather late. Sorry - but it was a happening over which we had absolutely no control.

RMI Mini Contest It is a pleasure to be able to congratulate Bryan B. Marsh (Auckland) on another success in this AWR contest. Bryan, who was a joint winner with Gordon Darling (England) in 1980 has done it again and this year was a clear winner from Gerhard Bock (West Germany). And we must not overlook Douglas Doull (also Auckland) and overall winner in 1978, who on this occasion came in Fifth place. Hope to see you names - and those of other N.Z. DXers - on the prize list in future years.

LETTERS First a correction - Brian Clark points out that ALAN ROY-CROFT's address is NOT as given last month. It should be 2877 Kalakaua Avenue, Honolulu, Hawaii 96815. As Bryan points out this is that given directly under the Hawaii listing in the 1981 WRTVH. At this stage I can't recall where I got the address given. I do note however that according to the WRTVH Alan has about sixteen different addresses given so if you have sent him anything in the meantime he should receive it alright. Arthur Cushen has given us the text of a written reply by the Minister of Broadcasting to a question in Parliament from Jonathan Hunt MP. Mr Hunt had asked whether the Minister was aware of a statement made by Arthur in the 'Listener' that "the external service of RNZ is on the brink of failure" and if so, when will this service be upgraded?. Mr. Cooper, after outlining the responsibilities of the BCNZ, stated that the up-grading of the shortwave service is under discussion by the Corporation and the Ministry of Foreign Affairs which provides the funds to operate it. The cost of upgrading is at present being evaluated along with testing alternative sites for new transmission equipment. (This Journal has maintained for some time that the first priority in the development of any further radio services by the BCNZ should be the improvement of the Overseas Service. In the present troubled times it would seem that this is doubly important - Ed.). Laurie Boyer (Invercargill) who has been in the hobby since 1950, notes that in the last League Ladder published, in most cases the older and more experienced DXers lead the competition. True enough - and I've often wondered where some of them find the time to write all their reports. It would also be interesting to know what sort of response they get - or anyone gets - overall. Do folk get veries back for 75%, 50%, 25% or only 5% of their reports. Anyone prepared to make some figures available. And then on to Des Davey, Te Kuiti. Sorry to hear about your wife, how she'll be out of hospital and back with you soon. Des says that now winter has come he has more time to spend with his radio. In the summer he works long hours and by the time he gets home all he wants is a shower, dinner and a snooze in front of the TV before bed. Lastly, Jack Searle. Thanks for the couple of letters, Jack. Hope all is forgiven and forgotten now and thank you for your kind words about the editing of the 'Times'. Agree about persistence paying off - I found McMurdo a few weeks back after trying since they came on the air. Sorry, there is one I forgot. Bryan Marsh sent a copy of an article on the 'Magna Wave Aerial' printed in Consumer 184 1981. They seem to think that in some circumstances it can have beneficial results. The article is too long to reproduce in full here but copies of the Consumer should be available in most public libraries.

Log 100 Countries

Back in April 1980 we published an article by Barry Williams entitled 'Log 100 Countries'. I wonder how many members, like me, thought they'd have a go. The main difference between my effort and Barry's was that I made a very limited number of reports and then only to countries which I had not verified before. I started off in June 1980 and up to the end of May 1981 I had logged 110 countries of which 86 broadcast in English. The highest number of countries logged in any one month was 56 - in August - and the lowest was in March when I was out of the country for most of the month. That was 14. My listing by continents was -

Africa 19: Asia 29: Europe 32: N.America 2: C.America 5: S.America 10 and Oceania 13.

I made no particular effort to log the major international broadcasters month after month but noted the following:

Australia, China, Papua/NG (mainland), UKGB, USA, Vanuatu - in each of 12 months: Colombia, Japan and USSR - 11 months: Costa Rica, Ecuador, New Caledonia, Spain - 10 months: Austria, Brazil, Philippines, Singapore, Switzerland, Solomon Islands - 9 months: Argentine, France, West Germany - 8 months: Greece, Holland, North Solomons, Venezuela - 7 months.

It will be evident from the above list that with a little more effort and concentration it would not be difficult to log substantially more than my average of 43 different countries every month - and most of them with English language programmes.

A DX Championship

In my mail this week was a letter from Espoon DX-Kuun telijat, Finland, seeking co-operation from DXers in this part of the world in monitoring certain transmissions on 2 - 4 October. This DX Club, which is a branch of the Finnish DX Association is organising a Finnish and Scandinavian DX Championship. Entrants will be asked to try and hear a number of named stations at specific times and on particular frequencies and to write reports for evaluation. To determine the correctness of the reports the organisers need reliable information on the programmes being broadcast. The only way they can get this is from the stations themselves or with the help of DXers nearer the stations.

The request to me was for help in monitoring the following stations:

Sat. 3 October 1981

0505 - 0530 R.New Zealand 15485 kHz
0605 - 0630 FR3 Tahiti, Society Islands) 11825 kHz
) 15170 kHz

Sat. 3 October 1981

1345 - 1405 NBC, Boroko, Papua/ New Guinea) 3925 kHz
) 4890 kHz
1535 - 1555 R. Malaysia, Kuching 4850 kHz.
1600 - 1615 Singapore BC 5010 and 5052 kHz.

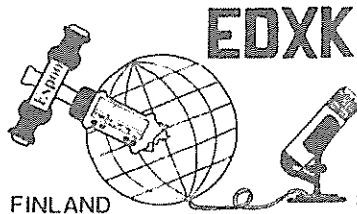
Sun. 4 October 1981

1430 - 1455 KTWR Agana, Guam 9510 kHz.

All times and dates - GMT.

They also ask if we have any views on possible reception. Personally I am unable to help as I shall be out of the country. If anyone is interested in helping, please give me a telephone call, Wellington 764-285, most evenings and I will give fuller details. I shall have to write back soon, so please contact me as soon as possible.

IN THE TOWN OF EVENTS :



RADIO COUNTRIES

For me this is probably my last chance to ride one of my favourite hobby-horses. Looking back I think that the person most to blame with my obsession is Barry Williams and his 1975 article about his 200th Country. Later, in 1979, I wrote to Invercargill about the League 'Radio Countries' list and got a polite brush off. Since then I have pursued my own way and have had a look at EDXC 1978/79, Australian RDXC 1971 and the NASWA 1976 Lists. I've also had a look at the NZART List.

Ideally, in my view there should be a single 'Radio Countries' List which could be used by all Radio Listeners (hereinafter 'RLs') no matter what their special interest - longwave, mediumwave, shortwave, FM, TV, VHF, UHF, utilities, HAM radio - the lot. It would be nice to know that when I see in, say, FRENEX that 'X' has logged 95 countries, he is talking about the same thing as Arthur Cushen who has logged 145.

So what should be the aims of a 'Radio Country' list and I repeat what I said in my first submission:

- a. To ensure, so far as possible, that the long-time RL and the beginner are able to log and/or verify the same 'radio countries',
b. To provide the RL with the maximum number of Target Areas.

Next a definition - A 'Radio Country' is a circumscribed geographical and/or political area which can be readily identified by reference to a map or atlas and may consist of:

- a. an independent country or state,
b. internally independent geo-political entities under protection of another country in matters of defence and foreign affairs,
c. colonies and other dependent geo-political entities,
d. major administrative subdivisions of unions or federations of states by whatever designation these are known,
e. offshore islands within the the political control of any continental 'radio country' provided they are separated from the parent 'radio country' by not less than 100 km.
f. such other geographical and/or political areas as may be designated 'radio countries' from time to time.

So far so good - we have set our aims and we know what a 'radio country' is. What next? Well, there is a base or current list of 'radio countries' to be fixed/agreed and here we need some guidelines. We have to comply with our first aim, and to do that we need to set a deadline for the new 'universal' list. It is suggested that as we are coming into a new decade, the base date could be either January 1980 or January 1981. Whichever is chosen, incorporated into the new CURRENT list will be all those current, 'extinct', 'deleted' and 'former' 'radio countries' included in the separate lists at that date, e.g. Newfoundland. Once established this CURRENT list would never be reduced. One of the most obvious advantages is that the new CURRENT list would never become cluttered up with 'extinct, etc.' countries - at worst there would be name changes. Also the beginner would be able to log/verify the same countries as the old timer. For example Manchuria now Heilongjiang Autonomous Region in the Republic of China, or Biafra and Katanga in Africa, both of which have been accepted as 'Radio Countries' in one or another list but which have now been reabsorbed in Nigeria and Zaire respectively. However Manchuria/Heilongjiang or Biafra/Nigeria would never count as more than one country under whichever name logged or verified. the only changes to the list would be when a CURRENT 'radio country' was divided into separate and recognisable geographical and/or political units for any reason. Where there was a change of name, e.g. Congo Republic/Zaire, a change of political status, e.g. New Hebrides/Vanuatu, or a change through conquest, annexation etc. e.g. North and South Vietnam, it would not result in the addition of a new country. However once a NEW country is added to the CURRENT list it must remain there regardless of future changes in its status.

To a number of my fellow League members in New Zealand the suggestion that a change of name and/or political status should not count as a new country may seem heresy. To me it is just logical - in this country, for example, R.Vila has been, and still is, heard daily without difficulty. In parts of Africa, no doubt, the same applies to Rhodesia/Zimbabwe and I suspect that in N.America British Honduras and Belize are both heard equally well. Surely a change of name and/or political status does not warrant separation as 'radio countries' - rather its merely an 'ego boost' for those who wish to increase their count.

And that leaves the second aim - to provide the MAXIMUM number of TARGET AREAS for RLS. Here I believe it is legitimate to take liberties with geo-politics. Previously it was suggested that the best way of doing this would be to use the TARGET AREAS FOR BROADCASTERS promulgated by the ITU under the Radio Regulations - the CIRAF ZONES. This view received some support from US members Frank Crow and Hank Wilkinson. If this procedure is used the USSR would become RSFSR Europe 1 and 2, RSFSR Asia 1 to 13, the USA would be USA - Alaska, USA - Guam, USA - Hawaii while continental US would be USA 1, 2 and 3. (I am indebted to Frank Crow for the suggested nomenclature) Other areas now treated as single countries which would be subdivided are Canada, Australia, China and the United Kingdom & Northern Ireland. Other areas warranting examination are Southern Africa and vast South American countries such as Argentina and Brazil.

I have had considerable interest and enjoyment from drafting my own proposal for a 'Radio Countries' List which I am conceited enough to believe is an improvement on those others which I have been able to examine. Though by no means perfect I intend to send copies of my list to about twenty individuals and organisations world-wide. I am hoping that the recipients will do me the courtesy of making an objective consideration and that perhaps my effort can provide a basis on which a standard list can be agreed. With luck on my return home later in the year I shall find a number of constructive comments awaiting me.

GUATEMALA

According to a recent AWR release, Station TGMU increased power to 10000 watts and changed its antenna to broadcast towards the north-east on 23 April. It is stated that this is giving better reception in North America, especially on the East Coast, and it is hoped that there will be better reception in the Caribbean area also. The station is currently operating on the following schedule. From 0130 - 0300 GMT in Spanish. From 0300 - 0500 GMT in English.

market square

J.Pope, 3 Punga Road, Whenuapai Village (Tel. WEI 8269) has Yaesu FRG7 as new for sale at \$400 and also a Lafayette HA600a at \$200.

Quickies

Philip Ternhan of M-11 Nike Manor, Kent, WA98031 is a relative newcomer to the hobby. He is a US Navyman, age 34, married with two children. Also interested in literature and motorcycling. He is looking for someone willing to provide cassette tapes of RNZ external English broadcasts and other information about life and events in New Zealand.//According to an article by Bruce Portzer in the DX Monitor Mark Connelly of Seattle has developed the concept of zonal analysis in which foreign BCB stations can be grouped according to loop bearing and distance from USA. Four zones, each of 40° arc and subdivided in 100 mile distances from 0 to 7000 plus are analysed. Zone 1 (200° - 240°) includes Tahiti, Cook Is., N.Z and gives good reception. Zone 2 (240° - 280°) which covers Guam, Papua/NG, New Caledonia and Australia is said to be more difficult to hear. - Comment - sounds like an interesting concept and one which could be examined on SW also. Anyone out there going to give it a go??? In view of the discussion by Waikato on admissibility of 'point to point' stations, can the Competitions Committee give a ruling on KIRIBATI?

Shortwave Mailbag

Compiled by

BILL HUDDLESTON

We appear to have a good turnout this month. So with the little spare space I would put the question. What is a utility? Noting a number of members claiming Kiribati as a shortwave verification. Is this not a SSB transmission for Christmas Island, for rebroadcast on the medium wave. To a lesser degree, how about Galei Zahal on SSB. Comments would be welcome. Verification of the new South American station of Bahai with 1Kw on 2340KHz is well worth a mention as also is R. San Martin Peru on 4810 KHz. now for the mailbag.

Cecil Symmes, Wellington starts the list with a verification in Chinese from Qinghai on 3950Khz translation by Victoria University, along with Egypt 15375, Tashkent 5950, NHK 11840. A most interesting veri Cecil.

Jim Webb, Manukau has QSLs in from South Korea 9870, KTW 11840, HCJB 11900, Austria 12015, RBI 15100, Belgium 15175, DW 21680 Thx.

Bryan Clark, Auckland has one report out and a veri back from Qatar 11730.

Bob Dunstone, Invercargill has 10 reports out and veries back from ZYF270, R.Bare 4895, Andorra 6220, R.Dublin 6209 6910, R Apinte 5006, R. San Martin 4810, nice ones there Bob, good to hear from you.

B.D. Gall Palmerston North in a return to the page has veries back from ELWA Liberia 4765, Tanzania 4785, Afghanistan 4740, Sierra Leone 9580, Yemen Arab Republic 4853 Norway 11850. good verifying there welcome back.

Tony Marr Titahi Bay has one veri back from 4964 for his 230th country Thx.

Steven Greenyer, Has QSLs in from Bahai 2340, Dublin 6910, 6290, Apintie 5006, Relogio 4905, ELWA 4765, nice ones.

Brian Webb Upper Hutt has 37 reports out and veries back from HCJB 9745 11900, 15235, ORF 15290 AWR (Sines) 9605 9615 SBC 11835 15120 17850, IBA 15582, Portugal 6155, SRF 9675 WYFR 5985 17805 21525, KTW 11840 15150, Peking 11500 9860, NHK 15195 RN B-9715 B-9770 L-17695.

David Hughes, Palmerston just made it with QSLs WORD 6215, Voice of Asia 5980, Portugal 11775, Iran 9022. Thx.

Dene Lynneberg Pukerua Bay has 4 reports out and veries back from NHK 6030, Galei Zahal 14728, HCJB 6095-30Kw, RM Khabarovsk 6020. Thx.

Lindsay Robinson, Invercargill has 8 loggings this month, and QSLs back from RBI 15100, Finland 11755, Brazil 5995, Brazillia 15280.

John Mainland Wellington has veries in from Kuwait 17650, Amman 9530 TWR -B 11755, Africa No1-11755, RCI Davevtry 5965 11775 9555 15235, Galei Zahal 14728.

Leigh Morris Adelaide, now using a Drake SPK-4 has reported R. Clarin 11700, & Paraguay 11914. With veries back from R. Dublin. I expect there will be some good logging on the SPK-4 Leigh, good luck.

David Feldon, Waipukurau has QSLs in from WINB 15185, Peking 11600, Liaonin China 483-, HCJB 9745 17900, NHK 17735 15310, Monitors International Sri Lanka 17850, Tirana 7300, RAI 15315, Kuwait 12085, RSA 9585 17780, Polonia 7270. Thx David.

Norris Sturgess, Rotorua has QSLs back from DW 21680, Moscow 21600 Kimje Korea 15570, RSA 21535, Vatican 9625. Thx.

Ray Crawford Gladstone Aust. has 18 R. Bras 17810, Word 6215, Thanks Ray hows DXing in Australia.

Ron James Wellington has veries back from R. Excelsior 9585, Aldrans Austri 6000, Polonia 11815, DW Cyclops 6000 with pennant and car sticker, Kuwait 11650, Dubai 17775, Bandierantes 6185, WYFR 5985 Voice of Lebanon 6550 after 5 months, Voice of Kampuchea 9695 in 6 months, lucky to get those two back.

Shortwave Mailbag

Frank Vader, Auckland After a burning time in his radio room, has sent out 20 reports and has veries back from Apintie 5006, R.Dublin 6910, Sana'a 4835, SFC 15325, Iran 15084, RNE 9630, Polonia 7285, AIR 11620, RSA 17780, Galei Zahal 14728, SSB. North Solomons 3322, Vanuatu 7260 Thx.

Laurie Boyer Invercargill has been very busy with 48 reports away and veries back from RSA 17780, DZEY----? Malaysia 11900, Peking 15435 11600 17765, TWK 1700, Cook Islands 11760, Popondetta 2468, Vatican 11830, RN Lopik 17715, Malaysia 15295, LR2 5985, Namibia 4965, Prague 11990.

Allen Gilmore Greymouth has 30 reports out and veries back from RSA 9585, Dublin 6910, ORF 21610, Prague 21705, Africa No1 Gabon 4811, YNM Managua 5950 Lisbon 6185, Warsaw 9675, KBS Seoul 15575, RN Lopik 15560, keep up the good work Allen.

Jack Searle, Haumoana has 10 reports out this month, and QSLs back from Sweden 15290, Dubai 17775, BEC Linasol 21660, H4B9-9545, SRI 15230, RAIS Berlin RM Blagoueshchensk 15100.

Arthur Cushen Invercargill SABC 4835, Sweden 15320, VOPC 9610, Namibia 4965, Finland 11735, Kiribati 16433, ORF 21725 Rio Mar 9695, Caribbean Beacon 1610, Pakistan 17835, 21590 21755, Spain 21595, Tashkent 9715 9750, Apintie 5005 Saire 15245, New Ireland 3905, Sofia 11880, 15160. Thanks Arthur.

Jack Farrow, Lower Hutt has QSLs back from Kuwait 11955 15345, BEC 11955, NHK 17870, RFE 9630, Kol Israel 21710.

Peter Jones, Hamilton Vanuatu 3945, Vietnam 10040, HCJB 15340, Banderantes 9645, Finland 11755, Kol Israel 15582, RIAS Berlin 6005, Galei Zahal 14728 SSB Thx Jack.

Bill Huddleston, Auckland has 10 reports out and veries back from SABC 4835, Portugal 6010, ORF 21640, Algeria 25700, RSA 9585, Dublin 6910, NHK 11840, Vatican 15115, Kol Israel 15582, Vanuatu 3945.

BEST OF THE MONTH

Under 9MHz
Radio Dublin 6910KHz
400 Watts 134 points

Alan Gilmour ✓ Greymouth
Steven Greenyer Invercargill

Over 9MHz
Radio RSA South Africa 17780
500Kw 102 points
David Feldon Waipukurau

Russell Winter, Invercargill has a list of QSLs from BBC 9510, Sweden 11705, SBC 11715 VOA 15205 15290, BEC 11960, Berlin International 17700, ORF 21500, VOA 26000. Thx.

Bill Jolly Kawerau Has one report out and veries back from RM Irkutsk 21690, Dubai 15320, SRI 21570, RBI 15100, Thanks Bill.

Ian Cattermole, Blemhiem has QSLs back from NHK 15390, HCGB 15155 15255, DW 15160, DW Kigali 21540, Brussels 15385, Peking 17765, Moscow 17800, ELWA Liberia 11930, Seoul 6135, Dubai 15320, Lisbon 6155, ORF 21660.

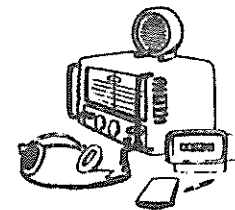
Arthur De Maine, Auckland, Has two reports out and veries back from Thailand 9655, not to many of these come back Arthur.

Eric Mc Intosh ?has 8 reports away and veries back from Namibia 4965, RM Irkutsk 11780 DW Antigua 6040, NHK 21640, VOA Green-ville 15345, RSA 3220 ? sorry about last month, but I did't receive them. good to hear from you this month.

Tim Austin, Bluff Has verifications from Dubai 21700 17810, with pennants from R.NZ. Polonia, Canada Inter. Tim has also receive a R. Sweden T-shirt in 2½ weeks for 13 IRC I will answer your letter by mail.

SHORTWAVE BANDWATCH

with BARRY WILLIAMS of Auckland



This month we have a welcome return to Bandwatch by Ray Crawford, now settled in Queensland. Note Ray's loggings of the Papua New Guinea stations in the 49 metre band .6140 ,6040 ,6020 ,5985 & 5965 khz. These stations sign off around 0630 or 0700 and because of propagation at this time to Australia, are difficult to hear. Occasionally they do come through and make a very good catch. What about having a listen and see if they can be heard.

A good range of loggings this month from all bands and continents. Again Emilio Pedro Povrzenic of Argentina supplies us with latest Latin American news. Personally I can not comment on conditions, as over the last two months I have had little time to tune the bands. From members comments however, I get the impression that conditions have been good.

According to the Leagues definition, the Broadcast band stops at 1605 khz. Therefore in theory, Anguilla Caribbean Lighthouse on 1610 khz is a shortwave station. I am shure this anomaly will be resolved at the forthcoming League AGM, possibly by extending the limits of the Broadcast band.

All times are GMT Add 12 hours for NZ time Freq, in khz.

FREQ	TIME	COUNTRY	STATION	PROGRAM & RECEPTION DETAILS	INITI
3220	0925	ECUADOR	HCJB	, with a poor signal . barely audible	CS
3225	1013	VENEZUELA	R.Occidente	, Good with many adverts.	SG
3275	0600	BRASIL	R.Caceres	, seems to be on all night .	AC
3280	1005	ECUADOR	La Voz del Napo	, Good with Spanish religious	SG
3295	0020	BRASIL	Iguatemi, Osasco	. Sertanejo music & adverts in Port.	EPP*
3335	0020	BRASIL	Alvorada , Londrina	, Jingle and lady giving time .	EPP*
3355	0715	NEW CALEDONIA	koumea	, French , musical program .	CS
3365	0025	BRASIL	Cultura , Araraquara	, Heard with Soccer match commentary	EPP*
3395	1950	PAPUA NEW GUINEA	R.Eastern Highland	, Good with news 2000	RC*
3910	0943	JAPAN	FEN, Tokyo	, Talks in English .	EPP*
3980	2345	SOUTH AFRICA	RSA	, Spanish for Latin America .//5980,9580, 11900 khz . Only heard the one day on 3980 in Spanish.	EPP*
4719	1010	INDONESIA	Ujung Padang	, Indonesian chanting . Music & ID.poor.	CS
4729v	2204	BOLIVIA	R.Abaroa, Riberalta	, (ex 4720v). Soccer commenatry	EPP*
4750	0432	CAMEROONS	R.Beroua	, Good French, 0500 news, //4850 khz .	JS
4757v	1025	BOLIVIA	R.Em.Bolivia	, Oruro, local news Spanish/Quechua	EPP*
4770	0425	NIGERIA	Kaduna	, Good level at this early hour .	JS
4800	1020	VENEZUELA	R.Lara	, Station ID and music . Spanish	CS
4789	1905	INDONESIA	Fak Fak	.Station ID RRI . Poor	CS
4800	2000	LESOTHO	Maseru	, English Relig.prog. s/off 2046 On 16/7	RC*
4805	1036	BOLIVIA	Frontera, Yacuiba	, end of program "Menanitas yaque-nas " and slogan "una radio diferente " .	EPP*
4820	0545	HONDURAS	HRVC	, Fair in English , Gospel .	EG
4850	0930	SURINAM	SRS paramaribo	, heard with ID and FM & SW ferquencies . EPP* news in Sranantongo . (Have just checked WRHB.appears this should be two languages Sranan and Tongo . Two languages I must admit I have never heard of before ,Ed.)	OC
4850	0535	CAMEROONS	R.Yaounde	, Fair with news in English	JS
4853	2015	YEMEN	Sanaa	, . Poor in Arabic . (Seems to be verifying now)	CS
4870	0540	BENIN	Cotonou	, French . Best ever heard .	JS
4875	0805	COLOMBIA	R.Super	, Announcements and Spanish music .	DF

FREQ	TIME	COUNTRY	STATION	PROGRAM & RECEPTION DETAILS	INITS
4920	0455	ECUADOR	R.Quito	Fair signal . IDs and music .On 26/7 propogation poor allowing R.Quito to come through . 0500 very good at s/off . No sign of Brisbane .	OC JS
4925	0025	BRAZIL	Rdif.Faubate	musical program " Sadades....."	EPP*
4940	1030	VENEZUELA	R.Yaracuy	Fair with many Spanish IDs.	OC
4945	1115	BOLIVIA	R.Lillimari	Good over Colosal . Also on 6025 khz.	RC*
4950	1100	ECUADOR	R.Costa Azul	Good at s/on . Full ID after anthem .	RC*
4950	1100	PERU	R.Madre de Dios	Fair at s/on with anthem .	SG
4955	2025	INDONESIA	RdI Banda Aceh	Indonesian music , comment. ID	CS
4965	1040	BOLIVIA	Juan XXII, San Ignacio de Velasco	Young lady reading messages for the local people . Spanish .	EPP*
4970	1550	SABAH	Kota Kinabalu	No ID noted . Male/female ammcers. music	CS
4980	1045	BOLIVIA	Batallon Popater, Oruro	male/female announcers giving local time and adverts. Spanish . (" I visited this station in Feb.1980 during the 3rd DXpedition to Bolivia of the DX Club 'Asociation DX del Litoral ' . The station Director , a sargeant, did not know what a QSL was . I drafted out for him a modle for a QSL ."EPP)	EPP*
5020	0855	SOLOMON IS.	Honlara	Fair with mes ages in Pidgin. Id 1031 .popular music . ID " This is Radio Happy Isles "	CS NS
5040	1430	BURMA	Burma BC Service	Fair with IS s/on for English transmis. News 1445 . // 5985 kes .	OC
5046	1720	INDONESIA	Yogyakarta	Koran . Stat.ID music , Fair signal .	CS
5265	1005	CHINA	Fuzhou PLA	Chinese , Good strength .	NS
5451	1907	INDONESIA	Irian Jaya, RdI Biak	Running late for Ramadan koran readings,popular music and frequent IDs. Ramadan finishes first week August . Many Indonesians on late .	BC
5930	0350	CZECHOSLOVAKIA	Prague	fair copy in English .	BG
5945	0345	AUSTRIA	ORF	English good signal,	BG
5965	0620	PAPUA NEW GUINEA	R.Western Highlands	Fair with request. Abrupt s/off 0630 .	RC
5965	0925	BHAZIL	R.Gualba	Fime signal 1000 then news.	NS
5970	1001	PERU	R.El Sol, Lima	Spanish, Peruvian music, timechecks Ids	DL
5975	0505	GF,BRITAIN	BBC	Excellent with World News.	JW
5980	0350	EL SALVADOR	R.Nacional	Spanish ID ,Musical prog. Fair	JM
5985	0615	PAPUA NEW GUINEA	R.East New Britain	Good with requests/advts	RC*
5985	1215	BURMA	Rangoon	Music ID 1430,Eng.news 1445, Poor	CS
5990	0500	FRANCE	FRI	News in French	JW
5995	0915	PERU	Melodia	Arequipa, Huayno music, Spanish/Quechua	EPP*
6010	2050	PORTUGAL	Lisbon	Listeners Questions,English ID 2100	CS
6010	1045	BRAZIL	Anaracada	Sertaneja music, Portuguese	EPP*
6012	0455	ANARTICA	AFAN	ID 0601 News , poor signal	CS
6020	0630	PAPUA NEW GIONE	R.North Solomons	Fair, Requests & Commercials	RC*
6020	0930	NETHERLAND	ANILLES RN via Bonaire	Good to s/off 0955	RC*
6040	0620	PAPUA NEW GUINEA	R.Milne Bay	excellent signal to s/off 0630	RC*
6040	2010	GF.BRITAIN	VOA relay	News in English Good	CS
6055	0904	JAPAN	NSB, Tokyo	Good with Eng/Jap language les ons on a fues	DL
6095	0900	ECUADOR	HCJB	VG in quecha 28/7. Seemingly on wrong freq. Sould have been on 6050khz.This 30Kw transmitter is used on 6050In Eng. to NA until 0700.It then goes to 6050 at 0900 for its Quecha broadcast to LA .Before movong to 6050 ,the transmitter can be heard tuning up on 6095 relaying the Russian transmission. On the night of28/7 the program was switched to quecha but technician forgot to change frequency at 0900 . (Interesting Ed.)	DL
6105	1050	BOLIVIA	R.Panamericana	Ex.signal with musicFull ID at 1105	RC*
6140	06:5	PAPUA NEW GUINEA	R.East Sepik	Fair with requests .	RC*

FREQ	TIME	COUNTRY	STATION	PROGRAM & RECEPTION DETAILS	INITS
6155	0532	PORTUGAL	Lisbon	Overseas & local news in English .	JW
6155	0030	URUGUAY	R.Carve, Montevideo	" El Mundo del Turf " .Horse racing results in Spanish .	EPP*
6165	2030	SWITZERLAND		Good with ID at 2030. Language ?	CS
6175	1750	MALAYSIA	Kuala Lumpur	Malay, Music and ID 1759	CS
6175	1033	PERU	Tawantinsuyo,Cuzco	IDs Adverts. & messages. In Quechua	EPP*
6180	2020	CYPRUS	BBC Relay	Fair with English news and commentary	CS
7130	2145	GERMAN FED.REP.	DW	German/English lessons to Asia	EPP*
7180	1130	SINGAPORE	BBC relay	IS and s/on . Vietnamese	EPP*
7255	0537	NIGERIA	Voice fo Nigeria	Lagos, English good most nights	JW
7260	2030	GERMAN DE,.REP.	RBI	Poor opening in English	JS
7265	0048	GERMAN FED.REP.	Sudwestfunk	Comment and Pop music,German	EPP*
7285	2030	POLAND	R.Polonia	English to NA , Good but QRM.	AG JS
9485	0355	PERU	R.Tacna	Sports commentary, Irregular IDs. Good. 0600 AC	RC*
9510	0715	ANTIGUA	BBC relay	World Service, News .	
9525	0315	POLAND	R.Polonia	English to NA , Good	NS
9560	0700	SWITZERLANDSRI		Dateline ,English	DF
9570	1028	KOREASOUTH	Seoul	Listeners Corner, //9870 khz , Excellent	JW
9570	0404	RUMANIA	R.Bucharest	Good signal in English	NS
9575	2030	ITALY	RAI	Good in English //11800	JS
9585	1025	BRAZIL	R.Excelstor	Fair with "Futebol" commentary	RC*
9585	0200	HUNGARY	Budapest	Good signal English	BG
9590	1226	INDIA	AIR	News and ID 1230 , Local language .	EPP*
9605	0130	VATICAN	R.Vaticana	Very strong in Spanish	JS
9615	0200	SOUTH AFRICA	RSA	English to NA, Fair	JM
9630	0615	SPAIN	SFR	Good in English	BG
9675	1005	BRASIL	R.Morumbi	Religious talk program , Good.	RC*
9675	1219	PERU	R.Del Pacifico, Lima	Religious with male/female annos.	EPP*
9690	0412	RUMANIA	Bucharest	// 9510, 9570 khz. very weak.	NS
9715	0615	NETERLANDS	RN	Fair in English	BG
9740	1225	SINGAPORE	BBC relay	" Play of the Week " English	EPP*
9765	2030	SPAIN	SFR	News, Comment, In English	BG
9835	0200	HUNGARY	Budapest	Good in English .Better on //17710 khz	BG JS
9915	0045	GF.BRITAIN	BBC	" Summertime Music "	DF
11650	2112	KUWAIT	R.Kuwait	Arabic ? // 9650 khz	NS
11705	0000	SWEDEN	Stockholm	Opening Spanish,Sweden Calling DXers,Eng. Also heard 0230 Good in English .	DF
11715	0230	USSR	Moscow	News English.	DF
11715	0435	SWITZERLAND	SRI	" Dateline " , English	DF
11735	0414	BULGARIA	Sofia	Fair English, Africa Service .	JS
11755	0500	GABON	Africa No 1	Opening with IS.Mixed Finland 0515	AC
11755	2030	FINLAND	R.Finland	Poor in English .	BG
11770	2250	TURKEY	Ankara	Poor in English under continuous jamming	JS
11775	0650	AUSTRALIA	RA	English Service good, replaces 15115 .	JWJM
11775	2030	PORTUGAL	Lisbon	Fair copy in English	BG
11785	0951	MONSERRAT	DW	Station ID only heard.	NS
11800	2200	ITALY	RAI	English to Japan // 9710 . Very Good	AG
11820	0941	AUSTRALIA	RA	Papua New Guinea Service, News in Pidgin.	JW
11855	1300	SEYCHELLES	FEBA	Religious in Hindi .	EPP*
11885	0047	URUGUAY	SODRE	International Service with English ID.s/off	0058JS
11905	0545	GERMAN FED.REP.	DW	Good Copy English.	BG
11915	0020	PARAGUAY	R.Nacional	fair to good at times .	RC*
11920	0300	USSR	RM	Poor in English.	BG
11940	0700	RUMANIA	R.Bucharest	Good in English	NS BG
11960	0703	MALI	Bamako, Rdif.Nationale du Mali	Long anthem played then opened in French . Heard on Sunday , Fair signal	DL

FREQ	TIME	COUNTRY	STATION	PROGRAM AND RECEPTION DETAILS	INITS
11985	0700	ALBANIA	R.Pirana,	Good signal in English.	BG
11990	0310	Czechoslovakia	R.Prawue,	Poor in English	BG
12015	0330	AUSPRIA	ORF,	Good signal	BG
12030	0200	USSR	RM,	News and commentary.	DF
12060	2200	USSR	Vilnius,	program in English to 2230	AC
15120	1110	SRI LANKA	AWR, Colombo,	RMI DX Mini Contest, English	EPP*
15125	2200	SPAIN	SFR,	Test frequency in Spanish to LA.	AC
15135	0252	USA	WYFR,	S/off in Spanish, Splatter from 15130 Jamming	JS
15160	0157	MEXICO	La Voz de America Latina.	Spanish, adverts. etc.	EPP*
15160	0325	LIBERIA	VOA Monrovia,	World news	JW
15165	0100	SWEDEN	Stockholm,	New frequency to close at 0200	AC
15175	0048	BELGIUM	Brussels,	Station announcement. Fair with QRM	JW
15205	0056	USA	VOA Grenville.	Good in English	JW
15295	0745	MALAYSIA	Kuala Lumpur,	Poor in Indonesian. Music and ID	CS
15310	2030	BULGARIA	R.Sofia,	Fair in English. ex 15315	JS
15330	2205	ITALY	RAI,	News and music, English	DF
15385	0405	RUMANIA	Bucharest,	News and comment in English	DF
15410	0600	GERMAN	FED.REP.	DW identification then Deutschlandfunk prog.	JS
15485	2230	NEW ZEALAND	RNZ,	fair with National program.	JS
15535	2100	USSR	RM,	News in English	DF
15582	0100	ISRAEL	IBA,	News in English	DF
17685	0500	Israel	IBA,	News in English	DF
17785	0804	Japan	NHK,	Good in English with Asian Service. Also 0605	CS
17805	0140	USA	WYFR,	Family Radio, religious program in Spanish	EPP*
17850	1120	SRI LANKA	AWR Colombo,	English DX program. R.Monitor Inter.	EPP*
17860	0135	LIBERIA	VOA Monrovia,	Program "Weekend" in English	EPP*
17880	2100	PORTUGAL	Lisbon,	Poor when closing in PP to Africa. Sat/Sun	JS
17885	0040	GERMAN	FED.REP ? R.Liberty,	in Russian	EPP*
17930	2107	LIBYA	Tripoli,	Good in Arabic	JS
21465	0845	FINLAND	Helsinki,	transmission in English, talk	DF
21490	0840	USSR	RM,	Fair in English with World Service; //21600	JW CS
21570	0131	USA	Delano,	AFRIS Baseball commentary	EPP*
21590	0230	PAKISTAN	R.Pakistan,	Poor with English news at Dictation spe.	JS
21615	2235	USA	WYFR,	Bible reading, English	DF
21640	0130	JAPAN	NHK.	News in English	DF
21685	2100	NEDERLAND	RN,	African Service in English	DF
21695	0151	USA	Delano VOA,	Comment etc in Bengali	EPP*
21700	0428	UNITED ARAB	EMIRATES Dubai,	Strong Arabic; English 0515	JS
21710	0500	ISRAEL	IBA,	News	DF
21720	2050	PORTUGAL	RFE,	English comment on Saturdays. //17835. Both gd.	AG
25650	1140	GT. BRITAIN	BBC,	"Play of the Week" English	EPP*
25900	1135	FRANCE	RFI,	Talks in French	EPP*
26000	2205	PHILIPPINES	VOA	Strong signal	JS
26030	2135	ECUADOR	HCJB,	Fair with surgung signal "DX Partyline"	JS
216040	2230	USA	VOA,	off 2300 running over scheduled time	JS

Filled 4 pages nicely this month. Our thanks to the following ;
 JS Jack Searle, Haumoana ; DF David Feldon, Waipukurau ; AG Alan Gilmour
 Greymouth ; JW Jim Webb Manakau ; CS Cecil Symmes, Wellington ;
 AC Arthur Cushen, Invercargill ; NS Norris Sturgess, Rotorua ; BG B.Gall
 Palmerston North ; DL Dene Lynneburg ; JM Jonh Mainland, Wellington ;
 OC Owen Cullen, Hikurangi ; SG Steven Greenyer Invercargill ; BC Bryan
 Clark, Auckland ; RC* Ray Crawford, Queensland ; EPP* Emilio Pedro
 Povrzenic Argentina .

ANTARTICA . LRA36 R.Nacional Arcangel San Gabriel, Base de Ejercito Esperanza .
 Only heard for 10 days on test freqs. 11955 & 15476 khz . 6030 also appears
 inactive now EPP* .

ARTHUR CUSHEN'S SHORTWAVE REVIEW

An extended schedule for Radio Apintie and for the Caribbean Beacon are reported this month, while KTWR introduces two further transmitters during September. Norway is to use the new frequency of 25615kHz from September 6 1100-1230GMT. This is part of a script as broadcast on Radio New Zealand on Monday, August 3 at 0315GMT on 15485 and 17860kHz and repeated 1015GMT on 11945 and 15485kHz. Some of this material also broadcast on Media Network, Radio Nederland on Thursday August 6, at 0750 on 9715, 9770 and at 0850 on 9715kHz. All times GMT, all frequencies in kilohertz.

ANGUILLA: Caribbean Beacon on 1610kHz has verified our reception and extended its schedule. They now operate 0900-0500GMT, use 15kW, soon to increase to 50kW and the station has received reception reports from North and South America, Europe, South Africa and New Zealand. The address is: P.O. Box 690, Anguilla, West Indies.

ANTARTICA: American Forces Antarctic Network 6012kHz heard with popular music 0600 to past 0800 and is best at present.

ANTIGUA: Voice of America relay base on 1580kHz heard closing at 0400GMT after a jazz programme.

ECUADOR: HCJB 3230kHz heard opening at 0900 and noted closing at 0500. Roger Stubbe has taken over as compere of DX Party Line from Clayton Howard. The programme is heard in the South Pacific on Monday, Thursday and Saturday 0900-0930 on 6130kHz.

GABON: Africa Number One heard opening at 0458 on 11755kHz with identification signal and announcement in French, programme starts at 0500 but at 0515 there is some interference from Finland operating on the same channel. The same programme of Africa Number One is noted on 4812kHz.

GUAM: KTWR advises that in September they plan to commence a Japanese version of DX Listeners Log, following the introduction of two 100kW transmitters. The main change on July 4 for English 1430-1500 is a move to 9505 from 9510kHz. English remains 0745-0930 on 11840 and 0000-0140 on 17770kHz.

INDIA: All India Radio DX Corner is now broadcast on the 2nd and 4th Monday of each month at 1040, 1435, 1630, 2030, 2130 and on Tuesday at 0040. The transmissions to New Zealand at 1040 is on 15205, 15285 and 17875kHz.

NEW ZEALAND: Radio New Zealand broadcasting to Australia is now using 15485 2115-1215GMT. In the past the period of 0830-1215 has been carried on 11945 kHz, but this frequency is still used but only to the Pacific.

PERU: Radio Tacna 9485kHz heard closing at 0606GMT with full identification in Spanish.

SPAIN: Madrid has re-timed its transmission to Australia in Spanish now 0700-0930 on 9585, 9650 (test frequency) and 11730kHz. Another test frequency 15125 has been heard 2045-2330.

SURINAM: Verification letter and pennant from Radio Apintie gives the present schedule on 5005kHz. 350 watts, as 0830-0330 Monday, Tuesday and Wednesday closing 0430; Thursday, Friday and Saturday off 0630 and Sunday closes 0430GMT.

SWEDEN: Radio Sweden has made some frequency changes, the broadcast 0000-0200 is now on 15165 replacing 15290kHz. The transmission 1230-1330 is on 21640 in place of 21635kHz.

NORWAY: Radio Norway's schedule from September 6 0700-0830 11850, 17795, 21730 and 25730kHz; 1100-1230 21730, 25730 and 25615; 1300-1430 9590, 17795, 21730 and 25730kHz; while for afternoon reception in New Zealand signals are heard 0300-0430 9590, 15135, 21730; 0500-0630 15135, 21730, 25730. English is broadcast for the last 30 minutes of the Sunday transmission and also in the broadcasts at 0300 and 0500GMT on Monday.

..sign off..

with JOHN MAINLAND

COPYRIGHT Material attributed to the BBC Monitoring Service (BBC MS) is copyright and may not be reproduced without permission.

EL SALVADOR According to the IFRB El Salvador has made some new registrations all between 0400-1400, the fqs are 5990, 6080, 9520 and 9585 all are listed as 50 kW. RN DX 2/7

NORWAY From September Radio Norway has decided to add another 11 metre band channel between 1130-1230 on 25615. RN DX 2/7

SWITZERLAND From Nov 1st SRI will use 25780 for three hours starting at 1030 GMT. RN DX 2/7

AVIATOR For the last several years I have been conducting research on the disappearance of Amelia Earhart, towards a sequel to my biography of her, DAUGHTER OF THE SKY, published in 1960. I am particularly interested in contacting any shortwave listeners who might have heard her transmissions over the Pacific on her frequency, call letters KHAQQ, on July 2-4 or thereafter, on SKIP or otherwise. Please contact Dr. Paul Briand, Dept of English, SUNY College, Oswego, N.Y. 13126. Tel. 315-343-0635 via ASWLC

NORTH KOREA Radio Pyongyang EE:0600-0750 11945, 9420; 0800-0950 11780, 9977, 3560; 1100-1250 9977; 1300-1450 9977; 1500-1650 11885, 9977, 4405; 1700-1850 11885, 9977, 4405; 2000-2150 9420, 6576, 3560; 2300-0050 9977. SCDX 9/6

MOZAMBIQUE The only active shortwave to operated by Nampula is 7435 from 0255-2210 with 7½kW. RN DX 9/7

VOICES publication will resume in September this year and will be published quarterly, the September issue will include the cover story "Inside Peking" a look at Radio Peking and an interesting article on "How to get a job with a shortwave broadcaster". RN DX 9/7

VOICES - The Guide to International Radio

postal address:
Voices
Box 226
Helsinki 17
Finland

VOICE OF MALAYAN DEMOCRACY (Hostile to Malayan government and Soviet/Vietnamese influence in South East Asia, pro-Peking) 6785-6840, 3525-3535 fqs vary. 0430-0515 Malay, 0515-0545 Standard Chinese, 1245-1330 Malay, 1330-1400 Standard Chinese. Inaugurated on 1st July 1981. Replaced "Voice of the Malayan Revolution" which ceased broadcasting on 30th June 1981. BBC MS 9/7

KOREA (SOUTH) Radio Korea, Seoul EE:0230-0330 15575, 11810, 9640; 0530-0630 15575, 11810, 9870; 1000-1100 15575, 11725, 9870, 9570; 1230-1330 11830, 9570; 1300-1330 6135; 1600-1700 11830, 9870, 9720, 7550; 1900-2000 6480; 2130-2230 15575, 15375. BBC MS 9/7

U.S.A. Test transmissions from WRNO, New Orleans will probably begin in October via a 100kW transmitter, the tentative sked is: 1830-2100 15175, 2100-2300 11890, 2300-0200 11965, 0200-0700 6115. Dan Robinson RN DX 16/7

RADIO KIRIBATI Since July 7th there have been changes in the programme schedule on 16433 (SSB), programmes are now mainly in Kiribatese with English inserts, the operating hours are: Daily 0600-1000; Mon-Fri 1800-2000, 0000-0200; Sat 1800-0200; Sun 2300-0200. These are local days. Andy Sennitt RN DX 16/7

MOROCCO RTV Marocaine, Rabat AA:1000-1100 15335; 1100-1700 17815, 15360, 15335; 1700-2000 17815, 15335, 15330; 2000-2100 17710, 15335, 15105; 2100-0100 17705, 15335, 15105. BBC MS 16/7

TURKEY The new transmissions introduced by the Voice of Turkey on 1st July have been traced: 1100-1115 Albanian 7135, 1115-1130 Hungarian 7135, 1130-1145 RR 15390, 1145-1200 Chinese 15390. BBC MS 16/7

QATAR The Qatar Broadcasting Service has been heard since 17th July from 1300 on 15285 in Arabic. BBC MS 23/7

PHILIPPINES Radio Veritas Asia plans to boost transmissions to China since it received 4000 letters from there last year, compared to 100 from South East Asia, 90 from Taiwan; total power is now 300kW; ordered 6 new transmitters to raise total to 1500kW. K. Dalton via NASWA LN.

VOICE OF GREECE Partial sked: 0000-0150 Greek (0130 nx EE) 11730, 9655, 9515; 0200-0350 Greek (0340 nx EE) 11730, 9650, 9515; 0400-0450 Greek 11955, 9655, 7110; 0500-0615 Greek (0515 nx Turkish) 11955, 9655, 7110; 0630-0730 Greek 11860, 9655; 0800-0850 Greek 9655, 7110; 1200-1250 Greek (1235 nx EE) 21455, 17830, 11730; 1800-1850 Greek (1840 nx EE) 15405, 15385, 11955; 2100-2150 Greek 15405, 11730, 9535; 2200-2250 Greek 9535; 2200-2350 Greek (2200 nx PP, 2230 nx SS, 2300 nx EE) 9680, 9615. BBC MS 23/7