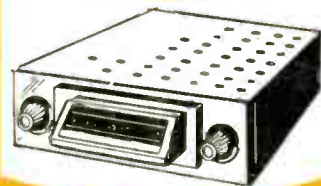


SAMS PHOTOFACT[®]

AUTO RADIO SERIES



AR-77
77
MAY 1970



CONTENTS REMOVAL INFORMATION PAGE 4

BUICK

Buick (70)
04BPB1/B4
Riviera (70)
04EPB1/B4

CHEVROLET

Acadian, Camaro,
Chevelle, Chevrolet,
Chevy II, Monte Carlo
(70) 01BFM1/M2
Camaro (70½)
01FFM1

CHRYSLER

Chrysler (70)
2884 874
Imperial (70)
2884 876

FORD

Ford Truck (70)
OBTM/TP/TPL
Econoline (70)
OBTU

MERCURY

Mercury (70)
OBM (DOMA-18806)

MOTOROLA

Chevelle (70)
CE70A
Chevrolet Truck (70)
CK70A
Chevrolet (70)
CT70A
Chevy II (70)
CY70A

MOTOROLA (Cont.)

Tempest (70)
PC70A
Pontiac
PT70A

UNIVERSAL

Automatic
SCE-6804
Huskee
TM104M (60-299)
Lear Jet
A-260
Motorola
TM329M
Truefone
ITC7008A-07
(DC7008) (S-808)

HOWARD W. SAMS & CO., INC. Indianapolis, Indiana

\$3.25

\$4.10 IN CANADA

Cat. No. AR-77



SAMS PHOTOFAC[®] AUTO RADIO SERIES

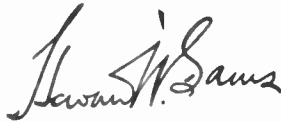


VOLUME

77



by the



ENGINEERING STAFF



HOWARD W. SAMS & CO., INC.
INDIANAPOLIS, INDIANA

FIRST EDITION
FIRST PRINTING—MAY 1970
SECOND PRINTING—SEPTEMBER, 1972

PHOTOFACT®
AUTO RADIO SERIES
VOLUME 77

Copyright © 1970 by Howard W. Sams & Co., Inc.
Indianapolis, Indiana 46206. Printed in the United States of America

All rights reserved. Reproduction or use, without express permission, of editorial or pictorial content, in any manner, is prohibited. No patent liability is assumed with respect to the use of the information contained herein.

The listing of any available replacement part herein does not constitute in any case a recommendation, warranty or guaranty by Howard W. Sams & Co., Inc., as to the quality and suitability of such replacement part. The numbers of these parts have been compiled from information furnished to Howard W. Sams & Co., Inc., by the manufacturers of the particular type of replacement part listed.

Library of Congress Catalog Card Number: 49-11493



TABLE OF CONTENTS

TRADE NAME AND MODEL	PAGE
Automatic Model SCE-6804	5
Buick Models 04BPB1/B4, 04EPB1/B4 . . .	15
Chevrolet Models 01BFM1/M2, 01FFM1	21
Chrysler Models 2884 874/876	39
Ford Models 0BTM/TP/TPL/TU	55
Huskee Model TM104M (60-299)	63
Lear Jet Model A-260	69
Mercury Model 0BM (DOMA-18806)	87
Motorola 1970 GM Custom Series	95
Motorola Model TM329M	103
Truetone Model ITC7008A-07 (4DC7008) (S-808)	109

Cumulative Index to Prior Volumes	120
--	------------

REMOVAL INSTRUCTIONS

GENERAL REMOVAL INFORMATION

Most radios and speakers can be removed for service by following the steps shown in this block of information. Check the Make, Model, and Year of car listed below. If more specific instructions are required, they are shown.

Step 1. Disconnect power, speaker and antenna leads.

Step 2. Remove knobs.

Step 3. Remove nuts from control bushings and cabinet braces.

Step 4. Remove radio from under dash.

Step 5. Remove nuts holding speaker and remove speaker from under dash.

BUICK - 1970 BUICK

Step 1. Remove screws from steering column trim panel and remove trim panel.

Step 2. Disconnect left cooler hose.

Step 3. Remove screws from air-conditioning duct and remove.

Step 4. Remove knobs and nuts from control bushing. Disconnect speaker connector and antenna lead.

Step 5. Remove screw from bottom brace, and remove radio from under instrument panel.

SPEAKER REMOVAL

Step 1. Remove radio.

Step 2. Remove screw from speaker mounting.

Step 3. Remove speaker from under instrument panel.

BUICK - 1970 RIVIERA

Step 1. Remove ashtray and ashtray housing.

Step 2. Remove knobs and nuts from control bushing.

Step 3. Disconnect speaker connector and antenna lead.

Step 4. Remove screws from bottom brace.

Step 5. Remove radio thru ashtray opening.

SPEAKER REMOVAL

Step 1. Remove radio.

Step 2. Remove nuts from speaker mounting.

Step 3. Remove speaker thru ashtray opening.

CHEVROLET - 1970 ACADIAN, CAMARO, CHEVELLE, CHEVROLET, CHEVY II, MONTE CARLO - 1970 1/2 CAMARO

Step 1. Remove ashtray and ashtray housing.

Step 2. Remove screw from heater duct, and remove duct.

Step 3. See General Removal Information.

SPEAKER REMOVAL - CENTER SPEAKER

Step 1. Remove radio.

Step 2. Remove left A/C duct.

Step 3. Remove screw from speaker mounting and remove speaker.

SPEAKER REMOVAL - RIGHT-HAND STEREO SPEAKER

Step 1. Remove glove box.

Step 2. Disconnect speaker.

Step 3. Remove nuts from speaker mounting and remove speaker thru glove box opening.

Chevrolet Dealer should remove left-hand stereo speaker because of critical torques involved in steering column replacement.

CHEVROLET - 1970 TRUCK

See General Removal Information.

CHRYSLER - 1970 CHRYSLER, IMPERIAL

Step 1. Remove Phillips screw from Face Plate and remove.

Step 2. Remove nut from rear brace.

Step 3. Disconnect "A" lead, speaker leads, and antenna.

Step 4. Remove screws from front mounting.

Step 5. Remove radio from under dash.

SPEAKER REMOVAL

Step 1. Remove radio.

Step 2. Remove screws from speaker mounting.

Step 3. Remove speaker.

FORD - 1970 TRUCK

See General Removal Information.

FORD - 1970 ECONOLINE

Step 1. Remove nut on rear brace.

Step 2. Remove screws from front of radio-speaker trim plate.

Step 3. Pull trim plate radio, speaker forward.

Step 4. Disconnect "A" lead, dial lamp lead, and antenna lead, and remove trim plate radio speaker.

MERCURY - 1970 MERCURY

See General Removal Information

PONTIAC - 1970 BEAUMONT, BONNEVILLE, CATALINA

Step 1. Remove screws from lower steering column cover and remove cover.

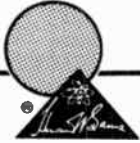
Step 2. Remove screws from air-conditioning duct and pull down.

Step 3. See General Removal Information.

PONTIAC - 1970 TEMPEST

Step 1. Remove ashtray and ashtray housing.

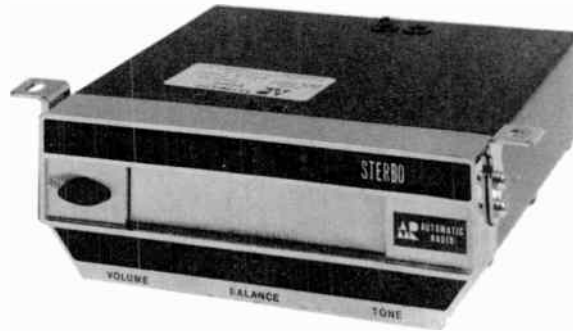
Step 2. See General Removal Information.



PHOTOFACT[®] with

CIRCUITRACE[®]

For Supplier Address See PHOTOFACT Index



AUTOMATIC MODEL SCE-6804
(8-Track Stereo Player)

OPERATING INSTRUCTIONS

Insert cartridge until it locks and turns unit on.

Set operating controls as desired.

Press program selector to play desired tracks, or allow unit to select tracks automatically.

Remove cartridge to turn unit off.

CLEANING

Clean all tape contact surfaces with a soft, lint-free material and head cleaner or methyl alcohol. Use alcohol to remove oil and grease from all driving surfaces.

CAUTION: Avoid getting head cleaner on any plastic surface.

LUBRICATING

Lubricate bearings and bushings lightly with #20 machine oil. Use a light film of non-hardening grease on cam surfaces.

HEAD DEMAGNETIZING

Demagnetize head when unit is serviced. Avoid using magnetic materials near head.

HOWARD W. SAMS & CO., INC. Indianapolis, Indiana 46206

© 1970 Howard W. Sams & Co., Inc. Printed in U. S. of America

TQ782

AUTOMATIC MODEL SCE-6804

TROUBLE CHART

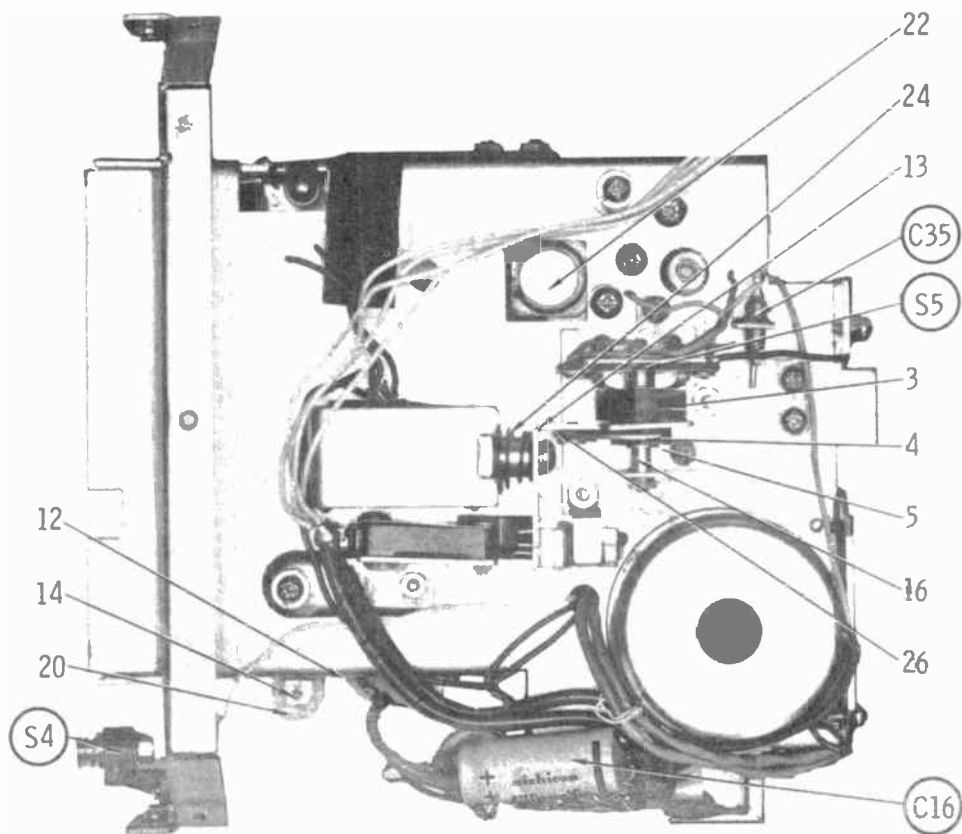
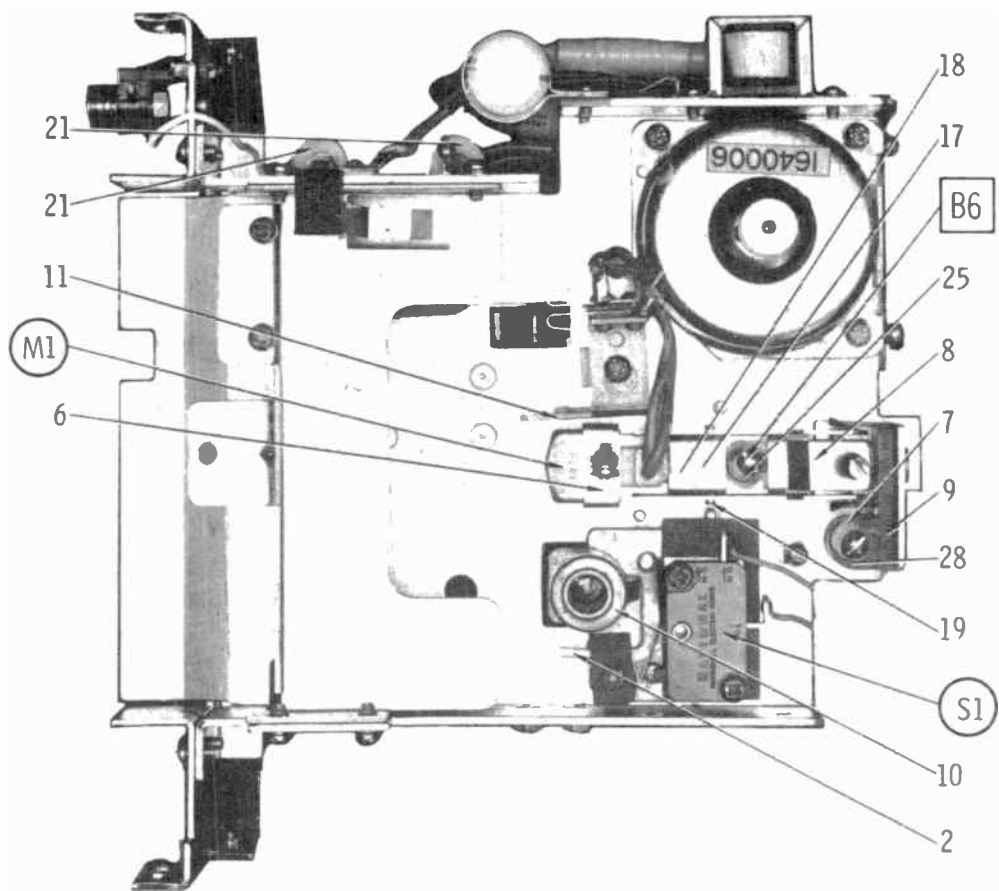
SYMPTOM	REMARKS
Capstan does not rotate.	Belt (1) dirty, worn, or broken. Assembly (10) binding. Motor defective or not supplied with power.
Track-Shift mechanism inoperative.	Switch (S2) dirty. Cam (3) binding. Arms (4) and (5) worn. Spring (26) weak or missing. Solenoid (M3) defective or not supplied with power.
Wow or Flutter.	Belt (1) dirty or worn. Capstan dirty or binding. Cartridge defective. Motor defective.
Sound weak or distorted.	Head dirty, misaligned, or defective. Cartridge defective. Amplifiers defective.
Tape is pulled from cartridge.	Cartridge defective. Capstan dirty or scored.

ADJUSTMENTS

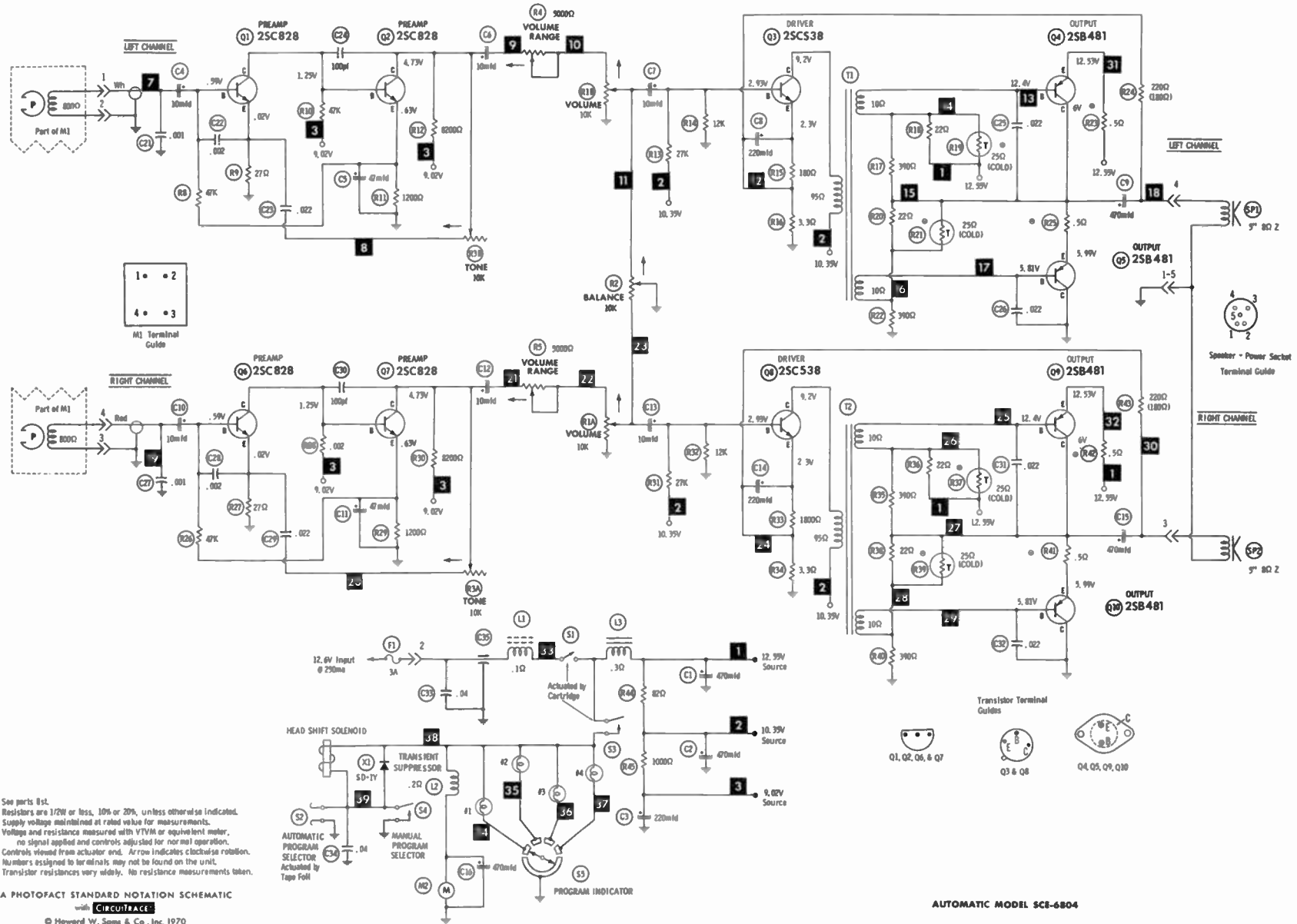
ADJUST	REMARKS
Head Height	Play a test cartridge, follow instructions with cartridge, and adjust B1 for proper response.
Head Azimuth	Connect an AC VTVM across right output. Play a test cartridge and adjust B2 for maximum.
Head Tension	Adjust B6 for 2 ounces measured at head clamping screw.
Output Level Balance	Set Balance Control at center of rotation and apply a 1000-cycle tone across left and right sections of Head (M1). Adjust R4 and R5 for equal output from both channels.

MECHANICAL PARTS LIST

REF. NO.	PART NO.	DESCRIPTION	REF. NO.	PART NO.	DESCRIPTION
1	67A10338	Drive Belt	17	135A10164	Head Shaft
2	52A10145	Switch Arm	18	52A10165	Head Support
3	135A10177	Track Change Cam	19	135A10168	Head Adjust Arm Shaft
4	52A10154	Cam Arm (B)	20	55A10170	Guide Roller (B)
5	52A10153	Cam Arm (A)	21	55A10173	Guide Roller (2 used)
6	52A10141	Head Arm (A)	22	118A10175	Flywheel Bearing
7	52A10142	Azimuth Adjust Arm	23	54A10176	Flywheel
8	52A10143	Height Adjust Arm	24	45A10179	Solenoid Spring
9	52A10144	Head Arm (B)	25	45A10180	Head Arm Spring
10	135A10174	Flywheel (Stand) Housing Assy.	26	45A10181	Cam Arm Spring
11	52A10138	Tape Guide	27	45A10182	Stop Spring
12	52A10146	Guide Arm (B)	28	45A10183	Head Adjusting Spring
13	52A10152	Solenoid Arm	29	45A10184	Channel Selector Spring
14	135A10160	Guide Roller Shaft	30	45A10185	Door Spring
15	69A10161	Motor Pulley	31	135A10186	Door Shaft
16	135A10163	Cam Shaft			

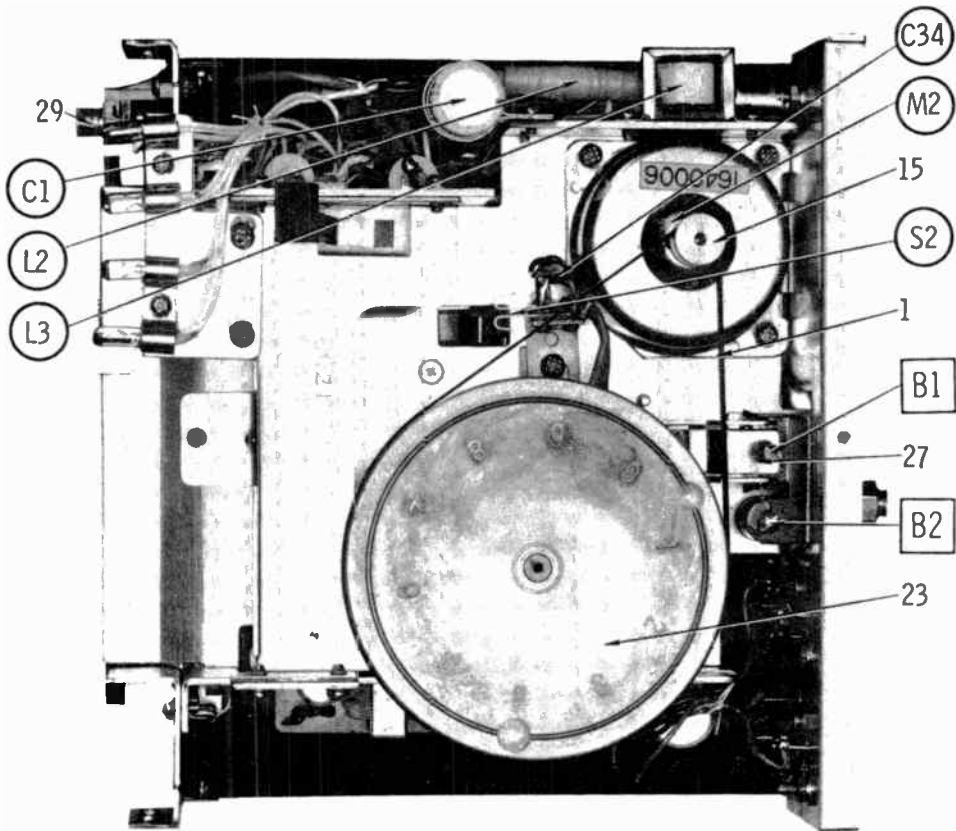
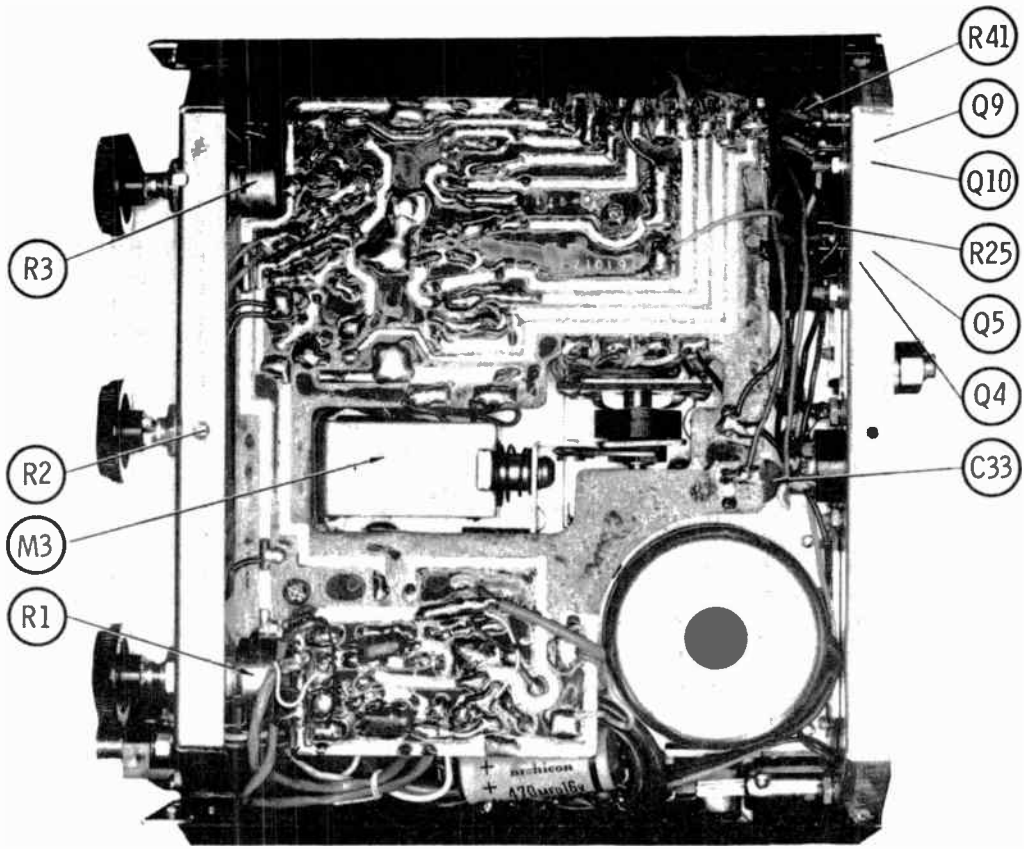


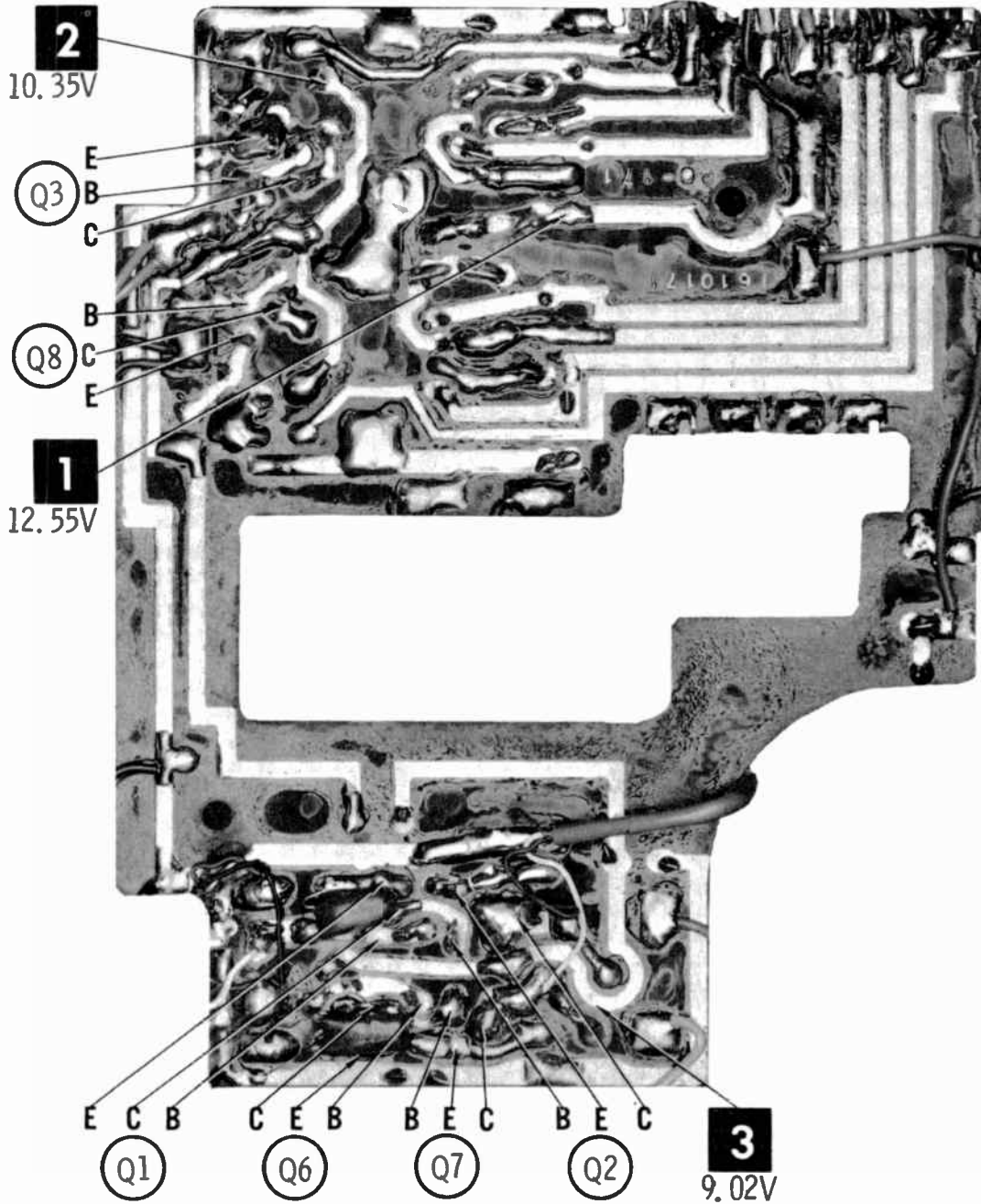
NOTE: DEMAGNETIZE HEADS AFTER SERVICING



• See parts list.
Resistors are 1/2W or less, 10% or 20%, unless otherwise indicated.
Supply voltage maintained at rated value for measurements.
Voltage and resistance measured with VTVM or equivalent meter,
no signal applied and controls adjusted for normal operation.
Controls viewed from actuator end. Arrow indicates clockwise rotation.
Numbers assigned to terminals may not be found on the unit.
Transistor resistances very widely. No resistance measurements taken.

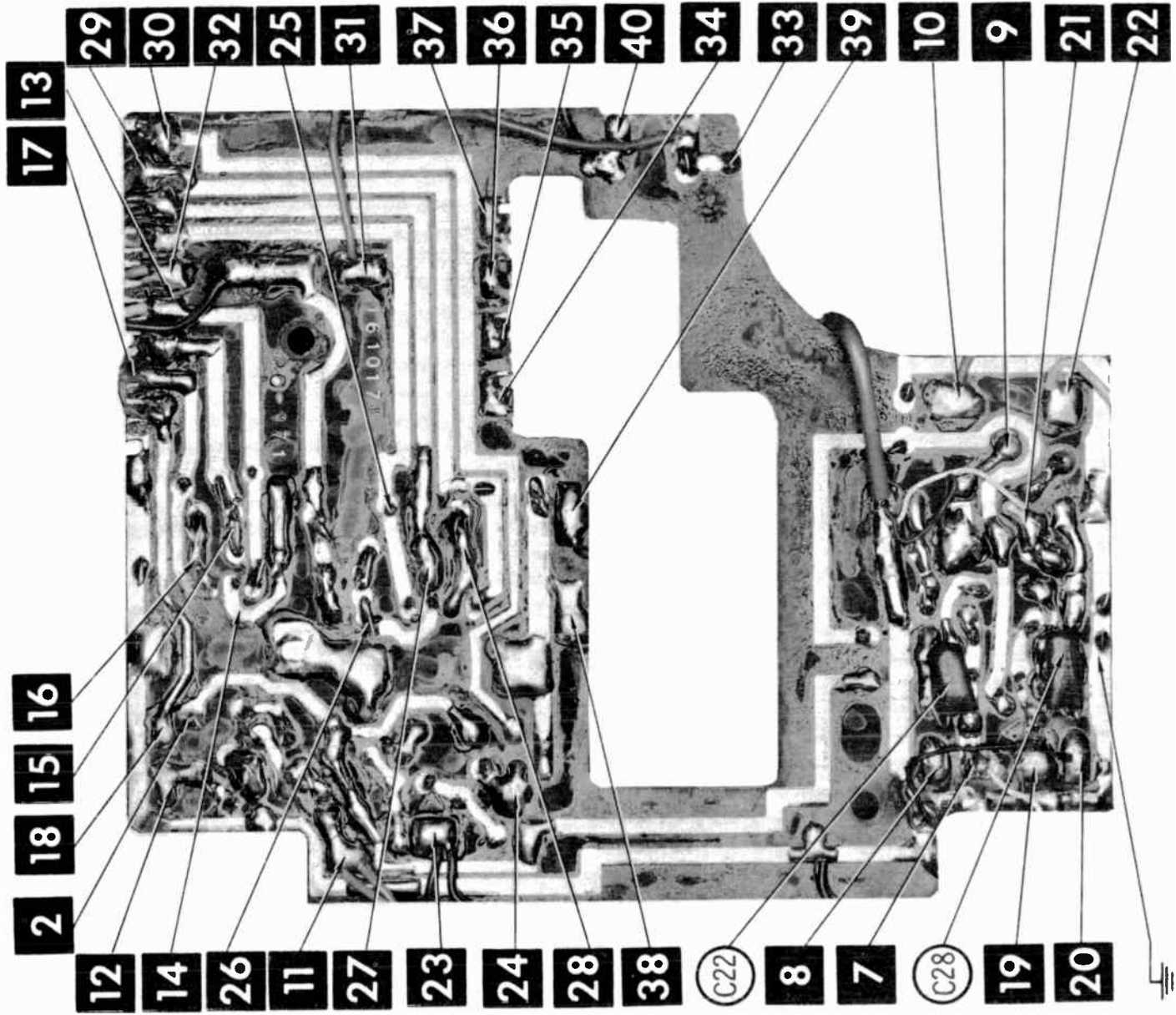
A PHOTOFACIT STANDARD NOTATION SCHEMATIC
with **CIRCUITRACE**
© Howard W. Sams & Co., Inc. 1970

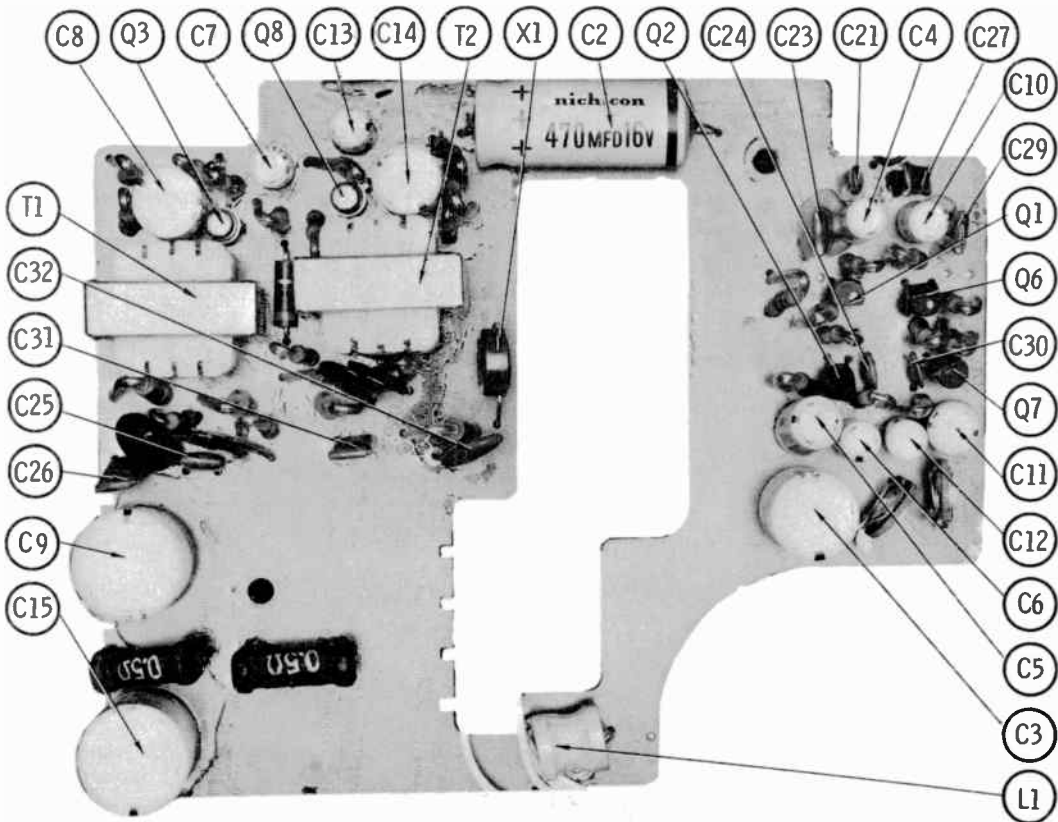
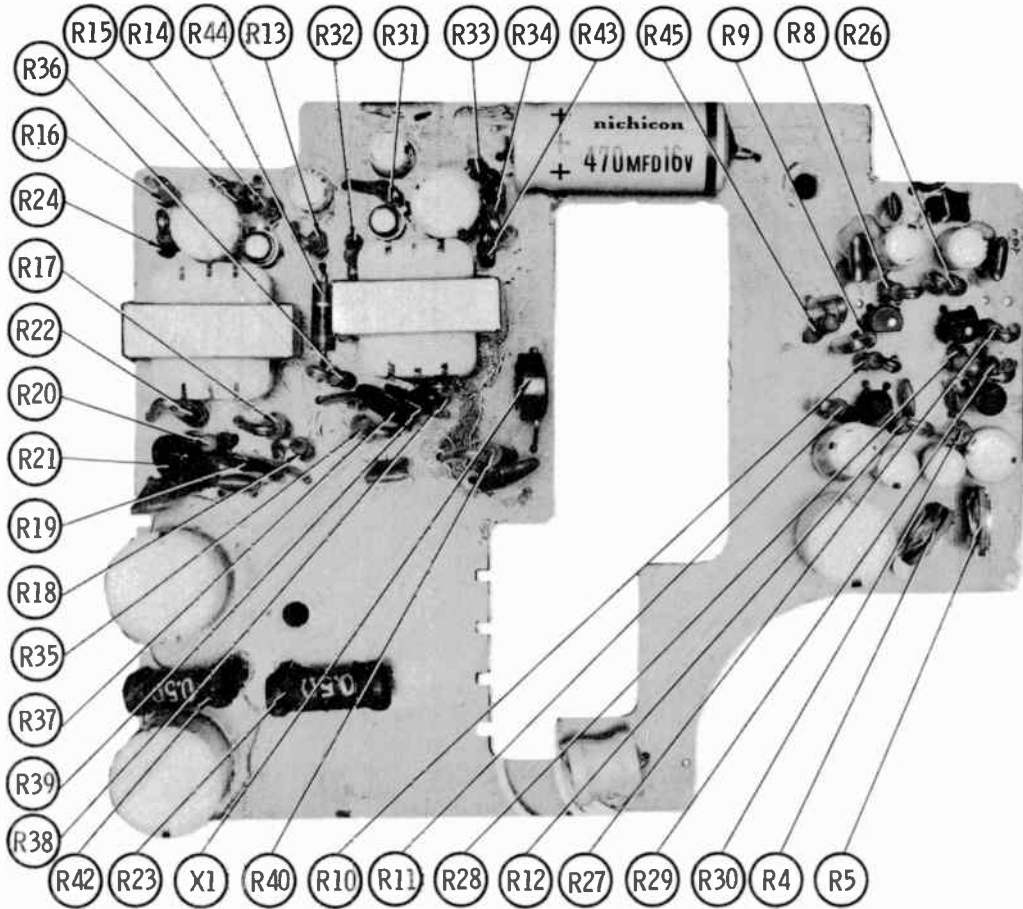




A Howard W. Sams **CIRCUITRACE** Photo

AUTOMATIC MODEL SCE-6804





PARTS LIST AND DESCRIPTION

(When ordering parts, state Model, Part Number, and Description.)

Replacement parts shown may be superseded by the availability of newly introduced replacements.
Have your local distributor check Sams COUNTER FACTS* for the most up-to-date replacement.

TRANSISTORS

ITEM No.	TYPE No.	FUNCTION	REPLACEMENT DATA					
			MFGR. PART No.	GENERAL ELECTRIC PART No.	INTERNATIONAL RECTIFIER PART No.	MOTOROLA PART No.	RCA PART No.	SYLVANIA PART No.
Q1	25C82B	Preamp	6A10227	GE-10	TR-21	HEP55	SK3020	ECG 12B
Q2	25C82B	AF Amp	6A10227	GE-10	TR-21	HEP55	SK3020	ECG 12B
Q3	25C53B	Driver	6A1022B	GE-17	TR-24	HEP54	SK3020	ECG 123
Q4	25B4B1	Output (1)	6A10229			HEP643		ECG 131MP*
Q5	25B4B1	Output (1)	6A10229			HEP643		ECG 131MP*
Q6	25C82B	Preamp	6A10227	GE-10	TR-21	HEP55	SK3020	ECG 12B
Q7	25C82B	AF Amp	6A10227	GE-10	TR-21	HEP55	SK3020	ECG 12B
Q8	25C53B	Driver	6A1022B	GE-17	TR-24	HEP54	SK3020	ECG 123
Q9	25B4B1	Output (1)	6A10229			HEP643		ECG 131MP*
Q10	25B4B1	Output (1)	6A10229			HEP643		ECG 131MP*

(1) When replacing, apply silicone grease to both sides of insulator. Tighten mounting screws securely.
* Matched Pair

POWER RECTIFIERS & SIGNAL DIODES

ITEM No.	MFGR. PART OR TYPE No.	REPLACEMENT RECTIFIERS & DIODES			REPLACEMENT RECTIFIERS	NOTES
		GENERAL ELECTRIC PART No.	INTERNATIONAL RECTIFIER PART No.	SYLVANIA PART No.	RCA PART No.	
X1	SD-1Y	GE-504A	5A4D	ECG 116	SK3017A	

ELECTROLYTIC CAPACITORS

ITEM No.	RATING	REPLACEMENT DATA						
		PART No.	AEROVOX PART No.	CENTRALAB PART No.	CORNELL-DUBILIER PART No.	GENERAL ELECTRIC PART No.	MALLORY PART No.	SPRAGUE PART No.
C1	470 16	20A10236	BCD15500	EA15-500	PC500-16	QT1-30A	MTV5000N15	TL-1166
C2	470 16	20A10236	BCO15500	EA15-500	PC500-16	QT1-30A	MTV5000N15	TL-1166
C3	220 16	20A10235	BCO20200	EA15-250	PC200-16	MT1-23	MTV2000K15	TE-1164
C4	10 10	20A10232	BCO25010	EP15-10	PC10-50	MT1-5	MTV10CB50	TE-1128
C5	47 6.3	20A10233	BCD06050	EP6-50	PC50-16	MT1-15	MTV50CB15	TE-1133
C6	10 10	20A10232	BCD25010	EP15-10	PC10-50	MT1-5	MTV10CB50	TE-1128
C7	10 10	20A10232	BCD25010	EP15-10	PC10-50	MT1-5	MTV10CB50	TE-1128
C8	220 6.3	20A10234	BCD6200	EA6-250	PC200-16	MT1-23	MTV200CK10	TE-1104
C9	470 16	20A10236	BCD15500	EA15-500	PC500-16	QT1-30A	MTV5000N15	TL-1166
C10	10 10	20A10232	BCD25010	EP15-10	PC10-50	MT1-5	MTV10CB50	TE-1128
C11	47 6.3	20A10233	BCD06050	EP6-50	PC50-16	MT1-15	MTV50CB15	TE-1133
C12	10 10	20A10232	BCO25010	EP15-10	PC10-50	MT1-5	MTV10CB50	TE-1128
C13	10 10	20A10232	BCO25010	EP15-10	PC10-50	MT1-5	MTV10CB50	TE-1128
C14	220 6.3	20A10234	BCD6200	EA6-250	PC200-16	MT1-23	MTV200CK10	TE-1104
C15	470 16	20A10236	BCD15500	EA15-500	PC500-16	QT1-30A	MTV5000N15	TL-1166
C16	470 16	20A10236	BCD15500	EA15-500	PC500-16	QT1-30A	MTV5000N15	TL-1166

CAPACITORS

ITEM No.	RATING	REMARKS	REPLACEMENT DATA					
			AEROVOX PART No.	CENTRALAB PART No.	CORNELL-DUBILIER PART No.	ELMenco PART No.	MALLORY PART No.	SPRAGUE PART No.
C21	.001		GPD X5F102K	DM-102	GP1000	CCD-102	SM210	2SS-D10
C22	.002		GPD X5F202K	DM-202	GP2000	CCD-202	GP220	2SS-D20
C23	.022		TTP-02	CK-203	MGP02	CCD-203	TA120	TG-S20
C24	100		NPO-DI 100	DTZ-100	NP0100	CCD-101	CN0310	10TCC-T10
C25	.022		TTP-02	CK-203	MGP02	CCD-203	TA120	TG-S20
C26	.022		TTP-02	CK-203	MGP02	CCD-203	TA120	TG-S20
C27	.001		GPD X5F102K	DM-102	GP1000	CCD-102	SM210	2SS-D10
C28	.002		GPD X5F202K	DM-202	GP2000	CCD-202	GP220	2SS-D20
C29	.022		TTP-02	CK-203	MGP02	CCD-203	TA120	TG-S20
C30	100		NPO-DI 100	DTZ-100	NP0100	CCD-101	CN0310	10TCC-T10
C31	.022		TTP-02	CK-203	MGP02	CCD-203	TA120	TG-S20
C32	.022		TTP-02	CK-203	MGP02	CCD-203	TA120	TG-S20
C33	.04			DD-403			GP140	
C34	.04			DD-403			GP140	
C35		#15A10241						

Automatic Part Number

CONTROLS (All wattages 1/2 watt, or less, unless listed)

ITEM No.	FUNCTION	RESIST-ANCE	REPLACEMENT DATA				
			MFGR. PART No.	CENTRALAB PART No.	CLAROSTAT PART No.	CTS-IRC PART No.	MALLORY PART No.
R1A	Volume, Right	10K	80A10404				
B	Volume, Left	10K					
R2	Balance	10K	80A10207				
R3A	Tone, Right	10K	80A10210				
B	Tone, Left	10K					
R4	Volume Limit, Left	5000	62A10208	TSV-5K (1) or T-5000 (1)		X201R502B (1)	MTC53L1 (1)
R5	Volume Limit, Right	5000	62A10208	TSV-5K (1) or T-5000 (1)		X201R502B (1)	MTC53L1 (1)

(1) Cut off one of the end terminals & bend to fit "PC" board.

AUTOMATIC MODEL SCE-6804

PARTS LIST AND DESCRIPTION (CONTINUED)

(When ordering parts, state Model, Part Number, and Description.)

Replacement parts shown may be superseded by the availability of newly introduced replacements.
Have your local distributor check Sams COUNTER FACTS for the most up-to-date replacement.

RESISTORS (Power and Special)

ITEM No.	RATING	REPLACEMENT DATA	
		WORKMAN PART No.	MFR. PART No.
R19	25 (Cold)		5A10230
R21	25 (Cold)		5A10230
R23	.5		63A10243
R25	.5		63A10243

ITEM No.	RATING	REPLACEMENT DATA	
		WORKMAN PART No.	MFR. PART No.
R37	25 (Cold)		5A10230
R39	25 (Cold)		5A10230
R41	.5		63A10243
R43	.5		63A10243

COILS (RF-IF)

ITEM No.	USE	REPLACEMENT DATA			
		PART No.	MEISSNER PART No.	MILLER PART No.	WORKMAN PART No.
L1	RF Choke (10uh)	14A10225	19-1005	4622	T860
L2	RF Choke (10uh)	14A10224	19-1005	4622	T860

FILTER CHOKE

ITEM No.	RATINGS			REPLACEMENT DATA					NOTES
	CURRENT (Measured)	DC RES.	INDUCTANCE (0 CURRENT 1000~)	PART No.	MERIT PART No.	STANCOR PART No.	THORDARSON PART No.	TRIAD PART No.	
L3	250ma	.3	1.5mh	14A10213					

TRANSFORMER (Driver)

ITEM No.	TURNS RATIO			REPLACEMENT DATA					NOTES
	PRI.	SEC. 1	SEC. 2	PART No.	MERIT PART No.	STANCOR PART No.	THORDARSON PART No.	TRIAD Part No.	
T1	4	1	1	75A10214					
T2	4	1	1	75A10214					

SPEAKER

ITEM No.	TYPE	REPLACEMENT DATA		NOTES
		PART No.	QUAM PART No.	
SP1	5" PM 8 ohms	73B4176	5A1Z8	
SP2	5" PM 8 ohms	73B4176	5A1Z8	

FUSE DEVICES

ITEM No.	DESCRIPTION	REPLACEMENT DATA							
		PART No.		BUSS PART No.		LITTELFUSE PART No.		WORKMAN PART No.	
		DEVICE	HOLDER	DEVICE	HOLDER	DEVICE	HOLDER	DEVICE	
F1	3 Amp.			AGC 3	HDJ	312003	150145		

TAPE HEADS

ITEM No.	MEASURED			PART No.	NORTRONICS PART No.	DESCRIPTION
	INDUCTANCE	BIAS/ERASE VOLTS (RMS)	BIAS FREQ.			
M1	380mh			130A10205	5800 (1)	8-Track Stereo Play.

MISCELLANEOUS

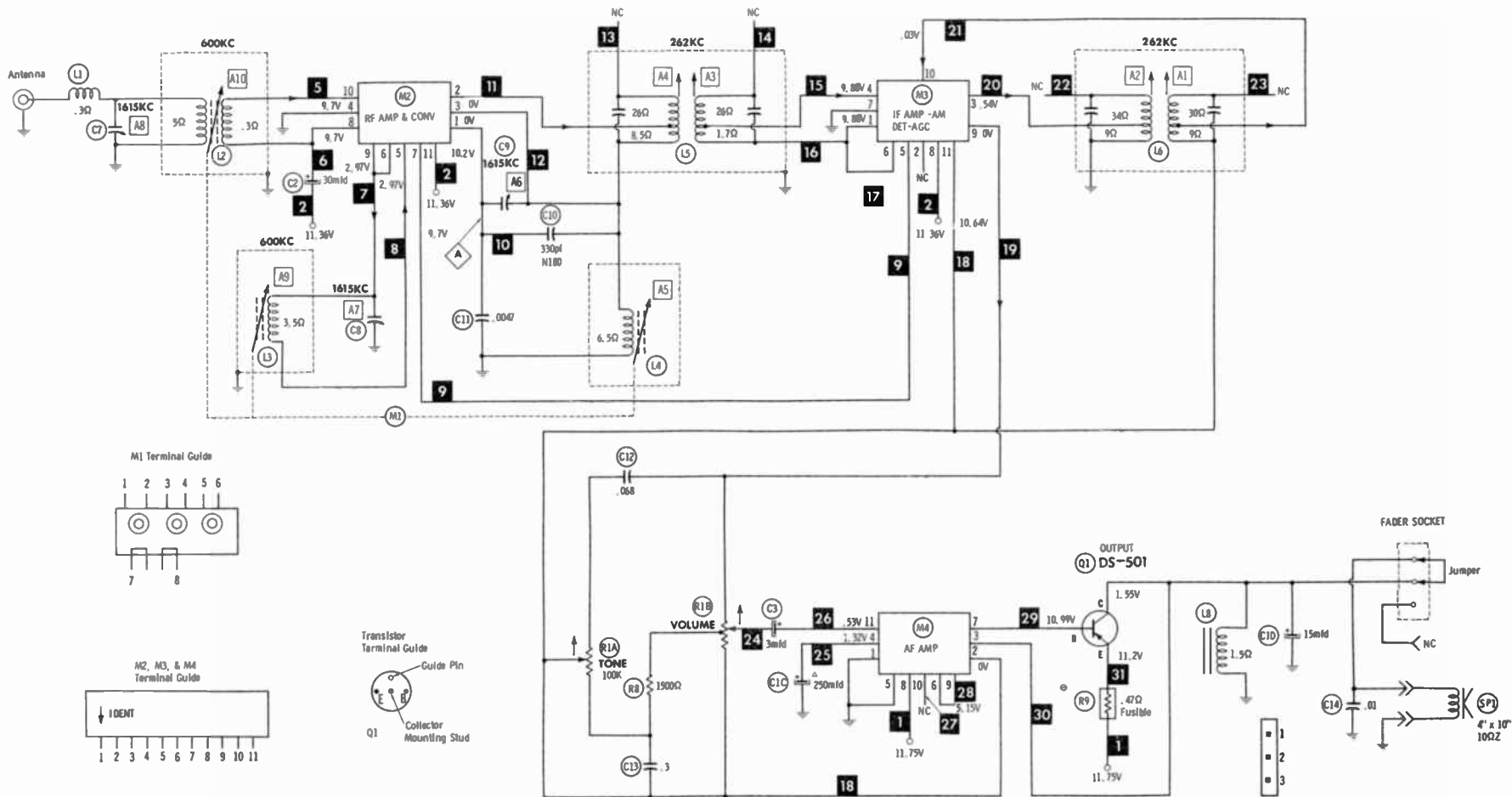
ITEM No.	PART NAME	PART No.	NOTES
M2	Motor	13010206	Chassis Contact Shaft Contact
M3	Solenoid	130A10215	
S1	Switch, Power	94A10211	
S2	Switch, Automatic Program	94A10139	
S3	Switch, Motor Power	94A10157	
S4	Switch, Manual Program	94A10187	
		94A10188	
S5	Switch, Program Indicator	94A10198	
	Indicator Lamp	130A10226	

CABINETS & CABINET PARTS (When ordering specify model, chassis & color)

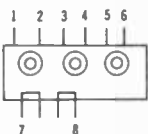
ITEM	PART No.	ITEM	PART No.
Escutcheon	54A10121	Knob, Program	47A10128
Tape Door	55A10125	Indicator Lens	55A10126
Knob, Control	47A10127		

WIRING DATA

General-use Unshielded Hook-up Wire	Use BELDEN No. 8530 (Solid) Available in 12 Colors 8524 (Stranded) Available in 12 Colors
Shielded Hook-up Wire	Use BELDEN No. 8885
Rear Seat Speaker Extension Cable	Use BELDEN No. 8782 (Stranded) Coded Parallel Leads
Bonding Strap	Use BELDEN No. 8661 (3/8 In.) or 8670 (3/4 In.)



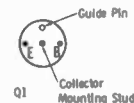
M1 Terminal Guide



M2, M3, & M4 Terminal Guide



Transistor Terminal Guide

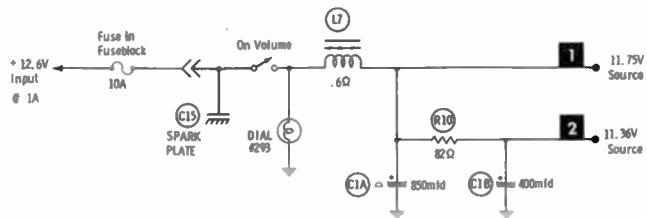


- Denotes chassis
- Denotes ground
- See parts list.

Resistors are 1/2W or less, 10% or 20%, unless otherwise indicated. Supply voltage maintained at rated value for measurements. Voltage and resistance measured with VTVM or equivalent meter, no signal applied and controls adjusted for normal operation. Controls viewed from actuator end. Arrow indicates clockwise rotation. Numbers assigned to terminals may not be found on the unit. Transistor resistances vary widely. No resistance measurements taken.

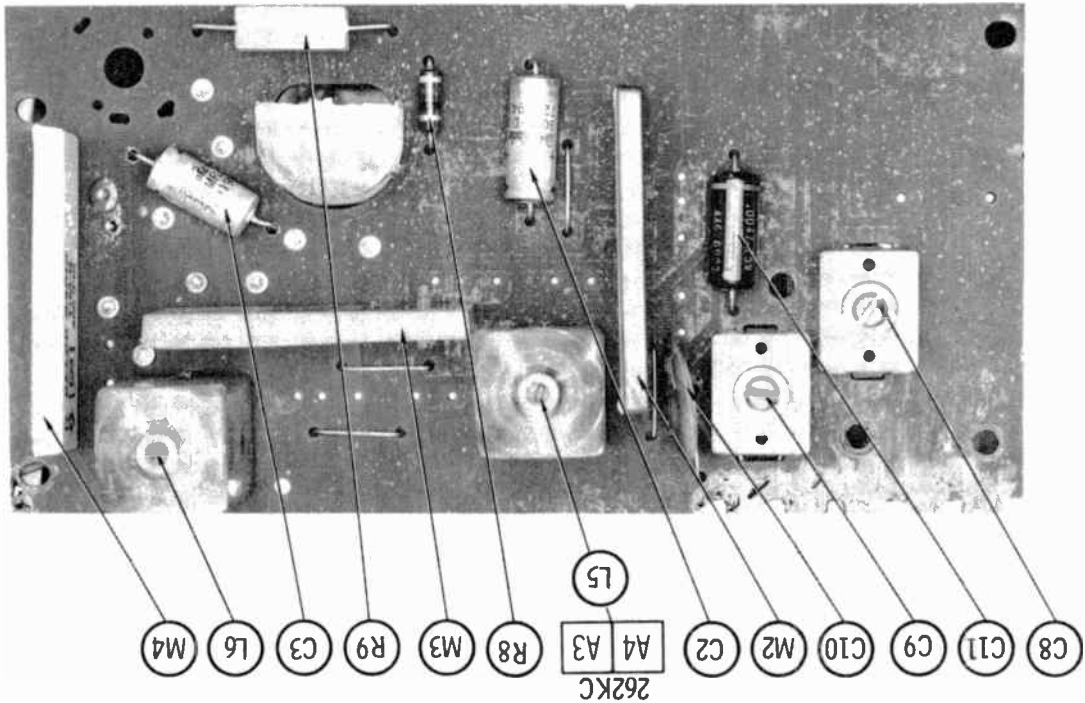
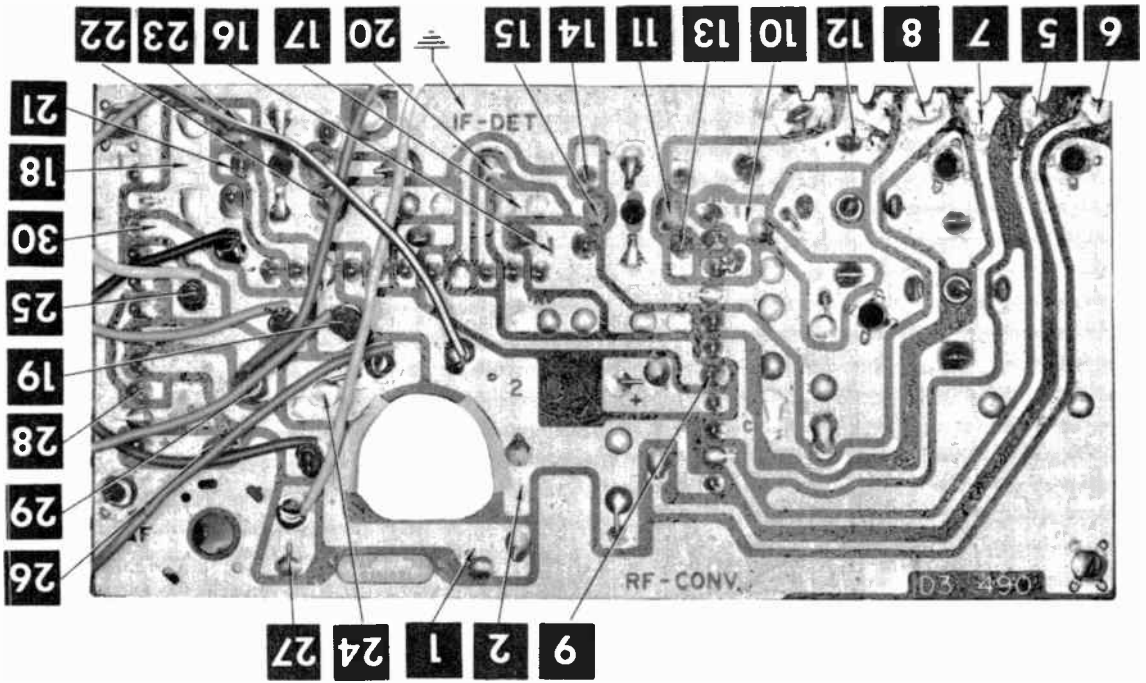
A PHOTOFAC STANDARD NOTATION SCHEMATIC with **CIRCUITRACE**

© Howard W. Sams & Co., Inc. 1970



BUICK MODELS O4BPB1/B4, O4EPB1/B4

A Howard W. Sams CIRCUITRACE Photo



BUICK MODELS 04BPB1/B4, 04EPB1/B4

PARTS LIST AND DESCRIPTION

(When ordering parts, state Model, Part Number, and Description.)

Replacement parts shown may be superseded by the availability of newly introduced replacements.
Have your local distributor check Sams COUNTER FACTS for the most up-to-date replacement.

WIRING DATA

General-use Unshielded Hook-up Wire	Use BELDEN No. 8530 (Solid) Available in 12 Colors 8524 (Stranded) Available in 12 Colors
Shielded Hook-up Wire	Use BELDEN No. 8885
Rear Seat Speaker Extension Cable	Use BELDEN No. 8782 (Stranded) Coded Parallel Leads
Bonding Strap	Use BELDEN No. 8661 (3/8 In.) or 8670 (3/4 In.)

TRANSISTORS

ITEM No.	TYPE No.	FUNCTION	REPLACEMENT DATA					
			MFGR. PART No.	GENERAL ELECTRIC PART No.	INTERNATIONAL RECTIFIER PART No.	MOTOROLA PART No.	RCA PART No.	SYLVANIA PART No.
Q1	DS-501	Output (1)	DS-501	GE-4	TR-01	HEP233	SK3013	ECG 105

(1) When replacing, apply silicone grease to both sides of insulator. Tighten mounting screws securely.

ELECTROLYTIC CAPACITORS

ITEM No.	RATING	REPLACEMENT DATA						
		PART No.	AEROVOX PART No.	CENTRALAB PART No.	CORNELL-DUBILIER PART No.	GENERAL ELECTRIC PART No.	MALLORY PART No.	SPRAGUE PART No.
C1A	850 16V	7311993	AFH4-96-05		DD0009A			
B	400 16V							
C	250 16V							
D	15 11.5V rms							
C2	30 6V	7296313	CRE413A	EA6-25	AL30-6	MT1-13	MTA30D15	TL-1093
C3	3 12V	7296348	PTT127	EA15-2	AL3-150	MT1-3	MTA3D50	TE-1122

CAPACITORS

ITEM No.	RATING	REMARKS	REPLACEMENT DATA					
			AEROVOX PART No.	CENTRALAB PART No.	CORNELL-DUBILIER PART No.	ELMENCO PART No.	MALLORY PART No.	SPRAGUE PART No.
C7		#7294355						
C8		#7287935						
C9		#7282165						
C10	330 N180					*	*	
C11	.0047 75V		DBE6D5	CPR-5000J	DPMS6D5	1DP-1-502	PVC625	6PS-D50
C12	.068 75V		DBE4S68		DPMS6S68	4DP-3-683	PVC6168	4PS-S68
C13	.3 75V		V1612P33		DPMS2P33	1DP-4-334	PVC1033	2PS-P33
C14	.01		V1612S1	CPR-10000J	DPMS6S1	1DP-1-103	PVC211	225P10391WD3
C15		#7291564						

DELCO Part Number

* Not normally found in distributor's stock. Available thru distributor on order to manufacturer.

CONTROLS (All wattages 1/2 watt, or less, unless listed)

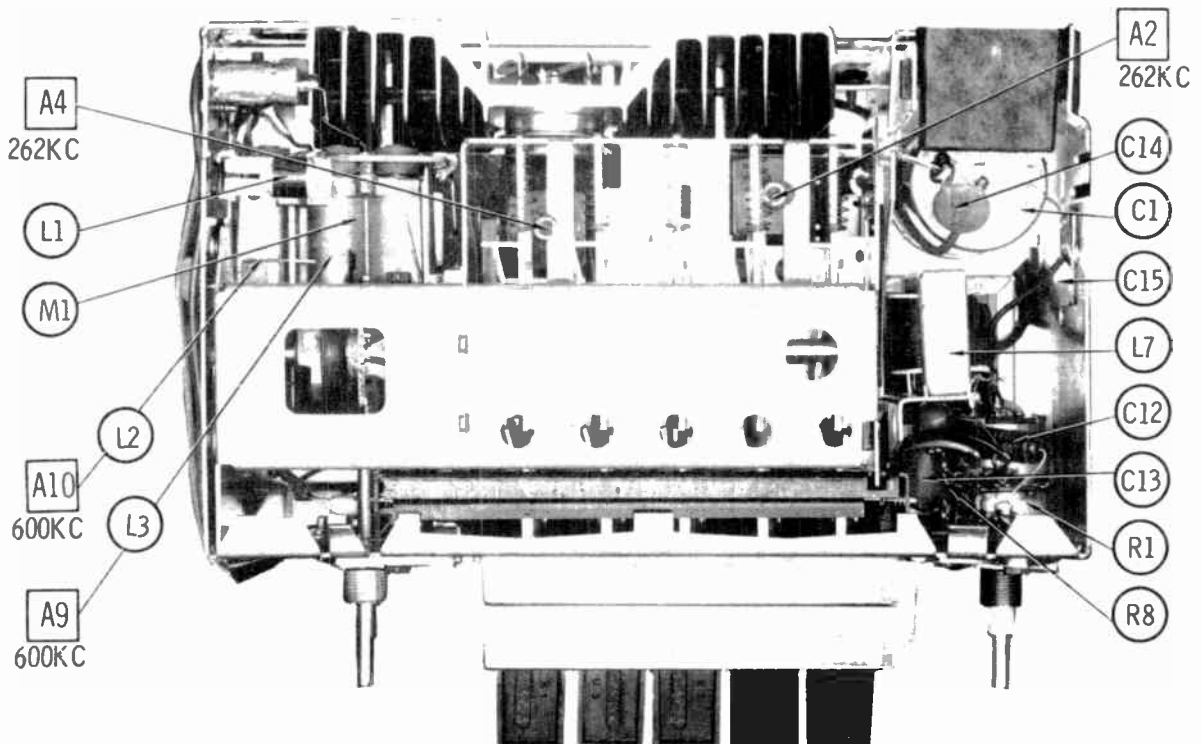
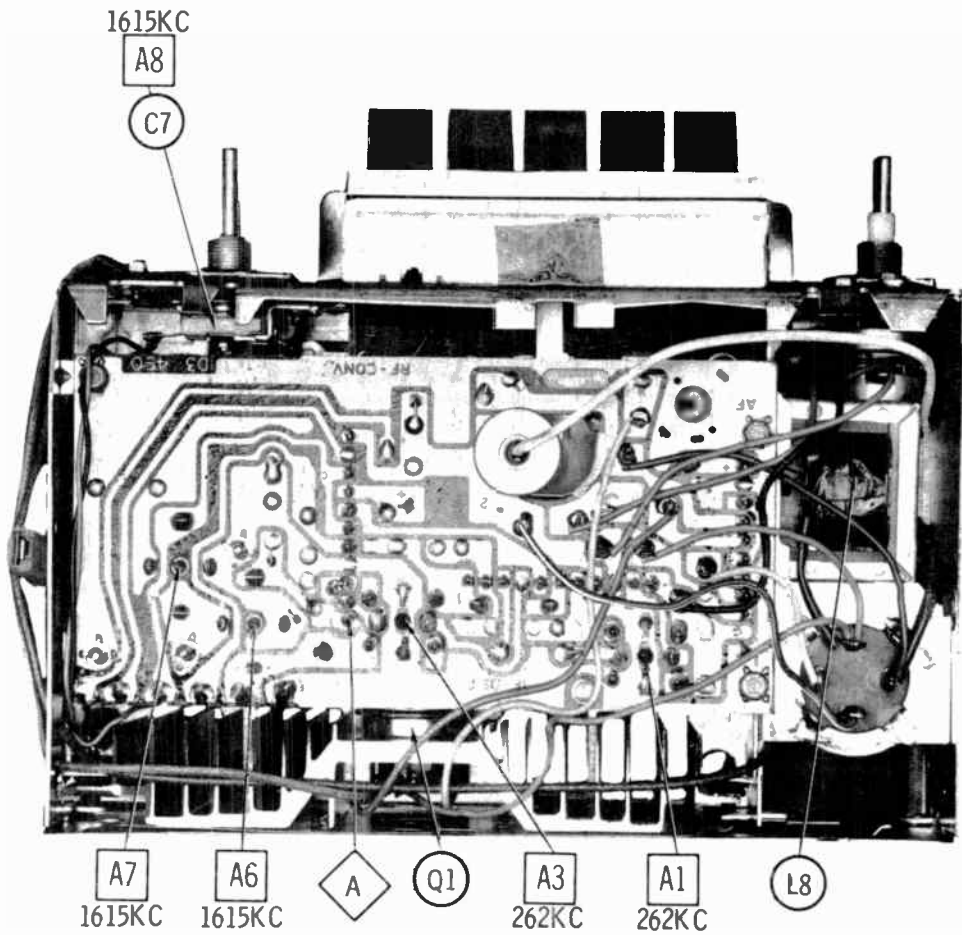
ITEM No.	FUNCTION	RESISTANCE	REPLACEMENT DATA				
			MFGR. PART No.	CENTRALAB PART No.	CLAROSTAT PART No.	CTS-IRC PART No.	MALLORY PART No.
R1A	Tone	100K	7304018	F2-100K, R14-25K, FFS102, RFS111, BB012, SB004, KR-4			
B	Volume/Switch	20K Tap @ 10K				* QJ-2526A	P15A, 4034, SH41, RU24T14, 0X1062, IS1625, US41

* "CONCENTRIKIT" Equivalent K-8 Kit with Base Elements & Shafts; B13-128, P22-103 (Panel)
B19-119X, R16-118 (Rear)
S6 (1) (Bushing)
N4 (Nut)
76-1 (Switch)

"SNAPTROL" Equivalent BUB, (1) CF52, CR50T, SF7, SR8, GC, N4

(1) Alter Bushing and adjust Spacer Nut (N4) to meet requirements.

(CONTINUED ON PAGE 20)



PARTS LIST AND DESCRIPTION (CONTINUED)

(When ordering parts, state Model, Part Number, and Description.)

Replacement parts shown may be superseded by the availability of newly introduced replacements.
Have your local distributor check Sams COUNTER FACTS for the most up-to-date replacement.

COILS (RF-IF)

ITEM No.	USE	REPLACEMENT DATA			
		PART No.	MEISSNER PART No.	MILLER PART No.	WORKMAN PART No.
L1	RF Choke (6.2uh)	7281946	19-1004	4610	T859
L2	Antenna	(1)			
L3	RF	(1)			
L4	Oscillator	(1)			
L5	Input IF	1221856	16-6704	6542	TA653
L6	Output IF	1221857	16-6705	6543	TA653

(1) Part of M1.

FILTER CHOKE

ITEM No.	RATINGS			REPLACEMENT DATA					NOTES
	CURRENT (Measured)	DC RES.	INDUCTANCE (0 CURRENT 1000~)	PART No.	MERIT PART No.	STANCOR PART No.	THORDARSON PART No.	TRIAD PART No.	
L7	1 Amp	.6	8mh	1221623	C-4095	TC-2	TR-154	TY17XT	

CHOKE (Audio Output)

ITEM No.	INDUCTANCE	REPLACEMENT DATA					NOTES
		PART No.	MERIT PART No.	STANCOR PART No.	THORDARSON PART No.	TRIAD PART No.	
L8	30mh	1222297					

SPEAKER

ITEM No.	TYPE	REPLACEMENT DATA			NOTES
		PART No.	QUAM PART No.		
SP1	4" x 10" PM 10 ohms 4" x 10" PM 10 ohms	1222661 7307254	410A2Z10		Model: 04BPB1/4 Model: 04EPB1/4

FUSE DEVICES

ITEM No.	DESCRIPTION	REPLACEMENT DATA						
		PART No.		BUSS PART No.		LITTELFUSE PART No.		WORKMAN PART No.
		DEVICE	HOLDER	DEVICE	HOLDER	DEVICE	HOLDER	DEVICE
F1	3AG 10 Amp		In Fuse Block	AGC 10		311010		

MISCELLANEOUS

ITEM No.	PART NAME	PART No.	NOTES
M1	Tuning Coil Assembly	7287957	
M2	Module, RF - Converter	DM-22	
M3	Module, IF - AGC	DM-25	
M4	Module, Audio	DM-8	

CABINETS & CABINET PARTS (When ordering specify model, chassis & color)

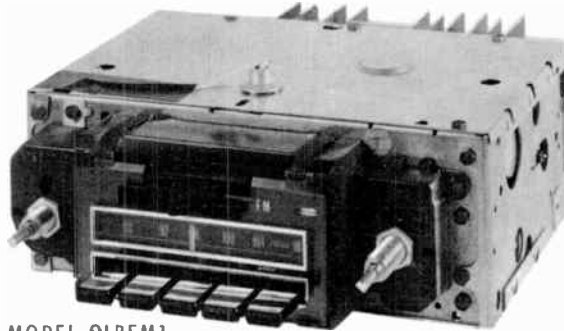
ITEM	MODEL	PART No.	ITEM	MODEL	PART No.
Escutcheon	04BPB1/4	1222896	Push Button #3		7312975
Escutcheon	04EPB1/4	1222914	Push Button #4		7312976
Dial Glass	04BPB1/4	7307476	Push Button #5		7312977
Dial Glass	04EPB1/4	7304014	Knob, Tuning or Volume		1231081
Dial Pointer		7313057	Knob, Tone		1383647
Push Button #1		7312973	Knob, Dummy		1383646
Push Button #2		7312974			



PHOTOFACT[®] with

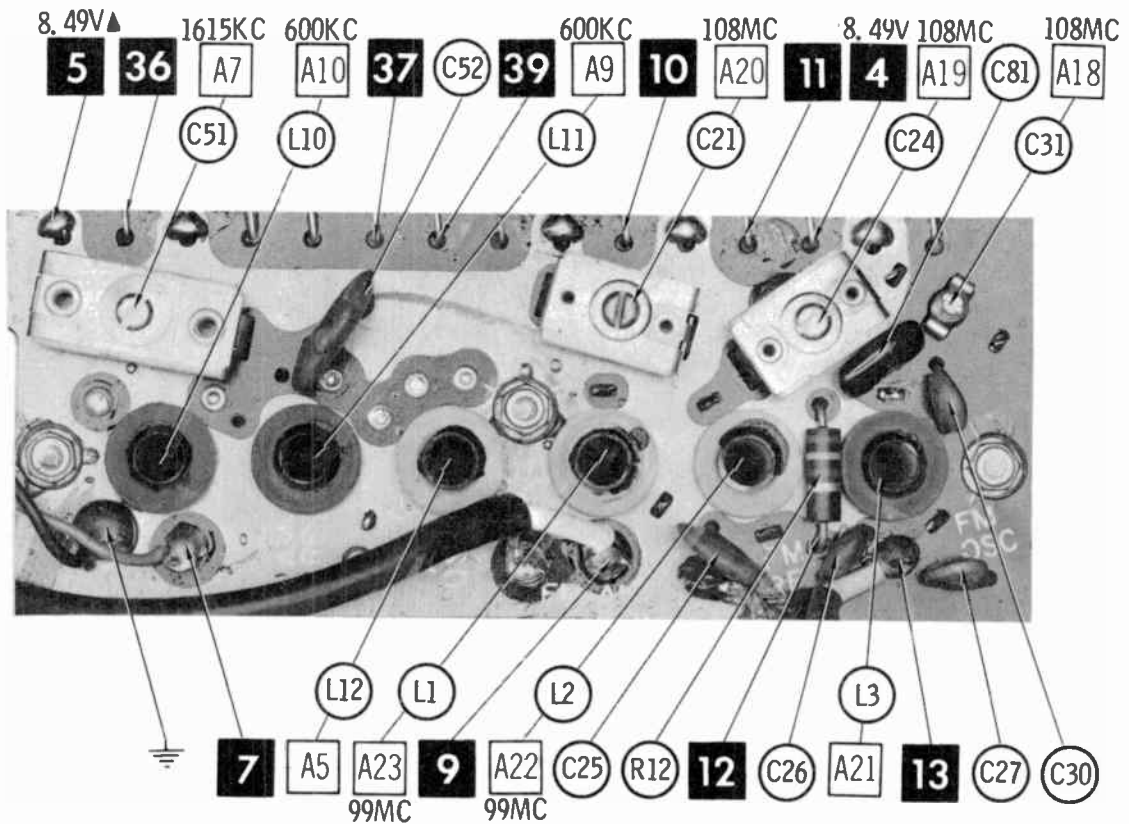
CIRCUITRACE[®]

For Supplier Address See PHOTOFACT Index



MODEL 01BFM1

CHEVROLET MODELS 01BFM1
01BFM2
(70 Acadian, Camaro,
Chevelle, Chevrolet,
Chevy II, Monte Carlo)
01FFM1
(70-1/2 Camaro)

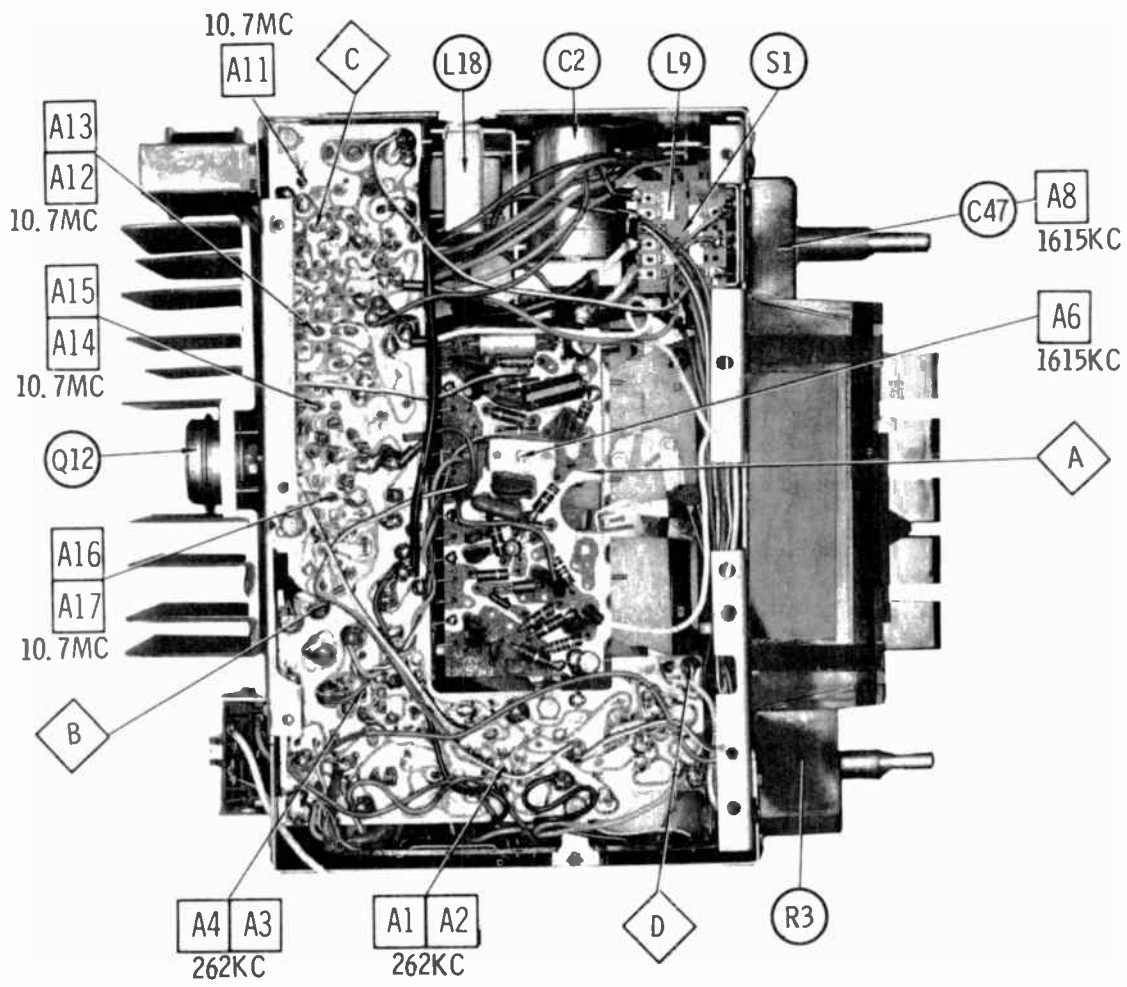
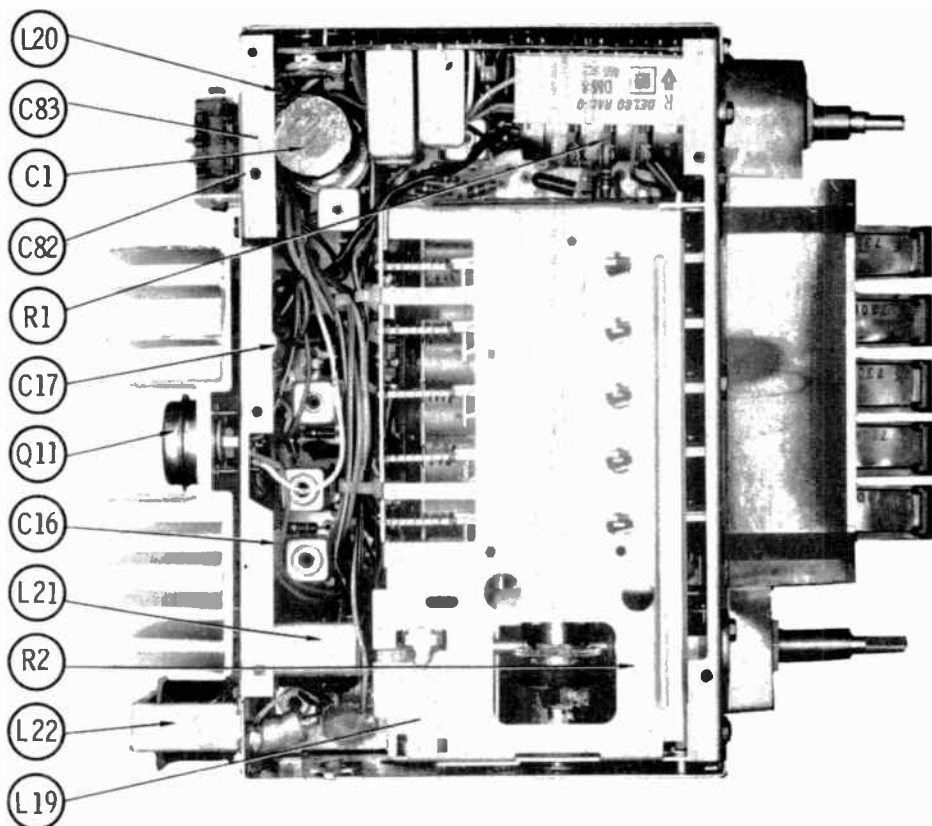


CHEVROLET MODELS 01BFM1/M2, 01FFM1

HOWARD W. SAMS & CO., INC. Indianapolis, Indiana 46206

© 1970 Howard W. Sams & Co., Inc. Printed in U. S. of America

TD794



ALIGNMENT INSTRUCTIONS

Check for specified source voltage.
Use only enough generator output
to provide a usable indication.
Suggested Alignment Tools:

GENERAL CEMENT WALSCO

A1 thru A4, A11 thru A17

A24, A25, A26..... #9300, 9296, 9297..... #2510, 2546, 2547

A6, A7, A8, A19, A20, A21..... #8290, 8868, 9087..... #2525, 2528, 2587

PUSH-BUTTON ADJUSTMENT

1. Pull button out.
2. Tune manually to desired station.
3. Press button in firmly.
4. Repeat for remaining buttons.

GENERATOR COUPLING	GENERATOR FREQUENCY	RADIO DIAL SETTING	INDICATOR	ADJUST	REMARKS
1. High side thru .1mfd to point $\diamond A$, low side to ground.	262KC 400 cycle modulation	High freq. end stop.	Output meter across voice coil.	A1, A2, A3, A4	Adjust for maximum.
Check setting of oscillator coil core (A5). Rear of core should be 1 3/8" from mounting end of coil form.					
2. High side thru 82pf to antenna input, low side to ground.	1615KC	High freq. end stop.	Output meter across voice coil.	A6, A7, A8	Adjust for maximum.
3. "	600KC	600KC signal	"	A9, A10	Adjust for maximum. Repeat Step 2.
With radio installed in car and antenna extended 31", tune in a weak station near 1400KC and adjust A8 for maximum output. Antenna adjustment (A8) is located					

BALANCE ADJUSTMENT

4. High side of audio generator to point $\diamond D$, low side to ground.	400 cycle	any	AC Volt-meter from collector of Q12 to collector of Q11	R3 (Balance)	Adjust for minimum.
---	-----------	-----	---	--------------	---------------------

FM IF ALIGNMENT USING AM SIGNAL GENERATOR - SELECTOR IN FM

High side of generator thru .001mfd to point $\diamond B$, low side to ground.

GENERATOR FREQUENCY	RADIO DIAL SETTING	INDICATOR	ADJUST	REMARKS
5. 10.7MC Unmodulated	Point of non-interference	Output Meter across voice coil	A11	Adjust for MINIMUM between two noise peaks.
6. 10.7MC (400 cycles Mod.)	"	DC probe of VTVM to point $\diamond C$, common to ground.	A12 thru A17	Adjust for maximum.

FM RF ALIGNMENT - SELECTOR IN FM

Connect generator across antenna terminals with 120-ohm carbon resistor in series with each lead. Osc. Coil Core (A21) should be 1 3/8" from mtg. end with Dial Point set @ 108MC.

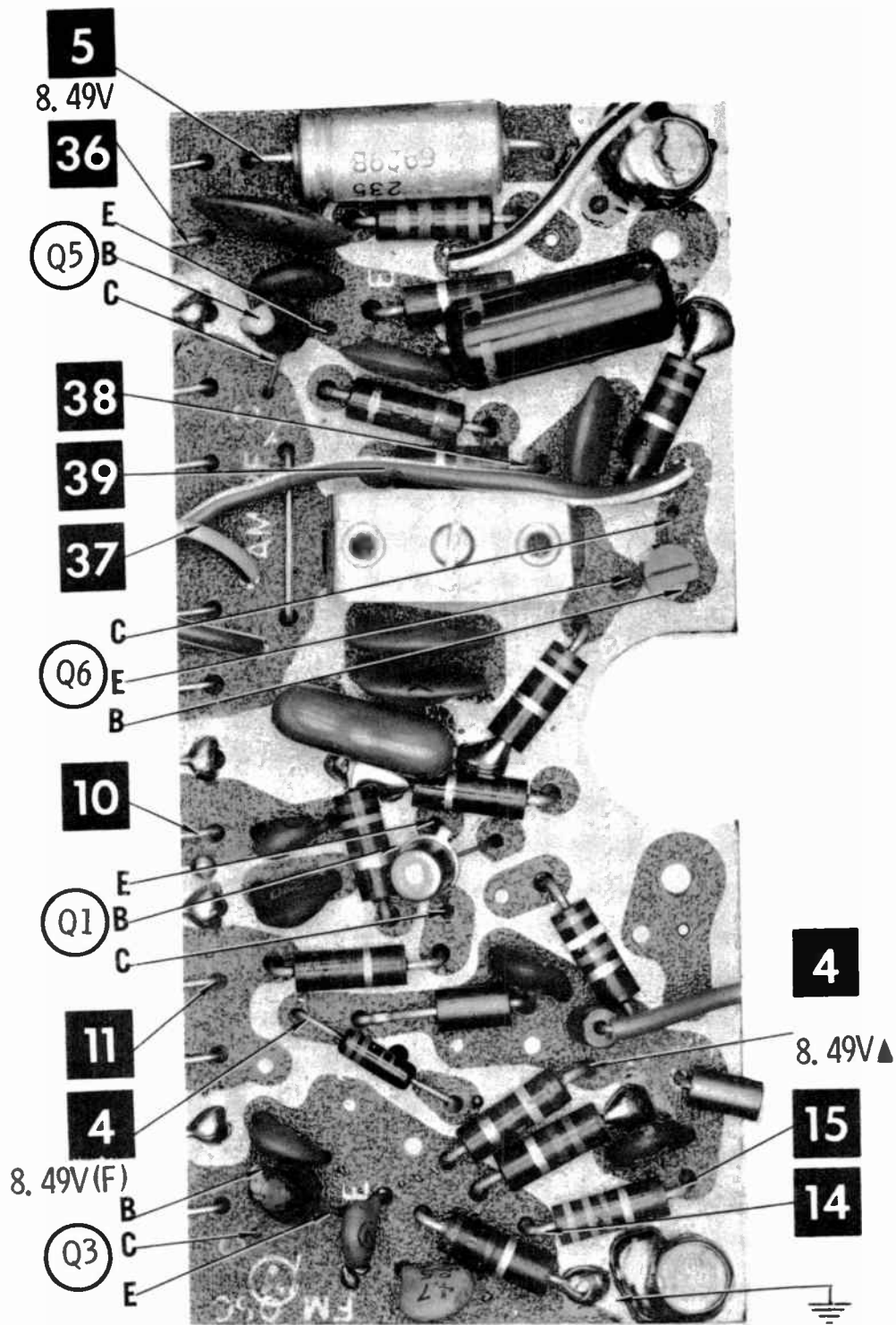
GENERATOR FREQUENCY	RADIO DIAL SETTING	INDICATOR	ADJUST	REMARKS
7. 108MC	High freq. end	DC probe of VTVM to point $\diamond C$, common to ground.	A18, A19, A20	Adjust for maximum.
8. 99MC Unmodulated	Tune to signal.	"	A22 A23	Rock tuning and adjust for maximum. Repeat steps 6 and 7 until no further improvement can be made.

FM STEREO MPX ALIGNMENT - STEREO SIGNAL GENERATOR (±.0001% ACCURACY)

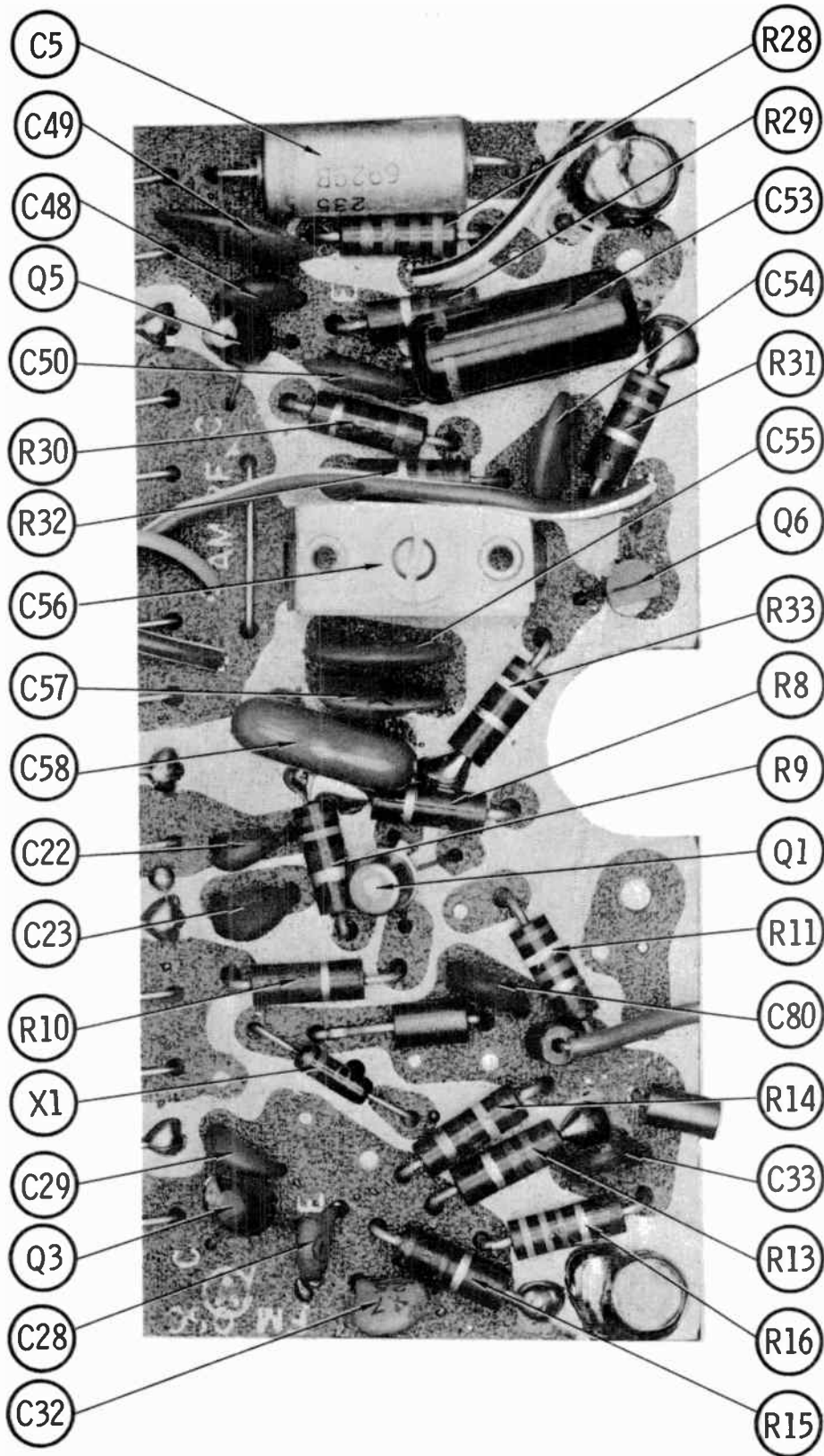
Connect generator across antenna terminals with 120-ohm carbon resistor in series with each lead. Set Separation Control (R5) at mid range.

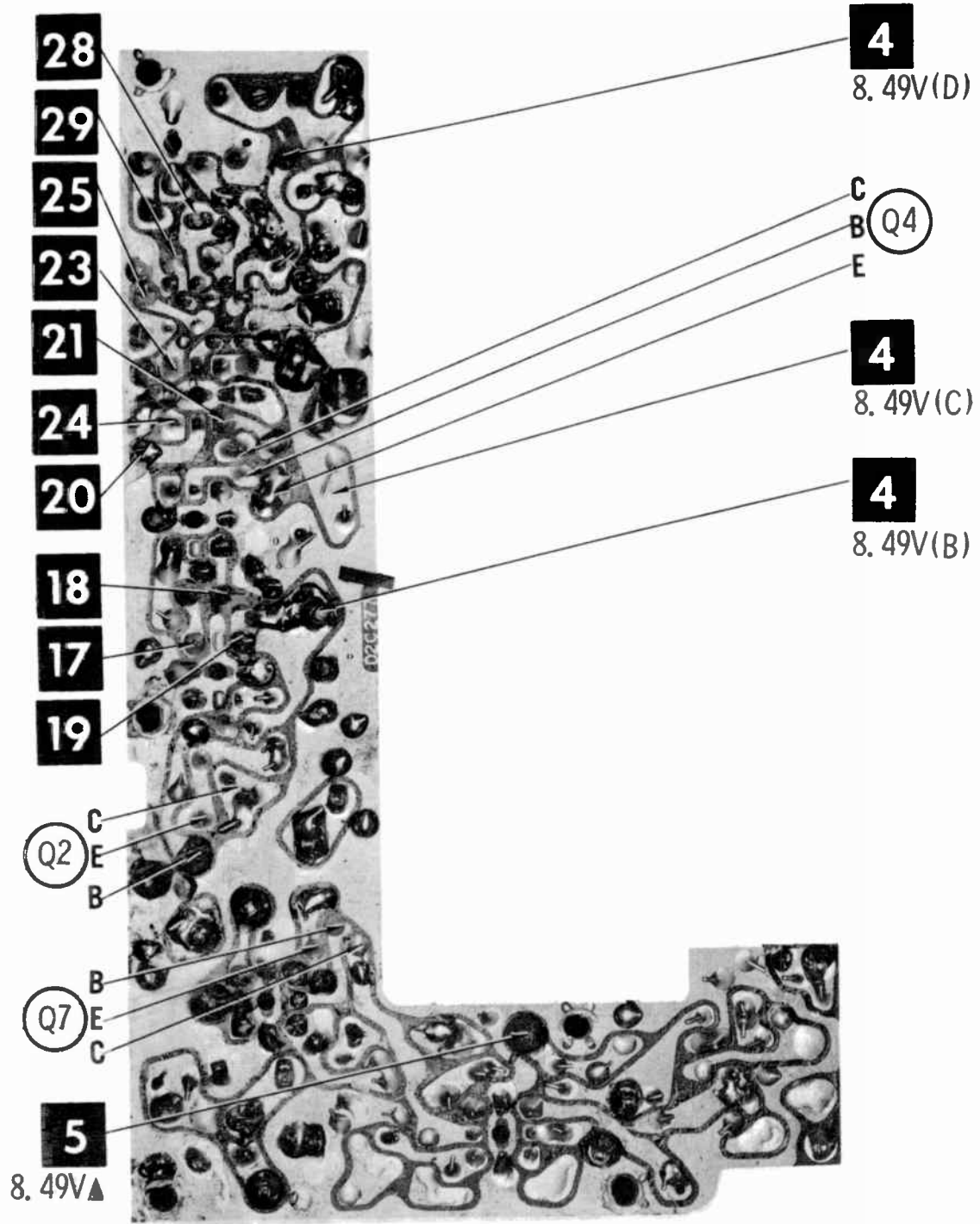
GENERATOR FREQUENCY	RADIO DIAL SETTING	INDICATOR	ADJUST	REMARKS
9. 100MC Modulated Left Channel	100MC	Output meter across voice coil of right speaker.	A24, A25 A26	Adjust for MINIMUM
10. "	"	"	R5 (Separation)	Adjust for MINIMUM.

CHEVROLET MODELS 01BFM1/M2, 01FFM1

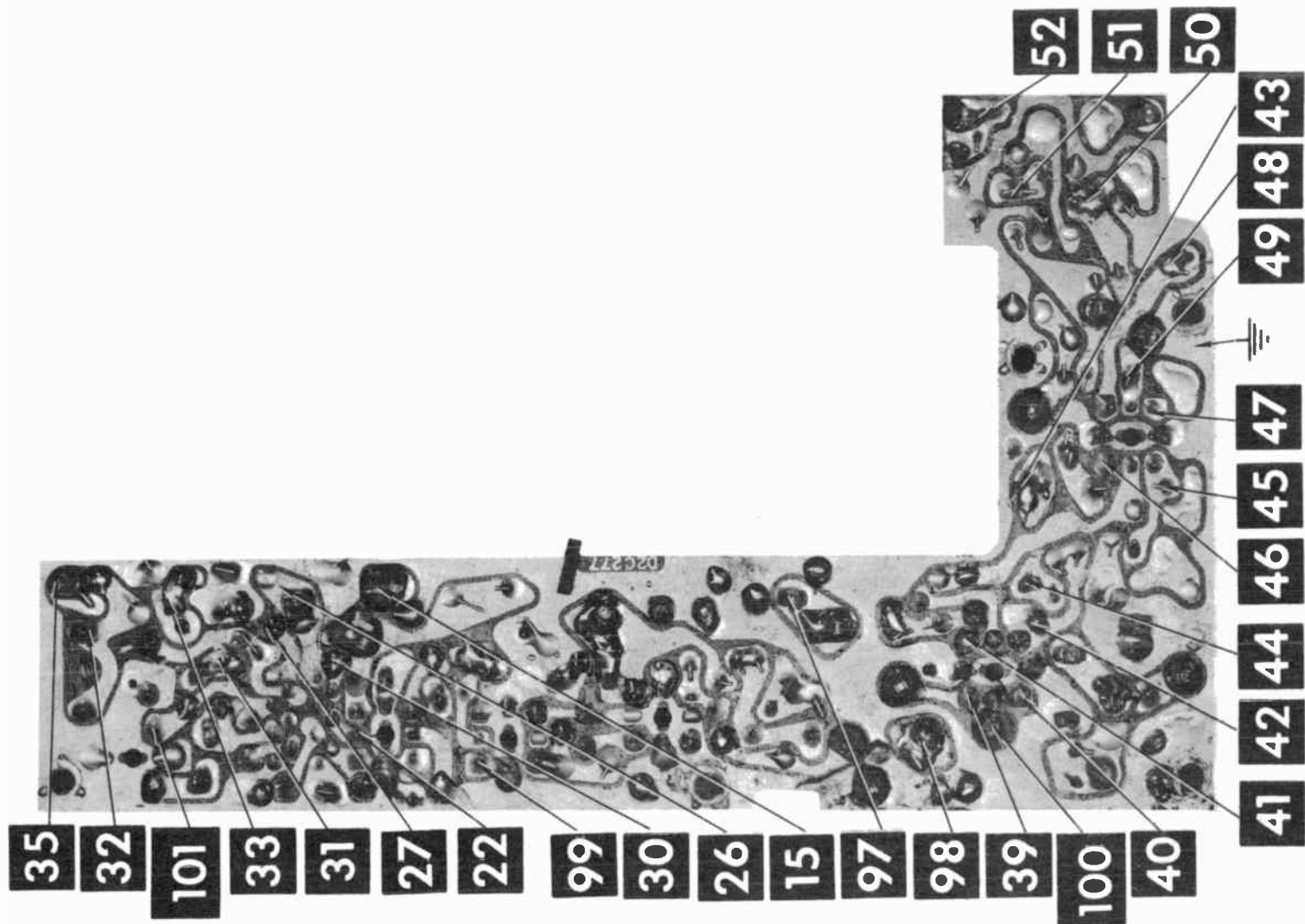


A Howard W. Sams **CIRCUITRACE** Photo

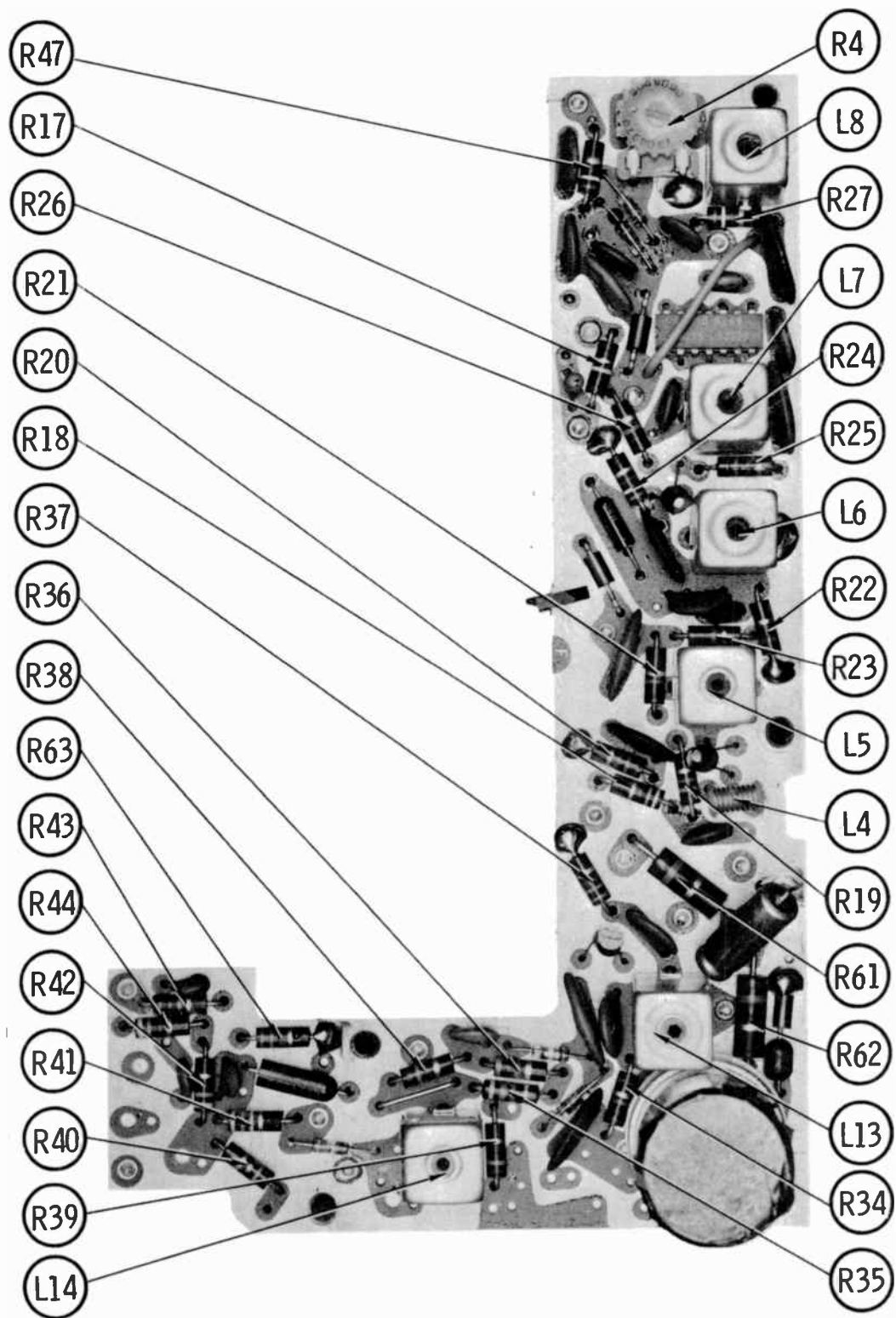


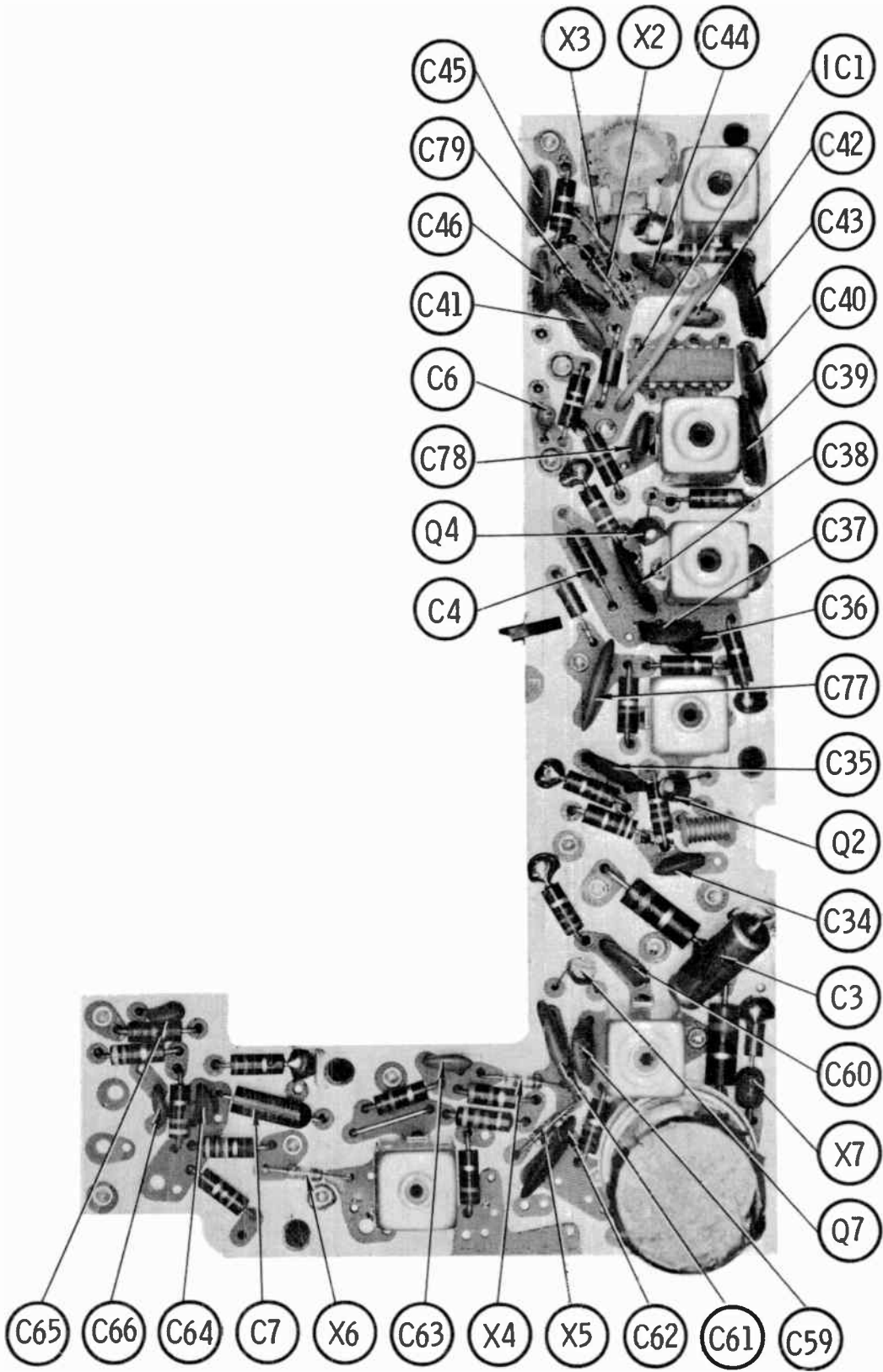


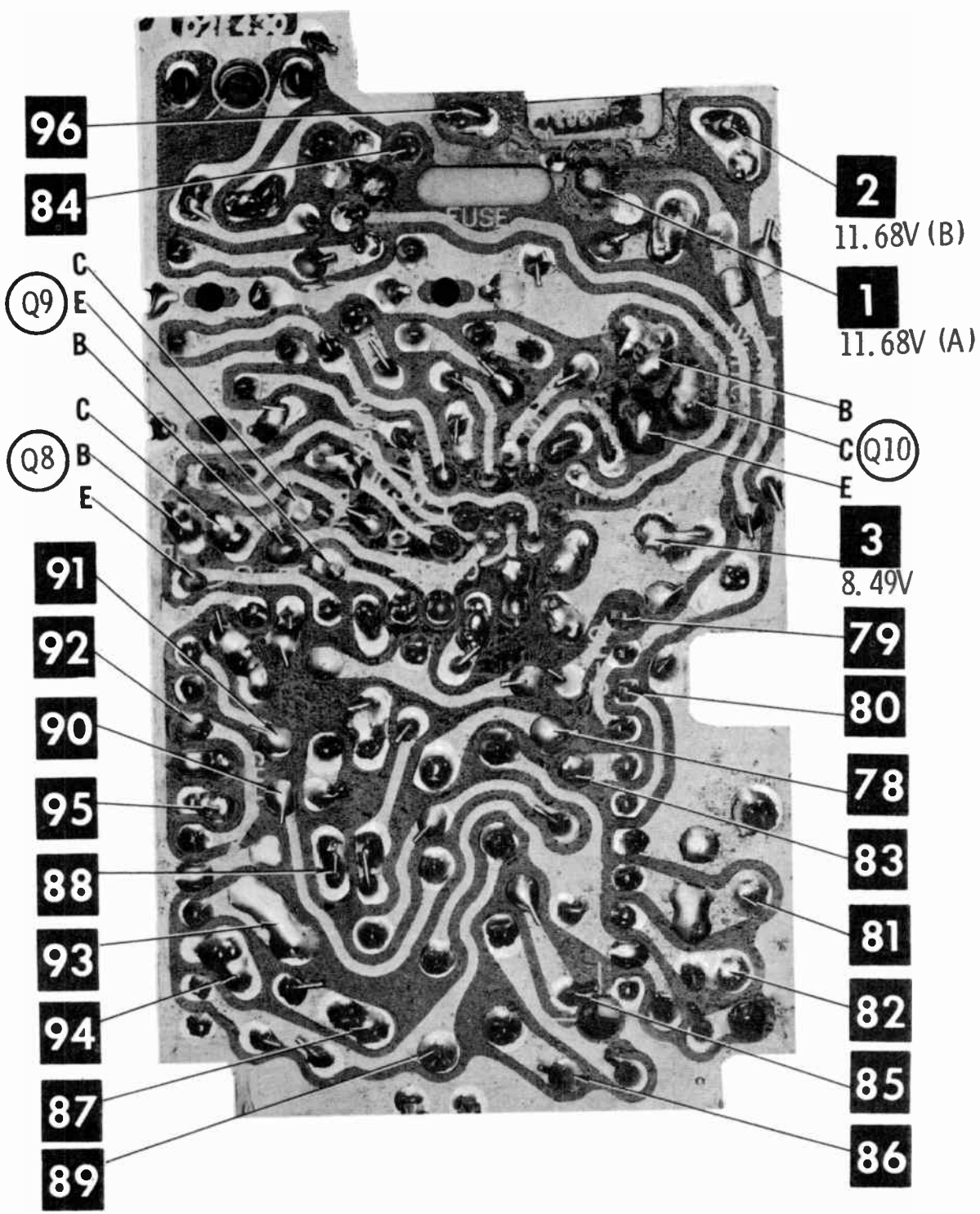
A Howard W. Sams **CIRCUITRACE** Photo



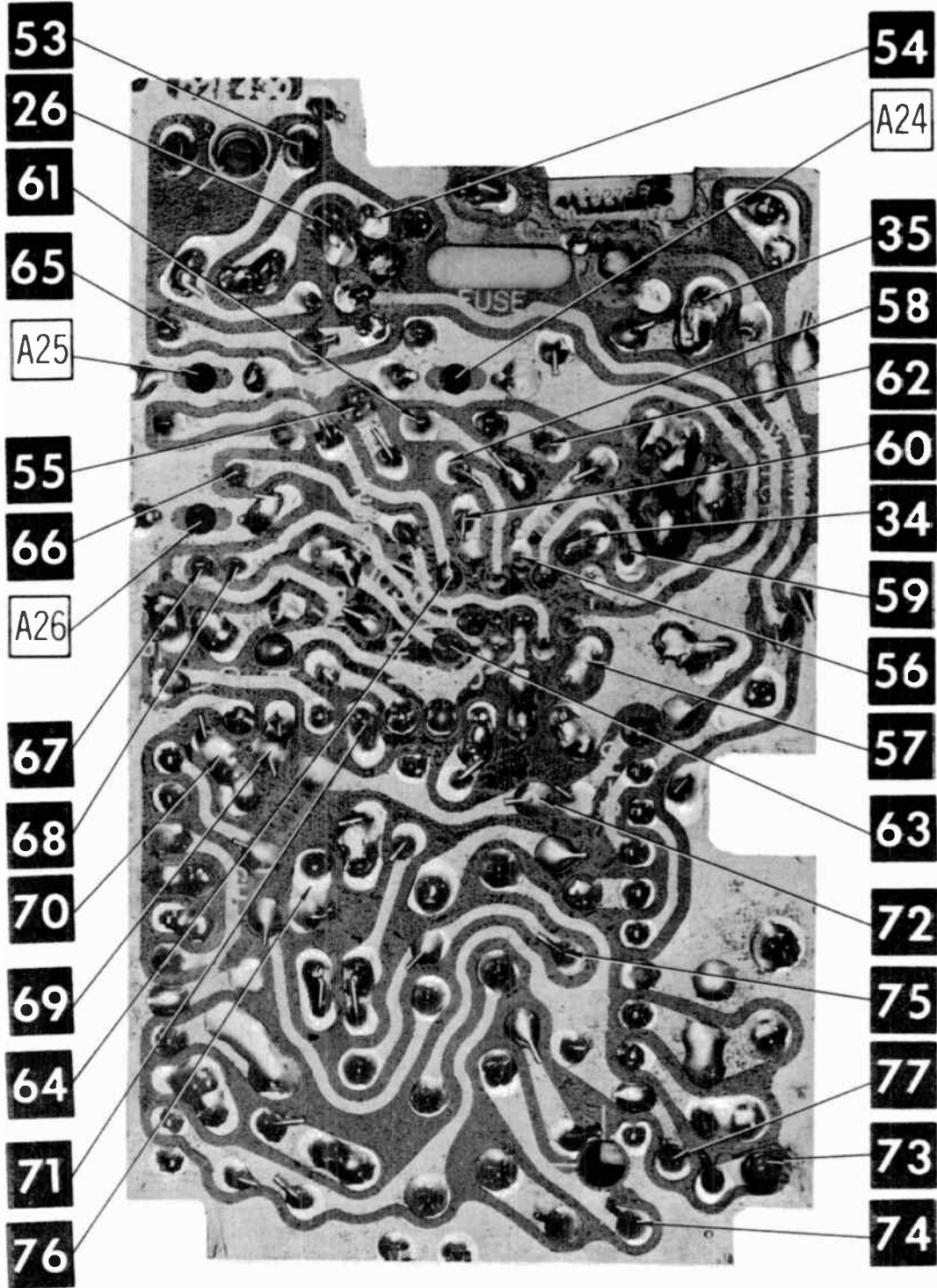
A Howard W. Sams CIRCUITRACE Photo





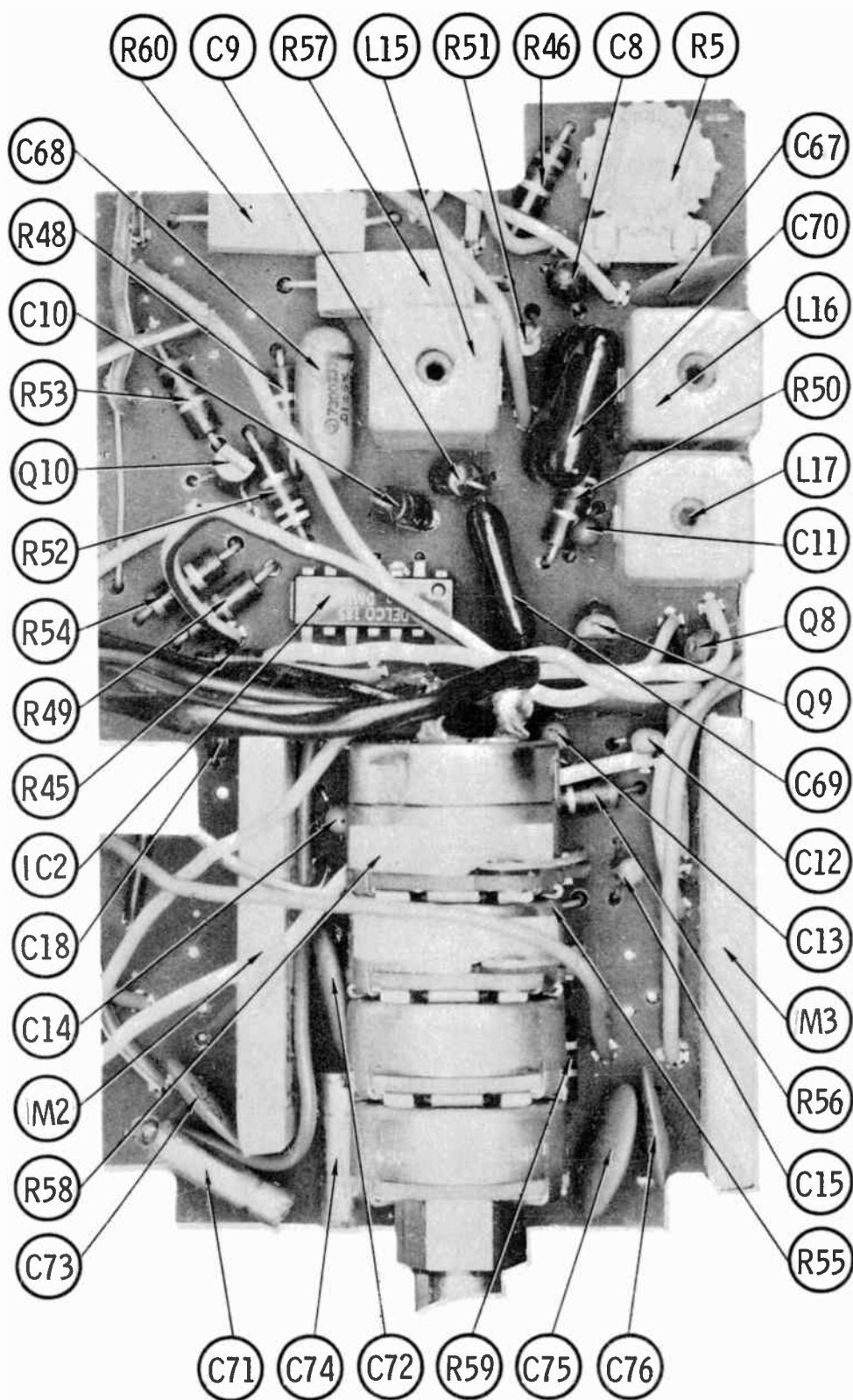


A Howard W. Sams **CIRCUITRACE** Photo



CHEVROLET MODELS 01BFM1/M2, 01FFM1

A Howard W. Sams **CIRCUITRACE** Photo



PARTS LIST AND DESCRIPTION

(When ordering parts, state Model, Part Number, and Description.)

Replacement parts shown may be superseded by the availability of newly introduced replacements.
Have your local distributor check Sams COUNTER FACTS[®] for the most up-to-date replacement.

TRANSISTORS

ITEM No.	TYPE No.	FUNCTION	REPLACEMENT DATA					
			MFGR. PART No.	GENERAL ELECTRIC PART No.	INTERNATIONAL RECTIFIER PART No.	MOTOROLA PART No.	RCA PART No.	SYLVANIA PART No.
Q1	DS-78	FM RF Amp	DS-81	GE-17	TR-22	HEP50	SK3018	ECG 108
Q2	DS-74	FM Mixer	DS-74	GE-17	TR-22	HEP56	SK3018	ECG 108
Q3	DS-74	FM Oscillator	DS-74	GE-17	TR-22	HEP56	SK3018	ECG 108
Q4	DS-85	FM IF Amp	DS-74	GE-17	TR-21	HEP54	SK3018	ECG 108
Q5	DS-71	AM RF Amp	DS-71	GE-20	TR-21	HEP54	SK3018	ECG 108
Q6	DS-72	AM Converter	DS-72	GE-20	TR-21	HEP54	SK3018	ECG 108
Q7	DS-72	AM IF Amp	DS-72	GE-20	TR-21	HEP54	SK3018	ECG 108
Q8	DS-67	Preamp	DS-66	GE-10	TR-21	HEP54	SK3020	ECG 123
Q9	DS-67	Preamp	DS-66	GE-10	TR-21	HEP54	SK3020	ECG 123
Q10	DS-83	Lamp Switch	DS-83	GE-22	TR-19	HEP51	SK3025	ECG 129
Q11	DS-501	Output (1)	DS-501	GE-4	TR-03	HEP233	SK3012	ECG 105
Q12	DS-501	Output (1)	DS-501	GE-4	TR-03	HEP233	SK3012	ECG 105

* Not normally in distributor's stock. Available thru distributor on order to manufacturer.

INTEGRATED CIRCUITS

ITEM No.	FUNCTION	MFGR. PART No.	REMARKS
IC1	FM Limiter & Quadrature Detector	DM-11	
IC2	Multiplex Detector	DM-14	
	AF Amp	DM-8	
	AF Amp	DM-8	

POWER RECTIFIERS & SIGNAL DIODES

ITEM No.	MFGR. PART OR TYPE No.	REPLACEMENT RECTIFIERS & DIODES			REPLACEMENT RECTIFIERS	NOTES
		GENERAL ELECTRIC PART No.	INTERNATIONAL RECTIFIER PART No.	SYLVANIA PART No.	RCA PART No.	
X1	DS-55					Varactor
X2	DS-27	1N34AS	1N34A	ECG 109		
X3	DS-27	1N34AS	1N34A	ECG 109		
X4	DS-27	1N34AS	1N34A	ECG 109		
X5	DS-27	1N34AS	1N34A	ECG 109		
X6	DS-27	1N34AS	1N34A	ECG 109		
X7	DS-149	GE-X11	1ZMB.2			Zener

ELECTROLYTIC CAPACITORS

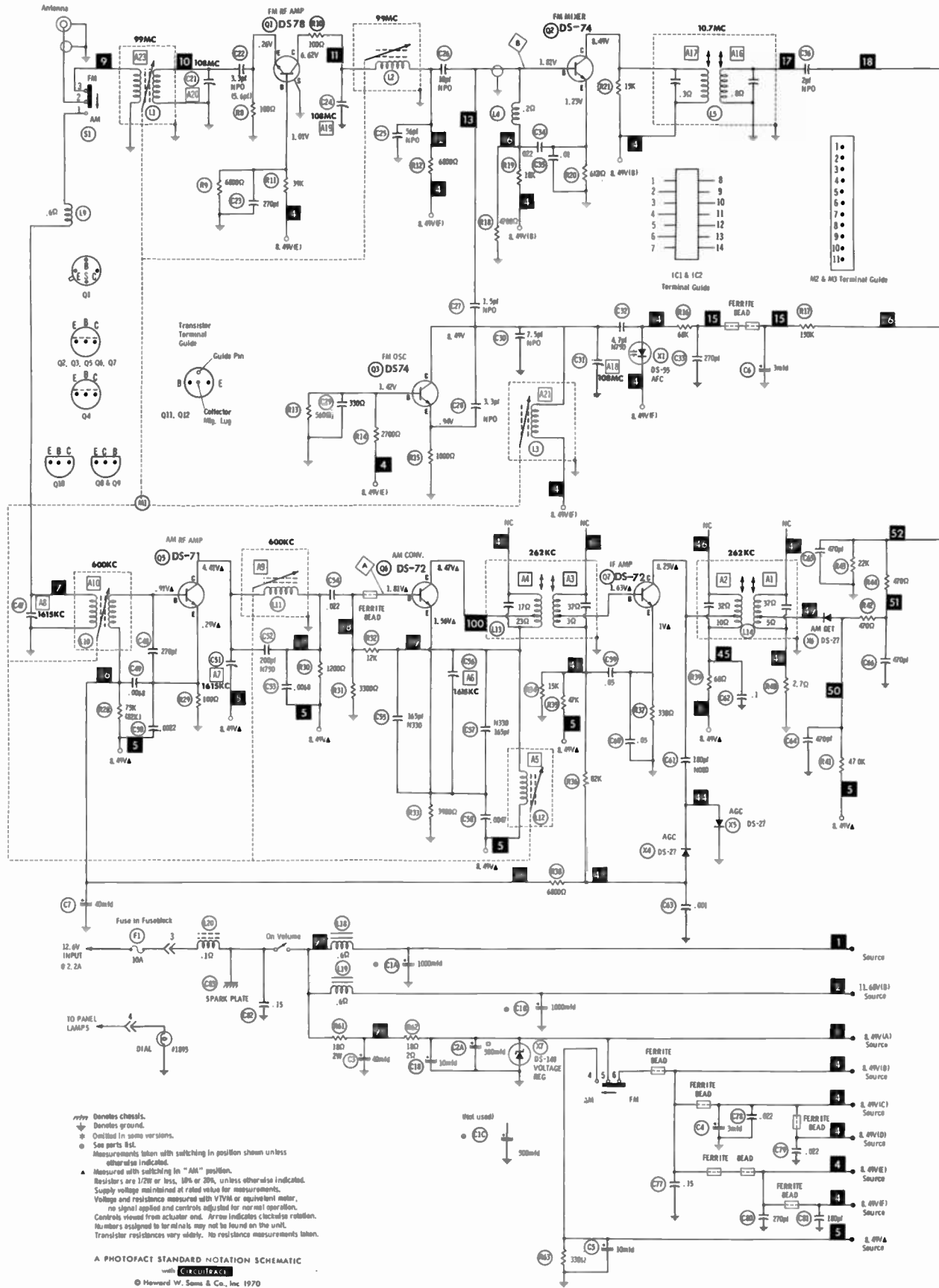
ITEM No.	RATING	REPLACEMENT DATA						
		PART No.	AEROVOX PART No.	CENTRALLAB PART No.	CORNELL-DUBILIER PART No.	GENERAL ELECTRIC PART No.	MALLORY PART No.	SPRAGUE PART No.
C1A	1000 16V	7313569 (1)						
B	1000 16V							
C	500 10V							
A	1000 16V	7313084 (2)						
B	1000 16V							
C2A	500 16V	7312739						
B	250 3V							
C	250 33V							
C3	40 16V	7313475	CRE615A	EA15-50	AL50-16	MT1-16	MTA40E30	TE-1160
C4	3 10V	7296348	PTT127	EA15-2	AL3-150	MT1-3	MTA3D50	TE-1122
C5	10 12V	7292738	PTT114	EA15-10	AL10-15	MT1-5	MTA10D35	TL-1128
C6	3 10V	7312286	PTT127	EA15-2	AL3-150	MT1-3	MTA3D50	TE-1122
C7	40 10V	7298555	CRE315A	EA6-50	AL50-15	MT1-15	TAC396K006POA	TE-1095
C8	15 6V	7314501	BCD25015	EP6-25	PC20-50	MT1-10	MTV15CD50	TE-1089
C9	4.7 10V	7310782	CRE604A	EA15-5	WBR5-150	MT1-3	MTA5D50	TE-1127
C10	1 10V	7312297	BCD50001		PC1-100	MT1-1	MTV1CB50	TE-1120
C11	2 10V	7313127	BCD50002	EP15-2	PC2-100	MT1-1	MTV2CB50	TE-1121
C12	1 10V	7312297	BCD50001		PC1-100	MT1-1	MTV1CB50	TE-1120
C13	1 10V	7312297	BCD50001		PC1-100	MT1-1	MTV1CB50	TE-1120
C14	3 10V	7312286	PTT127	EA15-2	AL3-150	MT1-3	MTA3D50	TE-1122
C15	3 10V	7312286	PTT127	EA15-2	AL3-150	MT1-3	MTA3D50	TE-1122
C16	4 11.5V rms	7313126	CRE753A	EA15-5	AL5-150	MT1-3	MTA4D50	TE-1151
C17	4 11.5V rms	7313126	CRE753A	EA15-5	AL5-150	MT1-3	MTA4D50	TE-1151
C18	10 10V	7312285	BCD25010	EP15-10	PC10-50	MT1-5	MTV10CB50	TE-1128

(1) Sect "C" not used.

(2) Alternate Part Number used in some versions.

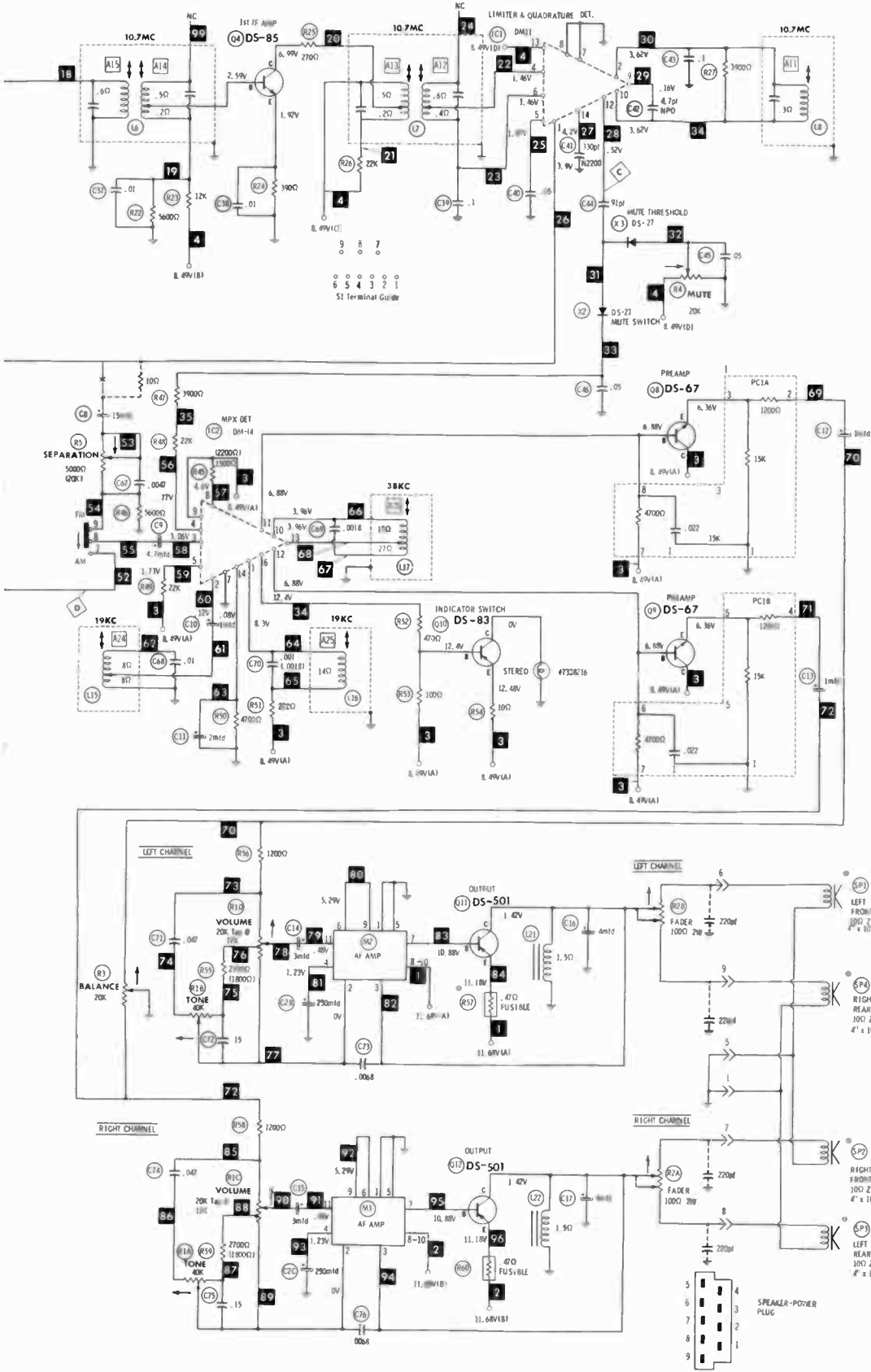
(CONTINUED ON PAGE 36)

CHEVROLET MODELS 01BFM1/M2, 01FFM1



// // // Denotes chassis.
 ⊕ Denotes ground.
 * Omitted in some versions.
 ● See parts list.
 Measurements taken with switching in position shown unless otherwise indicated.
 ▲ Measured with switching in "AM" position.
 Resistors are 1/2W or 1/4W, 10% or 20%, unless otherwise indicated.
 Supply voltage maintained at rated value for measurements.
 Voltage and resistance measured with VVM or equivalent meter, no signal applied and controls adjusted for normal operation.
 Controls viewed from actuator end. Arrow indicates clockwise rotation.
 Numbers assigned to terminals may not be found on the unit.
 Transistor resistances very widely. No resistance measurements taken.

A PHOTOFAC STANDARD NOTATION SCHEMATIC
 with **CIRCUITRACK**
 © Howard W. Sams & Co., Inc. 1970



CHEVROLET MODELS 01BFM1/M2, 01FFM1

PARTS LIST AND DESCRIPTION (CONTINUED)

(When ordering parts, state Model, Part Number, and Description.)

Replacement parts shown may be superseded by the availability of newly introduced replacements.

Have your local distributor check Sams COUNTER FACTS for the most up-to-date replacement.

CAPACITORS

ITEM No.	RATING	REMARKS	REPLACEMENT DATA						
			AEROVOX PART No.	CENTRALAB PART No.	CORNELL-DUBILIER PART No.	ELMENCO PART No.	MALLORY PART No.	SPRAGUE PART No.	
C21		#7293221							
C22	3.3 NPO		NPO-DI 3.3	DTZ-3R3	NP03P3			CN0533	10TCC-V33
C23	270		GPD X5F271K	DD-271	GP270		CCD-271	GP327	5GA-T27
C24		#7291003							
C25	56 NPO			TCZ-56			CCT0-560	CN0456	10TCC-Q56
C26	10 NPO		NPO-DI 10	DTZ-10	NP010		CCT0-100	CN0410	10TCC-Q10
C27	1.5 NPO		NPO-DI 1.5	DTZ-1R5	NP01P5			CN0515	10TCC-V15
C28	3.3 NPO		NPO-DI 3.3	DTZ-3R3	NP03P3			CN0533	10TCC-V33
C29	330		GPD X5F331K	DD-331	GP330		CCD-331	GP333	10TS-T33
C30	7.5 NPO	#7300236							
C31		#7292611							
C32	4.7 N750			DTN-5	N5		CCTN-050	CN747	10TCU-V47
C33	270		GPD X5F271K	DD-271	GP270		CCD-270	GP327	5GA-T27
C34	.022		TTP-02	CK-203	MGP02		CCD-203	TA120	TG-S20
C35	.01		TTP-01	CK-103	MGP01		CCD-103	TA110	TG-S10
C36	2 NPO		NPO-DI 2.2	DTZ-2R2	NP02P2			CN0522	10TCC-V22
C37	.01		TTP-01	CK-103	MGP01		CCD-103	TA110	TG-S10
C38	.01		TTP-01	CK-103	MGP01		CCD-103	TA110	TG-S10
C39	.1		TTP-1	CK-104				TA010	TG-P10
C40	.05		TTP-05	CK-503	MGP05		CCD-503	TA150	TG-S50
C41	330 N2200						*	*	10TCY-T33
C42	4.7 NPO		NPO-DI 4.7	DTZ-4R7	NP04P7			CN0547	10TCC-V47
C43	.1		TTP-1	CK-104				TA010	TG-P10
C44	91			TCN-91					
C45	.05		TTP-05	CK-503	MGP05		CCD-503	TA150	TGL-S50
C46	.05		TTP-05	CK-503	MGP05		CCD-503	TA150	TGL-S50
C47		#7283618							
C48	270		GPD X5F271K	DD-271	GP270		CCD-271	GP327	5GA-T27
C49	.0068		GPD X5R682K	DD-682	GP6800		CCD-682	GP268	5GA-D68
C50	.0022		GPD X5F222K	DD-222	GP2200		CCD-222	GP222	10TS-D22
C51		#7312933							
C52	200 N750		N750-DI 200	DTN-200	N220		CCTN-201	CN7201	10TCU-T20
C53	.0068 75V		DBE6D68	CPR-6800J	MMF1D68		1DP-1-682	PVC4268	6PS-D68
C54	.022		TTP-02	CK-203	MGP02		CCD-203	TA120	TG-S20
C55	165 N330						*	*	10TCS-T33
C56		#7295192							
C57	165 N330						*	*	10TCS-T33
C58	.0047 75V		DBE6D5	CPR-5000J	DPMS6D5		1DP-1-502	PVC625	6PS-D50
C59	.05		TTP-05	CK-503	MGP05		CCD-503	TA150	TGL-S50
C60	.05		TTP-05	CK-503	MGP05		CCD-503	TA150	TGL-S50
C61	180 N080						*	*	10TCN-T18
C62	.1		TTP-1	CK-104				TA010	TG-P10
C63	.001		GPD X5F102K	DM-102	GP1000		CCD-102	SM210	2SS-D10
C64	470		GPD X5F471K	DD-471	GP470		CCD-471	GP347	10TS-T47
C65	470		GPD X5F471K	DD-471	GP470		CCD-471	GP347	10TS-T47
C66	470		GPD X5F471K	DD-471	GP470		CCD-471	GP347	10TS-T47
C67	.0047		TTP-005	CK-502	MGP005		CCD-502	TA250	TG-D50
C68	.01 75V		V1612S1	CPR-10000J	DPMS6S1		1DP-1-103	PVC211	225P10391WD3
C69	.0018		ADM-19-182	CPR-1800J	CD19FD182J03		DM-19-182	SX218	MS-218
C70	.001			CPR-1000J	CD19F102J500		DM-19-102J	SX210	424ME1001J501
C71	.047 75V		V1612S47	CPR-1000J	DPMS6S47		1DP-2-473	PVC1147	225P47391WD3
C72	.15		TTP-1	CK-104				TA010	TG-P10
C73	.0068		GPD X5R682K	DD-682	GP6800		CCD-682	GP268	5GA-D68
C74	.047 75V		V1612S47	DD-682	DPMS6S47		1DP-2-473	PVC1147	225P47391WD3
C75	.15		TTP-1	CK-104				TA010	TG-P10
C76	.0068		GPD X5R682K	DD-682	GP6800		CCD-682	GP268	5GA-D68
C77	.15		TTP-1	CK-104				TA010	TG-P10
C78	.022		TTP-02	CK-203	MGP02		CCD-203	TA120	TG-S20
C79	.022		TTP-02	CK-203	MGP02		CCD-203	TA120	TG-S20
C80	270		GPD X5F271K	DD-271	GP270		CCD-271	GP327	5GA-T27
C81	180		ADM-10-181	CPR-180J	CD15FD181J03		DM-10-181	SX318	MS-318
C82	.15 75V		DBE6P15		DPMS4P15		4DP-4-154	PVC6015	4PS-P15
C83		#7271564							

DELCO Part Number.

* Not normally in distributor's stock. Available thru distributor on order to manufacturer.

CONTROLS (All wattages 1/2 watt, or less, unless listed)

ITEM No.	FUNCTION	RESIST-ANCE	REPLACEMENT DATA				
			MFGR. PART No.	CENTRALAB PART No.	CLAROSTAT PART No.	CTS-IRC PART No.	MALLORY PART No.
R1A	Tone, Right	40K	7308134				
B	Tone, Left	40K					
C	Volume, Right	20K Tap @ 12K					
D	Volume/, Left Switch	20K Tap @ 12K					
R2A	Fader, Right	100	7308110				
B	Fader, Left	2 Watt 100 2 Watt					

PARTS LIST AND DESCRIPTION (CONTINUED)

(When ordering parts, state Model, Part Number, and Description.)

Replacement parts shown may be superseded by the availability of newly introduced replacements.

Have your local distributor check Sams COUNTER FACTS[®] for the most up-to-date replacement.

CONTROLS (All wattages 1/2 watt, or less, unless listed) (cont)

ITEM No.	FUNCTION	RESIST-ANCE	REPLACEMENT DATA					
			MFGR. PART No.	CENTRALAB PART No.	CLAROSTAT PART No.	CTS-IRC PART No.	MALLORY PART No.	
R3	Balance	20K	7930069				U201R2538	MTC24L1
R4	Mute	20K	7304970	TSV-25K (1) or T-20K (1)			U201R2538	MTC24L1
R5	Separation	5000	7310442	TSV-5K (1) or T-5000 (1)			U201R502B	MTC53L1
	Separation	20K	7304970 (2)	TSV-25K (1) or T-20K (1)			U201R2538	MTC24L1

(1) For horizontal mount, bend the two outside terminals to fit "PC" board. Use jumper to connect center terminal to "PC" board.

(2) May be used in some versions.

RESISTORS (Power and Special)

ITEM No.	RATING	REPLACEMENT DATA	
		WORKMAN PART No.	MFGR. PART No.
R57	.47 (Fusible)		7281890

ITEM No.	RATING	REPLACEMENT DATA	
		WORKMAN PART No.	MFGR. PART No.
R60	.47 (Fusible)		7281890

COILS (RF-IF)

ITEM No.	USE	REPLACEMENT DATA			
		PART No.	MEISSNER PART No.	MILLER PART No.	WORKMAN PART No.
L1	FM Antenna	(1)			
L2	FM RF	(1)			
L3	FM Oscillator	(1)			
L4	10.7MC Trap	(1uh)	7296856	19-1000	4602
L5	FM Input IF		7305472		
L6	FM Interstage IF		7305473		
L7	FM Interstage IF		7305474		
L8	Quadrature		7311554		
L9	RF Choke	(8uh)	7255738	19-1009	4611
L10	AM Antenna		(1)		
L11	AM RF		(1)		
L12	AM Input IF		7295169		
L14	AM Output IF		7295170		8006
L15	19KC		7312849		
L16	19KC		7312289		
L17	38KC		7312288		

(1) Part of M1.

FILTER CHOKE

ITEM No.	RATINGS			REPLACEMENT DATA					NOTES
	CURRENT (Measured)	DC RES.	INDUCTANCE (0 CURRENT 1000~)	PART No.	MERIT PART No.	STANCOR PART No.	THORDARSON PART No.	TRIAD PART No.	
L18		.1	300uh	7302543					
L19	1 Amp	.6	8mh	1221623	C-4095	TC-2	TR-154	TY17XT	
L20	1 Amp	.6	8mh	1221623	C-4095	TC-2	TR-154	TY17XT	

CHOKE (Audio Output)

ITEM No.	INDUCTANCE	REPLACEMENT DATA					NOTES
		PART No.	MERIT PART No.	STANCOR PART No.	THORDARSON PART No.	TRIAD PART No.	
L21	30mh	1222297					
L22	30mh	1222297					

CHEVROLET MODELS 01BFM1/M2, 01FFM1

PARTS LIST AND DESCRIPTION (CONTINUED)

(When ordering parts, state Model, Part Number, and Description.)

Replacement parts shown may be superseded by the availability of newly introduced replacements.
Have your local distributor check Sams COUNTER FACTS for the most up-to-date replacement.

SPEAKER

ITEM No.	TYPE				REPLACEMENT DATA		NOTES
					MFRG. PART No.	QUAM PART No.	
SP1	4" x 6"	PM	10 ohms	7313131	46A1Z10	Left Front: Used in Monte Carlo. Left Front: Used in Chevelle. Left Front: Used in Chevrolet. Left Front: Used in Chevrolet, Camaro, Chevy II, Acadian.	
	4" x 6"	PM	10 ohms	7313141	46A1Z10		
	4" x 6"	PM	10 ohms	7314071	46A1Z10		
	4" x 6"	PM	10 ohms	1222940	46A1Z10		
SP2	4" x 6"	PM	10 ohms	7313151	46A1Z10	Right Front: Used in Chevelle, Monte Carlo. Right Front: Used in Chevrolet. Right Front: Used in Chevrolet, Camaro, Chevy II, Acadian.	
	4" x 6"	PM	10 ohms	7314071	46A1Z10		
	4" x 6"	PM	10 ohms	1222940	46A1Z10		
SP3	6" x 9"	PM	10 ohms	7313011	69A2MT	Left Rear: Used in Sedans, Chevrolet, Monte Carlo, Chevelle, Camaro, Chevy II, Acadian.	
	4" x 10"	PM	10 ohms	7313121	410A2710		
SP4	4" x 10"	PM	10 ohms	7313161	410A2Z10	Left Rear: Used in Chevrolet Station Wagon. Left Rear: Used in Chevrolet Station Wagon. Left Rear: Used in Caprice. Right Rear: Used in Sedans, Chevrolet, Monte Carlo, Chevelle, Camaro, Chevy II, Acadian. Right Rear: Used in Chevrolet Station Wagon Right Rear: Used in Chevelle Station Wagon. Right Rear: Used in Caprice.	
	6" x 9"	PM	10 ohms	7313101	69A2MT		
	6" x 9"	PM	10 ohms	7313011	69A2MT		
	4" x 10"	PM	10 ohms	7313121	410A2Z10		
	4" x 10"	PM	10 ohms	7313161	410A2Z10		
	6" x 9"	PM	10 ohms	7313101	69A2MT		

FUSE DEVICES

ITEM No.	DESCRIPTION		REPLACEMENT DATA							
			PART No.		BUSS PART No.		LITTELFUSE PART No.		WORKMAN PART No.	
			DEVICE	HOLDER	DEVICE	HOLDER	DEVICE	HOLDER	DEVICE	
F1	3AG	10 Amp		In Fuse Block	AGC10			311010		

MISCELLANEOUS

ITEM No.	PART NAME	PART No.	NOTES
M1	Tuning Coil Assembly	1223073	
PC1	Preamplifier Network	7930678	
S1	Switch, Selector	7285141	
	Stereo Indicator Lamp	7296866	

CABINETS & CABINET PARTS (When ordering specify model, chassis & color)

ITEM	MODEL	PART No.	ITEM	MODEL	PART No.
Escutcheon	01BFM1/2	7313539	Dial Drum	01FFM1	7933330
Escutcheon	01FFM1	7933329	Dial Pointer		7308125
Dial Glass	01BFM1/2	7313524	Push Button		7306391
Dial Glass	01FFM1	7933334	Knob, Tuning on Volume		3954238
Dial Drum	01BFM1/2	7312585	Knob, Tone or Fader		3954239

WIRING DATA

General-use Unshielded Hook-up Wire	Use BELDEN No. 8530 (Solid) Available in 12 Colors
	8524 (Stranded) Available in 12 Colors
Shielded Hook-up Wire	Use BELDEN No. 8885
Rear Seat Speaker Extension Cable	Use BELOEN No. 8782 (Stranded) Coded Parallel Leads
Bonding Strap	Use BELDEN No. 8661 (3/8 In.) or 8670 (3/4 In.)

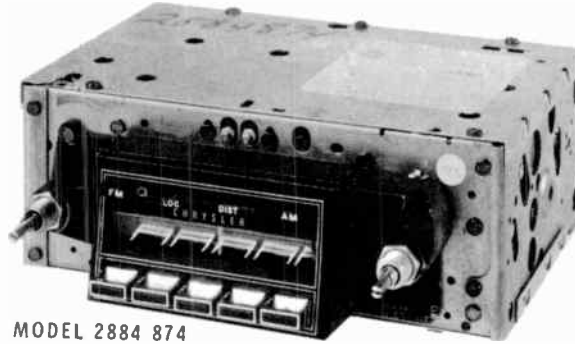


PHOTOFACT[®] with

CIRCUITRACE[®]

For Supplier Address See PHOTOFACT Index

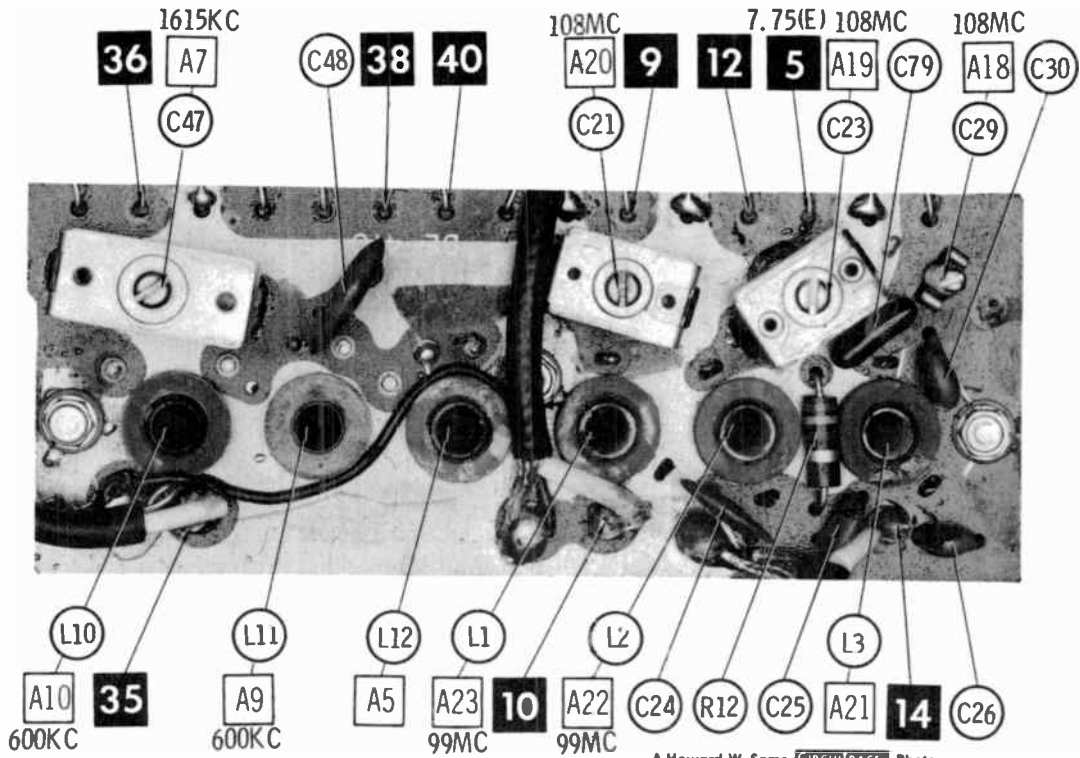
NOTE: Manufacturer Part Numbers Shown Are UNITED DELCO



CHRYSLER MODELS 2284 874
 (70 Chrysler)
 2884 876
 (70 Imperial)

MODEL 2884 874

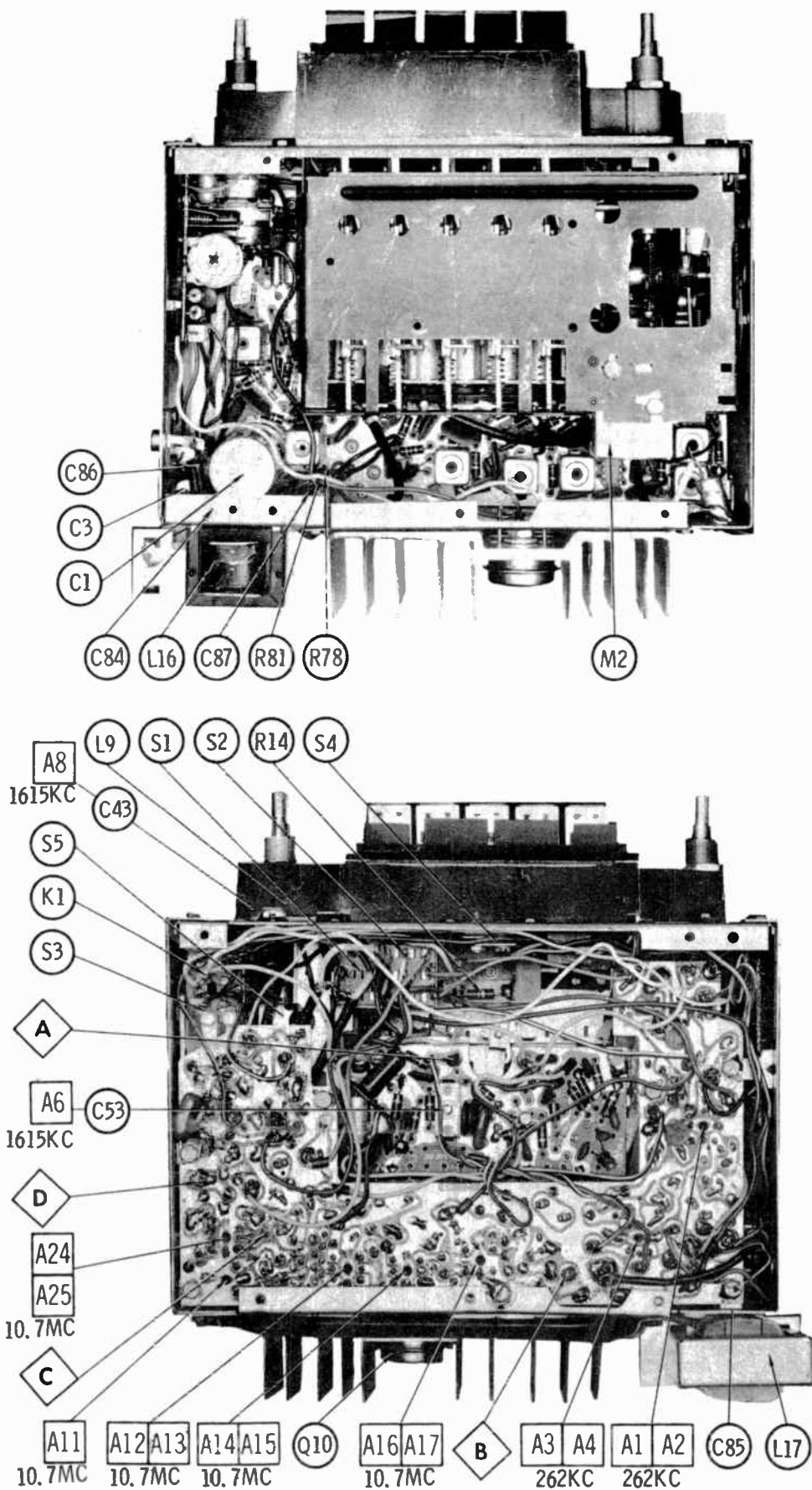
CHRYSLER MODELS 2884 874/876



HOWARD W. SAMS & CO., INC. Indianapolis, Indiana 46206

© 1970 Howard W. Sams & Co., Inc. Printed in U. S. of America

TD795



ALIGNMENT INSTRUCTIONS

Check for specified source voltage.

Use only enough generator output to provide a usable indication.

Suggested Alignment Tools:

A1 thru A4, A11 thru A17....:GENERAL CEMENT #9300,9296,9297
 WALSCO #2510,2546,2547
 A6, A7, A8, A19, A20, A21... GENERAL CEMENT #8290, 8868, 9087
 WALSCO #2525, 2528, 2587

PUSH-BUTTON ADJUSTMENT

1. Pull button out.
2. Tune manually to desired station.
3. Press button in firmly.
4. Repeat for remaining buttons.

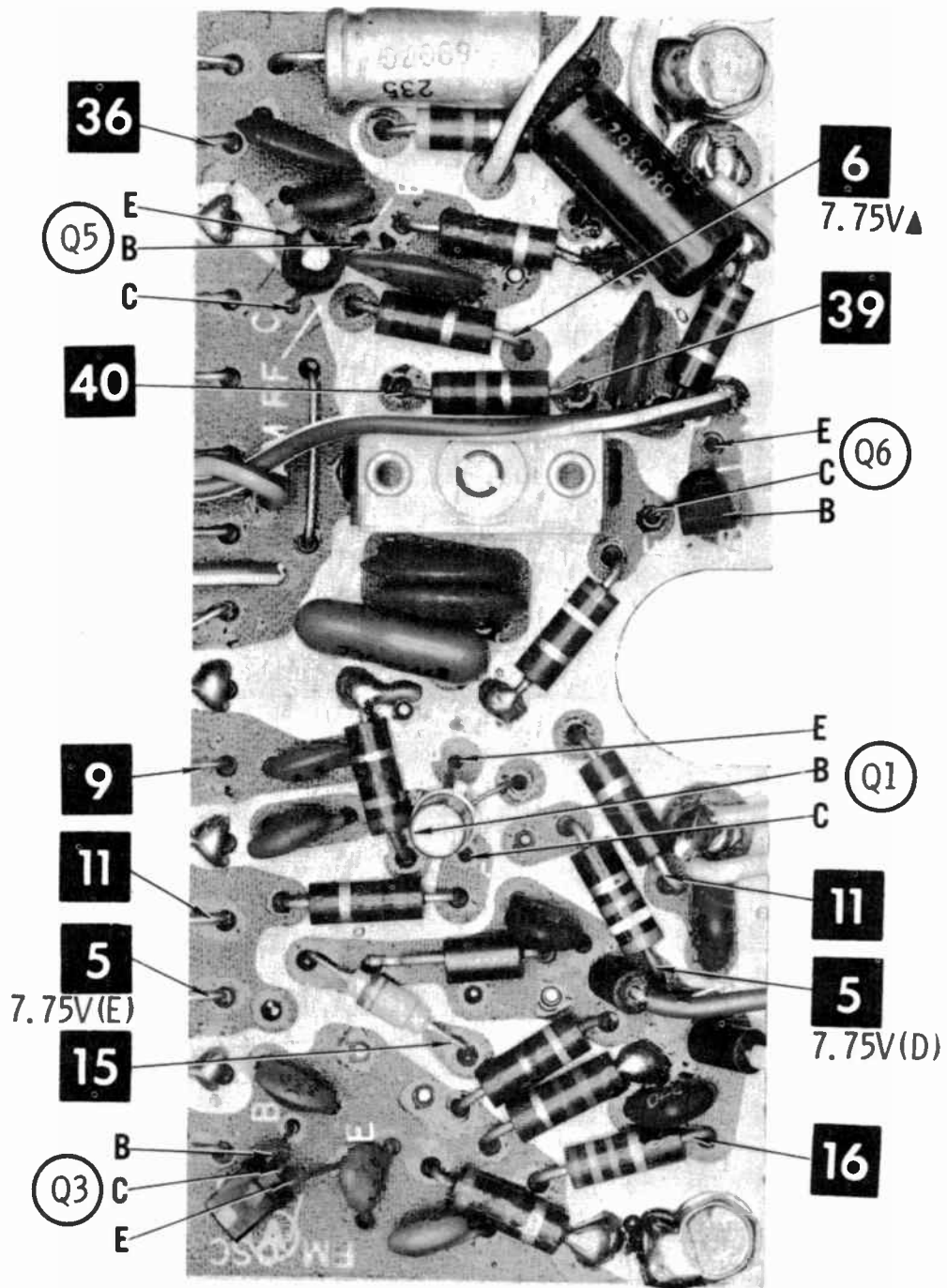
	GENERATOR COUPLING	GENERATOR FREQUENCY	RADIO DIAL SETTING	INDICATOR	ADJUST	REMARKS
1.	High side thru .1mfd to point \diamond A, low side to ground.	262KC 400 cycle modulation	High freq. end stop.	Output meter across voice coil.	A1,A2, A3,A4	Adjust for maximum.
Check setting of oscillator coil core (A5). Rear of core should be 1 3/8" from mounting end of coil form.						
2.	High side thru 82pf to antenna input, low side to ground.	1615KC	High freq. end stop.	Output meter across voice coil.	A6,A7, A8	Adjust for maximum.
3.	"	600KC	600KC signal	"	A9,A10	Adjust for maximum. Repeat Step 2.
With radio installed in car and antenna extended to desired height, tune in a weak station near 1400KC and adjust A8 for maximum output. Antenna adjustment (A8) is located behind tuning & Dummy Knob.						

FM IF ALIGNMENT USING AM SIGNAL GENERATOR—SELECTOR IN FM POSITION

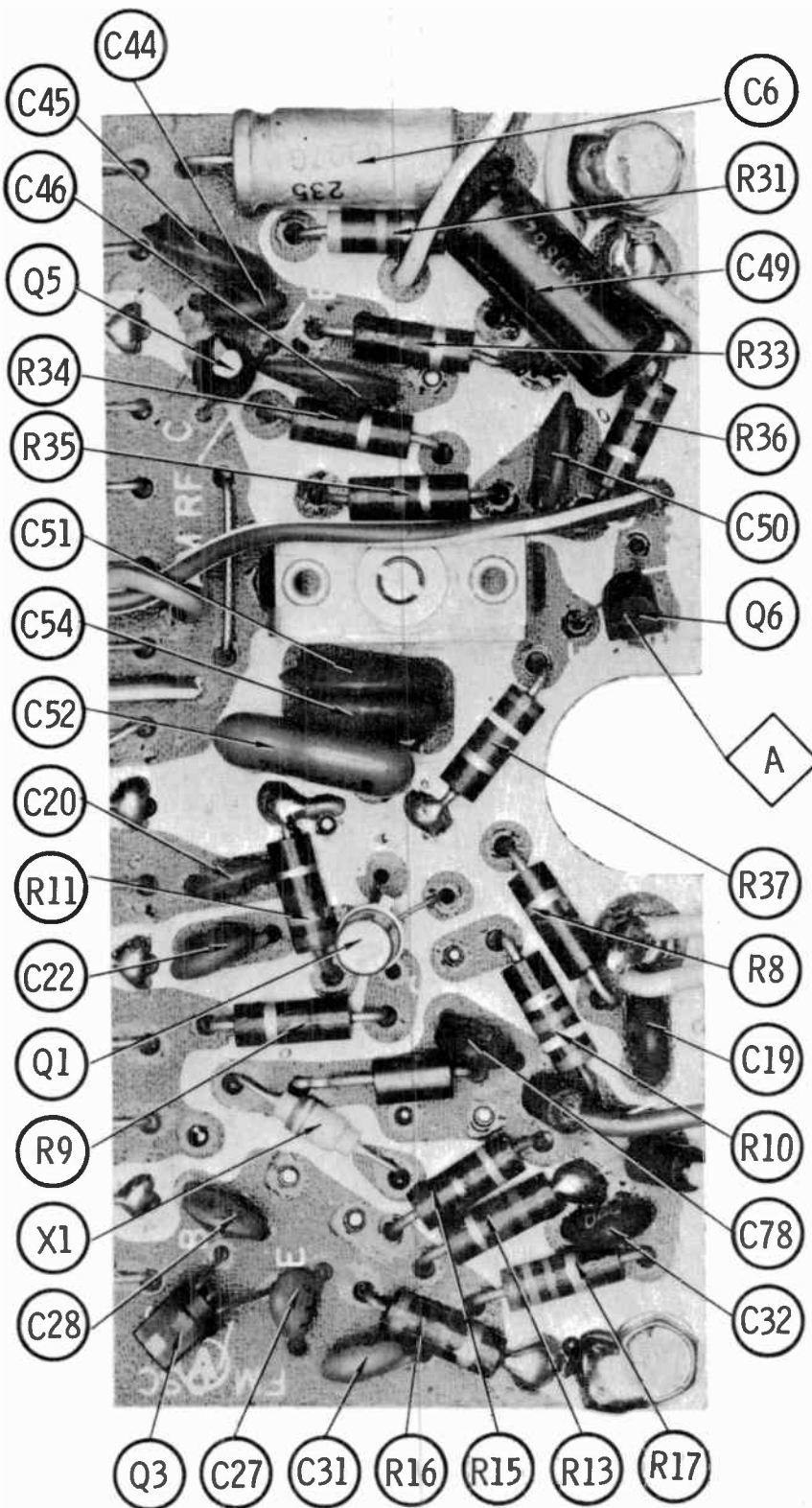
High side of generator thru .001mfd to point \diamond B, low side to ground.						
	GENERATOR FREQUENCY	RADIO DIAL SETTING	INDICATOR	ADJUST	REMARKS	
4.	10.7MC (Unmodulated)		Output Meter across voice coil.	A11	Adjust for MINIMUM between two noise peaks.	
5.	10.7MC (400 cycles Mod.)	"	"	A12 thru A17	Adjust for maximum.	
6.	"	"	DC Probe of VTVM to point \diamond D.	A24 A25	"	

FM RF ALIGNMENT—SELECTOR IN FM POSITION

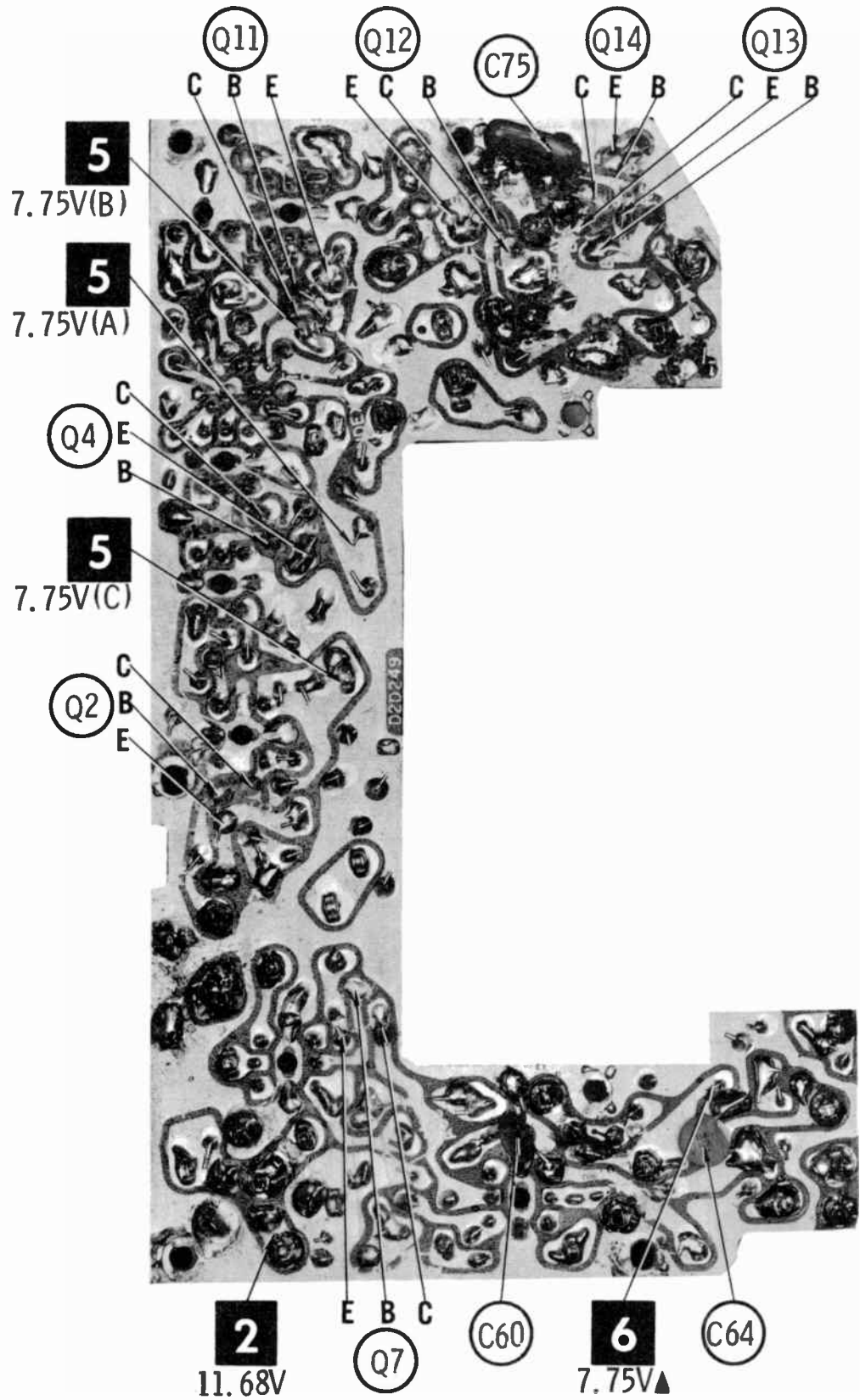
Connect generator across antenna terminals with 120-ohm carbon resistor in series with each lead.						
	GENERATOR FREQUENCY	RADIO DIAL SETTING	INDICATOR	ADJUST	REMARKS	
7.	108MC	High freq. end	DC probe of VTVM to point \diamond C, common to ground.	A18,A19, A20	Adjust for maximum.	
8.	99MC Unmodulated	Tune to signal.	"	A22, A23	Rock tuning and adjust for maximum. Repeat steps 6 and 7 until no further improvement can be made.	



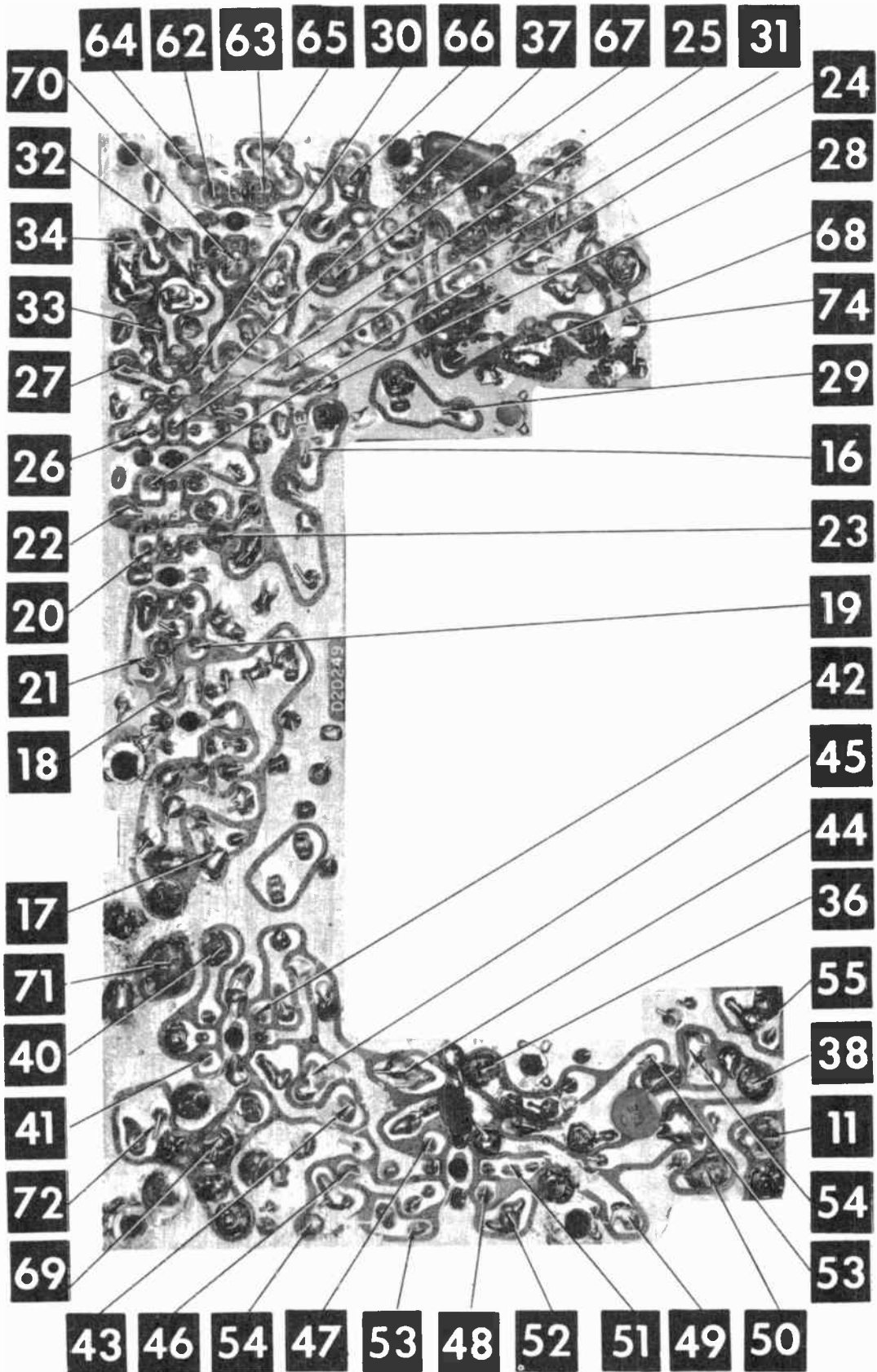
A Howard W. Sams **CIRCUITRACE** Photo.



CHRYSLER MODELS 2884 874/876

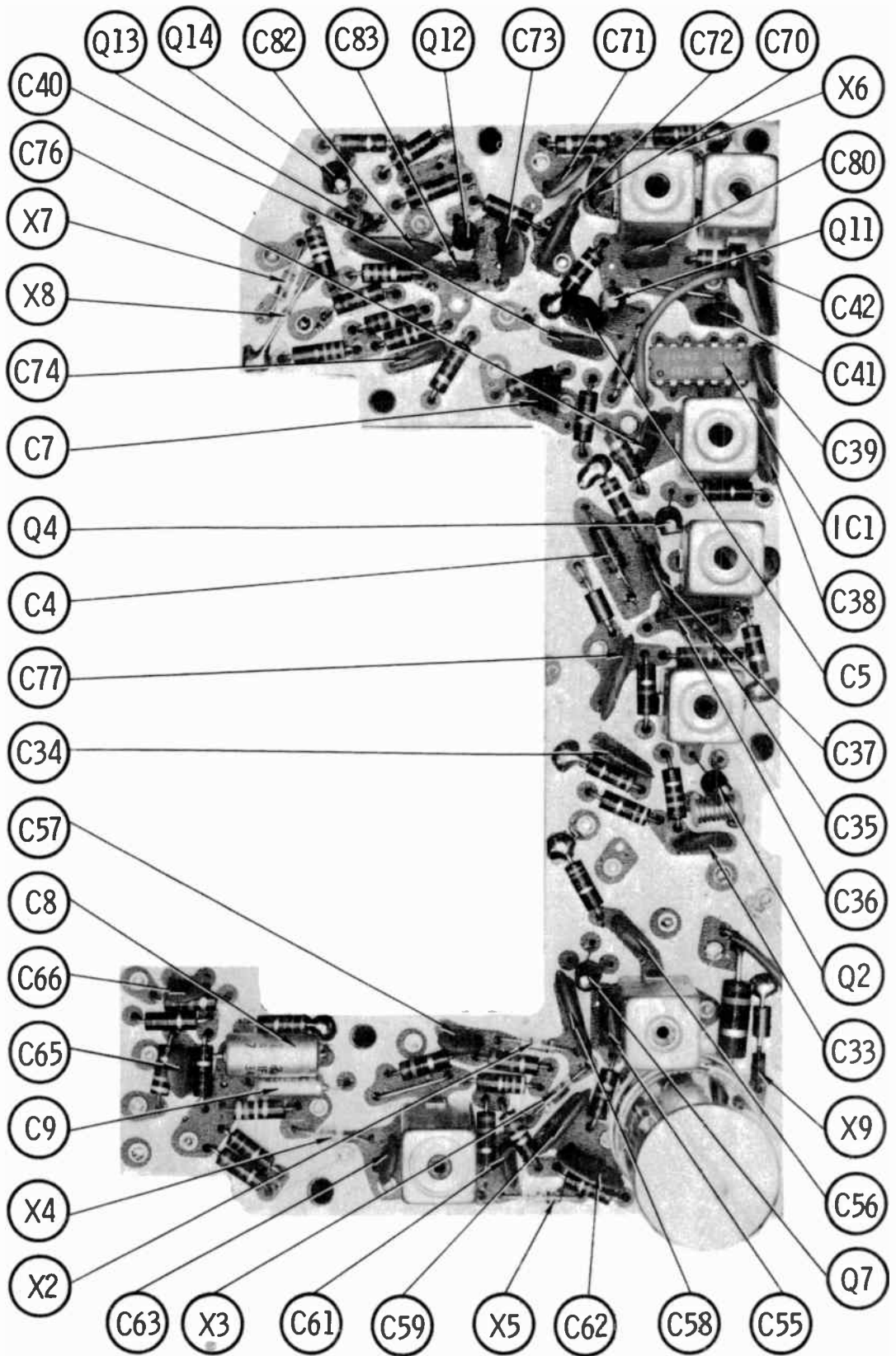


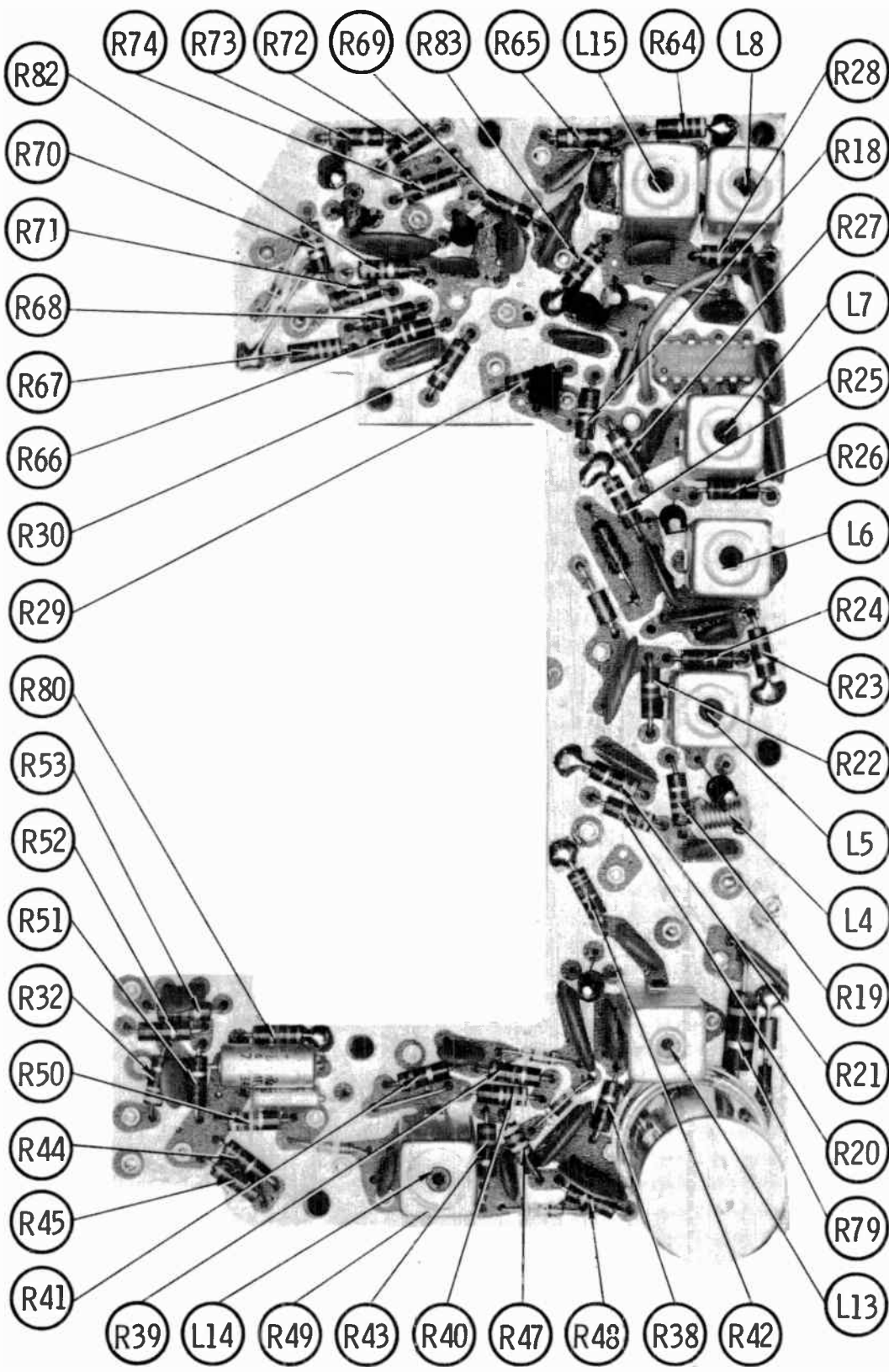
A Howard W. Sams **CIRCUITRACE** Photo

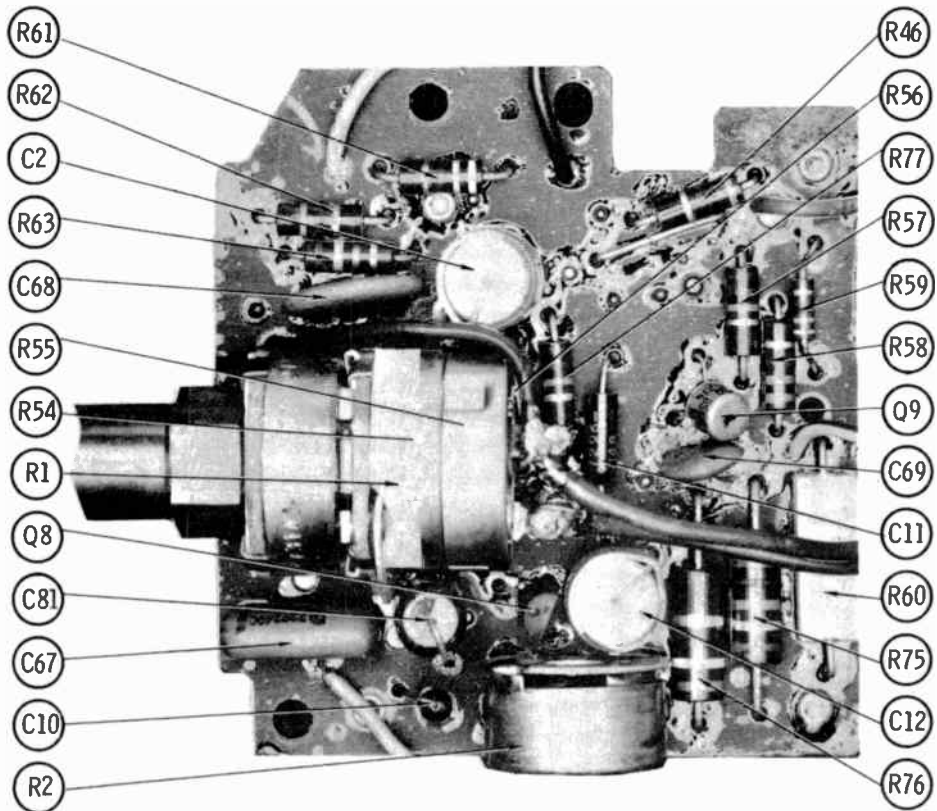
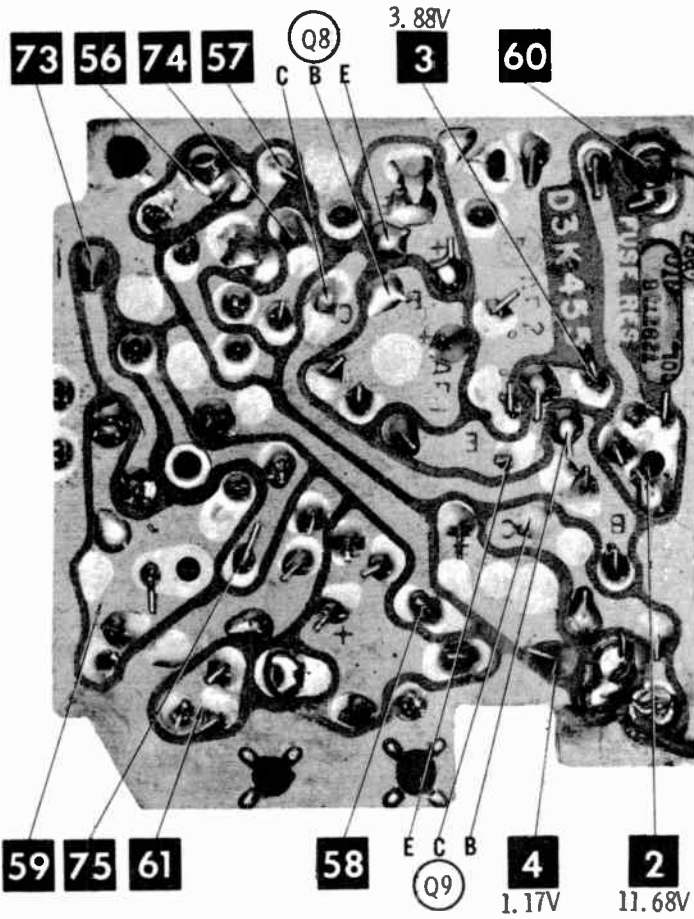


CHRYSLER MODELS 2884 874/876

A Howard W. Sams **CIRCUITRACE** Photo







PARTS LIST AND DESCRIPTION

(When ordering parts, state Model, Part Number, and Description.)

Replacement parts shown may be superseded by the availability of newly introduced replacements.
Have your local distributor check Sams COUNTER FACTS® for the most up-to-date replacement.

WIRING DATA

General-use Unshielded Hook-up Wire	Use BELDEN No. 8530 (Solid) Available in 12 Colors 8524 (Stranded) Available in 12 Colors
Shielded Hook-up Wire	Use BELDEN No. 8885
Rear Seat Speaker Extension Cable	Use BELDEN No. 8782 (Stranded) Coded Parallel Leads
Bonding Strap	Use BELDEN No. 8661 (3/8 In.) or 8670 (3/4 In.)

TRANSISTORS

ITEM No.	TYPE No.	FUNCTION	REPLACEMENT DATA					
			MFGR. PART No.	GENERAL ELECTRIC PART No.	INTERNATIONAL RECTIFIER PART No.	MOTOROLA PART No.	RCA PART No.	SYLVANIA PART No.
Q1	DS-78	FM RF Amp	DS-81	GE-17	TR-22	HEP50	SK3018	ECG 108
Q2	DS-74	FM Mixer	DS-74	GE-11	TR-21	HEP56	SK3018	ECG 108
Q3	DS-74	FM Oscillator	DS-74	GE-11	TR-21	HEP56	SK3018	ECG 108
Q4	DS-85	FM IF Amp	DS-74	GE-17	TR-21	HEP53	SK3018	ECG 108
Q5	OS-71	AM RF Amp	DS-71	GE-20	TR-21	HEP53	SK3018	ECG 108
Q6	DS-72	AM Converter	OS-72	GE-20	TR-21	HEP53	SK3018	ECG 108
Q7	DS-72	AM IF Amp	OS-72	GE-20	TR-21	HEP53	SK3018	ECG 108
Q8	DS-76	AF Amp	DS-66	GE-10	TR-21	HEP54	SK3020	ECG 123
Q9	DS-66	AF Amp	DS-66	GE-10	TR-21	HEP50	SK3020	ECG 123
Q10	OS-501	Output (1)	DS-501	GE-4	TR-03	HEP233	SK3012	ECG 105
Q11	DS-85	FM Trigger Preamp	DS-74	GE-17	TR-21	HEP53	SK3018	ECG 108
Q12	DS-47	Trigger Amp	DS-47	GE-10	TR-21	HEP54	SK3020	ECG 123
Q13	DS-67	Relay Amp	DS-66	GE-10	TR-21	HEP54	SK3020	ECG 123
Q14	DS-67	Relay Control	DS-66	GE-10	TR-21	HEP54	SK3020	ECG 123

(1) When replacing, apply silicone grease to both sides of insulator. Tighten mounting screws securely.

INTEGRATED CIRCUITS

ITEM No.	FUNCTION	MFGR. PART No.	REMARKS
IC-1	FM Limiter & Quadrature Detector	DM-11	

POWER RECTIFIERS & SIGNAL DIODES

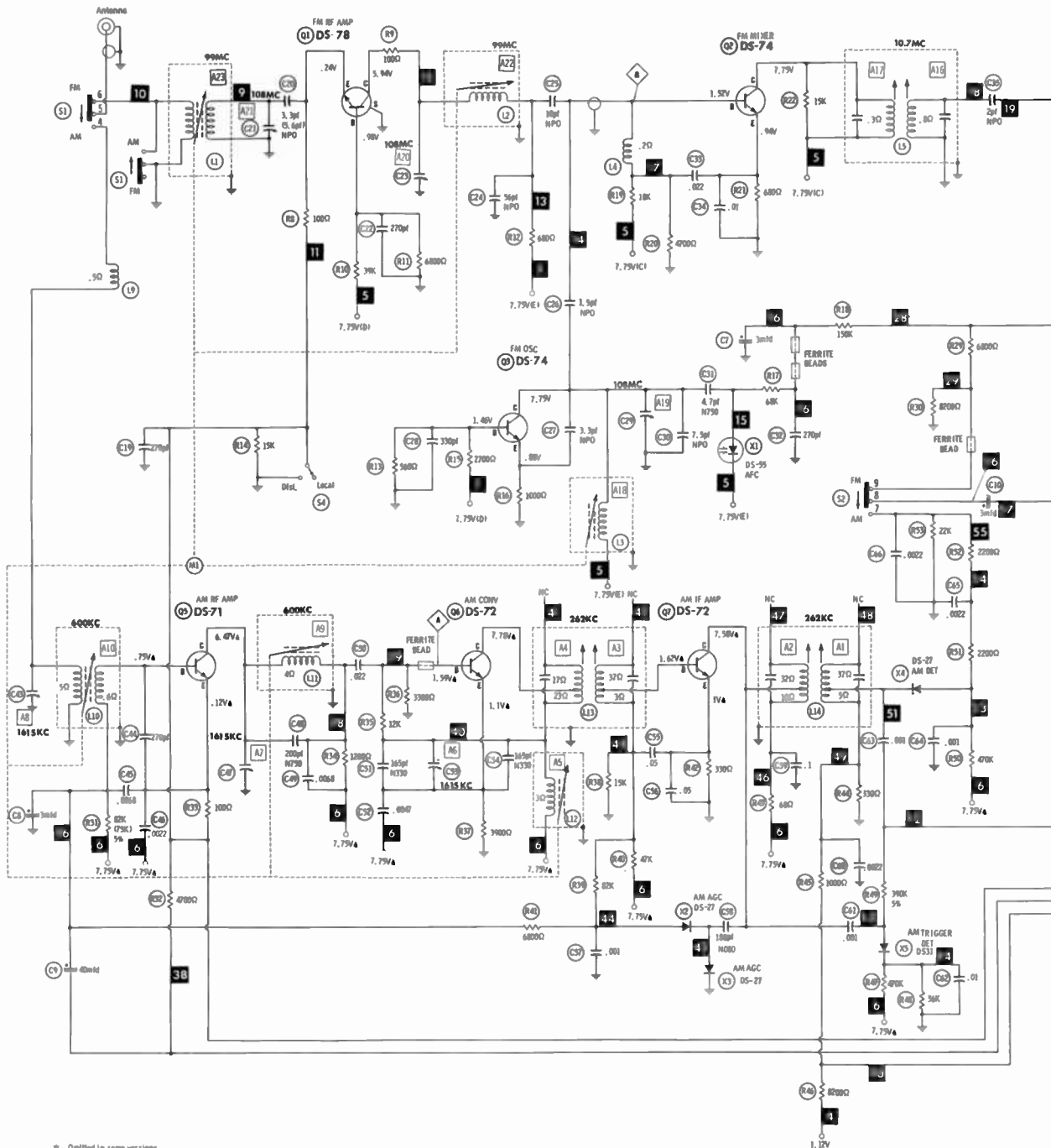
ITEM No.	MFGR. PART OR TYPE No.	REPLACEMENT RECTIFIERS & DIODES			REPLACEMENT RECTIFIERS	NOTES
		GENERAL ELECTRIC PART No.	INTERNATIONAL RECTIFIER PART No.	SYLVANIA PART No.		
X1	DS-55					Varactor
X2	DS-27	1N34AS	1N34A	ECG 109		
X3	DS-27	1N34AS	1N34A	ECG 109		
X4	DS-27	1N34AS	1N34A	ECG 109		
X5	DS-31	1N34AS	1N34A	ECG 109		
X6	DS-27	1N34AS	1N34A	ECG 109		
X7	DS-27	1N34AS	1N34A	ECG 109		
X8	DS-149	GE-X1	1ZM-8.2		Zener	
X9	DS-149	GE-X1	1ZM-8.2		Zener	

ELECTROLYTIC CAPACITORS

ITEM No.	RATING	REPLACEMENT DATA						
		PART No.	AEROVOX PART No.	CENTRALAB PART No.	CORNELL-DUBILIER PART No.	GENERAL ELECTRIC PART No.	MALLORY PART No.	SPRAGUE PART No.
C1A	1500 16V	7314039						
B	500 16V							
C	15 11.5V rms							
C2	100 4V	7291810	PTT30	EA6-100	AL100-16	MT1-21	MTA100E10	TE-1102
C3	250 16V	7307357	PRS1210	EA15-250	WBR250-50	QT1-28	MTA250F15	TE-1165
C4	4.7 10V	7310782	CRE604A	EA15-5	WBR5-150	MT1-3	MTA5D50	TE-1127
C5	3 10V	7296348	PTT127	EA15-2	AL3-150	MT1-3	MTA3D50	TE-1127
C6	10 12V	7292738	PTT114	EA15-10	AL10-25	MT1-5	MTA10D35	TL-1128
C7	3 10V	7296348	PTT127	EA15-2	AL3-150	MT1-3	MTA3D50	TE-1127

(CONTINUED ON PAGE 52)

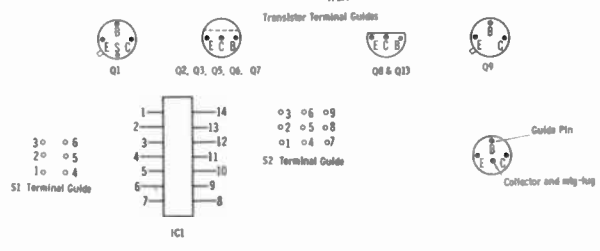
CHRYSLER MODELS 2884 874/876

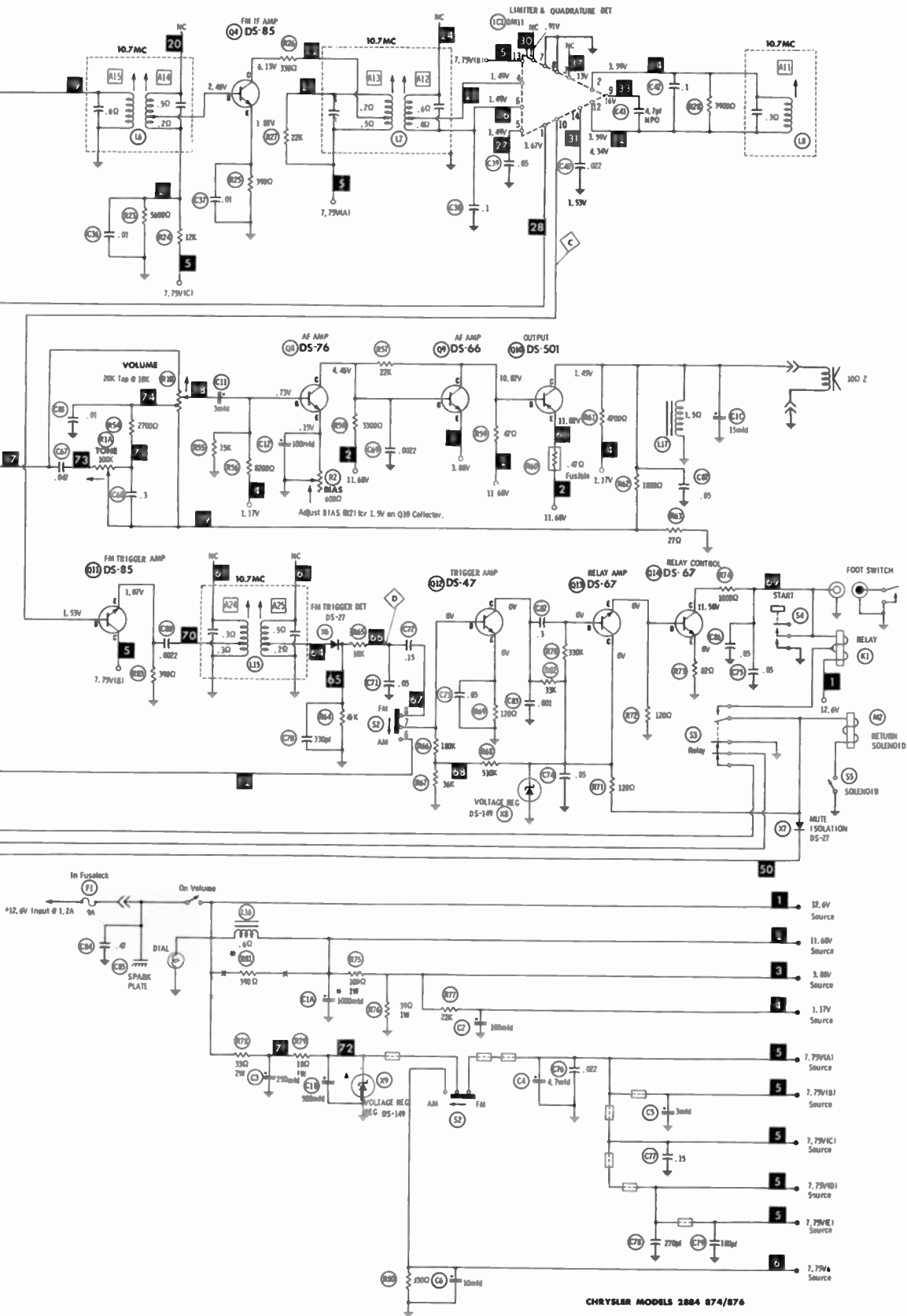


* Omitted in some versions.
 ● See parts list.
 rrrrr Denotes chassis
 ⚡ Denotes ground
 Measurements taken with switching in position shown unless otherwise indicated.
 ▲ Measured with switching in "AM" position.
 Resistors are 1/2W or less, 10% or 20%, unless otherwise indicated.
 Supply voltage maintained at rated value for measurements.
 Voltage and resistance measured with VTVM or equivalent meter, no signal applied and controls adjusted for normal operation.
 Controls viewed from acquirer end. Arrow indicates clockwise rotation.
 Numbers assigned to terminals may not be found on the unit.
 Transistor resistances vary widely. No resistance measurements taken.

A PHOTOFACT STANDARD NOTATION SCHEMATIC with **CircuitTrace**

© Howard W. Sams & Co., Inc. 1970





CHRYSLER MODELS 2884 874/876

PARTS LIST AND DESCRIPTION (CONTINUED)

(When ordering parts, state Model, Part Number, and Description.)

Replacement parts shown may be superseded by the availability of newly introduced replacements.
Have your local distributor check Sams COUNTER FACTS for the most up-to-date replacement.

ELECTROLYTIC CAPACITORS (cont)

ITEM No.	RATING	REPLACEMENT DATA						
		PART No.	AEROVOX PART No.	CENTRALAB PART No.	CORNELL-DUBILIER PART No.	GENERAL ELECTRIC PART No.	MALLORY PART No.	SPRAGUE PART No.
C8	3 10V	7296348	PTT127	EA15-2	AL3-150	MT1-3	MTA3D50	TE-1127
C9	40 6V	7298555	CRE315A	EA6-50	AL50-15	MT1-15	TAC396K006POA	TE-1095
C10	3 10V	7296348	PTT127	EA15-2	AL3-150	MT1-3	MTA3D50	TE-1127
C11	3 10V	7296348	PTT127	EA15-2	AL3-150	MT1-3	MTA3D50	TE-1127
C12	100 4V	7291810	PTT30	EA6-100	AL100-16	MT1-21	MTA100E10	TE-1102

CAPACITORS

ITEM No.	RATING	REMARKS	REPLACEMENT DATA					
			AEROVOX PART No.	CENTRALAB PART No.	CORNELL-DUBILIER PART No.	ELMENCO PART No.	MALLORY PART No.	SPRAGUE PART No.
C19	270		GPD X5F271K	DD-271	GP270	CCD-271	GP327	5GA-T27
C20	3.3	NPO	NPO-DI 3.3	DTZ-3R3	NP03P3		CN0533	10TCC-V33
C21		#7293221						
C22	270		GPD X5F271K	DD-271	GP270	CCD-271	GP327	5GA-T27
C23		#7291003						
C24	56	NPO		TCZ-56		CCTO-560	CN0456	10TCC-Q56
C25	10	NPO	NPO-DI 10	DTZ-10	NP010	CCTO-100	CN0410	10TCC-Q10
C26	1.5	NPO	NPO-DI 1.5	DTZ-1R5	NP01P5		CN0515	10TCC-V15
C27	3.3	NPO	NPO-DI 3.3	DTZ-3R3	NP03P3		CN0533	10TCC-V33
C28	330		GPD X5F331K	DD-331	GP330	CCD-331	GP333	10TS-T33
C29		#7292611						
C30	7.5	NPO						
C31	4.7	N750		DTN-5	N5	CCTN-050	CN754	10TCU-V47
C32	270		GPD X5F271K	DD-271	GP270	CCD-271	GP327	5GA-T27
C33	.022		TTP-02	CK-203	MGP02	CCD-203	TA120	TG-S20
C34	.01		TTP-01	CK-103	MGP01	CCD-103	TA110	TG-S10
C35	2	NPO	NPO-DI 2.2	DTZ-2R2	NP02P2		CN0522	10TCC-V22
C36	.01		TTP-01	CK-103	MGP01	CCD-103	TA110	TG-S10
C37	.01		TTP-01	CK-103	MGP01	CCD-103	TA110	TG-S10
C38	.1		TTP-1	CK-104			TA010	TG-P10
C39	.05		TTP-05	CK-503	MGP05	CCD-503	TA150	TGL-S50
C40	.022		TTP-02	CK-203	MGP02	CCD-203	TA120	TG-S20
C41	4.7	NPO	NPO-DI 4.7	DTZ-4R7	NP04P7		CN0547	10TCC-V47
C42	.1		TTP-1	CK-104			TA010	TG-P10
C43		#7313704						
C44	270		GPD X5F271K	DD-271	GP270	CCD-271	GP327	5GA-T27
C45	.0068		GPO X5R682K	DD-682	GP6800	CCD-682	GP268	5GA-D68
C46	.0022		GPD X5F222K	DD-222	GP2200	CCD-222	GP222	10TS-D22
C47		#7312933						
C48	200	N760	N750-DI 200	DTN-200	N220	CCTN-201	CN7201	10TCU-T20
C49	.0068	75V	D8E6D68	CPR-6800J	WMF1068	1DP-1-682	PVC4268	6PS-D68
C50	.022		TTP-02	CK-203	MGP02	CCD-203	TA120	TG-S20
C51	165	N330				*	*	
C52	.0047	75V	D8E6D5	CPR-5000J	DPMS6D5	1DP-1-502	PVC625	6PS-D50
C53		#7295192						
C54	165	N330				*	*	
C55	.05		TTP-05	CK-503	MGP05	CCD-503	TA150	TGL-S50
C56	.05		TTP-05	CK-503	MGP05	CCD-503	TA150	TGL-S50
C57	.001		GPD X5F102K	DM-102	GP1000	CCD-102	SM210	2SS-D10
C58	180	N080				*	*	10TCN-T18
C59	.1		TTP-1	CK-104			TA010	TG-P10
C60	.0022		GPD X5F222K	DD-222	GP2200	CCD-222	GP222	10TS-D22
C61	.001		GPD X5F102K	DM-102	GP1000	CCD-102	SM210	2SS-D10
C62	.01		TTP-01	CK-103	MGP01	CCD-103	TA110	TG-S10
C63	.001		GPD X5F102K	DM-102	GP1000	CCD-102	SM210	2SS-D10
C64	.001		GPD X5F102K	DM-102	GP1000	CCD-102	SM210	2SS-D10
C65	.0022		GPD X5F222K	DD-222	GP2200	CCD-222	GP222	10TS-D22
C66	.0022		GPD X5F222K	DD-222	GP2200	CCD-222	GP222	10TS-D22
C67	.047	75V	V1612S47		DPMS6S47	1DP-2-473	PVC1147	225P47391W3D3
C68	.3			UK16-304			HY-327	10TS-D22
C69	.0022		GPD X5F222K	DD-222	GP2200	CCD-222	GP222	10TS-D22
C70	330		GPD X5F331K	DD-331	GP330	CCD-331	GP333	10TS-T33
C71	.05		TTP-05	CK-503	MGP05	CCD-503	TA150	TGL-S50
C72	.15		TTP-1	CK-104			TA010	TG-P10
C73	.05		TTP-05	CK-503	MGP05	CCD-503	TA150	TGL-S50
C74	.05		TTP-05	CK-503	MGP05	CCD-503	TA150	TGL-S50
C75	.05	75V	D8E6S5		DMS6S5	6DP-3-503	PVC615	6PS-S50
C76	.022		TTP-02	CY-203	MGP02	CCD-203	TA120	TG-S20
C77	.15		TTP-1	CK-104			TA010	TG-P10
C78	270		GPD X5F271K	DD-271	GP270	CCD271	GP327	5GA-T27
C79	180		ADM-10-181	CPR-180J	CD15FD181J03	DM-10-181J	SX318	MS-318
C80	.0022		GPD X5F222K	DD-222	GP2200	CCD-222	GP222	10TS-D22
C81	.01	75V	V1612S1	CPR-10000J	DPMS6S1	1DP-1 103	PVC211	225P10391W3D3
C82	.3			UK16-304			HY-327	10TS-D22
C83	.001		GPO X5F102K	DM-102	GP1000	CCD-102	SM210	2SS-D10
C84	.47	75V	D8E2P47		DPMS2P47	1DP-4-504	PVC105	2PS-P50
C85		#7271564						
C86	.05	75V	D8E6S5		DPMS6S5	6DP-3-503	PVC615	6PS-S50
C87	.05	75V	D8E6S5		DPMS6S5	6DP-3-503	PVC615	6PS-S50

Delco Part Number.

PARTS LIST AND DESCRIPTION (CONTINUED)

(When ordering parts, state Model, Part Number, and Description.)

Replacement parts shown may be superseded by the availability of newly introduced replacements.

Have your local distributor check Sams COUNTER FACTS¹ for the most up-to-date replacement.

CONTROLS (All wattages 1/2 watt, or less, unless listed)

ITEM No.	FUNCTION	RESIST-ANCE	REPLACEMENT DATA				
			MFGR. PART No.	CENTRALAB PART No.	CLAROSTAT PART No.	CTS-IRC PART No.	MALLORY PART No.
R1A	Tone	100K	7314323	F1-100K, R16-25K, SC006,BC112, FFS202, RFS209,KR-4		QJ-2661A *	P15L,SH5375, 5134, RU253T53, OX2000, IS2437,US41 MT850T
B	Volume/Switch	20K Tap @ 10K					
R2	Bias	600 ohms 2 Watt	7294878	WT-850 or V-600	U39-600	110-600	

* "Concentrik" Equivalent: K-8 Kit with base elements & shafts; 811-128, P13-200 (Panel)
819-119X,R9-211 (Rear)
S28 (Bushing)
N3 (Nut)
76-1 (Switch)

"Snaptrol" Equivalent: BU10 (1),CF13,CR68TT (2),SF45,SR52,N3,GC

(1) Alter bushing and adjust spacer nut (N3) to meet requirements. (2) Do not use 5000 ohms tap.

RESISTORS (Power and Special)

ITEM No.	RATING	REPLACEMENT DATA	
		WORKMAN PART No.	MFGR. PART No.
R60	.47 (Fusible)		7281890

ITEM No.	RATING	REPLACEMENT DATA	
		WORKMAN PART No.	MFGR. PART No.

COILS (RF-IF)

ITEM No.	USE	REPLACEMENT DATA			
		PART No.	MEISSNER PART No.	MILLER PART No.	WORKMAN PART No.
L1	FM Antenna	(1)			
L2	FM RF	(1)			
L3	FM Oscillator	(1)			
L4	10.7MC Trap (1uh)	7296856	19-1000	4602	T855
L5	FM Input IF	7305472			
L6	FM Interstage IF	7305473			
L7	FM Interstage IF	7305474			
L8	Quadrature	7311554			
L9	RF Choke (8uh)	7309299	19-1009	4611	T822
L10	AM Antenna	(1)			
L11	AM RF	(1)			
L12	AM Oscillator	(1)			
L13	AM Input IF	7295169			
L14	AM output IF	7295170			
L15	FM Trigger IF	7312954			

(1) Part of M1.

FILTER CHOKE

ITEM No.	RATINGS			REPLACEMENT DATA					NOTES
	CURRENT (Measured)	DC RES.	INDUCTANCE (0 CURRENT 1000~)	PART No.	MERIT PART No.	STANCOR PART No.	THORDARSON PART No.	TRIAD PART No.	
L16	1.2 Amp	.6	8mh	1221623	C-4095	TC-2	TR-154	TY17XT	

CHRYSLER MODELS 2884 874/876

PARTS LIST AND DESCRIPTION (CONTINUED)

(When ordering parts, state Model, Part Number, and Description.)

Replacement parts shown may be superseded by the availability of newly introduced replacements.
Have your local distributor check Sams COUNTER FACTS[®] for the most up-to-date replacement.

CHOKE (Audio Output)

ITEM No.	INDUCTANCE	REPLACEMENT DATA					NOTES
		PART No.	MERIT PART No.	STANCOR PART No.	THORDARSON PART No.	TRIAD PART No.	
L17	35mh	7296712					

FUSE DEVICES

ITEM No.	DESCRIPTION	REPLACEMENT DATA						
		PART No.		BUSS PART No.		LITTELFUSE PART No.		WORKMAN PART No.
		DEVICE	HOLDER	DEVICE	HOLDER	DEVICE	HOLDER	DEVICE
F1	SFE 9 Amp		In Fuse Block	SFE9		307009		

MISCELLANEOUS

ITEM No.	PART NAME	PART No.	NOTES
M1	Tuning Coil Ass'y.	1222504	
M2	Soleoid	1221409	
K1	Relay	7295713	
S1	Switch, Selector	7311678	
S2	Switch, Selector	7311678	
S3	Switch, Relay	7295713	
S4	Switch, Start	7312188	
S5	Switch, Solenoid	7268030	

CABINETS & CABINET PARTS (When ordering specify model, chassis & color)

ITEM	MODEL	PART No.	ITEM	PART No.
Dial Drum	2884874	7308214	Dial Glass	7306959
Dial Drum	2884876	7308776	Dial Pointer	7306972
Escutcheon	2884874	7308163	Push Button	7306688
Escutcheon	2884876	7308205		

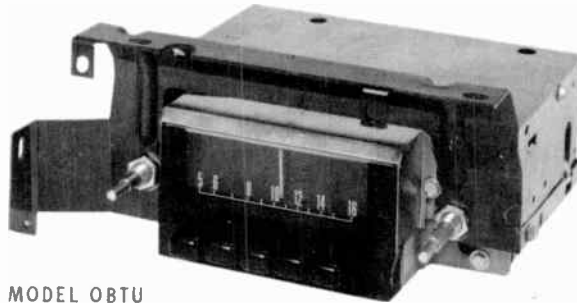


PHOTOFACT[®] with

CIRCUITRACE[®]

For Supplier Address See PHOTOFACT Index

NOTE: Manufacturer Part Numbers Shown Are BENDIX



MODEL OBTU

FORD MODELS OBTM
(DOTJ-18806)
OBTM
(DOTA-18806)
OBTPL
(DOHA-18806)
(70 Ford Truck)
OBTU
(DOUA-18806)
(70 Ford Econoline)

ALIGNMENT INSTRUCTIONS

Check for specified source voltage.
Use only enough generator output
to provide a usable indication.
Suggested Alignment Tools:

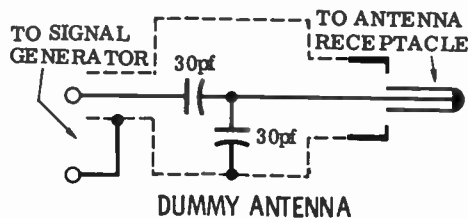
A1 thru A7GENERAL CEMENT #9440
WALSCO #2501

PUSH-BUTTON ADJUSTMENT

1. Pull button out.
2. Tune manually to desired station.
3. Press button in firmly.
4. Repeat for remaining buttons.

	GENERATOR COUPLING	GENERATOR FREQUENCY	RADIO DIAL SETTING	INDICATOR	ADJUST	REMARKS
1.	High side thru .lmfd to point \diamond , low side to ground.	262.5KC 400 cycle modulation	High freq. end stop.	Output meter across voice coil.	A1,A2, A3,A4	Adjust for maximum.
2.	Thru dummy antenna to antenna input.	1610KC	"	"	A5,A6, A7	"
Step 3 is not necessary unless tuner or associated components have been disturbed. If necessary, back tuning cores (A8,A9,A10) out of coils but not out of forms. Repeat Step 2.						
3.	Thru dummy antenna to antenna input.	1000KC	Tune to signal	Output meter across voice coil	A8,A9, A10	Adjust for maximum. Repeat Steps 2 and 3 until no further improvement is noted

With radio installed in car and antenna extended to desired height, tune in a weak station near 1400KC and adjust A7 for maximum output. Antenna adjustment (A7) is located behind Tuning & Dummy Knob.

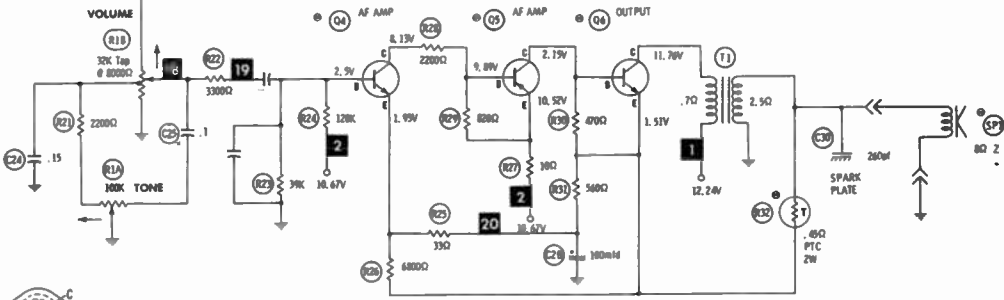
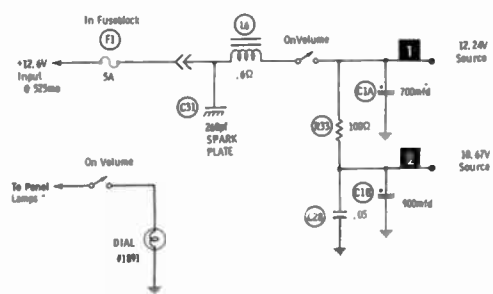
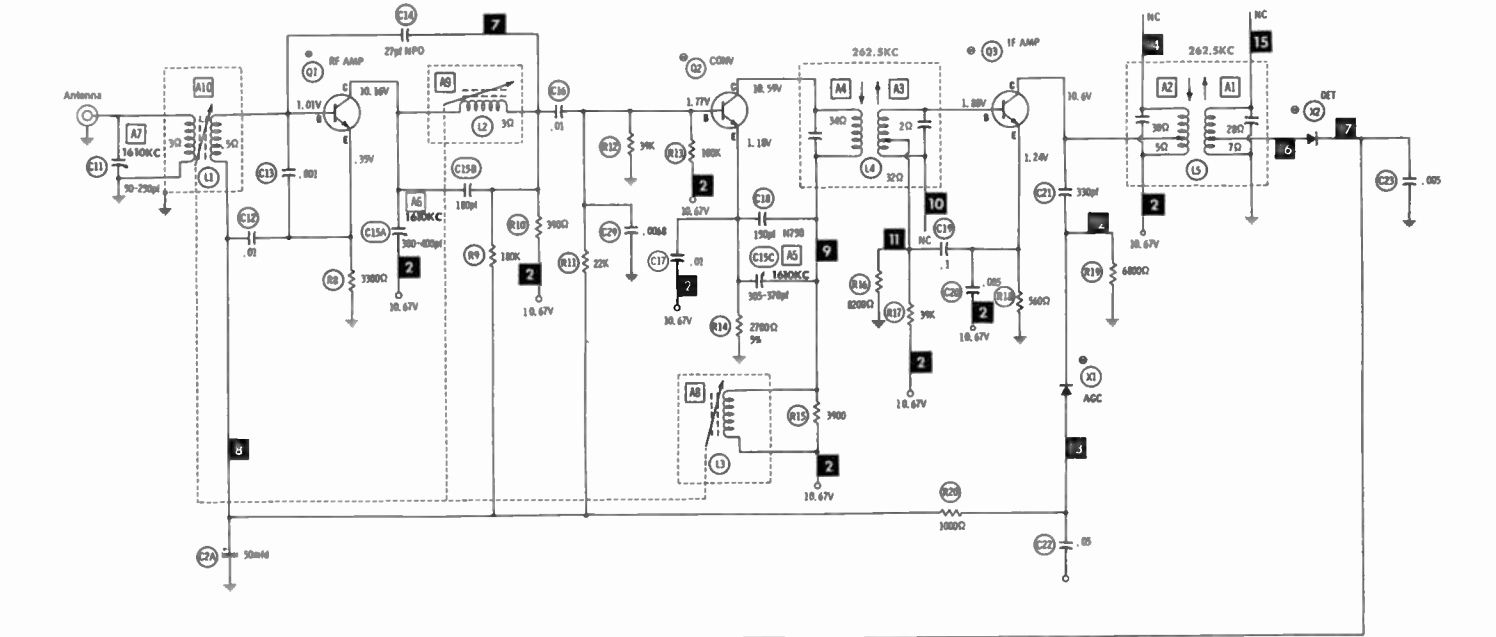


HOWARD W. SAMS & CO., INC. Indianapolis, Indiana 46206

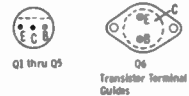
© 1970 Howard W. Sams & Co., Inc. Printed in U. S. of America

TD765

FORD MODELS OBTM/TP/TPL/TU

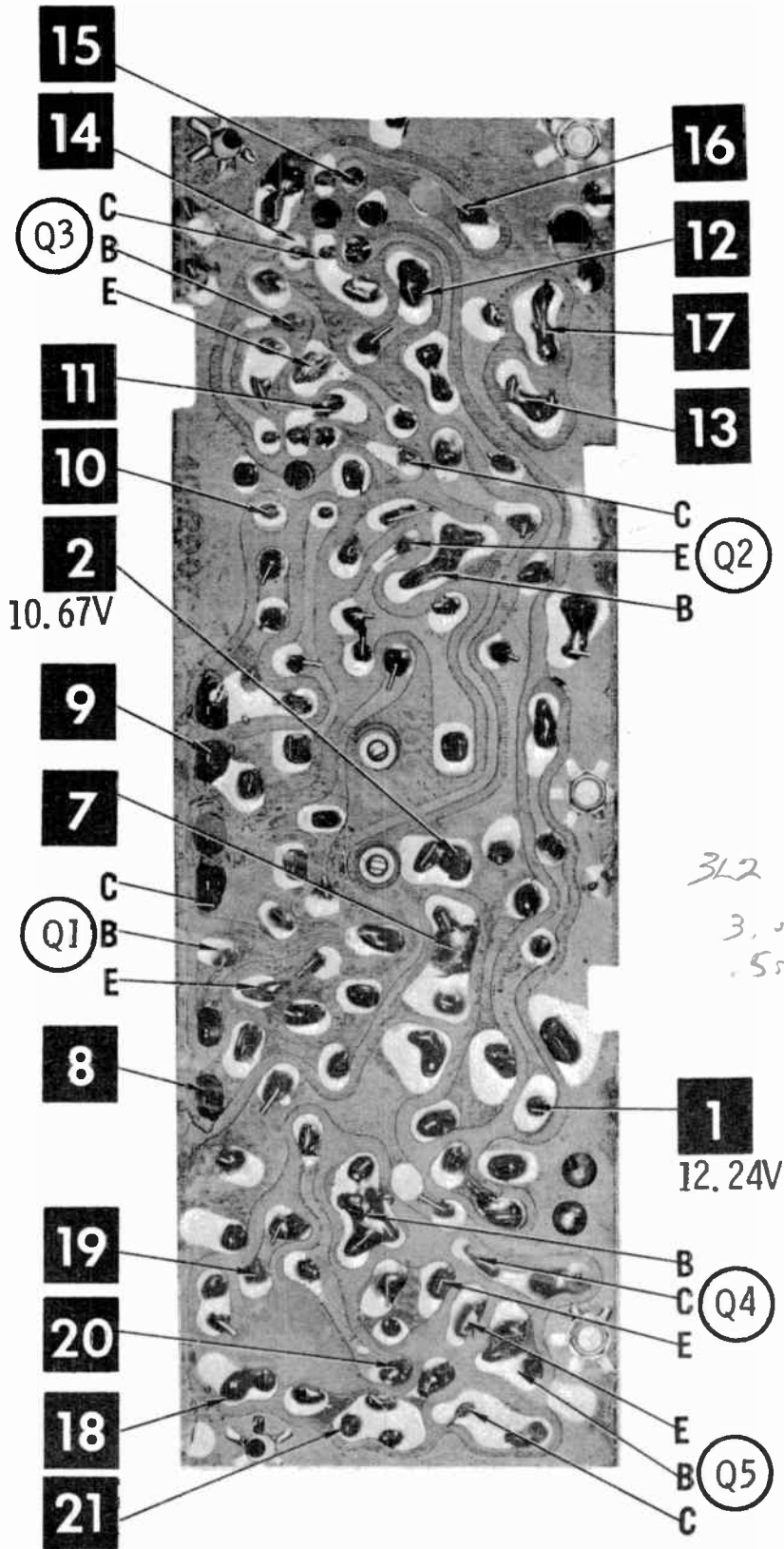


See parts list.
 Denotes chassis.
 Denotes ground.
 Resistors are 1/2W or less, 10% or 20%, unless otherwise indicated.
 Supply voltage maintained at rated value for measurements.
 Voltage and resistance measured with VTVM or equivalent meter,
 no signal applied and controls adjusted for normal operation.
 Controls viewed from actuator end. Arrow indicates clockwise rotation.
 Numbers assigned to terminals may not be found on the unit.
 Transistor resistances vary widely. No resistance measurements taken.

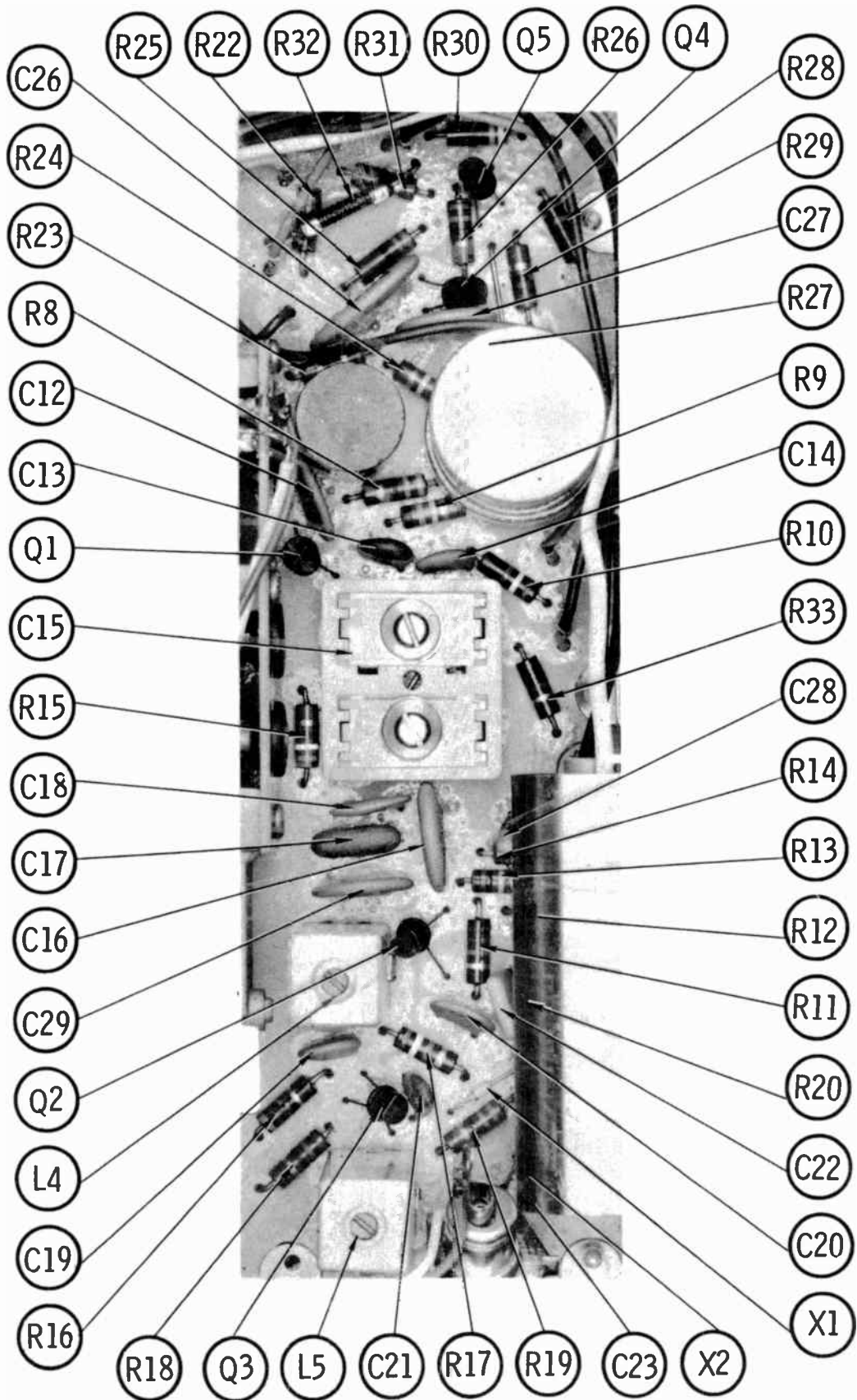


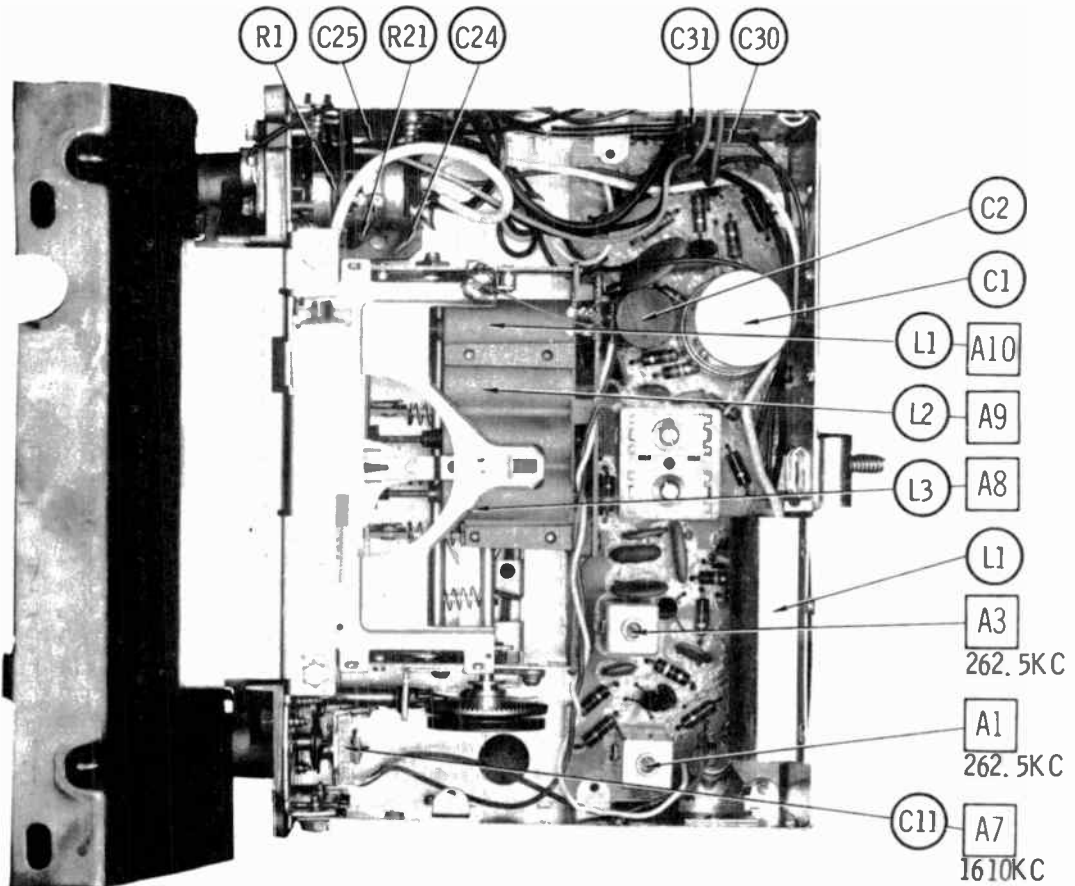
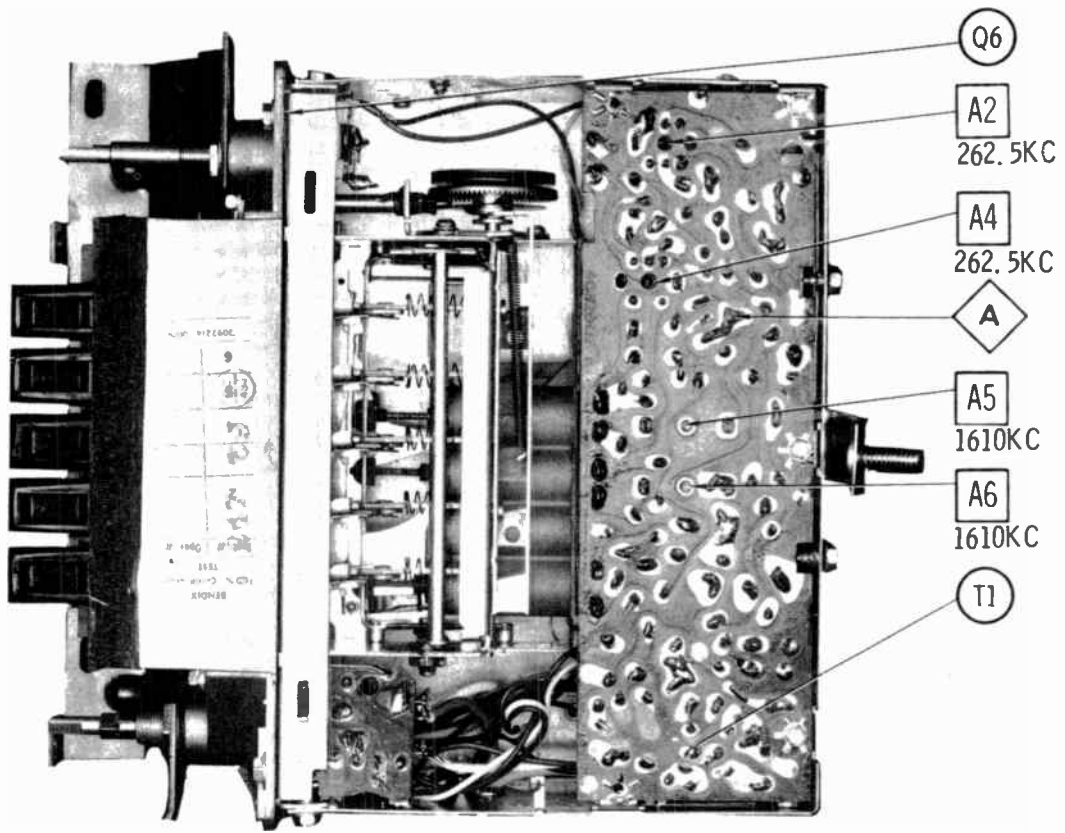
A PHOTOFACT STANDARD NOTATION SCHEMATIC
 with **CIRCUITRACE**
 © Howard W. Sams & Co., Inc. 1970

FORD MODELS 08TM/TP/TPL/TU



7 1)
 3L2 0007.4
 3.02 P
 .50 S





PARTS LIST AND DESCRIPTION

(When ordering parts, state Model, Part Number, and Description.)

Replacement parts shown may be superseded by the availability of newly introduced replacements.
Have your local distributor check Sams COUNTER FACTS[®] for the most up-to-date replacement.

WIRING DATA

General-use Unshielded Hook-up Wire	Use BELDEN No. 8530 (Solid) Available in 12 Colors 8524 (Stranded) Available in 12 Colors
Shielded Hook-up Wire	Use BELDEN No. 8885
Rear Seat Speaker Extension Cable	Use BELDEN No. 8782 (Stranded) Coded Parallel Leads
Bonding Strap	Use BELDEN No. 8661 (3/8 In.) or 8670 (3/4 In.)

TRANSISTORS

ITEM No.	TYPE No.	FUNCTION	REPLACEMENT DATA					
			MFGR. PART No.	GENERAL ELECTRIC PART No.	INTERNATIONAL RECTIFIER PART No.	MOTOROLA PART No.	RCA PART No.	SYLVANIA PART No.
Q1		RF Amp	2093308-0704	GE-20	TR-21	HEP54	SK3018	ECG 107
Q2		Converter	2093308-0705	GE-20	TR-21	HEP54	SK3018	ECG 107
Q3		IF Amp	2093308-0706	GE-20	TR-21	HEP54	SK3018	ECG 107
Q4		AF Amp	2092609-0721	GE-10	TR-21	HEP54	SK3020	ECG 123
Q5		AF Amp	2057013-0702	GE-21	TR-19	HEP51	SK3025	ECG 129
Q6		Output *	4080838-0001 4080866-0001 (1)	GE-23	TR-23	HEP703	SK3026	ECG 152

* When replacing, apply silicone grease to both sides of insulator. Tighten mounting screws securely.
(1) Alter Part Number.

POWER RECTIFIERS & SIGNAL DIODES

ITEM No.	MFGR. PART OR TYPE No.	REPLACEMENT RECTIFIERS & DIODES			REPLACEMENT RECTIFIERS	NOTES
		GENERAL ELECTRIC PART No.	INTERNATIONAL RECTIFIER PART No.	SYLVANIA PART No.		
X1	2092055-0708	1N82A	1N82A	ECG 112		
X2	2092055-0001	1N34AS	1N34AS	ECG 109		

ELECTROLYTIC CAPACITORS

ITEM No.	RATING	REPLACEMENT DATA						
		PART No.	AEROVOX PART No.	CENTRALAB PART No.	CORNELL-DUBILIER PART No.	GENERAL ELECTRIC PART No.	MALLORY PART No.	SPRAGUE PART No.
C1A 8	700 16V	2092983-0014	PWH2-02-65		88004A			PCL-2185.1
C2A 8	900 16V 50 4V 1000 4V	2092246-0011						

CAPACITORS

ITEM No.	RATING	REMARKS	REPLACEMENT DATA					
			AEROVOX PART No.	CENTRALAB PART No.	CORNELL-DUBILIER PART No.	ELMENC0 PART No.	MALLORY PART No.	SPRAGUE PART No.
C11	50-250	#2093466-0705						
C12	.01		GPD X5S103K	DD-103	GP10000	CCD-103	JF110	10TS-S10
C13	.001		GPD X5F102K	DM-102	GP1000	CCD-102	SM210	2SS-D10
C14	27 NPO			TCZ-27	NP027	CCT0-270	CN0427	10TCU-Q27
C15A	300-400	#219092-0041						
8	180							
C	305-370							
C16	.01		GPD X5S103K	DD-103	GP10000	CCD-103	JF110	10TS-S10
C17	.01 75V		V1612S1	CPR-10000J	DPMS6S1	10P-1-103	PVC211	225P10391WD3
C18	150 N750		N750-DI 150	DTN-150	N150	CCTN-151	CN7315	10TCU-T15
C19	.1		TTP-1	CK-104			TA010	TG-P10
C20	.005		TTP-005	CK-502	MGP005	CCD-502	TA250	TG-D50
C21	330		GPD X5F331K	DD-331	GP330	CCD-331	GP333	10TS-T33
C22	.05 75V		DBE6S5		DPMS6S5	6DP-3-503	PVC615	6PS-S50
C23	.005		TTP-005	CK-502	MGP005	CCD-502	TA250	TG-D50
C24	.15		TTP-1	CK-104			TA010	TG-P10
C25	.1		TTP-1	CK-104			TA010	TG-P10
C26	.47			UK10-474			TA010	HY-380
C27	.0068		GPD X5R682K	DD-682		CCD-682	JF268	10TS-D68
C28	.05 75V		DBE6S5		DPMS6S5	6DP-3-503	PVC615	6PS-S50
C29	.0068		GPD X5R682K	00-682		CCD-682	JF268	10TS-068
C30	260	#2093050-0710						
C31	260	#2093050-0710						

Bendix Part Number

PARTS LIST AND DESCRIPTION (CONTINUED)

(When ordering parts, state Model, Part Number, and Description.)

Replacement parts shown may be superseded by the availability of newly introduced replacements.
Have your local distributor check Sams COUNTER FACTS* for the most up-to-date replacement.

CONTROLS (All wattages 1/2 watt, or less, unless listed)

ITEM No.	FUNCTION	RESIST-ANCE	REPLACEMENT DATA				MALLORY PART No.
			MFGR. PART No.	CENTRALAB PART No.	CLAROSTAT PART No.	CTS-IRC PART No.	
R1A B	Tone Volume/Switch	100K 32K Tap @ 8000	2056738- 0705 (1)				P15L, 3158, SH3500,SH3625, RU44T14,0x1937, IS2437,US42 P15L, 3258, SH3500,SH3625, RU44T14,0x2750, IS3187, US41
A B	Tone Volume/Switch	100K 32K Tap @ 8000	2056738- 0702 (2)				
A	Tone	100K	2056738- 0708 (3)				
B	Volume/Switch	32K Tap @ 8000					

(1) Used in Model OBTU. (2) Used in Model OBTL. (3) Used in Models OBTM & OBTP.

RESISTORS (Power and Special)

ITEM No.	RATING	REPLACEMENT DATA	
		WORKMAN PART No.	MFGR. PART No.
R32	.45 2W (PTC)		2090948-0732

ITEM No.	RATING	REPLACEMENT DATA	
		WORKMAN PART No.	MFGR. PART No.

COILS (RF-IF)

ITEM No.	USE	REPLACEMENT DATA			
		PART No.	MEISSNER PART No.	MILLER PART No.	WORKMAN PART No.
L1	Antenna	(1)			
L2	RF	(1)			
L3	Osc	(1)			
L4	Input IF	2094080-0711		8006 (2)	
L5	Output IF	2094080-0712		8006	

(1) Part of M1. (2) Cut off Pin #5.

FILTER CHOKE

ITEM No.	RATINGS			REPLACEMENT DATA					NOTES
	CURRENT (Measured)	DC RES.	INDUCTANCE (0 CURRENT 1000~)	PART No.	MERIT PART No.	STANCOR PART No.	THORDARSON PART No.	TRIAD PART No.	
L6	525ma	.6	1.7mh	2092050-0736					

FORD MODELS OBTM/TP/TP/L/TU

PARTS LIST AND DESCRIPTION (CONTINUED)

(When ordering parts, state Model, Part Number, and Description.)

Replacement parts shown may be superseded by the availability of newly introduced replacements.
Have your local distributor check Sams COUNTER FACTS® for the most up-to-date replacement.

TRANSFORMER (Audio Output)

ITEM No.	IMPEDANCE		REPLACEMENT DATA					NOTES
			MFR. PART No.	MERIT PART No.	STANCOR PART No.	THORDARSON PART No.	TRIAD PART No.	
	PRI.	SEC.						
T1	16	8	2057317-0703					

SPEAKER

ITEM No.	TYPE	REPLACEMENT DATA		NOTES
		PART No.	QUAM PART No.	
SP1	5" x 7" PM 8 ohms 5" x 7" PM 8 ohms 4" x 11" PM 8 ohms	2056901-0701 4082547-0001 4080108-0004	57A28	Model OBTM, OBTP Model OBTPPL Model OBTV

FUSE DEVICES

ITEM No.	DESCRIPTION	REPLACEMENT DATA						
		PART No.		BUSS PART No.		LITTELFUSE PART No.		WORKMAN PART No.
		DEVICE	HOLDER	DEVICE	HOLDER	DEVICE	HOLDER	DEVICE
F1	AGA 5	2091811-0009	In Fuse Block	AGA5		301005		

MISCELLANECUS

ITEM No.	PART NAME	PART No.	NOTES
M1	Tuner Coil Assembly Tuner Coil Assembly Tuner Tuner Coil Assembly	2094851-0516 2090131-0108 2094851-0539 2090131-0108 2094851-0540 4082336-0003 2090131-0118	(TRW Early Production) (TRW Early Production) (TRW Late Production) (TRW Late Production) (GIC) (GIC used in Model OBTM only)

CABINETS & CABINET PARTS (When ordering specify model, chassis & color)

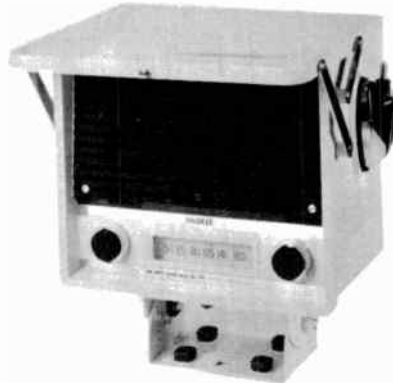
ITEM	PART No.	ITEM	PART No.
Escutcheon	4080033-0002	Knob, Tuning or Volume, Model OBTV	4080109-0701
Dial Glass, Model OBTM	2057468-0004	Knob, Tone or Dummy, Models OBTM, OBTP	4080045-0701
Dial Glass, Models OBTP, OBTV	2057468-0003	Knob, Tone or Dummy, Models OBTPPL, OBTV	4080110-0701
Dial Glass, Model OBTPPL	4082005-0001	Dial Pointer (TRW)	2090129-0114
Knob, Tuning or Volume, Models OBTM, OBTP	4080046-0701	Dial Pointer (GIC)	2090129-0119
Knob, Tuning or Volume, Model OBTPPL	4082549-0001	Push Button	2057410-0001



PHOTOFACT®

For Supplier Address See PHOTOFACT Index

NOTE: Manufacturer Part Numbers Shown Are MOTOROLA



HUSKEE MODEL TM104M
(60-299)

ALIGNMENT INSTRUCTIONS

HUSKEE MODEL TM104M

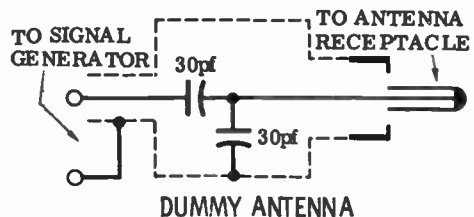
Check for specified source voltage.
Use only enough generator output
to provide a usable indication.
Suggested Alignment Tools:

GENERAL CEMENT WALSCO

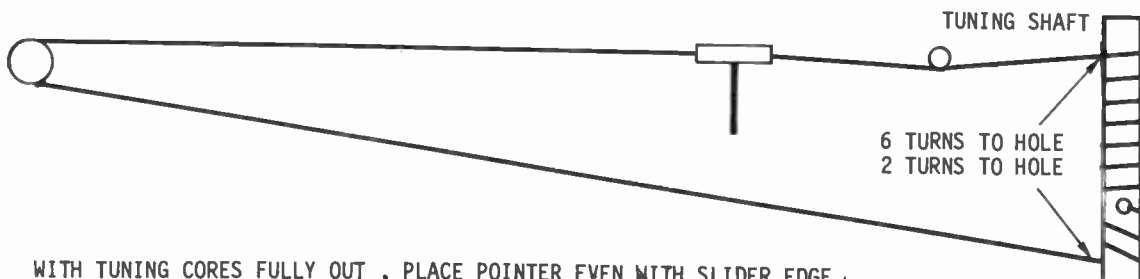
A1 thru A4#9296,9297,9300#2510,2546,2547
A5 thru A8#8290,8868,9087#2525,2528,2587

	GENERATOR COUPLING	GENERATOR FREQUENCY	RADIO DIAL SETTING	INDICATOR	ADJUST	REMARKS
1.	High side thru .1mfd to point Δ , low side to ground.	262KC 400 cycle modulation	High freq. end stop.	Output meter across voice coil.	A1,A2, A3,A4	Adjust for maximum.
2.	Thru dummy antenna to antenna input.	1615KC	"	"	A5,A6, A7,A8	"
Step 3 is not necessary unless tuner or associated components have been disturbed. If necessary, back tuning cores(A9,A10,A11,A12)out of coils but not out of forms. Repeat Step 2.						
3.	Thru dummy antenna to antenna input.	1000KC	Tune to signal	Output meter across voice coil	A9,A10 A11,A12	Adjust for maximum. Repeat Steps 2 and 3 until no further improvement is noted

With radio installed in car and antenna extended to desired height, tune in a weak station near 1400KC and adjust A8 for maximum output.



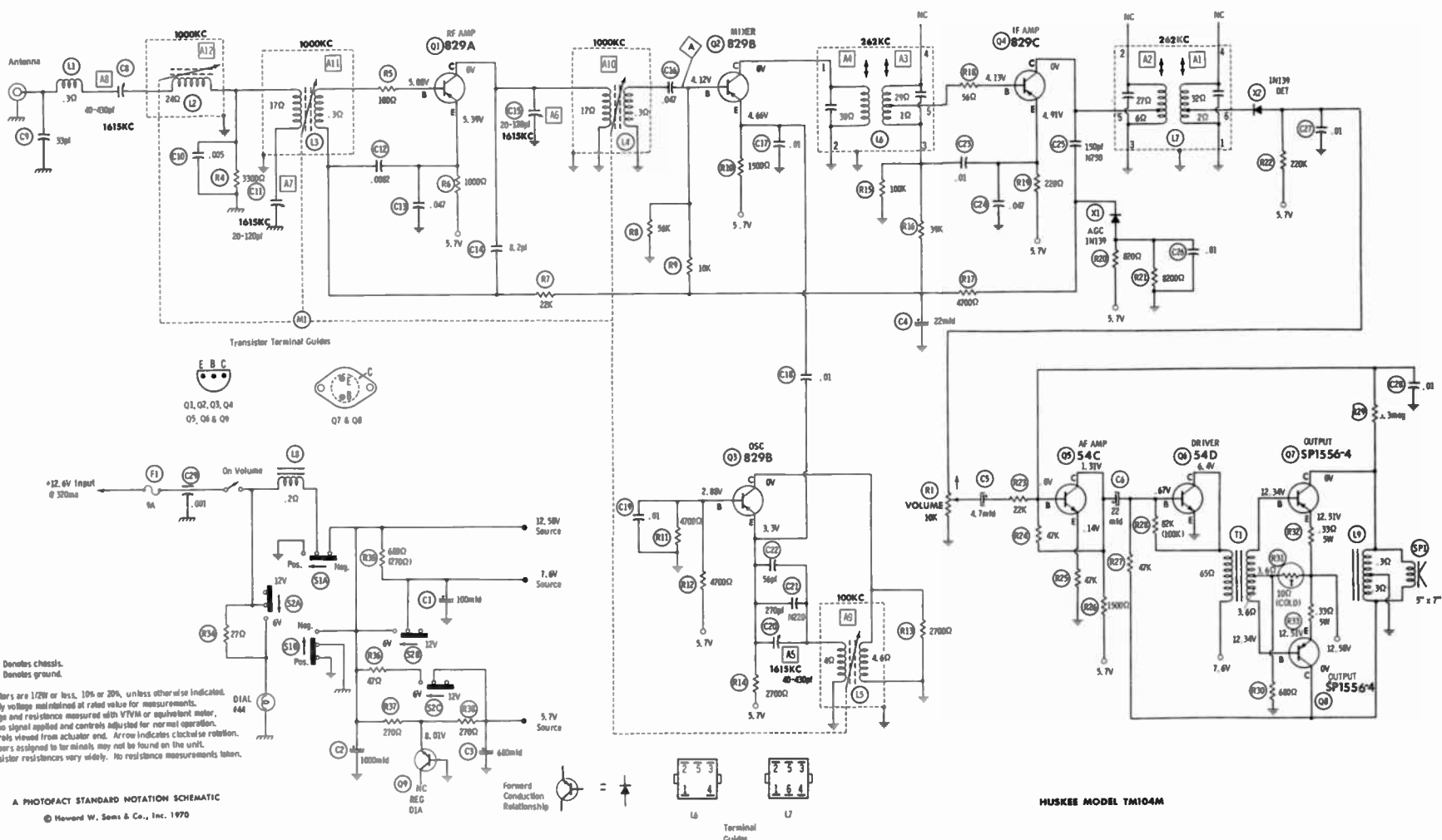
DIAL CORD STRINGING TOP VIEW



WITH TUNING CORES FULLY OUT , PLACE POINTER EVEN WITH SLIDER EDGE..

HOWARD W. SAMS & CO., INC. Indianapolis, Indiana 46206

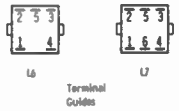
© 1970 Howard W. Sams & Co., Inc. Printed in U. S. of America PD769



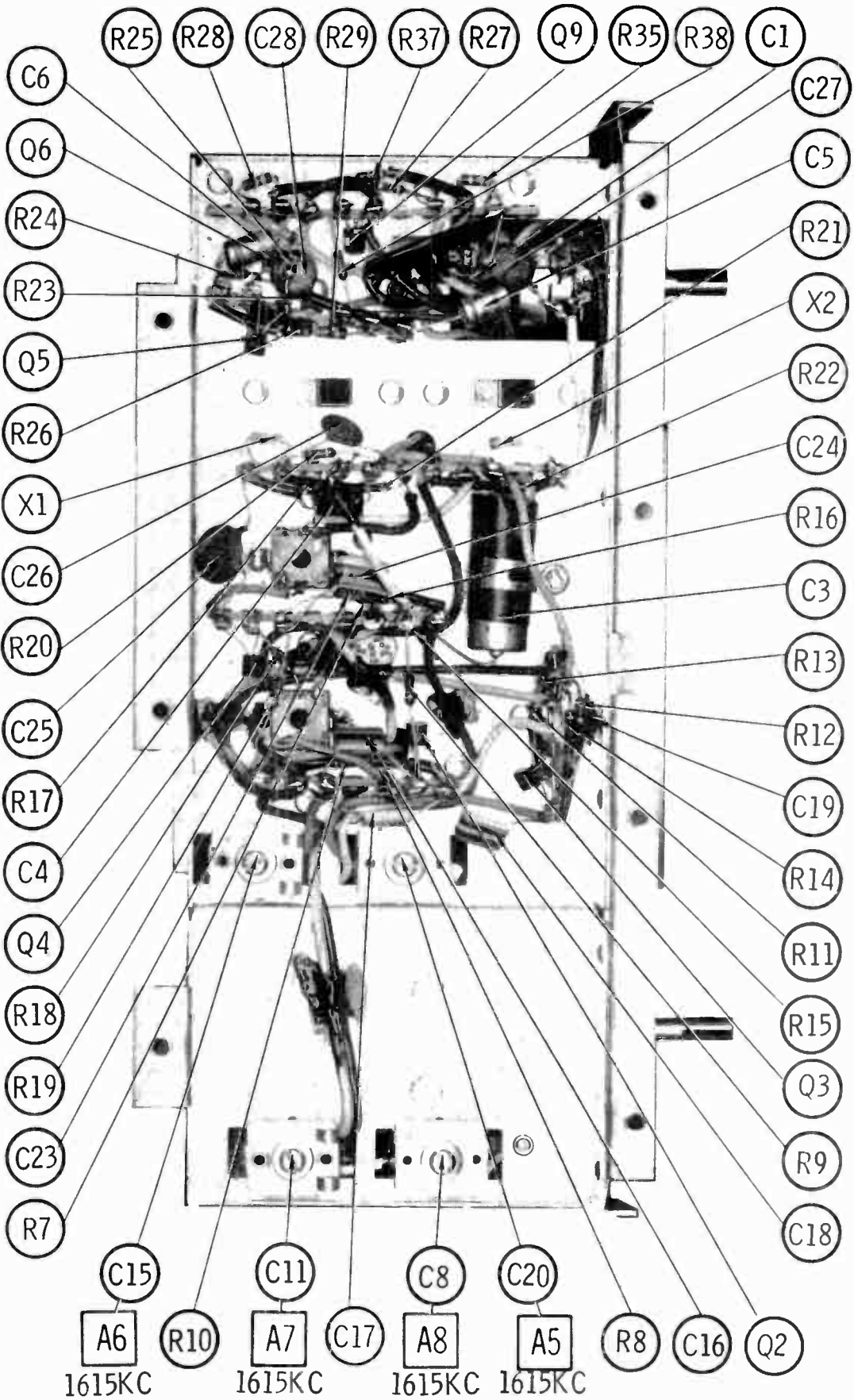
Denotes chassis.
 Denotes ground.

Resistors are 1/2W or less, 10% or 20%, unless otherwise indicated.
 Supply voltage maintained at rated value for measurements.
 Voltage and resistance measured with VTVM or equivalent meter,
 no signal applied and controls adjusted for normal operation.
 Controls viewed from actuator end. Arrow indicates clockwise rotation.
 Numbers assigned to terminals may not be found on the unit.
 Transistor resistances vary widely. No resistance measurements taken.

A PHOTOFACT STANDARD NOTATION SCHEMATIC
 © Howard W. Sams & Co., Inc. 1970



HUSKIE MODEL TM104M



PARTS LIST AND DESCRIPTION

(When ordering parts, state Model, Part Number, and Description.)

Replacement parts shown may be superseded by the availability of newly introduced replacements.
Have your local distributor check Sams COUNTER FACTS[®] for the most up-to-date replacement.

TRANSISTORS

ITEM No.	TYPE No.	FUNCTION	REPLACEMENT DATA					
			MFGR. PART No.	GENERAL ELECTRIC PART No.	INTERNATIONAL RECTIFIER PART No.	MOTOROLA PART No.	RCA PART No.	SYLVANIA PART No.
Q1	829A	RF Amp	48S134830 (1)	GE-22	TR-19	HEP57		ECG 106
Q2	829B	Mixer	48S134831	GE-22	TR-19	HEP57		ECG 106
Q3	829B	Oscillator	48S134831	GE-22	TR-19	HEP57		ECG 106
Q4	829C	IF Amp	48S134832 (1)	GE-22	TR-19	HEP57		ECG 106
Q5	54C	AF Amp	48S134811	GE-20	TR-21	HEP725	SK3020	ECG 123
Q6	54D	Driver	48S134810	GE-20	TR-21	HEP726	SK3020	ECG 123
Q7	SP1556-4	Output (3)	48S134761 (2)	GE-13MP*	TR-01	HEP624	SK3013 *	ECG 104MP*
Q8	SP1556-4	Output (3)	48S134761 (2)		TR-01	HEP624		
Q9	DIA	REgulator	48S134912	GE-20	TR-21		SK3020	

(1) Manufacturer recommends Part #48S134831. (2) Manufacturer recommends Part #48S134759.

(3) When replacing, apply silicone grease to both sides of insulator. Tighten mounting screws securely.

* Matched Pair.

POWER RECTIFIERS & SIGNAL DIODES

ITEM No.	MFGR. PART OR TYPE No.	REPLACEMENT RECTIFIERS & DIODES			REPLACEMENT RECTIFIERS	NOTES
		GENERAL ELECTRIC PART No.	INTERNATIONAL RECTIFIER PART No.	SYLVANIA PART No.	RCA PART No.	
X1	1N139	1N295	1N295			
X2	1N139	1N295	1N295			

ELECTROLYTIC CAPACITORS

ITEM No.	RATING	PART No.	REPLACEMENT DATA					
			AEROVOX PART No.	CENTRALAB PART No.	CORNELL-DUBILIER PART No.	GENERAL ELECTRIC PART No.	MALLORY PART No.	SPRAGUE PART No.
C1	100 16V	23S187A16	CRE473A	EA15-100	AL100-16	MT1-19	MTA100E15	TE-1162
C2	1000 16V	23S187A19	PRS1230	EA15-1000	WBR1000-16	QT1-32	TC1501A	TL-1166.5
C3	680 16V	23S187A17	PRS1230	EA15-1000	WBR1000-16	QT1-32	TC1501A	TL-1166.5
C4	22 25V	23S187A21	PTT82	EA30-25	WBR25-50	MT1-11	MTA25E35	TE-1207
C5	4.7 63V	23S187A14	CRE903A	EA50-5	WBR5-150	MT1-4	MTA5D50	TE-1403
C6	22 25V	23S187A20	PTT82	EA30-25	WBR25-50	MT1-11	MTA25E35	TE-1207

CAPACITORS

ITEM No.	RATING	REMARKS	REPLACEMENT DATA					
			AEROVOX PART No.	CENTRALAB PART No.	CORNELL-DUBILIER PART No.	ELMENCO PART No.	MALLORY PART No.	SPRAGUE PART No.
C8	40-430	#20B64343803				465		
C9	33		ADM-10-333	CPR-33J	CD15E390J03	DM-10-330	SX433	MS-433
C10	.005 100V		DBE6D5	CPR-5000J	DPMS6D5	1DP-1-502	PVC625	6PS-D50
C11	20-120	#20K541014						
C12	.0082 75V		DBE6D82	CPR-8200J	OPMS6D82	6DP-2-822	PVC6282	6PS-D82
C13	.047 75V		V1612S47		DPMS6S47	1DP-2-473	PVC1147	225P47391WD3
C14	8.2	#20K541014			NPO8P2			10TCC-V82
C15	20-120							
C16	.047 75V		V1612S47		DPMS6S47	1DP-2-473	PVC1147	225P47391WD3
C17	.01 75V		V1612S1	CPR-10000J	DPMS6S1	1DP-1-103	PVC211	225P10391WD3
C18	.01 75V		V1612S1	CPR-10000J	DPMS6S1	1DP-1-103	PVC211	225P10391WD3
C19	.01		TTP-01	CK-103	MGP01	CCD-103	TA110	TG-S10
C20	40-430	#20B64343803				465		
C21	270 N220	#21S180E14				*	*	10TCR-T22
C22	56		GPD X5F560K	DD-560	MGP01	CCD-560	GP456	10TS-Q56
C23	.01		TTP-01	CK-103	MGP01	CCD-103	TA110	TG-S10
C24	.047 75V		V1612S47		DPMS6S47	1DP-2-473	PVC1147	225P47391WD3
C25	150 N750		N750-DI 150	DTN-150	N150	CCTN-150	CN7315	10TCU-T15
C26	.01		TTP-01	CK-103	MGP01	CCO-103	TA110	TG-S10
C27	.01		TTP-01	CK-103	MGP01	CCD-103	TA110	TG-S10
C28	.01		TTP-01	CK-103	MGP01	CCD-103	TA110	TG-S10
C29	.001		EF-6-1000	FT-1000		CCF-102		

* Not normally in distributor's stock. Available thru distributor on order to manufacturer.

Motorola Part Number.

CONTROLS (All wattages 1/2 watt, or less, unless listed)

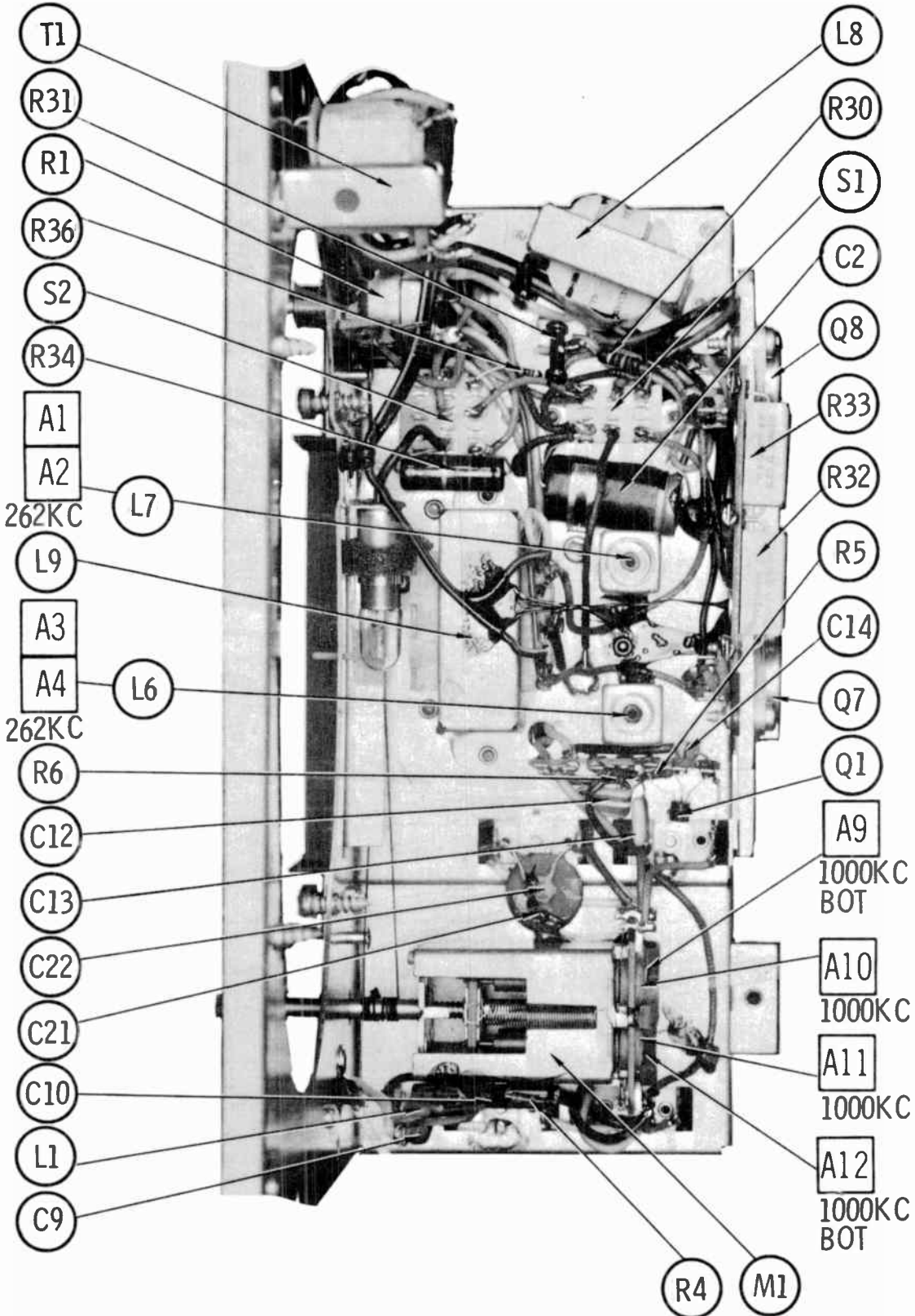
ITEM No.	FUNCTION	RESISTANCE	REPLACEMENT DATA				
			MFGR. PART No.	CENTRALAB PART No.	CLAROSTAT PART No.	CTS-IRC PART No.	MALLORY PART No.
R1	Volume/Switch	10K	18B64374801	F2-10K, CA005, 8A008, SFS212, KR-4		QC82 (1), 813-116, TM8, 76-1 or [BU3, CF61, S54, GC]*	RU14A, SL41 (2), SD1125, US41

* Snaptron[®]

(1) Use QC82 Bushing Instead of "TM" in TM8 Kit.

(2) Alter Bushing To Meet Requirements.

(CONTINUED ON PAGE 68)



PARTS LIST AND DESCRIPTION (CONTINUED)

(When ordering parts, state Model, Part Number, and Description.)

Replacement parts shown may be superseded by the availability of newly introduced replacements.
Have your local distributor check Sams COUNTER FACTS* for the most up-to-date replacement.

RESISTORS (Power and Special)

ITEM No.	RATING	REPLACEMENT DATA	
		WORKMAN PART No.	MFR. PART No.
R31	10 (Cold)	WT33	6K544646
R32	.33 5W		17S136616

ITEM No.	RATING	REPLACEMENT DATA	
		WORKMAN PART No.	MFR. PART No.
R33	.33 5W	WT33	17S136616

COILS (RF-IF)

ITEM No.	USE	REPLACEMENT DATA			
		PART No.	MEISSNER PART No.	MILLER PART No.	WORKMAN PART No.
L1	RF Choke (1.8uh)	24B64785A03	19-1001	74F186AP	TB10
L2	Antenna	(1)			
L3	RF	(1)			
L4	Osc	(1)			
L5	Input IF	24C64105A01		8009	
L6	Output IF	24C64105A02		8010	

(1) Part of M1.

FILTER CHOKE

ITEM No.	RATINGS			REPLACEMENT DATA					NOTES
	CURRENT (Measured)	DC RES.	INDUCTANCE (0 CURRENT 1000~)	PART No.	MERIT PART No.	STANCOR PART No.	THORDARSON PART No.	TRIAD PART No.	
L8	320ma	.2	3mh	25064172A16	C-4095	TC-1	TR-157	TY16XT	

CHOKE (Audio Output)

ITEM No.	INDUCTANCE	REPLACEMENT DATA					NOTES
		PART No.	MERIT PART No.	STANCOR PART No.	THORDARSON PART No.	TRIAD PART No.	
L9	35mh CT	25C64173A03					

TRANSFORMER (Driver)

ITEM No.	TURNS RATIO			REPLACEMENT DATA					NOTES
	PRI.	SEC. 1	SEC. 2	PART No.	MERIT PART No.	STANCOR PART No.	THORDARSON PART No.	TRIAD Part No.	
T1	3	1		25D64174A09					

SPEAKER

ITEM No.	TYPE	REPLACEMENT DATA		NOTES
		PART No.	QUAM PART No.	
SP1	5" x 7" 8 ohms	50D64397801	57A128	

FUSE DEVICES

ITEM No.	DESCRIPTION	REPLACEMENT DATA							
		PART No.		BUSS PART No.		LITTELFUSE PART No.		WORKMAN PART No.	
		DEVICE	HOLDER	DEVICE	HOLDER	DEVICE	HOLDER	DEVICE	
F1	SFE 9	65K16248	1V541705	SFE 9	HOH	307009	150145		

MISCELLANEOUS

ITEM No.	PART NAME	PART No.	NOTES
M1	Tuner Coil Assembly	77040898A08 1V41800B46	MT723
S1	Switch	40864376B01	DPDT (Pos - Neg)
S2	Switch	40864375801	3PDT (6V-12V)

CABINETS & CABINET PARTS (When ordering specify model, chassis & color)

ITEM	PART No.	ITEM	PART No.
Escutcheon	1V64996A81	Dial Pointer	52A64360A02
Front Cover	1V64996A76	Dial Scale	34864411801
Knob, Tuning or Volume	36C6441801		

WIRING DATA

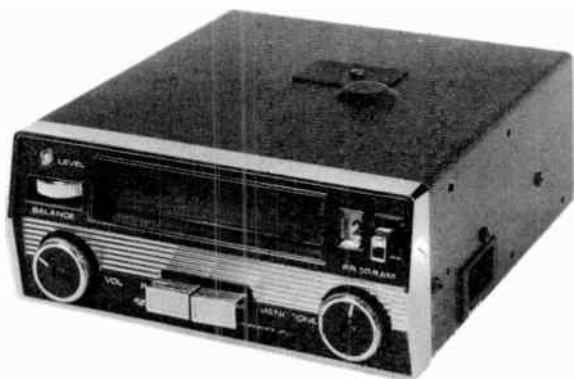
General-use Unshielded Hook-up Wire	Use BELOEN No. 8530 (Solid) Available in 12 Colors 8524 (Stranded) Available in 12 Colors
Shielded Hook-up Wire	Use BELDEN No. 8885
Rear Seat Speaker Extension Cable	Use BELOEN No. 8782 (Stranded) Coded Parallel Leads
Bonding Strap	Use BELDEN No. 8661 (3/8 In.) or 8670 (3/4 In.)



PHOTOFACT[®] with

CIRCUITRACE[®]

For Supplier Address See PHOTOFACT Index



LEAR JET MODEL A-260
(8 Track Stereo Recorder & Player)

LEAR JET MODEL A-260

OPERATING INSTRUCTIONS

Record Stereo

Connect microphones to both Left and Right Mic Input jacks and move switch on the left mic to On.

Insert a cartridge until it locks and turns the unit on. Select the desired track and position on the tape for the start of recording, and press Monitor button.

Turn Tone control fully clockwise and set the recording level with Volume control.

Press Record button to lock and record stereo.

Record Monaural.

Follow the procedure outlined under "Record Stereo", except connect a microphone to Left Mic Input jack only.

Play

Insert cartridge until it locks and turns unit on.

Set operating controls as desired.

Press program selector to play desired tracks, or allow unit to select tracks automatically.

Remove cartridge to turn unit off.

HOWARD W. SAMS & CO., INC. Indianapolis, Indiana 46206

© 1970 Howard W. Sams & Co., Inc. Printed in U. S. of America

TQ792

CLEANING

Clean all tape contact surfaces with a soft, lint-free material and head cleaner or methyl alcohol. Use alcohol to remove oil and grease from all driving surfaces.

CAUTION: Avoid getting head cleaner on any plastic surface.

LUBRICATING

Lubricate bearings and bushings lightly with #20 machine oil. Use a light film of non-hardening grease on cam surfaces.

HEAD DEMAGNETIZING

Demagnetize head when unit is serviced. Avoid using magnetic materials near head.

TROUBLE CHART

SYMPTOM	REMARKS
Capstan does not rotate.	Belt (1) dirty, worn, or broken. Assembly (10) binding. Motor defective or not supplied with power. Monitor switch depressed.
Track shift mechanism inoperative.	Switch (S2) dirty. Cam (3) binding. Arm (6) binding. Spring (8) weak or missing. Solenoid (M2) defective or not supplied with power. Cartridge defective. Indicator Wheel binding.
Wow or Flutter.	Belt (1) dirty or worn. Capstan dirty or binding. Cartridge defective. Motor defective.
Sound weak or distorted.	Head dirty, misaligned, or defective. Cartridge defective. Amplifiers defective. Bias oscillator defective.
Tape is pulled from cartridge.	Cartridge defective. Capstan dirty or scored.
Playback is normal, but will not record.	Switch (S1) defective. Relay (K1) or (K2) defective or not supplied with power. Bias oscillator defective or record bias misadjusted. Defective ARL circuit.
Erase weak or inoperative.	Erase section of Head (M1) defective or dirty. Insufficient erase current.
Record switch does not release when cartridge is removed from unit.	B3 misadjusted. Switch pin on Arm (12) bent or missing. Arm (22) on Switch (S1) bent. Switch (S1) defective.

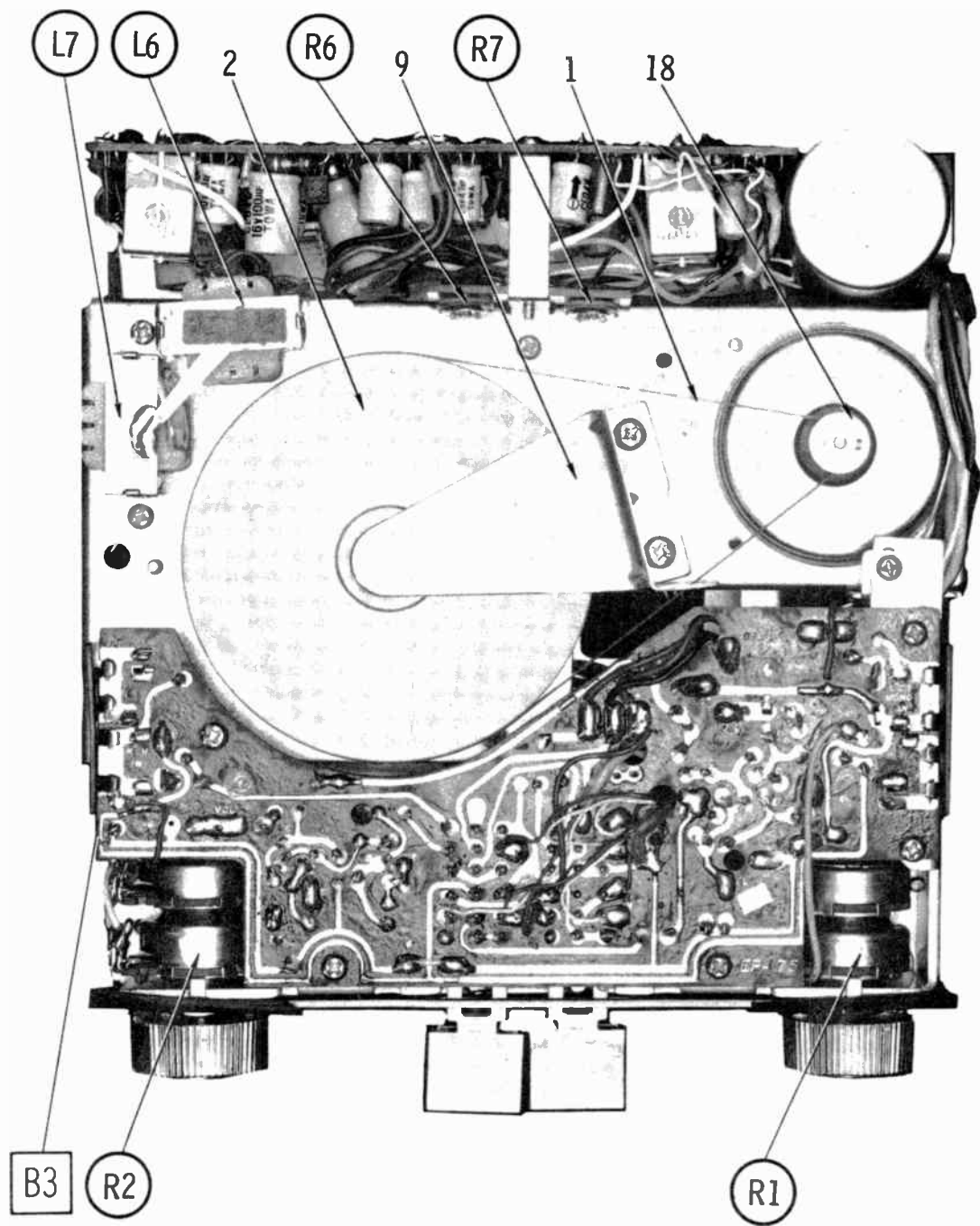
ADJUSTMENTS

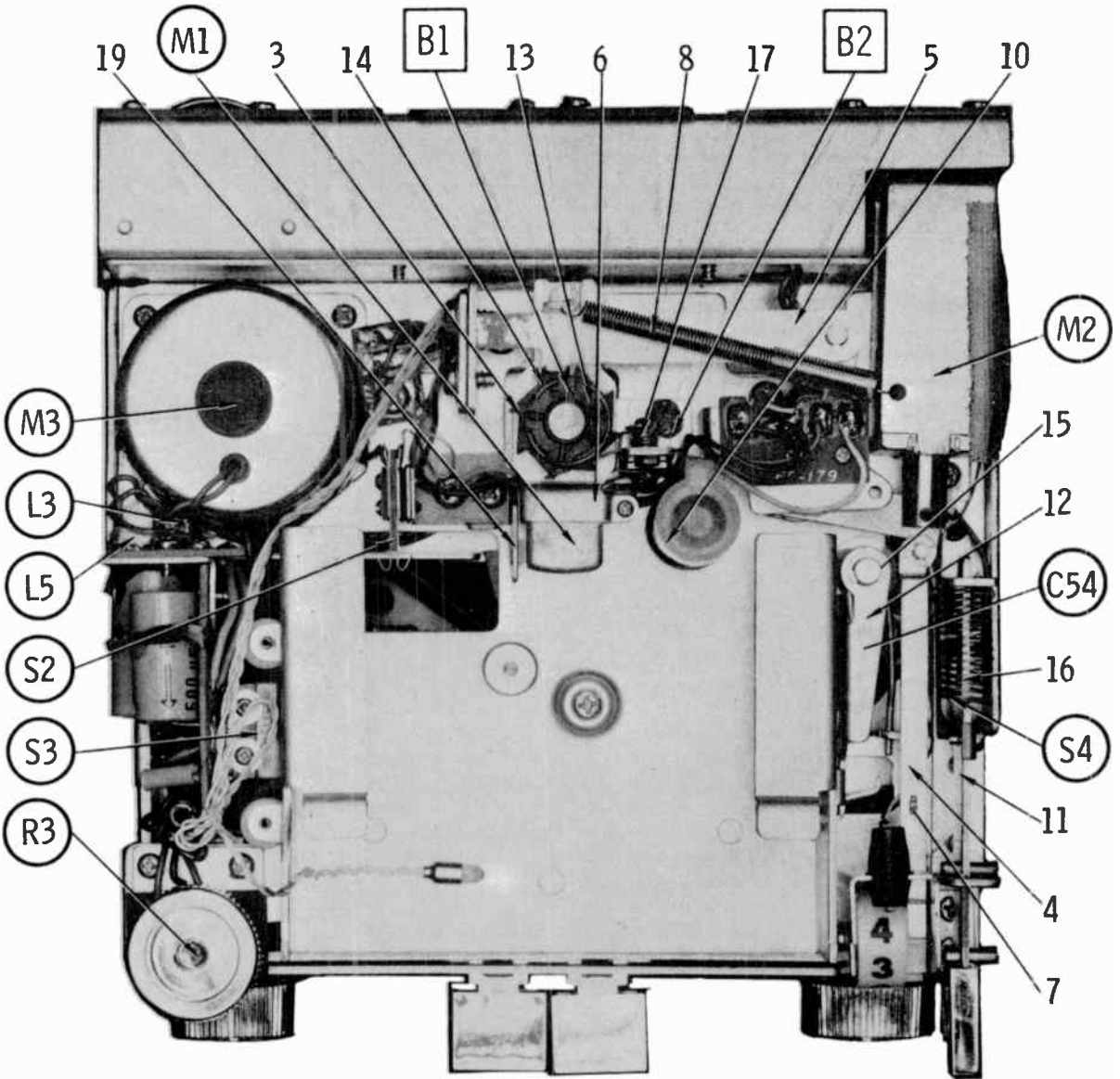
ADJUST	REMARKS
Head Height	Play a test cartridge, follow instructions with cartridge, and adjust B1 for proper response.
Head Azimuth	Connect an AC VTVM across right output. Play a test cartridge and adjust B2 for maximum.
Bias Oscillator	Nominal frequency 68KC. No adjustment provided.
Erase Current	Nominal Value 14ma (25Vrms) in each erase section. No adjustment provided.
Record Bias	Nominal Value 10Vrms across each play/record section. Adjust R6 for left-channel section and R7 for right-channel section.
Record Level Indicator Calibration	Select record mode and apply a 1000-cycle tone at .0006Vrms to the left mic input jack. Turn balance control to center of range and adjust Volume control for .042Vrms across the left (right) record/play section of Head (M1). The two record indicators should just begin to glow. Adjust R4 (R5) for equal output on both channels.
Record Button Release	With cartridge removed from unit, depress Monitor Switch (S1A) and Record Switch (S1B). Adjust B3 until a 1/8-inch movement of Arm (12) releases Record Switch (S1B).

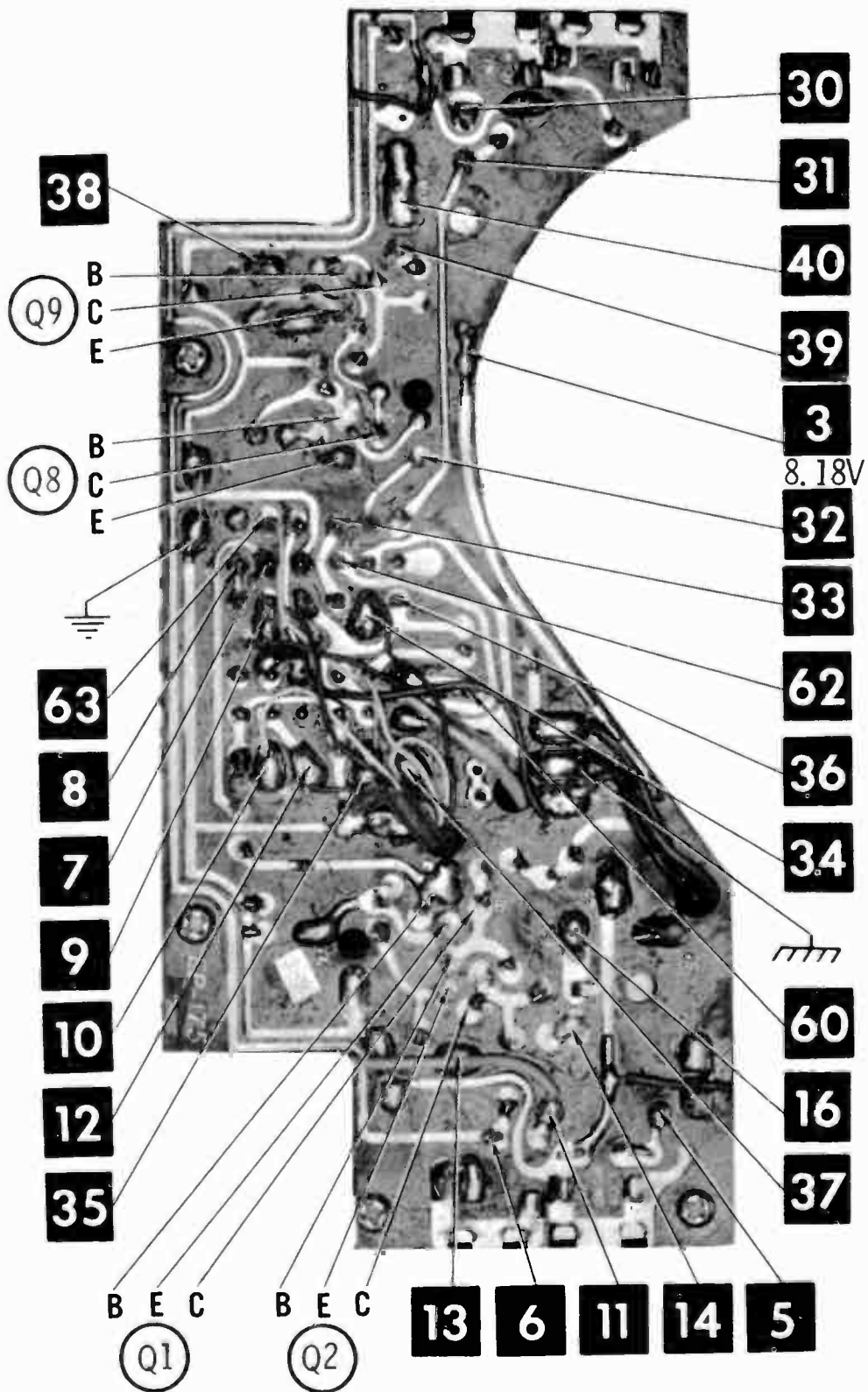
LEAR JET MODEL A-260

MECHANICAL PARTS LIST

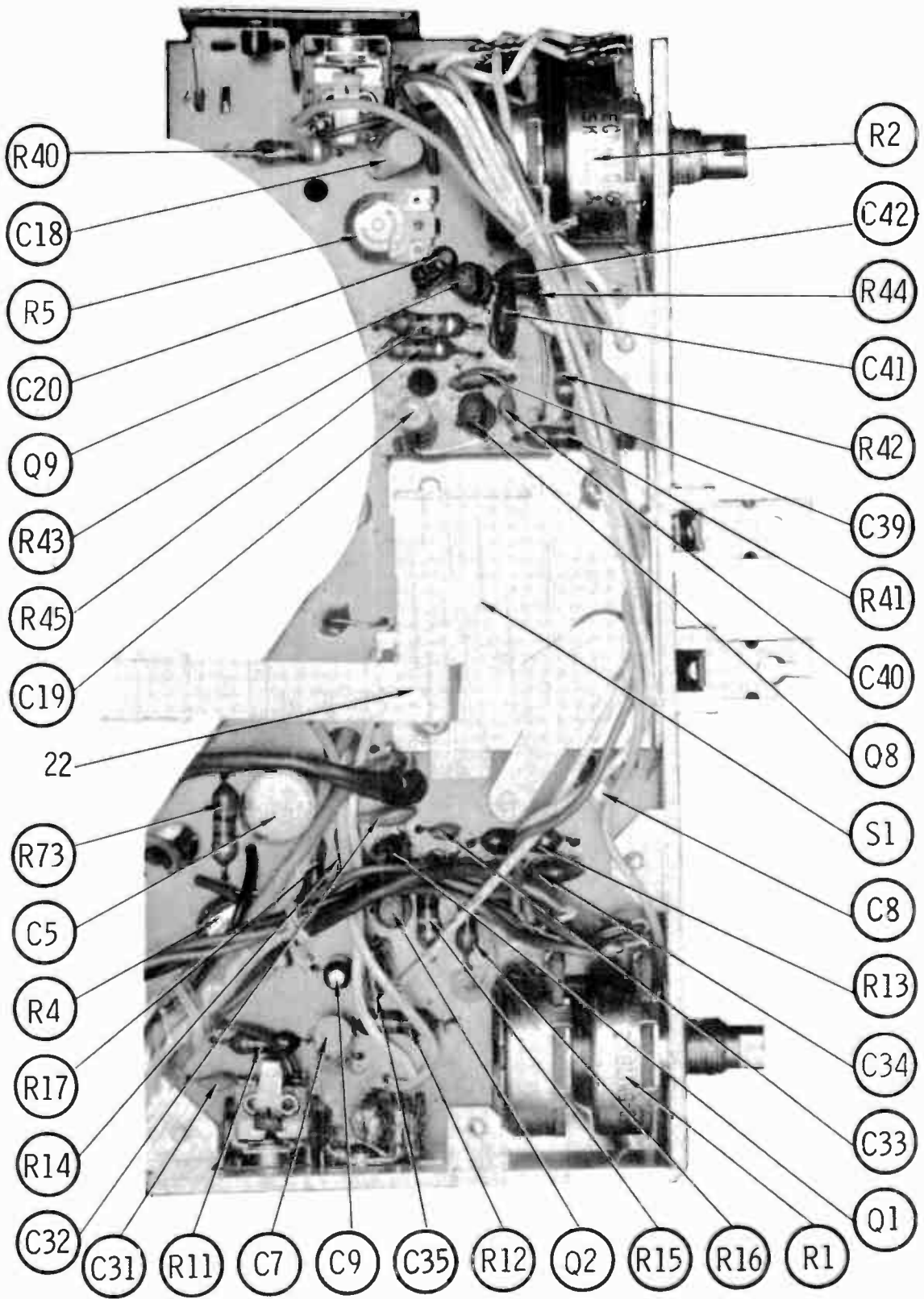
REF. NO.	PART NO.	DESCRIPTION	REF. NO.	PART NO.	DESCRIPTION
1	773-2400-079	Drive Belt	12	726-2000-900	Cartridge Retent Arm
2	757-2600-417	Flywheel	13	767-2300-387	Head Height Adjust Nut
3	727-2000-047	Track Change Cam	14	768-2200-913	Height Adjust Nut Ring
4		Indicator Ratchet Arm	15	768-2900-026	Retent Arm Spring
5		Head Change Ratchet Arm	16	768-2900-122	Track Select Arm Spring
6	741-2000-001	Head Mounting Arm Assembly	17	768-2900-123	Change Cam Spring
7		Indicator Arm Spring	18	773-2000-265	Motor Pulley
8		Head Change Arm Spring	19	741-2000-107	Tape Guide
9	719-2000-065	Flywheel Bracket	20	726-2000-420	Cartridge Door Shaft
10	722-2000-050	Capstan Housing	21	768-2900-020	Door Spring
11	726-2000-230	Track Select Arm	22		Record Lock Lever Arm

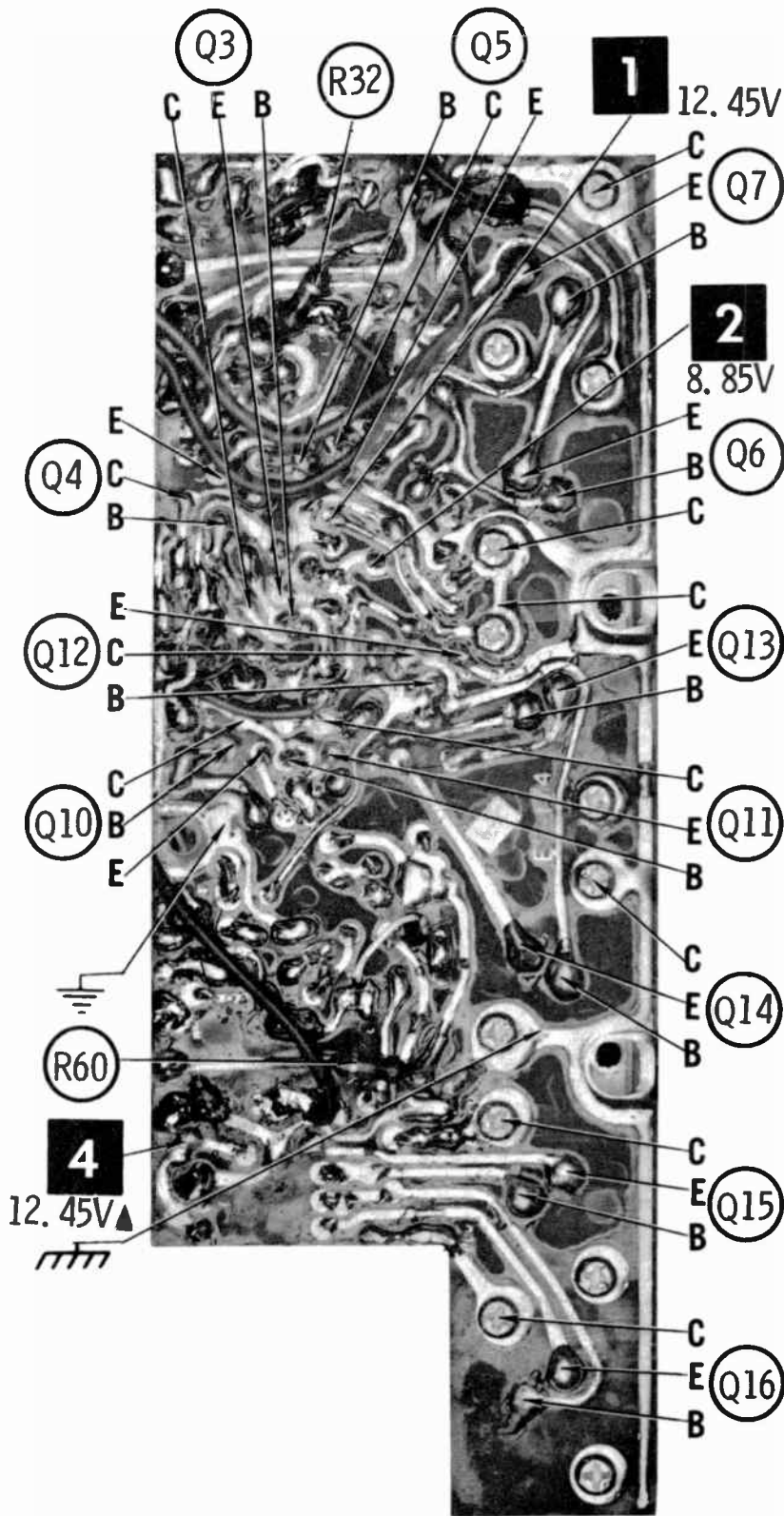






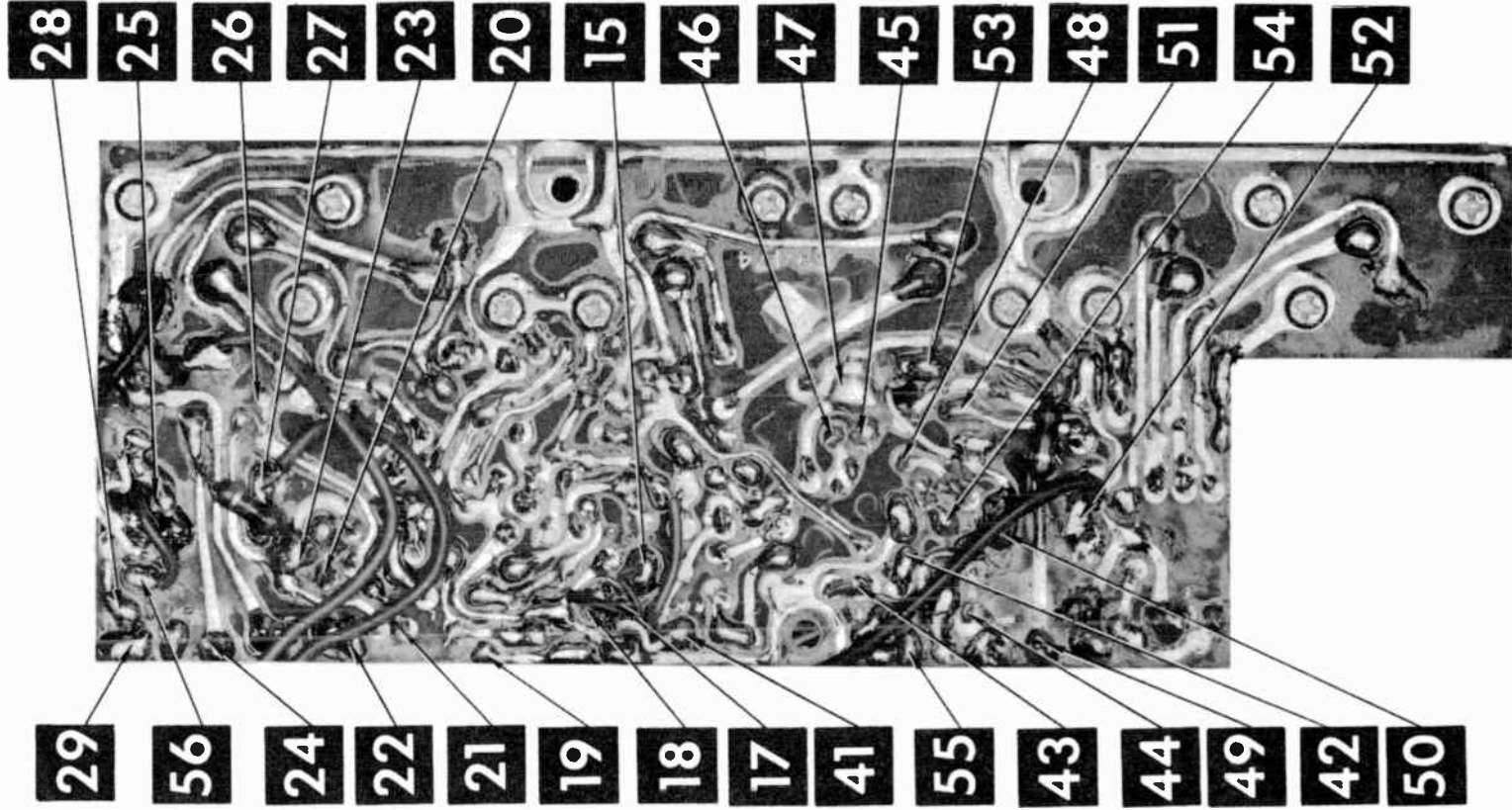
A Howard W. Sams **CIRCUITRACE** Photo

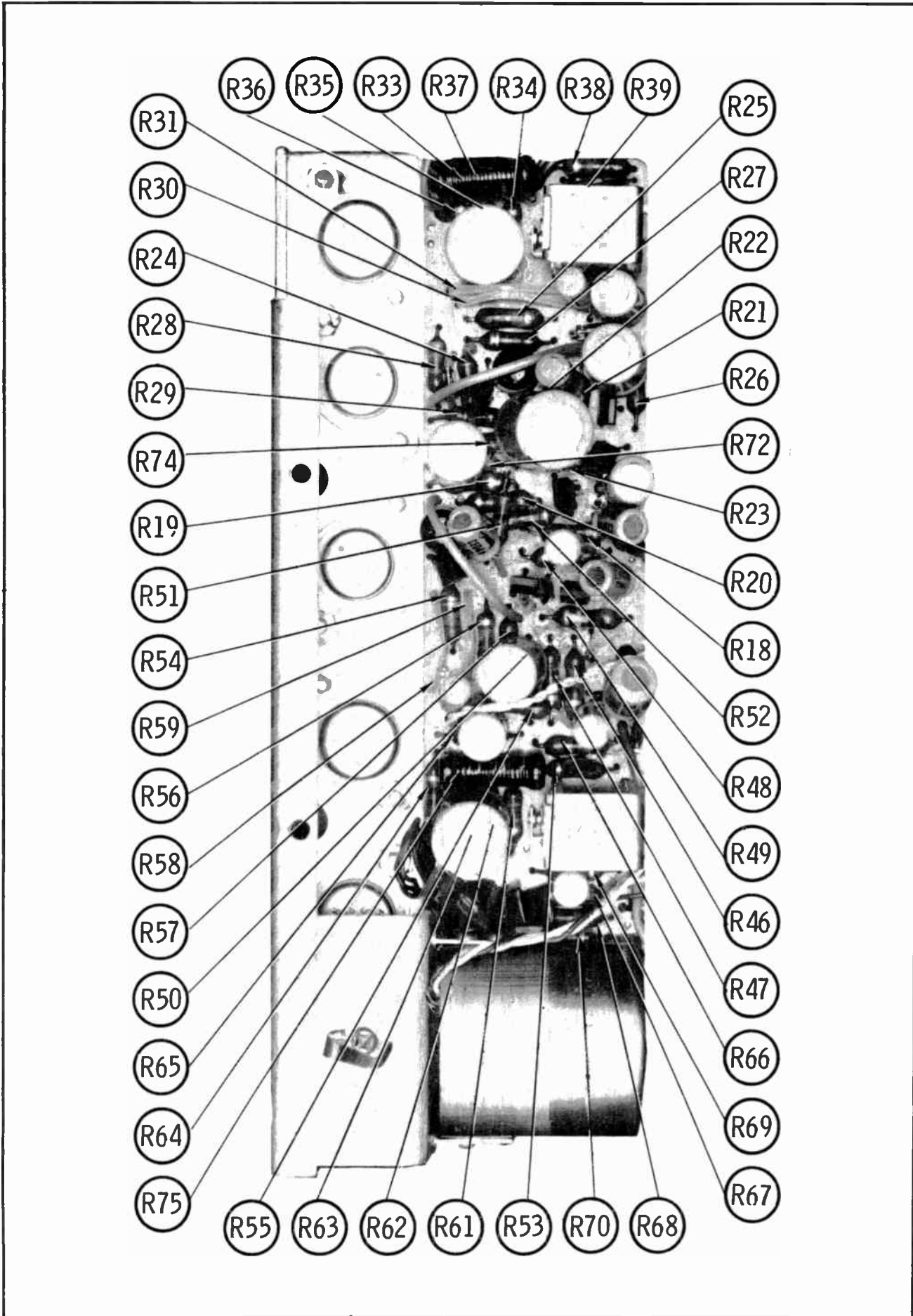


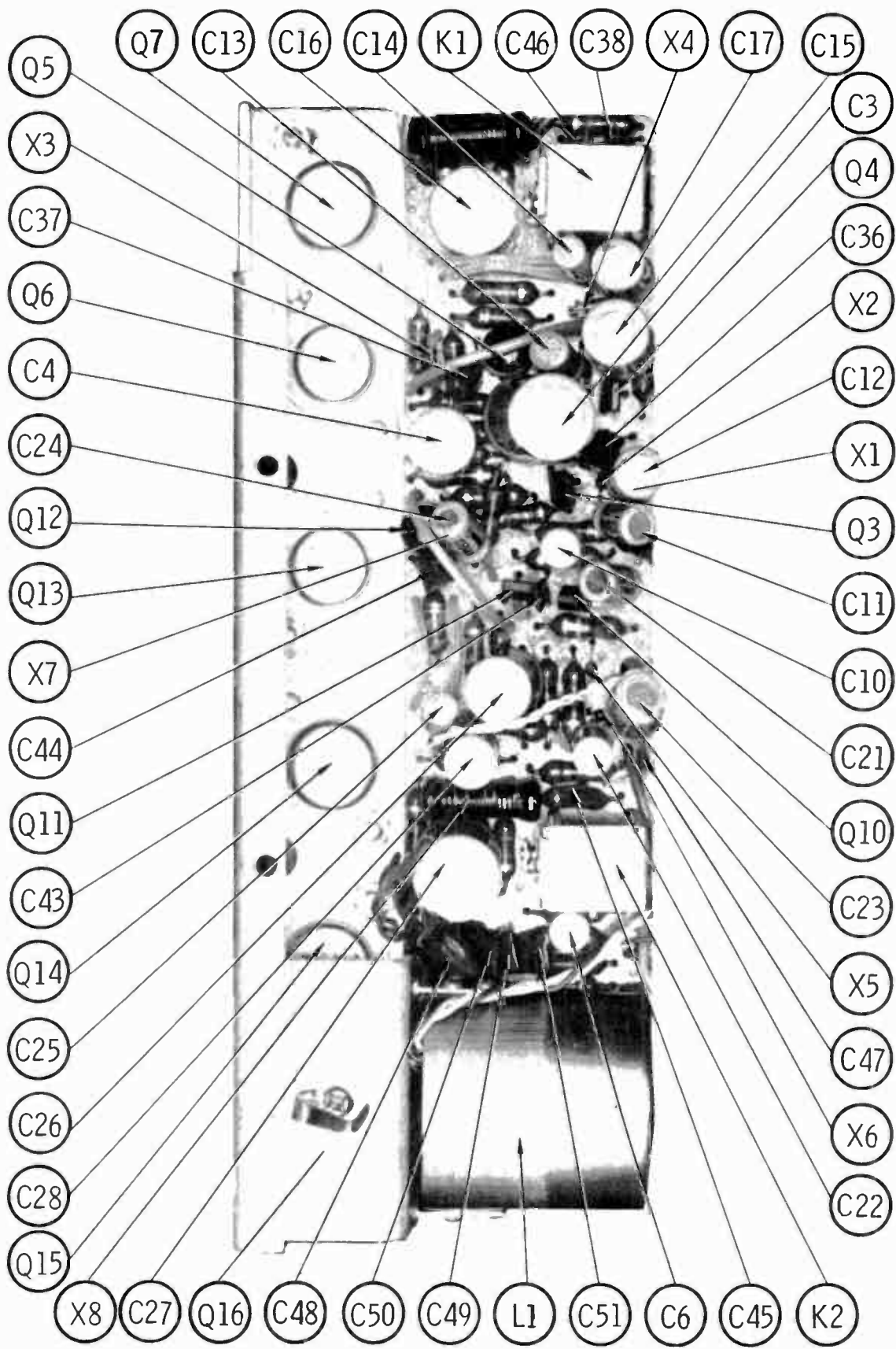


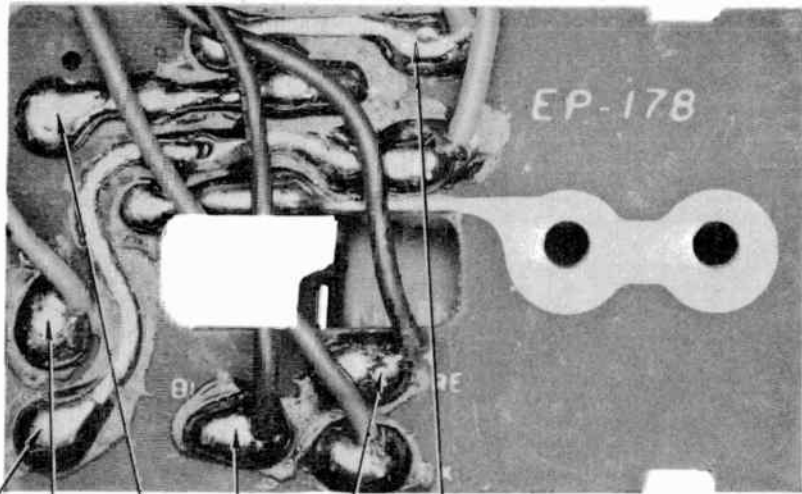
A Howard W. Sams **CIRCUITRACE** Photo

LEAR JET MODEL A-260



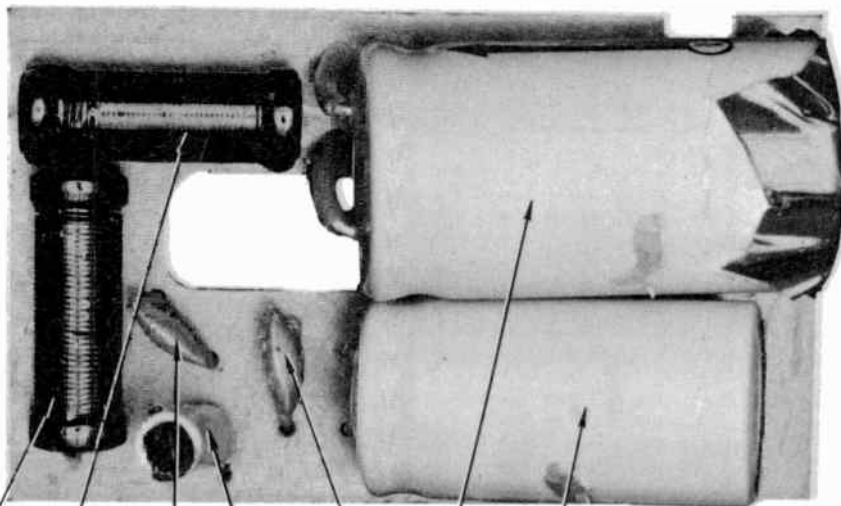






59 **64** **57** **61** **1** **58**

12.45V



L4 **L2** **C53** **R71** **C52** **C2** **C1**

PARTS LIST AND DESCRIPTION

(When ordering parts, state Model, Part Number, and Description.)

Replacement parts shown may be superseded by the availability of newly introduced replacements.
Have your local distributor check Sams COUNTER FACTS for the most up-to-date replacement.

TRANSISTORS

ITEM No.	TYPE No.	FUNCTION	REPLACEMENT DATA					
			MFGR. PART No.	GENERAL ELECTRIC PART No.	INTERNATIONAL RECTIFIER PART No.	MOTOROLA PART No.	RCA PART No.	SYLVANIA PART No.
Q1	2SC369	Preamp	753-2100-008	GE-10	TR-21	HEP55	SK3020	ECG 123
Q2	2SC733	Preamp	753-2000-011	GE-20	TR-21	HEP729	SK3020	ECG 123
Q3	2SC458	AF Amp	753-2000-003	GE-20	TR-21	HEP53	SK3020	ECG 123
Q4	2SC458	AF Amp	753-2000-008	GE-20	TR-21	HEP53	SK3020	ECG 123
Q5	CDC8054	AF Amp	753-2000-009	GE-18	TR-21	HEP729	SK3020	ECG 123
Q6	2SC830	Output (1)	753-2000-006	GE-23	TR-23	HEP703	SK3026	ECG 124
Q7	2SB367	Output (1)	753-2100-002			HEP642		ECG 131
Q8	2SC369	Preamp	753-2100-008	GE-10	TR-21	HEP55	SK3020	ECG 123
Q9	2SC733	Preamp	753-2000-011	GE-20	TR-21	HEP729	SK3020	ECG 123
Q10	2SC458	AF Amp	753-2000-003	GE-20	TR-21	HEP53	SK3020	ECG 123
Q11	2SC458	AF Amp	753-2000-008	GE-20	TR-21	HEP53	SK3020	ECG 123
Q12	CDC8054	AF Amp	753-2000-009	GE-18	TR-21	HEP729	SK3020	ECG 123
Q13	2SC830	Output (1)	753-2000-006	GE-23	TR-23	HEP703	SK3026	ECG 124
Q14	2SB367	Output (1)	753-2100-002			HEP624		ECG 131
Q15	2SB367	Bias Oscillator (1)	753-2100-002			HEP624		ECG 131
Q16	2SB367	Bias Oscillator (1)	753-2100-002			HEP624		ECG 131

(1) When replacing, apply silicone grease to both sides of insulator. Tighten mounting screws securely.

POWER RECTIFIERS & SIGNAL DIODES

ITEM No.	MFGR. PART OR TYPE No.	REPLACEMENT RECTIFIERS & DIODES			REPLACEMENT RECTIFIERS	NOTES
		GENERAL ELECTRIC PART No.	INTERNATIONAL RECTIFIER PART No.	SYLVANIA PART No.	RCA PART No.	
X1	1S1212	1N34AS	1N34A	ECG 109		
X2	1S1212	1N34AS	1N34A	ECG 109		
X3	1S1555	1N82	1N82A	ECG 111		
X4	1N60	1N60	1N60	ECG 109		
X5	1S1212	1N34AS	1N34A	ECG 109		
X6	1S1212	1N34AS	1N34A	ECG 109		
X7	1S1555	1N82	1N82A	ECG 111		
X8	1N60	1N60	1N60	ECG 109		
X9	100-2	GE-504A	5A4D	ECG 116	SK3016	

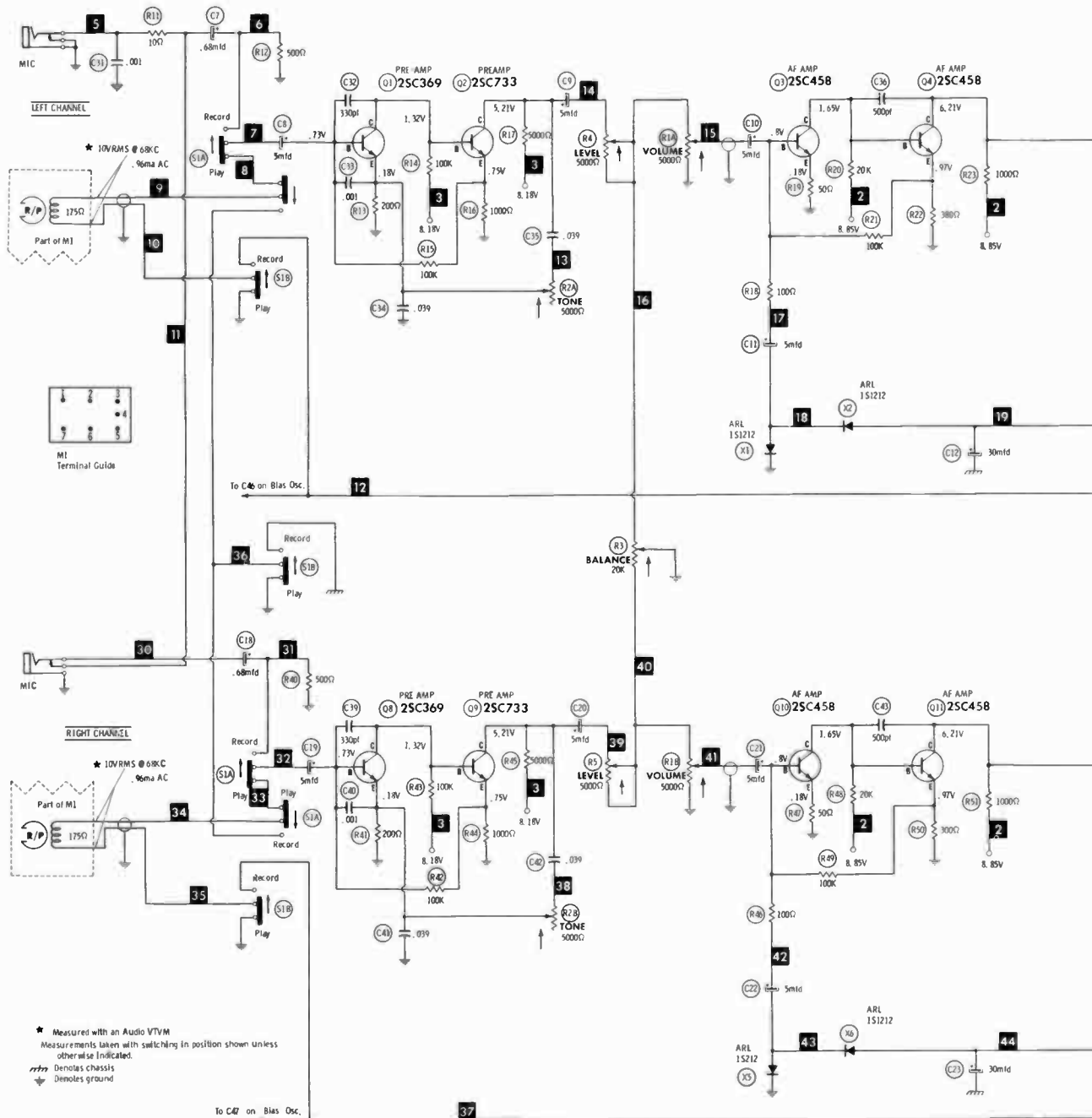
LEAR JET MODEL A-260

ELECTROLYTIC CAPACITORS

ITEM No.	RATING	REPLACEMENT DATA						
		PART No.	AEROVOX PART No.	CENTRALAB PART No.	CORNELL-DUBILIER PART No.	GENERAL ELECTRIC PART No.	MALLORY PART No.	SPRAGUE PART No.
C1	500 16V	750-2500-016	BCD15500	EA15-500	PC500-16	QT1-30A	MTV500DN15	TL-1166
C2	1000 16V	750-2500-017	PRS1230	EA15-1000	WBR1000-16	QT1-32	TC1501A	TL-1166.5
C3	500 16V	750-2500-016	BCD15500	EA15-500	PC500-16	QT1-30A	MTV500DN15	TL-1166
C4	100 16V	750-2500-013	BCD15100	EP15-100	PC100-16	MT1-19	MTV100CF15	TE-1162
C5	100 16V	750-2500-013	BCD15100	EP15-100	PC100-16	MT1-19	MTV100CF15	TE-1162
C6	5 16V	750-2500-014	BCD25005	EP15-5	PC5-100	MT1-3	MTV5CB50	TE-1152
C7	.68 25V	750-2501-003	BCD50001		PC1-100	MT1-1	MTV1CB50	TE-1080
C8	5 16V	750-2500-014	BCD25005	EP15-5	PC5-100	MT1-3	MTV5CB50	TE-1152
C9	5 16V	750-2501-002	BCD25005	EP15-5	PC5-100	MT1-3	MTV5CB50	TE-1152
C10	5 16V	750-2500-014	BCD25005	EP15-5	PC5-100	MT1-3	MTV5CB50	TE-1152
C11	5 16V	750-2500-014	BCD25005	EP15-5	PC5-100	MT1-3	MTV5CB50	TE-1152
C12	30 15V	750-2500-005	BCD15025	EP15-25	PC30-35	MT1-13.5	MTV30CB25	TE-1158
C13	10 10V	750-2500-018	BCD25010	EP15-10	PC10-50	MT1-5	MTV10CB50	TE-1128
C14	1 12V	750-2500-012	BCD50001		PC1-100	MT1-1	MTV1CB50	TE-1148
C15	100 16V	750-2500-013	BCD15100	EP15-100	PC100-16	MT1-19	MTV100CF15	TE-1162
C16	500 16V	750-2500-016	BCD15500	EA15-500	PC500-16	QT1-30A	MTV500DN15	TL-1166
C17	30 15V	750-2500-005	BCD15025	EP15-25	PC30-35	MT1-13.5	MTV30CB25	TE-1158
C18	.68 25V	750-2501-003	BCD50001		PC1-100	MT1-1	MTV1CB50	TE-1080
C19	5 16V	750-2500-014	BCD25005	EP15-5	PC5-100	MT1-3	MTV5CB50	TE-1152
C20	5 16V	750-2501-002	BCD25005	EP15-5	PC5-100	MT1-3	MTV5CB50	TE-1152
C21	5 16V	750-2500-014	BCD25005	EP15-5	PC5-100	MT1-3	MTV5CB50	TE-1152
C22	5 16V	750-2500-014	BCD25005	EP15-5	PC5-100	MT1-3	MTV5CB50	TE-1152
C23	30 15V	750-2500-005	BCD15025	EP15-25	PC30-35	MT1-13.5	MTV30CB25	TE-1158
C24	10 10V	750-2500-018	BCD25010	EP15-10	PC10-50	MT1-5	MTV10CB50	TE-1128
C25	1 12V	750-2500-012	BCD50001		PC1-100	MT1-1	MTV1CB50	TE-1148
C26	100 16V	750-2500-013	BCD15100	EP15-100	PC100-16	MT1-19	MTV100CF15	TE-1162
C27	500 16V	750-2500-016	BCD15500	EA15-500	PC500-16	QT1-30A	MTV500DN15	TL-1166
C28	30 15V	750-2500-005	BCD15025	EP15-25	PC30-35	MT1-13.5	MTV30CB25	TE-1158

(CONTINUED ON PAGE 85)

NOTE: DEMAGNETIZE HEADS AFTER SERVICING

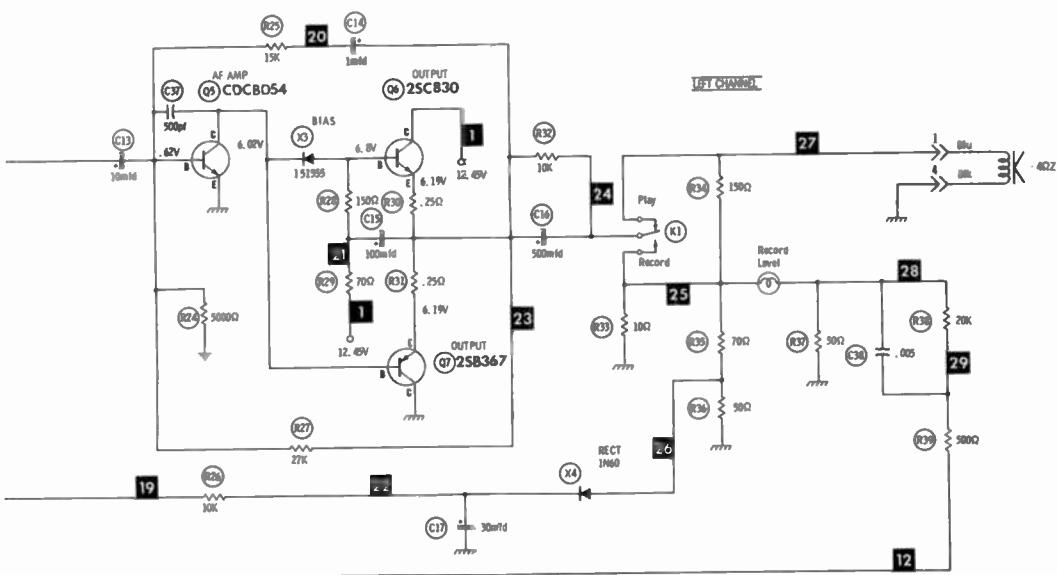


★ Measured with an Audio VTVM
 Measurements taken with switching in position shown unless otherwise indicated.
 ⏏ Denotes chassis
 ⊥ Denotes ground

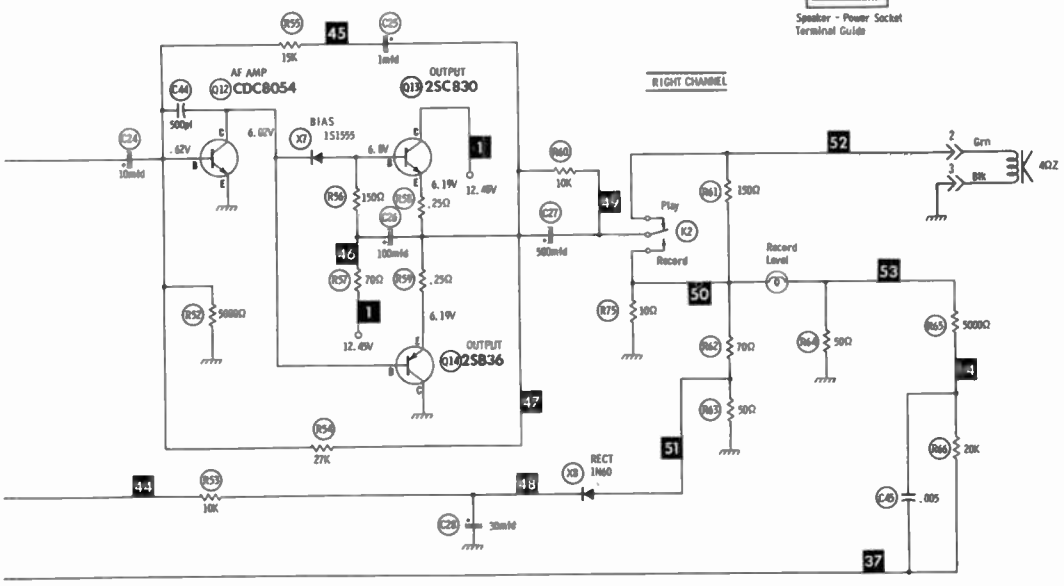
Resistors are 1/2W or less, 10% or 20%, unless otherwise indicated.
 Supply voltage maintained at rated value for measurements.
 Voltage and resistance measured with VTVM or equivalent meter,
 no signal applied and controls adjusted for normal operation.
 Controls viewed from actuator end. Arrow indicates clockwise rotation.
 Numbers assigned to terminals may not be found on the unit.
 Transistor resistances vary widely. No resistance measurements taken.

A PHOTOFAC STANDARD NOTATION SCHEMATIC
 with **CIRCUITACE**

© Howard W. Sams & Co., Inc. 1970



Transistor Terminal Guides



LEAR JET MODEL A-260

SEE PAGE 84 FOR BIAS OSC. & POWER SUPPLY

PARTS LIST AND DESCRIPTION (CONTINUED)

(When ordering parts, state Model, Part Number, and Description.)

Replacement parts shown may be superseded by the availability of newly introduced replacements.
Have your local distributor check Sams COUNTER FACTS* for the most up-to-date replacement.

CAPACITORS

ITEM No.	RATING	REMARKS	REPLACEMENT DATA					
			AEROVOX PART No.	CENTRALAB PART No.	CORNELL-DUBILIER PART No.	ELMENCO PART No.	MALLORY PART No.	SPRAGUE PART No.
C31	.001		GPD X5F102K	DM-102	GP1000	CCD-102	SM210	2SS-D10
C32	330		GPD X5F331K	DD-331	GP330	CCD-331	GP333	10TS-T33
C33	.001		GPD X5F102K	DM-102	GP1000	CCD-102	SM210	2SS-D10
C34	.039			DD-403			GP140	
C35	.039			DD-403			GP140	
C36	500		GPD X5F501K	DM-501	GP500	CCD-501	GP350	10TS-T50
C37	500		GPD X5F501K	DM-501	GP500	CCD-501	GP350	10TS-T50
C38	.005		TTP-005	CK-502	MGP005	CCD-502	TA250	TG-D50
C39	330		GPD X5F331K	DD-331	GP330	CCD-331	GP333	10TS-T33
C40	.001		GPD X5F102K	DM-102	GP1000	CCD-102	SM210	2SS-D10
C41	.039			DD-403			GP140	
C42	.039			DD-403			GP140	
C43	500		GPD X5F501K	DM-501	GP500	CCD-501	GP350	10TS-T50
C44	500		GPD X5F501K	DM-501	GP500	CCD-501	GP350	10TS-T50
C45	.005		TTP-005	CK-502	MGP005	CCD-502	TA250	TG-D50
C46	.001		GPD X5F102K	DM-102	GP1000	CCD-102	SM210	2SS-D10
C47	.001		GPD X5F102K	DM-102	GP1000	CCD-102	SM210	2SS-D10
C48	.05		TTP-05	CK-503	MGP05	CCD-503	TA150	TGL-S50
C49	.01		TTP-01	CK-103	MGP01	CCD-103	TA110	TG-S10
C50	.01		TTP-01	CK-103	MGP01	CCD-103	TA110	TG-S10
C51	.01		TTP-01	CK-103	MGP01	CCD-103	TA110	TG-S10
C52	.01		TTP-01	CK-103	MGP01	CCD-103	TA110	TG-S10
C53	.01		TTP-01	CK-103	MGP01	CCD-103	TA110	TG-S10
C54	.033		TTP-03	CK-303		CCD-303	GP130	TG-S30

LEAR JET MODEL A-260

CONTROLS (All wattages 1/2 watt, or less, unless listed)

ITEM No.	FUNCTION	RESISTANCE	REPLACEMENT DATA				
			MFG. PART No.	CENTRALAB PART No.	CLAROSTAT PART No.	CTS-IRC PART No.	MALLORY PART No.
R1A	Volume (Left)	5000	751-2000-060				
B	Volume (Right)	5000					
R2A	Tone (Left)	5000	751-2000-060				
B	Tone (Right)	5000					
R3	Balance	20K	751-2000-063	B16-115 (1)			
R4	Level (Left)	5000	751-2000-022				
R5	Level (Right)	5000	751-2000-022				
R6	Bias Adjust (Left)	30K (10K)					
R7	Bias Adjust (Right)	30K (10K)					

(1) Use original knob.

RESISTORS (Power and Special)

ITEM No.	RATING	REPLACEMENT DATA	
		WORKMAN PART No.	MFG. PART No.
R69	3 ohms 3W		751-2200-002

ITEM No.	RATING	REPLACEMENT DATA	
		WORKMAN PART No.	MFG. PART No.
R70	3 ohms 3W		751-2200-002

COILS (RF-IF)

ITEM No.	USE	REPLACEMENT DATA			
		PART No.	MEISSNER PART No.	MILLER PART No.	WORKMAN PART No.
L1	Bias Oscillator	756-2100-002			
L2	RF Choke (1uh)	756-2700-001	19-1000	4602	T855
L3	RF Choke (1uh)	756-2700-001	19-1000	4602	T855
L4	RF Choke (1uh)	756-2700-001	19-1000	4602	T855
L5	RF Choke (1uh)	756-2700-001	1901000	4602	T855

PARTS LIST AND DESCRIPTION (CONTINUED)

(When ordering parts, state Model, Part Number, and Description.)

Replacement parts shown may be superseded by the availability of newly introduced replacements.
Have your local distributor check Sams COUNTER FACTS for the most up-to-date replacement.

FILTER CHOKE

ITEM No.	RATINGS			REPLACEMENT DATA					NOTES
	CURRENT (Measured)	DC RES.	INDUCTANCE (0 CURRENT 1000~)	PART No.	MERIT PART No.	STANCOR PART No.	THORDARSON PART No.	TRIAD PART No.	
L6	275ma*	.3	2.5mh	756-2700-025					*450ma (Record)
L7	25ma	1.1	5mh	756-2700-050					

FUSE DEVICES

ITEM No.	DESCRIPTION	REPLACEMENT DATA						
		PART No.		BUSS PART No.		LITTELFUSE PART No.		WORKMAN PART No.
		DEVICE	HOLDER	DEVICE	HOLDER	DEVICE	HOLDER	DEVICE
F1	5 Amp		766-2000-015	AGC5	HDJ	311005	150145	

MISCELLANEOUS

ITEM No.	PART NAME	PART No.	NOTES
K1	Relay	758-2000-015	
K2	Relay	758-2000-015	
M2	Solenoid		
M3	Motor	757-2000-027	
S1	Switch, Record/Play	761-2000-052	
S2	Switch, Automatic Program	741-2000-107	
S3	Switch, Power	761-2000-057	
S4	Switch, Manural Program Record Level	741-2000-107	
	Indicator Lamp	760-2000-021	
	Indicator Lamp	760-2000-160	

TAPE HEADS

ITEM No.	MEASURED			PART No.	NORTRONICS PART No.	DESCRIPTION
	INDUCTANCE	BIAS/ERASE VOLTS (RMS)	BIAS FREQ.			
M1	78mh (.96ma) 10mh (14ma)	10Vrms 25Vrms	68KC 68KC	759-2000-004 (1)		8-Track Play/Record 8-Track Erase (1) Combination Play/Record/Erase Head.

CABINETS & CABINET PARTS (When ordering specify model, chassis & color)

ITEM	PART No.	ITEM	PART No.
Escutcheon	718-2000-474	Knob, Program Select	765-2400-386
Program Indicator	759-2200-383	Knob, Record or Monitor	765-2400-475
Knob, Volume or Tone	765-2400-381	Tape Door	724-2000-119
Knob, Balance	765-2400-382		

WIRING DATA

General-use Unshielded Hook-up Wire	Use BELDEN No. 8530 (Solid) Available in 12 Colors 8524 (Stranded) Available in 12 Colors
Shielded Hook-up Wire	Use BELDEN No. 8885
Rear Seat Speaker Extension Cable	Use BELDEN No. 8782 (Stranded) Coded Parallel Leads
Bonding Strap	Use BELDEN No. 8661 (3/8 In.) or 8670 (3/4 In.)



PHOTOFACT[®] with

CIRCUITRACE[®]

For Supplier Address See PHOTOFACT Index

NOTE: Manufacturer Part Numbers Shown Are BENDIX



MERCURY MODEL OBM
(DOMA-18806)
(70 Mercury)

MERCURY MODEL OBM

ALIGNMENT INSTRUCTIONS

Check for specified source voltage.
Use only enough generator output
to provide a usable indication.
Suggested Alignment Tools:

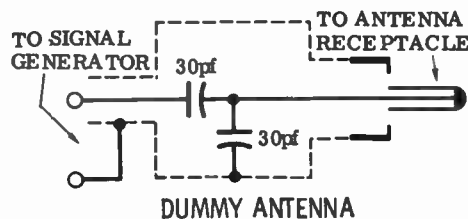
A1 thru A7GENERAL CEMENT #9440
WALSCO #2501

PUSH-BUTTON ADJUSTMENT

1. Pull button out.
2. Tune manually to desired station.
3. Press button in firmly.
4. Repeat for remaining buttons.

	GENERATOR COUPLING	GENERATOR FREQUENCY	RADIO DIAL SETTING	INDICATOR	ADJUST	REMARKS
1.	High side thru .1mfd to point A , low side to ground.	262.5KC 400 cycle modulation	High freq. end stop.	Output meter across voice coil.	A1,A2, A3,A4	Adjust for maximum.
2.	Thru dummy antenna to antenna input.	1610KC	"	"	A5,A6, A7	"
Step 3 is not necessary unless tuner or associated components have been disturbed. If necessary, back tuning cores (A8,A9,A10) out of coils but not out of forms. Repeat Step 2.						
3.	Thru dummy antenna to antenna input.	1000KC	Tune to signal	Output meter across voice coil	A8,A9, A10	Adjust for maximum. Repeat Steps 2 and 3 until no further improvement is noted

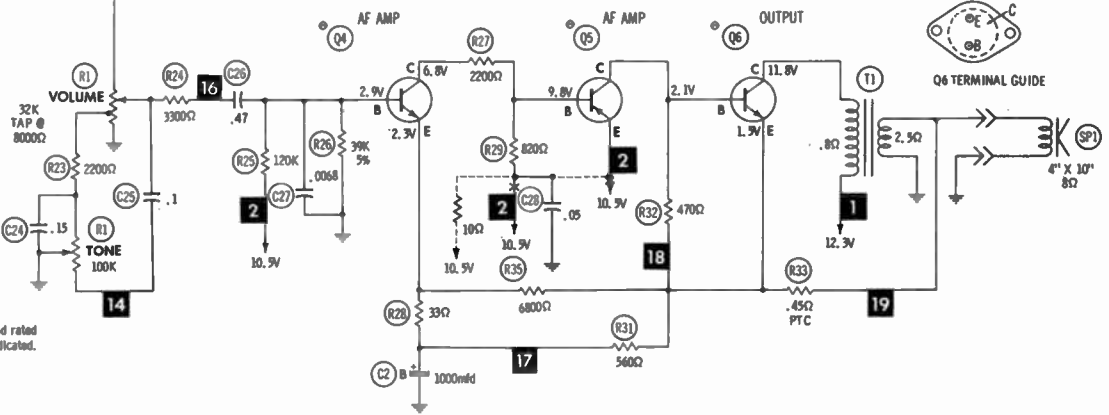
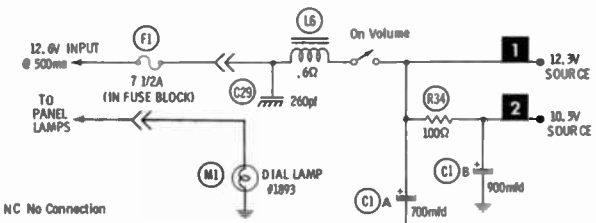
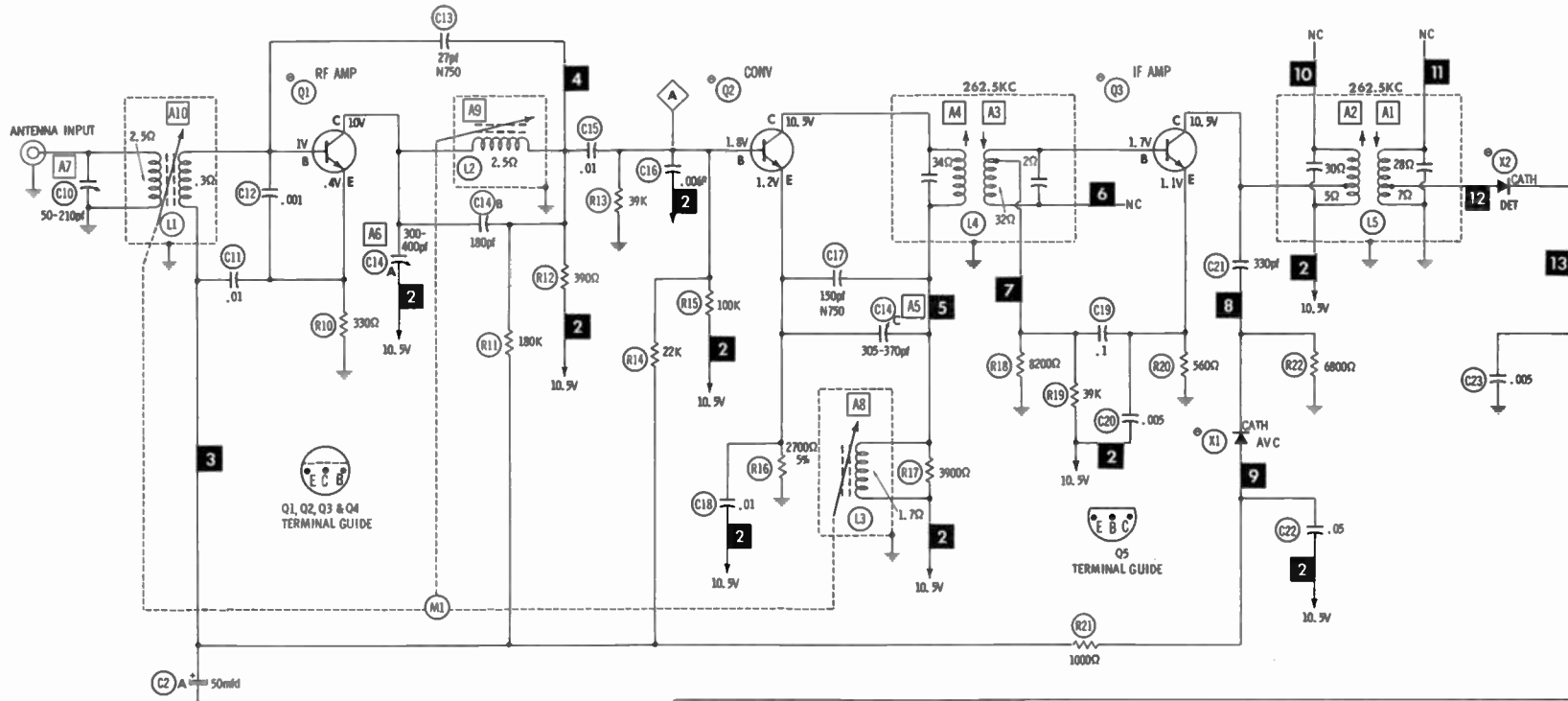
With radio installed in car and antenna extended to desired height, tune in a weak station near 1400KC and adjust A7 for maximum output. Antenna adjustment (A7) is located behind Tuning & Dummy Knob.



HOWARD W. SAMS & CO., INC. Indianapolis, Indiana 46206

© 1970 Howard W. Sams & Co., Inc. Printed in U. S. of America

TD798

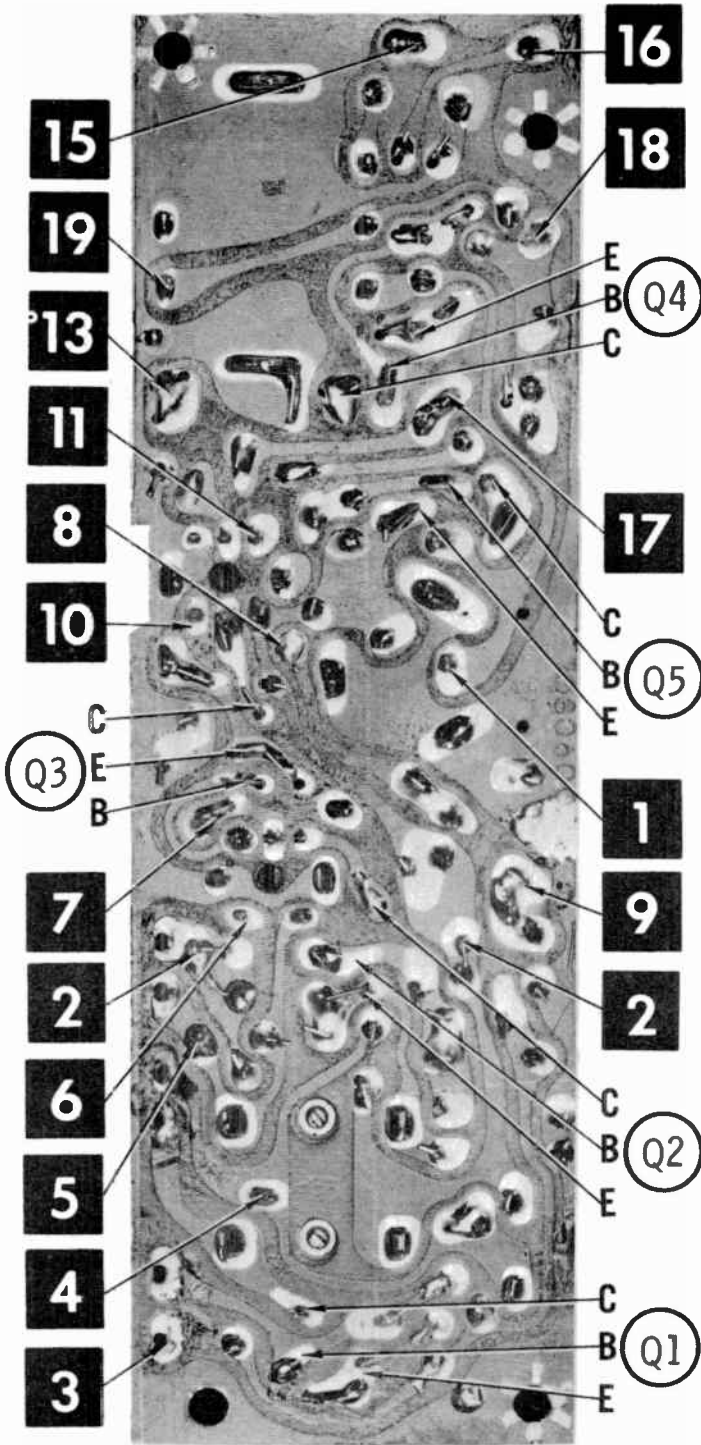


- ⊙ See parts list
- 1. Voltage measurements taken with vacuum tube voltmeter.
- 2. All controls set for normal operation, no signal applied.
- 3. Measured values are from socket pin or terminal to common ground.
- 4. All terminals viewed from bottom unless otherwise designated.
- 5. Numbers assigned to terminals may not be found on the unit.
- 6. Supply voltage maintained at rated value for voltage readings.
- 7. Resistance measurements not given because of the wide variation in internal resistance of transistor.

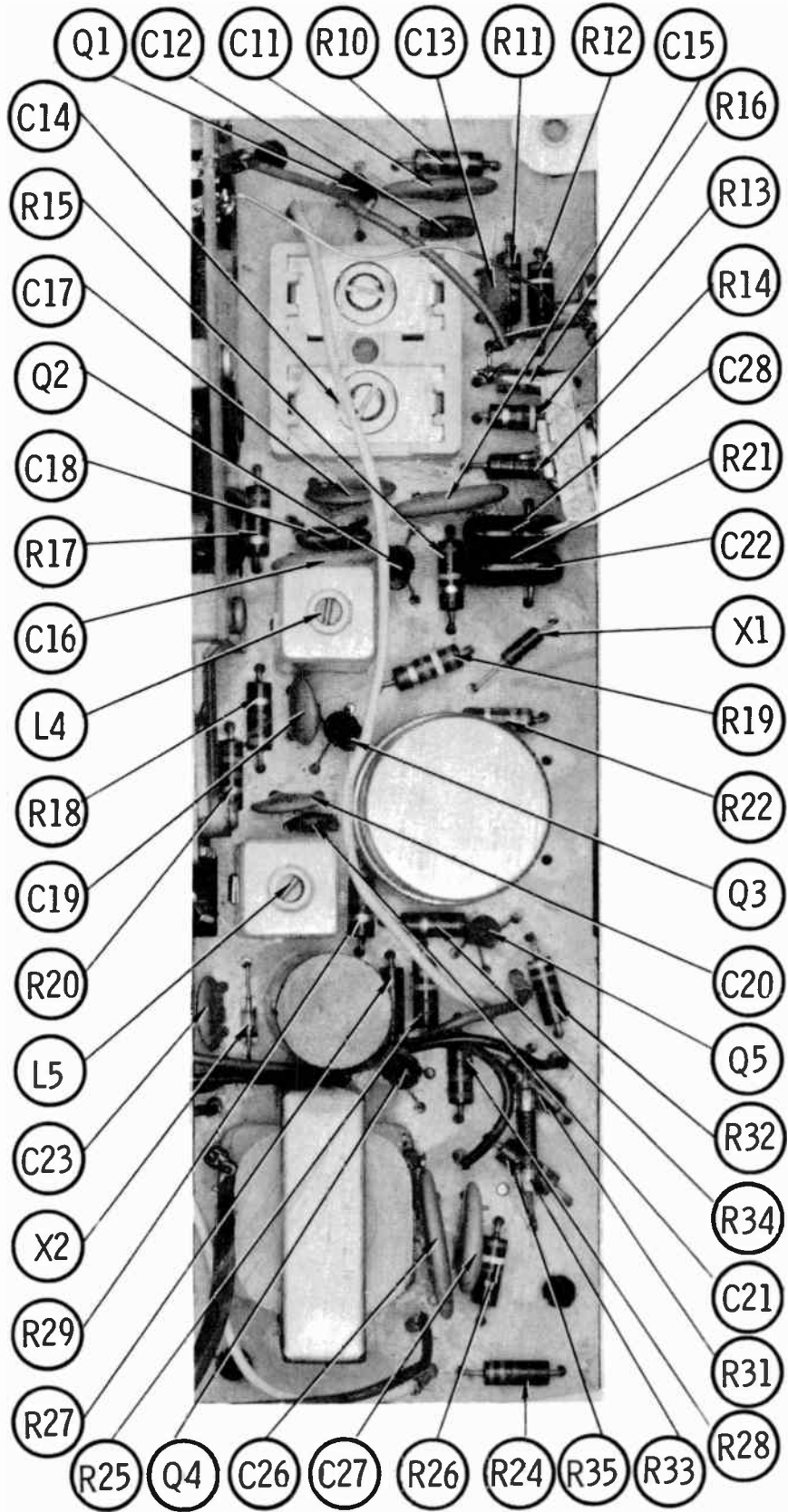
Resistors are 1/2 watt or less and rated 10% or 20% unless otherwise indicated.

A PHOTOFAC STANDARD NOTATION SCHEMATIC
with CIRCUITRACE
© Howard W. Sams & Co., Inc. 1970

MERCURY MODEL OBM

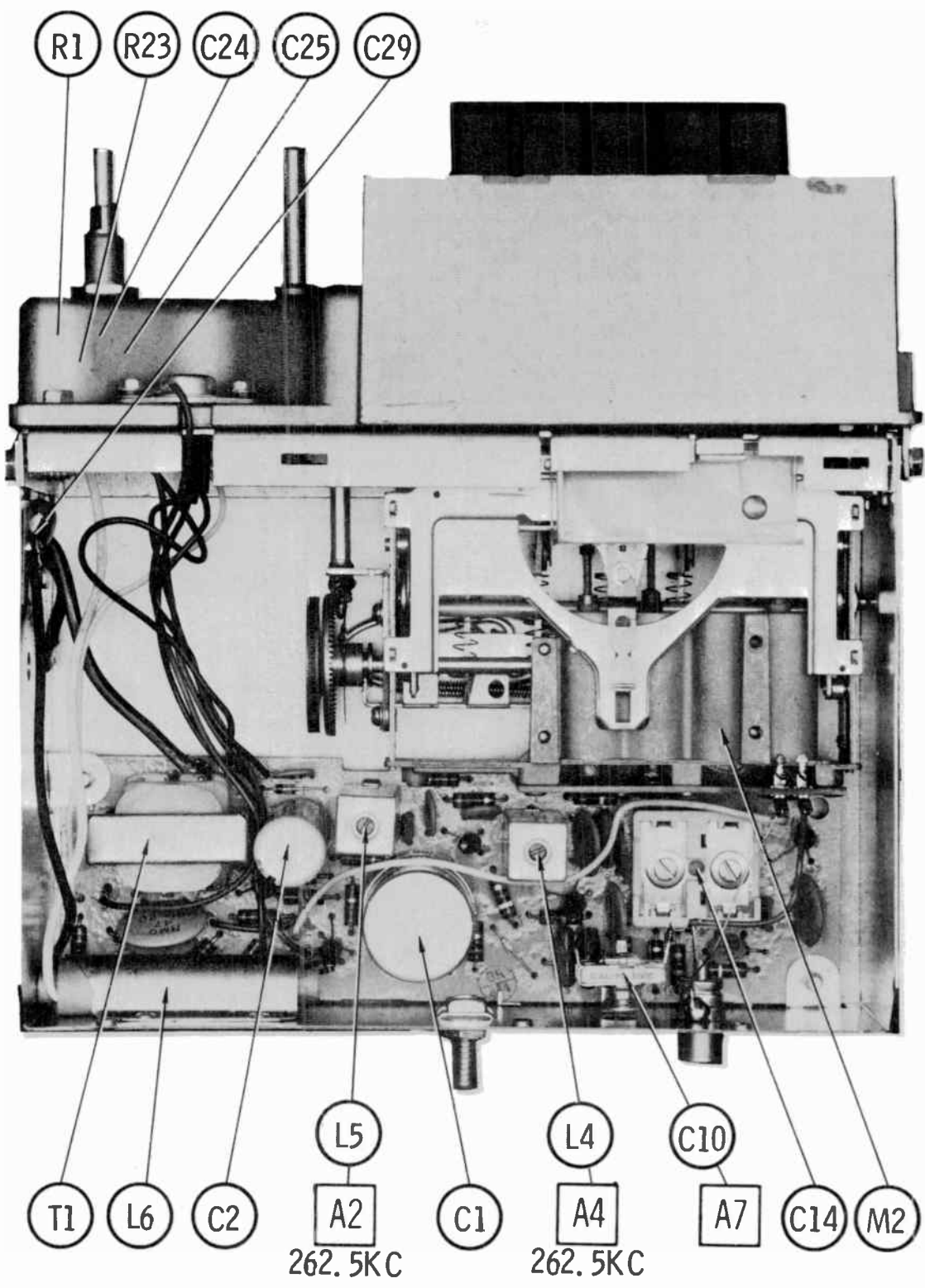


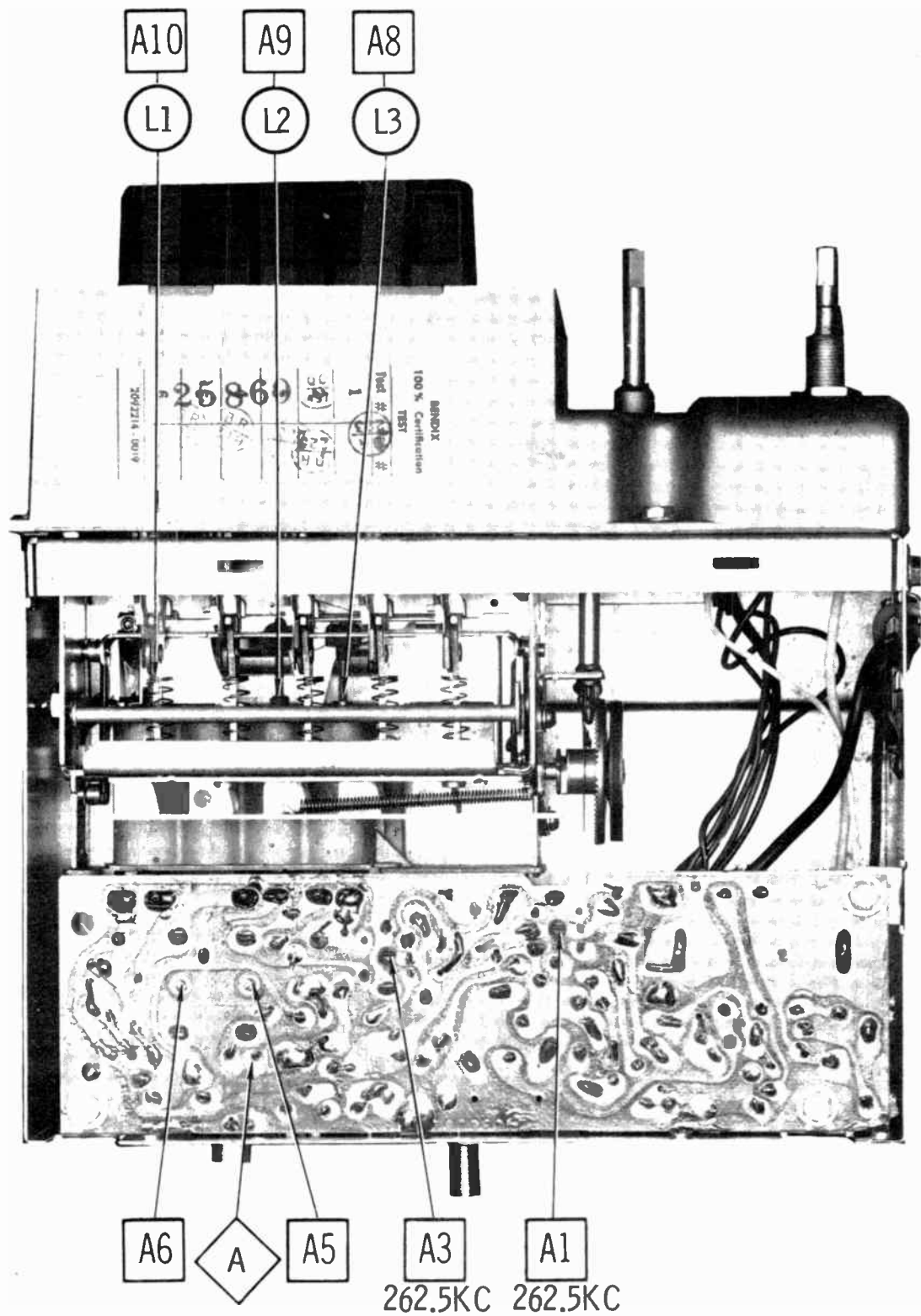
A Howard W. Sams **CIRCUITRACE** Photo



44-121 J 8809207
4920 31602 14

MERCURY MODEL 08M





PARTS LIST AND DESCRIPTION

(When ordering parts, state Model, Part Number, and Description.)

Replacement parts shown may be superseded by the availability of newly introduced replacements.

Have your local distributor check Sams COUNTER FACTS® for the most up-to-date replacement.

WIRING DATA

General-use Unshielded Hook-up Wire	Use BELDEN No. 8530 (Solid) Available in 12 Colors 8524 (Stranded) Available in 12 Colors
Shielded Hook-up Wire	Use BELDEN No. 8885
Rear Seat Speaker Extension Cable	Use BELDEN No. 8782 (Stranded) Coded Parallel Leads
Bonding Strap	Use BELDEN No. 8661 (3/8 In.) or 8670 (3/4 In.)

TRANSISTORS

ITEM No.	TYPE No.	FUNCTION	REPLACEMENT DATA					
			MFG. PART No.	GENERAL ELECTRIC PART No.	INTERNATIONAL RECTIFIER PART No.	MOTOROLA PART No.	RCA PART No.	SYLVANIA PART No.
Q1		RF Amp	2093308-0704	GE-20	TR-21	HEP54	SK3018	ECG 107
Q2		Converter	2093308-0705	GE-20	TR-21	HEP54	SK3018	ECG 107
Q3		IF Amp	2093308-0706	GE-20	TR-21	HEP54	SK3018	ECG 107
Q4		AF Amp	2092609-0721	GE-10	TR-21	HEP54	SK3020	ECG 123
Q5		AF Amp	2057013-0702	GE-21	TR-19	HEP51	SK3025	ECG 129
Q6		Output *	4080838-0001 4080866-0001 (1)	GE-23	TR-23	HEP703	SK3026	ECG 152

* When replacing, apply silicone grease to both sides of insulator. Tighten mounting screws securely.

(1) Alternate Part Number

POWER RECTIFIERS & SIGNAL DIODES

ITEM No.	MFG. PART OR TYPE No.	REPLACEMENT RECTIFIERS & DIODES			REPLACEMENT RECTIFIERS	NOTES
		GENERAL ELECTRIC PART No.	INTERNATIONAL RECTIFIER PART No.	SYLVANIA PART No.	RCA PART No.	
X1	2092055-0708	1N82A	1N82A	ECG 112		
X2	2092055-0001	1N34AS	1N34AS	ECG 109		

ELECTROLYTIC CAPACITORS

ITEM No.	RATING	PART No.	REPLACEMENT DATA					
			AEROVOX PART No.	CENTRALAB PART No.	CORNELL-DUBILIER PART No.	GENERAL ELECTRIC PART No.	MALLORY PART No.	SPRAGUE PART No.
C1A	700 16V	2092983-0014	PWH2-02-65		BB004A			PCL-2185.1
B	900 16V							
C2A	50 4V	2092246-0011						
B	1000 4V							

CAPACITORS

ITEM No.	RATING	REMARKS	REPLACEMENT DATA					
			AEROVOX PART No.	CENTRALAB PART No.	CORNELL-DUBILIER PART No.	ELMENCO PART No.	MALLORY PART No.	SPRAGUE PART No.
C10	50-210	#2091504-0009						
C11	.01		GPD X5S103K	DD-103	GP10000	CCD-103	JF110	10TS-S10
C12	.001		GPD X5F102K	DM-102	GP1000	CCO-102	SM210	2SS-D10
C13	27 N750			TCZ-27	NPO-27	CCTO-270	CN0427	10TCC-Q27
C14A	300-400	#219092-0041						
B	180							
C	305-370							
C15	.01		GPD X5S103K	DD-103	GP10000	CCD-103	JF110	10TS-S10
C16	.0068		GPD X5R682K	DD-682		CCD-682	JF268	10TS-D68
C17	150 N750		N750-D1 150	DTN-150	N150	CCTN-151	CN7315	10TCU-T15
C18	.01 100V		V1612S1	CPR-10000J	DPMS6S1	1DP-1-103	PVC211	225P10391WD3
C19	.1		TTP-1	CK-104			TA010	TG-P10
C20	.005		TTP-005	CK-502	MGP005	CCD-502	TA250	TG-D50
C21	330		GPD X5F331K	DD-331	GP330	CCD-331	GP333	10TS-T33
C22	.05 100V		D8E6S5	CK-502	DPMS6S5	6DP-3-503	PVC615	6PS-S50
C23	.005		TTP-005	CK-502	MGP005	CCD-502	TA250	TG-D50
C24	.15		TTP-1	CK-104			TA010	TG-P10
C25	.1		TTP-1	CK-104			TA010	TG-P10
C26	.47			UK10-474				TG-P10
C27	.0068		GPD X5R682K	DD-682		CCD-682	JF268	HY-380
C28	.05 100V		D8E6S5		DPMS6S5	6DP-3-503	PVC615	10TS-D68
C29	260	#2093050-0710						6PS-S50

Bendix Part Number

CONTROLS (All wattages 1/2 watt, or less, unless listed)

ITEM No.	FUNCTION	RESISTANCE	REPLACEMENT DATA					
			MFG. PART No.	CENTRALAB PART No.	CLAROSTAT PART No.	CTS-IRC PART No.	MALLORY PART No.	
R1A	Tone	100K	2056738-0707					P15L, 3034,
B	Volume/Switch	32K Tap @ 8000						SH31, RU253T53, OX1062, IS1562, US41

MERCURY MODEL 08M

PARTS LIST AND DESCRIPTION (CONTINUED)

(When ordering parts, state Model, Part Number, and Description.)

Replacement parts shown may be superseded by the availability of newly introduced replacements.

Have your local distributor check Sams COUNTER FACTS[®] for the most up-to-date replacement.

RESISTORS (Power and Special)

ITEM No.	RATING	REPLACEMENT DATA	
		WORKMAN PART No.	MFGR. PART No.
R32	.45 2W (PTC)		2090948-0732

ITEM No.	RATING	REPLACEMENT DATA	
		WORKMAN PART No.	MFGR. PART No.

COILS (RF-IF)

ITEM No.	USE	REPLACEMENT DATA			
		PART No.	MEISSNER PART No.	MILLER PART No.	WORKMAN PART No.
L1	Antenna	(1)			
L2	RF	(1)			
L3	Osc	(1)			
L4	Input IF	2094080-0711		8006 (2)	
L5	Output IF	2094080-0712		8006	

(1) Part of M 1. (2) Cut off Pin #5.

FILTER CHOKE

ITEM No.	RATINGS			REPLACEMENT DATA					NOTES
	CURRENT (Measured)	DC RES.	INDUCTANCE (0 CURRENT 1000~)	PART No.	MERIT PART No.	STANCOR PART No.	THORDARSON PART No.	TRIAD PART No.	
L6	500ma	.6	1.5mh	2092050-739	C-4095 (1)	TC-1 (1)	TR-159 (1)	TY16XT (1)	(1) Fabricate Mounting

TRANSFORMER (Audio Output)

ITEM No.	IMPEDANCE		REPLACEMENT DATA					NOTES
	PRI.	SEC.	MFGR. PART No.	MERIT PART No.	STANCOR PART No.	THORDARSON PART No.	TRIAD PART No.	
T1	17	8	4080627-0501					

SPEAKER

ITEM No.	TYPE	REPLACEMENT DATA		NOTES
		PART No.	QUAM PART No.	
SP1	4" x 10" PM 8 ohms	4080108-0005		

FUSE DEVICES

ITEM No.	DESCRIPTION	REPLACEMENT DATA						
		PART No.		BUSS PART No.		LITTELFUSE PART No.		WORKMAN PART No.
		DEVICE	HOLDER	DEVICE	HOLDER	DEVICE	HOLDER	
F1	SFE 7 1/2A		In Fuse Block	SFE 7 1/2		30707.5		

MISCELLANEOUS

ITEM No.	PART NAME	PART No.	NOTES
M1	Tuner Coil Assembly	2094851-0524	(TRW Early Production)
	Tuner Coil Assembly	2090131-0108	(TRW Early Production)
	Tuner Coil Assembly	2094851-0541	(TRW Late Production)
	Tuner Coil Assembly	2057171-0003	(TRW Late Production)
	Tuner Coil Assembly	2094851-0542	(GIC)
	Tuner Coil Assembly	2090131-0118	(GIC)

CABINETS & CABINET PARTS (When ordering specify model, chassis & color)

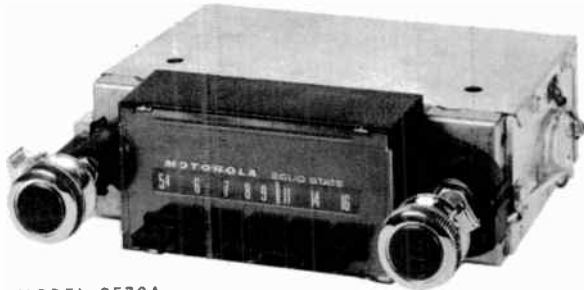
ITEM	PART No.	ITEM	PART No.
Escutcheon	4080771-0501	Push Button, Left Hand	4080582-0002
Dial Glass	4080579-0001	Push Button, Left Hand	4080582-0001
Knob, Tuning or Volume	4080916-0001	Dial Pointer (TRW)	2090129-0113
Knob, Tone or Dummy	4082198-0001	Dial Pointer (GIC)	2090129-0118
Push Button, Right Hand	4080582-0003		



PHOTOFACT[®] with

CIRCUITRACE[®]

For Supplier Address See PHOTOFACT Index



MODEL CE70A

- MOTOROLA CUSTOM MODELS CE70A
 (70 Chevelle)
 CK70A
 (70 Chev. Truck)
 CT70A
 (70 Chevrolet)
 CY70A
 (70 Chevy II)
 PC70A
 (70 Tempest)
 PT70A
 (70 Pontiac)

MOTOROLA 1970 GM CUSTOM SERIES

ALIGNMENT INSTRUCTIONS

Check for specified source voltage.
 Use only enough generator output
 to provide a usable indication.
 Suggested Alignment Tools:

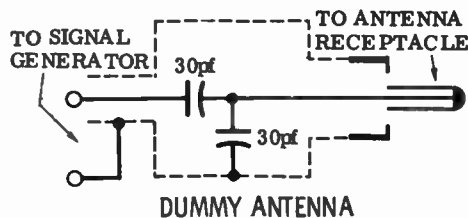
- A1 thru A4.....GENERAL CEMENT #9296,9297,9300
 WALSCO #2510, 2546, 2547
 A5,A6,A7.....GENERAL CEMENT #8290,8868,9087
 WALSCO #2525, 2528, 2587

PUSH-BUTTON ADJUSTMENT

1. Pull button out.
2. Tune manually to desired station.
3. Press button in firmly.
4. Repeat for remaining buttons.

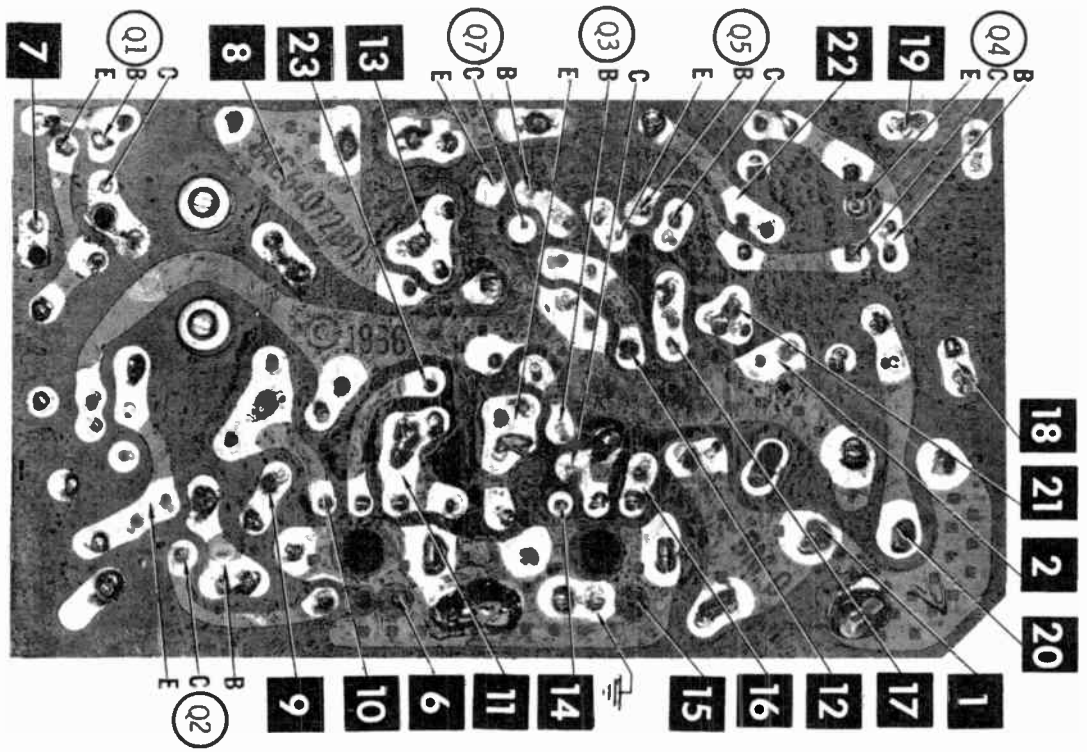
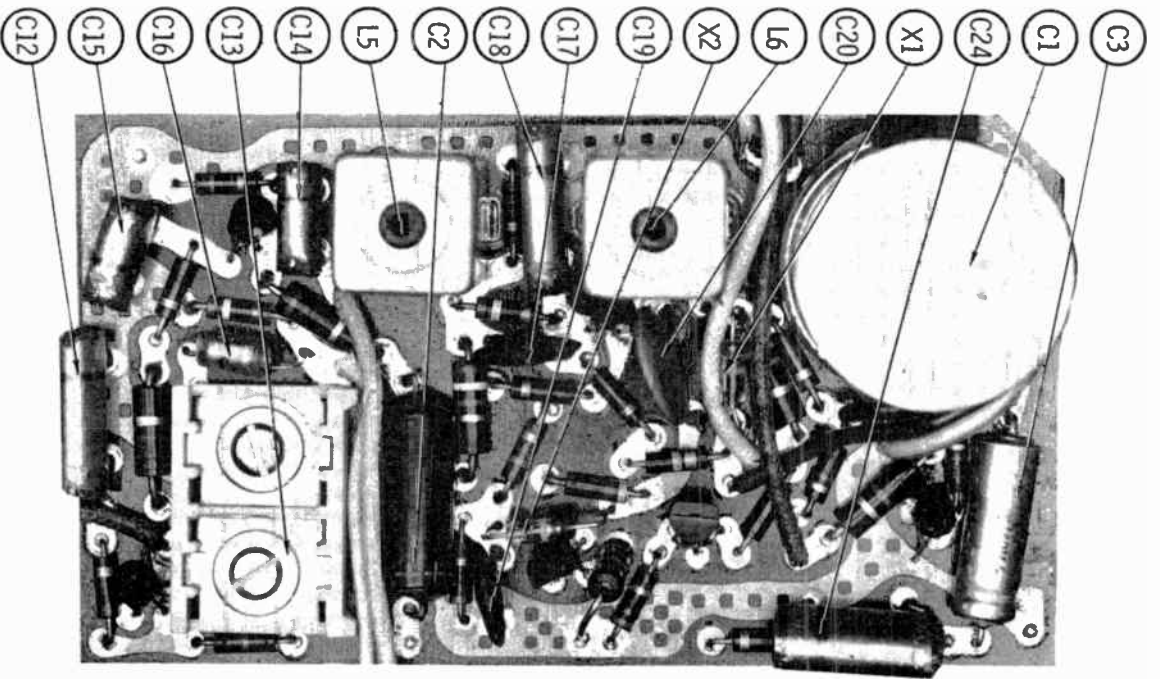
	GENERATOR COUPLING	GENERATOR FREQUENCY	RADIO DIAL SETTING	INDICATOR	ADJUST	REMARKS
1.	High side thru .1mfd to point A , low side to ground.	262KC 400 cycle modulation	High freq. end stop.	Output meter across voice coil.	A1,A2, A3,A4	Adjust for maximum.
2.	Thru dummy antenna to antenna input.	1615KC	"	"	A5,A6, A7	"
Step 3 is not necessary unless tuner or associated components have been disturbed. If necessary, back tuning cores (A8,A9,A10) out of coils but not out of forms. Repeat Step 2.						
3.	Thru dummy antenna to antenna input.	1000KC	Tune to signal	Output meter across voice coil	A8,A9, A10	Adjust for maximum. Repeat Steps 2 and 3 until no further improvement is noted

With radio installed in car and antenna extended to desired height, tune in a weak station near 1400KC and adjust A7 for maximum output. Antenna adjustment (A7) is located rear center to left of antenna input.



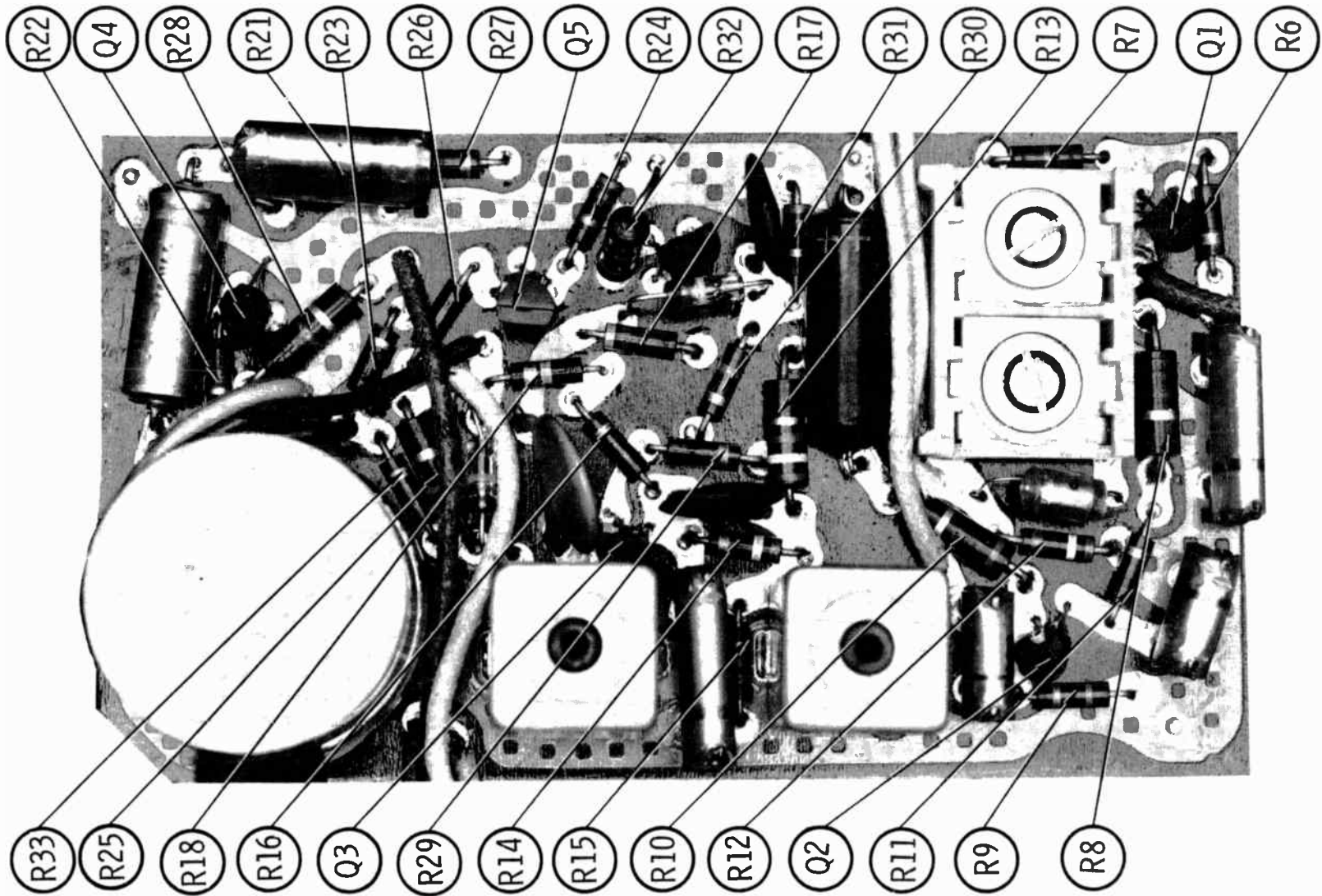
HOWARD W. SAMS & CO., INC. Indianapolis, Indiana 46206

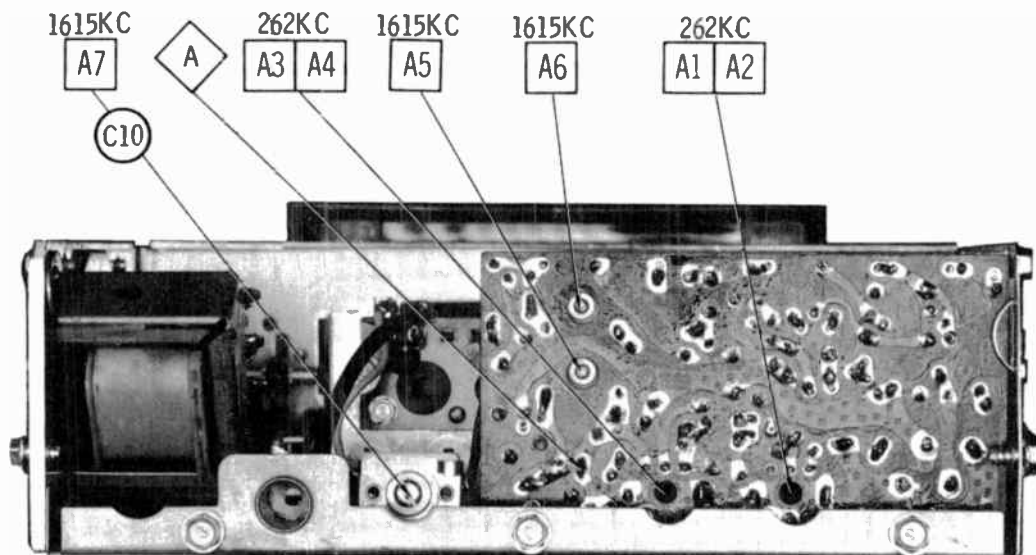
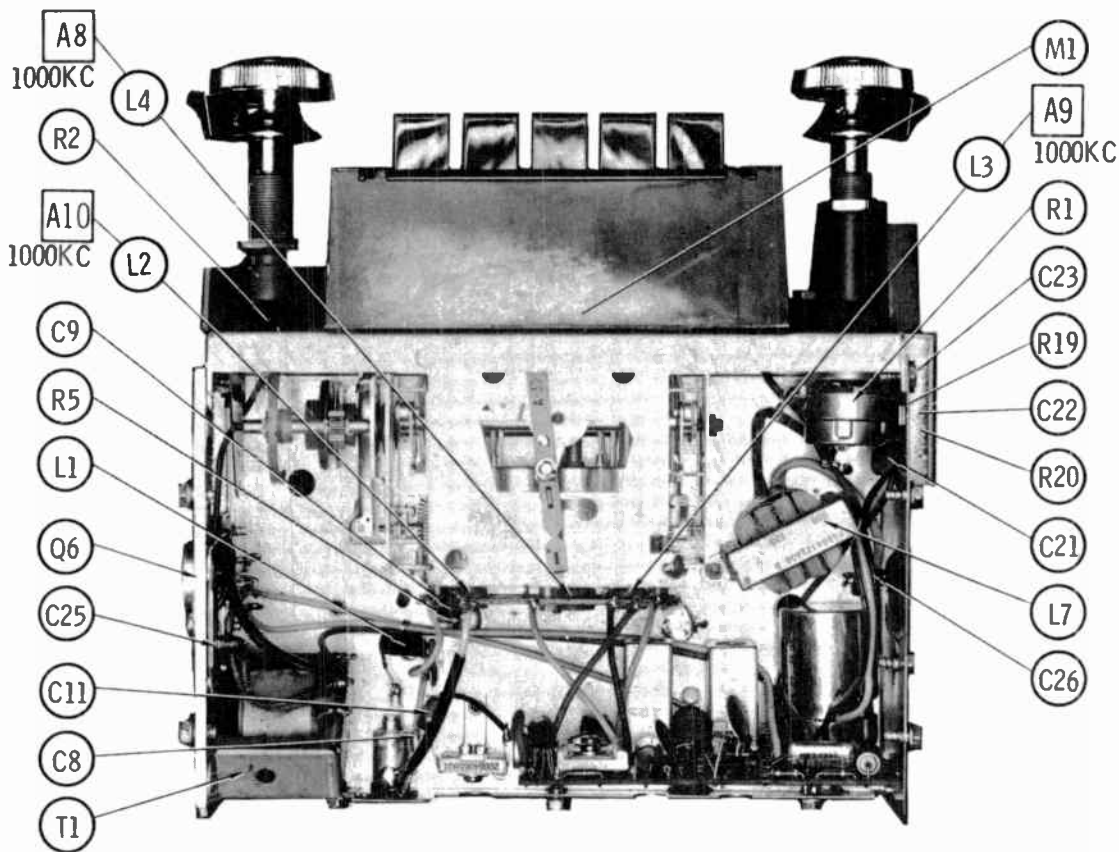
© 1970 Howard W. Sams & Co., Inc. Printed in U. S. of America TD799



A Howard W. Sams **CircuitTrac** Photo

MOTOROLA 1970 GM CUSTOM SERIES





PARTS LIST AND DESCRIPTION

(When ordering parts, state Model, Part Number, and Description.)

Replacement parts shown may be superseded by the availability of newly introduced replacements.
Have your local distributor check Sams COUNTER FACTS for the most up-to-date replacement.

TRANSISTORS

ITEM No.	TYPE No.	FUNCTION	REPLACEMENT DATA					
			MFGR. PART No.	GENERAL ELECTRIC PART No.	INTERNATIONAL RECTIFIER PART No.	MOTOROLA PART No.	RCA PART No.	SYLVANIA PART No.
Q1	B29A	RF Amp	48S134831	GE-22	TR-19	HEP57		ECG 106
Q2	B29B	Converter	48S134831	GE-22	TR-19	HEP57		ECG 106
Q3	B29C	IF Amp	48S134831	GE-22	TR-19	HEP57		ECG 106
Q4	54D	AF Amp	48S134811	GE-20	TR-21	HEP726	SK3020	ECG 123
Q5	54C	AF Amp	48S134810	GE-20	TR-21	HEP725	SK3020	ECG 123
Q6	SP-1556-3	Output *	48S134759	GE-3	TR-01	HEP624	SK3009	ECG 104
Q7	D1A	Voltage Regulator	48S134912	GE-20	TR-21		SK3020	ECG 123

* When replacing, apply silicone grease to both sides of insulator. Tighten mounting screws securely.

POWER RECTIFIERS & SIGNAL DIODES

ITEM No.	MFGR. PART OR TYPE No.	REPLACEMENT RECTIFIERS & DIODES			REPLACEMENT RECTIFIERS	NOTES
		GENERAL ELECTRIC PART No.	INTERNATIONAL RECTIFIER PART No.	SYLVANIA PART No.	RCA PART No.	
X1	1N139	1N34AS	1N34A	ECG 109		
X2	1N139	1N34AS	1N34A	ECG 109		

ELECTROLYTIC CAPACITORS

ITEM No.	RATING	REPLACEMENT DATA						
		PART No.	AEROVOX PART No.	CENTRALLAB PART No.	CORNELL-DUBILIER PART No.	GENERAL ELECTRIC PART No.	MALLORY PART No.	SPRAGUE PART No.
C1A	500 16V	23S184A01	PWH3-00-94.7		CC0018A		PF300.17	PCL-3026.17
B	500 16V							
C	25 16V							
C2	25 25V	23S187A02	PTT82	EA30-25	WBR25-25	MT1-11	MTA25E35	TE-1207
C3	6.4 40V	23S187A01	CRE755A	EA50-10	AL10-150	MT1-5	MTA6D50	TE-1303.1

CAPACITORS

ITEM No.	RATING	REMARKS	REPLACEMENT DATA					
			AEROVOX PART No.	CENTRALLAB PART No.	CORNELL-DUBILIER PART No.	ELMENCO PART No.	MALLORY PART No.	SPRAGUE PART No.
C8	100 10%		NPO-DI 100	DTZ-100	CV601CG101K	CCT0-101	CN0310	10TCC-T10
C9	10 NPO	#20B64065B01	NPO-DI 10	DTZ-10	CZ601CG100J	CCT0-100	CN0410	10TCC-Q10
C10	20-120					463		
C11	.002		GPD X5F202K	DM-202	JBX601YP202K	CCD-202	GP220	25S-D20
C12	.047 100V	#20C64618A04	V1612S47		DMF1S47	IDP-2-473	PVC1147	225P47391WD3
C13A	10-65							
B	80-200							
C14	.0047 100V		DBE6D5	CPR-5000J	WMF1D5	IDP-1-502	PVC625	6PS-D50
C15	.01 100V		V1612S1	CPR-10000J	WMF1S1	IDP-1-103	PVC211	225P10391WD3
C16	390		CM-15E-391	CPR-390J	CD15FD391J03	DM-10-391	SX339	10TCU-T39
C17	.01		V1612S1	CPR-10000J	WMF1S1	IDP-1-103	PVC211	225P10391WD3
C18	.047 100V		V1612S47		DMF1S47	IDP-2-473	PVC1147	225P47391WD3
C19	.01		TTP-01	CK-103	HOY101ZV103P	CCD-103	TA110	TG-S10
C20	15 N750		N750-DI 150	DTN-150	N150	CCTN-150	CN7315	
C21	.01		TTP-01	CK-103	HOY101ZV103P	CCD-103	TA110	TG-S10
C22	.2			UK20-204			MAG25022	HY-470
C23	.047			UK10-474			MAG3047	HY-330
C24	.082 100V	#21A56D232	DBE6S82		DPMS6S82	6DP-4-823	PVC1168	6PS-S82
C25	.001	#21A56D232						
C26	.001	#21A56D232						

Motorola Part Number

PARTS LIST AND DESCRIPTION (CONTINUED)

(When ordering parts, state Model, Part Number, and Description.)

Replacement parts shown may be superseded by the availability of newly introduced replacements.
Have your local distributor check Sams COUNTER FACTS for the most up-to-date replacement.

CONTROLS (All wattages 1/2 watt, or less, unless listed)

ITEM No.	FUNCTION	RESIST- ANCE	REPLACEMENT DATA				
			MFGR. PART No.	CENTRALAB PART No.	CLAROSTAT PART No.	CTS-IRC PART No.	MALLORY PART No.
R1A	Tone	100K	18C64385B01(3)	F2-100K (2), R16-10K, FFS200, RFS215, KR-4		* QJ-2632A	P15A (2), RU14T53, OX2003, IS2937, US41
B	Volume/Switch	10K Tan @ 5500					
A	Tone	100K	18C64062A06(4)	F2-100K (2) R16-10K, FFS101, RFS109, KR-4		** QJ-2532A	P15A (2), RU14T53, OX1062, IS1562, US41
B	Volume/Switch	10K Tap @ 5500					
A	Tone	100K	18C64385B02(5)	F2-100K (2), R16-10K, FFS204, RFS214, KR-4		*** QJ-2631A	P15A (2), RU14T53, OX2250A, IS2875, US41
B	Volume/Switch	10K Tap @ 5500					
R2	Fader	40	18B64100B06(6)				
	Fader	2 Watt					
	Fader	40	18C64100B07(5)				
	Fader	2 Watt					

- * "Concentrikit" equivalent: K-8 Kit with base elements & shafts; B13-128 (Panel)
B19-116X (Rear)
R5 (1) (Retainer)
76-1 (Switch)
P13-200 (Panel)
R1-226 (Rear)
- ** "Concentrikit" equivalent: K-8 Kit with base elements & shafts; B13-128 (Panel)
B19-116X, (Rear)
R5 (1) (Retainer)
76-1 (Switch)
P22-103 (Panel)
R9-115 (Rear)
- *** "Concentrikit" equivalent: K-8 Kit with base elements & shafts; B13-128 (Panel)
B19-116X (Rear)
R5 (1) (Retainer)
76-1 (Switch)
P17-208 (Panel)
R1-226 (Rear)

- (1) Cut off Tab Ears (R5) and use original Spring Mounting Clips.
(2) Use original Spring Mounting Clips.
(3) Used in Models CE70A, CT70A, and CY70A.
(4) Used in Model CK70A.
(5) Used in Models PC70A, PT70A.
(6) Used in Models CE70A, CT70A.

COILS (RF-IF)

ITEM No.	USE	REPLACEMENT DATA			
		PART No.	MEISSNER PART No.	MILLER PART No.	WORKMAN PART No.
L1	RF Choke (9uh)	24C64003B01	19-1005	4622	T860
L2	Antenna	{1}			
L3	RF	{1}			
L4	Oscillator	{1}			
L5	Input IF	24C64282B01		8009	
L6	Output IF	24C64282B02		8010	

(1) Part of M2

FILTER CHOKE

ITEM No.	RATINGS			REPLACEMENT DATA					NOTES
	CURRENT (Measured)	DC RES.	INDUCTANCE (0 CURRENT 1000~)	PART No.	MERIT PART No.	STANCOR PART No.	THORDARSON PART No.	TRIAD PART No.	
L7	775ma	.3	1.9mh	25C64172A05	C-4095	TC-1	TR-157	TY16XT	

TRANSFORMER (Audio Output)

ITEM No.	IMPEDANCE		REPLACEMENT DATA					NOTES
	PRI.	SEC.	MFGR. PART No.	MERIT PART No.	STANCOR PART No.	THORDARSON PART No.	TRIAD PART No.	
T1	18 Tap	@ 8	25D64129A01					

MOTOROLA 1970 GM CUSTOM SERIES

PARTS LIST AND DESCRIPTION (CONTINUED)

(When ordering parts, state Model, Part Number, and Description.)

Replacement parts shown may be superseded by the availability of newly introduced replacements.
Have your local distributor check Sams COUNTER FACTS® for the most up-to-date replacement.

SPEAKER

ITEM No.	TYPE	REPLACEMENT DATA		NOTES	
		MFGR. PART No.	QUAM PART No.		
SP1	6" X 9" PM	8 ohms	50C64461B01	69A2Z8	Model CE70A Model CK70A Model CT70A Models CY70A, PC70A, PT70A
	4" X 10" PM	8 ohms	1C64290A04	410A2Z8	
	4" X 10" PM	8 ohms	50C64394B02	410A2Z8	
	4" X 10" PM	8 ohms	50C64394B01	410A2Z8	

FUSE DEVICES

ITEM No.	DESCRIPTION	REPLACEMENT DATA						
		PART No.		BUSS PART No.		LITTELFUSE PART No.		WORKMAN PART No.
		DEVICE	HOLDER	DEVICE	HOLDER	DEVICE	HOLDER	DEVICE
F1	4 Amp, 3AG	65S61688	In Fuse Block	AGC 3		312003		

MISCELLANEOUS

ITEM No.	PART NAME	PART No.	NOTES
M1	Dial Lamp	65S131742	CE70A, CT70A, CY70A CK70A, PC70A, PT70A AT101 Models CE70A, CT70A, CY70A AT642 Model CK70A AT109 Model PC70A AT113 Model PT70A
	Dial Lamp	65S538410	
M2	Tuner	77U42901B12	
	Tuner	1443500A26	
	Tuner	77U42901B15	
	7"	77U42901B16	
	Coil Assembly	1V43800A36	

CABINETS & CABINET PARTS (When ordering specify model, chassis & color)

ITEM	MODELS	PART No.	ITEM	MODELS	PART No.
Escutcheon	CE70A,CT70A,CY70A	13D64382B01	Dial Glass	CK70A	34B64190801
Escutcheon	CK70A	13D64178B01	Dial Glass	PC70A,PT70A	34B64421B01
Escutcheon	PC70A,PT70A	13D64413B01	Dial Pointer		52C40244B08
Knob, Tuning or Volume	CE70A,CT70A,CY70A	36C64395B01	Pushbutton #1,#3,#5	CE70A,CT70A,CY70A	38C41068B02
Knob, Tuning or Volume	CK70A	36C64084B01	Pushbutton #1,#3,#5	CK70A	38C44097A08
Knob, Tuning or Volume	PC70A,PT70A	36C64174B01	Pushbutton #1,#3,#5	PC70A	38C44097A10
Knob, Tone or Fader	CE70A,CT70A,CY70A	36C64383B01	Pushbutton #1,#3,#5	PT70A	38C44097A12
Knob, Tone or Fader	CK70A	36C64177B01	Pushbutton #2,#4	CE70A,CT70A,CY70A	38C41068B01
Knob, Tone or Fader	PC70A,PT70A	36B64049A02	Pushbutton #2,#4	CK70A	38C44097A07
Dial Glass	CE70A,CT70A,CY70A	34B64381B01	Pushbutton #2,#4	PC70A	38C44097A09

WIRING DATA

General-use Unshielded Hook-up Wire	Use BELDEN No. 8530 (Solid) Available in 12 Colors 8524 (Stranded) Available in 12 Colors
Shielded Hook-up Wire	Use BELDEN No. 8885
Rear Seat Speaker Extension Cable	Use BELDEN No. 8782 (Stranded) Coded Parallel Leads
Bonding Strap	Use BELDEN No. 8661 (3/8 In.) or 8670 (3/4 In.)



For Supplier Address See PHOTOFACT Index



MOTOROLA MODEL TM329M

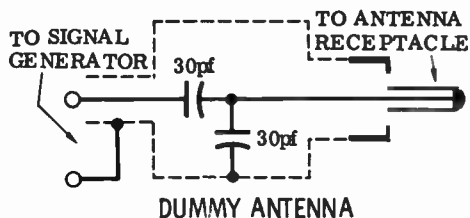
ALIGNMENT INSTRUCTIONS

Check for specified source voltage.
Use only enough generator output
to provide a usable indication.
Suggested Alignment Tools:

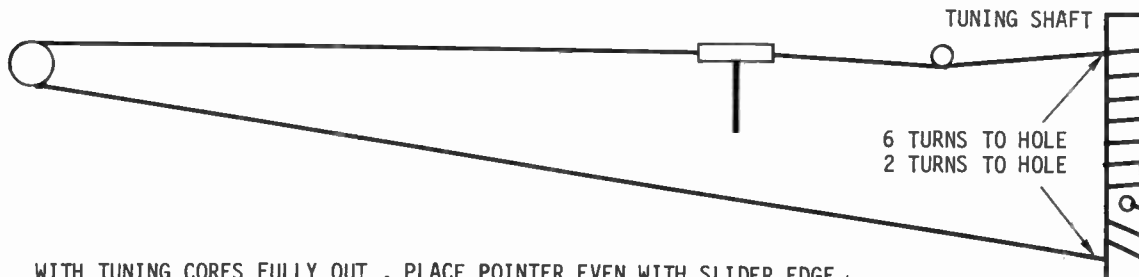
	GENERAL CEMENT	WALSCO
A1 thru A4	#9296,9297,9300#2510,2546,2547
A5 thru A8	#8290,8868,9087#2525,2528,2587

	GENERATOR COUPLING	GENERATOR FREQUENCY	RADIO DIAL SETTING	INDICATOR	ADJUST	REMARKS
1.	High side thru .1mfd to point Δ , low side to ground.	262KC 400 cycle modulation	High freq. end stop.	Output meter across voice coil.	A1,A2, A3,A4	Adjust for maximum.
2.	Thru dummy antenna to antenna input.	1615KC	"	"	A5,A6, A7,A8	"
Step 3 is not necessary unless tuner or associated components have been disturbed. If necessary, back tuning cores(A9,A10,A11,A12)out of coils but not out of forms. Repeat Step 2.						
3.	Thru dummy antenna to antenna input.	1000KC	Tune to signal	Output meter across voice coil	A9,A10 A11,A12	Adjust for maximum. Repeat Steps 2 and 3 until no further improvement is noted

With radio installed in car and antenna extended to desired height, tune in a weak station near 1400KC and adjust A8 for maximum output.



DIAL CORD STRINGING TOP VIEW

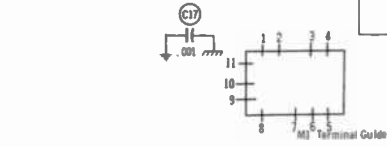
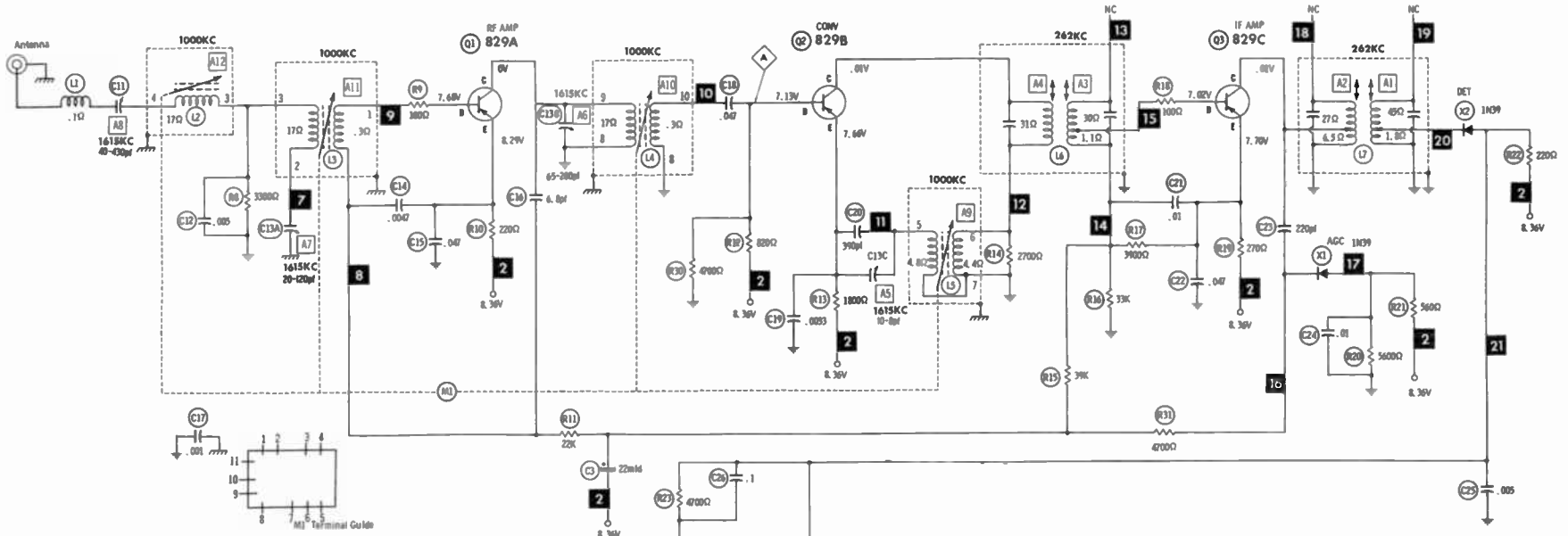


WITH TUNING CORES FULLY OUT , PLACE POINTER EVEN WITH SLIDER EDGE.

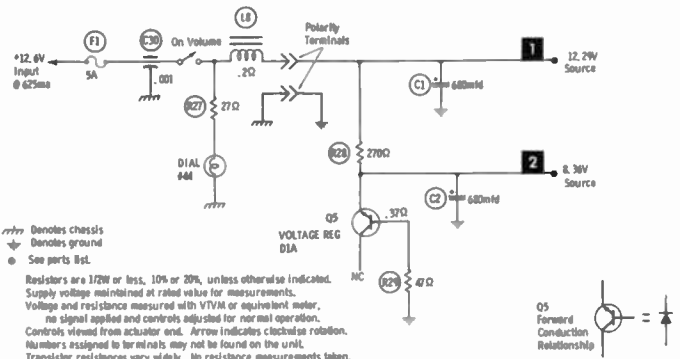
HOWARD W. SAMS & CO., INC. Indianapolis, Indiana 46206

© 1970 Howard W. Sams & Co., Inc. Printed in U. S. of America TD769

MOTOROLA MODEL TM329M



Reverse Connection for Positive Ground

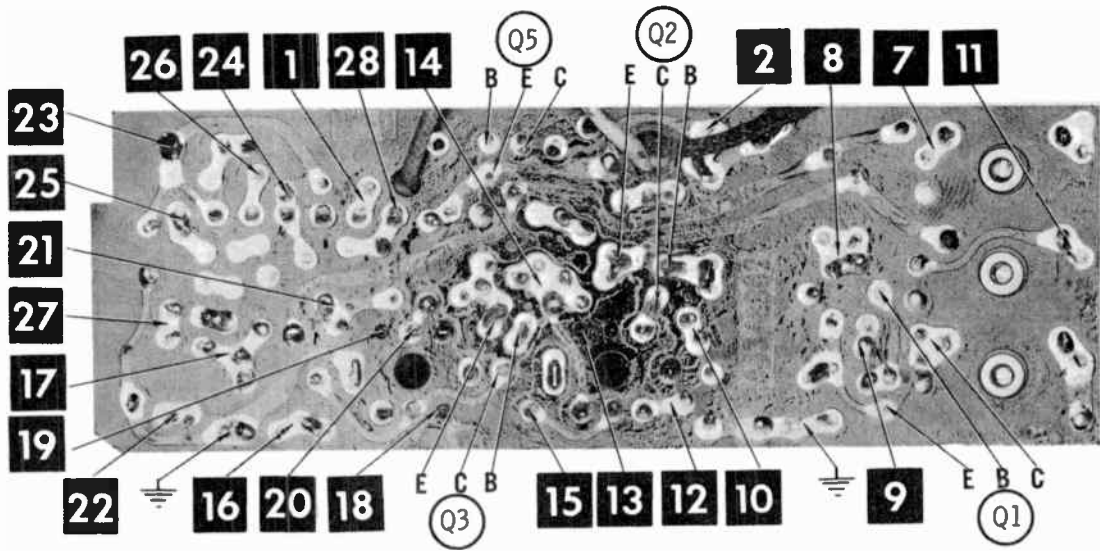


Denotes chassis
Denotes ground
See parts list.

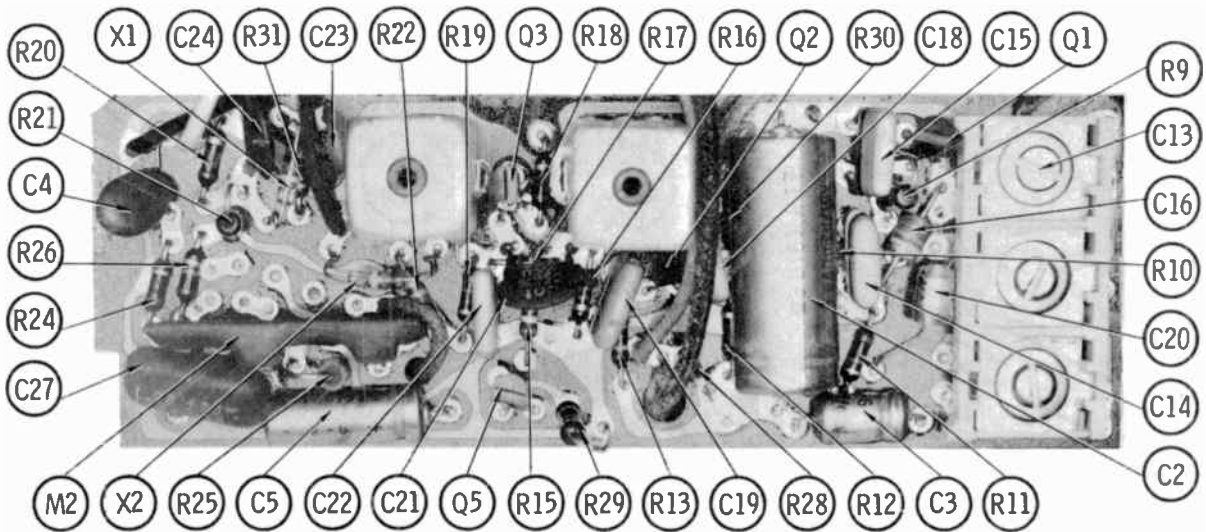
Resistors are 1/2W or less, 10% or 20%, unless otherwise indicated.
Supply voltage maintained at rated value for measurements.
Voltage and resistance measured with VTVM or equivalent meter, no signal applied and controls adjusted for normal operation.
Controls viewed from actuator end. Arrow indicates clockwise rotation.
Numbers assigned to terminals may not be found on the unit.
Transistor resistances vary widely. No resistance measurements taken.

A PHOTOFACT STANDARD NOTATION SCHEMATIC
with **CIRCUITRACE**
© Howard W. Sams & Co., Inc. 1970

MOTOROLA MODEL TM329M



MOTOROLA MODEL TM329M



PARTS LIST AND DESCRIPTION

(When ordering parts, state Model, Part Number, and Description.)

Replacement parts shown may be superseded by the availability of newly introduced replacements.
Have your local distributor check Sams COUNTER FACTS* for the most up-to-date replacement.

WIRING DATA

General-use Unshielded Hook-up Wire	Use BELDEN No. 8530 (Solid) Available in 12 Colors 8524 (Stranded) Available in 12 Colors
Shielded Hook-up Wire	Use BELDEN No. 8885
Rear Seat Speaker Extension Cable	Use BELDEN No. 8782 (Stranded) Coded Parallel Leads
Bonding Strap	Use BELDEN No. 8661 (3/8 In.) or 8670 (3/4 In.)

TRANSISTORS

ITEM No.	TYPE No.	FUNCTION	REPLACEMENT DATA					
			MFGR. PART No.	GENERAL ELECTRIC PART No.	INTERNATIONAL RECTIFIER PART No.	MOTOROLA PART No.	RCA PART No.	SYLVANIA PART No.
Q1	829A	RF Amp	48S134830 (1)	GE-22	TR-19	HEP57		ECG 106
Q2	829B	Converter	48S134831	GE-22	TR-19	HEP57		ECG 106
Q3	829C	IF Amp	48S134832 (1)	GE-22	TR-19	HEP57		ECG 106
Q4	SP1556-2	Output (2)	48S134759	GE-3	TR-01	HEP624	SK3009	ECG 104
Q5	D1A	Voltage Regulator	48S134912	GE-20	TR-21		SK3020	ECG 123

- (1) Manufacturer Recommends Part No. 48S134831.
(2) When replacing, apply silicone grease to both sides of insulator. Tighten mounting screws securely.

POWER RECTIFIERS & SIGNAL DIODES

ITEM No.	MFGR. PART OR TYPE No.	REPLACEMENT RECTIFIERS & DIODES			REPLACEMENT RECTIFIERS	NOTES
		GENERAL ELECTRIC PART No.	INTERNATIONAL RECTIFIER PART No.	SYLVANIA PART No.	RCA PART No.	
X1	1N139	1N295	1N295	ECG 109		
X2	1N139	1N295	1N295	ECG 109		

ELECTROLYTIC CAPACITORS

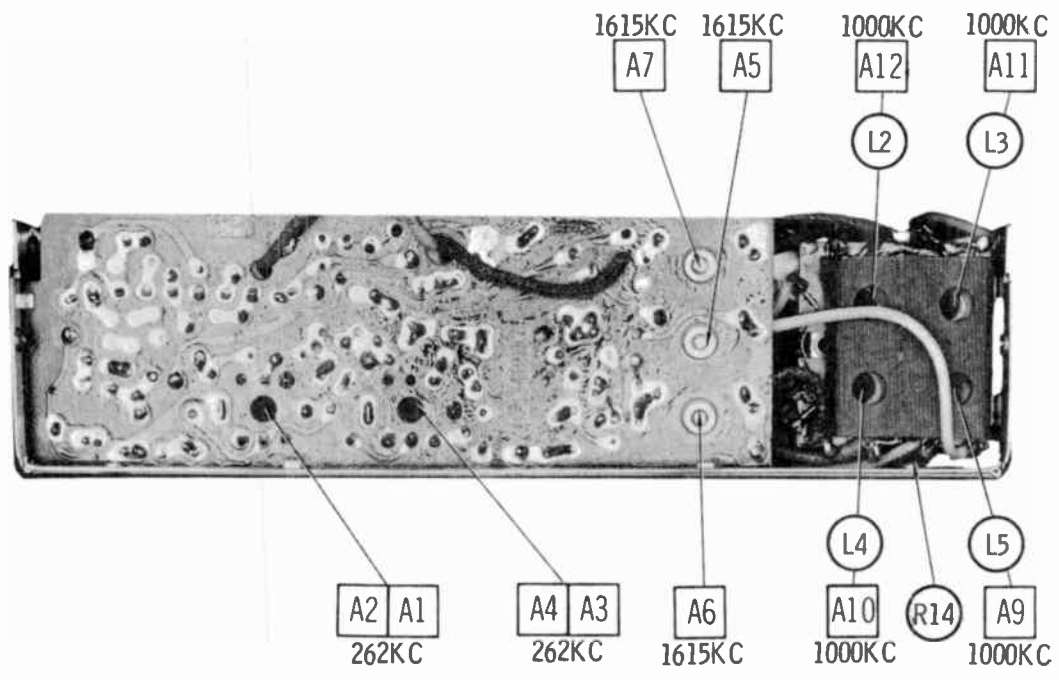
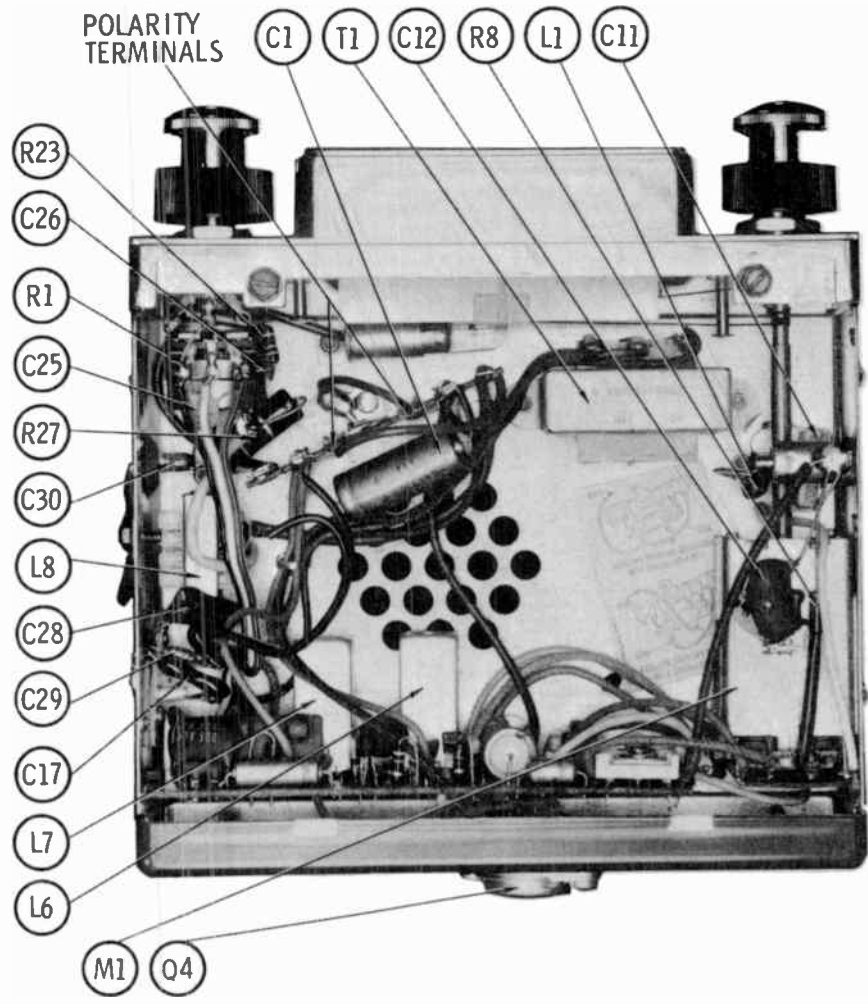
ITEM No.	RATING	REPLACEMENT DATA						
		PART No.	AEROVOX PART No.	CENTRALAB PART No.	CORNELL-DUBILIER PART No.	GENERAL ELECTRIC PART No.	MALLORY PART No.	SPRAGUE PART No.
C1	680 16V	23S187A17	PRS1230	EA15-1000	WBR1000-16	QT1-32	TC1501A	TL-1166.5
C2	680 16V	23S187A17	PRS1230	EA15-1000	WBR1000-16	QT1-32	TC1501A	TL-1166.5
C3	22 25V	23S187A20	PTT82	EA30-25	WBR25-50	MT1-11	MTA25E35	TE-1207
C4	2 10V	23S10229A03	BCD50002	EP15-2	PC2-100	MT1-1	MTV2C850	TE-1121
C5	33 10V	23S187A15	8CD12035	EP15-25	PC30-35	MT1-13.5	MTV30C825	TE-1158

CAPACITORS

ITEM No.	RATING	REMARKS	REPLACEMENT DATA					
			AEROVOX PART No.	CENTRALAB PART No.	CORNELL-DUBILIER PART No.	ELMENCO PART No.	MALLORY PART No.	SPRAGUE PART No.
C11	40-430	#20864065802	DBE6D5	CPR-5000J	DPMS6D5	1DP-1-502	PVC625	6PS-D50
C12	.005 50V							
C13A	20-120	#20D64352A06						
8	65-200							
C	10-80							
C14	.0047 50V		DBE6D5	CPR-5000J	DPMS6D5	1DP-1-502	PVC625	6PS-D50
C15	.047 50V		V1612S47		DPMS6S47	1DP-2-473	PVC1147	225P47391WD3
C16	6.8			DTZ-6R8	NPO6P8		CN0568	10TCC-V68
C17	.001		ADM-20-102	CPR-1000J	CD19F102J500	DM-19-102	SX210	MS-21
C18	.047 50V		V1612S47		DPMS6S47	1DP-2-473	PVC1147	225P47391WD3
C19	.0033 50V		V1614D33	CPR-3300J	DMF6D33	6DP-1-332	PVC6233	6PS-D33
C20	390			CPR-390J	CD15F391J500	DM-15-391	SX339	MS-339
C21	.01		TTP-01	CK-103	MGP01	CCD-103	TA110	TG-S10
C22	.047 50V		V1612S47		DPMS6S47	1DP-2-473	PVC1147	225P47391WD3
C23	220		GPD X5F221K	DD-221	GP220	CCD-221	GP322	10TS-T22
C24	.01		TTP-01	CK-103	MGP01	CCD-103	TA110	TG-S10
C25	.005		DBE6D5	CPR-5000J	DPMS6D5	1DP-1-502	PVC625	6PS-D50
C26	.1		TTP-1	CK-104			TA010	TG-P10
C27	.08 50V		DBE6S82		DPMS6S82	6DP-4-823	SX210	6PS-S82
C28	.001		ADM-20-120	CPR-1000J	CD19F102J500	DM-19-102	SX327	MS-21
C29	270			CPR-270J	CD15F271J500	DM-15-271		MS-327
C30	.001	#21A560232						

Motorola Part Number.

(CONTINUED ON PAGE 108)



PARTS LIST AND DESCRIPTION (CONTINUED)

(When ordering parts, state Model, Part Number, and Description.)

Replacement parts shown may be superseded by the availability of newly introduced replacements.
Have your local distributor check Sams COUNTER FACTS[®] for the most up-to-date replacement.

CONTROLS (All wattages 1/2 watt, or less, unless listed)

ITEM No.	FUNCTION	RESIST-ANCE	REPLACEMENT DATA					
			MFRG. PART No.	CENTRALAB PART No.	CLAROSTAT PART No.	CTS-IRC PART No.	MALLORY PART No.	
R1A	Tone	100K	18C64334B01	F2-100K (2),			QJ-2655A *	P15A (2),RU14A,
B	Volume/Switch	10K	(18C64334A01)	R2-10K,FFS101, RFS109,KR-4				OX1062,IS1562, US41

* "CONCENTRIKIT" Equivalent: K-8 Kit with base elements & shafts: B13-128, P22-103 (Panel),B13-116,R9-115 (Rear), R5 (1) (Retainer), 76-1 (Switch)

- (1) Cut off tab ears (R5) and use original spring mounting clips.
(2) Use original spring mounting clips.

COILS (RF-IF)

ITEM No.	USE	REPLACEMENT DATA			
		PART No.	MEISSNER PART No.	MILLER PART No.	WORKMAN PART No.
L1	RF Choke (9uh)	24C64003B01	19-1005	4622	T860
L2	1st Antenna	(1)			
L3	2nd Antenna	(1)			
L4	RF	(1)			
L5	Osc.	(1)			
L6	Input IF	24C64282B01		8009	
L7	Output IF	24C64282B02		8010	

(1) Part of M1.

FILTER CHOKE

ITEM No.	RATINGS			REPLACEMENT DATA					NOTES
	CURRENT (Measured)	DC RES.	INDUCTANCE (0 CURRENT 1000~)	PART No.	MERIT PART No.	STANCOR PART No.	THORDARSON PART No.	TRIAD PART No.	
L8	625 ma	.2	2.5mh	25C64172A25	C-4095	TC-1	TR-155	TY16XT	

TRANSFORMER (Audio Output)

ITEM No.	IMPEDANCE		REPLACEMENT DATA					NOTES
	PRI.	SEC.	MFRG. PART No.	MERIT PART No.	STANCOR PART No.	THORDARSON PART No.	TRIAD PART No.	
T1	25 Tap	@ 8	25D64129A05					

SPEAKER

ITEM No.	TYPE	REPLACEMENT DATA		NOTES
		PART No.	QUAM PART No.	
SP1	3" x 5" PM 8 ohms	50C64313B01	35A0528	

FUSE DEVICES

ITEM No.	DESCRIPTION	REPLACEMENT DATA							
		PART No.		BUSS PART No.		LITTELFUSE PART No.		WORKMAN PART No.	
		DEVICE	HOLDER	DEVICE	HOLDER	DEVICE	HOLDER	DEVICE	
F1	AGA 5 Amp	65S122345	1V64964A32	AGA 5	HAF	301005	150145		

MISCELLANEOUS

ITEM No.	PART NAME	PART No.	NOTES
M1	Tuner Coil Assembly	77D40898A07 1V43000B48	MT706

CABINETS & CABINET PARTS (When ordering specify model, chassis & color)

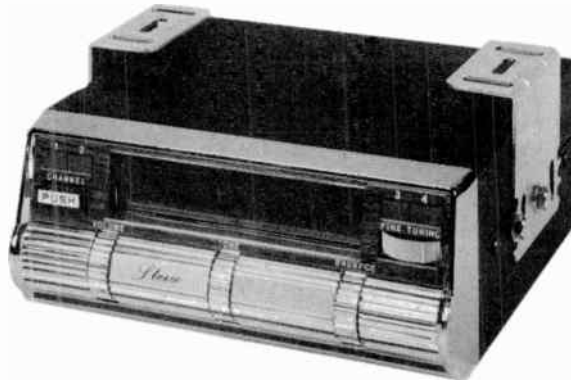
ITEM	PART No.	ITEM	PART No.
Escutcheon Knob, Tuning or Volume Knob, Tone	13C64323B02 36C64336B01 36K544812	Knob, Dummy Dial Pointer Dial Glass	36K544813 52A64320B01 34B64331B01



PHOTOFACT[®] with

CIRCUITRACE[®]

For Supplier Address See PHOTOFACT Index



TRUTONE MODEL ITC7008A-07
(4DC7008)
(S-808)
(8-Track Stereo Player)

OPERATING INSTRUCTIONS

Insert cartridge until it locks and turns unit on.

Set operating controls as desired.

Press program selector to play desired tracks, or allow unit to select tracks automatically.

Remove cartridge to turn unit off.

CLEANING

Clean all tape contact surfaces with a soft, lint-free material and head cleaner or methyl alcohol. Use alcohol to remove oil and grease from all driving surfaces.

CAUTION: Avoid getting head cleaner on any plastic surface.

LUBRICATING

Lubricate bearings and bushings lightly with #20 machine oil. Use a light film of non-hardening grease on cam surfaces.

HEAD DEMAGNETIZING

Demagnetize head when unit is serviced. Avoid using magnetic materials near head.

TRUTONE MODEL ITC7008A-07

HOWARD W. SAMS & CO., INC. Indianapolis, Indiana 46206

© 1970 Howard W. Sams & Co., Inc. Printed in U. S. of America

TQ807

TROUBLE CHART

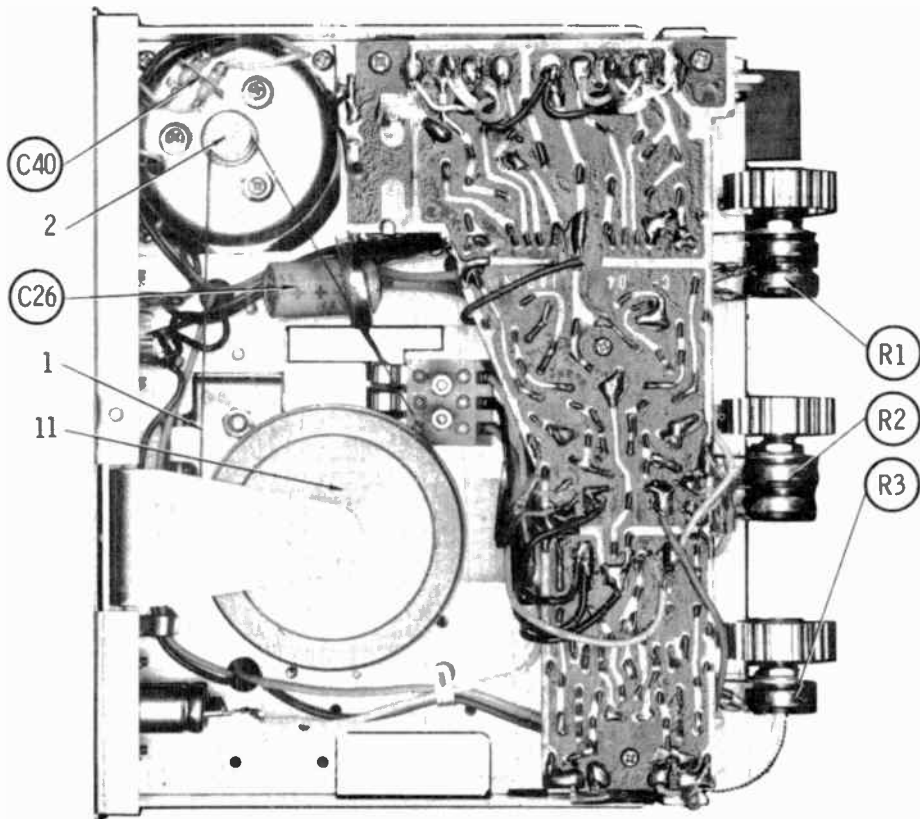
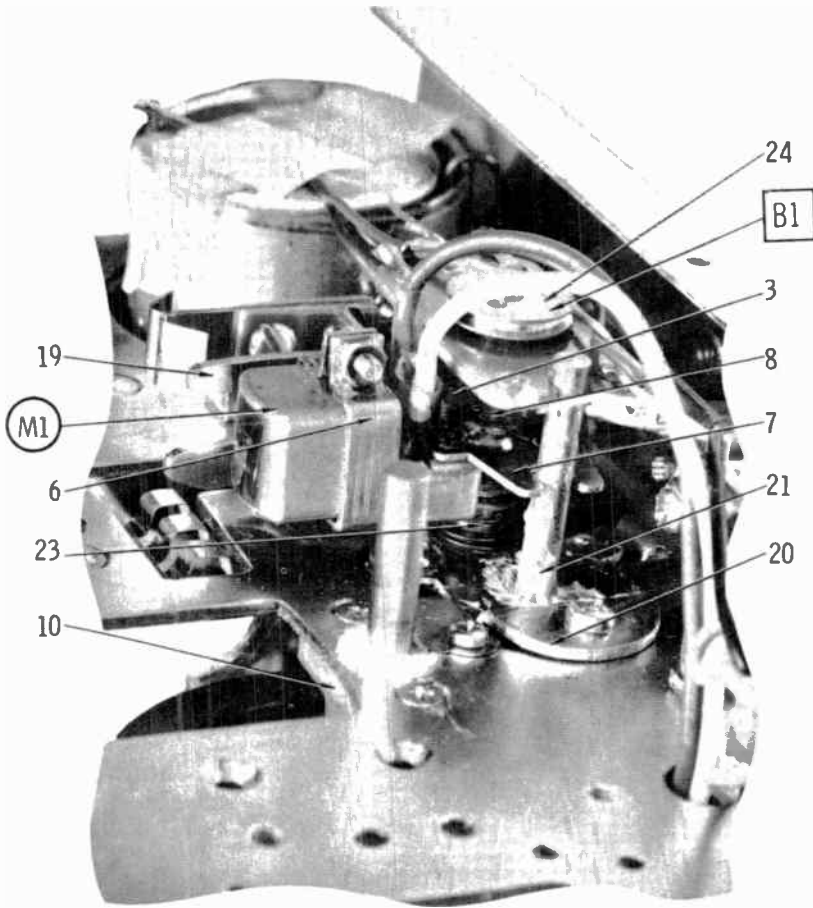
SYMPTOM	REMARKS
Capstan does not rotate.	Belt (1) dirty, worn, or broken. Assembly (10) binding. Motor defective or not supplied with power.
Track-shift mechanism inoperative.	Switch (S2) dirty. Cam (3) binding or worn. Lever (4) binding. Spring (5) broken. Assembly (7) binding. Spring (23) weak or missing. Solenoid (M3) defective or not supplied with power. Cartridge defective.
Wow or Flutter.	Belt (1) dirty or worn. Capstan dirty or binding. Cartridge defective. Motor defective.
Sound weak or distorted.	Head dirty, misaligned, or defective. Cartridge defective. Amplifiers defective.
Tape is pulled from cartridge.	Cartridge defective. Capstan dirty or scored.

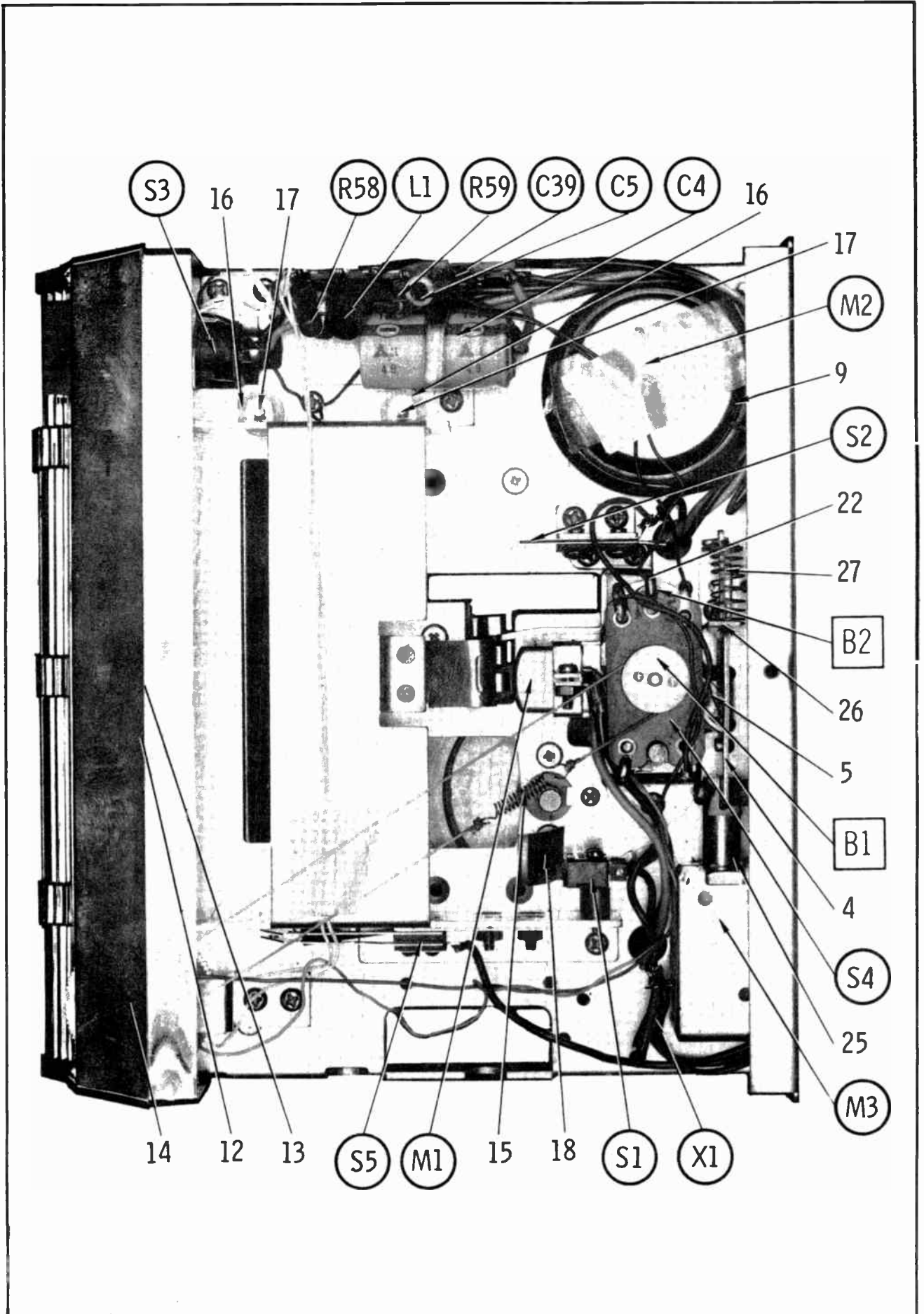
ADJUSTMENTS

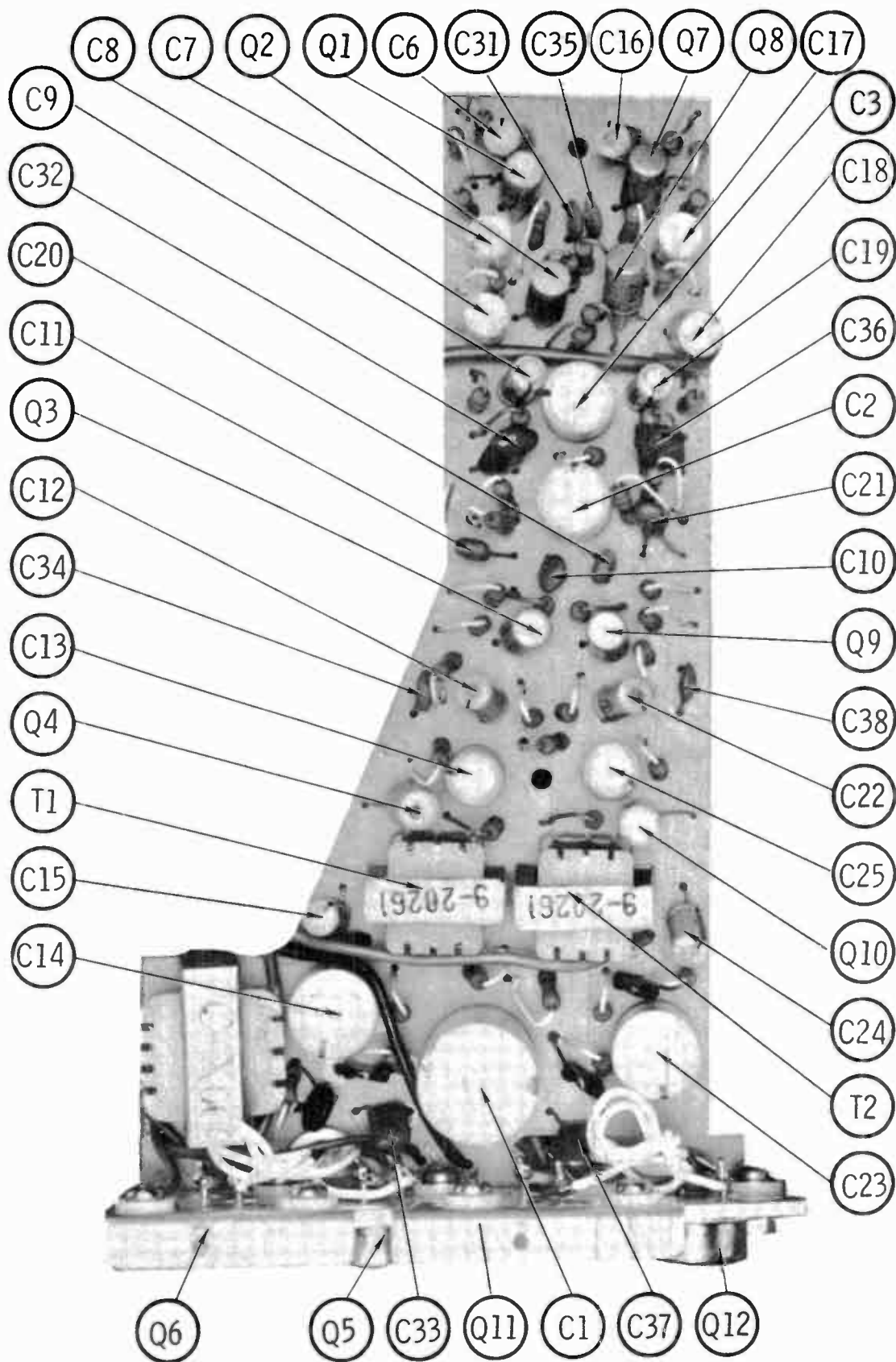
ADJUST	REMARKS
Head Height	Center Fine Tuning knob with red mark to the front of the unit, play a test cartridge, follow instructions with cartridge, hold fine tuning string, and adjust Pulley B1 for proper response.
Head Azimuth	Connect an AC VTVM across right output. Play a test cartridge and adjust B2 for maximum.

MECHANICAL PARTS LIST

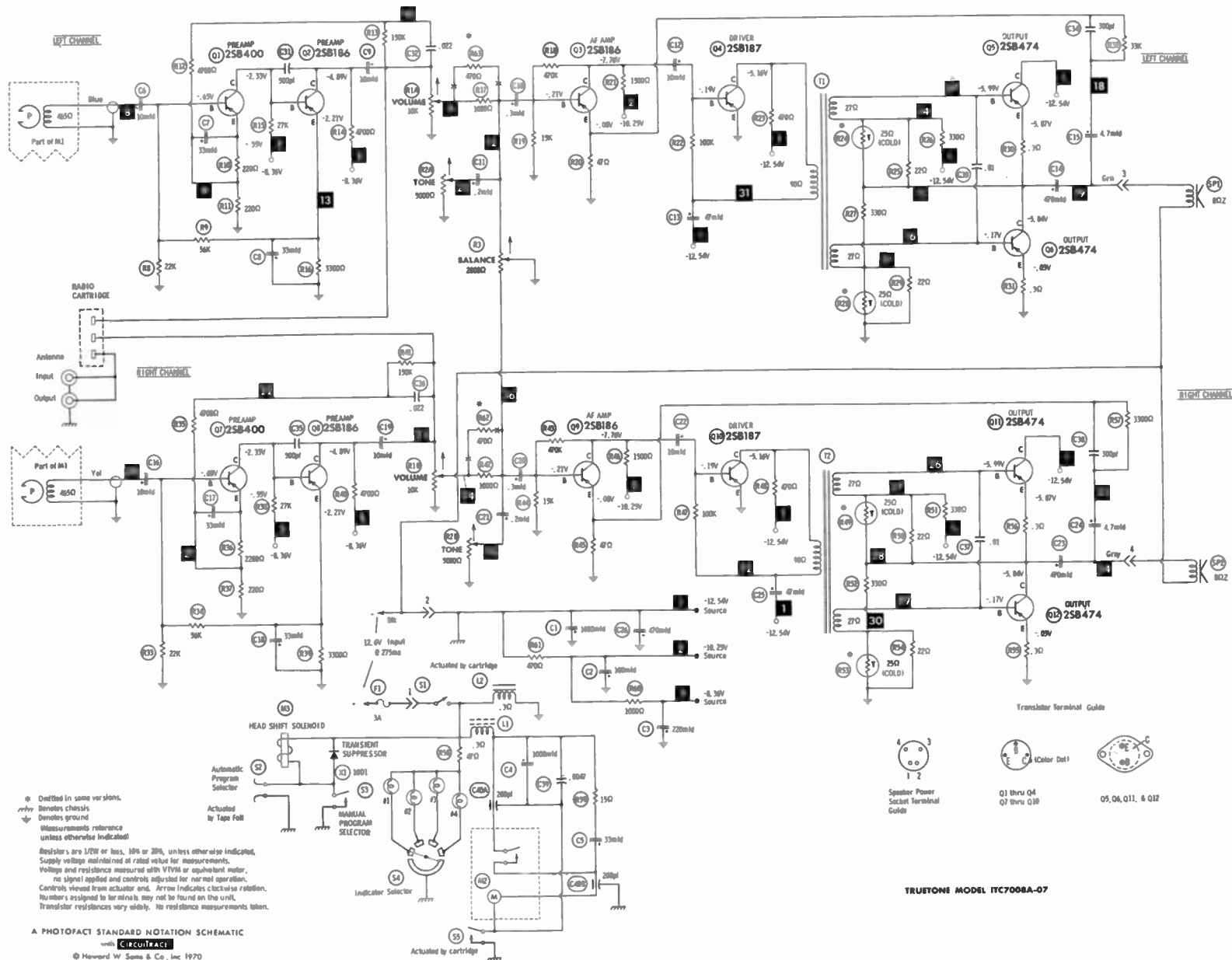
REF. NO.	PART NO.	DESCRIPTION	REF. NO.	PART NO.	DESCRIPTION
1	808157	Drive Belt	15	808042	String Tension Spring
2	808080	Motor Pulley	16	808046	Guide Roller (2 used)
3	808131	Track Change (Ratchet) Cam	17	808047	Roller Shaft (2 used)
4	808143	Solenoid Joint Lever	18	808058	Switch Spring
5	808144	Joint Lever Ratchet Spring	19	808107	Tape Guide
6	808126	Head Mounting Arm	20	808111	Head Base
7	808125	Head Shifter Assembly	21	808117	Guide Shaft
8	808114	Head Shifter Shaft	22	808122	Head Spring
9	808086	Motor Shield	23	808124	Shifter Spring
10	808094	Capstan Housing Assembly	24	808135	Fine Tuning Pulley
11	808099	Flywheel	25	808138	Solenoid Plunger
12	808013	Door Shaft	26	808141	Lever Guide
13	808014	Door Spring	27	808146	Lever Spring
14	808040	Tuning Pulley			







NOTE: DEMAGNETIZE HEADS AFTER SERVICING

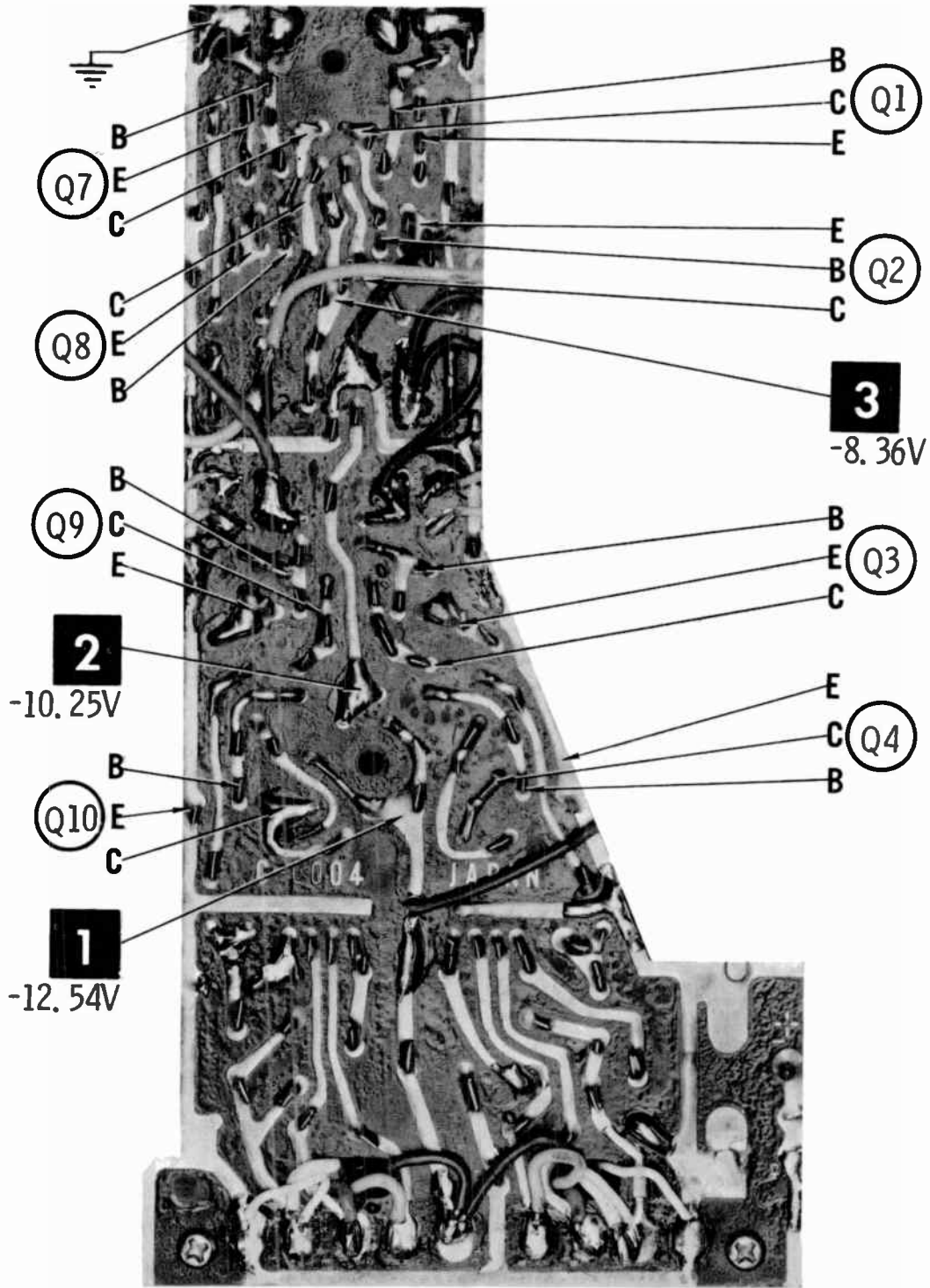


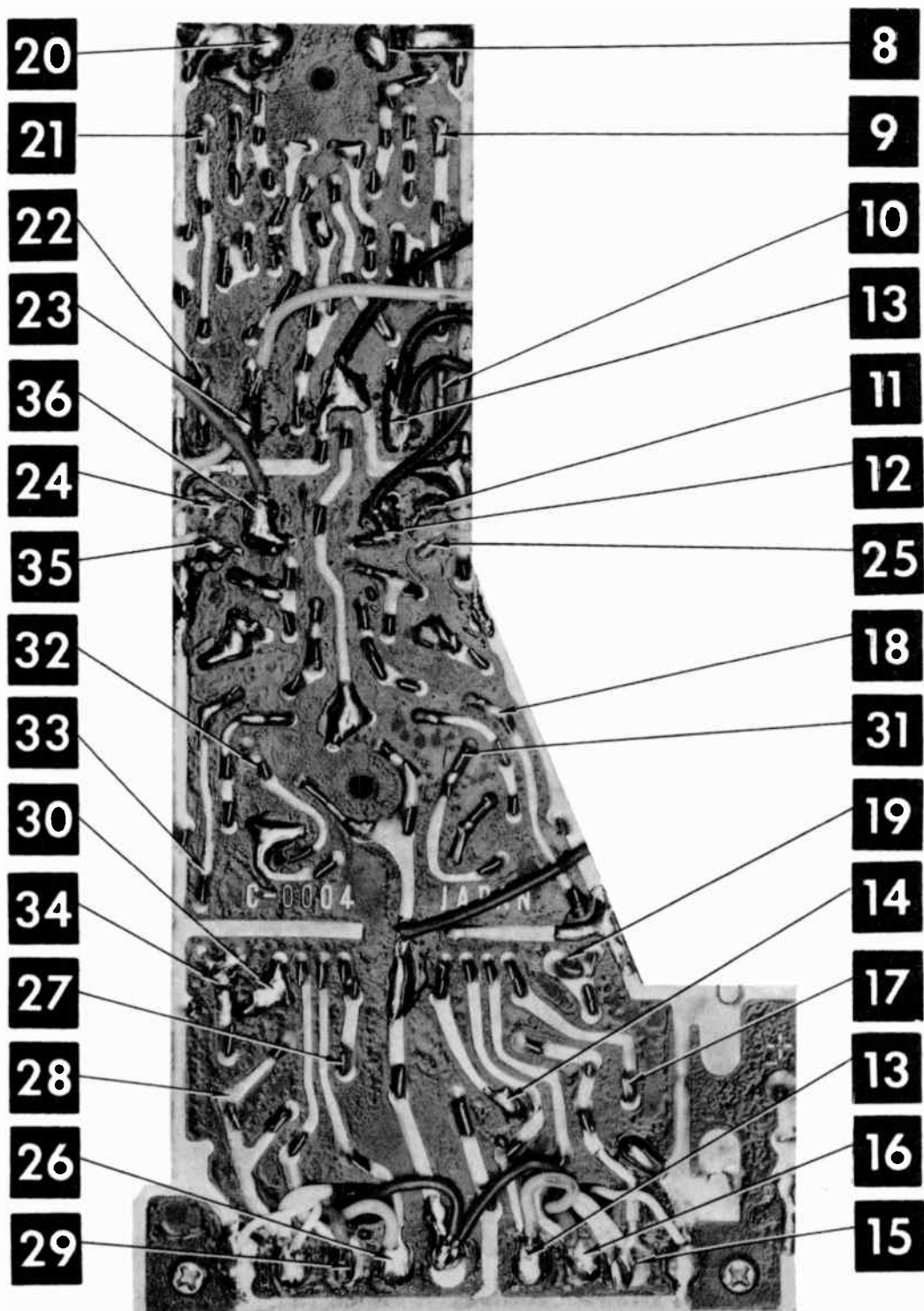
• Omitting in some versions.
 // // denotes chassis.
 ⊕ denotes ground.
 Measurements reference unless otherwise indicated.
 Resistors are 1/2W or less, 10% or 20%, unless otherwise indicated.
 Supply voltage maintained at rated value for measurements.
 Voltage and resistance measured with VPM or equivalent meter.
 No signal applied and controls adjusted for normal operation.
 Controls viewed from actuator end. Arrow indicates clockwise rotation.
 Numbers assigned to terminals may not be found on the unit.
 Transistor resistances vary widely. No resistance measurements taken.

A PHOTODUPLICATION STANDARD NOTATION SCHEMATIC
 with **CIRCUITRACK**
 © Howard W. Sams & Co., Inc 1970

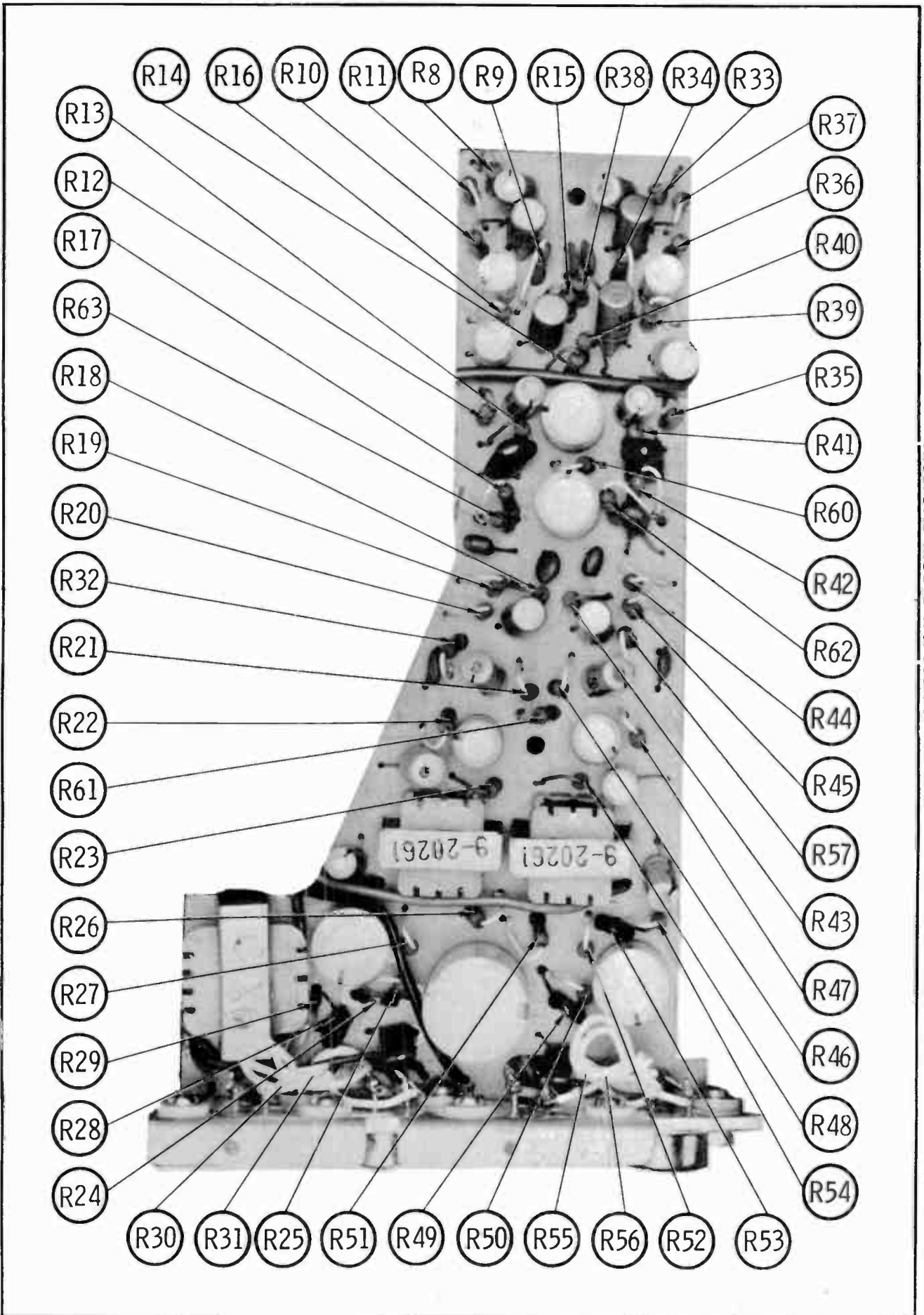


TRU-TONE MODEL ITC7008A-07





A Howard W. Sams **CIRCUITRACE** Photo



PARTS LIST AND DESCRIPTION

(When ordering parts, state Model, Part Number, and Description.)

Replacement parts shown may be superseded by the availability of newly introduced replacements.

Have your local distributor check Sams COUNTER FACTS® for the most up-to-date replacement.

TRANSISTORS

ITEM No.	TYPE No.	FUNCTION	REPLACEMENT DATA					
			MFGR. PART No.	GENERAL ELECTRIC PART No.	INTERNATIONAL RECTIFIER PART No.	MOTOROLA PART No.	RCA PART No.	SYLVANIA PART No.
Q1	2SB400	Preamp		GE-2	TR-05	HEP254	SK3004	ECG 126
Q2	2SB186	Preamp		GE-2	TR-14	HEP633	SK3004	ECG 102
Q3	2SB186	AF Amp		GE-2	TR-14	HEP633	SK3004	ECG 102
Q4	2SB187	Driver		GE-2	TR-14	HEP632	SK3004	ECG 102
Q5	2SB474	Output (1)				HEP643		ECG 131MP*
Q6	2SB474	Output (1)				HEP643		
Q7	2SB400	Preamp		GE-2	TR-05	HEP254	SK3004	ECG 126
Q8	2SB186	Preamp		GE-2	TR-14	HEP633	SK3004	ECG 102
Q9	2SB186	AF Amp		GE-2	TR-14	HEP633	SK3004	ECG 102
Q10	2SB187	Driver		GE-2	TR-14	HEP632	SK3004	ECG 102
Q11	2SB474	Output (1)				HEP643		ECG 131MP*
Q12	2SB474	Output (1)				HEP643		

(1) When replacing, apply silicone grease to both sides of insulator. Tighten mounting screws securely.
* Matched Pair.

POWER RECTIFIERS & SIGNAL DIODES

ITEM No.	MFGR. PART OR TYPE No.	REPLACEMENT RECTIFIERS & DIODES			REPLACEMENT RECTIFIERS	NOTES
		GENERAL ELECTRIC PART No.	INTERNATIONAL RECTIFIER PART No.	SYLVANIA PART No.	RCA PART No.	
X1	10D1	GE-504A	5A4D	ECG 116	SK3016A	

ELECTROLYTIC CAPACITORS

ITEM No.	RATING	REPLACEMENT DATA						
		PART No.	AEROVOX PART No.	CENTRALAB PART No.	CORNELL-DUBILIER PART No.	GENERAL ELECTRIC PART No.	MALLORY PART No.	SPRAGUE PART No.
C1	1000 16		BCD15100	EP15-100	PC100-16	MT1-19	MTV100CF15	TE-1162
C2	100 16		BCD12250	EA15-25D	PC250-10	MT1-25	MTV200CK10	TL-1137
C3	220 10							
C4	1000 16							
C5	33 10		BCD15035	EP15-50	PC50-16	MT1-16	MTV30CB25	TE-1132.1
C6	10 6		BCD25010	EP6-10	PC10-50	MT1-5	MTV10CB50	TE-1087
C7	33 6		BCD12035	EP15-50	PC50-16	MT1-16	MTV30CB25	TE-1093
C8	33 6		BCD12035	EP15-50	PC50-16	MT1-16	MTV30CB25	TE-1093
C9	10 6		BCD25010	EP6-10	PC10-50	MT1-5	MTV10CB50	TE-1087
C10	.3 10			UK16-304				
C11	.2 10			UK10-204				
C12	10 6		BCD25010	EP6-10	PC10-50	MT1-5	MTV10CB50	TE-1087
C13	47 10		BCD15050	EP15-50	PC50-16	MT1-16	MTV50CB15	TE-1133
C14	470 10		BCD15500		PC500-16		TC1205	
C15	4.7 10		BCD25005	EP15-5	PC5-100	MT1-3	MTV5CB50	TE-1127
C16	10 6		BCD25010	EP6-10	PC10-50	MT1-5	MTV10CB50	TE-1087
C17	33 6		BCD12035	EP15-50	PC50-16	MT1-16	MTV30CB25	TE-1093
C18	33 6		BCD12035	EP15-50	PC50-16	MT1-16	MTV30CB25	TE-1093
C19	10 6		BCD25010	EP6-10	PC10-50	MT1-5	MTV10CB50	TE-1087
C20	.3 10			UK16-304				
C21	.2 10			UK10-204				
C22	10 6		BCD25010	EP6-10	PC10-50	MT1-5	MTV10CB50	TE-1087
C23	470 10		BCD15500		PC500-16		TC1205	
C24	4.7 10		BCD25005	EP15-5	PC5-100	MT1-3	MTV5CB50	TE-1127
C25	47 10		BCD15050	EP15-50	PC50-16	MT1-16	MTV50CB15	TE-1133
C26	470 16		BCD15500	EA15-500	PC500-16	QT1-30A	MTV500DN15	TL-1166

CAPACITORS

ITEM No.	RATING	REMARKS	REPLACEMENT DATA					
			AEROVOX PART No.	CENTRALAB PART No.	CORNELL-DUBILIER PART No.	ELMENC0 PART No.	MALLORY PART No.	SPRAGUE PART No.
C31	500		GPD X5F501K	DM-501	GP500	CCD-501	GP350	10TS-T50
C32	.022		TTP-02	CK-203	MGP02	CCD-203	TA120	TG-S20
C33	.01		GPD X5S103K	DD-103	GP10000	CCD-103	JF110	10TS-S10
C34	300		GPD X5F301K	DM-301	GP300	CCD-301	GP330	10TS-T30
C35	500		GPD X5F501K	DM-501	GP500	CCD-501	GP350	10TS-T50
C36	.022		TTP-02	CK-203	MGP02	CCD-203	TA120	TG-S20
C37	.01		GPD X5S103K	DD-103	GP10000	CCD-103	JF110	10TS-S10
C38	300		GPD X5F301K	DM-301	GP300	CCD-301	GP330	10TS-T30
C39	.0047		TTP-005	CK-502	MGP005	CCD-502	TA250	TG-D50
C40A	.002							
B	.002							

CONTROLS (All wattages 1/2 watt, or less, unless listed)

ITEM No.	FUNCTION	RESISTANCE	REPLACEMENT DATA				
			MFGR. PART No.	CENTRALAB PART No.	CLAROSTAT PART No.	CTS-IRC PART No.	MALLORY PART No.
R1A	Volume, Left	10K	808024				
B	Volume, Right	10K					
R2A	Tone, Left	5000	808025				
B	Tone, Right	5000					
R3	Balance	2000	808026				

PARTS LIST AND DESCRIPTION (CONTINUED)

(When ordering parts, state Model, Part Number, and Description.)

Replacement parts shown may be superseded by the availability of newly introduced replacements.

Have your local distributor check Sams COUNTER FACTS[®] for the most up-to-date replacement.

RESISTORS (Power and Special)

ITEM No.	RATING	REPLACEMENT DATA	
		WORKMAN PART No.	MFR. PART No.
R24	25 (Cold)		SDT-02
R28	25 (Cold)		SDT-02

ITEM No.	RATING	REPLACEMENT DATA	
		WORKMAN PART No.	MFR. PART No.
R49	25 (Cold)		SDT-02
R53	25 (Cold)		SDT-02

COILS (RF-IF)

ITEM No.	USE	REPLACEMENT DATA			
		PART No.	MEISSNER PART No.	MILLER PART No.	WORKMAN PART No.
L1	RF Choke (200uh)				

FILTER CHOKE

ITEM No.	RATINGS			REPLACEMENT DATA					NOTES
	CURRENT (Measured)	DC RES.	INDUCTANCE (0 CURRENT 1000~)	PART No.	MERIT PART No.	STANCOR PART No.	THORDARSON PART No.	TRIAD PART No.	
L2	275ma	.3	4mh						

TRANSFORMER (Driver)

ITEM No.	TURNS RATIO			REPLACEMENT DATA					NOTES
	PRI.	SEC. 1	SEC. 2	PART No.	MERIT PART No.	STANCOR PART No.	THORDARSON PART No.	TRIAD PART No.	
T1	2:	1	1						
T2	2:	1	1						

FUSE DEVICES

ITEM No.	DESCRIPTION	REPLACEMENT DATA						
		PART No.		BUSS PART No.		LITTELFUSE PART No.		WORKMAN PART No.
		DEVICE	HOLDER	DEVICE	HOLDER	DEVICE	HOLDER	DEVICE
F1	3 Amp			AGC3	HDJ	311005	150145	

TAPE HEADS

ITEM No.	MEASURED			PART No.	NORTRONICS PART No.	DESCRIPTION
	INDUCTANCE	BIAS/ERASE VOLTS (RMS)	BIAS FREQ.			
M1	360mh			808128	5800 (1)	8-Track Stereo Play (1) Use original mounting.

MISCELLANEOUS

ITEM No.	PART NAME	PART No.	NOTES
M2	Motor	808079	
M3	Solenoid	808136	
S1	Switch, Power	808059	
S2	Switch, Automatic Program	808109	
S3	Switch, Manual Program	808030	
S4	Switch, Program Indicator	808134	
S5	Switch, Motor Power Program Indicator Lamp	808055 808017	

CABINETS & CABINET PARTS (When ordering specify model, chassis & color)

ITEM	PART No.	ITEM	PART No.
Escutcheon	808007	Knob, Fine Tuning	808039
Door	808012	Knob, Program	808033
Knob, Volume or Tone or Balance	808019		

WIRING DATA

General-use Unshielded Hook-up Wire	Use BELDEN No. 8530 (Solid) Available in 12 Colors 8524 (Stranded) Available in 12 Colors
Shielded Hook-up Wire	Use BELDEN No. 8885
Rear Seat Speaker Extension Cable	Use BELDEN No. 8782 (Stranded) Coded Parallel Leads
Bonding Strap	Use BELDEN No. 8661 (3/8 In.) or 8670 (3/4 In.)

TRUE-TONE MODEL ITC7008A-07

INDEX

This index lists all radios appearing in
"Auto Radio Manuals" and "PHOTOFACT Auto Radio Series"

KEY	(EP) Early Productions	(LP) Late Productions	(REV) Revised
AIRCATTLE	VOL.	VOL.	VOL.
610-A67	4	1984191	60
610-FE-153 52-53		1984192	62
Ford	4		
610-W-100	5		
AIR CHIEF (See Firestone)			
		7BT 249523	44
		7BTX	50
AIRLINE (Also See Riverside)			
		ALLSTATE	
FJB-6590A 55 Ford	6	5018	22
35BR-6796A	5	5028 Ch.528.50280/	
61-6787 52 Ford	5	50281	7
61-6788 52-53 Ford	5	5033 Ch.528.50330/	
61-6789 51-52 Chev.	5	50331	7
61-6792 53 Dodge	4	5050	30
61-6793 53 Chev.	5	5066	26
61-6794 53 Plym.	5	5098 Ch.833.50980	9
61-6795 53 Merc.	5	5099 Ch.833.50990	9
61-12601 Tractor	5	6225 Ch.528.55040/	
		55041	11
AIWA		6231 Ch.528.62310	9
		6232 Ch.528.62320	9
TP-718	48	6240 Ch.528.62400	5
		6256 Ch.528.55040/	
		55041	11
ALL AMERICAN		6263 Ch.528.6263	5
CEP-764T 64		6263-2 Ch.528.6263-2	5
Chevelle	31	6264 Ch.528.6264	5
CHP-164T 64 Chev.	31	6264-1 Ch.528.6264-1	5
CHP-165T 65 Chev.	33	6266 Ch.528.6266	5
CHP-564T 64		6268 Ch.62680/81	7
Chevy II	31	6269 Ch.62690/91	7
CTP-264T 64 Comet	31	6284 Ch.528.6284	4
CYP-465T 64 Chrysler	33	6286-4 Ch.528.6286-4	4
DAP-864T 64 Dart	31	6287-4 Ch.528.6287-4	4
DAP-865T 64 Dart	33	6295-6 Ch.528.6295-6	4
DOP-864T 64 Dodge	31	6330 Ch.528.63300	5
DOP-865T 65 Dodge	33	750.62380/81/90/91,	
FAP-264T 64 Falcon	31	833.5049	25
FLP-264T 64 Fairlane	31	833.50180B	30
FOP-264T 64 Ford	31	833.50181	31
FOP-265T 65 Ford	33	833.50181	27
MEP-264T 63-64 Merc.	31	833.50202	27
MEP-265T 65 Merc.	33	833.50490	30
PLP-464T 64 Plym.	31	833.50930	28
PLP-465T 65 Plym.	33	833.50931 64 VW	28
PLPF-465T 65 Fury	33	833.62741	28
RAAP-1065T 65		833.62743	32
Rambler American	33	833.62800	30
RAP-364T 64 Rambler	26	833.63070	28
RAP-365T 65 Rambler	33	833.500510 65 Chev.	32
SM-130RPE	26	833.501220	30
VAP-220RPT	26	833.501230 65 Dart	30
VAP-464T 64 Valiant	31	833.501920 65 Comet	30
VAP-465T 65 Valiant	33	833.503050 65 Fury	30
VMP-19T 58-64 VW	26	833.503060 65	
VMP-19T 65 Prod VW	34	Belvedere	30
		833.623690	30
		833.624211 64 VW	28
		833.624630	30
		833.625510 65 Chev.	30
		833.627420	28
		833.628000	30
		834.50480	32
		835.62460	29
		856.62450	27
		856.62470	52
ALLCAR			
R-1 65 Plym.	34		
R-2 65 Fury	34		
R-3 65 Valiant	34		
R-4 65 Coronet	34		
R-5 65 Dart	34		
R-6 65 Polara	34		
R-7A 65 Newport	34		
R-7B 65 Chrysler 300	34		
R-7C 65 New Yorker	34		
R-9 65 Chev.	34		
R-10 65 Chevelle	34		
R-11 65 Chevy II	34		
R-16 65 Corvair	34		
R-18 65 Pontiac	34		
R-19 65 Olds	34		
R-20 65 Tempest	34		
R-21 65 Olds. F-85	34		
R-22 65 Buick	34		
R-23 65 Galaxie	34		
R-24 65 Fairlane	34		
R-25 65 Mustang	34		
R-26 65 Falcon	34		
R-28 65 Comet	34		
R-29 65 Merc.	34		
R-32 65 Buick Spl.	34		
AMERICAN MOTORS			
(See Hudson, Nash & Rambler)			
		AMERICAN MOTORS	
		8B8G (8992290)	
		68 Javelin	65
		AF6TMR page 120 66	
		Ambassador, Classic,	
		Marlin	28
		AF7SMR 67 Ambassador,	
		Marlin, Rebel	44
		F8SMG (8992252)	
		68 Javelin	68
		F8SMR 68 Ambassador,	
		Rebel	63
		P7MA 67 Ambassador,	
		Marlin, Rebel	47
		AMERICAN MOTORS	
		(CONT.)	
		P8MA 68 Ambassador,	
		Rebel	62
		RV4R 64 Rambler	24
		6SMR 66 Ambassador,	
		Classic, Marlin	35
		7SMR 67 Ambassador,	
		Marlin, Rebel	50
		8SMG (8992251)	
		68 Javelin	68
		8SMR 68 Ambassador,	
		Marlin, Rebel	50
		22BA R22BA 62 Rambler	
		American	18
		22BAM R22BAM 62	
		Rambler American	18
		22BAX R22BAX 62	
		Rambler American	18
		8990377 6MR 56	
		Rambler	6
		8990378 6MA 56 Hudson	
		& Nash	6
		8990378 76MA 57	
		Hudson & Nash	6
		8990455 7MR 57	
		Rambler	6
		8990494 84MA 58	
		Hudson, Nash &	
		Rambler	8
		8990543 83MR 58	
		Rambler	8
		8990576 94MA 59	
		Rambler	9
		8990582 93MA 59	
		Rambler	10
		8990706 04MA 60	
		Rambler	11
		8990811 03AR 60	
		Rambler	12
		8990831 13MAM 60	
		Rambler	14
		8990832 13MA 60	
		Rambler	14
		8990833 14MR 61	
		Rambler	15
		8990981 2TMR 62	
		Rambler	29
		ANGLIA	
		6BEF 66	39
		A.R.C.	
		2500	33
		ARVIN	
		60Y53-19 Ch.1.45701	67
		ATR KARADIO	
		BKS410 61-62 Buick	
		Special	27
		CT412 61-62 Chev.	27
		CR414 60-62 Corvair	27
		COT416 60-62 Comet	27
		DED418 62 Dart	27
		FAL420 60-62 Falcon	27
		FD422 60-62 Ford	27
		LR424 62 Lancer	27
		MY426 62 Merc.	27
		0EF428 61-62 F-85	27
		PH430 62 Plym.	27
		PCT432 61-62 Tempest	27
		TR720N	29
		TR1279-6V	11
		TR1279-12V	11
		TT-727 Tractor Radio	29
		VT434 62 Valiant	27
		401	27
		606	19
		612	19
		707	22
		1279-6V	11
		1279-12V	11
		AUDIO/STEREO	
		A-12	53
		A-30	52
		A-40	57
		A-45	64
		A-50	60
		A-90	50
		A-100	50
		AUSTIN HEALEY	
		HAC700 4TMB	30
		AUTOMATIC	
		AC-4558 64 Comet	27
		ACP-3044 63 Comet	23
		ACP-4559 64 Comet	27
		ACS-6000	73
		ATC-60 59-60 Chev.	15
		BAP-9 59 Buick	13
		BAP-20 60 Buick	14
		BAP-4530 64 Buick	28
		BAR-8209 68 Barracuda,	
		Plymouth	60
		BP-340 60 Buick	14
		BP-668 57-58 Buick	12
		BP-679 59 Buick	13
		BP-3081 63 Buick	23
		BP-4030 64 Buick	28
		BP-7160 66-67 Buick	62
		C-12	11
		C-300	2
		C-300 Rev. 40-50	
		Chev.	6
		C-349 59 Chev.	11
		C-382AT	19
		C-382AT 62 Chev L.P.	24
		C-338-C 58 Chev.	12
		C-3001 63 Chev.	23
		C-4049 64 Chev.	28
		C-4049N 64 Chev.	37
		C-5003 65 Chev.	29
		C-5003N 65 Chev.	37
		C-6051 66 Chev.	39
		CA-109 59 Chev.	11
		CA-3041 63 Chev.	23
		CA-4549 64 Chev.	28
		CA-4549N 64 Chev.	37
		CA-5503N 65 Chev.	37
		CAE-3064 63 Olds	23
		CAP-49 59 Chev.	14
		CAP-60 59-60 Chev.	14
		CAP-3042 63 Chev.	23
		CAP-4550 64 Chev.	28
		CAP-4550N 64 Chev.	37
		CAP-5504N 65 Chev.	37
		CAP-6552 66 Chev.	39
		CAV-4548 64 Chevelle	28
		CEF-119 English Ford	
		Consuls	15
		CET-6750	58
		CFE-6745	59
		CFM-3090	22
		CFM-6255 66 Chev.	66
		CM-333 53 Chev.	4
		CMP-7217 67 Cougar	60
		CMR-7151 67 Camaro	60
		CMR-8252 67-68 Camaro	60
		CP-478-C 58 Chev.	12
		CP-489-F 59 Chev.	14
		CP-500 59-60 Chev.	14
		CP-511AT 61 Chev.	16
		CP-522AT	19
		CP-522AT 62 Chev L.P.	24
		CP-3002 63 Chev.	23
		CP-4050 64 Chev.	28
		CP-4050N 64 Chev.	37
		CP-5004 65 Chev.	29
		CP-5004N 65 Chev.	37
		CP-6052 66 Chev.	39
		CP-8254T 68 Chev.	60
		CPA-3047 63 Corvair	23
		CPA-4533 64 Corvair	28
		CPV-4048 64 Chevelle	28
		CPV-5007 65 Chevelle	29
		CPV-7154 67-68	
		Chevelle	71
		AUTOMATIC (CONT.)	
		CPV-8256 68 Chevelle	60
		CR-3006 63 Corvair	23
		CR-4034 64 Corvair	28
		CRA-3046 63 Corvair	23
		CRA-4534 64 Corvair	28
		CRP-442A/AT 63	
		Corvair	23
		CRP-3007 63 Corvair	23
		CRP-4033 64 Corvair	28
		CRP-5009 65 Corvair	29
		CRP-6056 65-66 Corvair	62
		CT-356 55-56 Chev.	13
		CT-387 57 Chev.	12
		CT-4058 64 Comet	27
		CTP-792AT 62 Comet	23
		CTP-3004 63 Comet	23
		CTP4059 64 Comet	27
		CYP-5005 65 Chev II	29
		CTP-7211A 67 Mercury	
		Comet	62
		CTR-6A 55-56 Chev.	12

AUTOMATIC (CONT.)	VOL.	AUTOMATIC (CONT.)	VOL.	AUTOMATIC (CONT.)	VOL.	AUTOMATIC (CONT.)	VOL.	BENDIX	VOL.
F-100 Rev. 49-50		MAP-3063 63 Merc.	23	PP-3026 63 Plym.	22	TPC-31 61 Buick Spl.		R2BG See Karmann Ghia	
Ford	6	MAP-4561 64 Merc.	27	PP-5105 65 Belvedere.	30	Olds, F-85, Pontiac		2 BG	18
F-128/C 58 Ford	12	MB-72	30	PP-5105N 65		Tempest	16	R2BT See VW ZBT	18
F-139 59 Ford	11	MEL-6740	69	Belvedere	35	TPC-31AT 63 F-85,		R2BV See VW ZBV	18
F-151 Rev. 51 Ford	6	MM-430 53 Merc.	4	PP-7103 66-67		Tempest	23	R12BP 61 Chev.	16
F-152 52 Ford	6	MNE-6725	68	Belvedere, Satellite	60	TPC-42AT 63 F-85,		R12BPC 61 Corvair	16
F-241 54 Ford	6	MP-69	6	PP-8202 68 Belvedere,		Tempest	23	R22BA See American	
F-322A	19	MP-126	6	Satellite	60	TPC-3036 63 F-85,		Motors 22BA	18
F-3016 63 Ford	23	MT-47C 57 Merc.	12	PPM-7366 67 Plymouth	61	Tempest	23	R22BAM See American	
F-4055 64 Ford	27	MT-419 E.P. 59 Merc.	11	PS-4153	27	TPC-4026 64 Tempest	28	Motors 22BAM	18
F-5058N 65 Galaxie	36	MT-419 L.P. 59-60		PS-4653	27	TPC-7170 66-67 Pontiac		R22BAX See American	
F-6105P 65/66		Merc.	14	PT-3025 63 Plym.	26	Tempest	62	Motors 22BAX	18
Galaxie	40	MT-530 59-60 Merc.	14	PUT-3108	23	TPP-87A 57 Plym.	13	X2BB Shipmate III	19
FA-219 59 Ford	11	MT-3023 63 Merc.	23	PUT-3108A	28	TPP-88 57-58 Plym.	13	2BC R2BC 62 Chev.	19
FA-3056 63 Ford	23	MT-4061 64 Merc.	27	R-54, B	11	TPP-88C 57-58 Plym.	13	ZBTC R2BCT 62	
FA-4555 64 Ford	27	MT-5073 65 Merc.	29	R-61	20	TR-12 Tractor	4	Corvair	19
FA-6605P 65/66		MTR-602AT 62 Meteor	24	RAP-89 59 Rambler	13	TR-13B	25	3BCH 63 Chev.	21
Galaxie	40	MU-34	6	RAP-100 60 Rambler	13	TR-48AT	25	3BCH2 63 Chevy II	21
FAL-4554	27	MUS-4067 64 Mustang	27	RAP-3070 63 Rambler	26	TR-0048	25	3BCT 63 Corvair	21
FAN-3058 63 Fairlane	23	MUS-5059 65 Mustang	29	RAV-5403A/AB	57	TR-7281 Tractor	59	4TBC2 64 Chevy II	32
FAN-4551 64 Falcon	27	MUS-5059N 65 Mustang	36	RG-59	14	TR-7390 Tractor	59	4TBCC 64 Corvair	32
FAP-70 60 Ford	14	MUS-7209 67 Mustang	60	RG-59C	14	TUN-5	15	4TBCH 64 Chev.	32
FAP-4556 64 Ford	27	N-638 58-59 Rambler		RMR-7280	63	TU-6217	58	4TBCL 64 Chevelle	32
FAP-6606P 65/66		American	13	RP-470 60 Rambler	13	UA-6224	64	4TBCT 64 Chev. Truck	32
Galaxie	40	N-639 58-59 Rambler		RP-481AT 60-61		UE-4155A	28	5BCC 65 Corvair	31
FAR-762AT 62		American	13	Rambler	16	UE-4171A	28	5BCH 65 Chev.	31
Fairlane	24	N-3028 63 Rambler	13	RP-519 59 Rambler	13	UE-4655A	28	5BCL 65 Chevelle	31
FAR-3018 63 Fairlane	23	American	23	RP-3030 63 Rambler	26	UE-4671A	28	5TBCT 65 Chev. Truck	32
FAR-4054 64 Fairlane	27	NA-749 58-59 Rambler		RP-3097 63 Rambler	23	UFM-3089	22	6BCC 66 Corvair	38
FAR-7205 67 Fairlane	60	American	13	RP-5151 65 Rambler	29	UFM-6305	59	6BCH 66 Chev.	38
FFM-3091A 63 Ford	22	NA-3068 63 Rambler		RP-8332M 67 Ambassador,		UFP-3098	22	6BCL 66 Chevelle	38
FFM-6251 65-66		American	23	Marlin, Rebel	55	UN-40	12	6BCT 66 Chev. Truck	38
Galaxie	66	NAP-3069 63 Rambler		RT-7B	13	UP-6222	60	6BC2 66 Chevy II	38
FM-61	14	American	23	RT-7D	11	VP-12	12	7BCC 67 Corvair	45
FM-731	6	NAY-3052 63 Chrysler	23	RTR-7284A	76	VP-6228 58 thru 67		7BCL 67 Chevelle	45
FM-3083	22	ND-8224 68 Chrysler		RUV-5406	58	Volkswagen 1300	74	7BCT 67 Chev. Truck	45
FM-3083A	27	300	60	RVB-6782(Echomate II)	71	VPA-280 60 Valiant	15	7BCT 67 Chevy II	45
FM-5099	32	NP-3029 63 Rambler		S-91 58-59 Simca		VPA-3076 63 Valiant	22	7BCH 67 Chev.	45
FM-5099B	65	American	23	Aronde	11	VSC-6767 67 VW	70	7BCH 67 Camaro	45
FN-4051 64 Falcon	27	NP-5153 65 Rambler		S-500 50-51		VT-5108 65 Valiant	30	7FCX 67 Chev.	47
FNP-430 60 Ford	14	American	29	Studebaker	6	VTP-440 60 Valiant	15	7FBCHX 67 Chev.	47
FNP-452AT 62 Falcon	23	NT-8222 68 Chrysler		S-551 Rev. 50-51		VTP-3038 63 Valiant	22	7FBCCX 67 Camaro	47
FNP-3015 63 Falcon	23	Newport	60	Studebaker	6	VTP-5107 65 Valiant	30	8BDT 68 Dodge Truck	60
FNP-3015A 63 Falcon	23	NU-63-AT	23	SA-529 58-59 Simca		VTP-8208 68 Valiant	60	22B See MoPar 805	17
FNP-4052 64 Falcon	27	NU-3107	23	Aronde	11	W-76 Thru 57 VW	12	23BC See MoPar 327	17
FNP-5051N 65 Falcon	36	NU-3107A	28	SAB-3071 63 Special	23	W-84 58-63 VW	23	23BD, 23BP, 23BPX	
FNP-7203 67 Falcon	60	NVW-6238 65-67 VW 1600	54	SB-3032 63 Special	23	W-89 58-59 VW	12	See MoPar 322	17
POP-4528 64 F-85	28	NY-400 60 Chrysler	14	SBP-3033 63 Special	23	W-3040 58-63 VW	23	24BC See MoPar 410	18
FP-238 58 Ford	12	NY-598A 58 Chrysler	10	SBP-4027 64 Buick		W-3040A 64 VW	28	24BI See MoPar 409	18
FP-238C 58 Ford	12	NY-3012 63 Chrysler	23	Spl.	28	W-5204 See Page 41		BLAUPUNKT	
FP-260 60 Ford	14	NY-3100 63 Chrysler		SBP-7168A 66-67 Buick		65 VW	28	Bremen Above Serial	
FP-271AT 60-61 Ford	16	New Yorker	26	Special	62	WFM-5387 58-67 VW	54	#G14001	9
FP-276TR 59 Ford	11	NY-5101N 65 Chrysler	35	SCE-6804	77	WP-4 58-59 VW	12	Derby 94770 Serial	
FP-3017 63 Ford	23	NY-8220 68 Chrysler		SEA-6801	72	WP-7 Thru 57 VW	12	#V710001, Etc.	32
FP-4056 64 Ford	27	New Yorker	60	SEL-9606	74	WP-7G Karmann-Ghia	12	Exportsuper 33070	
FI-5057N 65 Galaxie	36	QAE-10 60 Olds.	14	SP-1 58-59 Simca		WP-19 58-59 VW	12	From Serial #U170001	33
FP-6106P 65/66		QAE-4531 64 Olds.	28	Aronde	11	WP-21 58-63 VW	23	Exportsuper 33080 From	
Galaxie	40	OE-160 60 Olds.	14	SPA-209 58-59 Simca		WP-167	15	Serial #U50001	33
FP-7207 67 Galaxie	60	OE-171AT 61 Olds.	16	Aronde	11	WP-3039 58-63 VW	23	Exportsuper 34150	
FPA-220 60 Falcon	14	OE-3024 63 Olds.	23	SPA-3072 63 Special	23	WP-3093A 64 VW	28	Serial #V450001	26
FPA-3055 63 Falcon	23	OE-4031 64 Olds.	28	SPA-4527 64 Buick		WP-5203 See Page 41		Exportsuper 34750 From	
FPA-3057 63 Ford	23	OE-5031 65 Olds.	29	Spl.	28	65 VW	28	Serial #V765001	34
FPA-4552 64 Falcon	27	OE-7162 67 Oldsmobile	60	TA-3073 63 F-85,		WP-6237 (58-67 VW		Exportsuper 36350	
FPF-4557 64 Falcon	27	P-69	20	Tempest	23	1300	57	Vienna Series X From	
FPQ-4028 64 F-85	28	P-651 Rev. 51 Plym.	6	TAC-3051 63 Chev.		WPC-8 Thru 57 VW	12	Serial #X870001	42
FPQ-5033 65 F-85	29	P-4152	27	Truck	22	YAM-3050 63 Chevy II	23	Exportsuper 91220	
FT-227 57 Ford	12	P-4652	27	TAC-4541 64 Chev.		YAM-4525 64 Chevy II	28	Above Serial	
FTM-7218 64-67		P-5040 65 Pontiac	29	Truck	28	YP-3049 63 Chevy II	23	#E160001	18
Econoline, Bronco	64	PA-74R	30	TAC-5514N 65 Chev.		YP-4532 64 Chevy II	28	Frankfurt	8
FTP-37A 57 Ford	9	PA-85	23	Truck	37	AUTO-SONIC		Frankfurt US From	
FUP-3080 63 Falcon		PA-3065 63 Plym.	26	TAP-3074 63 F-85,		KS-830	59	Serial #V510001	27
Futura	23	PA-3285	23	Tempest	23	ST-300	55	Frankfurt 3798 Above	
FUP-4057 64 Falcon	27	PAC-90 60 Pontiac	14	TAP-4526 64 Tempest	28	ST-308	53	Serial #Q553083	14
GES-6394-PAK/-T	71	PAC-3067 63 Pontiac	23	TAX-4542 64 Chev.		ST-400	60	Frankfurt 9798 Above	
GES-8111-1-PAK	71	PAC-4529 64 Pontiac	28	Truck	28	ST-808	63	Serial #890001	15
H-4 58 Hillman	12	PAF-4340	29	TAX-5513N 65 Chev.		603M/48	53	Frankfurt US 36650	
H-9 58 Hillman	12	PAP-69 59 Plym.	15	Truck	37	AUTOVOX		Series X	43
H-400 49-50-51		PAP-80 60 Plym.	15	TC-3035 63 F-85,		OC-401	27	Hamburg	8
Hudson	6	PAP-3066 63 Plym.	22	Tempest	23	RA-107	17	Koln	8
HP-10 58 Hillman	12	PC-350 60 Olds.	14	TCM-3011 63 Chev.		RA-115	17	Koln 3898 Above Serial	
HP-15 58 Hillman	12	PC-361AT 61 Pontiac	16	Truck	22	RA-164	27	#Q310001	16
K-700 51 Henry J	6	PC-3027 63 Pontiac	23	TCM-4041 64 Chev.		RA-141	27	KV810	17
L-390 59-60		PC-4029 64 Pontiac	28	Truck	28	RA-164	27	Manhattan 35150	
Studebaker Lark	14	PC-5041 65 Pontiac	29	TCM-5014 65 Chev.		RA-441	27	Series W	43
L-559 E.P. 59		PC-7165 67 Pontiac	62	Truck	29	RA-443	27	Manhattan 34150	
Studebaker Lark	11	PFM-3092A 63 Pontiac	22	TCX-5014N 65 Chev.		TR-222 Auto/Portable	16	Serial #V450001	26
L-559 L.P. 59-60		PFM-3094 63 Plym.	22	Truck	37	TR-231 Transmobile 3	19	Manhattan 90220	17
Studebaker Lark	14	PFM-6257 66 Pontiac	66	TCX-4042 64 Chev.		Europa MJ	8	Serial #V765001	34
LA-449 59 Studebaker		PFX-5109 65 Fury	30	Truck	28	Mexico TG	17	New Yorker-Series X	
Lark	11	PFX-5109N 65 Fury	35	TCX-5013 65 Chev.		Monte Carlo	17	From Serial	
LAP-29 59 Studebaker		PFX-7105 67 Plymouth		Truck	29	Monte Carlo M	18	Serial #V450001	26
Lark	11	Fury	62	TCX-5013N 65 Chev.				Wolfburg 9160 Above	
LAP-40 59-60 Studebaker		PFX-8206 68 Plymouth	62	Truck	37			Serial #G450001	9
Lark	14	Fury	62	TCX-8274 67-68 Chev.	60			3598	13
LP-929 59 Studebaker		PM-236 53 Plym.	5	TDM-1257 64-69				9280	13
Lark	11	PP-330 60 Plym.	15	Dodge Truck	64				
MAP-99 E.P. 59 Merc.	11	PP-341AT 61 Plym.	16	TLU-1590	74				
MAP-99 L.P. 60 Merc.	14	PP-819 59 Plym.	15	TMA-1550	69				

CORVAIR (See Chevrolet) VOL.	FORD (Also See Philco-Ford) VOL.	FORD (CONT.) VOL.	GM (See GMC or Chevrolet) VOL.	INTERNATIONAL (CONT.) VOL.
CORVETTE (See Chevrolet)	D8MF 68 Falcon, Fairlane 53	5TMS, 5TMSF 65 T-Bird.. 28	GMC	ILSTCA/-12 55 "R" Line Truck 6
CRAIG	D9MF (C9AA-19A237-B) 69 Galaxie, LTD 65	5TPD 65 Falcon 28	01TPB1, 01TPB2	IL7TC/-12 57 "R" Line Truck 7
3104 54	F3TBF 63 Galaxie 20	5TPZ 65 Mustang 28	70 GM Truck 76	P6MH 1000A, 1500A, CO-4000, Fleetstar, Load-Star, Metro, R&V Line Scout 47
3110/A 55	F3TBS 63 T-Bird 20	6BF 56 6	06TTC1 70 Tilt Cab 74	04MI 61 Scout & "C" Line Truck 16
DART (See Mopar or Dodge)	F4TBF 64 Galaxie 24	6BFT 56 Truck 6	86TT431 (7308166) 68 Truck 73	04MI-RV 61 "R" & "V" Line Truck 16
DELRAY	F4TBS 64 T-Bird 24	6TBB 66 Bronco 36	91TPB1 69 Truck 59	3TMI 24
SM-711 22	F5TBF 65 Galaxie 32	Bronco 41	96TT411 (7308166) 69 1/2 GM Truck 73	5SMI 65 Truck 34
SM-751 22	F6TBD 66 Fairlane 39	6TBB 67 1/2 & 69 59	96TT412 (7308166) 69 1/2 GM Truck 73	5SMI-RV 65 Truck 34
TRM-701 22	F6TBF 66 Galaxie 39	6TBF 66 Galaxie 34	96TTC1 (7305516) 69 Truck 69	5SMI/T 65 Truck 34
UA-702 22	F6TBZ 66 Mustang 39	6TBT 66 Truck 36	2233398 12V Truck 9	7BT Tractor 42
UM-701 22	F7TBF 67 Galaxie 46	6TBT 66 L.P., 67 41	2233944 61 GMC 16	7BTX Tractor 51
VNA-702 22	F7TBS 67 T-Bird 46	6TBU 66 L.P., 67 36	2233984 62 GMC 18	86MI 58 "A" Line Truck 8
VNM-701 22	F7TBZ 67 Mustang 46	Econoline 41	2234003 63 Truck 20	94MI 59 "R" & "V" Line Truck 11
DESOTO (See MoPar)	F8TBF 68 Galaxie 54	6TBM 66 L.P., 67 "W" Series 41	2234040 64 Truck 24	94MIM 59 "A" Line Truck 10
DODGE (Also See Mopar)	F8TBS 68 T-Bird 58	6TBM 67 1/2 & 69 W Series 59	2234086 64 Truck 24	JACOBSEN
248 (8BDA) (9BDA) 68/69 Dart 57	F8TBZ 68 Mustang 54	6TMF 66 Galaxie 36	7291556 65 Truck 29	7BT 45
252 (8BCC) (9BCCC) 68/69 Coronet 57	F9BZ 69 Mustang 64	6TPD 66 Falcon 36	7291576 65 Truck 29	7BTX 52
256 (8BDC) (9BCCC) 68/69 Charger 57	M7TB 67 Galaxie, Mustang 46	6TPE 66 Galaxie 36	7293806 66 GMC Truck 36	JEEP
388 (8FBCO) 68 Coronet, Charger 58	M7TBS 67 T-Bird 46	6TPO 66 Fairlane 36	7293806 67 Truck 44	U7MK (978238) 68 65
397 (8FDA) 68 Dart 58	RV2F 19	6TPT 66 Galaxie 36	7293816 66 Truck 36	3TBW 63 Jeep 22
706A 68 Dodge Truck 60	RV4D 65 Ford 30	6TPZ 66 Mustang 36	729526 66 Truck 36	6BKJ 66 Jeep 39
8FBD 68 Dodge 58	RV4F 64 Ford 24	7TBT 67 Truck 42	729526 67 GM Truck 44	5BW 65 44
2864766 (394) 68 Monaco, Polara 54	RV6F 75 65/66 Ford 30	7TBF 67 Galaxie 43	7298501 67 GM Truck 44	7BKJ Similar to P.32. 45
2864796 (392) 68 Charger, Coronet 54	TOB5TBS 65 T-Bird 32	7TDF 67 Falcon 41	7305516 69 Truck 69	7BKJ 67 Wagoneer, Jeepster 56
2884064 (389) 68 Charger 51	TOB6TBS 66 T-Bird 39	7TDP 67 Falcon 41	7305841 68 GM Truck 51	8BKJ 68 69
2884067 (253) 68 Monaco, Polara 52	T6SMF 66 Galaxie 35	7TDF 67 Ford 41	7306686 68 GMC Truck 51	12BW 16
2884068 (395) 68 Monaco, Polara 51	T6SMS 66 T-Bird 35	7TDO 67 Fairlane 41	7306696 68 GMC Truck 51	815395 9
2884128 (255) 69 Monaco, Polara 68	T6SMZ 66 Mustang 35	7TPS 67 T-Bird 41	7308166 68, 69, 69 1/2 GM Truck 73	JOHN DEERE
2884285 (327) 69 Monaco, Polara 63	T7SMF 67 Galaxie 45	7TPZ 67 Mustang 41	GONSET	SSMJD 53
3420559 (1DP2902) 69 Polara 67	T7SMH/A 67 Fairlane, Falcon 45	8TBT 68 Truck 56	3239 9	7BT Tractor 43
DUO-VOX	T7SMH/F 67 Mustang 45	8TBTU 68 Econoline 56	GR-41 22	7BTX Tractor 49
AM-8 37	T7SMH/N 67 Fairlane, Falcon 45	8TMF 68 Galaxie 52	GRW-41 22	KARADIO
AM10 33	T7SMS 67 T-Bird 45	9F8F 69 Galaxie 73	HITACHI	M80B 4
AMF-16B 28	T7SMZ 67 Mustang 45	9FBO 69 Fairlane, Falcon 64	TM-816U 37	KARMANN GHIA (See Volkswagen)
EDSEL	T8MF 68 Galaxie 51	9FBS (C9SA-19A241) 70 Thunderbird 76	KM1001 38	KENWORTH
04BE COKF-18805, COKF-18806 12	T8MS 68 53	9FBZ 69 Mustang 64	HOFFMAN	5SMKW Truck 39
85SE 58 8	T8MZ 68 Mustang 51	12BD 61 Falcon 14	769 28	6SMKW Trucks 48
87SE 58 8	T9MS (69 Thunderbird) (C9SA-19A242-B) 62	12BF 61 14	769 Revised 31	KINEMATIX
94BE B9KF-18805-D/18806-C 59 10	T9MZ 69 Mustang (C9ZA-19A242-B) (C9ZZ-18805-B) 66	12BT 61 Truck 14	HUDSON (Also See American Motors)	Verba-Matix 27
ERIC	OBTM/TP/TP/L 70 Truck 77	12BU 61 Econoline 14	236476 SH759 53 4	Verba-Mite VX-700 42
FM-100 18	OBTU 70 Econoline 77	14BF 61 Ford 30	236486, 238060 SH758 4	LAFAYETTE
F-85 (See Oldsmobile)	OPBD (DODA-19A241) 70 Maverick (EP) 70 Galaxie See Page 59 73	14BM 61 Merc. 30	4389027 HNSAC-8 55 6	SP-172 FM-100 14
FALCON (See Ford)	04BF 60 E.V. 12	22BD 62 Falcon 18	HUSKEE	99-8519 68
FIRESTONE	04BF L.P. 60 Ford 30	22BO 62 Fairlane 18	TM104M (60-299) 77	LANCER (See Mopar)
3-D-5 Code 120-MU-60B 19	04BT 60 Truck 12	24MF 62 17	IMPERIAL (See Chrysler or MoPar)	LARK (See Studebaker)
3-D-6 Code 120-1-R61 21	04MD 60 Falcon 12	66MF 56 6	INLAND	LEAR JET
3-D-6 Code 120-3-P69 21	04MF 60 12	66MFP 56 6	AFM-602 41	A-219 (Similar to page 77) 58
3-D-6A 27	04MFM 60 12	69MF 56 6	AFM-603 52	A-229 (Similar to page 73) 55
3-D-7 Code 120-3-DUP-42 23	1TMC 61 Continental 15	69MS 56 6	PA-700 49	A-239 (Similar to page 38) 56
3-D-8 21	1TMS 61 T-Bird 15	74BF 57 8	V102 41	A-250 72
3-D-15 27	2TBO 62 Fairlane 19	74BT 57 Truck 9	V302 41	A-260 77
4-B-69 Tractor 5	2TBF 62 Galaxie 18	74MF 57 7	VWX101 41	A-269B 65
4-B-71 53 Plym. 4	2TMF 62 18	76MF SR 57 8	VWX103 48	AS-830-H 54
4-B-72 53 Chev. 4	2TMX 62 18	78MF 57 7	VWX502 42	AS-831 58
4-B-74 54 Ford 5	3MF 53 4	84BF 58 8	X100 27	ASFM-830-H 54
4-B-76 55 Ford 6	3MFT 53 Truck 4	84BT 58 Truck 9	X102 41	ASFM-871 56
4-B-77 55 Chev. 5	3SF755 53 4	84MF 58 8	X-103 48	ASR-830-H 44
4-B-78 55 Plym. 6	3TBD 63 Falcon 19	84MS 58 T-Bird 9	X302 41	ASR-851 55
FO-MO-CO (See Ford, Lincoln, Mercury)	3TBO 63 Fairlane 19	86MF 58 8	XFM-400 41	LINCOLN
	3TBF 63 Galaxie 23	94BF 59 10	INTERNATIONAL	D8ML 68 Lincoln 56
	3TMB 63 Galaxie 23	94BT 59 Truck 11	OBTH 70 Tractor 76	F3TBC 63 21
	4BF 54 See Model M4B. 4	94MF 59 10		
	4MF 54 4	94MFM 59 10		
	4SF765 54 5	94MS 59 T-Bird 11		
	4TBD 64 Falcon 23	95MF 59 10		
	4TBO 64 Fairlane 23	GIBBS		
	4TBT 64 Truck 26	CR-332A/B/C 71		
	4TBU 64 Econoline 26	CR-335B/337B 71		
	4TBZ 64/65 Mustang 32	CR-627 70		
	4TMF 64 Galaxie 23	CR-630 70		
	4TMS 23	440 27		
	4TMS F 64 T-Bird 23	441 27		
	5BF 55 5	442 27		
	5MF 55 5	445 28		
	5MFS, 5MFS8 55 T-Bird. 5	446 28		
	5MF8 55 5	450 28		
	5TBF 65 Galaxie 28	551 37		
	5TBO 65 Fairlane 28	551-6 37		
	5TBT 65 Truck 33	552 37		
	5TBU 65 Econoline 33	553 37		
	5TMF 65 Galaxie 28			
	5TMZ 65 Mustang 28			

LINCOLN (CONT.)	VOL.	MERCURY (CONT.)	VOL.	MOPAR (CONT.)	VOL.	MOPAR (CONT.)	VOL.	MOPAR (CONT.)	VOL.
F4TBC 64	25	4TME 64 Comet	23	217 63 Dodge	22	376 78C 67 Chrysler	42	901 55 Desoto S-21/-22	5
F6TDC 66 Lincoln	40	5BM 55 See Lincoln		218 4TBE 64 Valiant	24	377 78DD 67 Dodge		902 55 Chrysler	5
F8TBC (C8VY-18805B5)68	71	Model 5BH	5	219 64 Dodge VDI/2	23	Deluxe	42	903 55 Chrysler	5
F8TDX 68 Mark X	61	5TBM 65 Merc.	28	220 64 Plym. VPI/2	23	378 78BDD 67 Dodge	48	910/HR 56 Dodge D-62/-63	6
F14TBC 64	25	5TPE 65 Comet	28	221 4TBLH 64 Dart	24	379 6FBL 66 Dart	36	911 65 Desoto S-23/-24	6
TOB5TBC 65	33	6BM 56	6	222 5BVE 65 Valiant	28	381 67 Charger	43	912/HR 56 Chrysler	7
T6SMC 66 Continental	36	6BMS 56	6	223 65 Dodge Dart	28	385 7FBVA 67 Barracuda,		916/HR 56 Plym. P-28/-29	7
T7SMC 67 Lincoln	45	6TMM 66 Merc.	35	224 5BP 65 Plym. Std	28	Dart, Valiant	48	917HR 57 Plymouth	8
T7SMK/C 67 Lincoln	45	6TPG 66 Merc.	37	225 5BPD 65 Plym.		402 04BC 60 Chrysler	13	918 57 Dodge D-66/-67/-70/-71/-72	7
T8ML 68 Lincoln	52	7TBM	42	Deluxe	28	403 04BI 60 Imperial	13	919/HR 57 Desoto S-25/-26/-27	7
T8MX 68	54	7TPG 67 Comet/Cougar	41	226 65 Dodge Coronet	28	404 14BI 61 Imperial	15	920HR 57 Chrysler	8
T9ML 69 Lincoln	64	8TBM 68	55	228 6BVE 66 Valiant	37	407 14BC 61 Chrysler	15	921HR 57 Imperial	8
T9MX 69 Mark Ill		9BM 69	68	229 6BL 66 Dart	37	409 24BI 62 Imperial		922 85BC 58 Chrysler	9
(C9LA-19A242-8)		9FBO 69 Montego	64	230 6BP 66 Plym.	37	SY1	18	923 58 Desoto L-51/-52/-53	9
(C9LY-18805-B)	66	9FBZ 69 Cougar	64	230 78P 67 Plym.	42	410 24BC 62 Chrysler		924HR	9
OFBL(DOVA-19A241)		22BM 62	18	231 6BPD 66 Fury	37	SCI1/2/3	18	925 58 Plym. LP-1/-2	9
70 Lincoln	75			232 66 Coronet BW1/2.	35	411 34BCS 63		927 59 Desoto MS-1/-2/-3	11
05BH 60	12	MERCURY RECORDS		233 66 Charger BW29	35	Chrysler	20	928 R95BC-S 59	10
3SH756 53	4	AP-8300	57	234 6BVS 66 Valiant	37	413 34BI 63 Imperial		929 C-5909 59 Imperial	11
4SH764 54	4	METEOR (Also See Mercury)		235 66 Polara, Custom		TY1	20	MY-1	11
4SH766 54	4	24ME 62 Comet See		880, Monaco BD2	35	414 44BI 64 Imperial	24		
4TMC F 64Continental	23	Ford 24ME	17	236 78VE 67 Valiant	42	415 44BCS 64			
5BH 55	5	24MY 62 Meteor See		237 67 Dart	43	Chrysler	24		
5TMC F 65 Continental	28	Ford 24ME	17	240 67 Fury	43	416 65 Chrysler	31		
6BC 56	6	77BM 57	7	241 78D 67 Dodge	42	416B 66 Chrysler	39		
6BH 56	6	78BM 57	7	301 PP1/2 60 Plym.	14	417 65 Imperial	31		
6TDC 66 Lincoln	37	84BM 58	8	302 PD1/2/3/4 60 Dodge	13	417B 66 Imperial	39		
8TBC 68	60	85BM 58	9	303 03BC 60 Chrysler	13	418 67 Imperial	47		
8TPX 68 Mark Ill	59	94PM 59	12	304 03BS 60 Desoto	13	419 67 Imperial	43		
9BL 69	60	95PM 59	11	305 03BD 60 Dodge	13	420 66 Imperial	40		
9FBL (C9VA-19A241)	69			306 13BD 61 Dodge	16	421 67 Chrysler	43		
9FBLU (C9VA-19A246)69	71			309 RP1/2 61 Plym.	16	608 53 Plym. P24	4		
9MABL (C9VA-19A099)				310 Export Version of		609 53 Dodge Model			
68-69	71			Model 301	14	D-44/-46/-47/-48	4		
78BL 57	7			311 Export Versions		610T 53 Dodge Truck,			
85BH 58	9			of Model 309	16	Series B-3/-4	4		
85BHP Above Serial	9			312 13BS 1961 Desoto.	16	611T 54 Dodge Truck,			
#5000 58	9			313 60 Valiant	14	Series C See Model			
88BH 58	8			314L Export Version of		610T	4		
95BH 59	9			Model 114	16	612 54 Dodge D-40/-51/-52/-53 See Model 609	4		
				314V Export Version of		613 55 Plym. P-26/-2	5		
				Model 113	16	614 55 Dodge D-55/-56	5		
				317 13BC 61 Chrysler	15	620 56 Plym. P-28/-29	7		
				322 SP1/2 62 Plym.	17	621 56 Dodge D-62/-63	7		
				323 SD1/2 62 Dart	17	624 57 Dodge D-66/-67/-70/-71/-72	8		
				324 Export SP1/2 62		700 58 Dodge Truck	8		
				327 SCI1/2/3 62		700 Rev. 60 Dodge			
				Chrysler	17	701 59 Simca	12		
				330 63 Plym.	21	703 R128DT 61 Dodge			
				331 63 Dodge	21	Truck	16		
				332 63 Dodge 880	21	706 64 Dodge Truck	26		
				333 63 Chrysler	21	706 5TBDT Similar to			
				334 4TBU 64 Dodge880.	24	page 64 65 Dodge Truck	26		
				335 64 Plym.	25	706 78DT 67 Dodge			
				336 64 Dodge	25	Truck	44		
				337 63 Valiant	22	819 53 Plymouth	4		
				339 63 Dodge Dart	22	820 53 Dodge	4		
				343 R3BC 63 Chrysler		821 Desoto S-16/-18	4		
				TC1/2/3	19	824 53 Chrysler	4		
				344 63 Dodge	22	828 54 Dodge D-50/-51/-52/-53	4		
				345 63 Plym.	22	829 Desoto S-19/-20	4		
				347 R23BDQ 62 Dodge		830 54 Chrysler C-62/-63/-64	4		
				880,SD3	19	831 See Model 830	4		
				348 4TBC 64 Chrysler	24	832 55 Plymouth	5		
				350 R3BC 63 Dodge880.	19	833 55 Dodge D-55/-56	5		
				351 64 Chrysler	25	834 55 Desoto S-21/-22			
				352 64 Imperial	25	-22	5		
				353 64 Dodge 880	25	835 55 Chrysler	5		
				354 64 Dodge	24	836 55 Plym. P-25/-27	5		
				360 5FBP 65 Plym.	30	840 56 Plymouth	6		
				361 5FBPD 65 Plym.	30	841 56 Plym. P-28/-29	6		
				361 6FBPD 66 Plymouth		842,842HR 56 Dodge			
				Deluxe	36	D-62/-63	6		
				362 5FBD 65 Dodge	30	843 56 Desoto S-23/-24	6		
				363 65 Dodge 880	28	844/HR 56 Chrysler	6		
				363S 66 Polara, Custom		845 57 Dodge D-66/-67/-70/-71/-72	8		
				880, Monaco BD2	35	846 57 Desoto S-25/-26/-27	8		
				364 5FBD 65 Dodge	30	847 57 Chrysler	8		
				364 6FBD 66 Dodge	30	848 57 Plymouth	8		
				Deluxe	36	849 57 Plym. P-30/-31	8		
				365 65 Chrysler	28	851 84BC 58 Chrysler	8		
				365S 66 Chrysler BC1/2/3	35	852 58 Dodge LD-1/-2/-3	8		
				366 5FBC 65 Chrysler	30	-3	8		
				366 6FBC 66 Chrysler	36	854 58 Plym. LP-1/-2	9		
				367 5FBI 65 Imperial	30	855 P-5901 59 Plym	11		
				369 6FBP,6FBE 66		856 59 Dodge MD1/2/3	10		
				Plymouth Standard	36	857 59 Desoto MS1/2/3	10		
				369 7FBP 67 Plym.	48	858 94BC 59 Chrysler	10		
				370 7FBPD 67 Dodge	48	860 59 Plym. MP1/2	12		
				372 5FBE See Page 86		861 59 Chrysler Export	12		
				65 Plymouth	30	900 55 Dodge D-55/-56	5		
				373 5FBL See Page 86					
				65 Dart	30				
				374 7FBPD 67 Plym.	48				
				375 7FBC 67 Chrysler	48				

MOTOROLA (CONT.)	VOL.	MOTOROLA (CONT.)	VOL.	MOTOROLA (CONT.)	VOL.	NASH (CONT.)	VOL.	OLDSMOBILE (CONT.)	VOL.
CTA3 53 Chevrolet	4	PC67A 67 Pontiac	45	13MA/MAM 60 Rambler		NH3C 53 Nash Rambler	4	7300113 67 F-85	46
CTA4 54 Chevrolet	6	PC69A 69 Bonneville,		PC69A 69 Bonneville,	14	NH5AC 55 See Model AC-	5	7300753 67 Toronado	44
CTA5 55 Chevrolet	6	Catalina, Executive	69	PC70A 70 Tempest	77	154		7301703 67 Oldsmobile	46
CTA6T 55-56 Chevrolet	7	PD3A6 51-53 Packard	5	PD3A6 51-53 Packard	5	NIVICO		7302013 68 F-85	52
CTA6X 55-56 Chevrolet	7	PD69A 69 Firebird	69	PD69A 69 Firebird	69	1310	75	7302023 68 Olds, F-85	50
CTA7X 57 Chevrolet	7	PT67A 67 Tempest	44	PT67A 67 Tempest	44	NORDIC		7302503 67 Toronado	46
CTA8X 58 Chevrolet	9	PT68A 68 Pontiac	56	PT68A 68 Pontiac	56	501F55 55 Ford	5	7303143 68 Oldsmobile	51
CTA9X 59 Chevrolet	10	PT69A 69 Tempest	69	PT69A 69 Tempest	69	NORDMENDE		7303153 68 Oldsmobile	49
CTA61 61 Chevrolet	15	PT70A 70 Pontiac	77	PT70A 70 Pontiac	77	Transita-Royal K-C		7303203 68 Toronado	49
CTA62 62 Chevrolet	18	R200	19	R200	19	4/608 K-C	34	7303223 68 Toronado	49
CTA63 63 Chevrolet	22	SR2A6 50-52 Studebaker	5	SR2A6 50-52 Studebaker	5	OLDSMOBILE		7303253 68 Toronado	51
CTA64 64 Chevrolet	24	SR3A6 52 Studebaker	5	SR3A6 52 Studebaker	5	03BPB1 70 Olds	73	7305203 68 Oldsmobile,	
CTM3 53 Chevrolet	5	SR52A6 50-52	5	SR52A6 50-52	5	03EPB1 70 Toronado	73	Toronado	50
CTM4/A 54 Chevrolet	6	Studebaker		Studebaker		93AFM1/M2 69 F-85	68	7305933 68 Olds, F-85	50
CTM6 55-56 Chevrolet	6	SR52M6 50-52	5	SR52M6 50-52	5	93AFP1 (7307863)		7307313 69, 69 1/2	
CTM7X 57 Chevrolet	7	Studebaker		Studebaker		69 F-85	70	Oldsmobile	74
CTM8X 58 Chevrolet	9	TM5A	33	TM5A	33	93APB1 69 F-85	63	7307813 69 69 1/2	
CTM9X 59 Chevrolet	10	TM5M	32	TM5M	32	93BFM1/M2 69 Olds	68	Toronado	74
CTM57X 57 Chevrolet	9	TM6M	39	TM6M	39	93BFW1 (7307313)		OLSON	
CTM61X/A 61 Chevrolet	16	TM6A	38	TM6A	38	69 Olds	74	RA-771	48
CTM62 61-62 Chevrolet	19	TM7A	44	TM7A	44	93BFW2 (7307313)		94LPB1 69	67
CTM63 63 Chevrolet	22	TM8A	71	TM8A	71	69 1/2 Olds	74	94PPB1 (7312234)	
CTM64 64 Chevrolet	25	TM15A	32	TM15A	32	93BPB1/2(7307303) 69	71	69 G/T	70
CY65A 62-65 Chevy II	32	TM16A	41	TM16A	41	93BT411 69 F-85, Olds	69	980886 64 Kadette	26
CY65M 62-65 Chevy II	33	TM17A	45	TM17A	45	93BT412 69 1/2 F-85,		981946 58	14
CY66A 66 Chevy II	38	TM18A	73	TM18A	73	Olds	69	981981 59-60	14
CY67A 67 Chevy II	44	TM105M	75	TM105M	75	93EFM1/MA2 69		7294694 66	39
CY68A 68 Chevy II	56	TM295M	33	TM295M	33	Toronado W/AC	68	7307404 68 Opel	55
CY69A 69 Chevy II	69	TM296M	40	TM296M	40	93EFM1/MA2 69		ORRTRONICS	
CY70A 70 Chevy II	77	TM297M	48	TM297M	48	Toronado W/Htr	68	682.100	48
CYA62 62 Chevy II	20	TM299M	71	TM299M	71	93EFW1 (7307813)		682.101	48
CYA63 61-63 Chevy II	25	TM315M	33	TM315M	33	69 Toronado	74	682.110	61
CYA64 62-64 Chevy II	22	TM316M	40	TM316M	40	93EFW2 (7307813)		682.120	64
CYM62 62 Chevy II	19	TM318M	54	TM318M	54	69 1/2 Toronado	74	PACKARD	
CYM63 62-63 Chevy II	22	TM326M	40	TM326M	40	93ET411 69 Toronado	69	AC-2906 58	8
CYM64 62-64 Chevy II	25	TM327M	46	TM327M	46	93ET412 69 1/2		AC-2907 58	8
FM65M	35	TM329M	47	TM329M	47	Toronado	69	439338/339 53 Series	
FM67M	45	TM336M	40	TM336M	40	982029 62	17	26	4
FM68M	59	TM415M	32	TM415M	32	982030 62	18	439663 54 See Model	
FM106M	40	TM416M	41	TM416M	41	982136 63	19	439338	4
FM108M	55	TM425A	33	TM425A	33	982149 63 F-85	20	439666 54 See Model	
FM200A	34	TM526A	41	TM526A	41	982212 63	25	439338	4
FM210A	72	TM527A	46	TM527A	46	982249 64	21	472046 55	5
FM-900	14	TM529A	75	TM529A	75	982250 64	25	472047/48 55	5
FM990X	47	TM626A	41	TM626A	41	982251 64	25	480487 56 Packard	
FM991X	60	TM706S	47	TM706S	47	982252 64 F-85	25	Clipper	6
FMA-100	26	TM707S/-1, 708S/-1,		TM707S/-1, 708S/-1,		982990 53	4	484649 57	7
FMC62	19	TM709S	65	TM709S	65	983004 53	4	484652 57 See Model	
GMT3A6 48-53 Chev/GMC	5	TM711S	68	TM711S	68	983090 54	5	7267427	6
GMT53A6 48-53 Chev/GMC	5	TM713S	72	TM713S	72	983091 54	5	7267427 480487 56	
Truck	5	U3MW Autocar, Diamond		U3MW Autocar, Diamond		983204 55	5	Packard Clipper	6
GV-701	11	T, Reo, White Trucks		T, Reo, White Trucks		983205 55	5	PANASONIC	
GV-800	9	891600	24	891600	24	983334 56	6	CX-807SU	66
HF3A6 51-53 Henry J	5	VMA7 53-57 VW	7	VMA7 53-57 VW	7	983336 56	6	PENNEYS	
HN2A6 51-52 Hudson	5	VMA8 58 VW	12	VMA8 58 VW	12	989001 57	7	3104 984-8227	29
HN3A6 51-53 Hudson	5	VMA60 VW	13	VMA60 VW	13	989002 57	7	3108 58-63 VW	29
except Hudson Jet	5	VMA63 63 VW	22	VMA63 63 VW	22	989127 58	8	3114 63 Ford	29
HN4A6 54 Hudson	5	VMA64 58-64 VW	25	VMA64 58-64 VW	25	989131 58	8	3118 982-0093	30
HN4M6 54 Hudson	5	VMA65 58-63 VW	22	VMA65 58-63 VW	22	989170 59	10	3121 981-4021	30
HN53M6 51-53 Hudson	5	VMA66 58-64 VW	25	VMA66 58-64 VW	25	989171 59	11	3122 981-4031	30
HT3A6 53 Hudson Jet	5	03AR See American		03AR See American		989172 59	11	3129 985-6816	30
LL5TCA, -12 55 Intl.	6	Motors Model 8990811	12	Motors Model 8990811	12	989276 60	13	3138 984-8243	29
KM201R	41	04MA 60 Rambler See		04MA 60 Rambler See		989277 60	12	3143 985-8358	29
KM202R	41	page 19	11	page 19	11	989277 60	12	3144 985-8374	30
KM203R	66	04MD/MF/MFM See page		04MD/MF/MFM See page		989387 61 F-85	15	3151 985-8341	30
KM204R	64	77	12	77	12	989392 61	15	3160 64 Chevelle	29
KR3A6 51-53 Kaiser	5	2AT-1	21	2AT-1	21	989393	14	3161 63-64 Chevrolet	29
NH3C 53 Nash Rambler	4	2MT	20	2MT	20	7284893	22	3162 63-64 Chevy II	29
NH4AC 54 Nash See Nash		2TMF See page 71	18	2TMF See page 71	18	7289313 65 Oldsmobile	30	3163 64 Comet	30
Model AC-154	5	2TMX See page 71	18	2TMX See page 71	18	7289333 65	31	3168 64 Ford	30
NH5AC 55 Nash See Nash		2TMDX See page 131	17	2TMDX See page 131	17	7289353 65	31	3169 64 Falcon	30
Model AC-154	5	2TMY See page 71	18	2TMY See page 71	18	7289373 982687 66 F-85	35	3170 64 Falcon	30
OE47X 57 Oldsmobile	7	3AT	22	3AT	22	7291063 65 F-85	30	3171 985-8515 64 F-85	29
OE49X 59 Oldsmobile	12	3MT	22	3MT	22	7292643 66 Toronado	37	3172 64 Fairlane	30
OE460X 60 Oldsmobile	14	4AT	25	4AT	25	7292663 66 Oldsmobile	39	3173 64 Mercury	30
OE461X 61 Oldsmobile	17	4MT	25	4MT	25	7293653 982690 66 Olds	38	3174 64 Oldsmobile	29
OE463 63 Oldsmobile	22	5M, SM-12	5	5M, SM-12	5	7294743 982688 66 Olds	37	3176 63-64 Pontiac	29
OE464 64 Oldsmobile	24	6M	6	6M	6	7294753 982689 66 Olds	36	3179 64 Tempest	29
OE2A6 51-52 Oldsmobile		6M-12	6	6M-12	6	7297564 66 Olds	57	3180 64 Chevrolet	29
"Super 88" & "98"	5	6MA 59 Hudson & Nash		6MA 59 Hudson & Nash		Reverb. Unit	36	3181 60-64 Corvaire	29
OE4FM 64 Oldsmobile	26	See page 9	6	See page 9	6	7298413 67 Oldsmobile	45	3182 63-64 Chevy II	29
OE4FMC 64 Oldsmobile	34	6MR 56 Rambler See		6MR 56 Rambler See		7299563 67 F-85	43		
OE65A 65 Oldsmobile	32	page 5	6	page 5	6	7299573 67 Toronado	45		
OE66A 65/66 Oldsmobile	40	6TAS8	6	6TAS8	6	7299583 67 Toronado	42		
OE67A 67 Oldsmobile	45	7M See Model 6M	6	7M See Model 6M	6	7300083 67 Toronado	44		
PCA7X 57 Pontiac	7	7MR 57 Rambler See		7MR 57 Rambler See		7300093 67 Oldsmobile	44		
PCA9X 59 Pontiac	10	page 5	6	page 5	6	7300103 67 Oldsmobile	42		
PCA60X 60 Pontiac	15	7MX	7	7MX	7				
PCA61X 61 Pontiac	17	8M	8	8M	8				
PCA62 62 Pontiac	20	8MX	9	8MX	9				
PCA63 63 Pontiac	22	9AX	10	9AX	10				
PCA64 64 Pontiac	24	10AX	15	10AX	15				
PC2A 49-52 Pontiac	5	10M	13	10M	13				
PC4FM 64 Pontiac	26	10MX	12	10MX	12				
PC4FMC 64 Pontiac	34	11MX	16	11MX	16				
PC65A 65 Pontiac	32	12AT-1/-2/-3	21	12AT-1/-2/-3	21				
PC66A 66 Pontiac	40								

TRUETONE (CONT.)	VOL.	VOLKSWAGEN (CONT.)	VOL.	VOLKSWAGEN (CONT.)	VOL.	VOLKSWAGEN (CONT.)	VOL.	VOLVO (CONT.)	VOL.
DC4050	72	A7MVG 67 Karmann		4TMVG 64 Karmann		7BVBX 67 Type 3	44	7BVOX 67 Volvo (EP)	54
DC4055	76	Ghia	47	Ghia	26	7FBVG 67 Karmann		7FBVOX 67 Volvo	50
DC4200	18	A7MVS 67 Squareback	47	4TMVG 64 Karmann		Ghia	43	8BVO 68	67
DC4203	26	A7MVT 67 Transporter	47	Ghia Serial #50,001		7FBVT 67 Transporter	43		
DC4203B	31	A7MVW 67 Sedan	47	and Higher	29	7FBVW 67 Sedan	43		
DC4203C	35	PA8MVF 68 Fastback,		4TMVT 64 Transporter	26	7FBV3 67 1600, Type3	43		
DC4205B	18	Squareback,		4TMVT 64 Transporter		7FBVX (G) Karmann		VOXMOBILE	
DC4206B	18	PA8MVG 68 Karmann Ghia,		Serial #50,001		Ghia	49		
DC4208	23	PA8MVT 68 Transporter,		and Higher	29	7FBVX (T) Transporter	49	S-4 (Similar to page	
DC4603	39	PA8MVW 68 Sedan,		4TMVW 64 Sedan	26	7FBVX (W) Sedan	49	112)	59
DC4606	39	PP8MVF 68 Fastback,		4TMVW 64 Sedan Serial		7FBVX (3) 1600 Type 3	49	TR-241	27
DF4870	62	Squareback,		#50,001 and Higher	29	7SMVF 67 Fastback			
ITC4850A-86 DC4850	48	PP8MVG 68 Karmann Ghia,		5FMVG 65 Karmann		and Squareback	46	VOXSON	
ITC4851A-86 DC4851	48	PP8MVT 68 Transporter,		Ghia	30	7SMVG 67 Karmann			
ITC4852A-86	53	PP8MVW 68 Sedan	67	5FMBT 65 VW		Ghia	46	Vanguard 736	15
ITC4852A-86 DC1852	52	R2BT 62 Transporter	18	Transporter	30	7SMVT 67 Transporter	46		
ITC4860A-86 DC4860	56	R2BV 62 Sedan	18	5FMBV 65 VW Sedan	30	7SMVW 67 Sedan	46		
ITC7008A-07 (S808)	77	OBG	13	6BVG 66 Karmann		8BVG 68 Karmann Ghia	58	WARDS RIVERSIDE	
ITC7804A-86 4DC7804	59	OBT 60 Transporter	13	Ghia	37	8BVT 68 Type 2	58		
MIC4050A-07	72	OBV 60 Sedan	13	6BVT 66 Transporter	37	8BVW 68 Sedan	58		
MIC4055A-07	76	1BG 61	16	6BVG 66 Sedan	37	8BV3 68 Type 3	58		
MIC5056A-96 (DC5056)	71	1BT 61 Transporter	16	6BV3 66 Type 3		8SMVF 68 Fastback,			
MID4055A-07	76	1BV 61 Sedan	16	Vehicles	37	Squareback	61	EMV-16630A	56
MID5056A-07 (DC5056)	71	2BG R2BG	18	6FBVG 66 Karmann		8SMVG 68 Karmann Ghia	61	FMV-16631A	58
SJB7808A-76 4DC7808	62	2BT 62 Transporter	18	Ghia	40	8SMVT 68 Transporter	61	FMV-16639A	61
SJB7810A-76 4DC7810	62	2BV 62 Sedan	18	6FBVT 66 Transporter	40	8SMVW 68 Sedan	61		
4DC7008(S-808)	77	2FMBG 62 Karmann		6FBVW 66 Sedan	40	9SMVF/-6 69 Fastback,			
		Ghia	22	6FBV3 Type 3	40	Squareback			
		2FMBT 62 Transporter	22	6TMVG 66 Karmann		9SMVG/-6 69 Karmann		WHITE	
VALIANT (See MoPar)		2FMBV 62 Sedan	22	Ghia	39	Ghia			
VAUXHALL		3TBV 63 Sedan	20	6TMVT 66 Transporter	39	9SMVT/-6 69 Transporter			
		3TBVG	20	6TMVW 66 Sedan	39	9SMVW/-6 69 Sedan	64		
988946 58	10	3TBVT 63 Transporter	20	7BVG 67 Karmann				U6MW, U7MW (891600A)	
		4FMBG 64 Karmann		Ghia	46			68 Diamond T, Reo,	
VISTA		Ghia	27	7BVT 67 Transporter	46			White	67
		4FMBT 64 Transporter	27	7BVG 67 Sedan	46	3BN 63	20	W-6234 Truck	20
875	36	4FMBV 64 Sedan	27	7BV3 67 Type 3	46	4TBN 279958/959/960/		USMW 891600 Reo,	
		4TBV 64 Sedan	27	7BVXG 67 Karmann		961 64 Volvo	33	Diamond T, Autocar	48
VOLKSWAGEN		4TBVG 64 Karmann		Ghia	44	5BN 279958 65	44		
		Ghia	27	7BVXT 67 Transporter	44	6BVO 66 Volvo	39		
A7MVF 67 Fastback	47	4TEVT 64 Transporter	27	7BVXW 67 Sedan	44	7BVO Similar to page			
						146	39		



HOWARD W. SAMS

PHOTOFACT[®] SPECIALIZED SERIES

TAPE RECORDER SERIES



Complete PHOTOFACT[®] coverage of all important late-model Tape Recorders now in easy-to-use volumes. Regular price, \$4.95 per volume—only \$4.65 when purchased on a Standing Order Subscription! Sign up and save 30¢ per volume!

HOME TAPE PLAYER SERIES



Complete PHOTOFACT[®] coverage of all important, late-model Home Tape Players now in easy-to-use volumes. Regular price, \$3.95 per volume—only \$3.65 when purchased on a Standing Order Subscription! Sign up and save 30¢ per volume!

CB RADIO SERIES



Five to six volumes issued yearly for complete PHOTOFACT[®] coverage of all popular CB Radio models. Regular price, \$3.25 per volume—only \$2.95 when purchased on a Standing Order Subscription! Sign up and save 30¢ per volume!

TRANSISTOR RADIO SERIES



Twelve to fifteen volumes issued each year provide complete PHOTOFACT[®] coverage of Transistor Radios. Each volume covers 30 to 40 popular late models. Regular price per volume, \$3.25—only \$2.95 when purchased on a Standing Order Subscription! Sign up and save 30¢ per volume!

MODULAR HI-FI SERIES



Ten to twelve volumes per year brings you complete and up-to-date PHOTOFACT[®] coverage of Modular Hi-Fi and compact stereo equipment. Each volume covers 10 to 15 popular late models. Regular price, \$3.95 per volume—only \$3.65 when purchased on a Standing Order Subscription! Sign up and save 30¢ per volume!

\$3.25
\$4.10 IN CANADA
AR-77
06277



HOWARD W. SAMS & CO., INC.

PHOTOFACT[®] SPECIALIZED SERIES

are available from your local parts distributor