

# SAMS PHOTOFACT<sup>®</sup> CB RADIO SERIES

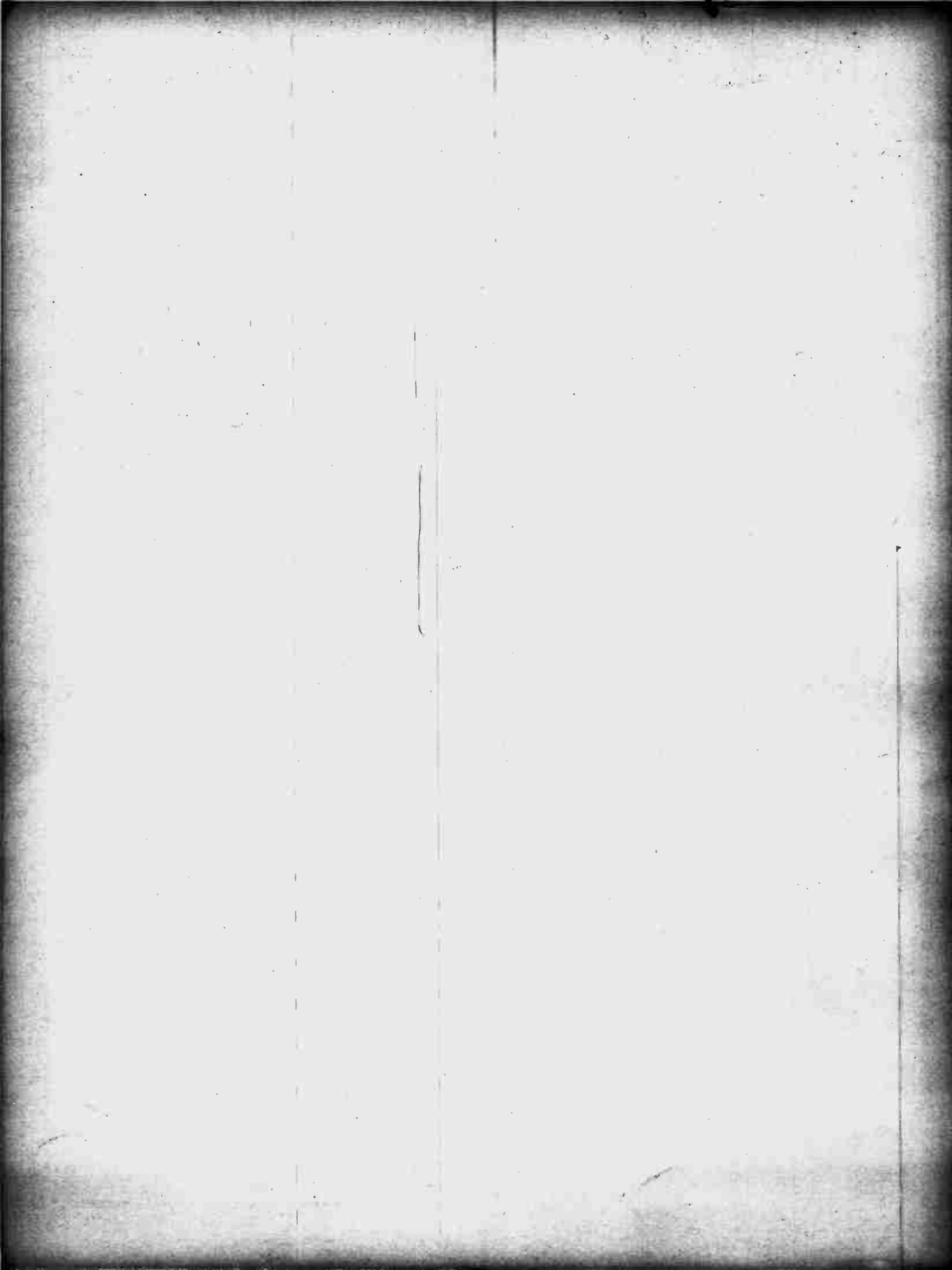


CB-4  
**4**  
SEPTEMBER 1963



## CONTENTS

TRADE NAME AND MODEL	PAGE	TRADE NAME AND MODEL	PAGE
<b>AIRLINE</b>		<b>MONITORADIO</b>	
GAS-5B7 .....	5	TG-1 .....	70
<b>CADRE</b>		<b>PEARCE-SIMPSON</b>	
510 .....	129	Companion .....	73
<b>EICO</b>		<b>POLY-COMM</b>	
740 .....	12	Senior 23 .....	139
771W, 772W .....	17	<b>RADIOCOM</b>	
<b>FANON</b>		27C-2A/-2B/-2C .....	150
FCB-9 .....	25	<b>RAYTHEON</b>	
<b>GONSET</b>		Ray-Tel TWR-2 .....	81
G-15 (3428), G-15 (3429) .....	31	Raycom .....	88
<b>HEATH</b>		<b>REALTONE</b>	
GW-11A/-11D, GWW-11A/-11D .....	39	TR-6134 .....	95
GW-21, GWW-21 .....	47	<b>SONAR</b>	
GW-31, GWW-31 .....	53	E (Revised) .....	103
<b>LAFAYETTE</b>		<b>SONY</b>	
HE-15B .....	57	CB-901 .....	110
HE-20B .....	63	<b>TRIUMPH</b>	
<b>MASCO</b>		TC-900, TC-900A .....	116
MCB-9 .....	25	<b>UTICA</b>	
		T & C II .....	122



\$3.50  
\$4.40 IN CANADA  
Cat. No. CB-4

# SAMS PHOTOFACT<sup>®</sup>

## CB RADIO SERIES



by the *Howard W. Sams* ENGINEERING STAFF



**HOWARD W. SAMS & CO., INC.**  
INDIANAPOLIS 6, INDIANA

**FIRST PRINTING—SEPTEMBER, 1963**

**SECOND PRINTING—MAY, 1964**

**THIRD PRINTING—MARCH, 1966**

**FOURTH PRINTING—DECEMBER, 1967**

**FIFTH PRINTING—FEBRUARY, 1969**

**SIXTH PRINTING—MAY, 1970**

**SEVENTH PRINTING—AUGUST, 1972**

**EIGHTH PRINTING—NOVEMBER, 1973**

**NINTH PRINTING—OCTOBER, 1974**

**TENTH PRINTING—JULY, 1975**

**ELEVENTH PRINTING—JANUARY, 1976**

**TWELFTH PRINTING—JULY, 1976**

## **C B RADIO SERIES**

### **VOLUME 4**

Copyright © 1963 by Howard W. Sams & Co., Inc., Indianapolis 6, Indiana. Printed in the United States of America.

Reproduction or use, without express permission, of editorial or pictorial content, in any manner, is prohibited. No patent liability is assumed with respect to the use of the information contained herein.

The listing of any available replacement part herein does not constitute in any case a recommendation, warranty or guaranty by Howard W. Sams & Co., Inc., as to the quality and suitability of such replacement part. The numbers of these parts have been compiled from information furnished to Howard W. Sams & Co., Inc., by the manufacturers of the particular type of replacement part listed.

Library of Congress Catalog Card Number: 61-18464



#### **NOTICE**

**ONLY THOSE PERSONS PROPERLY LICENSED ARE PERMITTED TO MAKE REPAIRS OR ADJUSTMENTS WHICH MAY RESULT IN ILLEGAL OPERATION. (REFER TO FCC RULES & REGULATIONS PART 19, SUBPART D, SECTION 19.71.)**



---

**C B RADIO SERIES**

---

# TABLE OF CONTENTS

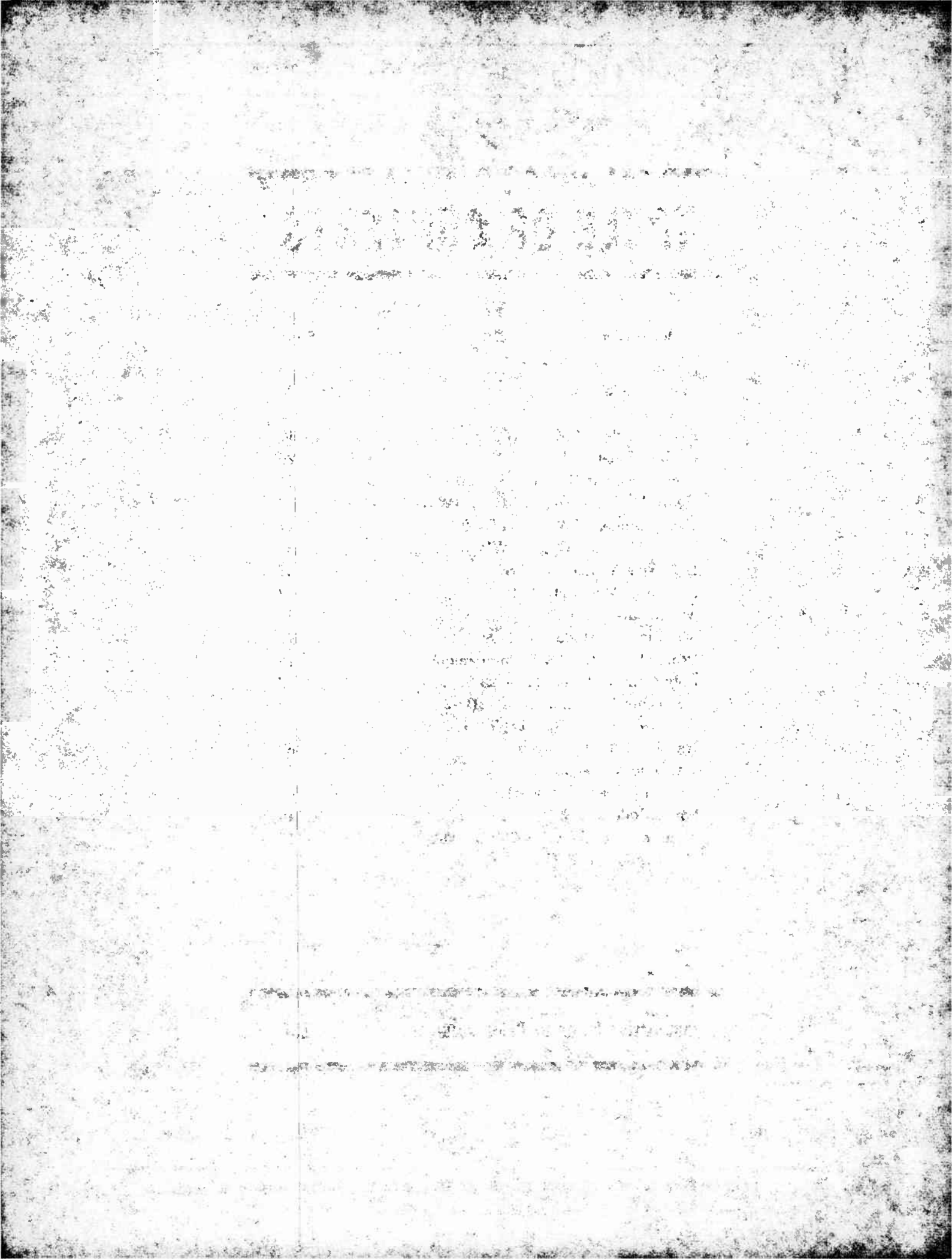
---

Model Number	Page
Airline Model GAS-587.....	5
Cadre Model 510.....	129
Eico Model 740.....	12
Eico Models 771W, 772W.....	17
Fanon Model FCB-9.....	25
Gonset Models G-15 (3428), G-15 (3429).....	31
Heath Models GW-11A/-11D, GWW-11A/-11D... ..	39
Heath Models GW-21, GWW-21.....	47
Heath Models GW-31, GWW-31.....	53
Lafayette Model HE-15B.....	57
Lafayette Model HE-20B.....	63
Masco Model MCB-9.....	25
Monitoradio Model TG-1.....	70
Pearce-Simpson Model Companion.....	73
Poly-Comm Model Senior 23.....	139
Radiocom Models 27C-2A/-2B/-2C.....	150
Raytheon Model Ray-Tel TWR-2.....	81
Raytheon Model Raycom.....	88
Realtone Model TR-6134.....	95
Sonar Model E (Revised).....	103
Sony Model CB-901.....	110
Triumph Models TC-900, TC-900A.....	116
Utica Model T & C II.....	122

---

**Cumulative Index to Prior Volumes . . . . . 160**

---





# PHOTOFACT<sup>®</sup>

**TRADE NAME :** Airline Model GAS-587  
**SUPPLIER :** Montgomery Ward & Co.,  
 619 Chicago Ave., Chicago 7, Illinois  
**TYPE SET :** 9 Tube Citizens Band Transceiver  
**POWER SUPPLY :** 110 - 120 Volts AC, 60 Cycles (or)  
 12 VDC (or) 32 VDC  
**RATING :** 50 Watts, .45 Amp. @117 Volts AC  
**TUNING RANGE :** Any 5 of Citizens Band Channels 1 thru 22



## ALIGNMENT INSTRUCTIONS

### RECEIVER ALIGNMENT

Output meter across voice coil.  
 Volume control should be at maximum position. Output of signal generator should be no higher than necessary to obtain an output reading.

SIGNAL GENERATOR	CHANNEL	ADJUST	REMARKS
High side thru .1mfd to pin 2 of V2, low side to chassis. (Tune to 455KC 400% Mod.)	Any	A1, A2, A3, A4	Adjust for maximum.
Across antenna terminal. (Tune to channel freq.)	Center Channel Used.	A5, A6, A7	Adjust for maximum.

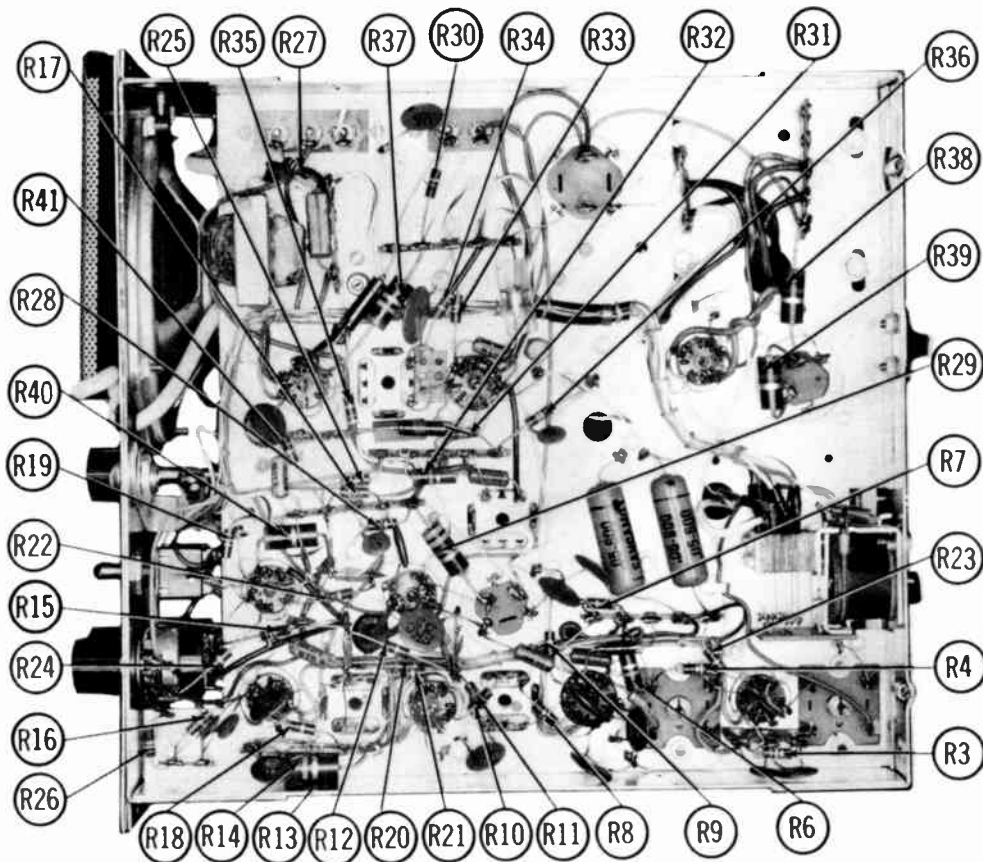
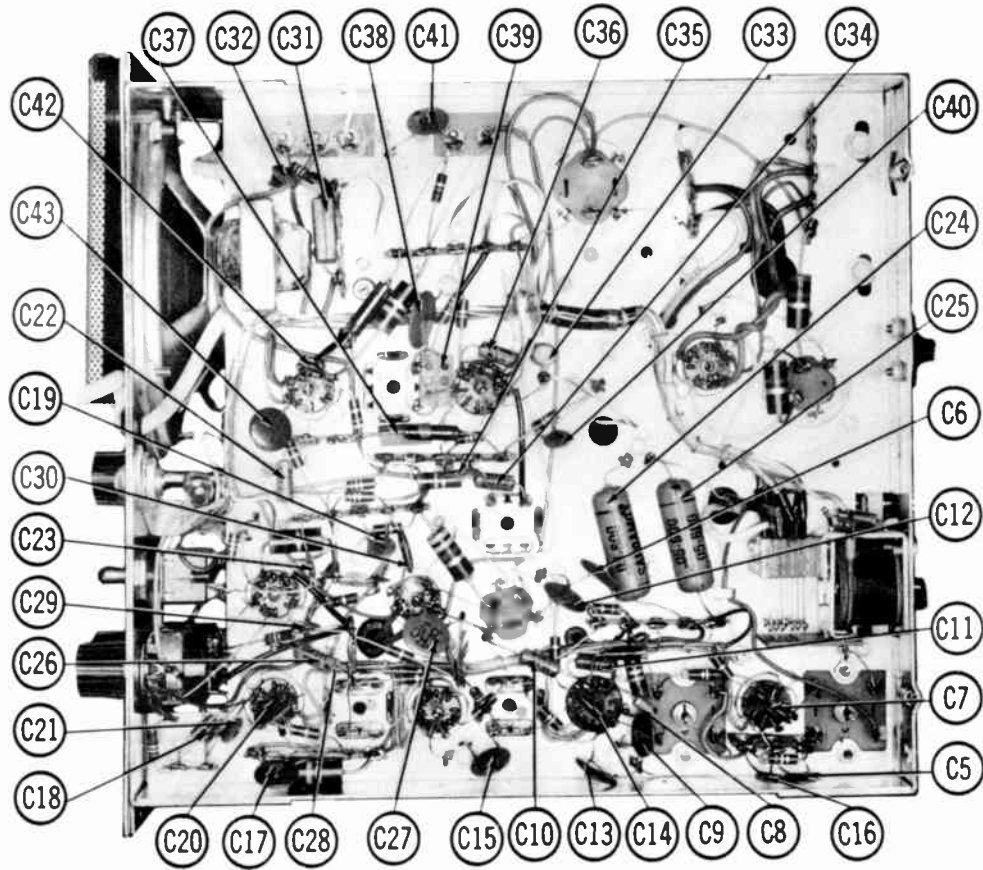
### TRANSMITTER ALIGNMENT

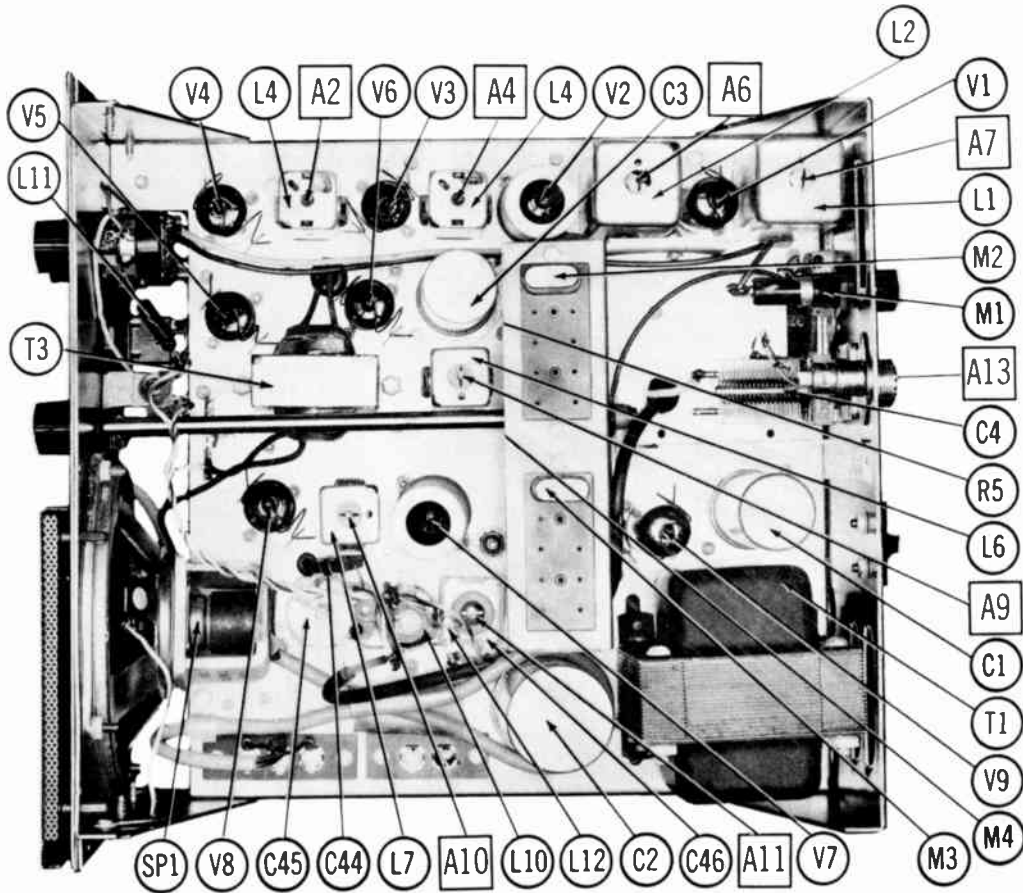
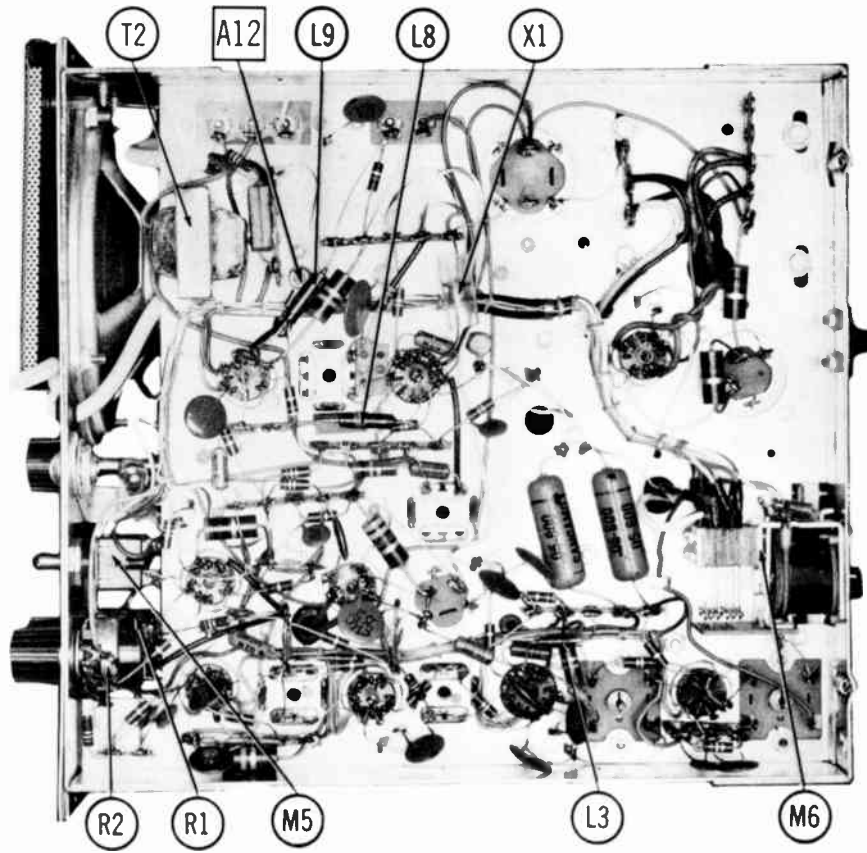
ONLY THOSE PERSONS PROPERLY LICENSED ARE PERMITTED TO MAKE REPAIRS OR ADJUSTMENTS WHICH MAY RESULT IN ILLEGAL OPERATION. (REFER TO FCC RULES & REGULATIONS PART 19, SUBPART D, SECTION 19.71)

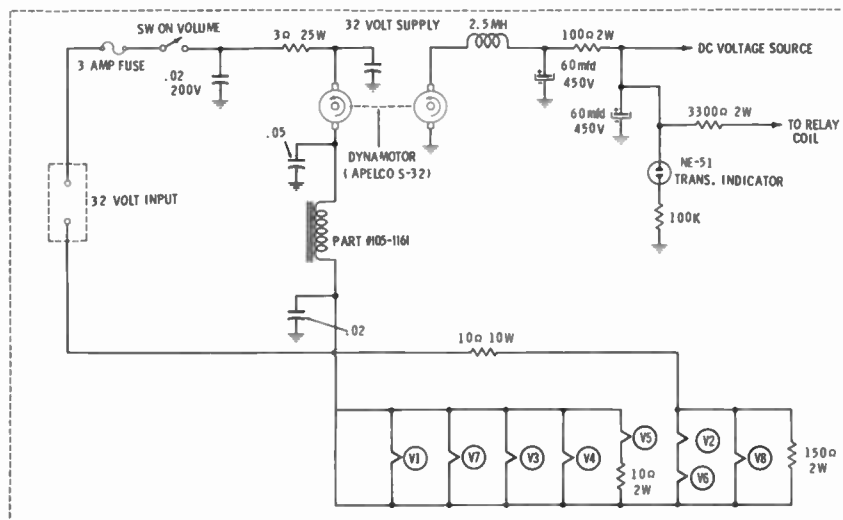
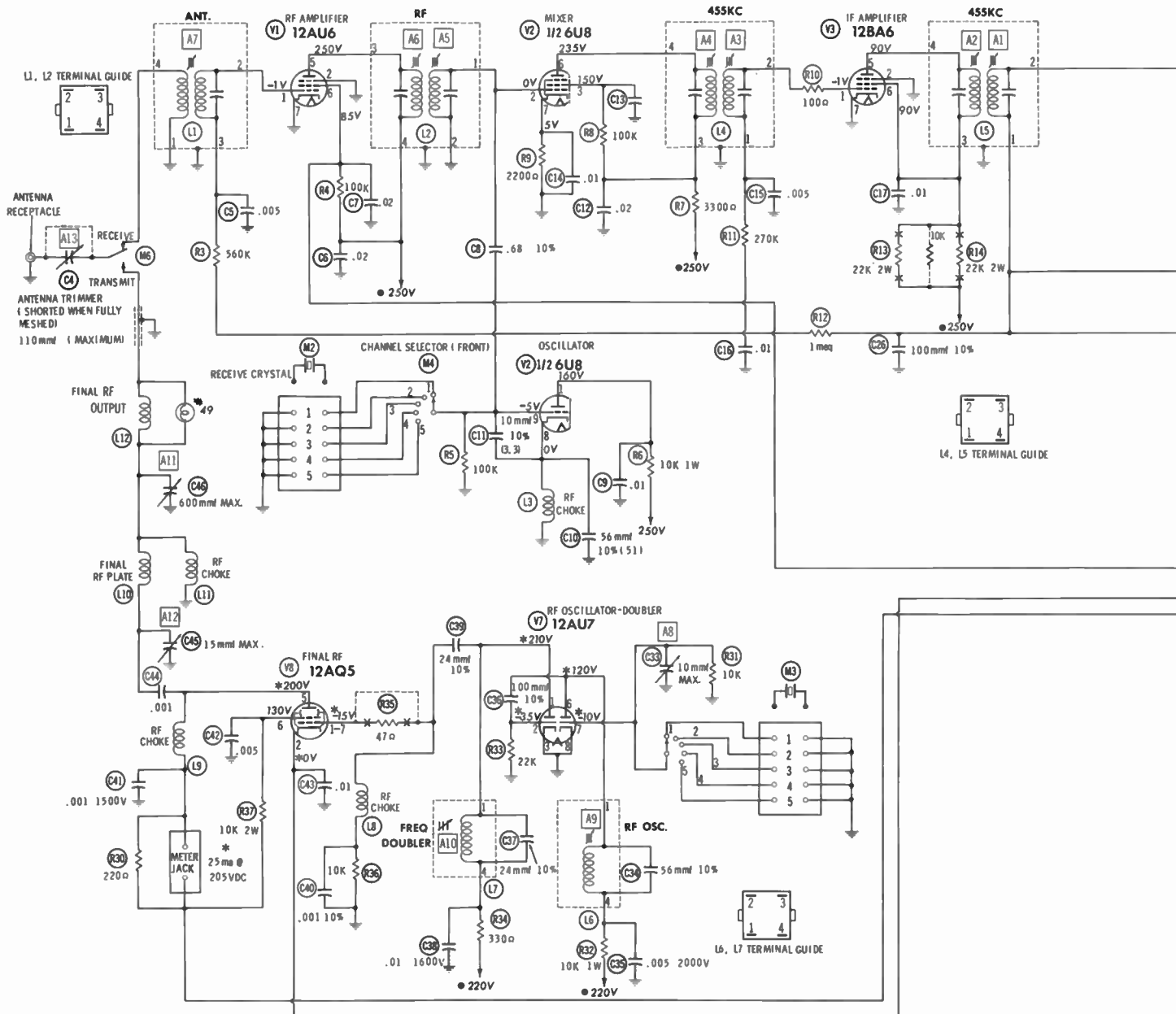
INDICATOR	ADJUST	REMARKS
Accurate frequency measuring device.	A8	Adjust for exact frequency of center channel used.
DC VTVM connected from pin 7 (grid) of V7 to chassis.	A9	Adjust for maximum deflection, then back off just below peak on side of gradual dropoff.
"	A10	Adjust for maximum deflection.
Panel lamp and DC milliammeter connected to 2-screw terminal strip on top side of chassis.	A11, A12, A13	Preset A11 nearly snug. Adjust A12 for MINIMUM. Connect antenna. Adjust A13 for maximum front panel lamp brilliance. Meter should indicate 25MA. If not, disconnect antenna, rotate A11 counterclockwise a turn. Adjust A12 for MINIMUM. Connect antenna. Adjust A13 for maximum lamp brilliance. If meter does not indicate 25MA, repeat procedure. If more than 25MA is indicated, increase capacity of A11 and readjust A12 and A13.

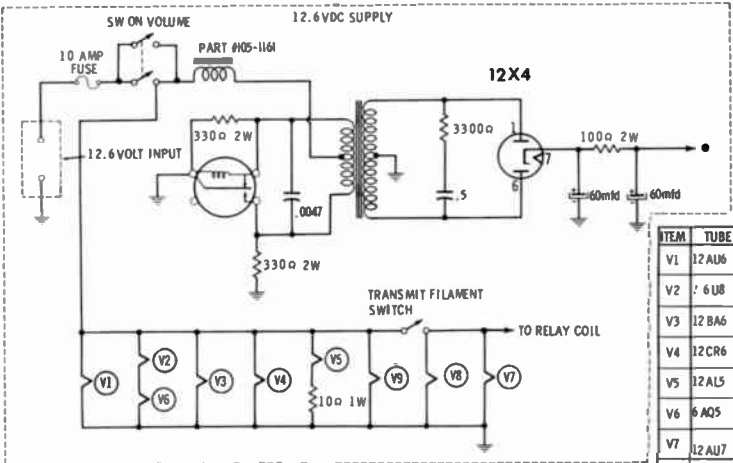
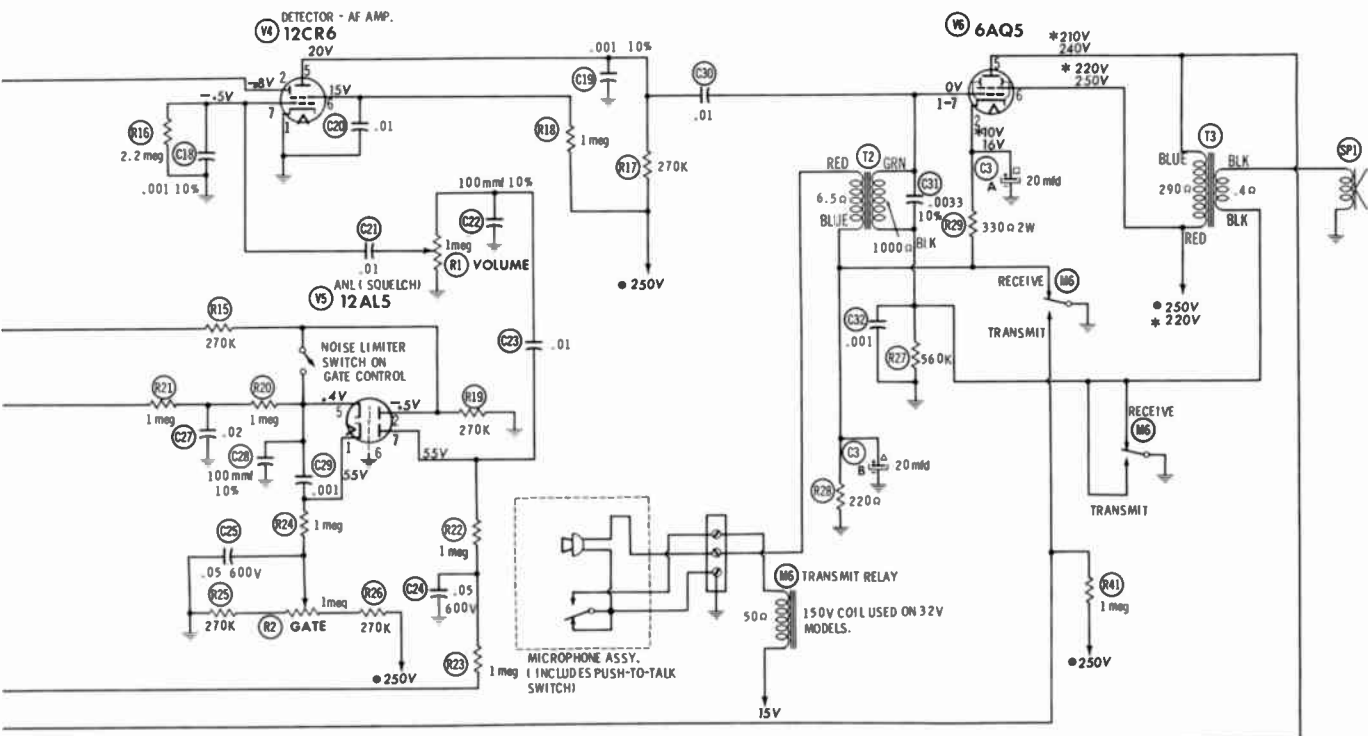
AIRLINE MODEL GAS-587

**HOWARD W. SAMS & CO., INC.** Indianapolis 6, Indiana







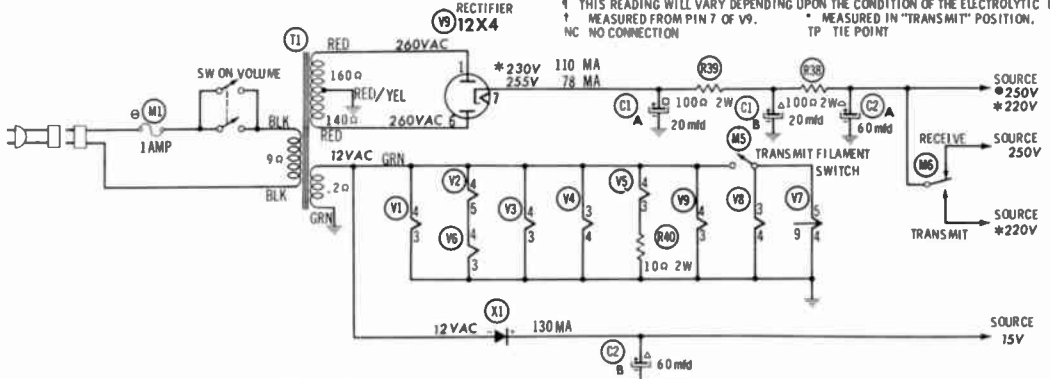


- ⊙ See parts list for alternate value or application.
- 1. Voltage measurements taken with vacuum tube voltmeter.
- 2. All controls set for normal operation, no signal applied.
- 3. Measured values are from socket pin or terminal to common ground.
- 4. All terminals viewed from bottom unless otherwise designated.
- 5. Numbers assigned to terminals may not be found on the unit.
- 6. Supply voltage maintained at rated value for voltage readings.

RESISTANCE READINGS

ITEM	TUBE	Pin 1	Pin 2	Pin 3	Pin 4	Pin 5	Pin 6	Pin 7	Pin 8	Pin 9
V1	12AU6	2 meg	0 ♂	FIL	FIL	†200 ♂	†100K	0 ♂		
V2	6U8	†10.2K	0 ♂	†100K	FIL	FIL	†3500 ♂	2200 ♂	0 ♂	100K
V3	12BA6	2 meg	0 ♂	FIL	FIL	†11.2K	†11.2K	0 ♂		
V4	12CR6	0 ♂	540K	FIL	FIL	†270K	†1 meg	2.2 meg		
V5	12AL5	†1.2 meg	270K	FIL	FIL	2.5 meg	0 ♂	†2.1 meg		
V6	6AQ5	560K	330 ♂	†550 ♂	FIL	FIL	†465 ♂	†200 ♂	560K	†820 ♂
V7	12AU7	†1550 ♂	22K	0 ♂	FIL	FIL	††10.2K	10K	0 ♂	FIL
V8	12AO5	NC	0 ♂	FIL	FIL	†685 ♂	†10.2K	10K		
V9	12X4	150 ♂	TP	FIL	FIL	TP	150 ♂	†		

† THIS READING WILL VARY DEPENDING UPON THE CONDITION OF THE ELECTROLYTIC IN THE CIRCUIT.  
 † MEASURED FROM PIN 7 OF V9.  
 NC NO CONNECTION TP TIE POINT



A PHOTOFAC STANDARD NOTATION SCHEMATIC  
 ©Howard W. Soms & Co., Inc. 1963

# PARTS LIST AND DESCRIPTION

## TUBES

ITEM No.	USE	REPLACEMENT DATA		
		AIRLINE PART No.	CENTRALAB PART No.	CLAROSTAT PART No.
V1	RF Amplifier	12A U6		
V2	Mixer - Oscillator	6U8		
V3	IF Amplifier	12BA6		
V4	Detector - AF Amp.	12CR6		
V5	ANL - Squelch	12AL5		

## POWER RECTIFIERS & SIGNAL DIODES

ITEM No.	MEASURED CURRENT	ORIGINAL Part or Type No.	RECTIFIERS			NOTES
			MALLORY PART No.	RCA PART No.	SARKES TARZIAN PART No.	
X1	130MA	PT-5	1N2070	1N3194	F4	AC Versions only.

## ELECTROLYTIC CAPACITORS

ITEM No.	RATING		REPLACEMENT DATA						
	CAP.	VOLT.	AIRLINE PART No.	AEROVOX PART No.	CORNELL-DUBILIER PART No.	GENERAL ELECTRIC PART No.	GENERAL INSTRUMENT PART No.	MALLORY PART No.	SPRAGUE PART No.
C1A	20	450		AFH2-51	B0390	XC2-15	TMD-2625	FP234A	TVL-2755
C2A	60	450		AFH2-59	B0464	XC2-33	TMD-2670	FPI48/TC795	TVL-2772
C3A	20	100		AFH2-08	B0090	XC2-13	TMD-2075	FP208A	TVL-2415

## FIXED CAPACITORS

ITEM No.	RATING	REMARKS	REPLACEMENT DATA						
			AEROVOX PART No.	CENTRALAB PART No.	CORNELL-DUBILIER PART No.	ELMENCO PART No.	MALLORY PART No.	SPRAGUE PART No.	
C4	110 (max.)	#24E16-2							
C5	.005		BPD-005	DD-502	BYA10D5	CCD-502	B-250	5HK-D50	
C6	.02		BPD-02	DD-203	BYB6S2	CCD-203	B-120	5HK-S20	
C7	.02		BPD-02	DD-203	BYB6S2	CCD-203	B-120	5HK-S20	
C8	.68 10%		NPO-SI .68	TCZ-R68					
C9	.01		BPD-01	DD-103	BYA10S1	CCD-103	B-110	5HK-S10	
C10	58 10%		NPO-SI 58	D6-560	L10Q56	CCD-560	GP456	10TS-Q56	
C11	10 10%		NPO-SI 10	D6-100	L10Q1	CCD-100	GP410	10TS-Q10	
C12	.02		BPD-02	DD-203	BYB6S2	CCD-203	B-120	5HK-S20	
C13	.02		BPD-02	DD-203	BYB6S2	CCD-203	B-120	5HK-S20	
C14	.01		BPD-01	DD-103	BYA10S1	CCD-103	B-110	5HK-S10	
C15	.005		BPD-005	DD-502	BYA10D5	CCD-502	B-250	5HK-D50	
C16	.01		BPD-01	DD-103	BYA10S1	CCD-103	B-110	5HK-S10	
C17	.01		BPD-01	DD-103	BYA10S1	CCD-103	B-110	5HK-S10	
C18	.001 10%		DI-1000	DD-102	5R5D1	CCD-102	GP210	10TS-D10	
C19	.001 10%		DI-1000	DD-102	5R5D1	CCD-102	GP210	10TS-D10	
C20	.01		BPD-01	DD-103	BYA10S1	CCD-103	B-110	5HK-S10	
C21	.01 50V		TTD-01	CK-103	H05S1		TA-110	TG-S10	
C22	100 10%		NPO-SI 100	D6-101	L10T1	CCD-101	GP310	10TS-T10	
C23	.01		BPD-01	DD-103	BYA10S1	CCD-103	B-110	5HK-S10	
C24	.05 600V		P688N-047	DD-503	CUB6S47	6DP-3-473	GEM-6147	6TM-S47	
C25	.05 600V		P688N-047	DD-503	CUB6S47	6DP-3-473	GEM-6147	6TM-S47	
C26	100 10%		NPO-SI 100	D6-101	L10T1	CCD-101	GP310	10TS-T10	
C27	.02		BPD-02	DD-203	BYB6S2	CCD-203	B-120	5HK-S20	
C28	100 10%		NPO-SI 100	D6-101	L10T1	CCD-101	GP310	10TS-T10	
C29	.001		EF-001	MFT-1000		CCF-102	CT280A		
C30	.01		BPD-01	DD-103	BYA10S1	CCD-103	B-110	5HK-S10	
C31	.0033 10%		1469-0033	DD-103	IR5D33	CM-20B-332K	MCJ462	MS-233	
C32	.001		EF-001	MFT-1000		CCF-102	CT280A		
C33	10 (Max.)								
C34	56 10%		NPO-SI 56	D6-560	L10Q56	CCD-560	GP456	10TS-Q56	
C35	.005 2000V			DD30-502	HVC20D5	3CCD-502	2HV-247	BL-D50	
C36	100 10%		NPO-SI 100	D6-101	L10T1	CCD-101	GP310	10TS-T10	
C37	24 10%		1469-000024	TCZ-24	22R5Q24	CM-19B-240K	MCB-220	MS-424	
C38	.01 1600V		DAC-27	DD16-103	HVE16S1	16DP-3-103	UAC-110	BL-S10	
C39	24 10%		1469-000024	TCZ-24	22R5Q24	CM-19B-240K	MCB-220	MS-424	
C40	.001 10%		DI-1000	DD-102	5R5D1	CCD-102	GP210	10TS-D10	
C41	.005		BPD-005	DD-502	BYA10D5	CCD-502	B-250	5HK-D50	
C42	.001 1500V		DAC-2	DD30-102	HVB20D1	3CCD-102	UAC-210	BL-D10	
C43	.01		BPD-01	DD-103	BYA10S1	CCD-103	B-110	5HK-S10	
C44	.001		EF-001	MFT-1000		CCF-102	CT280A		
C45	15 (Max.)	#CT3-0-21SP							
C46	600 (Max.)	#CHC-482002							

† Alternate Value.  
# Airline Part Number.

## CONTROLS

All wattages 1/2 watt, or less, unless otherwise listed.

ITEM No.	USE	RESISTANCE	REPLACEMENT DATA				
			AIRLINE PART No.	CENTRALAB PART No.	CLAROSTAT PART No.	CTS-IRC PART No.	MALLORY PART No.
R1	Volume Power Switch	1meg	CM-16666	B-70-S or (F2-1meg, SU204, KR-4)	A-47-1meg-Z, FS-3, SWE-20	Q13-137, 76-2	(UAI6A, SF1000, US-41) or (RUI6A, SF1000, SL38, US42)
R2	Gate Control Noise Limiter Switch	1meg	CM-18868	B-70-S or (F2-1meg, SU204, KR-1)	A-47-1meg-Z, FS-3, SWE-12	Q13-137, 76-1	(U-53, US-26) or (UAI6A, SF1000, US-41) or (RUI6A, SF1000, SL38, US-41)



# PARTS LIST AND DESCRIPTION (CONTINUED)

## COILS (RF-IF)

ITEM No.	USE	REPLACEMENT DATA					NOTES
		AIRLINE PART No.	MERIT PART No.	MILLER PART No.	STANCOR PART No.	WORKMAN PART No.	
L1	Antenna	TL-61					
L2	RF	TL-62					
L3	RF Choke (1.5uh)	207-11	BC-562	4804	RTC-8518	T858	
L4	IF Input	TL-34	BC-352	12-C1	RTC-8832	T807	
L5	IF Output	TL-35	BC-352	12-C2	RTC-8633	T808	
L6	RF Oscillator	TL-85					
L7	Frequency Doubler	TL-84					
L8	RF Choke (21MH)	220-11	BC-585	4809	RTC-8519	T959	
L9	RF Choke (21MH)	220-11	BC-585	4809	RTC-8519	T959	
L10	Final RF Plate	TL-63					
L11	RF Choke (55MH)			4824	RTC-8524	T862	
L12	Indicator Coil						

## TRANSFORMER (POWER)

ITEM No.	RATING			REPLACEMENT DATA					NOTES
	PRI.	SEC. 1	SEC. 2	AIRLINE PART No.	MERIT PART No.	STANCOR PART No.	THORDARSON PART No.	TRIAD PART No.	
T1	117VAC @ .4A (.45A)*	520VCT @ .078A DC (.110A DC)*	13VAC @ 1.1A (1.8A)*	ST-89 † ST-86 *					† 117VAC Versions * 12VDC Versions * Transmit

## TRANSFORMER (MIC)

ITEM No.	TURNS RATIO		REPLACEMENT DATA					NOTES
	PRI.	SEC.	AIRLINE PART No.	MERIT PART No.	STANCOR PART No.	THORDARSON PART No.	TRIAD PART No.	
T2	1	35	ST-88					

## TRANSFORMER (AUDIO OUTPUT)

ITEM No.	IMPEDANCE		REPLACEMENT DATA					NOTES
	PRI.	SEC.	AIRLINE PART No.	MERIT PART No.	STANCOR PART No.	THORDARSON PART No.	TRIAD PART No.	
T3	5000Ω	3-4Ω	ST-19	A-2930	A-3877	24551	S-3X	

## SPEAKER

ITEM No.	TYPE	REPLACEMENT DATA		NOTES
		AIRLINE PART No.	QUAM PART No.	
SP1	5" PM 3-4Ω	P5VA	5A05	

## FUSES

ITEM No.	TYPE	RATING	REPLACEMENT DATA					
			AIRLINE PART No.		LITTELFUSE PART No.		BUSS PART No.	
			FUSE	HOLDER	FUSE	HOLDER	FUSE	HOLDER
M1	3AG AGC MDL	1A 250V 10A 250V 3A	① ② ③		312001 (3AG 1A 250V) 312010 (AGC 10A)	342001 342001	AGC 1 AGC 10	HKP HKP

① AC Version. ② 12-Volt Versions. ③ 32-Volt Versions.

## VIBRATOR

ITEM No.	TYPE	INPUT VOLTS	FRE-QUENCY	REPLACEMENT DATA			NOTES
				AIRLINE PART No.	CORNELL-DUBUIER PART No.	MALLORY PART No.	
	Interrupter	12.6	115%	G-8301	8301	G-1801	12 Volt Versions only.

## MISCELLANEOUS

ITEM No.	PART NAME	AIRLINE PART No.	NOTES
M2	Crystal		Receive, Order by Channel Desired Transmit, Order by Channel Desired Crystal Selector (2 Pole, 5 Position Wafer Switch) Transmitter Filament (SPST Toggle Switch) Transmit-Receive (11 Volt) Channel Selector Volume, Gate
M3	Crystal		
M4	Switch	50209-H	
M5	Switch	SRP	
M6	Relay	5791A	
M8	Knob Knob	214 GR-RM	

## WIRING DATA

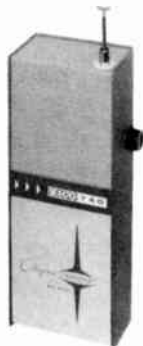
General-use Hook-up Wire . . . . .	Use BELDEN No. 8530 (Solid) Available in 12 Colors 8524 (Stranded) Available in 12 Colors
Shielded Antenna Lead . . . . .	Use BELDEN No. 8214 Lowest Loss (RG-8/U Type) 8237 Low Loss (RG-8/U) 8240 (Solid) Miniature (RG-58/U) 8259 (Stranded) Miniature (RG-58A/U)
Coiled Microphone Cable . . . . .	Use BELDEN No. 8497 3 Conductor - 1 Shielded for Press-to-Talk (Neoprene) 8496 3 Conductor - 1 Shielded for Press-to-Talk (Vinyl)
Ignition Noise Suppression . . . . .	Use BELDEN No. 7300-Series Spark-Plug Sets
Bonding Strap . . . . .	Use BELDEN No. 6681 (3/8 in.)

AIRLINE MODEL GAS-587



PHOTOFACT<sup>®</sup> with

CIRCUTRACE<sup>®</sup>



TRADE NAME : Eico Model 740  
 SUPPLIER : Electronic Instrument Co., Inc.  
 33-00 Northern Blvd.  
 Long Island City 1, N. Y.  
 TYPE SET : 9 Transistor Transceiver  
 POWER SUPPLY : 9.6 VDC (Rechargeable Battery)  
 RATING : 8MA @ 9.6VDC (Receive, No Signal)  
 32MA @ 9.6VDC (Transmit, No Modulation)  
 TUNING RANGE : Any one of CB Channels 1 thru 22

## ALIGNMENT INSTRUCTIONS

ALIGNMENT INSTRUCTIONS—READ CAREFULLY BEFORE ATTEMPTING ALIGNMENT

Suggested Alignment Tools:

A1, A2, A3, A4, A6..... GENERAL CEMENT #8274, 8275, 8728, 8729, 8989  
 WALSCO #2531, 2532  
 A5, A7, A8..... GENERAL CEMENT #8282, 8608, 8608-L, 9295, 9440  
 WALSCO #2526, 2543, 2544, 2545

### RECEIVER ALIGNMENT

Connect DC VTVM across volume control.

	SIGNAL GENERATOR	CHANNEL	ADJUST	REMARKS
1.	High side to antenna terminal, common to ground. Tune to 455KC (Unmod.)		A1, A2, A3	Adjust for maximum deflection.
2.	High side to antenna terminal, common to ground. Tune to channel frequency.		A4	Adjust for maximum deflection. Rock A4 to each side of peak, noting rate of dropoff. Set A4 just below peak, on side of gradual dropoff.
3.	"		A5	Adjust for maximum deflection.

### TRANSMITTER ALIGNMENT

Best results will be obtained when adjusting A8 if the antenna normally used is connected and the unit is as nearly in the cabinet as possible.

ONLY THOSE PERSONS PROPERLY LICENSED ARE PERMITTED TO MAKE REPAIRS OR ADJUSTMENTS WHICH MAY RESULT IN ILLEGAL OPERATION. (REFER TO FCC RULES & REGULATIONS PART 19, SUBPART D, SECTION 19.71)

	SPECIAL INSTRUCTIONS	INDICATOR	ADJUST	REMARKS
1.	Connect dummy load or antenna.	Remove jumper wire and connect DC milliammeter between test points. (Refer to capacitor ident. photo.)	A6	Key transmitter. Adjust for a reading of 10ma.
2.	"	"	A7	Key transmitter. Adjust for MINIMUM indication on milliammeter. Remove meter leads and reconnect jumper.
3.	"	RF wattmeter or field strength meter	A8	Key transmitter. Adjust for maximum output.

HOWARD W. SAMS & CO., INC. Indianapolis 6, Indiana

# PARTS LIST AND DESCRIPTION

## TRANSISTORS

ITEM No.	ORIG. TYPE	USE	REPLACEMENT DATA			NOTES
			DELCO PART No.	GENERAL ELECTRIC PART No.	RCA PART No.	
X1	8065A	Receive Mixer	D6-25	GE-1		PNP
X2	8065A	Receive Oscillator	D8-25	GE-1		PNP
X3	2N1108	1st IF Amplifier	D8-25	GE-1		PNP
X4	R506	2nd IF Amp. -AF Amp.	D8-25	GE-1		PNP
X5	94017#	Driver-Speech Amp.	D8-26	GE-2	2N406	PNP
X6	94017#	Output-Modulator	D8-26	GE-2	2N406	PNP
X7	94017#	Output-Modulator	D8-26	GE-2	2N406	PNP
X8	R425	Transmit Oscillator	D6-25	GE-1		PNP
X9	R424-1	Final Amplifier	D6-25	GE-1		PNP

# Eico Part Number.

## POWER RECTIFIERS & SIGNAL DIODES

ITEM No.	CURRENT RATING (Measured)	ORIGINAL Part or Type No.	RECTIFIERS		DIODES	NOTES
			RCA PART No.	SARKES TARZIAN PART No.		
X10		95002				Detector (1N295)
X11	.020A	93005	1N3194	2F4		

## ELECTROLYTIC CAPACITORS

ITEM No.	RATING		EICO PART No.	REPLACEMENT DATA					
	CAP.	VOLT.		AEROVOX PART No.	CORNELL-DUBILIER PART No.	GENERAL ELECTRIC PART No.	MALLORY PART No.	PYRAMID PART No.	SPRAGUE PART No.
C1	10	12	23500	BCD12010	ECPB408	MT1-5	TT12X10	MLV10-12	VL-1127
C2	100	6	23501	BCD6100	ECPB117	MT1-18		MLV100-6	
C3	10	12	23500	BCD12010	ECPB408	MT1-5	TT12X10	MLV10-12	VL-1127
C4	10	12	23500	BCD12010	ECPB408	MT1-5	TT12X10	MLV10-12	VL-1127
C5	100	6	23501	BCD6100	ECPB117	MT1-18		MLV100-6	
C6	10	12	23500	BCD12010	ECPB408	MT1-5	TT12X10	MLV10-12	VL-1127
C7	100	12	23502	BCD12100					

## FIXED CAPACITORS

ITEM No.	RATING	REMARKS	REPLACEMENT DATA					
			AEROVOX PART No.	CENTRALAB PART No.	CORNELL-DUBILIER PART No.	ELMENCO PART No.	MALLORY PART No.	SPRAGUE PART No.
C8	.01		TTD-01	CK-103	H05S1		TA-110	TG-S10
C9	.01		TTD-01	CK-103	H05S1		TA-110	TG-S10
C10	33 5%		ADM-15-330	TCZ-33	C10J33C	CM-15-330J		1FM-433
C11	.1		TTD-1	CK-104	H05P1			TG-P10
C12	.05		TTD-05	CK-503	H05S5			TG-S50
C13	.01		TTD-01	CK-103	H05S1		TA-110	TG-S10
C14	.01		TTD-01	CK-103	H05S1		TA-110	TG-S10
C15	.05		TTD-05	CK-503	H05S5			TG-S50
C16	.1		TTD-1	CK-104	H05P1			TG-P10
C17	.01		TTD-01	CK-103	H05S1		TA-110	TG-S10
C18	.1		TTD-1	CK-104	H05P1			TG-P10
C19	.05		TTD-05	CK-503	H05S5			TG-S50
C20	.1		TTD-1	CK-104	H05P1			TG-P10
C21	.1		TTD-1	CK-104	H05P1			TG-P10
C22	2200 10%		DI-2200	DD-222		CCD-222	GP222	10TS-D22
C23	2200 10%		DI-2200	DD-222		CCD-222	GP222	10TS-D22
C24	100 N1500 10%		N750-DI 100	DTN-100	C10T1U	CC TN-101	CN7-310	10TCU-T10
C25	.01		TTD-01	CK-103	H05S1		TA-110	TG-S10
C26	.01		TTD-01	CK-103	H05S1		TA-110	TG-S10
C27	50 5%		ADM-15-500	TCZ-50	C10Q5U	CM-15-500J		1FM-45
C28	330 10%		DI-330	DD-331	L10T33	CCD-331	GP333	10TS-133
C29	.05		TTD-05	CK-503	H05S5			TG-S50
C30	.1		TTD-1	CK-104	H05P1			TG-P10

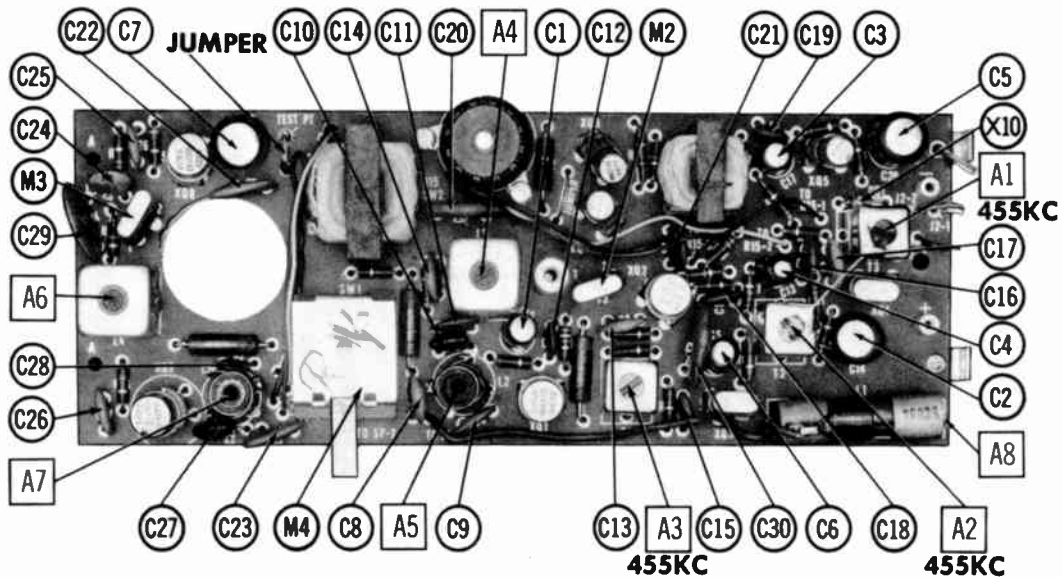
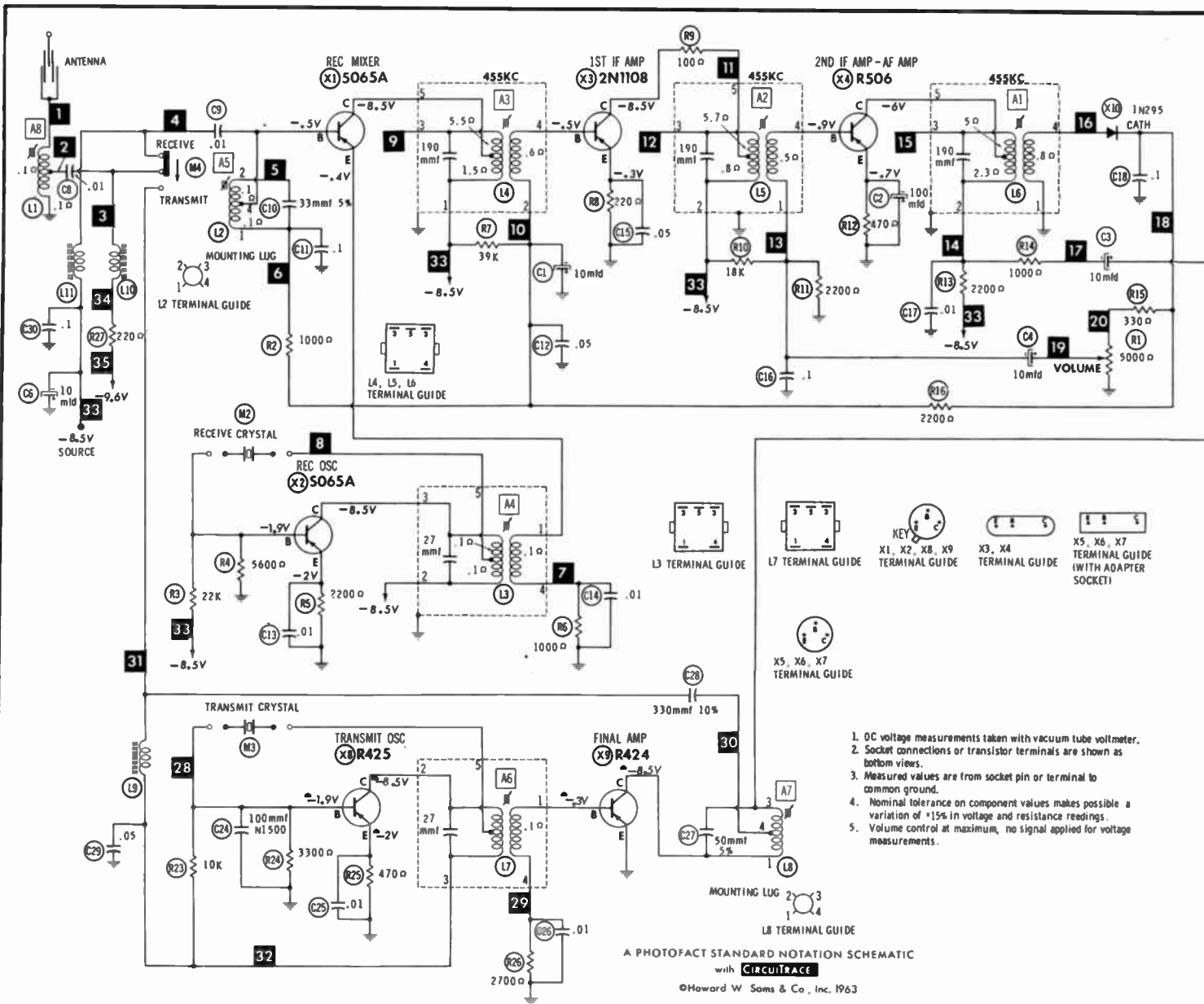
## CONTROLS

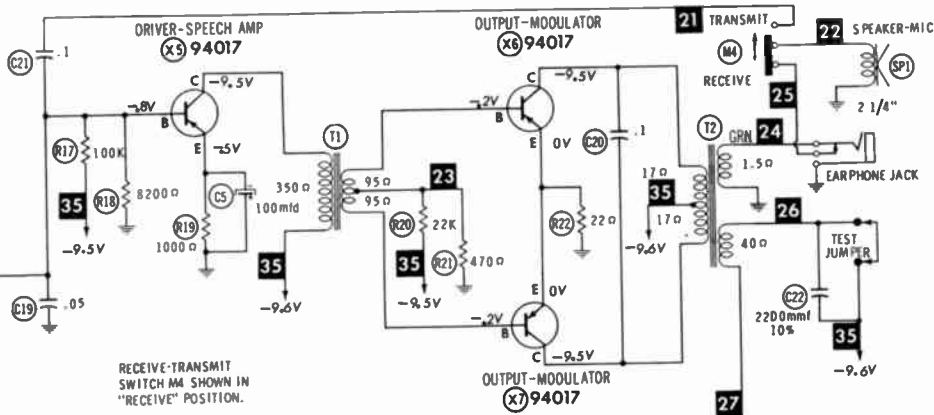
All wattages 1/2 watt, or less, unless otherwise listed.

ITEM No.	USE	RESISTANCE	REPLACEMENT DATA				
			EICO PART No.	CENTRALAB PART No.	CLAROSTAT PART No.	CTS-IRC PART No.	MALLORY PART No.
R1	Volume & Switch	5000Ω	18021	B16-214			

## COILS (RF-IF)

ITEM No.	USE	REPLACEMENT DATA					NOTES
		EICO PART No.	Merit PART No.	Miller PART No.	Stancor PART No.	Warkman PART No.	
L1	Ant. Load	36039					
L2	Mixer Base	36038					
L3	Rec. Osc.	36035					
L4	1st IF	34628					
L5	2nd IF	34629	BC-575				
L6	3rd IF	34630	BC-578				
L7	Transmit Osc.	36036					
L8	Final	36037					
L9	RF Choke	35087					
L10	RF Choke	35087					
L11	RF Choke	35087					

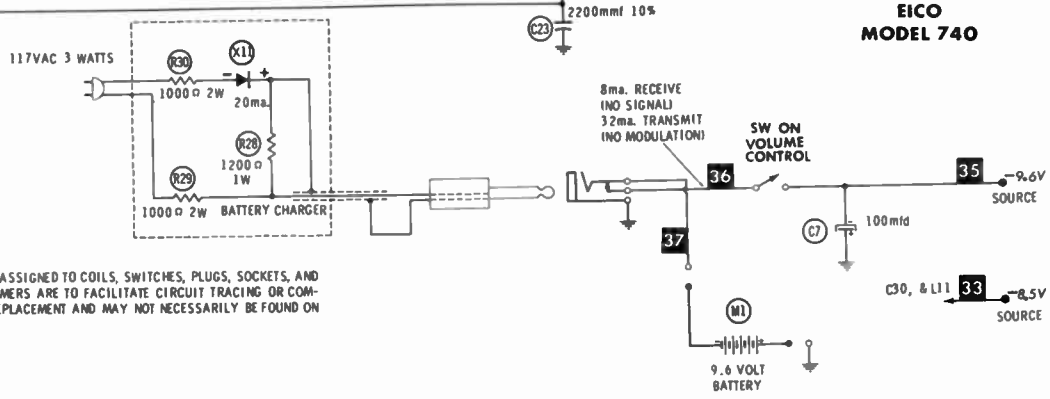




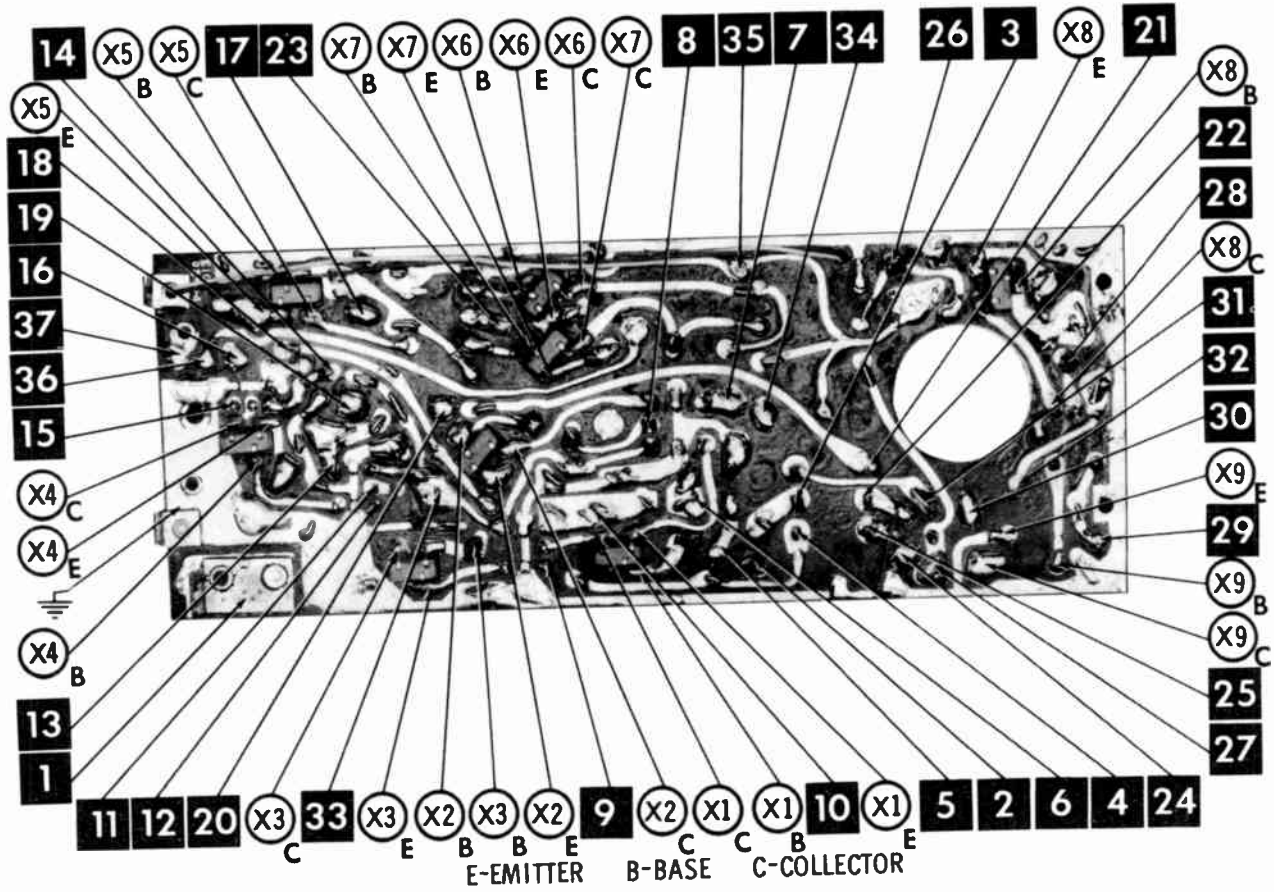
RESISTANCE READINGS

ITEM	TYPE	BASE	EMITTER	COLLECTOR
X1	5065A	7500Ω	1000Ω	1220Ω
X2	5065A	122K 5600Ω	2200Ω	1220Ω
X3	2N1108	139K 7500Ω	220Ω	1320Ω
X4	R506	118K 2200Ω	470Ω	12400Ω
X5	94017	1100K 8200Ω	1000Ω	1350Ω
X6	94017	122K 560Ω	22Ω	117Ω
X7	94017	122K 560Ω	22Ω	117Ω
X8	R425	110K 3300Ω	470Ω	1220Ω
X9	R424-1	2700Ω	0Ω	140Ω

ALL READINGS TAKEN IN "RECEIVE" POSITION UNLESS OTHERWISE DESIGNATED.  
 \* TAKEN IN "TRANSMIT" POSITION.  
 † MEASURED FROM CIRCUITRACE #35.



NUMBERS ASSIGNED TO COILS, SWITCHES, PLUGS, SOCKETS, AND TRANSFORMERS ARE TO FACILITATE CIRCUIT TRACING OR COMPONENT REPLACEMENT AND MAY NOT NECESSARILY BE FOUND ON THE UNIT.



**EICO MODEL 740**

EICO MODEL 740

# PARTS LIST AND DESCRIPTION (CONTINUED)

## TRANSFORMER (DRIVER)

ITEM No.	TURNS RATIO		REPLACEMENT DATA					NOTES
			EICO PART No.	MERIT PART No.	STANCOR PART No.	THORDARSON PART No.	TRIAD PART No.	
	PRI.	SEC.						
T1	1.8	1	32027					

## TRANSFORMER (AUDIO OUTPUT)

ITEM No.	IMPEDANCE		REPLACEMENT DATA					NOTES
			EICO PART No.	Merit PART No.	Stancor PART No.	Thordarson PART No.	Triad PART No.	
	PRI.	SEC. 1						
T2	500Ω	6-8Ω	32028					
		SEC. 2						
		500Ω						

## SPEAKER

ITEM No.	TYPE			REPLACEMENT DATA		NOTES
				EICO PART No.	QUAM PART No.	
	SIZE	FIELD	V. C. IMP.			
SP1	2 1/4"	PM	6-8Ω	55015		

## BATTERIES

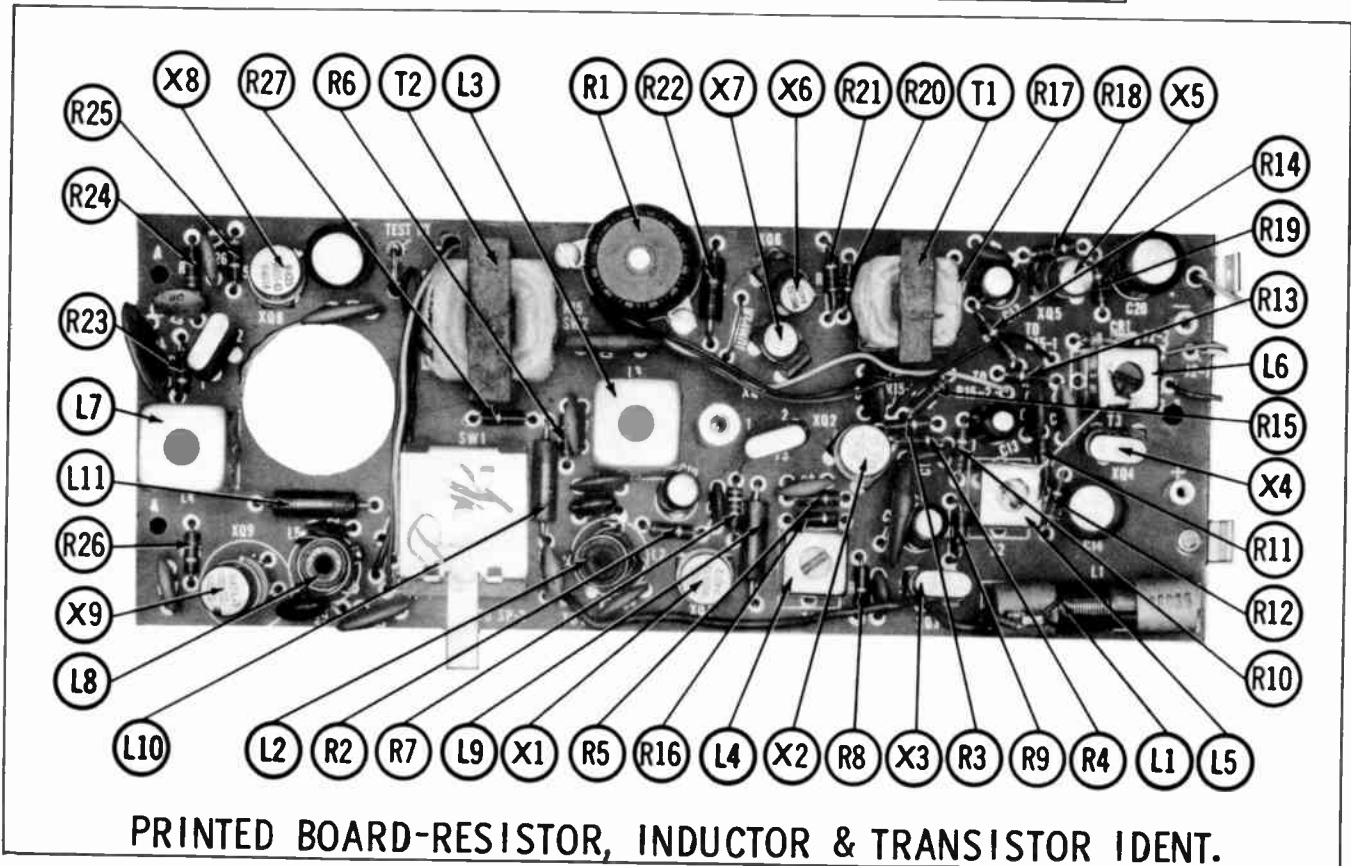
ITEM No.	VOLTAGE	EICO PART No.	REPLACEMENT DATA			NOTES
			BURGESS	EVEREADY	MALLORY	
M1	9.6V	56005				

## MISCELLANEOUS

ITEM No.	PART NAME	EICO PART No.	NOTES
M2	Crystal	49046	Receive (Specify Channel & Frequency Desired)
M3	Crystal	49045	Transmit (Specify Channel & Frequency Desired)
M4	Switch	64003	Receive-Transmit
	Printed Board	82504	
	Antenna	99003	

## WIRING DATA

General-use Hook-up Wire .... Use BELDEN No. 8530 (Solid) Available in 12 Colors  
 8524 (Stranded) Available in 12 Colors  
 Shielded Antenna Lead ..... Use BELDEN No. 8214 Lowest Loss (RG-8/U Type)  
 8237 Low Loss (RG-8/U)  
 8240 (Solid) Miniature (RG-58/U)  
 8259 (Stranded) Miniature (RG-58A/U)  
 Coiled Microphone Cable ..... Use BELDEN No. 8499 Single Conductor Shielded (Neoprene)  
 8498 Single Conductor Shielded (Vinyl)  
 Ignition Noise Suppression .... Use BELDEN No. 7300-Series Spark-Plug Sets  
 Bonding Strap ..... Use BELDEN No. 8661 (3/8 in.)



PRINTED BOARD-RESISTOR, INDUCTOR & TRANSISTOR IDENT.



# PHOTOFACT<sup>®</sup> with

# CIRCUITRACE<sup>®</sup>

**TRADE NAME :** Eico Models 771W, 772W  
**SUPPLIER :** Electronic Instrument Co., Inc.  
 33-00 Northern Blvd., L. I. City 1, N. Y.  
**TYPE SET :** 8 Tube Transceiver  
**POWER SUPPLY :** 110 - 120 Volts AC, 60 Cycles (or)  
 6 (or) 12 Volt Storage Battery  
**RATING :** 50 Watts, .46 Amp. @ 117VAC  
 4.3 Amp. @ 12.6VDC  
 8.1 Amp. @ 6.3VDC  
**TUNING RANGE:** TRANSMITTER: Any 4 CB Channels 1 thru 23  
 RECEIVER: 1 Crystal Controlled Channel  
 (or) continuously tuned.



## ALIGNMENT INSTRUCTIONS

### PREALIGNMENT

#### Suggested Alignment Tools:

A1 thru A11..... GENERAL CEMENT #8282, 8606, 8606-L.... WALSCO #2526, 2543, 2544  
 A12, A13..... GENERAL CEMENT #5000, 5003, 5066..... WALSCO #2515, 2516, 2518

### RECEIVER ALIGNMENT

SIGNAL GENERATOR	CHANNEL	ADJUST	REMARKS
High side thru .001mfd to pin 2 (grid) of Mixer (V2), common to ground. (Tune to 1750KC).	Any	A1, A2, A3, A4, A5, A6	Connect VTVM between point $\Delta$ and ground; adjust for maximum deflection.
High side to antenna terminal, common to chassis. Tune to channel frequency.	11 (27.085MC)	A7, A8, A9	"
"		A10	Rotate Channel Selector switch to position "A" (Crystal controlled). Insert crystal in receive crystal socket. Connect DC VTVM between pin 9 of V3 and ground. Adjust A10 for maximum deflection. Rock A10 each side of the peak, note rate of dropoff. Set A10 at point just below the peak on the side of gradual dropoff.

### TRANSMITTER ALIGNMENT

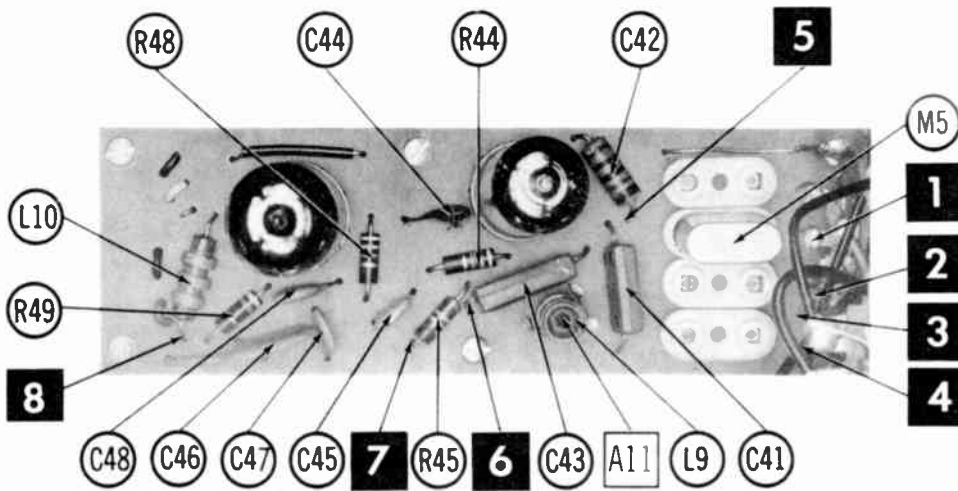
Only those persons properly licensed are permitted to make repairs or adjustments which may result in illegal operation. ((Refer to FCC rules and regulations Part 19, Subpart D, Section 19.71).

The frequency of the transmitter should be checked periodically with a secondary frequency standard to insure proper and legal operation.

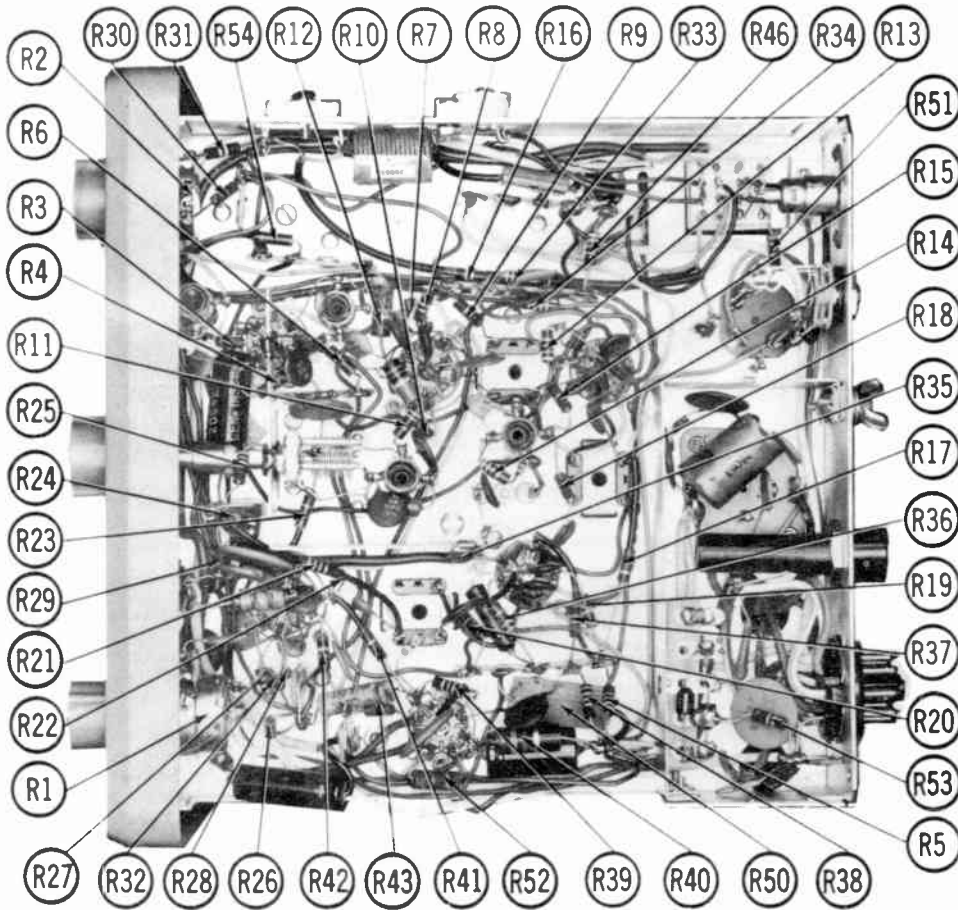
Best results will be obtained when adjusting the final RF output circuit if the antenna normally used is connected and the chassis is as nearly in the cabinet as possible.

	CHANNEL	ADJUST	REMARKS
Connect dummy load and RF Wattmeter to antenna terminals. Connect DC VTVM between pin 2, V8 and ground.	Center Channel Used.	A11	Key transmitter. Adjust for maximum. Rock A11 to each side of peak, note rate of dropoff. Set A11 just below peak on side of gradual dropoff.
Connect dummy load and RF Wattmeter to antenna terminal. Connect a 0-100 DC milliammeter to meter jack on rear of chassis.		A12, A13	Key transmitter. Adjust A12 for MINIMUM meter indication (20-25ma). Adjust A13 for 27ma. Repeat adjustment several times.

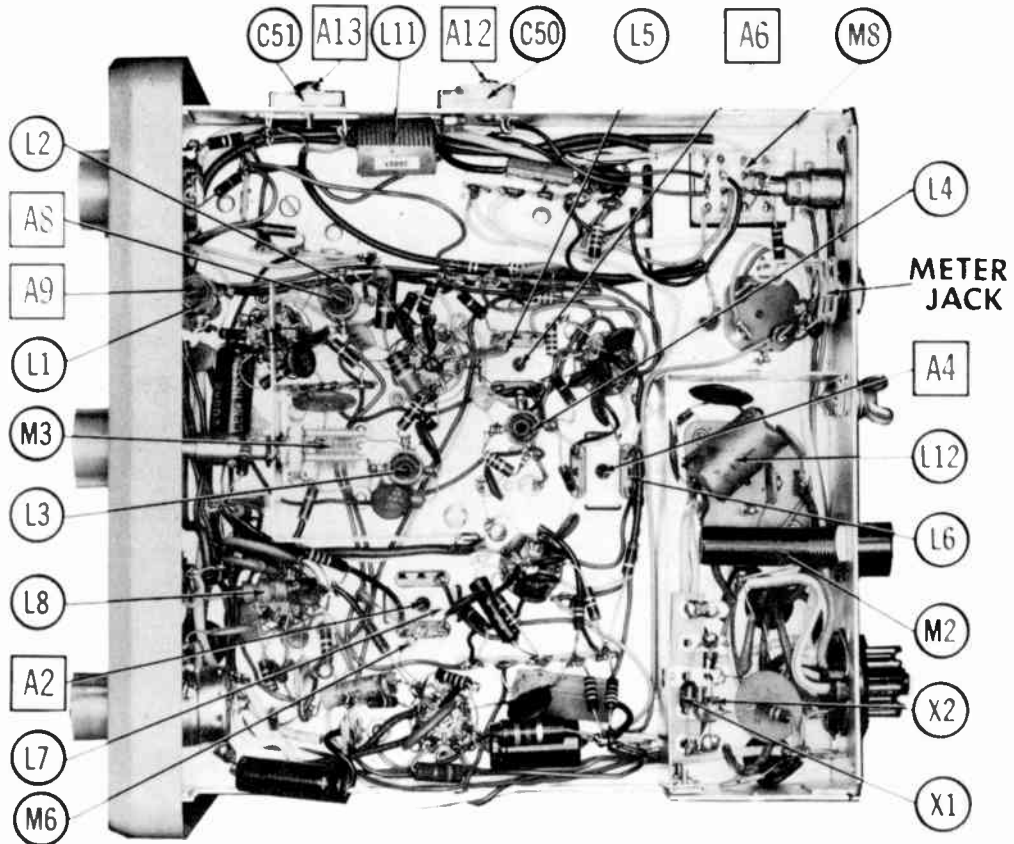
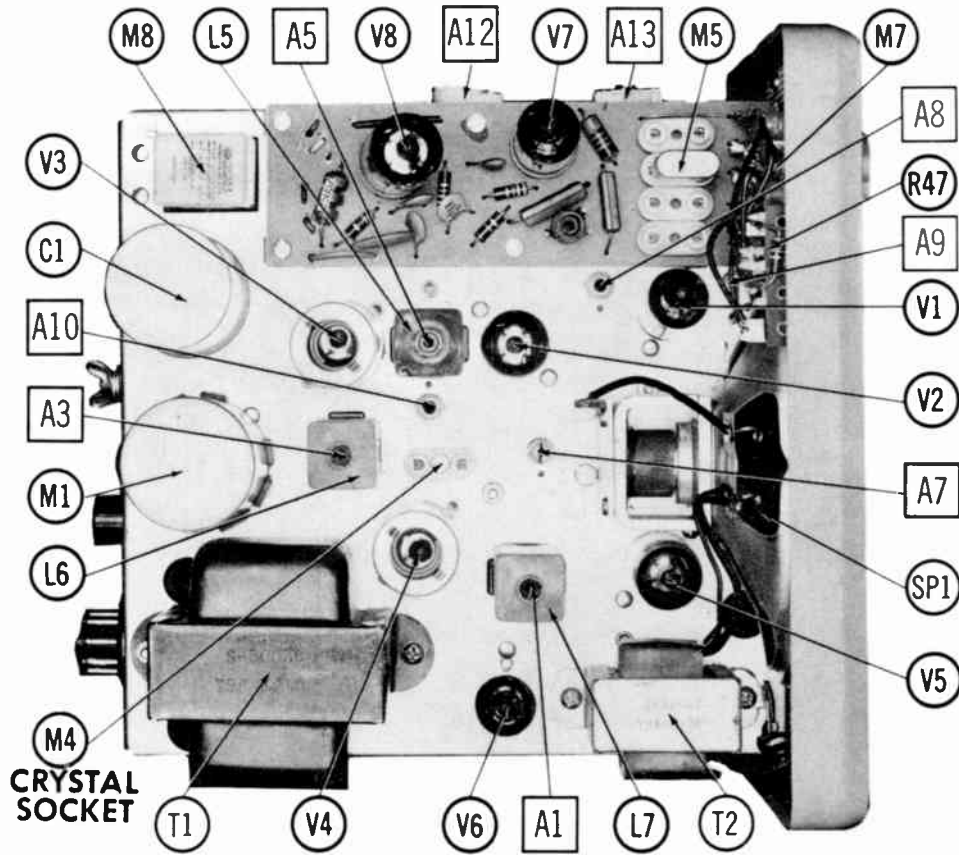
**HOWARD W. SAMS & CO., INC.** Indianapolis 6, Indiana

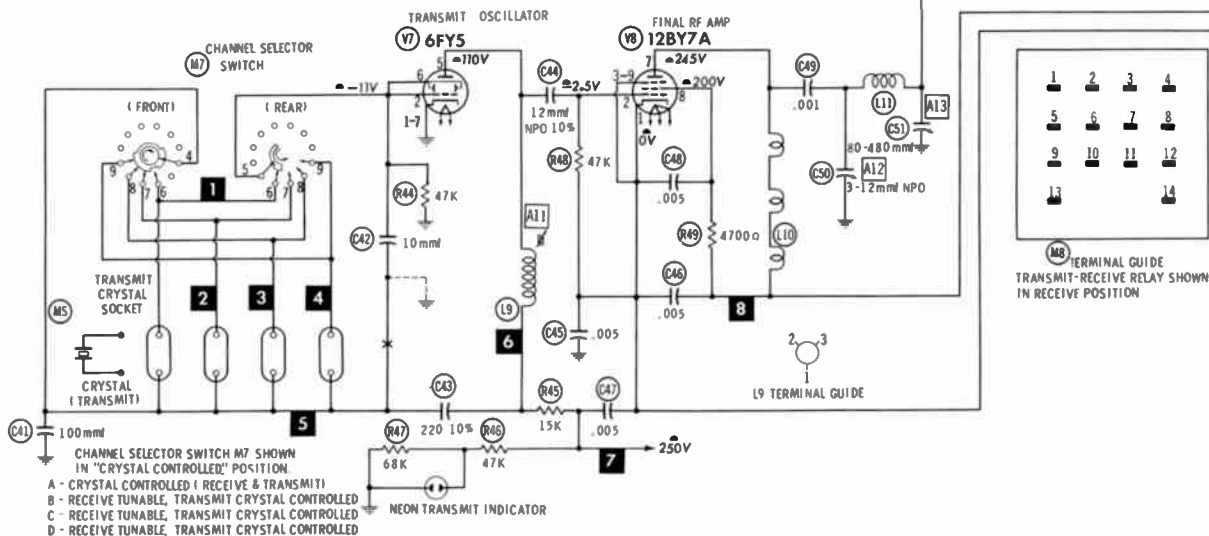
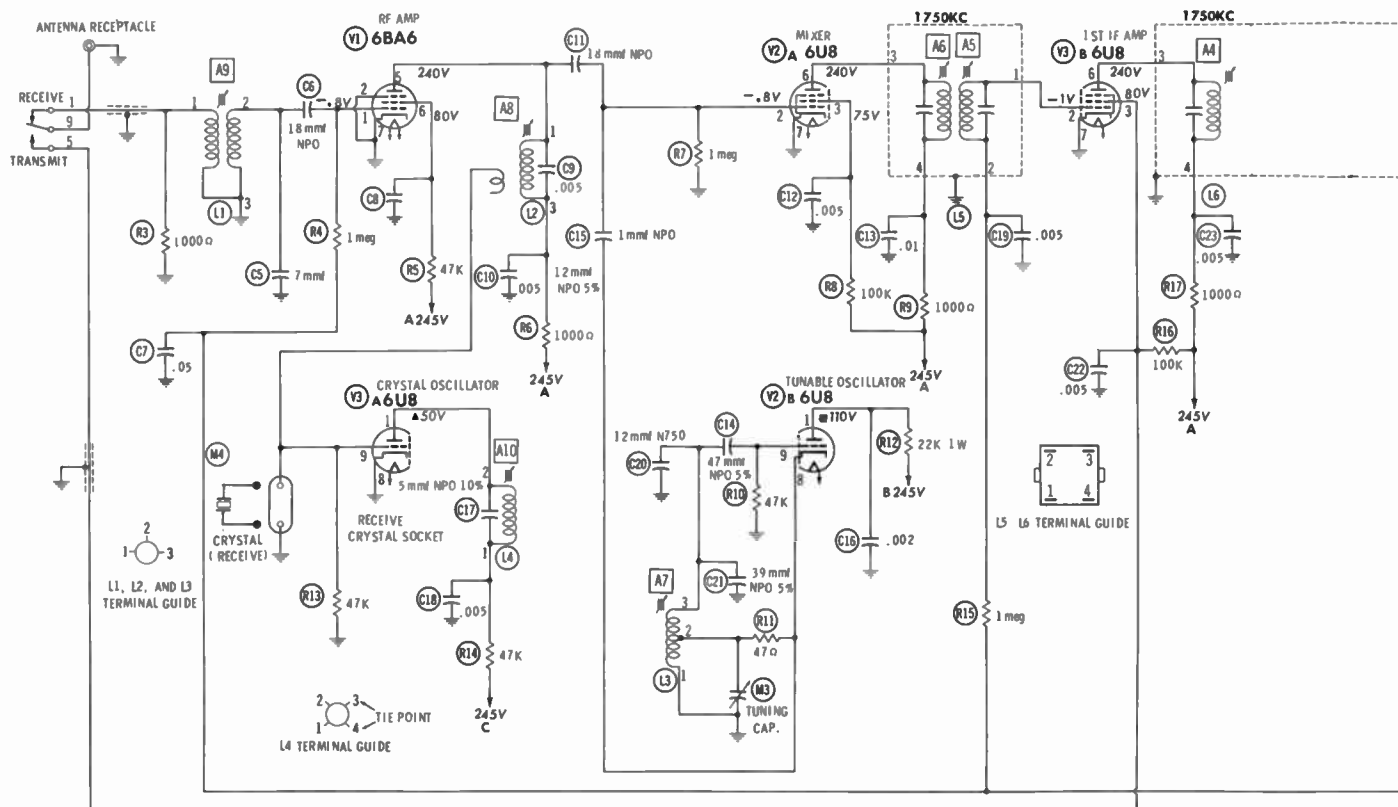


A Howard W. Sams **CIRCUITRACE** Photo









**RESISTANCE READINGS**

ITEM	TUBE	Pin 1	Pin 2	Pin 3	Pin 4	Pin 5	Pin 6	Pin 7	Pin 8	Pin 9
V1	6BA6	2.5 meg	0Ω	FIL	FIL	†1500Ω	†47K	0Ω		
V2	6U8 A	•122K	1 meg	†100K	FIL	FIL	†1500Ω	0Ω	47Ω	47K
V3	6U8 A	•147K	2.5 meg	†100K	FIL	FIL	†1500Ω	0Ω	0Ω	47K
V4	6U8 A	†1490K	2.5 meg	†100K	FIL	FIL	†1500Ω	0Ω	4700Ω	470K
V5	6F6B	1 meg	1.5 meg	1.5 meg	FIL	FIL	1 meg	0Ω	•1 meg	†110K
V6	6A05	470K	560Ω	FIL	FIL	†1900Ω	†500Ω	470K		
V7	6FY5	0Ω	47K	FIL	FIL	•115K	47K	0Ω		
V8	12BY7 A	0Ω	•47K	•0Ω	FIL	FIL	†1830Ω	†5500Ω	•0Ω	

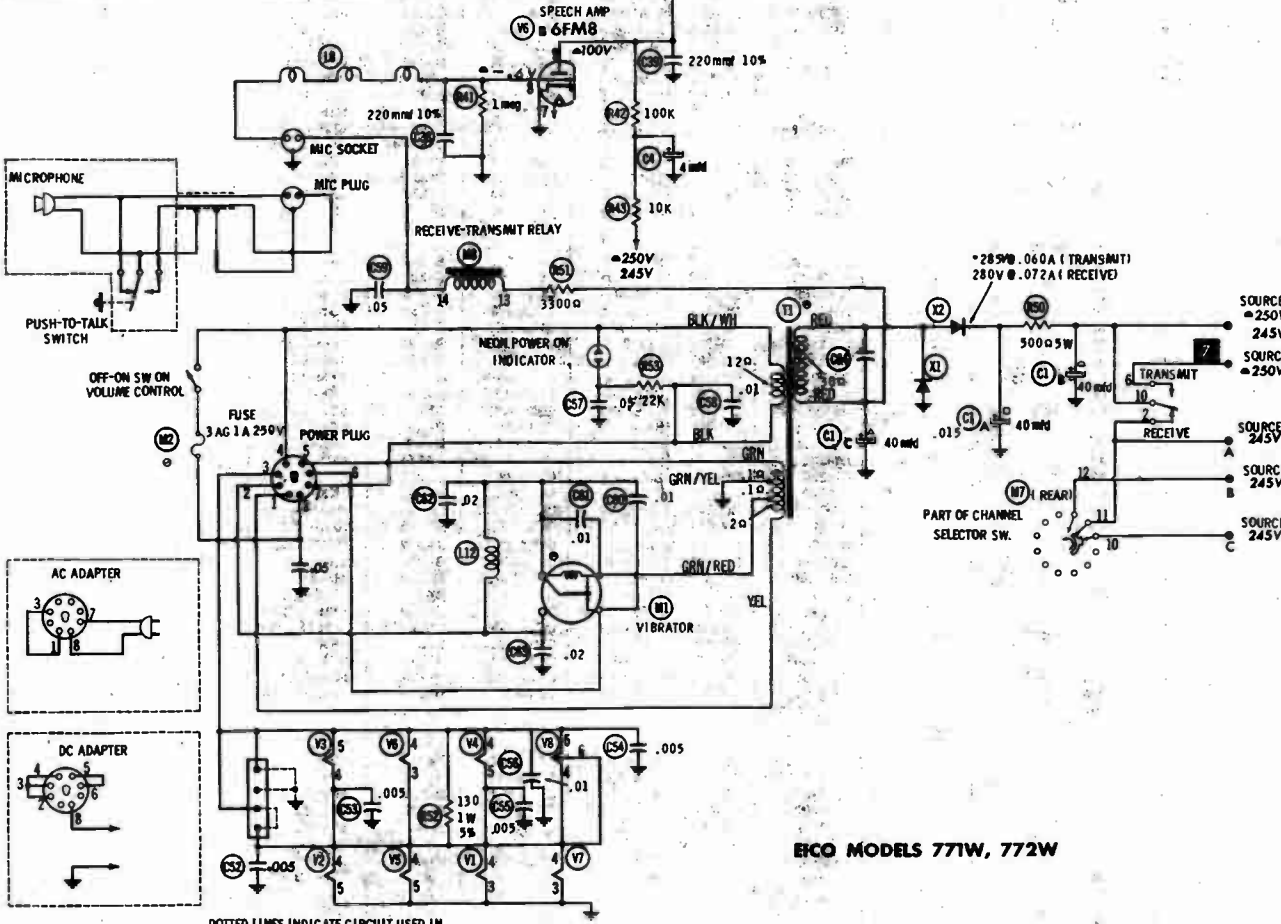
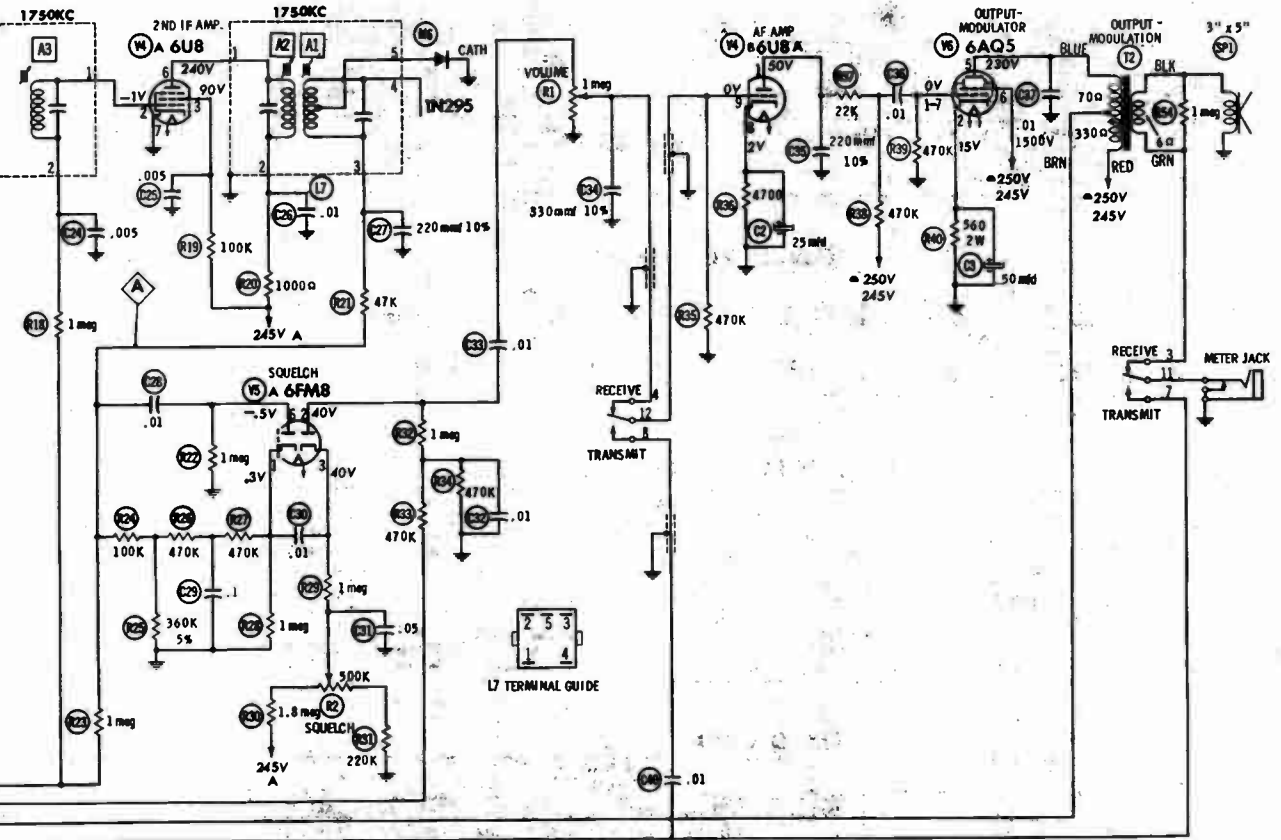
† MEASURED FROM CATHODE OF X2  
 • MEASURED IN SWITCH POSITION B, C, OR D.  
 † MEASURED IN "TRANSMIT" POSITION.  
 • MEASURED IN SWITCH POSITION A, WITHOUT RECEIVE CRYSTAL

A PHOTOFAC STANDARD NOTATION SCHEMATIC

with CIRCUITRACE

©Howard W Sams & Co., Inc. 1963

- See parts list for alternate value or application.
- Voltage measurements taken with vacuum tube voltmeter.
- All controls set for normal operation, no signal applied.
- Measured values are from socket pin or terminal to common ground.
- All terminals viewed from bottom unless otherwise designated.
- Numbers assigned to terminals may not be found on the unit.
- Supply voltage maintained at rated value for voltage readings.



DOTTED LINES INDICATE CIRCUIT USED IN MODEL 772W

ECO MODELS 771W, 772W

# PARTS LIST AND DESCRIPTION

## TUBES

♦ AMPEREX ♦		GENERAL ELECTRIC ♦		RCA ♦		RAYTHEON ♦		SYLVANIA ♦	
ITEM No.	USE	TYPE		ITEM No.	USE	TYPE			
V1	RF Amplifier	6BA6		V5	Squeich-Speech Amp.	6FM8			
V2	Mixer-Tunable Osc.	6UBA		V6	Output-Modulator	6AQ5A			
V3	Crystal Osc. -1st IF Amp.	6UBA		V7	Transmit Oscillator	6FY5			
V4	2nd IF Amp. -AF Amp.	6UBA		V8	Final RF Amp.	I2BY7A			

## POWER RECTIFIERS

ITEM No.	MEASURED CURRENT	ORIGINAL Part or Type No.	RECTIFIERS		
			MALLORY PART No.	RCA PART No.	SARKES TARZIAN PART No.
X1	.072A*	93007	1N2070	1N3194	F6
X2	.072A*	93007	1N2070	1N3194	F6

\* .06A Transmit

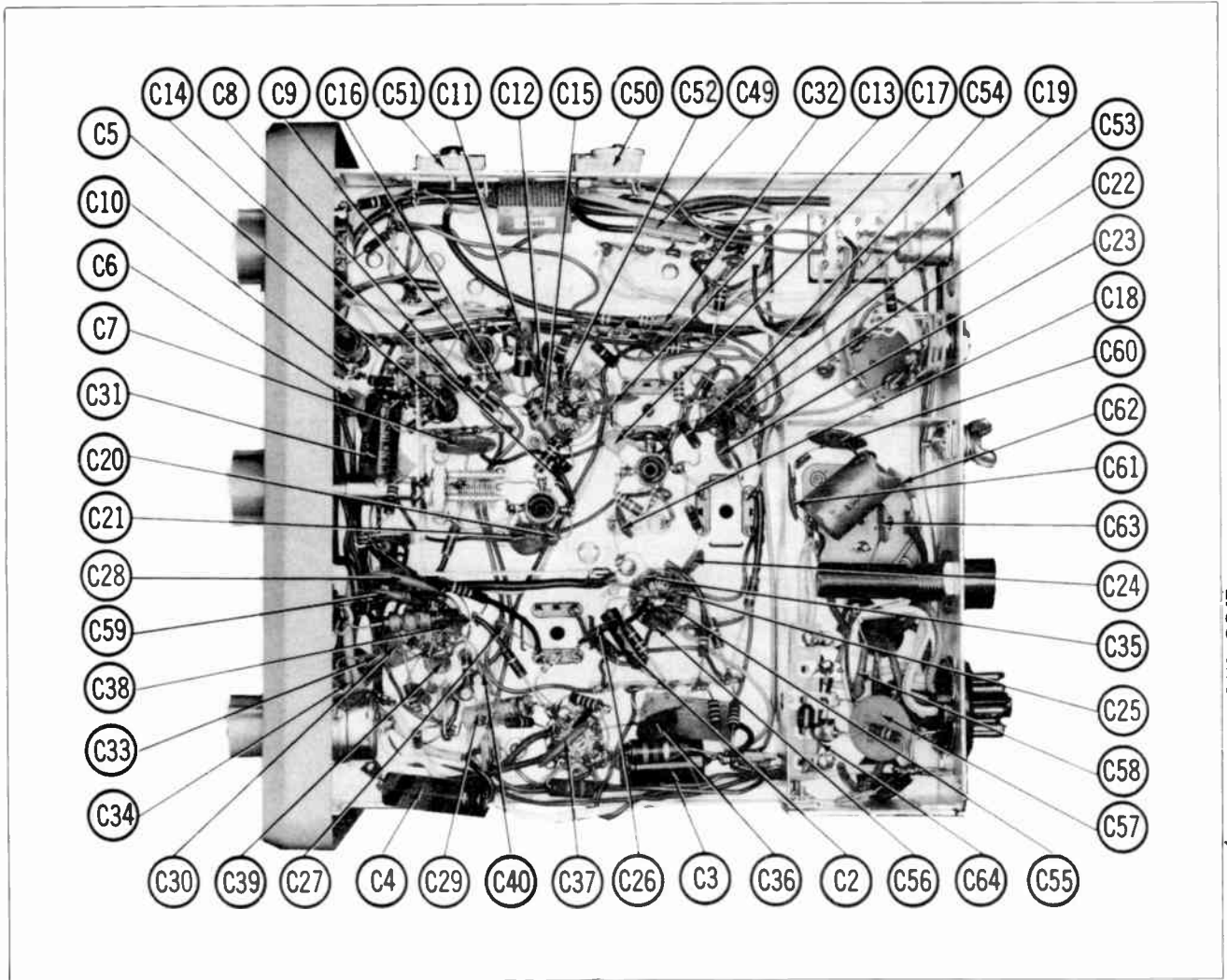
## ELECTROLYTIC CAPACITORS

ITEM No.	RATING		EICO PART No.	REPLACEMENT DATA					
	CAP.	VOLT.		AEROVOX PART No.	CORNELL-DUBILIER PART No.	GENERAL ELECTRIC PART No.	GENERAL INSTRUMENT PART No.	MALLORY PART No.	SPRAGUE PART No.
C1A	40	350	24017	AFH3-44	B0450	XC3-40	TMT3748	FP377.1	TVL-3787
B	40	350							
C	40	250							
C2	25	6	23020	PTT26	BBR40-250	MTI-13	MLV25-6	TT6X25	TE-1091
C3	50	25	23007	PTT85	NLW25-10	MTI-17	MLV50-25	TT25X50	TE-1209
C4	4	250	23008	PRS1550	NLW50-25	QTI-2	TD-4-250	TC50X	TVA-1501

## FIXED CAPACITORS

ITEM No.	RATING	REMARKS	REPLACEMENT DATA					
			AEROVOX PART No.	CENTRALAB PART No.	CORNELL-DUBILIER PART No.	ELMENCO PART No.	MALLORY PART No.	SPRAGUE PART No.
C5	7	(.01) †	CI-7	DD-6R8	L10V7	CCTO-6R8	CNO-568	10TCC-V68
C6	18 NPO		BPD-05	TCZ-18	C10Q18C	CCTO-180	CNO-418	10TCC-Q18
C7	.05		BPD-005	DD-503	CUB6S5	6DP-3-503	GP150	6PS-S50
C8	.005		BPD-005	DD-502	BYA10D5	CCD-502	B-250	5HK-D50
C9	12 NPO 5%		BPD-005	TCZ-12	C10Q12C	CCTO-120	CNO-412	10TCC-Q12
C10	.005		BPD-005	DD-502	BYA10D5	CCD-502	B-250	5HK-D50
C11	18 NPO		BPD-005	TCZ-18	C10Q18C	CCTO-180	CNO-418	10TCC-Q18
C12	.005		BPD-005	DD-502	BYA10D5	CCD-502	B-250	5HK-D50
C13	.01		BPD-01	DD-103	BYA10S1	CCD-103	B-110	5HK-S10
C14	47 NPO 5%		NPO-DI 47	TCZ-47	C10Q47C	CCTO-470	CNO-447	10TCC-Q47
C15	1 NPO		CI-1	TCZ-1			CNO-510	10TCC-V10
C16	.002		BPD-002	DD-202	BYA10D2	CCD-202	B-220	5HK-D20
C17	5 NPO 10%		NPO-DI 5	TCZ-5	C10V5C	CCTO-050	CNO-547	10TCC-V50
C18	.005		BPD-005	DD-502	BYA10D5	CCD-502	B-250	5HK-D50
C19	.005		BPD-005	DD-502	BYA10D5	CCD-502	B-250	5HK-D50
C20	12 N750							
C21	39 NPO 5%							
C22	.005		BPD-005	DD-502	BYA10D5	CCD-502	B-250	5HK-D50
C23	.005		BPD-005	DD-502	BYA10D5	CCD-502	B-250	5HK-D50
C24	.005		BPD-005	DD-502	BYA10D5	CCD-502	B-250	5HK-D50
C25	.005		BPD-005	DD-502	BYA10D5	CCD-502	B-250	5HK-D50
C26	.01		BPD-01	DD-103	BYA10S1	CCD-103	B-110	5HK-S10
C27	220 10%		DI-220	DD-221	L10T22	CCD-221	GP322	10TS-T22
C28	.01		BPD-01	DD-103	BYA10S1	CCD-103	B-110	5HK-S10
C29	.1 100V		P488N-1	DF-104	CUB4P1	4DP-3-104	GEM-401	4TM-P10
C30	.01		BPD-01	DD-103	BYA10S1	CCD-103	B-110	5HK-S10
C31	.05 400V		P688N-047	DD-503	CUB6S47	6DP-3-473	GEM-6147	6TM-S47
C32	.01		BPD-01	DD-103	BYA10S1	CCD-103	B-110	5HK-S10
C33	.01		BPD-01	DD-103	BYA10S1	CCD-103	B-110	5HK-S10
C34	330 10%		DI-330	DD-331	L10T33	CCD-331	GP333	10TS-T33
C35	220 10%		DI-220	DD-221	L10T22	CCD-221	GP322	10TS-T22
C36	.01		BPD-01	DD-103	BYA10S1	CCD-103	B-110	5HK-S10
C37	.01 1500V		DAC-27	DD16-103	HVE16S1	16DP-3-103	UAC-110	BL-S10
C38	220 10%		DI-220	DD-221	L10T22	CCD-221	GP322	10TS-T22
C39	220 10%		DI-220	DD-221	L10T22	CCD-221	GP322	10TS-T22
C40	.01		BPD-01	DD-103	BYA10S1	CCD-103	B-110	5HK-S10
C41	100		1459-100		22R5T1	CM-19-100	MC235	MS-31
C42	10		CI-10	TCZ-10	L10Q1	DD-100	GP410	10TS-Q10
C43	220 10%		DI-220	DD-221	L10T22	CCD-221	GP322	10TS-T22
C44	12 NPO 10%			TCZ-12	C10Q12C	CCTO-120	CNO-412	10TCC-Q12
C45	.005		BPD-005	DD-502	BYA10D5	CCD-502	B-250	5HK-D50
C46	.005		BPD-005	DD-502	BYA10D5	CCD-502	B-250	5HK-D50
C47	.005		BPD-005	DD-502	BYA10D5	CCD-502	B-250	5HK-D50
C48	.005		BPD-005	DD-502	BYA10D5	CCD-502	B-250	5HK-D50
C49	.001							
C50	3-12 NPO		#29500					
C51	80-480		#29509					
C52	.005		BPD-005	DD-502	BYA10D5	CCD-502	B-250	5HK-D50
C53	.005		BPD-005	DD-502	BYA10D5	CCD-502	B-250	5HK-D50
C54	.005		BPD-005	DD-502	BYA10D5	CCD-502	B-250	5HK-D50
C55	.005		BPD-005	DD-502	BYA10D5	CCD-502	B-250	5HK-D50
C56	.01		BPD-01	DD-103	BYA10S1	CCD-103	B-110	5HK-S10
C57	.05		TTD-05	DDA-503	H06S5			TG-S50
C58	.01		BPD-01	DD-103	BYA10S1	CCD-103	B-110	5HK-S10
C59	.05		TTD-05	DDA-503	H06S5			TG-S50
C60	.01							
C61	.01							
C62	.02							
C63	.02							
C64	.015 600V							

† Alternate Value.  
# Eico Part Number.



## PARTS LIST AND DESCRIPTION (CONTINUED)

### CONTROLS

All wattages 1/2 watt, or less, unless otherwise listed.

ITEM No.	USE	RESISTANCE	REPLACEMENT DATA				
			EICO PART No.	CENTRALAB PART No.	CLAROSTAT PART No.	CTS-IRC PART No.	MALLORY PART No.
R1	Volume & Switch	1meg	18059	B-70-S or (F1-500K, SU204)	A47-1meg-Z, SWE-12, KSS-3	Q13-137, 76-1 or (BU2, C F-26, SS-1, GC)*	U53, US-26, or (UA16A, US-41, SK-1000)
R2	Squelch	500K	18076	B-59 or (F2-1meg, KR-1, SU204)	A47-500K-S, KSS-3	Q11-133 or (BU2, C F16, SS1, DC1)*	U50 or (UA55L, SK-1000)

\* "SNAPTROL"

### RESISTORS (Power and Special)

ITEM No.	RATING	REPLACEMENT DATA			ITEM No.	RATING	REPLACEMENT DATA		
		IRC PART No.	WORKMAN PART No.	REMARKS			IRC PART No.	WORKMAN PART No.	REMARKS
R50	500Ω 5W	PW5-500	5W-SQ-600						

### COILS (RF-IF)

ITEM No.	USE	REPLACEMENT DATA					NOTES
		EICO PART No.	MERIT PART No.	MILLER PART No.	STANCOR PART No.	WORKMAN PART No.	
L1	Rec. Ant.	36024					
L2	Mixer (2.4uh)	36025					
L3	Osc., Tunable (1.6uh)	36026					
L4	Osc., Crystal (6.5uh)	36027		4204			
L5	1st IF	34615					
L6	2nd IF	34616					
L7	3rd IF	34617					
L8	RF Choke (100uh)	35052		6112			
L9	Transmit Osc. (3.5uh)	36023					
L10	RF Choke (100uh)	35052		6112			
L11	Final Tank (1.9uh)	35051					
L12	Hash Filter	35053					

# PARTS LIST AND DESCRIPTION (CONTINUED)

## TRANSFORMER (POWER)

ITEM No.	RATING			REPLACEMENT DATA					NOTES
				EICO PART No.	MERIT PART No.	STANCOR PART No.	THORDARSON PART No.	TRIAD PART No.	
	PRI.	SEC. 1	SEC. 2						
T1	117VAC ① .47A OF 12.6V CT② 2.4A	115VAC ② .072A DC	6.3VAC ③ 1.8A AC	30036 ① 30037 ②					① 771W only. ② 772W only. * 12.6V Winding on Model 772W

## TRANSFORMER (AUDIO OUTPUT)

ITEM No.	IMPEDANCE		REPLACEMENT DATA					NOTES
			EICO PART No.	MERIT PART No.	STANCOR PART No.	THORDARSON PART No.	TRIAD PART No.	
	PRI.	SEC.						
T2	7500Ω Tap ① 6000Ω	3-4Ω	32023					

## SPEAKER

ITEM No.	TYPE	REPLACEMENT DATA		NOTES
		EICO PART No.	QUAM PART No.	
SP1	3" x 5" PM 3-4Ω	55014	35A05	

## VIBRATOR

ITEM No.	TYPE	INPUT VOLTS	FRE-QUENCY	REPLACEMENT DATA			NOTES
				EICO PART No.	CORNELL-DUBILIER PART No.	MALLORY PART No.	
M1	Interrupter Interrupter	6.3 12.6	115% 115%	39500 39501	5301 8301	1601 G1601	Model 771W Model 772W

## FUSES

ITEM No.	TYPE	RATING	REPLACEMENT DATA					
			EICO PART No.		LITTELFUSE PART No.		BUSS PART No.	
			FUSE	HOLDER	FUSE	HOLDER	FUSE	HOLDER
M2	3AG	1A 250V S/B	91006 ①	97800	313001 (3AG 1A 250V)	342001	MDL-1	HKP
			91010 ②	97800	307010 (3AG 10A 32V)	342001	MDA-6	HKP
			91009 ③	97800	307006 (3AG 6A 32V)	342001	MDA-6	HKP

① 117VAC Versions. ② 6.3VDC Versions. ③ 12.6VDC Versions.

## MISCELLANEOUS

ITEM No.	PART NAME	EICO PART No.	NOTES
M3	Tuning Cap.	29016	15mmf
M4	Crystal		Receive, (order frequency desired)
M5	Crystal		Transmit (order frequency desired)
M6	Detector (1N295)	95002	
M7	Switch	60087	Channel Selector (Rotary Wafer Type)
M8	Relay	39002	Receive-Transmit)
	Microphone	57501	
	Neon Indicator	97715	2 Used (Power On-Transmit Indicator)

## CABINETS & CABINET PARTS

(When Ordering Specify Model, Chassis & Color)

ITEM	PART No.	ITEM	PART No.
Knob	53034	Cabinet	88079

## WIRING DATA

General-use Hook-up Wire ....	Use BELDEN No. 8530 (Solid) Available in 12 Colors 8524 (Stranded) Available in 12 Colors
Shielded Antenna Lead .....	Use BELDEN No. 8214 Lowest Loss (RG-8/U Type) 8237 Low Loss (RG-8/U) 8240 (Solid) Miniature (RG-58/U) 8259 (Stranded) Miniature (RG-58A/U)
Coiled Microphone Cable .....	Use BELDEN No. 8497 3 Conductor-1 Shielded for Press-to-Talk (Neoprene) 8496 3 Conductor-1 Shielded for Press-to-Talk (Vinyl)
Ignition Noise Suppression ....	Use BELDEN No. 7300-Series Spark-Plug Sets
Bonding Strap .....	Use BELDEN No. 8661 (3/8 in.)



**PHOTOFACT<sup>®</sup> with**

**CIRCUITRACE<sup>®</sup>**

TRADE NAME : Fanon Model FCB-9  
Masco Model MCB-9

SUPPLIER : Fanon Electronic Sales Corp.,  
A Div. of Fanon Electronic Industries, Inc.  
439 Frelinghuysen Ave., Newark, N. J.

TYPE SET : 9 Transistor Transceiver

POWER SUPPLY : 9 Volts DC

RATING : 10MA @ 9VDC (Receive, No Signal)  
26MA @ 9VDC (Transmit, No Modulation)

TUNING RANGE : Any one CB Channels 1 thru 22



FANON-MASCO MODELS FCB-9, MCB-9

## ALIGNMENT INSTRUCTIONS

Suggested Alignment Tools:  
A1 thru A7... GENERAL CEMENT #9089, 5066, 8276... WALSCO #2512, 2525, 2528

### RECEIVER ALIGNMENT

Connect DC VTVM across volume control.

	SIGNAL GENERATOR	CHANNEL	ADJUST	REMARKS
1.	High side thru .01mfd to emitter of X1, common to ground. Tune to 455KC (Unmod.)		A1, A2, A3	Adjust for maximum deflection.
2.	High side to external rod antenna, common to ground. Tune to channel frequency.	9 27.065MC	A4, A5	Adjust for maximum deflection.

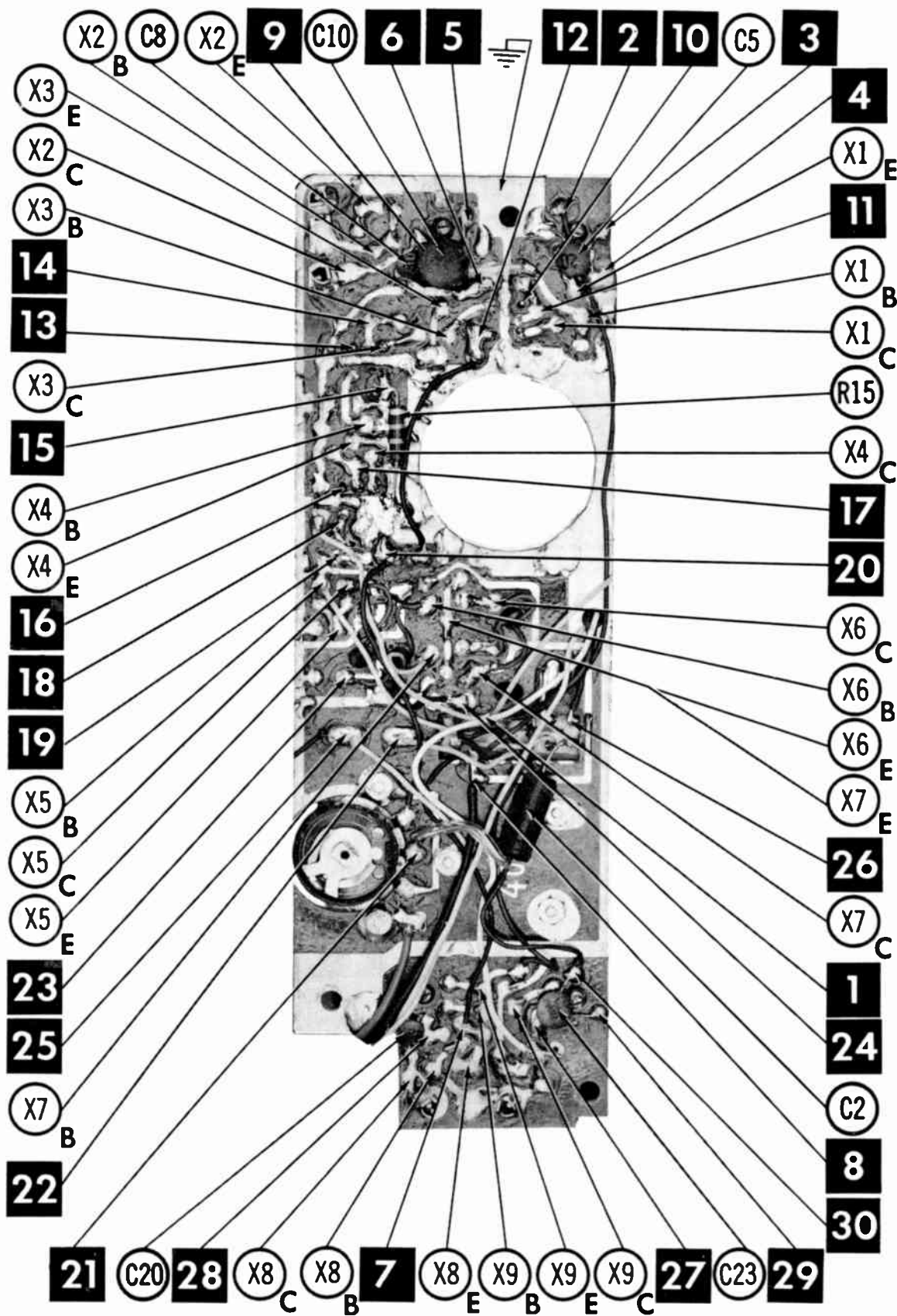
### TRANSMITTER ALIGNMENT

**ONLY THOSE PERSONS PROPERLY LICENSED ARE PERMITTED TO MAKE REPAIRS OR ADJUSTMENTS WHICH MAY RESULT IN ILLEGAL OPERATION. (REFER TO FCC RULES & REGULATIONS PART 19, SUBPART D, SECTION 19.71)**

	SPECIAL INSTRUCTIONS	INDICATOR	ADJUST	REMARKS
1	Supply voltage should be maintained at 9 volts.	RF wattmeter or field strength meter.	A6, A7	Key Transmitter. Adjust for maximum output.

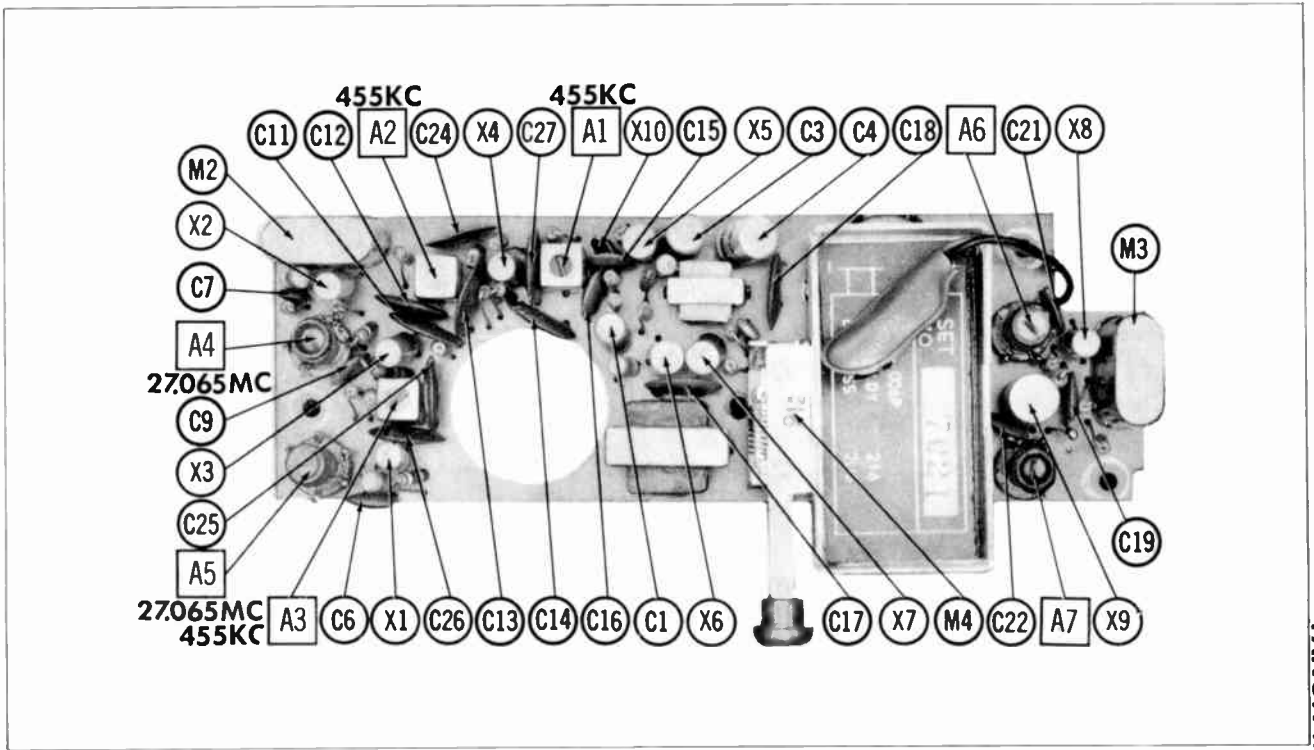
**HOWARD W. SAMS & CO., INC.** Indianapolis 6, Indiana





A Howard W. Sams **CIRCUITRACE** Photo





## PARTS LIST AND DESCRIPTION

### TRANSISTORS

ITEM No.	ORIG. TYPE	USE	REPLACEMENT DATA			NOTES
			DELCO PART No.	GENERAL ELECTRIC PART No.	RCA PART No.	
X1	2SA104	Rec. Mixer	DS34	GE-1		PNP
X2	2SA103	Rec. Oscillator	DS34	GE-1		PNP
X3	2SA102	1st IF Amp.	DS25	GE-1		PNP
X4	2SA102	2nd IF Amplifier	DS25	GE-1		PNP
X5	2SB171	Driver-Speech Amp.	DS26	GE-2	2N406	PNP
X6	2SB172	Output-Modulator	DS26	GE-2	2N408	PNP
X7	2SB172	Output-Modulator	DS26	GE-2	2N408	PNP
X8	2SA104	Trans. Oscillator	DS34	GE-1		PNP
X9	2SA70	Final Amplifier	DS34	GE-2		PNP

### POWER RECTIFIERS & SIGNAL DIODES

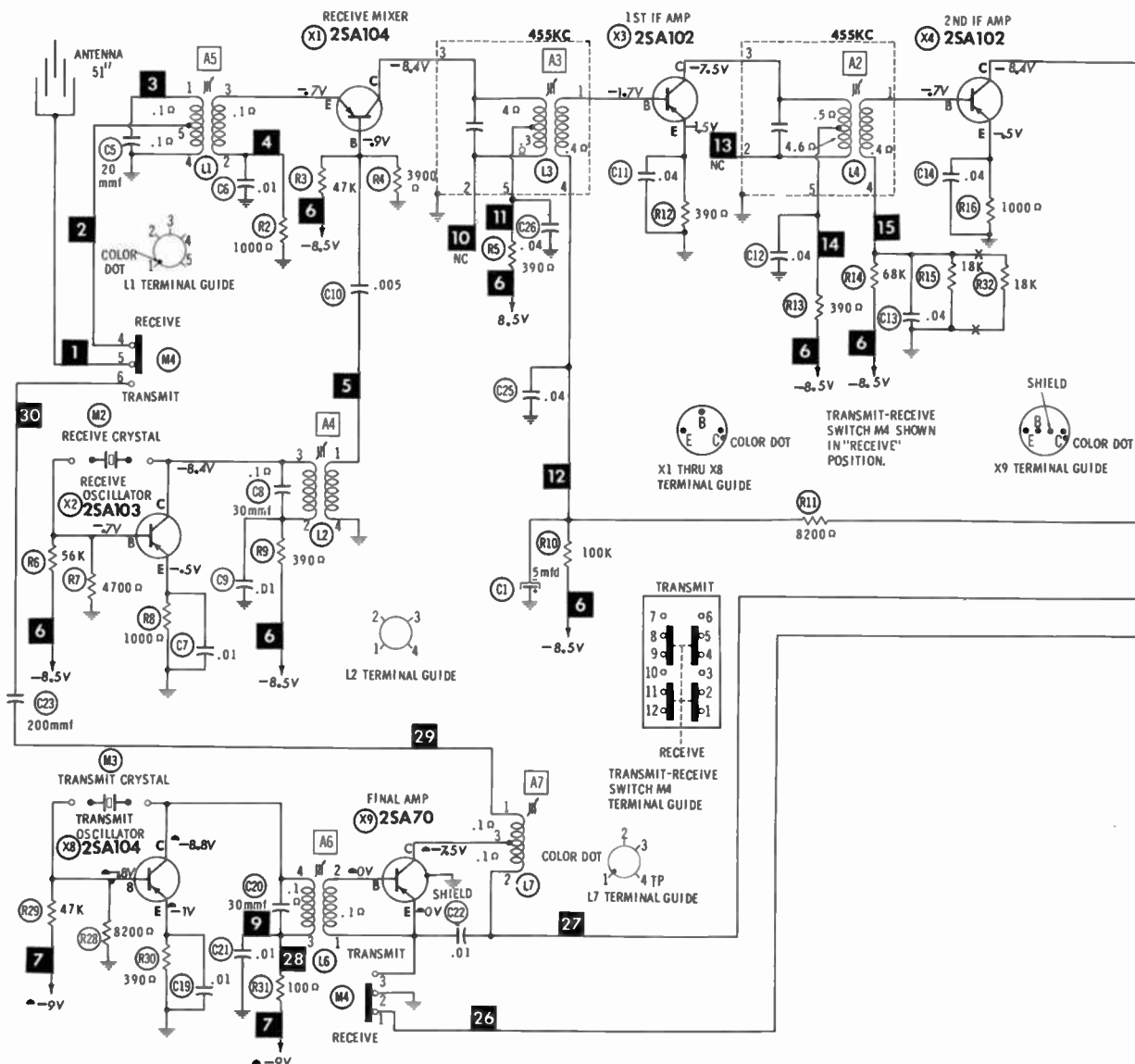
ITEM No.	MEASURED CURRENT	ORIGINAL Part or Type No.	RECTIFIERS			NOTES
			MALLORY PART No.	RCA PART No.	SARKES TARZIAN PART No.	
X10		OA90				Detector

### ELECTROLYTIC CAPACITORS

ITEM No.	RATING		FANON-MASCO PART No.	REPLACEMENT DATA					
	CAP.	VOLT.		AEROVOX PART No.	CORNELL-DUBILIER PART No.	GENERAL ELECTRIC PART No.	MALLORY PART No.	PYRAMID PART No.	SPRAGUE PART No.
C1	5	3		BCD3005	ECPB405	MT1-3	TT6X5	MLV5-3	V-L-1035
C2	5	3		PTT4	NLW5-15	MT1-3	TT6X5	MLV5-3	TE-1052.2
C3	30	3		BCD3025	ECPB412	MT1-10	PET130	MLV30-6	V-L-1043
C4	30	10		BCD10025	ECPB412	MT1-10	TT10X30	MLV25-10	V-L-1132

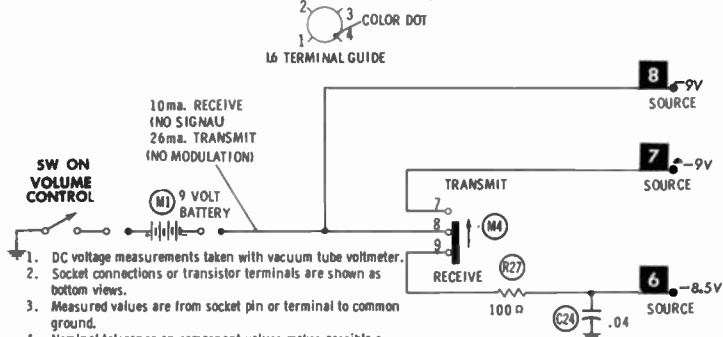
### FIXED CAPACITORS

ITEM No.	RATING	REMARKS	REPLACEMENT DATA					
			AEROVOX PART No.	CENTRALAB PART No.	CORNELL-DUBILIER PART No.	ELMENCO PART No.	MALLORY PART No.	SPRAGUE PART No.
C5	20		DI-20	DD-200	LIQ-2	CCD-200	GP-420	10TS-Q20
C6	.01		TTD-01	CK-103	H05S1		TA-110	TG-S10
C7	.01		TTD-01	CK-103	H05S1		TA-110	TG-S10
C8	30		DI-30	DD-300	LIQ-3	CCD-300	GP-430	10TS-Q30
C9	.01		TTD-01	CK-103	H05S1		TA-110	TG-S10
C10	.005		TTD-005	CK-502	H05D5	CCD-502	TA-250	TG-D50
C11	.04		TTD-05	CK-503	H05S5			TG-S50
C12	.04		TTD-05	CK-503	H05S5			TG-S50
C13	.04		TTD-05	CK-503	H05S5			TG-S50
C14	.04		TTD-05	CK-503	H05S5			TG-S50
C15	.005		TTD-005	CK-502	H05D5	CCD-502	TA-250	TG-D50
C16	.005		TTD-005	CK-502	H05D5	CCD-502	TA-250	TG-D50
C17	.04		TTD-05	CK-503	H05S5			TG-S50
C18	.1		TTD-1	CK-104	H05P1			TG-P10
C19	.01		TTD-01	CK-103	H05S1		TA-110	TG-S10
C20	30		DI-30	DD-300	LIQ-3	CCD-300	GP-430	10TS-Q30
C21	.01		TTD-01	CK-103	H05S1		TA-110	TG-S10



RESISTANCE MEASUREMENTS NOT GIVEN BECAUSE OF THE WIDE VARIATION IN INTERNAL TRANSISTOR RESISTANCE.

ALL MEASUREMENTS TAKEN IN "RECEIVE" POSITION UNLESS OTHERWISE DESIGNATED.  
 • TAKEN IN "TRANSMIT" POSITION.

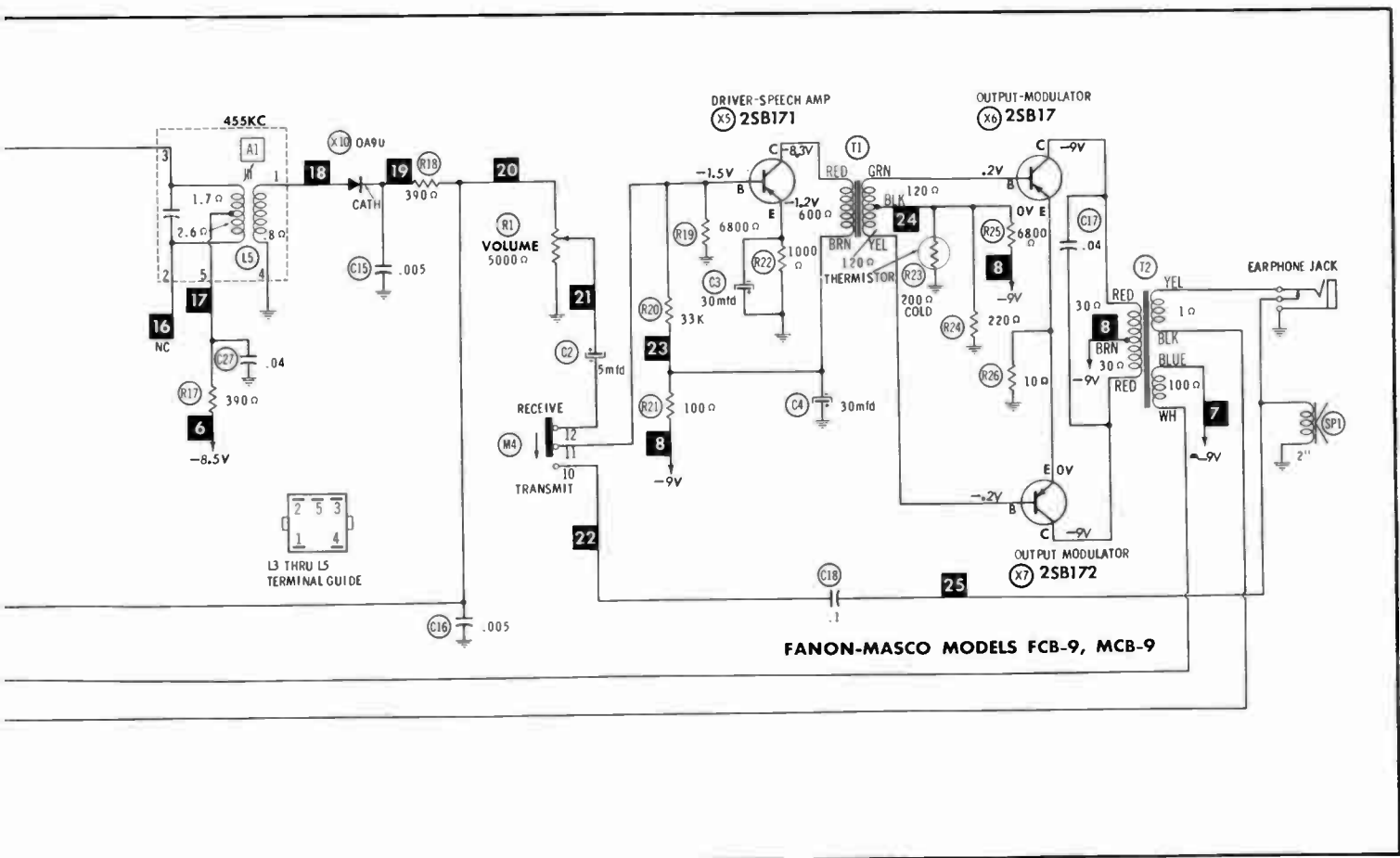


1. DC voltage measurements taken with vacuum tube voltmeter.
2. Socket connections or transistor terminals are shown as bottom views.
3. Measured values are from socket pin or terminal to common ground.
4. Nominal tolerance on component values makes possible a variation of  $\pm 15\%$  in voltage and resistance readings.

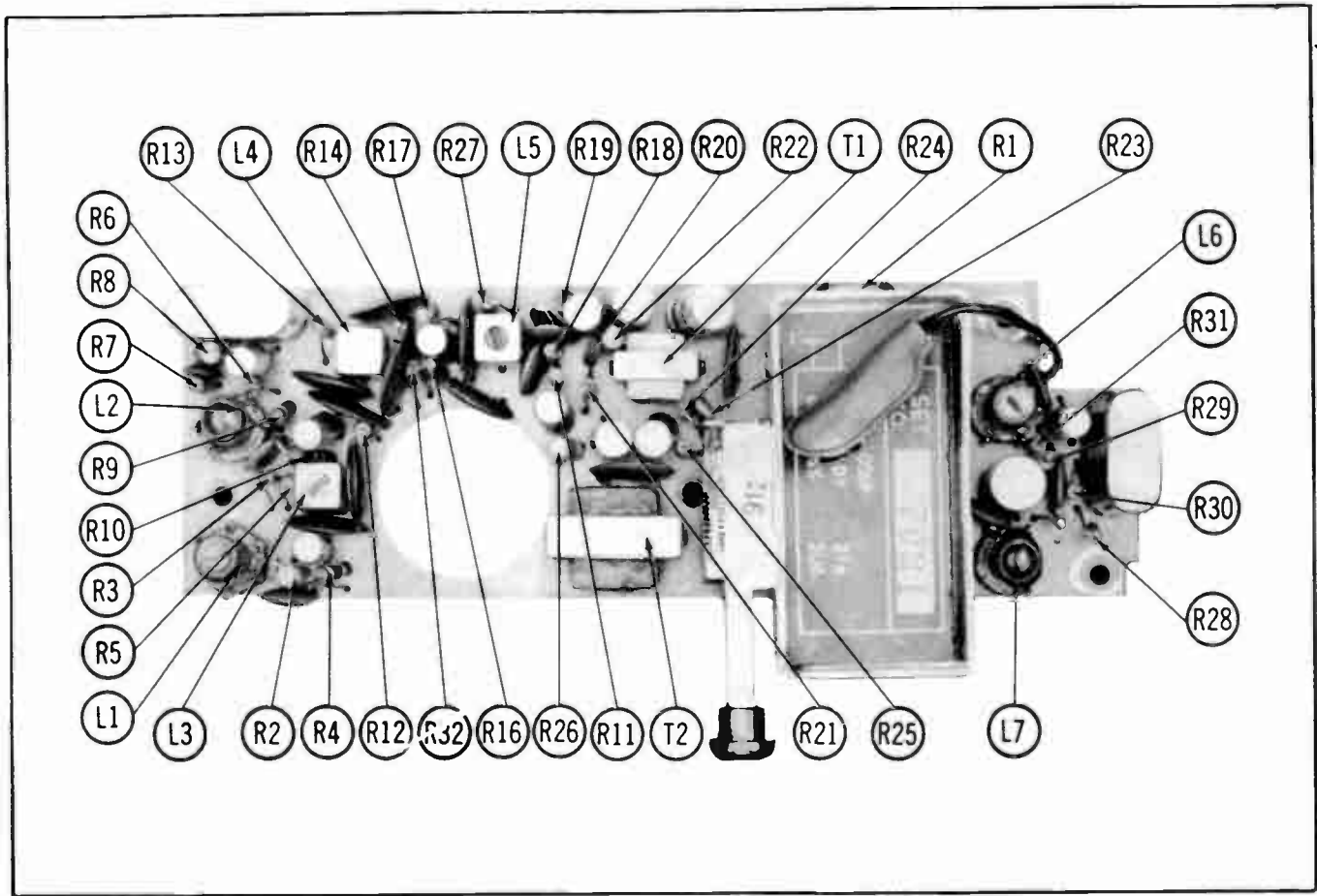
A PHOTOFAC STANDARD NOTATION SCHEMATIC with **CIRCUITRACE**

©Howard W. Sams & Co., Inc. 1963

NUMBERS ASSIGNED TO COILS, SWITCHES, PLUGS, SOCKETS, AND TRANSFORMERS ARE TO FACILITATE CIRCUIT TRACING OR COMPONENT REPLACEMENT AND MAY NOT NECESSARILY BE FOUND ON THE UNIT.



FANON-MASCO MODELS FCB-9, MCB-9



# PARTS LIST AND DESCRIPTION (CONTINUED)

## FIXED CAPACITORS (cont)

ITEM No.	RATING	REMARKS	REPLACEMENT DATA					
			AEROVOX PART No.	CENTRALAB PART No.	CORNELL-DUBILIER PART No.	ELMenco PART No.	MALLORY PART No.	SPRAGUE PART No.
C22	.01		TTD-01	CK-103	H0581			TG-810
C23	200		DI-200	DD-201	L1072	CCD-201	TA-110	107B-120
C24	.04		TTD-05	CK-503	H0585		GP-320	TG-850
C25	.04		TTD-05	CK-503	H0585			TG-850
C26	.04		TTD-05	CK-503	H0585			TG-850
C27	.04		TTD-05	CK-503	H0585			TG-850

## CONTROLS

All wattages 1/2 watt, or less, unless otherwise listed.

ITEM No.	USE	RESISTANCE	REPLACEMENT DATA					
			FANON-MASCO PART No.	CENTRALAB PART No.	CLAROSTAT PART No.	CTS-IRC PART No.	MALLORY PART No.	
R1	Volume & Switch	50000		B16-214 (1)				

(1) Use Original Knob.

## RESISTORS (Power and Special)

ITEM No.	RATING	REPLACEMENT DATA			ITEM No.	RATING	REPLACEMENT DATA		
		IRC PART No.	WORKMAN PART No.	REMARKS			IRC PART No.	WORKMAN PART No.	REMARKS
R23	2000 Cold			#MT-35					

# Fanon-Masco Part Number.

## COILS (RF-IF)

ITEM No.	USE	REPLACEMENT DATA					NOTES
		FANON-MASCO PART No.	MERIT PART No.	MILLER PART No.	STANCOR PART No.	WORKMAN PART No.	
L1	Rec. RF						
L2	Rec. Osc.						
L3	1st IF						
L4	2nd IF						
L5	3rd IF						
L6	Transmit Osc.						
L7	Final						

## TRANSFORMER (DRIVER)

ITEM No.	TURNS RATIO		REPLACEMENT DATA					NOTES
	PRI.	SEC.	FANON-MASCO PART No.	MERRIT PART No.	STANCOR PART No.	THORDARSON PART No.	TRIAD PART No.	
T1	1.7	1						

## TRANSFORMER (AUDIO OUTPUT)

ITEM No.	IMPEDANCE		REPLACEMENT DATA					NOTES
	PRI.	SEC. 1	FANON-MASCO PART No.	Merit PART No.	Stancor PART No.	Thordarson PART No.	Triad PART No.	
T2	5000 CT	8-80						
		SEC. 2						
		5000						

## SPEAKER

ITEM No.	TYPE			REPLACEMENT DATA		NOTES
	SIZE	FIELD	V. C. IMP.	FANON-MASCO PART No.	QUAM PART No.	
SP1	2"	PM	4-50			

## BATTERIES

ITEM No.	VOLTAGE	FANON-MASCO PART No.	REPLACEMENT DATA			NOTES
			BURGESS	EVEREADY	MALLORY	
B1	9V		2U8 (1) E146 (3)	216 (1) 528 (2) E146 (3)	M1604 (1) MN1604 (2) TR146 (2)	(1) Zinc Carbon (2) Manganese (3) Mercury

## MISCELLANEOUS

ITEM No.	PART NAME	FANON-MASCO PART No.	NOTES
M2	Crystal		Receiver
M3	Crystal		Transmit
M4	Switch		Receive-Transmit

## WIRING DATA

General-use Hook-up Wire ....	Use BELDEN No. 8530 (Solid) Available in 12 Colors 8534 (Stranded) Available in 12 Colors
Shielded Antenna Lead .....	Use BELDEN No. 8214 Lowest Loss (RG-8/U Type) 8237 Low Loss (RG-8/U) 8240 (Solid) Miniature (RG-58/U) 8250 (Stranded) Miniature (RG-58A/U)
Coiled Microphone Cable .....	Use BELDEN No. 8480 Single Conductor Shielded (Neoprene) 8480 Single Conductor Shielded (Vinyl)
Ignition Noise Suppression ....	Use BELDEN No. 7300-Series Spark-Plug Sets
Bonding Strap .....	Use BELDEN No. 808 (3/8 in.)



# PHOTOFACT<sup>®</sup>

**TRADE NAME:** Gonset Models G-15(3428), G-15 (3429)  
**SUPPLIER:** Gonset Inc., A Subsidiary of Altec Lansing Corp., 1515 So. Manchester Ave., Anaheim, California  
**TYPE SET:** 10 Tube Transceiver  
**POWER SUPPLY:** 110 — 120 Volts AC, 60 Cycles (or) 6 (or) 12 Volt Storage Battery  
**RATING:** 72 Watts, .68A @ 117 VAC (Receiver)  
 70 Watts, .66A @ 117 VAC (Transmit)  
 5.2A @ 12.6VDC  
 10.4A @ 6.3VDC  
**TUNING RANGE:** Any 4 CB Channels 1 thru 22  
 Receiver may be continuously tuned



## ALIGNMENT INSTRUCTIONS

ALIGNMENT INSTRUCTIONS—READ CAREFULLY BEFORE ATTEMPTING ALIGNMENT	
Suggested Alignment Tools:	
A1, A2, A3, A4, A5, A6, A8, A9, A10, A14, A15, A16, A17, A18, A19.....	GENERAL CEMENT #5004, 5009, 8195, 8274, 8275, 8607, 8728, 8987, 8988, 8989, 9201
	WALSCO #2515, 2520, 2522, 2523, 2531, 2532, 2534, 2537, 2538
A7, A11, A12, A13.....	GENERAL CEMENT #8282, 8606, 8606-L, 9295, 9440
	WALSCO #2526, 2543, 2544, 2545

### RECEIVER ALIGNMENT

Connect DC probe of VTVM to point  $\diamond$ , common to ground.  
Squelch control fully clockwise.

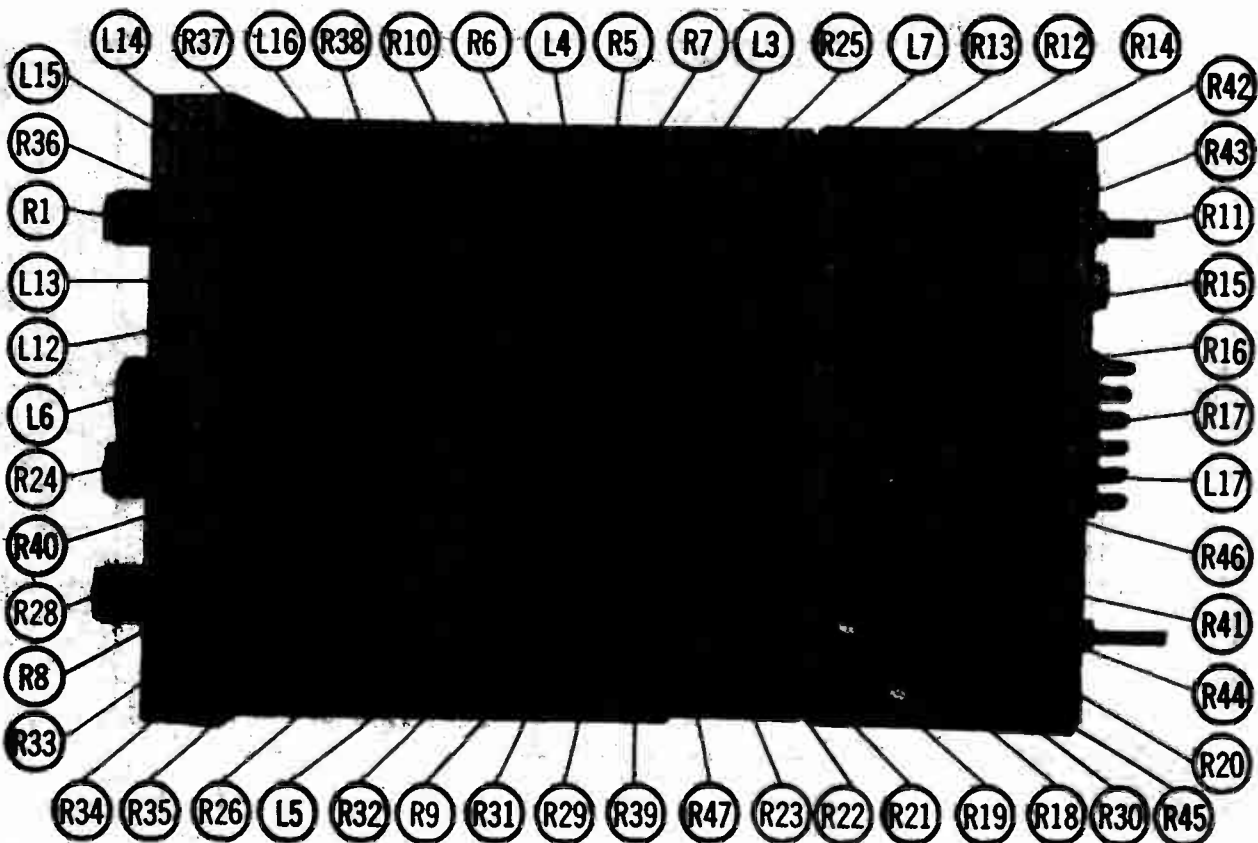
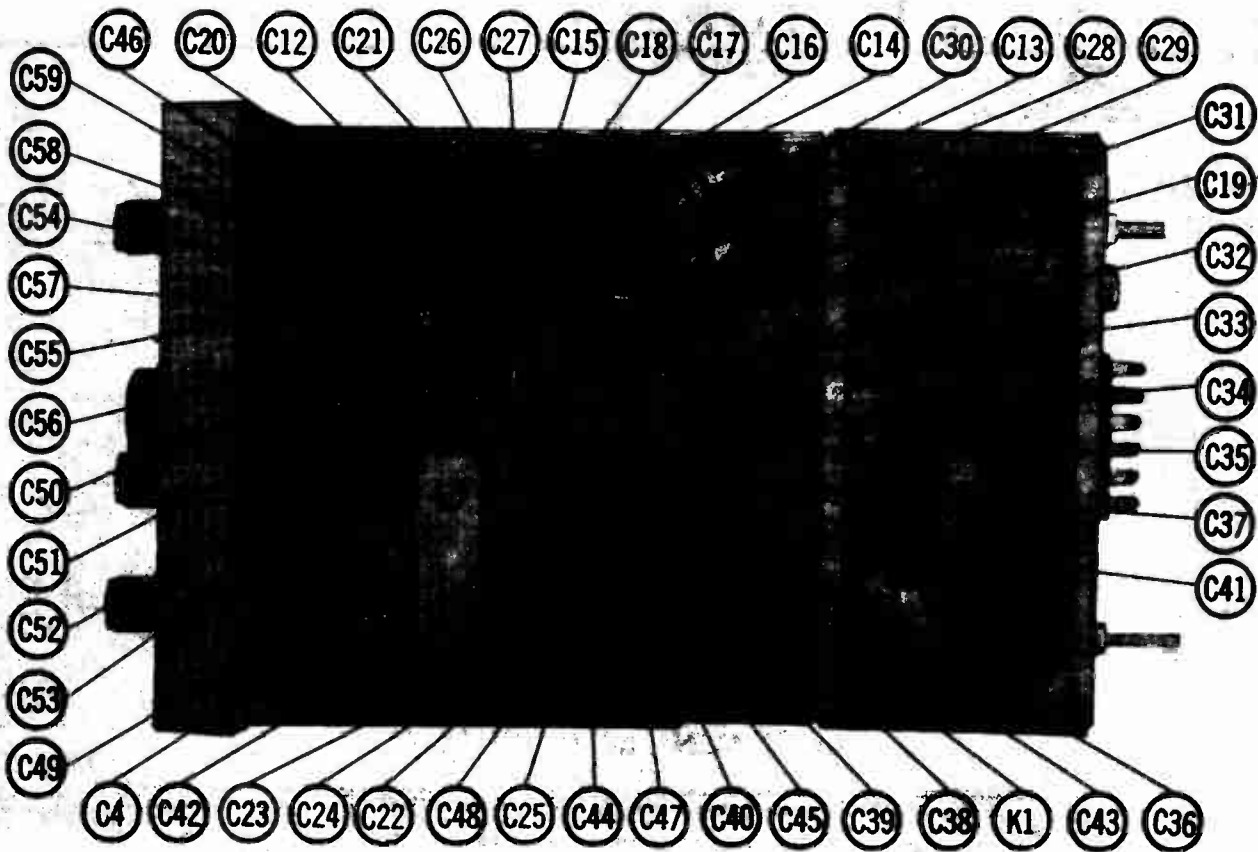
	SIGNAL GENERATOR	CHANNEL	ADJUST	REMARKS
1.	High side thru .01mfd to pin 7 (grid) of V3, common to ground. Tune to 455KC (Unmod.)	Any	A1, A2, A3, A4, A5, A6	Adjust for maximum deflection.
2.	High side thru .01mfd to pin 2 (grid) of V2. Tune to 1650KC (Unmod.)	Any	A7, A8, A9	"
3.	High side to antenna terminal, common to ground. Tune to Channel Frequency.	22 (27.225MC)	A10	Place receiver selector switch in manual tuning position. Adjust for maximum deflection.
4.	"	12 (27.105MC)	A11, A12	Adjust for maximum deflection.

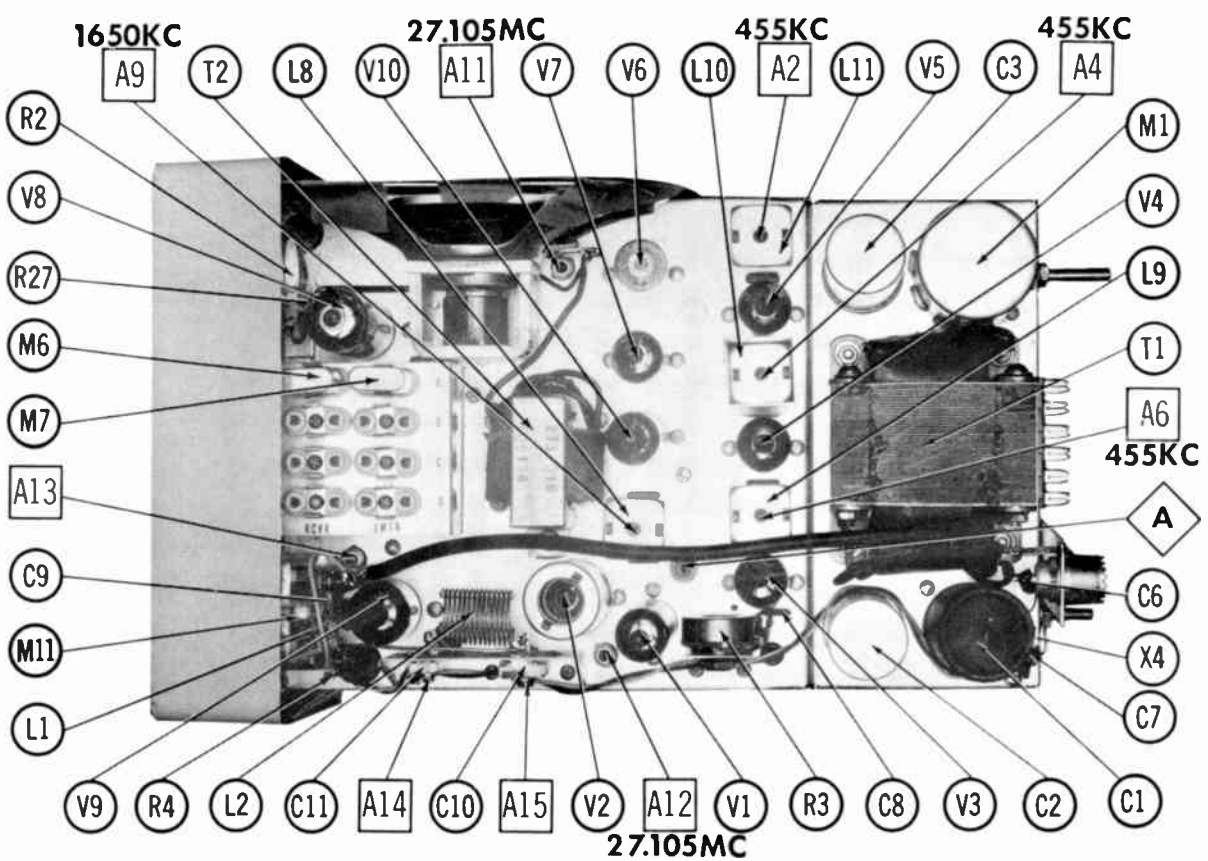
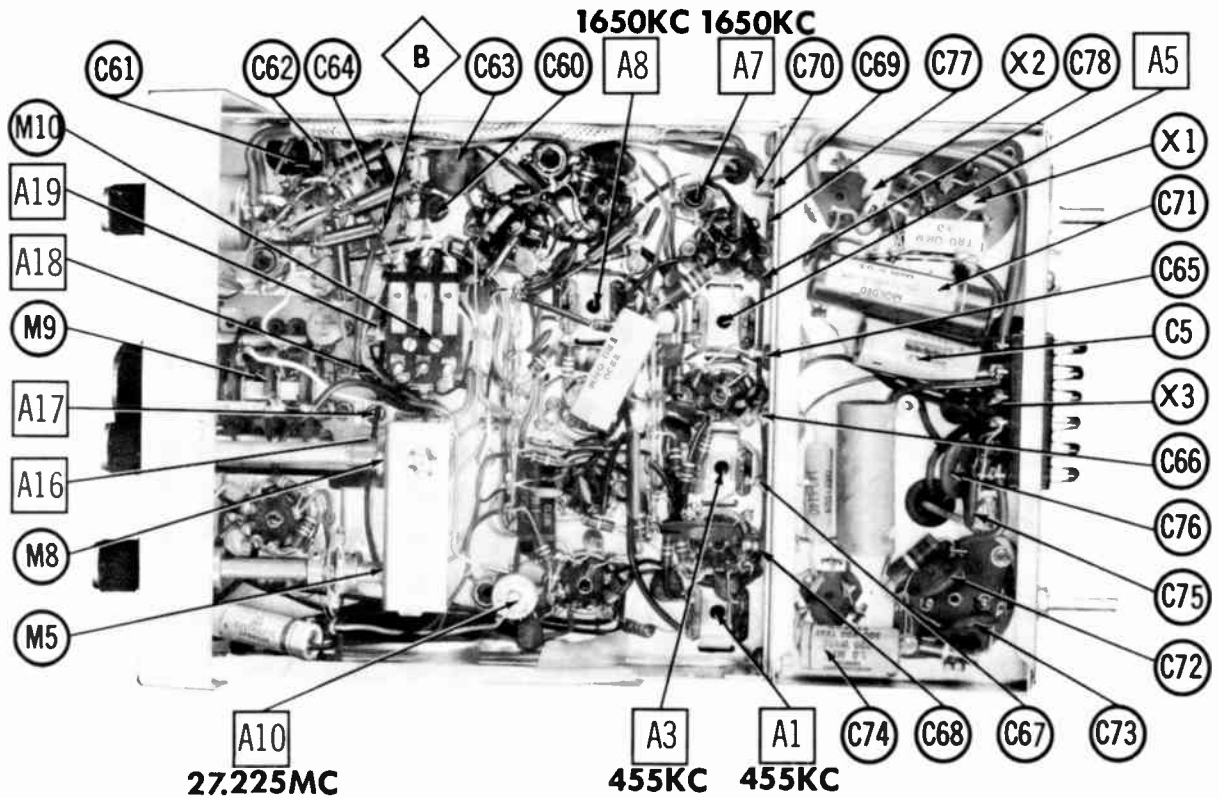
### TRANSMITTER ALIGNMENT

ONLY THOSE PERSONS PROPERLY LICENSED ARE PERMITTED TO MAKE REPAIRS OR ADJUSTMENTS WHICH MAY RESULT IN ILLEGAL OPERATION. (REFER TO FCC RULES & REGULATIONS PART 19, SUBPART D, SECTION 19.71)

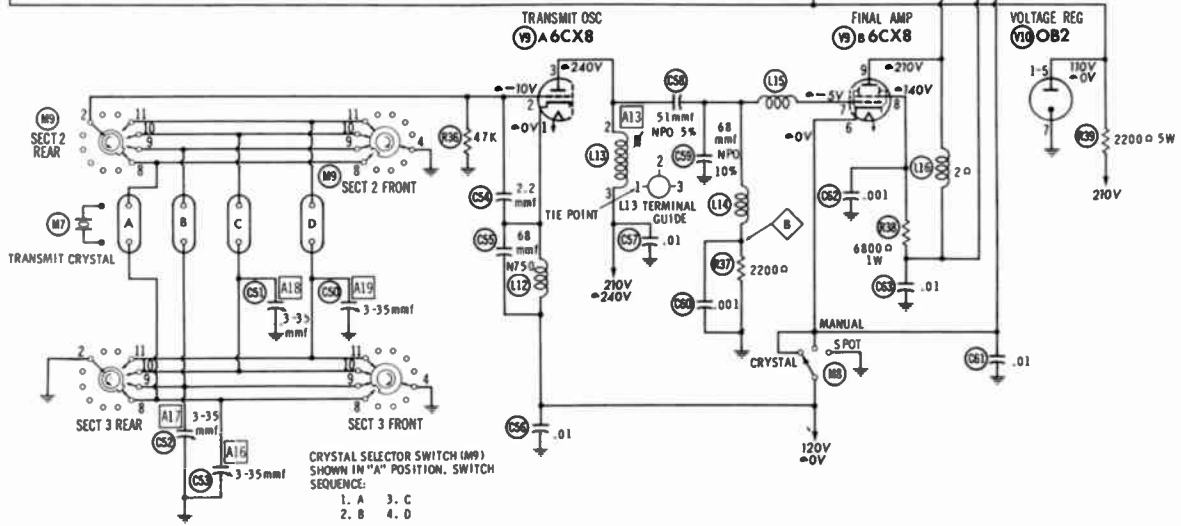
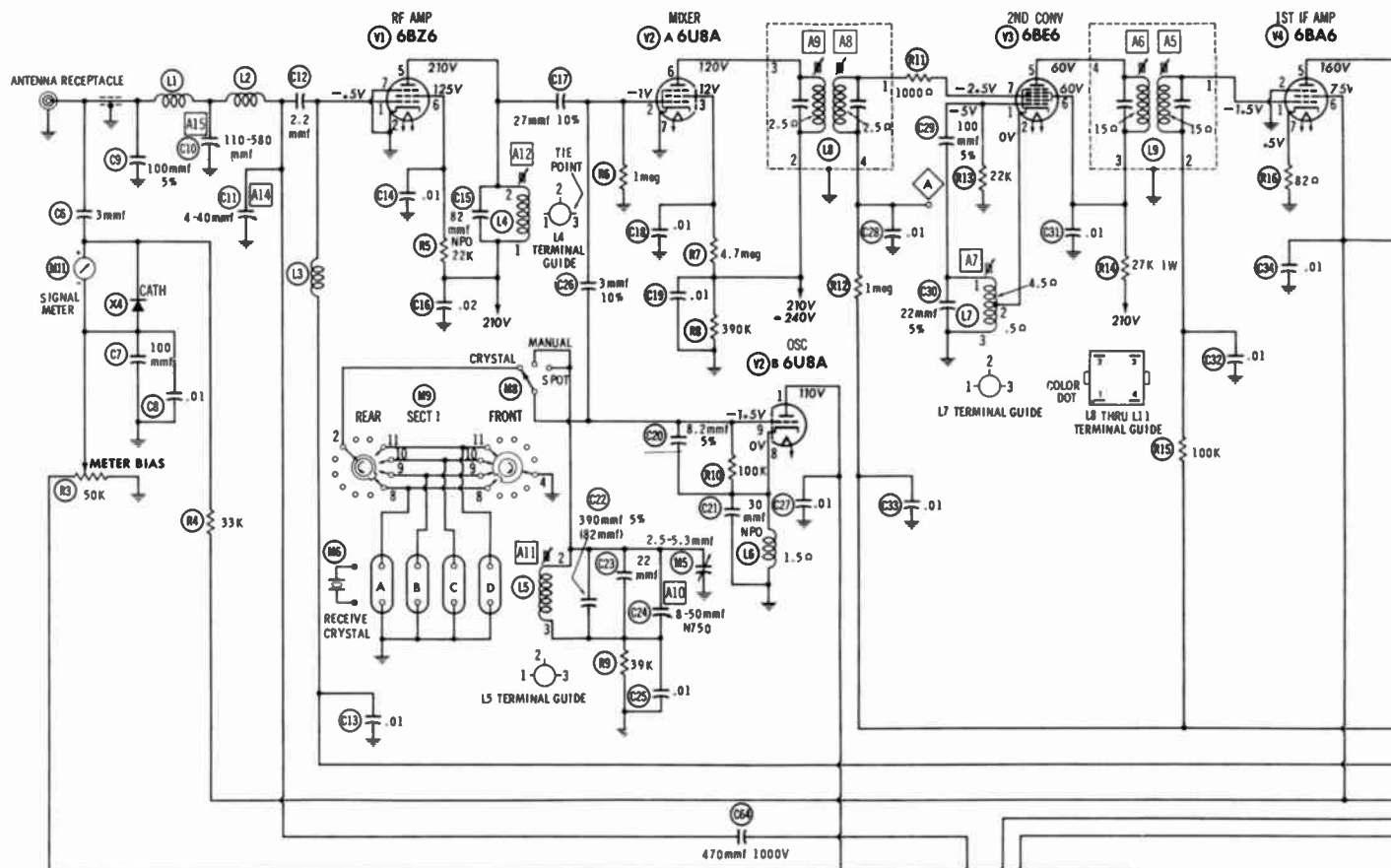
	SPECIAL INSTRUCTIONS	INDICATOR	ADJUST	REMARKS
1.	Connect dummy load or antenna. Set channel selector near center frequency.	RF Wattmeter and tuning meter front panel.	A13	Connect DC probe of VTVM to point $\diamond$ , common to ground. Depress microphone button. Adjust A13 for maximum deflection. Rock A13 to each side of peak, noting rate of dropoff. Set just below peak on side of dropoff. Remove VTVM.
2.	Antenna should be connected.	"	A14, A15	Key transmitter. Adjust for maximum as indicated by RF wattmeter or front panel meter.
3.		Qualified frequency meter.	A16, A17, A18, A19	Adjust so that each corresponding channel falls within .005% of frequency stamped on crystal.

GONSET MODELS G-15 (3428), G-15 (3429)









CRYSTAL SELECTOR SWITCH (M9)  
SHOWN IN "A" POSITION. SWITCH  
SEQUENCE:  
1. A 3. C  
2. B 4. D

RESISTANCE READINGS

ITEM	TUBE	Pin 1	Pin 2	Pin 3	Pin 4	Pin 5	Pin 6	Pin 7	Pin 8	Pin 9
V1	6BZ6	8.2meg	0 0	FIL	FIL	1430 0	122K	0 0		
V2	6U8	12200 0	1meg	15meg	FIL	FIL	1430 0	0 0	1 0	100K
V3	6BE6	22K	.5 0	FIL	FIL	127K	127K	2.5meg		
V4	6BA6	1.5meg	0 0	FIL	FIL	110K	178K	82 0		
V5	6AV6	1meg	0 0	FIL	FIL	11NF	110K	168K	82 0	
V6	6AV6	2.2meg	0 0	FIL	FIL	450K	8.2meg	1270K		
V7	6AL5	1.5meg	450K	FIL	FIL	2.5meg	NC	11.5meg		
V8	6CW5	NC	470K	220 0	FIL	FIL	TP	1700 0	NC	1100 0
V9	6CX8	11NF	12600 0	NC	NC	NC	11NF	12600 0	NC	0 0
V10	OB2	11NF	12600 0	NC	NC	NC	11NF	12600 0	NC	0 0

ALL READINGS TAKEN IN "RECEIVE" POSITION UNLESS OTHERWISE DESIGNATED.  
 • TAKEN IN "TRANSMIT" POSITION.  
 NC NO CONNECTION TP TIEPOINT ? MEASURED FROM OUTPUT OF X1  
 SQUELCH CONTROL SET FOR NORMAL OPERATION.

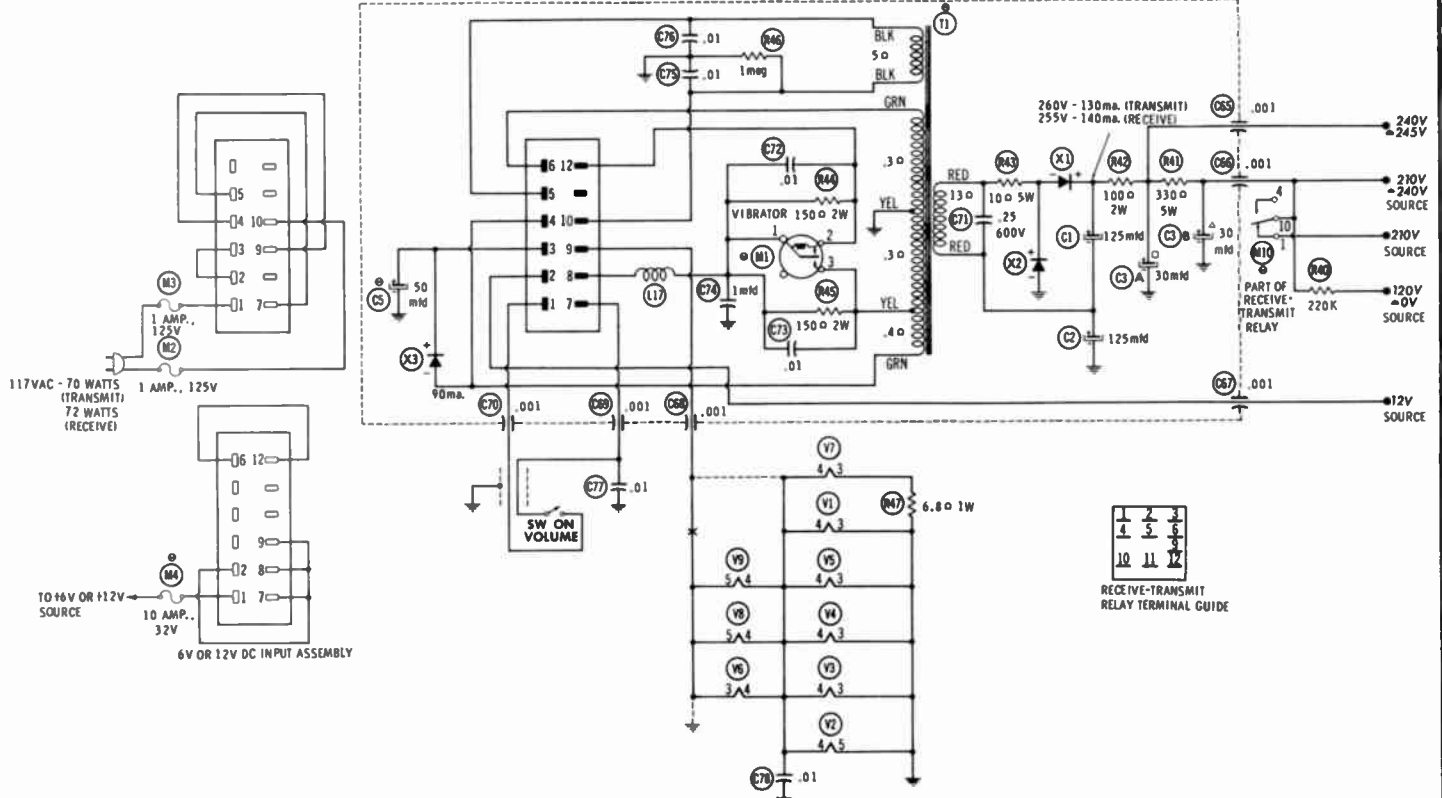
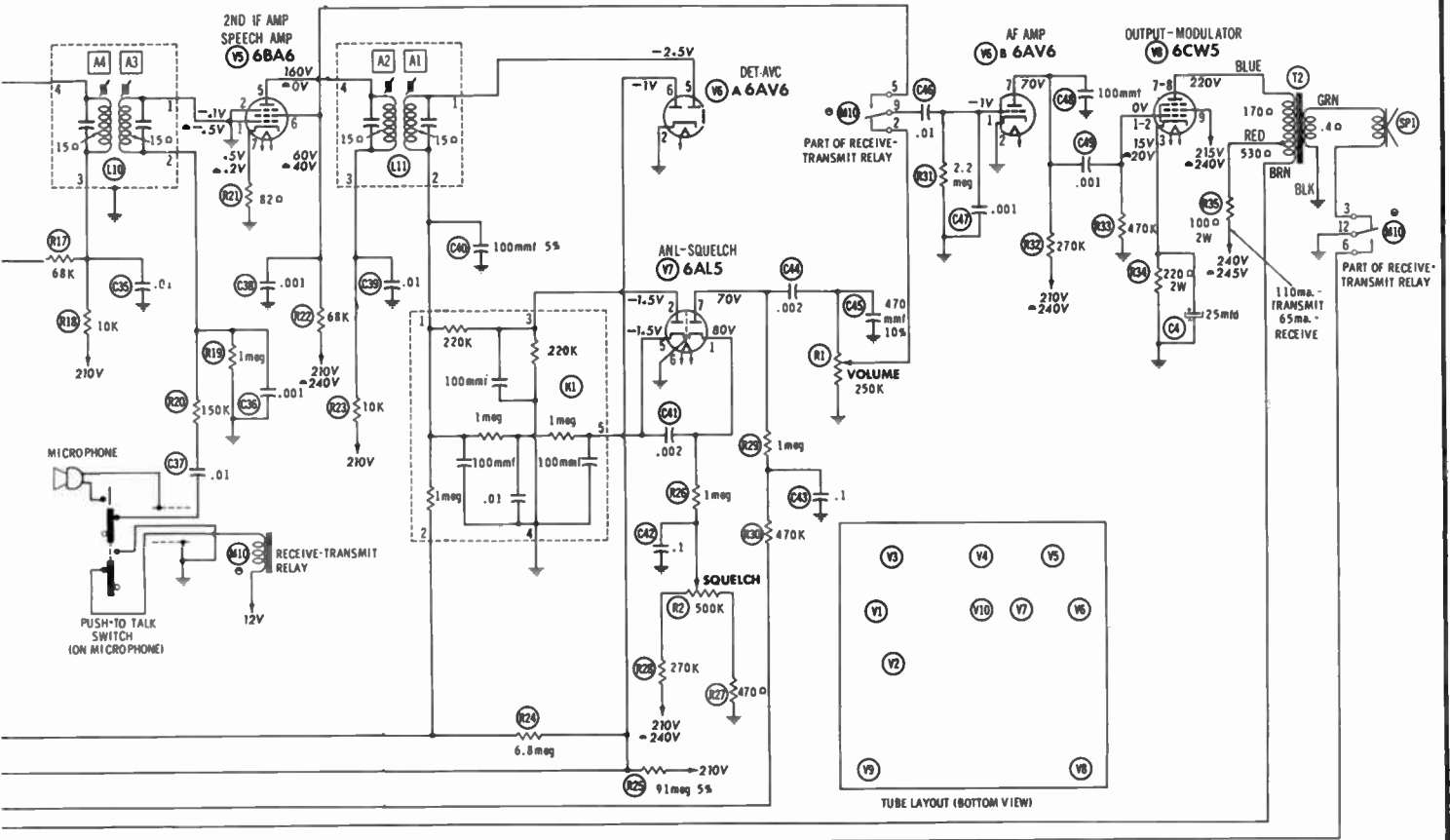
NUMBERS ASSIGNED TO COILS, SWITCHES, PLUGS, SOCKETS, AND TRANSFORMERS ARE TO FACILITATE CIRCUIT TRACING OR COMPONENT REPLACEMENT AND MAY NOT NECESSARILY BE FOUND ON THE UNIT.

SEE PARTS LIST FOR ALTERNATE VALUE OR APPLICATION

- DC voltage measurements taken with vacuum tube voltmeter; AC voltages measured with 1000 ohm per volt voltmeter.
- Socket connections are shown as bottom views.
- Measured values are from socket pin to common ground.
- Line voltage maintained at 117 volts for voltage readings.
- Nominal tolerance of component values makes possible a variation of ±15% in voltage and resistance readings.

A PHOTOFAC STANDARD NOTATION SCHEMATIC  
 ©Howard W Sams & Co., Inc. 1963





"SPOT" POSITION OF SWITCH M8 ENABLES THE RECEIVER TO BE TUNED TO THE EXACT TRANSMITTER FREQUENCY.

# PARTS LIST AND DESCRIPTION

## TUBES

• AMPEREX •			GENERAL ELECTRIC			• RCA •			RAYTHEON			• SYLVANIA •																	
ITEM No.	USE	TYPE	ITEM No.	USE	TYPE	ITEM No.	USE	TYPE	ITEM No.	USE	TYPE	ITEM No.	USE	TYPE															
V1	RF Amp.	6BZ6	V6	Det. -AVC-AF Amp.	6AV6	V2	Mixer-Osc.	6UBA	V7	ANL-Squeich	6AL5	V3	2nd Converter	6BE6	V8	Output-Modulator	6CW5	V4	1st IF Amplifier	6BA6	V9	Trans. Osc. -Final Amp.	6CX6	V5	2nd IF Amp. -Speech Amp.	6BA6	V10	Voltage Regulator	OB2

## POWER RECTIFIERS & SIGNAL DIODES

ITEM No.	CURRENT RATING (Measured)	ORIGINAL Part or Type No.	RECTIFIERS		DIODES	NOTES
			RCA PART No.	SARKES TARZIAN PART No.		
X1	.140A	474-010	1N3194	F4		HV Rectifier (5E4) HV Rectifier (5E4) Relay Control (1N2020) Meter Signal
X2	.140A	474-010	1N3194	F4		
X3	.090A	474-004	1N3193	2F4		
X4		475-001				

## ELECTROLYTIC CAPACITORS

ITEM No.	RATING		GONSET PART No.	REPLACEMENT DATA						
	CAP.	VOLT.		AEROVOX PART No.	CORNELL-DUBILIER PART No.	GENERAL ELECTRIC PART No.	MALLORY PART No.	PYRAMID PART No.	SPRAGUE PART No.	
C1	125	200	073-018							
C2	125	200	073-019		XA0312	XA0312	XC1-14	FP122		TVLS-1470*
C3A	30	350			XA0312	XA0312	XC1-14	FP122		TVLS-1470*
B	30	350	073-026	AFH2-39	B0310			FP227.3	TMD2365	TVL-2628
C4	25	25	073-127	PRS1260	BBR25-25		QT1-11	TC-26	TD-25-25	TVA-1205
C5	25	25	073-118 ①	PRS1265	BR50-25		QT1-15	TC-29	TD-50-25	TVA-1206

\* Not normally in distributor's stock. Available thru distributor on order to manufacturer.  
① Model G-15 (3428) uses 250mfd in this application (Part #073-078).

## FIXED CAPACITORS

ITEM No.	RATING	REMARKS	REPLACEMENT DATA					
			AEROVOX PART No.	CENTRALAB PART No.	CORNELL-DUBILIER PART No.	ELMENCO PART No.	MALLORY PART No.	SPRAGUE PART No.
C6	3		NPO-S1 3	DD-3R3	C10V3C	CCTO-3R3	GP-533	10TS-V33
C7	100		DI-100	DD-101	LI0T1	CCD-101	GP-310	10TS-T10
C8	.01		BPD-01	DD-103	BYA10S1	CCD-103	GP-110	10TS-S10
C9	100 5%		ADM-15-101	TC Z-100	C10T1U	CM-20B-10LJ	CNO-310	10TCC-T10
C10	110-580					467		
C11	4-40					422		
C12	2.2		NPO-S1 3.3	TC Z-2R2	C10V22C	CCTO-2R2	CNO-522	10TCC-V22
C13	.01		BPD-01	DD-103	BYA10S1	CCD-103	GP-110	10TS-S10
C14	.01		BPD-01	DD-103	BYA10S1	CCD-103	GP-110	10TS-S10
C15	82 NPO			TC Z-82	C10Q82C	CCTO-820	CNO-482	10TCC-Q82
C16	.02		BPD-02	DD-203	BYA10S2	CCD-203	GP-120	10TS-S20
C17	27 10%		DI-27	DD-270	LI0Q27	CCD-270	GP-427	10TS-Q27
C18	.01		BPD-01	DD-103	BYA10S1	CCD-103	GP-110	10TS-S10
C19	.01		BPD-01	DD-103	BYA10S1	CCD-103	GP-110	10TS-S10
C20	8.2 5%				C10V82C			10TCC-V82
C21	30 NPO		NPO-DI 33	TCZ-30	C10Q30C	CCTO-300		10TCC-Q30
C22	340 5%		ADM-15-391	TCN-390	22R5T39	CM-20B-391J		10TCU-T39
C23	22 5%		ADM-15-220	TC Z-22	C10Q22C	CCTO-220	CNO-422	10TCC-Q22
C24	8-50 N750			822-AN				
C25	.01		BPD-01	DD-103	BYA10S1	CCD-103	GP-110	10TS-S10
C26	3 10%		DI-3.3	DD-3R3	C10V3C	CCTO-3R3	GP-533	10TS-V33
C27	.01		BPD-01	DD-103	BYA10S1	CCD-103	GP-110	10TS-S10
C28	.01		BPD-01	DD-103	BYA10S1	CCD-103	GP-110	10TS-S10
C29	100 5%		ADM-15-101	TCZ-100	C10T1C	CCTO-101	CNO-310	10TCC-T10
C30	22 5%		ADM-15-220	TCZ-22	C10Q22C	CCTO-220	CNO-422	10TCC-Q22
C31	.01		BPD-01	DD-103	BYA10S1	CCD-103	GP-110	10TS-S10
C32	.01		BPD-01	DD-103	BYA10S1	CCD-103	GP-110	10TS-S10
C33	.01		BPD-01	DD-103	BYA10S1	CCD-103	GP-110	10TS-S10
C34	.01		BPD-01	DD-103	BYA10S1	CCD-103	GP-110	10TS-S10
C35	.01		BPD-01	DD-103	BYA10S1	CCD-103	GP-110	10TS-S10
C36	.001		BPD-001	DD-102	BYA10D1	CCD-102	GP-210	10TS-D10
C37	.01		BPD-01	DD-103	BYA10S1	CCD-103	GP-110	10TS-S10
C38	.001		BPD-001	DD-102	BYA10D1	CCD-102	GP-210	10TS-D10
C39	.01		BPD-01	DD-103	BYA10S1	CCD-103	GP-110	10TS-S10
C40	100 5%		ADM-15-101	TCZ-100	C10T1C	CCTO-101	CNO-310	10TCC-T10
C41	.002		BPD-002	DD-202	BYA10D2	CCD-202	GP-220	10TS-D20
C42	.1 200V		P288N-1	DF-104	CUB2P1	2DP-3-104	GEM-201	2PS-P10
C43	.1			DF-104	CUB6P1	6DP-4-104	GEM-601	6PS-P10
C44	.002		BPD-002	DD-202	BYA10D2	CCD-202	GP-220	10TS-D20
C45	470 10%		DI-470	DD-471	LI0T47	CCD-471	GP-347	10TS-T47
C46	.01		BPD-01	DD-103	BYA10S1	CCD-103	GP-110	10TS-S10
C47	.001		BPD-001	DD-202	BYA10D1	CCD-102	GP-210	10TS-D10
C48	100		DI-100	DD-101	LI0T1	CCD-101	GP-310	10TS-T10
C49	.001		BPD-001	DD-102	BYA10D1	CCD-102	GP-210	10TS-D10
C50	3-35					422		
C51	3-35					422		
C52	3-35					422		
C53	3-35					422		
C54	2.2		NPO-S1 2.2	TCZ-1R2	C10V22C	CCTO-2R2	CNO-522	10TCC-V22
C55	68 N750		N750-D1 68	TCN-68	C10Q68U	CCTN-680	CN7-468	10TCU-Q68
C56	.01		BPD-01	DD-103	BYA10S1	CCD-103	GP-110	10TS-S10
C57	.01		BPD-01	DD-103	BYA10S1	CCD-103	GP-110	10TS-S10
C58	51 NPO 5%		NPO-DI 50	TCZ-51	C10Q51C	CCTO-510	CNO-450	10TCC-Q50
C59	68 NPO 10%		NPO-DI 68	TCZ-68	C10Q68C	CCTO-680	CNO-468	10TCC-Q68
C60	.001		BPD-001	DD-102	BYA10D1	CCD-102	GP-210	10TS-D10

# PARTS LIST AND DESCRIPTION (CONTINUED)

## FIXED CAPACITORS (cont)

ITEM No.	RATING	REMARKS	REPLACEMENT DATA					
			AEROVOX PART No.	CENTRALAB PART No.	CORNELL-DUBLIER PART No.	ELMENCO PART No.	MALLORY PART No.	SPRAGUE PART No.
C61	.01		BPD-01	DD-103	BYA1061	CCD-103	GP-110	10TS-S10
C62	.001		BPD-001	DD-102	BYA10D1	CCD-102	GP-210	10TS-D10
C63	.01		BPD-01	DD-103	BYA1061	CCD-103	GP-110	10TS-S10
C64	470			DD30-471	HVB16T47	CCS-471	GP-347	10TS-T47
C65	.001		EF-001	FT-1000		CCF-102	CT250A	BH-240
C66	.001		EF-001	FT-1000		CCF-102	CT250A	BH-240
C67	.001		EF-001	FT-1000		CCF-102	CT250A	BH-240
C68	.001		EF-001	FT-1000		CCF-102	CT250A	BH-240
C69	.001		EF-001	FT-1000		CCF-102	CT250A	BH-240
C70	.001		EF-001	FT-1000		CCF-102	CT250A	BH-240
C71	.25 600V		P688N-25		CUB6P21	6DP-5-254	GEM-8025	6PS-P25
C72	.01		BPD-01	DD-103	BYA1061	CCD-103	GP-110	10TS-S10
C73	.01		BPD-01	DD-103	BYA10S1	CCD-103	GP-110	10TS-S10
C74	1mfd 200V		P288N-1		CUB2W1		GEM-21	2TM-M1
C75	.01		BPD-01	DD-103	BYA1061	CCD-103	GP-110	10TS-S10
C76	.01		BPD-01	DD-103	BYA1061	CCD-103	GP-110	10TS-S10
C77	.01		BPD-01	DD-103	BYA1061	CCD-103	GP-110	10TS-S10
C78	.01		BPD-01	DD-103	BYA1061	CCD-103	GP-110	10TS-S10

† Alternate Value.

## CONTROLS

All wattages 1/2 watt, or less, unless otherwise listed.

ITEM No.	USE	RESISTANCE	REPLACEMENT DATA				
			GONSET PART No.	CENTRALAB PART No.	CLAROSTAT PART No.	CTS-IRC PART No.	MALLORY PART No.
R1	Volume & Switch	250K	052-081	B-51, KR-1 or (F2-250K, KR-1, SU204)	A47-250K-Z, SWE-12, FS-3	Q13-130, 76-1 *	U44, US-26 or (UA254A, US-41, SF1000)
R2	Squelch	500K	052-082	B-59 or (F1-500K, SU204)	A47-500K-S, FS-3	Q11-133	U50 or (UA55L, SF1000)
R3	Bias, Meter	50K	052-109	AB-31, AK-1 or (F1-50K, SS006)	A47-50K-Z, FKS-1/2		UA54A

\* Use Metal Housing Switch.

## RESISTORS

All wattages 1/2 watt, or less, unless otherwise listed.

ITEM No.	RATING	REPLACEMENT DATA			ITEM No.	RATING	REPLACEMENT DATA		
		IRC PART No.	WORKMAN PART No.	REMARKS			IRC PART No.	WORKMAN PART No.	REMARKS
R4	33K				R27	470Ω			
R5	22K				R28	270K			
R6	1meg				R29	1meg			
R7	4.7meg				R30	470K			
R8	390K				R31	2.2meg			
R9	39K				R32	270K			
R10	100K				R33	470K			
R11	1000Ω				R34	220Ω 2W			
R12	1meg				R35	100Ω 2W			
R13	22K				R36	47K			
R14	27K 1W				R37	2200Ω			
R15	100K				R38	6800Ω 1W			
R16	82Ω				R39	2200Ω 5W	PW5-2200	5W-SQ-2200	
R17	68K				R40	220K			
R18	10K				R41	330Ω 5W	PW5-330	5W-SQ-330	
R19	1meg				R42	100Ω 2W			
R20	150K				R43	10Ω 5W	PW5-10	5W-SQ-10	
R21	82Ω				R44	150Ω 2W			
R22	68K				R45	150Ω 2W			
R23	10K				R46	1meg			
R24	6.8meg				R47	6.8Ω 1W			
R25	91meg 5%								
R26	1meg								

## COILS (RF-IF)

ITEM No.	USE	REPLACEMENT DATA					NOTES
		GONSET PART No.	Merit PART No.	Miller PART No.	Stancor PART No.	Workman PART No.	
L1	RF Choke (.56uh)	027-077	TV-239	4588	RTC-8513	T958	
L2	Final Tank (2uh)	012-512					
L3	RF Choke (5.6uh)	027-028	BC-565	4609	RTC-8519	T959	
L4	Rec. RF Coil	012-414	TV-118	6171-A	RTC-8609	T216	
L5	Rec. Osc. Coil	012-544		4202			
L6	RF Choke (5.4uh)	027-004	BC-565	4609	RTC-8519	T959	
L7	Rec. Osc. Coil	012-511					
L8	1650K IF	014-032					
L9	455KC IF	014-086	BC-352	12-C1	RTC-8632	T807	
L10	455KC IF	014-086	BC-353	12-C2	RTC-8633	T808	
L11	455KC IF	014-086	BC-353	12-C2	RTC-8633	T808	
L12	RF Choke (5.6uh)	027-028	BC-565	4609	RTC-8519	T959	
L13	Osc. Doubler	012-415	TV-118	4304	RTC-8609	T216	
L14	RF (5.6uh)	027-028	BC-565	4609	RTC-8519	T959	
L15	RF (.47uh)	027-073	TV-239	4588	RTC-8513	T958	
L16	RF (15uh)	027-032		4624	RTC-8524		
L17	Haah Choke	027-010	BC-537	5219	RTC-9181	T963	

## COMPONENT COMBINATIONS

ITEM No.	USE	DESCRIPTION	GONSET PART No.	REPLACEMENT DATA
K1	Squelch-AVC Network	.01mfd, (3) 100mfd, (2) 220K, (3) 1meg	069-003	

GONSET MODELS G-15 (3428), G-15 (3429)

# PARTS LIST AND DESCRIPTION (CONTINUED)

## TRANSFORMER (POWER)

ITEM No.	RATING			REPLACEMENT DATA					NOTES
	PRI.	SEC. 1	SEC. 2	GONSET PART No.	MERIT PART No.	STANCOR PART No.	THORDARSON PART No.	TRIAD PART No.	
T1	117VAC ① .66A (or) 12, 6VDC ② 5A	115VAC ① .14A DC	12, 6VAC ② 1.8A	271-068-F ①					① Part #271-071-C used in Model G-15 (3428)

## TRANSFORMER (AUDIO OUTPUT)

ITEM No.	IMPEDANCE		REPLACEMENT DATA					NOTES
	PRI.	SEC.	GONSET PART No.	Merit PART No.	Stancor PART No.	Thordarson PART No.	Triad PART No.	
T2	11K Tap ① 3600Ω	3-4Ω	273-016					

## SPEAKER

ITEM No.	TYPE			REPLACEMENT DATA		NOTES
	SIZE	FIELD	V. C. IMP.	GONSET PART No.	QUAM PART No.	
SP1	3"x 5"	PM	3-4Ω	152-023	35A05	

## VIBRATOR

ITEM No.	TYPE	INPUT VOLTS	FRE-QUENCY	REPLACEMENT DATA			NOTES
				GONSET PART No.	CORNELL-DUBILIER PART No.	MALLORY PART No.	
M1	Interrupter Interrupter	12 6	115V 115V	117-003	6371	G1801	Model G-15 (3429) Model G-15 (3428)
				117-008	5371	1801	

## FUSES

ITEM No.	TYPE	RATING	REPLACEMENT DATA					
			GONSET PART No.		LITTELFUSE PART No.		BUSS PART No.	
			FUSE	HOLDER	FUSE	HOLDER	FUSE	HOLDER
M2	3AG 8/B	1A 125V	482-055		313001 (3AG 1A 250V)		MDL 1	
M3	3AG 8/B	1A 125V	482-055		313001 (3AG 1A 250V)		MDL 1	
M4	3AG	10A 32A	482-007 ①		311010 (3AG 10A 32V)	155020	AGC 10	HHJ-B
	3AG	20A 32V	482-008 ②		307020 (3AG 20A 32V)	155020	AGC20	HRJ

① 12-Volt Version.  
② 6-Volt Version.

## MISCELLANEOUS

ITEM No.	PART NAME	GONSET PART No.	NOTES
M5	Tuning Cap.	074-112	1 Gang (2, 5-5, 3mmf)
M6	Crystal	486-101-R	Receive (Specify Channel & Frequency Desired)
M7	Crystal	486-101-T	Transmit (Specify Channel & Frequency Desired)
M8	Switch	171-134	Crystal, Manual, SPOT (Rotary Wafer Type)
M9	Switch	171-096	Crystal Selector (Rotary Wafer Type)
M10	Relay	111-091	Receive-Transmit (12V)
M10	Relay	111-090	Receive-Transmit (8V)
M11	Meter	112-040	Signal

## WIRING DATA

General-use Hook-up Wire . . . . .	Use BELDEN No. 8530 (Solid) Available in 12 Colors 8524 (Stranded) Available in 12 Colors
Shielded Antenna Lead . . . . .	Use BELDEN No. 8214 Lowest Loss (RG-8/U Type) 8237 Low Loss (RG-8/U) 8240 (Solid) Miniature (RG-58/U) 8259 (Stranded) Miniature (RG-58A/U)
Coiled Microphone Cable . . . . .	Use BELDEN No. 8497 3 Conductor- 1 Shielded for Press-to-Talk (Neoprene) 8496 3 Conductor- 1 Shielded for Press-to-Talk (Vinyl)
Ignition Noise Suppression . . . . .	Use BELDEN No. 7300-Series Spark-Plug Sets
Bonding Strap . . . . .	Use BELDEN No. 8861 (3/8 In.)



# PHOTOFACT®

TRADE NAME : Heath Models GW-11A, GWW-11A,  
GW-11D, GWW-11D

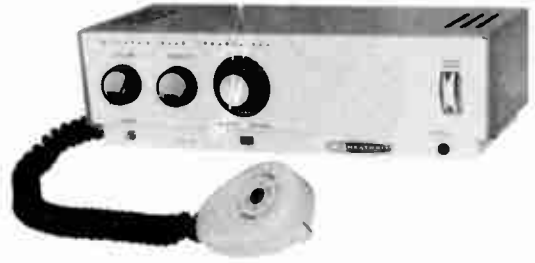
SUPPLIER : Heath Co., A Subsidiary of Daystrom, Inc.  
Benton Harbor, Michigan

TYPE SET : 8 Tube Transceiver

POWER SUPPLY : 110-120 Volts AC (or)  
6 (or) 12 Volt Storage Battery

RATING : 45 Watts, .44A @ 117VAC (Receive)  
60 Watts, .58A @ 117VAC (Transmit)  
3.0A @ 12.6VDC (Receive)  
3.7A @ 12.6VDC (Transmit)

TUNING RANGE: TRANSMITTER: Any 3 of CB Channels 1 thru 23  
RECEIVER: Any one Crystal Controlled channel  
or continuously variable.



## ALIGNMENT INSTRUCTIONS

### ALIGNMENT INSTRUCTIONS—READ CAREFULLY BEFORE ATTEMPTING ALIGNMENT

Suggested Alignment Tools:  
A1 thru A4, A6 thru A11... GENERAL CEMENT #8282, 8606, 9295..... WALSCO #2526, 2545, 2544  
A5..... GENERAL CEMENT #5004, 5009, 8195..... WALSCO #8989, 9291

#### RECEIVER ALIGNMENT

	SIGNAL GENERATOR	CHANNEL	ADJUST	REMARKS
1.	High side to antenna terminal, common to ground. Tune to 455KC (Unmod.)		A1, A2, A3, A4	Connect DC probe VTVM to pin 6 of V4, common to ground. Adjust for maximum deflection.
2.	High side to antenna terminal, common to ground. Tune to channel frequency.	23 (27.255MC)	A5	Crystal-Variable switch in variable position. Adjust for maximum deflection.
3.	"	1 (26.965MC)	A6	Check for receiver tracking at this point. If sharp rise in VTVM indication is found as receiver is tuned to channel 1, no adjustment of A6 is needed. When adjustment of A6 is necessary, return to step 2 and check high channel tracking.
4.	"	12	A7	Adjust for maximum output.
5.	Not Used.		A8	Crystal-Variable switch in crystal position. Connect DC probe of VTVM to pin 9 of V1, common to ground. Rock A8 to each side of peak noting rate of droppoff. Set A8 just below peak on side of gradual droppoff.

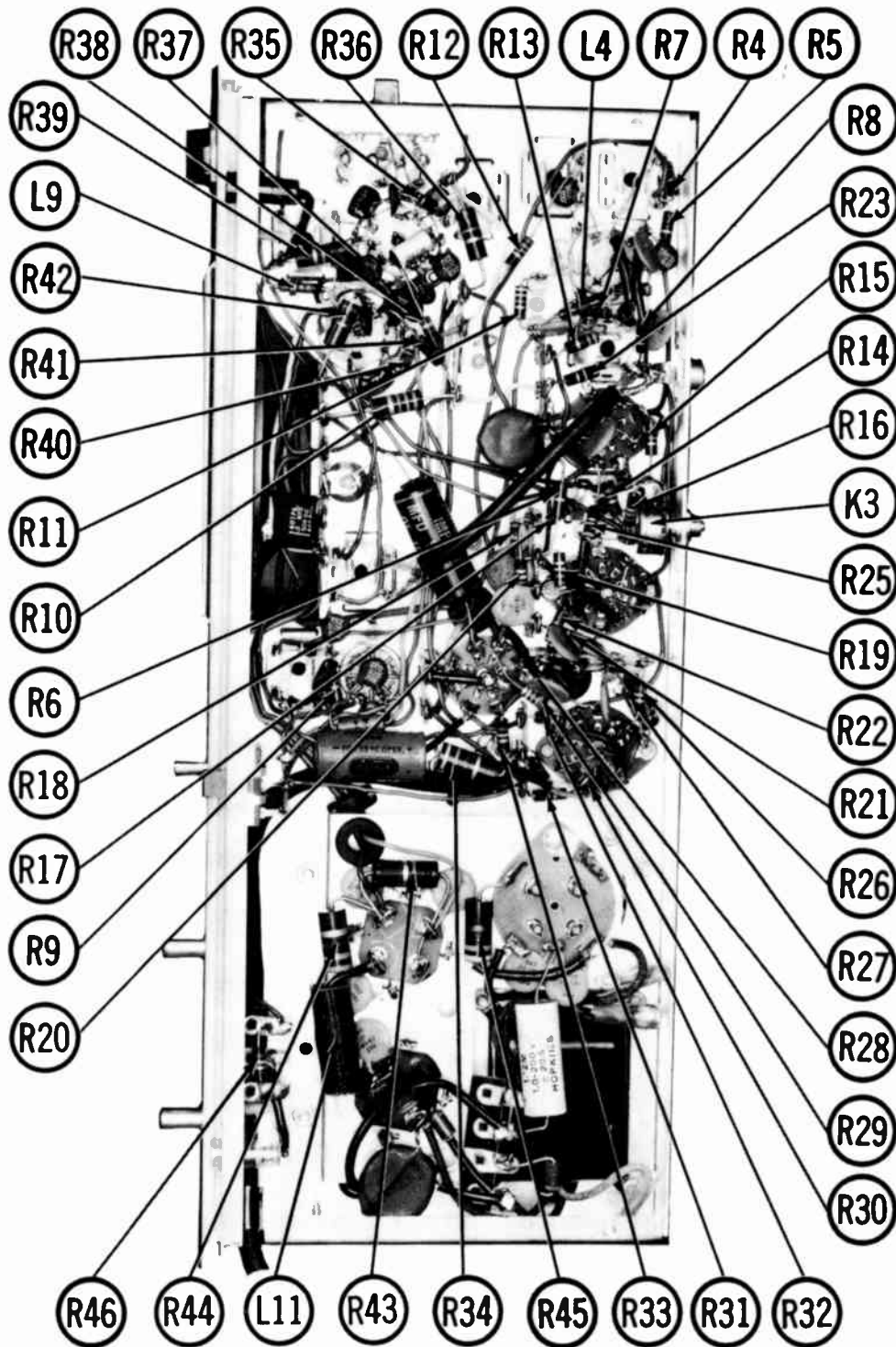
#### TRANSMITTER ALIGNMENT

ONLY THOSE PERSONS PROPERLY LICENSED ARE PERMITTED TO MAKE REPAIRS OR ADJUSTMENTS WHICH MAY RESULT IN ILLEGAL OPERATION. (REFER TO FCC RULES & REGULATIONS PART 19, SUBPART D, SECTION 19.71)

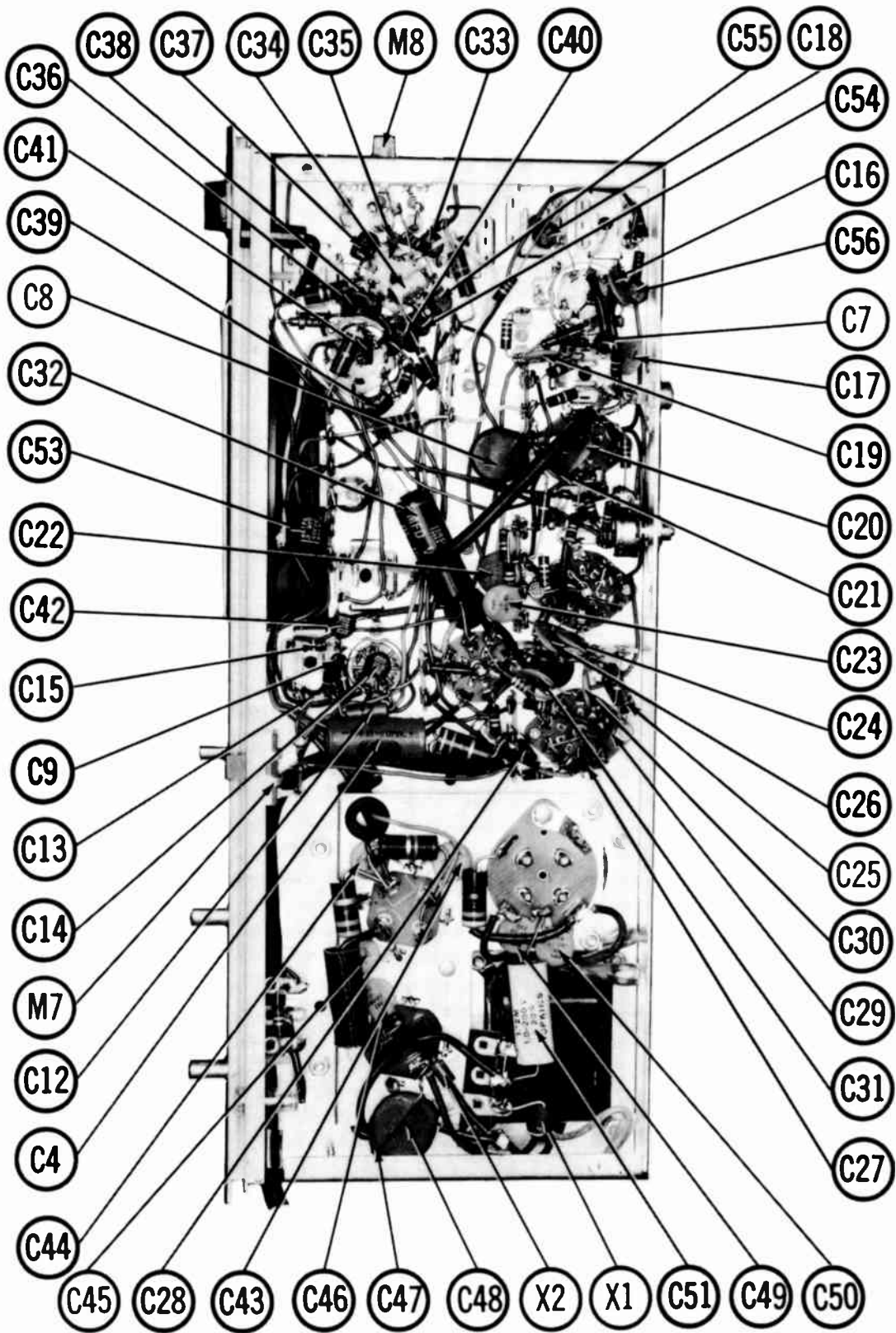
	SPECIAL INSTRUCTIONS	INDICATOR	ADJUST	REMARKS
1.	Place crystal selector switch on or near the centermost channel as covered by the unit.	Connect dummy load and RF watt-meter to antenna terminal.  Tuning meter on front panel may be used as output indicator if RF Watt-meter is not available.	A9	Key Transmitter. Rock A9 to each side of peak noting rate of droppoff; Set A9 just below peak on side of gradual droppoff.
2.	"	"	A10, A11	Adjust for maximum output.

HEATH MODELS GW-11A/-11D, GWW-11A/-11D

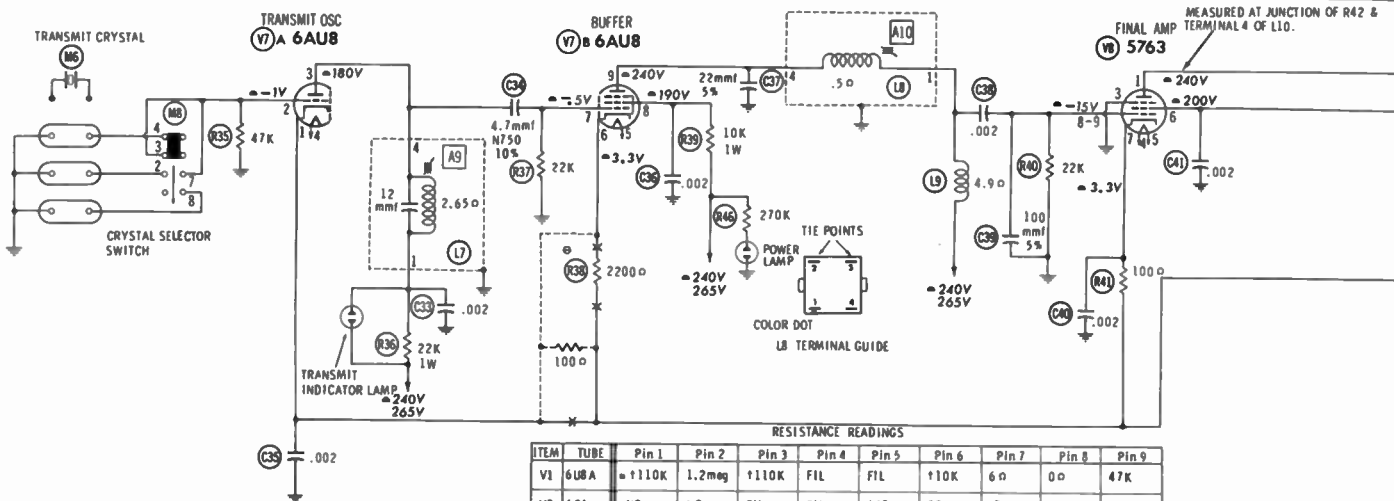
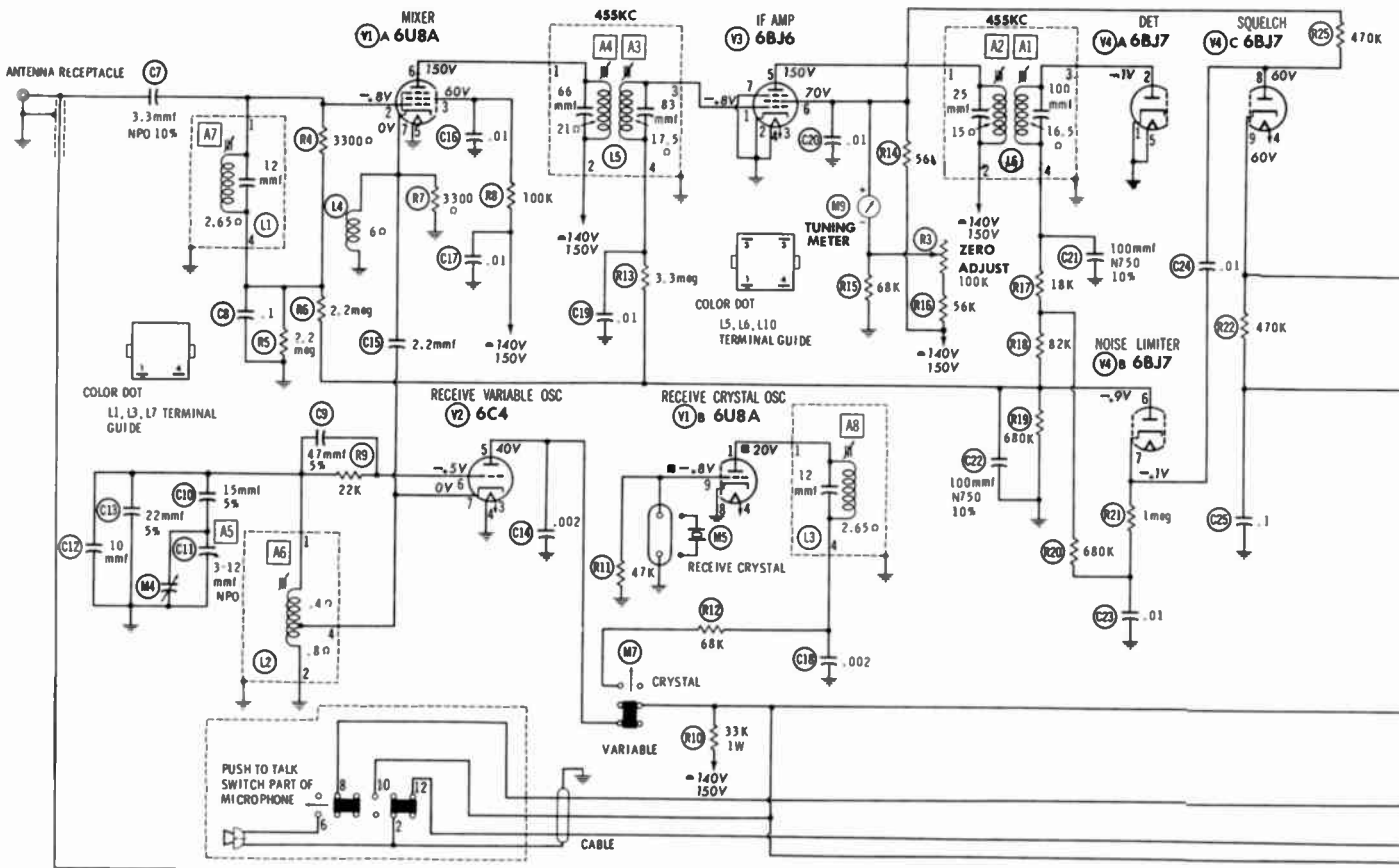
**HOWARD W. SAMS & CO., INC.** Indianapolis 6, Indiana



CHASSIS BOTTOM VIEW – RESISTOR & INDUCTOR IDENT. (DC POWER)



CHASSIS BOTTOM VIEW — CAPACITOR & MISC. IDENT. ( DC POWER)



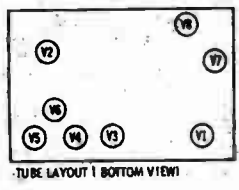
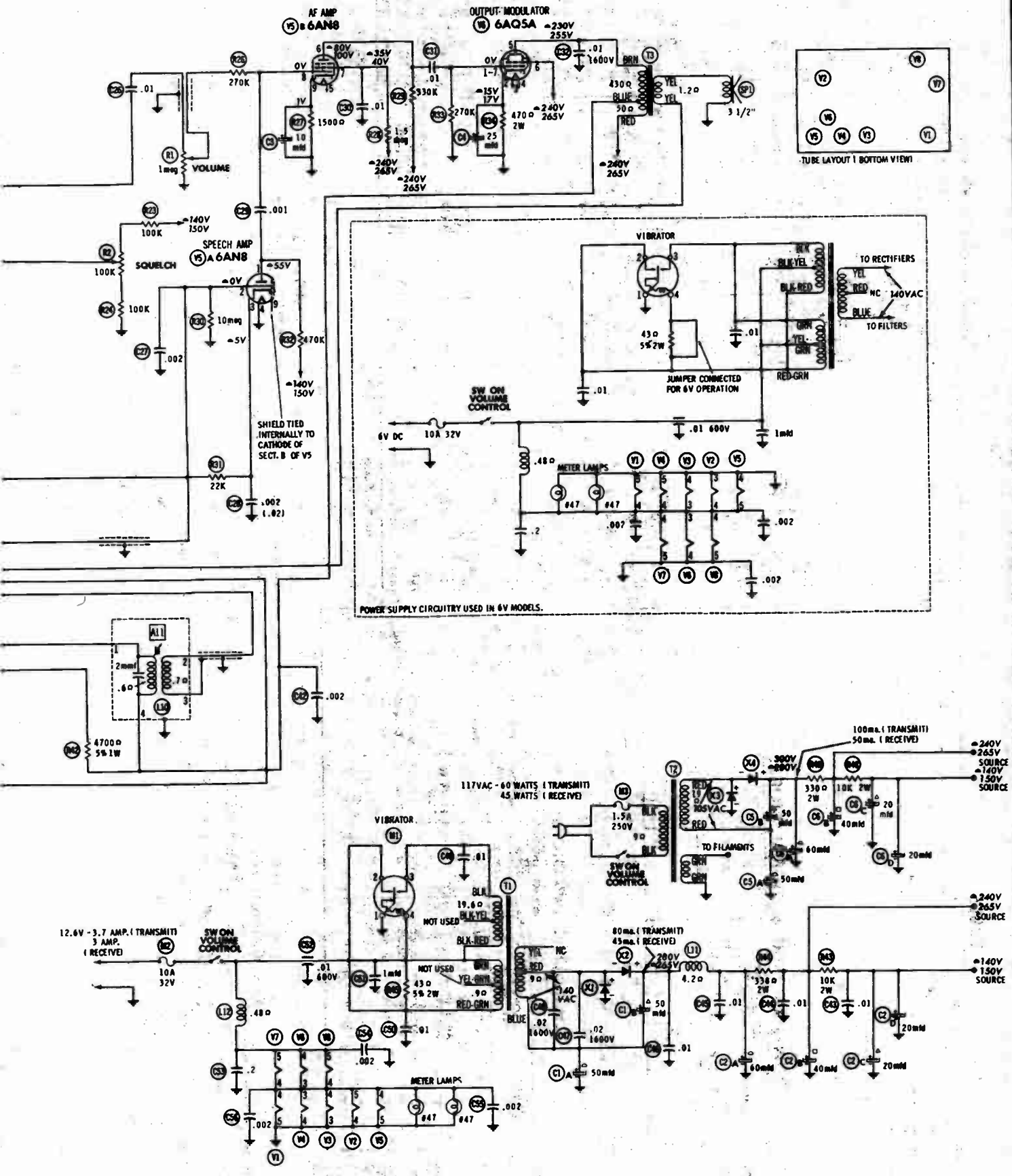
RESISTANCE READINGS										
ITEM	TUBE	Pin 1	Pin 2	Pin 3	Pin 4	Pin 5	Pin 6	Pin 7	Pin 8	Pin 9
V1	6U8A	+110K	1.2meg	+110K	FIL	FIL	+10K	6Ω	0Ω	47K
V2	6C4	NC	NC	FIL	FIL	+43K	22K	.8Ω		
V3	6BJ6	4meg	0Ω	FIL	FIL	+10K	+60K	0Ω		
V4	6BJ7	0Ω	750K	NC	FIL	FIL	680K	2.5meg	+535K	600K
V5	6AQ5A	+480K	10meg	+22K	FIL	FIL	+330K	+1.5meg	500K	1500Ω
V6	6AQ5A	270K	470Ω	FIL	FIL	+810Ω	+330Ω	270K		
V7	6AU8	0Ω	47K	+22K	FIL	FIL	+2200Ω	22K	+10K	+350Ω
V8	5763	+380Ω	NC	0Ω	FIL	FIL	+5000Ω	+100Ω	22K	22K

- Ⓞ See parts list for alternate value or application.  
 1. Voltage measurements taken with vacuum tube voltmeter.  
 2. All controls set for normal operation, no signal applied.  
 3. Measured values are from socket pin or terminal to common ground.  
 4. All terminals viewed from bottom unless otherwise designated.  
 5. Numbers assigned to terminals may not be found on the unit.  
 6. Supply voltage maintained at rated value for voltage readings.

A PHOTOFAC STANDARD NOTATION SCHEMATIC  
 ©Howard W Sams & Co., Inc 1963

ALL READINGS TAKEN IN "RECEIVE" POSITION UNLESS OTHERWISE DESIGNATED.  
 • TAKEN IN "TRANSMIT" POSITION.  
 • VARIABLE - CRYSTAL SWITCH IN "CRYSTAL" POSITION.  
 NC NO CONNECTION  
 † MEASURED FROM OUTPUT OF X2 OR X4.





## PARTS LIST AND DESCRIPTION

## TUBES

• AMPEREX •		GENERAL ELECTRIC •		RCA •		RAYTHEON •		SYLVANIA •	
ITEM No.	USE	TYPE		ITEM No.	USE	TYPE			
V1	Mixer-Receive Crystal Osc.	6U6A		V5	Speech Amp. -AF Amp.	6AU6			
V2	Receive Variable Osc.	6C4		V6	Output-Modulator	6AQ5A			
V3	IF Amp.	6BJ6		V7	Transmitter Osc. -Buffer	6AU8			
V4	Det. -Noise Limiter-Squelch	6BJ7		V8	Final Amp.	5763			

## POWER RECTIFIERS &amp; SIGNAL DIODES

ITEM No.	CURRENT RATING (Measured)	ORIGINAL Part or Type No.	RECTIFIERS		DIODES	NOTES
			RCA PART No.	SARKES TARZIAN PART No.		
X1	.080A	57-27	1N3194	F4		HV Rectifier HV Rectifier HV Rectifier HV Rectifier
X2	.060A	57-27	1N3194	F4		
X3	.100A	57-27	1N3194	F4		
X4	.100A	57-27	1N3194	F4		

## ELECTROLYTIC CAPACITORS

ITEM No.	RATING		REPLACEMENT DATA						
	CAP.	VOLT.	HEATH PART No.	AEROVOX PART No.	CORNELL-DUBILIER PART No.	GENERAL ELECTRIC PART No.	MALLORY PART No.	PYRAMID PART No.	SPRAGUE PART No.
C1A	.50	200	25-58	AFH2-33	B0260	XC2-33	FP240	TMD-2655	TVL-2576
B	.80	200							
C2A	.80	450	25-93	AFH3-45-25 PRSI570			FP444.95 TC78		
B	.40	350							
C	.20	350							
D	20	250							
C3	10	10	25-54	PTT39	NLW10-15	MT1-5	TT12X10	MLV10-10	TE-1114
C4	25	25	25-44	PRSI260	BBR25-25	QT1-11	TC-26	TD-25-25	TVA-1205
C5A	.50	200	25-58	AFH2-33	B0260	XC2-33		TMD-2655	TVL-2576
B	.50	200							
C	.80	450							
D	.40	350							
C6A	.80	450	25-93	AFH3-45-25 PRSI570					
B	.40	350							
C	.20	350							
D	20	250							

## FIXED CAPACITORS

ITEM No.	RATING	REMARKS	REPLACEMENT DATA					
			AEROVOX PART No.	CENTRALAB PART No.	CORNELL-DUBILIER PART No.	ELMENCO PART No.	MALLORY PART No.	SPRAGUE PART No.
C7	3.3 NPO 10%		NPO-DI 3.3	TCZ-3R3	C10V33C	CC TO-3R3	CNO-533	10TCC-V33
C8	.1 50V		TTD-1	CK-104	CUB2P1	IDP-2-104	GEM-201	2PS-P10
C9	47 5%		ADM-15-470	TCZ-47	C10Q47C	CM-15-470J	CNO-447	10TCC-Q47
C10	15 5%		ADM-15-150	TCZ-15	C10Q15C	CM-15-150J	CNO-415	10TCC-Q15
C11	3-12 NPO	#31-13		822-BZ				

## FIXED CAPACITORS (cont)

ITEM No.	RATING	REMARKS	REPLACEMENT DATA					
			AEROVOX PART No.	CENTRALAB PART No.	CORNELL-DUBILIER PART No.	ELMENCO PART No.	MALLORY PART No.	SPRAGUE PART No.
C12	10		ADM-15-100	TCZ-10	C10Q1C	CM-15-100J	MCE-215	10TCC-Q10
C13	22 5%		ADM-15-200	TCZ-22	C10Q22C	CM-15-220J		10TCC-Q22
C14	.002		BPD-002	DD-202	BYA10D2	CCD-202	GP-220	10TCC-D20
C15	2.2			TCZ-2R2	C10V22C	CC TO-2R2	CNO-522	10TCC-V22
C16	.01		BPD-01	DD-103	BYA10S1	CCD-103	GP-110	10TSS-S10
C17	.01		BPD-01	DD-103	BYA10S1	CCD-103	GP-110	10TSS-S10
C18	.002		BPD-002	DD-202	BYA10D2	CCD-202	GP-220	10TSS-D20
C19	.01		BPD-01	DD-103	BYA10S1	CCD-103	GP-110	10TSS-S10
C20	.01		BPD-01	DD-103	BYA10S1	CCD-103	GP-110	10TSS-S10
C21	100 10% N750		N750-DI 100	TCN-100	C10T1U	CC TN-101	CN7-310	10TCU-T10
C22	100 10% N750		N750-DI 100	TCN-100	C10T1U	CC TN-101	CN7-310	10TCU-T10
C23	.01		BPD-01	DD-103	BYA10S1	CCD-103	GP-110	10TSS-S10
C24	.01		BPD-01	DD-103	BYA10S1	CCD-103	GP-110	10TSS-S10
C25	.1 200V		P266N-1	DF-104	CUB2P1	2DP-2-104	GP-110	10TSS-S10
C26	.01		BPD-01	DD-103	BYA10S1	CCD-103	GEM-201	2PS-P10
C27	.002		BPD-002	DD-202	BYA10D2	CCD-202	GP-220	10TSS-D20
C28	.002		BPD-002	DD-202	BYA10D2	CCD-202	GP-220	10TSS-D20
C29	.001		BPD-001	DD-102	BYA10D1	CCD-102	GP-210	10TSS-D10
C30	.01		BPD-01	DD-103	BYA10S1	CCD-103	GP-110	10TSS-S10
C31	.01		BPD-01	DD-103	BYA10S1	CCD-103	GP-110	10TSS-S10
C32	.01 1600V		P1684CM-01	DD16-103	CUB16S1	16CP-4-103	2HV-110	30GA-S10
C33	.002		BPD-002	DD-202	BYA10D2	CCD-202	GP-220	10TSS-D20
C34	4.7 10% N750			TCN-5	C10V5U	CC TN-050	CN7-547	10TCU-V50
C35	.002		BPD-002	DD-202	BYA10D2	CCD-202	GP-220	10TSS-D20
C36	.002		BPD-002	DD-202	BYA10D2	CCD-202	GP-220	10TSS-D20
C37	22 5%		ADM-15-220	TCZ-22	C10Q22C	CM-15-220J	CNO-422	10TCC-Q22
C38	.002		BPD-002	DD-202	BYA10D2	CCD-202	GP-220	10TSS-D20
C39	100 5%		ADM-15-101	TCZ-100	C10T1U	CC TN-101	CNO-310	10TCC-T10
C40	.002		BPD-002	DD-202	BYA10D2	CCD-202	GP-220	10TSS-D20
C41	.002		BPD-002	DD-202	BYA10D2	CCD-202	GP-220	10TSS-D20
C42	.002		BPD-002	DD-202	BYA10D2	CCD-202	GP-220	10TSS-D20
C43	.01		BPD-01	DD-103	BYA10S1	CCD-103	GP-110	10TSS-S10
C44	.01		BPD-01	DD-103	BYA10S1	CCD-103	GP-110	10TSS-S10
C45	.01		BPD-01	DD-103	BYA10S1	CCD-103	GP-110	10TSS-S10
C46	.01		BPD-01	DD-103	BYA10S1	CCD-103	GP-110	10TSS-S10
C47	.02 1600V	#21-38				16CP-5-203		
C48	.02 1600V	#21-38				16CP-5-203		
C49	.01		BPD-01	DD-103	BYA10S1	CCD-103	GP-110	10TSS-S10
C50	.01		BPD-01	DD-103	BYA10S1	CCD-103	GP-110	10TSS-S10
C51	1mf 200V						GEM-21	2TM-M1
C52	.01 600V	#23-81						
C53	.2 50V							
C54	.002		BPD-002	DD-202	CUB6P2	2CP-5-204	GEM-402	2P6-P20
C55	.002		BPD-002	DD-202	BYA10D2	CCD-202	GP-220	10TSS-D20
C56	.002		BPD-002	DD-202	BYA10D2	CCD-202	GP-220	10TSS-D20

# Heath Part Number.

## CONTROLS

All wattages 1/2 watt, or less, unless otherwise listed.

ITEM No.	USE	RESISTANCE	REPLACEMENT DATA				
			HEATH PART No.	CENTRALAB PART No.	CLAROSTAT PART No.	CTS-IRC PART No.	MALLORY PART No.
R1	Volume, Switch	1meg	19-53	B-70-S or (F2-1meg, KR-1, SU204)	A47-1meg-Z, SWE-12, FS-3	Q13-137, 76-1 † (BU2, CF26, SSI, GC) *	U-53, US-26, or (UA16A, US-41, SF1000)
R2	Squelch	100K	10-108	B-40 or (F1-100K, SU204)	A47-100K-S, FS-3	Q11-128, or (BU2, CF13, SSI, DC9) *	U-41, or (UA15L, SF1000)
R3	Zero Adj. (Meter)	100K	10-121	JL-104			MCL15L

† Indicate Metal Housing Switch.

\* "SNAPTROL"

## PARTS LIST AND DESCRIPTION (CONTINUED)

### COILS (RF-IF)

ITEM No.	USE	REPLACEMENT DATA					NOTES
		HEATH PART No.	MERIT PART No.	MILLER PART No.	STANCOR PART No.	WORKMAN PART No.	
L1	Antenna	40-312					30uh
L2	Oscillator	40-313					
L3	Oscillator Plate (Receive)	40-312					
L4	RF Choke (Mixer Cathode)	45-27		72F275AP			
L5	Input IF	52-38					
L6	Output IF	52-39					
L7	Oscillator Plate (Transmitter)	40-312					
L8	RF Choke (Driver Plate)	40-431					
L9	RF Choke	45-27					
L10	Final RF	40-432					
L11	RF Choke	45-7		6177			
L12	Hash Filter	45-20					

### TRANSFORMER (POWER)

ITEM No.	RATING			REPLACEMENT DATA					NOTES
	PRI.	SEC. 1	SEC. 2	HEATH PART No.	MERIT PART No.	STANCOR PART No.	THORDARSON PART No.	TRIAD PART No.	
T1	12.6VDC ① 1.4A (2.1A)*	140V ② .080A		55-8					* Transmit

### TRANSFORMER (POWER)

ITEM No.	RATING			REPLACEMENT DATA					NOTES
	PRI.	SEC. 1	SEC. 2	HEATH PART No.	MERIT PART No.	STANCOR PART No.	THORDARSON PART No.	TRIAD PART No.	
T2	117VAC ② 44A (.58A)*	105V ③ .05A	8.3V ④ 3.6A	54-124					* Transmit

### TRANSFORMER (AUDIO OUTPUT)

ITEM No.	IMPEDANCE		REPLACEMENT DATA					NOTES
	PRI.	SEC.	HEATH PART No.	Merit PART No.	Stancor PART No.	Thordarson PART No.	Triad PART No.	
T3	5800Ω Tap ③ 4900Ω	3-4Ω	51-85					

### SPEAKER

ITEM No.	TYPE			REPLACEMENT DATA		NOTES
	SIZE	FIELD	V. C. IMP.	HEATH PART No.	QUAM PART No.	
SP1	3½"	PM	3-4Ω	401-21	3A07	

### VIBRATOR

ITEM No.	TYPE	INPUT VOLTS	FRE. QUENCY	REPLACEMENT DATA			NOTES
				HEATH PART No.	CORNELL-DUBILIER PART No.	MALLORY PART No.	
M1	Interruptor	6		68-5		1810	

### FUSES

ITEM No.	TYPE	RATING	REPLACEMENT DATA					
			HEATH PART No.		LITTELFUSE PART No.		BUSS PART No.	
			FUSE	HOLDER	FUSE	HOLDER	FUSE	HOLDER
M2	3AG	10A 32V	421-30	423-6	311010 (3AG 10A 32V)	155020	AGC10	HHJ-B
M3	3AG	1½A 250V	421-1	422-1	31201.5 (3AG 1½A 250V)	357001	AGC 1½	4405

### MISCELLANEOUS

ITEM No.	PART NAME	HEATH PART No.	NOTES
M4	Tuning Cap.	28-88	1 Gang (5.9mmf) Receive (Part numbers are consecutive from 404-44 for channel 1 to 404-86 for channel 23)
M5	Crystal		
M8	Crystal		Transmit (Part numbers are consecutive from 404-14 for channel 1 to 404-36 for channel 23)
M7	Switch	60-4	Rec. Crystal-Variable (DPST Slide Type)
M8	Switch	60-10	Transmit Crystal Selector (3-Position Slide Type)
M9	Meter	407-82	Signal
	Microphone	480-29	

### CABINETS & CABINET PARTS

(When Ordering Cabinets & Cabinet Parts, Specify Model, Chassis & Color)

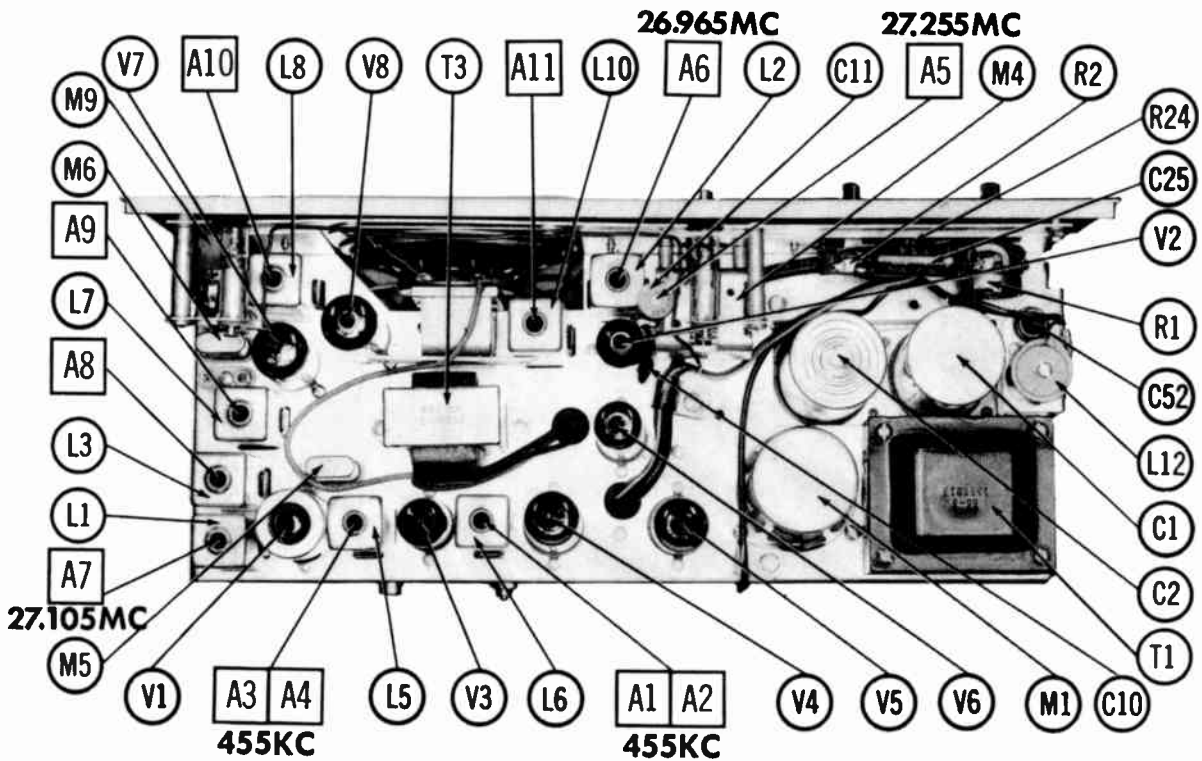
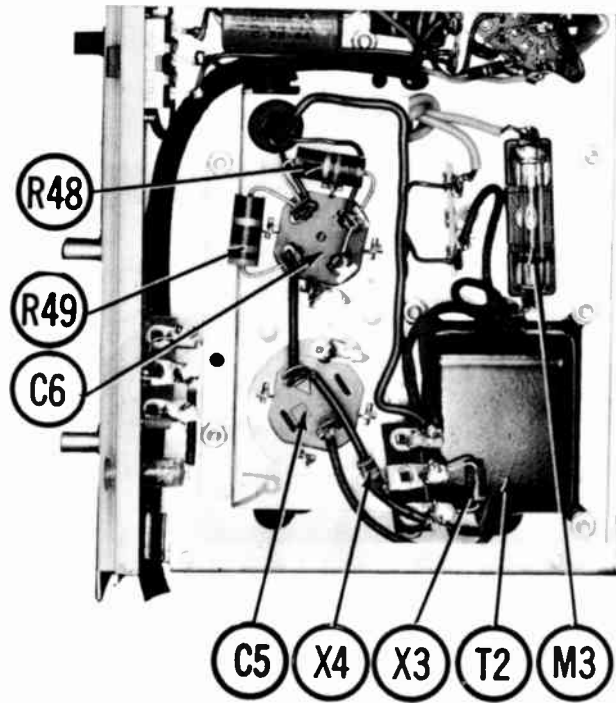
NAME	PART NO.	DESCRIPTION
Dial Pointer Knob	100-M270 462-78	Squelch, Volume, Tuning
Cabinet	90-M131F	

### WIRING DATA

General-use Unshielded Hook-up Wire .....	Use BELDEN No. 8530 (Solid) Available in 12 Colors 8524 (Stranded) Available in 12 Colors
Power Cord .....	Use BELDEN No. 17106 (Plastic) or 17126 (Rubber) - 6 Ft. 17109 (Plastic) or 17129 (Rubber) - 9 Ft.
Power Cord (Interlock Type) .....	Use BELDEN No. 8874 (Rubber) or 8895 (Plastic)

HEATH MODELS GW-11A/-11D, GW-11A/-11D

CHASSIS  
BOTTOM  
VIEW  
(AC POWER)



CHASSIS – TOP VIEW



# PHOTOFACT<sup>®</sup> with

# CIRCUITRACE<sup>®</sup>

**TRADE NAME:** Heath Models GW-21, GWW-21  
**SUPPLIER:** Heath Co., A Subsidiary of Daystrom, Inc.  
 Benton Harbor, Michigan  
**TYPE SET:** 9 Transistor Single Channel Transceiver  
**POWER SUPPLY:** 9 Volts DC  
**RATING:** 14MA @ 9VDC (Receive)  
 40MA @ 9VDC (Transmit)  
**TUNING RANGE:** Any one of Channel 1 thru 23



## ALIGNMENT INSTRUCTIONS

Volume control should be at maximum position. Output of signal generator should be no higher than necessary to obtain an output reading.  
 Suggested Alignment Tools: A1, A2, A3. . . . . GENERAL CEMENT #8195, 8274, 5066. . WALSCO #2515, 2531, 2532  
 A4, A5, A6, A7. . . . . GENERAL CEMENT #8282, 8606, 9295. . WALSCO #2526, 2543, 2544

### RECEIVER ALIGNMENT

Connect output meter across voice coil.  
 Set Volume and Squelch controls for maximum output.

	SIGNAL GENERATOR	CHANNEL	ADJUST	REMARKS
1.	High side to antenna terminal, common to ground. Tune to 455KC (400% Mod.)		A1, A2, A3	Adjust for maximum.
2.	Same as step 1. Set generator output frequency to correspond to transmitter crystal frequency.		A4, A5	Adjust for maximum.

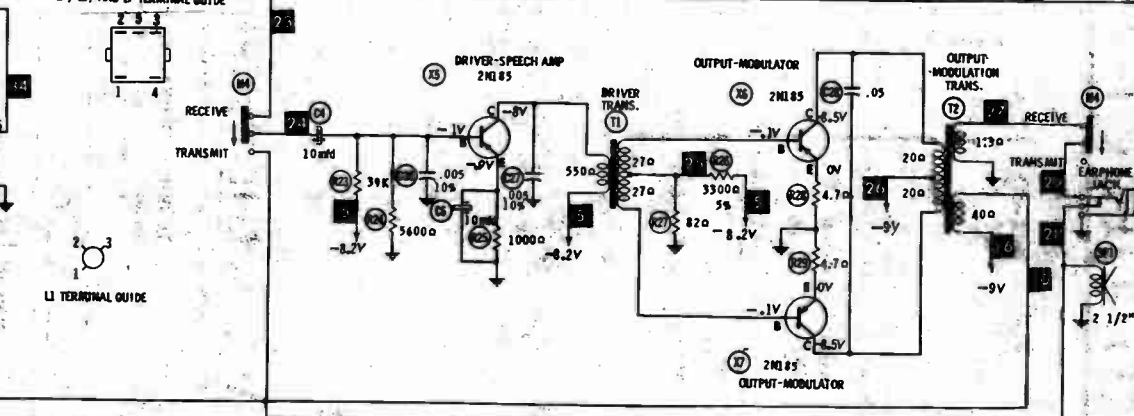
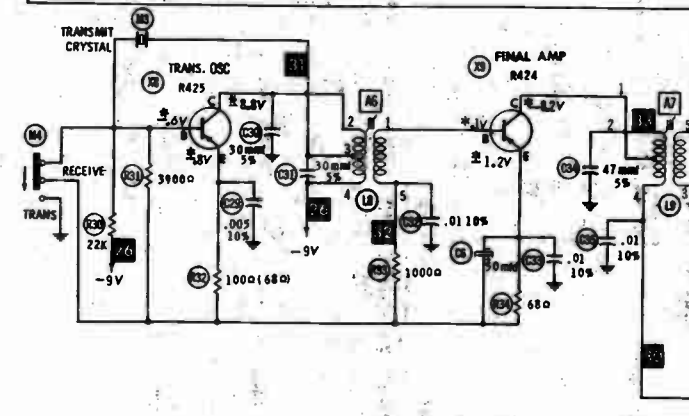
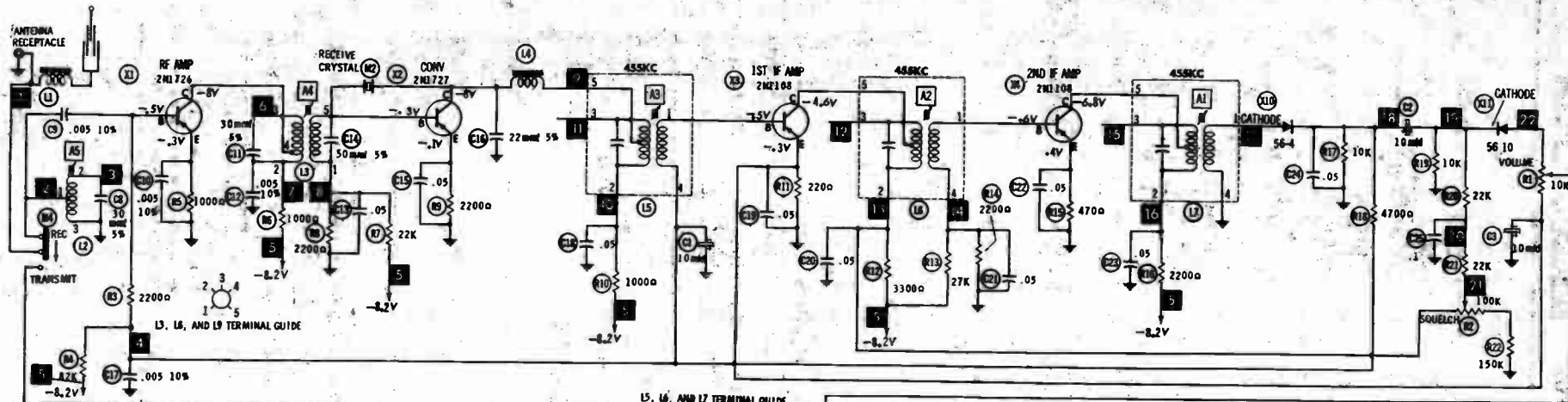
### TRANSMITTER ALIGNMENT

**ONLY THOSE PERSONS PROPERLY LICENSED ARE PERMITTED TO MAKE REPAIRS OR ADJUSTMENTS WHICH MAY RESULT IN ILLEGAL OPERATION. (REFER TO FCC RULES & REGULATIONS PART 19, SUBPART D, SECTION 19.71)**

	SPECIAL INSTRUCTIONS	INDICATOR	ADJUST	REMARKS
1.	Maintain supply voltage at 9 volts. Connect dummy load or antenna.	RF Wattmeter or Field Strength Meter.	A6, A7	Key Transmitter. Adjust for maximum indication. Slight readjustment of A7 may be necessary when antenna is reconnected and extended to its full length.

HEATH MODELS GW-21, GWW-21

**HOWARD W. SAMS & CO., INC.** Indianapolis 6, Indiana



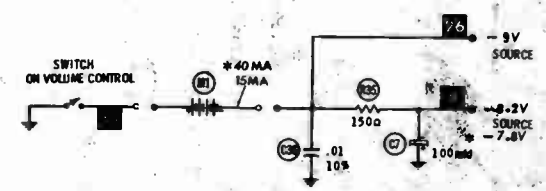
1. Voltage measurements taken with vacuum tube voltmeter.
2. All controls set for normal operation, no signal applied.
3. Measured values are from socket pin or terminal to common ground.
4. All terminals viewed from bottom unless otherwise designated.
5. Numbers assigned to terminals may not be found on the unit.
6. Supply voltage maintained at rated value for voltage readings.

RESISTANCE READINGS

ITEM	TYPE	BASE	EMITTER	COLLECTOR
X1	2N1726	10K	1000Ω	†1150Ω
X2	2N1726	2200Ω	2200Ω	†1300Ω
X3	2N1108	7500Ω	220Ω	†3500Ω
X4	2N1108	2200Ω	470Ω	†2400Ω
X5	2N185	5600Ω	1000Ω	†740Ω
X6	2N185	100Ω	4.7Ω	†15Ω
X7	2N185	180Ω	4.7Ω	†15Ω
X8	R425	3900Ω	*100Ω	*†.5Ω
X9	R424	†1150Ω	†68Ω	†138Ω

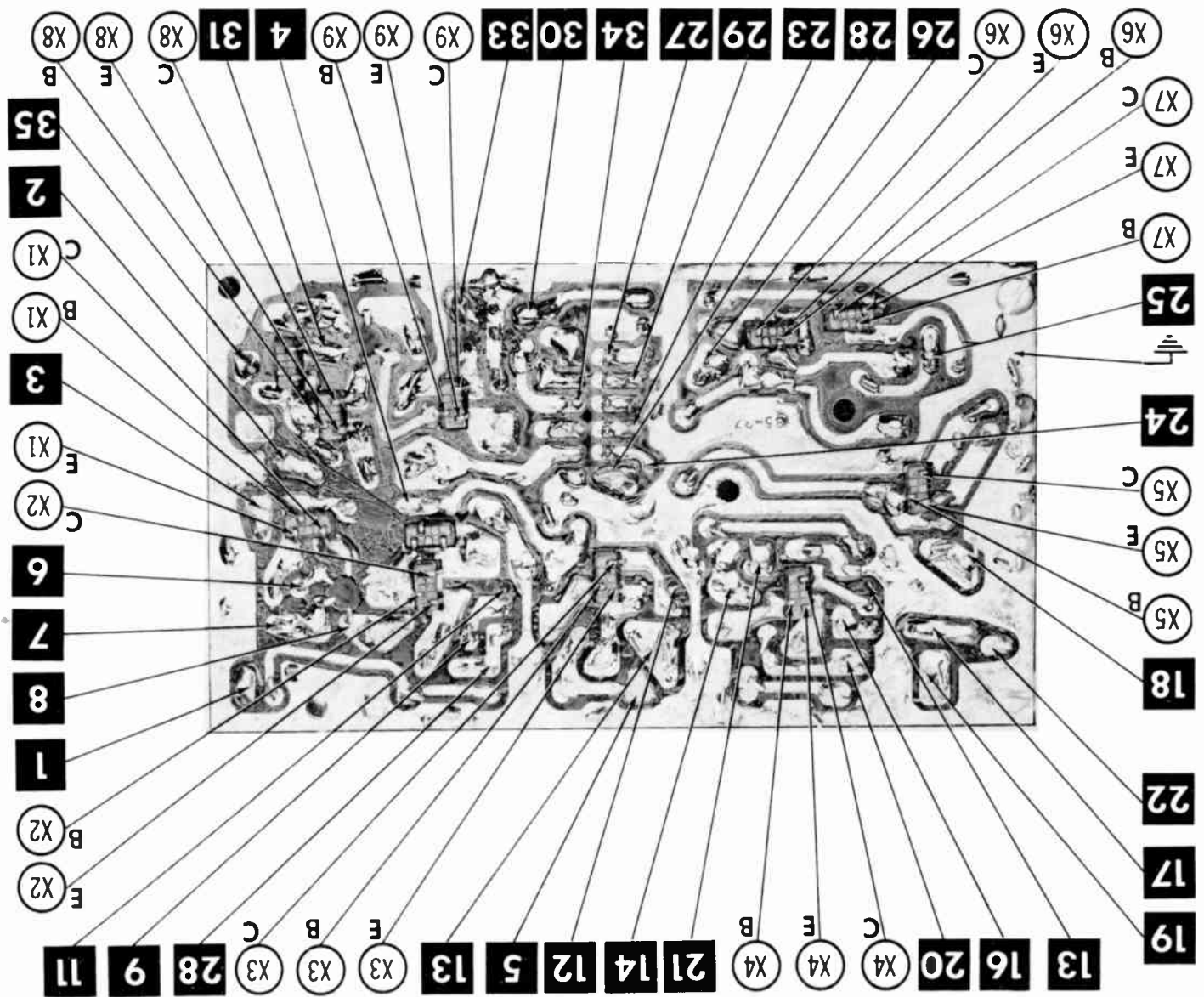
ALL MEASUREMENTS TAKEN IN RECEIVE POSITION UNLESS OTHERWISE DESIGNATED.  
 \* TAKEN IN TRANSMIT POSITION.  
 † MEASURED FROM - TERMINAL ON BATTERY.

RECEIVE-TRANSMIT SWITCH SHOWN IN RECEIVE POSITION

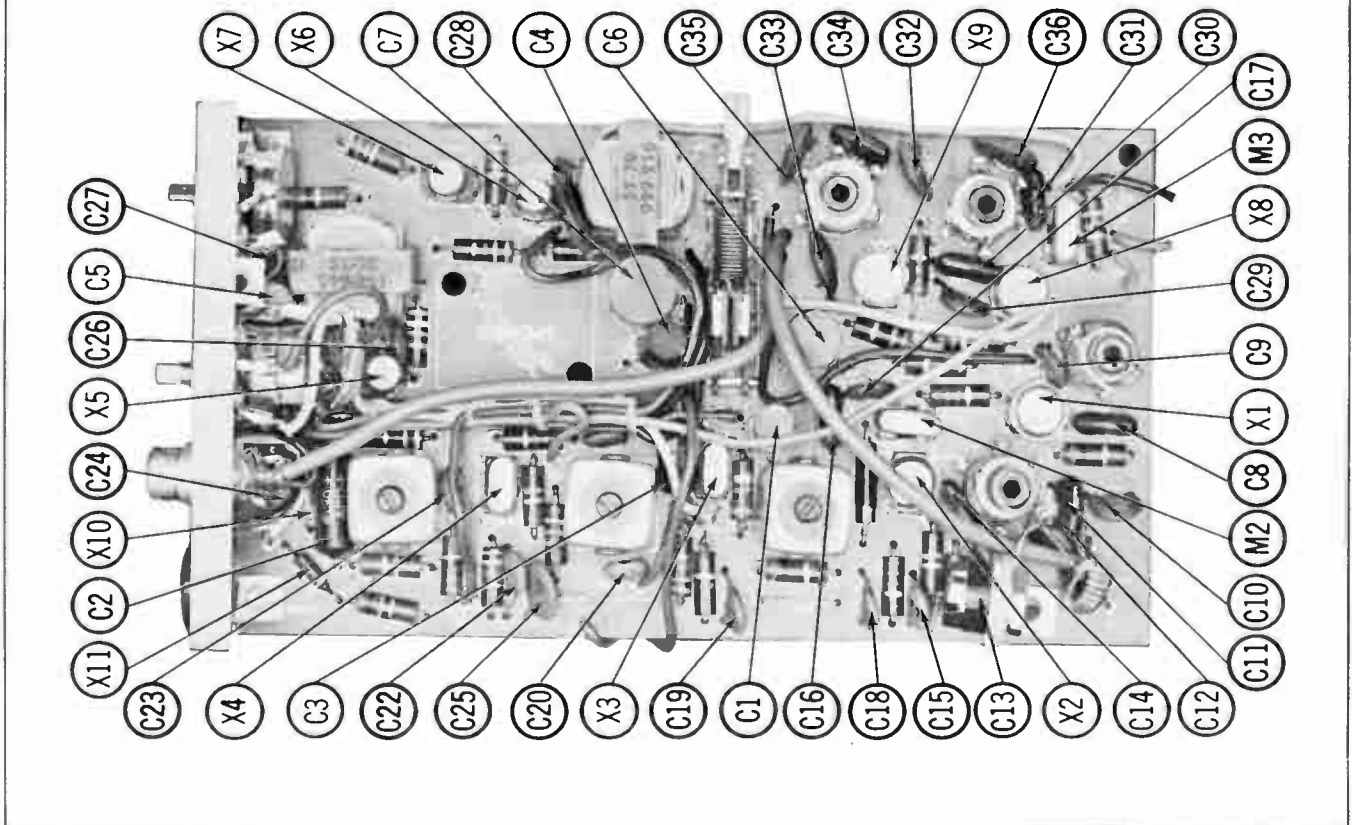
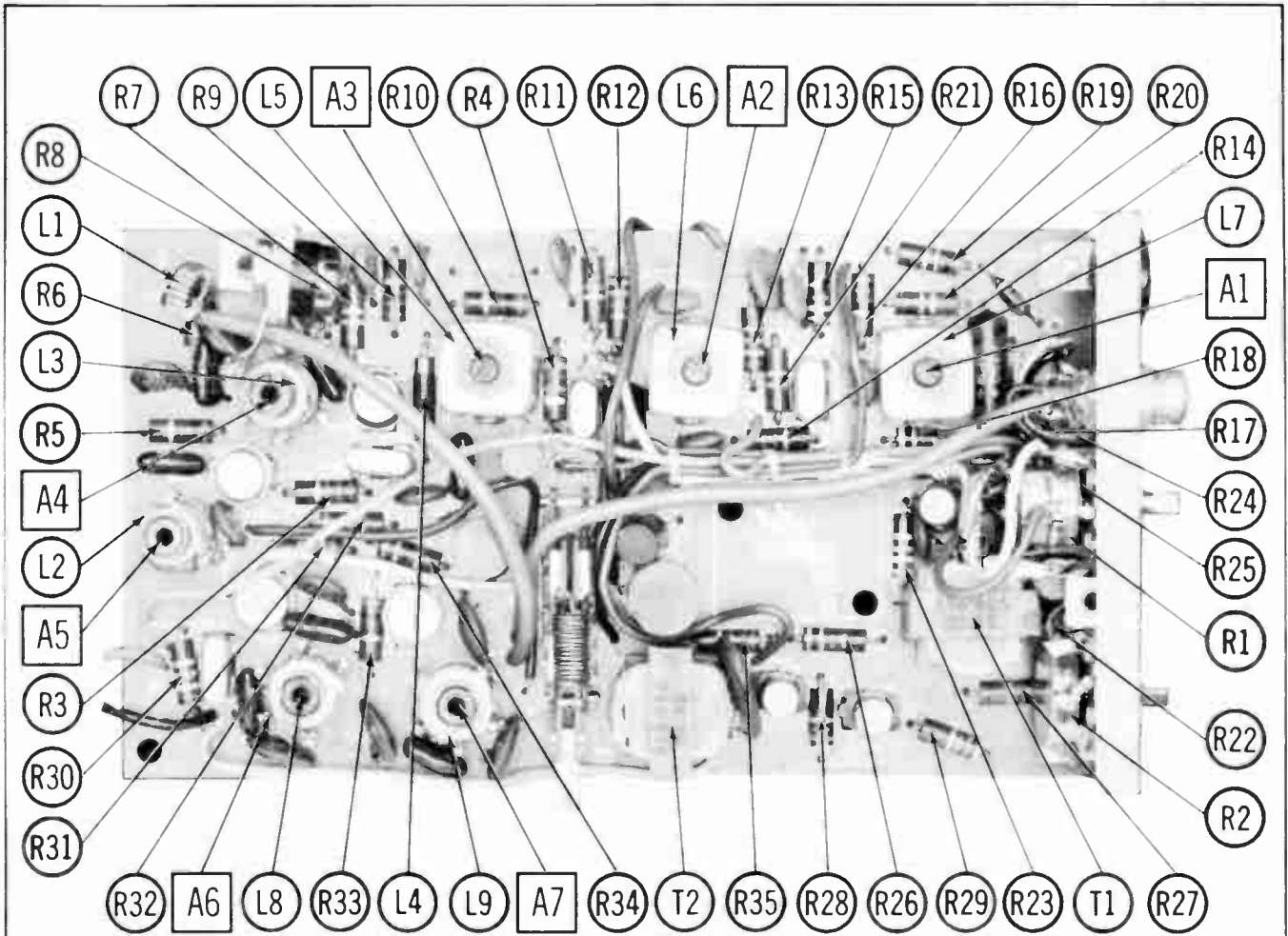


A PHOTOFACIT STANDARD NOTATION SCHEMATIC  
 with Heath logo  
 ©Howard W. Sams & Co., Inc. 1963

HEATH MODELS GW-21, GWW-21









# PARTS LIST AND DESCRIPTION

## TRANSISTORS

ITEM No.	ORIG. TYPE	USE	REPLACEMENT DATA			NOTES
			DELCO PART No.	GENERAL ELECTRIC PART No.	RCA PART No.	
X1	2N1726	RF Amplifier	DS34	GE-1		PNP
X2	2N1727	Converter	DS34	GE-1		PNP
X3	2N1108	1st IF Amp.	DS25	GE-1		PNP
X4	2N1108	2nd IF Amp.	DS25	GE-1		PNP
X5	2N185	Driver-Speech Amp.	DS26	GE-2	2N406	PNP
X6	2N185	Output-Modulator	DS26	GE-2	2N408	PNP
X7	2N185	Output-Modulator	DS26	GE-2	2N408	PNP
X8	R425	Trans. -Osc.	DS34	GE-1		PNP
X9	R424	FInal Amp.	DS34	GE-1		PNP

## POWER RECTIFIERS & SIGNAL DIODES

ITEM No.	MEASURED CURRENT	ORIGINAL Part or Type No.	RECTIFIERS			NOTES
			MALLORY PART No.	RCA PART No.	SARKES TARZIAN PART No.	
X10		56-4				Detector Squelch
X11		56-10				

## ELECTROLYTIC CAPACITORS

ITEM No.	RATING		HEATH PART No.	REPLACEMENT DATA					
	CAP.	VOLT.		AEROVOX PART No.	CORNELL-DUBILIER PART No.	GENERAL ELECTRIC PART No.	MALLORY PART No.	PYRAMID PART No.	SPRAGUE PART No.
C1	10	12	25-115	BCD12010	ECPB408	MT1-5	PET1760	MLV10-12	VL-1127
C2	10	15	25-54	PTT86	NLW10-15	MT1-5	TT15X10	MLV10-15	TE-1155
C3	10	15	25-54	PTT86	NLW10-15	MT1-5	TT15X10	MLV10-15	TE-1155
C4	10	12	25-115	BCD12010	ECPB408	MT1-5	PET1760	MLV10-12	VL-1127
C5	10	12	25-115	PTT53	NLW10-15	MT1-5	TT12X10	MLV10-12	TE-1128
C6	50	10	25-116	BCD10050	ECPB415	MT1-16	PET1575	MLV50-10	VL-1134
C7	100	12	25-117	BCD12100	ECPB417	MT1-19	TT12X100	MLV100-12	VL-1140

## FIXED CAPACITORS

ITEM No.	RATING	REMARKS	REPLACEMENT DATA					
			AEROVOX PART No.	CENTRALAB PART No.	CORNELL-DUBILIER PART No.	ELMENCO PART No.	MALLORY PART No.	SPRAGUE PART No.
C8	30 5%		ADM-15-300	TCZ-30	22R5Q3	CM-15-300J		1FM-43
C9	.005 10%		D1-5000			CCD-502	JF-250	10TS-D50
C10	.005 10%		D1-5000			CCD-502	JF-250	10TS-D50
C11	30 5%		ADM-15-300	TCZ-30	22R5Q3	CM-15-300J		1FM-43
C12	.005 10%		D1-5000			CCD-502	JF-250	10TS-D50
C13	.05		TTD-05	CK-503	H05S5			TG-S50
C14	50 5%		ADM-15-500	TCZ-30	22R5Q5	CM-15-500J	MCE-225	1FM-45
C15	.05		TTD-05	CK-503	H05S5			TG-S50
C16	22 5%		ADM-15-220	TCZ-22	22R5Q22	CM-15-220J		1FM-422
C17	.005 10%		D1-5000			CCD-502	JF-250	10TS-D50
C18	.05		TTD-05	CK-503	H05S5			TG-S50
C19	.05		TTD-05	CK-503	H05S5			TG-S50
C20	.05		TTD-05	CK-503	H05S5			TG-S50
C21	.05		TTD-05	CK-503	H05S5			TG-S50
C22	.05		TTD-05	CK-503	H05S5			TG-S50
C23	.05		TTD-05	CK-503	H05S5			TG-S50
C24	.05		TTD-05	CK-503	H05S5			TG-S50
C25	.1		TTD-1	CK-104	H05P1			TG-P10
C26	.005 10%		D1-5000			CCD-502	JF-250	10TS-D50
C27	.005 10%		D1-5000			CCD-502	JF-250	10TS-D50
C28	.05		TTD-005	CK-503	H05S5			TG-S50
C29	.005 10%		D1-5000			CCD-502	JF-250	10TS-D50
C30	30 5%		ADM-15-300	TCZ-30	22R5Q3	CM-15-300J		1FM-43
C31	30 5%		ADM-15-300	TCZ-30	22R5Q3	CM-15-300J		1FM-43
C32	.01 10%	#21-47						
C33	.01 10%	#21-47						
C34	47 5%		ADM-15-470	TCZ-47	22R5Q47	CM-15-470J		1FM-447
C35	.01 10%	#21-47						
C36	.01 10%	#21-47						

# Heath Part Number.

## CONTROLS

All wattages 1/2 watt, or less, unless otherwise listed.

ITEM No.	USE	RESISTANCE	REPLACEMENT DATA				
			HEATH PART No.	CENTRALAB PART No.	CLAROSTAT PART No.	CTS-IRC PART No.	MALLORY PART No.
R1	Volume & Switch	10K	19-69				
R2	Squelch	100K	10-125				MLC14A-S MLC15L

## PARTS LIST AND DESCRIPTION (CONTINUED)

### COILS (RF-IF)

ITEM No.	USE	REPLACEMENT DATA					NOTES
		HEATH PART No.	MERIT PART No.	MILLER PART No.	STANCOR PART No.	WORKMAN PART No.	
L1	Toroid	40-430					
L2	Ant. Coil	40-388					
L3	RF	40-389					
L4	Choke (15uh)	45-51					
L5	1st IF	52-44					
L6	2nd IF	52-45					
L7	3rd IF	52-46					
L8	Trans. Osc.	40-390					
L9	Final	40-391					

### TRANSFORMER (DRIVER)

ITEM No.	TURNS RATIO		REPLACEMENT DATA					NOTES
			HEATH PART No.	MERIT PART No.	STANCOR PART No.	THORDARSON PART No.	TRIAD PART No.	
	PRI.	SEC.						
T1	2.4	1	51-78					

### TRANSFORMER (AUDIO OUTPUT)

ITEM No.	IMPEDANCE		REPLACEMENT DATA					NOTES
			HEATH PART No.	MERIT PART No.	STANCOR PART No.	THORDARSON PART No.	TRIAD PART No.	
	PRI.	SEC.						
T2	640Ω CT	8-10Ω	51-79					

### SPEAKER

ITEM No.	TYPE	REPLACEMENT DATA		NOTES
		HEATH PART No.	QUAM PART No.	
SP1	2 1/2" PM 8-10Ω	1401-81		

### BATTERIES

ITEM No.	VOLTAGE	HEATH PART No.	REPLACEMENT DATA			NOTES
			BURGESS	EVEREADY	MALLORY	
M1	9V		2U6	2I6	M1604 (Zinc Carbon) MN1604 (Manganese) TR146 (Mercury)	

### MISCELLANEOUS

ITEM No.	PART NAME	HEATH PART No.	NOTES
M2	Crystal		Receive (Part numbers are consecutive from #404-87 for channel 1 thru #404-89 for channel 23) Transmit (Part numbers are consecutive from #404-157 for channel 1 thru #404-179 for channel 23) Receive-Transmit
M3	Crystal		
M4	Switch Printed Board	1064-15 85-37F582	

### CABINETS & CABINET PARTS

(When Ordering Cabinets & Cabinet Parts, Specify Model, Chassis & Color)

NAME	PART NO.	DESCRIPTION
Knob	462-143	Receive-Transmit
Knob	462-154	Squelch, Volume
Cabinet	100-M374	

### WIRING DATA

General-use Hook-up Wire ....	Use BELDEN No. 8530 (Solid) Available in 12 Colors 8524 (Stranded) Available in 12 Colors
Shielded Antenna Lead .....	Use BELDEN No. 8214 Lowest Loss (RG-8/U Type) 8237 Low Loss (RG-8/U) 8240 (Solid) Miniature (RG-58/U) 8259 (Stranded) Miniature (RG-58A/U)
Coiled Microphone Cable .....	Use BELDEN No. 8497 3 Conductor-1 Shielded for Press-to-Talk (Neoprene) 8496 3 Conductor-1 Shielded for Press-to-Talk (Vinyl)
Ignition Noise Suppression ....	Use BELDEN No. 7300-Series Spark-Plug Sets
Bonding Strap .....	Use BELDEN No. 8661 (3/8 In.)



**PHOTOFACT<sup>®</sup> with**

**CIRCUITRACE<sup>®</sup>**

TRADE NAME : Heath Models GW-31, GWW-31  
 SUPPLIER : Heath Co., A Subsidiary of Daystrom, Inc.  
 Benton Harbor, Michigan  
 TYPE SET : 4 Transistor Single Channel Transceiver  
 POWER SUPPLY : 9 Volts DC  
 RATING : 15MA @ 9VDC (Receive)  
 26MA @ 9VDC (Transmit)  
 TUNING RANGE : Any one of Channel 1 thru 23



## ALIGNMENT INSTRUCTIONS

Volume control should be at maximum position. Output of signal generator should be no higher than necessary to obtain an output reading.

Suggested Alignment Tools:

A1, A2, . . . . . GENERAL CEMENT #8282, 8606, 9295. . . . WALSCO #2526, 2543, 2544

### RECEIVER ALIGNMENT

	SIGNAL GENERATOR	CHANNEL	ADJUST	REMARKS
1.	High side to antenna terminal, common to ground. Tune to channel frequency desired.		A1	Connect AC voltmeter across speaker voice coil. Adjust for maximum output.

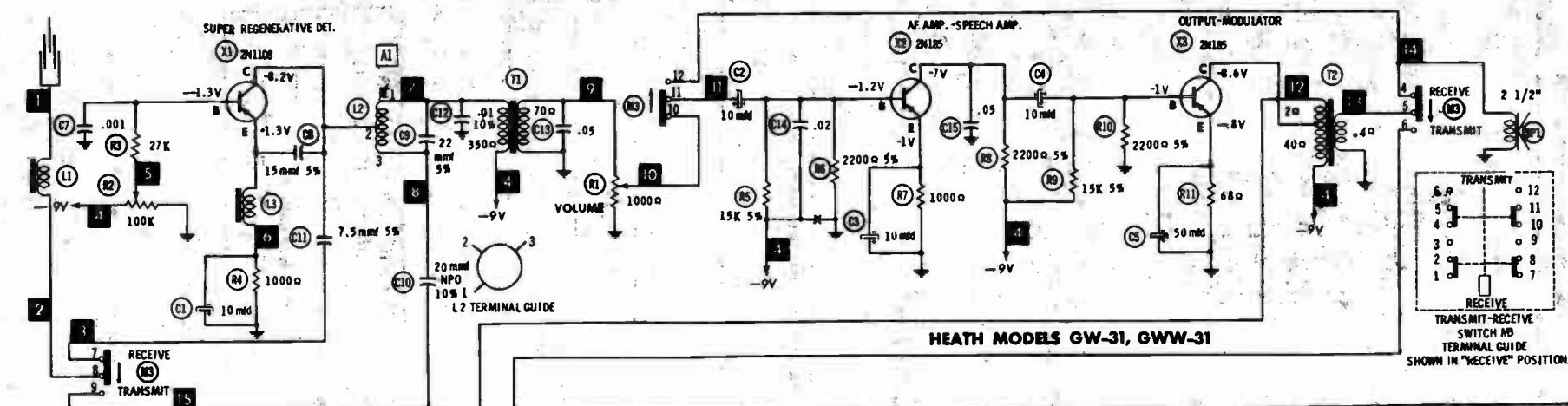
### TRANSMITTER ALIGNMENT

**ONLY THOSE PERSONS PROPERLY LICENSED ARE PERMITTED TO MAKE REPAIRS OR ADJUSTMENTS WHICH MAY RESULT IN ILLEGAL OPERATION. (REFER TO FCC RULES & REGULATIONS PART 19, SUBPART D, SECTION 19.71)**

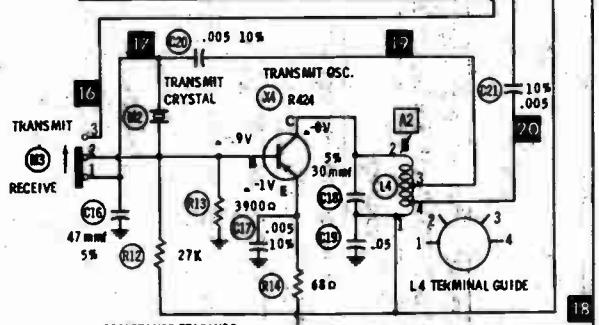
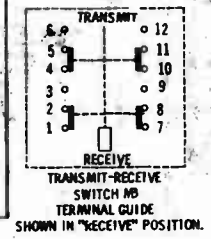
	SPECIAL INSTRUCTIONS	INDICATOR	ADJUST	REMARKS
1.	Maintain supply voltage at 9 volts during transmitter alignment. Connect antenna.	RF Wattmeter or Field Strength Meter.	A2	Key Transmitter. Adjust for maximum indication.

HEATH MODELS GW-31, GWW-31

**HOWARD W. SAMS & CO., INC.** Indianapolis 6, Indiana

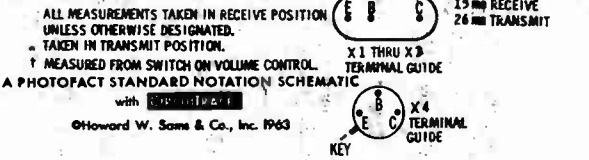


HEATH MODELS GW-31, GWW-31

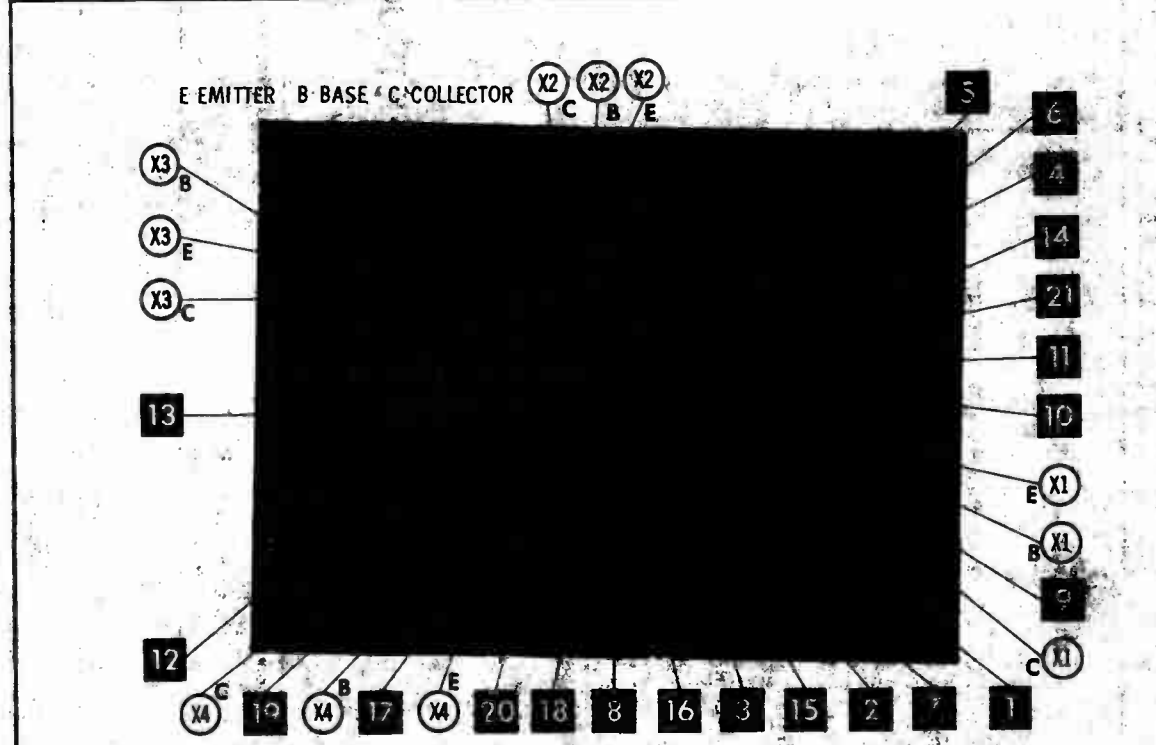


RESISTANCE READINGS

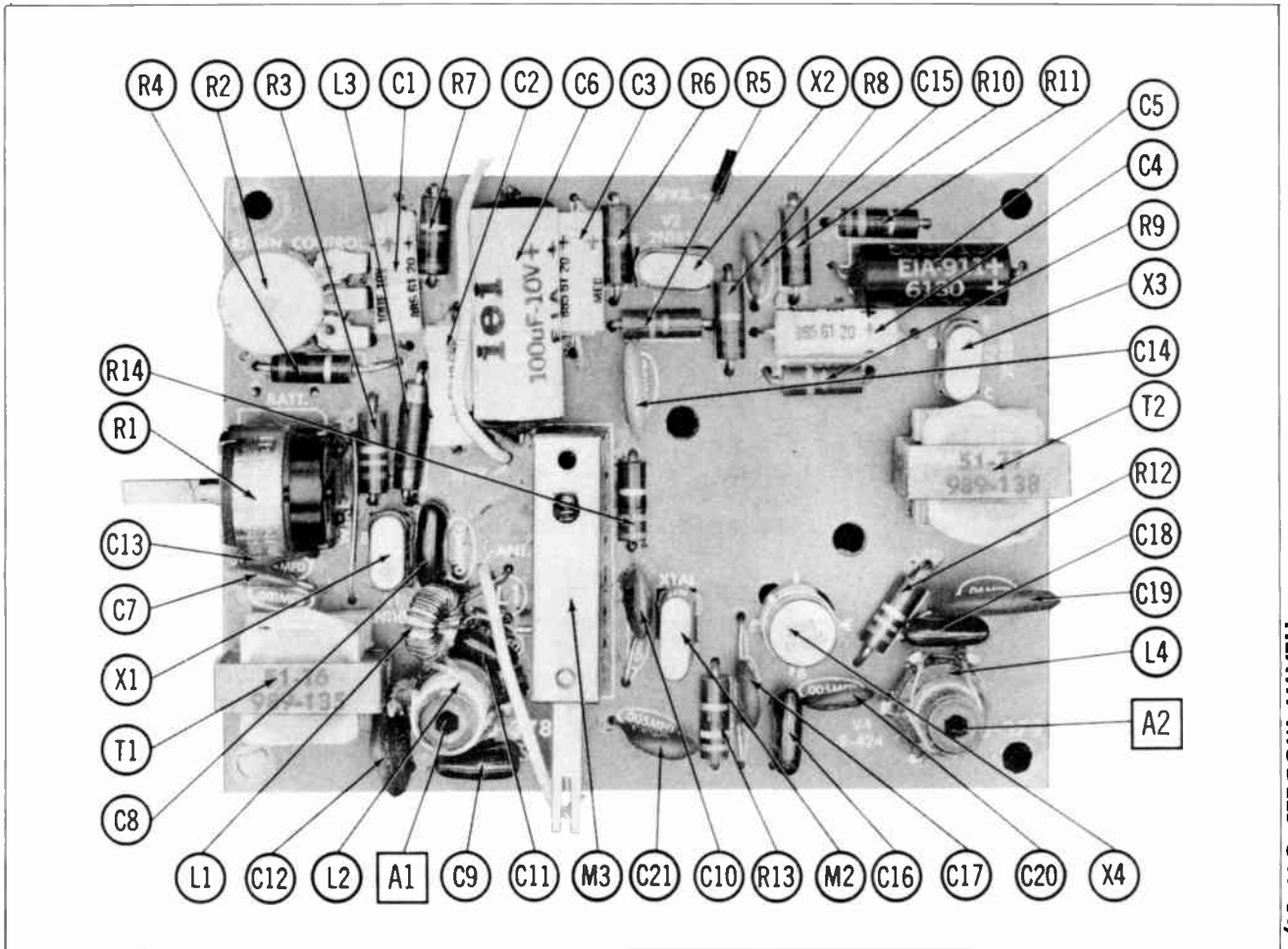
ITEM	TUBE	BASE	EMITTER	COLLECTOR
X1	2N1108	77K	1000Ω	1330Ω
X2	2N1L5	2200Ω	1000Ω	12200Ω
X3	2N1L5	2200Ω	68Ω	140Ω
X4	4R24	3900Ω	68Ω	142Ω



- See parts list for alternate value or application.
- 1. Voltage measurements taken with vacuum tube voltmeter.
- 2. All controls set for normal operation, no signal applied.
- 3. Measured values are from socket pin or terminal to common ground.
- 4. All terminals viewed from bottom unless otherwise designated.
- 5. Numbers assigned to terminals may not be found on the unit.
- 6. Supply voltage maintained at rated value for voltage readings.



A Howard W. Sams CIRCUITRACE Photo



## PARTS LIST AND DESCRIPTION

### TRANSISTORS

ITEM No.	ORIG. TYPE	USE	REPLACEMENT DATA			NOTES
			DELCO PART No.	GENERAL ELECTRIC PART No.	RCA PART No.	
X1	2N1106	Super Regenerative Det.	DS25	GE-1		PNP
X2	2N165	AF Amp. -Speech Amp.	DS26	GE-2	2N406	PNP
X3	2N185	Output-Modulator	DS26	GE-2	2N408	PNP
X4	R424	Transmit Osc.	DS34	GE-1		PNP

### ELECTROLYTIC CAPACITORS

ITEM No.	RATING		HEATH PART No.	REPLACEMENT DATA					
	CAP.	VOLT.		AEROVOX PART No.	CORNELL-DUBILIER PART No.	GENERAL ELECTRIC PART No.	MALLORY PART No.	PYRAMID PART No.	SPRAGUE PART No.
C1	10	10	25-54	PPT39	NLW10-15	MT1-5	TT12X10	MLV10-10	TE-1114
C2	10	10	25-54	PPT39	NLW10-15	MT1-5	TT12X10	MLV10-10	TE-1114
C3	10	10	25-54	PPT39	NLW10-15	MT1-5	TT12X10	MLV10-10	TE-1114
C4	10	10	25-54	PPT39	NLW10-15	MT1-5	TT12X10	MLV10-10	TE-1114
C5	50	10	25-55	PPT45	NLW50-10	MT1-16	TT10X50	MLV50-10	TE-1119
C6	100	10	25-56	PPT46	NLW100-12	MT1-19	TT12X100	MLV100-10	TE-1119.3

### FIXED CAPACITORS

ITEM No.	RATING	REMARKS	REPLACEMENT DATA					
			AEROVOX PART No.	CENTRALLAB PART No.	CORNELL-DUBILIER PART No.	ELMENCO PART No.	MALLORY PART No.	SPRAGUE PART No.
C7	.001		DI-1000	DM-102	H05D1	CCD-102	GP210	10TS-D10
C8	15 5%		ADM-15-150	TCZ-15			CNO-415	10TCC-Q15
C9	22 5%		ADM-15-220	TCZ-22			CNO-422	10TCC-Q22
C10	20 NPO 10%		NPO-DI 20	DTZ-20				10TCC-Q20
C11	7.5 5%	#20-52			C10Q2C	CCTO-200		
C12	.01 10%	#21-47						
C13	.05		TTD-05	CK-503	H05S5			10TS-S10
C14	.02		TTD-02	CK-203	H05S2		TA-120	TG-S50
C15	.05		TTD-05	CK-503	H05S5			TG-S20
C16	47 5%		ADM-15-470	TCZ-47			CNO-447	TG-S50
C17	.005 10%		DI-5000			CCD-502	JF-250	10TCC-Q47
C18	30 5%		ADM-15-300	TCZ-30				10TS-D50
C19	.05		TTD-05	CK-503	H05S5			10TCC-Q30
C20	.005 10%		DI-5000			CCD-502	JF-250	TG-S50
C21	.005 10%		DI-5000			CCD-502	JF-250	10TS-D50

# Heath Part Number.

# PARTS LIST AND DESCRIPTION (CONTINUED)

## CONTROLS

All wattages 1/2 watt, or less, unless otherwise listed.

ITEM No.	USE	RESISTANCE	REPLACEMENT DATA			
			HEATH PART No.	CENTRALAB PART No.	CLAROSTAT PART No.	CTS-IRC PART No.
R1	Volume & Switch Regeneration	1000Ω	19-65			
R2		100K	10-123			MCL15L

## COILS (RF-IF)

ITEM No.	USE	REPLACEMENT DATA					NOTES
		HEATH PART No.	MERIT PART No.	MILLER PART No.	STANCOR PART No.	WORKMAN PART No.	
L1	Ant. Load	40-380					
L2	Receiver Osc.	40-378					
L3	Choke (15uh)	45-51					
L4	Trans. Osc. Final	40-379					

## TRANSFORMER (DRIVER)

ITEM No.	TURNS RATIO		REPLACEMENT DATA					NOTES
			HEATH PART No.	MERIT PART No.	STANCOR PART No.	THORDARSON PART No.	TRIAD PART No.	
	PRI.	SEC.						
T1	1.8	1	51-76					

## TRANSFORMER (AUDIO OUTPUT)

ITEM No.	IMPEDANCE		REPLACEMENT DATA					NOTES
			HEATH PART No.	MERIT PART No.	STANCOR PART No.	THORDARSON PART No.	TRIAD PART No.	
	PRI.	SEC.						
T2	1450Ω Tap @ 700Ω	8-10Ω	51-77					

## SPEAKER

ITEM No.	TYPE	REPLACEMENT DATA		NOTES
		HEATH PART No.	QUAM PART No.	
SP1	2 1/2" PM 8-10Ω	1401-61		

## BATTERIES

ITEM No.	VOLTAGE	HEATH PART No.	REPLACEMENT DATA			NOTES
			BURGESS	EVEREADY	MALLORY	
M1	9V		2N6	246	M1802	

## MISCELLANEOUS

ITEM No.	PART NAME	HEATH PART No.	NOTES
M2	Crystal Switch	1064-15	Transmit
M3	Printed Board	85-36F509	Receive-Transmit

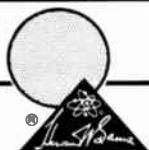
## CABINETS & CABINET PARTS

(When Ordering Cabinets & Cabinet Parts, Specify Model, Chassis & Color)

NAME	PART NO.	DESCRIPTION
Knob	462-144	Volume Slide Switch
Knob	462-143	
Cabinet	90-176F	

## WIRING DATA

General-use Hook-up Wire . . . . .	Use BELDEN No. 8530 (Solid) Available in 12 Colors 8524 (Stranded) Available in 12 Colors
Shielded Antenna Lead . . . . .	Use BELDEN No. 8214 Lowest Loss (RG-8/U Type) 8237 Low Loss (RG-8/U) 8240 (Solid) Miniature (RG-58/U) 8259 (Stranded) Miniature (RG-58A/U)
Coiled Microphone Cable . . . . .	Use BELDEN No. 8497 3 Conductor- 1 Shielded for Press-to-Talk (Neoprene) 8496 3 Conductor- 1 Shielded for Press-to-Talk (Vinyl)
Ignition Noise Suppression . . . . .	Use BELDEN No. 7300-Series Spark-Plug Sets
Bonding Strap . . . . .	Use BELDEN No. 6661 (3/8 In.)



# PHOTOFACT®

**TRADE NAME :** Lafayette Model HE-15B  
**SUPPLIER :** Lafayette Radio Corp.  
 111 Jericho Turnpike, Syosset, L. I., N. Y.  
**TYPE SET :** 6 Tube 8 Channel Transceiver  
**POWER SUPPLY :** 110-120 Volts AC, 60 Cycles (or)  
 6 (or) 12 Volt Storage Battery  
**RATING :** (Rec.) 42 Watts, .4 Amp. @117 Volts AC  
 (Trans.) 45 Watts, .41 Amp. @117 Volts AC  
**TUNING RANGE :** Any 8 CB Channels 1 thru 22  
 (Receiver is continuously tuned)



## ALIGNMENT INSTRUCTIONS

### Suggested Alignment Tools:

A1, A2, A3, A4.....GENERAL CEMENT #5097, 8727..... WALSCO #2515  
 A8..... GENERAL CEMENT #5000, 5003, 5066.... WALSCO #2525, 2528

### RECEIVER ALIGNMENT

Connect output meter across voice coil.

SIGNAL GENERATOR	CHANNEL	ADJUST	REMARKS
High side thru .01mfd to pin 9 (grid) of Mixer, low side to ground. ( 455KC Mod.)	Any	A1, A2, A3, A4	Adjust for maximum output.
High side to antenna receptacle thru .1mfd, low side to ground. Tune to channel frequency.	Highest Channel Used.	A5, A6, A7	Adjust for maximum output.

A8 is adjusted for minimum interference on the lower 3 TV Channels.

### TRANSMITTER ALIGNMENT

**ONLY THOSE PERSONS PROPERLY LICENSED ARE PERMITTED TO MAKE REPAIRS OR ADJUSTMENTS WHICH MAY RESULT IN ILLEGAL OPERATION. ( REFER TO FCC RULES & REGULATIONS PART 19, SUBPART D, SECTION 19.71)**

INDICATOR	ADJUST	REMARKS
RF Power indicator lamp on front panel.	A9	Key transmitter. Adjust for maximum brilliance.
"	A10, C42	Turn C42 completely tight, then back off 1/2 turn. Adjust A10 for maximum brilliance (or minimum dip on IP meter inserted in front panel jack).
"	C42	Adjust for maximum brilliance (or minimum dip on front panel IP meter).

Press and release transmit button several times. The output indicator should show that the transmitter is operating each time. If not, back out A9, 1 1/2 turn at a time until transmitter operates each time the button is depressed.

LAFAYETTE MODEL HE-15B

**HOWARD W. SAMS & CO., INC.** Indianapolis 6, Indiana

# PARTS LIST AND DESCRIPTION

## TUBES

AMPEREX		GENERAL ELECTRIC		RCA		RAYTHEON		SYLVANIA	
ITEM No.	USE	TYPE		ITEM No.	USE	TYPE			
V1	RF Amp. - Mixer	6EA8 (6UBA)*		V4	AF Amp. - Speech Amp.	12AX7			
V2	Rec. Osc. -IF Amp.	6EA8 (6UBA)*		V5	Output - Modulator	6V6GT			
V3	ANL - Squelch	6AL5		V6	Trans. Osc. - Final	6AW8A			

\* Alternate

## POWER RECTIFIERS & SIGNAL DIODES

ITEM No.	MEASURED CURRENT	ORIGINAL Part or Type No.	RECTIFIERS			NOTES
			MALLORY PART No.	RCA PART No.	SARKES TARZIAN PART No.	
X1		26235-1	1N2070	1N1763	40H	HV Rectifier
X2		26235-1	1N2070	1N1763	40H	HV Rectifier
X3		1N34A				Detector

## ELECTROLYTIC CAPACITORS

ITEM No.	RATING		REPLACEMENT DATA						
	CAP.	VOLT.	Lafayette PART No.	AEROVOX PART No.	CORNELL-DUBILIER PART No.	GENERAL ELECTRIC PART No.	GENERAL INSTRUMENT PART No.	MALLORY PART No.	SPRAGUE PART No.
C1	100	200		PRS1595	BRI0035		TD-100-200	TC1265	TVA-1718
C2	100	200		PRS1595	BRI0035		TD-100-200	TC1265	TVA-1718
C3A	40	350		AFH3-140-150	C0870		TMT-3367	FP367.5	TVL-3754.5
B	40	350							
C	25	25							
C4	5	10		PTT-10005	NLW5-15		MLV5-12	TT12X5	TE-1127

## FIXED CAPACITORS

ITEM No.	RATING	REMARKS	REPLACEMENT DATA								
			AEROVOX PART No.	CENTRALAB PART No.	CORNELL-DUBILIER PART No.	ELMENCO PART No.	MALLORY PART No.	SPRAGUE PART No.			
C5	3-70	#2040-4	NPO-SI 3.0	TCZ-3R3	C10 V3C	462	CCTO-3R3	CNO-533	10TCC-V33		
C6	3 NPO 5%				TC A-10				10TCS-Q10		
C7	10 N330 5%			BPD-001	DD-102	BYA10D1	CCD-102	B-210	5HK-D10		
C8	.001			BPD-001	DD-102	BYA10D1	CCD-102	B-210	5HK-D10		
C9	.001			NPO-DI 22	DTZ-22	C10Q22C	CCTO-220	CNO-422	10TCC-Q22		
C10	22 NPO			N750-DI 100	DTN-100	C10T1U	CCTN-101	CN7-310	10TCU-T10		
C11	100 N750			N750-DI 47	DTN-47	C10Q47U	CCTN-470	CN7-447	10TCU-Q47		
C12	47 N750			BPD-001	DD-102	BYA10D1	CCD-102	B-210	5HK-D10		
C13	.001			NPO-SI 1.5	TCZ-1R5	C10V15C	CCTN-470	CN7-447	10TCU-Q47		
C14	1.5			N750-DI 47	DTN-47	C10Q47U	CCTO-220	CNO-422	10TCC-Q22		
C15	47 N750	Note 1	NPO-DI 22	DTZ-22	C10Q22C	CCTO-220	CNO-422	10TCC-Q22			
C16	22 NPO								10TCC-V39		
C17	3.9 NPO			BPD-001	DD-102	BYA10D1	CCD-102	B-210	5HK-D10		
C18	10 N220			P488N-047	DD-503	CUB4547	4DP-3-473	GEM-4147	4TM-S47		
C19	.001			BPD-01	DD-103	BYA10S1	CCD-103	B-110	5HK-S10		
C20	.05 400V			P488N-022	DD-203	CUB4S22	4DP-2-223	GEM-4122	4TM-S22		
C21	.01		(.005) †	NPO-SI 1.8	TCZ-1R8	C10V18C	CCTO-100	CNO-518	10TCC-V18		
C22	.02 200V				NPO-DI 10	DTZ-10	C10Q10C	CCD-221	B-322	10TCC-Q10	
C23	1.8				DI-220	DD-221	L10T22	CCD-221	B-322	10TS-T22	
C24	10 NPO				P488N-1	DF-104	CUB4P1	4DP-3-104	GEM-401	4TM-P10	
C25	220			BPD-01	DD-103	BYA10S1	CCD-103	B-110	5HK-S10		
C26	.1 200V			BPD-01	DD-103	BYA10S1	CCD-103	B-110	5HK-S10		
C27	.01			BPD-01	DD-103	BYA10S1	CCD-103	B-110	5HK-S10		
C28	.01			BPD-002	DD-202	BYA10D2	CCD-202	B-220	5HK-D20		
C29	.002			BPD-001	DD-102	BYA10D1	CCD-102	B-210	5HK-D10		
C30	.001			BPD-001	DD-102	BYA10D1	CCD-102	B-210	5HK-D10		
C31	.001		BPD-001	DD-102	BYA10D1	CCD-102	B-210	5HK-D10			
C32	.001		BPD-001	DD-102	BYA10D1	CCD-102	B-210	5HK-D10			
C33	.01		BPD-01	DD-103	BYA10S1	CCD-103	B-110	5HK-S10			
C34	.001		BPD-001	DD-102	BYA10D1	CCD-102	B-210	5HK-D10			
C35	22 NPO 5%		NPO-DI 22	DTZ-22	C10Q22C	CCTO-220	CNO-422	10TCC-Q22			
C36	.01		BPD-01	DD-103	BYA10S1	CCD-103	B-110	5HK-S10			

## FIXED CAPACITORS (cont)

ITEM No.	RATING	REMARKS	REPLACEMENT DATA						
			AEROVOX PART No.	CENTRALAB PART No.	CORNELL-DUBILIER PART No.	ELMENCO PART No.	MALLORY PART No.	SPRAGUE PART No.	
C37	.001 2000V 10%	#2051-5	BPD-01	DD-103	BYA10S1	CCD-103	B-110	5HK-S10	
C38	.01								
C39	.001 2000V 10%			NPO-DI 10	DTZ-10	C10Q10C	CCTO-100	CNO-410	10TCC-Q10
C40	10 NPO			NPO-SI 2.2	TCZ-2.2	C10V22C		CNO-212	10TCC-V22
C41	2.2 NPO 5%								
C42									
C43	.001			BPD-001	DD-102	BYA10D1	CCD-102	B-210	5HK-D10
C44	.02			BYD-02	DD-203	BYB6S2	CCD-203	B-120	5HK-S20

\* Not normally in distributor's stock. Available thru distributor on order to manufacturer.  
 Note 1. Not used in some versions. † Lafayette Part Number. ‡ Alternate Value.

## CONTROLS

All wattages 1/2 watt, or less, unless otherwise listed.

ITEM No.	USE	RESIST-ANCE	REPLACEMENT DATA				
			Lafayette PART No.	CENTRALAB PART No.	CLAROSTAT PART No.	CTS-IRC PART No.	MALLORY PART No.
R1	Volume & Switch	1meg	V-329-3	B-70-S	A-47-1meg-Z, FS-3, SWE-20	Q13-137, 76-2	U-53, US-27
R2	Squelch	1meg	V-330-3	B-70	A-47-1meg-Z	Q13-137	U-53

## RESISTORS (Power and Special)

ITEM No.	RATING	REPLACEMENT DATA			ITEM No.	RATING	REPLACEMENT DATA		
		IRC PART No.	WORKMAN PART No.	REMARKS			IRC PART No.	WORKMAN PART No.	REMARKS
R31	5000Ω 5W	PW5-5000	5W-SQ-5000		R32	330Ω 5W	PW5-330	5W-SQ-330	

## COILS (RF-IF)

ITEM No.	USE	REPLACEMENT DATA					NOTES
		Lafayette PART No.	MERIT PART No.	MILLER PART No.	STANCOR PART No.	WORKMAN PART No.	
L1	TV Trap	180-4					① 7 Turns #36 Wire ② Battery versions only.
L2	RF Bandpass	180-2	TV-118	6171-A	RTC-8809	T216	
L3	RF Bandpass	180-1					
L4	Rec. Oscillator	1-110-4					
L5	1st IF	1-110-1					
L6	2nd IF	180-2	TV-118	6171-A	RTC-8809	T216	
L7	Trans. Osc. Plate	190-5					
L8	Final Hash Choke	190-5					

## TRANSFORMER (POWER)

ITEM No.	RATING			REPLACEMENT DATA					NOTES
	PRI.	SEC. 1	SEC. 2	Lafayette PART No.	MERIT PART No.	STANCOR PART No.	THORDARSON PART No.	TRIAD PART No.	
T1	117VAC ④ .4A	110VAC ④ .55A*	6.3VAC ④ 2.3A	PT-178-3					* .65 A in Transmit



# PARTS LIST AND DESCRIPTION (CONTINUED)

# CHASSIS—TOP VIEW

## TRANSFORMER (AUDIO OUTPUT)

ITEM No.	IMPEDANCE		REPLACEMENT DATA					NOTES
			Lafayette PART No.	MERIT PART No.	STANCOR PART No.	THORDARSON PART No.	TRIAD PART No.	
	PRI.	SEC.						
T2	5200Ω Tap @ 90%	3-4Ω	T-179-2		A-3817			

## SPEAKER

ITEM No.	TYPE	REPLACEMENT DATA		NOTES
		Lafayette PART No.	QUAM PART No.	
SP1	4" PM 3-4Ω	S-719-1	3A05	

## FUSES

ITEM No.	TYPE	RATING	REPLACEMENT DATA					BUSS PART No.	
			Lafayette PART No.		LITTELFUSE PART No.		FUSE	HOLDER	
			FUSE	HOLDER	FUSE	HOLDER			
M1	3AG	1A 250V	①		318001		GJV-1		
	3AG	10A 32V	②		312010 (3AG 10A 32V)	155020	AGC-5	HDJ	

① AC Operation. ② DC Operation.

## MISCELLANEOUS

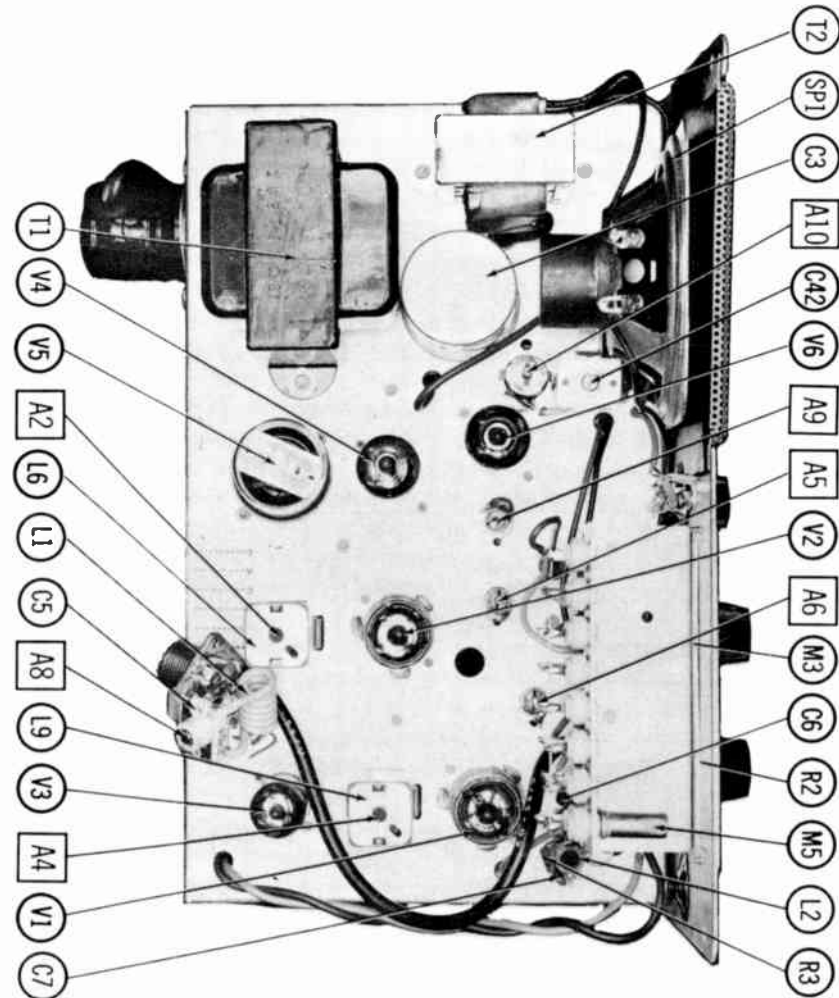
ITEM No.	PART NAME	Lafayette PART No.	NOTES
M2	Tuning Capacitor	V-235-1	Receiver Tuning Channel Selector (Rotary Wafer Type) Receive-Transmit (Spring Loaded, Rotary Wafer) Transmit (Order by channel desired) Neon Lamp (NE-2)
M3	Switch		
M4	Switch		
M5	Crystal		
M6	RF Power Indicator		

## VIBRATOR

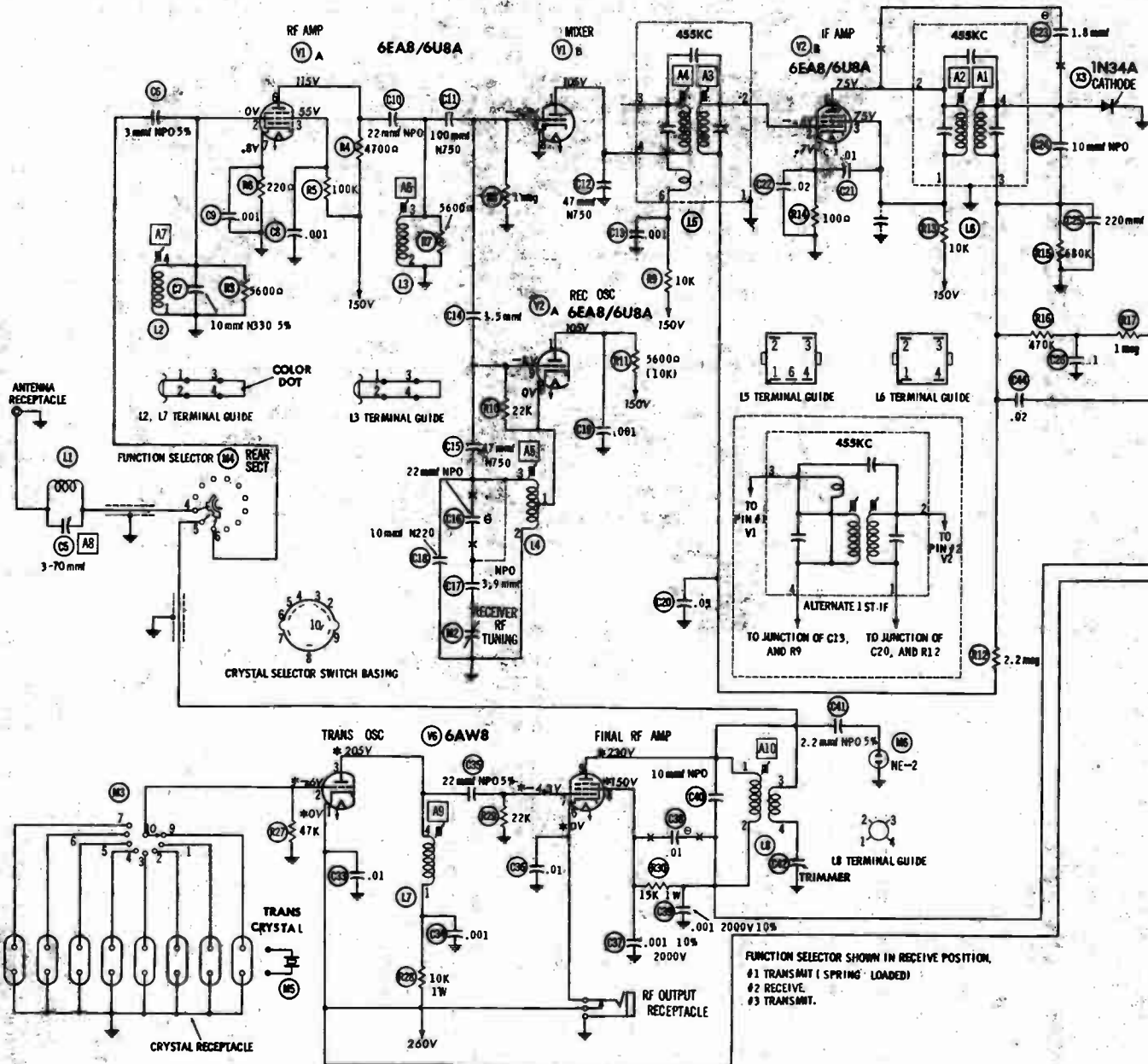
ITEM No.	TYPE	INPUT VOLTS	FRE-QUENCY	REPLACEMENT DATA			NOTES
				Lafayette PART No.	CORNELL-DUBILIER PART No.	MALLORY PART No.	
Interrupter	Interrupter	6.3	115V		5301	1601	6 Volt Versions 12 Volt Versions
		12.6	115V		6301	G-1601	

## WIRING DATA

General-use Hook-up Wire .... Use BELDEN No. 8530 (Solid) Available in 12 Colors  
8524 (Stranded) Available in 12 Colors  
Shielded Antenna Lead ..... Use BELDEN No. 8214 Lowest Loss (RG-8/U Type)  
8237 Low Loss (RG-8/U)  
8240 (Solid) Miniature (RG-58/U)  
8259 (Stranded) Miniature (RG-58A/U)  
Coiled Microphone Cable ..... Use BELDEN No. 8499 Single Conductor Shielded (Neoprene)  
8498 Single Conductor Shielded (Vinyl)  
Ignition Noise Suppression .... Use BELDEN No. 7300-Series Spark-Plug Sets  
Bonding Strap ..... Use BELDEN No. 8861 (3/8 In.)



LAFAYETTE MODEL HE-15B



FUNCTION SELECTOR SHOWN IN RECEIVE POSITION.  
 #1 TRANSMIT (SPRING-LOADED)  
 #2 RECEIVE.  
 #3 TRANSMIT.

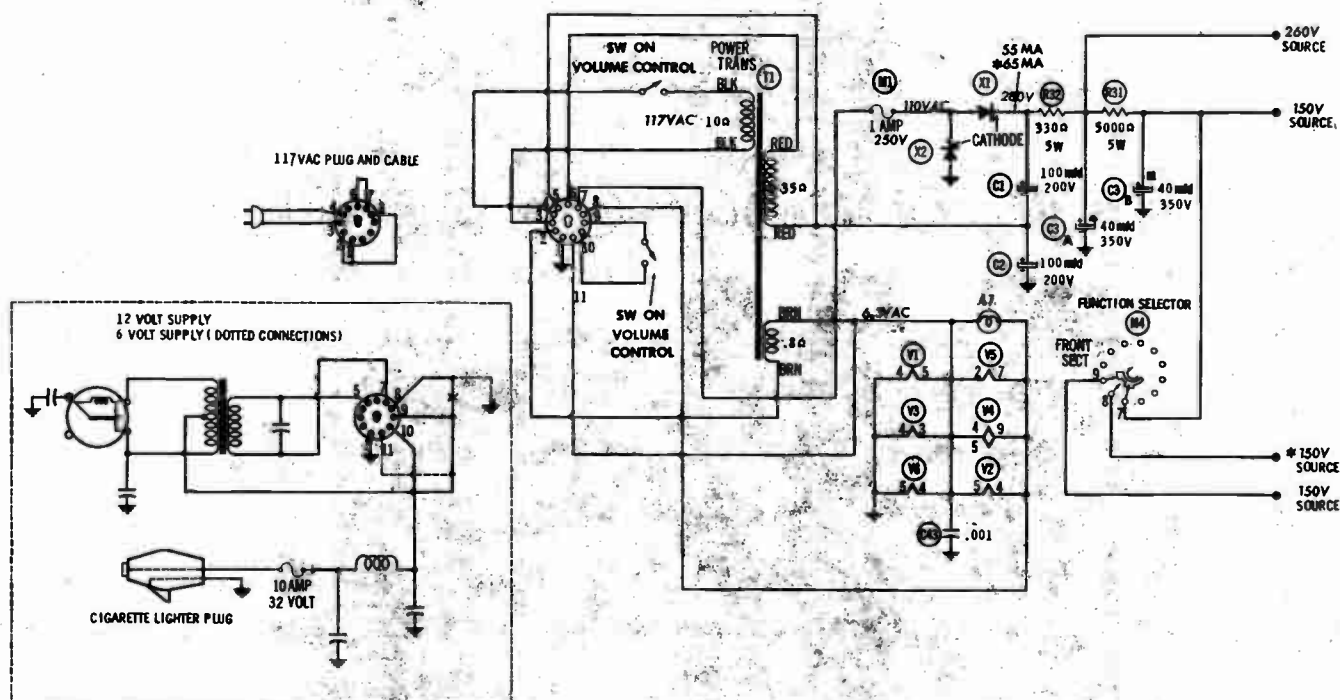
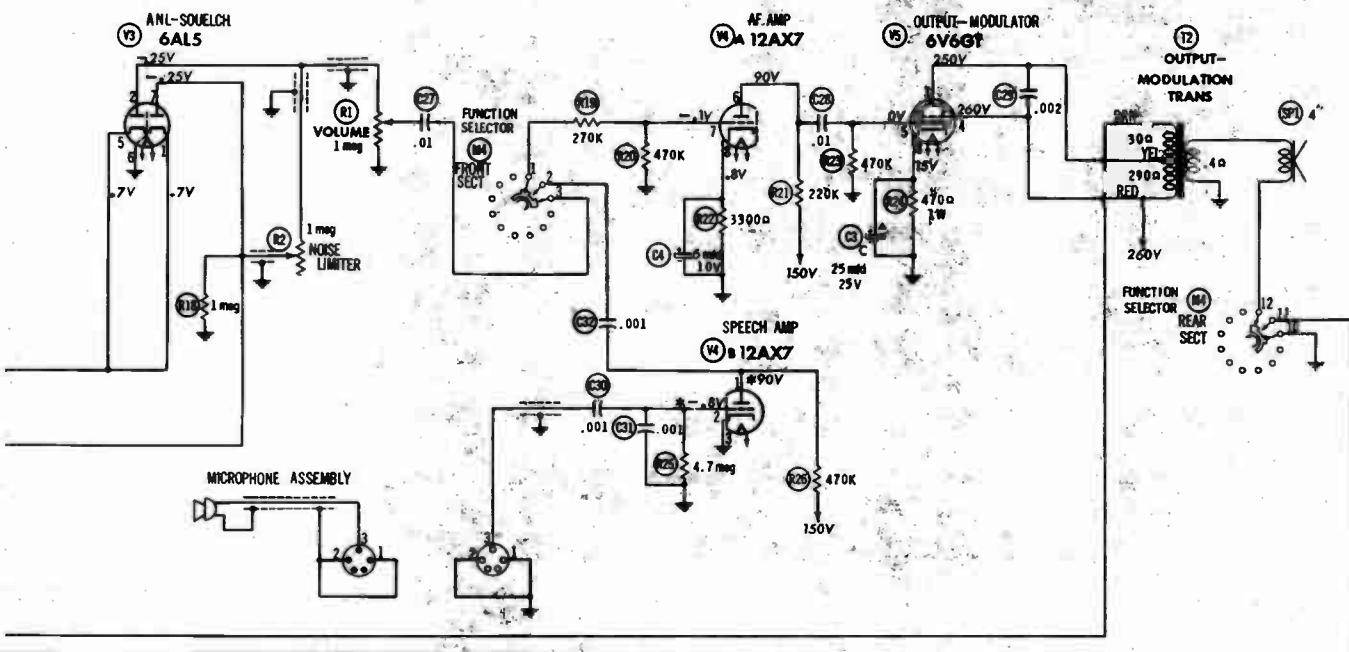
RESISTANCE READINGS

ITEM	TUBE	Pin 1	Pin 2	Pin 3	Pin 4	Pin 5	Pin 6	Pin 7	Pin 8	Pin 9
V1	6E8A/6U8A	115K	0Ω	1100K	FIL	FIL	110K	220Ω	0Ω	1MΩ
V2	6E8A/6U8A	115K	2.3MΩ	115K	FIL	FIL	115K	100Ω	0Ω	22K
V3	6AL5	2MΩ	1MΩ	FIL	FIL	2MΩ	0Ω	1MΩ		
V4	12AX7	1475K	4.7MΩ	0Ω	FIL	FIL	1230K	470K	3300Ω	FIL
V5	6V6GT	0Ω	FIL	1500Ω	1300Ω	470K	TP	FIL	470Ω	
V6	6AW8A	0Ω	47K	110K	FIL	FIL	0Ω	22K	1650Ω	115.6K

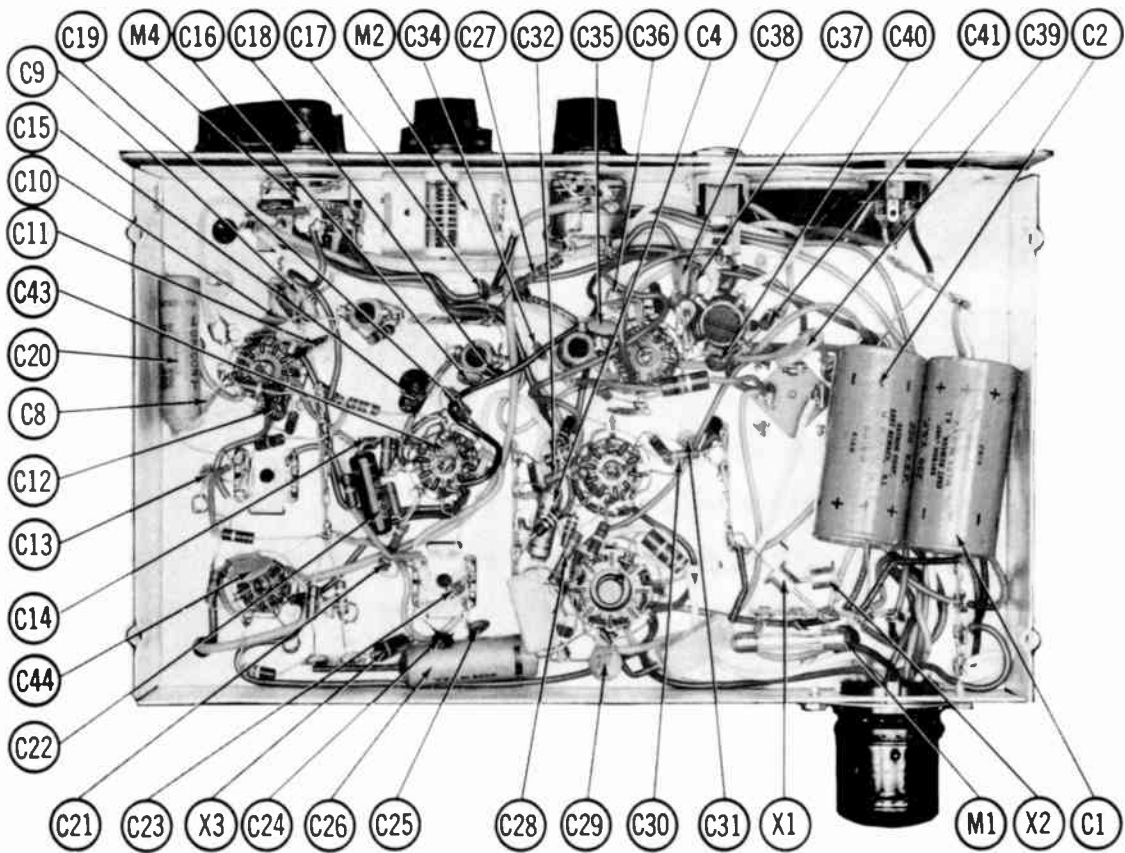
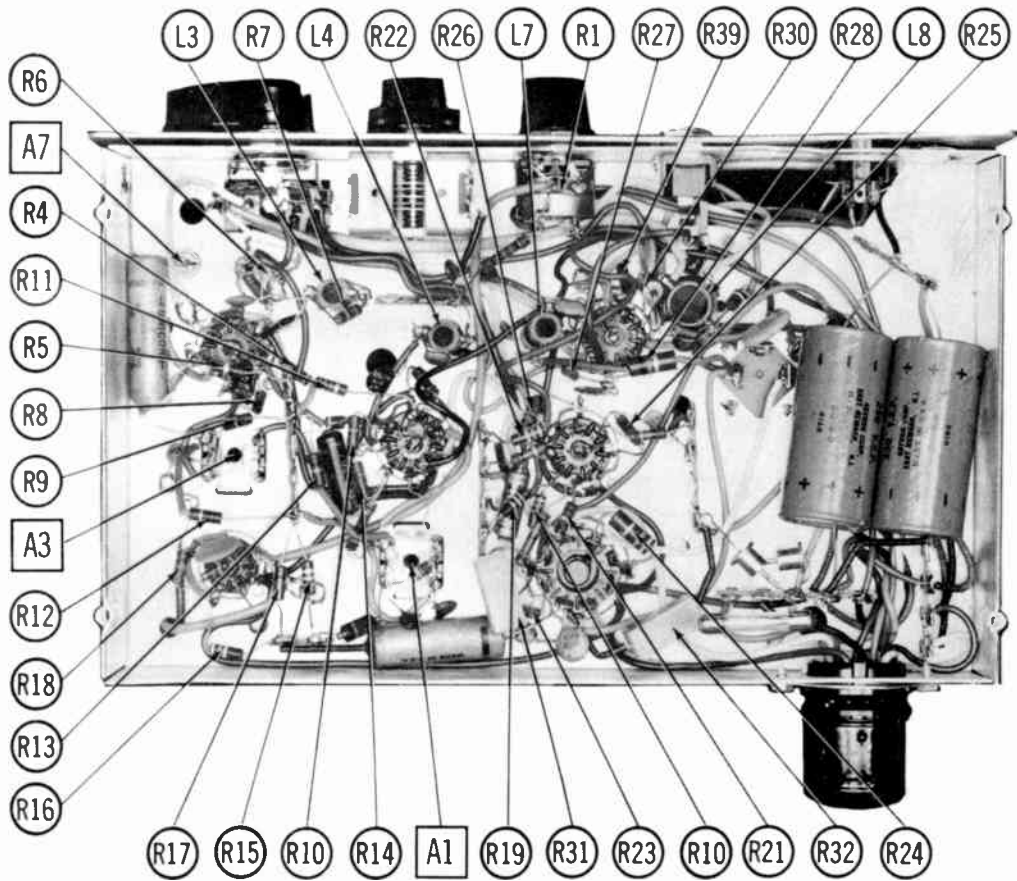
† MEASURED FROM OUTPUT OF X2.  
 \* MEASURED IN TRANSMIT POSITION.

- ⊙ See parts list for alternate value or application.
- 1. Voltage measurements taken with vacuum tube voltmeter.
- 2. All controls set for normal operation, no signal applied.
- 3. Measured values are from socket pin or terminal to common ground.
- 4. All terminals viewed from bottom unless otherwise designated.
- 5. Numbers assigned to terminals may not be found on the unit.
- 6. Supply voltage maintained at rated value for voltage readings.

A PHOTOFAC STANDARD NOTATION SCHEMATIC  
 ©Howard W. Sams & Co., Inc. 1963



LAFAYETTE MODEL HE-15B





# PHOTOFACT®

**TRADE NAME:** Lafayette Model HE-20B  
**SUPPLIER:** Lafayette Radio Electronics Corp.  
 111 Jericho Turnpike, Syosset, L.I., N. Y.  
**TYPE SET:** 7 Tube Citizens Band Transceiver  
**POWER SUPPLY:** 110-120VAC, 60 Cycles (or)  
 12 Volt Storage Battery  
**RATING:** 51 Watts, .5 Amp. @ 117VAC (or)  
 3.7 Amp. @ 12.6VDC (Receive)  
**TUNING RANGE:** Any 8 Crystal Controlled Channels 1-23  
 (Receiver may be manually tuned)



## ALIGNMENT INSTRUCTIONS

<b>Suggested Alignment Tools:</b>	
A1, A2, A3. . . . .	GENERAL CEMENT #5000, 5003, 5006 WALSCO #2515, 2516, 2518
A4. . . . .	GENERAL CEMENT #8282, 8606, 8606L WALSCO #2526, 2543, 2544
A5 thru A10. . . . .	GENERAL CEMENT #5097, 8607, 8727 WALSCO #2515

### RECEIVER ALIGNMENT

Volume control should be at maximum position. Output of signal generator should be no higher than necessary to obtain an output reading.

SIGNAL GENERATOR	CHANNEL	ADJUST	REMARKS
High side thru .01mfd to pin 7 (grid) of Converter, low side to ground. Tune to 1650KC (400v Mod.).	Any	A5, A6, A7, A8, A9, A10	Turn squelch control fully clockwise. Adjust for maximum output.
Across antenna receptacle. Tune to Channel Frequency.	Center Channel Used (Fixed)	A11	Connect a 100Ω resistor and .005mfd capacitor in series across the secondary of L3. Adjust for maximum output.
"	"	A12	Move resistor and capacitor to the primary of L3. Adjust for maximum output. Remove resistor and capacitor.
"	1 (26.965MC) (Tune)	A13	Adjust for maximum output. Two peaks will be obtained. Use the higher.
"	23 (27.255MC) (Tune)	A14	Adjust for maximum output. Readjust A13 and A14 until maximum calibration is attained.
		A4	Adjust for MINIMUM interference on the three lower TV channels.

### TRANSMITTER ALIGNMENT

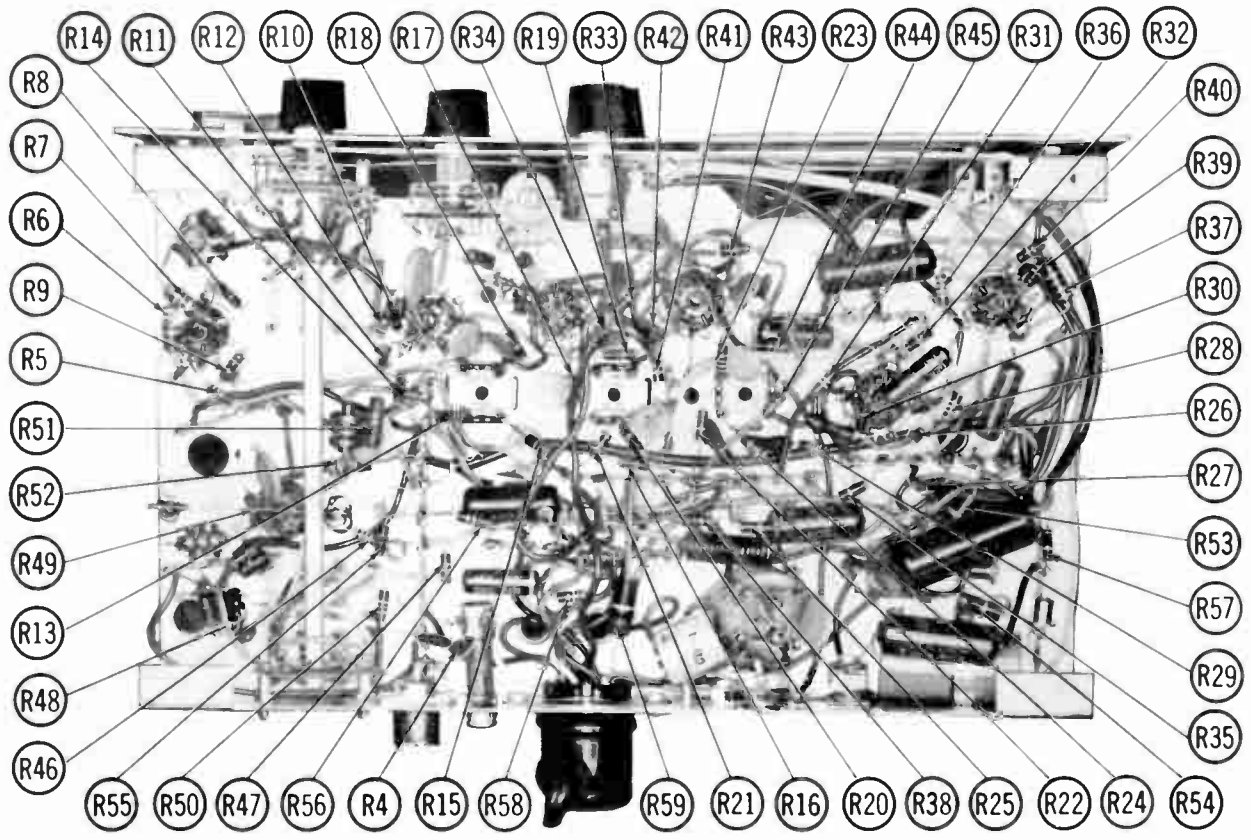
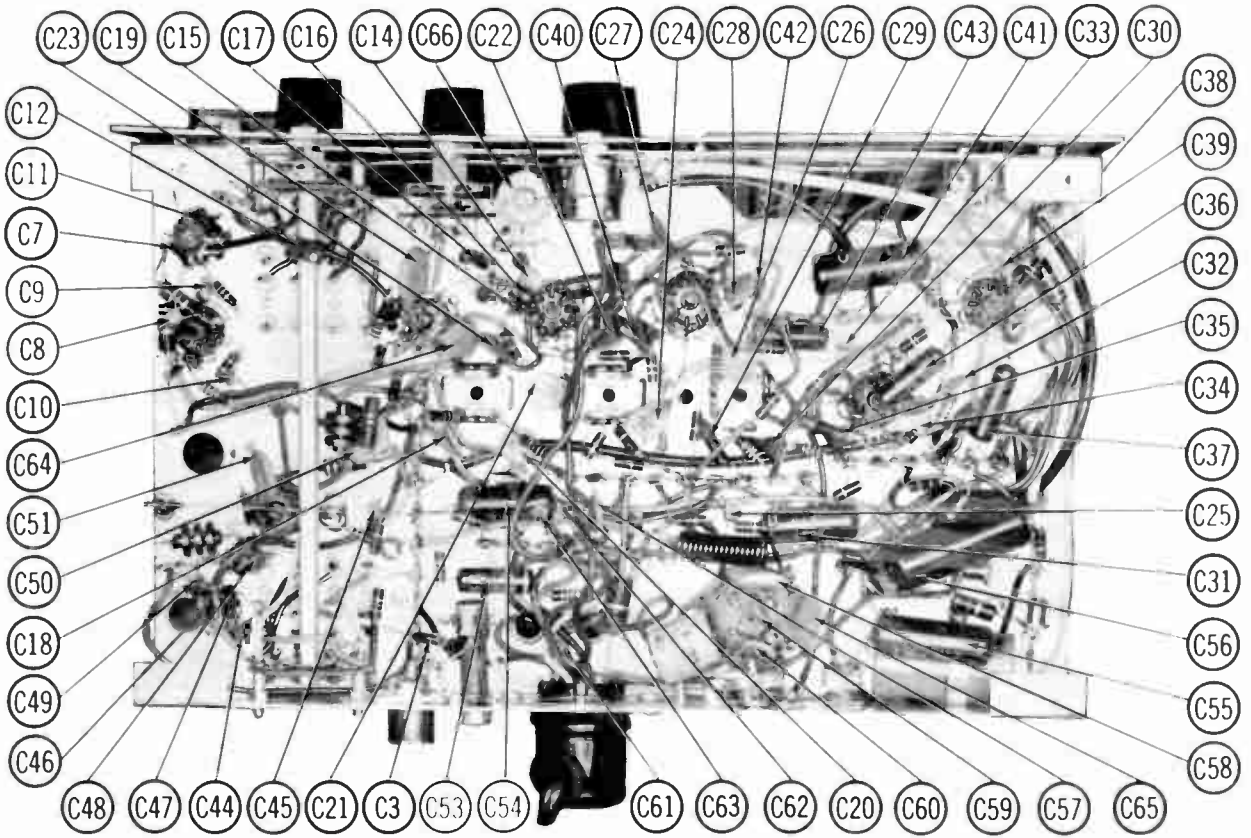
ONLY THOSE PERSONS PROPERLY LICENSED ARE PERMITTED TO MAKE REPAIRS OR ADJUSTMENTS WHICH MAY RESULT IN ILLEGAL OPERATION. (REFER TO FCC RULES & REGULATIONS PART 19, SUBPART D, SECTION 19.71)

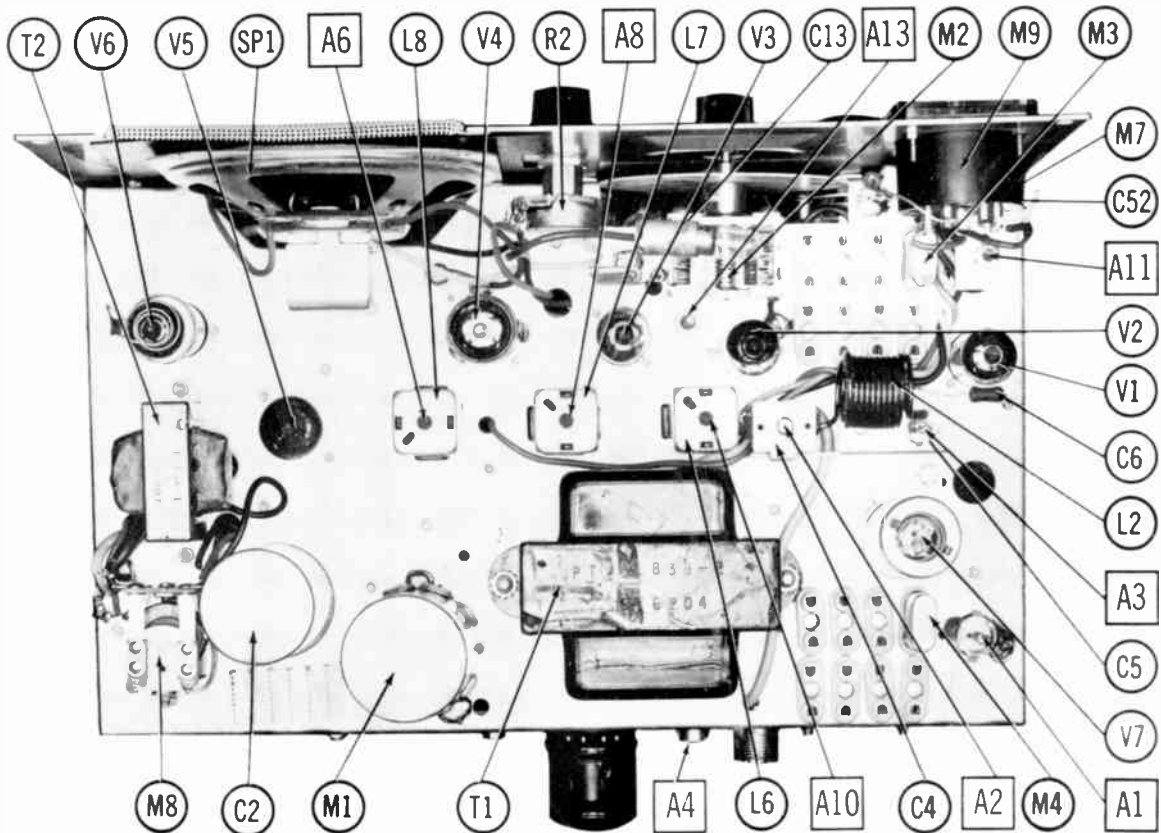
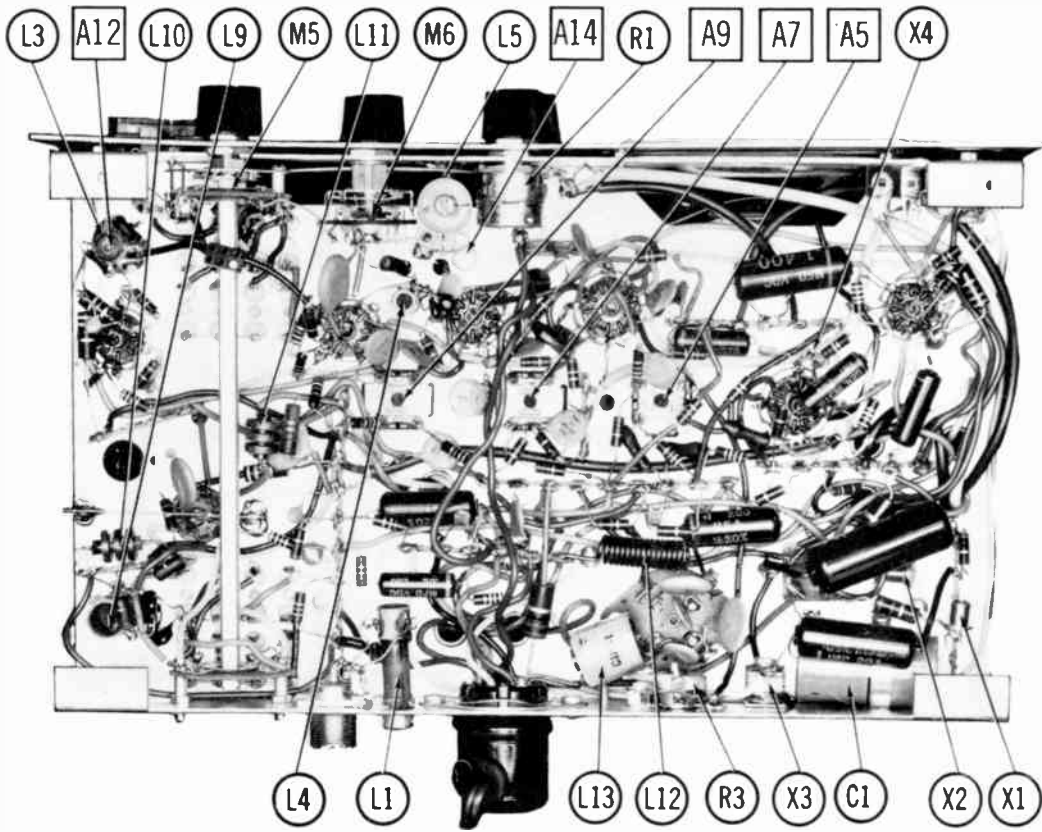
INDICATOR	ADJUST	REMARKS
Connect DC probe of VTVM to pin 7 (grid) of final RF Amp, common to ground.	A1	Key transmitter and adjust for maximum deflection.
RF Power Indicator Meter	A2, A3	Key transmitter and adjust for maximum deflection.

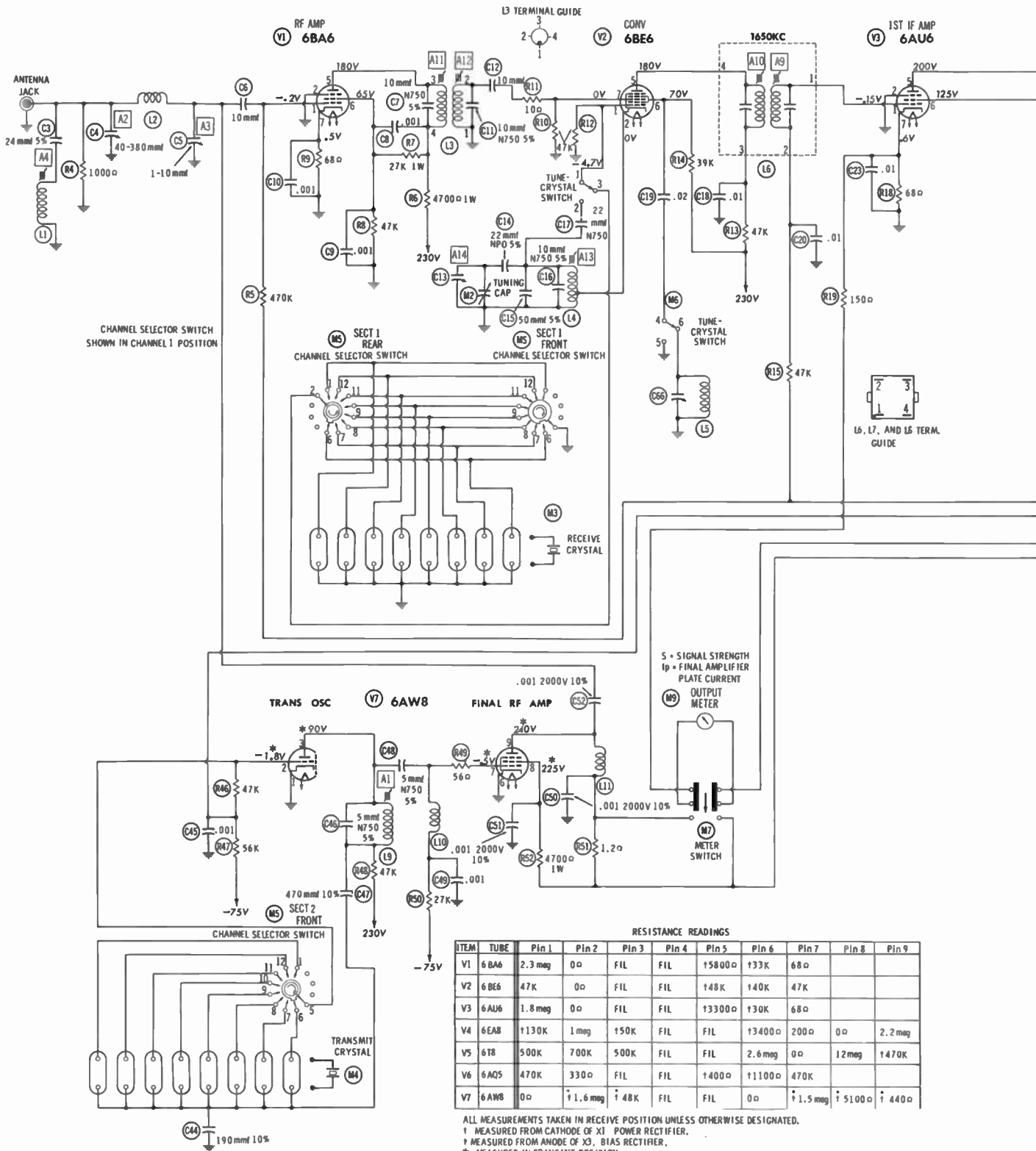
LAFAYETTE MODEL HE-20B

**HOWARD W. SAMS & CO., INC.** Indianapolis 6, Indiana









S = SIGNAL STRENGTH  
 Ip = FINAL AMPLIFIER  
 PLATE CURRENT  
 OUTPUT METER  
 METER SWITCH

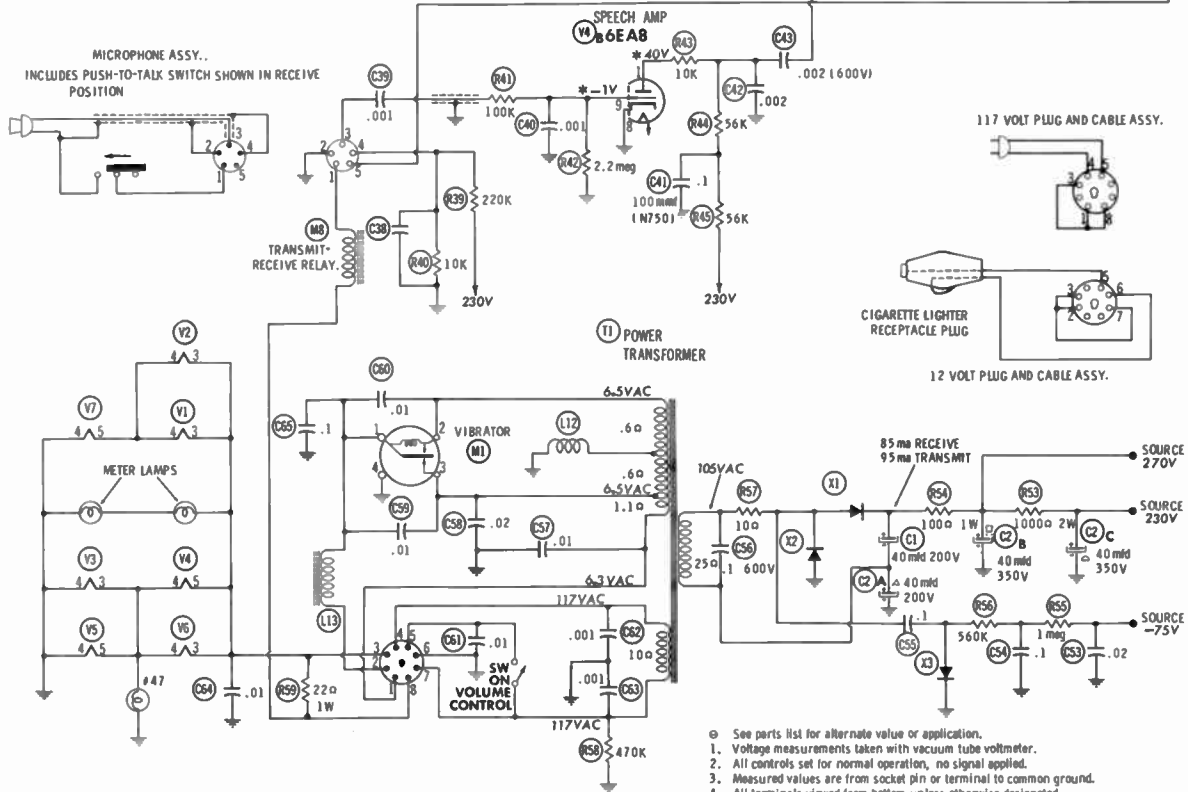
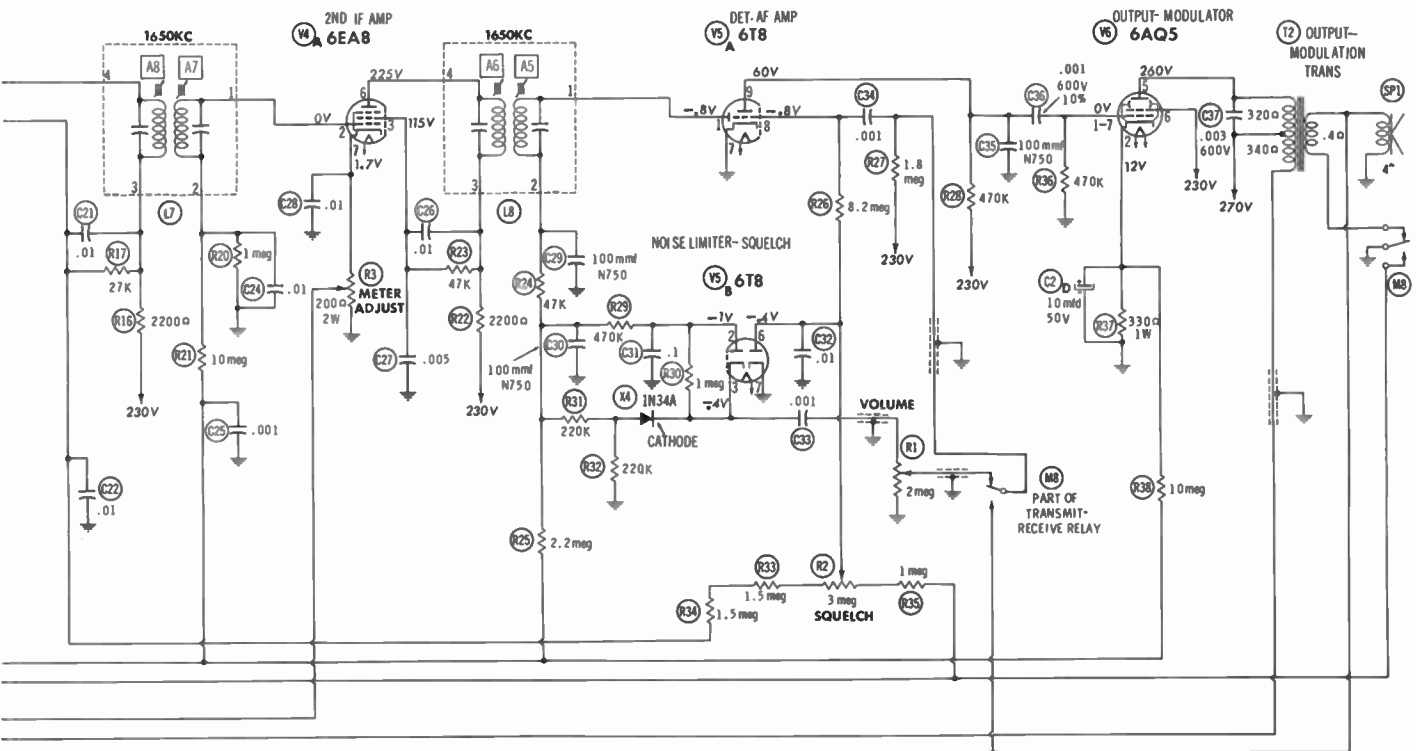
RESISTANCE READINGS

ITEM	TUBE	Pin 1	Pin 2	Pin 3	Pin 4	Pin 5	Pin 6	Pin 7	Pin 8	Pin 9
V1	6BA6	2.3 meg	0 $\Omega$	FIL	FIL	†5800 $\Omega$	†33K	68 $\Omega$		
V2	6BE6	47K	0 $\Omega$	FIL	FIL	†48K	†40K	47K		
V3	6AU6	1.8 meg	0 $\Omega$	FIL	FIL	†3300 $\Omega$	†30K	68 $\Omega$		
V4	6E8B	†130K	1 meg	†50K	FIL	FIL	†3400 $\Omega$	200 $\Omega$	0 $\Omega$	2.2 meg
V5	6B8	500K	700K	500K	FIL	FIL	2.6 meg	0 $\Omega$	†2 meg	†470K
V6	6AQ5	470K	330 $\Omega$	FIL	FIL	†400 $\Omega$	†1100 $\Omega$	470K		
V7	6AW8	0 $\Omega$	†1.6 meg	†48K	FIL	FIL	0 $\Omega$	†1.5 meg	†5100 $\Omega$	†440 $\Omega$

ALL MEASUREMENTS TAKEN IN RECEIVE POSITION UNLESS OTHERWISE DESIGNATED.  
 † MEASURED FROM CATHODE OF X1 POWER RECTIFIER.  
 ‡ MEASURED FROM ANODE OF X3, BIAS RECTIFIER.  
 \* MEASURED IN TRANSMIT POSITION.

A PHOTOFACIT STANDARD NOTATION SCHEMATIC  
 ©Howard W. Sams & Co., Inc. 1963





- ⊙ See parts list for alternate value or application.
1. Voltage measurements taken with vacuum tube voltmeter.
  2. All controls set for normal operation, no signal applied.
  3. Measured values are from socket pin or terminal to common ground.
  4. All terminals viewed from bottom unless otherwise designated.
  5. Numbers assigned to terminals may not be found on the unit.
  6. Supply voltage maintained at rated value for voltage readings.

LAFAYETTE MODEL HE-20B

# PARTS LIST AND DESCRIPTION

## TUBES

ITEM No.	USE	GENERAL ELECTRIC		ITEM No.	USE	TYPE
		AMPEREX	TYPE			
V1	RF Amplifier		6BA6	V5	Det. -AF Amp. -	6T8
V2	Converter		6BE6	V6	Noise Limiter-Squelch	
V3	1st IF Amplifier		6AU6	V7	Output - Modulator	6AQ5
V4	2nd IF Amp. -Speech Amp.		6EA8		Trans. Osc. -Final	6AW8

## POWER RECTIFIERS & SIGNAL DIODES

ITEM No.	MEASURED CURRENT	ORIGINAL Part or Type No.	RECTIFIERS			NOTES
			MALLORY PART No.	RCA PART No.	SARKES TARZIAN PART No.	
X1			1N2070	1N1763	40H	HV Rectifier
X2			1N2070	1N1763	40H	HV Rectifier
X3					Model 12	Bias Rectifier
X4					1N34A	Noise Limiter

## ELECTROLYTIC CAPACITORS

ITEM No.	RATING		Lafayette PART No.	REPLACEMENT DATA					
	CAP.	VOLT.		AEROVOX PART No.	CORNELL-DUBILIER PART No.	GENERAL ELECTRIC PART No.	GENERAL INSTRUMENT PART No.	MALLORY PART No.	SPRAGUE PART No.
C1	40	200		PRS1580	BR4025	QTI-14	TD-40-250	TC58	TVA-151I
C2A	40	200		A FH3-43	C0340	KC4-22	TMT-3700	FP420.36	TVA-161I
B	40	350		PRS1580	BR4035		TD-40-350		
C	40	350							
D	10	50							

## FIXED CAPACITORS

ITEM No.	RATING	REMARKS	REPLACEMENT DATA					
			AEROVOX PART No.	CENTRALAB PART No.	CORNELL-DUBILIER PART No.	ELMENCO PART No.	MALLORY PART No.	SPRAGUE PART No.
C3	24 5%		1469-000024	TCZ-24	22R5Q24	CM-19B-240J	CNO-425	MS-424
C4	40-380							
C5	1-10			829-10				
C6	10							
C7	10 N750 5%		N750-SI 10	TCN-10	C10Q1U	CCTN-100	CN7-410	10TCU-Q10
C8	.001		BPD-001	DD-102	BYA10D1	CCD-102	B-210	5HK-D10
C9	.001		BPD-001	DD-102	BYA10D1	CCD-102	B-210	5HK-D10
C10	.001		BPD-001	DD-102	BYA10D1	CCD-102	B-210	5HK-D10
C11	10 N750 5%		N750-SI 10	TCN-10	C10Q1U	CCTN-100	CN7-410	10TCU-Q10
C12	10		1469-00001	TCZ-10	22R5Q1	CM-19B-100M	MCB215	MS-41
C13								
C14	22 NFO 5%			DTZ-22	C10-J22C		CNO-422	10TCC-Q22
C15	50 5%		1469-00005	TCZ-50	22R5Q5	CM-19B-500J	MCE225	MS-45
C16	10 N750 5%		N750-SI 10	TCN-10	C10Q1U	CCTN-100	CN7-410	10TCU-Q10
C17	22 N750		N750-SI 22	TCN-22	C10Q22U	CCTN-22	CN7-422	10TCU-Q22
C18	.01		BPD-01	DD-103	BYA10S1	CCD-103	B-110	5HK-S10
C19	.02		BPD-02	DD-203	BYB6S2	CCD-203	B-120	5HK-S20
C20	.01		BPD-01	DD-103	BYA10S1	CCD-103	B-110	5HK-S10
C21	.01		BPD-01	DD-103	BYA10S1	CCD-103	B-110	5HK-S10
C22	.01		BPD-01	DD-103	BYA10S1	CCD-103	B-110	5HK-S10
C23	.01		BPD-01	DD-103	BYA10S1	CCD-103	B-110	5HK-S10
C24	.01		BPD-01	DD-103	BYA10S1	CCD-103	B-110	5HK-S10
C25	.001		BPD-001	DD-102	BYA10D1	CCD-102	B-210	5HK-D10
C26	.01		BPD-01	DD-103	BYA10S1	CCD-103	B-110	5HK-S10
C27	.005		BPD-005	DD-502	BYA10D5	CCD-502	B-250	5HK-D50
C28	.01		BPD-01	DD-103	BYA10S1	CCD-103	B-110	5HK-S10
C29	100 N750		N750-SI 100	TCN-100	C10T1U	CCTN-101	CN7-310	10TCU-T10
C30	100 N750		N750-SI 100	TCN-100	C10T1U	CCTN-101	CN7-310	10TCU-T10
C31	.1 200V		P488N-1	DF-104	CUB4P1	4DP-3-104	GEM-401	4TM-P10
C32	.01		BPD-01	DD-103	BYA10S1	CCD-103	B-110	5HK-S10
C33	.001		BPD-001	DD-102	BYA10D1	CCD-102	B-210	5HK-D10
C34	.001		BPD-001	DD-102	BYA10D1	CCD-102	B-210	5HK-D10
C35	100 N750		N750-SI 100	TCN-100	C10T1U	CCTN-101	CN7-310	10TCU-T10
C36	.001 600V 10%		V84C6D1	D6-302	PM6D1	6DP-1-102	GEM-1621	6TM-D10
C37	.003 600V		P688N-003	D6-302	CUB6D3	6DP-1-302	GEM-623	6TM-D30
C38	.001		BPD-001	DD-102	BYA10D1	CCD-102	B-210	5HK-D10
C39	.001		BPD-001	DD-102	BYA10D1	CCD-102	B-210	5HK-D10
C40	100 N750		N750-SI 100	TCN-100	C10T1U	CCTN-101	CN7-310	10TCU-T10
C41	.1		P488N-1	DF-104	CUB4P1	4DP-3-104	GEM-401	4TM-P10
C42	.002		BPD-002	DD-202	BYA10D2	CCD-202	B-220	5HK-D20
C43	.002 600V		P688N-002	D6-202	CUB6D2	6DP-1-202	GEM-622	6TM-D20
C44	100 10%		1469-0002	TCZ-200	22R5T2	CM-19B-201K	MCB237	MS-32
C45	.001		BPD-001	DD-102	BYA10D1	CCD-102	B-210	5HK-D10
C46	5 N750 5%		N750-SI 5	TCN-5	C10V5U	CCTN-050	CN7-550	10TCU-V50
C47	470 10%							
C48	5 N750 5%		N750-SI 5	TCN-5	C10V5U	CCTN-050	CN7-550	10TCU-V50
C49	.001		BPD-001	DD-102	BYA10D1	CCD-102	B-210	5HK-D10
C50	.001 2000V 10%							
C51	.001 2000V 10%							
C52	.001 2000V 10%							
C53	.02 200V		P288N-02	DD-203	CUB282	4DP-2-203	GEM-412	2TM-S20
C54	.1 200V		P288N-1	DF-104	CUB2P1	2DP-3-104	GEM-201	2TM-P10
C55	.1 400V		P488N-1	DF-104	CUB4P1	4DP-3-104	GEM-401	4TM-P10
C56	.1 600V		P688N-1	DF-104	CUB6P1	6DP-4-104	GEM-601	6TM-P10
C57	.01		BPD-01	DD-103	BYA10S1	CCD-103	B-110	5HK-S10
C58	.02		BPD-02	DD-203	BYB6S2	CCD-203	B-120	5HK-S20
C59	.01		BPD-01	DD-103	BYA10S1	CCD-103	B-110	5HK-S10
C60	.01		BPD-01	DD-103	BYA10S1	CCD-103	B-110	5HK-S10
C61	.01		BPD-01	DD-103	BYA10S1	CCD-103	B-110	5HK-S10
C62	.001		EF-001	MFT-1000		CCF-102	CT280A	
C63	.001		EF-001	MFT-1000		CCF-102	CT280A	
C64	.01		BPD-01	DD-103	BYA10S1	CCD-103	B-110	5HK-S10
C65	.1 100V							
C66								

# PARTS LIST AND DESCRIPTION (CONTINUED)

## CONTROLS

All wattages 1/2 watt, or less, unless otherwise listed.

ITEM No.	USE	RESIST-ANCE	REPLACEMENT DATA				
			Lafayette PART No.	CENTRALAB PART No.	CLAROSTAT PART No.	CTS-IRC PART No.	MALLORY PART No.
R1	Volume & Switch	2meg	V-332A-2	B-76, KR-1	A47-2meg-Z, FS-3, SWE-12	Q13-139, 76-1	U55, US-26
R2	Squelch	3meg	V-331A-2	B-84, AK-31	A-43-200, FKS-1/4	WH-200, SK-5	U57, EB247
R3	Meter Adjust	200Ω 2W	P325-3	WN-201			

## COILS (RF-IF)

ITEM No.	USE	REPLACEMENT DATA					NOTES
		Lafayette PART No.	MERIT PART No.	MILLER PART No.	STANCOR PART No.	WORKMAN PART No.	
L1	TV Trap						
L2	Antenna Load						
L3	RF Bandpass	T166-1					
L4	Rec. Oscillator	T-169-3					
L5	Crystal Feedback (6.8uh)						
L6	1st IF	1-110-5					
L7	2nd IF	1-110-5					
L8	3rd IF	1-110-5					
L9	Transmitter Osc.	190-1					
L10	RF Choke (500uh)		TV-188	6174	RTC-6592	T324	
L11	RF Choke (500uh)		TV-188	6174	RTC-3592	T324	
L12	RF Choke (.56uh)						
L13	Hash Choke(30uh)	187-1					

## TRANSFORMER (POWER)

ITEM No.	RATING			REPLACEMENT DATA					NOTES
	PRI.	SEC. 1	SEC. 2	Lafayette PART No.	MERIT PART No.	STANCOR PART No.	THORDARSON PART No.	TRIAD PART No.	
T1	117VAC ① .5A(or) 12.6VCT ② 2.5A	105V ① .060A	12.6V ① * 1.8A	PTV-163-2					* 117 Volts operation only.

## TRANSFORMER (AUDIO OUTPUT)

ITEM No.	IMPEDANCE		REPLACEMENT DATA					NOTES
	PRI.	SEC.	Lafayette PART No.	MERIT PART No.	STANCOR PART No.	THORDARSON PART No.	TRIAD PART No.	
T2	10.7K Tap ① 4600Ω	3-4Ω	T-184-1					

## SPEAKER

ITEM No.	TYPE	REPLACEMENT DATA		NOTES
		Lafayette PART No.	QUAM PART No.	
SP1	4" PM 3-4Ω	S717-1	4A07	

## VIBRATOR

ITEM No.	TYPE	INPUT VOLTS	FRE-QUENCY	REPLACEMENT DATA			NOTES
				Lafayette PART No.	CORNELL-DUBILIER PART No.	MALLORY PART No.	
M1	Interruptor	12.6	115v		6301	G-1601	

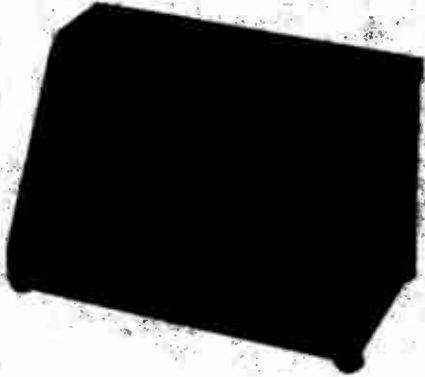
## MISCELLANEOUS

ITEM No.	PART NAME	Lafayette PART No.	NOTES
M2	Variable Cap		1 Gang, Receiver Tuning
M3	Crystal		Receiver (Order channel desired)
M4	Crystal		Transmitter (Order channel desired)
M5	Switch		Channel Selector (Rotary Wafer Type)
M6	Switch		Receiver Tuning, Crystal -Tune (Wafer Type)
M7	Switch		Meter (STDP, Slide Type)
M8	Relay		Transmit - Receive
M9	Meter		Power Monitor or Signal Strength
	Microphone		Includes Spring Loaded Push-to-talk Switch

## WIRING DATA

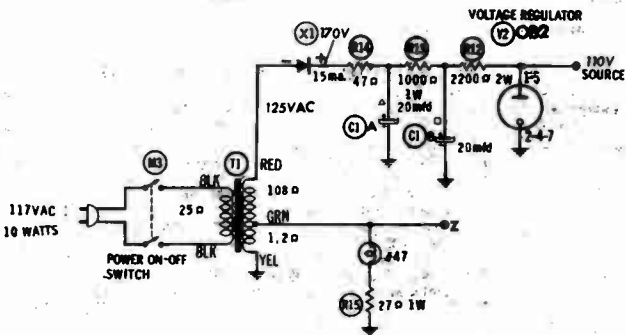
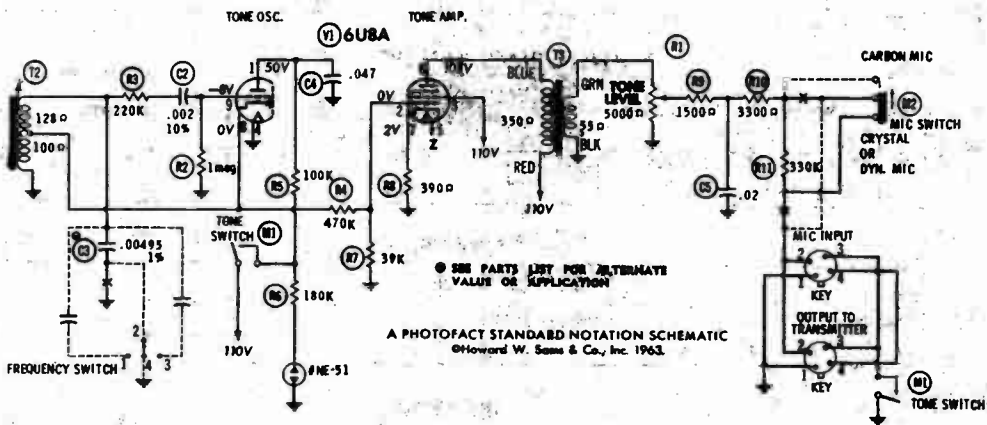
General-use Hook-up Wire ....	Use BELDEN No. 8530 (Solid) Available in 12 Colors 8524 (Stranded) Available in 12 Colors
Shielded Antenna Lead .....	Use BELDEN No. 8214 Lowest Loss (RG-8/U Type) 8237 Low Loss (RG-8/U) 8240 (Solid) Miniature (RG-58/U) 8259 (Stranded) Miniature (RG-58A/U)
Coiled Microphone Cable .....	Use BELDEN No. 8497 3 Conductor - 1 Shielded for Press-to-Talk (Neoprene) 8496 3 Conductor - 1 Shielded for Press-to-Talk (Vinyl)
Ignition Noise Suppression ....	Use BELDEN No. 7300-Series Spark-Plug Sets
Bonding Strap .....	Use BELDEN No. 8661 (3/8 In.)

# PHOTOFACT<sup>®</sup>



TRADE NAME : Monitoradio Model TG-1  
 SUPPLIER : Regency Electronics, Inc.  
 7900 Pendleton Pike, Indianapolis, Ind.  
 TYPE SET : 2 Tube Tone Generator  
 POWER SUPPLY : 110 - 120 Volts AC, 60 Cycles  
 RATING : 10 Watts, .1 Amp. @ 117VAC

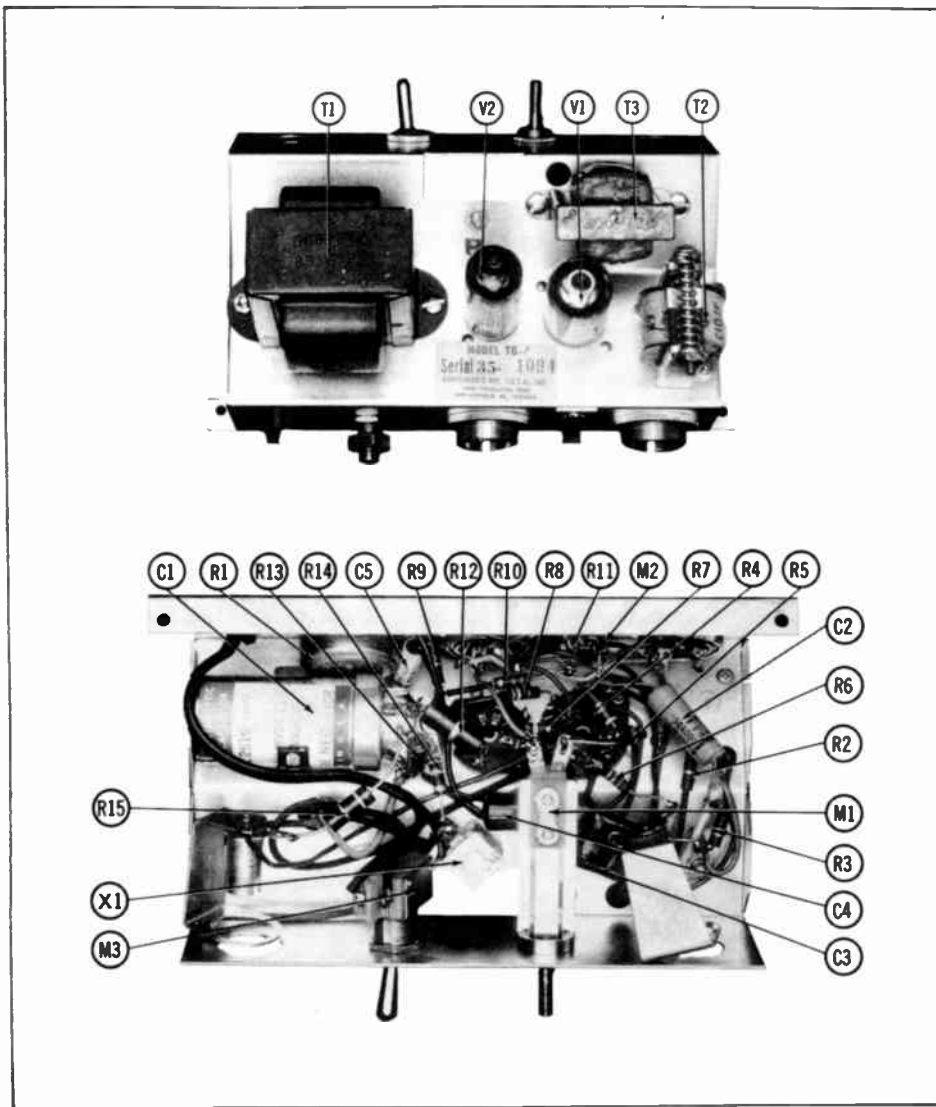
MONITORADIO MODEL TG-1



No.	V1	V2
1	6UBA	6B2
1	1100K	13200 Ω
2	39K	0 Ω
3	13200 Ω	NC
4	FIL	0 Ω
5	FIL	13200 Ω
6	13550 Ω	NC
7	390 Ω	0 Ω
8	100 Ω	
9	1meg	

ALL READINGS MADE WITH TONE SWITCH ON.  
 † MEASURED FROM OUTPUT OF X1.  
 NC NO CONNECTION

**HOWARD W. SAMs & CO., INC.** Indianapolis 6, Indiana



## PARTS LIST AND DESCRIPTION

### WIRING DATA

General-use Unshielded Hook-up Wire .....	Use BELDEN No. 8530 (Solid) Available in 12 Colors 8524 (Stranded) Available in 12 Colors
Power Cord .....	Use BELDEN No. 1708 (Plastic) or 17126 (Rubber) - 8 Ft. 1709 (Plastic) or 17129 (Rubber) - 9 Ft.
Power Cord (Interlock Type) .....	Use BELDEN No. 8874 (Rubber) or 8895 (Plastic)

### TUBES

• AMPEREX •		GENERAL ELECTRIC		• RCA •		RAYTHEON		• SYLVANIA •	
ITEM No.	USE	TYPE		ITEM No.	USE	TYPE			
V1	Tone Osc. - Tone Amp.	6U8A		V2	Voltage Regulator	OB2			

### POWER RECTIFIERS & SIGNAL DIODES

ITEM No.	MEASURED CURRENT	ORIGINAL Part or Type No.	RECTIFIERS			NOTES
			MALLORY PART No.	RCA PART No.	SARKES TARZIAN PART No.	
X1	.015A	1263A †	A200*	IN3194 *	50A †	HV Rectifier † Selenium * Silicon

### ELECTROLYTIC CAPACITORS

ITEM No.	RATING		REPLACEMENT DATA						
	CAP.	VOLT.	Monitoradio PART No.	AEROVOX PART No.	CORNELL-DUBILIER PART No.	GENERAL ELECTRIC PART No.	MALLORY PART No.	PYRAMID PART No.	SPRAGUE PART No.
C1A B	▲ 20 ■ 20	250 250	300-773-1	AFH2-26	B0210	XC2-13	FP217	TMD2235	TVL-2515

# PARTS LIST AND DESCRIPTION (CONTINUED)

## FIXED CAPACITORS

ITEM No.	RATING	REMARKS	REPLACEMENT DATA					
			AEROVOX PART No.	CENTRALAB PART No.	CORNELL-DUBILIER PART No.	ELMENCO PART No.	MALLORY PART No.	SPRAGUE PART No.
C2	.002 10% 600V	Note 1	BE6D2	DD-162	PM6D2	6DP-1-202	PVC-622	6TM-D20
C3	.00495 5%		P266N-047	DD-503	PM2S47	4DP-3-473	PVC-2147	2TM-S47
C4	.047 200V		P266N-02	DD-203	PM2S2	IDP-1-203	PVC-212	2TM-S20
C5	.02 100V							

Note 1. Factory Selected for 1500 CPS (.00775 5% for 1200 CPS. .0034 5% for 1800 CPS).

## CONTROLS

All wattages 1/2 watt, or less, unless otherwise listed.

ITEM No.	USE	RESISTANCE	REPLACEMENT DATA				
			Monitoradio PART No.	CENTRALAB PART No.	CLAROSTAT PART No.	CTS-IRC PART No.	MALLORY PART No.
R1	Tone Level	5000Ω		ASF5-502-U			

## RESISTORS

All wattages 1/2 watt, or less, unless otherwise listed.

ITEM No.	RATING	REPLACEMENT DATA			ITEM No.	RATING	REPLACEMENT DATA		
		IRC PART No.	WORKMAN PART No.	REMARKS			IRC PART No.	WORKMAN PART No.	REMARKS
R2	1meg				R9	1500Ω			
R3	220K				R10	3300Ω			
R4	470K				R11	330K			
R5	100K				R12	2200Ω 2W			
R6	180K				R13	1000Ω 1W			
R7	39K				R14	47Ω			
R8	390Ω				R15	27Ω 1W			

## TRANSFORMER (POWER)

ITEM No.	RATING		REMARKS	REPLACEMENT DATA					NOTES
	PRI.	SEC. I		Monitoradio PART No.	MERIT PART No.	STANCOR PART No.	THORDARSON PART No.	TRIAD PART No.	
T1	117VAC ① .1A	130VAC② Tap③ 6.3VAC④ .46A	.015ADD	300-272					

## TRANSFORMER (TONE)

ITEM No.	TURNS RATIO		REPLACEMENT DATA	NOTES		
	PRI.	SEC.			Monitoradio PART No.	MERIT PART No.
T2	1.1	1	57013-6			

## TRANSFORMER (AUDIO OUTPUT)

ITEM No.	IMPEDANCE		REPLACEMENT DATA	NOTES		
	PRI.	SEC.			Monitoradio PART No.	Merit PART No.
T3	5000Ω	520Ω	300-720			

## MISCELLANEOUS

ITEM No.	PART NAME	Monitoradio PART No.	NOTES
M1	Switch	(3004)	Tone
M2	Switch	(SS32)	Mic (SPDT Slide Type)
M3	Switch	(20902-DN)	Power C.n-Off (DPDT Toggle Type)

## CABINETS & CABINET PARTS

(When Ordering Cabinets & Cabinet Parts, Specify Model, Chassis & Color)

NAME	PART NO.	DESCRIPTION
Knob Cabinet	S-453-29 500-397-1	Black



# PHOTOFACT<sup>®</sup>

**TRADE NAME:** Pearce-Simpson Model Companion  
**SUPPLIER:** Pearce-Simpson, Inc., Sales & Service Div.  
 1385 N.W. 27th Ave., Miami 35, Florida  
**TYPE SET:** 7 Tube, 3 Transistor Transceiver  
**POWER SUPPLY:** 110-120 Volts AC, 60 Cycles (or)  
 12 Volt Storage Battery  
**RATING:** 65 Watts, .60 Amp. @ 117VAC (Transmit)  
 55 Watts, .52 Amp. @ 117VAC (Receive)  
 4.7 Amp. @ 12.6VDC (Transmit)  
 3.6 Amp. @ 12.6VDC (Receive)  
**TUNING RANGE:** Any 5 CB Channels 1 thru 22  
 Receiver may be continuously tuned.



## ALIGNMENT INSTRUCTIONS

### ALIGNMENT INSTRUCTIONS—READ CAREFULLY BEFORE ATTEMPTING ALIGNMENT

#### Suggested Alignment Tools:

A1 thru A6, A8 thru A12, A14, thru A18..... GENERAL CEMENT #5097, 8727 .... WALSCO #2515  
 A7..... GENERAL CEMENT #8272, 8276, 9298.. WALSCO #2515, 2516, 2518, 2519, 2525, 2541  
 A13..... GENERAL CEMENT #8282, 8606, 9295.. WALSCO #2526, 2543, 2544, 2545

#### RECEIVER ALIGNMENT

Connect DC probe of VTVM to point  $\text{Ⓢ}$ , common to ground.

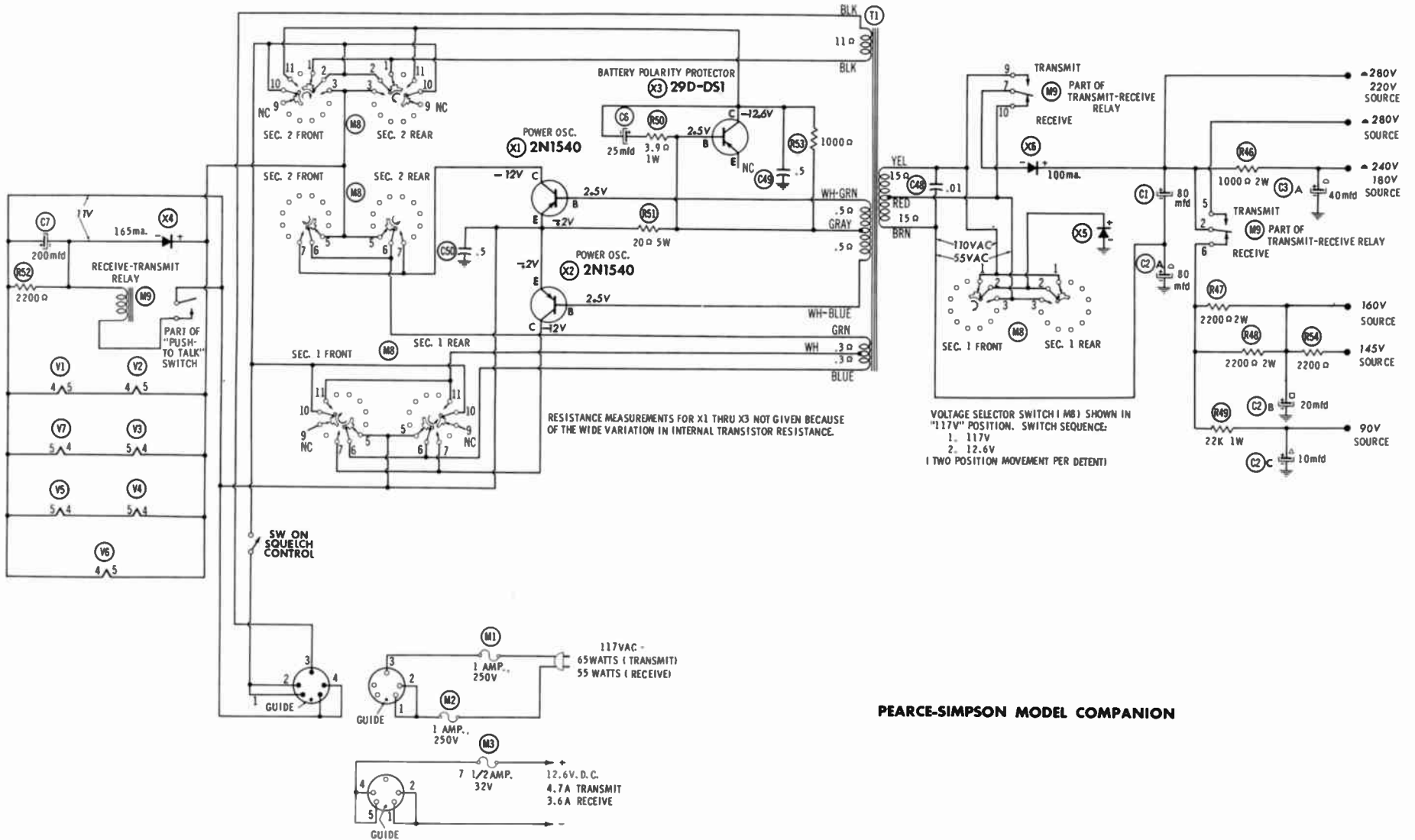
SIGNAL GENERATOR	CHANNEL	ADJUST	REMARKS
High side thru .05mfd to pin 2 of V2, common to ground. (455KC Unmod.)		A1, A2, A3, A4, A5, A6	Adjust for maximum deflection.
High side to antenna terminal common to ground. Tune to channel frequency.	1 (26.965MC)	A7	Rotate channel selector switch to the "External" position. Adjust for maximum deflection.
"	12 (27.105MC)	A8, A9, A10, A11	Adjust for maximum deflection.
"	20 (27.205MC)	A12	"

#### TRANSMITTER ALIGNMENT

ONLY THOSE PERSONS PROPERLY LICENSED ARE PERMITTED TO MAKE REPAIRS OR ADJUSTMENTS WHICH MAY RESULT IN ILLEGAL OPERATION. (REFER TO FCC RULES & REGULATIONS PART 19, SUBPART D, SECTION 19.71)

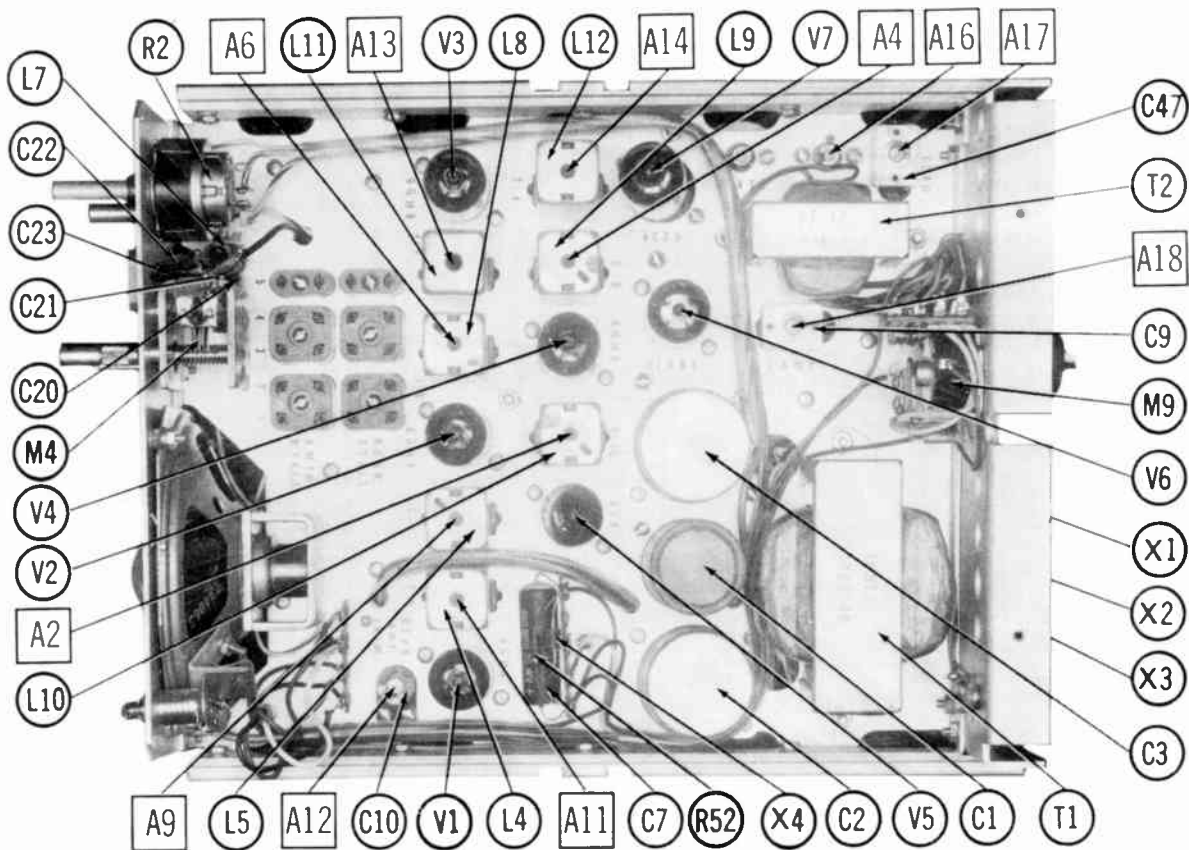
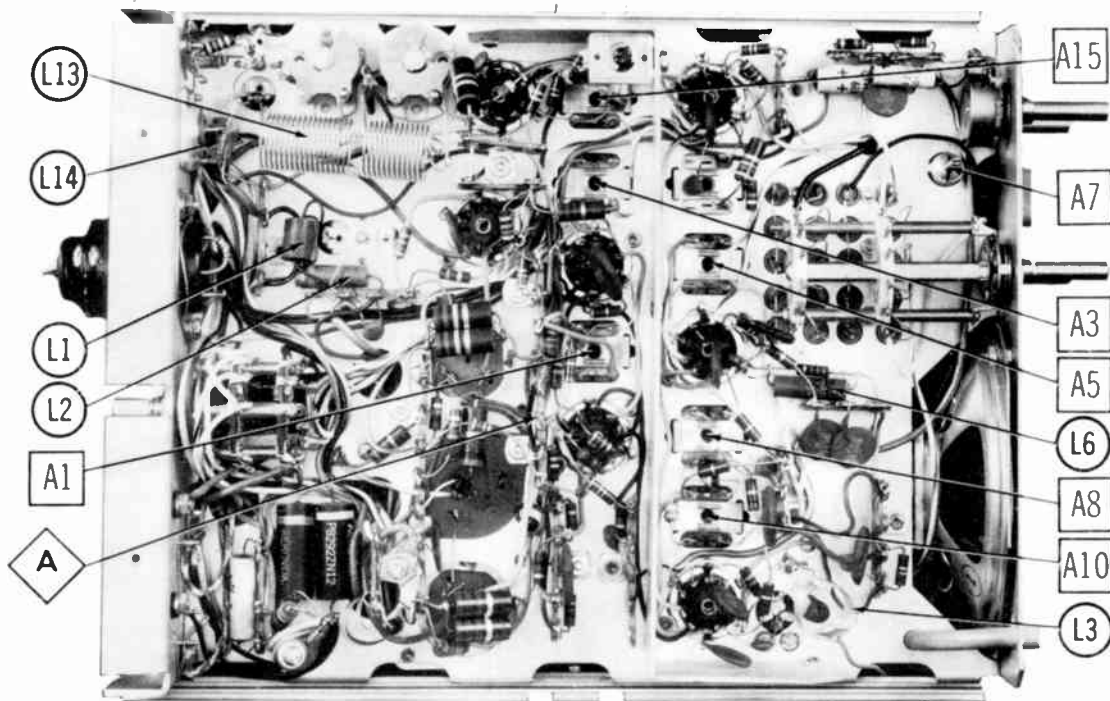
SPECIAL INSTRUCTIONS	INDICATOR	ADJUST	REMARKS
Place channel selector switch on or near the centermost channel as covered by the unit.	Connect dummy load and RF watt-meter to antenna terminal. Common to ground.	A13	Connect DC probe of VTVM to point $\text{Ⓢ}$ , common to ground. Key transmitter. Adjust A13 for maximum VTVM indication. Rock A13 to each side of peak, noting rate of dropoff. Set A13 just below peak on side of gradual dropoff.
"	"	A14, A15, A16	Adjust for maximum output.
"	Indicator lamp on front panel.	A17	Connect antenna. Adjust for maximum lamp brilliance. Slight readjustment of A16 may be necessary.
"	"	A18	Adjust for desired lamp brilliance.

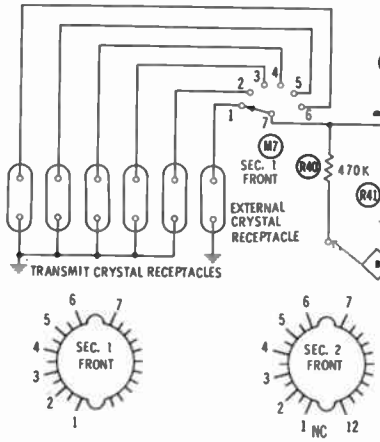
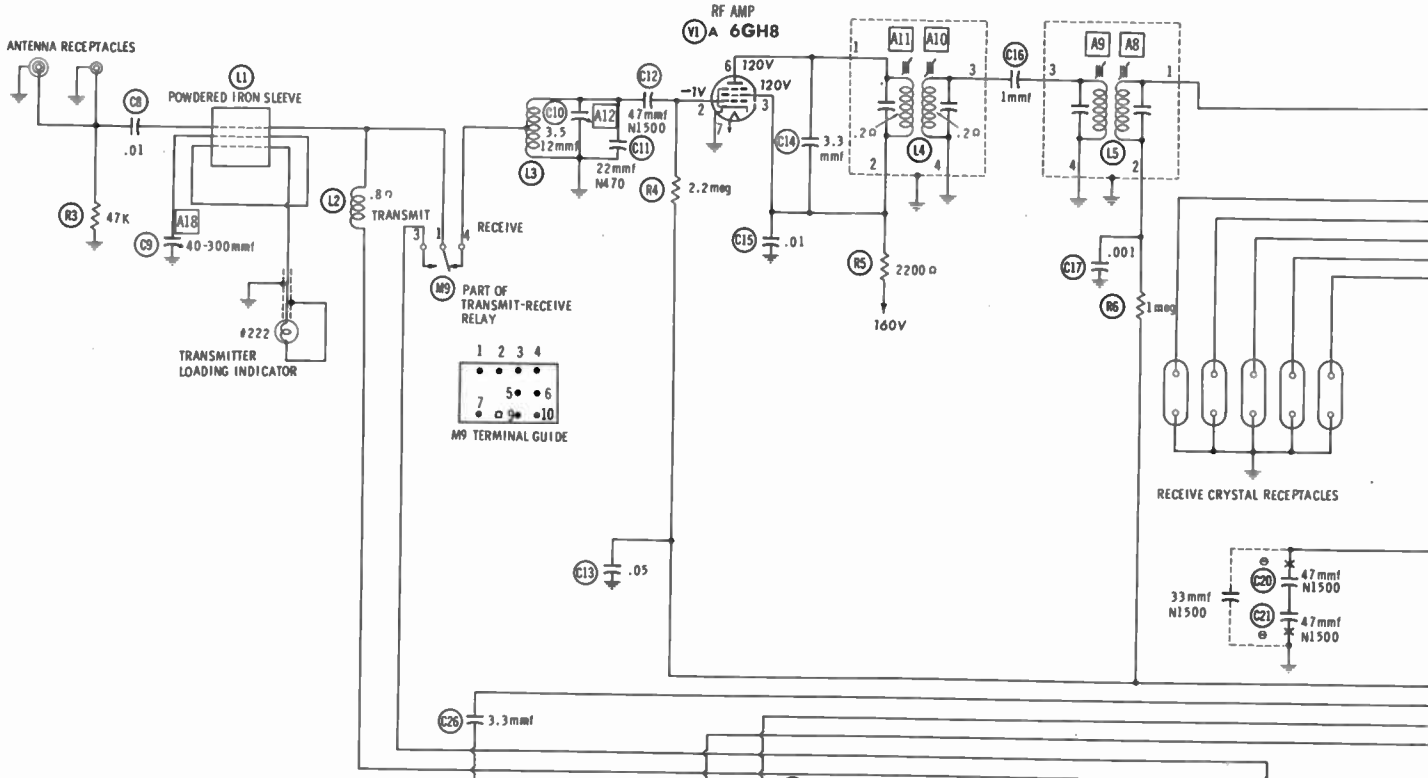
**HOWARD W. SAMS & CO., INC.** Indianapolis 6, Indiana



**POWER SUPPLY**







**M7 TERMINAL NUMBERING GUIDE**

NUMBERS ASSIGNED TO COILS, SWITCHES, PLUGS, SOCKETS, AND TRANSFORMERS ARE TO FACILITATE CIRCUIT TRACING OR COMPONENT REPLACEMENT AND MAY NOT NECESSARILY BE FOUND ON THE UNIT.

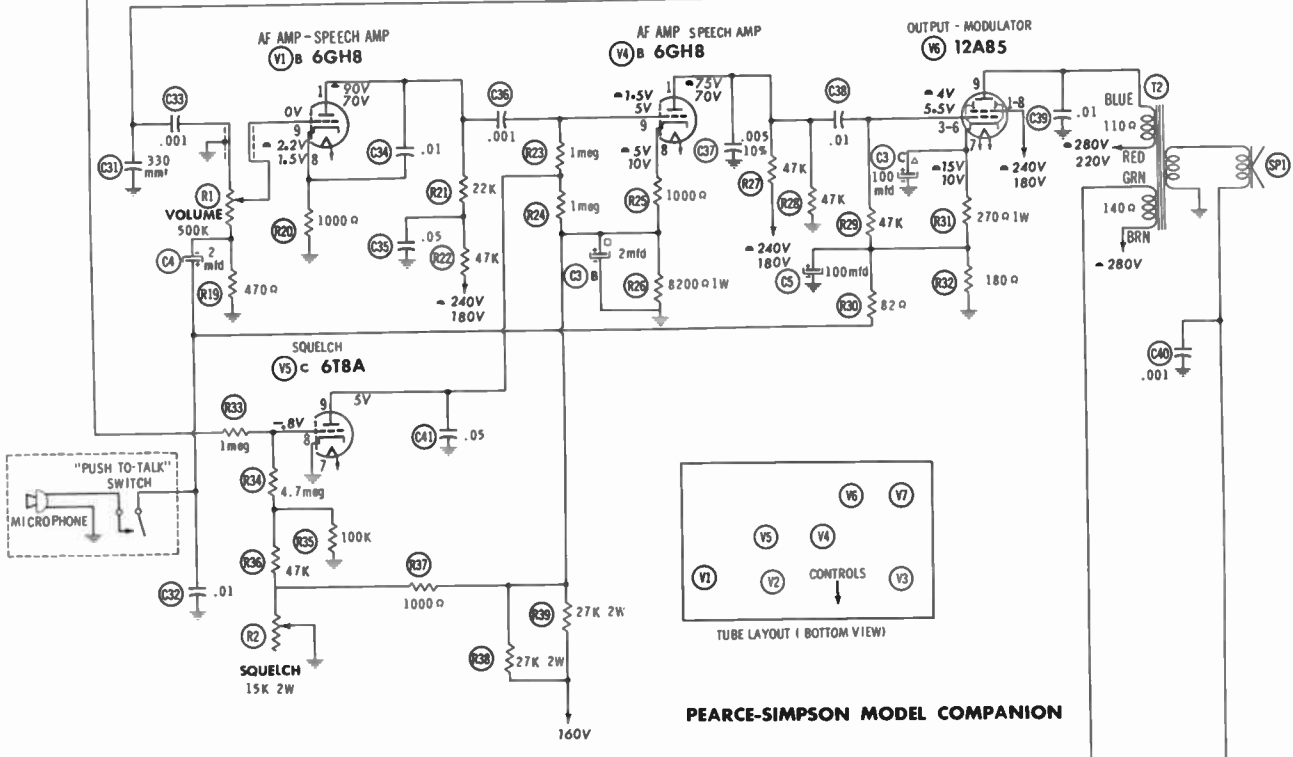
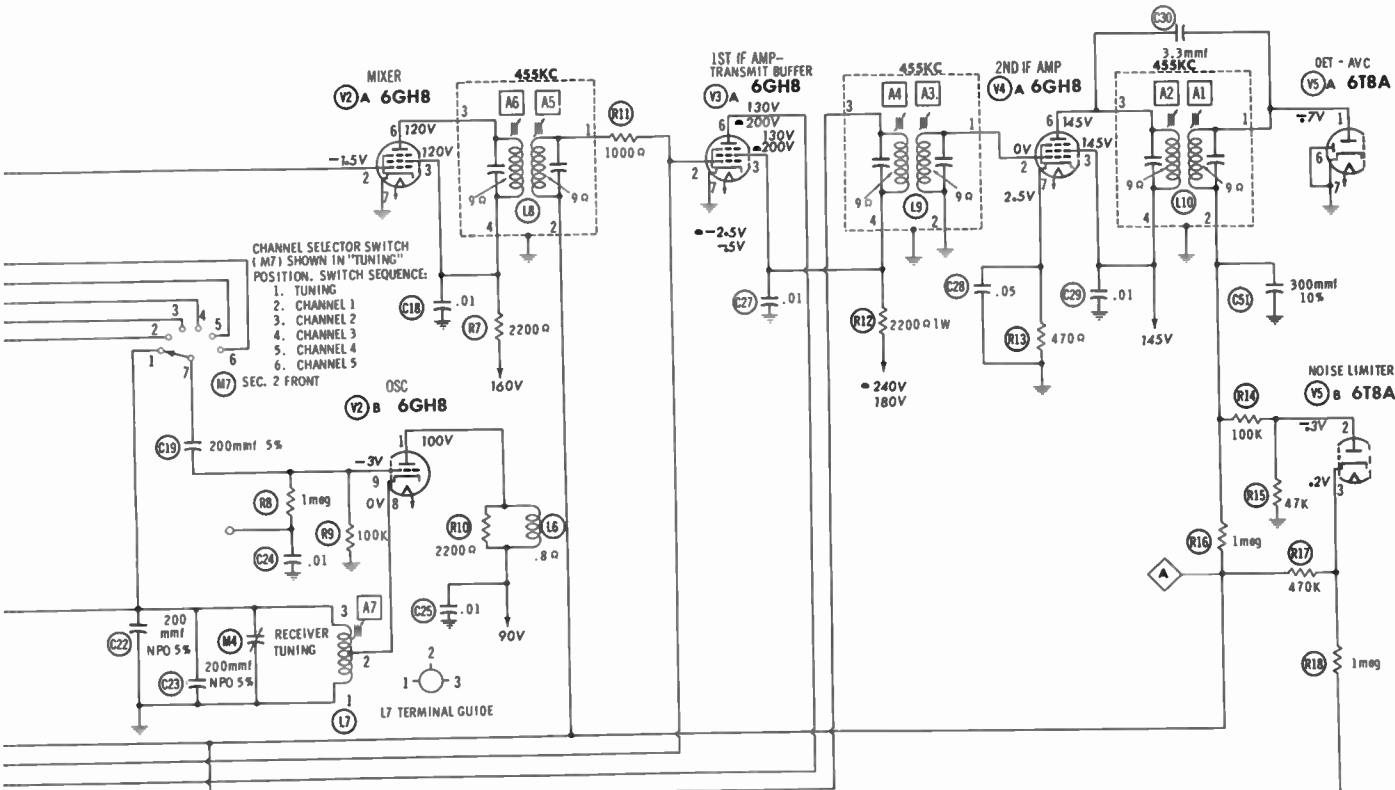
SEE PARTS LIST FOR ALTERNATE VALUE OR APPLICATION

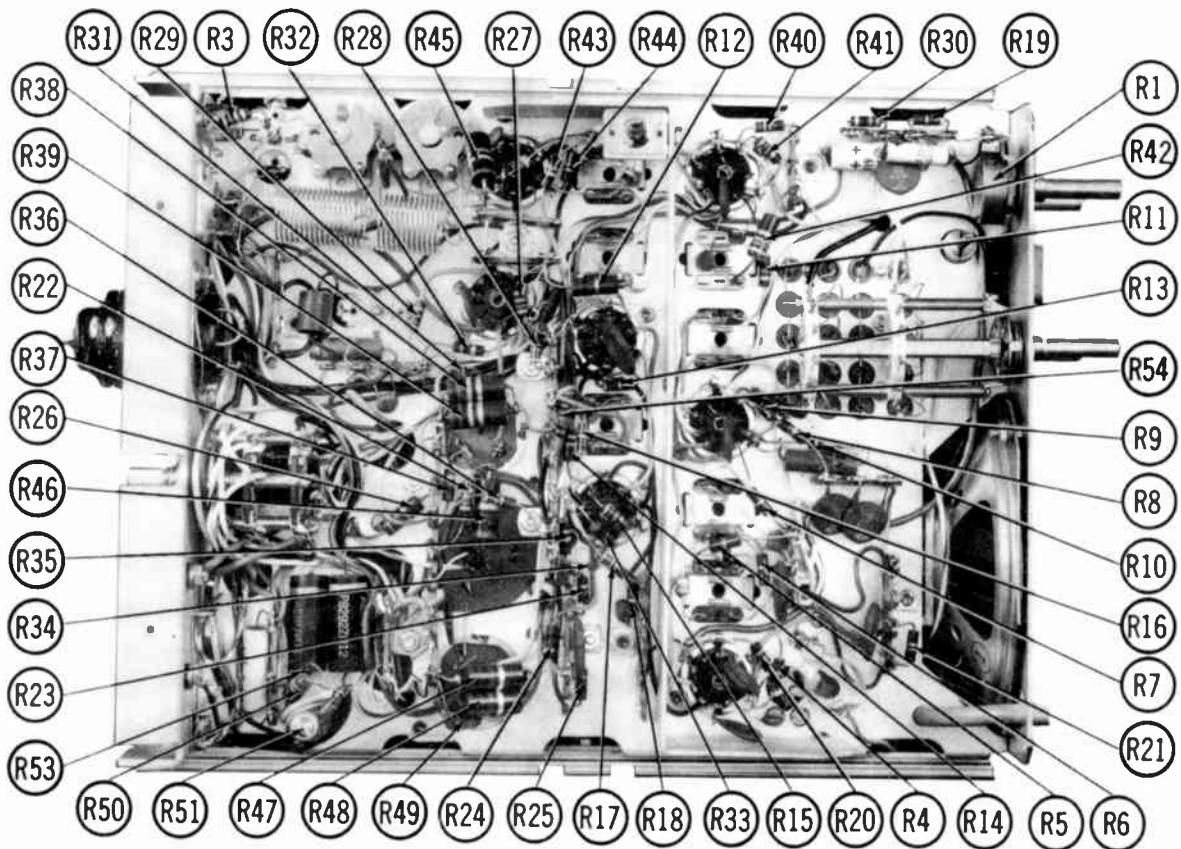
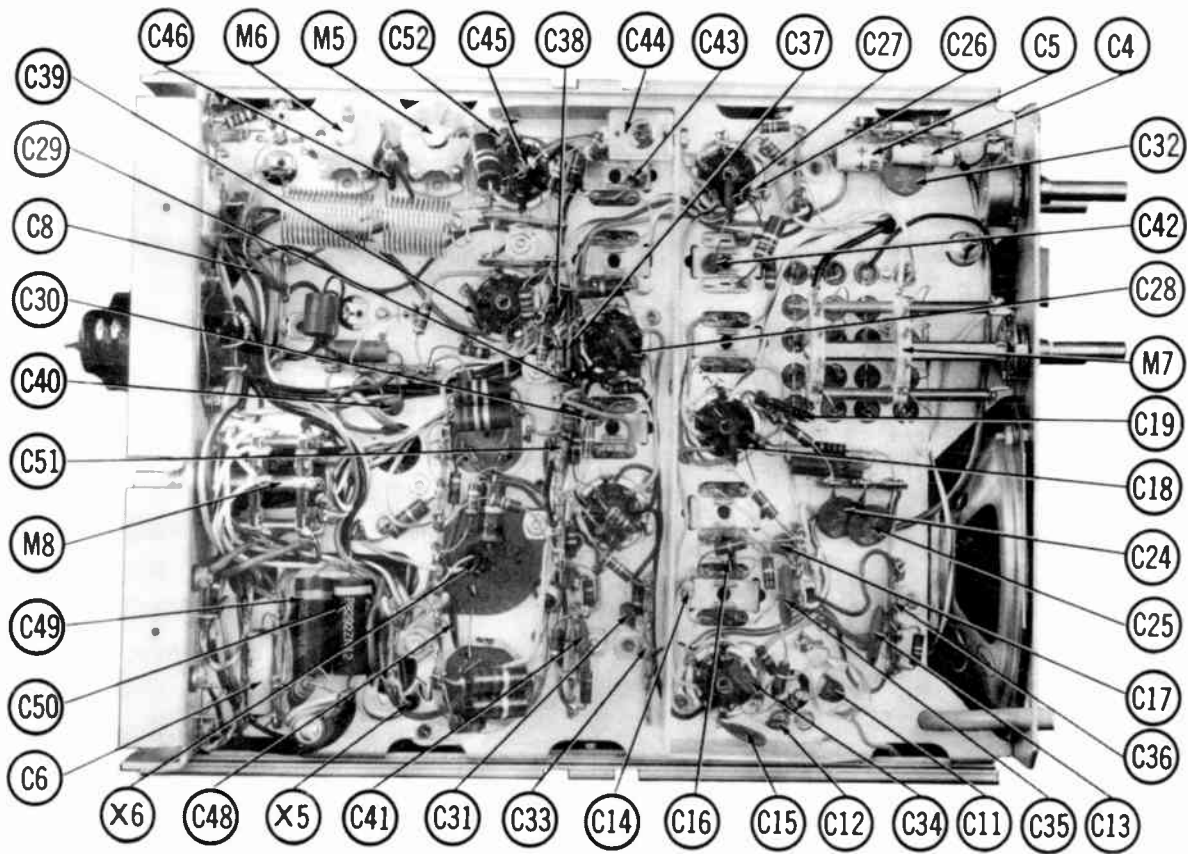
- DC voltage measurements taken with vacuum tube voltmeter; AC voltages measured with 1000 ohm per volt voltmeter.
- Socket connections are shown as bottom views.
- Measured values are from socket pin to common ground.
- Line voltage maintained at 117 volts for voltage readings.
- Nominal tolerance of component values makes possible a variation of ±15% in voltage and resistance readings.

**RESISTANCE READINGS**

ITEM	TUBE	Pin 1	Pin 2	Pin 3	Pin 4	Pin 5	Pin 6	Pin 7	Pin 8	Pin 9
V1	6GH8	†70K	3.3meg	†3000Ω	FIL	FIL	†3000Ω	0Ω	1000Ω	250K
V2	6GH8	†22K	2meg	†3000Ω	FIL	FIL	†3000Ω	0Ω	0Ω	100K
V3	6GH8	≈147K	1meg	†3200Ω	FIL	FIL	†3200Ω	0Ω	0Ω	47K
V4	6GH8	†48K	9Ω	†3000Ω	FIL	FIL	†3000Ω	470Ω	9000Ω	2meg
V5	6T8A	150K	47K	1.6meg	FIL	FIL	0Ω	0Ω	1.7meg	1meg
V6	12AB5	†1000Ω	NC	47K	FIL	FIL	47K	450Ω	†1000Ω	†110Ω
V7	6C25	≈†15K	NC	22K	FIL	FIL	22K	0Ω	NC	≈140Ω

ALL READINGS MADE IN "RECEIVE" POSITION UNLESS OTHERWISE DESIGNATED.  
 † MEASURED FROM OUTPUT OF X6.      † TAKEN IN "TRANSMIT" POSITION.  
 ■ MEASURED AT FINAL AMP PLATE CURRENT TEST RECEPTACLE.      NC NO CONNECTION





# PARTS LIST AND DESCRIPTION

## WIRING DATA

General-use Hook-up Wire .... Use BELDEN No.	8530 (Solid) Available in 12 Colors 8524 (Stranded) Available in 12 Colors
Shielded Antenna Lead ..... Use BELDEN No.	8214 Lowest Loss (RG-8/U Type) 8237 Low Loss (RG-8/U) 8240 (Solid) Miniature (RG-58/U) 8259 (Stranded) Miniature (RG-58A/U)
Coiled Microphone Cable ..... Use BELDEN No.	8497 3 Conductor- 1 Shielded for Press-to-Talk (Neoprene) 8496 3 Conductor- 1 Shielded for Press-to-Talk (Vinyl)
Ignition Noise Suppression .... Use BELDEN No.	7300-Series Spark-Plug Sets
Bonding Strap ..... Use BELDEN No.	6661 (3/8 In.)

## TUBES

ITEM No.	USE	TYPE	REPLACEMENT DATA				
			AMPEREX	GENERAL ELECTRIC	RCA	RAYTHEON	SYLVANIA
V1	RF Amp. -AF Amp. - Speech Amp.	6GH8			V4 V5	2nd IF Amp. -AF Amp. Det. -AVC-Noise Limiter- Squelch	6GH8 6T8A
V2	Mixer-Osc.	6GH8			V6	Output-Modulator	12AB5
V3	1st IF Amp. -Trans. Buffer- Trans. Osc.	6GH8			V7	Final Amp.	6C Z5

## TRANSISTORS

ITEM No.	ORIG. TYPE	USE	REPLACEMENT DATA			NOTES
			DELCO PART No.	GENERAL ELECTRIC PART No.	RCA PART No.	
X1	2N1540	Power Oscillator	DS503	GE-3		PNP
X2	2N1540	Power Oscillator	DS503	GE-3		PNP
X3	29D-P81	Battery Polarity Protector	DS520	GE-3		PNP

## POWER RECTIFIERS & SIGNAL DIODES

ITEM No.	CURRENT RATING (Measured)	ORIGINAL Part or Type No.	RECTIFIERS		DIODES		NOTES
			RCA PART No.	SARKES TARZIAN PART No.			
X4	.185 A	21B-14	1N3193	F2			Relay (1N2073)
X5	.100A	21B-17	1N3195	F8			HV Rectifier
X6	.100A	21B-17	1N3195	F8			HV Rectifier

## ELECTROLYTIC CAPACITORS

ITEM No.	RATING		REPLACEMENT DATA													
	CAP.	VOLT.	Pearce-Simpson PART No.	AEROVOX PART No.	CORNELL-DUBILIER PART No.	GENERAL ELECTRIC PART No.	MALLORY PART No.	PYRAMID PART No.	SPRAGUE PART No.							
C1	80	250	4F-36			XC2-24			TVL-2520							
C2A	80	250	4F-37	AFH3-25-40	C0180	XC3-12		TMT3301	TVL 3582							
C2B	20	250														
C	10	250	4F-38						TVLS-3651*							
C3A	40	400														
C3B	2	100														
C	100	25	4F-16	PTT75	NLW2-50	MT1-1	TT50X2	MLV2-50	TE-1201							
C4	2	25														
C5	100	15								4F-19	PTT73	NLW100-15	MT1-19	TT15X100	MLV100-15	TE-1162
C6	25	15								4F-17	PTT69	NLW25-15	MT1-10	TT15X25	MLV25-15	TE-1157,1
C7	200	20								4F-31	PRSL280	BR250-25	QTI-27	TC-50025	TD-250-50	TVA-1208

\* Not normally in distributor's stock. Available thru distributor on order to manufacturer.

## FIXED CAPACITORS

ITEM No.	RATING	REMARKS	REPLACEMENT DATA						
			AEROVOX PART No.	CENTRALAB PART No.	CORNELL-DUBILIER PART No.	ELMENC0 PART No.	MALLORY PART No.	SPRAGUE PART No.	
C8	.01	#4C-15	BPD-01	DD-103	BYA10S1	CCD-103	GP-110	10TS-S10	
C9	40-300		827B						
C10	3.5-12								10TCS-Q22
C11	22 N470								
C12	47 N1500								
C13	.05			BPD-05	DD-503	CUB6S5	6DP-3-503	GP-150	10TS-V33
C14	3.3			NPO-SI 3.3	TCZ-3R3	C10V33C	CCCTO-3R3	CNO-533	10TS-S10
C15	.01			BPD-01	DD-103	BYA10S1	CCD-103	GP-110	10TCC-V10
C16	1			NPO-SI 1	TCZ-1			CNO-510	10TCC-D10
C17	.001			BPD-01	DD-102	BYA10D1	CCD-102	GP-110	10TS-S10
C18	.01			BPD-01	DD-103	C10T2U	CM-20-201J	CNO-320	10TCC-T20
C19	200 200 5%			ADM-15-201	DTZ-200	C10Q47U	CCCTN-470	CN7-447	10TCU-Q47
C20	47 N1500			N750-D1 47	DTN-47			CN7-447	10TCU-Q47
C21	47 N1500			N750-D1 47	DTN-47			CCTN-470	10TCC-T20
C22	200 +5% NPO				DTZ-200			CNO-320	10TCC-T20
C23	200 +5% NPO			DTZ-200			CNO-320	10TCC-T20	
C24	.01	BPD-01	DD-103	BYA10S1	CCD-103	GP-110	10TS-S10		
C25	.01	BPD-01	DD-103	BYA10S1	CCD-103	GP-110	10TS-S10		
C26	3.3	NPO-SI 3.3	TCZ-3R3	C10V33C	CCCTO-3R3	GP-533	10TS-V33		
C27	.01	BPD-01	DD-103	BYA10S1	CCD-103	GP-110	10TS-S10		
C28	.05	BPD-05	DD-503	CUB6S5	6DP-3-503	GP-150	6PS-S50		
C29	.01	BPD-01	DD-103	BYA10S1	CCD-103	GP-110	10TS-S10		
C30	3.3	NPO-SI 3.3	TCZ-3R3	C10V33C	CCCTO-3R3	GP-533	10TS-V33		
C31	330	DI-330	DD-331	LI0T33	CCD-331	GP-333	10TS-T33		
C32	.01	BPD-01	DD-103	BYA10S1	CCD-103	GP-110	10TS-S10		
C33	.001	BPD-001	DD-102	BYA10D1	CCD-102	GP-210	10TS-D10		
C34	.01	BPD-01	DD-103	BYA10S1	CCD-103	GP-110	10TS-S10		
C35	.05	BPD-05	DD-503	CUB6S5	6DP-3-503	GP-150	6PS-S50		
C36	.001	BPD-001	DD-102	BYA10D1	CCD-102	GP-210	10TS-D10		
C37	.005 10%	DI-5000				GP-250	10TS-D50		
C38	.01	BPD-01	DD-103	BYA10S1	CCD-103	GP-110	10TS-S10		
C39	.01	BPD-01	DD-103	BYA10S1	CCD-103	GP-110	10TS-S10		
C40	.001	BPD-001	DD-102	BYA10D1	CCD-102	GP-210	10TS-D10		
C41	.05	BPD-05	DD-503	CUB6S5	6DP-3-503	GP-150	6PS-S50		
C42	.001	BPD-001	DD-102	BYA10D1	CCD-102	GP-210	10TS-D10		
C43	1	NPO-SI 1	TCZ-1			CNO-510	10TCC-V10		
C44	30-350					465			
C45	2.2	NPO-SI 2.2	DTZ-2R2	C10V22C	CCCTO-2R2	CNO-522	10TCC-V22		
C46	.01	BPD-01	DD-103	BYA10S1	CCD-103	GP-110	10TS-S10		
C47	40-300					465			
C48	.01	BPD-01	DD-103	BYA10S1	CCD-103	GP-110	10TS-S10		
C49	.5 200V	P288N-5		CUB2P5	2DP-5-504	GEM-205	2PS-P50		
C50	.5 200V	P288N-5		CUB2P5	2DP-5-504	GEM-205	2PS-P50		
C51	300 10%	CI-300	DD-301		CCD-301	GP-330	10TS-Q30		
C52	.001	BPD-001	DD-102	BYA10D1	CCD-102	GP-210	10TS-D10		

Note 1. C20 and C21 may be replaced with one 33mmf N1500 unit in some versions.  
# Pearce-Simpson Part Number.

## CONTROLS

All wattages 1/2 watt, or less, unless otherwise listed.

ITEM No.	USE	RESISTANCE	REPLACEMENT DATA				
			Pearce-Simpson PART No.	CENTRALAB PART No.	CLAROSTAT PART No.	CTS-IRC PART No.	MALLORY PART No.
R1	Volume	500K	20H-18	B-80, or (F2-500K, SU204)	A47-500K -Z, RS-3	Q13-133, P4, or (BU2, CF25, SS5, DC1)	U-48 or (UA55A, SL2500)
R2	Squelch & Switch	15K 2W	20H-19				

\* "SNAPTROL"

# PARTS LIST AND DESCRIPTION (CONTINUED)

## RESISTORS

All wattages 1/2 watt, or less, unless otherwise listed.

ITEM No.	RATING	REPLACEMENT DATA			ITEM No.	RATING	REPLACEMENT DATA		
		IRC PART No.	WORKMAN PART No.	REMARKS			IRC PART No.	WORKMAN PART No.	REMARKS
R3	47K				R29	47K			
R4	2.2meg				R30	82Ω			
R5	2200Ω				R31	270Ω 1W			
R6	1meg				R32	180Ω			
R7	2200Ω				R33	1meg			
R8	1meg				R34	4.7meg			
R9	100K				R35	100K			
R10	2200Ω				R36	47K			
R11	1000Ω				R37	1000Ω			
R12	2200Ω 1W				R38	27K 2W			
R13	470Ω				R39	27K 2W			
R14	100K				R40	470K			
R15	47K				R41	47K			
R16	1meg				R42	47K 1W			
R17	470K				R43	100K			
R18	1meg				R44	22K			
R19	470Ω				R45	15K 2W			
R20	1000Ω				R46	1000Ω 2W			
R21	22K				R47	2200Ω 2W			
R22	47K				R48	2200Ω 2W			
R23	1meg				R49	22K 1W			
R24	1meg				R50	3.9Ω 1W			
R25	1000Ω				R51	20Ω 5W	PW5-20	5W-SQ-20	
R26	8200Ω 1W				R52	2200Ω			
R27	47K				R53	1000Ω			
R28	47K				R54	2200Ω			

## COILS (RF-IF)

ITEM No.	USE	REPLACEMENT DATA					NOTES
		Pearce-Simpson PART No.	MERIT PART No.	MILLER PART No.	STANCOR PART No.	WORKMAN PART No.	
L1	Indicator Cpl.						
L2	RF Choke(5.6uh)	12A-58					
L3	Rec. Ant. Coll	12A-75					
L4	RF (27MC)	12A-55					
L5	RF (27MC)	12A-55					
L6	RF Choke(5.6uh)	12A-58					
L7	Rec. Osc.	12A-91					
L8	1st IF	12A-26					
L9	2nd IF	12A-26					
L10	3rd IF	12A-26					
L11	Trans. Osc. Plate	12A-67					
L12	Trans. Osc. Cpl.	12A-55					
L13	Final	12A-74					
L14	RF Choke(73uh)	12A-36					

## TRANSFORMER (POWER)

ITEM No.	RATING			REPLACEMENT DATA					NOTES
	PRI.	SEC. 1	SEC. 2	Pearce-Simpson PART No.	MERIT PART No.	STANCOR PART No.	THORDARSON PART No.	TRIAD PART No.	
T1	117VAC ① .6A or ② 1.8VDC ③ 4.7A	110VAC .38A	12.6VAC ① 1.6A	12B-77					

## TRANSFORMER (AUDIO OUTPUT)

ITEM No.	IMPEDANCE		REPLACEMENT DATA					NOTES
	PRI.	SEC. 1	Pearce-Simpson PART No.	Merit PART No.	Stancor PART No.	Thordorson PART No.	Triod PART No.	
T2	5000Ω	3-4Ω	12B-47					
		SEC. 2						
		5000Ω						

## SPEAKER

ITEM No.	TYPE			REPLACEMENT DATA		NOTES
	SIZE	FIELD	V. C. IMP.	Pearce-Simpson PART No.	QUAM PART No.	
SP1	4"	PM	3-4Ω	25A12*	4A07	* Alternate Part #25A-13

## FUSES

ITEM No.	TYPE	RATING	REPLACEMENT DATA					
			Pearce-Simpson PART No.	LITTELFUSE PART No.	BUSS PART No.			
			FUSE	HOLDER	FUSE	HOLDER	FUSE	HOLDER
M1	3AG	1A 250V	8A-1 ①	23D-29	312001		AGC 1	
M2	3AG	1A 250V	8A-1 ①	23D-29	312001		AGC1	
M3	3AG	7½A 32V	②	31H-4	31107.5	155020	AGC 7½	HHJ-B

① AC ② DC

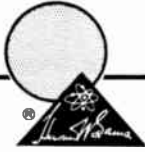
## MISCELLANEOUS

ITEM No.	PART NAME	Pearce-Simpson PART No.	NOTES
M4	Tuning Cap	4C-21	Receiver Tuning
M5	Variable Capacitor	4C-14	Transmitter Final Plate Tuning
M6	Variable Capacitor	4C-14	Transmitter Antenna Loading
M7	Switch	27A-44	Channel Selector (Rotary Wafer Type)
M8	Switch	27A-22A	Voltage Selector (Rotary Wafer Type)
M9	Relay	19B-16	Receive-Transmit (12 Volt, 70Ω)
	Microphone	16A-8G	With Coll Cord

## CABINETS & CABINET PARTS

(When Ordering Cabinets & Cabinet Parts, Specify Model, Chassis & Color)

NAME	PART NO.	DESCRIPTION
Knobs	13A-43	Control
Knob	13A-30	Power Selector
Control Panel	7K-5	Molded Plastic
Cabinet Half	3F-20	Molded Implex



# PHOTOFACT<sup>®</sup>

**TRADE NAME :** Raytheon Model Ray-Tel TWR-2  
**SUPPLIER :** Raytheon Co., Distributor Products Div.  
 411 Providence Turnpike, Westwood, Mass.  
**TYPE SET :** 10 Tube Citizens Band Transceiver  
**POWER SUPPLY :** 110 - 120 Volts AC, 60 Cycles (or)  
 6 (or) 12 Volt Storage Battery  
**RATING :** 65 Watts, .6 A @117VAC, 60 Cycles  
 5 A @12.6VDC (or) 10A @6.3VDC  
**TUNING RANGE :** Any 5 Citizens Band Channels 1 thru 23



## ALIGNMENT INSTRUCTIONS

### RECEIVER ALIGNMENT

Connect output meter across voice coil. Volume control should be at maximum position. Output of signal generator should be no higher than necessary to obtain an output reading.

SIGNAL GENERATOR	CHANNEL	ADJUST	REMARKS
High side thru .01mfd to pin 7 of V3, low side to chassis. (Tune to 455KC, 400v Mod.)	Any	A1, A2, A3, A4, A5, A6, A7, A8	Adjust for maximum output.
High side thru .01mfd to pin 7, of V2, low side to chassis. (Tune to 6MC, 400v Mod.)	"	A9, A10	Adjust for maximum output.
High side thru .01mfd to antenna receptacle, low side to chassis. (Tune to channel freq.)	Center Channel Used.	All	Adjust for maximum output.

### TRANSMITTER ALIGNMENT

**ONLY THOSE PERSONS PROPERLY LICENSED ARE PERMITTED TO MAKE REPAIRS OR ADJUSTMENTS WHICH MAY RESULT IN ILLEGAL OPERATION. (REFER TO FCC RULES & REGULATIONS PART 19, SUBPART D, SECTION 19.71)**

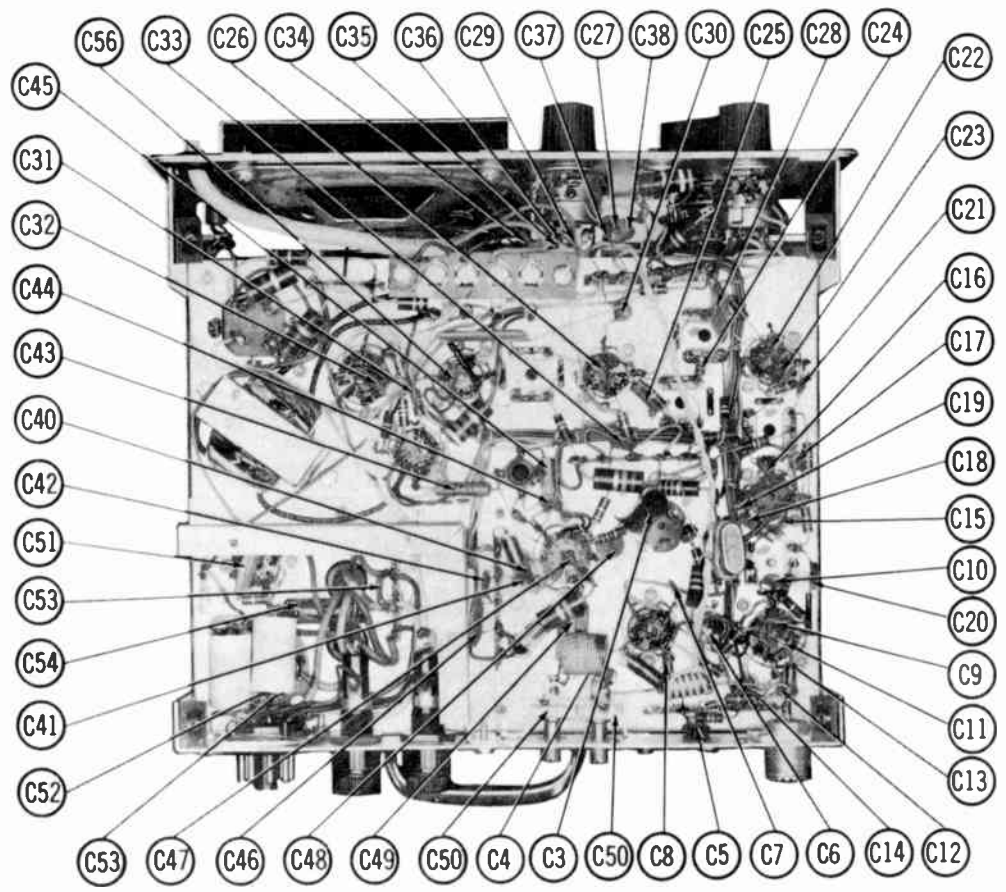
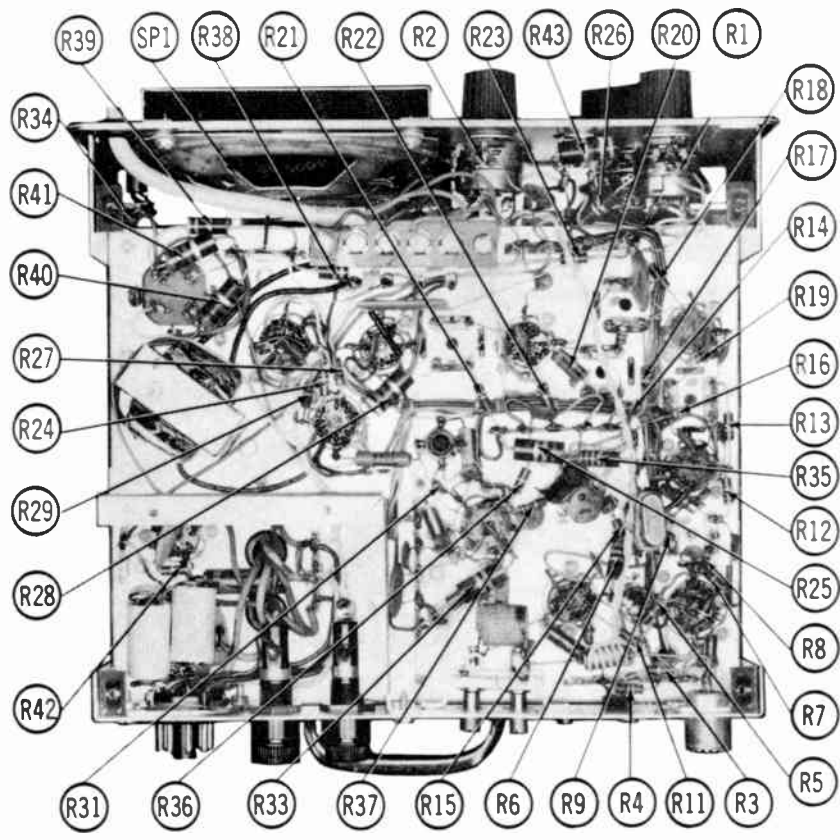
Best results will be obtained when adjusting A13 and A14 if the antenna normally used is connected and the unit is as nearly in the cabinet as possible.

A secondary frequency standard should be used to check accuracy. C39 is provided for precise adjustment of frequency.

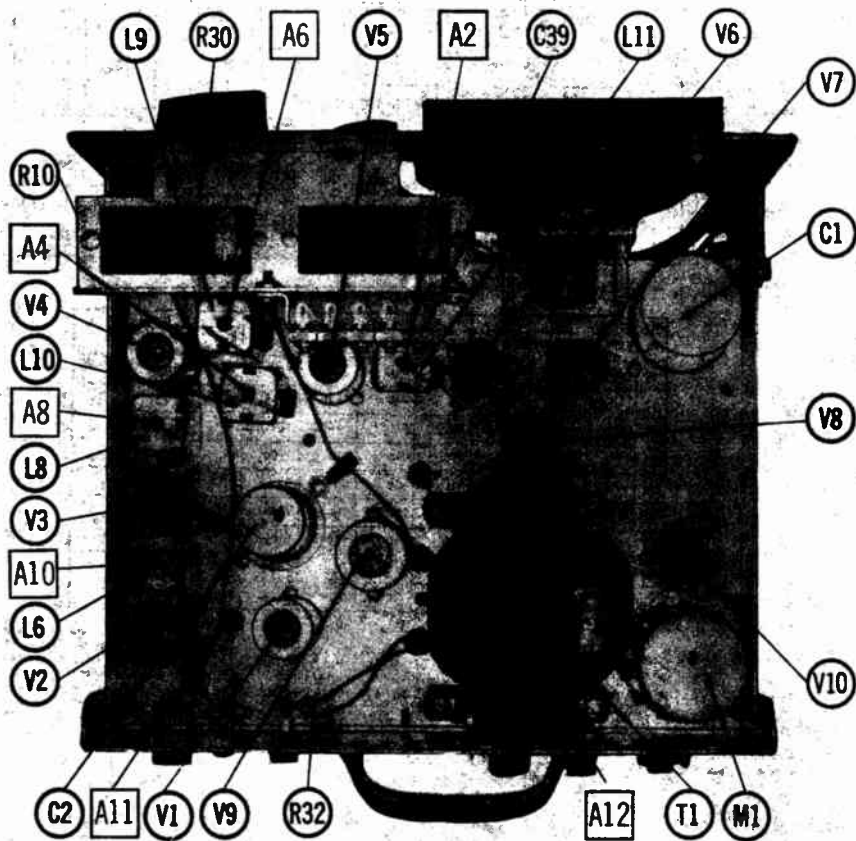
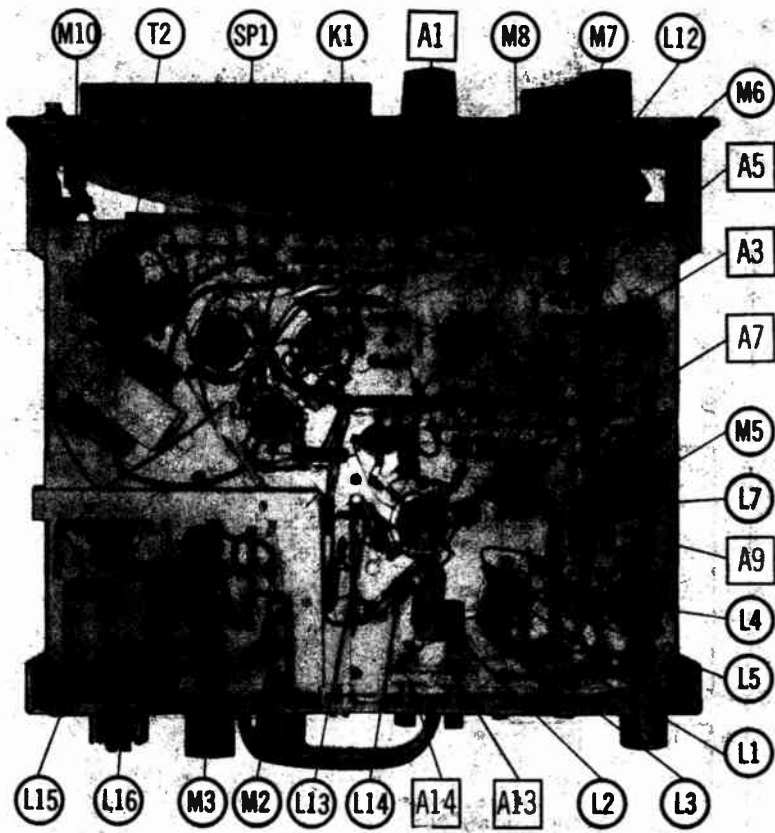
INDICATOR	ADJUST	REMARKS
0-100DC milliammeter connected to meter jack on rear of chassis.	A12	Key transmitter. Adjust for maximum deflection.
"	A13	Turn clockwise finger tight.
"	A14	Adjust for MINIMUM deflection.
"	A13	Turn counterclockwise slightly.
"	A14	Readjust for MINIMUM deflection. Repeat adjustments of A13 and A14 until any further adjustment of A13 results in a meter dip. Meter should indicate approximately 21ma.

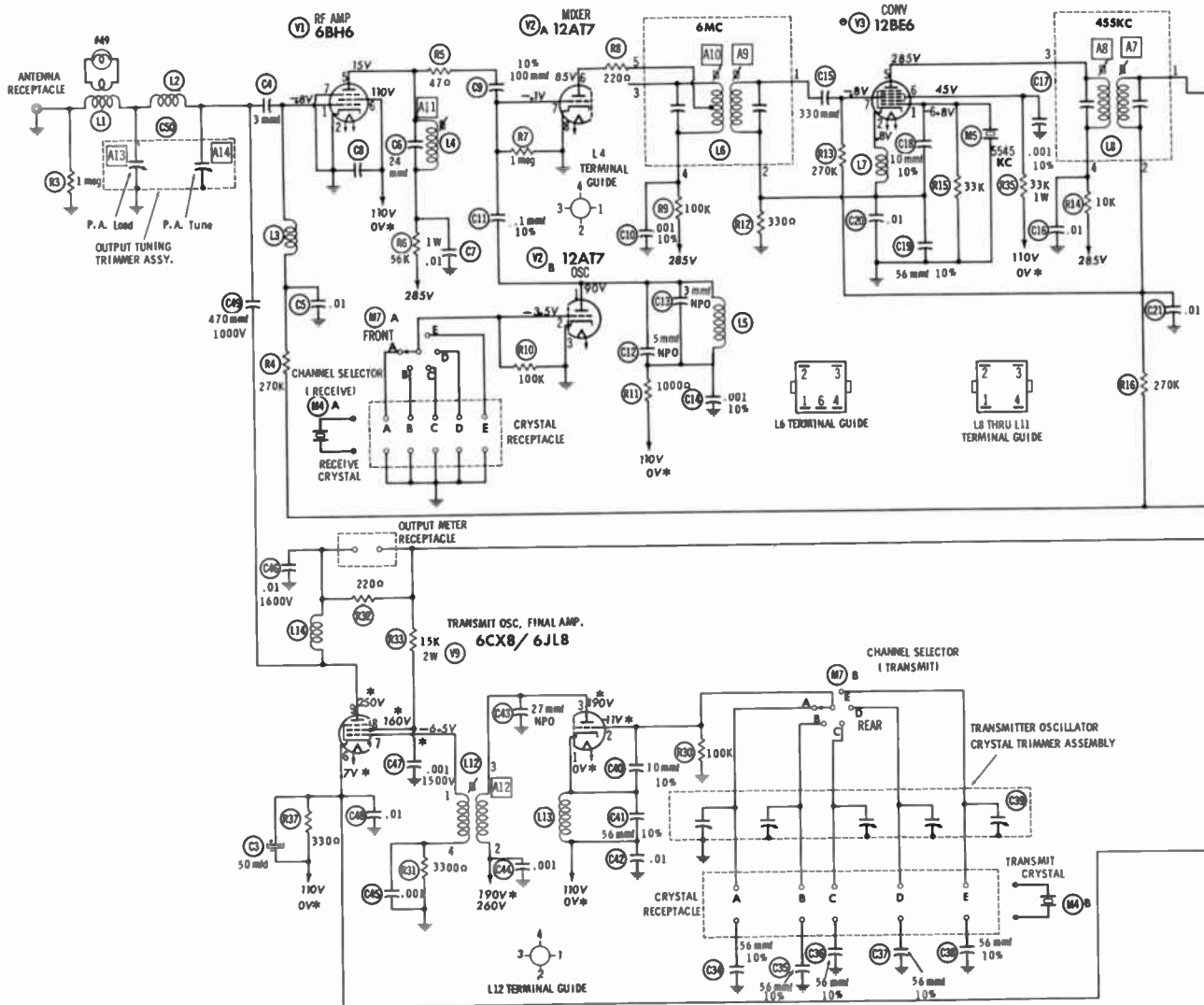
**HOWARD W. SAMS & CO., INC.** Indianapolis 6, Indiana











RESISTANCE READINGS

ITEM	TUBE	Pin 1	Pin 2	Pin 3	Pin 4	Pin 5	Pin 6	Pin 7	Pin 8	Pin 9
V1	6BH6	1 meg	0 $\circ$	FIL	FIL	156K	126K	0 $\circ$		
V2	12AT7	126K	100K	0 $\circ$	FIL	FIL	1100K	1 meg	0 $\circ$	NC
V3	12BE6	33K	330 $\circ$	FIL	FIL	110K	155K	1.3 meg		
V4	6BH6	1.1 meg	470 $\circ$	FIL	FIL	1100K	1100K	0 $\circ$		
V5	6BH6	11 meg	330 $\circ$	FIL	FIL	1100K	1100K	0 $\circ$		
V6	2AL5	270K 2.5 meg	500K	FIL	FIL	0 $\circ$	0 $\circ$	270K		
V7	12AX7	1560K	13.3 meg	22K	FIL	FIL	1560K	2.2 meg	125K	NC
V8	6AQ5	560K	470 $\circ$	FIL	FIL	1400 $\circ$	1300 $\circ$	560K		
V9	6CX8	125.4K	100K	13600 $\circ$	FIL	FIL	130K	3300 $\circ$	115K	1550 $\circ$
V10	12X4	450 $\circ$	TP	FIL	FIL	NC	450 $\circ$	9100K		

TP TIE POINT

NC NO CONNECTION

† MEASURED FROM OUTPUT OF RECTIFIER, PIN 7, V10.

● MEASURED WITH ANL SWITCH CLOSED.

\* MEASURED WITH TRANSMIT (RECEIVE-RECEIVE ONLY & SWITCH IN TRANSMIT-RECEIVE POSITION), PUSH-TO-TALK BUTTON DEPRESSED.

● See parts list for alternate value or application.

1. Voltage measurements taken with vacuum tube voltmeter.

2. All controls set for normal operation, no signal applied.

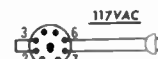
3. Measured values are from socket pin or terminal to common ground.

4. All terminals viewed from bottom unless otherwise designated.

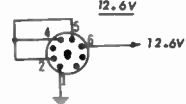
5. Numbers assigned to terminals may not be found on the unit.

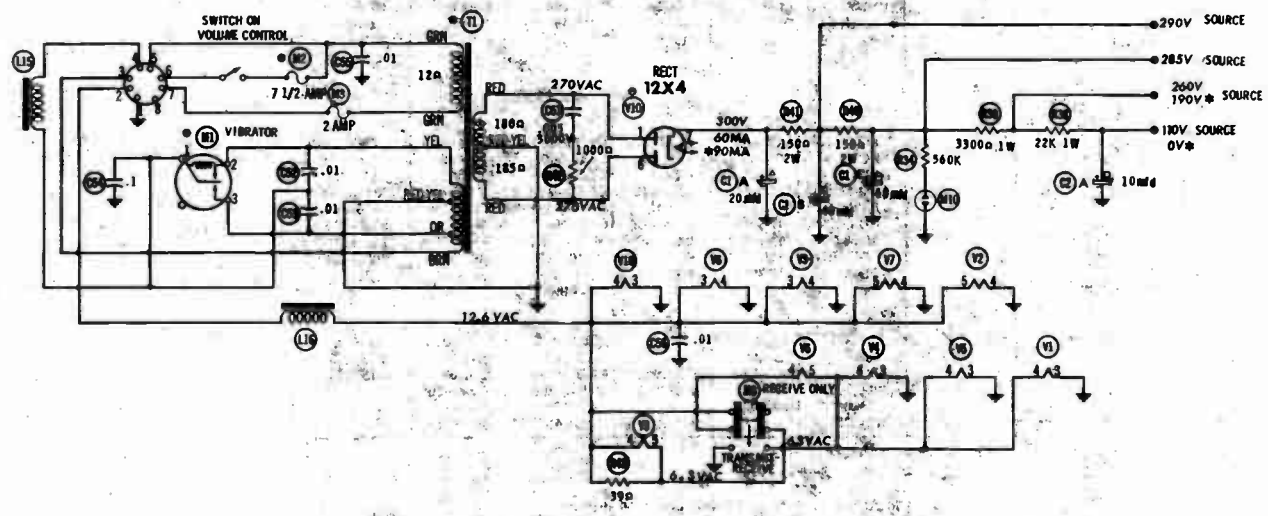
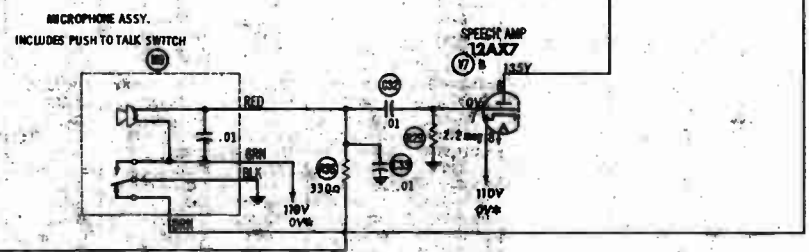
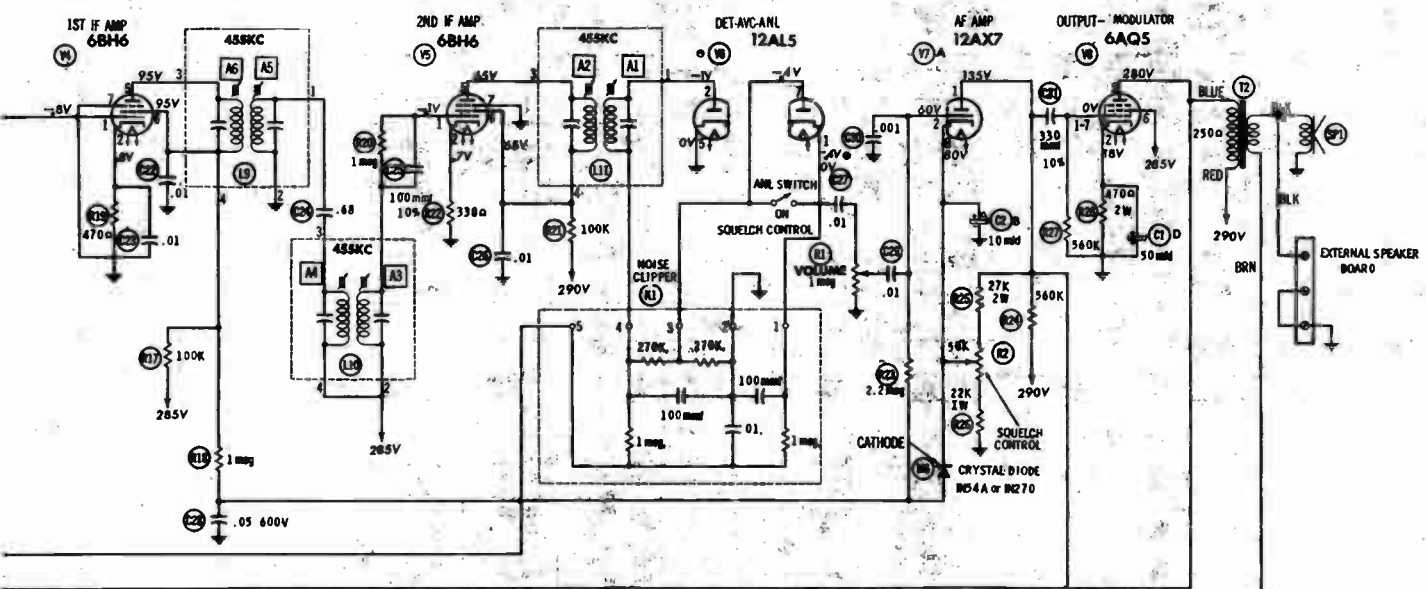
6. Supply voltage maintained at rated value for voltage readings.

POWER PLUG & CABLE



POWER PLUG & CABLE





# PARTS LIST AND DESCRIPTION TUBES

♦ AMPEREX ♦		GENERAL ELECTRIC ♦		RCA ♦		RAYTHEON ♦		SYLVANIA ♦	
ITEM No.	USE	TYPE		ITEM No.	USE	TYPE			
V1	RF Amplifier	6BH6		V6	Detector / AVC / ANL	12AL5 (6AL5)*			
V2	Mixer-Oscillator	12AT7		V7	AF Amp. -Speech Amp.	12AX7			
V3	Converter	12BE6 (6BE6)*		V8	Output - Modulator	6AQ5A			
V4	1st IF Amplifier	6BH6		V9	Trans. Osc. -Final	6CX8/6JL8			
V5	2nd IF Amplifier	6BH6		V10	Rectifier	12X4 (6X4)*			

\* Used in 6 Volt Versions.

## ELECTROLYTIC CAPACITORS

ITEM No.	RATING		REPLACEMENT DATA						
	CAP.	VOLT.	RAYTHEON PART No.	AEROVOX PART No.	CORNELL-DUBILIER PART No.	GENERAL ELECTRIC PART No.	GENERAL INSTRUMENT PART No.	MALLORY PART No.	SPRAGUE PART No.
C1A	20	300	}	AFH4-46	D0380	XC4-86	TMQ-4140	FP419.7	TVL-4570
B	40	300							
C	60	300							
D	50	25	}	AFH2-47	C0370	XC2-3	TMD2230	FP231	TVL-2750
C2A	10	450							
B	10	450							
C3	50	12		PR51265	BR50-25	QT1-15	TD-50-25	TC29	TVA-1206

## FIXED CAPACITORS

ITEM No.	RATING	REMARKS	REPLACEMENT DATA						
			AEROVOX PART No.	CENTRALAB PART No.	CORNELL-DUBILIER PART No.	ELMENCO PART No.	MALLORY PART No.	SPRAGUE PART No.	
C4	3	}							
C5	.01								
C6	24								
C7	.01			BPD-01	DD-103	BYA10S1	CCD-103	B-110	5HK-S10
C8	.001			BPD-001	DD-102	BYA10D1	CCD-102	B-210	5HK-D10
C9	100 10%			1469-0001	TCZ-100	22R5T1	CM-19B-10LK	MCB235	MS-31
C10	.001 10%			DI-1000	DD-102	5R5D1	CCD-102	GP210	10TS-D10
C11	1.0 10%			NPO-S1 1.0	TCZ-1			CNO-510	10TCC-V10
C12	5 NPO			NPO-S1 5.0	TCZ-4R7	C10V5C	CCTO-050		10TCC-V50
C13	3 NPO			NPO-S1 3.0	TCZ-3.0	C10V3C	CCTO-030		10TCC-V30
C14	.001 10%			DI-1000	DD-102	5R5D1	CCD-102	GP210	10TS-D10
C15	330			DI-330	DD-331	L10T33	CCD-331	B-333	10TS-T33
C16	.01			BPD-01	DD-103	BYA10S1	CCD-103	B-110	5HK-S10
C17	.001 10%		(.01) †	DI-1000	DD-102	5R5D1	CCD-102	GP210	10TS-D10
C18	10 10%			NPO-S1 10	TCZ-10	C10Q1C	CCTO-100	CNO-410	10TCC-Q10
C19	56 10%			NPO-S1 56	D6-560	L10Q56	CCD-560	GP456	10TS-Q56
C20	.01			BPD-01	DD-103	BYA10S1	CCD-103	B-110	5HK-S10
C21	.01			BPD-01	DD-103	BYA10S1	CCD-103	B-110	5HK-S10
C22	.01			BPD-01	DD-103	BYA10S1	CCD-103	B-110	5HK-S10
C23	.01			BPD-01	DD-103	BYA10S1	CCD-103	B-110	5HK-S10
C24	.68								
C25	100 10%		1469-0001	TCZ-100	22R5T1	CM-19B-10LK	MCB235	MS-31	
C26	.01		BPD-01	DD-103	BYA10S1	CCD-103	B-110	5HK-S10	
C27	.01		BPD-01	DD-103	BYA10S1	CCD-103	B-110	5HK-S10	
C28	.05 600V		P688N-047	DD-503	CUB6S47	#DP-3-473	GEM-6147	6TM-S47	
C29	.01		BPD-01	DD-103	BYA10S1	CCD-103	B-110	5HK-S10	
C30	330 10%		DI-330	DD-331	L10T33	CCD-331	GP333	10TS-T33	
C31	.01		BPD-01	DD-103	BYA10S1	CCD-103	B-110	5HK-S10	
C32	.01		BPD-01	DD-103	BYA10S1	CCD-103	B-110	5HK-S10	
C33	.01		BPD-01	DD-103	BYA10S1	CCD-103	B-110	5HK-S10	
C34	56 10%		NPO-S1 56	D6-560	L10Q56	CCD-560	GP456	10TS-Q56	
C35	56 10%		NPO-S1 56	D6-560	L10Q56	CCD-560	GP456	10TS-Q56	
C36	56 10%		NPO-S1 56	D6-560	L10Q56	CCD-560	GP456	10TS-Q56	
C37	56 10%		NPO-S1 56	D6-560	L10Q56	CCD-560	GP456	10TS-Q56	
C38	56 10%		NPO-S1 56	D6-560	L10Q56	CCD-560	GP456	10TS-Q56	
C39A		}							
B			#DP-305						
C									
D									
E									
C40	10 10%		NPO-S1 10	TCZ-10	C10Q1C	CCTO-100	CNO-410	10TCC-Q10	
C41	56 10%		NPO-S1 56	D6-560	L10Q56	CCD-560	GP456	10TS-Q56	
C42	.01		BPD-01	DD-103	BYA10S1	CCD-103	B-110	5HK-S10	
C43	27 NPO		NPO-D1 25	TCZ-27	C10Q27C	CCTO-270	CNO-427	10TCC-Q27	
C44	.001 10%		DI-1000	DD-102	5R5D1	CCD-102	GP210	10TS-D10	
C45	.001		BPD-001	DD-102	BYA10D1	CCD-102	B-210	5HK-D10	
C46	.01 1600V		DAC-27	DD16-103	HVE16S1	#DP-3-103	UAC-110	5L-S10	
C47	.001 1500V		HVD15-1000	DD30-102	HVB16D1	#CCD-102	2HV-210	30GA-D10	
C48	.01		BPD-01	DD-103	BYA10S1	CCD-103	B-110	5HK-S10	
C49	470 1000V					VCM-20-471M			
C50A		}							
B			#DP-304						
C51	.005 3000V				DD30-472		3CCD-502	3HV-247	30GA-D47
C52	.01			BPD-01	DD-103	BYA10S1	CCD-103	B-110	5HK-S10
C53	.01			BPD-01	DD-103	BYA10S1	CCD-103	B-110	5HK-S10
C54	.1 200V			P288N-1	DF-104	CUB2P1	2DP-3-104	GEM-201	2TM-P10
C55	.01		BPD-01	DD-103	BYA10S1	CCD-103	B-110	5HK-S10	
C56	.01		BPD-01	DD-103	BYA10S1	CCD-103	B-110	5HK-S10	

† Alternate Value. # Raytheon Part Number.

## CONTROLS

All wattages 1/2 watt, or less, unless otherwise listed.

ITEM No.	USE	RESISTANCE	REPLACEMENT DATA				
			RAYTHEON PART No.	CENTRALAB PART No.	CLAROSTAT PART No.	CTS-IRC PART No.	MALLORY PART No.
R1	Volume, Power On-Off Switch	1meg		B-70-8 or F2-1meg, SU-204, KR-4	A47-1meg-Z, FS-3, SWE-23	Q13-137, 76-1 or (BU1, C F-26, 881, GC)*	(UA16A, SF1000, US-41) or (RU16A, SF-1000, 8L38, US-41) or (U53, US26)
R2	Squeich, ANL Switch	50K		F1-50K, SU204, KR-2	A47-50K-S, FS-3, SWE-20	QU-123, 76-2, or (BU1, C F12, 881, WF)*	(UA54L, SF1000, UB42) or (RU54L, SF1000, 8L38, UB42) or (U35, US27)

\* "SNAPTROL"

## PARTS LIST AND DESCRIPTION (CONTINUED) COILS (RF-IF)

ITEM No.	USE	REPLACEMENT DATA					NOTES
		RAYTHEON PART No.	MERIT PART No.	MILLER PART No.	STANCOR PART No.	WORKMAN PART No.	
L1	Indicator Coup.	DP-108					
L2	Antenna Tank	DP-109					
L3	RF Choke (5.6uh)	DP-105	SW-631	4609	RTC-8519	T959	
L4	Rec. RF	DP-107					
L5	RF Choke (1.5 uh)	DP-103	BC-562	4604	RTC-8516	T856	
L6	6MC IF	DP-303					
L7	Conv. Cath. (27uh)	DP-301					
L8	1st 455KC IF	DP-101	BC-353	12-C30	RTC-8633	T608	
L9	2nd 455KC IF	DP-101	BC-352	12-C31	RTC-8632	T607	
L10	3rd 455KC IF	DP-101	BC-352	12-C31	RTC-8632	T607	
L11	4th 455KC IF	DP-101	BC-352	12-C31	RTC-8632	T607	
L12	Trans. Osc. Coup.	DP-302					
L13	RF Choke (5.6uh)	DP-105					
L14	RF Choke (15uh)	DP-104		4624	RTC-8524	T862	
L15	Hash Choke (48uh)	DP-106		7825-8			
L16	Hash Choke (48uh)	DP-106		7825-8			

### TRANSFORMER (POWER)

ITEM No.	RATING			REPLACEMENT DATA					NOTES
				RAYTHEON PART No.	MERIT PART No.	STANCOR PART No.	THORDARSON PART No.	TRIAD PART No.	
T1	117VAC ① .720A or 12.6V DC ① 3.1A	540VCT ① 60MA DC (90MA)*		DP-112 ①					* Transmit ① 6 Volt DC Versions use Part #DP-113

### TRANSFORMER (AUDIO OUTPUT)

ITEM No.	IMPEDANCE		REPLACEMENT DATA					NOTES
			RAYTHEON PART No.	MERIT PART No.	STANCOR PART No.	THORDARSON PART No.	TRIAD PART No.	
T2	6500Ω	3-4Ω	DP-111	A-2931	A-3878	24S05	S-63X	

### SPEAKER

ITEM No.	TYPE	REPLACEMENT DATA		NOTES
		RAYTHEON PART No.	QUAM PART No.	
SP1	4" PM 3-4Ω	DP-114	4A1	

### COMPONENT COMBINATIONS

ITEM No.	USE	DESCRIPTION	RAYTHEON PART No.	REPLACEMENT DATA
K1	Noise Clipper Net.	(2) 270K, (2) 1meg, (2) 100mmf, .01mf	DP-110	

### VIBRATOR

ITEM No.	TYPE	INPUT VOLTS	FRE-QUENCY	REPLACEMENT DATA			NOTES
				RAYTHEON PART No.	CORNELL-DUBILIER PART No.	MALLORY PART No.	
M1	Interrupter Interrupter	12.6 6.3	115% 115%		6301 5301	G-1601 1601	12.6VDC Versions 6VDC Versions

### FUSES

ITEM No.	TYPE	RATING	REPLACEMENT DATA					
			RAYTHEON PART No.		LITTELFUSE PART No.		BUSS PART No.	
			FUSE	HOLDER	FUSE	HOLDER	FUSE	HOLDER
M2	SAG	7½A 250V	AGC 7½ ①		31707.5 (SAG 7½A 250V)	342001	AGC 7½	HKP
M3	SAG	2A 250V S/B	AGC 2		312002 (SAG 2A 250V)	342001	AGC 2	HKP

① 15 Amp. fuse used in 6-volt Versions.

### MISCELLANEOUS

ITEM No.	PART NAME	RAYTHEON PART No.	NOTES
M4A B	Crystal	DP-01 to DP-23	Receive Transmitter Matched Pair, Order by Channel Desired.
M5	Crystal	DP-307	Converter Crystal, 5545KC
M6	Squelch Diode	DP-309	1N270 or 1N54A
M7	Switch	DP-306	Channel Selector (Rotary Wafer Type)
M8	Switch	DP-121	Transmit Receive-Receive Only (DPDT Slide Type)
M9	Microphone	DP-122	Includes Switch, Capacitor, and Cord.
M10	Lamp Assembly	DP-308	Power On Indicator
	Power Cable	DP-312	6VDC
	Power Cable	DP-313	12VDC
	Power Cable	DP-314	117VAC
	Knob	DP-310	Volume, Squelch
	Knob	DP-311	Channel Selector

### WIRING DATA

General-use Hook-up Wire . . . . .	Use BELDEN No. 8530 (Solid) Available in 12 Colors 8524 (Stranded) Available in 12 Colors
Shielded Antenna Lead . . . . .	Use BELDEN No. 8214 Lowest Loss (RG-8/U Type) 8237 Low Loss (RG-8/U) 8240 (Solid) Miniature (RG-58/U) 8259 (Stranded) Miniature (RG-58A/U)
Coiled Microphone Cable . . . . .	Use BELDEN No. 8497 3 Conductor-1 Shielded for Press-to-Talk (Neoprene) 8496 3 Conductor-1 Shielded for Press-to-Talk (Vinyl)
Ignition Noise Suppression . . . . .	Use BELDEN No. 7300-Series Spark-Plug Sets
Bonding Strap . . . . .	Use BELDEN No. 6661 (3/8 in.)



# PHOTOFACT®



TRADE NAME: Raytheon Model Raycom  
SUPPLIER: Raytheon Co., Distributor Products Div.  
411 Providence Turnpike, Westwood, Mass.  
TYPE SET: AC-Battery, 9 Tube Transceiver  
POWER SUPPLY: 110 - 120 Volts AC, 60 Cycles (or)  
12 VDC (or) 32VDC  
RATING: 4.5 Amp. @12.6VDC  
TUNING RANGE: Any 5 CB Channels 1 thru 22

RAYTHEON MODEL RAYCOM

## ALIGNMENT INSTRUCTIONS

### RECEIVER

Turn Gate Control (R2) to off.

Connect a signal generator tuned to 455KC (400v Mod.) thru .1mfd to pin 2 of V2A (Mixer), common to chassis. Connect a DC VTVM to point **A**. Adjust A1, A2, A3, and A4 for maximum deflection.

Change connection of signal generator to the antenna socket and retune generator to 27.085KC (Channel 11). Adjust A5, A6 and A7 for maximum deflection.

### TRANSMITTER

Connect a 52Ω dummy load to antenna socket. Using a Frequency Meter, adjust A8 to frequency indicated on osc. crystal for zero beat, (within 100 cps.)

Connect DC probe of VTVM to point **B**, common to chassis. Adjust A9 on channel 11 for maximum deflection of VTVM and then back off about 10% on the long slope. (When the crystal oscillator is tuned in one direction the output will increase slowly -- long slope -- then suddenly fall off).

Connect DC probe of VTVM to point **C**, common to chassis. Adjust A10 for maximum deflection (approximately 30 volts).

Connect DC milliammeter to two screw terminal strip and adjust A11 and A12 alternately until the meter reads 25ma. Care should be taken not to exceed this current, otherwise the maximum deflection plate input of 5 watts will be exceeded.

Adjustment A13 is intended to cancel out the internal wiring inductance between the pi section load capacitor and the antenna coaxial feed. The output of the transmitter is designed to match from 25 to 75 ohms. This adjustment (A13) may also be used to compensate for a standing wave ratio appearing on the coaxial cable feed to the antenna. An antenna may be off frequency by several inches and yet be loaded efficiently by the adjustment of A13. A12 is shorted out of the circuit when fully meshed.

HOWARD W. SAMS & CO., INC. Indianapolis 6, Indiana

# PARTS LIST AND DESCRIPTIONS

## TUBES

• AMPEREX •		• GENERAL ELECTRIC •		• RCA •		• RAYTHEON •		• SYLVANIA •	
ITEM No.	USE	TYPE		ITEM No.	USE	TYPE			
V1	RF Amplifier	12AU6		V6	AF Output-Modulator	6AQ5			
V2	Mixer-Osc.	6U8A		V7	Trans. Osc. -Doublor	12AU7			
V3	IF Amplifier	12BA6		V8	Final Amplifier	12AQ5			
V4	Det. -AF Amp.	12CR6		V9	Rectifier	12X4			
V5	Noise Limiter-Squelch	12AL5							

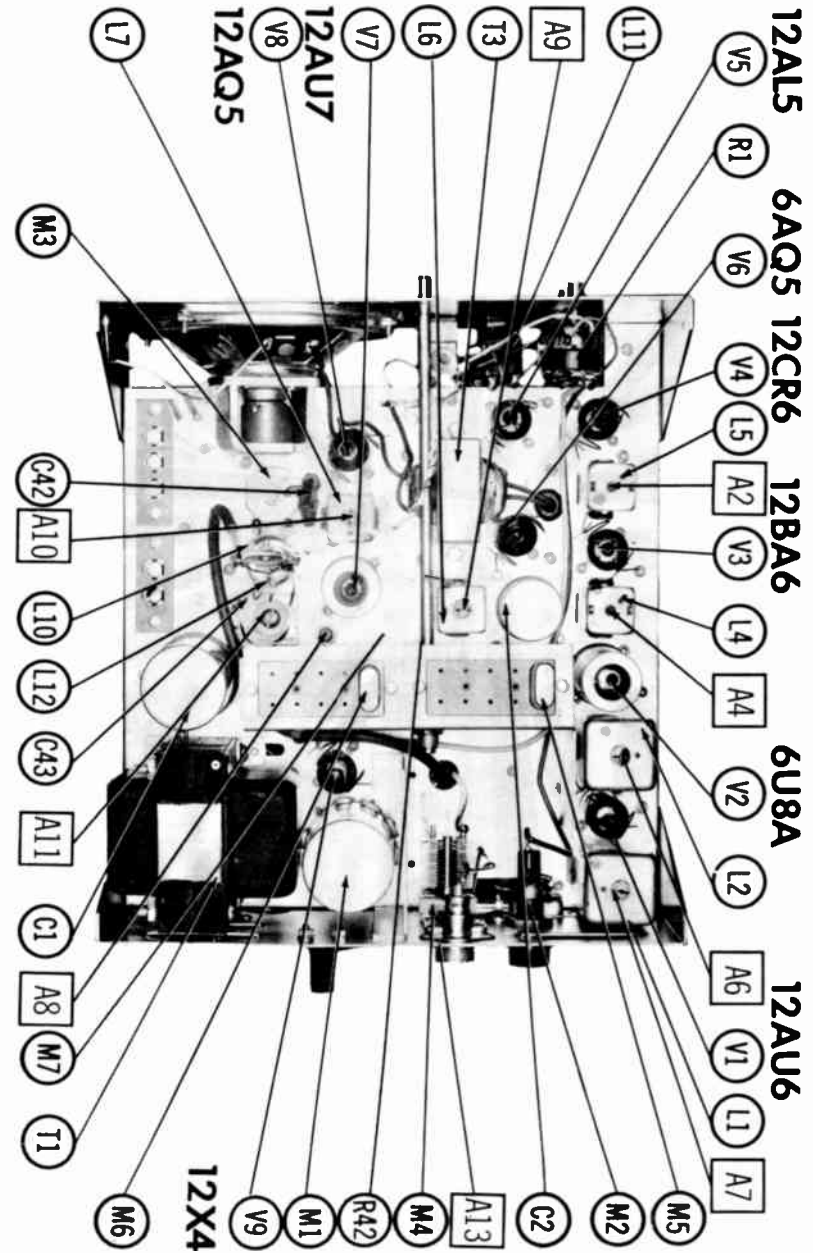
## ELECTROLYTIC CAPACITORS

ITEM No.	RATING		REPLACEMENT DATA						
	CAP.	VOLT	RAYTHEON PART No.	AEROVOX PART No.	CORNELL-DUBILIER PART No.	MALLORY PART No.	PYRAMID PART No.	SPRAGUE PART No.	NOTES
C1A	60	450	}	AFH2-59	A0500	FP148	TMS-1790	TVL-1730	Note 1
B	60	450							
C2A	20	100							
B	20	100							

Note 1. AC versions use 20-20mfd in this application.

## FIXED CAPACITORS

ITEM No.	RATING	REMARKS	REPLACEMENT DATA						
			AEROVOX PART No.	CENTRALAB PART No.	CORNELL-DUBILIER PART No.	ELMENCO PART No.	MALLORY PART No.	SPRAGUE PART No.	
C3	5000	(3.3) †	BPD-005	DD-502	BYA10D5	CCD-502	B-250	5HK-D50	
C4	20000		BPD-02	DD-203	BYB6S2	CCD-203	B-120	5HK-S20	
C5	20000		BPD-02	DD-203	BYB6S2	CCD-203	B-120	5HK-S20	
C6	.68 10%		NPO-S1 .68	TCZ-R68					
C7	20000		BPD-02	DD-203	BYB6S2	CCD-203	B-120	5HK-S20	
C8	20000		BPD-02	DD-203	BYB6S2	CCD-203	B-120	5HK-S20	
C9	10000		BPD-01	DD-103	BYA10S1	CCD-103	B-110	5HK-S10	
C10	10 10%		NPO-S1 10	D6-100	L10Q1	CCD-100	GP410	10TS-Q10	
C11	51 10%		NPO-S1 51	D6-500	L10Q51	CCD-500	GP450	10TS-Q50	
C12	10000		BPD-01	DD-103	BYA10S1	CCD-103	B-110	5HK-S10	
C13	5000	BPD-005	DD-502	BYA10D5	CCD-502	B-250	5HK-D50		
C14	10000	BPD-01	DD-103	BYA10S1	CCD-103	B-110	5HK-S10		
C15	10000	BPD-01	DD-103	BYA10S1	CCD-103	B-110	5HK-S10		
C16	100 10%	NPO-S1 100	D6-101	L10T1	CCD-101	GP310	10TS-T10		
C17	100 10%	NPO-S1 100	D6-101	L10T1	CCD-101	GP310	10TS-T10		
C18	20000	BPD-02	DD-203	BYB6S2	CCD-203	B-120	5HK-S20		
C19	10000	BPD-01	DD-103	BYA10S1	CCD-103	B-110	5HK-S10		
C20	100 10%	NPO-S1 100	D6-101	L10T1	CCD-101	GI-310	10TS-T10		
C21	.05 600V	P688N-05	DD-503	CUB6S5	6DP-3-503	GEM-615	6TM-S50		
C22	1000	BPD-001	DD-102	BYA10D1	CCD-102	B-210	5HK-D10		
C23	.05 600V	P688N-05	DD-503	CUB6S5	6DP-3-503	GEM-615	6TM-S50		
C24	10000	BPD-01	DD-103	BYA10S1	CCD-103	B-110	5HK-S10		
C25	1000 10%	D1-1000	DD-102	5RS5D1	CCD-102	GP210	10TS-D10		
C26	10000	BPD-01	DD-103	BYA10S1	CCD-103	B-110	5HK-S10		
C27	1000 10%	D1-1000	DD-102	5RS5D1	CCD-102	GP210	10TS-D10		
C28	10000	BPD-01	DD-103	BYA10S1	CCD-103	B-110	5HK-S10		
C29	3300 10%	I469-0033	DD-102	1RS5D33	CM-20B-332K	MCJ462	MS-233		
C30	1000 10%	D1-1000	DD-102	5RS5D1	CCD-102	GP210	10TS-D10		
C31	10 max.								
C32	56 10%	NPO-S1 56	D6-560	L10Q56	CCD-560	GP456	10TS-Q56		
C33	5000 2000V		DD30-502	HVC20D5	3CCD-502	2HV-247	BL-D50		
C34	100 10%	NPO-S1 100	D6-101	L10T1	CCD-101	GP310	10TS-T10		
C35	24 10%	I469-000024	TCZ-24	22R5Q24	CM-19B-240K	MCB220	MS-424		
C36	10000 1600V	DAC-27	DD16-103	HVE16S1	I6DP-3-103	UAC-110	BL-S10		
C37	24 10%	I469-000024	TCZ-24	22R5Q24	CM-19B-240K	MCB220	MS-424		
C38	1000 10%	D1-1000	DD-102	5RS5D1	CCD-102	GI-210	10TS-D10		
C39	4700 3000V		DD30-472		3CCD-502	3HV-247	30GA-D47		
C40	1000 1500V	DAC-2	DD30-102	HVB20D1	3CCD-102	UAC-210	BL-D10		
C41	10000	BPD-01	DD-103	BYA10S1	CCD-103	B-110	5HK-S10		
C42	470	I468-00047		5W5T47	CM-19B-471M	MCJ244	1FM-347		
C43	600 max.								
C44	4700 3000V		DD30-472		3CCD-502	3HV-247	30GA-D47		
C45	.5 200V	P288N-5		CUB2P5	ZDP-5-504	GEM-205	2TM-P50		



RAYTHEON MODEL RAYCOM



# PARTS LIST AND DESCRIPTIONS (Continued)

## FIXED CAPACITORS (cont)

ITEM No.	RATING	REMARKS	REPLACEMENT DATA					
			AEROVOX PART No.	CENTRALAB PART No.	CORNELL DUBILIER PART No.	ELMENCO PART No.	MALLORY PART No.	SPRAGUE PART No.
C46	.5 200V	Note 1	P288N-5		CUB2P5	2DP-5-504	GEM-205	2TM-P50
C47	.5 200V	Note 1	P288N-5		CUB2P5	2DP-5-504	GEM-205	2TM-P50

Note 1. Not used in some versions.  
† Alternate Value.

## CONTROLS

ITEM No.	RATING		REPLACEMENT DATA					INSTALLATION NOTES
	RESISTANCE	WATTS	RAYTHEON PART No.	CENTRALAB PART No.	CLAROSTAT PART No.	CTS-IRC PART No.	MALLORY PART No.	
RIA	Imeg Shaft Switch		CM-16666	B-69 Not Req. KR-2	A47-Imeg-S RS-2	Q11-137 Not Req. 76-2	U54 Not Req. US-27	Volume Power Off-On Gate A. N. L. Gate Off-On
R2A	Imeg Shaft Switch		CM-18888	B-69 Not Req. KR-1	A47-Imeg-S RS-2 SWE-12	Q11-137 Not Req. 76-1	U54 Not Req. US-26	

## RESISTORS

All wattages 1/2 watt, or less, unless otherwise listed.

ITEM No.	RATING	REPLACEMENT DATA			ITEM No.	RATING	REPLACEMENT DATA		
		IRC PART No.	WORKMAN TV PART No.	REMARKS			IRC PART No.	WORKMAN TV PART No.	REMARKS
R3	560K				R24	Imeg			
R4	100K				R25	220Ω			
R5	Imeg				R26	560K			
R6	3300Ω				R27	330Ω 2W			
R7	100K				R28	10K			
R8	2200Ω				R29	10K 1W			
R9	100Ω				R30	22K			
R10	270K				R31	330Ω			
R11	Imeg				R32	47Ω			
R12	22K 1W				R33	10K			
R13	22K 1W			Note 1	R34	220Ω			
R14	270K				R35	10K 2W			
R15	270K				R36	Imeg			
R16	Imeg				R37	100Ω 2W			
R17	Imeg				R38	3300Ω			
R18	Imeg				R39	330Ω			
R19	Imeg				R40	330Ω			
R20	270K				R41	10Ω 2W			
R21	270K				R42	100K			
R22	2.2meg				R43	10K 1W			
R23	270K								

Note 1. Not used in some versions.

## COILS (RF-IF)

ITEM No.	USE	REPLACEMENT DATA					NOTES
		RAYTHEON PART No.	Merit PART No.	Miller PART No.	Stancor PART No.	Workman TV PART No.	
L1	Ant.	TL-61					
L2	RF	TL-62					
L3	RF Choke (1.5uh)		BC-562	4604	RTC-8516	T856	
L4	Input 1F	302217K	BC-352	12-C1	RTC-8632	T607	
L5	Output 1F	302225K	BC-352	12-C2	RTC-8633	T606	
L6	Osc. Plate	TL-65					
L7	Double Plate	TL-64					
L8	RF Choke (2uh)		BC-563	4606	RTC-8517	T857	
L9	RF Choke (15uh)			4624	RTC-8524	T862	
L10	Final Plate	TL-63					
L11	RF Choke (15uh)			4624	RTC-8524	T862	
L12	Output						
L13	Hash Choke (10uh)	T105-116T	BC-537	7825-8	RTC-9182		

## TRANSFORMER (POWER)

ITEM No.	RATING			REPLACEMENT DATA					NOTES
	PRI.	SEC. 1	SEC. 2	RAYTHEON PART No.	Merit PART No.	Stancor PART No.	Thordarson PART No.	Triad PART No.	

## TRANSFORMER MIC

ITEM No.	TURNS RATIO		REPLACEMENT DATA					NOTES
	PRI.	SEC.	RAYTHEON PART No.	Merit PART No.	Stancor PART No.	Thordarson PART No.	Triad PART No.	

## TRANSFORMER (AUDIO OUTPUT)

ITEM No.	IMPEDANCE		REPLACEMENT DATA					NOTES
	PRI.	SEC.	RAYTHEON PART No.	Merit PART No.	Stancor PART No.	Thordarson PART No.	Triad PART No.	

## SPEAKER

ITEM No.	TYPE			REPLACEMENT DATA		NOTES
	SIZE	FIELD	V. C. IMP.	RAYTHEON PART No.	QUAM PART No.	

## VIBRATOR

ITEM No.	TYPE	INPUT VOLTS	FREQUENCY	REPLACEMENT DATA			NOTES
				RAYTHEON PART No.	CORNELL DUBILIER PART No.	MALLORY PART No.	
M1	Interrupter	12.6	115%	G-8301	6301	G1601	6301

## FUSES

ITEM No.	TYPE	RATING	REPLACEMENT DATA					
			RAYTHEON PART No.		LITTELFUSE PART No.		BUSS PART No.	
			FUSE	HOLDER	FUSE	HOLDER	FUSE	HOLDER
M2	3AG	10A ① 32V			313010 (3AG 10A 32V)	342001	AGC 10	HKP

① AC versions use 1A in this application.

## MISCELLANEOUS

ITEM No.	PART NAME	RAYTHEON PART No.	NOTES
M3	Trimmer Cap		Final Amp. Tank 110mm Max. Antenna Series Receiver (Order Freq. Desired) Transmit (Order Freq. Desired) Channel Selector (Rotary Type) Transmitter Filaments (Toggle Type) Transmit
M4	Trimmer Cap		
M5	Crystal		
M6	Crystal		
M7	Switch		
M8	Switch		
M9	Relay	579	

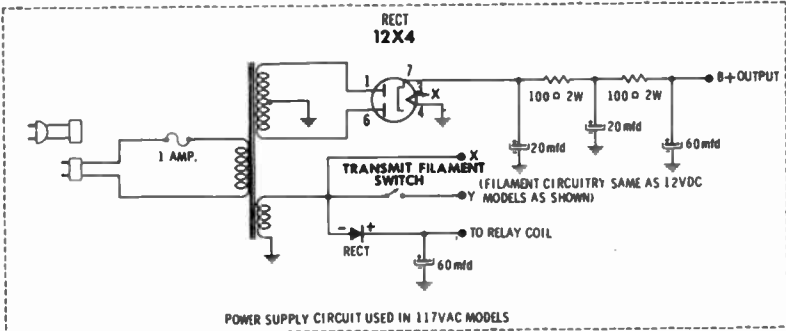
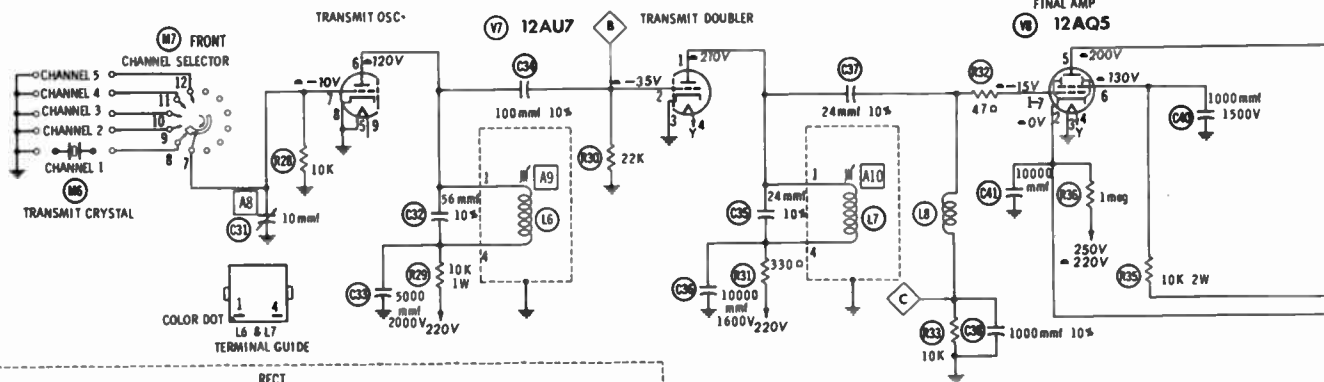
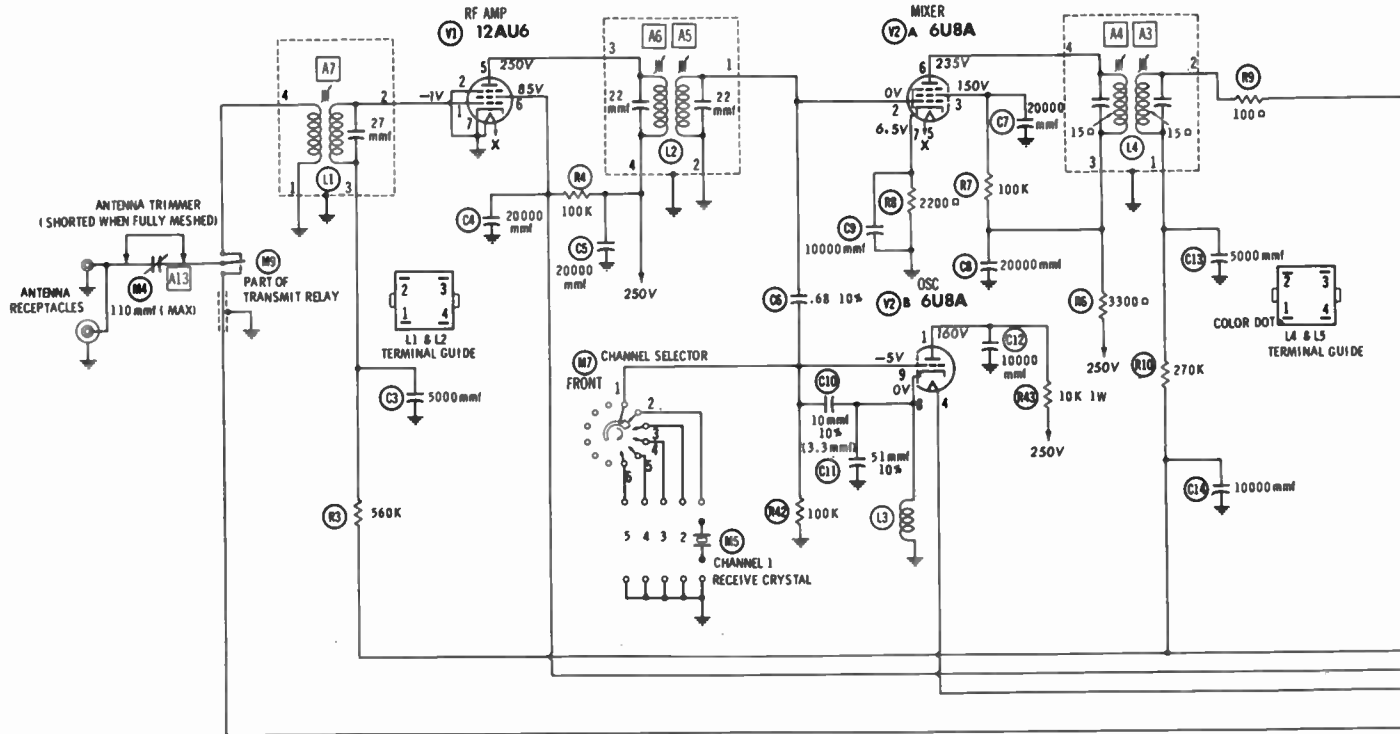
## WIRING DATA

General-use Unshielded Hook-up Wire	Use BELDEN No. 6530 (Solid) Available in Ten Colors
Shielded Hook-up Wire	8524 (Stranded) Available in Ten Colors
Bonding Strap	Use BELDEN No. 8885
	Use BELDEN No. 8861



CHASSIS-BOTTOM VIEW-ALIGNMENT, CAPACITOR & MISC. IDENT.

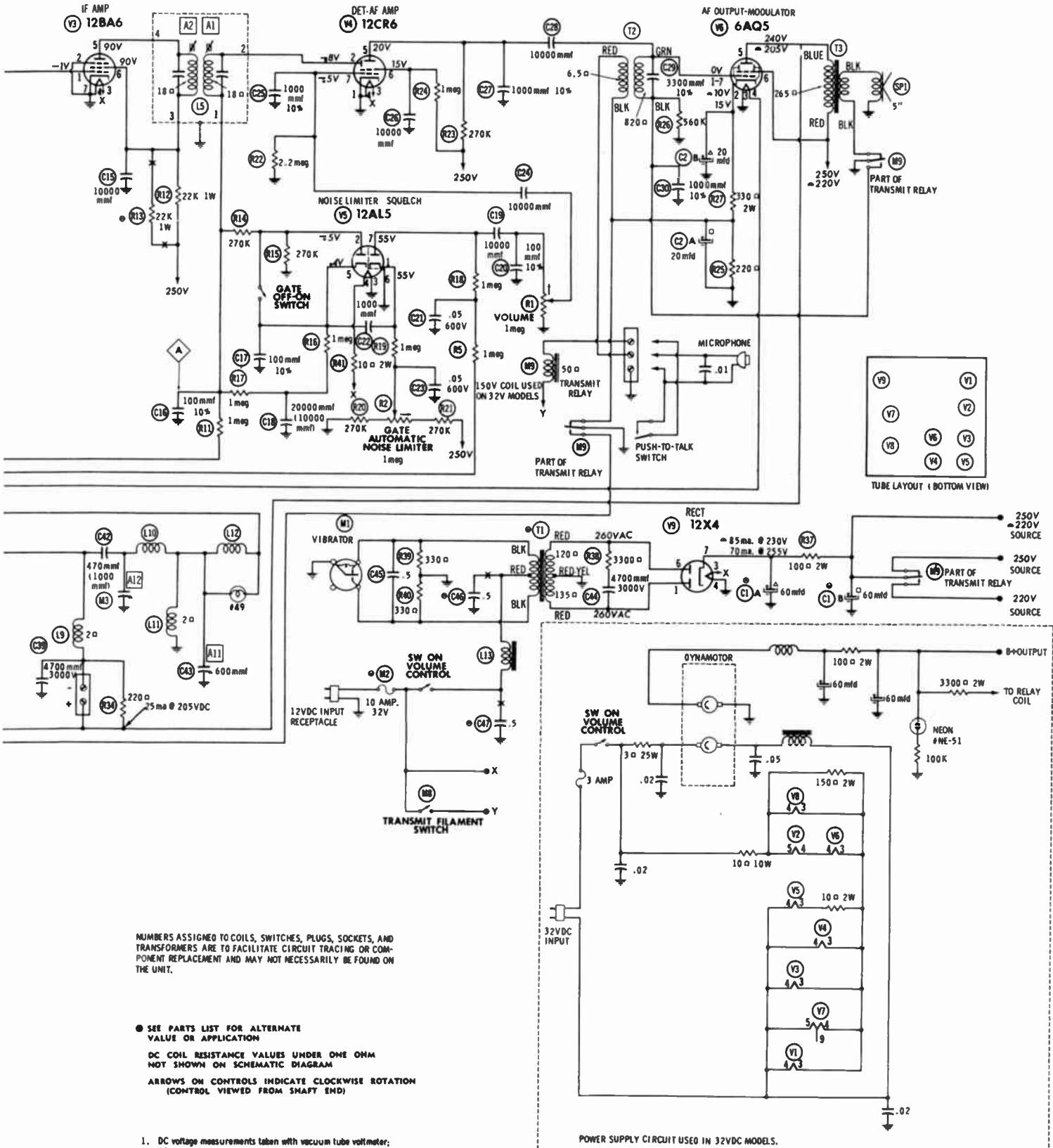
RAYTHEON MODEL RAYCOM



RESISTANCE READINGS

ITEM	TUBE	Pin 1	Pin 2	Pin 3	Pin 4	Pin 5	Pin 6	Pin 7	Pin 8	Pin 9
V1	12AU6	2 meg	0 ohm	0 ohm	2 ohm	100 ohm	100K	0 ohm		
V2	6UBA	110K	0 ohm	100K	2 ohm	3 ohm	3400 ohm	2200 ohm	0 ohm	100K
V3	12BA6	1.8 meg	0 ohm	0 ohm	2 ohm	11K	11K	0 ohm		
V4	12CR6	0 ohm	520K	2 ohm	0 ohm	270K	1 meg	2.2 meg		
V5	12AL5	1.2 meg	270K	0 ohm	4 ohm	2.5 meg	0 ohm	2.1 meg		
V6	6AQ5	560K	330 ohm	0 ohm	3 ohm	365 ohm	100 ohm	560K		
V7	12AU7	430 ohm	22K	0 ohm	0 ohm	2 ohm	10K	10K	0 ohm	NC
V8	12AQ5	NC	0 ohm	2 ohm	0 ohm	585 ohm	10K	10K		
V9	12X4	135 ohm	TP	0 ohm	2 ohm	NC	120 ohm	1		

ALL MEASUREMENTS MADE IN "RECEIVE" POSITION UNLESS OTHERWISE DESIGNATED.  
 = MEASURED IN "TRANSMIT" POSITION.  
 NC NO CONNECTION  
 † THIS READING WILL VARY DEPENDING UPON THE CONDITION OF THE ELECTROLYTIC IN THE CIRCUIT.  
 ‡ MEASURED FROM PIN 7 OF V9.  
 TP TIE POINT



NUMBERS ASSIGNED TO COILS, SWITCHES, PLUGS, SOCKETS, AND TRANSFORMERS ARE TO FACILITATE CIRCUIT TRACING OR COMPONENT REPLACEMENT AND MAY NOT NECESSARILY BE FOUND ON THE UNIT.

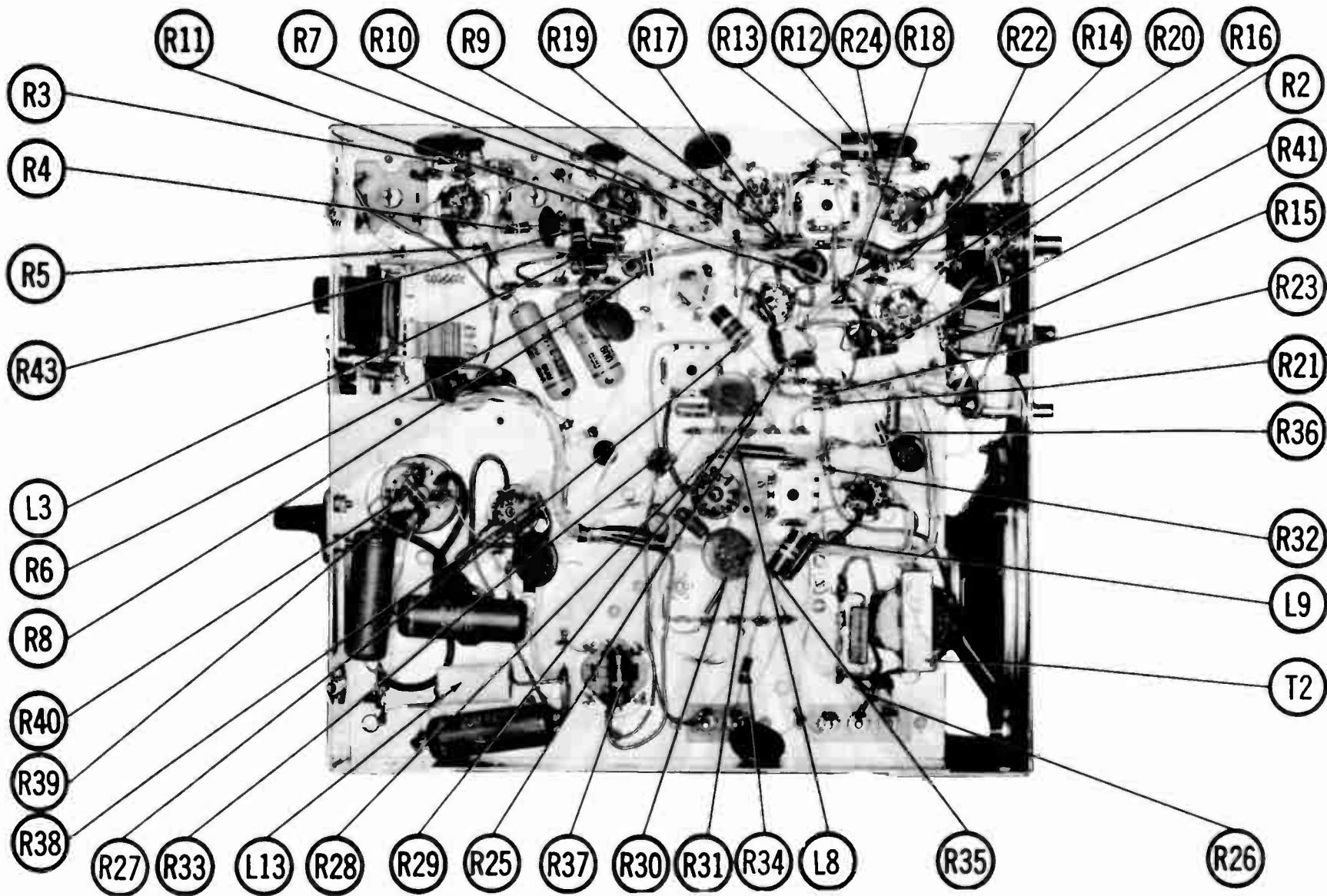
● SEE PARTS LIST FOR ALTERNATE VALUE OR APPLICATION

DC COIL RESISTANCE VALUES UNDER ONE OHM NOT SHOWN ON SCHEMATIC DIAGRAM

ARROWS ON CONTROLS INDICATE CLOCKWISE ROTATION (CONTROL VIEWED FROM SHAFT END)

1. DC voltage measurements taken with vacuum tube voltmeter; AC voltages measured with 1000 ohm per volt voltmeter.
2. Socket connections are shown as bottom views.
3. Measured values are from socket pin to common ground.
4. Line voltage maintained at 117 volts for voltage readings.
5. Nominal tolerance on component values makes possible a variation of ±1% in voltage and resistance readings.
6. Volume control at maximum, no signal applied for voltage measurements.

**RAYTHEON  
MODEL RAYCOM**

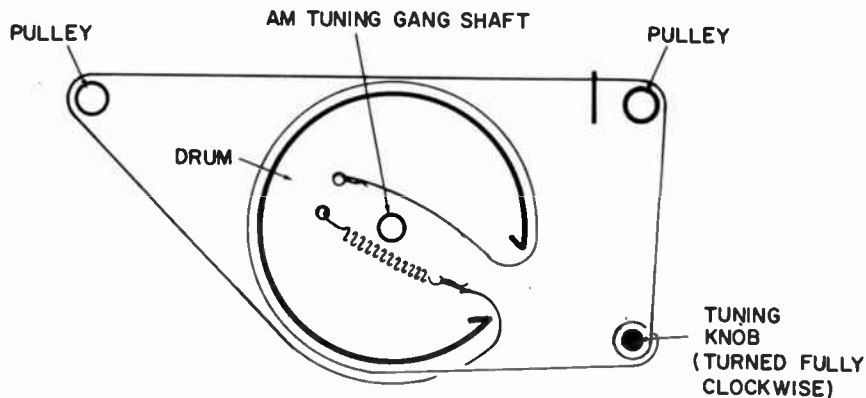
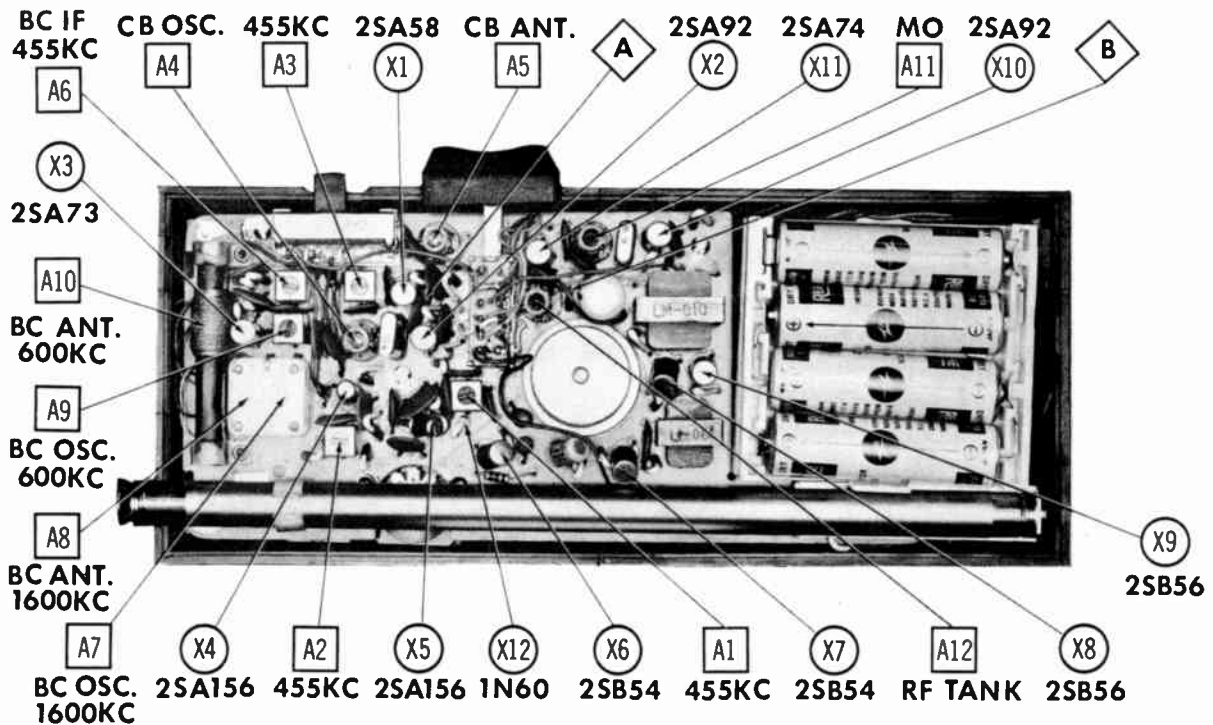


CHASSIS-BOTTOM VIEW-RESISTOR & INDUCTOR IDENT.

# PHOTOFACT<sup>®</sup> with CIRCUITRACE<sup>®</sup>

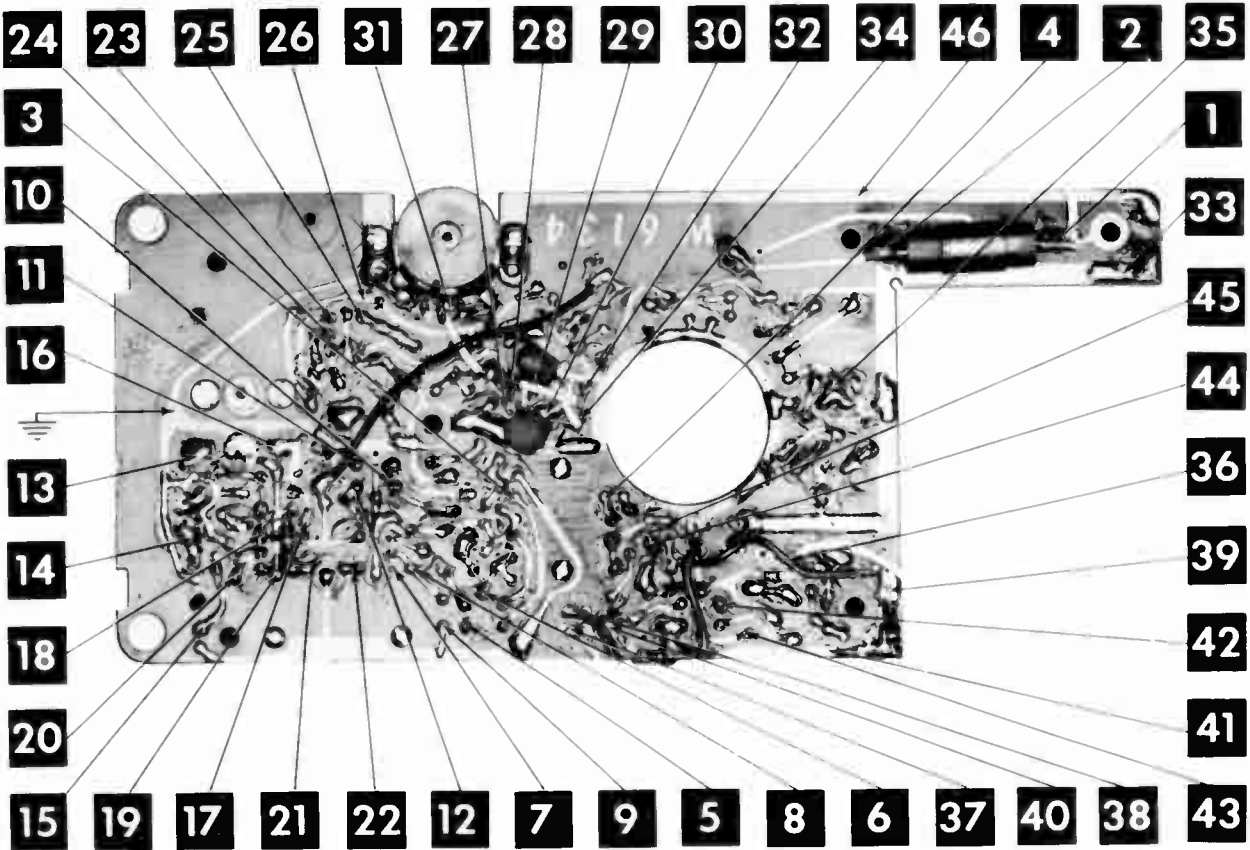
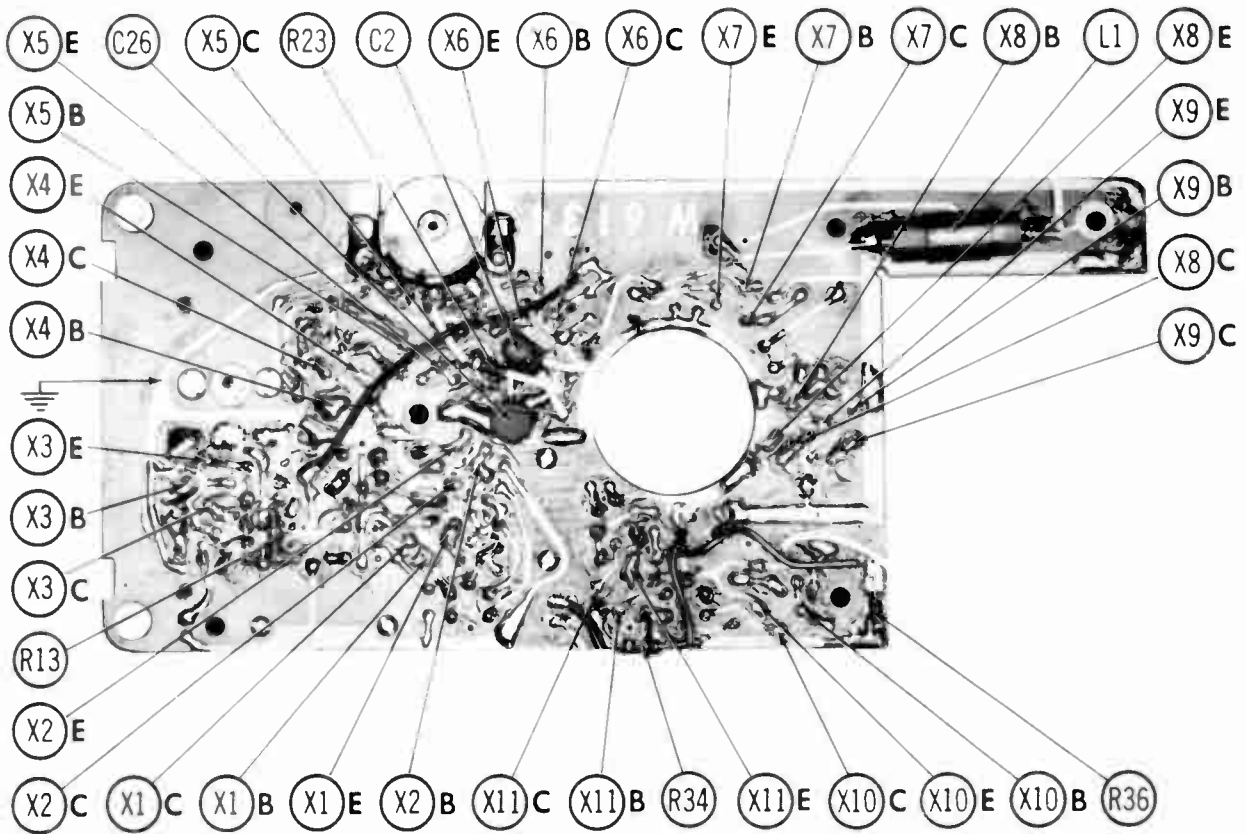


**TRADE NAME :** Realtone Model TR-6134  
**SUPPLIER :** Realtone Electronics  
 71 Fifth Ave., New York 3, N. Y.  
**TYPE SET :** 11 Transistor AM-CB Transceiver  
**POWER SUPPLY :** 12 Volts DC  
**RATING :** 6MA @12VDC (AM, No Signal)  
 7MA @12VDC (CB, Receive, No Signal)  
 16MA @12VDC (CB, Transmit, No Mod.)  
**TUNING RANGE :** Any one CB Channel 1 thru 22  
 BROADCAST 540 - 1620KC



REALTONE MODEL TR-6134

**HOWARD W. SAMS & CO., INC.** Indianapolis 6, Indiana





# ALIGNMENT INSTRUCTIONS

This transceiver meets all requirements of F.C.C. Rules & Regulations, Part 15, Subpart "E" for low power communications devices and requires no station license. However, only those persons properly licensed by the F.C.C. are permitted to repair or adjust any malfunctioning unit found to be transmitting illegally. (Refer to F.C.C. Rules & Regulations, Part 19, Subpart "D", Section 19.71.)

## Equipment Required

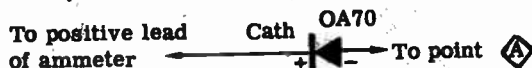
1. AM Signal Generator
2. Audio Signal Generator
3. Frequency Meter
4. Oscilloscope
5. Output Meter
6. Milliammeter

## CB Receiver Alignment

1. Connect output meter across speaker voice coil (use earphone jack).
2. Set receiver volume control to maximum.
3. Slide Radio-Trans switch to Trans.
4. Connect high side of signal generator through a .01 mfd capacitor to telescoping antenna (antenna must be fully collapsed) connect low side to receiver ground. Set generator to 455 KC 1000v 30% Modulation. Output of generator should be no higher than is necessary to obtain output readings.
5. Turn receiver on. (Batteries should be new or up to full voltage while aligning receiver and transmitter sections).
6. Adjust A1, A2 and A3 for maximum reading on output meter.

## CB Receiver Oscillator and RF Alignment

1. Disconnect signal generator and output meter.
2. Connect negative lead of milliammeter (set on 100  $\mu$ a scale) to receiver ground. Connect positive ammeter lead through an OA70 (or equivalent) diode to point  $\diamond$  as follows:



3. Adjust A4 counterclockwise (out) for maximum current reading. Then turn A4 clockwise (in) until reading is 5% less than maximum.
4. Disconnect milliammeter and reconnect output meter and signal generator. Connect high side of generator through a 13 mmf capacitor to telescoping antenna, low side to receiver ground. Set generator to operating frequency specified for the unit being aligned. Use 1000v 30% modulation.
5. Adjust A5 for maximum reading on output meter.

## Broadcast AM Receiver Alignment

1. Slide Radio-Trans switch to Radio Position.

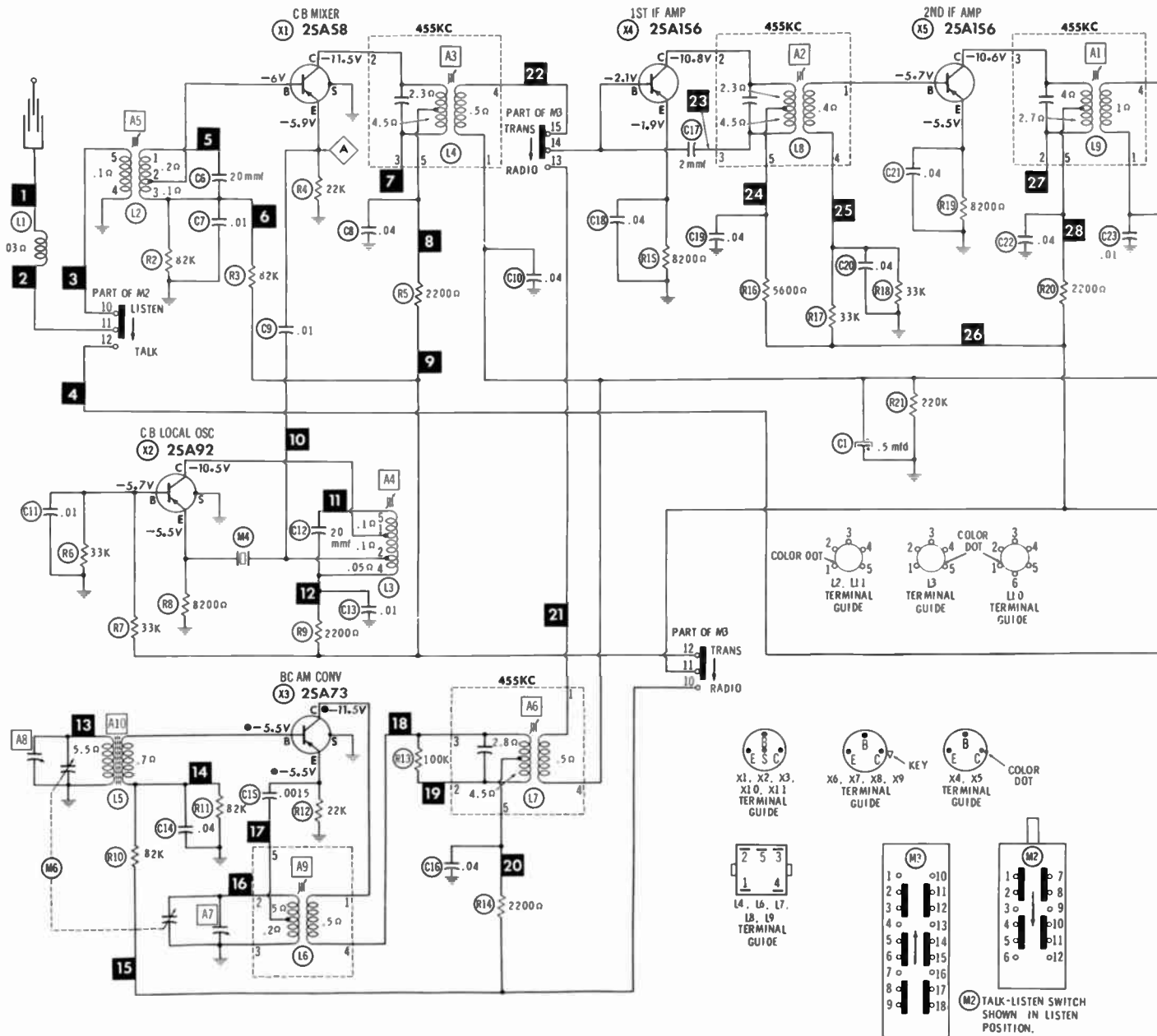
2. Set receiver volume control to maximum. Tuning gang fully open.
3. Connect output meter to earphone jack.
4. Fashion loop of several turns of wire and connect to output of signal generator to radiate signal into BC antenna of receiver. Set generator to 455 KC 400v modulation and operate with output no higher than necessary to obtain an output reading.
5. Adjust A6 for maximum reading on output meter.
6. Set signal generator to 1800 KC.
7. Set receiver dial to 1600 KC.
8. Adjust A7 and A8 for maximum reading on output meter.
9. Set signal generator to 600 KC.
10. Set receiver dial to 600 KC.

11. Adjust A9 and A10 for maximum reading. A10 is adjusted by moving coil along ferrite core.

## Transmitter Alignment

1. Connect milliammeter (10 ma range) into RF output circuit as follows:
  - a. Cut loop in lead of resistor (R35) at point  $\diamond$ .
  - b. Connect negative lead of milliammeter to cut lead on resistor (R35).
  - c. Connect positive lead of milliammeter to cut lead on wiring board at point 39.
2. Connect a dummy antenna (13 mmf capacitor in series with a 39 $\Omega$  resistor) between telescoping antenna and receiver ground.
3. Set receiver volume control to maximum.
4. Hold Talk-Listen switch in Talk position and:
  - a. Adjust A11 counterclockwise (out) for maximum current reading. Then turn A11 clockwise (in) for a reading .15 ma less than maximum.
  - b. Adjust A12 for minimum current reading.
5. Connect the audio generator to earphone jack. Connect the oscilloscope to the earphone jack of another TR6134 (known to be in good operating condition and operating on the same frequency) and set this unit to receive the signal from the unit being aligned.
6. Press the Talk-Listen switch on the unit being aligned and check the waveform for distortion on the oscilloscope connected to the second unit. Realign if necessary.
7. Remove milliammeter and solder cut lead of resistor R35.
8. Use a good frequency meter to check the frequency of the TR 6134 to make certain it is within the  $\pm .005\%$  deviation permitted by the F.C.C.

REALTONE MODEL TR-6134



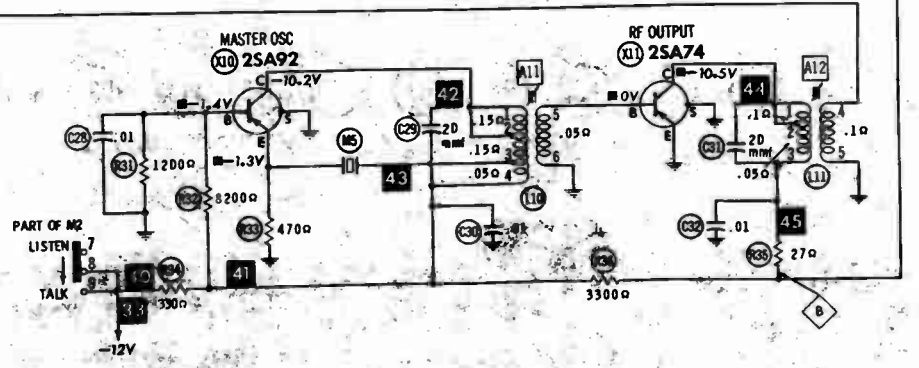
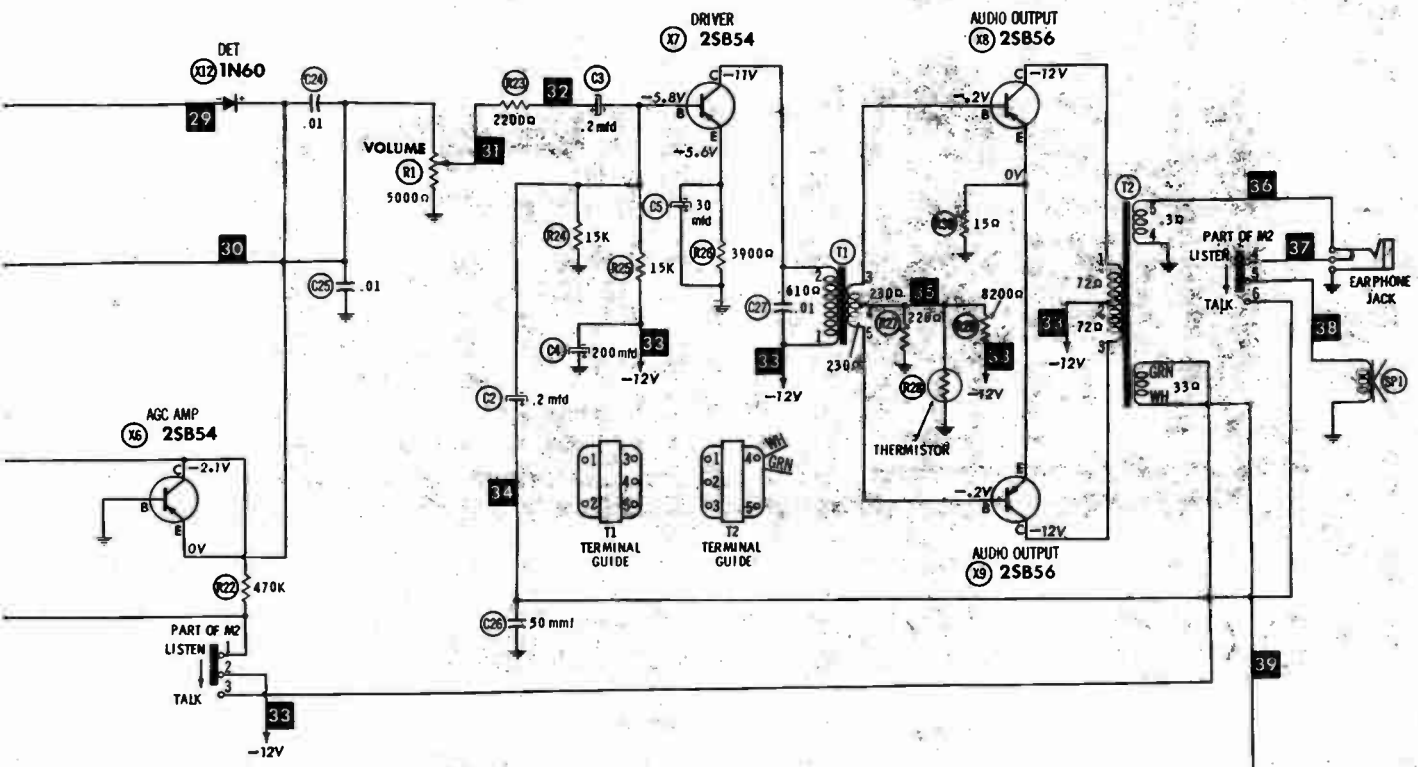
1. DC voltage measurements taken with vacuum tube voltmeter.
2. Socket connections or transistor terminals are shown as bottom views.
3. Measured values are from socket pin or terminal to common ground.
4. Nominal tolerance on component values makes possible a variation of  $\pm 15\%$  in voltage and resistance readings.
5. Volume control at maximum, no signal applied for voltage measurements.

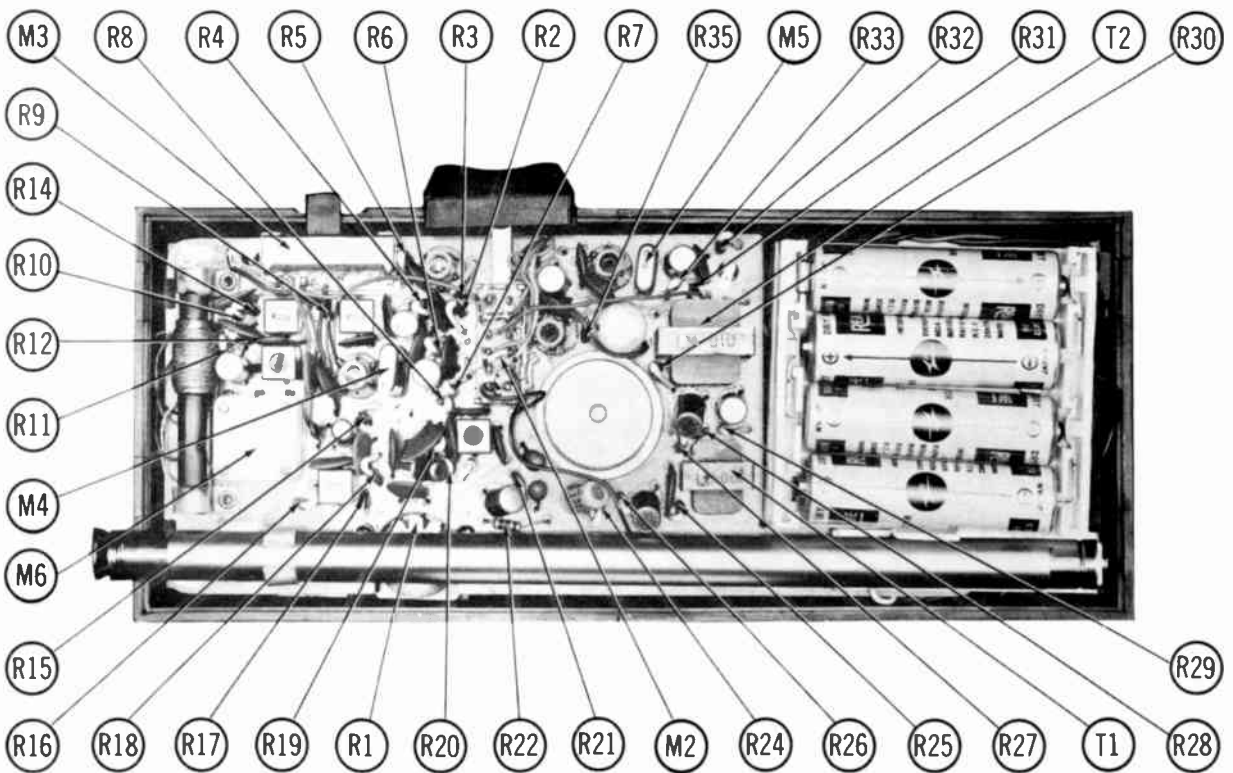
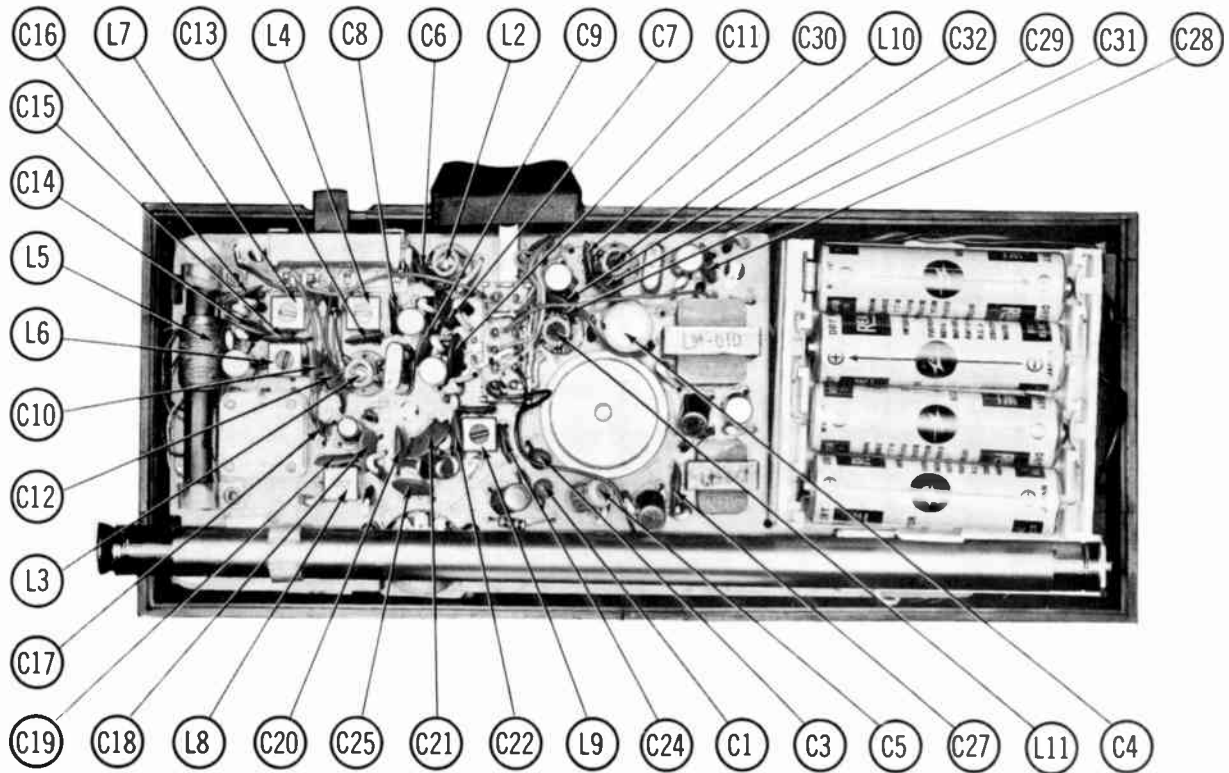
M3 RADIO-TRANSCIEVER SWITCH SHOWN IN TRANSCIEVER POSITION.

VOLTAGE READINGS TAKEN WITH M2 IN LISTEN POSITION AND M3 IN TRANS POSITION, UNLESS OTHERWISE INDICATED.  
 ■ TAKEN WITH M2 IN TALK POSITION AND M3 IN TRANS POSITION.  
 ● TAKEN WITH M2 IN LISTEN POSITION AND M3 IN RADIO POSITION.

A PHOTOFAC STANOARD NOTATION SCHEMATIC  
 with **CIRCUITRACE**

©Howard W. Sams & Co., Inc. 1963





# PARTS LIST AND DESCRIPTION

## TRANSISTORS

ITEM No.	ORIG. TYPE	USE	REPLACEMENT DATA			NOTES
			DELCO PART No.	GENERAL ELECTRIC PART No.	RCA PART No.	
X1	2SA58	CB Mixer	DS-25	GE-1	2N1179	PNP
X2	2SA92	CB Oscillator	DS-25	GE-1	2N1178	PNP
X3	2SA73	AM Converter			2N412	PNP
X4	2SA156	1st IF Amp.	DS-25	GE-1	2N410	PNP
X5	2SA156	2nd IF Amp.	DS-25	GE-1	2N410	PNP
X6	2SB54	AGC Amp.	DS-26	GE-2	2N406	PNP
X7	2SB54	Driver	DS-26	GE-2	2N406	PNP
X8	2SB56	Output	DS-26	GE-2	2N408	PNP
X9	2SB56	Output	DS-26	GE-2	2N408	PNP
X10	2SA92	Transmitter Osc.	DS-25	GE-1	2N410	PNP
X11	2SA74	Final RF Output	DS-26	GE-2	2N408	PNP
X12	1N60	Detector		1N60	1N60	Diode

## ELECTROLYTIC CAPACITORS

ITEM No.	RATING		REPLACEMENT DATA						
	CAP.	VOLT.	REALTONE PART No.	AEROVOX PART No.	CORNELL-DUBILIER PART No.	GENERAL ELECTRIC PART No.	GENERAL INSTRUMENT PART No.	MALLORY PART No.	SPRAGUE PART No.
C1	.5	6	CA0.5	BCD8001	NLW1-6	MT1-1			
C2	.2	6	CA0.2	BCD8001	NLW1-6	MT1-1			
C3	.2	6	CA0.2	BCD8001	NLW1-6	MT1-1			
C4	200	12	V-200-12	BCD10190	ECPB421	MT1-23	MLV200-10	TT15X200	TE-1119.6
C5	30	6	V-30-6	PTT10	NLW30-6	MT1-13	MLV30-6	TT6X30	TE-1056

## FIXED CAPACITORS

ITEM No.	RATING	REMARKS	REPLACEMENT DATA						
			AEROVOX PART No.	CENTRALAB PART No.	CORNELL-DUBILIER PART No.	ELMENCO PART No.	MALLORY PART No.	SPRAGUE PART No.	
C6	20			DD-200	L10Q2		CCD-200	GP420	5GA-Q20
C7	.01		TTD-01	DDM-103	H05S1			TA-110	TG-S10
C8	.04		TTD-05	CK-503	H5			TA-150	TG-S50
C9	.01		TTD-01	DDM-103	H05S1			TA-110	TG-S10
C10	.04		TTD-05	CK-503	H5			TA-150	TG-S50
C11	.01		TTD-01	DDM-103	H05S1			TA-110	TG-S10
C12	20			DD-200	L10Q2		CCD-200	GP420	5GA-D20
C13	.01		TTD-01	DDM-103	H05S1			TA-110	TG-S10
C14	.04		TTD-05	CK-503	H5			TA-150	TG-S50
C15	.0015		BPD-0015	DD-152	BYA10D15		CCD-152	GP215	10TS-D15
C16	.04		TTD-05	CK-503	H5			TA-150	TG-S50
C17	2		NPO-D1 2.2	DTZ-2R2	C10V22C		CCO-2R2	CNO-522	10TCC-V22
C18	.04		TTD-05	CK-503	H5			TA-150	TG-S50
C19	.04		TTD-05	CK-503	H5			TA-150	TG-S50
C20	.04		TTD-05	CK-503	H5			TA-150	TG-S50
C21	.04		TTD-05	CK-503	H5			TA-150	TG-S50
C22	.04		TTD-05	CK-503	H5			TA-150	TG-S50
C23	.01		TTD-01	DDM-103	H05S1			TA-110	TG-S10
C24	.01		TTD-01	DDM-103	H05S1			TA-110	TG-S10
C25	.01		TTD-01	DDM-103	H05S1			TA-110	TG-S10
C26	50		DI 50	DD-500	L10Q50		CCD-500	GP450	10TS-Q50
C27	.01		TTD-01	DDM-103	H05S1			TA-110	TG-S10
C28	.01		TTD-01	DDM-103	H05S1			TA-110	TG-S10
C29	20			DD-200	L10Q2		CCD-200	GP420	5GA-Q20
C30	.01		TTD-01	DDM-103	H05S1			TA-110	TG-S10
C31	20			DD-200	L10Q2		CCD-200	GP420	5GA-Q20
C32	.01		TTD-01	DDM-103	H05S1			TA-110	TG-S10

## CONTROLS

All wattages 1/2 watt, or less, unless otherwise listed.

ITEM No.	USE	RESISTANCE	REPLACEMENT DATA				
			REALTONE PART No.	CENTRALAB PART No.	CLAROSTAT PART No.	CTS-IRC PART No.	MALLORY PART No.
R1	Volume & Switch	5000Ω	RV-014				

## RESISTORS (Power and Special)

ITEM No.	RATING	REPLACEMENT DATA			ITEM No.	RATING	REPLACEMENT DATA		
		IRC PART No.	WORKMAN PART No.	REMARKS			IRC PART No.	WORKMAN PART No.	REMARKS
R28	Thermistor			#D-22A					

# Realtone Part Number.

REALTONE MODEL TR-6134

# PARTS LIST AND DESCRIPTION (CONTINUED)

## COILS (RF-IF)

ITEM No.	USE	REPLACEMENT DATA					NOTES
		REALTONE PART No.	MERIT PART No.	MILLER PART No.	STANCOR PART No.	WORKMAN PART No.	
L1	Antenna Loading	HL-010					
L2	Antenna	HA-155					
L3	Oscillator	HO-130					
L4	1st IF	HI-040					
L5	AM Loopstick	HA-015					
L6	AM Oscillator	HO-091					
L7	1st AM IF	HI-043					
L8	2nd IF	HI-051					
L9	3rd IF	HI-062					
L10	Trans. Osc.	HM-010					
L11	RF Tank	HN-010					

## TRANSFORMER (DRIVER)

ITEM No.	TURNS RATIO		REPLACEMENT DATA					NOTES
			REALTONE PART No.	MERIT PART No.	STANCOR PART No.	THORDARSON PART No.	TRIAD PART No.	
	PRI.	SEC.						
T1	1.5	1	LI-061					

## TRANSFORMER (AUDIO OUTPUT)

ITEM No.	IMPEDANCE		REPLACEMENT DATA					NOTES
			REALTONE PART No.	MERIT PART No.	STANCOR PART No.	THORDARSON PART No.	TRIAD PART No.	
	PRI.	SEC. 1						
T2	500Ω CT	6-8Ω	LM-010					
		SEC. 2						
		450Ω						

## SPEAKER

ITEM No.	TYPE	REPLACEMENT DATA		NOTES
		REALTONE PART No.	QUAM PART No.	
SPI	2 1/2" PM 6-8Ω	AS-088		

## BATTERIES

ITEM No.	VOLTAGE	REALTONE PART No.	REPLACEMENT DATA			NOTES
			BURGESS	EVEREADY	MALLORY	
M1	1.5V	703	930 (or AL-9, Hg-9)	1015 (or E91, E9)	M-15R (or MN1500, ZM-9)	4 Used

## MISCELLANEOUS

ITEM No.	PART NAME	REALTONE PART No.	NOTES
M2	Switch	SH-087	Talk-Listen (Push-to-talk) Radio-Trans. -Selector (Slide Type DPST) Receiving (27.065MC) Receiving (27.135MC) Transmitting (27.065MC) Transmitting (27.135MC) 2 Gang (AM Receiver)
M3	Switch	SH-086	
M4	Crystal	W6134-2002	
	Crystal	W6134-2004	
M5	Crystal	W6134-2001	
	Crystal	W6134-2003	
M6	Tuning Cap.	CV-013	

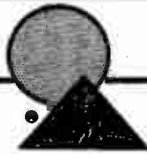
## CABINETS & CABINET PARTS

(When Ordering Specify Model, Chassis & Color)

ITEM	PART No.	ITEM	PART No.
Knob - Volume	W6134-0012	Knob - Talk-Listen	W6134-0020
Knob - Tuning	W6134-0013	Cabinet	W6134-0001

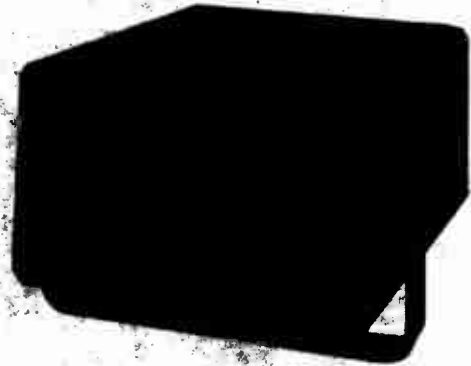
## WIRING DATA

General-use Hook-up Wire ....	Use BELDEN No. 8530 (Solid) Available in 12 Colors 8524 (Stranded) Available in 12 Colors)
Shielded Antenna Lead .....	Use BELDEN No. 8214 Lowest Loss (RG-8/U Type) 8237 Low Loss (RG-8/U) 8240 (Solid) Miniature (RG-58/U) 8259 (Stranded) Miniature (RG-58A/U)
Coiled Microphone Cable .....	Use BELDEN No. 8499 Single Conductor Shielded (Neoprene) 8498 Single Conductor Shielded (Vinyl)
Ignition Noise Suppression ....	Use BELDEN No. 7300-Series Spark-Plug Sets
Bonding Strap .....	Use BELDEN No. 8661 (3/8 in.)



# PHOTOFACT<sup>®</sup>

**TRADE NAME :** Sonar Model E (Revised)  
**SUPPLIER :** Sonar Radio Corp.  
 73 Wortman Avenue, Brooklyn, N. Y.  
**TYPE SET :** 9 Tube Transceiver  
**POWER SUPPLY :** 110 - 120 Volts AC, 60 Cycles (or)  
 6 (or) 12 Volt Storage Battery  
**RATING :** 52 Watts, .5 Amp. @ 117VAC  
 8 Amp. @ 6.3VDC  
 4.1 Amp. @ 12.6VDC  
**TUNING RANGE :** Any 8 CB Channels 1 thru 23  
 Receiver may be continuously tuned.



## ALIGNMENT INSTRUCTIONS

### Suggested Alignment Tools:

A1 thru A6.....GENERAL CEMENT #5097, 8727..... WALSCO #2515  
 A7 thru A10.....GENERAL CEMENT #8282, 8606, 8606-L..... WALSCO #2526, 2543, 2544  
 A11 and A13.....GENERAL CEMENT #5000, 5003, 5060..... WALSCO #2512, 2525, 2528  
 A12.....GENERAL CEMENT #8721, 8722..... WALSCO #2519

### RECEIVER ALIGNMENT

SIGNAL GENERATOR	CHANNEL	ADJUST	REMARKS
High side thru .1mfd to pin 6 (grid) of V2 (Mixer), common to chassis. (Tune to 455KC, 400% Mod.)	Center Channel Used.	A1, A2, A3, A4, A5, A6	Output meter across voice coil. Adjust for maximum deflection.
High side to antenna input, common to chassis (Tune to Channel Frequency.)	Center Channel Used.	A7, A8, A9	Tune-Crystal switch in Tune position. Output meter across voice coil. Adjust for maximum deflection.

### TRANSMITTER ALIGNMENT

Only those persons properly licensed are permitted to make repairs or adjustments which may result in illegal operation. (Refer to FCC rules and regulations Part 19, Subpart D, Section 19.71)

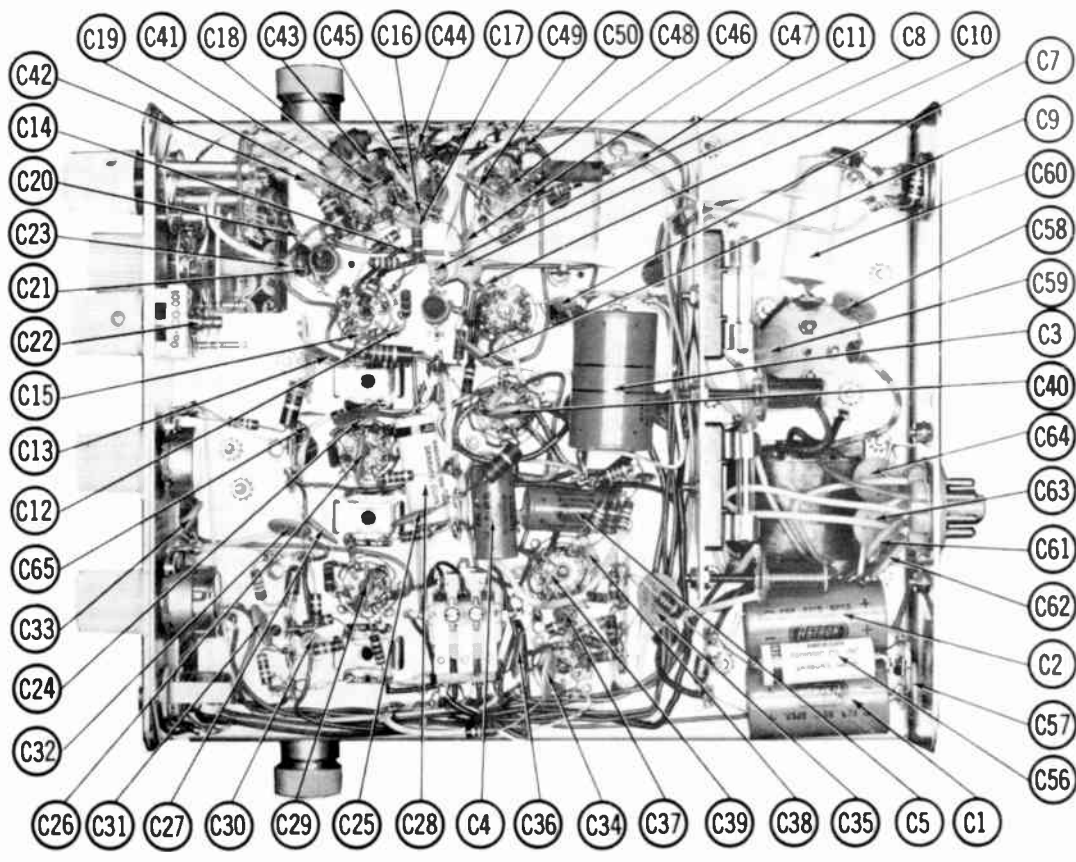
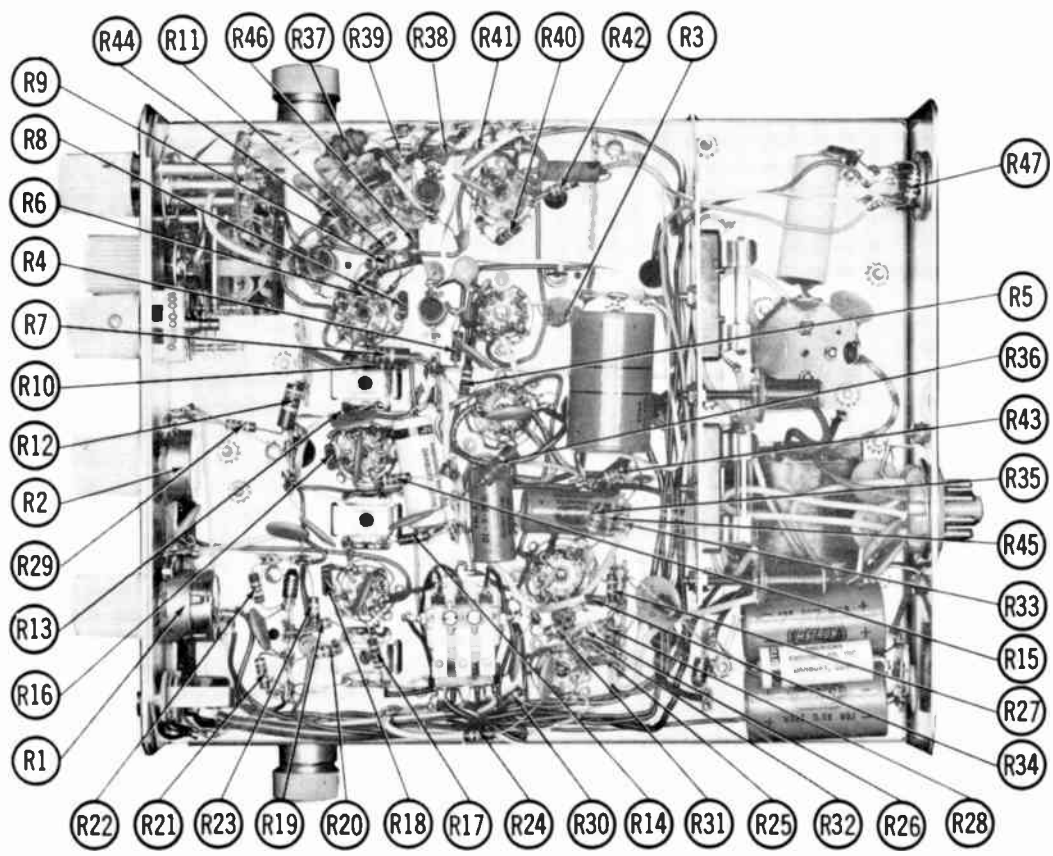
The frequency of the transmitter should be checked periodically with a secondary frequency standard to insure proper and legal operation.

Best results will be obtained when adjusting the final RF output circuit if the antenna normally used is connected and the chassis is as nearly in the cabinet as possible.

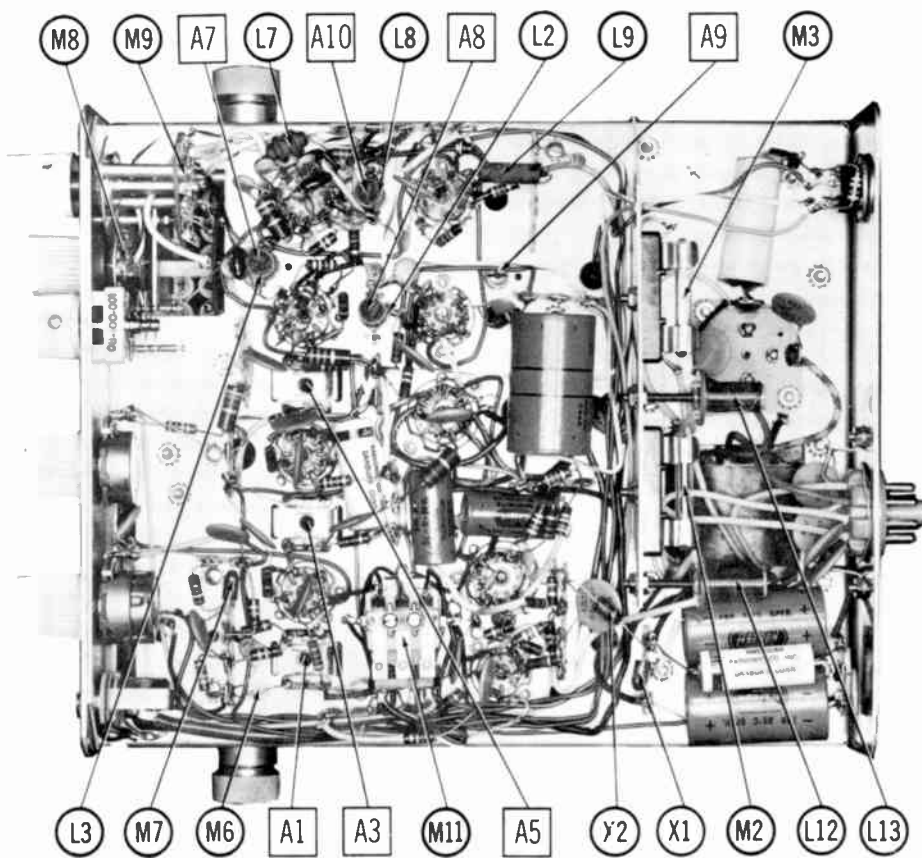
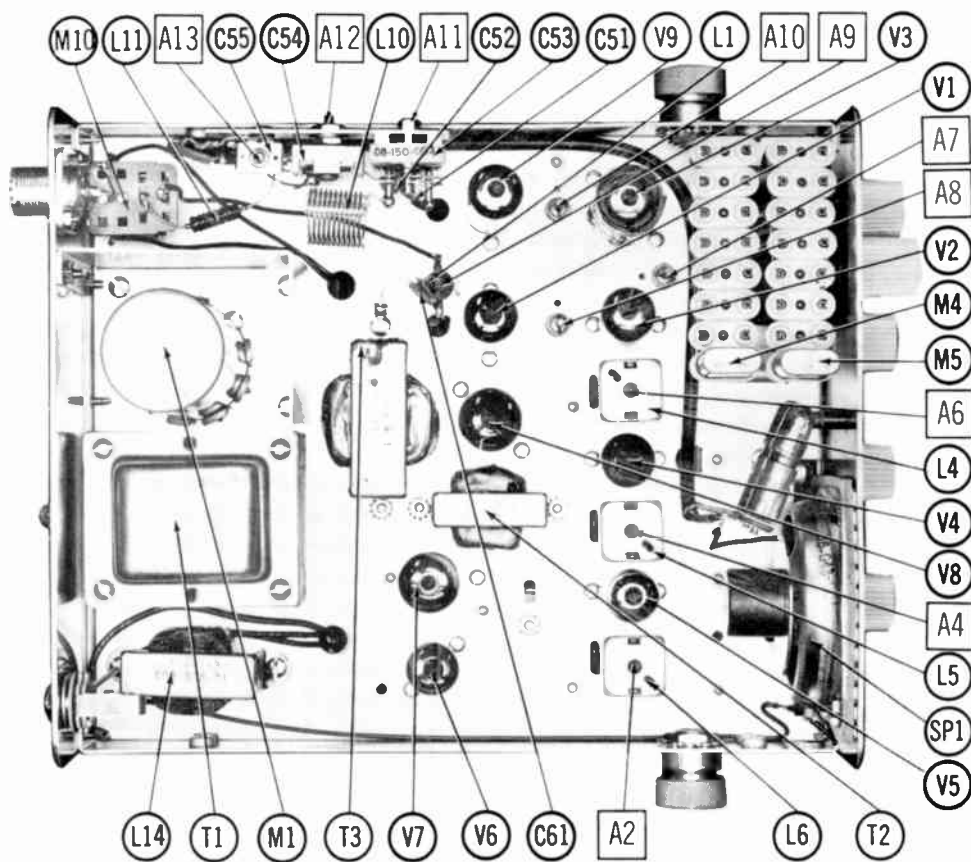
	CHANNEL	ADJUST	REMARKS
Connect antenna or dummy load. Connect DC probe of VTVM to point $\Delta$ . Common to chassis.		A10	Key transmitter. Adjust for maximum deflection. Note rate of dropoff on each side of peak and set just below peak on side of gradual dropoff.
Connect antenna or dummy load.		A11, A12, A13	Adjust for maximum brilliance of front panel lamp.

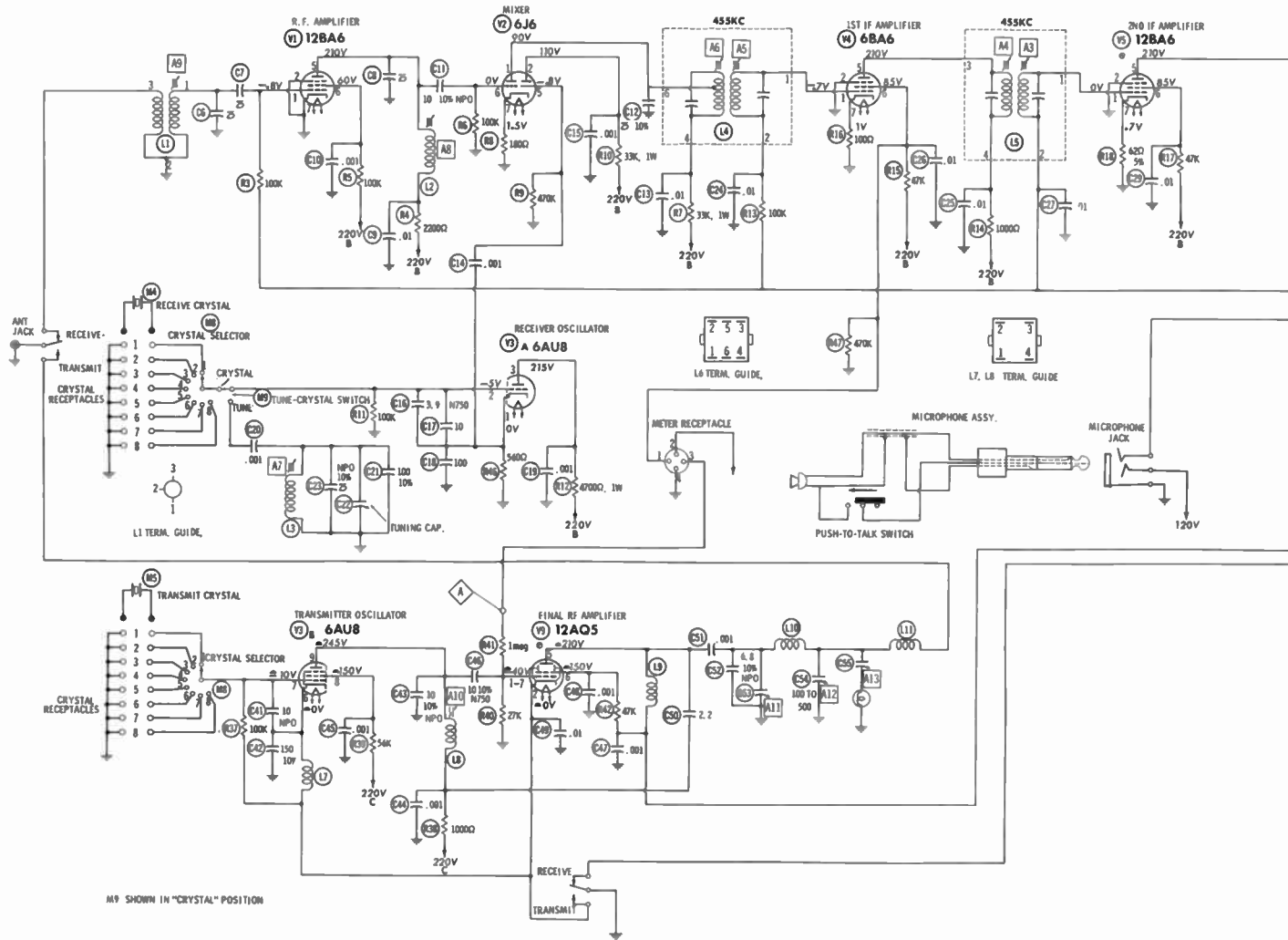
**HOWARD W. SAMS & CO., INC.** Indianapolis 6, Indiana











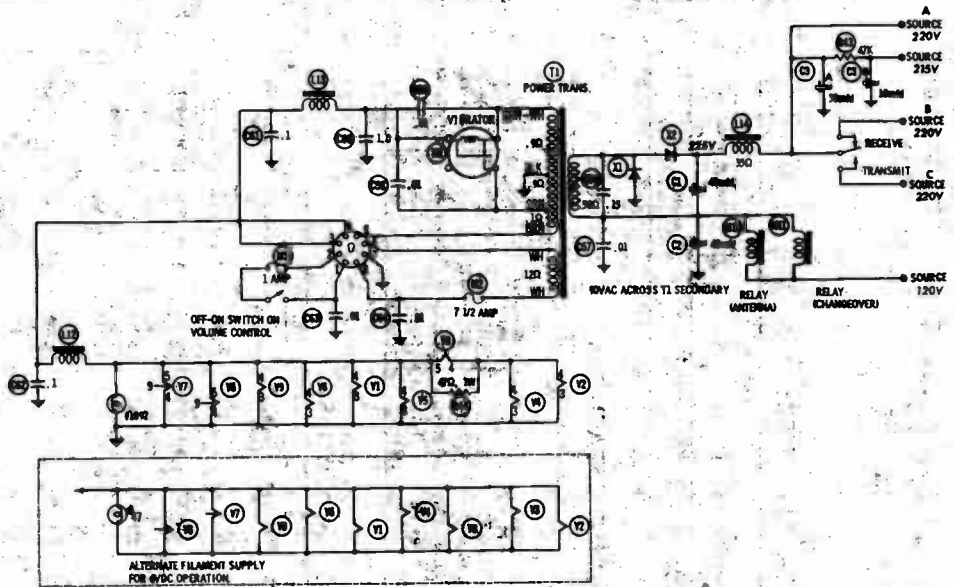
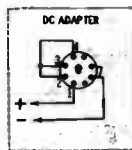
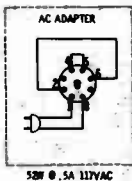
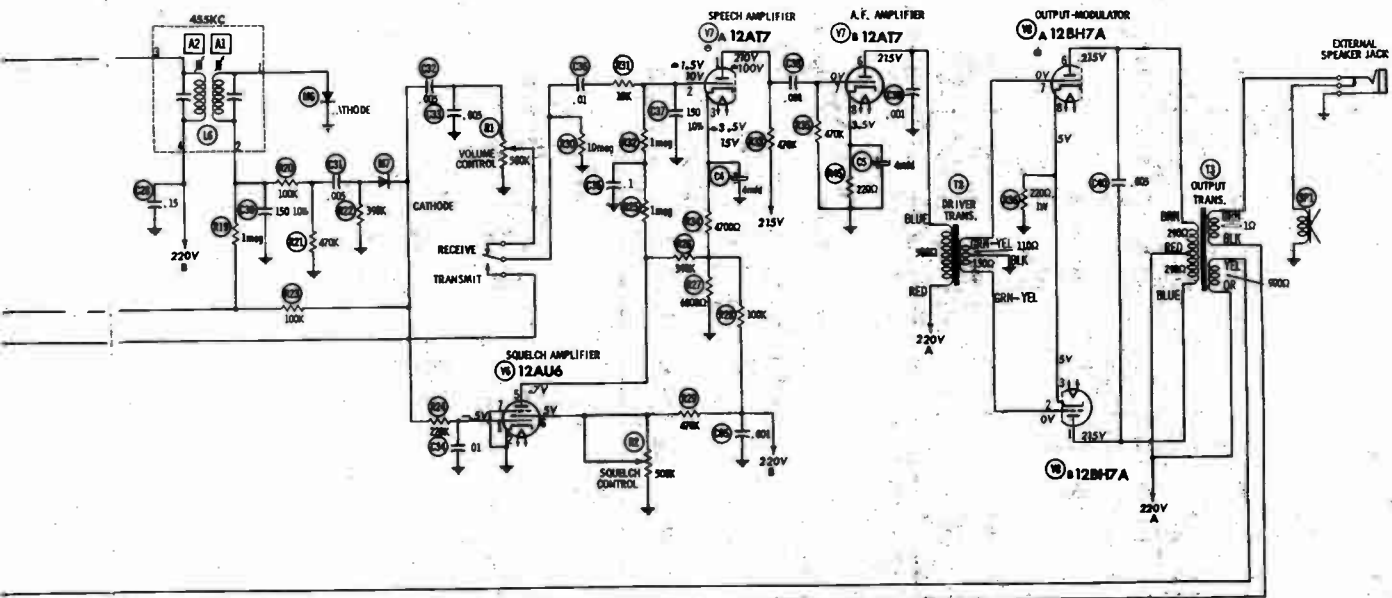
M9 SHOWN IN "CRYSTAL" POSITION

RESISTANCE READINGS

TUBE	TYPE	Pin 1	Pin 2	Pin 3	Pin 4	Pin 5	Pin 6	Pin 7	Pin 8	Pin 9
V1	12BA6	1.6meg	0Ω	FIL	FIL	12200Ω	1100K	0Ω		
V2	6J6	135K	135K	FIL	FIL	470K	100K	180Ω		
V3	6AU6A	540Ω	100K	14700Ω	FIL	FIL	• 8Ω	• 100K	• 54K	• 1000Ω
V4	6BA6	1.6meg	0Ω	FIL	FIL	11000Ω	147K	100Ω		
V5	12BA6	1.6meg	0Ω	FIL	FIL	135Ω	147K	62Ω		
V6	12AU6	1.8meg	0Ω	FIL	FIL	1500K	1470K	0Ω		
V7	12AT7	1520K	2.3meg	11.5K	FIL	FIL	1535Ω	470K	220Ω	FIL
V8	12BH7	1345Ω	130Ω	220Ω	FIL	FIL	1325Ω	110Ω	220Ω	FIL
V9	12AQ5	27K	• 0Ω	FIL	FIL	• 195Ω	• 147K	27K		

ALL MEASUREMENTS TAKEN IN "RECEIVE" POSITION, UNLESS NOTED.  
 1. MEASURED FROM OUTPUT OF X2.  
 2. MEASURED IN "TRANSMIT" POSITION.

- See parts list for alternate value or application.
- 1. Voltage measurements taken with vacuum tube voltmeter.
- 2. All controls set for normal operation, no signal applied.
- 3. Measured values are from socket pin or terminal to common ground.
- 4. All terminals viewed from bottom unless otherwise designated.
- 5. Numbers assigned to terminals may not be found on the unit.
- 6. Supply voltage maintained at rated value for voltage readings.



SONAR MODEL E (Revised)

## PARTS LIST AND DESCRIPTION

## TUBES

ITEM No.	USE	TYPE	REPLACEMENT DATA		
			AEROVOX PART No.	CENTRALAB PART No.	CORNELL-DUBILIER PART No.
V1	RF Amplifier	12BA8			
V2	Mixer	6J8			
V3	Receive Oscillator - Transmit Oscillator	8AUBA			
V4	1st IF Amplifier	8BA8			
V5	2nd IF Amplifier	12BA8 (8BA8)*			
V6	Squeal Amplifier	12AU6 (8AU8)*			
V7	Speech Amp. - AF Amp.	12AT7			
V8	Output-Modulator	12BH7A			
V9	Final RF	12AQ5 (6AQ5)*			

\* 8 Volt Versions.

## POWER RECTIFIERS

ITEM No.	MEASURED CURRENT	ORIGINAL Part or Type No.	RECTIFIERS		
			MALLORY PART No.	SARKES TARZIAN PART No.	SPRAGUE PART No.
X1	.080A	19-040-004	IN2070	IN1763	40H
X2	.080A	19-040-004	IN2070	IN1763	40H

## ELECTROLYTIC CAPACITORS

ITEM No.	RATING		REPLACEMENT DATA						
	CAP.	VOLT.	SONAR PART No.	AEROVOX PART No.	CORNELL-DUBILIER PART No.	GENERAL ELECTRIC PART No.	GENERAL INSTRUMENT PART No.	MALLORY PART No.	SPRAGUE PART No.
C1	40	250	06-130-003	PRS1580	BR4025	QT1-14	TD-40-250	TC58	TVA-151L
C2	40	250	06-130-003	PRS1580	BR4025	QT1-14	TD-40-250	TC58	TVA-151L
C3A	30	350	06-230-001	PRS2410	BBRD2245	QT2-4	TDLD-30	TCD-65	TVA-2730
C3B	10	350							
C4	4	150	06-130-002	PRS1400	BBR4-150	QT1-2	TD-4-25	T750X4	TE-1123
C5	4	150	06-130-002	PRS1400	BBR4-150	QT1-2	TD-4-25	T750X4	TE-1123

## FIXED CAPACITORS

ITEM No.	RATING	REMARKS	REPLACEMENT DATA						
			AEROVOX PART No.	CENTRALAB PART No.	CORNELL-DUBILIER PART No.	ELMENCO PART No.	MALLORY PART No.	SPRAGUE PART No.	
C8	25 NPO 10%	#08-100-001	NPO-DI 25	DTZ-25	C10Q25C	CCTO-270	CNO-425	10TCC-Q25	
C7	25 NPO 10%		NPO-DI 25	DTZ-25	C10Q25C	CCTO-270	CNO-425	10TCC-Q25	
C8	25 NPO 10%		NPO-DI 25	DTZ-25	C10Q25C	CCTO-270	CNO-425	10TCC-Q25	
C9	.01		BPD-01	DD-103	BYA10S1	CCD-103	B-110	5HK-S10	
C10	.001		EF-001	MFT-1000		CCF-102	CT280A		
C11	10 NPO 10%		NPO-DI 10	DTZ-10	C10Q1C	CCTO-100	CNO-410	10TCC-Q10	
C12	25 NPO 10%		NPO-DI 25	DTZ-25	C10Q25C	CCTO-270	CNO-425	10TCC-Q25	
C13	.01		BPD-01	DD-103	BYA10S1	CCD-103	B-110	5HK-S10	
C14	.001		EF-001	MFT-1000		CCF-102	CT280A		
C15	.001		EF-001	MFT-1000		CCF-102	CT280A		
C18	3.9 N750							10TCC-V39	
C17	10 NPO 10%			NPO-DI 10	DTZ-10	C10Q1C	CCTO 100	CNO-410	10TCC-Q10
C18	100 10%			DI 100	DD-101	L10T10	CCD-101	GP310	10TS-T10
C19	.001		EF-001	MFT-1000		CCF-102	CT280A		
C20	.001		EF-001	MFT-1000		CCD-102	CT280A		
C21	100 10%			DI 100	DD-101	L10T10	CCD-101	GP310	10TS-T10
C22									
C23	25 NPO 10%			NPO-DI 25	DTZ-25	C10Q25C	CCTO-270	CNO-425	10TCC-Q25
C24	.01			BPD-01	DD-103	BYA10S1	CCD-103	B-110	5HK-S10
C25	.01			BPD-01	DD-103	BYA10S1	CCD-103	B-110	5HK-S10
C26	.01			BPD-01	DD-103	BYA10S1	CCD-103	B-110	5HK-S10
C27	.01			BPD-01	DD-103	BYA10S1	CCD-103	B-110	5HK-S10
C28	.15 200V			P288N-15		CUB2P15	2DP-3-154	GEM-2015	2TM-P15
C29	.01			BPD-01	DD-103	BYA10S1	CCD-103	B-110	5HK-S10
C30	150 10%			DI 150	DD-151	L10T15	CCD-151	GP315	10TS-T15
C31	.005			BPD-005	DD-502	BYA10D5	CCD-502	B-250	5HK-D50
C32	.005			BPD-005	DD-502	BYA10D5	CCD-502	B-250	5HK-D50
C33	.005			BPD-005	DD-502	BYA10D5	CCD-502	B-250	5HK-D50
C34	.01			BPD-01	DD-103	BYA10S1	CCD-103	B-110	5HK-S10
C35	.1			P488N-1	DF-104	CUB4P1	4DP-3-104	GEM-401	4TM-P10

## FIXED CAPACITORS (cont)

ITEM No.	RATING	REMARKS	REPLACEMENT DATA					
			AEROVOX PART No.	CENTRALAB PART No.	CORNELL-DUBILIER PART No.	ELMENCO PART No.	MALLORY PART No.	SPRAGUE PART No.
C36	.01		BPD-01	DD-103	BYA10S1	CCD-103	B-110	5HK-S10
C37	150 10%		DI 150	DD-151	L10T15	CCD-151	GP315	10TS-T15
C38	.001		EF-001	MFT-1000		CCF-102	CT280A	
C39	.001		EF-001	MFT-1000		CCF-102	CT280A	
C40	.005		BPD-005	DD-502	BYA10D5	CCD-502	B-250	5HK-D50
C41	10 NPO		NPO-DI 10	DTZ-10	C10Q1C	CCTO-100	CNO-410	10TCC-Q10
C42	150 10%		DI 150	DD-151	L10T15	CCD-151	GP315	10TS-T15
C43	10 NPO 10%		NPO-DI 10	DTZ-10	C10Q1C	CCTO-100	CNO-410	10TCC-Q10
C44	.001		EF-001	MFT-1000		CCF-102	CT280A	
C45	.001		EF-001	MFT-1000		CCF-102	CT280A	
C46	10 N750 5%		NPO-DI 10	DTZ-10	C10Q1C	CCTO-100	CNO-410	10TCC-Q10
C47	.001		EF-001	MFT-1000		CCF-102	CT280A	
C48	.001		EF-001	MFT-1000		CCF-102	CT280A	
C49	.01		BPD-01	DD-103	BYA10S1	CCD-103	B-110	5HK-S10
C50	2.2		NPO-SI 2.2	DTZ-2R2	C10V3C	CCTO-2R2	CNO-522	10TCC-V22
C51	.001		EF-001	MFT-1000		CCF-102	CT280A	
C52	6.8 NPO 10%		NPO-DI 6.8	DTZ-6R8	C10V88C	CCTO-6R8	CNO-588	10TCC-V88
C53		#08-150-003 #09-210-001 #09-110-011						
C54	100-500							
C55								
C56	.15 200V		P288N-15		CUB2P15	2DP-3-154	GEM-2015	2TM-P15
C57	.01		BPD-01	DD-103	BYA10S1	CCD-103	B-110	5HK-S10
C58	.01		BPD-01	DD-103	BYA10S1	CCD-103	B-110	5HK-S10
C59	.01		BPD-01	DD-103	BYA10S1	CCD-103	B-110	5HK-S10
C80	1.0 50V		P288N-1.0		CUB2W1	IDP-5-105	GEM-21	2TM-M1
C81	.1 200V		P488N-1	DF-104	CUB4P1	4DP-3-104	GEM-401	4TM-P10
C82	.1 200V		P488N-1	DF-104	CUB4P1	4DP-3-104	GEM-401	4TM-P10
C83	.01		BPD-01	DD-103	BYA10S1	CCD-103	B-110	5HK-S10
C84	.01		BPD-01	DD-103	BYA10S1	CCD-103	B-110	5HK-S10
C85	.001		EF-001	MFT-1000		CCF-102	CT280A	

# Sonar Part Number.

## CONTROLS

All wattages 1/2 watt, or less, unless otherwise listed.

ITEM No.	USE	RESISTANCE	REPLACEMENT DATA				
			SONAR PART No.	CENTRALAB PART No.	CLAROSTAT PART No.	CTS-IRC PART No.	MALLORY PART No.
R1	Volume & Switch	500K	03-504-018	B-80-S, or (F2-500K, SU204, KR-2)	A47-500K-Z/RS-2, SWE-20	Q13-133, 78-2, or (BU2, CF25, SSI, WF)*	U48, US-27 or (UA55A, SF1000, US42)
R2	Squealch	500K	03-504-003	B-80, or (F1-500K, SU204)	A47-500K-Z/RS-2	Q13-133 or (BU1, CF25, SSI, DC1)*	U48, or (UA55A, SF1000)

\* 'SNAPTROL'

## COILS (RF-IF)

ITEM No.	USE	REPLACEMENT DATA					NOTES
		SONAR PART No.	MERIT PART No.	MILLER PART No.	STANCOR PART No.	WORKMAN PART No.	
L1	Antenna	22-030-001	SW-609	8250	RTC-8569	T232A	
L2	RF	22-050-001	SW-808	8171-A	RTC-8809	T219	
L3	Oscillator Grid	22-040-001	SW-608	8171-A	RTC-8809	T218	
L4	1st IF	22-010-014	BC-352	12-C1	RTC-8832	T607	
L5	2nd IF	22-010-002	BC-353	12-C2	RTC-8833	T608	
L6	3rd IF	22-010-002	BC-353	12-C2	RTC-8833	T608	
L7	RF Choke (250uh)	22-060-001	TV-185	8181	RTC-8598	T315	
L8	Transmit Osc. Plate	22-040-002	SW-608	8171-A	RTC-8609	T218	
L9	RF Choke (21uh)	21-060-005					
L10	Final	22-070-001					
L11	Antenna Loading	22-090-003					
L12	Flt. Choke (10uh)	22-100-003	BC-537	5220	RTC-9182	T963	
L13	Hash Choke (10uh)	22-100-003	BC-537	5220	RTC-9182	T963	

# PARTS LIST AND DESCRIPTION (CONTINUED)

## FILTER CHOKE

ITEM No.	RATINGS			REPLACEMENT DATA					NOTES
	CURRENT (Measured)	DC RES.	INDUCTANCE (0 CURRENT 1000~)	SONAR PART No.	MERIT PART No.	STANCOR PART No.	THORDARSON PART No.	TRIAD PART No.	
L14	.080A	35Ω	1HY	14-070-001					

## TRANSFORMER (POWER)

ITEM No.	RATING			REPLACEMENT DATA					NOTES
	PRI.	SEC. 1	SEC. 2	SONAR PART No.	MERIT PART No.	STANCOR PART No.	THORDARSON PART No.	TRIAD PART No.	
T1	117VAC ④ .46A (or) 12.6VDC ④ 4.1A	90VAC ④ .080A DC		14-010-017 *					* Part #14-010-018 used in 6VDC version

## TRANSFORMER (DRIVER)

ITEM No.	TURNS RATIO		REPLACEMENT DATA					NOTES
	PRI.	SEC.	SONAR PART No.	MERIT PART No.	STANCOR PART No.	THORDARSON PART No.	TRIAD PART No.	
T2	1	1	14-020-001					

## TRANSFORMER (AUDIO OUTPUT)

ITEM No.	IMPEDANCE		REPLACEMENT DATA					NOTES
	PRI.	SEC. 1	SONAR PART No.	MERIT PART No.	STANCOR PART No.	THORDARSON PART No.	TRIAD PART No.	
T3	16K CT	SEC. 1	14-050-001					
		SEC. 2						

## SPEAKER

ITEM No.	TYPE	REPLACEMENT DATA		NOTES
		SONAR PART No.	QUAM PART No.	
SP1	3" PM	36-043-001		

## VIBRATOR

ITEM No.	TYPE	INPUT VOLTS	FRE-QUENCY	REPLACEMENT DATA			NOTES
				SONAR PART No.	CORNELL-DUBILIER PART No.	MALLORY PART No.	
M1	Interrupter Interrupter	12.6	115%	29-030-001	6301	G-1601	12 Volt Versions 6 Volt Versions
		6.3	115%	29-030-002	5301	1601	

## FUSES

ITEM No.	TYPE	RATING	REPLACEMENT DATA					
			SONAR PART No.		LITTELFUSE PART No.		6USS PART No.	
			FUSE	HOLDER	FUSE	HOLDER	FUSE	HOLDER
M2	3AG	7½A 32V	42-010-014		31107.5 (3AG 7½A 32V)	357001	AGC 7½	4405
	3AG	10A 32V	42-010-006		311010 (3AG 10A 32V)	357001	AGC 10	4405
	3AG	6A 32V	42-010-009		311006 (3AG 6A 32V)	357001	AGC 6	4405
M3	3AG	1A 250V	42-010-016		312001 (3AG 1A 250V)	357001	AGC 1	4405
	3AG	2A 250V	42-010-006		312002 (3AG 2A 250V)	357001	AGC 2	4405

## MISCELLANEOUS

ITEM No.	PART NAME	SONAR PART No.	NOTES
M4	Crystal		Receive (order by freq. & channel desired)
M5	Crystal		Transmit (order by freq. & channel desired)
M6	Diode	19-050-001	Detector (1N295)
M7	Diode	19-040-003	Squeich
M8	Switch	10-030-002	Crystal Selector (Rotary Wafer Type)
M9	Switch	10-030-001	Crystal-Manual Tune (Rotary Wafer Type)
M10	Relay	16-030-002	Antenna (SPDT)
M11	Relay	16-010-002	Change-over (3PDT)
		43-010-011	Includes Plug, Cable, and Push-to-talk Switch

## WIRING DATA

General-use Hook-up Wire . . . . .	Use BELDEN No. 8530 (Solid) Available in 12 Colors 8524 (Stranded) Available in 12 Colors
Shielded Antenna Lead . . . . .	Use BELDEN No. 8214 Lowest Loss (RG-8/U Type) 6237 Low Loss (RG-8/U) 8240 (Solid) Miniature (RG-58/U) 8259 (Stranded) Miniature (RG-58A/U)
Coiled Microphone Cable . . . . .	Use BELDEN No. 8497 3 Conductor- 1 Shielded for Press-to-Talk (Neoprene) 8496 3 Conductor- 1 Shielded for Press-to-Talk (Vinyl)
Ignition Noise Suppression . . . . .	Use BELDEN No. 7300-Series Spark-Plug Sets
Bonding Strap . . . . .	Use BELDEN No. 8661 (3/8 In.)

SONAR MODEL E (Revised)



PHOTOFACT<sup>®</sup> with

CIRCUTRACE<sup>®</sup>



TRADE NAME : Sony Model CB-901  
 SUPPLIER : Sony Corp. of America  
 514 Broadway, New York 12, N. Y.  
 TYPE SET : 9 Transistor Transceiver  
 POWER SUPPLY : 12 Volts DC  
 RATING : 8MA @12VDC (Receive, No Signal)  
 18MA @12VDC (Transmit, No Modulation)  
 TUNING RANGE : Any one CB Channel 1 thru 23

SONY MODEL CB-901

## ALIGNMENT INSTRUCTIONS

Suggested Alignment Tools: A1 thru A8...GENERAL CEMENT #9089, 8728A

### RECEIVER ALIGNMENT

Connect DC VTVM across Volume Control.

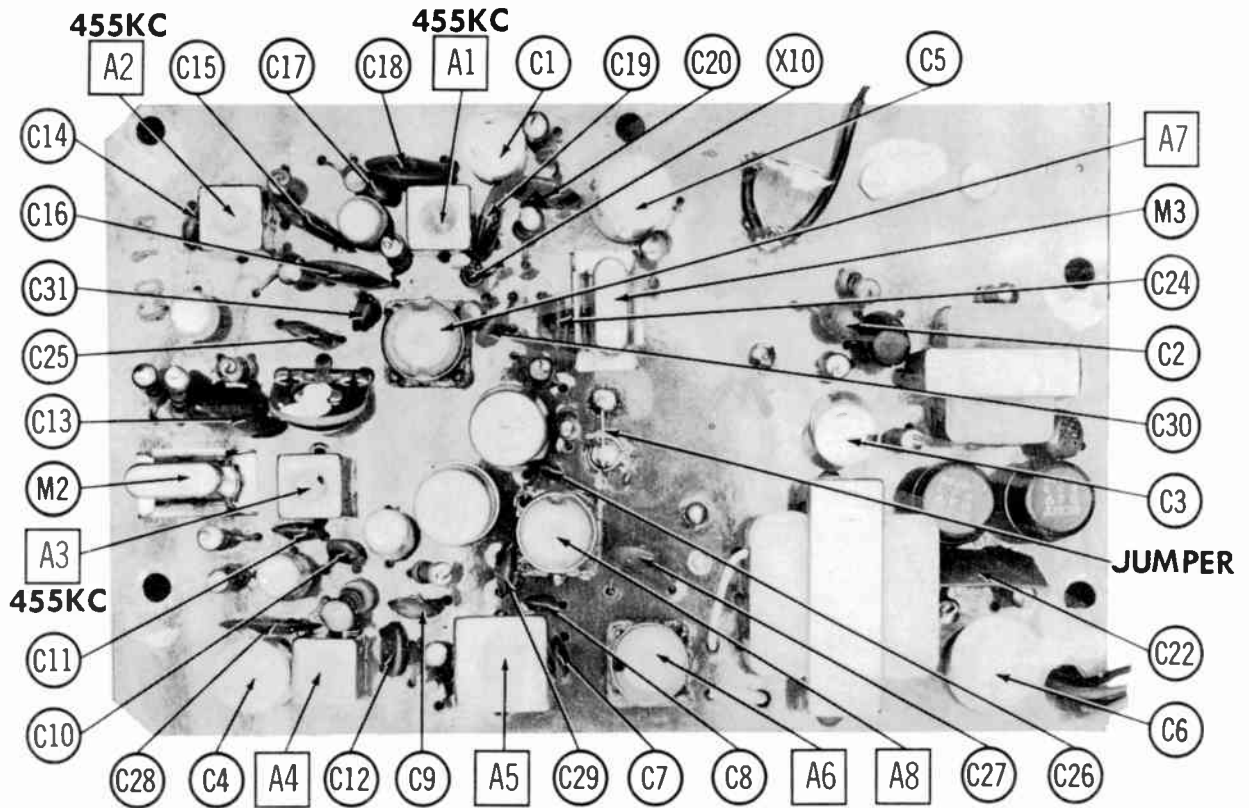
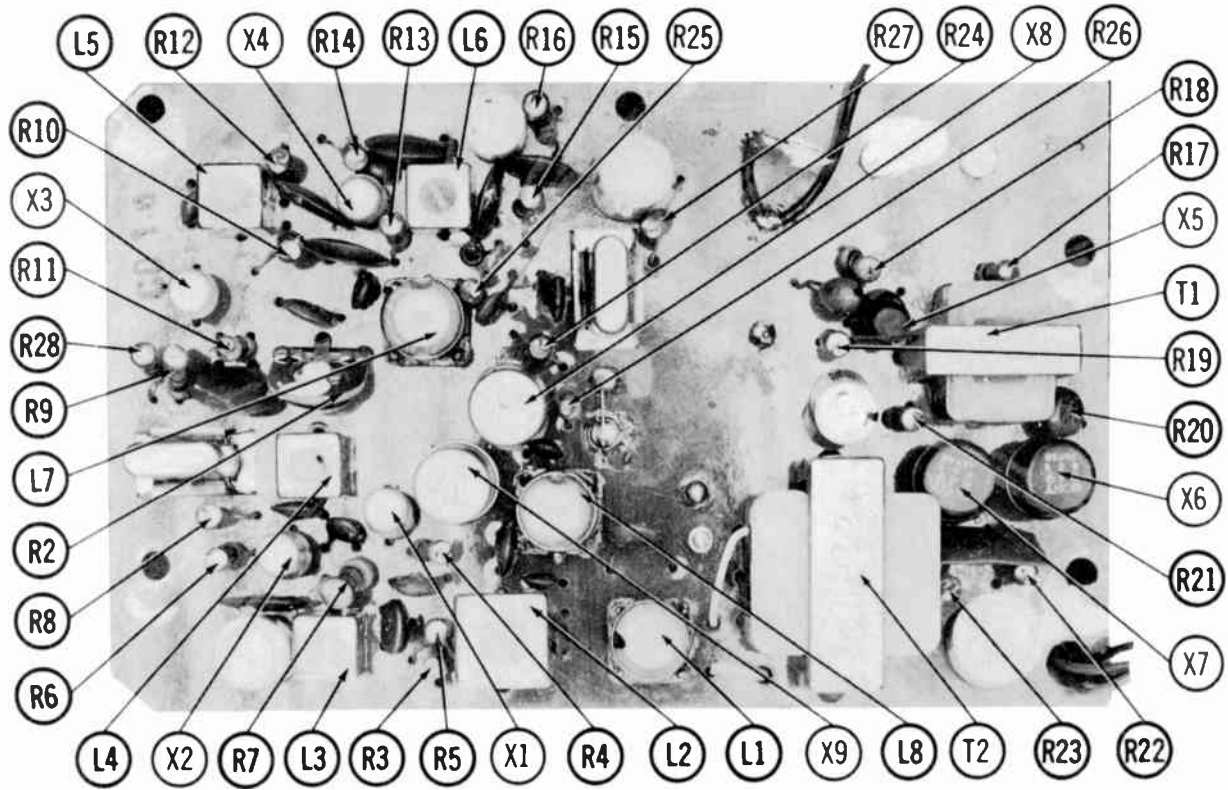
	SIGNAL GENERATOR	CHANNEL	ADJUST	REMARKS
1.	High side thru .01mfd to base of X1, common to ground. Tune to 455KC (Unmod.) .		A1, A2, A3	Adjust for maximum deflection.
2.	Radlate signal into receiver of antenna. Tune to channel frequency.		A4, A5, A6	Adjust for maximum deflection.

### TRANSMITTER ALIGNMENT

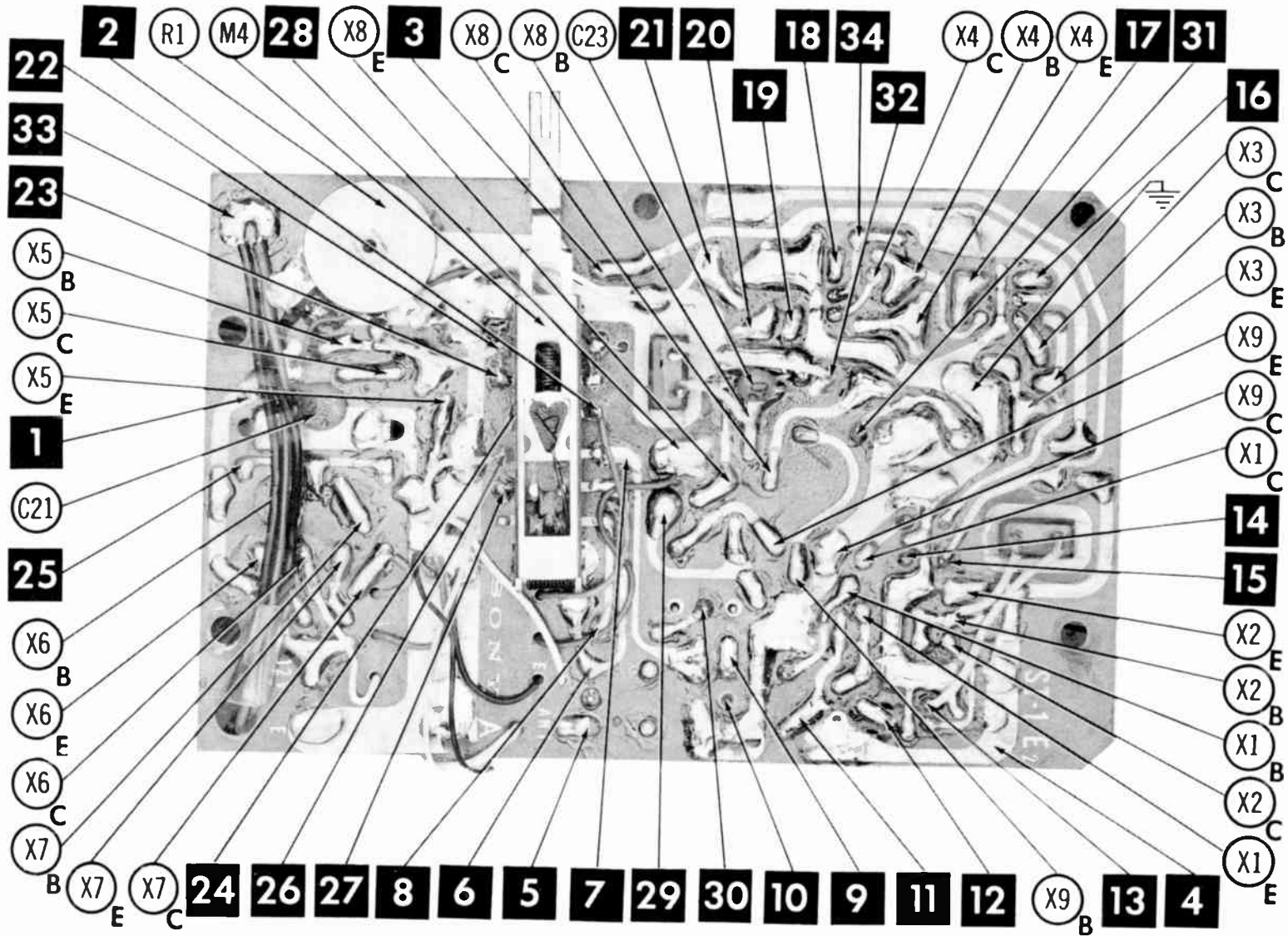
ONLY THOSE PERSONS PROPERLY LICENSED ARE PERMITTED TO MAKE REPAIRS OR ADJUSTMENTS WHICH MAY RESULT IN ILLEGAL OPERATION. ( REFER TO FCC RULES & REGULATIONS PART 19, SUBPART D, SECTION 19.71)

	SPECIAL INSTRUCTIONS	INDICATOR	ADJUST	REMARKS
1.	Maintain supply voltage at 12V during alignment.	RF Wattmeter (or Field Strength Meter)	A7, A8	Remove jumper. (Refer to capacitor photo). Connect DC milliammeter. Key transmitter. Adjust for maximum on RF wattmeter and MINIMUM on DC milliammeter. Retouch A6 for maximum deflection on RF wattmeter.

HOWARD W. SAMS & CO., INC. Indianapolis 6, Indiana







A Howard W. Sams **CIRCUITRACE** Photo



# PARTS LIST AND DESCRIPTION

## TRANSISTORS

ITEM No.	ORIG. TYPE	USE	REPLACEMENT DATA			NOTES
			DELCO PART No.	GENERAL ELECTRIC PART No.	RCA PART No.	
X1	A122	Mixer	DE35	GE-1		PNP
X2	A122	Rec. Osc.	DE35	GE-1		PNP
X3	C76	1st IF Amp.		GE-7		NPN
X4	C76	2nd IF Amp.		GE-7		NPN
X5	D84	Driver-Speech Amp.		GE-8	2N547	NPN
X6	B49	Output-Modulator	DE36	GE-3	2N408	PNP
X7	B49	Output-Modulator	DE36	GE-3	2N408	PNP
X8	28A70	Trans. Osc.	DE34	GE-1		PNP
X9	TT116	Final Amp.	DE34	GE-1		PNP

## POWER RECTIFIERS & SIGNAL DIODES

ITEM No.	MEASURED CURRENT	ORIGINAL Part or Type No.	RECTIFIERS			NOTES
			MALLORY PART No.	RCA PART No.	SARKIS TARIJIAN PART No.	
X10		1T23				Detector

## ELECTROLYTIC CAPACITORS

ITEM No.	RATING		SONY PART No.	REPLACEMENT DATA					
	CAP.	VOLT.		AEROVOX PART No.	CONNELL DUBLER PART No.	GENERAL ELECTRIC PART No.	MALLORY PART No.	PYRAMID PART No.	SPRAGUE PART No.
C1	30	6		BCD5025	ECPB412	MT1-10	TTX30	MLV30-6	VL-1022
C2	.3	6							
C3	30	6		BCD5025	ECPB412	MT1-10	TTX30	MLV30-6	VL-1022
C4	30	15		BCD5025	ECPB412	MT1-10	TTX30	MLV30-15	TE-1158
C5	30	15		BCD5025	ECPB412	MT1-10	TTX30	MLV30-15	TE-1158
C6	50	15		BCD5060	MLV50-15	MT1-10		MLV50-15	TE-1160

## FIXED CAPACITORS

ITEM No.	RATING	REMARKS	REPLACEMENT DATA					
			AEROVOX PART No.	CENTRALAB PART No.	CONNELL DUBLER PART No.	ELMENDO PART No.	MALLORY PART No.	SPRAGUE PART No.
C7	100		DI-100	DD-100	L10T1	CCD-101	GP310	10TS-110
C8	20		DI-20	DD-200	L10Q2	CCD-200	GP420	10TS-Q20
C9	.01		TTD-01	CK-103	H0581		TA-110	TG-810
C10	20		DI-20	DD-200	L10Q2	CCD-200	GP420	10TS-Q20
C11	.01		TTD-01	CK-103	H0581		TA-110	TG-810
C12	.001		DI-1000	DD-102	L10D1	CCD-102	GP210	10TS-D10
C13	.04		TTD-05	CK-503	H0585			TG-850
C14	.04		NPO-DX1	TC2-1			CNO-510	10TCC-V10
C15	.04		TTD-05	CK-503	H0585			TG-850
C16	.04		TTD-05	CK-503	H0585			TG-850
C17	1		NPO-DI1	TC2-1			CNO-510	10TCC-V10
C18	.04		TTD-05	CK-503	H0585			TG-850
C19	.02		TTD-02	CK-303	H0582		TA-120	TG-820
C20	.02		TTD-02	CK-303	H0582		TA-120	TG-820
C21	.01		TTD-01	CK-103	H0581		TA-110	TG-810
C22	.1		TTD-1	CK-104	H05P1			TG-P10
C23	20		DI-20	DD-200	L10Q2	CCD-200	GP420	10TS-Q20
C24	.002		DI-2000	DD-202	L10Q2	CCD-202	GP220	10TS-D20
C25	.01		TTD-01	CK-103	H0581		TA-110	TG-810
C26	12		DI-12	DD-120	L10Q12	CCD-120	GP412	10TS-Q12
C27	.001		DI-1000	DD-102	L10D1	CCD-102	GP210	10TS-D10
C28	.04		TTD-05	CK-503	H0585			10TS-850
C29	.005		TTD-005	CK-502	H05D5	CCD-502	TA-250	TG-D50
C30	20		DI-20	DD-200	L10Q2	CCD-200	GP420	10TS-Q20
C31	12		DI-12	DD-120	L10Q12	CCD-120	GP412	10TS-Q12

## CONTROLS

All wattages 1/2 watt, or less, unless otherwise listed.

ITEM No.	USE	RESISTANCE	REPLACEMENT DATA			
			SONY PART No.	CENTRALAB PART No.	CLAROSTAT PART No.	CTS-IRC PART No.
R1	Volume & Switch	5000Ω	36.00			
R2	Transmit Osc. Bias	2000Ω				

## COILS (RF-IF)

ITEM No.	USE	REPLACEMENT DATA					NOTES
		SONY PART No.	MERIT PART No.	MILLER PART No.	STANCOR PART No.	WORKMAN PART No.	
L1	Ant. Load						
L2	Ant. Coil						
L3	Rec. Osc.						
L4	1st IF						
L5	2nd IF						
L6	3rd IF						
L7	Transmit Osc.						
L8	Final						

## TRANSFORMER (DRIVER)

ITEM No.	TURNS RATIO	REPLACEMENT DATA					NOTES
		SONY PART No.	MERIT PART No.	STANCOR PART No.	THORDARSON PART No.	TRIAD PART No.	
T1	1:3	1	423-045				

## TRANSFORMER (AUDIO OUTPUT)

ITEM No.	IMPEDANCE		REPLACEMENT DATA					NOTES
	PR.	SEC.	SONY PART No.	MERIT PART No.	STANCOR PART No.	THORDARSON PART No.	TRIAD PART No.	
T2	1000Ω CT	8-8Ω	427-058					

## BATTERIES

ITEM No.	VOLTAGE	SONY PART No.	REPLACEMENT DATA			NOTES
			BURGESS	EVEREADY	MALLORY	
M1	1.5V		930	1015	M-15R (Zinc-Carbon) MN-1500 (Manganese) ZM-9 (Mercury)	8 Used

## MISCELLANEOUS

ITEM No.	PART NAME	SONY PART No.	NOTES
M2	Crystal		Receive
M3	Crystal		Transmit
M4	Crystal		Receive-Transmit

## SPEAKER

ITEM No.	TYPE	REPLACEMENT DATA	
		SONY PART No.	QUAM PART No.
SP1	2" PM 6-8Ω		

## WIRING DATA

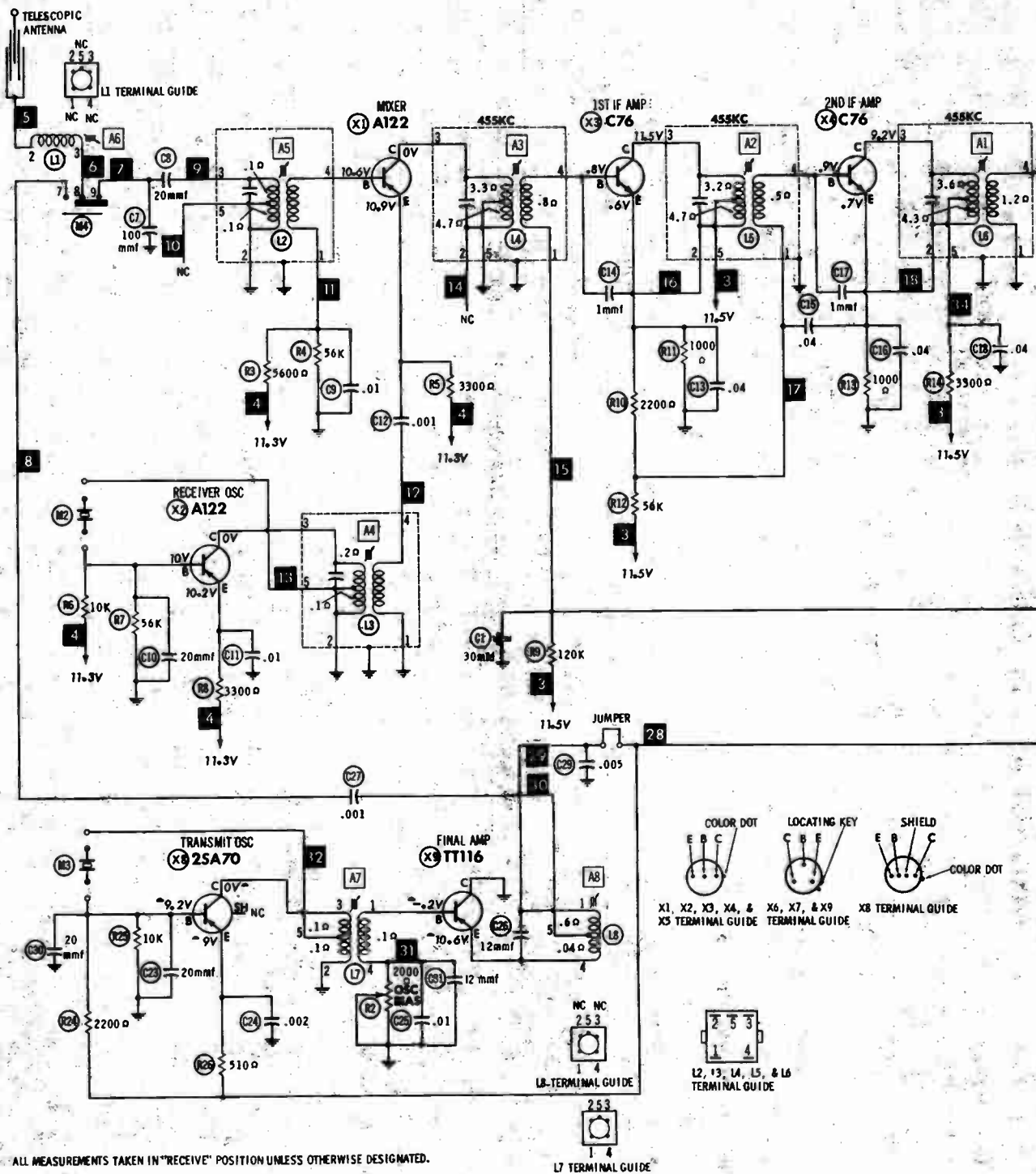
General-use Hook-up Wire .... Use BELDEN No. 8530 (Solid) Available in 12 Colors  
8624 (Stranded) Available in 12 Colors

Shielded Antenna Lead ..... Use BELDEN No. 8214 Lowest Loss (RG-8/U Type)  
8237 Low Loss (RG-8/U)  
8240 (Solid) Miniature (RG-58/U)  
8259 (Stranded) Miniature (RG-58A/U)

Coiled Microphone Cable ..... Use BELDEN No. 8499 Single Conductor Shielded (Neoprene)  
8496 Single Conductor Shielded (Vinyl)

Ignition Noise Suppression .... Use BELDEN No. 7300-Series Spark-Plug Sets

Bonding Strap ..... Use BELDEN No. 8681 (3/8 in.)



ALL MEASUREMENTS TAKEN IN "RECEIVE" POSITION UNLESS OTHERWISE DESIGNATED.

• TAKEN IN "TRANSMIT" POSITION.

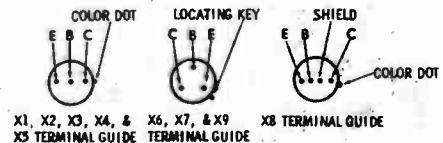
NUMBERS ASSIGNED TO COILS, SWITCHES, PLUGS, SOCKETS, AND TRANSFORMERS ARE TO FACILITATE CIRCUIT TRACING OR COMPONENT REPLACEMENT AND MAY NOT NECESSARILY BE FOUND ON THE UNIT.

1. DC voltage measurements taken with vacuum tube voltmeter.
2. Socket connections or transistor terminals are shown as bottom views.
3. Measured values are from socket pin or terminal to common ground.
4. Nominal tolerance on component values makes possible a variation of  $\pm 15\%$  in voltage and resistance readings.

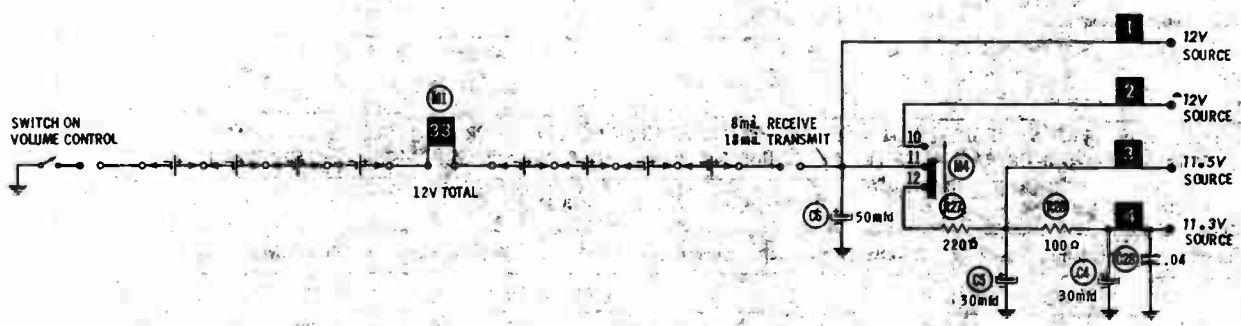
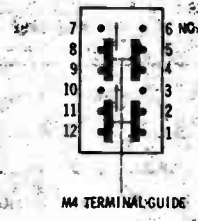
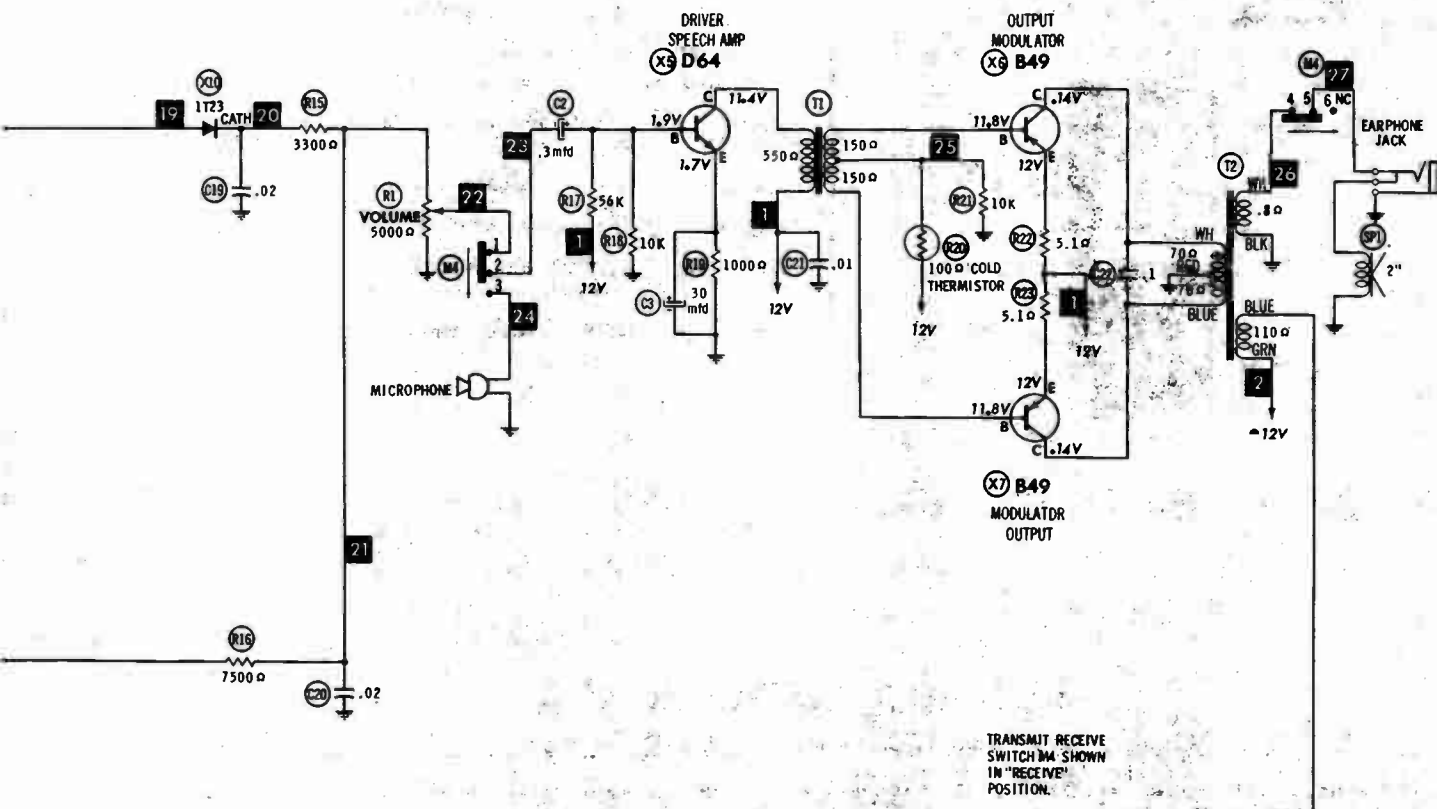
A PHOTOFACIT STANDARD NOTATION SCHEMATIC  
with **COMPONENTS**

©Howard W. Sams & Co., Inc. 1963

RESISTANCE MEASUREMENTS NOT GIVEN BECAUSE OF THE WIDE VARIATION IN INTERNAL TRANSISTOR RESISTANCE.



L7 TERMINAL GUIDE



SONY MODEL CB-901



# PHOTOFACT<sup>®</sup> with

# CIRCUITRACE<sup>®</sup>



TRADE NAME : Triumph Models TC-900, TC-900A  
 SUPPLIER : Custom Importing Company  
 1409-11 Murray Road, N. Kansas City 16, Mo.  
 TYPE SET : 10 Transistor Transceiver  
 POWER SUPPLY : 10.5 Volts DC  
 RATING : 6MA @ 10.5VDC (Receive, No Sig. Min. Vol.)  
 14MA @ 10.5VDC (Transmit, Unmodulated)  
 TUNING RANGE : Any one Citizens Band Channels 1 thru 22

TRIUMPH MODELS TC-900, TC-900A

## ALIGNMENT INSTRUCTIONS

### ALIGNMENT INSTRUCTIONS—READ CAREFULLY BEFORE ATTEMPTING ALIGNMENT

Use only enough generator output to provide a usable indication.  
 Best results will be obtained when adjusting A5, A7 and A8 if the antenna normally used is connected, and the unit is as nearly in the cabinet as possible.

#### Suggested Alignment Tools:

A1, A2, A3.....GENERAL CEMENT # 5000, 5003, 5066, 8271, 8272, 8276, 8277, 8290, 8609, 8722, 9150, 9298  
 WALSCO #2515, 2516, 2518, 2519, 2525, 2541  
 A4 thru A8.....GENERAL CEMENT #8282, 8606, 8606-L, 9091  
 WALSCO #2526, 2541, 2542, 2543, 2544

### RECEIVER ALIGNMENT

Connect DC VTVM across volume control

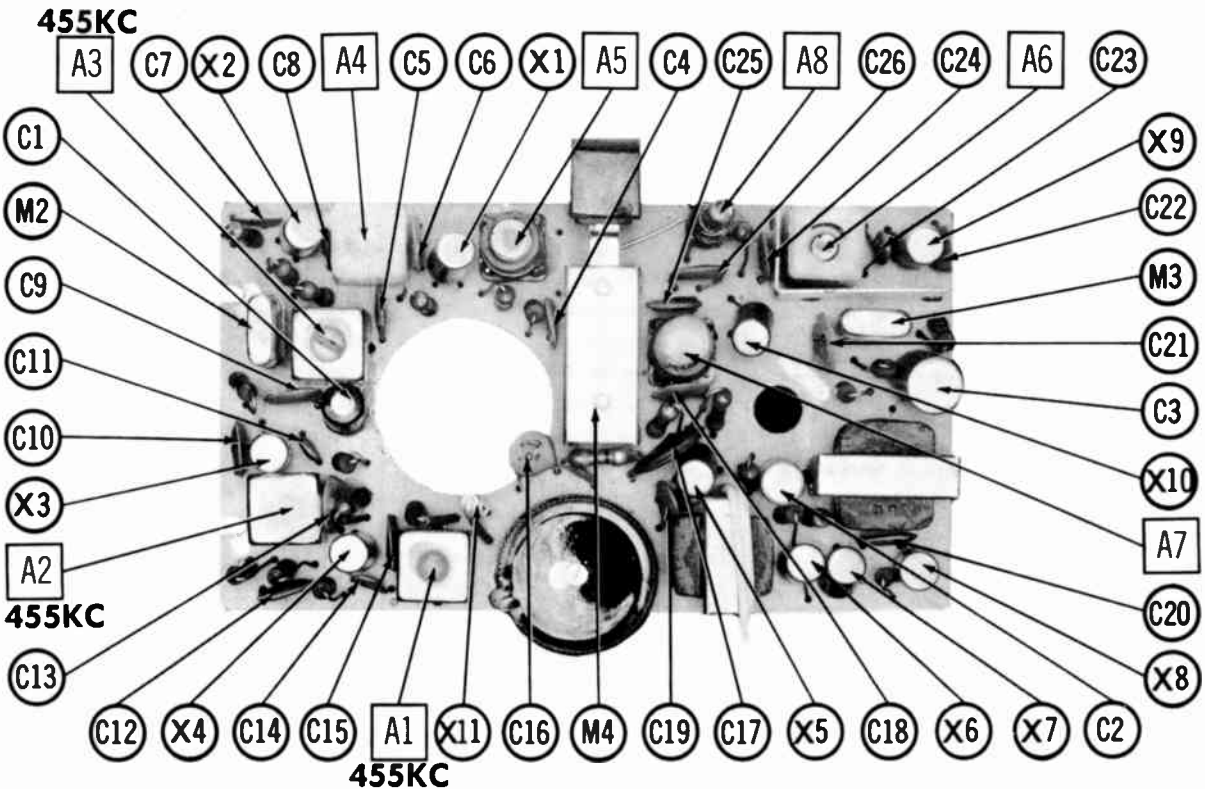
SIGNAL GENERATOR	CHANNEL	ADJUST	REMARKS
High side to antenna terminal, low side to ground. Tune to 455KC (Unmod.)		A1, A2, A3	Adjust for maximum deflection.
High side to antenna terminal, low side to ground. Tune to Channel Frequency (Unmod.)		A4, A5	Adjust for maximum deflection.

### TRANSMITTER ALIGNMENT

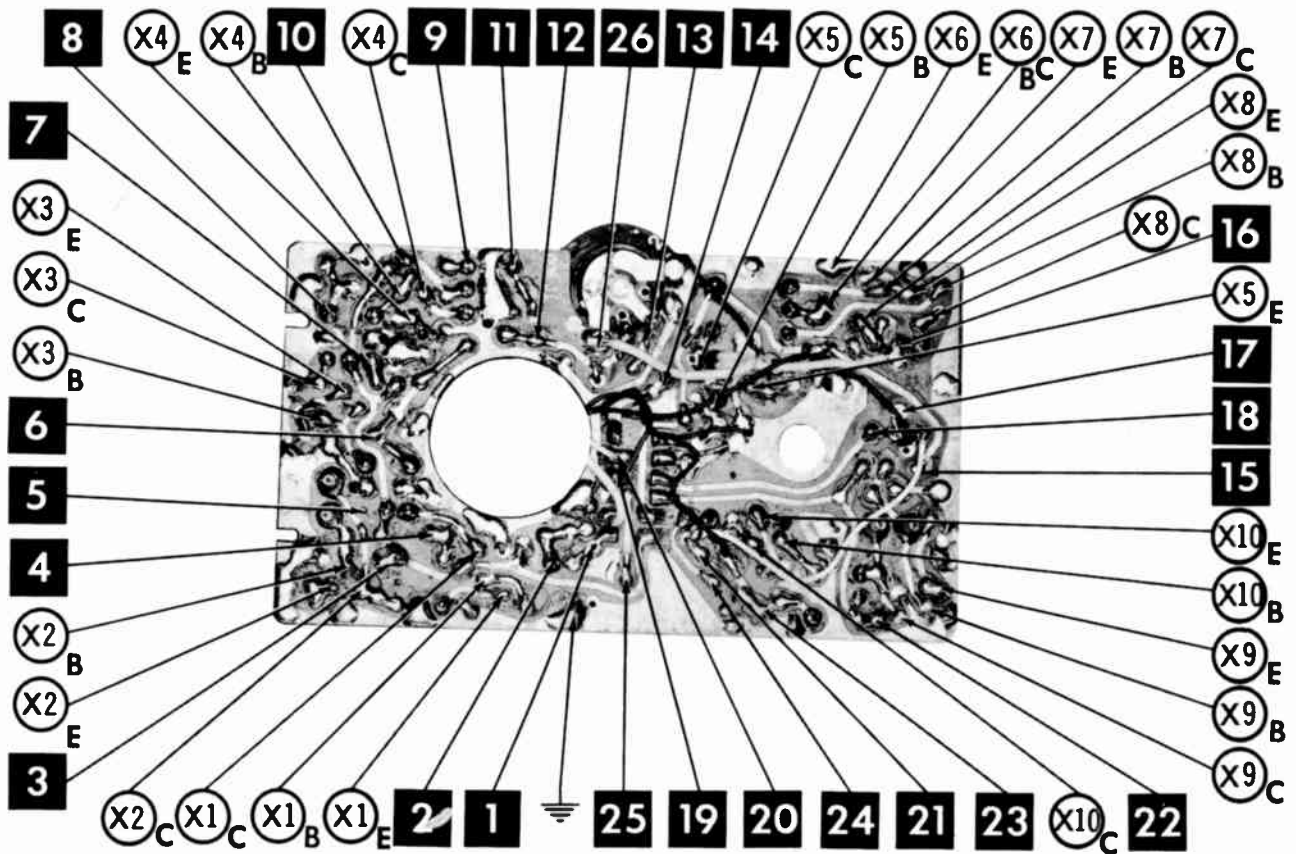
ONLY THOSE PERSONS PROPERLY LICENSED ARE PERMITTED TO MAKE REPAIRS OR ADJUSTMENTS WHICH MAY RESULT IN ILLEGAL OPERATION. (REFER TO FCC RULES & REGULATIONS PART 19, SUBPART D, SECTION 19.71)

SPECIAL INSTRUCTIONS	INDICATOR	ADJUST	REMARKS
Connect antenna or dummy load.	RF Wattmeter or field strength meter	A6, A7	Key Transmitter. Adjust for maximum output.
	"	A8	"

**HOWARD W. SAMS & CO., INC.** Indianapolis 6, Indiana



CHASSIS TOP VIEW - ALIGNMENT, CAPACITOR & MISC. IDENT.



# PARTS LIST AND DESCRIPTION

## TRANSISTORS

ITEM No.	ORIG. TYPE	USE	REPLACEMENT DATA			NOTES
			DELCO PART No.	GENERAL ELECTRIC PART No.	RCA PART No.	
X1	2SA82	Receive Mixer	DS25	GE-1		PNP
	2SA103DA †	Receive Mixer	DS25			PNP
X2	2SA80	Receive Oscillator	DS25	GE-1		PNP
	2SA103DA †	Receive Oscillator				PNP
X3	2SA12	1st IF Amplifier	DS25	GE-1		PNP
	2SA101 †	1st IF Amplifier	DS25	GE-1		PNP
X4	2SA12	2nd IF Amplifier	DS25	GE-1		PNP
	2SA101 †	2nd IF Amplifier	DS25	GE-1		PNP
X5	2SB75	Driver	DS26	GE-2	2N406	PNP
	2SB171 †	Driver	DS26	GE-2	2N406	PNP
X6	HV-15	Bias Regulator	DS26	GE-2	1N2326	
	MA-23 †	Bias Regulator				
X7	2SB77	Output-Modulator	DS26	GE-2	2N408	PNP
	2SB172 †	Output-Modulator	DS26	GE-2	2N408	PNP
X8	2SB77	Output-Modulator	DS26	GE-2	2N408	PNP
	2SB172 †	Output-Modulator	DS26	GE-2	2N408	PNP
X9	2SA80	Transmit Oscillator	DS25	GE-1		PNP
	2SA103DA †	Transmit Oscillator				PNP
X10	2SA246	Final Amplifier	DS25	GE-1		PNP

† Used in Model TC-900A

## FIXED CAPACITORS (cont)

ITEM No.	RATING	REMARKS	REPLACEMENT DATA					
			AEROVOX PART No.	CENTRALAB PART No.	CORNELL-DUBILIER PART No.	ELMENCO PART No.	MALLORY PART No.	SPRAGUE PART No.
C7	.01		TTD-01	DM-103	H05S1			
C8	30		DI-30	DD-300	L10Q3	CCD-300	TA-110	TG-S10
C9	.02		TTD-02	DA-203	H05S2		GP430	10TS-Q30
C10	.02		TTD-02	DA-203	H05S2		TA-120	TG-S20
C11	5		DI-5	DD-050	L10V5	CCD-050	GP550	TG-S20
C12	.02		TTD-02	DA-203	H05S2		TA-120	10TS-V50
C13	.02		TTD-02	DA-203	H05S2		TA-120	TG-S20
C14	5		DI-5	DD-050	L10V5	CCD-050	GP550	10TS-V50
C15	.02		TTD-02	DA-203	H05S2		TA-120	TG-S20
C16	.01		TTD-01	DM-103	H05S1		TA-110	TG-S10
C17	.1	(.5) †	TTD-1	DA-104	H05P1			TG-P10
C18	.02		TTD-02	DA-203	H05S2		TA-120	TG-S20
C19	.002		DI-2000	DM-202	L10D2	CCD-202	GP220	10TS-D20
C20	.02		TTD-02	DA-203	H05S2		TA-120	TG-S20
C21	.02		TTD-02	DA-203	H05S2		TA-120	TG-S20
C22	.01		TTD-01	DM-103	H05S1		TA-110	TG-S10
C23	40	(30) †	DI-39	DD-390	L10Q39	CCD-390	GP439	10TS-Q39
C24	.01		TTD-01	DM-103	H05S1		TA-110	TG-S10
C25	30	(10) †						
C26	.02		TTD-02	DA-203	H05S2		TA-120	TG-S20

† Alternate Value.

## POWER RECTIFIERS & SIGNAL DIODES

ITEM No.	CURRENT RATING (Measured)	ORIGINAL Part or Type No.	RECTIFIERS		DIODES	NOTES
			RCA PART No.	SARKES TARZIAN PART No.		
X11		1N60				Detector (Alternates 1NA4, 1N34A, OA70)

## CONTROLS

All wattages 1/2 watt, or less, unless otherwise listed.

ITEM No.	USE	RESISTANCE	REPLACEMENT DATA				
			TRIUMPH PART No.	CENTRALAB PART No.	CLAROSTAT PART No.	CTS-IRC PART No.	MALLORY PART No.
R1	Volume & Switch	10K	DX-VC				

## ELECTROLYTIC CAPACITORS

ITEM No.	RATING		REPLACEMENT DATA						
	CAP.	VOLT.	TRIUMPH PART No.	AEROVOX PART No.	CORNELL-DUBILIER PART No.	GENERAL ELECTRIC PART No.	MALLORY PART No.	PYRAMID PART No.	SPRAGUE PART No.
C1	30	3	VF306	PTT10	NLW30-6	MT1-13	TT6X30	MLV30-6	TE-1092
C2	30	3	VF306		NLW30-6	MT1-13		MLV30-6	TE-1092
C3	50	12			NLW50-15	MT1-16		MLV50-15	TE-1133

## COILS (RF-IF)

ITEM No.	USE	REPLACEMENT DATA					NOTES
		TRIUMPH PART No.	Merit PART No.	Miller PART No.	Stancor PART No.	Workman PART No.	
L1	Receiver Ant.	DX-AA					
L2	Receiver Osc.	DX-06A					
L3	1st IF	DX-IN	BC-574				
L4	2nd IF	DX-IS	BC-575				
L5	3rd IF	DX-OT	BC-576				
L6	Transmit Osc.	DX-OA					
L7	Final	DX-TA					
L8	Ant. Load	DX-AL					

## FIXED CAPACITORS

ITEM No.	RATING	REMARKS	REPLACEMENT DATA					
			AEROVOX PART No.	CENTRALAB PART No.	CORNELL-DUBILIER PART No.	ELMENCO PART No.	MALLORY PART No.	SPRAGUE PART No.
C4	.01		TTD-01	DM-103	H05S1		TA-110	TG-S10
C5	.01		TTD-01	DM-103	H05S1		TA-110	TG-S10
C6	.02		TTD-02	DA-203	H05S2		TA-120	TG-S20

## TRANSFORMER (DRIVER)

ITEM No.	TURNS RATIO		REPLACEMENT DATA					NOTES
			TRIUMPH PART No.	MERIT PART No.	STANCOR PART No.	THORDARSON PART No.	TRIAD PART No.	
	PR1.	SEC.						
T1	1.2	1	DX-IT					



# PARTS LIST AND DESCRIPTION (CONTINUED)

## TRANSFORMER (AUDIO OUTPUT)

ITEM No.	IMPEDANCE		REPLACEMENT DATA					NOTES
			TRIUMPH PART No.	Merit PART No.	Stancor PART No.	Thordarson PART No.	Triod PART No.	
	PRI.	SEC. 1						
T2	700Ω	6-8Ω	DX-MT					
		SEC. 2						
		9000Ω						

## SPEAKER

ITEM No.	TYPE			REPLACEMENT DATA		NOTES
				TRIUMPH PART No.	QUAM PART No.	
	SIZE	FIELD	V. C. IMP.			
SP1	2 1/4"	PM	6-8Ω	DX-S		

## BATTERIES

ITEM No.	VOLTAGE	TRIUMPH PART No.	REPLACEMENT DATA						NOTES
			BURGESS		EVEREADY		MALLORY		
			"A"	"B"	"A"	"B"	"A"	"B"	
M1	1 1/2 V			930		1015		M-15R	7 Required

## MISCELLANEOUS

ITEM No.	PART NAME	TRIUMPH PART No.	NOTES
M2	Crystal	DX-R7	Receive (Channel 7 Only)
M3	Crystal	DX-T7	Transmit (Channel 7 Only)
M4	Switch	DX-PT	Receive-Transmit (Spring-Loaded Slide Type)
	Antenna	DX-CA	Telescoping

## CABINETS & CABINET PARTS

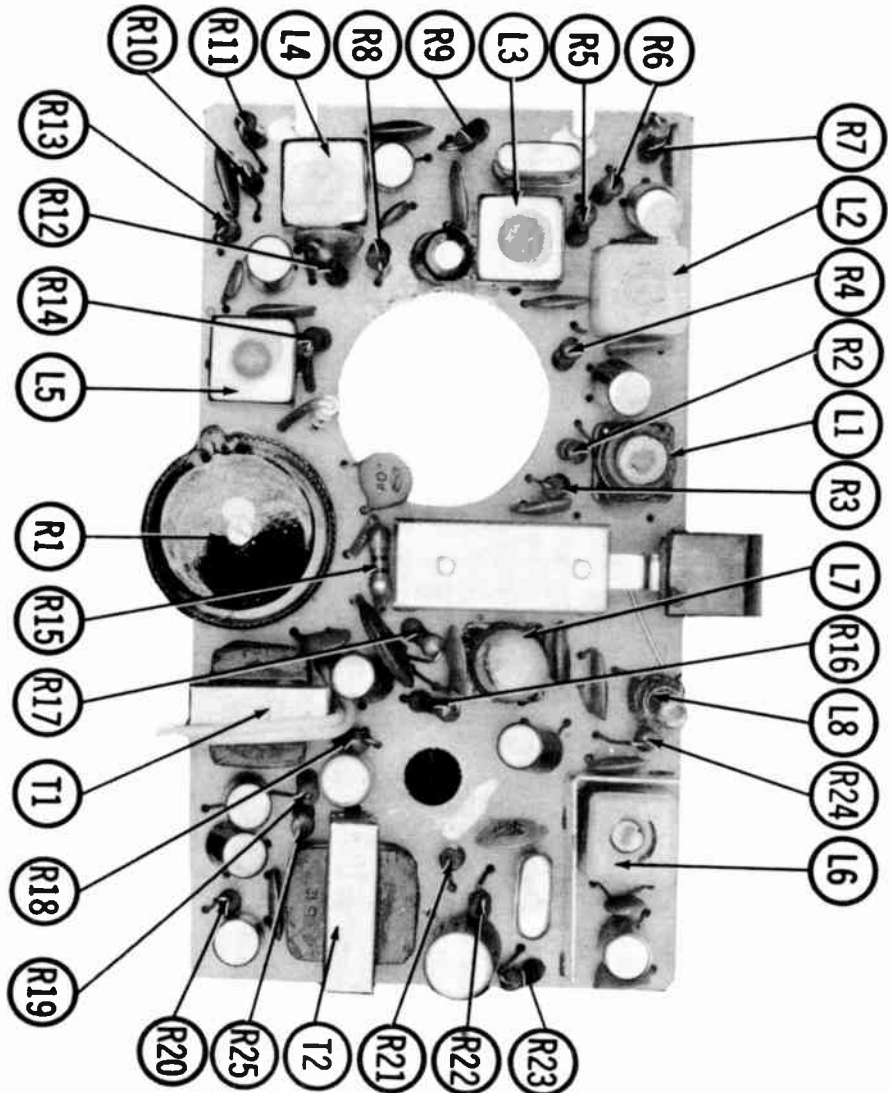
(When Ordering Cabinets & Cabinet Parts, Specify Model, Chassis & Color)

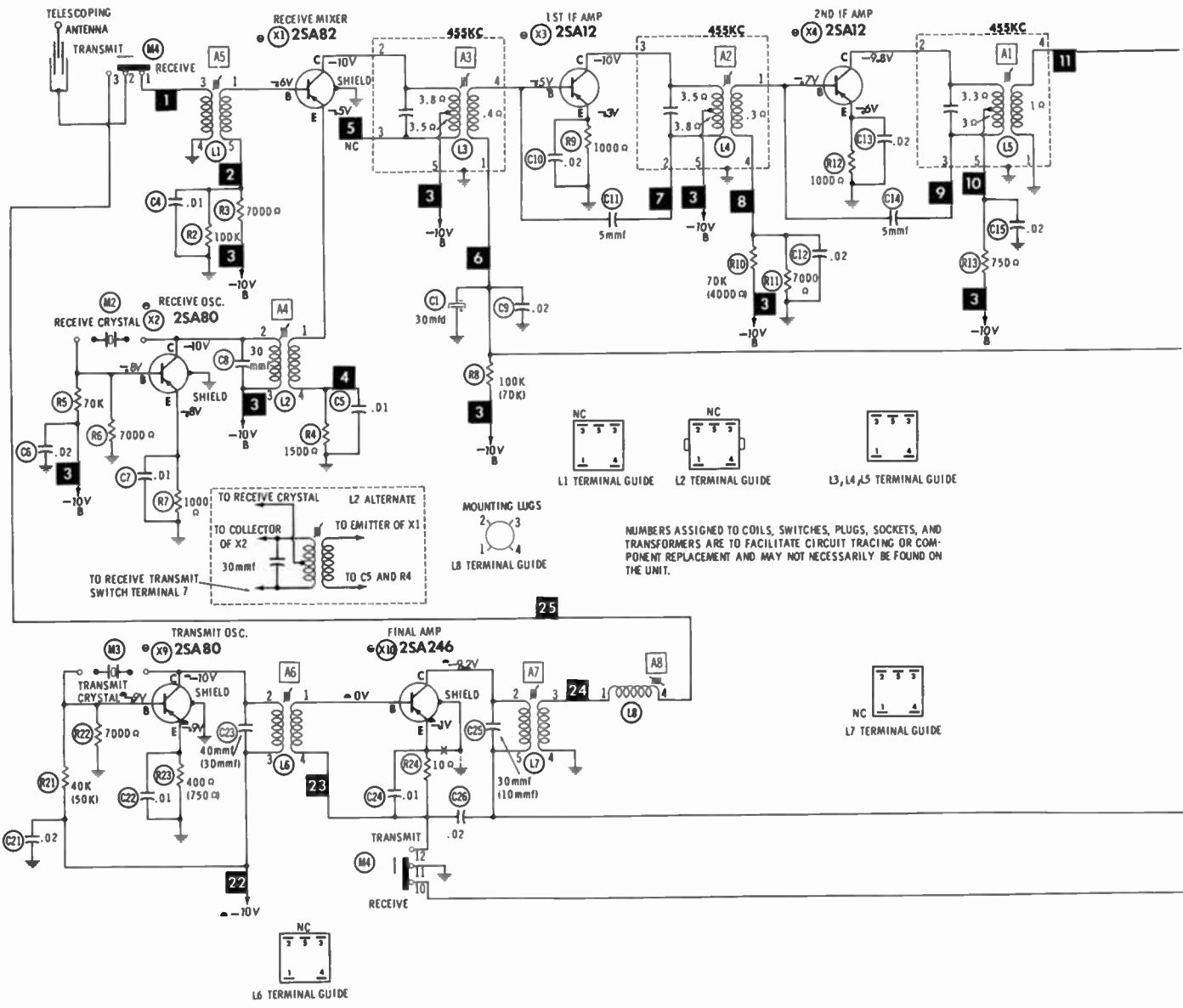
NAME	PART NO.	DESCRIPTION
Push Button	DX-SB	Volume Metal
Knob	DX-VCB	
Case	DX MC	

## WIRING DATA

General-use Hook-up Wire . . . . .	Use BELDEN No. 8530 (Solid) Available in 12 Colors
	8524 (Stranded) Available in 12 Colors)
Shielded Antenna Lead . . . . .	Use BELDEN No. 8214 Lowest Loss (RG-8/U Type)
	8237 Low Loss (RG-8/U)
	8240 (Solid) Miniature (RG-58/U)
	8259 (Stranded) Miniature (RG-58A/U)
Coiled Microphone Cable . . . . .	Use BELDEN No. 8499 Single Conductor Shielded (Neoprene)
	8498 Single Conductor Shielded (Vinyl)
Ignition Noise Suppression . . . . .	Use BELDEN No. 7300-Series Spark-Plug Sets
Bonding Strap . . . . .	Use BELDEN No. 8661 (3/8 In.)

## CHASSIS—TOP VIEW RESISTOR & INDUCTOR IDENT.

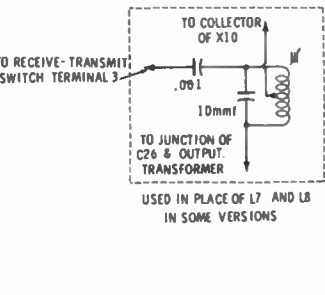
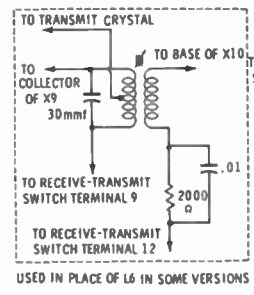




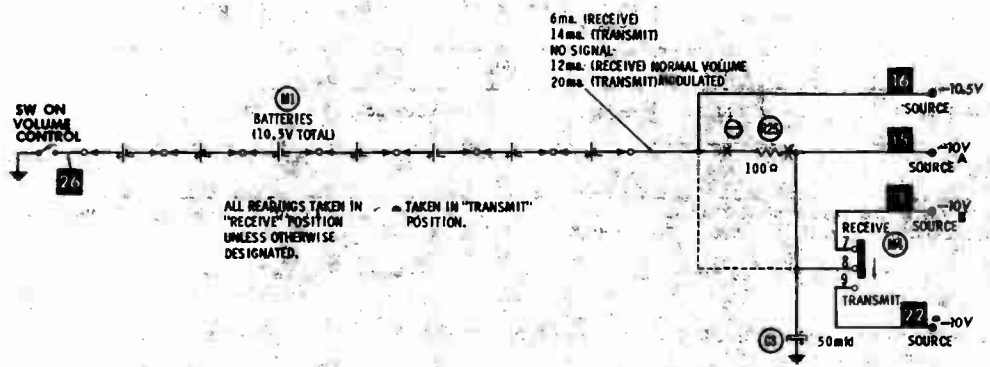
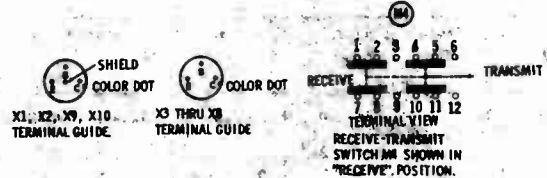
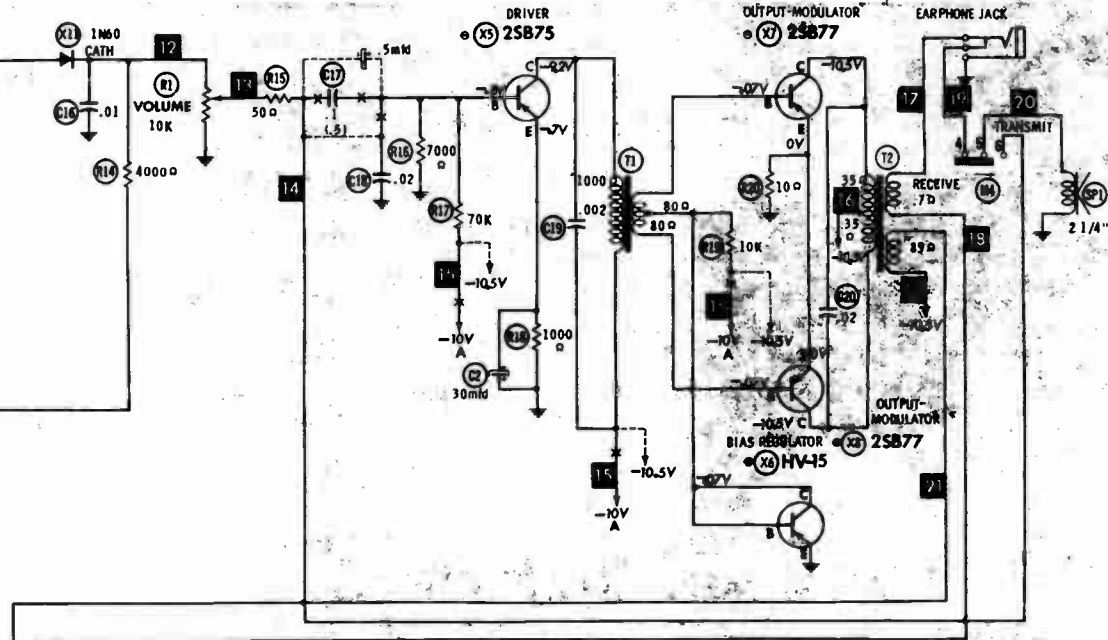
● SEE PARTS LIST FOR ALTERNATE VALUE OR APPLICATION

RESISTANCE MEASUREMENTS NOT GIVEN BECAUSE OF THE WIDE VARIATION IN INTERNAL TRANSISTOR RESISTANCE.

1. DC voltage measurements taken with vacuum tube voltmeter.
2. Socket connections or transistor terminals are shown as bottom views.
3. Measured values are from socket pin or terminal to common ground.
4. Nominal tolerance on component values makes possible a variation of ±15% in voltage and resistance readings.
5. Volume control at maximum, no signal applied for voltage measurements.







TRIUMPH MODELS TC-900, TC-900A

# PHOTOFACT<sup>®</sup>



**TRADE NAME:** Utica Model T & C II  
**SUPPLIER:** Utica Communications  
 2917 W. Irving Park Road, Chicago 26, Ill.  
**TYPE SET:** 9 Tube Transceiver  
**POWER SUPPLY:** 110 - 120 Volts AC, 60 Cycles (or)  
 6 (or) 12 Volt Storage Battery  
**RATING:** .5 Amp. @ 117 Volts AC (or)  
 4.5 Amp. @ 12.6VDC  
**TUNING RANGE:** Any 6 CB Channels 1 thru 23  
 Receiver may be continuously tuned.

## ALIGNMENT INSTRUCTIONS

### Suggested Alignment Tools:

A1 thru A6, A10, A11.....GENERAL CEMENT #8282, 8606, 8606-L....WALSCO #2526, 2543, 2544  
 A7, A8, A12.....GENERAL CEMENT #8271, 8723.....WALSCO #2519  
 A13.....GENERAL CEMENT #2588.....WALSCO #2588

### RECEIVER ALIGNMENT

Connect DC probe of VTVM to point  $\Delta$ , common to chassis.

SIGNAL GENERATOR	CHANNEL	ADJUST	REMARKS
High side to pin 7 of V3, common to chassis. (Tune to 266KC, 400% Mod.)	Unused Channel	A1, A2, A3, A4	Adjust for maximum deflection.
High side to pin 2 of V2, common to chassis (Tune to 1680KC).	Unused Channel	A5, A6	Adjust for maximum deflection.
High side to pin 1 of V1, common to chassis. (Tune to channel frequency)	Center Channel Used.	A7	Tune-Crystal switch in Crystal position. Adjust for maximum deflection. Note rate of dropoff on either side of peak. Set just below peak on side of gradual dropoff.
"	"	A8	Tune-Crystal switch to tune position. Adjust for maximum deflection. Note rate of dropoff on either side of peak. Set just below peak on side of gradual dropoff.
"	"	A9	Adjust for maximum deflection.
High side to antenna receptacle, low side to chassis.	"	A10, A11	Adjust for maximum deflection.

### TRANSMITTER ALIGNMENT

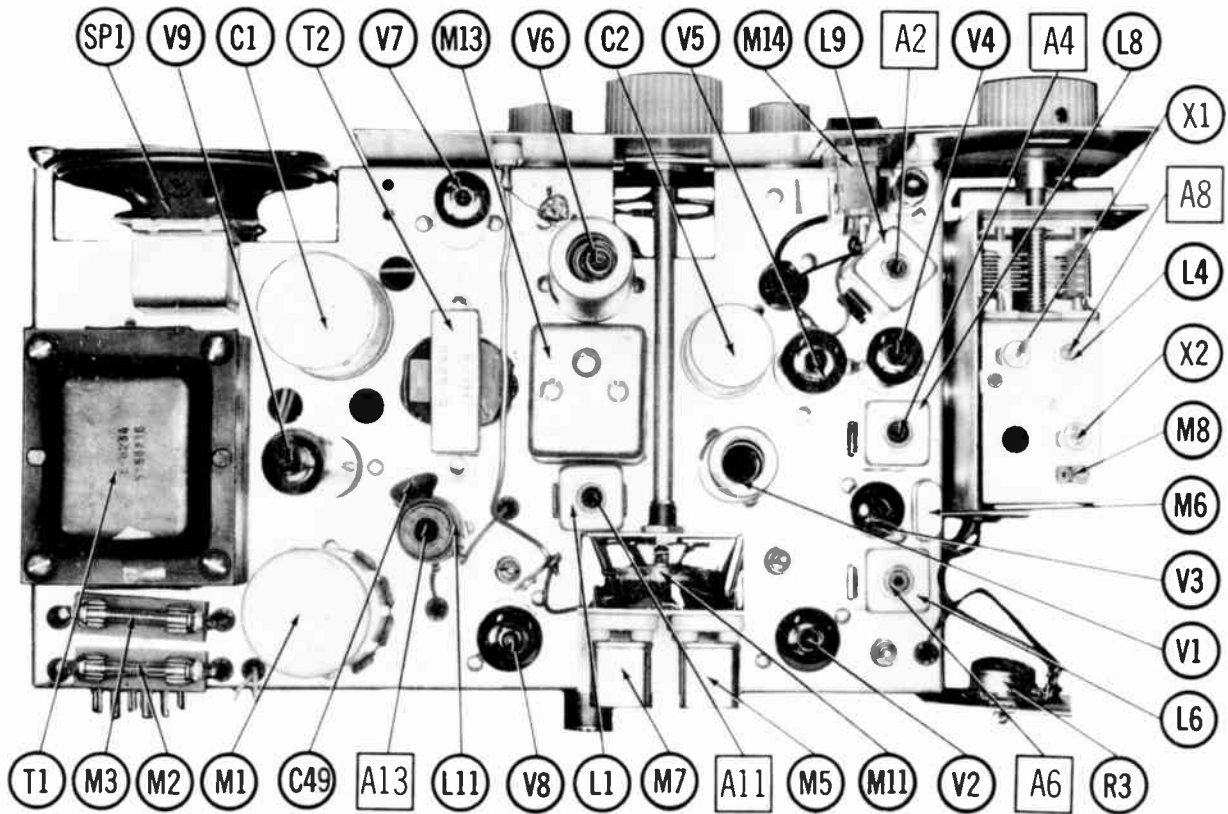
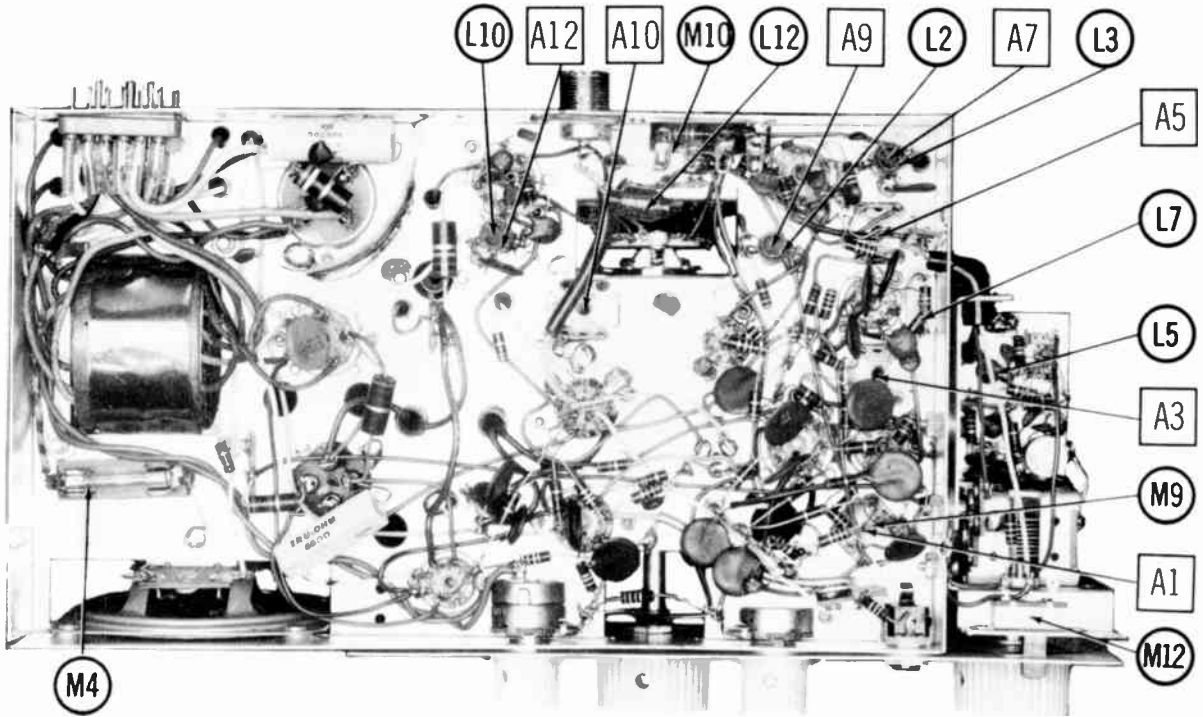
Only those persons properly licensed are permitted to make repairs or adjustments which may result in illegal operation. (Refer to FCC rules and regulations Part 19, Subpart D, Section 19.71).

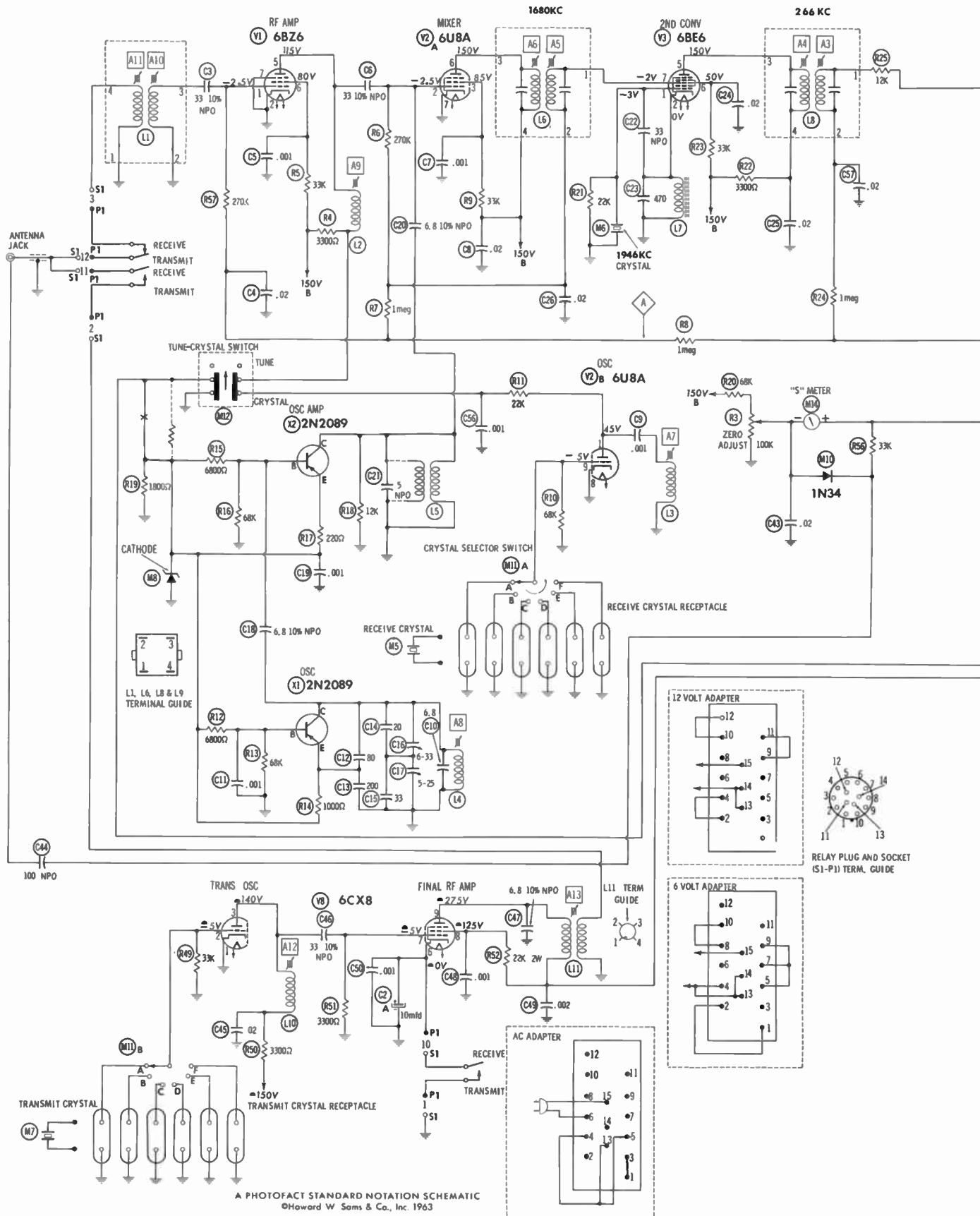
The frequency of the transmitter should be checked periodically with a secondary frequency standard to insure proper and legal operation.

Best results will be obtained when adjusting the final RF output circuit if the antenna normally used is connected and the chassis is as nearly in the cabinet as possible.

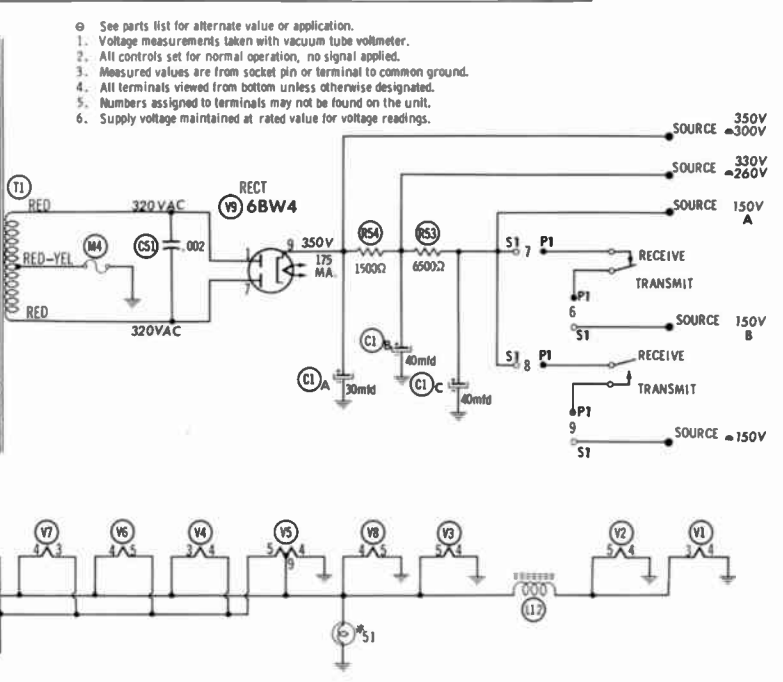
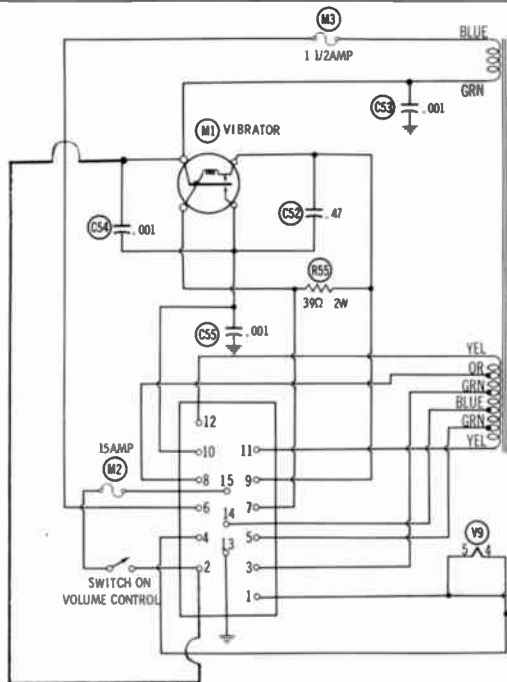
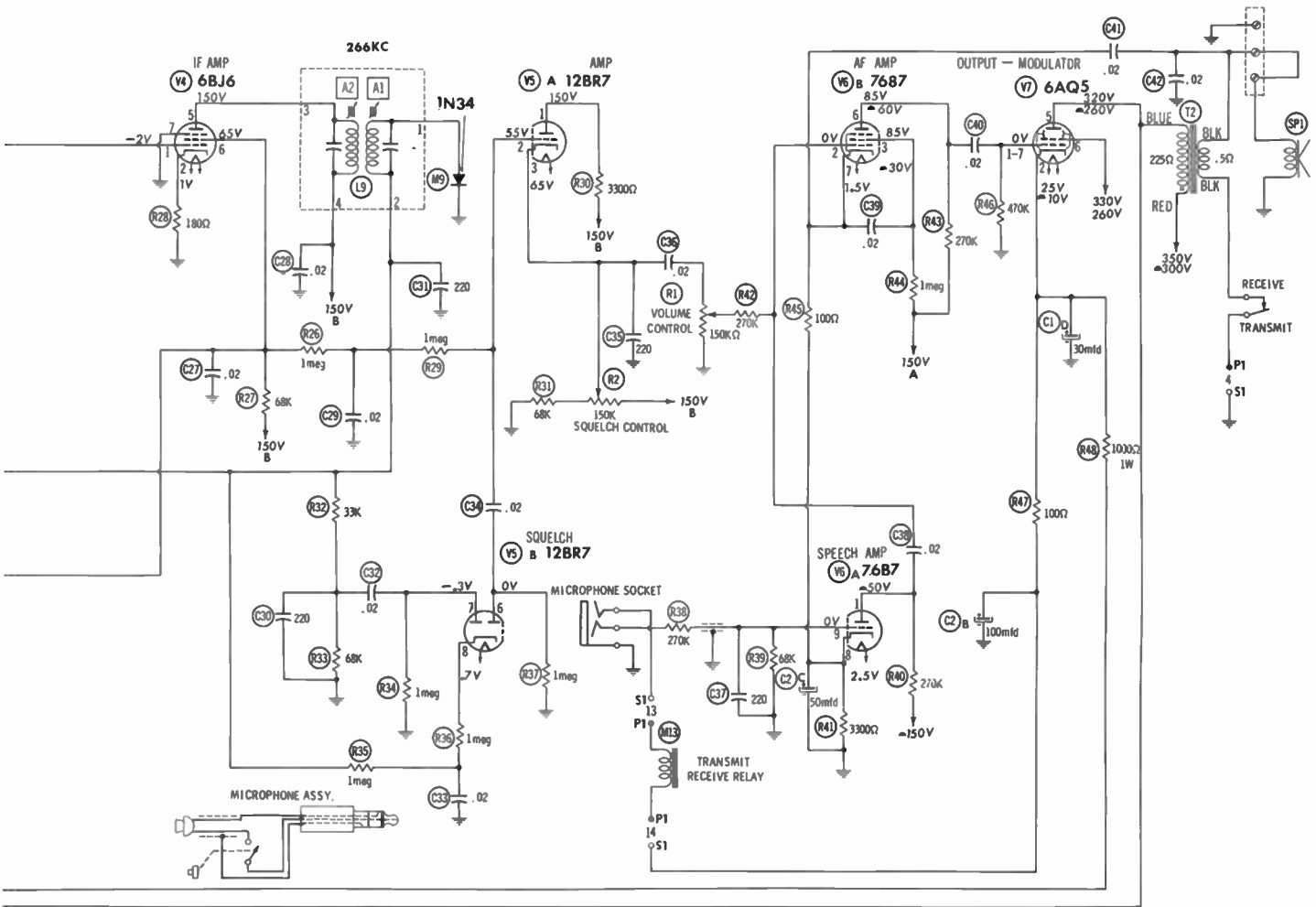
		ADJUST	REMARKS
Connect antenna or dummy load.	RF Watt-meter or Signal Strength Meter.	A12	Key transmitter. Adjust for maximum output. Key transmitter several times to be certain that oscillator starts each time.
"	"	A13	Adjust for maximum output.

**HOWARD W. SAMS & CO., INC.** Indianapolis 6, Indiana





A PHOTOFAC STANDARD NOTATION SCHEMATIC  
 ©Howard W. Sams & Co., Inc. 1963



- ⊙ See parts list for alternate value or application.
- 1. Voltage measurements taken with vacuum tube voltmeter.
- 2. All controls set for normal operation, no signal applied.
- 3. Measured values are from socket pin or terminal to common ground.
- 4. All terminals viewed from bottom unless otherwise designated.
- 5. Numbers assigned to terminals may not be found on the unit.
- 6. Supply voltage maintained at rated value for voltage readings.

UTICA MODEL T & C II

# PARTS LIST AND DESCRIPTION

## TUBES

• AMPEREX •		• GENERAL ELECTRIC •		• RCA •		• RAYTHEON •		• SYLVANIA •	
ITEM No.	USE	TYPE		ITEM No.	USE	TYPE			
V1	RF Amplifier	6BZ6		V6	Speech Amp. - AF Amp.	7687			
V2	Mixer-Oscillator	6U8-A		V7	Output-Modulator	6AQ5			
V3	2nd Converter	6BE6		V8	Transmit Osc. - Final RF	6CX8			
V4	IF Amplifier	6BJ6		V9	Rectifier	6BW4			
V5	Noise Limiter-Squelch	12BR7							

## TRANSISTORS

*V2 was 6EA8*

ITEM No.	ORIG. TYPE	USE	REPLACEMENT DATA			NOTES
			DELCO PART No.	GENERAL ELECTRIC PART No.	RCA PART No.	
X1	2N2089	Oscillator			2N1178	
X2	2N2089	Oscillator Amp.			2N1178	

## ELECTROLYTIC CAPACITORS

ITEM No.	RATING		UTICA PART No.	REPLACEMENT DATA					SPRAGUE PART No.	
	CAP.	VOLT.		AEROVOX PART No.	CORNELL-DUBILIER PART No.	GENERAL ELECTRIC PART No.	GENERAL INSTRUMENT PART No.	MALLORY PART No.		
C1A	.30	450	}	AFH3-140-50	C0870	XC3-39	TMT-3367	FP387.5	TVL-3744	
B	.40	350		PRS1670	BR3045	Q11-12	TD-30-450	TC67	TVA-1711	
C	.40	350		}	AFH2-05	B0070	XC2-32	TMD-2035	WP339.5A	TVL-2224
D	30	25								
C2A	10	100	}							
B	100	25								
C	50	5								

## FIXED CAPACITORS

ITEM No.	RATING	REMARKS	REPLACEMENT DATA					
			AEROVOX PART No.	CENTRALAB PART No.	CORNELL-DUBILIER PART No.	ELMENCO PART No.	MALLORY PART No.	SPRAGUE PART No.
C3	33 10% NPO		NPO-DI 33	DTZ-33	C10Q33C	CCTO-33	CNO-433	10TCC-Q33
C4	.02		BPD-02	DD-203	BYA6S2	CCD-203	B-120	5HK-S20
C5	.001		BPD-001	DD-102	BYA10D1	CCD-102	B-110	5HK-D10
C6	33 10% NPO		NPO-DI 33	DTZ-33	C10Q33C	CCTO-33	CNO-433	10TCC-Q33
C7	.001		BPD-001	DD-102	BYA10D1	CCD-102	B-210	5HK-D10
C8	.02		BPD-02	DD-203	BYA6S2	CCD-203	B-120	5HK-S20
C9	.001		BPD-001	DD-102	BYA10D1	CCD-102	B-210	5HK-D10
C10	6.8		NPO-DI 6.8	DTZ-6R8	C10V68C	CCTO-6R8	CNO-568	10TCC-V68
C11	.001		BPD-001	DD-102	BYA10D1	CCD-102	B-210	5HK-D10
C12	80 N150							
C13	200 N150							
C14	20 NPO							
C15	133 NPO		NPO-DI 20	TCZ-20	C10Q20C	CCTO-200	CNO-427	10TCC-Q27
C16	5-25							
C17	6-33							
C18	6.8 NPO 10%		NPO-DI 6.8	DTZ-6R8	C10V68C	CCTO-6R8	CNO-568	10TCC-V68
C19	.001		BPD-001	DD-102	BYA10D1	CCD-102	B-210	5HK-D10
C20	6.8		NPO-DI 6.8	DTZ-6R8	C10V68C	CCTO-6R8	CNO-568	10TCC-V68
C21	5 NPO		NPO-DI 4.7	DTZ-4R7	C10V47C	CCTO-4R7	CNO-547	10TCC-V47
C22	33 NPO 10%		NPO-DI 33	DTZ-33	C10Q33C	CCTO-33	CNO-433	10TCC-Q33
C23	470		DI-470	LI0T47		CCD-471	B-347	10TS-T47
C24	.02		BPD-02	DD-203	BYA6S2	CCD-203	B-120	5HK-S20
C25	.02		BPD-02	DD-203	BYA6S2	CCD-203	B-120	5HK-S20
C26	.02		BPD-02	DD-203	BYA6S2	CCD-203	B-120	5HK-S20
C27	.02		BPD-02	DD-203	BYA6S2	CCD-203	B-120	5HK-S20
C28	.02		BPD-02	DD-203	BYA6S2	CCD-203	B-120	5HK-S20
C29	.02		BPD-02	DD-203	BYA6S2	CCD-203	B-120	5HK-S20
C30	220		DI-220	LI0T22		CCD-221	B-322	10TS-T22
C31	220		DI-220	LI0T22		CCD-221	B-322	10TS-T22
C32	.02		BPD-02	DD-203	BYA6S2	CCD-203	B-120	5HK-S20
C33	.02		BPD-02	DD-203	BYA6S2	CCD-203	B-120	5HK-S20
C34	.02		BPD-02	DD-203	BYA6S2	CCD-203	B-120	5HK-S20

## FIXED CAPACITORS (cont)

ITEM No.	RATING	REMARKS	REPLACEMENT DATA					
			AEROVOX PART No.	CENTRALAB PART No.	CORNELL-DUBILIER PART No.	ELMENCO PART No.	MALLORY PART No.	SPRAGUE PART No.
C35	220		DI-220	DD-221	LI0T22	CCD-221	B-322	10TS-T22
C36	.02		BPD-02	DD-203	BYA6S2	CCD-203	B-120	5HK-S20
C37	220		DI-220	DD-221	LI0T22-S3	CCD-221	GP322	10TS-T22
C38	.02		BPD-02	DD-203	BYA6S2	CCD-203	B-120	5HK-S20
C39	.02		BPD-02	DD-203	BYA6S2	CCD-203	B-120	5HK-S20
C40	.02		BPD-02	DD-203	BYA6S2	CCD-203	B-120	5HK-S20
C41	.02		BPD-02	DD-203	BYA6S2	CCD-203	B-120	5HK-S20
C42	.02		BPD-02	DD-203	BYA6S2	CCD-203	B-120	5HK-S20
C43	.02		BPD-02	DD-203	BYA6S2	CCD-203	B-120	5HK-S20
C44	100 NPO		NPO-DI 100	DTZ-100	C10TIC	CCCTO-101	CNO-310	10TCC-T10
C45	.02		BPD-02	DD-203	BYA6S2	CCD-203	B-120	5HK-S20
C46	33 NPO 10%		NPO-DI 33	DTZ-33	C10Q33C	CCCTO-330	CNO-433	10TCC-Q33
C47	6.8 NPO 10%		NPO-DI 6.8	DTZ-6R8	C10V68C	CCCTO-6R8	CNO-568	10TCC-V68
C48	.001		BPD-001	DD-102	BYA10D1	CCD-102	B-210	5HK-D10
C49	.002 3000V		HVD-30-2200	DD30-202	HVC30D2	3CCD-202	SHV-222	5HK-D20
C50	.001		BPD-001	DD-102	BYA10D1	CCD-102	B-210	5HK-D10
C51	.002 3000V		HVD-30-2200	DD30-202	HVC30D2	3CCD-202	SHV-222	5HK-D20
C52	.47 200V		P288N-5		CUB2P5	LDP-4-504	GEM-205	2TM-P50
C53	.001		BPD-001	DD-102	BYA10D1	CCD-102	B-210	5HK-D10
C54	.001		BPD-001	DD-102	BYA10D1	CCD-102	B-210	5HK-D10
C55	.001		BPD-001	DD-102	BYA10D1	CCD-102	B-210	5HK-D10
C56	.001		BPD-001	DD-102	BYA10D1	CCD-102	B-210	5HK-D10
C57	.02		BPD-02	DD-203	BYA6S2	CCD-203	B-120	5HK-S20

## CONTROLS

All wattages 1/2 watt, or less, unless otherwise listed.

ITEM No.	USE	RESISTANCE	REPLACEMENT DATA				
			UTICA PART No.	CENTRALAB PART No.	CLAROSTAT PART No.	CTS-IRC PART No.	MALLORY PART No.
R1	Volume & Switch	150K		B-44, KR-1 or (AB-44, AK-11, KR-1)	A47-150K-S/RS-2, SWE-2	B-13-328, SK-3, 76-1	U-42, US-26 or (UAI54A, SK750, US-41)
R2	Squelch	150K		B-43, or (AB-43, AK-11)	A-47-150K-S/RS-2	BLI-328, SK-3	U43 or (UAI54L, SL2500, RU154L, SL38, SL2500)
R3	Zero Adjust	100K					

## COILS (RF-IF)

ITEM No.	USE	REMARKS	REPLACEMENT DATA					NOTES
			UTICA PART No.	MERIT PART No.	MILLER PART No.	STANCOR PART No.	WORKMAN PART No.	
L1	Antenna		AK-40-310	TV-140	6252		T234	
L2	RF Osc. (Crystal)			SW-808	6171-A	RTC-8609	T216	
L3	Osc. (Tuneable)			SW-808	6171-A	RTC-8609	T216	
L4	Osc. Plate (Tuneable)							
L5	IF (1680KC)		EQ1492		1732		T962	
L6	RF Choke (50uh)			TV-193	4629	RTC-8668	T604	
L7	1st 266KC IF		EO1491	BC-350	14-H1	RTC-8638	T604	
L8	2nd 266KC IF		EO1491	BC-351	14-H2	RTC-8639	T605	
L9	Transmit Osc. (50uh)			SW-808	6171-A	RTC-8609	T216	
L10	Final							
L11	Final							
L12	Filament Choke (50uh)							

## TRANSFORMER (POWER)

ITEM No.	RATING			REPLACEMENT DATA					NOTES
	PRI.	SEC. 1	SEC. 2	UTICA PART No.	MERIT PART No.	STANCOR PART No.	THORDARSON PART No.	TRIAD PART No.	
T1	117VAC @ .5A (.68A)*	640VCT @ .046A (.090A)*	6.3V @ 4A	E-6234					* Transmit

## PARTS LIST AND DESCRIPTION (CONTINUED)

### TRANSFORMER (AUDIO OUTPUT)

ITEM No.	IMPEDANCE		REPLACEMENT DATA					NOTES
			UTICA PART No.	MERT PART No.	STANCOR PART No.	THORNDARSON PART No.	TRIAD PART No.	
	PH.	SEC.						
T2	7300Ω	3-4Ω	8-4354					

### SPEAKER

ITEM No.	TYPE	REPLACEMENT DATA		NOTES
		UTICA PART No.	QUAM PART No.	
SP1	3 1/2" PM 3-4Ω	8-6328	2A07	

### VIBRATOR

ITEM No.	TYPE	INPUT VOLTS	FREQUENCY	REPLACEMENT DATA			NOTES
				UTICA PART No.	CORNELL DUBILIER PART No.	MALLOY PART No.	
M1	Interrupter	8.3	118%	1810	5572	1810	

### FUSES

ITEM No.	TYPE	RATING	REPLACEMENT DATA					
			UTICA PART No.		LITTELFUSE PART No.		BUSS PART No.	
			FUSE	HOLDER	FUSE	HOLDER	FUSE	HOLDER
M2	3AG	15A 25V			8108 (SAG 15A 32V)	367008	AGC15	9823-3
M3	3AG	1 1/2A 125V			8190L 6 (SAG 1 1/2A 125V)	367008	AGC 1 1/2	9823-3
M4	3AG	.175A 250V			819L 175 (SAG .175A 250V)	367008	AGC 175/1000	4406

### MISCELLANEOUS

ITEM No.	PART NAME	UTICA PART No.	NOTES
M5	Crystal	RS-8	Receive (Order by frequency & channel desired)
M6	Crystal		1945KC
M7	Crystal		Transmit (Order by frequency & channel desired)
M8	Diode		Oscillator Amp. Overload
M9	Diode		Detector (1N34)
M10	Diode		Meter Rectifier (1N34)
M11	Switch		Crystal Selector (Rotary Wiper Type)
M12	Switch		Tune-Crystal (DPDT Slide Type)
M13	Relay		Transmit-Receive (Plug-in type, DC Coil Resistance 125Ω)
M14	"B" Meter		

### WIRING DATA

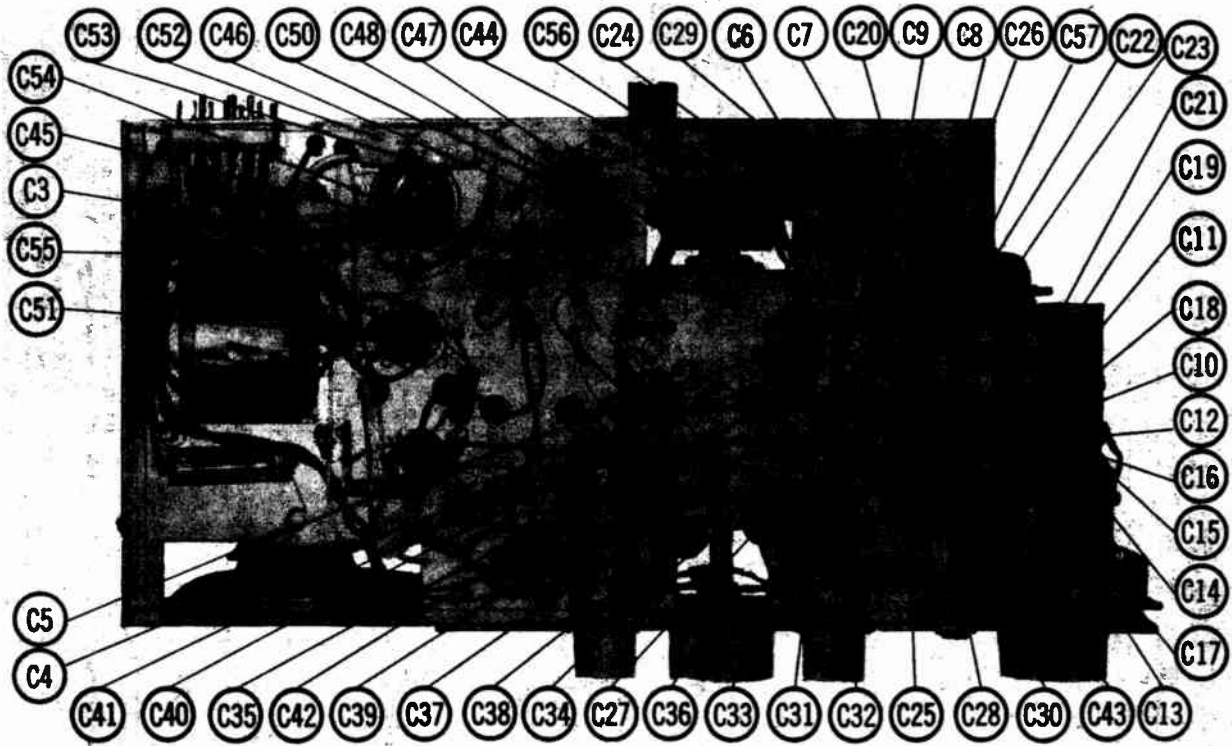
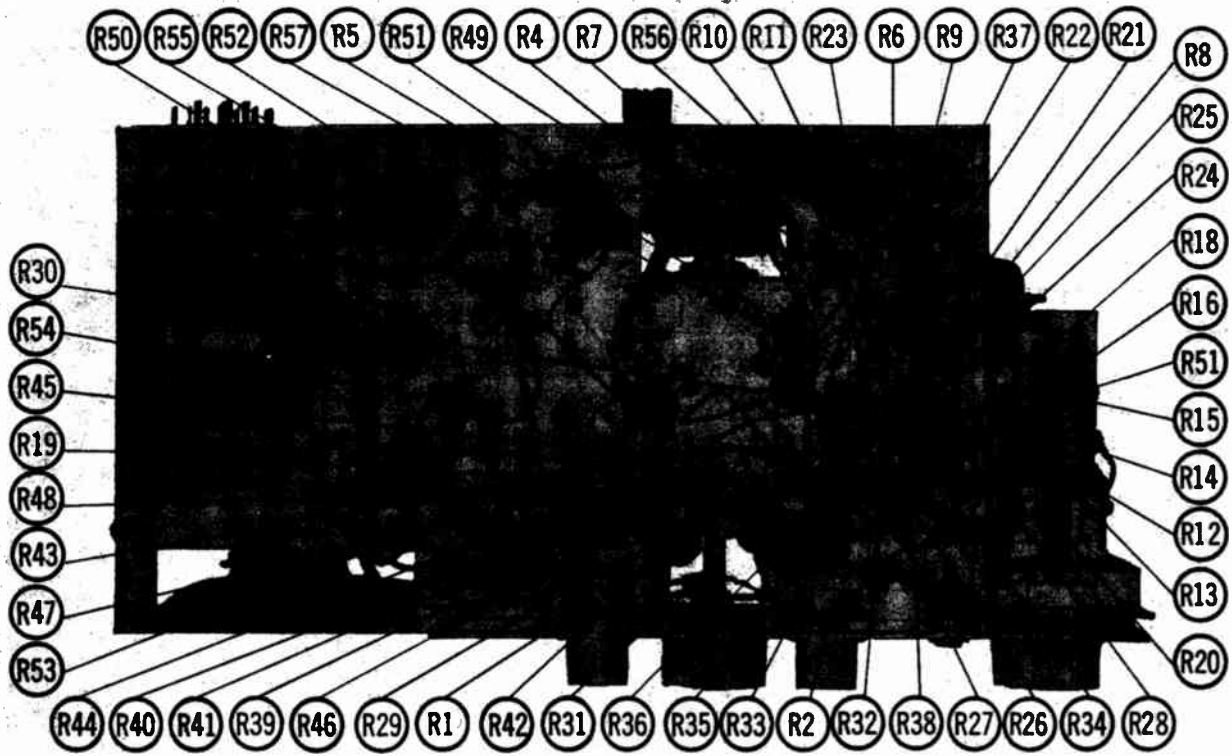
General-use Hook-up Wire ....	Use Belden No. 8590 (Solid) Available in 12 Colors	8524 (Stranded) Available in 12 Colors
Shielded Antenna Lead .....	Use Belden No. 8284 Lowest Loss (RG-8/U Type)	8287 Low Loss (RG-8/U)
		8240 (Solid) Miniature (RG-58/U)
		8289 (Stranded) Miniature (RG-58A/U)
Coiled Microphone Cable .....	Use Belden No. 8487 3 Conductor-1 Shielded for Press-to-Talk (Recreate)	8486 3 Conductor-1 Shielded for Press-to-Talk (Viny1)
Ignition Noise Suppression .....	Use Belden No. 7300-Series Spark-Plug Sets	
Bonding Strap .....	Use Belden No. 8681 (3/8 In.)	

## RESISTANCE MEASUREMENTS

ITEM	TUBE	Pin 1	Pin 2	Pin 3	Pin 4	Pin 5	Pin 6	Pin 7	Pin 8	Pin 9
V1	6AZ6	1.5meg	0Ω	FIL	FIL	FIL	141K	0Ω	0Ω	
V2	6U8-A	13K	2.5meg	141K	FIL	FIL	1800Ω	0Ω	0Ω	68K
V3	6BE6	22K	1Ω	FIL	FIL	FIL	111.3K	141K	2.2meg	
V4	6BL6	1.2meg	180Ω	FIL	FIL	FIL	1800Ω	77K	0Ω	
V5	12BR7	111.3K	12meg	100K	FIL	FIL	1meg	127K	2.1meg	FIL
V6	7667	1A 290K	270K	11meg	FIL	FIL	127K	340Ω	330Ω	68K A30K
V7	6AQ5	470K	280Ω	FIL	FIL	FIL	122Ω	150Ω	470K	
V8	6CX8	0Ω	3K	1A 11.3K	FIL	FIL	AΩ	330Ω	122K	122Ω
V9	68W4	355Ω	NC	NC	FIL	FIL	NC	355Ω	200K	200K
X1	2N2089	10K	200Ω	1Ω						
X2	2N2089	10K	200Ω	3.5Ω						

ALL MEASUREMENTS TAKEN IN "RECEIVE" POSITION UNLESS NOTED WITH TUNE-CRYSTAL SWITCH IN CRYSTAL POSITION.  
 † MEASURED FROM PIN 9, V9  
 ‡ MEASURED IN "TRANSMIT" POSITION.  
 NC NO CONNECTION









# PHOTOFACT<sup>®</sup> with

# CIRCUITRACE

**TRADE NAME:** Cadre Model 510  
**SUPPLIER:** Cadre Industries Corp.  
 Endicott, N. Y.  
**TYPE SET:** 18 Transistor Transceiver  
**POWER SUPPLY:** 110 - 120 Volts AC, 60 Cycles  
 (or) 12 Volt Storage Battery  
**RATING:** 5 Watts, .19 Amp. @ 117 VAC  
 .8 Amp. @ 12.6VDC  
**TUNING RANGE:** Any 5 CB Channels 1 thru 22  
 Receiver may be continuously tuned.



## ALIGNMENT INSTRUCTIONS

### Suggested Alignment Tools:

A1 thru A4..... GENERAL CEMENT #5009, 8195, 8274..... WALSCO #2515, 2516, 2532  
 A5, A7 thru A10, A15, A18..... GENERAL CEMENT #5000, 5003, 5066..... WALSCO #2515, 2516, 2518  
 A6, A11, A12, A14..... GENERAL CEMENT #8282, 8806, 8806-L..... WALSCO #2526, 2541, 2542

### RECEIVER ALIGNMENT

Connect output meter across voice coil except for step 3.

	SIGNAL GENERATOR	CHANNEL	ADJUST	REMARKS
1.	High side thru .05mfd to base of X4, low side to common. (Tune to 455K, 400v. Mod.)	Any	A1, A2, A3	Adjust for maximum.
2.	High side thru .05mfd to base of X2, low side to common. (Tune to 1.68MC, 400v Mod.)	Any	A4	Adjust for maximum.
3.	Not Used	Center Channel	A5	Connect DC probe of VTVM to emitter of X2, low side to common. Adjust for maximum.
4.	High side to antenna terminal, low side to common. (Tune to channel frequency.)	Channel Desired	A6, A7	Adjust for maximum.
5.	"	Center Channel Used.	A8	Crystal-Tune switch to tune position. Adjust for maximum.

### TRANSMITTER ALIGNMENT

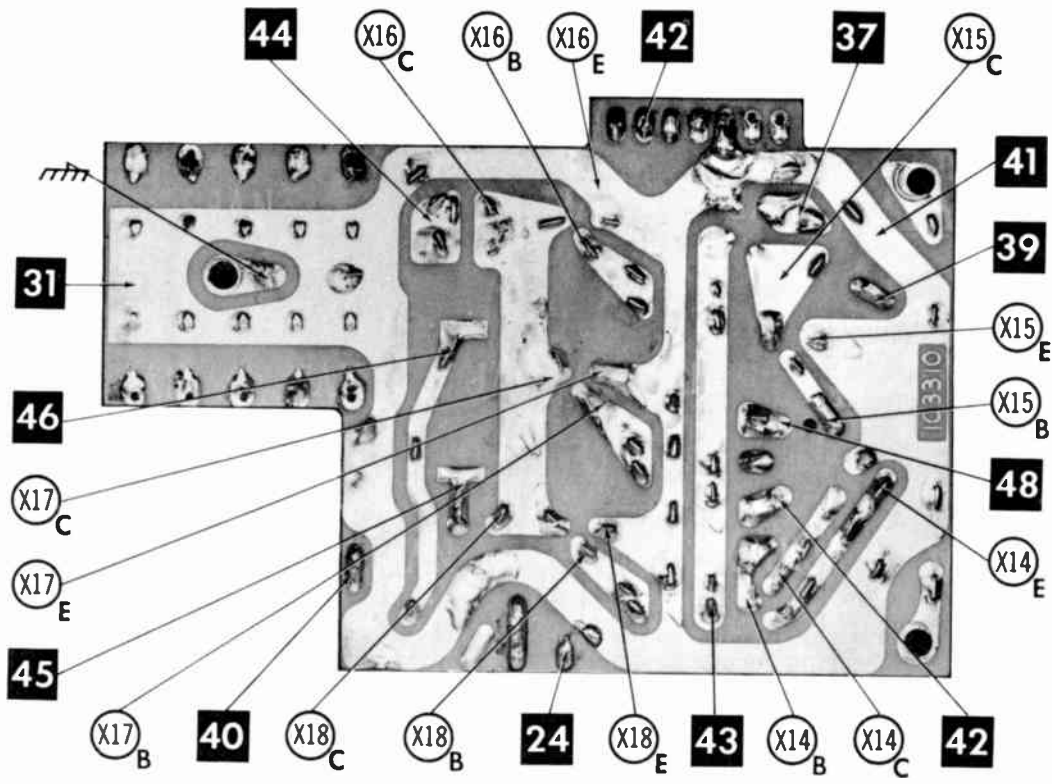
Only those persons properly licensed are permitted to make repairs or adjustments which may result in illegal operation. (Refer to FCC rules and regulations Part 19, Subpart D, Section 19.71).

The frequency of the transmitter should be checked periodically with a secondary frequency standard to insure proper and legal operation.

Best results will be obtained when adjusting the final RF output circuit if the antenna normally used is connected and the chassis is as nearly in the cabinet as possible.

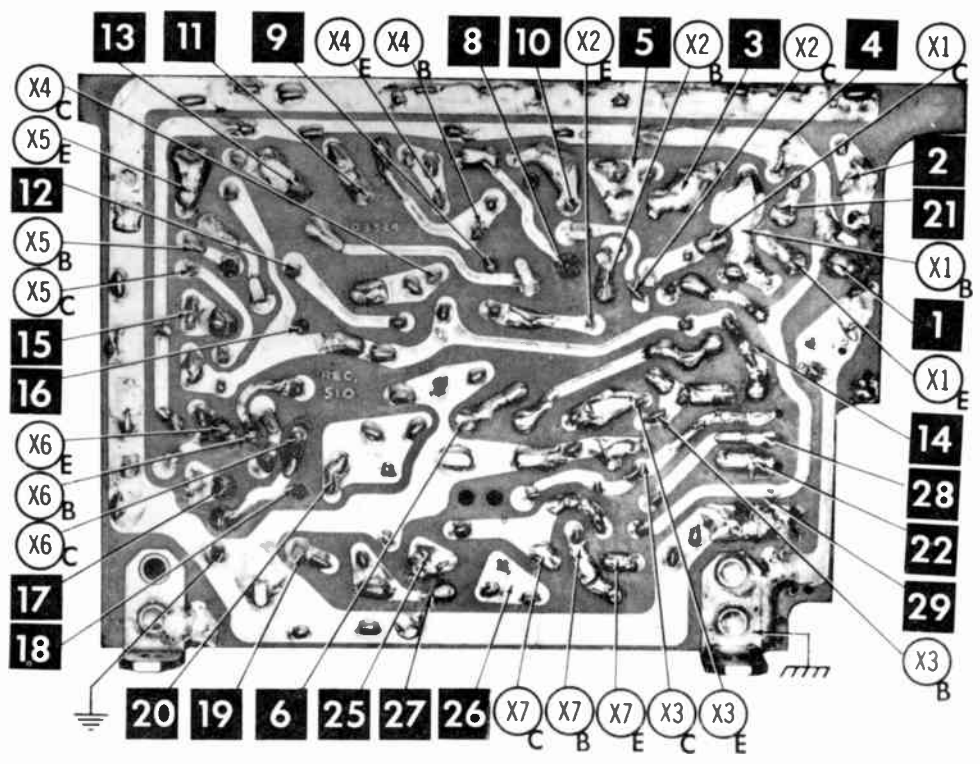
	ADJUST	REMARKS
Connect dummy load or antenna. Remove shorting wire from terminal 2 and 5 of power plug. Connect 0-500MA meter between these two pins.	A9, A10, A11	Key transmitter. Adjust for maximum output (current reading must not exceed 380MA). Replace shorting wire.
Connect Antenna.	A12	MINIMUM interference on lower TV channels.

**HOWARD W. SAMS & CO., INC.** Indianapolis 6, Indiana



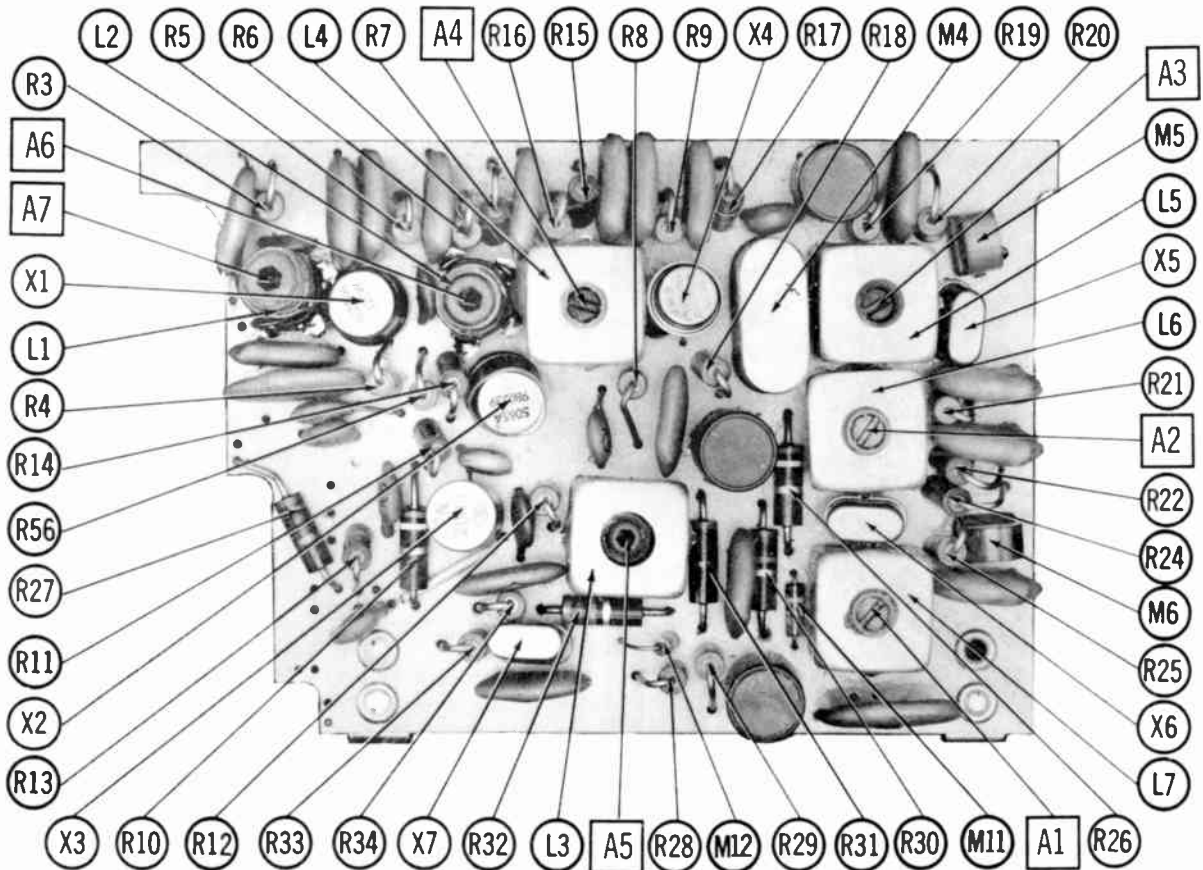
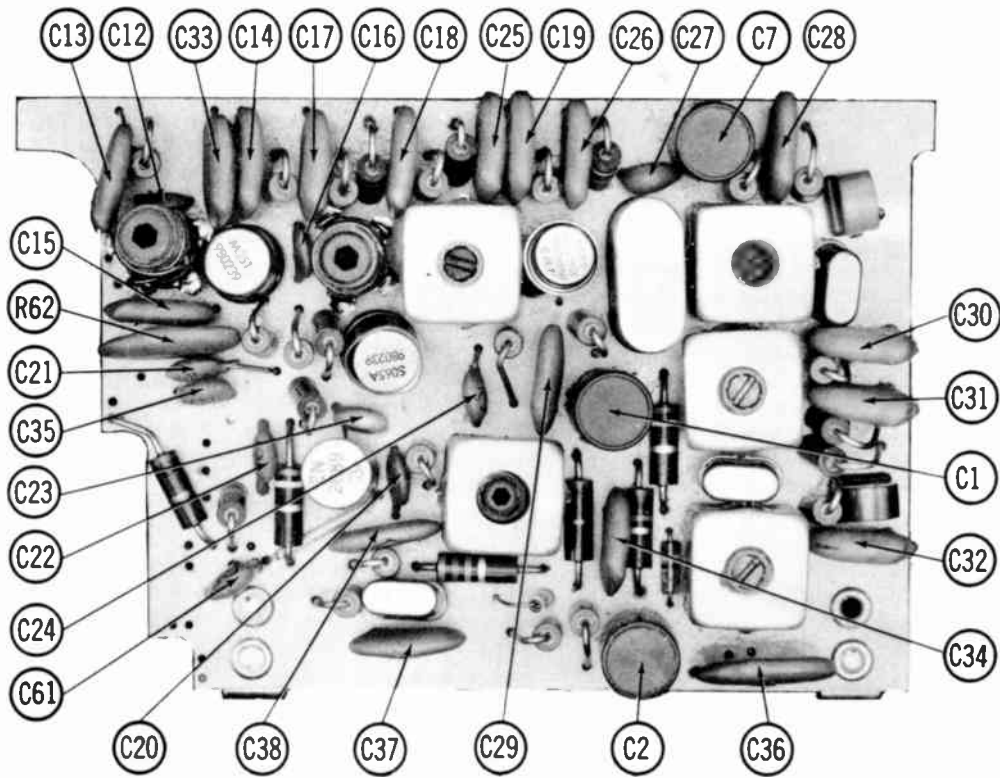
A Howard W. Sams **CIRCUITRACE** Photo

### TRANSMITTER PRINTED BOARD



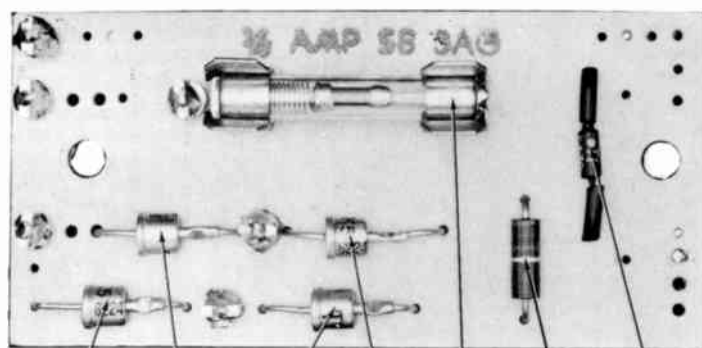
A Howard W. Sams **CIRCUITRACE** Photo

### RECEIVER PRINTED BOARD



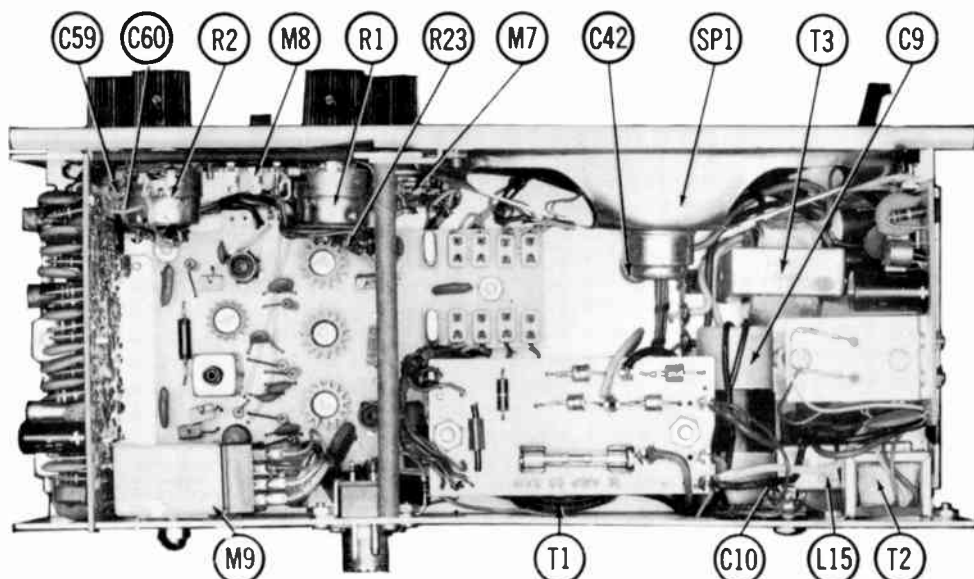
RECEIVER PRINTED BOARD

POWER



- X22
- X19
- X21
- X20
- M1
- R55
- M10

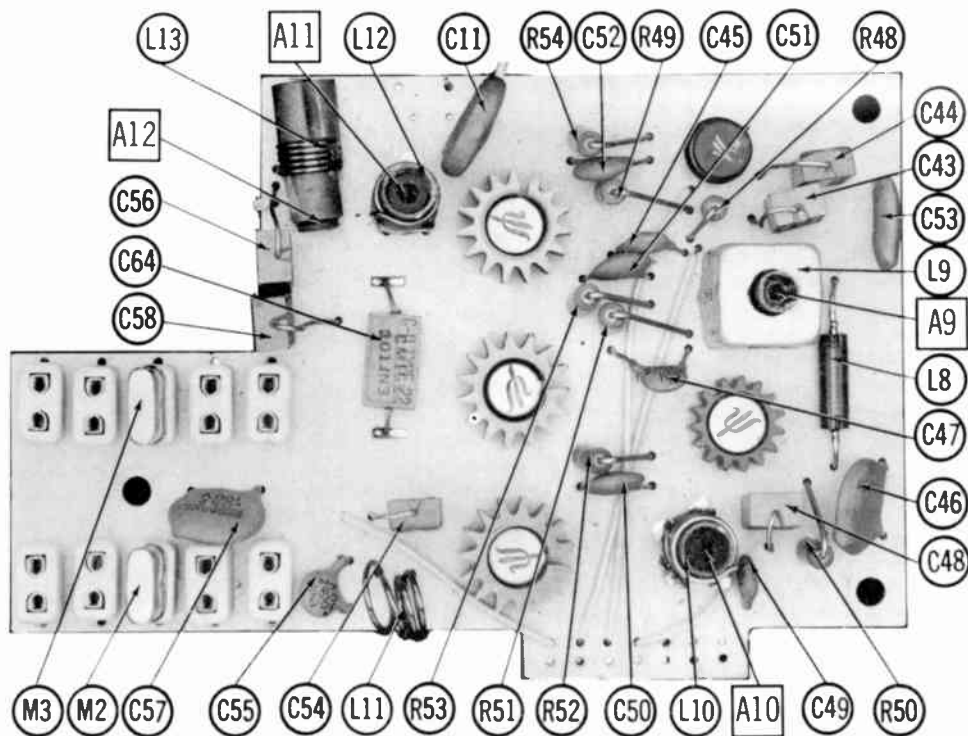
TOP VIEW



- C59
- C60
- R2
- M8
- R1
- R23
- M7
- C42
- SP1
- T3
- C9

- M9
- T1
- C10
- L15
- T2

TRANS.



- L13
- A11
- L12
- C11
- R54
- C52
- R49
- C45
- C51
- R48
- C44
- C43
- C53
- L9
- A9
- L8
- C47
- C46
- C48
- M3
- M2
- C57
- C55
- C54
- L11
- R53
- R51
- R52
- C50
- L10
- A10
- C49
- R50

# PARTS LIST AND DESCRIPTION

## TRANSISTORS

ITEM No.	ORIG. TYPE	USE	REPLACEMENT DATA			NOTES
			DELCO PART No.	GENERAL ELECTRIC PART No.	RCA PART No.	
X1	M351	RF Amp.				PNP
X2	8065A	Mixer				PNP
X3	2N2089	Receiver Oscillator				PNP
X4	2N1789	2nd Converter				PNP
X5	R539	1st IF Amp.				PNP
X6	R539	2nd IF Amp.				PNP
X7	M108	1st AF Amp.			2N406	PNP
X8	2N1274	1st Squeelch Amp.			2N591	PNP
X9	2N1274	2nd Squeelch Amp.			2N591	PNP
X10	2N1274	2nd AF Amp. -Speech Amp.			2N591	PNP
X11	2N1274	Driver			2N591	PNP
X12	2N250	Output-Modulator			2N301	PNP
X13	2N250	Output-Modulator				PNP
X14	PT856	Transmit Oscillator				PNP
X15	PT856	Transmit Driver				PNP
X16	PT857	Final Amplifier				PNP
X17	PT857	Final Amplifier				PNP
X18	PT857	Final Amplifier				PNP

## POWER RECTIFIERS

ITEM No.	MEASURED CURRENT	CADRE PART No.	RECTIFIERS		
			MALLORY PART No.	RCA PART No.	SARKES TARZIAN PART No.
X19	.500A	103318		1N3193	10H
X20	.500A	103318		1N3193	10H
X21	.500A	103318		1N3193	10H
X22	.500A	103318		1N3193	10H

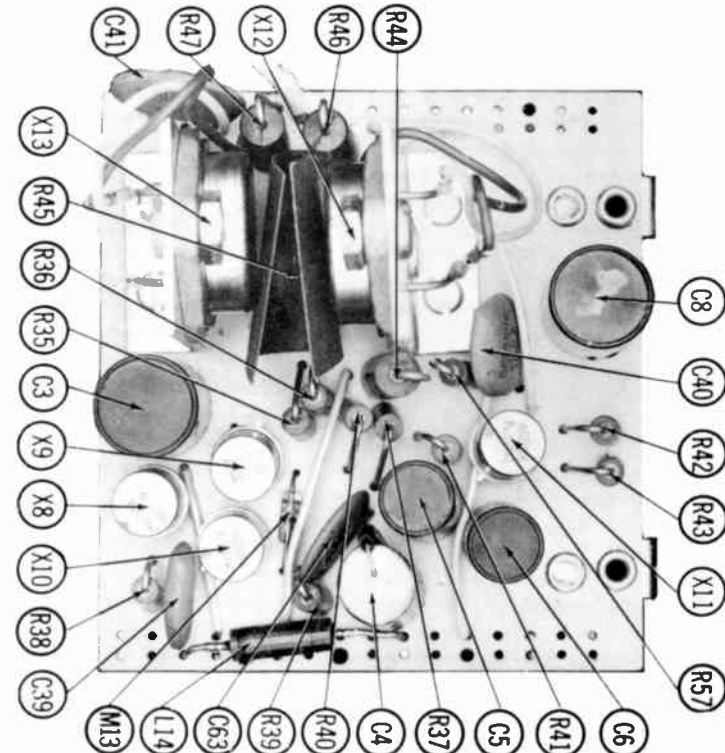
## ELECTROLYTIC CAPACITORS

ITEM No.	RATING		REPLACEMENT DATA						
	CAP.	VOLT.	CADRE PART No.	AEROVOX PART No.	CORNELL-DUBILIER PART No.	GENERAL ELECTRIC PART No.	GENERAL INSTRUMENT PART No.	MALLORY PART No.	SPRAGUE PART No.
C1	15	15	101013	BCD15015	ECPB409	MT1-10	MLV15-15	TT15X15	VL-1168
C2	5	12	101115	BCD12005	ECPB405	MT1-3	MLV5-12	TT12X5	VL-1124
C3	100	12	100856	BCD12100	ECPB417	MT1-19	MLV100-12	TT12X100	VL-1140
C4	100	3	100689	BCD13100	ECPB417	MT1-22	MLV100-3	PET1400	VL-1051
C5	5	15	101431	BCD15005	ECPB405	MT1-3	MLV5-15	PE1535	VL-1164
C6	50	6	101113	BCD6050	ECPB115	MT1-15	MLV50-6	TT6X50	VL-1094
C7	15	15	101013	BCD15015	ECPB409	MT1-10	MLV15-15	TT15X15	VL-1168
C8	100	12	100656	BCD12100	ECPB417	MT1-19	MLV100-12	TT12X100	VL-1140
C9	1000	15	101404	PRS1230	BR100015	QTI-32	TD-1000-15	TC1501	TVA-1163
C10	1000	15	101404	PRS1230	BR100015	QTI-32	TD-1000-15	TC1501	TVA-1163

## FIXED CAPACITORS

ITEM No.	RATING	REMARKS	REPLACEMENT DATA					
			AEROVOX PART No.	CENTRALAB PART No.	CORNELL-DUBILIER PART No.	ELMENCO PART No.	MALLORY PART No.	SPRAGUE PART No.
C11	.001		DI 1000	DM-102	H-05D1	CCD-102	GP210	5GA-D1
C12	.33		DI 33	DD-330	LI0Q33	CCD-330	GP433	5GA-Q33
C13	.05		TTD-05	DDA-503	H-05S5			TG-S50
C14	.05		TTD-05	DDA-503	H-05S5			TG-S50
C15	.05		TTD-05	DDA-503	H-05S5			TG-S50
C16	.33		DI 33	DD-330	LI0Q33	CCD-330	GP433	5GA-Q33
C17	.05		TTD-05	DDA-503	H-05S5			TG-S50
C18	.05		TTD-05	DDA-503	H-05S5			TG-S50
C19	.05		TTD-05	DDA-503	H-05S5			TG-S50
C20	.47		DI 47	DD-470	LI0Q47	CCD-470	GP447	5GA-Q47
C21	.005		BPD-005	DD-502	BYA10D5	CCD 502	B-250	5HK-D50
C22	.005		BPD-005	DD-502	BYA10D5	CCD-502	B-250	5HK-D50
C23	.330							
C24	.005		BPD-005	DD-502	BYA10D5	CCD-502	B-250	5HK-D50
C25	.05		TTD-05	DDA-503	H-05S5			TG-S50
C26	.05		TTD-05	DDA-503	H-05S5			TG-S50

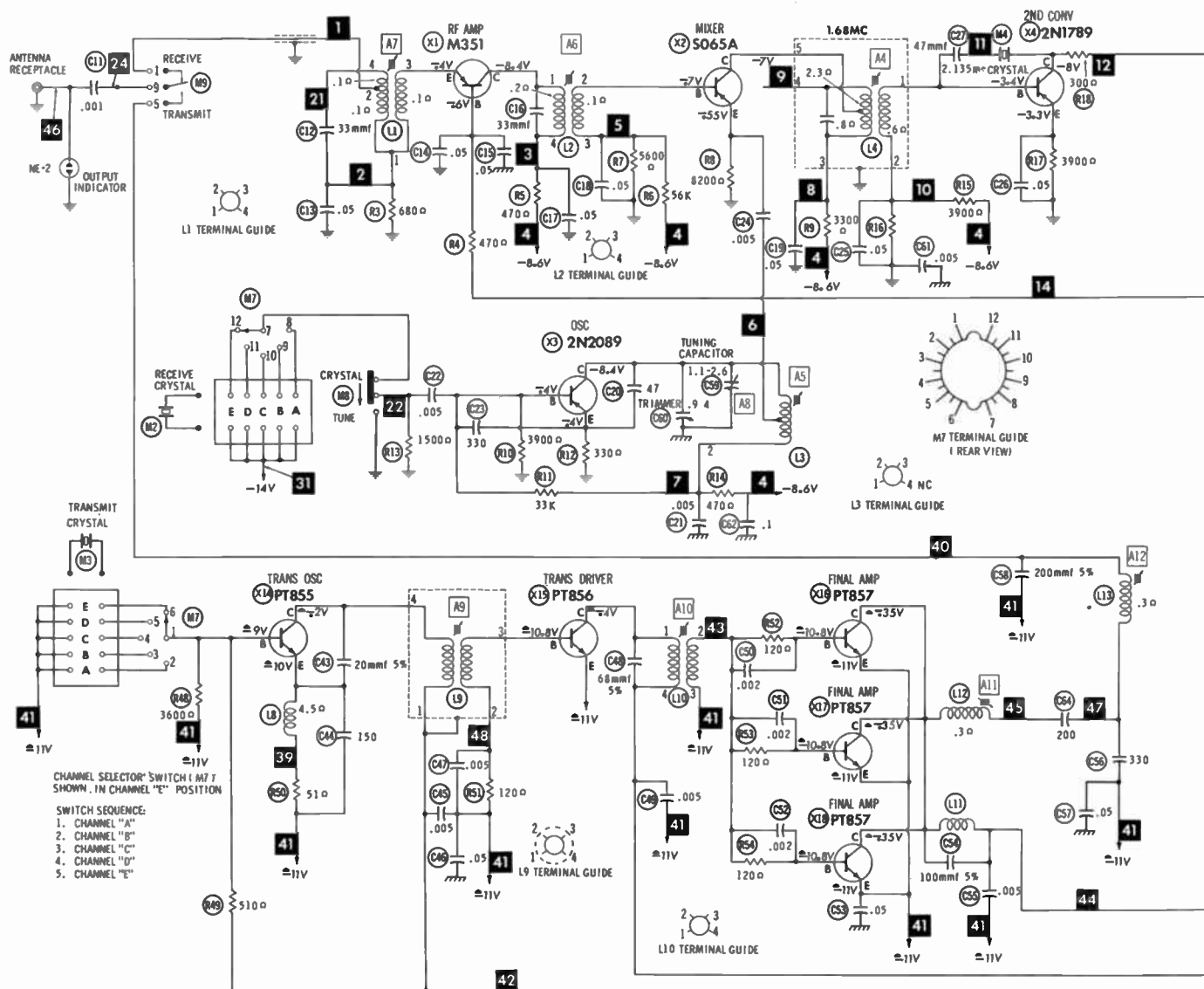
# AUDIO BOARD



## FIXED CAPACITORS (cont)

ITEM No.	RATING	REMARKS	REPLACEMENT DATA					
			AEROVOX PART No.	CENTRALAB PART No.	CORNELL-DUBILIER PART No.	ELMENCO PART No.	MALLORY PART No.	SPRAGUE PART No.
C27	.47		DI 47	DD-470	LI0Q47	CCD-470	GP447	5GA-Q47
C28	.05		TTD-05	DDA-503	H-05S5			TG-S50
C29	.05		TTD-05	DDA-503	H-05S5			TG-S50
C30	.05		TTD-05	DDA-503	H-05S5			TG-S50
C31	.05		TTD-05	DDA-503	H-05S5			TG-S50
C32	.05		TTD-05	DDA-503	H-05S5			TG-S50
C33	.05		TTD-05	DDA-503	H-05S5			TG-S50
C34	.05		TTD-05	DDA-503	H-05S5			TG-S50
C35	.001		DI 1000	DM-102	H-05D1	CCD-102	GP210	5GA-D10
C36	.1		TTD-1	DA-104	H-05P1			TH-P10
C37	.2	#101502	UK10-204	UK10-204				
C38	.2	#101502	UK10-204	UK10-204				
C39	.05		TTD-05	DDA-503	H-05S5			TG-S50
C40	.05		TTD-05	DDA-503	H-05S5			TG-S50
C41	.1		TTD-1	DA-104	H-05P1			TH-P10
C42	.05		TTD-05	DDA-503	H-05S5			TG-S50

CADRE MODEL 510



ALL MEASUREMENTS MADE IN RECEIVE POSITION UNLESS OTHERWISE DESIGNATED  
 ▲ MEASURED IN TRANSMIT POSITION

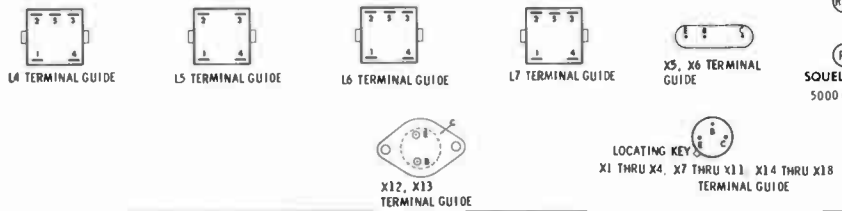
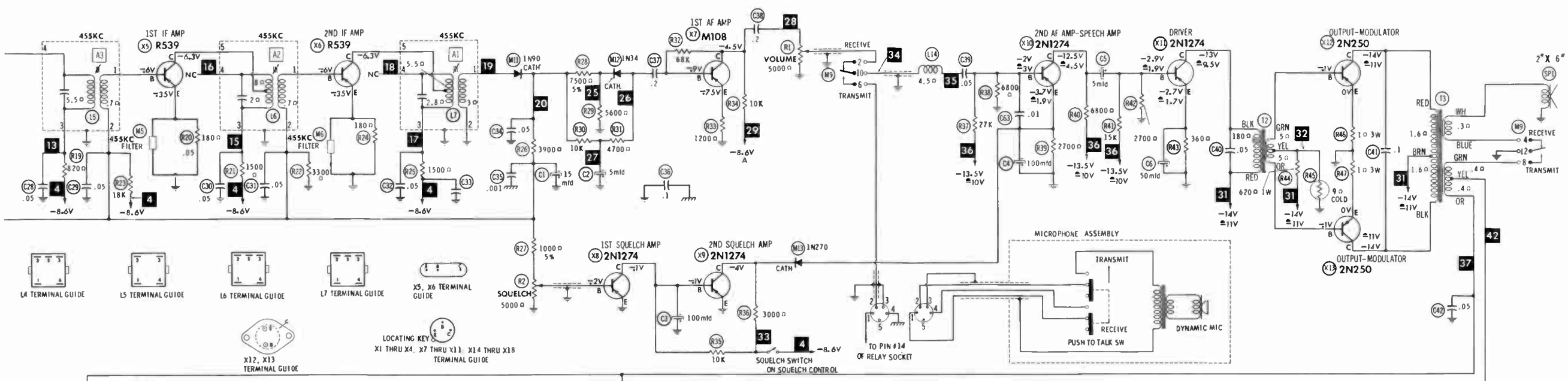
RESISTANCE MEASUREMENTS NOT GIVEN BECAUSE OF THE WIDE VARIATION IN INTERNAL TRANSISTOR RESISTANCE.

1. DC voltage measurements taken with vacuum tube voltmeter.
2. Socket connections or transistor terminals are shown as bottom views.
3. Measured values are from socket pin or terminal to common ground.
4. Nominal tolerance on component values makes possible a variation of +15% in voltage and resistance readings.
5. Volume control at maximum, no signal applied for voltage measurements.

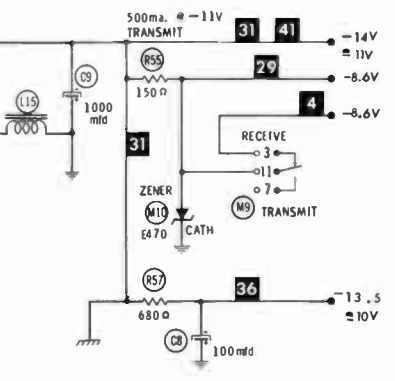
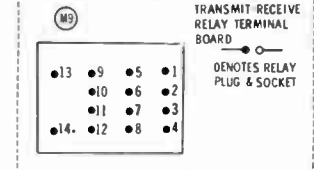
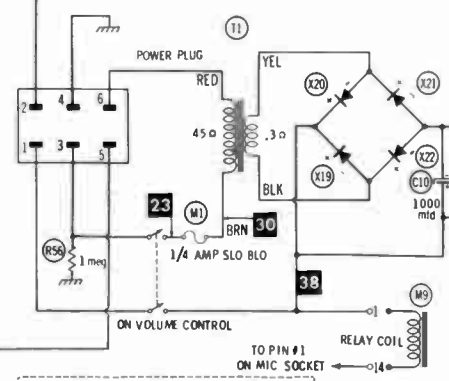
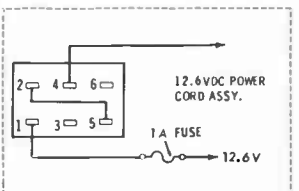
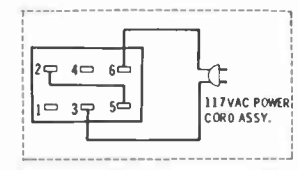
A PHOTOFACIT STANDARD NOTATION SCHEMATIC with CIRCUITRACE

©Howard W. Sams & Co., Inc. 1963



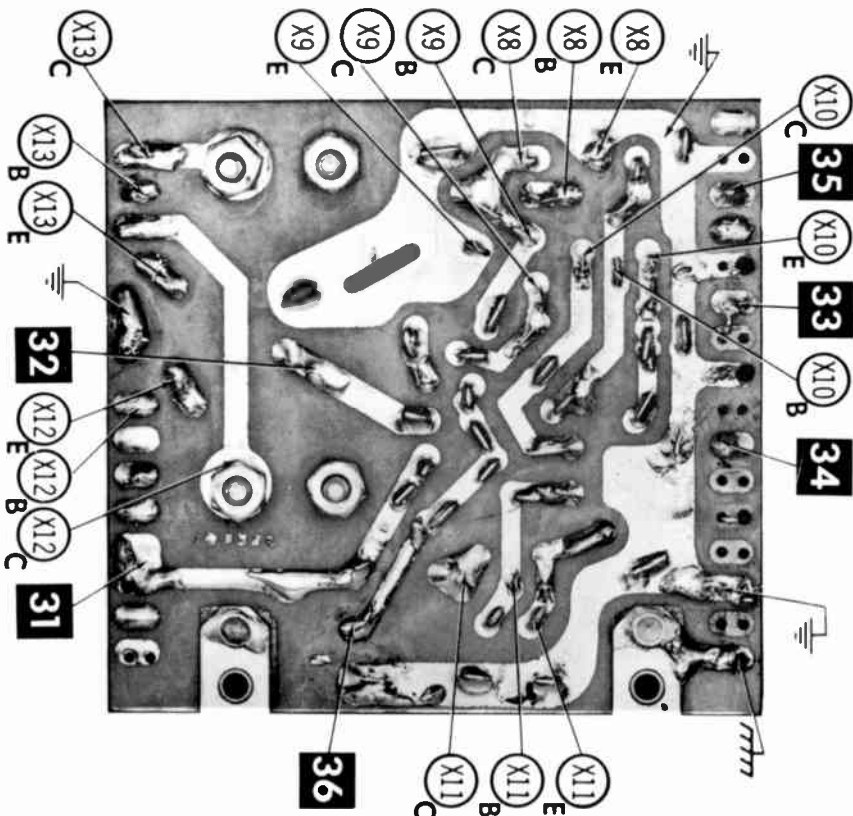


NUMBERS ASSIGNED TO COILS, SWITCHES, PLUGS, SOCKETS, AND TRANSFORMERS ARE TO FACILITATE CIRCUIT TRACING OR COMPONENT REPLACEMENT AND MAY NOT NECESSARILY BE FOUND ON THE UNIT.

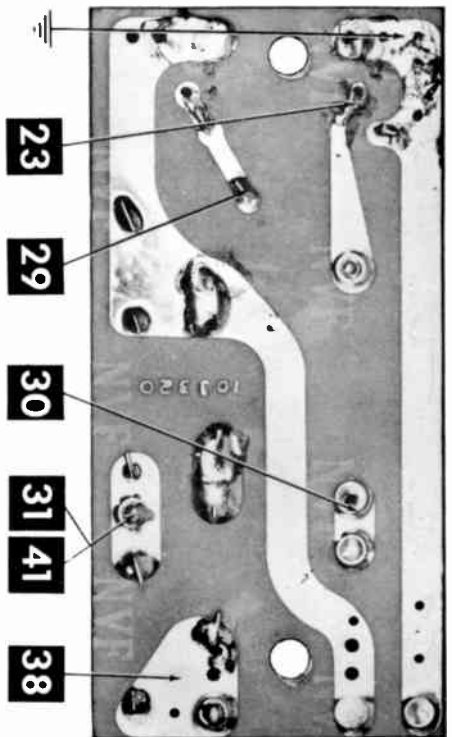




**AUDIO BOARD**



**POWER BOARD**



**PARTS LIST AND DESCRIPTION (CONTINUED)**

**FIXED CAPACITORS(cont)**

ITEM No.	RATING	REMARKS	REPLACEMENT DATA						
			AEROVOX PART No.	CENTRALAB PART No.	CORNELL-DUBILIER PART No.	ELMENCO PART No.	MALLORY PART No.	SPRAGUE PART No.	
C43	20 5%		1469-20	TCN-20	22P5Q2	CM-15C-200			
C44	150								
C45	.005		TTD-005	CK-502	H1		TA-250	TG-D50	
C46	.05		TTD-05	DDA-503	H-0585			TG-S50	
C47	.005		TTD-005	CK-502	H1		TA-250	TG-D50	
C48	68 5%		1469-68	TCN-68	22R5Q68	CM-15E-680		MS-468	
C49	.005		TTD-005	CK-502	H1		TA-250	TG-D50	
C50	.002			DM-202	L10D2	CCD-202	GP220	5GA-D20	
C51	.002			DM-202	L10D2	CCD-202	GP220	5GA-D20	
C52	.002			DM-202	L10D2	CCD-202	GP220	5GA-D20	
C53	.05		TTD-05	DDA-503	H-0585			TG-S50	
C54	100 5%		1469-100	TCN-100	22R5T1	CM-15E-101	MCE235	MS-31	
C55	.005		TTD-005	CK-502	H1		TA-250	TG-D50	
C56	330			DDA-503	H-0585			TG-S50	
C57	.05		TTD-05	DDA-503	H-0585			TG-S50	
C58	200 5%		1469-200	TCN-200	22R5T2	CM-15E-201	MCE237	MS-32	
C59	1.1-2.6	#103333							
C60	.9-4								
C61	.005		TTD-005	CK-502	H1		TA-250	TG-D50	
C62	.005		TTD-1	DA-104	H-05P1			TH-P10	
C63	.01								
C64	200								

# Cadre Part Number.

**CONTROLS**

All wattages 1/2 watt, or less, unless otherwise listed.

ITEM No.	USE	RESISTANCE	REPLACEMENT DATA				
			CADRE PART No.	CENTRALAB PART No.	CLAROSTAT PART No.	CTS-IRC PART No.	MALLORY PART No.
R1	Volume (Power Switch)	5000Ω	101007	B-11, KR-2, or (F2-5000, SU204, KR-2)		Q13-114, 76-2	U-12, US-27 or (UA53A, US-42, SF1000)
R2	Squelch (Squelch Switch)	5000Ω	101189	B-11, KR-1, or (F2-5000, SU204, KR-1)		Q13-114, 76-1	U-12, US-26, or (UA53A, US-41, SF1000)

**RESISTORS (Power and Special)**

ITEM No.	RATING	REPLACEMENT DATA			ITEM No.	RATING	REPLACEMENT DATA		
		IRC PART No.	WORKMAN PART No.	REMARKS			IRC PART No.	WORKMAN PART No.	REMARKS
R45	9Ω Cold			#101088					

# Cadre Part Number

**COILS (RF-IF)**

ITEM No.	USE	REPLACEMENT DATA						NOTES
		CADRE PART No.	MERIT PART No.	MILLER PART No.	STANCOR PART No.	WORKMAN PART No.		
L1	Antenna	103325						
L2	RF	103326						
L3	Receiver Osc.	103327						
L4	1.68MC IF	101399						
L5	1st 455KC IF	101400						
L6	2nd 455KC IF	101018						
L7	3rd 455KC IF	101019						
L8	RF Choke (50uh)	1008-500						
L9	Transmit Osc.	103312						
L10	Buffer	103313						
L11	Final	103314						
L12	Antenna Load	103315						
L13	Antenna Load	103316						
L14	RF Choke (50uh)	1008-500						

**FILTER CHOKE**

ITEM No.	RATINGS			REPLACEMENT DATA					NOTES
	CURRENT (Measured)	DC RES.	INDUCTANCE (0 CURRENT 1000-)	CADRE PART No.	MERIT PART No.	STANCOR PART No.	THORDARSON PART No.	TRIAD PART No.	
L15	.500A	.5Ω	175MH	101056					

**TRANSFORMER (POWER)**

ITEM No.	RATING			REPLACEMENT DATA					NOTES
	PRI.	SEC. 1	SEC. 2	CADRE PART No.	MERIT PART No.	STANCOR PART No.	THORDARSON PART No.	TRIAD PART No.	
T1	117VAC ① .08A (.21A)*	12V② .130A (.5A)*		101110					* Transmit

**TRANSFORMER (DRIVER)**

ITEM No.	TURNS RATIO	REPLACEMENT DATA					NOTES
		CADRE PART No.	MERIT PART No.	STANCOR PART No.	THORDARSON PART No.	TRIAD PART No.	
T2	4 1	101020					

**TRANSFORMER (AUDIO OUTPUT)**

ITEM No.	IMPEDANCE	REPLACEMENT DATA					NOTES
		CADRE PART No.	MERIT PART No.	STANCOR PART No.	THORDARSON PART No.	TRIAD PART No.	
T3	100Ω CT	3-4Ω	101021①				① Alternate Part #104088
		SEC. 2					
		25Ω CT					

**SPEAKER**

ITEM No.	TYPE	REPLACEMENT DATA		NOTES
		CADRE PART No.	QUAM PART No.	
SP1	2" x 6" PM 3-4Ω	101025		

**FUSES**

ITEM No.	TYPE	RATING	REPLACEMENT DATA				BUSS PART No.
			CADRE PART No.	LITTELFUSE PART No.	FUSE HOLDER	FUSE HOLDER	
M1	3AG	1/4A 125V S/B 1A	101095 ①	101094	313.250 (3AG 1/4A) 125V S/B	121004	MDL 1/4 4405
			101437 ②				

① 117VAC Input. ② 12VDC Input.

**MISCELLANEOUS**

ITEM No.	PART NAME	CADRE PART No.	NOTES
M2	Crystal		Receive (Specify Channel & Frequency)
M3	Crystal		Transmit (Specify Channel & Frequency)
M4	Crystal	101116	2nd Converter (2.135MC)
M5	Trans-Filter	101897	(Clevite TF-014)
M6	Trans-Filter	101897	(Clevite TF-014)
M7	Switch	104018	Channel Selector (Rotary Wafer Type)
M8	Switch	101029	Crystal-Tune (DPDT Slide Type)
M9	Relay	103335	Receive-Transmit (4PDT, 3A)
M10	Diode	100624	(Zener E470)
M11	Diode	101153	Audio Detector (1N90)
M12	Diode	101679	Noise Limiter (1N34)
M13	Diode	101154	Squelch Rectifier (1N270)

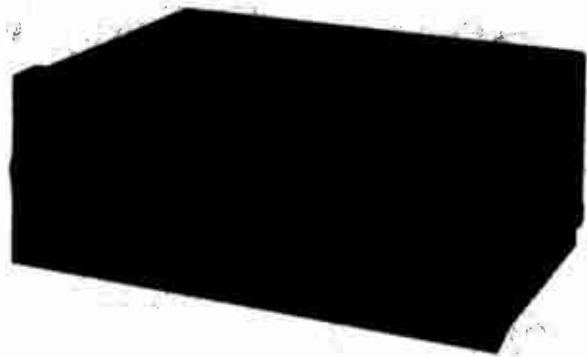
**WIRING DATA**

General-use Hook-up Wire .... Use BELDEN No. 8530 (Solid) Available in 12 Colors  
8524 (Stranded) Available in 12 Colors  
Shielded Antenna Lead ..... Use BELDEN No. 8214 Lowest Loss (RG-8/U Type)  
8237 Low Loss (RG-8/U)  
8240 (Solid) Miniature (RG-58/U)  
8259 (Stranded) Miniature (RG-58A/U)  
Coiled Microphone Cable ..... Use BELDEN No. 8497 3 Conductor-1 Shielded for Press-to-Talk (Neoprene)  
8496 3 Conductor-1 Shielded for Press-to-Talk (Vinyl)  
Ignition Noise Suppression .... Use BELDEN No. 7300-Series Spark-Plug Sets  
Bonding Strap ..... Use BELDEN No. 8661 (3/8 in.)



# PHOTOFACT®

TRADE NAME: Poly-Comm Model SENIOR 23  
 SUPPLIER: Polytronics Lab. Inc.,  
 388 Getty Ave., Clifton, N. J.  
 TYPE SET: 14 Tube Transceiver  
 POWER SUPPLY: 110 - 120 Volts AC, 60 Cycles  
 (or) 12 Volt Storage Battery  
 RATING: 73 Watts, .73 Amp. @ 117VAC  
 5.4 Amp. @ 12.6VDC  
 TUNING RANGE: All 23 CB Channels



## ALIGNMENT INSTRUCTIONS

Suggested Alignment Tools:  
 A1 thru A12, A15, A16..... GENERAL CEMENT #8271, 8722..... WALSCO #2519  
 A13, A14, A17 thru A23.... GENERAL CEMENT #8282, 8606, 8606-L..... WALSCO #2526, 2543, 2544

### RECEIVER ALIGNMENT

SIGNAL GENERATOR	CHANNEL	ADJUST	REMARKS
High side thru .001mfd to pin 7 of V4, low side to chassis. (Tune to 455KC, Unmod.)	Any	A1, A2, A3, A4, A5, A6, A7, A8	Connect DC probe of VTVM to point $\Delta$ , common to chassis, adjust for maximum deflection.
High side thru .001mfd to pin 4 of V2 (1st mixer), low side to chassis. (Tune to 6MC Mod.)	Any	A9, A10, A11, A12	"
High side to antenna terminal, low side to chassis. (Tune to desired channel.)	Near Mid-range	A13, A14, A15, A16	"

### TRANSMITTER ALIGNMENT

Only those persons properly licensed are permitted to make repairs or adjustments which may result in illegal operation. (Refer to FCC rules and regulations Part 19, Subpart D, Section 19.71).

The frequency of the transmitter should be checked periodically with a secondary frequency standard to insure proper and legal operation.

Best results will be obtained when adjusting the final RF output circuit if the antenna normally used is connected and the chassis is as nearly in the cabinet as possible.

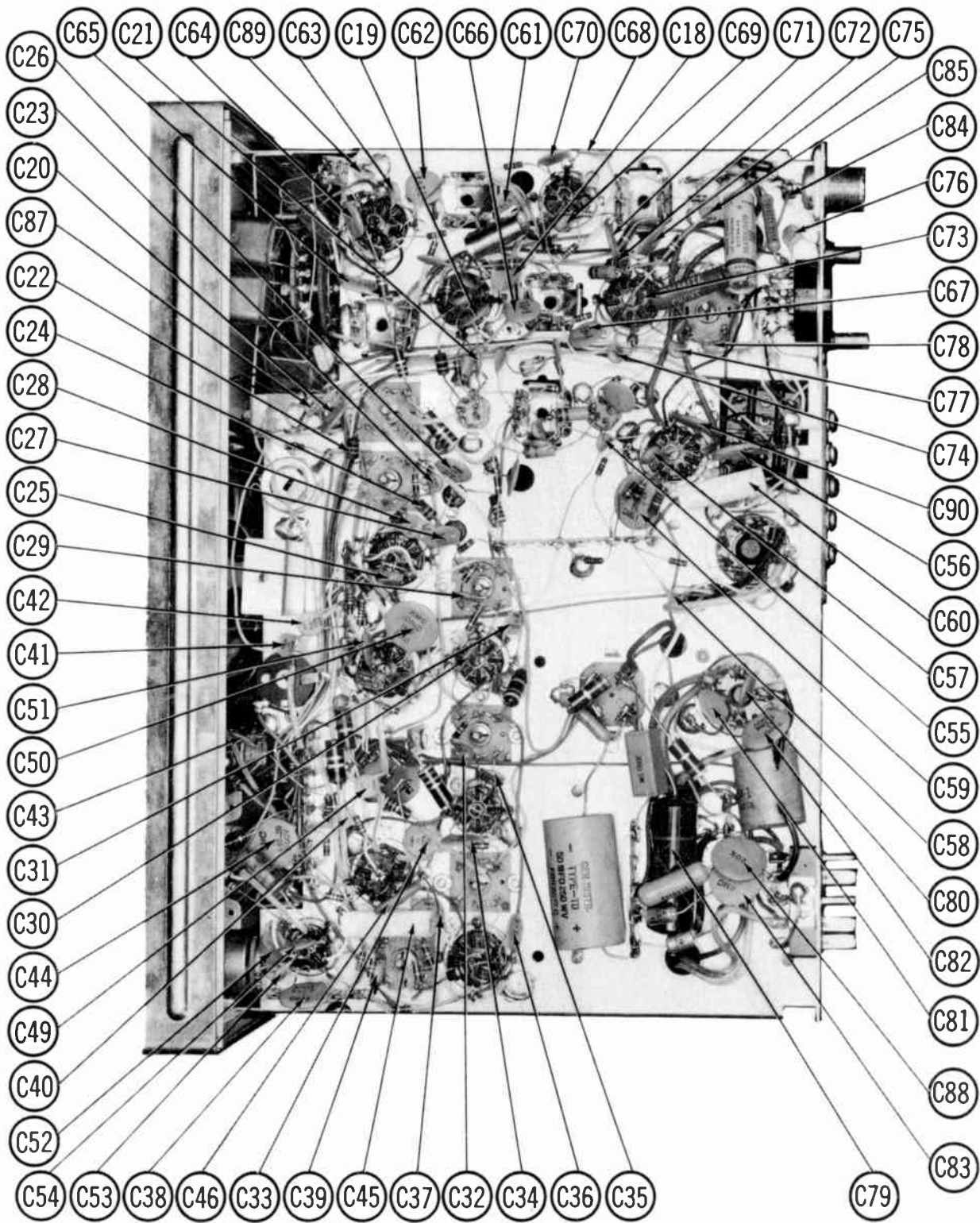
	CHANNEL	ADJUST	REMARKS
Use front panel meter. Meter switch to S-RF.	Any	A17, A18, A19, A20, A21, A22, A23	Adjust for maximum. Meter should indicate a MINIMUM of 3.5 Watts.

### RELAY SENSITIVITY

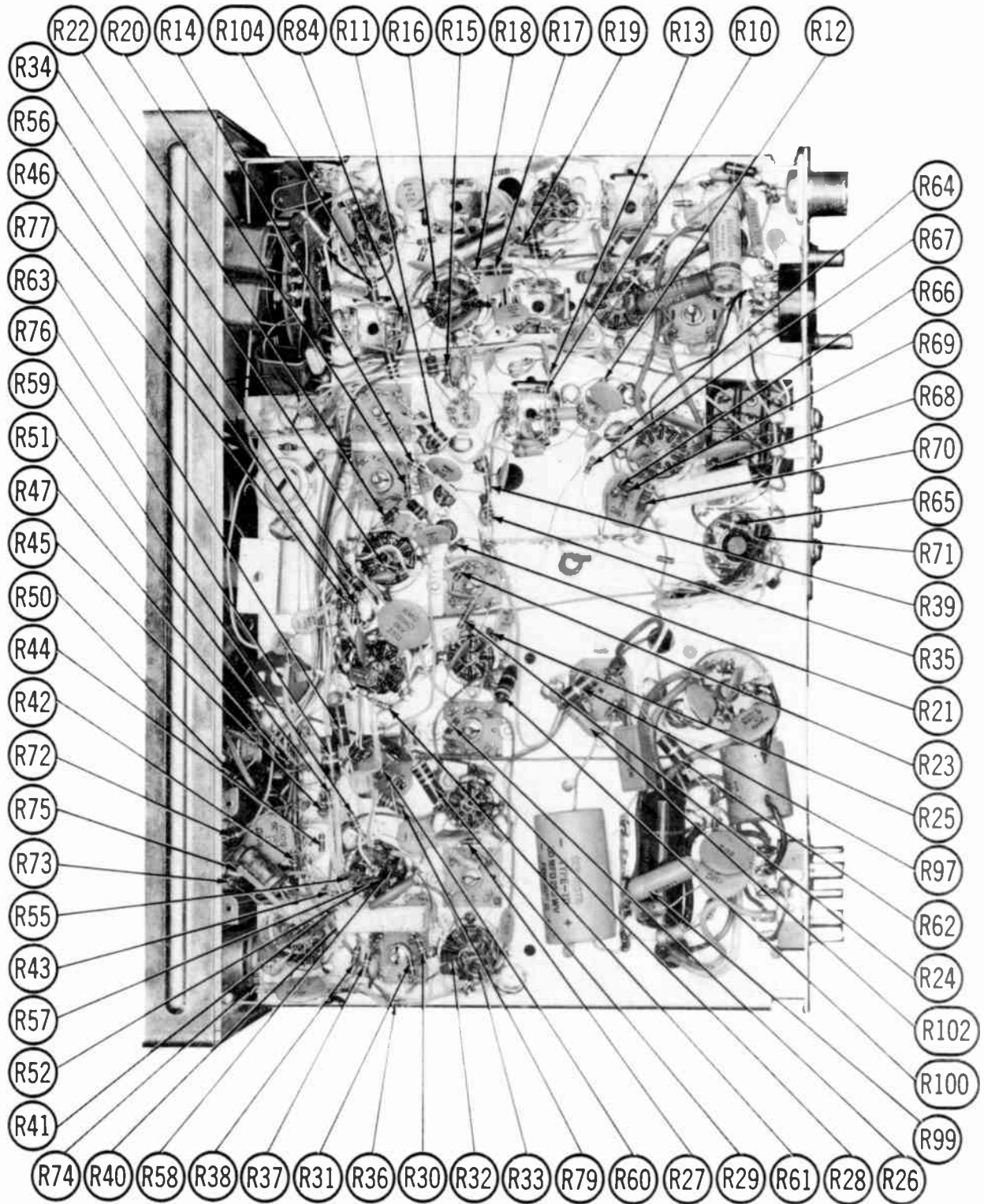
		ADJUST	REMARKS
Connect DC probe of VTVM to TP8, (335V), common to TP4 (Pin 1, V11)		R4	Adjust R4 to close relay. With relay closed, turn channel selector to a point between channels and adjust R4 for a reading of 34 volts.

POLY-COMM MODEL SENIOR 23

**HOWARD W. SAMS & CO., INC.** Indianapolis 6, Indiana

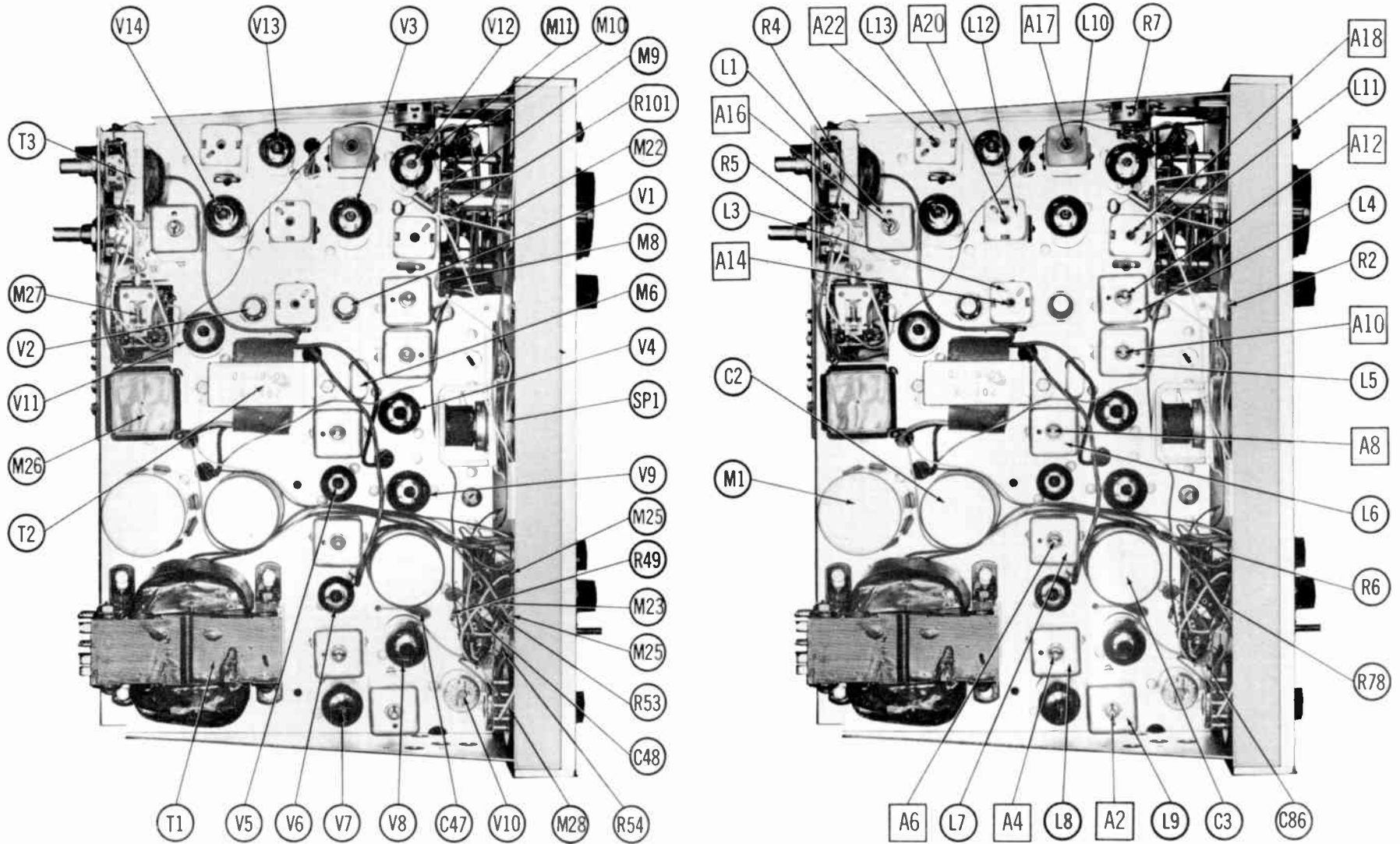


**CHASSIS BOTTOM VIEW C CAPACITOR IDENT  
(ALSO SEE PAGE 143)**

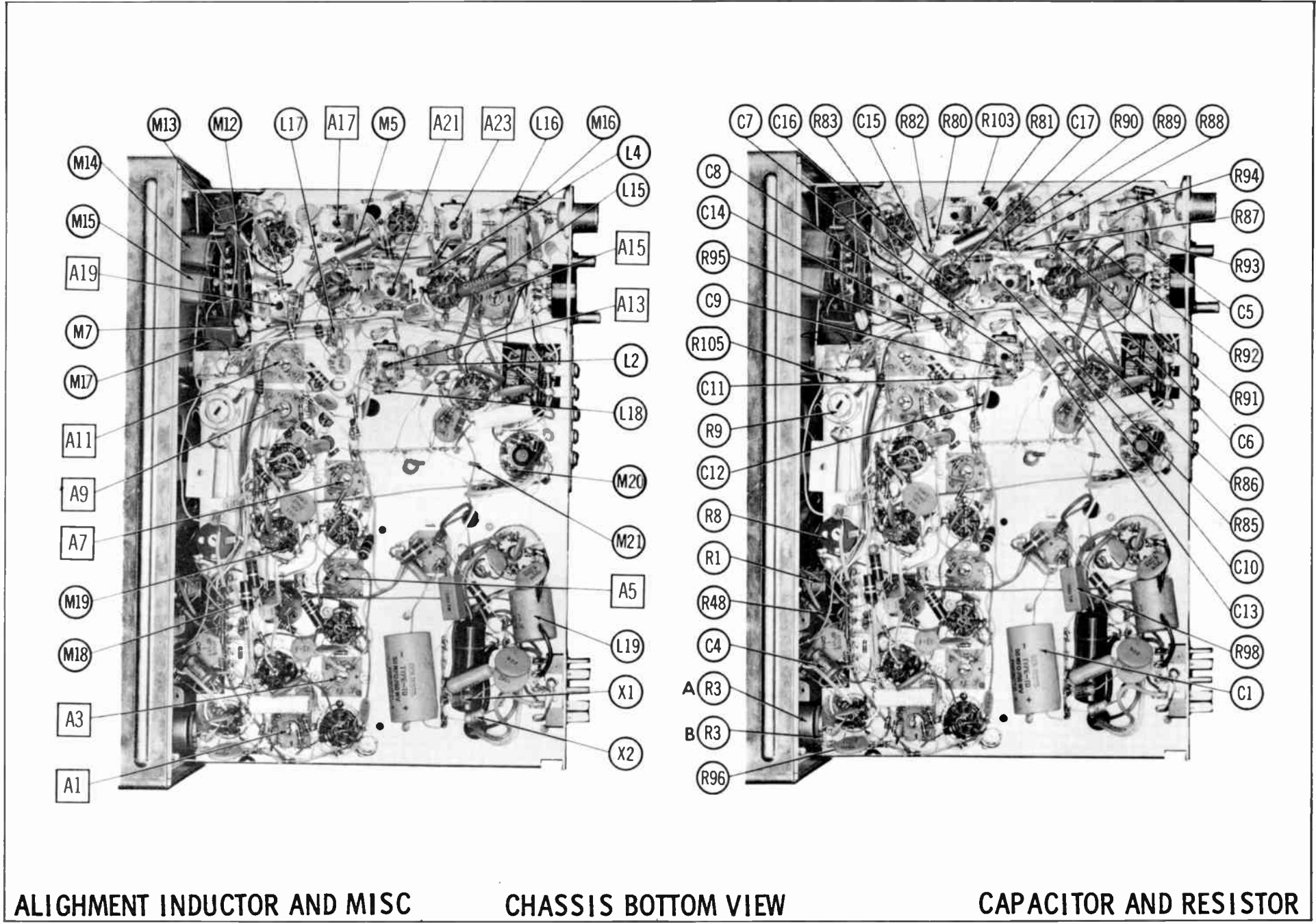


CHASSIS BOTTOM VIEW RESISTOR IDENT  
(ALSO SEE PAGE 143)





CHASSIS TOP VIEW

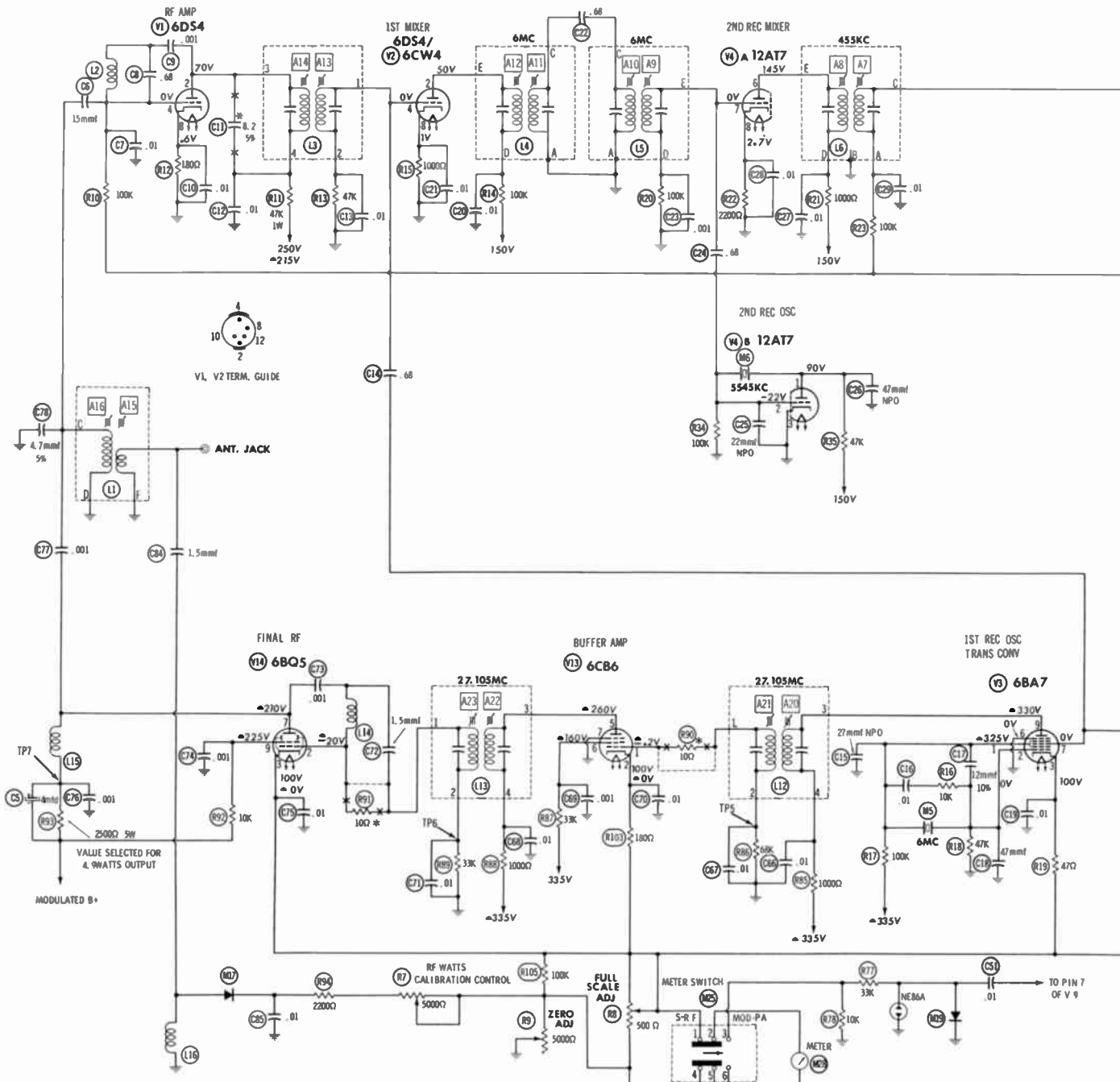


ALIGNMENT INDUCTOR AND MISC

CHASSIS BOTTOM VIEW

CAPACITOR AND RESISTOR

POLY-COMM MODEL SENIOR 23



- ⊙ See parts list for alternate value or application.
- 1. Voltage measurements taken with vacuum tube voltmeter.
- 2. All controls set for normal operation, no signal applied.
- 3. Measured values are from socket pin or terminal to common ground.
- 4. All terminals viewed from bottom unless otherwise designated.
- 5. Numbers assigned to terminals may not be found on the unit.
- 6. Supply voltage maintained at rated value for voltage readings.
- \* NOT USED IN SOME VERSIONS

OUTPUT TERMINALS					
1	2	3	4	5	6
7	8	9	10	11	12

TERMINALS 4 & 9 MONITOR SPEAKER  
 TERMINALS 9 & 10 PA SPEAKER  
 TERMINALS 2 & 3 12.0WAC  
 TERMINALS 6, 7, & 8 RELAY  
 TERMINAL 5 COMMON

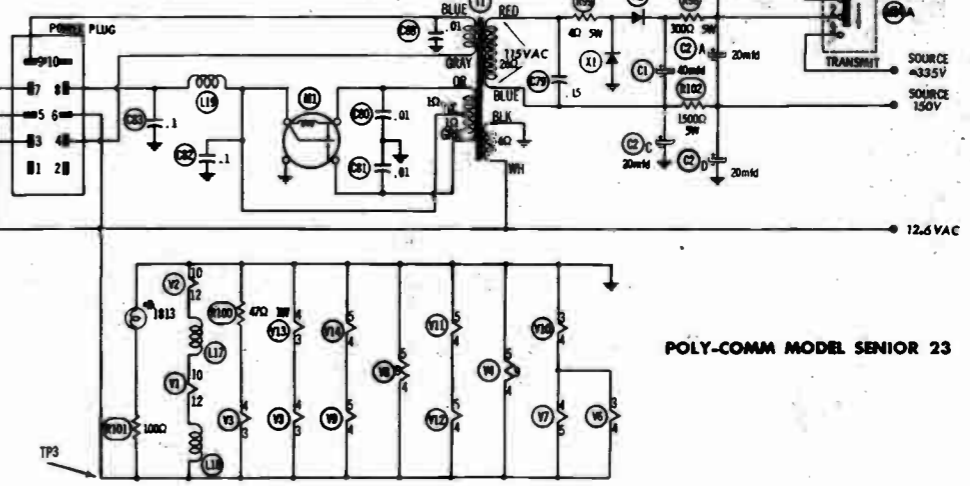
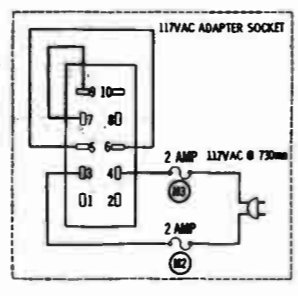
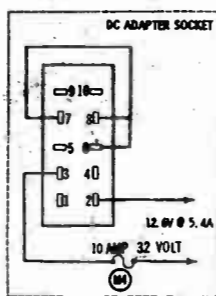
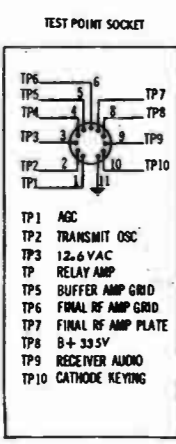
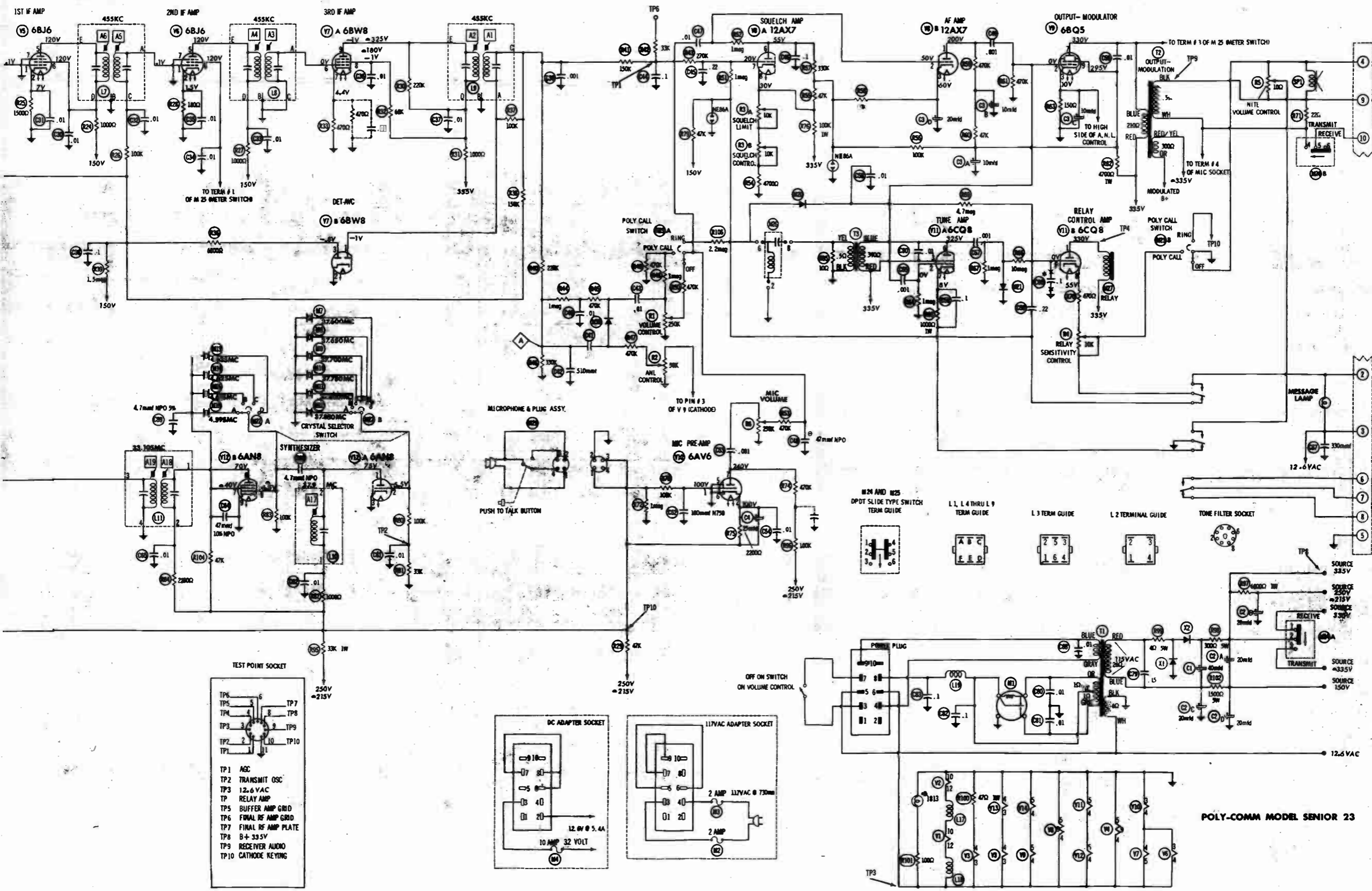
CRYSTAL SELECTOR M22A	
POSITION A	CHANNELS 4, 8, 12, 16, 20, & 23
POSITION B	CHANNELS 3, 7, 11, 15, 19 & 22A
POSITION C	CHANNELS 2, 6, 10, 14, 18, & 22
POSITION D	CHANNELS 1, 5, 9, 13, 17, & 21

CRYSTAL SELECTOR M22B	
POSITION A	CHANNELS 21 THRU 23
POSITION B	CHANNEL 17 THRU 20
POSITION C	CHANNELS 13 THRU 16
POSITION D	CHANNELS 9 THRU 12
POSITION E	CHANNELS 5 THRU 8
POSITION F	CHANNELS 1 THRU 4

**POLY-COMM MODEL SENIOR 23**

A PHOTOFACIT STANDARD NOTATION SCHEMATIC  
 ©Howard W Soms & Co., Inc. 1963





POLY-COMM MODEL SENIOR 23

# PARTS LIST AND DESCRIPTION

## TUBES

ITEM No.	USE	GENERAL ELECTRIC			ITEM No.	USE	RAYTHEON			SYLVANIA		
		TYPE	TYPE	TYPE			TYPE	TYPE	TYPE	TYPE		
V1	RF Amplifier	6DS4			V8	Squelch - AF Amplifier	12AX7					
V2	1st Receiver Mixer	6CW4/6DS4			V9	Output-Modulator	6BQ5					
V3	1st Receiver Oscillator-Transmitter Converter	6BA7			V10	Mic. Preamplifier	6AV6					
V4	2nd Receiver Mixer-2nd Receiver Oscillator	12AT7			V11	Tune Amplifier-Relay Control	6CQ8					
V5	1st IF Amplifier	6BJ6			V12	Trans. Osc. Mixer	6AN8					
V6	2nd IF Amplifier	6BJ6			V13	Buffer	6CB6					
V7	3rd IF Amplifier-Detector-AGC	6BW8			V14	Final RF Output	8321/6BQ5					

## POWER RECTIFIERS & SIGNAL DIODES

ITEM No.	MEASURED CURRENT	ORIGINAL Part or Type No.	RECTIFIERS			NOTES
			MALLORY PART No.	RCA PART No.	SARKES TARZIAN PART No.	
X1	.085A *		1N2070	1N1763	F6	.125A Transmit
X2	.085A *		1N2070	1N1763	F6	

## ELECTROLYTIC CAPACITORS

ITEM No.	RATING		REPLACEMENT DATA						
	CAP.	VOLT.	POLY-COMM PART No.	AEROVOX PART No.	CORNELL-DUBILIER PART No.	GENERAL ELECTRIC PART No.	GENERAL INSTRUMENT PART No.	MALLORY PART No.	SPRAGUE PART No.
C1	40	250		PRS-1580	BR4025	QT1-14	TD 40-250	TC58	TVA-1511
C2A	20	400							
B	20	400		AFH4-14	D0130	XC4-14	TMQ-4616	FP444	TVL-4763
C	20	400							
D	20	400							
C3A	10	450							
B	10	450		AFH4-59	D0480		TMQ-4505	FP434.5	TVL-4723
C	10	450							
D	20	25							
C4	25	20		PRS1260	BBR25-25	QT1-15	TD-50-25	TC26	TVA-1205
C5	4	150		PRS1400	BBR4-150	QT1-2	TD-4-150	TT150X4	TVA-1402

POLY-COMM MODEL SENIOR 23

ITEM	TUBE	Pin 1	Pin 2	Pin 3	Pin 4	Pin 5	Pin 6	Pin 7	Pin 8	Pin 9
V1	6DS4		15K		400K				180Ω	
V2	6CW4		100K		47K				1000Ω	
V3	6BA7	100K	47K	47K					10K	
V4	12AT7	47K	100K	100K					2200Ω	
V5	6BJ6	300K	1500Ω	FIL	FIL	FIL	FIL	FIL		
V6	6BJ6	300K	1500Ω	FIL	FIL	FIL	FIL	FIL		
V7	6BW8	125K	0Ω	240K	FIL	FIL	FIL	FIL		
V8	12AX7	1500K	1.5MΩ	115K	FIL	FIL	FIL	FIL		
V9	6BQ5	NC	470K	150Ω	FIL	FIL	FIL	FIL		
V10	6AV6	1.1MΩ	15K	15K	FIL	FIL	FIL	FIL		
V11	6CQ8	1500Ω	1MΩ	1000Ω	FIL	FIL	FIL	FIL		
V12	6AN8	140K	13K	0Ω	FIL	FIL	FIL	FIL		
V13	6CB6	68K	180Ω	FIL	FIL	FIL	FIL	FIL		
V14	6BQ5	NC	3K	40Ω	FIL	FIL	FIL	FIL		

† MEASURED FROM CATHODE OF X 2.

‡ MEASURED FROM JUNCTION OF C20 AND R 102.

RESISTANCE MEASUREMENTS

# PARTS LIST AND DESCRIPTION (CONTINUED)

## FIXED CAPACITORS

ITEM No.	RATING	REMARKS	REPLACEMENT DATA						
			AEROVOX PART No.	CENTRALAB PART No.	CORNELL-DUBILIER PART No.	ELMENDO PART No.	MALLORY PART No.	SPRAGUE PART No.	
C6	15		NPO-D1 15	TCZ-15	C10Q15C	CCTO-150	CNO-415	10TCC-Q15	
C7	.01 100V		TTD-01	CK-103	H2		TA-110	TG-S10	
C8	.68		NPO-SI .68	TCZ-R68					
C9	.001		EF-001	MFT-1000		CCF-102	CT280A		
C10	.01	(.001) †	BPD-01	DD-103	BYA10S1	CCD-103	B-110	5HK-S10	
C11	8.2 5%		NPO-D1 8.2	DD-103	C10V82C			10TCC-V22	
C12	.01		BPD-01	DD-103	BYA10S1	CCD-103	B-110	5HK-S10	
C13	.01		BPD-01	DD-103	BYA10S1	CCD-103	B-110	5HK-S10	
C14	.68		NPO-SI .68	TCZ-R68					
C15	27 NPO		CI-27	TCZ-27	C10Q27C	CCD-270	CNO 427	10TCC-Q27	
C16	.01		BPD-01	DD-103	BYA10S1	CCD-103	B-110	5HK-S10	
C17	12 10%		DI-12	DD-120	L10Q12	CCD-120	GP412	10TCC-Q12	
C18	.47	(.22) †	TCZ-47	TCZ-47	C10Q47C	CCD-470	CNO-447	10TCC-Q47	
C19	.01	(.001) †	BPD-01	DD-103	BYA10S1	CCD-103	B-110	5HK-S10	
C20	.01	(.1) †	BPD-01	DD-103	BYA10S1	CCD-103	B-110	5HK-S10	
C21	.01		BPD-01	DD-103	BYA10S1	CCD-103	B-110	5HK-S10	
C22	.68		NPO-SI .68	TCZ-R68					
C23	.001		EF-001	MFT-1000		CCF-102	CT280A		
C24	.68		NPO-SI .68	TCZ-R68					
C25	22 NPO		CI-22	TCZ-22	C10Q22C	CCD-220	CNO 422	10TCC-Q22	
C26	47 NPO 10%		CI 47	TCZ-47	L10Q47C	CCD-470	CNO-447	10TCC-Q47	
C27	.01		BPD-01	DD-103	BYA10S1	CCD-103	B-110	5HK-S10	
C28	.01		BPD-01	DD-103	BYA10S1	CCD-103	B-110	5HK-S10	
C29	.01		BPD-01	DD-103	BYA10S1	CCD-103	B-110	5HK-S10	
C30	.01		BPD-01	DD-103	BYA10S1	CCD-103	B-110	5HK-S10	
C31	.01		BPD-01	DD-103	BYA10S1	CCD-103	B-110	5HK-S10	
C32	.01		BPD-01	DD-103	BYA10S1	CCD-103	B-110	5HK-S10	
C33	.01		BPD-01	DD-103	BYA10S1	CCD-103	B-110	5HK-S10	
C34	.01		BPD-01	DD-103	BYA10S1	CCD-103	B-110	5HK-S10	
C35	.01		BPD-01	DD-103	BYA10S1	CCD-103	B-110	5HK-S10	
C36	.01		BPD-01	DD-103	BYA10S1	CCD-103	B-110	5HK-S10	
C37	.01		BPD-01	DD-103	BYA10S1	CCD-103	B-110	5HK-S10	
C38	.1 100V		TTD-1	DF-104	CUB2P1	IDP-2-104	GEM-201	2PS-P10	
C39	.001	(.220) †	EF-001	MFT-1000		CCF-102	CT280A		
C40	.01		BPD-01	DD-103	BYA10S1	CCD-103	B-110	5HK-S10	
C41	.01		BPD-01	DD-103	BYA10S1	CCD-103	B-110	5HK-S10	
C42	510		DI-500	DD-511	L10T51	CCD-501	GP350	10TS-T50	
C43	.01		BPD-01	DD-103	BYA10S1	CCD-103	B-110	5HK-S10	
C44	.1	(.22) †	TTD-1	DF-104	CUB2P1	IDP-2-104	GEM-201	2PS-P10	
C45	.22	(.1) †	P188N-22	DF-104	CUB2P22	IDP-3-224	GEM-2022	2PS-P22	
C46	.1		P488N-1	DF-104	CUB4P1	4DP-3-104	GEM-401	4TM-P10	
C47	.01		BPD-01	DD-103	BYA10S1	CCD-103	B-110	5HK-S10	
C48	47 NPO		CI-47	TCZ-47	L10Q47C	CCD-470	CNO-447	10TCC-Q47	
C49	.001	Note 1	BPD-001	DD-102	BYA10S1	CCD-102	B-110	5HK-S10	
C50	.01 1000V		DAC-27	DD16-103	HVE16S1	16DP-3-103	UAC-110	BL-S10	
C51	.01		BPD-01	DD-103	BYA10S1	CCD-103	B-110	5HK-S10	
C52	100 N750		N750-D1 100	TCN-100	C10T1U	CCFN-101	CN7-310	10TCU-T10	
C53	.001		EF-001	MFT-1000		CCF-102	CT280A		
C54	.01		BPD-01	DD-103	BYA10S1	CCD-103	B-110	5HK-S10	
C55	.001		EF-001	MFT-1000		CCF-102	CT280A		
C56	.1		TTD-1	DF-104	CUB2P1	IDP-2-104	GEM-201	2PS-P10	
C57	.001	(.01) †	EF-001	MFT-1000		CCF-102	CT280A		
C58	.01		BPD-01	DD-103	BYA10S1	CCD-103	B-110	5HK-S10	
C59	.22 600V		P688N-22	DF-104	CUB2P22	IDP-3-224	GEM-6022	6PS-P22	
C60	.1		P488N-1	DF-104	CUB4P1	4DP-3-104	GEM-401	4TM-P10	
C61	.01	(.001) †	BPD-01	DD-103	BYA10S1	CCD-103	B-110	5HK-S10	
C62	.01		BPD-01	DD-103	BYA10S1	CCD-103	B-110	5HK-S10	
C63	4.7 NPO		NPO-D1 4.7	TCZ-4.7	C10V47C	CCTO-4R7	CNO-547	10TCC-V47	
C64	47 NPO 10%		CI-47	TCZ-47	L10Q47C	CCD-470	CNO-447	10TCC-Q47	
C65	.01		BPD-01	DD-103	BYA10S1	CCD-103	B-110	5HK-S10	
C66	.01		BPD-01	DD-103	BYA10S1	CCD-103	B-110	5HK-S10	
C67	.01	(.001) †	BPD-01	DD-103	BYA10S1	CCD-103	B-110	5HK-S10	
C68	.01		BPD-01	DD-103	BYA10S1	CCD-103	B-110	5HK-S10	
C69	.001		EF-001	MFT-1000		CCF-102	CT280A		
C70	.01	(.001) †	BPD-01	DD-103	BYA10S1	CCD-103	B-110	5HK-S10	
C71	.01		BPD-01	DD-103	BYA10S1	CCD-103	B-110	5HK-S10	
C72	1.5		NPO-SI 1.5	TCZ-1R5	C10V15C		CNO-515	10TCC-V15	
C73	.001		EF-001	MFT-1000		CCF-102	CT280A		
C74	.001	(.01) †	EF-001	MFT-1000		CCF-102	CT280A		
C75	.01		BPD-01	DD-103	BYA10S1	CCD-103	B-110	5HK-S10	

## FIXED CAPACITORS (cont)

ITEM No.	RATING	REMARKS	REPLACEMENT DATA						
			AEROVOX PART No.	CENTRALAB PART No.	CORNELL-DUBILIER PART No.	ELMENDO PART No.	MALLORY PART No.	SPRAGUE PART No.	
C76	.001		EF-001	MFT-1000		CCF-102	CT280A		
C77	.001		EF-001	MFT-1000		CCF-102	CT280A		
C78	4.7 5%		NPO-D1 4.7	TCZ-4.7	C10V47C			10TCC-V47	
C79	.15 600V		P888N-15	DF-104	CUB4P1	4DP-3-104	GEM-401	4TM-P10	
C80	.01		BPD-01	DD-103	BYA10S1	CCD-103	B-110	5HK-S10	
C81	.01		BPD-01	DD-103	BYA10S1	CCD-103	B-110	5HK-S10	
C82	.1		P488N-1	DF-104	CUB4P1	4DP-3-104	GEM-401	4TM-P10	
C83	1.5		NPO-SI 1.5	TCZ-1R5	C10V15C			10TCC-V15	
C84	.01		BPD-01	DD-103	BYA10S1	CCD-103	B-110	5HK-S10	
C85	.01 100V		BPD-01	DD-103	BYA10S1	CCD-103	B-110	5HK-S10	
C86	510		DI-500	DD-511	L10T51	CCD-501	GP350	10TS-T50	
C87	330		DI-330	DD-331	LAI0T33-C4	CCD-331	GP333	10TS-T33	
C88	.01 1000V		DAC-27	DD16-103	HVE16S1	16DP-3-103	UAC-11		

## PARTS LIST AND DESCRIPTION (CONTINUED)

### RESISTORS (Power and Special)

ITEM No.	RATING	REPLACEMENT DATA			ITEM No.	RATING	REPLACEMENT DATA		
		IRC PART No.	WORKMAN PART No.	REMARKS			IRC PART No.	WORKMAN PART No.	REMARKS
R20 R26	25000 SW 3000 SW	PWB-2500 PWB-300	SW-SQ-2500 SW-SQ-300	Note 1	R102	15000 SW	PWB-1500	SW-SQ-1500	

Note 1. Value selected for 4.0 Watts output.

### TRANSFORMER (POWER)

ITEM No.	RATING			REPLACEMENT DATA					NOTES
	PR.	SEC. 1	SEC. 2	POLY-COMM PART No.	MERT PART No.	STANCOR PART No.	THORDARSON PART No.	TRIAD PART No.	
T1	117VAC ①. 5A or 12.8VDC ②. 2.4A	115VAC ①. 55A DC ②. 125ADC*	12.8VAC ③. 4.8A						* Transmit

### TRANSFORMER (AUDIO OUTPUT)

ITEM No.	IMPEDANCE		REPLACEMENT DATA					NOTES
	PR.	SEC.	POLY-COMM PART No.	MERT PART No.	STANCOR PART No.	THORDARSON PART No.	TRIAD PART No.	
T2			20L3-B					

### TRANSFORMER (COUP)

ITEM No.	IMPEDANCE		REPLACEMENT DATA					NOTES
	PR.	SEC.	POLY-COMM PART No.	MERT PART No.	STANCOR PART No.	THORDARSON PART No.	TRIAD PART No.	
T3	2-40	ME	T15-W-1A					

### SPEAKER

ITEM No.	TYPE	REPLACEMENT DATA		NOTES
		POLY-COMM PART No.	QUAM PART No.	
SP1	4" PM 2-40		4A97	

### VIBRATOR

ITEM No.	TYPE	INPUT VOLTS	FREQ. QUENCY	REPLACEMENT DATA			NOTES
				POLY-COMM PART No.	CORNELL-DUBILIER PART No.	MALLORY PART No.	
V1	Interrupter	12.8	110%		680	Q180	

### FUSES

ITEM No.	TYPE	RATING	REPLACEMENT DATA					
			POLY-COMM PART No.		LITTELFUSE PART No.		BUSS PART No.	
			FUSE	HOLDER	FUSE	HOLDER	FUSE	HOLDER
M2	3AG	2A 250V			31900 (3AG 2A 250V)		MDL3	
M3	3AG	2A 250V			31500 (3AG 2A 250V)		MDL2	
M4	AGC	10A 32V			30700 (3AG 10A 32V)	34200	MDA10	HKP

### MISCELLANEOUS

ITEM No.	PART NAME	POLY-COMM PART No.	NOTES
M5	Crystal		65C
M6	Crystal		6546C
M7	Crystal		27.600MC (Channels 1 thru 4)
M8	Crystal		27.600MC (Channels 5 thru 8)
M9	Crystal		27.700MC (Channels 9 thru 12)
M10	Crystal		27.750MC (Channels 13 thru 16)
M11	Crystal		27.800MC (Channels 17 thru 20)
M12	Crystal		27.850MC (Channels 21 thru 23)
M13	Crystal		4.655MC (Channels 1, 5, 9, 13, 17, & 21)
M14	Crystal		4.655MC (Channels 2, 6, 10, 14, 18, & 22)
M15	Crystal		4.615MC (Channels 3, 7, 11, 15, 19, & 23A)
M16	Crystal		4.595MC (Channels 4, 8, 12, 16, 20 & 23)
M17	Diode		Motor Rectifier (M60)
M18	Diode		ANL Rectifier (RD622)
M19	Diode		Motor Rectifier (RD622)
M20	Diode		Relay Amp. Grid Coupling (RD622)
M21	Diode		Relay Amp. Grid Coupling (RD622)
M22	Switch		Channel Selector (Rotary Wafer Type)
M23	Switch		Poly-Call (3 Position Wafer, Spring Return from "ring" Position)
M24	Switch		Transmit-PA (DPDT Slide Type)
M25	Switch		Motor, S/RV-Mod/PA (DPDT Slide Type)
M26	Tone Filter		G (2625CPS)
	Tone Filter		A (1725CPS)
	Tone Filter		B (1875CPS)
	Tone Filter		C (2025CPS)
	Tone Filter		D (2175CPS)
	Tone Filter		E (2325CPS)
	Tone Filter		F (2475CPS)
	Tone Filter		H (2775CPS)
	Tone Filter		I (2925CPS)
M27	Relay		Poly-Call and Controlling Circuit
M28	Motor		S/RV-Mod/PA
M29	Microphone Ass'y.		Includes Push-to-talk Switch, Cable, and Plug

### WIRING DATA

General-use Hook-up Wire .... Use BELDEN No. 6830 (Solid) Available in 12 Colors  
6824 (Stranded) Available in 12 Colors

Shielded Antenna Lead ..... Use BELDEN No. 6264 Lowest Loss (RG-8/U Type)  
6257 Low Loss (RG-8/U)  
6240 (Solid) Miniature (RG-8/U)  
6259 (Stranded) Miniature (RG-8A/U)

Coiled Microphone Cable ..... Use BELDEN No. 6497 3 Conductor- 1 Shielded for Press-to-Talk (Neoprene)  
6486 3 Conductor- 1 Shielded for Press-to-Talk (Vinyl)

Ignition Noise Suppression .... Use BELDEN No. 7300-Series Spark-Plug Sets

Soldering Strap ..... Use BELDEN No. 666 (2/8 In.)



# PHOTOFACT<sup>®</sup> with CIRCUITRACE<sup>®</sup>



TRADE NAME : Radiocom Models 27C-2A/-2B/-2C  
 SUPPLIER : Maxwell Electronics Corp.  
 229 Garvon Street, Garland, Texas  
 TYPE SET : 10 Tube Transceiver  
 POWER SUPPLY : 110 - 120 Volts AC, 60 Cycles (or)  
 6 (or) 12 Volt Storage Battery  
 RATING : 70 Watts, .62 Amp. @ 117 VAC (Receive)  
 80 Watts, .74 Amp. @ 117 VAC (Transmit)  
 4.3 Amp. @ 12.6VDC (Receive)  
 TUNING RANGE : Any one CB Channel 1 thru 23

RADIOCOM MODELS 27C-2A/-2B/-2C

## ALIGNMENT INSTRUCTIONS

### ALIGNMENT INSTRUCTIONS—READ CAREFULLY BEFORE ATTEMPTING ALIGNMENT

Best results will be obtained when adjusting A9 and A10 if the antenna normally used is connected and the unit is as nearly in the cabinet as possible.

#### RECEIVER ALIGNMENT

Use only enough generator output to provide a usable indication.  
 Connect DC VTVM across volume control.  
 Suggested Alignment Tools: GENERAL CEMENT # 5097, 8727  
 A1 thru A4... WALSCO #2515

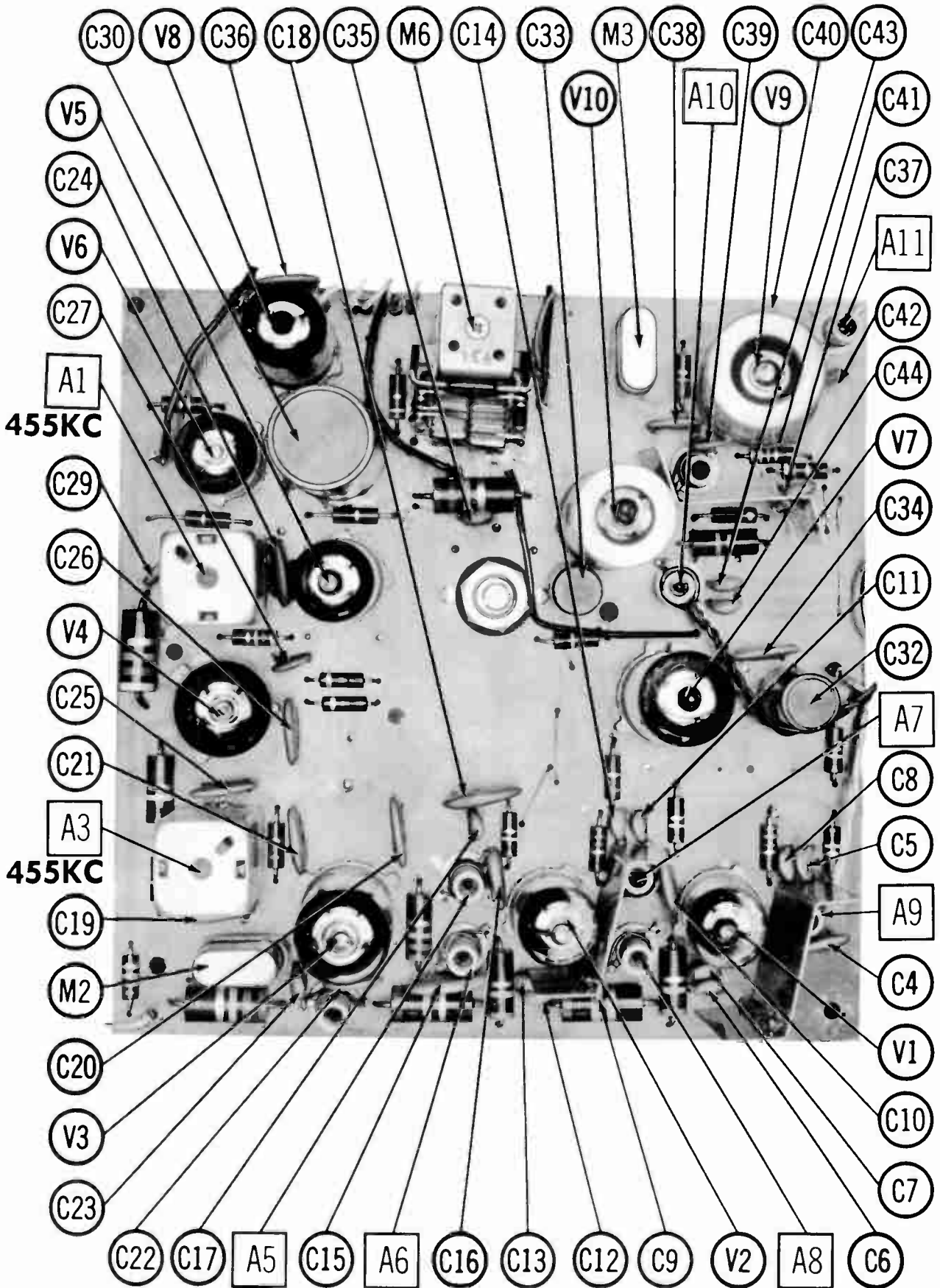
	SIGNAL GENERATOR	CHANNEL	ADJUST	REMARKS
1.	High side to pin 2 (grid) of Mixer, Low side to chassis. Tune to 455KC (Unmod.)	Any	A1, A2, A3, A4	Remove receiver crystal. Adjust for maximum deflection. Reinsert crystal.
2.	High side to antenna receptacle, low side to chassis. Tune to receiver freq.	"	A5, A6, A7, A8, A9	Loosen locking inserts. Adjust for maximum deflection. Tighten locking inserts being careful not to disturb cores.

#### TRANSMITTER ALIGNMENT

ONLY THOSE PERSONS PROPERLY LICENSED ARE PERMITTED TO MAKE REPAIRS OR ADJUSTMENTS WHICH MAY RESULT IN ILLEGAL OPERATION. (REFER TO FCC RULES & REGULATIONS PART 19. SUBPART D, SECTION 19.71)

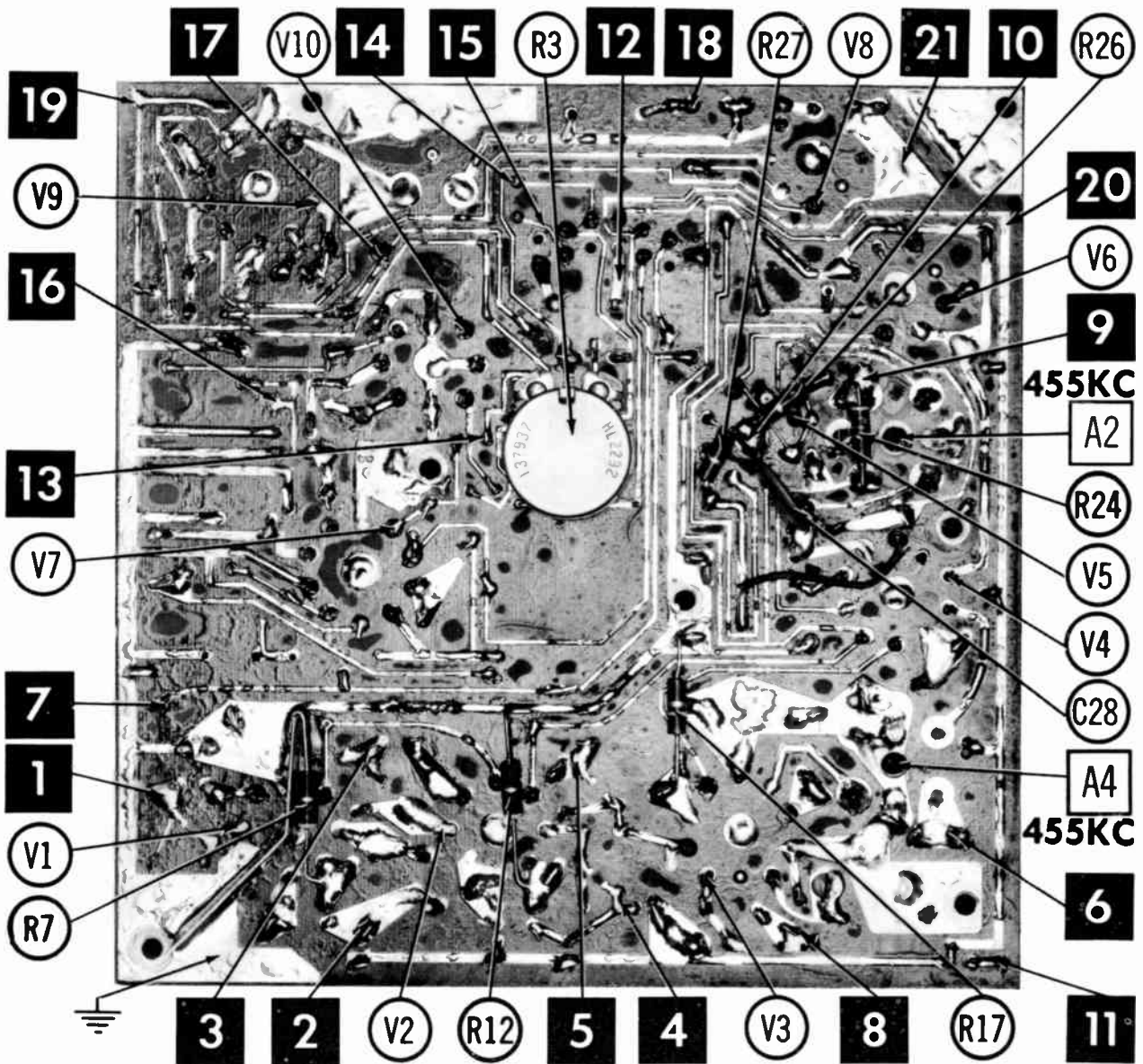
	SPECIAL INSTRUCTIONS	INDICATOR	ADJUST	REMARKS
3.	Connect suitable load to antenna receptacle. Turn A 11 core to extreme low end of coll.	RF Wattmeter or field strength meter.	A10, A11	Key Transmitter. Adjust for maximum output. Repeat adjustments until no further improvement is noticed.

**HOWARD W. SAMS & CO., INC.** Indianapolis 6, Indiana

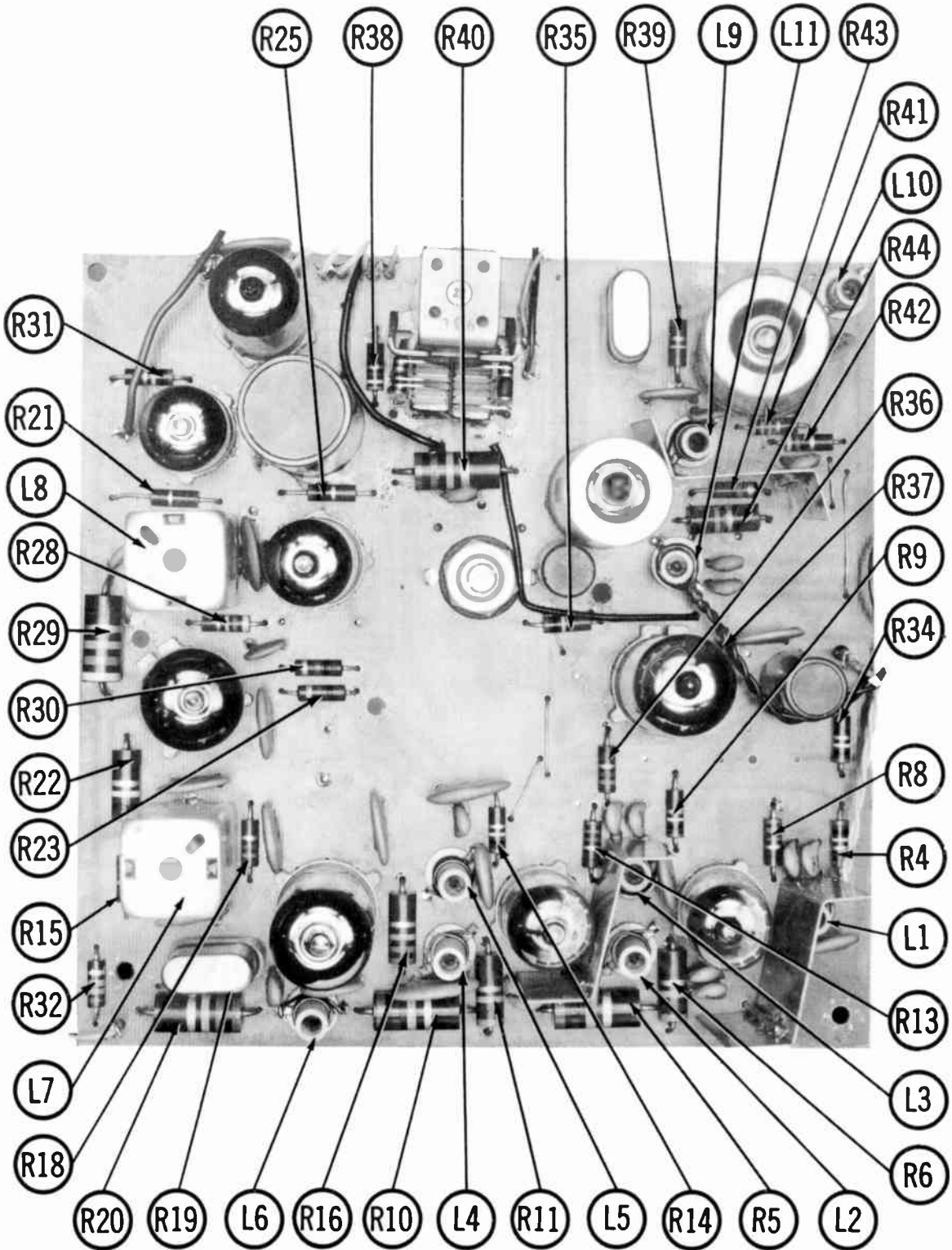


MAIN CHASSIS TOP VIEW - ALIGNMENT, CAPACITOR, TUBE & MISC. IDENT.



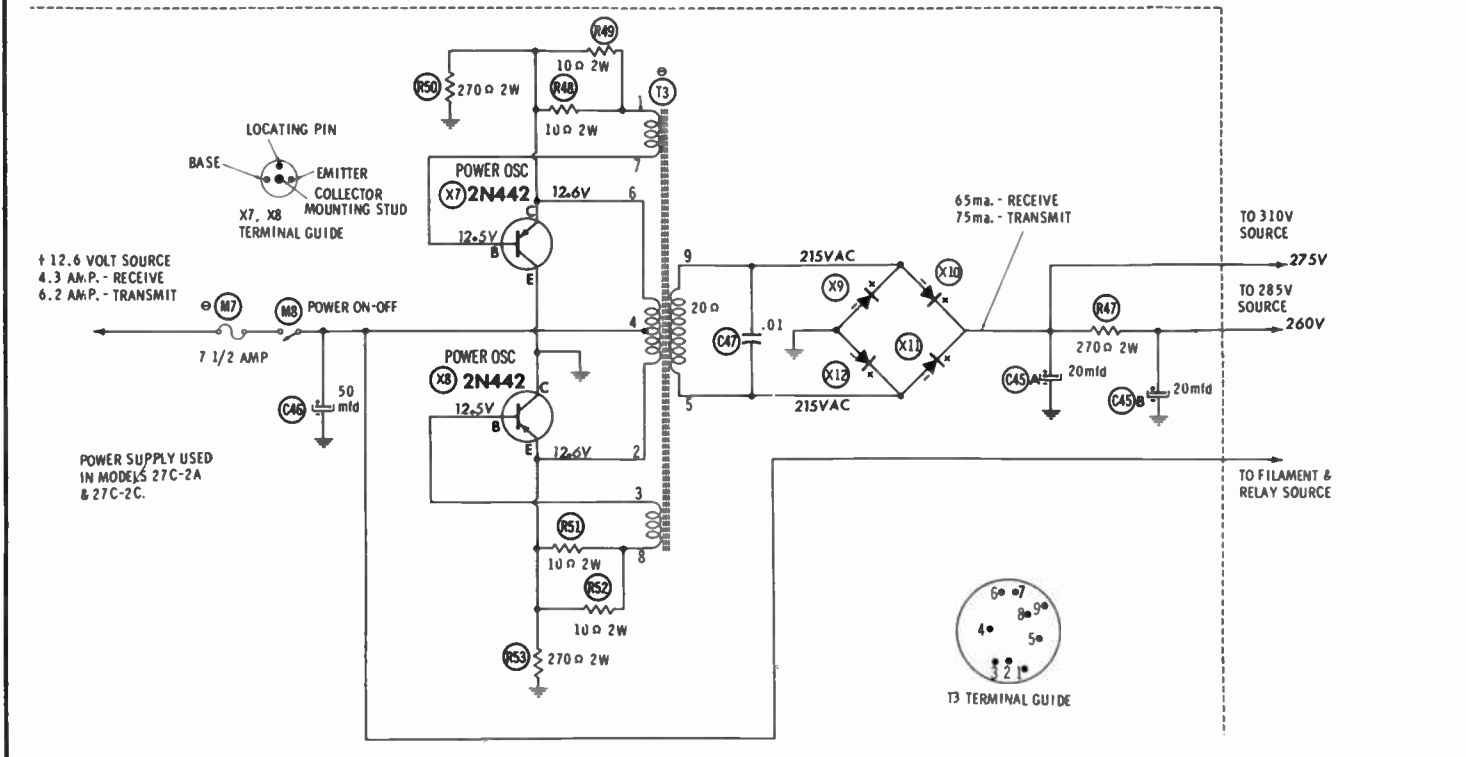
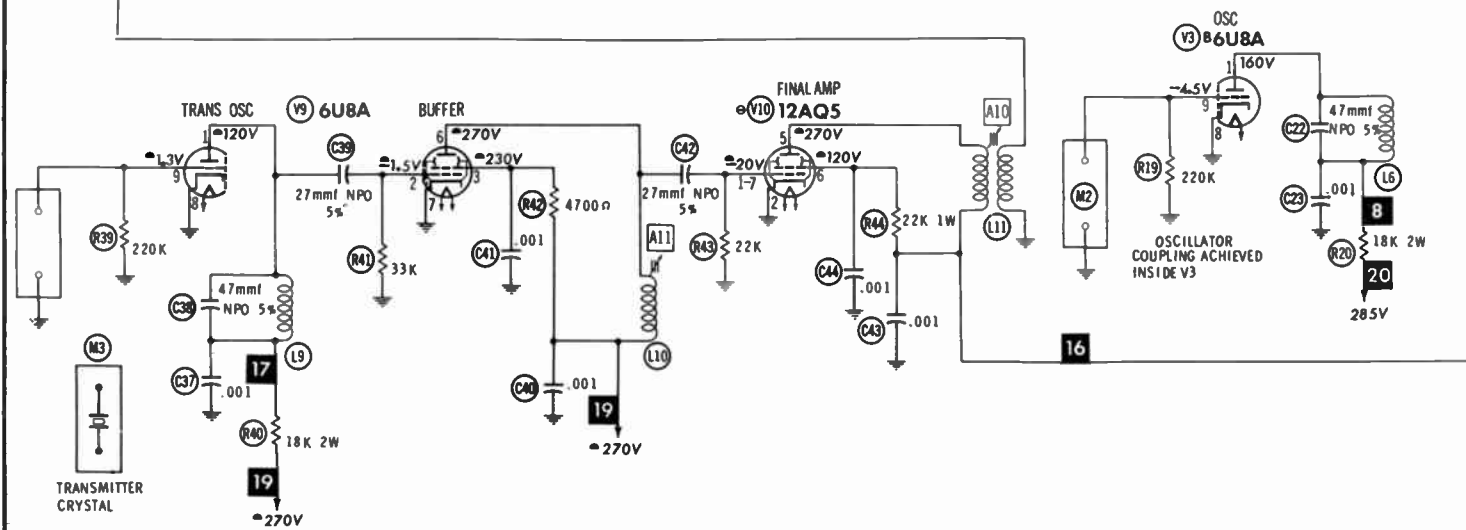
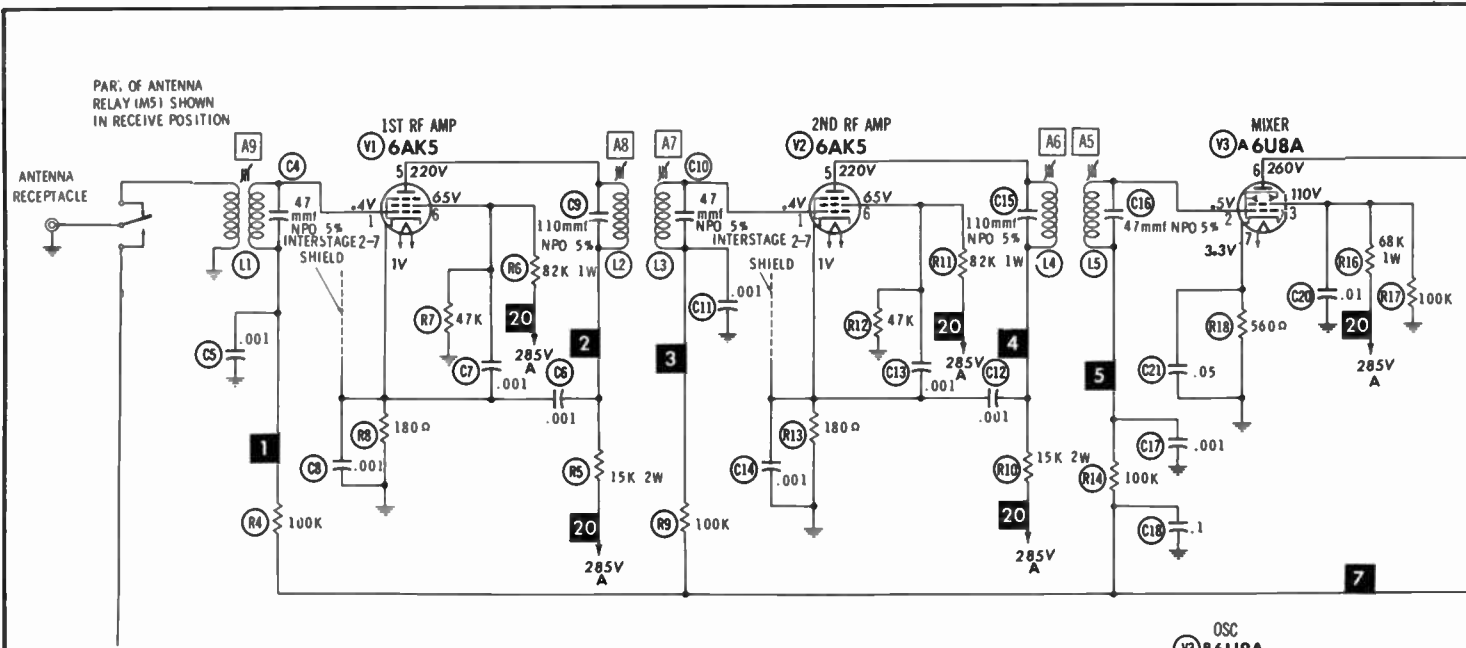


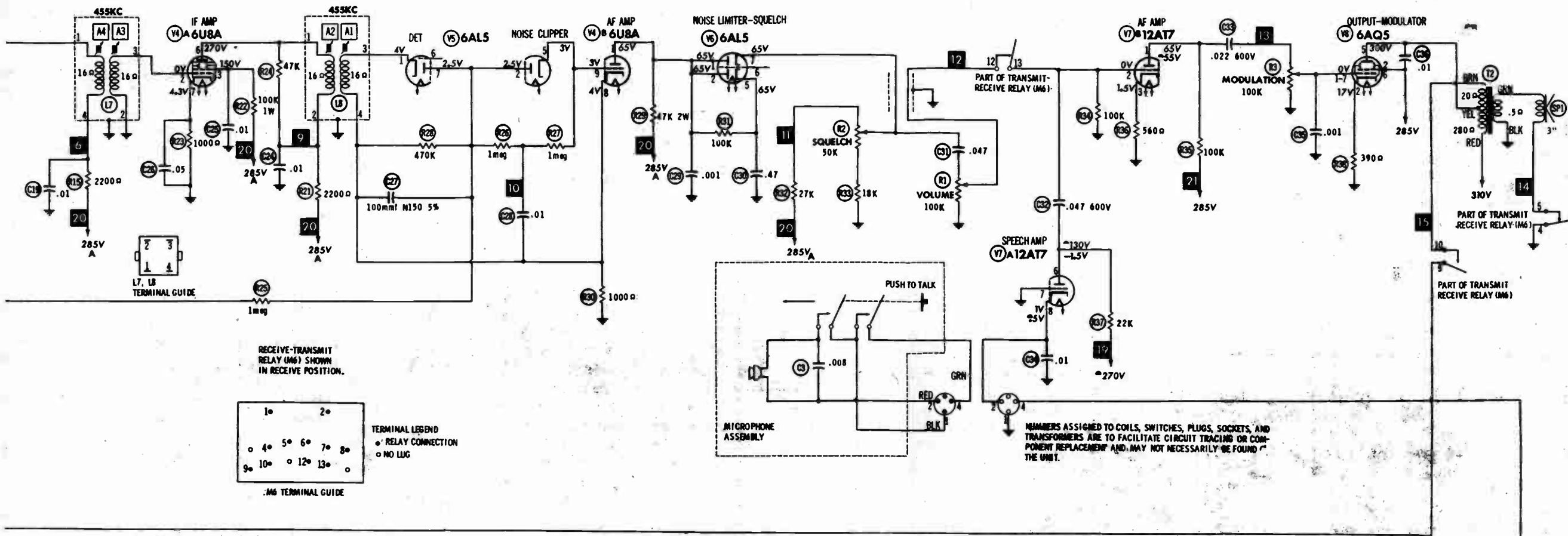
PRINTED BOARD — MAIN CHASSIS



MAIN CHASSIS TOP VIEW – RESISTOR & INDUCTOR IDENT.







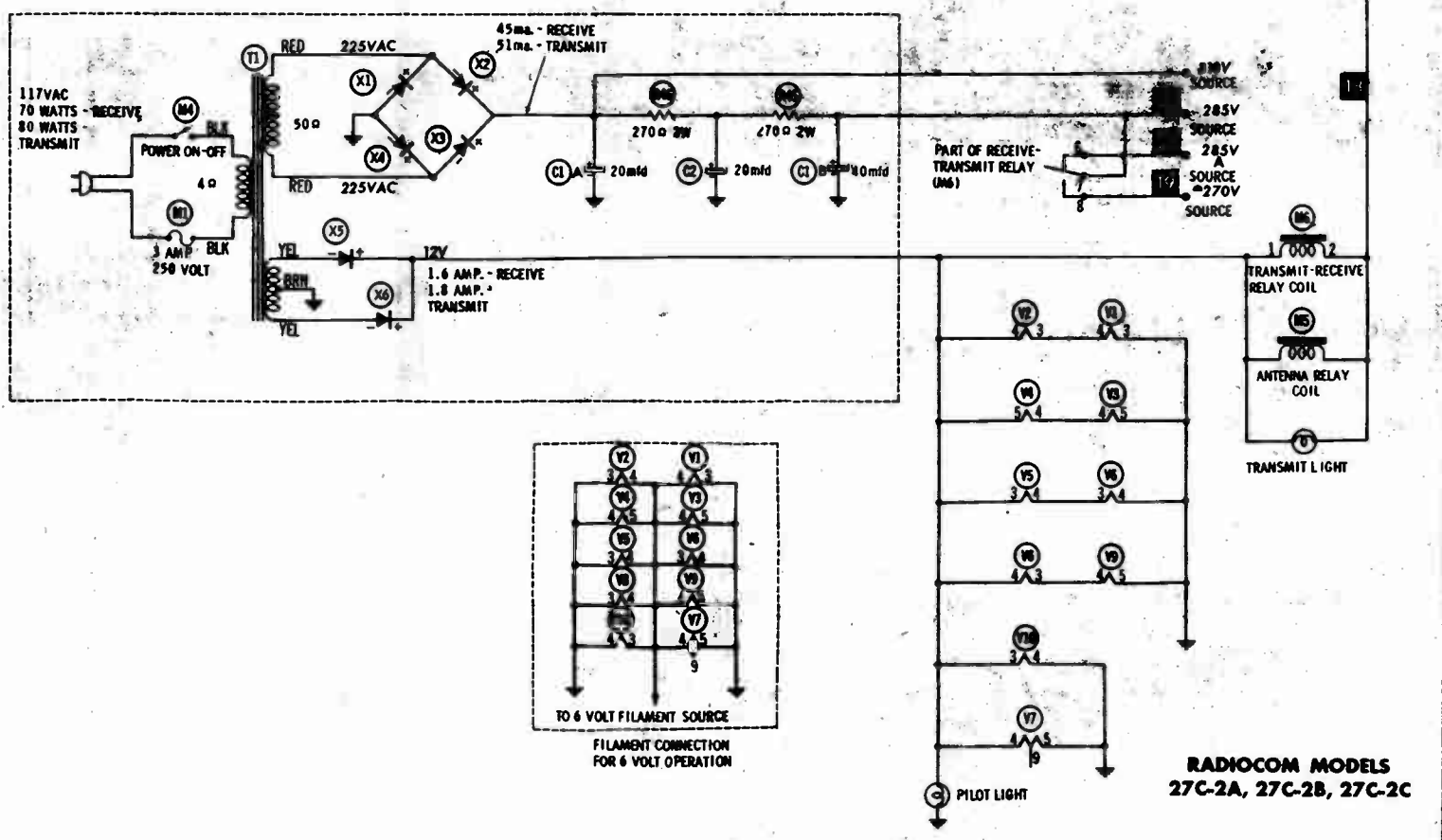
RESISTANCE READINGS

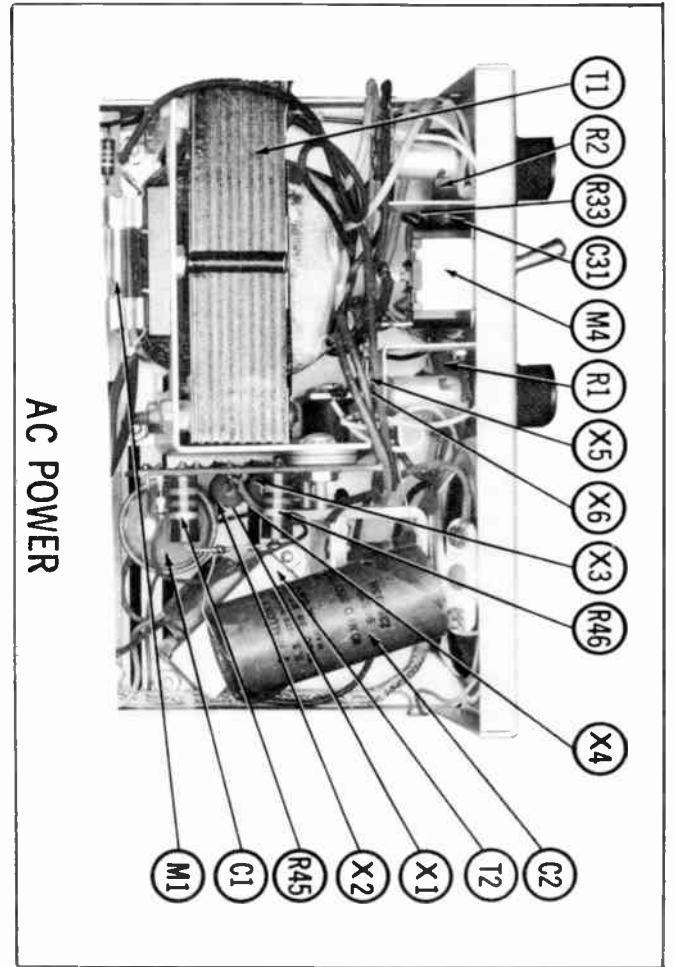
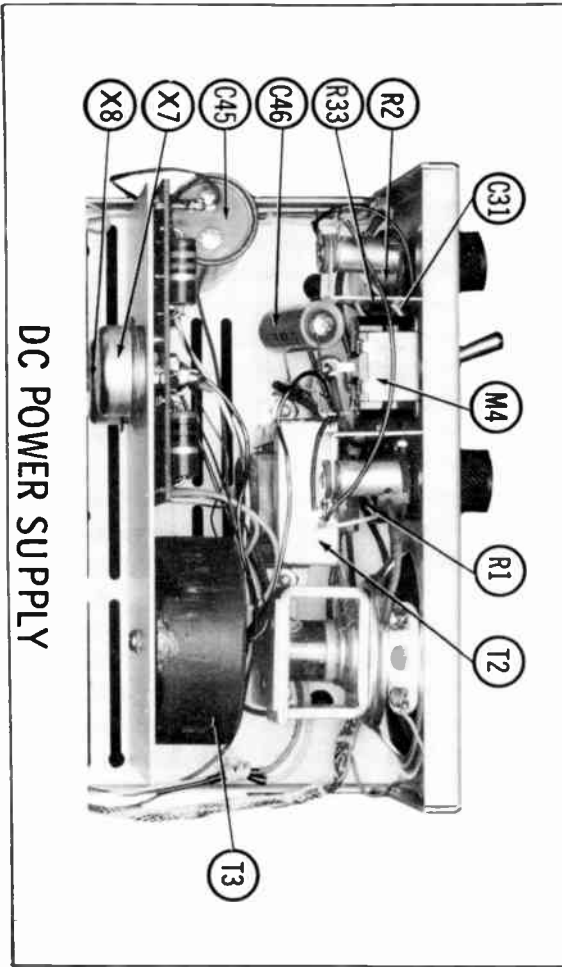
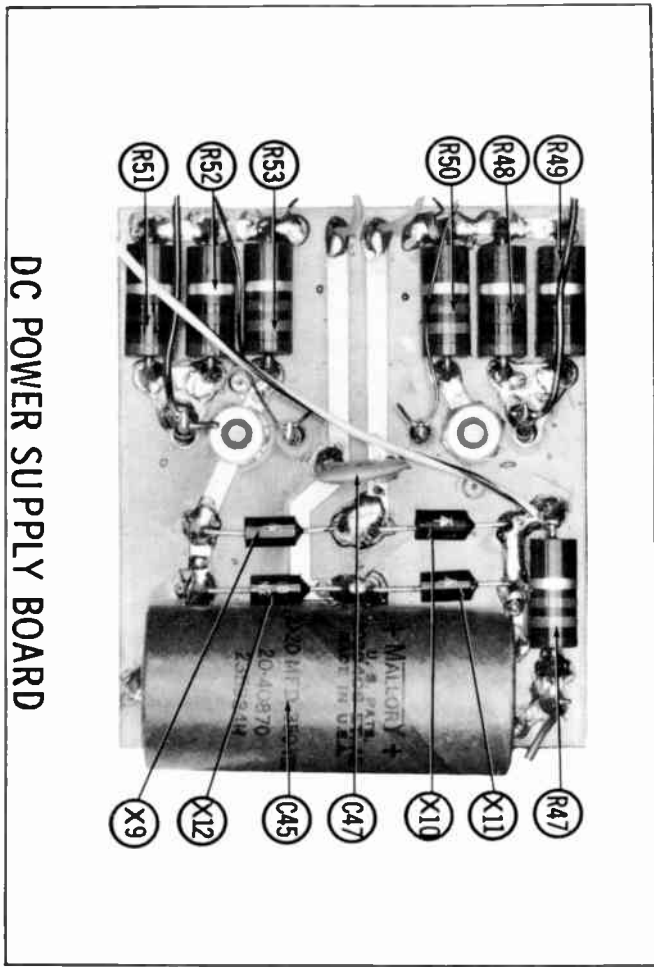
ITEM	TUBE	Pin 1	Pin 2	Pin 3	Pin 4	Pin 5	Pin 6	Pin 7	Pin 8	Pin 9
V1	6AK5	1.6meg	180Ω	FIL	FIL	†15K	†82K	180Ω		
V2	6AK5	1.6meg	180Ω	FIL	FIL	†15K	†82K	180Ω		
V3	6U8A	†18K	1.6meg	100K	FIL	FIL	†2700Ω	560Ω	0Ω	220K
V4	6U8A	†47K	16Ω	†100K	FIL	FIL	†2700Ω	1000Ω	1000Ω	2.5meg
V5	6AL5	1000Ω	470K	FIL	FIL	2.5meg	NC	470K		
V6	6AL5	47K	†47K	FIL	FIL	†150K	NC	†47K		
V7	12A7	†180K	†100K BR	560Ω	FIL	FIL	†22K	0Ω	INF	FIL
V8	6AQ5	0Ω	390Ω	FIL	FIL	†280Ω	†340Ω	0Ω		
V9	6U8A	†18K	33K	†1500Ω	FIL	FIL	†1540Ω	0Ω	0Ω	220K
V10	12AQ5	22K	0Ω	FIL	FIL	†500Ω	†22K	22K		

ALL MEASUREMENTS TAKEN IN "RECEIVE" POSITION UNLESS OTHERWISE DESIGNATED.  
 † TAKEN IN "TRANSMIT" POSITION. † SQUELCH CONTROL AT PROPER SETTING.  
 † MEASURED FROM JUNCTION OF X2 & X3. ALL OTHER CONTROLS AT MINIMUM.  
 NC NO CONNECTION  
 RESISTANCE MEASUREMENTS FOR X7 AND X8 NOT GIVEN BECAUSE OF THE WIDE VARIATION IN INTERNAL TRANSISTOR RESISTANCE.

- SEE PARTS LIST FOR ALTERNATE VALUE OR APPLICATION
- DC voltage measurements taken with vacuum tube voltmeter; AC voltages measured with 1000 ohm per volt voltmeter.
  - Socket connections are shown as bottom views.
  - Measured values are from socket pin to common ground.
  - Line voltage maintained at 117 volts for voltage readings.
  - Nominal tolerance on component values makes possible a variation of ±1% in voltage and resistance readings.
  - Volume control at maximum, no signal applied for voltage measurements.

A PHOTOFACIT STANDARD NOTATION SCHEMATIC with **CIPLURA 1**  
 ©Howard W. Sams & Co., Inc. 1963





RADIOCOM MODELS 27C-2A/-2B/-2C

## MAIN PARTS LIST AND DESCRIPTION

### WIRING DATA

General-use Hook-up Wire	Use BELDEN No. 8530 (Solid) Available in 12 Colors 8524 (Stranded) Available in 12 Colors
Shielded Antenna Lead	Use BELDEN No. 8214 Lowest Loss (RG-8/U Type) 8237 Low Loss (RG-8/U) 8240 (Solid) Miniature (RG-58/U) 8259 (Stranded) Miniature (RG-58A/U)
Coiled Microphone Cable	Use BELDEN No. 8497 3 Conductor-1 Shielded for Press-to-Talk (Neoprene) 8496 3 Conductor-1 Shielded for Press-to-Talk (Vinyl)
Ignition Noise Suppression	Use BELDEN No. 7300-Series Spark-Plug Sets
Bonding Strap	Use BELDEN No. 6661 (3/8 in.)

### TUBES

ITEM No.	USE	TUBES		ITEM No.	USE	TYPE
		AMPEREX	GENERAL ELECTRIC			
V1	1st RF Amplifier		6AK5	V6	Noise Limiter-Squelch	6AL5
V2	2nd RF Amplifier		6AK5	V7	Speech Amp. -AF Amp.	12AT7
V3	Mixer-Osc.		6U8A	V8	Output-Modulator	6AQ5
V4	IF Amp. -AF Amp.		6U8A	V9	Trans. Osc. -Buffer	6U8A
V5	Det. -Noise Clipper		6AL5	V10	Final Amplifier	12AQ5 (6AQ5)*

\* Used in Model 27C-2C.

### POWER RECTIFIERS & SIGNAL DIODES

ITEM No.	CURRENT RATING (Measured)	ORIGINAL Part or Type No.	RECTIFIERS		DIODES	NOTES
			RCA PART No.	SARKES TARZIAN PART No.	RAYTHEON PART No.	
X1	.051A	700-0026-001	IN3194	2F4	HV Bridge Rect. (1N270)	
X2	.051A	700-0026-001	IN3194	2F4		
X3	.051A	700-0026-001	IN3194	2F4		
X4	.051A	700-0026-001	IN3194	2F4		
X5	1.6A	700-0025-001	IN2858		LV DC Rect. (1N217)	
X6	1.6A	700-0025-001	IN2858			

### ELECTROLYTIC CAPACITORS

ITEM No.	RATING		REPLACEMENT DATA						
	CAP.	VOLT.	MAXWELL PART No.	AEROVOX PART No.	CORNELL-DUBILIER PART No.	GENERAL ELECTRIC PART No.	MALLORY PART No.	PYRAMID PART No.	SPRAGUE PART No.
C1A	20	350	301-0021-001				TCD85	TDLD-28	TVAS-2635*
B	20	350							
C2	40	350	301-0024-001	PR81670	BR40-350	QTI-14	TC78	TD-40-350	TVA-161L

\* Not normally in distributor's stock. Available thru distributor on order to manufacturer.

### FIXED CAPACITORS

ITEM No.	RATING	REMARKS	REPLACEMENT DATA					
			AEROVOX PART No.	CENTRALAB PART No.	CORNELL-DUBILIER PART No.	ELMENCO PART No.	MALLORY PART No.	SPRAGUE PART No.
C3	.008 200V		P288N-008	DD-822	DDMS-6D8	6DP-2-802	GEM-628	6TM-D80
C4	47 NPO 5%		NPO-DI-47	DTZ-47	C10Q47C	CCTO-470	CNO-447	10TCC-Q47
C5	.001		BPD-001	DD-102	BYA10D1	CCD-102	B-210	5HK-D10
C6	.001		BPD-001	DD-102	BYA10D1	CCD-102	B-210	5HK-D10
C7	.001		BPD-001	DD-102	BYA10D1	CCD-102	B-210	5HK-D10
C8	.001		BPD-001	DD-102	BYA10D1	CCD-102	B-210	5HK-D10
C9	110 NPO 5%	#300-0004-001	NPO-DI 47	DTZ-47	C10Q47C	CCTO-470	CNO-447	10TCC-Q47
C10	47 NPO 5%		BPD-001	DD-102	BYA10D1	CCD-102	B-210	5HK-D10
C11	.001		BPD-001	DD-102	BYA10D1	CCD-102	B-210	5HK-D10
C12	.001		BPD-001	DD-102	BYA10D1	CCD-102	B-210	5HK-D10
C13	.001		BPD-001	DD-102	BYA10D1	CCD-102	B-210	5HK-D10
C14	.001		BPD-001	DD-102	BYA10D1	CCD-102	B-210	5HK-D10
C15	110 NPO 5%	#300-0004-001	NPO-DI 47	DTZ-47	C10Q47C	CCTO-470	CNO-447	10TCC-Q47
C16	47 NPO 5%		BPD-001	DD-102	BYA10D1	CCD-102	B-210	5HK-D10
C17	.001		BPD-001	DD-102	BYA10D1	CCD-102	B-210	5HK-D10
C18	.1 50V		C80V104AM	DF-104	H-05PI	TA-010	TA-010	TG-P10
C19	.01		BPD-01	DD-103	BYA10S1	CCD-103	B-110	5HK-S10
C20	.01		BPD-01	DD-103	BYA10S1	CCD-103	B-110	5HK-S10
C21	.05 50V		BPD-05	DD-503	H-05S5	TA-150	TA-150	TG-S50
C22	47 NPO 5%		NPO-DI 47	DTZ-47	C10Q47C	CCTO-470	CNO-447	10TCC-Q47

### FIXED CAPACITORS (cont)

ITEM No.	RATING	REMARKS	REPLACEMENT DATA					
			AEROVOX PART No.	CENTRALAB PART No.	CORNELL-DUBILIER PART No.	ELMENCO PART No.	MALLORY PART No.	SPRAGUE PART No.
C23	.001		BPD-001	DD-102	BYA10D1	CCD-102	B-210	5HK-D10
C24	.01		BPD-001	DD-103	BYA10S1	CCD-103	B-110	5HK-S10
C25	.01		BPD-01	DD-103	BYA10S1	CCD-103	B-110	5HK-S10
C26	.05 50V		BPD-05	DD-503	H-05S5		TA-150	TG-S50
C27	100 N150 5%	#300-0003-001						10TCP-T10
C28	.01		BPD-001	DD-103	BYA10S1	CCD-103	B-110	5HK-S10
C29	.001		BPD-001	DD-102	BYA10D1	CCD-102	B-210	5HK-D10
C30	.47 400V		P4151N-47		BC4P47J	4DP-6-474	GEM-4047	47M-P47
C31	.047 400V		P488N-047	DD-503	CUB4S47	4DP-3-473	GEM-6147	47M-S47
C32	.047 600V		P6151N-047	DD-503	BC6S47J	6DP-3-473	ACE-6147	6SE-S47
C33	.022 600V		P6151N-022	DD-203	BC6S22J	6DP-2-223	ACE-6122	6SE-622
C34	.01		BPD-01	DD-103	BYA10S1	CCD-103	B-110	5HK-S10
C35	.001		BPD-001	DD-102	BYA10D1	CCD-102	B-210	5HK-D10
C36	.01		BPD-001	DD-103	BYA10S1	CCD-103	B-110	5HK-S10
C37	.001		BPD-001	DD-102	BYA10D1	CCD-102	B-210	5HK-D10
C38	47 NPO 5%		NPO-DI 47	DTZ-47	C10Q47C	CCTO-470	CNO-447	10TCC-Q47
C39	27 NPO 5%		BPD-001	DD-102	C10Q27C	CCTO-270	CNO-427	10TCC-Q27
C40	.001		BPD-001	DD-102	BYA10D1	CCD-102	B-210	5HK-D10
C41	.001		BPD-001	DD-102	BYA10D1	CCD-102	B-210	5HK-D10
C42	27 NPO 5%		BPD-001	TCZ-27	C10Q27C	CCTO-270	CNO-427	10TCC-Q27
C43	.001		BPD-001	DD-102	BYA10D1	CCD-102	B-210	5HK-D10
C44	.001		BPD-001	DD-102	BYA10D1	CCD-102	B-210	5HK-D10

\* Not normally in distributor's stock. Available thru distributor on order to manufacturer.  
# Maxwell Part Number.

### CONTROLS

All wattages 1/2 watt, or less, unless otherwise listed.

ITEM No.	USE	RESISTANCE	REPLACEMENT DATA				
			MAXWELL PART No.	CENTRALAB PART No.	CLAROSTAT PART No.	CTS-IRC PART No.	MALLORY PART No.
R1	Volume	100K	406-0011-001	B-41, or (AB-41, AK-7)	A47-100K-Z, F8-3	Q13-128	U39, or (UA15A, SF1000)
R2	Squelch	50K	406-0010-001	B-32, or (AB-32, AK-7)	A47-50K-Z, F8-3	Q11-123, or (BU1, CF12, SS1, DC1)*	U33, (UA54A, SF1000)
R3	Modulation	100K	406-0009-001	B-40, or (AB-40, AK-1)	A47-100K-Z, FKS-1/2	B11-128, SK3, or (BU2, CF13, SS3, DC1)*	U39, or (UA15A, SK-1000)

\* "SNAPTROL"

### RESISTORS

All wattages 1/2 watt, or less, unless otherwise listed.

ITEM No.	RATING	REMARKS	REPLACEMENT DATA			ITEM No.	RATING	REMARKS
			IRC PART No.	WORKMAN PART No.	REMARKS			
R4	100K					R26	1meg	
R5	15K 2W					R27	1meg	
R6	82K 1W					R28	470K	
R7	47K					R29	47K 2W	
R8	180Ω					R30	1000Ω	
R9	100K					R31	100K	
R10	15K 2W					R32	27K	
R11	82K 1W					R33	18K	
R12	47K					R34	100K	
R13	180Ω					R35	100K	
R14	100K					R36	560Ω	
R15	2200Ω					R37	22K	
R16	68K 1W					R38	390Ω	
R17	100K					R39	220K	
R18	560Ω					R40	18K 2W	
R19	220K					R41	33K	
R20	18K 2W					R42	4700Ω	
R21	2200Ω					R43	22K	
R22	100K 1W					R44	22K 1W	
R23	1000Ω					R45	270Ω 2W	
R24	47K					R46	270Ω 2W	
R25	1meg							

## MAIN PARTS LIST AND DESCRIPTION (CONTINUED)

### COILS (RF-IF)

ITEM No.	USE	REPLACEMENT DATA					NOTES
		MAXWELL PART No.	Merit PART No.	Miller PART No.	Stancor PART No.	Workman PART No.	
L1	Ant.	200-8038-001					
L2	Pri. 1st RF	201-0001-001					
L3	Sec. 1st RF	201-0002-001					
L4	Pri. 2nd RF	201-0001-001					
L5	Sec. 2nd RF	201-0002-001					
L6	Receiver Osc.	201-0002-001					
L7	Input IF	200-0005-001					
L8	Output IF	200-0005-001					
L9	Osc. Plate Trans.	201-0031-001					
L10	Buffer Amp. Plate	201-0031-001					
L11	Final Amp.	201-0032-001					

### TRANSFORMER (POWER)

ITEM No.	RATING			REPLACEMENT DATA					NOTES
	PRI.	SEC. 1	SEC. 2	MAXWELL PART No.	MERIT PART No.	STANCOR PART No.	THORDARSON PART No.	TRIAD PART No.	
T1	117V @ .62A .74A*	225V @ .045A .051A*	12V @ 1.6A 1.6A*	200-0009-001					* Transmit

### TRANSFORMER (AUDIO OUTPUT)

ITEM No.	IMPEDANCE		REPLACEMENT DATA					NOTES
	PRI.	SEC.	MAXWELL PART No.	Merit PART No.	Stancor PART No.	Thordarson PART No.	Triad PART No.	
T2	8750Ω Tap @ 1750Ω	3-4Ω	200-0008-001					

### SPEAKER

ITEM No.	TYPE			REPLACEMENT DATA		NOTES
	SIZE	FIELD	V. C. IMP.	MAXWELL PART No.	QUAM PART No.	
SP1	3"	PM	3-4Ω	202-0001-001	30A5	

### FUSES

ITEM No.	TYPE	RATING	REPLACEMENT DATA					
			MAXWELL PART No.	LITTELFUSE PART No.	BUSS PART No.			
			FUSE	HOLDER	FUSE	HOLDER	FUSE	HOLDER
M1	3AG	3A 250V	600-0028-001		312003	357001	AGC3	4406

### MISCELLANEOUS

ITEM No.	PART NAME	MAXWELL PART No.	NOTES
M2	Crystal		Receive (Specify Model & Channel Desired)
M3	Crystal		Transmit (Specify Model & Channel Desired)
M4	Switch	600-0087-001	On-Off SPST Toggle Type
M5	Relay	203-0002-001	Antenna (12V)
M5	Relay	203-0001-001	Antenna (6V)
M6	Relay	203-0004-001	Control (12V)
M6	Relay	203-0003-001	Control (6V)
	Microphone	202-0002-001	

### CABINETS & CABINET PARTS

(When Ordering Cabinets & Cabinet Parts, Specify Model, Chassis & Color)

NAME	PART No.	DESCRIPTION
Knob	600-0006-001	Volume, Squelch

## DC POWER SUPPLY PARTS LIST AND DESCRIPTION

### TRANSISTORS

ITEM No.	ORIG. TYPE	USE	REPLACEMENT DATA			NOTES
			GENERAL ELECTRIC PART No.	RCA PART No.	RAYTHEON PART No.	
X7	2N442	Power Oscillator	GE-4			PNP
X8	2N442	Power Oscillator	GE-4			PNP

### POWER RECTIFIERS & SIGNAL DIODES

ITEM No.	CURRENT RATING (Measured)	ORIGINAL Part or Type No.	RECTIFIERS		DIODES	NOTES
			RCA PART No.	SARKES TARZIAN PART No.	RAYTHEON PART No.	
X9	.075A	700-0028-001	1N5194	2F4	HV Bridge Rectifier (1N2070)	
X10	.075A	700-0028-001	1N5194	2F4		
X11	.075A	700-0028-001	1N5194	2F4		
X12	.075A	700-0028-001	1N5194	2F4		

### ELECTROLYTIC CAPACITORS

ITEM No.	RATING		REPLACEMENT DATA						
	CAP.	VOLT.	MAXWELL PART No.	AEROVOX PART No.	CORNELL-DUBILIER PART No.	GENERAL ELECTRIC PART No.	MALLORY PART No.	PYRAMID PART No.	SPRAGUE PART No.
C45A	20	350							
B	20	350	301-0021-001				TCD65		TDLD-28
C46	50	15	301-0023-001	PR81265	BR50-25	QTI-15	TC29	TD-50-25	TVA-1206

### FIXED CAPACITORS

ITEM No.	RATING	REMARKS	REPLACEMENT DATA					
			AEROVOX PART No.	CENTRALAB PART No.	CORNELL-DUBILIER PART No.	ELMENCO PART No.	MALLORY PART No.	SPRAGUE PART No.
C47	.01		BPD-01	DD-103	BYA1061	CCD-103	B-110	5HK-810

### RESISTORS

All wattages 1/2 watt, or less, unless otherwise listed.

ITEM No.	RATING	REPLACEMENT DATA			ITEM No.	RATING	REPLACEMENT DATA		
		IRC PART No.	WORKMAN PART No.	REMARKS			IRC PART No.	WORKMAN PART No.	REMARKS
R47	2700 2W				R51	100 2W			
R48	100 2W				R52	100 2W			
R49	100 2W				R53	2700 2W			
R50	2700 2W								

### TRANSFORMER (POWER)

ITEM No.	RATING			REPLACEMENT DATA					NOTES
	PRI.	SEC. 1	SEC. 2	MAXWELL PART No.	MERIT PART No.	STANCOR PART No.	THORDARSON PART No.	TRIAD PART No.	
T3	17.5VAC ① 2.2A CT	2VAC @ .2A	2VAC ② .2A	200-0003-001 ①					① Part #200-0002-001 used in 6 Volt versions. * Transmit
	SEC. 3 215V @ .065A (.075A)*								

### FUSES

ITEM No.	TYPE	RATING	REPLACEMENT DATA					
			MAXWELL PART No.	LITTELFUSE PART No.	BUSS PART No.			
			FUSE	HOLDER	FUSE	HOLDER	FUSE	HOLDER
M7	SFE SFE	7 1/2 14A	① 600-0038-001 ② 600-0038-001	30707.5 307014	155009 155014	SFE 7 1/2 SFE 14	BRE BRI	

① 12 Volt DC Versions.

### MISCELLANEOUS

② 6 Volt DC Versions.

ITEM No.	PART NAME	MAXWELL PART No.	NOTES
M8	Switch	600-0087-001	Power On-Off (Toggle Type)

# INDEX

This index lists all radios appearing in "Citizens Band Manual" Volumes 1 thru 3 and "PHOTOFACT CB Radio Series" Volume 4.

AIRLINE	Vol. Pg.	ITT	Vol. Pg.	RCA	Vol. Pg.
GAS-587.....	4- 5	320.....	3- 89	CRM-P2A-5.....	2-111
<b>APELCO</b>		<b>JOHNSON VIKING</b>		CRM-P2B-5 (M1-555528,M1-555529).....	1-105
AR-9.....	1- 13	Personal Messenger (242-101-1).....	2- 65	CRM-P3A-5.....	1-113
<b>ARKAY</b>		<b>LAFAYETTE</b>		<b>REALISTIC</b>	
SQ-9, SQ-9W.....	2- 17	HE-15.....	1- 73	TRC-27 (94L595).....	1-121
<b>BENDIX</b>		HE-15B.....	4- 57	<b>REALTONE</b>	
CB-6, CB-12.....	2- 25	HE-16, -18.....	1- 73	TR-6134.....	4- 95
<b>CADRE</b>		HE-20AWX.....	2- 73	<b>REGENCY</b>	
500, 500C.....	3- 17	HE-20B.....	4- 63	CB-27.....	1-129
510.....	4-129	HE-20WX.....	2- 73	CBM-27-6, CBM-27-12.....	1-129
<b>CAPITOL</b>		HE-29.....	2- 81	<b>SONAR</b>	
ND-309.....	3- 27	HE-29A.....	3- 99	E.....	2-119
<b>CITI-FONE</b>		<b>LA SALLE</b>		E (Revised).....	4-103
CD-5/6.....	1- 21	LA-101, 101A.....	3-105	<b>SONARCOM</b>	
CD-5/12.....	1- 21	<b>MAGNAVOX</b>		CBP.....	2-127
CD-6/6, CD-6/12.....	3- 33	WT101.....	3-113	<b>SONY</b>	
<b>DEWALD</b>		<b>MASCO</b>		CB-901.....	4-110
TR-6, TR-12, TR910.....	2- 33	MCB-9.....	4- 25	<b>SPOKESMAN</b>	
<b>DUO COM</b>		<b>MONITORADIO</b>		700.....	2-133
100.....	2- 41	TG-1.....	4- 70	<b>TRIUMPH</b>	
<b>EICO</b>		<b>MORROW</b>		TC-900, TC-900A.....	4-116
740.....	4- 12	CB-1, -2, -3.....	1- 81	<b>U. S. L.</b>	
760, 761W, 762, 762W.....	2- 47	VP-100-4A.....	2- 87	TR-800.....	1-137
770 770W.....	3- 41	5W1-6, -12, -117.....	1- 81	<b>UTICA</b>	
771W, 772W.....	4- 17	5W3-6, -12, -117.....	1- 81	MC-27.....	2-141
<b>FANON</b>		<b>OSBORNE</b>		T & C II.....	4-127
FCB-9.....	4- 25	300.....	2- 95	<b>VIKING</b>	
<b>GLOBE</b>		<b>PEARCE-SIMPSON</b>		242-126, -127, -128, -129.....	1-145
CB-100.....	1- 29	Companion.....	4- 73	<b>VOCALINE</b>	
CB-100A.....	3- 49	<b>PHILMORE</b>		ED-27-6, ED-27-12, ED-27M-6,	
CB-200.....	2- 53	CC-1, -1W, CT-1, -1W.....	3-119	ED-27M-12.....	1-153
X-90 (Pocketphone).....	1- 37	TC-11, -11W, TC-612, -612W.....	3-127	JRC-400, JRC-425.....	2-149
<b>GONSET</b>		<b>POLY-COMM</b>		PT-27.....	3-145
G-11-3303, -3304, -3305.....	1- 43	PC-2-6, PC-2-12.....	2-103	<b>WEBCOR</b>	
G-12 (3316)(3329).....	1- 51	PC-N-6, PC-N-12.....	3-135	ET-350.....	3-155
G-14 (3430)(3433).....	3- 57	Senior 23.....	4-139	<b>WEBSTER</b>	
G-15 (3428)(3429).....	4- 31	<b>RADIOCOM</b>		Four-Eleven.....	2-153
<b>HALLICRAFTERS</b>		27C-2A/-2B/-2C.....	4-150		
CB-1.....	1- 59	<b>RADSON</b>			
CB-3.....	3- 67	RP-115, -612.....	1- 89		
CB-4 (Littlefone).....	3- 75	RT-70A, -75A.....	1- 89		
<b>HEATH</b>		<b>RAYTHEON</b>			
CB-1.....	1- 67	Raycom.....	4- 88		
GW-10A/D, GWW-10A/D.....	3- 81	Ray-Tel TWR-1.....	1- 97		
GW-11A/-11D, GWW-11A-11D.....	4- 39	Ray-Tel TWR-2.....	4- 81		
GW-21, GWW-21.....	4- 47				
GWW-30.....	2- 61				
GW-31, GWW-31.....	4- 53				
W-CB-1.....	1- 67				





# PHOTOFACT® SPECIALIZED SERIES

## AUTO RADIO SERIES

Complete and up-to-date PHOTOFACT® coverage of Auto Radios and Tape Players. Regular price \$3.50 per volume—only \$3.20 when purchased on a Standing Order Subscription! Sign up and save 30¢ per volume.



## CB RADIO SERIES

Five to six volumes issued yearly provides complete PHOTOFACT® coverage of all popular CB Radio models. Regular price \$3.50 per volume—only \$3.20 when purchased on a Standing Order Subscription! Sign up and save 30¢ per volume.



## TAPE RECORDER SERIES

Complete PHOTOFACT® coverage of all important late-model Tape Recorders in easy-to-use volumes. Regular price \$5.25 per volume—only \$4.95 when purchased on a Standing Order Subscription! Sign up and save 30¢ per volume.



PRICE CODE

CB

**HOWARD W. SAMS & CO., INC.**

PHOTOFACT® SPECIALIZED SERIES  
are available from your local parts distributor