

# Update on RE-RADIATION

In 1976, the "Working Group on Re-radiation Problems in AM Broadcasting" was formed. Chaired by Gilles Curtemanche, P.Eng., director of the Broadcasting Regulation Branch, Department of Communications, Ottawa, it includes representatives from:

- Department of Communications
- Canadian Radio-television and Telecommunications Commission
- Ministry of State for Urban Affairs

- Canadian Broadcasting Corporation
- Canadian Association of Broadcast Consultants
- Canadian Electrical Association
- Canadian Association of Broadcasters

The Working Group recently began publishing bulletins to report on its activities and to inform those concerned regarding the growing difficulty of providing interference-free AM service. It points out that over 5000 stations in North America share

the 107 channels in the 540 to 1600 kHz AM band.

## DIRECTIONAL ARRAYS

Many of these stations are required to use directional arrays to protect (i.e., avoid interference with) other stations.

A directional array is composed of a group of towers, each fed a specific proportion of the station's power at precisely timed delays. Directional coverage is obtained by this combination of mast spacing and time delay (phasing) of the current; the radiated electromagnetic voltage thus produced may be 70 or more times stronger in one direction than it is in another.

This radiated energy can induce electrical currents in any nearby structure which conducts electricity. If the structure is close enough and large enough, the induced currents create new radiation, or re-radiation, which can destroy the precisely calculated pattern transmitted by the station and cause interference to other stations.

Typical sources of re-radiation are:

- steel towers
- hydro-electric transmission lines
- tall chimneys
- high-rise buildings

Usually, the offending structure is 100 to 300 feet in height and located within two miles of the transmitter site. Low structures such as electrical distribution lines of 40 feet or less in height do not appear to be a problem. The research work carried out so far has shown significant increases in re-radiation where the height of the offending structure was one-quarter or one-half the wavelength of the station. (A station at 1000 kHz has a 984 foot wavelength so that a quarter-wavelength would represent about 246 feet at this frequency. A quarter-wavelength at the top of the AM dial is only 154 feet.)

## AM STATIONS SURVEYED

Of Canada's 419 AM stations, 109 responded to recent surveys on re-radiation. Of these, 30 reported problems from the following sources:

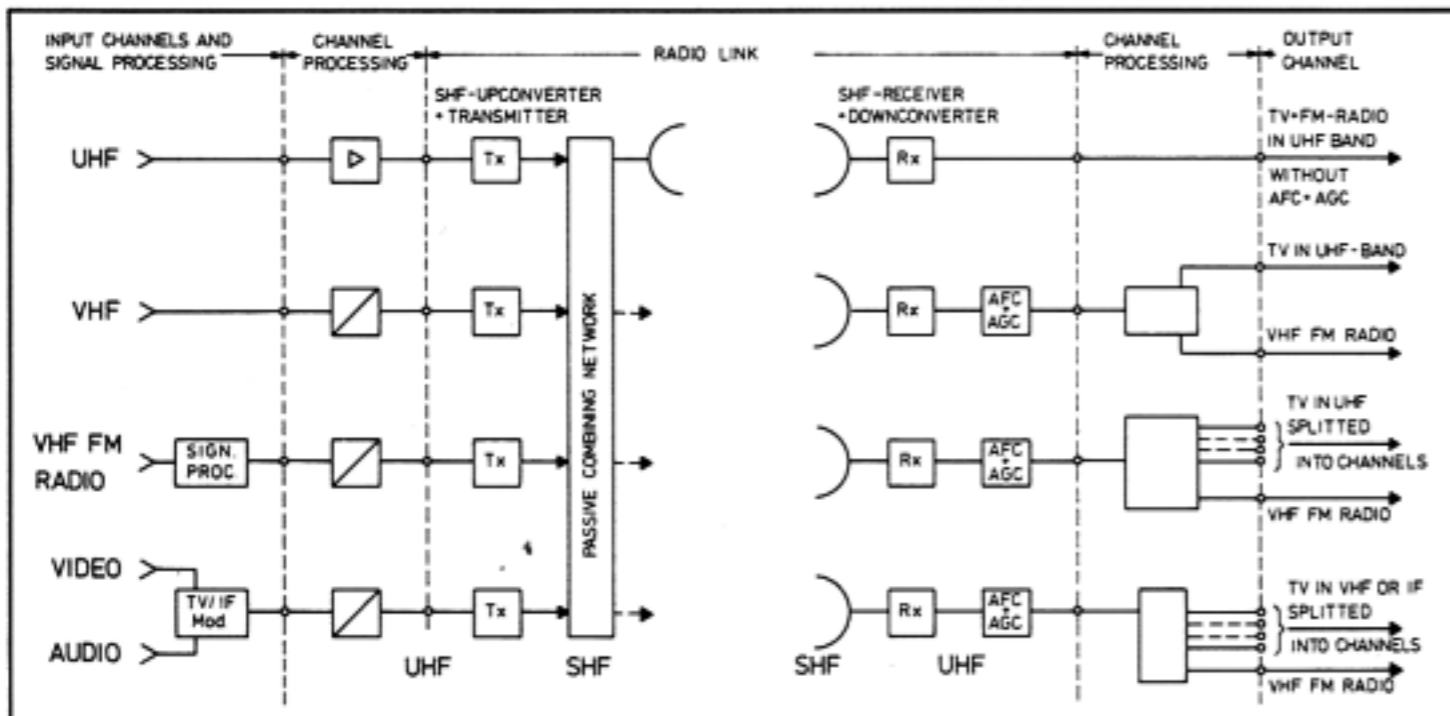
- Hydro-electric lines—21
- Nearby masts or towers—4
- Heavy industry—3
- High-rise buildings—2

Of the 79 other stations, 27 anticipated problems in the future.

The responses indicated that hydro-electric lines using wooden rather than steel poles caused substantially fewer re-radiation problems.

A large share of the difficulties are in Ontario and the Working Group commends Ontario Hydro for its leadership in provid-

## MERITRON INTRODUCES WISI AMPLITUDE MODULATED MICROWAVE SYSTEMS FOR 12 GHZ



### AML SYSTEM (TWT OR SOLID STATE)

WISI SHF links, type AM-TV 12000, are in practical service in such areas, where, due to geographical or technical reasons, cables cannot be used to feed head station of community antenna systems or local TV repeaters and, in addition, the signals produced by the existing TV or radio networks are too weak. The transmission of data, remote control, or any other am and fm signals modulated to a UHF carrier is also possible in addition to broadcast and TV programs.

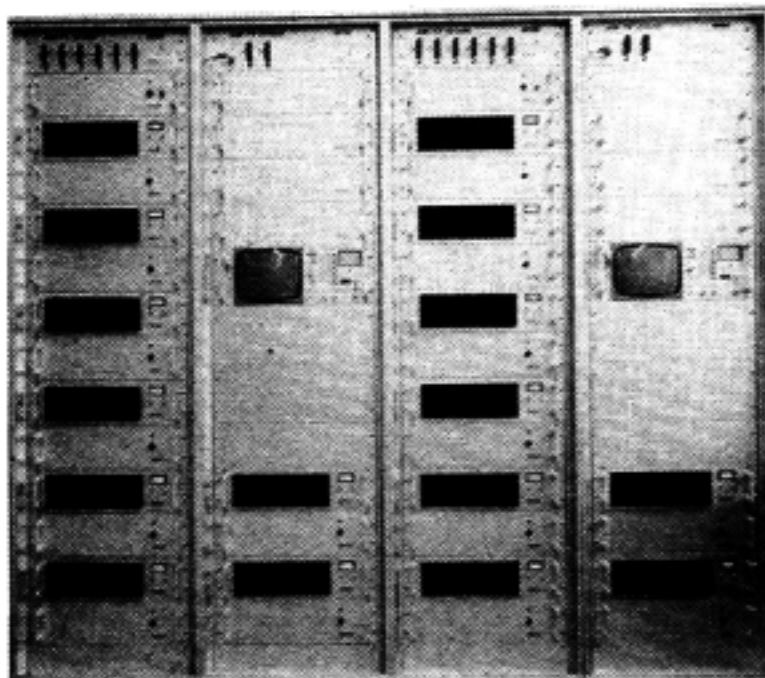
Circle #261 on Reader Service Card

### TRANSMITTER: AFTER HEAD END PROCESSING

An incoming signal in the range between 470 and 790 MHz carrying the information to be transmitted is fed to an up-converter which produces a double-sideband signal with suppressed carrier. After passing a filter the upper sideband is fed to the driven element of a parabolic antenna.

MANUFACTURED IN WEST GERMANY  
BY WILHELM SIHN, JR. K.G.

Circle #262 on Reader Service Card



16-Channel Transmitting Station

For more details or a demonstration contact:

# MERITRON LTD.

514 Champagne Drive, Downsview, Ontario M3J 2T9  
Tel: (416) 635-9456 Tlx: 06-23359



Serving Broadcasters in Ontario, Quebec and the Atlantic Provinces

# RE-RADIATION A CASE HISTORY: Oakville CHWO/CJMR Site

ing trained personnel to investigate and identify problems.

## FREQUENCY NOT A FACTOR

Other than under resonant conditions, there was no correlation between the incidence of problems and the frequency of the station involved. This was a surprise to the investigators, but has since been confirmed in a research contract conducted by Professor Keith Balmain at the University of Toronto.

The cost of correcting re-radiation can range from several thousand dollars, as a minimum, to as much as \$500,000 in cases where a station has had to relocate to a new transmitter site.

*Editor's note: The above article is a summary of the first two bulletins issued by the Working Group on Re-radiation. Further bulletins will be summarized in future issues of BROADCAST EQUIPMENT TODAY. Readers wishing further information may contact the chairman, Mr. Gilles Courtemanche, P.Eng., Director, Broadcasting Regulation Branch, Department of Communications, 300 Slater Street, Ottawa, Ontario K1A 0C8.*

Golf fans will recognize the name Glen Abbey as the site of the Canadian Open.

The golf course is but the first step in the formation of a new community of 30,000 planned for the Oakville area, 20 miles west of Toronto. The Glen Abbey developer, giant Genstar Eastern, has bought virtually all of the land surrounding the transmitter site of CHWO Oakville and CJMR Mississauga.

The two stations are operated by Mrs. Jean Caine and her son, Michael Caine. When CHWO was established 22 years ago, its transmitter site was in open fields. By 1974, when the Caines put a daytime station on the air to serve neighboring Mississauga, the price of land in the area had skyrocketed, and it was decided to co-site the two stations.

(See article, *Co-Siting CHWO/CJMR* by Alex Velleman, *BET*, March/April, 1976.)

Then came Glen Abbey.

The development forms part of the Oakville Official Plan, which was the subject of a record-breaking six-month hearing by the Ontario Board, held in Oakville from January 9 to June 30 of this year. For CHWO/CJMR, it has been a costly nightmare: Mike Caine estimates that so far the cost merely to present his case has passed

the \$20,000 mark.

Caine was confronted by a wall of indifference and ignorance from municipal planners, who thought it would be a simple matter to move the two stations to the CN Tower—or anywhere, so long as they would be out of the way!

Writing off the transmitter site as an "incompatible and non-conforming use", the municipal planners designed a road through the middle of it and a library in one corner. "They act as if nobody *owns* anything!" seethes Caine. They supported the developer's "40 units to an acre" proposal, which would allow high-rise buildings only hundreds of feet from the six transmitting towers.

In its representations to the OMB, CHWO asked that the area nearest the transmitter site be redesignated for single family units only.

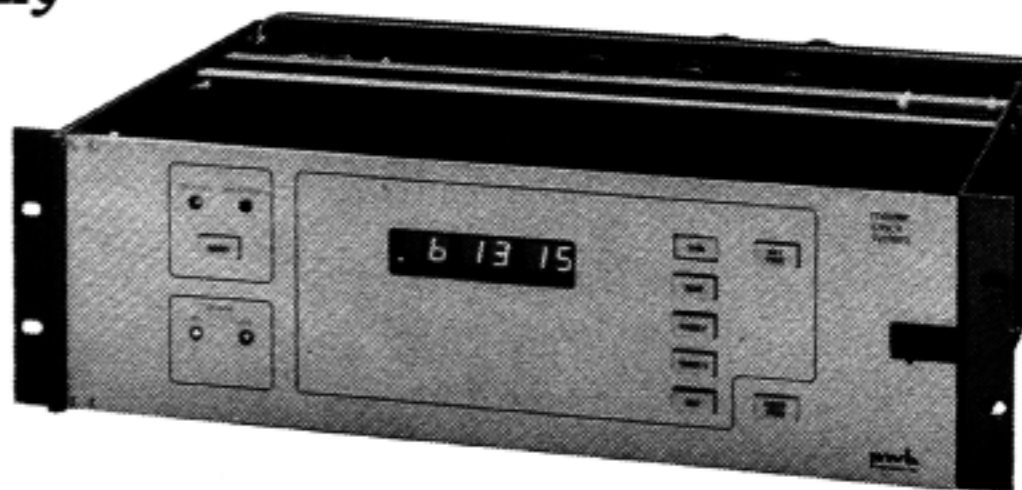
It was the first time a radio station had brought re-radiation problems before the Board and it was tough slugging for Caine and the stations' advisers. As a provincial body concerned with planning, the OMB seemed to take the attitude that it had nothing to do with broadcasting, which comes under federal jurisdiction. Officials were

**Digital Time is at the heart of the Cenchron master control system. It offers the greatest flexibility on the market, at an exceptionally low price!**

The Cenchron System starts with a digital master clock. With it, you can set up an entire digital time control system accurate to within two seconds per month.

Just establish your individual needs, then we custom design your own system around a number of options to provide forward/back timing, data transmission, weather data, performance monitoring, pre-programmed switching, video character generating, or electronic control and sensing of distant transmitters.

Hook into existing telephone lines and remote control with status verification is at your fingertips, adaptable to ATS. Any number of remote digital read-out units, and impulse clocks, may be driven from the master unit.



The system has been operationally field-tested with over two years of trouble-free performance on the CN Tower in Toronto.

Write to us for complete details, options and prices.

**pwh**  
electronics ltd.

*Designed and built for broadcasters by broadcasters.*

PWH Electronics Limited, 637 College Street, Toronto, Ontario, Canada M6G 1B6 Tel: (416) 533-6331.

Circle #103 on Reader Service Card



# RE-RADIATION RE-RADIATION RE-RADIATION

dumfounded by the technical requirements for AM transmission, and their lack of knowledge and/or interest posed the greatest problem in presenting the stations' case.

However, the Caines enlisted the support of outstanding spokesmen: These included broadcast engineering consultant George Mather, station engineer Alex Velleman, and Gilles Courtemanche, director of the Broadcasting Regulation Branch of the federal Department of Communications. Caine describes DOC's co-operation as "terrific": the minister, Mme Sauvé, showed a personal interest in the case, and Courtemanche cut short other commitments to appear twice. As chairman of the Working Group on Re-radiation Problems, he explained that guidelines were being prepared to inform planners as to the requirements of AM stations. The CRTC was also "more than helpful", with chairman Dr. Pierre Camu offering to send personnel.

Mayor Ron Searle of Mississauga appeared before the OMB to speak of CJMR's vital service to his community of over 200,000.

The Caines also hired a town planning consultant to show how the development

could be redesigned with the same density but without causing re-radiation problems.

The case is a dramatic example of the vulnerability of AM stations to the relentless march of development. Small broadcasters are ill-prepared to do combat with developers such as Genstar Eastern, who reportedly have already spent \$30 million on the Glen Abbey plan, and whose lawyers at the OMB hearings were led by former Ontario cabinet minister Robert McCauley.

The lack of previous cases is also a handicap for the broadcaster: at this year's CAB, Caine asked that others facing similar re-radiation problems speak up. No one did. And the CHWO/CJMR planning consultant could find no similar cases in North America, despite an extensive search of computerized data.

With the high cost of land close to urban areas, and the critical technical requirements of directional arrays, AM stations are faced with a "double jeopardy" that increasingly threatens their very existence. There's no formula for computing re-radiation from a nearby structure until it is built—but once it is built, the onus is on the station to maintain the coverage pattern for which it was licensed.

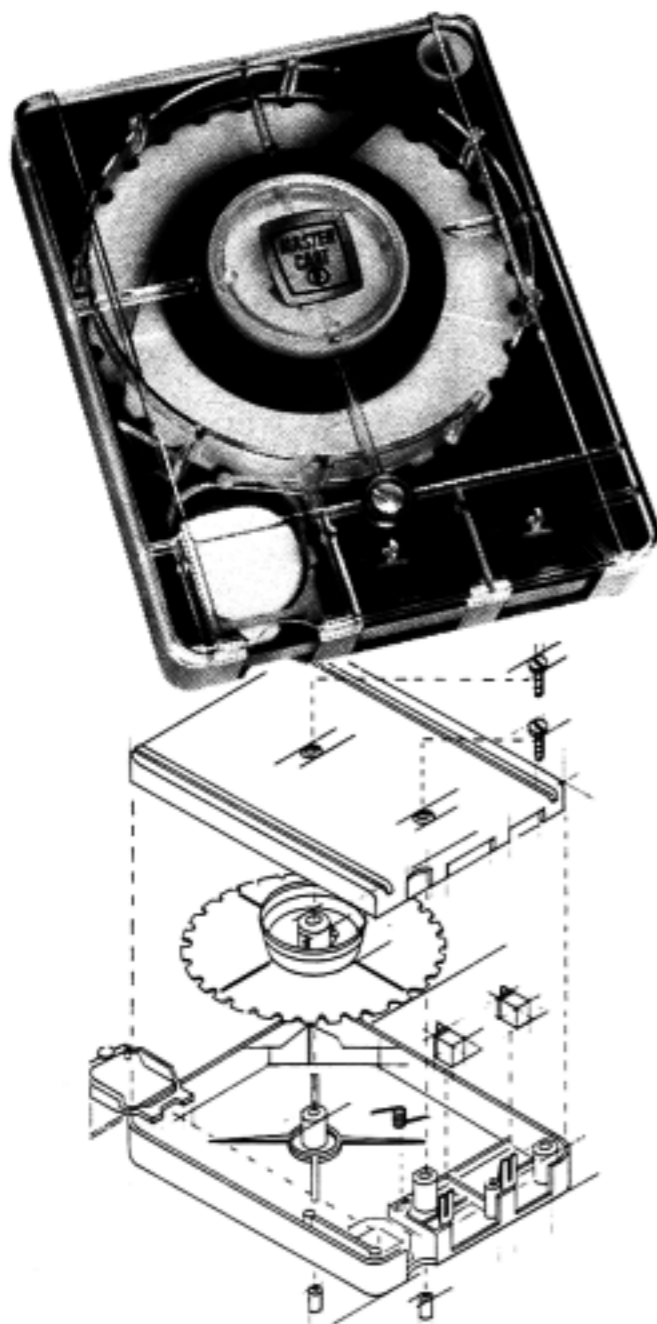
In the case of CHWO/CJMR, costs of an alternative site would be prohibitive: there's virtually no undeveloped land available in a location that would provide the required coverage. "If we lose, I don't know what we can do," says Mike Caine. An appeal to the Ontario cabinet would be a possibility.

A decision by the OMB is expected by the end of the year, and Mike Caine is optimistic that it will recognize the necessity of protecting the CHWO/CJMR transmitter site.

However, the last court of appeal is public opinion: there's no doubt that the public relies on its radio service—something perhaps it takes largely for granted—and there would be a deluge of complaints if any station were to be discontinued, or even seriously impaired.

Caine believes that the CHWO/CJMR case has contributed immensely to the education of all concerned—planners, developers and OMB members—regarding the re-radiation problems facing broadcasters.

Despite differences of viewpoint, everyone involved now recognizes that there is a responsibility to maintain the varied broadcast services which provide untold public service to their communities.



## MASTER CART

For your FM stereo station today,  
your AM stereo station of tomorrow.

**STEREO PHASING**—60° normal (45° typical) to 12,500 Hz.

**REPEATABILITY**—Phase performance repeatable with each cartridge and each stereo machine assuming correct guidance to NAB alignment dimensions.

**TAPE PATH**—Cone shaped rear corner post and longer tape path eliminate tape distortion at the head area.

**CIRCULAR BRAKE**—Positions the cartridge straight into the heads to minimize unequal head penetration pressure.

**PRESSURE PADS**—Individually replaceable . . . high flexibility and low friction for extended tape life . . . provides full surface tape contact for straight-path tape motion.

Master Cart is easy to maintain, comes in all lengths up to 10½ minutes. For details, contact your Fidelipac Distributor or



**FIDELIPAC®**

109 Gaither Drive • Mt. Laurel, NJ 08057  
(609) 235-3511

® Trademark

Circle #248 on Reader Service Card

# CCBA ENGINEERING NEWSLETTER by Warren Parker

## 1978 CONVENTION

It is hard to believe the Summer of '78 is gone and the Convention Season is upon us once again. In a few short weeks the CCBA (October 29, 30 & 31, at the Royal York Hotel in Toronto) will be in full swing. Let me fill you in on what's in store.

After last year's highly successful Digital Seminar, a follow-up was top priority this year. So you'll be glad to hear **Wayne Gedlaman** of SAIT will present Phase II at this year's Convention.

The first session will be Sunday, October 29, from 1:30 to 5:00 p.m. and the second at 10:30 Monday morning following the joint session with Management and Engineering. The third part of the Seminar is Monday afternoon till about 4:00 p.m. It will consist of seven hours of instruction on Digital "bugs" and such. Certainly not something to miss!

Tuesday the 31st is devoted to technical papers and of course the Engineering Luncheon. **Paul Hunter** tells me he has an exciting lineup of papers, some of which are:

- **Grounding and Shielding in Audio Systems**—presented by McCurdy Radio
- **AM Stereo**—presented by Harris Corporation
- **CHYM AM Array**—presented by Gord Elder and Paul Firminger

• **Solid State Devices vs Tubes**—presented by RCA

A first venture for the CCBA and something which we know will be a great success is "Ladies Day". A complete program is planned for the ladies on Monday.

What's happening around our part of the county? . . . Well **Rick Downe** has rejoined the Engineering staff of CFTR after rebuilding the studios at CKMP Midland.

At CFTR their newly installed production facilities including a new Neve Console and Studer tape decks, new turntables and speakers are working A-1 as is the new Continental 317C 25 kw Transmitter.

Another newly installed Continental 50 kw transmitter is doing its thing at CHUM, **Burrell Hadden** reports . . . he only wishes he could be free of the lumber and sawdust as their studios take on a completely new look.

**John Evans** of CKBB Barrie told me just as he had all his projects under control, he has now been granted a new task. Early in August, a new license was granted to CKAN 1480 kHz in Newmarket/Aurora, and we are pleased to hear John will be the Chief Engineer for the new 10 kw facility.

You all know **Terry Brown** of MSC was building his own plane, but did you know he finished it and it actually flies. Terry said it made its maiden flight on June 25th and now has over 50 hours on her.

The plane is an all aluminum Tri-Zenith. Isn't she a beauty! (See photo on page 42)

**Brian Hooper** of CFOR Orillia is busy working on adding to his antenna farm south of Orillia. Apparently his single tower will have company as he increases from 1 kw to 5 kw at night.

Brian says his problem isn't Orillia though, it's at CKDK Woodstock, where he has to move the transmitter building. As the story goes, a gravel pit that was some distance away from the site years ago has steadily crept to within 25 feet of the building. I guess gravel is just worth more than land rental fees!

**Trevor Joyce** at CHIN tells me power outages don't worry him a bit now, for he has installed new generators at both the AM transmitter plant and at the studios.

Speaking of generators, we at CKTB installed a diesel generator and standby transmitter at the AM site this summer as well.

A late note . . . I just had **Dave Strachan** drop in to see me. He has joined Comad Communications after being at CCA Caldwell for a number of years. He says changes are afoot at CCA, but wouldn't elaborate. See how hard it is to get news!

If you have any, please send it along to:

**Warren Parker**  
610/CKTB P.O. Box 610  
St. Catharines, Ontario L2R 6X7

an  
invitation  
to one  
and all

While at the CCBA come and see us at Room #3-314. You will have an opportunity to test your skills while learning about an interesting new "SCOTCH" Brand Video Cassette innovation. You may even win a prize!

We have other hardware and software magnetic recording products to demonstrate and we can assure you that your time with us will be well spent. See you there!



**3M**

Circle #256 on Reader Service Card



A new, comprehensive listing of—

# TELEVISION STATIONS IN CANADA

including available channels under the Canadian Television Allotment Plan

**KEY:** Stations are listed by Province in East to West order.

**Locations** are in alphabetical order, under each province, showing available channels (if any); then existing stations, with call sign, channel, video power (kw); aural power (kw); and network affiliation.

L—Limitation on operating parameters.

**Originating stations** are shown in bold type, with mailing address and postal code; street address; telephone; telex.

**Low Power Rebroadcasters** are listed separately under each province; these stations operate on unprotected channels and are not included in the Canadian Television Allotment Plan.

## NEWFOUNDLAND

Argentia-55	CJAP-TV	3	6.7	3.4	CTV
Baie Verte-27	CBNAT-1	3	3.4		CBCE
Bay Roberts-16					
Bishops Falls-64					
Bonavista-34	CJWB-TV	10L	.23	.115	CTV
Bonne Bay	CBYT-3	2	1.8	1.2	CBCE
Botwood-19					
Buchans-7L,26					
Burgeo-34					
Carbonear-79					
Churchill Falls-9L					
Clarenville-63	CBNT-10	7L			CBCE
Conche	CBNAT-8	13L	.144		CBCE
<b>Corner Brook-14,20,42</b>	<b>CBYT</b>	5L	10.6	2.12	CBCE
CBC, Box 610, A2H 6G1; 162 Premier Dr.; (709) 634-3141; 016-44222.					
	CJWN-TV	10	.41	.205	CTV
Cow Head	CBYT-6	8L	4.3		CBCE
Deer Lake-71	CBYAT	12	.51		CBCE
Fox Harbour	CBNAT-10	7			CBCE
Gander-72					
<b>Goose Bay</b>	<b>CFLA-TV</b>	8	.87	.435	CBCE
CBC, Box 39, Stn. A, AOP 1S0; (709) 896-2966; 016-2236					
Grand Bank-49	CJOX-TV-1	2L	7.4		CTV
Grand Falls-35,70	CBNAT	11	317.0	64.0	CBCE
	CJCN-TV	4L	26.0	13.0	CTV
Hawkes Bay	CBYT-9	5L	1.1		CBCE
Hermitage	CBNT-24	4L			CBCE
<b>Labrador City-14,20</b>	<b>CBNLT</b>	13	.214		CBCE
	<b>CBST-3</b>	11	.214		CBCE
CBC, Box 576, A2C 2L3; (709) 944-3616; 016-2245.					

Lewisporte-41					
Marystown-27	CBNT-3	5L	22.5	11.25	CBCE
	CJMA-TV	11L	.4		CTV
Mt. St. Margaret	CBNAT-9	9	29.0		CBCE
Musgrave Harbour	CBNAT-7	7L	.135		CBCE
Placentia	CBNT-2	12	1.58	.79	CBCE
Port au Port	CBFNT	13L			CBCE
Port aux Basques-27	CBYT-4	3	.47	.235	CBCE
Portland Creek	CBYT-8	13L	1.9		CBCE
Port Rexton	CBNT-1	13	16.0	8.0	CBCE
Ramea	CBNT-25	13L			CBCE
Red Rocks	CJRR-TV	11	.4		CTV
Roddickton-11L					
St. Albans-57					
St. Andrews	CBYT-5	6L	.515	.052	CBCE
St. Anthony-4L,14,20	CBNAT-4	6	6.54	.65	CBCE
St. Georges-79					
<b>St. John's-2,14,20,42,71,22</b>	<b>CBNT</b>	8	196.0	39.2	CBCE
CBC, Box 12010, Stn. A, A1B 3T8; 239 Kenmount Rd.; (709) 753-1300; 016-4590.					
	<b>CJON-TV</b>	6	110.0	60.0	CTV
Box 2020, Stn. C; A1C 5S2; Buckmasters Circle; (709) 579-5015; 016-3155.					
St. Lawrence-78					
St. Mary's	CBNT-6	10L	.67		CBCE
St. Vincents	CBNT-26	7L			CBCE
Springdale-23	CBNAT-13	13L			CBCE
Stephenville-50	CBYT-1	8L	11.6	2.32	CBCE
	CJSV-TV	4L	.775		CTV
Wabana-26					
Wesleyville	CBNT-9	5L			CBCE

## LOW POWER REBROADCASTERS

Aquaforte	(new)	10			
Bay L'Argent	CBNT-27	8			CBCE
Belleoram	CBNT-23	7			CBCE
Buchans	CBNAT-2	13			CBCE
Cape Broyle	CHCB-TV-1	3			CBCE
	CJBL-TV	13			CTV
Cartwright	CBNT-21	9			CBCE
Churchill Falls	CBNLT-1	9			CBCE
	CBST-4	13			CBCE
Clarenville	CJCV-TV	10			CTV
Come By Chance	CICH-TV-1	4			CTV
	CICH-TV-2	11			CBCE
Deer Lake	CJLW-TV	7			CTV
Elliston	CBNT-7	4			CBCE
Fermeuse	CBNT-5	11			CBCE
	CJFR-TV	13			CTV
Ferryland	(new)	12			
Fogo Island	CBNAT-6	2			CBCE
Fortune	CBC (new)				
Gambo Middlebrook	CBNT-14	8			CBCE

Gander	CJGN-TV	2			CTV
Glovertown	CBNT-13	3			CBCE
Harbour Breton	CBNT-22	13			CBCE
Hickman's Harbour	CBNT-18	4			CBCE
Irishtown	CBYT-2	7			CBCE
	CJWN-TV-6	3			CTV
La Scie	CJLT-TV	7			CTV
Lawn	CJLN-TV	10			CTV
Little Hearts Ease	CBNT-8	11			CBCE
Lord's Cove	CBC (new)				
Lumsden	CBNT-20	12			CBCE
Millertown	CBNAT-5	7			CBCE
Musgrave	CBNAT-11	9			CBCE
Musgravetown	CBNT-17	9			CBCE
Nain	CBNBT	9			CBCE
North West Brook	CBNT-11	4			CBCE
Pasadena	CJWN-TV-5	8			CTV
Peters River	CJSI-TV	13			CTV
Petty Harbour	CJOH-TV	11			CTV
Port Aux Basques	CJPQ-TV	7			CTV
Port Hope Simpson	CBNAT-12	12			CBCE
Ramea	CJRA-TV	10			CTV

Random Island	CBNT-19	43			CBCE
St. Alban's	CBNT-4	9			CBCE
	CJST-TV	13			CTV
St. John's	CJON-TV-4	10			CTV
	CJON-TV-5	2			CTV
St. Jones Within	CBNT-12	9			CBCE
St. Lawrence	CBNT-28	12			CBCE
	CJXL-TV	10			CTV
St. Shotts	CJSH-TV	10			CTV
Swift Current	CBNT-31	5			CBCE
	CJSC-TV	10			CTV
Terrenceville	CFTV-TV-1	12			CBCE
	CJNF-TV	10			CTV
Trepassey	CJTA-TV-2	4			CBCE
	CJTP-TV	10			CTV
Trinity-Wareham	CBNT-16	2			CBCE
Trout River	CBYT-7	13			CBCE
Wellington	CBNT-15	24			CBCE

**Note:** All rebroadcasters in Newfoundland designated "CTV" rebroadcast CJON-TV St. John's.

# NOVA SCOTIA

Amherst-47,79					
Annapolis Royal-42					
Antigonish-23	CJCB-TV-2	9	140.0		CTV
Bridgetown-29					
Bridgewater-9L,54					
Caledonia	CJCH-TV-6	6	51.5	10.3	CTV
Canning	CJCH-TV-1	10	9.05	4.53	CTV
Canso-28					
Cheticamp-72	CBHFT-4	10	7.9	4.0	CBCF
	CBIT-2	2	2.7		CBCE
Digby-52					
Glace Bay-14,26,64					
Halifax-22,32					
38,44,63,74	CBHFT	13L	0.135	0.0135	CBCF
	CBHT	3	56.0	11.2	CBCE
CBC, Box 3000, B3J 3E9; 5600 Sackville St.; (902) 422-8311; 019-21618.	CJCH-TV	5	100.0	20.0	CTV
2885 Robie St., B3J 2Z4; (902) 453-2524; 019-21826.					
Inverness	CJCB-TV-1	6	9.4	4.7	CTV
Kentville-76					
Liverpool-62	CBHT-1	12	0.97	0.097	CBCE
Louisburg-58					
Lunenburg-41					
Middleton-46,58					
Mulgrave-78	CBHFT-2	7L	106.0		CBCF
	CBIT-1	12L	129.0		CBCE
	CBHT-5	4L	0.2	0.1	CBCE
New Glasgow-15,43,65					
New Waterford-76					
North Sydney-36					
Parrsboro-20					
Pictou-25					
Sheet Harbour-35	CBHT-4	11L	9.07	1.814	CBCE
Shelburne-75	CBHT-2	8	0.423	0.254	CBCE
Springhill-26					
Sydney-20,42,70	CBHFT-3	13L	4.5		CBCF
	CBIT	5	54.0	10.8	CBCE
CBC, Box 700, B1P 6H7; 285 Alexandra St.; (902) 539-5050; 019-35109.	CJCB-TV	4	180.0	108.0	CTV
Box 469, B1P 6H5; 1283 George St.; (902) 562-5511; 019-35195.					
Sydney Mines-54					
Tatamagouche-49,77					
Truro-55,71					
Windsor-16					
Wolfville-50					
Yarmouth-40	CBHFT-1	3L	1.9	0.19	CBCF
	CBHT-3	11	15.7	3.3	CBCE

## LOW POWER REBROADCASTERS

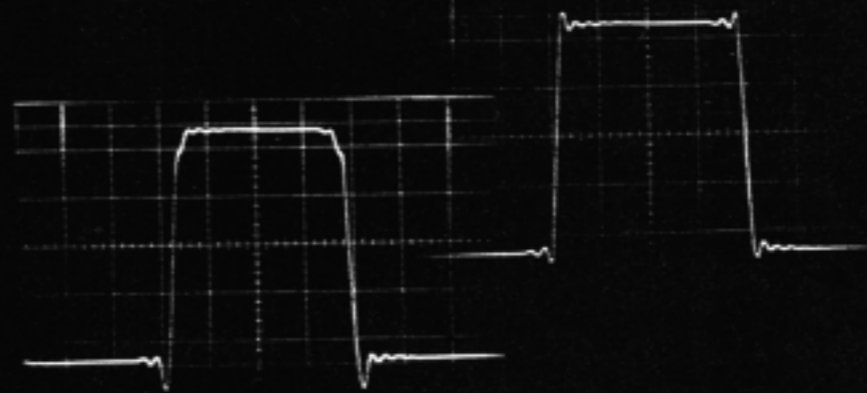
Aspen	CBIT-9	2	CBCE
Bay St. Lawrence	CJCB-TV-5	7	CTV
Blue Mountain	CBIT-13	5	CBCE
Country Harbour	CBIT-10	6	CBCE
Dingwall	CJCB-TV-3	9	CTV
Goshen	CBIT-8	5	CBCE
Mabou	CBIT-4	3	CBCE
Margaree	CBIT-5	8	CBCE
N.E. Margaree	CBIT-6	13	CBCE
New Glasgow	CJCB-TV-4	2	CTV
Pleasant Bay	CBIT-3	8	CBCE
Sherbrooke	CBIT-11		CBCE
Sunnybrae	CBIT-12	6	CBCE
Yarmouth	CJCH-TV-7	13	CTV

# PRINCE EDWARD ISLAND

Charlottetown-					
31,37,81	CBCT	13	62.0		CBCE
CBC, Box 2230, C1A 8B9; 430 University Ave.; (902) 892-3591; 014-44176.					
	CKCW-TV-1	8	14.5		CTV
Souris-21					
Summerside-57,75					

# RUSINT

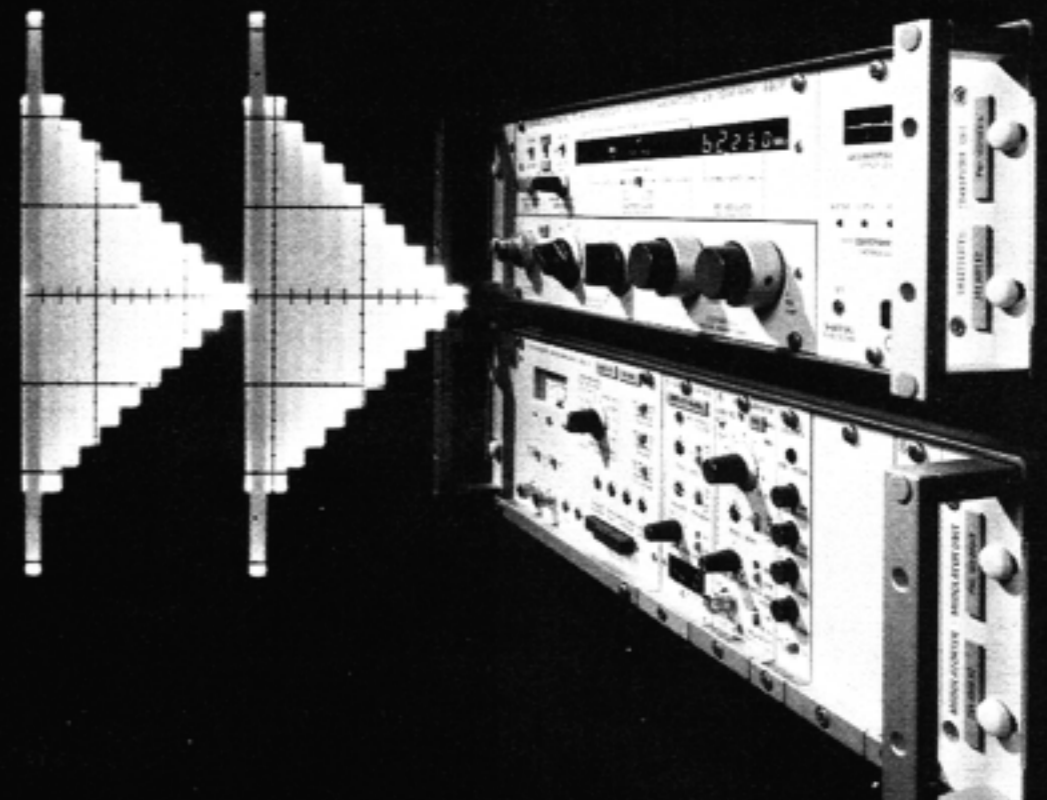
## ALL CHANNEL DEMODULATOR



You can choose between envelope and synchronous detection with the new TV monitoring receiver EKF 2, intended for off-the-air monitoring of small transmitters and transposers, for the pointing of antennas and for setting up the levels of antenna amplifiers. By Rohde & Schwarz

Circle #237 on Reader Service Card

## ALL CHANNEL STIMULATOR



In conjunction with picture and sound frequency sources the TV test transmitter SBUF delivers a standardized RF test signal for checking out TV receivers and transposers, CATV broadband amplifiers plus head-end amplifiers and converters for community antennas.

Circle #238 on Reader Service Card

# RUSINT

Electronics & Sales Canada Limited

25 Northside Road, Ottawa, Ontario K2H 8S1  
(613) 829-3944 Telex: 053-3662



# NEW BRUNSWICK

Bathurst, 54, 82					
Bon Accord	CHSJ-TV-1	6	54.7	27.3	CBCE
Buctouche-27					
Cambellton-38,78	CHCR-TV	4L	25.12	3.71	CBCE
	CKAM-TV	12			
	CKCD-TV	7L	1.4	0.288	CTV
Caraquet-64					
Chatham	CHCN-TV	6L			CTV
Chipman-67					
Dalhousie-60					
Dorchester-18					
Edmundston-18,68	CJBR-TV-1	13L	1.43	.714	CBCF
	(new)	4L	1.22		TVA
Fredericton-					
15,45,61	CBAFT-1	5L			CBCF
Grand Falls-4L,20	CBC (new)	12			CBCF
McAdam-71,77					
Milltown-33					
<b>Moncton-</b>					
24,30,70,83	<b>CBAFT</b>	11	163.0	33.0	CBCF
CBC, Box 950, E1C 8N8; 250 Archibald St.; (506) 855-3370; 014-2284.					

	CHMT-TV	7	182.0	36.4	CBCE
	<b>CKCW-TV</b>	2	25.0	3.74	CTV
Box 5004, E1C 8R6; 191 Halifax St.; (506) 855-1224; 014-2250.					
Neguac	CBAFT-3	3L			CBCF
Oromocto-21,51					
Perth-37					
Richibucto-40					
Sackville-53					
<b>Saint John-17,23,</b>					
39,69,78	<b>CHSJ-TV</b>	4	100.0	50.0	CBCE
Box 2000, E2L 3T4; 335 Union St.; (506) 657-3410; 014-47218.					
	<b>CKLT-TV</b>	9	162.0	32.0	CTV
32 King St., Parrrtown Pl., E2L 1G3.					
St. Andrews-82					
St. Leonard-50					
St. Quentin-42					
St. Stephen-49					
Salisbury-14					
Shediac-36					
Shippegan-46					
Sussex-48					
Tracadie-52					
Upsalquitch Lake	CKAM-TV	12	141.0	28.2	CTV

## LOW POWER REBROADCASTERS

Blackville	CKAM-TV-3	9	ATV	Doaktown	CHSJ-TV-2	8	CBCE	Newcastle	CKAM-TV-1	10	ATV
Boiseton	CKLT-TV-2	7	ATV	Doaktown	CKAM-TV-4	10	ATV	St. Martin de Res	CHAU-TV-10	9	CBCF
Chatham	CKAM-TV-2	10	ATV	Kedgewick	CHAU-TV-11	2	CBCF	St. Quentin	CHAU-TV-2	9	CBCF

# QUEBEC

Aguanish-50	CBST-7	8			CBCF
Alma-48,74,80					
Amos-22					
Asbestos-53					
Baie Comeau-					
7L,57,79	CBMIT	28			CBCE
Baie St. Paul-75					
Bearn/Fabre	CKRN-TV-3	3L	1.733		CBCF
Blanc Sablon	CBC (new)	3	.15		CBCF
Brisay-4					
Buckingham-80					
Cabano-63					
Camp LG3, Baie James-4					
Camp LG4, Baie James-5L					
<b>Carleton</b>	<b>CHAU-TV</b>	5	100.0	10.0	CBCF
CP 100, GOC 1J0; (418) 364-3344; 014-43126.					
Chambord	CJPM-TV	10	23.0	2.3	TVA
Chapais-2					
Chapeau	CBOFT-1	11L	.55		CBCF
Chibougamau	CBFAT	5	.665	.0665	CBCF
<b>Chicoutimi-</b>					
36,70,76,82	CBJET	58			CBCE
	<b>CJPM-TV</b>	6	100.0	10.0	TVA
CP 600, G7H 5C8; (418) 549-2576; 051-36132.					
	CKRS-TV-2	2L	.04	.006	CBCF
Coaticook-75					
Cowansville-79					
Dolbeau-78					
Donnacona-24					
Dorchester-6L					
Drummondville-19,41					
Duplanter	CHLG-TV-5	5			CBCF
Eastmain-5					
Estcourt-43					
Fermont	CBST-5	7L	.0058		CBCF
	CBC (new)	9L	.01		CBCE
Forestville-77					
Fort Chimo-2					
Fort George	CBFGT	9L			CBCF
Fort Rupert	CBFHT	9L			CBCF
Gaspé	CHAU-TV-6	13L	.005		CBCF
Gethsemani-53					
Granby-73					
Grand Vallee-6L					
Havre St Pierre	CBST-1	12	.0163		CBCF
Harrington Harbour	CBC (new)	8	.129		CBCF
<b>Hull</b> (see also Ottawa)	<b>CIVO-TV</b>	30	727.0	145.0	ORTQ
Inoucdjouac-9L					

Joliette-65					
<b>Jonquiere-</b>					
14,20,30,42	<b>CKRS-TV</b>	12	42.0	4.0	CBCF
175 Sir Wilfred Laurier, G7X 7X3; (418) 542-4551; 051-36117.					
Joutel	CJDG-TV-3	12L			CBCF
LacEtchemin	CBVT-4	55	0.4		CBCF
Lac Megantic-42					
Laforge-2					
La Pocatiere-65					
La Sarre-13L,33					
La Tabatiere	CBC (new)	4	.078		CBCF
La Tuque-9L,34,66	CBVT-2	3L	15.4	1.54	CBCF
Lithium Mines	CJDG-TV	8	48.9		CBCF
Magdalen Islands-					
16,22	CBIMT	12			CBCE
Magog-81	CBC (new)	30	15.0		CBCF
Malartic	CFCL-TV-5	5	9.35	4.675	CBCE
Manicouagan	CKHQ-TV-1	10	.055	.0274	CBCE
Matagami	CJDG-TV-4	7L	.005		CBCF
<b>Matane-24,49</b>	<b>CBGAT</b>	9	153.0	92.0	CBCF
CBC, CP 2000, G4W 3P7; 155 St. Sacrement; (418) 562-0290; 051-86370.					
	CBGAT-6	6L	.422	.084	CBCF
Mont Climont	CBGAT-1	13L	.343	.172	CBCF
Mont Joli-22					
Mont Laurier-68	CBFT-2	3		2.8	CBCF
Mont Tremblant	CBFT-1	11L	.6	.3	CBCF
Montmagny-49,67					
<b>Montreal-23,29,</b>					
35,60,76,82	<b>CBFT</b>	2	100.0	10.0	CBCF
CBC, CP 6000, H3C 3A8; 1400 Dorchester Blvd. E.; (514) 285-3211; 052-67417.					
	<b>CBMT</b>	6	100.0	15.0	CBCE
same as CBFT					
	<b>CFCF-TV</b>	12	325.0	160.0	CTV
405 Ogilvy Ave., H3N 1M4; (514) 273-6311; 05-826638.					
	<b>CFTM-TV</b>	10	325.0	160.0	TVA
1600 Blvd. DeMaisonneuve E., H2L 4P2; (514) 526-9251; 05-267329.					
	<b>CIVM-TV</b>	17	1212.0	242.0	ORTQ
1000 rue Fullum, H2K 3L7; (514) 873-4611.					
Mt. Louis en Haut-19					
Murdochville-10L					
Natashquan-26					
New Carlisle-17					
Percé-15	CHAU-TV-5	2L	.465	.233	CBCF
Petite Opinaca	CHLG-TV-2	3			CBCF
Plessisville-61					
Port Alfred-52,64	CKRS-TV-1	9	.128	.00285	CBCF
Poste de la Baleine-9L					
Povungnituk-9L					

<b>Quebec-2L,21,27,</b> 45,51,77,83 CBC, CP 10400, G1V 2X2; 2505 Laurier, Ste.Foy; (418) 656-9440; 011-286.	<b>CBVT</b>	11	173.0	34.6	CBCF
CP 2026, G1K 7N2; 1000 Myrand; (418) 688-9330; 051-2234.	<b>CFCM-TV</b>	4	100.0	50.0	TVA
same as CFCM-TV	<b>CIVQ-TV</b>	15	1298.0	259.0	ORTQ
Radisson	<b>CKMI-TV</b>	5	13.85	6.777	CBCE
Rapides des Joachims	<b>CBFRT</b>	8	.180		CBCF
<b>Rimouski-16,51</b>	<b>CBOFT-2</b>	8L			CBCF
CP 590, G5L 7C5; (418) 722-6011.	<b>CFER-TV</b>	11L	157.0	35.0	TVA
CBC, 273 St. Jean Baptiste W., G5L 4J8; (418) 723-2217; 051-86343.	<b>CJBRT</b>	3	100.0	56.9	CBCF
Riviere-au-Renard	<b>CHAU-TV-7</b>	7L	.0975	.0488	CBCF
Riviere au Tonnerre	<b>CBST-6</b>	2L			
<b>Riviere du Loup-</b> 35,71	<b>CKRT-TV</b>	7	49.0	24.5	CBCF
1 rue Frontenac; G5R 1R7; (418) 862-8241; 051-3915.	<b>CBC (new)</b>	21	.089		CBCF
Riviere-St-Paul	<b>CJPM-TV-1</b>	10			TVA
Roberval-26	<b>CKRS-TV-3</b>	8	2.36	.354	CBCF
<b>Rouyn-Noranda-</b> 14,20,61	<b>CKRN-TV</b>	4	115.0	57.5	CBCF
CP 70, J9X 5A5; 380 Murdoch (Noranda); (819) 762-0741; 057-46526.	<b>CHAU-TV-1</b>	2L	.219	.109	CBCF
Ste Adele-56	<b>CBVT-5</b>	13L			CBCF
Ste Anne des Monts-8L					
Ste Marguerite-Marie					
St Fabien de Panet					
St Felicien-72					
St Georges de Beauce-72					
St Hyacinthe-47					
St Jean-Iberville-70					
<b>St. Jerome-78</b>	(new)	4L	.0467		Ind.
Télévision Communautaire de St-Jérôme Inc.					
St Michel des Saints-7L					
St Pamphile	<b>CBSPT</b>	3L			CBCF
St Prosper-23					
St Rene de Matane	<b>CBC (new)</b>	30	.39		CBCF
Schefferville	<b>CBSET-1</b>	7	.0376		CBCE
	<b>CBST-2</b>	9	.0376		CBCF
Senneterre-19					
<b>Sept Iles-14,20</b>	<b>CBC (new)</b>	3L	1.5		CBCE
	<b>CBST</b>	13	8.4		CBCF
	<b>CFER-TV-1</b>	11L			TVA
Shawinigan-16,63					
<b>Sherbrooke-14</b>	<b>CBC (new)</b>	50	1.1		CBCE
	<b>CHLT-TV</b>	7	316.0	186.0	TVA
3330 King St. West, J1L 1C9; (819) 565-7777; 05-836129.	<b>CKSH-TV</b>	9	325.0	57.9	CBCF
2295 King St. West, J1J 3W7; (819) 563-9890; 05-836133.					
Sorel-25					
Temiscaming	<b>CBFST-2</b>	12L	7.08	1.416	CBCF
	<b>CBC (new)</b>	28	15.0		CBCE
Thetford Mines- 74,80					
Trois Pistoles-73	<b>CBC (new)</b>	32	1.3		CBCE
<b>Trois Rivières-</b> 28,37,69	<b>CBC (new)</b>	28			CBCE
	<b>CHEM-TV</b>	8L			TVA
1400 rue des Cyprès; (819) 376-8880.	<b>CKTM-TV</b>	13	325.0	65.0	CBCF
CP 277, G9A 5G3; 4141 Blvd. St. Jean; (819) 377-1441; 05-837137.					

### LOW POWER REBROADCASTERS

Alma	<b>CKRS-TV-4</b>	4	CBCF	Gaspé
Asbestos Hill	<b>CFAH-TV-1</b>	11	CBCF	Gethsemani
	<b>CFAH-TV-2</b>	13	CBCE	GrandeVallee
Baie Johan-Beetz	<b>CBST-8</b>	7	CBCF	L'Anse à Valleeau
Baie St Paul	<b>CKRT-TV-1</b>	2	CBCF	Lac Megantic
Cabana	<b>CKRT-TV-4</b>	5	CBCF	Lebel-Quevillon
Causapscal	<b>CBGAT-5</b>	6	CBCF	Manicouagan
Chandler	<b>CHAU-TV-4</b>	7	CBCF	Micoua
Chapais	<b>CBFAT-1</b>	12	CBCF	Mont Blanc
Clermont	<b>CBSAT</b>	31	CBCF	Mont Louis
Cloridorme	<b>CHAU-TV-8</b>	5	CBCF	Murdochville
Deception Bay	(new)	11	CBCF	Notre Dame Monts
Eastmain	<b>CHLG-TV-4</b>	5	CBCF	Nouveau Comptoir
Gagnon	<b>CBC (new)</b>	9	CBCF	Old Fort Bay

CFGW-TV-1	6	ATV	Outardes	CKHQ-TV-2	12	CBCF
CBST-9	9	CBCF	Parent	CBTB-TV-1	12	CBCF
CBGAT-3	11	CBCF	Port Daniel	CHAU-TV-3	10	CBCF
CHAU-TV-9	7	CBCF	Riviere du Loup	CKRT-TV-3	13	CBCF
CBVT-3	2	CBCF	Riviere Platte	CHQN-TV-1	12	CBCF
CJDG-TV-2	12	CBCF	St. Augustin-			
CKHQ-TV-6	13	CBCF	Saguenay	<b>CBC (new)</b>	2	CBCF
CKHQ-TV-3	12	CBCF	St Georges de Beauce	<b>CBVT-1</b>	2	CBCF
CFGW-TV-2	8	ATV	St Pamphile	(new)	—	TVA
CBGAT-4	2	CBCF	Ste Rose Degele	<b>CKRT-TV-2</b>	2	CBCF
CBGAT-2	6	CBCF	St Urbain	<b>CKRT-TV-5</b>	10	CBCF
CKMU-TV-1	2	ATV	Tete-a-la-Baleine	<b>CBC (new)</b>	6	CBCF
CBSNT	40	CBCF	Timiskaming	<b>CFCH-TV-1</b>	2	CTV
CBFWT	9	CBCF	Trois Pistoles	<b>CKRT-TV-6</b>	5	CBCF
<b>CBC (new)</b>	7	CBCF	Ville Marie	<b>CKRN-TV-2</b>	6	CBCF

## SONO VIDEO Inc.

1010, rue Berlier, Chomedey, Ville de Laval, Québec H7L 3R9  
Tél.: 667-5661 Mtl: 384-4546

### IKEGAMI

- BROADCAST CAMERA
- ENG. EFP. CAMERA
- BROADCAST MONITOR

### CDL

- PROFESSIONAL VIDEO SWITCHER

### SONY

- BROADCAST & U-MATIC VTR

### MICROTIME

- TIME BASE CORRECTOR
- NOISE REDUCER
- DIGITROL PROGRAMMER

### SHINTRON

- PRODUCTION SWITCHER
- AUDIO D.A.
- SMPTE TIME CODE GEN. & READER

### LEITCH

- SYNCHRONIZING PULSE GENERATOR
- DISTRIBUTION AMPLIFIER
- VIDEO PROCESSING AMPLIFIER



Circle #257 on Reader Service Card

Val d'Or-77,83  
Valleyfield-26,66  
Victoriaville-71  
Ville de la Baie—see Port Alfred



# ONTARIO

Armstrong-10					
Arnprior-20					
Atikokan-39					
Bancroft-	CBWCT-1	7	.544	.272	CBCE
	CHEX-TV-1	4			CBCE
	CKGN-TV-2	2L	40.5		Global
<b>Barrie-74,83</b>	CBLFT-11	55			CBCF
	<b>CKVR-TV</b>	3	100.0	12.5	CBCE
Box 519, L4M 4T9; (705) 726-9711; 068-75520.					
Belleville/ Deseronto-28	CBLFT-13	15			CBCF
	CJOH-TV-6	6	55.0		CTV
Blind River-40					
Brantford-63					
Brockville-27,75					
Chapleau-33	CFCL-TV-6	7L	.101	.02	CBCE
Chatham-81	CBLFT-10	48L			CBCF
	CICO-TV-59	59L			OECA
Cobourg-67,80					
Collingwood-78					
Cornwall-36,77,83	CJOH-TV-8	8L	130.0	78.0	CTV
Deep River-25					
Deseronto—see Belleville					
Driftwood	CBLFT-16	74			CBCF
Dryden-4,20	CBC (new)	6	10.0		CBCF
	CBWDT	9L	8.9	4.45	CBCE
	CBLFT-6	12	18.6	3.72	CBCF
Elliot Lake-18	CKNC-TV-1	7L	12.5	1.3	CBCE
	CKSO-TV-1	3	19.0	3.8	CTV
Espanola-77					
Exeter-52L					
Forest-21L					
Fort Ablany-8					
Fort Frances-25	CBWCT	5	20.2	10.1	CBCE
Gananoque-19					
Geraldton	CBLAT	13	22.0	4.4	CBCE
Goderich-39					
Guelph-20					
Haliburton-5L					
<b>Hamilton-41,47,53</b>	<b>CHCH-TV</b>	11L	230.0	23.0	Ind.
163 Jackson St. West, L8P 1L7; (416) 522-1101; 061-8312.					
Hanover-36L					
Hearst	CBLFT-5	7L	8.4	1.68	CBCF
	CFCL-TV-4	4	.098	.049	CBCE
Huntsville	CKVR-TV-2	8L	.115	.049	CBCE
	CKCO-TV-4	11L			CTV
Kapuskasing-77,83	CBLFT-4	12	17.4	3.4	CBCF
	CFCL-TV-3	2L	.096	.019	CBCE
	CKSO-TV-4	10	.9		CTV
Kearns	CFCL-TV-2	2	38.5		CBCE
	CKSO-TV-3	11	65.0	13.0	CTV
Kenora-21,32	CBWAT	8L	9.3	5.5	CBCE
	CBWFT-7	2	3.8		CBCF
<b>Kingston-38,73</b>	CBLFT-14	32			CBCF
	<b>CKWS-TV</b>	11	130.0	26.0	CBCE
170 Queen St., K7K 1B2; (613) 544-2340; 066-3256.					
<b>Kitchener-82</b>	CBLFT-8	76			CBCF
	CICO-TV-28	28L	122.0		OECA
	<b>CKCO-TV</b>	13	325.0	65.0	CTV
864 King St. West, N2G 1E8; (519) 578-1313; 069-55432.					
Leamington-72					
<b>London</b>	CBLFT-9	40			CBCF
	<b>CFPL-TV</b>	10	325.0	43.2	CBCE
Box 2880, N6A 4H9; Commissioners Road; (519) 686-8810; 064-5846.					
	CICO-TV-18	18L			OECA
Manitouwadge	CBLAT-1	8	22.0	4.4	CBCE
Marathon	CBLAT-4	11	7.66	1.532	CBCE
Midland-58					
Moosonee-9L					
Niagara Falls-81					

<b>North Bay-</b>					
6L,48,70,76	<b>CHNB-TV</b>	4L	60.9	6.1	CBCE
755 Main St. East, P1B 1C2; (705) 472-1222.					
	<b>CKNY-TV</b>	10	119.0	23.8	CTV
Box 1050, P1B 8K3; 245 Oak St. East; (705) 476-3111; 067-76287.					
Oakville-73					
Opasatika-71					
Orillia-24,46					
Oshawa-16,77					
<b>Ottawa-14,40,</b>					
46,52,58	<b>CBOFT</b>	9	128.0	25.6	CBCF
	<b>CBOT</b>	4	100.0	15.0	CBCE
CBC, Box 3220, Stn. C, K1Y 1E4; 250 Lanark Ave.; (613) 725-3511; 053-4820.					
	<b>CHOT-TV</b>	40	341.2		Ind.
	CICO-TV-24	24			OECA
	<b>CJOH-TV</b>	13L	178.0	35.6	CTV
Box 5813, Stn. F, K2C 3G6; 1500 Merivale Rd.; (613) 224-1313; 053-4294.					
	CKGN-TV-6	6L	2.8		Global
(see also Hull, Quebec)					
Owen Sound-26,32					
Paris	CKGN-TV	6	100.0		Global
Parry Sound-62					
<b>Pembroke-41,47,53</b>	<b>CHRO-TV</b>	5	19.1	9.5	CBCE
Box 100, K8A 7T3; Forest Lea Rd.; (613) 735-1036; 053-34513.					
Penetanguishene	CBLFT-15				CBCF
<b>Peterborough-33,54</b>	CBLFT-12	44			CBCF
	<b>CHEX-TV</b>	12	139.0	83.4	CBCE
Box 659, K9J 6Z9; (705) 742-0451; 069-62810.					
Pickle Lake-9L					
Picton-56					
Prescott-48					
Red Lake	CBWET	10	.57	.285	CBCE
Renfrew-69					
St. Catharines-69					
St. Thomas-65					
Sarnia/ Oil Springs-79	CBLFT-17	68			CBCF
	CKOC-TV-3	42L			CTV
	CKGN-TV-29	29L	162.0		Global
<b>Sault Ste Marie-</b>					
5L,20,26,48,54,83	CICO-TV	20	2.9		OECA
	<b>CJIC-TV</b>	5	52.0		CBCE
	<b>CKCY-TV</b>	2	100.0		CTV
119 East St., P6A 3C7; (705) 256-7494; 027-7716.					
Sioux Lookout	CBWDT-1	12L			CBCE
Smiths Falls-71,81					
Stratford-30					
Sturgeon Falls-82	CBLFT-1	7	9.75	1.95	CBCF
<b>Sudbury-25,41,</b>					
47,69	CBLFT-2	13	8.6	1.72	CBCF
	CICO-TV-19	19	186.5		OECA
	<b>CKNC-TV</b>	9L	168.0	16.8	CBCE
699 Froad Rd., P3C 5A3; (705) 674-8301; 067-7106.					
	<b>CKSO-TV</b>	5	100.0	14.4	CTV
Box 400, P3E 4P7; 366 Ash St.; (705) 674-0711; 067-7584.					
Thessalon-70					
<b>Thunder Bay-20,26,</b>					
32,38,44	(new)	12	22.7		CBCF
	<b>CHFD-TV</b>	4	56.0		CTV
	see CKPR-TV				
	CICO-TV-9	9	20.7		OECA
	<b>CKPR-TV</b>	2	55.4	30.2	CBCE
87 North Hill St., P7A 5V6; (807) 344-9685; 073-4521.					
<b>Timmins-7L,62,</b>					
68,78	CBLFT-3	9	16.0	3.2	CBCF
	<b>CFCL-TV</b>	6	100.0	10.0	CBCE
Box 620, P4N 7G3; (705) 264-4211; 067-81539.					
	<b>CKSO-TV-2</b>	3L	55.0	11.0	CTV
Box 1145, P4N 7H9; 15 Mountjoy St. S.; (705) 264-1440.					

## LOW POWER REBROADCASTERS

Bancroft	CHEX-TV-1	4	CBCE	Fort Hope
Beardmore	CBLAT-5	9	CBCE	Fraserdale
Big Trout Lake	CBWT-1	13	CBCE	Hornepayne
Driftwood	CBLFT-16	74	CBCF	Ignace
Ear Falls	CBWJT	13	CBCE	Minden
Espanola	CBLFT-7	11	CBCF	Moosonee
				Osnaburgh

(new)	12	CBCE	Parry Sound	CKVR-TV-1	12	CBCE
CBLCT	7	CBCE	Pickle Lake	CBWDT-5	9	CBCE
CBLAT-6	13	CBCE	Pikangikum	CBWDT-6	7	CBCE
CBWDT-2	13	CBCE	Sandy Lake	CBWDT-7	10	CBCE
CHEX-TV-2	7	CBCE	Savant Lake	CBWDT-3	8	CBCE
CBCO-TV-1	9	CBCE	Sioux Narrows	CBWAT-1	4	CBCE
CBWDT-4	13	CBCE	Vermilion Bay	CBC (new)	74	CBCF

<b>Toronto-45,51,57</b>	<b>CBLFT</b>	25	234.0	46.8	CBCF
	<b>CBLT</b>	5L	84.0	16.8	CBCE
CBC, Box 500, Terminal A, M5W 1E6; (416) 925-3311; 062-17796.					
	<b>CFTO-TV</b>	9	325.0	162.0	CTV
Box 9, M4A 2M9; Channel Nine Dr.; (416) 291-9111; 02-2674.					
	<b>CICA-TV</b>	19	600.0	120.0	OECA
Box 200, Stn. Q, M4T 2T1; 2180 Yonge St.; (416) 484-2600; 06-23547.					
	<b>CITY-TV</b>	79	32.0		Ind.
99 Queen St. East, M5C 2M1; (416) 867-7979; 06-217678.					
	<b>CKGN-TV/Global Television Network</b>				
81 Barber Greene Rd., Don Mills M3C 2A3; (416) 446-5311; 069-66767.					
Transmitters at Bancroft, Ottawa, Paris, Sarnia, Uxbridge & Windsor, Ont.					
Uxbridge	<b>CKGN-TV-22</b>	22L	312.0		Global
Wawa	<b>CBLAT-3</b>	9L	16.0	3.2	CBCE
Welland-75					
White River	<b>CBLAT-2</b>	12L	.384	.077	CBCE
Warton-	<b>CKCO-TV-2</b>	2	100.0	13.5	CTV
<b>Windsor-26L</b>	<b>CBEFT</b>	78L			CBCF
	<b>CBET</b>	9	178.0	35.6	CBCE
CBC, Box 1609, N9A 1K7; 825 Riverside Dr. W.; (519) 254-2831; 064-77619.					
	<b>CICO-TV-32</b>	32L			OECA
	<b>CKGN-TV-1</b>	22L	218.0		Global
<b>Wingham</b>	<b>CKNX-TV</b>	8	90.0	18.0	CBCE
Carling Terrace, NOG 2W0; (519) 357-1310; 069-5461.					

## MANITOBA

Alonsa-11L,27, 39,49,55					
Altona-58					
Beausejour-44					
Birch River/ Harte Mtn- 2L,4L,43					
Boissevan-53					
<b>Brandon-2L,37,63</b>	CBC (new)	21	5.5		CBCF
	<b>CKX-TV</b>	5	50.0	10.0	CBCE
Box 1150, R7A 6A5; 2940 Victoria Ave.; (204) 278-1150; 03-5016.					
	<b>CKYB-TV</b>	4	55.0		CTV
Carberry-61					
Carman-60					
Churchill-4, 8,14,20					
Dauphin/Baldy Mtn.- 6L,18,47,57					
	<b>CBWST</b>	8	120.0		CBCE
	<b>CKYD-TV</b>	12L			CTV
Dawson Bay-35, 41,53,62					
Fairford	<b>CBWGT-2</b>	7L			CBCE
Fisher Branch-33,45	<b>CBWGT</b>	10L	27.4	5.48	
	<b>CKYA-TV</b>	8L			CTV
Flin Flon-5L,17,23	<b>CBWBT</b>	10	7.8	1.6	CBCE
	<b>CBWFT-2</b>	3			CBCF
	<b>CKYF-TV</b>	13L			CTV
Foxwarren-9L, 28,34,58					
Gimli-65	<b>CKX-TV-1</b>	11	6.64	3.48	CBCE
God's Lake Narrows					
Grand Rapids	CBC (new)	13	2.4		CBCE
Island Lake-5, 7L,11	<b>CBWHT-1</b>	15			CBCE
Jackhead	<b>CBWGT-1</b>	5			CBCE
Killarney-43					
Lac du Bonnet- 15,24,46,52	<b>CBWT-2</b>	4L	9.7	1.9	CBCE
Leaf Rapids-3L, 6L,11	<b>CBWQT</b>	13	.26		CBCE
Lynn Lake-14					
Mafeking	(new)	5L	4.0		CBCE
Manigotagan	(new)	22	.151		CBCE
Matheson Is.-35, 41,53,62					
McCusker Lake-2, 6L,12	<b>CBWUT</b>	10	.24		CBCE
Melita-45	<b>CKX-TV-2</b>	9L	.188	.094	CBCE
Minnedosa-59					
Morden/Winkler-25					
Neepawa-29					

## GLENTRONIX (1977) LIMITED

### COMPUTER MAGNETICS INC.

- Slo-Mo Heads and Discs
  - Video Head Reworking
  - VTR Audio Head Stacks
- Circle #224 on Reader Service Card.

### CONRAC INC.

- Television Monitors
- Circle #225 on Reader Service Card.

### COOKE ENGINEERING

- Video Jackfields and Accessories
- Circle #226 on Reader Service Card.

### IMAGE VIDEO LTD.

- Audio Video Routing Switchers
- Circle #227 on Reader Service Card.

### MOSELEY ASSOCIATES INC.

- Radio and TV Remote Control
  - Telemetering Systems
- Circle #228 on Reader Service Card.

### OPTEK

- Automatic Audio and Video Tape Degaussers
- Circle #229 on Reader Service Card.

### PENTRONICS

- Logic Analyser
- Circle #230 on Reader Service Card.

### ROSS BROADCAST PRODUCTS

- Video Production Switchers
- Circle #231 on Reader Service Card.

### TELCOM RESEARCH

- SMPTE Time Code Centres
  - Tape Timers
- Circle #232 on Reader Service Card.

### TELECOMMUNICATIONS INDUSTRIES

- TV Camera Test Charts
  - Slides
  - Films and Transparencies
- Circle #233 on Reader Service Card.

### TORPEY CONTROLS & ENGINEERING LTD.

- Clock Drivers & Clocks
- Circle #234 on Reader Service Card.

### WESTERN ELECTRONIC PRODUCTS

- Cable Strippers
- Circle #236 on Reader Service Card.

Prompt — Personal — Dependable Service



(1977) LIMITED

160 DUNCAN MILL ROAD  
DON MILLS, ONTARIO, CANADA M3B 1Z5  
(416) 444-8497



Pembina Valley- 19,35,41,64						CBWTT	7	.296		CBCE
Pine Falls	CBC (new)	11L	1.5		CBCF	CKYT-TV	9			CTV
Portage la Prairie- 17,38										
Roblin-52										
Russel-22										
Selkirk-54										
Sherridon-21,27,33										
Snow Lake-25										
Steinbach-18										
Ste Rose du Lac	CBWFT-4	3L	1.209		CBCF					
Swan River-14										
The Pas-2L,18	CBWFT-1	6			CBCF					
	CBWIT	7L	.288		CBCE					
	CKYP-TV	12L			CTV					
Thompson-4,16	CBWFT-5	5L			CBCF					

### LOW POWER REBROADCASTERS

Churchill	CHFC-TV	8	CBCE	Jenpeg	CHTV-TV-1	8	CBCE	Pikwitonei	CFPM-TV-1	12	CBCE
Cormorant	CICM-TV-1	4	CBCE	Limestone	CHTV-TV-3	10	CBCE	Pukatawagan	CBWBT-1	11	CBCE
Cross Lake	CBWNT	12	CBCE	Lone Spruce	CHTV-TV-2	12	CBCE	Sherridon	CJSM-TV-1	5	CBCE
Easterville	CBWHT-2	11	CBCE	Lynn Lake	CBWRT	8	CBCE	Snow Lake	CKYS-TV	11	CTV
Grand Rapids	CBWHT	8	CBCE	Moose Lake	CBWIT-1	9	CBCE	S. Indian Lake	CBWQT-1	10	CBCE
Gillam	CBWLT	8	CBCE	Nelson House	CBWPT	11	CBCE	St. Lazare	CBWFT-3	13	CBCF
				Norway House	CBWOT	9	CBCE	Thicket Portage	CJTM-TV-1	4	CBCE
				Oxford House	CBWVT	8	CBCE	Wabowden	CBWMT	10	CBCE

## SASKATCHEWAN

Alticane	CKBI-TV-1	10L	.35	.07	CBCE	North Battleford- 39,71	CFQC-TV-2	6	9.5	1.9	CTV
Assiniboia-61							CKBI-TV-2	7			CBCE
Beauval	CBKBT	7L			CBCE	Oxbow-56					
Biggar-41						Prince Albert-9L, 18,24,77	CBC (new)	3L	13.0		CBCF
Broadview-62							CKBI-TV	5	61.0	12.2	CBCE
Buffalo Narrows	CBKDT	11			CBCE	10th St. West, S6V 3A5; (306) 763-7421; 034-29132.					
Canora-64						Regina-18,24,47, 53,71,77	CBKFT	13L	140.0		CBCF
Carlyle Lake	CFSS-TV	7L	55.0	8.8	CBCE		CBKRT	9	140.0	75.0	CBCE
Colgate	CKCK-TV-1	12	15.1	3.02	CTV	CBC, 1840 McIntyre St., S4P 2R1; (306) 523-6641; 07-12289.	CKCK-TV	2	100.0	20.0	CTV
Creighton-83						Box 2000, S4P 3E5; (306) 569-2000; 071-2433.					
Debden	CBC (new)	22	2.9		CBCF	Riverhurst	CJFB-TV-3	10L			CBCE
Esterhazy-83	CKOS-TV-3	25			CBCE	Rosetown-63					
Estevan-40						Rosthern-46					
Eston-32						St. Brieux	CBC (new)	7	1.4		CBCF
Fond du Lac	CBKAT-2	10			CBCE	Saskatoon-17,23,33, 54,70,76	CBC (new)	13L	98.0		CBCF
Fort Qu'appelle-41							CBKST	11	325.0	65.0	CBCE
Gravelbourg-39						CBC, CN Tower, 1st Ave. S., S7K 1J5; (306) 244-1911; 074-2227.	CFQC-TV	8	325.0	180.0	CTV
Greenwater Lake	CKBI-TV-3	4L	3.0	1.6	CBCE	216 First Ave. N., S7K 3W3; (306) 665-8600; 074-2228.					
Hudson Bay-70	CICC-TV-3	11L	.86		CTV	Shaunavon-78	CBCP-TV-1	7L	4.5		CBCE
	CKOS-TV-2	9L	.86	.17	CBCE	Shellbrook-40					
Humbolt-25						Stanley Mission	CBKST-4	8L			CBCE
Ile-a-la-Crosse	CBKCT	9L			CBCE	Stony Rapids/ Black Lake	CBKAT-3	7			CBCE
Indian Head-75						Stranraer	CBKST-1	9	35.2	7.05	CBCE
Island Falls	CBWBT-2	7L			CBCE		CFQC-TV-1	3L	10.3	1.8	CTV
Kamsack-42						Swift Current-40, 56	CJFB-TV	5	13.3	6.65	CBCE
Kamsack-42	CBKDT-2	13			CBCE	Box 160, S9H 3V7; (306) 773-7266; 071-21119.	CKMC-TV	12L			CTV
Kindersley-38	CBKST-3	12L			CBCE	Tisdale-69					
La Loche						Unity-80					
Leoville						Uranium City	CBKAT	8	.028	.0028	CBCE
La Ronge-12L						Watrous-78					
Maple Creek-53						Weyburn-48					
Meadow Lake-64						Wilkie-31					
Melfort-48	CKBQ-TV	2L	11.5	1.5	CTV	Willow Bunch	CBKMT-1	10L	22.1	2.2	CBCE
Melville-46							CKCK-TV-2	6L	9.0	1.8	CTV
Michel-8											
Montreal Lake	CBKST-5	11L			CBCE						
Moose Jaw-16,26,55	CBKMT	4	48.0	25.0	CBCE						
	CKMJ-TV	7L			CTV						
Moosomin-54											
Nipawin-32	CBC (new)	10	4.34								
Norquay	CICC-TV-2	7L	13.0		CTV						
	CKOS-TV-1	13L	25.0	2.5	CBCE						

### LOW POWER REBROADCASTERS

Big River	CKBI-TV-5	9	CBCE	Fort Qu'appelle	CBKMT-2	5	CBCE	Nipawin	CKBI-TV-4	7	CBCE
Cumberland House	CBWIT-2	9	CBCE		CKQV-TV-1	11	CTV	Palmbere Lake	CBKDT-1	8	CBCE
East End	CJFB-TV-1	2	CBCE	La Ronge	CBKST-2	12	CBCE	Pelican Narrows	CBWBT-3	6	CBCE
Elrose	CKEL-TV-1	7	CBCE	Leader	CKJC-TV-1	13	CBCE	Rabbit Lake	CFRL-TV	12	CBCE
	CKEL-TV-2	13	CBCE		CKJC-TV-2	7	CTV	Richmond Lake	CFQC-TV-3	83	CTV
	CKEL-TV-3	11	CTV	Maple Creek	CHAT-TV-2	10	CBCE	Spiritwood	CKBI-TV-6	9	CBCE
Ford Bay	CBKAT-1	13	CBCE	Meadow Lake	CKSA-TV-1	8	CBCE	Val Marie	CJFB-TV-2		CBCE

Wynyard-31	CHSS-TV	6	11.0	1.8	CBCE	CKOS-TV	3L	15.0	2.6	CBCE
Yorkton-20,33	CICC-TV-1	12L	140.0	14.0	CTV	Box 280, S3N 2V9; 95 East Broadway; (306) 783-3688; 074-21512.				
	CICC-TV	10	39.24	5.35	CTV	Zenon Park	CBC (new)	21	3.0	CBCE

# ALBERTA

Ashmont	CFRN-TV-4	12L	14.6	7.3	CTV	High River-56				
Athabasca-51	CBXT-1	8L	25.7	12.8	CBCE	Hinton-22	CBC (new)	3	.03	CBCE
Banff-51							CBXT-3	8L	.35	.175 CBCE
Barrhead-21						Innisfail-71				
Blairmore-57						Jasper-58				
Bonnyville-78	CBXFT-1	6L			CBCF	Jean D'Or	CBXAT-9	13	.028	CBCE
	CKSA-TV-2	9	20.75	4.15	CBCE	Lac La Biche-22	CBXT-5	10L	.825	.165 CBCE
							CFRN-TV-5	2L	.35	CTV
Brooks-66,72						Lacombe-15				
Burmis	CBRT-8	47			CBCE	Leduc-64				
	CFCN-TV-4	5L	.23	.1	CTV	Lethbridge-58,				
	CJOC-TV-3	3L	.225	.045	Ind.	64,80	CBRT-6	10L		CBCE
<b>Calgary-22,38,44,</b>	<b>CBRT</b>	16			CBCF		CBXFT-3	23		CBCF
<b>50,73,79</b>	<b>CBRT</b>	9	178.0	35.6	CBCE		CFCN-TV-5	13	47.0	7.34 CTV
CBC, Box 2640, T2P 2M7; 1724 Westmount Blvd.; (403) 283-8361; 038-21604.							<b>CJOC-TV</b>	7	96.1	19.2 Ind.
	<b>CFAC-TV</b>	2	100.0	20.0	Ind.	Box 1120, T1J 4A4; (403) 327-1521; 038-49130.	<b>CITL-TV</b>	4	82.0	16.0 CTV
955 Rideau Rd., S.W., T2S 0S4; (403) 243-3491; 038-22549.	<b>CFCN-TV</b>	4	55.0	27.5	CTV	<b>Lloydminster-8L,16</b>	<b>CKSA-TV</b>	2	116.0	23.2 CBCE
Broadcast House, T3C 3L9; (403) 246-7111; 038-21637.						5026-50th St., S9V 0Z1; (403) 875-3321; 037-32511.				
Camrose-7,20						Manning	CBXAT-3	12	1.77	.177 CBCE
Cardston-19						<b>Medicine Hat-49,</b>				
Chateh	CBXAT-7	5			CBCE	65,71	CFCN-TV-8	8	6.7	CTV
Claresholm-52							<b>CHAT-TV</b>	6	5.7	3.0 CBCE
Cold Lake-65						Box 1270, T1A 7H5; (403) 548-3911; 038-4824.				
Coronation	CKRD-TV-1	10	97.0		CBCE	Olds-81	CFON-TV-1	2L	.54	.27 CTV
Drayton Valley-66						Oyen	CBC (new)	9L	1.27	CBCF
Drumheller	CFCN-TV-1	12L	14.1	7.0	CTV	Peace River-73	CBXAT-1	7	4.8	CBCE
<b>Edmonton-17,23,46,</b>							CFRN-TV-2	3	2.4	.24 CTV
<b>52,58,74,80</b>	<b>CBXFT</b>	11	90.0	9.0	CBCF	Pincher Creek-70				
	<b>CBXT</b>	5	318.0	34.3	CBCE	Pivot	CHAT-TV-1	4L	2.75	1.37 CBCE
CBC, Box 555, T5J 2P4; 8861-75th St.; (403) 469-2321; 037-2287.	<b>CFRN-TV</b>	3	250.0	25.0	CTV	Ponoka-36				
Box 5030, Stn. E, T5P 4C2; 18520 Stony Plain Rd.; (403) 484-3311; 037-2257.						Provost-24				
	<b>CITV-TV</b>	13	325.0	32.5	Ind.	Raymond-36				
5325-104th St.; T6H 5B8; (403) 436-1250; 037-3780.						<b>Red Deer-59,65</b>	CBXFT-4	31	2.37	CBCF
Edson-73	CBCA-TV-1	12L			CBCE		CFRN-TV-6	8	24.0	CTV
Etzikom						Box 5555, T4N 5H6; 5409 Gaetz Ave.; (403) 347-6681; 038-3116.	<b>CKRD-TV</b>	6	56.0	CBCE
Fairview-14	CBXFT-2	6			CBCF	Rocky Mountain House-37				
Falher						Rosemary	CBRT-5	11L		CBCE
Fort MacLeod-74						St. Paul-73				
Fort McMurray-16,80	CBXT-6	9L	5.8		CBCE	Slave Lake-15	CBC (new)	11L	1.14	CBCE
	CBC (new)	12	5.8		CBCF	Stettler-67				
Fort Saskatchewan-29						Taber-42				
Fort Vermillion	CBXA-TV-5	11	.277		CBCE	Valleyview-29				
Grande Prairie-51,80	CBXAT	10	36.0	18.0	CBCE	Vegreville-70				
	CFRN-TV-1	13	32.0	6.4	CTV	Vermillion-79				
Hanna-78						Vulcan-25				
High Level/						Wainwright-45,56				
Mount Watt	CBXAT-4	8	.468		CBCE	Westlock-27				
High Prairie	CBXAT-2	2	6.2	3.1	CBCE	Wetaskiwin-42				
						Whitecourt-44,50	CBST-2	9L	9.4	4.7 CBCE
							CFRN-TV-3	12	9.8	4.9 CTV

## LOW POWER REBROADCASTERS

Alcot Trail	New	58	—		Crimson Lake	CKCP-TV-1	8	CTV	CFLL-TV-1	7	CTV	
Banff	CFCN-TV-2	5	CTV		Drumheller	CBRT-11	17	CBCE	CFLL-TV-2	7	Ind.	
	CBRT-1	5	CBCE			CFMH-TV-1	9	CTV	Meadow Lake	New	3	CBCE
	CKRD-TV-2	10	CBCE			CBRT-14	3	CBCE	Mildred Lake	CIMC-TV-1	6	CBCE
	CFAC-TV-2	13	Ind.			CBRT-2	5	CBCE	Oyen	CFON-TV-2	7	CBCE
Bassano	CFAC-TV-3	8	Ind.	Exshaw		CFAC-TV-1	8	Ind.	Pincher Creek	CHPC-TV-1	9	Ind.
	CFCN-TV-7	10	CTV			CFCN-TV-6	10	CTV		CHPC-TV-2	11	CTV
Battle River	CBXAT-6	9	CBCE			CHGR-TV-1	7	CTV		CBRT-9	15	CBCE
Bellevue	CBRT-10	57	CBCE	Fort Chipewyan		CBRT-3	6	CBCE	Provost	New	5	
Bow Island	CHAT-TV-3	2	CBCE	Fort McMurray		CHGR-TV-2	12	Ind.	Rainbow Lake	CBXAT-8	11	CBCE
Brooks	CJOC-TV-2	3	Ind.	Fox Lake		CBSBT	10	CBCE	Rocky Mtn House	CFMH-TV-2	12	CTV
	CFCN-TV-3	9	CTV	Harvie Hts.		CHBA-TV	7	CBCE	Sundre	CFJL-TV-1	13	CTV
Cardston	CBRT-12	2	CBCE	Jasper		CBXAT-10	9	CBCE	Wainwright	New	6	
Chinchaga	CBXAT-7	5	CBCE	Jean Cote		New	61	CBCE	Wabasca	New	7	CBC
Coleman	CJOC-TV-1	12	Ind.	Lake Louise		CBST-4	5	CBCE	Waterton Park	CBRT-7	4	CBCE
						New		CBC		CJWP-TV-2	6	CTV
						CBRT-4	12	CBCE		CJWP-TV-1	12	Ind.



# BRITISH COLUMBIA

Bonnington	CBUDT	13L	.022	.0022	CBCE
Burns Lake	CBCH-TV-2	4			CBCE
Campbell River-7,49					
Canal Flats	CBUBT-1	12L	5.4	1.0	CBCE
Cassiar-7					
Castlegar-81					
Chilliwack-14,36	CBUT-2	3L			CBCE
Clinton	CFJC-TV-4	9L	.204	.102	CBCE
Courtenay-79	CBUT-1	9L	.625	.332	CBCE
	CHAN-TV-4	13	.93	.186	CTV
Cranbrook-3L,13L	CBUBT-7	10			CBCE
	CBUBT	59			CBCE
Crawford Bay	CBUCT-1	5L	.468	.093	CBCE
Creston-42	CBUCT-2	3L	.142		CBCE
Dawson Creek-15,21	CJDC-TV	5	10.0	5.0	CBCE
901 102nd Ave., V1G 2B6; (604) 782-3341; 036-77127.					
Duncan-51					
Enderby-78	CHBC-TV-5	72	.02	.0025	CBCE
Fernie	CBUBT-9	8L	.0585		
	CBUBT-8	21			
	CBUGT	8	.05	.005	CBCE
Fort Nelson-14,20					
Fort St John-17,23					
Golden-64	CBUBT-2	13L	.0114		CBCE
Grand Forks-57					
Hope-65					
Houston	CBCH-TV-1	2L			CBCE
Kamloops-74,80	CBC (new)	50	1.54		CBCF
	CFJC-TV	4	3.7	1.85	CBCE
460 Pemberton Terrace, V2C 1T5; (604) 372-3322; 048-8148.					
	CHKM-TV	6L	4.0	1.0	CTV
Kelowna-43	CBC (new)	21	1.673		CBCF
	CHBC-TV	2	3.7	.46	CBCE
342 Leon Ave., V1Y 6J2; (604) 762-4535; 048-5119.					
	CHKL-TV	5L	4.0	.8	CTV
Kimberley-71					
Kinnaird-63					
Kitimat-21					
Lake Cowichan-29					
Merritt-20					
Mission City-81					
Mt Kobau	CKKM-TV	3L			
Mt Timothy	CFJC-TV-6	5	.98	.49	CBCE
	CITM-TV	3			CTV
Nanaimo-23,63					
Natal	CBUBT-10	11L	.103		CBCE
Nelson-14,23	CBUCT	9L	.94	.188	CBCE
	CKTN-TV-3	3L			CTV

Oliver-41	CHBC-TV-3	8L	.11	.014	CBCE
Penticton-73,79	CHBC-TV-1	13	.3	.038	CBCE
	CHKL-TV-1	10L	.44	.088	CTV
	CFPV-TV-1	2L			
Pine Valley					
Port Alberni-3L,27,71					
Port Hardy-8	CBUT-19	6			CBCE
Powell River-15,43					
Prince George-14,20,26	CIFG-TV	12	1.9		CTV
	CKPG-TV	2	.778	.389	CBCE
1220 6th Ave., V2L 3M8; (604) 564-8861; 047-8698.					
Prince Rupert-7,14,20	CFTK-TV-1	6	1.25		CBCE
Princeton-71					
Quesnel-43					
Radium	CBUBT-5	77	.079		CBCE
Revelstoke-66					
Rosland-19					
Salmon Arm-56	CHBC-TV-4	9L	.199	.025	CBCE
Smithers-28	CBCH-TV-3	5			CBCE
Sooke-33					
Spillimacheen	CBUBT-6	69			CBCE
Squamish-35					
Summerland-49					
Terrace-19	CBC (new)	11	.66		CBCF
	CFTK-TV	3	7.6		CBCE
4625 Lazelle Ave., V8G 1S4; (604) 635-6316; 047-85529.					
Trail-36,52	CBUAT	11	3.34	.668	CBCE
	CKTN-TV	8L			CTV
Vancouver-32,45,55,61,72,83	CBUFT	26	105.5		CBCF
	CBUT	2	47.6	7.6	CBCE
CBC, Box 4600, V6B 4A2; 700 Hamilton St.; (604) 665-8000; 04-51207.					
	CHAN-TV	8	164.0	81.0	CTV
Box 4700, V6B 4A3; 7850 Enterprise St., Burnaby; (604) 299-7272; 043-54784.					
	CKVU-TV	21	1000.0	100.0	Ind.
180 West 2nd St., V5Y 1C2; (604) 876-1344; 04-508641.					
Vanderhoof-18					
Vernon-18,27	CHBC-TV-2	7	.31	.039	CBCE
	CHKL-TV-2	12L	.231	.023	CTV
Victoria-42,53,74,80	CBC (new)	10			CBCE
	CHEK-TV	6	60.0		CTV
3693 Epsom Drive, V8P 3S6; (604) 477-1821; 043-54784.					
Warfield-25					
Williams Lake-21					
Woss Camp	CBUT-13	12			CBCE

## LOW POWER REBROADCASTERS

Adams Hill	CFJC-TV-8	11	CBCE	Cache Creek	CJAC-TV-1	10	CBCE	Elk Falls L'Out	CJGR-TV-1	49	CTV
Alert Bay	CBUT-16	11	CBCE	Campbell River	CHAC-TV-1	12	CTV	Enderby	CFEN-TV-1	4	CBCE
Alexis Creek	CHIL-TV-1	8	CBCE		CBUT-8	3	CBCE		CFEN-TV-2	11	CTV
	CIAC-TV	11	CTV	Camp Woss	CBUT-9	82	CBCE	Falkland	CFWS-TV-1	10	CBCE
Alta Lake	CHWM-TV-1	7	CBCE	Canoe	CFNV-TV-1	3	CBCE	Field	CFYF-TV-1	4	CTV
Anahim Lake	CIAL-TV-1	5	CTV	Canoe Mountain	CHBC-TV-8	6	CBCE		CFYF-TV-2	2	Ind.
Apex Mountain	CHNJ-TV-1	11	CTV	Cassiar	CFJC-TV-14	8	CBCE	Fort Fraser	CBUBT-13	11	CBCE
Ashcroft	CHAC-TV-2	2	CTV	Castlegar	CBUET	7	CBCE	Fort St James	CKPG-TV-3	6	CBCE
	CJAC-TV-2	5	CBCE		CBUAT-2	3	CBCE		CKPG-TV-5	5	CBCE
Avola	CFJC-TV-13	3	CBCE	Cathedral Point	CKTN-TV-1	5	CTV		(new)	3	
	CHAV-TV-1	11	CBCE	Cawston	CFSB-TV-3	13	CBCE	Fountain	CFSJ-TV-1	10	CTV
Barriere	CKTV-TV-1	12	CBCE	Cedarville	CHKC-TV-3	3	CBCE	Fraser Lake	CFDF-TV-1	5	CTV
	CKTV-TV-2	7	CTV	Celista	CFCC-TV-2	11	CBCE	Fruitvale	CFFL-TV-1	9	CBCE
Beaverfoot Range	CBUBT-11	40	CBCE	Chase (Adamshill)	CHBC-TV-6	3	CBCE	Gold Bridge	CBUAT-3	9	CBCE
Bella Bella	(new)	13	CBCE	Chase (Whitelake)	CHSH-TV-2	13	CTV		(new)	3	
Bella Coola	CHVT-TV-2	13	CBCE	Cherryville	CHSH-TV-1	7	CTV		(new)	6	
Bennett/Wh Pass	CFBW-TV	9	CBCE		CJWR-TV-1	10	CBCE	Gold River	CJGR-TV-3	2	CTV
Boss Mountain	CFJC-TV-16	7	CBCE	Chilliwack	CJCC-TV	13	CTV		CBUT-12	7	CBCE
Boston Bar	CFJC-TV-2	3	CTV	Clearwater	CHAN-TV-1	11	CTV	Grand Forks	CBUAT-1	5	CBCE
	CFJC-TV-1	5	CBCE	Clinton	CHCW-TV-1	2	CBCE		CKKM-TV-2	7	CTV
Bowen Island	CHAN-TV-2	3	CTV	Coal Harbour	CHCW-TV-2	10	CTV	Gribbell Is.	CFGI-TV-1	12	CBCE
	CBUT-4	13	CBCE	Crescent Valley	CHTS-TV-1	13	CTV	Hagensborg	CHVT-TV-3	3	CBCE
Brackendale	CHAN-TV-5	9	CTV	Donald	CBUT-20	8	CBCE		(new)	11	
Bull Head Mt	CJDC-TV-2	8	CBCE	East Georgie	CHEK-TV-4	10	CBCE	Hixon	CKPG-TV-1	10	CBCE
Burns Lake	CFTK-TV-3	4	CBCE		CHMS-TV-1	5		Holberg	CBUT-21	2	CBCE
	(new)	13			CBUBT-4	3	CBCE		CFKY-TV-1	4	CBCE
					CKHF-TV-1	9	CBCE		CFSH-TV-1	8	

Hope	CBUT-6	9	CBCE	Mount Dolly	CKHF-TV-2	11	CBCE	Quesnel (Drag Mt.)	CKCQ-TV-1	13	CBCE
Houston	CFTK-TV-10	2	CBCE	Moyie	CBUBT-14	6	CBCE	Revelstoke	CHMC-TV-1	7	CTV
	(new)	8	—	Moyie Mountain	CKVS-TV-1	5	Ind.	Rimrock	CKRR-TV-1	9	CBCE
Hudson Bay Mtn	CFTK-TV-11	7	CBCE	Mt Begbie	CHRP-TV-1	7	CTV		CKRR-TV-2	11	CTV
Hudson Hope	CJDC-TV-1	11	CBCE		CHRP-TV-2	9	CBCE	S. Bentinck Arm	CFSB-TV-2	13	CBCE
Invermere	CBUBT-3	2	CBCE	Mt Cheops-Glacier	CHRP-TV-3	11	CTV	Salmo	CBUAT-5	8	CBCE
	CFWL-TV-1	6	CTV		CHRP-TV-4	13	CBC	Salmon Arm	CFSA-TV-1	13	CTV
Jubilee Mountain	CFWL-TV-2	8	CTV	Mt Darcy	CKDI-TV	9	CBCE	Santa Rosa	CKKM-TV-1	83	CTV
Juskatla	CFTK-TV-7	2	CBCE	Mt Hamilton	CFHM-TV-1	7	CBCE	Savona	CFSC-TV-2	8	CBCE
Kelly Mountain	CBUAT-4	13	CBCE		CFHM-TV-2	9	CTV		CFSC-TV-1	13	CTV
Kemano	CFTK-TV-5	2	CBCE	Mt Hunter	CBUBT-12	53	CBCE	Saw Mill Mtn.	(new)	7	CBCE
Keremeos	CHKC-TV-1	4	CBCE	Mt Parizeau	CFTK-TV-8	5	CBCE	Sayward (Kelsey)	CBUT-10	4	CBCE
	CHKC-TV-4	9	CTV	Mt Wells	CHMV-TV-1	12	CBC	Shalalth	(new)	5	—
Kildala	CFTK-TV-4	5	CBCE	Nakusp	CJNP-TV-1	2	CBCE		(new)	11	—
King Island	CHVT-TV-1	9	CBCE		CJNP-TV-2	4	CBS	Sheringham Pt.	CHEK-TV-2	11	CBCE
Klemtu	CFKK-TV-1	2	CBCE		CJNP-TV-3	7	CTV	Shoulder Mtn.	CHTL-TV-1	9	CBCE
Kokish	CFKB-TV-2	9	CBCE	Nass Camp	CFTK-TV-6	5	CBCE	Sixteen Mile	CHCS-TV-1	7	CTV
Kwinatahl	CKCC-TV-1	7	CBCE	Newcastle Ridge	CFKB-TV-1	7	CBCE	Skaha Lake	CHBC-TV-7	7	CBCE
Lalakata Point	CFSB-TV-1	11	CBCE	New Denver	CHSL-TV-1	6	ABC	Smithers	CFTK-TV-2	5	CBCE
Legate Creek	CFCC-TV-1	7	CBCE	Nimpkish	CFNV-TV-2	6	CBCE		(new)	13	
Lillooet	CFMZ-TV-1	2	CBCE		CBUT-15	9	CBCE	Snowshoe Island	CHTL-TV-2	6	CBCE
Lillooet-Lytton	CHWS-TV-1	11	CBCE	Nine Mile Mt	CFST-TV-1	9	CBCE	Soda Creek	CKSC-TV-2	2	CTV
Lillooet	CFDF-TV-2	13	CTV	Ocean Falls	(new)	11	CBCE		CKSC-TV-1	4	CBCE
Logan Lake	CHLK-TV-1	11	CBCE	Olalla	CHKC-TV-5	6	CTV	Sointula	CFKB-TV-4	5	CBCE
	CHLK-TV-2	13	CTV		CHKC-TV-2	11	CBCE	Sooke	CHEK-TV-1	13	CBCE
Loos	CBUHT-2	6	CBCE	Passmore	CHMS-TV-2	7	CBS	Spences Bridge	CJNA-TV-1	3	CBCE
Louise Island	CFBA-TV-1	3	CBCE	Peachland	CHPT-TV-1	4	CBCE		CJNA-TV-2	7	CTV
Lumby	CHID-TV-1	4	CBCE		CIPL-TV	8	CTV	Squamish	CHAN-TV-3	7	CTV
	CHID-TV-2	9	CTV	Pearse Island	CKPI-TV-1	4	CBCE		CBUT-5	11	CBCE
Lytton	CILY-TV-1	8	CTV	Pemberton	CHPV-TV-1	9	CBCE	Tabor Mountain	CBUHT	78	CBCE
Mabel Lake	CHPP-TV-1	8	CBCE	Pine Valley	CFJC-TV-18	2	CBCE	Taghum	CKTN-TV-2	23	CTV
	CHPL-TV-1	13	CTV	Port Alberni	CBUT-3	4	CBCE	Tahsis	CBUT-14	9	CBCE
Masset	CHMH-TV-1	8	CBCE		CHEK-TV-3	11	CBCE	Tasu	CFAL-TV-1	11	CBCE
Mackenzie	CKPG-TV-4	6	CBCE	Port Alice	CKPA-TV-1	2	CBCE	Tatla Lake	CIAL-TV-2	9	CTV
	CIMK-TV-1	9	CTV		CBUT-17	10	CBCE	Tete Jaune	CBUHT-4	10	CBCE
Malakwa	CFFI-TV-1	4	CBCE	Port Hardy	CFKB-TV-3	3	CBCE	Tofino	CBUT-22	10	CBCE
	CFFI-TV-2	11	CTV	Port McNeill	CBUT-18	2	CBCE	Trail	CBUAT-6	52	CBCE
Mcbride	CBUHT-3	2	CBCE	Port Renfrew	CJTV-TV-1	11	CTV	Ucluelet	CBUT-7	7	CBCE
Merritt	CFJC-TV-3	8	CBCE	Potlatch Creek	CFZQ-TV-3	12	CBCE		CKUP-TV-1	6	CTV
Midway	CKMY-TV-1	7	CBCE	Princeton	CHGP-TV-1	5	CBCE	Valemont	CBUHT-5	6	CBCE
Mica Village	CHMC-TV-2	4	CTV	Pritchard	CFJC-TV-19	2	CBCE	Vanderhoof	CKIN-TV-1	8	CTV
Mica Creek	CFZQ-TV-2	5	CBCE	Promontory Mtn	CHKM-TV-1	9	CTV	Vavenby	CKVA-TV-1	8	CTV
	CFZQ-TV-1	9	CBCE	Puntzi Mtn	CFJC-TV-12	10	CBCE	Westwold	CFWS-TV-2	12	CBCE
Minto	CJGB-TV-2	3	CBCE	Purden Lake	CKPM-TV-1	2	CTV	Williams Lake	CFJC-TV-5	8	CBCE
	CJGB-TV-1	6	CTV	Queen Charlotte	CBUHT-1	10	CBCE		CITM-TV-1	13	CTV
Mission Ridge	CJBT-TV-2	5	CBCE	Quesnel	CHQC-TV-1	4	CBCE	Wokas Lake	CJGR-TV-1	11	CTV
	CJBT-TV-1	11	CTV		CFJC-TV-11	7	CBCE		CBUT-11	60	CBCE
Monte Lake	CJML-TV-1	8	CBCE		CITM-TV-2	8	CTV	Yale	CHYT-TV-1	4	CBCE

## NORTHWEST TERRITORIES

Baker Lake-9				Igloolik-9							
Cape Dorset-9				Inuvik	CHAK-TV	6	3.0	.3	CBCE		
Eskimo Point-9				Lake Desmarais	CBEBT-2	13			CBCE		
Fort McPherson-13				Norman Wells-9							
Fort Simpson-9				Pangnirtung-9							
Fort Smith-8L				Pine Point	CBEBT	4	7.9	1.4	CBCE		
Frobisher Bay-8				Rae/Edzo	CFYK-TV-1	10			CBCE		
Hay River	CBEBT-1	7	CBCE	Rankin Inlet-9							
				Resolute-9							
				Yellowknife	CFYK-TV	8	.0595	.00595	CBCE		

## LOW POWER REBROADCASTERS

Baker Lake	CBEIT	9	CBCE	Fort McPherson	CHAK-TV-1	13	CBCE	Parsons Lake	CKPL-TV-1	9	CBCE
Cambridge Bay	CBENT	9	CBCE	Fort Providence	CBEBT-3	9	CBCE	Pond Inlet	CBELT	9	CBCE
Camsell River	CFTE-TV-1	12	CBCE	Fort Simpson	CBEGT	9	CBCE	Rankin Inlet	CBECT	9	CBCE
Cape Dorset	CBEJT	9	CBCE	Fort Smith	CBEAT	8	CBCE	Resolute Bay	CBEMT	9	CBCE
Coppermine	CBEOT	9	CBCE	Frobisher	CFFB-TV	8	CBCE	Strathcona Sound	CISS-TV-1	12	CBCE
Eskimo Point	CBEHT	9	CBCE	Norman Wells	CBEDT	9	CBCE	Tuktoyaktuk	CKPL-TV-2	5	CBCE
				Pangnirtung	CBEKT	9	CBCE		CBEPT	8	CBCE

## YUKON TERRITORY

Clinton Creek-9				Faro-8							
Dawson-3,10,14,20				Keno Hill	CBKHT	13	.248		CBCE		
Elsa-9				Mayo-7							
				Watson Lake	CBDAT	8	.035	.0035			
				Whitehorse-2,14,20	CFWH-TV	6	.03	.03	CBCE		

## LOW POWER REBROADCASTERS

Beaver Creek	CFBF-TV	7	CBCE	Destruction Bay	CFDB-TV	9	CBCE	Old Crow	(new)	13	CBCE
Carmacks	CFYC-TV	13	CBCE	Elsa	CBKHT-1	9	CBCE	Pelly-Crossing	CFPC-TV	12	CBCE
Clinton Creek	CBDDT	8	CBCE	Faro	CBDBT	8	CBCE	Ross River	CFRR-TV-1	12	CBCE
Dawson	CBDDT	7	CBCE	Haines Junction	CFHJ-TV	13	CBCE	Stewart Crossing	CFCS-TV	9	CBCE
				Mayo	CBKHT-2	7	CBCE	Tagish-Carcross	CFCZ-TV	13	CBCE



# directions

A review of current policies and decisions of the Canadian Radio-Television and Telecommunications Commission.

## HEARINGS

### 1978-79 SCHEDULE

The CRTC has published the following calendar of hearings for the period September through March. Applications are to be received at least four months prior to their hearing.

**Sept. 12—Hull, Quebec**  
Auberge de la Chaudière, 2 Montcalm

**Sept. 19—Toronto, Ont.**  
Sutton Place Hotel, 955 Bay St.

**Sept. 26—Halifax, N.S.**  
Chateau Halifax, Scotia Square

**Oct. 3—Ottawa, Ont.**  
Chateau Laurier, 1 Rideau St.

**Oct. 17—Thunder Bay, Ont.**  
Airlane Hotel, 698 Arthur St. W.

**Oct. 24—Vancouver, B.C.**  
Four Seasons, 291 Georgia St. W.

**Nov. 7—Quebec, Que.**  
Leow's Le Concord, 1225 Montcalm Pl.

**Nov. 21—Ottawa, Ont.**  
Conference Centre, 2 Rideau St.

**Nov. 28—Hull, Que.**  
Auberge de la Chaudière

**Dec. 5—Saskatoon, Sask.**  
Holiday Inn, 99-22nd. St. E.

**Dec. 5—Winnipeg, Man.**  
Winnipeg Inn, 2 Lombard Pl.

**Jan. 16/79—Toronto, Ont.**  
Sheraton Centre, 123 Queen W.

**Jan. 16/79—London, Ont.**  
Holiday Inn, 300 King St.

**March 6/79—Hull, Que.**  
Auberge de la Chaudière

### WINNIPEG—AUG. 16

A hearing was held in Winnipeg to consider applications relating to the establishment of cable television systems already

licensed. Westman Media Co-Operative Ltd. (19 communities), Portage Community Cablevision Ltd., Portage La Prairie, and Interlake Cable TV Ltd. (4 communities) all requested two changes in their conditions of licence:

1. That they no longer be required to own the exterior portion of subscriber service drops;
2. That they not be required, temporarily, to share in the ownership of the Tolstoi, Man., headend, by which U.S. signals are received, while a satisfactory ownership agreement is reached.

### HULL—SEPT. 12

#### CFGL-FM TO ACQUIRE FAILING CIEL-FM

The transfer of one-year-old CIEL-FM Longueuil, Que., to Stereo Laval Inc. (CFGL-FM) is to be considered by the September 12 hearing in Hull. On July 19, the CRTC authorized an accounting firm to take over interim management of financially-troubled CIEL. The application also requests changes in the Promise of Performance to reduce foreground content.

#### Other applications:

- CJRN 710 Inc., to acquire CJRN from Radio Niagara Ltd. The new company is headed by Keith Dancy, well-known broadcaster and owner of CJJD in neighboring Hamilton, Ont.
- CFPL-FM London, Ont., for changes in its Promise of Performance.
- CBC, for a low power TV rebroadcaster at Exshaw, Alta.
- A number of cable systems have requested authority to add a channel for reruns of Canadian programming on the augmented (converter) service.
- Radio CHUC Ltd., Cobourg, Ont., has been called to show cause why its FM licence should not be revoked. The licence was granted on Sept. 16, 1976, for 117 kw on 103.1 MHz, and on March 13, 1978, the CRTC extended the on-air date to May 31, 1978. The station failed to meet this deadline.

### HALIFAX—SEPT. 26

#### ATV SEEKS THIRD HALIFAX TV

A third English television station for Halifax heads the agenda for the hearing which commences in that city on September 26.

Atlantic Television System (ATV), licensee of CJCH-TV, would establish a new station on channel 22 with 140 kw ERP. The CRTC states that it will explore concerns as to the timeliness of a third station, concentration of ownership (ATV is owned by CHUM Limited), alternatives for a third service in the Maritimes, impact on existing services, the requirements of the Government of Nova Scotia for added services, and the impact of U.S. signals now being imported by cable TV.

ATV has also applied for rebroadcasters at three locations: Port Hawkesbury, N.S. (5.6 kw on channel 3); Truro, N.S. (8.4 watts on ch. 12); Valley, N.S. (8.4 watts on ch. 12); also a power increase at Yarmouth, N.S. (from 5 watts on channel 13 to 12 kw on ch. 40).

#### • CBC applications include:

Location TV	Channel	Power
Middleton, N.S. (fr.)	46	120.0 kw
Middleton, N.S. (Eng.)	8	17.2 kw
Charlottetown (Fr.)	31	91.0 kw
St. John's, Nfld. (Fr.)	4	83 watts
St. John's Nfld. (Eng.)	12	60 watts
Bay St. Lawrence, N.S. (E)	13	8.9 watts
Dingwall, N.S. (E.)	12	8.9 watts
Ingonish, N.S. (E)	2	8.9 watts
Ferryland, Nfld. (e)	4	8.9 watts
Petty Harbour, Nfld. (E)	13	8.9 watts
<b>FM</b>		
Middleton, N.S. (E)	104.9	100.0 kw
Middleton, N.S. (F)	93.1	19.0 kw
Boiestown, N.B. (E)	92.3	836 watts
Doaktown, N.B. (E)	90.7	86 watts
Bay St. Lawrence, N.S. (E)	91.9	85 watts

#### SUMMERSIDE FM BID

McFarlane Sound & Equipment Ltd. has filed for a new FM station at Summerside, P.E.I. It would operate on 92.7 MHz with 39 kw ERP.

## HOYLES NIBLOCK ASSOCIATES

CONSULTING TELECOMMUNICATIONS ENGINEERS

AM • FM • TV • CABLE

4664 LOUGHEED HIGHWAY, VANCOUVER, B.C. V5C 5R7  
TEL. (604) 294-3401 TELEEX: 043-54623  
2045 STANLEY ST., BOX 6088, STN. "A" MONTREAL, QUE.  
TEL. (514) 286-3786 H3C 3Z8 TELEEX: 055-60735

Circle #278 on Reader Service Card

## directions

Other applications to be heard in Halifax:

- President Jack Schoone, representing a company to be incorporated, for a reorganization of the Eastern Broadcasting Co. stations, CFCY Charlottetown, CKCW and CFQM-FM Moncton, CJCW Sussex and CFAN Newcastle.
- CBC, for a power increase at CBHT-2 Shelburne, N.S., from 423 watts on channel 8 to 8.4 kw on ch. 7.
- Newfoundland Broadcasting, for increased non-Canadian content (to 55% between 6 am to midnight, 65% between 6 pm to midnight).

### DETROIT TV BY SATELLITE N.S. CABLE PROPOSAL

Two applicants are competing for a new cable TV system at Shelburne/Lockeport, N.S.—Trans Spectrum Services and Seebreeze Cablevision. Trans Spectrum proposes satellite reception of four Detroit, Michigan, stations to provide programming from PBS and the three major U.S. commercial networks, and of Ottawa-Hull's new French-language TVA affiliate, CHOT.

Other cable TV applications:

- Dartmouth Cable TV Ltd., to transfer 50% ownership from F. G. Leaman to A. G. Brown and C. H. Réardon.
- Charles V. Keating, to acquire the undertakings licensed in the Digby, N.S. area, from J. S. MacAlpine.
- Metrovision Ltd. and Halifax Cablevision, both to extend their service areas to include the Lakeside and Timerlea area.

### NEW CALL LETTERS

The former CJON Radio group in Newfoundland is now using the following call letters:

CJYQ St. John's  
CFYQ Gander  
CKYQ Grand Bank  
CIYQ Grand Falls  
CHYQ Musgravetown

## DECISIONS

### NEWMARKET AM OK'd

Bradley R. Walker, representing a company to be incorporated, is the successful applicant for a station at Newmarket, Ont., to operate on 1480 kHz with 10 kw day and night. A competing application by DML Broadcasting for Markham, Ont., was denied.

The CRTC ruled that despite DML's sound programming proposals, the Newmarket area is in greater need of local radio service. The proposed station, CKAN, plans considerable open-line programming, as well as a weekly half-hour of

local musical talent: it is also to provide a distinctly local service to Newmarket and York Region.

Barrie broadcaster Ralph Snelgrove will be chairman of the licensee company, which is to have CKAN operational by Sept. 1, 1979.

### Other AM approvals:

- Power increases—CHNL Kamloops (25 kw), CKCK Regina (10 kw), CFQC Saskatoon (10 kw), CKSJ St-Jovite (1 kw), CKVT Témiscamingue, Que. (1 kw) and VOWR St. John's, Nfld. (2.5 kw).
- Disaffiliation from CBC—CJOC Lethbridge, CHAT Medicine Hat, CKX Brandon, CFBR and CKSO Sudbury.
- Change of antenna site—CFGP Grande Prairie, Alta.
- Loyola Campus, Concordia University, Montreal—4-watt carrier current operation on 650 kHz.
- Networks—Hamilton Tiger Cats Football (CJJD and four other stations), Montreal Expos Baseball (CFCF and 5 other stations).
- Ownership transfers—CJJC Langley, B.C. (now 100% owned by E. Mykyte); CJOK Fort McMurray, Alta. group (now 100% owned by J. M. Humphrey and G. H. Gifford); CJWW Saskatoon (now 60% owned by Saskatoon Telecable Ltd.), Sudbury Broadcasting (CHNO/CFBR)—corporate reorganization only; CJLA Lachute, Que. (now 100% owned by Yves Lorrain) and CKBS St-Hyacinthe, Que. (Roger Duceppe, representing a company to be incorporated).

### FM decisions:

- Two Class A rebroadcasters have been approved in principle for CKBW Bridgewater, N.S., to serve Shelburne and Liverpool. A Class C frequency (94.1) had been proposed.
- Studio facilities have been approved for CBCS-FM and CBJS-FM, the new CBC outlets in Sudbury, Ont.
- Unless a hearing is required, CKAT-FM North Bay, Ont., will receive early approval of a change in facilities from 5.86 kw on 93.7 MHz to 72 kw on 101.9, sharing the CBC's tower. CKAT also plans a format change to C&W.
- A power increase has also been approved for CKRD-FM Red Deer, Alta., to 69 kw with a change of antenna site.
- Power decreases have been approved for CBC FM stations at Brockville (2.5 kw on 102.1 with increased antenna height) and Kingston, Ont. (1.6 kw on 92.9); also CFTI-FM Timmins (16.67 kw on 92.1, with increased antenna height).
- The CBC station at Peterborough/Cobourg (English AM network service) will operate on 93.5 MHz with 28.4 kw. It was previously approved in principle.

### CBC FM Approvals:

Location	MHz	Watts
Prince George, B.C. (E)	91.5	100,000
Prince George, B.C. (F)	95.5	130
Masset, B.C. (E)	103.9	85
Fox Creek, Alta. (E)	91.3	38
Hinton, Alta. (F)	100.7	85
Zenon Park, Sask. (F)	93.5	1,340
Brandon, Man. (F)	99.5	21,500
Gogama, Ont. (F)	104.9	6,900
Thunder Bay, Ont. (F)	89.3	27,400
Blanc Sablon, Que. (E)	102.7	100
Blanc Sablon, Que. (F)	107.1	100
Harrington Harbour (E)	95.5	210
Harrington Harbour (F)	100.5	200
Isles-de-la-Madeleine (E)	95.3	4,500
La Tabatière, Que. (F)	100.1	200
La Tabatière, Que. (E)	101.5	215
Old Fort Bay, Que. (F)	91.7	42
Old Fort Bay, Que. (E)	95.9	43
St-Augustin Saguenay (E)	102.3	17
St-Augustin Saguenay (F)	107.3	17
Tête-à-la-Baleine (F)	103.5	20
Trois-Rivières, Que. (E)	106.9	4,326
Swift Current, Nfld. (E)	104.3	86

### Television Decisions:

#### TWO TVA OUTLETS FOR RADIO NORD

Radio Nord Inc. has been licensed to provide TVA network service to the Abitibi region of northwestern Quebec, where the company already operates CKRN-TV, an affiliate of Radio-Canada.

Two VHF channels were approved: channel 13 (251 kw) at Rouyn/Noranda and ch. 10 (24.1 kw) at Lithium Mines. TVA service will be received from the new Ottawa/Hull station, CHOT, recently licensed to Radio Nord.

The decision follows a May 24, 1978, public hearing which also heard applications by Radio-Quebec for educational TV stations using the same channels. In its ruling, the CRTC emphasized that educational service is also desirable and that it expects Radio-Quebec to negotiate with DOC, the government of Ontario and Radio Nord to provide such service. It suggests the use of channel 3 at Lithium Mines and either 8 or 7 at Rouyn, and granted approval in principle for both locations.

The new TVA service is to offer an alternative to CKRN-TV, with 4½ hours of local programs weekly and VTR facilities at radio stations in Amos, LaSarre and Val d'Or for local news and public affairs input. As in the case of CHOT, Radio Nord proposed making shares available to local investors. The stations are to be on-air no later than Dec. 31, 1979.

#### COMMUNITY STATION FOR ST-JEROME

A French-language station has been approved for Television Communautaire de



## directions

St-Jerome Inc., to operate on channel 4 with 46.7 watts ERP.

The decision, which follows a 1974 denial for a similar station, stipulates that the use of ch. 4 may be withdrawn in the future, and a UHF channel used as an alternative. No advertising is to be permitted, with financing entirely through donations from the community.

### CITY-TV TO CHUM LTD.

The transfer of control of CITY-TV Toronto to CHUM Limited has been approved. The resulting ownership of Channel 79 gives CHUM 67.2% with the remaining 32.8% shared by several of the station's founders who remain as active executives: Moses Znaimer, Phyllis Switzer, James West and Fred Klinkhammer, legal counsel Jerry Grafstein and Edgar Cowan.

CHUM will be responsible for sales and financing of CITY, with the founders group responsible for programming, which is to be returned to the original "local" concept. Plans include retention of the present 90-minute *City Pulse* (M-F) program, the addition of 30-minute news (M-F) between 7:30-10:30 p.m., stereo simulcasts with CHUM-FM of Canadian concerts, and use of a \$300,000 color mobile unit. CHUM will also develop a \$1.75

million production centre in Toronto to be used by CITY, CKVR-TV Barrie, and CHUM AM-FM.

Noting that CHUM Ltd. is Canada's fourth largest commercial broadcasting group, now controlling five TV and 11 radio stations, the CRTC states it is satisfied that "clear and significant benefits" will result, both for the Toronto audience and the broadcasting system generally. CHUM-owned CKVR-TV Barrie is to remain a regional CBC affiliate.

### CFCF DECISION SOON

Another significant decision is to be issued early this fall on the application by Baton Broadcasting Inc. to acquire the CFCF Montreal group of stations (AM-FM-S/W-TV).

Baton, owner of CFTO-TV Toronto, CFQC AM-TV Saskatoon, CKLW AM-FM Windsor, Ont., and CFGO Ottawa, seeks control of Multiple Access Ltd., which has now divested its interest in CITY-TV.

### Other TV decisions:

- CFER-TV Rimouski, power increased to 157 kw, CFER-TV-1 Sept-Iles, Que., reduced to 2.158 kw.
- CJIC-TV Sault Ste. Marie, Ont., power decreased to 37.9 kw, with increased an-

tenna height.

- CKOS-TV Yorkton, Sask., changed from channel 3 to 5; new rebroadcaster approved on ch. 3 (56 kw) at Warmley; existing rebroadcaster at Carlyle Lake to switch to CTV (ex CICC-TV).

- Rebroadcaster approved at Lougheed Alta., for CFRN-TV Edmonton, 5 kw on ch. 7.

- Low power rebroadcasters approved at Beaverlodge, Alta. (ch. 7), Kitwancook (10), Kitwanga (6) and Kwinitsa, B.C. (7), and Old Crow, Yukon Territory (13).

- Broadcast by CBLT Toronto of CBL AM audio during transmission of color bar test pattern, 7:30-8:30 a.m. M-F, denied as "an unfair advantage" over other stations. The CRTC suggested that the CBC provide TV news instead.

### CBC Rebroadcasters Approved:

Location	Channel	Watts
Prince George, B.C. (F)	4	36
Beaverlodge, Alta. (E)	4	10
Cypress Hills, Sask. (E)*	2	2,450
Gravelbourg, Sask. (F)	39	20,900
Bellegarde, Sask. (F)	26	11,400
Ponteix, Sask. (E)*	3	10,500
Ponteix, Sask. (F)	22	19,400
Gogama, Ont. (F)	23	5,300
Blanc-Sablon, Que. (E)	5	150
Harrington Harbour (E)	13	129
Ile-du-Havre-Aubert (F)	16	55

# TOWERS

Engineering, Manufacturing  
Installation, Inspection  
Maintenance



AM/FM — TELEVISION  
MOBILE — CATV — MICROWAVE  
GUYED SINGLE MASTS — GUYED  
H-MASTS — SELF-SUPPORT TOWERS

## LeBLANC & ROYLE COMMUNICATIONS TOWERS LIMITED

Exclusive Canadian distributor for Cablewave Systems, Transmission Systems Products

HEAD OFFICE: P.O. Box 880, Oakville, Ont. L6J 5C5. Phone: 416-844-1242 Telex: 06-982228

**MARITIMES:**  
P.O. Box 575, Moncton, N.B. E1C 8R9  
Phone: 506-854-4333

**MANITOBA:**  
Box 16, Group 200, R.R. #2, Winnipeg, Man. R3C 2E6  
Phone: 204-633-9666 Telex: 07-55466

**ALBERTA:**  
P.O. Box 113, Tower St. & Skyline Ave., Nisku, Alta.  
Phone: 403-988-6338 Telex: 037-3608  
TOC 2G0.

**QUEBEC:**  
1015 Beaver Hall Hill, #104, Montreal, P.Q. H2Z 1S1  
Phone: 514-861-8329 Telex: 05-242C6

**SASKATCHEWAN:**  
P.O. Box 3266, Regina, Saskatchewan,  
Phone: 306-543-1119 Telex: 071-2788

**BRITISH COLUMBIA:**  
L & R Communications Towers Western Ltd.,  
6780 Glover Rd., Langley, B.C. V3A 4R6  
Phone: 604-534-7941 Telex: 043-65512

Circle #295 on Reader Service Card



Iles-de-la-Madeleine (E)	7	2,900
La Tuque, Que. (E)	9	103
Old Fort Bay, Que. (E)	13	10
St-Augustin-Saguenay (E)	7	10
* ex-CJFB-TV Swift Current, Sask.		

● Also approved were a power increase for CBIMT Iles-de-la-Madeleine, Que., to 2.8 kw, and a power decrease for CBWT-2 Lac du Bonnet, Man., to 8.4 kw.

### Cable Television

● A new cable system has been approved for Desmaraisville, Quebec, to distribute the signals of stations in Malartic and Lithium Mines. Licensee is Albert Beaupre.

● Applications have been received by the CRTC for cable systems at Shediac, N.B., and Conception Bay, Nfld.

● In renewing the licence of National Cablevision for the Longueuil area, the CRTC called for a "rationalization" of service in the Montreal South Shore area. Cable Videotron is to take over service in the Brossard area from National, and both systems are to explore inter-connection and sharing of local programming. National is to establish two new head-ends and open a business office in the area, as well as establish a local programming centre to provide public access.

● CUC (Scarboro) Ltd., has been denied an exemption from Regulation 11(d) to carry CJRT-FM Toronto part-time on its community and special programming channels. However, in a similar request, Radio & TV Distribution Ltd. of Parry Sound, Ont., was successful in arguing for an exemption. It may continue CKFM-FM Toronto on the audio portion of a basic channel, (but not on the community channel), in view of a 14-year precedent.

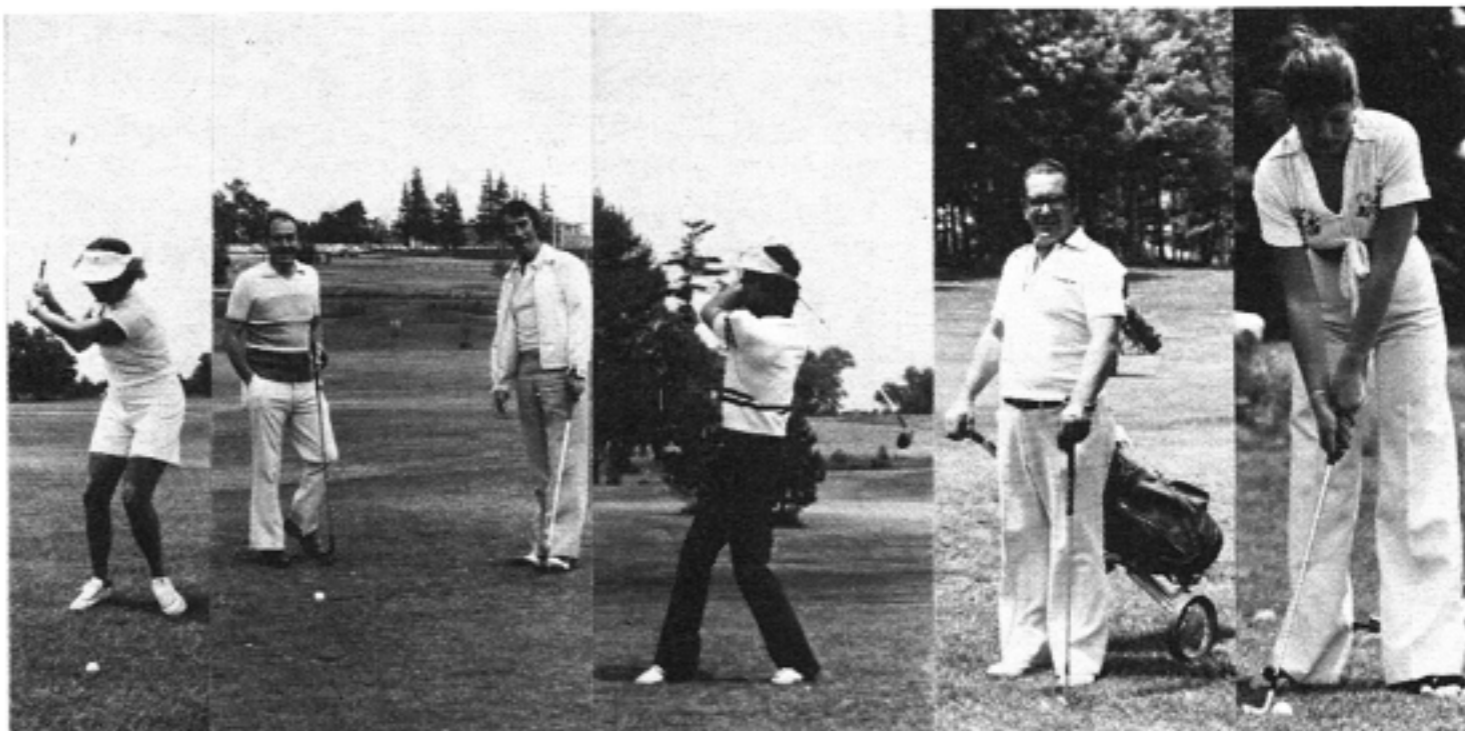
● Systems in the Ottawa area are standardizing carriage of CHRO-TV Pembroke on channel 6, and the new CHOT-TV, to be carried on channel 10.

● Ownership transfers have been approved involving: Revelstoke (B.C.) Cable TV (100% to D. L. Gillespie), Salmo (B.C.) Cabled Programmes Ltd. (93% to G. L. Wells), Dryden (Ont.) Community TV; Teledistribution Bertrand Fortin Inc., Anse St-Jean/Petit Saguenay, Que.; and Ville-Marie (Que.) TV Enrg.

● A number of cable systems have been denied requests to carry more than four U.S. signals (three commercial and one non-commercial). The choice of stations is left to the licensee; however, most would opt for ABC, CBS, NBC and PBS affiliates, so the ruling will eliminate carriage of U.S. independent stations in most cases. This is unfortunate, as such stations sometimes offer a refreshing alternative to network programming. It's also inequitable: for example, Western Ontario Broadcasting Ltd. of Leamington/Kingsville now carries 13 U.S. signals—a phenomenon based on "exceptional geographic circumstances". The CRTC recently refused a request for addition of a 14th U.S. station. ■

## CFTO-TV GOLF TOURNAMENT

Our roving photographer, Maurice Evans, took a few good shots himself at the Parkview Golf Course Where CFTO-TV held its annual tournament . . .



It'll never get off the ground! What do you mean we can't both play with one ball? I know it's out there somewhere . . . The only professional in the game! Okay, steady now . . .



Don't look now, but someone's creeping up on you! D'you like my new outfit? Of course I can survey during a golf tournament? Ralph Myers in his latest style golf outfit. (Note shoes.) His only handicap is his clubs! (Note shoes.)



The champions cooling off . . .



You mean there's seventeen more holes?



The only way to beat Sony!



Not sure what he's doing, but it looks good on TV Sports!