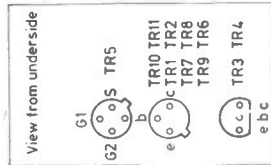


Power output to be expected from this transverter with a 12V supply is a minimum of 2W on all bands and typically 2½ to 3W available on 20 metres.



Oscillator components (one set for each band) except R38

Note: C42-C48 mounted underside p.c.b. (1in)

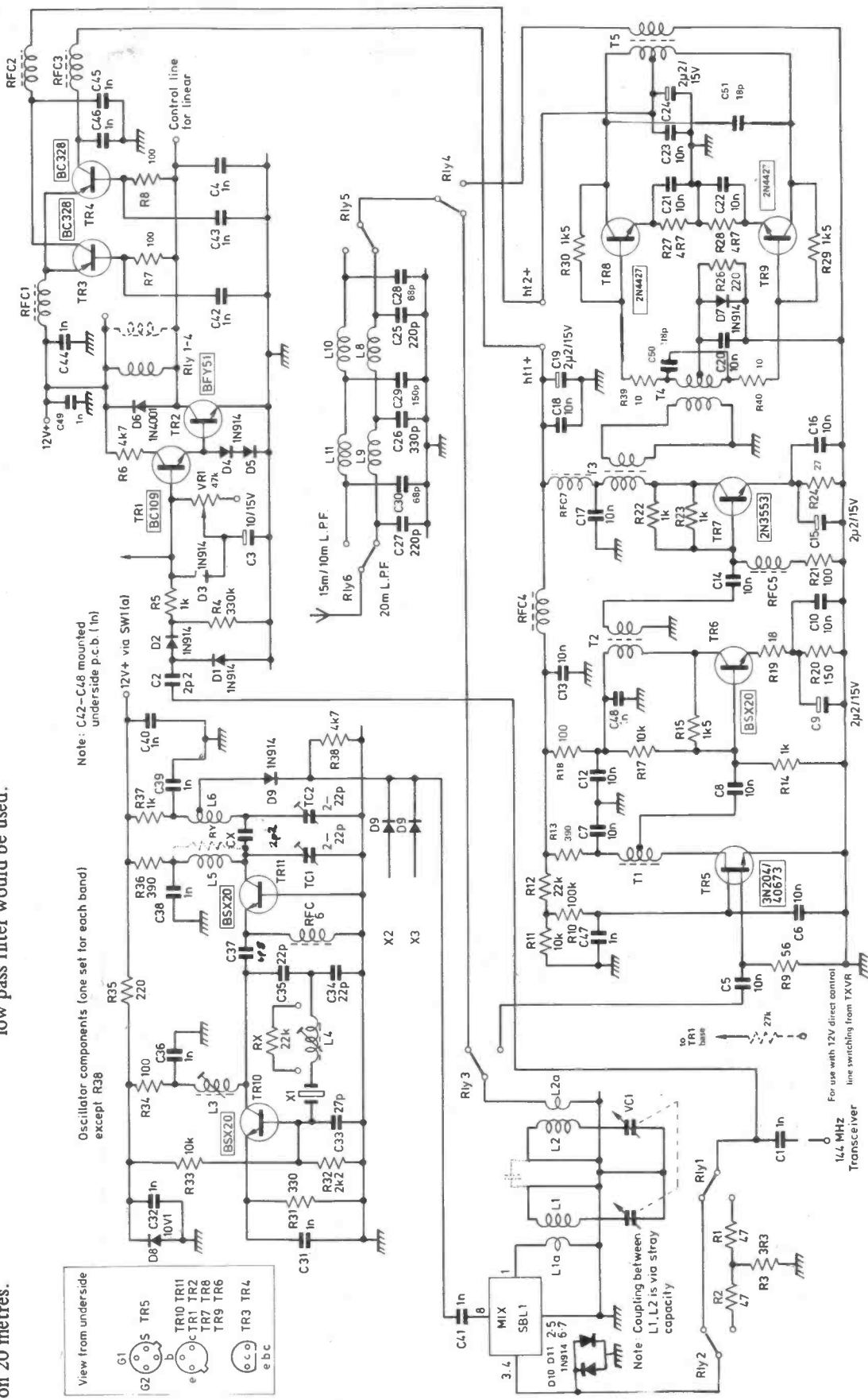


Fig. 2. Transverter circuit diagram