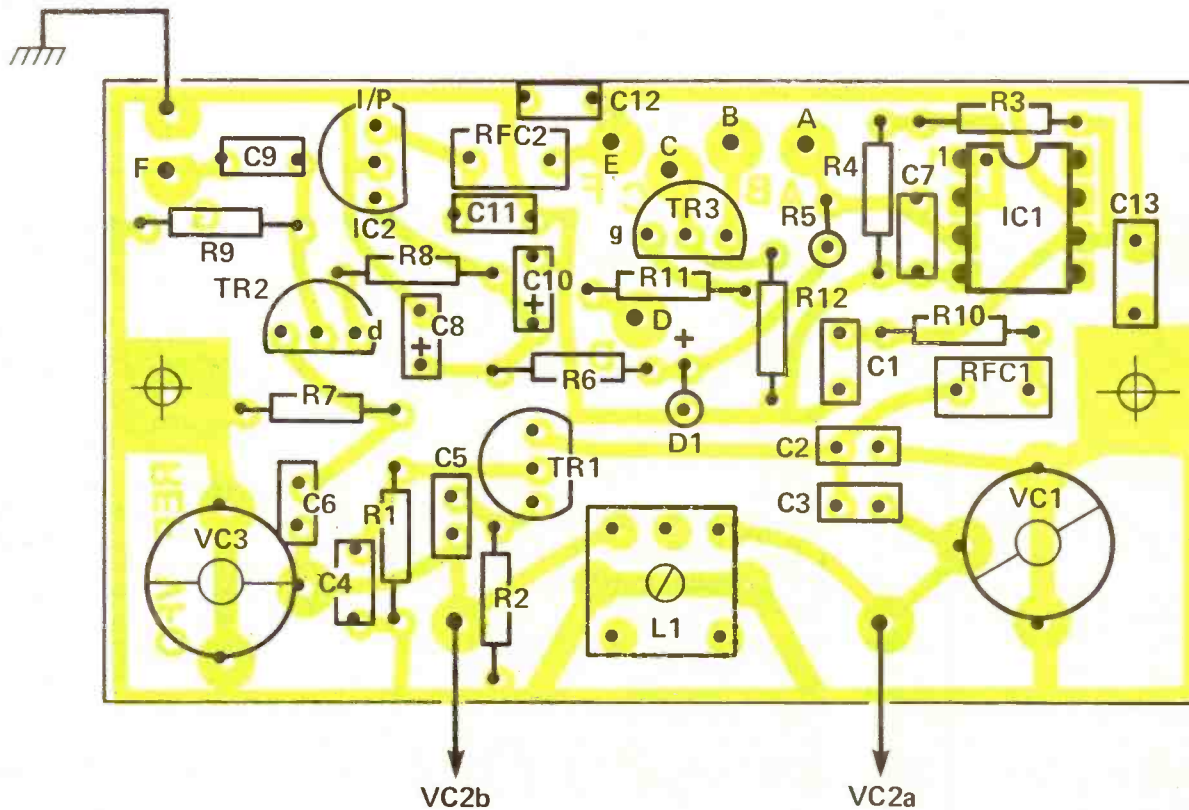


The main synthesiser board layout



Reference VFO layout