

MIDGET RADIO CONTROL RECEIVER



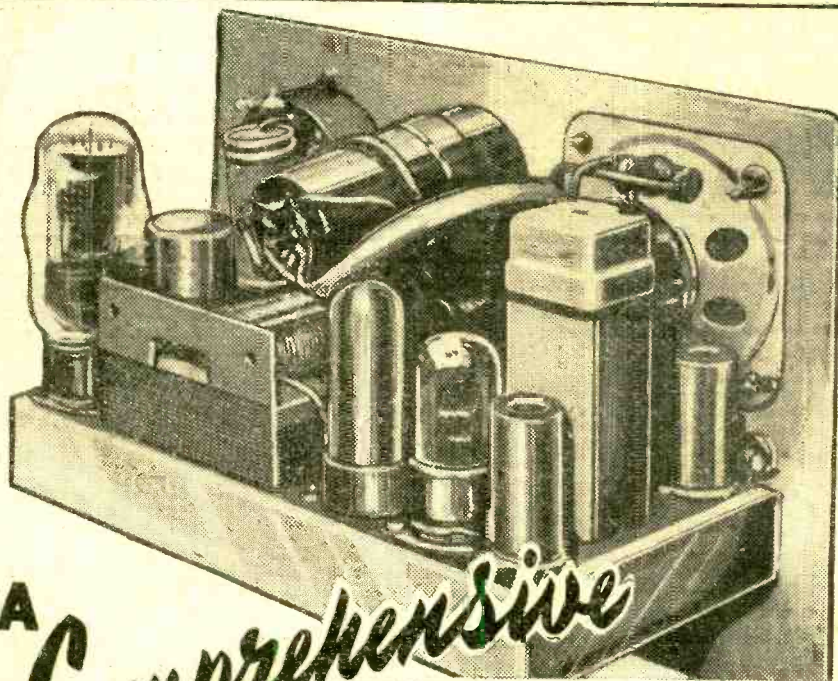
Vol. 29 No. 556

FEBRUARY, 1953

EDITOR:

F.J. CAMM

PRACTICAL WIRELESS



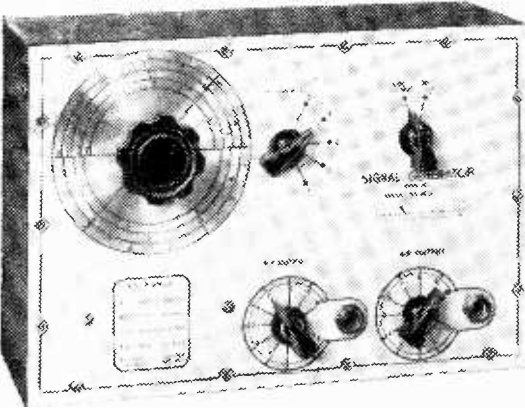
A *Comprehensive*
SIGNAL TRACER

IN THIS ISSUE:

SINGLE-ENDED HI-FI AMPLIFIER
THE LOUDSPEAKER AND ITS
MOUNTING
ELECTRONIC MUSIC

DESIGNING THE POWER UNIT
LOOKING AT V.H.F.
BUILDING AN EXCITER UNIT
AN ATTACHE CASE PORTABLE

SIGNAL GENERATOR TYPE 10



Specially designed to meet the needs of constructors and service engineers requiring a thoroughly reliable generator for radio and television alignment, etc.

- COVERAGE 100 KC/S—100 MC/S.
- DIRECTLY CALIBRATED.
- INTERNAL MODULATION 30 per cent.—400 c.p.s.
- C.W. or EXTERNAL MODULATION.
- VARIABLE 400 c.p.s. A.F. SIGNAL.
- ACCURACY \pm 1 per cent.
- A.C. MAINS (double wound transformer tapped 110, 200/230/250 volts).
- GUARANTEED FOR TWELVE MONTHS.
- FULL OPERATING INSTRUCTIONS SUPPLIED.

Illustrated brochure and full details sent on request.

PRICE (U.K. ONLY)

£7 - 10 - 0

HOMELAB INSTRUMENTS LTD., 615-617, HIGH ROAD, LEYTON, E.10.
Telephone : LEY 5651

★ **NOW READY**

The *Skyway*

TAPE RECORDING MANUAL

Complete Building INSTRUCTIONS

for making a

DE LUXE TAPE RECORDER

36 pages packed with information, drawings, plans and amplifier wiring diagrams
PRINTED ON HIGH QUALITY ART PAPER

Direct from:
FRITH RADIOCRAFT LIMITED, LEICESTER

3/6 PLUS 3d. POST

OR THROUGH ANY OF
W. H. SMITH & SON'S BOOKSTALLS

REDUCED PRICES for SKYWAY RECORDING UNITS

Increased manufacturing facilities have made possible substantial price reductions on the RECORDING UNIT in either kit or complete form. We are now also able to offer kit parts separately, or in sections, to meet the needs of those who already have motors and recording heads on hand. Easy payments are also available.

RECORDING UNIT	Cash Price	Deposit	Monthly pmts.
Recording unit kit, all parts except motors and heads	£5.15.0	£2. 0.0	4½ at £1.0.0
Recording unit kit, including motors but less heads	£9. 5.0	£3. 5.0	7 at £1.0.0
Recording unit kit, including motors and heads	£15.15.0	£5. 5.0	12 at £1.0.0
Recording unit complete, wired and tested but less tape and reels	£18. 0.0	£6. 0.0	12 at £1.3.0
Recording unit with tape and reels	£19.19.0	£6.18.0	12 at £1.5.0
RECORDING AMPLIFIER			
Complete amplifier kit, less valves	£12. 3.9	£4. 7.9	9 at £1.0.0
Complete amplifier kit, with "surplus" valves	£14.14.0	£5. 0.0	11 at £1.0.0
Complete amplifier kit, with B.V.A. valves	£16.16.0	£5.12.0	12 at £1.1.8
Complete amplifier, wired and tested with B.V.A. valves	£19.19.0	£6.18.0	12 at £1.5.0

Parts Price List and Descriptive Leaflet on request.

EXPORT AND TRADE ENQUIRIES FOR KITS, COMPLETE UNITS AND MANUALS ARE WELCOMED

FRITH RADIOCRAFT LTD.

69-71, CHURCH GATE, LEICESTER

PHONE 58927

Here it is..

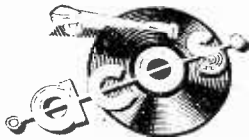
THE COS G P 30
TURNOVER
CRYSTAL PICK-UP

LONG-LEVER
LONG-LEVER
LONG-LEVER



Price in
Great Britain
£2.10.0
plus P.T. 2/5.

The G.P. 30 crystal turnover pick-up is intended to provide the largest number of record enthusiasts with the best possible reproduction of standard and microgroove records. So this pick-up satisfies four all-important requirements: ★ It will reproduce both standard and microgroove records. ★ It is simple to operate; a turn of the front knob brings either stylus into use. ★ The output characteristics give balanced, distortion-free reproduction with minimum surface noise when used in conjunction with commercial equipment such as the normal radio set. ★ It is extremely kind to the record—giving long record life. The careful design gives exceptional tracking capabilities at the low stylus pressure of ten grammes.



... always well ahead

COSMOCORD LIMITED, ENFIELD, MIDDLESEX



CONDENSERS

The abbreviated ranges of two popular types given here are representative of the wide variety of T.C.C. Condensers available.

"VISCONAL CATHODRAY" CONDENSERS

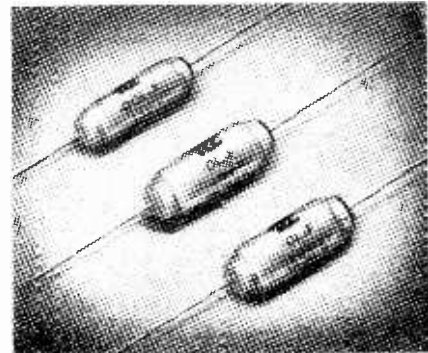
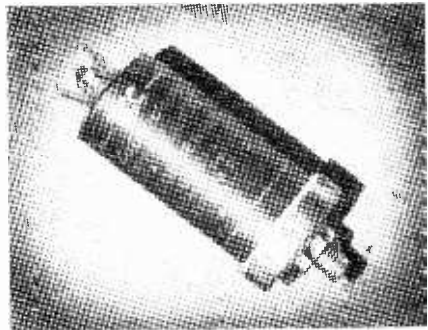
Cap. Range: .0005mfd. to 1 mfd.
Voltage Range: 750 to 25,000 at 60°C.

Cap. in μ F.	Max. Wkg. at 60 C.	Dimens. (Overall)		Type No.
		Length	Dia.	
.0005	25,000	5 1/2 in.	1 1/2 in.	CP.57.H00
.001	6,000	2 7/8 in.	1 1/8 in.	CP.55.Q0
.001	12,500	3 in.	1 1/2 in.	CP.56.V0
.01	6,000	3 in.	1 1/2 in.	CP.56.Q0
.1	7,000	6 1/2 in.	2 in.	CP.58.Q0
.25	5,000	5 1/2 in.	2 1/2 in.	CP.59.M0

(Regd.)

SUPER TROPICAL MINIATURE "METALMITES" (in Aluminium Tubes)

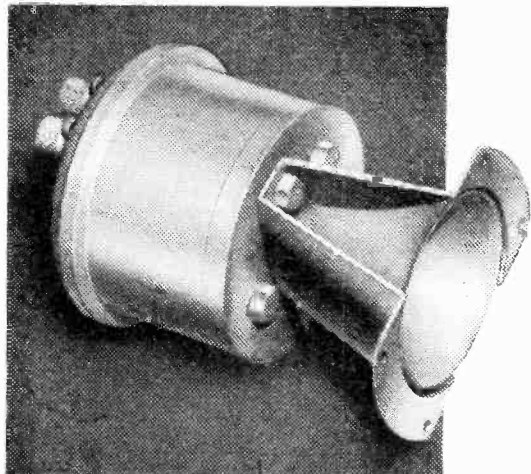
Capacity μ F.	Wkg. Volts D.C.		Dimensions		Type No.
	at 71°C.	at 100°C.	Length	Dia.	
.0002	500	350	3/8 in.	.2 in.	CP1105
.0005	500	350	3/8 in.	.2 in.	CP1105
.001	350	200	3/8 in.	.2 in.	CP110N
.002	350	200	3/8 in.	.22 in.	CP111N
.005	200	120	3/8 in.	.22 in.	CP111H
.01	350	200	3/8 in.	.34 in.	CP113N



THE TELEGRAPH CONDENSER CO. LTD.

Radio Division: North Acton, London, W.3. Tel: Acorn 0061

MEETING A WIDESPREAD DEMAND



Stentorian

PRESSURE TYPE TWEETER UNIT

Since its introduction a few months ago, this unit has proved exceedingly popular. It can be used with any cone speaker, providing very high quality reproduction at remarkably low cost.

The Unit is of the moving coil pressure type and is similar to that embodied in the 10in. and 12in. Concentric Duplex Loudspeakers. The speech coil is of aluminium wire, wound on an aluminium former which is rigidly fixed to an aluminium diaphragm. The speech coil and diaphragm is situated at the rear of the magnet and the centre pole hollowed out to form the commencement of the horn, in the centre of which is located the phase equalizer.



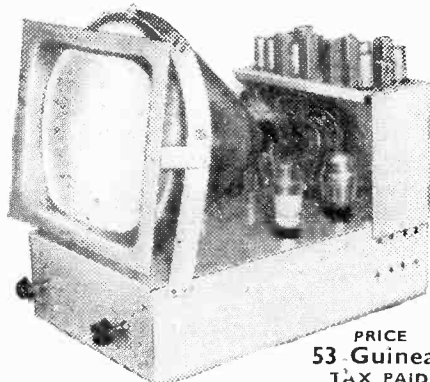
Our London showrooms at 109 Kingsway are open from 9 a.m. to noon every Saturday, when the complete range of speakers may be heard by appointment. Please write or telephone HOLborn 3074.

Speech coil impedance 15 or 30 ohms. Flux Density: 14,000 gauss. Response: 2,000/14,000 c.p.s. Power handling capacity: 3 watts. PRICE: 75/6. It is recommended that a suitable cross-over network of between 2,000/3,000 c.p.s. be used.

WHITELEY ELECTRICAL RADIO CO. LTD. - MANSFIELD - NOTTS

The new ARMSTRONG Television Chassis Model T.V.15

incorporating a 12-in. C.R.T., is now available for distribution



PRICE
53 Guineas
TAX PAID

Also available in a beautifully veneered two-toned walnut
Console cabinet. 63 Guineas Tax Paid Installed

free. Comprehensive Maintenance Service available.

Please send for Radiogram and T.V. list, post free.

ARMSTRONG WIRELESS & TELEVISION CO., LTD.,
WARLTERS ROAD, HOLLOWAY, LONDON, N.7.
Telephone: NORTH 3213

R O M

RIGHT FIRST TIME!

Trial and error is a costly and often disappointing business. For too long the radio amateur has had such methods forced upon him by the high cost of test instruments. The RADIO MAIL RES/CAP. BRIDGE has changed all that. For 31/6 he now has at his command an instrument to check each component before use, and ensure 100% results.

THE PRICE OF 31/6 COVERS THE COMPLETE KIT FOR THIS SELF-CONTAINED INSTRUMENT

5 Megohms—50,000 ohms	50 mfd.—2 mfd.
100,000 ohms—1,000 ohms	1 mfd.—0.1 mfd.
1,000 ohms—10 ohms	.01 mfd.—.0005 mfd.

NO CALIBRATING

The panel bears six separate scales, one for each range, ready calibrated in ohms and mfd's. for direct reading. Each range is fully variable, covering all intermediate values.

New components, specially selected for accuracy.

Instructions and diagrams for easy assembly.

Prompt delivery.

Cash with order or C.O.D.

RADIO MAIL, 4, RALEIGH STREET,
NOTTINGHAM

Stamp for list and with all enquiries, please.

GARLAND BROS. LTD.

CHESHAM HOUSE, DEPTFORD BROADWAY, S.E.8.
5 OBELISK PARADE, LEWISHAM, S.E.13.

TEL: TIDEWAY 4412/3

TEL: LEE GREEN 4038

B.S.R. GRAMOPHONE UNITS.—3-speed motor with pick-up mounted on plastic playing table. Price £9.19.11, including purchase tax.

MULTI-PURPOSE TOOL.—Bends, shears, punches and

threads sheet-strip and rod. For all the little construction jobs that waste your time. Tool price 10/-. Jig, gauge and protractor for accurate repetition work. Price 7/6.

ENGRAVING TOOL.—Operates direct from 200-240 volt A.C. mains for engraving on metal and plastic. Price 12/6.

TYANA SOLDERING IRONS.—Light-weight, 40 watt irons with easily replaceable elements and bits. Voltage ranges. 100/110v., 200/220v., 230/250v. Price 16/9. "The iron that makes soldering a pleasure."

GARLAND OSCILLATOR UNIT.—For magnetic tape recording. Incorporating 6V6G valve and Garland Oscillator Coil, and supplying H.F. bias and erase for high impedance heads. Price £2.2.0, plus 2/6 post. Oscillator coil only, to resonate at 45 kc/s with 0.002 uF condenser, 6/9 each. Trade supplied.

GARLAND KITS.—All main components already mounted on chassis. Only wiring and soldering to be completed. Circuits, diagrams, instructions supplied.

RONETTE MICROPHONES.—B110 Crystal, in ivory plastic, £2.12.0. HM7, filter-cell, die-cast case; designed for magnetic tape recording, £3.7.6.

ELECTROLYTIC CONDENSER OFFER.—8 mfd. 450v., 1/9 each; 8-32 mfd. 475v., 5/- each; 32-32 mfd. 350v., 4/9 each; 500 mfd. 15v., 2/9 each; 1,500 mfd. 6v., 2/- each.

METAL-CASED TUBULAR CONDENSERS.—01 mfd. 1 kV., 1/- each; .02 mfd. 750v., 9d. each; .1 mfd. 350v., 9d. each; .25 mfd. 500v., 1/- each.

TWO-GANG CONDENSERS.—0.0005 mfd., with fixing feet, 8/6 each.

I.F. TRANSFORMERS.—465 Kc/s, standard fixing, 13/6 per pair.

T.R.F. COILS.—Medium and long wave, aerial H.F., 6/- per pair; with reaction winding, 6/9 per pair.

L.F. CHOKES.—10H 70 mA., 5/6 each.

PUSH-PULL OUTPUT TRANSFORMERS.—45 l to match 6V6, etc., 4/6 each.

RESISTORS.—Up to 1 watt, 4d. each; 1 watt, 6d. each. Nearest value supplied unless otherwise specified.

PULLIN MOTORS.—Type A/3R, 24v. D.C., 3½ in. x 2½ in. x 2 in., 8/6 each.

DECALS.—Book of 500, white ¼ in. transfers for marking electronic and radio equipment. 4/9 per book.

HEAVY DUTY CROCODILE CLIPS.—Suitable for car battery chargers, price 6d. each.

JACK PLUGS.—3-way, G.P.O. type, 1/- each.

GARLAND BROS.—Please send Post Orders to Deptford Branch

TRUVOX TAPE DECK.—Two-speed, pushbutton, high-impedance heads, £23.2.0, plus 15/- carriage, etc.

GARLAND RP.8.—6-watt, push-pull record-playback gramophone amplifier for use with Truvox Tape Deck, £19.19.0, plus 15/- carriage, etc. Send 2½d. stamp for details of Deck and Amplifier.

GARLAND LU.7 TAPE RECORDER.—Incorporating Lane Tape Table and Garland UE.7 amplifier. As previously advertised with 1,200ft. of tape, £37.10.0, plus 15/- carriage, etc. Trade supplied.

GARLAND KIT FOR LU.7.—£32.5.0, plus 15/- carriage, etc.

LANE TAPE TABLE.—3-motors, auto-brake, high-impedance heads, £16.10.0, plus 10/- carriage, etc. Trade supplied.

GARLAND UE7B RECORD PLAYBACK AMPLIFIER.—A revised version of our popular amplifier, designed to suit Truvox Tape Deck or Lane Tape Table. New features include higher gain, magic eye record-level indication, and smaller size for incorporation in portables. Oscillator and power supplies included. Standard valves throughout. Supplied complete with 8in. high-flux P.M. speaker. Price £13.2.6, plus 7/6 carriage, etc. Trade supplied.

GARLAND AMPLIFIER AC.11.—Quality amplifier giving 4 watts output. Transformer power supplies and isolated chassis. Price £6.2.6, plus 5/- carriage, etc.

GARLAND KIT FOR AC.11.—£5.2.6, plus 5/- carriage, etc.

WIDE ANGLE TV

Smith's of Edgware Road stock ALL the components—Allen, Denco, Colvern, Dubilier, Elac, McMurdo, Morgan, STC, TCC—

for the

“TELEKING”
“VIEWMASTER” CONVERSION
and “MAGNAVUE”

(Radio Constructor)

Also Tubes, Valves, Cabinets, etc.

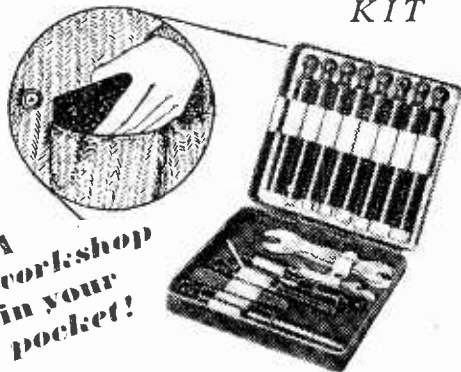
Price lists on receipt of S.A.E.

H. L. SMITH & CO. LTD.

287/9, EDGWARE ROAD, LONDON, W.2.

Tel: Paddington 5891. Hours 9 till 6 (Thursday 1 o'clock).
Near Edgware Road Stations, Metropolitan and Bakerloo.

THE MASTER TRIMMER KIT



A workshop in your pocket!

THE TELEVISION & RADIO SERVICE ENGINEERS' MASTER TRIMMER KIT

- | | |
|-----------------------------------|--|
| Contains: | 1 Set of Feeler Gauges. |
| 1 End Trimmer. | 1 Set of six Box Spanners from 1 to 8 B.A. |
| 1 Side Trimmer. | 1 Set of four Spanners from 0 to 8 B.A. |
| 1 Yaxley Switch Contact Adjuster. | Only 25/6 Post Free. |
| 1 Low Capacity Trimmer. | Export enquiries invited |
| 1 Screwdriver. | |

SEND YOUR ORDER TO

J. & S. NEWMAN

100 Hampstead Road, N.W.1
Tel.: Euston 5176



'AVO'

Registered Trade Mark

Precision ELECTRICAL TESTING INSTRUMENTS

A dependably accurate instrument for testing and fault location is indispensable to the amateur who builds or services his own set.

The UNIVERSAL AVOMINOR

(as illustrated) is a highly accurate moving-coil instrument, conveniently compact, for measuring A.C. and D.C. voltage, D.C. current, and also resistance; 22 ranges of readings on a 3-inch scale. Total resistance 200,000 ohms.

Size: 4½ ins. x 3½ ins. x 1½ ins.
Net weight: 18 ozs.

Complete with leads, interchangeable prods and crocodile clips, and instruction book.

Price: £10 : 10 : 0

The D.C. AVOMINOR

is a 2½-inch moving coil meter providing 14 ranges of readings of D.C. voltage, current and resistance up to 600 volts, 120 milliamps, and 3 megohms respectively. Total resistance 100,000 ohms.

Size: 4 ins. x 3½ ins. x 1½ ins.
Net weight: 12 ozs.

Complete as above
Price: £5 : 5 : 0

Sole Proprietors and Manufacturers:—

AUTOMATIC COIL WINDER & ELECTRICAL EQUIPMENT CO., LTD.
Winder House, Douglas Street, London, S.W.1.

'Phone: VIctoria 3464-9

D.C. Voltage
0—75 millivolts
0—5 volts
0—25 "
0—100 "
0—250 "
0—500 "

A.C. Voltage
0—5 volts
0—25 "
0—100 "
0—250 "
0—500 "

D.C. Current
0—2.5 milliamps
0—5 "
0—25 "
0—100 "
0—500 "

Resistance
0—20,000 ohms
0—100,000 "
0—500,000 "
0—2 megohms
0—5 "
0—10 "

GUARANTEE: The registered Trade Mark "Avo" is in itself a guarantee of high accuracy and superiority of design and craftsmanship. Every new Avominor is guaranteed by the Manufacturers against the remote possibility of defective materials or workmanship.

miniature in size ... mighty in performance



Little wonder that OSMOR "Q" Range Coils are the "big noise."

No imitations, regardless of price, can compare with them for super selectivity and sensitivity. And you don't just have to take our word for it—the watertight guarantee makes your satisfaction certain! Consider these points of superiority:

- * Only 1in. high.
- * Variable iron dust Cores.
- * Low loss Polystyrene formers.
- * Packed in damp-proof containers.
- * Fitted tags for easy connection.

4/-
each.

COILPACKS.—A full range of coilpacks is available for Superhet and T.R.F. Mains or Battery. Size only 1½ in. high x 3½ in. wide x 2½ in. Ideal for reliable construction of new sets, also for conversion of the 2I RECEIVER TR.1196, TYPE 18, WAR-TIME UTILITY and others. Aligned and tested, with full circuits, etc. Fully descriptive leaflets available.



MATCHED COMPONENTS. Various types of OSMOR Dials, Chassis, I.F.S. Speakers, Transformers, etc., to match our coils and coilpacks are all listed.



"PRACTICAL WIRELESS" CIRCUITS
Components are in stock for many of these, including the following:

Modern 1-Valver A.C. Band-Pass 3, R.1155 Converter, 3-speed Autogram, etc., etc.

Also "WIRELESS WORLD"
No Compromise TRF Tuner,
Midget Mains Receiver, etc.

FREE Send 5d. (stamps) for CIRCUITS and full lists of coils, coilpacks and radio components

OSMOR

Ask for details of our inexpensive Tape Recorder.

WARNING! Any coils from fire salvage or similar sources are not subject to our guarantee and service. Buy from reputable suppliers only.

radio products Ltd

(Dept. P.32), BRIDGE VIEW WORKS, BOROUGH HILL, CROYDON, SURREY.

Telephone: Croydon 5148/9.

Practical Wireless

EVERY MONTH
VOL. XXIX, No. 556 FEBRUARY, 1953

Editor F. J. CAMM

21st YEAR
OF ISSUE

COMMENTS OF THE MONTH

By THE EDITOR

Shortage of Service Engineers

HR.H. the Duke of Edinburgh, speaking as a Guest of Honour at the annual dinner of the Radio Industry Council, said that the industry was in need of more highly-trained engineers. He said that it was a very grave matter that there are not enough qualified radio engineers and physicists coming from the Universities and technical colleges to meet the industry's requirements. "There must be millions of ordinary citizens who owe a very great debt to domestic electronics; the least they can do in return is to encourage the younger generation to take up radio and electronics as a career." He said that the future holds almost unlimited possibilities for radio and electronics and in relations with the peoples of the Commonwealth, in industry, in the home, in defence, and as an increasing part of Great Britain's export trade the radio industry is a growing factor in the nation's economy.

"It is sometimes forgotten," said the Duke, "that Britain had the first television service in the world and that the present transmitters are, for the time being, the most powerful in the world."

Mr. G. Darnley-Smith, chairman of the R.I. Council, responding to the toast, stated that the Council is proud of their industry and that they were a proud industry. He also spoke of the problems with which the industry had to contend, and particularly the doubling of the purchase tax, the cuts in production and the crippling hire purchase restrictions. "It seems as if the industry has been singled out for punishment," he commented. There is, fortunately a strong indication that declining sales, not only in the radio industry but in others which have been savagely taxed will force the hand of the Chancellor and we may expect tax concessions in the next budget. In the meantime the public is staging an unorganised but none the less effective strike against a system of taxation which is quite unjust.

SERVICE ENGINEERS' WAGES

THE Industrial Disputes Tribunal recently increased the wages of radio and television service engineers, the increase amounting to 15s. per week on all current minimum rates.

Wages, therefore, now become £7 8s. 6d. per week for holders of certificate B; £7 13s. 6d.

per week for holders of certificate A; £7 18s. 6d. per week for holders of TV certificates and in all other cases £6 5s. 0d. These are not particularly high wages. Insufficient, indeed, to attract the radio engineers and physicists to which the Duke of Edinburgh referred.

TRANSISTORS—IMPORTANT DEVELOPMENTS

THE Radio Corporation of America recently gave a demonstration of valveless radio and television receivers. One of these was a personal radio receiver, the circuit making use of only one converter valve, but transistors in all other circuits. It is reported that the performance was equal to a standard all-valve receiver and that their use has enabled receivers to be made one-third the size with a comparable saving in cost and weight of the batteries needed, without reduction in the usual 100-hour battery life. They also demonstrated a portable F.M. receiver covering 88/108 megacycles, using 11 transistors. A car-radio had push-button tuning, used 11 transistors and no valves of any sort. An important feature is the elimination of the high-voltage power supply necessary with present car-radio receivers. The vibrator, transformer and rectifier are not necessary in a transistor receiver because the transistors operate directly off the car battery. This particular car-radio receiver uses only one-tenth of the current of the present radio set.

A tiny radio transmitter employing one transistor was also demonstrated by R.C.A., but the most impressive demonstration was of a battery-operated television receiver, valveless except for the cathode-ray tube. This television receiver was portable and made use of a 5in. screen. It was no larger than a portable typewriter case and complete with battery weighs only 27 lb. Satisfactory pictures were received by means of the self-contained frame aerial. It uses 37 transistors, the total power consumption being 14 watts, or rather less than one-tenth that of a standard table model television receiver.

Another application was a transformerless power amplifier making use of four transistors, mounted on a midget valve socket.

In a few years, it seems, transistors will oust the valve as we know it to-day.—F. J. C.

ROUND the WORLD of WIRELESS

Mr. L. Atherton and Mr. A. E. Crawford

MR. L. ATHERTON, B.Sc., A.M.I.E.E. joined the Equipment Division of Mullard Ltd. recently, to take charge of the Special Products Commercial Group which specialises in ultrasonic equipment and laboratory and industrial applications of electronic techniques.

Previously, Mr. Atherton was at

been assigned to investigate applications of ultrasonic and other electronic equipment. He is undertaking this work at one of the Wandsworth factories.

Radio for S.E. Asia Police

SPECIALLY designed by The General Electric Co. Ltd., the final shipment of H.F. and V.H.F. radio equipment, which the company for the Indonesian Police, has been sent to South-east Asia.

This contract, valued at £100,000, has been completed in a period of 18 months, in spite of the fact that much of the apparatus had to be designed to meet the particular requirements of the Indonesian authorities.

B.I.R.E.

THE following meetings will be held during January, 1953:

Scottish Section.—Thursday, January 8th., 7 p.m., at the Institute of Engineers and Shipbuilders, Glasgow: Film Evening.

North-Eastern Section.—Wednesday, January 14th, 6 p.m., at the Institution of Mining and Mechanical Engineers,

Neville Hall, Westgate Road, Newcastle-upon-Tyne: "Hearing Aids," by R. A. Bull. B.Sc.(Eng.).

Merseyside Section.—Thursday, January 15th, 7 p.m., at the Electricity Service Centre, Whitechapel, Liverpool: "Design and Application of Quartz Crystals," by R. A. Spears, A.M.Brit.I.R.E.

West Midlands Section.—Tuesday, January 27th, 7.15 p.m., at Wolverhampton and Staffordshire Technical College, Wulfruna

Street, Wolverhampton: "The Search for Bandwidth Economy in Television," by D. A. Bell, M.A., B.Sc.

A programme booklet giving details of the meetings of all sections of the Institution has now been published and copies may be obtained by those readers who are interested from the Publications Officer, Brit.I.R.E., 9, Bedford Square, London, W.C.1, price 4d. post free.

Broadcast Receiving Licences

THE following statement shows the approximate number of sound licences issued during the year ended October, 1952. The grand total of sound and television licences was 12,870,101.

Region	Number
London Postal	... 1,807,612
Home Counties	... 1,512,364
Midland	... 1,390,692
North Eastern	... 1,821,893
North Western	... 1,469,764
South Western	... 1,058,672
Welsh and Border	... 712,341

Total England and Wales	... 9,773,338
Scotland	... 1,150,393
Northern Ireland	... 213,488
Grand Total	... 11,137,219

German Exhibition

REPRESENTATIVES of the German radio industry have decided, in agreement with the local authorities, to hold the Great German Radio and Television Exhibition from August 29th to September 6th at the Dusseldorf exhibition grounds.

The exhibition was originally planned for last year but was postponed.

Communication in Kenya

THE serious situation which has developed in Kenya due to the Mau Mau activities immediately produced a demand for emergency communication equipments.

A number of Pye Radiotelephones already in Nairobi were put into service by British East Africa Corporation Ltd., Pye dis-



Mr. L. Atherton, B.Sc., A.M.I.E.E., who recently joined the Equipment Division of Mullard Ltd., taking charge of the Special Products Commercial Group.

the Ministry of Supply Atomic Energy Factory, Springfield, Preston, as head of the group concerned with the measurement and control of hazards associated with the handling of radio-active materials. During war service with the R.A.F., Mr. Atherton was seconded to T.R.E. at Great Malvern for work on Doppler applications of radar.

Mr. A. E. Crawford, A.R.Ae.S., of the Equipment Division, has

tributors in that territory, and have been of great assistance in the present crisis.

BBC Retirement

THE BBC has announced the retirement of Mr. R. J. Gilbert, engineer-in-charge of the Ottringham transmitting station.

Mr. Gilbert joined the BBC at Savoy Hill as an assistant maintenance engineer in 1924. After serving at Plymouth and at the transmitting stations at Washford, Droitwich and Lisnagarvey, he became assistant engineer-in-charge at the Start Point transmitting station in 1939. He became engineer-in-charge at Stagshaw in 1942 and has held the same post at Ottringham from 1945 until his retirement.

Factory Expansion

TO cater for the increased commercial activities of the equipment division, Mullard have acquired another factory at Wandsworth in Garratt Lane, London, S.W.18. All engineering development facilities, together with centralised workshop areas, are now being concentrated in the older factory at Brathway Road. At Garratt Lane are housed the main assembly and production lines for all classes of equipment, as well as factory administration and service departments. Research and advanced development will continue to be done at the company's Research Laboratories at Salfords, Surrey.

These changes are the culmination of a scheme that has been in operation for some time. It is considered that they will result in

higher efficiency in handling a large volume of contract work.

Marconiphone Valve Division

Change of Address

THE Marconiphone Co., Ltd., announce that for the greater convenience of distributors and more efficient working, the valve division has been transferred from Hayes to London.

All correspondence, orders, etc., should be sent now to the new address:

E.M.I. Sales and Service, Ltd., Valve Division, 3, Stanhope Street, London, N.W.1.

Spherical Loudspeakers

THE School Broadcasting Council has approved the use in school halls of the spherical type loudspeaker which has been developed and introduced by Hadley Sound Equipments, Ltd., Smethwick, Staffs.

Pye on Luxembourg

PYE LIMITED are sponsoring a quarter-hour programme on Radio Luxembourg at 7.30 every Friday. The first programme on December 19th was introduced by Bill Gates and starred Frankie Laine, 1952's most popular male singer.

The first commercial featured the Pye "Handy" Portable, Model P31MBQ, as the perfect Christmas

gift. Dealers were asked to display a window-bill advertising the programme to ensure a maximum audience.

Radiotelegrams to Ships

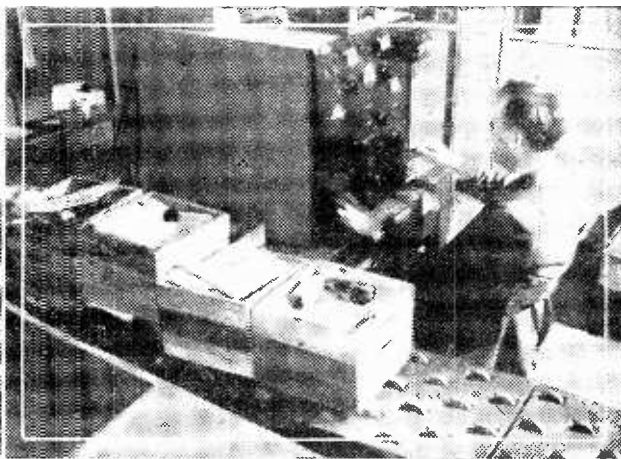
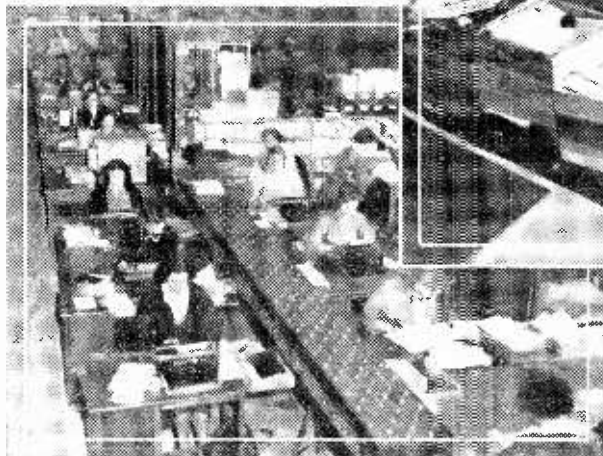
RADIOTELEGRAMS handed in at any postal telegraph office or dictated over the telephone can be sent through a Post Office coast station to ships at sea in any part of the world equipped with radio apparatus.

The Post Office conducted a large amount of such traffic over the Christmas period, the public having been asked to send their radio greetings in good time for Christmas or the New Year. The messages were held in the ship's radio office for delivery on the appropriate date.

Improved Valve Service

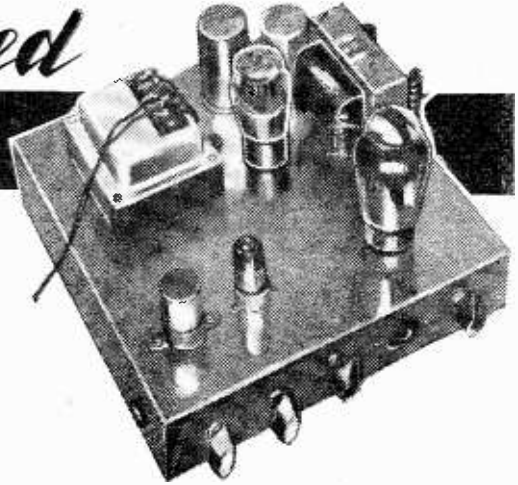
A NEW cathode ray tube and radio valve stores and service department is now in operation at the Brimsdown factory of the Edison Swan Electric Co., Ltd.

A special conveyor system has been installed to link the factory to the stores so that as tubes and valves are completed, tested and packed, they are loaded on to the conveyor and transported direct to the stores. All valves returned under guarantee are tested and returned or replaced within 24 hours.



Valves and tubes completed and tested at the Brimsdown factory of Edison Swan Ltd., are loaded on a conveyor (left). Faulty valves returned are tested (above) and either replaced or returned.

A Single Ended HI-FI Amplifier



FOR some time there has been a demand for an amplifier that has an output sufficient for a small hall and is low in both overall distortion and cost. This amplifier which has been developed and tested in our laboratory employs the minimum of valves (only three) and can be used in conjunction with a normal magnetic or crystal P.U. to give an output of 10 watts with an overall distortion of just under 2 per cent. This latter is obtained with the use of negative feedback over two of the three stages. The speaker chosen was the Rola G12 as it has a very good frequency response and a natural resonance at about 60 cycles: there is, however, no reason at all why another type of high-class 12in. speaker should not be used. The table on page 67, however, was made with the G 12 and will naturally not hold good for any other speaker.

The choice of valves was given very careful consideration as it was decided to use the Mullard ECC40 for the tone control and drive (it is a double-triode) and an EL37 for the output as, having an exceptionally high slope, it requires only a very low

drive voltage, but takes an anode current of 100 mA. The rectifier is the new Mullard type GZ30 which is the direct equivalent to the international type 5Z4G with which most of the readers are conversant.

It is not generally realised that considerable distortion can be introduced in the drive stage of the amplifier, especially where high gains have to be used to drive a valve of low slope, such as the 6L6G which requires a drive voltage of 10 volts R.M.S. for an output of 6 watts, at a distortion of 10 per cent.; whereas the EL37 requires an input of 10.8 volts R.M.S. for an output of 11.5 watts at 13.5 per cent. distortion. These figures are for amplifiers without feedback. The EL37 will give an output of 10.5



Fig. 1.—Smoothing circuit details.

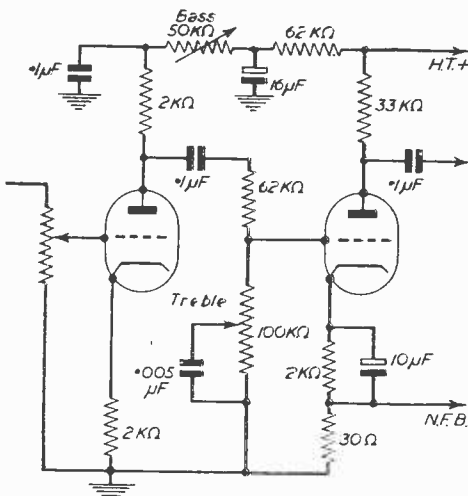


Fig. 2.—Tone control arrangement.

COMPONENT LIST

- 15H 50 mA. choke, Elstone.
- MR15 Output transformer, Elstone.
- EP90 Mains transformer, Varley.
- 32-32 μ F 350 volt 323235 Electrolytic, Dubilier.
- 16 μ F 500 volt CT1650 Electrolytic, Dubilier.
- 32 μ F 500 volt 3250HR Electrolytic, Dubilier.
- 10 μ F 25 volt Electrolytic, T.C.C.
- 50 μ F 50 volt Electrolytic, T.C.C.
- 3 0.1 μ F, Type 460, Dubilier.
- 1 0.005 μ F, Type 460, Dubilier.
- 3 2K Ω $\frac{1}{2}$ W. resistor, Dubilier.
- 1 30 Ω $\frac{1}{2}$ W., Dubilier.
- 2 62 K Ω 1 W., Dubilier.
- 1 33 K Ω 1 W., Dubilier.
- 1 100 K Ω $\frac{1}{2}$ W., Dubilier.
- 1 3 K Ω $\frac{1}{2}$ W., Dubilier.
- 1 150 Ω 1 W., Dubilier.
- 1 .25 M Ω pot. (carbon).
- 1 100 K Ω pot. (carbon).
- 1 50 K Ω wire-wound pot.
- 1 ON/OFF Switch, Bulgin.
- 4 Pointer knobs, Bulgin.
- 1 GZ30 Valve, Mullard.
- 1 EL37 Valve, Mullard.
- 1 ECC40 Valve, Mullard.
- 1 Closed circuit jack, Bulgin.
- 1 Plug, Bulgin.
- 1 Four-pin valveholder, McMurdo.
- 2 1.0 Valveholders, McMurdo.
- 1 B8A Valveholder, McMurdo.
- 1 Type 10 chassis, Kendall and Mousley.
- 1 Type 10 instrument case, Kendall and Mousley.

watts at 10 per cent., but if negative feedback is introduced this distortion can be almost eliminated, but as the distortion is reduced so is the gain of the amplifier, so a compromise was chosen to give a distortion of just under 2 per cent. at 10 watts output.

It is not generally realised that if the output is increased past a certain point with negative feedback circuits that the distortion rises sharply. The low-frequency response of the amplifier is quite good at an output of 7 watts. There is a distortion at 50 cycles of 10 per cent., but this is due to the falling frequency response of the output transformer (it falls at the rate of 3 db per octave below 150 cycles). The transformer chosen is the Elstone MR/15 as this is a relatively low-priced job in the high-fidelity class, and has a good anode current rating, and being a multi-ratio job it can be used to match the amplifier to any speaker.

The smoothing circuits have been given careful consideration and the hum level of -60 db below 10 watts is obtained. This is very low, and the hum can just be heard in a quiet room at a short distance from the speaker. The noise due to the valves is between -80 and -90 . This latter is mentioned but as it is so very low is of no consequence.

The Circuit

A new type of circuit has been developed for the tone-control circuit, and this is capable of giving a low-frequency gain at 50 cycles of 100 times power, that is 20 db; it also incorporates a top cut. The use of such a high bass lift is very useful where the amplifier is being used for dances, as the extra lift brings out the rhythm of the percussion without interfering with the top response. The control has

the reverse effect of the bass cut employed in recording so that the response can be restored to that of the original music. This facility can be used for the reproduction of 33 $\frac{1}{3}$, 45, and 78 cycle records.

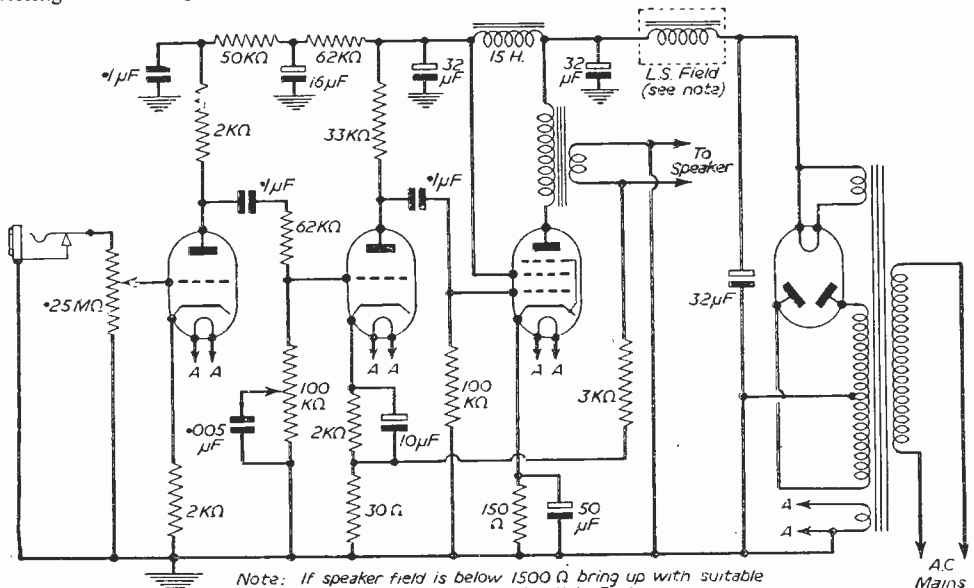
The reservoir condenser chosen is a 32 μ F high-ripple type made by Dubilier. The rating is well in excess of that required but has the advantage that should the amplifier be switched on with an open circuit in the H.T. circuit no damage will result to the smoothing. The old type G12 speaker had a 1,500 Ω speaker field which could be used for smoothing. If this is not used, the circuit used in Fig. 1 can be employed, this uses a smoothing choke, condenser and resistor. It is suitable for the modern G 12.

The tone-control circuit is one developed in our laboratory, and besides giving a large bass lift of some 20 db will also give an amount of top cut. The circuit is simple and only uses one valve, a double triode of the ECC40 type made by Mullard Ltd.

It is used with a very low resistance in the anode circuit of the first section, and this gives a gain at all frequencies. In series with this is a potentiometer of the wire-wound type with a 0.1 μ F condenser between the junction of the resistor and the potentiometer. The circuit is shown in Fig. 2. If a wire-wound resistor is not used, the noise level is apt to be rather high. The device introduces an amount of phase shift at the low end of the audio spectrum.

The make of valve-holder can be quite important in these circuits, and those made by McMurdo in the B8A range are very good. With this make the solder tags from the pins are sufficiently stiff to be bent to take resistors and condensers. The treble cut control consists of a condenser across a potentiometer

Design and construction of an amplifier giving 10 watts at just under 2 per cent. distortion. Negative feedback is used. Maximum power output obtained in the lab. was 14.5 watts. Uses the latest valves.



Note: If speaker field is below 1500 Ω bring up with suitable resistor or use circuit in Fig 1 -

Fig. 4.—Theoretical circuit of the complete amplifier.

but when the valve is viewed back from the speaker it appears to be of lower impedance and applies a damping factor. For instance, in this circuit the valve has an impedance normally of 12,500Ω when viewed from the speaker, but with the amount of feedback used this has the effect of shunting the speaker with a damping resistor of only 100Ω. The distortion is also greatly reduced as is the overall gain of the amplifier. The use of negative feedback reduces the overall gain of the amplifier, so that higher gains

in the circuit, they are given in the table. The meter used was a Universal AvoMinor, as this is used by so many constructors, it has a resistance of 400Ω per volt. The use of any other type of meter would give different readings on the tone-control valve but not at the other points. Meters of the moving-iron type are not suitable for use in this type of circuit as the very heavy current drawn by them renders the readings useless. These moving-iron meters draw some 30mA. full scale so that overloads to the mains transformer and rectifying valve can result.

If a moving-coil P.U. is used extra gain will have to be incorporated in the form of an H.F. pentode. Suitable circuits have been given in the past numbers of this journal which have employed many different types of valve.

For those requiring the unit for portable use, a good instrument case for housing is a must, as it protects the valves during transit. There are many suitable cases on the market and one should be chosen to give enough head room for the valves; the writer used the type "12" made by Kendall and Mousley of Tipton. Steel handles for these cases

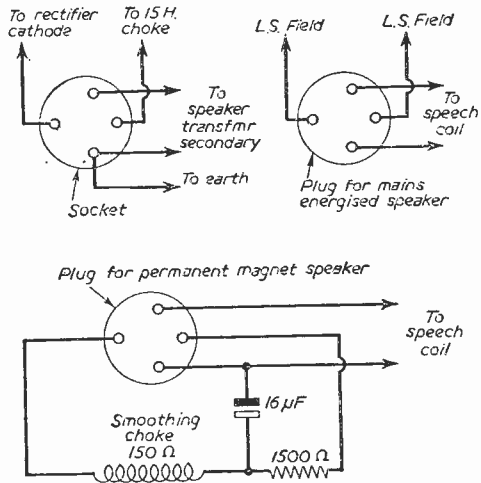


Fig. 5.—Output plug and socket connections.

have to be used in the earlier stages, and consequently a large amount of distortion can be produced here. A large number of constructors seem to regard the stage prior to the output as distortionless, but this is not correct.

Operation

Having finished the wiring and tried a record with a crystal P.U. the reproduction should be found to be very pleasing. If it is not to standard the first thing to do is to check the voltages at the various points

Frequency characteristics of the amplifier using a Rothermel crystal P.U. with tone correction filter.

Normal		Both controls fully operated	
	Plus 7		Plus 3
6 Kc/s	9		4
5 "	8		5
4.5 "	7		5
4 "	4		2
3.5 "	0		0
3 "	0		0
2 "	0		0
1 "	0		0
500 cps.	0		0
250 "	0		9
160 "	1		15
100 "	2		19
70 "	2		28
50 "	2		28

Voltage chart. Readings taken with AvoMinor (400 O.P.V.).

- GZ30—Cathode. 375.
- EL77—Anode. 235 v.
- EL37—Screen. 240 v.
- EL37—Bias. -12.5 v.
- Drive Anode. 135 v.
- Drive Cathode. 1.6 v.
- Tone Section set at max. boost.
- Anode. 75 v.
- Cathode. 1.5.

- Voltages at various condensers.
- Reservoir. 375.
- Smoothing. 245.

- Screen Decoupling. 240.
- 16μF Decoupling. 110. (Taken on 250 volt scale.)

are available. The simplest type of connector for the speaker is by means of a valve-holder mounted on the front of the amplifier. The connection to the speaker can then be made by means of a suitable plug. The breaking of the H.T. positive line when the plug is removed helps to guard the output transformer as if the load is removed whilst the amplifier is in use the output transformer can very quickly be ruined. Another point is that the smoothing choke or speaker field is away from the amplifier, and it cannot feed hum to the output transformer.

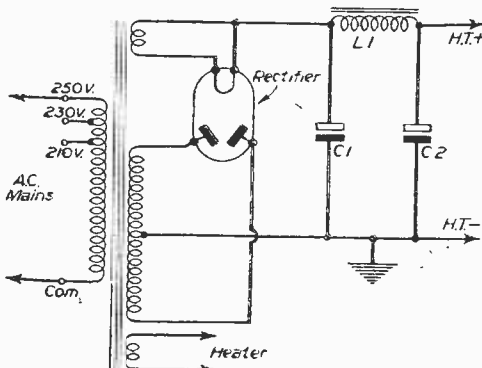
As in the design of a Hi-Fi amplifier there is very considerable experimental work; we cannot enter into correspondence concerning the use of valves and components other than those specified.

NEW EDITION NOW READY
"PRACTICAL WIRELESS" CIRCUITS
 15th Edition
 6/-. or 6/6 by post from
 GEORGE NEWNES LTD.,
 Tower House, Southampton Street, Strand, W.C.2

Designing the Power Unit

MAIN FEATURES EXPLAINED FOR THE CONSTRUCTOR

THE design of the power unit or rectifier stage is quite simple, but there are several points that the beginner is apt to overlook. The power supplied to the rectifier stage, or perhaps 1 should say voltage, is given as the effective value. This is 0.7 of the peak value of the wave; the rectified voltage is very near the peak value, and at "no current load" it reaches this value. So to find the working voltage of the reservoir condenser we must multiply the output voltage of the mains transformer by 1.4; this gives the peak voltage, and a few volts should be added to give a factor of safety. For example, if a 250-0-250 transformer is being used, then the peak voltage will be 250×1.4 ,



Typical Power Unit Circuit.

equals 350 volts, so that a condenser of 375 volts working would be suitable. Again, if the transformer was a 350-0-350 we would require a working voltage of 350×1.4 , equals 490 volts, so a 500 v.w. type would be in order, but a 550 volt working type would give a better safety factor. There is no reason why a higher working voltage cannot be used. The writer finds that for most uses in the laboratory it is as well to keep a supply of 8 μ F and 16 μ F condensers of 500 volt working such as those insulated tubulars made by Dubilier. These are very useful, as the insulation is very thick and is not easily spoilt by accidental touching with a hot soldering iron. For those who prefer a solder tag instead of a wire end, there is an excellent insulated 8 and 16 made by Hunts. The insulation on these is, however, rather thinner than those made by Dubilier.

Ripple Current

Another point to watch is the maximum ripple current. This is a point overlooked by many competent engineers. The maximum ripple current is equal to the maximum D.C. drawn, i.e., if the load current is 80 mA. then the ripple current should be higher. Where there are two condensers in one case, the total ripple should not be above the maximum stated for the condenser. For example, if a small amplifier is rated at 60 mA., and there is

an output valve of the 6V6 type, the reservoir section will take a current of 60 mA. from the supply, whilst the smoothing section will have a ripple of 50 mA. at full output from the 6V6, so that the total ripple for both sections together will be 110 mA. If the output stage is push-pull, the fluctuation due to the two valves will be equal and of opposite phase so that the ripple will be zero.

There are some special high-ripple condensers, made by both of the previously mentioned firms, for use in high-power amplifiers with ripple currents of up to half an ampere. These condensers are, of course, a little more expensive, but they are cheaper than using several condensers of lower ripple current in parallel. If condensers are used in parallel, the capacities are added, and so are the ripple currents. This latter only holds if the condensers are of the same type and capacity.

Typical Circuit

The diagram shows the circuit of a typical power pack. The choice of suitable values of chokes and condensers is one that puzzles the newcomer. The value of C1 plus C2, multiplied by the inductance in henries (the value of the condensers in μ F), should be at least 300 with the value of C1 being equal to C2. If C1 is larger than C2 the smoothing will not be improved, but the voltage regulation will be better. This latter means there will be less voltage drop as the load current is increased. A high-resistance choke will give a big variation in voltage. The drop may be calculated by Ohms Law: a choke of 500 ohms resistance will cause a drop in the output of the power unit of one volt for each 2 mA. of load current. This can be very useful. Take, for example, the design of an amplifier using a 250-0-250 transformer with a load current of 50 mA. at a voltage of 250. The output at the rectifier will be 350 volts, less a few volts drop across the rectifier valve; there will be about 90 volts to be disposed of. Ohms Law states that resistance equals volts divided by amps., so the resistance required will be $90/.05$ (volts in volts and the current in amps.), equals 90×20 , so 1,800 Ω would be used. If this is dropped in a choke there will be ample wattage rating but if a resistance is being used for the extra drop then the rating of the resistor will have to be $90 \times .05$, equals 5 watts.

The power dissipated in heat by a resistor can be calculated in three ways: (1) by multiplying the voltage drop by the current; (2) square the current (multiply by itself) and multiply by the resistance; (3) divide the square of the voltage by the resistance in ohms. The units must be in ohms, amps. and volts (milliamperes must be converted to amps. by dividing by 1,000).

The manufacturers of most types of valves give the voltage drops of the rectifier valves at various currents and also give the maximum size of reservoir condenser that should be used.—J. S. K.

REFRESHER COURSE IN MATHEMATICS

8/6, by post 9/- 4th Edition By F. J. CAMM

From: GEORGE NEWNES LTD.

Tower House, Southampton Street, Strand, W.C.2

On your Wavelength

by THERMION

The W.F.S.R.A.

I HAVE received a number of enquiries regarding "The World Friendship Society of Radio Amateurs." Readers have wished to know how the club is run, whether it is a profit-making institution, whether annual general meetings are held, whether the officers are elected annually, whether a balance-sheet is published and what are the benefits of membership.

I accordingly wrote to the secretary enumerating these questions and in reply I have received an application form (typewritten) which contains the following message: "I hereby promise that I will, to the best of my ability, make such use of my amateur radio station as will be conducive to international friendship and that I will do what I can, as a radio amateur and as an individual, to help all those interested in amateur radio." Applicants must sign this form giving their station call, if any, and address.

The general secretary tells me that the society is not run for profit. Apart from the "small sum due from subscriptions" there is little else received. The sum, however, is not stated, but I am informed that the money "is used to help provide for printing expenses, certificates, postage, etc. The subscriptions are 7s. 6d. for adults and 4s. for juniors per annum.

"Monthly accounts are kept and information as to the society's funds is available to paid-up members on request." It is not stated whether these accounts are audited accounts, but I am informed that "an annual audited account is in course of preparation." Surely every member of a club is entitled to receive automatically through the post a copy of the balance-sheet as signed by auditors without having to ask for it?

The officers "do not usually retire each year. As few of our members can act in an official capacity it is not necessary. All officials give their time and services without remuneration except for certain out-of-pocket expenses." What their out-of-pocket expenses are is not stated.

"Preparations for election of officers for 1953 are in progress. Paid-up members are entitled to one vote. A list of present officials is enclosed."

I asked whether the W.F.S.R.A. was associated directly or indirectly with any political body. The answer was: "I cannot stress too emphatically that we favour no political party. Such a controversial subject is barred, as also are religion, colour discrimination or creed. Each member is entitled to hold his own opinion on such matters."

The Service Scheme is free to members. The Service Bureau consists of four area engineers and the four areas are Cheshire, Kent, Middlesex and Yorkshire. This seems to be rather a circumscribed area for a body claiming to be a world society.

I am also informed that the council "meets at headquarters from time to time and a minute book of Proceedings is kept." They have a "Bedfast" section to assist invalid members.

In a short monograph on the history and aims

we are told that the society germinated before World War II when Duane Magill (W9DQD) conceived the idea of using their common interest in radio to cement a bond of personal friendship between radio amateurs the world over: to form an association in which "technology and humanitarianism are on equal terms." Owing to the breakdown in Magill's health the administration was transferred to the present general secretary. Membership had dropped to a few dozen during the war. In 1950 the membership had risen to 200 and I am informed that in 1951 it had doubled, there being now 146 U.K. members, 175 overseas members "and the flourishing junior section of 86 members." It can hardly be said that a band of 460 or so members spread throughout the world would be able to promote the objects of world friendship. The promotion of world friendship is a political issue best left in the hands of politicians. The society issues a monthly journal and also "occasional dedicated programmes from station OTC, the international goodwill station of the Belgian National Broadcasting Service at Leopoldville in the Belgian Congo, which station also broadcasts DX news every week."

That is as much as I am able to pass on to readers about the W.F.S.R.A. It is observed that notices of this organisation do not appear in the official journal of the Radio Society of Great Britain, and I have searched the columns of contemporaries but have been unable to find any published notices.

Parsons and Sponsored Programmes

MY comments on the views of Dr. Garbett, Archbishop of York, concerning sponsored programmes, and particularly television programmes, have brought a number of letters from sky-pilots who state that everything which concerns human beings concerns the Church. It should be remembered, however, that the Church gave very full evidence expressing its views before the Beveridge Committee on Broadcasting, but those views were rejected. It was wrong, therefore, of Dr. Garbett to reopen the matter. I express, once again, my opinion that the Church should keep out of politics and technical matters, on neither of which subjects are they competent to speak.

Compulsory Suppression

ALL new vehicles sold after July 1st, 1953, must have suppressors, to avoid interference with television reception. That is as it should be, but television enthusiasts must not expect to have it all their own way. Already there are nation-wide complaints of the interference caused by television receivers to ordinary radio reception. Shall we, therefore, shortly have a public outcry asking for compulsory suppressors to be fitted to television receivers?

There are more radio than television receivers at present, and the older service is entitled to similar treatment.

A BATTERY-MAINS *Attache Case* PORTABLE

GENERAL FEATURES OF PORTABLE DESIGN AND
A PRACTICAL CONSTRUCTIONAL FEATURE

By F. C. Warren

(Continued from page 33, January issue)

IN order to determine the number of turns-per-volt for winding the secondaries for H.T. and L.T., the transformer primary was connected to the mains and the output voltage of the existing secondary winding measured. The existing secondary was then carefully unwound and the number of turns counted, and thus the turns-per-volt calculated. This turned out to be about 30, which was roughly as expected as the transformer had a core approximately $\frac{1}{2}$ in. square. A layer of Empire cloth was wrapped round the existing primary and the H.T. secondary was then wound on, consisting of approximately 2,700 turns of 40 s.w.g. enamelled wire, to give an output of about 90 volts. Alternate layers were interleaved with thin tissue. The winding was done by hand, which was rather tedious, and is the reason why the number of turns is given as approximate, but no other method was available, and it can be done in a couple of hours or so. The L.T. winding consisted of 480 turns of 30 s.w.g. enamelled wire with a centre tap at 240 turns, so as to give an output of approximately 8-0.8 volts. Empire cloth was interleaved between the H.T. and L.T. windings, and the outside of the L.T. winding was wrapped in insulating tape. The transformer bobbin was just sufficiently large to take these windings when finished.

The H.T. rectifier need only be a half-wave type large enough to deliver some 10 milliamps, but the L.T. rectifier which is a full-wave type must be large enough to deliver 250 milliamps for the valve heaters, and should be of at least 6-volt working. The small types sold for trickle-chargers are usually suitable.

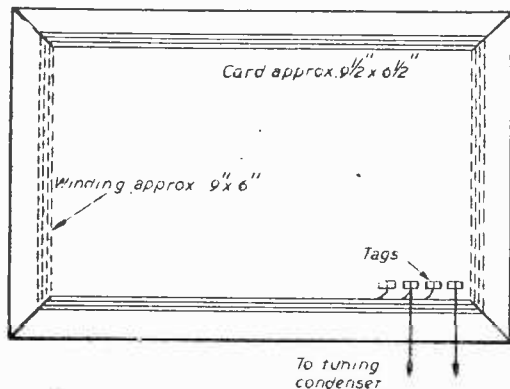
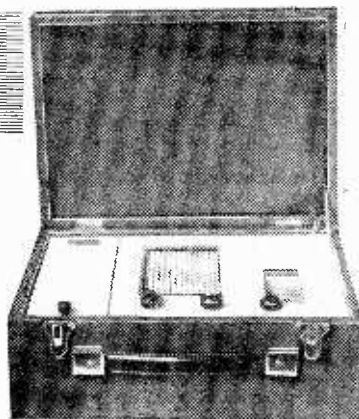


Fig. 7.—Details of the frame aerial.



When testing the power unit it is advisable, and indeed necessary, to have a dummy load connected, particularly to the L.T. section, before switching on. A load for the L.T. can easily be made from one or more torch bulbs so that roughly 250 milliamps is being absorbed.

On load the L.T. output of the power unit is about 1.3 to 1.4 volts, and the H.T. output about 65 to 70 volts. A suitable dummy load for the H.T. section can be a resistor of about 7,000 ohms.

The connections of the power unit to the switch, which is a four-pole three-way Yaxley type, are shown in Fig. 2, which also shows the connections from the switch to the batteries and to the receiver. As will be seen, one section of the switch is used to control the mains input, which is quite safe as only a few milliamps are drawn from the mains. However, a good quality switch should be used, having well-spaced contacts. In the "off" position, only the mains input connection is broken, so that the L.T. section of the power unit is left connected to the filaments which absorb the charge on the large condensers.

The batteries are designed to fit in the case alongside the power unit and are simply wedged into position by means of sponge rubber wedges.

Recommended batteries are the Ever-Ready type B.101 at $67\frac{1}{2}$ volts for H.T., and A.D.35 at 1.5 volts for L.T. The Vidor equivalents are L.5500 at $67\frac{1}{2}$ volts for H.T. and L.5040 at 1 $\frac{1}{2}$ volts for L.T. Of course, various other batteries are suitable and may be used if preferred. For example, larger batteries can be accommodated in the case if the mains unit is excluded. The battery leads can be terminated in suitable plugs or clips to fit the batteries used.

Lining Up and Operation of the Receiver

The receiver was first tried out on batteries, using a P.A.2 aerial coil and a wire aerial instead of the frame aerial. When signals were received and the set had been roughly lined up, the I.F. transformers were adjusted, though with the midget type employed having iron-dust cores; the range of adjustment is fairly small so they cannot be far off tune.

The frame aerial was then coupled to the set in place of the coil and signals were received faintly. Turns were unwound from the aerial until the signal strength was maximum. When doing this it is im-

portant to bear in mind the directional properties of the frame aerial. The definite increase in signal strength as the last half-turn of extra winding is unwound is most marked, as is also the definite decrease as you go past the optimum position. When the frame aerial has been accurately matched to the coil its ends can be soldered to the tags on the card. The oscillator padder and trimmer condensers can now be finally adjusted.

It may be mentioned in passing that the set constructed by the author was tested on an H.T. battery giving only some 40 volts, and on the frame aerial the signal strength was more than adequate on both Home and Light Programmes, and adequate on the Third Programme. The set also pulls in an amazing number of foreign and regional programmes.

Operation from the mains should be tried next when the power unit has been tested. With the power pack described, the hum level was barely audible. Of course, more volume was obtained on mains operation than on batteries; in fact, the set overloaded the speaker on the stronger stations.

Scale Calibration

The scale was cut from card to the shape shown in Fig. 6, and secured in position by a nut and bolt at either end to the front support bracket and the oscillator coil bracket on the tuning condenser respectively. The scale was calibrated by tuning in signals of known wavelength such as the Home Service, Light Programme, and Third Programme, and marking the positions under the cursor on the card in pencil. The card was then removed and the distances between the pencil marks measured and the appropriate divisions in metres marked on in pencil. The scale was then finished by marking in the divisions and numbers in indian ink. The scale can be marked in any desired manner, but the type of marking employed can be clearly seen from Fig. 6 and the illustration on page 72.

If not previously done, the receiver chassis and power chassis can be finally bolted together so as to produce a single unit for mounting in the casing. The leads from the speaker transformer and from the switch to the receiver should also be connected finally, and also the leads from the volume control. The latter are preferably screened leads. An earth wire was also connected between the two units to ensure good electrical connection.

Casing and Front Panel Construction

The important considerations in the casing are rigidity and appearance. The casing is constructed in two parts, the box-half and the lid, which are covered with a leather-cloth of any chosen colour. When finished the two parts are hinged together and clasps and a handle added. Preferably, the sides of both case and lid are made from $\frac{1}{4}$ in. board or plywood and the top and bottom of $\frac{1}{4}$ in. plywood, though a hard-board such as masonite could be used for top and bottom. The dimensions and details of the casing are shown in Fig. 10. The parts of the case are screwed together, simple butt joints being employed at the corners, and panel pins being interposed between the screws.

The finished casing is fitted with hinges and clasps, as shown on page 72, and also a carrying handle of the lie-flat type.

Since the case is to be covered in leather-cloth, the wood used need not be perfect, though in order to

get a good appearance and avoid bumps in the covering it must be smooth.

It is advisable to fix the hinge clasps and handle before covering the case, and make sure that the whole assembles together satisfactorily. The fittings are then removed while the case is covered with the leather-cloth. Preferably a thin leather-cloth is used as this is easier to work and produces a neater finish.

When sticking the leather-cloth, a good glue should be used, and the wood well covered with glue by means of a brush. The leather-cloth should be smoothed over with a cloth when stuck to the wood to remove air bubbles and any wrinkles.

In order to cover the box, a piece of cloth is cut sufficient to cover the bottom and sides and extend over the edges into the inside of the box for about $\frac{1}{2}$ in. The bottom of the box is glued and placed downwards on the wrong side of the piece of leather-cloth in a central position, and smoothed over so that it is firmly glued. The sides are now glued one by one and the cloth glued in place up the side and over the edge of the box, the extra material at the corners being cut out of the cloth, leaving a small overlap. If this is well smoothed down, the joints at the corners are hardly visible. The lid is covered in a similar manner. In addition, a panel of stout card is also covered with leather-cloth on one side. This fits inside the lid over the frame aerial.

Most leather-cloth is about 48 in. wide, and half a yard is adequate for covering both parts of the case and the panel. As a guide, the sizes cut for each part are given below for the size of case described.

Box half, 20 $\frac{1}{2}$ in. \times 17 $\frac{1}{2}$ in.

Lid, 12 in. \times 15 $\frac{1}{2}$ in.

Inside panel, 11 $\frac{1}{2}$ in. \times 8 $\frac{1}{2}$ in.

Sizes may vary slightly, depending on the thickness of wood employed. Of course, a different size or

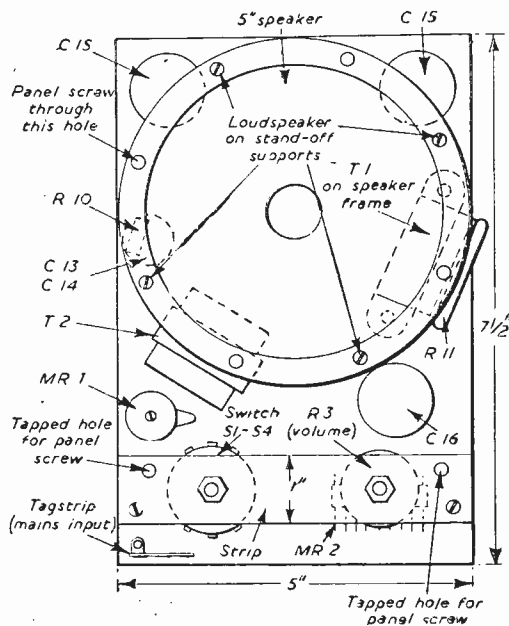


Fig. 8.—General idea of the layout.

shape of casing will need different sized pieces of leather-cloth.

The odd wasted pieces of cloth cut out as each part of the case is being covered—for example, as the corners are being formed, will most easily be removed by a sharp razor blade, which can easily slit through the leather-cloth.

The front panel was made from a piece of $\frac{1}{4}$ in. three-plywood and the appropriate holes cut out as shown in Fig. 9. The flap for the battery compartment is cut from the panel and then hinged at its top edge as shown. The front surface was sanded smooth and given three or four coats of a good quality enamel, with a sanding between each coat to produce a fine mirror finish. Preferably the front panel is enamelled to contrast with the colour of the leather-cloth of the case. For example, the receiver constructed was finished with a mottled grey case and a cream front panel.

A suitable material, such as expanded metal backed by fabric, is secured behind the speaker aperture, and a piece of cellulose acetate sheeting, or thin Perspex, is glued behind the dial aperture.

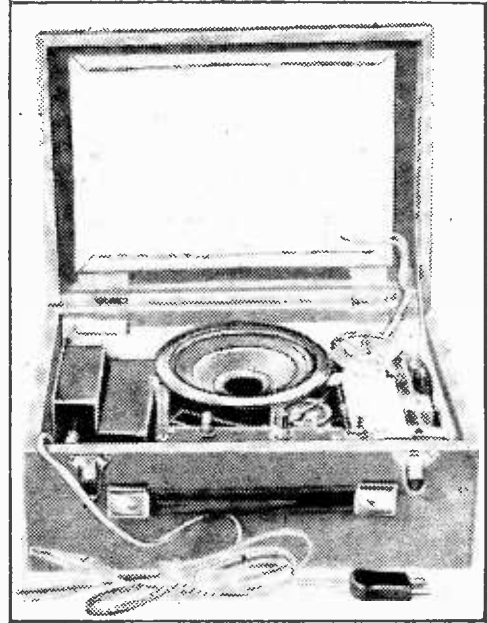
Suitable markings to indicate the "mains" battery and "off" positions of the switch can be produced on the panel by applying miniature transfers to the front panel.

The panel rests on small blocks of wood secured inside the box half of the case and, in order to hold the flap closed, a metal panel screw with a knurled head is fixed through the flap so that it can be screwed into a hole tapped in a metal bracket fixed inside the front of the box half of the case. The mains lead is also stowed in the battery compartment when not in use, and a small notch is cut out of one corner of the flap so that the latter can be lowered when the mains lead is plugged into a power point.

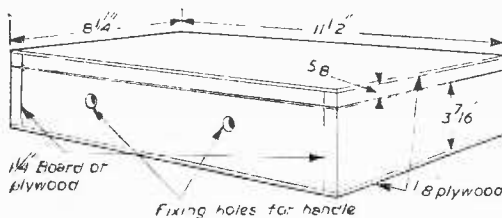
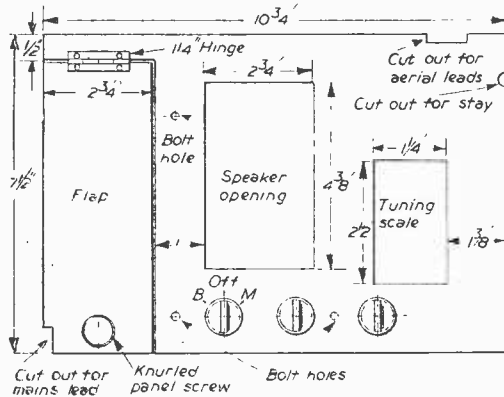
The frame aerial is placed inside the lid and secured

by drawing pins, and the cover panel positioned over it and held by the heads of one or more screws screwed into the side walls of the lid.

A stay is provided to hold the lid open and may be formed from a piece of plastic-covered wire fixed



The portable with cover raised.



Figs. 9 and 10.—Details of the cover and carrying case.

by screws to the side wall of the lid and inside the casing below the level of the front panel.

The panel is secured to the receiver in the casing by three countersunk headed bolts which are recessed into the panel and have their heads painted to match the front panel. Two of these bolts thread into holes tapped in the strip carrying the switch and volume control on the power unit, whilst the other passes through a hole in the speaker frame and is secured by a nut.

The assembled receiver and power unit are held in the case by means of two countersunk headed bolts passed through holes in the bottom of the casing so that their heads are flush with the bottom and thread into holes tapped in the chassis plate of the power unit. The whole assembly can, therefore, easily be removed by simply undoing five screws and removing the frame aerial.

If desired, small rubber feet may be fitted to the bottom of the case at each corner.

TELEVISION PRINCIPLES & PRACTICE

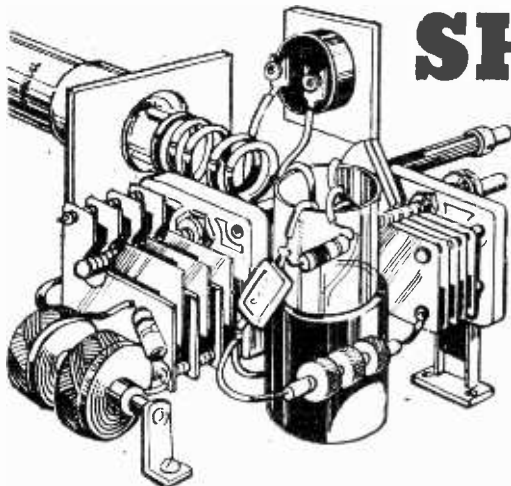
Price 25/-. By post 25/8.

From GEORGE NEWNES, LTD., Tower House,
Southampton Street, Strand, W.C.2.

SHORT-WAVE SECTION

Modern American Amateur Communication Receivers

1.—DESCRIBING IN DETAIL THE COLLINS 75A-1



To the American radio amateur the name of Collins has long been synonymous with superlative design, performance and precision engineering. That the Collins' traditions are retained in their latest product is beyond doubt, as the illustrations accompanying this article and the specification testify.

This model is known as the Collins 75A-1 and is a 14-valve (including rectifier) A.C. mains type double superheterodyne communications receiver, permeability-tuned throughout. Many of the ideas and tuning principles embodied in this design are entirely new.

Tuning Mechanism

By means of a precision lead screw the vernier tuning dial is directly coupled to the variable-frequency oscillator. This entirely removes any possibility of backlash.

Another interesting feature is that the iron cores used to tune the first R.F. mixer, first I.F. and second mixer stages are all mounted on a movable platform. The coupling between the platform and the V.F.O. shaft is carried out by means of metal belts and split gears, thus providing ganged tuning. Cord drive is, however, fitted to the slide-rule type dial pointer.

Band Switching

To switch the R.F. stages a multiple section switch is used, and each section and its associated components is completely and efficiently screened from the others. Crystal selection and dial illumination according to the band to be used is carried out by additional switch sections.

Special attention has been given to the location of the B.F.O. coil in the interests of efficiency, and a long shaft is the coupling medium between the unit and the panel control knob. The remaining stages are fixed-tuned by means of iron cores and ceramic variable capacitors.

Valve Line-up

R.F. amplifier 6AK5; First mixer, 6SA7; I.F. amplifier, 6SK7; Second mixer, 6L7; Crystal oscillator, 6AK5; 500 Kc/s I.F. amplifier, 6SG7-6SG7; Detector and noise limiter, 6H6; A.V.C., 6SJ7; V.F.O., 6SJ7; B.F.O., 6SJ7; Power amplifier, 6V6 and rectifier 5Y3GT.

Frequency Coverages

10 metres, 28.0 to 30.0 Mc/s; 11 metres, 26.0 to 28.0 Mc/s; 15 metres, 20.8 to 21.8 Mc/s; 20 metres, 14.0 to 15.0 Mc/s; 40 metres, 6.8 to 7.8 Mc/s; 80 metres, 3.2 to 4.2 Mc/s.

Variable I.F.

The frequency coverages of the variable I.F.s is as follows. On the 15-, 20-, 40- and 80-metre bands, 2.5 to 1.5 Mc/s, while on the 11- and 10-metre bands it is 5.5 to 3.5 Mc/s.

Band Changing

The system used in this receiver is, as the manufacturer's claim, unique because in the R.F. and first mixer stages the inductance of only one set of coils—that is, the 80-metre ones, is varied by the tuning slugs.

What happens when the bands are changed is that the 80-metre coils are paralleled with a tuned circuit, the characteristics of which will combine with the 80-metre coils, and thereby produce a tuned circuit suitable for the desired frequency range.

It should be noted that while five sets of tuned circuits are used, i.e., one for each band, variation of the inductance is carried out on the 80-metre coils alone by means of the tuning mechanism. It is also interesting to note that the two frequency ranges of the variable I.F.s are produced in exactly the same way.

In order to produce heterodynes suitable for amplification by the variable I.F. amplifiers, and within the prescribed limits, a multi-crystal oscillator with a total of six separate crystals, one for each band, is used. Low-frequency type crystals are employed



General view of the Collins 75A-1 receiver.

for harmonic operation. The H.F. oscillator harmonic output is, in each instance, higher in frequency by 2.5 to 1.5 or 5.5 to 3.5 Mc/s, depending, of course, on the particular band in use.

In order to produce a 500 Kc/s heterodyne for the

represents one dial division at 21 Mc/s or 2 Kc/s, one dial division at 27-30 Mc/s.

I.F. and Image Rejection

Readers who have experimented with double superhet receivers of much less ambitious types are fully aware of the troubles which come under the above heading. Due to modern design the model under discussion has an inherently high rejection to spurious frequencies, the figures quoted being image 50db minimum even on 10 metres, while the I.F. rejection is 70db minimum.

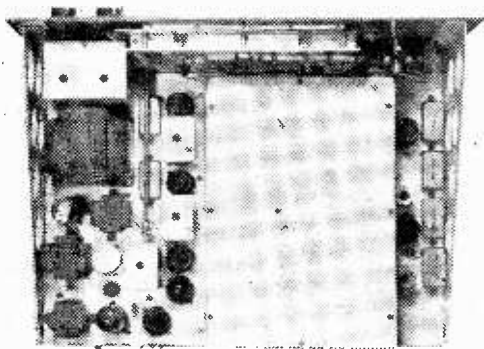
Such is the efficiency of the I.F. sections that only one R.F. stage is necessary to provide high image rejection and selectivity, together with high sensitivity and signal-to-noise ratio. A one microvolt input signal provides one watt of audio output with a 6db signal-to-noise ratio. The aerial impedance is 300 Ω with a four kilocycles bandwidth.

The advantages of variable bandwidth crystal filters are known and appreciated by the amateur, and in this receiver five-step variation is available from four kilocycles to 200 cycles at two times down (6db down from the resonant frequency peak). Except from the extremely sharp position where the loss is approximately 6db there is no loss in gain with the crystal filter in use.

A.V.C.

This is applied to the R.F. stage and three I.F. stages, the output being constant within 5db for a change of input from five microvolts to .5 volt, and maximum sensitivity on weak signals is assured.

The input impedance is 300 Ω , but a wide variety of balanced and unbalanced aerial systems can be used without serious losses being experienced. Readers will notice that the slide-rule type tuning dial which is calibrated in megacycles has a number of heavy line markings. These denote the individual amateur band widths.



Top view of the chassis.

fixed frequency second I.F. stages, another signal is introduced to beat against the variable I.F. This is provided by a Collins 70E-7 precision oscillator.

Panel Layout

The Collins 75A-1 is finished in what is known as St. James grey wrinkle, which we would refer to as grey crackle finish. Referring to the illustration on p. 73, the panel controls are as follows. Bottom left, R.F. gain. Next and to the right is the band switch. Above it, A.V.C.—C.W. control. Centre, tuning controls. Right bottom, audio gain control. Next filament on and off switch, and B, i.e., H.T. Extreme right, noise limiter on-off switch. Top of panel right are the crystal selectivity and phasing controls.

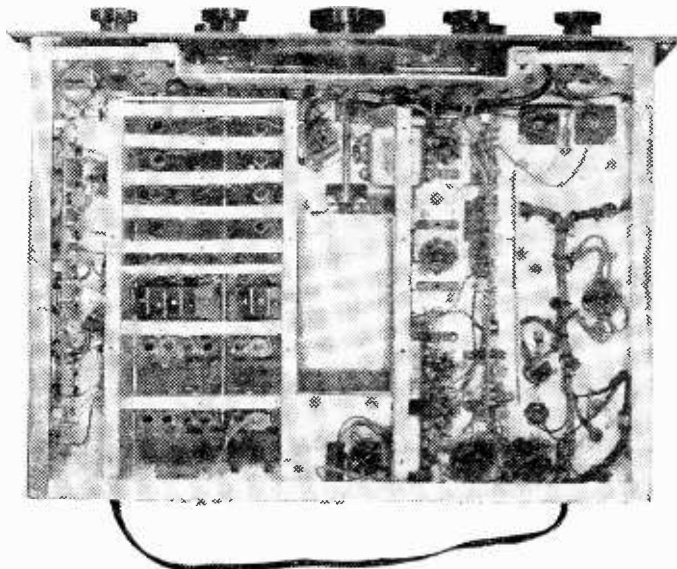
A headphone jack is shown on the extreme left. The "S" meter is calibrated in steps from one to nine, each step being 6db. There are also additional calibrations for 20, 40 and 60db above S9. Sensitivity and zero adjustments are provided.

Bandspread

Due to the new and very efficient method of permeability tuning employed, linear calibration on all bands is achieved. On the hundred division vernier dial, each division represents one kilocycle when tuning over the 80-, 40-, 20- and 15-metre bands, and two kilocycles on the 11- and 10-metre bands.

The tuning ranges as shown earlier are covered by 10 turns of the vernier tuning dial.

Quartz crystals used in the first conversion circuit, together with a V.F.O. of extreme accuracy and stability enable precise calibration with visual tuning accurate to one kilocycle which



Views of underside of chassis.

SHORTAGE OF RADIO & T.V. ENGINEERS

The demand of Industry for our trained students is still greater than we can supply—and is likely to remain so for many years. We offer

FULL TIME DAY COURSE
1 year course in Principles and Practice of Radio and Television.

Next course commences 14th April, 1953.

Write for FREE BROCHURES giving details of the above, of our 3-year course, and of others.

E.M.I. INSTITUTES—the only college which is part of a great industry.

E.M.I. INSTITUTES (Dept. 32A)
10, PEMBROKE SQUARE
LONDON, W.2.
Tel: BAYwater 5131/2.

Associated with
"H.M.V."
MARCONIPHONE
COLUMBIA
ETC.

I.A.1b

Come to the CLASSIC for ALL TAPE RECORDING REQUIREMENTS

TAPE DECKS, TAPE EQUIPMENT, COMPONENTS, AND COMPLETE TAPE RECORDERS, AVAILABLE FROM STOCK.

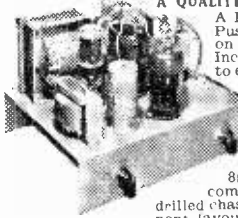
AGENTS FOR :		
Wearite Tape Deck	...	£35.0.0
Bradmatic Tape Desk	...	£42.0.0
Truvox Tape Desk	...	£23.2.0
Lane Tape Desk	...	£16.16.0
Simon 2B	...	£60.0.0
Scophony	...	£65.0.0
Ferrogaph	...	£79.10.0
C.I.R. Portable	...	£119.10.0
Quad Tape R.	...	£15.16.0
Bradmatic Circuits	...	5.0
Bradmatic Oscillator Coil	...	9.0
Bradmatic Plate Coil	...	9.0
Bradmatic Mumetal Screens	...	4.0
Bradmatic Guide Fillars	...	5.0
Bradmatic 6 RP Head	...	£3.15.0
Bradmatic 5 RP Heads	...	£3.5.0
Bradmatic 5E Erase Head	...	£3.5.0
Spare Spools, 600 ft.	...	4.6
Spare Spools, 1,200 ft.	...	6.6
Tapes, G.E.C.	...	£1.15.0
Tapes, Scotch Boy	...	£1.15.0
Tapes, E.M.I.	...	£1.15.0

Tape Recording Specialists. Demonstrations Daily.
Credit sale and hire purchase facilities available.

THE CLASSIC ELECTRICAL CO. LTD.
"The Hi-Fi Television Specialists"
354, Lower Addiscombe Road, Croydon, Surrey.
Tel. : ADDISCOMBE 6051/6062.

A QUALITY "PUSH-PULL" AMPLIFIER KIT

A Kit of Parts to build a 6-8 watt Push-Pull Amplifier for operation on A.C. mains 200-250 volts. Incorporates a simple arrangement to enable either a magnetic, crystal or lightweight pick-up to be used. A 10-watt Output Transformer is designed to match from 2 to 15 ohm speakers. Tone control is incorporated. The overall size of the assembled chassis is 10in. x 8in. x 7 1/2in. high. Price of kit complete in every detail, including drilled chassis and valves, **£6 17 6**. Component layout is supplied.



Price of assembled chassis, supplied ready for use, **£8 2 6**. Instructions, layouts and price list 1-.

THE "MINI FOUR"

A 4-valve Battery Superhet Receiver, designed by "Practical Wireless" to receive 4 Pre-Set Stations, no tuning being necessary. The complete Receiver can be built for **£9 10 0** (plus case, 15 6). Send 16 for Assembly Instructions, Layouts and Component Price List.

THE "MINI TWO-FOUR"

Complete diagrams and layouts from which either a T.R.F. 3-valve set or a 2-valve set (afterwards easily converted to the 3-valve) can be made for **£5 3 0** or **£4 3 6** respectively (plus case, 15 6). Full Instructions, Layouts and Component Price List, 2-.

THE "MINI TWIN"

The ideal set for the beginner! A simple 1-valve 2-stage Battery Set covering Long and Medium Wavebands. Can be built for **£7 6**, plus 9 6 for attractive Plastic Case and 14 9 for suitable headphones. Complete instructions, layouts and price list 1/3.



"PERSONAL SET" BATTERY ELIMINATOR

A complete kit of parts to build a Midket "All-dry" Battery Eliminator, giving approx. 69 volts and 1.4 volts. This Eliminator is for use on A.C. mains and is suitable for any 4-valve Superhet Receiver requiring H.T. and L.T. voltage as above or approx. to 69 volts. The kit is quite easily and quickly assembled and is housed in a light aluminium case, size 4 1/2in. x 4 1/2in. x 3 1/2in. Price of complete kit with easy-to-follow assembly instructions, **42 6**. In addition we can offer a similar COMPLETE KIT to provide approx. 90 volts and 1.4 volts. Size of assembled Unit 7in. x 2 1/2in. x 1 1/2in. Price **47 6**.

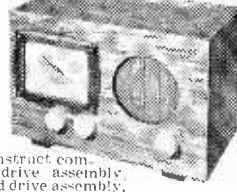
A DUAL CHANNEL PRE-AMPLIFIER and TONE CONTROL UNIT

This comprehensive PRE-AMPLIFIER and TONE CONTROL UNIT provides full control of Bass and Treble in conjunction with a main Volume Mixer Control. It can be used with any Amplifier and with any Pick-Up, the range of frequency control provided by the unaffording ample compensation for all types of recordings, i.e. English, American and Long Playing, without recourse to Pick-up correction. The extreme flexibility of the Bass and Treble Controls is such that the level of Bass and Treble can be set to suit any conditions irrespective of the volume output of the Amplifier. Response characteristics are given in 12-watt Amplifier advt. The Unit measures only 7in. x 4in. x 2in., including self-contained Power Supply, and can be accommodated either on or away from the main Amplifier, i.e., in the front panel of a Cabinet or any other position. Price including drilled chassis, valves (6SN7 and 6J5), **£3 18 9**. Complete assembly data is available separately 1-. Completely assembled and ready for use, **£5 5 -**.

THE "WIRELESS WORLD" 3-VALVE SET

A Midket 3-valve T.R.F. Receiver for operation on A.C. mains, covering long and medium wavebands. We are able to supply all of the components to build this set, as designed, and specified in the Feb. 1952 issue, including the drilled chassis, valves and moving coil speaker, etc. at the following prices:—To construct complete chassis, less dial and drive assembly, **£5 5 0**. Ditto, including dial and drive assembly, **£6 5 0**. To construct the complete Set, including dial and drive assembly and cabinet, **£7 3 6**. Complete practical diagram available separately for 8d.

★ Send 9d. P.O. for our STOCK LIST, showing many KITS OF PARTS for Sets and Battery Chargers and "hundreds" of Wireless Components. When ordering please include 1/6 to cover cost of postage and packing.



STERN RADIO LTD. 109 & 115, FLEET STREET, E.C.4
Telephone: CENTRAL 5813/3/4

RADIO SUPPLY CO. 15 WELLINGTON ST., LEEDS, 1.

Post Terms C.W.O. or C.O.D. No. C.O.D. under £1. Postage 1/- charged on orders over £1: to £3 add 1/6; over £3 post free. Open to callers 9 a.m. to 5.30 p.m. Sats. until 1 p.m. S.A.E. with enquiries please. Full list 5d. Trade list 5d.

R.S.C. MAINS TRANSFORMERS (FULLY GUARANTEED)

Interleaved and Impregnated. Primaried 200-230-250 v. 50 cs Screened.

TOP SHROUDED DROP THROUGH

260-0-260 v 70 ma. 6.3 v 2 a. 5 v 2 a	14 11
260-0-260 v 80 ma. 6.3 v 2 a. 5 v 2 a	15 9
350-0-350 v 80 ma. 6.3 v 2 a. 5 v 2 a	17 6
250-0-250 v 100 ma. 6.3 v 4 a. 5 v 3 a	22 11
350-0-350 v 100 ma. 6.3 v 4 v 4 a C.T.	
0.4-5 v 3 a	23 11
350-0-350 v 150 ma. 6.3 v 4 a. 5 v 3 a	29 11
360-0-350 v 150 ma. 6.3 v 2 a. 6.3 v 2 a. 5 v 3 a	29 11

FULLY SHROUDED UPRIGHT

250-0-250 v 60 ma. 6.3 v 2 a 5 v 2 a	
Midget type 2/- 3m. 4in.	17 6
250-0-250 v 100 ma. 0.4-6.3 v 4 a	
0.4-5 v 3 a	25 9
250-0-250 v 100 ma. 6.3 v 6 a. 5 v 3 a	28 9
FOR RI355 CONVERSION	
300-0-300 v 100 ma. 6.3 v 4 v 4 a C.T.	
0.4-5 v 3 a	25 9
350-0-350 v 100 ma. 6.3 v 4 v 4 a C.T.	
0.4-5 v 3 a	25 9
350-0-350 v 150 ma. 6.3 v 4 a. 5 v 3 a	33 9
350-0-350 v 250 ma. 6.3 v 6 a. 1 v 8 a.	
0.2-6 v 2 a. 4 v 3 a, for Electronic Eng. Televisor	67 6
425-0-425 v 200 ma. 6.3 v 4 a. C.T. 6.3 v 4 a C.T. 5 a 3 a. suitable Williamson Amplifier, etc.	51-
325-0-325 v 20 ma. 5.3 v 0.5 a. 6.3 v 1.5 a for Williamson Preamplifier	17 6

FILAMENT TRANSFORMERS

All with 200-250 v 50 cs Primaries:

6.3 v 2 a. 7/6; 0.4-6.3 v 2 a. 7/6; 12 v 1 a. 7/11; 6.3 v 3 a. 10/11; 6.3 v 1.5 a. 17/9; 0.2-4.5-8-3 v 4 a. 17/9; 12 v 3 a. or 2v 1.5 a.	17 9
--	------

CHARGER TRANSFORMERS

All with 200-230-250 v 50 cs Primaries:

0.9-15 v 1.5 a. 13/9; 0.9-15 v 3 a. 16/9; 0.9-15 v 6 a. 22/9; 0.4-9-15-24 v 3 a. 22 9.	
--	--

SMOOTHING CHOKES

250 ma 3 h 50 ohms	9 9
220 ma 5 h 50 ohms Potted	10 9
150 ma 10 h 200 ohms Potted	10 6
100 ma 10 h 200 ohms	7 6
80 ma 10 h 350 ohms	5 6
60 ma 10 h 400 ohms	4 9
1 amp. 25h. L.T. type	4 9

ELIMINATOR TRANSFORMERS

Primaries 200-250 v 50 cs 12v 40 ma 7 11	
12v 40 ma. 6 v 1 a	12 9

OUTPUT TRANSFORMERS

Small Pentode. 8,000 ohms to 2 ohms	3 9
Standard Pentode. 5,000 to 3 ohms	4 9
Push-Pull 10-12 watts 6V6 to 3 or 15	
Push-Pull 10-12 watts to match 6V6, etc.	15 11
etc. to 3-5-8 or 15 ohms	16 9
Push-Pull 15 watts to match 6L6, etc. to 3 or 15 ohm Speaker	22 9
Williamson type exact author's spec. 85-	

BATTERY SET CONVERTER KIT
All parts for converting any type of Battery Receiver to A.C. Mains 200-250 v 50 cs Supplies 120 v. 90 v or 60 v at 40 ma. Fully smoothed, and fully smoothed L.T. of 2 v or 1.4 v at 1 a. Price, including circuit, 47 9 Please state voltage required.

BATTERY CHARGER KITS.—To charge 6 v or 12 v Acc. at 2 amps. 29 6; to charge 6 v or 12 v Acc. at 4-41 amps. 47 9. Both consist of Mains Trans. Bridge Rect. Fuse holder and Fuse, and Chassis. For Mains Input 200-250 v 50 cs.

SPECIAL OFFERS. Mains Trans. Midget type 2/- 3-21 in. Primary 220-240 v. Secs. 250-0-250 v 80 ma. 6.3 v 2.5 a. 10/9. Small H.T. trans. 220-240 v input. 6.3 v 1.5 a output. 5/9. .0005 mfd. 2 gangs. 4/9.

P.M. SPEAKERS. All 2-3 ohms, 5in. Plessey, 13/9; 6in. F.W., 14/11; 8in. Plessey, 15/11; 8in. Goodmans, 17/11; 10in. Goodmans, 31/-; 10 in. Plessey, 19 9.

M.E. SPEAKERS. (All 2-3 ohms) 4 in. E.M.I. with Trans Field 750 ohms, 14 9; 6in. Rola Field 700 ohms, 12 9; 8in. R.A. Field 600 ohms, 12/9; 10in. R.G.D., Field 600 ohms, 23/9.

VOL. CONTROLS (standard spindles). All values, less switch, 2/9; with S.P. switch, 3/11; with D.P. switch, 4/6.

NEW GUARANTEED VALVES (EX-GOV.)

Each	Each	Each	Each
1T4	9 6	6X5GT	8 9
1S5	9 6	7D8	6 9
1R5	9 11	807	10 11
3S4	10 6	8D2	2 11
5Y3G	(U50)	9D2	2 11
5040	9 6	954	1 11
5040	10 6	12K7GT	6 6
5Z4G	9 6	12K8GT	10 6
6J5GT	5 9	12K9GT	10 6
6J7G	6 11	12SK7	6 11
6K7G	6 11	12SC7	6 11
6K7Met.	7 11	15D2	5 3
6K9C	11 9	16Z5	5 9
6R6G	9 11	25A6G	10 6
6F6C	9 6	25Z4GT	9 6
		50L6GT	10 6
		611	35/24GT 10 6
		6J7	6 11
		6D1	3 3
		6A50	2 9
		6F6C	6 9
		6F30	9 6
		6E30	9 6

ELECTROLYTICS. Tubular 8 mfd 350 v. 1/9; 8 mfd. 450 v. 1 11; 16 mfd 350 v. 2 3; 16 mfd 450 v. 2 11; 25 mfd 25 v. 1 6 CAN; 8-8 mfd 450 v. 3 11; 8-16 mfd 450 v. 4 6; 16-16 mfd 450 v. 4 11; 32 mfd 350 v. 2 11; 32 mfd 450 v. 4 11; 32-32 mfd 350 v. 4 9; 32-32 mfd 450 v. 5 9; 32-32 mfd 350 v. plus 25 mfd 25 v. 5 6; 32-32 mfd 350 v. 6 6; 50 mfd 350 v. 3 11; 16-16-8 mfd 475 v. 5 9; 15-12 mfd 350 v. 4 6; 16-32 mfd 450 v. 5 3; 21-24 mfd 450 v. 3 11; 2.00 mfd 25 v. 4/9; 500 mfd 1 v. 1 11.

ARMY CARBON MICROPHONES complete with switch, 5/9. Matched transformer, 4/6.

A.C./D.C. T.R.F. kit L. and M. band, complete with beautiful polished wood cabinet and 5in. speaker, £5/10/-.

TRII95 CIRCUIT AND CONVERSION DATA, 1/3. 1147A or B, 1/6. Any CRT Unit to Oscilloscope, 2/9.

GERMANIUM DIODES, 3/9.

P.M. SPEAKERS, Goodmans 8in., 20/-; 10in., 32/6. 5in. 14/6. 6in. 16/6. 10in. Plessey, 29/6.

SELENIUM RECTIFIERS. F.W. 6 or 12v. 4 A., 26/-; 6 A., 30/-; 3 A., 14/6; 1 A., 10/6; 250v. 120ma. H. W., 9/-; 24v. 2A., 22/6.

TRANSFORMERS, 200-240 volts, tapped 3-4-5-6-8-9-10-12-15-18-20-24 and 30 volts at 2 A., 21/6. One year guarantee.

TYPE 18 TRANS. CHASSIS, clean condition, partly stripped, 8/6 to clear.

TRANSFORMER, SHROUDED. Input 250/230, Output 50-25v., 2 A., 16/6.

M/C MICROPHONES, 7/6. Trans. to match, 5/-.

PRACTICE MORSE KEY AND BUZZER SETS, 7/6.

VCR97 C.R. TUBES, picture tested, new and crated. 45/-; base, 3/6.

Ex W.D. PHONES, Low Resistance, 8/6.

TYPE IN34 GERMANIUM CRYSTAL DIODES, 5/6.

MINIATURE VALVES. New. CK512AX, 9/-; 9001, 9002, 9003, 7/6; 6A6S, 10/6; 1S4, 1S5, 1T4, 1R5, 10/6; 6A1S, 8/6; 12A7, 6A16, 6A0S, 6BR7, DH77, 6AT6, 6EY5, 12/6.

NEW VALVES. 35Z4, 35L6, 25Z4, 25L6, U281, VP4B, U50, 5Y3GT, 6K7G, 6V6GT, 11/6; 6K8GT, 11/76, 12/6.

NEW 2 VOLT 11 A.H. EXIDE ACCUMULATORS, 7/- R.1224. BATTERY SUPERHET RECEIVER, 1-9 Mc/s, £6/10/- One of the best sets used by the R.A.F.

MULTIMETER KIT, 21" M c calibrated meter. D.C. Volts 0-3-30-150-300 and 600, M.A. 0-60. Black ebonite case. Also reads 0-5,000 ohms with 1 1/2 v. battery, 24/6.

ALL POST PAID

THE RADIO & ELECTRICAL MART

253b, Portobello Road, London, W.11

Phone: Park 6026

HANNEY of BATH offers:

EDDYSTONE 740 RECEIVERS £38 15/- . Send for illustrated brochure.

GRAM-MOTORS. B.S.R. single-speed MU15. 60-; MU10, 2-speed, 78 7; GU4, 3-speed with HI-F1 turnover crystal head, £10 1/-; Monarch 3-speed autotuner, with turnover crystal head £17 1/-; COLLARO 3RC 521 3-speed autotuner with 2 GP27 plug-in crystal heads, £17 15/-; Type 3RC522, as 521 but plays 10in. and 12in. records intermixed, £20 8/4.

PICK-UPS. New ACOS GP20, 71.5; Acos GP20, 71.5 (std. or L.P. head), spare heads, 43 3; Collaro magnetic (std.), £2; Collaro GP20, turnover crystal, 40 8; Collaro orthodynamic with trans., 67 8; Goldring 1665, turnover magnetic for all speeds, all records, 71 5; Goldring Bantam (std.), 35-10; Rothermell U43 crystal (std.), 28 2.

DIALS. J.B. S18, 27 6; J.B. S15SRV, 26 6; Osmore type A, 24 6; Osmore cream escutcheon, 4/-

THE MAGNAVIEW. LARGE SCREEN TV for the HOME CONSTRUCTOR, as described in the book issued by BRIMAR valves. Price list available from us, giving details of all components.

TELEKING. Constructors envelope, 6/-; Chassis kit, 70/-; Coil Kit, £4 3; TCC kit, £7 4 3; Allen Sc.312, 22 6; AT310, 30/-; OP116, 9/-; BT314, 13/-; Wide angle low angle components.

WIDE ANGLE VIEWMASTER. All the special TCC condensers in stock.

ALLEN wide angle components. L0308, 50/-; F0305, 21 -; DC300, 42 -; FC302, 35 -; GL16 and GL18, 10/- each.

STANDARD VIEWMASTER. We supply GENUINE parts only. Complete kit less valves and tube, £31, or in 7 easy stages, prices as per our list. Send £2/3 for Stage 1 now.

L.A.N.E. Mark 2 tape decks, £16 10/- (plus 10/- carriage and packing).

SOUNDRIES. Osomor Q coils, £16 10/-; LM, 43 4; TRF, 43 4; Osomor Q coils, 4 - each; GC1 chokes, 4 -; Westmouth H coils, 3 9; Wearite P coils, 3/-; Denco Maxi-Q coils, 3 11; Denco type CTRF coils, 8 -; Astral TRF coils, 4 3 each; Polystyrene Varnish, genuine Distrene, 1/10 bottle; potted output trans, for 6L6, 6V6, 6V8 or 6X4 in P/P, 47 3; Taylor Montrose meters, 50 -; Valve Manuals, by Brimar, Osram, and Mullard, 5 6 each, post free; Viewmaster Envelopes, 7/9, post free. Send 6d. stamp for our list covering Teleking, Viewmaster, Magnaview, Williamson Amplifier, P.W. 3-speed Autogram, Tape-Deck Amplifier Modern 1 and 2 Valve, Highspeed Fault Finder, 'A.C. Bandpass 3, also General Components, chassis, etc. All goods still available as per our December, and January P.W. classified adverts. (except tape speakers).

L. F. HANNEY,

77, LOWER BRISTOL ROAD, BATH. Tel. 3811

The Loudspeaker and ***** its Mounting

SOME HINTS ON LOUDSPEAKERS AND SIMPLE CABINET CONSTRUCTION

By K. C. Ireland, A.R.I.C.S.

IT has been stated on many occasions that one of the secrets of good reproduction lies in the loudspeaker and its mounting. If anyone doubts this statement, let them try connecting a modern loudspeaker to an old set and even under these adverse conditions the results will speak for themselves.

The number, variety and size of loudspeakers is legion: most are good, some superb.

The amateur of moderate means is limited in his choice of a speaker and must resort to doing the best he can with a standard single cone type and ignore the temptation of the twin diaphragm types, although if funds permit by all means purchase one.

The range of loudspeakers extends from the miniature 2½ in. diameter to the 18 in. auditorium type, plus a few sizes with elliptical cones. The larger types, 18 in., 15 in., and 12 in., can be ignored for normal domestic use if only on the score of cost and space required.

The smaller types up to 6 in. in diameter are hardly suitable for really high quality reproduction; their power handling capacity is limited to 3 watts, which is insufficient to enable quiet passages of music to be heard in a large room. In addition, the bass resonant frequency of these smaller units is about 100-150 cycles, which can give rise to boominess if mounted in normal-sized radio cabinets with an air mass of the same resonant frequency.

Our choice, therefore, lies in either an 8 in. or 10 in. unit, and although the former can be made to give a very good account of itself, the latter size should be the choice every time, for the following reasons.

The mass of the diaphragm and speech coil assembly is sufficient to provide a low natural bass frequency in the order of 60-75 cycles.

The depth of cone from frame to speech coil allows of a large cone movement which extends the bass response. Frame and centring device are proportionately stouter in design and construction, providing absolute rigidity and increased power handling capacity.

The large cone gives free movement, which makes for sensitivity.

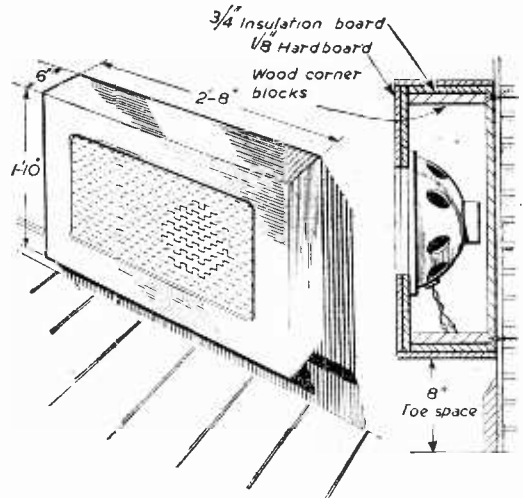
To summarise, the 10 in. unit makes an ideal all-round instrument.

Points to Watch

Occasionally a secondhand speaker is offered for sale: if the price is attractive it is worth while examining the instrument, particularly if of the larger type, but there are one or two points to watch. First examine the cone material; see that it is not damaged in any way—it should be taut and not soft and flabby to the touch. See that the corrugations are of good shape and not dented or misplaced.

If the unit is centred with a spider, see that this is flexible and not cut or of bad shape. Now examine the frame; if the enamel frame is chipped and the metal below rusted, it is possible that pieces of both have worked their way between speech coil and magnet. To test this, gently move the cone backward and forward with the ear close to the magnet; if the air space is free, all will be silent, but a scratching noise will indicate an obstruction. Note also, during this process, the actual movement of the cone; this will test the compliance of the cone, centring device and corrugations. The action should be quick and certain, and the cone should fly back to its natural position immediately pressure is removed. Examine the fixing of the outer edge of the cone to the frame; looseness here will give rise to all kinds of unwanted noises when working the speaker. Sight your eye along the edge of the metal chassis where this is bolted to the baffle. I have known cases where a speaker has been bolted to a stout but warped baffle and the uneven mounting, after years of use, has strained the alignment of the frame. The best test, of course, is under actual working conditions, but this is not always possible.

Of the two types of moving-coil units—permanent magnet or coil energised—I prefer the latter. From my experience I am convinced that the energised speaker gives a better and clearer cut bass response, is more sensitive, and lively than the P.M. type. I think it is a pity that most manufacturers seem to fit



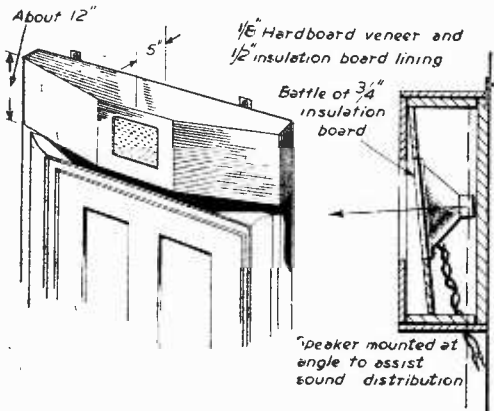
Figs. 1 and 2.—A wall-type shallow baffle.

P.M. speakers and ignore the mains energised type. Doubtless the tremendous power of the electro magnet accounts for this improved performance.

Matching

Having chosen the speaker, it is important that it is correctly matched to the output valve. Correct matching is essential to obtain the best from amplifier and speaker.

A study of the valve-makers' charts will give the optimum load for any output valve. To take an example, the old Mullard Pen A4, a popular and efficient valve, has a matching impedance of 8,000 ohms. If we wish to connect a speaker with a 3 ohm speech coil to this valve, we must first arrive



Figs. 3 and 4.—A high-level baffle.

at the correct matching ratio. Divide 8,000 by 3 and then find the square root of the answer. In this case 52. In actual practice a ratio of 50 to 1 will prove satisfactory.

Mounting

Now as to the mounting for the speaker unit. This can range from a simple flat baffle to a bass reflex cabinet. The flat baffle to be effective must be (a) large, and (b) substantial, and these requirements bring their own difficulties. Size requires room, and "substantial" usually implies cutting hard, heavy timbers with limited woodworking tools.

For the enthusiast with limited tools, space, experience in woodwork and cash, the shallow box baffle has, in the writer's experience, much to recommend it. The author recently described such a cabinet in a recent issue of this journal which is still in operation and giving very good results. The original speaker has now been changed for a more modern instrument and it is hoped to conduct further experiments as time permits.

At the moment a very shallow cabinet is being experimented with, and this is shown in Figs. 1 and 2. Hardboard is used as the veneer and this is backed with $\frac{3}{4}$ in. building insulation board. Both materials are easy to obtain and simple to work.

The hardboard is tough, paints, stains and polishes well and the insulation board has admirable sound-absorbent properties which are essential for the type of cabinet contemplated.

The hardboard and insulation board are glued and pinned together. As rather a lot of glue is required, I have found the cheapest way of obtaining sufficient is to use ordinary glue size powder mixed in the proportions of 1 lb. powder to 1 quart of water. Liberally coat both surfaces and a few panel pins and plenty of pressure will ensure a secure job. Rigidity is provided by wood blocks at each corner.

Corner braces of three-ply will assist constructional strength, and these can be used for screwing the cabinet to the wall. The front with speaker attached can be glued and pinned into place as a last operation.

A very decorative and at the same time effective baffle can be made in this way and it has the advantage of providing means for the lady of the house to sweep beneath it. Being in the form of a built-in fixture, it can be decorated to match either the woodwork or furnishings of the room.

Preliminary experiments with a small cabinet of this type have proved most promising. There is no tendency to box resonance and reproduction is crisp and with sufficient bass to be natural without a trace of boominess. This small cabinet is fitted over the door something on the lines shown in Figs. 3 and 4. By tapering the cabinet each end to line flush with the projection of the architraves it looks less offensive than making a normal square cabinet and hanging this over the door. If painted to match the door and its linings it will not look out of place.

A little point that is sometimes overlooked is the covering to the speaker opening. Undoubtedly the aluminium open mesh type are to be preferred to the fabric ones, which do tend to attenuate the higher frequencies. I have used the following with success: it looks well and has the advantage of cheapness. Obtain an ordinary open-mesh dish cloth from one of the popular stores. These are usually about 12 in. square with $\frac{3}{8}$ in. meshes. Dip this in black Indian Ink, allow to dry, then glue to the baffle board, making certain that the meshes are kept square and even for appearance's sake and then brush french polish over the cloth, two or three coats will be necessary. The result is a matt black mesh which is quite stiff.

Some readers may object to both these cabinets on the grounds that they are too shallow and would give rise to all manner of troubles in the form of boominess and box resonance. I, too, feared this, but must say from preliminary experiments that these objections do not appear to be justified and which I put down to the following reasons:—

The lining of sound-absorbent material plus wall paper and plaster absorb a great deal of the rear radiations from the speaker and considerably reduce echo effects.

Power output is kept within reasonable limits.

I will admit, however, I would not care to use either of these cabinets with a 10-watt amplifier, even with the gain turned back a little.

TWO NEW EDITIONS

"PRACTICAL WIRELESS" CIRCUITS

15th Edition

WIRELESS COILS, CHOKES & TRANSFORMERS

8th Edition

6/- or 6/6 by Post from

GEORGE NEWNES, LTD., Tower House,
Southampton Street, Strand, London, W.C.2.

MIDGET RADIO CONTROL RECEIVER

A COMPACT DESIGN FOR CONTROLLED BOATS, CARS, ETC.

By F. G. Rayer

THIS receiver is of sufficiently small dimensions to be accommodated with ease in radio-controlled model boats of no great size. (It is not suitable for model aircraft.) It does not make use of the popular "soft," gas-filled valve generally utilised, as this valve has a rather short life. Instead, a standard button-based pentode or beam tetrode is used. Both the 1S4 and 1T4 have been employed with success. With the former, a slightly greater change of anode current arises upon receipt of the signal. The latter valve, however, can be controlled over a fair range. It has only about half the H.T. and filament consumption of the 1S4, and is particu-

paxolin. This trimmer must be adjusted with an insulated tool when tuning. A length of ebonite or other rod is recommended, one end being arranged to fit the trimmer.

The coil is shown in Fig. 2. The wire should be pulled out straight before winding. One end should then be secured to some fixed object and the other looped round a former of suitable diameter. The turns can then be wound on, side by side, by rotating the former and slowly moving forward, keeping the greatest possible tension on the wire. The former is then removed and the coil pulled out slightly.

Wiring in the receiver must be short and direct. It will be found that the 10K variable resistor is not shown in Fig. 3. This control is most conveniently situated a little way from the receiver near the relay, but unduly long wiring should be avoided.

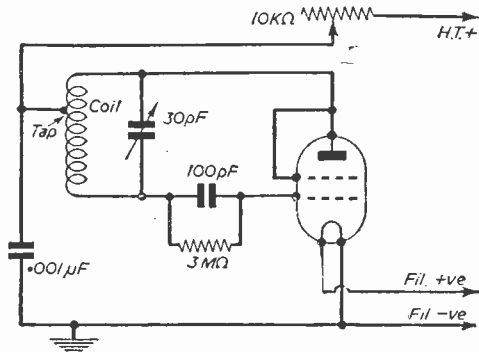


Fig. 1.—Theoretical circuit.

larly useful for long periods of operation from midget batteries. The wiring diagram is for the 1S4; if the 1T4 is employed then the socket marked "G" in Fig. 3 becomes the screen grid connection, while the grid socket is that adjacent to the positive filament tag.

The circuit, shown in Fig. 1, is a standard one, and the layout can be made particularly compact by employing small components. For tuning, a 30 pF air-spaced trimmer is used. Once set, this only requires occasional adjustment. Bias is generated by self-oscillation. Upon receipt of a carrier-wave the amplitude of oscillation changes, thereby bringing about a change in anode current. This operates the relay, the contacts of which are wired to the various electro-magnetic or other controlling mechanisms in the model.

Layout Details

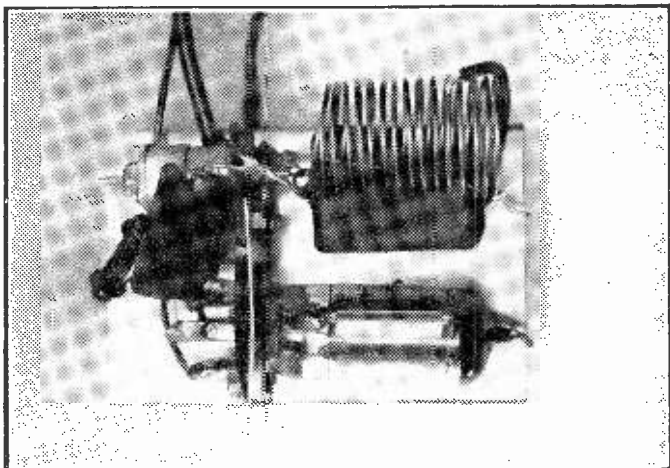
The receiver is built upon two small pieces of aluminium, the dimensions and layout being given in Fig. 3. The trimmer, for tuning, is mounted on a small piece of

Aerial Details

The receiver will operate with a wide variety of aerials, but it is most convenient to select one arrangement and retain it. Any modification to the aerial will make it necessary to re-tune.

For short-range use and minimum size, a wire about 9in. long may be soldered directly to the grid tag of the 30 pF condenser. This may project vertically, and should be formed into a small loop at the top. For somewhat greater range, a longer wire can be used. An 18in. length of 20 S.W.G. wire, if pulled until it is felt to stretch, will stand vertically with ease.

For longer range, a larger aerial can be used. The damping arising from this will prevent oscillation if it is directly coupled. Accordingly, it must be taken to a tapping on the coil or wired in series with a 50 pF pre-set condenser. It is also possible to couple the aerial by means of a coil of about two turns at the grid end of the coil shown.



General view of the receiver.

Adjustments

The completed circuit is shown in Fig. 4, but a meter reading up to about 5mA should first be included in one H.T. lead. It is suggested that the tapping be left unsoldered for the moment. Batteries are connected and the 10K resistor set to minimum. The usual aerial is also coupled according to the method adopted, as already mentioned. The transmitter should be "off."

The receiver should now be adjusted until it is not oscillating. If anode current increases sharply upon touching the aerial, oscillation is present. This may be stopped by turning the 10K resistor to reduce the anode voltage, or by moving the tapping towards the anode end of the coil. As oscillation stops the anode current will rise; touching the aerial will now cause no change in anode current.

The transmitter should then be switched on and the receiver tuned throughout the range until a current dip is noted. If this does not arise stray capacity may be resulting in an incorrect tuning range. This can be compensated for by slightly pulling out or compressing the coil. With a fairly long aerial and 1S4, one turn will require to be removed. But with a short aerial this is not necessary. The 1T4 also appears to have less internal self-capacity between electrodes than the 1S4. The transmitter should be tuned to approximately 27 Mc/s.

Having made certain that the correct frequency can be tuned, the 10K resistor and the position of the tapping should be adjusted for maximum current dip. The greater the H.T. voltage the greater will be the dip, but the tapping will require to be nearer to the anode end of the coil to avoid too violent oscillation. A dip of about 1mA should be anticipated with 9in. aerials on both transmitter and receiver, and these situated in the same room. For final adjustments the full transmitter aerial can be added and the receiver placed in the model at 20 or 30yds. range.

Finally, correct adjustment of the relay is essential for maximum range. With the transmitter off, the relay tension spring should be adjusted so that the armature is just held down. It will then rise when anode current decreases. The contact adjusting screws should be set so that very little free movement of the armature is present, and so that the latter is as near as possible to the relay core. A high-resistance relay, as made for such purposes, is essential, and may be obtained from various advertisers.

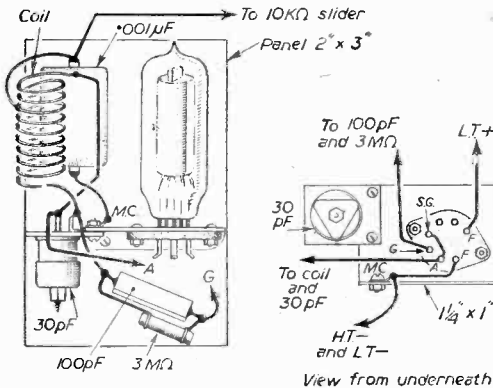


Fig. 3.—Layout of the receiver.

The final range achieved will depend primarily upon the care in setting up adjustments, and upon the power of the transmitter. Using a 2ft. aerial on the receiver, and an 8ft. aerial (vertical rod) on the transmitter (the latter consisting of two small-power triodes powered from 2-volt accumulator and 90v.

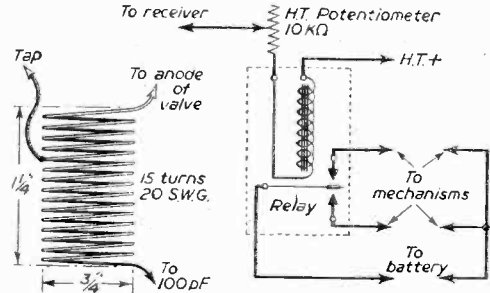


Fig. 2.—Coil details.

Fig. 4.—Relay circuit.

H.T. battery) a range of about 50yds. was obtained. This was considered ample for the purpose in view (controlling a boat on a pond). The range increases sharply with larger aerials, and with an increased H.T. voltage at the transmitter. However, the range of all single-valve sets must necessarily be limited, though for most ordinary model-control purposes this is not very important.

Barnstaple Transmitting Station

ON Thursday, December 11, 1952, the new permanent transmitting station at Fremington, between Barnstaple and Bideford, took over the West of England Home Service on 285 metres (1,052 kc/s), from the temporary transmitter operating from a caravan on the site. This is one of a number of low-power stations being built by the BBC to improve reception of the Home Services in certain areas.

The new transmitter is of higher power than the caravan transmitter and should extend the coverage beyond the immediate surroundings of Barnstaple and Bideford to include the outlying districts such as Northam and Great Torrington. The equipment, which is housed in a building some 14ft. square, is designed for completely automatic operation without the attendance of staff. It comprises two Marconi transmitters working in parallel to give an output of 1 1/2 kW.; they will be switched on and off automatically by a time switch. Later a third transmitter unit will be added to increase the power to 2 kW.

The station receives its programme over Post Office lines from Bristol and the incoming and radiated programme is checked by automatic monitoring equipment designed and developed by BBC engineers. Should a fault develop in one of the transmitter sections, the faulty section will be automatically disconnected and the service continued on reduced power. The engineers at the parent centre at Bristol can check the operating conditions at Barnstaple by making a telephone call to the station; this causes appropriate equipment at the station to send out over the telephone line a series of coded tones—similar to those used in automatic telephone practice—indicating the condition of the station apparatus.

LOOKING AT V.H.F.

AN EXPLANATION FOR THE NEWCOMER TO SHORT-WAVE WORKING

By H. E. Smith (G6UH)

Foreword

WHAT are the V.H.F. bands? As distinct from the H.F. bands, which extend from 1.6 to 30 Mc/s., the V.H.F. range extends from 30 Mc/s. to 200 Mc/s. Frequencies higher than this are the U.H.F. and micro-wave bands. There may be some little argument as to exactly where V.H.F. ends and U.H.F. begins. The operator who spends most of his time on 145 Mc/s. always refers to the 1.6 to 30 Mc/s. bands as the "low-frequency bands"! So with the progressive activity on the U.H.F. and micro-wave bands, 145 Mc/s. will in time become "low-frequency" to these operators. It is all a question of relativity. The main purpose of these notes, however, is to assist those interested in taking the "long jump" from 30 Mc/s. to 145 Mc/s. Entirely new techniques must be adopted for successful operation on V.H.F., the one outstanding requirement being plenty of patience. We shall concentrate on the band 144 to 146 Mc/s. (2 metres) and deal with several preliminary points.

Why can't we build a V.H.F. receiver to cover a wider range, say 90 to 150 Mc/s.? The answer is, of course, that we *can*. While this would be quite useful to listen to aircraft, service and commercial signals, it would not allow any *serious* listening on the 144-146 Mc/s. amateur band, owing to the compression of the band into a comparatively narrow channel. Incidentally, the use of ganged condenser tuning for V.H.F. operation is not recommended because of the capacity losses incurred.

Another question is, what do we expect to hear on the 144-146 Mc/s. band? Stations over 100 miles distant are "DX" to the V.H.F. listener, and, under normal conditions, the reception range is up to 50 miles or so. The question could be answered in another way. What we can expect to hear is governed by our height above sea level, coupled with height above local terrain, height and type of aerial in use, noise factor of the receiver, and reception conditions. Reception conditions are still an uncertain factor. Many theories have been evolved, high barometer, fog, temperature inversions, etc., all said to produce good V.H.F. DX conditions. From time to time, however, the band will "open up" for no apparent reason, and signals up to 300 miles or so may be heard, even on the simplest of aeriels.

V.H.F. Converters

Let us look at the receiving side of V.H.F. This usually presents the biggest problem to the beginner, and is, in fact, the item requiring the greatest concentration and patience. A 2-metre converter, even of the simplest type, requires great care in its construction, and the use of correct types of valves if optimum performance is expected. Normal octal-based valves should never be used in a V.H.F. converter. The self-capacity alone is far too high, and the lead inductance within the valve precludes the use of sizeable tuning coils. Use only valves designed for operation at these frequencies.

Among the more popular types, we have the Mullard EF50, EF54, EC91, ECC91, Marconi Z77, American 6AK5, 6J4, 6J6, to name but a few. In a class by itself is the Brimar 12AT7, which will operate successfully up to 500 Mc/s., and gives an outstanding performance at 145 Mc/s., whether used as an oscillator/mixer, or R.F. amplifier.

The simplest of all V.H.F. converters consists of a single valve (the ECC91 or 6J6 twin triode) used as a mixer/oscillator, and utilising the main communications receiver as the I.F. amplifier. The circuit, shown in Fig. 1, is simple to construct, but care must be taken to screen the oscillator coil from the grid coil, otherwise there may be excessive oscillator injection voltage, causing an increase in noise level and a decrease in sensitivity. The intermediate-frequency should be chosen relative to the strength of signals audible on the main receiver at that point, as some I.F. breakthrough may be experienced, and this can be quite troublesome. A good frequency for the I.F. is approximately 26 Mc/s., but if the main receiver is of a type which does not cover this band, choose a frequency as high as possible with a clear channel. Whatever frequency you choose, remember that the oscillator coil should tune to 145 Mc/s. *minus* the intermediate frequency.

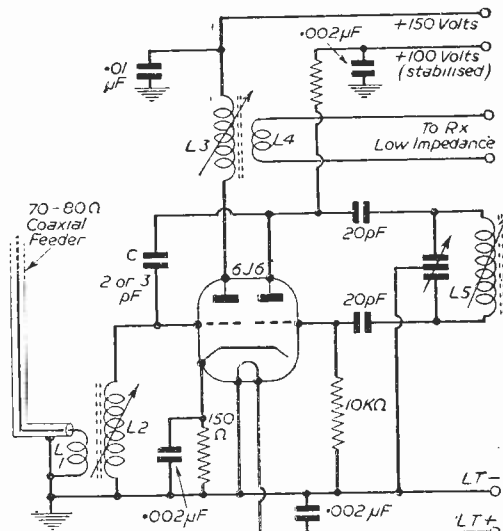


Fig. 1.—6J6 (ECC91) as mixer-oscillator for 144-146 Mc/s.

- L2=5 turns 16 s.w.g. enam. (spaced wire dia.) on $\frac{3}{8}$ in. former, with dust iron plunger.
- L1=2 turns 16 s.w.g. enam., overwound on L2.
- L3=Tuned to I.F.
- L4=2 or 3 turn link coupling coil.
- L5=6 turns 16 s.w.g. enam. (spaced wire dia.) on $\frac{3}{8}$ in. former with dust iron plunger with 10 pF split stator tuning condenser.

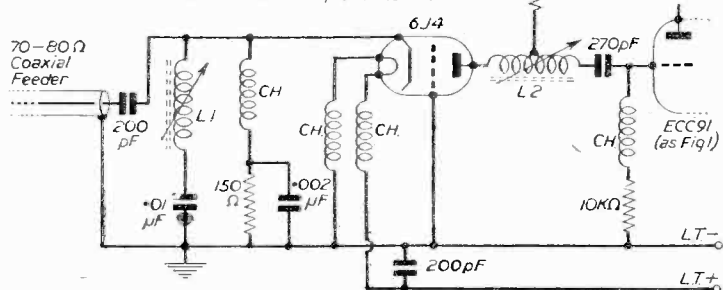
All resistors and condensers should be of the best type obtainable and rigidly mounted in the chassis. Keep all leads as short as possible, and make certain that every connection is well and truly soldered. Attention given to all these apparently minor points will pay dividends when the converter is finally put on test. There are two methods of tuning a V.H.F. converter. The oscillator may be fitted with a pre-set trimmer and all tuning carried out on the main receiver (varying the I.F. setting), or a slow-motion drive fitted to the oscillator tuning condenser and the main receiver dial left in one position. The latter is recommended, as there will be less chance of I.F. breakthrough, and by using a suitable condenser the 2-metre band may be spread over almost the whole of a 180-degree scale, thus making it easier to search for the weak signals.

Although the simple converter shown in Fig. 1 will give quite reasonable results, the sensitivity and signal-to-noise ratio may be improved almost tenfold by the addition of an EC91 as a grounded-grid R.F. amplifier. The construction of such a stage is simplicity itself and, provided the cathode and anode circuits are screened from each other, no instability will be experienced. The grounded grid circuit provides somewhat less overall gain than a neutralised triode or a pentode, but it has the unique feature that the input circuit is a good match for low-impedance feeder, and optimum aerial coupling, which is usually a problem on V.H.F., can be accomplished with ease.

Fig. 2 shows a typical grounded-grid stage, coupled to the mixer half of a 6J6 (ECC91). Always peak up

Fig. 2.—6J4 (EC91) grounded grid R.F. amplifier.

L1 = 6 turns 16 s.w.g. (spaced wire dia.) $\frac{1}{2}$ in. former—
dust iron plunger.
L2 = 6 turns as above, centre tapped.
CH = 19 in. 30 d.s.c. close wound on 3/16 in. former.



the tuned circuits on a signal. Maximum hiss does not necessarily mean maximum signal. This especially applies to V1 anode circuit.

A simple guide to performance is as follows. With a carefully constructed V.H.F. converter, as shown in Fig. 2, it should be possible to observe the change in noise level produced by the aerial. If the feeder is removed from the input, and a carbon resistor of the same value as the feeder impedance substituted across the input, a change in noise level of between 4 and 6 dB should be expected. This test should be made with all gain controls at maximum, of course, and with A.V.C. off.

The performance of any V.H.F. converter depends largely on the efficiency of the aerial system. The aerial should, in fact, be the main consideration when V.H.F. operation is contemplated. A six or eight element stacked array is the best type to start with, being very tolerant in its matching requirements. It also has a very wide front and rear coverage, and is extremely receptive to the low angle signals encountered on V.H.F.

BBC Arrangements for Sound at the Coronation

THE BBC has made provisional plans for sound and television coverage of the Coronation of H.M. Queen Elizabeth II on June 2, 1953.

Some 250 commentators and observers will describe the occasion for a world-wide audience. The following are the "sound" arrangements.

For domestic listening the BBC plans coverage on a similar scale to the Coronation of the late King George VI in 1937.

Commonwealth Broadcasts in English

The Home sound programme will be broadcast simultaneously to Commonwealth countries, to British forces overseas, ships at sea, and English speaking listeners throughout the world. The team of commentators will include Commonwealth representatives.

Sound Broadcasts in Other Languages

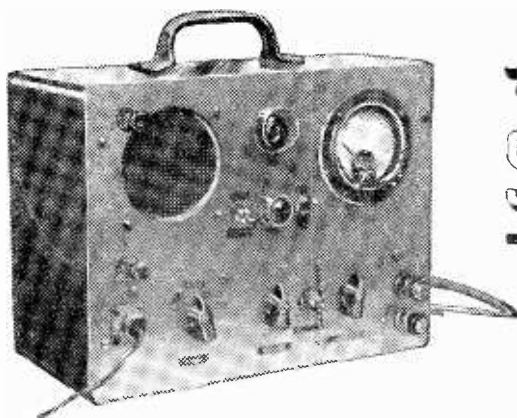
In addition to the broadcasts in English, accounts of the ceremony will be broadcast in every language used by the BBC in its external services. These are: Danish, Norwegian, Finnish, Swedish, Dutch, French, German, Polish, Czech, Slovak, Hungarian, Italian, Spanish, Portuguese, Greek, Turkish, Al-

banian, Bulgarian, Rumanian, Russian, Serbo-Croat, Slovene, Afrikaans, Maltese, Hindi, Tamil, Marathi, Bengali, Sinhalese, Urdu, Arabic, Hebrew, Persian, Cantonese, Kuoyu, Burmese, Malay, Thai, Japanese, Indonesian and Vietnamese.

Sound Recordings

The time factor will not always allow for the overseas transmissions in sound to be broadcast direct. Some will therefore be recorded for use later during the day. During the following twelve hours the General Overseas Service will transmit edited programmes in English containing recordings of the day's most historic moments. The normal evening transmissions of the external services will include descriptions of the celebrations in London that night, interviews with well-known visitors from many countries, as well as recordings of the morning ceremony.

To achieve world broadcasting coverage on this scale, a total of 250 sound and television engineers will be manning the various outside broadcast points. The G.P.O. engineers will provide about 400 sound and TV circuits and 800 extensions for microphones, cue-lights and headphones.



A Comprehensive SIGNAL TRACER

A DESIGN FOR THE SERVICEMAN

By D. Allenden, Graduate I.E.E.

FOR servicing and fault-finding in radio receivers, one of the most useful instruments is undoubtedly the signal tracer. Furthermore, this is an instrument which can be constructed by those having little experience, as it usually has few critical circuits. If the time and money expended on such an instrument is to be utilised to the greatest advantage, some consideration must be given to the design of the unit itself, especially from the point of view of ease and convenience of operation. The instrument to be described has been developed with these points in mind, and among its more prominent features may be mentioned:

(a) Only a single input socket and test prod required, modes of operation being controlled by a suitable selector switch.

(b) No tuning controls. No adjustments are therefore required when moving from R.F. to I.F. circuits, or from one waveband to another.

(c) In addition to its normal function of monitoring the signal passing through a receiver, it can also be used to feed broadcast signals into a defective set.

(d) When not in use as a signal tracer the instrument can be used as a receiver in the workshop.

The instrument consists basically of two untuned R.F. stages, diode detector, A.F. amplifier, and output stage. A signal may be fed into either of the stages by operation of the selector switch. Other controls permit the instrument speaker to be replaced by an output meter for quantitative measurements, and a magic eye is provided which is useful for checking oscillator and A.G.C. circuits.

Circuit

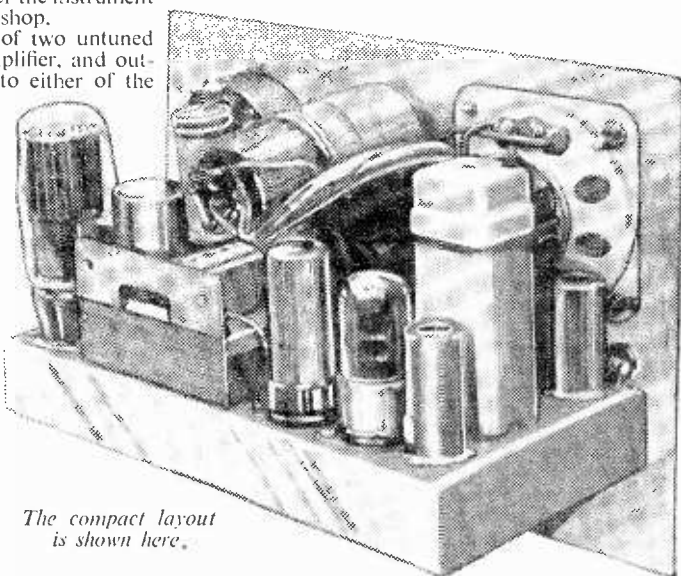
The complete schematic is shown in Fig. 1. The first two stages employ miniature valves, but this is only to reduce the physical size of the instrument. The first stage is a variable-mu pentode in a normal resistance-capacitance circuit, gain being controlled by the conventional cathode resistor, which forms the "R.F. Gain" control of the instrument. Coupling and decoupling capacitors are naturally smaller than those used for audio frequencies, since the stage is intended to handle R.F. only.

This valve feeds directly into the second R.F. stage, for which a straight pentode of the high gm type is employed. The screens of V1 and V2 are fed by a common dropping resistor from the H.T. line, and it will be noted that the whole H.T. supply to the first two stages is decoupled from the remainder of the system by R22 and C20.

The output of V2 is fed to the diodes of the V3 (6SQ7). The demodulator circuit is a little unusual, due to the fact that the input signal to the diodes has one side earthed directly, and the other at a high D.C. level. The normal diode detector circuit, in which the diode is placed at the earthy end of the input cannot, therefore, be employed.

The final audio voltage is developed across audio-gain control VR2, from whence it is fed to the triode section of the 6SQ7.

An A.G.C. bias is provided by filtering the audio signal by means of R13 and C11, but this bias is not employed for the control of the stages of the instrument itself, and is merely fed to the grid of the tuning indicator V5.



The compact layout is shown here.

The triode section of the 6SQ7 functions as a normal A.F. amplifier, but it should be noted that there is no cathode bias resistor, as with this circuit such a resistor would automatically also bias the signal diode. Grid current bias is employed and for this purpose a very high value of grid leak is necessary. The value shown is 20 megohms, but this may, if desired, be reduced to about 5 megohms, but should not be any lower than this figure. Adequate decoupling is again provided in the anode circuit by C13 and R17.

The output stage V4 which uses a 6V6 is conventional in its general outline. However, provision is made for cutting out the internal speaker when necessary and substituting an output meter.

Metering

The meter actually employed was a surplus 80 volt 2,000 c/s thermovoltmeter, which is ideal for the purpose. It has an impedance of about 5,000 ohms, so will itself suitably load the output valve. The square-law calibration means that a linear power scale may be inscribed if desired, and the consumption at full scale is some 2 watts. There is the further advantage that the readings of such a meter are comparatively sluggish owing to its large thermal time constant, and a steady reading can therefore be obtained even on the average broadcast signal. Full details of the meter are given in the components list, and these instruments are still to be found in the surplus stores, but for the benefit of those who wish to use meters other than that specified, details are given on methods of employing either moving-coil meters or low-sensitivity moving-iron meters.

The switching for the output meter and speaker is carried out by means of a D.P.D.T. tumbler switch, S2. One pole is used to disconnect the speaker from the output transformer, whilst the other connects the output meter to the anode of the output valve via a 1 μ F capacitor C19.

A 'phone jack is provided at the input to V4, so that, if desired, 'phones may be plugged in at this stage. Insertion of a plug into the jack automatically breaks the feed to V4 grid and silences the internal speaker.

Terminals are provided at the output valve anode for connection of an oscilloscope.

The circuit is tapped at V1 grid, A.F. gain control, at V4 grid, and at the output meter. These points are taken to the selector switch S1, a two-pole five-way type. The selector arm of this switch is fed from the input socket on the panel. The five positions of this switch operate as follows:

- (a) R.F. In this position the input goes to V1 grid via a coupling capacitor C1. This position is used for tracing in R.F. and I.F. circuits.
- (b) AUDIO 1. In this position the input

to the tracer is fed to the A.F. gain control, and two stages of audio amplification are available. This position is used for tracing in low-level A.F. circuits.

(c) AUDIO 2. The input goes directly to the grid of the output valve V4. This position is used for high level A.F. signals.

LIST OF

- | | |
|---|-----------|
| V1—Mullard EF92 (6K7, 6SK7, EF39, 6SG7). | R1, R5, |
| V2—Mullard EF91 (EF50, 6AC7, 6SH17). | R2, R6, |
| V3—Brimar 6SQ7 (6Q7, EBC33). | R3, R7, |
| V4—Brimar 6V6GT. | R4, R8, |
| V5—Osram Y63. | R5, R9, |
| V6—Mazda (or 5Z4 with 5-volt rectifier heater winding). | R18—12 |
| T1—Mains transformer 350-0-350 v. 100 mA., 4 v. .2 a. or 5 v. .2a., 6.3 v. 5 A. | R11—10 |
| T2—Output transformer, 5,000/2 Ω , midget type. | R12, R13, |
| S1—Single bank 2-pole 5-way, ceramic preferred. | R13, R14, |
| S2—Double-pole double-throw tumbler switch, Cutler-Hammer type. | R16—20, |
| S3—Double-pole on/off mains switch, Cutler-Hammer type. | R20—22, |
| M1—0-80 v., 2,000 c/s thermovoltmeter, or alternative as discussed in text. | R4, R8— |
| | R21—2.2 |
| | R9—470 |

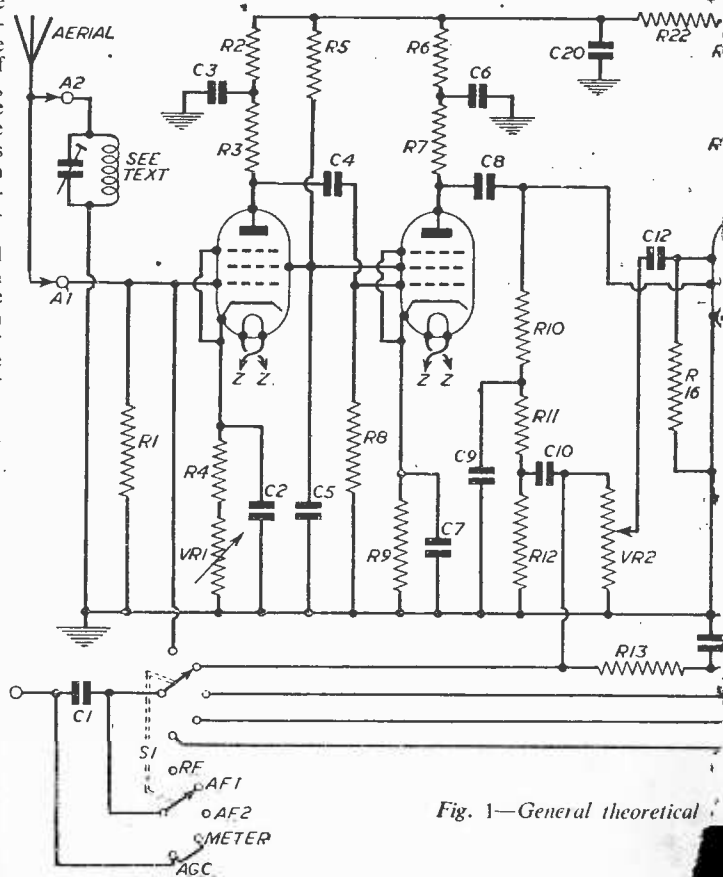


Fig. 1—General theoretical

The Professional Finish

AN ARTICLE DEALING WITH THE FINISHING OF VARIOUS METALS WHEN USED FOR FRONT PANELS OF INSTRUMENT CASES. ALSO A FEW NOTES ON THE CARE AND HANDLING OF THE MATERIAL

MANY amateur radio enthusiasts go to a lot of trouble with a piece of test equipment that they are building to get the inside wiring perfect, the layout has been arranged very carefully to avoid various stray effects and then comes the case. This very often is something that was handy, in these days not infrequently an ex-W.D. instrument case. The front panel seems just to have happened; may be it was a nice piece of aluminium sheeting once, but now the polish is very nice in places; the marking out lines would have looked better on the rear; the marks where the drill slipped are pretty bad; the printing would have looked a little better done with a paint brush instead of a mop! It is a good thing that most of the instrument panels are not quite as bad as that. Many amateurs would like to know how to get just that little extra bit of finish. It is a point in the lab. to do your best with every little job, no matter how small.

As instrument cases are usually professionally made—whether or not they are ex-W.D. or new—the finish is usually quite good, so the subject of instrument panels will be dealt with.

First a word about the care of the metal. A lot of people seem to think that it will look after itself. Steel sheeting will to a certain extent, provided that it does not get damp, but the softer metals such as aluminium, copper and brass scratch and mark very easily. The best way of storing the metal, in the writer's opinion, is to lean it against the wall under the bench in a place where it will not get anything dropped on it; failing this it should be wrapped in paper and kept dry until wanted for use.

Aluminium

When required, a piece should be taken from the stack and placed face down on a piece of newspaper to prevent the front getting scratched. The marking out can quite well be done on the back, remembering that the layout will be reversed. Then, with the aid of a sharp scriber, set-square and rule, mark out the size of the panel. This done, there is the cutting. For steel and brass, the writer uses a hacksaw, even down to 22 gauge, but for duralumin, aluminium and copper, prefers the use of a carpenter's tenon saw.

After the marking out of the holes for the drilling, it is as well to use the centre punch to prevent the drill from slipping. Quite a number miss this out, as the holes do not have to be dead in place. On drilling do not take it through, but stop when the blister is just starting to break, or when the point of the drill can be seen, then turn the panel over and finish the drilling from the front; this stops any burrs being formed.

The panel is all but finished, and to get that real finish a coat of cellulose enamel is quite good, and it can be finished with some of those transfers that are on the market at the moment. But the average amateur would rather do the job the hard way and get a finish that looks good and will stand up to the rough treatment.

Steel

Steel seems to be one of the problem metals to finish: everyone seems to just paint it and leave it, to look like what it is—painted steel. Here is a simple process that will rust-proof it and give a nice finish. First clean off all the grease, either with a de-greaser such as trichlorethylene or by boiling in caustic soda solution. When this is done, very carefully polish the surface with very fine emery cloth, being careful to rub one way only. If a graining effect is required, use coarser emery and continue until the surface of the sheet is worked evenly. Then, taking care to get no grease or oil on the surface, immerse in a solution of 1oz. of copper chloride to 1 pint of water and leave for a few seconds, until the entire surface has become a nice red copper, then remove and wash under the tap for a few minutes, and dry. If the panel is a large one the solution can be applied with the aid of a piece of rag, provided the rag is kept wet. So much for the copper finish. Where a nice blue-black, metallic finish is required, immerse the panel in a solution of hypo (the ordinary photographic variety) to the strength of 2oz. to a pint of water. It should be heated before use to speed up the action. As soon as the required depth of colour is attained remove the panel from the solution and wash. This colouring process can be done with either a copper or brass panel.

Alloys

Light alloy sheeting requires a different technique, as these are usually finished in a light colour. Aluminium and duralumin can be finished a very nice matt by rubbing in one direction only with very fine emery cloth. Aluminium can, if it has a good polish to start with, be finished by immersing in a solution of lye, that is caustic potash, to the rate of 2oz. to the gallon of water. This strength will be slow-acting but will not damage the hands. The aluminium should be left in the solution for an hour or so until the surface has gone a dull white, almost like mother-of-pearl. This treatment is not suitable for duralumin as it will turn the metal black.

Having obtained a nice surface on our panel the next thing is to "sign-write" it. Ink can be used on all the finishes described after they have been washed, white ink being best for the blue-black finish.

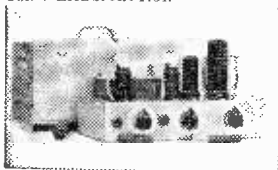
An ordinary steel-nibbed pen can be used, and a mapping pen for very fine work, but if a really neat finish is required there is nothing to beat the Uno stencil. These can be obtained from about ½ in. upwards and are quite inexpensive. The writer uses the size 3 and 5 (½ in. and ¾ in. respectively). These should be used with the aid of a fixed straight edge.

If the panels are left in this state they will deteriorate, so they should be finished with a coat of varnish. The varnish that the writer uses is made by mixing one part of copal varnish with two parts of trichlorethylene. This is very thin and easily applied and gives protection without being noticeable; also it does not act as an ink solvent as do some other varnishes.

PRATTS RADIO

1070 Harrow Road, London, N.W.10

Tel.: LADbroke 1734.



(*Nr. Scrubbs Lane*)
AMPLIFIERS, READY TO USE.

MODEL AC10E (as illustrated), 10-watt, 4-valve unit, neg. feedback, separate mike stage and separate mike and gram inputs, 2 faders and tone control, input volts mike .002, gram .2iv. £10-7-6.

MODEL AC18E, 6-valve unit with p/pull output of 18i watts, separate mike stage and separate mike

and gram inputs, 2 faders and tone control. Feedback over 3 stages. Input volts, mike .003, gram .3v. £15-5-0. **MODEL AC32E**, Specification as AC10E, but with a larger output stage giving 32 watts output. £18-18-0. **MODEL V10E**, D.C.A.C. mains, 3 pull output of 10 watts. Spec. as AC18E. £12-19-6. All the above amplifiers are complete with metal case, chrome handles and outputs to match 3, 8, 15 ohm speakers. All have H.T. and L.T. connectors for supplying power to tuning units (as have AC3C and AC3C, but not U10E and U4C). See tuning units below. **MODEL AC34**, 5-valve chassis with p pull output of 10 watts. Feedback over 3 stages. For record or radio reproduction. Output to 3, 8 or 15 ohms, inputs for radio/LP standard records £10-10-0. **MODEL AC4C** (A.C.) or **MODEL U4C** (A.C., D.C.), 3-valve 4-watt amplifier chassis for radio/records. Output to 3 ohms. £5-15-0. All prices include inland carriage. Remember that College amplifiers have been in production since 1945 and used by hundreds of domestic and commercial operators throughout the world. Demonstrations daily 8.30 to 6.0 p.m., on both microphone and records.

We recommend the following equipment for use with our amplifiers: **MICROPHONES**, Rothermel 2196, 59-6; Rothermel D104, £5-5-0; Acos 22-2 model, £6-6-0. Mov. Coil W/Trans, £5-12-6.

TUNING UNITS, College TU2, Medium-wave Superhet circuit, complete with valves ready for use. £4-19-6, post 1/6. Model TUI, 3 waveband superhet, variable selectivity I.S.S., £10-9-6. These units plug straight into our A.C. amplifiers.

PICK-UPS, Acos GP20, with standard head, £3-11-5.

GRAMOPHONE UNITS, Collaro A.C. units with rim drive motor, pick-up, turntable, cut-out diagram, etc., Crystal model, £6-15-6; Magnetic, £6-9-6. For those who require motor and turntable only (for use with G.P.20 pick-ups) we offer the following: B.S.R. MU10 gram unit, £3-17-6; Collaro AC37 gram unit, centre drive, £4-13-6. All types of Record Changers available.

SPEAKERS, W.B. 10in. Speakers, 12,000 lines, £3-14-9. All goods are brand new and contain no surplus components. Send 3d. stamp for fuller details. Export enquiries invited.



THOSE who wish to supplement their existing knowledge with a sound technological background and, if necessary, pass qualifying examinations, can do so by means of I.C.S. Home Study Courses. These include **RADIO SERVICE • ENGINEERING • RADIO ENGINEERING • T.V. TECHNOLOGY • ELEMENTARY ELECTRONICS • RADAR • ADVANCED SHORT WAVE RADIO • RADIO and training for the following examinations—B.I.R.E. • P.M.G. CERTIFICATES FOR WIRELESS OPERATORS • C. & G. TELECOMMUNICATIONS • C. & G. RADIO SERVICING CERT. (R.T.E.B.) • C. & G. RADIO AMATEURS** . etc. etc. >

Students are coached until successful. Fees are moderate and include all books required.

GENEROUS DISCOUNT TO H.M. FORCES
WRITE TODAY for FREE BOOKLET describing complete facilities for the successful study of Radio and T.V. technology.

INTERNATIONAL CORRESPONDENCE SCHOOLS
Dept. 170B, International Bldgs., Kingsway, London, W.C.2

Please send booklet on subject

Name..... Age.....
(BLOCK LETTERS PLEASE)

Address

INTRODUCING

The



Coronation

**HIGH FIDELITY
CRYSTAL MICROPHONE**



52/-

FCST FREE

52/-

POST FREE

★ A new Ronette Microphone particularly recommended for magnetic tape recording.

★ Housed in highly polished black plastic moulding with long connecting lead.

- ★ Suitable for either hand or desk use.
- ★ Fitted with type DX12 insert giving a flat frequency response between 30-13,000 c/s. This insert is vacuum sealed, precision ground and optically inspected.
- ★ The most attractively priced microphone on the market giving a superior performance to microphones costing far more.
- ★ Output at 1,000 c/s 1.3 MV/0.4BAR.
- ★ Fitted with annealed corrosive resistive aluminium diaphragm.

As used in the Burgoyne Magnetic Tape Recorder now being demonstrated at the Radio Centre.

A full range of RONETTE microphones and pick-ups is always in stock.



MAIL ORDER SUPPLY CO.

The Radio Centre

33, Tottenham Court Road, London, W.1.

Telephone: MUS 6667

B.A. SCREWS, NUTS, WASHERS, ETC.

Prices per gross

Assd. Screws 2/6	Brass Nuts	Brass Washers
Assd. Nuts 2/6	Full Lock	Assd. 1/6, OBA 2/-
Screws and Nuts	OBA 6/9 6/-	1BA 2/-, 2BA 1/10,
1/2 gr. each 2/6	2BA 5/6 5/-	3BA 1/9, 4BA 1/8,
Brass Screws,	4BA 5/- 4/-	5BA 1/6, 6BA 1/6,
Assorted	5BA 4/- 3/9	8BA 1/6
2BA 5/6, 4BA 5/-,	6BA 4/- 3/6	
6BA 4/-, 8BA 4/6	7BA 4/6	
	8BA 4/6 4/-	

Soldering Tags, Assd. 2/-, 2BA 2/3, 4BA 2/-, 6BA 1/10, 8BA 1/10 Eyeless and Rivets, assd. 1/6, Aluminium Rivets, assd. 1/6. Br. Knurled Terminal Nuts, 6BA 8d., 4BA 1/-, 2BA 1/6 doz. Br. Terminals, w/nuts, heavy type, NP, 6d. each, 5/6 doz. GRUB SCREWS, Assd. 1/6, 6BA 1/3, 4BA 1/4, 2BA 1/6 per 3 doz.

A SELECTION FROM OUR HUGE STOCK OF SCREWS

PRICES PER HALF-GROSS.

ABBREVIATIONS: Heads. CH., Chees. RH., Round. CS., Counter-sunk. NP., Nickel Plated. CP., Cadmium Pl. SC., Self-colour.

6BA				BRASS				STEEL							
1/8"	CH	NP	1/6	1/8"	RH	NP	1/6	1/8"	CH	NP	1/6	1/8"	CH	NP	1/6
1/4"	"	"	1/5	1/4"	"	"	1/7	1/4"	RH	SC	1/6	1/4"	RH	SC	1/6
3/8"	"	"	1/7	3/8"	"	"	1/9	3/8"	RH	SC	1/2	3/8"	RH	SC	1/2
1/2"	"	"	1/10	1/2"	"	"	1/11	1/2"	CS	CP	1/1	1/2"	CS	CP	1/1
5/8"	"	"	1/11	5/8"	"	"	2/-	5/8"	"	"	1/2	5/8"	"	"	1/2
3/4"	"	"	2/-	3/4"	SC	NP	2/1	3/4"	RH	SC	1/2	3/4"	RH	SC	1/2
7/8"	"	"	SC 1/11	7/8"	"	NP	2/3	7/8"	CS	CP	1/4	7/8"	CS	CP	1/4
1"	"	"	NP 2/1	1"	CS	NP	3/4	1"	"	"	1/5	1"	"	"	1/5
	"	"	2/3		"	NP	1/6		RH	SC	1/5		RH	SC	1/5
	"	"	2/6		"	"	1/7		CS	CP	1/7		CS	CP	1/7
	Inst/H	"	1/9		"	"	1/8		CH	"	1/9		CH	"	1/9
	CS	NP	1/9		"	"	1/9		1/8"	H/H	2/6		1/8"	H/H	2/9
	"	"	2/-		"	"	1/10								

4BA				BRASS				STEEL			
1/8"	CH	NP	2/-	1/8"	RH	NP	1/10	1/8"	CS	CP	1/2
1/4"	"	"	2/1	1/4"	"	"	2/3	1/4"	"	"	1/3
3/8"	"	"	2/1	3/8"	"	"	2/9	3/8"	RH	"	1/4
1/2"	"	"	2/2	1/2"	"	"	3/-	1/2"	SC	CP	1/2
5/8"	"	"	2/6	5/8"	CS	"	1/8	5/8"	"	"	1/4
3/4"	"	"	3/3	3/4"	"	"	2/-	3/4"	CS	CP	1/4
7/8"	Hex/H.	"	2/6	7/8"	"	"	2/3	7/8"	RH	SC	1/6
1"	"	"	3/6	1"	"	"	1/10	1"	CP	1/9	

8BA				BRASS				STEEL			
1/8"	CH	NP	2/-	1/8"	CH	SC	2/-	1/8"	CH	CP	2/-
1/4"	"	"	1/8	1/4"	RH	NP	2/2	1/4"	CS	"	2/-
3/8"	"	"	1/8	3/8"	"	"	2/6	3/8"	RH	"	2/2
1/2"	"	"	2/3	1/2"	"	"	2/9	1/2"	CH	"	2/2
5/8"	"	"	1/9	5/8"	Hex	"	2/9	5/8"	CH	NP	2/3
3/4"	"	"	2/6	3/4"	"	"	2/10	3/4"	RH	CP	2/3

ALL ABOVE POSTAGE EXTRA.

G.E.C. & B.T.H. GERMANIUM CRYSTAL DIODES

G.E.C. GLASS TYPE 1/8 in. x 1/8 in.
B.T.H. LATEST TYPE MOULDED IN PLASTIC
Both Wire Ends for Easy Fixing. 4/6 each, postage 2 1/2d.

B.T.H. SILICON CRYSTAL VALVE
3/6 each, postage 2 1/2d. Fixing Brackets 3d. Extra.

Writing instructions for a cheap, simple but high quality Crystal Set included with each Diode and Crystal Valve.

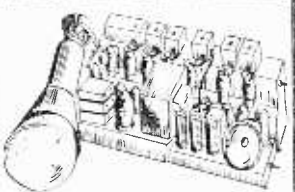
Large stocks of Copper and RESISTANCE WIRES: Paxolin type TUBING: Laminated Bakelite and Ebonite PANELS: TUFFNOL and EBONITE TUBES and ROD: ERIE and DUBILIER RESISTORS: GERMANIUM and SILICON DIODES.

POST ORDERS ONLY PLEASE.
Send stamp for comprehensive lists. Trade supplied.

POST RADIO SUPPLIES
33, BOURNE GARDENS,
LONDON, E.4

PREPARE NOW

FOR WINTER TV
The NEW 1355 Conversion data for all five Channels. Sound, Vision, T.B.'s, Power, on one 1355 Chassis.
NEW EDITION, 3/- per copy.



NEW 1355's in original cases, 45/-.

CARBON MIKES with on/off switch, lead and plug (boxed) 5/5	TRANSMITTER 21 for speech, MCW or CW on 4.2-7.5 or 18-31 mc/s PA coils and relays, stripped by Ministry, may be replaced with our data. With circuit, control box and key. First-class condition (less valves) 12/6	RECEIVERS S450B. 4 EF54's (RF, mixer, LO multipliers) 2 EF39's (2.9 mc/s IF's) EB34 (det) 6J5 and 6V6 (audio). 65/85 mc/s. Measuring 12 x 5 x 6, with circuit. (Post 2/-) 49/6
ACCUMULATORS multiplate, unspillable, 7AH. 3 1/2 x 1 1/2 x 4 ins. (Post 1/-) 6/6	INDICATOR 182A with 6in. C.R.T. 3 EF50's, 6 SP61's, 5U4, dozens of resistors and condensers, 9 W/W pots, these are suitable for conversion to 'scope or TV. BRAND NEW (less relay) in original cases. Only 79/6 Less EF50's and 5U4G. 50/6	NEW 1155's Most famous ex-R.A.F. communications Receiver—AIR TESTED, BRAND NEW in original cases. Only £10 15s.

RADIO EXCHANGE CO.
9 CAULDWELL STREET, BEDFORD
Phone 5568

WE DO IT AGAIN

Our previously advertised 5/- Bargain Parcel proved such a success that we have made another huge purchase and now offer either of the following lots for 5/- (plus 1/- post).

LOT "A"
5/- (plus 1/- post)
Aluminium can Electrolytic Condensers. All standard size.
Two—8 mfd x 500v.
Two—2 mfd. x 350v.
Two—4 mfd. x 12v.
Two—200 mfd. x 12v.
Two—100 mfd. x 6v.

LOT "B"
5/- (plus 1/- post)
12—Inf. Octal Valve-holders.
12—Mazda Octal Valve-holders.
12—Asst. Mica Conds.
24—1 x 350v. Tub.
24—Assorted resistors.
1 gross (approx.) screws, nuts, washers.

The above are ex new equipment and are in perfect condition.

IF YOU WANT TO CONSTRUCT A RECEIVER send 1/6 for our new edition of *Universal Radio Construction*, which gives full working diagrams and point-to-point wiring for the construction of a SUPERHET for £6 and a T.R.F. for £5 5s. Price includes everything—all standard valves and cabinet in either wood or moulded bakelite (3 colours available). Easy to build. 2 W.B. 180-550 and 800-2,000 metres. A.C./D.C. mains (no line-cord). No signal generator required.

Other previously advertised bargains still available:—1 x 500 v. Tub. 4/- doz.; 18 SWG Multicore. 2/6 doz. yds.; Midget I.F.T.'s., 465 kc., 8/6 pr., etc. etc. etc.

Latest list 3d. stamps. Min. P. and P. all orders, 1/-.
SUSSEX ELECTRONICS LTD.
PRINCES STREET, BRIGHTON, SUSSEX.
Tel: 24446.

Electronic Music

SIMPLE OSCILLATOR CIRCUITS FOR THE EXPERIMENTER

By W. J. Delaney (G2FMY)

CORRESPONDENCE resulting from the recent publication of our small electronic organ shows that there is a wide demand for the larger type of polyphonic organ. As we explained in the article referred to, an organ which will permit the playing of any number of notes at once calls for an oscillator for each note. In the simple design a single oscillator was used, but the note produced by it was changed by modifying the resistance in the grid circuit and many readers who are interested in this field of electronics have wondered why it is

top octaves respectively. All that we need, therefore, is an oscillator for each of 61 notes, plus a frequency multiplier to give the additional top and bottom extensions and we have the full organ range. But actually it is much simpler than that. Frequency multipliers were mentioned for the bottom and top extensions, and these may also be used to obtain other ranges on the keyboard, so that in the end we come down to the basic fact that we need only 12 oscillators—one for each note of the normal scale—and can then cover the remainder of the keyboard with frequency multipliers or dividers.

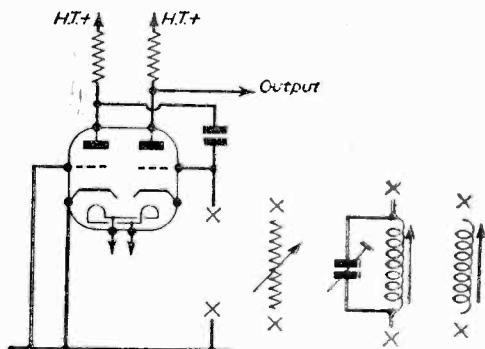


Fig. 1.—Typical oscillator stage in which the frequency can be controlled by modification in the grid circuit.

not possible to modify this circuit so that a full organ may be obtained.

For the benefit of those to whom this is a new section of study it may be stated that the standard organ keyboard consists of 61 notes (five octaves) unlike the piano, with its usual 88 notes. The fundamental, or note corresponding to the key position, is known in organ language as an 8 ft. note, and based on the simple law that the frequency of an open tube is proportional to its length, the octave above a note is referred to as its 4 ft. and the octave below as its 16 ft. As the organ is usually provided with stops known as "couplers" by means of which the octave tones may be played by the operation of the normal 8 ft. key, these octave tones are sometimes referred to as 16 ft. and 4 ft. stops. Therefore, the organ will have an effective tonal range very little short of the piano, when we add the 16 ft. and 4 ft. tones of the bottom and

Suitable Oscillators

There are various circuits which may be employed for the oscillator, and those who are interested in television will know the variety and difficulties which are associated with the timebase circuits. The simplest arrangement is the multi-vibrator as was used in the simple organ, and this can be adopted, with fixed resistors or condensers for each note. It should be remembered that in this circuit the frequency can be altered by varying either C or R or both. Whilst this circuit is quite good it is not economical, as we have to consider also the frequency dividers. These may be self oscillators of an exactly similar type, with the C/R value adjusted to twice or half the frequency, and if they are fed from the fundamental oscillator they will automatically divide. In practice it is not quite so simple as this, as a buffer is generally required between the main oscillator and the chain of frequency dividers to avoid "pulling," and component tolerances may not enable a circuit to divide exactly. A more economical scheme utilises a single triode as "blocking oscillator," and this may be half of a double valve of the type previously referred to, the other half acting as the required buffer.

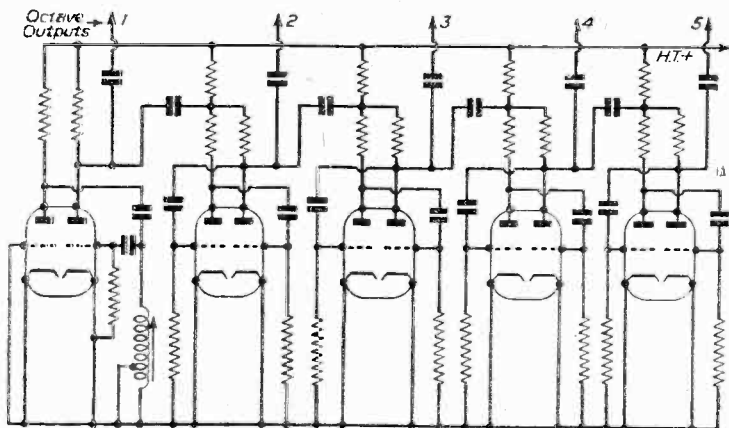


Fig. 2.—Frequency multiplier using the arrangement of Fig. 1 to produce 5 octaves.

The simplest way of getting a triode to oscillate is by means of a transformer between plate and grid, and the grid winding may be tuned to obtain the required note. This arrangement is used in the well-known American Baldwin organ, and the frequency dividers are similar, with the transformers wound on a large core which carries five windings feeding

triodes for a five octave range and is thus heavy in initial expense as well as on heater current. In addition it does not synchronise very easily, and as a rule each stage must be carefully adjusted. In the case of the three-valve arrangement just mentioned, if the oscillators are run properly it divides accurately due to the coupled transformers. The optimum

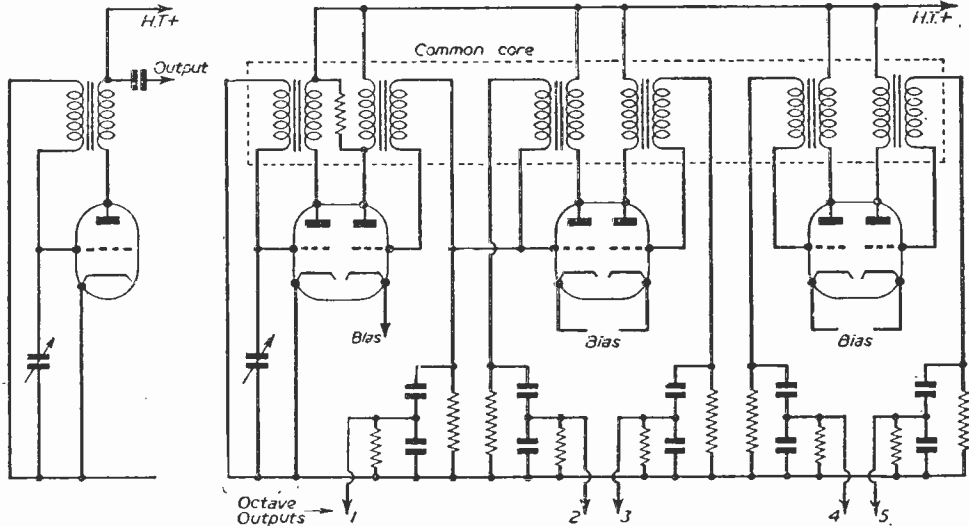


Fig. 3.—A blocking oscillator and a frequency multiplier or divider using a chain of transformers on a common core.

two other double triodes, and the common iron core keeps the frequency thoroughly locked, and provides a five octave generator with only three double-triodes. The main difficulty for the constructor is, of course, the winding of the special multi-transformer.

Simple Oscillators

For simplicity, as distinct from economy, the first type of oscillator has much to recommend it. In place of the variable grid leak a tuned circuit may be wound on a small former, with an adjustable iron core to facilitate tuning. Alternatively, a variable resistor in series with fixed values may be used, and it is then a very simple matter to adjust each additional divider or oscillator for the octave range. This scheme, however, calls for five double-

conditions with 6SN7's operating in this circuit are found to be those obtained when the anode voltage is 11 times the cathode bias, and this 11/1 ratio must be maintained exactly for perfect working. Then, modification of the capacity across the grid winding will change the five outputs exactly—in other words, the chain will divide perfectly.

Experimental Values

For those who wish to experiment with this type of circuit the main oscillator transformer ratio should be about 6 to 1 and the others simply 1 to 1, with a fairly high inductance primary, and high value grid leak. Working voltages which have been found satisfactory are 165 volts H.T. and 15 volts for bias, and these values, as already mentioned, are critical in their ratio.

Towyn Transmitting Station

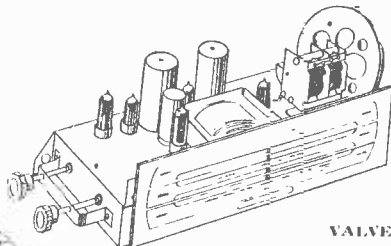
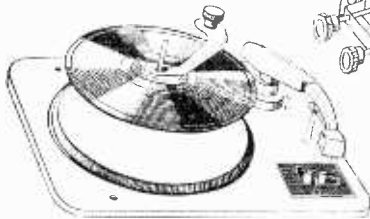
IN accordance with the previously-announced plan to improve reception of the Home Service programmes in certain areas, the BBC is building a low-power transmitting station at Towyn. As, however, the building and installation will take some considerable time to complete, it has been decided to instal a temporary transmitter in a caravan on the site so that listeners in this area may have an improved service during the present winter and much earlier than would otherwise have been possible.

The caravan transmitter was brought into service on Sunday, December 14th, and radiates the Welsh Home Service on 341 metres (881 kc/s). The power

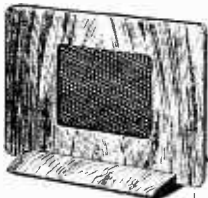
is less than that planned for the permanent station, but it is hoped that listeners in Aberystwyth, in addition to those in the Towyn and Aberdovey areas, will benefit during this temporary low-power condition. Ultimately, the station is intended to serve the areas around Cardigan Bay, from Cardigan in the south to Pwllheli in the north, but maximum coverage will not be achieved until the permanent station is in operation.

The temporary transmitter is housed in a standard four-berth caravan, which has been modified to BBC design to accommodate the transmitter and its associated apparatus.

RADIO-GRAM CHASSIS.—End drive model illustrated. Slightly soiled, but re-sprayed. 5 valve, superhet, latest pin type valves. Ext. speaker and gram, pick-up sockets. 4 watts A.P. output. Drive any low imp. P.M. speaker. PRICE £7-17-6. Complete working order (no speaker). Carr. 4/6. Also brand new front drive models, 1953. Six wave-band, £15-15-0; three wave, £10-19-6.



T.R.F. KIT.—Ideal bedroom set. Complete wiring details and assembly instructions. 4 valve, all mains. Cabinet of plastic (brown or white) or polished walnut. Lowest priced T.R.F. available to-day. Complete kit, £5-19-6. Can be supplied assembled ready for use. 20/- extra. Carr. 3/6.



EXTENSION SPEAKERS.—Brand new 5in. P.M. speaker on latest type polished brass stand. Gold-sprayed metal net. 5ft. lead connected. 19/8. Also available in totally enclosed cabinet type baffle at 25/9. Post 1/9.

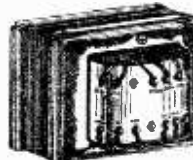


CONDENSERS.—Bargain offer of tuning condensers. Two gang, .0005 mfd. Standard size (soiled) and half size (Plessey, brand new). All at 2/8. Also single types at 2/9.

VALVE CLEARANCE. SURPLUS STOCKS.

11/9	10/9	8/9	6/9	5/9	3/9
3524	5U4G	1S4	PEN220A	1A5	4D1
6T1C	U50	1S5	PF225	6J5	AH6
PM25	6V6G	1R5	6A86	6J7	C2C
EY51	EF80	1T4	6B7	9D2	E1149
ECL80	6B8	EF91	6C9	SP2	VP133
VT60	PT41	16F1	77	UY41	9004
807	6L18	6F15	7B6	024A	CV5
5Z4	20D1	12SG7	SP41	TT11	955

TRANSFORMERS.—Mains (salvage) transformers. 260-0-260. 6.3 v. 3 A. 6.3 v. 1.5 A. Tapped 250, 210, 110 v. All tested and guaranteed for three months. Price reduced to 9/8. Post 2/- . Also standard O. P. transformers. 2/9. Post 9d.



MINIATURE SPEAKERS.—Moving coil 'phone speakers. Ideal personal extension speaker, or quality microphone. 2/9. Post 6d.

ELECTROLYTICS.—Daly, unused. 30-30 mfd., 450 vdc. 3/9; 32 mfd., 275 vdc. single tag. 2/9; 8 mfd., 350 vdc. bolt fixing. 1/9; 12-12 mfd., 350 vdc. 3/9. Post 6d.

C.W.O. OF C.O.D.

DUKE & CO.,

621, ROMFORD ROAD, LONDON, E.12. GRA. 6677. STAMP FOR CATALOGUE. MONEY BACK GUARANTEE.

HAVEN'T YOU OBTAINED YOUR "MAXIMITE" plans?

A modern Super-Midget Superhet, only 6in. x 3 1/2in. x 2 1/2in. Latest modern miniature components used, to ensure maximum gain sensitivity "troublefree working. No surplus parts specified, therefore avoiding possibility of leaky condensers and inability to supply exact specified components over a lengthy period. The receiver operates on A.C. D.C. and large mainsdroppers. Linecord etc., have been avoided. FULL PLANS, including point-to-point wiring, 1/-, post free.

METAL RECTIFIERS.—Westinghouse, 14A95, 20/-; 14D35, 11/-; WX3, WX6, 3/9; 36EHT100, 29/4; LT52 (12v. 1A.), 19/6; 1 m.a. Meter, 12/6; 36EHT46, 21/6; 36EHT45, 23/8; 36EHT50, 26/-; S.T.C. Type K3 100, 14/8; K345, 9/-; RM1, 4/6; RM2, 5/-; RM3, 6/-.

'Q-MAX' CUTTERS.—Chassis Punch complete with Key: 1in., 1 1/2in., 1 3/4in., 1 7/8in., 2in., 2 1/2in., 3in., 3 1/2in., 4in., 4 1/2in., 5in., 5 1/2in., 6in., 6 1/2in., 7in., 7 1/2in., 8in., 8 1/2in., 9in., 9 1/2in., 10in., 10 1/2in., 11in., 11 1/2in., 12in., 12 1/2in., 13in., 13 1/2in., 14in., 14 1/2in., 15in., 15 1/2in., 16in., 16 1/2in., 17in., 17 1/2in., 18in., 18 1/2in., 19in., 19 1/2in., 20in., 20 1/2in., 21in., 21 1/2in., 22in., 22 1/2in., 23in., 23 1/2in., 24in., 24 1/2in., 25in., 25 1/2in., 26in., 26 1/2in., 27in., 27 1/2in., 28in., 28 1/2in., 29in., 29 1/2in., 30in., 30 1/2in., 31in., 31 1/2in., 32in., 32 1/2in., 33in., 33 1/2in., 34in., 34 1/2in., 35in., 35 1/2in., 36in., 36 1/2in., 37in., 37 1/2in., 38in., 38 1/2in., 39in., 39 1/2in., 40in., 40 1/2in., 41in., 41 1/2in., 42in., 42 1/2in., 43in., 43 1/2in., 44in., 44 1/2in., 45in., 45 1/2in., 46in., 46 1/2in., 47in., 47 1/2in., 48in., 48 1/2in., 49in., 49 1/2in., 50in., 50 1/2in., 51in., 51 1/2in., 52in., 52 1/2in., 53in., 53 1/2in., 54in., 54 1/2in., 55in., 55 1/2in., 56in., 56 1/2in., 57in., 57 1/2in., 58in., 58 1/2in., 59in., 59 1/2in., 60in., 60 1/2in., 61in., 61 1/2in., 62in., 62 1/2in., 63in., 63 1/2in., 64in., 64 1/2in., 65in., 65 1/2in., 66in., 66 1/2in., 67in., 67 1/2in., 68in., 68 1/2in., 69in., 69 1/2in., 70in., 70 1/2in., 71in., 71 1/2in., 72in., 72 1/2in., 73in., 73 1/2in., 74in., 74 1/2in., 75in., 75 1/2in., 76in., 76 1/2in., 77in., 77 1/2in., 78in., 78 1/2in., 79in., 79 1/2in., 80in., 80 1/2in., 81in., 81 1/2in., 82in., 82 1/2in., 83in., 83 1/2in., 84in., 84 1/2in., 85in., 85 1/2in., 86in., 86 1/2in., 87in., 87 1/2in., 88in., 88 1/2in., 89in., 89 1/2in., 90in., 90 1/2in., 91in., 91 1/2in., 92in., 92 1/2in., 93in., 93 1/2in., 94in., 94 1/2in., 95in., 95 1/2in., 96in., 96 1/2in., 97in., 97 1/2in., 98in., 98 1/2in., 99in., 99 1/2in., 100in., 100 1/2in., 101in., 101 1/2in., 102in., 102 1/2in., 103in., 103 1/2in., 104in., 104 1/2in., 105in., 105 1/2in., 106in., 106 1/2in., 107in., 107 1/2in., 108in., 108 1/2in., 109in., 109 1/2in., 110in., 110 1/2in., 111in., 111 1/2in., 112in., 112 1/2in., 113in., 113 1/2in., 114in., 114 1/2in., 115in., 115 1/2in., 116in., 116 1/2in., 117in., 117 1/2in., 118in., 118 1/2in., 119in., 119 1/2in., 120in., 120 1/2in., 121in., 121 1/2in., 122in., 122 1/2in., 123in., 123 1/2in., 124in., 124 1/2in., 125in., 125 1/2in., 126in., 126 1/2in., 127in., 127 1/2in., 128in., 128 1/2in., 129in., 129 1/2in., 130in., 130 1/2in., 131in., 131 1/2in., 132in., 132 1/2in., 133in., 133 1/2in., 134in., 134 1/2in., 135in., 135 1/2in., 136in., 136 1/2in., 137in., 137 1/2in., 138in., 138 1/2in., 139in., 139 1/2in., 140in., 140 1/2in., 141in., 141 1/2in., 142in., 142 1/2in., 143in., 143 1/2in., 144in., 144 1/2in., 145in., 145 1/2in., 146in., 146 1/2in., 147in., 147 1/2in., 148in., 148 1/2in., 149in., 149 1/2in., 150in., 150 1/2in., 151in., 151 1/2in., 152in., 152 1/2in., 153in., 153 1/2in., 154in., 154 1/2in., 155in., 155 1/2in., 156in., 156 1/2in., 157in., 157 1/2in., 158in., 158 1/2in., 159in., 159 1/2in., 160in., 160 1/2in., 161in., 161 1/2in., 162in., 162 1/2in., 163in., 163 1/2in., 164in., 164 1/2in., 165in., 165 1/2in., 166in., 166 1/2in., 167in., 167 1/2in., 168in., 168 1/2in., 169in., 169 1/2in., 170in., 170 1/2in., 171in., 171 1/2in., 172in., 172 1/2in., 173in., 173 1/2in., 174in., 174 1/2in., 175in., 175 1/2in., 176in., 176 1/2in., 177in., 177 1/2in., 178in., 178 1/2in., 179in., 179 1/2in., 180in., 180 1/2in., 181in., 181 1/2in., 182in., 182 1/2in., 183in., 183 1/2in., 184in., 184 1/2in., 185in., 185 1/2in., 186in., 186 1/2in., 187in., 187 1/2in., 188in., 188 1/2in., 189in., 189 1/2in., 190in., 190 1/2in., 191in., 191 1/2in., 192in., 192 1/2in., 193in., 193 1/2in., 194in., 194 1/2in., 195in., 195 1/2in., 196in., 196 1/2in., 197in., 197 1/2in., 198in., 198 1/2in., 199in., 199 1/2in., 200in., 200 1/2in., 201in., 201 1/2in., 202in., 202 1/2in., 203in., 203 1/2in., 204in., 204 1/2in., 205in., 205 1/2in., 206in., 206 1/2in., 207in., 207 1/2in., 208in., 208 1/2in., 209in., 209 1/2in., 210in., 210 1/2in., 211in., 211 1/2in., 212in., 212 1/2in., 213in., 213 1/2in., 214in., 214 1/2in., 215in., 215 1/2in., 216in., 216 1/2in., 217in., 217 1/2in., 218in., 218 1/2in., 219in., 219 1/2in., 220in., 220 1/2in., 221in., 221 1/2in., 222in., 222 1/2in., 223in., 223 1/2in., 224in., 224 1/2in., 225in., 225 1/2in., 226in., 226 1/2in., 227in., 227 1/2in., 228in., 228 1/2in., 229in., 229 1/2in., 230in., 230 1/2in., 231in., 231 1/2in., 232in., 232 1/2in., 233in., 233 1/2in., 234in., 234 1/2in., 235in., 235 1/2in., 236in., 236 1/2in., 237in., 237 1/2in., 238in., 238 1/2in., 239in., 239 1/2in., 240in., 240 1/2in., 241in., 241 1/2in., 242in., 242 1/2in., 243in., 243 1/2in., 244in., 244 1/2in., 245in., 245 1/2in., 246in., 246 1/2in., 247in., 247 1/2in., 248in., 248 1/2in., 249in., 249 1/2in., 250in., 250 1/2in., 251in., 251 1/2in., 252in., 252 1/2in., 253in., 253 1/2in., 254in., 254 1/2in., 255in., 255 1/2in., 256in., 256 1/2in., 257in., 257 1/2in., 258in., 258 1/2in., 259in., 259 1/2in., 260in., 260 1/2in., 261in., 261 1/2in., 262in., 262 1/2in., 263in., 263 1/2in., 264in., 264 1/2in., 265in., 265 1/2in., 266in., 266 1/2in., 267in., 267 1/2in., 268in., 268 1/2in., 269in., 269 1/2in., 270in., 270 1/2in., 271in., 271 1/2in., 272in., 272 1/2in., 273in., 273 1/2in., 274in., 274 1/2in., 275in., 275 1/2in., 276in., 276 1/2in., 277in., 277 1/2in., 278in., 278 1/2in., 279in., 279 1/2in., 280in., 280 1/2in., 281in., 281 1/2in., 282in., 282 1/2in., 283in., 283 1/2in., 284in., 284 1/2in., 285in., 285 1/2in., 286in., 286 1/2in., 287in., 287 1/2in., 288in., 288 1/2in., 289in., 289 1/2in., 290in., 290 1/2in., 291in., 291 1/2in., 292in., 292 1/2in., 293in., 293 1/2in., 294in., 294 1/2in., 295in., 295 1/2in., 296in., 296 1/2in., 297in., 297 1/2in., 298in., 298 1/2in., 299in., 299 1/2in., 300in., 300 1/2in., 301in., 301 1/2in., 302in., 302 1/2in., 303in., 303 1/2in., 304in., 304 1/2in., 305in., 305 1/2in., 306in., 306 1/2in., 307in., 307 1/2in., 308in., 308 1/2in., 309in., 309 1/2in., 310in., 310 1/2in., 311in., 311 1/2in., 312in., 312 1/2in., 313in., 313 1/2in., 314in., 314 1/2in., 315in., 315 1/2in., 316in., 316 1/2in., 317in., 317 1/2in., 318in., 318 1/2in., 319in., 319 1/2in., 320in., 320 1/2in., 321in., 321 1/2in., 322in., 322 1/2in., 323in., 323 1/2in., 324in., 324 1/2in., 325in., 325 1/2in., 326in., 326 1/2in., 327in., 327 1/2in., 328in., 328 1/2in., 329in., 329 1/2in., 330in., 330 1/2in., 331in., 331 1/2in., 332in., 332 1/2in., 333in., 333 1/2in., 334in., 334 1/2in., 335in., 335 1/2in., 336in., 336 1/2in., 337in., 337 1/2in., 338in., 338 1/2in., 339in., 339 1/2in., 340in., 340 1/2in., 341in., 341 1/2in., 342in., 342 1/2in., 343in., 343 1/2in., 344in., 344 1/2in., 345in., 345 1/2in., 346in., 346 1/2in., 347in., 347 1/2in., 348in., 348 1/2in., 349in., 349 1/2in., 350in., 350 1/2in., 351in., 351 1/2in., 352in., 352 1/2in., 353in., 353 1/2in., 354in., 354 1/2in., 355in., 355 1/2in., 356in., 356 1/2in., 357in., 357 1/2in., 358in., 358 1/2in., 359in., 359 1/2in., 360in., 360 1/2in., 361in., 361 1/2in., 362in., 362 1/2in., 363in., 363 1/2in., 364in., 364 1/2in., 365in., 365 1/2in., 366in., 366 1/2in., 367in., 367 1/2in., 368in., 368 1/2in., 369in., 369 1/2in., 370in., 370 1/2in., 371in., 371 1/2in., 372in., 372 1/2in., 373in., 373 1/2in., 374in., 374 1/2in., 375in., 375 1/2in., 376in., 376 1/2in., 377in., 377 1/2in., 378in., 378 1/2in., 379in., 379 1/2in., 380in., 380 1/2in., 381in., 381 1/2in., 382in., 382 1/2in., 383in., 383 1/2in., 384in., 384 1/2in., 385in., 385 1/2in., 386in., 386 1/2in., 387in., 387 1/2in., 388in., 388 1/2in., 389in., 389 1/2in., 390in., 390 1/2in., 391in., 391 1/2in., 392in., 392 1/2in., 393in., 393 1/2in., 394in., 394 1/2in., 395in., 395 1/2in., 396in., 396 1/2in., 397in., 397 1/2in., 398in., 398 1/2in., 399in., 399 1/2in., 400in., 400 1/2in., 401in., 401 1/2in., 402in., 402 1/2in., 403in., 403 1/2in., 404in., 404 1/2in., 405in., 405 1/2in., 406in., 406 1/2in., 407in., 407 1/2in., 408in., 408 1/2in., 409in., 409 1/2in., 410in., 410 1/2in., 411in., 411 1/2in., 412in., 412 1/2in., 413in., 413 1/2in., 414in., 414 1/2in., 415in., 415 1/2in., 416in., 416 1/2in., 417in., 417 1/2in., 418in., 418 1/2in., 419in., 419 1/2in., 420in., 420 1/2in., 421in., 421 1/2in., 422in., 422 1/2in., 423in., 423 1/2in., 424in., 424 1/2in., 425in., 425 1/2in., 426in., 426 1/2in., 427in., 427 1/2in., 428in., 428 1/2in., 429in., 429 1/2in., 430in., 430 1/2in., 431in., 431 1/2in., 432in., 432 1/2in., 433in., 433 1/2in., 434in., 434 1/2in., 435in., 435 1/2in., 436in., 436 1/2in., 437in., 437 1/2in., 438in., 438 1/2in., 439in., 439 1/2in., 440in., 440 1/2in., 441in., 441 1/2in., 442in., 442 1/2in., 443in., 443 1/2in., 444in., 444 1/2in., 445in., 445 1/2in., 446in., 446 1/2in., 447in., 447 1/2in., 448in., 448 1/2in., 449in., 449 1/2in., 450in., 450 1/2in., 451in., 451 1/2in., 452in., 452 1/2in., 453in., 453 1/2in., 454in., 454 1/2in., 455in., 455 1/2in., 456in., 456 1/2in., 457in., 457 1/2in., 458in., 458 1/2in., 459in., 459 1/2in., 460in., 460 1/2in., 461in., 461 1/2in., 462in., 462 1/2in., 463in., 463 1/2in., 464in., 464 1/2in., 465in., 465 1/2in., 466in., 466 1/2in., 467in., 467 1/2in., 468in., 468 1/2in., 469in., 469 1/2in., 470in., 470 1/2in., 471in., 471 1/2in., 472in., 472 1/2in., 473in., 473 1/2in., 474in., 474 1/2in., 475in., 475 1/2in., 476in., 476 1/2in., 477in., 477 1/2in., 478in., 478 1/2in., 479in., 479 1/2in., 480in., 480 1/2in., 481in., 481 1/2in., 482in., 482 1/2in., 483in., 483 1/2in., 484in., 484 1/2in., 485in., 485 1/2in., 486in., 486 1/2in., 487in., 487 1/2in., 488in., 488 1/2in., 489in., 489 1/2in., 490in., 490 1/2in., 491in., 491 1/2in., 492in., 492 1/2in., 493in., 493 1/2in., 494in., 494 1/2in., 495in., 495 1/2in., 496in., 496 1/2in., 497in., 497 1/2in., 498in., 498 1/2in., 499in., 499 1/2in., 500in., 500 1/2in., 501in., 501 1/2in., 502in., 502 1/2in., 503in., 503 1/2in., 504in., 504 1/2in., 505in., 505 1/2in., 506in., 506 1/2in., 507in., 507 1/2in., 508in., 508 1/2in., 509in., 509 1/2in., 510in., 510 1/2in., 511in., 511 1/2in., 512in., 512 1/2in., 513in., 513 1/2in., 514in., 514 1/2in., 515in., 515 1/2in., 516in., 516 1/2in., 517in., 517 1/2in., 518in., 518 1/2in., 519in., 519 1/2in., 520in., 520 1/2in., 521in., 521 1/2in., 522in., 522 1/2in., 523in., 523 1/2in., 524in., 524 1/2in., 525in., 525 1/2in., 526in., 526 1/2in., 527in., 527 1/2in., 528in., 528 1/2in., 529in., 529 1/2in., 530in., 530 1/2in., 531in., 531 1/2in., 532in., 532 1/2in., 533in., 533 1/2in., 534in., 534 1/2in., 535in., 535 1/2in., 536in., 536 1/2in., 537in., 537 1/2in., 538in., 538 1/2in., 539in., 539 1/2in., 540in., 540 1/2in., 541in., 541 1/2in., 542in., 542 1/2in., 543in., 543 1/2in., 544in., 544 1/2in., 545in., 545 1/2in., 546in., 546 1/2in., 547in., 547 1/2in., 548in., 548 1/2in., 549in., 549 1/2in., 550in., 550 1/2in., 551in., 551 1/2in., 552in., 552 1/2in., 553in., 553 1/2in., 554in., 554 1/2in., 555in., 555 1/2in., 556in., 556 1/2in., 557in., 557 1/2in., 558in., 558 1/2in., 559in., 559 1/2in., 560in., 560 1/2in., 561in., 561 1/2in., 562in., 562 1/2in., 563in., 563 1/2in., 564in., 564 1/2in., 565in., 565 1/2in., 566in., 566 1/2in., 567in., 567 1/2in., 568in., 568 1/2in., 569in., 569 1/2in., 570in., 570 1/2in., 571in., 571 1/2in., 572in., 572 1/2in., 573in., 573 1/2in., 574in., 574 1/2in., 575in., 575 1/2in., 576in., 576 1/2in., 577in., 577 1/2in., 578in., 578 1/2in., 579in., 579 1/2in., 580in., 580 1/2in., 581in., 581 1/2in., 582in., 582 1/2in., 583in., 583 1/2in., 584in., 584 1/2in., 585in., 585 1/2in., 586in., 586 1/2in., 587in., 587 1/2in., 588in., 588 1/2in., 589in., 589 1/2in., 590in., 590 1/2in., 591in., 591 1/2in., 592in., 592 1/2in., 593in., 593 1/2in., 594in., 594 1/2in., 595in., 595 1/2in., 596in., 596 1/2in., 597in., 597 1/2in., 598in., 598 1/2in., 599in., 599 1/2in., 600in., 600 1/2in., 601in., 601 1/2in., 602in., 602 1/2in., 603in., 603 1/2in., 604in., 604 1/2in., 605in., 605 1/2in., 606in., 606 1/2in., 607in., 607 1/2in., 608in., 608 1/2in., 609in., 609 1/2in., 610in., 610 1/2in., 611in., 611 1/2in., 612in., 612 1/2in., 613in., 613 1/2in., 614in., 614 1/2in., 615in., 615 1/2in., 616in., 616 1/2in., 617in., 617 1/2in., 618in., 618 1/2in., 619in., 619 1/2in., 620in., 620 1/2in., 621in., 621 1/2in., 622in., 622 1/2in., 623in., 623 1/2in., 624in., 624 1/2in., 625in., 625 1/2in., 626in., 626 1/2in., 627in., 627 1/2in., 628in., 628 1/2in., 629in., 629 1/2in., 630in., 630 1/2in., 631in., 631 1

TECHNICAL BOOK SERVICE

for the
Radio Industry



For all your technical books and periodicals you need go no further than the nearest shop or bookstall of W.H.S. Whilst it is not practicable to maintain a big stock of such books at every branch—the Daily Supply Service from Head Office will quickly deliver the books you want to your local branch. We will gladly supply lists of the standard works on any subject and welcome inquiries from students and librarians.

★ Our Postal Service can send technical books and periodicals to any address at Home or Overseas.

W. H. Smith & Son

TECHNICAL BOOK SERVICE

HEAD OFFICE: STRAND HOUSE, LONDON, W.C.2

The solder for all HOME TELEVISION CONSTRUCTOR SETS

Designers of television constructor sets know that the efficiency of their equipment depends on the solder used by the constructor—that's why they recommend Ersin Multicore for trouble-free, waste-free soldering. Ersin Multicore, the only solder containing three cores of extra-active, non-corrosive Ersin Flux, is obtainable from all leading radio shops. Ask for Cat. Ref. C.16018, 18 S.W.G. 60/40 High Tin Television and Radio Alloy. The size 1 Carton contains 47 feet of solder, costs 5/-.



Ersin Multicore Solder

In case of difficulty in obtaining supplies, please write to:

MULTICORE SOLDERS LTD.,
MELLIER HOUSE, ALBEMARLE STREET, LONDON. W.1 • REGenT 1411

NEW YEAR'S SCOOP!

BRAND NEW - UNUSED - COMPLETE

A PORTABLE TAPE RECORDER. NOT A KIT. But a factory built job. By a well known manufacturer. Simple to operate. Finest quality components throughout.

- * Attractive carrying case.
- * Twin track recording.
- * Instant playback.
- * Size of case : 17in. x 12in. x 7in.
- * Total playing time—66 minutes.
- * 6 Valves.
- * Weight 31 lbs.
- * A.C. Mains 200-250 volts.
- * Fast rewind.
- * Record level indicator.
- * Complete. Ready to switch on.

Supplied fully assembled and wired, with all valves, 1,200ft. spool of tape, take-up reel, crystal hand microphone, instruction book, and circuit diagrams.

LASKY'S PRICE £34.19.6 Carriage and insurance 15/- extra.

PORTABLE TAPE RECORDER CABINETS

As used with the tape recorder detailed above. Can be supplied separately. Size: 8in. high, 17in. wide, 12in. deep. With hinged lid, and two locks.

LASKY'S PRICE £3 15s. 0d.
Carriage & insurance 10/- ex.

LASKY'S RADIO

LASKY'S (HARROW ROAD), LTD.,
370, HARROW ROAD, PADDINGTON,
LONDON, W.9.

Telephones: CUNningham 1979-7214.

MAIL ORDER AND DESPATCH DEPARTMENTS:
435-487, HARROW ROAD, PADDINGTON,
LONDON, W.10. Telephone: LADbrokz 4975.

Hours: Mon. to Sat. 9.30 a.m. to 6 p.m.; Thurs.,
half day, 1 p.m.

THE RECORDING AMPLIFIER

As used in the recorder above. 6 Valves, 2 6V6, 2 6J7, 1 6J5, 1 5Z4. Supplied fully assembled and wired, with all valves and 5in. speaker. Ready for use, 200-250 volt A.C. mains. Size: 15;in. wide, 8;in. deep, 6in. high. With circuit.

LASKY'S PRICE £8 19s. 6d.
Carriage & insurance 10/- ex.

not required is when a battery-fed converter is used in conjunction with a battery-fed broadcast receiver. Here the two sets of L.T. leads will probably go to one accumulator. If not, then it is essential to connect the negatives of the two accumulators together with a short length of wire.

It is sometimes possible, instead of using the long-wave section of the broadcast receiver, to utilise the top part of the medium-wave band. This naturally depends upon the setting of the trimmers of the converter, which must be set to give a difference between the signal and oscillator sections so that the resultant frequency falls on, say, 600 kc/s or 500 metres, instead of, say, 214.3 kc/s, or approximately 1,400 metres. Here the same considerations apply. It is difficult

to find a clear channel free from medium-wave stations at optimum settings of the volume control, unless the $1\mu\text{F}$ condenser is included between the negative line of the converter and the earth terminal of the broadcast receiver. When receiving a powerful short-wave station, of course, the volume control is kept well back and the medium-wave stations do not then intrude themselves. It is in the nature of short-wave listening, however, that the weak stations are nearly always the most interesting, and steps have to be taken to preserve them as much as possible.

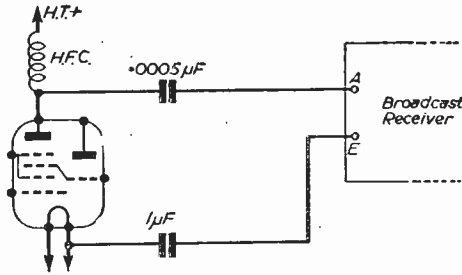


Fig. 2.—The $1.0\ \mu\text{F}$ condenser effectively prevents long-wave breakthrough.

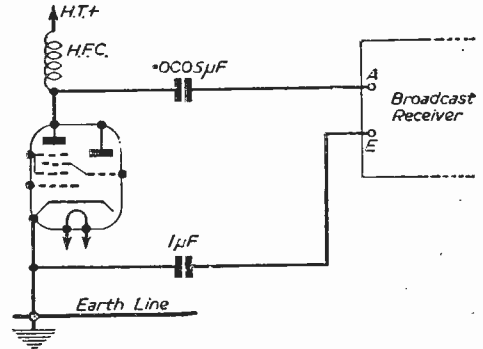


Fig. 3.—The anti-breakthrough condenser is equally effective with a mains valve.

Simple Bass and Treble Boost

A USEFUL TONE CONTROL CIRCUIT WHICH CAN BE ADDED TO ANY AMPLIFIER

By T. J. Gaunt

THE simple type of bass and treble boost described in these notes may be applied to most types of domestic receiver. The only requirement is that the receiver has the normal type of volume-control consisting of a potentiometer of about 0.5 megohm, the value not being at all critical. Very old receivers with controls on the H.F. circuits are not suitable.

The amount of boost available will depend on the spare gain in the L.F. section of the set; in other words, the distance that the volume-control has to be advanced in order to obtain normal listening level. If the set requires almost full gain, then little boost will be available.

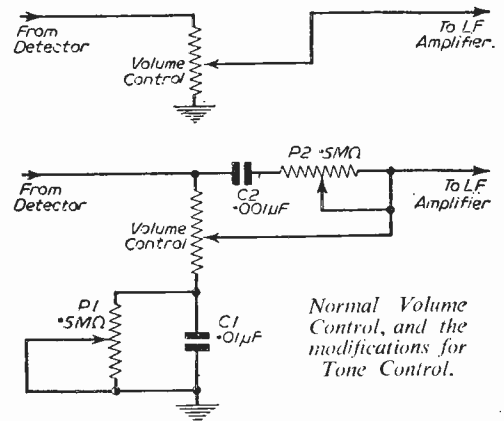
The circuit is very simple. For the bass boost the "earthy" end of the volume-control is disconnected and a $0.01\ \mu\text{F}$ capacitor inserted, across which is a $0.5\ \text{M}\Omega$ potentiometer.

The capacitor will give a higher impedance to low frequencies and will thus be equivalent to a higher setting of the volume-control for bass frequencies only, the medium and high frequencies being little affected. At low settings of the volume-control, a very large amount of boost is obtained, and this compensates for the ear's apparent insensitivity to low frequencies at low levels, producing a very pleasant effect.

The Treble boost circuit consists of a $0.001\ \mu\text{F}$

capacitor in series with a $0.5\ \text{M}\Omega$ potentiometer direct from the "top" end of the volume-control to the grid of the following valve. This forms a by-pass circuit for the high frequencies and will provide a considerable boost at low volume levels.

Both circuits are at minimum with the L.F. boost control at minimum resistance and the H.F. control at maximum resistance.



Normal Volume Control, and the modifications for Tone Control.

INTRODUCING the £25 RADIOGRAM

Console Type Cabinet. With full grained walnut finish, will take standard type price-change gram unit. Price, £11.10.0. H.P. Terms, £217.0 deposit and 12 monthly payments of 16.9. plus 45/- carriage. Radio Chassis to Suit. £8.19.6. V.H.P. Terms, £3.17.0 deposit and 12 monthly payments of 19/-, carriage and insurance 7.6. Collaro Gram Unit. For standard 10in. to 12in. records with hi-fi pick-up. £4.18.6. Carriage and insurance, 3.6. Special Offer. Cabinet, Radio Chassis and Collaro Unit £25 or £8.11.0 deposit and 12 monthly payments of £1.17.0. Non-callers add £1 carriage and insurance. Data-photographs-wiring diagrams, etc., 2.6, refunded if returned.

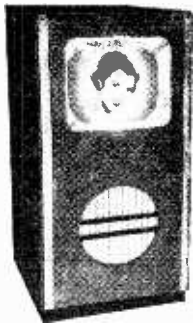


THE P.T. "ARGUS" TELEVISION RECEIVER

Although this television costs only about £20, it does not involve the conversion of ex-Government units, and has been designed for construction by the novice. The circuits have been kept straightforward and devoid of "frills," though nothing has been sacrificed which would assist in its efficient and stable operation.

We can supply the 21 valves, C.R. Tube and all the parts for £20.10.0. H.P. terms are available, deposit being £6.17.6, balance 12 monthly payments of £1.7.9 each. Carriage and packing 10/- extra.

A reprint of the data, by permission of the Editor of "Practical Television," together with some additional diagrams and notes produced by our Television engineers are available as a constructor's envelope. Price 5/-, post free.



BUILD THIS FINE INSTRUMENT FOR 29/6

T.V. SIGNAL AND PATTERN GENERATOR

This generator has been carefully designed and although it can be built and used by any beginner it is at the same time a most useful instrument for the more advanced worker. It can be tuned to the Vision channel and will produce a pattern on the face of the C.R. tube. Alternatively, if tuned to the sound channel it will produce an audible signal in the loudspeaker.

Thus its owner will become independent of B.B.C. Transmissions and can fault find or test at any time. It operates entirely from A.C. mains and is quite suitable for use with superhet or straight receivers.

A complete kit of parts (in fact everything except the cabinet), with full constructional and operational data will be supplied for 29.6, plus 2.6 post and insurance; alternatively data is available separately, price 2.6 (credited if you buy the kit later).

NOTE.—Cabinets as per the illustrated prototype will be available shortly.



MORE AVAILABLE

15in. Magnetic Television Tube by very famous maker, as used in many Popular Television Receivers (list on request). Specification as 6K, i.e., blue/white screen, 10 k.v. Ion trap, triode heater, 6.3v. at 35 amps., 50° deflection. New, with written guarantee, offered at approximately half price: £12.10.0 each, plus 10/- carriage and insurance. H.P. terms £4.4.0 deposit and 12 monthly payments of 18/5. Limited quantities, so order immediately.

(SMALL DEPOSIT SECURES)



ELECTRONIC PRECISION EQUIPMENT DEPT. 7
47-46 WINDMILL HILL, RUHSIP, MIDDLESEX. 152-3 FLEET ST., LONDON E.C.4.

80 ohm COAX

STANDARD 1/4" diam.
Polythene insulated.
NOT EX. GOV.
10d. per yd.
COAX PLUGS, 1/2 each.
SOCKETS, 1/2 each.
LINE CONNECTOR, 1/2

RESISTORS.—All Values. 1/4 w., 4d.; 1/2 w., 6d.; 1 w., 8d.; 2 w., 1/-; Best makes Miniature Carbon Type.—5 w., 15 ohm to 4 K.; 10 w., 20 ohm to 6 K.; 2.3; 15 w., 30 ohm to 10 K.; 2.9; 5 w. Vitreous, 12 K. to 25 K.; 3/-.

W/P POTS.—T.V. Type Pre-Set. Miniature. Pitted knob is knurled and slotted. 25, 50, 100, 200, 500 ohm, 1 K., 2 K., 2.5 K., 5 K., 10 K., 15 K., 20 K., 25 K., each 3/-.

COILS.—All ranges Weirite 1/2" 3/-; Osmo Midnet 1/4" 4/- each.

CONDENSERS.—New stock, best makes. .001 mfd. 6 V.K.; T.C.C. 5.6; ditto, 12 V.K.; 9/6; 15 V.K.; 10/-; .002 mfd., 8 V.K. Murehead, 2.6; .001 mfd., .0001 mfd., paper mfd., .0005 mfd. Small sizes, 6d., 9/11, 9/2.

ELECTROLYTICS.—New stock.
8/450 v. B.E.C. Midnet Tub, 2.6.
8/500 v. Dubilier Duffie Tub, 3.5.
16/450 v. B.E.C. Med. Can, 3.-.
16/350 v. T.C.C. Small Can, 2.6.
16/350 v. Dubilier Duffie Tub, 4.-.
8/450 v. B.E.C. Small Tub, 4.-.
8/1850 v. Dubilier Small Can, 4.6.
8/16/500 v. B.E.C. Midnet Tub, 5.-.
16/16/500 v. Dubilier Small Can, 5.6.
16/16/450 v. B.E.C. Med. Can, 5.6.
29/350 v. B.E.C. Med. Can, 4.-.
29/500 v. Dubilier Duffie Tub, 5.-.
25/25 v. B.E.C. Tub, 1.8; Duffie 70.50 v.
25/-; 60 mfd. 350 v. T.C.C., 6.6; 250 mfd. 200 v. B.E.C., 8.6.

VALVES

ALL GUARANTEED

SPECIAL SALE PRICES

1A5	5.6	6D6	7.6	6V6	9.6	EBC33	9.6
1R5	9.-	6F6M	9.6	6X5	9.-	EC91	7.6
1S5	9.-	6G6	6.6	6J6	10.6	ECL80	12.6
1T4	9.-	6H6	3.6	7S7	9.6	EF36	7.6
1S4	9.-	6J5	7.6	12A6	7.6	EF93	9.6
1S4	9.6	6J7	8.6	12AX7	10.6	EF90	9.6
2X2	5.6	6K6	7.6	12K7	10.6	EF91	10.6
3D6	2.6	6K7	6.6	12K8	10.6	EF92	9.6
5U4	10.6	6K8	10.6	12Q7	10.6	EX51	12.6
1W5	9.6	6L5	5.6	12V6	10.6	EX91	8.6
5Y4	9.-	6L6	10.6	35Z4	10.6	HVR2A	7.6
6AG5	7.6	6N7	8.6	50L6	9.6	KT61	10.6
6AM6	10.6	6Q7	10.6	80L6	10.6	KT68	12.6
6B8	7.6	6NA7	8.6	956	5.6	MU12N	6.6
6BE6	10.6	6SH7	6.6	80J1	7.6	MU21A	9.6
6BG6	2.6	6S17	9.-	90Q6	7.6	PN22	8.6
6BW6	10.6	6SN7	11.6	EA50	2.6	TP25	9.6
6C4	7.6	6SU5(Y6S) 8.-	8.6	EB91	8.6	U2	8.6

SPECIAL PRICE PER SET:
1R5, 1T4, 1S5 and 354

VIEWMASTER.—Set 12 valves, £8 10 0, with E.C. 47.
TELEKING.—set 17 Valves £9 10.-

VOLUME CONTROLS

Midget Ediswan type.
Long spindles. Guaranteed
1 year.
LESS Sw. S.P. Sw. D.P. Sw.
3/- 4/- 4/9
ALL VALUES.—10K. to 2 MEG.

TRANSFORMERS

Made in our own Workshops to Top Grade specification. Interleaved and impregnated.
O.P. TRANS. In spec. from 15.6. Quality ditto. Stalloy lamin. and low leakage windings from 35.-. Williamson Main Transformer, 57.6. Heater Trans. 6.3 w. 12 amp., 7.6. 500-250, 50 ma. 6.3 w. 4 amp., 5.2 w. 2 amp. Duffie 300-150 mfd. 250-125, 21.-. Viewmaster Main Transformer, latest type, 25.-. Teleking Main Transformer, 30.-.
P & P. extra on Transformers.
Quotations for specials and re-winds per return.

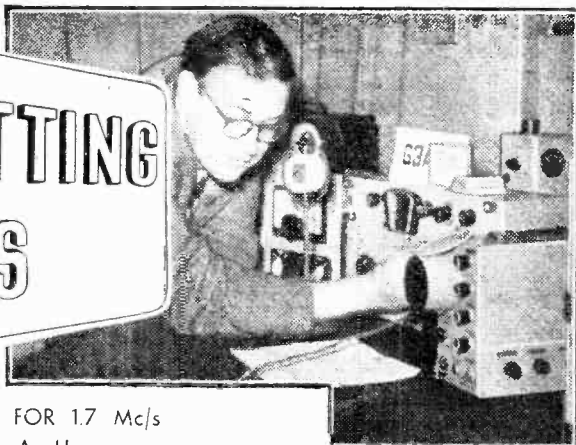
All Viewmaster and Teleking components in stock
O.P. TRANS. Small Tapped Pentode, 3.9. Heavy Duty, 70 ma., 4.6; Duffie Tapped, 4.9. I.P. Chokes, 10 H., 6.5 ma., 4.6; 20 H., 150 ma., 12.6; 5 H., 250 ma., 4.6.

BARGAIN CORNER.
Twin Cap. 1005 slightly soiled, 5.6.
New Midget Twin Core, 200/125, 7.6; 60 mfd. 250 v., T.V. electrolytic, 1.6; 6/8; Duffie 250 mfd., 350 v., B.E.C. 8/6. Murehead Solder 100 to 40, 4d. v.d. 10/6 lb. 500 v. P.M. 1.8, 13.6. 1/11. P.M. L.S., 14/6. Tinned Copper Wire, 19c. 250 v. 2d. p.A.C. Connecting Wire, all colours, standard or single, 2d. yd. Met. Rect. 280 v., 80 ma., 9/-. 2 v. Exile Amp. 10 A.H. 4/9. 157A V-holders and Ser. Caps. 1.9. V-holders (Metal Pan), 4d.; Mounted, 6d. RPS9, R70, 88A, R14, 1.-. W.W. Pot. 2 K., 5 w., H.D. Bin. spindle, 4.6.

T.R.S. 307, WHITEHORSE ROAD, WEST CROYDON.

Telephone: THORnton Heath 1665
Mail Order: 71, Meadvale Road, East Croydon.
Bargain Lists, 3d. Ferris C.W.G. or C.O.D. Over 41 post free. P. & P. 6d. extra.

TRANSMITTING TOPICS



EXCITER UNIT FOR 1.7 Mc/s

By Wm. A. Hope

At some time or another the amateur is faced with T.V.I. problems concerning his master oscillator or later stages in the transmitter. Because of the existing frequency relationship between the "top-band" and the TV frequencies, harmonic radiations must be eliminated at all costs. The author is a strong believer in that prevention of harmonic radiation is better than cure; so, with T.V.I. in mind, this exciter was built to investigate its possibilities from an amateur viewpoint.

Theoretical Aspects

From Fig. 1, which is a block diagram of the unit, it will be seen that V1 is a continuously running Clapp oscillator, which is variable over a frequency of 1,250-1,500 kc/s. This range is obtained by using one of the Denco coils. Range 2, in the Denco catalogue. V2 is a conventional Pierce C.O. running at a frequency of 500 kc/s. This type of crystal was obtained, at a cost of 7s. 6d. It is of the Western Electric type, having an FT243 holder with $\frac{1}{16}$ in. spacing. These crystals are of the highest standard, and should be used wherever possible. Provision is also made for keying the C.O. by the insertion of a self-shorting jack in the cathode circuit of V2.

The Clapp and C.O. frequencies are now fed into valve V3, where they are mixed and a frequency, equal to their sum, is obtained at the anode of the 6AG5 valve (V3). Wide-band couplers are used to couple both the oscillators to the EL91 buffer and driver stages. These can be of the Labgear type E5018, which cover 1,700-2,000 kc/s.

Details, however, are given for the construction of the wide-band couplers as used by the author. The EL91 valve gives an R.F. output of approximately 2-3 watts with 250 volts on its anode. This is obviously enough drive for any medium-power amateur transmitter, and should provide enough R.F. to drive a single 813 P.A. The anode circuit of V5 is metered to give an indication of the point of resonance of the tank circuit.

Construction

The Clapp Oscillator

The components used in this unit should be of a reliable make, and should be tested before construction is commenced. It is of the utmost importance that all components be reliable in order to ensure that the Clapp operates correctly. Wherever possible, temperature compensated condensers should be used. The Denco coil may have to have its iron-dust core removed, as it was found that its presence impaired the note of the Clapp. The Clapp circuit is totally enclosed, like the C.O., by metal screening; and, for optimum results, the Denco coil should be equidistant from the sides of the screening compartment. If this is not possible, care should be taken not to

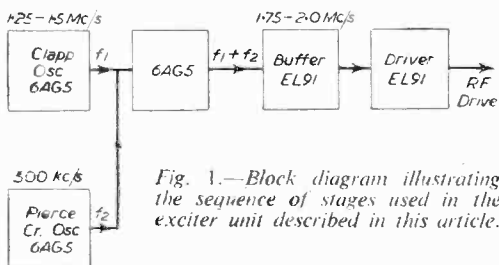


Fig. 1.—Block diagram illustrating the sequence of stages used in the exciter unit described in this article.

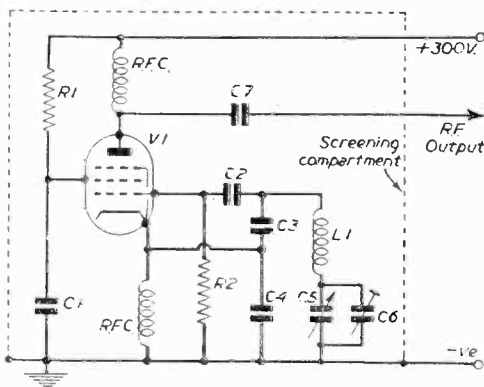


Fig. 2.—Clapp oscillator unit.

place the coil any nearer than $\frac{3}{4}$ in. from the metal screening.

The Pierce C.O.

This circuit, being conventional, did not present any difficulties; and, if extreme care is taken in its

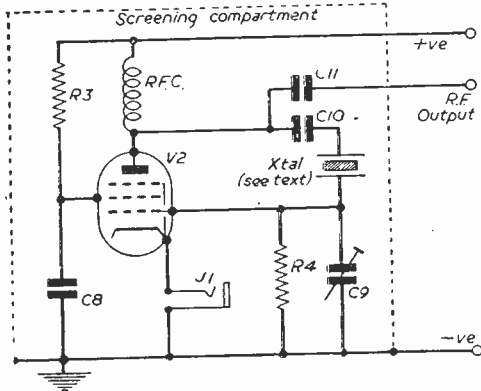


Fig. 3.—Pierce C.O. circuit.

construction, it should operate satisfactorily. If a "stubborn" crystal is employed and no oscillations are obtained, C9, the 100 pF. trimmer, should be adjusted until its capacity allows oscillations to commence. This, however, should be unnecessary as most crystals will oscillate freely when used in this type of circuit.

Wide-band Couplers

The author used two ex-Govt. I.F. transformers with a 1in. former. The existing windings were removed together with all decoupling resistor and condensers contained therein. Ninety-five turns of 30 s.w.g. wire were wound on for both sets of coils,

leaving 1in. between each pair of coils. The coils should be dipped in boiling wax to keep them free from movement. Across each winding was wired a 30 pF. trimmer. Fig. 5 will clarify this. It may be necessary to vary the positions of the coils in relation to one another, but the author did not find this necessary in his case.

The Tank Circuit

The tank coil, L5, was wound on a 2½in. diameter former made of ceramic, and consisted of 50 turns of 20 s.w.g. enamelled wire with three turns for the coupling coil, L6. 100 pF. were found to tune the tank coil to resonance.

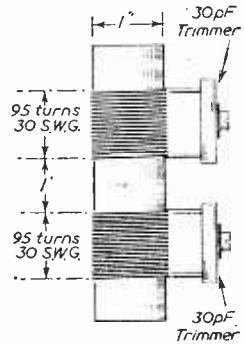


Fig. 5.—Wide-band coupler data.

Power Pack

This unit was exactly the same as that used by the author in the live-band V.F.O. unit described recently. Stabilisation of the H.T. supply being essential.

Setting Up

After all the wiring has been checked, the valve heaters should be switched on and allowed to settle down to their operating temperature. The services of the station Rx are now required to test the Clapp and crystal oscillators. The H.T. should be switched on and the station receiver tuned to the centre of the "top-band," i.e., 1,807.5 kc/s. The Clapp oscillator tuning condenser should be set to half capacity, and its associated trimmer adjusted until the oscillatory note of the exciter is heard on the receiver with the B.F.O. on. The constructor must now ensure that the exciter will cover the entire "top-band" from

(Concluded on page 101.)

- LIST OF COMPONENTS**
- R1—10 K Ω | W.
 - R2—100 K Ω | W.
 - R3 | 100 K Ω | W.
 - R4 | 100 K Ω | W.
 - R5—100 K Ω | W.
 - R6—10 K Ω | W.
 - R7—200 ohms.
 - R8—50 K Ω | W.
 - R9—5 K Ω | W.
 - R10—650 ohms.
 - R11—2.2 Megohms.
 - R12—450 K Ω
 - M1—0.50 mA.
 - R.F.C.—Eddystone R.F. choke Type 1019
 - L1-1.6—See text
 - C1—.01 μ F. paper
 - C2—100 pF. mica.
 - C3—.002 μ F. paper.
 - C4—.002 μ F. paper.
 - C5—100 pF. max. variable.
 - C6—30 pF. trimmer.
 - C7—50 pF. paper.
 - C8—.01 μ F. paper.
 - C9—100 pF. trimmer.
 - C10—100 pF. paper.
 - C11—50 pF. paper.

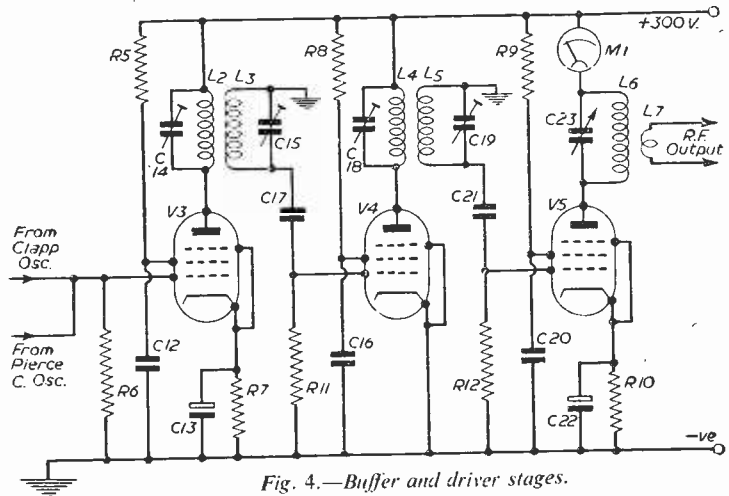


Fig. 4.—Buffer and driver stages.

- C12—.01 μ F. paper.
- C13—10 μ F.
- C14 | 30 pF. trimmer.
- C15 | 30 pF. trimmer.
- C16—.01 μ F. paper.
- C17—50 pF. paper.
- C18 | 30 pF. trimmer.
- C19 | 30 pF. trimmer.
- C20—.01 μ F. paper.
- C21—50 pF. paper.
- C22—10 μ F.
- C23—100 pF. variable.



OPEN TILL 6 P.M. SATURDAYS

TELEPHONES: AMBASSADOR 4033 & PADDINGTON 3271/2

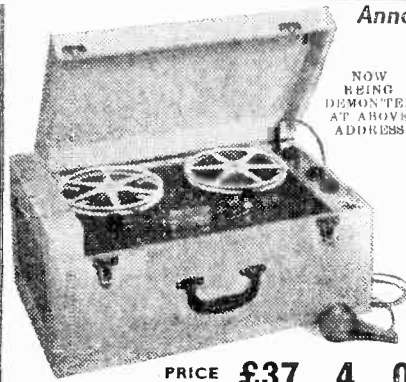
PREMIER Radio Company

(REGD.) B. H. MORRIS & CO (RADIO) LTD. EST. 1905

THIS IS OUR ONLY ADDRESS

(Dept. P.W.) 207, EDGWARE ROAD, LONDON, W2

THIS IS OUR ONLY ADDRESS



NOW BEING DEMONSTRATED AT ABOVE ADDRESS

PRICE £37.4.0
(Plus 15/- Pkg. Carr. Ins.)

Each unit may be purchased separately; prices as previously advertised.

To those unable to build this TAPE RECORDER, we offer it built, tested, and ready to plug in, complete at 39 gns. plus 21/- pkg., carr., ins.

INSTRUCTIONAL BOOKLET . . . 2/6
This is credited if a complete kit of the Tape Recorder is ordered.

Announcing . . . THE PREMIER De Luxe PORTABLE MAGNETIC TAPE RECORDER KIT

Including ALL parts, Valves, Cabinet, 8in. Loudspeaker, Tape-Table, Reel of Tape, and Rewind Spool, and Microphone.

THE 7 VALVE AMPLIFIER has been specially designed for high quality reproduction.

Brief Specification —

VALVE LINE UP — EF87A First Stage; 6SL7 Second Stage and Tone Control; 6V6 Output; 6X5 Rectifier; VT501 Bias and Erase Oscillator; 7193 Record Level Amplifier; 6U5 Magic Eye Record Level Indicator.

OUTPUT — 1 Watt. **FREQUENCY RANGE** — 50 cps. to 3,000 cps.

CONTROLS — Volume; Record/Playback Switch; Treble Boost; Bass Boost—on/off. A **VISUAL MAGIC EYE** Record Level Indicator is incorporated.

The kit includes a superbly finished resin coated portable cabinet which incorporates a compartment for the Microphone when not in use. Weight complete 35 lb. Dimensions — 21in. long; 12 1/2in. deep; 7 1/2in. high.

The Recorder incorporates the **NEW Mk. 2A LANE TAPE TABLE**.

Brief Specification —

Made to high standards and incorporating features ensuring low level of "Wow" and "Flutter" throughout the full length of tape.

FAST REWIND. Provision for fast rewind and forward run in less than 1 min. in either direction. **THREE MOTORS** obviating friction drive.

HIGH FIDELITY RECORD PLAYBACK (1 HOUR APPROX. PLAYING). The Table is fitted with high fidelity record play-back head of new design, wound to high impedance and a separate A.C. Erase Head. The Heads are half track size showing approx. 1 in. playing from standard 1,200ft. Reel of Tape.

TAPE SPEED 7 1/2 in. sec.

For use on A.C. 200/250. 50 cycles mains only.

TAPE — SCOTCH BOY M.C.-1-111, 1,200ft. Reel.

CRYSTAL MICROPHONE. — Specially designed for Premier by famous manufacturer.

As is usual in all PREMIER KITS every single item down to the last nut and bolt is supplied. The Chassis is punched and layout diagrams and theoretical circuits are included. When completed the PREMIER PORTABLE TAPE RECORDER compares MORE than favourably with any other make at double the price.

CONSTRUCTOR'S POLISHED CABINET. Size 10 x 6 1/2 x 5 1/2 in. approx., supplied in flatted form, grooved and ready to glue together. Complete with plastic front, 5 valve chassis, cadmium plated, size 8 1/2 x 4 x 1 1/2 in., tuning scale, knob and back, 10/-, post and packing, 1/6.

Twin-gang and Pair of L. and M. T.R.F. Coils with circuit to suit above, 8/6.

Standard Wave-change Switches. 6-pole 3-way, 2/-; 4-pole 3-way 1/9; 5-pole 3-way, 1/9. Miniature 3-pole 4-way, 2-pole 5-way, 4-pole 3-way, 2/6.

Valveholders. Paxolin octal, 4d. Moulded octal, 7d. EF50 ceramic, 7d. Moulded B7G slightly soiled, 6d. Lactal amphenol, 7d. Lactal pax., 4d. Mazda Amph, 7d. Mazda pax., 4d. B8A, B9A amphenol, 7d. B7G with screening can, 1/6.

Trimmers, 5-40 pf., 5d.; 10-110, 10-250, 10-450 pf., 10d.

Twin-gang .0005 Tuning Condensers, 5/- With trimmers, 7/6.

Midget .00037 dust cover and trimmers, 8/6.

P.M. SPEAKERS

	with trans.	less trans.
2 1/2in.	15/6
3 1/2in.	13/6
5in.	16/6	12/6
6 1/2in.	16/6	12/6
8in.	18/6	15/-
10in.	25/-	25/-

Post and packing on each of the above, 1/- extra.

Crystal pick-up with Sapphire Trailer Needle, 21/- each; with volume control, 23/-; post and packing on each, 1/-.

Constructor's Parcel, comprising chassis 8in. x 4 1/2 in. x 1 1/2 in. with speaker and valveholder cut-outs, 5in. P.M. speaker with transformer, twin gang with trimmers, pair T.R.F. coils long and medium, iron cored, four valveholders, 20 K. volume control and wave-change switch, 23/-, post and packing, 1/6.

Output Transformers. Standard type 5,000-ohms imp., 2-ohms speech coil, 4/9; Miniature type 42-1, 3/3. Multipratio 3,500, 7,000 and 14,000 2 ohms speech coil, price 5/6. 10-watt push-pull 6V6 matching 2 ohms speech coil, 7/-.

Mains transformers, primary 200-250 v. 280-0-280, 250 mA., 6 v. 6 amp., 5 v. 3 amp., drop-through, 29/6. P. & P., 3/-.

Mains Trans. Pri., 200-250 v. Sec., 3, 4, 5, 6, 8, 9, 10, 12, 15, 18, 20, 24 and 30 volt at 2 amps., 13/- P. & P., 1/6.

200-0-300 100 mA., 6 v. 3 amp., 5 v. 2 amp., 25/-.

Terms of business — Cash with order. Dispatch of goods within three days from receipt of order. Where post and packing charge is not stated, please add 1/- up to 10/-, 1/6 up to 41, and 2/- up to £2. All enquiries and Lists, stamped, addressed envelope.

D. COHEN RADIO AND TELEVISION COMPONENTS 23, HIGH STREET, ACTON, W.3. (Opposite Granada Cinema)

Hours of Business: Saturdays 9-6 p.m. Wednesdays 9-1 p.m. Other days 9-4.30 p.m.

Drop-three, 350-0-350 v. 70 mA., 6 v. 2.5 amp., 5 v. 2 amp., 14/6; 280-0-280, semi-shrouded drop-through, 80 mA., 6 v. 3 amp., 5 v. 2 amp., 16/6.

Semi-shrouded, drop-through, 280-0-280, 80 mA., 4 v. 6 amp., 4 v. 2 amp., 12/6.

Auto-wound, H.T. 280 v. at 360 mA., 4 v. 3 amp., 2 v. 3 amp. or 6 v. 3 amp. Separate 4 v. 3 amp. rectifier winding (upright or drop-through), 10/6.

350-0-350, 120 mA., 4 v. 4 amp., 4 v. 3 amp., drop-through, 21/-.

Auto-transformer, various combinations of voltages including 110 v. 70 watts, and 3/4 v. windings at 1 amp., 2 v. 1 amp., drop-through or upright mounting, 10/6.

250-0-250, 60 mA., 6 v. 3 amp., 12/6.

250-0-250, 80 mA., 6 v. 4 amp., 14/-.

Pri. 230 v. Sec. 200-0-200 35 mA., 6 v. 1 amp., 1 amp., 8/6.

Heater Transformer, Pri. 230 250 v. 6 v. 11 amp., 6/-; 2 v. 21 amp., 5/- P. & P. each 1/-, 2, 4, or 6 volt 2 amp., 7/6.

Primary, 300-250 v. P. & P. on each, 1/6 extra.

Kit of parts for Signal generator. Coverage 110 Kcs-420 Kcs., 320 Kcs-900Kcs., 600 Kcs.-27 Mcs., 275 Mcs.-85 Mcs., 85 Mcs.-20 Mcs. Metal case 10in. x 6 1/2 in. x 3 1/2 in. size of scale 6 1/2 in. x 3 1/2 in. 2 valves and 1 rectifier valve. A.C. mains 200/250. Internal modulation 400 cps. to a depth of 30 per cent. Frequency calibration accuracy plus or minus 1 per cent. Modulated or unmodulated R.F. output continuously variable 100 millivolts. £310/0. P. & P. 4/-.

Circuit diagram and point-to-point, 3/6. This includes the return to us for checking and calibration.



CLYDESDALE

Bargains in Ex-Service Radio and Electronic Equipment

METAL (MINE) DETECTOR No. 4

Ref. ZA21238

Of Cdn. design and construction, using 174 pentodes. Comprising TC Amplifier, Search Coil, Sweep Pole, Control Box, Headphones, Test Unit and Ruck sack. Complete less batteries in fitted transit case.

Ask for No. P/H179 **£6.19.6** Each Carriage Paid

Special Offer

R1155, R1155A RECEIVER UNITS

Fully reconditioned and tested (complete, less power pack), limited quantity only.

Ask for No. P/H898 **£7.19.6** Each Carriage Paid

ELECTROLYTIC CONDENSER

32 mfd. capacity, 450 V. D.C. wgr. Aluminium cased, tubular with waxed cardboard insulating cover. Dim.: 4 1/2 in. long, 2 in. dia.

Ask for No. P/H852 **3/-** Each Post 6d.

SPECIAL CONDENSER OFFER

Comprising 3(H852), 32 mfd. El. condensers with mounting plates in original carton.

Ask for No. P/H852X **7/6** Each Post 9d.

METAL CASED PAPER CONDENSER

4 mfd. capacity, 2,000 V. D.C. test. Dim. overall, 5 1/4 x 4 x 1 1/2 in.

Ask for No. P/H860 **4/6** Each Post 3d.

A.C. MAINS GRAMOPHONE MOTOR

for 200-250 volts

Fitted with 9in. turntable and Electrostatic screen. Mounted on a metal plate, approx. 14 1/2 x 14in.

Ask for No. P/H319 **67/6** Each Post Paid

192 page CATALOGUE. NEW LIST No. 8D now in the press. Available when ready, price 1/6. Price credited on first purchase of 10/- or over.

For Inexpensive Television INDICATOR UNIT TYPE 62 in Maker's original case

Ask for No. P/H526 **£5.9.6** Each Carriage Paid

Also available, used, good condition.

Ask for No. P/E774 **79/6** Each Carriage Paid

INDICATOR UNIT TYPE 62A

Used, Good Condition.

Ask for No. P/H968 **£7.19.6** Each Carriage Paid

INDICATOR UNIT TYPE 6H

Ask for No. P/E777 **£4.9.6** Each Carriage Paid

Order direct from:

CLYDESDALE SUPPLY CO., LTD.

2 Bridge Street, Glasgow, G.5. Phone SOUTH 2706/9
Visit our Branches in Scotland, England and N. Ireland



BATTERY POWERED COMMUNICATIONS RECEIVER R1224A

Ref. 10D/13074

Covering the "TRAWLER BAND"

A 5 Valve 2 VP23s, 210LF, FC2A, 220PA, 3 wavebands 30-300 metres, 1F 470Kcs. SM tuned. Superhet Receiver, headphone outputs.

Complete (less batteries) in wooden cabinet with calibrated chart on hinged lid. Dim.: 14 1/2 x 10 x 9 1/2 in., finish grey.

Ask for No. P/H355 **£7.19.6** Each Carriage Paid
In Original Transit Case

AMMETER RANGE 0-20

2in. round clip mounting with ext. chunt, Res. .00375 ohms.

Ask for No. P/H892 **12/6** Each Post Paid

MILLIAMETER RANGE 0-5

2in. square drilled flange.

Ask for No. P/H337 **12/6** Each Post Paid

FREE TO AMBITIOUS ENGINEERS!

This 144-page Book



Have you sent for your copy?

'ENGINEERING OPPORTUNITIES'

is a highly informative guide to the best-paid Engineering posts. It tells you how you can quickly prepare at home on "NO PASS—NO FEE" terms for a recognised engineering qualification, outlines the widest range of modern Home-Study Courses in all branches of Engineering and explains the benefits of our Employment Dept. If you're earning less than £15 a week you cannot afford to miss reading this unique book. Send for your copy to-day—FREE.

--- FREE COUPON ---
Please send me your FREE 144-page "ENGINEERING OPPORTUNITIES"

NAME
ADDRESS

Subject or Exam that interests me
British Institute of Engineering Technology
409B, Shakespeare House,
17/19, Stratford Place, London, W.1

WHICH IS YOUR PET SUBJECT?

Mechanical Eng.
Electrical Eng.
Civil Engineering
Radio Engineering
Automobile Eng.
Aeronautical Eng.
Production Eng.
Building, Plastics,
Draftsmanship
Television, etc.

GET SOME LETTERS AFTER YOUR

NAME!
A.M.I.Mech.E.
A.M.I.C.E.
A.M.I.P.E.
A.M.I.M.I.
L.I.O.B.
A.F.R.Ae.S.
B.Sc.
A.M.Brit.I.R.E.
CITY & GUILDS
GEN. CERT.
OF EDUCATION
etc., etc.

BIET

G2AK This Month's Bargains G2AK

DEAF AID Crystal Microphone Units, 12/6 each.
SHORT WAVE Plug in Coils. 6 pin standard 2 ranges only. 3.9/1.8 M/cs. 21.4/33.3 M/cs., 2 for 3/-. Formers alone are listed at 6/- P. & P. 1/-
MIDGET SPEAKERS, W.B., 2 1/2 in., 18/6; Philips, 3in., 15/-; Goodmans, 5in., 16/-; Elac, 5in. and 6 1/2 in., 17/6. P. & P., 1/-
TEST PRODS. With leads and plugs. Red and black, 4/6 pair.
ELAC FOCUS UNITS, for triode and tetrode tubes. P.M. type; List, 30/-. Our price, 20/-, post free.
SPECIAL TRANSFORMER OFFER. Varley or Woden. 0-250 Tapped Primary. 350/350 80 mA. 4 v. 2.5 A.C.T. 4 v. 5 A.C.T., 17/6 each. P. & P., 1/6. Limited Quantity.
MORSE PRACTICE SETS, with double-action buzzer, output for 'phones excellent key; require only 4 1/2 v. battery. As new, 7/6. P. & P., 1/-
MIDGET OUTPUT TRANSFORMERS for personal portable, 3/6 each. Standard pen., 5/6. Mike trans. for M.C. mikes, 2/-; for carbon, 2/- each.
XTAL DIODES, 3/9 each. Germanium diodes, 4/6 each.
POTENTIOMETERS. Carbon, 25 k., 50 k., 100 k., and 1 and 2 meg. Spindle type, 1/6 each. 25 k. and 1 meg. slot type, 1/- each. Wire wound 20 k. spindle, 2/-; slot, 1/6; 50 k. slot type, 1/6.
SPECIAL OFFER. TV 1/2 Coaxial Cable, 1/- yd. or 10/6 doz. yds., plus 1/6 P. & P.
PUSH BACK WIRE, 12 yd. coils of 4 colours, 1/6. P. & P., 6d.
4 POLE, 4-way 3 bank switches, 2/6 ea.
SPECIAL VALVE OFFER. Kit of 4 midget 1.4 v. valves, 1 each 1S5, 1R5, 1T4, and 1S4, 35/- or 9/6 each, separately. 807s, 15/- each, 4 for 50/-
Please send 1 1/2 d. stamp for Comprehensive Valve Catalogue. Postage free on all orders over £1 except where specifically stated. **PLEASE PRINT YOUR NAME AND ADDRESS.**

C. H. YOUNG, G2AK

All callers: 110 Dale End, Birmingham, CEN. 1635.
Mail Orders: 102 Holloway Head, Birmingham, 1, MID. 3254.

(Continued from page 98.)

1,715-2,000 kc/s. If it does not, the 30 pF. trimmer must be adjusted until complete coverage is obtained. After the oscillators have been checked, we can now go on to setting up the tank circuit of V5. With both oscillators running at a frequency of, say, 1,800 kc/s, rotate the tank capacitor slowly until a pronounced current "dip" is shown on the milliammeter in the anode circuit. At a certain setting, a small "dip" will be observed, but this should be ignored as this "dip" is obtained at the second harmonic frequency. Each time the exciter frequency is altered, the tank capacitor must be tuned until the "dip" is obtained. If temperature-compensated condensers are not used, some frequency drift is likely to occur. Because of

this, about half an hour should be allowed for the frequency of the exciter to settle down, before being switched to the transmitter input. The exciter can be used as a low-power transmitter on "160" giving an output of 2 watts or so to the aerial. When used in conjunction with the main transmitter, the exciter should be coupled to it by a short length of 80 ohm co-axial cable. Frequency multiplication can, of course, be used in the later stages of the transmitter in order to cover the higher amateur frequencies. In conclusion, the author would like to state that the note obtained from this unit appeared to be very stable and should be of great value to the amateur living in a densely populated TV locality who wishes to work during TV hours.

25 years of Photo-electric Equipment

RADIOVISOR PARENT LTD., have recently celebrated their twenty-fifth year as designers and manufacturers of photo-electric equipment. They were the first company to develop industrial photo-cell applications in this country, and in 1927 patented the first really practical commercial light-sensitive cell. This offered very definite improvements over anything known at that time. It is interesting to recall that in those early days the thermionic valve was in its infancy and an indirectly-heated A.C. valve was not then commercially obtainable.

Naturally, there was reluctance on the part of engineers to adopt light-actuated control equipment, and they were not at all anxious to use thermionic valves because they were convinced that these were too fragile for engineering purposes. In contrast to this outlook, it is interesting to note how many valves are fitted into present-day aircraft: for instance, approximately 400 valves of various types are used in the modern bomber. Because of this earlier opposition, Radiovisor Parent Ltd. expended considerable effort and showed much ingenuity in developing sensitive relays that would operate directly from light-sensitive cells. These relays operated on current changes as small as 30 microamps, and some idea of the success obtained is gained from the fact that items of this earlier equipment are still in use to-day, having given continuous service for over 20 years. The first light-sensitive street lighting unit employed these relays, and considerable numbers were installed on lamp-posts all over the country.

To-day, thousands of street lamps are fitted with photo-electric lighting controls which switch on the lighting at dusk and off at dawn.

The company also produced the first industrial smoke-density indicator, the original unit being installed in 1930. Gradually power stations began fitting this valuable aid to combustion efficiency, and units which were installed in the early 1930's are still in use. Now, of course, the smoke indicator is regarded as a standard part of power-house equipment.

To-day there is hardly any industry that does not employ photo-electric equipment, and the reliability placed on this form of control gear is shown, for instance, by the countless number of oil-fired boilers which rely on photo-electric Flamestats for protection against flame failure.

Luton Airport Control Tower

THE decision to construct a new control tower at Luton Municipal Airport was an outcome of the necessity to keep abreast of air traffic control requirements which have resulted from the development of modern aircraft.

The control tower in use before the completion of the new building was found to be too small to give adequate protection and safe landing instructions to the aircraft making use of the airfield. It was also badly sited and did not allow sufficient coverage for landing and take-offs.

The new tower in its present location has a commanding view of the entire airfield and, even more important, gives a full view of the approach to all landing runs. It is four storeys high, has an overall height to roof level of 52ft. 6ins., the height of the control room above ground level being 42ft.

On the third floor is an equipment room where the main V.H.F. R/T equipment is housed. Also in this room is a standby battery plant which comes into operation automatically should there be any failure in the general main supply of power to the control tower.

In the control room, at the top, there is transmitting and receiving equipment for V.H.F. R/T, as well as a Marconi AD.200 V.H.F. D/F apparatus, together with telephones, crash alarms, wind speed and direction indicators, all of which equipment has been built into the Control Officer's desk which faces directly on to the airfield.

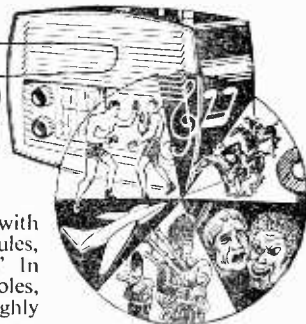
The building was designed in the Borough Engineer's Department of the Corporation. The control room window is arranged so as to eliminate any possibility of reflection when night flying equipment is in use. By spraying the ceiling of the control room with tinted Pyrok, day glare has been cut down and at the same time provides acoustic insulation.

The wireless aerials for the V.H.F. R/T communication and the equipment for the wind speed and direction indicators have been erected on the roof of the tower. Both services are erected on a steel mast, the aerial leads together with wind speed and direction cables passing through the centre of the mast into the duct provided on the control room floor and equipment room.

From the control room floor, exit doors are provided to each side of a balcony which extends round the entire control room. It is of concrete construction.

Programme Pointers

By MAURICE REEVE



A New Alphabet

THE late Bernard Shaw, amongst many bees kept in his bonnet, had one with a particularly vicious sting in it: a new alphabet, the sole object of which was to save time in reading and paper in writing it. So much so that he left the bulk of his considerable fortune to its launching and establishment, a day which, happily, still seems a long way off.

Shaw's error, it seems to me, was in thinking that these objectives could best be reached by shortening the lengths of most of our words (whilst himself never writing in his new alphabet, he abolished the personal use of the vowel "u" and always wrote "labor," "favor," etc.; a start, perhaps?), instead of by the much more direct and practical method of drastically pruning what we write, and cutting out all quite useless repetitions and verbiage which only clutters up the printed page and serves no useful purpose whatever.

What a golden chance the BBC has of doing this with the *spoken* word! How greatly our programmes could be jacked-up and given a much-needed added sparkle, individual items lengthened and time even found for extra ones. Weather forecasts repeated four and five times in twenty minutes. And fourteen of a fifteen-minute news bulletin repeated, three hours later, word for word. Also the reciting of endless names—cast, producer, adapter, director, arranger, conductor, etc., etc.—at the end of the shortest production, when a copy of the *Radio Times*, with it all in, rests on practically every radio set in the kingdom. All this undergrowth should be hacked out of our programmes with a billhook as ruthlessly as our fields and hedgerows are every autumn. If it were, we should hardly recognise our broadcast service, so much greater would be the freshness and spontaneity of everything that it put over.

I have raised this subject before, and most likely will again. I do not apologise for being repetitive or for committing a fault I deprecate in others.

Reith Lectures

The Reith Lectures are with us again, and the current series, "The World and the West," given by Arnold Toynbee, looks like coming in a good second to Bertrand Russell's memorable set. Prof. Toynbee's opening address, "Russia," was as brilliant an exposition of objective thinking as one could wish for. All the "undergrowth" of this vexing question was as mercilessly cut away as I have just suggested should be done with programmes generally; consequently we were shown the bare and unvarnished facts of the issue, as rare an experience as it was refreshing.

Plays

It was once more a pleasure to hear Leslie Perrins in two worth while parts, as Judge Bruck in "Hedda Gabler," and as a narrator in the very interesting

programme dealing with the McNaughton Rules, "Guilty but Insane." In both, very differing, roles, Mr. Perrins was highly successful. Ibsen's masterpiece is always an experience to be enjoyed.

In this case it was the personal choice of Constance Cummings in the "Curtain Up" series, and she sounded wholly delightful in the title role. Hugh Burdon, Elizabeth London and others contributed to the success of the evening.

"Hassan," "The Pelican," "The Liars," "Dolly Reforming Herself" (both these by Henry Arthur Jones), "The Barratts of Wimpole St.," and "The Wind of Heaven" were done in the excellent English Theatre 1900-1950 series. Of them all I preferred "Hassan" and the two Jones's comedies and thought them by far the most worth doing.

"Hassan" is a gorgeous verbal pageant which conjure up the sensuous and exciting Middle East for us in almost every line. How well I can remember Henry Ainley in the original production at His Majesty's. On the present occasion a long cast was headed by Arthur Young with Alan Wheatley, Leon Quartermain, Edmund Willard, Dorothy Primrose and Mary Wimbush in close attendance. Of all our great contribution, as a nation, to the stage in the last 50 years, Flecker's masterpiece would seem likely to be one of the first choice for a similar series 50 years hence.

H. A. Jones was a brilliant playwright, and his comedies are among the best constructed pieces in the repertory. But he wrote not for all time, but for a day; consequently, like his ladies and his sets, he is out of fashion. His peers wrote of the things that last. But if we moved back the clock—a process the great dramatists don't demand of us—and transported ourselves back to Jones's world. "The Liars" and "Dolly Reforming Herself" provided two delightful evenings.

"Rutherford and Son," by Githa Southerby, though not a great play, comes much nearer real life and the fundamental emotions. It is strong meat, of which Frank Pettingell and his fellow workers took full advantage.

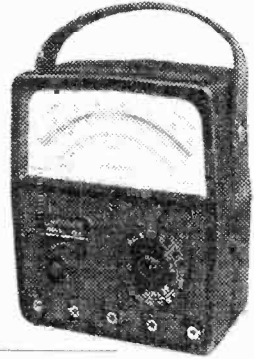
Wilfred Pickles

It doesn't seem to me that Wilfred Pickles' "May I come In" series can compare with "Have a Go" for spontaneous wit, warm and cosy atmosphere or general worth-whileness. Pickles was such a master at exploiting the opportunities the "Have a Go" audiences constantly offered him. All that side of his personality has had to be scrapped for the current shows, and a bare, bleak knock on a front door followed by a cold, though pleasant enough "Good Morning, I'm Wilfred Pickles," is no substitute for the roars of laughter that used to overflow from village halls into our own parlours.

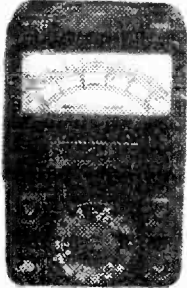
Examples from the new range of TAYLOR INSTRUMENTS

Model 71A Multirange Universal Meter

1,000 opv. A.C./D.C. Accuracy 2% F.S.D. (4% on A.C. Ranges). 5in. scale with knife-edged pointer, easy-to-read dial, instantaneous overload protection. Buzzer for continuity testing. Rugged black moulded case with carrying handle. (Leather carrying case with shoulder strap available as an extra.)
Ranges Volts A.C. and D.C., 0 to 3,000. **Milliamps**, A.C. and D.C., 0 to 1,500. **Amperes**, D.C., 0 to 15. **Resistance**, 1 ohm to 200 K/ohms in 2 ranges, with self-contained battery. Complete with leads, prod., etc.



List Price **£12. 10. 0** immediate delivery



Model 120A Taylor Junior

Multirange Universal Meter

1,000 ohms per volt A.C. and D.C. 2½in. scale with knife-edge pointer, instantaneous overload protection. Rugged black moulded case with separate battery compartment.
19 Ranges, A.C. and D.C., Volts 0-2,500.
Milliamps, D.C. and A.C., 0 to 500.
Resistance, 0-200,000 ohms in two Ranges. Complete with leads, prod., etc.

List Price **£9** Immediate delivery

★ Illustrated instruments are available on Hire Purchase

These instruments are available through your usual supplier. For full details of the complete range of Taylor instruments please write for our new 16-page catalogue.

TAYLOR ELECTRICAL INSTRUMENTS LIMITED

MONTROSE AVENUE, SLOUGH, BUCKS.

Telephone : SLOUGH 21381

FREE

THIS VALUABLE BOOK

which details the wide range of Engineering and Commercial courses of modern training offered by E.M.I. Institutes —

the only Postal College which is part of a world-wide Industrial Organisation.



Courses include training for :

City and Guilds Grouped Certificates in Telecommunications ; A.M. Brit. I.R.E. Examination, Radio Amateur's Licence, Radio & Television Servicing Certificates, General Radio and Television Courses, Radar, Sound Recording, etc. Also Courses in all other branches of Engineering.

EMI INSTITUTES
 associated with
 MARCONIPHONE H.M.V.
 COLUMBIA & (His Master's Voice)

NEW !
 HOME
 EXPERIMENTAL
 KITS NOW
 AVAILABLE

POST NOW

Please send, without obligation, the FREE book.

E.M.I. Institutes, Dept. 32K
 43 Grove Park Road, Chiswick, London, W.4

Name

Address

ICIOEK

SAMSONS

PAINTON ATTENUATORS.—5,000 ohms in 75 ohm steps. 1in. spindle. 10/6. P.P. 1/-.

DESYNN TRIMMERS.—No. 167, with Desynn potentiometer. 10/6. P.P. 1/-.

4in. V.V. POT.—2,000 ohm each half. 15/-. P.P. 1/6.

U.S. ARMY INTERPHONE AMPLIFIERS.—BC-347C, complete with 6P8G valve. 15/-. P.P. 1/-.

MINIATURE ALKALINE CELLS.—204 volts. 8-10 A.H., size to top of terminals. 4in. x 1 1/2in. x 3in., 7/6. P.P. 1/-.

2.4 volts. 18-20 A.H., size 6in. x 4 1/2in. x 3 1/2in., 17/6. P.P. 1/6.

HEAVY DUTY TRANSFORMERS.—Prim. 200/230, Sec. 10 volts 15 amps. 32/6. P.P. 2/6. Prim. 200/240 volts. Sec. 6.3 volts 15 amps. 25/-. P.P. 2/-. Prim. 230 volts, sec. 12 volts 10 amps. 22/6. P.P. 2/6.

6 MID. 1,500 VOLTS WKG. CONDENSERS.—Size 5 1/2in. x 4 1/2in. x 3 1/2in., 5/6. P.P. 1/6. 2.25 mid. 2,000 volts wkg., size 6in. x 5in. x 3 1/2in., 7/6. P.P. 1/6. 4 mid. 800 volts wkg., 163 P., size 5 1/2in. x 3in. x 2 1/2in., 5/6. P.P. 1/-.

8 mid. 400 volts wkg., size 5 1/2in. x 3in. x 1 1/2in., 6/-. P.P. 1/6.

MINIATURE LIGHTWEIGHT 4 VOLT REVERSIBLE MOTORS.—Ideal for models. Size 1 1/2in. x 1 1/2in. x 7/8. P.P. 10d.

344A. AMERICAN SURPLUS TELESCOPIC STEEL AERIAL MASTS.—Length closed, 6ft. 6in. Dia. of first section 1 1/2in., top section 1in., complete with base guys, insulated assembly and metal pegs. £6 10/0. Carr. 7/6.

169/171 Edgware Road

London, W.2. Tel. PAD. 7851
125 Tottenham Court Road, W.1.
Tel. EUS. 4982

All orders and enquiries to our Edgware Road branch, please. Open all day Saturday at the Edgware Road Branch.

RUNLIMITED

1953 RADIOGRAM CHASSIS

- * 5-valve Superhet
 - * World Coverage
 - * 10in. P.M. Speaker
- 12 GNS.
- Carriage and Insurance, 5/-.

ONE VALVE RECEIVER

Complete kit of parts, including Valve, Battery, Diagram 19/6 post free and Data.

"TYANA" 40 watt 16/9
Soldering Iron.

25L6, 35L6,	VALVES	6V6, 6K6,
12K7, 12K8,	AT 8/9 EACH	6F6, 5Z4,
EY51, EF80,		1C5, 6C5,
EF91, EB91, 1T4, 1S4, 1S5, 4D5, 6X5, 6U5,		
7S7, CL33, 5U4, 5U5, EL32, W21,		

"Further Bargains under Classified."

ELM RD., LONDON, E.17. (Key 4813)

Television, Radio, Record CABINETS MADE TO ORDER

ANY SIZE OR FINISH
CALL OR SEND DRAWINGS FOR QUOTATION

B. KOSKIE

72-76 Leather Lane,
Holborn, E.C.1
Phone: HOLborn 4777



The "Fluxite Quins" at Work

"What's this concoction up here?
Someone's gone haywire I fear."

Yelled O! "It's all right,
Thanks to me and FLUXITE,
Our set will be three times as clear!"

See that **FLUXITE SOLDERING PASTE** is always by you—in the house—garage—workshop—wherever speedy soldering is needed. Used for over 40 years in Government works and by leading engineers and manufacturers. Of all ironmongers—in tins, from 1/- upwards.

FLUXITE

SOLDERING PASTE

A staunch Companion to Fluxite Soldering Fluid.

SIMPLIFIES ALL SOLDERING

Write for Book on the Art of "SOFT" Soldering and for leaflets on CASE-HARDENING STEEL and TEMPERING TOOLS with FLUXITE. Price 14d. each.

FLUXITE Ltd.,
Bermondsey Street, London, S.E.1.

Quixo RADIO Cell Tester

Accurately tests High, Low and Grid Bias Batteries. Write for leaflet 29 M.



RUNBAKEN MANCHESTER

A REALLY SMALL RADIO RECEIVER

This radio receiver is only half the size of a matchbox but gives loud, clear reception of the BBC Home, Light, and Third Programmes on the medium waveband, about 180-550 metres. No catwhiskers, crystals, or batteries are required, and the set works off a short indoor aerial in many districts. By the addition of a small, simple, and cheap loading coil the set can be made to tune the Light Programme on 1,500 metres.

PRICE **9/-** POST FREE

SWIFT RADIO (W)
137, COTHAM BROW, BRISTOL, 6
Orders by Post Only.

VALVES.—6J6, 6SN7GT, 6K8G, 6K8GT, 6BW6, 6BE6, 6BA6, 6Q7C, 6A6, 12BE6, 12BA6, 9/6. EF92 (W77, 9D6), 6VE6, 6V6GT, 5Y3GT, 717A, VU594, CV37, 6U5G (Magic Eye), 6AM6 (8D), EF91, Z77, 6P12D, AR112, 6AT5, 6N7GT, 8012, 9/-, 1T4, 1S5, 3V4, 3A4, 1U5, 4BB, 7/6, 6A15 (EB91), D77, 6D2, DD6, PEN46, 6K7G, 6K7GT, 12SL7GT, 12J5GT, 12SH7, 1A5GT, 6/6. VGT128, 1299A, VT501, 1625, VR137, 5/6. VR65, 7192, 4/-, VR69 (EA60), 2/6. VR51, 3/-, 6SL7GT, 6L6, 10/6, 5Z45, 11/6, 7E4, 20/-, 40 10/6, 25Z4, 11/-, 6D5, 12/6, 807, 10/-, OC3-9V6, 9/6, 7R7, 13/6.

VALVE HOLDERS.—Mazda Octal, 2/6 for 8, EF39 ceramic, 2/6 for 8, B7C Amphenol, 5/- for 6, British 4-pin Ceramic, 1/- for 2, BEA Amphenol, 5/- for 4, VCR97 base, 2/6 each.

MAINS DROPPER.—717 ohms, tapped at 100 ohms, 2 amp. 2/-.

GALVANOMETERS.—Mirror type, P.M. field, 30 microamps, per standard scale, 20 degree sweep. Very robust job. £5 each.

RECTIFIERS.—Westinghouse, metal. Full wave. A.C. volts 11. D.C. volts 6. D.C. amps. 1. Brand new. Ideal for battery chargers. 10/6.

DUAL COIL SET.—TRF No. C-380. Low range, 201 to 393 Kc., high range, 4,150 to 7,700 Kc. Brand new, 7/6. 1,600 Kc. I.P.s. High Q. Air spaced trimmers, 6/6 each, 11/6 pair.

SIGNAL GENERATOR, TYPE 22.—Com. packed with 6v. Vibrator Pack, black metal carrying case. Easily converted to 465 Kc/s, 45 megcs., etc. Only 35/- carriage paid.

ADMIRALTY S.M. DIALS. White ivorine dial. 100:1 ratio, 3 1/2in. diameter, 7/6.

POTS.—100K. 1in. spindle, 3 1/2in. diameter, totally screened with brass cover. Linear. Brand new. 5/- each.

J. B. SERVICE (Bexleyheath) LTD.

5 MAYPLACE ROAD WEST,
BEXLEYHEATH, KENT.

TELEVISION

The advance of Radio Technique will offer unlimited opportunities of high pay and secure posts for those Radio Engineers who have had the foresight to become technically qualified. How you can do this quickly and easily in your spare time is fully explained in our unique handbook.

Full details are given of A.M.Brit.I.R.E. City & Guilds Exams., and particulars of up-to-date courses in Wireless Engineering, Radio Servicing, Short Waves, Television, Mathematics, etc., etc. We guarantee "NO PASS—NO FEE". Prepare for to-morrow's opportunities and future competition by sending for this very informative 144-page guide NOW—FREE and without obligation.

BRITISH INSTITUTE OF ENGINEERING TECHNOLOGY
(Dept. 242),
17, Stratford Place, London, W.1.

H.A.C. SHORT WAVE EQUIPMENT

Noted for over 18 years for...
S.W. Receivers and Kits of Quality.

Improved designs with Denco coils:
One-Valve Kit, Model "C" Price, 25/-
Two " " " " " " " " 50/-

All kits complete with all components, accessories, and full instructions. Before ordering call and inspect a demonstration receiver, or send stamped, addressed envelope for descriptive catalogue.

"H.A.C." SHORT-WAVE PRODUCTS
(Dept. TH), 11, Old Bond Street,
London, W.1.

OPEN

TO DISCUSSION

The Editor does not necessarily agree with the opinions expressed by his correspondents. All letters must be accompanied by the name and address of the sender (not necessarily for publication).

Mini-Four Results

SIR.—Having built several portable wireless sets over the last few years, it was with great interest I read the article in your journal showing the construction of the "Mini-Four." I have since built this portable, with excellent results, and have added the following refinements which may be of interest. I must add, in passing, that these ideas in no way change the wiring or layout of the chassis.

The set was turned through 90 deg. and a small hole (3/16 in. dia.) drilled, level with the hole in the front metal panel, through the wooden case, 1/2 in. to the right of the station selector knob. This is plugged with a small rubber moulding, such as can be found in the neck of most small scent bottles.

This can hardly be seen against the leather of the case, and is very useful for tuning the coils when the set is built up.

I have found it is difficult to tune the set correctly in the chassis form, as the case can alter the tone quite a lot. Secondly, I have incorporated a small extension aerial in the case. For this I use a 3 ft. metal flexible rule. The metal case is tinned with solder, and a small length of insulated wire attached. This case is insulated by dropping into a small case (a "Ronson" lighter fabric case is ideal) with a small slit for the rule to protrude. This assembly can just be fitted in between the O/P transformer, case and below the battery. A small slot cut in the wooden case to take the rule is now cut and the rule pushed through. A small metal strip can be made to neaten up the case. The wire is now attached to the aerial contact on the coil unit (green). The set is now fitted with an aerial, which can be extended to a full 2 ft. 6 ins. without whip, or shut right down if not needed. This saves having to carry lengths of wire around with the set, and has proved very effective in use.

A little emery and elbow grease applied to the rule will soon remove the figures if desired. I have also a small frame aerial built into the back panel.

I do hope these small suggestions will be of interest as they have proved their worth. I look forward to building your "attaché-case portable" in the January issue, so please extend my thanks to your excellent staff for an interesting design and article. —J. M. ESCOTT (E.5).

Correspondent Wanted

SIR.—I am a regular reader of PRACTICAL WIRELESS and I would like to get in touch with a fellow reader who possesses an ex-W.D. test set No. 18.

—JOHN R. EVANS, "Tana," 92, Albert Road, Dalmuir, nr. Glasgow.

Audio Problems

SIR.—I feel the writer of "The Audio Problem" in January issue is somewhat off the rails in his references to high-quality amplifiers. One of the most troublesome forms of distortion from the discerning listener's point of view is that of the harmonic variety which manifests itself as a buzz or chatter sounding almost as if the joint between speech coil and cone is faulty. Invariably the better the speaker the more pronounced the distortion with any given receiver. This type of distortion is negligible with amplifiers of the Williamson type, and

Whilst we are always pleased to assist readers with their technical difficulties, we regret that we are unable to supply diagrams or provide instructions for modifying surplus equipment. We cannot supply alternative details for constructional articles which appear in these pages. WE CANNOT UNDERTAKE TO ANSWER QUERIES OVER THE TELEPHONE. If a postal reply is required a stamped and addressed envelope must be enclosed with the coupon from page iii of cover.

the addition of tone control circuits in front of the main amplifier enables it to be used under low volume conditions and still satisfy the aesthetic demands of the most critical listener as regards reproduction at the extreme ends of the audio frequency spectrum.

To suggest, however, that an improvement in reproduction may be obtained by removing the furniture, which may be correct in relation to the losses suffered by frequency absorption, is ridiculous when applied to harmonic distortion.

The distortion content of the Williamson amplifier is actually less when working below maximum output. —E. D. BROCK (Birmingham).

Bad Trading

SIR.—A friend of mine recently bought a four-valve battery set from a well-known radio shop. Some time later it developed a fault and, on returning it to the shop, he was told that all four valves had gone and that the cost of replacement would be £4 15s. Naturally, he did not wish to pay this large amount and, knowing I was an amateur, he brought the radio to me.

When I examined it I found that only one valve had gone—total cost eleven shillings. He now has the set back in working order.

Cannot this sort of thing be stopped? It's bad enough with increased prices without being cheated at every corner. —NIGEL RUSH (Thetford).

TV Harmonic?

SIR.—I have a U.S.N. receiver type CRV46156 and discovered that on the 14.3-23 Mc/s waveband, with the tuning condenser at the halfway setting, I get TV reception.

After a few calculations I found the frequency to

be 18.65 Mc/s—this is no harmonic of any TV transmissions.

I am wondering if any readers of your grand magazine have any theories about this.

If so I should be glad to hear from them.—J. LAW (Gillingham).

Fair Play for the Customer

SIR,—Immense opportunities now exist for radio service technicians; with the ever-increasing cost in new receivers, coupled with price increases in almost every field, the average listener now realises that his old receiver when repaired by a reliable dealer will assure him of many years' pleasurable listening.

Much vicious propaganda has been circulated (both during and after the war) about the radio repair trade, to the effect that customers are being "taken for a ride."

Whilst it must be admitted that the radio man is in business first and foremost to make money, we all know that once a man or firm gets a reputation of finding that every set passing through the test bench requires new valves and a complete overhaul at a high price—the word does get around and a bad reputation certainly sticks!

Golden rules exist for success in servicing, whether it be on a large or small scale.

1. A sound radio knowledge, preferably obtained by the appropriate course of study to City and Guilds Final Radio Certificate. 2. A good knowledge of metal work and workshop practice. 3. Intelligent work. 4. A sense of fair play and honesty and, above all, a clean appearance. This goes a long way to help matters and give a good impression of the business.

Should a set be brought in with, say, one valve completely u/s and a further valve past its best, but still working, you should "sell" the second valve to your client, tell him what was wrong and let him hear the set with and without the second valve, advising him that it would be desirable to effect the complete repair. In most cases he will take the set as it is, with the new valve, rather than suffer further inconvenience at a later date, by which time the cost of the second valve may have increased!

There is one thing that sounds sweet to a customer's ear—namely, his own name—even if it is a year or more since he last entered your shop—it's another key to success as people like to do business where they feel their custom is appreciated—above all be sincere.

Honesty and friendliness above even technical knowledge will be your passport to success, you will find that work becomes more pleasant—you will have a bigger concern and a host of satisfied customers.—A. E. COLEMAN (Edinburgh).

Electronic Organ Modification

SIR,—I must thank you for such an interesting article, the PRACTICAL WIRELESS Electronic Organ.

In my opinion I don't think anyone has noticed the most obvious way of extending the keyboard. This is my idea.

Taking the organ as it is with the octave switch in the central position (tenor) we use C5 and C6; when it is switched to bass resistances A to L will now be playing an octave lower through C7 and C8 and, again, when switched to soprano resistances M to X will be an octave higher through C4.

It should now be possible to connect the actual two-octave keyboard (Ra to Rx) permanently to C5 and C6, add another octave (Ra to Rl) to C7 and C8 and Rm to Rx to C4.

That, if I am not mistaken, should produce a four-octave keyboard without the need of the octave switch.

To tune I would start with the soprano octave, then the tenor, and finally the bass, dealing with each section separately but in the manner you give for the original keyboard.—J. E. McGRORY (Aberdeen).

A Comprehensive Signal Tracer

(Continued from page 85.)

should be screened one from the other. The instrument was built to fit into a cabinet measuring 10in. x 7in. x 5in. internally, and the layout, as will be seen from the photographs, is somewhat cramped, and necessitates the use of miniature valves for V1 and V2. With more space at the disposal of the constructor, V1 and V2 could be respectively EF39 or 6K7 and EF50 or 6AC7. The use of a high gm pentode is, in any case, recommended for V2 to permit the gain to be maintained up to higher frequencies.

The general appearance of the finished instrument may be judged from the illustrations. The input test lead is of coaxial cable, and may terminate either in crocodile clips, or in a suitable test prod.

In place of the thermovoltmeter described, it is possible to fit a low-sensitivity moving-iron voltmeter having a full-scale reading of anything from 50 to 100 volts. The resistance of such an instrument will generally be suitably low enough to load the output stage without the addition of any other loading resistor, and the meter may thus be connected in exactly the same manner as the thermal meter specified.

The other alternative is the fitting of a moving-coil milliammeter and rectifier. The best method in this case is to construct the meter, using a suitable series resistor and rectifier, to make an A.C. voltmeter reading about 75 volts full scale, and then shunt this meter with a resistor of such a value that the combined resistance of meter and resistor is equal to the optimum load of the output valve. The method of connection is shown in Fig. 2.

Editorial and Advertisement Offices:

"Practical Wireless," George Newnes, Ltd., Tower House, Southampton Street, Strand, W.C.2. Phone: Temple Bar 4363.
Telegrams: Newnes, Rand, London.

Registered at the G.P.O. for transmission by Canadian Magazine Post.

The Editor will be pleased to consider articles of a practical nature suitable for publication in "Practical Wireless." Such articles should be written on one side of the paper only, and should contain the name and address of the sender. Whilst the Editor does not hold himself responsible for manuscripts, every effort will be made to return them if a stamped and addressed envelope is enclosed. All correspondence intended for the Editor should be addressed: The Editor, "Practical Wireless," George Newnes, Ltd., Tower House, Southampton Street, Strand, W.C.2. Owing to the rapid progress in the design of wireless apparatus and to our efforts to keep our readers in touch with the latest developments, we give no warranty that apparatus described in our columns is not the subject of letters patent. Copyright in all drawings, photographs and articles published in "Practical Wireless" is specifically reserved throughout the countries signatory to the Berne Convention and the U.S.A. Reproductions or imitations of any of these are therefore expressly forbidden. "Practical Wireless" incorporates "Amateur Wireless."

£7-19-6

for a first-class **COMMUNICATIONS RECEIVER**. This is the famous ex-R.A.F. type R.1155, which is justly known as being a really top-top set. Covers 5 wave ranges, 15-75 mcs., 75-200 mcs., 1,500-900 kcs., 500-200 kcs., 200-75 kcs., and is easily and simply adapted for normal mains use. Full details being supplied. These receivers have had some use, but are in very good condition, and are all aerial tested and guaranteed in working order before despatch. Also available:

BRAND NEW IN MAKERS' CASES & AERIAL TESTED £11-19-6 USED, GOOD CONDITION, UNTESTED £6-19-6

FACTORY MADE POWER PACK OUTPUT STAGE & SPEAKER, which operates the receiver immediately. **£5-10-0**

Carriage costs of 10s for Receivers, 5s for Power Pack, extra please. **SPECIAL REDUCTION OF 10-1F POWER PACK & RECEIVER ARE PURCHASED**. Where used receivers are purchased, they may be exchanged for new ones within 14 days; you only pay the extra and carriage.

CLASS D WAVE-METER—A further supply of these superb instruments which conform to G.P.O. requirements. Covers 1.9-8.0 mcs. (direct reading without charts), and are supplied with 100,1,000 kcs. dual crystal, 1 valve ECH35, and 1 6v. vibrator. Designed for use on 6v. D.C., but is easily modified for A.C. operation, full details being supplied. A suitable transformer is available for only 7/6 extra. **BRAND NEW IN MAKERS' TRANSIT CASES, ONLY £5-19-6** (carriage, etc., 5/6).

6-VOLT VIBRATOR UNIT—Made by the National Co. of America for their HRO Communications Receivers, supplying 165 volts at 85 milliamps smoothed D.C. Complete with vibrator and 6 x 5 rectifier in black crackle cabinet, size 7in. x 7 1/2in. x 6in. **BRAND NEW IN MAKERS' CARPONS** with full operating instructions, **ONLY 52/6**.

P.M. SPEAKERS (With Transformer).—6 1/2in. Goodmans, 15/- 8in. Goodmans, 17/6.

P.M. SPEAKERS (Less Transformer).—5in. Rola, 16/6. 8in. Plessey, 14/6. 10in. Rola, 27/6. (Postage 1/6 per speaker.)

PENTODE OUTPUT TRANSFORMER.—Goodmans, 5/-.

CHOKES.—10H, 80 ma., 3/9. 20H, 100 ma., 12/6. 5H, 200ma., 6/- (Postage 1/- per choke.)

TRANSFORMERS.—Manufactured to our specification, and fully guaranteed. Normal Primaries. 425v.-0-425v. 200ma., 6.3v. 6a., 6.3v. 6a., 5v. 2a. 0-4-6.3v. 2a. ONLY 72/6. 425v.-0-425v. 200ma., 6.3v. 2a. 6.3v. 4a., 5v. 2a. ONLY 50/- 350v.-0-350v. 100ma., 6.3v. 6a., 6.3v. 3a., 5v. 3a. ONLY 42/6. 250v.-0-250v. 100ma., 6.3v. 6a., 5v. 2a. ONLY 32/6. The above are fully shrouded, upright mounting. Universal Mounting 250v.-0-350v. 80ma. 0-4-4.3v. 4a. 0-4-5v. 2a. ONLY 18/6. 250-0-250v. 80ma., 0-4-6.3v. 4a., 0-4-5v. 2a. ONLY 18/6. The following are upright mounting. EHT for VCR67 Tube, 2,500v. 5ma. 2v.-0-2v. 1a., 3v.-0-2v. 2a. ONLY 3/6. EHT 5,500v. 5ma. 2v. 1a., 2v. 1a. ONLY 72/6. EHT 7,000v. 5ma., 4v. 1a. ONLY 82/6.

PLEASE ADD 1/6 PER TRANSFORMER POSTAGE.

TRANSFORMER for a variety of use, giving outputs of 3v., 4v., 5v., 6v., 8v., 9v., 10v., 12v., 15v., 18v., 20v., 24v., 30v., at 2 amps., from normal mains input. ONLY 17/6 (postage 1/-).

TRANSFORMERS—Ex W.D. and Admiralty built to more than 50% safety factor, with normal A.C. Mains Primaries. All Brand New and Unused. 300v.-0-300v. 200ma., 5v. 3a., 6.3v. 5a. C.T., 20v. 750ma., 70v. 100ma. Weight 12 lb. ONLY 42/6 (postage 1/-). 250v.-0-300v. 100ma., 4v. 3a. Weight 7 lb. ONLY 22/6 (post. 1/6).

MINIATURE SWITCHES



for
constructors
and
engineers

by

ARROW

ARROW offer you a special range of miniature switches at competitive prices. Look in your local dealer's window for the Arrow Display Box showing 10 different types or ask him to get you full particulars of the switch you want. Insist on ARROW switches and get the best results.

ARROW ELECTRIC SWITCHES LTD. HANGER LANE - EALING - W.5

PLEASE READ THIS

Such have been the advances made recently in the design of high-fidelity equipment—amplifiers, multi-speed motors, tape-recorders, loudspeakers, speaker cabinets, tape-recorders, etc.—coupled with the recent revolution in disc-record manufacture (Long Playing), that music lovers who are anxious to go in for Quality Reproduction or to modernise existing equipment may feel uncertain which of the various makes and models will best suit their needs and existing equipment—and pocket.

WE OFFER TO ALL those thus placed the benefit, free of charge, of EXPERT TECHNICAL ADVICE on the equipment most suited to their needs. Our Chief Engineer is available to callers from 11 a.m. to 5.30 p.m. daily, including Saturdays. IT WILL PAY YOU, from every point of view, to consult us before spending good money on the above items. If you cannot call, please send 2/6 for CATALOGUE (and advice if required). We quote a few of our standard lines as follows:

N.R.S. "SYMPHONY" AMPLIFIERS fitted with the patent "three-channel system" giving independent control of Bass, Middle and Top, thus affording the maximum possible control of tone and compensation for recording deficiencies. Especially essential when mixing the playing of old and new 78s with the new L.P. records. Scratch control and negative-feedback also incorporated. Wooden transformers. 5-watt model only 10 gns. 10-watt model (push-pull triodes), 15 gns. Carr. 5/- State output impedance required.

MAGNETIC TAPE RECORDERS. We are now pleased to announce that after extensive research, our new, high-fidelity "Symphony" Portable Tape Recorder is in production and delivery is ex-stock, £43, details 2/6.

AC/DC QUALITY AMPLIFIER for domestic or P.A. use. An extremely fine quality 8 watt push-pull Amplifier. Inputs for Radio/Gram/Mike, employs 6 valves, volume and tone controls. Housed in attractive dove-grey steel case for earthing and perfect safety. Brand new and fully guaranteed. Our special offer 15 gns. (List 24 gns.). Ins. carriage 5/-.

BASS REFLEX CABINET KITS, 30in' high, consist of fully cut, 3/4in. thick, non-resonant patent manufactured acoustic board, deflector-plate, felt, all screws, etc., and full instructions. 8in. speaker model, 15in. wide x 12in. deep, 85/-; 10in. speaker model 16in. wide x 13 1/2in. deep, 97/6; 12in. speaker model 17 1/2in. wide x 16in. deep, 107/6. Carr. 7/6. Ready built, 7/6 extra.

DECCA 3-SPEED GRAM UNIT. Latest model incorporating selected motor and turntable cushion-mounted on brown crank unit plate with XMS pick-up arm to take latest type 3-pin plug-in pickup heads. Unit supplied with springs for floating metal plate on wooden motorboard. Our special offer; complete with two Decca XMS Heads £13/10/-, or with Acos GP 19 and GP 19LP £11/15/-.

MICROGRAM CABINETS, ex-manufacturer, brown rexine, carrying handle, room for 3- to 4-watt amplifier, gram unit and fitted baffle for 6 1/2in. speaker, attractive cream speaker grille at front. While they last, 60/-, plus carriage 3/6.

COMPLETE RECORD PLAYERS single-record and autchange. Send for catalogue giving details of our nine different models including all popular combinations of pickup motor and cabinet.

NORTHERN RADIO SERVICES

16, Kings College Road, London, N.W.3

Phone: PR1mrose 8314

Tubes: Swiss Cottage and Chalk Farm.

CITY & RURAL

Immediate delivery from stock.

"VIEWMASTER"

SPECIFIED COMPONENTS

SEND FOR STAGE 1 NOW—price £3.23 post free.

Complete Kits, Stage-by-Stage and Single Components Supplied. "VIEWMASTER" ENVELOPES, 7/6.

COMPLETE SET OF GUARANTEED VALVES FOR "VIEWMASTER" £6-15-0

- Television Explained, by W. E. Miller, 5/-
- 6in. CRT Magnifier Lens, 22/6
- Belling 79-ohm Twin Feeder, 7/6, var.
- Electrolytics, Tubular, 8 mfd. 500v., 2/3; 32-32 mfd. 275v., 3/6.
- Multi-Ratio O.P. Transformers, 5 1/2l.
- Speakers P.M., 3in., 13/6; 5in., 14/6; 6in., 16/6; 8in., 19/6.
- 6V6GT, 10/6. VR91, 8/6. 5Z4G, 10/6.
- Heater Transformers, 6.3v. 1.5A., 7/6. 2.5 Kv. Transformer, 45/-.
- Smoothing Chokes, 10H 100 mA., 8/3; 15H 65 mA., 5/11.

Extensive Stocks New & Surplus Components & Valves

For Attention—Advice—Service write

CITY & RURAL RADIO

101, HIGH STREET, SWANSEA, GLAM.

Telephone: Swansea 4677

U.E.I. CORPORATION

THE RADIO CORNER

138 Gray's Inn Road, London, W.C.1 (Phone TERMINUS 7937)

Cash with order, please, and print name and address clearly.

Open until 1 p.m. Saturdays, we are 2 mins. from High Holborn (Chancery Lane Station), 5 mins. by bus from King's Cross.

Best Buy at Britain's

Miniature Mains Trans.—Standard primary. 230-0-230 volts 50 mA. 5.3 volts 2.6 Amps. Size 2 1/4 in. x 2 1/4 in. x 3/4 in. Price 10 s. plus 1 post. Brand new and boxed.

Standard Mains Trans.—Standard tapped primary. Secondary 375-0-325 volts 70 mA., 6.3 volts 2.5 amps, 5 volts 2 Amps. Half shrouded, drop thru. Size 4 in. x 3 1/2 in. Brand new. 12.6 plus 1.6 post.

R.I.I.T. Trans. for VCR47. etc. 230 volts 50 cycles. Output 2,500 volts 5 mA., 4 volts 2 amps. 2-0-2 volts 2 amps. Price 35 s. plus 1 post.

0-1 Milliamp. Meter.—2 1/4 in. dia. flange mounting. Brand new in original boxes. price 22.6.

0-20 Volts Meter.—2 in. square, panel mounting. Brand new, boxed, 7.6, plus 1 post.

G.E.C. "Microscope."—A few still available, new boxed, at £9 19.6, plus 1.6 carriage. Details—send S.A.E.

R1155 Receiver.—Brand new at £11/19.6, plus 10.6 carriage. Soiled R1155's at £7 19.6, plus 10.6 carriage. Full details for 1.3 post free.

R1155 Power Pack and output stage for this set, complete with all valves and leads, etc. Price £4 10.0, plus 3.6 carriage.

R1132 Receiver.—Covers 100-121 Mc-s. Brand new and complete with all valves, meter, etc. Easily converted to other frequencies. Price 79.6, plus 10.6 carriage.

RF50 Red Sylvania.—Brand new at 8.6 each. British types at 5 each. Post 6d. extra.

TV. Pre-amp.—Uses 2 EF50's and tunes to 15 Mc-s. Easily altered to other stations. Price 19.6 with valves. Less valves 10 s. Post 1 s. extra.

Hundreds of bargains in stock for calling.



CHARLES BRITAIN (RADIO) LTD.

11, Upper Saint Martin's Lane, London, W.C.2. TEM 0545

Shop hours: 9-6 p.m. (9-1 p.m. Thursday).
OPEN ALL DAY SATURDAY

DUAL-WAVE COIL

for MODERN ONE- AND TWO-VALVER SUMMER ALL-DRY PORTABLE, ETC.
4/3. Post and packing, 3d., Circuits, 3d.
K TYPE COILS FOR A.C. BAND PASS 3, 3/3d. each.

T. G. HOWELL,
29, McWilliam Road, Brighton, 7

"AUTOMAT" CHARGER KITS
This shows the No. 1 kit assembled into its case. Built in one hour, it is simple, foolproof and trouble-free. All new material with full guarantee. Generous size components. No. 1 kit 6/12s. 2 amp. metal rectifier, 45 watt transformer ballast bulb for 2v. 4v., 12v. charge, 38.81, post 1.8d., or with handsome steel case, 52/- plus postage 2/.

1410 bulb 3 amp. post and 55 watt. trans. 48/- or with case 58/8d., postage 2/.

Millimeter Kit, trans. 1.5v. 30 ma. h.t. post, 2v. h.t. trickle rect., 2 x 10 mfd. condensers, case, screws, grommets for 12v. 2000 mA. eliminator with trickle charge, 42/-, postage 1.4d., or less case 35/- postage 1.4d.

CHAMPION PRODUCTS,
43, Uplands Way, London, N.21.
Phone: LAB 4457.

MORSE CODE Training

Send for the **Candler BOOK OF FACTS**
It gives details of all Courses which include a Special one for securing Amateur Licence.
CANDLER SYSTEM CO. Dept. 5LO
52b, Abingdon Road, London, W.8.
Candler System Co., Denver, Colorado, U.S.A.

ALEC Davis SUPPLIES Ltd

DEPT. P.W.
18 TOTTENHAM CT. RD.
LONDON, W.1.
MUSEUM 4539/2453

Ronette Microphones. The latest Ronette XTAL mike R110 Freq. 30-7,500 cps. Only 52/-.

A.D.S. Hi. FIDELITY AMPLIFIER. This is our latest gramophone amplifier which you MUST hear. P.P. 6V5 output. Freq. 25 - 18,000 cps. — 140 db — 60db at 64 watts. Treble boost and cut. Bass boost — L.P. correction. Provision for Feeder Unit. Max. U.N.I.B.S. POWER OUTPUT 51 watts. Price 162 s., plus 7/6.

NOW AVAILABLE. Kit of Parts, complete with fully illustrated instructions, 13 gns. plus 2s. carriage.

SPECIAL — HIGH QUALITY 41-watt AMPLIFIERS. Separate treble and bass lit. In black crackled case. £9 17/6, plus 3/-.

GRAMOPHONE EQUIPMENT. B.S.R., 334 — 78 RPM Motor Unit, 78/7, plus 1/6. B.S.R., 5amped Motor unit, £8 5/6, plus 1/6.

DECCA XMS P.P. £7, plus 1/6. Coniferoid STD P.P.P. £4 11/8, plus 1/6. 8 light weight, one head, £8 9/-, 1P Head, 71 8. Trans., 15/-.

Files P.P.P. £4/8 2/6. Trans., 25/-.

SPECIAL OFFER — CHANCERY XTAL P.U.P. complete with L.P. and 78 inserts. 53/0, plus postage.

GARRARD HEADS.—HIFI. 50 11. Minutars. 54/4. Standard. 28/6, plus 1/- post. Adaptors Type A, £ 3. B, 6/2. C, 4/6, plus 1/- post.

NEW ACOS GP30 Turnover Crystal. £3 11.5 plus 2/-.

Garrard AOS Steel Cut. £2.5

NEW GARRARD 3-SPEED AUTO R075A Turn-over Head. Crystal or magnet. £18 14.0, plus 3/- post.

NEW RELEASE. Garrard R075A A.C./D.C. 3-speed auto units. £27/8, plus 3/-.

METAL RECTIFIERS. R.M.2 125 v. 110 mA. 5/9. R.M.1 125 v. 60 mA. 5/6, plus 1/- Type 200 STD. 280 v. 80 mA. 10/-

DEMO "C" T.R.F. COILS. Medium and Long wave. 8/- pair, plus 1/6.

BRANDENBURG E.H.T. UNIT.—6.0 kV., 6.8ms. Coil only 39 s. Coil with 122 Rectifier, 69.6.

10 15 K.V. COILS. 55/-

QUALTAP NEW PRINCIPLE 2-SPEED RECORDER now available. 18 s., plus 2/6.

MOTEX 3 MOTOR TAPE DECK. High impedance heads. A first-grade instrument. 15 gns., plus 3/6.

MOTEX RECORD AND ERASE HEADS. 39/6, each, plus 1/6.

MOTEX OSC. COILS. 8.6.

COLLARO TAPE DECK MOTORS. Left- and right-hand drive. 38.6 each, plus 1/6.

SCOTCH BOY. EM11411 Tape, 35 s., plus 6d.

REXINE PLAYER CASE. Cut for BSR Motor, 24/8, plus 3/6.

TRANSFORMERS. 6.3 v. 1.5 a. 7/6, plus 9d. 4 v. 2 a. 7/6 plus 9d. 12 v. 1 a. 8/6, plus 9d. 6.3 v. 6 a. 19.8 plus 1/6, Williamson Output, £3 18 9, plus 3/-.

Choke, 27.9, plus 1/6.

CHOKES. 10 h. 150 mA. 16.3, plus 1/6. CH5, 7.5 mA. 150/2, 4.9, plus 1/6. CH4 14.0, plus 1/6. 50 h. 30 mA. 1,500/2, 6/8, plus 1/6. 50 h. 20 mA. 1,100/2, 6.6, plus 1/6. 30h. 90 mA. 6.6, plus 1/6. 20 h. 10 mA. 5.8, plus 1/6.

EARPHONES.—By Braun 4,000 Ω. Brand New Boxed 15.6 pair plus 1/6.

WEARTE TAPE DECKS.—Delivery from stock. £35, plus 7/6.

Cheapest All chassis in London 6 x 1 1/2 x 8 x 4. 4/6. 10 x 7. 5/8. 12 x 8. 6/8. All by 2/6. Postage 1/3 on each.

FULL MAIL ORDER FACILITIES
(Please add Postage)
Shop Hours, Monday to Friday,
9—5.30 p.m., Saturday, 1 p.m.

LYONS RADIO LTD.

3 GOLDHAWK ROAD Dept. M.P.
SHEPHERDS BUSH, LONDON, W.12
Telephone: SHEpherds Bush 1729

RECEIVERS TYPE R.1132.—These are a top-grade 11-valve superhet receiver having a frequency range of 100-125 Mc/s with the following stages: R.F. amplifier, frequency changer, oscillator, stabilizer, 3 I.F. amplifiers, B.F.O., det., 1st audio and output. Valves employed are: 4 VR53's, 2 VR65's and one each of VR66, VR67, VS70, VR54 and VR57. Fitted with tuning meter, precision slow-motion drive, R.F. and L.F. gain controls, etc. For rack or bench mounting size 19 x 12 x 1 1/2 in. Power requirements are for H.T. approx. 220v. D.C. at 50 mA and 6.3v. A.C. at 3A for L.T. Interior metal work is a little store-soiled, otherwise condition is new and unused, supplied with circuit diagram. PRICE £4.10.0, carriage 7.6.

POWER UNITS TYPE 3.—Specially designed for the above receiver. Input 200/250v. A.C. mains. Outputs: 220v. approx. smoothed D.C. at 70 mA and 6.3v. A.C. at 4A. For rack or bench mounting, size 12 x 11 x 7 in. In good condition and working order. PRICE 84/-, carriage 7.6.

SPECIAL OFFER.—Receiver R.1132 and Power Unit Type 3 ordered together. PRICE £8.19.6, carriage paid U.K.

HIGH RESISTANCE ELECTROLYTIC.—American light-weight (approx. 14 ozs.), D.C. resistance 3,000 ohms. 5 each.

THE MONTH'S SPECIAL OFFER

INDICATOR UNIT TYPE 6.—These units are fitted with a cathode-ray tube type VCR57 suitable for scope or TV; 4 VR01's, 3 VR54's, mu-metal screen, wire-wound pots., H.V. condensers, resistors, and many other useful components. We can supply data for scope conversion for 9d., and inexpensive TV for the TV data for 2/6. Condition of units is good, with C.R. tubes tested to ensure freedom from cut-off. PRICE 65/-, carriage 6.6. (Data only, add 3d. postage.)

MAZEL PURCHASES! RADIO VALVES. Any amount.

WANTED THE FOLLOWING TYPES
354, 3A5, 30, 12A7, 25A7, 117Z3, 117Z4, 12Z1, UY2, 25B8, 2D4B, PENDING61, PENDING4021, 17, 14A7, ECL111, EL6, AK2, 12SQ7, VP1322, TX1, 402P, AC.P, AK2, PENDING1390, RF9, ECH3, EBC3. And any obsolete or old types.

Write details and price to:
MAZEL RADIO,
134, London Road, Manchester, 1

VALVES—SPECIAL OFFER

EC54. H.F. Grounded Grid Triodes.
ECC31. Twin-Triodes.
Our Price 4/6 each.

HEATER TRANSFORMERS

Impregnated
6.3 volt, 1.5 amp. 6/9 each.
6.3 volt, 3 amp., 10/6 each.
Post 8d.

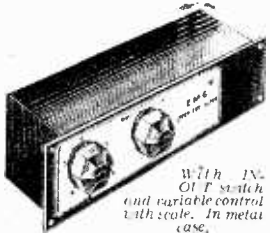
Send 6d. for our 24-page Catalogue. Visit our Shop, open 8.30-6, inc. Saturday.
Tel. St. Albans 5951.

BOLD & BURROWS,
12/18, Verulam Rd. (A5), St. Albans, Herts.

BENTLEY ACOUSTICS LTD.

38, Chalcot Road, N.W.1. PR1/mace 9090.
Offer coils as used in Bentley receivers. Superhet. All-wave. Single former. Aerial and Oscillator. Per pair 15/-.
T.R.F. M. and L. with reaction. Per pair 7/6
Superhet. S.M.L. Variable iron core. A.H.F. and Osc. with fixing feet and tags. Each 2/9.
Standard I.F.'s iron core. Per pair 10/6.
Full circuits included. Post paid.

A REMARKABLE ACHIEVEMENT IN FILTER DESIGN



With IN-OUT switch and variable control with scale. In metal case.

THE E.M.G. STEEP CUTTING FILTER is infinitely variable, cutting at any desired frequency between 4,000 and 8,000 c.p.s. Connects between output transformer and 15 ohm speaker. Ideal for long playing and ordinary records, and heterodyne whistles on radio. No distortion, hum or appreciable loss of volume. Cuts at an average steepness of 30 db. per octave.

£4-10-0

Lectet from the makers.

E.M.G. LTD. 6, NEWMAN ST., LONDON, W.1.

COVENTRY RADIO

COMPONENT SPECIALISTS SINCE 1925

189, DUNSTABLE ROAD, LUTON

Phone: LUTON 2677

WE SEND COMPONENTS ALL OVER THE WORLD. LET US KNOW YOUR REQUIREMENTS. NO ORDER TOO SMALL. QUOTATIONS GIVEN.

STAN WILLETTS

111, High Street, Blackheath, Birmingham.
TEST SET 74A. Complete with VCRI39A, 5-SPU1, 524, VU129, CV6, 625, 607, EA50, A.C. Mains Power Pack (suitable for Oscilloscope), 46 15s., post 9/6.
VALVES. Brand New, Guaranteed. RK34, 1/6. EA50, 1/9. VU111, 2/-, A1P4, 3/6. KT241, 4/6. H.D.5, 4/6. 3D6, 3/6. 574, 7/11. 635, 10/6. H.P.9, 6/6. 6K7, 5/6. 6SN7, 8/11. 6V6, 8/9. 6X5, 7/6. 8D2, 1/9. 35L6, 8/6. RCH36, 12/6. 5P61, 3/6. EC52, 4/11. 381, 15/1. 155, 11/1. 6 each, MU14, 8/11. Post 6/9.
OUTPUT TRANSFORMERS. 3 Range, 32-1, 55-1, 50-1, 60 mA. Max. Brand New, 3/11. Post 6d.
R1155 COMMUNICATION RECEIVERS. Complete with Valves, Aerial Tested and Guaranteed, 47 18s. 6d., ranging 2/-, 25 PF, Air-Spaced Trimmers, Ceramic Bases, Silver Plated, New, 5/6 doz., post 6d. VCR47 (Full Size Picture), Guaranteed Brand New and Boxed, 29/6. post 4/6. 32 mid. Condensers, 450 v., Guaranteed Brand New, 4 for 5/11. post 1/-.
 Wanted, AR88, BC221 Eddystone 646 ECT, Taylor, AVO, Test Meters, Valves.

EX-GOVERNMENT BARGAINS

INDICATOR UNIT BOXES.—Suitable for 130A cathode ray tube. Complete with chassis, these have been stripped of components, but are ideal for oscilloscopes, etc. Chassis 11 x 6 x 3in. Cover 11 x 6 x 2in., which also contains a glass panel in front 3in. square. Price 2/6. Also with 2 potentiometers, resistances and condensers, etc. Price 4/6. Post 2/-.
RECEIVER UNITS, TYPE 161. Containing 24v. rotary impulse switch rotating 2 lurrets, each containing 4 small slugged coils, 4 valveholders (EF50) conx. condensors, Aladdin formers, resistances, condensers, etc. Price 4/6. Post 1/6.
DIRECTION FINDING FRAME AERIALS.—Collapsible. In green canvas bag, 4ft. x 6in. Price 6/6. Post 4/6.
 Our new list, No. 5, containing over 400 ex-Govt. items, is now available, price 6d. incl. 1/6 Overseas Air Mail.

A. T. SALLIS 93, North Rd., Brighton, Sussex
 Phone: Brighton 25806

"TYANA" SOLDERING IRON 16/9



The Perfect Small Soldering Instrument

- Adjustable Bit
- Easy to handle.
- Weight approx. 4 ozs.
- Overall Length 11in. and the Diameter of the Bit is 1/16in.
- Heating Time 3 min.
- 40 Watt economy Consumption
- Standard Voltage Ranges (other Ratings Available on Request)
- Long Life and Efficiency.
- Replacement Elements and Bits always available.

Just the Convenient Iron Required for Intricate and Fine Soldering.

Maintenance Service for Industrial users.
 British made by: **KENROY LIMITED**
 152/297, Upper Street, Islington, London, N.1.
 Telephone: Canonbury 4905-4663

SPARKS' DATA SHEETS

are the Safest and Finest Constructional Sheets of Guaranteed and Tested Radio Designs.

THE "MIDDY"

The finest Two-Valve All-dry battery design obtainable. Most popular and always praised. Med- and Long-waves plus "Ship-to-Shore" transmission. Full-size Data Sheet, 3/2 Post Paid.

THE "BOSUN"

A Three-valve version of the above giving greater Range and Power. Full-size Data Sheet, 3/2 Post Paid.

NOW MEET THE "SKIPPER"

This is my Latest design. It is an exceptionally fine T.R.F. 4-valve having the same wave band coverage as those above. Safe and Efficient in any area. Good Selectivity, Range and Power. A fine Set for the Home. Data Sheet, etc. 3/2 Post Paid.
SPARKS' DATA SHEETS COVER DESIGNS FROM A CRYSTAL SET TO A 9-VALVE QUALITY RADIOGRAM. SEND STAMP FOR LIST.

You can progress from "Middy" to "Bosun" to "Skipper" without wasting one Component.

L. ORMOND SPARKS (P), 48A, HIGH STREET, SWANAGE, DORSET.

Amateur Radio Enthusiasts

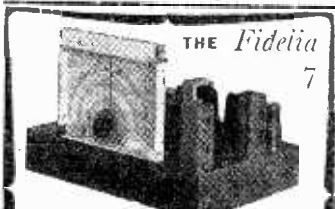
THE INCOMPARABLE

GLOBE-KING

SINGLE VALVE S.W. RECEIVER
 ● WORLD-WIDE RANGE 11-100 METRES ● CRYSTAL-CLEAR NOISE-FREE RECEPTION ● ELECTRICAL BAND-SPREAD TUNING ● EXTREMELY LOW RUNNING COSTS
 Catalogue Free. Stamp for postage.

JOHNSONS (RADIO)

46, PRIAR STREET, WORCESTER



All models have variable selectivity, high quality detector, triode output stages, 7 valve model illustrated £21-15-0. De-luxe 9-valve, £25-5-0. Major 10-valve, £32-15-0. Minor 6-valve, £17-10-0. Data sheets on request.

Fidelity Equipment

2 Amburst Rd. d. Teacombe Cliffs, Essex

TELEVISION COMPONENTS

for the "Practical Television Receiver"
TELE-KING VIEWMASTER, E.E. TELEVISOR and VM wide angle modifications in STOCK
 Price Lists available on request.

J. T. FILMER,
 Maypo's Estate, Bexley, Kent.
 Tel.: Bexleyheath 7267

NUTS, BOLTS, SCREWS AND WASHERS

ALL CADMIUM PLATED

SET 305 (Size 2BA). Assorted screws and bolts from 3/16in. to 1 1/2in. long, with plain hex. nuts, Flange nuts, double anchor nuts, lock washers and plain washers. All rust proof. Average Contents, 400 Pieces 7/6, plus 11d. post.
SET 306 (Size 4BA). Assorted screws and bolts from 3/16in. to 1 1/2in. long, with plain hex. nuts, Flange nuts, and plain washers. All rust proof. Average Contents, 600 Pieces, 7/6, plus 11d. post.
SET 307 (Size 6BA). Assorted screws from 3/16in. to 1 1/2in. long, with plain hex. nuts, Flange nuts, and plain washers. All rust proof. Average Contents, 750 Pieces, 7/6, plus 11d. post.
 By post, air-freight or ship, anywhere in the world. Overseas post extra.
 All sets well packed in compartmented boxes.

BERNARD F. WADE LTD.
 ILKLEY, YORKS, ENGLAND
 Tel.: Ilkley 1777.

VALVES YOU CAN TRUST!

A—Maker's cartons B—Plain or Service cartons

Type	A	Type	A	B	Type	A	B
2226	4/9	4/3	6K6G	11/9	6X4	2/6	2/6
6P60	9/6	—	6K6GT	12/6	6X31	—	—
6H6	5/6	5/-	6U7A	10/9	6P26	6/2	6/2
6J50/70/3	—	—	6U7B	6/11/-	6P50	0/9	0/9
6K7	—	12/6	6K7	8/6	—	RTM61	8/6
6I7A	6/6	6K7	7/9	—	KT241	—	8/6
6K40/78/6	—	6V60	12/6	—	KT22	7/-	—
6K7	7/9	6/9	6V60	9/6	6E133	8/6	8/6
6K74	6/9	—	12H6	2/9	6K34	2/6-2	2/6
6K74/70/6	5/9	5/9	3/6	—	KT23	7-8/6	7-8/6
730	3/6	—	6A70	3/6	VU111	3/6	3/6

3d. stamp brings list of 250 other types available at surplus prices, details of Chassis Curre Hire Service, etc. etc.
COILS, Etc.—We stock OSMOR, HENCO, and WARRITE coils. Send for free leaflet (OSMOR) or 6d. for full general HENCO catalogue.
CONDENSERS.—We have nearly all values of silvered and moulded mica types at surplus prices. Bargain selection of 50 (well assorted), 10/-
 Orders under £1 post and packing 6d.
REED & FORD, 2A, BURNLEY ROAD, AINSDALE, SOUTHPORT

BOOKS

LATEST AMERICAN RADIOS.—New and novel miniature receivers, portables, all-wave receivers, 1 to 6 tube; Electronic equipment, etc. Build your own from available parts. Complete list of blue-prints and parts lists available with full details, 3d. AMERICAN PUBLISHERS, Sedgeford, Norfolk.

AMERICAN MAGAZINES. 1 year incl. "Audio Engineering," 28/6; "High Fidelity," 43/-; "Radio Electronics," 32/3, etc. Send for free booklet. WILLEN LTD. (Dept. 40), 101, Fleet St., London, E.C.4.

I.P.R.E. TECHNICAL PUBLICATIONS: 5,500 Alignment Peaks for Super-heterodynes, 5/9, post free. Data for constructing TV Aerial Strength Meter, 7/6. Sample copy The Practical Radio Engineer, quarterly publication of the Institute, 2/-; membership and examination data 1/-. Secretary, I.P.R.E., 20, Fairfield Rd., London, N.8.

BRITISH SHORT WAVE LEAGUE is devoted to the interests of amateur radio enthusiasts. Publishes 12-page "BSWL Review," monthly members only. Offers many services and activity departments. World wide membership. Founded 1935. Apply for details to: BRITISH SHORT WAVE LEAGUE, 55, Victoria St., London, S.W.1. (Abbey 5341.)

RECEIVERS & COMPONENTS

RADIO AND T.V. Components B.V.A. Valves, Chassis, Instrument Cases, Laboratory Equipment, Quick postal service. KENDALL AND MOUSLEY, 99, Dudley Port, Tipton, Staffs.

BARGAIN LIST of Television and Radio Spares, S.A.E. to SWIFT RADIO, Mail Order Department, 21, Hibbert Road, Harrow Weald, Mdx.

EVERYTHING for radio constructors. Condensers, Coils, Valves, Resistors, etc. Send stamp for list. SMITH, 98, West End Road, Morecambe. Quick service.

CLEARANCE OFFERS.—Pair guaranteed aligned and sealed 465 kcs. I.F.T.s. (marked red, green, yellow, black) + twin 500 per gang condenser, 6/-, post 1/-; mixed Amer. and Brit. resistance/condenser boards, 2lb. parcel 2/6, post 1/-; other parcels as free list (s.a.e.): Valves, 6K7C, L63, H63, 4/6; VR65, VR91, 3/6; VR92, 6H6, 2/-; 954, 1/6; post minimum 4d. THE RADIO SERVICES, Lower Bullingham, Hereford.

ALL GOODS GUARANTEED! Goodmans 6in. P.M. Speakers, less transformer, 14/6 each; T.C.C. 8-8 450v cans, 2/9 each; Screened Octal Plugs, 6d. each; add postage. ELECTRONIX, 220b, Canterbury St., Gillingham, Kent.

A NEW SERVICE!! Blank Aluminium Chassis made to your specifications, cheaper than a ready-made one, e.g., chassis, 9 x 5 x 2 1/2in., costs 3/9, normal mfrs., price 7/3. Details: One side any length up to 17in.; the other side can be 4in., 5in., 6in., 8in., 9in., 10in., or 12in.; the depth any size up to 3in.; pricing: 1d. per sq. in. of top surface, ignoring depth, e.g., chassis 10 x 7 x 2 1/2in. = 10 x 7 = 70 sq. in. = 70d., 5/10; ex-Gov. High Imp. Headphones, 9/6 a pair; Chokes, Adm. rating, 6H at 70ma, 140 ohms, new, in original packing, 4/6. Write for new list offering free gifts. SERVIO RADIO, 156/8, Merton Rd., Wimbledon, S.W.19. (Phone LB. 6525.)

RATES: 5/- per line or part thereof, average five words to line, minimum 2 lines. Box No. 6d. extra. Advertisements must be prepaid and addressed to Advertisement Manager, "Practical Wireless," Tower House, Southampton St., Strand, London, W.C.2.

RADIO SUPPLY CO., 15, Wellington St., Leeds.—Selenium Rectifiers, miniature type, 45v, 40 ma. 11d. 120v, 40 ma, 4/6, 230v, 50ma, 8/9. Auto Transformer, 0-110-200, 210, 230, 250v, 50 watts with separate L.T., 6.3v, 1.5a, 4/9, Smoothing Chokes, 50 ma, 5h 100 ohms, 3/11; 50 ma, 50h, 1,250 ohms, Potted, 8/11. Chassis, 16 s.w.g., undrilled aluminium. Receiver type, 7; 4-2ins., 2/9; 10-5 1/2-in., 3/9; 11-6-2 1/2-in., 4/3; 12-8-2 1/2-in., 5/3; 16-8-2 1/2-in., 7/6; Amplifier type (4 sided), 12-9-2 1/2-in., 7/11; 16-8-2 1/2-in., 10/11; 14-10-3-in., 12/6; 20-8-2 1/2-in., 13/6. Ex Gov. Block Paper (Mansbridge type) Condensers, 4 mfd, 500v., 2/9; 6 mfd 500v., 4/9; c.w.o. or c.o.d. over £2, post 1/- under £1, under £3 please include 1/6.

BARGAINS.—Auto-trans., 50 cycle, 0-104-230v, 312 V.A., 17/6; I.F.T.s., canned, new, 10/13 mcs., 1/6; R1355 type (7 mcs.), 1/6; diode type, 2/-; Midget P.P. 3:1 driver, 3/6; 3 ratio OPT, 4/6; Generators, hand-driven, geared, 300v and 28v outputs, 9/-; Dynamos, 6v to 250v (soiled), 8/6; R1355, cpte., 35/-, less valves, 15/- (carr. either 6/-); RF24 21/-, RF25 25/-, RF27 45/- (2/- carr.); RF Power Units, 50 cycle, outputs 300v 40ma and 12v 3a, DC, 50/3; 1 each 5U4G, 6V6G, VU120, 2/02 8kv conds. and choke, 3H 200ma, 25/-; Indicators with VCR97, 3 each VR91, VR65, VR54, 2/VR92, 65/- (carr. 5/-), less valves and CRT, 17/6 (carr. 5/-); R1155s, tested, £8 (carr. 12/6). Stock list with orders. Enquiries, s.a.e., please. Terms: C.W.O.; immediate delivery; post extra. W. A. BENSON, 308, Rathbone Rd., Liverpool, 13.

SAVE Yourself Pounds. Send for free list. Guaranteed goods. ANNA-KIN, 25, Ashfield Place, Otley, Yorks.

TAPE RECORDINGS, ETC.

THE NEW LINE-A-TONE Tape Recording Panel, no threading of tape, fast forward and rewind, 3 speeds, complete freedom from wow or flutter; in fact this panel embodies all the requirements of the professional recordist. The price still remains at £20. Place your order early. MORECAMBE SOUND SERVICE, "Sealand Works," Cross Cop, Morecambe.

RECORD-PLAYBACK Amplifier Kit complete, high impedance, 4 watts output, 4 BVA valves and speaker, £9/15/-; Power Pack, £2/17/6; both wired and tested, £10; post and packing, 5/-; c.w.o. SOUTHERN RADIO, Dominion Rd., Worthing.

SITUATIONS VACANT

The engagement of persons answering these advertisements must be made through a Local Office of the Ministry of Labour or a Scheduled Employment Agency if the applicant is a man aged 18-59, inclusive, or a woman aged 18-59, inclusive, unless he or she, or the employer, is exempted from the provisions of the Notification of Vacancies Order, 1952.

SOUTH WALES.—Radio Engineers, Marine Radio Operators and ex-Radar Mechanics required for positions as Testers and Inspectors. Excellent conditions and good pay. Apply in first instance to MAS, TERADIO LTD, Treforest Trading Estate, Glamorgan.

GREAT NEWS! The famous McCarthy Radio Chassis are available once again. Models to suit all requirements from a super Short-waver to a quality Push-pull output job. Prices from £16/11/5 inc. P.T. or on our generous h.p. terms. Send s.a.e. for descriptive leaflet, or call for a demonstration. HOME RADIO, 267, London Rd., Mitcham, Surrey.

T.V. WITHOUT MAINS.—Picture equal to mains supply, special Chorehorse AC/DC petrol electric generators, self-starting, self-contained, compact, AC voltage 220/250, 50/60 cycles, 250/350 watts; will also run radios, vacuum cleaners, small tools, etc.; DC output will charge batteries for permanent lighting; price £47/10/- plus 10/- delivery. Below.

STORAGE BATTERIES, finest possible specification, dry, uncharged, 12v, 75 AH heavy duty, 19 plates, separate cells, in hardwood cases; price £7/17/6, delivery 9/6; 6v 90 AH, 15 £7/17/6, delivery 9/6; 6v 90 AH, 15 £7/17/6, delivery 9/6; 6v 90 AH, 15 £7/17/6, delivery 9/6. TEDDINGTON ENGINEERING CO. LTD., Dept. "C," High Street, Teddington, Middx.

WALNUT Radiogram Cabinets of distinction, stamp details. R. SHAW, 69, Fairlop Rd., E.11.

VALVES

"VIEWMASTER" Valves, exact to specification, guaranteed new and boxed, comprising 5 EF50, 6P25, 1 KT61, 1 EBC33, 1 EB91, 2 6K25, 1 6P28, set of 12 £6/2/6 (post and insurance, 2/-); 6AM6, EF91, 6F12, Z77, W77, EF92, 7/9; EB91, 6AL5, 6/9; 6V6G, 5Z4G, EBC33, MU14, DH77, 6AT6, Pen46, L63, 1S5, 1R5, 1T4, 3V4, 354, 1S4, 8/6; PCH30, 17/6; EY51, 12D, PL81, PL83, OZ33, 6F15, 6C9, 12D1; 6K8GT, CL33, PL33, PL32, 10F9, 10LD11, 10P13, 11/-; PY80, 12AT7, UCH42, UBC41, 10/6; UV41, U41, U281, U404, ECH42, DL35, 10/-; ECL80, EF80, KT6, KT1W61, 6SN7GT, 6SL8GT, 6Q7G, 12Q7GT, 12K7GT, 12K8GT, 9/6; U78, U50, 5Y3G, 80, 25L6GT, 35L6GT, 50L6GT, 35Z4GT, 6V6GT, 9/-; EF33, EF8, EF50, 7C5, 7B7, 7H7, 7S7, 7/6; HVR2A, 6K7G, 6/3. All new and boxed. Postage 4d. per valve extra. READERS RADIO, 24, Colberg Place, Stamford Hill, London, N.16.

NEW VALVES WANTED, small or large quantities. 6K8, 6V6, 5Z4, KT33C, 1R5, 1S5, FW4/500, 6Q7, 12K8, 80, VU39, EBC33, 354, etc. etc. Prompt cash. WM. CARVIS, 103, North Street, Leeds, 7.

VALVES, types 6K7, 6K8, 6Q7, 5Z4, 5U4G, 1R5, 1S5, 1T4, 354, 807, 813, 829, 832, 723, A/B, etc., wanted urgently; immediate collection. Write or phone: PYPE HAYES RADIO, 606, Kingsbury Rd., B'ham, 24. (ERD. 4942.)

WINWOOD FOR VALUE.—"Viewmaster" Valves as specified, £6/2/6; 6V6, 6K7, 6Q7, 6K8, 5Z4, 4Z/6 set, 1T4, 1S5, 1R5, 354, 3Z/6 set, 12K4, 12Q7, 12K7, 35L6, 35Z4, 4Z/6 set, 757, 6K7, 6C5, EF91, 9D2, SP61, 6/- each. Stamp for 3-page list of bargains. WINWOOD, 12, Carnarvon Road, London, E.10. (Mail only.)

"RADIO UNLIMITED" Special Offers: New Valves, 5/- each, 6K7, 6J5, 12J5, 9D2, EF8, 6/- each, 6BB6, 6B8, 6C5, 12SN7, 12SL7, 10/- each, 6K8, 6L6, KT66, KT63, 5Y3, DH63, 6SN7, KT61, EBC33, 4V4, 3V4, 354, 6AK5; also many other types. List available. "Coilpacks," 3-waveband, 32/6; I.F. Trans., 465 kcs., 9/6 pair; 6in. P.M. Spkrs., 12/6, 10in., 19/6. Send to-day for new list. RADIO UNLIMITED, Elm Road, London, E.17.

SOUTHERN RADIO'S wireless bargains: Receivers, Teleonic 4 valves battery portable, complete with 4 midget valves; in metal case 5 1/2 x 7 x 2in.; easily convertible to personal portable, 40/- including conversion sheet. Transmitter - Receivers (Walkie-Talkie) Type 38 Mark II, with 5 valves, microphone, headphones, aerial; less batteries guaranteed, £4.15 - post paid. Transmitter-Receivers, Type "18," 6-9 mcs., guaranteed perfect, £7/10/-. Receivers R109, complete with enclosed speaker, and vibrator pack for 6 volts, 1.8 to 8.5 mcs.; complete with 8 valves in metal case, £7/15/-, plus 7/6 carriage. Induction Motors, shaded pole A.C. mains, 120/240 volts, 2,800 r.p.m., ideal for recorders, motors, etc., 23/-. Lubra Hole Cutters for use on wood, metal, plastic, etc.; adjustable from 1/4 in. to 3 1/2 in., 5/9. Throat Microphones, complete with long lead and plug, magnetic, 4/6. Plastic Transparent Map Cases, 14in. x 10 1/2in., ideal for charts, photos display, etc., 5/6. Star Identifiers, with hydrographic office models, A-N type, new, in cases, 5/6. Westectors, Wx6, W112, 1-4 each. Marcom Aerial Filter Units, Type "916," full fixing instructions; P.O. specifications: 4.6. Connector, Time Switches, 10-hour movement 2 impulses per second, thermostatic control, in sound-proof cases, 11/6; Remote Controls, for use with same, 7/6. Visual Indicators, Type 3 (10q4), contains 2 microamp meter movements, neons, etc.; easily convertible to very efficient M.C. meters as described in W.W. 11/-, Resistances, 100 assorted values, wire ended, 1 to 2 watts, 12.5 per 100. Condensers, 100 assorted tubular and mica condensers, all useful, values up to 2mf., 15/- per 100. Gramophone Motors, Garrard induction, 100 250 volts A.C., 78 r.p.m., brand new, £4/7/6. Full list of Radio Books, LTD., 11, Little Newport Street, London, W.C.2. (GERRAD 6653.)

FREE ELECTRICITY.—Build a wind charger from car dynamo; drawings, instructions, 3/-. PEARSE, Midpaphouse, Liskeard, Cwll.

PARKER'S Sheet Metal Folding Machine, heavy vice model, capacity 18 gauge M.S. x 2ft. wide; loose attachments for radio chassis making; weight 22lb.; price 42/6; attachments, 1/6 per ft.; carriage 3/6. Send for details, A. B. PARKER, Wheatcroft Works, Wellington Street, Batley, Yorks.

VIBRATOR PACKS, 6v. self-rectifying, output 150v., 40ma., smoothed, D.C., 5in. x 3in. x 2in., £1, post 1/3; Aerial Wire, insulated, 2/6 50ft.; any length, 334, Newhampton Rd., East Wolverhampton.

ELECTRIC BLANKETS

MADE AT HOME

With 75 watts double insulated heaters 28/- 100 watts 35/-.

Only needs sewing into a bed-quilt. 1 yr. guarantee or money refunded.

KNEALE MARTMETALS
(3B. 85)

47, TALBOT ROAD, BLACKPOOL

HIGHSTONE UTILITIES

Soldering Irons, streamlined iron, with curved Pencil Bit, 200 250 v. 50 w., 11/6. Standard Iron, with adjustable bit 200 250 v. 80 w., 13/6. Heavy Duty Iron, 150 w., 16/6, all post 6d. Magnets, small ex 2in. meters, 1- each, post 3d. Telephone Hand Generator, with handle, 9/6, post 1/6. Bell Transformers, for use on 230 250 v. A.C. Mains, Output 3, 5 or 8 volts at 1 amp, 9/-, post 8d. Crystal Sets, which are fitted with a permanent crystal detector. Why not have a set in your own room—12/6, post 8d. De Luxe receiver in polished oak cabinet, 18/6, post 1/-, Spare Permanent Detectors, 2/- each. When ordered separately, 2/6. With clips and screws 2/10, post 3d. Headphones, in good order, 6/-; better quality, 7/6. New Headphones, 10/- a pair. Balanced armature type (very sensitive), 12/6 a pair, all post 8d. New Single Earpieces, 3/6. Bal. armature type, 4/6; ex-R.A.F. earpieces, 2/6, post 4d. All headphones listed are suitable for use with our crystal sets. Hand Microphones, with switch in handle, 4/6. Similar instrument, moving coil, 7/6, post 8d. Sparking Plug Neon Testers, with vest pocket clip, 3/3 and with gauge, 3/6, post 3d. Ex-R.A.F. 2-volt (2-volt) Amplifiers, can be used to make up a deal out outfit, intercommunication system, or with crystal set, complete with valves and fitting instructions, 20/-, post 2-/. Diffs., less valves, 10/-. Wooden box to hold amplifier, 2/- extra. One valve amplifier, complete with valve, 10/6, post 1/3. Rectifier (a.c.) in wooden carrying case, 14/6; 15 v., 2in. m.c., 9/6; 150 v., 2in. m.c., 10/-; 35 amp, 2in. T.C., 6/-; 4 amp., 2in. T.C. in case with switch, 7/6; 100 m A 2in. m.c. 7/6. All meters post extra. Meter units containing 2-500 microamps movements, 7/-, post 1/-. Money refunded if not completely satisfied.

HIGHSTONE UTILITIES,
58, New Wanstead, London, E.11.
Letters only. New Illustrated List sent on request with 14d. stamp and a.s.e.

FIRST-CLASS RADIO COURSES . . .

GET A CERTIFICATE!

QUALIFY AT HOME—IN SPARE TIME

After brief, intensely interesting study—undertaken at home in your spare time—YOU can secure your professional qualification. Prepare for YOUR share in the post-war boom in Radio. Let us show you how!

FREE GUIDE

The New Free Guide contains 132 pages of information of the greatest importance to those seeking such success-compelling qualifications as A.M.Brit.I.R.E., City and Guilds Final Radio, P.M.G. Radio Amateurs, Exams., Gen. Cert. of Educ., London B.Sc. (Eng.), A.M.I.P.E., A.M.I.Mech.E., Draughtsmanship (all branches), etc., together with particulars of our remarkable Guarantee of **SUCCESS OR NO FEE**

Write now for your copy of this invaluable publication. It may well prove to be the turning point in your career.

FOUNDED 1885—OVER 150,000 SUCCESSSES

NATIONAL INSTITUTE OF ENGINEERING
(Dept. 461), 148, HOLBORN, LONDON, E.C.1

TEST PRODS. w/Plugs and Leads, 2/6 pr.; 25 Ass. Resistors, 2/6. List 4. CARTER'S, 578, Washwood Heath Rd. Ward End, Birmingham, 8.
WALNUT Radiogram Cabinets, Stamp details, E. WISKER, 501, Hale End Road, Highams Park, E.4

EDUCATIONAL

WORLD TRAVEL and Adventure in the Merchant Navy.—Young men, 14 years upwards, required for training in Marine Wireless and Direction-finding at Sea. (Trainees in forth coming Registration Groups are eligible for deferment of Military call-up.) Immediate sea-going positions on completion of training. Suitable candidates will be entered as officers and must be prepared to sail to all parts of the world. Low training fees. Send 1/- P.O. for Prospectus to **OVERSEAS HOUSE** (Dept. P.W.), Brooks' Bar, Manchester, 16 (Tel.: MOSS-2047.)

WIRELESS, Evening Class instruction for P.M.G. Certificate of Proficiency and Amateur Wireless Licence Morse instruction only, if required also postal courses. Apply **B.S.T. LTD.**, 179, Clapham Rd., London S.W.3.

THE INSTITUTE of Practical Radio Engineers Home Study Courses are suitable coaching text for I.P.R.E. and other qualifying examinations. Fees are moderate. Syllabus of seven modern courses post free from **SECRETARY, I.P.R.E.**, 20, Fairhead Rd., London, N.8.

A.M.I.MECH.E., A.M.Brit.I.R.E., City and Guilds, etc., on "no pass—no fee" terms; over 95% successes. For details of exams, and courses in all branches of engineering, building, etc., write for 144-page handbook—free. **B.I.E.T.** (Dept. 242B), 17, Stratford Place, London, W.1.

FREE! Brochure giving details of Home Study Training in Radio, Television, and all branches of Electronics. Courses for the hobby enthusiast or for those aiming at the A.M.Brit.I.R.E., City and Guilds Telecommunications, R.T.E.B., and other professional examinations. Train with the College operated by Britain's largest electronic organisation. Moderate fees. Write to **E.M.I. INSTITUTES**, Postal Division, Dept. PW28, 43, Grove Park Road, London, W.4. (Associated with H.M.V.)

THE WIRELESS SCHOOL.—Training in Wireless Telegraphy, **RADIO HOUSE**, Manor Gdus., N.7.

RADIO OFFICERS urgently reqd. We train most in shortest period. Training fees payable after appointments Secd. Scholarships available. Boarders accepted. 2d. stamp for Prospectus. **WIRELESS COLLEGE**, Colwyn Bay.

NEW GOODS ONLY

CONDENSERS.—450 v. wkg. 1 mfd., 2/9; 4.32; 8.3 - 15.4 v. wkg. 5.10 - 8.8; 4.6; 8.16; 5.8; 16.16; 6.9; 500 v. wkg. 1 mfd., 3/-; 2.34; 4.33; 8.6; 16.6; 32.8; 8.8; 6.6; 8.16; 8.3; 16.16; 9.6; 25 x 25; 25 x 50 v., 50 x 12 v., 2.3; 50 x 50 v., 2/6; Tubulars, 500 v. wkg. up to .0003 8d.; .0008 8d.; to .04 11d.; to .1 1/2; 2.5 1/6; .5 2/3; Moulded mica up to .002 1/-; to .01 1/6; 8d. Mica, 500 v. wkg. up to 100 pf., 9d.; to 500 pf. 1/-; to 1,000 pf. 1/2; 2,000 3/00 pf. 1/3.
OSMOR & DENO PARTS at list prices. **VOLUME CONTROLS**.—12. Spot all Values, 3/- with Sw., 5/- with D.P. sw. 5/9; Semi Midge, etc., 1.2 mcs. 4/- with sw., 5/9; D.P. sw., 6/6; Wire Wound less sw., 1 k. to 80 k., 6/6; 1 k. 7/9.
RESISTORS.—All Std. value 20 Tol. w. 5d.; 1 w. 6d.; 1 w. 8d.; 1 w. 1/-; Wire Wound, 3 w. to 5 k., 1/9; 5 w. to 5 k., 2/-; 10 w. to 10 k., 2/9. Terms: Orders up to 10/-, post 4d.; up to 100/-, over, post free. Cash with order, no C.O.D.; lists 5d.
RADIOELECTRON
22, FRANCES STREET, SCUNTHORPE, LINCOLNSHIRE.

VALVES BY RETURN

1G6	4.6	16L6G	12.6	EL91	10.6
1G6CT	5.-	6N7	8.-	KT81	10.-
1LD3	6.6	6S6GT	9.-	KT81	7.6
1LN3	6.6	6SH7	5.6	KTW63	7.-
1R1	9.-	6S9GT	9.6	OZ1	7.6
1S4	9.-	6SN7	10.6	PEN16	7.6
1S5	9.-	6SS7	7.8	QP25	7.6
1T1	9.-	6U7	6.6	RK34	3.-
16Z5	5.-	6V6GT	9.-	RT37	4.-
25A9	9.-	6X6GT	7.6	RR72	2.6
2C34	3.-	7193	3.6	SP41	3.-
35L6	11.6	77	7.6	SP61	3.6
3D6	5.-	7B6	6.6	TP25	8.-
3S1	10.-	854	2.6	U21	10.6
50Y8GT	7.6	9D2	3.6	U401	9.-
5U4G	9.-	12A6	7.-	VR21	3.6
5Y3-Z4	6.6	12J5	5.6	VR53	6.6
6AC7	7.6	12SG7	5.-	VR51	2.6
6B4	7.-	12SH7	5.6	VR85	3.6
6F9	8.6	12SL7	7.6	VR85A	3.-
6F9	5.-	A815	5.6	VR86	3.6
6G6GT	9.-	CV6	2.6	VR72	2.6
6H6	5.-	D1	2.6	VR150	10.-
6J5GT	5.6	E1148	2.6	VS119	7.6
6J6	10.-	EA50	2.6	VR39	10.6
6J7G	7.6	EF39	6.-	VT111	3.6
6K6	8.6	EF50	6.6	VU102A	3.6
6K7G	6.6	EF51	4.6	VU133	3.6
6K8G	11.-	EF91	10.-		

All the above are Boxed and Tested and carry my guarantee.

AMPLIFY YOUR GRAMOPHONE
A1219 **Beauty Amplifier** Complete with VR35 and VR21 valves for use as intercom or with slight alteration as Gram. Amplifier. In metal case 7in. x 4 1/2in. x 4 1/2in. Complete with instructions for modification. **15 - POST FREE.**

MAIL ORDER ONLY
E. MINETT (P.W.)
54, RETREAT STREET,
WOLVERHAMPTON.

WILCO ELECTRONICS

VALVES	Guaranteed	Govt. surplus.	
1S7	8.-	6SH7	5.6 EF39 7.6
1T4	8.-	6SL7GT	9.6 EF50 7.6
2X2	6.6	6SN7GT	10.6 EF51 6.6
5U4G	8.6	6V6GT	8.6 EL35 11.6
5Z4	6.6	6V8GT	8.6 E210 10.6
6AC7	5.6	6X5GT	9.6 H63 6.6
6B6G6	12.6	12K9GT	12.6 KT81 10.6
6CD6	12.6	12SH7	5.6 KT86 11.6
6G6G	7.6	25L6GT	10.6 KTW63 8.9
6H6	4.-	35L6GT	10.- L64 9.6
6J5G	6.6	50L6GT	10.- M1.1 7.6
6J6	12.6	807	10.6 SPC1 5.-
6J7GT	9.6	B36	10.6 U18 20 9.6
6K7G	8.6	DH77	10.- V82 6.-
6K8GT	12.6	EC52	6.6 VS70 10.6
6L4G	11.6	EC54	6.6 W77 10.6
6N7GT	10.6	ECL80	12.6 Z77 11.6

MICROPHONES—Electro voice model. 600 C. with switch, black crackle finish, can be neatly held in the palm of the hand. Very sensitive, complete with lead. 26/6 0. Post free.
Comprehensive List Now Ready, 6d.
204, LOWER ADDISCOMBE ROAD, CROYDON. Tel.: ADD 2027.

MODEL RAILWAYS AND RADIO FANS ARE YOU STUCK?

If you are, send S.A.E. and requirements. We will endeavour to help you. We have a complete list of current articles and have also a large range of METERS of all kinds, TEST GEAR, WAVEMETERS, VALVES, ROTARY CONVERTERS, TRANSFORMERS, RECTIFIERS, also Technical Books.

LAWRENCE FRANKEL
Mail Order,
134 CRANLEY GARDENS
LONDON, N.10
Tel.: TUDOR 1404.

IS THIS YOU?



STOP before you build that superhet! Why burden yourself with complicated test gear, padding and trimming, etc., when you can so simply get our new and improved 3 waveband

PRE-ALIGNED AND SEALED RL 30 TUNING UNIT

If you can solder you can build our famous superhets, and literally have the World at your finger-tips! To make quite sure you cannot possibly fail, we give away, **ABSOLUTELY FREE** with each unit a 3/6d. set of *unique* Construction Sheets, which contain our easy-as-A.B.C. diagrams and instructions for building the world-renowned **RODING 5-VALVE SUPERHET**. Send 2/6d. NOW for our new 1953 "HOME CONSTRUCTOR'S HANDBOOK," the radio book for the go-ahead man! This 46-page book contains all of our famous circuits and comes complete with current Catalogue.

RODING LABORATORIES (P2)
301 Hurn Airport, Christchurch, Hants.

LONDON CENTRAL RADIO STORES

Double Beam Cossor 3339 Oscilloscope, £35-0-0. Carriage and Packing 2/6.
Flux Meters, Model Number WY3023. Calibrated in 3 Ranges, 500-1,000, 1,000-2,000, 2,000-4,000. Direct Reading, Complete with Polarity Indicator and Prober for Minimum Gap. 1 1/2 inches. Brand New (made by Gauss). 12 x 9 x 3 1/2 Wood Carrying Case. (Less Batteries.) £4-5-0.
Nife Alkaline Accumulators 1.5v approx. 10 amp. 6 1/2 x 1 1/2 x 1 1/2. C. & P.
1.5v approx. 10 amp. 4 x 1 1/2 x 1 1/2. 6.6. 9d. C. & P.
1.5v approx. 20 amp. 8 x 4 x 1. 12/6. 1.6 C. & P.
Unswitcher Switches, 8 Bank. Full Wipe. 42/6.
6 Bank. Full Wipe. 32/6.
6 Bank. 1 Wipe. 27/6.
3 Bank. 10/6.
Few Only. Utility Sets. Complete. Guaranteed in working order. 4 Valves. P.M. Speaker in Pinewood Cabinet. A.C. Mains. 200-230 Volts Single Waveband. 90-. C. & P. 2/6.
Everlastink Inert Cell Accumulator. Suitable for Bell Sets, Lamps, etc. 5in. x 2 x 2. 1 1/2 volts. 2/10 in Lots of 6 or more. 14-.
Ex. Admiralty Phosphorus Bronze Aerial Wire, 100 ft. 6.6. 1-P. & P.
The Famous H1155 Set with Power Pack and Speaker. £17-0-0. All Complete. C. & P. 20-.
WE WANT TO BUY
RADIO EQUIPMENT - AMPLIFIERS - TAPE RECORDERS - TELEVISION TEST EQUIPMENT - COMPONENTS
LONDON CENTRAL RADIO STORES
23, LISLE STREET, W.C.2
Phone/Grams: GERARD 2939

YOU can become a well-paid RADIO ENGINEER

Our Home-Study Courses in Radio, Television and Mathematics are a proved success. We train men to earn good money in their spare time, start businesses of their own, or get bigger salaries. Post coupon for free details.

T. & C. RADIO COLLEGE

Post in unsealed envelope, 1 1/2d. postage.
To: T. & C. RADIO COLLEGE,
36, Northfield Road,
Ringwood, Hants.

NAME

ADDRESS

P2/53

RADIO G200 ANNOUNCES

VALVES at 2/3: RK34/2C34, VR78, VR92, 2X2A; at 3/-: 954; at 4/6: 6H6gt, 12H6; at 5/6: 12SH7, 4D1, 6J7g, 6S57; at 6/9: 6K7gt, 12S7, 12SR7, 6U5g, EC52, U78, 12SL7; at 7/9: 7C5, 7C6, 7H7, 7R7, 6K7g, 757, 7Y4; at 8/6: 154, 1T4, 3A4, 6X5gt, 6AG5, KL35, 6SL7, DH77, W77, 25L6gt, 35L6gt, 50L6gt, 35Z4gt; at 9/6: 1R5, 354, 3Q4, N18, B36, D77, 6V6gt, 6V6g, 6F6g, 6C6, 6D6, 6B7, 6CH6, 6BG6, X78, 6N7, 12AT7, 12AU7, 12AX7, KT81, 2A3, 6Z4g; at 10/6: 6K8gt, 12K8gt, X76m, 5U4g, 5R42y, CV2; at 12/6: 12Z3, 801Z, 801A.

ARTHUR HOILE 55 UNION STREET, MAIDSTONE, KENT
Phone: 2812

R. E. HOPE

Radio and Television Engineer
6, Grange Rd., Thornton Heath Surrey

Argus-vision Cond. Kit, 12/8: Resistor Kits (all values marked), vision 3/6, sound 6/9; T.B. 12/6; CRT EHT, 7/6 (less 2w); Pot's AH valves, 2/9; w.w. 25k., 3/-; Holders: EF50, 9d.; EA50, 3P61, Int. oct. (max.) 5d.; Int. oct. (amp.) 8d.; Cond.: Wk. 01. 1. 05. 6d.; 005. 5. 10d.; 25 x 25. 1/9; 50 x 12. 1/9; 8 x 450. 3/-; 8 x 4, 450v., 4/6; 16 x 16. 450v., 5/6. Grommets, 1/6 doz. 4 or 6 BA Screws, 6d. doz.; Nuts, 6d. doz. Twin Fuse holder, 1/3. Fuses, 6d. 5in. Speaker, 18/6. Punched Chassis and Supports, 85-. Co-axial, 1-y. O.P. Trans. (6V6), 4/6; EHT Trans., 37/6. Valves: 5U4C, 10/6; EF50, EF39, 8/6; EB31, EA50, 3/6; 6V6, 10/6; 9D2, VU11, 8D2, 4DL, SP81, 4/6. All goods new, guaranteed. S.A.E. 15s.

Practical Wireless BLUEPRINT SERVICE

PRACTICAL WIRELESS

*No. of
Blueprint*

CRYSTAL SETS

- 1s. each.
1937 Crystal Receiver... PW71*
The "Junior" Crystal
Set PW94*

STRAIGHT SETS

Battery Operated

- One-valve : 2s. each.
The "Pyramid" One-
valver (HF Pen) ... PW93*
Two-valve : 2s. each.
The Signet Two (D &
LF) PW76*
Three-valve : 2s. each.
Summit Three (HF Pen,
D, Pen) PW37*
The "Rapid" Straight
3 (D, 2 LF (RC &
Trans)) PW82*
F. J. Camm's "Sprite"
Three (HF, Pen, D,
Tct) PW87*

- Four-valve : 2s. each.
Fury Four Super (SG,
SG, D, Pen) PW34C*

Mains Operated

- Two-valve : 2s. each.
Selectone A.C. Radio-
gram Two (D, Pow)... PW19*
Three-valve : 2s. each.
Double - Diode - Triode
Three (HF Pen, DDT,
Pen) PW23*
Four-valve : 2s. each.
A.C. Fury Four (SG, SG,
D, Pen) PW20*
A.C. Hall-Mark (HF
Pen, D, Push-Pull) ... PW45*

SUPERHETS

- Battery Sets : 2s. each.
F. J. Camm's 2-valve
Superhet PW52*

*No. of
Blueprint*

SHORT-WAVE SETS

Battery Operated

- One-valve 2s. each.
Simple S.W. One-valver PW88*
Two-valve : 2s. each.
Midget Short-wave Two
(D, Pen) PW38A*
Three-valve : 2s. each.
Experimenter's Short-
wave Three (SG, D,
Pow) PW30A*
The Perfect 3 (D, 2 LF
(RC and Trans)) ... PW63*
The Band-spread S.W.
Three (HF Pen, D
(Pen), Pen) PW68*

PORTABLES

- Four-valve : 2s.
"Imp" Portable 4 (D,
LF, LF, Pen) ... PW86*
1s.
The "Mini-Four" All-
dry (4 valve superhet) PW

MISCELLANEOUS

- 2s. each.
S.W. Converter-Adapter
(1 valve) PW48A*
(2 sheets), 7s. 6d.
The P.W. 3-speed Auto-
gram.

TELEVISION

- The Practical Television Receiver,
(3 sheets) 10/6
The "Argus" (6in. C.R. Tube) 2/6

AMATEUR WIRELESS AND WIRELESS MAGAZINE

STRAIGHT SETS

Battery Operated

- One-valve : 2s.
B.B.C. Special One-
valver AW387*
Two-valve : 2s. each.
A modern Two-valver ... WM409*

Mains Operated

- Two-valve : 2s. each.
Consoelectric Two (D,
Pen), A.C. AW403

SPECIAL NOTE

THESE blueprints are drawn full size. The issues containing descriptions of these sets are now out of print, but an asterisk beside the blueprint number denotes that constructional details are available, free with the blueprint.

The index letters which precede the Blueprint Number indicate the periodical in which the description appears. Thus P.W. refers to PRACTICAL WIRELESS, A.W. to *Amateur Wireless*, W.M. to *Wireless Magazine*.

Send (preferably) a postal order to cover the cost of the Blueprint (stamps over 6d. unacceptable) to PRACTICAL WIRELESS Blueprint Dept., George Newnes, Ltd., Tower House, Southampton Street, Strand, W.C.2.

*No. of
Blueprint*

SHORT-WAVE SETS

Battery Operated

- One-valve : 2s. each.
S.W. One-valver for
America AW429*
Two-valve : 2s. each.
Ultra-short Battery Two
(SG, det Pen)... .. WM402*
Four-valve : 3s. each.
A.W. Short Wave World-
beater (HF Pen, D, RC,
Trans) AW436*
Standard Four - valver
Short-waver (SG, D,
LF, P)... .. WM383*

Mains Operated

- Four-valve : 3s.
Standard Four-valve A.C.
Short-waver (SG, D,
RC, Trans) WM391*

MISCELLANEOUS

- Enthusiast's Power Am-
plifier (10 Watts) (3/-) WM387*
Listener's 5-watt A.C.
Amplifier (3/-) ... WM392*
De Luxe Concert A.C.
Electrogram (2/-) ... WM403*

QUERY COUPON

This coupon is available until Feb. 2nd, 1953, and must accompany all Queries, sent in accord with the notice on page 105.
PRACTICAL WIRELESS, Feb., 1953

HENRY'S

INDICATOR UNIT TYPE 182A. This unit contains VCR517 Cathode Ray 6in. Tube, complete with Mu-metal screen, 3 EF50, 4 5F61 and 1 5U4G valves, 9 wire-wound volume controls and quantity of Resistors and Condensers. Suitable either for basis of Television (full picture guaranteed) or Oscilloscope. Offered BRAND NEW (less relay) in original packing case at 79/6d. Plus 7/6 carr. "W.W." Circuit supplied Free.

PYE 45 Mc/s STRIP. Size 15in. x 8in. x 2in. Complete with 45 mc/s Pye Strip, 12 valves, 10 EF50, EB34 and EA50, volume controls and hosts of Resistors and Condenser. Sound and vision can be incorporated on this chassis with minimum space. New condition. Modification data supplied. Price £5, carriage paid.

*** A COMBINED SIGNAL TRACER AND AUDIO OSCILLATOR ***

An easy to build unit that can be used for I.F. and Audio signal tracing, without any switching or tuning, including variable output oscillator, for amplifier checking. Highly sensitive, responds to signals picked up from an ordinary receiving aerial. The circuit is that of a high-gain 2-stage, resistance-coupled audio frequency amplifier, employing 3 miniature 1.4 valves, with a 3in. speaker in the output of the Power Amplifier Stage. An added advantage being that as this Unit is "All-Dry" it can be used with safety on A.C. or A.C./D.C. mains and Battery sets. The complete Kit with portable cabinet (size 6in. x 7in. x 6in.) and battery weighs only 4 lbs. We shall be pleased to supply a complete Kit for the construction of the above, right down to the last nut and bolt, including 2-1T4 and 1-1S4 Valves, 3in. Speaker and Portable case and All-Dry Battery for 24/19/6. Concise instructions and circuits supplied. If preferred, circuit and instructions only can be supplied for 1/6. If required this Unit will be assembled and tested for an extra charge of 15/-. This is a highly efficient instrument, and a MUST for every radio man.

CATHODE RAY TUBES:

VCR97. Guaranteed full picture. 40/-, carr. 5/-.
VCR517. Guaranteed full picture. 40/-, carr. 5/-.
3BP1. Suitable for 'scopes and Tel. 25/-, carr. 3/-.
MU-METAL SCREEN for VCR97 or 517. 12/6d.

STROBE UNITS. Brand New, in sealed cartons, these contain SIX EF50s, five EA50s, one 5P61, a host of condensers, resistors, transformers, chokes, relays, switches, seven pots and five smoothing condensers. Size 18in. x 8 1/2in. x 7 1/2in. Only 67/6, plus 5/- carriage. I.F.T. 465 Kc/s. PLESSEY Permeability. Tuned, 8/8 pair.

EXCEPTIONAL VALVE OFFER

Ten EF50 Ex-Brand New Units	55/- Set
6K8C, 6K7G; 6Q7G, 5Z4G, 6V6G (or KT61)	42/6 ..
1R5, 1S5; 1T4 or (3S4 or 3V4)	32/6 ..
1P25, 1L25, DD, VP25, PENOS (or GP25)	27/6 ..
6K8C, 6K7G, 6Q7G, 5Z4AG, 25Z5 or 25Z6G	44/- ..
12K8GT, 12K7GT, 12Q7GT, 35Z4GT, 35L6GT or 59L6GT	45/- ..
12SA7GT, 12SK7GT, 12SQ7GT, 35Z4GT, 35L6GT or 59L6GT	42/6 ..

We have over 10,000 New Valves in Stock, B.V.A. and Ex-Government. Let us have your requirements.

RADIO-GRAM CHASSIS

3 Wave-band Superhet. Med, long and short.
5 Latest Type MULLARD Valves.
4 Position Switching. Gram., Med., long and short.
Also provision for A. C. Mains
Extension Speaker. 110/250 volts.
Chassis 11in. x 7in. x 2 1/2in. Scale 8in. Square.

PRICE £10. 19. 6 BRAND NEW AND GUARANTEED CARR. PACKING AND INS. 15/-

SEND POSTAGE FOR NEW 1953 COMPREHENSIVE 28 PAGE CATALOGUE.

Open Mon.-Fri., 9-5.30. Sat., 6 p.m. Thurs., 1 p.m.

5, HARROW ROAD, PADDINGTON, LONDON, W.2. TEL.: PADDINGTON 1008/9, 0401.

THE HAM'S SHOP

Definitely The Cheapest Radio and Electrical Shop in Ireland

65 DONEGALL STREET, BELFAST

RECEIVERS	£	s.	d.
Sx24 Hallicrafter	25	0	0
B.28	22	10	0
A.H.77. Less cabinet	22	10	0
R.C.A. Rogers, 5.5 to 6 Megacycle, 5 to 100 Kc.	17	10	0

TRANSMITTERS	£	s.	d.
36 with PP and Modulator	22	10	0
A.T.C. (Modified) with Valves	12	10	0
15-30 Phone and C.W., 50 w.	5	0	0
Type 82 Indicator Unit	3	0	0
Type 1355	3	0	0

B.S.R. Recording Unit, complete with Mike, Amplifier and Recording Gear. As New	120	0	0
Weston Analyser, 785, 20,000 per volt.	12	0	0
Mains Transformers RM., 350-0-350, 6.3 and 5v.	1	2	6
" " Varley, 350-0-350, 120 ma., 4v, 4v.	1	15	0
" " " 250-0-250, 4v, 4a., 4v, 2a.	1	0	0

Chokes, 100 ma., 7/-; Meters, boxed, 0-200 ma., 7/6; Condensers, 1.4 Kv. oil filled, 5/-; 2.5-2.5 K., 4/-; VR97 Holders, 2/6; Nenu Tubes, 1/6; Crystal Diodes, 3/-; Systoffs, per doz. various, 2/-; I.F. Transformers, 45 Kc., per pair, 8/-; 100 W. Resistors, 12 x 2 K., 1/-; 100 W., 20 K., 50 K., 1/-; Test Oscillators, for TV, 46-6-0; Transmitter 2-Gang Condensers, Split Stators, 17/6; Single, 8/-; 3-Gang Butterfly Cond., 75 PF., 2/-; 32 mf., 320 v. Electrolytic Card. Tub., Job Line, 1/9; 8 mf., 500 v. Electrolytic Cons., per doz., 24/-; Recording Wire, per reel, 15/-; Co-Ax., 300Ω, per yard, 1/-; Metal Boxes with Lid, 51 x 21 x 2. For Pre-Amp., each 1/6; Metal Reel., 230 v., 80 ma., 5/6; Reels for Tape Recorders, 2/-; Aladdin Transformers, with cores, 6d. and 9d.; T.V. Pre-Amplifiers, 10/-; Plugs and Sockets, 5 a., 3-pin, 2/6; Speaker Gauze, per sq. ft., 1/6; Chassis with components, 10/-; Slow Motion Discs, Admiralty pattern, 5/-; Motors, A.C./D.C., with Reduction Gear, 17/6; B7 Valveholders with shield, 1/9; Headphones, LR, per pair 8/6; Valves of All Types. Prices on application. Aluminium Chassis, made and drilled to specification.

Packing and Carriage Extra. Deliveries Within 14 Days. Please enclose S.A.E. with enquiries. Thousands of Bargains. Always at your service.

THE FAMOUS BENNETT COLLEGE

can help your career through personal postal tuition

in any of these subjects:
Accountancy Exams. ★ Aircraft Eng. & Radio ★ Architecture ★ Auditing ★ Book-keeping ★ Building ★ Carpentry ★ Chemistry ★ Civil Service ★ Commercial Art ★ Commercial Arithmetic ★ Company Law ★ Costing ★ Diesel Engines ★ Draughtsmanship ★ Electric Wiring ★ Engineering (Civil; Electrical; Mechanical; Motor; Steam; Structural) ★ Jigs, Tools & Fixtures ★ Journalism ★ Languages ★ Mathematics ★ Mining ★ Modern Business Methods ★ Plumbing ★ Police ★ Press Tool Work ★ Quantity Surveying ★ Radio ★ Salesmanship ★ Secretarial Exams. ★ Shorthand ★ Surveying ★ Telecommunications ★ Television ★ Textiles ★ Works Management ★ Workshop Practice

and GENERAL CERTIFICATE OF EDUCATION

SUCCESS WILL BE YOURS

As a Bennett College Student your own Personal Tutor will coach you until you qualify, at your pace, with no time wasted. You will learn quickly, easily.

SEND TODAY FOR A FREE PROSPECTUS

TO THE BENNETT COLLEGE, DEPT. B.104, SHEFFIELD.

Please send me your prospectus on..... (Subject)

NAME

ADDRESS

..... AGE (IF UNDER 21).....

PLEASE WRITE IN BLOCK LETTERS