

# PRACTICAL WIRELESS

DECEMBER  
1971

20p

**EXTRA**

**COMPONENTS DICTIONARY  
SUPPLEMENT**

**9-Band Short Wave Radio**



**ALSO:** 4-20V REGULATED POWER UNIT  
TRANSISTOR TAPE RECORDER

# ADCOLA Soldering Instruments add to your efficiency

## THE NEW 'INVADER'

### ADCOLA L.646

for Factory Bench Line Assembly

A precision instrument—supplied with standard 3/16" (4.75 mm) diameter, detachable copper chisel-face bit\*. Standard temp. 360 c at 23 watts. Special temps. from 250 c—410°c.

**PRICE  
£1.85**



#### \*Additional Stock Bits (illustrated) available

#### COPPER

**B 38** 3/16" — 3.2 mm CHISEL FACE

**B 14** 1/4" — 2.4 mm CHISEL FACE

**B 24** 1/8" — 4.75 mm SCREWDRIVER FACE

**B 12** 1/8" — 4.75 mm EYELLET BIT

**B 58** 1/2" — 6.34 mm CHISEL FACE

#### LONG LIFE

**B 42 LL** 1/8" — 4.75 mm CHISEL FACE

**B 38 LL** 3/16" — 3.2 mm CHISEL FACE

**B 14 LL** 1/4" — 2.4 mm CHISEL FACE

**B 44 LL** 1/8" — 4.75 mm SCREWDRIVER FACE

Don't take chances. We don't. All our ADCOLA Soldering Instruments are of impeccable quality. You can depend on ADCOLA day after day. That's why they're so popular. You get consistent good service... reliability... from our famous thermally controlled ADCOLA Element and the tough steel construction of this ideal production tool.

\*  
Write for price list and catalogue



**ADCOLA PRODUCTS LTD.,**  
(Dept. M), ADCOLA HOUSE, GAUDEN RD., LONDON, S.W. 4  
Telephone: 01-622 0291/3 • Telegrams: Soljoint London Telex • Telex: Adcola London 21851

## TV's 19" NOW £11-95

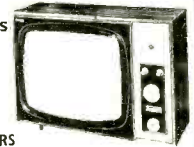
TWO YEARS' GUARANTEE ALL MODELS

405/625: 19" £25-95

23" £35-95

FREE CATALOGUE

DAILY DEMONSTRATIONS FOR PERSONAL SHOPPERS

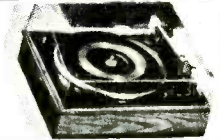


### TEAK HI-FI STEREO CABINETS £14-95

Brand new 44" wide x 16" deep x 18" high with legs. A superb piece of furniture. Carriage £1. WHILE STOCKS LAST.

#### HI-FI VALUE

- GARRARD SP25 Mk III £11-50, p.p. 50p
  - TEAK PLINTH & TINTED COVER £4-95, p.p. 35p
  - 9TAHC DIAMOND SONOTONE CARTRIDGE £2-50
- BARGAIN PACKAGE 1, 2 & 3 £17-95, p.p. 85p



### COMPONENTS MUST BE CLEARED

**Transistor Radio Cases:** 25p each. Size 9 1/2" x 6 1/2" x 3 1/2". Post 15p.  
**Speakers:** 35p. 2 1/2" 8Ω. Brand new. Post 15p.  
**VHF/FM Tuners:** 95p. 88-108 megs. takes EEC85 valve (extra). Post 15p.  
**Radio:** £3-95 8 transistor LW/MW. Free case, battery. Post 15p.  
**Precision Tape Motors:** £1-95. 200/250V. Famous German manufacturer. Post 20p.

**Transistor Gang Condensers:** 20p. Miniature AM. Post free.  
**Modern Gang Condensers:** 30p. AM/FM or AM only 20p. Post 10p.  
**Transistors** 15p each. Post free. AC126, AC128, AF114, AF117, OC45, OC71, OC81, OC81D.  
**Valve ELL80** 50p. Only stock in the country.  
**Pots:** 25p each. Post 5p. D/SW 500/500 KΩ. D/SW 500/100 KΩ. D/SW 1 meg/100 KΩ. S/SW 500/500 KΩ. S/SW 500/1 meg.

### DUKE & CO. (LONDON) LTD.

621/3 ROMFORD ROAD, MANOR PARK, E.12. Phone 01-478 6001-2-3



5 CORE SOLDER

## for fast, easy, reliable soldering

Contains 5 cores of non-corrosive flux, instantly cleaning heavily oxidised surfaces. No extra flux required.

### SAVBIT ALLOY ALSO REDUCES COPPER BIT WEAR.

Economically packed for general electrical and electronic soldering. 75ft. 18 gauge on plastic reel. Recommended retail price **75p** Size 12



### THIN GAUGE SOLDER, ESSENTIAL FOR

soldering small components and thin wires. High tin content, low melting point, 60/40 alloy, 170ft. 22 gauge on plastic reel. Recommended retail price **75p** Size 10



### A RANGE OF SOLDERS IN HANDY DISPENSERS.

REF. ALLOY SWG  
19A 60/40 18 18p\*  
Size 5  
(III-  
ustra-  
ted)  
Savbit 18 18p\*  
15 60/40 22 22p\*

\*Recommended Price



### INVALUABLE FOR STRIPPING FLEX. THE NEW AUTOMATIC OPENING BIB WIRE STRIPPER AND CUTTER,

easily adjustable for all standard diameters. Plastic covered handles can also be used as wire cutter. Recommended retail price **50p**



From Electrical and Hardware shops. If unobtainable, write to:  
**Multicore Solders Ltd., Hemel Hempstead, Herts.**

# LASKY'S SCOOP

## HI-FI BARGAIN OF THE CENTURY save up to 35% on LEAK recommended list prices!

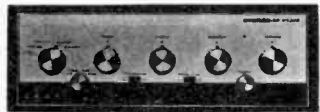
As the United Kingdom's leading High Fidelity Retailers we are proud to offer you the "Scoop of the Century" Leak Hi-Fi Amplifiers, tuners, turntables and speakers at fantastic prices. Each piece of equipment is brand new and covered by Leak's full guarantee. Leak have been the U.K.'s leading manufacturer since the birth of High Fidelity — their quality has always been used as the yardstick for true High Fidelity.



**Leak Stereo 70 amplifier (cased only)**—Power output (both channels linewave driven): 35 watts r.m.s. each channel into 3 ohm. loudspeakers. Total harmonic distortion: 0.1%, for all power levels up to 25 watts r.m.s. each channel at 1KHz into 8 ohm loudspeakers. Crosstalk: between left and right channels—50dB up to 1KHz and —30dB at 10KHz. Dimensions: 13in. (W.) × 4½in. (H.) × 9½in. (D.). LIST PRICE £75.00. **LASKY'S PRICE £55.00. Carriage £1.00.**



**Leak Stereofetic FM tuner**—Frequency range: 87-108MHz. Frequency response: ± 1dB 40Hz to 15KHz. Frequency drift: Less than 25KHz without A.F.C. Sensitivity: 2½ microvolts for 3dB signal/noise. Output impedance: 200 ohms. Distortion: less than 0.5% for full deviation, i.e.: less than ¼% for average modulation. Signal/Noise: 60dB A.M. suppression: 50dB. Dimensions (cased) 12in. (W.) × 4½in. (H.) × 9½in. (D.) chassis 11½in. (W.) × 4½in. (H.) × 7½in. (D.)  
**CASED LIST PRICE £69.80. LASKY'S PRICE £45.00**  
**CHASSIS LIST PRICE £64.03. LASKY'S PRICE £39.50. Carriage £1.00 on chassis or cased model.**

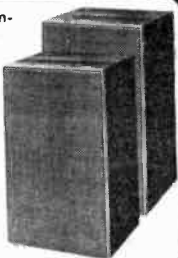


**Leak Stereo 30 Plus amplifier (cased only)**—Power outputs (both channels sinewave driven) 15 watts r.m.s. each channel into 8 ohms loudspeakers. Music power outputs 20 watts r.m.s. each channel into 8 ohm loudspeakers. Total Harmonic distortion 0.1% for all power levels up to 10 watts r.m.s. each channel at 1KHz into 8 ohm loudspeakers. Crosstalk: between left and right channels: —50dB up to 1KHz and —30dB at 10KHz. Dimensions: 13in. (W.) × 4½in. (H.) × 9½in. (D.). LIST PRICE £62.50. **LASKY'S PRICE £45.00. Carriage £1.00.**



**Leak Truspeed Transcription Turntable Mk. III**—A low speed (250 r.p.m.) synchronous 12-pole hysteresis motor (100-130V., or 200-250V., 15 mWA), gives constant turntable speed independent of mains voltage fluctuations. Speeds: 33½ r.p.m. and 45 r.p.m. Wow: Less than 0.15%. Flutter: Less than 0.02%. Frequency range: 20Hz-20KHz. Stereo separation: better than 25dB at 1KHz. Dimensions: 12½in. × 15½in. × 7½in. inc. cover. Complete with arm, teak base and tinted perspex cover and Shure M75/6 cartridge. Made to sell for £69.50. **LASKY'S PRICE £47.50. Carriage £1.50.**

**Leak 200 speaker system**—A Stainless Steel woven mesh grille cloth for maximum acoustic transparency and an attractive teak cabinet finished off with aluminium trim all round housed a 3 speaker system worthy of LEAK's name. Impedance: 8 ohms nominal. Frequency response: 60Hz to 18KHz. Power handling capacity 18 watts r.m.s. Resonance of bass unit (free air): 45Hz. Finish: Teak. Dimensions: 15½in. × 10in. × 8½in. LIST PRICE £49.90. **LASKY'S PRICE £31.50 (pair). Carriage. £2.00**



## fantastic LEAK packages

<b>Package 1</b>		<b>Package E</b>	
Stereo 30 Plus (cased) .....	£62.50	LEAK ST 30 Plus (cased) .....	£62.50
Stereofetic (chassis) .....	£64.03	Wharfedale Denton Spks. (pr.) .....	£39.90
Total Rec. Retail Price .....	£126.53	BSR McDonald MP60 .....	£15.20
<b>LASKY'S PRICE £84. C. &amp; P. £1.50</b>		Lasky's base and cover .....	£4.75
		AD76K magnetic cartridge .....	£4.35
		Total Rec. Retail Price .....	£126.70
<b>Package 2</b>		<b>LASKY'S PRICE £92. C. &amp; P. £2.00</b>	
Stereo 70 (cased) .....	£75.00		
Stereofetic (chassis) .....	£64.03	<b>Package F</b>	
Total Rec. Retail Price .....	£139.03	LEAK ST70 .....	£75.00
<b>LASKY'S PRICE £94. C. &amp; P. £1.50</b>		Wharfedale Triton Spks. (pr.) .....	£59.90
		Garrard AP76 .....	£27.85
		Garrard base and cover .....	£9.75
<b>Package A</b>		Shure N44/E magnetic cartridge .....	£11.63
LEAK ST 30 Plus (cased) .....	£62.50	Total Rec. Retail Price .....	£184.13
LEAK 200 Spks. (pr.) .....	£49.90	<b>LASKY'S PRICE £129. C. &amp; P. £3.00</b>	
LEAK Truspeed T/T system .....	£69.50		
Total Rec. Retail Price .....	£181.90	<b>Package G</b>	
<b>LASKY'S PRICE £120. C. &amp; P. £2.00</b>		LEAK ST30 Plus (cased) .....	£62.50
		Lasky's Criterion Mk. X Spks. .....	£25.00
<b>Package B</b>		BSR McDonald MP60 .....	£15.20
LEAK ST 70 (cased) .....	£75.00	Lasky's base and cover .....	£4.75
LEAK 200 Spks. (pr.) .....	£49.90	AD76K magnetic cartridge .....	£4.35
LEAK Truspeed T/T system .....	£69.50	Total Rec. Retail Price .....	£111.80
Total Rec. Retail Price .....	£194.40	<b>LASKY'S PRICE £85. C. &amp; P. £2.00</b>	
<b>LASKY'S PRICE £130. C. &amp; P. £2.00</b>			
		<b>Package H</b>	
<b>Package C</b>		LEAK ST 70 (cased) .....	£75.00
LEAK ST 30 Plus (cased) .....	£62.50	LEAK Stereofetic (cased) .....	£69.80
LEAK Stereofetic (cased) .....	£69.80	LEAK Truspeed T/T system .....	£69.50
LEAK 200 Spks. (pr.) .....	£49.90	LEAK 600 spks. (pr.) .....	£99.00
LEAK Truspeed T/T system .....	£69.50	Total Rec. Retail Price .....	£313.30
Total Rec. Retail Price .....	£251.70	<b>LASKY'S PRICE £225. C. &amp; P. £4.00</b>	
<b>LASKY'S PRICE £160. C. &amp; P. £3.00</b>			
		<b>Package D</b>	
LEAK ST 70 (cased) .....	£75.00	LEAK ST 70 (cased) .....	£75.00
LEAK Stereofetic (cased) .....	£69.80	LEAK Stereofetic (cased) .....	£69.80
LEAK 200 Spks. (pr.) .....	£49.90	LEAK 200 Spks. (pr.) .....	£49.90
LEAK Truspeed T/T system .....	£69.50	LEAK Truspeed T/T system .....	£69.50
Total Rec. Retail Price .....	£264.20	Total Rec. Retail Price .....	£264.20
<b>LASKY'S PRICE £170. C. &amp; P. £3.00</b>		<b>LASKY'S PRICE £170. C. &amp; P. £3.00</b>	

These are only a few of our package bargains incorporating LEAK equipment, many more can be arranged. If none of the packages here suit you please send us details of your requirements and we will be pleased to quote.

# SUPER SONY SCOOP!



**DIGITAL CLOCK  
RADIO 8FC-59WA** **SAVE  
£12.19**

Sony's elegantly designed digital alarm clock radio. The digital clock shows you the time minute by minute with matchless accuracy, and once set the Digimatic will wake you up at the same time every morning without having to be re-set. The radio section features Sony's unique sleep button, you fall gently to sleep lulled by the sweet tone of the radio, which switches itself off at a pre-determined time. Available in either black, red or white. Frequency range 530-1,605KHz (AM); 87-108MHz (FM). Uses 8 transistors and 8 semi-conductors, built-in ferrite aerial and 3½" loudspeaker. Power requirements: 230v AC 50Hz. Dimensions: 12½" x 3½" x 5½".

List Price **LASKY'S** **£16.75** Post 25p  
£28.94 PRICE

# OUT NOW! '72 AUDIO-TRONICS



The great new 1972 edition of Lasky's famous Audio-Tronics catalogue is now available—FREE on request. The 44 newspaper size pages—many in full colour—are packed with 1,000's of items from the largest stocks in Great Britain of everything for the Radio and Hi-Fi enthusiast. Electronics hobbyist, Serviceman and Communications Ham. Over half the pages are devoted exclusively to every aspect of Hi-Fi (including Lasky's budget Stereo Systems and Package Deals). Tape recording and Audio accessories and don't miss **LASKY'S AUDIO TRONICS CREDIT CARD SCHEME** offering holders one months interest free credit up to £50 and the fantastic Audio Tronics £1,000 + SONY COLOUR TV competition.

Send your name and address and 15p for post and inclusion on our regular mailing list.

# NEW From Laskys

**Criterion  
Mk X**

Because of the increasing demand for inexpensive, high quality bookshelf speakers, we have seen fit to introduce the Criterion Mk. X bookshelf system. The speaker is a sealed infinite baffle type enclosure using 8in. woofer, a 5in. mid. range and 2½in. tweeter. The compact cabinet is in oiled walnut and black woven speaker grille cloth. Frequency response 40Hz—20KHz. Power handling capacity: Max. 20 watts. Impedance: 8 ohms. The Criterion is fitted with two types of speaker lead connections—screw terminal or phono. Size: 18½in. (H.) x 9½in. (W.) x 9½in. (D.). Operational horizontally or vertically.



**LASKY'S  
AMAZING  
PRICE** **£25** Post 50p  
£13.50 each

# a sound future

Lasky's Radio for over 38 years Great Britain's Leading Radio, High Fidelity, Tape Recorder and Electronics Specialists have vacancies in their West End and City Branches for both male and female Sales Assistants. We are seeking intelligent young men and women sales personnel to join our expanding organisation (already the largest in Europe) on a career basis with the finest prospects for early promotion and financial advancement. Working with our energetic sales teams in any of our six West End and City branches will bring you into contact with people from every walk of life including Pop Stars, film and television personalities, royalty and above all enthusiasts in every field of Audio, Hi-Fi and Electronics—people who expect you to share their enthusiasm and interest.

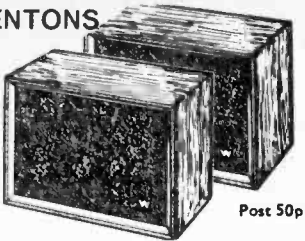
Knowledge of Hi-Fi and electronics is not essential although it will help—all that we require as the basic qualities needed for a successful application are willingness to learn and a common sense approach to the business of selling. Salary ranges from £850 to £1,850 plus, three weeks holiday after one year, and Incentive Bonus Schemes are added benefits of working in our progressive organisation. Holiday arrangements will be honoured. If you are interested in a career in Audio and Hi-Fi write at once to:—

Kenneth Lasky,  
Lasky's Radio Limited,  
3-15 Cavell Street, London, E.1 2BN.

Interviews will be arranged to suit your convenience

## SUPER SPEAKER BARGAINS WHARFEDALE DENTONS

A compact system sold in matched pairs for a perfectly balanced stereo system. Each Denton contains an 8in. bass unit with 3in. pressure unit, coupled by Wharfedale crossover network. Rated input: 15 watts maximum. Frequency response: 65-17,000Hz. Impedance: 4/8 ohms. Cabinet: 9 1/2in. x 14in. x 8 1/2in. These most attractive units are available in oiled teak, and are small enough to blend in with most surroundings.

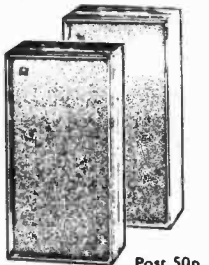


Post 50p

LIST PRICE £29.00 Teak  
£39.90

## WHARFEDALE TRITONS

A new and exciting addition to the Wharfedale range, this three speaker system will satisfy the most ardent Hi-Fi enthusiast. Shelf or floor standing—hand finished in oiled teak. Frequency response 55-22,000Hz. C.A.B. Dome pressure unit. Bass unit 8in. Midrange unit 5in. Treble unit 2in. impedance 8 ohms. Size 2 1/2in. x 9 1/2in. x 9in.



Post 50p.

LIST PRICE £59.90

LASKY'S £39.00 Teak  
PRICE

## BSR McDONALD MP60

High precision low-mass counterbalanced pick-up arm, heavy balanced turntable, simple to operate controls, viscous cueing device, slide in cartridge carrier, 4 pole motor.

LASKY'S PRICE £12.50 Post 35p

### BSR McDONALD UNITS & PACKAGES

A. Chassis only. B. Complete with Lasky's plinth and cover. C. Complete with Lasky's plinth, cover and AD76K cartridge. D. Comp. wired on BSR plinth with cover. E. As D plus AD76K cartridge.

MODEL	A	B	C	D	E
MP.60	11.20	15.50	19.00	19.25	22.00
HT.70	15.90	20.00	23.50	24.50	27.00
610	14.50	18.57	22.00	23.00	25.50
510	12.10	16.50	19.85	20.00	22.85
310	9.75	14.00	17.25	17.90	20.25
210					9.95
MP.60 TPD2 Styrene base				18.00	21.00



## GARRARD UNITS AND PACKAGES

### GARRARD SL 55B

Four speed autochanger  
LASKY'S PRICE £10.50 Post 35p



Now available ZERO 1005

£49.95, post 35p.

Garrard SP25 Mk. III ... £11.50

Garrard SL40B ... £9.95  
Garrard AP76 without cart. £20.95  
Garrard 3000 with 9TA cart. £10.50  
Garrard 2025TC with 9TA cart. £9.85

## GARRARD PACKAGES

Garrard AP76 with AD76K cart. and Lasky's plinth and cover ... £35  
Garrard AP76 with Shure M44E cart. and Lasky's plinth and cover ... £40  
Garrard SP25 Mk. III, AD76K cart. and Lasky's plinth and cover ... £20  
Garrard SP25 Mk. III, Micro M2100/e cart. and Lasky's plinth and cover ... £25

## LASKY'S NEW LOW NOISE CASSETTES FROM THE USA

Type	Singles	5	10	20
C-90	32p	£1.52	£2.96	£5.60
C-60	50p	£2.37	£4.62	£8.75
C-120	69p	£3.28	£6.38	£10.85

Post Each 5p. 5-20p. 10-25. 20-50p.

## INTERNATIONAL

MAGNETIC RECORDING TAPE FROM THE U.S.A.  
AT LASKY'S RECORD LOW PRICES

3in. RT.20 Message Tape 225ft. 19p	5 1/2in. RT.25 Triple play, 2,400ft. £1.31
3 1/2in. RT.21 Triple play, 600ft. 50p	7in. RT.22 Standard play, 1,200ft. 63p
5in. RT.23 Double play, 1,200ft. 75p	Acetate
5in. RT.18 Long play, 900ft. 30p	7in. RT.10 Standard play, 1,200ft. 63p
Acetate	Mylar
5in. RT.17 Standard play 600ft. 43p	7in. RT.12 Long play, 1,800ft. 93p
5 1/2in. RT.15 Double play, 1,800ft. £1.13	Mylar
Mylar	7in. RT.13 Double play, 2,400ft. £1.25
5 1/2in. RT.16 Long play 1,200ft. 30p	Acetate
Acetate	7in. RT.11 Long play, 1,800ft. 75p
5 1/2in. RT.24 Standard play 900ft. P.V.C. 68p	7in. RT.19 Triple play, 3,600ft. £2.50
5 1/2in. RT.14 Long play 1,200ft. Mylar 75p	7in. RT.22 Quad play, 1,100ft. £1.02

P. & P. 5p extra per reel, 4 reels & over Post Free. Special quotes for quantities

## KATONE AM/AIRCRAFT PORTABLE RADIO

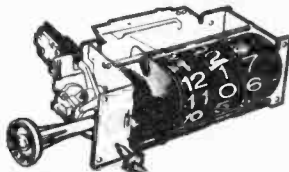
### BATTERY/MAINS

A combined battery and mains portable of exceptionally attractive design. Housed in a leatherette covered case, size 8 1/2in. x 5 1/2in. x 3 1/2in., fitted with an 8-section external telescopic aerial for FM and internal ferrite rod for MW wave bands, and clear easy-to-read dial with logging scale. Wave band coverage is FM 88-108MHz. AM 535-1,600KHz. A highly selective circuit using 9 transistors and 9 semi-conductors operating from either 4 x 1.5 volt torch batteries or direct from 230 volts 50Hz AC house mains, from a built-in mains unit. A socket is fitted for a personal earphone. Easy-to-use silver colour knobs, with "woodgrain" panel enhances the appearance of this fine radio.



LASKY'S PRICE £9.95 Post 15p

## DIGITAL CLOCK SCOOP



EXCLUSIVELY FROM LASKY'S

for you to mount into any housing. The clock measures 4 1/2 W x 1 1/2 H x 3 1/2 D (overall from front of drum to back of switch). SPEC.: 210/240V a.c., 50Hz operation; switch rating 250V, 3A. Complete with instructions. HUNDREDS OF APPLICATIONS. COMPLETE WITH KNOBS.

LASKY'S PRICE £6.50 Post 20p

- MADE ESPECIALLY FOR LASKY'S BY FAMOUS MAKER
  - MAINS OPERATION
  - 12-HOUR ALARM
  - AUTO "SLEEP" SWITCH
  - HOURS, MINUTES AND SECONDS READ-OFF
  - FORWARD AND BACKWARD TIME ADJUSTMENT
  - SILENT OPERATION SYNCHRONOUS MOTOR
  - SHOCK AND VIBRATION PROOF
  - BUILT IN ALARM BUZZER
- SPECIAL QUOTES FOR QUANTITIES

## TRIO HS.1 & HS.2 STEREO HEADPHONE BARGAINS

Models HS-1 and HS-2. Both these sets by TRIO offer really superb stereo reproduction in a lightweight, fully adjustable headset designed for optimum comfort. Listening fatigue is unknown with TRIO headphones. Brief spec. both models: Input imp. 80 nominal (matching 4 to 8Ω); max. input 0-5V; frequency response 20-19 kHz; output sensitivity at 1mW input; HS-1 118 dB, HS-2 111 dB; weight 0-66lbs. Identical in appearance—both models are finished in ivory with contrasting foam filled ear pads and head band.



LIST PRICE £8.40 LIST PRICE £6.75  
HS.1 £5 HS.2 £4 Post 18p

## Lasky's Radio Limited

Branches

207 EDGWARE ROAD, LONDON, W.2 Tel: 01-723 3271

33 TOTTENHAM Ct. RD., LONDON, W.1 Tel: 01-636 2605

Open all day, 9 a.m. - 6 p.m. Monday to Saturday

152/3 FLEET STREET, LONDON, E.C.4 Tel: 01-353 2833

Open all day Thursday, early closing 1 p.m. Saturday

The Home of High Fidelity

42-45 TOTTENHAM Ct. RD., LONDON, W.1 Tel: 01-580 2573

Open all day, 9 a.m. - 6 p.m. Monday to Saturday

NEW-CITY BRANCH NOW OPEN

109 FLEET STREET, LONDON, E.C.4 Tel: 01-353 5812

Open all day Thursday, early closing 1 p.m. Saturday

ALL MAIL ORDERS AND CORRESPONDENCE TO: 3-15 CAVELL ST., TOWER HAMLETS, LONDON, E.1 Tel.: 01-790 4821



# Another tremendous bargain from Jermyn

Better spark at all revs.  
Easier cold starting.  
Longer battery life.  
Less wear on points.  
Smoother running.  
Lower petrol consumption.  
Longer plug life.

Set of parts to enable the electronics hobbyist to build the Electronic Ignition as described in P.W. June '71. Inverter transistors, Diodes, Zeners, Resistors, Capacitors, Transformer, robust die cast box 2 x 3½ x 4½", circuit diagram and Free Car Sticker.

State + or -ve earth and send cheque or P.O. £7.75 including p. and p. to: - Jermyn Industries, Vestry Estate, Sevenoaks, Kent.

**JERMYN**  
Prompt despatch by post.

**£7.75 complete**



## The Unique MULTI-MINI TWIN-VICE



An extra "Pair of hands" for those tricky jobs

**ASSEMBLY—SOLDERING—GLUING—WIRING—DRILLING—ETC.**

- INDEPENDENT ADJUSTMENT OF THE TWO VICE HEADS TO ANY ANGLE WITH POSITIVE LOCKING.
- JAWS WILL FIRMLY GRIP, ROUND, FLAT, SQUARE, OR HEXAGONAL PARTS.

**TWIN VICE: £5.90 (24p P & P)**

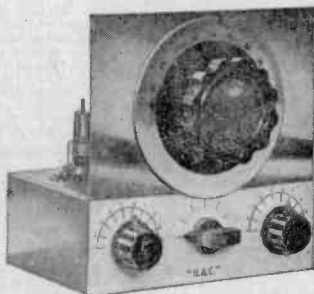
ALSO AVAILABLE

**SINGLE VICE: £3.37½ (20p P & P)**

**COVENTRY MOVEMENT CO LTD.**

Dept. PV3  
BURNSALL ROAD, COVENTRY  
CV5 6BU STD 0203-74363

## H.A.C. SHORT-WAVE KITS WORLD-WIDE RECEPTION



Famous for over 35 years for Short-Wave Equipment of quality, "H.A.C." were the Original suppliers of Short-Wave Receiver Kits for the amateur constructor. Over 10,000 satisfied customers—including Technical Colleges, Hospitals, Public Schools, R.A.F., Army, Huns, etc.

### NEW "DX" RECEIVER

Improved one-valve model "DX" mark 2. Complete kit—price £3.30 (post & packing 20p.). Customer writes: "Australia, India and America at loud volume."—"I am 14 years of age and have logged over 130 stations, plus countless Amateurs from all over the world."

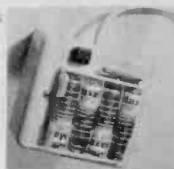
Send S.A.E. for test report.

This kit contains all genuine short-wave components, drilled chassis, valve, accessories and full instructions. Ready to assemble, and of course, as all our products—fully guaranteed. Full range of other S.W. kits, including the famous model "K" and "K plus" (illustrated above). All orders despatched by return. (Mail order only.) Send now for free descriptive catalogue & order form.

**"H.A.C." SHORT-WAVE PRODUCTS**  
29 Old Bond Street, London W.1

## The BATTERIES That Won't Let You Down! RECHARGEABLE

Cells in U2, U11 and Penlite U7 sizes  
Kestrel Battery Charging Unit



**Uses:**  
Tape recorders, Portable radio and TV, Radio controlled model aircraft and boats, Cine cameras, Flashguns, Cordless shavers and other battery appliances.

Whenever you *must* have utterly dependable battery power—then these new Alkaline-Manganese rechargeable cells will provide it. The cells can be recharged many times, a simple job with the Kestrel Charging Unit which has been specially designed for these new type batteries.

**PRICES**  
Batteries U2 equiv. £1.25

Penlite U7 equiv. 50p

U11 equiv. £1.03

Charging unit £3.99 with one battery holder

**KESTREL**

*Bush & Meissner*

Send to:  
275 WEST END LANE  
LONDON, N.W.6  
01-794 9611

## FIND BURIED TREASURE! TREASURE LOCATOR TRANSISTORISED

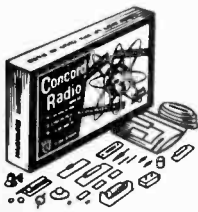
NOW IT'S HERE AT LAST, after experimenting for four and a half months with a multitude of different circuits and carrying out actual field tests with prototypes, our design team have come up with this real winner. This fully portable transistorized metal locator detects and tracks down buried metal objects—it signals exact location with loud audible sound (no phones used)—uses any transistor radio which fits inside—no connections needed. FINDS GOLD, SILVER, LOST COINS, JEWELLERY, KEYS, WAR SOUVENIRS, ARCHAEOLOGICAL PIECES, METALLIC ORE, NUGGETS ETC. ETC. Outdoors or indoors. *Extremely sensitive, will signal presence of certain objects buried several feet below ground!* No knowledge of radio or electronics required. Can be built with ease in one short evening by anybody from nine years of age upwards, with the wonderfully clear, easy to follow, step-by-step, fully illustrated instructions—it really is as easy as A.B.C. transistorized—no valves. Uses standard PP3 battery. No soldering necessary. Size of detector head 13" x 10" x 2 1/2". Great demand expected at this remarkably low price—**ORDER WHILE PRESENT STOCKS LAST.** All parts including detector head case, nuts, screws, wire, simple instructions etc. etc. **ONLY £2-37 (47/6)**



**ONLY £2-37 (47/6)**

Makes Fantastic Christmas Gift

## BUILD 5 RADIO AND ELECTRONIC PROJECTS



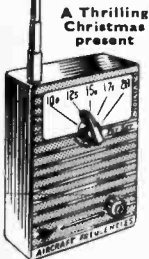
**TOTAL BUILDING PRICE £1-97 (39/6)**

Amazing Radio Construction set! Become a radio expert for £1-97 (39/6). A complete Home Radio Course. No experience needed. Parts including simple instructions for each design. Illustrated Step-by-step plans, all Transistors, loudspeaker, personal

Makes exciting Christmas present

phone, knobs, screws, etc., all you need. Presentation Box 37p (7/6) extra as illus. (if required) (extra parts available separately) no soldering necessary. Send only £1-97 (39/6) + 23p (4/6) p. & p.

## EAVESDROP ON THE EXCITING WORLD OF AIRCRAFT COMMUNICATIONS—JUST OUT V.H.F. AIRCRAFT BAND CONVERTER



A Thrilling Christmas present

**ONLY £2-37 (47/6)**

Many thousands of v.h.f. Aircraft Band Converters now selling in U.S.A. Listen in to AIRLINES, PRIVATE PLANES, JETPLANES. Eavesdrop on exciting crosstalk between pilots, ground approach control, airport tower. Hear for yourself the disciplined voices hiding tenseness on 'talk downs'. Be with them when they have to take nerve rippling decisions in emergencies—Tune into the international distress frequency. Covers the aircraft frequency band including HEATHROW, GATWICK, LUTON, RINGWAY, PRESTWICK ETC. ETC. CLEAR AS A BELL! This fantastic fully transistorised instrument can be built by anyone nine to ninety in under two hours. (Our design team built four—everyone worked first time). No knowledge of radio or electronics required. No soldering necessary. Fully illustrated simply worded instructions take you step-by-step. Use standard PP3 battery. Size only 4 1/2" x 3" x 1 1/2". All you do is extend rod aerial, place close to any ordinary medium-wave radio (even tiny portables) NO CONNECTIONS WHATSOEVER NEEDED. Use indoors or outdoors. THERE WILL BE ENORMOUS DEMAND FOR THIS NEW DESIGN. SEND NOW, **ONLY £2-37 (47/6) + 23p (4/6) p. & p.** for all parts, including case nuts, screws, wire, etc., etc. (Parts available separately).

## SOOTHE YOUR NERVES, RELAX WITH THIS AMAZING RELAXATRON

**CUTS OUT NOISE POLLUTION—SOOTHS YOUR NERVES!** Don't underestimate the uses of this fantastic new design—the RELAXATRON is basically a pink noise generator based on avalanche operated transistors. Besides being able to mask out extraneous unwanted sounds, it has other very interesting properties. For instance, many people find a rainstorm mysteriously relaxing, a large part of this feeling of well-being can be directly traced to the sound of falling raindrops—a well known type of pink noise. A group of Dentists have experimented on patients with this pink noise—**NO ANESTHETICS WERE USED!** The noise ostensibly created a most definite reaction on these patients nervous systems with the results that their pain systems were blocked. IF YOU WORK IN NOISY OR DISTRACTING SURROUNDINGS, IF YOU HAVE TROUBLE CONCENTRATING, IF YOU FEEL TENSED, UNABLE TO RELAX—then build this fantastic Relaxatron. Once used you will never want to be without it—use this amazing pink noise generator whenever you feel uneasy, can't relax or wish to concentrate. TAKE IT ANYWHERE, pocket sized. Uses standard PP3 batteries (current used so small that battery life is almost limitless!) CAN BE EASILY BUILT BY ANYONE OVER 12 YEARS OF AGE using our unique, step-by-step, fully illustrated plans. No soldering necessary. All parts including case, a pair of crystal phones, Components, Nuts, Screws, Wire, etc. etc. no soldering. Send only £2-25 + 25p (45/- + 5/-) p. & p. parts available separately.)

Ideal Christmas Gift

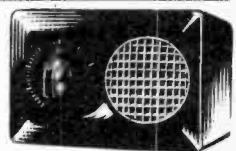
**only £2-25 (45/-)**



## GET A GOOD NIGHT'S SLEEP—EVERY NIGHT! INGENIOUS ELECTRONIC SLEEP INDUCER

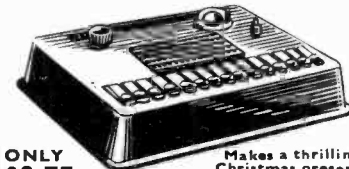
Ideal Xmas Gift

**only £2-75 (55/-)**



**CAN'T SLEEP AT NIGHTS? DO YOU WAKE UP IN THE NIGHT AND CAN'T GET OFF TO SLEEP AGAIN? WOULD YOU LIKE TO BE GENTLY SOOTHED OFF TO SATISFYING SLEEP EVERY NIGHT?** Then build this ingenious electronic sleep inducer. *It even stops by itself so you don't have to worry about it being on all night!* The loudspeaker produces soothing audio-frequency sounds, continuously repeated—but as time goes on the sounds gradually become less and less—until they eventually cease altogether, the effect is so amazing it is amazingly very similar to hypnosis. A control is provided for adjusting the length of times etc., all transistor, can be built by anyone over 12 years of age in about two hours. No knowledge of electronics or radio needed. Extremely simple, easy-to-follow, step-by-step, fully illustrated instructions included. No soldering necessary. Works off standard batteries—extremely economical. Size only 3" x 4 1/2" x 1 1/2"—take it anywhere. All parts including case, loudspeaker, components, nuts, wire, screws, etc. etc. **THERE WILL BE A GREAT DEMAND FOR THIS UNIQUE NEW DESIGN—SEND NOW £2-75 + 25p (55/- + 5/-) p. & p.** (parts available separately).

## REAL WORKING ELECTRONIC ORGAN



**ONLY £2-75 (55/-)**

Makes a thrilling Christmas present

Anyone from nine years upwards can build it easily in one short evening following the fully illustrated, step-by-step, simply worded instructions. **DEMAND ANTICIPATED FOR THIS UNIQUE INSTRUMENT** at our low, low building price. **ONLY £2-75 (55/-) + 23p (4/6) p. & p.** for all parts, including case, loudspeaker, transistors, condensers, knobs, transformer, volume control, wire, nuts, screws, simple (but full) instructions, etc. etc. Uses standard battery (parts available separately). Have all the pleasure of making it yourself, finish with an exciting gift for someone.

Don't confuse with ordinary electric organs that simply blow air over mouth-organ type reeds etc. Eight months were spent in creating and testing this superb, revolutionary electronic organ. Fully transistorized—no valves. Proper self-contained loudspeaker. Fifteen separate keys span two full octaves—play the "Yellow Rose of Texas", play "Silent Night", play "Auld Lang Syne", play lots and lots of similar tunes on this real working electronic organ. Although it's no theatre organ it's certainly no tiny thing, it measures 13 1/2" x 10" x 2 1/2". You have the thrill and excitement of building it together with the pleasure of playing a real, live, throbbing electronic organ. Take it anywhere—play it anywhere. **NO PREVIOUS KNOWLEDGE OF ELECTRONICS NEEDED—NONE WHATSOEVER.** No soldering necessary, it really is as simple as a.b.c. to make.

## SHORTWAVE TRANSISTOR RADIO

**ONLY £2-25 (45/-)**

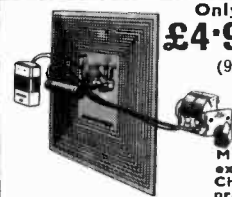
Can be built in one evening

At last! After trying countless circuits searching for easy build, work first-time short waver. Giving advanced world-wide performance, we chose this 'Sky Roma'. Anyone from 9 years up can follow the step-by-step, easy-as-ABC, fully illustrated instructions. (We built ten prototypes and everyone worked first time) no soldering necessary. 75 stations logged on rod aerial in 30 mins.—Russia, Africa, USA, Switzerland, etc. Experience thrills of world wide news, sport, music, etc. Eavesdrop on unusual broadcasts. Uses PP3 battery. Transistorised (no valves). Size only 3" x 4 1/2" x 1 1/2". As tremendous demand anticipated price held at only £2-25 (45/-) + 17p (3/6) p. & p. for all parts incl. Cabinet, screws, instructions, etc. (Parts available separately).



Ideal Xmas Gift

## ONLY £4-95 (99/-) FIND BURIED TREASURE WITH THIS READY BUILT & TESTED Treasure Locator Module



Makes an exceptional Christmas present

**BRAND NEW FULLY TRANSISTORISED PRINTED CIRCUIT METAL DETECTOR MODULE** Ready built and tested—just plug in a PP3 battery and it's working. Put it in a case, screw a handle on and YOU HAVE A PORTABLE TREASURE LOCATOR EASILY WORTH ABOUT £20! Extremely sensitive—penetrates through earth, sand, rock, wood, dirt, water, etc.—EASILY LOCATES COINS, GOLD, SILVER, WATCHES, JEWELLERY, NUGGETS, METALLIC ORE, HISTORICAL RELICS, BURIED PIPES, KEYS, NAIL-IN-TREES, ETC. ETC. Signals exact location by "beep" pitch increasing as you near buried metallic objects. **PRINTED CIRCUIT SEARCH COIL so stable and sensitive it will detect certain objects buried SEVERAL FEET BELOW GROUND! GIVES CLEAR SIGNAL ON ONE COIN!** You could even pay for your holidays with two or three days electronic beachcombing—it's almost like having a licence to print money! Unclaimed treasure now exceeds the **DEMAND EXPECTED AT THIS REMARKABLY LOW PRICE. DEMONSTRATIONS DAILY.** **ORDERS DESPATCHED IN STRICT ROTATION. SEND NOW £4-95 + 30p carr. (99/- + 6/-) etc.** (High quality Danish Stethoscope headphones £2-75 (55/-) extra if required).

EXAMINE AT HOME FOR 7 DAYS. YOUR MONEY REFUNDED IN FULL IF NOT 100% DELIGHTED.

**CONCORD ELECTRONICS LTD (Dept. PW26)** 8 Westbourne Grove, London W.2. (Nr Bayswater & Queensway Tubes. 1 minute ABC Cinema) Callers Welcome 9 a.m.-6 p.m. inc. Saturday

# DISCOUNTS UP TO 60% ON BRANDED GOODS

ALL BRAND NEW in manufacturer's sealed cartons GUARANTEED 12 MONTHS.

SONY · LEAK · SINCLAIR · TELETON · ARMSTRONG · THORENS · PHILIPS · K.E.F. · TEAC · ROGERS · PIONEER

## SPECIAL OFFER £18-00

Garrard SP25 Mk III Goldring G800M Teak plinth and tinted cover Ready wired for immediate use. Please add £1.25 for post & packing.

## TURNABLES

Please add 50p for P. & P.

Garrard SP25 Mk III	£9.95
Garrard 2025TC with stereo cart.	£8.00
Garrard 2025TC with Sonotone 9TAHC	£8.95
Garrard 3000 with Sonotone 9TAHC	£10.25
Garrard SL65B	£13.25
Garrard AP76	£19.95
Garrard 401	£27.00
B.S.R. MP60	£10.00
Pioneer PL12AC	£36.00
Thorens TD 125	£62.50
Thorens 150 AB11	£42.50
Goldring GL69 P2	£19.50
Goldring GL69 P2	£26.50
Goldring GL75	£27.50
Goldring GL75P	£35.75

## AMPLIFIERS

Please add 50p for P. & P.

Alpha Highgate FA212	£27.50
Alpha Highgate FA300	£29.00
Alpha Highgate FA400	£33.00
Armstrong 521 (cased)	£41.95
Amstrad 8000	£17.70
Amstrad 8000 MkII	£18.95
Amstrad IC2000	£34.00
Dulci 207	£15.90
Leak 30 Delta Range (New Prod.)	£21.00
Leak 70 Delta Range (New Prod.)	£53.75
MetroSound ST20	£64.50
MetroSound ST20E	£24.75
Philips R580	£26.00
Pioneer SA500	£18.00
Pioneer SA700	£36.00
Pioneer SA900	£65.00
Rogers Ravensbrook Chassis	£92.00
Rogers Ravensbrook Cased	£35.00
Rogers Ravensbourne Chassis	£39.00
Rogers Ravensbourne Cased	£43.75
Rogers Ravensbourne Cased	£48.00
Rotel 310	£32.00
Rotel 610	£49.00
Sansui AU101	£32.00
Sansui AU666	£75.00

Sinclair 2000 Mk. II	£22.50
Sinclair 3000	£32.50
Sinclair PRO 60/2 + Z30/PZ5	£15.00
Sinclair PRO 60/2 + Z30/PZ6	£17.75
Sinclair PRO 60/2 + Z50/PZ8/Trans.	£22.95
Sinclair AFU	£4.70
Teleton SAQ206B (New product)	£19.95
Wharfedale	£49.75

## CARTRIDGES

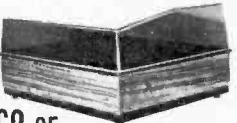
Please add 10p for P. & P.

Goldring CB80	£3.75
Goldring G800	£4.95
Goldring G800	£4.95
Goldring G800E	£10.50
Goldring G800SE	£15.25
Sonotone 9TAHC Diamond	£1.75
Shure M3DM	£4.75
Shure M44/5/7/C	£7.00
Shure M55E	£8.75
Shure M75E	£12.50
Shure V15 Type 2	£28.00
Shure M44E	£7.00
Shure M31E	£8.50
Shure M32E	£8.00
Audio-Technica AT66	£4.95
Audio-Technica AT35	£12.95

## KIT RADIOS

Please add 25p for P. & P.  
Smallest Radio in the world.  
5 years guarantee.  
Sinclair Micromatic £1.75  
Sinclair Micromatic (ready assembled) £3.25  
Batteries 14p extra

## PLINTHS & COVERS



£2.95 (as illustrated) plus 55p post & packing  
Finished in real teak veneer with tinted dustcover. Ready to use (fully assembled). Suitable for Garrard SP25: 2025TC: 3000: AT60: 2000: 2500: 3500: 5100: 1025: SL65B.  
Also for B.S.R. McDONALD MP60 and others Plinths and covers for AP76: AP75: SL72B: SL75: SL95B. £4.00 plus 55p post and packing. Also finished in walnut to match Japanese equipment—no extra charge.

# GLOBAL AUDIO DISCOUNT WAREHOUSES

Dept. P.W. 4.174 Pentonville Road, London, N1. Telephone 01-278 1769  
Or: 4 High View Parade, Redbridge Lane East, Woodford Avenue, Ilford, Essex. Tel: 01-550 1086.

Open Monday to Saturday 9.30 a.m. to 6 p.m. LATE NIGHT FRIDAY 7 p.m.

MAIL ORDERS: Order with confidence. Send Postal Order, Cheque, Money Order, Bank Draft, Giro or Cash by Registered Mail. CALLERS: Please note that cheques can only be accepted together with cheque cards (not Barclay Card).

2 minutes from KING'S CROSS, EUSTON & ST PANCRAS on main road leading to the East and West Country

# VALVES SAME DAY SERVICE NEW! TESTED! GUARANTEED!

SETS 1R5, 1R5, 1T4, 384, 3V4, DAF91, DF91, DK91, DL92, DL94.  
Set of 4 for £1-02. DAF96, DF96, DK96, DL96, 4 for £1-48.

1R5	-28	30C1	-28	DY87	-25	EL500	-62	P.L82	-32	UABC80	-32
1R6	-22	30C15	-58	DY802	-35	EM80	-41	PCL83	-57	UAF42	-51
1T4	-16	30C17	-79	EABC80	-32	EM81	-41	PCL84	-34	UBC41	-52
384	-28	30C18	-81	EAF42	-50	EM84	-32	PCL85	-38	UBF80	-84
3V4	-37	30F6	-69	EB41	-40	EM87	-36	PCL86	-39	UBF89	-32
5U4G	-28	30FL1	-81	EB91	-11	EX751	-33	PCL88	-65	UCB4	-38
5V4G	-35	30FL12	-70	ECB3	-40	EX86	-49	PCL90	-75	UCB5	-35
5Y3GT	-28	30FL14	-68	EB41	-54	EZ40	-43	PFNA4	-77	UCF80	-33
5Z4G	-35	30L1	-29	EB90	-22	EZ41	-43	PEB36C	-70	UCH42	-58
6J30L2	-54	30LJ3	-57	EBF80	-32	EZ80	-22	PFL200	-53	UCH81	-32
6AL5	-11	30L17	-71	EBF89	-29	EZ81	-23	PL36	-49	UCL82	-32
6AM6	-13	30P4	-57	ECR1	-17	GZ30	-35	PL81	-44	UCL83	-66
6AQ5	-22	30P12	-72	ECR2	-20	I232	-40	PL8A	-49	UP41	-56
6AT6	-20	30P19	-57	ECR3	-35	EZ34	-48	PL82	-31	UP89	-30
6AU6	-20	30P11	-63	ECR5	-26	KT41	-77	PL83	-33	UL41	-57
6BA6	-20	30P113	-75	ECR804	-54	KT61	-55	PL84	-30	UL44	£1.00
6BE6	-21	30P14	-85	ECR80	-27	KT66	-78	PL500	-63	UL84	-30
6BJ6	-41	30P115	-90	ECR82	-28	LN319	-63	PL504	-63	UM94	-22
6BW7	-52	35L6GT	-45	ECH35	-30	LN329	-72	PM84	-35	UY41	-42
6CD6G	£1.07	35W4	-25	ECH42	-61	LN339	-63	FX25	£1.00	UY86	-25
6E14	-42	35Z41T	-43	ECH81	-29	NT8	-87	PX2	-55	VP4B	-77
6F23	-68	807	-45	ECH83	-40	P61	-45	PY33	-55	Z77	-22
6F25	-57	6063	-62	EC184	-36	PARC80	-34	PY81	-25	Transistors	
6K7G	-12	AC/VP2	-77	ECL80	-30	PC86	-47	PY82	-25	AC107	-17
6K8G	-17	B349	-65	ECL82	-31	PC88	-47	PY83	-28	AD127	-18
6Q7G	-27	B729	-62	ECL86	-38	PC96	-42	PY88	-33	AD140	-37
6SN6GT	-30	CC85	-67	EC29	-38	PC97	-39	PF800	-34	AP115	-29
6V6G	-23	CY31	-30	EF41	-60	PC900	-33	PY801	-34	AP116	-20
6V6GT	-31	DAF91	-22	EF80	-23	PC94	-29	R19	-30	AP117	-20
6X4	-23	DAF96	-36	EF85	-28	PC85	-27	R20	-56	AP118	-48
6X5GT	-28	DF33	-38	EF86	-30	PC88	-42	U26	-84	AP125	-17
7B7	-33	DF91	-18	EP89	-26	PC89	-45	U26	-56	AP127	-17
10P13	-58	DY96	-36	EP91	-13	PC189	-48	U47	-64	OC26	-25
12AX7	-17	DH77	-20	EP98	-65	PC805	-56	U49	-56	OC44	-12
12AU6	-20	DK82	-33	EP183	-28	PCF80	-28	U50	-26	OC45	-12
12AU7	-20	DK91	-28	EP184	-31	PCF82	-31	U52	-31	OC71	-12
12AX7	-22	DK92	-38	EH90	-37	PCF86	-45	U78	-24	OC72	-12
19BG6G	-87	DK96	-38	EL43	-55	PCF800	-58	U191	-59	OC75	-12
20P2	-67	DL33	-40	EL34	-45	PCF801	-30	U193	-42	OC81	-12
20P3	-80	DL82	-28	FL41	-54	PCF802	-40	U251	-66	OC81D	-12
20P4	-62	DL94	-37	EL84	-23	PCF805	-61	U301	-38	OC82	-12
25L6GT	-20	DL96	-38	EL90	-26	PCF806	-56	U329	-66	OC82D	-12
25U4GT	-57	DY86	-25	EL95	-33	PCF808	-68	U801	-98	OC170	-22

## READERS RADIO

85 TORQUAY GARDENS, REDBRIDGE, ILFORD, ESSEX. Tel. 01-550 7441.

Postage on 1 valve 5p, on 2 or more valves 3p per valve extra.  
Any parcel insured against damage in transit 3p extra.

## When in LUTON, BEDS, you must visit the SELF-SERVICE RADIO COMPONENTS SHOP

Serve yourself from a selection of 1,200 boxes of Manufacturer's surplus stocks and save money.

9 a.m. to 5.30 p.m. every day.  
Closed all day Wednesday.

## SURPLECTRONICS

216 LEAGRAVE ROAD, LUTON, BEDS

## BUILD YOUR CIRCUITS ON VEROBOARD

—The Universal Wiring Board—obtainable from your local Retailer

Trade enquiries to:  
**NORMAN ROSE (ELECTRICAL) LTD.**  
8 St. Chad's Place, Gray's Inn Road, London, W.C.1  
Technical enquiries to:  
**VERO ELECTRONICS LTD.**  
Industrial Estate, Chandler's Ford, Hants



**0-5 Ammeter.** 2in. square full vision face for flush mounting. Moving iron. Instrument. Ideal for charger. Price 45p each 10 for £3-90.

**9 Volt Gramophone Unit.** Collaro battery operated with pick up on unit plate. 4 speed auto-stop turnover cartridge. Price £2-50 plus 40p post and insurance.

**Buy Time Slot Meter.** Made by Sangamo Weston. 3 types—one for each coin, 2½p, 5p or 10p. Price £1 75p each plus 50p post and insurance.

**Photo Electric Kit.** Contains photo cell, relay, transistor and all parts to make light operated switch. Originally £2 Limited quantity to clear. £1-25p plus 20p post and ins.

**Desk/Hand Mike.** Made by Acoas. Crystal insert in neat plastic case which opens at right angles for desk or other completely hand holding. Good general purpose mike. Price 85p each.

**Printed Circuit Kits.** Hagato Pk. 3 facilities in kit form include printing, etching, resist removal, polishing and complete manufacture of printed sets to own specifications. Price £1-35 + 20p.

**4 Station Transistorised Intercom.** Solid state three transistor printed circuit master and 3 sub station push button/press talk system. 200mW output complete with installation accessories and 9v. Everready power pack approx. dimensions. Master 4½ x 1¼ x 3¼ in. Substation 3 x 1½ x 4 in. Price £2-50 + 20p.

**Laboratory Instruments.** For horizontal use in strong black reinforced bakelite cases with screw down terminals especially suitable for experiments and demonstrations. All have precision meters (manufacturers quoted accuracy of better than 1-5%). Following available:

**D.C. Voltmeter 0-300v I.R.S.** moving coil mirror scale meter size approx. 5 x 4½ x 1¼ in. Price £1-75.

**D.C. Voltmeter 0-50v. I.R.S.** moving coil mirror scale met. r. size approx. 5 x 4½ x 1¼ in. Price £1-75.

**AC/DC Milliammeters 3 range,** moving iron mirror scale meter. Range selection 25, 50 and 100mA by selection switch mirror scale (coil resistance marked) size. 7½ x 5 x 3¼ in. type 35999/1. Price £1-75.

**Micrometer 100 micro amps,** moving coil mirror scale precision meter (coil resistance marked) size. 5 x 4½ x 2½ in. type 34/109/1. Price £2.

**Galvanometer 50-500 I.R.S.** moving coil precision laboratory instrument of extremely high sensitivity (3 x 10-7 A per division). Size approx 6½ x 2½ x 2in. Price £5.

**Acoas 'G' Meters.** For use with Acoas transducers and accelerometers or others of any make provided they have a sensitivity of not less than 17-5mV per 'g' and a linear output over the frequency range under investigation.

This is a precision instrument. It measures 'g' in three steps, 0-10, 0-100 and 0-1000 directly on a large clear meter scale 0-1. We have two models. Standard Model (ID001). Price £12 and Auto outcut model (ID001) which has an inbuilt circuit with relay to trip the external circuit (trip level is adjustable by a control which is virtually linear with the meter scale). The trip load may be up to 2a. Once the circuit has been tripped it can be restored by a reset button. Price of this model is £18. Please note also we have Acoas Transducers ref. no. ID1001 in stock. Price £4 each.

**Farnako Neptune Series C Core Transformers.** These transformers are beautifully made, steel encased, stove enamelled black, upright mounting. All have normal 50cps, primary 230/240v, with primary screen and secondary unshielded. Small quantities only of each type available as follows: Model 6000/75. 275-0-275v, at 350mA, and 6-8r; at 4-6a. Price £4-50; 50p post.

Model 6000/71-290-215-0-215-290 at 125mA, and 2 at 6-3v. 6a. Price £2-50. 40p post.

Model 49. 250v, at 10mA. 6-3v, at 3a., 5v, at 0-75a. Price £2 + 50p. post.

Model 47. 620-0-620 at 9mA. 4v. at 1A. Price £4-50 + 40p post.

**Farnako Neptune C, Core Chokes.** These are encased and match the transformer above.

Model 6000/78 4H at 550mA. £2-50 + 40p post.

Model 55. 10H at 70mA. £1-50 + 30p post.

Model 48. 10H at 70mA. Price £2 + 40p post.

**Fuse Holders.** Heavy duty type B.S.S. 88 440. Reyrole power fuse holders. English Electric type 8.100.1, ex. equipment. Price 50p.

**Fuses.** H.R.C. 100A. 160A. type EA. . . Eng. Electric 100A. 160A. type 847P. . . Kantark 60 A. new all at 25p each.

**Electronic Car Ignition.** In addition to the kits or 12v. cars we can also supply systems for 6v. cars. These are not kits but made up and read to work. Price £5-50, + 30p post.

**Carbon Resistor Assortment Offer (1).** Stocking these in a big way and will be pleased to quote special prices to quantity buyers. Made by Erie, Morganite or Dubillar.

Price per each

1 Watt	1-9	10-99	100-999	1,000up
½ Watt	1p	5p	8p	15p
2 Watt	4p	35p	30p	275p

**Special Resistor Assortment Offer (1).** 100 x ½ watt resistors made up of 2 each of 50 different values fairly evenly spaced between 1 ohms and 10 mega. Price 60p.

**Special Resistor Assortment Offer (2).** 1,000 x ½ watt resistors made up of 20 each of 50 different values fairly evenly spaced between 1 ohms and 20 mega. Price 84.

**Special Resistor Assortment Offer (3)** As offer 1 but 1 watt. Price £1.

**Special Resistor Assortment Offer (4).** As offer 2 but 1 watt. Price £2.

**12 Way Sub-Miniature Multi-core Cable** 7-0076 copper cores each core P.V.C. insulated and of different colour. P.V.C. covered overall and approx. 3/16in. thick. Price 20p per yard.

**MICROSONIC KEYCHAIN RADIO**

7 transistor Keychain Radio in very pretty case, size 2½ x 2½ x 1½in. —complete with soft leather zippered bag. 7 transistor, ferrite rod. Loudspeaker.

In transit from the East these sets suffered corrosion as the batteries were left in them but when this corrosion is cleared away they should work —offered without guarantee except that they are new. Price only £1-25 less batteries plus 15p. post 6 for 47 post free. Pair of rechargeable batteries and charger 85p.



**24-HOUR TIME SWITCH**

Made by Smiths, these are AC mains operated, NOT CLOCKWORK. Ideal for mounting on rack or shelf or can be built into box with 13A socket. 2 completely adjustable time periods per 24 hours, 5 amp changeover contacts will switch circuit on or off during these periods. £2-50 post and ins. 25p. Additional time contacts 50p pair

**THE FULL-FI STEREO SIX**



The amplifier sensation of the year

You will be amazed at the fullness of reproduction and at the added qualities your records or tuner will reproduce. Built into metal cabinet elegantly styled in simulated teak finished to blend with modern furnishings, this amplifier uses an integrated solid state circuit with an output power of 6 watts R.M.S. split over the two channels. The amplifier is ideal for use with normal pick-ups and tone tuners, it has a double wound mains transformer and ganged volume and tone controls —also switching for Mono to Stereo, tuner or pick-up. Other controls include "treble lift and cut", "balance" and separate mains on/off switch. UNREPEATABLE PRICE is £29 plus 38p post and insurance.

**THIS MONTH'S SNIP**



**POCKET CIRCUIT TESTER**

Test continuity for any low resistance circuit, house wiring, car electric. Tests polarity of diodes and rectifiers. Also ideal size for conversion to signal injector (circuit supplied) 30p or 2 for 50p Post paid.

**TANGENTIAL HEATER UNITS**



This heater unit is the very latest type, most efficient, and quiet running. Is as fitted in Hoover and blower heaters costing £15 and more. We have a few only. Comprises motor, impeller, 2kW. element and 1kW. element allowing switching 1, 2 and 3kW. and with thermal safety cut-out. Can be fitted into any metal line case or cabinet. Only need control switch. £2-50. 2kW. Model as above except 2 kilowatts £2-50. Don't miss this. Control Switch 35p. P. & P. 40p.



**CENTRIFUGAL FAN**

Mains operated, turbo-blower type. Pressed steel Housing contains motor and aluminium impeller. Motor is 1/10th hp giving considerable air flow but virtually no noise. Approx. dimensions 10½" wide by 12" dia. Outlet into trunking 10¼" x 4½". £4-95 + 41.

**DISTRIBUTION PANELS**

Just what you need for work bench or lab. 4 x 13 amp sockets in metal box to take standard 13 amp fused plugs and on/off switch with neon warning light. Supplied complete with 7 feet of heavy cable. Wired up ready to work. £2 less plus 25-25 with fitted 13 amp plug; £2-40 with fitted 15 amp plug, plus 25p P. & I.

**CAPACITOR DISCHARGE CAR IGNITION**



This system which has proved to be amazingly efficient and reliable was first described in the Wireless World about a year ago. We can supply kit of parts for improved and even more efficient version, price £4-95. When ordering please state whether for positive or negative systems. Plus 30p post.

**15 WATT 12in. HI-FI SPEAKER**

15 WATT 12in HI-FI SPEAKER. Is undoubtedly one of the finest loudspeakers that we have ever offered, produced by one of the country's most famous makers. It has a die-cast metal frame and is strongly recommended for HI-FI and public address. Handling 15W R.M.S.—Cone moulded fibre—Freq. response 30 10,000 c.p.s.—specify 3 or 15 ohms. Chassis diam. 12in.—12½in over mounting lugs. Overall height 5½in. A £10 speaker offered this month for £2-75 plus 30p. post and ins.



**2 OCTAVE MINI ORGAN**

As featured in this issue. Send S.A.E. for list of parts.

Where postage is not stated then orders over £5 are post free. Below £5 add 50p. Semi-conductors add 5p post. Over £1 post free. S.A.E. with enquiries please.

**Snap Action Slide Switch.** Rated 5a. 240v. Made by Arrow. Type fitted in the handles of electric drills, vacuum, etc. 5p each, 10 for 45p.

**Multiplier Tubes.** For digital instruments, counters timers, clocks, etc. Hi-vac XN. 3. Price £1-45 each. 10 for £13.

**Pressure Switch.** Containing a 15 amp. change over switch operated by a diaphragm which in turn is operated by air pressure through a small metal tube. The operating pressure is adjustable but is set to operate in approx. 10 in. of water. These are quite low pressure devices and can in fact be operated simply by blowing into the inlet tube. Original use was for washing machines to turn off water when tub has reached correct level but no doubt has many other applications. 50p each. 10 for £4-50.

**Papst Miniature Extractor Fans.** Beautifully made as are all papst motors. Intended for cooling computers but suitable for any equipment. Size 1½ square and 1½ in. thick. Price £2 each. Post and insurance 20p.

**Commutator Motor.** Small. Size approx. 2in. plus 1in. of shaft. 3in. high x 1½in. wide, but high speed and very powerful. These motors operate from the mains. Are particularly useful as they can be speed controlled by our thyristor kit or by variable resistor. £1 each.

**Auto Light Kit.** The circuit for this appeared in Practical Wireless, October issue. It is a simple circuit but has many uses: Parking light, porch light, etc. Uses light cell and two transistors. Complete kit, no case 85p. Suitable case 90p.

**Charger Kit.** Comprises 2 amp. transformer, 5 amp. rectifier and a pair of betty crocodile clips. With wiring diagram. £1-40 plus 20p post and insurance.

**24 hr. Clock Switch.** In metal case with 13 amp. socket Smiths movement, 2 ones and 2 offs per 24 hours. Very neatly made and finished. Original retail price £7 each. Few only, new and perfect. £4-00 each.

**P.E. Gemini Amplifier.** This amplifier is a 30 x 30 watt stereo amplifier and pre-amplifier of exceptionally high performance. The performance is certainly equal to anything one can buy no matter what the cost. The P.E. Gemini has been designed for both hi-fi applications and for use with dictocheques and for this reason, has a microphone input that can be mixed with any other input. The amplifier is designed and is thus capable of driving two Quad electrostatic speakers and is thus capable of driving any other speakers, provided they are of the correct impedance. We offer the complete kit cabinets at £45. Price list including reprint of data. 55p post paid.

**Neon Indicator Lamps.** With amber lens, standard type built in resistor for mains. 10p each. 10 for 90p.

**Condensers.** Another addition to our range. 500uF at 50v. 15p each 10 for £1-25.

**Thermistor Bead Type.** For instruments, medical applications, etc. I.T.T. No. GL23. 75p each. 10 for £6-75.

**3 Core Mains Leads.** Special offer this month is a 6ft. lead with 23/36 cores and coloured according to the new code i.e. Brown—live; Yellow/Green—earth; Blue—neutral. Price 6p each or 10 for 50p.

**P.W. Constructor Projects**

As described in this and past issues. We can probably supply components. Send S.A.E. for list, naming project.



**TREASURE TRACER**

Complete Kit (except wooden battens) to make the metal detector as the circuit in Practical Wireless August issue. £2-95 plus 20p post and insurance.



**MAINS RELAY BARGAIN**

Special this month are some single, double and treble pole changeover relays. Contacts rated at 15 amps. Operating coil wound for 240V A.C. Good British Make. Ex-unused equipment. Size approx. 1½" x 1". Open construction

Single pole	25p each	10 for £2-25
Treble pole	40p each	10 for £30-6

**Flex Connector**

A quick way to connect equipment to the mains safely and firmly—L., N. and E. coded to new colour scheme; disconnection by plugs prevents accidental switching on; has sockets which allow insertion of meter without disconnection cable inlets firmly hold one hair wire on up to four 7.029 inlets. 85p each



**THYRISTOR LIGHT DIMMER**

For any lamp up to 200 watt. Mounted on switch plate to fit in place of standard switch. Virtually no radio interferences. Price £1-00 plus 20p post and insurance.



**J. BULL (ELECTRICAL) LTD.**  
Dept. P.W. 7, Park Street, Croydon CRO 1YD

# JUST BEGINNING?

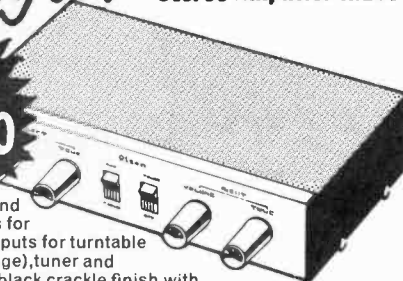
Then try out

**8-Watt, 10-Transistor  
Stereo Amplifier R.137**

**ROC  
price  
£10.50**

Separate tone and volume controls for each channel, inputs for turntable (ceramic cartridge), tuner and tape. Attractive black crackle finish with brushed aluminium front. Frequency response: 70-20,000 Hz  $\pm$ 3dB. Output: 4 watts per channel @ 8 ohms. Inputs: Phono 80mV; tuner/aux 80mV.

Normal retail price: £14.70

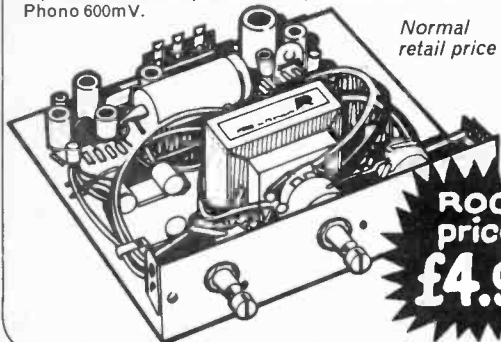


# FIRST STEP TO STEREO!

**5-Watt Transistor Stereo Amplifier Chassis R.123**

Completely self-contained, fully transistorised, mains-powered (240v AC) amplifier, needing only cabinet and knobs. Ideal for adapting mono players to stereo. Frequency response: 40-17,000 Hz  $\pm$ 3dB. Output: 2.5 watts per channel @ 8 ohms. Input: Phono 600mV.

Normal retail price: £7.30



**ROC  
price  
£4.95**

# SOUNDS SENSATIONAL

**AM/FM/MPX  
Stereo Tuner  
Amplifier  
R.124**

A top quality amplifier with facility for receiving stereo broadcasts. Separate bass and treble controls, automatic frequency response, stereo headphone socket, output power: 8 watts. FM frequency range 88-108 MHz; AM frequency range 535-1605 KHz. Inputs for turntable (ceramic cartridge) and tape. Frequency response: 50-10,000 Hz  $\pm$ 3dB. Output: 4 watts per channel @ 8 ohms. Inputs: Phono 200mV, tape 100mV. FM: Sensitivity 20 $\mu$ V, stereo separation 26dB, image rejection 55dB. AM: Sensitivity 300 $\mu$ V.

Normal retail price: £42.00

**ROC price: £29.95**



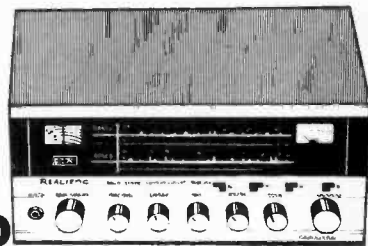
# World wide reception

**Professional Solid-state, Four-band  
Communications Receiver R.135**

Fully transistorised with continuous coverage from 555K Hz to 30 M Hz in four bands (with illuminated bandsread for 160-10 metres). Incorporates internal speaker, automatic noise limiter, SSB/AM/CW switch, AVC switch, S Meter, Receive and Standby switch, external socket for headphone or speaker, bandsread control, BFO control, on/off/AF gain, band selector, antenna trimmer and RF gain. Runs off 240 v AC, batteries or any 12 v DC negative ground source. Frequency ranges (in mHz): Band A, 535-1.6; B, 1.55-4.5; C, 4.5-13; D, 13-30. Sensitivity: 0.5 $\mu$ V @ 30mHz. Bandsread: 10-160 metres.

Normal retail price:  
£65.00

**ROC  
price:  
£45.00**

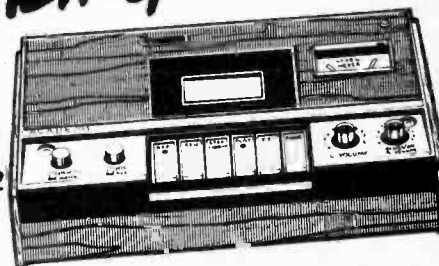


# AMAZING OFFER!

**Stereo  
Cassette  
Tape  
Unit R.142**

Complete stereo record and playback unit with line and microphone inputs. Fitted with tape counter, separate pause control, recording level metres for each channel, pop-up cassette ejection. Supplied complete with two pencil microphones. Wow & flutter better than 0.3%, frequency response 100-10,000 Hz. Tape speed: 1 $\frac{1}{2}$  IPS, 4.75 CMS. Rewind time: Better than 60 sec (C.60 cassette).  
Normal retail price: £65.00

**ROC  
price  
£49.50**

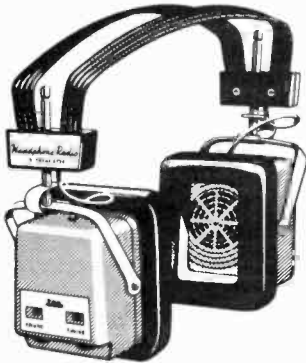


# We don't want you to

Every piece of electronic or audio-equipment we sell is built to our specifications. It comes complete with a Guarantee. And it's tested before it leaves us.

We bend over backwards in our advertising to make sure everything we say is factually accurate. But, buying mail-order, even though you're buying from us, we accept you could still end up with a piece of equipment that's not exactly what you wanted. And we think that's unfair.

# FANTASTIC BARGAIN



**Headphone Radio R.143**  
For completely private listening without the distortion of the ordinary earphone adaptor. Battery operated; PP3. Fully transistorised. Frequency range: 535-1600 K Hz, Medium Wave-Band. Maximum output: 300mW.

**ROC price**  
**£6.90**

Normal retail price: £9.40

# STEREO headphones

only  
**£2.40**

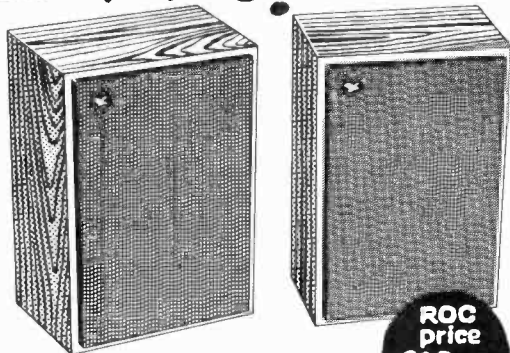


**Stereo Headphones R.328**

Light and comfortable, with a frequency response of 30-15,000 Hz for real listening pleasure. Complete with jack plug. Impedance 8-16 ohms.  
Normal retail price: £2.95

**2 for the price of one!**

**Matched Stereo Speakers R.446**



Heavily lagged teak finish cabinets each with large dual cone base unit and separate tweeter. Power handling: 10 watts peak; frequency range: 40-18,000 Hz, impedance: 8 ohms. Size: 14 x 8 1/2 x 6 1/2.

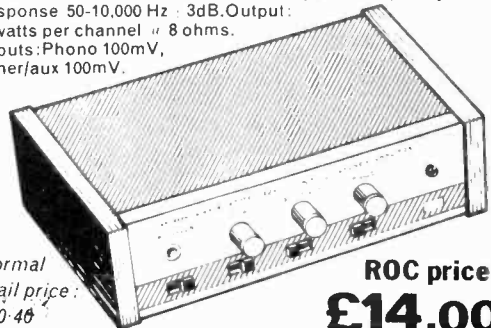
**ROC price**  
**£16.40**

Normal retail price: £19.60

# Don't read this!

**10-watt Transistor Stereo Amplifier R.136**

Ganged volume, balance and tone controls. Inputs for turntable (ceramic cartridge), tuner (see R.134) or tape. Oiled walnut case with satin finish aluminium front panel. Frequency response 50-10,000 Hz ± 3dB. Output: 5 watts per channel @ 8 ohms. Inputs: Phono 100mV, tuner/aux 100mV.

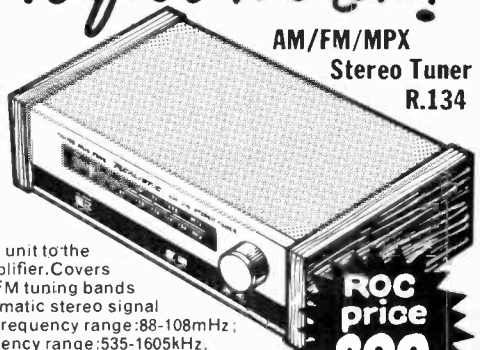


Normal retail price: £20.40

**ROC price:**  
**£14.00**

# The Perfect match!

**AM/FM/MPX Stereo Tuner R.134**



Matching unit to the R.136 amplifier. Covers AM and FM tuning bands with automatic stereo signal light. FM frequency range: 88-108MHz; AM frequency range: 535-1605kHz. FM: Sensitivity 5µV, stereo separation 25dB @ 1kHz, image rejection 50dB. AM: Sensitivity 250µV.

**ROC price**  
**£22**

Normal retail price: £28.60

## pay for your mistakes

So we've got a proposition for you. If you buy a piece of Roc equipment, and it's not quite what you expected, send it back within seven days, and as long as it's as good as new we'll give you your money back. O.K?

Return of post mail-order service; orders over £10 post free, (U.K. only) add 25p for p & p to orders under £10. HP terms available.

**ROC ELECTRONICS LIMITED**

B. Jory Esq 193A Edgware Rd., London W2 1ET 01-723 6211  
Callers at Shop welcome 9-6 Mon to Sat (Thurs 1pm)

# THE RADIO CONSTRUCTOR

NOVEMBER ISSUE

features

## AUDIO FREQUENCY METER

by J. T. Neill

Part one of a two part article describing a compact frequency meter, with analogue display, working at audio frequencies and employing an integrated circuit for ease of construction.

Also featured

## THE "DROITWICH" CAR RADIO

by Sir Douglas Hall, K.C.M.G.

PLUS

- MORE CONSTRUCTIONAL PROJECTS
- NEWS COVERAGE
- SHORT WAVE SCENE
- SUPPORTING FEATURES
- DATA SHEET 56

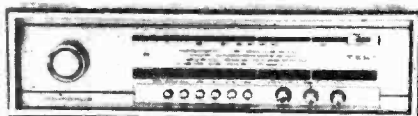
# ON SALE NOW 20p



Copies may also be obtained direct from the Publishers 24p including postage. Published by:  
Data Publications Ltd., 57 Maida Vale, London W.9

## FANTASTIC BARGAIN OFFER! TRANSEUROPEAN

Transistorised Stereophonic High Fidelity  
AM FM Tuner Amplifier System.



This system includes this elegantly styled solid state Teak finished cabinet tuner/amplifier. Covering VHF/FM, Short, medium and long wavebands. The latest 4 Speed B.S.R. Mono/Stereo record changer with 2-10in. x 6in matching elliptical speakers. A complete Hi-Fi Stereo Radiogram at less than half normal price.  
**Easily fitted no technical knowledge necessary.**

**SPECIAL OFFER £44**

P. & P. 88

Credit Terms available. First monthly payment of £5-83 followed by 9 monthly payments of £4-95. Total Credit Sale Price £49-50. Send £5-83 today



### FABULOUS VALUE

Hi-Fi stereo at a new low. System Ten-Ten; 4 speed BSR autochange with cue and pause control plus solid state amplifier, 20 watt total output. Frequency response 20-20,000 Hz. enclosures—100% complete.

**ONLY £4-93 DOWN**

**CREDIT SALE TERMS:** Send £4-93 (being the first of TEN monthly payments of £4-05 plus 88p Carriage and Packing). To be followed by NINE monthly payments of £4-05 (Total Credit Sale Price £40-50)

**EASY TO INSTALL NO TECHNICAL KNOWLEDGE REQUIRED.**

**CALLERS WELCOME**

**PLEASE SEND ME FREE DETAILS OF YOUR RANGE**

Name ..... P 12 1  
Address .....

Post coupon NOW for...  
**FREE** leaflets

**LEWIS radio** 100, Chase Side London N.14  
Tel: 01-886 3733/9666

## SPEAKER (THE SPEAKER SPECIALISTS)

## SELECTION

68(W) SHAFTESBURY AV., LONDON, W1

(MAIL ORDER ONLY) TEL. 01 437 3066

### HEADPHONES

<b>AKAI</b>			
ASE9S	..	£5-50	A
ASE20	..	£7-50	A
<b>AKG</b>			
K60	..	£11-50	A
K180	..	£23-00	B
<b>BEYER</b>			
DT800/K100	..	£11-00	A
DT109/K109	..	£19-00	A
DT460	..	£22-00	B
DT485	..	£27-00	B
<b>CLARK</b>			
300	..	£7-50	A
100	..	£18-00	B
<b>EAGLE</b>			
SE60	..	£7-50	A
SE80	..	£13-50	A
SE100	..	£14-50	A
<b>HOSIDEN</b>			
DH 02S	..	£2-25	A
<b>HOWLAND WEST</b>			
NIKKO 3S	..	£4-00	A
NIKKO 4SV	..	£6-50	A
NIKKO 4ST	..	£7-00	A
NIKKO 8S	..	£11-00	A
NIKKO 77S	..	£12-50	A
<b>KOSS</b>			
K711 (DEVILS)	..	£8-00	A
K6	..	£9-50	A
K6LC	..	£11-00	A
KO727	..	£12-50	A
PRO 4AA	..	£22-00	B
ESP 6	..	£35-50	B
ESP 9	..	£54-00	B
<b>MIDLAND</b>			
SA700	..	£3-00	A
<b>PWB</b>			
NSE (Electrostatic)	..	£31-00	B
<b>PIONEER</b>			
SE 2P	..	£5-50	A
SE 30	..	£10-50	A
<b>RODGERS</b>			
RAVENSBR00K	..	£13-75	A
<b>ROTEL</b>			
RH600	..	£5-00	A
RH711	..	£8-00	A
<b>SANSUI</b>			
SS2	..	£6-25	A
SS20	..	£14-50	A
<b>SENNHEISSER</b>			
HD414	..	£8-00	A
<b>STAX</b>			
SR3/SRD5	..	£38-00	B
<b>TELETON</b>			
SH301	..	£3-25	A
SH 307	..	£4-25	A
<b>TOSHIBA</b>			
HR80	..	£4-75	A
<b>WHARFEDALE</b>			
DD1	..	£9-50	A
<b>DELIVERY CHARGES</b>			
	A	..	30p
	B	..	50p
(including insurance)			

Examples of Speaker prices below, delivered free. Many more makes available please telephone or write for quotation.

WHARFEDALE		KITS		
MELTON II	..	£49-50	UNIT 3 ..	£20-50
DOVEDALE III	..	£61-00	UNIT 4 ..	£26-50
S/LINTON II	..	£40-00	UNIT 5 ..	£37-50

# BI-PRE-PAK LIMITED

## FULLY TESTED AND MARKED

	£p		£p
AC107	0-15	OC170	0-23
AC126	0-13	OC171	0-23
AC127	0-17	OC200	0-25
AC128	0-13	OC201	0-25
AC176	0-25	2G301	0-13
ACY17	0-15	2G303	0-13
AF239	0-37	2N711	0-50
AF186	0-50	2N1302-3	0-20
AF139	0-37	2N1304-5	0-25
BC154	0-25	2N1306-7	0-30
BC171 = BC107	0-13	2N1308-9	0-35
BC172 = BC108	0-13	2N3819FET	0-45
BF194	0-15	Power	
BF274	0-15	Transistors	
BFY50	0-20	OC20	0-50
BSY25	0-57	OC23	0-30
BSY26	0-13	OC25	0-25
BSY27	0-13	OC26	0-25
BSY28	0-13	OC28	0-30
BSY29	0-13	OC35	0-25
BSY95A	0-15	OC36	0-37
OC41	0-13	AD149	0-30
OC44	0-13	AUY10	1-25
OC45	0-13	AU7	1-25
OC71	0-13	2S034	0-25
OC72	0-13	2N3055	0-63
OC73	0-17	Diodes	
OC81	0-13	AA42	0-10
OC81D	0-13	OA95	0-19
OC83	0-20	OA79	0-09
OC139	0-13	OAB1	0-09
OC140	0-17	IN9114	0-07

# FREE!

PACKS OF YOUR OWN CHOICE UP TO THE VALUE OF 50p WITH ORDERS OVER £4

## CLEARANCE LINES

### COLOUR T.V. LINE OUTPUT TRANSFORMERS

Designed to give 25kV when used with PL509 and PY500 valves. As removed from colour receivers at the factory.

**NOW ONLY 50p each** post and packing 23p.

1 Amp Plastic Rectifiers. These are voltage, reverse polarity and other rejects from the BY 121 range. Ideal for low voltage Power Units etc. Price £1 per 100.

	Quantity	1-10	10-50	50+
BB105 Varicap Diodes		10p	8p	6p
OC71 or 72 Fully Tested				
Unmarked		5p	5p	4p
Matched Sets 1-OC44 and 2-OC45's. Per Set.		25p	20p	15p
Matched Sets of OC45's 1st and 2nd IF		15p	12p	10p
OA47 Gold-Bonded Diodes. Marked and Tested		3p	3p	2p
1-watt Zener Diodes 7-5, 24, 27, 30, 36, 43 Volts		5p	4p	3p
10-watt Zener Diodes 5-1, 8-2, 11, 13, 16, 24, 30, 100 Volts		20p	17p	15p
Micro Switches, S/P, C/O		25p	20p	15p
1-amp Bridge Rec's, 25-volt		25p	22p	20p

### INTEGRATED CIRCUITS

SL403D Audio Amp., 3-Watts	2-00	1-95	1-80
709C Linear Opp. Amp.	50p	40p	35p
Gates, Factory Marked and Tested by A.E.I.	25p	22p	20p
J. K. Flip-Flops Factory. Marked and Tested by A.E.I.	40p	35p	30p
PA234 1-watt Audio Amp.	1-00	90p	80p
UL914 Dual 2 1/2 Gate	40p	35p	30p

### BUMPER BUNDLES

These parcels contain all types of surplus electronic components, printed panels, switches, potentiometers, transistors and diodes, etc.

**2 LBS IN WEIGHT FOR £1**  
Post and packing 25p.

## NEW TESTED AND GUARANTEED PAKS

B2	4	Photo Cells, Sun Batteries. 0.3 to 0.5V, 0.5 to 2mA.	50p
B79	4	IN4007 Sil. Rec. diodes, 1,000 PIV lamp plastic	50p
B81	10	Reed Switches, mixed types large and small	50p
B99	200	Mixed Capacitors. Postage 13p Approx. quantity, counted by weight	50p
H4	250	Mixed Resistors. Postage 10p. Approx. quantity counted by weight	50p
H7	40	Wirewound Resistors. Mixed types and values. Postage 8p.	50p
H8	4	BY127 Sil. Recs. 1000 PIV. 1 amp. plastic	50p
H9	2	OC71 Light Sensitive Photo Transistor	50p
H12	50	NKT155/259 Germ. diodes, brand new stock clearance	50p
H18	10	OC71/75 uncodded black glass type PNP Germ.	50p
H19	10	OC81/81D uncodded white glass type PNP Germ.	50p
H28	20	OC200/11/213 PNP Silicon uncodded TO-5 can	50p
H29	20	OA47 gold bonded diodes coded MCS2	50p

## F.E.T. PRICE BREAKTHROUGH!!

This field effect transistor is the 2N3823 in a plastic encapsulation, coded as 3823E. It is also an excellent replacement for the 2N3819.

Data sheet supplied with device.

1-10 30p each, 10-50 25p each, 50+ 20p each.

Make a Rev. Counter for your Car. The 'TACHO BLOCK'. This encapsulated block will turn any 0-1mA meter into a linear and accurate rev. counter for any car. **£1 each**

## OUR VERY POPULAR 3p TRANSISTORS

FULLY TESTED & GUARANTEED

TYPE "A" PNP Silicon alloy, metal TO-5 can. 25300 type, direct replacement for the OC200/203 range.

TYPE "B" PNP Silicon, plastic encapsulation, low voltage but good gain, these are of the 2N3702/3 and 2N4059/62 range.

TYPE "E" PNP Germanium AF or RF—please state on order. Fully marked and tested.

TYPE "F" NPN Silicon plastic encapsulation, low noise amplifier of the 2N3708, 9, 10, 11.

## BULK BUYING CORNER

NPN/PNP Silicon Planar Transistors TO-18 mixed untested similar to 2N706-6A-8, BSY26-7A9-95A and BCY70 etc. £4-25 per 500. £8 per 1000.

NPN Silicon Planar transistors plastic encapsulation untested similar to 2N3707 to 3711. £4-25 per 500. £8 per 1000.

Silicon planar diodes do-7 glass similar to OA200-202, BAY31-36. £4-50 per 1000.

NPN/PNP Silicon planar transistors plastic TO-18 similar to BC113-4, BC153-4, BF153-160, etc. £4-25 per 500. £8 per 1000.

NPN Silicon planar transistors TO-5 can similar to BC142/3, BFY50-2-3. £5-25 per 500, £10 per 1000.

OC44, OC45 transistors fully marked and tested 500 to 999, 8p each, 1000+ 6p each.

OC71 transistors fully marked and tested, 500 to 999, 6 each, 1000+ 5p each.

A amp miniature plastic diodes IN4001 at 500 to 999, 4p each, 1000+ 3p each. IN4004 at 500 to 999, 5p each, 1000+ 4p each. IN4006 at 500 to 999, 6p each, 1000+ 5p each. IN4007 at 500 to 999, 8p each, 1000+ 7p each.

## NEW UNMARKED UNTESTED PAKS

B66	150	Germanium Diodes Min. glass type	50p
B83	200	Trans. manufacturers' rejects all types NPN, PNP, Sil. and Germ.	50p
B84	100	Silicon Diodes DO-7 glass equiv. to OA200, OA202	50p
B86	50	Sil. Diodes sub. min. IN914 and IN916 types	50p
B88	50	Sil. Trans. NPN, PNP equiv. to OC200/1, 2N706A, BSY95A, etc.	50p
B60	10	7 Watt Zener Diodes Mixed Voltages	50p
H6	40	250mW. Zener Diodes DO-7 Min. Glass Type	50p
H10	25	Mixed volts, 1 1/2 watt Zeners. Top hat type	50p
H11	30	MAT Series "alloy" pnp Transistors	50p
H15	30	Top Hat Silicon Rectifiers, 750mA. Mixed volts	50p
H16	8	Experimenters' Pak of Integrated Circuits. Data supplied	50p
H20	20	BY126/7 Type Silicon Rectifiers, 1 amp plastic. Mixed volts.	50p

## FREE CATALOGUE AND LISTS FOR:-

**TRANSISTORS, RECTIFIERS, DIODES, INTEGRATED CIRCUITS FULL PRE-PAK LISTS & SUBSTITUTION CHART**

MINIMUM ORDER 50p CASH WITH ORDER PLEASE. Add 10p post and packing per order. OVERSEAS ADD EXTRA FOR AIRMAIL.

## 8 RELAYS FOR £1

Various Contacts and Coil Resistances. No individual selection. Post & Packing 25p

**FREE! A WRITTEN GUARANTEE WITH ALL OUR SEMICONDUCTORS**

# BI-PRE-PAK LTD

DEPT. D, 222-224 WEST ROAD, WESTCLIFF-ON-SEA, ESSEX  
TELEPHONE: SOUTHEND (0702) 46344



**High Salary  
A Dream House  
A New Car  
And A Secure Future**

**Get into the Computer Industry the fast and easy way.**

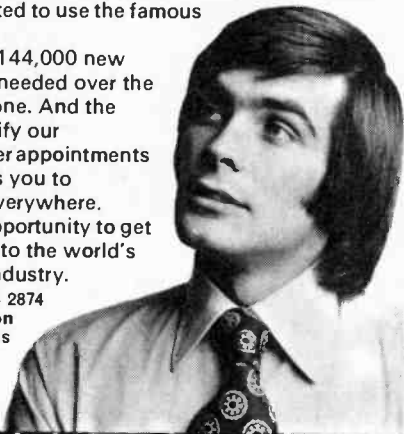
Now for the first time, anybody (no special qualifications are needed) can train outside the computer industry for an exciting career as a **computer operator in only 4 weeks** — and can earn £2,000 ++ p.a.

How? We are the only commercial training organisation in the U.K. permitted to use the famous 'Eduputer'.

**JOBS GALORE!** 144,000 new operators will be needed over the next five years alone. And the moment you qualify our exclusive computer appointments bureau introduces you to computer users everywhere. This is your big opportunity to get out of a rut and into the world's fastest growing industry.

Telephone: (01) 734 2874

**Or post the coupon today** for full details **FREE** and without obligation.



**London Computer Operators Training Centre**

**C21, Oxford House, 9/15, Oxford Street, London, W1.**  
Telephone: 01-734 2874

**127/131 The Piazza, Dept. C21, Piccadilly Plaza, Manchester 1.** Telephone: 061-236 2935.

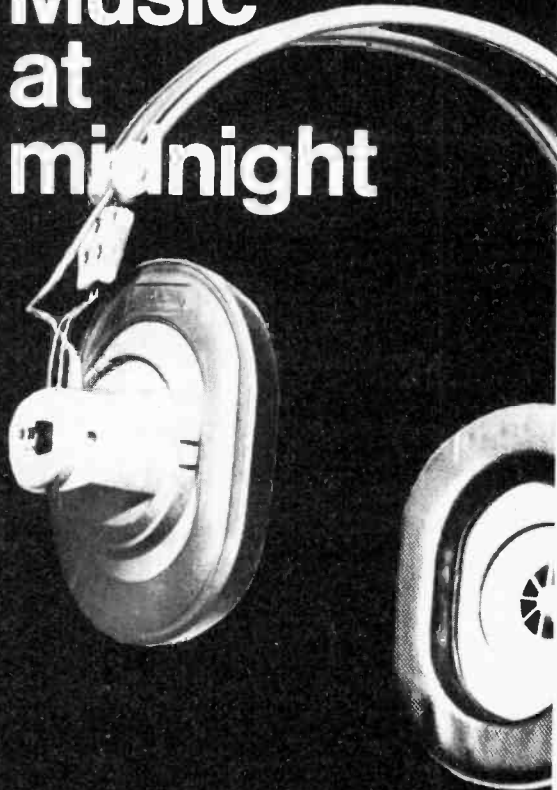
Please send me your **FREE** illustrated brochure on exclusive Eduputer 'hands on' training for computer operating.

Name \_\_\_\_\_

Address \_\_\_\_\_

Tel \_\_\_\_\_

**Music at midnight**



Midnight is a time for listening. Let the music be as late and as loud as you like; with headphones, it disturbs no one. Let the headphones be A.K.G. and you will find the quality staggeringly good. Made by a company whose professional microphones are known throughout the world and much used in this country, A.K.G. stereo headphones reflect the same fine quality of design and meticulous manufacture. They are just about as good as anything you can buy at any price. Go to the dealer displaying the A.K.G. Superhead and hear for yourself, without obligation. *Shown here, Model K.60 R.R.P. £15.00*



A.K.G. Equipment Ltd.

Eardley House

182-184 Camden Hill Rd. W8 7AS



# Send for Heathkit – and send for the best



Heathkit comes direct from the world's leading suppliers of top-quality electronic equipment. You assemble your components using the unique Heathkit 'step-and-check' method and there's a team of experts ready to help and advise you on any problem. But you won't need them. Hardly anyone does! Send for your FREE catalogue – NOW.

**AD27 stereo 'Compact' with magnetic cartridge**  
FM SECTION \* tuning range 88-108 Mhz \* sensitivity 5 microvolts \* frequency response 20-15,000 Hz \* stereo separation 1,000 Hz \* stereo decoder included

AMPLIFIER SECTION \* continuous power output rms 10 watts per channel \* music power output 15 watts per channel (both to I.H.F. standard) \* total harmonic distortion at full output less than 1% \* speaker output impedance 4 ohms \* frequency response 12-60 kHz (+ or - 1 Db) \* tape recorder output with 500 mv sensitivity at an impedance of 3,500 ohms

Please send me details of your complete range of kits.

name \_\_\_\_\_

address \_\_\_\_\_

\_\_\_\_\_



HEATH (GLOUCESTER) LIMITED, GLOUCESTER, GL2 6EE

PW12

# THE SOUND **RSC** OF QUALITY

A COMPLETELY NEW DESIGN FURTHER IMPROVED IN BOTH APPEARANCE and PERFORMANCE.



HI-FI CENTRES LTD.

REPRESENTING VALUE FAR HIGHER THAN THE PRICES SUGGEST.

## SUPER 30 MkIII HI-FI STEREO AMPLIFIER

Only high grade components by leading manufacturers.  
COMPLETE KIT OF PARTS

£25

Carr. 65p

Or FACTORY BUILT £33-75 with 12 months guarantee  
Dep. £3-75 and 9 monthly payments £3-50 (Total £37-25)

Or FACTORY BUILT in cabinet as illustrated Dep. £8 and 9 monthly payments £3-88 (Total £40-74) £36-75

PRINTED CIRCUITRY, TWENTY SILICON TRANSISTORS, FOUR DIODES, FOUR RECTIFIERS.

TECHNICAL DETAILS (Applying to each channel where appropriate)  
CONTROLS: PUSH-BUTTON SELECTOR (1) Disc (2) Radio (3) Tape (4) Mono L (5) Mono R (6) SPEAKER DIS. (7) Mains on/off. Bass, Treble, and Balance. Plus Ceramic/Mag P.U. Switch.

OUTPUT: 15 watts R.M.S. (Continuous) into 8 ohms.  
10 watts R.M.S. (Continuous) into 15 ohms.



- ★ SATIN SILVER METAL FACIA with black lettering. Black edged knobs with bright alloy centres.
- ★ PUSH-BUTTON SELECTOR SWITCHING
- ★ NEON INDICATOR
- ★ JACK SOCKET FOR HEADPHONES
- ★ CABINETED MODEL VENEERED IN SATIN TEAK. SUITABLE FOR ANY MODERN PICK-UP CARTRIDGE CERAMIC or MAGNETIC. REGARDLESS OF PRICE.
- ★ WE RECOMMEND USE WITH THE BEST ANCILLARY EQUIPMENT THAT CAN BE AFFORDED.

HUM & NOISE - 75dB Min. Vol. - 65dB Full Vol. HARMONIC DISTORTION  
FREQUENCY RESPONSE: - 3dB 7Hz to 70KHz 0-1% at 1000 Hz 10 Watts  
TREBLE CONTROL: +18dB to -12dB at 14KHz  
BASS CONTROL: +17dB to -16dB at 40Hz CROSS TALK - 58dB  
SENSITIVITIES: Disc Mag. 2-5mV. Ceramic 35mV. Radio 120mV. Tape 120mV.  
REAR PANEL SOCKETS ARE FOR 3 PAIRS OF INPUTS (1) P.U. (2) Radio. (3) Tape Amp. Plus pair for tape recorder signal take off and 2 pairs for speaker connections.

## RSC G66 MkII 6+6 Watt High Quality Stereo Amplifier



I.H.F.M. Frequency range 20-20,000 c.p.s. Bass Control  $\pm 12$ dB. Treble Control  $\pm 13$ dB. Selector switch for P.U. or Tape/Radio. For loudspeaker output impedances of 3 to 16 ohms. For standard 200-250V A.C. mains operation. Attractive Black and Silver finished metal fascia plate and matching control knobs.  
COMPLETE KIT OF PARTS INCLUDING FULLY WIRED PRINTED CIRCUIT and comprehensive wiring diagram and instructions.

£10-50

Carr. 40p.

Or FACTORY BUILT IN TEAK VENEERED CABINET as illustrated or dep. £3 and 9 monthly payments £1-50 (Total £18-50) £13-99



## R.S.G. TA12 MkIII 6.5 + 6.5 WATT STEREO AMPLIFIER

FULLY TRANSISTORISED, SOLID STATE CONSTRUCTION  
HIGH FIDELITY OUTPUT OF 6.5 WATTS PER CHANNEL

Designed for optimum performance with any crystal or ceramic Gram. P.U. cartridge-Radio tuner, Tape recorder etc. ★ 3 separate switched input sockets on each channel ★ Separate Bass and Treble controls ★ Slide Switch for mono use ★ Speaker Output 3-16 ohms ★ For 200-250V. A.C. mains ★ Frequency Response 20-20,000 c.p.s. -2dB ★ Harmonic Distortion 0.3% at 1,000 c.p.s. Hum and Noise - 70dB ★ Sensitivities (1) 50mV (2) 400mV (3) 100mV. Output rating 1.H.F.M. ★ Handsome finish Facia plate & knobs.

COMPLETE KIT OF PARTS WITH FULL £15-50 Carr. Factory built with 18 mths wiring diagrams & instructions. 40p. guarantee £19-50 or

Dep. £3 and 9 mthly pymts £2-15 (Total £22-85). Or In Teak veneer housing £23 Dep. £3 & 9 mthly payments £2-55 (Total £25-85). Send S.A.E. for leaflet

## FANE 807 HIGH FIDELITY LOUDSPEAKER

A full range 8in. 10 watt unit for excellent sound quality, in suitable enclosure. Cast chassis Roll P.V.G. cone surround and long throw voice coil to achieve very low fundamental resonance of 30 c.p.s. Tweeter cone is fitted to extend high note response. Frequency range 25 Hz to 16 KHz. Gauss 10,000. Impedance 3 or 8-16  $\Omega$ . STATE WHEN ORDERING

£3-50



## AUDIOTRINE HI-FI SPEAKER SYSTEMS

Consisting of matched 12in. 11,000 line 15 Watt 15 ohm high quality speaker, cross-over unit and tweeter. Smooth response and extended frequency range ensure surprisingly realistic reproduction.

£5-75

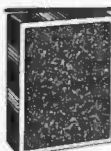
OR SENIOR 15 WATT INC. £6-75 Carr. 30p  
HF126 15,000 LINE SPEAKER carr. 35p



## AUDIOTRINE HIGH FIDELITY LOUDSPEAKERS

Heavy construction. Latest high efficiency ceramic magnets. Treated Cone surround. "D" indicates Tweeter Cone providing extended frequency range up to 15,000 c.p.s. Impedance 3 or 8-15 ohms. PLEASE STATE CHOICE. Exceptional performance at low cost.

HF801D 8" 8W £2-71 HF120D 12" 15W £4-75  
HF102D 10" 10W £33-40 HF126 12" 15W £5-50  
HF120 12" 15W £4-25 HF126D 12" 15W £5-90

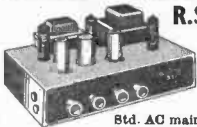


## HI-FI SPEAKER ENCLOSURES

Modern design. Teak veneer finish. Acoustically lined. All sizes approx. Carr. 30p. per enclosure  
TES Size 16 x 11 x 9in. Pressurised. Gives pleasing results with any 8in. Hi-Fi speaker. £5-35  
SES For optimum performance with any 8in. Hi-Fi speaker. Size 22 x 15 x 9in. Ported £6-47

SE10 For outstanding results SE12 For excit primness with 12in. with 10in. Hi-Fi 'spkr HI-Fi speaker and Tweeter. £7-87  
Size 24x15x10in. P.td. £6-74 Size 25 x 16 x 10in.

## R.S.C. All HI-FI 12-14 WATT AMPLIFIER



PUSH-PULL OUTPUT. Two input sockets with sep. vol. controls for mixing. High sensitivity. 5 valves. Bass and treble control. Response  $\pm 3$ dB 30-20,000 c/s. Hum level -60dB. Sensitivity 40 millivolts. For Crystal or Ceramic P.U.s. High Impedance "mikes". For Musical Instruments etc.

Std. AC mains. For 3 & 15 ohm spkrs. Complete kit. Full instructions and point-to-point wiring diagrams. Carr. 60p £10-50

SAE for leaflet. Twin handled metal cover £1-75  
Factory built £14-75 or Dep. £3 and 9 mthly pymts of £1-60 (Total £17-40)

## SPECIAL HI-FI OFFER

### WHARFEDALE SUPER LINTON SPEAKERS

Teak Finish Matching Pairs £36-75 PAIR carr. £2

## ★ DEMONSTRATION FACILITIES AT ALL BRANCHES



## R.S.C. TA6 6 Watt HI-FI SOLID STATE AMPLIFIER

200-250V. AC mains operated. Frequency Response 30-20,000 c.p.s. -2dB. Harmonic Distortion 0.3% at 1,000 c.p.s. Separate Bass and Tape. Input selector switch. Output for 3-16 ohm spkrs. Max. sensitivity 5mV. Output rating 1.H.F.M. Fully enclosed enamelled case, 9 1/2 x 2 1/2 x 5 1/2 in. Attractive brushed silver finish facia plate 10 1/2 x 3 1/2 in. and matching knobs. Complete kit of parts with full wiring diagrams and instructions. £7-50 Carr. 40p

Or FACTORY BUILT WITH 18 MONTHS' GUARANTEE £9-75

## R.S.C. PLINTHS

Superior Solid Natural Wood Construction



WITH TRANSPARENT PLASTIC COVER

for Record Flaying units, cut for Garrard 1025, 2025, 8000, AT90, SP25 etc. £3-15 £6-30

ALL RSC UNITS MANUFACTURED TO EXACTING SPECIFICATIONS



**RSC**

# HIGH-FIDELITY STEREO

**PACKAGE OFFERS**

Four fully wired units ready to 'plug in'.  
 ★ SUPER 30 AMPLIFIER (15 + 15 watt) in veneered housing  
 ★ GARRARD SP25 MK III Turntable on Plinth with cover  
 ★ GOLDRING CS90 Ceramic Pick-up Cartridge with diamond stylus  
 ★ PAIR OF STANWAY II Speaker Units  
 Special Total Price **£79-80**  
 Carr. £1-50

Terms: Deposit £12 and 9 monthly payments £8-55 (Total £88-95).

★ Super 30 Amplifier (15 + 15 watt) in veneered housing  
 ★ Goldring GL69 II Transcription Turntable on Plinth as illustrated  
 ★ Goldring Magnetic P.U. Cartridge.  
 ★ Pair of Stanway II speaker units.  
 Special Total Price **£96-75**  
 Carr. £1-50

Terms: Deposit £14 and 9 monthly payments £10-53 (Total £113-55).



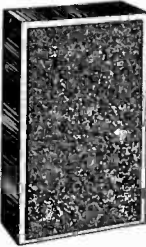
ATTRACTIVE TEAK OR AFROMOSIA VENEERED CABINETS AND PLINTHS

★ TA12 AMPLIFIER 6.5 + 6.5 watt in veneered housing  
 ★ GARRARD SP25 MK III Player unit on Plinth  
 ★ GOLDRING CS90 Ceramic F.U. Cartridge with diamond stylus  
 ★ PAIR OF DORCHESTER Loudspeaker Units  
 Special Total Price **£58**

Or Deposit £7-15 and 9 monthly payments £6-35 (Total £64-30). Carr. £1-25  
 Trans. Plastic Cover £3-15 extra.

PACKAGE AS ABOVE but with Garrard 3000 Autochanger and Sonotone 9TA Ceramic Cartridge in lieu of SP25 and CS90  
 Carr. £1-25  
 Or Deposit £6 and 9 monthly payments £5-70 (Total £57-30)  
 Trans. Plastic cover £3-15 extra.

## HIGH FIDELITY SPEAKER UNITS

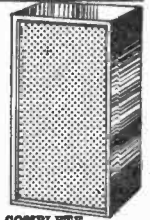


Cabinets latest style Satin Teak veneer. Acoustically lined or filled acoustic damping. Ported where appropriate. Credit terms available.

**DORCHESTER** (Illustrated) Size 16x11x9in. approx. Range 45-15,000 c.p.s. Rating 8-10 watts. Fitted High flux 13x8in. Dual Cone speaker. **£9-45** Carr. 40p.

**STANWAY II** Size 20x10½x9½in. approx. Rating 10 watts. Inc. 13x8in. speaker with highly flexible cone surround, long throw voice coil and 10,000 line magnet. High flux tweeter. Handsome Scandinavian design cabinet. Range 35-20,000 c.p.s. Imp. 8 ohms. Gives smooth realistic sound output. See 'package offers' for illustration. **£17-85**

## 'YORK' HIGH FIDELITY 3 SPEAKER SYSTEM



★ Moderate size only 25x14x10in.  
 ★ Response 30-20,000 c.p.s. Impedance 15 ohms  
 ★ Performance comparable with units costing considerably more.  
 Consists of (1) 12in. 15 watt Bass unit with cast chassis. Roll rubber cone surround for ultra low resonance, and ceramic magnet. (2) 3-way quarter section series cross-over system (3) 8x5in. high flux middle range speaker. (4) High efficiency tweeter. (5) Appropriate quantity acoustic damping material. (6) Handsome Teak veneered cabinet. (7) Circuit and full instructions. Terms: Dep. £4-50 and 9 monthly payments £2-25 (Total £24-75).

COMPLETE KIT **£22**  
 Carr. 63p

DEMONSTRATIONS AT ALL BRANCHES

## AUDIOTRINE A55 HIGH QUALITY STEREO SYSTEM

5 + 5 WATT OUTPUT  
 Garrard 5200 Changer with low mass pick-up arm and Stereo Cartridge. Controls: TREBLE, BASS, VOLUME, STEREO, BALANCE. Operation on 200-250v. A.C. mains. Output rating I.H.F.M.  
 Luxurious Teak Veneer Finished Cabinets. Transparent plastic (tinted) cover included for main unit. Silver finished fascia plate and matching control knobs.



## PAIR OF LOUD-SPEAKER UNITS

Incorporating high flux 8in. 5in. speaker. Size approx. 13 x 7½ x 8½ins.  
**PRICE COMPLETE £42**  
 Carr. £1-25  
 Terms: Deposit £5-50 and 9 monthly payments £4-50 (Total £46)

A REALLY SURPRISING STANDARD OF QUALITY IS OBTAINED FROM THIS COMPACT LOW PRICED SYSTEM

## RSC TRANSFORMERS, L.F. CHOKES and RECTIFIERS

FULLY GUARANTEED. Impregnated and Interleaved where necessary

Primaries 200-250v. 50c/s. Screened  
**EDGE-TYPE CLAMPED TYPE** 2½ x 2½ x 2½in.  
 250v., 60mA, 6.3v. 2a. £1-05  
 250-0-250v., 60mA 6.3v. 2a. £1-05  
**FULLY SHROUDED UPRIGHT MOUNTING**  
 250-0-250v. 60mA, 6.3v. 2a., 0-5-6.3v. 2a. £1-40  
 250-0-250v. 100mA, 6.3v. 4a., 0-5-6.3v. 3a. £2-20  
 300-0-300v. 130mA, 6.3v. 4a., c.t., 6.3v. 1a. £2-20  
 For Mullard 610 Amplifier ..... £2-45  
 350-0-350v. 100mA, 6.3v. 4a., 0-5-6.3v. 3a. £2-20  
 350-0-350v. 150mA, 6.3v. 4a., 0-5-6.3v. 3a. £2-65  
 425-0-425v. 200mA, 6.3v. 4a., c.t., 5v. 3a. £2-95  
 425-0-425v. 200mA, 6.3v. 4a., 6.3v. 3a., 5v. 3a. £5-10  
 450-0-450v. 250mA, 6.3v. 4a., c.t., 5v. 3a. £5-60  
**TOP SHROUDED DROP-THRO' TYPE**  
 250-0-250v. 70mA, 6.3v. 2a., 0-5-6.3v. 2a. £1-35  
 250-0-250v. 100mA, 6.3v. 3.5a. £1-65  
 350-0-250v. 100mA, 6.3v. 2a., 6.3v. 1a. £1-80

350-0-350v. 80mA, 6.3v. 2a., 0-5-6.3v. 2a. £1-65  
 250-0-250v. 100mA, 6.3v. 4a., 0-5-6.3v. 3a. £2-20  
 300-0-300v. 100mA, 6.3v. 4a., 0-5-6.3v. 3a. £2-20  
 300-0-300v. 130mA, 6.3v. 4a., 0-5-6.3v. 1a. £2-60  
 Suitable for Mullard 610 Amplifier ..... £2-60  
 350-0-350v. 100mA, 6.3v. 4a., 0-5-6.3v. 3a. £2-60  
 350-0-350v. 150mA, 6.3v. 4a., 0-5-6.3v. 3a. £2-60  
**FLAME-RET or TRANSFORMER POWER PACK**  
 Type 6.3v. 1.5a. 40p; 6.3v. 2a. 54p; 6.3v. 3a. 79p;  
 6.3v. 6a. £1-30; 12v. 1a. 55p; 12v. 3a. or 24v. 1.5a. £1-85; 0-9-18v. 1½a. £1-10; 0-12-20-42v. 2a. £1-76  
**CHARGER TRANSFORMERS** 0-9-15v. 1½a. 99p;  
 2½a. £1-10; 3a. £1-25; 6a. £1-45; 6a. £1-65; 8a. £2-00  
**AUTO (Step Up/Step Down) TRANSFORMERS**  
 0-110/120v. 200-250-250v. 50-80 watts £1-10;  
 150 watts, £1-60 250 watts £2-75; 500 watts £5-75.  
**OUTPUT TRANSFORMERS**  
 Standard Pentode 5,000 Ω or 7,000 Ω to 3 Ω 50p  
 Push-Full 8 watts EL84 to 3 Ω or 15 Ω ... 83p  
 Push-Full 10 watts 6V6, ECL86 to 3, 5, 8 or 15 Ω ..... £1-37  
 Push-Full EL84 to 3 or 15 Ω 10-12 watts ..... £1-35  
 Push-Full Ultra Linear for Mullard 610, etc. £2-20  
 Push-Full 15-18 watts, sectionally wound 6L6, KT66, etc., for 3 or 15 Ω ..... £1-99  
 Push-Full 20 watt high quality sectionally wound EL34, 6L6, KT66 etc. to 3 or 15 Ω £3-30

## R.S.C. BATTERY/MAINS CONVERSION UNITS

TYPE BM1. An all-dry battery eliminator. Size 5½ x 4½ x 2in. approx. Completely replaces batteries supplying 1-5v. and 90v. where A.C. mains 200/250v. 50c/s is available.  
 Complete kit with diagram. **£3** Assembled ready for use **£3-50**

## SMOOTHING CHOKES

150mA, 7-10H, 250 Ω 70p;  
 100mA, 10H, 200 Ω 60p;  
 80mA, 10H, 350 Ω 50p;  
 60mA, 10H, 400 Ω 25p.

## SELENIUM RECTIFIERS

F.W. (Bridged)  
 All 6/12v. D.C. Output. Max. A.C. Input 18v. 1a. 25p, 4a. 35p, 3a. 50p, 4a. 65p, 6a. 80p.

You're never very far from an **RSC HI-FI CENTRE**

BRADFORD BLACKPOOL (AGENT) BIRMINGHAM DARLINGTON DERBY  
 EDINBURGH GLASGOW HULL LEICESTER LEEDS LIVERPOOL LONDON  
 MANCHESTER MIDDLESBROUGH NEWCASTLE-ON-TYNE NOTTINGHAM SHEFFIELD  
 SEE NEXT PAGE FOR TERMS OF BUSINESS, ADDRESSES etc.

**RSC BULK BUYING ENSURES YOU GET BETTER VALUE**

THE SOUND

**RSC**  
HI-FI CENTRES  
LTD.

OF QUALITY

TWIN TURNTABLE UNIT  
WITH MONITORING FACILITIES

**FAL**

**DISCOTHEQUE CONSOLE**

**£65**

FG 1/2

Carr. £1-25

Terms: Deposit £11 and 9 monthly payments of £6-70 (Total £71-80)



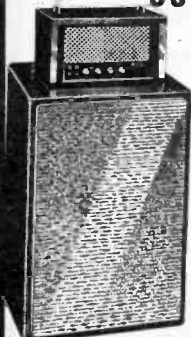
SEND S.A.E.  
FOR LEAFLET

Incorporating twin Garrard SP25 Mk. III turntables and Goldring CS90 Ceramic Cartridges with diamond stylii.

Size approx. 36" x 64" x 15"

Black Rexine covered Cabinet with lid.

**RSC BASS REGENT**  
50 WATT AMPLIFIER



A powerful high quality all-purpose unit for lead, rhythm, bass guitar, vocalists, gram, radio, tape. Peak Output rating. Loudspeaker unit optional horizontal or vertical mounting.  
★ Two extra heavy duty 12in. Loudspeakers.

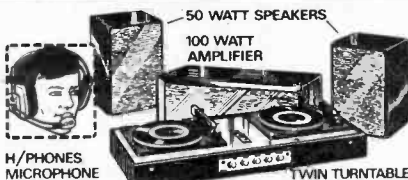
★ Four Jack inputs and two Volume Controls for simultaneous use of up to four pick-ups or "mikes".  
Base and Treble controls.

Send S.A.E. for leaflet. Credit Terms Deposit £16 and 9 monthly payments of £5-75 (Total £67-75)

**£60**

Carr. £1-50

**DISCOTHEQUE EQUIPMENT**  
- SAVINGS ON PACKAGE OFFER



H/PHONES  
MICROPHONE

TWIN TURNTABLE  
WITH PRE-AMP

- (1) FAL FG1-2 Console
- (2) 100W Power Amplifier
- (3) Pair High quality Head-phones
- (4) Matching Microphone fitted to H/phones.
- (5) Pair 50W Speakers cabinets black rexine covered

Terms: Deposit £20 and 9 monthly payments of £14-34 (Total £149-06).

TOTAL COST OF ALL  
ILLUSTRATED  
UNITS

**£132**

**DISCO/GROUP EQUIPMENT PACKAGE OFFERS**

**F.A.L. PHASE 50 Mk.II AMPLIFIER**  
PAIR FANE POP 25/2 25W L/SPEAKERS.

Terms: Deposit £5-50 and 9 monthly payments of £4-72 (Total £47-98).

PACKAGE PRICE  
**£44** carr. £1

**F.A.L. PHASE 50 Mk.II AMPLIFIER**  
PAIR FANE POP 50 L/SPEAKERS OR  
PAIR L12/25 Cabineted Speakers.

Terms: Deposit £10-50 and 9 monthly payments of £5 (Total £55-50)

PACKAGE PRICE  
**£49-50** carr. £1

**F.A.L. PHASE 100 AMPLIFIER**  
PAIR L125 60W L/S in cabinets.

Terms: Deposit £25 and 9 monthly payments of £11-62 (Total £129-58).

PACKAGE PRICE  
**£118** carr. £1-50

**F.A.L. PHASE 100 AMPLIFIER**  
4 FANE POP 50 L/SPEAKERS.

Terms: Deposit £15 and 9 monthly payments of £10-52 (Total £109-50).

PACKAGE PRICE  
**£99** carr. £1-50

**30 WATT HI-FI  
AMPLIFIER**



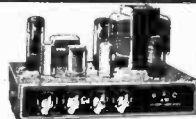
FOR GUITAR, VOCAL or  
INSTRUMENTAL GROUP

A 2 or 4 input, 2 vol. control HI-Fi unit with Separate Bass and Treble controls. Current valves. Peak output rating. Strong Rexine covered cabinet with handles. Attractive black/gold P.V.C. fascia. Neon indicator. For 200-250v. A.C. mains. For 3 or 15 ohm speakers.

Send S.A.E. for leaflet. Terms: Deposit £3-70 and 9 monthly payments of £2-10 (Total £22-60).

ONLY **£19-95**

Carr. 65p



**R.S.C. A10 30 WATT ULTRA LINEAR  
HI-FI AMPLIFIER**

Highly sensitive. Push-Pull high output. Hum level—70dB. Response ±3dB 30-20,000 c/s. All high grade components. Valves 6P86, 6P86, 6CX83, 807, 807, GZ34. Separate Bass and Treble Controls. Sensitivity 36 millivolts. For High Impedance microphones. For Clubs, Schools, Theatres, Dance Halls, Outdoor Functions, etc. For Electronic Organ, Guitar, String Bass, etc. Gram, Radio or Tape. Two separate inputs with vol. controls permit such as "mike" and Pick-up etc. to be used for mixing purposes, 200-250 v. 50 c/s A.C. mains. For 3 and 15 ohm speakers. Complete Kit of parts with wiring diagram and instructions. Twin-handled perforated cover £1-90 Or factory built with E.L34 output valves and 12 months' guarantee for £19-75

**£15-75**

Carr. 65p

TERMS: Deposit £4 and 9 monthly payments of £2-10 (Total £22-90). Send S.A.E. for leaflet.

**MINIMUM 12 MONTHS GUARANTEE, LABOUR & MATERIALS (Excl. Valves) ON ADVERTISED GOODS**

**PHASE 50 MkII**

**FAL**

**PHASE 100**

**50W AMPLIFIER  
OUTPUT**

50 Watts (Music)  
40 " R.M.S. (Cont.)  
100 " (Peak)

**£33-50**

Carr. 65p

Terms: Deposit £6 and 9 monthly payments £3-60. Total £37-60.

**SOLID STATE, ALL SILICON TRANSISTORS** ★ Protective circuitry in case of overload or short circuiting of output.  
★ Frequency Range 30-20,000 c.p.s. ★ 4 Separately controlled inputs for mixing; plus master volume control.  
★ Individual Bass and Treble Controls. ★ Suitable for any loudspeaker combination between 3 & 30 ohms.  
★ Cabinet covered in black rexine. Brushed silver finish metal fascia, with black lettering. Matching control knobs. For Clubs, Discotheques, Hotels, Restaurants, Schools, Theatres, etc. For Vocal & Instrumental Groups, Gram., Radio or Tape. Send S.A.E. for leaflets.



**100W AMPLIFIER  
OUTPUT**

100 Watts (MUSIC)  
70 " R.M.S. (Cont.)  
I.H.M.F. Output rating.

**£61-95**

Carr. 75p

Terms: Deposit £12 and 9 monthly payments £6-25. Total £28-25.

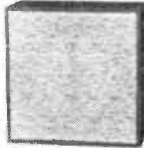
**RE-FUND  
OF INTEREST  
CHARGES  
ON CREDIT SALES  
SETTLED IN  
3 MONTHS**

**RSC**

# CABINET LOUDSPEAKERS

## L13 8-10 WATTS

Incorporating high flux 13" x 8" 8-10 watt loudspeaker. Available with 3 or 15 ohm. impedance. (State when ordering.) Cabinet finished in Teak or Afrormosia Veneer.

**£5-25**  
(Carr. 37p)

## L12/25 25 WATTS

12" 25 watt heavy duty loudspeaker. Impedance 15 ohms. 18" x 18" x 8" approx. Veneered or Rexine/Vynair finish. Suitable small Discotheques, Clubs, Schools etc., etc.

Terms: Deposit £3 and 9 monthly payments £1 (Total £12)

**£10-50**  
(Carr. 43p)

## B4/100 100 WATTS

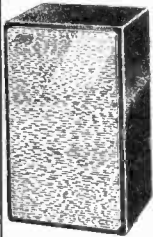
Fitted four extra heavy duty 12" 14,000 Gauss conservative rating of 100 watts. Impedance 15 ohms. Cabinet in 3" chipboard with centre reinforcement back to front. Rexine/Vynair covered. Acoustically filled and pressurised 27" x 27" x 14" approx. Ideal for base guitar or Electronic organ.

Or Deposit £8 and 9 monthly payments £5-90 (Total £61-10).

**£55** (Carr. £1-50)

## L125 50 WATTS

Incorporating two 12" 50 watt 14,000 Gauss extra heavy duty loudspeakers for conservative rating of 50 watts. Impedance 8-15 ohms. Sturdy pressurised cabinet in 3" chipboard. Rexine Vynair Covered 31" x 20" x 16" approx. Suitable Vocal or Instrumental Groups. Bass Guitar or Electronic Organ, etc. For use in Discotheques, Clubs, etc.

**£31**  
(Carr. £1-50)

## FAL DUO/100

Employing two FANE 'CRESCENDO' 12" 100 watt, super efficient, high flux, high power, full range speakers. Gauss 20,000. ULTRA HIGH SENSITIVITY. Ideal for Vocalists and Instrumental Groups. Frequency Range 30-16,000 c.p.s. Impedance 8 ohms. Cabinet constructed in heavy 3" Chipboard and covered in black Rexine and pleasing shade of Vynair with aluminium trim. Attractive design. Size 30" x 19" x 15" approx. Conservatively rated at 100 watts.

**£63**  
(Carrage £1-50)

Or Deposit £4 and 9 monthly payments £3-35 (Total £34-15).

Terms: Deposit £9 and 9 monthly payments of £8-70 (Total Credit Price £89-30)

## ALL FANE LOUDSPEAKERS GUARANTEED 2 YEARS

## FANE 'POP' 25/2 LOUDSPEAKERS

12in. 25 Watt Dual Cone 15Ω (for uses other than Base Guitar or Electronic Organ), or Dep. £1 and 9 mthly payments 75p (Total £7-75).

**£6-75**

Carr. free

# COLUMN SPEAKERS

IDEAL FOR VOCALISTS AND PUBLIC ADDRESS

All types 15 Ohms covered in Rexine and Vynair

TYPE C4100 IS ALSO SUITABLE FOR BASS GUITAR OR ELECTRONIC ORGAN

## C48S 25-30 WATTS

Fitted four 8" high flux 8 watt speakers. Overall size approx 48" x 10" x 5"

Terms: Dep £3 and 9 monthly payments £2 (Total £21)

**£17-75**  
(Carr 50p)

## C412S 50 WATTS

Fitted four 12" 11,000 line 15 watt speakers. Overall size approx 56" x 14" x 9".

Dep. £4 and 9 monthly payments £3 (Total £31)

**£27-50**  
(Carr 75p)

## C4/100 100W

inc. four 12" 50 watt speakers for conservative rating. Extra heavy construction. Size approx 58" x 16" x 10". Acoustically filled and pressurised. Terms: Dep. £7-50 and 9 monthly payments £5-45 (Total £56-55)

**£50-50**  
ONLY Carr. £1

Recommended for DISCOTHEQUES, or INSTRUMENTAL GROUPS.

## FANE ULTRA HIGH POWER LOUDSPEAKERS

All power ratings are R.M.S. continuous. 2 YEARS' GUARANTEE High flux ceramic magnets. Heavy cast chassis. All carr. free.



### 18" 'POP' 100

RATING 100 WATTS R.M.S. 14,000 gauss 8/15Ω

**£22-50**

Dep. £6 and 9 monthly payments £2-15. Total £25-35

### 15" 'POP' 60

RATING 60 WATTS R.M.S. 14,000 gauss 8/15Ω

**£12-90**

Dep. £3-30 and 9 monthly payments £1-30 (Total £15).

### 12" 'POP' 50

RATING 50 WATTS R.M.S. 13,000 gauss 15Ω

**£10-50**

Dep. £2 and 9 monthly payments £1-15. Total £12-35

FOR BASS GUITAR, ELECTRONIC ORGAN, ETC.

Pair suitable all purposes

R.S.C. Branches listed below  
Branches open all day Sats.

**BRADFORD** 10 North Parade (Half-day Wed.). Tel. 25349  
**BLACKPOOL** (Agent) O & C Electronics 227 Church Street  
**BIRMINGHAM** 30/31 Great Western Arcade. Tel. 021-236 1279, Half-day Wed.  
**DERBY** 26 Osmaston Rd. The Spot (Half-day Wed.). Tel. 41361  
**DARLINGTON** 18 Priestgate (Half-day Wed.). Tel. 68043  
**EDINBURGH** 133 Leith St. (Half-day Wed.). Tel. 556 5766  
**GLASGOW** 326 Argyle St. (Half-day Tues.). Tel. 248 4158  
**HULL** 91 Paragon Street (Half-day Thurs.). Tel. 20505  
**LEICESTER** 32 High Street (Half-day Thurs.). Tel. 56420  
**LEEDS** 5-7 County (Mecca) Arcade, Briggate (Half-day Wed.). Tel. 28252  
**LIVERPOOL** 73 Dale Street (Half-day Wed.). Tel. 236 3573  
**LONDON** 238 Edgware Road, W.2 (Half-day Thurs.). Tel. 723 1629  
**MANCHESTER** 60A Oldham Street (Half-day Wed.). Tel. 236 2778  
**MIDDLESBROUGH** 106 Newport Rd. (Half-day Wed.). Tel. 47096  
**NEWCASTLE UPON TYNE** Fenwicks Store (Half-day Wed.). Tel. 21469  
**NOTTINGHAM** 19/19A Market Street (Half-day Thurs.)  
**SHEFFIELD** 13 Exchange Street (Castle Market Bldg.) (Half-day Thurs.). Tel. 20716

*Another  
New Branch!*

NOW OPEN AT—  
19/19A MARKET STREET

**NOTTINGHAM**  
(Half Day Thursday)

**RSC**  
HI-FI CENTRES LTD.

MAIL ORDERS & EXPORT ENQUIRIES TO—  
AUDIO HOUSE, HENCONNER LANE LEEDS, 13.  
TERMS C.W.O. or C.O.D. No C.O.D. under £1. Postage 25p extra under £2. 30p extra over £2 or as quoted. Trade supplied. S.A.E. please with enquiries.

MAIL ORDERS MUST NOT BE SENT TO SHOPS

ADVERTISED UNITS are subject to the most stringent tests in our Quality Control Depot

ILLUSTRATED LEAFLETS on any advertised product available on request.

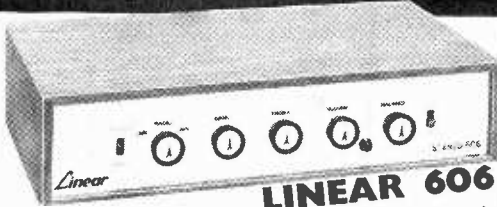
**95%**  
U.K. MAIL ORDERS  
DESPATCHED  
SAME DAY

# NEW FROM LINEAR

Representing really exceptional value

# TWO STEREO AMPLIFIERS

IN ELEGANT TEAK FINISH CASES!



0-200-230-250v. 50 Hz A.C. mains operation. Inputs for magnetic or Ceramic Pickup, Tape or Radio Tuner.

**LINEAR 606**  
6+6 WATTS I.H.F.M.  
Recommended Retail Price  
**£22.50**

### TECHNICAL DETAILS

**Bass Control**  $\pm 12$  dB at 40 Hz.  
**Treble Control**  $\pm 12$  dB at 14 KHz.  
**Sensitivities** Mag. P.U. 3.5 m.v. into 47K ohm R.I.A.A. Ceramic P.U. 35 m.v. into 100K ohm. Tape Amp. 100 m.v. into 100K.  
**Radio Tuner** 400 m.v. into 400K ohm, Crosstalk 53 dB.  
**Hum and Noise** -75 dB min. vol. -65 dB max. vol.  
**Total Harmonic Distortion** 0.1 per cent at 1 watt into 15 ohms.

- ★ Individual Bass and Treble Controls.
- ★ Frequency Response  $\pm 1\frac{1}{2}$  dB 27 Hz to 65 KHz.
- ★ Outputs for 3-15 ohm Speakers.
- ★ Stereo/Mono Switch.
- ★ Input Selector Switch.
- ★ Solid State Circuitry.
- ★ Attractive silver finished metal fascia and matching control knobs.



**LINEAR 505** 5+5 WATTS

Recommended Retail Price

**£17.50**

0-200-250v. 50 Hz A.C. mains operation

### TECHNICAL DETAILS

**Frequency Range** 20 Hz to 20 KHz  
**Output (per channel)** 4 watts I.H.F.M.  
**Bass Control**  $\pm 12$  dB at 60 Hz.  
**Treble Control**  $\pm 14$  dB. at 14 KHz.

PRINTED CIRCUIT CONSTRUCTION  
EMPLOYING 10 TRANSISTORS

- ★ A modestly priced solid state unit.
- ★ The Silver Facia with black lettering enhanced by matching control knobs, provides a high standard of appearance.
- ★ Suitable for crystal or ceramic Gram. Pick-up cartridges, and Radio input.
- ★ A wide range of tone variation is provided by the Ceramic Bass and Treble 'lift' and 'cut' controls.
- ★ A selector switch permits instantaneous selection of Gram. or Radio.
- ★ Speaker impedances between 3 and 15 ohms are suitable.

Wholesale and Retail enquires to the Manufacturers

ALL LINEAR AMPLIFIERS GUARANTEED FOR 12 MONTHS

**LINEAR PRODUCTS LTD.,** Electron Works, Armley, Leeds. LS12 3SA Tel.630126

## PRACTICAL WIRELESS ELECTRONIC IGNITION SYSTEM

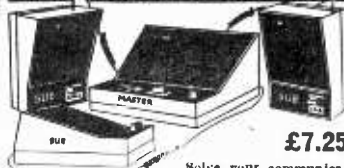


This Capacitor-discharge Electronic ignition system was recently described in Practical Wireless and has proved extremely popular. We are able to offer the kit in two forms: the Standard kit containing the electronic components only, enabling the customer to tailor these to his own layout, or the De-luxe version containing a ready-drilled roller-trimmed printed circuit board and fully machined die-cast case with electrical connection block. Each kit is supplied with a custom wound transformer, first-grade components and full construction details. Suitable for 12V. systems only, pos. or neg. earth. All components available separately. Case size 4 $\frac{1}{2}$ " x 3 $\frac{1}{2}$ " x 2". Complete assembly and wiring manual 25p. refundable on purchase of kit.  
Price: Standard kit ... £7.25 post free  
De-luxe ... £8.75 post free  
Trade enquiries Invited. ... Mail order only.

## DABAR ELECTRONIC PRODUCTS

88a, LICHFIELD STREET,  
WALSALL, STAFFS. WS1 1UZ  
Tel. Walsall 34365

## 4-STATION INTERCOM



£7.25

Solve your communication problems with this 4-Station Transistor Intercom system (1 master and 3 Subs), in de-luxe plastic cabinets for desk or wall mounting. Call/talk/listen from Master to Subs and Subs to Master. Ideally suitable for Business, Surgery, Schools, Hospital, Office and Home. Operates on one 9V battery. On/off switch. Volume control. Complete with 8 connecting wires each 66ft. and other accessories. P. & P. £0.40.

### MAINS INTERCOM

No batteries—no wires. Just plug in the mains for instant two-way, loud and clear communication. On off switch and volume control. Price \$14.40 P. & P. £0.55

## INTERCOM/BABY ALARM



OUR PRICE ONLY  
£3.35

Same as 4-Station Intercom for two-way instant communication. Ideal as Baby Alarm and Door Phone. Complete with 66ft. connecting wire. Battery 14p. P. & P. £0.25.



£2.99

Why not boost business efficiency with this incredible De-luxe Telephone Amplifier. Take down long telephone messages or converse without holding the handset. A useful office aid. On/off switch. Volume Control. Battery 14p. extra. P. & P. 22p. Full price refunded if not satisfied in 7 days.

WEST LONDON DIRECT SUPPLIES (P.W.S.)  
169 KENNINGTON HIGH STREET, LONDON, W.8.

## U.H.F. T.V. AERIALS

SUITABLE FOR COLOUR AND MONO-CHROME RECEPTION



All U.H.F. aerials now fitted with tilting bracket and 4 element reflector.  
**LOFT MOUNTING ARRAYS**  
7 element 2.25. 11 element 2.75. 14 element 3.25. 18 element 3.75.  
**WALL MOUNTING c/w WALL ARM & BRACKET**  
7 element 3.25. 11 element 3.75. 14 element 4.25. 18 element 4.75. **CHIMNEY MOUNTING ARRAYS c/w MAST & LASHING KIT.** 7 element 4.00. 11 element 4.50. 14 element 4.75. 18 element 5.25. **MAST MOUNTING arrays only.** 7 element 2.25. 11 element 2.75. 14 element 3.25. 18 element 3.75. Complete assembly instructions with every aerial. **LOW LOSS** coaxial cable 99p yd. **KING TELEBOOSTERS** from 3.75. **LABGEAR** all band V.H.F.—U.H.F.—F.M. radio mains operated pre-amps 7.50. State clearly channel number required on all orders. P.p. on all aerials 50np. Accs. 15np C.W.O. Min. C.O.D. charge 25np.

**BBC—ITV—FM AERIALS**  
BBC (band 1) Wall S/D 2.00. LOFT inverted 'T' 1.25. EXTERNAL 'H' array only 3.00. ITV (band 3) 5 element loft array 2.50. 7 element 3.00. **COMBINED BBC—ITV**, loft 1+5 2.75. 1+7 3.50. **WALL & CHIMNEY UNITS ALSO AVAILABLE.** Pre-amps from 3.75. **COMBINED U.H.F.—V.H.F.** aerials 1+5+9 4.00. 1+5+14 4.50. 1+7+14 5.00. **F.M. RADIO** loft S/D 1.00 3 element 3.25. 4 element 3.50. Standard coaxial plugs 9np. Coaxial cable 5np yd. Outlet box 30np. P.p. all aerials 50np. Accs. 30np. C.W.O. Min. C.O.D. charge 25np. Send 5np for fully illustrated lists.

CALLERS WELCOMED  
OPEN ALL DAY SATURDAY

**K.V.A. ELECTRONICS**  
40-41 MONARCH PARADE, LONDON ROAD, MITCHAM, SURREY  
Telephone 01-648 4884

# AUDIO SUPPLIES

## SLASH PRICES! UP TO 60%

### SPEAKERS (KITS AND CHASSIS) p.p. 50p. Prices Per Pair

Richard Allan Twin Assembly	£17-00
Richard Allan Triple Assembly	£28-00
Richard Allan Super Triple Assembly	£32-00
Wharfedale Unit 3	£20-00
Wharfedale Unit 4	£26-50
Wharfedale Unit 5	£38-50
Goodmans Axlette 8	£12-25
Twin-Axlette 8	£14-25
Axiom 10	£15-00
Axiom 201	£21-25
Axiom 301	£30-50
Axiom 401	£29-00
Audiom 8P	£8-00
Audiom 10P	£8-50
Audiom 51	£19-00
Audiom 61	£27-50
Audiom 12P	£19-50
Audiom 15P	£33-00
Audiom 18P	£52-95
Twin Axiom 10	£15-95
ARU 172	£7-00
Trebax 100	£11-75
Trebax 5K/20XL	£14-50
Midax	£17-95
Attenuator	£4-75
XO/950/5000	£14-00
XO/5000	£4-00
Wharfedale 8in. bronze/R5/DD	£7-50
Wharfedale Super 8/R5/DD	£14-00
Wharfedale Super 10/R5/DD	£22-50
Wharfedale WMTI matching transformer	£1-50
Any other make	P.O.A.

### STEREO AMPLIFIERS p.p. 50p

ARMSTRONG 521	£44-00
AMSTRAD 9000	£15-00
H.L. SA707	£18-00
TELETON SAQ206B	£18-00
VICEROY VAS70	£42-00
VICEROY 55	£16-00
SANSUI full range in stock P.O.A.	
METROSOUND ST20E	£26-00
SINCLAIR 2000 MkII	£22-00
SINCLAIR 3000	£32-00
SINCLAIR NETERIC	£46-00
SINCLAIR A.F.U.	£4-50
SINCLAIR S60 + 2 Z30/PZ5	£15-00
SINCLAIR S90 + 2 Z30/PZ8	£17-50
SINCLAIR S60 + 2 Z50 + PZ8 and Mains trans.	£22-00
Sonab special offer for personal callers only	

### TUNER AMPLIFIERS p.p. 50p

ARMSTRONG 526	£30-00
ARMSTRONG 525	£70-00
RODGERS RAVENSBROOK	P.O.A.
TELETON CR10T with speakers	£25-50
TELETON F2100	£30-00
WHARFEDALE 100-1	£190-00
PHILIPS RH781	£53-00
GOODMANS MODULE 80	£72-00
TELETON R8000 with speakers	£35-00
TOSHIBA range P.O.A.	
Sonab special offer for personal callers only	

### TUNERS p.p. 50p

ARMSTRONG M8	£7-75
ARMSTRONG 523	£40-00
ARMSTRONG 524	£31-00
SINCLAIR Pro. 60	£19-50
RODGERS RAVENSBORNE FET2 Chassis	£45-00

Easy to find—50 yards from (B.R.)  
Stoke Newington Stn.  
67, 149, 247, 73, 76, 243 Buses Pass our  
door.

SEND CHEQUES, P.O., MONEY ORDER, etc. to—

# AUDIO SUPPLIES

PERSONAL CALLERS PLEASE NOTE—Cheques are only accepted when accompanied by a Bank Cheque Card (not Barclay Card).

## SPECIAL OFFERS

**GARRARD SP25 Mk. III  
GOLDRING G800 Superb Plinth  
and Cover.**

**SINCLAIR Project 60—Stereo 60  
Pre-Amplifier and Control Unit.  
2 Z30's and PZ5. 2 WHARFEDALE  
Unit 3. List Price £84-00. OUR PRICE  
£55. P. & P. £1-75.**

**GARRARD SP25 Mk III  
GOLDRING G800  
Plinth and Cover complete  
OUR PRICE £19-50. P. & P. £1-75.**

### HEADPHONES p.p. 25p.

Koss PRO4AA	£22-00
Koss 727B	£13-00
Koss K6	£3-75
Koss ESP-6	£34-00
Koss ESP9	£53-00
Koss KR711	P.O.A.

### CARTRIDGES p.p. 10p

GOLDRING G850	£4-00
GOLDRING G800	£7-00
GOLDRING G800/E	£10-75
GOLDRING G800/SE	£16-00
SHURE M3D	£4-75
SHURE M44/5/7/C	£7-00
SHURE M55E	£9-00
SHURE M75E type 2	£14-00
SHURE V15 type 2	£30-00
SHURE 44E	£8-00
SHURE 31E	£9-00
SHURE 32E	£8-00
SONATONE 9T/AHCD	£1-60
AUDIO TECHNICA AT66	£4-00
ADC 10/E MKII	£21-00

### GARRARD ZERO/100 IN STOCK SPECIAL PRICE £35-00.

### TURNABLES p.p. 60p

GARRARD SP25/Mk. III	£10-50
GARRARD 2025T C with Sonotone 9T/AHCD Diamond Cartridge	£8-50
GARRARD A70 Mk. II	£11-00
GARRARD SL65B	£13-00
GARRARD AP76	£18-00
GARRARD SL72B	£23-00
GARRARD SL75B	£24-00
GARRARD 401	£26-00
GARRARD SL95B	£32-00
GOLDRING GL75P	£36-00
GOLDRING GL75	£28-00
GOLDRING GL69	£20-00
THORENS TO195	£61-00
THORENS TO150AB/2	£41-00
PIONEER PL11AC complete	£39-00
DUAL 1209	£34-00
PHILIPS 202A	£52-00

### SONAB IN STOCK

Connoisseur BO1 ch.	£13-00
Connoisseur DB1 P and C	£21-00
Connoisseur BO1 with SAU 2 P and C	£31-50
Connoisseur BO2 SAU 2 ch.	£24-00
Connoisseur BO2 SAU 2 P and C	£31-00
Any other make	P.O.A.

All prices subject to change without notice

PW12. 50 STAMFORD HILL, LONDON, N.16.

Telephone: 01-806 3611

**CASH & CARRY GOODS**

Sinclair 2000	£24
Sinclair 3000	£33
Metrosound ST20	£27
Teleton 203 (Demonstration)	£17
Teleton F2000 Tuner/Amp.	£31
Alpha F212	£26

Please add 50p carr. per amplifier. Other Amplifiers — Tuners — Tape Recorders etc. Prices on application.

**SINCLAIR Project 60**  
SAVE nearly £7 Normal price £23.90

Designed for building into plinths etc., complete with two Z30 Output stages (20 watt) and power supply unit. Send S.A.E. for full technical brochure.

plus 50p carr. **£17**

**A true bargain by Post:**

**The famous PA 263**

plus heatsink/pc board for **£1.75!**



The PA263 monolithic audio power amp. provides 3.5W rms, 10W peak, to a 16 ohm load. Ideal for mono or stereo players, tape, disc or intercom amplifiers, FM or AM receivers, Op. Amp. boosters etc.

Now we supply it complete with a specially designed heavy duty pc board ready drilled for PA263 and up to 12 other components (not supplied) all ready for soldering. No other heatsink is necessary. ONLY £1.75 COMPLETE, +p & p£0.15. Or stereo £3.50 plus £0.15 p & p. Delivery by return.

FREE 4-PAGE PA263 DATA SHEET PLUS DESIGN INFORMATION WITH ALL ORDERS.

Jermyn Industries,  
Vestry Estate, Sevenoaks, Kent.

**JERMYN**

Newest, neatest system ever devised for storing small parts and components: resistors, capacitors, diodes, transistors, etc. Rigid plastic units, interlock together in vertical and horizontal combinations. Transparent plastic drawers have label slots / removable space dividers. Build up any size cabinet for wall, bench or table top.

**INTER-LOCKING PLASTIC STORAGE DRAWERS**

NEAT! HANDY! TIDY!

**DISCOUNT PRICES**

**SINGLE UNITS** (5" x 2 1/4" x 2 1/4") £1-35 Dozen  
**DOUBLE UNITS** £2-25 Dozen  
**TREBLE (3D)** £2-35 for 6  
**DOUBLE TREBLE** 2 draws in one outer case (6D2) £3-65 for 8 extra large size (6D1) £3-30 for 8.

**PLUS QUANTITY DISCOUNTS!** Order £5 and over Deduct 5% in the £. Order £10 and over Deduct 7 1/2% in the £. Order £20 and over Deduct 10% in the £. Pack./Post./Carr.: Add 35p to all orders under £5. Orders over £5 P/P/C free. (Dept PW12, 124 CRICKLEWOOD BROADWAY, LONDON N.W.2)

**IVORYET LIMITED**

**AERIAL BOOSTERS**  
We make four types of Aerial Boosters: L45 625 U.H.F., L12 V.H.F. TV, L11 V.H.F. Radio, L10 M/W & S/W, Price L45, L12 & L11 £2-95, L10 £2-45.

**TRANSISTOR BARGAINS**  
We offer the following brand new marked transistors for sale. Any 5-40p, 10-75p: BC113, BC171, BC117, BC135, BC153, BF115-15p, BF184-15p, BF200-20p.

**VALVE BARGAINS**  
Any 5-45p, 10-70p: ECC82, ECL80, EF80, EF85, EF183, EF184, EBF89, EB91, EY86, PCC84, PCC89, PC97, PCF60, PCF86, PCL82, PCL83, PCL84, PCL85, PL36, PY33, PY82, PY800, PY801, 30L15, 30C15, 6-30L2.

**PRINTED CIRCUIT BOARD**  
2-8 ins by 4 ins boards complete with etching compound and instructions 40p.

**MAINS DROPPERS**  
Three section 33-33-33 Ohms 9p.

POST & PACKING under £1-5p Over £1-10p. S.A.E. for leaflets on all items. Money back guarantee if not completely satisfied.

**VELGO ELECTRONICS**  
62A Bridge Street, Ramsbottom, Bury, Lancs.

**This MONTH'S Best Buy . . .**

**AKG K50 Dynamic Stereo headphones**  
Complete with spare ear muffs.

(Total value £10.40) Our Price **£5.90** + 23p p. & p.

Available only from us at this price. Due to entire purchase of manufacturer's remaining stock this fantastic offer is open only while stocks last.

\* High-fidelity reproduction due to broad frequency response (20-20,000Hz)  
\* Substantially increased stereo effect \* Headphones fit the head gently and do not shift \* Earpieces fit ears snugly (Cardanic suspension) \* Tone quality superior to conventional loudspeakers. \* Only expensive studio loudspeakers can match the reproduction quality of the K50. \* Music can be reproduced at concert hall volume (l), preserving the lower bass notes and brilliant treble tones without causing any strain to the listener.



**GARRARD SP25**  
mk III **£12.50** Plus 50p carriage

Normal price £15.57

Wired with mains cable and 5ft. twin screened stereo cable, 5 pin din plug. 53p extra.

AP75 Complete with base and cover £25 plus 75p carriage.

PLINTH AND COVER SUITABLE FOR GARRARD RANGE £5-25 plus 50p p. & p.

**PLUGS**

Pack 107 5-Pin Din	20p
Pack 108 3-Pin Din	18p
Pack 135 1/2" Jack	25p
Pack 130 1/2" Jack Stereo	48p
Pack 103 Loudspeaker Plug	15p
Pack 100 Phono Plug	6p
Pack 230 3-Pin Socket	23p
Pack 236 5-Pin Socket	30p
Pack 234 Loudspeaker Socket	30p

**Ready-made Leads**

3-pin to 3-pin Din	63p
3-pin to open end	53p
5-pin to 5-pin Din	30p
5-pin to open end	65p
5-pin to 4 phono plugs	93p
Speaker lead Din to spade 12ft	38p
Extension lead Din plug to socket 12ft	65p

All leads approx. 6ft. in length. Post free, by return.

Replacement Stereo **DIAMOND STYLI**

BTA 9TA 9TAHC	75p
GP91 ST4 ST9	each
EV26 GC3	+13p p. & p.

others on request

**Countdown SPEAKER**  
Teak Cabinet

**£12** plus 38p carr. & ins.

A speaker of outstanding specifications and technical merit. Solid teak cabinet size: 14" x 10" x 6". Originally designed for use with our Countdown stereo budget system but now available separately.

**EMI 20w matched loudspeaker set 350**

Frequency range: 20 to 20,000Hz. **£7.50**

Normal price £13 plus 40p p & p

**EMI 10w matched loudspeaker set 450**

Our Price **£3.75** plus 25p. p. & p.

13 1/2" x 8 1/2" elliptical loudspeaker and independent high frequency units with associated crossover network. Frequency range 55 to 13000Hz. The cone of the bass unit has a surround designed for high travel giving freedom from distortion when operated at low frequencies.

EMI 14A/770C Base Speaker **£14.50** plus 50p p & p

**Magnetic cartridges**

**Diamond stylus £4.00**

plus 13p p. & p.

Today's value £5.

Stylus replacement can be carried out without removing cartridge. Stylus £2-13 + 13p p. & p.

**Ronette 105 Stereo cartridge** (Sapphire 78 Diamond LP) **£1-25** + 13p. p. & p.

**SONOTONE Cartridge ...**  
(Fitted Diamond Stylus) (Ceramic) 1st price **£4-10**

Sensitivity: 97AHC 55mV/cm/sec rms minimum at 45° at 1,000Hz measured on Decca SX12057 plus 13p p. & p.

**£2.50**

**J. J. FRANCIS (WOOD GREEN) LTD**  
123 ALEXANDRA ROAD, HORNSEY, LONDON, N.8. Tel: 01-888 1662

**C**  
**H**OME RADIO  
**H**OME RADIO  
**P**  
**H**OME RADIO  
**N**  
**H**OME RADIO  
**E**  
**R**ADIO  
**T**  
**S**

HOME RADIO (Components) LTD.  
 Dept. PW, 234-240 London Rd.,  
 Mitcham, CR4 3HD. 01-648 8422

**When you think  
 of COMPONENTS  
 think of HOME RADIO**

Some things in life are just about inseparable—eggs and bacon, sausage and mash, Tweedle Dum and Tweedle Dee! Think of one and you think of the other. That's how thousands of radio and electronic enthusiasts think of Components and Home Radio Ltd. When they need the first they automatically contact the second. They simply flip through their Home Radio Catalogue, locate the items they need and telephone or post their order.  
 If you have not yet experienced the simplicity and satisfaction of linking Components and Home Radio, why not make a start now? First of all you'll need the catalogue . . . in its 315 pages are listed more than 8,000 components, over 1,500 of them illustrated. Every copy contains 10 vouchers, each worth 5p when used as instructed. The catalogue costs 70p including postage and packing. Drop us a line or use the coupon below.

**POST THIS  
 COUPON  
 with your  
 cheque or  
 postal order  
 for 70p**



**24-hour  
 Phone  
 Service.  
 Ring  
 01-648 8422**

**Ask for  
 details of  
 our Credit  
 Account  
 Service.**

Please write your Name and Address in block capitals.

Name .....

Address .....

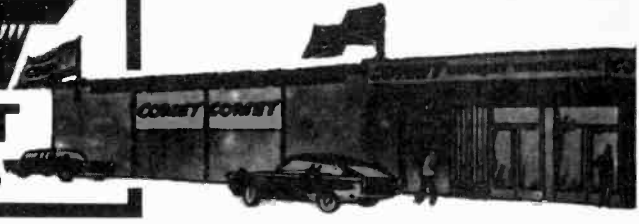
.....

**HOME RADIO (Components) LTD.**  
 Dept. PW, 234-240 London Rd., Mitcham, CR4 3HD

The price of 70p applies only to catalogues purchased by customers in the U.K. and to BFPO addresses.

# COMET

## HI-FI DISCOUNT WAREHOUSES



**COMET for after-sales service**  
 THROUGHOUT THE U.K.  
 Pictured, Service Dept. at Clough Rd., Hull also at Leeds, Stockton, Goole, Wakefield, Doncaster, Bridlington, Birmingham and Edinburgh



	Rec. Price	Retail Price	Comet Price
<b>STEREO AMPLIFIERS</b>			
ALBA UA 700	34.50	23.95	
ALPHA 212 By Highgate	36.75	24.95	
AMSTRAD Stereo 8000 Mk 2	27.95	17.95	
AMSTRAD I.C. 2000	42.95	27.95	
ARMSTRONG 521	59.00	41.75	
DULCI 207M	32.00	19.95	
FERROGRAPH F307 Mk. II (cased)	64.00	45.95	
FERROGRAPH F307 Mk2 metalcase	60.00	42.95	
GOODMANS Maxamp	54.00	37.95	
LEAK Delta 30 (cased)	65.00	51.95	
LEAK Delta 70 (cased)	79.50	63.95	
METRO SOUND ST20E	39.50	27.95	
PHILIPS RH 501	79.00	54.95	
PHILIPS RH 590	52.00	35.95	
PHILIPS RH 580	29.00	19.95	
PIONEER SA500	62.10	41.95	
PIONEER SA700	98.00	67.95	
PIONEER SA900	134.10	94.45	
PIONEER Reverberation	45.50	31.95	
REVERBERATION 202W	48.35	33.95	
RANK Rotel 310	45.00	32.95	
RANK Rotel 610	69.00	49.95	
ROGERS Ravensbourne	59.50	42.95	
ROGERS Ravensbourne (cased)	64.00	47.95	
ROGERS Ravensbrook Mk. II	47.50	36.96	
ROGERS Ravensbrook (cased) Mk. II	69.50	39.95	
SINCLAIR 2000	35.00	23.75	
SINCLAIR Project 60/2 x Z30/PZ5	23.90	15.95	
SINCLAIR PROJECT 60/2 x Z50/PZ8/trans	34.86	23.25	
SINCLAIR PROJECT 605	29.95	21.95	
SINCLAIR AFU AM/FM	3.95	4.45	
SINCLAIR Neoteric	61.95	43.95	
SINCLAIR 3000	45.00	31.50	
TELETON SAQ206	32.50	19.95	
TELETON GA101	37.50	28.50	
VOLETX 100w Stereo Discotheque, 8 electronically mixed inputs	185.00	139.00	
WHARFEDALE Linton	50.00	47.95	

All the above take both ceramic and magnetic cartridges.

	Rec. Price	Retail Price	Comet Price
<b>TUNERS</b>			
*ARMSTRONG 523 AM/FM	54.22	39.95	
*ARMSTRONG 524 FM	42.17	30.95	
ARMSTRONG M8 Decoder	9.50	7.70	
*DULCI FMT. 7 FM	25.10	19.95	
DULCI FMT. 7S Stereo	33.79	27.25	
GOODMANS Stereomax	80.07	47.95	
LEAK Delta FM	75.00	58.95	
LEAK Delta AM/FM	89.50	69.50	
PHILIPS RH 690	45.30	38.50	
PHILIPS RH 691	85.80	69.95	
PIONEER TX500 AM/FM	75.95	61.50	
PIONEER TX900 AM/FM	147.15	118.00	
RANK ROTEL 320	49.99	39.95	
ROGERS Ravensbourne chassis	59.63	48.95	
ROGERS Ravensbrook	43.37	34.95	
ROGERS Ravensbrook (cased)	49.39	38.95	
ROGERS Ravensbourne In leak case	64.45	48.95	
SINCLAIR 2000	45.00	34.95	
SINCLAIR project 60 tuner (stereo)	25.00	19.95	
TELETON GT 101	43.99	30.95	

All above Tuners are complete with MPX Stereo Decoder except where starred.

	Rec. Price	Retail Price	Comet Price
<b>TUNER/AMPLIFIERS</b>			
AKAI AA 8500	221.85	175.00	
AKAI 8600	137.34	108.00	
AKAI 8300	128.85	99.95	
AKAI 8200	91.56	71.95	
ARENA 2400	90.30	69.95	
ARENA 2800	111.30	89.95	
ARENA 2700	88.63	73.95	
ARENA 19000	303.45	285.00	
ARMSTRONG M8 Decoder	9.50	7.70	
ARMSTRONG 525	88.55	69.95	
ARMSTRONG 526	105.72	79.95	
GOODMANS Mod. 80, 35w. R.M.S.	91.59	68.95	
GOODMANS Model 110 FM/MW/LW/SW 100w R.M.S.	135.00	108.00	
LEAK Delta 75	185.00	139.95	
MIDLAND 19/542	49.56	37.50	
PHILIPS 882 with stereo cassette recorder	96.50	76.95	
PHILIPS RH 790	134.00	79.95	
PIONEER SX770 A/M/FM	159.79	125.95	
PIONEER SX990 AM/FM	192.61	148.95	
PIONEER 440	119.62	95.00	
ROGERS Ravensbrook Chassis	99.39	81.95	
ROGERS Ravensbrook (cased)	108.43	89.95	
TANDBERG 1171 comp. with decoder	110.00	91.95	
TANDBERG TR200 without decoder	99.00	82.95	
*TELETON F2000	51.50	28.95	
TELETON TAT 20	119.75	69.95	
TELETON 10AT1 150w. RMS	160.00	94.00	
TELETON TFS50	79.65	52.95	
TELETON TFS100 LA MW/LW/FM	98.64	90.95	
TELETON CR55	125.26	74.95	
WHARFEDALE 100-1	139.00	89.95	

All the above Tuners and Tuner/Amplifiers take both ceramic and magnetic cartridges except Teleton F2000 which takes ceramic only. All include MPX Stereo Decoder with the exception of Armstrong where decoder is extra as listed.

	Rec. Price	Retail Price	Comet Price
<b>CARTRIDGES</b>			
GOLDRING 800	12.55	6.75	
GOLDRING 800E	18.16	10.50	
GOLDRING 800 Super E	25.10	15.95	
*GOLDRING CS90 Stereo	5.02	4.10	
*GOLDRING CS91/E	7.53	6.00	
GOLDRING G850	6.27	3.95	
EMPIRE 1000ZE/X	60.34	51.25	
EMPIRE 989VE/X	43.00	34.95	
EMPIRE 999TE/X	25.09	21.00	
EMPIRE 999SE/X	20.31	16.95	
EMPIRE 999E/X	15.89	12.50	
EMPIRE 999/X	12.55	10.25	
EMPIRE 909E/X	12.37	9.95	
EMPIRE 909/X	9.26	7.75	
EMPIRE 909E/X	9.56	7.85	
ORBIT Magnetic NM 22	Special Price	2.95	
ORTOFON SL15E	28.82	22.85	
ORTOFON 2 X 15K Transformer	7.00	4.85	
ORTOFON M15E	29.08	23.50	
SHURE M3DM	7.16	4.50	
SHURE M31E	11.63	8.70	
SHURE M32E	10.73	8.05	
SHURE M32-3	9.84	7.80	
SHURE M44-5	10.73	7.19	
SHURE M44-7	9.84	7.15	
SHURE M-44C	9.84	7.15	
SHURE M44E	11.63	7.50	
SHURE M55E	12.52	8.95	
SHURE M75G	16.99	13.75	
SHURE M75E	16.10	12.45	
SHURE M75EJ	18.78	14.95	
SHURE M75E	20.57	12.95	
SHURE V15-11	39.35	27.95	
SHURE V15-11-7	37.56	27.95	

Starred cartridges above are ceramic. All others are magnetic.

	Rec. Price	Retail Price	Comet Price
<b>PICKUP ARMS</b>			
GOLDRING Lenco L75	13.98	9.50	
GOLDRING Lenco L69	10.04	6.50	
SME 3009 with S2 Shell	33.26	24.95	
SME 3012 with S2 Shell	35.42	28.45	

**TURNABLES**

The following Turntables are complete with base, plinth, perspex cover and cartridge. Fully wired and ready for use. All at special prices.

GARRARD SP25 Mk 111 with Goldring G.800	Special Price £19.95
GARRARD SP25 Mk 111 with Shure M.44/7	Special Price £22.95
GARRARD SP25 Mk 111 with Shure M.55E	Special Price £23.95
GARRARD AP75 with Goldring G800	Special Price £30.95
GARRARD AP76 with Shure M75E	Special Price £36.95
GARRARD 2025 with Sonotone STAMC	Special Price £14.50
GOLDRING 705/P with G850	Special Price £14.50
GOLDRING GL75 with G800 special	Special Price £39.95
GOODMANS 3025 with G800	Special Price £21.95
GARRARD SP25 Mk III	15.85 10.50
GARRARD SL65 B	20.48 13.45
GARRARD SL95 B	49.23 32.95
GARRARD 401	39.26 27.45
GARRARD SL72 B	31.83 23.95
GARRARD Zero 100A	56.25 42.95
GARRARD Zero 100S	51.75 41.95

	Rec. Price	Retail Price	Comet Price
GARRARD 3500, with GKS Cart. Base and Cover to fit GARRARD SP25, SL55, SL65B and 3500	15.25	10.95	Special Price 3.50
GARRARD 40B	13.34	10.49	
GARRARD AP76	27.85	18.90	
GOLDRING GL69 Mk. II	27.60	18.50	
GOLDRING GL69P Mk. II	36.21	26.95	
GOLDRING GL75	40.15	28.95	
GOLDRING GL75P	48.76	35.95	
GOLDRING Covers for 69P and 75P	4.48	3.30	
GOLDRING C99—plinth and cover for G99	11.05	9.75	
GOLDRING G99	26.89	19.95	
GOODMANS 3025	37.74	21.95	
MCDONALD MP 60	15.20	10.95	
MCDONALD 610	19.28	14.50	
MCDONALD HT 70	21.22	17.50	
MCDONALD HT70 inc. plinth & cov. Base and Cover for MCDONALD MP 60 and 610	30.68	24.95	
PHILIPS GA146	30.35	23.95	Special Price 4.25
PHILIPS 202 Electronic	86.50	49.95	
PHILIPS 308 transcription unit complete with base and cover	37.60	29.95	
PIONEER PL12A with base & cover	48.34	36.95	
THORENS TX25 base & cover	8.52	6.95	
THORENS TD125	76.03	58.95	
THORENS TD125AB	115.57	94.50	
THORENS TD150A Mk. II	44.40	34.50	
THORENS TD150AB Mk. II	48.05	40.25	
THORENS TX11 Cover	4.28	3.58	
WHARFEDALE Linton	35.00	29.95	
<b>SPEAKERS</b>			
B & W Model 70	159.50	114.95	
B & W DM3	63.00	48.40	
B & W DM1	38.47	31.95	
CELESTION Ditton 120	28.85	22.95	
CELESTION Ditton 15	38.47	31.95	
CELESTION Ditton 25	65.00	48.95	
GOODMANS Minister	24.10	17.45	
GOODMANS Havant	28.00	21.95	
GOODMANS Magister	37.50	32.00	
GOODMANS Double Maxim	33.00	25.95	
GOODMANS Mezzo 3	34.00	22.95	
GOODMANS Magnum K2	44.00	29.95	
GOODMANS Dimension 8	69.00	49.95	
GOODMANS din 20NT kit	12.54	9.85	
KEF Cresta	22.17	18.00	
KELETRON KN400 2-speaker System (pair)	16.10	12.95	
KN600 3-speaker System (pair)	26.86	18.95	
KN800 3-speaker System	15.90	10.95	
KN1100 4-speaker System	20.40	14.20	
KN1600 3-speaker System	25.20	18.95	
KN2100 3-speaker System	30.80	20.95	
LEAK 200	30.19	18.45	
LEAK 300	39.33	23.95	
LEAK 600	49.50	35.95	
LOWTHER Acousta (with PM6)	52.50	45.50	
LOWTHER Acousta (with PM7)	65.00	54.00	
LONDONER Ideal Baffle	62.50	41.95	
METRO SOUND HFS103 (pair)	30.05	19.95	
METRO SOUND 202	21.50	15.95	
PHILIPS RH481	10.60	8.45	
PHILIPS RH482	17.35	14.45	
SINCLAIR Q16	8.85	6.20	
STE-MA 400	28.00	22.00	
TANDBERG TAN 7	28.00	23.95	
TANDBERG TAN 11	18.00	16.25	
TANDBERG TAN 15	45.00	35.95	
WHARFEDALE Speakers			
Denton Mark II	19.95	15.95	
Linton Mark II	24.95	21.95	
Dovedale 3	35.00	27.95	
Rosedale	45.00	28.95	
Triton (pair)	65.00	48.50	
Unit 3 Speaker Kit	72.16	42.95	
Unit 4 Speaker Kit	12.53	9.70	
Unit 5 Speaker Kit	18.00	12.50	
Unit 5 Speaker Kit	26.00	18.50	



(OVER 1,520 sq. yds.)

# OVER 1000 ITEMS ALWAYS IN STOCK

## ALL FULLY GUARANTEED - WITH AFTER-SALES SERVICE

All items offered are brand new, latest models in manufacturers' sealed cartons

### COMPLETE HI-FI SYSTEMS

Completely wired mounted and ready for use

**GOODMANS AUDIO SUITE,** Goodmans Maxamp stereo amplifier, Goodmans stereomax AM/FM Tuner with decoder. Pair of Goodmans Magnum K2 speakers, Garrard AP76 turntable in base, complete with cover and Goldring 8000 Cartridge. Beautifully finished in walnut ..... 257-13 169-95

**GOLDRING 705P** turntable complete with G850 Cartridge, Midland Tuner/Amp., pair of MetroSound 103 Speakers ..... 105-61 69-95

**THORENS TD 150AB Mk II** with TX11 dust cover, SHURE M55E Cartridge, LEAK 70 Amplifier, 2 Wharfedale Dovedale 3 Speakers ..... 234-33 165-95

**TELETON STP 801 Stereo 8 track** tape Audio system complete with speakers ..... 54-75 48-00

**GARRARD SP25** Complete with base and cover and Goldring 8000 cartridge. Teleton 206 amplifier and pair of Leak 200 speakers.. 128-59 72-95

**GARRARD AP76** with base and cover with Shure 55E cartridge Arena AM/FM and SW Tuner/amp and 2 Goodmans Mezzo III speakers ..... 229-43 145-80

**GOLDRING GL 75** complete with base and cover, G800 Cartridge, Wharfedale 100-1 Tuner/Amp and 2 Wharfedale Dovedale III speakers ..... 294-79 183-80

**GOODMANS Module 80 Tuner/Amplifier,** Garrard AP76 Turntable with Goldring 8000 Cartridge and 2 Goodmans Minister Speakers ..... 189-95 133-95

**GOLDRING 705P** turntable fully wired, complete with Goldring 850 Cartridge, Amstrad stereo 8000 amplifier and 2 MetroSound 103 speakers. .... 81-00 49-95

**METRO SOUND 448 8-track stereo** play-back unit complete with 2 HFS 103 Speakers ..... 83-56 70-95

	Rec. Retail Price	Comet Price
<b>CHASSIS SPEAKERS</b>		
GOODMANS Axiote 8	7-81	6-25
GOODMANS Axiote 8	8-84	6-95
GOODMANS Axiom 201	14-45	10-45
GOODMANS Axiom 401	17-86	13-95
GOODMANS Twin Axiom 10	9-86	7-50
GOODMANS Audiom 8P	5-35	4-05
GOODMANS Audiom 10P	5-83	3-25
GOODMANS Audiom 12P	12-37	9-50
GOODMANS Audiom 15P	20-00	16-50
GOODMANS ARU172	4-50	3-25
GOODMANS Trebax 100	8-60	5-50
AXENT 100	6-90	4-95
GOODMANS Midax 650	12-95	8-50
GOODMANS Attenuator	3-55	2-25
GOODMANS Crossover Networks		
XO 950/5000	9-75	7-15
GOODMANS Crossover Networks		
XO 950	7-40	5-50
GOODMANS Crossover Networks		
XO 5000	2-65	1-80
WHARFEDALE 8in. Bronze/RS/DD	4-82	3-50
WHARFEDALE Super 8/RS/DD	5-19	3-75
WHARFEDALE WMT1 Matching Transformer	11-20	9-50
	0-84	0-70

	Rec. Retail Price	Comet Price
<b>HI-FI STEREO SYSTEMS COMPLETE</b>		
ALBA UA552	45-86	35-50
ALBA UA622	60-32	46-95
AMSTRAD Stereo 1000	48-00	36-95
DECCA Sound 613	70-14	57-95
DECCA Sound 614	66-55	54-95
DECCA Sound 1204	89-44	72-95
DECCA Compact 3	119-56	103-95
FERGUSON 3422	84-50	65-95
FERGUSON 3423	114-15	89-95
FERGUSON 3425 with radio	140-10	108-00
FERGUSON 3450 with radio	72-40	59-95
FIDELITY UA2 Music Master	44-41	33-95
FIDELITY UA1 Music Master with radio	103-29	79-95
GOODMANS Module 80 Compact System FM/35 walls R.M.S. (less L/S)	165-00	129-00

	Rec. Retail Price	Comet Price
<b>SPECIAL OFFER</b>		
GOODMANS Max-amp Stereo Amplifier, Goodmans Stereo-max AM/FM Tuner with Decoder, Pair of Goodmans Magnum K2 Speakers, Garrard A.P. 76 Turntable in base, complete with cover and Goldring G.800 Cartridge. Beautifully finished in Walnut	257-13	159-95
H.M.V. 2404/5/6 with radio	198-00	155-95
HMV 2452	65-65	53-95
HMV 2450 with stereo radio	134-20	109-00
MARCONI 4450 with radio	72-40	55-50
MARCONI 4452	76-00	55-95
METRO SOUND Stereo 1010 complete with speakers	79-34	55-95
PHILIPS 580/AB1105	71-00	55-95
PHILIPS GF 823	47-80	36-95
PHILIPS GF 824	67-10	52-95
PHILIPS RF 823	67-10	52-95
PHILIPS GF 834	86-40	65-95
PHILIPS GF 817	86-06	65-95
PYE Black Box Unit Stereo 1022	83-45	69-95
TELETON 2S60F with radio	72-40	53-95
TELETON STP 8-track Stereo System	54-75	47-00
ULTRA 6405	77-00	64-95

	Rec. Retail Price	Comet Price
<b>TAPE RECORDERS AND TAPES</b>		
AKAI 1720L 4-track Stereo	83-73	65-95
AKAI 4000 D 4-track stereo deck	89-95	65-95
AKAI CR 80D 8-track stereo tape deck	79-95	59-95

	Rec. Retail Price	Comet Price
AKAI CR80 8-track stereo recorder	99-95	109-00
AKAI X200D	145-95	109-00
AKAI 1800SD	153-00	119-00
AKAI 2000SD	289-00	216-00
BUSH Discassette DC70	21-19	16-95
BUSH TP60 Cassette	28-38	23-95
BUSH TP70 Cassette, battery/mains	28-91	23-95
FERGUSON 3245 Twin track	36-70	27-95
FERGUSON 3246 4-track	42-55	32-95
FERGUSON 3247 4-track	47-95	37-95
FERGUSON 3248 4-track	53-75	41-95
FERGUSON 3252 4-track	100-52	80-95
FERROGRAPH 702 2-track tape deck	220-22	185-00
FERROGRAPH 704/W 4-track tape deck	220-22	185-00
FERROGRAPH 722	256-52	209-00
FERROGRAPH 702 Dolby	272-25	229-00
FERROGRAPH 724	256-52	209-00
FERROGRAPH 722 Dolby	308-55	282-00
GRUNDIG C200 De Luxe Cassette	38-45	28-95
GRUNDIG TK 121 twin track	57-90	42-95
GRUNDIG TK 146 4-track	63-90	47-95
GRUNDIG TK 146 4-track Auto	68-90	53-95
GRUNDIG 222 stereo cassette	59-85	47-95
GRUNDIG TK 147 4-track Auto	95-75	79-95
MIDLAND TC 144 cassette	18-00	11-95
PHILIPS 2202 cassette	26-90	19-95
PHILIPS 2204 cassette, battery/mains	32-30	23-95
PHILIPS 2205 cassette tape recorder	41-60	33-50
PHILIPS 3302 cassette	23-05	17-50
PHILIPS 4303 new release	40-55	32-50
PHILIPS 4307 4-track	47-80	35-95
PHILIPS 4308 De Luxe 4-track	58-40	43-50
PHILIPS 4404 2-track stereo recorder	91-70	69-95
PHILIPS 4407 4-track stereo recorder	106-20	85-95
PHILIPS 4500 4-track stereo tape deck	121-65	94-95
PHILIPS 4408 4-track stereo	134-20	104-50
PHILIPS 2503 Cassette Stereo	52-05	41-95
PHILIPS 2400 stereo cassette less L/S	65-55	56-45
PYE Cassette Recorder/Radio 9000 battery/mains	43-86	35-95
TANDBERG 1841 4-track stereo tape deck	68-00	58-95
TANDBERG 3021X twin track stereo	107-00	91-00
TANDBERG 3041X 4-track stereo	174-00	145-00
TANDBERG 4021X twin track stereo	174-00	145-00
TANDBERG 4041X 4-track stereo	188-00	158-00
TANDBERG 6041X 4-track stereo	188-00	158-00
TANDBERG 6021X twin track stereo	26-75	14-95
TELETON 8110 cassette	26-75	14-95
TELETON TC110 cassette battery/mains	26-79	18-95
TELETON TRC130 cassette with VHF/AM Radio, Batt./Mains, twin motors	40-31	27-95
TELETON 511 battery/mains cassette	29-50	17-50
WHARFEDALE Dolby DC9 cassette stereo tape deck	110-00	94-50
<b>BASES AND COVERS</b>		
GARRARD WB1 Base	3-71	3-25
GARRARD WB4 Base	5-49	4-75
GARRARD SPC 1 Cover	3-60	2-95
GARRARD SPC 4 Cover	4-27	3-75
Special offer of Base and Cover to fit GARRARD SP25, SL55, SL65B and 3500	Special Price	4-00
GOLDRING Plinth 75	8-60	7-00
GOLDRING Plinth 69	4-48	3-75
GOLDRING Covers for 69P and 75P	8-52	6-95
THORENS TX25 (for TD125AB)	4-26	3-75
THORENS TX11 Cover	15-04	12-45
Base and Cover for TD 125	41-36	33-50
SME Plinth System 2000	5-22	3-25
MOTORBOARDS only		

Complete Price List FREE on request!

## COMET HIGH FIDELITY DISCOUNT WAREHOUSES

(Dept. P.W.) Reservoir Rd., Clough Rd., Hull HU6 7QD

(Dept. P.W.) 68A Armley Rd. (Artist St.), Leeds LS12 2EE

(Dept. P.W.) Teesway, Portrack Lane, North Teesside

Industrial Estate, Teesside, TS18 2RH

(Dept. P.W.) Heeley Road, Selly Oak, Birmingham

Tel. 021-472 6181

(Dept. P.W.) 7, Newhavan Road, Edinburgh EH6 5XQ

Tel. 544 8501

(Dept. P.W.) Syston Street, Leicester Tel. 52236

Tel. 407906 and 407877  
Tel. 320555 (5 lines)  
Tel. 661332  
65215

Free Technical Advisory Service. If in doubt, ask us!

Open daily to the public from 9-0 A.M. until -

5-30 P.M. MON.  
1-0 P.M. TUES.  
2-0 P.M. WED.  
8-0 P.M. THUR.  
2-0 P.M. FRI.  
5-30 P.M. SAT.

Customers are welcome to call - Ample car parking facilities

Comet guarantees that all prices quoted are genuine. All items offered available at these prices at the time this issue closed for press. Add 75p for postage, packing and insurance on all orders (Cartridges 20p) or if Securicor delivery required add £175 only. Make cheques. Money Orders payable to "COMET"



All In-stock items delivered by **SECURICOR** WITHIN 72 HOURS (Add £1-75 only for Securicor delivery) ALL GOODS FULLY INSURED AGAINST LOSS OR DAMAGE WHILST IN TRANSIT

# Now! A FAST EASY WAY TO LEARN BASIC RADIO & ELECTRONICS



Build as you learn with the exciting new **TECHNATRON** Outfit! No mathematics. No soldering—you learn the **practical way.**

Learn basic Radio and Electronics at home—the fast, modern way. Give yourself essential technical “know-how”—like reading circuits, assembling standard components, experimenting, building—quickly and without effort, and enjoy every moment. B.I.E.T.’s Simplified Study Method and the remarkable **TECHNATRON** Self-Build Outfit take the mystery out of the subject, making learning easy and interesting.

Even if you don’t know the first thing about Radio now, you’ll build your own Radio set within a month or so!

... and what’s more, you will understand exactly what you are doing. The **TECHNATRON** Outfit contains everything you need, from tools to transistors—even a versatile Multimeter which we teach you to use. All you need give is a little of your spare time and the surprisingly low fee, payable monthly if you wish. And the equipment remains yours, so you can use it again and again.

**You LEARN—but it’s as fascinating as a hobby**

Among many other interesting experiments, the Radio set you build—and it’s a good one—is really a bonus. This is first and last a teaching course, but the training is as fascinating as any hobby and it could be the spring-board for a career in Radio and Electronics.

A 14-year-old could understand and benefit from this Course—but it teaches the real thing. The easy to understand, practical projects—from a burglar-alarm to a sophisticated Radio set—help you master basic Radio and Electronics—even if you are a “non-technical” type. And, if you want to make it a career, B.I.E.T. has a fine range of Courses up to City and Guilds standards.

### New Specialist Booklet

If you wish to make a career in Electronics, send for your **FREE** copy of “**OPPORTUNITIES IN TELECOMMUNICATIONS / TV AND RADIO**”. This brand new booklet—just out—tells you all about **TECHNATRON** and B.I.E.T.’s full range of courses.



## FREE

### BRITISH INSTITUTE OF ENGINEERING TECHNOLOGY

Dept. B8, ALDERMASTON COURT, READING RG7 4PF

### POST THIS COUPON FOR FREE BOOK

To B.I.E.T. Dept. B8 Aldermaston Court, Reading RG7 4PF  
Please send books and full information — **FREE** and without obligation.



NAME..... AGE.....

ADDRESS.....  
BLOCK CAPITALS PLEASE

OCCUPATION.....

**BRITISH INSTITUTE OF ENGINEERING TECHNOLOGY**  
Accredited by the Council for the Accreditation of Correspondence Colleges.

# WICKS FOR BARGAINS

### E.A. STEREO AMPLIFIER:

5 watts per channel; In attractive afromosia veneered sleeve. Controls: On-off volume: Bass: Treble: Balance: Selector: Headphone Jack. Ceramic or Magnetic PU. Radio and Tape Inputs: Tape output and speaker output. Fully guaranteed 12 months parts. 6 months free service. Size 14½”W x 9½”D x 45”H approx. £16.50 inc. post.

● Guaranteed all brand new best quality goods. No rubbish.

● Mail order only.

● All enquiries SAE please.

### 3 WAY SPEAKER SYSTEM:

8” twin cone Bass speaker and 3” tweeter, fitted in extremely elegant teak veneered cabinet. Size : 18½”H x 11½”W x 10”D. 8 ohms handle 10 watts. £7.50 inc. Carr.

### GARRARD OFFERS

**Garrard SP25 Mk III** (Rec. Price (£15.85) **Our Price £11.25.** Carr. & Ins. 50p.

**Garrard SP25 Mk III** ready wired in beautiful teak plinth with tinted perspex cover. (Fitted with 5-pin DIN plug or phono plugs—state choice) (Rec. Price £23.19) **Our Price £16.** Carr. & Ins. 75p.

Or with choice of fitted cartridges.

**SP25 Mk III/Sonotone 9TAHC** (Rec. Price £27.29) **Our Price £18.** Carr. & Ins. 75p.

**SP25 Mk III/Shure M3DM** (Rec. Price £31.02) **Our Price £20.** Carr. & Ins. 75p.

**SP25 Mk III/Goldring G800** (Rec. Price £36.19) **Our Price £21.** Carr. & Ins. 75p.

**SP25 Mk III/Shure M55E** (Rec. Price £36.16) **Our Price £21.** Carr. & Ins. 75p.

**Note!** Garrard **SL65B** (Automatic Changer version of **SP25 Mk III**) alternatively supplied—please add £3 to above prices.

**Garrard AP76** (Rec. Price £27.85)

**Our Price £18.85.** Carr. & Ins. 50p.

**Garrard AP76** ready wired in beautiful teak plinth with perspex cover (fitted with 5 pin DIN or Phono plugs).

Please state choice. (Rec. Price £39.85).

**Our Price £24.94** Carr. & Ins. 75p.

**OR WITH CHOICE OF FITTED CARTRIDGES.**

**Garrard AP76/Shure M3D** (Rec. Price £47.26) **Our Price £28.94.**

Carr. & Ins. 75p. **Garrard AP76/Shure M55E** (Rec. Price £52.82). **Our Price £31.35.** Carr. & Ins. 75p.

**Garrard AP76/Goldring G800** (Rec. Price £52.82) **Our Price £31.35.** Carr. & Ins. 75p.

**Garrard 2025TC** fitted with stereo/mono cartridge. £8.99. Carr. Paid.

**TEAK PLINTH & PERSPEX COVER**

Ready cut to take 2025TC, SP25 III, SL65B available at £4.99. Carr. & Ins. 35p.

**CARTRIDGES** (All with diamond stylus)

**Sonotone 9TAHC** dia. Rec. Price £4.10. **Our Price £1.99**

**Shure M3DM** (Rec. Price £7.41) **Our Price £4.87.**

**Shure M55E** (Rec. Price £12.97) **Our Price £9.00.**

**Goldring 800** (Rec. Price £13.00) **Our Price £7.50.**

**Goldring 800 H** (Rec. Price £10.69) **Our Price £6.99.**

P & P 18p any type

**Special Offer!** Grundig GDM312 Dynamic Microphones. List £7.35 **OUR PRICE £3.** P & P 30p

**Hi-Fi Stereo Headphones** (Value £5.00) Only £2.25 inc. post.

**Speaker Cloth** Best quality. Width 36”. Under half price at 55p per yd. Black with gold fleck, will blend with any room setting. End of stock line, yds and yds must go.

### Plugs, Sockets and Leads.

Phono plugs: 3p each 5p per dozen.  
5 pin Din spkr. plugs 16p each.  
3 pin Din plugs. 15p each  
5 pin Din plugs. 13p each.  
5 pin Din sockets (chassis) 7p each.  
Stereo Jack Sockets c/cct. 13p each.  
Phono sockets (chassis) 2 way 3p; 3 way 4p; 4 way 5p.  
6ft. stereo lead 5 pin Din to open end. 45p  
6ft. stereo lead 2 phono to open end. 37p  
12ft. spkr. lead 2 pin Din to open end. 46p.  
Please add P & P 5p.

### 100 Mixed Resistors

½ watt 10% all best quality (no ex government) 40p.

### Pots

100K x 100K Ins & Logs. stereo. 35p inc. post.  
100K DP switch stereo. log. 45p inc. post.  
50K single Balance. 15p inc. post.

**4 B.A. brass nuts** 50 for 25p inc. post.

### Speaker cabinets

Attractively veneered in afromosia, black front. Size approx. 7½”W x 9½”D x 4½”H. Ready cut to take 8” x 5” speaker. £1.99. P. & P. 12p.

**D. T. WICKS & CO.** 49 North Station Rd, Colchester, Essex. Tel: (0206) 78807

# RUSSIAN WORLD BEATER!

**JUST ARRIVED!**

**The Fabulous BRAND NEW 1971**

**WORLD WIDE RECEPTION**  
THOUSANDS OF TRANSMISSIONS AND STATIONS THE WORLD OVER!

**THIS OFFER ONLY FROM US!**

**NOT JUST A RADIO - BUT TECHNOLOGICAL MAGIC!**

**VEF 204**  
**8 WAVEBAND**

**10 TRANSISTOR PLUS 2 DIODES PORTABLE RADIO**

**AND NOW WITH SHIP-TO-SHORE MARINE BAND**

**BATTERY MODEL £13.97<sup>p</sup>**  
BOX POST ETC. 50<sup>p</sup>

**MAINS/BATTERY ELIMINATOR £1.38<sup>p</sup> extra**

**WE COULDN'T EVEN MAKE THEM FOR OUR FANTASTIC PRICE!**

**\*COMPARE IT'S PERFORMANCE WITH £42 RADIOS!**



Important! This latest 1971 model incorporates all the latest technological improvements and supersedes all earlier models! Yes **DESIGNED FOR WORLD WIDE RECEPTION**—it'll probably make your present radio seem like a "crystal set"! It even incorporates a special **MARINE WAVEBAND** to receive spoken communications from ship-to-shore! We're almost giving them away at only **£13.97**—a mere fraction of even today's Russian miracle price! Compare performance with £42 radios! \*Refund if not astounded! Furer and sweeter tone than ever! Wider band spread for "pin-point" station selection! The Russians have really surpassed themselves this time proving again their ability in the field of space communications. Yes, 8 separate wavebands, including Standard Long, Medium and Short waves to cover the world, PLUS special "ship-to-shore" **MARINE BAND!** Thousands of different transmissions and stations at your fingertips 24 hours a day, including ships at sea, etc., and messages from all over world—truly nothing is secret! You must hear it to believe it! Superb, sweet tone—controlled from a whisper to a roar! Push-pull output! Separate ON/OFF volume & Treble/Bass tone controls! Press-button dial illumination! Take it anywhere—runs economically on standard batteries or through battery eliminator from 220/240v. AC mains. Internal ferrite rod plus telescopic aerial. It's also a fabulous **CAR RADIO!** Black & Chrome case 11ins x 9ins x 3ins. overall approx. Made to give years of perfect service. Complete with **WRITTEN GUARANTEE**, manual with simple operating instructions & circuit diagram. **ONLY £13.97<sup>p</sup>** (with mains/battery eliminator £1.38<sup>p</sup> extra). **POST 50<sup>p</sup>**. Standard batteries 38<sup>p</sup> extra. Can also be used through extension amplifier, tape recorder or public address system. Send today or call. (**SORRY**—we cannot change these new radios for any earlier model already purchased!)

# SAVE £20.25 NOW!

**THIS FANTASTIC OFFER ONLY FROM US!**

**fabulous BRAND NEW SOLID STATE**

**This equipment's got EVERYTHING!**

**BATTERY/MAINS AC/DC**

**Combined V.H.F. AM/FM RADIO and CASSETTE TAPE RECORDER & PLAYER**



**RECOMMENDED RETAIL PRICE £44**

**OUR PRICE £23.75<sup>CARR ETC. 35<sup>p</sup></sup>**

**WITH REMOTE CONTROL MICROPHONE**

**FANTASTIC** (even by our standards!) Brand new—the latest sensation in the world of sound! First class makers! Not only a fabulous **VHF AM/FM Radio AND Cassette Tape Recorder and Player** combined, but it also runs off standard batteries or mains (simply plug in the built-in 220/240v. AC line cord) Now you can record and play back anything anywhere! You can even tape direct from the Radio as you listen! **RECOMMENDED RETAIL PRICE GENUINELY £44. YET WE OFFER AT ALMOST HALF PRICE!** Just look at these wonderful features:—\*Press button Keyboard Control panel! \*New 'pop-up' Cassette ejection system! \*"**MAGIC EYE**" Visual Battery check/recording level indicator! \*Separate ON/OFF, and HI-LO volume controls! \*Heavy duty built-in speaker! \*Earphone (for personal listening or "monitoring") and extension speaker sockets! \*Remote control microphone! \*Built-in swivel telescopic extension aerial (24 inches approx)! Magnificently made case, size 11ins. x 9ins. x 3ins. overall approx., with "pull-out" carry handle. **DESIGNS VARY SLIGHTLY**. Takes standard 30, 60, 90 or 120 minute Philips Cassette Tapes obtainable everywhere. But wait, the amazing built-in full circuit **VHF AM/FM Radio** gives you superb clarity of tone and incredible station selection—Unique rotating Station Selector Dial—get all local city & regional stations in every part of the country plus B.B.C. National V.H.F. Picks up dozens of foreign stations and short mobile transmissions. Fabulous in car! You could pay **££££** more for a Car Radio or Car Cassette Tape Player **ALONE!** **OUR PRICE. ONLY £23.75 CARR. ETC. 35<sup>p</sup>**. Complete with simple instructions, personal listening earphone, remote control microphone with on/off switch and microphone stand, with written guarantee. **BONUS OFFER**—Standard Batteries and Cassette Tape 25<sup>p</sup> extra. Refund g'tee. It's an offer you cannot afford to miss!

**fabulous 1971 model**

**SAVE £13.98 NOW!**  
**FIRST CLASS MAKER'S DELUXE MODEL**

**Cassette TAPE RECORDER and PLAYER**



**RECOMMENDED LIST PRICE £26.97<sup>p</sup>**  
**OUR PRICE £12.99<sup>p</sup>**  
POST ETC. 30<sup>p</sup>

**WITH REMOTE CONTROL MICROPHONE**

**MAKE NO MISTAKE—this is the EXPENSIVE model with "PIANO KEYBOARD" CONTROL PANEL and SPECIAL RECORDING LEVEL!** SAVE **£13.98!** Due to price we cannot mention famous maker's name—but rest assured you're getting one of the **BEST!** 1971 cassette model—no fiddling with awkward tape and reels, just "slap in" a cassette and off you go! (takes 30-, 60-, and 90-minute standard Philips Cassette tapes obtainable every where). Amazing performance ensures perfect tapings and superb reproduction. Remote control microphone. Separate volume control! Rapid rewind! Beautiful tone from a whisper to a roar! Completely self-contained—record anywhere. Separate jacks for remote control microphone, etc. Size 9" x 4 1/2" x 2 1/2" overall approx. Case design can vary slightly. With carry handle. With **WRITTEN G'TEE** and instructions. **Only £12.99, post 30<sup>p</sup>**. **ALSO AVAILABLE: SPECIAL BATTERY/MAINS AC/DC MODEL**, ready to plug in, £3.50 extra if required. Refund g'tee. **BONUS** one per customer: Cassette tape, set of Standard batteries and microphone stand all for 51<sup>p</sup> extra if required. Send quickly or call. Send quickly to Uxbridge Road or call at either store. (**COMMERCIAL TRAVELLERS NOTE: Merchandising Office at Holborn.**)

# ONLY FROM US! FIRST SHIPMENT JUST ARRIVED!

**BRAND NEW 1971 Model**

**RUSSIAN WORLD BEATER!**

**WE COULDN'T EVEN MAKE THEM FOR THIS PRICE!**

**6 WAVEBAND**

**10 TRANSISTOR PLUS 3 DIODES PORTABLE RADIO**

**WORLD WIDE RECEPTION**  
THOUSANDS OF TRANSMISSIONS AND STATIONS THE WORLD OVER!

**£9.97<sup>p</sup>**  
BOX POST ETC. 43<sup>p</sup>



**NOT JUST A RADIO - BUT TECHNOLOGICAL MAGIC!**

**\*COMPARE ITS PERFORMANCE WITH £34 RADIOS!**

**THE LATEST 1971 MODEL, SUPERSEDING ALL PREVIOUS MODELS**—**FANTASTIC BRAND NEW RUSSIAN "MERRIDIAN" 6-WAVEBAND PORTABLE RADIO. DESIGNED FOR WORLD WIDE RECEPTION.** Only put into production after incorporation of every conceivable possible up-to-date technological improvement had been carefully considered and thoroughly examined. So advanced it will probably make your present radio seem like a "crystal set"! It's far better than any 6-wave radio even they have produced! Finest value we've ever offered! We're almost giving them away at **£9.97**—a mere fraction of even today's Russian miracle price! We challenge you to compare the performance and value with that of £34 radios! ★ Instant refund if you are not astounded! Furer and sweeter tone than ever! Much wider band spread than hitherto for "pin-point" station selection. Once again the Russians have proved their fantastic ability in electronics—brilliantly reflecting their advanced micro-circuitry techniques in the field of spaceship and satellite communications. Yes, 6 separate wavebands, including Standard Long, Medium and Short Waves to cover world! Unique side control waveband selection unit gives incredible ease of station tuning! Thousands of different transmissions and stations at your fingertips 24 hours a day, even ships at sea and messages from all over world—nothing is secret! The radio enthusiast has the world in his hand! Superb, sweet tone—controlled from a whisper to a roar. Push-pull output! Separate ON/OFF volume Treble/Bass tone controls! Take it anywhere—runs economically on standard batteries. Internal ferrite rod aerial plus built-in telescopic aerial extending to full 33in. length. It's also a fabulous **CAR RADIO**—any speed, requires no additional aerial. **UNIQUE!** Elegant Black, White and Chrome finish case. **SIZE 10 1/2" x 8" x 3 1/2"** overall approx. Magnificently designed, made to give years of perfect service. With **WRITTEN GUARANTEE**, manual with simple operating instructions and circuit diagram. **ONLY £9.97, POST ETC. 43<sup>p</sup>**. Standard batteries 25<sup>p</sup> extra if required. Can also be used through extension amplifier, tape recorder or public address.

**A VISIT TO SHOPPERTUNITES COULD SAVE YOU £££!**

# SHOPPERTUNITES LTD. SL

Dept. WP/F/12, 164 UXBURDINE RD. (facing Shepherds Bush Green), LONDON, W.12 8AQ. (Thurs. 1, Fri. 7). Also 37/39 HIGH HOLBORN (opposite Chancery Lane), LONDON, W.C.1. (Thursday 7 p.m.). BOTH STORES OPEN MON-SAT FROM 9 a.m.-6 p.m.



**CN.240/2** Miniature soldering iron 15 watt 240 volts, fitted with nickel plated 3/32" bit and packed in transparent display box. Also available for 220 volts. **Price £1.70**

**CN.240** Miniature soldering iron 15 watt 240 volts, fitted with iron coated 3/32" bit. Up to 18 interchangeable spare bits obtainable. This iron can also be supplied for 220, 110, 50 or 24 volts. **Price £1.70**

**G.240** Miniature soldering iron 18 watt 240 volts extensively used by H.M. Forces. Suitable for high speed soldering and fitted with iron coated 3/32" bit. Also available for 220 volts. Spare bits 1/8", 3/16" and 1/4" are obtainable. **Price £1.83.**



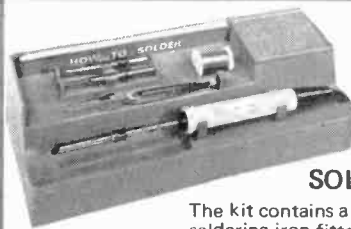
**CCN.240** New model 15 watt 240 volts miniature soldering iron with ceramic shaft to ensure perfect insulation (4,000 v A.C.). Will solder live transistors in perfect safety: fitted with 3/32" iron coated bit. Spare bits 1/8" 3/16" and 1/4" available. Can also be supplied for 220 volts. **Price £1.80**

**CCN.240/7** The same soldering iron fitted with our new 7-star high efficiency bit for very high speed soldering. The triple-coated bits are iron, nickel and chromium plated. **Price £1.95**



**E.240** 20 watt 240 volts soldering iron fitted with 1/4" iron coated bit. Spare bits 3/32", 1/8" and 3/16" available. Can also be supplied for 220 and 110 volts. **Price £1.80.**

**ES.240** 25 watt 240 volts soldering iron fitted with 1/8" iron coated bit and packed in a transparent display box. Spare bits 3/32", 3/16" and 1/4" available. Can also be supplied for 220 and 110 volts. **Price £1.83**



### SK.1 SOLDERING KIT

The kit contains a 15 watt 240 volts soldering iron fitted with a 3/16" bit, nickel plated spare bits of 5/32" and 3/32", a reel of solder, heat sink, cleaning pad, stand and booklet "How to Solder". Also available for 220 volts.

**Price £2.75**



### SK.2 SOLDERING KIT

This kit contains a 15 watt 240 volts soldering iron fitted with a 3/16" bit, nickel plated spare bits of 5/32" and 3/32", a reel of solder, Heat Sink, 1 amp fuse and booklet "How to Solder".

**Price £2.40.**



### MES. 12

A battery operated 12 volts 25 watt soldering iron complete with 15' lead, two crocodile clips for connection to car battery and a booklet "How to Solder" packed in a strong plastic wallet. **Price £1.95.**

# cut out this coupon and answer your soldering problems



from electrical, radio or car accessory shops or from **Antex Ltd., Freeport** (no stamp required) Plymouth

**PL1 1BR Telephone 0752 67377/8**

Please send the Antex colour catalogue.

Please send the following:

\_\_\_\_\_

\_\_\_\_\_

\_\_\_\_\_

I enclose cheque/P.O./Cash\* (Giro No. 2581000)

Name \_\_\_\_\_

Address \_\_\_\_\_

PW12

# PRACTICAL WIRELESS

VOL 47 NO 8

Issue 778

DECEMBER 1971

## But Why?

ONE of the most difficult tasks to face a technical journalist is to write an article for the absolute beginner. It is comparatively easy to prepare something for the advanced reader, for the author is aiming at those generally a little below his own standard. An article beamed at middle-of-the-road readers is, perhaps, the least troublesome because the author does not have to dwell on fundamentals or to go too deeply into advanced theory.

But the snags come when a writer has to do something for "the beginner"—a term full of pitfalls, for there are various degrees of that species. The main difficulty for the writer is to put himself in the position of his potential readership and to anticipate questions which might arise in the mind of a newcomer to the subject. A point which is to the author perfectly obvious may cause a beginner to feel perplexed and form questions in his mind. Taken to its extreme, the author must, as far as possible, assume that the newcomer knows virtually nothing—an impossibility in practical terms, for some sort of mental line has to be drawn.

In P.W., we have to cater for all grades of experience. In general, a constructional article is geared to provide sufficient information for a constructor who has reached a stage at which he should reasonably be expected to be able to tackle the particular project. Since levels vary so widely, some readers complain that articles are too elementary while others think they are too advanced. This is the perpetual dilemma of trying to please everyone!

We do feel, however, that it is not a bad thing to err on the side of simplicity, for if the beginner is the one who wants to ask the most questions it is obvious that he is the one who needs greater attention. This is one reason why we have periodic bursts of special features for the beginner, such as the new series on transistor circuitry started in October and the extra 8-page supplement included with this issue aimed at providing some basic guidance on the main components likely to be encountered by the home constructor.

Author Hellyer said in the October issue, "... any beginner worth his salt is going to say 'But Why???' We would go further, for the path of progress of any enthusiast will be travelled faster if he makes a point of always asking 'But Why?'—and finding the answer—when confronted with an aspect not fully understood.

W. N. STEVENS—Editor.

## NEWS AND COMMENT

Leader	683
News . . . News . . . News . . .	684
MW Column by <i>Charles Molloy</i>	723
On the Short Waves by <i>Malcolm Connah</i> and <i>David Gibson, G3JDG</i>	724
Letters	729

## CONSTRUCTIONAL

9-Band Short Wave Radio by <i>R. F. Graham</i>	686
4-20V Regulated Power Unit by <i>A. Burnett</i>	693
Transistor Tape Recorder by <i>W. Langley</i>	698
Comprehensive Multi-Band Receiver, Part 2 by <i>F. G. Rayer, G3OGR</i>	705
Modular Audio Mixing System, Part 3 by <i>F. C. Judd</i>	715
2-Octave Miniature Organ, Part 2 by <i>F. C. Judd</i>	718
Digital Frequency Counter/Timer, Part 4 by <i>John Thornton Lawrence, GW3JGA</i>	720

## OTHER FEATURES

Transistor Circuitry for Beginners, Part 3 by <i>H. W. Hellyer</i>	710
SERVICING, Part 7 by <i>G. J. King</i>	730

## SPECIAL FEATURE

### SUPPLEMENT:

Components Dictionary by *S. Yeatman*

**JANUARY ISSUE WILL BE  
PUBLISHED ON DECEMBER 3rd**

©IPC Magazines Limited 1971. Copyright in all drawings, photographs and articles published in "Practical Wireless" is fully protected, and reproduction or imitations in whole or in part are expressly forbidden. All reasonable precautions are taken by "Practical Wireless" to ensure that the advice and data given to readers are reliable. We cannot, however, guarantee it, and we cannot accept legal responsibility for it. Prices are those current as we go to press. All correspondence intended for the Editor should be addressed to Fleetway House, Farringdon Street, London, EC4A 4AD. Queries must be accompanied by a stamped, addressed envelope. Address correspondence regarding advertisements to Advertisement Manager, Fleetway House, Farringdon Street, London, EC4A 4AD.

# NEWS... NEWS... NEWS...

## BSR Transcription



BSR's new unit, the McDonald 810, priced at £45.51 for the basic unit, was shown at the Audio Fair for the first time. Features include push button operation, a pitch control for absolute accuracy of turntable speed and a virtual friction free pick up arm movement which is gyroscopically controlled with a concentric gimbal mount.

Twelve months ago, BSR Limited launched the BSR McDonald consumer range. The 810 is the culmination of design expertise and production efficiency which has successfully produced in succession the wide selling MP 60 and HT 70 units.

The technical data for the 810 is impressive. It is a two speed player, 33 $\frac{1}{3}$  and 45 rpm, utilising as its heart a 4 pole dynamically balanced synchronous motor driving a 7 $\frac{1}{4}$ lb. diecast balanced turntable. A stroboscopic centre plate when coupled with the pitch control ensures absolute turntable accuracy. A low mass pick up arm, over 8 $\frac{1}{2}$ in. in length has less than 0.5° per inch tracking error.

Although primarily a single play unit, versatility comes with an interchangeable umbrella spindle giving true automatic function if required.

## "Sonex 72"

The Third International Exhibition of Audio Equipment, operated by British Audio Promotions Ltd, on behalf of the members of The Federation of British Audio will be mounted at the Skyway Hotel, Bath Road, Hayes, Middx (near London Airport) over the period from Wednesday, March 22, 1972, to Sunday, March 26, 1972.

## Hacker RP73

This newly-designed successor to the famous Hacker Autocrat RP33 home/car portable radio incorporates an integrated circuit and ceramic filter in its design.

In common with its predecessor the Autocrat Mark 2 Model RP73 offers extreme portability for use in the home, and a special change-over aerial circuit for interference-free reception in a car. Price is £25.25 including Purchase Tax. *Hacker Radio Ltd, Norreys Drive, Cox Green, Maidenhead, Berks.*



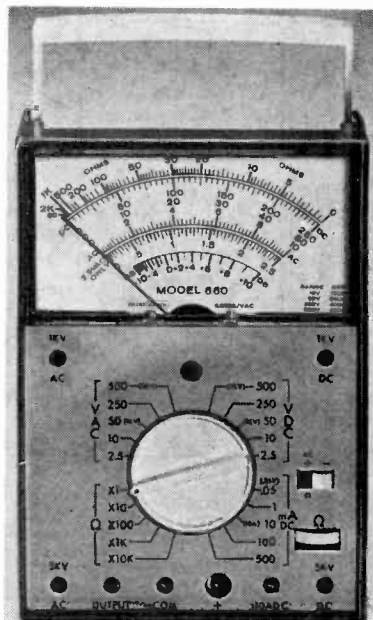
## Meteronic Scope



The MSB 101 oscilloscope has a bandwidth of d.c.-8MHz; vertical sensitivity of 100mV/cm-50V/cm; sweep speed range of 100nSec/cm-150mSec/cm; and a unique signal locking circuit which by means of a single control enables the user to select through 'Free Run', 'Internal Signal Sync' to 'Triggered.' Also provided is switch slope selection. Fibreglass P.C. boards are fitted as standard. The MSB 101 size is 8 x 6 x 4in. and weighs 5lb. Price: £69. *Meteronic, 114/116 Shipbourne Road, Tonbridge, Kent. Tel. Tonbridge 61448.*

## Daystrom Throw It Around

Daystrom has introduced a 660 series drop-proofed multimeter. These precision meters are warranted to operate within specification after being dropped from a height of five feet. The meter mechanism floats inside a sealed, high-impact plastic case. These multimeters also have temperature compensation, with shielded and electrically protected meter movement. The meter maintains accuracy in extreme environments and will not be damaged if, as sometimes happens, the user accidentally connects it to a high voltage source. Daystrom salesmen sometimes demonstrate the 660 series by throwing the meter on the customer's floor. So far, customers have had a worse shock than the meter! So, if you feel like chucking a £29.85 meter about, contact *Daystrom (Schlumberger), Bristol Road, Gloucester GL2 6EE.*

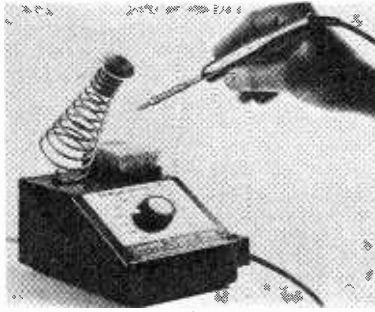


## Litesold System

The Litesold ETC/1 Soldering System consists of a lightweight soldering iron which is fed from a solid state power/control unit giving fully automatic electronic control of the temperature of the front of the bit.

Operating temperature is fully adjustable by means of a calibrated dial on the power unit over a wide range from 150/400°C. Thus there is no need to change bits for different settings which can be altered and read-off instantly.

The most important feature is the total avoidance of electrical disturbance and R.F.I. generation



## A New Iron From Antex



The element of this new Antex soldering iron is totally enclosed within a ceramic shaft. (Aluminium oxide.)

Near perfect insulation has been achieved; as a result there is no measurable leakage and live transistors can be soldered without risk of damage.

The 15 watt element generates a temperature of up to 450°C. at the tip to facilitate high speed sol-

dering. A choice of four iron coated bits and one special bit plated with iron, nickel and chrome is available: all designed to ensure long bit-life.

The complete iron has passed a test of 4,000 volts a.c. and each production model is tested at 2,000 volts a.c. Further details from: *Antex Limited, Mayflower House, Plymouth, Devon.*

by the control unit which allows the iron to be used on ultra-sensitive equipment and components.

The plug-in soldering iron contains no control components except the temperature sensor and is as cheap and simple to repair as an ordinary iron.

Long-life bits slip over the heating element and are available in a range of tip sizes. Price is £19.80. *Light Soldering Developments Ltd., 28 Sydenham Road, Croydon, CR9 2LL.*

## Eagle International

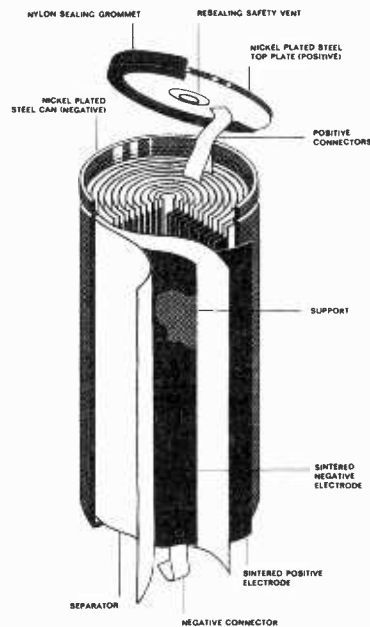
Eagle International will add a quadrasonic synthesiser to its range in January 1972. Designated AA10, it enables a conventional stereo system to be turned into a quadrasonic system by dividing the 2-channel output from a stereo amplifier into 3 or 4 channels based on sum and difference signals.

## Ever Ready Co's Rechargeable Cells

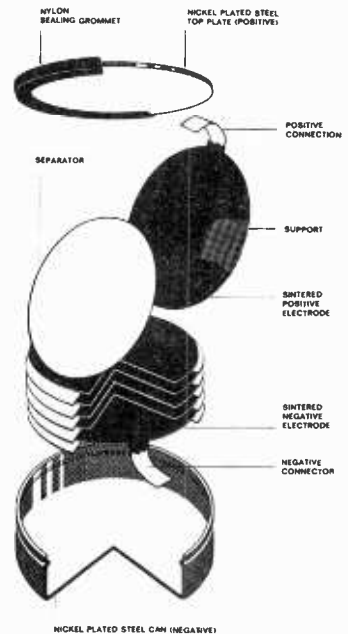
These cells, marketed by the Ever Ready Co. are sealed Nickel Cadmium types and have been used for some time now as the rechargeable power units in small portable appliances where the charging unit is integral. Now they are available to the home constructor and prices vary with quantity and capacity but typically a U2 size replacement would cost something over £2 for a single cell but would be proportionately reduced for larger quantities.

Button cells are more normally supplied as higher voltage pre-packed batteries and typically a 4.8V 550mAh battery as used in radio controlled models, would cost around £3.30.

Cells and battery packs are available direct from the manufacturer and the smaller button cell packs from reputable suppliers to the radio controlled model field. *The Ever Ready Company (Gt. Britain) Ltd., Special Battery Division, Hockley, Essex.*



TYPICAL CYLINDRICAL CELL CONSTRUCTION



TYPICAL BUTTON CELL CONSTRUCTION

# 9 BAND



# SHORT WAVE RADIO

R.F. GRAHAM

In the receiver described here, only two coils are required band-changing being achieved by bringing in pairs of fixed capacitors. This breaks up the full tuning range into a number of smaller divisions.

## CIRCUIT

Fig. 1 is the mixer stage circuit the wiring being very much simplified by using this switching arrangement. L1 is the aerial coil, tuned by VC1, and L2 the oscillator coil, tuned by VC2. VC1 and VC2 are sections of a small ganged capacitor, operated through a cord drive.

The 2-pole 9-way rotary switch S2/S3 selects the required band. With the switch in position 1, VC1/2 alone are in use, for the highest frequency band. When the switch is in position 2, C2 and C10 are in circuit. Each of these capacitors is 50pF, so the next range runs on from the frequency reached when S2/S3 was in position 1, and VC1/2 fully closed. In a similar manner, position 3 of the switch brings in C3 and C11, each of 100pF. The next lower frequency band employs C4 and C12, each of 150pF, with the switch in position 4. This continues for the nine ranges, each pair of capacitors being 50pF larger in value than the previous pair.

VC1/2 has a swing of a little over 50pF, so that ranges overlap. VC3 is a panel trimmer, which can be set for best volume on any band, or when altering the aerial. S1 is an aerial switch, used for the attached telescopic aerial or an external aerial.

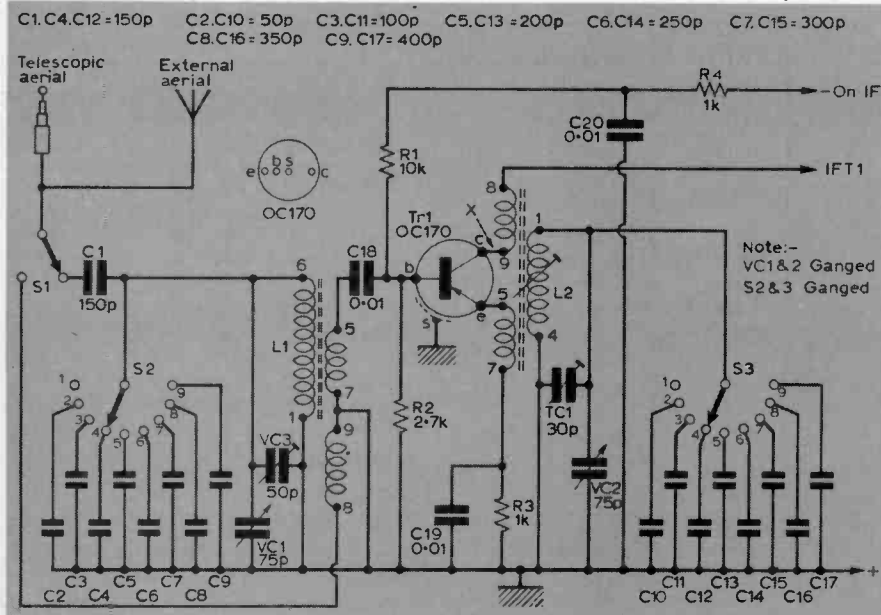
The capacitors C2 to C9 for the aerial circuit, and C10 to C17 for the oscillator, are 1% or 2% silvermica, and any variation in the exact capacitances of the components used is easily cancelled out by VC3.

## IF AMPLIFIER

A conventional high gain intermediate frequency amplifier is used, Fig. 2. This has two double-tuned i.f.t.'s, and one single tuned i.f.t. resulting in good selectivity.

The i.f. amplifier is wired as a separate unit, on

ANY means of spreading the great number of short wave transmissions which can be heard over an increased tuning range is helpful, simplifying and easing tuning. When several ranges are needed it becomes difficult to use separate inductors for each range, involving a large number of coils, with all the associated switching.



The complete circuit of the 9 Band Receiver is made up of Fig. 1, (left) mixer stage; Fig. 2, i.f. stages and Fig. 3 the audio output stage. The constructor only need assemble the mixer and i.f. stages since the audio stage is a packaged module.



a small insulated board. Input from the mixer stage is to pin 2 of i.f.t.1 and audio output is from D1 and C26. VR1 is the usual audio volume control.

## AUDIO AMPLIFIER

This provides high gain and 330mW output into a 15 ohm speaker. Fig. 3 is the circuit and Tr4 is the first a.f. amplifier stage, stabilised by R14. Output from Tr4 collector is via C30 to the base of Tr5, which with Tr6 forms a Darlington pair driver for the output transistors Tr7 and Tr8. These form a push-pull complementary-symmetry stage, working in Class B, with diode D2 for thermal stabilisation. Feedback through R17 maintains operating

conditions for the four directly-coupled transistors Tr5 to Tr8.

This circuit has plenty of amplification and volume. In order to simplify construction of the whole receiver, the audio amplifier is obtained as a printed circuit package, ready for use, and incorporating matched transistors.

A is the common positive line, and D the negative line. Point C is for audio input. The resistor R13 is included in the amplifier. R12, which is in series with R13, was found to be necessary for stable working in this particular receiver.

Leads from D (battery negative line) and E run to the 15 ohm speaker. The circuit is of the transformerless type and a speaker of other than 15 ohm impedance should not be used.

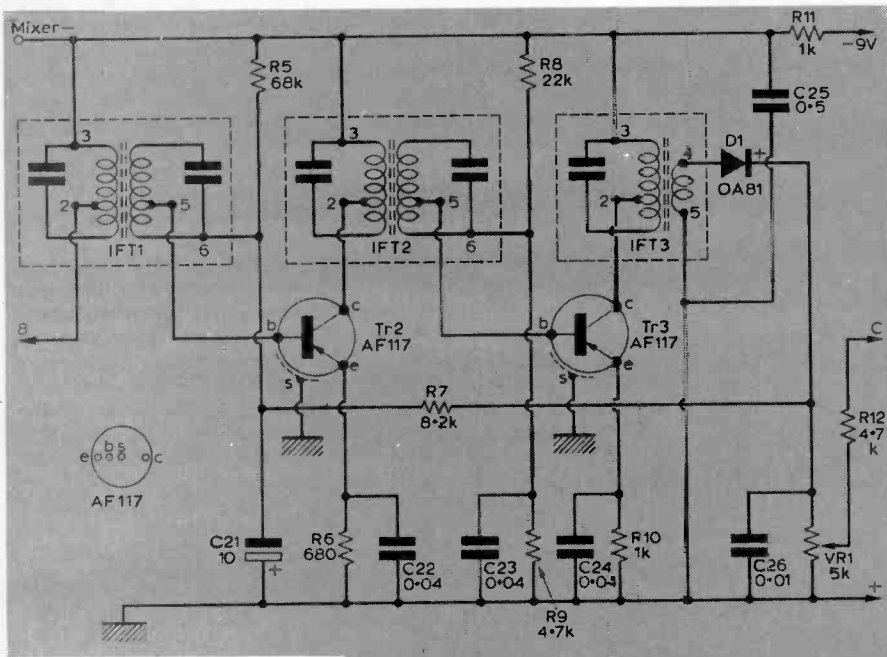
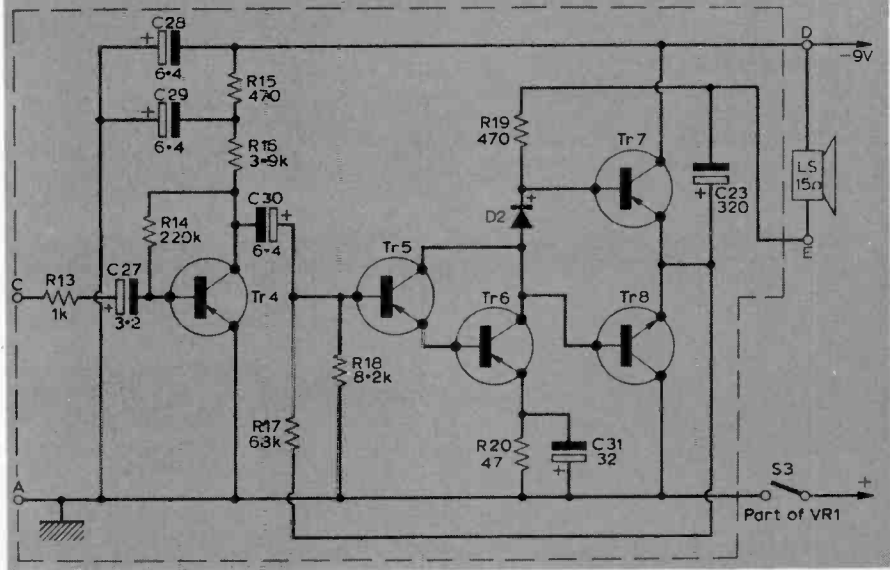


Fig. 2. The circuit of the i.f. stages, constructed as a separate unit on a paxolin panel (See Fig. 6). The input comes from pin 8 on L2 in the mixer stage.

Fig. 3. Since the audio stages are contained within a packaged module this circuit of the 5 transistor unit is given for interest only. Input from the i.f. assembly goes to pin C, the loudspeaker to pins D and E and the earth line to the on/off switch S3. (Note: C23 should read C32.)



## MIXER STAGE ASSEMBLY

A 10in. x 4in. flanged plate (universal chassis member) serves as panel for the controls and the top of the case. The controls are placed 1in. from the bottom of this plate, VC3 and the cord drive spindle being 1 $\frac{3}{4}$ in. from the plate ends and S2/3 and VR1 equally spaced between these.

VC1/2 is fixed as in Fig. 4 so that the top of the drum is about  $\frac{1}{8}$ in. below the top of the plate. One pulley is above the cord drive spindle, to keep the cord parallel with the plate. The second pulley guides the cord clear of the bushes of S2/3 and VR1. The pulleys are on bolts fixed with lock nuts to the plate. The cord is given one complete turn round the drive spindle, then passes round the wheels and

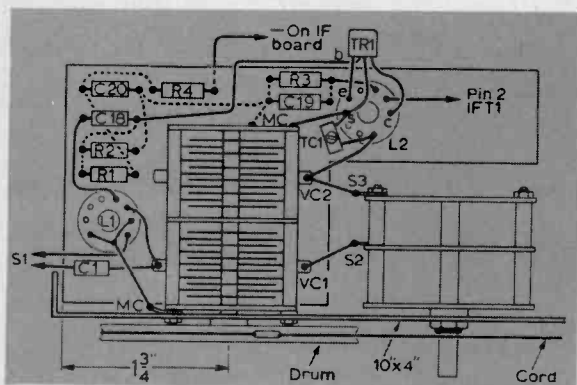


Fig. 4. Layout of the mixer assembly built on an aluminium plate.

drum. It is taken through the drum slot, and tied so that it is under tension from the spring.

Fig. 4 shows wiring, etc., for this stage. L1, L2 and the other items are mounted on a piece of paxolin 5in. x 2 $\frac{1}{2}$ in., which has a cut-out section to clear S2/3. VC1/2 is bolted to the 10in. x 4in. plate, and the paxolin is in turn bolted to the underside of the ganged capacitor. Additional support is given by a bracket attached to the paxolin and rear of the 9-way switch.

Transistor Tr1 has three leads soldered directly

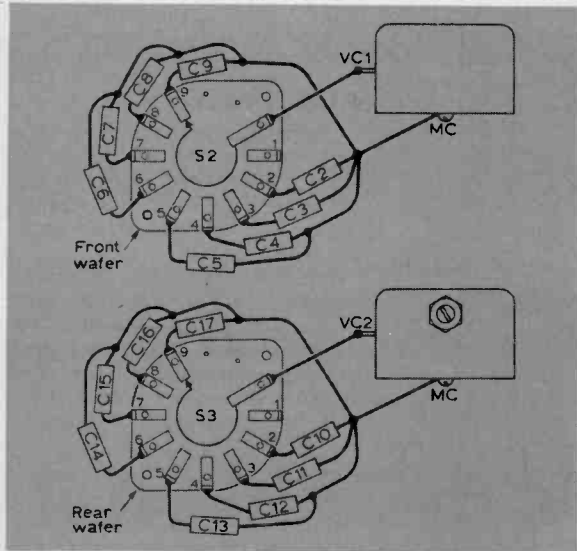


Fig. 5. Details of the wiring of the bandswitch S2/S3.

## ★ components list

### Resistors:

R1 10k $\Omega$	R5 68k $\Omega$	R9 4.7k $\Omega$
R2 2.7k $\Omega$	R6 680 $\Omega$	R10 1k $\Omega$
R3 1k $\Omega$	R7 8.2k $\Omega$	R11 1k $\Omega$
R4 1k $\Omega$	R8 22k $\Omega$	R12 4.7k $\Omega$

All  $\frac{1}{4}$ W 10%.

VR1 5k $\Omega$  potentiometer, log, with switch (S3).

### Capacitors:

C1 150pF	C10 50pF	C19 0.01 $\mu$ F
C2 50pF	C11 100pF	C20 0.01 $\mu$ F
C3 100pF	C12 150pF	C21 10 $\mu$ F 6V
C4 150pF	C13 200pF	C22 0.04 $\mu$ F
C5 200pF	C14 250pF	C23 0.04 $\mu$ F
C6 250pF	C15 300pF	C24 0.04 $\mu$ F
C7 300pF	C16 350pF	C25 0.5 $\mu$ F
C8 350pF	C17 400pF	C26 0.01 $\mu$ F
C9 400pF	C18 0.01 $\mu$ F	

Capacitors C1 to C17 inc. are 1% or 2% silver mica.

VC1/2 2 gang, 75 + 75 pF approx. See text.

VC3 50pF air-spaced variable.

TC1 30pF pre-set.

### Semiconductors:

Tr1 OC170	Tr3 AF117
Tr2 AF117	D1 OA81

### Inductors:

IFT1 IFT18/465 (Denco)	L1 Range 4 Blue
IFT2 IFT18/465 (Denco)	(Transistor)
IFT3 IFT14/465 (Denco)	L2 Range 4 Red
	(Transistor)

### Audio Amplifier:

PC3 Packaged circuit (Newmarket).

### Miscellaneous:

Cabinet: 2 off, 10in. x 4in. Universal chassis flanged member (Home Radio). 2 off, 7 $\frac{1}{2}$ in x 4 $\frac{1}{2}$ in. plywood. 2 off, 10in x 7in. hardboard.  
Tuning drive: Drum, 2 $\frac{1}{2}$ in. dia., DL34 drive spindle, spring, cord, pulleys (Home Radio).  
Speaker, 7in. x 3 $\frac{1}{2}$ in., 15 $\Omega$ . Telescopic aerial.  
Aerial socket, knobs, rubber feet.

to the pins of L2. The base lead B is extended by soldering on connecting wire, to run to C18. Connections in this stage should be reasonably short and direct. R3, C19 and C20 are wired to a tag under the paxolin, in contact with the metal frame of VC1/2.

VC3 is mounted directly under VC1/2 and is connected in parallel with it by short leads.

The bandswitch occupies the position shown in Fig. 4, and is wired as in Fig. 5. The switch has separate single-pole 9-way wafers connected directly to VC1 and VC2 by short leads. No extra connection is made to position 1. Position 2 has the pair of capacitors C2 and C10 (50pF each). Position 3 has equal capacitors C3 and C11 (100pF each), and so on.

The capacitors are best arranged to lie partly over the wafers, in the manner giving shortest leads to a stout wire which returns to the frame tag of the ganged capacitor.

## GANGED CAPACITOR BAND SWITCH

S2/3 introduces fixed capacitor increments of 50pF at each position. There is a certain amount of stray circuit capacitance, to which is added the

minimum capacitance of VC1/2. This means that a ganged capacitor having a maximum capacitance of 50pF each section is not quite sufficient and results in small gaps in the tuning range.

A ganged capacitor with a capacitance swing of just over 50pF (say from 10pF to 70pF) would be ideal. To obtain a little overlap, and allow for variations of C2 to C17, the nearest standard value is 75pF, which is satisfactory.

When this tuning arrangement was first used, a 2 x 100pF capacitor was fitted and some plates pulled off, but this resulted in too many being removed. A new capacitor thus had to be fitted. Caution is therefore required, if a capacitor is modified in this way. With a 2-gang 100pF capacitor, the effective value can be reduced to about 75pF by placing a 300pF fixed capacitor (silver mica) in series with each section. The lead from L1 to VC1 must then run over VC1 so that it can join the lead from S2.

## IF AMPLIFIER ASSEMBLY

This is assembled and wired on a paxolin panel 3 $\frac{3}{4}$ in. x 1 $\frac{3}{4}$ in. All components are mounted on one side and wiring is on the reverse, as in Fig. 6. Note that the different spacing of the pins of the i.f.t.'s enable these to be identified. Remember to drill holes for adjustment of the cores.

Small holes are drilled for the leads of the other components. Note the polarity of C21 and diode D1. Connections underneath are made by bending over the wires and snipping off the ends and by using thin connecting wire where required. Insulated sleeving is put on all leads where necessary. Two bolts holding the tags MC, locked on, will mount the finished amplifier and provide a positive return circuit.

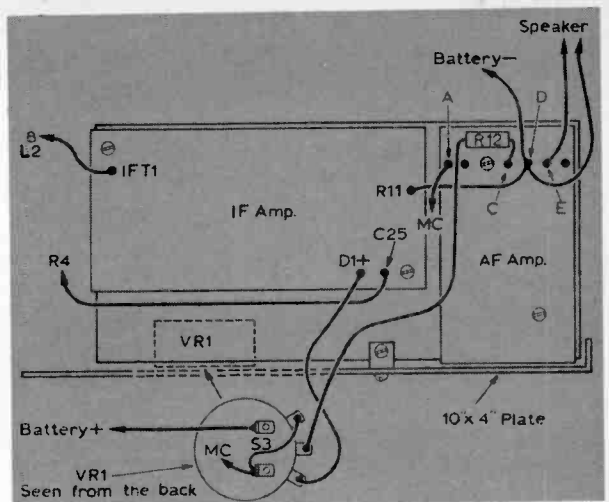


Fig. 7. The i.f. and audio stages are mounted on a common panel.

Solder a lead to pin 2 of i.f.t.1. This is later soldered to pin 8 of the oscillator coil L2.

Take a black lead from R11, to use as negative. Solder a wire to the junction of R11 and C25, as shown, which will later run to R4. The remaining external connection is from R7, C26 and D1, and goes to the volume control VR1.

Both i.f. and a.f. amplifiers are mounted on a piece of paxolin 5 $\frac{1}{2}$ in. x 2 $\frac{1}{2}$ in. which is supported by the bracket mentioned earlier, and by a further bracket bolted to the 10in. x 4in. aluminium plate. Extra nuts are put on the bolts holding the tags MC, Fig. 6. The bolts pass through the 5 $\frac{1}{2}$ in. x 2 $\frac{1}{2}$ in. paxolin. Further tags are then put on fixed with nuts. The tags are wired to the volume control and metal plate (positive line).

The audio amplifier package is mounted in a similar way, Fig. 7. R12 is soldered to point C. A black lead for battery negative is taken to point D, and white leads for speaker connections to points D and E. A red lead from point A runs to the positive line at VR1 and the on-off switch.

## ALIGNMENT

The complete assembly on the 10in. x 4in. flanged plate is aligned and tested before fitting it in the cabinet. A speaker of the correct type (15 ohms) must be connected.

The five cores of the i.f.t.'s are rotated with a suitable tool, such as the Denco TT5, for best results. A weak signal is most suitable from a signal generator, or from a transmission, a short wire aerial being temporarily

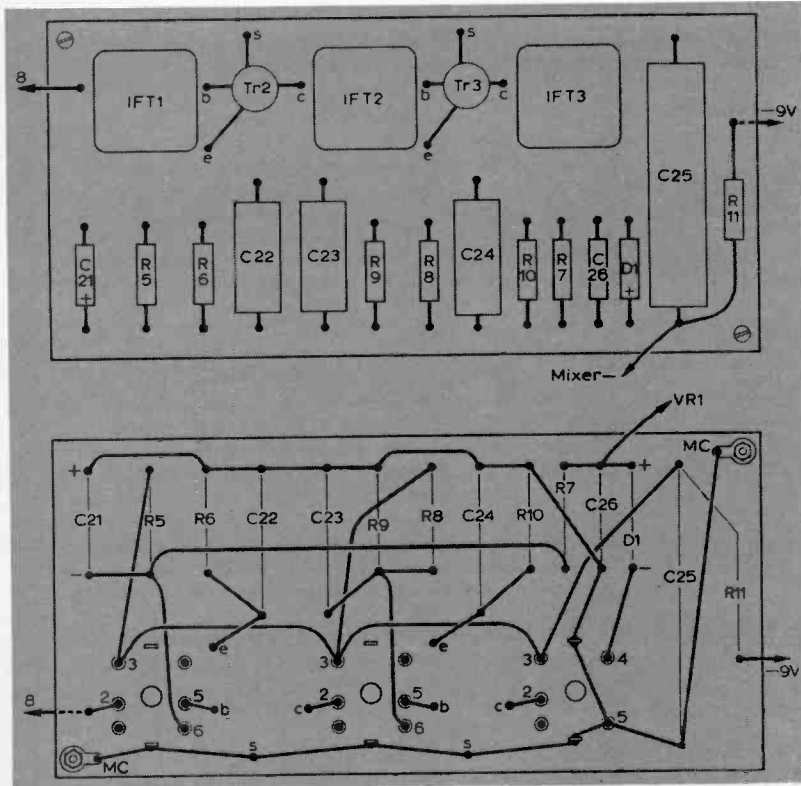


Fig. 6. Layout and wiring diagram of the i.f. assembly built on a paxolin panel, 3 $\frac{3}{4}$ in x 1 $\frac{1}{4}$ in.

connected to tag 8 of L1. VR1 should be near maximum volume, but a strong signal should be avoided because the automatic gain control circuit will then make critical adjustment of the cores difficult.

Once the i.f.t. cores have been correctly peaked for best sensitivity, they should be left alone. A meter placed in one battery lead should show a current of under 15mA with weak signals, rising to peaks of 50mA or more with signals giving good volume.

The cores of L1 and L2 are then rotated until about  $\frac{3}{8}$ in. of threaded brass projects. Set VC3 and TC1 at about half capacitance. Open VC1/2, set the bandswitch at Position 1, and rotate TC1 as necessary to tune to about 15MHz.

Leave VC3 and TC1, switch to Position 9, and close VC1/2. Rotate the core of L2 as necessary to tune to approximately 3.6MHz. Switch to Position 8, tune in a transmission, and rotate the core of L1 for best results.

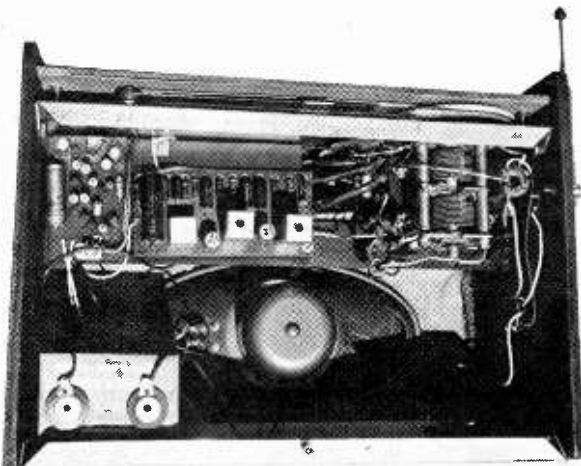
It should then be found that with the bandswitch in any position, and a transmission tuned in, VC3 can be peaked for best reception. Should VC3 need to be either fully open or fully closed with the switch in Positions 1 or 2, re-adjust TC1 as required. If VC3 is either fully open or fully closed to give best results with the switch in positions near the low frequency end of the coverage provided (especially Position 8 or 9) then the core of L1 needs slight re-adjustment to avoid this.

It should be found that VC3 generally only needs one adjustment for each band and that often even this will not be necessary. VC3 can be peaked up for best reception of weak signals at any time, when changing the aerial, or switching S1.

If it is found that almost uninterrupted whistles arise at the extreme h.f. end of the coverage provided, include a resistor at X in Fig. 1, between collector and pin 9 of L2. Its value should be the lowest which prevents oscillation and will generally be around 47 ohms to 470 ohms or so. This depends on the individual transistor and other factors.

## CABINET ASSEMBLY

Fig. 8 will help to clarify assembly of the case. Cut two pieces of hardboard 10in. x 7in. and with a pad saw or keyhole saw cut a hole to match the



A view inside the 'works' shows the three units forming the complete receiver.

speaker cone. Clean up all edges with glasspaper and wipe off any dust. Fabric is then stretched over the hardboard, brought round the edges, and glued on the inside.

The sides are 3-ply, each  $7\frac{1}{2}$ in. x  $4\frac{1}{2}$ in., sanded and varnished. The 10in. x 4 in. flanged plate forming the case bottom is placed on a flat surface, and the sides are positioned as in Fig. 8. Mark through the flange holes, drill the sides to match, and fix them with bolts.

Drill the hardboard front for speaker and front flange, and bolt this as in Fig. 8, with the speaker in position.

The receiver panel should then be finished. Cut a piece of plywood or other thin wood about 5in. x 2in. and fix this with small screws through the 10in. x 4in. plate, to bring the tuning scale about level with the drive cord. Clip a small piece of tinfoil on the cord, and solder a straight wire pointer on this, so that it moves along the scale.

A piece of perspex is cut 10in. x 4in., and drilled to match the four control spindles and for 6BA bolts in line with the four holes which are in the universal chassis flanged plate. A piece of coloured card is also cut this size, and a window about  $5\frac{1}{4}$ in. x  $1\frac{1}{4}$ in. is cut in it with a sharp blade, to lie over the tuning scale.

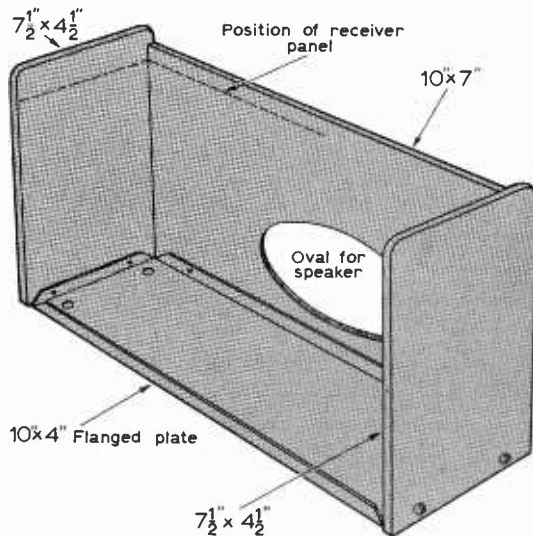


Fig. 8. Details of the construction of the receiver cabinet.

Four lin. long 6BA bolts are put through the holes in the perspex and card. A washer and nut is put on each bolt, and the nuts are tightened. An extra nut is then put on each bolt, and the whole is fixed in place with further nuts behind the flanged plate. The nuts are adjusted to give about  $\frac{1}{2}$ in. clearance, to take the drum, cord and pointer.

The assembly is then put in the top of the case, so that the flanged plate is about  $\frac{1}{2}$ in. down, as in Fig. 8, and the perspex is flush with the case front. Drilling positions are then marked through the holes punched in the flanges. The sides are drilled, and the receiver bolted in place. The receiver case front is also bolted to the front flange of the 10in. x 4in. plate.

—continued on page 738

# BUDGET HIGH-FIDELITY STEREO SYSTEMS



**PREMIER STEREO SYSTEM "ONE"** Consists of an all transistor stereo amplifier, Garrard 2025 T/C auto manual record player unit fitted stereo mono ceramic cartridge with diamond stylus and mounted in teak finish plinth with perspex cover and two matching teak finish loudspeaker systems. Absolutely complete and supplied ready to plug in and play. 2500 amplifier has an output of 5 watts per channel with inputs for pick-up, tape and tuner also tape output socket. Controls: Bass, Treble, Volume, Balance, Selector, Power on/off. Solid teak cabinet with aluminium front panel. Size 12 1/2" x 4 1/2" x 3 1/4" high (Amplifier available separately if required £14.95 Carr. 40p).  
**PREMIER STEREO SYSTEM "TWO"**, as above but with Garrard SP25 MK III—ONLY £47. Carr. £1-75

**ONLY £40-95**  
carr. £1-75

**ONLY £57-75**  
carr. £1-75

**PREMIER STEREO SYSTEM "THREE"** This consists of KLINGER KC903 stereo amplifier giving 6 watts rms per channel with Bass, Treble, Volume and Balance Controls. Inputs for Magnetic and ceramic pickup, tuner, tape in and out. Stereo earphone socket. Garrard SP25 MK III in teak finish plinth with cover and fitted Sonotone 9TAHCD diamond stereo cartridge. A pair of HMV Speakers size 16 1/2" x 10 1/2" x 5" fitted EMI units complete the matching system.  
**ONLY £57-75 Carr. £1-75**  
**ALL SYSTEMS SUPPLIED WITH FREE LEADS AND PLUGS**

## PREMIER HI-FI OFFERS

- Amstrad 8000 Stereo Amplifier (List £25-95) **£16-75**
- Philips 580 Stereo Amplifier (List £29-00) **£21-00**
- Rogers Ravensbrook II Stereo Amplifier in teak case (List £52-50) **£39-50**
- Rogers Ravensbourne Stereo Amplifier in teak case (List £64) **£49-00**

**NOW AVAILABLE AGAIN !!**  
**MODEL SAQ203 Stereo Amplifier**  
 —Return of this popular model 1000's have been sold.  
**NOW AT NEW LOW PRICE** **£19-50**

- Metrosound ST20 Stereo Amplifier in teak case (List £36) **£24-50**
- Goldring GL75 less cartridge (List £41-61) **£29-00**
- Garrard SP25 III less cartridge **£11-90**
- Garrard SP25 III with Goldring G800 cartridge (List £28-35) **£18-40**
- Garrard AP76 less cartridge **£19-50**

Garrard 3500 with Sonotone 9TAHCD stereo cartridge (List £15-50) **£9-97**

- Garrard 2025 T/C with Sonotone 9TAHC Diamond Cartridge **£8-97**
- Garrard 2025 T/C with Sonotone 9TAHC Diamond Cartridge ready wired in teak plinth with cover **£14-00**

Carriage and Insurance 50p extra any item.

## SP25 MKIII SPECIAL !



**GARRARD SP25 MK III SINGLE RECORD PLAYER, FITTED GOLDRING 850 or AT66 MAGNETIC STEREO CARTRIDGE as available. COMPLETE IN TEAK PLINTH WITH RIGID PERSPEX COVER.**  
 Total list price over £29.  
**PREMIER PRICE £19-90**  
 P. & P. 50p.



**HI-FI STEREO HEADPHONES**  
 Designed to the highest possible standard. Fitted 2 1/2in speaker units with soft padded ear muffs. Adjustable headband. 8 ohms impedance. Complete with 8ft lead and stereo jack plug.  
**£2-47 5/8 P.**

**STEREO STETHOSCOPE SET** Low Imp. £1.25 P. & P. 10p  
**MONO STETHOSCOPE SET** Low Imp. 82p. P. & P. 10p.



**E.M.I. 13x8in. HI-FI SPEAKERS**  
 Fitted two 2 1/2in tweeters and crossover network. Impedance 8 or 15 ohm. Handling capacity 10W. Brand new.  
**£3-47 P. & P. 40p**



**WELLER "EXPERT" SOLDER GUN.** Saves time and simplifies soldering in the home and service dept. Two position trigger gives instant dual heat. 100/140 watt. 240 volt A.C. **£4-25** P & P 30p

"Markeman" Soldering Iron. Lightweight pencil bit. Ideal for regular bench use and around the home. 25 watts. 240 volt A.C. **£1-50 P & P 10p**

## VERITAS V-149 MIXER

Battery operated 4-channel audio mixer providing four separate inputs. Size 8 x 3 x 2 1/2in. suitable for crystal microphone, low impedance microphone, with transformer, radio, tape, etc. Max. input 1-6v. Max. output 2-5v. Gain 6 dB. Standard jack plug socket inputs, phono plugs output. Attractive teak wood grain finish case.



**MONO MODEL £3** **STEREO MODEL £3.47** P. & P. 12p



**TAPE CASSETTES**  
 C60 (60 min.) 37p 3 for £1.05  
 C90 (90 min.) 62p 3 for £1.80  
 C120 (120 min.) 87p 3 for £2.55  
 P. & P. 5p.

**FREE CASSETTE HEAD CLEANER** with every 10 cassettes purchased.  
**All cassettes can be supplied with library cases at 3p. extra each**

## "VERITONE" RECORDING TAPE

**SPECIALLY MANUFACTURED IN U.S.A. FROM EXTRA STRONG PRE-STRETCHED MATERIAL. THE QUALITY IS UNEQUALLED. TENSILISED to ensure the most permanent base. Highly resistant to breakage, moisture, heat, cold or humidity. High polished splice free finish. Smooth output throughout the entire audio range. Double wrapped—attractively boxed.**

LP3	3"	250'	P.V.C.	28p	DT8	5 1/2"	1800'	POLYESTER	£1-12
TT3	3"	450'	POLYESTER	37p	TT8	5 1/2"	2400'	POLYESTER	£1-87
DT3	3 1/4"	600'	POLYESTER	57p	SP7	7"	1200'	P.V.C.	62p
SP5	5"	600'	P.V.C.	42p	LP7	7"	1800'	ACETATE	75p
LP5	5"	900'	P.V.C.	50p	DT7	7"	2400'	POLYESTER	£1-25
DT5	5"	1200'	POLYESTER	75p	TT7	7"	3600'	POLYESTER	£2-50

**TAPE SPOOLS** 3" 5p, 5", 5 1/2", 7" 9p.  
 Post and Packing 3" 5p, 5", 5 1/2", 7" 10p. (3 reels and over Post Free).



# PREMIER RADIO

10 & 23, TOTTENHAM COURT ROAD, LONDON, W.1 TEL: 01-636 3451/2639  
 HEAD OFFICE & MAIL ORDER DEPT. 23, TOTTENHAM CT. RD. TEL: 01-636 3451



PROFESSIONAL RECEIVERS  
SUPPLIED TO GOVT. DEPTS.,  
INDUSTRY, LABORATORIES,  
RADIO & T.V. AUTHORITIES, ETC.

**BUY DIRECT AT PRICES 15%  
BELOW RETAIL VALUES**

THE NEW  
\*\*\*\* **JULIETTE** MPR 3065

is a high quality  
**COMMUNICATIONS  
RECEIVER**

(replaces NA 5018A)  
Recommended Price  
£42.00

Our  
Price **£37.80**



(Cash only) plus 62p p. & p. Complete with standard batteries and earpiece. BFO (optional extra) add £1.75.

**IT NOT ONLY RECEIVES Aircraft, Shipping (VHF & SW), Taxis, Ambulances, Fire Service, T.V. Sound, Hams, Gas and Electric Boards, Public Services and many other radio telephone mobiles—BUT ALSO Classical Music, Pop and all that Jazz.**

The MPR 3065 is a communications receiver and entertainment source in one neat, transistorised, portable package. Features a colour coded illuminated tuning dial and band selector, AFC, squelch, BFO (optional extra), large speaker. Ext. Aerial Socket. Works off mains or batteries. Size: 10½ x 7½ x 4 inches. 22 Transistors/Diodes.

**FREQUENCIES: Medium Wave, 540-1600 Kcs.; Marine, 1.6-4.6 Mcs.; FM/VHF, 88-108 Mcs.; Aircraft, 108-136 Mcs. (Military, Civil and Ground control); High VHF/PB, 146-176 Mcs. (Commercial and Industrial RT mobiles).**

**MODEL MPR 3016 6 BAND**



SAME BANDS & FREQUENCIES AS MODEL MPR 3065 PLUS ADDED FEATURE OF SW 5.0—12.0Mcs (with Fine Tuner). Plus 62p P/P.

BATTS & EARPIECE INCL.

Styled in elegant black case with luxury Chrome trim, soft padded speaker grille, die-cast sides and walnut insert. Size 8½" x 11" x 3½". Wt. 5lbs. approx.

Enclose 5d. stamp for reply. Trade supplied.

**NEW!** From "Lafayette" 4 band T.V. sound Battery portable with PB mobile band (146-176MHz).

TV SOUND CHANNELS 2-13, VHF/FM Local & National Radios, PSB RT Mobiles.

OUR PRICE **£27.95** plus 50p P/P. Complete with Batteries, Earpiece, Circ. Diagram, AC Adaptor Socket; External Aerial Socket.

**STOCKTON PARTNERS** (Dept. P.W.)

Importers and Distributors  
Brighowgate, Grimsby, Lincs.  
Tel. 0472 64196/58815

## LOOK AT THESE PRICES

### CARTRIDGES

Acos GP67-2, GP91-35C £1-12½; Acos GP93-1 £1-33½; Acos GP94-1 £1-02½; Monotone 9TAHC £1-97½. All above in makers' cartons. BSR X4H £1-50.

### THIS MONTH'S SPECIAL OFFER

Garrard SP25 Mk. III with K840A cartridge. In good quality teak plinth with perspex dust cover. Complete with all leads ready to use £20. SP25 Mk. III deck only less cartridge £12-87.

### PLUGS & SOCKETS

Phono plugs, assorted colours 41p; 45p per doz.; Coaxial plugs, aluminium 71p; Coaxial couplers 71p; 2 pin DIN plugs 15p; 3 pin DIN plugs 15p; 6 pin DIN plugs 17p; 2 pin, 3 pin & 6 pin DIN sockets 71p; Wander plugs 21p; sockets 31p; Banana plugs 51p; Sockets 5p; 3-5mm J/Plugs 71p and 121p; Standard J/Plugs with solder terminals 10p; Chrome 15p; Slide Entry J/Plugs black and chrome 24p; Insulated J/sockets—o/cct 20p, c/cct 17p.

### ELECTROLYTIC CAPACITORS

4uF 150v 4p; 8uF 500v 15p; 10uF 150v 4p; 12uF 25v 4p; 16uF 450v 14p; 16uF + 18uF 450v 231p; 30uF 10v 4p; 50uF 12v 4p; 100uF 9v 4p; 100uF 12v 4p; 150uF 12v 4p; 1500uF 30v 19p; 10uF 16v 71p; 5000uF 25v 50p; 10,000uF 25v 75p; 20,000uF 30v £1.05.

### MICROPHONES

Acos Mic 45 £1-12½; Acos Mic 60 991p; Planet CM70 £1-50; Hand Mike 75p.

### VALVES

PY81 86p; PCL82 39p; EF.183 45p; EF1N4 45p

Postage extra.

**GEORGE FRANCIS (Dept PW),**

12-14, MIDDLE GATE, NEWARK, NOTTS  
Telephone: Newark 4733.

## MAINS UNITS for all types of TRANSISTOR EQUIPMENT



### RUN YOUR TAPE RECORDER OFF A.C. MAINS

Mains unit supplied complete and ready to plug into your cassette recorder. (State voltage, model and plug required.)

**£2-50** P. & P. 15p

### 12 VOLT CAR BATTERY UNIT

Enables you to run your cassette recorder off 12v. car battery. (State 6v or 7½v output, model and plug required.)

**£2-00** P. & P. 15p

### PLUS-3 MAINS UNIT

Provides three separate switched output voltages 6v, 7½v and 9v. DC. attractive case with indicator light, mains lead output socket, plug and lead. Size 4½ x 3½ x 2½ in.

**£3-00** P. & P. 15p.



Extra lead with plug to fit your cassette recorder 50p. (State model and plug required.)

### MAINS UNIT FOR ALL TRANSISTOR RADIOS, ETC., USING PP3 TYPE BATTERY. (ALSO AVAILABLE FOR 6V.)

**£1-15** P. & P. 10p.

### MAIN UNITS

For single outputs, 6v, 9v, 12v, 18v, £2.00. For two separate outputs, 4½v + 4½v, 6v + 6v., 9v + 9v, £2.50. P. & P. 15p. per unit. (Please state outputs reqd).

All units are completely isolated from mains by double wound transformer ensuring 100% safety.

**R.C.S. PRODUCTS (RADIO) LTD.**  
(Dept. P.W.), 31 Oliver Road, London, E.17

## STROBE! - STROBE!

Build a Strobe Unit, using the latest type Xenon white light flash tube. Solid state timing and triggering circuit. 230/240V a.c. operation.

**EXPERIMENTERS' ECONOMY KIT**  
Speed adjustable to 36 flash per sec. All electronic components including Veroboard S.C.R. Unijunction Xenon Tube and instructions £6-30 plus 25p P. & P.

### NEW INDUSTRIAL KIT

Ideally suitable for schools, laboratories, etc. Roller tin printed circuit. New trigger coil, plastic thyristor. Speed adjustable 1-80 f.p.s. Price £10-50. P. & P. 50p.

### HY-LYGT STROBE MK III

This strobe has been designed and produced for use in large rooms, halls and the photographic field, and utilizes a silica plug-in tube for longer life expectancy, printed circuit for easy assembly, also a special trigger coil and output capacitor. Speed adjustable 0-30 f.p.s. Light output approx. 4 joules. Price £12-00 P. & P. 50p.

**SPECIALLY DESIGNED FULLY VENTILATED METAL CASE** including reflector. £4-00. P. & P. 45p Post Paid with kits.

### AND NOW!

### THE 'SUPER' HY-LYGT KIT

Approx. four times the light output of our well known Hy-Lyght strobe.

- Heavy duty power supply
- Variable speed from 1-23 flash per sec.
- Fantastic Octal based tube with massive electrodes
- Reactor control circuit producing an intense white light.

The brilliant light output of the 'SUPER' HY-LYGT gives fabulous effects with colour filters.

Never before a Strobe Kit with so HIGH an output at so LOW a price. ONLY £20 plus 75p P. & P.

### ATTRACTIVE, ROBUST, FULLY VENTILATED METAL CASE

specially designed for the Hy-Lyght Kit. Including reflector £7-00. P. & P. 45p. 7-inch POLISHED REFLECTOR. Ideally suited for above Strobe kits. Price £3.5p. P. & P. 13p or post paid with kits.

### VENNER ELECTRIC

#### TIME SWITCH

200/250V Ex. GPO. Tested. Manually set 2 on, 2 off every 24h. Override switch: 10A £2-75, 15A £3-25, 20A £3-75. P. & P. 20p. Also available with solar dial ON dusk, OFF dawn. Price as above.



#### 12 VOLT DC MOTOR

Powerful 1 amp. REVERSIBLE motor. Speed 3,750 RPM complete with external gear train (removable) giving final speed of 125 RPM. Size: 4½" x 2½" dia. Price 95p inc p



#### ELECTRONIC ORGAN KIT

Easy to build, Solid State. Two full octave (less sharps and flats). Fitted hardwood case. Powered by two penlite 1½V batteries. Complete set of parts including speaker etc., together with full instructions and 10 tunes. Price £3-00. P. & P. 22p.

**50 IN 1 ELECTRONIC PROJECT KIT**  
50 easy to build Projects. No soldering, no special tools required. The kit includes Speaker, Meter, Relay, Transformer, plus a host of other components and a 56-page instruction leaflet. Some examples of the 50 possible Projects are: Sound Level Meter, 2 Transistor Radio, Amplifier, etc. Price £7-75. P. & P. 30p.

#### CRYSTAL RADIO KIT

Complete set of parts, including Crystal Diode, Ferrite Aerial, Drilled Chassis, and Personal Ear Piece. No soldering, easy to build, full step by step instructions. £1-75 inc. post.

#### LOW POWER UHF TRANSMITTER

In useful black crackle finished metal case. Size 9½" x 5" x 2½". Contains, one 12v LT transformer, one 38-334 MHz crystal, multiplier stage containing, three OC170, one AF186, RF output, mains neon, SP toggle, miniature fuse holder etc. etc. Sold for components only, respec. no data available on this device A BARGAIN at 80p plus 30p P. & P.



## SERVICE TRADING CO

All Mail Orders. Also Callers, Parking Space.  
Dept. PW12, 57 BRIDGMAN ROAD,  
LONDON, W4 5BB. Phone 01-995 1560.  
Showrooms now open, Mon.-Fri.

Personal Callers only, Open SAT.  
9 LITTLE NEWPORT ST.  
LONDON, WC2H 7JJ 01-437 0576.



# REGULATED POWER UNIT

A. BURNETT

**T**HE power supply described uses the same feedback principles as in closed loop control systems and is capable of delivering 1A at any voltage between 4V and 20V. A separate 45V d.c. output is also available making the power supply particularly suitable for audio amplifier work where good regulation is required for the low voltage pre-amplifier stages and a higher d.c. supply required for the power output stage, generally of the order of 45V, the regulation of this not being so critical.

Three pairs of sockets for the regulated output have been provided to enable the power supply to supply several loads with the minimum of inconvenience. These outputs have been left floating and a separate earth socket provided such that the supply can be connected to give a positive output with respect to earth or a negative output with respect to earth. The negative output of the 45V supply is connected in common with the negative output of the regulated supply.

Variable current limiting from 0.2A to 1A is included making the power supply particularly suitable for development work and also giving it protection from short-circuit surges.

## Principle

The principle of negative feedback is used in systems where accurate control is required. The system could be a positional servo as used in rudder

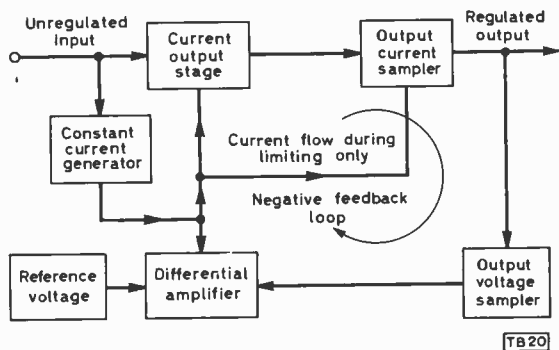


Fig. 1: Block diagram showing function of stages in the power unit.

control of a model aircraft, speed control of an electric motor, temperature control of a blast furnace or cooker or as in this example, voltage stabilisation. In each case a sample is taken of the final output, a comparison made with some reference, then corrective adjustments made to reduce the error.

The block diagram of Fig. 1 illustrates the principle of voltage control where the controlling device is in series with the output current. The output is monitored by a sampler and the sample voltage compared to a reference voltage by a differential amplifier.

The differential amplifier amplifies the difference such as to starve the output stage of base current if the sample voltage is greater than the reference. As a transistor is basically a current amplifying device complete control of the output current can be achieved by controlling the base current of the current output transistor.

## Current Output Stage

Transistors are current amplifying devices and in general the more current they are capable of handling the less gain they have. A power transistor capable of passing 1A can have a typical  $\beta$  (current gain) of only 10 which would mean that the base current would still be rather high for the differential amplifier to handle, being in the region of 100mA. The current output stage is simply a configuration of two transistors, Tr3 and Tr4, Fig. 2, to give high output current capability with high current gain.

## Constant Current Generator

The output current of this circuit, Tr2, is constant and sufficient to supply the maximum base current of the current output stage with a little extra for the differential amplifier.

The circuit uses the principle that as the base-emitter junction of a transistor is a forward biased diode then it will present a low voltage drop (0.7V in the case of silicon transistors). The zener diode potential will therefore be applied almost completely across R6. The resulting current through R6:—

$$I = (V_z - 0.7) / R6$$

will pass through the transistor without loading the zener diode.

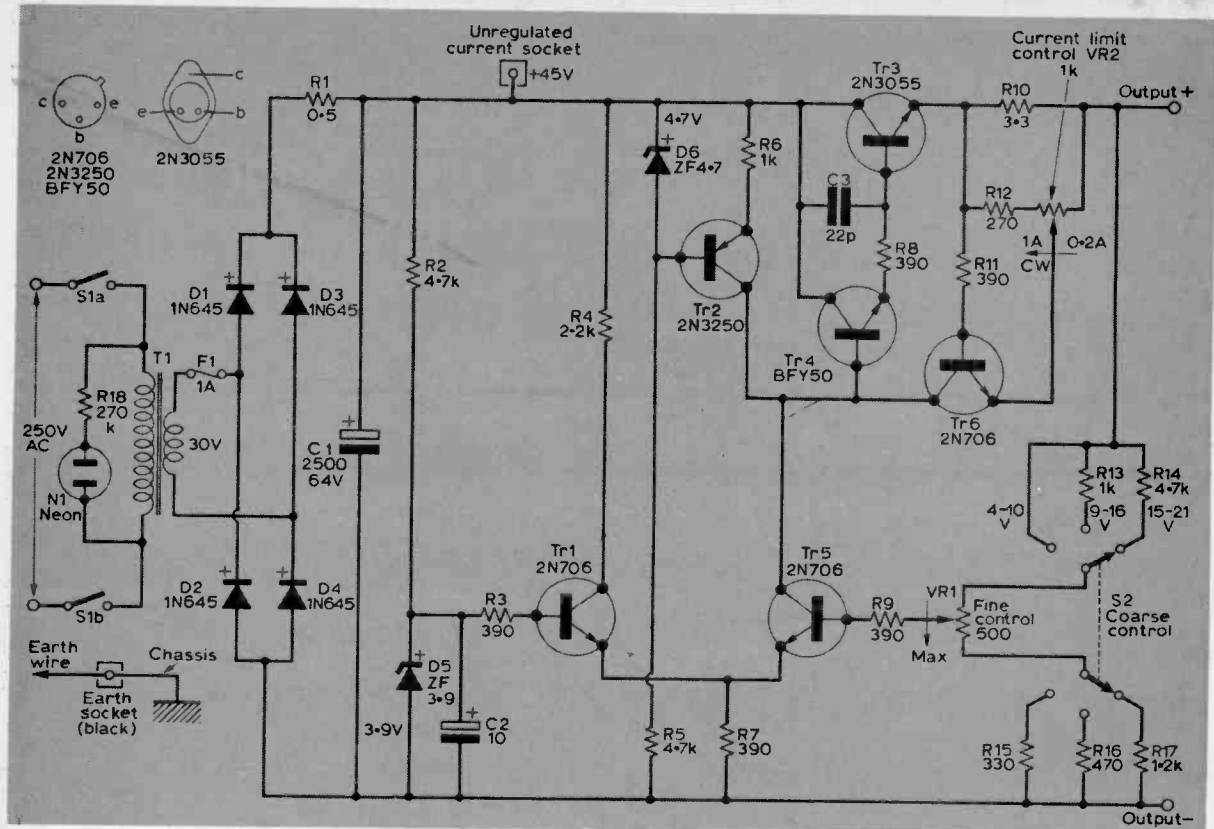


Fig. 2. Circuit of power unit. The diodes D1-4 may be replaced by a single bridge rectifier unit.

Bias current for the zener diode will be supplied by R6. A constant current output of 4mA was sufficient to supply the output stage and the differential amplifier.

## Differential Amplifier

The differential amplifier, Tr1 and Tr6, is coupled to the base current circuitry of the current output

stage. It takes current surplus to that required to maintain the correct amount of output current.

The amplifier amplifies the difference between its two inputs hence the term "differential amplifier." In this case it is used as a current control device.

## Reference Voltage

This is obtained from a zener diode, D5, an attempt being made to keep the diode current constant by connecting a capacitor across it. This is necessary as low wattage zener diodes have a high series internal resistance resulting in their output voltage varying with current.

The regulated output voltage of the power supply would normally be preferred to supply bias current to the zener but as this will be switched over wide ranges in this case, bias current has been supplied from the unregulated input through a 4.7kΩ resistor R2 giving a bias current of 10mA.

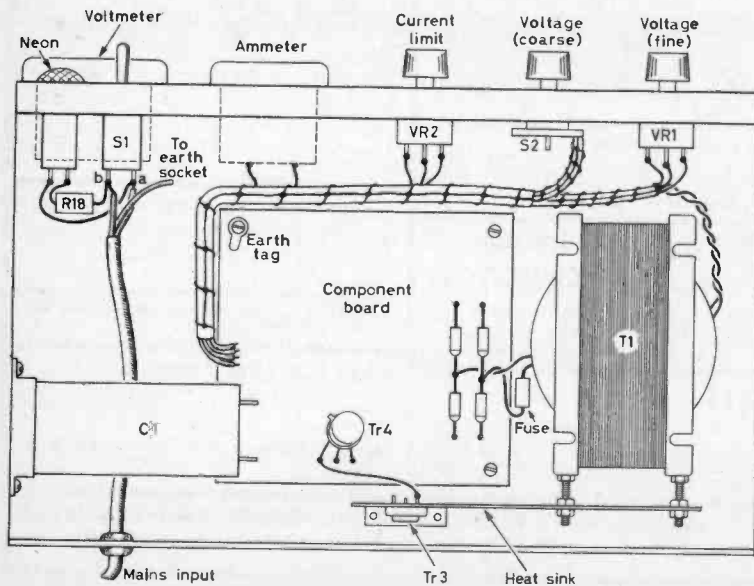


Fig. 3. Layout of unit constructed by the author. See Fig. 4: for details of the component board.



# EVERYTHING BRAND NEW AND TO SPECIFICATION

No surplus, clearance lines or manufacturers' seconds.

# ELECTROVALUE

## Electronic Component Specialists

### SEMI-CONDUCTORS

All power types with free insulating sets

1N914	5p	AC142H	25p	BD131	79p
1N916	10p	AC142HK	29p	BD132	86p
1N1763A	24p	AC163K	22p	BD135	38p
1N3754	20p	AC176	16p	BD136	44p
1N5399	21p	AC178K	17p	BD220	92p
1N5402	28p	AC187K	15p	BF15	29p
1844	17	ACY17	31p	BF167	18p
18940	9p	ACY18	19p	BF173	19p
2N696	17p	ACY19	23p	BF177	25p
2N697	18p	ACY20	20p	BF194	14p
2N705	12p	ACY21	21p	BF195	15p
2N930	29p	ACY22	21p	BF254	14p
2N1132	19p	ACY29	63p	BF255	15p
2N1302	19p	ACY40	17p	BFX29	31p
2N1303	19p	ACY41	18p	BFX84	25p
2N1304	26p	ACY44	31p	BFX85	32p
2N1305	26p	AD142	50p	BFX87	29p
2N1306	33p	AD149	55p	BFX88	26p
2N1307	35p	AD150	60p	BFX50	23p
2N1309	36p	AD151	33p	BFY31	20p
2N1613	23p	AD162	36p	BFY52	23p
2N1711	26p	AF114	24p	B8X20	16p
2N1893	54p	AF115	24p	BY164	45p
2N2147	95p	AF116	22p	BY238	18p
2N2218	34p	AF117	23p	BYX38-300	38p
2N2218A	44p	AF118	24p	BYX38-300R	37p
2N2219	38p	AF124	24p	C407	17p
2N2720	62p	AF125	24p	C782	19p
2N2369A	19p	AF126	22p	EA403	10p
2N2483	35p	AF127	22p	EB383	10p
2N2484	42p	AF139	33p	FC401	18p
2N2646	47p	AF229	36p	EC402	17p
2N2904	38p	ASY28	27p	NKT211	25p
2N2905	44p	ASY27	36p	NKT212	28p
2N2905A	47p	ASY28	27p	NKT213	26p
2N2924	20p	ASY29	36p	NKT214	23p
2N2925	22p	AU111	97p	NKT217	60p
2N2926	11p	B30C280	24p	NKT261	21p
2N3053	27p	B912	26p	NKT271	18p
2N3054	60p	B5041	72p	NKT274	18p
2N3702	13p	BA102	25p	NKT403	65p
2N3703	13p	BA130	22p	NKT405	79p
2N3704	13p	BA145	27p	NKT613F	30p
2N3705	13p	BA156	13p	NKT674F	23p
2N3706	13p	BB103B	16p	OA47	8p
2N3708	10p	BC103(G)	16p	OA90	9p
2N3709	11p	BC108	11p	OA91	5p
2N3710	13p	BC109	12p	OA95	6p
2N3711	13p	BC122	21p	OA200	9p
2N3794	16p	BC125	15p	OA202	10p
2N3819	23p	BC126	22p	OC19	65p
2N3820	53p	BC140	30p	OC28	42p
2N3904	35p	BC147	10p	OC29	76p
2N3906	35p	BC148	9p	OC35	60p
2N4038	55p	BC149	10p	OC36	65p
2N4058	15p	BC153	19p	OC41	42p
2N4059	10p	BC156	11p	OC44	42p
2N4060	11p	BC177	14p	OC70	21p
2N4061	11p	BC178	13p	OC71	38p
2N4124	18p	BC179	14p	OC75	40p
2N4126	27p	BC182L	11p	OC81	25p
2N4284	16p	BC183L	10p	OC81D	25p
2N4286	16p	BC184L	11p	OC83	25p
2N4289	15p	BC186	42p	OC84	25p
2N4291	16p	RC212L	16p	P346A	28p
2N4410	24p	RC213L	16p	SCN1	10p
2N4991	62p	BC214L	16p	SD1	10p
2N5052	61p	BC257	9p	SD4	12p
2N5467	49p	BC259	9p	V763	28p
2N5459	49p	BC267	17p	W106B1	45p
40250	71p	BC268	15p	W02	40p
40251	89p	BC269	17p	W102	95p
40361	55p	BC300	49p	ZTX300	14p
40362	68p	BC301	37p	ZTX301	16p
40602	52p	BC303	60p	ZTX302	22p
AC107	40p	BCY30	60p	ZTX303	23p
AC126	20p	BCY31	75p	ZTX304	27p
AC127	20p	BCY70	18p	ZTX330	23p
AC128	20p	BCY71	33p	ZTX331	27p
AC141H	34p	BCY72	15p	ZTX331	27p
AC141HK	37p	BD130	50p	ZTX500	18p

Add good appearance to your building

### SIEMENS CAPACITORS



These electrolytic capacitors are all in the same style and colour and greatly enhance the appearance of the finished article when built. With axial leads and clearly marked polarity.

SIEMENS TTL I.C.s—wide range in stock at an all time low in prices.

### RESISTORS 10%—5%—2%

Code	Power	Tolerance	Range	Values 1 to 9	10 to 99	100 up
C	1/20W	5%	82-220K	E12	9	7
C	1/8W	5%	47-470K	E24	1	0-8
C	1/4W	10%	47-10M	E12	1	0-8
C	1/2W	5%	47-10M	E24	1-2	1
C	1W	5%	47-10M	E12	2-5	2
MO	1/2W	2%	10-1M	E24	4	3-5
WW	1W	10% ± 1/20 Ω	0-22-3-9	E12	7	7
WW	3W	5%	12-10K	E12	7	6
WW	7W	5%	12-10K	E12	9	9

Codes: C = carbon film high stability low noise  
MO = metal oxide Electrostat TR5 ultra low noise  
WW = wire wound Plesey

Values: E12 denotes series: 10, 12, 15, 18, 22, 27, 33, 39, 47, 56, 68, 82 and their decades. E24 as E12 plus 11, 13, 16, 20, 24, 30, 36, 43, 51, 62, 72, 91 and their decades. Prices are in pence rack for some ohmic value and power rating. NOT mixed values. (Ignore fractions of 1p on total value of resistor order).

MULLARD polyester C280 series  
250V 20p, 0.01: 0.022: 0.033, 0.047 3p ea. 0.068: 0.1, 0.15 4p, 0.22 5p, 10%, 0.33 7p, 0.47 8p, 0.68 11p, 1µF 14p, 1.5µF 21p, 2µF 24p.

MULLARD SUB-MIN ELECTROLYTIC  
C426 range axial lead 6p each  
Values (µF/V): 0.64/64; 1/40; 1.6/25; 2.5/16; 2.5/64; 4/10; 4/40; 5/64; 6.4/64; 6.4/25; 8/4; 8/40; 10/2.5; 10/16; 10/64; 12.5/25; 16/40; 20/16; 20/64; 25/6.4; 25/25; 32/4; 32/10; 32/40; 32/64; 40/16; 40/2.5; 50/6.4; 50/25; 50/40; 64/4; 64/10; 80/2.5; 80/16; 80/25; 100/6.4; 125/4; 125/10; 125/16; 160/2.5; 200/6.4; 200/10; 250/4; 320/2.5; 320/6.4; 400/4; 500/2.5.

### LARGE CAPACITORS

High ripple current types: 1000/25 28p; 1000/50 41p; 1000/100 82p; 2000/25 37p; 2000/50 57p; 2000/100 21 44; 2500/64 77p; 2500/70 98p; 5000/25 62p; 5000/50 11 10; 5000/100 22 91; 10000/50 22 40.

### SIEMENS' 5% TOLERANCE POLYCARBONATE CAPACITORS

250V up to 0.1mF, 100V 0.1mF and above.  
0-0.1, 0.12, 0.015, 0.018, 0.022, 0.027 5p  
0.033, 0.047, 0.056, 0.068, 0.081, 0.01, 0.1 to 0.22 6p.  
0.33, 0.39, 9p, 0.47, 10p, 0.56, 13p, 0.68, 15p.

### S-DeCs

Manufacturer's prices increase roughly by 20% on these on pages 51, 52 and 53 since printing our catalogue. S-DeC £1.44, Four pack £5.10, DeCSTOR pack £2.88, T-Dec, may be temperature-cycled (208 points), £2.88. µDecA, £3.18, µDecB, £5.94. Also I.C. carriers.

Advertisement No. PW62A

### DISCOUNTS

10% discount is allowed on orders for £5 to £15 in value.

15% discount is allowed on orders over £15. No discount on items marked *Nett*. Prices subject to alteration without notice.

### CATALOGUE

The latest (1971) Electrovalue catalogue contains 64 pages packed with hundreds of items and valuable illustrated information. Post free 10p.

### AMPLIFIERS

#### 30 WATT BAILEY PARTS

Transistors and PCB for one channel £8.46

Capacitors, resistors (metal Oxide), and transistors, one channel. £8.41 Complete unregulated power supply pack. £4.75

Suitable heatsink 10DN400C. 55p

#### MAINLINE KITS

70W. £12.60 nett. (main amplifier module).

Power supply kit £6.00 nett  
Suitable pre-amp kit £6.25 nett (less chassis & panel)

#### MULLARD UNILEX SYSTEM

EP9000 Output module £2.90 nett

EP9001 Pre-amp module £3.10 nett

EP9002 Power supply unit £4.60 nett.

Control unit assembly £3.00 nett.

### ZENER DIODES

5% full range E24 values; 400mW: 2.7V to 30V 15p each  
1W: 6.8V to 82V 27p each 1.5W: 4.7V to 75V 60p each  
Clip to increase 1.5W rating to 3 watts (type 266F) 4p.

### CARBON TRACK POTENTIOMETERS, long spindles

Double wiper ensures minimum noise level.  
Single gang linear 100 Ω to 2.2M Ω 12p  
Single gang log 4.7K Ω to 2.2M Ω 12p  
Dual gang linear 4.7K Ω to 2.2M Ω 42p  
Dual gang log 4.7K Ω to 2.2M Ω 42p  
Log/antilog 10K, 47K, 1M Ω only 12p  
Any type with 1A D.P. mains switch, extra 42p

Please note: only decades of 10, 22 and 47 are available within ranges quoted.

### CARBON SKELETON PRE-SETS

Small high quality, type PR, linear only 100 Ω, 220 Ω 470 Ω, 1K, 2K, 4K, 10K, 22K, 47K, 100K, 200K, 470K, 1M, 2M, 5M, 10M Ω Vertical or horizontal mounting 5p each.

Handbook of transistor equivalent and substitutes, 40p. (Postage 3p if ordered alone).

### POSTAGE AND PACKING

Free on orders over £2. Please add 10p if orders under £2. Overseas orders welcome: carriage and insurance charged at cost.

U.S.A. CUSTOMERS are invited to contact ELECTROVALUE AMERICA, P.O. Box 27, Swarthmore, PA 19081 for special prices

### NEW LOW PRICE OFFER!!

PEAK SOUND ENGLEFIELD 840A AMPLIFIER  
20-20 watt R.M.S. into 8 Ω speakers. Unique add-in facility for FM stereo tuner, and other original features. A de-luxe job in every way. Maker's R.R.P. £49.50. From Electrovalue, nett **£33.75**  
(Carriage & Packing to anywhere in U.K. add 75p)

# ELECTROVALUE

(Dept. PW.1271) 28 ST. JUDES ROAD, ENGLEFIELD GREEN, EGHAM, SURREY

Hours: 9—5.30; Sat. 1 p.m. Tel.: Egham 5533 & 4757 (STD 0784-3) Telex 264475

# LOW PRICE, HIGH QUALITY SPEAKER SYSTEMS

All cabinets are new and carefully designed acoustically with speakers mounted on  $\frac{1}{4}$  in. chipboard baffles. All speakers are ex-TV high quality with hi-flux magnets carefully matched and tested.  
We still do the well known Shelley and Caxton column speaker systems.

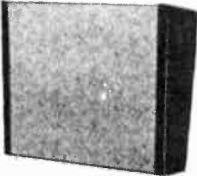


## STEREO HEADPHONE JUNCTION BOX

Simple unit connects direct to amplifier and speakers to give attenuated headphone output. Has 2 position switch to give headphones only—speakers only.  
Only £1-50 each P & P 12.

## CARTRIDGES-Stereo

Sonotone 9TA H/C Diamond £2.40. Ronette S105 Medium Output, £1.40. S106 High Output £1.40. Acos GP93/1 Sapphire, £1.90. GP94 1 Sapphire, £2. TA700 equivalent to B.S.R. SX1M, £1.75. Japanese equivalent to B.S.R. TC8s, £1.75. P. & P. 7np on each.



## DUDLEY

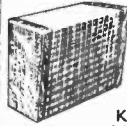
11" x 9 $\frac{1}{2}$ " x 5" deep, tapering to 3 $\frac{1}{2}$ " deep covered in Black Resine and Mottled fawn Vynair £2-10 P & P 25p.

## SPEAKERS

E.M.I. 13 $\frac{1}{2}$  x 8in, 3 ohm £2.50, 15 ohm. P. & P. 30np. E.M.I. 13 $\frac{1}{2}$  x 8in. fitted two 2 $\frac{1}{2}$ in. tweeters, 15 ohm £4.50. P. & P. 30np. E.M.I. 13 $\frac{1}{2}$  x 8in. (15 ohm) Hi-Fi quality £6.25. P. & P. 30np. Bakers 12in. 25 watt 8 and 15 ohms £7. P. & P. 30np. Eagle Crossover 86np. P. & P. 5np.

## VYNAIR

Widths from 50 to 54 in., 75np yd. off roll. P. & P. 10np.  $\frac{1}{2}$  yard 40np. P. & P. 10np. Send 5np stamps for samples.



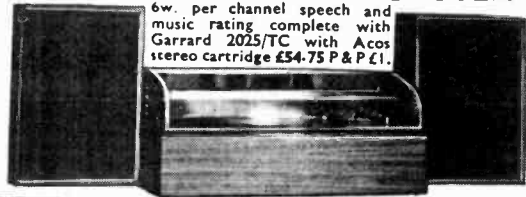
## IMP

Wedge shaped extension speaker 7 $\frac{1}{2}$  x 6 $\frac{1}{2}$  x 4in. (max.). Covered in walnut wood grain cloth with mottled Vynair front. Keyhole slot at back. Fitted with 3 ohm speaker unit. Only £1.25. P. & P. 36np each

## CARTRIDGES-Mono

GP.91 Stereo Compatible £1.25. Acos GP6/2 will replace Collaro and Garrard Mono cartridges, 95np. T.T.C. Crystal High Gain, 75np. B.S.R. TC8H Jap. equivalent £1.25. P. & P. 7np.

## NOCTURNE 73 STEREO SYSTEM



6w. per channel speech and music rating complete with Garrard 2025/TC with Acos stereo cartridge £54.75 P & P £1.

## SPEAKER MATCHING

TRANSFORMERS 3, 7, 15 ohms, 10 watt, 70np. P. & P. 17np.

## FARRADAY

5 $\frac{1}{2}$ " x 11" x 4 $\frac{1}{2}$ " covered in White, Green or Black rexine or Teak cloth with Silver coloured metal front  
£2-90 P & P 25p.



## CLARENCE



11" wide x 8 $\frac{1}{2}$ " x 4 $\frac{1}{2}$ " deep with volume control covered in Black rexine and Mottled Vynair.  
£2-25 P & P 25p.

# BROADWAY ELECTRONICS

92 MITCHAM ROAD, TOOTING BROADWAY, LONDON S.W.17 01-872 3984  
(Nr. Tooting Broadway Underground Station)

(Closed all Wednesday)

# RSGB BOOKS FOR YOU

## RSGB AMATEUR RADIO CALL BOOK

1972 edition now available

Includes details of new calls notified by the M.P.T. up to August 1971, and contains over 2,600 amendments to entries in the 1971 edition.  
128 pages.

57p post paid

## VHF-UHF MANUAL

By G. R. Jessop, C Eng, MIERE, G6JP

2nd edition. Considerably enlarged and revised. Transmitters, receivers and test equipment for use at vhf and uhf are all fully covered on a practical basis in this new edition.  
£1-80 post paid

## RADIO COMMUNICATION HANDBOOK

832 pages of everything in the science of radio communication. The Handbook's U.K. origin ensures easy availability of components. Complete coverage of the technical and constructional fields. A superb hard-bound volume.  
£3-50 post paid

These are three of a complete range of technical publications, log books and maps, all obtainable from:

## RADIO SOCIETY of GREAT BRITAIN

35 DOUGHTY STREET, LONDON, WC1N 2AE

# PADGETTS RADIO STORE

OLD TOWN HALL, LIVERSEDGE, YORKS

TEL. HECKMONDWIKE 4285

Latest Air Ministry Release. Radio Receiver Type R4187. 2-8 to 18 M.H.Z. In Three Bands. Complete with 17 Miniature Valves, 26 Volt Motor Power Supply Motor and Manually Tuned. Very Clean Condition but not tested. £5. Carriage and Insurance 75p.

Control Unit Type 4190. Complete with Three Miniature Valves 1 $\frac{1}{2}$  500 U.A. Meter, Six Relays, Model Makers Motor with Gears, 24 Press Buttons, lots of Spares. Very Clean condition. £1-50. Carriage and Insurance 75p.

Autostabiliser Amplifier Unit. Complete with Carpenter Relay and Base. Many Spares. 50p. P/P 33p.

Brand New Manufacturers Surplus Mains Transformers 250-0 250 80M.A. 6-3 4 Amps. £1-05. P/P 25p.

Reclaimed T.V. Tubes. All with 12 Months Guarantee.

AW43/88 £2. AW43/80 £1-50. MW43/69 £1.

Special Offer Brand New Brimar Tubes. C17P.M. £1. Many older Types in Stock. Carriage and Insurance on any Tube £1-10.

Breaking up Ferguson Model 506T. Tested L.O.P.T. £1-45 post paid.

Fireball Tuner Unit with valves, less knobs, 75p post paid.

S.A.E. for Price List of other Spares.

G.P.O. Relays Ex Units. 400 Ohms and 600 Ohms. 50p doz. P/P 25p. Sample Relay 6p P/P 5p.

Miniature Lamp Holder, Brass. 10p P/P 5p. Doz. Lots 90p Post Paid. Base Board Type.

Best Quality Tapes. 7 L.P. 70p. 7" St. 59p. 5" L.P. 50p. 5" St. 39p P/P on any Tape 12 $\frac{1}{2}$ p.

Jap Personal Ear Pieces. Large Plug 10p Post Paid.

Valve List Ex Equipment. All Valves Tested on a Mullard Valve tester before Despatched. 3 Months Guarantee on all Valves. Single Valves P/P 3p. Over three Valves P/P Paid.

ARP12	5p	PCC84	5p	U191	20p
EB91	4p	PCF80	5p	U251	12 $\frac{1}{2}$ p
EF85	12 $\frac{1}{2}$ p	PCL82	12 $\frac{1}{2}$ p	6BW7	10p
EBF80	12 $\frac{1}{2}$ p	PCL83	12 $\frac{1}{2}$ p	6U4	10p
EBF89	12 $\frac{1}{2}$ p	PCF82	12 $\frac{1}{2}$ p	6F23	20p
ECC81	10p	PL36	20p	20P1	20p
ECC82	12 $\frac{1}{2}$ p	PL81	17 $\frac{1}{2}$ p	20P3	10p
ECC83	12 $\frac{1}{2}$ p	PY81	7 $\frac{1}{2}$ p	20D1	10p
ECL80	7 $\frac{1}{2}$ p	PY33	17 $\frac{1}{2}$ p	30P4	20p
EF80	7 $\frac{1}{2}$ p	PY82	7 $\frac{1}{2}$ p	30P12	20p
EF91	4p	PL82	7 $\frac{1}{2}$ p	30FL1	20p
EV86	20p	PL83	7 $\frac{1}{2}$ p	6/30L2	20p
		PCL84	12 $\frac{1}{2}$ p		

## Output Sampler

The resistor chain is strapped across the output voltage and the tapping point will always be at 3.9V. There are three separate resistor chains in order to reduce the sensitivity of VR1.

It is worth mentioning that the output of this power supply can never be less than the reference voltage generated by D5. If 3.9V is not low enough then a 2.7V zener may be used for D5 and if necessary, the sampling chain recalculated.

## Construction

Not much information need be given on the construction of this unit since much will depend upon the dimensions of the components used. Fig. 4 shows the layout of the component board and the interconnections with the remaining components.

Fig. 3 illustrates the general layout of the power unit as built by the author. Note that the transistor case of Tr3 forms the collector connection and must be insulated from the heat sink with the mica insulation kit generally supplied with the transistor. Check after assembling the transistor and heat sink that there is no conducting path between the transistor case and the heat sink.

The heat sink used here is made from aluminium sheet  $4\frac{1}{2} \times 2\frac{3}{4}$  in. bolted to the main chassis.

It is worth adding that where wire-wound resistors are used there is always a tendency for oscillation to occur. These resistors, from the nature of their construction, are slightly inductive. Often this effect can

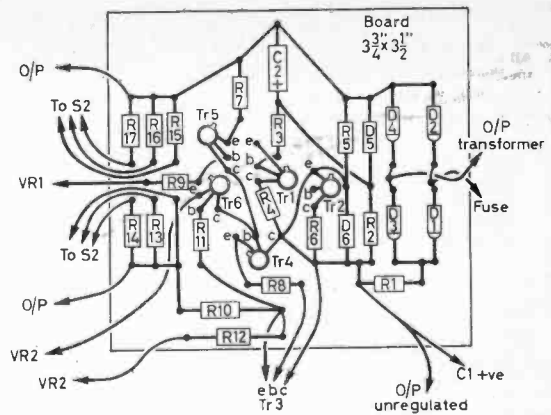


Fig. 4: Layout of component board.

be corrected by the addition of a small capacitor of 20 to 100pF coupled across the resistor to tune out the effect of the inductance.

## ★ components list

### Resistors

R1 0.5Ω	R7 390Ω	R13 1kΩ
R2 4.7kΩ	R8 390Ω	R14 4.7kΩ
R3 390Ω	R9 390Ω	R15 330Ω
R4 2.2kΩ	R10 3.3Ω/3W	R16 470Ω
R5 4.7kΩ	R11 390Ω	R17 1.2kΩ
R6 1kΩ	R12 270Ω	R18 270kΩ

All resistors except R10 are  $\frac{1}{2}$ W  
VR1 500Ω linear carbon pot  
VR2 1kΩ linear carbon pot

### Capacitors

C1 2500μF 64V	C2 10μF 25V
C3 22pF polystyrene	

### Semiconductors

Tr1 2N706 or BC107, 2N930 or 2N2484	
Tr2 2N3250 or BCY30, 31, 32 or 2N3250	
Tr3 2N3055 or BDY 38, with insulating washer etc.	
Tr4 BFY50 or 2N1711, 1613 or BFY51	
Tr5 2N706 or BC107, 2N930 or 2N2484	
Tr6 2N706 or BC107, 2N930 or 2N2484	
D1 1N645	D4 1N645
D2 1N645	D5 ZF3-9 (400mW)
D3 1N645	D6 ZF4-7 (400mW)

### Miscellaneous

Transformer 30V 2A (Type MT3AT). S1, 2 pole 2 way toggle switch. S2, 4 pole 3 way, make before break wafer switch, used as 2 pole 3 way. Sockets, red (4), black (5). Neon lamp, Q1332 (Bulgin) or equivalent; some equivalents have built-in resistor —if so delete R18. Fuse holder with 1A fuse. Vevo-board, plain,  $3\frac{1}{2} \times 3\frac{1}{2}$  in., 0.1 in. matrix. Aluminium chassis,  $10\frac{1}{2} \times 9$  in., panel  $12 \times 9$  in., heat sink  $4\frac{1}{2} \times 2\frac{1}{2}$  in. Voltmeter 20V, ammeter 1A, if required.

# TELEVISION

## DECEMBER ISSUE

### A CLOSER LOOK AT PAL

The basic principles of the PAL system are now generally understood. There is however a good deal more than meets the eye to the system. So this month we are starting a new series in which we shall be investigating the system in greater detail than previously. The account will be descriptive, not a fog of formulae!

### CONSTRUCTORS' CIRCUITS

This month we turn to the line timebase. A choice of transistor or valve line oscillator circuits, both with flywheel synchronisation, and a line output stage with optional stabilisation and optional solid-state e.h.t. and boost rectifier circuits is given.

### THE TELDEC SYSTEM

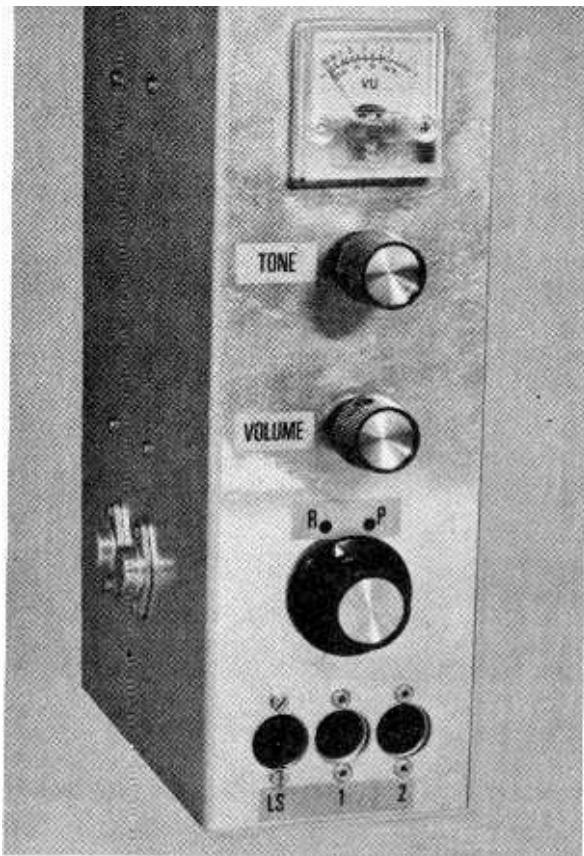
With the first demonstration of the Teldec system in colour at the recent international Berlin Radio Exhibition this remarkable disc videorecording system is again in the news. A full account of the mechanics of the system.

### RUSSIAN TV RECEIVERS

There are many novel and unusual features in the Temp single-standard receivers manufactured in the USSR and now being widely distributed in the UK. For example, an external definition control varies the vision i.f. response by means of a varicap diode, the line blocking oscillator transformer has an adjustable feed-in point for optimum a.f.c., automatic brightness control is incorporated in the video output stage and amplified negative feedback is used in the field output stage. We are taking a detailed look at this interesting chassis.

PLUS ALL THE REGULAR FEATURES

# ON SALE NOVEMBER 22



deliberate effort has to be made to roll-off this response to avoid r.f. pickup in the high gain amplifier and also to prevent the bias oscillator signal from being a problem.

It should be pointed out that this circuit is only suitable for the Marriott XRP18 or XRP36 record playback heads and the XES11 erase head. The amplifier will play back from other heads but, on record, other heads need much higher bias voltages than this circuit will produce.

All the transistors specified are common types and inexpensive and the total cost of the semiconductors is unlikely to be more than about £1.50 including the output pair.

The circuit is very largely based on one published by Mullard's and no originality is claimed. There are however certain differences incorporated for various reasons.

The switching necessary in a tape recorder circuit tends to make the understanding of the circuit difficult and so Fig. 1 shows the effective circuit on playback. Fig. 2 shows it in on record. The component numbers are shown and if the values given in the main circuit are used these will work perfectly well by themselves without switching if for instance only a tape playback amplifier is needed.

## PLAYBACK

From Fig. 1 it will be seen that Tr1 and Tr2 are coupled as a pretty conventional preamplifier to boost the signal from the tape head. R7, the emitter resistor of Tr2, is not decoupled, this provides a measure of feedback to the whole stage as the bias

# Transistor TAPE RECORDER

W. LANGLEY

In January we published full details for a stereo tape recorder and at the time we promised an article describing a mono version. The amplifier described here can be used with any type of tape deck, though the tape heads specified must be used.

THE design of a transistor tape recorder has its own special problems. High gain is necessary since the output from a tape head on playback is very low but at the other end, in the circuits feeding the loudspeaker, high currents are passed and it is vital to ensure that earth loops do not create instability. Readers who wish to build this circuit should not deviate from the general layout unless they are absolutely certain that they know exactly what they are doing.

The problems of earth loops are not helped by the necessity for including fairly complex switching to alter the function of the amplifier from record to playback. An early prototype of this project was violently unstable due to the voltage drop in only a 2in. length of wire; this may give some indication of how important careful layout is.

Care has also to be taken in another field. Modern transistors of the type used here have frequency responses reaching to several Megahertz and a

to Tr1 is taken from the emitter of Tr2 via R5. This feedback improves the stability of the amplifier. C3, a low value capacitor, has little effect at audio frequencies but effectively cuts out the r.f. signals, which may have been picked up, from later stages. Tone control is achieved by coupling feedback from Tr2 collector to Tr1 emitter via C6 and VR2. To

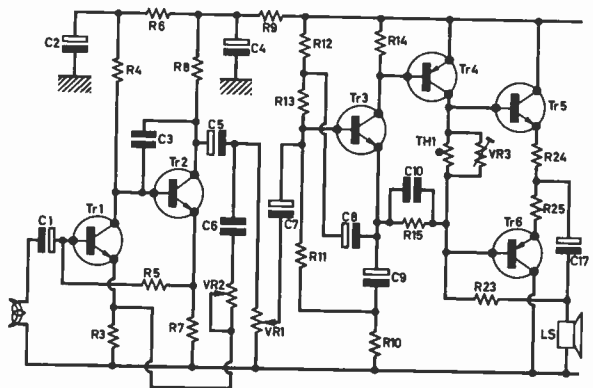


Fig. 1: The effective circuit on playback.

ensure quiet and stable operation, the supply to Tr1 collector must be adequately decoupled, this being achieved through R6 and C2.

After the volume control, the output is fed to a fairly conventional transformerless complementary pair output stage. It is d.c. coupled throughout with a variety of feedback and stability circuits. Conventional connections would take the junction of C10-R15 to the junction of R24 and R25 instead of the base of Tr6; the reason for deviating from this will become apparent from the record stage.

TH1, a VA1077 32Ω thermistor, holds the bases of the output pair close together, as far as potential is concerned, while the trimmer VR3 linearises the operation and sets the output current. R10 applies a degree of negative feedback to the first part of the output stage.

## RECORD

On record the input to Tr1 is connected to the input sockets, the first of which is unattenuated, the second which is severely attenuated for inputs of up to 2V. The input impedance of both is fairly high, about 100kΩ.

The preamplifier and the first two stages of the main amplifier operate identically except that the tone control is disconnected and the volume control becomes the record level control. TH1 and VR3 are included but in fact their low value means that they can be ignored in the record position; R16 goes directly to chassis and acts as the collector load. Output to the tape head is taken from the collector of Tr4 (effective) via C11, C12 and R21. The VU meter is connected via R22, the actual value of which should be selected later.

In the record mode, transistors Tr5 and Tr6 are coupled as an oscillator with the erase head, the potential divider chain R17, R18, R19 and R20 providing the correct bias voltages. This arrangement

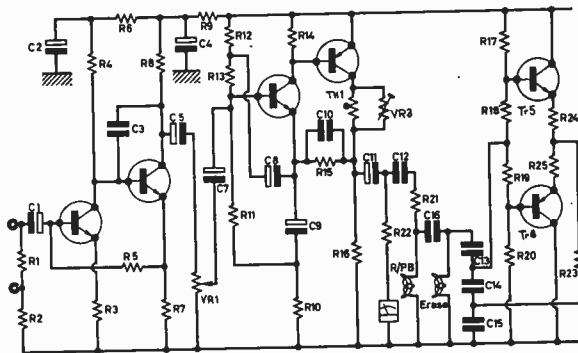


Fig. 2: The effective circuit on record.

gives a high voltage swing across the erase head. The a.c. bias necessary for correct operation is applied to the record head via C16.

## SWITCHING

To alter the function of the amplifier from record to playback an eight-pole, two-way switch is needed. The various functions can be studied in the complete circuit diagram shown in Fig. 3. The VU meter is only operational on record and serves as a level indicator.

The type of switch used is not important but may be hard to obtain. That used in the prototype is made up from "Make-a-Switch" parts with two six-pole, two-way wafers.

## EQUALISATION

For the best signal-to-noise ratio, on record, treble boost should be applied to the signal and on playback, bass boost should be applied. In fact these tend to be self-cancelling if a slightly worse signal-to-noise ratio can be accepted (and it is only very slight with

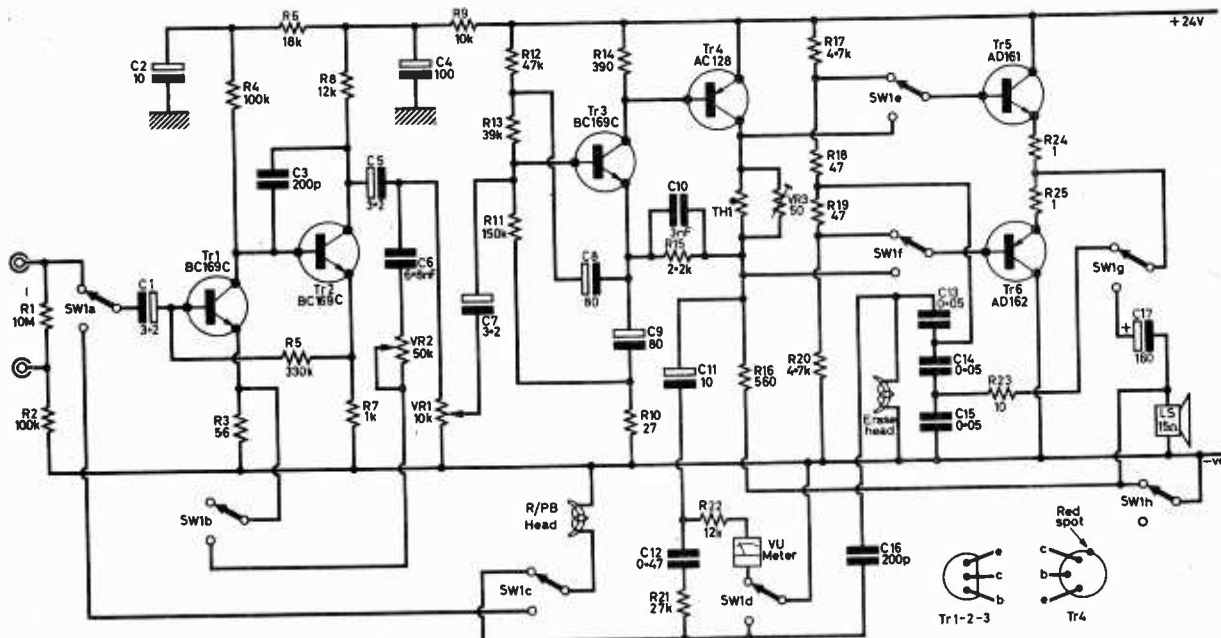


Fig. 3: The complete circuit. SW1 is shown in the record position. The connections for Tr5 and Tr6 are shown in Fig. 6.

modern tape). The author has a number of professionally recorded tapes and recordings, made without equalisation using this amplifier, were hardly different from these. On playback the tone control gives a wide control over the frequency response and this compensates somewhat for the lack of equalisation.

## HEAD SWITCHING

The tape heads specified are both four-track and it is of course necessary to switch from one to the other. This is simply accomplished by fitting a slide switch near the heads, the siting will depend on the

## ★ components list

### Resistors

R1 10MΩ ½W	R10 27Ω	R19 47Ω
R2 100kΩ	R11 150kΩ	R20 4.7kΩ
R3 56Ω	R12 47kΩ	R21 27kΩ
R4 100kΩ	R13 39kΩ	R22 12kΩ
R5 330kΩ	R14 390Ω	R23 10Ω
R6 18kΩ	R15 2.2kΩ	R24 1Ω 1W
R7 1kΩ	R16 560Ω ½W	R25 1Ω 1W
R8 12kΩ	R17 4.7kΩ	
R9 10kΩ	R18 47Ω	

All ½W, 5% except where stated

VR1 10kΩ log. pot with double pole switch

VR2 50kΩ lin. pot

VR3 50Ω (47Ω) skeleton preset

### Capacitors

C1 3.2μF 25V	C7 3.2μF 25V	C13 0.05μF
C2 10μF 25V	C8 80μF 25V	C14 0.05μF
C3 200pF	C9 80μF 25V	C15 0.05μF
C4 100μF 25V	C10 3nF	C16 200pF
C5 3.2μF (3,000pF)	C11 10μF 25V	C17 160μF 25V
C6 6.8nF (6,800pF)	C12 0.47μF	

### Semiconductors

Tr1 BC169C	Tr4 AC128	} matched pair
Tr2 BC169C	Tr5 AD161	
Tr3 BC169C	Tr6 AD162	

### Miscellaneous

TH1, VA1077 32Ω thermistor; L.S., 15Ω loudspeaker; SW1—see text; Veroboard—see text; DIN input sockets (2 off) and extension L.S. socket; VU meter; Aluminium chassis—see text.

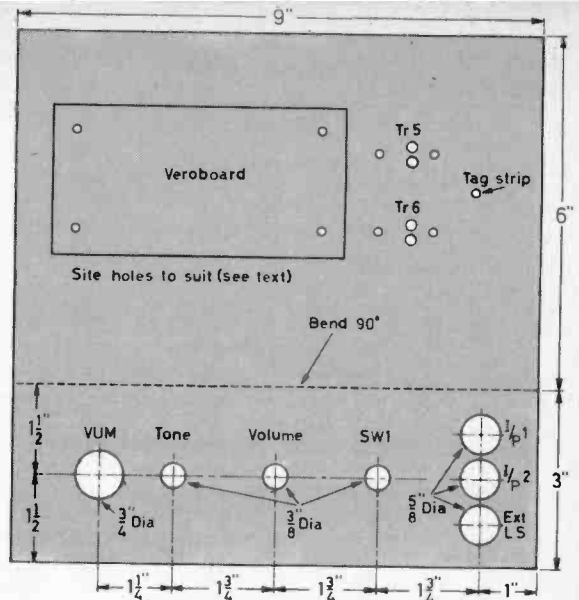


Fig. 4: Details of the metalwork.

deck used. Alternatively, this switch could be incorporated on the main chassis.

## CONSTRUCTION

A very simple chassis arrangement is used for the amplifier, the dimensions are shown in Fig. 4. The input sockets and loudspeaker socket are at one end with the VU meter at the other; the function switch, the volume control and the tone control lie in between. The majority of the components are mounted on a piece of Veroboard 5in. × 2½in. (a standard size). Four holes are drilled in this for later mounting to the chassis.

The power transistors, AD161 and AD162, need to be heat-sunk and these are fitted at one end of the Veroboard near the switch. A small tag-strip holds the large capacitor C17 and acts as an anchoring point for the output pair emitter resistors, R24 and R25. R1 and R2 are mounted directly on the input sockets.

Building the Veroboard panel should be straightforward, the layout is shown in Fig. 5. The necessary connections to the board are made with Veropins at

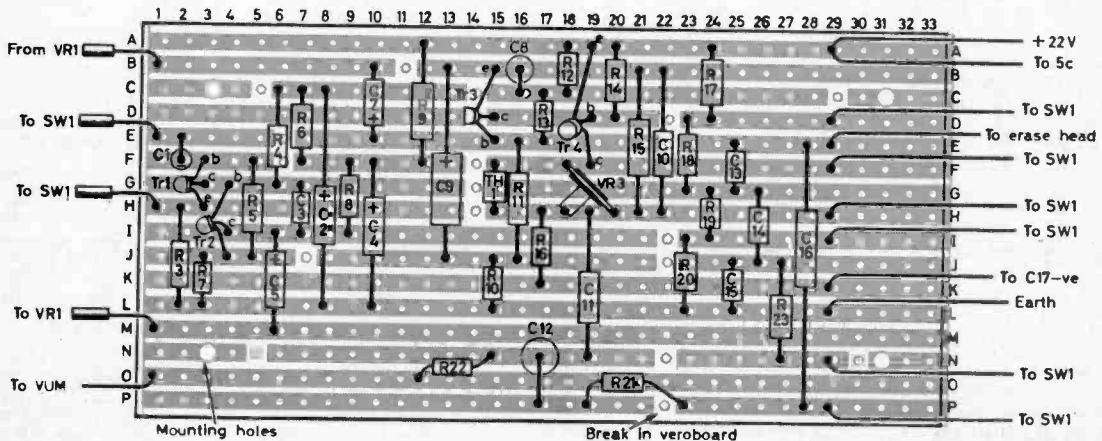


Fig. 5: The main component layout on Veroboard.

# BRAND NEW GUARANTEED

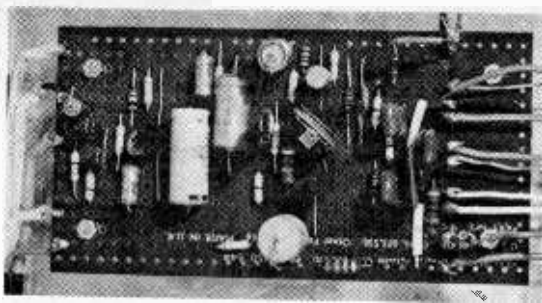
# SEMICONDUCTORS & COMPONENTS

SOLE AGENTS FOR SOLID STATES DEVICES INC., (USA). IN U.K.

# RETURN OF POST SERVICE

## TRANSISTORS

2G301	20p	2N3404	22p	40310	45p	BC212L	27p	BSX28	32p	NKT281	27p
2G302	20p	2N3406	22p	40311	45p	BCY30	18p	BSX60	32p	NKT401	87p
2G303	20p	2N3414	22p	40312	47p	BCY31	30p	BRX81	62p	NKT402	90p
2G306	42p	2N3415	22p	40314	47p	BCY32	50p	BAX76	22p	NKT403	75p
2G308	30p	2N3416	37p	40320	47p	BCY33	25p	BSX77	27p	NKT404	62p
2G309	30p	2N3417	37p	40323	32p	BCY34	30p	BSX78	27p	NKT405	75p
2G371	15p	2N3570	21-25	40324	47p	BCY35	40p	BSY10	27p	NKT406	62p
2G374	30p	2N3772	27p	40328	30p	BCY39	60p	BSY11	27p	NKT451	62p
2G381	22p	2N3605	27p	40329	30p	BCY40	50p	BSY24	15p	NKT452	62p
2N404	22p	2N3606	27p	40344	27p	BCY42	15p	BSY25	15p	NKT453	62p
2N696	20p	2N3607	22p	40347	67p	BCY43	15p	BSY26	17p	NKT603F	32p
2N697	17p	2N3702	11p	40348	62p	BCY44	32p	BSY27	17p	NKT604F	32p
2N698	25p	2N3703	10p	40360	42p	BCY58	22p	BSY28	17p	NKT677F	30p
2N705	12p	2N3704	11p	40361	47p	BCY59	22p	BSY29	17p	NKT767F	30p
2N706	12p	2N3705	10p	40362	47p	BCY90	97p	BSY32	25p	NKT7713	25p
2N708	15p	2N3706	09p	40370	32p	BCY70	20p	BSY36	25p	NKT781	30p
2N709	62p	2N3707	11p	40406	57p	BCY71	25p	BSY37	25p	NKT10419	30p
2N718	25p	2N3708	07p	40407	40p	BCY72	17p	BSY38	22p	NKT10419S	37p
2N726	30p	2N3709	09p	40408	62p	BCZ10	27p	BSY39	22p	NKT10519	32p
2N727	30p	2N3710	09p	40410	62p	BCZ11	42p	BSY40	32p	NKT20329	32p
2N914	17p	2N3711	15p	40467A	67p	BD116	21-121	BSY51	32p	NKT20333	47p
2N916	17p	2N3715	11-25	40468A	35p	BD121	65p	BSY52	32p	NKT20333	47p
2N918	30p	2N3716	11-30	40600	57p	BD123	82p	BSY53	37p	NKT20333	47p
2N929	22p	2N3791	22-06	AC107	30p	BD124	60p	BSY54	40p	NKT20333	47p
2N930	27p	2N3819	25-05	AC126	20p	BD131	75p	BSY56	37p	NKT20333	47p
2N1090	22p	2N3823	97p	AC127	25p	BD132	85p	BSY57	40p	NKT20333	47p
2N1131	25p	2N3854	27p	AC128	22p	BDY10	11-87	BSY79	45p	NKT80112	77p
2N1192	25p	2N3855	27p	AC154	22p	BDY11	11-87	BSY82	52p	NKT80112	77p
2N1302	17p	2N3855A	30p	AC176	25p	BDY17	11-50	BSY90	57p	NKT80113	77p
2N1303	17p	2N3856	30p	AC187	62p	BDY18	11-75	BSY95A	12p	NKT80113	77p
2N1304	22p	2N3856A	35p	AC188	37p	BDY19	11-97	BSW41	42p	NKT80211	92p
2N1305	22p	2N3857	25p	AC189	27p	BDY20	11-121	BSW70	27p	NKT80211	92p
2N1306	25p	2N3858	27p	AC190	27p	C111	—	C424	27p	NKT80212	92p
2N1307	25p	2N3859	27p	AC191	25p	BDY60	11-25	C425	55p	NKT80218	92p
2N1308	30p	2N3859A	32p	AC192	25p	BDY62	11-25	C426	40p	NKT80218	92p
2N1309	30p	2N3860	30p	AC222	20p	BF115	25p	C428	37p	NKT80218	92p
2N1507	17p	2N3866	11-50	AC228	20p	BF117	47p	C74	40p	NKT80214	92p
2N1613	25p	2N3877	40p	AC240	40p	BF163	37p	D161P	30p	NKT80215	92p
2N1631	35p	2N3907A	40p	AC241	25p	BF167	18p	D16P2	40p	NKT80215	92p
2N1632	35p	2N3907A	37p	AC244	40p	BF173	19p	D16P3	37p	NKT80216	92p
2N1638	27p	2N3900A	40p	AD140	52p	BF177	30p	D16P4	40p	NKT80216	92p
2N1639	27p	2N3901	97p	AD149	57p	BF178	30p	GET102	30p	OC20	75p
2N1871B	11-00	2N3903	35p	AD150	62p	BF179	30p	GET113	30p	OC22	50p
2N1711	25p	2N3904	35p	AD181	37p	BF180	35p	GET114	30p	OC23	60p
2N1899	82p	2N3905	37p	AD182	37p	BF181	35p	GET115	20p	OC24	60p
2N1899	82p	2N3906	37p	AD183	37p	BF182	25p	GET119	20p	OC25	50p
2N2147	82p	2N4058	17p	AF114	25p	BF185	42p	GET120	52p	OC26	50p
2N2148	57p	2N4059	10p	AF115	25p	BF186	17p	GET121	12p	OC26	27p
2N2160	57p	2N4060	12p	AF116	25p	BF189	15p	GET180	30p	OC28	62p
2N2193	40p	2N4061	12p	AF117	25p	BF186	42p	GET187	20p	OC29	62p
2N2193A	42p	2N4062	12p	AF118	62p	BF192	42p	GET189	22p	OC35	50p
2N2194A	30p	2N4244	17p	AF119	20p	BF198	42p	GET190	22p	OC36	62p
2N2217	27p	2N4245	17p	AF124	22p	BF200	52p	GET196	22p	OC41	22p
2N2218	23p	2N4286	17p	AF128	20p	BF224	14p	GET197	22p	OC42	25p
2N2219	30p	2N4287	17p	AF126	20p	BF225	19p	GET198	22p	OC44	25p
2N2220	25p	2N4288	17p	AF127	17p	BF237	23p	MJ400	11-071	OC45	12p
2N2221	25p	2N4289	17p	AF139	37p	BF238	35p	MJ421	11-121	OC46	15p
2N2222	30p	2N4290	17p	AF178	72p	BF242	42p	MJ421	11-121	OC70	10p
2N2223	30p	2N4292	12p	AF180	52p	BFX11	47p	MJ430	11-021	OC71	12p
2N2224	30p	2N4294	12p	AF180	52p	BFX12	22p	MJ440	85p	OC72	12p
2N2368	17p	2N4303	47p	AF181	42p	BFX13	22p	MJ480	97p	OC74	32p
2N2369	17p	2N4307	52p	AF239	42p	BFX29	30p	MJ481	11-26	OC75	22p
2N2369A	17p	2N4308	57p	AF279	47p	BFX30	30p	MJ490	80p	OC76	22p
2N2410	42p	2N4309	47p	AF280	42p	BFX42	37p	MJ491	11-371	OC77	30p
2N2483	27p	2N4310	47p	AF281	32p	BFX43	37p	MJ1800	11-271	OC81	20p
2N2484	22p	2N4312	18p	ASV26	25p	BFX68	67p	MJE340	62p	OC81D	22p
2N2539	22p	2N4317	52p	ASV27	37p	BFX84	25p	MJE520	60p	OC83	25p
2N2540	22p	2N4317S	52p	ASV28	27p	BFX85	32p	MJE621	75p	OC83	25p
2N2613	25p	2N4516	45p	ASV29	27p	BFX86	25p	MFF102	37p	OC139	32p
2N2614	30p	2N4524	30p	ASV30	27p	BFX87	25p	MFF103	37p	OC140	32p
2N2646	25p	2N4536	45p	ASV50	25p	BFX88	25p	MFF104	37p	OC170	30p
2N2696	32p	2N4544	42p	ASV61	32p	BFX89	62p	MFF105	37p	OC171	30p
2N2711	25p	2N4549	67p	ASV64	70p	BFX93A	70p	MPS3638	32p	OC200	40p
2N2712	25p	2N4585	32-25	ASV86	32p	BPY10	32p	NKT0013	42p	OC201	75p
2N2713	27p	2N4586	22-75	AU103	11-25	BPY11	42p	NKT124	42p	OC202	75p
2N2714	30p	2N4587	22-62	AZ221	42p	BPY12	22p	NKT125	27p	OC203	42p
2N2965	62p	2N4595	37p	BC107	10p	BPY18	32p	NKT126	27p	OC204	42p
2N2964	30p	2N4596	40p	BC108	10p	BPY19	32p	NKT128	27p	OC205	90p
2N2904A	32p	2N4597	37p	BC109	10p	BPY20	32p	NKT135	27p	OC207	75p
2N2905	37p	2N4598	37p	BC113	15p	BPY21	42p	NKT137	32p	OC211	42p
2N2906A	30p	2N4599	62p	BC116	15p	BPY24	45p	NKT210	30p	ORP12	62p
2N2906	25p	2N4600	42p	BC118	15p	BPY25	25p	NKT212	30p	ORP11	62p
2N2907	27p	2N4601	42p	BC119	15p	BPY26	20p	NKT213	30p	P466A	22p
2N2923	15p	2N4602	32p	BC122	20p	BPY29	50p	NKT213	30p	T1834	62p
2N2924	15p	2N4603	32p	BC125	20p	BPY30	50p	NKT214	22p	T1843	27p
2N2925	15p	2N4606	32p	BC126	20p	BPY43	62p	NKT216	37p	T1845	10p
2N2926	14p	2N4547	37p	BC140	37p	BPY50	25p	NKT217	42p	T1846	11p
Green	14p	2N4547	37p	BC147	37p	BPY51	20p	NKT219	30p	T1847	11p
Yellow	14p	2N4547	37p	BC148	37p	BPY52	23p	NKT223	27p	T1848	12p
Orange	12p	2N4547	37p	BC149	12p	BPY53	17p	NKT224	25p	T1849	12p
2N3011	30p	2N4602	50p	BC152	17p	BFY56A	67p	NKT225	22p	T1850	17p
2N3014	32p	2N4603	25p	BC157	20p	BFY75	80p	NKT229	62p	T1851	62p
2N3053	18p	2N4604	25p	BC158	11p	BFY76	42p	NKT237	35p	T1852	22p
2N3054	45p	2N4605	35p	BC159	12p	BFY77	67p	NKT238	25p	T1853	22p
2N3055	62p	2N4606	35p	BC160	62p	BFY90	67p	NKT240	27p	T1860	22p
2N3133	30p	2N4607	27p	BC167	11p	BFW58	27p	NKT241	27p	T1861	25p
2N3134	30p	3N83	40p	BC168B	10p	BFW59	25p	NKT242	20p	T1862	27p
2N3135	25p	3N128	70p	BC168C	11p	BFW60	25p	NKT243	20p	T1863	27p
2N3136	25p	3N140	77p	BC169B	11p	BFY76	42p	NKT245	20p	TIP30A	62p
2N3390	25p	3N441	75p	BC169C	12p	BPX29	11-80	NKT246	20p	TIP31A	62p
2N3391	25p	3N142	55p	BC170	12p	BPY10	11-45	NKT262	20p	TIP32A	75p
2N3391A	30p	3N143	67p	BC171	15p	BRX39	47p	NKT262	30p	TIP33A	75p
2N3392	17p	3N152	87p	BC172	15p	BSX19	17p	NKT264	20p	TIP33A	75p
2N3393	15p	R.C.A.	52p	BC175	22p	BSX20	17p	NKT271	20p	TIP34A	82-05
2N3394	15p	40590	55p	BC182	10p	BSX21	37p	NKT272	20p		
2N3402	22p	40291	32p	BC183	9p	BSX26	45p				



The Veroboard panel—compare this with Fig. 5.

both ends of the board and much work will be saved later if these are fitted at the same time as the main components and soldered in.

There are a number of breaks in the copper conducting strip and these are shown clearly on the diagram.

There is a reasonable amount of room on the board but care should be taken to ensure that extra large components are not selected. The  $\frac{1}{8}W$  resistors specified will fit neatly as shown. The skeleton preset VR3 will also fit neatly into 0.15in. matrix Veroboard if fitted at an angle as shown.

Naturally the output transistors have to be

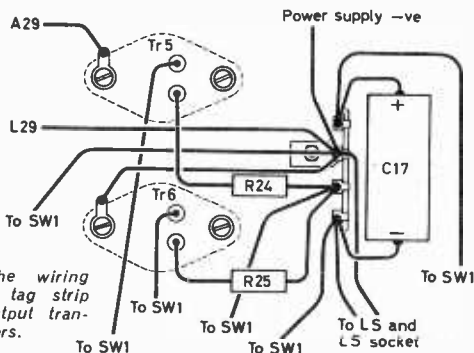


Fig. 6: The wiring around the tag strip and the output transistors.

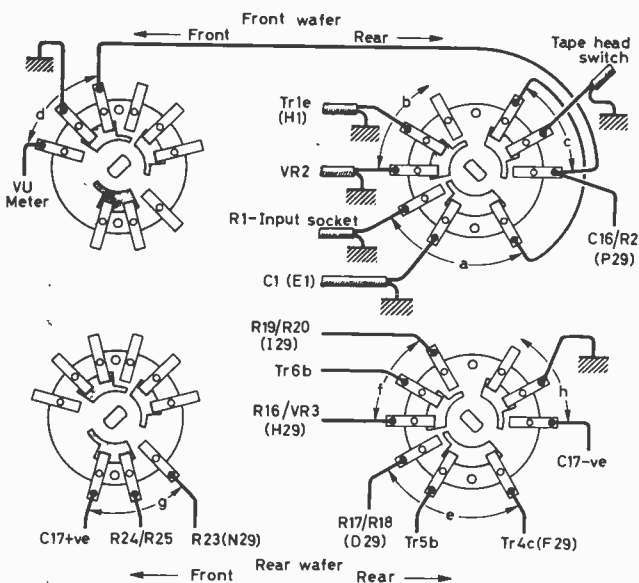


Fig. 7: The record/playback switch wiring.

insulated from the chassis and this applies to Tr6 as well, even though the collector is at chassis potential. It is this sort of thing that can cause earth loop problems.

One connection on the small tag strip is the common earthing point and all wires which carry any appreciable current are earthed directly to this. A second earthing point is on the input DIN sockets but as these wires are taking no current to speak of, no problem arises. When finally connected to the tape deck, be sure that the metal body of the deck is connected to the main earthing point of the amplifier. Certain wires need to be screened, these are indicated on the diagrams.

The switch wiring is shown in Fig. 7. A logical sequence in wiring this up is essential. It is easier to mount the completed Veroboard panel and the other components to the chassis and then proceed with the wiring. A heavy gauge piece of copper wire can be mounted alongside the switch to act as an earth bus bar, this being connected to the common earth point. If the tape deck used has incorporated switch wafers these could be used but this entails a lot of additional wire and could result in instability.

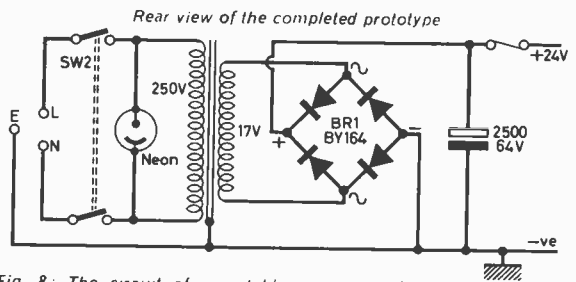
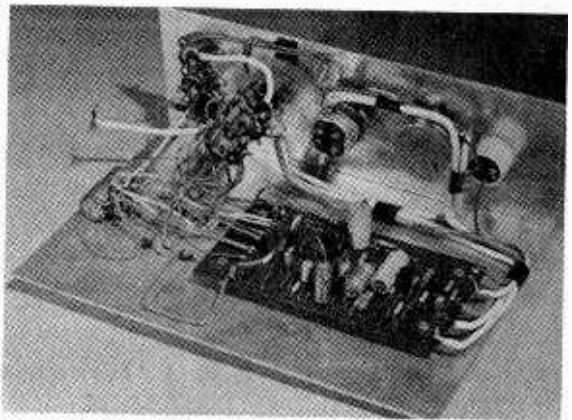


Fig. 8: The circuit of a suitable power supply.

The power supply should be built separately and fixed some distance both from the main amplifier and the tape heads to avoid hum induction. The circuit for a suitable power supply is shown in Fig. 8.

There are only two items that need to be set up. One is VR3; for this a meter should be inserted in the emitter leads of one of the output pair and the quiescent current should be adjusted, using VR3, to read about 20mA. The value of the resistor feeding the VU meter has to be found by trial and error. In use the correct recording level can be found simply by listening for high level distortion caused by over modulation of the tape. When the correct level has been found, the resistor R22 should be selected to read zero level on peaks.



# Build yourself a TRANSISTOR RADIO

## NEW! ROAMER 10 WITH VHF INCLUDING AIRCRAFT

**10 TRANSISTORS, 9 TUNABLE WAVEBANDS, MW1, MW2, LW, SW1, SW2, SW3, TRAWLER, BAND, VHF AND AIRCRAFT BAND**

Built in Ferrite Rod Aerial for MW/LW. Retractable, chrome plated 7 section Telescopic Aerial, can be angled and rotated for peak short wave and VHF listening. Push Pull output using 600mw Transistors. Car Aerial and Tape Record Sockets. Switched Earpiece Socket complete with Earpiece. 10 Transistors plus 3 Diodes. 7in x 4in Speaker. Air Spaced ganged Tuning Condenser with VHF section. Volume on/off, Wave Change and Tone Control. Attractive Case in black with silver blocking. Size 9" x 7" x 4". Easy to follow instructions and diagrams. Parts price list and easy build plans 30p (FREE with parts).

Total building cost

**£8.50**

P. P. & Ins. 50p

(Overseas P. & P. £1)



## ROAMER EIGHT Mk I

**NOW WITH SWITCHED TONE CONTROL**

7 Tunable Wavebands: MW1, MW2, LW, SW1, SW2, SW3 and Trawler Band. Built in Ferrite Rod Aerial for MW and LW. Retractable chrome plated Telescopic aerial for Short Waves. Push pull output using 600mW transistors. Car aerial and Tape record sockets. Selectivity switch. Switched earpiece socket complete with earpiece. 8 transistors plus 3 diodes. 7in x 4in. Speaker. Air spaced ganged tuning condenser. Volume/on/off, tuning, wave change and tone controls. Attractive case in rich chestnut shade with gold blocking. Size 9 x 7 x 4in. approx. Easy to follow instructions and diagrams. Parts Price List and Easy Build Plans 25p (FREE with parts).

Total building cost **£6.98** P. P. & (Overseas P. & P. £1) Ins. 41p.



## ROAMER SEVEN MK IV

7 Tunable Wavebands: MW1, MW2, LW, SW1, SW2, SW3 and Trawler Band. Extra Medium waveband provides easier tuning of Radio Luxembourg, etc. Built in ferrite rod aerial for MW and LW. Retractable 4 section 24in. chrome plated telescopic aerial for SW. Socket for Car Aerial. Powerful push-pull output. 7 transistors and 2 diodes, including Micro-Alloy R.F. Transistors. 7 x 4in. P.M. speaker. Air spaced ganged tuning condenser. Volume/on/off, tuning and wave change controls. Attractive case with carrying handle. Size 9 x 7 x 4in. approx. Easy to follow instructions and diagrams. Parts price list and easy build plans 15p (FREE with parts). Earpiece with plug and switched socket for private listening, 30p extra.

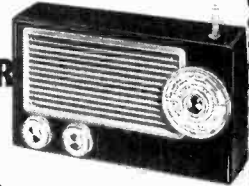
Total building costs **£5.98** P. P. & (Overseas P. & P. £1) Ins. 41p.



## ROAMER SIX

6 Tunable Wavebands: MW, LW, SW1, SW2, Trawler band plus an extra M.W. band for easier tuning of Luxembourg, etc. Sensitive ferrite rod aerial and telescopic aerial for Short Waves. 3in. Speaker. 8 stages—6 transistors and 2 diodes including Micro-Alloy R.F. Transistors, etc. Attractive black case with red grille, dial and black knobs with polished metal inserts. Size 9 x 5½ x 2½in. approx. Easy build plans and parts price list 15p (FREE with parts). Earpiece with plug and switched socket for private listening 30p extra.

Total building costs **£3.98** P. P. & (Overseas P. & P. £1) Ins. 26p



## POCKET FIVE

3 Tunable Wavebands: MW, LW, Trawler Band with extended M.W. band for easier tuning of Luxembourg, etc. 7 stages—5 transistors and 2 diodes, super-sensitive ferrite rod aerial, fine tone moving coil speaker. Attractive black and gold case. Size 5½ x 1½ x 3½in. Easy build plans and parts price list 10p (FREE with parts). Earpiece with plug and switched socket for private listening 30p extra.

Total building costs **£2.23** P. P. & (Overseas P. & P. 63p) Ins. 21p



## TRANSONA FIVE

**NOW WITH 3in SPEAKER**

3 Tunable Wavebands: MW, LW and Trawler Band. 7 stage—5 transistors and 2 diodes, ferrite rod aerial, tuning condenser volume control, fine tone 3in. moving coil speaker. Attractive case with red speaker grille. Size 6½ x 4½ x 1½in. Easy build plans and parts price list 10p (FREE with parts). Earpiece with plug and switched socket for private listening 30p extra.

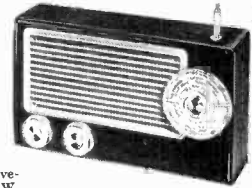
Total building costs **£2.50** P. P. & (Overseas P. & P. 63p) Ins. 22p



## TRANS EIGHT

6 Tunable Wavebands: MW, LW, SW1, SW2, SW3 and Trawler Band. Sensitive ferrite rod aerial for M.W. and L.W. Telescopic aerial for Short Waves. 3in. Speaker. 8 Improved type transistors plus 3 diodes. Attractive case in black with red grille, dial and black knobs with polished metal inserts. Size 9 x 5½ x 2½in. approx. Push pull output. Battery economiser switch for extended battery life. Ample power to drive a larger speaker. Parts price list and easy build plans 25p (FREE with parts). Earpiece with plug and switched socket for private listening 30p extra.

Total building costs **£4.48** P. P. & (Overseas P. & P. £1) Ins. 31p



## NEW! "EDU-KIT"

**BUILD RADIOS, AMPLIFIERS, ETC., FROM EASY STAGE DIAGRAMS. FIVE UNITS INCLUDING MASTER UNIT TO CONSTRUCT**

**COMPONENTS INCLUDE:**  
Tuning Condenser: 2 Volume Controls: 2 Slider Switches: 4"x2½" Speaker: Terminal Strip: Ferrite Rod Aerial: 3 Plugs and Sockets: Battery Clips: 4 Tag Boards: Balanced Armature Unit: 10 Transistors: 4 Diodes: Resistors: Capacitors: Three ½" Knobs.  
Units once constructed are detachable from Master Unit, enabling them to be stored for future use. Ideal for Schools, Educational Authorities and all those interested in radio construction.

All parts including **£5.50** P. P. & (Overseas P. & P. £1) Ins. 31p



**FULL AFTER SALES SERVICE**

• Callers side entrance Barratts Shoe Shop  
• Open 10-1, 2.30-4.30 Mon.-Fri. 9-12 Sat.

## RADIO EXCHANGE CO

61 HIGH STREET, BEDFORD. Tel. 0234 52367

I enclose £..... please send items marked

ROAMER TEN <input type="checkbox"/>	ROAMER SEVEN <input type="checkbox"/>
ROAMER EIGHT <input type="checkbox"/>	TRANS EIGHT <input type="checkbox"/>
TRANSONA FIVE <input type="checkbox"/>	ROAMER SIX <input type="checkbox"/>
POCKET FIVE <input type="checkbox"/>	EDU-KIT <input type="checkbox"/>

Parts price list and plans for .....

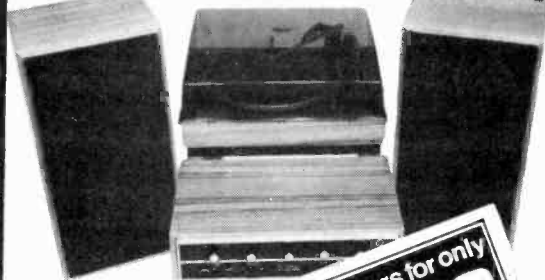
Name .....

Address .....

PW.36

**SPECIAL OFFER FOR DECEMBER ONLY**  
**FREE PAIR OF**  
**STEREO HEADPHONES**  
*with every complete stereo system purchased*

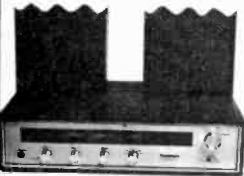
**COMPLETE STEREO SYSTEM**



**Yours for only**  
**£49**  
*inc. leads & plugs*  
**P&P £2.00**

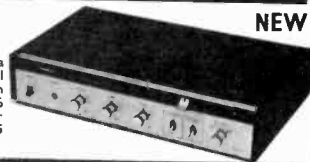
AMC can now offer this superb quality system at an unheard of price. The backbone of the system is the HL SA 707 Stereo Amplifier. The unit is housed in a sturdy Teak Cabinet with a black & silver fascia. Power output 20 watts (speech and music). Frequency Response 15-20,000 Hz. Special features include: Scratch Filter, Headphone Socket and facilities for all types of cartridges. Together with the matching high quality AMC 3-way speaker system, world renowned Garrard 2025TC deck including plinth, cover and Sonotone 9TAHC cartridge, make an unbeatable system. Or as above, but with Garrard SP 25 Mk III deck with Goldring G.800 Magnetic Cartridge, £55.00 inc. leads & plugs, P & P £2.00.

**TELETON CRI0T**  
**Stereo System**



AM/FM Stereo Tuner Amplifier in superb walnut cabinet 4 watts per channel, AFC, built-in MPX and Cer[X]TAL input, complete with pair of matching Teleton speakers £29.95 inc. leads & plugs. P & P 62p. With matching Garrard 2025TC deck including plinth, cover and a Sonotone 9TAHC cartridge £42.00 inc. leads & plugs P & P £1.00.

**TELETON SAQ 206**  
**Stereo Amplifier**



It's here, the latest model in a beautiful walnut case. Special sliding balance control, scratch filter, and loudness control. 6 x 6 watts RMS, Switched inputs for Xtal, aux. tape and Mag. £19.95 inc. leads & plugs. P & P 37p.

**GARRARD SP25 MkIII**

Turntable complete with Goldring G.800 Magnetic Cartridge, plinth & cover.

**OUR FANTASTIC**  
**PRICE £19.95**

*inc. leads & plugs. P & P 50p.*

**FANTASTIC KELETRON SPEAKER BARGAINS**

Rec/Price	Our Price	P & P	Rec/Price	Our Price	P & P
KN 400	£8.05 each	£5.80 75p	KN 1100	£20.40 each	£14.00
KN 600	£13.43 each	£9.99 85p	KN 1600	£25.20 each	£16.00
KN 800	£15.90 each	£10.50 £1.00	KN 2100	£30.60 each	£20.00

**DECKS**

**Goldring GL75** mounted in Teak Plinth, with Tinted Perspex Lid complete with G.800 magnetic cartridge. £45.00. P & P 50p.

**Goldring GL69** mounted in Teak Plinth, with Tinted Perspex Lid complete with G.800 magnetic cartridge. £37.00. P & P 50p.

**Garrard AP76** mounted in Teak Plinth, with Tinted Perspex Lid complete with Goldring G.800 magnetic cartridge. £30.50. P & P 50p.

**CARTRIDGES**

Goldring G850 £4.50  
 Goldring G800 £7.50 } P & P  
 Goldring G800H £7.05 } 12p  
 Goldring G800E £11.15

**ALL ITEMS ARE FULLY GUARANTEED AND COME BRAND NEW IN MANUFACTURERS SEALED CARTONS**

**DEMONSTRATIONS BY APPOINTMENT**

**MAIL ORDERS TO:**

**AMC Co.**

Dept P. W., 149 Echingham Park Road, London, N.3.  
 Tel: 01-346 3313  
 Make Cheques and Money Orders payable to AMC Co.  
 E.O.E. Subject to availability.

**RANGER HQ RADIO MICROPHONE**

*Build or buy a Professional, Transistorised Radio Microphone*



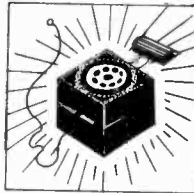
- ★ No external connections
- ★ 4 Transistors. Ready for use. Just switch on
- ★ Receive on any VHF radio, preferably with AFC, and easily coupled to P.A. etc.
- ★ Excellent Range
- ★ Internal aerial
- ★ Overall size 8 x 1½ inches
- ★ Finished in sophisticated matt black
- ★ Fully Guaranteed against any breakdown by our exchange unit scheme
- ★ Completely designed and constructed by Miniature Electronics

Send £10 without delay: Also available in Comprehensive Kit to build yourself £7, complete with full instructions.

**Build or buy a bug**

**TX Mk1—The latest in miniature Radio Transmitters.** Have the time of your life with our TX Mk1, use it for fun, Baby Alarm or Security. Supplied with all necessary information.

- ★ 450 yard range
- ★ Transmits even soft speech or a pin drop at 10 feet
- ★ Completely self contained in 1" cube
- ★ Receive on VHF Radio 99-108 MHz.
- ★ Finished in matt black
- ★ Operate from external PP3 battery 30 hours life



Send £8 for ready to use unit. Available in comprehensive kit form to build yourself £5.

**MINIATURE ELECTRONICS LTD.**  
 64 LONGRIDGE ROAD, LONDON, S.W.5.

**INCOMPARABLE V.H.F. KIT**

Johnsons CV2—unique triple-purpose (Converter, Receiver, Tuner-Feeder) kit for the Amateur enthusiast. Fantastic transistorized performance, World Wide Sales. Complete kit of top grade parts with coils covering 80-180 mHz, plus easy/build diagrams and instructions. £4 direct from makers or S.A.E. for free literature.

**JOHNSONS (RADIO)**  
 ST. MARTINS GATE  
 WORCESTER WRI 2DT

Est. 1943

Tel. 24864

(A division of the G-BAN Organization)

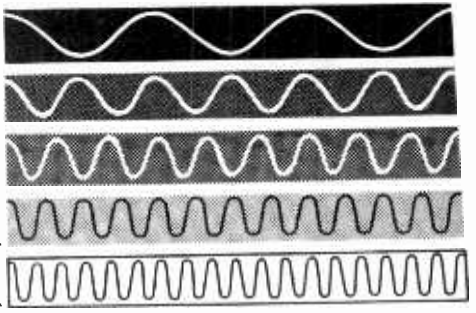
*If you have difficulty in obtaining*

**PRACTICAL WIRELESS**

*Please place a regular order with your newsagent or send 1 year's subscription (£2.65) to Subscription Department, Practical Wireless, Tower House, Southampton St., London, W.C.2.*

# COMPREHENSIVE MULTI-BAND RECEIVER

F. G. RAYER  
G3OGR



## PART 2

### RF AMPLIFIER

The circuit for this stage is shown in Fig. 5. The 6BA6 is to the right of the ganged capacitor, Fig. 3, and L1 is to the left, near the panel. In Fig. 5, L1 is a "Blue" coil, and L2 the existing mixer "Yellow" coil.

Leads run from VC6 and VC7 through the chassis as in Fig. 3. The aerial trimmer VC8 is fixed to the panel in the position shown in Fig. 4, near the holder for L1. Arrange the valve and coil holders to allow short leads, with separation of grid and anode circuits, and earth the central spigot of the valveholder to the chassis.

The primary of L2 was originally earthed. Pin 8 is now disconnected from the chassis and wired to C1, Fig. 4, shown as C4 in the r.f. stage circuit Fig. 5. Pin 9 is disconnected from the aerial socket and connected to pin 5, V1, Fig. 5.

A piece of co-axial cable is now used for the aerial circuit. Its inner conductor runs from the aerial socket to pin 8 of L1. The outer conductor is connected to the earth socket, chassis, and also to the chassis near L1.

Add the r.f. gain control in the position shown, and disconnect R7 of the i.f. amplifier from the chassis, wiring it to VR1 and R4, Fig. 5.

### RF AMPLIFIER ALIGNMENT

Insert a set of three coils. VC8 should peak quite sharply near the h.f. end of each band, unless the aerial is very long. Adjust the core of L1, in the way already described for L2, so that little or no adjustment of VC8 is required near the l.f. end of the band.

There is no loss of efficiency if VC8 and VC3 can

both be used to peak up signals throughout each band, and are not fully open or fully closed. But correct adjustment of the cores will make it unnecessary to adjust these trimmers frequently, except to peak up weak signals, or when changing the aerial or coils.

When dealing with the highest frequency range, note that it is possible to tune L1 or L2 to the wrong side of the oscillator frequency, at the h.f. end of the band. This effect is possible when trimming any circuit of this type, with an i.f. near 465kHz. L1 and L2 should be tuned l.f. of the oscillator frequency, and the second channel, or unwanted response, will be about 930kHz h.f. of this, and will be found as a weaker signal, if a generator is used for alignment.

On the lower frequencies it is not possible to set L1 or L2 to the wrong side of the oscillator frequency.

### CARRIER OSCILLATOR/PRODUCT DETECTOR

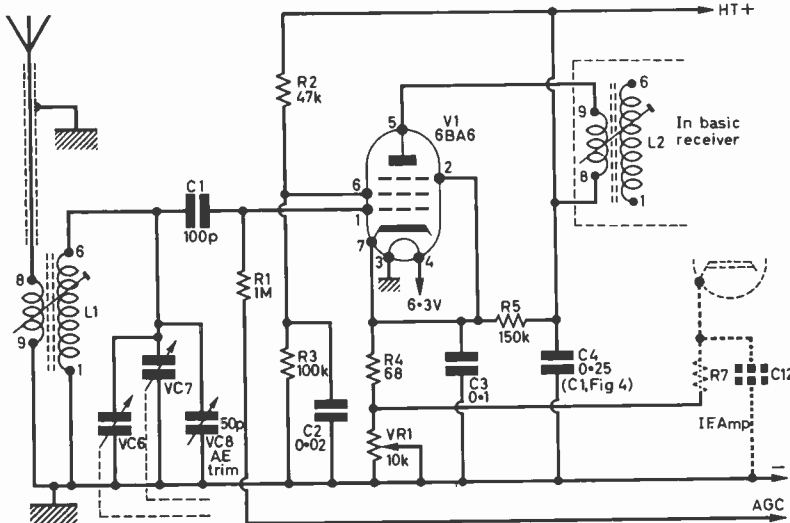
Fig. 6 shows the circuit of these sections. The product detector V1 occupies the position near the last i.f.t. as in Fig. 3. The carrier oscillator is constructed completely in the box which is later bolted to the left of the chassis, Fig. 3. It is possible to use the carrier oscillator for the reception of both c.w. and s.s.b. using the diode detector D1 but reception is much improved by switching it out and bringing in the product detector V1.

The 3-way rotary switch controls operation of the receiver. Section S1 allows the diode detector D1 to supply signals for a.m. reception, or switches to C5 for s.s.b., c.w. and "Calibrate." Section S1b applies h.t. to both stages in the s.s.b./c.w. and "Calibrate" positions.

A 7×2in "universal chassis" flanged side is taken and its flanges cut away 2in from each end. It is then given right-angle bends 2in from each end, to make an open box 2in high, 3in wide, and 2in deep. A plate 3×2in is cut and bolted to the front flanges.

The valveholder and CO coil are located as in Fig. 3, and all components in the box in Fig. 6 are assembled and wired, with tag strips to anchor h.t. circuits and other

Fig. 5: Circuit of the r.f. amplifier, to give increased sensitivity.



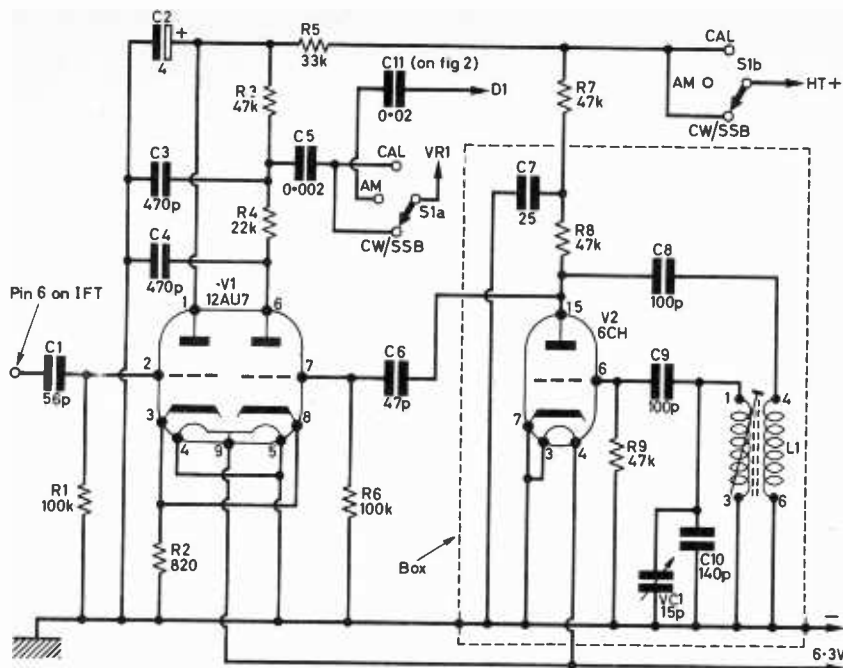


Fig. 6: Circuit of the carrier oscillator and product detector to permit reception of s.s.b. and c.w. signals. against the chassis. Keep grid circuits away from leads carrying heater current.

After connecting C1 realign the last i.f.t. in the way explained. Tune in any transmission, with the switch at the "AM" position and place VC1 in the central position, as mentioned earlier.

Switch to SSB/CW and rotate the core of the CO coil until a strong heterodyne is produced. This is an audio tone which falls in frequency as the correct core position is reached. Passing this position results in the tone beginning a gain and rising in frequency. The correct core setting is the central, zero beat setting.

components. A blue lead is run out from pin 4 for heater, a yellow lead from tag 1 for C6, and a red lead from C7 for h.t. circuits.

A back plate 3x2in with a 1/2in flange to bolt to the chassis is bent up, or cut from a spare 3in wide "universal chassis" member. It is drilled so that it can be attached to the back of the CO box with four self-tapping screws into the flanges of the latter.

The CO box is placed so that the bush and spindle of VC1, Fig. 6, project through a clearance hole in the receiver panel. It is fixed here by two bolts through the lower flanges of the box and chassis. The back plate described is then screwed on from behind, and is bolted to the receiver chassis.

When VC1 is half closed the knob pointer or mark should be vertical.

The function switch is put in the position shown, and h.t. and heater circuits connected.

Most of the small components for the product detector are supported by the valveholder pins, and an adjacent tag strip. The lead from C5 to S1 runs

An audio tone which rises in pitch can then be produced by rotating VC1 either way.

When receiving s.s.b. the carrier oscillator has to replace the suppressed carrier, being adjusted slightly one way or the other, as necessary by VC1. The sideband normally employed depends on the amateur band in use, but the adjustment of VC1 will soon become clear.

For c.w. reception, use VC1 to obtain the most suitable pitch, placing the CO either above or below the c.w. as found to give least interference.

## CRYSTAL FILTER

This incorporates an extra stage of i.f. amplification, 3-position selectivity switch, and variable phasing control using the circuit in Fig. 7. It provides

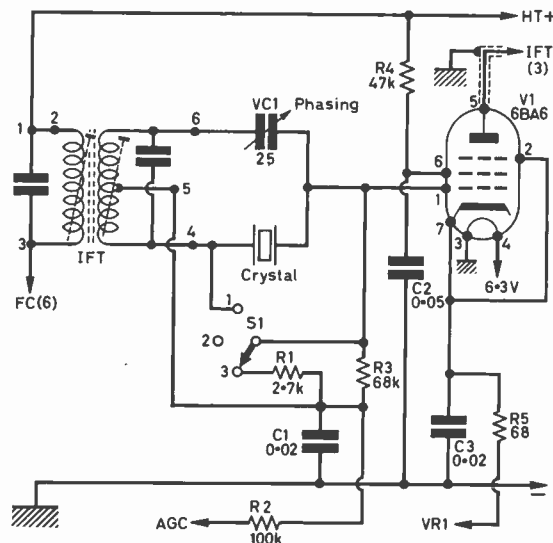
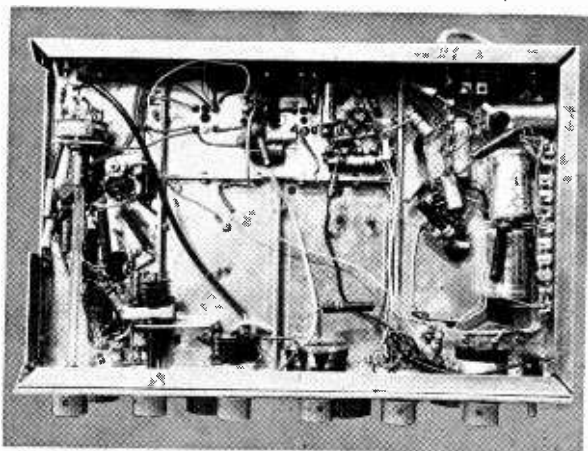


Fig. 7: For increased gain and selectivity this crystal filter unit can be fitted.



This photograph of the underneath of the receiver can be compared with Fig. 4 (Part 1).

## ★ components list

### RF STAGE:—

R1 1M $\Omega$   $\frac{1}{2}$ W R3 100k $\Omega$   $\frac{1}{2}$ W R5 150k $\Omega$  1W  
R2 47k $\Omega$  1W R4 68 $\Omega$   $\frac{1}{2}$ W All 10% tolerance

VR1 10k $\Omega$  wire wound potentiometer, linear.

C1 100pF SM C3 0.1 $\mu$ F  
C2 0.02 $\mu$ F disc C4 (C1, Fig. 4)  
VC6 Front section of bandset capacitor  
VC7 Front section of bandspread capacitor  
VC8 50pF variable

L1 From basic receiver (L2)  
L2 Miniature plug-in coils (Denco 'Yellow' Ranges 2, 3, 4 and 5)

### Miscellaneous:

V1, 6BA6. Valveholders B7G (1) with screen, B9A (1).

### CARRIER OSC/P. DETECTOR:

R1 100k $\Omega$   $\frac{1}{2}$ W R4 22k $\Omega$   $\frac{1}{2}$ W R7 47k $\Omega$   $\frac{1}{2}$ W  
R2 820 $\Omega$   $\frac{1}{2}$ W R5 33k $\Omega$  1W R8 47k $\Omega$   $\frac{1}{2}$ W  
R3 47k $\Omega$   $\frac{1}{2}$ W R6 100k $\Omega$   $\frac{1}{2}$ W R9 47k $\Omega$   $\frac{1}{2}$ W

C1 56pF SM C6 47pF SM  
C2 4 $\mu$ F 350V C7 0.25 $\mu$ F 350V  
C3 470pF C8 100 $\mu$ F SM  
C4 470pF C9 100pF SM  
C5 2000pF C10 140pF SM  
VC1 15pF variable

V1 12AU7 V2 6C4

### Miscellaneous:

Valveholders, B9A (1), B7G (1) with screen. S1a/b/c 3 pole 3 way wafer switch (S1c is for crystal marker). Universal chassis flanged members 7 $\times$ 2in (1) 4 $\times$ 3in (Home Radio). L1, BFO2/465 (Denco).

### CRYSTAL FILTER:

R1 2.7k $\Omega$  1W R3 68k $\Omega$   $\frac{1}{2}$ W R5 68 $\Omega$   $\frac{1}{2}$ W  
R2 100k $\Omega$   $\frac{1}{2}$ W R4 47k $\Omega$   $\frac{1}{2}$ W

C1 0.02 $\mu$ F C2 0.05 $\mu$ F C3 0.02 $\mu$ F  
VC1 25pF variable

### Miscellaneous:

V1, 6BA6. Crystal, 465kHz (see text). IFT, IFT11/465/CT (Denco). S1, 1 pole 3 way wafer switch. Valveholder B7G and screen. Bushes (2) DL52C, couplings (2) DL60,  $\frac{1}{4}$ in dia. polystyrene rod (Denco). Universal chassis side 7 $\times$ 2in (1), 4 $\times$ 3in (1) (Home Radio).

### CRYSTAL MARKER:

R1 470k $\Omega$   $\frac{1}{2}$ W R3 100k $\Omega$   $\frac{1}{2}$ W  
R2 10k $\Omega$   $\frac{1}{2}$ W R4 22k $\Omega$   $\frac{1}{2}$ W

C1 220pF SM C3 0.02 $\mu$ F disc  
C2 0.02 $\mu$ F disc C4 100pF SM  
VC1 100pF variable

### Miscellaneous:

Crystal, 1MHz. Valve, EF91. Valveholder, B7G. Universal chassis side 4 $\times$ 3in (Home Radio). Crystal holder.

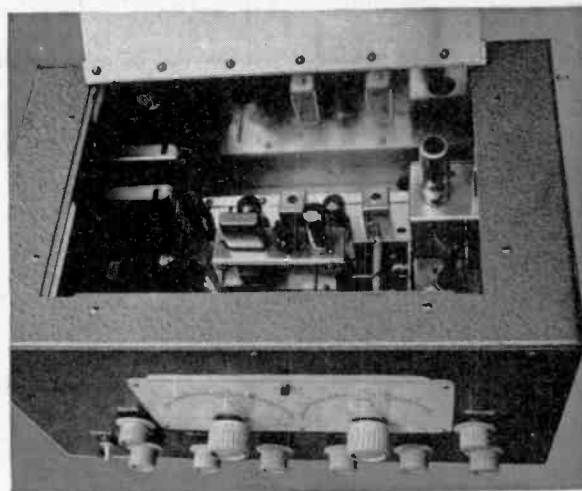
additional gain, and a very great increase in selectivity.

The i.f.t. has a centre-tapped secondary, and VC1 can be adjusted to balance stray capacitance in the crystal and wiring, or to give a rejection notch either side of the crystal frequency. With the switch in position 1, the crystal is out of circuit, and selectivity is that provided by the three i.f.t.'s. With position 2, the crystal is in use working into the relatively high impedance of R3. For position 3, the crystal provides maximum selectivity. Position 1 is suitable for general reception and position 2 is used for other signals except when severe interference from adjacent transmissions is troublesome.

A 3 $\times$ 2 $\times$ 2in box is made in the same way as described for the carrier oscillator. The circuit in Fig. 7 is built entirely in this box, which is then bolted to the chassis, and closed by a plate fixed to the back with self-tapping screws.

The i.f. transformer is situated above a hole in the main chassis, so that its lower core can be adjusted.

VC1 must be insulated from the front of the box, and it is also mounted so as to avoid unnecessary



stray capacitance to the metal. This was done by punching a  $\frac{1}{16}$ in hole in the box and bolting a  $\frac{1}{8}$ in strip of paxolin across inside, with a hole to take the capacitor bush. The spindle is extended by using a small coupling and length of  $\frac{1}{4}$ in diameter insulated rod, which runs through a bush at the panel.

The 3-way switch is situated immediately under the box, on a chassis bracket and an extension spindle is also fitted.

The exact frequency of the crystal is not too important, provided it falls near the frequency of the i.f.t.'s (465kHz). A 464kHz surplus crystal was used and a 455kHz crystal, available as a spare for a well-known communications receiver, also tried. No difficulty arose in adjusting the i.f.t.'s to 455kHz.

A wire-ended crystal can be supported between pin 4 and VC1. Other crystals may need fixing to an insulated strip or bracket.

Coloured leads pass down through the chassis to identify heater and other circuits. R2 runs to the common a.g.c. line. R5 is connected to the r.f. gain control, which now adjusts the bias of all i.f. stages.

RF leakage round the filter will degrade the very high selectivity so the lead from the f.c. anode to i.f.t. primary is screened from the valveholder right up to the pin of the i.f.t. The anode lead of V1, Fig. 7, is similarly screened.

## ALIGNMENT WITH FILTER

Alignment should be checked with a meter, such as used earlier when adjusting the i.f.t. cores. A multi-range meter clipped in to read cathode current of one of the stages receiving a.g.c. is suitable, adjustments being directed towards securing minimum current.

Set the phasing control about half open and the selectivity switch at 1. Tune in a strong transmission. Switch to position 2 and tune slowly across the signal, observing the tuning meter. There will probably be one normal response on the meter, observed as a steady rise and fall while tuning through the signal. A second response should be found, very much sharper, and probably giving only a small dip on the meter. This is the crystal frequency. Leave the tuning at this frequency, and adjust all the i.f.t. cores for best results (lowest meter reading). Switching from 1 to 2 and tuning should show that the i.f.t.'s are now virtually on the crystal frequency.

The phasing control is now adjusted slowly to find the exact point where selectivity is greatest and the

is  $1\frac{3}{4}$ in. high, 4in. wide, and  $1\frac{1}{4}$ in. deep made from a single "universal chassis" member  $4\times 3$ in cut to leave two pieces, one  $4\times 1\frac{3}{4}$ in and the other  $4\times 1\frac{1}{4}$ in. The flange of the smaller piece is bolted to the straight edge of the larger piece, which can later be attached to the chassis by its flange. After wiring, it is bolted  $3\frac{1}{2}$ in from the rear edge of the chassis, behind the bandspread capacitor.

The EF91, TC1, and crystal holder are mounted in line on the top of the sub-chassis with TC1 insulated from the metal. This may be done by punching a hole which adequately clears the bush, and using two washers of  $\frac{1}{16}$ in paxolin.

A small tag strip anchors C2, R3 and R4, and a flexible lead to pass to the function switch. C4 is similarly anchored, and a rigid insulated wire a few inches long is soldered here and runs near the ganged tuning capacitor. This was found to give adequate coupling into the receiver.

A blue lead from pin 4 passes to the heater circuit. The chassis return is formed by bolting the marker to the receiver chassis.

Initially place TC1 about half closed. With the function switch at "Calibrate" the 5th harmonic at 5MHz can be located with the appropriate coils in place. Switch off the marker and tune in MSF, which will probably be found on almost exactly the same frequency. If necessary, TC1 is rotated so that the marker harmonic is on the same frequency. Turning TC1 either way from this position will cause a flutter, rising to a low pitched growl or audio tone, the correct setting for VC1 being the central, zero position.

The marker can be used for calibration, enabling the 1MHz tuning points to be marked in, from 1MHz to 30MHz.

It also allows exact positioning of the bandset capacitor, so that frequencies in a narrow band can be read with the bandspread tuner. To do this, turn the bandspread pointer to the nearest MHz reading, and adjust the bandset capacitor for zero beat. This assures exact reading on the bandspread dial, which is not possible if the bandset capacitor is adjusted visually. This procedure is used at 4MHz, 7MHz, 14MHz, 21MHz and 28MHz, for the 80, 40, 20, 15 and 10 metre amateur bands.

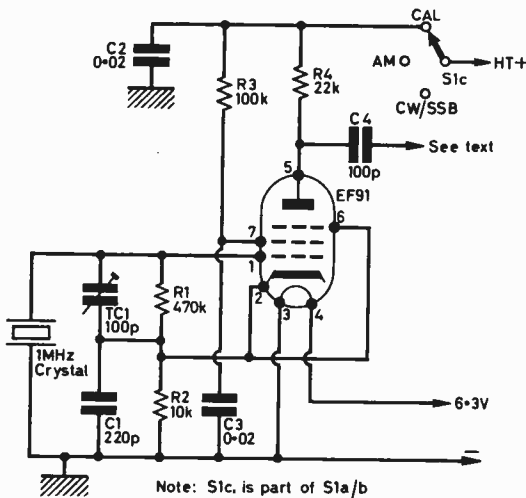


Fig. 8: As a finishing touch this 1MHz crystal marker will provide calibration points throughout the range of the receiver.

response peak (or meter movement) approximately symmetrical a each side of the signal. Repeat this with the switch at 3, and adjust all the i.f.t. cores slightly, if necessary, with a signal tuned in precisely. Adjust the pointer of the phasing control so that it is vertical without moving the control itself.

With the switch at 2 or 3, slight adjustments of VC1 one way or the other will produce a rejection notch which can be moved across the i.f. passband. This should be found to eliminate any interfering signal which is so near the wanted signal that it produces a heterodyne.

## CRYSTAL MARKER

Fig. 8 is the circuit of the harmonic marker, which provides crystal-controlled "pips" from 1MHz to 30MHz. TC1 allows a slight shift in crystal frequency, so that the unit can be set to zero beat with MSF on 5MHz. HT is applied to the EF91 only when the function switch is in the "Calibrate" position.

The marker is assembled on a sub-chassis which

## GENERAL NOTES

A piece of thin perspex  $8\frac{1}{4}\times 3\frac{1}{2}$ in is used to cover the scales, held with chrome bolts. The perspex was held slightly clear of the panel by  $\frac{1}{2}$ in wide strips of card at the bottom and each side. This allows slightly thinner card to be slid in, so that a separate pair of scales can be used with each set of coils. There is sufficient space to take all the four ranges on a single permanent card, if preferred.

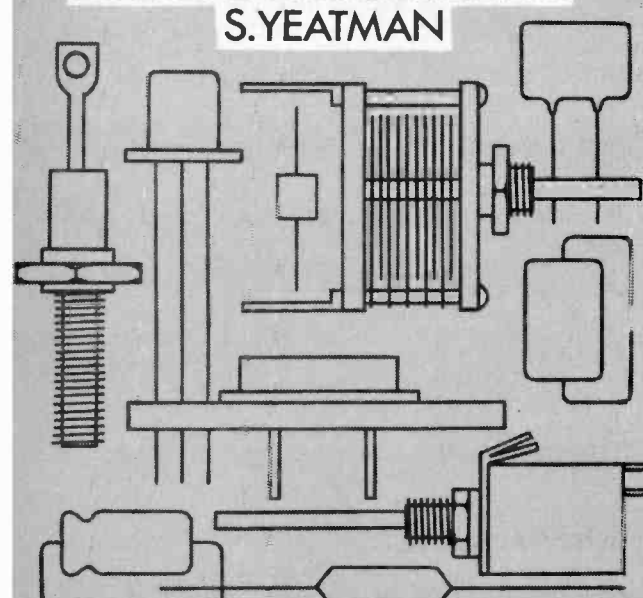
The case top was cut to give an opening lid about  $11\frac{1}{2}\times 7$ in. A line scribed  $\frac{3}{16}$ in from the back,  $1\frac{1}{2}$ in from the front, and  $1\frac{3}{4}$ in from each side. A small drill is used to start a metal saw, to remove this piece. Strips about 1in wide are bolted on inside the cabinet, for the piece removed to close upon, and it is secured along the back with a piano type hinge.

Several  $\frac{1}{2}$ in holes are punched in the case bottom, and along the back, for ventilation. Openings  $3\frac{1}{2}\times 1\frac{1}{2}$ in are cut for the aerial and other connections and the mains cord. This can be done by punching pairs of  $1\frac{1}{2}$ in diameter holes, and sawing between them.



# COMPONENTS DICTIONARY

S. YEATMAN



## PRACTICAL WIRELESS SUPPLEMENT

DECEMBER 1971

This dictionary has been compiled to assist the reader in identifying the more common components that he will come across when constructing electronic equipment. It will also enable him to choose the correct component for a particular purpose.

### AERIALS, ferrite

Ferrite rod aerials are universal in transistor radios and many other receivers, obviating the need for an external aerial. Inductors suitable for the medium and/or long wave ranges are wound on formers on a flat slab or round rod of ferrite material, the formers being movable on the rod for alignment purposes. These inductors take the place of the conventional inductors in the input circuit of the first stage of the receiver.

Ferrite rod aerials have very pronounced directional characteristics having minimum pick-up off the ends of the rod and maximum pick-up at right angles to the line of the rod. This feature can be used to increase the strength of a signal or to null out an interfering signal if its direction is substantially different to that of the wanted signal.

Ferrite aerials are obtainable for use in either valve or transistor circuits.

### CAPACITORS, fixed

Any two metal objects (plates) separated by an insulator (dielectric) possess capacitance, or the ability to hold an electrical charge. Introduction of a solid dielectric in place of air increases the value of a capacitor by several times.

**Practical Units:** The microfarad ( $\mu\text{F}$ ) and the picofarad ( $\text{pF} = 1/1,000,000\mu\text{F}$ ).

**Electrolytic capacitors** basically consist of two lengths of metal foil separated by a length of insulating material, the whole rolled up and sealed in a tubular container. During the process an electrolyte is introduced often in the form of a jelly. The foil may be aluminium or tantalum which may be etched in order to increase the effective area and thus the capacitance. The insulating material will be as thin as possible consistent with the working voltage of the capacitor. All these measures are aimed at getting the maximum capacitance into the minimum of space.

Electrolytic capacitors are generally polarised, one side (or electrode) always being connected to the positive side of the supply and the other electrode to negative. Generally, the outer case, usually of aluminium, is connected to the negative side although occasionally it is isolated. If the voltage is applied in reverse polarity the capacitor will almost certainly be badly damaged. Plus and minus signs or red and black markings are usually boldly marked on polarised electrolytic capacitors.

It should be noted that non-polarised electrolytics are

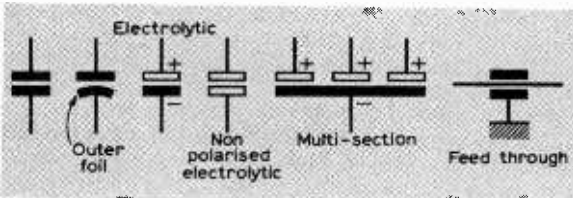
# COMPONENTS DICTIONARY

also obtainable but they are the exception rather than the rule. Electrolytic capacitors with as many as four sections are available such as  $8+8+16+16\mu\text{F}$  usually with a common negative connection, with the one unit being used for smoothing and decoupling purposes. Values of electrolytic capacitors range from  $0.25\mu\text{F}$  to  $10000\mu\text{F}$  at working voltages from 2.5V to 600V. Tolerances on nominal capacity are not "symmetrical" as with resistors ( $\pm 5\%$ ) but may be given as " $-10\% + 50\%$ " or " $-10\% + 100\%$ ".

Electrolytic capacitors are used in electronic equipment for smoothing purposes in mains rectifier circuits and as decoupling capacitors on h.t. and cathode circuits in valve radios, amplifiers etc. and as decoupling and coupling components in transistorised equipment.

**Fixed Capacitors** (non-electrolytic) have several different forms of construction, each with its own special characteristics, which must be taken into account when selecting a capacitor for a particular application, so each type will be described separately.

**Silver Mica** capacitors are considered very stable with a low temperature co-efficient and thus eminently suitable for use in tuned circuits. The working voltage is generally 350V and capacity tolerance 1 or 2% with values available from 2.2 to  $12000\text{pF}$  ( $0.012\mu\text{F}$ ).



**Polystyrene** capacitors are cylindrical in form with the plastic film forming the dielectric. Possessing high insulation resistance, stability is fair and a negative temperature co-efficient makes these capacitors suitable for temperature compensation purposes in oscillator circuits. Also suitable for coupling and decoupling at radio frequencies. Capacitances available from  $2.2\text{pF}$  to  $0.1\mu\text{F}$  with tolerances of  $2\frac{1}{2}$  to 5% and working voltages of 125V or 250V.

**Polyester** capacitors are also tubular, the dielectric this time being polyester plastic foil, again providing high insulation resistance and thus much superior to paper insulation in every respect. Stability is good and performance at r.f. fair. These capacitors can be used to replace paper ones in all non-critical applications. The range of capacitance is  $0.01\mu\text{F}$  to  $0.5\mu\text{F}$  with a tolerance of 10% and working voltages of 125V or 250V.

**Polycarbonate** capacitors are somewhat similar to paper capacitors in performance, having poor stability and only fair capabilities from the point of view of r.f. performance.

**Ceramic**, tubular capacitors have good stability characteristics together with known temperature co-efficients which may be positive or negative and sometimes

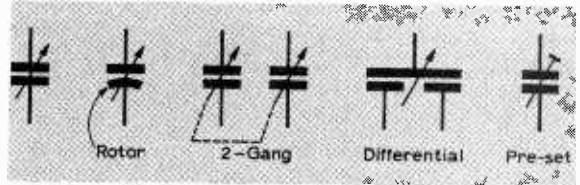
included in the colour code marking. Hence these capacitors may be used to effect temperature compensation of tuned circuits with a fair amount of precision. Care must be taken not to confuse these capacitors with the ceramic "High K" types which have a very high temperature co-efficient and are not particularly stable, being more suited for use as r.f. coupling and bypass capacitors. See table for colour coding.

## CAPACITORS, variable

Variable capacitors, like their fixed counterparts, come in a wide variety of sizes and values from the simplest two plate (vane) trimmer to the multi-section tuning capacitor with a total of perhaps 120 vanes.

The moving plates or rotor are usually electrically part of the capacitor framework, the fixed vanes or stator being mounted in the framework on ceramic stand-off insulators to ensure minimum losses. Capacitors intended for use in oscillator circuits, where stability is most important, will have a rotor bearing at each end of the framework while a single front bearing is adequate for other uses.

The spacing between the vanes may only be a few thousandths of an inch in the case of miniature variable capacitors such as are used in transistor radios while those used in small transmitters may have an air gap of  $\frac{1}{4}$  in. depending upon the d.c. and r.f. voltages existing across the capacitor. In the process of miniaturisation the air dielectric is replaced by a plastic film considerably reducing the physical size of the unit for a given capacitance.



Ganged capacitors may have several sections mounted on a common spindle often with an end section of lower capacitance than the others, for use in the oscillator circuit of a superhet receiver. Each section will have a built-in compression type trimmer for alignment purposes. These trimmers are not generally shown on circuit diagrams. Typical values for a two-gang unit are  $176\text{pF}+208\text{pF}$  and, for a four-gang unit,  $15\text{pF}+15\text{pF}+500\text{pF}+500\text{pF}$ , the latter being intended for use in an a.m./f.m. receiver.

**Differential capacitors** have two stators arranged about a common rotor so that the capacitance of one is increasing while decreasing on the other, being, in effect, a capacitative potentiometer.

The "law" of a capacitor relates the change in capacity with angular movement of the rotor, common ones being SLF (straight line frequency) and SLW (straight line wavelength). In each case the dial calibration will be approximately linear. The law is determined by the shape of the rotor vanes.

It is possible to obtain capacitors with integral slow-motion gearing obviating the need for a separate dial mechanism.

**Trimmer capacitors** are generally similar in construction to variable capacitors except that the spindle is short and slotted to take a screwdriver. Air spaced trimmers are not generally available in values greater than  $150\text{pF}$ . Ceramic trimmers are two plate capacitors with the plates in the form of silver deposited on the ceramic base and ceramic disc rotor. The maximum value of this type of trimmer is mostly under  $50\text{pF}$ .



Compression type trimmers utilise mica or plastic film for the dielectric between a stack of plates the capacity being adjusted by means of a central screw altering the pressure on the plates. The minimum capacitance of this type of trimmer tends to be high but the maximum capacitance can be as much as 2000pF. Typical ranges are 10–80pF and 500–2000pF. These trimmers are commonly known as “padders” and are mainly used in the oscillator circuit of receivers.

## CIRCUIT BOARDS

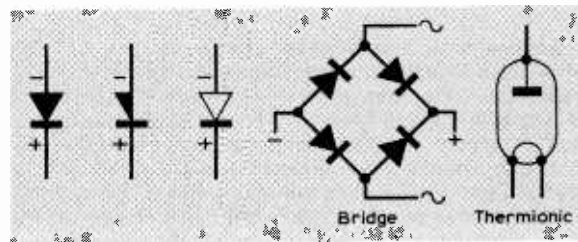
These are flat boards of insulating material on which components may be mounted and wired together to form electronic circuits. The insulation may be s.r.b.p. (synthetic resin bonded paper) or fibreglass. Boards may have the circuit printed on one side by depositing copper by chemical means, the components being interconnected with the circuit through small holes in the board. Copper clad boards having one side covered in copper can be used to form printed circuit boards by etching away the unwanted copper.

Other boards (Veroboard) have a series of copper strips on one side with a matrix of holes, usually of 0.10” or 0.15” spacing, along the strips thus enabling components to be wired between the strips to form a circuit. Plain Veroboard is also available having the matrix of holes but no copper strips. Special pins are used with this board to which components and wiring may be connected.

Edge connector sockets can be fitted to electronic equipment enabling circuit boards to be rapidly inserted or removed for servicing.

## DIODES

A diode is a simple rectifier capable of passing current essentially in one direction only and hence may be used to rectify a.c.



**Thermionic diodes** consist of a filament or heater, constituting the cathode, surrounded by a metal cylinder or anode, all enclosed in an evacuated glass envelope. The diode may be a single unit or one or more may be incorporated with a triode or other valve. Power rectifiers consisting of two diodes, often with a common heater, are used in radio receivers and similar equipment to provide d.c. from an a.c. supply. Thermionic diodes or rectifiers are rapidly being replaced by silicon diodes which do not require a heater and are more efficient.

**Semiconductor diodes** are generally of silicon or germanium with a point contact or a junction of semiconductor materials. The smallest, a fraction of an inch long, are used for signal rectification and similar small signal purposes while the largest used in power supplies can pass several hundred amperes. Vast quantities of s.c. diodes are used in computers as high speed switches usually as part of integrated circuits. In a silicon diode the resistance in the forward direction is very low and high in the reverse direction. In a germanium diode the resistance in the reverse direction is appreciably lower

than that of a silicon diode.

Semiconductor diodes are marked with a spot or a band or a plus sign indicating the end of the diode that will show a positive voltage when an a.c. voltage is applied to the diode. This end corresponds to the cathode in a thermionic rectifier.

A characteristic of diodes, quoted in maker's data, is the “peak inverse voltage” (PIV). This is the maximum peak voltage allowable across the diode during the non-conducting part of its operating cycle. In practice the p.i.v. will vary between 1.4 and 2.8 times the applied r.m.s. voltage depending upon the type of rectifier circuit employed.

## INDUCTORS

While a straight wire possesses “inductance” the value of this inductance will be considerably increased if the wire is formed into a coil or inductor. An iron dust core inserted into the inductor will further increase this inductance.

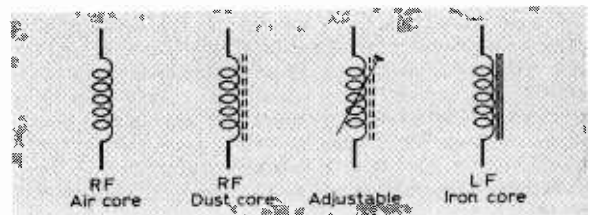
**Practical Units:** The henry (H), the millihenry (mH=1/1000H) and the microhenry ( $\mu$ H=1/1,000,000H).

**LF Inductors**, or chokes, are a single winding on an insulating former having a laminated core (see Transformers). The inductance will range from one or two henrys to around 50 henrys or so. These chokes offer high impedance to low frequencies and are used in audio amplifiers and filters, loudspeaker networks and as smoothing chokes in mains rectifier circuits.

**RF Inductors**, or coils, have a single winding, either layer or pile wound, on a low-loss former and may include an adjustable iron dust core for varying the inductance. If the coil is wound with heavy gauge wire the turns may be self-supporting. Windings of comparatively few turns may be added to the inductor to couple it to other circuits or to provide a feedback winding for use in oscillators.

Such inductors, with associated tuning capacitors, are found in r.f. amplifier, mixer and oscillator stages of receivers as well as in transmitters and signal generators and other test equipment. Although they are usually permanently wired into circuit they can be obtained mounted on a plug-in base for rapid coil changing.

The “goodness” or “Q” of an inductor may be enhanced by enclosing it in a ferrite “pot” with or without an adjustable iron dust core.



**RF Chokes** are inductors having a single winding, sometimes on a ferrite core, and of sufficiently large inductance to present a high impedance to specified radio frequencies. The winding may also be in the form of several separated pile wound sections in order to reduce the self-capacitance of the choke.

Values of inductance range from a few microhenrys for v.h.f. work to 30 millihenrys for the lower radio frequencies.

## INTEGRATED CIRCUITS

The integrated circuit is produced by methods similar to those used in transistor manufacture and combines a number of discrete components on the one silicon chip. Apart from the transistors or diodes, resistors, capacitors

# COMPONENTS DICTIONARY

and inductors can be formed as well as the necessary interconnections.

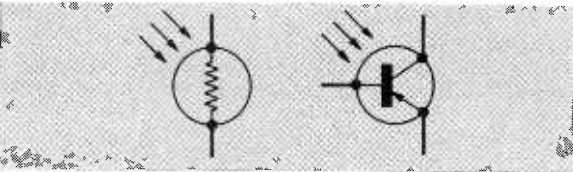
Linear i.c.'s include wideband, audio and operational amplifiers while digital i.c.'s are used in frequency counters, digital clocks, computers etc.

Integrated circuits may be encapsulated or mounted in metal cases. Lead-out wires or tags enable the device to be directly wired into a circuit board or plugged into a suitable holder.

## PHOTOCONDUCTIVE CELLS

These devices are sensitive to light, either producing a voltage when subjected to sunlight as in the case of selenium and silicon photocells, or varying their internal resistance as with cadmium sulphide photocells. The latter are also known as light-dependent resistors (LDR).

The silicon and selenium cells will deliver enough power to operate a transistorised radio or even a small electric motor, a single silicon cell providing nearly half a volt at a current of 15mA.



With LDR's the effect of the varying resistance with changes of incident light can be amplified and used to actuate an alarm or counter or similar device. A typical LDR is the ORP12 which has a "dark resistance" of several megohms falling to a few hundred ohms with full illumination.

## RESISTORS, fixed

Every electrical circuit possesses "resistance" which limits the current flowing in the circuit. Resistors of known value are used to introduce resistance into circuits, usually to a pre-arranged design.

**Practical Units:** The ohm ( $\Omega$ ), kilohm ( $k\Omega=1000\Omega$ ) and the megohm ( $M\Omega=1,000,000\Omega$ ).

**Fixed resistors (carbon)** are moulded from a special carbon composition, the connections to the resistor being in the form of wire ends. Resistors are given a wattage rating by the makers which represents the maximum power that the resistor may safely dissipate. Wattages generally available range from  $\frac{1}{8}$  watt to 2 watts in values from 1 ohm to 22 megohms.

The tolerances available on the nominal value are usually plus or minus ( $\pm$ ) 5 and 10% although 20% was common in the recent past.

The stability of composition resistors is poor but their performance at radio frequencies can be considered fair while their change of value with change in temperature

(temp. co-efficient) is poor being about ten times worse than a wire-wound resistor. Such resistors should only be used in non-critical applications.

High wattage carbon resistors, 25W or more, are often used as non-inductive loads for transmitters and amplifiers although they are somewhat difficult to obtain. Constructors can improvise by series/paralleling lower wattage resistors until the required value is obtained.

**Fixed resistors (metal oxide/carbon film)** are formed by deposition on to a ceramic tube or rod, their main advantage being that of high stability. Tolerances are generally 1 or 2%.

Their performance at r.f. is good although care should be taken in using them at v.h.f. or u.h.f. since the metal film is often in the form of a spiral which can introduce appreciable inductance at these frequencies. These resistors are particularly suitable for audio amplifiers and circuits where a low noise level is essential.

**Fixed resistors (wire-wound)** are composed of a layer of resistance wire on a ceramic tube or rod, with clips or wire ends, and generally having a coating of vitreous enamel or something similar. Some versions have one or more movable clips so that intermediate values of resistance can be had.

Wire-wound resistors must not be used in r.f. circuits since by the very nature of their construction they are highly inductive. Those with special windings and termed "non-inductive" should also be treated with some suspicion at r.f. On the credit side these resistors have a very low noise characteristic and low temperature co-efficient compared to carbon resistors.



Wire-wound resistors are available to the constructor in ratings from 1W to around 50W and in values from 0.22 $\Omega$  to 100k $\Omega$  usually with a tolerance of 5%. Mains "dropper" resistors are a special breed of wire-wound resistor used in transformerless radios and TV sets and fitted in series with the valve heater chain. They may have adjustable clips or tapped sections.

Resistor values, for carbon resistors, are indicated by a colour coding, details of which are given in the accompanying table. If a tip or spot colour appears to be missing it can be assumed to have the same colour as the body of the resistor. For example, a resistor which is red all over has a value of 2.2k $\Omega$  and one with an orange body and a yellow spot only is 330k $\Omega$ .

The actual values of resistors in common use conform to the "E12 Series" of twelve values and their decades (see table) but there is also the "E24 Series" with a further twelve values intermediate with the E12 series. These are: 1.1, 1.3, 1.6, 2.0, 2.4, 3.0, 3.6, 4.3, 5.1, 6.2, 7.5 and 9.1 and their decades.

Wirewound resistors usually have their value marked in plain numbers.

## RESISTORS, variable

Like fixed resistors, these use either carbon composition or resistance wire for the resistance element. The moving arm or rotor moves over the element thus enabling any value between virtually zero and the value of the variable resistor to be selected. The rotor spindle is extended to take a control knob where frequent adjustment is required, such as with a volume control, or may be short and slotted for adjustment with a screwdriver as a preset control. Potentiometer or "pot" is the general name given to such variable resistors.

**Carbon potentiometers** have a moulded composition track or a carbon deposit on an insulating ring. The rotor contact, generally with two or more "fingers" to ensure continuous pressure on the track, is usually isolated from the spindle.

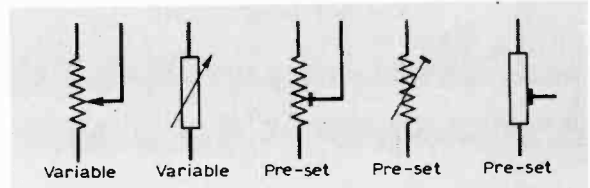
The amount of resistance in circuit relative to the angular movement of the rotor constitutes the "law" of the potentiometer. If equal resistance change results from equal angular movement of the rotor the potentiometer is said to be "linear". If the change is logarithmic the potentiometer is "log" law. If checked on a test meter such a potentiometer would show little change in resistance at the beginning of the movement (clockwise) and a very rapid change towards the end of the movement. An "anti-log" potentiometer will show the reverse effect.

Log potentiometers are generally used as volume controls on radios and audio amplifiers since the human ear responds to sound levels on a logarithmic basis. Such a volume control will appear to give equal changes in sound level for equal movement of the control.

Potentiometers can be obtained ganged together with a common spindle or with concentric spindles for independent operation. On stereo amplifiers ganged potentiometers are used for volume controls, filter adjustments, balancing and similar circuits where both amplifiers must be adjusted simultaneously. It is common practice to fit a volume control with a single or double pole mains on/off switch operated by the rotor of the potentiometer at the beginning of its travel.

Values of carbon potentiometers go from around 100Ω to about 2MΩ. Wattage ratings are not always quoted since these controls are not usually called upon to pass any appreciable current.

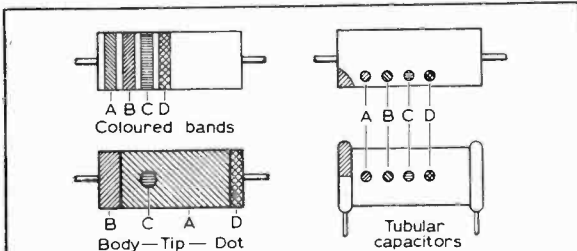
Pre-set carbon potentiometers may be of completely enclosed construction or open skeleton type. The latter generally have wire lead-outs or tags suitable for direct mounting on circuit boards.



**Wirewound potentiometers** are similar in most respects to the carbon ones except that the resistance element consists of resistance wire wound on to a flat insulating strip which is then formed into a ring, the rotor generally moving round one edge of the ring.

Values of these potentiometers of interest to the constructor run from 10Ω to 100kΩ in ratings from 1 to 3W. Again, mains on/off switches can be fitted if required.

Precision wirewound potentiometers have the winding in helical form needing perhaps ten or more turns of the control spindle to cover the whole winding. A turns counter is fitted to the spindle. Preset wirewound potentiometers for use on circuit boards have a straight winding with a sliding contact operated by a screw thread, the whole enclosed in a plastic moulding. For use in adverse conditions of dirt or moisture both carbon and wirewound potentiometers can be had as hermetically sealed units.



## SWITCHES

The simplest device for making or breaking a circuit is the on/off switch and from this devolves a multiplicity of types.

## COLOUR CODE FOR CAPACITORS AND RESISTORS

	First Figure 'A'	Sec'd Figure 'B'	Multiplier 'C'		Tolerance 'D'		
			Resistors	Caps pF	Res	Ceramic Capacitors to 10pF	Capacitors over 10pF
Black	—	0	1	1	—	2pF	±20%
Brown	1	1	10	10	±1%	0.1pF	±1%
Red	2	2	100	100	±2%	—	±2%
Orange	3	3	1,000	1,000	—	—	±2%
Yellow	4	4	10,000	10,000	—	—	—
Green	5	5	100,000	—	—	0.5pF	±5%
Blue	6	6	1,000,000	—	—	—	—
Violet	7	7	10,000,000	—	—	—	—
Grey	8	8	100,000,000	0.01μF	—	0.25pF	—
White	9	9	1,000,000,000	0.1μF	—	1pF	±10%
No colour	—	—	—	—	±20%	—	—
Silver	—	—	—	—	±10%	—	—
Gold	—	—	—	—	±5%	—	—

A salmon-pink fifth ring or body colour denotes a Grade 1 high-stability composition resistor. There are variations in the code for capacitors other than ceramic tubular types.

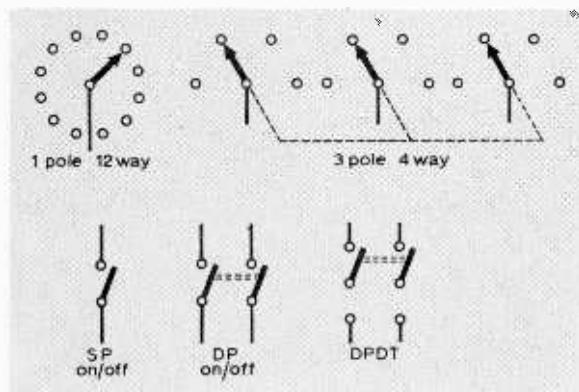
The "preferred" series of values is as follows:—1.0 1.2 1.5 1.8 2.2 2.7 3.3 3.9 4.7 5.6 6.8 8.2 and their decades.

# COMPONENTS DICTIONARY

**Toggle switches** have a laminated or moulded body with a metal or insulated dolly or operating lever. Switch contact combinations include single pole, single throw, (s.p.s.t.), double pole, single or double throw (d.p.s.t. and d.p.d.t.) and double pole change-over. Some types are obtainable with a centre off position. The dolly may be slotted for operation from a cam on an associated control. Other variations include biasing in one position, terminal or tag connections and instrument type toggles which are designed to have very low contact resistance for instrument use.

The ordinary toggle is designed to carry 3A at 250V a.c. with other ratings up to 10A.

Other switches performing the same function as toggle switches include rotary toggle switches, miniature slide switches and press button switches although these are generally s.p.s.t. only.



**Microswitches** are button operated switches capable of operation with pressures as low as 1 ounce usually by means of a lever or similar attachment. Contact arrangements are fairly simple, on/off or s.p.d.t. the contacts themselves handling 6A at 12V a.c. or 3A at 250V a.c. although models are obtainable for up to 10A.

**Wafer rotary switches** consist of a flat ring of paxolin insulating material with fixed contacts riveted around the periphery. A disc in the centre of the ring carries the rotor contacts, the disc being rotated by a spindle attached to an index plate. The maximum number of fixed contacts is generally 12 with a maximum of four on the rotor giving various combinations such as 1 pole, 12 way to 4 pole, 3 way.

Since the wafers are very thin several may be mounted on one spindle, sometimes with metal screens between sections to reduce unwanted coupling. These switches are widely used as wavechange switches on radios, audio filters and tone control circuits as well as in meters and test equipment.

Mains transformers are available for use with wafer switch assemblies since the wafers themselves should not be used for this purpose. The contacts are not designed to

carry any appreciable current. Wafers in ceramic or other low-loss materials are available for switching r.f. circuits. The switches can be bought as complete units or the individual wafers and parts obtained and assembled to suit particular requirements.

## THERMISTORS

Thermistors are a special kind of resistor having a pronounced negative temperature co-efficient. They are used in circuits, such as valve heater chains, to restrict initial current surges when first switching on. The initial high resistance of the thermistor drops logarithmically as the protected device warms up.

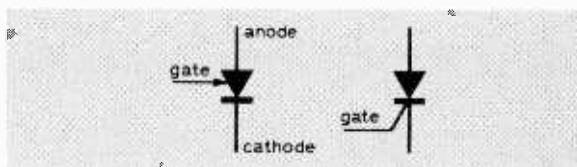


The thermistor is also used to protect photo flood lamps from current surges and in temperature sensitive fire alarm systems. Audio signal generators and oscillators utilise the thermistor in feedback circuits to provide a constant output. Bead type thermistors are used in these circuits since their reaction time to current changes is comparatively short. Bead types can also be employed in measuring r.f. power especially at very high frequencies.

Thermistors in general use have current ratings ranging from 2mA to 2A.

## THYRISTORS

Also known as silicon controlled rectifiers (SCR) the thyristor is basically a silicon diode rectifier with an additional electrode or "gate" which is used to control the current flowing through the thyristor. A pulse applied to the gate can switch the thyristor on or off. Once the thyristor is conducting a minimum current is required to maintain conduction.

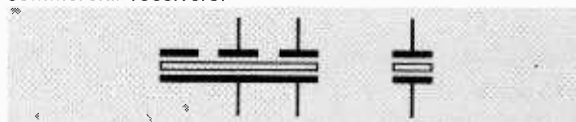


Thyristors used by the constructor will have current ratings between 1 and 10A and peak voltage ratings up to 600V. The p.i.v. figure required for a particular application will be approximately  $1\frac{1}{2}$  times the applied r.m.s. voltage.

The gate trigger circuit will need to provide a voltage of the order of 3V at a current of up to 20mA. Small current thyristors are generally contained in a TO5 type metal case with wire lead-outs while the larger thyristors have a stud mounting and tag connectors.

## TRANSFILTERS

Transfilters are ceramic filters having somewhat similar characteristics to those of the conventional i.f. transformer. Several transfilters may be combined with capacitors to provide specified bandpass filter features. Several types of transfilter are available around 455kHz as well as for 10.7MHz for use in the i.f. stages of f.m. receivers. Since transfilters do not require any alignment in a receiver they are gradually replacing the tuned i.f. transformers in commercial receivers.

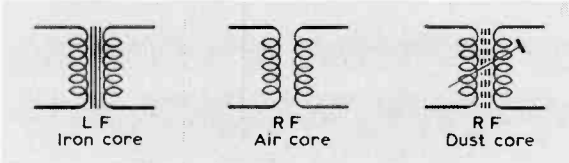


## TRANSFORMERS

Basically two coils coupled together so that an alternating current in one coil, the primary, will induce an alternating current in the second coil, the secondary. The ratio of the input voltage, producing the current in the primary, to the voltage at the secondary is directly proportional to the turns ratio of the two coils.

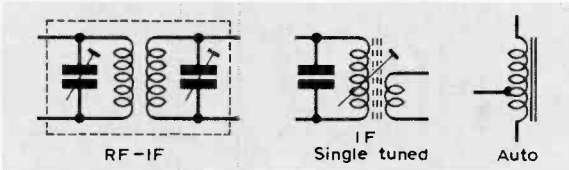
In this way the transformer can be used to match one impedance to another.

**LF Transformers** are wound on a laminated core of ferromagnetic material, the laminations being electrically insulated from each other. Mains transformers may have extra windings for valve heaters, pilot lamps etc. as well as taps on the primary winding to accommodate variations in mains supply voltages.

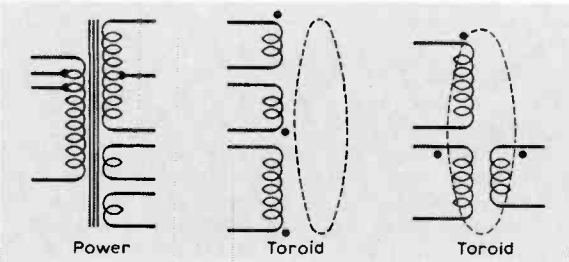


**RF Transformers** have coils wound in layer or pile-wound form, or air-spaced, on insulating formers often with iron dust cores or slugs to enable each winding to be separately tuned.

**IF Transformers** are similar to r.f. transformers, being designed to work at the fixed intermediate frequency in superhet receivers, usually between 450 to 475kHz or around 1.6MHz. As well as dust cores each winding generally has a fixed capacitor across it in order to obtain the optimum inductance to capacitance ratio.



**Autotransformers** have a single tapped winding the ratio of the turns each side of the tap providing the required transformation ratio. One winding may be common to both circuits providing an alternative ratio. Note that an autotransformer does not provide the isolation obtainable with a double wound transformer. A common form of autotransformer is the *Variac* used for compensating changes in mains supply voltages.



**Toroid transformers** have the windings wound on an annular ferrite core. The separate wires comprising the windings are laid or twisted together and then wound round the ferrite ring. On the circuit symbol the start of each winding is marked with a dot to assist in identification.

## TRANSISTORS

The transistor is a three electrode semiconductor device capable of amplifying an electrical signal. The semi-

conductor materials used in making transistors are either silicon or germanium although there are others such as selenium.

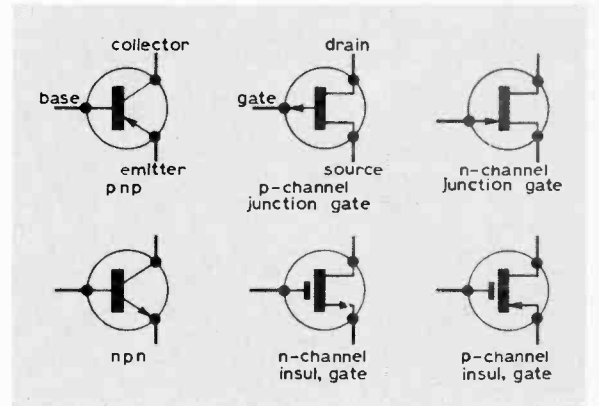
The pure silicon or germanium is treated with either of two impurities in minute quantities to produce 'p' and 'n' type silicon and germanium. A junction of silicon p and n material will show a high resistance in one direction and a low resistance in the other thus forming a diode. A germanium diode similarly formed will not show such a wide change in resistance.

A p-n-p transistor is formed from a thin slice of n material sandwiched between two pieces of p material, the slice being known as the base and the p material as the emitter and collector respectively. An n-p-n transistor has a slice of p material between two pieces of n material.

With an n-p-n transistor the emitter voltage must always be negative with respect to the collector and the emitter of a p-n-p transistor positive with respect to the collector. N-P-N and p-n-p transistors can have very similar characteristics in which case they are said to be "complementary".

Many different processes are used in the manufacture of transistors producing devices of widely varying characteristics and types:

**Alloy transistors** were among the earliest types produced. The germanium alloy transistors are cheap to produce but do not have a very good performance at high frequencies. They are widely used as power transistors since their low resistance permits the maximum current to be passed at low voltages. Silicon alloy transistors are used mainly because of their ability to operate at high temperatures.



**Alloy-diffused transistors** have improved performance with a cut-off frequency of the order of 100MHz and being cheap to produce are widely used in radio receivers.

**Mesa transistors** with a cut-off frequency of over 1000MHz are among the best at high frequencies.

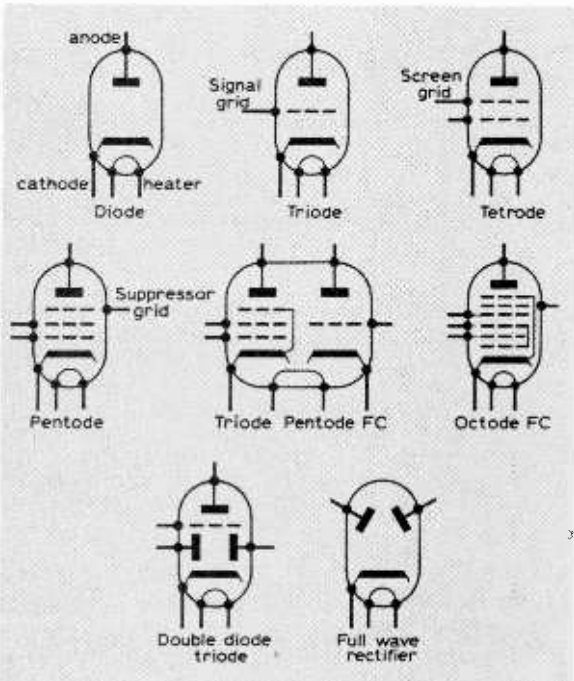
**Planar and epitaxial planar transistors** have been developed to reduce the collector leakage current and also to include a shield to reduce the capacitance existing between the collector and base electrodes.

**Field effect transistors** are unipolar as distinct from those listed above which are bi-polar. F.E.T.'s are more akin to the thermionic valve than any previous transistors. While bi-polar transistors are essentially current operated devices and have a low input resistance f.e.t.'s are voltage controlled and consequently have a very high input resistance. The controlling "gate" may be either a junction type (j.u.g.f.e.t.) or insulated type gate (i.g.f.e.t.) either type being obtainable as p-channel or n-channel f.e.t. The i.g.f.e.t. is also known as the metal oxide silicon f.e.t. (m.o.s.f.e.t.).

# COMPONENTS DICTIONARY

## VALVES

Thermionic valves contain a filament or heater/cathode which emits electrons, with one or more other electrodes, all contained in an evacuated glass envelope. The four basic types of valve are the diode, triode, tetrode/pentode and frequency changer or mixer.



**The Diode** comprises the cathode and a metal plate or cylinder called the anode. Small single or double diode units are used for signal rectification in detectors and a.g.c. circuits. Larger single or double units are employed in half and full wave power rectifier circuits. A special use for diodes is in the line scanning circuits of TV sets where they are known as "efficiency diodes".

One or more diodes are frequently found in a common structure with triodes and pentodes where they are associated with the signal circuits.

**The Triode** has a wire mesh, the signal grid, placed between the cathode and the anode. A negative voltage on the grid controls the anode current enabling the triode to be used as an a.f. amplifier or oscillator at a.f. or r.f. A triode is commonly incorporated with a pentode where it acts as a preamplifier.

**The Tetrode** has a second grid placed between the signal grid and the anode. This "screen grid" reduces inter-electrode capacitance and overcomes a deficiency of the triode known as the "space charge effect".

**The Pentode** has yet another grid, the suppressor grid, between the screen grid and the anode, which eliminates

the kink in the characteristic curve of the tetrode caused by secondary emission. In "beam" tetrodes this third grid is omitted but its effect is simulated by the careful placement of the anode with respect to the other electrodes. Tetrodes and pentodes are used for both r.f. and a.f. work.

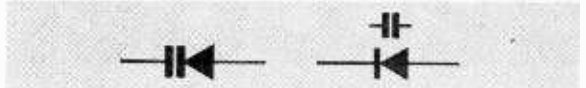
**Frequency changers**, or mixers, are used in superhets to produce the intermediate frequency (i.f.) from the input signal and the local oscillator signal. The mixer valve takes the form of a pentode or tetrode with additional grids to which these signals are applied. Some frequency changers incorporate a separate triode for the local oscillator feeding internally or externally into the mixer section.

Battery type valves have 1.4V filaments for operation from a single cell, taking a current of 25 or 50mA. The maximum anode voltage is generally 90V. Valves fed from a mains supply may have 6.3V heaters which are connected in parallel each heater taking anything from 200 to 600mA. Dual section valves sometimes have heaters with a centre tap allowing operation in series on 12.6V or in parallel on 6.3V.

Other mains operated valves have the heaters in series based on a common current of 100, 150 or 300mA with individual heater voltages of 4 up to 50V. In a.c./d.c. receivers and TV sets the heater chain may be connected across the mains, the difference between the sum of the heater voltages and the mains voltage being taken up by a "dropper" resistor (see Resistors, fixed).

## VARICAP DIODES

Varicap Diodes, sometimes known as varactors, are similar to semiconductor p-n junction diodes in that the capacity existing between the regions varies with the applied reverse voltage. Varicap diodes provide known changes of capacity over a given range of reverse voltage, typically 50 to 10pF for a range of 1 to 20 volts.

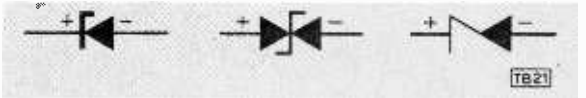


These diodes can thus be used to tune r.f. circuits by means of a potentiometer controlling the applied reverse voltage. They are useful up to frequencies of several hundred MHz and are currently being employed commercially in v.h.f. receivers and t.v. tuners.

## ZENER DIODES

The zener diode is a semiconductor diode which breaks down and conducts when a voltage applied in the reverse direction reaches a predetermined value. The action is somewhat similar to that of a gas filled voltage stabiliser.

The external circuitry of a zener diode must be designed so that its rated power dissipation is not exceeded.



Zener diodes of interest to the constructor are available with nominal zener voltages ranging from 2.4V to 200V with tolerances from 5 to 20% and dissipations from 200mW to 20W. These diodes are used as voltage stabilisers, voltage reference sources, limiters etc.

The end of a zener diode intended to be connected to the positive side of a supply is usually marked with a spot or band or a plus sign.

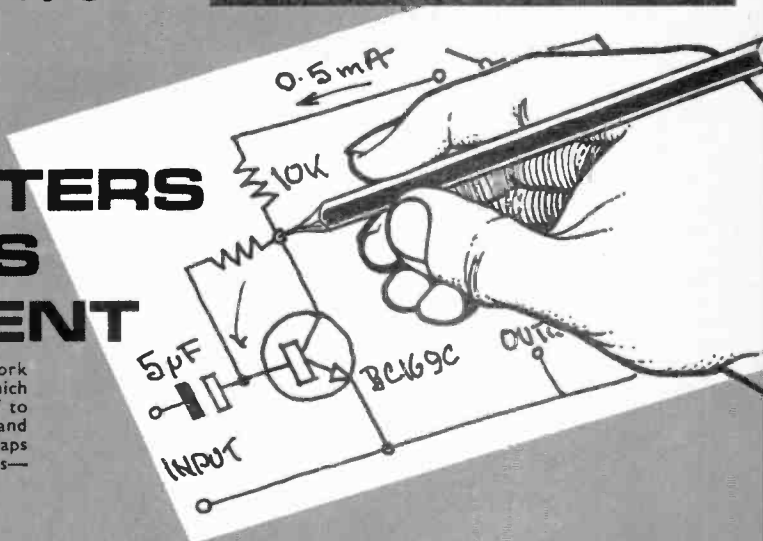


# IN NEXT MONTH'S

# PRACTICAL WIRELESS

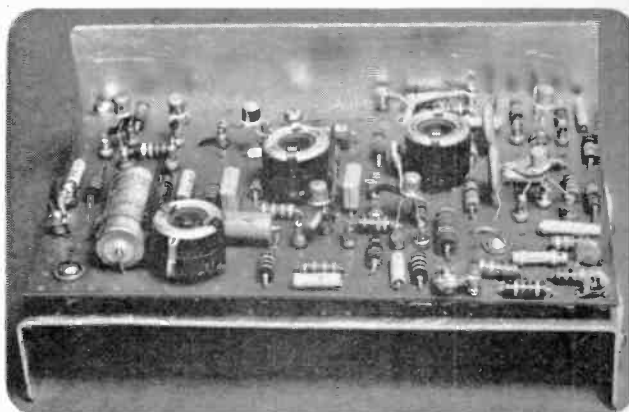
## EXTRA EXPERIMENTERS CIRCUITS SUPPLEMENT

Here is a mine of information for anyone who can work from a circuit. Feast your eyes on some of the items which are included: several audio amps, ranging from 50mV to 10W; radio circuits from a crystal set to an all band receiver—plus test gear, novelty circuits, etc., etc. Heaps of circuits with all the necessary information and notes—you'll want to keep it for years!



# stereo decoder

Most of us have been endowed with two ears; why? Surely because we were meant to listen to stereo! Plans are being made by the BBC to increase their output of stereo material and you'll soon want to fit a decoder to your f.m. set if you haven't one already. Why not settle for our high quality design—complete with easy-to-follow plans.



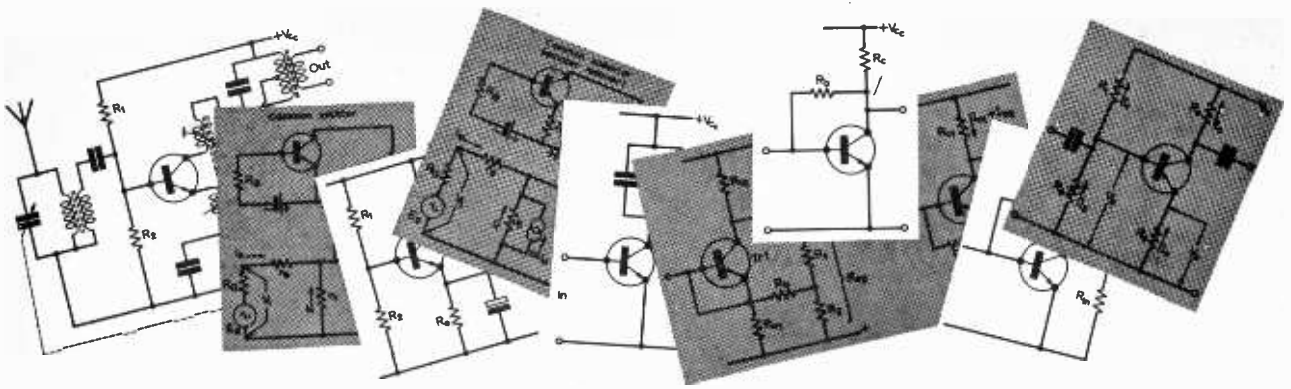
# Sound operated flash

Just think of the photographs you could take if you could freeze an action for a split second. Now you can. Our sound operated flash trigger unit enables anyone to take highly original shots for a very small outlay and with no additional expensive equipment. This circuit, which is highly sensitive and ultra-reliable, uses three transistors and an SCR.

# AF/RF Mini-probe

This fist-full of probe uses just two transistors and is completely portable. Typical receiver and audio amplifier circuits are illustrated with invaluable hints and tips on how to go about trouble-shooting that faulty set.

ALL IN THE JANUARY  
ISSUE ON SALE DEC. 3rd.



# TRANSISTOR CIRCUITRY for beginners

## PART 3

H.W.HELLYER

### Circuits and Parameters

That ugly word 'parameters' frightens many newcomers—and really, it need not, for it is only the guideline along which we can walk as we follow the curious path of transistor development. There have to be some hard-and-fast rules, and these are the parameters.

Transistors can be of p.n.p. or n.p.n configuration, the essential difference, in practice, being polarity of the supply voltage. The three basic modes are common-base, common emitter and common-collector. The last is more conveniently referred to as emitter follower, for reasons we shall explain. Some of our circuits show p.n.p. transistors, some n.p.n.—we must get it into our heads at the outset that the essential difference is polarity, and this makes it easy to combine the two types in one circuit.

The common-base circuit is a good introduction to transistor technology. Here, a small change in emitter current brings about a small change in collector current. The ratio between the two is the current transfer ratio, alpha ( $\alpha$ ).

$$\text{In symbolic form: } \alpha = \frac{\delta I_C}{\delta I_E}$$

where delta ( $\delta$ ) denotes change, in this case, increase. In some formulae, the symbol  $\Delta$  may be used instead of  $\delta$ .

Figures for alpha are very near, but not quite, unity. For a germanium device, typically 0.98.

Take Fig. 9, a proving circuit to demonstrate the above formula. Here we have a common-base transistor connected so that the emitter current flows, around 0.5mA. Voltage  $V_E$  establishes this. The emitter junction for an average transistor will be around 100 ohms. The collector current,  $I_C$ , flowing through the load  $R_L$ , will be slightly lower than the emitter current. Between base and emitter—the base being earthed, or common, a 1.5 volt battery biases the emitter positively.

The input voltage,  $V_{IN}$ , depends on the setting of the variable resistance,  $R_{IN}$ , which has a further 1.5

volt battery across it, again biasing the emitter positively. The proportion of voltage across the base/emitter junction aided by the position of  $R_{IN}$  in series with  $V_E$  represents the increase  $\delta I_E$ .

The emitter junction resistance of a typical small signal transistor is about 100 ohms, and let us suppose that the load resistor is 10000 ohms. Thus the change at the input is  $10\mu\text{A}$  through a resistance of 100 ohms, but the change at the output is  $9.8\mu\text{A}$  through a resistor of 10000 ohms. The result, from Ohm's Law, is a voltage change across  $R_L$  of 98mV for a change in voltage at the input of 1mV. This gives us a voltage gain of 98 times in spite of a slight loss of current flowing out through the base contact.

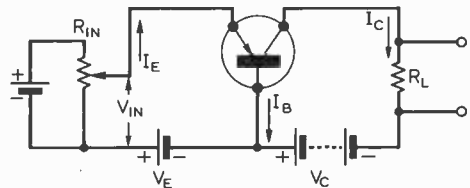


Fig. 9: The common-base circuit arranged to demonstrate change in emitter current causing change in collector current.

With the more frequently used common-emitter circuit, the current transfer ratio is the ratio of current change at the base to current change at the collector, and is designated  $\beta$  (beta) (or sometimes  $\alpha$ ). These parameters,  $\beta$  and  $\alpha$ , are mathematically related, the relationships, for those wishing to look further into this being:

$$\beta = \frac{\alpha}{(1-\alpha)} \text{ and } \alpha = \frac{\beta}{(1+\beta)}$$

The figures quoted by manufacturers are for small-signal operation unless otherwise stated.

Another commonly seen transistor parameter is the transition frequency, designated  $f_T$ . This is the frequency at which the common-emitter current gain falls to unity, and gives an indication of the frequency limits of the transistor.



## Hybrid Parameters

Hybrid parameters are widely used in the semiconductor industry to specify transistor characteristics. They are a set of resistance, admittance and voltage and current ratios for given conditions (hence the term hybrid). In the case of the common-emitter circuit these h parameters are:

- $h_{ie}$ :— input resistance, common emitter, output short-circuited.
- $h_{re}$ :— reverse voltage feedback ratio, common emitter, input open circuit.
- $h_{fe}$ :— forward current gain, common emitter, output short-circuited.
- $h_{oe}$ :— output admittance, common emitter, input open circuit.

If one group of parameters is known, for one circuit configuration, it is possible to work out the others. In practice, however, such information is more useful to the designer than to the engineer or constructor, who chooses replacement transistors on more empirical lines than a comparison of detailed parameters.

## Characteristics of Basic Configurations

Approximate characteristics of the three basic circuit configurations are summarised in Table 1. These must be taken as a guide only, not as accurate conditions for a particular transistor. The table indicates the orders of magnitude of the main parameters with the three configurations: actual figures will of course vary considerably with different types of transistor.

**TABLE 1 Features of Circuit Configurations for Comparison**

Characteristic	Common Base	Common Emitter	Common Collector
Input to Output from	Emitter Collector	Base Collector	Base Emitter
Current Gain	Less than unity	About 50	About 50
Voltage Gain	High (approx. 250)	High (approx. 250)	Low (approx. 1)
Input Impedance	Low (200 $\Omega$ )	Medium (1000 $\Omega$ )	High (100k $\Omega$ )
Output Impedance	High (200k $\Omega$ )	Medium (40k $\Omega$ )	Low (1000 $\Omega$ )
Power Gain	Medium (30dB)	High (40dB)	Low (16dB)
H.F. Response (Power ... 3dB down)	High (400kHz)	Low (12kHz)	Dependent on source and load resistances
Phase Shift	0°—Output and input in phase	180° (inverse)	0° (in phase)

It will be noted that the details given in Table 1 include power gain and phase shift, the latter stated to show the effect of the different configurations on the polarity of the signal. This last factor is too often overlooked when experiments are made. Another important factor, not given in the table, but necessary for the designer, is the comparison of collector leakage current with the three configurations: except in the common base configuration, this is dependent on the resistance in the base circuit.

## Output Characteristics

As can be seen from the output characteristic set of curves of Fig. 10, circuit configuration makes quite

a difference to collector voltage and current relationships (compare these characteristics with the basic pn junction characteristic shown in Fig. 6, Part 1). When considering the choice of a replacement transistor or working out a design it is necessary to take a set of output characteristics, i.e., a family of curves for different base currents—and plot a load line as shown in Fig. 11. It can be seen that with a common emitter circuit when the base current is zero the voltage between emitter and collector is almost the full supply volts, i.e. collector current is very small. (It is actually the reverse leakage current of the collector junction.)

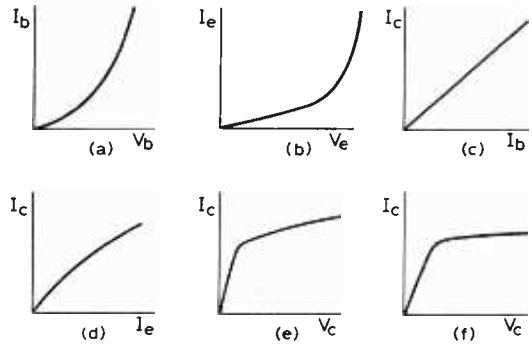


Fig. 10: Typical characteristics showing how circuit configuration drastically alters collector voltage and current relationships.

Increasing base current causes an increase of collector current; the voltage across the load resistance increases and the voltage across the transistor decreases. Eventually, as the base current is increased to a state when the collector current causes a voltage across the load almost equal to the supply

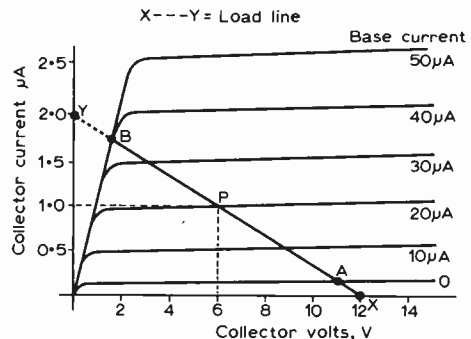


Fig. 11: Constructing a load line for a transistor gives its case history for design purposes.

voltage, the voltage across the transistor drops to practically zero. Any increase of base current beyond this point gives no further increase in collector current—the transistor is saturated. This, for a transistor of given characteristics, is at point B in Fig. 11. The load line, drawn through points X to Y passes through this point B. Point X is the maximum supply voltage and point Y the current resulting from dividing the supply voltage by the load resistance. In the example, a supply voltage of 12 volts and a load resistor of 6000 ohms gives a collector current at Y of 2 mA.

From this load line, the transistor operating point can be chosen by adjusting the base current to a value between the two extremes of A and B. The

best choice is midway along the load line, i.e. at P, where collector current is 1mA and collector volts 6. Since the current gain of our example is 50, the base current must be adjusted for  $20\mu\text{A}$ . This will allow an input signal for linear amplification to produce a base current variation of  $\pm 20\mu\text{A}$ , giving a collector current variation of almost  $\pm 1\text{mA}$  between saturation and cut-off (at upper and lower ends of the curve respectively).

Correct choice of operating point is important; input and output impedances of a common emitter amplifier stage vary with collector current and so performance depends on the value of the d.c. collector current.

## Bias Stabilisation

To set the operating point, a simple method is to arrange that a d.c. base current flows which (when multiplied by the current gain of the particular transistor) gives the required value of collector current. A resistor from the negative supply to the base provides this, but is not really effective, because of collector leakage current and variation with temperature change. For stable operation, bias stabilisation is required, and the two circuits of Fig. 12 are methods of ensuring this.

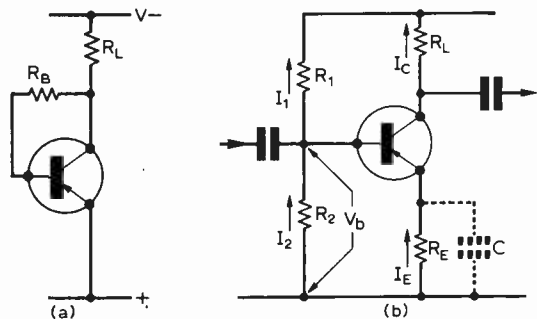


Fig. 12(a): Base bias current feedback and (b) voltage bias.

In Fig. 12(a) a resistor  $R_B$  is coupled back from collector to base so that if the collector current increases, collector voltage falls and this fall is reflected back to base via  $R_B$ , reducing base current. This tends to reduce collector current and oppose the change. However, this method does not allow control with zero base current and slight variations between transistors do not allow replacements to be made without reconsideration of the value of  $R_B$ . A further point is that a.c. negative feedback is introduced by this method, and this may not be wanted. Splitting the bias resistor and bypassing the centre point to chassis with a suitable capacitor can reduce this feedback.

A better method is shown in Fig. 12(b). The bias voltage  $V_b$  applied to the base is obtained from a potentiometer  $R_1$  and  $R_2$  across the supply. A further resistor  $R_E$  is put in the emitter circuit. The voltage across  $R_E$  is equal to  $V_b$  less the voltage dropped across the emitter-base junction of the transistor. If  $V_b$  is made large with respect to this junction voltage, the emitter current will depend only on  $V_b$  and  $R_E$ . Thus if  $V_b$  is held constant,  $I_E$  and therefore  $I_C$  will be independent of temperature and transistor gain.

A comparatively low value of  $R_2$  will not cause a significant change in  $V_b$ . Actual values can be seen in

later circuits, and it will be noted that  $R_1$  is four or five times the value of  $R_2$ .  $R_E$  depends on the transistor to be employed, and it will usually be bypassed by a large value capacitor ( $C$ , shown dotted) to avoid loss of gain with an a.c. signal.

## Practical Circuits

Two low frequency amplifier circuits using this method of base bias stabilisation are depicted in Fig. 13. In the first, transformer coupling is used between stages, and in the second RC coupling is employed (note the polarity of the electrolytic coupling capacitors: in p.n.p. transistor circuits the succeeding base will generally be positive with respect to the preceding collector). Because a more precise impedance match between stages can be made with a transformer, and thus the greatest energy transfer effected, this type of coupling is widely used.

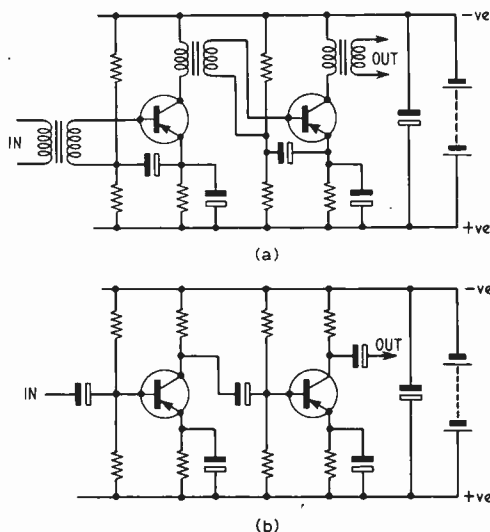


Fig. 13: Circuits demonstrating base bias voltage stabilisation, (a) transformer coupling and (b) RC coupling.

As with valve-operated receivers intermediate frequency stages use transformer coupling, with the windings tuned to the appropriate frequency, as we shall see later. But for audiofrequency purposes coupling transformers are not so economical as resistor-capacitor combinations, and some efficiency is sacrificed to save costs.

Having laid the ground and, it is hoped, taken some of the fearsomeness from formulae, we shall proceed to a breakdown of some of the circuitry likely to be met in radio and audio gear, with a few notes on constructing both the simple circuits themselves in practical form and test devices that can help us handle transistors with more confidence.

TO BE CONTINUED

We regret that, due to shortage of space, several regular features have had to be held over. These will be resumed as soon as possible.

**everyday** DEC.71  
**electronics** 15p

*NO. 2 Out Friday, November 19*



# *A new magazine bringing a fascinating hobby to everyone*

**PROJECTS EASY TO CONSTRUCT  
THEORY SIMPLY EXPLAINED**

This exciting new magazine presents easy-to-follow, step-by-step illustrated articles on useful and imaginative electronic gadgets for the home, car and other hobbies.

*BUILD THESE USEFUL PROJECTS...*

## **'FUZZ' BOX**

Build this ingenious little unit in a matter of hours... gives an interesting effect to guitar playing!

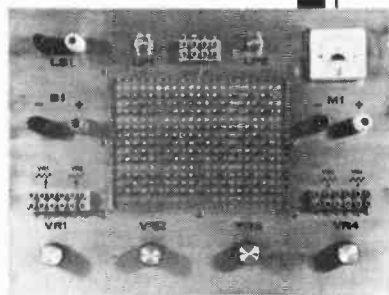
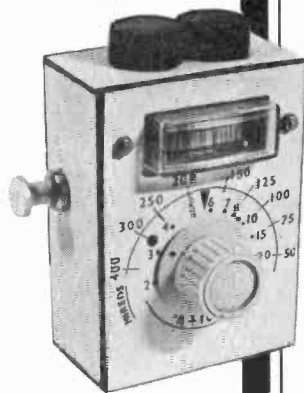
## **PHOTOGRAPHIC COLOUR TEMPERATURE METER**

Are you a keen photographer... then make this inexpensive light temperature meter for a quick indication of the colour filters necessary for correction in any light!

## **DEMO DECK**

Are you apt to experiment... this circuit-building desk has been specially designed for the 'Teach-In' series. It will also be useful for general experimental work and for prototype testing.

*ALSO—TEACH-IN...* A beginner's series dealing with the theory and practice of electronics... this month—the electric current, resistance and resistors.



**everyday** only 15p  
**electronics**

*TO AVOID SELL-OUT DISAPPOINTMENT...ORDER  
THIS EXCITING NEW MAGAZINE TODAY*

# TECHNICAL TRAINING

## *in radio television and electronics*

Whether you are a newcomer to radio and electronics, or are engaged in the industry and wish to prepare for a recognized examination, ICS can further your technical knowledge and provide the specialized training so essential to success. ICS have helped thousands of ambitious men to move up into higher paid jobs—they can help you too! Why not fill in the coupon below and find out how?

*Many diploma and examination courses available, including expert coaching for:*

- C. & G. Telecommunication Techns'. Certs.
  - Radio Amateurs' Examination
  - Radio Operator Certificates
  - General Certificate of Education, etc.
- Now available Colour T.V. Servicing

**Examination Students coached until successful**

## NEW SELF-BUILD RADIO COURSES

Learn as you build. You can learn both the theory and practice of valve and transistor circuits, and servicing work while building your own 5-valve receiver, transistor portable, and high-grade test instruments—all under expert tuition. Transistor Portable available as separate course.

### POST THIS COUPON TODAY

for full details of ICS courses in Radio, T.V. and Electronics.  
Accredited by the CACC



**INTERNATIONAL  
CORRESPONDENCE SCHOOLS**

Dept. 171, Intertext House, Stewarts Road, London, S.W.8 4UJ  
Please send me the ICS prospectus—free and without obligation.  
(state Subject or Exam).....

NAME .....  
(BLOCK CAPITALS PLEASE)

ADDRESS .....

AGE.....OCCUPATION..... 12/71

**INTERNATIONAL CORRESPONDENCE SCHOOLS**

#### POWER UNITS

These 400c/s I/P transistorised P.U. are sold for breakdown and contain the following modern parts, Transistors 8 type CV7061 these are Texas 2SO12A Silicon N.P.N. type Vc 70v Ic 2 amps good to 2 Mc/s, 18 type ZR22 diodes rated 200 P.I.V. 8 amps each, 18 type ZR12 diodes rated 200 P.I.V. 1.5 amps each, also Ledex Swt, conds, res etc modern guided missile equip. Supplied New crated. Price £4.50 plus 75p carr.

#### AMPLIFIER UNITS

Small self contained unit 115v 50c/s I/P uses valves 6X4, 12AX7, 6AK6, these units are low impedance I/P 500 ohm ct and 500 ohm O/P will match low res phones, fully enclosed in case size 10 x 3½ x 3½ fitted V.C. Supplied with circ and mods for 240v mains also circ mods for speaker use and mods for transistor I/P. Well made unit ex USAF surplus. Ideal unit for beginner as these are self cptained and will work in present form with H/phones, good condition.

Price £1.50 plus 30p post.

#### METER UNITS

These are a 270 Deg meter with a F.S.D. of 1 Ma, scale marked 0, 2, 4, 6, 8 x 100 Deg Cent white letters on black, size 2" O.S.D. 3½" long, high grade meter made by Weston for Aircraft use supplied new boxed. Price £1.25 plus 15p post. Also still available Radio Alt 1.5 or 6.5 Ma F.S.D. 270 deg 2½" dia at 95p post paid.

#### RX/IND APN-9

Comprises Rx section swt tuned 1.8 to 2 Mc/s in 4 channels, Ind with tube 3BP1 3" green screen ideal for scope use, also the following valves are fitted 6SN7x13, 6SL7x3, 6H6x7, 5Y3, 6SK7x3, 6SJ7x2, 6SA7, VR105, 6Y6G, 2X2, 6N7, also 100 Kc crystal unit, large number of other high grade parts. Supplied with Magnifier, Visor, Inst Book, Circ. American manufacture. Supplied new boxed. Price £8.00 plus 75p carr.

#### MAINS TRANS.

Pria 200/220/240v 50c/s Sec 500-0-500v at 400 Ma or can be connected to give 1 Kv at 200 Ma, varnish finish tag connections, size overall 5½ x 5½ x 4½. Supplied new ex service. Price £2.25 plus 40p post.

#### 400c/s INVERTORS

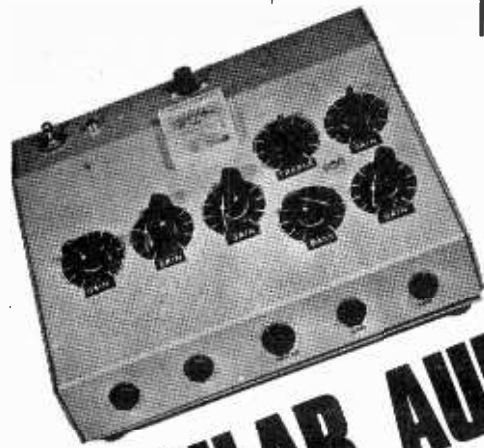
I/P 23 to 28v D.C. O/P 115v 400c/s 1 phase at 180 Va sine wave O/P, all Transistor unit uses 14 transistors, size 9 x 10 x 3" made by A. C. Cossor for M.O.D. Supplied new unused. Price £12 plus 50p carr.

#### MISC. ITEMS

Solartron Stab P.U. 200/250v I/P, O/Ps 250 or 300v at 200 Ma also 6.3v 4a twice, 6.3 1a supplied tested, £4.50. Selector Unit with 1 Ma 2½" sq meter 24v motor driving into gearbox with selector swt 13.24v relays in case with other parts £2.60. U.H.F. Rx unit tunes 330 to 335 Mc/s requires ext L.O. 24v I/P part of Aircraft landing Aid £3. Transistors OC42 type suitable swt, flip flop etc ½" leads 12 for 50p. Modulator unit part of BC640 Tx supplied less valves as mod trans and 230v fil trans 19" rack unit £3. Rx unit Marconi ADF Rx tunes 190Kc to 2 Mc/s in 4 bands remote tuned Rx as BFO and crystal filter I/P 24v or 12v and 250v HT ideal top band or car radio as O/P for spk. £6.50. Valves 6SN7, 6SL7, 6SK7 6H6 all 5 for 50p. American 73 Radio Mags new back issues 8 for £1.15. Test Unit with 2x LA2503 Vinkors 4 Sil transis 4 min relays etc new 85p. Relays 12v 180 ohm 4p c/o sealed ex new equip 50p. Mod Kits contains 8 group boards with approx 130 parts new boxed 80p. Miniature plug and sk with clamp and cover 18 way 15p. W.F. Gen unit contains 24 B7g valves 24v blower etc sold for breakdown in case £2. RF26 tuning units 50 to 65 Mc/s 7 Mc/s I.F. O/P with circ new boxed £2.50. I.F. unit for use with 26 unit £2.25. L.T. chokes C. Core .25H 1 amp 70p. Bridge Rect 12v 3 amp 55p. Panel fuse holders take 1½" fuses new 3 for 40p. Mains Voltage stabilisers 200/250v I/P O/P 240 at 200 Va. Transistorised 19" rack mounting new with circ £12.75.

All above prices include post or carr. All goods ex equipment unless stated otherwise. S.A.E. with enquiry

**A. H. SUPPLIES**  
57 MAIN ROAD, SHEFFIELD S9 5HL



# MODULAR AUDIO MIXING SYSTEM

F.C. JUDD



The Modular Audio Mixing System is designed to allow any combination of signals to be mixed. The previous two parts have described some of the preamp. circuits and this final part concludes these and describes the final mixing and level monitoring arrangement

## MICROPHONE PREAMP (MIC HI ZT)

This circuit shown in Fig. 19 is for microphones with built-in transformers or can be used with a microphone transformer at the input. The input impedance is about 100kΩ and is suitable for microphone transformer secondaries, usually classified as medium to high impedance. The amplifier is a direct coupled BC109 pair with d.c. stabilization and negative feedback between the output and the emitter of Tr1 to set the gain. The circuit board layout is given in Fig. 20.

## PREAMP FOR CRYSTAL PICK-UPS

The requirements are a high input impedance and a sensitivity between 500mV and 1V r.m.s. The large

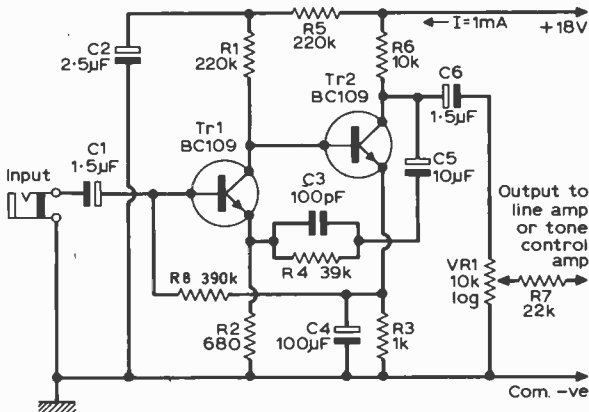


Fig. 19: Circuit of the preamplifier for use with microphones with built-in transformers.

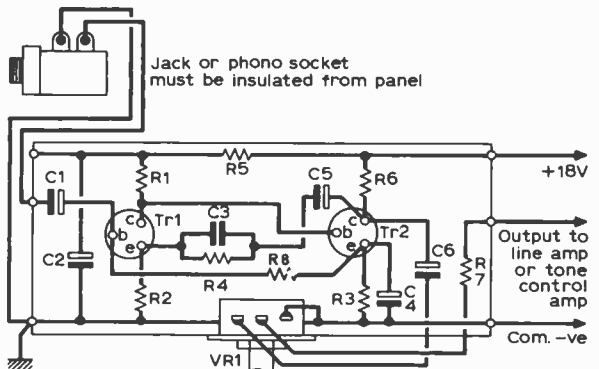


Fig. 20: Layout for the circuit shown in Fig. 19.

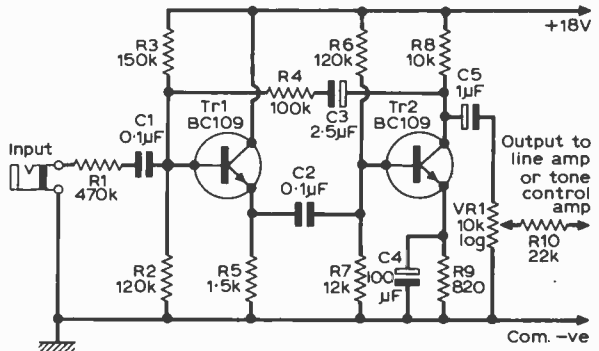


Fig. 21: Preamp. circuit for use with high output crystal pickups.

value series resistor and emitter follower input provide the high impedance input and the gain, and therefore input sensitivity, is set by negative feedback from the amplifier (Tr2) output to the circuit input. The nominal input sensitivity is 850mV. The output network VR1 and R10 is again as common to all the preamplifiers. The circuit board layout is given in Fig. 22.

## PREAMPLIFIER FOR GUITAR (G)

Some guitar pick-up units have a high output and

## ★ components list

### Mic Pre-amp (Mic Hi ZT)

Tr1, Tr2 BC109  
VR1 10kΩ Carbon log. pot.

#### Resistors

R1	220kΩ	R5	220kΩ
R2	680Ω	R6	10kΩ
R3	1kΩ	R7	22kΩ
R4	39kΩ	R8	390kΩ

All ¼W, 10% types

#### Capacitors

C1	1.5μF	25V	C4	100μF	25V
C2	2.5μF	25V	C5	10μF	25V
C3	100pF		C6	1.5μF	25V

### Crystal p.u. Pre-amp (P.U. Xtal)

Tr1, Tr2 BC109  
VR1 10kΩ Carbon log. pot.

#### Resistors

R1	470kΩ	R5	1.5kΩ	R9	820Ω
R2	120kΩ	R6	120kΩ	R10	22kΩ
R3	150kΩ	R7	12kΩ		
R4	100kΩ	R8	10kΩ		

All ¼W, 10% types

#### Capacitors

C1	0.1μF		C4	100μF	25V
C2	0.1μF		C5	1μF	25V
C3	2.5μF	25V			

### Guitar Pre-amp

Tr1, Tr2 BC109  
VR1 10kΩ Carbon log. pot.  
PR1 10kΩ Carbon preset

#### Resistors

R1	120kΩ	R4	100Ω	R7	2.2kΩ
R2	4.7kΩ	R5	1.2kΩ	R8	22kΩ
R3	12kΩ	R6	560Ω	R9	150kΩ

All ¼W, 10% types

#### Capacitors

C1	0.1μF		C4	100μF	25V
C2	100μF	25V	C5	2.5μF	25V
C3	200pF				

### Line Input

VR1 10kΩ carbon log. pot.  
R1 22kΩ (¼W, 10% type)

### VU Meter

Type V403 Henry's Radio

Insulated input jack or phono sockets as required.

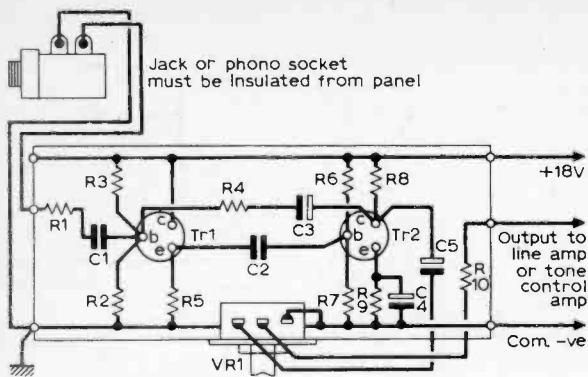


Fig. 22: Layout for the crystal pickup preamplifier.

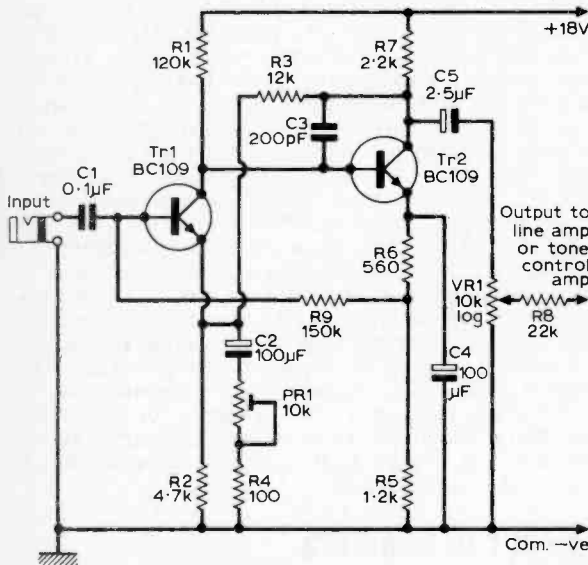


Fig. 23: The preamplifier circuit for use with low output guitar pickups.

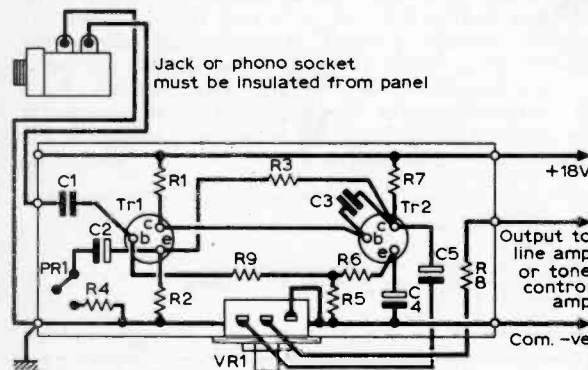


Fig. 24: The component layout for the guitar pickup preamplifier.

these could be connected to a line level input which, in conjunction with the line amplifier, has an input sensitivity of approximately 200mV. Low output, medium impedance guitar pick-ups may provide signal levels from around 20mV to perhaps 100mV and require some amplification. The circuit given in Fig. 23 is quite a conventional arrangement originally due to Mullards and has provision for setting the

overall gain from about 12 to 40dB. This is controlled by PR1 which sets the amount of negative feedback between Tr2 collector and Tr1 emitter. With PR1 at maximum resistance the gain will be at 12 to 13dB and about 40dB with PR1 at minimum. The input impedance is typically 100kΩ and suitable for the majority of medium to high impedance guitar pick-ups. PR1 should be adjusted so as to provide not more than the requisite 100mV or so output between R8 and earth with VR1 at maximum. The circuit board layout is given in Fig. 24.

## LINE LEVEL SIGNAL INPUTS

Line level usually refers to signals of over 100mV or so which are linear i.e., requiring no equalization and no preamplification other than that necessary to bring the level to the requirements of the system output, in this case to a uniform 1V r.m.s. As no pre-amplifier is required, line level signals, such as from a radio tuner, tape recorder external amplifier output, etc., could be coupled directly to the line amplifier but as the outputs from other sources i.e., preamplifiers and/or other line inputs are also to be connected, the passive mixing component must be included to prevent any one signal source loading the others. Line level inputs are therefore connected to the line amplifier via a gain control and series resistor (22kΩ) in the same way as the output from each preamplifier is connected. This method is commonly used in signal mixing circuits so that any one signal source can be controlled independently of any other. The series passive component has been made high (22kΩ) compared with the gain controls, each of which are 10kΩ. The insertion loss is a little higher but the higher value series resistor ensures complete fadeout of the signal when a gain control is at minimum and that no loading is imposed on other mixing circuits. The circuit for the line inputs, as

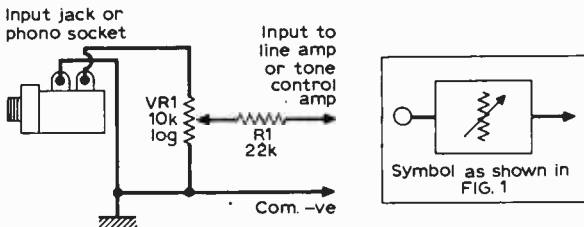


Fig. 25: The resistive arrangement for the line inputs.

shown in Fig. 25 consists simply of the gain control and series resistor. Up to half a dozen line inputs can be used but more than this number could cause loading. If say, four or five preamplifiers were used, then the number of line inputs should be limited to three or four. Much the same applies to the total number of preamplifiers e.g., six should be about the limit with two line inputs.

## VU LEVEL METERS

VU meters with built-in rectifiers are readily available and most of these will read well over full scale with a 1V r.m.s. signal. This allows a VU meter to be connected across the line amplifier output with a series variable resistor so that the meter can be adjusted for a maximum signal indication of 1V r.m.s. equals 0dB. The meter could also be adjusted to read in conjunction with a tape recorder level meter in cases where the mixer is remote from the recorder. The connection is simple enough as shown in Fig. 26 but note that the meter must be one with a built-in rectifier and provide full scale deflection for at least 600mV of signal.

## GENERAL APPLICATIONS

As already mentioned in Part 1, the various pre-amplifiers, tone control unit and line amplifier can be connected together to provide signal mixing facilities for sound recording, public address and

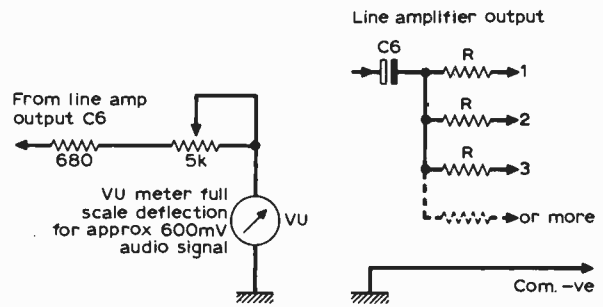
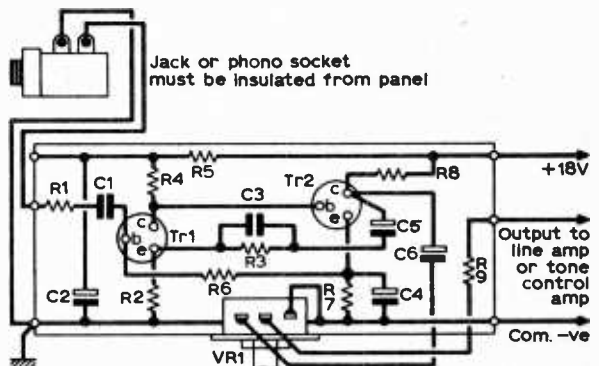


Fig. 26: (left) The VU meter arrangement.  
Fig. 27: (right) The arrangement for feeding more than one amplifier.

discotheque or music amplification systems. The high signal output of around 1V r.m.s. is sufficient to directly drive many power amplifier modules now available so in fact a complete multi-channel amplifier system is perfectly feasible. The various combinations given in the block diagram in Part 1 are but a few of the possibilities and any combination can be extended for stereo operation simply by duplication. For stereo mixing systems ganged gain and tone controls are not necessary, in fact separate controls are advisable, as they allow much more control over stereo balance. The output from the line amplifier can be coupled to more than one amplifier or tape recorder simultaneously or for example to a tape recorder and an amplifier for simultaneous recording and monitoring. As the input impedance of external equipment may vary, external equipment connections should be made via series resistors as shown in Fig. 27. Normally each resistor can be 47kΩ but this may be reduced to as little as 10kΩ if the higher value reduces the output signal too much as it may do if external equipment has a very low input impedance.

## LAYOUT IN CABINETS

The photos shown in the previous parts are of a small mixing system which would be ideal for tape recording enthusiasts and, as can be seen, each of the preamplifiers are simply mounted side by side. The built-in screens prevent crosstalk and shield the boards from hum pick-up. Nevertheless a metal cabinet should be used for any system derived from the various modules. The mains power supply should be situated away from the preamps and preferably in a screened compartment.



Last month's Fig. 12 (page 619) showed the incorrect layout. The correct layout for the crystal mic. preamp. circuit is shown above.



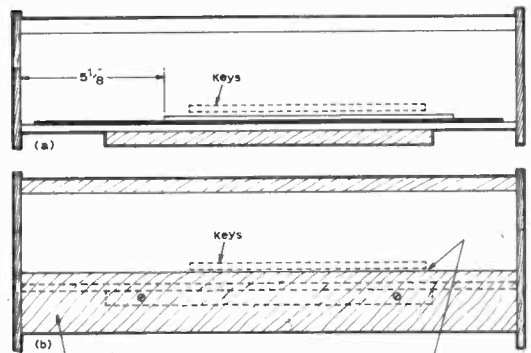
# 2-Octave

# miniature Organ

F. C. JUDD

PART 2

THE completed keyboard is mounted in a tilted position as in Fig. 9b on a hardboard base that fits into the top of the organ. This base also carries the circuit board and battery etc. The piece of hardboard is cut as in Fig. 9a and the keyboard mounted as in Fig. 9b so that the keys themselves are



Upper front panel  $2\frac{1}{2}$  deep made from  $\frac{1}{8}$  hardboard. (secure panel so that lower edges of keys are about  $\frac{1}{8}$  above top of panel)

Fig. 10: A front view of the keyboard mounting and the siting of the upper front panel.

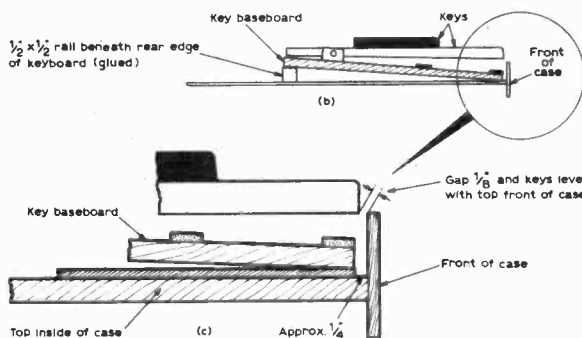
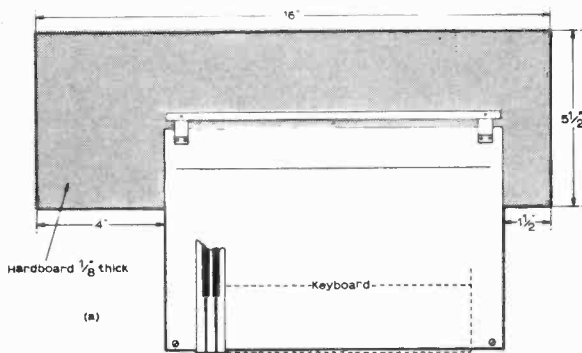


Fig. 9: Details of the keyboard mounting.

level. It is important that when the completed keyboard is fitted in the top of the case that the front of the keys are aligned with the top of the upper front panel as shown in Fig. 9c and also in Fig. 10 so that when a key is depressed the top does not come below the upper edge of the panel. When the keyboard has been correctly aligned it can be secured in the organ cabinet.

The lid of the organ is made up as shown in Fig. 11 and in the photo. Appropriate dimensions for the lid are best derived from the inside measurements of the top of the case and the height of the keys but the lid must be made so that the centre portion drops directly behind the black keys. The whole of the lid is hinged on the rail at the rear of the cabinet. Figure 11 also shows more detail concerned with the expression pedal system. Ensure that when the lid is closed down it does not foul the keys and that all the keys can be depressed and will return to their rest position.

At this stage the painting might well be done but first the keyboard and the main front panel should be removed. If a music stand is to be included this should be fitted and can be made from a piece of hardboard about 12 x 7in. attached to the lid by a



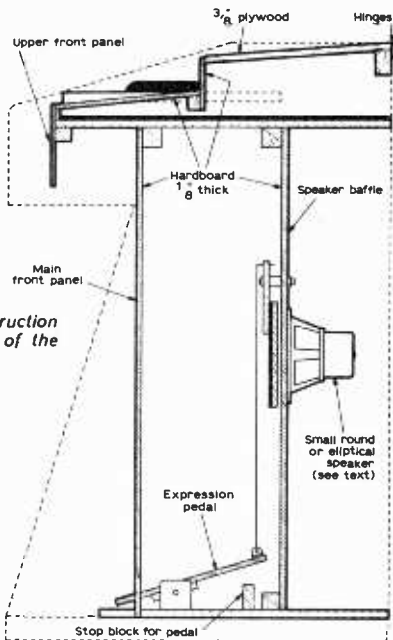
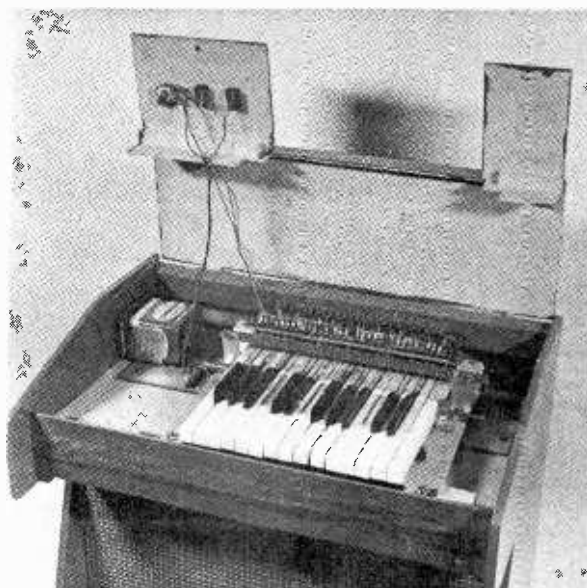


Fig. 11: The lid construction and a cut-away view of the expression pedal.

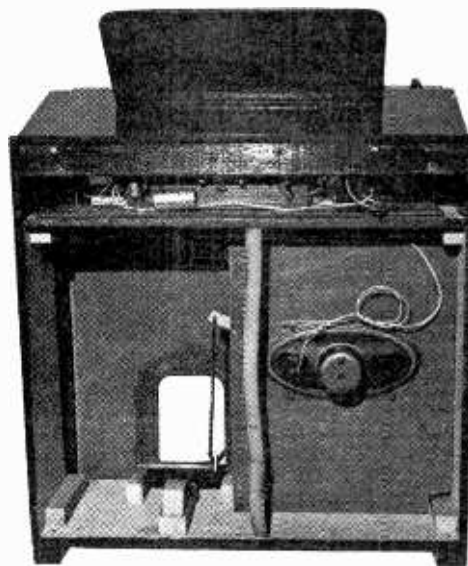


A view of the keyboard with the lid raised.

short length of  $\frac{1}{2} \times \frac{1}{2}$  in. batten. The original organ was finished with a bright red gloss paint over an undercoat of emulsion paint.

When the decor is complete the loudspeaker can be installed and the expression pedal (if used) adjusted. The on/off, vibrato and voice switches can be fitted to the left hand portion of the lid and a back cover made up of hardboard to close in the rear of the organ. Two small wood blocks should be fitted inside, one either side of the keyboard, and flush with the upper front panel. These act as stops when the lid is closed down and take a screw through each side of the lid so that it can be secured against opening by small hands. These blocks are just visible in the photograph.

The component board is mounted just behind the key contact frame as shown last month — and allows for convenient short connections between the tuning pre-sets and the key contact wires. A rear view of the completed organ with the circuit board in position is shown.



A rear view of the completed project with the back removed.

## TUNING

First adjust all the pre-sets, including PR1, to midway travel and set S1, the vibrato switch, and S2, the voice switch, so that both are open. Tuning is best done with a piano and should be commenced with the pre-set for the F key (No. 25) at midway. Now tune the F note to pitch at 698.4Hz with PR1, the initial pitch control. The remainder of the pre-sets from E No. 24 down to F No. 1 at 174.6Hz can now all be tuned one after the other.

The vibrato should produce a pleasant pitch variation, not too pronounced, at about 6 to 8Hz. The intensity of the vibrato can be increased by reducing R14 to 100k $\Omega$  or decreased by making R14 about 150k $\Omega$ . The vibrato frequency can be altered by slightly increasing or decreasing the value of R2. With the voice switch S2 closed, the tone should be flutelike and somewhat softer.

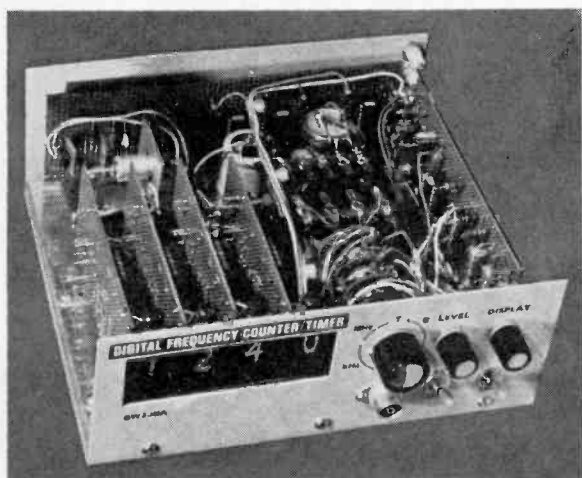
The expression pedal will reduce the sound level somewhat but if moved up and down quickly whilst

a note is sustained will produce a pronounced "wah-wah" effect which will no doubt intrigue the junior player.

The organ will stay in good tune for a long time, or until the battery voltage falls and the two octave range allows for the playing of a wide range of tunes. Like the author's grandson who has become the final owner of the prototype, any youngster will get a great deal of enjoyment from it.

**In the circuit of the 2-octave miniature organ published last month (Fig. 1, page 594) there is an error in the multi-vibrator circuit. C6 should connect between the collector of Tr2 and the base of Tr3 and not between the bases as shown. In Fig. 2 the resistor next to R1 should read R14 and not R13 as shown.** ■

# DIGITAL FREQUENCY COUNTER/TIMER



## PART 4 (continued from the November issue)

Frequency measurement is the primary purpose of the instrument and although, on low and medium frequency signals of a reasonable amplitude, it is sufficient to connect the signal and read away, better results may be obtained particularly on the higher frequencies if the controls are set correctly.

It should be remembered that the purpose of the input clipping stage is to provide, from the input signal, a clean squarewave suitable for driving the signal gate and decade counters.

With the input switch in the "AC" position the input a.c. signal can be "slid up and down" the input characteristic of Tr1 by rotating the LEVEL control, so that symmetrical clipping takes place.

The smaller the input signal and the higher the input frequency the more important it is to set the LEVEL control correctly.

With the signal applied to the input and the function control set to a low frequency range, the LEVEL control should be carefully rotated from one end to the other and the range noted over which a steady reading is obtained. The correct setting is in the centre of this range (see Fig. 19).

The actual physical position of the control depends to a large extent on the individual characteristics of Tr1. (It may be possible to substitute other types of f.e.t. in place of the 2N3823 but the spread of characteristics may make the LEVEL control inoperative.)

It is assumed that normally the signal to be measured will be clean and free from hum and noise. However, if a large amount of hum (mains ripple) is present on the signal to be measured this may cause errors due to the clipper stage being saturated for periods of the hum waveform, as shown in Fig. 20.

A solution to this problem is to use a simple high pass filter, as shown, which will effectively remove the low frequencies whilst allowing the r.f. signal to pass through.

Assuming that the LEVEL control has been set to its optimum position, the function switch should then be rotated to a position where the first digit of the displayed reading appears on the left hand tube.

Suppose that a signal of 7.054321MHz is being measured, the reading of frequency should be 7.054MHz. Setting the function switch to the highest frequency range will cause a reading of 07.05MHz to be displayed and obviously the frequency is not being measured as accurately as it can be.

Conversely, by moving the function switch the other way to a lower frequency range, the 7 disappears off to the left and a reading of 0543 is displayed.

This procedure may be repeated until in the Hz position the reading will be 4321, the right hand figure indicating cycles per second and the left hand figure indicating kHz.

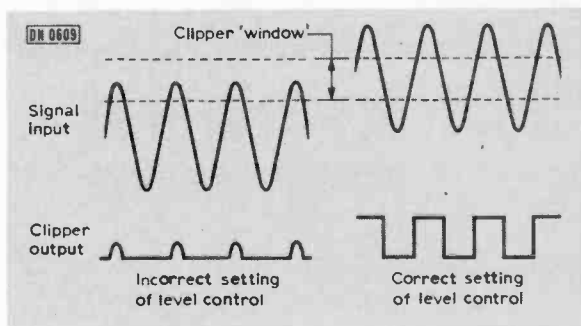


Fig. 19 : Waveforms showing correct and incorrect settings of the LEVEL control.

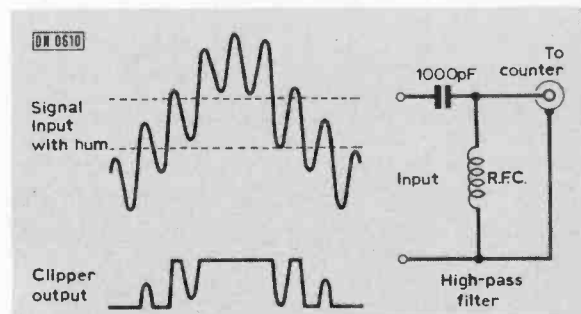


Fig. 20 : Effects of hum and noise on the input signal. A simple high pass filter is shown on the right.

This is a useful facility for measuring small changes in frequency, e.g. checking variable frequency oscillators, frequency modulation systems, and monitoring the frequency of a signal generator when aligning the i.f. stages of a receiver and checking crystal filters.

It is important to remember that whilst this measurement gives very high discrimination it is only a relative measurement of frequency and is not an absolute measurement to this accuracy. The stability of the internal crystal oscillator is insufficient for this to be so.

## Calibration Outputs

The 100kHz, 10kHz and 1kHz outputs at the rear of the instrument may be used for calibrating receivers. This can be done by loosely coupling the appropriate output to the input of the receiver. A series coupling capacitor and resistor of about 1,000pF in series with 1kΩ should be used as each output is directly connected to the divider circuits and an accidental short to earth or worse still to a high voltage would upset the operation of the divider and may cause permanent damage.

## Time and Period Measurement

The simplest time measurement for the instrument to make is in measuring the time of one cycle of a repetitive waveform. This is useful for frequencies below 100Hz as greater accuracy can be obtained.

On the time ranges of the instrument, the counting is initiated by the negative going part of a signal and stopped by the next negative going signal. The operation on various waveforms is shown in Fig. 21a, b and c.

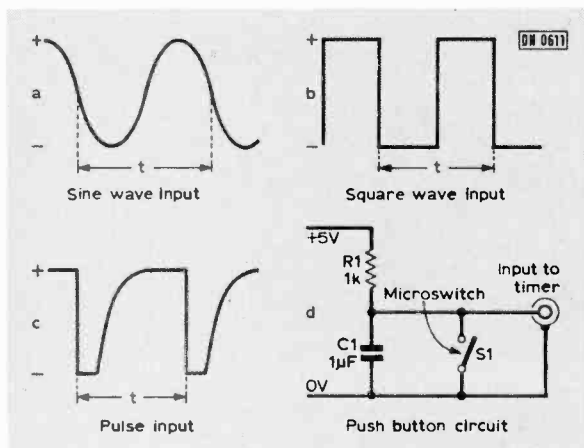


Fig. 21: Operation of various timing waveforms. Circuit on the right provides a fast negative going pulse when S1 is closed.

For the timing of events, as an electronic stop watch, it is necessary to provide a circuit which will generate a fast negative going pulse when a button is pressed. A suitable circuit is shown in Fig. 21d.

The 1µF capacitor C1 is normally charged to +5volts through R1. When the microswitch is pressed a sharp negative going voltage step is pro-

duced which starts the timer counting time. The switch is released and R1 recharges C1. When the switch is pressed for the second time the negative pulse stops the count and the total time between the two operations is displayed in mS or seconds depending on the setting of the function switch. The purpose of C1 is to prevent the contact bounce in S1 from causing false triggering of the instrument.

For automatic operation, two photocells may be used and a suitable circuit for timing the duration between two events is shown in Fig. 22.

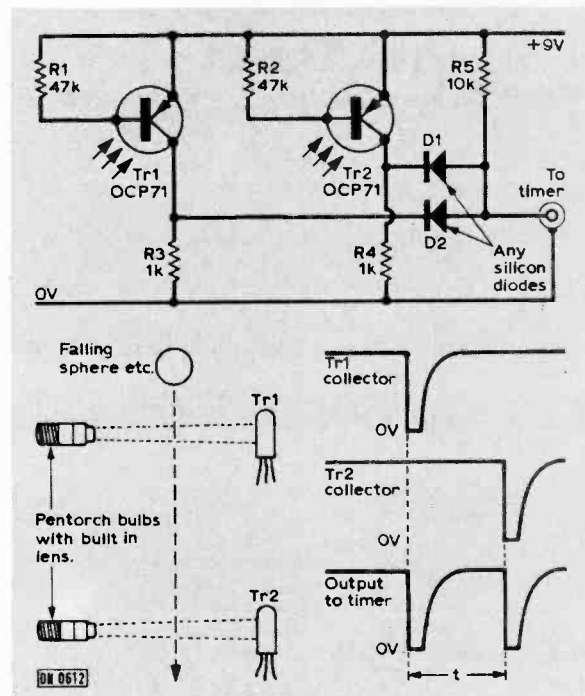


Fig. 22: Circuit shown above is suitable for automatically timing the duration between two events.

An extension of this system with more powerful light sources may be used for race timing, horse trial events, etc.

In the above applications of start-stop pulses it is suggested that the input switch is set to the "AC" position and that the LEVEL control is adjusted to the position which gives reliable operation, this is usually slightly higher (clockwise) than the centre operating point used in frequency measurements.

## Very Low Frequency Input Signals

For very low frequency signals where the input coupling capacitor may attenuate the signal severely the input switch may be used in the "DC" position. This may result in the LEVEL control having little or no effect. However, if the input signal has an amplitude of about 10 volts peak to peak about earth potential, reliable operation of the instrument should be obtained.

The integrated circuits used in the Digital Frequency Counter Timer are the 74 series of TTL (Transistor-Transistor Logic) in the 14 and 16 pin DIL (dual in line) package. The device operates from a supply of +5 volts (4.5V min., 5.5V max.).

In the operation of the logic only two states are possible, 0 and 1.

logic 0 = "low" = less than +0.8volts.  
 logic 1 = "high" = greater than +2.0volts.

## 7400N Quadruple 2 Input Nand Gate

This device contains four separate identical two input NAND (NOT AND) gates, as shown in Fig. 23.

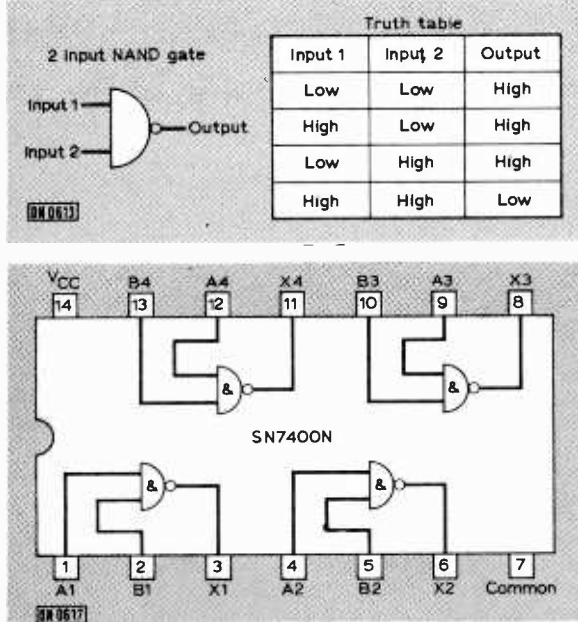


Fig. 23: SN7400N integrated circuit and truth table.

Each gate has two inputs and one output and the operation is shown in the truth table. It can be seen that only when input 1 AND input 2 are high will the output NOT be high, i.e. low. In the circuit of the instrument some gates are shown with only one input and here the other input is left disconnected. This is equivalent to connecting it to a high input. In this condition the gate becomes an inverter, the output condition is the inverse of the input.

## 7473N Dual Master-Slave J.K. Flip Flops

The SN7473N contains two Master-Slave J.K. Flip Flops, each flip flop contains a large number of gates all internally connected to form a bi-stable or flip-flop in which the state of the outputs for specific input conditions is clearly defined. This is shown in the truth table in Fig. 24. What this means is that if J and K are both low, no change takes place during the clock pulse. But if K is high and J is low the clock pulse will cause Q to go low and conversely if J is high and K is low the clock pulse will cause Q to go high. And finally if J and K are both high Q will change state at each appearance of the clock pulse. With J and K both high the circuit makes a divide by two divider stage, the output from Q being half the frequency applied to CP.

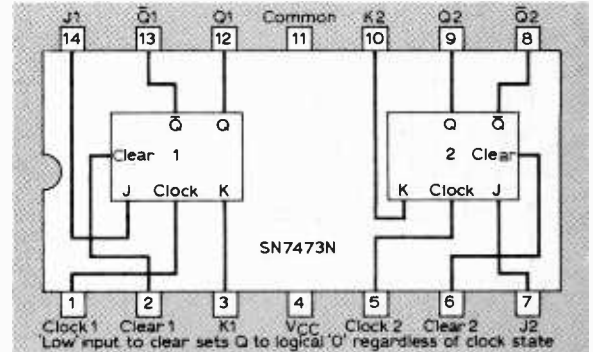
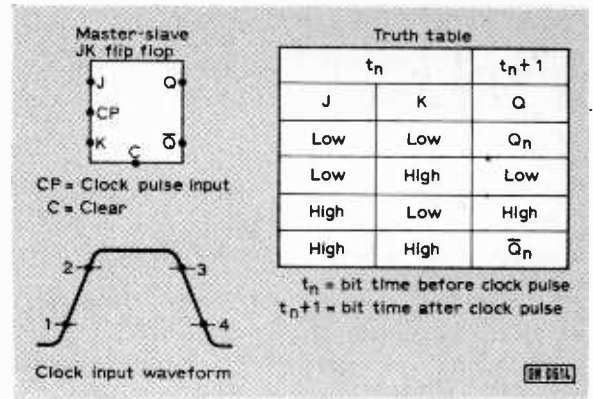


Fig. 24 : SN7473N integrated circuit and truth table. The sequence of operation relative to the clock waveform is also shown.

In the master-slave JK flip flop, the input to the master section is controlled by gates operated by the clock pulse. The clock pulse also regulates the state of more gates which connect the master and slave sections. The sequence of operation, relative to the clock waveform shown in Fig. 24, is as follows:

1. Isolate slave from master.
2. Enter JK input information into master.
3. Disable input gates.
4. Transfer information from master to slave.

The input C is a direct clear input which restores Q to low irrespective of any other input signals, opposite logic condition to Q.

The instrument is in storing information and transferring this on the application of a pulse to the clock pulse

$\bar{Q}$  is the reciprocal of Q and always has the opposite logic condition to Q. The use of the Master-Slave JK Flip Flop in the instrument.

## 7490N Decade Counter

The SN7490N contains 4 flip-flops and 3 gates forming a divide by 2 stage and a divide by 5 stage.

When used as a binary coded decimal counter, the signal input goes to the divide by 2 stage and from the output of this to the divide by 5 stage. The binary coded decimal output is then available as shown in Fig. 25.

When used as a frequency divider, as in the Crystal Oscillator divider panel, it is more convenient to feed the signal into the divide by 5 stage first and then the divide by 2 stage, this ensures a 1:1 square wave output which has certain advantages when used as a calibrator output. The other arrangement

# THE Medium Wave Column

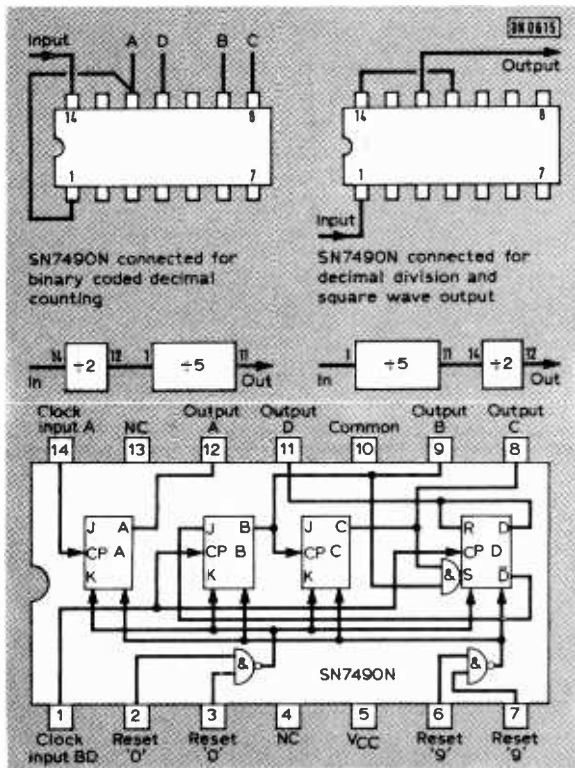


Fig. 25 : SN7490N integrated circuit used as a binary coded decimal counter.

will of course also divide by 10 but the output waveform is far from symmetrical. The SN7490N has input connections for resetting to "9" or "0" and in the instrument only the reset to "0" is used.

## 74141N B.C.D. to Decimal Decoder Driver

This device contains a complex arrangement of gates terminating in ten high voltage transistors for driving the numeral indicator tube. The operation of this device was illustrated in Part II of this series (Fig. 9, page 480, October 1971 issue).

A number of queries have been received regarding the use of a SN7441AN device in place of the SN74141N. The SN7441AN was in fact used in the prototype and whilst a number of these functioned satisfactorily a few gave trouble by loading the decade counter excessively and causing an incorrect count.

The SN74141N is an improved version of the original SN7441AN.

**B.B.C. RADIO LONDON**  
 Sunday, November 7th at 3 p.m.  
 on 95.3 MHz.

**"Don't call us 'hams'!"**

featuring radio amateurs of London, with  
 Sylvia Margolis, past P.R.O. of the  
 Radio Society of Great Britain

ONE of the attractions of medium wave DXing is its unpredictability, a feature which is very apparent when the listener searches for North American DX. Although reception conditions can vary considerably from night to night, there is also a long term trend which follows the sunspot cycle; the best medium wave DX occurring in years of low sunspot activity. We are now well past the maximum of the current sunspot cycle and can expect an all-round improvement in long range reception on m.w.

Last month it was suggested that the newcomer to MW DXing should listen on 1070kHz after 2300hrs for the Canadian CBA located at Moncton, New Brunswick. Other North Americans that are frequently heard in this country during the early part of the night are CNB 640kHz in St. John's, Newfoundland; WNBC 660kHz in New York City; WABC 770 also in NYC; WHDH 850 in Boston; CBH 860 in Halifax, Nova Scotia; WABI 910 in Bangor, Maine; CJCH 920 Halifax, N.S.; CJON 930 St. John's; CHER 950 Sydney, N.S.; WINS 1010 NYC; WBZ 1030 Boston; WBT 1010 Charlotte, North Carolina. An unusual catch is Radio St. Pierre 1375kHz situated at St. Pierre, the capital of the French islands of St. Pierre et Miquelon, located to the south of Newfoundland. When conditions are favourable R. St. Pierre will cause a heterodyne on Lille 1376kHz before the latter closes down for the night at 2300hrs.

Harold Emblem, of Mirfield, Yorkshire, has received a verification from the new station at Kinshasha (692kHz). This is a difficult country to verify and the address for reception reports is Chef des Services Techniques, Radiodiffusion Nationale Congolaise, Kinshasha, Republique Democratique du Congo.

Reception of Far Eastern medium wave stations is possible in the U.K. during the afternoon in winter time. Stations fade-in about one hour before sunset and are audible either until they sign-off or they become submerged in interference from Europeans, which increases as darkness approaches. The 1,000kW All India Radio outlet at Calcutta on 1130kHz which broadcasts in English from 1530 until 1600hrs was heard frequently last winter. It is easy to pass over this station as it suffers from slow cyclic fading, so it is worth while pausing on the frequency for a few minutes. The Voice of America, Okinawa 1178kHz is another megawatt that is often heard in this country, usually as a background to the Swedish broadcaster on the same channel. Programmes from Okinawa are in local languages but identification is on the hour and half hour usually in English and is accompanied by the Yankee Doodle signature tune. Sign-off is at 1700hrs. Peking has been logged on 1,000kHz, 1230kHz and 1290kHz; Taiwan (Formosa) has been heard on 750kHz and 1200kHz with programmes of westernised Chinese music while Kabul, Afghanistan 1280kHz is a regular until close down at 1830hrs.

Reports to 132 Segars Lane, Southport PR8 3JG.

# SHORT WAVES

## MONTHLY NEWS FOR DX LISTENERS

**D**URING the past few months I have received many letters asking the correct way of converting metres into kilohertz. It would appear that many readers have receivers which are calibrated in metres only.

The conversion is performed as follows: In order to obtain the frequency in kHz divide 300,000 by the wavelength in metres. This formula also works in reverse, that is: wavelength in metres can be obtained by dividing 300,000 by the frequency in kHz.

The first report this month comes from **Paul Benton** of Hednesford who has an Astrad-Nova receiver. Paul's aerial system consists of a 75 foot long-wire, a 14-element television aerial and a copper grid. Items from his log include:

- 4783 *Radio Mali*, in French at 2145.
- 4800 *Radio Lara*, Venezuela, music at 2330.
- 4900 *R. Juventud*, Venezuela, music at 0000.
- 4900 *R. Conakry*, Guinea, news in French at 2300.
- 4940 *R. Abidjan*, Ivory Coast, French at 2250.
- 5015 *Windward Islands B.S.*, English at 2345.
- 5035 *R. Bangui*, Cent. Afr. Rep., English at 2045.
- 5047 *R. Lome*, Togo, African music at 2100.
- 11652 *R. Pakistan*, Karachi in English at 2030.
- 11815 *HCJB, Quito*, Ecuador in English at 0040.
- 11855 *Saudi Arabia* in English at 0430.

**Stephen John Mathews** of Hull has a new receiver, the Trio 9R-59DS, but having broken his leg playing football he has to be content with his 90 foot loft aerial instead of the new one which he was going to erect. The combination yielded some interesting stations including:

- 2326 *S. African B.C.* in English at 0030.
- 4777 *R.T. Gabonaise* in French at 0000.
- 4800 *R. Lara*, Venezuela in Spanish at 0400.
- 4880 *R. Universo*, Venezuela, Spanish at 0045.
- 4955 *R. Nacional*, Colombia in Spanish at 0315.
- 5960 *Voz de Angola* in Portuguese at 2015.
- 15170 *ELWA, Liberia* in French at 2020.
- 15200 *NBC, Lagos*, Nigeria, English at 1830.
- 15280 *4VEH, Haiti* in English from 2330 to 0200.
- 15415 *FEBA, Seychelles*, testing at 1855.
- 15485 *R. Portugal Libre*, clandestine at 1922.

**Peter Reed** of Brighton has used his R1155N receiver in conjunction with his Joystick antenna to log some interesting stations which include:

- 3380 *Malawi B.C.* in English at 2000.
- 4805 *Voice of Kenya*, Nairobi, 1800-1845.
- 4875 *R. La Cruz del Sur*, Bolivia, Spanish at 1100.
- 5040 *R. Burma* noted at 1445.
- 9520 *R. La Cronica*, Peru, Eng. and Sp. at 1200.
- 11825 *Papeete, Tahiti* in French at 0755.
- 21685 *Kuwait B.S.* in Arabic at 1300-1330.

**Ross Pullen** of Crawley has sent in a log which includes the following interesting stations:

- 5970 *R. El Sol*, Peru in Spanish at 0200.
- 9670 *Saudi Arabia* in Arabic at 2215.

## THE BROADCAST BANDS

Malcolm Connah

Frequencies in kHz ● Times in GMT

- 9725 *R. Burma* in English at 0700.
- 11715 *R. Republik Indonesia* in English at 0900.
- 11875 *R. dif. Nacional*, Nicaragua at 0200.

**Julian V. Moss** of Rayleigh, Essex has just purchased a Meridian receiver and a 50 foot long-wire enabling him to hear:

- 6050 *HCJB, Quito*, Ecuador in German at 0615.
- 6080 *R. Berlin Int.* in French at 2100.
- 7280 *R. Berlin Int.* in English at 2045.
- 9530 *AIR, Delhi* in English at 2100.
- 9550 *R. Warsaw*, Poland in English at 2030.
- 9700 *R. Sofia*, Bulgaria in English at 1935.
- 9765 *Deutschwelle* in English at 2150.
- 11620 *AIR, Delhi* in English at 2030.
- 11672 *R. Pakistan*, news in English at 1900.
- 11700 *R. Kiev*, Ukraine in English at 1945.
- 11740 *R. Australia* in English at 1610.
- 11755 *Finnish B.C.* in English at 1000.
- 11765 *R. Australia* in English at 0800.
- 11800 *RAI*, Rome in English at 1940.
- 11910 *Radio Budapest* in German at 2010.

**Fred Wall** of Walthamstow, London E.17 used his homebrew 4-valve superhet and a 20 foot long-wire aerial to hear the following stations:

- 7290 *TWR, Monte Carlo* at 1600.
- 9555 *Finnish B.C.* at 1815.
- 9620 *R. Belgrade*, Yugoslavia, English at 1942.
- 11745 *HCJB, Quito*, Ecuador at 0015.
- 11765 *R. Australia* with news at 0900.
- 11790 *R. Afghanistan*, news in English at 1800.
- 15345 *Kuwait B.S.* with news at 1830.
- 17820 *RSA, S. Africa* with news at 1845.
- 21640 *NHK, Japan* with music at 1518.
- 25900 *R. Norway* in Eng./Nor. at 1820.

**Robert C. Hanstock** of Sheffield has a Colombia 5-valve superhet and a 50 foot long-wire which enabled him to hear:

- 5980 *RSA, S. Africa* in English at 1815.
- 7205 *R. Australia* in English at 1600.
- 9010 *R. Peking* in English at 2045.
- 9740 *Radio Portugal* in French at 0700.

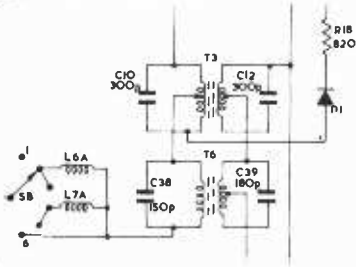
Robert also reports that Radio Nederland is to open a new relay station at Tananarive, Malagasy in November. Programmes will be beamed to Africa and S. Asia. The station will also be changing the frequencies of its evening transmission in English to Europe; the new frequencies being 17830, 6085 and 6020 from 1830 to 1950.

**D. A. Hairon** of St. Clement, Jersey is now using a 100 foot long-wire with his other equipment and reports hearing:

- 9740 *R. Cairo* in English, 2245-2300.
- 11730 *R. Nederland*, Bonaire in Eng. at 0630.
- 11795 *R. Nacional*, Rio de Janeiro at 0055.
- 11865 *R. Clube*, Brazil at 0200.
- 21705 *R. Mexico* in Spanish at 2205.

Reports should arrive by the 15th of the month and be addressed to me at 5 Ranelagh Gardens, Cranbrook, Ilford, Essex.

# electronics mastered!\*



by our highly practical  
**BUILD, SEE & LEARN** system

Step by step we take you through the apparent intricacies of electronics and show you how easily you can master the subject. Write for the brochure which shows, in full detail, how you can do it.

**1**

We provide a full range of components and sub-assemblies, with details of what they do, so that you learn to recognise all the 'bits and pieces'. Using some of these you are instructed in how to build this oscilloscope, simply and quickly.

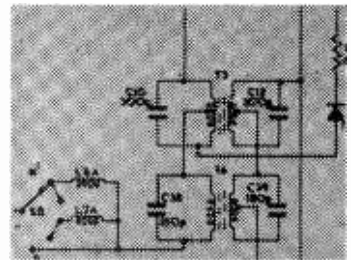
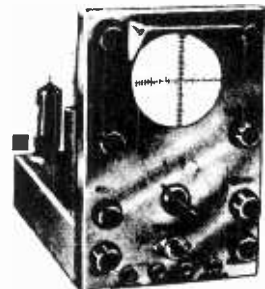
**2**

You are shown how to read and understand circuit diagrams so that you can later build more advanced equipment or draw your own diagrams.

**3**

You can construct over 40 kits, including:—

- Valve experiments
- Transistor experiments
- Amplifiers
- Oscillators
- Signal tracer
- Photo electric circuit
- Computer circuit
- Basic radio receiver
- Electronic switch
- Simple transmitter
- a.c. experiments
- d.c. experiments
- Simple counter
- Time delay circuit
- Servicing procedures



This course has been designed to help even those who are complete newcomers to electronics. **No Maths needed!**

**POST NOW  
FOR  
FREE BROCHURE**  
BLOCK CAPITALS PLEASE

To: **British National Radio School, Reading, Berks.**  
Please send your free Brochure, without obligation, to:

NAME.....

ADDRESS.....

P12/71

**FREE**

**SPECIAL ELECTRONIC GIFT  
to all our Students POST COUPON NOW!**

# SHORT WAVES

## THE AMATEUR BANDS

David Gibson, G3JDG

Frequencies in kHz ● Times in GMT

**F**IRST letter out of the hat this month is from **Peter Short** (ZS2HT). He remarks on comments made in an earlier Amateur Bands regarding ZS1MH. Peter says that the latter station has managed over 1,000 contacts on 3.5MHz notching up 115 countries. Gear is a KW Atlanta and a G8KW antenna at 175ft. Apparently ZS1MH will be using a 66ft. loaded vertical early next year and has plans to have a 2-element beam for 3.5MHz up by next March. Peter says also that there is intense ZS activity on both 3.5 and 7MHz between 0400 and 0600 g.m.t. Listen 7090 to 7100kHz and from 3730kHz upwards.

A shout from **Des Walsh** (EI5CD) of Co. Tipperary. He asks for s.w.l's who can QRX on 2 metres to listen out for his a.m./f.m. sigs on the following freqs.: 144.7, 144.9, 145.35 and 145.96. Des runs 8W output to a 6-over-6 and is on most weekends beaming eastwards.

The aerial is 67ft. wrapped neatly around a first floor flat in Cambridge. The receiver is a "modded" HRO-MX and the log from **M. Wallace** is for 3.5MHz s.s.b.; HA0KHT, WA8OBG, ZB2CC, ZL3LE, ZL4JW.

Listen after 0100 b.s.t. around 7.2MHz for KP4GL who m.c.'s the Caribbean net, advises **Paul Edwards** (Penge). Paul's antenna is 120ft. "bent round the garden" and the Rx is a homebrew 1-V-1. Log for 7MHz reads; CN8HD, CT1GQ, CT2AK, EA7EU, FM7WN, K4UAS, KP4DHD, KP4GL, KZ5JF, PJ2CW, PY3APH, PY7BIH, VP7DL, W1YNQ, W2RGV, W3LTU, WA2BVU/4X, YV1BI, YV5BPG, ZL2BT, 4Z4JT, 8P6AJ.

**John Brockett** (Hemel Hempstead) has a homebrew transistor superhet which is working on 160 and 80 metres. Best on 160 to date is GM3SVK/A in the Shetlands. On 80, John bagged many EUs plus JY9DX, OD5BA, VE1OW, VO1FG, 3V8ZK and 5H3LV.

**Peter West** (Leigh, Lancs), reckons midnight to 0700 for 7MHz DX. Proof of the pudding comes from Peter's log for that band gained with the aid of a TCS-9 receiver and 132ft. end-fed (all s.s.b.); CM3LN, EA3LP, EA6BH, K4ELK, K4PTK, PY2ASY, PY7AJB, PZ1CV, W1EEF, W2BMK, W3WGH, W4CVS, YV4BE.

Talk about DX logs, I gotta DX letter. Epistle from **Karl Muller** of Mbabane, Swaziland, uses a Philips domestic portable and the oscillating detector of a homebrew t.r.f. as a b.f.o. Karl stalks 40 metres with this little lot and reports squeaks of activity from: CR7FM, CR7BN, DK2EQ, DJ9JF, EI8H, ET3ZU/A, G8NV (that's DX to Karl!), GM3JDR, HA3GR, HB9AGN, IT9FG, JA0BCO, JA1BK, JA2BUX, JA3LU, JA4IWD, JA5BLH/MM, JA6FT, JA7DCK, JA9YBA, JH1EDB, JW1EE, K4THA, K6DC, K6DV, KH6RS, LZ1KVV, OK2BM, OH5UQ, SM5EXE, thousands of "U" stations.

**David Lawley** (Gravesend) CR100, a wide variety of antennas, has been doing a spot of all-band listening. Topband log includes; G13ZIA, GM3WDF and GW3UMB. Up to 3.5MHz and a QRX revealed; CT1BT, EI3S, GC3MDX, OY7JD, PY7AF, VO1FX,

VO1FG and YK1AA. On 40 metres, David's best were; OZ9HG (Langeland Island) and TI2IT.

Without doubt the award for the best kept log of the year goes to **Adrian Barnes** of Abingdon, Berks. This was laid out neatly and legibly in columns making it easy to read. All the information was included; callsign, mode, frequency, date, time, country etc. No local stations were listed, no Eu stations either, just some 175 DX stations. A sample from this superb 14MHz s.s.b. log reads; AP2AD, CE3FM, CN8BB, CP1BG, CR5SP, CT1BT, EL2BA, EP2JA, ET3ZU, HC1M, HI1AGS, JY9DK, KH6CD, KP4FS, KZ5JW, LU2AGE, OA1BU, OA6BGI, PJ0PM, PY2FIQ, TI2FKB, VA2UN (special station in Montreal), fourteen VEs, VK1BT, VK2APK, VK3BCM, VK4CZ, VK4PV/P, VK5GX, VK6OV, VK7RX, VK9CD, seventy Ws, XE1IJJ, YB5BFB, YN2OM, YV1ACI/P5, YV4YC, YV5CKR, YV6EE, ZA2BE, ZB2A, ZC4LC, ZE1CW, ZL2BGV, ZL3GO, ZL4AW, 3A0FX, 3V8ZK, 4X4JL, 4Z4DZ, 5Z4LW, 6Y5GA, 7X2BK, 9H1BG, 9M2LP, 9Q5RN, 9V1QJ, 9Y4CP.

**Irwin Brown** (Co. Antrim), has a JR-310 and a dipole at 30ft. Log of s.s.b. from 14MHz which was heard in the Emerald Isle includes; AP5HU, EA6BM/M, ET3ZU/A, HI8LA, VE1CW/M, VQ9YL, YA2DD, YB3AA, ZK1CD, ZM7AG, 5K5LR, 5Z5KL.

**Philip Cross** (Preston) has an HRO-MX and a dipole cut for 14MHz. Log of s.s.b. reads; CN8GC, CR5SP, CR6IC, ET3ZU/A, FP9AR/M, HP9ARZ, HV3SJ, JA6YUV, JX1AK, JY1, LU2ECO, M1B, MP4TDM, OD5GC, PZ1DR, VQ9XX, VP9BN, ZE1CY, ZS3KC, 3A2CP, 3V8ZK, 7X2BK, 7Z3AB, 9K2BG, 9J2ED, 9X5AA, 9Y4VV.

"I'm now working hard trying to learn c.w.," says **Alan Smith** (Nelson). "Good lad," says **David Gibson** (Harpenden). Alan uses a Koyo KTR 1662 receiver and 25ft. of wire. Not an elaborate set up, but enough to hear some 14MHz s.s.b. from; EA6BU, HC1KH, HK3BN, KZ5IK, KP4BJD, PJ9AD, PZ1AY, VE3CNE, YB5FB, YV5AXT, 6Y5SR, 9Y4VV.

An ECC83 and ECL82 (leaky grid detector and a.f. amp), is the homebrew receiver of **John Runchman** (South Norwood). On 20 metres, with the aid of a dipole, John bagged; HK3UY, sixteen Ks, LU4ECO, PY2CAQ, VE1IJ, VP2LY, thirty Ws, YN1ABD, YV4UA, ZP5AN, ZL3AA, 4X4AE, 4Z4QAM, 6Y5GA, 9H1M, which is pretty good going for two valves.

**P. Harris** (Surbiton) RA-1, dipole, got these on 28MHz; LU3DTV, LU6DRB, PY2HT.

Goings on for contest-types at this time of the year includes: November 6-7, 144/432MHz c.w. contest; 6-7, 40 metre phone contest; 6-8, CHC/FHC phone/c.w. contest; 13-14, topband contest; 14, OK contest; 27-28, CQ WW d.x. c.w. contest. December 5, 2 metre contest.

*Logs, in alphabetical order please, to arrive by the 15th of the month to:*

**12 Cross Way, Harpenden, Herts.**



**PHILIPS PORTABLE PLAYER CABINET**

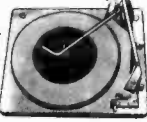


Size 18 x 15 1/2 x 7 1/2 in. Cut for B.S.R. UA12/14/15/16/25 deck. Amplifier space 14 x 5 x 3 1/2 in. Satin aluminium front grille. Really smart appearance. **£4 25p**  
Black/White. Chrome fittings.

**BSR C.109 SUPERSLIM**

**STEREO AND MONO**

Plays 12", 10" or 7" records. Auto or Manual. A high quality unit backed by BSR reliability with 12 months guarantee. AC 200/250v. Size 13 1/2 x 11 1/2 in. Above motor board 3 1/2 in. below motor board 2 1/2 in. with STEREO and MONO XTAL **£7.75** Post 25p.



**GARRARD SINGLE PLAY TA MK II Ideal** **£10**

Discophone or Hi-Fi Stereo/Mono Stereo Diamond and Mono Sapphire. SP25 Mk II 515 Model 3500 Stereo and Mono Autochanger. £14. Post 25p.

**RECORD PLAYER PORTABLE CABINET** **£3-75**

With space for 2 C.S. Amplifiers and most modern autochangers. Two-tone rexine covered. Post 25p

**RCS DE-LUXE 2 WATT AMPLIFIER.** Ready made with 2-stage triode pentode valve, 3 watts output. Tone and volume controls. Isolated mains transformer, knobs, loudspeaker valves ECL82, EZ80. **£4**

**R.C.S. TEAKWOOD BASE.** Ready cut out for mounting (State player make and model) **£2-75**

**R.C.S. PLASTIC COVERS FOR ABOVE BASE.** Durable tinted plastic, attractive appearance. **£2-75**

**EMI PICK-UP ARM** with mono xtal and stylus **£1.25**. **HI-FI PICK-UP CARTRIDGES.** Diamond Stereo/Mono. 9TA £2-50; GP94 £2-50; GP93 £2-00; Mono GP91 £1-50; GC8 £1-25; ACOS L.P. only 50p.

**AM-FM/VHF GANG**

Super quality small size 1 1/2 x 1 1/2 x 1 1/2 in. plus spindle 1 1/2 in. 385 + 2 365 pF with 25 + 25 pF. British made. Geared slow motion drive 6:1. Plastic dust cover. 6BA tapped front fixing. **50p** Post Free

**WEYRAD P50-TRANSISTOR COILS**

RA2W Ferrite Aerial. 65p  
Coc. F50/LAC. 30p  
1.F. P50/2CC 470 kc/s. 33p  
3rd I.F. P50/3CC. 33p  
P51/L or P51/2. 33p  
P50/3V. 33p  
Mullard Ferrite Rod 8 x 1/2 in. 20p. 8 x 1/2 in. 25p.

**VOLUME CONTROLS**

Long spindles. Midgest Size 5 K. ohms to 2 Meg. LOG or LIN. L/S 15p. D.P. 25p. STEREO L/S 55p. D.P. 75p. EDGE 5K. S.P. Transistor 25p

**WIRE-WOUND 3-WATT POTS.** Small type with small knob. Values 10Ω to 30 K. **25p**

**WIRE-WOUNDS-2-WATT STANDARD SIZE POTS.** LONG SPINDLE 10 OHMS TO 100 K. **40p**

**VEROBOARD 0.15 MATRIX.**

2 1/2 x 5 in. 19p. 2 1/2 x 3 1/2 in. 19p. 3 1/2 x 5 in. 26p. EDGE CONNECTORS 16 way 25p; 24 way 38p. PINS 36 per packet 17p. FACE CUTTERS 38p.

S.R.E.P. Board 0.15 MATRIX 2 1/2 in. wide 3p per lin., 3 1/2 in. wide 4p per 1 in.; 5 in. wide 5p per 1 in. (up to 17 in.). S.R.E.P. Undrilled 1/2 in. Board 10 x 8 in. 15p.

BLANK ALUMINIUM CHASSIS 18 s.w.g. 2 in. sides. 7 x 4 in. 45p; 9 x 7 in. 60p; 11 x 7 in. 70p; 13 x 8 in. 90p; 14 x 7 in. 110p; 15 x 14 in. 99p; 11 x 3 in. 50p.

ALUMINIUM PANELS 18 s.w.g. 6 x 4 in. 9p; 8 x 6 in. 15p; 14 x 3 in. 16p; 10 x 7 in. 19p; 12 x 5 in. 20p; 12 x 8 in. 28p; 18 x 6 in. 28p; 14 x 9 in. 34p; 12 x 12 in. 40p.

1 1/2 inch DIAMETER WAVE-CHANGE SWITCHES 25p. 2 p. 2-way, or 2 p. 6-way or 3 p. 4-way 25p each. 1 p. 12-way, or 4 p. 2-way, or 4 p. 3-way 25p.

1 inch DIAMETER Wavechange "MAKITS" 1 p. 12-way, 1 in. ch. choboard 318 s.w.g. 6 x 4 in. 9p. 2-way, 1 p. 12-way, 2 water 90p. Extra wires up to six 30p each.

TOGGLE SWITCHES, sp. 14p; dp. 18p; dp. dt. 25p.

**"THE TASTY" BULK TAPE ERASER AND RECORDING HEAD DEMAGNETISER**



200/250 v. A.C. Leaflet S.A.E. **£2-35** Post 15p

Minimum Post and Pocking 15p RETURN OF POST DESPATCH. HI-FI STOCKISTS. CUSTOMERS FREE CAR PARK. CALLERS WELCOME

**RADIO COMPONENT SPECIALISTS**

List 5p. Written guarantee with every purchase. (Export: Remit cash and extra postage.) Buses 50, 68, 159 pass door. S.R. Stn. Selhurst. Tel. 01-684-1665

**R.C.S. STABILISED POWER PACK**

All parts and instructions with Zener Diode, Printed Circuit, Bridge Rectifiers and Double Wound Mains Transformer input 200/240v. A.C. Output voltages available 6 or 9 or 12 or 15 or 18 or 20v. DC at 100mA or less. PLEASE STATE VOLTAGE REQUIRED. **£2** POST FREE Details S.A.E.

**GENERAL PURPOSE TRANSISTOR PRE-AMPLIFIER BRITISH MADE**

Ideal for Mike, Tape, P.T.U., Guitar. Can be used with Battery 9-12v or H.T. line 200-300v D.C. operation. Size 1 1/2 x 1 1/2 x 1 1/2". Response 25 c.p.s. to 25 Kc/s. 20db gain. For use with valve or transistor equipment. Full instructions supplied. Brand new. Guaranteed. Details S.A.E. **90p** Post 10p

**NEW TUBULAR ELECTROLYTICS** CAN TYPES  
2/280V .14p 250/25V .14p 18/16/500V .55p  
4/350V .14p 500/25V .20p 50/350/50V .35p  
8/450V .14p 1000/25V .35p 80/100/350V .58p  
16/450V 15p 1000/50V .47p 32+32/250V .18p  
32/450V 20p 8+8/450V 18p 32+32/450V .33p  
25/25V 10p 8+16/450V 20p 350+50/325V 50p  
50/50V .10p 16+16/450V 25p 32+32+32/350V 43p  
100/25V 10p 32+32/350V 25p 100+50+50/350V 43p

**SUB-MIN. ELECTROLYTICS.** 1.2, 4, 5, 8, 18, 25, 30, 50, 100, 200mF 15V 16p; 500, 1000mF 12V 18p; 2000mF 25V 35p. CERAMIC 1pF to 0.01 mF, 4p. Silver Mica 2 to 5000pF, 4p. PAPER 350V-0 1p, 0.5 13p; 1mF 15p; 2mF 150V 15p. 500V-0.001 to 0.05 4p; 0 1 5p; 0.25 8p; 0.47 25p. SILVER MICA. Close tolerance 1%, 2-2500pF 8p; 500-2-200pF 10p; 2,700-5,800pF 20p; 8,800pF-0.01, mid 50p; each. TWIN GANG. 0.01, 0.02, 0.05, 0.1, 0.2, 0.5p; Slow motion drive 385+385 with 25+25pF. 50p 500pF slow motion, standard 45p; small 3-gang 500pF £1.60. SHORT WAVE. Single 25pF 55p. CHROME TELESCOPIC AERIAL, swivel base, 23in. 20p. TUNING. Solid dielectric. 100pF. 500pF. 35p each. TRIMMERS. Compression 10, 30, 70pF, 5p; 100pF, 150pF, 8p; 250pF, 10p; 600pF, 15p. 100 ohms 3p; 100 ohms 10p. SILICON REC. 40-100 Ohms 2SD500 Bridge 70V 5 amp £1. RECTIFIERS CONTACT COOLED 1/2 wave 60mA 38p; 85mA 48p. SILICON BYZ13 30p; BY1100 30p; BY127 30p. EX-GOVERNMENT RECTIFIERS 250v, 200mA, 30p. NEON PANEL INDICATORS 250V AC/DC Red or Amber 20p. RESISTORS, 1/2 w., 1/4 w., 20%, 1p to 5 p. 10 to 10M. HIGH STABILITY, 1/2 w., 2%, 10 ohms to 10 meg., 10p. Dials 1/2". Preferred values 10 ohms to 10 meg. 4p. WIRE-WOUND RESISTORS 5 watt, 10 watt, 15 watt, 10 ohms to 100K, 10p each; 2 1/2 watt, 1 ohm to 8 2 ohms 10p

**PHILIPS TRANSISTOR FM STEREO MULTIPLEX DECODER.**

As used in LEAK Troughline Hi-Fi. New. Pre-aligned with 9 semi-conductors. 24v. DC at 6mA. Complete with circuit and connection details. **£4** POST FREE 3 1/2 x 2 x 1 in.

**MAINS TRANSFORMERS ALL POST 25p each**

250-0-250 80 mA. 6.3 v. 4 amp. £1.40  
250-0-250 80 mA. 6.3, 3.5 a. 6.3 v. 1 a. or 5 v. 2 a. £2.00  
350-0-350 80 mA. 6.3, 3.5 a. 6.3 v. 1 a. or 5 v. 2 a. £2.00  
300-0-300 v. 120 mA. 6.3 v. 4 a. C.T. 6.3 v. 2 a. £2.50  
MINIATURE 200 v. 20mA. 6.3 v. 1 a. 2 1/2 x 2 in. 75p  
MIDGET 220 v. 45 mA. 6.3 v. 2 a. 2 1/2 x 2 1/2 in. 80p  
P.E. AURORA 210 v. 12 + 12 v. 500mA. £1.50  
MINI-MAINS 90v. 100mA. 1 1/2 x 1 1/2 in. £1.30  
HEATER TRANS. 6.3v. 3 a. 60p  
Ditto tapped sec. 1.4 v., 2.3, 4.5, 6.3 v. 1 1/2 amp. 80p  
GENERAL PURPOSE LOW VOLTAGE. Tapped Outputs at 2 amp. 3, 4, 5, 6, 8, 9, 10, 12, 15, 18, 24 and 30 v. £2-00  
1 amp. 6, 8, 10, 12, 15, 18, 24, 30, 40, 45, 60 v. £2-00  
2 amp. 6, 8, 10, 12, 15, 18, 20, 24, 30, 36, 40, 48, 60, £3-00  
AUTO TRANSFORMERS 115v. to 230v. or 230v. to 115v. Input/Output, 150w. £2-00; 500w. 25; 1000w. 21£.  
CHARGER TRANSFORMERS. Input 200/250v. for 6 or 12v. 1 1/2 amp. £1-20; 2 amp £1-50; 4 amp. £2-00.  
FULL WAVE BRIDGE CHARGER RECTIFIERS: 6 or 12 v. outputs, 1 1/2 amp. 40p; 2 amp. 50p; 4 amp. 85p.  
All transformers Postage 25p extra.

**E.M.I. 13 1/2 x 8 in. LOUDSPEAKERS**

With twin tweeters and crossover, 10 watt. **£4**  
State 3 or 8 or 15 ohm. (As illustrated) Post 15p  
With flared tweeter cone and ceramic magnet, 10 watts. Bass res. 45-80 cps. **£2-25**  
Flux 10,000 gauss. State 3 or 8 or 15 ohm. Post 15p  
Recommended Teak Cabinet Size 18 x 10 x 9 in. Post 25p **£5**

**LOW MINI-MODULE £3-25 LOUDSPEAKER KIT**

Triple speaker system combining on ready cut baffle, 20-15,000 cps. Full instructions for 3 or 15 ohm. Bass and Treble loudspeakers and crossover condenser. The heavy duty 5 in. Bass Woofer unit has a low resonance cone. The mid-Range unit is specially designed to add drive to the middle register and the tweeter recreates the top end of the musical spectrum. Total response 20-15,000 cps. Full instructions for 3 or 15 ohm. **TEAK VENEERED BOOKSHELF ENCLOSURE.** 11 1/2 x 10 1/2 x 6 in. Modern design, dark grey Tyxan covered baffle or with fluted wood front 16 x 10 x 9 in. **£5** Post 25p

**ALL MODELS "BAKER SPEAKERS" IN STOCK**

**BAKER 12in. MAJOR £9**



30-14,500 c.p.s., 12in. double cone, woofer and tweeter cone together with a BAKER ceramic magnet assembly having a flux density of 14,000 gauss and a total flux of 145,000 Maxwells. Bass resonance 40 c.p.s. Rated 20 watts. Voice coils 3 or 8 or 15 ohms. Post Free

Module kit, 30-17,000 c.p.s. with tweeter, crossover, baffle and instructions. **£11-50**

**BAKER "BIG-SOUND" SPEAKERS**

'Group 25' 12 inch **£7** 12 inch **£9** 15 inch **£19**  
25 watt 35 watt 50 watt  
3 or 8 or 15 ohm 3 or 8 or 15 ohm 8 or 15 ohm

**TEAK HI-FI SPEAKER CABINETS.** Fluted wood front For 12in. dia. speaker 20 x 13 x 9 in. £9. Post 25p For 13 x 8 in. speaker 18 x 10 x 9 in. £5. Post 25p For 10 x 6 in. speaker 16 x 8 x 9 in. £4. Post 25p **GOODSPEAKER CABINET WADDING** 18in. wide, 16p ft.

**GOODMAN HI-FI WOOFER**

8 ohm, 10 watt. Large ceramic magnet. De Luxe Horn Tweeters. Frequency response 30-12,000 cps. Ideal P.A. Columns, Hi-Fi Enclosures Systems, etc. **£4**



**ELAC CONE TWEETER**

The moving coil diaphragm gives a good radiation pattern to the higher frequencies and a smooth extension of total response from 1,000 cps to 18,000 cps. Size 3 1/2 x 3 1/2 in. deep. Rating 10 watts. 3 ohm or 15 ohm models. **£1-90** Post 10p

**Horn Tweeters 2-16kc/s., 10W 8 ohm or 15 ohm £1-50**

De Luxe Horn Tweeters 2-18 kc/s., 15W, 8 ohm 25p. TWO-WAY 8000cps CROSSOVERS 3 or 8 or 15 ohm 95p. SPECIAL OFFER! 80 ohm, 2 1/2 in. dia.; 35 ohm, 2 in.; 3 in 25 ohm, 2 1/2 in. dia.; 3 in. dia.; 3 x 4 in.; 8 x 5 in. £1 EACH 15 ohm, 3 in. dia.; 7 x 4 in.; 8 x 5 in. £1 TYPE 8 ohm, 6 x 4 in. 3 ohm, 2 1/2 in. 5 in. 5 x 3 in. 7 x 4 in. LOUDSPEAKERS P.M. 3 OHMS. 6 in. £1.10; 8 x 5 in. £1.25; 8 x 2 1/2 in. 9p; 8 in. £1.75; 10 x 6 in. £1.90. 5 in. WOOFER 8 watts max. 20-10,000 cps. 8 or 15 ohm. £1.80. ELAC 8 in. De Luxe Ceramic 3 ohm or 15 ohm £2-50. RICHARD ALLAN TWIN CONE LOUDSPEAKERS. 8 in. dia. 4 watt; 10 in. dia. 5 watt; 12 in. dia. 6 watt 3 or 8 or 15 ohm models £1.95 each. Post 15p. OUTPUT TRANS. EL84 etc. 25p. MIXER TRANS. 50:1 25p. SPEAKER COVERING MATERIALS. Samples Large S.A.E. GOODMAN'S OUTPUT TRANSFORMER 5 watt push-pull for valves EL84 etc., 3, 8 and 15 ohms 85p. Post 25p.

**BAKER 100 WATT ALL PURPOSE POWER AMPLIFIER**

4 in puts speech and music. Mixing facilities. Response 10-30,000 cps. Matches all loudspeakers. A.C. 200/250v. Treble and Bass controls Guaranteed. **£39** POST FREE Details S.A.E.



**ALL EAGLE PRODUCTS**

SUPPLIED AT LOWEST PRICES ILLUSTRATED EAGLE CATALOGUE 20p. Post Free.  
**BARGAIN AM TUNER.** Medium Wave. Transistor Superhet. Ferrite aerial. 9v. **£4**  
**BARGAIN 4 CHANNEL TRANSISTOR MIXER.** Add musical highlights and sound effects to recordings. Will mix Microphone, records, tape and tuner with separate controls into single output. 9v. **£3**  
**BARGAIN FM TUNER 88-108 Mc/s** 5 Pin Transistor. 9 volt Printed Circuit. Calibrated slide dial tuning. Walnut Cabinet. Size 7 x 5 x 4 inch **£10**  
**BARGAIN FM TUNER** as above less cabinet **£7-50**  
**BARGAIN 3 WATT AMPLIFIER.** 4 Transistor Push-Pull Ready built, with volume control. 9v. **£3-50**  
**COAXIAL PLUG 6p. PANEL SOCKETS 6p. LINE 18p. OUTLET BOXES, SURFACE OR FLUSH 25p. BALANCED TWIN FEEDERS 5p** yd. 80 ohms or 300 ohms. JACK SOCKET Test open circuit 25p. Chrome Lead Socket 45p. Phone Plug 5p. Phone Socket 5p. JACK PLUG Std. Chrome 15p; 3-5mm Chrome 15p. DIN SOCKETS Chassis 3-pin 10p; 5-pin 10p. DIN SOCKETS Lead 3-pin 18p; 5-pin 25p. DIN PLUGS 3-pin 18p; 5-pin 25p. VALVE HOLDERS. 8p; CERAMIC 5p; CAN 5p.

**E.M.I. TAPE MOTORS**

120v. or 240v. A.C. 1,200 r.p.m. 4 pole 135mA. Spindle 0.187 x 0.75 in. **£1-25**  
Size 3 1/2 x 2 1/2 x 2 1/2 in. (illustrated). **BALFOUR GRAM MOTORS** 120v. or 240v. A.C. 1,200 r.p.m. 4 pole 50mA. Spindle 1/4 x 3/80. Size 2 1/2 x 2 1/2 x 1 1/2 in. Post 15p **85p**

**Fully guaranteed  
Individually packed  
VALVES**

B12H	£1.75p	ECH200	62p	OA2	35p
CY31	35p	ECL90	45p	OB2	35p
DAF96	38p	ECL82	32p	PABCO3	37p
DF96	37p	ECL85	65p	PC97	40p
DK96	41p	ECL86	42p	PC900	47p
DL92	32p	EP36	45p	PC94	37p
DL94	40p	EP37A	45p	PC939	45p
DL96	41p	EP39	40p	PC1189	55p
DM70	30p	EP40	50p	PC680	55p
DY86	45p	EP41	62p	PCF90	30p
DY87	50p	EP80	25p	PCF82	33p
DY802	48p	EP83	55p	PCF84	46p
EB8CC/01	£1.80p	EP86	31p	PCF96	45p
		EP86	31p	PCF900	77p
E180CC	42p	EP89	26p	PCF201	77p
E181CC	90p	EP91	15p	PCF801	48p
E182CC		EP92	37p	PCF802	42p
	£1.05	EP95	30p	PCF805	72p
EABC80	32p	EP183	32p	PCF806	65p
EAF42	50p	EP184	35p	PCF808	72p
EB91	15p	EP1200	70p	PCF800	70p
EBCC30	50p	EL34	57p	PCL81	47p
EBCA41	52p	EL41	57p	PCL82	37p
ECC81	30p	EL42	53p	PCL83	65p
EBF80	42p	EL84	23p	PCL84	42p
EBF85	42p	EL85	40p	PCL85	42p
EBF89	30p	EL86	40p	PCL86	42p
ECC81	30p	EL90	35p	PPL200	70p
ECC82	28p	EL95	35p	PL36	53p
ECC83	30p	FL500	85p	PLW1	50p
ECC84	20p	EM31	25p	PL82	40p
ECC85	40p	EM80	40p	PL83	42p
ECC86	50p	EM84	35p	PL84	35p
ECC88	37p	EM87	55p	PL500	73p
ECC189	52p	Y51	40p	PL504	75p
ECCF90	35p	Y86	35p	PY33	60p
ECCF82	35p	Y81	35p	PY80	30p
ECCF83	75p	Y88	40p	Y81	27p
ECCF901	65p	EZ41	42p	Y82	27p
ECCF802	65p	EZ80	25p	Y83	35p
ECH35	60p	EZ81	27p	Y88	37p
ECH42	65p	GZ34	52p	Y800	52p
ECH81	28p	KT66	£1.60p	Y801	52p
ECH83	42p	KT88	£2.15p	YQV30-10	
ECH84	45p	N76	£1.25p	YQV30-10	

**TRANSISTORS, ZENER DIODES etc.**

SPECIAL OFFER	OC25	37p	OC900	40p	2N3055	75p	AD149	50p	DY213	25p
OBJ tube	OC26	25p	OC201	60p	2N3730	50p	AD181	37p	BY216	68p
	OC28	62p	OC206	90p	2N3731	£2.75p	AD182	37p	CR8110	25p
	OC29	62p	IN21	17p	2N6109	£2.05p	AF118	62p	CR8120	38p
	OA5	20p	OC35	50p	IN21B	25p	40382	80p	CR8130	40p
	OA10	25p	OC38	42p	IN25	60p	82303	50p	CR8135	43p
	OA70	10p	OC44	17p	IN43	10p	3F100	47p	AF178	48p
	OA71	10p	OC45	15p	IN70	15p	3F145	32p	AF184	40p
	OA73	10p	OC70	12p	IN702-7358	31p	3F183	32p	AF191	13p
	OA74	10p	OC71	15p	IN823A	£1.30p	3N139	£1.75p	ASV26	25p
	OA79	10p	OC72	25p	12MT5	35p	3N140	95p	ASV28	25p
	OA81	10p	OC73	30p	12MT10	33p	3N154	90p	ASV67	48p
	OA91	7p	OC75	25p	12T5	67p	3N159	£1.45p	BAW19	29p
	OA92	7p	OC76	25p	12T10	63p	6F85	45p	BC107	12p
	OA200	15p	OC85	25p	2G385	51p	12F650	75p	BC108	15p
	OA210	25p	OC81D	20p	2G403	15p	10D1	16p	BC113	25p
	OA211	37p	OC81DM	20p	1N4785	50p	40594	£1.37p	BC118	38p
	OA2200	55p	OC82	25p	2N277	52p	40595	£1.37p	BCY72	15p
	OA2201	50p	OC82DM	30p	2N818	37p	40638	£1.45p	BF115	25p
	OA2202	10p	OC83	25p	2N818	37p	40638	£1.35p	BF173	30p
	OA2203	10p	OC83B	15p	2N1304	25p	40669	£1.45p	BFY54	27p
	OA2207	47p	OC84	25p	2N1306	25p	AC126	25p	BFY62	25p
	OA2208	10p	OC122	50p	2N1307	25p	AC127	25p	BB05	38p
	OA2213	32p	OC139	25p	2N2147	75p	AC128	25p	BB	45p
	OA2293	10p	OC140	37p	2N2904A	32p	AC176	25p	BS2	47p
	OA2295	50p	OC170	25p	2N3053	25p	ACV17	30p	BSV29	25p
	OC16	50p	OC171	30p	2N3054	50p	ACV28	17p	HU100	£1.80p
	OC22	60p	OC172	87p	2N3054	50p	ACV28	17p	HU100	£1.80p



**ALL valves guaranteed**

**INTERGRATED CIRCUITS—MANY OTHERS IN STOCK**

QYV06-40A	UBC41	47p	UY85	30p	3Q4	37p	6AK5	30p	6BA6	25p
	UBF80	35p	VR105/30	35	384	35p	6AK8	32p	6BE6	30p
	UBF89	35p	VR150/30	35p	384	35p	6AL5	15p	6BE7	25p
R17	UC88	40p	ZY59	£1.65p	5B254M	£2.20p	6AL5W	40p	6BJ6	45p
R19	UC88	40p	ZY59	£1.65p	5B254M	£2.20p	6AL5W	40p	6BG5	32p
STV280/40	UCF80	55p	Z801U	£15.00p	5B/255M	6AM3	30p	6BQ7A	35p	
	UCF82	55p	Z803A	£1.25p		£1.75	6AN8	50p	6BR7	80p
	UCF84	55p	Z900T	75p	5R4G	60p	6AQ5	35p	6BW6	80p
	UCF86	55p	IL4	15p	5U4G	32p	6AQ5W	50p	6BW7	70p
	UCF88	55p	IR5	35p	5V4G	40p	6AB8	37p	6C6	25p
	UCF90	55p	IS4	25p	5Y4G	40p	6AS7G	60p	6C6	25p
	UCF92	55p	IR5	35p	5Y4G	40p	6AT8	30p	6CH6	55p
	UCF94	55p	IT4	22p	5Z4	75p	6AUX	25p	6CL6	49p
	UCF96	55p	IX2A	40p	5Z4GT	40p	6AX4GT	40p	6D6	20p
	UCF98	55p	IX2B	40p	6AB7	30p	6AX5GT	65p	6E8A	55p
	UCF99	55p	IX2C	40p	6AC7	15p	6B7	30p	6E8B	55p
	UCF99	55p	IX2D	40p	6AH6	50p	6BK7	40p	6F33	£1.50p

**Colomax (Electronics) Ltd.**  
170 GOLDHAWK ROAD, LONDON W12.  
Tel: 01-74 0939  
Open 9-12.30, 1.30-5.30 p.m. Thursday 9-1 p.m.

**METERS**

Fully List of our very large stock of meters on request.

**MW/LW TRANSISTOR RADIO**



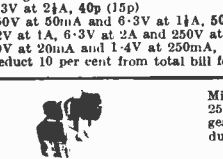
Complete set of parts for this MW/LW Transistor Radio. Originally sold by world-famous company as a set for more than £17. Coverage 192-555m + 1070-1870m. 3 volt 6 transistor superhet using 2 AF117 in RF and IF stages powered by a two stage AF amplifier using 3xAC128. Output approx. 500MW. Also works off car-aerial. Full instruction book 12p free with parts. Red only, play case, reline covered. Requires PP7 battery, price 22p extra. 3in high-quality speaker. Price £6 plus 40p P. & P.

**STEREO AMPLIFIER Type SHV—2 x 3 watts**



Fully built. Separate vol., base and treble controls each channel; 12 x 4 1/2 in high. £22.90 and 2 x ECL86 valves. O.P. trans. for 8-ohm speakers. Double wound mains transformer. Suitable for crystal, magn. cartridge, tuner, etc. with mono-stereo switch. 200-250V a.c. mains. £7.25, 50p P. & P.

**MAINS TRANSFORMERS (240-250V input)**



A.M./F.M. (V.H.F.) tuning gang 1/3 x 2 x 1 1/2 in spindle fin (in dia.) 400 + 180 + 20 + 20pf; geared slow motion driver 6:1:1; no back lash; cast frame; Brand new; German; 3 x 4ba. fixings. 35p post pd; less 10% for 6.

**GLADSTONE RADIO**  
66 ELMS ROAD, ALDERSHOT, Hants

2 (2 mins. from Station and Buses). FULL GUARANTEE. Aldershot 22240  
CLOSED WEDNESDAY. S.A.E. for enquiries please.

**Selections from FELSTEAD ELECTRONICS' List**

(Sent free for stamped addressed envelope to address below)  
**Transistors etc.** AC126 15p. AP115 20p. AP116 15p. AF117 20p. OA5 71p. OA10 71p. OA81 71p. OA85 71p. OC23 32p. OC25 30p. OC26 37p. OC28 42p. OC35 42p. OC44 14p. OC45 14p. OC71 12p. OC72 12p. OC73 12p. OC74 12p. OC81 12p. OC82 12p. OC83 12p. OC84 12p. OC85 12p. OC86 12p. OC87 12p. OC88 12p. OC89 12p. OC90 12p. OC91 12p. OC92 12p. OC93 12p. OC94 12p. OC95 12p. OC96 12p. OC97 12p. OC98 12p. OC99 12p. OC100 12p. OC101 12p. OC102 12p. OC103 12p. OC104 12p. OC105 12p. OC106 12p. OC107 12p. OC108 12p. OC109 12p. OC110 12p. OC111 12p. OC112 12p. OC113 12p. OC114 12p. OC115 12p. OC116 12p. OC117 12p. OC118 12p. OC119 12p. OC120 12p. OC121 12p. OC122 12p. OC123 12p. OC124 12p. OC125 12p. OC126 12p. OC127 12p. OC128 12p. OC129 12p. OC130 12p. OC131 12p. OC132 12p. OC133 12p. OC134 12p. OC135 12p. OC136 12p. OC137 12p. OC138 12p. OC139 12p. OC140 12p. OC141 12p. OC142 12p. OC143 12p. OC144 12p. OC145 12p. OC146 12p. OC147 12p. OC148 12p. OC149 12p. OC150 12p. OC151 12p. OC152 12p. OC153 12p. OC154 12p. OC155 12p. OC156 12p. OC157 12p. OC158 12p. OC159 12p. OC160 12p. OC161 12p. OC162 12p. OC163 12p. OC164 12p. OC165 12p. OC166 12p. OC167 12p. OC168 12p. OC169 12p. OC170 12p. OC171 12p. OC172 12p. OC173 12p. OC174 12p. OC175 12p. OC176 12p. OC177 12p. OC178 12p. OC179 12p. OC180 12p. OC181 12p. OC182 12p. OC183 12p. OC184 12p. OC185 12p. OC186 12p. OC187 12p. OC188 12p. OC189 12p. OC190 12p. OC191 12p. OC192 12p. OC193 12p. OC194 12p. OC195 12p. OC196 12p. OC197 12p. OC198 12p. OC199 12p. OC200 12p. OC201 12p. OC202 12p. OC203 12p. OC204 12p. OC205 12p. OC206 12p. OC207 12p. OC208 12p. OC209 12p. OC210 12p. OC211 12p. OC212 12p. OC213 12p. OC214 12p. OC215 12p. OC216 12p. OC217 12p. OC218 12p. OC219 12p. OC220 12p. OC221 12p. OC222 12p. OC223 12p. OC224 12p. OC225 12p. OC226 12p. OC227 12p. OC228 12p. OC229 12p. OC230 12p. OC231 12p. OC232 12p. OC233 12p. OC234 12p. OC235 12p. OC236 12p. OC237 12p. OC238 12p. OC239 12p. OC240 12p. OC241 12p. OC242 12p. OC243 12p. OC244 12p. OC245 12p. OC246 12p. OC247 12p. OC248 12p. OC249 12p. OC250 12p. OC251 12p. OC252 12p. OC253 12p. OC254 12p. OC255 12p. OC256 12p. OC257 12p. OC258 12p. OC259 12p. OC260 12p. OC261 12p. OC262 12p. OC263 12p. OC264 12p. OC265 12p. OC266 12p. OC267 12p. OC268 12p. OC269 12p. OC270 12p. OC271 12p. OC272 12p. OC273 12p. OC274 12p. OC275 12p. OC276 12p. OC277 12p. OC278 12p. OC279 12p. OC280 12p. OC281 12p. OC282 12p. OC283 12p. OC284 12p. OC285 12p. OC286 12p. OC287 12p. OC288 12p. OC289 12p. OC290 12p. OC291 12p. OC292 12p. OC293 12p. OC294 12p. OC295 12p. OC296 12p. OC297 12p. OC298 12p. OC299 12p. OC300 12p. OC301 12p. OC302 12p. OC303 12p. OC304 12p. OC305 12p. OC306 12p. OC307 12p. OC308 12p. OC309 12p. OC310 12p. OC311 12p. OC312 12p. OC313 12p. OC314 12p. OC315 12p. OC316 12p. OC317 12p. OC318 12p. OC319 12p. OC320 12p. OC321 12p. OC322 12p. OC323 12p. OC324 12p. OC325 12p. OC326 12p. OC327 12p. OC328 12p. OC329 12p. OC330 12p. OC331 12p. OC332 12p. OC333 12p. OC334 12p. OC335 12p. OC336 12p. OC337 12p. OC338 12p. OC339 12p. OC340 12p. OC341 12p. OC342 12p. OC343 12p. OC344 12p. OC345 12p. OC346 12p. OC347 12p. OC348 12p. OC349 12p. OC350 12p. OC351 12p. OC352 12p. OC353 12p. OC354 12p. OC355 12p. OC356 12p. OC357 12p. OC358 12p. OC359 12p. OC360 12p. OC361 12p. OC362 12p. OC363 12p. OC364 12p. OC365 12p. OC366 12p. OC367 12p. OC368 12p. OC369 12p. OC370 12p. OC371 12p. OC372 12p. OC373 12p. OC374 12p. OC375 12p. OC376 12p. OC377 12p. OC378 12p. OC379 12p. OC380 12p. OC381 12p. OC382 12p. OC383 12p. OC384 12p. OC385 12p. OC386 12p. OC387 12p. OC388 12p. OC389 12p. OC390 12p. OC391 12p. OC392 12p. OC393 12p. OC394 12p. OC395 12p. OC396 12p. OC397 12p. OC398 12p. OC399 12p. OC400 12p. OC401 12p. OC402 12p. OC403 12p. OC404 12p. OC405 12p. OC406 12p. OC407 12p. OC408 12p. OC409 12p. OC410 12p. OC411 12p. OC412 12p. OC413 12p. OC414 12p. OC415 12p. OC416 12p. OC417 12p. OC418 12p. OC419 12p. OC420 12p. OC421 12p. OC422 12p. OC423 12p. OC424 12p. OC425 12p. OC426 12p. OC427 12p. OC428 12p. OC429 12p. OC430 12p. OC431 12p. OC432 12p. OC433 12p. OC434 12p. OC435 12p. OC436 12p. OC437 12p. OC438 12p. OC439 12p. OC440 12p. OC441 12p. OC442 12p. OC443 12p. OC444 12p. OC445 12p. OC446 12p. OC447 12p. OC448 12p. OC449 12p. OC450 12p. OC451 12p. OC452 12p. OC453 12p. OC454 12p. OC455 12p. OC456 12p. OC457 12p. OC458 12p. OC459 12p. OC460 12p. OC461 12p. OC462 12p. OC463 12p. OC464 12p. OC465 12p. OC466 12p. OC467 12p. OC468 12p. OC469 12p. OC470 12p. OC471 12p. OC472 12p. OC473 12p. OC474 12p. OC475 12p. OC476 12p. OC477 12p. OC478 12p. OC479 12p. OC480 12p. OC481 12p. OC482 12p. OC483 12p. OC484 12p. OC485 12p. OC486 12p. OC487 12p. OC488 12p. OC489 12p. OC490 12p. OC491 12p. OC492 12p. OC493 12p. OC494 12p. OC495 12p. OC496 12p. OC497 12p. OC498 12p. OC499 12p. OC500 12p. OC501 12p. OC502 12p. OC503 12p. OC504 12p. OC505 12p. OC506 12p. OC507 12p. OC508 12p. OC509 12p. OC510 12p. OC511 12p. OC512 12p. OC513 12p. OC514 12p. OC515 12p. OC516 12p. OC517 12p.

## Electronic Vandals

As an amateur archaeologist and also as a reader of your journal for nearly 20 years, I would like to applaud your editorial on "Electronic Vandals."

We as archaeologists do not want to deprive folk of their pleasures, but in return we ask that they in turn do not deprive us of vital information.

A coin or a metal brooch, so badly corroded as to be almost worthless as a coin may, in expert hands of conservationists at museums, tell us the date when Roman forces were active in a fort or when a Roman villa was last occupied.

We may have worked for many years patiently working out the size, shape and function of a structure; but if our dating evidence has been removed all our work becomes fruitless.

If some of your readers honestly wish to help in furthering human knowledge then I suggest they contact their local archaeological society through their museum. It may be that they would be grateful for their help. Please remember that archaeology is a study of people and not a treasure hunt.—**J. L. Cole**, (*Sutton Coldfield*).

## Beginners' Licence

Although there are many Amateurs, who have worked hard to acquire their radio licence, and are now fully fledged Amateurs, I fail to see why the G.P.O. have, as yet, not introduced a "beginners'" licence. Such a licence could not fail to please all, as it would undoubtedly benefit the amateur radio movement, would encourage enthusiastic people to join, and would not clash with the activities of the fully licensed Amateur.

I feel that a "beginners'" licence is necessary as there are lots of potential Amateurs, who either don't have the facilities or don't have the time. I am sixteen years old, a keen SWL, but am in the middle of my 'O' Levels, and I will be continuing my studies for the next two years, and have therefore no time with which to study for the R.A.E. I am sure that there are many others, who

are in a similar position. A limited licence would sow a good groundling and this would enable one to acquire a licence at a later date.

Such a licence could be based on the following terms, and conditions:

- (1) A written exam comprising:
  - (a) Section one of the present exam;
  - (b) Frequency control and measurement;
  - (c) Interference, the causes and suppression of it;
  - (d) Full operating procedure (this should relieve many qualified "Hams");
- (2) The G.P.O. morse test;
- (3) (a) Only able to use a small allotted section of the band;
  - (b) Limited to two watts power output;
  - (c) C.W. transmission only;
  - (d) The allocation of a "beginners'" prefix.

These conditions would, by their very nature, urge the willing and genuine Amateur on to the full licence while the lazy, and unenthusiastic would fall by the wayside.—**M. S. Lerner**, (*Hendon, London*).

## Take—20 Dollars

Recently I started to construct one of the "Take 20" projects and I was horrified at some of the local prices for parts. These prices may be of interest to you: 5 $\mu$ F 12V capacitor, 20 cents; 1.5M $\Omega$   $\frac{1}{4}$ W resistor 10 cents; BC109 transistor, \$1.85c; BC169C transistor \$2.25c. Ten New Zealand cents is equal to 5p.

It is actually cheaper to have these parts air-freighted from Britain than to buy them from the local shop.—**K. B. Moore** (*Tokoroa, New Zealand*).

## A Protest

Radio components are clearly inferior to the previous designed ones, when silk covered windings of transformers were impregnated with quality varnish. Modern methods use enamelled wire impregnated with wax resulting in what I think is an inferior com-

ponent which cannot be relied upon.

Oil insulated windings are inferior, especially when mains voltages are used in primary windings of transformers. Enamelled wires are clearly inferior and unreliable. More so when wax impregnated.

We are progressing in the wrong direction. When will the proven system return, so that quality returns? I refer to transformers only but other components are quite often just as bad.—**R. Wiberley**, (*Nottingham*).

## Such a D.I.N.

I would like to say a few words, aimed at manufacturers and suppliers: Now that "D.I.N." connectors are becoming more popular and standard on most equipment nowadays, how about making 5-core cables readily available, and 4-core individually screened cables at least available, if not readily available?—**R. Williams** (*St. Albans, Herts*).

## Treasure Traced

We have been using a metal locator manufactured by a well-known company for some time now and recently our Town Hall called upon us to help search for a very expensive diamond and sapphire ring which had been lost on the beach.

We tried a manufactured metal locator which proved useless near salt. When we used the P.W. Treasure Tracer, we found the ring after one hour. The P.W. locator was not affected by water at all and the ring was in salt water when located.

This was the first time we had put the P.W. Treasure Tracer to work and since the ring we located was worth about £200 it proves how good it is. Needless to say, the lady to whom the ring belonged is very grateful and I hope other readers will have as much success.

The cost to build the Treasure Tracer is so low for such performance that the P.W. circuitry gives.

I must add that we also found about a dozen coins before finding the ring.—**R. Miller** (*Brightlingsea, Essex*).

# SERVICING



## AN INTRODUCTION TO FAULT-FINDING

### PART 7

G. J. KING

GORDON KING CONTINUES THE SERIES DISCUSSING TUNER-AMPLIFIERS AND THEIR PROBLEMS, PICKUPS AND THEIR ASSOCIATED CORRECTION NETWORKS AND ENDS WITH A BRIEF RESUME OF HI-FI AMPLIFIER SPECIFICATIONS.

I want to begin this month with the hi-fi type of radio receiver, called the tuner-amplifier. This is an integration of a stereo (two channel) amplifier and a radio receiver always tuning the f.m. band (Band II) and sometimes a.m. bands as well, and invariably embodying a stereo decoder. This type of equipment is ousting the ordinary radiogram in certain areas of application, for, coupled to a pair of good speaker systems and a record playing unit the tuner-amplifier constitutes the 'heart' of a music system of significantly greater quality potential than the average radiogram.

Real hi-fi radio reproduction is not possible from the a.m. bands owing to the necessary restriction of the i.f. passband to avoid interference between adjacent stations. Sadly, even such passband restriction is unable to keep unwanted stations from the wanted in the medium waveband after dark, and as a consequence we get an annoying background of whistles and monkey chatter. Moreover, the passband restriction deletes the higher-order sidebands of the modulated signal and hence impairs the treble output.

With f.m. things are not like this because in Band II each channel is allotted 200 kHz of 'elbow room', thereby permitting full expansion of all the sidebands without restriction.

The f.m. system has attractive attributes over and above the a.m. system, including enhanced signal-to-noise performance, the ability to reject a.m. signals and interference and a parameter known as the 'capture ratio'.

The capture ratio stems from the nature of f.m. demodulation and from the amplitude limiting engineered into the i.f. channel of the receiver. It means that when two signals are present in the same channel (or close together in the receiver's passband) the weaker one is almost completely rejected and only the stronger of the two gives an output, free from interference.

A capture ratio of two or three decibels ensures that a co-channel signal is muted when the wanted signal is only about 10dB above it. Nothing like this degree of rejection is possible on a.m. All this boils down to the fact that the f.m. radio system is truly hi-fi, and that a.m. cannot be regarded in this light at all.

### DEVELOPMENTS

Contemporary radio tuners and the tuner sections of tuner-amplifiers are fast taking in the latest devices, including field effect transistors (f.e.t.'s.), integrated circuits (i.c.'s.), crystal and ceramic i.f. filters supplementing the bandpass transformer couplings. F.e.t.'s. are used mostly in the front-end as the r.f. amplifier and, sometimes, the mixer (with a bipolar local oscillator). Since their transfer characteristics exhibit second-order components they yield fewer third-order intermodulation components at high signal level than bipolar counterparts, whose characteristics contain an abundance of third-order components.

This means that unwanted spurious signals are minimised, particularly at locations close to a powerful station group. They also provide other attributes, including relatively low noise working and good 'mixing' properties. Thus a tuner section (f.m.) containing an f.e.t. r.f. amplifier and an f.e.t. mixer is likely to out-perform an 'equivalent' incorporating bipolar devices in these stages under a wide range of operating conditions.

### THIRD ORDER INTERMODULATION

One problem with simple f.m. front-ends is third-order intermodulation when operated in a strong, locally derived signal field. One symptom of this is a spurious signal at Radio 3 frequency (from  $f_2 + f_4 - f_3$ , where  $f_2$ ,  $f_3$  and  $f_4$  are the frequencies of Radios 2, 3 and 4 respectively). This can result in 'burbles' and similar sort of interference on Radio 3, and possibly 'birdies' interference when Radio 3 is stereo encoded.

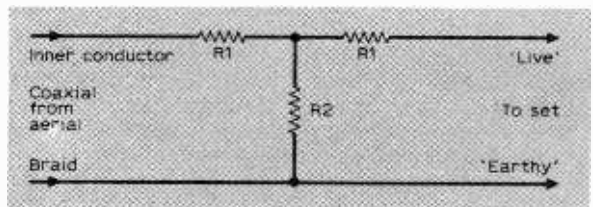


Fig. 1: Simple attenuator for reducing intermodulation problems.

## SPECIAL PURCHASE!

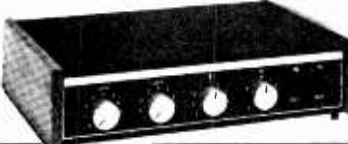
**BRAND NEW FM MULTIPLEX STEREO DECODERS**  
Manufactured by PHILIPS. Size 2" x 3 1/4" x 1 1/2".  
All transistor 24v, at 6 mA. Supplied pre-aligned  
with full circuit diagram and connection details.  
24 each Post Free

**LEAK MK I TRANSCRIPTION PICK-UP ARMS**  
Using the world famous gimbal pivot system.  
Complete but less pick up head. £2.50 P. & P. 20p

**INPUT MATCHING TRANSFORMER**  
Beautifully made in heavy Mu-metal cylindrical case  
for minimum hum pick-up. Size 1 1/2" high x 1 1/4"  
dia. Ratio 160:1 approx. Especially suitable for  
matching dynamic or ribbon mikes or pick-up from  
low to high impedance or vice versa. 75p each  
Post Free

**BLACK ANODISED 16g. ALUMINIUM HEAT SINKS**  
For TO3, complete with mica's & bushes. Size  
2 1/2" x 3" approx. 25p pair P. & P. 0p.

## HARVERSONIC SUPER SOUND 10 + 10 STEREO AMPLIFIER KIT



**NEW IMPROVED MODEL WITH HIGHER OUTPUT AND INCORPORATING HIGH QUALITY READY DRILLED PRINTED CIRCUIT BOARD FOR EASY CONSTRUCTION**

A really first-class Hi-Fi Stereo Amplifier Kit. Uses 14 transistors including Silicon Transistors in the first five stages on each channel resulting in even lower noise level with improved sensitivity. Integrated with the Best Treble and two Volume Controls. Suitable for use with Ceramic or Crystal cartridges. Output stage for any speakers from 5 to 15 ohms. Compact design, all parts supplied including drilled metal work, high quality ready drilled printed circuit board, attractive front panel, knobs, wire, solder, nuts, bolts—no extras to buy. Simple step by step instructions enable any constructor to build an amplifier to be proud of. Brief specification: Power output: 14 watts r.m.s. per channel into 8 ohms. Frequency response  $\pm 3dB$  12-30,000 Hz Sensitivity: better than 80mV into 1M $\Omega$ . Full power bandwidth:  $\pm 3dB$  12-15,000 Hz. Bass boost approx. to  $\pm 12dB$ . Treble cut approx. to  $\pm 18dB$ . Negative feedback 18dB over main amp. Power requirements 33v. at 1.0 amp. Overall size 12" w. x 8" d. x 2 1/2" h.

Fully detailed 7 page construction manual and parts list free with kit or send 18p plus large S.A.E.

**PRICES**  
AMPLIFIER KIT £10.50 P. & P. 15p  
POWER PACK KIT £3.00 P. & P. 30p  
CABINET £3.00 P. & P. 30p  
(Post Free if all units purchased at same time)  
Full after sales service

Also available ready built and tested £20.50. Post Free. Note: The above amplifier is suitable for feeding two mono sources into inputs (e.g. mike, radio, twin record decks, etc.) and will then provide mixing and fading facilities for medium powered Hi-Fi Discoboy use, etc.

**SPECIAL PURCHASE OF MANUFACTURERS SURPLUSES**  
All Transistor F.M. tuner heard with twin A.M. Gang incorporated. Beautifully engineered with precision geared reduction drive. FM RF Transistor, oscillator/Mixer and first I.F. stage (10.7 Mc/s output with optional AFC connection).

Built on printed circuit panel and fully screened. Extremely stable over range 88-108Mc/s. Brand new and pre-aligned. Size 2 1/4" w. x 1 1/4" x 2 1/4" d. For 6v D.C. at 2.8mA. A.M. Gang fitted with trimmers which can be connected to standard I.M. aerial and oscillator circuits if required. LIMITED NUMBER. Only £2.25 post free. Connection details supplied.

**HIGH GRADE COPPER LAMINATE BOARDS**  
8 x 6 x 1/4 in. FIVE for 50p. P. & P. 13p.

**TELESCOPIC AERIALS WITH SWIVEL JOINT.** Can be angled and rotated in any direction. 6 section Lacquered Brass. Extends from 6in. to 22 1/2 in. approx. Maximum diameter 1/4 in. 25p each. P. & P. 5p.

**BRAND NEW MULTI-RATIO MAINS TRANSFORMERS.** Giving 13 alternatives. Primary: 0-210-240v. Secondary combinations 0-5-10-15-20-25-30-35-40-60v. half wave at 1 amp. or 10-0-10, 20-0-20, 30-0-30v. at 2 amps full wave. Size 3in. long x 3 1/2 in. wide x 3in. deep. Price £1.75 P. & P. 30p.

**MAINS TRANSFORMER.** For transistor power supplies. Pri. 200/240v. Sec. 0-9-9 at 500mA. 70p. P. & P. 15p. Pri. 200/240v. Sec. 12-0-12 at 1 amp. 85p. P. & P. 15p. Pri. 200/240v. Sec. 10-0-10 at 2 amp. £1.38. P. & P. 30p. Tapped Primary 200-220-240v. Sec. 21.5v. at 600mA. 65p. P. & P. 15p.

**4 AMP BATTERY CHARGER TRANSFORMER.** Brand new. For 8 or 12v. 240v. Primary. Secondary volts rms of 10, 15 and 16.5. Overall size approx. 2 1/2" x 2 1/2" x 3". Weight 3lbs. Limited number at £1.35. P. & P. 35p.

## SPECIAL OFFER! HI-FI LOUSPEAKER SYSTEMS

Beautifully made teak finish enclosure with most attractive Tegan-Uynair front. Size 18 1/2" high x 10 1/2" wide x 5 1/2" deep. Fitter with E.M.I. Ceramic Magnet 13" x 8" bass unit, two H.F. tweeter units and crossover. Power handling 10 watts. Available 3 or 8 or 15 ohms impedance.

**OUR PRICE £8.40** Carr. 65p  
Cabinet Available Separately £4.50 Carr. 60p  
Also available in 8 ohms with EMI 13" x 8" bass speaker with parasitic tweeter £6.50 Carr. 65p

### LOUDSPEAKER BARGAINS

5in. 3 ohm 80p. P. & P. 15p. 7 x 4in. 3 ohm £1.05. P. & P. 20p. 10 x 6in. 3 or 15 ohm £1.90. P. & P. 30p. E.M.I. 8 x 5in. 3 ohm with high flux magnet £1.62. P. & P. 20p. E.M.I. 13 1/2 x 8in. 3 ohm with high flux ceramic magnet £2.10 (15 ohm £2.25). P. & P. 30p. E.M.I. 13 x 8in. 3, 8 or 15 ohm with two built tweeters and crossover netter £4.20. P. & P. 30p. E.M.I. 13 x 8in. twin cone (parasitic tweeter) 8 ohm £2.25. P. & P. 30p.

**BRAND NEW. 12in. 15w. H/D Speakers, 3 or 15 ohms.** Current production by a well-known British maker. Now with Hi-Fi ceramic ferrobar magnet assembly £5.50. Guitar models: 20w. £6.50, 35w. £8.50. P. & P. 38p. E.M.I. 3 1/4 in. HEAVY DUTY TWEETERS. Powerful ceramic magnet. Available in 3 or 8 or 15 ohms 93p each. P. & P. 15p.

12in. "RA" TWIN CONE LOUSPEAKER. 10 watts peak handling. 3, 8 or 15 ohm £2.20. P. & P. 30p. 35 ohm SPEAKERS 3in. only 63p P. & P. 13p.

**VYNAIR & REXINE SPEAKERS & CABINET FABRICS** app. 54 in. wide. Usually 1 1/2 yds. our price 75p yd. length. P. & P. 15p (min 1 yd.) S.A.E. for samples.

### SPEAKER CABINET BARGAIN

Beautifully made all-wooden construction medium walnut front, gold anodised expanded aluminium grille and dark sides. Approx. size overall 11 1/2" high x 5" deep x 13 1/2" wide at base. Baffle cut out for 8" speaker. Could accommodate amplifier or radio together with speaker.  
**FEW LEFT ONLY £1.38.** Post Free.

## HI-FI STEREO HEADPHONES

Adjustable headband with comfortable foamform earmuffs. Wired and fitted with standard stereo 3 1/2 in jack plug. Frequency response 30-15,000Hz. Matching impedance 8-16 ohms. Easily converted for Mono. PRICE £2.95. P. & P. 15p

**SINGLE HEADPHONE.** With aluminium headband. Approx. 200 ohm, 25p. P. & P. 8p

**CRYSTAL MIKES.** High imp. for desk or hand use. High sensitivity, 93p. P. & P. 8p

**HIGH IMPEDANCE CRYSTAL STICK MIKES.** OUR PRICE £1.05. P. & P. 8p

## GENERAL PURPOSE HIGH STABILITY TRANSISTOR PRE-AMPLIFIER

For P.U. Tape, Mike, Guitar, etc. and suitable for use with valve or transistor equipment. 9-18v. battery or from H.T. line 200/300v. Frequency response 15Hz-25KHz. Gain 26dB. Solid encapsulation size 1 1/2" x 1 1/2" x 1". Brand new complete with instructions. Price 88p. P. & P. 13p.

**BRAND NEW E.M.I. LIGHTWEIGHT PICK-UP ARM WITH ARM REST.** Fitted mono t/o stylus and cartridge for LP/78. ONLY £1. P. & P. 13p.

**QUALITY RECORD PLAYER AMPLIFIER MK II**  
A top quality record player amplifier employing heavy duty double wound mains transformer, EOC83, EL84, and rectifier. Separate Bass, Treble and Volume controls. Complete with output transformer matched for 3 ohm speaker. Size 7in. wide x 3in. deep x 6in. high. Ready built and tested. PRICE £3.75 P. & P. 40p

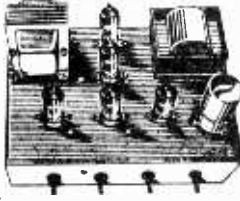
ALSO AVAILABLE mounted on board with output transformer and speaker ready to fit into cabinet below. PRICE £4.88 P. & P. 50p.

**DELUXE QUALITY PORTABLE R/P CABINET MK II.** Uncut motor board size 14 1/2 x 12in. clearance 2in. below, 5 1/2 in. above. Will take above amplifier and any B.S.R. or GARRARD changer or Single Player (except AT60 and SP25). Size 18 1/2 x 15 x 8in. PRICE £4.75. P. & P. 50p.

## 10/14 WATT HI-FI AMPLIFIER KIT

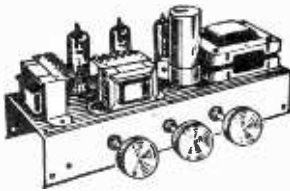
A stylishly finished monaural amplifier with an output of 14 watts from 2 EL84s in push-pull. Super reproduction of both music and speech, with negligible hum. Separate inputs for mike and gram allow records and announcements to follow each other.

Fully shrouded section wound output transformer to match 3-15 $\Omega$  speaker and 2 independent volume controls, and separate base and treble controls are provided giving good lift and cut. Valve line-up 2 EL84s, EOC83, EP86 and E280 rectifier. Simple instruction booklet 13p. (Free with parts). All parts sold separately. ONLY £7.97 P. & P. 55p. Also available ready built and tested complete with std. input sockets, £9.97. P. & P. 55p.



**FANTASTIC 'POLY PLANAR' WAFER-TYPE, WIDE RANGE ELECTRO-DYNAMIC SPEAKER**  
Size only 1 1/2" x 1 1/4" x 1 1/2" deep. Weight only 19 ozs. Can replace cone speakers in any application and is particularly useful for those with limited space. Extremely rugged and shockproof. Operating temperature—20°F to +175°F. Power handling 20 watts rms (40 watts peak). Impedance 8 ohm only. Response 40 Hz-20 KHz. Can be mounted on ceilings, walls, doors, under tables, etc. and used with or without baffle. Send S.A.E. for full details. Only £5.75 each. P. & P. 25p.

## DE LUXE STEREO AMPLIFIER



A.C. mains 200-240 v. Using heavy duty fully isolated mains transformer with full wave rectification giving adequate smoothing with negligible hum. Valve line up:—2 x ECL86 Triode Pentodes, 1 x E280 as rectifier. Two dual potentiometers are provided for bass and treble control, giving bass and treble boost and cut. A dual volume control is used. Balance of the left and right hand channels can be adjusted by means of a separate 'Balance' control fitted at the rear of the chassis. Input sensitivity is approximately 300mV for full peak output of 4 watts per channel (8 watts mono). into 3 ohm speakers. Full negative feedback in a carefully calculated circuit, allows high volume levels to be used with negligible distortion. Supplied complete with knobs, chassis size 11" w. x 4" d. Overall height including valves 5" 7/8". Ready built & tested to a high standard. PRICE £8.92 P. & P. 45p.

**4-SPEED RECORD PLAYER BARGAINS**  
Mains models. All brand new in maker's packing. LATEST B.S.R. C109/A21 4-SPEED AUTOCHANGER With latest mono compatible cartridge £6.97 Carr. 50p. With stereo cartridge £7.97 Carr. 50p. SUITABLE PLINTH UNIT FOR ABOVE with rigid plastic cover. £5.75 complete P. & P. 50p.

**LATEST GARRARD MODELS.** All types available 1025-2025, SP25, 3000, AT60 etc. S.A.E. for latest Prices! PLINTH UNITS cut out for Garrard Models, 1025, 2025-2000, 3000, 3500 etc. With rigid transparent plastic cover. Special design enables above models to be used with cover in position. Also suitable for housing AT60 and SP25. OUR PRICE £5.75 complete. P. & P. 50p.

LATEST ACOS GP91/ISC mono compatible cartridge with t/o stylus for LP/EP/78. Universal mounting bracket. £1.50 P. & P. 8p.

**SONOTONE 9TANC COMPATIBLE STEREO CARTRIDGE** T/O stylus Diamond Stereo LP and Sapphire 78. ONLY £2.50 P. & P. 10p. Also available fitted with twin Diamond T/O stylus for Stereo LP. £3. P. & P. 10p.

LATEST RONETTE T/O STEREO/COMPATIBLE CARTRIDGE for EP/LP/Stereo 78. £1.68 P. & P. 10p. LATEST RONETTE T/O MONO COMPATIBLE CARTRIDGE for playing EP/LP/78 mono or stereo records on mono equipment. ONLY £1.50 P. & P. 10p.

**3-VALVE AUDIO AMPLIFIER HA34 MK II.** Designed for Hi-Fi reproduction of records. A.C. Mains operation. Ready built on plated heavy gauge metal chassis, size 7 1/2" w. x 4" d. x 4 1/2" h. Incorporates IC83, EL84, E280 valves. Heavy duty, double wound mains transformer and output transformer matched for 3 ohm speaker. Separate volume control and now with improved wide range tone controls giving bass and treble lift and cut. Negative feedback line. Output 4 watts. Front panel can be detached and leads extended for remote mounting of controls. Complete with knobs, valves, etc., wired and tested for only £4.75. P. & P. 35p.

**HSL "FOUR" AMPLIFIER KIT.** Similar in appearance to HA34 above but employs entirely different and advanced circuitry. Complete set of parts, etc. £3.98. P. & P. 40p.

**HARVERSON'S SUPER MONO AMPLIFIER**  
A super quality gram amplifier using a double wound fully isolated mains transformer, rectifier and ECL86 triode pentode valve as audio amplifier and power output stage. Impedance 3 ohms. Output approx. 3.5 watts. Volume and tone controls. Chassis size only 7in. wide x 3in. deep x 6in. high overall. AC mains 200/240v. Supplied absolutely Brand New completely wired and tested with good quality output transformer.

ONLY £2.75 P. & P. 35p  
**BARGAIN PRICE**

**HANDBOOK OF TRANSISTOR EQUIVALENTS AND SUBSTITUTES**  
A must for servicemen and home constructors. 1971 edition including many 1000's of British, U.S.A., European and Japanese transistors. ONLY 40p Post 5p.

**HARVERSON'S SUPER MONO AMPLIFIER**  
A super quality gram amplifier using a double wound fully isolated mains transformer, rectifier and ECL86 triode pentode valve as audio amplifier and power output stage. Impedance 3 ohms. Output approx. 3.5 watts. Volume and tone controls. Chassis size only 7in. wide x 3in. deep x 6in. high overall. AC mains 200/240v. Supplied absolutely Brand New completely wired and tested with good quality output transformer.

ONLY £2.75 P. & P. 35p  
**BARGAIN PRICE**

**HANDBOOK OF TRANSISTOR EQUIVALENTS AND SUBSTITUTES**  
A must for servicemen and home constructors. 1971 edition including many 1000's of British, U.S.A., European and Japanese transistors. ONLY 40p Post 5p.

**HARVERSON'S SUPER MONO AMPLIFIER**  
A super quality gram amplifier using a double wound fully isolated mains transformer, rectifier and ECL86 triode pentode valve as audio amplifier and power output stage. Impedance 3 ohms. Output approx. 3.5 watts. Volume and tone controls. Chassis size only 7in. wide x 3in. deep x 6in. high overall. AC mains 200/240v. Supplied absolutely Brand New completely wired and tested with good quality output transformer.

ONLY £2.75 P. & P. 35p  
**BARGAIN PRICE**

**HANDBOOK OF TRANSISTOR EQUIVALENTS AND SUBSTITUTES**  
A must for servicemen and home constructors. 1971 edition including many 1000's of British, U.S.A., European and Japanese transistors. ONLY 40p Post 5p.

**HARVERSON'S SUPER MONO AMPLIFIER**  
A super quality gram amplifier using a double wound fully isolated mains transformer, rectifier and ECL86 triode pentode valve as audio amplifier and power output stage. Impedance 3 ohms. Output approx. 3.5 watts. Volume and tone controls. Chassis size only 7in. wide x 3in. deep x 6in. high overall. AC mains 200/240v. Supplied absolutely Brand New completely wired and tested with good quality output transformer.

ONLY £2.75 P. & P. 35p  
**BARGAIN PRICE**

**HANDBOOK OF TRANSISTOR EQUIVALENTS AND SUBSTITUTES**  
A must for servicemen and home constructors. 1971 edition including many 1000's of British, U.S.A., European and Japanese transistors. ONLY 40p Post 5p.

**HARVERSON'S SUPER MONO AMPLIFIER**  
A super quality gram amplifier using a double wound fully isolated mains transformer, rectifier and ECL86 triode pentode valve as audio amplifier and power output stage. Impedance 3 ohms. Output approx. 3.5 watts. Volume and tone controls. Chassis size only 7in. wide x 3in. deep x 6in. high overall. AC mains 200/240v. Supplied absolutely Brand New completely wired and tested with good quality output transformer.

ONLY £2.75 P. & P. 35p  
**BARGAIN PRICE**

**HANDBOOK OF TRANSISTOR EQUIVALENTS AND SUBSTITUTES**  
A must for servicemen and home constructors. 1971 edition including many 1000's of British, U.S.A., European and Japanese transistors. ONLY 40p Post 5p.

**HARVERSON'S SUPER MONO AMPLIFIER**  
A super quality gram amplifier using a double wound fully isolated mains transformer, rectifier and ECL86 triode pentode valve as audio amplifier and power output stage. Impedance 3 ohms. Output approx. 3.5 watts. Volume and tone controls. Chassis size only 7in. wide x 3in. deep x 6in. high overall. AC mains 200/240v. Supplied absolutely Brand New completely wired and tested with good quality output transformer.

ONLY £2.75 P. & P. 35p  
**BARGAIN PRICE**

**HANDBOOK OF TRANSISTOR EQUIVALENTS AND SUBSTITUTES**  
A must for servicemen and home constructors. 1971 edition including many 1000's of British, U.S.A., European and Japanese transistors. ONLY 40p Post 5p.

Open 9-5.30 Monday to Saturday  
Early closing Wed. 1 p.m.  
A few minutes from South Wimbledon Tube Station.

## HARVERSON SURPLUS CO. LTD.

170 HIGH ST., MERTON, LONDON, S.W.19 Tel.: 01-540 3985

SEND STAMPED ADDRESSED ENVELOPE WITH ALL ENQUIRIES

(Please write clearly)

PLEASE NOTE: P. & P. CHARGES QUOTED APPLY TO U.K. ONLY. P. & P. ON OVERSEAS ORDERS CHARGED EXTRA.

# BENTLEY ACOUSTIC CORPORATION LTD.

38 CHALCOT ROAD, CHALK FARM, LONDON, N.W.1  
THE VALVE SPECIALISTS Telephone 01-722-9090

OAE2	.30	6BW6	.72	6RT	.55	12NC7	.35	33Z6GT	.30	EAF42	.48	EP183	.28	HL41DD	.98	PEN45DD	URP80	.30	X41	.50	BC108	.18	OA73	.15
OB2	.30	6BW7	.54	6RTU	.35	12NG7	.23	50E5	.55	EB34	.20	EP184	.28	HL42DD	.50	PEN46	URP89	.30	Transistors		BC113	.25	OA79	.10
IA7GT	.35	6BZ6	.31	6BA7GT	.35	12RH7	.15	50L6GT	.45	EB91	.10	EH90	.30	URC21	.55	PEN43DD	UCB21	.35	& Diodes		BC115	.15	OA81	.09
IA3GT	.35	6CB6A	.26	6BA7M	.35	12BJ7	.23	85A2	.43	EB41	.48	EL22	.18	UC92	.35	UC95	UC92	.35	25Z23	.50	BC116	.25	OA85	.09
HL5GT	.33	6C4	.28	68C7GT	.33	12K87	.24	90C1	.59	EB91	.29	EL34	.40	UC94	.38	PENDD	UC94	.38	AA119	.15	BC118	.28	OA90	.13
LL4	.13	6C9	.78	68G7GT	.33	12Q7GT		100I12	.58	EB91	.29	EL34	.40	UC95	.34	UC95	UC95	.34	AA120	.15	BC119	.28	OA91	.09
IN5GT	.37	6C06G	1.06	6H17	.58			100I12	.58	EB91	.29	EL34	.40	UC96	.38	UC96	UC96	.38	AA121	.15	BCY12	.50	OA95	.09
IRS	.22	6C08A	.50	6H7	.58			100I12	.58	EB91	.29	EL34	.40	UC97	.38	UC97	UC97	.38	AA122	.15	BCY33	.20	OA200	.09
1U4	.28	6CH6	.38	6H7	.58	13B3	.45	5702	.80	EBF83	.38	EL37	.74	UC98	.38	UC98	UC98	.38	AA123	.15	BCY38	.28	OA202	.10
1U4	.28	6CL6	.43	6K7GT	.23	19A05	.24	AC2/PEN		EBH21	.60	EL41	.50	UC99	.38	UC99	UC99	.38	AA124	.15	BCY158	.29	OC23	.38
1U5	.48	6CM7	.50	6K7GT	.23	19A05	.24	AC2/PEN		EBH21	.60	EL41	.50	UC99	.38	UC99	UC99	.38	AA125	.15	BF158	.29	OC24	.38
2D21	.35	6C15	.30	6V6G	.17	20D4	1.05	AC2/PEN/PEN		EBH21	.60	EL41	.50	UC99	.38	UC99	UC99	.38	AA126	.15	BF163	.20	OC25	.38
20K5	.50	6CW4	.63	6V6GT	.30	20F2	.65	DD	.98	EB91	.29	EL34	.40	UC99	.38	UC99	UC99	.38	AA127	.15	BF172	.38	OC26	.24
3A4	.25	6DE7	.50	6X4	.20	30L1	.98	AC/PEN	.38	EB91	.29	EL34	.40	UC99	.38	UC99	UC99	.38	AA128	.15	BF180	.30	OC28	.60
3B4	.25	6DT6	.50	6X4GT	.25	20P1	.50	AC/PEN(7)		EB91	.29	EL34	.40	UC99	.38	UC99	UC99	.38	AA129	.15	BF181	.40	OC34	.34
8106	.19	6E5	.35	7A7	.88	20P3	.79	ECC04	.60	EB91	.29	EL34	.40	UC99	.38	UC99	UC99	.38	AA130	.15	BF195	.29	OC38	.38
3Q4	.38	6EW6	.55	7B6	.68	20P4	.89	AC/T11	.50	ECC08	.18	EM80	.38	UC99	.38	UC99	UC99	.38	AA131	.15	BF196	.20	OC42	.63
3Q5GT	.35	6F1	.59	7B7	.32	20P5	1.00	AC/T11	.98	ECC08	.18	EM81	.38	UC99	.38	UC99	UC99	.38	AA132	.15	BF197	.20	OC43	1.18
384	.25	6F6	.63	7C6	.30	25A8G	.29	AL60	.78	ECC08	.18	EM83	.75	UC99	.38	UC99	UC99	.38	AA133	.15	BF198	.20	OC44	.10
3V4	.32	6F6G	.25	7H7	.28	25L6G	.20	ATP4	.12	ECC08	.18	EM83	.75	UC99	.38	UC99	UC99	.38	AA134	.15	BF199	.20	OC45	.10
4CB6	.50	6F13	.33	7H7	.65	25L6G	.20	ATP4	.12	ECC08	.18	EM83	.75	UC99	.38	UC99	UC99	.38	AA135	.15	BF200	.20	OC46	.10
5C08	.20	6F14	.42	7Z4	.50	25Y6G	.48	AZ51	.48	ECC08	.18	EM83	.75	UC99	.38	UC99	UC99	.38	AA136	.15	BF201	.20	OC47	.10
5V4G	.34	6F13	.45	917	.78	25Z4	.22	AZ41	.53	ECC08	.18	EM83	.75	UC99	.38	UC99	UC99	.38	AA137	.15	BF202	.20	OC48	.10
5Y3GT	.26	6F23	.68	10C2	.40	25Z6	.40	CL33	.90	ECC08	.18	EM83	.75	UC99	.38	UC99	UC99	.38	AA138	.15	BF203	.20	OC49	.10
1Z4G	.34	6F24	.68	10D6T	.50	25Z6G	.48	CY1C	.53	ECC08	.18	EM83	.75	UC99	.38	UC99	UC99	.38	AA139	.15	BF204	.20	OC50	.10
6/30L2	.55	6F25	.54	10F9	.45	30A5	.44	CY31	.31	ECC08	.18	EM83	.75	UC99	.38	UC99	UC99	.38	AA140	.15	BF205	.20	OC51	.10
6A8G	.38	6F28	.60	10F18	.35	30A5	.44	CY31	.31	ECC08	.18	EM83	.75	UC99	.38	UC99	UC99	.38	AA141	.15	BF206	.20	OC52	.10
6AC7	.15	6F32	.15	10D11	.55	30C15	.77	DP91	.14	ECC08	.18	EM83	.75	UC99	.38	UC99	UC99	.38	AA142	.15	BF207	.20	OC53	.10
6A95	.22	6G18A	.50	10P14	1.08	30C18	.60	DF96	.34	ECC08	.18	EM83	.75	UC99	.38	UC99	UC99	.38	AA143	.15	BF208	.20	OC54	.10
6A95	.22	6G18A	.50	10P14	1.08	30C18	.60	DF96	.34	ECC08	.18	EM83	.75	UC99	.38	UC99	UC99	.38	AA144	.15	BF209	.20	OC55	.10
6A95	.22	6G18A	.50	10P14	1.08	30C18	.60	DF96	.34	ECC08	.18	EM83	.75	UC99	.38	UC99	UC99	.38	AA145	.15	BF210	.20	OC56	.10
6A95	.22	6G18A	.50	10P14	1.08	30C18	.60	DF96	.34	ECC08	.18	EM83	.75	UC99	.38	UC99	UC99	.38	AA146	.15	BF211	.20	OC57	.10
6A95	.22	6G18A	.50	10P14	1.08	30C18	.60	DF96	.34	ECC08	.18	EM83	.75	UC99	.38	UC99	UC99	.38	AA147	.15	BF212	.20	OC58	.10
6A95	.22	6G18A	.50	10P14	1.08	30C18	.60	DF96	.34	ECC08	.18	EM83	.75	UC99	.38	UC99	UC99	.38	AA148	.15	BF213	.20	OC59	.10
6A95	.22	6G18A	.50	10P14	1.08	30C18	.60	DF96	.34	ECC08	.18	EM83	.75	UC99	.38	UC99	UC99	.38	AA149	.15	BF214	.20	OC60	.10
6A95	.22	6G18A	.50	10P14	1.08	30C18	.60	DF96	.34	ECC08	.18	EM83	.75	UC99	.38	UC99	UC99	.38	AA150	.15	BF215	.20	OC61	.10
6A95	.22	6G18A	.50	10P14	1.08	30C18	.60	DF96	.34	ECC08	.18	EM83	.75	UC99	.38	UC99	UC99	.38	AA151	.15	BF216	.20	OC62	.10
6A95	.22	6G18A	.50	10P14	1.08	30C18	.60	DF96	.34	ECC08	.18	EM83	.75	UC99	.38	UC99	UC99	.38	AA152	.15	BF217	.20	OC63	.10
6A95	.22	6G18A	.50	10P14	1.08	30C18	.60	DF96	.34	ECC08	.18	EM83	.75	UC99	.38	UC99	UC99	.38	AA153	.15	BF218	.20	OC64	.10
6A95	.22	6G18A	.50	10P14	1.08	30C18	.60	DF96	.34	ECC08	.18	EM83	.75	UC99	.38	UC99	UC99	.38	AA154	.15	BF219	.20	OC65	.10
6A95	.22	6G18A	.50	10P14	1.08	30C18	.60	DF96	.34	ECC08	.18	EM83	.75	UC99	.38	UC99	UC99	.38	AA155	.15	BF220	.20	OC66	.10
6A95	.22	6G18A	.50	10P14	1.08	30C18	.60	DF96	.34	ECC08	.18	EM83	.75	UC99	.38	UC99	UC99	.38	AA156	.15	BF221	.20	OC67	.10
6A95	.22	6G18A	.50	10P14	1.08	30C18	.60	DF96	.34	ECC08	.18	EM83	.75	UC99	.38	UC99	UC99	.38	AA157	.15	BF222	.20	OC68	.10
6A95	.22	6G18A	.50	10P14	1.08	30C18	.60	DF96	.34	ECC08	.18	EM83	.75	UC99	.38	UC99	UC99	.38	AA158	.15	BF223	.20	OC69	.10
6A95	.22	6G18A	.50	10P14	1.08	30C18	.60	DF96	.34	ECC08	.18	EM83	.75	UC99	.38	UC99	UC99	.38	AA159	.15	BF224	.20	OC70	.10
6A95	.22	6G18A	.50	10P14	1.08	30C18	.60	DF96	.34	ECC08	.18	EM83	.75	UC99	.38	UC99	UC99	.38	AA160	.15	BF225	.20	OC71	.10
6A95	.22	6G18A	.50	10P14	1.08	30C18	.60	DF96	.34	ECC08	.18	EM83	.75	UC99	.38	UC99	UC99	.38	AA161	.15	BF226	.20	OC72	.10
6A95	.22	6G18A	.50	10P14	1.08	30C18	.60	DF96	.34	ECC08	.18	EM83	.75	UC99	.38	UC99	UC99	.38	AA162	.15	BF227	.20	OC73	.10
6A95	.22	6G18A	.50	10P14	1.08	30C18	.60	DF96	.34	ECC08	.18	EM83	.75	UC99	.38	UC99	UC99	.38	AA163	.15	BF228	.20	OC74	.10
6A95	.22	6G18A	.50	10P14	1.08	30C18	.60	DF96	.34	ECC08	.18	EM83	.75	UC99	.38	UC99	UC99	.38	AA164	.15	BF229	.20	OC75	.10
6A95	.22	6G18A	.50	10P14	1.08	30C18	.60	DF96	.34	ECC08	.18	EM83	.75	UC99	.38	UC99	UC99	.38	AA165	.15	BF230	.20	OC76	.10
6A95	.22	6G18A	.50	10P14	1.08	30C18	.60	DF96	.34	ECC08	.18	EM83	.75	UC99	.38	UC99	UC99	.38	AA166	.15	BF231	.20	OC77	.10
6A95	.22	6G18A	.50	10P14	1.08	30C18	.60	DF96	.34	ECC08	.18	EM83	.75	UC99	.38	UC99	UC99	.38	AA167	.15	BF232	.20	OC78	.10
6A95	.22	6G18A	.50	10P14	1.08	30C18	.60	DF96	.34	ECC08	.18	EM83	.75	UC99	.38	UC99	UC99	.38	AA168	.15	BF233	.20	OC79	.10
6A95	.22	6G18A	.50	10P14	1.08	30C18	.60	DF96	.34	ECC08	.18	EM83	.75	UC99	.38	UC99	UC99	.38	AA169	.15	BF234	.20	OC80	.10
6A95	.22	6G18A	.50	10P14	1.08	30C18	.60	DF96	.34	ECC08	.18	EM83	.75	UC99	.38	UC99	UC99	.38	AA170	.15	BF235	.20	OC81	.10
6A95	.22	6G18A	.50	10P14	1.08	30C18	.60	DF96	.34	ECC08	.18	EM83	.75	UC99	.38	UC99	UC99	.38	AA171	.15	BF236	.20	OC82	.10
6A95	.22	6G18A	.50	10P14	1.08	30C18	.60	DF96	.34	ECC08	.18	EM83	.75	UC99	.38	UC99	UC99	.38	AA172	.15	BF237	.20	OC83	.10
6A95	.22	6G18A	.50	10P14	1.08	30C18	.60	DF96	.34	ECC08	.18	EM83	.75	UC99	.38	UC99	UC99	.38	AA173	.15	BF238	.20	OC84	.10
6A95	.22	6G18A	.50	10P14	1.08	30C18	.60	DF96	.34	ECC08	.18	EM83	.75	UC99	.38	UC99	UC99	.38	AA174	.15	BF2			

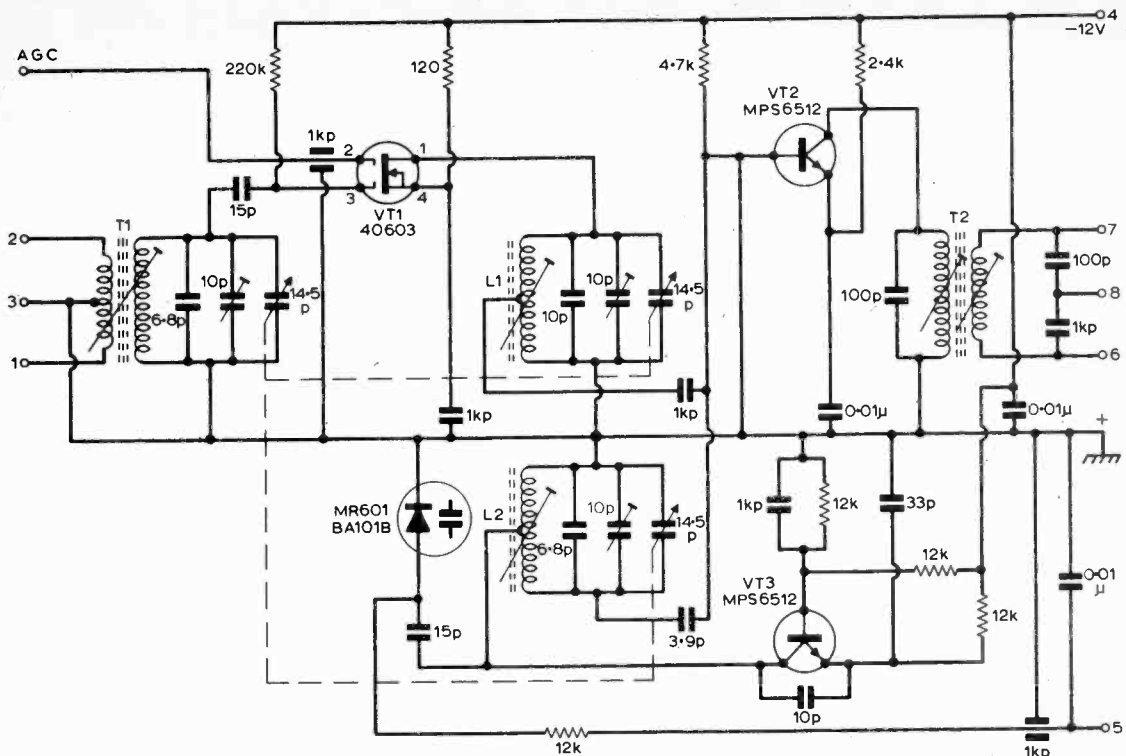


Fig. 2: Circuit of the "front-end" of a typical British tuner-amplifier.

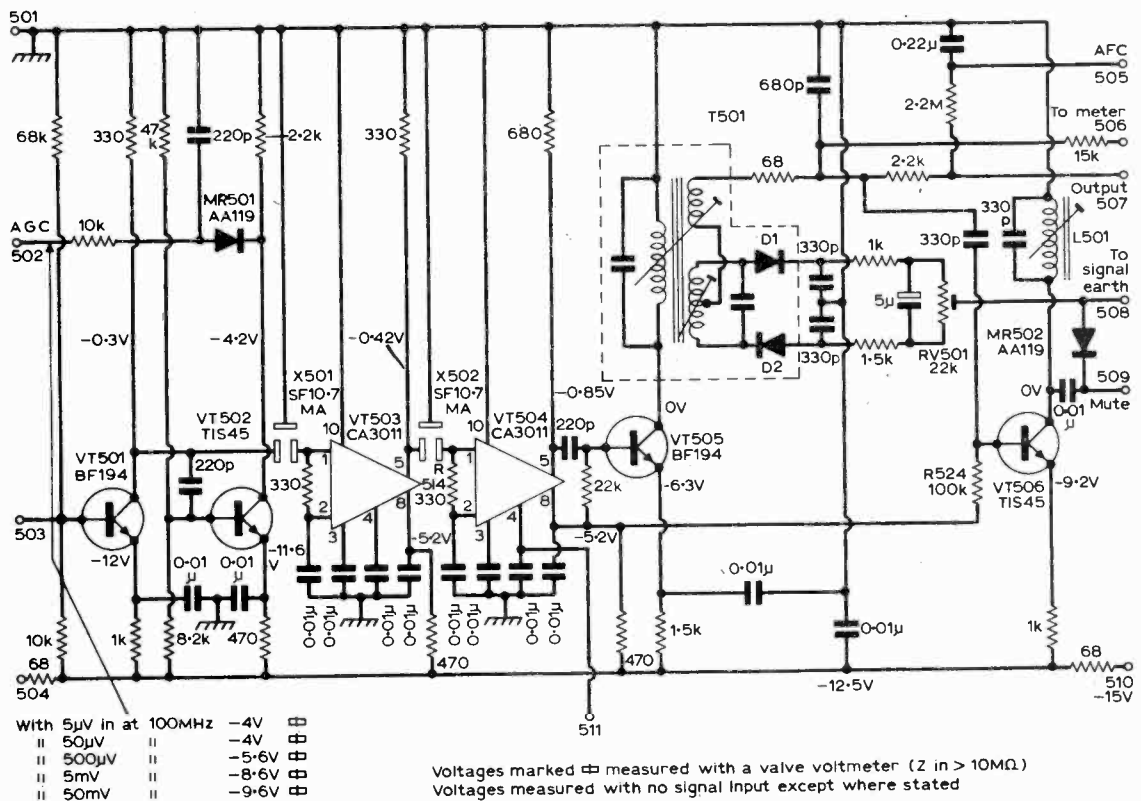


Fig. 3: The f.m. i.f. channel of the tuner-amplifier shown above.

One solution lies in attenuating the signal from the aerial to the set. Belling Lee make plug-in attenuators over a range of values; alternatively a simple resistive pad can be made up as shown in Fig. 1.

## FM FRONT-END

The f.m. front-end of a typical British tuner-amplifier is shown in Fig. 2. Here VT1 is a dual-gate f.e.t. with the input signal applied to one gate and an a.g.c. potential to the other. The mixer is bipolar VT2 and the local oscillator bipolar VT3.

Aerial coupling is by T1 primary, and since this is centre-tapped 300 ohms balanced feeder can be connected across terminals 1-2 or 75 ohms coaxial (unbalanced) across 2-3. Not all input circuits permit this dual mode of feeder connection, and if the design is essentially for 300 ohms balanced (or 240 ohms European DIN) the best coupling from coaxial is obtained through a 'balun' transformer.

A.f.c. is applied to the local oscillator from a varactor diode (MR601), and this receives its control bias from the f.m. detector. The varactor is in parallel with the oscillator tuned circuit, so the frequency of this is altered by the control bias which appears in appropriate polarity from the f.m. detector when the tuned carrier is displaced from the centre of the i.f. passband.

The i.f. signal is developed across T2, and is coupled to the f.m. i.f. channel from the capacitance tap on circuit No. 8.

## FM IF CHANNEL

The f.m. i.f. channel is shown in Fig. 3, and the input goes to circuit No. 503 and thence to the base of VT501.

The channel includes two ceramic filters of the kind already mentioned (X501/X502) and a couple of i.c.s. (VT503/VT504). The ceramic filters take the place of the usual i.f. transformers and because they exhibit steeply rising and falling response sides extremely good i.f. selectivity is secured. The only alignment required is of the ratio detector transformer T501.

The i.f. signal at VT501 collector is fed to the first filter and from this to the first i.c. The second filter couples the two i.c.s., while VT505 bipolar transistor drives the ratio detector, composed of diodes D1/D2, etc. This circuit is balanced, and preset RV501 allows this to be optimised, one mode for adjustment being for the least response to an a.m. signal.

It will be noticed that the ratio detector yields potential for the tuning meter as well as for the varactor diode on circuits 506 and 505 respectively. Demodulated audio (or multiplex signal in the case of stereo) from circuit 507 is coupled to the stereo decoder.

VT506 is concerned with the muting, etc., while VT502 amplifies i.f. signal at VT501 collector and passes it to the rectifier MR501. The resulting filtered d.c. constitutes the a.g.c. potential for the f.e.t. r.f. amplifier (Fig. 2).

## FAULT FINDING

Fault finding in a circuit of this kind is best carried out by feeding a modulated 10.7MHz (or a signal at the i.f.) into the strip, starting at the final transistor (VT505 in this case), then working forward until the point of inactivity is located.

To find the actual component which is in trouble, after locating the faulty area or stage, might well require the testing of voltages, etc. at the electrodes of the various devices, and to help in this respect the voltage references in Fig. 3 have been retained.

Servicing of f.m. front-ends is not recommended — apart, possibly, from the replacement of transistors — and trouble in this area is best left to the maker or distributor to clear. This applies to professional service organisations as well as to the amateur repairer.

A word about the replacement of f.e.t.s. would not be amiss. The insulated gate types in particular are vulnerable to static discharges, and when making a replacement always retain the shorting clip (fitted by the maker) until the device has been completely soldered into the circuit.

From the testing, adjusting and servicing aspects, the BBC's stereo test sequence at the close-down of Radio 3 can be of a great help in determining such parameters as stereo separation (e.g., degree of crosstalk), signal-to-noise, frequency response, etc.

## SOURCE INPUTS

When a radio tuner is used with a hi-fi amplifier a 'flat' response is required since the de-emphasis is performed in the tuner. Inputs with 'flat' responses thus include radio, high-level tape replay and auxiliary. If an amplifier is equipped with an input for the signal direct from a tape head, then equalisation will be included to cater for the replay response. The only equalising then required is that pertaining to the gramophone pickup, and a good starting point is the pickup (cartridge) itself.

## PICKUPS

There are two versions. One the magnetic which works rather like a generator, and the piezo, using either a natural crystal or processed ceramic, which works on the transducer principle.

When a gramophone record is made the modulation is imparted to the groove from a cutting head via a special electrical filter having a specific

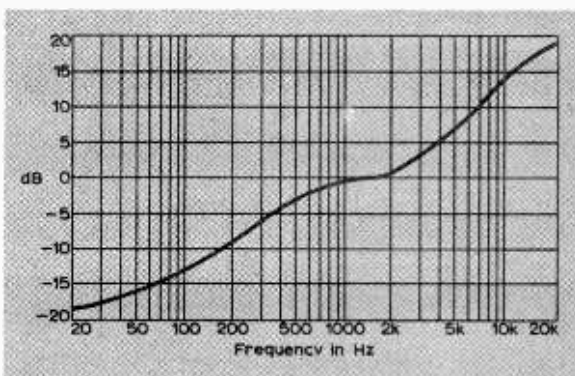


Fig. 4: Graph showing the standard RIAA recording characteristic

recording characteristic. The bass end of the spectrum is attenuated and the treble end is boosted. On replay, therefore, the bass needs to be boosted and the treble attenuated to secure a 'flat' audio output.

The standard recording characteristic is given in Fig. 4. This has an 'average' slope of about 4dB/



# THIS MONTH'S SPECIAL BARGAINS

**SINCLAIR 2-30 £3-95, 250 £4-20, PZ5 £4-40**  
 Micromatic Kit £2-25, Micromatic Built £2-75  
**PZ6 £8-95, PZ7 £5-95, PZ8 £8-95, AFU £5-25**  
 Stereo 60 £7-98, Prospect 60 FM Tuner £20-90

**AUTOCHANGERS** BSR UA25 dual mono cart. £5-95. De Luxe Portable R/P cabinet. Blue. £2-50, £7-95 **THE PAIR. GARRARD AP75 £15-90, 3000 £1-95, 3500 £8-95, 1025 W/GK526 SC. Cart. £8-50.**

**MAGNETIC CARTS** AT55 Latest Audio Technica £4-75, AT35 Super Hi Fi £11-90, PIEZO De Luxe £4-50.

**RECORD PLAYERS "HOB PARTY"** German Transistor Portable 33/45 RPM. Small But Superior £7-90. SEAFIRLE Teak De Luxe Garrard Deck. Base Treble Controls (Portable Worth £32) £19-00.

**STEREO TUNER AMPS** General R4200 (List £51-15) £29-50. Teleton 7 AT1 FANTASTIC PERFORMANCE £69-00. Teleton 10AT1 (List Approx. £150) 100W R.M.S. Total FET (DEM Models) Guaranteed £85.

**STP800 8-TRACK TAPE PLAYER** Stereo background music. Teleton complete in "Rosewood" plinth with matching speakers (List Approx. £50) **£39**

**CMS400 TUNER-AMP-PLAYER** Teleton complete with stereo decoder perspex Top (requiring only speakers to make complete system). Amazing value **£69**

**COMPLETE STEREO SYSTEMS** Sharp STA11 MW/FM/Multiplex stereo tuner AMP F.E.T. Front end 27 transistors 10W-4-10W Max O.P. Requiring only record deck to complete (List Approx. £85) £69. FUJI complete system STS-BLTL similar to above but complete with built in reload deck, snip at **£59**

**TAPE DECKS** Teleton FXB510D Stereo (List £65) few only at £45. BSR TD2 Standard 2 track decks with 2 tone top plate £7-50

**AMSTRAD 8000** Stereo plinth 7w+7w R.M.S. Mag/Cor/Tape **£19-50** (List £26)

**LOUDSPEAKERS CHASSIS** EMI 13" x 8" 10,000 line, 10 watts R.M.S. in 3D, 8Q or 15Q £1-85, two for £2-95. EMI 13" x 8" 15Q units with concentric tweeter cone £1-85, two for £3-50.



## FANTASTICALLY POPULAR ★ TAPE ★

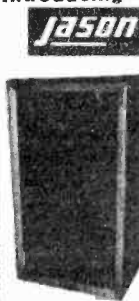
We offer you fully tensilised polyester/mylar and P.V.C. tapes of identical quality hi-fi, wide range recording characteristics as top grade tapes. Quality control manufacture. They are truly worth a few more coppers than acetate, sub-standard, jointed or cheap imports.

**TRY ONE AND PROVE IT YOURSELF.**

Standard Play		Long Play	
3in. 150ft.	12p	3in. 225ft.	18p
4in. 300ft.	22½p	4in. 450ft.	27p
5in. 600ft.	45p	5in. 900ft.	52½p
5½in. 900ft.	52p	5½in. 1,200ft.	65p
7in. 1,200ft.	62½p	7in. 1,800ft.	92½p
Double Play		Triple Play	
3in. 300ft.	20p	4in. 900ft.	65p
4in. 600ft.	40p	5in. 1,800ft.	£1 12½
5in. 1,200ft.	75p	5½in. 2,400ft.	£1 70
5½in. 1,800ft.	95p	7in. 3,600ft.	£2 40
7in. 2,400ft.	£1 35	Quadruple Play	
		3in. 600ft.	42½p

Postage 5p reel.  
 Post Free less 5% on three reels.  
 Quantity and Trade enquiries invited.  
 NOTE. Large tape stocks at all branches.

## Introducing The New "ALPHA" Loudspeaker Enclosure.



Incorporating the famous EMI "450" set consisting of a 18x6in. bass unit with a high flux ceramic magnet, 2 tweeters and crossover. 20 watt peak handling power (10 watts RMS). Heavy duty 16mm infinite baffle case in superb quality genuine golden teak veneers with solid mahogany contrasting leading edges. High quality foam loaded cloth tret. Acoustically loaded "Jason" rotating badge in genuine gold leaf for horizontal or vertical operation. Size 19in. x 10in. x 10in. Weight 16lbs. A price break through at only **£12-50** each Carriage free in pairs.

**JASON SENIOR 20W ENCLOSURE.** As above but with super heavy duty bass unit with 8-8lb magnet in Magnaduer II material with 1-5in speech coil and super tweeter giving frequency range of 20-20,000Hz. Standard 8Ω impedance in beautifully finished heavy teak veneers. Size 12½ x 12 x 23in. 20 Watts RMS, 40 watts peak. At a super keen price **£18** or **£35** 82ip for 1 or 2.

**PLINTHS & COVERS** for Garrard (all take current models except heavy transcription types) Beautiful heavy solid perspex top with "stereo" badge high quality base with solid wood sides machined ready for R/P deck to drop in without any further work. **£3-75** complete. Carr. & Insurance 40p. Terrific value at only

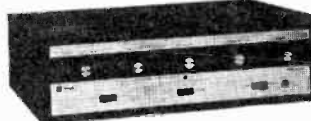
## KG-620 4½" VTVM KIT ★ NEW!



**SPECIFICATIONS**  
 Ranges: 0-1-5-5-15-50-150-500-1,500V full scale; with optional High-Voltage Probe to 25,000V. Accuracy: ±3% Of full scale reading.  
 Input Resistance: 11 megohms (1 meg in probe) up to 1,500V.  
 Ranges (rms): 0-1-5-5-15-50-150-500-1,500V full scale (p-p); 0-4-2-14-42-140-420-1,400-4,200V full scale.  
 Decibels: -10 to +65 in 7 ranges.  
 Response: ±1dB. 30Hz to 3MHz; ±3dB, 30Hz to 5MHz; with optional H.F. Probe, to 250MHz.  
 Accuracy: ±5% of full scale reading.  
 Ranges: 0-1,000-10,000-100,000 ohms; 0-1-10-100-1,000 megohms.  
 Centre Scales: 10, 100, 1,000, 10,000, 100,000 ohms; 1 and 10 megohms.  
 Battery: 1½V size U2.

Recommended List Price £18-27½; **£9-95** Assembled Price **£12-90** (RR Price £30)

## KG-865 50 Watt Stereo Amplifier Chassis



### DE-LUXE FEATURES

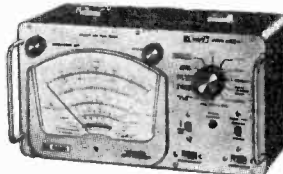
All Silicon Transistors for Stability. Cleaner Sound ●Extremely Wide Power Bandwidth ●Frequency Response ●50W IHF Power Output ●Specially Selected Low-Noise Pream Transistors ●Two Printed Circuit Boards for Fast Easy Assembly ●Convenient Front-Panel Stereo Headphone Track ●Teak-finished Extruded Aluminium Front Panel ●Two a.c. Convenience Outlets.  
 Output: 50W IHF, 25W per channel; 34W continuous sine wave ●Response: ±1dB, 18 to 30,000Hz ●Output Impedance: 4 through 16 ohms, plus stereo headphones ●T.M. Distortion: under 1% at 60Hz and 7,000Hz mixed 4:1 at rated power ●Input Sensitivity: Magnetic Phono, 5mV; Tuner and Auxiliary, 500mV ●Power Requirement: 230-250V, 50Hz a.c. Rec. List **£51-00**  
 Our Price **£29**

## KG-375 Deluxe Solid-State Auto Analyser

Tune-up and trouble-shoot any car, perform actual road tests. It's several testers in one... do all this

Set Engine Idle and Automatic Transmission Shift Points ●Detect Condition of Point Surfaces ●Detect Distributor Wear ●Check Voltage and Current Regulators ●Check Generators for both Current and Voltage Output ●Find Poor or Open Earth Circuits ●Detect Variation in Dwell Angle.

Recommended List Price **£37** **£19**



Stockists of Leak, Quad, Chapman, Goodman, Armstrong, Tripletone, Linear Rogers, Truvox, Ferrograph, Wharfedale, etc., etc. Post: 1 lb. 7p; 1 lb. 15p; 2 lb. 20p; 10 lb. 35p; 14 lb. 45p; 22 lb. 65 p. **CALLERS** A very wide range of electronic components available at you at all branches. Your enquiries welcomed.

# TECHNICAL TRADING

- ★ **BRIGHTON** Park Crescent Place. Tel. 880722
  - ★ **PORTSMOUTH** 350-352 Fratton Road. Tel. 22034
  - ★ **SOUTHAMPTON** 77 East Street. Tel. 25851
  - ★ **ARUNDEL** 15-17 Queen Street. Tel. 882299
- ★ All Mail Orders to ARUNDEL, SUSSEX with names and addresses in BLOCK CAPITALS please.

# THIS MONTH'S SPECIAL BARGAINS

**BARGAIN PARCELS** including variable condensers i.f. coils, loudspeakers, plug/sockets, knobs, condensers, resistors, nuts, bolts, cabinet fittings, switches, transformer, choke, rectifier transistors at a small fraction of list value. Due to heavy demand we now pack them in several sizes—be amazed—try one now.

3lbs (post 24p)..... 50p  
 7lbs (post 35p)..... 90p  
 14lbs (post 45p)..... £1 66

**100 MIXED RESISTORS** Wide range, all good values iW-2 Watt 35p, 200 for 65p, 500 for £1-40.

**100 MIXED CONDENSERS** Ceramic, Polyester, Silver Mica, Paper. Approx. 50 useful sizes 49p, 200 for 95p, 500 for £1-95.

**100 MIXED HI-STADS** Instrument types 1% to 5%, big selection **45p**

**100 MINIATURE HIGH STADS** Wide range of good values **50p**

**25 MIXED POTS** L/SW W/SW Preset Tandem, snip at **50p**

**CHARGERS** Alax 6A12V 4amp with meter £1-95, Epilco 12V 1A (No Meter) £1-20.

**CAR AERIALS** Give away prices, chromed Japanese fully retractable lock down (2 keys) 44" overall 40° swivel (usually approx. £2-50) 95p, 2 for £1-80. Ditto semi-retractable 54" (Value £1-75) 85p, 2 for £1-20.

**CASSETTE RECORDERS** Crown CTR320W Mains/BAR (List £33-40) £29, CTR9001 (List £28) £24-80, CTR9700 (List £24-28) **£21-90**

**STEREO HEADSETS** SH650 Hoselidew large soft pads £2-45. Latest SDH-7DJ Black padded finish Vol Controls Mon/Stereo switch (Worth £10) £5-90.

**TV MAINS-BATT. PORTABLE** Elizabethan dark screen TW12. UHF with aerial Black/Chrome finish (List £72-50) £58. Ditto Teleton TX12 (List £70) £55. Ditto Sharp (List £77) £59.

**AMPLIFIERS** 300 m.w. transistor model 4-300 9V (DCORAC) P/P output 3-8 & 1-10 m.v. sensitivity with vol control, size 2" x 1½" x 5½" £1-40.

## NEW BRANCHES NOW OPEN AT

- "WEST SUSSEX HI-FI CENTRE" ★ QUEEN STREET ★ ARUNDEL ★ TEL. ARUNDEL 882299
- "SOUTHAMPTON HI-FI CENTRE" ★ 77 EAST STREET ★ SOUTHAMPTON ★ TEL. S'OTON. 25851

**TRANSISTORS**

A SELECTION FROM OUR LIST

AA4730 10p	BD115 75p	OC16 50p	2N1303 18p
AA4742 10p	BD123 85p	OC20 85p	2N1304 22p
AA4753 10p	BD124 80p	OC22 50p	2N1305 22p
AA4765 10p	BD131 75p	OC23 60p	2N1306 22p
AA4777 10p	BD132 80p	OC24 60p	2N1307 25p
AC107 35p	BDY11	OC25 25p	2N1308 25p
AC126 30p	BDY11	OC26 25p	2N1309 25p
AC127 25p	BDY17	OC28 60p	2N1613 20p
AC127Z 60p	BDY17	OC29 60p	2N2147 75p
AC128 20p	BDY38 65p	OC35 50p	2N2147 75p
AC178 20p	BDY60	OC38 60p	2N2218A
AC187 25p		OC42 40p	2N2218A
AC188 25p		OC43 50p	2N2218A
AC197 30p	BF115 25p	OC44 40p	2N2218A
AC198 25p	BF154 15p	OC45 15p	2N2219 25p
AC199 25p	BF158 15p	OC70 12p	2N2219A
AC200 25p	BF159 35p	OC71 12p	2N2219A
AC201 25p	BF180 35p	OC72 20p	2N2220 25p
AC202 25p	BF184 15p	OC73 25p	2N2221 20p
AC203 25p	BF185 15p	OC76 25p	2N2221A
AC204 25p	BF186 15p	OC77 40p	2N2221A
AC205 25p	BF197 15p	OC81 20p	2N2222 25p
AC206 25p	BFX13 25p	OC81D 20p	2N2222 25p
AD140 50p	BFX29 25p	OC81Z 40p	2N2222A
AD149 50p	BFX30 25p	OC83 25p	2N2228
AD151 35p	BFX84 25p	OC84 25p	2N2369A
AD162 25p	BFX85 25p	OC139 25p	2N2369A
AF114 25p	BFX86 25p	OC140 40p	2N2646 40p
AF115 25p	BFX87 25p	OC170 20p	2N2904A
AF116 25p	BFY11 25p	OC201 30p	2N2904A
AF117 25p	BFY12 25p	OC202 40p	2N2905A
AF118 60p	BFY51 25p	OC207 85p	2N2905A
AF124 25p	BFY52 20p	OC208 85p	2N2906A
AF125 20p	BFY53 15p	OC209 85p	2N2906A
AF126 20p	BFY90 65p	OC271 97p	2N2906A
AF139 30p	BRX29 15p	ORP12 50p	2N2906A
AF140 30p	BRX21 20p	ORP60 40p	2N2907 25p
AF181 45p	BT140 15p	ST140 15p	2N2907A
AF185 50p	BST95A 12p	ST141 20p	2N2907A
AF186 50p	BVY95 12p	TIP29A 50p	2N2925 25p
AF239 40p	BT105 22-25p	TIP30A 60p	2N2926 10p
AY226 25p	BY100 15p	TIP31A 60p	2N3011 20p
AY227 25p	BY126 12p	TIP32A 70p	2N3013 20p
AY228 25p	BY127 15p	TIP33A 70p	2N3054 50p
AY229 30p	BY182 90p	TIP33A 70p	2N3054 50p
AS221 55p	BYZ10 85p	TIP34A 21.00	2N3525
BA100 10p	BYZ11 30p	TIP34A 21.00	2N3525
BA102 30p	BYZ12 30p	TI843 40p	2N3614 50p
BA110 20p	BYZ13 20p	TI850 12p	2N3702 10p
BA115 7p	BZV78D 1.00	TI852 10p	2N3702 10p
BA118 15p	GET102 85p	TI852 10p	2N3704 12p
BA118 15p	GET103 25p	TI860 18p	2N3704 12p
BA131 7p	GET111 45p	TI881 20p	2N3705 15p
BA138 15p	GET113 25p	TI882 25p	2N3707 12p
BC107 10p	GET114 20p	V405A 25p	2N3708 10p
BC108 10p	GET115 50p	VR525 35p	2N3714
BC109 10p	GET120 15p	W01 30p	2N3715
BC109C 12p	GET880 45p	W04 45p	2N3715
BC113 10p	GET882 30p	ZTX107 15p	2N3716
BC114 20p	GEX66	ZTX108 12p	2N3716
BC115 20p		ZTX109 18p	2N3716
BC116 20p	GM378A 55p	ZTX300 12p	2N3771
BC116A 25p	MT101 25p	ZTX301 12p	2N3772
BC117 20p	MAT121 25p	ZTX302 20p	2N3772
BC118 20p	MCT24P 60p	ZTX303 20p	2N3773
BC119 30p	MJ420 80p	ZTX304 25p	2N3773
BC134 20p	MJ421 80p	ZTX500 18p	2N3773
BC135 15p	MJ2801	ZTX501 18p	2N3791
BC136 20p	MJ2901	ZTX502 20p	2N3819 35p
BC137 20p	MJE2501	ZTX503 17p	2N3820 50p
BC138 20p	MJE340 50p	ZTX504 40p	2N3823 55p
BC147 12p	MJE340 50p	ZTX531 26p	2N3824 95p
BC148 10p	MJE370 20p	IN914 7p	2N3903 20p
BC149 12p	MJE371 80p	IN916 10p	2N3906 25p
BC153 20p	MJE520 75p	IN4148 7p	2N4068 12p
BC154 20p	MJE521 70p	IS84 7p	2N4068 12p
BC167 15p	MJE2955	IR921 7p	2N4062 12p
BC169 12p		IR922 8p	2N4062 12p
BC169C 15p	MJE3055	IG301 25p	2N4289 12p
BC177 20p		IG302 30p	2N4290 12p
BC178 20p	MPSA06 25p	IG303 35p	2N4871 35p
BC179 20p	MPSA35 25p	IN404 20p	2N4587 30p
BC182L 10p	MPSA70 15p	IN406 15p	2N4587 30p
BC183L 10p	MPSU06 50p	IN407 15p	2N4549 35p
BC184L 12p	MPSU58 55p	IN408 15p	2N4549 35p
BC184L 12p	NKT214 20p	IN409 15p	40250 50p
BC192L 12p	NKT216 35p	IN410 15p	40360 40p
BC213L 12p	NKT218 35p	IN411 15p	40360 40p
BC214L 15p	NKT219 15p	IN412 15p	40360 40p
BCY30 35p	NKT404 55p	IN706A 12p	40360 40p
BCY31 40p	OA5 25p	IN706B 12p	40360 40p
BCY32 60p	OA10 25p	IN706C 12p	40360 40p
BCY33 30p	OA7 10p	IN706D 12p	40360 40p
BCY34 35p	OA70 10p	IN706E 12p	40360 40p
BCY38 45p	OA79 10p	IN706F 12p	40360 40p
BCY39 35p	OA81 8p	IN706G 12p	40360 40p
BCY40 50p	OA90 8p	IN706H 12p	40360 40p
BCY40 50p	OA91 7p	IN706I 12p	40360 40p
BCY70 10p	OA95 7p	IN706J 12p	40360 40p
BCY71 10p	OA200 7p	IN706K 12p	40360 40p
BCY72 15p	OA202 10p	IN706L 12p	40360 40p

Full transistor list available—send for your free copy today!

**HENRY'S** LOW COST **INTEGRATED CIRCUITS**

BRAND NEW FULL SPECIFICATION TTL74 SERIES BY FAIRCHILD, I.T.T. AND TEXAS

Part No.	Description	1-11	12-24	25-99	100+	250+
7400	Quadrate 2-input NAND gates	20p	18p	14p	14p	12p
7401	Quad 2-input open collector NAND gates	20p	18p	15p	14p	12p
7402	Quad 2-input NOR gates	20p	18p	15p	14p	12p
7403	Quad 2-input open collector NAND gates	20p	18p	15p	14p	12p
7404	Hexuple inverters	20p	18p	15p	14p	12p
7405	Hex inverters with open collector outputs	20p	18p	15p	14p	12p
7410	Triple 3-input NAND gates	20p	18p	15p	14p	12p
7413	Dual 4-input Schmitt triggers	30p	27p	25p	22p	20p
7420	Dual 4-input NAND gates	20p	18p	15p	14p	12p
7430	Single 8-input NAND gates	20p	18p	15p	14p	12p
7440	Dual 4-input NAND buffer gates	20p	18p	15p	14p	12p
7441	BCD-Decimal decoder/Hex driver	75p	72p	70p	60p	55p
7442	BCD-Decimal decoder (4-10-line) TTL O/P	75p	72p	70p	60p	55p
7443	Excess 3-Decimal decoder TTL outputs	\$1.00	95p	90p	80p	70p
7447	BCD-Decimal 7 seg. decoder/indicator driver	\$1.00	95p	90p	80p	70p
7448	BCD-Decimal 7 seg. decoder/driver TTL O/P	\$1.00	95p	90p	80p	70p
7450	Expand dual 2-input AND-OR-INVERT gates	20p	18p	15p	14p	12p
7451	Dual 2-wide 2-input AND-OR-INVERT gates	20p	18p	15p	14p	12p
7452	Quad 2-input AND-OR-INVERT gates	20p	18p	15p	14p	12p
7454	4-wide 2-input AND-OR-INVERT gates	20p	18p	15p	14p	12p
7460	Dual 4-input expanders	20p	18p	15p	14p	12p
7470	Single J-K flip-flop (gated inputs)	30p	27p	25p	22p	20p
7472	Single J-K flip-flop (gated inputs)	30p	27p	25p	22p	20p
7473	Dual J-K flip flop	40p	37p	35p	32p	30p
7474	Dual D flip flop	40p	37p	35p	32p	30p
7475	Quadrate bistable latch	45p	42p	40p	35p	32p
7476	Dual J-K flip-flops with Preset and Clear	40p	37p	35p	32p	30p
7480	Gated Full Adder	75p	72p	70p	60p	55p
7481	16-bit read/write memory	\$1.25	\$1.10	\$1.00	90p	80p
7482	2-bit binary Full Adder	87p	80p	70p	60p	57p
7483	4-bit binary Full Adder	\$1.20	\$1.05	95p	85p	82p
7484	16-bit RAN with gated write inputs	85p	80p	75p	70p	65p
7486	Quadrate 2-input Exclusive OR gates	33p	30p	27p	24p	20p
7490	BCD decade counter	75p	70p	65p	60p	55p
7491	8-bit shift register	\$1.00	95p	90p	80p	70p
7492	Divide twelve counter	75p	70p	65p	60p	55p
7493	4-bit binary counter	75p	70p	65p	60p	55p
7494	Dual entry 4-bit shift register	75p	70p	65p	60p	55p
7495	4-bit up-down shift register	80p	75p	70p	65p	60p
7496	5-bit parallel/serial in/out shift register	87p	80p	70p	65p	60p
74100	8-bit bistable latch	\$1.50	\$1.40	\$1.30	\$1.10	\$1.00
74118	Hexuple Set-Reset latches	\$1.00	90p	80p	70p	60p
74121	Monostable multivibrators	60p	45p	40p	35p	32p
74141	BCD-Decimal decoder/Hex driver	\$1.00	95p	90p	80p	70p
74145	BCD-Decimal decoder (1-4-line) TTL O/P	\$1.50	\$1.40	\$1.30	\$1.10	\$1.00
74150	16-bit data selector/multiplexer	85p	80p	75p	70p	65p
74151	8-bit data selector/multiplexer	\$1.00	95p	90p	80p	70p
74152	Dual 4-line to 1-line data selector/multiplexer	\$1.00	95p	90p	80p	70p
74154	16-bit decoder/demultiplexer	95p	90p	85p	75p	65p
74155	Dual 2-line to 4-line decoder/demultiplexer	75p	70p	65p	60p	55p
74156	Dual 2-line to 4-line decoder/demultiplexer	75p	70p	65p	60p	55p
74190	Sync decimal up-down counter, 1-line mode	\$1.50	\$1.40	\$1.30	\$1.10	\$1.00
74191	Sync 4-bit up-down counter, 1-line mode	\$1.80	\$1.65	\$1.50	\$1.40	\$1.30
74192	Sync decimal up-down counter, 2-line mode	\$1.75	\$1.65	\$1.50	\$1.40	\$1.30
74193	Sync 4-bit up-down counter, 2-line mode	\$1.75	\$1.65	\$1.50	\$1.40	\$1.30
74196	Asynchronous presettable decade counter	\$1.50	\$1.40	\$1.30	\$1.10	\$1.00
74197	Asynchronous presettable decade counter	\$1.50	\$1.40	\$1.30	\$1.10	\$1.00

Complete data on the above in booklet 20 pages. Ref. 29, issue 2 at 15p post paid. Integrated circuit sockets 14 pin D.I.L. 25p; 16 pin D.I.L. 30p.

**INTEGRATED CIRCUITS**  
 MFC600P 55p  
 MFC4010P 60p  
 IC12 22.50  
 PA246 21.50  
 TAD100 21.50  
 TAD110 21.50  
 MCT24P 50p  
 729C (T05) 75p  
 709C (T05) 45p  
 709C (D.I.L.) 45p  
 723C(T05) 21.00  
 741C(T05) 80p  
 MC1303P 22.00  
 MC1304P 22.25  
 BL403D 21.50  
 741C(D.L) 75p  
 914(T05) 40p  
 923(T05) 40p  
 TOSHIBA 20.00  
 90.00 44.00  
 TOSHIBA 20.00  
 Pre amp \$1.50

**PLESSEY INTEGRATED CIRCUIT 3 Watt Amplifier SL408D**  
 Complete with 8-page booklet, circuits and data data **£1.50** ea.  
**LIMITED SPECIAL OFFER**

**TRIACS**  
 Stud with accessories  
 Type volts P.I. Current 1-11  
 SC35A 100 3 amps 80p  
 SC35B 200 3 amps 85p  
 SC35D 400 3 amps 90p  
 SC40A 100 6 amps 90p  
 SC40B 200 6 amps \$1.00  
 SC40D 400 6 amps \$1.05  
 SC45A 100 10 amps \$1.05  
 SC45B 200 10 amps \$1.15  
 SC45D 400 10 amps \$1.25  
 SC50A 100 15 amps \$1.35  
 SC50B 200 15 amps \$1.45  
 SC50D 400 15 amps \$1.75  
 SC40E 500 6 amps \$1.25  
 SC46E 500 10 amps \$1.45  
 SC60E 500 15 amps \$1.95  
 DIAC RD2 25p

**ZENER DIODES**  
 1- 25/ 100/500/1000

octave, but the RIAA equalising, as it is called, is very carefully engineered into the magnetic pickup input circuits of hi-fi amplifiers and good quality radiograms, etc., so that the response is exactly the reciprocal of that shown in Fig. 4. The net result is that a 'flat' output from the preamplifier which, of course, is the signal requirement of the control section and power amplifiers.

Now, it is the **velocity** of the imparted modulation which follows Fig. 4 curve, and because magnetic pickups yield an output proportional to the velocity of stylus deflection the output from the pickup applied to the equalised preamplifier is thus after the style of that in Fig. 4. Hence the reciprocal equalisation just referred to.

A piezo pickup, on the other hand, produces an output which is proportional to the **amplitude** of stylus deflection (not velocity). This implies that a piezo pickup playing a record cut to the standard RIAA response produces an almost 'flat' output **without** equalisation.

All piezo cartridges need to be loaded into a very high resistance of not less than  $1M\Omega$  and for the best results and to secure full advantage of the inbuilt equalisation and thus obtain a 'flat' output from a disc recorded to the RIAA standard.

A magnetic cartridge (whose source is inductive), however, is commonly designed to work best into a load of round  $50k\Omega$ . If it is loaded lower the treble tends to fall, while too high a loading can lift the treble end of the spectrum and incite undue 'ringing'. Conversely, a piezo cartridge (because its source is capacitive) exhibits falling bass and rising treble when loaded into a resistance significantly below  $1M\Omega$  or so.

The signal yield from a piezo cartridge, even when loaded low, is significantly in excess of that from a magnetic cartridge when playing modulation of a given velocity. This means, therefore, that the piezo signal might well have to be attenuated before being fed to the magnetic input, to avoid preamplifier overload.

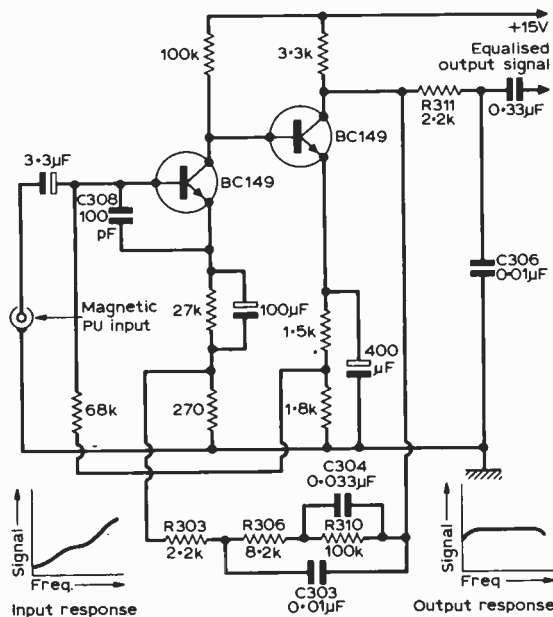


Fig. 5: Circuit of a pre-amplifier incorporating RIAA equalisation.

The peaks of signal can be clipped when the pickup signal veers towards the overload level. However, when an 'equalising' pad is included a degree of attenuation is automatic, so additional attenuation may not be necessary.

## RIAA EQUALISED PREAMPLIFIER

Shown in Fig. 5 is the circuit of a fairly conventional RIAA equalised preamplifier. It is common to employ two transistors, at least, and in the circuit shown, R306/R310/C303/C304 network provides the frequency selective network, giving the necessary response characteristic inversely to correspond with the recording characteristic (Fig. 4). The overall effect is that the feedback increases with rising frequency and decreases with reducing frequency, thereby giving the required treble cut and bass boost.

R303 provides a 'flat' control of gain, and in some amplifiers the frequency selective network is switched out of circuit when the programme input signal requires a 'flat' response, a resistor such as R303 then being used to provide the appropriate input sensitivity voltage. Stereo equipment embodies two such preamplifiers, one for each channel.

The RC network C306/R311 provides a low-pass characteristic, preventing the response from extending too far above the audio spectrum. The  $100pF$  capacitor (C308) connected directly across the base/emitter electrodes of the input transistor cuts the input response to radio frequencies and thus prevents the breakthrough of radio and television interference during low-level record replay.

## RADIO/TV BREAKTHROUGH

Not all amplifiers are equipped with radio and TV filtering like this, and since the response of transistor stages can embrace the radio and TV spectrums, a symptom becoming increasingly common is, in fact, radio and TV breakthrough. This mostly happens when the equipment is switched to magnetic pickup and when it is operated relatively close to a powerful radio or TV station. It is encouraged by (i) the high sensitivity of the amplifier under this mode of operation and (ii) the relative ease at which the RIAA preamplifier can be pushed into non-linearity.

A filter which nearly always clears the trouble is given in Fig. 6. The circuit to the base should be broken and the  $2.2k\Omega$  resistor inserted in series.

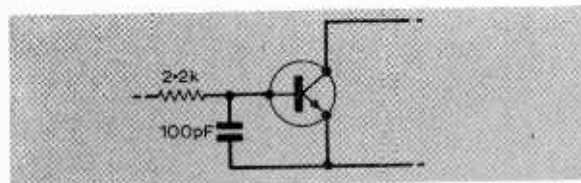


Fig. 6: A simple filter to prevent radio and TV signals interfering with audio amplifiers.

while the  $100pF$  capacitor should be connected right across the base/emitter electrodes, as close as possible to the input transistor. Both channels should be so treated.

The RIAA preamplifier signals can get into trouble so if one channel of a stereo amplifier appears to be lacking in bass, with excessive treble output, when operating from a magnetic cartridge, then attention should be given to the preamplifier department of the affected channel. Excessive noise on the magnetic

input is commonly caused by a defective preamplifier transistor or a 'noisy' collector resistor.

## HI-FI SPECS

It is impossible to detail all the specifications relating to hi-fi equipment (further information on this score is given in "Tuners and Amplifiers" by John Earl, published by Fountain Press), but comment on a few of the more important ones would not be amiss.

**Power Capacity.** This is the maximum power that an audio section is capable of delivering with both channels running, the maximum being defined either to the level of sinewave clipping or to a specified value of distortion when the output is loaded by pure resistance of appropriate value in place of the speaker. The 'standard frequency' is 1kHz, but to obtain the **power bandwidth** the measurement is repeated at low and high frequencies.

**Standard Output Power.** This is 50mW (17dB/mW). However, in some instances values of 500mW (27dB/mW) and 5mW (7dB/mW) might be used, but the power to which any parameter (such as sensitivity) refers should be stated in the specification.

**Input Sensitivity Voltage.** This is the input signal at 1kHz required to yield the rated output power when the volume control is fully advanced, all filters 'out' and tone controls 'flat'.

**Signal/Noise Ratio.** This refers to the voltage due to components of hum and noise across the output load in terms of dB ratio to the rated output power and within the full noise bandwidth of the equipment. The volume control is generally fully advanced and the selected source input is either short-circuit or open-circuit (the former preferred since it avoids the pickup of spurious hum and noise components).

A ratio of 60dB, for example, implies that the power of the summed hum and noise in the output load is one million times below the full power of the amplifier.

**Total Harmonic Distortion (THD).** This is commonly measured through a distortion factor meter, in which a very sharply tuned filter 'notches out' the fundamental frequency, leaving only the harmonic components.

**Intermodulation Distortion (IMD).** Like THD, IMD is a function of amplifier non-linearity. This is commonly measured in terms of the amplitude of intermodulation components resulting from the introduction of two signals to the amplifier, so as to produce sum and difference frequencies.

**S/N Ratio (FM).** This refers to hum and noise relative to a stated modulation level (100% or 30%). Measurement is similar to that of S/N ratio of an amplifier, and the usable sensitivity of an f.m. tuner is commonly given as the input required for a S/N ratio of 45dB.

Owing to the wider passband involved and the action of decoding, a stereo receiver has a S/N performance below that on mono, particularly at the lower signal input levels, which is the reason why stereo receivers should always be operated with the best possible f.m. aerial system, consistent with the location and prevailing signal field on Radio 3.

END OF SERIES

NINE BAND RECEIVER—continued from page 690

## AERIALS

The telescopic type aerial has a bracket, so that it can be bolted directly on the left hand side of the case, about 1in. from the back. An insulated socket is fitted on the side of the case for an external aerial. Many transmissions can be received at ample volume with the telescopic aerial alone but an external aerial will greatly improve the reception of weak signals.



## DIAL SCALE

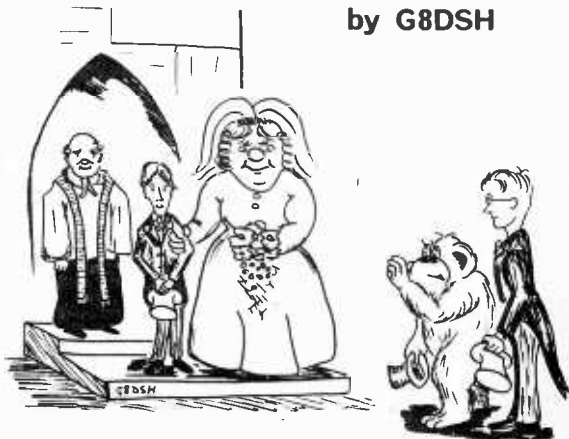
Because each of the nine bands covers a relatively small frequency range, the main tuning scale is fitted with a card marked 0 to 50.

The bandswitch has nine positions, and the card scale under it has ten frequency markings. The bandswitch pointer comes to rest **between** these markings, which thus show the approximate frequency coverage of that particular range. For example, if the pointer rests between 4.6 and 5.0, the range is 4.6-5.0MHz, while if it is between 5.0 and 5.6 the range is 5.0-5.6MHz, covered with the normal tuning control.

The full markings are as follows: 3.6—3.8—4.3—4.6—5.0—5.6—6.3—7.4—10—15. This scale is best put under the perspex. ■

# MAXWELL

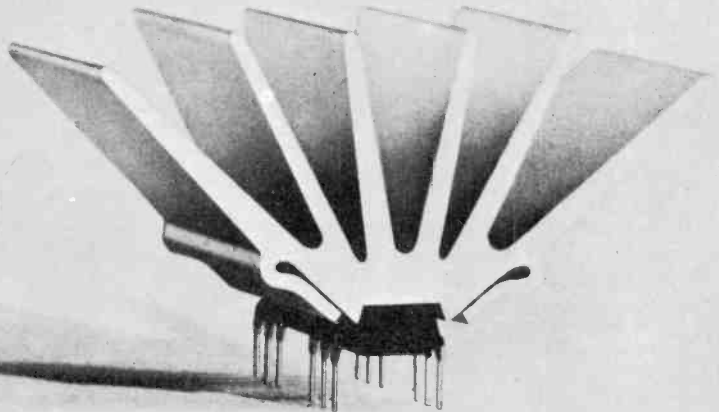
by G8DSH



"—a bit of a mismatch somewhere!"

# new

## Super IC-12



### High fidelity Monolithic Integrated Circuit Amplifier

Two years ago Sinclair Radionics announced the World's first monolithic integrated circuit Hi-Fi amplifier, the IC.10. Now we are delighted to be able to introduce its successor, the Super IC.12. This 22 transistor unit has all the virtues of the original IC.10 plus the following advantages:

1. Higher power.
2. Fewer external components.
3. Lower quiescent consumption.
4. Compatible with Project 60 modules.
5. Specially designed built-in heat sink. No other heat sink needed.
6. Full output into 3, 4, 5 or 8 ohms.
7. Works on any voltage from 6 to 28 volts without adjustment.
8. NEW 22 transistor circuit.

**Output power** 6 watts RMS continuous (12 watts peak).

**Frequency Response** 5 Hz to 100KHz  $\pm$  1 dB.

**Total Harmonic Distortion** Less than 1%. (Typical 0.1%) at all output powers and all frequencies in the audio band.

**Load Impedance** 3 to 15 ohms.

**Power Gain** 90dB (1,000,000,000 times) after feedback.

**Supply Voltage** 6 to 28 volts (Sinclair PZ-5 or PZ-6 power supplies ideal).

**Size** 22 x 45 x 28 mm including pins and heat sink.

**Input Impedance** 250 Kohms nominal.

**Quiescent current** 8mA at 28 volts.

With the addition of only a very few external resistors and capacitors the Super IC.12 makes a complete high fidelity audio amplifier suitable for use with pick-up, F.M. tuner etc. Alternatively, for more elaborate systems, modules in the Project-60 range such as the Stereo 60 and A.F.U. may be added. The comprehensive manual supplied with each unit gives full circuit and wiring diagrams for a large number of applications in addition to high fidelity. These include car radios, oscillators etc. The very low quiescent consumption makes the Super IC.12 ideal for battery operation.



Price, inc. FREE printed circuit board for mounting.

**£2.98** Post free

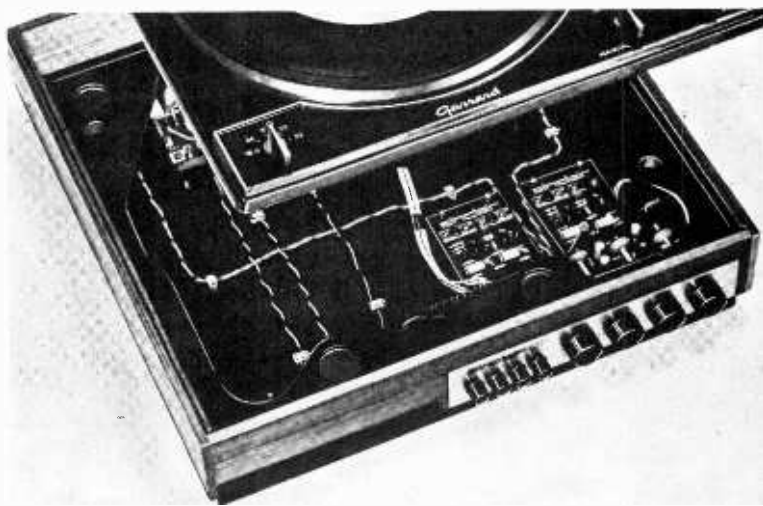
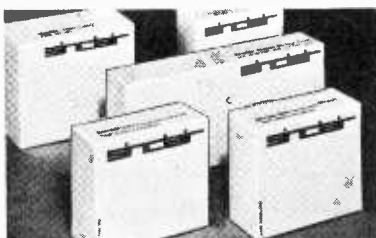
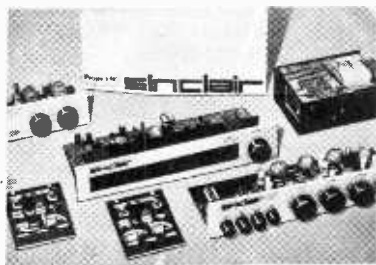
**SINCLAIR GENERAL GUARANTEE**  
Should you not be completely satisfied with your purchase when you receive it from us, return the goods without delay and your money will be refunded in full, including cost of return postage, at once and without question. Full service facilities are available to all Sinclair customers.

Sinclair Radionics Ltd. London Rd, St. Ives  
Huntingdonshire PE17 4HJ  
Telephone St Ives (048 06) 4311

**sinclair**

# Sinclair Project 60

The World's leading range of high fidelity modules



## New!

### Project 605

The easy way to buy and build Project 60



Project 605 is one pack containing: one PZ5, two Z30's, one Stereo 60 and one Masterlink. This new module contains all the input sockets and output components needed together with all necessary leads cut to length and fitted with neat little clips to plug straight on to the modules. Thus all soldering and hunting for the odd part is eliminated. You will be able to add further Project 60 modules as they become available adapted to the Project 605 method of connecting.

Complete Project 605 pack with comprehensive manual, post free **£29.95**

All you need for a superb 30 watt high fidelity stereo amplifier.

Sinclair Radionics Limited, London Road,  
St. Ives, Huntingdonshire PE17 4HJ.  
Tel: St. Ives (048 06) 4311

# sinclair

Project 60 offers more advantage to the constructor and user of high fidelity equipment than any other system in the world.

Performance characteristics are so good they hold their own with any other available system irrespective of price or size.

Project 60 modules are more versatile—using them you can have anything from a simple record player or car radio amplifier to a sophisticated and powerful stereo tuner-amplifier. Either power amplifier can be used in a wide variety of applications as well as high fidelity. The Stereo 60 pre-amplifier control unit may also be used with any other power amplifier system, as can the AFU filter unit. The stereo FM tuner operates on the unique phase lock loop principle to provide the best ever standards of sensitivity and audio quality. Project 60 modules are very easily connected together by following the 48 page manual supplied free with all Project 60 equipment. The modules are great space savers too and are sold individually boxed in distinctive white and black cartons. With all these wonderful advantages, there remains the most attractive of all—price. When you choose Project 60 you know you are going to get the best high fidelity in the world, yet thanks to Sinclair's vast manufacturing resources (the largest in Europe) prices are fantastically low and everything you buy is covered by the famous Sinclair guarantee of reliability and satisfaction.

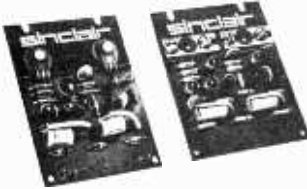
#### Typical Project 60 applications

System	The Units to use	together with	Cost of Units
Simple battery record player	Z.30	Crystal P.U., 12V battery volume control	<b>£4.48</b>
Mains powered record player	Z.30, PZ.5	Crystal or ceramic P.U., volume control etc.	<b>£9.45</b>
20 + 20 W. stereo amplifier for most needs	2 x Z.30s, Stereo 60, PZ.5	Crystal, ceramic or mag. P.U., F.M. Tuner, etc.	<b>£23.90</b>
20 + 20 W. stereo amplifier with high performance spkrs.	2 x Z.30s, Stereo 60, PZ.6	High quality ceramic or magnetic P.U., F.M. Tuner, Tape Deck, etc.	<b>£26.90</b>
40 + 40 W. R.M.S. de-luxe stereo amplifier	2 x Z.50s, Stereo 60 PZ.8, mains trsfrmr	As above	<b>£34.88</b>
Indoor P.A.	Z.50, PZ.8, mains transformer	Mic., guitar, speakers, etc., controls	<b>£19.43</b>

F.M. Stereo Tuner (£25) & A.F.U. Filter Unit (£5.98) may be added as required.

# from a simple amplifier to a complete stereo tuner amplifier with Project 60 modules

## Z.30 & Z.50 power amplifiers



The Z.30 and Z.50 are of advanced design using silicon epitaxial planar transistors to achieve unsurpassed standards of performance. Total harmonic distortion is an incredibly low 0.02% at full output and all lower outputs. Whether you use Z.30 or Z.50 amplifiers in your Project 60 system will depend on personal preference, but they are the same size and may be used with other units in the Project 60 range equally well.

**SPECIFICATIONS (Z.50 units are interchangeable with Z.30s in all applications).**

### Power Outputs

**Z.30** 15 watts R.M.S. into 8 ohms using 35 volts; 20 watts R.M.S. into 3 ohms using 30 volts.

**Z.50** 40 watts R.M.S. into 3 ohms using 40 volts; 30 watts R.M.S. into 8 ohms using 30 volts.

**Frequency response:** 30 to 300,000Hz  $\pm 1$ dB.

**Distortion:** 0.02% into 8 ohms.

**Signal to noise ratio:** better than 70dB unweighted.

**Input sensitivity:** 250mV into 100 Kohms.

For speakers from 3 to 15 ohms impedance.

**Size:** 14 x 80 x 57 mm.

### Z.30

Built, tested and guaranteed with circuits and instructions manual. **£4.48**

### Z.50

Built, tested and guaranteed with circuits and instructions manual. **£5.48**

## Project 60 Stereo F.M. Tuner



*First in the world to use the phase lock loop principle*

The phase lock loop principle was used for receiving signals from space craft because of its vastly improved signal to noise ratio. Now, Sinclair have applied the principle to an F.M. tuner with fantastically good results. Other original features include varicap diode tuning, printed circuit coils, an I.C. in the specially designed stereo decoder and squelch circuit for silent tuning between stations. Good reception is possible in difficult areas, and often a few inches of wire are enough for an aerial. In terms of a high fidelity this tuner has a lower level of distortion than any other tuner we know. Stereo broadcasts are received automatically as the tuning control is rotated, a panel indicator lighting up as the stereo signal is tuned in. This tuner can also be used to advantage with any other high fidelity system.

**SPECIFICATIONS—Number of transistors:** 16 plus 20 in I.C. **Tuning range:** 87.5 to 108 MHz. **Capture ratio:** 1.5dB. **Sensitivity:** 2 $\mu$ V for 30dB quieting; 7 $\mu$ V for lock-in over full deviation. **Squelch level:** 20 $\mu$ V. **A.F.C. range:**  $\pm 200$  KHz. **Signal to noise ratio:** > 65dB. **Audio frequency response:** 10 Hz – 15 KHz ( $\pm 1$ dB). **Total harmonic distortion:** 0.15% for 30% modulation. **Stereo decoder operating level:** 2 $\mu$ V. **Cross talk:** 40dB. **Output voltage:** 2 x 150mV R.M.S. **Operating voltage:** 25-30 VDC. **Indicators:** Power on/tuning/stereo. **Size:** 93 x 40 x 207 mm.

**£25**

Built and tested. Post free.

## Stereo 60 Pre-amp/control unit



Designed for Project 60 range but suitable for use with any high quality power amplifier. Again silicon epitaxial planar transistors are used throughout, achieving a really high signal-to-noise ratio and excellent tracking between channels. Input selection is by means of push buttons and accurate equalisation is provided for all the usual inputs.

**SPECIFICATIONS—Input sensitivities:** Radio—up to 3mV. Mag. p.u. 3mV; correct to R.I.A.A. curve  $\pm 1$ dB; 20 to 25,000 Hz. Ceramic p.u.—up to 3mV; Aux—up to 3mV. **Output:** 250mV. **Signal to noise ratio:** better than 70dB. **Channel matching:** within 1dB. **Tone controls:** TREBLE  $\pm 15$  to  $-15$ dB at 10 KHz; BASS  $\pm 15$  to  $-15$ dB at 100Hz. **Front panel:** brushed aluminium with black knobs and controls. **Size:** 66 x 40 x 207 mm. **£9.98**

Built, tested and guaranteed.

## Power Supply Units

Designed special for use with the Project 60 system of your choice. Use PZ.5 for normal Z.30 assemblies and PZ.6 where a stabilised supply is essential.

**PZ.5** 30 volts un stabilised **£4.98**  
**PZ.6** 35 volts stabilised **£7.98**  
**PZ.8** 45 volts stabilised (less mains transformer) **£7.98**  
**PZ.8** mains transformer **£5.98**



## A.F.U. High & Low Pass Filter Unit



For use between Stereo 60 unit and two Z.30s or Z.50s, and is easily mounted. It is unique in that the cut-off frequencies are continuously variable, and as attenuation in the rejected band is rapid (12dB/octave), there is less

loss of the wanted signal than has previously been possible. Amplitude and phase distortion are negligible. The A.F.U. is suitable for use with any other amplifier system. Two filter stages—rumble (high pass) and scratch (low pass). Supply voltage—15 to 35V. Current—3mA. H.F. cut-off ( $-3$ dB) variable from 28KHz to 5KHz. L.F. cut-off ( $-3$ dB) variable from 25Hz to 100Hz. Distortion at 1KHz (35V. supply) (0.02% at rated output. **Size:** 66 x 40 x 90 mm. **£5.98**

Built tested and guaranteed.

## The Sinclair Guarantee

If within 3 months of purchasing Project 60 modules directly from us, you are dissatisfied with them, we will refund your money at once. Each module is guaranteed to work perfectly and should any defect arise in normal use we will service it at once and without any cost to you whatsoever provided that it is returned to us within 2 years of the purchase date. There will be a small charge for service thereafter. No charge for postage by surface mail. Air-mail charged at cost.

To: SINCLAIR RADIONICS LTD LONDON ROAD ST. IVES HUNTINGDONSHIRE PE17 4HJ

Please send \_\_\_\_\_

Name \_\_\_\_\_

Address \_\_\_\_\_

I enclose cash/cheque/money order.

PW 12

# Sinclair Q16/Micromatic

## Q16 High fidelity loudspeaker

The Q16 employs the well proven acoustic principles specially developed by Sinclair in which a special driver assembly is meticulously matched to the characteristics of the uniquely designed cabinet. In reviewing this exclusive Sinclair design, technical journals have justly compared the Q16 with much more expensive loudspeakers. Its shape enables the Q16 to be positioned and matched to its environment to much better effect than is the case with conventionally styled enclosures. A solid teak surround with a special all-over cellular foam front is used as much for appearance as its ability to pass all audio frequencies without loss.

This elegantly designed shelf mounting speaker brings genuine high fidelity within reach of every music lover.

## Specifications:

**Construction:** Special sealed seamless sound or pressure chamber with internal baffle.

**Loading:** up to 14 watts RMS.

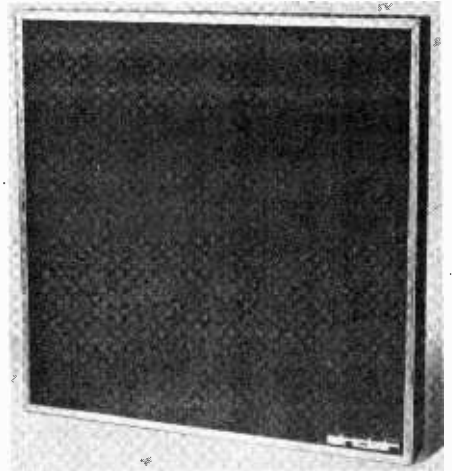
**Input Impedance:** 8 ohms.

**Frequency response:** From 60 to 16,000 Hz, confirmed by independently plotted B and K curve.

**Driver unit:** Special high compliance unit having massive ceramic magnet of 11,000 gauss, aluminium speech coil and special cone suspension for excellent transient response.

**Size and styling:** 9½ in. square on face x 4½ in. deep with neat pedestal base. Black all over cellular foam front with natural solid teak surround.

**Price £8.98.**



## Britain's smallest radio

Considerably smaller than an ordinary box of matches, this is a multi-stage AM receiver brilliantly designed to provide remarkable standards of selectivity, power and quality for its size. Powerful AGC counteracts fading from distant stations; bandspread at higher frequencies makes reception of Radio 1 easy. The plug-in magnetic earpiece provided, matches the Micromatic's output to give wonderful standards of reproduction. Everything including the special ferrite rod aerial and batteries is contained within the minute attractively designed case. Whether you build a Micromatic kit or buy this amazing receiver ready built and tested, you will find it as easy to take with you as your wrist watch, and dependable under the severest listening conditions.

## Specifications:

**Size:** 36 x 33 x 13 mm (1.8 x 1.3 x 0.5 in.)

**Weight:** including batteries, 28.4 gm (1 oz.)

**Case:** Black plastic with anodised aluminium front panel and spun aluminium dial.

**Tuning:** medium wave band with bandspread at higher frequencies (550 to 1,600 KHz).

**Earpiece:** Magnetic type.

**On/off switching:** By inserting and withdrawing earpiece plug.

Kit in pack with earpiece, case, instructions and solder **£2.48.**

Ready built, tested and guaranteed, with earpiece **£2.98.**

Two Mallory Mercury batteries type RM675 required from radio shops, chemists, etc.



Sinclair Radionics Ltd., London Rd, St. Ives  
Huntingdonshire PE17 4HJ.  
Telephone St. Ives (048 06) 4311

To: SINCLAIR RADIONICS LTD LONDON ROAD ST. IVES HUNTINGDONSHIRE PE17 4HJ

Please send \_\_\_\_\_

Name \_\_\_\_\_

Address \_\_\_\_\_

for which I enclose cash/cheque/money order

PW1271

**sinclair**



# C ESCENT RADIO LTD

**MAIL ORDER DEPARTMENT**  
No. 11 Mayes Rd., London, N22 6TL

### BARGAIN COMPUTER BUMPER BOARDS



Many Resistors, Condensers, Diodes and Transistors (minimum of 4 transistors on each board).  
5 BOARDS FOR 120p. Post Free.

### BLACK TERMINALS



Length as indicated 1 inch  
10p per pair P. & P. 3p.

### BATTERY ELIMINATOR

Plug your Transistor Radio, Amplifier, Cassette, etc., into the a.c. mains through this compact eliminator, 2 1/2 in x 2 in x 3 in approx. 4 1/2 V £1.50, 6V £1.50, 9V £1.50, 7 1/2 V complete with cable and plug for Philips Cassette. £2 plus 8p P. & P. each.



**SEND S.A.E. FOR GREAT BARGAINS IN MICROPHONES, AMPS, DECKS, COMPLETE DISCOTHEQUE CONSOLS, SPEAKERS AND MANY OTHER ITEMS**

## BRANCHES

11e 40 MAYES RD LONDON N22-888 3206  
13 SOUTH MALL EDMONTON GREEN LONDON N9 803 1685

### LIGHT DIMMER

The unit comes complete with MK Ivory Front Plate and Control Knob, when used in place of Light Switch it will control your room lighting from off to full brightness. Power—up to 300 watts interference suppressed.  
£2.75 P. & P. 8p



### SOLID STATE BLOCK MODULES

Phono pre-amp E1311 input 100k: gain 25dB max out 3 volt: max input 50mV. Tape pre-amp as above E1313. Power amp E1314 input 1,000 ohms gain 20dB 300mW. Organ tone osc E1315 tone freq. 200-1k. Hz output 80mW. All above modules 9 volt. Dual flasher E1318 flash time 1-4 secs power 6 volt. Lamp 6v 150mA. All at £1.25 P. & P. 10p



### D.P.D.T. SLIDE SWITCH



SIZE  
1 1/2 ins long 1/2 wide  
13p each  
3p Postage

### Transformer

Scoop  
Primary 220, 250 v. fused.  
Secondary 220 v. at 50mA, 6.3v. at 1 amp.  
Overall size 2 1/2" x 2 1/2" high. 63p P. & P. 15p.



### COMPONENT CENTRE

8 x 6 Printed circuit board	10p each
By100 Type rectifier 800 Piv 750 mA	16p
4 Pin transistor holders	3p
2 1/2 ohm speaker	33p
U2 Battery holders	5p
100HM W/V Pots	3p
OC81 Heat clips (double)	13p
Tape rev counters	25p
1,500mF 150v DC 4" x 2" dia approx	40p
Flex connector 2amp approx non-reversible	3p
Ideal for loudspeaker connections	8p
2 1/2 ohm Speaker	38p

Please include Post & Packing  
Send S.A.E. for return of post code of your electronic project.

### CHROMOSONIC SOUND OPERATED LIGHT DISPLAY

This compact unit (size 8 1/2" x 5 1/2" x 3" high) is connected directly across the speaker output of an amplifier, it will then convert audio signals into a spectacular three colour light display (500 watts light output each colour). Send S.A.E. for further details or call in at any branch for demonstration.  
£18-50 P. & P. 38p



## 100 WATT

### HIGH POWER AMPLIFIER



- In excess of 100 watt peak output
  - Open and short circuit proof
  - Sensitivity 10mV for full output
  - Frequency Response 10-25,000Hz
  - Safe with all loudspeaker systems 4 to 16 ohms
  - Silicon transistors used throughout
  - F.E.T. Front end
- Send S.A.E. for further details.  
▲ £42.00 if purchased with light unit above £40.00  
Post and Insurance £1.00.

GUARANTEED 12 MONTHS

### DWELL TIME UNIT

These small units contain the following components: 700 ohm DPDT relay with base, 1µF 250v. paper, 0.01µF 400v. paper, 50µF 35v. electrolytic, 3 diodes OC200 transistor, a 2N2926 type transistor unmarked, a skeleton pre-set pot, 4 pin dim plug & skt., 4 foot of 4 core screen. All housed in a small neat metal box. Can be made into many timing devices.  
43p P. & P. 8p



TOP QUALITY — LOW COST



AMATEUR RADIO EQUIPMENT

CODAR

★  
**NEW!**



### MULTIBAND-6 TRF SHORT WAVE RECEIVER KIT

This new all transistor T.R.F. Receiver tunes 550 Khz-30 Mhz (540-10 metres) complete coverage, no gaps. Trawlers, Ship to Shore telephone, Six Amateur Bands, 160-10 metres, International Broadcast, Australia, Far East, Russia, USA, etc. etc., using miniature plug in coils. Hi-Gain FET Regen. Det./Pre-Amp A.F. Module giving full loud speaker output to any external 2/3 ohm speaker. Two separate Tuning Dials, Calibrated Mhz and Degrees. Electrical Bandsread on all bands. Handsome styling with Black Perspex Panel, Steel Cabinet in Charcoal finish with Chrome Trim. This is a quality CODAR-KIT with full 12 months guarantee. No technical knowledge required, printed circuit construction, Instruction Manual with pictorial drawings backed by friendly Help-U After Sales Service if you have any queries.

Complete Kit (even to the resin-cored solder) with 3 Coils. £11.50 Carriage 50p.

Available NOW, NEW AT5 MK 2, 12 WATT. Transmitter 160-80 metres. Also NEW PR40 FET Pre-Selector. Stamp brings illustrated leaflets.

★



### CR 70A COMMUNICATION RECEIVER

The CODAR CR 70A is an outstanding general coverage communication receiver, ideal for the keen S.W.L.

It tunes from 540 metres medium through to 10 metres with no gaps. Covers shipping, coastguard and distress frequencies, all six amateur bands 160-10 metres, international broadcast, Met. stations etc. etc. giving world-wide reception. Exclusive features include Air-spaced CODAR-COIL Hi-"Q" Aerial input, Illuminated "S" Meter and Slide Rule Scale, Two Speed vernier tuning, Separate B.F.O. for CW/SSB signals, 5 valves inc. two twin triodes giving 7 valve line-up, separate output for Tape recorder.

Ready to plug in to 200/240 volts A.C. it only needs your aerial and a 2/3 ohm loudspeaker to bring the world to your finger tips. 12 months full guarantee.

Complete ready built £24.50, Carriage 50p.

Ask the chap who's got one, there's lots of them!

ON THE DESIGN STAFF—  
G3SZM G3IRE G8BB1

# CODAR RADIO COMPANY

Unit 1, Meadow Road Industrial Estate, East Worthing, Sussex.

# The largest selection

## NEW LOW PRICE TESTED S.C.R.'s

PIV	1A	3A	7A	10A	16A	30A
	TO-5	TO-66	TO-66	TO-48	TO-48	TO-48
50	0-23	0-25	0-47	0-60	0-63	1-15
100	0-25	0-33	0-53	0-58	0-58	1-40
200	0-35	0-37	0-57	0-61	0-75	1-60
400	0-43	0-47	0-67	0-75	0-93	1-75
600	0-53	0-57	0-77	0-97	1-25	—
800	0-83	0-70	0-90	1-20	1-50	4-00

## SIL. RECTS. TESTED

PIV	300mA	750mA	1A	1.5A	3A	10A	30A
50	0-04	0-05	0-05	0-07	0-14	0-21	0-47
100	0-04	0-06	0-05	0-13	0-18	0-23	0-75
200	0-06	0-09	0-06	0-14	0-20	0-24	1-00
400	0-06	0-13	0-07	0-20	0-27	0-37	1-25
600	0-07	0-16	0-10	0-23	0-34	0-45	1-85
800	0-10	0-17	0-13	0-25	0-37	0-55	2-00
1000	0-11	0-25	0-15	0-30	0-45	0-65	2-60
1200	—	0-33	0-33	0-57	0-75	—	—

## TRIACS

VBO	2A	6A	10A
	TO-1	TO-66	TO-66
100	0-50	0-63	1-00
200	0-70	0-90	1-25
400	0-90	1-00	1-60

## LUCAS SILICON RECTIFIERS

35 amp, 400 p.v. stud type. £110p each.

## DIACS FOR USE WITH TRIACS

## 2A POTTED BRIDGE RECTIFIERS 200V 50p

**UNIJUNCTION**  
**UT46.** Eqv't. 2N2646, Eqv't. T1843. BEN3000 27p each, 25-99 25p 100 UP 20p.

**NPN SILICON PLANAR**  
 BC107/8/9, 10p each; 50-99, 9p; 100 up, 7p each; 1,000 off, 7p each. Fully tested and coded TO-18 case.

## FREE

One 50p Pak of your own choice free with orders valued \$4 or over.

AF239 PNP GERM. SIEMENS VHF TRANSISTORS. RF MIXER & OSC. UP TO 900 MHZ. USE AS REPLACEMENT FOR AF139-AF186 & 100's OF OTHER USES IN VHF. OUR SPECIAL LOW PRICE:—1-24 37p each, 25-99 34p each 100 + 30p each.

## FET'S

2N 3819 ..... 35p  
 2N 3820 ..... 83p  
 MPF105 ..... 40p

## CADMIUM CELLS

ORP12 43p  
 ORP60, ORP61 40p each

## PHOTO TRANS.

OCPT71 Type 43p

**SIL. G.P. DIODES** 4p  
 300mW 30 0-50  
 40FV (Min.) 100 1-50  
 Sub-Min. 500 5-00  
 Full Tested 1,000 9-00  
 Ideal for Organ Builders.

D18D1 Silicon Unilateral switch 50p each.

A Silicon Planar, monolithic integrated circuit having thyristor electrical characteristics, but with an anode gate and a built-in "Zener" diode between gate and cathode. Full data and application circuits available on request.

**ADI61** NPN  
**ADI62** PNP  
 MATCHED COMPLEMENTARY PAIRS OF GERM. POWER TRANSISTORS.  
 For mains driven output stage of Amplifiers and Radio receivers.  
 OUR LOWEST PRICE OF 63p PER PAIR

**2N3055** 115 WATT SIL. POWER NPN  
 OUR PRICE 63p EACH

**FULL RANGE OF ZENER DIODES**  
 VOLTAGE RANGE 2-33V, 400mV (DO-7 Case) 18p ea. 11W (Top Hat) 18p ea. 10W (SO-10 Stud) 25p ea. All fully tested 5% tol. and marked. State voltage required.

**BRAND NEW TEXAS GERM. TRANSISTORS**  
 Coded and Guaranteed

Pak No.	EQVT
T1	8 2G371A OC71
T2	8 2G374 OC75
T3	8 2G374A OC81D
T4	8 2G381A OC81
T5	8 2Q382T OC82
T6	8 2G344A OC44
T7	8 2G345A OC45
T8	8 2Q378 OC78
T9	8 2G399A 2N1302
T10	8 2G417 AF117

All 50p each pak

**2N2060 NPN SIL. DUAL TRANS.** CODE D1899 TEXAS. Our price 25p each.

**120 VCB MIXIE DRIVER TRANSISTOR.** 8im. B8X21 & C407, 2N1893 FULLY TESTED AND CODED. ND120. 1-24 17p each. TO-5 N.P.N. 25 up 15p each.

Sil. trans. suitable for P.E. Organ. Metal TO-18 Eqv't. ZTX300 5p each. Any Qty.

**EX-EQUIPMENT MULLARD**  
 AF117 Transistors. Large can 4 leads type. Leads cut short but still usable, real value at 15 for 50p.

## KING OF THE PAKS Unequalled Value and Quality

### SUPER PAKS NEW BI-PAK UNTESTED SEMICONDUCTORS

Satisfaction GUARANTEED in Every Pak, or money back.

Pak No.	Description	Price
U1	120 Glass sub-min. general purpose germanium diodes	5p
U2	60 Mixed germanium transistors AF/RF	0-50
U3	75 Germanium gold bonded diodes sim. OA5, OA47	0-50
U4	40 Germanium transistors like OC81, AC128	0-50
U5	60 200mA sub-min. Sil. diodes	0-50
U6	30 Silicon planar transistors NPN sim. B8Y95A, 2N706	0-50
U7	16 Silicon rectifiers Top-Hat 750mA up to 1,000V	0-50
U8	50 Sil. planar diodes 250mA. OA/200/202	0-50
U9	20 Mixed volts I watt Zener diodes	0-50
U11	30 PNP silicon planar transistors TO-5 sim. 2N1132	0-50
U13	30 PNP-NPN sil. transistors OC200 & 28104	0-50
U14	150 Mixed silicon and germanium diodes	0-50
U15	25 NPN Silicon planar transistors TO-5 sim. 2N697	0-50
U16	10 3-Amp silicon rectifiers stud type up to 1000 PIV	0-50
U17	30 Germanium PNP AF transistors TO-5 like ACY 17-22	0-50
U18	8 6-Amp silicon rectifiers BYZ13 type up to 600 PIV	0-50
U19	25 Silicon NPN transistors like BC108	0-50
U20	12 1.5-Amp silicon rectifiers Top-Hat up to 1,000 PIV	0-50
U21	30 A.F. germanium alloy transistors 2G300 series & OC71	0-50
U23	30 Madt's like MAT series PNP transistors	0-50
U24	20 Germanium 1-Amp rectifiers GJM up to 300 PIV	0-50
U25	25 300Mc/s NPN silicon transistors 2N708, B8Y27	0-50
U26	30 Fast switching silicon diodes like IN914 micro-min	0-50
U28	Experimenters' assortment of integrated circuits, untested. Gates, flip-flops, registers, etc., 8 assorted pieces	1-00
U29	10 1-Amp SCR's TO-5 can up to 600 PIV CR81/25-600	1-00
U31	20 Sil. Planar NPN trans. low noise amp 2N3707	0-50
U32	25 Zener diodes 400mW D07 case mixed volts, 3-18	0-50
U33	15 Plastic case 1 amp silicon rectifiers IN4000 series	0-50
U34	30 Sil. PNP alloy trans. TO-5 BCY26, 28302/4	0-50
U35	25 Sil. planar trans. PNP TO-18 2N2906	0-50
U36	25 Sil. planar NPN trans. TO-5 BFY90/51/52	0-50
U37	30 Sil. alloy trans. 80-2 PNP, OC200 28322	0-50
U38	20 Fast switching sil. trans. NPN, 400Mc/s 2N3011	0-50
U39	30 RF germ. PNP trans. 2N1303/5 TO-5	0-50
U40	10 Dual trans. 6 lead TO-5 2N2060	0-50
U41	25 RF germ. trans. TO-1 OC45 NKT72	0-50
U42	10 VHF germ. PNP trans. TO-1 NKT667 AF117	0-50

Code Nos. mentioned above are given as a guide to the type of device in the Pak. The devices themselves are normally unmarked.

## GENERAL PURPOSE GERM. PNP POWER TRANSISTORS

Coded GP100. BRAND NEW TO-3 CASE. POSS. REPLACEMENTS FOR:—OC25 28-29-30-35-36. NKT 401-403-404-405-406-430-441-452-453. TI3027-3028, 2N250A, 2N456A-457A-458A, 2N511 A & B. 2G220-222, ETC.  
**SPECIFICATION**  
 VCEO 80V VCEO 50V IC 10A PT. 30 WATTS Hic  
 Hfe 20-100, FTI MHZ  
 PRICE 1-24 25-99 100 up  
 43p each 40p each 38p each

## GENERAL PURPOSE SILICON NPN POWER TRANSISTORS

Coded GP300. BRAND NEW TO-3 CASE. POSSIBLE REPLACEMENT FOR:—2N3055, BDY20, BDY11.  
**SPECIFICATION**  
 VCEO 100V, VCEO 60V, IC 15AMPS, PT. 115 WATTS.  
 Hfe 20-100, FTI MHZ  
 PRICE 1-24 25-99 100 up  
 58p each 50p each 47p each

## GENERAL PURPOSE NPN SILICON SWITCHING TRANS. TO-18 SIM. TO 2N706/8. B8Y7/95A

All usable devices no open or short circuits. ALSO AVAILABLE IN PNP Bin. to 2N2906, BCY70. When ordering please state preference NPN or PNP.

	5p	10p	For 100	For 175	For 750	For 1800
20	For 0-50	500	For 1-75	750	For 1-50	1800
50	For 1-00	1000	For 1-50	1500	For 1-75	1800

## SILICON PHOTO TRANSISTOR

TO-18 Lens end. NPN Sim. to BP x 20 and P21. BRAND NEW. Full data available. Fully guaranteed.  
 Qty. 1-24 25-99 100 up  
 Price each 45p 40p 25p

## RTL MICROLOGIC CIRCUITS

Price each  
 Epoxy TO-5 case 1-24 25-99 100 up  
 U1900 Buffer 35p 33p 27p  
 U1914 Dual 2/p gate 35p 33p 27p  
 U1923 J-K flip-flop 50p 47p 40p  
 Data and Circuits Booklet for I.C.'s Price 7p.

## NEW QUALITY TESTED PAKS

Pak Description	Price
Q1 20 Red spot trans. PNP AF	0-50
Q2 16 White spot R.F. trans. PNP	0-50
Q3 4 OC77 type trans.	0-50
Q4 6 Matched trans. OC44/43/81/81D	0-50
Q5 4 OC75 transistors	0-50
Q6 4 OC72 transistors	0-50
Q7 4 AC128 trans. PNP high gain	0-50
Q8 4 OC77 type trans.	0-50
Q9 7 OC81 type trans.	0-50
Q10 7 OC77 type trans.	0-50
Q11 2 AC127/128 comp. pairs PNP/NPN	0-50
Q12 3 AF116 type trans.	0-50
Q13 3 AF117 type trans.	0-50
Q14 3 OC171 H.F. type trans.	0-50
Q15 3 2N2906 sil. epoxy trans.	0-50
Q16 2 GET80 low noise germ. trans.	0-50
Q17 3 NPN 1 8T141 & 2 8T140	0-50
Q18 4 Madt's 2 MAT 100 & 2 MAT 120	0-50
Q19 3 Madt's 2 MAT 101 & 1 MAT 121	0-50
Q20 4 OC44 germ. trans. A.F.	0-50
Q21 3 AC127 NPN germ. trans.	0-50
Q22 20 NKT trans. A.F. R.F. coded	0-50
Q23 10 OA202 sil. diodes sub-min.	0-50
Q24 8 OA81 diodes	0-50
Q25 6 IN914 sil. diodes 75PIV 75mA	0-50
Q26 8 OA95 germ. diodes sub-min. IN69	0-50
Q27 2 10A 800PIV sil. rect. 8B45R	0-50
Q28 2 Sil. power rect. BYZ13	0-50
Q29 4 Sil. trans. 2 x 2N696, 1 x 2N697, 1 x 2N698	0-50
Q30 7 Sil. switch trans. 2N706 NPN	0-50
Q31 6 Sil. switch trans. 2N708 NPN	0-50
Q32 3 PNP sil. trans. 2 x 2N1131, 1 x 2N1132	0-50
Q33 3 Sil. NPN trans. 2N1171	0-50
Q34 7 Sil. NPN trans. 2N2369, 600MHZ.	0-50
Q35 3 Sil. PNP TO-5 2 x 2N2904 & 1 x 2905	0-50
Q36 7 2N3646 TO-18 plastic 300MHZ NPN	0-50
Q37 3 2N3033 NPN sil. trans.	0-50
Q38 7 PNP trans. 4 x 2N3703, 3 x 2N3702	0-50
Q39 7 NPN trans. 4 x 2N3704, 3 x 2N3705	0-50
Q40 7 NPN amp. 4 x 2N3707, 3 x 2N3708	0-50
Q41 3 Plastic NPN TO-18 2N3904	0-50
Q42 6 NPN trans. 2N5172	0-50
Q43 7 BC107 NPN trans.	0-50
Q44 7 NPN trans. 4 x BC108, 3 x BC109	0-50
Q45 3 BC113 NPN TO-18 trans.	0-50
Q46 3 BC115 NPN TO-5 trans.	0-50
Q47 6 NPN high gain 3 x BC167, 3 x BC168	0-50
Q48 4 BCY70 NPN trans. TO-18	0-50
Q49 4 NPN trans. 2 x BFY51, 2 x BFY52	0-50
Q50 7 B8Y28 NPN switch TO-18	0-50
Q51 7 B8Y95A NPN trans. 300MHZ	0-50
Q52 8 BY100 type sil. rect.	1-00
Q53 25 Sil. & germ. trans. mixed all marked new	1-50

## PRINTED CIRCUITS—EX-COMPUTER

Packed with semiconductor and components, 10 boards give a guaranteed 30 trans and 30 diodes. Our price 10 boards, 50p. Plus 10p P. & P. 100 Boards £3, P. & P. 30p.

## JUMBO COMPONENT PAKS

### MIXED ELECTRONIC COMPONENTS

Exceptionally good value (no rubbish)

Resistors, capacitors, pots, electrolytics and coils plus many other useful items. Approximately 3lb in weight. Price incl. P. & P  
 £1-50 only  
 Plus our satisfaction or money back guarantee.

## NEW EDITION 1971

**TRANSISTOR EQUIVALENTS BOOK.** A complete cross reference and equivalents book for European, American and Japanese Transistors. Exclusive to BI-PAK 90p each.

## GERM. POWER TRANS.

Type	Price each	Type	Price each
OC20	50p	OC29	40p
OC22	30p	OC35	35p
OC23	35p	OC36	40p
OC25	25p	AD140	40p
OC26	25p	AD142	40p
OC28	40p	AD149	45p

OUR STOCKS of individual devices are now too numerous to mention in this Advertisement. Send S.A.E. for our listing of over 1,000 Semiconductors. All available EX-Stock at very competitive prices.

## Dual-in-Line Low Profile Sockets

Order No.	1-24	25-99	100 up
T80 14 pin type	30p	27p	25p
T80 16 pin type	35p	32p	30p

# The lowest prices!

## 74 series T.T.L. I.C.'s

### DOWN AGAIN IN PRICE

Check our 74 Series List before you buy any I.C.'s. Our prices are the lowest possible. All devices ex-stock. Full price guaranteed.



BI-PAK Order No.	Similar Types to:—Description	Price and qty. prices		
		1-24	25-99	100 up
BP00 = 7400	Quad 2-input NAND gate	0-15	0-14	0-12
BP01 = 7401	Quad 2-input pos. NAND gate (with open collector output)	0-15	0-14	0-12
BP02 = 7402	Quad 2-input pos. NOR gate	0-15	0-14	0-12
BP03 = 7403	Quad 2-input pos. NAND gates (with open collector output)	0-15	0-14	0-12
BP04 = 7404	Hex Inverters	0-15	0-14	0-12
BP05 = 7405	Hex Inverter (with open-collector output)	0-15	0-14	0-12
BP10 = 7410	Triple 3-input pos. NAND gates	0-15	0-14	0-12
BP13 = 7413	Dual 4-input Schmitt trigger	0-25	0-24	0-24
BP20 = 7420	Dual 4-input pos. NAND gates	0-15	0-14	0-12
BP30 = 7430	8-input pos. NAND gates	0-15	0-14	0-12
BP40 = 7440	Dual 4-input pos. NAND buffers	0-15	0-14	0-12
BP41 = 7441	BCD to decimal mixer driver	0-87	0-84	0-88
BP42 = 7442	BCD to decimal decoder (4-10 lines)	0-87	0-84	0-88
BP45 = 7445	BCD-to-seven-segment decoder/driver	2-00	1-75	1-50
BP47 = 7447	BCD-to-seven-segment decoder/drivers (15V outputs)	0-97	0-94	0-88
BP48 = 7448	BCD-to-seven-segment decoder/driver	0-97	0-94	0-88
BP50 = 7450	Expandable dual 2-input and-or-invert	0-15	0-14	0-12
BP51 = 7451	Dual 2-wide 2-input and-or-invert gates	0-15	0-14	0-12
BP53 = 7453	Quad 2-input expandable and-or-invert	0-15	0-14	0-12
BP64 = 7464	4-wide 2-input and-or-invert gates	0-15	0-14	0-12
BP60 = 7460	Dual 4-input expander	0-15	0-14	0-12
BP70 = 7470	Single phase J-K flip-flop	0-28	0-28	0-24
BP72 = 7472	Master slave J-K flip-flop	0-28	0-28	0-24
BP73 = 7473	Dual Master slave J-K flip-flop	0-37	0-35	0-32
BP74 = 7474	Dual D type flip-flop	0-37	0-35	0-32
BP75 = 7475	Quad latch	0-47	0-45	0-42
BP76 = 7476	Dual J-K with pre-set and clear	0-43	0-40	0-38
BP80 = 7480	16-bit full adder	0-87	0-84	0-88
BP81 = 7481	16-bit read/write memory	0-87	0-84	0-88
BP82 = 7482	2-bit binary full adder	0-87	0-84	0-88
BP83 = 7483	Quad full adder	1-10	1-05	0-95
BP86 = 7486	Quad 2-input exclusive NOR gates	0-82	0-80	0-88
BP90 = 7490	BCD decade counter	0-87	0-84	0-88
BP91 = 7491	8-bit shift registers	0-87	0-84	0-88
BP92 = 7492	Divide-by-twelve counters	0-87	0-84	0-88
BP93 = 7493	4-bit binary counters	0-87	0-84	0-88
BP94 = 7494	Dual entry 4-bit shift register	0-77	0-74	0-68
BP95 = 7495	4-bit up-down shift register	0-77	0-74	0-68
BP96 = 7496	5-bit parallel in parallel out shift register	0-77	0-74	0-68
BP100 = 74100	8-bit bistable latches	1-75	1-65	1-55
BP104 = 74104	Single J-K flip-flop equivalent 9000 series	0-97	0-94	0-88
BP105 = 74105	Single J-K flip flop equivalent 9001 series	0-97	0-94	0-88
BP107 = 74107	Dual Master slave flip-flops	0-40	0-38	0-36
BP110 = 74110	Gate master-slave flip-flops	0-55	0-53	0-50
BP111 = 74111	Dual data lock-out flip-flop	1-25	1-15	1-00
BP118 = 74118	Hex set-reset latches	1-00	0-95	0-90
BP119 = 74119	Hex set-reset latches, 24-pin	1-35	1-25	1-10
BP121 = 74121	Monostable multivibrators	0-87	0-84	0-88
BP141 = 74141	BCD-to-decimal decoder/driver	0-87	0-84	0-88
BP142 = 74142	BCD-to-decimal decoder/driver O/C	1-50	1-40	1-30
BP150 = 74150	16-bit data selector	1-80	1-70	1-60
BP151 = 74151	8-bit data selectors (with strobe)	1-00	0-95	0-90
BP153 = 74153	Dual 4-line-to-1-line data	1-20	1-10	0-95
BP154 = 74154	4-to-16-line decoder	1-80	1-70	1-60
BP155 = 74155	Dual 2-to-4-line decoder	1-40	1-30	1-20
BP156 = 74156	Dual 2-to-4-line decoder O/C	1-40	1-30	1-20
BP160 = 74160	Sync. decade counter	1-80	1-70	1-60
BP161 = 74161	Sync. 4-bit binary counter	1-80	1-70	1-60
BP190 = 74190	Sync. up-down BCD counter	3-50	3-25	3-00
BP191 = 74191	Sync. binary up-down counter (single clock line)	3-50	3-25	3-00
BP192 = 74192	Sync. up-down decade counter	2-10	1-95	1-75
BP193 = 74193	Sync. binary up-down counter (two clock lines)	2-10	1-95	1-75
BP196 = 74196	Pre-settable 50MHz decade counter	1-80	1-70	1-60
BP197 = 74197	Pre-settable 50MHz binary counter	1-80	1-70	1-60
BP198 = 74198	8-bit parallel L-R shift register	5-50	5-00	4-00
BP199 = 74199	8-bit parallel access shift register	5-50	5-00	4-00

Devices may be mixed to qualify for quantity price. Larger quantities—prices on application (TTL 74 Series only). Price 13p. Data is available for the above series of I.C.'s in booklet form.

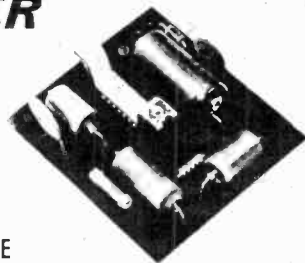
### TTL INTEGRATED CIRCUITS

Manufacturers' "Fall outs"—out of spec. devices including functional units and part function but classed as out of spec. from the manufacturers' very rigid specifications. Ideal for learning about I.C.'s and experimental work.

PAK No.	PAK No.	PAK No.
UIC00 = 12 x 7400N	UIC42 = 5 x 7450N	UIC90 = 5 x 7480N
UIC01 = 12 x 7401N	UIC50 = 12 x 7450N	UIC82 = 5 x 7482N
UIC02 = 12 x 7402N	UIC51 = 12 x 7451N	UIC83 = 5 x 7483N
UIC03 = 12 x 7403N	UIC52 = 12 x 7452N	UIC86 = 5 x 7486N
UIC04 = 12 x 7404N	UIC70 = 8 x 7470N	UIC90 = 5 x 7490N
UIC05 = 12 x 7405N	UIC72 = 8 x 7472N	UIC92 = 5 x 7492N
UIC10 = 12 x 7410N	UIC73 = 8 x 7473N	UIC93 = 5 x 7493N
UIC20 = 12 x 7420N	UIC74 = 8 x 7474N	UIC94 = 5 x 7494N
UIC40 = 12 x 7440N	UIC75 = 8 x 7475N	UIC95 = 5 x 7495N
UIC41 = 5 x 7441AN	UIC76 = 8 x 7476N	UIC96 = 5 x 7496N
	UIC1X1 = 25 x Ass'd 74's	

Paks cannot be split but 20 assorted pieces (our mix) is available as PAK UICX1. Every PAK carries out BI-PAK Satisfaction or money back GUARANTEE.

## ANOTHER BI-PAK FIRST!



THE NEW S.G.S. EA 1000 AUDIO AMPLIFIER MODULE

### \*GUARANTEED NOT LESS THAN 3 WATTS RMS

Especially designed by S.G.S. incorporating their proven Linear I.C. Audio Amp. TA/621 providing unlimited applications for the enthusiast in the construction of radios, record players, Audio and Stereo units. Also ideal for intercom systems, monitoring applications and phone answering machines. OTHER USES: portable applications where supply rails as low as 9V are of prime importance.

- Sensitivity 40 mV for 1 watt VOLTAGE GAIN 40dB but can be varied up to 73dB for some applications.
- Overall Size 2" x 3" x 1".
- Typical Total Harmonic distortion at 1 watt less than 1%.
- Signal to Noise Ratio 86dB.
- Frequency response better than 50 Hz to 25 KHz for -3dB.
- Normal supply Voltage 9-24V.
- Suitable for 8-16 OHM Loads.
- Supply voltage (Vs) = 24V 15ohm load.
- Module Tested and Guaranteed
- Quantity 1-9 10-25 Price each £2.63 £2.28
- Larger quantities quoted on request

Full hook-up diagrams and complete technical data supplied free with each module or available separately at 10p each.

### ROCK BOTTOM PRICES—CAN'T BE BEATEN!

LOGIC Type No.	FUNCTION	Price		
		1-24	25-99	100 up
BP930	Expandable dual 4-input NAND	12p	11p	10p
BP932	Expandable dual 4-input NAND buffer	13p	12p	11p
BP933	Dual 4-input expander	13p	12p	11p
BP935	Expandable Hex Inverter	13p	12p	11p
BP936	Hex Inverter	13p	12p	11p
BP944	Dual 4-input NAND expandable buffer without pull-up	13p	12p	11p
BP945	Master-slave JK or RS	25p	24p	22p
BP946	Quad, 2-input NAND	12p	11p	10p
BP948	Master-slave JK or RS	25p	24p	22p
BP951	Monostable	65p	60p	55p
BP962	Triple 3-input NAND	12p	11p	10p
BP9093	Dual Master-slave JK with separate clock	40p	38p	35p
BP9094	Dual Master-slave JK with separate clock	40p	38p	35p
BP9097	Dual Master-slave JK with Common Clock	40p	38p	35p
BP9099	Dual Master-slave JK Common Clock	40p	38p	35p

Devices may be mixed to qualify for quantity price. Larger quantity prices on application. (DTL 930 Series only).

### BRAND NEW LINEAR I.C.'s—FULL SPEC.

Type No.	Case	Leads	Description	Price		
				1-24	25-99	100 up
BP 201C—8L201C	TO-5	8	G.P. Amp	63p	53p	46p
BP 701C—8L701C	TO-5	8	OP Amp	63p	50p	46p
BP 702C—8L702C	TO-5	8	OP Amp Direct OP	63p	50p	46p
BP 702—72702	D.I.L.	14	G.P. OP Amp (Wide Band)	53p	46p	40p
BP 709—72709	D.I.L.	14	High OP Amp	53p	46p	40p
BP 709P—7A709C	TO-5	8	High Gain OP Amp	53p	46p	40p
BP 711—7A711	TO-5	10	Dual comparator	53p	50p	46p
BP 741—72741	D.I.L.	14	High Gain OP Amp (Protected)	75p	60p	50p
7A 703C—7A703C	TO-5	6	R.F.—I.F. Amp	43p	38p	27p
TAA 263—	TO-72	4	A.F. Amp	70p	60p	55p
TAA 293—	TO-74	10	G.P. Amp	90p	75p	70p

All prices quoted in new pence Giro No. 388-7006

Please send all orders direct to warehouse and despatch department

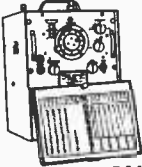
# BI-PAK

## P.O. BOX 6, WARE, HERTS

Postage and packing add 7p. Overseas add extra for airmail. Minimum order 50p. Cash with order please.

Guaranteed Satisfaction or Money Back

# BETTER GET 'SET'



**BEST OFFER YET!**  
**FAMOUS BC.221**  
**FREQUENCY METER**  
 125 KHz-20 Mc. Complete  
 with valves, crystal and charts.  
 ONLY \$18.50. Carr. \$1.50  
 Less charts \$6, carriage \$1.5. Less  
 charts & crystal \$5, carriage \$1.50.

## CRYSTAL CALIBRATOR

No. 10 Crystal controlled heterodyne wave-meter covering 500 KHz-10 MHz (Harmonics up to 30 MHz). Power required 300V. D.C. 15mA. 12v. 0.3A. D.C. Test equipment for 62TM/RC.



ONLY \$4.25. P. & p. 50p.  
**FEW ONLY—No. 62 TM/RC**  
 1.5-10 MHz \$17.50. Carr. \$2.

**MARCONI 801A SIGNAL GENERATOR**  
 10-310 MHz. In original transit case. \$45. Carr. \$2-50.

## AERIAL MAST EQUIPMENT

20' TELESCOPIC MASTS \$3-75. Carr. \$1.

5' 2" Extension Sections to fit bottom of above mast to increase height. \$1.25 each (any number supplied).

35' MAST (7-5' 2" interlocking sections) with base plate and 12 nylon guys with semi-auto tensioner. \$23-50 Carr. \$2-50.

70' MAST. Ditto. 18 guys, block and tackle. \$45. Carr. \$2-75.



## AERIAL RODS 3ft.

Screw-in 1" dia. sections. Brand New, green finish. Suitable for many other uses. 10 for \$2. Carr. 50p. 25 for \$5. Carr. Paid.

## R.F. ANTENNA TUNER (A.T.U.)

Cylindrical design 10" x 4". Precision calibrated scale. Suitable for tuning most aerials for increased signal strength. A must for serious operators for RC or TM. Full instructions. ONLY \$1-75. P. & p. 25p.



## R.F. ANTENNA TUNER (A.T.U.) OPEN TYPE

Mounted on ceramic former and feet. "Roller Coaster" design 16 G. silver or silver plated wheel traversing on wire on ceramic former. Will handle considerable R.F. In original packing. As used with No. 53 Transmitter. ONLY \$2-50. P. & p. 50p.



## No. 19 SET TRANSMITTER RECEIVER

Rebuilt. Complete station with PSU, Cables, Mic, Aerial, etc. \$22-50. Carr. \$3.



## No. 19 SET 500uA METERS

Scaled 0-600 and 0-15V. Brand new, boxed \$1-25 Post Paid. (Quantity prices on request.)



**R.F. AMPLIFIER.** To increase output of No. 19 Set. ONLY \$3-75. Carr. \$1-25. Instruction Book for RF Amp. \$7.1p Post Paid.

## ALL No. 19 SPARES IN STOCK

Complete instruction book with circuits for No. 19 Equipment. \$7.1p Post Paid.



## HEAVY DUTY BATTERIES

New in metal cases with carrying handles. 6v. 85 AH 13" x 9 1/2" x 7" \$3-25. Carr. \$1-25

## LIQUID PRISMATIC COMPASSES

2" diameter \$7-50, p. & p. 25p

## FAMOUS TELE 'F' FIELD TELEPHONES

Suitable for Farms, Building Sites etc. Communication up to 5 miles or more. Rugged construction, will last a lifetime. ONLY \$5-75 PAIR. Carr. \$1. (Twin telephone wire for above available—ask for price.) Many other *Ex-Govt.* Surplus Equipment items in stock. Receivers etc. in small quantities too numerous to mention. Enquiries invited. LIST \$5p Post Paid. (Refundable against purchases over \$5.) C.W.O. Carriage charges apply to Mainland only. Minimum Export Order \$50.



**SUB MIN CROC CLIPS.** Red or Black. insulated 4p. Min. quantity. 6 pp 3p.

**GARRARD MAG TAPE DECKS:** 1 1/2ips. 50v solenoid operated brakes, etc. Mains voltage motors \$7-50 each. pp \$1-23.

4 1/2" **PLAINAIR FANS.** Complete. capacitor. ex-equip. 2,800 r.p.m. \$3-50. pp 40p.

**ELECTRIC MOTORS. HOOVER OR CROMPTON PARKINSON.**

- 1/2 h.p. 1,440 r.p.m. \$3-75 pp \$1-00
- 1/2 h.p. 1,425 r.p.m. \$6-75 pp \$1-25
- 1/2 h.p. 1,440 r.p.m. \$2-25 pp 75p

## AUDIO CONNECTORS

- 3 pin Din Plug . . . . . 13p each
- 5 pin Din Plug A type, B type . . . . . 15p ..
- 2 pin Din Speaker Plug . . . . . 10p ..
- 3 pin Din Line Socket . . . . . 13p ..
- 3 mm Jack Plug Screened . . . . . 10p ..
- Standard Jack Plug . . . . . 10p ..
- Screened Standard Jack Plug . . . . . 15p ..
- Stereo Jack Plug . . . . . 13p ..
- Screened Stereo Jack Plug . . . . . 18p ..

pp on above items 3p.

## B.S.E. MINI AUTO-CHANGER

Mono Cartridge \$4-75 pp 80p.

**PHONO PLUGS:** Red or Black 3p each.

## MAINS NEONS

Red or Green. Size: 1" x 1 1/2" 15p, pp 3p.

## LEVER ACTION P.O.1000 TYPE SWITCHES.

Lock 4-pole changeover 15p, pp 3p. (ex-equip.)

**SCREENED PHONO LEADS** 46" long. 15p. pp 3p.

## PIEZO DYNAMIC MICROPHONE

50k Ohm \$1-00 pp 5p.

## MULLARD SCREW TERMINAL CAP

4,500uf 54v 50p pp 13p.

## BELLING LEE 1.5 amp in-line rubber covered interference suppressor 25p pp 8p.

## SOLENOIDS 18 VOLT PULL ACTION

2" x 1" x 1" 40p pp 8p.

## STC SEALED RELAYS DOUBLE POLE CHANGEOVER

48v 2500 Ex-equip. 15p pp 5p.

## SIEMENS MINIATURE RELAY. Double pole changeover dust cover/base 48v 2500 50p pp 5p pp 5p.

## STC MINIATURE RELAY 280 Ohm Perspex Cover 6-15v new, 35p pp 5p.

## GARDNER'S POTTED TRANSFORMER 0-250v

Input: 18v 500m/a 50v 150 m/a, 6v 250 m/a Output. Size 3" x 2 1/2" x 2 1/2". \$1-00. pp 20p. Ex equip tested.

## TELESCOPIC AERIALS

Chromed 7" closed 28" extended 6 section ball jointed base 28p pp 8p new.

## MULLARD 4 DM 160 INDICATORS in plastic holder/cover ex-equip. size approx. 1 1/2" x 1 1/2" x 1 1/2" 35p pp 8p.

## PRINTED CIRCUIT BOARD/19 ACY 19's 10 OA200

Diodes: 1 red relay: 10 AZ 223 zener, aa. capacitor/resistors. Power supply 22v 250 m/A DC. Output 240v. AC \$1 pp 20p ex-equip.

## TOGGLE SWITCHES. Single pole Double Throw ex-equip. new condition. 50p doz. pp 13p.

## FIBRE GLASS TAPE. 100 yd. roll: 3" 3 1/2" wide \$1 per roll pp 20p.

## PAINTON PLUG SOCKETS Type 169 series working voltage 350v AC/DC current max. 3 amp AC/DC 7 pin plug & socket 50p pp 10p. 15 pin plug & socket \$1 pp 10p.

CASH WITH ORDER PLEASE

# FIELD ELECTRIC LIMITED

3 Shenley Road,  
 Borehamwood, Herts.  
 Ajacent Elstree Mainline Station  
 Tel: 01-953 6009.

NEW 3in. **SPEAKERS** 15 ohms 75p. p. & p. 10p.

**BARGAIN PARCELS** 14lb at \$1-45 plus \$2.1p p.p. 38lb at \$2-75 plus \$2.1p p.p. 58lb at \$4-80 plus \$1-85 p.p. Contain pots, Res. Valves, Diodes, Tagboards, Chassis, Valveholders, etc. Good value save \$\$\$s. Lucky Dip Service.

**FANTASTIC BARGAIN.** New 6 inch tubes. E430 4/B/14 4VH, medium Persistence, green. Ideal scope tube. List price \$5. Our price \$1-40 carriage paid.

500  $\mu$  **AMP METERS.** Approx. 1 1/2" on panel with plug and switch ex new equip. 75p p. & p. 10p.

**NEW HEAVY COAX CABLE** dia. 1" 70 ohms approx. 50ft. lengths \$1-40, p. & p. 30p. 100 ft. lengths \$3-70. p. & p. 50p.

**VEIF AERIAL TUNING UNITS** consisting of the following: 1-1 1/2" 500 micro/ampmeter. 1 small 2-gang 75 PF capacitor. 1 various large wattage resistors for dummy load. Pair gears BNC type sockets. Will tune 10 mtrs. with 25/30 watts R.F. Input. Size only 6 1/2" x 4 1/2" x 3" Sealed. Price \$1-37 1/2 p.p. 25p

**CRYSTALS AS NEW:** Hc 8u, 5,345; 5,030; 5,005; 4,945; 4,875; 4,940; 4,795; 4,680; 4,660; 4,820; 4,510; 2,300; 2,295 Kc/s. 50p each plus 8p. p.p.

**500PF PURCHASE OF BRAND NEW CARBON RESISTORS.** 10% tolerance 1/2 & 1 watt. Preferred values in packets of 10. Our price 50p per 100, 85p per 200, \$1-25 per 300, 50c at \$2-12 1/2. Our selection. P.p. 5p per 100 and 21p per extra 100.

**TRIMMER BARGAINS.** These are 10PF sub-min. air-spaced trimmers on board with min. wire ended Xtal. Brand new. No details: Contents 12 trimmers, some ceramic caps. Xtal frequency 3RD overtone 249 mc/s-250 Mc/s, 255 Mc/s. No choice. Trimmers without Xtal—50p per doz. plus 17 1/2p p.p. Trimmers with Xtal—75p per doz. plus 17 1/2p p.p. Also 20 PF min. brand new air spaced. 50p per doz. plus 17 1/2p p.p.

**ANY HEIGHT AERIAL TUBULAR SECTIONS** 1" dia x 3 ft. long. Brass screw in type, copper coated and painted. Good condition. 20p. p. & p. 5p each. Minimum order 10.

**BRAND NEW HARTLEY OSCILLOSCOPES** CT316 in original packing. Band width up to 5 Mc/s. Mains supply. Price \$40. p. & p. \$1-50p.

**AERIALS NEW CONDITION.** Whip type 4ft. 85p. 11ft. 70p. 14ft. 77 1/2p. Used condition 4ft 80p, 14ft. 63 1/2p. All collapsible type. P. & p. 4ft. 10p, rest at 17 1/2p. Bases for above 25p. p.p. 12 1/2p. New matching unit coax connection for above 30p. p.p. 5p.

Here release of valves for the 62 set TX/RX. In original rubber packing consisting of QV047 x 61M, AEP12 etc. 10 valves in all at the bargain price as seen \$7.1p plus 17 1/2p p.p.

R209. Set of valves 63 1/2p. p.p. 25p.

New Headphone and Mike rubber muff type. Low impedance. 97 1/2p. p. & p. 17 1/2p.

**NEW AERIAL WIRE ON BOARDS 7/88 UNCOVERED.** 75ft. 40p, 90ft. 47 1/2p. 100ft 55p. 150ft. 75p. 180ft. 85p. 250ft. \$1-30p. p. & p. 20p.

Headphones, ex Gov. DLR No. 5 low impedance. New 87 1/2p 17 1/2p p.p. Used condition 63 1/2p 17 1/2p p.p.

## MURKHEAD DECADE A.F. SIGNAL GENERATOR.

This precision instrument can be used:  
 1. To Measure Gain up to 50 dba.  
 2. To Measure Loss up to 45 dba.  
 3. To compare Power levels (A.F.).  
 4. As an Audio Frequency Generator covering 100 Hz to 41 kHz. With a dial setting accuracy of  $\pm 0.5$  Hz. Output —1 M/W into 600 Ohm. Complete with mains power unit. Tested. Good Condition. \$12. p. & p. 75p.

**ENCLOSED AERIAL RELAY COIL.** Res. 700 ohms approx. 25 watts RF BNC output, working voltage 12v. 75p. p. & p. 10p. \$1 with BNC plugs.

Also 1" 75 ohm Coax in 50ft coils with BNC plugs good condition. price \$1 + 30p. p.p.

2 BNC plugs on short length coax cable large size low loss plugs 30p + 5p. p.p.

**NEW BOXED AMP METERS** 1 1/2" 20-0-20 dc. 65p. p. & p. 5p.

C.W.O. CARRIAGE CHARGES MAINLAND ONLY

**A. H. THACKER,**  
 Radio Dept.  
 HIGH STREET, CHESLYN HAY,  
 Nr. Walsall, Staffs.

## Surplus Electronic Trading

DRIVERS END LANE, CODICOTE,  
 HITCHIN, HERTS, SG4 8TP

Hours of business: 8-5 Mon.-Fri., 8-12 Sat.  
 Telephone: Codicote 242 for appointment

# SEW PANEL METERS

USED EXTENSIVELY BY INDUSTRY, GOVERNMENT DEPARTMENTS, EDUCATIONAL AUTHORITIES, ETC.  
 ● LOW COST ● QUICK DELIVERY ● OVER 200 RANGES IN STOCK ● OTHER RANGES TO ORDER

## NEW "SEW" DESIGNS!

### CLEAR PLASTIC METERS

TYPESW.100  
100 x 80 mm.

50μA	.....	\$3-60
50V D.C.	.....	\$3-10
50-0-50μA	.....	\$3-45
100μA	.....	\$3-20
100-0-100μA	.....	\$3-45
500μA	.....	\$3-35
1mA	.....	\$3-10
20V D.C.	.....	\$3-10
50V D.C.	.....	\$3-10
300V D.C.	.....	\$3-10
1 amp. D.C.	.....	\$3-10
5 amp. D.C.	.....	\$3-10
300V A.C.	.....	\$3-10
VU Meter	.....	\$3-75

### BAKELITE PANEL METERS

TYPE S-80  
80 mm.  
square fronts

50μA	.....	\$3-20
50-0-50μA	.....	\$3-10
100μA	.....	\$3-75
100-0-100μA	.....	\$3-10
500μA	.....	\$3-60
1mA	.....	\$3-60
20V D.C.	.....	\$3-60
50V D.C.	.....	\$3-60
300V D.C.	.....	\$3-60
1 amp. D.C.	.....	\$3-60
5 amp. D.C.	.....	\$3-60
300V A.C.	.....	\$3-60
VU Meter	.....	\$3-37

## "SEW" CLEAR PLASTIC METERS

Type MR.55P. 4 1/4 in. x 4 1/4 in. fronts.

50μA	.....	\$3-60
50-0-50μA	.....	\$3-10
100μA	.....	\$3-10
100-0-100μA	.....	\$3-10
500μA	.....	\$3-30
1mA	.....	\$3-30
1-0-1mA	.....	\$3-30
5mA	.....	\$3-30
10mA	.....	\$3-30
10V D.C.	.....	\$3-60
20V D.C.	.....	\$3-60
50V D.C.	.....	\$3-60
300V D.C.	.....	\$3-60
15V A.C.	.....	\$3-10
300V A.C.	.....	\$3-10
8 Meter 1mA	.....	\$3-87
VU Meter	.....	\$3-60
1 amp. A.C.	.....	\$3-60
5 amp. A.C.	.....	\$3-60
10 amp. A.C.	.....	\$3-60
20 amp. A.C.	.....	\$3-60
30 amp. A.C.	.....	\$3-60

Type MR.55P. 3 1/4 in. square fronts.

50μA	.....	\$3-10
50-0-50μA	.....	\$3-60
100μA	.....	\$3-60
100-0-100μA	.....	\$3-60
500μA	.....	\$3-30
1mA	.....	\$3-30
5mA	.....	\$3-30
10mA	.....	\$3-30
50μA	.....	\$3-60
100μA	.....	\$3-60
500μA	.....	\$3-60
1mA	.....	\$3-60
1 amp. A.C.	.....	\$3-60
5 amp. A.C.	.....	\$3-60
10 amp. A.C.	.....	\$3-60
20 amp. A.C.	.....	\$3-60
30 amp. A.C.	.....	\$3-60

Type MR.55P. 3 1/4 in. x 3 1/4 in. fronts.

50μA	.....	\$3-37
50-0-50μA	.....	\$3-75
100μA	.....	\$3-75
100-0-100μA	.....	\$3-65
500μA	.....	\$3-45
1mA	.....	\$3-40
500μA	.....	\$3-30
500-0-500μA	.....	\$3-30
1mA	.....	\$3-30
5mA	.....	\$3-30
10mA	.....	\$3-30
50μA	.....	\$3-60
100μA	.....	\$3-60
500μA	.....	\$3-60
1mA	.....	\$3-60
5 amp. A.C.	.....	\$3-60
10 amp. A.C.	.....	\$3-60
20 amp. A.C.	.....	\$3-60
30 amp. A.C.	.....	\$3-60
5V D.C.	.....	\$3-20
10V D.C.	.....	\$3-20
20V D.C.	.....	\$3-20
50V D.C.	.....	\$3-20
150V D.C.	.....	\$3-20
300V D.C.	.....	\$3-20
15V A.C.	.....	\$3-30
50V A.C.	.....	\$3-30
300V A.C.	.....	\$3-30
8 Meter 1mA	.....	\$3-87
VU Meter	.....	\$3-37
50mA A.C.	.....	\$3-20
100mA A.C.	.....	\$3-20
300mA A.C.	.....	\$3-20
5 amp. A.C.	.....	\$3-20
10 amp. A.C.	.....	\$3-20
20 amp. A.C.	.....	\$3-20
30 amp. A.C.	.....	\$3-20

**\*MOVING IRON—ALLOTHERS MOVING COIL**  
Please add postage

## SEW EDUCATIONAL METERS



meter movement is easily accessible to demonstrate internal working. Available in the following ranges:

50μA	.....	\$5-00
100μA	.....	\$4-45
1mA	.....	\$4-45
50-0-50μA	.....	\$4-45
1-0-1mA	.....	\$4-45
1A d.c.	.....	\$4-40
5A d.c.	.....	\$4-40
10V d.c.	.....	\$4-40
20V d.c.	.....	\$4-40
50V d.c.	.....	\$4-40
300V d.c.	.....	\$4-40
Dual range	.....	
500mA/5A d.c.	.....	\$4-65
5V/50V d.c.	.....	\$4-65

## "SEW" BAKELITE PANEL METERS

Type MR.65. 3 1/4 in. square fronts.

50μA	.....	\$1-90
1 amp.	.....	\$1-90
5 amp.	.....	\$1-90
15 amp.	.....	\$1-90
30 amp.	.....	\$1-90
50 amp.	.....	\$1-90
5V D.C.	.....	\$1-90
10V D.C.	.....	\$1-90
20V D.C.	.....	\$1-90
50V D.C.	.....	\$1-90
150V D.C.	.....	\$1-90
300V D.C.	.....	\$1-90
30V A.C.*	.....	\$1-95
50V A.C.*	.....	\$1-95
150V A.C.*	.....	\$1-95
300V A.C.*	.....	\$1-95
500mA A.C.*	.....	\$1-95
1 amp. A.C.*	.....	\$1-95
5 amp. A.C.*	.....	\$1-95
10 amp. A.C.*	.....	\$1-95
20 amp. A.C.*	.....	\$1-95
30 amp. A.C.*	.....	\$1-95
50 amp. A.C.*	.....	\$1-95
100mA	.....	\$1-90
VU Meter	.....	\$3-10



## EDGWISE METERS

Type PE.70. 3 1/2 in. x 1 1/2 in. x 2 1/2 in. deep.

50μA	.....	\$3-10
50-0-50μA	.....	\$3-00
100μA	.....	\$3-00
100-0-100μA	.....	\$2-90
200μA	.....	\$3-90
500μA	.....	\$3-75
1mA	.....	\$2-45
300V A.C.	.....	\$2-45
VU Meter	.....	\$3-40

Send for illustrated brochure on SEW Panel Meters—discounts for quantities.

# MULTIMETERS for EVERY purpose!

## ROUND SCALE TYPE PENCIL TESTER MODEL TS.68

Completely portable, simple to use pocket sized tester. Ranges 0/3/30/300V AC and DC at 2,000 ohms. Resistance 0-20K ohms. ONLY \$1.97 P. & P. 13p.

## MODEL TR-90 50,000 O.P.V. Mirror scale, overload protection.

0/3/12/60/300/600/1,200 v. D.C. 0/6/30/120/300/1,200 v. A.C. 0/3/6/30/60/300mA. D.C. 16K/180K/1.6/16 MEGΩ. -20 to +68 db. \$7-50. P. & P. 15p.

## SKYWOOD SW-500 50KΩ/Volt. Mirror scale. DC Volts 120/250/500/600.

DC Current 20mA/6/60mA Resistance 10K/100K/1 Meg/10 Meg. Decibels -20 to +67 db. \$7-50. P. & P. 15p.

## \$70 WTR MULTI-METER

Features A.C. current ranges. 20,000 o.p.v. 0/1-5/2-10/50/250/500 100V D.C. 0/2-5/10/50/250/500/1000 V AC. 0/50mA/1/10/100mA/1/10 Amp DC. 0/100mA/1/10 Amp AC 0/5K/50K/500K/5M/50 MEGΩ. -20 + 82 db. \$15. P. & P. 25p.

## FTC-401 TRANSISTOR TESTER

Full capabilities for measuring A, B and IC0, NPN or PNP. Equally adaptable for checking diodes. Supplied complete with instructions, battery and leads. \$8-97. P. & P. 15p.

## AG75 AUDIO GENERATOR

Portable, mains operated. Sine wave 20 to 200,000 Hz. Square wave 20 to 30,000 Hz. Output voltage Sine 17V P/P. Square 21V P/P. Distortion less than 1%. \$17-50. P. & P. 37p.

## TE-20D RF SIGNAL GENERATOR

Accurate wide range signal generator covering 120 Kc/s-500 Mc/s on 6 bands. Directly calibrated Variable R.F. attenuator, audio output. Xtal socket for calibration. 220/240V. A.C. Brand new with instructions. \$18. Carr. \$7.95. Size 140 x 215 x 170 mm.

## BELCO DA-20 SOLID STATE DECADE AUDIO OSCILLATOR

New high quality portable instrument. Sine 1 Hz to 100 KHz. Square 20 Hz to 20 KHz. Output max + 10 dB (10 K ohms). Operation 220/240V. A.C. Size 215mm x 160mm x 120mm. Price \$27-50. Carr. 25p.

## 270° WIDE ANGLE 1mA METERS

MW1-6 60mm square \$8-97  
MW1-8 80mm square \$4-97  
P. & P. extra

## TRANSISTORISED L.C.R. A.C. MEASURING BRIDGE

A new portable bridge offering excellent range and accuracy at low cost. Ranges: H. 1Ω-11.1 megΩ 6 Ranges ± 1% L. 1 μH - 111 6 Ranges ± 1% TURNS RATIO 1:1/100:1/1110:1. 6 Ranges ± 1%. Bridge voltage at 1,000 cps. Operated from 9 volts. 100μA. Meter indication. Attractive 2 tone metal case. Size 7 1/4 x 5 x 2 1/2 in. \$20. P. & P. 25p.

## UM.049 MULTIMETER

20,000 O.P.V. overload protection. 0/3/30/60/300/3000 V DC. 0/6/60/120/600/1200 V AC. 0/60μA/12/300 MA. DC. 0/60K/6M EG. -20 + 63 db \$4-50. P. & P. 15p.

## MODEL TR-12

20,000 O.P.V. 0/0.3/3/30/120/600/1200/3000/6000 V. D.C. 0/6/30/120/600/1200 V. A.C. 0/60μA/6/60/600mA. 0/5K/600K/6Meg. 60 Meg. Ω 50pF. 0.2mFd. \$3-97. P. & P. 17p.

## TRK MODEL TW-50K 46 ranges, mirror scale, 50K/Vol.

D.C. 5K / Volt A.C. D.C.: Volts 125, 25, 1.25, 2.5, 5, 10, 25, 60, 125, 250, 500, 1000V. A.C. Volts 1.5, 3, 5, 10, 25, 50, 125, 250, 500, 1000V. D.C. Current: 25, 50mA, 2.5, 5, 10, 25, 50, 250, 500mA, 5, 10 amp. Resistance: 10K, 100K, 1 MEGΩ, 10 MEGΩ. Decibels: -20 to +81.5 db. \$8-50. P. & P. 17p.

## HT100B4 MULTI-METER

Features A.C. current ranges. 100,000 o.p.v. Mirror scale, Overload protection. 0/1-5/2-10/50/250/500/1000 V DC. 0/2-5/10/50/250/1000 V AC/10 Amp DC. 0/2-5/10/50/250/1000 V AC/10 Amp DC. 10 Amp AC. 0/20K/200K/2MEGΩ/20 MEGΩ. -20 + 82 db. \$118-60. P. & P. 25p.

## RUSSIAN 22 RANGE MULTIMETER

Model U437 10,000 o.p.v. A first class versatile instrument manufactured in U.S.S.R. to the highest standards. Ranges: 2-5/10/50/250/500/1000V D.C. 2-5/10/50/250/500/1000V AC. DC Current 100 mA/1/10/100mA/1A. Resistance 300 ohms/3/30/300K/3M Ω. Complete with batteries, test leads, instructions and sturdy steel carrying case. OUR PRICE \$5-97 P. & P. 25p.

## TO-3 PORTABLE OSCILLOSCOPE

3in. tube. Y amp. Sensitivity 0.1v p-p/Cent. Bandwidth 1-5 cps-1.5 MHz. Input imp. 2 meg Ω 25pF. X amp. sensitivity 0.5v p-p/Cent. Bandwidth 1.5 cps-800KHz. Input imp. 2 meg Ω 20pF. Time base. 5 ranges 10 cps-300 KHz. Synchronization. Internal/external. Illumination. Sync. scale 140 x 216 x 330 mm. Weight 15 1/2 lb. 220/240V. A.C. Supplied brand new with handbook. \$37-50. Carr. 50p

## HONEYWELL DIGITAL VOLTMETER VT.100

Can be panel or bench mounted. Basic meter measures 1 volt D.C. but can be used to measure a wide range of AC and DC volt, current and ohms with optional plug in cards. Specification: Accuracy: ± 0.2, ± 1 digit. Resolution: 1mv. Number of digits: 5 plus fourth overrange digit. Overrange: 100% (up to 1-999) Input impedance: 1000 Meg ohm. Measuring cycle: 1 per second. Adjustment: Automatic zeroing, full scale adjustment against an internal reference voltage. Overload: to 100v. D.C. Input: Fully floating (3 poles). Input power: 110-230V. A.C. 50/60 cycles. Overall size: 5 1/2 in. x 2 1/8/16 in. x 83/16 in. AVAILABLE BRAND NEW AND FULLY GUARANTEED AT APPROX. HALF PRICE \$49-97 1/2 Carr. 50p.

## G. W. SMITH & CO (RADIO) LTD.

Also see next two pages

# SEMI-CONDUCTORS/VALVES

ALL DEVICES BRAND NEW AND FULLY GUARANTEED

Transistors	2N3415	2N3417	2N3418	2N3419	2N3420	2N3421	2N3422	2N3423	2N3424	2N3425	2N3426	2N3427	2N3428	2N3429	2N3430	2N3431	2N3432	2N3433	2N3434	2N3435	2N3436	2N3437	2N3438	2N3439	2N3440	2N3441	2N3442	2N3443	2N3444	2N3445	2N3446	2N3447	2N3448	2N3449	2N3450	2N3451	2N3452	2N3453	2N3454	2N3455	2N3456	2N3457	2N3458	2N3459	2N3460	2N3461	2N3462	2N3463	2N3464	2N3465	2N3466	2N3467	2N3468	2N3469	2N3470	2N3471	2N3472	2N3473	2N3474	2N3475	2N3476	2N3477	2N3478	2N3479	2N3480	2N3481	2N3482	2N3483	2N3484	2N3485	2N3486	2N3487	2N3488	2N3489	2N3490	2N3491	2N3492	2N3493	2N3494	2N3495	2N3496	2N3497	2N3498	2N3499	2N3500														
2N3001	20p	2N3002	20p	2N3003	20p	2N3004	20p	2N3005	20p	2N3006	20p	2N3007	20p	2N3008	20p	2N3009	20p	2N3010	20p	2N3011	20p	2N3012	20p	2N3013	20p	2N3014	20p	2N3015	20p	2N3016	20p	2N3017	20p	2N3018	20p	2N3019	20p	2N3020	20p	2N3021	20p	2N3022	20p	2N3023	20p	2N3024	20p	2N3025	20p	2N3026	20p	2N3027	20p	2N3028	20p	2N3029	20p	2N3030	20p	2N3031	20p	2N3032	20p	2N3033	20p	2N3034	20p	2N3035	20p	2N3036	20p	2N3037	20p	2N3038	20p	2N3039	20p	2N3040	20p	2N3041	20p	2N3042	20p	2N3043	20p	2N3044	20p	2N3045	20p	2N3046	20p	2N3047	20p	2N3048	20p	2N3049	20p	2N3050	20p

Integrated Circuits	FJH101	FJH111	FJH121	FJH131	FJH141	FJH151	FJH161	FJH171	FJH181	FJH191	FJH201	FJH211	FJH221	FJH231	FJH241	FJH251	FJH261	FJH271	FJH281	FJH291	FJH301	FJH311	FJH321	FJH331	FJH341	FJH351	FJH361	FJH371	FJH381	FJH391	FJH401	FJH411	FJH421	FJH431	FJH441	FJH451	FJH461	FJH471	FJH481	FJH491	FJH501	FJH511	FJH521	FJH531	FJH541	FJH551	FJH561	FJH571	FJH581	FJH591	FJH601	FJH611	FJH621	FJH631	FJH641	FJH651	FJH661	FJH671	FJH681	FJH691	FJH701	FJH711	FJH721	FJH731	FJH741	FJH751	FJH761	FJH771	FJH781	FJH791	FJH801	FJH811	FJH821	FJH831	FJH841	FJH851	FJH861	FJH871	FJH881	FJH891	FJH901	FJH911	FJH921	FJH931	FJH941	FJH951	FJH961	FJH971	FJH981	FJH991	FJH1001																																																																																																														
CA3000	180p	CA3001	180p	CA3002	180p	CA3003	180p	CA3004	180p	CA3005	180p	CA3006	180p	CA3007	180p	CA3008	180p	CA3009	180p	CA3010	180p	CA3011	180p	CA3012	180p	CA3013	180p	CA3014	180p	CA3015	180p	CA3016	180p	CA3017	180p	CA3018	180p	CA3019	180p	CA3020	180p	CA3021	180p	CA3022	180p	CA3023	180p	CA3024	180p	CA3025	180p	CA3026	180p	CA3027	180p	CA3028	180p	CA3029	180p	CA3030	180p	CA3031	180p	CA3032	180p	CA3033	180p	CA3034	180p	CA3035	180p	CA3036	180p	CA3037	180p	CA3038	180p	CA3039	180p	CA3040	180p	CA3041	180p	CA3042	180p	CA3043	180p	CA3044	180p	CA3045	180p	CA3046	180p	CA3047	180p	CA3048	180p	CA3049	180p	CA3050	180p	CA3051	180p	CA3052	180p	CA3053	180p	CA3054	180p	CA3055	180p	CA3056	180p	CA3057	180p	CA3058	180p	CA3059	180p	CA3060	180p	CA3061	180p	CA3062	180p	CA3063	180p	CA3064	180p	CA3065	180p	CA3066	180p	CA3067	180p	CA3068	180p	CA3069	180p	CA3070	180p	CA3071	180p	CA3072	180p	CA3073	180p	CA3074	180p	CA3075	180p	CA3076	180p	CA3077	180p	CA3078	180p	CA3079	180p	CA3080	180p	CA3081	180p	CA3082	180p	CA3083	180p	CA3084	180p	CA3085	180p	CA3086	180p	CA3087	180p	CA3088	180p	CA3089	180p	CA3090	180p	CA3091	180p	CA3092	180p	CA3093	180p	CA3094	180p	CA3095	180p	CA3096	180p	CA3097	180p	CA3098	180p	CA3099	180p	CA3100	180p

VALVES	6A2	6A3	6A4	6A5	6A6	6A7	6A8	6A9	6B1	6B2	6B3	6B4	6B5	6B6	6B7	6B8	6B9	6C1	6C2	6C3	6C4	6C5	6C6	6C7	6C8	6C9	6D1	6D2	6D3	6D4	6D5	6D6	6D7	6D8	6D9	6E1	6E2	6E3	6E4	6E5	6E6	6E7	6E8	6E9	6F1	6F2	6F3	6F4	6F5	6F6	6F7	6F8	6F9	6G1	6G2	6G3	6G4	6G5	6G6	6G7	6G8	6G9	6H1	6H2	6H3	6H4	6H5	6H6	6H7	6H8	6H9	6I1	6I2	6I3	6I4	6I5	6I6	6I7	6I8	6I9	6J1	6J2	6J3	6J4	6J5	6J6	6J7	6J8	6J9	6K1	6K2	6K3	6K4	6K5	6K6	6K7	6K8	6K9	6L1	6L2	6L3	6L4	6L5	6L6	6L7	6L8	6L9	6M1	6M2	6M3	6M4	6M5	6M6	6M7	6M8	6M9	6N1	6N2	6N3	6N4	6N5	6N6	6N7	6N8	6N9	6O1	6O2	6O3	6O4	6O5	6O6	6O7	6O8	6O9	6P1	6P2	6P3	6P4	6P5	6P6	6P7	6P8	6P9	6Q1	6Q2	6Q3	6Q4	6Q5	6Q6	6Q7	6Q8	6Q9	6R1	6R2	6R3	6R4	6R5	6R6	6R7	6R8	6R9	6S1	6S2	6S3	6S4	6S5	6S6	6S7	6S8	6S9	6T1	6T2	6T3	6T4	6T5	6T6	6T7	6T8	6T9	6U1	6U2	6U3	6U4	6U5	6U6	6U7	6U8	6U9	6V1	6V2	6V3	6V4	6V5	6V6	6V7	6V8	6V9	6W1	6W2	6W3	6W4	6W5	6W6	6W7	6W8	6W9	6X1	6X2	6X3	6X4	6X5	6X6	6X7	6X8	6X9	6Y1	6Y2	6Y3	6Y4	6Y5	6Y6	6Y7	6Y8	6Y9	6Z1	6Z2	6Z3	6Z4	6Z5	6Z6	6Z7	6Z8	6Z9																																																																																																																																																																																																																																								
6A2	38p	6A3	38p	6A4	38p	6A5	38p	6A6	38p	6A7	38p	6A8	38p	6A9	38p	6B1	38p	6B2	38p	6B3	38p	6B4	38p	6B5	38p	6B6	38p	6B7	38p	6B8	38p	6B9	38p	6C1	38p	6C2	38p	6C3	38p	6C4	38p	6C5	38p	6C6	38p	6C7	38p	6C8	38p	6C9	38p	6D1	38p	6D2	38p	6D3	38p	6D4	38p	6D5	38p	6D6	38p	6D7	38p	6D8	38p	6D9	38p	6E1	38p	6E2	38p	6E3	38p	6E4	38p	6E5	38p	6E6	38p	6E7	38p	6E8	38p	6E9	38p	6F1	38p	6F2	38p	6F3	38p	6F4	38p	6F5	38p	6F6	38p	6F7	38p	6F8	38p	6F9	38p	6G1	38p	6G2	38p	6G3	38p	6G4	38p	6G5	38p	6G6	38p	6G7	38p	6G8	38p	6G9	38p	6H1	38p	6H2	38p	6H3	38p	6H4	38p	6H5	38p	6H6	38p	6H7	38p	6H8	38p	6H9	38p	6I1	38p	6I2	38p	6I3	38p	6I4	38p	6I5	38p	6I6	38p	6I7	38p	6I8	38p	6I9	38p	6J1	38p	6J2	38p	6J3	38p	6J4	38p	6J5	38p	6J6	38p	6J7	38p	6J8	38p	6J9	38p	6K1	38p	6K2	38p	6K3	38p	6K4	38p	6K5	38p	6K6	38p	6K7	38p	6K8	38p	6K9	38p	6L1	38p	6L2	38p	6L3	38p	6L4	38p	6L5	38p	6L6	38p	6L7	38p	6L8	38p	6L9	38p	6M1	38p	6M2	38p	6M3	38p	6M4	38p	6M5	38p	6M6	38p	6M7	38p	6M8	38p	6M9	38p	6N1	38p	6N2	38p	6N3	38p	6N4	38p	6N5	38p	6N6	38p	6N7	38p	6N8	38p	6N9	38p	6O1	38p	6O2	38p	6O3	38p	6O4	38p	6O5	38p	6O6	38p	6O7	38p	6O8	38p	6O9	38p	6P1	38p	6P2	38p	6P3	38p	6P4	38p	6P5	38p	6P6	38p	6P7	38p	6P8	38p	6P9	38p	6Q1	38p	6Q2	38p	6Q3	38p	6Q4	38p	6Q5	38p	6Q6	38p	6Q7	38p	6Q8	38p	6Q9	38p	6R1	38p	6R2	38p	6R3	38p	6R4	38p	6R5	38p	6R6	38p	6R7	38p	6R8	38p	6R9	38p	6S1	38p	6S2	38p	6S3	38p	6S4	38p	6S5	38p	6S6	38p	6S7	38p	6S8	38p	6S9	38p	6T1	38p	6T2	38p	6T3	38p	6T4	38p	6T5	38p	6T6	38p	6T7	38p	6T8	38p	6T9	38p	6U1	38p	6U2	38p	6U3	38p	6U4	38p	6U5	38p	6U6	38p	6U7	38p	6U8	38p	6U9	38p	6V1	38p	6V2	38p	6V3	38p	6V4	38p	6V5	38p	6V6	38p	6V7	38p	6V8	38p	6V9	38p	6W1	38p	6W2	38p	6W3	38p	6W4	38p	6W5	38p	6W6	38p	6W7	38p	6W8	38p	6W9	38p	6X1	38p	6X2	38p	6X3	38p	6X4	38p	6X5	38p	6X6	38p	6X7	38p	6X8	38p	6X9	38p	6Y1	38p	6Y2	38p	6Y3	38p	6Y4	38p	6Y5	38p	6Y6	38p	6Y7	38p	6Y8	38p	6Y9	38p	6Z1	38p	6Z2	38p	6Z3	38p	6Z4	38p	6Z5	38p	6Z6	38p	6Z7	38p	6Z8	38p	6Z9	38p

# HI-FI EQUIPMENT

SAVE UP TO  
**33 1/3% OR MORE**  
SEND S.A.E. FOR  
DISCOUNT PRICE LISTS  
AND PACKAGE OFFERS!

## RECORD DECKS

**B.A.R.**  
Mini Monof £4-97  
C129† £6-70  
MP60 £10-75  
610 £14-95  
610 A £13-95  
310 £9-85  
MP60 T.P.D.I. £17-85  
MP60 T.P.D.2 £15-85  
610 T.P.D.I. £17-75  
610 T.P.D.I.\* £18-75  
210 Package\* £9-85  
H.T.70 £15-55  
H.T.70 Package £20-25

**THORENS**  
TD125 £59-85  
TD125AB £94-25  
TX25 £6-70  
TD150AII £34-50  
TD150AIII £40-25  
TX11 £3-77

† Mono Stereo Cartridge  
All other models less Cartridge  
Carriage 50p extra any model.

## RECORD DECK PACKAGES

Decks supplied ready wired in plinth and cover fitted with cartridge. Garrard 2025 T/C with Sonotone 9T AMFD £15-95  
Garrard SP25III Goldring G800... £18-95  
Garrard AP76 Goldring G800... £29-95  
BBR MP60 Audio Technica AT.55... £21-00  
Goldring GL69/2 Goldring G800... £27-50  
Goldring GL75 Goldring G800... £42-50  
Goldring GL75 Goldring G800E... £46-85  
Carriage 50p extra any model.

## SINCLAIR EQUIPMENT

Project 60. Package offers.



2 x Z30 amplifier, stereo 60 pre-amp, PZ3 power supply. £16-75 Carr. 37p. Or with PZ6 power supply £18-85 Carr. 37p. 2 x Z50 amplifier, stereo 60 pre-amp, PZ3 power supply. £20-25 Carr. 37p.  
Transformer for PZ8. £2-97† extra.  
Add to any of the above \$4.87† for active filter unit and \$13-90 for pair of 416 speakers.  
Project 60 FM Tuner £20-25. Carr. 37p.  
All other Sinclair products in stock.  
2000 Amp £23-75 Carr. 37p.; 3000 Amp £31-50 Carr. 37p.; Neoteric Amp £43-95 Carr. 37p.  
NEW PROJECT 605 £20-97 Carr. 37p.

## ★ TRANSISTORISED FM TUNER

6 TRANSISTOR HIGH QUALITY TUNER. SIZE ONLY 6x4x2 1/2 in. 3 I.F. stages. Double tuned discriminator. Ample output to feed most amplifiers. Operates on 9V battery. Coverage 88-108 Mc/s. Ready built ready for use. Fantastic value for money. £6-37†. P. & P. 12p.  
Stereo multiplex adapters £4-97†.

## LATEST CATALOGUE

Our new 6th edition gives full details of a comprehensive range of HI-FI EQUIPMENT, COMPONENTS, TEST EQUIPMENT AND COMMUNICATIONS EQUIPMENT. FREE DISCOUNT COUPONS VALUE 50p 272 pages, fully illustrated and detailing thousands of bargains.



SEND NOW!  
STILL ONLY 37 1/2 p  
P & P 10p

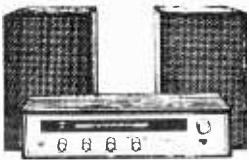


## TELETON SAQ-206 STEREO AMPLIFIER



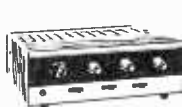
Latest version stereo amplifier. 6 + 6 watts rms. Inputs for mag. xtal, atc. Type. Volume, bass, treble, sliding balance, scratch filter and loudness controls. List £32.50 OUR PRICE £17-50 Carr. 37p.

## TELETON SPECIAL OFFER!



**CR101 AM/PM STEREO TUNER AMPLIFIER WITH MATCHING PAIR OF SPEAKERS SYSTEM.** Output 4 watts per channel. Excellent reception, AFC, built-in MPX. Cer/XTAL Input. Total List £50-25. OUR PRICE £22-75. Carr. 62p.  
Also available with Garrard 2025T/C Record Changer, Plinth, cover and stereo cartridge. Ready wired £36-50. Carr. £1-00.

## LAFAYETTE LA. 324 STEREO AMPLIFIER

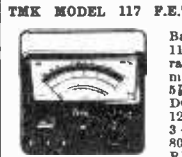
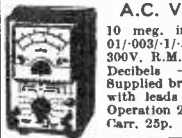


OUR PRICE £24. Carr. 37p.

## TAPE CASSETTES

Top quality in plastic library boxes.  
C90 60 min 87p. 3 for £1-05  
C60 90 min 60p. 3 for £1-85  
C120 120 min 87p. 3 for £1-80  
Cassette Head Cleaner 56p. Post Extra

## TE-40 HIGH SENSITIVITY A.C. VOLTMETER



10 meg. input 10 ranges: 01/003/1/3/1/3/10/30/100/300V. R.M.S. 4cps-1.2 Mc/s. Decibels -40 to +50dB. Supplied brand new complete with leads and instructions. Operation 230V. A.C. £17-50. Carr. 25p.

Battery operated, 11 meg input, 26 ranges. Large 4 1/2" mirror scale. Size 5 1/2" x 4 1/2" x 2 1/2". DC VOLTS 0 to 3-1200V. AC VOLTS 3-300V R.M.S. 50-800V P.P. DC CURRENT 12-12MA.

Resistance up to 20000 ohms. Decibels -20 to +51 db Complete with leads/instructions. £17.50. P. & P. 20p.

## 230 VOLT A.C. 50 CYCLES RELAYS



Brand new. 3 sets of changeover contacts at 5 amp rating. 50p each. P. & P. 10p (100 lots £40) Quantities available.

## HOMER INTERCOMS



Ideal for home, office, stores, factories, etc. Supplied complete with batteries, cable and free instructions.

2 Station £2.97. P. & P. 15p.  
3 Station £5.25. P. & P. 15p.  
4 Station £8.52. P. & P. 17p.



**TE 1018 DE-LUXE MONO HIGH IMPEDANCE DANCE HEADSET**  
Sensitive, soft earpads, adjustable headband. Magnetic, impedance 2,600 ohms. £1-97. P. & P. 15p.



**MP7 MIXER PREAMPLIFIER**  
5 microphone inputs each with individual gain controls enabling complete mixing facilities. Battery operated. 9 1/2" x 6" x 3". Inputs Mics: 3 x 2mV 50K; 2 x 3mV 600 ohm. Phono meg. 4mV 50K. Phono ceramic 100mV 1 meg. Output 250mV 100K. £8.97. P. & P. 20p.

## HOSIDEN DH-025 STEREO HEADPHONES

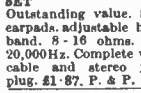


Wonderful value and excellent performance combined. Adjustable headband. 8 ohm impedance. 20-12,000 cps. Complete with lead and stereo jack plug. ONLY £2-37†. P. & P. 12p.



**10E1 STEREO LISTENING STATION**  
For balancing and gain selection of loudspeakers with additional facility for stereo/headphone switching. 2 gain controls, speaker on-off slide switch, stereo headphone sockets. 6" x 4" x 2 1/2". £2-25. P. & P. 15p.

## SE628 STEREO HEADSET



Outstanding value. Soft earpads, adjustable headband. 8-16 ohms. 20-20,000Hz. Complete with cable and stereo jack plug. £1-87. P. & P. 15p.

## SPECIAL PURCHASE

Brand new 18" 100 watt speakers. Made by Celestion or Fane. 18" 100 watt rms. 35 cps base resonance. Limited stock only.  
**£13.95** Each  
Carr. 50p

## PRS-2 PHOTO ELECTRIC RELAY SYSTEM



Inexpensive warning or counting system consisting of an encoder and relay unit. Relay unit has variable sensitivity control and switch for intermittent alarm operation. Encoder unit has removable infra red filter and A.C. outlet socket to operate bells, counters, etc. 240V A.C. Complete with cables and instructions. £9.97. P. & P. 25p.

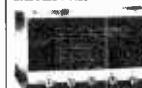


**UR-1A SOLID STATE COMMUNICATION RECEIVER**  
4 Bands covering 550kc/s-30mc/s. FET, 8 Meter, Variable BFO for RB, Built-in Speaker, Bandspread, Sensitivity Control. 220/240v. A.C. or 12v. D.C. 12 1/2" x 4 1/2" x 7". Brand new with instructions. £25. Carr. 37p.



**URN-30 RECEIVER**  
4 Bands covering 550kc/s-30mc/s. B.F.O. Built-in Speaker 220/240v. A.C. Brand new with instructions. £15.75. Carr. 37p.

## LAFAYETTE HA-600 SOLID STATE RECEIVER



General coverage 150-400kc/s, 550 kc/s-30mc/s. FET front end, 2 mech. filters, product detector, variable B.F.O., noise limiter, 8. Meter, Bandspread. RB† (gain. 15" x 9 1/2" x 8 1/2". 18 lbs. 220/240v. A.C. or 12v. D.C. Brand new with instructions. £45. Carr. 50p.

## TO-2 PORTABLE OSCILLOSCOPE

A general purpose low cost economy oscilloscope for everyday use. Y amp. Bandwidth 2 CPG-1 MHz. Input Imp. 2 meg. 25 P.P. Illuminated scale. 2in. tube. 115 x 180 x 230mm. Weight 8lb. 220/240 V a.c. Supplied brand new with handbook. £22.50. Carr. 50p.

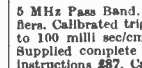


## TE-16A Transistorised Signal Generator



400Hz-30mHz. An inexpensive instrument for the handyman. Operates on 9v battery. Wide easy to read scale. 8000Hz modulation. 5 1/2 x 5 1/2 x 3 1/2 in. Complete with instructions and leads. £7-97†. P. & P. 20p.

## RUSSIAN C1-16 DOUBLE BEAM OSCILLOSCOPES



5 MHz Pass Band. Separate Y1, Y2 amplifiers. Calibrated triggered sweep from .2 sec to 100 milli sec/cm. Supplied complete with all accessories and instructions £27. Carr. paid.

## POWER RHEOSTATS

High quality ceramic construction. Windings embedded in vitreous enamel. Heavy duty brush wiper. Continuous rating Wide range ex-stock. Single hole fixing, tin dia. shafts. Bulk quantities available.  
25 WATT. 10/25/50/100/250/500/1000/1500/2500 or 5000 ohms. 72p. P. & P. 7p.  
50 WATT. 10/25/50/100/250/500/1000/2500 or 5000 ohms. £1-05 P. & P. 7p.  
100 WATT. 1/5/10/25/50/100/250/500/1000 or 2500 ohms. £1-37† P. & P. 7p.

## "YAMABISHI" VARIABLE VOLTAGE TRANSFORMERS

Excellent quality. Low price. Immediate delivery

8-2600 General Purpose Bench Mounting	1 Amp	£7-00
	2.5 Amp	£8-05
	5 Amp	£11-75
	8 Amp	£15-90
	10 Amp	£22-50
	12 Amp	£23-60
	20 Amp	£49-00

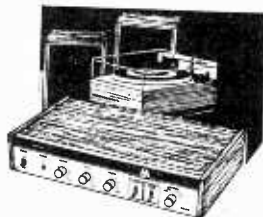
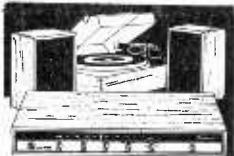
8-260B Panel Mounting  
1 Amp £7-00  
2.5 Amp £8-05  
Please add postage ALL MODELS INPUT 230 VOLTS, 50/60 CYCLES. OUTPUT VARIABLE 0-260 VOLTS. Special discounts for quantity

**G.W. SMITH & CO. (RADIO) LTD**  
27 TOTTENHAM CT. RD. LONDON, W1 Tel: 01-636 3715  
3 LISLE STREET, LONDON, W.C.2 Tel: 01-437 8204  
34 LISLE STREET, LONDON, W.C.2 Tel: 01-437 9155  
311 EDGWARE ROAD, LONDON, W.2 Tel: 01-262 0387  
OPEN 9-5 MONDAY TO SATURDAY

# PSP

## CASH & CARRY SUPERSCOOPS

## TV'S RADIOS TAPES HI-FI



### FAMOUS TELETON—AM/FM Stereo Tuner Amplifier R8000

Supplied complete with 2 speakers. Total 12 watts RMS. Specification: MPX Beacon, AFC, Connections for Tape Recorder, Stereo Headphone Socket, etc. Mfgs. Rec. Price £63.50. P.S.P. FANTASTIC OFFER  
**only £39.95**

Plus GARRARD DECK 2025. Fitted in Famous 'Thorpe Grenville' Plinth & Cover with patented moulded motor board. Fitted with superb Sonotone STANCO cartridge. P.S.P. offer  
**ONLY IF YOU BUY THE ABOVE  
only £15.40**

### TELETON SAQ 206 STEREO AMPLIFIER

Latest release, beautifully styled in walnut case, 6 + 6 watts r.m.s. Switched inputs for magnetic Xtal, aux. Tape. Incorporates volume, bass, treble and, slide balance control, scratch filter and loudness control. Rec. £22.50.  
**Our price £19.95**  
Suggested System.

SAQ 206 Amplifier, SP25 III Plinth and Cover, G800 cartridge, pair large 3-way speaker system.

**Our price £59.95**

Would normally cost £85 complete. Also available with EMI 13 x 8 speaker system £83.95.

Tape Recorders	List Price	P.S.P. Price
Ferguson 3245	£38.00	£31.95
" 3247	£47.95	£41.99
" 3248	£53.75	£45.95
" 3256	£72.00	£63.25
Philips 4303	£42.00	£37.50
" 4307	£49.50	£43.50
" 4300	£60.50	£53.50
4404		
(Stereo)	£95.00	£83.95
Bush Cassette T R 60	£29.40	£24.95
Teleton TC 110 Mains/Batt.	£27.75	£22.00
Teleton TRC130 Mains/Batt.	£41.75	£31.50

Also available full range of Grundig Tape Recorders at attractive discounts.

Magnetic Cartridges	List price	P.S.P. price
Golding G800	£12.55	£8.55
Golding G 800 H	£12.35	£8.55
Shure M55E	£12.50	£8.40
Shure M 44-7	£9.94	£7.45

Post and packing 20p. Superb Thorpe Grenville plinths. Tinted perspex covers incorporating patented moulded motor board—P S P Price £4.99 P & P 35p.



Available at special prices. Linton's, Denton's, Wortedale speakers. Goldring GL59P & 8775P decks; Leak, Delta 30 & 70 Rogers Ravensbrook, Ravensborne amplifiers, Sinclair 3,000 amp & The Fidelity U1A/U2A

Plus a wide range of stereo units.

	List price	P.S.P. Price
HMV 2452 Stereo RH02 Philips System	£65.65	£57.95
	£125.00	£110.00

(Choice of speakers available, prices on applications).

KB Audio Stereo 2010	£103.40	£82.50
Ultra 6028 Group 3 stereo	£59.75	£52.90
Ferguson unit audio	£84.50	£74.24
Ultra 6405	£77.00	£67.25
Ferguson 3450 Stereo	£72.00	£63.50

### PERSONAL SHOPPERS PLAN LTD.

The Centre  
36-38 West Green Road, Tottenham,  
N.15 Tel. No. 01-800 5533  
All orders C.W.O. Special Securicor  
fast delivery £3.

## YOUR CAREER in RADIO & ELECTRONICS ?

Big opportunities and big money await the qualified man in every field of Electronics today—both in the U.K. and throughout the world. We offer the finest home study training for all subjects in radio, television, etc., especially for the CITY & GUILDS EXAMS (Technicians' Certificates); the Grad. Brit. I.E.R. Exam.; the RADIO AMATEUR'S LICENCE; P.M.G. Certificates; the R.T.E.B. Servicing Certificates; etc. Also courses in Television; Transistors; Radar; Computers; Servo-mechanisms; Mathematics and Practical Transistor Radio course with equipment. We have OVER 20 YEARS' experience in teaching radio subjects and an unbroken record of exam. successes. We are the only privately run British home study College specialising in electronics subjects only. Full details will be gladly sent without any obligation.

To: British National Radio School, Reading, Berks.

Please send FREE BROCHURE to

NAME ..... Block

ADDRESS ..... Caps.

..... Please

12/71

## BRITISH NATIONAL RADIO SCHOOL

# THE LATEST AND THE GREATEST TO DATE... PRACTICAL MOTORIST ANNUAL 1972

128-page guide to car maintenance, A to Z of motoring terms, fault finding, overhaul, improvements, renovation/preservation, electrics, leisure, accessories, data sheets and handy hints in an attractive four-colour cover! Be sure to get your copy as soon as possible.

**ON SALE NOW, PRICE 25p**



# ELECTRONIC VALVES

OA2	0-38	88L7GT	0-35	DY87	0-35	PC88	0-55
OA3	0-45	68N7GT	0-35	DY802	0-50	PCC89	0-50
OB2	0-35	68SQ7	0-40	E88CC	0-65	PC8189	0-65
OB3	0-60	68R7	0-40	E180F	0-65	PC805	0-85
OC3	0-38	67R	0-35	E180F	0-30	PC8806	0-80
OD3	0-35	88BC40T	0-35	E180F	0-35	PC8802	0-50
IB3GT	0-35	68U8A	0-40	EAF42	0-55	PCF82	0-35
ICP31	0-00	6V6GT	0-28	EBC33	0-50	PCF84	0-50
IL4	0-20	6X4	0-20	EBC41	0-55	PCF86	0-60
IR4	0-35	6X5GT	0-35	EBC81	0-30	PCF87	0-85
IR5	0-35	6X8	0-55	EBF80	0-40	PCF801	0-50
IR4	0-27	6Y6G	0-65	EBF83	0-40	PCF802	0-50
IR4	0-35	6Y4	0-60	EBF89	0-30	PCF805	0-75
IT4	0-25	9BW6	0-50	EC53	0-50	PCF806	0-70
IU4	0-27	10C2	0-50	EC86	0-60	PCF808	0-75
IU5	0-50	10D1	0-50	EC88	0-80	PCH200	0-70
IV2	0-45	10D2	0-40	EC90	0-33	PCL81	0-60
IX2B	0-40	10F1	0-60	EC91	0-50	PCL82	0-35
1X21	0-35	10F9	0-50	EC92	0-35	PCL83	0-65
2A4	0-35	10P18	0-45	EC93	0-55	PCL84	0-45
3B2B	2-15	10L1	0-45	EC8010	2-25	PCL85	0-40
3BP1	2-75	10LD11	0-60	EC8040	0-60	PCL86	0-45
3Q4	0-40	10P13	0-55	ECC81	0-33	PCL88	0-90
384	0-35	10P14	1-10	ECC82	0-30	PCL800	0-90
3V4	0-45	12A85	0-60	ECC83	0-30	PL801	0-70
6RA4Y	0-40	12AC6	0-45	ECC84	0-30	PL800	0-50
6Y40	0-35	12AL5	0-45	ECC85	0-40	PF86	0-80
6U4G6	0-42	12AQ5	0-43	ECC88	0-40	PF81A	0-85
6V4G	0-42	12AT6	0-30	ECC89	0-50	PF2L200	0-70
6Y3GT	0-32	12AT7	0-33	ECC91	0-20	PL33	0-35
5Z3	0-50	12AU6	0-30	ECC189	0-60	PL36	0-55
5Z4G	0-40	12AU7	0-30	ECC90	0-35	PL81	0-50
6Y30L2	0-35	12AV6	0-33	ECC92	0-35	PL82	0-45
6AB4	0-35	12AV7	0-50	ECCF86	0-85	PL83	0-45
6AF4A	0-50	12AX7	0-30	ECCF804	1-50	PL84	0-40
6AG7	0-40	12AY7	0-70	ECH42	0-70	PL302	0-80
6AH6	0-50	12B44A	0-55	ECH81	0-30	PL504	0-80
6AJ8	0-30	12BA6	0-35	ECH83	0-40	PL506	0-90
6AK5	0-35	12BA7	0-35	ECH84	0-30	PL509	1-30
6AK6	0-57	12BE6	0-35	ECL40	0-40	PL801	0-80
6AL3	0-43	12BH7	0-40	ECL81	0-45	PM84	0-50
6AL5	0-20	12BY7	0-55	ECL82	0-35	PY31	0-80
6AM6	0-32	12K5	0-55	ECL83	0-65	PY33	0-63
6AM6	0-33	12K7GT	0-35	ECL84	0-55	PY80	0-85
6AQ8	0-35	12K7G	0-35	ECL85	0-50	PY81	0-80
6AQ8	0-35	12R87	0-35	ECL86	0-40	PY82	0-80
6AR5	0-35	1487	0-80	ECLL800		PY83	0-38
6AR6	0-40	20D1	0-45		1-50	PY88	0-40
6AR11	1-25	20L1	1-10	EF37A	0-60	PY600	1-00
6AR5	0-35	20P1	0-50	EF39	0-40	PY800	0-50
6AR5GT	0-80	20P4	1-10	EF40	0-60	PY801	0-55
6AT8	0-30	20R6	0-30	EF41	0-65	PZ30	0-25
6AUG	0-25	25C5	0-50	EF42	0-70	QQV2-6	2-15
6AV8	0-30	28L6GT	0-45	EF80	0-25	QQV3-10	
6AW8A	0-55	25Z4G	0-30	EF83	0-55		1-25
6BA8	0-25	25Z6GT	0-65	EF85	0-35	QQV3-20A	
6BE6	0-30	30A5	0-45	EF86	0-30	QQV6-8	5-25
6BF6	0-60	30AEB3	0-40	EF88	0-30		
6BF6	0-60	30C1	0-30	EF91	0-33		
6BH6	0-45	30C15	0-80	EF92	0-40	TT21	2-66
6BJ6	0-45	30C17	0-85	EF95	0-30	TT22	2-80
6BK7A	0-55	30C18	0-75	EF97	0-65	UT1/80	2-75
6BN6	0-43	30F6	0-85	EP98	0-85	U25	0-75
6BN6	0-40	30FL1	0-70	EP183	0-30	U26	0-75
6BQ6	0-35	30PL12	0-33	EF184	0-35	U31	0-45
6BR8	0-55	30PL14	0-75	EF800	1-00	U37	1-50
6BS7	1-30	30L1	0-40	EF804	1-25	U52	0-33
6BW6	0-55	30L15	0-85	EK90	0-30	U76	0-80
6BW7	0-70	30L17	0-80	EL33	1-25	U78	0-80
6BX6	0-25	30P12	0-60	EL34	0-40	U81	0-75
6BZ6	0-35	30P19	0-30	EK36	0-50	U201	0-35
6C4	0-33	30P1	0-70	EL37	1-25	U281	0-40
6CGGT	0-40	3PL13	0-93	EL41	0-55	U282	0-40
6CB6	0-30	30PL14	0-90	EL42	0-58	U301	0-40
6CD6A	1-15	35A3	0-55	EL81	0-55	U403	0-50
6C7G	0-50	35A3	0-75	EL83	0-42	U404	0-40
6CH6	0-55	35B7	0-45	EL84	0-45	U401	1-00
6CL6	0-50	35C5	0-40	EL85	0-43	UAB80	0-35
6CW4	0-63	35D6	0-70	EL86	0-40	UAF41	0-50
6CV6	0-45	35L6GT	0-50	EL90	0-35	UAF42	0-55
6CY7	0-63	35W4	0-30	EL95	0-35	UBC41	0-50
6D3	0-45	35Z3	0-80	EL803	1-00	UBC81	0-40
6DC6	0-35	35Z4G	0-30	EL821	0-55	UBF80	0-40
6DK6	0-48	35Z5GT	0-40	ELR22	0-90	UBF89	0-35
6DQ8B	0-63	50A5	0-70	ELL80	0-75	UBL1	0-50
6D84	0-75	50B5	0-45	EM34	0-90	UBL21	0-60
6EA8	0-58	50C5	0-40	EM71	0-75	UC92	0-35
6EH7	0-30	50CD8G	1-65	EM80	0-30	UC85	0-40
6EJ7	0-35	50L6GT	0-30	EM81	0-60	UCF80	0-50
6EW6	0-85	85A2	0-40	EM84	0-35	UCH21	0-70
6F1	0-70	90AG	2-40	EM85	1-00	UCH42	0-70
6F5	0-50	90AV	2-50	EM87	0-55	UCH43	0-75
6F6G	0-30	90C1	0-80	EN91	0-35	UCH81	0-85
6F11	0-38	90CV	1-25	EY51	0-40	UCL41	0-60
6F13	0-35	90T1	0-30	EY80	0-45	UCL82	0-35
6F14	0-65	813	3-75	EY81	0-40	UCL83	0-60
6F15	0-65	866A	0-75	EY83	0-55	UF41	0-60
6F18	0-45	5642	0-65	EY86	0-40	UF42	0-60
6F23	0-80	6080	1-50	EY87	0-43	UF43	0-80
6F24	0-75	6146	1-50	EY98	0-43	UF80	0-30
6F25	0-75	6360	1-25	EZ40	0-40	UF85	0-45
6F28	0-35	6870	2-50	EZ41	0-45	UF89	0-35
6F28	0-80	6939	2-15	EZ80	0-25	UL41	0-65
6J4	0-50	7199	0-75	EZ81	0-28	UL84	0-30
6J5GT	0-30	7360	1-80	GY501	0-80	UM84	0-20
6J7	0-45	7586	1-25	GZ30	0-40	UY11	0-50
6K9GT	0-55	7895	1-25	GZ31	0-35	UY11	0-50
6K7	0-35	8092	0-30	GZ32	0-48	UY41	0-45
6K8G	0-35	9003	0-30	GZ33	0-70	UY82	0-50
6K25	0-75	AZ1	0-48	GZ34	0-60	UY85	0-80
6L8GT	0-45	AZ31	0-55	HAB80	0-40	WZ29	0-80
6L7	0-40	CBL1	0-80	HK90	0-35	Z759	1-85
6L18	0-45	CBL2	0-90	KT66	2-05	Z803	0-90
6L20	0-45	CY31	0-35	KT88	0-30		
6N7GT	0-40	DAF96	0-42	N78	1-45		
6P1	0-60	DF96	0-42	PAB80	0-40		
6P25	1-25	DK40	0-55	PC86	0-80		
6P28	0-65	DK92	0-60	PC88	0-80		
6Q8	0-40	DK96	0-42	PC87	0-50		
6S47	0-45	DM36	0-42	PC90	0-45		
6S7	0-35	DM160	0-65	PCC84	0-40		
6S7	0-35	DY86	0-35	PCC83	0-40		

# STEPHENS

ELECTRONICS  
P.O. BOX 26  
AYLESBURY, BUCKS.

SEND S.A.E. FOR LISTS  
GUARANTEE:—  
TERMS CASH WITH ORDER ONLY.  
POST AND PACKING PAYABLE  
ON ORDERS UP TO £6, AFTER  
THAT FREE, EXCEPT C.R.T.'s

Satisfaction or money refunded.

ALL ITEMS ADVERTISED IN LAST  
MONTH'S ISSUE ALWAYS IN  
STOCK FOR SAME DAY  
DISPATCH

## SEMICONDUCTORS BRAND NEW MANUFACTURERS MARKINGS NO REMARKED DEVICES

2N388A	65tp	2N3702	17tp	ACY18	25p	AF127	17tp	BC184	22tp	BFY52	22tp
2N614	30p	2N3704	22tp	ACY19	25p	AF139	37tp	BC187	28tp	BSX21	37tp
2N687	20p	2N3705	20p	ACY20	25p	AF178	45p	BC213L	26tp	OC25	50p
2N698	25p	2N3711	20p	ACY21	25p	AF179	45p	BCY32	37tp	OC26	32tp
2N706	12tp	2N3819	35p	ACY22	20p	AF180	52tp	BCY58	22tp	OC28	62tp
2N706A	12tp	2N3826	30p	ACY28	20p	AF181	42tp	BCY70	20p	OC29	75p
2N930	27tp	2N3905	37tp	ACY40	20p	AF186	60tp	BD115	78p	OC35	40p
2N1132	32tp	2N3914	P.A.	ACY41	25p	AF239	42tp	BD121	85p	OC36	62tp
2N1303	17tp	R.C.A.		ACY44	40p	AFY28	35p	BD123	82tp	OC42	25p
2N1305	25tp	40253	P.A.	AD140	40p	BC107	15p	BD124	82tp	OC44	20p
2N1306	25p	40398	P.A.	AD142	58p	BC108	15p	BD131	97tp	OC45	12tp
2N1307	25p	40458	P.A.	AD149	57tp	BC109	15p	BD132	97tp	OC46	15tp
2N1711	25p	2N4061	22tp	AD160	62tp	BC113	27tp	BF115	25p	OC70	15p
2N2147	72tp	2N4082	22tp	AD181	37tp	BC114	37tp	BF117	47tp	OC71	15tp
2N2160	57tp	2N4286	17tp	AD162	37tp	BC138	32tp	BF129	72tp	OC72	15tp
2N2614	27tp	2N4291	17tp	AF118	60p	BC116	65p	BF162	P.A.	OC74	32tp
2N2546	57tp	AC107	30p	AF106	42tp	BC116A	37tp	BF163	35p	OC75	22tp
2N2905	40p	AC117	60p	AF114	25p	BC117	30p	BF167	25p	OC76	22tp
2N2926	40p	AC126	20p	AF115	30p	BC118	32tp	BF173	32tp	OC77	27tp
Green	14p	AC127	25p	AF116	25p	BC134	57tp	BF178	38p	OC78	25p
Yellow	12tp	AC128	20p	AF117	25p	BC135	P.A.	BF179	72tp	OC81	20p
Orange	12tp	AC154	22tp	AF118	60p	BC136	P.A.	BF180	35p	OC81D	20p
2N3053	27tp	AC176	25p	AF119	20p	BC137	P.A.	BF181	32tp	OC83	25p
2N3055	27tp	AC177	25p	AF120	22tp	BC138	P.A.	BF184	25p	OC84	25p
2N3391	20p	AC188	37tp	AF125	20p	BC142	30p	BF194	22tp	OC139	32tp
2N3392	20p	ACV17	27tp	AF126	30p	BC143	P.A.	BF195	27tp	OC140	82tp

## DIODES & RECTIFIERS

**28watts, r.m.s. 40Hz to 40kHz ±3dB**



**Viscount III Audio Suite complete £49**

There are two stereo amplifiers—the R100 for ceramic cartridges, the R101 for magnetic and ceramic. Both incorporate FETs (FIELD EFFECT TRANSISTORS), just like top-priced units. FETs give you more of the signal you want, and almost none of the background hiss you don't. Both units have a jack socket to plug in headphones and there's a separate output for tape recorder. Filters (an unusual feature in this price range) and tone controls give a wide range of bass and treble adjustment which compensate for input deficiencies and domestic acoustic conditions.

**PRICES SYSTEM 1**

Viscount III R101 amplifier £22.00+90p p&p  
 2 x Duo Type II speakers, £14.00+£2 p&p  
 Garrard SP25 Mk. III with .MAG.  
 cartridge plinth and cover £23.00+£1.50  
 p&p

Total £59.00

Available complete for only **£52.00+£3.50 p&p**

**SYSTEM 2**

Viscount R101 amplifier £22.00+90p p&p  
 2 x Duo Type III speakers £32.00+£3 p&p  
 Garrard SP25 Mk. III with .MAG.  
 cartridge, plinth and cover £23.00+£1.50  
 p&p

Total £77.00

Available complete for **£69+£4 p&p**

**SYSTEM 3**

Viscount III Amplifier R100 £17.00+90p p&p  
 2 x Duo Type II speakers, pair £14.00+£2 p&p  
 Garrard SP25 Mk. III with CER. diamond  
 cartridge, plinth and cover £21.00+£1.50  
 p&p

Total £52.00

Available complete for only **£49.00+£3.50 p&p**

**SPEAKERS Duo Type II**

Size approx 17" x 10½" x 6½". Drive unit 13" x 8" with parasitic tweeter. Max. power 10 watts. 3 ohms. Simulated Teak cabinet. £14 pair+£2 p&p.

Duo Type III Size approx 23½" x 11½" x 9½". Drive unit 13½" x 8½" with H.F. speaker. Max. power 20 watts at 3 ohms. Freq. range 20Hz to 20kHz. Teak veneer cabinet. £32 pair+£3 p&p.

**SPECIFICATION R101**

14 watts per channel into 3 to 4 ohms. Total distortion @ 10W @ 1kHz 0.1%. P.U.1 (for ceramic cartridges) 150mV into 3 Meg. P.U.2 (for magnetic cartridges) 4mV @ 1kHz into 47K, equalised within ± 1dB R.I.A.A. Radio 150mV into 220K. (Sensitivities given at full power). Tape out facilities; headphone socket, power out 250mW per channel. Tone controls and filter characteristics. Bass: +12dB to -17dB @ 60Hz. Bass filter: 6dB per octave cut. Treble control: treble +12dB to -12dB @ 15kHz. Treble filter: 12dB per octave. Signal to noise ratio: (all controls at max) R101—P.U.1 and radio—65dB. P.U.2. -58dB. R100 same as R101 but P.U.2 (for crystal cartridges) 450mV into 3 Meg. Cross talk better than -35dB on all inputs. Overload characteristics better than 26dB on all inputs. Size approx 13½" x 9" x 3½".

**R+TV**

Radio and TV Components (Acton) Ltd. 21e High Street, Acton, London W3 6NG  
 323 Edgware Road, London, W.2. Mail orders to Acton. Terms C.W.O. All enquiries S.A.E.  
 Goods not despatched outside U.K.

# SOUND 50

50 WATT AMPLIFIER & SPEAKER SYSTEM



The Sound Fifty valve amplifier and speakers are sturdily constructed with smart housings and thoroughly tested electronics. They are designed to last—to withstand the knocks and bumps of life on the road. Built for the small and medium sized gig, they are easy to handle and quick to set up and can be relied upon to come over with all the quality and power you need.

Output Power: 45 watts R.M.S. (Sine wave drive). Frequency response: -3dB points 30Hz at 18KHz. Total distortion: less than 2% at rated output. Signal to noise ratio: better than 60dB.

Speaker Impedance: 3, 8 or 15 ohms. Bass Control Range: ± 13dB at 60Hz. Treble Control Range: ± 12dB at 10 KHz. Inputs: 4 inputs at 5mV into 470K. Each pair of inputs controlled by separate volume control. 2 inputs at 200mV into 470K.

To protect the output valves, the incorporated fail safe circuit will enable the amplifier to be used at half power.

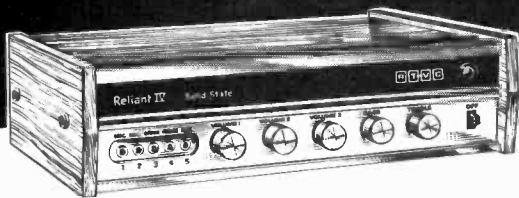
**SPEAKERS!** Size 20" x 20" x 10" incorporating 12" heavy duty 25 watt high flux, quality loudspeaker with cast frame. Cabinets attractively finished in two tone colour scheme—Black and grey.

**COMPLETE SYSTEM £50** Plus £6 P. & P.  
Sound 50 amp and 2 speakers

or available separately.

Amplifier £28.50 plus £1.50 P. & P.  
Speakers £12.50 each plus £2.25 P. & P.

## RELIANT mk. IV



Provides a high standard of sound reproduction, with full mixing facilities. It's versatility makes it suitable for: Discotheque, P.A., Home Entertainment Applications, etc.

- ★ Five Electronically Mixed Inputs
- ★ Three Individual Mixing Controls
- ★ Separate base and treble controls common to all five inputs
- ★ Mixer employing F.E.T. (Field Effect Transistor)
- ★ Solid State Circuitry ★ Attractive Styling

**£9.50** plus P. & P. 60p.

**INPUTS:**—1. Crystal Mic or Guitar 9mV. 2. Moving coil Mic or Guitar 8mV. Inputs 3, 4 & 5 are suitable for a wide range of medium output equipment (Gram. Tuner, Monitor, Organ, etc.). All 250mV sensitivity.

**CONTROLS:**—3 Volume controls. Bass control range: 13db @ 60 Hz. Treble control range ±12db @ 15KHz. Separate ON/OFF Switch. Neon Indicator.

**POWER OUTPUT:**—12 Watts R.M.S. into 3 to 4 ohms speaker

**SIGNAL/NOISE:**—Better than -60db on inputs 3, 4 and 5 & -50db on 1 & 2

**SUPPLY:**—220 - 250 AC Mains. **SIZE:**—12½" x 6" x 3½"

## THE ELEGANT SEVEN Mk. III

(350mW Output)



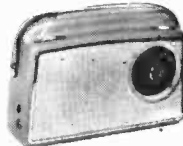
7 transistor fully-tunable M.W.—L.W. superhet portable. Set of parts. Complete with all components, including ready etched and drilled printed circuit board—back printed for foolproof construction.

MAINS POWER PACK KIT: 75p extra.

Price **£5.25** plus 50p. P. & P.

Circuit 13p FREE WITH PARTS.

## THE DORSET (600mW Output)

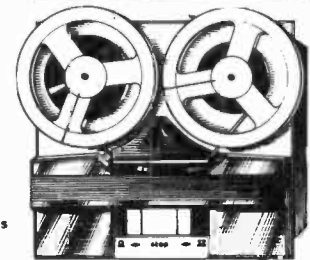


7-transistor fully tunable M.W.—L.W. superhet portable. Set of parts. The latest modulated and pre-alignment techniques make this simple to build. Sizes: 12 x 8 x 3in.

Price **£5.25** plus 50p P. & P.

Circuit 13p FREE WITH PARTS

## CONTINENTAL 4 TRACK, 3 SPEED TAPE DECK



with high impedance heads

R.C. 74 tape deck. Three speeds—7½, 3½ and 1½ ips.

4-track record/playback head. Plus 4-track erase head. Positive pressure pad system. Takes any tape pool up to and including 7". The R.C. 74 is driven by a powerful 200/250V 50-cycle A.C. motor. A heavy, accurately balanced, flywheel brings wow and flutter levels down to approx. 0.3% total at 3½ and 7½ ips. Fast rewind in both directions.

Controls couldn't be simpler! Just five push buttons that interlock to cut out accidental tape damage. Efficient servo-action type braking. Easy drop-in tape loading.

The R.C. 74 comes with an attractive moulded deck cover, which has positions for tone and volume controls. The unit is built into a rigid die-cast frame, and overall size of the whole unit is 12½ x 11½ x 6 inches. Every single deck fully tested before dispatch. Spools not supplied.

Price complete **£15.00**. Plus 75p P. & P.

## TOURIST CAR RADIO

MARK 3



### ALL TRANSISTOR

Beautifully designed to blend with the interiors of all cars. Permeability tuning and long wave loading coils ensure excellent tracking, sensitivity and selectivity on both wave bands. R.F. sensitivity at 1MHz is better than 8 micro volts. Power output into 3 ohm speaker is 3 watts. Pre-aligned I.F. module and tuner together with comprehensive instructions guarantees success first time. 12 volts negative or positive earth. Size 7in x 2in x 4½in deep.

### SET OF PARTS

**£6.30**

plus P. & P. 50p.

Circuit diagram 13p. Free with parts. Speaker, baffle and fixing kit £1.25 extra plus 25p. p. & p. Postage free when ordered with parts.

See previous page for address

RADIO & TV COMPONENTS  
**R+TV**  
(ACTGN) LIMITED

# Practical Wireless Classified Advertisements

The pre-paid rate for classified advertisements is 8½p per word (minimum 12 words), box number 7½p extra. Semi-displayed setting £6 per single column inch. All cheques, postal orders, etc., to be made payable to PRACTICAL WIRELESS and crossed "Lloyds Bank Ltd." Treasury notes should always be sent *registered post*. Advertisements, together with remittance, should be sent to the Classified Advertisement Manager, PRACTICAL WIRELESS, IPC Magazines Ltd., Fleetway House, Farringdon Street, London, EC4A 4AD for insertion in the next available issue.

## Miscellaneous

### LIGHTWEIGHT TREASURE-PROBE

Look for BURIED COINS, silver, gold and metal relics PROFESSIONALLY with the BOFFIN solid-state TREASURE-PROBE. An extremely EASY-TO-BUILD kit that REALLY DOES WORK! SIMPLE-TO-FOLLOW INSTRUCTIONS. It comes to your doorstep with maximum-copper PRINTED-CIRCUIT BOARD plus ALL ELECTRONIC COMPONENTS including search-coil and earphone. Think of the fun you'll have BEACHCOMBING with the sensitive TREASURE-PROBE, and the expectancy of hearing its LOUD 'BEEP' to tell you "YOU'RE ON TO SOMETHING" GET YOUR TREASURE-PROBE SEND £8-95 NOW!

#### BOFFIN PROJECTS

4, CUNLIFFE RD.  
STONELEIGH EWELL  
SURREY

Designed by GERRY BROWN & JOHN SALMON and presented on TV

### TOP TRANSISTORS

Brand New and Individually Tested Transistors supplied unmarked, but packed separately for identification and guaranteed to be within their correct specification or money refunded. All at 9p. each or

Any 25 transistors for only £1-90

ACY22	BFY51	OC72	2N3702
BC108	BFY52	OC202	2N3703
BC109	BSY27	ZTX300	2N3705
BC168	OC45	2N706	2N3706
BC169	OC71	2N2926	2N3708

Money back guarantee, P. & P. 10p.

J. M. KING (Q)

17 Buckridge, Portpool Lane, London, E.C.1

### SYNTHESISER MODULES

Send SAE for details of voltage-controlled modules for synthesiser construction to D.E.W. Ltd., 254 Ringwood Road, Ferndown, Dorset.

**JAPANESE LAFAYETTE** short wave receiver covers worldwide short wave broadcast stations plus BBC medium wave. Modern "receiver size" slide rule dial. Brand new. Two only. £20 each. Leaflet available. S.A.E. to Beeston, 334 Nine Mile Ride, Wokingham, Berks. Tel. Eversley 3674 (evenings).

#### MARKEM ELECTRONIC AIDS

**SIGNAL INJECTORS** 1K/c output can be heard well above 40 M/Hz. £2-30 each.

**SIGNAL TRACERS** complete with earpiece: R.F. and A.F. input at the flick of a switch. £3-00 each, fully tested.

Both units use P.P.3. battery (not supplied) Post free in U.K. C.W.O. only.

KENWORTHY TOOLS LIMITED  
LYON ROAD  
MERTON. SW16 2RT

#### JOHN SAYS...

**RING MODULATOR** by Dewtron is professional, transformerless, 5-transistor, has adjustable FIFT rejection. Module Z7. Unit £8-90. WAA-WAA Pedal kit of all parts, incl. all mechanics & instr. Only £2-95. **AUTO RHYTHM** from Dewtron modules. Simple unit for waltz, foxtrots etc. costs under £20 in modules. **SYNTHESISER MODULES** and other miracles. Send 15p for illust. list. D.E.W. Ltd., 254 Ringwood Road, Ferndown, Dorset.

### TAPE HEADS PICK-UP CARTRIDGES

**SERVICE MANUALS** for Pre 1958 H.M.V. and E.M.I. MODELS. Radio and Record Player Manuals 25p each. Television Manuals 37½p each. Send C.W.O. stating model required.

Send stamp for comprehensive lists of transformers, condensers, resistors, cartridges and tape heads.

R. D. I. LTD.

Chilton Works, Garden Road,  
Richmond, Surrey.



Today's skies are full of exciting crosstalk as aircraft from giant jets to small private planes jostle to take off and land. Now you can eavesdrop on their tense conversations with this remarkable ready-to-use, fully-transist. batt. converter. Place it 1" away from any std. medium-wave radio (even tiny portable!) for crystal-clear reception on aircraft communications. Money back guarantee.

ONLY  
£3-60  
+15p P&P

**MARKTYME**  
(MAIL ORDER) LTD.

DEPT. P.W.A.  
372 EDGWARE ROAD,  
LONDON, W.2.  
01-728 0094

### THE NEW ELECTRONIC MUSIC FOR YOU

Then how about making yourself an electric organ? Constructional data available full circuits, drawings and notes! It has 5 octaves, 2 manuals and pedals with 24 stops uses 41 valves. With its variable attack you can play Classics and Swing. Write NOW for free leaflet and further details to C. & S., 20 Maude Street, Darlington, Durham. Send 2½p stamp.

**IRISH READERS.** Eagle products available, send 10p in stamps for latest illustrated catalogue to Toner Electronics, Lismore Park, Waterford.

**DO-IT-YOURSELF** — we stock a large range of audio and electronic components at very competitive prices, e.g.: chassis speakers, crossover networks, hi-fi speaker kits (Wharfedale & Peerless), BAP sound absorbent, speaker grille fabrics, inductors, resistors, electrolytics (reversible and polarised), transistors, etc. Send for FREE list (2 x 3p stamps for fabric samples). Mail order ONLY. No callers please.

**AUDIOSCAN** Dept. PW12  
4, PRINCES SQUARE,  
HARROGATE, YORKS.

**BUILD IT** in a DEWBOX quality cabinet. 2in x 2½in x any length. D.E.W. Ltd., Ringwood Road, FERNDOWN, Dorset. S.A.E. for leaflet. Write now—Right now.

**RECORD TV SOUND** using our loud-speaker isolating transformer. Provides safe connection to recorder. Instructions included. 70p +10p P&P. **CROWBOROUGH ELECTRONICS** (P.W.), Eridge Road, Crowborough, Sussex.

### 12 VOLT FLUORESCENT LIGHTS



Beat Power Cuts. 12 ins 8 watt Tube, Ideal for Caravan, Tent, Emergency Lighting etc. Fully Transistorised, Low Battery Drain, With ON/OFF Switch and 12v Socket to Run other Lights or 12v Equipment.

Unbeatable at **£3-30** post paid  
or in kit form **£2-90**

**SALOP ELECTRONICS** Callers welcome  
23 Wyle Cop  
Shrewsbury, Shropshire S.A.E. for lists

### NO NEED TO WORRY ABOUT A TRANSMITTING LICENCE

because this GPO approved transmitter/receiver kit does not use R.F. and you can get one easily. Your transmissions will be virtually SECRET since they won't be heard by conventional means. Actually it's TWO KITS IN ONE because you get all the printed-circuit boards and components for both the transmitter AND receiver. You're going to find this project REALLY FUN-TO-BUILD with the EASY-TO-FOLLOW instructions. An extremely flexible design with quite an AMAZING RANGE—has obvious applications for SCHOOL PROJECTS, LANGUAGE, LABORATORIES, SCOUT CAMPS, etc.

GET YOURS! SEND £5-20 NOW

TO: 'BOFFIN PROJECTS'  
DEPT. KW2010  
4 CUNLIFFE ROAD  
STONELEIGH, EWELL, SURREY

Miscellaneous  
(continued)



A precision tool using a combination of butane and compressed oxygen. U.S.A. manufactured. Gives two sizes of flame of pencil lead thickness. Adjustable temperatures up to 5,000°F. Lights instantly, no priming. Cuts metals, welds, brazes and solders, etc., gold and silver. Ideal for jewellers, clockmakers, silversmiths. Up to 40 minutes' operation using fuel supplied. Replacement set of 2 oxygen and 1 butane cylinders £1.50 inc. post. Complete with instructions. List price £14.50. Our price £9.99 + 31p p. & p. Send £10.80.

JOHN DUDLEY & CO. LTD., Dept. WP1  
301 Cricklewood Lane, Child's Hill, London, N.W.2.  
Tel. 01-458 5917. Callers welcome.

AVO MARK 4 Valve Tester Perfect condition. £100. Tel. 437 3066.

DAILY UFO Flight Patterns, 37½ p. UFO Map, S. England, 37½ p. TV Notes on UFO Detection, two Optical Circuits, 50p. UFO Wave Pattern and Prediction, 45p. R & P Publications, "Highlands," Needham Market, Suffolk.

Wanted

WE BUY New Valves and Transistors. State price: A.D.A. MANUFACTURING CO., 116 Alfreton Road, Nottingham.

TOP PRICES PAID FOR NEW VALVES popular T.V. and Radio types.

KENSINGTON SUPPLIES (C),  
367 Kensington Street, Bradford 8,  
Yorkshire.

WE BUY New Valves, Transistors and clean new components, large or small quantities, all details, quotation by return. WALTON'S WIRELESS STORES, 55 Worcester Street, Wolverhampton.

CASH PAID for New Valves. Payment by return. WILLOW VALE, ELECTRONICS, 4 The Broadway, Hanwell, London, W.7. 01-567/5400-2971.

HIGHEST POSSIBLE cash prices for Akai, B. & O., Brenell, Ferrograph, Revox, Sanyo, Sony, Tandberg, Uher, Vortexion, etc. 9.30-5.00. 01-242 7401.

WANTED: Practical Wireless, Television, Electronics. 1960-1971. Ridley, 472 Spen Lane, Leeds 16.

Ladders

LADDERS, timber, 20ft. £7, 29ft. £10.25. Carr. 80p. Brochure. Order C.O.D. Phone 02-993 5222 (Dept WLS) Home Sales, Baldwin Road, Stourport, Worcs. Callers welcome.

Metal Work

METAL WORK: All types cabinets, chassis, racks, etc., to your specifications. PHILPOTTS METAL WORKS LTD., Chapman Street, Loughborough.

Service Sheets

★ Service Sheets and Manuals ★

COVERING RADIOS, TELEVISIONS, TAPE RECORDERS, RECORD PLAYERS, ETC. FROM 1933 UP-TO-DATE FROM 40p. EACH - 1971 SERVICE SHEET INDEX LIST 20p. - S.A.E. WITH ENQUIRIES PLEASE

NEW BOOKS & PUBLICATIONS		Price	Post
PRACTICAL OSCILLOSCOPE HANDBOOK by R.P. Turner.	236 pages	£1.80	15p
SERVICING TRANSISTOR RADIOS AND PRINTED CIRCUITS	263 pages	£2.50	15p
WIRELESS SERVICING MANUAL by W.T. Cocking.	286 pages	£1.50	15p
INTERMEDIATE ELECTRONICS by R.J. Moddock. Book One.	327 pages	£2.75	15p
INTERMEDIATE ELECTRONICS by R.J. Moddock. Book Two.	314 pages	£2.75	15p
GUIDE TO BROADCASTING STATIONS 16th Edition.	219 pages	£0.50	7p
TELEVISION ENGINEERING Vol.2. Principles and Practice.	296 pages	£3.50	25p
MEASURING OSCILLOSCOPES by J.F. Golding.	272 pages	£4.20	25p
INTEGRATED CIRCUIT SYSTEMS by D.J. Walter.	234 pages	£3.50	25p
FIELD EFFECT ELECTRONICS by 3 eminent Authors.	372 pages	£8.00	35p
FM RADIO SERVICING HANDBOOK by G.J. King.	206 pages	£3.00	15p
SEMICONDUCTORS: BASIC THEORY AND DEVICES by I.Kampel.	272 pages	£2.50	15p

Send S.A.E. for 'FREE' List of Practical and Technical Books on Radio & Television now available to -

BELL'S TELEVISION SERVICES

Albert Place, Harrogate, Yorkshire. Telephone 0423-86844

SERVICE SHEETS. Radio, TV etc. 8,000 models. List 10p. S.A.E. enquiries. TELRAY, 11 Mauldland Bank, Preston.

SERVICE SHEETS (1925-1971) for Televisions, Radios, Transistors, Tape Recorders, Record Players, etc., by return post, with free Fault-Finding Guide. Prices from 5p. Over 8,000 models available. Catalogue 13p. Please send S.A.E. with all orders/enquiries. Hamilton Radio, 54 London Road, Bexhill, Sussex. Telephone Bexhill 7097.

RADIO, TELEVISION and Tape Recorders, 50 mixed odd sheets 50p. Also large stock of Obsolete/Current Valves. John Gilbert TV, 1B Shepherds Bush Road, London W6. 01-743 8441. SAE enquiries.

TRADER SERVICE SHEETS

40p, each plus postage

We can supply Trader Service Sheets for most makes and types of Radios, Tape Recorders and Televisions—Manuals for some.

Cheques and open P.O.s returned if sheets not available.

OAKFIELD ENTERPRISES

LIMITED

29 CHURCH ROAD,  
TUNBRIDGE WELLS, KENT

Make	Model	Radio/TV

1971 List now available at 10p, plus postage

If list is required indicate with X

From .....

Address .....

enclose remittance of .....

(and a stamped addressed envelope) s.a.e. with enquiries please

MAIL ORDER ONLY

LARGE SUPPLIER OF SERVICE SHEETS

(T.V., RADIO, TAPE RECORDERS, RECORD PLAYERS, TRANSISTORS, STEREOGRAMS, RADIOGRAMS, CAR RADIOS)

Only 25p each.

"PLEASE ENCLOSE LARGE S.A.E. WITH ALL ENQUIRIES & ORDERS" Otherwise cannot be attended to (Uncrossed P.O.'s please, original returned if service sheets not available.)

C. CARANNA

71 BEAUFORT PARK  
LONDON, N.W.11

We have the largest supplies of Service Sheets (strictly by return of post). Please state make and model number alternative.

Free TV fault tracing chart or TV list on request with order.

Mail order Only.

Educational

TRAIN FOR SUCCESS WITH ICS

Study at home for a progressive post in Radio, TV & Electronics. Expert tuition for C & G (Telecoms Techn's Cert and Radio Amateurs') RTEB, etc. Many non-exam courses including Colour TV Servicing, Numerical Control and Computers. Also self-build kit courses—valve and transistor. Write for FREE prospectus and find out how ICS can help you in your career. ICS, DEPT. 541 INTERTEXT HOUSE, STEWARTS RD., LONDON, SW8 4UJ "ACCREDITED BY THE CACC"

RTEB CERTS., City & Guilds, Colour TV, Radio, Computers, Radio Amateurs Cert., Practical Electronics (with kit). Thousands of successes. Send for full details of Home Study Courses and illustrated book—FREE: BIET, (Dept. H.7), Aldermaston Court, Reading, RG7 4PF.



# TELEVISION TRAINING

(MONOCHROME AND COLOUR)

This private College provides theoretical and practical training in Radio and TV Servicing. Courses of 16 months' duration, with daily attendance, are available for beginners and shorter courses for men with previous training in Electronics and Radio. Training courses in Marine Radiocommunication and Radar are also available. Write for prospectus to: London Electronics College, Dept. A/12, 20 Penywern Road, Earls Court, London SW5 9SU. Tel. 01-373 8721.

CIE, AMSE, City & Guilds, etc., on 'Satisfaction or Refund' terms. Thousands of exam. successes. Postal Courses for all branches of Engineering. Illustrated prospectus FREE. Please state subject of interest: BIET, (Dept. H.8), Aldermaston Court, Reading, RG7 4PF.

GO TO SEA as a Radio Officer. Write: Principal, Nautical College, Broadwater, Fleetwood FY7 8JZ.

## Situations Vacant

EAGLE INTERNATIONAL require Audio Engineers; excellent prospects. Must be fully conversant with Stereo Amplifiers, Tuners, Multiplex, etc. Contact Mr. Morrow 01-903 0144.

# RADIO OPERATORS

DO YOU HOLD PMG II OR PMG I OR NEW GENERAL CERTIFICATE OR HAD TWO YEARS' RADIO OPERATING EXPERIENCE?

Looking for a secure job with good pay and conditions? Then apply for a post with the Composite Signals Organisation. These are Civil Service posts, with opportunities for service abroad, and of becoming established, i.e., non-contributory pension scheme. Specialist Training Courses (free accommodation) starting April and September, 1972 and January, 1973. If you are British born and resident in the United Kingdom, under 35 years of age (40 for exceptionally well qualified candidates), write NOW for full details and an application form from:—

GOVERNMENT COMMUNICATIONS HEADQUARTERS,  
Recruitment Officer,  
Oakley, Priors Road, Cheltenham, Glos. GL52 5AJ.  
(Telephone: Cheltenham 21491, Ext. 2270.)

## Receivers and Components

BRAND NEW COMPONENTS by return. Electrolytics 15 or 25V 1, 2, 5, 10 mfd.s.-3-5p; 25, 50-4p; 100-5p. Mylar Film 100V .001, .002, .005 .01, .02-2p; .04, .05-2-5p; .068, .1-3p. Mullard miniature Carbon Film resistors E.12 series 1/3 W 10-10MΩ 8 for 5p. Insured postage 8p. The C.R. Supply Co., 127, Chesterfield Rd., Sheffield S8.

## Receivers and Components

### CHROMASONIC electronics

supply only brand new guaranteed goods

LOW NOISE HI-STABS  
1/2 watt 6% all E24 values 3 for 2p plus p. & p. 6p.  
For up to 50 resistors + 1p for each additional 5p.

INTEGRATED CIRCUITS			
PA234	85p	MIC4000P	55p μA709C 45p
PJ237	£1.55	MFC4010P	75p μA710 45p
PA246	£1.60	TAA400	£2 μA741C 70p

TRANSISTORS & DIODES			
AC187/88	30p	BC147	15p 2N3708/9/10/11 12p
AD161	65p	BC148	12p 2N3055 55p
AD182	pair	BC149	15p 2N2926 G 10p
BC107	12p	2N3702/3	12p 2N1711 25p
BC108	11p	2N3704	17p OA81/90/91 7p
BC109	12p	2N3705/6/7	15p BZY88 12p

F.M. STEREO I.F. STRIP £3.50 + p. & p. 25p  
F.M. FRONT END £5.00 + p. & p. 25p  
F.M. STEREO DECODER £5.25 + p. & p. 25p

100μF 16v. 4p each.  
Mullard C431 series capacitors:  
500μF 40v 28p 2000μF 25v 42p 4000μF 25v 68p  
1250μF 25v 42p 2500μF 40v 68p 4000μF 40v 77p  
1250μF 40v 42p 2500μF 64v 77p also  
C426 (6p), C437, C280, C333, 8.MICA & polystyrene.

CARBON TRACK POTS, Single gang Log or Lin 12p  
Dual gang Log or Lin 40p, Mains Sw. 12p extra.  
SKELETON PRESETS. Vert. or Horiz. 0-1w 6p, 0-25w 7p.

MAINS TRANSFORMER. Sec. 250v 25mA + 6-3v 1-2A £1.90.  
56, FORTIS GREEN ROAD, LONDON, N10 3EN

1972 CATALOGUE 10p post free  
p. & p. on all orders other than resistors 6p.

## DON'T BUILD ANYTHING until you have seen what NIPPIBOARD can do

Printed wiring board for everyone who makes up electronic circuitry, no matter what the size.

One basic pattern for up to four transistor stages, or up to ten patterns for multiple complex systems. Write for FREE price list (send 2½p stamp).

THE CHOICE IS YOURS  
but don't delay. SEND TODAY FOR YOUR sample NIPPIBOARD with FREE booklet. Only 15p plus postage.

ALSO SL403D i.c. amplifier £1.99 plus 9p postage and packing,

NIP ELECTRONICS, Dept. NB/W12  
P.O. Box 11, St. Albans, Herts.

## TV's TV's TV's SPECIAL OFFER — LIMITED PERIOD ONLY

19" Bilm Thorn 900 TV's 13 channel. Good working order. Polished cabinets. Only £9.50 PLUS £1.50 Carr.

## EX-RENTAL TV's (UNTESTED)

Complete with 13 channel tuners. Good cabinets. Carriage £1.50 extra.

17" Semi Bilm (90° Tube)	£2.50
17" 21" Bilm (110° Tube)	£4.50
19" Bilmline	£6.50
23" Bilmline	£8.50
19" BBC2 Sets	£14.50

## PERFECT SPEAKERS EX T.V.

5p ohm (minimum order two) 5 in. round, 8 in. by 2 in. rectangular—12½p each. Add 7½p per speaker p. & p.

## VALVES EX EQUIPMENT

EB91	5p	30L15	12½p	PL36	25½p
EBF89	12½p	30P4	12½p	PL81	17½p
EOC82	12½p	PC97	17½p	PY81	15p
EU180	7½p	PCF86	17½p	PY800	15p
EP80	12½p	PC84	7½p	PY32	7½p
EP85	12½p	PCF80	7½p	PY33	25½p
EP183	12½p	PCC89	12½p	U191	17½p
EP184	12½p	PCL85	22½p	6F23	17½p
EY86	17½p	PCL82	17½p	30PL1	22½p
30PL13	20p	PCL86	17½p	30P12	20p
630LZ	12½p	PCL83	12½p	30F5	10p

Add 2½p per valve p. & p., orders over £1 p. & p. free

## UHF TUNERS

For Ferguson 850 900 chassis. Adaptable for MDS UHF Chassis £2.50, p. & p. 50p.

## SLOT METERS — SPECIAL OFFER

Smiths Mk. 11 6d. Convertible to 5p. (Smiths Kit costs 35p each £1 each inc. p. & pkg. or 10 for £5 inc. p. & pkg. Please write with SAE for quotations on any spares.

## TRADE DISPOSALS (Dept. PW/TS)

Thornbury Roundabout, Leeds Rd., Bradford.  
Telephone 645670

VHF AIRCRAFT, Public Service band radios. FLIGHT 4: Medium Wave, FM 88-108, Aircraft 108-140, Public Service 140-175. AFC. 9in. X 7in. X 4in., £16. WALTHAM. MW/LW/SW/FM/VHF 108-175. Battery/mains. AFC 11in x 9in x 4in., £33. Full lists s.a.e. Money-back guarantee. Langtons Radio, High Street, ROCESTER, Staffordshire. Tel. 388.

## AUDIO MIXER UNITS & KITS

High quality MODULES and BOARDS for constructing complete mixers in mono and stereo or for amplifier front ends, etc., also complete custom built systems for high quality STUDIO, DISCO and P.A. Installations at economical costs.

## PARTRIDGE ELECTRONICS

Dept. P.W.12 • 21/25 Hart Road • Thundersley • Benfleet  
Essex Tel: South Benfleet 3256 1478

## Receivers and Components

### NEW MODEL V.H.F. KIT MK2

Our latest Kit, improved design and performance plus extra Amplifier Stage, receives Aircraft, Amateurs, Mobile, Radio 2, 3, 4, etc. This novel little set will give you endless hours of pleasure and can be built in one evening. Powered by 9 Volt Battery, complete with easy to follow instructions and built in Jack Socket for use with Earphones or Amplifier.

Only £3.40. P. & P. Free U.K. only

Illustrated Catalogue of Selected Kits and Components 121p. P. & P. Free.

Cheques, Postal Orders to:

Dept. P.W.,  
Galleon Trading Co., 25 Avelon Road,  
Romford, Essex

COMPLETE RANGE of receivers by Trio, Lafayette, Hallicrafters, etc. Chassis, panels, cabinets, S.A.E. for lists. Stephens-James Ltd., 70 Priory Road, Liverpool 4. Tel. 051-265 7829.

### Stelia Nine Range Cases

#### LIST OF PRICES AND SIZES

Width	Depth	4" Height	6" Height	7 1/2" Height
6 1/2"	3 1/2"	90p	£1.05	£1.23
6 1/2"	4 1/2"	96p	£1.23	£1.40
8 1/2"	3 1/2"	£1.05	£1.40	£1.40
8 1/2"	6 1/2"	£1.40	£1.74	£2.00
10 1/2"	7 1/2"	£1.88	£2.28	£2.45
12 1/2"	3 1/2"	£1.40	£1.74	£2.03
12 1/2"	5 1/2"	£1.85	£2.25	£2.43
12 1/2"	8 1/2"	£2.30	£2.74	£2.93
14 1/2"	3 1/2"	£1.65	£2.03	£2.25
14 1/2"	9 1/2"	£2.73	£3.50	£3.65
16 1/2"	6 1/2"	£2.45	£2.93	£3.24
16 1/2"	10 1/2"	£3.15	£4.05	£4.45

Cases—Post 25p. per order.

Discounts available on quantities.

CHASSIS in Aluminium, Standard Sizes, with Gusset Plates

Sizes to fit Cases. All 2 1/2" Walls

6" x 3"	33p	10" x 7"	51p	14" x 3"	44p
6" x 4"	34p	12" x 3"	40p	14" x 9"	84p
8" x 3"	39p	12" x 5"	45p	16" x 6"	64p
8" x 6"	46p	12" x 8"	64p	16" x 10"	95p

Chassis—Post 15p. per order.

Discounts available on quantities.

Electro magnetic counters. New Boxed 500 ohm 4 digit 30p post free.

Copper Laminate Board 1/8" single sided. 12" x 12" 30p. post free.

P.O. relays (600 Type) 500 ohm + 500 ohm. 1 make 1 break 2 change over New boxed 30p post free.

Heavy duty sliding reostat. 1 ohm 12 amp New boxed £1.25p. post free.

### E. R. NICHOLLS

Manufacturer of Electronic Instrument Cases

46 LOWFIELD ROAD  
STOCKPORT - CHESHIRE  
Tel: 061-480 2179

## Receivers and Components

### EX COMPUTER PRINTED CIRCUIT PANELS

2in x 4in packed with semi-conductors and top quality resistors, capacitors, diodes, etc. Our price 10 boards 50p. P. & P. 7p. With a guaranteed minimum of 35 transistors. Data on transistors included.

SPECIAL BARGAIN PACK. 25 boards for £1. P. & P. 18p. With a guaranteed minimum of 85 transistors. Data on transistors included.

PANELS with 2 power transistors similar to OC28 on each board—components 2 boards (4 x OC28) 50p. P. & P. 6p.

9 OA5, 3 OA10, 3 Pot Cores, 28 Resistors, 14 Capacitors, 3 GET 872, 3 GET 872B, 1 GET 875. All long leaded on panels 13in x 4in. 4 for £1. P. & P. 25p.

709C OPERATIONAL AMPLIFIER  
705 8 lead I.C. 1 off 50p; 50 off 85p; 100 off 20p.

### 250 MIXED RESISTORS 62p

1/2 & 1 watt.

### 150 MIXED HI STABS 62p

1/2, 1 & 1 watt 5% & better

### QUARTZ HALOGEN BULBS

With long leads. 12V 65W for car spot lights, projectors, etc. 50p each. P. & P. 5p.

### GPO EXTENSION TELEPHONES

with dial but without bell.  
85p each, P. & P. 30p.  
£1.75 for 2, P. & P. 50p.

### BARGAIN RELAY OFFER

Single pole change over silver contacts 25V to 50V. 2-5kΩ coil. 8 for 50p. P. & P. 5p.

**KEYTRONICS** mail order only  
44 EARLS COURT ROAD,  
LONDON W.8 01-478 8499

### MICROCIRCUITS:

SN76013 (like IC12). £1.50; 709 30p; 741 30p; PA230 90p; PA234 86p; PA237 £1.55; SL402A £1.75; SL702C 40p; TTL GATES 15p; FLIPFLOPS 37p.

### TRANSISTORS:

2N3055 54p; BC107B 9p; BC109C 9p; BC109C 9p; BCY 70 18p; BFX86 15p; ME0402 21p; ME0411 20p; ME0412 20p; ME0413 15p; ME1002 11p; ME4101 11p; ME4102 12p; ME6101 15p; ME6102 19p; ME8001 17p; MP8111 35p; MP8112 45p.

### 1 AMP RECTIFIERS

50V 3p; 100V 4p; 200V 5p; 400V 6p; Bridges: 50V 30p; 100V 81p; 400V 33p.  
3 AMP RECTIFIERS: 400V 12p.  
PRINTED CIRCUIT RESIST PEN 80p.

### JEF ELECTRONICS (P.W.12)

York House, 12 York Drive, Grappenhall, Warrington, Lancs. Mail Order Only. C.W.O.

P.&P. 7p per order. Overseas 50p.

Money back if not satisfied.  
List free on application.

RADIOSPARES COMPONENTS as specified for P.W. Digital Counter. Midget Mains Transformer, £1.75, p. & p. 25p. Min. wire neons, 12p each, p. & p. 5p. Min. Maka-Switch shafting assembly, 40p. Spacers, 7p pkt. M-B wafers, 28p each, p. & p. on complete switch, 12p. We supply all 'Radiospares' components. S.a.e. with enquiries: The Hobbies Shop, 32 The Parade, Cwmbran Town Centre, Cwmbran, Mon.

## LOW PRICED

### SEMI CONDUCTORS

ALL OUR STOCKS ARE BRAND NEW, NO REJECTS, NO SECONDS. ALL GUARANTEED. P. & P. 5p

TRANSISTORS		
AC 187K	2N 3055	55p
AC 188K	AD 142	50p
Matched Pair	BC 107	8p
AC 141K	BC 104	8p
AC 142K	BC 109	8p
AL 102	BC 142	35p
AL 103	BC 143	35p
AL 102	BC 143	35p
AU 103	2N 3866	1.35p
AD 282	BFY 51	10p
BD 162	BFY 52	10p
Matched Pairs		
DIODES & RECTIFIERS	IN 4001	7p
400mW ZENER DIODE	IN 4004	9p
6.8v, 7.5v, 8.2v, 9.1v	1N 4148	6p

SEND FOR FREE PRICE LIST, INCLUDES HUNDREDS OF TRANSISTORS, CAPS, T.T.L.'s ETC. FREE EQUIVALENT CHART.

**C. HADLEY (P.W.)**  
24 WOODHILL, HARLOW, ESSEX.

## hot news

### Nippiboard Range 'B'

NEW FIBREGLASS TYPE  
Version of the srpb range 'A'

NOW AVAILABLE:

Dept. NBW12, NIP Electronics  
P.O. Box 11, St. Albans, Herts.

CIRCUITS CIRCUITS CIRCUITS  
Ten exciting circuits per month with instructions to build. Every month a completely new set. This month's circuits cover

MISCELLANEOUS PROJECTS  
Only 50p per set of ten p & p free  
Free Data and Technical A-Z cards (build up the complete set month by month).  
Cheques and PO to Dept PWC, Photonics, 3 Whitehall Gardens, London, E4.

TRANSFORMERS for all transistor projects. Prices reasonable. Rewind service available. S.a.e. details: Ratcliffe, 18 Beech Avenue, Thongsbridge, Huddersfield.

EX-GOVT. COMMUNICATIONS RECEIVERS, calibrators, signal generators, components, etc., with money back guarantee. S.A.E. list. Callers welcome, please phone first. P. R. Gollidge, G3EDW, Glen Tor, Tarrington, Devon. (STD 08-052) 2411.

## For Sale

## MORSE MADE !!

FACT NOT FICTION If you start RIGHT you will be reading amateur and commercial Morse within a month (normal progress to be expected).

Using scientifically prepared 3-speed records you automatically learn to recognise the code RHYTHM without translating. You can't help it, it's as easy as learning a tune. 18 W.P.M. in 4 weeks guaranteed.

For details and course C.O.D. ring S.T.D. 01-660 2896 or send 4p stamp for explanatory booklet to:

G3HSC (Box 19), 45 GREEN LANE, PURLEY, SURREY

SEEN MY CAT? 5,000 items. Mechanical & Electrical Gear, and materials. S.A.E. K. R. WHISTON, Dept. PW, NEW MILLS, Stockport.

## LOOK AT THESE PRICES!

ALL DEVICES BRAND NEW FULLY TESTED AND GUARANTEED

Integrated Circuits TTL LOGIC Dual in line

7400, 01, 02, 04, 05, 10, 20, 30, 40, 50, 51, 53, 54, 60 ALL 15p ea.

7441, 42, 80, 83, 90, 92, 93, 94, 95, ALL 67p ea.

7481, 82, 91, 118, 145, 151, ALL 95p ea. 7470, 72, 30p ea. 75, 76, 45p ea.

7473, 74, 40p ea. 86, 121, 50p ea. 7447, 90p ea.

Silicon Rectifiers

P.I.V.	50v	100v	200v	400v	600v	800v	1000v
1A	4p	4.5p	5p	5p	8p	10p	13p
1A	4.5p	4.5p	5p	6p	9p	12p	14p
3A	13p	15p	19p	21p	23p	25p	28p

Integrated Circuits Linear, D.I.L. or TO-5  
709, 40p

741, 60p

Discounts 10% Orders over £2 15% over £5. Post & Pack. 5p

Mail Order Only

## D J COMPONENTS

14B, SUSSEX ROAD, HARROW, MIDDLESEX

## For Sale

**FOR SALE FULL STEREO SYSTEM**  
Akai X-150D Crossfield tape deck,  
Pioneer AM, FM, Multiplex receiver,  
two Akai cabinet speakers 12in.  
woofer 3 1/2 in. tweeter in each. All  
finished in teak as new cost over £450  
accept £200 must sell. 47 Edge View  
Walk, Kinver, nr. Stourbridge, Worcs.

**VALVE CARTONS** for sale: EL84 size.  
S.A.E. for Sample and Price. Berwick,  
100 Tib Street, Manchester 4.

## NEW VALVES!

Guaranteed and Tested

24-HOUR SERVICE

1R5	26	DF91	14	EF86	29	PCL85	37
1S5	21	DF86	35	EF89	24	PCL86	38
1T4	14	DK01	28	EF91	12	PFL200	52
384	26	DK92	37	EF183	28	PL36	47
3V4	37	DK96	36	EF184	28	PL81	43
5Y3GT	25	DL92	26	EL33	54	PL82	29
6/30L2	53	DL94	37	EL37	75	PL83	32
6AQ5	51	DL96	36	EL84	22	PL84	29
6BW7	50	DY86	24	EY61	30	PL80	62
6F1	57	DY87	24	EY86	28	PL80A	62
6F23	67	DY802	30	EZ80	20	PY81	24
6F25	55	EABC80	30	EZ81	21	PY82	24
6N7GT	28	EB91	10	KT61	54	PY800	32
2B16GT	20	EB93	38	KT66	75	PY801	32
30C15	56	ECF89	27	N78	85	R19	29
30C18	59	EC881	18	PC88	45	U25	63
30F5	67	EC82	18	PC88	45	U26	65
30FL1	59	EC83	21	PC900	30	U191	67
30FL14	67	EC85	24	PC84	28	U251	66
30FL15	56	ECF80	28	PC89	43	U220	65
30L17	65	ECF82	28	PCF89	57	U1F89	29
30P4	56	ECH85	27	PCF80	27	UC88	34
30P19	56	ECH81	26	PCF86	43	UC181	80
30PL1	59	ECL80	29	PCF801	29	UC182	31
30PL13	72	ECL82	29	PCF802	38	UC183	49
30PL14	63	ECL86	35	PCF805	59	UF89	28
DAF91	21	EP30	38	PCL82	30	UL84	29
DAF96	35	EP80	28	EP80	28	UY85	24
DC900	80	EP85	28	PCL84	33	Z77	18

Postage on 1 valve 5p, on 2 or more valves 3p per valve  
extra. Any parcel insured against damage in transit 3p  
extra. Office address, no callers.

## GERALD BERNARD

83 OSBALDESTON ROAD,  
STOKE NEWINGTON, LONDON, N.16

# CLEAR TONE HI-FI LTD

166 BLACKBURN ROAD, BOLTON BLI 8DR LANCs. Tel.: 22636

## \*ITEMS STARRD ON COMPARATOR DEMONSTRATION

	Rec. Retail	Our Price
<b>STEREO AMPLIFIERS (Cased)</b>		
*Tripletone Gemini 3 Mag- netic Input	£28.50	£17.00
*Alba UA700	£34.50	£24.00
*Metrosound ST20E	£39.50	£27.50
*Rotel 310	£45.00	£32.00
*Rogers Ravensbrook 2	£52.50	£40.00
*Armstrong 521	£56.00	£45.00
*Leak 30+	£62.50	£44.00
*Rogers Ravensbourne	£64.00	£49.00
*Leak 70	£75.00	£54.00
CARRIAGE £1.00		

	Rec. Retail	Our Price
<b>SPEAKERS</b>		
*Wharfedale Denton 2/pr.	£39.90	£32.00
*Wharfedale Lincon 2/pr.	£49.90	£41.00
*New Leak 150/pr.	£49.90	£41.00
*R. Allen Flamenco/pr.	£59.26	£46.00
*New Leak 250/pr.	£65.00	£48.00
*R. Allen Pavane/pr.	£70.50	£49.00
*Wharfedale Melton 2/pr.	£70.00	£50.00
*Celestion Ditton 15/pr.	£76.94	£60.00
*Wharfedale Dovedale 3/pr.	£90.00	£65.00
CARRIAGE £1.00		

	Rec. Retail	Our Price
<b>CARRIAGES</b>		
*Sonotone 9TA/HC Dia	£3.75	£2.00
*Goldring G850 Dia.	£6.27	£4.00
*Goldring G800 Dia.	£12.55	£6.50
*Shure M44.7 Dia.	£9.84	£7.50
*Goldring G800E Dia.	£18.16	£11.00
*Shure M55E Dia.	£12.52	£9.50
*Shure M75E/2 Dia.	£20.57	£14.00
CARRIAGE FREE		

	Rec. Retail	Our Price
<b>TURNABLES</b>		
*Garrard SP25 Mk. 3	£15.85	£10.50
*McDonald MP60	£15.20	£11.20
*Goldring GL69/2	£27.60	£21.50
*Goldring GL69/2/P	£36.21	£27.50
*Connoisseur BD2/SAU2	£31.00	£25.00

	Rec. Retail	Our Price
<b>*Connoisseur BD2/SAU2/</b>		
P/C	£38.00	£33.00
*Goldring GL75	£40.15	£30.00
*Goldring GL75P	£48.76	£36.00
*Garrard 401/3009/2 arm	£71.26	£53.00
PI Spacer and Mtg. Board	£6.00	£4.00
Plinths and Covers Stocked		
CARRIAGE £1.00		

## SPECIAL OFFERS

Garrard SP25 Mk 3 fitted in Teak Veneer Plinth with Cover wired Din or Phono to order	£13.00	
with 9TA/HC Cartridge	£15.00	
with G850 Cartridge	£17.00	
with G800 Cartridge	£19.50	
SME 3009 Mk 2 Arm & Shell	£33.80	£24.00
Connoisseur BDI Kits	£13.00	£10.50
Connoisseur SAU2 Arms	£14.40	£12.00
CARRIAGE AND INSURANCE ON ABOVE ITEMS £1.00		

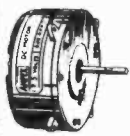
**ALL ITEMS GUARANTEED. AFTER  
SALES SERVICE. PRICE LIST ON  
REQUEST.**

*Leak Delta 30	£65.00	£52.00
*Leak Delta 70	£79.50	£62.00
*Leak Stereofetic/30	£131.03	£94.00
*Leak Stereofetic/70	£143.53	£103.00
CARRIAGE £1.00		

# BOLTON

OPEN 9.00-5.30 Monday-Tuesday  
9.00-8.00 Thursday-Friday  
9.00-4.00 Saturday

CLOSED ALL DAY WEDNESDAY  
CLOSED 1.30-2.30 Except Saturday



**AMPEX 7.5v. D.C. MOTOR.** This is an ultra-precision tape motor designed for use in the AMPEX model AG20 portable recorder. Torque 150GH/CM. Stall load at 500ma. Draws 60 ma on run. 500rpm +5% speed adjustment. Internal AF/RF suppression 1/2 dia. 1 1/2 spindle, motor 3" dia. 1 1/2". Original cost £16.50. Our price £4.25. P. & P. 25p. Mu-metal enclosure available 75p each.

**SYNCHRONOUS MOTORS.** 220/380 v. 50/60 Hz. 250-300 rpm. 75p each.

**MYCALEX MAINS.** Shaded pole, 1425 rpm, 1/2" spindle. 2 for £1.25. Carriage Paid.

**MAINS INDUCTION MOTOR.** Open frame, 1/2" spindle, weight 2 lb. Powerful. 88p each. P. & P. 12p.

**GEARED MOTORS**  
"Parvatus" Reversible 100 RPM Geared Motor. Type S.D.14, 230/250v. A.C. 22 lb./in. 3/4" spindle. 1st class condition. £7.50 each. P. & P. 50p. Also limited number only as above. Brand New. £12.50 each. P. & P. 50p.

**ELECTRO CONTROL (CHICAGO).** Shaded pole 240v. 50 Hz. 200 rpm. 10lb. in. £2.50. P. & P. 25p.

**MYCALEX.** Open frame, shaded pole motors, 240v, 50 Hz. 7 rpm. 28 lb. in. 80 rpm. 12 lb. in. £2.25 each. P. & P. 25p.

**"CROUZET" TYPE 965.** 115/240v. 50 Hz. 47/68 watts. 50 rpm. Stoutly constructed. Size: 2 1/2" dia. x 3 3/4" long plus spindle 1/2 x 3/4" dia. Anti-clock. £2.75. P. & P. 25p.

**TYPE 955.** Same as above, but 3 rpm. £3.00. P. & P. 25p

**UNISELECTORS.** 8 Bank 25-way, 24 volt Double sweep. Brand new in maker's boxes £5.25 P. & P. 25p.

**PAINTON BOURNS TRIMPTS.** 1k, 2k, 2.5k, 5k, 10k, 20k, 50k, 500k. Other Trimmer pots in stock. RIL 10k. MORGANITE 1k. MEC 200 Ω (tubular) 50Ω. Any 3 for £1.10 carr. paid.

**CURRENT FLOW INDICATOR.** Ideal for all types of battery operated equipment (portable machines, tape recorders etc.). Four white segments appear when current flows. Coil is 600Ω 6/12v. Drawing only 8 ma on function. Neat in appearance. Size: dia. 1 1/2" x 1 1/2" deep. Flange centres 1 1/2". £1.25 each Carr. Paid.

## PRECISION FAN CO. (SMITHS INDUSTRIES) DOUBLE ENTRY CENTRIFUGAL FAN/BLOWER

This is a beautifully balanced particularly quiet running unit giving approx. 90 cubic ft./min. The motor is a 2 pole shaded pole Mycalex, drawing only 240ma on run. Weight 2 1/2 lbs. Sizes: case dia. 3.1 ins. width (case only) 3.125 ins. Width overall (inc. 5.25 ins. Aperture 3.125 ins. x 1.85 ins. Offered well below makers price at £2.95. P. & P. 25p.

**Brand New "DISCUS" Centrifugal Blower by Watkins & Watson.** 240v. 50 Hz. Powered by A.E.I. continuous rating 2550 rpm motor. Cowl diameter 10". Outlet flange 2" I.D. Coupling flange supplied. These superb precision units are ideally suited for Organ construction. Offered at approx. half makers price £12.50. Carriage £1.50.

**PLEASE NOTE OUR NEW ADDRESS AS BELOW. WE HAVE A LARGE RANGE OF INTERESTING ITEMS TOO NUMEROUS TO LIST. COME AND BROWSE AT YOUR LEISURE. HOPE TO SEE YOU SOON!**

**SYLVANIA MAGNETIC SWITCH**—a magnetically activated switch operating in a vacuum. Switch speed —4ms, temperature —54 to +200°C. Silver contacts normally closed rated 3 amps. at 120v. 1.5 amp. at 240v. 4 for £1, or £2.50 per doz. Special quotations for 100 or over.

**PROGRAMME TIMER BY HONEYWELL**  
A bank of 15 micro-switches are each independently operated by 15 pairs of cams which in turn are individually adjustable to give switching periods of zero to 12 seconds with infinitely variable combinations. A mains synchronous motor drives the cam shaft at 1 rev. per 12 seconds (5 R.P.M.). Originally cost £15.00 plus. Many applications such as lighting effects etc. New in original makers cartons. First class value at £5.75 plus 25p. P. & P.

Special offer of AMPEX professional tape heads. Mu-metal shrouded. (Designed for model AG20). Full track record, or playback, £3.00. Erase head £2.00 Set of 3 with mounting bracket and cover £7.50. Half track record only, £3.00 each. Carriage paid.



**"BENSON BROS." 12v. D.C. HEAVY DUTY SOLENOID.** Size: 3" overall x 1 1/2" x 1". Very powerful, with secondary low current hold coil. Cont. rated £1.00 each. P. & P. 15p.

**"DECCO" MAINS SOLENOID.** Compact and very powerful. 16 lb. pull. 1/4" travel which can be increased to 1/2" by removing captive-end-plate. Overall size 2" x 2 1/2" x 2 1/2" high. £1.50. P. & P. 25p.

**"MAGNETIC DEVICES" Mains Solenoid—2" x 1 1/2" x 1 1/2" approx.** 2lb. pull. Plunger Travel 1 1/2". New in makers boxes; offered at half original cost. 75p. P. & P. 25p.

**"MALLORY" LONG LIFE BATTERIES.** Type A. RM12 cell 1.35v. 3.600 ma/H. CAP. 250/300 ma cont. current. Size: 2 1/2" x 1 1/2" x 1 1/2". 5 for £1.00 or £2.00 per doz. Carr. Paid. Type B. Comprises 8 x RM 625 cells. Nom. volts. 1.35 each 10.5v. Overall, 350ma/H CAP. 20/25 ma cont. current. Size: 2 1/2" x 1 1/2" x 1 1/2". 3 for £1.00 or £3.00 per doz. Carr. Paid.

**BONNELLA "CHERRY" ROLLER LEVER OPERATED MICRO-SWITCH TYPE B23-30K.** 5 amp. c/o. 502 operating pressure. Length of Lever 1 1/2". Pre-travel .062". £2.25 per doz.

**ERNEST TURNER 800µA METER.** 160Ω movement, 2" case elliptic, plastic front, Green-Red-Green uncalibrated scale £1.50 each. Carriage paid.  
**L.T. TRANSFORMERS.** Prim. 0-110-240v. Sec. 4-5-0-4.5v. at 1 amp. Size 1 1/2 x 1 1/2 x 1 1/2". 60p. P. & P. 15p.  
Prim. 220/240 v. Sec. 0.5-10-15-20 v. at 2 amps. £1.25. P. & P. 15p.  
Prim. 200/240v Sec 0-1-56-58-60 at 3-5 amps plus 0-90 at 100 ma. wax impregnated with screw term blocks. Weight 10 lbs. £3.60 plus 40p P. & P.  
**"WODEN"** Prim. 0-110-200-220-240v. Sec. 34-36-38v. @ 600Ω. £7.50 plus 50p. P. & P.  
**"WODE"** Prim. 10-0-200-220-240v. Sec. two separate windings 6v. @ 4a each. £2.50 plus 30p. P. & P.

## ELECTRO-TECH SALES

**BUSINESS HOURS:**  
9.30-6 (1 p.m. Sat.) p.w.10

**301 EDGWARE ROAD, LONDON, W.2**

Tel. 01-837 7401/2



All prices in pounds and new Pence

VALVES		20		25		30		35		40		45		50		55		60		65		70		75		80		85		90		95		100	
1A7GT	40	6BA6	25	636	20	7C5	21-13	129R7	40	37	40	DAP91	30	ECL31	11-50	EL41	60	N78	11-50	PL504	80	UA404	60												
1C931	40-00	6BE6	30	637M	45	7C6	45	14H7	50	42	50	DAP96	45	EC00	33	EL42	65	N108	11-50	PL508	90	U801	11-18												
1D5	40	6BH6	75	637G	30	7C5	55	19A95	40	50B5	50	DCC90	11-00	ECC81	33	EL84	25	OA2	38	PL509	11-10	UAABC80	40												
1H5	50	6BQ7A	45	6K6GT	60	7H7	35	20D1	50	50C5	50	DF33	48	ECC82	30	EL95	35	OC3	38	PL802	85	UA242	55												
1N5GT	55	6BR8	70	6K7G	20	7Y4	65	20F2	70	50C6GT	11-20	DF70	48	ECC83	30	ELL80	11-00	0Z4	40	PX4	22-00	UBC41	50												
1R5	40	6BR8	70	6K7G	20	7Y4	65	20P4	41-10	50L6GT	55	DF91	30	ECC84	30	EM34	90	PC86	60	PX25	22-50	UBC81	40												
184	30	6BW6	85	6K8M	60	10C2	50	25A6	25	80	50	DF92	20	ECC85	40	EM80	45	PC88	60	PY33	65	UBP80	40												
1S5	25	6C4	25	6K8GT	40	10F1	75	25AGT	50	85A2	60	DH77	30	ECC86	40	EM84	60	PC87	50	PY81	30	UBF89	35												
1T4	30	6C5G	30	6K25	75	10F9	90	25Y5	90	150B2	60	DK32	40	ECC87	40	EM84	35	PC84	40	PY82	35	UCC84	43												
3A4	40	6C6	25	6L6G	45	10F18	50	25Z4	45	150C4	60	DK91	40	ECC88	40	EM84	35	PC84	40	PY83	38	UCC85	40												
3Q4	50	6CD6G	11-25	6L18	45	10LD11	65	25Z5GT	50	801	50	DK92	50	ECC89	40	EM84	35	PC84	40	PY83	38	UCC85	40												
3Q5	50	6C6H	60	6Q7G	40	10P13	68	30C1	30	813UA	23-75	DL66	11-25	ECC90	40	EM84	35	PC84	40	PY83	38	UCC85	40												
384	35	6C6W4	65	6Q7GT	43	11E3	24-00	30C15	80	A4	75	DL92	38	ECC91	40	EM84	35	PC84	40	PY83	38	UCC85	40												
3V4	48	6D6	25	68A7M	40	12A7E	30	30C17	95	954	60	DL93	40	ECC92	40	EM84	35	PC84	40	PY83	38	UCC85	40												
5R4GY	75	6E5	60	68CTM	75	12A7T	33	30C18	90	1625	40	DL94	48	ECC93	40	EM84	35	PC84	40	PY83	38	UCC85	40												
6U4G	35	6F1	70	68GT	40	12A7U	35	30F5	85	4022AR	25-00	DL95	50	ECC94	40	EM84	35	PC84	40	PY83	38	UCC85	40												
6V4G	45	6F5G	75	68H7M	40	12A7V	30	30FL1	75	5763	70	DL96	45	ECC95	40	EM84	35	PC84	40	PY83	38	UCC85	40												
6Y3GT	32	6F6G	35	68J7GT	40	12A7X	30	30FL12	11-70	7192	20	DM70	40	ECC96	40	EM84	35	PC84	40	PY83	38	UCC85	40												
6Z4G	40	6F8G	35	68K7GT	40	12A7Y	30	30FL14	85	A75	40	DY86	33	ECC97	40	EM84	35	PC84	40	PY83	38	UCC85	40												
6Z0L2	80	6F11	40	68L7GT	40	12B7E	40	30L15	85	A61	48	DY87	33	ECC98	40	EM84	35	PC84	40	PY83	38	UCC85	40												
6A7	75	6F13	45	68N7GT	35	12C8GT	35	30L17	80	ATP4	35	E88CC	65	ECC99	40	EM84	35	PC84	40	PY83	38	UCC85	40												
6A8G	40	6F14	70	68Q7GT	40	12E1	11-80	30P4	11-12	ATP5	60	EA50	20	ECC00	40	EM84	35	PC84	40	PY83	38	UCC85	40												
6AK5	35	6F23	35	604GT	65	12J5GT	30	30P12	30	ATP7	50	EABC80	35	ECC01	40	EM84	35	PC84	40	PY83	38	UCC85	40												
6AM5	35	6F24	75	6U5G	40	12J7GT	50	30P19	85	AU2	24-00	EAF2	55	ECC02	40	EM84	35	PC84	40	PY83	38	UCC85	40												
6AM6	33	6F25	11-00	6V6M	60	12K7GT	40	30PL1	75	AU5	60	E81	20	ECC03	40	EM84	35	PC84	40	PY83	38	UCC85	40												
6AM6	33	6F25	65	6V6G	30	12K8GT	50	30PL13	95	AZ1	48	EBC33	50	ECC04	40	EM84	35	PC84	40	PY83	38	UCC85	40												
6AQ5	38	6F32	25	6V8GT	40	12Q7GT	40	30PL14	90	AZ31	55	EBC41	55	ECC05	40	EM84	35	PC84	40	PY83	38	UCC85	40												
6ASTG	85	6G6	25	6X4	35	12SA7GT	40	35A5	75	CBL31	11-00	EBC90	35	ECC06	40	EM84	35	PC84	40	PY83	38	UCC85	40												
6AT6	30	6H6	23	6X5G	35	12S7	35	35L8	50	OC135	75	EBC90	35	ECC07	40	EM84	35	PC84	40	PY83	38	UCC85	40												
6AU6	25	6J5M	50	6X5GT	40	12S17	35	35W4	35	CL33	11-30	EBC93	40	ECC08	40	EM84	35	PC84	40	PY83	38	UCC85	40												
6B4G	11-00	6J5G	20	7B6	70	12S47	40	35Z3	70	CY31	45	E81	70	ECC09	40	EM84	35	PC84	40	PY83	38	UCC85	40												
6B8G	25	6J5GT	30	7H7	60	12S47	40	35Z4	50	DC32	60	E81Z1	60	ECC10	40	EM84	35	PC84	40	PY83	38	UCC85	40												

Transistors		2N2218		2N2219		2N2236A		2N2238A		2N2239A		2N2240A		2N2241A		2N2242A		2N2243A		2N2244A		2N2245A		2N2246A		2N2247A		2N2248A		2N2249A		2N2250A					
1N914	07	2N2697	15	2N2904	10	2N2904	10	2N2904	10	2N2904	10	2N2904	10	2N2904	10	2N2904	10	2N2904	10	2N2904	10	2N2904	10	2N2904	10	2N2904	10	2N2904	10	2N2904	10	2N2904	10	2N2904	10		
19113	25	2N706	10	2N2904	10	2N2904	10	2N2904	10	2N2904	10	2N2904	10	2N2904	10	2N2904	10	2N2904	10	2N2904	10	2N2904	10	2N2904	10	2N2904	10	2N2904	10	2N2904	10	2N2904	10	2N2904	10	2N2904	10
18202	23	2N1132	25	2N2926	10	2N2926	10	2N2926	10	2N2926	10	2N2926	10	2N2926	10	2N2926	10	2N2926	10	2N2926	10	2N2926	10	2N2926	10	2N2926	10	2N2926	10	2N2926	10	2N2926	10	2N2926	10	2N2926	10
23302	22	2N1305	22	2N3065	75	2N3065	75	2N3065	75	2N3065	75	2N3065	75	2N3065	75	2N3065	75	2N3065	75	2N3065	75	2N3065	75	2N3065	75	2N3065	75	2N3065	75	2N3065	75	2N3065	75	2N3065	75	2N3065	75
23371	22	2N1247	75	2N3702	10	AD140	50	BC109	10	AD140	50	BC109	10	AD140	50	BC109	10	AD140	50	BC109	10	AD140	50	BC109	10	AD140	50	BC109	10	AD140	50	BC109	10	AD140	50	BC109	10
2N404	20	2N2100	60	2N3819	35																																

TRANSISTOR POSTAGE 1p EACH, OVER 10 POST FREE

Express Postage & Insurance 5p one valve plus 1p each additional valve. ORDERS over £5 Post free. 6,000 types in stock send for lists, Sp.

# R.S.T.

**“Renowned for Service”**  
 BLACKWOOD HALL, WELLFIELD RD., STREATHAM, SW16 2BS  
 Tel. 01-769-0199/1649. Open to callers Mon-Sat 9 a.m.—5 p.m. Closed Saturday 1.00—2.30 p.m.

## INDEX TO ADVERTISERS

A. H. Supplies	714	Felstead Electronics	728	Oakfield Enterprises	755
AKG Equipment	668	Field Electric Ltd.	746	Padgett's Radio Store	696
AMC Co.	704	Francis, George	692	Partridge Electronics	756
Adcola Products Ltd.	cov. ii	Francis, J. J. (Wood Green) Ltd.	676	Personal Shoppers Plan Ltd.	750
Antex	682	Galleon Trading Co.	757	Premier Radio	691
Audio Supplies	675	Gladstone Radio	728	R.D.I. Ltd.	754
Audioscan	754	Global Audio Discount Warehouse	662	Radio Components Specialists	727
		Government Communications Headquarters	756	Radio Exchange Co.	703
Baker Reproducers Ltd.	732	HAC Shortwave Products	660	Radio Society of Great Britain	696
Belding Bennett & (Morse)	757	Hadley	757	R. & T.V. Components (Acton) Ltd.	752-3
Bell's Television	755	Harverson Surplus Co. Ltd.	731	Readers Radio	662
Bentley Acoustic Corporation Ltd.	732	Heath Glos. Ltd.	669	ROC Electronics Ltd.	664-5
Bernard, Gerald	758	Henry's Radio Ltd.	736, cov. iv	R.C.S. Products	692
B.I.E.T.	680, cov. iii	Home Radio (Components) Ltd.	677	RSC Hi-Fi Centres Ltd.	670-3
Bi-Pak Semiconductors	744-5	I.C.S.	714	R.S.T.	759
Bi-Pre-Pak Ltd.	667	International Correspondence Schools	755		
Boffin Projects	754	Ivoryet			

Head Office and Warehouse  
44A WESTBOURNE GROVE  
LONDON W2  
Tel: 727 5641/2/3

# Z & I AERO SERVICES LTD.

Please send all correspondence and Mail-Orders to Head Office  
When sending cash with order, please include 12½p in £ for postage and handling  
MINIMUM CHARGE 15np. No C.O.D. orders accepted  
Please note that the valves offered below are not necessarily of U.K. origin

Retail Shop  
85 TOTTENHAM COURT ROAD  
LONDON W1  
Tel: 580 8403  
Open all day Saturday

0A2	0.38	6AQ5	0.58	6EA8	0.60	6X4	0.35
0A3	0.45	6AQ6	0.85	6EH7	0.30	6X5GT	0.40
0B2	0.35	6AR5	0.45	6EJ7	0.35	6X8	0.80
0B3	0.70	6AR6	0.55	6EW6	0.70	6Y6G	0.70
0C3	0.38	6AR11	1.25	6F1	0.75	7Y4	0.65
0D3	0.35	6AS5	0.45	6F5	0.75	9W6R	0.60
1B3GT	0.40	6AS7G	0.55	6F6G	0.35	10C2	0.50
1L4	0.20	6AT8	0.35	6F11	0.40	10D1	0.55
1R4	0.45	6AU6	0.25	6F13	0.45	10D2	0.50
1R5	0.40	6AV6	0.30	6F14	0.70	10P1	0.75
1B4	0.30	6AW8A	0.60	6F15	0.55	10P8	0.60
185	0.30	6AX4GTB	0.60	6F18	0.50	10P18	0.50
174	0.30			6F23	0.85	10L1	0.60
1U4	0.30	6AW8A	0.60	6F24	0.75	10LD11	0.85
1U5	0.60	6BA6	0.25	6F25	1.00	10P15	0.60
1V2	0.50	6BE6	0.30	6F26	0.35	10P14	1.10
1X2B	0.50	6BF5	1.00	6F28	0.65	12AB5	0.70
2A3	0.50	6BF6	0.55	6GK6	0.60	12AC6	0.50
20W4	0.70	6BH6	0.75	6J4	0.50	12AD6	0.55
2D21	0.35	6B36	0.50	6J5GT	0.50	12AB6	0.55
3A4	0.40	6BK7A	0.60	6J6	0.20	12A5	0.50
3BP1	3.00	6BN5	0.43	6J7	0.45	12AQ5	0.50
384	0.35	6BN6	0.45	6KGGT	0.60	12AT6	0.30
3V4	0.48	6BQ5	0.25	6K7	0.35	12AT7	0.35
3H4QY	0.75	6BR8	0.70	6KR0	0.40	12AU6	0.50
5T4G	0.35	6BS7	1.30	6K25	0.75	12AU7	0.30
5V4D	0.45	6BT8	0.55	6LGT	0.50	12AV7	0.40
5Y3GT	0.40	6BW7	0.50	6L7	0.40	12AV7	0.65
5Z3	0.60	6BX6	0.25	6L18	0.45	12AX7	0.30
5Z4G	0.40	6BZ6	0.40	6LD20	0.50	12BY7	0.75
6/30L2	0.80	6C4	0.33	6N7GT	0.45	12B4A	0.60
6AB4	0.35	6CGT	0.40	6P1	0.60	12BA6	0.40
6AF4A	0.55	6CH7	0.65	6P28	0.60	12B1A	0.75
6AG5	0.20	6CD6G	0.25	6Q7	0.40	12BE6	0.40
6AG7	0.40	6CG7	0.55	68A7	0.40	12BH7	0.65
6AH6	0.50	6CH6	0.80	68G7	0.40	12BY7	0.60
6AJ8	0.30	6CL6	0.55	68K7	0.40	12K5	0.70
6AK5	0.35	6CW4	0.65	68L7GT	0.35	12K7GT	0.40
6AK6	0.60	6CY7	0.70	68Q7	0.40	12R7	0.40
6AL3	0.43	6D3	0.50	68R7	0.40	20D1	0.50
6AL5	0.20	6DC6	0.80	6T8	0.35	20P1	1.10
6AM5	0.35	6DQ6B	0.70	6U4GT	0.65	20P1	0.50
6AM6	0.35	6DQ6B	0.70	6U8A	0.40	20P4	1.10
				6V6GT	0.40	20P5	1.20

## First Quality Fully Guaranteed



## ELECTRONIC VALVES

25A3	0.50	50A5	0.75	6K92	0.55	6CC89	0.50
25L6GT	0.60	50B5	0.50	6L96	0.45	6CC91	0.20
25Z4G	0.30	50C5	0.50	6M160	0.85	6CC189	0.65
25Z6GT	0.65	50CD6GL2	0.50	6Y86	0.32	6CC90	0.35
30A5	0.50	50L6GT	0.55	6Y87	0.33	6CCF82	0.35
30AE3	0.40	50A2	0.50	6Y802	0.35	6CCF86	0.65
30C1	0.80	50AG	2.40	6E9C	0.65	6CCF84	0.65
30C1B	0.80	90AV	2.50	6E10F	1.00	6CCF82	0.35
30C17	0.90	90C1	0.85	6E10F	0.90	6CCF81	0.30
30C18	0.90	90CV	2.40	6EAB800	0.35	6CCF83	0.45
30F5	0.85	807	0.50	6E42	0.55	6E84	0.45
30FL1	0.75	813	3.75	6EHC33	0.50	6ECL80	0.45
30FL12	1.20	866A	0.75	6EHC41	0.55	6ECL81	0.50
30FL14	0.85	5642	0.70	6EBC81	0.30	6ECL82	0.35
30LL	0.40	6080	1.60	6EBF80	0.40	6ECL83	0.70
30L15	0.85	6146	1.60	6EF83	0.40	6ECL84	0.55
30L17	0.80	6360	1.25	6EF89	0.30	6ECL85	0.55
30P12	0.80	6939	2.25	6E53	0.60	6ECL86	0.40
30P19	0.85	7199	0.60	6EC86	0.60	6ECLL800	
30P17	0.75	7360	2.00	6ECS8	0.60	6EY66	0.40
30P13	0.83	7856	1.25	6E90	0.33	6EY40	0.60
30P14	0.90	7895	1.25	6EC91	0.60	6EY41	0.65
30P11	0.80	9002	0.40	6EC92	0.35	6EY42	0.70
35A3	0.55	9003	0.50	6EC93	0.55	6EY80	0.25
35B8	0.65	AZ1	0.55	6C8010	2.25	6EY83	0.55
35C5	0.50	AZ1	0.55	6CC40	0.55	6EY85	0.35
35D3	0.75	CB1L	0.90	6CC81	0.35	6EY86	0.30
35L6GT	0.50	CB1L31	1.00	6CC82	0.30	6EY89	0.28
35W4	0.35	CY31	0.35	6CC83	0.30	6EY91	0.33
35Z3	0.70	DAF96	0.45	6CC84	0.30	6EY92	0.35
35Z4G	0.35	DF96	0.45	6CC85	0.40	6EY93	0.35
35Z6GT	0.60	DK40	0.60	6CC88	0.40	6EY97	0.65

EP98	0.65	GZ34	0.60	PL81	0.50	U282	0.40
EP183	0.50	HA8C800	0.45	PL82	0.45	U301	0.40
EP184	0.35	HK90	0.40	PL83	0.45	U403	0.80
EP800	1.00	KT66	2.05	PL84	0.40	U404	0.80
EK90	0.30	KT88	2.00	PL802	0.85	U801	0.80
EL33	1.25	N78	1.50	PL804	0.80	UAB800	
EL34	0.50	PABC800	0.40	PL808	0.90	UAF41	0.50
EL36	0.50	PC86	0.60	PL809	1.10	UAF42	0.55
EL37	1.80	PC88	0.60	PL801	0.80	UB1	0.60
EL41	0.60	PC97	0.50	PL802	0.95	UB41	0.60
EL42	0.65	PC900	0.48	PM84	0.60	UBC41	0.60
EL81	0.55	PABC800	0.40	PY31	0.30	UCB81	0.60
EL83	0.42	PC884	0.40	PY33	0.40	UBF80	0.60
EL84	0.25	PC885	0.40	PY80	0.48	UCF80	0.35
EL85	0.45	PC888	0.55	PY81	0.50	UB11	0.60
EL86	0.40	PC889	0.55	PY82	0.50	UBL21	0.65
EL90	0.38	PC8189	0.55	PY83	0.38	UC92	0.40
EL95	0.35	PC8005	0.85	PY88	0.40	UC885	0.40
EL821	0.60	PCF806	0.65	PY800	1.00	UCF80	0.55
EL822	1.30	PCF80	0.30	PY800	0.40	UCH21	0.60
EL820	0.60	PCF82	0.35	PY801	0.50	UCH42	0.70
EM34	1.00	PCF84	0.60	PZ30	0.35	UCH81	0.40
EM71	0.80	PCF86	0.60	QQV02-6		UCL81	0.60
EM80	0.45	PCF87	0.90	QQV03-10	2.25	UCL82	0.35
EM81	0.60	PCF801	0.50	QQV03-10	1.25	UP9	0.60
EM84	0.35	PCF802	0.50	QQV03-20A		UP11	0.60
EM85	1.00	PCF805	0.80	QQV03-20A		UP15	0.60
EM87	0.70	PCF806	0.70	QQV06-40A		UP41	0.60
EN91	1.38	PCF808	0.85	UP120	7.50	UP43	0.60
EY61	0.40	PCF2000	0.70	UP20	0.80	UP84	0.25
EY80	0.55	PCL81	0.50	UP28	0.80	UP8	0.50
EY81	0.40	PCL82	0.35	UP28	3.20	UP85	0.40
EY83	0.55	PCL83	0.65	TY2-125		UP89	0.40
EY86	0.40	EY86	0.40	U18/20	0.75	UP84	0.65
EY87	0.43	PCL85	0.40	U19	0.20	UP84	0.40
EY88	0.45	PCL86	0.45	U20	0.80	UP84	0.25
EY80	0.25	PCL88	0.90	U26	0.80	UP8	0.50
EZ41	0.50	PCL800	0.93	U31	0.60	UP10	0.50
EZ80	0.27	PCL801	0.75	U37	2.10	UP11	1.00
EZ81	0.29	PD500	1.30	U52	0.35	UP48	0.45
EY501	0.80	PF86	0.45	U76	0.35	UP82	0.50
EZ30	0.40	PF818	0.85	U78	0.35	UP85	0.40
EZ31	0.35	PL2000	0.85	U191	0.75	WT29	0.75
EZ32	0.48	PL33	0.35	U201	0.35	ZT69	2.00
EZ33	0.70	PL36	0.55	U281	0.40	Z803U	1.20

## TRANSISTORS

2N696	0.17	AC127	0.20	BD123	0.80
2N697	0.15	AC128	0.20	BD127	0.85
2N698	0.30	AC132	0.35	BD132	0.85
2N705	0.70	AC183	0.20	BF116	0.20
2N706	0.10	AC154	0.15	BF167	0.18
2N708	0.15	AC187	0.20	BF173	0.20
2N753	0.25	AC169	0.10	BF179	0.20
2N754	0.25	AC176	0.15	BF180	0.25
2N930	0.55	AC187	0.30	BF181	0.25
2N987	0.30	AC188	0.30	BF184	0.25
2N1131	0.25	ACY17	0.25	BF185	0.20
2N1132	0.25	ACY18	0.20	BF194	0.15
2N1184	1.25	ACY19	0.25	BF195	0.15
2N1301	0.40	ACY20	0.20	BF196	0.20
2N1302	0.75	ACY21	0.20	BF197	0.20
2N1304	0.25	ACY22	0.15	BF200	0.35
2N1306	0.25	AD140	0.50	BFW87	0.25
2N1306	0.25	AD149	0.50	BFW88	0.23
2N1307	0.30	AD161	0.35	BFW89	0.20
2N1308	0.35	AD162	0.35	BFW91	0.20
2N1309	0.30	AD211	1.25	BFX88	0.25
2N1613	0.22	ADZ12	1.25	BFY17	0.40
2N1711	0.25	AF114	0.20	BFY19	0.60
2N1756	0.75	AF115	0.20	BFY50	0.25
2N2147	0.75	AF116	0.20	BFY61	0.25
2N2160	0.40	AF117	0.20	BFY62	0.20
2N2217	0.30	AF118	0.45	BSY26	0.20
2N2218	0.30	AF125	0.25	BSY27	0.20
2N2219	0.35	AF127	0.20	BSY28	0.20
2N2369A	0.20	AF180	0.35	BSY65	0.20
2N2477	0.65	AF181	0.35	BSY95A	0.15
2N2646	0.60	AF186	0.40	OC16	0.50
2N2905	0.35	AF239	0.40	OC22	0.50
2N2923	0.15	AFZ11	0.45	OC23	0.60
2N2924	0.15	ASV26	0.25	OC24	0.60
2N2926	0.125	ASV27	0.30	OC25	0.35
2N3053	0.25	ASV28	0.25	OC26	0.25
2N3054	0.60	ASV29	0.30	OC28	0.60
2N3055	0.75	ASV54	0.25	OC29	0.60
2N3133	0.30	ASZ15	0.70	OC30	0.75
2N3154	0.30	ASZ16	0.70	OC35	0.50
2N3391	0.20	ASZ17	0.75	OC36	0.80
2N3392	0.15	ASZ18	0.75	OC42	0.20

# In just 2 minutes, find out how you can qualify for promotion or a better job in Engineering...

That's how long it will take you to fill in the coupon below. Mail it to B.I.E.T. and we'll send you full details and a free book. B.I.E.T. has successfully trained *thousands* of men at home - equipped them for higher pay and better, more interesting jobs. We can do as much for YOU. A low-cost B.I.E.T. Home Study Course gets results fast - makes learning easier and something you look forward to. There are no books to buy and you can pay-as-you-learn.

If you'd like to know how just a few hours a week of your spare time, doing something constructive and enjoyable, could put you out in front, post the coupon today. No obligation.

## WHICH SUBJECT WOULD INTEREST YOU?

### Mechanical

A.M.S.E. (Mech.)  
Inst. of Engineers  
Mechanical Eng.  
Maintenance Eng.  
Welding  
General Diesel Eng.  
Sheet Metal Work  
Eng. Inspection  
Eng. Metallurgy  
C. & G. Eng. Crafts  
C. & G. Fabrication

### Draughtsmanship

A.M.I.E.D.  
Gen. Draughtsmanship  
Die & Press Tools  
Elec. Draughtsmanship  
Jig & Tool Design  
Design of Elec. Machines  
Technical Drawing  
Building

### Electrical & Electronic

A.M.S.E. (Elec.)  
C. & G. Elec. Eng.  
General Elec. Eng.  
Installations & Wiring  
Electrical Maths.  
Electrical Science  
Computer Electronics  
Electronic Eng.

### Radio & Telecomms.

C. & G. Telecomms.  
C. & G. Radio Servicing  
Radio Amateurs' Exam.  
Radio Operators' Cert.  
Radio & TV Engineering  
Radio Servicing  
Practical Television  
TV Servicing  
Colour TV  
Practical Radio & Electronics (with kit)

### Auto & Aero

A.M.I.M.I.  
MAA IMI Diploma  
C. & G. Auto Eng.  
General Auto Eng.  
Motor Mechanics  
A.R.B. Certs.  
Gen. Aero Eng.

### Management & Production

Computer Programming  
Inst. of Marketing  
A.C.W.A.  
Works Management  
Work Study  
Production Eng.  
Storekeeping  
Estimating  
Personnel Management  
Quality Control  
Electronic Data Processing  
Numerical Control  
Planning Engineering  
Materials Handling  
Operational Research  
Metrication

### Constructional

A.M.S.E. (Civ.)  
C. & G. Structural  
Road Engineering  
Civil Engineering  
Building  
Air Conditioning  
Heating & Ventilating  
Carpentry & Joinery  
Clerk of Works  
Building Drawing  
Surveying  
Painting and Decorating  
Architecture  
Builders' Quantities

### General

C.E.I.  
Petroleum Tech.  
Practical Maths.  
Refrigerator Servicing  
Rubber Technology  
Sales Engineer  
Timber Trade  
Farm Science  
Agricultural Eng.  
General Plastics

### General Certificate of Education

Choose from 42 'O' and 'A' Level subjects including:  
*English*  
*Chemistry*  
*General Science*  
*Geology*  
*Physics*  
*Numerical Methods*  
*Technical Drawing*  
*French*  
*German*  
*Russian*  
*Spanish*  
*Biology*  
B.I.E.T. and its associated schools have recorded well over 10,000 G.C.E. successes at 'O' and 'A' level.

WE COVER A WIDE RANGE OF TECHNICAL AND PROFESSIONAL EXAMINATIONS.

Over 3,000 of our Students have obtained City & Guilds Certificates. Thousands of other exam successes.

## THEY DID IT—SO COULD YOU

"My income has almost trebled . . . my life is fuller and happier." - Case History G/321.

"In addition to having my salary doubled, my future is assured." - Case History H/493.

"Completing your Course meant going from a job I detested to a job I love." - Case History B/461.

## FIND OUT FOR YOURSELF

These letters - and there are many more on file at Aldermaston Court - speak of the rewards that come to the man who has given himself the specialised know-how employers seek. There's no surer way of getting ahead or of opening up new opportunities for yourself. It will cost you a stamp to find out how we can help you.

# Free!

Why not do the thing that really interests you? Without losing a day's pay, you could quietly turn yourself into something of an expert. Complete the coupon (or write if you prefer not to cut the page). We'll send you full details and a FREE illustrated book. No obligation and nobody will call on you . . . but it could be the best thing you ever did.

## BRITISH INSTITUTE OF ENGINEERING TECHNOLOGY

Dept B2, Aldermaston Court, Reading RG7 4PF.

## POST THIS COUPON TODAY

To: B.I.E.T., Dept B2, Aldermaston Court, Reading RG7 4PF.  
Please send me book and details of your Courses in

Name..... Age.....

BLOCK CAPITALS PLEASE

Address.....

Occupation.....

Accredited by the Council for the Accreditation of Correspondence Colleges.

453A

(Write if you prefer not to cut this page)



# BIET

**B.I.E.T. - IN ASSOCIATION WITH THE SCHOOL OF CAREERS - ALDERMASTON COURT, BERKSHIRE**

Published approximately on the 7th of each month by IPC Magazines Limited, Fleetway House, Farringdon Street, London, E.C.4. Tel: 01-634 4444. Printed in England by Index Printers, Dunstable, Beds. Sole Agents for Australia and New Zealand—Gordon and Gotch (A/asia) Ltd.; South Africa—Central News Agency Ltd.; Rhodesia and Zambia—Kingston Ltd.; East Africa—Stationery and Office Supplies Ltd. Subscription rate (including postage): For one year to any part of the world £2-6s.  
PRACTICAL WIRELESS is sold subject to the following conditions, namely, that it shall not, without the written consent of the Publishers first given, be lent, resold, hired out or otherwise disposed of by way of Trade at more than the recommended selling price shown on the cover, and that it shall not be lent, resold or hired out or otherwise disposed of in a mutilated condition or any unauthorised cover by way of Trade, or affixed to as part of any publication or advertising, literary or pictorial matter whatsoever.

# HENRY'S RADIO LIMITED

## ENGLAND'S LEADING ELECTRONIC CENTRES

HENRY'S RADIO

HI-FI · COMPONENTS · TEST · PA · DISCOTHEQUE · ELECTRONIC ORGANS · MAIL ORDER

**COMPLETELY NEW  
10th EDITION  
CATALOGUE**



**350**

pages fully detailed and illustrated covering every aspect of Electronics — plus data and information

**PRICE 55p**  
POST PAID  
(40p FOR CALLERS)

**10,000**

Stock lines at Special Low Prices and Fully Guaranteed

**PLUS! FIVE 10p VOUCHERS FOR USE WITH PURCHASES**

Send to this address—Henry's Radio Ltd., (Dept. PW)  
3 Albemarle Way, London, E.C.1.—for catalogue only.

All other mail to "303" below

**A NEW HENRY'S CATALOGUE IS  
A MUST FOR ELECTRONICS TODAY!**

### TEST EQUIPMENT FOR EVERY PURPOSE



AF105 50kV multimeter (illus.). Price £8-50, p.p. 20p. Leather case £1-42.  
200H 20kV. Price £3-87, p.p. 20p. Case 62p.  
500 30kV multimeter. Price £8-87, p.p. 20p. Leather case £1-50.  
THL33 2kV. Price £4-12, p.p. 15p. Leather case £1-15.  
TE65 Valve voltmeter. Price £17-50, p.p. 40p.  
SE250B Pocket pencil signal injector. Price £1-75, p.p. 15p.



SE500 Pocket pencil signal tracer. Price £1-50, p.p. 15p.  
TE20D RF generator. Price £15, p.p. 40p.  
TE22D Matching audio generator. Price £17, p.p. 40p.  
TE15 Grid dip meter. Price £12-50, p.p. 40p.  
TO3 Scope 3 in. tube. Price £37-50, p.p. 50p.  
TE22 Audio Generator. Price £17, p.p. 40p.  
C1-5 Pulse Scope. £39-00, p.p. 50p.

### PANEL METERS

Complete range in stock, 38, 65 and 85 types plus large range Edge types also 240°-250° types.  
(Get a copy of our latest catalogue for full specifications and further ranges.)

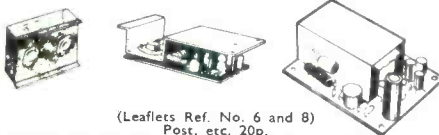
**MORE OF EVERYTHING AT LOW  
PRICES ALWAYS FROM HENRY'S**

\* COMPONENTS IN STOCK FOR ALMOST ALL PUBLISHED DESIGNS. YOUR ENQUIRIES INVITED. SEND LARGE S.A.E. (WITH LIST) FOR PARTS QUOTE FOR ALL CIRCUITS.

SEE OUR ADVERTISEMENT INSIDE THIS MAGAZINE FOR THE LARGEST RANGE OF TRANSISTORS AND I.C.'s, ETC. AVAILABLE IN U.K.—FREE LIST No. 36 ON REQUEST.

**HENRY'S SUPPLY ALL YOUR  
AUDIO-ELECTRONIC NEEDS!**

### TRANSISTOR AMPLIFIERS



(Leaflets Ref. No. 6 and 8)  
Post, etc. 20p.

4-300 4TR 9V 300mW £1-75 PA7 6TR 16V 7W £3-62  
104 4TR 9V 1W £2-12 608 6TR 24V 10W £4-12  
304 4TR 9V 3W £2-47 410 4TR 28V 10W £4-97  
555 6TR 12V 3W £2-75 MPA12/3 6TR 18V 12W £4-50

MPA12/15 6TR 36V 12W £5-25  
**OPTIONAL POWER SUPPLIES** Post, etc. 20p  
P500 (1 or 2) for 104, 304 £2-62  
P520 (1 or 2) for PA7 £3-47  
MU24/40 (1 or 2) for MPA12/3 or MPA12/15 £4-50  
PI1 for 608 £2-87 PI5 for 410 £2-62

### SINCLAIR PROJECT 60 PACKAGE DEALS—SAVE POUNDS!



2xZ30 amplifier, stereo 60 pre-amp, PZ5 power supply, £16-75, Carr. 40p. Or with PZ6 power supply £18-75, Carr. 40p.  
2xZ50 amplifier, stereo 60 pre-amp, PZ8 power supply £20-25, Carr. 40p. Transformer for PZ8 £2-45 extra. Any of the above with Active Filter unit add £4-75 or with pair Q16 speakers add £16. Also new FM Tuner £21, 2000 Amplifier £24-50, p.p. 50p. 3000 Amplifier £31-50, p.p. 50p. Also IC12 £2-50.

### LOW COST HI-FI SPEAKERS



E.M.I. Size 131" x 81"  
TYPE 150 6 watt, 3, 8 or 15 ohms £2-12. Post 22p.  
TYPE 150TC Twin cone version £2-75. Post 22p.  
TYPE 450 10 watt with twin tweeters and crossover. 3, 8 or 15 ohms £3-50. Post 25p.  
TYPE 350 20 watt with tweeter and crossover, 8 and 15 ohms. £7-50. Post 28p.



POLISHED CABINETS For 150, 150TC and 450 £4-50. Post 30p. TERRIFIC RANGE OF SPEAKERS, KITS AND CABINETS IN STOCK—SEE CATALOGUE OR YOUR ENQUIRIES INVITED.

### MONO, STEREO AND MIXING EQUIP- MENT. HIGH QUAL- ITY WITH LOW PRICES.



FET 9/4 Mono or single channel. Adjustable levels. All facilities plus microphone. Mixing. Price £12-50  
FET 154 Stereo with all facilities, magnetic cart. input etc. Price £16-50

**SILICON POWER AMPLIFIERS FOR USE WITH ABOVE**  
PA 25 25 watts into 8 ohms £7-50  
PA 50 50 watts into 4 ohms £9-50  
MU442 Power Supply for 1 or 2 PA25's or 1 only PA50 £6-00. Post 20p.  
FREE BROCHURE NO. 25 ON REQUEST.  
NO SOLDERING—ALL UNITS INTERCONNECTING.  
ON DEMONSTRATION AT "356"

### NIXIE TUBES

XN3 or XN13 0-9 side view with data sheet 85p each.  
GN4 End view 0-9 with socket and data £1-75.

All I.C.'s for Digital Clocks in stock. HENRY'S CLOCK CIRCUIT No. 29/2, 15p.

### 20 WATT I.C. AMPLIFIER

Toshiba 20 watt Power Amplifier £4-57.  
Toshiba Pre-Amplifier I.C. £1-50.  
Data and suggested circuits No. 42, 10p.  
SL403D—3 watt I.C. Amp £1-50. Complete with data & circuits.

### FREE BROCHURES

\* P.A., DISCO, LIGHTING No. 18  
\* ELECTRONIC ORGANS IN KIT FORM No. 9  
\* HIGH FIDELITY No. 16/17  
\* TRANSISTORS, I.C.'s No. 36  
All details also in latest catalogue—see above.

### HI-FI TO SUIT EVERY POCKET



TELETON 2061, Garrard SP25 Mk.III, Goldring G800 Series Cart., Plinth/Cover, 10 watt 3 way bookshelf Speaker Systems. All leads etc. (Rec. Price £91).

SAVE **£54-95** Carr. £26 or with HL Sayoy (U.K. made) same performance £36-95

**PLUS FREE PAIR STEREO HEADPHONES**

TELETON F2000, Med. Wave, Stereo FM Tuner Amplifier, Garrard 2025TC, 9TAHC Diam., Plinth/Cover, 10 watt Speaker Systems as above, all leads etc. (Rec. Price £91).

SAVE **£59-95** Carr. £31

**PLUS FREE PAIR STEREO HEADPHONES**

THE TWO MOST POPULAR SYSTEMS EVER—PLUS FULL 12 MONTHS' GUARANTEE AS WITH ALL "HENRY'S" OFFERS!

**FREE 10 page Audio-Hi Fi Stock and Stereo Systems Discounts Lists. Save up to 40%! Demonstrations and Credit Terms (to callers) plus 12 months' guarantee.**

### BUILD THIS VHF FM TUNER

5 MULLARD TRANSISTORS 300 kc/s BAND-WIDTH, PRINTED CIRCUIT, HIGH FIDELITY REPRODUCTION. MONO AND STEREO.  
A popular VHF FM Tuner for longevity and reception of mono and stereo. There is no doubt about it—VHF FM gives the REAL sound. All parts sold separately.

Ref. Leaflet No. 3 & 7.  
TOTAL £6-97 p.p. 20p. Cabinet 100p. Decoder Kit £5-97  
Tuning meter £1-75  
Mains unit (optional) Model PS900 £2-47  
Mains unit for Tuner and Decoder PS1200 £2-62



### NEW "BANDSPREAD" PORTABLE TO BUILD

Printed circuit all transistor design using Mullard RFIF Module. Medium and Long Wave bands plus Medium Wave Bandspread for extra selectivity. Also slow motion geared tuning, 600 mW push-pull output, fibre glass PVC covered cabinet, car aerial. Attractive appearance and performance.  
TOTAL COST TO BUILD £7-98, p.p. 32p (Battery 22p). All parts sold separately—Leaflet No. 2.  
"77" PORTABLE (as previously advertised) £6-98, p.p. 35p from stock—Leaflet No. 1.



Electronic Components,  
Audio and Test Gear Centre  
**356 EDGWARE ROAD,  
LONDON, W.2.**  
Tel: 01-402 4736

High Fidelity Sales &  
Demonstrations Centre  
**354 EDGWARE ROAD,  
LONDON, W.2.**  
Tel: 01-402 5854

Electronic Organs,  
P.A. & Discotheque Centre,  
**309 EDGWARE ROAD,  
LONDON, W.2.**  
Tel: 01-723-6963

Mail Orders, Special Bargain  
Shop, Industrial Sales  
**303 EDGWARE ROAD,  
LONDON, W.2.**  
Tel: 01-723 1008/9

"354" & "356" OPEN SIX FULL DAYS A WEEK 9 am to 6 pm MONDAY TO SATURDAY